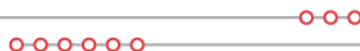


Feasibility Cluster Study for Generator Interconnection Requests (FCS-2014-004)

December 2014

Generator Interconnection Studies



Revision History

Date or Version Number	Author	Change Description	Comments
12/31/2014	Southwest Power Pool	N/A	Report Issued

Executive Summary

Generator Interconnection customers have requested a Feasibility Study under the Generator Interconnection Procedures (GIP) in the Southwest Power Pool Open Access Transmission Tariff (OATT). The Interconnection Customers' requests have been clustered together for the following Feasibility Cluster Study (FCS) window which closed September 30th, 2014. This Feasibility Cluster Study analyzes generation interconnection requests totaling approximately 450 MW which would be located within the transmission systems of Southwestern Public Service (SPS) and Sunflower Electric Power Corporation/Mid-Kansas Electric Power LLC (SUNC)/(MKEC). The generation interconnection requests have various proposed in-service dates¹. The generation interconnection requests included in this Feasibility Cluster Study are listed in Appendix A by queue number, amount, requested interconnection service, area, requested interconnection point, proposed interconnection point, and the requested in-service date.

Power flow analysis has indicated that for the power flow cases studied, 450 MW of nameplate generation may be interconnected with transmission system reinforcements within the SPP transmission system. The need for reactive compensation in accordance with Order No. 661-A for wind farm interconnection requests will be evaluated in the Preliminary Interconnection System Impact Study (PISIS) and Definitive Interconnection System Impact Study (DISIS) based on the wind turbine manufacturer and type requested by the Customer. Dynamic stability studies performed as part of the PISIS and DISIS Cluster Studies will provide additional guidance as to whether required reactive compensation can be static or a portion must be dynamic (such as a SVC).

In no way does this study guarantee operation for all periods of time. This interconnection study identifies and assigns transmission reinforcements for Energy Resource (ER) interconnection injection constraints (defined as a 20% distribution factor impact) and Network Resource (NR) constraints if requested by the Customer. This interconnection study does not assign transmission reinforcements for all potential transmission constraints. It should be noted that although this study analyzed many of the most probable contingencies, it is not an all-inclusive list and cannot account for every operational situation. Because of this, it is likely that the Customer(s) may be required to reduce their generation output to 0 MW, also known as curtailment, under certain system conditions to allow system operators to maintain the reliability of the transmission network.

The total estimated minimum cost for interconnecting the studied generation interconnection request is \$31,712,584. These costs are shown in Appendices E and F. Two Interconnection Requests included in this Feasibility Study (GEN-2014-042 and GEN-2014-044) requested additional analysis for alternate Points of Interconnection (POIs). The one-line diagrams in Appendix D should be consulted for details of the alternate POIs. An alternate cost allocation Appendix E (Alt.) and Appendix F (Alt.) are included in this report for the alternate Points of Interconnection. These costs do not include the Interconnection Customer Interconnection Facilities as defined by the SPP Open Access Transmission Tariff (OATT). This cost does not include the possible need for reactive compensation or additional interconnection facilities or network upgrades that may be identified

¹ The generation interconnection requests in-service dates will need to be deferred based on the required lead time for the Network Upgrades necessary. The Interconnection Customer's that proceed to the Facility Study will be provided a new in-service date based on the competition of the Facility Study.

through additional analyses performed in the PISIS and DISIS. Most importantly, these costs do not include potential costs from upgrades that are identified for the DISIS-2014-002 Cluster Study. If any Interconnection Requests are withdrawn from the DISIS-2014-002 study, then potential upgrades tentatively assigned to DISIS-2014-002 Interconnection Requests may be assigned to the Interconnection Requests in this FCS-2014-004 study once these Interconnection Requests execute a Definitive Interconnection System Impact Study Agreement.

Network Constraints listed in Appendix I are located in the local area of the new generation when this generation is injected throughout the SPP footprint for the Energy Resource (ER) Interconnection Request. Certain interconnection requests have been studied for Network Resource (NR) Interconnection Service. Those constraints are also listed in Appendix I. Additional Network constraints will have to be verified with a Transmission Service Request (TSR) and associated studies. With a defined source and sink in a TSR, this list of Network Constraints will be refined and expanded to account for all Network Upgrade requirements.

The required interconnection costs listed in Appendix E and F do not include all costs associated with the deliverability of the energy to final customers. These costs are determined by separate studies if the Customer submits a Transmission Service Request through SPP's Open Access Same Time Information System (OASIS) as required by Attachment Z1 of the SPP OATT.

Table of Contents

Revision History	2
Executive Summary	3
Table of Contents	5
Introduction.....	6
Model Development	6
Interconnection Requests Included in the Cluster.....	6
Previously Queued Interconnection Requests.....	6
Development of Base Cases.....	7
Base Case Upgrades.....	7
Contingent Upgrades.....	8
Potential Upgrades Not in the Base Case.....	9
Regional Groupings	10
Identification of Network Constraints	10
Identification of Electrically Isolated Groups and Requests.....	10
Determination of Cost Allocated Network Upgrades	11
Credits for Amounts Advanced for Network Upgrades.....	11
Interconnection and Network Upgrade Facilities	12
Power Flow Analysis.....	12
Power Flow Analysis Methodology.....	12
Power Flow Analysis	12
Cluster Group 3 (Spearville Area)	13
Cluster Group 6 (South Texas Panhandle/New Mexico)	13
Curtailment and System Reliability	14
Conclusion	15
Appendix	16
A: Generator Interconnection Requests Considered for Feasibility Study	17
B: Prior Queued Interconnection Requests	18
C: Study Groupings.....	19
D: Proposed Point of Interconnection One line Diagrams.....	20
E: Cost Allocation per Interconnection Request (Including Prior Queued Upgrades)	24
F: Cost Allocation per Proposed Study Network Upgrade	25
G: FCITC Analysis Constraints Requiring Reinforcement (ERIS)	26
H: FCITC Analysis Constraints Requiring Reinforcement (NRIS).....	27
I: FCITC Analysis Constraints Not Requiring Reinforcement.....	28

Introduction

Generator Interconnection customers have requested a Feasibility Study under the Generator Interconnection Procedures (GIP) in the Southwest Power Pool Open Access Transmission Tariff (OATT). The Interconnection Customers' requests have been clustered together for the following Feasibility Cluster Study (FCS) window which closed September 30th, 2014. This Feasibility Cluster Study analyzes generation interconnection requests totaling approximately 450 MW which would be located within the transmission systems of Southwestern Public Service (SPS) and Sunflower Electric Power Corporation/Mid-Kansas Electric Power LLC (SUNC)/(MKEC). The generation interconnection requests have various proposed in-service dates². The generation interconnection requests included in this Feasibility Cluster Study are listed in Appendix A by queue number, amount, area, requested interconnection service, requested interconnection point, proposed interconnection point, and the requested in-service date.

The primary objective of this Feasibility Cluster Study is to identify the system constraints associated with connecting the generation to the area transmission system. The Feasibility and other subsequent Interconnection Studies are designed to identify attachment facilities, Network Upgrades and other Direct Assignment Facilities needed to accept power into the grid at each specific interconnection receipt point.

Model Development

Interconnection Requests Included in the Cluster

SPP has included all interconnection requests that submitted a Feasibility Study Agreement no later than September 30th, 2014 and were subsequently accepted by Southwest Power Pool under the terms of the Generator Interconnection Procedures (GIP) effective at the time of this study. The interconnection requests that are included in this study are listed in Appendix A.

Previously Queued Interconnection Requests

The previously queued requests included in this study are listed in Appendix B. In addition to the Base Case Upgrades, the previously queued requests and associated upgrades were assumed to be in-service and added to the Base Case models. These projects were dispatched as Energy Resources and or Network Resources (in accordance with the individual Generator Interconnection Requests) with equal distribution across the SPP footprint.

² The generation interconnection requests in-service dates will need to be deferred based on the required lead time for the Network Upgrades necessary. The Interconnection Customer's that proceed to the Facility Study will be provided a new in-service date based on the competition of the Facility Study.

Development of Base Cases

The 2014 series Transmission Service Request (TSR) Models 2015 spring, 2015 summer peak, 2020 summer and winter peak, and 2025 summer peak scenario 0 cases were used for this study. After the cases were developed, each of the control areas' resources were then re-dispatched to account for the new generation requests using current dispatch orders.

Base Case Upgrades

The following facilities are part of the SPP Transmission Expansion Plan or the Balanced Portfolio or recently approved Priority Projects. These facilities, have an approved Notice to Construct (NTC), or are in construction stages and were assumed to be in-service at the time of dispatch and added to the base case models. The FCS-2014-004 Customers have not been assigned cost for the below listed projects. The FCS-2014-004 Customers Generation Facilities in service dates may need to be delayed until the completion of the following upgrades. If for some reason, construction on these projects is discontinued, additional restudies will be needed to determine the interconnection needs of the Feasibility Study customers.

- Balanced Portfolio Projects³:
 - Woodward – Border – TUCO Interchange 345kV Project, (placed in-service 2014)
 - Woodward – Border – TUCO Interchange 345kV circuit #1 and associated terminal equipment upgrades
 - Iatan – Nashua 345/161kV Project, scheduled for 6/1/2015 in-service
 - Iatan – Nashua 345kV circuit #1 and associated terminal equipment
 - Nashua 345/161/13kV autotransformer circuit #1
- Priority Projects⁴:
 - Woodward – Thistle double circuit 345kV, scheduled for 12/31/2014 in-service
 - Spearville – Clark County – Thistle double circuit 345kV, (placed in-service 2014)
- Northwest 345/138/13.8kV circuit #3 autotransformer, scheduled for 6/1/2017 in-service⁵
- Hoskins – Neligh East 345/115kV Project⁶
 - Neligh East 345/115kV substation and transformer
 - Neligh East Area 115kV upgrades to support new station
 - Hoskins – Neligh East 345kV circuit #1
- High Priority Incremental Loads (HPILs) Projects⁷:
 - TUCO Interchange – Yoakum – Hobbs Interchange 345/230kV Project
 - TUCO Interchange – Yoakum – Hobbs Interchange 345kV circuit #1 and associated terminal equipment upgrades
 - Hobbs 345/230/13kV transformer circuit #1
 - Yoakum 345/230/13kV transformer circuit #1
 - Battle Axe – Road Runner 115kV circuit #1

³ Notification to Construct (NTC) issued June 2009

⁴ Notification to Construct (NTC) issued June 2010

⁵ SPP Transmission Service Project identified in SPP 2009-AG2-AFS6. Per SPP NTC 20137

⁶ SPP Regional Reliability 2012 ITP 10 Project Per SPP-NTC-200220

⁷ Per Network Upgrades assigned in High Priority Incremental Loads (HPILs) study, Including Direct Assigned Upgrades, Projects in SPP-NTC-200256 and SPP-NTC-200283.

- Chaves County – Price – CV Pines – Capitan 115kV circuit #1
- China Draw – Yeso Hills 115kV circuit #1
- Dollarhide – Toboso Flats 115kV circuit #1
- Hobbs Interchange – Kiowa 345kV circuit #1
- Kiowa – North Loving – China Draw 345/115kV Projects
 - Kiowa – North Loving – China Draw circuit #1 and associated terminal equipment upgrades
 - China Draw 345/115/13kV transformer circuit #1
 - North Loving 345/115/13kV transformer circuit #1
- Kiowa – Road Runner 345/230/115kV Projects
 - Kiowa 345/230kV transformer circuit #1
 - Road Runner 345/115/13kV transformer circuit #1
- Livingston Ridge – Sage Brush – Lagarto – Cardinal 115kV circuit #1
- North Loving – South Loving 115kV circuit #1
- Ponderosa – Ponderosa Tap 115kV circuit #1

Contingent Upgrades

The following facilities do not yet have approval. These facilities have been assigned to higher queued interconnection customers. These facilities have been included in the models for the FCS-2014-004 study and are assumed to be in service. This list may not be all inclusive. The FCS-2014-004 Customers at this time do not have responsibility for these facilities but may later be assigned the cost of these facilities if higher queued customers terminate their GIA or withdraw from the interconnection queue. The FCS-2014-004 Customer Generation Facilities in service dates may need to be delayed until the completion of the following upgrades.

- Upgrades assigned to DISIS-2009-001 Interconnection Customers:
 - Lancer Project
 - Spearville – Lancer 345kV addition
 - Lancer 345/115kV transformer circuit #1 addition
 - Lancer – North Ft. Dodge 115kV addition
 - Ft Dodge – North Ft. Dodge circuit #2 addition
 - Move Fort Dodge terminal of Shooting Star 115kV at North Ft Dodge
 - Fort Randall – Meadow Grove – Kelly 230kV circuit #1 rerate (320MVA)
- Upgrades assigned to DISIS-2010-001 Interconnection Customers:
 - Switch 2749 – Wildorado 69kV circuit # 1 rebuild
- Upgrades assigned to DISIS-2010-002 Interconnection Customers:
 - Twin Church – Dixon County 230kV circuit #1 rerate (320MVA)
 - Buckner – Spearville 345kV terminal equipment
- Upgrades assigned to DISIS-2011-001 Interconnection Customers:
 - Hoskins – Dixon County – Twin Church 230kV circuit #1 conductor clearance increase
 - (NRIS only) New Deal – TUCO 345kV/115kV Project
 - (NRIS only) Wolfforth Interchange 230/115/13kV transformer circuit #1
 - (NRIS only) Woodward – FPL Switch – Mooreland – Glass Mountain 138kV circuit #1 rebuild
- Upgrades assigned to DISIS-2011-002 Interconnection Customers:

- Power System Stabilizers - Install Power System Stabilizers @ Tolk(Units: 1,2) and Jones (Units: 1,2,3,4)
- Jones – Lubbock South 230kV circuit #2 replace line traps
- Upgrades assigned to DISIS-2012-001 Interconnection Customers:
 - None at this time
- Upgrades assigned to DISIS-2012-002 Interconnection Customers:
 - Amoco Wasson – Oxy Tap 230kV circuit #1 replace line traps
 - Associated Electric Cooperatives Inc. (AECI) Fairfax 138/69kV transformer replacement
 - Lake Creek – Lone Wolf 69kV circuit #1 reset CT
 - Remington – Fairfax 138kV circuit #1 conductor clearance increase
 - (NRIS only) Arkansas City – Paris 69kV circuit #1 rebuild
 - (NRIS only) City of Winfield – Rainbow 69kV circuit #1 rebuild
 - (NRIS only) Creswell – Oak 69kV circuit #1 rebuild
 - (NRIS only) Creswell – Paris 69kV circuit #1 rebuild
 - (NRIS only) Creswell 138/69kV transformer circuit #1 & #2 replace
 - (NRIS only) Oak – Rainbow 69kV circuit #1 rebuild
- Upgrades assigned to DISIS-2013-001 Interconnection Customers:
 - None at this time
- Upgrades assigned to DISIS-2013-002 Interconnection Customers:
 - Battle Creek – County Line 115kV circuit #1 rebuild
 - County Line – Neligh East 115kV circuit #1 rebuild
- Upgrades assigned to DISIS 2014-001 Interconnection Customers
 - National Enrichment Plant – Targa 115kV circuit #1 rebuild
 - Targa – Cardinal 115kV circuit #1 rebuild
- Upgrades assigned to DISIS 2014-002 Interconnection Customers
 - GEN-2014-007 Tap – Border – Chisholm 345kV Project
 - Chisholm 345kV Substation
 - GEN-2014-007 Tap – Border – Chisholm 345kV circuit #2 build
 - Terminate Border – Woodward 345kV circuit #1 into Chisholm 345kV
 - Chisholm – Gracemont 345kV circuit #1 build
 - Chisholm – Potter County 345kV circuit #1 build
 - TUCO 2 345kV project
 - TUCO 2 345kV Bus
 - GEN-2014-007 Tap – TUCO 2 345kV circuit #1 build
 - TUCO – TUCO 2 – Tolk 345kV circuit #1 build
 - Tolk – Potter County 345kV circuit #1
 - Border 200Mvar Static VAR Compensator (SVC) and 200Mvar Capacitor Bank(s)
 - Oklaunioun 150Mvar Capacitor Bank(s)
 - Cimarron – Minco 345kV circuit #1 replace 1600 amp switches
 - (NRIS only) Cunningham – Maddox 115kV circuit #1 rebuild
 - Other potential ERIS and NRIS upgrades as determined by the DIS-2014-002

Potential Upgrades Not in the Base Case

Any potential upgrades that do not have a Notification to Construct (NTC) have not been included in the base case. These upgrades include any identified in the SPP Extra-High Voltage (EHV) overlay plan, or any other SPP planning study other than the upgrades listed above in the previous section.

Regional Groupings

The interconnection requests listed in Appendix A were grouped together in two regional groups based on geographical and electrical impacts. These groupings are shown in Appendix C.

For each group, the various wind generating plants were modeled at 100% nameplate of maximum generation. The other wind generating plants in each area were modeled at 80% nameplate while the wind generating plants in the other areas were modeled at 20% nameplate of maximum generation. These projects were dispatched as Energy Resources with a load factor by area distribution across the SPP footprint. Certain projects that requested Network Resource Interconnection Service were dispatched as an additional analysis into the balancing authority of the interconnecting transmission owner. This method allowed for the identification of network constraints that were common to the regional groupings that could then in turn have the mitigating upgrade cost allocated throughout the entire cluster. Other sensitivity analyses are also performed with all interconnection requests in each group being dispatched at 100% nameplate.

Peaking units were not dispatched in the 2015 spring model. To study peaking units' impacts, the 2015 summer and 2020 summer and winter, and 2025 summer seasonal models were chosen and peaking units were modeled at 100% of the nameplate rating and wind generating facilities were modeled at 10% of the nameplate rating. Each interconnection request was also modeled separately at 100% nameplate for certain analyses.

Identification of Network Constraints

The initial set of network constraints were found by using PSS® MUST First Contingency Incremental Transfer Capability (FCITC) analysis on the entire cluster grouping dispatched at the various levels mentioned above. These constraints were then screened to determine if any of the generation interconnection requests had at least a 20% Distribution Factor (DF) upon the constraint. Constraints that measured at least a 20% DF from at least one interconnection request were considered for mitigation. Interconnection Requests that were being studied for Network Resource Interconnection Service (NRIS) were studied in the additional NRIS analysis to determine if any constraint had at least a 3% DF. If so, these constraints were considered for mitigation.

Identification of Electrically Isolated Groups and Requests

From the FCITC analysis, it may be determined that some of the regional groups had no common impacts with the other groups. However, this determination may change as the Interconnection Customers depending upon the time at which the interconnection customers enter either the Preliminary Interconnection System Impact Study (PISIS) or the Definitive Interconnection System Impact Study (DISIS).

Determination of Cost Allocated Network Upgrades

Cost Allocated Network Upgrades of wind generation interconnection requests were determined using the 2015 spring model. Cost Allocated Network Upgrades of peaking units was determined using the 2020 summer peak model. A PSSE® MUST sensitivity analysis was performed to determine the Distribution Factors (DF), a distribution factor with no contingency that each generation interconnection request had on each new upgrade. The impact each generation interconnection request had on each upgrade project was weighted by the size of each request. Finally the costs due by each request for a particular project were then determined by allocating the portion of each request's impact over the impact of all affecting requests.

For example, assume that there are three Generator Interconnection requests, X, Y, and Z that are responsible for the costs of Upgrade Project '1'. Given that their respective DF for the project have been determined, the cost allocation for Generator Interconnection request 'X' for Upgrade Project 1 is found by the following set of steps and formulas:

- Determine an Impact Factor on a given project for all responsible GI requests:

$$\text{Request X Impact Factor on Upgrade Project 1} = \text{DF}(\%)(X) * \text{MW}(X) = X1$$

$$\text{Request Y Impact Factor on Upgrade Project 1} = \text{DF}(\%)(Y) * \text{MW}(Y) = Y1$$

$$\text{Request Z Impact Factor on Upgrade Project 1} = \text{DF}(\%)(Z) * \text{MW}(Z) = Z1$$

- Determine each request's Allocation of Cost for that particular project:

$$\text{Request X's Project 1 Cost Allocation (\$)} = \frac{\text{Network Upgrade Project 1 Cost(\$)} * X1}{X1 + Y1 + Z1}$$

- Repeat previous for each responsible GI request for each Project

The cost allocation of each needed Network Upgrade is determined by the size of each request and its impact on the given project. This allows for the most efficient and reasonable mechanism for sharing the costs of upgrades.

Credits for Amounts Advanced for Network Upgrades

Interconnection Customer shall be entitled to credits in accordance with Attachment Z2 of the SPP Tariff for any Network Upgrades including any tax gross-up or any other tax-related payments associated with the Network Upgrades, and not refunded to the Interconnection Customer.

Interconnection and Network Upgrade Facilities

The generator interconnection customers requested interconnection within the transmission systems of Southwestern Public Service (SPS) and Sunflower Electric Power Corporation/Mid-Kansas Electric Power LLC (SUNC)/(MKEC). The requirement to interconnect the 450 MW of generation into the existing and proposed transmission systems in the affected areas of the SPP transmission footprint consist of the necessary cost allocated shared facilities listed in Appendices E and F with an approximate cost of \$31,712,584. Appendices E and F also include Interconnection Facilities specific to each generation interconnection request. Two Interconnection Requests included in this Feasibility Study (GEN-2014-042 and GEN-2014-044) requested additional analysis for alternate Points of Interconnection (POIs). The one-line diagrams in Appendix D should be consulted for details of the alternate POIs. An alternate cost allocation Appendix E (Alt.) and Appendix F (Alt.) are included in this report for the alternate Points of Interconnection.

A list of constraints with greater than or equal to a 20% DF that were identified as requiring proposed transmission reinforcements for mitigation are listed in Appendix G and H. Other Network Constraints, those between 3% and 20% DF, not requiring proposed transmission reinforcements for mitigation, are shown in Appendix I. With a defined source and sink in a TSR, this list of Network Constraints will be refined and expanded to account for all Network Upgrade requirements.

A preliminary one-line drawing for each generation interconnection request are listed in Appendix D.

Power Flow Analysis

Power Flow Analysis Methodology

The FCITC function of PSS® MUST was used to simulate single element and special (i.e., breaker-to-breaker, multi-element, etc) contingencies in portions or all of the modeled control areas of SPP, as well as, other control areas external to SPP and the resulting scenarios analyzed. This satisfies the “more probable” contingency testing criteria mandated by NERC and the SPP criteria.

Power Flow Analysis

A power flow analysis was conducted for each Interconnection Customer’s facility using modified versions of the 2015 (spring and summer) peak, the 2020 (summer and winter) peak and 2025 summer peak models. The output of the Interconnection Customer’s facility was offset in each model by a reduction in output of existing online SPP generation. This method allows the request to be studied as an Energy Resource (ER) Interconnection Request. Certain requests that requested Network Resource Interconnection Service (NRIS) had an additional analysis conducted for displacing resources in the interconnecting Transmission Owner’s balancing authority.

This analysis was conducted assuming that previous queued requests in the immediate area of these interconnect requests were in-service. The analysis of the each Customer’s project indicates that

criteria violations will occur on the SPS and SUNC/MKEC transmission systems under steady state and contingency conditions in the peak seasons.

The need for reactive compensation will be determined during the Interconnection System Impact Study. The need for reactive compensation will be based on the Interconnection Customer’s choice of wind turbine make and manufacturer. Dynamic Stability studies performed as part of the System Impact Cluster Study will provide additional guidance as to whether the reactive compensation can be static or a portion must be dynamic (such as a SVC or STATCOM). It is possible that an SVC or STATCOM device will be required at the Customer facility because of FERC Order 661A Low Voltage Ride-Through Provisions (LVRT) which went into effect January 1, 2006. FERC Order 661A orders that wind farms stay on-line for 3-phase faults at the point of interconnection even if that requires the installation of a SVC or STATCOM device.

Cluster Group 3 (Spearville Area)

In addition to the 3,909.3 MW of previously queued generation in the area, 20.0 MW of new interconnection service was studied.

ERIS Constraints			
MONITORED ELEMENT	RATE B (MVA)	TC%LOA DING (% MVA)	CONTINGENCY
PILE - SCOTT CITY 115KV CKT 1	194.4	108.5387	HOLCOMB (HOLCOMB) 345/115/13.8KV TRANSFORMER CKT 1
SYRACUSE - TRIBUNE 115KV CKT 1	79.7	106.9229	HOLCOMB (HOLCOMB) 345/115/13.8KV TRANSFORMER CKT 1

Cluster Group 6 (South Texas Panhandle/New Mexico)

In addition to the 5,606.5 MW of previously queued generation in the area, 430.0 MW of new interconnection service was studied. The Interconnection Requests in Group 6 of this Feasibility Study have lower queue priority than the Interconnection Requests in Group 6 of the DISIS-2014-002 study that is currently in study. At the time of the posting of this Feasibility Study, the Interconnection Requests in Group 6 of DISIS-2014-002 will require the following Network Upgrades to receive Interconnection Service. Any change in the status of Interconnection Requests in DISIS-2014-002 (or any other higher queued DISIS study) may cause the cost of the following Network Upgrades to become the cost responsibility of the Feasibility Study customers. The related overloads are in Appendix H.

Previous Network Upgrades

- GEN-2014-007 Tap – Border – Chisholm 345kV Project
 - Chisholm 345kV Substation
 - GEN-2014-007 Tap – Border – Chisholm 345kV circuit #2 build
 - Terminate Border – Woodward 345kV circuit #1 into Chisholm 345kV
 - Chisholm – Gracemont 345kV circuit #1 build
 - Chisholm – Potter County 345kV circuit #1 build
- TUCO 2 345kV project
 - TUCO 2 345kV Bus
 - GEN-2014-007 Tap – TUCO 2 345kV circuit #1 build
 - TUCO – TUCO 2 – Tolk 345kV circuit #1 build
- Tolk – Potter County 345kV circuit #1

- Border 200Mvar Static VAR Compensator (SVC) and 200Mvar Capacitor Bank(s)
- Oklaunioun 150Mvar Capacitor Bank(s)
- Cimarron – Minco 345kV circuit #1 replace 1600 amp switches
- (NRIS only) Cunningham – Maddox 115kV circuit #1 rebuild
- Other potential ERIS and NRIS upgrades as determined

The powerflow results listed below were obtained by analyzing the powerflow models with the 430MW of Feasibility Study Interconnection Requests in service in addition to all 1,995.1MW of DISIS-2014-002 Interconnection Requests and the above Network Upgrades in service. These constraints are incremental to the 430MW of generation analyzed in this study.

ERIS Constraints			
MONITORED ELEMENT	RATE B (MVA)	TC%LOADING (% MVA)	CONTINGENCY
AMOCO SWITCHING STATION - YOAKUM COUNTY INTERCHANGE 230KV CKT 1	350.4	111.9184	TUCO INTERCHANGE - YOAKUM 345 345.00 345KV CKT 1
TUCO INTERCHANGE (GE M1022338) 345/230/13.2KV TRANSFORMER CKT 1	550.1	101.4548	TUCO INTERCHANGE (SIEM 8743066) 345/230/13.2KV TRANSFORMER CKT 2

NRIS Constraints			
MONITORED ELEMENT	RATE B (MVA)	TC%LOADING (% MVA)	CONTINGENCY
CUNNINGHAM STATION - POTASH JUNCTION INTERCHANGE 230KV CKT 1	347.4	101.6454	HOBBS - KIOWA 7345.00 345KV CKT 1

Two Interconnection Requests in this Feasibility Study (GEN-2014-042 and GEN-2014-044) requested the analysis of alternate Point of Interconnection. The one-line diagrams in Appendix D should be consulted for details of the alternate Points of Interconnection.

Curtailement and System Reliability

In no way does this study guarantee operation for all periods of time. It should be noted that although this study analyzed many of the most probable contingencies, it is not an all-inclusive list and cannot account for every operational situation. Because of this, it is likely that the Customer(s) may be required to reduce their generation output to 0 MW, also known as curtailment, under certain system conditions to allow system operators to maintain the reliability of the transmission network.

Conclusion

The minimum cost of interconnecting 450 MW of new interconnection requests included in this Feasibility Cluster Study is estimated at \$31,712,584 including the Allocated Network Upgrades and Transmission Owner Interconnection Facilities, which are listed in Appendices E and F. Two Interconnection Requests included in this Feasibility Study (GEN-2014-042 and GEN-2014-044) requested additional analysis for alternate Points of Interconnection (POIs). The one-line diagrams in Appendix D should be consulted for details of the alternate POIs. An alternate cost allocation Appendix E (Alt.) and Appendix F (Alt.) are included in this report for the alternate Points of Interconnection. These costs include the cost of upgrades of other transmission facilities listed in Appendix H which are Network Constraints.

These interconnection costs do not include any cost of Network Upgrades determined to be required by AC power flow analysis, short circuit or transient stability analysis. These studies will be performed if the Interconnection Customer executes the appropriate Interconnection System Impact Study Agreement and provides the required data along with demonstration of Site Control and the appropriate deposit. At the time of the System Impact Cluster Study, a better determination of the interconnection facilities may be available.

The required interconnection costs listed in Appendices E and F, and other upgrades associated with Network Constraints do not include all costs associated with the deliverability of the energy to final customers. These costs are determined by separate studies if the Customer submits a Transmission Service Request (TSR) through SPP's Open Access Same Time Information System (OASIS) as required by Attachment Z1 of the SPP Open Access Transmission Tariff (OATT).

Appendix

A: Generator Interconnection Requests Considered for Study

A: Generation Interconnection Requests Considered for Study

Request	Amount	Service	Area	Requested Point of Interconnection	Proposed Point of Interconnection	Requested In-Service Date	In Service Date Delayed Until no earlier than*
GEN-2014-024	100.00	ER/NR	SPS	Cunningham 230kV	Cunningham 230kV	10/1/2016	TBD
GEN-2014-030	150.00	ER/NR	SPS	Road Runner 345kV	Road Runner 345kV	10/1/2016	6/1/2018
GEN-2014-042	50.00	ER/NR	SPS	Clauene 115kV	Clauene 115kV; (Alt. POI) Tap Clauene - Terry County 115kV	12/31/2016	TBD
GEN-2014-043	80.00	ER/NR	SPS	Seagraves 115kV	Seagraves 115kV	12/31/2016	TBD
GEN-2014-044	50.00	ER/NR	SPS	Terry County 115kV	Terry County 115kV; (Alt. POI) Tap Clauene - Terry County 115kV	12/31/2016	TBD
GEN-2014-071	20.00	ER/NR	SUNCMKEC	Johnson Corner 115kV	Johnson Corner 115kV		TBD
Total:	450.00						

*Requests that are dependent upon Priority Projects or Balanced Portfolio may be delayed until 12/31/2014. Other requests in-service date to be determined after Facility Study.

B: Prior Queued Interconnection Requests

B: Prior Queued Interconnection Requests

Request	Amount	Area	Requested/Proposed Point of Interconnection	Status or In-Service Date
ASGI-2010-006	150.00	AECI	Tap Fairfax (AECI) - Shilder (AEPW) 138kV	AECI queue Affected Study
ASGI-2010-010	42.20	SPS	Lovington 115kV	Lea County Affected Study
ASGI-2010-020	30.00	SPS	Tap LE-Tatum - LE-Crossroads 69kV	Lea County Affected Study
ASGI-2010-021	15.00	SPS	Tap LE-Saunders Tap - LE-Anderson 69kV	Lea County Affected Study
ASGI-2011-001	27.30	SPS	Lovington 115kV	On-Line
ASGI-2011-002	20.00	SPS	Herring 115kV	On-Line
ASGI-2011-003	10.00	SPS	Hendricks 115kV	On-Line
ASGI-2011-004	20.00	SPS	Pleasant Hill 69kV	Under Study (DISIS-2011-002)
ASGI-2012-002	18.15	SPS	FE-Clovis Interchange 115kV	Under Study (DISIS-2012-002)
ASGI-2012-006	22.50	SUNCMKEC	Tap Hugoton - Rolla 69kV	Under Study (DISIS-2012-001)
ASGI-2013-001	11.50	SPS	PanTex South 115kV	Under Study (DISIS-2013-001)
ASGI-2013-002	18.40	SPS	FE Tucumcari 115kV	Under Study (DISIS-2013-001)
ASGI-2013-003	18.40	SPS	FE Clovis 115kV	Under Study (DISIS-2013-001)
ASGI-2013-004	36.60	SUNCMKEC	Morris 115kV	Under Study (DISIS-2013-002)
ASGI-2013-005	1.65	SPS	FE Clovis 115kV	Under Study (DISIS-2013-002)
ASGI-2013-006	2.00	SPS	SP-Erskine 115kV	
ASGI-2013-007	90.00	AECI	Tap Hickory Creek - Locust Creek 161kV	AECI System Impact Study
ASGI-2014-001	2.50	SPS	SP-Erskine 115kV	TRANSITIONED TO IFS QUEUE
ASGI-2014-002	49.60	SPS	Tap Tucumcari - Santa Rosa 115kV	DISIS Stage
ASGI-2014-004	10.00	SPS	Livingstone Ridge 115kV	DISIS Stage
ASGI-2014-005	10.00	SPS	Strata 69kV	DISIS Stage
ASGI-2014-008	10.00	SPS	South Loving 69kV	DISIS Stage
ASGI-2014-009	10.00	SPS	Wood Draw 115kV	DISIS Stage
ASGI-2014-010	10.00	SPS	Ochoa 115kV	DISIS Stage
ASGI-2014-011	10.00	SPS	Zia 115kV	DISIS Stage
ASGI-2014-012	10.00	SPS	Cooper Ranch 115kV	DISIS Stage
ASGI-2014-013	10.00	SPS	SP-Erskine 115kV	DISIS Stage
ASGI-2014-014	56.40	GRDA	Ferguson 69kV	DISIS Stage
GEN-2001-014	96.00	WFEC	Ft Supply 138kV	On-Line
GEN-2001-026	74.25	WFEC	Washita 138kV	On-Line
GEN-2001-033	180.00	SPS	San Juan Tap 230kV	On-Line at 120MW
GEN-2001-036	80.00	SPS	Norton 115kV	On-Line
GEN-2001-037	100.00	OKGE	FPL Moreland Tap 138kV	On-Line
GEN-2001-039A	105.00	SUNCMKEC	Shooting Star Tap 115kV	On-Line
GEN-2001-039M	100.00	SUNCMKEC	Central Plains Tap 115kV	On-Line
GEN-2002-004	200.00	WERE	Latham 345kV	On-Line at 150MW
GEN-2002-005	120.00	WFEC	Red Hills Tap 138kV	On-Line
GEN-2002-008	240.00	SPS	Hitchland 345kV	On-Line at 120MW
GEN-2002-009	80.00	SPS	Hansford 115kV	On-Line
GEN-2002-022	240.00	SPS	Bushland 230kV	On-Line
GEN-2002-023N	0.80	NPPD	Harmony 115kV	On-Line
GEN-2002-025A	150.00	SUNCMKEC	Spearville 230kV	On-Line
GEN-2003-004	100.00	WFEC	Washita 138kV	On-Line
GEN-2003-005	100.00	WFEC	Anadarko - Paradise (Blue Canyon) 138kV	On-Line
GEN-2003-006A	200.00	SUNCMKEC	Elm Creek 230kV	On-Line
GEN-2003-019	250.00	MIDW	Smoky Hills Tap 230kV	On-Line
GEN-2003-020	160.00	SPS	Martin 115kV	On-Line

Request	Amount	Area	Requested/Proposed Point of Interconnection	Status or In-Service Date
GEN-2003-021N	75.00	NPPD	Ainsworth Wind Tap 115kV	On-Line
GEN-2003-022	120.00	AEPW	Washita 138kV	On-Line
GEN-2004-014	154.50	SUNCMKEC	Spearville 230kV	On-Line at 100MW
GEN-2004-020	27.00	AEPW	Washita 138kV	On-Line
GEN-2004-023	20.60	WFEC	Washita 138kV	On-Line
GEN-2004-023N	75.00	NPPD	Columbus Co 115kV	On-Line
GEN-2005-003	30.60	WFEC	Washita 138kV	On-Line
GEN-2005-008	120.00	OKGE	Woodward 138kV	On-Line
GEN-2005-012	250.00	SUNCMKEC	Ironwood 345kV	On-Line at 160MW
GEN-2005-013	201.00	WERE	Caney River 345kV	On-Line
GEN-2006-002	101.00	AEPW	Sweetwater 230kV	On-Line
GEN-2006-006	205.50	SUNCMKEC	Spearville 345kV	On Suspension
GEN-2006-018	170.00	SPS	TUCO Interchange 230kV	On-Line
GEN-2006-020N	42.00	NPPD	Bloomfield 115kV	On-Line
GEN-2006-020S	18.90	SPS	DWS Frisco 115kV	On-Line
GEN-2006-021	101.00	SUNCMKEC	Flat Ridge Tap 138kV	On-Line
GEN-2006-024S	19.80	WFEC	Buffalo Bear Tap 69kV	On-Line
GEN-2006-026	502.00	SPS	Hobbs 230kV & Hobbs 115kV	On-Line
GEN-2006-031	75.00	MIDW	Knoll 115kV	On-Line
GEN-2006-035	225.00	AEPW	Sweetwater 230kV	On-Line at 132MW
GEN-2006-037N1	75.00	NPPD	Broken Bow 115kV	On-Line
GEN-2006-038N005	80.00	NPPD	Broken Bow 115kV	On-Line
GEN-2006-038N019	80.00	NPPD	Petersburg North 115kV	On-Line
GEN-2006-040	108.00	SUNCMKEC	Mingo 115kV	On Suspension
GEN-2006-043	99.00	AEPW	Sweetwater 230kV	On-Line
GEN-2006-044	370.00	SPS	Hitchland 345kV	On-Line at 120MW
GEN-2006-044N	40.50	NPPD	North Petersburg 115kV	On-Line
GEN-2006-046	131.00	OKGE	Dewey 138kV	On-Line
GEN-2007-011	135.00	SUNCMKEC	Syracuse 115kV	On Suspension
GEN-2007-011N08	81.00	NPPD	Bloomfield 115kV	On-Line
GEN-2007-021	201.00	OKGE	Tatonga 345kV	On Schedule for 2014
GEN-2007-025	300.00	WERE	Viola 345kV	On-Line
GEN-2007-032	150.00	WFEC	Tap Clinton Junction - Clinton 138kV	On Suspension
GEN-2007-040	200.00	SUNCMKEC	Buckner 345kV	On-Line at 132MW
GEN-2007-043	200.00	OKGE	Minco 345kV	On-Line
GEN-2007-044	300.00	OKGE	Tatonga 345kV	On-Line
GEN-2007-046	200.00	SPS	Hitchland 115kV	On Schedule for 2015
GEN-2007-050	170.00	OKGE	Woodward EHV 138kV	On-Line at 150MW
GEN-2007-052	150.00	WFEC	Anadarko 138kV	On-Line
GEN-2007-062	765.00	OKGE	Woodward EHV 345kV	On Schedule for 2014
GEN-2008-003	101.00	OKGE	Woodward EHV 138kV	On-Line
GEN-2008-013	300.00	OKGE	Hunter 345kV	On-Line at 235MW
GEN-2008-017	300.00	SUNCMKEC	Setab 345kV	On Schedule for 2015
GEN-2008-018	250.00	SPS	Finney 345kV	On-Line
GEN-2008-021	42.00	WERE	Wolf Creek 345kV	On-Line
GEN-2008-022	300.00	SPS	Tap Tolk - Eddy County (Crossroads) 345kV	On Schedule for 2015
GEN-2008-023	150.00	AEPW	Hobart Junction 138kV	On-Line
GEN-2008-037	101.00	WFEC	Tap Washita - Blue Canyon Wind 138kV	On-Line
GEN-2008-044	197.80	OKGE	Tatonga 345kV	On-Line
GEN-2008-047	300.00	OKGE	Beaver County 345kV	On Schedule for 2014

Request	Amount	Area	Requested/Proposed Point of Interconnection	Status or In-Service Date
GEN-2008-051	322.00	SPS	Potter County 345kV	On-Line at 161MW
GEN-2008-079	99.20	SUNCMKEC	Crooked Creek 115kV	On-Line
GEN-2008-086N02	201.00	NPPD	Meadow Grove 230kV	On-Line
GEN-2008-088	50.60	SPS	Vega 69kV	On Suspension
GEN-2008-092	201.00	MIDW	Post Rock 230kV	On Schedule for 2014
GEN-2008-098	100.80	WERE	Waverly 345kV	On Schedule for 2015
GEN-2008-1190	60.00	OPPD	S1399 161kV	On-Line
GEN-2008-123N	89.70	NPPD	Tap Pauline - Hildreth (Rosemont) 115kV	On Schedule for 2014
GEN-2008-124	200.10	SUNCMKEC	Ironwood 345kV	On Schedule for 2016
GEN-2008-129	80.00	GMO	Pleasant Hill 161kV	On-Line
GEN-2009-008	199.50	MIDW	South Hays 230kV	On Suspension
GEN-2009-020	48.60	MIDW	Tap Nekoma - Bazine (Walnut Creek) 69kV	On Schedule for 2015
GEN-2009-025	60.00	OKGE	Nardins 69kV	On-Line
GEN-2009-040	73.80	WERE	Marshall 115kV	On Schedule for 2015
GEN-2010-001	300.00	OKGE	Beaver County 345kV	On Schedule for 2014 (204 MW) and 2015 (96 MW)
GEN-2010-003	100.80	WERE	Waverly 345kV	On Schedule for 2015
GEN-2010-005	300.00	WERE	Viola 345kV	On-Line at 170MW
GEN-2010-006	205.00	SPS	Jones 230kV	On-Line
GEN-2010-009	165.60	SUNCMKEC	Buckner 345kV	On-Line
GEN-2010-011	29.70	OKGE	Tatonga 345kV	On-Line
GEN-2010-014	358.80	SPS	Hitchland 345kV	On Suspension
GEN-2010-036	4.60	WERE	6th Street 115kV	On-Line
GEN-2010-040	300.00	OKGE	Cimarron 345kV	On-Line
GEN-2010-041	10.50	OPPD	S1399 161kV	On Schedule for 2015
GEN-2010-045	197.80	SUNCMKEC	Buckner 345kV	On Schedule for 2017
GEN-2010-046	56.00	SPS	TUCO Interchange 230kV	On Schedule for 2016
GEN-2010-048	70.00	MIDW	Tap Beach Station - Redline 115kV	DISIS Stage
GEN-2010-051	200.00	NPPD	Tap Twin Church - Hoskins 230kV	On Schedule for 2014
GEN-2010-055	4.50	AEPW	Wekiwa 138kV	On-Line
GEN-2010-057	201.00	MIDW	Rice County 230kV	On-Line
GEN-2011-007	250.10	OKGE	Tap Cimarron - Woodring (Mathewson) 345kV	On Suspension
GEN-2011-008	600.00	SUNCMKEC	Clark County 345kV	On Schedule 2019
GEN-2011-010	100.80	OKGE	Minco 345kV	On-Line
GEN-2011-011	50.00	KACP	Iatan 345kV	On-Line
GEN-2011-014	201.00	OKGE	Tap Hitchland - Woodward Dbl Ckt (GEN-2011-014 Tap) 345kV	On Schedule 2016
GEN-2011-016	200.10	SUNCMKEC	Spearville 345kV	TRANSITIONED TO IFS QUEUE
GEN-2011-017	299.00	SUNCMKEC	Tap Spearville - Post Rock (GEN-2011-017T) 345kV	On Schedule 2018
GEN-2011-018	73.60	NPPD	Steele City 115kV	On-Line
GEN-2011-019	299.00	OKGE	Woodward 345kV	On Suspension
GEN-2011-020	299.00	OKGE	Woodward 345kV	On Suspension
GEN-2011-022	299.00	SPS	Hitchland 345kV	On Suspension
GEN-2011-025	80.00	SPS	Tap Floyd County - Crosby County 115kV	On Schedule for 2015
GEN-2011-027	120.00	NPPD	Hoskins 230kV	On Schedule for 2015
GEN-2011-037	7.00	WFEC	Blue Canyon 5 138kV	On-Line
GEN-2011-040	111.00	OKGE	Carter County 138kV	On Schedule for 2014
GEN-2011-045	205.00	SPS	Jones 230kV	On-Line
GEN-2011-046	27.00	SPS	Lopez 115kV	On-Line
GEN-2011-048	175.00	SPS	Mustang 230kV	On-Line
GEN-2011-049	250.00	OKGE	Border 345kV	On Suspension

Request	Amount	Area	Requested/Proposed Point of Interconnection	Status or In-Service Date
GEN-2011-050	109.80	AEPW	Santa Fe Tap 138kV	On Suspension
GEN-2011-051	104.40	OKGE	Tap Woodward - Tatonga 345kV (GEN-2011-051 Tap)	On Suspension
GEN-2011-054	300.00	OKGE	Cimarron 345kV	On Schedule for 2013 (200 MW) and 2014 (99 MW)
GEN-2011-056	3.60	NPPD	Jeffrey 115kV	On-Line
GEN-2011-056A	3.60	NPPD	John 1 115kV	On-Line
GEN-2011-056B	4.50	NPPD	John 2 115kV	On-Line
GEN-2011-057	150.40	WERE	Creswell 138kV	On Schedule for 2014
GEN-2012-001	61.20	SPS	Cirrus Tap 230kV	On-Line
GEN-2012-004	41.40	OKGE	Carter County 138kV	On Schedule for 2014
GEN-2012-007	120.00	SUNCMKEC	Rubart 115kV	On-Line
GEN-2012-009	15.00	SPS	Mustang 230kV	On Schedule for 2015
GEN-2012-010	15.00	SPS	Mustang 230kV	On Schedule for 2015
GEN-2012-020	478.00	SPS	TUCO 230kV	On Schedule for 2016
GEN-2012-021	4.80	LES	Terry Bundy Generating Station 115kV	On-Line
GEN-2012-024	180.00	SUNCMKEC	Clark County 345kV	TRANSITIONED TO IFS QUEUE
GEN-2012-027	136.00	AEPW	Shidler 138kV	On Suspension
GEN-2012-028	74.80	WFEC	Gotebo 69kV	On Schedule for 2015
GEN-2012-031	200.00	OKGE	Cimarron 345kV (GEN-2010-040 Sub)	DISIS Stage
GEN-2012-032	300.00	OKGE	Open Sky 345kV	On Schedule for 2015
GEN-2012-033	98.80	OKGE	Tap and Tie South 4th - Bunch Creek & Enid Tap - Fairmont (GEN-2012-033T) 138kV	On Schedule for 2015
GEN-2012-034	7.00	SPS	Mustang 230kV	On Schedule for 2015
GEN-2012-035	7.00	SPS	Mustang 230kV	On Schedule for 2015
GEN-2012-036	7.00	SPS	Mustang 230kV	On-Line
GEN-2012-037	203.00	SPS	TUCO 345kV	On Schedule for 2015
GEN-2012-040	76.50	WFEC	Chilocco 138kV	On Suspension
GEN-2012-041	121.50	OKGE	Ranch Road 345kV	On Schedule for 2015
GEN-2013-002	50.60	LES	Tap Sheldon - Folsom & Pleasant Hill (GEN-2013-002 Tap) 115kV CKT 2	TRANSITIONED TO IFS QUEUE
GEN-2013-007	100.30	OKGE	Tap Prices Falls - Carter 138kV	On Schedule for 2015
GEN-2013-008	1.20	NPPD	Steele City 115kV	On-Line
GEN-2013-010	99.00	SUNCMKEC	Tap Spearville - Post Rock (North of GEN-2011-017 Tap) 345kV	DISIS Stage
GEN-2013-011	30.00	AEPW	Turk 138kV	TRANSITIONED TO IFS QUEUE
GEN-2013-012	147.00	OKGE	Redbud 345kV	On-Line
GEN-2013-014	25.50	NPPD	Tap Guide Rock - Pauline (Rosemont) 115kV	On Suspension
GEN-2013-016	203.00	SPS	TUCO 345kV	TRANSITIONED TO IFS QUEUE
GEN-2013-019	73.60	LES	Tap Sheldon - Folsom & Pleasant Hill (GEN-2013-002 Tap) 115kV CKT 2	TRANSITIONED TO IFS QUEUE
GEN-2013-022	25.00	SPS	Norton 115kV	TRANSITIONED TO IFS QUEUE
GEN-2013-027	150.00	SPS	Tap Tolk - Yoakum 230kV	DISIS Stage
GEN-2013-028	559.50	GRDA	Tap N Tulsa - GRDA 1 345kV	TRANSITIONED TO IFS QUEUE
GEN-2013-029	300.00	OKGE	Renfrow 345kV	TRANSITIONED TO IFS QUEUE
GEN-2013-030	300.00	OKGE	Beaver County 345kV	TRANSITIONED TO IFS QUEUE
GEN-2013-032	204.00	NPPD	Neligh 115kV	TRANSITIONED TO IFS QUEUE
GEN-2013-033	28.00	MIDW	Goodman Energy Center 115kV	TRANSITIONED TO IFS QUEUE
GEN-2013-035	105.60	OKGE	Tap Woodward - Tatonga 345kV (GEN-2011-051 Tap)	TRANSITIONED TO IFS QUEUE
GEN-2014-001	200.60	WERE	Tap Wichita - Emporia Energy Center 345kV	TRANSITIONED TO IFS QUEUE
GEN-2014-002	10.53	OKGE	Tatonga 345kV (GEN-2007-021 POI)	TRANSITIONED TO IFS QUEUE
GEN-2014-003	15.84	OKGE	Tatonga 345kV (GEN-2007-044 POI)	TRANSITIONED TO IFS QUEUE
GEN-2014-004	3.96	NPPD	Steele City 115kV (GEN-2011-018 POI)	TRANSITIONED TO IFS QUEUE

Request	Amount	Area	Requested/Proposed Point of Interconnection	Status or In-Service Date
GEN-2014-005	5.67	OKGE	Minco 345kV (GEN-2011-010 POI)	TRANSITIONED TO IFS QUEUE
GEN-2014-007	400.00	SPS	Tap TUCO Interchange - Border 345kV	DISIS Stage
GEN-2014-012	225.00	SPS	Tap Hobbs Interchange - Andrews 230kV	TRANSITIONED TO IFS QUEUE
GEN-2014-013	73.50	NPPD	Meadow Grove (GEN-2008-086N2 Sub) 230kV	TRANSITIONED TO IFS QUEUE
GEN-2014-019	15.00	OKGE	Beaver County 345kV	DISIS Stage
GEN-2014-020	100.00	AEPW	Tuttle 138kV	DISIS Stage
GEN-2014-021	300.00	GMO	Tap Nebraska City - Mullens Creek 345kV	DISIS Stage
GEN-2014-022	15.00	OKGE	Open Sky 345kV	DISIS Stage
GEN-2014-023	79.90	NPPD	Tap Fort Randall - Meadow Grove 230kV	DISIS Stage
GEN-2014-025	2.40	MIDW	Tap Nekoma - Bazine (Walnut Creek) 69kV	DISIS Stage
GEN-2014-026	150.00	OKGE	Beaver County 345kV	DISIS Stage
GEN-2014-027	60.00	AEPW	Weleetka 138kV	DISIS Stage
GEN-2014-028	35.00	EMDE	Riverton 161kV	DISIS Stage
GEN-2014-031	35.80	NPPD	Meadow Grove 230kV	DISIS Stage
GEN-2014-032	10.20	NPPD	Meadow Grove 230kV	DISIS Stage
GEN-2014-033	70.00	SPS	Chaves County 115kV	DISIS Stage
GEN-2014-034	70.00	SPS	Chaves County 115kV	DISIS Stage
GEN-2014-035	30.00	SPS	Chaves County 115kV	DISIS Stage
GEN-2014-036	50.00	AEPW	Hollis 138kV	DISIS Stage
GEN-2014-037	200.00	SPS	Tap Hitchland - Beaver County Dbl Ckt (Optima) 345kV	DISIS Stage
GEN-2014-038	200.00	SPS	Tap Hitchland - Potter County 345kV	DISIS Stage
GEN-2014-039	73.60	NPPD	Friend 115kV	DISIS Stage
GEN-2014-040	349.00	SPS	Castro 115kV	DISIS Stage
GEN-2014-041	120.80	SUNCMKEC	Arnold 115kV	DISIS Stage
GEN-2014-046	114.00	SPS	Chaves County 115kV	DISIS Stage
GEN-2014-047	40.00	SPS	Tap Tolk - Eddy County (Crossroads) 345kV	DISIS Stage
GEN-2014-048	110.00	SPS	Tap Eddy County - Tweedy 115kV	DISIS Stage
GEN-2014-049	200.00	SUNCMKEC	Thistle 345kV	DISIS Stage
GEN-2014-050	100.00	WERE	Swissvale 345kV	DISIS Stage
GEN-2014-051	174.00	WERE	Jeffrey Energy Center 345kV	DISIS Stage
GEN-2014-052	200.00	OKGE	Tap Hitchland - Woodward Dbl Ckt (GEN-2011-014 Tap) 345kV	DISIS Stage
GEN-2014-053	80.00	SPS	Carlisle 230kV	DISIS Stage
GEN-2014-054	120.00	SPS	Carlisle 230kV	DISIS Stage
GEN-2014-055	160.00	NPPD	Belden 115kV	DISIS Stage
GEN-2014-056	250.00	OKGE	Minco 345kV	DISIS Stage
GEN-2014-057	250.00	AEPW	Tap Lawton - Sunnyside 345kV	DISIS Stage
GEN-2014-058	300.00	OKGE	Tap Tatonga - Mathewson 345kV	DISIS Stage
GEN-2014-059	161.10	NPPD	Tap Sidney - Ogallala 230kV	DISIS Stage
GEN-2014-060	125.80	NPPD	Tap Pauline - Hildreth (Rosemont) 115kV	DISIS Stage
GEN-2014-061	161.00	OKGE	Tatonga 345kV	DISIS Stage
GEN-2014-062	200.10	SPS	Tap Tolk - Eddy County (Crossroads) 345kV	DISIS Stage
GEN-2014-063	381.00	SPS	Hobbs 230kV	DISIS Stage
GEN-2014-064	248.40	OKGE	Otter 138kV	DISIS Stage
GEN-2014-066	30.00	SPS	Norton 115kV	DISIS Stage
GEN-2014-067	361.00	SPS	Tap Potter County - New Hart 230kV	DISIS Stage
GEN-2014-068	203.00	SPS	Tap Deaf Smith - Plant X 230kV	DISIS Stage
GEN-2014-069	90.00	SPS	Tap Postash Junction - Livingston Ridge 115kV	DISIS Stage
GEN-2014-070	110.00	SPS	Tap Hobbs - Yoakum 230kV	DISIS Stage
Gray County Wind (Montezuma)	110.00	SUNCMKEC	Gray County Tap 115kV	On-Line

Request	Amount	Area	Requested/Proposed Point of Interconnection	Status or In-Service Date
Llano Estacado (White Deer)	80.00	SPS	Llano Wind 115kV	On-Line
NPPD Distributed (Broken Bow)	8.30	NPPD	Broken Bow 115kV	On-Line
NPPD Distributed (Burt County Wind)	12.00	NPPD	Tekamah & Oakland 115kV	On-Line
NPPD Distributed (Burwell)	3.00	NPPD	Ord 115kV	On-Line
NPPD Distributed (Columbus Hydro)	45.00	NPPD	Columbus 115kV	On-Line
NPPD Distributed (North Platte - Lexington)	54.00	NPPD	Multiple: Jeffrey 115kV, John_1 115kV, John_2 115kV	On-Line
NPPD Distributed (Ord)	11.90	NPPD	Ord 115kV	On-Line
NPPD Distributed (Stuart)	2.10	NPPD	Ainsworth 115kV	On-Line
SPS Distributed (Dumas 19th St)	20.00	SPS	Dumas 19th Street 115kV	On-Line
SPS Distributed (Etter)	20.00	SPS	Etter 115kV	On-Line
SPS Distributed (Hopi)	10.00	SPS	Hopi 115kV	On-Line
SPS Distributed (Jal)	10.00	SPS	S Jal 115kV	On-Line
SPS Distributed (Lea Road)	10.00	SPS	Lea Road 115kV	On-Line
SPS Distributed (Monument)	10.00	SPS	Monument 115kV	On-Line
SPS Distributed (Moore E)	25.00	SPS	Moore East 115kV	On-Line
SPS Distributed (Ocotillo)	10.00	SPS	S_Jal 115kV	On-Line
SPS Distributed (Sherman)	20.00	SPS	Sherman 115kV	On-Line
SPS Distributed (Spearman)	10.00	SPS	Spearman 69kV	On-Line
SPS Distributed (TC-Texas County)	20.00	SPS	Texas County 115kV	On-Line
Total:	32,434.8			

C: Study Groupings

C. Study Groups

GROUP 1: WOODWARD AREA			
Request	Capacity	Area	Proposed Point of Interconnection
GEN-2001-014	96.00	WFEC	Ft Supply 138kV
GEN-2001-037	100.00	OKGE	FPL Moreland Tap 138kV
GEN-2005-008	120.00	OKGE	Woodward 138kV
GEN-2006-024S	19.80	WFEC	Buffalo Bear Tap 69kV
GEN-2006-046	131.00	OKGE	Dewey 138kV
GEN-2007-021	201.00	OKGE	Tatonga 345kV
GEN-2007-043	200.00	OKGE	Minco 345kV
GEN-2007-044	300.00	OKGE	Tatonga 345kV
GEN-2007-050	170.00	OKGE	Woodward EHV 138kV
GEN-2007-062	765.00	OKGE	Woodward EHV 345kV
GEN-2008-003	101.00	OKGE	Woodward EHV 138kV
GEN-2008-044	197.80	OKGE	Tatonga 345kV
GEN-2010-011	29.70	OKGE	Tatonga 345kV
GEN-2010-040	300.00	OKGE	Cimarron 345kV
GEN-2011-007	250.10	OKGE	Tap Cimarron - Woodring (Mathewson) 345kV
GEN-2011-010	100.80	OKGE	Minco 345kV
GEN-2011-019	299.00	OKGE	Woodward 345kV
GEN-2011-020	299.00	OKGE	Woodward 345kV
GEN-2011-051	104.40	OKGE	Tap Woodward - Tatonga 345kV (GEN-2011-051 Tap)
GEN-2011-054	300.00	OKGE	Cimarron 345kV
GEN-2012-031	200.00	OKGE	Cimarron 345kV (GEN-2010-040 Sub)
GEN-2013-035	105.60	OKGE	Tap Woodward - Tatonga 345kV (GEN-2011-051 Tap)
GEN-2014-002	10.53	OKGE	Tatonga 345kV (GEN-2007-021 POI)
GEN-2014-003	15.84	OKGE	Tatonga 345kV (GEN-2007-044 POI)
GEN-2014-005	5.67	OKGE	Minco 345kV (GEN-2011-010 POI)
GEN-2014-020	100.00	AEPW	Tuttle 138kV
GEN-2014-056	250.00	OKGE	Minco 345kV
GEN-2014-058	300.00	OKGE	Tap Tatonga - Mathewson 345kV
GEN-2014-061	161.00	OKGE	Tatonga 345kV
PRIOR QUEUED SUBTOTAL	5,233.24		
AREA TOTAL	5,233.24		

GROUP 2: HITCHLAND AREA			
Request	Capacity	Area	Proposed Point of Interconnection
ASGI-2011-002	20.00	SPS	Herring 115kV
GEN-2002-008	240.00	SPS	Hitchland 345kV
GEN-2002-009	80.00	SPS	Hansford 115kV
GEN-2003-020	160.00	SPS	Martin 115kV
GEN-2006-020S	18.90	SPS	DWS Frisco 115kV
GEN-2006-044	370.00	SPS	Hitchland 345kV
GEN-2007-046	200.00	SPS	Hitchland 115kV
GEN-2008-047	300.00	OKGE	Beaver County 345kV
GEN-2010-001	300.00	OKGE	Beaver County 345kV
GEN-2010-014	358.80	SPS	Hitchland 345kV
GEN-2011-014	201.00	OKGE	Tap Hitchland - Woodward Dbl Ckt (GEN-2011-014 Tap) 345kV
GEN-2011-022	299.00	SPS	Hitchland 345kV
GEN-2013-030	300.00	OKGE	Beaver County 345kV
GEN-2014-019	15.00	OKGE	Beaver County 345kV
GEN-2014-026	150.00	OKGE	Beaver County 345kV
GEN-2014-037	200.00	SPS	Tap Hitchland - Beaver County Dbl Ckt (Optima) 345kV
GEN-2014-038	200.00	SPS	Tap Hitchland - Potter County 345kV
GEN-2014-052	200.00	OKGE	Tap Hitchland - Woodward Dbl Ckt (GEN-2011-014 Tap) 345kV
SPS Distributed (Dumas 19th St)	20.00	SPS	Dumas 19th Street 115kV
SPS Distributed (Etter)	20.00	SPS	Etter 115kV
SPS Distributed (Moore E)	25.00	SPS	Moore East 115kV
SPS Distributed (Sherman)	20.00	SPS	Sherman 115kV
SPS Distributed (Spearman)	10.00	SPS	Spearman 69kV
SPS Distributed (TC-Texas County)	20.00	SPS	Texas County 115kV
PRIOR QUEUED SUBTOTAL	3,727.70		
AREA TOTAL	3,727.70		

GROUP 3: SPEARVILLE AREA			
Request	Capacity	Area	Proposed Point of Interconnection
ASGI-2012-006	22.50	SUNCMKEC	Tap Hugoton - Rolla 69kV
GEN-2001-039A	105.00	SUNCMKEC	Shooting Star Tap 115kV
GEN-2002-025A	150.00	SUNCMKEC	Spearville 230kV
GEN-2004-014	154.50	SUNCMKEC	Spearville 230kV
GEN-2005-012	250.00	SUNCMKEC	Ironwood 345kV
GEN-2006-006	205.50	SUNCMKEC	Spearville 345kV
GEN-2006-021	101.00	SUNCMKEC	Flat Ridge Tap 138kV
GEN-2007-040	200.00	SUNCMKEC	Buckner 345kV
GEN-2008-018	250.00	SPS	Finney 345kV
GEN-2008-079	99.20	SUNCMKEC	Crooked Creek 115kV
GEN-2008-124	200.10	SUNCMKEC	Ironwood 345kV
GEN-2010-009	165.60	SUNCMKEC	Buckner 345kV
GEN-2010-045	197.80	SUNCMKEC	Buckner 345kV
GEN-2011-008	600.00	SUNCMKEC	Clark County 345kV
GEN-2011-016	200.10	SUNCMKEC	Spearville 345kV
GEN-2011-017	299.00	SUNCMKEC	Tap Spearville - Post Rock (GEN-2011-017T) 345kV
GEN-2012-007	120.00	SUNCMKEC	Rubart 115kV
GEN-2012-024	180.00	SUNCMKEC	Clark County 345kV
GEN-2013-010	99.00	SUNCMKEC	Tap Spearville - Post Rock (North of GEN-2011-017 Tap) 345kV
GEN-2014-049	200.00	SUNCMKEC	Thistle 345kV
Gray County Wind (Montezuma)	110.00	SUNCMKEC	Gray County Tap 115kV
PRIOR QUEUED SUBTOTAL	3,909.30		
GEN-2014-071	20.00	SUNCMKEC	Johnson Corner 115kV
CURRENT CLUSTER SUBTOTAL	20.00		
AREA TOTAL	3,929.30		

GROUP 4/11: NW KANSAS AREA

Request	Capacity	Area	Proposed Point of Interconnection
ASGI-2013-004	36.60	SUNCMKEC	Morris 115kV
GEN-2001-039M	100.00	SUNCMKEC	Central Plains Tap 115kV
GEN-2003-006A	200.00	SUNCMKEC	Elm Creek 230kV
GEN-2003-019	250.00	MIDW	Smoky Hills Tap 230kV
GEN-2006-031	75.00	MIDW	Knoll 115kV
GEN-2006-040	108.00	SUNCMKEC	Mingo 115kV
GEN-2007-011	135.00	SUNCMKEC	Syracuse 115kV
GEN-2008-017	300.00	SUNCMKEC	Setab 345kV
GEN-2008-092	201.00	MIDW	Post Rock 230kV
GEN-2009-008	199.50	MIDW	South Hays 230kV
GEN-2009-020	48.60	MIDW	Tap Nekoma - Bazine (Walnut Creek) 69kV
GEN-2010-048	70.00	MIDW	Tap Beach Station - Redline 115kV
GEN-2010-057	201.00	MIDW	Rice County 230kV
GEN-2013-033	28.00	MIDW	Goodman Energy Center 115kV
GEN-2014-025	2.40	MIDW	Tap Nekoma - Bazine (Walnut Creek) 69kV
GEN-2014-041	120.80	SUNCMKEC	Arnold 115kV
PRIOR QUEUED SUBTOTAL	2,075.90		
AREA TOTAL	2,075.90		

GROUP 5: AMARILLO AREA

Request	Capacity	Area	Proposed Point of Interconnection
ASGI-2013-001	11.50	SPS	PanTex South 115kV
GEN-2002-022	240.00	SPS	Bushland 230kV
GEN-2008-051	322.00	SPS	Potter County 345kV
GEN-2008-088	50.60	SPS	Vega 69kV
GEN-2014-040	349.00	SPS	Castro 115kV
GEN-2014-067	361.00	SPS	Tap Potter County - New Hart 230kV
GEN-2014-068	203.00	SPS	Tap Deaf Smith - Plant X 230kV
Llano Estacado (White Deer)	80.00	SPS	Llano Wind 115kV
PRIOR QUEUED SUBTOTAL	1,617.10		
AREA TOTAL	1,617.10		

GROUP 6: S-TX PANHANDLE/W-TX AREA			
Request	Capacity	Area	Proposed Point of Interconnection
ASGI-2010-010	42.20	SPS	Lovington 115kV
ASGI-2010-020	30.00	SPS	Tap LE-Tatum - LE-Crossroads 69kV
ASGI-2010-021	15.00	SPS	Tap LE-Saunders Tap - LE-Anderson 69kV
ASGI-2011-001	27.30	SPS	Lovington 115kV
ASGI-2011-003	10.00	SPS	Hendricks 115kV
ASGI-2011-004	20.00	SPS	Pleasant Hill 69kV
ASGI-2012-002	18.15	SPS	FE-Clovis Interchange 115kV
ASGI-2013-002	18.40	SPS	FE Tucumcari 115kV
ASGI-2013-003	18.40	SPS	FE Clovis 115kV
ASGI-2013-005	1.65	SPS	FE Clovis 115kV
ASGI-2013-006	2.00	SPS	SP-Erskine 115kV
ASGI-2014-001	2.50	SPS	SP-Erskine 115kV
ASGI-2014-002	49.60	SPS	Tap Tucumcari - Santa Rosa 115kV
ASGI-2014-004	10.00	SPS	Livingstone Ridge 115kV
ASGI-2014-005	10.00	SPS	Strata 69kV
ASGI-2014-008	10.00	SPS	South Loving 69kV
ASGI-2014-009	10.00	SPS	Wood Draw 115kV
ASGI-2014-010	10.00	SPS	Ochoa 115kV
ASGI-2014-011	10.00	SPS	Zia 115kV
ASGI-2014-012	10.00	SPS	Cooper Ranch 115kV
ASGI-2014-013	10.00	SPS	SP-Erskine 115kV
GEN-2001-033	180.00	SPS	San Juan Tap 230kV
GEN-2001-036	80.00	SPS	Norton 115kV
GEN-2006-018	170.00	SPS	TUCO Interchange 230kV
GEN-2006-026	502.00	SPS	Hobbs 230kV & Hobbs 115kV
GEN-2008-022	300.00	SPS	Tap Tolk - Eddy County (Crossroads) 345kV
GEN-2010-006	205.00	SPS	Jones 230kV
GEN-2010-046	56.00	SPS	TUCO Interchange 230kV
GEN-2011-025	80.00	SPS	Tap Floyd County - Crosby County 115kV
GEN-2011-045	205.00	SPS	Jones 230kV
GEN-2011-046	27.00	SPS	Lopez 115kV
GEN-2011-048	175.00	SPS	Mustang 230kV
GEN-2012-001	61.20	SPS	Cirrus Tap 230kV
GEN-2012-009	15.00	SPS	Mustang 230kV
GEN-2012-010	15.00	SPS	Mustang 230kV
GEN-2012-020	478.00	SPS	TUCO 230kV
GEN-2012-034	7.00	SPS	Mustang 230kV
GEN-2012-035	7.00	SPS	Mustang 230kV
GEN-2012-036	7.00	SPS	Mustang 230kV
GEN-2012-037	203.00	SPS	TUCO 345kV
GEN-2013-016	203.00	SPS	TUCO 345kV
GEN-2013-022	25.00	SPS	Norton 115kV
GEN-2013-027	150.00	SPS	Tap Tolk - Yoakum 230kV
GEN-2014-007	400.00	SPS	Tap TUCO Interchange - Border 345kV
GEN-2014-012	225.00	SPS	Tap Hobbs Interchange - Andrews 230kV
GEN-2014-033	70.00	SPS	Chaves County 115kV
GEN-2014-034	70.00	SPS	Chaves County 115kV
GEN-2014-035	30.00	SPS	Chaves County 115kV
GEN-2014-046	114.00	SPS	Chaves County 115kV

GEN-2014-047	40.00	SPS	Tap Tolk - Eddy County (Crossroads) 345kV
GEN-2014-048	110.00	SPS	Tap Eddy County - Tweedy 115kV
GEN-2014-053	80.00	SPS	Carlisle 230kV
GEN-2014-054	120.00	SPS	Carlisle 230kV
GEN-2014-062	200.10	SPS	Tap Tolk - Eddy County (Crossroads) 345kV
GEN-2014-063	381.00	SPS	Hobbs 230kV
GEN-2014-066	30.00	SPS	Norton 115kV
GEN-2014-069	90.00	SPS	Tap Postash Junction - Livingston Ridge 115kV
GEN-2014-070	110.00	SPS	Tap Hobbs - Yoakum 230kV
SPS Distributed (Hopi)	10.00	SPS	Hopi 115kV
SPS Distributed (Jal)	10.00	SPS	S Jal 115kV
SPS Distributed (Lea Road)	10.00	SPS	Lea Road 115kV
SPS Distributed (Monument)	10.00	SPS	Monument 115kV
SPS Distributed (Ocotillo)	10.00	SPS	S_Jal 115kV
PRIOR QUEUED SUBTOTAL	5,606.50		
GEN-2014-024	100.00	SPS	Cunningham 230kV
GEN-2014-030	150.00	SPS	Road Runner 345kV
GEN-2014-042	50.00	SPS	Clauene 115kV, (Alt POI; Tap Clauene - Terry County 115kV)
GEN-2014-043	80.00	SPS	Seagraves 115kV
GEN-2014-044	50.00	SPS	Terry County 115kV, (Alt. POI; Tap Clauene - Terry County 115kV)
CURRENT CLUSTER SUBTOTAL	430.00		
AREA TOTAL	6,036.50		

GROUP 7: SW-OKLAHOMA AREA

Request	Capacity	Area	Proposed Point of Interconnection
GEN-2001-026	74.25	WFEC	Washita 138kV
GEN-2002-005	120.00	WFEC	Red Hills Tap 138kV
GEN-2003-004	100.00	WFEC	Washita 138kV
GEN-2003-005	100.00	WFEC	Anadarko - Paradise (Blue Canyon) 138kV
GEN-2003-022	120.00	AEPW	Washita 138kV
GEN-2004-020	27.00	AEPW	Washita 138kV
GEN-2004-023	20.60	WFEC	Washita 138kV
GEN-2005-003	30.60	WFEC	Washita 138kV
GEN-2006-002	101.00	AEPW	Sweetwater 230kV
GEN-2006-035	225.00	AEPW	Sweetwater 230kV
GEN-2006-043	99.00	AEPW	Sweetwater 230kV
GEN-2007-032	150.00	WFEC	Tap Clinton Junction - Clinton 138kV
GEN-2007-052	150.00	WFEC	Anadarko 138kV
GEN-2008-023	150.00	AEPW	Hobart Junction 138kV
GEN-2008-037	101.00	WFEC	Tap Washita - Blue Canyon Wind 138kV
GEN-2011-037	7.00	WFEC	Blue Canyon 5 138kV
GEN-2011-049	250.00	OKGE	Border 345kV
GEN-2012-028	74.80	WFEC	Gotebo 69kV
GEN-2014-036	50.00	AEPW	Hollis 138kV
PRIOR QUEUED SUBTOTAL	1,950.25		
AREA TOTAL	1,950.25		

GROUP 8: N-OK/S-KS AREA

Request	Capacity	Area	Proposed Point of Interconnection
ASGI-2010-006	150.00	AECI	Tap Fairfax (AECI) - Shilder (AEPW) 138kV
ASGI-2014-014	56.40	GRDA	Ferguson 69kV
GEN-2002-004	200.00	WERE	Latham 345kV
GEN-2005-013	201.00	WERE	Caney River 345kV
GEN-2007-025	300.00	WERE	Viola 345kV
GEN-2008-013	300.00	OKGE	Hunter 345kV
GEN-2008-021	42.00	WERE	Wolf Creek 345kV
GEN-2008-098	100.80	WERE	Waverly 345kV
GEN-2009-025	60.00	OKGE	Nardins 69kV
GEN-2010-003	100.80	WERE	Waverly 345kV
GEN-2010-005	300.00	WERE	Viola 345kV
GEN-2010-055	4.50	AEPW	Wekiwa 138kV
GEN-2011-057	150.40	WERE	Creswell 138kV
GEN-2012-027	136.00	AEPW	Shidler 138kV
GEN-2012-032	300.00	OKGE	Open Sky 345kV
GEN-2012-033	98.80	OKGE	Tap and Tie South 4th - Bunch Creek & Enid Tap - Fairmont (GEN-2012-033T) 138kV
GEN-2012-040	76.50	WFEC	Chilocco 138kV
GEN-2012-041	121.50	OKGE	Ranch Road 345kV
GEN-2013-012	147.00	OKGE	Redbud 345kV
GEN-2013-028	559.50	GRDA	Tap N Tulsa - GRDA 1 345kV
GEN-2013-029	300.00	OKGE	Renfrow 345kV
GEN-2014-001	200.60	WERE	Tap Wichita - Emporia Energy Center 345kV
GEN-2014-022	15.00	OKGE	Open Sky 345kV
GEN-2014-028	35.00	EMDE	Riverton 161kV
GEN-2014-064	248.40	OKGE	Otter 138kV

PRIOR QUEUED SUBTOTAL	4,204.20	
AREA TOTAL	4,204.20	

GROUP 9/10: NEBRASKA AREA

Request	Capacity	Area	Proposed Point of Interconnection
GEN-2002-023N	0.80	NPPD	Harmony 115kV
GEN-2003-021N	75.00	NPPD	Ainsworth Wind Tap 115kV
GEN-2004-023N	75.00	NPPD	Columbus Co 115kV
GEN-2006-020N	42.00	NPPD	Bloomfield 115kV
GEN-2006-037N1	75.00	NPPD	Broken Bow 115kV
GEN-2006-038N005	80.00	NPPD	Broken Bow 115kV
GEN-2006-038N019	80.00	NPPD	Petersburg North 115kV
GEN-2006-044N	40.50	NPPD	North Petersburg 115kV
GEN-2007-011N08	81.00	NPPD	Bloomfield 115kV
GEN-2008-086N02	201.00	NPPD	Meadow Grove 230kV
GEN-2008-119O	60.00	OPPD	S1399 161kV
GEN-2008-123N	89.70	NPPD	Tap Pauline - Hildreth (Rosemont) 115kV
GEN-2009-040	73.80	WERE	Marshall 115kV
GEN-2010-041	10.50	OPPD	S1399 161kV
GEN-2010-051	200.00	NPPD	Tap Twin Church - Hoskins 230kV
GEN-2011-018	73.60	NPPD	Steele City 115kV
GEN-2011-027	120.00	NPPD	Hoskins 230kV
GEN-2011-056	3.60	NPPD	Jeffrey 115kV
GEN-2011-056A	3.60	NPPD	John 1 115kV
GEN-2011-056B	4.50	NPPD	John 2 115kV
GEN-2012-021	4.80	LES	Terry Bundy Generating Station 115kV
GEN-2013-002	50.60	LES	Tap Sheldon - Folsom & Pleasant Hill (GEN-2013-002 Tap) 115kV CKT 2
GEN-2013-008	1.20	NPPD	Steele City 115kV
GEN-2013-014	25.50	NPPD	Tap Guide Rock - Pauline (Rosemont) 115kV
GEN-2013-019	73.60	LES	Tap Sheldon - Folsom & Pleasant Hill (GEN-2013-002 Tap) 115kV CKT 2
GEN-2013-032	204.00	NPPD	Neligh 115kV
GEN-2014-004	3.96	NPPD	Steele City 115kV (GEN-2011-018 POI)
GEN-2014-013	73.50	NPPD	Meadow Grove (GEN-2008-086N2 Sub) 230kV
GEN-2014-023	79.90	NPPD	Tap Fort Randall - Meadow Grove 230kV
GEN-2014-027	60.00	AEPW	Weleetka 138kV
GEN-2014-031	35.80	NPPD	Meadow Grove 230kV
GEN-2014-032	10.20	NPPD	Meadow Grove 230kV
GEN-2014-039	73.60	NPPD	Friend 115kV
GEN-2014-055	160.00	NPPD	Belden 115kV
GEN-2014-059	161.10	NPPD	Tap Sidney - Ogallala 230kV
GEN-2014-060	125.80	NPPD	Tap Pauline - Hildreth (Rosemont) 115kV
NPPD Distributed (Broken Bow)	8.30	NPPD	Broken Bow 115kV
NPPD Distributed (Burt County Wind)	12.00	NPPD	Tekamah & Oakland 115kV
NPPD Distributed (Burwell)	3.00	NPPD	Ord 115kV
NPPD Distributed (Columbus Hydro)	45.00	NPPD	Columbus 115kV
NPPD Distributed (North Platte - Lexington)	54.00	NPPD	Multiple: Jeffrey 115kV, John_1 115kV, John_2 115kV
NPPD Distributed (Ord)	11.90	NPPD	Ord 115kV
NPPD Distributed (Stuart)	2.10	NPPD	Ainsworth 115kV
PRIOR QUEUED SUBTOTAL	2,669.46		
AREA TOTAL	2,669.46		

GROUP 12: NW-AR AREA

Request	Capacity	Area	Proposed Point of Interconnection
GEN-2013-011	30.00	AEPW	Turk 138kV
PRIOR QUEUED SUBTOTAL	30.00		
AREA TOTAL	30.00		

GROUP 13: NW MISSOURI AREA

Request	Capacity	Area	Proposed Point of Interconnection
ASGI-2013-007	90.00	AECI	Tap Hickory Creek - Locust Creek 161kV
ASGI-2013-007	90.00	AECI	Tap Hickory Creek - Locust Creek 161kV
GEN-2008-129	80.00	GMO	Pleasant Hill 161kV
GEN-2010-036	4.60	WERE	6th Street 115kV
GEN-2011-011	50.00	KACP	Iatan 345kV
GEN-2014-021	300.00	GMO	Tap Nebraska City - Mullens Creek 345kV
GEN-2014-050	100.00	WERE	Swissvale 345kV
GEN-2014-051	174.00	WERE	Jeffrey Energy Center 345kV
PRIOR QUEUED SUBTOTAL	888.60		
AREA TOTAL	888.60		

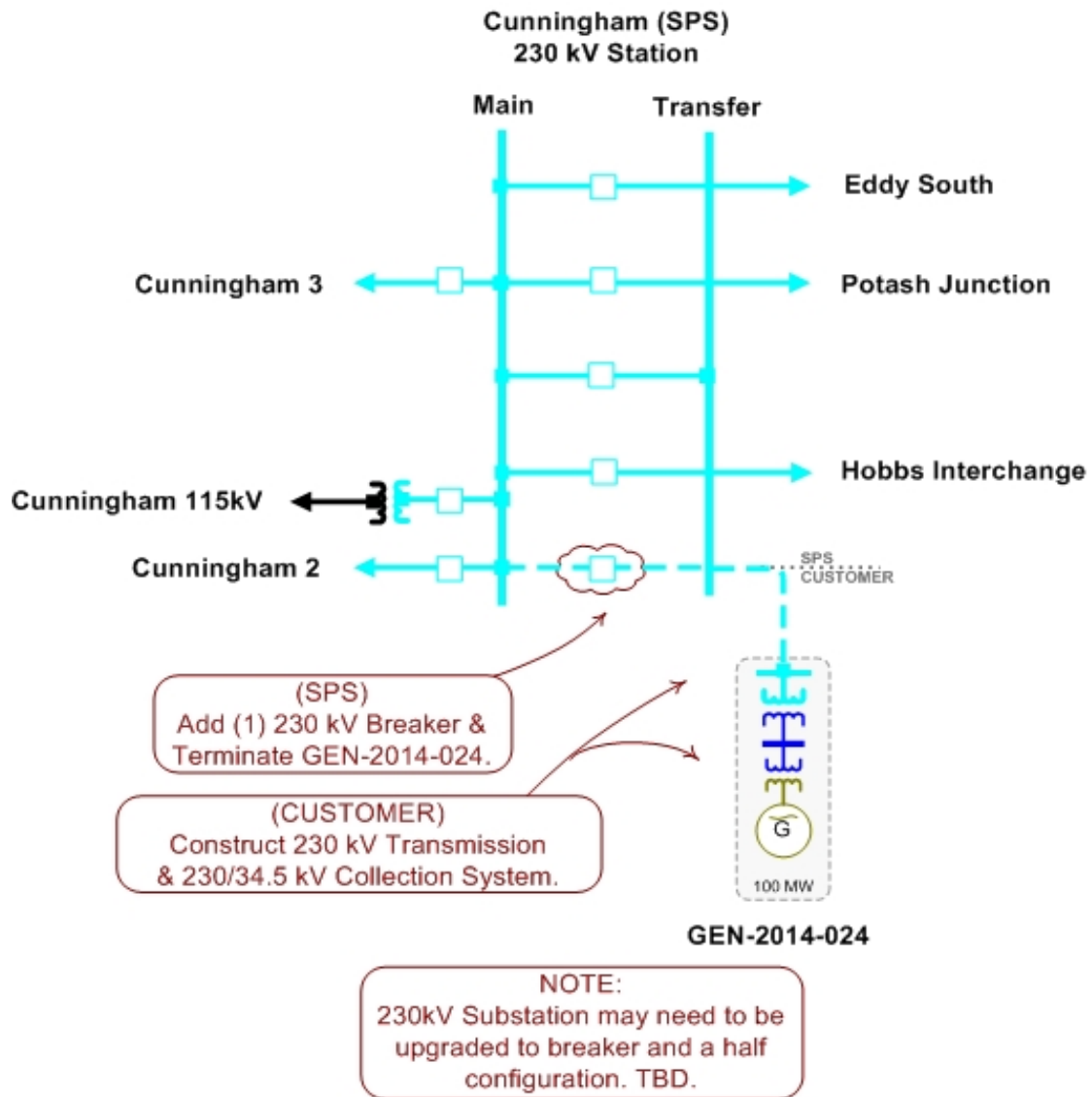
GROUP 14: S-OKLAHOMA AREA

Request	Capacity	Area	Proposed Point of Interconnection
GEN-2011-040	111.00	OKGE	Carter County 138kV
GEN-2011-050	109.80	AEPW	Santa Fe Tap 138kV
GEN-2012-004	41.40	OKGE	Carter County 138kV
GEN-2013-007	100.30	OKGE	Tap Prices Falls - Carter 138kV
GEN-2014-057	250.00	AEPW	Tap Lawton - Sunnyside 345kV
PRIOR QUEUED SUBTOTAL	612.50		
AREA TOTAL	612.50		

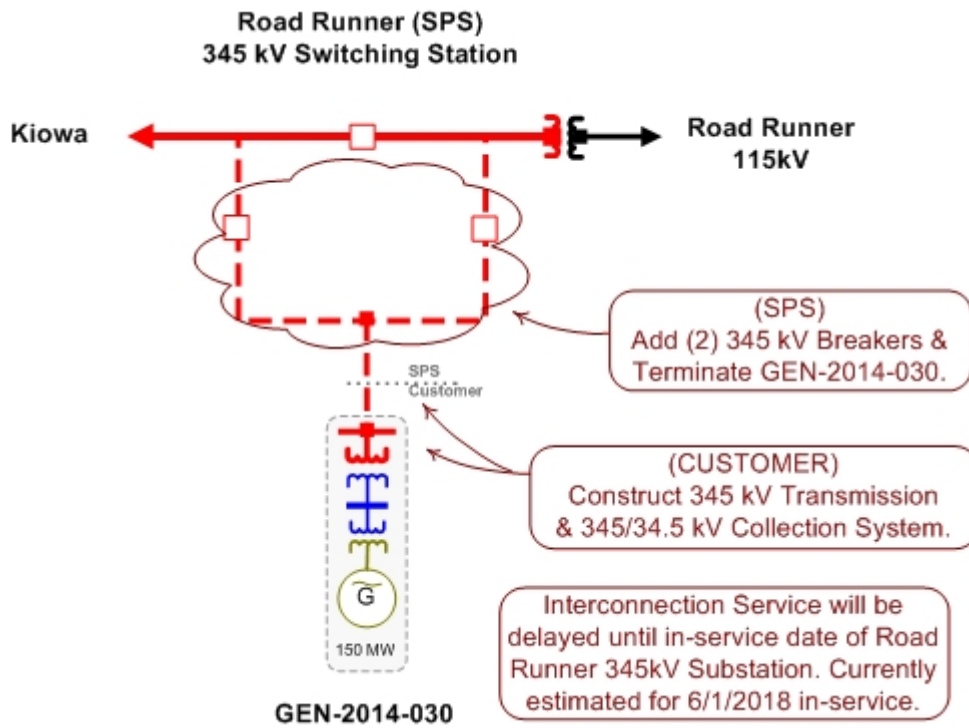
CLUSTER TOTAL (CURRENT STUDY)	450.0	MW
PQ TOTAL (PRIOR QUEUED)	32,524.8	MW
CLUSTER TOTAL (INCLUDING PRIOR QUEUED)	32,974.8	MW

D: Proposed Point of Interconnection One line Diagrams

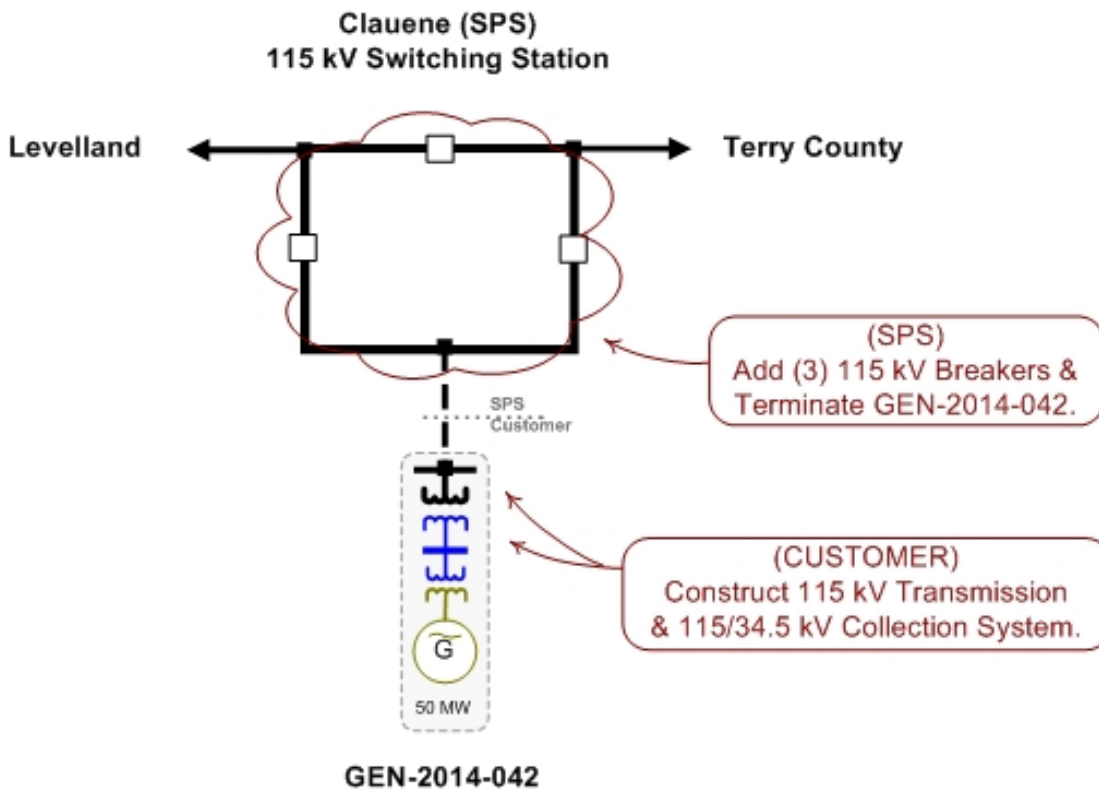
GEN-2014-024



GEN-2014-030

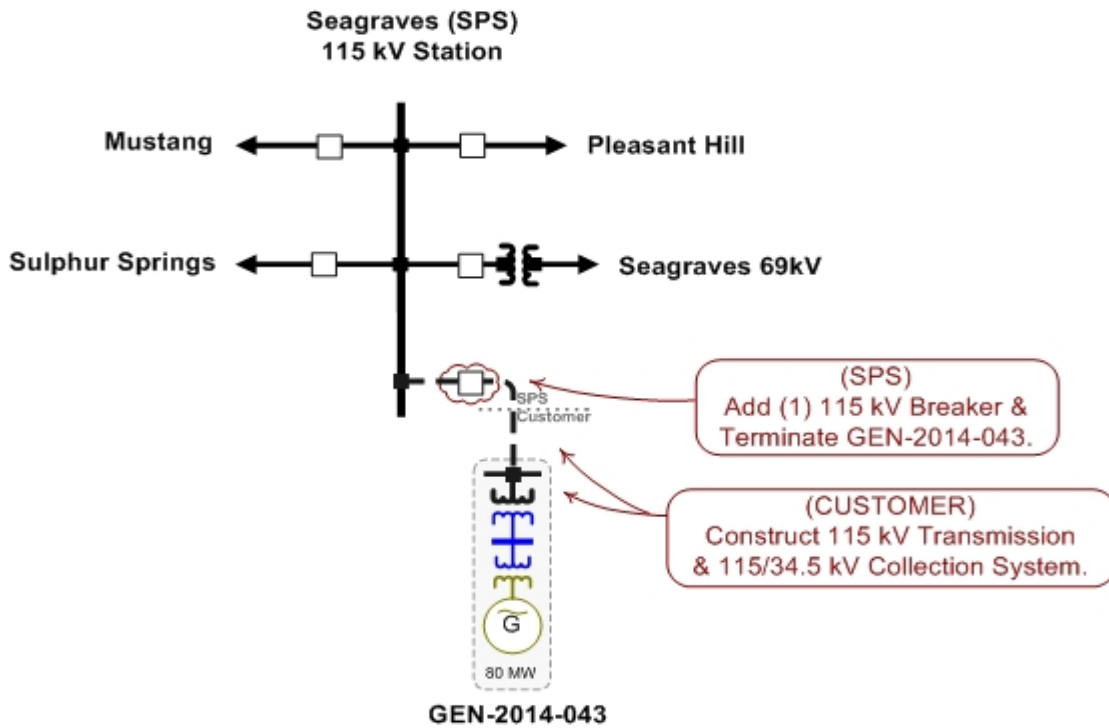


GEN-2014-042

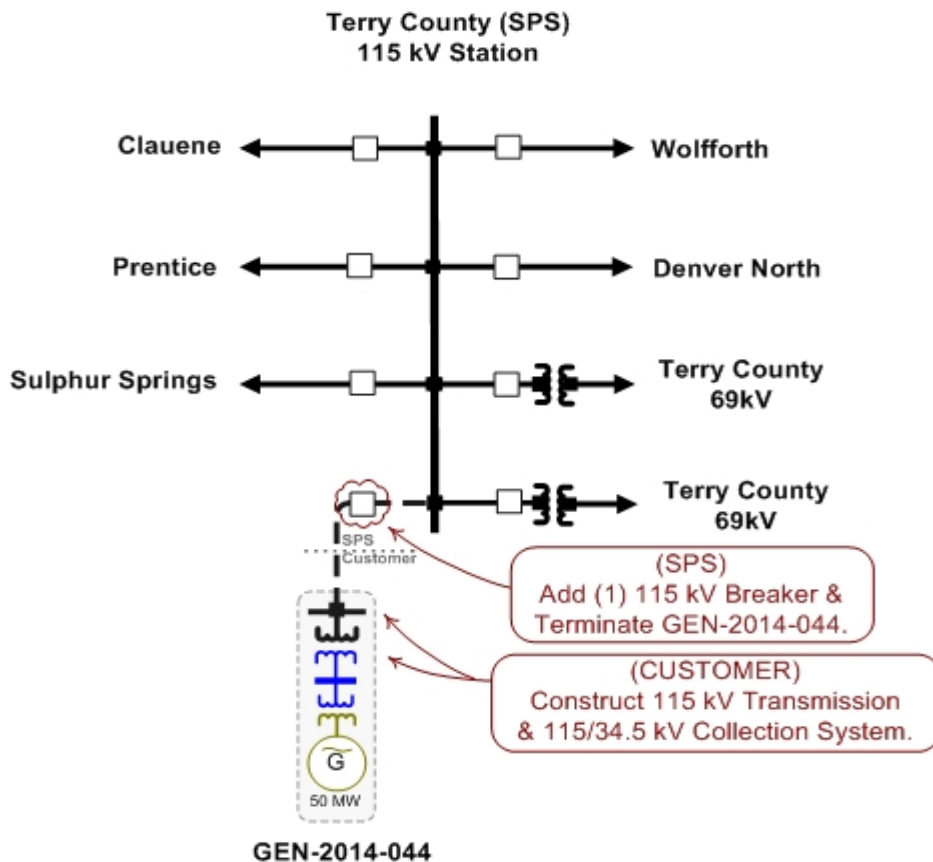


GEN-2014-043

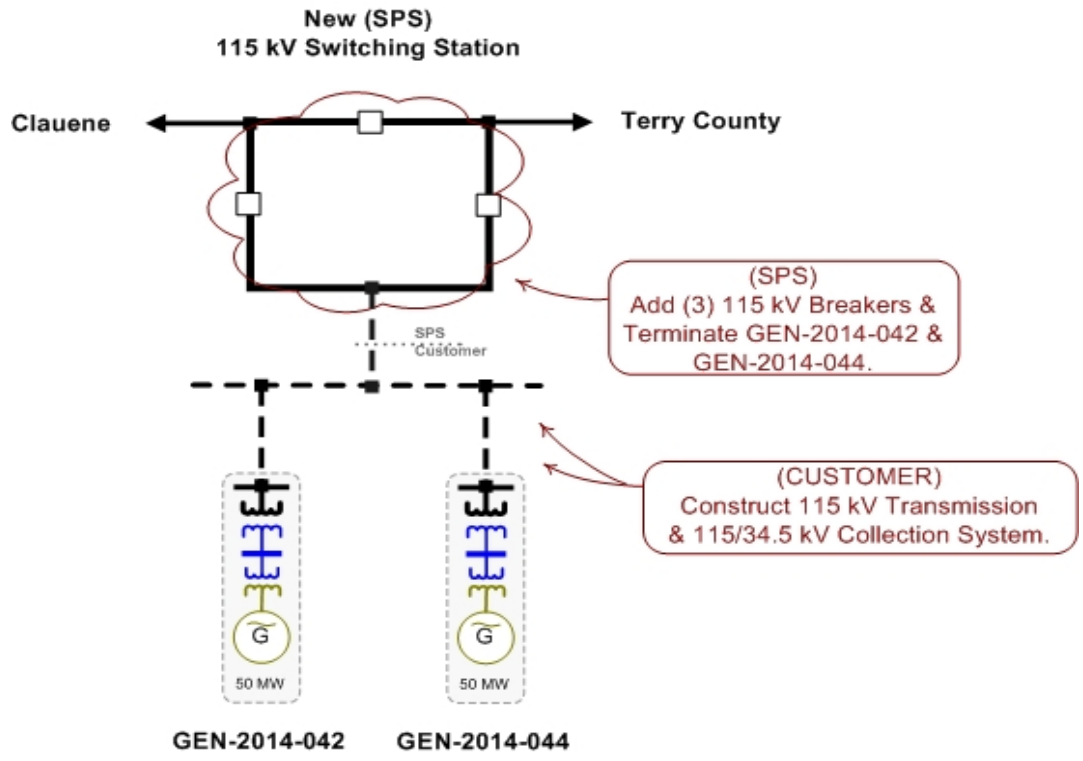
GEN-2014-043



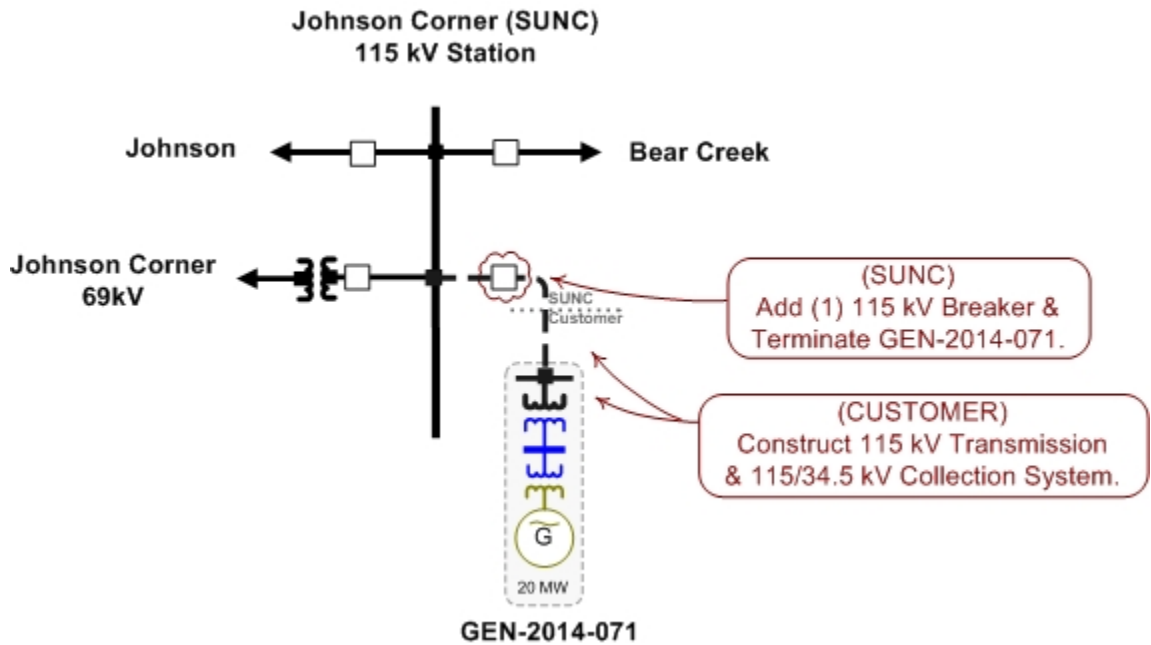
GEN-2014-044



GEN-2014-042 & GEN-2014-044 Alternate Combined POI



GEN-2014-071



E: Cost Allocation per Interconnection Request (Including Prior Queued Upgrades)

Important Note:

****WITHDRAWAL OF HIGHER QUEUED PROJECTS WILL CAUSE A RESTUDY AND MAY RESULT IN HIGHER INTERCONNECTION COSTS****

This section shows each Generator Interconnection Request Customer, their current study impacted Network Upgrades, and the previously allocated upgrades upon which they rely to accommodate their interconnection to the transmission system.

The costs associated with the current study Network Upgrades are allocated to the Customers shown in this report.

In addition should a higher queued request, defined as one this study includes as a prior queued request, withdraw, the Network Upgrades assigned to the withdrawn request may be reallocated to the remaining requests that have an impact on the Network Upgrade under a restudy. Also, should an Interconnection Request choose to go into service prior to the operation date of any necessary Network Upgrades, the costs associated with those upgrades may be reallocated to the impacted Interconnection Request. The actual costs allocated to each Generator Interconnection Request Customer will be determined at the time of a restudy.

The required interconnection costs listed do not include all costs associated with the deliverability of the energy to final customers. These costs are determined by separate studies if the Customer submits a Transmission Service Request through SPP's Open Access Same Time Information System (OASIS) as required by Attachment Z1 of the SPP OATT. In addition, costs associated with a short circuit analysis will be allocated should the Interconnection Request Customer choose to execute a Facility Study Agreement.

Appendix E. Cost Allocation Per Request

(Including Previously Allocated Network Upgrades*)

Interconnection Request and Upgrades	Upgrade Type	Allocated Cost	Upgrade Cost
GEN-2014-024			
Amoco Switching Station - Yoakum Co. Int. 230kV CKT 1 Replace Line Traps.	Current Study	\$62,568.27	\$200,000.00
Cunningham Station - Potash Junction Interchange 230kV CKT 1 NRIS only required upgrade: Replace Line Traps.	Current Study	\$200,000.00	\$200,000.00
GEN-2014-024 Interconnection Costs See One-line diagram	Current Study	\$3,000,000.00	\$3,000,000.00
Amoco Wasson - Oxy Tap 230kV CKT 1 Replace line traps at both terminals	Previously Allocated		\$200,000.00
Border 345kV 200 MVAR Cap Bank Install 200MVAR Cap Bank at Border.	Previously Allocated		\$ TBD
Border 345kV 200 MVAR SVC Install 200MVAR SVC at Border.	Previously Allocated		\$TBD
Chisholm - Gracemont 345kV CKT 1 Per SPP-NTC-200255 and 200240 (Total Project E&C Cost Shown)	Previously Allocated		\$162,952,357.00
Chisholm Substation Upgrade 345kV Expand planned Chisholm Substation to tap and terminate Woodward - Border 345kV into the Chisholm Substation	Previously Allocated		\$12,000,000.00
Cimarron - Minco 345kV CKT 1 Replace 1600 amp switches.	Previously Allocated		\$1,000,000.00
Cunningham Station - Maddox Station 115kV CKT 1 NRIS only required upgrade: Rebuild approximately 3 miles of 115kV line.	Previously Allocated		\$1,914,000.00
GEN-2014-007 Tap - Border - Chisholm 345kV CKT 2 Build approximately 167 miles of second circuit 345kV from GEN-2014-007 Tap - Border - Chisholm	Previously Allocated		\$167,000,000.00
Hobbs Interchange - Kiowa 345kV CKT 1 Per HPILs SPP-NTC-200283 (Total Project E&C Cost Shown)	Previously Allocated		\$65,989,591.00
Oklaunion 345kV 150 MVAR Cap Bank Install 150MVAR Cap Bank at Oklaunion.	Previously Allocated		\$ TBD
Potter County - Chisholm 345kV CKT 1 Build approximately 138 miles of 345kV from Potter County - Chisholm.	Previously Allocated		\$ TBD

* Withdrawal of higher queued projects will cause a restudy and may result in higher costs

Interconnection Request and Upgrades	Upgrade Type	Allocated Cost	Upgrade Cost
Thistle - Woodward 345KV Dbl CKT Priority Project: Thistle - Woodward Dbl 345kV CKT (Total Project E&C Cost Shown)	Previously Allocated		\$207,782,000.00
Tolk - Potter County 345kV CKT 1 Build approximately 115 miles of 345kV from Tolk - Potter County.	Previously Allocated		\$ TBD
Tolk - TUCO 2 - G14-007T CKT 1 Build TUCO 2 345kV substation. Build GEN-2014-007 Tap - TUCO 2 345kV, Tolk - TUCO 2 345kV and TUCO Int - TUCO 2 345kV.	Previously Allocated		\$ TBD
TUCO Interchange - Yoakum - Hobbs 345/230kV Projects Per HPILs SPP-NTC-200283 (Total Project E&C Cost Shown)	Previously Allocated		\$237,543,568.00
Wolfforth Interchange 230/115/13.2kV Transformer CKT 1 NRIS only required upgrade: Replace existing Wolfforth Interchange Transformer	Previously Allocated		\$6,000,000.00
	Current Study Total	\$3,262,568.27	

GEN-2014-030

Amoco Switching Station - Yoakum Co. Int. 230kV CKT 1 Replace Line Traps.	Current Study	\$92,061.33	\$200,000.00
GEN-2014-030 Interconnection Costs See One-line diagram	Current Study	\$2,000,000.00	\$2,000,000.00
Amoco Wasson - Oxy Tap 230kV CKT 1 Replace line traps at both terminals	Previously Allocated		\$200,000.00
Border 345kV 200 MVAR Cap Bank Install 200MVAR Cap Bank at Border.	Previously Allocated		\$ TBD
Border 345kV 200 MVAR SVC Install 200MVAR SVC at Border.	Previously Allocated		\$ TBD
Chisholm - Gracemont 345kV CKT 1 Per SPP-NTC-200255 and 200240 (Total Project E&C Cost Shown)	Previously Allocated		\$162,952,357.00
Chisholm Substation Upgrade 345kV Expand planned Chisholm Substation to tap and terminate Woodward - Border 345kV into the Chisholm Substation	Previously Allocated		\$12,000,000.00
Cimarron - Minco 345kV CKT 1 Replace 1600 amp switches.	Previously Allocated		\$1,000,000.00
GEN-2014-007 Tap - Border - Chisholm 345kV CKT 2 Build approximately 167 miles of second circuit 345kV from GEN-2014-007 Tap - Border - Chisholm	Previously Allocated		\$167,000,000.00
Hobbs Interchange - Kiowa 345kV CKT 1 Per HPILs SPP-NTC-200283 (Total Project E&C Cost Shown)	Previously Allocated		\$65,989,591.00

* Withdrawal of higher queued projects will cause a restudy and may result in higher costs

Interconnection Request and Upgrades	Upgrade Type	Allocated Cost	Upgrade Cost
Kiowa - Road Runner 345/230/115kV Projects Per HPILs SPP-NTC-200283 (Total Project E&C Cost Shown)	Previously Allocated		\$21,560,659.00
National Enrichment Plant-Targa 115kV CKT 1 Rebuild approximately 4 miles of 115kV from National Enrichment Plant to Targa.	Previously Allocated		\$3,122,580.00
Oklaunion 345kV 150 MVAR Cap Bank Install 150MVAR Cap Bank at Oklaunion.	Previously Allocated		\$ TBD
Potter County - Chisholm 345kV CKT 1 Build approximately 138 miles of 345kV from Potter County - Chisholm.	Previously Allocated		\$ TBD
Targa-Cardinal 115kV CKT 1 Rebuild approximately 3 miles of 115kV from Targa to Cardinal.	Previously Allocated		\$2,199,000.00
Thistle - Woodward 345KV Dbl CKT Priority Project: Thistle - Woodward Dbl 345kV CKT (Total Project E&C Cost Shown)	Previously Allocated		\$207,782,000.00
Tolk - Potter County 345kV CKT 1 Build approximately 115 miles of 345kV from Tolk - Potter County.	Previously Allocated		\$ TBD
Tolk - TUCO 2 - G14-007T CKT 1 Build TUCO 2 345kV substation. Build GEN-2014-007 Tap - TUCO 2 345kV, Tolk - TUCO 2 345kV and TUCO Int - TUCO 2 345kV.	Previously Allocated		\$ TBD
TUCO Interchange - Yoakum - Hobbs 345/230kV Projects Per HPILs SPP-NTC-200283 (Total Project E&C Cost Shown)	Previously Allocated		\$237,543,568.00
Wolfforth Interchange 230/115/13.2kV Transformer CKT 1 NRIS only required upgrade: Replace existing Wolfforth Interchange Transformer	Previously Allocated		\$6,000,000.00
	Current Study Total	\$2,092,061.33	

GEN-2014-042

GEN-2014-042 Interconnection Costs POI at Clauene 115kV. See One-line diagram	Current Study	\$4,000,000.00	\$4,000,000.00
TUCO 345/230/13.2kV Autotransformer CKT 3 Build TUCO 345/230/13.2kV Autotransformer CKT 3 at TUCO 2 adjacent to the TUCO substation	Current Study	\$7,484,236.73	\$15,000,000.00
Border 345kV 200 MVAR Cap Bank Install 200MVAR Cap Bank at Border.	Previously Allocated		\$ TBD
Border 345kV 200 MVAR SVC Install 200MVAR SVC at Border.	Previously Allocated		\$ TBD
Chisholm - Gracemont 345kV CKT 1 Per SPP-NTC-200255 and 200240 (Total Project E&C Cost Shown)	Previously Allocated		\$162,952,357.00

* Withdrawal of higher queued projects will cause a restudy and may result in higher costs

Interconnection Request and Upgrades	Upgrade Type	Allocated Cost	Upgrade Cost
Chisholm Substation Upgrade 345kV Expand planned Chisholm Substation to tap and terminate Woodward - Border 345kV into the Chisholm Substation	Previously Allocated		\$12,000,000.00
Cimarron - Minco 345kV CKT 1 Replace 1600 amp switches.	Previously Allocated		\$1,000,000.00
GEN-2014-007 Tap - Border - Chisholm 345kV CKT 2 Build approximately 167 miles of second circuit 345kV from GEN-2014-007 Tap - Border - Chisholm	Previously Allocated		\$167,000,000.00
Oklunion 345kV 150 MVAR Cap Bank Install 150MVAR Cap Bank at Oklaunion.	Previously Allocated		\$ TBD
Potter County - Chisholm 345kV CKT 1 Build approximately 138 miles of 345kV from Potter County - Chisholm.	Previously Allocated		\$ TBD
Thistle - Woodward 345KV Dbl CKT Priority Project: Thistle - Woodward Dbl 345kV CKT (Total Project E&C Cost Shown)	Previously Allocated		\$207,782,000.00
Tolk - Potter County 345kV CKT 1 Build approximately 115 miles of 345kV from Tolk - Potter County.	Previously Allocated		\$ TBD
Tolk - TUCO 2 - G14-007T CKT 1 Build TUCO 2 345kV substation. Build GEN-2014-007 Tap - TUCO 2 345kV, Tolk - TUCO 2 345kV and TUCO Int - TUCO 2 345kV.	Previously Allocated		\$ TBD
TUCO Interchange - Yoakum - Hobbs 345/230kV Projects Per HPILs SPP-NTC-200283 (Total Project E&C Cost Shown)	Previously Allocated		\$237,543,568.00
	Current Study Total	\$11,484,236.73	

GEN-2014-043

Amoco Switching Station - Yoakum Co. Int. 230kV CKT 1 Replace Line Traps.	Current Study	\$45,370.40	\$200,000.00
GEN-2014-043 Interconnection Costs See One-line diagram	Current Study	\$1,000,000.00	\$1,000,000.00
Amoco Wasson - Oxy Tap 230kV CKT 1 Replace line traps at both terminals	Previously Allocated		\$200,000.00
Border 345kV 200 MVAR Cap Bank Install 200MVAR Cap Bank at Border.	Previously Allocated		\$ TBD
Border 345kV 200 MVAR SVC Install 200MVAR SVC at Border.	Previously Allocated		\$ TBD
Chisholm - Gracemont 345kV CKT 1 Per SPP-NTC-200255 and 200240 (Total Project E&C Cost Shown)	Previously Allocated		\$162,952,357.00

* Withdrawal of higher queued projects will cause a restudy and may result in higher costs

Interconnection Request and Upgrades	Upgrade Type	Allocated Cost	Upgrade Cost
Chisholm Substation Upgrade 345kV Expand planned Chisholm Substation to tap and terminate Woodward - Border 345kV into the Chisholm Substation	Previously Allocated		\$12,000,000.00
Cimarron - Minco 345kV CKT 1 Replace 1600 amp switches.	Previously Allocated		\$1,000,000.00
GEN-2014-007 Tap - Border - Chisholm 345kV CKT 2 Build approximately 167 miles of second circuit 345kV from GEN-2014-007 Tap - Border - Chisholm	Previously Allocated		\$167,000,000.00
Oklunion 345kV 150 MVAR Cap Bank Install 150MVAR Cap Bank at Oklaunion.	Previously Allocated		\$ TBD
Potter County - Chisholm 345kV CKT 1 Build approximately 138 miles of 345kV from Potter County - Chisholm.	Previously Allocated		\$ TBD
Thistle - Woodward 345KV Dbl CKT Priority Project: Thistle - Woodward Dbl 345kV CKT (Total Project E&C Cost Shown)	Previously Allocated		\$207,782,000.00
Tolk - Potter County 345kV CKT 1 Build approximately 115 miles of 345kV from Tolk - Potter County.	Previously Allocated		\$ TBD
Tolk - TUCO 2 - G14-007T CKT 1 Build TUCO 2 345kV substation. Build GEN-2014-007 Tap - TUCO 2 345kV, Tolk - TUCO 2 345kV and TUCO Int - TUCO 2 345kV.	Previously Allocated		\$ TBD
TUCO Interchange - Yoakum - Hobbs 345/230kV Projects Per HPILs SPP-NTC-200283 (Total Project E&C Cost Shown)	Previously Allocated		\$237,543,568.00
	Current Study Total	\$1,045,370.40	

GEN-2014-044

GEN-2014-044 Interconnection Costs POI at Terry County 115kV. See One-line diagram	Current Study	\$2,000,000.00	\$2,000,000.00
TUCO 345/230/13.2kV Autotransformer CKT 3 Build TUCO 345/230/13.2kV Autotransformer CKT 3 at TUCO 2 adjacent to the TUCO substation	Current Study	\$7,515,763.27	\$15,000,000.00
Border 345kV 200 MVAR Cap Bank Install 200MVAR Cap Bank at Border.	Previously Allocated		\$ TBD
Border 345kV 200 MVAR SVC Install 200MVAR SVC at Border.	Previously Allocated		\$ TBD
Chisholm - Gracemont 345kV CKT 1 Per SPP-NTC-200255 and 200240 (Total Project E&C Cost Shown)	Previously Allocated		\$162,952,357.00
Chisholm Substation Upgrade 345kV Expand planned Chisholm Substation to tap and terminate Woodward - Border 345kV into the Chisholm Substation	Previously Allocated		\$12,000,000.00

* Withdrawal of higher queued projects will cause a restudy and may result in higher costs

Interconnection Request and Upgrades	Upgrade Type	Allocated Cost	Upgrade Cost
Cimarron - Minco 345kV CKT 1 Replace 1600 amp switches.	Previously Allocated		\$1,000,000.00
GEN-2014-007 Tap - Border - Chisholm 345kV CKT 2 Build approximately 167 miles of second circuit 345kV from GEN-2014-007 Tap - Border - Chisholm	Previously Allocated		\$167,000,000.00
Oklaunion 345kV 150 MVAR Cap Bank Install 150MVAR Cap Bank at Oklaunion.	Previously Allocated		\$ TBD
Potter County - Chisholm 345kV CKT 1 Build approximately 138 miles of 345kV from Potter County - Chisholm.	Previously Allocated		\$ TBD
Thistle - Woodward 345KV Dbl CKT Priority Project: Thistle - Woodward Dbl 345kV CKT (Total Project E&C Cost Shown)	Previously Allocated		\$207,782,000.00
Tolk - Potter County 345kV CKT 1 Build approximately 115 miles of 345kV from Tolk - Potter County.	Previously Allocated		\$ TBD
Tolk - TUCO 2 - G14-007T CKT 1 Build TUCO 2 345kV substation. Build GEN-2014-007 Tap - TUCO 2 345kV, Tolk - TUCO 2 345kV and TUCO Int - TUCO 2 345kV.	Previously Allocated		\$ TBD
TUCO Interchange - Yoakum - Hobbs 345/230kV Projects Per HPILs SPP-NTC-200283 (Total Project E&C Cost Shown)	Previously Allocated		\$237,543,568.00
	Current Study Total		\$9,515,763.27

GEN-2014-071

GEN-2014-071 Interconnection Costs See One-line diagram	Current Study	\$2,500,000.00	\$2,500,000.00
Pile - Scott City 115kV CKT 1 Replace Terminal Equipment at Scott City Substation.	Current Study	\$1,512,584.00	\$1,512,584.00
Syracuse - Tribune 115kV CKT 1 Replace Terminal Equipment.	Current Study	\$300,000.00	\$300,000.00
Buckner - Spearville 345kV CKT 1 Replace Terminal equipment	Previously Allocated		\$200,000.00
Chisholm - Gracemont 345kV CKT 1 Per SPP-NTC-200255 and 200240 (Total Project E&C Cost Shown)	Previously Allocated		\$162,952,357.00
Fort Dodge - North Fort Dodge 115kV CKT 2 Construct approximately 1 mile of new 115kV for 2nd circuit	Previously Allocated		\$6,113,000.00
Spearville 345/115/13.8kV Transformer CKT 1 New Lancer 115kV Substation and 345/115kV Spearville Transformer (Partial Cost Allocation).	Previously Allocated		\$3,745,000.00

* Withdrawal of higher queued projects will cause a restudy and may result in higher costs

Interconnection Request and Upgrades	Upgrade Type	Allocated Cost	Upgrade Cost
Thistle - Woodward 345KV Dbl CKT Priority Project: Thistle - Woodward Dbl 345kV CKT (Total Project E&C Cost Shown)	Previously Allocated		\$207,782,000.00
	Current Study Total	\$4,312,584.00	
TOTAL CURRENT STUDY COSTS:		\$31,712,584.00	

* Withdrawal of higher queued projects will cause a restudy and may result in higher costs

Appendix E (Alt.) Cost Allocation Per Request

(Including Previously Allocated Network Upgrades*)

Interconnection Request and Upgrades	Upgrade Type	Allocated Cost	Upgrade Cost
GEN-2014-024			
Amoco Switching Station - Yoakum Co. Int. 230kV CKT 1 Replace Line Traps.	Current Study	\$62,568.27	\$200,000.00
Cunningham Station - Potash Junction Interchange 230kV CKT 1 NRIS only required upgrade: Replace Line Traps.	Current Study	\$200,000.00	\$200,000.00
GEN-2014-024 Interconnection Costs See One-line diagram	Current Study	\$3,000,000.00	\$3,000,000.00
Amoco Wasson - Oxy Tap 230kV CKT 1 Replace line traps at both terminals	Previously Allocated		\$200,000.00
Border 345kV 200 MVAR Cap Bank Install 200MVAR Cap Bank at Border.	Previously Allocated		\$ TBD
Border 345kV 200 MVAR SVC Install 200MVAR SVC at Border.	Previously Allocated		\$ TBD
Chisholm - Gracemont 345kV CKT 1 Per SPP-NTC-200255 and 200240 (Total Project E&C Cost Shown)	Previously Allocated		\$162,952,357.00
Chisholm Substation Upgrade 345kV Expand planned Chisholm Substation to tap and terminate Woodward - Border 345kV into the Chisholm Substation	Previously Allocated		\$12,000,000.00
Cimarron - Minco 345kV CKT 1 Replace 1600 amp switches.	Previously Allocated		\$1,000,000.00
Cunningham Station - Maddox Station 115kV CKT 1 NRIS only required upgrade: Rebuild approximately 3 miles of 115kV line.	Previously Allocated		\$1,914,000.00
GEN-2014-007 Tap - Border - Chisholm 345kV CKT 2 Build approximately 167 miles of second circuit 345kV from GEN-2014-007 Tap - Border - Chisholm	Previously Allocated		\$167,000,000.00
Hobbs Interchange - Kiowa 345kV CKT 1 Per HPILs SPP-NTC-200283 (Total Project E&C Cost Shown)	Previously Allocated		\$65,989,591.00
Oklaunion 345kV 150 MVAR Cap Bank Install 150MVAR Cap Bank at Oklaunion.	Previously Allocated		\$ TBD
Potter County - Chisholm 345kV CKT 1 Build approximately 138 miles of 345kV from Potter County - Chisholm.	Previously Allocated		\$ TBD

* Withdrawal of higher queued projects will cause a restudy and may result in higher costs

Interconnection Request and Upgrades	Upgrade Type	Allocated Cost	Upgrade Cost
Thistle - Woodward 345KV Dbl CKT Priority Project: Thistle - Woodward Dbl 345kV CKT (Total Project E&C Cost Shown)	Previously Allocated		\$207,782,000.00
Tolk - Potter County 345kV CKT 1 Build approximately 115 miles of 345kV from Tolk - Potter County.	Previously Allocated		\$ TBD
Tolk - TUCO 2 - G14-007T CKT 1 Build TUCO 2 345kV substation. Build GEN-2014-007 Tap - TUCO 2 345kV, Tolk - TUCO 2 345kV and TUCO Int - TUCO 2 345kV.	Previously Allocated		\$ TBD
TUCO Interchange - Yoakum - Hobbs 345/230kV Projects Per HPILs SPP-NTC-200283 (Total Project E&C Cost Shown)	Previously Allocated		\$237,543,568.00
Wolfforth Interchange 230/115/13.2kV Transformer CKT 1 NRIS only required upgrade: Replace existing Wolfforth Interchange Transformer	Previously Allocated		\$6,000,000.00
	Current Study Total	\$3,262,568.27	

GEN-2014-030

Amoco Switching Station - Yoakum Co. Int. 230kV CKT 1 Replace Line Traps.	Current Study	\$92,061.33	\$200,000.00
GEN-2014-030 Interconnection Costs See One-line diagram	Current Study	\$2,000,000.00	\$2,000,000.00
Amoco Wasson - Oxy Tap 230kV CKT 1 Replace line traps at both terminals	Previously Allocated		\$200,000.00
Border 345kV 200 MVAR Cap Bank Install 200MVAR Cap Bank at Border.	Previously Allocated		\$ TBD
Border 345kV 200 MVAR SVC Install 200MVAR SVC at Border.	Previously Allocated		\$ TBD
Chisholm - Gracemont 345kV CKT 1 Per SPP-NTC-200255 and 200240 (Total Project E&C Cost Shown)	Previously Allocated		\$162,952,357.00
Chisholm Substation Upgrade 345kV Expand planned Chisholm Substation to tap and terminate Woodward - Border 345kV into the Chisholm Substation	Previously Allocated		\$12,000,000.00
Cimarron - Minco 345kV CKT 1 Replace 1600 amp switches.	Previously Allocated		\$1,000,000.00
GEN-2014-007 Tap - Border - Chisholm 345kV CKT 2 Build approximately 167 miles of second circuit 345kV from GEN-2014-007 Tap - Border - Chisholm	Previously Allocated		\$167,000,000.00
Hobbs Interchange - Kiowa 345kV CKT 1 Per HPILs SPP-NTC-200283 (Total Project E&C Cost Shown)	Previously Allocated		\$65,989,591.00

* Withdrawal of higher queued projects will cause a restudy and may result in higher costs

Interconnection Request and Upgrades	Upgrade Type	Allocated Cost	Upgrade Cost
Kiowa - Road Runner 345/230/115kV Projects Per HPILs SPP-NTC-200283 (Total Project E&C Cost Shown)	Previously Allocated		\$21,560,659.00
National Enrichment Plant-Targa 115kV CKT 1 Rebuild approximately 4 miles of 115kV from National Enrichment Plant to Targa.	Previously Allocated		\$3,122,580.00
Oklaunion 345kV 150 MVAR Cap Bank Install 150MVAR Cap Bank at Oklaunion.	Previously Allocated		\$ TBD
Potter County - Chisholm 345kV CKT 1 Build approximately 138 miles of 345kV from Potter County - Chisholm.	Previously Allocated		\$ TBD
Targa-Cardinal 115kV CKT 1 Rebuild approximately 3 miles of 115kV from Targa to Cardinal.	Previously Allocated		\$2,199,000.00
Thistle - Woodward 345KV Dbl CKT Priority Project: Thistle - Woodward Dbl 345kV CKT (Total Project E&C Cost Shown)	Previously Allocated		\$207,782,000.00
Tolk - Potter County 345kV CKT 1 Build approximately 115 miles of 345kV from Tolk - Potter County.	Previously Allocated		\$ TBD
Tolk - TUCO 2 - G14-007T CKT 1 Build TUCO 2 345kV substation. Build GEN-2014-007 Tap - TUCO 2 345kV, Tolk - TUCO 2 345kV and TUCO Int - TUCO 2 345kV.	Previously Allocated		\$ TBD
TUCO Interchange - Yoakum - Hobbs 345/230kV Projects Per HPILs SPP-NTC-200283 (Total Project E&C Cost Shown)	Previously Allocated		\$237,543,568.00
Wolfforth Interchange 230/115/13.2kV Transformer CKT 1 NRIS only required upgrade: Replace existing Wolfforth Interchange Transformer	Previously Allocated		\$6,000,000.00
	Current Study Total		\$2,092,061.33

GEN-2014-042

GEN-2014-042 and GEN-2014-044 Interconnection Costs Shared POI at a line tap on Clauene - Terry County 115kV circuit 1. See combined one line.	Current Study	\$2,000,000.00	\$4,000,000.00
TUCO 345/230/13.2kV Autotransformer CKT 3 Build TUCO 345/230/13.2kV Autotransformer CKT 3 at TUCO 2 adjacent to the TUCO substation	Current Study	\$7,500,000.00	\$15,000,000.00
Chisholm - Gracemont 345kV CKT 1 Per SPP-NTC-200255 and 200240 (Total Project E&C Cost Shown)	Previously Allocated		\$162,952,357.00
Chisholm Substation Upgrade 345kV Expand planned Chisholm Substation to tap and terminate Woodward - Border 345kV into the Chisholm Substation	Previously Allocated		\$12,000,000.00
Cimarron - Minco 345kV CKT 1 Replace 1600 amp switches.	Previously Allocated		\$1,000,000.00

* Withdrawal of higher queued projects will cause a restudy and may result in higher costs

Interconnection Request and Upgrades	Upgrade Type	Allocated Cost	Upgrade Cost
Oklaunion 345kV 150 MVAR Cap Bank Install 150MVAR Cap Bank at Oklaunion.	Previously Allocated		\$ TBD
Potter County - Chisholm 345kV CKT 1 Build approximately 138 miles of 345kV from Potter County - Chisholm.	Previously Allocated		\$ TBD
Thistle - Woodward 345KV Dbl CKT Priority Project: Thistle - Woodward Dbl 345kV CKT (Total Project E&C Cost Shown)	Previously Allocated		\$207,782,000.00
Tolk - Potter County 345kV CKT 1 Build approximately 115 miles of 345kV from Tolk - Potter County.	Previously Allocated		\$ TBD
Tolk - TUCO 2 - G14-007T CKT 1 Build TUCO 2 345kV substation. Build GEN-2014-007 Tap - TUCO 2 345kV, Tolk - TUCO 2 345kV and TUCO Int - TUCO 2 345kV.	Previously Allocated		\$ TBD
TUCO Interchange - Yoakum - Hobbs 345/230kV Projects Per HPILs SPP-NTC-200283 (Total Project E&C Cost Shown)	Previously Allocated		\$237,543,568.00
	Current Study Total	\$9,500,000.00	

GEN-2014-043

Amoco Switching Station - Yoakum Co. Int. 230kV CKT 1 Replace Line Traps.	Current Study	\$45,370.40	\$200,000.00
GEN-2014-043 Interconnection Costs See One-line diagram	Current Study	\$1,000,000.00	\$1,000,000.00
Amoco Wasson - Oxy Tap 230kV CKT 1 Replace line traps at both terminals	Previously Allocated		\$200,000.00
Border 345kV 200 MVAR Cap Bank Install 200MVAR Cap Bank at Border.	Previously Allocated		\$ TBD
Border 345kV 200 MVAR SVC Install 200MVAR SVC at Border.	Previously Allocated		\$ TBD
Chisholm - Gracemont 345kV CKT 1 Per SPP-NTC-200255 and 200240 (Total Project E&C Cost Shown)	Previously Allocated		\$162,952,357.00
Chisholm Substation Upgrade 345kV Expand planned Chisholm Substation to tap and terminate Woodward - Border 345kV into the Chisholm Substation	Previously Allocated		\$12,000,000.00
Cimarron - Minco 345kV CKT 1 Replace 1600 amp switches.	Previously Allocated		\$1,000,000.00
GEN-2014-007 Tap - Border - Chisholm 345kV CKT 2 Build approximately 167 miles of second circuit 345kV from GEN-2014-007 Tap - Border - Chisholm	Previously Allocated		\$167,000,000.00

* Withdrawal of higher queued projects will cause a restudy and may result in higher costs

Interconnection Request and Upgrades	Upgrade Type	Allocated Cost	Upgrade Cost
Oklaunion 345kV 150 MVAR Cap Bank Install 150MVAR Cap Bank at Oklaunion.	Previously Allocated		\$ TBD
Potter County - Chisholm 345kV CKT 1 Build approximately 138 miles of 345kV from Potter County - Chisholm.	Previously Allocated		\$ TBD
Thistle - Woodward 345KV Dbl CKT Priority Project: Thistle - Woodward Dbl 345kV CKT (Total Project E&C Cost Shown)	Previously Allocated		\$207,782,000.00
Tolk - Potter County 345kV CKT 1 Build approximately 115 miles of 345kV from Tolk - Potter County.	Previously Allocated		\$ TBD
Tolk - TUCO 2 - G14-007T CKT 1 Build TUCO 2 345kV substation. Build GEN-2014-007 Tap - TUCO 2 345kV, Tolk - TUCO 2 345kV and TUCO Int - TUCO 2 345kV.	Previously Allocated		\$ TBD
TUCO Interchange - Yoakum - Hobbs 345/230kV Projects Per HPILs SPP-NTC-200283 (Total Project E&C Cost Shown)	Previously Allocated		\$237,543,568.00
	Current Study Total	\$1,045,370.40	

GEN-2014-044

GEN-2014-042 and GEN-2014-044 Interconnection Costs Shared POI at a line tap on Clauene - Terry County 115kV circuit 1. See combined one line.	Current Study	\$2,000,000.00	\$4,000,000.00
TUCO 345/230/13.2kV Autotransformer CKT 3 Build TUCO 345/230/13.2kV Autotransformer CKT 3 at TUCO 2 adjacent to the TUCO substation	Current Study	\$7,500,000.00	\$15,000,000.00
Chisholm - Gracemont 345kV CKT 1 Per SPP-NTC-200255 and 200240 (Total Project E&C Cost Shown)	Previously Allocated		\$162,952,357.00
Chisholm Substation Upgrade 345kV Expand planned Chisholm Substation to tap and terminate Woodward - Border 345kV into the Chisholm Substation	Previously Allocated		\$12,000,000.00
Cimarron - Minco 345kV CKT 1 Replace 1600 amp switches.	Previously Allocated		\$1,000,000.00
Oklaunion 345kV 150 MVAR Cap Bank Install 150MVAR Cap Bank at Oklaunion.	Previously Allocated		\$ TBD
Potter County - Chisholm 345kV CKT 1 Build approximately 138 miles of 345kV from Potter County - Chisholm.	Previously Allocated		\$ TBD
Thistle - Woodward 345KV Dbl CKT Priority Project: Thistle - Woodward Dbl 345kV CKT (Total Project E&C Cost Shown)	Previously Allocated		\$207,782,000.00
Tolk - Potter County 345kV CKT 1 Build approximately 115 miles of 345kV from Tolk - Potter County.	Previously Allocated		\$ TBD

* Withdrawal of higher queued projects will cause a restudy and may result in higher costs

Interconnection Request and Upgrades	Upgrade Type	Allocated Cost	Upgrade Cost
Tolk - TUCO 2 - G14-007T CKT 1 Build TUCO 2 345kV substation. Build GEN-2014-007 Tap - TUCO 2 345kV, Tolk - TUCO 2 345kV and TUCO Int - TUCO 2 345kV.	Previously Allocated		\$ TBD
TUCO Interchange - Yoakum - Hobbs 345/230kV Projects Per HPILs SPP-NTC-200283 (Total Project E&C Cost Shown)	Previously Allocated		\$237,543,568.00
	Current Study Total	\$9,500,000.00	
GEN-2014-071			
GEN-2014-071 Interconnection Costs See One-line diagram	Current Study	\$2,500,000.00	\$2,500,000.00
Pile - Scott City 115kV CKT 1 Replace Terminal Equipment at Scott City Substation.	Current Study	\$1,512,584.00	\$1,512,584.00
Syracuse - Tribune 115kV CKT 1 Replace Terminal Equipment.	Current Study	\$300,000.00	\$300,000.00
Buckner - Spearville 345kV CKT 1 Replace Terminal equipment	Previously Allocated		\$200,000.00
Chisholm - Gracemont 345kV CKT 1 Per SPP-NTC-200255 and 200240 (Total Project E&C Cost Shown)	Previously Allocated		\$162,952,357.00
Fort Dodge - North Fort Dodge 115kV CKT 2 Construct approximately 1 mile of new 115kV for 2nd circuit	Previously Allocated		\$6,113,000.00
Spearville 345/115/13.8kV Transformer CKT 1 New Lancer 115kV Substation and 345/115kV Spearville Transformer (Partial Cost Allocation).	Previously Allocated		\$3,745,000.00
Thistle - Woodward 345KV Dbl CKT Priority Project: Thistle - Woodward Dbl 345kV CKT (Total Project E&C Cost Shown)	Previously Allocated		\$207,782,000.00
	Current Study Total	\$4,312,584.00	
TOTAL CURRENT STUDY COSTS:		\$29,712,584.00	

* Withdrawal of higher queued projects will cause a restudy and may result in higher costs

F: Cost Allocation per Proposed Study Network Upgrade

Important Note:

****WITHDRAWAL OF HIGHER QUEUED PROJECTS WILL CAUSE A RESTUDY
AND MAY RESULT IN HIGHER INTERCONNECTION COSTS****

This section shows each Direct Assigned Facility and Network Upgrade and the Generator Interconnection Request Customer(s) which have an impact in this study assuming all higher queued projects remain in the queue and achieve commercial operation.

The required interconnection costs listed do not include all costs associated with the deliverability of the energy to final customers. These costs are determined by separate studies if the Customer submits a Transmission Service Request through SPP's Open Access Same Time Information System (OASIS) as required by Attachment Z1 of the SPP OATT. In addition, costs associated with a short circuit analysis will be allocated should the Interconnection Request Customer choose to execute a Facility Study Agreement.

There may be additional costs allocated to each Customer. See Appendix E for more details.

Appendix F. Cost Allocation by Upgrade

Amoco Switching Station - Yoakum Co. Int. 230kV CKT 1 **\$200,000.00**

Replace Line Traps.

GEN-2014-024	\$62,568.27
GEN-2014-030	\$92,061.33
GEN-2014-043	\$45,370.40
<hr/>	
Total Allocated Costs	\$200,000.00

Cunningham Station - Potash Junction Interchange 230kV CKT 1 **\$200,000.00**

NRIS only required upgrade: Replace Line Traps.

GEN-2014-024	\$200,000.00
<hr/>	
Total Allocated Costs	\$200,000.00

GEN-2014-024 Interconnection Costs **\$3,000,000.00**

See One-line diagram

GEN-2014-024	\$3,000,000.00
<hr/>	
Total Allocated Costs	\$3,000,000.00

GEN-2014-030 Interconnection Costs **\$2,000,000.00**

See One-line diagram

GEN-2014-030	\$2,000,000.00
<hr/>	
Total Allocated Costs	\$2,000,000.00

GEN-2014-042 Interconnection Costs **\$4,000,000.00**

POI at Clauene 115kV. See One-line diagram

GEN-2014-042	\$4,000,000.00
<hr/>	
Total Allocated Costs	\$4,000,000.00

GEN-2014-043 Interconnection Costs **\$1,000,000.00**

See One-line diagram

GEN-2014-043	\$1,000,000.00
<hr/>	
Total Allocated Costs	\$1,000,000.00

GEN-2014-044 Interconnection Costs **\$2,000,000.00**

POI at Terry County 115kV. See One-line diagram

GEN-2014-044	\$2,000,000.00
<hr/>	
Total Allocated Costs	\$2,000,000.00

* Withdrawal of higher queued projects will cause a restudy and may result in higher costs

GEN-2014-071 Interconnection Costs **\$2,500,000.00**

See One-line diagram

GEN-2014-071 \$2,500,000.00

Total Allocated Costs **\$2,500,000.00**

Pile - Scott City 115kV CKT 1 **\$1,512,584.00**

Replace Terminal Equipment at Scott City Substation.

GEN-2014-071 \$1,512,584.00

Total Allocated Costs **\$1,512,584.00**

Syracuse - Tribune 115kV CKT 1 **\$300,000.00**

Replace Terminal Equipment.

GEN-2014-071 \$300,000.00

Total Allocated Costs **\$300,000.00**

TUCO 345/230/13.2kV Autotransformer CKT 3 **\$15,000,000.00**

Build TUCO 345/230/13.2kV Autotransformer CKT 3 at TUCO 2 adjacent to the TUCO substation

GEN-2014-042 \$7,484,236.73

GEN-2014-044 \$7,515,763.27

Total Allocated Costs **\$15,000,000.00**

* Withdrawal of higher queued projects will cause a restudy and may result in higher costs

Appendix F (Alt.) Cost Allocation by Upgrade

Amoco Switching Station - Yoakum Co. Int. 230kV CKT 1		\$200,000.00
Replace Line Traps.		
	GEN-2014-024	\$62,568.27
	GEN-2014-030	\$92,061.33
	GEN-2014-043	\$45,370.40
	Total Allocated Costs	\$200,000.00
Cunningham Station - Potash Junction Interchange 230kV CKT 1		\$200,000.00
NRIS only required upgrade: Replace Line Traps.		
	GEN-2014-024	\$200,000.00
	Total Allocated Costs	\$200,000.00
GEN-2014-024 Interconnection Costs		\$3,000,000.00
See One-line diagram		
	GEN-2014-024	\$3,000,000.00
	Total Allocated Costs	\$3,000,000.00
GEN-2014-030 Interconnection Costs		\$2,000,000.00
See One-line diagram		
	GEN-2014-030	\$2,000,000.00
	Total Allocated Costs	\$2,000,000.00
GEN-2014-042 and GEN-2014-044 Interconnection Costs		\$4,000,000.00
Shared POI at a line tap on Clauene - Terry County 115kV circuit 1. See combined one line.		
	GEN-2014-042	\$2,000,000.00
	GEN-2014-044	\$2,000,000.00
	Total Allocated Costs	\$4,000,000.00
GEN-2014-043 Interconnection Costs		\$1,000,000.00
See One-line diagram		
	GEN-2014-043	\$1,000,000.00
	Total Allocated Costs	\$1,000,000.00
GEN-2014-071 Interconnection Costs		\$2,500,000.00
See One-line diagram		
	GEN-2014-071	\$2,500,000.00
	Total Allocated Costs	\$2,500,000.00

* Withdrawal of higher queued projects will cause a restudy and may result in higher costs

Pile - Scott City 115kV CKT 1 **\$1,512,584.00**

Replace Terminal Equipment at Scott City Substation.

GEN-2014-071 \$1,512,584.00

Total Allocated Costs **\$1,512,584.00**

Syracuse - Tribune 115kV CKT 1 **\$300,000.00**

Replace Terminal Equipment.

GEN-2014-071 \$300,000.00

Total Allocated Costs **\$300,000.00**

TUCO 345/230/13.2kV Autotransformer CKT 3 **\$15,000,000.00**

Build TUCO 345/230/13.2kV Autotransformer CKT 3 at TUCO 2 adjacent to the TUCO substation

GEN-2014-042 \$7,500,000.00

GEN-2014-044 \$7,500,000.00

Total Allocated Costs **\$15,000,000.00**

* Withdrawal of higher queued projects will cause a restudy and may result in higher costs

G: FCITC Analysis Constraints Requiring Reinforcement (ERIS)

SEASON	GROUP	SCENARIO	DIRECTION	SOURCE	MONITORED ELEMENT	RATE		CONTINGENCY	
						(MVA)	TDF	LOADING %	CONTINGENCY
15G	6	0	TO->FROM	G14_024	AMOCO SWITCHING STATION - YOAKUM COUNTY INTERCHANGE 230KV CKT 1	350.4	0.23829	111.9184	TUCO INTERCHANGE - YOAKUM_345 345.00 345KV CKT 1
15SP	0	0	TO->FROM	G14_024	AMOCO SWITCHING STATION - YOAKUM COUNTY INTERCHANGE 230KV CKT 1	350.9	0.24271	101.0463	TUCO INTERCHANGE - YOAKUM_345 345.00 345KV CKT 1
15G	6	0	TO->FROM	G14_030	AMOCO SWITCHING STATION - YOAKUM COUNTY INTERCHANGE 230KV CKT 1	350.4	0.24285	111.9184	TUCO INTERCHANGE - YOAKUM_345 345.00 345KV CKT 1
15SP	0	0	TO->FROM	G14_030	AMOCO SWITCHING STATION - YOAKUM COUNTY INTERCHANGE 230KV CKT 1	350.9	0.24721	101.0463	TUCO INTERCHANGE - YOAKUM_345 345.00 345KV CKT 1
20WP	0	0	FROM->TO	G14_042	TUCO INTERCHANGE (GE M1022338) 345/230/13.2KV TRANSFORMER CKT 1	550.1	0.23438	101.4548	TUCO INTERCHANGE (SIEM 8743066) 345/230/13.2KV TRANSFORMER CKT 2
20WP	0	0	FROM->TO	G14_042	TUCO INTERCHANGE (GE M1022338) 345/230/13.2KV TRANSFORMER CKT 1	556.4	0.23438	100.2342	TUCO INTERCHANGE (SIEM 8743066) 345/230/13.2KV TRANSFORMER CKT 2
20WP	0	0	FROM->TO	G14_042_44	TUCO INTERCHANGE (GE M1022338) 345/230/13.2KV TRANSFORMER CKT 1	550.1	0.2337	101.4548	TUCO INTERCHANGE (SIEM 8743066) 345/230/13.2KV TRANSFORMER CKT 2
20WP	0	0	FROM->TO	G14_042_44	TUCO INTERCHANGE (GE M1022338) 345/230/13.2KV TRANSFORMER CKT 1	556.4	0.2337	100.2342	TUCO INTERCHANGE (SIEM 8743066) 345/230/13.2KV TRANSFORMER CKT 2
15G	6	0	TO->FROM	G14_043	AMOCO SWITCHING STATION - YOAKUM COUNTY INTERCHANGE 230KV CKT 1	350.4	0.2103	111.9184	TUCO INTERCHANGE - YOAKUM_345 345.00 345KV CKT 1
15SP	0	0	TO->FROM	G14_043	AMOCO SWITCHING STATION - YOAKUM COUNTY INTERCHANGE 230KV CKT 1	350.9	0.21473	101.0463	TUCO INTERCHANGE - YOAKUM_345 345.00 345KV CKT 1
20WP	0	0	FROM->TO	G14_044	TUCO INTERCHANGE (GE M1022338) 345/230/13.2KV TRANSFORMER CKT 1	550.1	0.23302	101.4548	TUCO INTERCHANGE (SIEM 8743066) 345/230/13.2KV TRANSFORMER CKT 2
20WP	0	0	FROM->TO	G14_044	TUCO INTERCHANGE (GE M1022338) 345/230/13.2KV TRANSFORMER CKT 1	556.4	0.23302	100.2342	TUCO INTERCHANGE (SIEM 8743066) 345/230/13.2KV TRANSFORMER CKT 2
15SP	0	0	FROM->TO	G14_071	PILE - SCOTT CITY 115KV CKT 1	194.4	0.35637	108.5387	HOLCOMB (HOLCOMB) 345/115/13.8KV TRANSFORMER CKT 1
15SP	0	0	FROM->TO	G14_071	PILE - SCOTT CITY 115KV CKT 1	194.4	0.35637	108.5387	SPP-SEPC-01
20SP	0	0	FROM->TO	G14_071	PILE - SCOTT CITY 115KV CKT 1	194.4	0.36369	108.378	HOLCOMB (HOLCOMB) 345/115/13.8KV TRANSFORMER CKT 1
20SP	0	0	FROM->TO	G14_071	PILE - SCOTT CITY 115KV CKT 1	194.4	0.36369	108.378	SPP-SEPC-01
15SP	0	0	FROM->TO	G14_071	SYRACUSE - TRIBUNE 115KV CKT 1	79.7	0.36248	106.9229	HOLCOMB (HOLCOMB) 345/115/13.8KV TRANSFORMER CKT 1
15SP	0	0	FROM->TO	G14_071	SYRACUSE - TRIBUNE 115KV CKT 1	79.7	0.36248	106.9229	SPP-SEPC-01
20SP	0	0	FROM->TO	G14_071	SYRACUSE - TRIBUNE 115KV CKT 1	79.6	0.36202	104.312	HOLCOMB (HOLCOMB) 345/115/13.8KV TRANSFORMER CKT 1
20SP	0	0	FROM->TO	G14_071	SYRACUSE - TRIBUNE 115KV CKT 1	79.6	0.36202	104.312	SPP-SEPC-01

H: FCITC Analysis Constraints Requiring Reinforcement (NRIS)

SEASON	GROUP	SCENARIO	DIRECTION	SOURCE	MONITORED ELEMENT	RATE (MVA)	TDF	CONTINGENCY LOADING %	CONTINGENCY
25SP	00NR	0	FROM->TO	G14_024	CUNNINGHAM STATION - POTASH JUNCTION INTERCHANGE 230KV CKT 1	347.4	0.08916	101.6454	HOBBS - KIOWA 7345.00 345KV CKT 1

I: FCITC Analysis Constraints Not Requiring Reinforcement

SEASON	GROUP	SCENARIO	DIRECTION	SOURCE	MONITORED ELEMENT	RATE (MVA)	TDF	CONTINGENCY LOADING %	CONTINGENCY
15G	6	0	TO->FROM	G14_024	ANADARKO - GRACMNT4 138.00 138KV CKT 1	225.8	0.0568	123.9127	CIMARRON - MINCO 345KV CKT 1
15G	6	0	TO->FROM	G14_024	ANADARKO - GRACMNT4 138.00 138KV CKT 1	225.8	0.0568	115.6311	GRACEMONT - MINCO 345KV CKT 1
15G	6	0	TO->FROM	G14_024	ANADARKO - GRACMNT4 138.00 138KV CKT 1	225.8	0.03129	106.5148	SOUTHWESTERN STATION - WASHITA 138KV CKT 1
15SP	0	0	TO->FROM	G14_024	ANADARKO - GRACMNT4 138.00 138KV CKT 1	227	0.05794	104.1805	CIMARRON - MINCO 345KV CKT 1
20WP	0	0	FROM->TO	G14_024	BUSHLAND INTERCHANGE (WH 7001795) 230/115/13.2KV TRANSFORMER CKT 1	165.7	0.03663	102.1133	BUSHLAND INTERCHANGE - POTTER COUNTY INTERCHANGE 230KV CKT 1
20WP	0	0	FROM->TO	G14_024	BUSHLAND INTERCHANGE (WH 7001795) 230/115/13.2KV TRANSFORMER CKT 1	166.6	0.03663	101.4416	BUSHLAND INTERCHANGE - POTTER COUNTY INTERCHANGE 230KV CKT 1
20WP	0	0	TO->FROM	G14_024	CANYON WEST SUB - DAWN SUB 115KV CKT 1	105.4	0.03042	100.2703	BUSHLAND INTERCHANGE - DEAF SMITH COUNTY INTERCHANGE 230KV CKT 1
15SP	0	0	FROM->TO	G14_024	CHISHOLM6 230.00 - ELK CITY 230KV 230KV CKT 1	351.9	0.1	156.6998	CHISHOLM7 345.00 - GRACEMONT 345KV CKT 1
15SP	0	0	FROM->TO	G14_024	CHISHOLM6 230.00 - ELK CITY 230KV 230KV CKT 1	351.9	0.0891	139.5333	SPP-AEPW-32
15SP	0	0	FROM->TO	G14_024	CHISHOLM6 230.00 - ELK CITY 230KV 230KV CKT 1	351.9	0.0891	139.5333	SPSCont-01
15SP	0	0	FROM->TO	G14_024	CHISHOLM6 230.00 - ELK CITY 230KV 230KV CKT 1	351.9	0.0891	138.5103	OKLAUNION - TUCO INTERCHANGE 345KV CKT 1
15SP	0	0	FROM->TO	G14_024	CHISHOLM6 230.00 - ELK CITY 230KV 230KV CKT 1	351.9	0.08906	138.4448	SPP-SWPS-01
15SP	0	0	FROM->TO	G14_024	CHISHOLM6 230.00 - ELK CITY 230KV 230KV CKT 1	351.9	0.09409	136.1753	CHISHOLM7 345.00 - WOODWARD DISTRICT EHV 345KV CKT 1
20SP	0	0	FROM->TO	G14_024	CHISHOLM6 230.00 - ELK CITY 230KV 230KV CKT 1	353	0.10012	132.6568	CHISHOLM7 345.00 - GRACEMONT 345KV CKT 1
15SP	0	0	FROM->TO	G14_024	CHISHOLM6 230.00 - ELK CITY 230KV 230KV CKT 1	351.9	0.07169	125.8685	G14-058T 345.00 - NORTHWEST 345KV CKT 1
15SP	0	0	FROM->TO	G14_024	CHISHOLM6 230.00 - ELK CITY 230KV 230KV CKT 1	351.9	0.07335	125.6074	DBL-THIS-WWRD
15SP	0	0	FROM->TO	G14_024	CHISHOLM6 230.00 - ELK CITY 230KV 230KV CKT 1	351.9	0.07169	125.016	G14-058T 345.00 - TATONGA7 345.00 345KV CKT 1
15SP	0	0	FROM->TO	G14_024	CHISHOLM6 230.00 - ELK CITY 230KV 230KV CKT 1	351.9	0.07121	124.6751	DBL-THIS-WICH
15SP	0	0	FROM->TO	G14_024	CHISHOLM6 230.00 - ELK CITY 230KV 230KV CKT 1	351.9	0.07218	124.6205	DBL-G1114-WWRD
15SP	0	0	FROM->TO	G14_024	CHISHOLM6 230.00 - ELK CITY 230KV 230KV CKT 1	351.9	0.07218	123.7111	DBL-BVR-G1114
15SP	0	0	FROM->TO	G14_024	CHISHOLM6 230.00 - ELK CITY 230KV 230KV CKT 1	351.9	0.07227	123.1898	FINNEY SWITCHING STATION - HOLCOMB 345KV CKT 1
15SP	0	0	FROM->TO	G14_024	CHISHOLM6 230.00 - ELK CITY 230KV 230KV CKT 1	351.9	0.07483	123.1645	G14_038T 345.00 - Hitchland Interchange 345KV CKT 1
15SP	0	0	FROM->TO	G14_024	CHISHOLM6 230.00 - ELK CITY 230KV 230KV CKT 1	351.9	0.07483	122.5961	G14_038T 345.00 - POTTER COUNTY INTERCHANGE 345KV CKT 1
15SP	0	0	FROM->TO	G14_024	CHISHOLM6 230.00 - ELK CITY 230KV 230KV CKT 1	351.9	0.07169	122.1742	G11_051T 345.00 - TATONGA7 345.00 345KV CKT 1
20WP	0	0	FROM->TO	G14_024	CHISHOLM6 230.00 - ELK CITY 230KV 230KV CKT 1	437.6	0.10125	121.6099	CHISHOLM7 345.00 - GRACEMONT 345KV CKT 1
15SP	0	0	FROM->TO	G14_024	CHISHOLM6 230.00 - ELK CITY 230KV 230KV CKT 1	351.9	0.07169	121.5775	SPSCont-05ax
15SP	0	0	FROM->TO	G14_024	CHISHOLM6 230.00 - ELK CITY 230KV 230KV CKT 1	351.9	0.06306	119.7484	ONEY - WASHITA 138KV CKT 1
20SP	0	0	FROM->TO	G14_024	CHISHOLM6 230.00 - ELK CITY 230KV 230KV CKT 1	353	0.08925	119.399	SPP-AEPW-32
20SP	0	0	FROM->TO	G14_024	CHISHOLM6 230.00 - ELK CITY 230KV 230KV CKT 1	353	0.08925	119.399	SPSCont-01
15SP	0	0	FROM->TO	G14_024	CHISHOLM6 230.00 - ELK CITY 230KV 230KV CKT 1	351.9	0.06306	119.1232	BINGER NIJECT - ONEY 138KV CKT 1
20SP	0	0	FROM->TO	G14_024	CHISHOLM6 230.00 - ELK CITY 230KV 230KV CKT 1	353	0.08925	118.3792	OKLAUNION - TUCO INTERCHANGE 345KV CKT 1
20SP	0	0	FROM->TO	G14_024	CHISHOLM6 230.00 - ELK CITY 230KV 230KV CKT 1	353	0.0892	118.341	SPP-SWPS-01
20SP	0	0	FROM->TO	G14_024	CHISHOLM6 230.00 - ELK CITY 230KV 230KV CKT 1	353	0.09451	118.0135	CHISHOLM7 345.00 - WOODWARD DISTRICT EHV 345KV CKT 1
15G	6	0	FROM->TO	G14_024	CHISHOLM6 230.00 - ELK CITY 230KV 230KV CKT 1	437.8	0.095	117.0994	CHISHOLM7 345.00 - GRACEMONT 345KV CKT 1
15SP	0	0	FROM->TO	G14_024	CHISHOLM6 230.00 - ELK CITY 230KV 230KV CKT 1	351.9	0.0665	116.0497	BASE CASE
20SP	0	0	FROM->TO	G14_024	CHISHOLM6 230.00 - ELK CITY 230KV 230KV CKT 1	353	0.07356	108.6401	DBL-THIS-WWRD
20SP	0	0	FROM->TO	G14_024	CHISHOLM6 230.00 - ELK CITY 230KV 230KV CKT 1	353	0.07181	108.4076	G14-058T 345.00 - NORTHWEST 345KV CKT 1
20SP	0	0	FROM->TO	G14_024	CHISHOLM6 230.00 - ELK CITY 230KV 230KV CKT 1	353	0.07181	107.5578	G14-058T 345.00 - TATONGA7 345.00 345KV CKT 1
20SP	0	0	FROM->TO	G14_024	CHISHOLM6 230.00 - ELK CITY 230KV 230KV CKT 1	353	0.0713	107.5542	DBL-THIS-WICH
20SP	0	0	FROM->TO	G14_024	CHISHOLM6 230.00 - ELK CITY 230KV 230KV CKT 1	353	0.07257	107.3384	DBL-G1114-WWRD
20WP	0	0	FROM->TO	G14_024	CHISHOLM6 230.00 - ELK CITY 230KV 230KV CKT 1	437.6	0.09008	106.7283	SPP-AEPW-32
20WP	0	0	FROM->TO	G14_024	CHISHOLM6 230.00 - ELK CITY 230KV 230KV CKT 1	437.6	0.09008	106.7283	SPSCont-01
20SP	0	0	FROM->TO	G14_024	CHISHOLM6 230.00 - ELK CITY 230KV 230KV CKT 1	353	0.07265	106.5058	FINNEY SWITCHING STATION - HOLCOMB 345KV CKT 1
20SP	0	0	FROM->TO	G14_024	CHISHOLM6 230.00 - ELK CITY 230KV 230KV CKT 1	353	0.07257	106.4318	DBL-BVR-G1114
20SP	0	0	FROM->TO	G14_024	CHISHOLM6 230.00 - ELK CITY 230KV 230KV CKT 1	353	0.06329	106.0311	ONEY - WASHITA 138KV CKT 1
20SP	0	0	FROM->TO	G14_024	CHISHOLM6 230.00 - ELK CITY 230KV 230KV CKT 1	353	0.07504	106.0064	G14_038T 345.00 - Hitchland Interchange 345KV CKT 1
20WP	0	0	FROM->TO	G14_024	CHISHOLM6 230.00 - ELK CITY 230KV 230KV CKT 1	437.6	0.09008	105.9056	OKLAUNION - TUCO INTERCHANGE 345KV CKT 1
20WP	0	0	FROM->TO	G14_024	CHISHOLM6 230.00 - ELK CITY 230KV 230KV CKT 1	437.6	0.09004	105.8291	SPP-SWPS-01
20SP	0	0	FROM->TO	G14_024	CHISHOLM6 230.00 - ELK CITY 230KV 230KV CKT 1	353	0.07504	105.4398	G14_038T 345.00 - POTTER COUNTY INTERCHANGE 345KV CKT 1
20SP	0	0	FROM->TO	G14_024	CHISHOLM6 230.00 - ELK CITY 230KV 230KV CKT 1	353	0.06329	105.3796	BINGER NIJECT - ONEY 138KV CKT 1
20WP	0	0	FROM->TO	G14_024	CHISHOLM6 230.00 - ELK CITY 230KV 230KV CKT 1	437.6	0.09516	105.3623	CHISHOLM7 345.00 - WOODWARD DISTRICT EHV 345KV CKT 1
20SP	0	0	FROM->TO	G14_024	CHISHOLM6 230.00 - ELK CITY 230KV 230KV CKT 1	353	0.07138	105.1216	CIMARRON - MINCO 345KV CKT 1
20SP	0	0	FROM->TO	G14_024	CHISHOLM6 230.00 - ELK CITY 230KV 230KV CKT 1	353	0.06329	104.3597	BINGER NIJECT - SICKLES 138KV CKT 1
15G	6	0	FROM->TO	G14_024	CHISHOLM6 230.00 - ELK CITY 230KV 230KV CKT 1	437.8	0.08429	101.0119	SPP-AEPW-32
15G	6	0	FROM->TO	G14_024	CHISHOLM6 230.00 - ELK CITY 230KV 230KV CKT 1	437.8	0.08429	101.0119	SPSCont-01
15G	6	0	FROM->TO	G14_024	CHISHOLM6 230.00 - ELK CITY 230KV 230KV CKT 1	437.8	0.08429	100.1439	OKLAUNION - TUCO INTERCHANGE 345KV CKT 1
15G	6	0	FROM->TO	G14_024	CHISHOLM6 230.00 - ELK CITY 230KV 230KV CKT 1	437.8	0.08425	100.0685	SPP-SWPS-01
20SP	0	0	FROM->TO	G14_024	CHISHOLM6 230.00 - ELK CITY 230KV 230KV CKT 1	353	0.06677	100.0543	BASE CASE

SEASON	GROUP	SCENARIO	DIRECTION	SOURCE	MONITORED ELEMENT	RATE		CONTINGENCY		CONTINGENCY	
						(MVA)	TDF	LOADING %			
20WP	0	0	TO->FROM	G14_024	CIMARRON - MINCO 345KV CKT 1	953.8	0.23565	122.044	G14-057T	345.00	SUNNYSIDE 345KV CKT 1
20WP	0	0	TO->FROM	G14_024	CIMARRON - MINCO 345KV CKT 1	953.8	0.23565	119.8528	G14-057T	345.00	LAWTON EASTSIDE 345KV CKT 1
20WP	0	0	TO->FROM	G14_024	CIMARRON - MINCO 345KV CKT 1	953.8	0.20187	105.5389	G14-058T	345.00	NORTHWEST 345KV CKT 1
15G	6	0	TO->FROM	G14_024	CIMARRON - MINCO 345KV CKT 1	954.6	0.23684	104.8564	G14-057T	345.00	SUNNYSIDE 345KV CKT 1
20WP	0	0	TO->FROM	G14_024	CIMARRON - MINCO 345KV CKT 1	953.8	0.20187	104.1235	G14-058T	345.00	TATONGA7 345.00 345KV CKT 1
20WP	0	0	TO->FROM	G14_024	CIMARRON - MINCO 345KV CKT 1	953.8	0.23155	103.6945	CHISHOLM7	345.00	WOODWARD DISTRICT EHV 345KV CKT 1
15SP	0	0	TO->FROM	G14_024	CIMARRON - MINCO 345KV CKT 1	954.9	0.23929	103.0708	G14-057T	345.00	SUNNYSIDE 345KV CKT 1
15G	6	0	TO->FROM	G14_024	CIMARRON - MINCO 345KV CKT 1	954.6	0.23684	102.6147	G14-057T	345.00	LAWTON EASTSIDE 345KV CKT 1
15SP	0	0	TO->FROM	G14_024	CIMARRON - MINCO 345KV CKT 1	954.9	0.23929	100.7773	G14-057T	345.00	LAWTON EASTSIDE 345KV CKT 1
15G	3	0	TO->FROM	G14_024	CIRCLE - MULLERGREEN 230KV CKT 1	392.8	0.03245	106.1357	DBL-THIS-WICH		
15G	3	0	FROM->TO	G14_024	CLEARWATER - GILL ENERGY CENTER WEST 138KV CKT 1	131.5	0.03245	213.2866	DBL-THIS-WICH		
15SP	0	0	FROM->TO	G14_024	CLEARWATER - GILL ENERGY CENTER WEST 138KV CKT 1	128	0.0331	182.3731	DBL-THIS-WICH		
15G	3	0	TO->FROM	G14_024	CLEARWATER - MILAN TAP 138KV CKT 1	87.2	0.03245	328.064	DBL-THIS-WICH		
15SP	0	0	TO->FROM	G14_024	CLEARWATER - MILAN TAP 138KV CKT 1	82	0.0331	294.3141	DBL-THIS-WICH		
20WP	0	0	TO->FROM	G14_024	CLEARWATER - MILAN TAP 138KV CKT 1	92.1	0.03287	290.0294	DBL-THIS-WICH		
20SP	0	0	TO->FROM	G14_024	CLEARWATER - MILAN TAP 138KV CKT 1	85.8	0.03331	264.8761	DBL-THIS-WICH		
15SP	0	0	TO->FROM	G14_024	CLINTON JUNCTION - ELK CITY 138KV CKT 1	148	0.04129	146.7703	CHISHOLM7	345.00	GRACEMONT 345KV CKT 1
15SP	0	0	TO->FROM	G14_024	CLINTON JUNCTION - ELK CITY 138KV CKT 1	148	0.03633	128.5649	SPP-AEPW-32		
15SP	0	0	TO->FROM	G14_024	CLINTON JUNCTION - ELK CITY 138KV CKT 1	148	0.03633	128.5649	SPSCont-01		
15SP	0	0	TO->FROM	G14_024	CLINTON JUNCTION - ELK CITY 138KV CKT 1	148	0.03633	127.8217	OKLAUNION - TUCO INTERCHANGE 345KV CKT 1		
15SP	0	0	TO->FROM	G14_024	CLINTON JUNCTION - ELK CITY 138KV CKT 1	148	0.03633	127.8187	SPP-SWPS-01		
15SP	0	0	TO->FROM	G14_024	CLINTON JUNCTION - ELK CITY 138KV CKT 1	148	0.03116	123.4178	G14-058T	345.00	NORTHWEST 345KV CKT 1
15SP	0	0	TO->FROM	G14_024	CLINTON JUNCTION - ELK CITY 138KV CKT 1	148	0.03116	121.9989	G14-058T	345.00	TATONGA7 345.00 345KV CKT 1
15SP	0	0	TO->FROM	G14_024	CLINTON JUNCTION - ELK CITY 138KV CKT 1	148	0.03191	121.596	DBL-THIS-WWRD		
15SP	0	0	TO->FROM	G14_024	CLINTON JUNCTION - ELK CITY 138KV CKT 1	148	0.03114	120.5036	CLINTON AIR FORCE BASE TAP - ELK CITY 138KV CKT 1		
15SP	0	0	TO->FROM	G14_024	CLINTON JUNCTION - ELK CITY 138KV CKT 1	148	0.03114	119.5576	CLINTON AIR FORCE BASE TAP - HOBART JUNCTION 138KV CKT 1		
15SP	0	0	TO->FROM	G14_024	CLINTON JUNCTION - ELK CITY 138KV CKT 1	148	0.03025	118.8971	DBL-THIS-WICH		
15G	6	0	TO->FROM	G14_024	CLINTON JUNCTION - ELK CITY 138KV CKT 1	185.4	0.04018	118.5212	CHISHOLM7	345.00	GRACEMONT 345KV CKT 1
20SP	0	0	TO->FROM	G14_024	CLINTON JUNCTION - ELK CITY 138KV CKT 1	150.5	0.04118	116.8587	CHISHOLM7	345.00	GRACEMONT 345KV CKT 1
20WP	0	0	TO->FROM	G14_024	CLINTON JUNCTION - ELK CITY 138KV CKT 1	185.3	0.04151	112.958	CHISHOLM7	345.00	GRACEMONT 345KV CKT 1
20SP	0	0	TO->FROM	G14_024	CLINTON JUNCTION - ELK CITY 138KV CKT 1	150.5	0.03624	102.8153	SPP-AEPW-32		
20SP	0	0	TO->FROM	G14_024	CLINTON JUNCTION - ELK CITY 138KV CKT 1	150.5	0.03624	102.8153	SPSCont-01		
20SP	0	0	TO->FROM	G14_024	CLINTON JUNCTION - ELK CITY 138KV CKT 1	150.5	0.03624	102.2173	OKLAUNION - TUCO INTERCHANGE 345KV CKT 1		
20SP	0	0	TO->FROM	G14_024	CLINTON JUNCTION - ELK CITY 138KV CKT 1	150.5	0.03623	102.2115	SPP-SWPS-01		
15G	6	0	TO->FROM	G14_024	CLINTON JUNCTION - ELK CITY 138KV CKT 1	185.4	0.03528	101.6291	SPP-AEPW-32		
15G	6	0	TO->FROM	G14_024	CLINTON JUNCTION - ELK CITY 138KV CKT 1	185.4	0.03528	101.6291	SPSCont-01		
15G	6	0	TO->FROM	G14_024	CLINTON JUNCTION - ELK CITY 138KV CKT 1	185.4	0.03528	101.0897	OKLAUNION - TUCO INTERCHANGE 345KV CKT 1		
15G	6	0	TO->FROM	G14_024	CLINTON JUNCTION - ELK CITY 138KV CKT 1	185.4	0.03527	101.0335	SPP-SWPS-01		
15SP	00NR	0	FROM->TO	G14_024	CUNNINGHAM STATION - MADDOX STATION 115KV CKT 1	159.6	0.04138	115.2494	HOBBS INTERCHANGE - MADDOX STATION 115KV CKT 1		
20WP	0	0	TO->FROM	G14_024	DAWN SUB - Panda Energy Substation Hereford 115KV CKT 1	105.7	0.03042	105.5676	BUSHLAND INTERCHANGE - DEAF SMITH COUNTY INTERCHANGE 230KV CKT 1		
15SP	0	0	TO->FROM	G14_024	DEAF SMITH COUNTY INTERCHANGE - G14-068T 230.00 230KV CKT 1	348.9	0.09972	109.871	POTTER COUNTY INTERCHANGE - TOLK STATION 345KV CKT 1		
20WP	0	0	TO->FROM	G14_024	DEAF SMITH COUNTY INTERCHANGE - G14-068T 230.00 230KV CKT 1	360.6	0.09696	108.1503	POTTER COUNTY INTERCHANGE - TOLK STATION 345KV CKT 1		
20SP	0	0	TO->FROM	G14_024	DEAF SMITH COUNTY INTERCHANGE - G14-068T 230.00 230KV CKT 1	347.7	0.09939	103.1477	POTTER COUNTY INTERCHANGE - TOLK STATION 345KV CKT 1		
25SP	0	0	TO->FROM	G14_024	DEAF SMITH COUNTY INTERCHANGE - G14-068T 230.00 230KV CKT 1	346.1	0.0996	102.6987	POTTER COUNTY INTERCHANGE - TOLK STATION 345KV CKT 1		
20WP	0	0	FROM->TO	G14_024	DEAF SMITH COUNTY INTERCHANGE - Panda Energy Substation Hereford 115KV CKT 1	105.9	0.03042	111.9782	BUSHLAND INTERCHANGE - DEAF SMITH COUNTY INTERCHANGE 230KV CKT 1		
15SP	0	0	FROM->TO	G14_024	ELK CITY 230KV (ELKCTY-6) 230/138/13.8KV TRANSFORMER CKT 1	309.1	0.1	178.2357	CHISHOLM7	345.00	GRACEMONT 345KV CKT 1
15SP	0	0	FROM->TO	G14_024	ELK CITY 230KV (ELKCTY-6) 230/138/13.8KV TRANSFORMER CKT 1	314.8	0.1	175.1673	CHISHOLM7	345.00	GRACEMONT 345KV CKT 1
20WP	0	0	FROM->TO	G14_024	ELK CITY 230KV (ELKCTY-6) 230/138/13.8KV TRANSFORMER CKT 1	308.8	0.10125	172.2036	CHISHOLM7	345.00	GRACEMONT 345KV CKT 1
20WP	0	0	FROM->TO	G14_024	ELK CITY 230KV (ELKCTY-6) 230/138/13.8KV TRANSFORMER CKT 1	314.1	0.10125	169.4252	CHISHOLM7	345.00	GRACEMONT 345KV CKT 1
15G	6	0	FROM->TO	G14_024	ELK CITY 230KV (ELKCTY-6) 230/138/13.8KV TRANSFORMER CKT 1	310	0.095	165.2132	CHISHOLM7	345.00	GRACEMONT 345KV CKT 1
15G	6	0	FROM->TO	G14_024	ELK CITY 230KV (ELKCTY-6) 230/138/13.8KV TRANSFORMER CKT 1	314.4	0.095	163.0601	CHISHOLM7	345.00	GRACEMONT 345KV CKT 1
15SP	0	0	FROM->TO	G14_024	ELK CITY 230KV (ELKCTY-6) 230/138/13.8KV TRANSFORMER CKT 1	309.1	0.0891	158.6922	SPP-AEPW-32		
15SP	0	0	FROM->TO	G14_024	ELK CITY 230KV (ELKCTY-6) 230/138/13.8KV TRANSFORMER CKT 1	309.1	0.0891	158.6922	SPSCont-01		
15SP	0	0	FROM->TO	G14_024	ELK CITY 230KV (ELKCTY-6) 230/138/13.8KV TRANSFORMER CKT 1	309.1	0.0891	157.4952	OKLAUNION - TUCO INTERCHANGE 345KV CKT 1		
15SP	0	0	FROM->TO	G14_024	ELK CITY 230KV (ELKCTY-6) 230/138/13.8KV TRANSFORMER CKT 1	309.1	0.08906	157.453	SPP-SWPS-01		
15SP	0	0	FROM->TO	G14_024	ELK CITY 230KV (ELKCTY-6) 230/138/13.8KV TRANSFORMER CKT 1	314.8	0.0891	155.9777	SPP-AEPW-32		
15SP	0	0	FROM->TO	G14_024	ELK CITY 230KV (ELKCTY-6) 230/138/13.8KV TRANSFORMER CKT 1	314.8	0.0891	155.9777	SPSCont-01		
15SP	0	0	FROM->TO	G14_024	ELK CITY 230KV (ELKCTY-6) 230/138/13.8KV TRANSFORMER CKT 1	309.1	0.09409	154.8693	CHISHOLM7	345.00	WOODWARD DISTRICT EHV 345KV CKT 1

SEASON	GROUP	SCENARIO	DIRECTION	SOURCE	MONITORED ELEMENT	RATE		CONTINGENCY		CONTINGENCY
						(MVA)	TDF	LOADING %		
15SP	0	0	FROM->TO	G14_024	ELK CITY 230KV (ELKCTY-6) 230/138/13.8KV TRANSFORMER CKT 1	314.8	0.0891	154.8341	OKLAUNION - TUCO INTERCHANGE 345KV CKT 1	
15SP	0	0	FROM->TO	G14_024	ELK CITY 230KV (ELKCTY-6) 230/138/13.8KV TRANSFORMER CKT 1	314.8	0.08906	154.7609	SPP-SWPS-01	
15SP	0	0	FROM->TO	G14_024	ELK CITY 230KV (ELKCTY-6) 230/138/13.8KV TRANSFORMER CKT 1	264	0.0665	154.4995	BASE CASE	
15SP	0	0	FROM->TO	G14_024	ELK CITY 230KV (ELKCTY-6) 230/138/13.8KV TRANSFORMER CKT 1	314.8	0.09409	152.2239	CHISHOLM7 345.00 - WOODWARD DISTRICT EHV 345KV CKT 1	
20WP	0	0	FROM->TO	G14_024	ELK CITY 230KV (ELKCTY-6) 230/138/13.8KV TRANSFORMER CKT 1	308.8	0.09008	151.0826	SPP-AEPW-32	
20WP	0	0	FROM->TO	G14_024	ELK CITY 230KV (ELKCTY-6) 230/138/13.8KV TRANSFORMER CKT 1	308.8	0.09008	151.0826	SPSCont-01	
15SP	0	0	FROM->TO	G14_024	ELK CITY 230KV (ELKCTY-6) 230/138/13.8KV TRANSFORMER CKT 1	270.6	0.0665	150.916	BASE CASE	
20WP	0	0	FROM->TO	G14_024	ELK CITY 230KV (ELKCTY-6) 230/138/13.8KV TRANSFORMER CKT 1	308.8	0.09008	149.9168	OKLAUNION - TUCO INTERCHANGE 345KV CKT 1	
20WP	0	0	FROM->TO	G14_024	ELK CITY 230KV (ELKCTY-6) 230/138/13.8KV TRANSFORMER CKT 1	308.8	0.09004	149.8084	SPP-SWPS-01	
20WP	0	0	FROM->TO	G14_024	ELK CITY 230KV (ELKCTY-6) 230/138/13.8KV TRANSFORMER CKT 1	308.8	0.09516	149.1468	CHISHOLM7 345.00 - WOODWARD DISTRICT EHV 345KV CKT 1	
20SP	0	0	FROM->TO	G14_024	ELK CITY 230KV (ELKCTY-6) 230/138/13.8KV TRANSFORMER CKT 1	314.5	0.10012	148.769	CHISHOLM7 345.00 - GRACEMONT 345KV CKT 1	
20WP	0	0	FROM->TO	G14_024	ELK CITY 230KV (ELKCTY-6) 230/138/13.8KV TRANSFORMER CKT 1	314.1	0.09008	148.6925	SPP-AEPW-32	
20WP	0	0	FROM->TO	G14_024	ELK CITY 230KV (ELKCTY-6) 230/138/13.8KV TRANSFORMER CKT 1	314.1	0.09008	148.6925	SPSCont-01	
20SP	0	0	FROM->TO	G14_024	ELK CITY 230KV (ELKCTY-6) 230/138/13.8KV TRANSFORMER CKT 1	316	0.10012	148.1895	CHISHOLM7 345.00 - GRACEMONT 345KV CKT 1	
20WP	0	0	FROM->TO	G14_024	ELK CITY 230KV (ELKCTY-6) 230/138/13.8KV TRANSFORMER CKT 1	314.1	0.09008	147.5463	OKLAUNION - TUCO INTERCHANGE 345KV CKT 1	
20WP	0	0	FROM->TO	G14_024	ELK CITY 230KV (ELKCTY-6) 230/138/13.8KV TRANSFORMER CKT 1	314.1	0.09004	147.4398	SPP-SWPS-01	
20WP	0	0	FROM->TO	G14_024	ELK CITY 230KV (ELKCTY-6) 230/138/13.8KV TRANSFORMER CKT 1	314.1	0.09516	146.7893	CHISHOLM7 345.00 - WOODWARD DISTRICT EHV 345KV CKT 1	
15SP	0	0	FROM->TO	G14_024	ELK CITY 230KV (ELKCTY-6) 230/138/13.8KV TRANSFORMER CKT 1	309.1	0.07169	143.1353	G14-058T 345.00 - NORTHWEST 345KV CKT 1	
15SP	0	0	FROM->TO	G14_024	ELK CITY 230KV (ELKCTY-6) 230/138/13.8KV TRANSFORMER CKT 1	309.1	0.07335	142.8057	DBL-THIS-WWRD	
15G	6	0	FROM->TO	G14_024	ELK CITY 230KV (ELKCTY-6) 230/138/13.8KV TRANSFORMER CKT 1	310	0.08429	142.4936	SPP-AEPW-32	
15G	6	0	FROM->TO	G14_024	ELK CITY 230KV (ELKCTY-6) 230/138/13.8KV TRANSFORMER CKT 1	310	0.08429	142.4936	SPSCont-01	
15SP	0	0	FROM->TO	G14_024	ELK CITY 230KV (ELKCTY-6) 230/138/13.8KV TRANSFORMER CKT 1	309.1	0.07169	142.1647	G14-058T 345.00 - TATONGA7 345.00 345KV CKT 1	
15SP	0	0	FROM->TO	G14_024	ELK CITY 230KV (ELKCTY-6) 230/138/13.8KV TRANSFORMER CKT 1	309.1	0.07121	141.7766	DBL-THIS-WICH	
15SP	0	0	FROM->TO	G14_024	ELK CITY 230KV (ELKCTY-6) 230/138/13.8KV TRANSFORMER CKT 1	309.1	0.07218	141.6821	DBL-G1114-WWRD	
15G	6	0	FROM->TO	G14_024	ELK CITY 230KV (ELKCTY-6) 230/138/13.8KV TRANSFORMER CKT 1	310	0.08429	141.3	OKLAUNION - TUCO INTERCHANGE 345KV CKT 1	
15G	6	0	FROM->TO	G14_024	ELK CITY 230KV (ELKCTY-6) 230/138/13.8KV TRANSFORMER CKT 1	310	0.08425	141.1935	SPP-SWPS-01	
15SP	0	0	FROM->TO	G14_024	ELK CITY 230KV (ELKCTY-6) 230/138/13.8KV TRANSFORMER CKT 1	314.8	0.07169	140.7024	G14-058T 345.00 - NORTHWEST 345KV CKT 1	
15SP	0	0	FROM->TO	G14_024	ELK CITY 230KV (ELKCTY-6) 230/138/13.8KV TRANSFORMER CKT 1	309.1	0.07218	140.6792	DBL-BVR-G1114	
15G	6	0	FROM->TO	G14_024	ELK CITY 230KV (ELKCTY-6) 230/138/13.8KV TRANSFORMER CKT 1	314.4	0.08429	140.6584	SPP-AEPW-32	
15G	6	0	FROM->TO	G14_024	ELK CITY 230KV (ELKCTY-6) 230/138/13.8KV TRANSFORMER CKT 1	314.4	0.08429	140.6584	SPSCont-01	
15SP	0	0	FROM->TO	G14_024	ELK CITY 230KV (ELKCTY-6) 230/138/13.8KV TRANSFORMER CKT 1	314.8	0.07335	140.4106	DBL-THIS-WWRD	
15SP	0	0	FROM->TO	G14_024	ELK CITY 230KV (ELKCTY-6) 230/138/13.8KV TRANSFORMER CKT 1	309.1	0.07227	140.0533	FINNEY SWITCHING STATION - HOLCOMB 345KV CKT 1	
15SP	0	0	FROM->TO	G14_024	ELK CITY 230KV (ELKCTY-6) 230/138/13.8KV TRANSFORMER CKT 1	314.8	0.07169	139.7494	G14-058T 345.00 - TATONGA7 345.00 345KV CKT 1	
15G	6	0	FROM->TO	G14_024	ELK CITY 230KV (ELKCTY-6) 230/138/13.8KV TRANSFORMER CKT 1	310	0.08892	139.5051	CHISHOLM7 345.00 - WOODWARD DISTRICT EHV 345KV CKT 1	
15G	6	0	FROM->TO	G14_024	ELK CITY 230KV (ELKCTY-6) 230/138/13.8KV TRANSFORMER CKT 1	314.4	0.08429	139.4498	OKLAUNION - TUCO INTERCHANGE 345KV CKT 1	
15SP	0	0	FROM->TO	G14_024	ELK CITY 230KV (ELKCTY-6) 230/138/13.8KV TRANSFORMER CKT 1	314.8	0.07121	139.3683	DBL-THIS-WICH	
15G	6	0	FROM->TO	G14_024	ELK CITY 230KV (ELKCTY-6) 230/138/13.8KV TRANSFORMER CKT 1	314.4	0.08425	139.3447	SPP-SWPS-01	
15SP	0	0	FROM->TO	G14_024	ELK CITY 230KV (ELKCTY-6) 230/138/13.8KV TRANSFORMER CKT 1	314.8	0.07218	139.3073	DBL-G1114-WWRD	
15SP	0	0	FROM->TO	G14_024	ELK CITY 230KV (ELKCTY-6) 230/138/13.8KV TRANSFORMER CKT 1	314.8	0.07218	138.2908	DBL-BVR-G1114	
15SP	0	0	FROM->TO	G14_024	ELK CITY 230KV (ELKCTY-6) 230/138/13.8KV TRANSFORMER CKT 1	314.8	0.07227	137.708	FINNEY SWITCHING STATION - HOLCOMB 345KV CKT 1	
15G	6	0	FROM->TO	G14_024	ELK CITY 230KV (ELKCTY-6) 230/138/13.8KV TRANSFORMER CKT 1	314.4	0.08892	137.68	CHISHOLM7 345.00 - WOODWARD DISTRICT EHV 345KV CKT 1	
15SP	0	0	FROM->TO	G14_024	ELK CITY 230KV (ELKCTY-6) 230/138/13.8KV TRANSFORMER CKT 1	314.8	0.07169	136.5728	G11_051T 345.00 - TATONGA7 345.00 345KV CKT 1	
20WP	0	0	FROM->TO	G14_024	ELK CITY 230KV (ELKCTY-6) 230/138/13.8KV TRANSFORMER CKT 1	279.1	0.06751	136.264	BASE CASE	
15SP	0	0	FROM->TO	G14_024	ELK CITY 230KV (ELKCTY-6) 230/138/13.8KV TRANSFORMER CKT 1	309.1	0.06306	136.1354	ONEY - WASHITA 138KV CKT 1	
15SP	0	0	FROM->TO	G14_024	ELK CITY 230KV (ELKCTY-6) 230/138/13.8KV TRANSFORMER CKT 1	309.1	0.0665	136.0657	SOUTHWESTERN STATION 138/24.0KV TRANSFORMER CKT 1	
15SP	0	0	FROM->TO	G14_024	ELK CITY 230KV (ELKCTY-6) 230/138/13.8KV TRANSFORMER CKT 1	309.1	0.06306	135.456	BINGER NIJECT - ONEY 138KV CKT 1	
20WP	0	0	FROM->TO	G14_024	ELK CITY 230KV (ELKCTY-6) 230/138/13.8KV TRANSFORMER CKT 1	308.8	0.07263	135.2121	G14-058T 345.00 - NORTHWEST 345KV CKT 1	
15SP	0	0	FROM->TO	G14_024	ELK CITY 230KV (ELKCTY-6) 230/138/13.8KV TRANSFORMER CKT 1	309.1	0.06306	134.2913	BINGER NIJECT - SICKLES 138KV CKT 1	
20WP	0	0	FROM->TO	G14_024	ELK CITY 230KV (ELKCTY-6) 230/138/13.8KV TRANSFORMER CKT 1	308.8	0.07263	134.2729	G14-058T 345.00 - TATONGA7 345.00 345KV CKT 1	
20WP	0	0	FROM->TO	G14_024	ELK CITY 230KV (ELKCTY-6) 230/138/13.8KV TRANSFORMER CKT 1	308.8	0.07422	134.0952	DBL-THIS-WWRD	
20SP	0	0	FROM->TO	G14_024	ELK CITY 230KV (ELKCTY-6) 230/138/13.8KV TRANSFORMER CKT 1	314.5	0.08925	133.8882	SPP-AEPW-32	
20SP	0	0	FROM->TO	G14_024	ELK CITY 230KV (ELKCTY-6) 230/138/13.8KV TRANSFORMER CKT 1	314.5	0.08925	133.8882	SPSCont-01	
15SP	0	0	FROM->TO	G14_024	ELK CITY 230KV (ELKCTY-6) 230/138/13.8KV TRANSFORMER CKT 1	314.8	0.06306	133.861	ONEY - WASHITA 138KV CKT 1	
20WP	0	0	FROM->TO	G14_024	ELK CITY 230KV (ELKCTY-6) 230/138/13.8KV TRANSFORMER CKT 1	308.8	0.07338	133.794	DBL-G1114-WWRD	
15SP	0	0	FROM->TO	G14_024	ELK CITY 230KV (ELKCTY-6) 230/138/13.8KV TRANSFORMER CKT 1	314.8	0.0665	133.7926	SOUTHWESTERN STATION 138/24.0KV TRANSFORMER CKT 1	
20WP	0	0	FROM->TO	G14_024	ELK CITY 230KV (ELKCTY-6) 230/138/13.8KV TRANSFORMER CKT 1	284.9	0.06751	133.6654	BASE CASE	
20WP	0	0	FROM->TO	G14_024	ELK CITY 230KV (ELKCTY-6) 230/138/13.8KV TRANSFORMER CKT 1	308.8	0.07194	133.5297	DBL-THIS-WICH	
20SP	0	0	FROM->TO	G14_024	ELK CITY 230KV (ELKCTY-6) 230/138/13.8KV TRANSFORMER CKT 1	316	0.08925	133.3793	SPP-AEPW-32	

SEASON	GROUP	SCENARIO	DIRECTION	SOURCE	MONITORED ELEMENT	RATE (MVA)	TDF	CONTINGENCY LOADING %	CONTINGENCY
20SP	0	0	FROM->TO	G14_024	ELK CITY 230KV (ELKCTY-6) 230/138/13.8KV TRANSFORMER CKT 1	316	0.08925	133.3793	SPSCont-01
15SP	0	0	FROM->TO	G14_024	ELK CITY 230KV (ELKCTY-6) 230/138/13.8KV TRANSFORMER CKT 1	314.8	0.06306	133.1622	BINGER NIJECT - ONEY 138KV CKT 1
20WP	0	0	FROM->TO	G14_024	ELK CITY 230KV (ELKCTY-6) 230/138/13.8KV TRANSFORMER CKT 1	314.1	0.07263	133.0579	G14-058T 345.00 - NORTHWEST 345KV CKT 1
20WP	0	0	FROM->TO	G14_024	ELK CITY 230KV (ELKCTY-6) 230/138/13.8KV TRANSFORMER CKT 1	308.8	0.07338	132.7578	DBL-BVR-G1114
20SP	0	0	FROM->TO	G14_024	ELK CITY 230KV (ELKCTY-6) 230/138/13.8KV TRANSFORMER CKT 1	314.5	0.08925	132.7435	OKLAUNION - TUCO INTERCHANGE 345KV CKT 1
20SP	0	0	FROM->TO	G14_024	ELK CITY 230KV (ELKCTY-6) 230/138/13.8KV TRANSFORMER CKT 1	314.5	0.0892	132.7007	SPP-SWPS-01
20SP	0	0	FROM->TO	G14_024	ELK CITY 230KV (ELKCTY-6) 230/138/13.8KV TRANSFORMER CKT 1	314.5	0.09451	132.3331	CHISHOLM7 345.00 - WOODWARD DISTRICT EHV 345KV CKT 1
20SP	0	0	FROM->TO	G14_024	ELK CITY 230KV (ELKCTY-6) 230/138/13.8KV TRANSFORMER CKT 1	316	0.08925	132.24	OKLAUNION - TUCO INTERCHANGE 345KV CKT 1
20SP	0	0	FROM->TO	G14_024	ELK CITY 230KV (ELKCTY-6) 230/138/13.8KV TRANSFORMER CKT 1	316	0.0892	132.1974	SPP-SWPS-01
20WP	0	0	FROM->TO	G14_024	ELK CITY 230KV (ELKCTY-6) 230/138/13.8KV TRANSFORMER CKT 1	314.1	0.07263	132.1346	G14-058T 345.00 - TATONGA7 345.00 345KV CKT 1
15SP	0	0	FROM->TO	G14_024	ELK CITY 230KV (ELKCTY-6) 230/138/13.8KV TRANSFORMER CKT 1	314.8	0.06306	132.0186	BINGER NIJECT - SICKLES 138KV CKT 1
20WP	0	0	FROM->TO	G14_024	ELK CITY 230KV (ELKCTY-6) 230/138/13.8KV TRANSFORMER CKT 1	314.1	0.07422	131.9917	DBL-THIS-WWRD
20SP	0	0	FROM->TO	G14_024	ELK CITY 230KV (ELKCTY-6) 230/138/13.8KV TRANSFORMER CKT 1	316	0.09451	131.8315	CHISHOLM7 345.00 - WOODWARD DISTRICT EHV 345KV CKT 1
20WP	0	0	FROM->TO	G14_024	ELK CITY 230KV (ELKCTY-6) 230/138/13.8KV TRANSFORMER CKT 1	308.8	0.07579	131.7786	G14_038T 345.00 - Hitchland Interchange 345KV CKT 1
20WP	0	0	FROM->TO	G14_024	ELK CITY 230KV (ELKCTY-6) 230/138/13.8KV TRANSFORMER CKT 1	314.1	0.07338	131.6638	DBL-G1114-WWRD
20WP	0	0	FROM->TO	G14_024	ELK CITY 230KV (ELKCTY-6) 230/138/13.8KV TRANSFORMER CKT 1	314.1	0.07194	131.4357	DBL-THIS-WICH
15SP	0	0	FROM->TO	G14_024	ELK CITY 230KV (ELKCTY-6) 230/138/13.8KV TRANSFORMER CKT 1	314.8	0.06173	131.3283	3TERM10
20WP	0	0	FROM->TO	G14_024	ELK CITY 230KV (ELKCTY-6) 230/138/13.8KV TRANSFORMER CKT 1	308.8	0.07263	131.1317	G11_051T 345.00 - TATONGA7 345.00 345KV CKT 1
20WP	0	0	FROM->TO	G14_024	ELK CITY 230KV (ELKCTY-6) 230/138/13.8KV TRANSFORMER CKT 1	314.1	0.07338	130.6768	DBL-BVR-G1114
20WP	0	0	FROM->TO	G14_024	ELK CITY 230KV (ELKCTY-6) 230/138/13.8KV TRANSFORMER CKT 1	308.8	0.07341	130.6656	FINNEY SWITCHING STATION - HOLCOMB 345KV CKT 1
20SP	0	0	FROM->TO	G14_024	ELK CITY 230KV (ELKCTY-6) 230/138/13.8KV TRANSFORMER CKT 1	270.3	0.06677	130.5185	BASE CASE
20WP	0	0	FROM->TO	G14_024	ELK CITY 230KV (ELKCTY-6) 230/138/13.8KV TRANSFORMER CKT 1	308.8	0.07263	130.5165	SPSCont-05ax
20WP	0	0	FROM->TO	G14_024	ELK CITY 230KV (ELKCTY-6) 230/138/13.8KV TRANSFORMER CKT 1	308.8	0.07263	130.4193	G11_051T 345.00 - WOODWARD DISTRICT EHV 345KV CKT 1
15SP	0	0	FROM->TO	G14_024	ELK CITY 230KV (ELKCTY-6) 230/138/13.8KV TRANSFORMER CKT 1	309.1	0.05543	130.321	MOORELAND - NINE MILE 138KV CKT 1
15SP	0	0	FROM->TO	G14_024	ELK CITY 230KV (ELKCTY-6) 230/138/13.8KV TRANSFORMER CKT 1	309.1	0.05543	130.321	MOREWOOD SW - NINE MILE 138KV CKT 1
15G	6	0	FROM->TO	G14_024	ELK CITY 230KV (ELKCTY-6) 230/138/13.8KV TRANSFORMER CKT 1	310	0.0624	130.2578	REDHIL-HVB1 138.00 138/34.5KV TRANSFORMER CKT 1
15G	6	0	FROM->TO	G14_024	ELK CITY 230KV (ELKCTY-6) 230/138/13.8KV TRANSFORMER CKT 1	310	0.0624	130.1933	RED HILLS WIND - REDHIL-HVB1 138.00 138KV CKT 1
20SP	0	0	FROM->TO	G14_024	ELK CITY 230KV (ELKCTY-6) 230/138/13.8KV TRANSFORMER CKT 1	272	0.06677	129.8498	BASE CASE
20WP	0	0	FROM->TO	G14_024	ELK CITY 230KV (ELKCTY-6) 230/138/13.8KV TRANSFORMER CKT 1	314.1	0.07579	129.7142	G14_038T 345.00 - Hitchland Interchange 345KV CKT 1
20WP	0	0	FROM->TO	G14_024	ELK CITY 230KV (ELKCTY-6) 230/138/13.8KV TRANSFORMER CKT 1	314.1	0.07263	129.0783	G11_051T 345.00 - TATONGA7 345.00 345KV CKT 1
20WP	0	0	FROM->TO	G14_024	ELK CITY 230KV (ELKCTY-6) 230/138/13.8KV TRANSFORMER CKT 1	308.8	0.06751	128.8254	RED HILLS WIND - REDHIL-HVB1 138.00 138KV CKT 1
20WP	0	0	FROM->TO	G14_024	ELK CITY 230KV (ELKCTY-6) 230/138/13.8KV TRANSFORMER CKT 1	308.8	0.06751	128.8254	REDHIL-HVB1 138.00 138/34.5KV TRANSFORMER CKT 1
20WP	0	0	FROM->TO	G14_024	ELK CITY 230KV (ELKCTY-6) 230/138/13.8KV TRANSFORMER CKT 1	314.1	0.07341	128.5881	FINNEY SWITCHING STATION - HOLCOMB 345KV CKT 1
15G	6	0	FROM->TO	G14_024	ELK CITY 230KV (ELKCTY-6) 230/138/13.8KV TRANSFORMER CKT 1	280.4	0.0624	128.5661	BASE CASE
15G	6	0	FROM->TO	G14_024	ELK CITY 230KV (ELKCTY-6) 230/138/13.8KV TRANSFORMER CKT 1	314.4	0.0624	128.5621	REDHIL-HVB1 138.00 138/34.5KV TRANSFORMER CKT 1
15G	6	0	FROM->TO	G14_024	ELK CITY 230KV (ELKCTY-6) 230/138/13.8KV TRANSFORMER CKT 1	314.4	0.0624	128.4985	RED HILLS WIND - REDHIL-HVB1 138.00 138KV CKT 1
20WP	0	0	FROM->TO	G14_024	ELK CITY 230KV (ELKCTY-6) 230/138/13.8KV TRANSFORMER CKT 1	314.1	0.07263	128.4415	SPSCont-05ax
20WP	0	0	FROM->TO	G14_024	ELK CITY 230KV (ELKCTY-6) 230/138/13.8KV TRANSFORMER CKT 1	314.1	0.07263	128.3778	G11_051T 345.00 - WOODWARD DISTRICT EHV 345KV CKT 1
15G	6	0	FROM->TO	G14_024	ELK CITY 230KV (ELKCTY-6) 230/138/13.8KV TRANSFORMER CKT 1	310	0.06766	128.1233	G14-058T 345.00 - NORTHWEST 345KV CKT 1
15G	6	0	FROM->TO	G14_024	ELK CITY 230KV (ELKCTY-6) 230/138/13.8KV TRANSFORMER CKT 1	310	0.06766	127.1555	G14-058T 345.00 - TATONGA7 345.00 345KV CKT 1
15G	6	0	FROM->TO	G14_024	ELK CITY 230KV (ELKCTY-6) 230/138/13.8KV TRANSFORMER CKT 1	310	0.06913	126.8326	DBL-THIS-WWRD
20WP	0	0	FROM->TO	G14_024	ELK CITY 230KV (ELKCTY-6) 230/138/13.8KV TRANSFORMER CKT 1	314.1	0.06751	126.8108	RED HILLS WIND - REDHIL-HVB1 138.00 138KV CKT 1
20WP	0	0	FROM->TO	G14_024	ELK CITY 230KV (ELKCTY-6) 230/138/13.8KV TRANSFORMER CKT 1	314.1	0.06751	126.8108	REDHIL-HVB1 138.00 138/34.5KV TRANSFORMER CKT 1
15G	6	0	FROM->TO	G14_024	ELK CITY 230KV (ELKCTY-6) 230/138/13.8KV TRANSFORMER CKT 1	285.2	0.0624	126.5425	BASE CASE
15G	6	0	FROM->TO	G14_024	ELK CITY 230KV (ELKCTY-6) 230/138/13.8KV TRANSFORMER CKT 1	310	0.06708	126.4628	DBL-THIS-WICH
15G	6	0	FROM->TO	G14_024	ELK CITY 230KV (ELKCTY-6) 230/138/13.8KV TRANSFORMER CKT 1	314.4	0.06766	126.4574	G14-058T 345.00 - NORTHWEST 345KV CKT 1
15G	6	0	FROM->TO	G14_024	ELK CITY 230KV (ELKCTY-6) 230/138/13.8KV TRANSFORMER CKT 1	310	0.06762	126.408	DBL-G1114-WWRD
15G	6	0	FROM->TO	G14_024	ELK CITY 230KV (ELKCTY-6) 230/138/13.8KV TRANSFORMER CKT 1	314.4	0.06766	125.5032	G14-058T 345.00 - TATONGA7 345.00 345KV CKT 1
15G	6	0	FROM->TO	G14_024	ELK CITY 230KV (ELKCTY-6) 230/138/13.8KV TRANSFORMER CKT 1	310	0.06762	125.4403	DBL-BVR-G1114
15G	6	0	FROM->TO	G14_024	ELK CITY 230KV (ELKCTY-6) 230/138/13.8KV TRANSFORMER CKT 1	314.4	0.06913	125.1848	DBL-THIS-WWRD
15G	6	0	FROM->TO	G14_024	ELK CITY 230KV (ELKCTY-6) 230/138/13.8KV TRANSFORMER CKT 1	314.4	0.06708	124.8202	DBL-THIS-WICH
15G	6	0	FROM->TO	G14_024	ELK CITY 230KV (ELKCTY-6) 230/138/13.8KV TRANSFORMER CKT 1	314.4	0.06762	124.7662	DBL-G1114-WWRD
15G	6	0	FROM->TO	G14_024	ELK CITY 230KV (ELKCTY-6) 230/138/13.8KV TRANSFORMER CKT 1	310	0.07023	124.2657	G14_038T 345.00 - Hitchland Interchange 345KV CKT 1
15G	6	0	FROM->TO	G14_024	ELK CITY 230KV (ELKCTY-6) 230/138/13.8KV TRANSFORMER CKT 1	310	0.06496	123.9402	FPL SWITCH - MOORELAND 138KV CKT 1
15G	6	0	FROM->TO	G14_024	ELK CITY 230KV (ELKCTY-6) 230/138/13.8KV TRANSFORMER CKT 1	310	0.06766	123.9297	G11_051T 345.00 - TATONGA7 345.00 345KV CKT 1
15G	6	0	FROM->TO	G14_024	ELK CITY 230KV (ELKCTY-6) 230/138/13.8KV TRANSFORMER CKT 1	314.4	0.06762	123.8438	DBL-BVR-G1114
15G	6	0	FROM->TO	G14_024	ELK CITY 230KV (ELKCTY-6) 230/138/13.8KV TRANSFORMER CKT 1	310	0.06776	123.5328	FINNEY SWITCHING STATION - HOLCOMB 345KV CKT 1
15G	6	0	FROM->TO	G14_024	ELK CITY 230KV (ELKCTY-6) 230/138/13.8KV TRANSFORMER CKT 1	310	0.06496	123.4564	FPL SWITCH - WOODWARD 138KV CKT 1

SEASON	GROUP	SCENARIO	DIRECTION	SOURCE	MONITORED ELEMENT	RATE (MVA)	TDF	CONTINGENCY LOADING %	CONTINGENCY
15G		6	0	FROM->TO	G14_024 ELK CITY 230KV (ELKCTY-6) 230/138/13.8KV TRANSFORMER CKT 1	314.4	0.07023	122.6539	G14_038T 345.00 - Hitchland Interchange 345KV CKT 1
15G		6	0	FROM->TO	G14_024 ELK CITY 230KV (ELKCTY-6) 230/138/13.8KV TRANSFORMER CKT 1	314.4	0.06496	122.3329	FPL SWITCH - MOORELAND 138KV CKT 1
15G		6	0	FROM->TO	G14_024 ELK CITY 230KV (ELKCTY-6) 230/138/13.8KV TRANSFORMER CKT 1	314.4	0.06766	122.3226	G11_051T 345.00 - TATONGA7 345.00 345KV CKT 1
15G		6	0	FROM->TO	G14_024 ELK CITY 230KV (ELKCTY-6) 230/138/13.8KV TRANSFORMER CKT 1	314.4	0.06776	121.9312	FINNEY SWITCHING STATION - HOLCOMB 345KV CKT 1
15G		6	0	FROM->TO	G14_024 ELK CITY 230KV (ELKCTY-6) 230/138/13.8KV TRANSFORMER CKT 1	314.4	0.06496	121.8558	FPL SWITCH - WOODWARD 138KV CKT 1
20SP		0	0	FROM->TO	G14_024 ELK CITY 230KV (ELKCTY-6) 230/138/13.8KV TRANSFORMER CKT 1	314.5	0.07356	121.8122	DBL-THIS-WWRD
20SP		0	0	FROM->TO	G14_024 ELK CITY 230KV (ELKCTY-6) 230/138/13.8KV TRANSFORMER CKT 1	314.5	0.07181	121.5513	G14-058T 345.00 - NORTHWEST 345KV CKT 1
20SP		0	0	FROM->TO	G14_024 ELK CITY 230KV (ELKCTY-6) 230/138/13.8KV TRANSFORMER CKT 1	316	0.07356	121.3605	DBL-THIS-WWRD
20SP		0	0	FROM->TO	G14_024 ELK CITY 230KV (ELKCTY-6) 230/138/13.8KV TRANSFORMER CKT 1	316	0.07181	121.1009	G14-058T 345.00 - NORTHWEST 345KV CKT 1
20SP		0	0	FROM->TO	G14_024 ELK CITY 230KV (ELKCTY-6) 230/138/13.8KV TRANSFORMER CKT 1	314.5	0.07181	120.5974	G14-058T 345.00 - TATONGA7 345.00 345KV CKT 1
20SP		0	0	FROM->TO	G14_024 ELK CITY 230KV (ELKCTY-6) 230/138/13.8KV TRANSFORMER CKT 1	314.5	0.0713	120.5934	DBL-THIS-WICH
20SP		0	0	FROM->TO	G14_024 ELK CITY 230KV (ELKCTY-6) 230/138/13.8KV TRANSFORMER CKT 1	314.5	0.07257	120.3829	DBL-G1114-WWRD
20SP		0	0	FROM->TO	G14_024 ELK CITY 230KV (ELKCTY-6) 230/138/13.8KV TRANSFORMER CKT 1	316	0.07181	120.1516	G14-058T 345.00 - TATONGA7 345.00 345KV CKT 1
20SP		0	0	FROM->TO	G14_024 ELK CITY 230KV (ELKCTY-6) 230/138/13.8KV TRANSFORMER CKT 1	316	0.0713	120.1476	DBL-THIS-WICH
20SP		0	0	FROM->TO	G14_024 ELK CITY 230KV (ELKCTY-6) 230/138/13.8KV TRANSFORMER CKT 1	316	0.07257	119.9065	DBL-G1114-WWRD
20SP		0	0	FROM->TO	G14_024 ELK CITY 230KV (ELKCTY-6) 230/138/13.8KV TRANSFORMER CKT 1	314.5	0.07265	119.4484	FINNEY SWITCHING STATION - HOLCOMB 345KV CKT 1
20SP		0	0	FROM->TO	G14_024 ELK CITY 230KV (ELKCTY-6) 230/138/13.8KV TRANSFORMER CKT 1	314.5	0.07257	119.3337	DBL-BVR-G1114
20SP		0	0	FROM->TO	G14_024 ELK CITY 230KV (ELKCTY-6) 230/138/13.8KV TRANSFORMER CKT 1	316	0.07265	118.9764	FINNEY SWITCHING STATION - HOLCOMB 345KV CKT 1
20SP		0	0	FROM->TO	G14_024 ELK CITY 230KV (ELKCTY-6) 230/138/13.8KV TRANSFORMER CKT 1	316	0.07257	118.8938	DBL-BVR-G1114
20SP		0	0	FROM->TO	G14_024 ELK CITY 230KV (ELKCTY-6) 230/138/13.8KV TRANSFORMER CKT 1	314.5	0.07504	118.888	G14_038T 345.00 - Hitchland Interchange 345KV CKT 1
20SP		0	0	FROM->TO	G14_024 ELK CITY 230KV (ELKCTY-6) 230/138/13.8KV TRANSFORMER CKT 1	314.5	0.06329	118.8839	ONEY - WASHITA 138KV CKT 1
20SP		0	0	FROM->TO	G14_024 ELK CITY 230KV (ELKCTY-6) 230/138/13.8KV TRANSFORMER CKT 1	316	0.06329	118.4462	ONEY - WASHITA 138KV CKT 1
20SP		0	0	FROM->TO	G14_024 ELK CITY 230KV (ELKCTY-6) 230/138/13.8KV TRANSFORMER CKT 1	316	0.07504	118.4185	G14_038T 345.00 - Hitchland Interchange 345KV CKT 1
20SP		0	0	FROM->TO	G14_024 ELK CITY 230KV (ELKCTY-6) 230/138/13.8KV TRANSFORMER CKT 1	314.5	0.06329	118.1526	BINGER NIJECT - ONEY 138KV CKT 1
20SP		0	0	FROM->TO	G14_024 ELK CITY 230KV (ELKCTY-6) 230/138/13.8KV TRANSFORMER CKT 1	314.5	0.07138	117.863	CIMARRON - MINCO 345KV CKT 1
20SP		0	0	FROM->TO	G14_024 ELK CITY 230KV (ELKCTY-6) 230/138/13.8KV TRANSFORMER CKT 1	316	0.06329	117.7183	BINGER NIJECT - ONEY 138KV CKT 1
20SP		0	0	FROM->TO	G14_024 ELK CITY 230KV (ELKCTY-6) 230/138/13.8KV TRANSFORMER CKT 1	316	0.07138	117.4301	CIMARRON - MINCO 345KV CKT 1
20SP		0	0	FROM->TO	G14_024 ELK CITY 230KV (ELKCTY-6) 230/138/13.8KV TRANSFORMER CKT 1	314.5	0.06329	117.0079	BINGER NIJECT - SICKLES 138KV CKT 1
20SP		0	0	FROM->TO	G14_024 ELK CITY 230KV (ELKCTY-6) 230/138/13.8KV TRANSFORMER CKT 1	314.5	0.06329	116.5946	CLINTON JUNCTION - G07-32T 138.00 138KV CKT 1
20SP		0	0	FROM->TO	G14_024 ELK CITY 230KV (ELKCTY-6) 230/138/13.8KV TRANSFORMER CKT 1	316	0.06329	116.5791	BINGER NIJECT - SICKLES 138KV CKT 1
20SP		0	0	FROM->TO	G14_024 ELK CITY 230KV (ELKCTY-6) 230/138/13.8KV TRANSFORMER CKT 1	316	0.06329	116.1677	CLINTON JUNCTION - G07-32T 138.00 138KV CKT 1
25SP		0	0	FROM->TO	G14_024 ELK CITY 230KV (ELKCTY-6) 230/138/13.8KV TRANSFORMER CKT 1	315.7	0.09438	109.9752	CHISHOLM7 345.00 - GRACEMONT 345KV CKT 1
25SP		0	0	FROM->TO	G14_024 ELK CITY 230KV (ELKCTY-6) 230/138/13.8KV TRANSFORMER CKT 1	316	0.09438	109.9341	CHISHOLM7 345.00 - GRACEMONT 345KV CKT 1
25SP		0	0	FROM->TO	G14_024 ELK CITY 230KV (ELKCTY-6) 230/138/13.8KV TRANSFORMER CKT 1	315.7	0.09579	103.4966	CHISHOLM7 345.00 - WOODWARD DISTRICT EHV 345KV CKT 1
25SP		0	0	FROM->TO	G14_024 ELK CITY 230KV (ELKCTY-6) 230/138/13.8KV TRANSFORMER CKT 1	316	0.09579	103.4616	CHISHOLM7 345.00 - WOODWARD DISTRICT EHV 345KV CKT 1
25SP		0	0	FROM->TO	G14_024 ELK CITY 230KV (ELKCTY-6) 230/138/13.8KV TRANSFORMER CKT 1	271.6	0.06515	103.2742	BASE CASE
25SP		0	0	FROM->TO	G14_024 ELK CITY 230KV (ELKCTY-6) 230/138/13.8KV TRANSFORMER CKT 1	315.7	0.08636	103.2083	SPP-AEPW-32
25SP		0	0	FROM->TO	G14_024 ELK CITY 230KV (ELKCTY-6) 230/138/13.8KV TRANSFORMER CKT 1	315.7	0.08636	103.2083	SPSCont-01
25SP		0	0	FROM->TO	G14_024 ELK CITY 230KV (ELKCTY-6) 230/138/13.8KV TRANSFORMER CKT 1	272	0.06515	103.1959	BASE CASE
25SP		0	0	FROM->TO	G14_024 ELK CITY 230KV (ELKCTY-6) 230/138/13.8KV TRANSFORMER CKT 1	316	0.08636	103.1736	SPP-AEPW-32
25SP		0	0	FROM->TO	G14_024 ELK CITY 230KV (ELKCTY-6) 230/138/13.8KV TRANSFORMER CKT 1	316	0.08636	103.1736	SPSCont-01
25SP		0	0	FROM->TO	G14_024 ELK CITY 230KV (ELKCTY-6) 230/138/13.8KV TRANSFORMER CKT 1	315.7	0.08636	102.163	OKLAUNION - TUCO INTERCHANGE 345KV CKT 1
25SP		0	0	FROM->TO	G14_024 ELK CITY 230KV (ELKCTY-6) 230/138/13.8KV TRANSFORMER CKT 1	315.7	0.08631	102.152	SPP-SWPS-01
25SP		0	0	FROM->TO	G14_024 ELK CITY 230KV (ELKCTY-6) 230/138/13.8KV TRANSFORMER CKT 1	316	0.08636	102.1293	OKLAUNION - TUCO INTERCHANGE 345KV CKT 1
25SP		0	0	FROM->TO	G14_024 ELK CITY 230KV (ELKCTY-6) 230/138/13.8KV TRANSFORMER CKT 1	316	0.08631	102.1183	SPP-SWPS-01
15SP		0	0	TO->FROM	G14_024 FLATRDG3 - THISTLE4 138.00 138KV CKT 1	285	0.04054	126.323	DBL-THIS-WICH
20WP		0	0	TO->FROM	G14_024 FLATRDG3 - THISTLE4 138.00 138KV CKT 1	284.9	0.04161	120.5313	DBL-THIS-WICH
20SP		0	0	TO->FROM	G14_024 FLATRDG3 - THISTLE4 138.00 138KV CKT 1	286	0.04231	119.4047	DBL-THIS-WICH
15G		6	0	TO->FROM	G14_024 FLATRDG3 - THISTLE4 138.00 138KV CKT 1	284.5	0.03978	111.9475	DBL-THIS-WICH
15SP		0	0	TO->FROM	G14_024 FLATRDG3 - THISTLE4 138.00 138KV CKT 1	285.7	0.04849	111.7404	DBL-THIS-WICH
20SP		0	0	TO->FROM	G14_024 FLATRDG3 - THISTLE4 138.00 138KV CKT 1	285.1	0.04786	105.2903	DBL-THIS-WICH
20WP		0	0	TO->FROM	G14_024 FLATRDG3 - THISTLE4 138.00 138KV CKT 1	285.9	0.04781	105.2387	DBL-THIS-WICH
15G		3	0	FROM->TO	G14_024 FPL SWITCH - MOORELAND 138KV CKT 1	272	0.04306	129.7477	DBL-THIS-WICH
15G		3	0	FROM->TO	G14_024 FPL SWITCH - MOORELAND 138KV CKT 1	272	0.04587	123.8956	G14-058T 345.00 - NORTHWEST 345KV CKT 1
15G		3	0	FROM->TO	G14_024 FPL SWITCH - MOORELAND 138KV CKT 1	272	0.04587	121.2118	G14-058T 345.00 - TATONGA7 345.00 345KV CKT 1
15G		3	0	FROM->TO	G14_024 FPL SWITCH - MOORELAND 138KV CKT 1	272	0.04587	112.1309	G11_051T 345.00 - TATONGA7 345.00 345KV CKT 1
15G		3	0	FROM->TO	G14_024 FPL SWITCH - MOORELAND 138KV CKT 1	272	0.04587	110.0721	G11_051T 345.00 - WOODWARD DISTRICT EHV 345KV CKT 1
20WP		0	0	FROM->TO	G14_024 FPL SWITCH - MOORELAND 138KV CKT 1	273.6	0.04957	108.8037	DBL-THIS-WICH

SEASON	GROUP	SCENARIO	DIRECTION	SOURCE	MONITORED ELEMENT	RATE (MVA)	TDF	CONTINGENCY LOADING %	CONTINGENCY
15G		3	0	FROM->TO	G14_024 FPL SWITCH - MOORELAND 138KV CKT 1	272	0.04587	108.528	SPSCont-05ax
15G		3	0	FROM->TO	G14_024 FPL SWITCH - MOORELAND 138KV CKT 1	272	0.03218	105.108	WOODWARD (WOODWRD2) 138/69/13.2KV TRANSFORMER CKT 1
20WP		0	0	FROM->TO	G14_024 FPL SWITCH - MOORELAND 138KV CKT 1	273.6	0.05213	104.3001	G14-058T 345.00 - NORTHWEST 345KV CKT 1
15SP		0	0	FROM->TO	G14_024 FPL SWITCH - MOORELAND 138KV CKT 1	278	0.04665	103.6383	DBL-THIS-WICH
15G		3	0	FROM->TO	G14_024 FPL SWITCH - MOORELAND 138KV CKT 1	272	0.03418	102.2076	IODINE - WOODWARD EHV 138KV CKT 1
20WP		0	0	FROM->TO	G14_024 FPL SWITCH - MOORELAND 138KV CKT 1	273.6	0.05213	101.5588	G14-058T 345.00 - TATONGA7 345.00 345KV CKT 1
15G		3	0	FROM->TO	G14_024 FPL SWITCH - MOORELAND 138KV CKT 1	272	0.03418	100.6267	DEWEY - IODINE 138KV CKT 1
15G		6	0	FROM->TO	G14_024 FPL SWITCH - MOORELAND 138KV CKT 1	279.2	0.03879	100.4424	DBL-THIS-WWRD
15G		3	0	TO->FROM	G14_024 FPL SWITCH - WOODWARD 138KV CKT 1	135.1	0.04306	256.1908	DBL-THIS-WICH
15G		3	0	TO->FROM	G14_024 FPL SWITCH - WOODWARD 138KV CKT 1	135.1	0.04587	244.3347	G14-058T 345.00 - NORTHWEST 345KV CKT 1
15G		3	0	TO->FROM	G14_024 FPL SWITCH - WOODWARD 138KV CKT 1	135.1	0.04587	238.9312	G14-058T 345.00 - TATONGA7 345.00 345KV CKT 1
15SP		0	0	TO->FROM	G14_024 FPL SWITCH - WOODWARD 138KV CKT 1	132.6	0.04665	207.477	DBL-THIS-WICH
15G		3	0	TO->FROM	G14_024 FPL SWITCH - WOODWARD 138KV CKT 1	135.1	0.03218	206.5091	WOODWARD (WOODWRD2) 138/69/13.2KV TRANSFORMER CKT 1
15G		3	0	TO->FROM	G14_024 FPL SWITCH - WOODWARD 138KV CKT 1	135.1	0.03418	200.7437	IODINE - WOODWARD EHV 138KV CKT 1
15G		3	0	TO->FROM	G14_024 FPL SWITCH - WOODWARD 138KV CKT 1	135.1	0.03418	197.4868	DEWEY - IODINE 138KV CKT 1
15SP		0	0	TO->FROM	G14_024 FPL SWITCH - WOODWARD 138KV CKT 1	132.6	0.04931	194.1811	G14-058T 345.00 - NORTHWEST 345KV CKT 1
15G		6	0	TO->FROM	G14_024 FPL SWITCH - WOODWARD 138KV CKT 1	141.6	0.03879	189.4315	DBL-THIS-WWRD
15SP		0	0	TO->FROM	G14_024 FPL SWITCH - WOODWARD 138KV CKT 1	132.6	0.04931	188.6004	G14-058T 345.00 - TATONGA7 345.00 345KV CKT 1
15G		3	0	TO->FROM	G14_024 FPL SWITCH - WOODWARD 138KV CKT 1	135.1	0.03195	188.2161	THISTLE7 345.00 - WICHITA 345KV CKT 2
20SP		0	0	TO->FROM	G14_024 FPL SWITCH - WOODWARD 138KV CKT 1	136.3	0.04811	177.8666	DBL-THIS-WICH
15G		6	0	TO->FROM	G14_024 FPL SWITCH - WOODWARD 138KV CKT 1	141.6	0.03125	177.1781	DBL-THIS-WICH
15G		6	0	TO->FROM	G14_024 FPL SWITCH - WOODWARD 138KV CKT 1	141.6	0.03083	176.8252	G14-058T 345.00 - NORTHWEST 345KV CKT 1
15G		6	0	TO->FROM	G14_024 FPL SWITCH - WOODWARD 138KV CKT 1	141.6	0.03083	172.8704	G14-058T 345.00 - TATONGA7 345.00 345KV CKT 1
20WP		0	0	TO->FROM	G14_024 FPL SWITCH - WOODWARD 138KV CKT 1	167.7	0.04957	170.356	DBL-THIS-WICH
15SP		0	0	TO->FROM	G14_024 FPL SWITCH - WOODWARD 138KV CKT 1	132.6	0.04931	169.7467	G11_051T 345.00 - TATONGA7 345.00 345KV CKT 1
15G		6	0	TO->FROM	G14_024 FPL SWITCH - WOODWARD 138KV CKT 1	141.6	0.03108	169.6095	CHISHOLM6 230.00 - ELK CITY 230KV 230KV CKT 1
15G		6	0	TO->FROM	G14_024 FPL SWITCH - WOODWARD 138KV CKT 1	141.6	0.03108	169.6095	ELK CITY 230KV (ELKCTY-6) 230/138/13.8KV TRANSFORMER CKT 1
15SP		0	0	TO->FROM	G14_024 FPL SWITCH - WOODWARD 138KV CKT 1	132.6	0.04931	165.448	G11_051T 345.00 - WOODWARD DISTRICT EHV 345KV CKT 1
20WP		0	0	TO->FROM	G14_024 FPL SWITCH - WOODWARD 138KV CKT 1	167.7	0.05213	163.0083	G14-058T 345.00 - NORTHWEST 345KV CKT 1
20SP		0	0	TO->FROM	G14_024 FPL SWITCH - WOODWARD 138KV CKT 1	136.3	0.05023	162.8501	G14-058T 345.00 - NORTHWEST 345KV CKT 1
15SP		0	0	TO->FROM	G14_024 FPL SWITCH - WOODWARD 138KV CKT 1	132.6	0.036	162.7625	WOODWARD (WOODWRD2) 138/69/13.2KV TRANSFORMER CKT 1
15SP		0	0	TO->FROM	G14_024 FPL SWITCH - WOODWARD 138KV CKT 1	132.6	0.04931	162.2806	SPSCont-05ax
15G		6	0	TO->FROM	G14_024 FPL SWITCH - WOODWARD 138KV CKT 1	141.6	0.03083	159.7349	G11_051T 345.00 - TATONGA7 345.00 345KV CKT 1
15SP		0	0	TO->FROM	G14_024 FPL SWITCH - WOODWARD 138KV CKT 1	132.6	0.03198	159.3995	MOORELAND 138/18.0KV TRANSFORMER CKT 1
20WP		0	0	TO->FROM	G14_024 FPL SWITCH - WOODWARD 138KV CKT 1	167.7	0.05213	158.5361	G14-058T 345.00 - TATONGA7 345.00 345KV CKT 1
15SP		0	0	TO->FROM	G14_024 FPL SWITCH - WOODWARD 138KV CKT 1	132.6	0.03198	158.4231	MOORELAND 138/18.0KV TRANSFORMER CKT 1
20SP		0	0	TO->FROM	G14_024 FPL SWITCH - WOODWARD 138KV CKT 1	136.3	0.05023	157.1274	G14-058T 345.00 - TATONGA7 345.00 345KV CKT 1
15G		6	0	TO->FROM	G14_024 FPL SWITCH - WOODWARD 138KV CKT 1	141.6	0.03083	156.6981	G11_051T 345.00 - WOODWARD DISTRICT EHV 345KV CKT 1
15G		6	0	TO->FROM	G14_024 FPL SWITCH - WOODWARD 138KV CKT 1	141.6	0.03083	153.8733	SPSCont-05ax
15SP		0	0	TO->FROM	G14_024 FPL SWITCH - WOODWARD 138KV CKT 1	132.6	0.03794	152.2833	IODINE - WOODWARD EHV 138KV CKT 1
15SP		0	0	TO->FROM	G14_024 FPL SWITCH - WOODWARD 138KV CKT 1	132.6	0.03794	149.1159	DEWEY - IODINE 138KV CKT 1
15SP		0	0	TO->FROM	G14_024 FPL SWITCH - WOODWARD 138KV CKT 1	108.9	0.03198	145.4449	BASE CASE
20WP		0	0	TO->FROM	G14_024 FPL SWITCH - WOODWARD 138KV CKT 1	167.7	0.05213	143.5689	G11_051T 345.00 - TATONGA7 345.00 345KV CKT 1
20SP		0	0	TO->FROM	G14_024 FPL SWITCH - WOODWARD 138KV CKT 1	136.3	0.03869	142.5898	WOODWARD (WOODWRD2) 138/69/13.2KV TRANSFORMER CKT 1
15SP		0	0	TO->FROM	G14_024 FPL SWITCH - WOODWARD 138KV CKT 1	132.6	0.03548	140.4045	THISTLE7 345.00 - WICHITA 345KV CKT 1
15SP		0	0	TO->FROM	G14_024 FPL SWITCH - WOODWARD 138KV CKT 1	132.6	0.03548	140.4045	THISTLE7 345.00 - WICHITA 345KV CKT 2
20WP		0	0	TO->FROM	G14_024 FPL SWITCH - WOODWARD 138KV CKT 1	167.7	0.05213	140.17	G11_051T 345.00 - WOODWARD DISTRICT EHV 345KV CKT 1
15SP		0	0	TO->FROM	G14_024 FPL SWITCH - WOODWARD 138KV CKT 1	136.1	0.04315	139.6233	DBL-THIS-WWRD
20SP		0	0	TO->FROM	G14_024 FPL SWITCH - WOODWARD 138KV CKT 1	136.3	0.05023	138.4187	G11_051T 345.00 - TATONGA7 345.00 345KV CKT 1
20WP		0	0	TO->FROM	G14_024 FPL SWITCH - WOODWARD 138KV CKT 1	167.7	0.05213	137.6059	SPSCont-05ax
15SP		0	0	TO->FROM	G14_024 FPL SWITCH - WOODWARD 138KV CKT 1	132.6	0.03126	135.7011	RENFROW7 345.00 (BANK 1) 345/138/13.8KV TRANSFORMER CKT 1
15SP		0	0	TO->FROM	G14_024 FPL SWITCH - WOODWARD 138KV CKT 1	132.6	0.03165	134.4268	RENFROW7 345.00 - VIOLA 7 345.00 345KV CKT 1
20SP		0	0	TO->FROM	G14_024 FPL SWITCH - WOODWARD 138KV CKT 1	136.3	0.05023	134.09	G11_051T 345.00 - WOODWARD DISTRICT EHV 345KV CKT 1
20WP		0	0	TO->FROM	G14_024 FPL SWITCH - WOODWARD 138KV CKT 1	167.7	0.04039	134.0072	WOODWARD (WOODWRD2) 138/69/13.2KV TRANSFORMER CKT 1
20SP		0	0	TO->FROM	G14_024 FPL SWITCH - WOODWARD 138KV CKT 1	136.3	0.03449	133.9864	MOORELAND 138/18.0KV TRANSFORMER CKT 1
20SP		0	0	TO->FROM	G14_024 FPL SWITCH - WOODWARD 138KV CKT 1	136.3	0.03449	132.16	MOORELAND 138/18.0KV TRANSFORMER CKT 1
20WP		0	0	TO->FROM	G14_024 FPL SWITCH - WOODWARD 138KV CKT 1	167.4	0.04403	131.7857	DBL-THIS-WWRD
20SP		0	0	TO->FROM	G14_024 FPL SWITCH - WOODWARD 138KV CKT 1	136.3	0.05023	131.0085	SPSCont-05ax

SEASON	GROUP	SCENARIO	DIRECTION	SOURCE	MONITORED ELEMENT	RATE (MVA)	TDF	CONTINGENCY LOADING %	CONTINGENCY
20SP	0	0	TO->FROM	G14_024	FPL SWITCH - WOODWARD 138KV CKT 1	136.3	0.04023	130.5376	IODINE - WOODWARD EHV 138KV CKT 1
20WP	0	0	TO->FROM	G14_024	FPL SWITCH - WOODWARD 138KV CKT 1	167.7	0.04192	128.4447	IODINE - WOODWARD EHV 138KV CKT 1
20SP	0	0	TO->FROM	G14_024	FPL SWITCH - WOODWARD 138KV CKT 1	136.3	0.04023	127.0893	DEWEY - IODINE 138KV CKT 1
20SP	0	0	TO->FROM	G14_024	FPL SWITCH - WOODWARD 138KV CKT 1	141.3	0.04304	127.0879	DBL-THIS-WWRD
25SP	0	0	TO->FROM	G14_024	FPL SWITCH - WOODWARD 138KV CKT 1	142.1	0.05039	126.7288	DBL-G1458-MATT
20WP	0	0	TO->FROM	G14_024	FPL SWITCH - WOODWARD 138KV CKT 1	167.7	0.03605	126.1243	MOORELAND 138/18.0KV TRANSFORMER CKT 1
20WP	0	0	TO->FROM	G14_024	FPL SWITCH - WOODWARD 138KV CKT 1	167.7	0.04192	125.5229	DEWEY - IODINE 138KV CKT 1
20WP	0	0	TO->FROM	G14_024	FPL SWITCH - WOODWARD 138KV CKT 1	167.7	0.03605	124.7616	MOORELAND 138/18.0KV TRANSFORMER CKT 1
15SP	0	0	TO->FROM	G14_024	FPL SWITCH - WOODWARD 138KV CKT 1	136.1	0.03596	123.7918	CHISHOLM6 230.00 - ELK CITY 230KV 230KV CKT 1
15SP	0	0	TO->FROM	G14_024	FPL SWITCH - WOODWARD 138KV CKT 1	136.1	0.03596	123.7183	ELK CITY 230KV (ELKCTY-6) 230/138/13.8KV TRANSFORMER CKT 1
15SP	0	0	TO->FROM	G14_024	FPL SWITCH - WOODWARD 138KV CKT 1	136.1	0.03518	122.5495	DBL-THIS-WICH
20SP	0	0	TO->FROM	G14_024	FPL SWITCH - WOODWARD 138KV CKT 1	113.4	0.03449	122.3981	BASE CASE
15SP	0	0	TO->FROM	G14_024	FPL SWITCH - WOODWARD 138KV CKT 1	136.1	0.03467	121.7128	G14-058T 345.00 - NORTHWEST 345KV CKT 1
25SP	0	0	TO->FROM	G14_024	FPL SWITCH - WOODWARD 138KV CKT 1	142.1	0.05039	121.0286	DBL-TGA-G1458
20SP	0	0	TO->FROM	G14_024	FPL SWITCH - WOODWARD 138KV CKT 1	136.3	0.03777	120.1536	THISTLE7 345.00 - WICHITA 345KV CKT 1
20SP	0	0	TO->FROM	G14_024	FPL SWITCH - WOODWARD 138KV CKT 1	136.3	0.03777	120.1536	THISTLE7 345.00 - WICHITA 345KV CKT 2
20SP	0	0	TO->FROM	G14_024	FPL SWITCH - WOODWARD 138KV CKT 1	136.3	0.03073	119.9237	RENFROW4 138.00 - SAND RDG_138138.00 138KV CKT 1
20WP	0	0	TO->FROM	G14_024	FPL SWITCH - WOODWARD 138KV CKT 1	167.4	0.03565	119.7589	G14-058T 345.00 - NORTHWEST 345KV CKT 1
20WP	0	0	TO->FROM	G14_024	FPL SWITCH - WOODWARD 138KV CKT 1	167.4	0.03558	119.3304	DBL-THIS-WICH
20WP	0	0	TO->FROM	G14_024	FPL SWITCH - WOODWARD 138KV CKT 1	167.7	0.03931	118.6831	THISTLE7 345.00 - WICHITA 345KV CKT 1
20WP	0	0	TO->FROM	G14_024	FPL SWITCH - WOODWARD 138KV CKT 1	167.7	0.03931	118.6831	THISTLE7 345.00 - WICHITA 345KV CKT 2
20SP	0	0	TO->FROM	G14_024	FPL SWITCH - WOODWARD 138KV CKT 1	136.3	0.03384	118.3103	RENFROW7 345.00 (BANK 1) 345/138/13.8KV TRANSFORMER CKT 1
20WP	0	0	TO->FROM	G14_024	FPL SWITCH - WOODWARD 138KV CKT 1	167.7	0.04039	117.9667	WOODWARD - WOODWARD 69KV CKT 1
15SP	0	0	TO->FROM	G14_024	FPL SWITCH - WOODWARD 138KV CKT 1	136.1	0.03467	117.5247	G14-058T 345.00 - TATONGA7 345.00 345KV CKT 1
20SP	0	0	TO->FROM	G14_024	FPL SWITCH - WOODWARD 138KV CKT 1	136.3	0.03869	116.8378	WOODWARD - WOODWARD 69KV CKT 1
20WP	0	0	TO->FROM	G14_024	FPL SWITCH - WOODWARD 138KV CKT 1	167.4	0.03565	116.4136	G14-058T 345.00 - TATONGA7 345.00 345KV CKT 1
20WP	0	0	TO->FROM	G14_024	FPL SWITCH - WOODWARD 138KV CKT 1	167.4	0.03705	114.9066	CHISHOLM6 230.00 - ELK CITY 230KV 230KV CKT 1
20WP	0	0	TO->FROM	G14_024	FPL SWITCH - WOODWARD 138KV CKT 1	167.4	0.03705	114.9066	ELK CITY 230KV (ELKCTY-6) 230/138/13.8KV TRANSFORMER CKT 1
20SP	0	0	TO->FROM	G14_024	FPL SWITCH - WOODWARD 138KV CKT 1	136.3	0.03073	114.5678	SAND RDG_138138.00 - WAKITA_138_138.00 138KV CKT 1
20WP	0	0	TO->FROM	G14_024	FPL SWITCH - WOODWARD 138KV CKT 1	167.7	0.03232	114.5048	RENFROW4 138.00 - SAND RDG_138138.00 138KV CKT 1
20WP	0	0	TO->FROM	G14_024	FPL SWITCH - WOODWARD 138KV CKT 1	167.7	0.03546	113.4936	RENFROW7 345.00 (BANK 1) 345/138/13.8KV TRANSFORMER CKT 1
20WP	0	0	TO->FROM	G14_024	FPL SWITCH - WOODWARD 138KV CKT 1	152.1	0.03605	112.7973	BASE CASE
20WP	0	0	TO->FROM	G14_024	FPL SWITCH - WOODWARD 138KV CKT 1	167.7	0.03555	111.5186	RENFROW7 345.00 - VIOLA_7_345.00 345KV CKT 1
20SP	0	0	TO->FROM	G14_024	FPL SWITCH - WOODWARD 138KV CKT 1	141.3	0.03572	110.4575	CHISHOLM6 230.00 - ELK CITY 230KV 230KV CKT 1
20SP	0	0	TO->FROM	G14_024	FPL SWITCH - WOODWARD 138KV CKT 1	141.3	0.03572	110.4575	ELK CITY 230KV (ELKCTY-6) 230/138/13.8KV TRANSFORMER CKT 1
20SP	0	0	TO->FROM	G14_024	FPL SWITCH - WOODWARD 138KV CKT 1	141.3	0.03461	110.1473	DBL-THIS-WICH
20SP	0	0	TO->FROM	G14_024	FPL SWITCH - WOODWARD 138KV CKT 1	141.3	0.03429	108.9044	G14-058T 345.00 - NORTHWEST 345KV CKT 1
20WP	0	0	TO->FROM	G14_024	FPL SWITCH - WOODWARD 138KV CKT 1	167.4	0.03565	105.3623	G11_051T 345.00 - TATONGA7 345.00 345KV CKT 1
20SP	0	0	TO->FROM	G14_024	FPL SWITCH - WOODWARD 138KV CKT 1	141.3	0.03429	104.7996	G14-058T 345.00 - TATONGA7 345.00 345KV CKT 1
15SP	0	0	TO->FROM	G14_024	FPL SWITCH - WOODWARD 138KV CKT 1	136.1	0.03467	103.7113	G11_051T 345.00 - TATONGA7 345.00 345KV CKT 1
25SP	0	0	TO->FROM	G14_024	FPL SWITCH - WOODWARD 138KV CKT 1	142.1	0.05039	102.9427	DBL-G1151-TGA
20WP	0	0	TO->FROM	G14_024	FPL SWITCH - WOODWARD 138KV CKT 1	167.4	0.03565	102.7936	G11_051T 345.00 - WOODWARD DISTRICT EHV 345KV CKT 1
25SP	0	0	TO->FROM	G14_024	FPL SWITCH - WOODWARD 138KV CKT 1	142.1	0.03535	101.2359	DBL-THIS-WICH
15SP	0	0	TO->FROM	G14_024	FPL SWITCH - WOODWARD 138KV CKT 1	136.1	0.03467	100.5519	G11_051T 345.00 - WOODWARD DISTRICT EHV 345KV CKT 1
20WP	0	0	TO->FROM	G14_024	FPL SWITCH - WOODWARD 138KV CKT 1	167.4	0.03565	100.4041	SPSCont-05ax
15G	6	0	FROM->TO	G14_024	G13_027T 230.00 - TOLK STATION WEST 230KV CKT 1	350.1	0.17756	100.3837	TUCO INTERCHANGE - YOAKUM_345_345.00 345KV CKT 1
20WP	0	0	TO->FROM	G14_024	G14-057T 345.00 - LAWTON EASTSIDE 345KV CKT 1	786.2	0.17222	113.4285	CIMARRON - MINCO 345KV CKT 1
20WP	0	0	TO->FROM	G14_024	G14-057T 345.00 - LAWTON EASTSIDE 345KV CKT 1	786.2	0.17222	109.5363	GRACEMONT - MINCO 345KV CKT 1
15G	6	0	TO->FROM	G14_024	G14-057T 345.00 - LAWTON EASTSIDE 345KV CKT 1	786.5	0.17073	103.3851	CIMARRON - MINCO 345KV CKT 1
20WP	0	0	FROM->TO	G14_024	G14-057T 345.00 - SUNNYSIDE 345KV CKT 1	784.7	0.17222	119.3927	CIMARRON - MINCO 345KV CKT 1
20WP	0	0	FROM->TO	G14_024	G14-057T 345.00 - SUNNYSIDE 345KV CKT 1	784.7	0.17222	115.4932	GRACEMONT - MINCO 345KV CKT 1
15G	6	0	FROM->TO	G14_024	G14-057T 345.00 - SUNNYSIDE 345KV CKT 1	785.8	0.17073	109.2929	CIMARRON - MINCO 345KV CKT 1
15G	6	0	FROM->TO	G14_024	G14-057T 345.00 - SUNNYSIDE 345KV CKT 1	785.8	0.17073	105.3734	GRACEMONT - MINCO 345KV CKT 1
15SP	0	0	FROM->TO	G14_024	G14-057T 345.00 - SUNNYSIDE 345KV CKT 1	786.4	0.17337	100.7591	CIMARRON - MINCO 345KV CKT 1
15G	3	0	FROM->TO	G14_024	HARPER - MILAN TAP 138KV CKT 1	139	0.03245	225.879	DBL-THIS-WICH
15SP	0	0	FROM->TO	G14_024	HARPER - MILAN TAP 138KV CKT 1	131.8	0.0331	223.7766	DBL-THIS-WICH
25SP	0	0	FROM->TO	G14_024	HOBBS INTERCHANGE - MILLEN SUB 115KV CKT 1	140.8	0.03005	103.1742	MADDOX STATION - SANGER SWITCHING STATION 115KV CKT 1
25SP	0	0	FROM->TO	G14_024	HOBBS INTERCHANGE - MILLEN SUB 115KV CKT 1	140.8	0.03005	102.8901	OXY PERMIAN SUB - SANGER SWITCHING STATION 115KV CKT 1

SEASON	GROUP	SCENARIO	DIRECTION	SOURCE	MONITORED ELEMENT	RATE		CONTINGENCY		CONTINGENCY
						(MVA)	TDF	LOADING %		
15SP	0	0	TO->FROM	G14_024	MULLERGREN - SPEARVILLE 230KV CKT 1	393.1	0.03225	140.277	G13-010T	345.00 - POST ROCK 345KV CKT 1
20SP	0	0	TO->FROM	G14_024	MULLERGREN - SPEARVILLE 230KV CKT 1	393.4	0.03067	135.6187	G13-010T	345.00 - POST ROCK 345KV CKT 1
20WP	0	0	TO->FROM	G14_024	MULLERGREN - SPEARVILLE 230KV CKT 1	392	0.03078	135.0598	G13-010T	345.00 - POST ROCK 345KV CKT 1
15SP	0	0	TO->FROM	G14_024	MULLERGREN - SPEARVILLE 230KV CKT 1	393.1	0.03225	134.426	G11-17T	345.00 - G13-010T 345.00 345KV CKT 1
15G	3	0	TO->FROM	G14_024	MULLERGREN - SPEARVILLE 230KV CKT 1	393.4	0.03113	132.484	G13-010T	345.00 - POST ROCK 345KV CKT 1
20SP	0	0	TO->FROM	G14_024	MULLERGREN - SPEARVILLE 230KV CKT 1	393.4	0.03067	129.7213	G11-17T	345.00 - G13-010T 345.00 345KV CKT 1
20WP	0	0	TO->FROM	G14_024	MULLERGREN - SPEARVILLE 230KV CKT 1	392	0.03078	129.1414	G11-17T	345.00 - G13-010T 345.00 345KV CKT 1
15G	3	0	TO->FROM	G14_024	MULLERGREN - SPEARVILLE 230KV CKT 1	393.4	0.03113	126.5104	G11-17T	345.00 - G13-010T 345.00 345KV CKT 1
15SP	0	0	TO->FROM	G14_024	MULLERGREN - SPEARVILLE 230KV CKT 1	393.1	0.03467	120.4938	DBL-THIS-WICH	
15G	3	0	TO->FROM	G14_024	MULLERGREN - SPEARVILLE 230KV CKT 1	393.4	0.03389	115.6486	DBL-THIS-WICH	
20WP	0	0	TO->FROM	G14_024	MULLERGREN - SPEARVILLE 230KV CKT 1	392	0.03194	115.389	DBL-THIS-WICH	
15SP	0	0	TO->FROM	G14_024	MULLERGREN - SPEARVILLE 230KV CKT 1	393.1	0.03225	114.6092	G11-17T	345.00 - SPEARVILLE 345KV CKT 1
20SP	0	0	TO->FROM	G14_024	MULLERGREN - SPEARVILLE 230KV CKT 1	393.4	0.03219	113.1549	DBL-THIS-WICH	
20SP	0	0	TO->FROM	G14_024	MULLERGREN - SPEARVILLE 230KV CKT 1	393.4	0.03067	109.945	G11-17T	345.00 - SPEARVILLE 345KV CKT 1
20WP	0	0	TO->FROM	G14_024	MULLERGREN - SPEARVILLE 230KV CKT 1	392	0.03078	109.32	G11-17T	345.00 - SPEARVILLE 345KV CKT 1
15G	3	0	TO->FROM	G14_024	MULLERGREN - SPEARVILLE 230KV CKT 1	393.4	0.03113	106.6324	G11-17T	345.00 - SPEARVILLE 345KV CKT 1
15G	6	0	TO->FROM	G14_024	OASIS INTERCHANGE - SAN JUAN MESA TAP 230KV CKT 1	350.7	0.12967	109.2268	CROSSROADS	345.00 - TOLK STATION 345KV CKT 1
15SP	0	0	TO->FROM	G14_024	PLANT X STATION - TOLK STATION WEST 230KV CKT 1	502	0.10585	103.0607	TOLK STATION TAP - TOLK STATION WEST 230KV CKT @1	
15G	6	0	FROM->TO	G14_024	POTTER COUNTY INTERCHANGE (WAUK 90343-A) 345/230/13.2KV TRANSFORMER CKT 1	557.5	0.1554	106.5012	POTTER COUNTY INTERCHANGE - TOLK STATION 345KV CKT 1	
15G	6	0	FROM->TO	G14_024	POTTER COUNTY INTERCHANGE (WAUK 90343-A) 345/230/13.2KV TRANSFORMER CKT 1	559	0.1554	106.1617	POTTER COUNTY INTERCHANGE - TOLK STATION 345KV CKT 1	
20WP	0	0	FROM->TO	G14_024	POTTER COUNTY INTERCHANGE (WAUK 90343-A) 345/230/13.2KV TRANSFORMER CKT 1	554.2	0.1639	100.1786	POTTER COUNTY INTERCHANGE - TOLK STATION 345KV CKT 1	
20WP	0	0	TO->FROM	G14_024	TOLK STATION (ABBXNL844501) 345/230/13.2KV TRANSFORMER CKT 1	546.3	0.15065	107.1654	CROSSROADS	345.00 - TOLK STATION 345KV CKT 1
20WP	0	0	TO->FROM	G14_024	TOLK STATION (ABBXNL844501) 345/230/13.2KV TRANSFORMER CKT 1	550.9	0.15065	106.2161	CROSSROADS	345.00 - TOLK STATION 345KV CKT 1
20WP	0	0	FROM->TO	G14_024	TUCO INTERCHANGE (GE M1022338) 345/230/13.2KV TRANSFORMER CKT 1	550.1	0.08685	101.4548	TUCO INTERCHANGE (SIEM 8743066) 345/230/13.2KV TRANSFORMER CKT 2	
20WP	0	0	FROM->TO	G14_024	TUCO INTERCHANGE (GE M1022338) 345/230/13.2KV TRANSFORMER CKT 1	556.4	0.08685	100.2342	TUCO INTERCHANGE (SIEM 8743066) 345/230/13.2KV TRANSFORMER CKT 2	
15G	3	0	TO->FROM	G14_024	WOODWARD - WOODWARD EHV 138KV CKT 1	280.6	0.03634	109.1493	DBL-THIS-WICH	
15G	3	0	TO->FROM	G14_024	WOODWARD - WOODWARD EHV 138KV CKT 1	280.6	0.03875	104.5017	G14-058T	345.00 - NORTHWEST 345KV CKT 1
15G	3	0	TO->FROM	G14_024	WOODWARD - WOODWARD EHV 138KV CKT 1	280.6	0.03405	103.49	WOODWARD - WOODWARD EHV 138KV CKT 2	
15G	3	0	TO->FROM	G14_024	WOODWARD - WOODWARD EHV 138KV CKT 1	280.6	0.03875	102.3278	G14-058T	345.00 - TATONGA7 345.00 345KV CKT 1
15G	6	0	TO->FROM	G14_030	ANADARKO - GRACMNT4 138.00 138KV CKT 1	225.8	0.05689	123.9127	CIMARRON - MINCO 345KV CKT 1	
15G	6	0	TO->FROM	G14_030	ANADARKO - GRACMNT4 138.00 138KV CKT 1	225.8	0.05689	115.6311	GRACEMONT - MINCO 345KV CKT 1	
15G	6	0	TO->FROM	G14_030	ANADARKO - GRACMNT4 138.00 138KV CKT 1	225.8	0.03131	106.5148	SOUTHWESTERN STATION - WASHITA 138KV CKT 1	
15SP	0	0	TO->FROM	G14_030	ANADARKO - GRACMNT4 138.00 138KV CKT 1	227	0.05803	104.1805	CIMARRON - MINCO 345KV CKT 1	
20WP	0	0	FROM->TO	G14_030	BUSHLAND INTERCHANGE (WH 7001795) 230/115/13.2KV TRANSFORMER CKT 1	165.7	0.03625	102.1133	BUSHLAND INTERCHANGE - POTTER COUNTY INTERCHANGE 230KV CKT 1	
20WP	0	0	FROM->TO	G14_030	BUSHLAND INTERCHANGE (WH 7001795) 230/115/13.2KV TRANSFORMER CKT 1	166.6	0.03625	101.4416	BUSHLAND INTERCHANGE - POTTER COUNTY INTERCHANGE 230KV CKT 1	
20WP	0	0	TO->FROM	G14_030	CANYON WEST SUB - DAWN SUB 115KV CKT 1	105.4	0.03011	100.2703	BUSHLAND INTERCHANGE - DEAF SMITH COUNTY INTERCHANGE 230KV CKT 1	
15SP	0	0	FROM->TO	G14_030	CHISHOLM6 230.00 - ELK CITY 230KV 230KV CKT 1	351.9	0.09994	156.6998	CHISHOLM7	345.00 - GRACEMONT 345KV CKT 1
15SP	0	0	FROM->TO	G14_030	CHISHOLM6 230.00 - ELK CITY 230KV 230KV CKT 1	351.9	0.08917	139.5333	SPP-AEPW-32	
15SP	0	0	FROM->TO	G14_030	CHISHOLM6 230.00 - ELK CITY 230KV 230KV CKT 1	351.9	0.08917	139.5333	SPSCont-01	
15SP	0	0	FROM->TO	G14_030	CHISHOLM6 230.00 - ELK CITY 230KV 230KV CKT 1	351.9	0.08917	138.5103	OKLAUNION - TUCO INTERCHANGE 345KV CKT 1	
15SP	0	0	FROM->TO	G14_030	CHISHOLM6 230.00 - ELK CITY 230KV 230KV CKT 1	351.9	0.08915	138.4448	SPP-SWPS-01	
15SP	0	0	FROM->TO	G14_030	CHISHOLM6 230.00 - ELK CITY 230KV 230KV CKT 1	351.9	0.09413	136.1753	CHISHOLM7	345.00 - WOODWARD DISTRICT EHV 345KV CKT 1
20SP	0	0	FROM->TO	G14_030	CHISHOLM6 230.00 - ELK CITY 230KV 230KV CKT 1	353	0.10008	132.6568	CHISHOLM7	345.00 - GRACEMONT 345KV CKT 1
15SP	0	0	FROM->TO	G14_030	CHISHOLM6 230.00 - ELK CITY 230KV 230KV CKT 1	351.9	0.07164	125.8685	G14-058T	345.00 - NORTHWEST 345KV CKT 1
15SP	0	0	FROM->TO	G14_030	CHISHOLM6 230.00 - ELK CITY 230KV 230KV CKT 1	351.9	0.07331	125.6074	DBL-THIS-WWRD	
15SP	0	0	FROM->TO	G14_030	CHISHOLM6 230.00 - ELK CITY 230KV 230KV CKT 1	351.9	0.07164	125.016	G14-058T	345.00 - TATONGA7 345.00 345KV CKT 1
15SP	0	0	FROM->TO	G14_030	CHISHOLM6 230.00 - ELK CITY 230KV 230KV CKT 1	351.9	0.07117	124.6751	DBL-THIS-WICH	
15SP	0	0	FROM->TO	G14_030	CHISHOLM6 230.00 - ELK CITY 230KV 230KV CKT 1	351.9	0.07211	124.6205	DBL-G1114-WWRD	
15SP	0	0	FROM->TO	G14_030	CHISHOLM6 230.00 - ELK CITY 230KV 230KV CKT 1	351.9	0.07211	123.7111	DBL-BVR-G1114	
15SP	0	0	FROM->TO	G14_030	CHISHOLM6 230.00 - ELK CITY 230KV 230KV CKT 1	351.9	0.07222	123.1898	FINNEY SWITCHING STATION - HOLCOMB 345KV CKT 1	
15SP	0	0	FROM->TO	G14_030	CHISHOLM6 230.00 - ELK CITY 230KV 230KV CKT 1	351.9	0.07475	123.1645	G14_038T	345.00 - Hitchland Interchange 345KV CKT 1
15SP	0	0	FROM->TO	G14_030	CHISHOLM6 230.00 - ELK CITY 230KV 230KV CKT 1	351.9	0.07475	122.5961	G14_038T	345.00 - POTTER COUNTY INTERCHANGE 345KV CKT 1
15SP	0	0	FROM->TO	G14_030	CHISHOLM6 230.00 - ELK CITY 230KV 230KV CKT 1	351.9	0.07164	122.1742	G11_051T	345.00 - TATONGA7 345.00 345KV CKT 1
20WP	0	0	FROM->TO	G14_030	CHISHOLM6 230.00 - ELK CITY 230KV 230KV CKT 1	437.6	0.1012	121.6099	CHISHOLM7	345.00 - GRACEMONT 345KV CKT 1
15SP	0	0	FROM->TO	G14_030	CHISHOLM6 230.00 - ELK CITY 230KV 230KV CKT 1	351.9	0.07164	121.5775	SPSCont-05ax	
15SP	0	0	FROM->TO	G14_030	CHISHOLM6 230.00 - ELK CITY 230KV 230KV CKT 1	351.9	0.06304	119.7484	ONEY - WASHITA 138KV CKT 1	
20SP	0	0	FROM->TO	G14_030	CHISHOLM6 230.00 - ELK CITY 230KV 230KV CKT 1	353	0.08931	119.399	SPP-AEPW-32	
20SP	0	0	FROM->TO	G14_030	CHISHOLM6 230.00 - ELK CITY 230KV 230KV CKT 1	353	0.08931	119.399	SPSCont-01	

SEASON	GROUP	SCENARIO	DIRECTION	SOURCE	MONITORED ELEMENT	RATE (MVA)	TDF	CONTINGENCY LOADING %	CONTINGENCY
15SP	0	0	FROM->TO	G14_030	CHISHOLM6 230.00 - ELK CITY 230KV 230KV CKT 1	351.9	0.06304	119.1232	BINGER NIJECT - ONEY 138KV CKT 1
20SP	0	0	FROM->TO	G14_030	CHISHOLM6 230.00 - ELK CITY 230KV 230KV CKT 1	353	0.08931	118.3792	OKLAUNION - TUCO INTERCHANGE 345KV CKT 1
20SP	0	0	FROM->TO	G14_030	CHISHOLM6 230.00 - ELK CITY 230KV 230KV CKT 1	353	0.08927	118.341	SPP-SWPS-01
20SP	0	0	FROM->TO	G14_030	CHISHOLM6 230.00 - ELK CITY 230KV 230KV CKT 1	353	0.09455	118.0135	CHISHOLM7 345.00 - WOODWARD DISTRICT EHV 345KV CKT 1
15G	6	0	FROM->TO	G14_030	CHISHOLM6 230.00 - ELK CITY 230KV 230KV CKT 1	437.8	0.09496	117.0994	CHISHOLM7 345.00 - GRACEMONT 345KV CKT 1
15SP	0	0	FROM->TO	G14_030	CHISHOLM6 230.00 - ELK CITY 230KV 230KV CKT 1	351.9	0.06647	116.0497	BASE CASE
20SP	0	0	FROM->TO	G14_030	CHISHOLM6 230.00 - ELK CITY 230KV 230KV CKT 1	353	0.07353	108.6401	DBL-THIS-WWRD
20SP	0	0	FROM->TO	G14_030	CHISHOLM6 230.00 - ELK CITY 230KV 230KV CKT 1	353	0.07177	108.4076	G14-058T 345.00 - NORTHWEST 345KV CKT 1
20SP	0	0	FROM->TO	G14_030	CHISHOLM6 230.00 - ELK CITY 230KV 230KV CKT 1	353	0.07177	107.5578	G14-058T 345.00 - TATONGA7 345.00 345KV CKT 1
20SP	0	0	FROM->TO	G14_030	CHISHOLM6 230.00 - ELK CITY 230KV 230KV CKT 1	353	0.07127	107.5542	DBL-THIS-WICH
20SP	0	0	FROM->TO	G14_030	CHISHOLM6 230.00 - ELK CITY 230KV 230KV CKT 1	353	0.07251	107.3384	DBL-G1114-WWRD
20WP	0	0	FROM->TO	G14_030	CHISHOLM6 230.00 - ELK CITY 230KV 230KV CKT 1	437.6	0.09014	106.7283	SPP-AEPW-32
20WP	0	0	FROM->TO	G14_030	CHISHOLM6 230.00 - ELK CITY 230KV 230KV CKT 1	437.6	0.09014	106.7283	SPSCont-01
20SP	0	0	FROM->TO	G14_030	CHISHOLM6 230.00 - ELK CITY 230KV 230KV CKT 1	353	0.07261	106.5058	FINNEY SWITCHING STATION - HOLCOMB 345KV CKT 1
20SP	0	0	FROM->TO	G14_030	CHISHOLM6 230.00 - ELK CITY 230KV 230KV CKT 1	353	0.07251	106.4318	DBL-BVR-G1114
20SP	0	0	FROM->TO	G14_030	CHISHOLM6 230.00 - ELK CITY 230KV 230KV CKT 1	353	0.06327	106.0311	ONEY - WASHITA 138KV CKT 1
20SP	0	0	FROM->TO	G14_030	CHISHOLM6 230.00 - ELK CITY 230KV 230KV CKT 1	353	0.07498	106.0064	G14_038T 345.00 - Hitchland Interchange 345KV CKT 1
20WP	0	0	FROM->TO	G14_030	CHISHOLM6 230.00 - ELK CITY 230KV 230KV CKT 1	437.6	0.09014	105.9056	OKLAUNION - TUCO INTERCHANGE 345KV CKT 1
20WP	0	0	FROM->TO	G14_030	CHISHOLM6 230.00 - ELK CITY 230KV 230KV CKT 1	437.6	0.09011	105.8291	SPP-SWPS-01
20SP	0	0	FROM->TO	G14_030	CHISHOLM6 230.00 - ELK CITY 230KV 230KV CKT 1	353	0.07498	105.4398	G14_038T 345.00 - POTTER COUNTY INTERCHANGE 345KV CKT 1
20SP	0	0	FROM->TO	G14_030	CHISHOLM6 230.00 - ELK CITY 230KV 230KV CKT 1	353	0.06327	105.3796	BINGER NIJECT - ONEY 138KV CKT 1
20WP	0	0	FROM->TO	G14_030	CHISHOLM6 230.00 - ELK CITY 230KV 230KV CKT 1	437.6	0.09519	105.3623	CHISHOLM7 345.00 - WOODWARD DISTRICT EHV 345KV CKT 1
20SP	0	0	FROM->TO	G14_030	CHISHOLM6 230.00 - ELK CITY 230KV 230KV CKT 1	353	0.07136	105.1216	CIMARRON - MINCO 345KV CKT 1
20SP	0	0	FROM->TO	G14_030	CHISHOLM6 230.00 - ELK CITY 230KV 230KV CKT 1	353	0.06327	104.3597	BINGER NIJECT - SICKLES 138KV CKT 1
15G	6	0	FROM->TO	G14_030	CHISHOLM6 230.00 - ELK CITY 230KV 230KV CKT 1	437.8	0.08436	101.0119	SPP-AEPW-32
15G	6	0	FROM->TO	G14_030	CHISHOLM6 230.00 - ELK CITY 230KV 230KV CKT 1	437.8	0.08436	101.0119	SPSCont-01
15G	6	0	FROM->TO	G14_030	CHISHOLM6 230.00 - ELK CITY 230KV 230KV CKT 1	437.8	0.08436	100.1439	OKLAUNION - TUCO INTERCHANGE 345KV CKT 1
15G	6	0	FROM->TO	G14_030	CHISHOLM6 230.00 - ELK CITY 230KV 230KV CKT 1	437.8	0.08434	100.0685	SPP-SWPS-01
20SP	0	0	FROM->TO	G14_030	CHISHOLM6 230.00 - ELK CITY 230KV 230KV CKT 1	353	0.06674	100.0543	BASE CASE
20WP	0	0	TO->FROM	G14_030	CIMARRON - MINCO 345KV CKT 1	953.8	0.23603	122.044	G14-057T 345.00 - SUNNYSIDE 345KV CKT 1
20WP	0	0	TO->FROM	G14_030	CIMARRON - MINCO 345KV CKT 1	953.8	0.23603	119.8528	G14-057T 345.00 - LAWTON EASTSIDE 345KV CKT 1
20WP	0	0	TO->FROM	G14_030	CIMARRON - MINCO 345KV CKT 1	953.8	0.2021	105.5389	G14-058T 345.00 - NORTHWEST 345KV CKT 1
15G	6	0	TO->FROM	G14_030	CIMARRON - MINCO 345KV CKT 1	954.6	0.2373	104.8564	G14-057T 345.00 - SUNNYSIDE 345KV CKT 1
20WP	0	0	TO->FROM	G14_030	CIMARRON - MINCO 345KV CKT 1	953.8	0.2021	104.1235	G14-058T 345.00 - TATONGA7 345.00 345KV CKT 1
20WP	0	0	TO->FROM	G14_030	CIMARRON - MINCO 345KV CKT 1	953.8	0.23196	103.6945	CHISHOLM7 345.00 - WOODWARD DISTRICT EHV 345KV CKT 1
15SP	0	0	TO->FROM	G14_030	CIMARRON - MINCO 345KV CKT 1	954.9	0.23974	103.0708	G14-057T 345.00 - SUNNYSIDE 345KV CKT 1
15G	6	0	TO->FROM	G14_030	CIMARRON - MINCO 345KV CKT 1	954.6	0.2373	102.6147	G14-057T 345.00 - LAWTON EASTSIDE 345KV CKT 1
15SP	0	0	TO->FROM	G14_030	CIMARRON - MINCO 345KV CKT 1	954.9	0.23974	100.7773	G14-057T 345.00 - LAWTON EASTSIDE 345KV CKT 1
15G	3	0	TO->FROM	G14_030	CIRCLE - MULLERGREEN 230KV CKT 1	392.8	0.0308	106.1357	DBL-THIS-WICH
15G	3	0	FROM->TO	G14_030	CLEARWATER - GILL ENERGY CENTER WEST 138KV CKT 1	131.5	0.03139	213.2866	DBL-THIS-WICH
15SP	0	0	FROM->TO	G14_030	CLEARWATER - GILL ENERGY CENTER WEST 138KV CKT 1	128	0.03206	182.3731	DBL-THIS-WICH
15G	3	0	TO->FROM	G14_030	CLEARWATER - MILAN TAP 138KV CKT 1	87.2	0.03139	328.064	DBL-THIS-WICH
15SP	0	0	TO->FROM	G14_030	CLEARWATER - MILAN TAP 138KV CKT 1	82	0.03206	294.3141	DBL-THIS-WICH
20WP	0	0	TO->FROM	G14_030	CLEARWATER - MILAN TAP 138KV CKT 1	92.1	0.03283	290.0294	DBL-THIS-WICH
20SP	0	0	TO->FROM	G14_030	CLEARWATER - MILAN TAP 138KV CKT 1	85.8	0.03327	264.8761	DBL-THIS-WICH
15SP	0	0	TO->FROM	G14_030	CLINTON JUNCTION - ELK CITY 138KV CKT 1	148	0.04126	146.7703	CHISHOLM7 345.00 - GRACEMONT 345KV CKT 1
15SP	0	0	TO->FROM	G14_030	CLINTON JUNCTION - ELK CITY 138KV CKT 1	148	0.03635	128.5649	SPP-AEPW-32
15SP	0	0	TO->FROM	G14_030	CLINTON JUNCTION - ELK CITY 138KV CKT 1	148	0.03635	128.5649	SPSCont-01
15SP	0	0	TO->FROM	G14_030	CLINTON JUNCTION - ELK CITY 138KV CKT 1	148	0.03635	127.8217	OKLAUNION - TUCO INTERCHANGE 345KV CKT 1
15SP	0	0	TO->FROM	G14_030	CLINTON JUNCTION - ELK CITY 138KV CKT 1	148	0.03634	127.8187	SPP-SWPS-01
15SP	0	0	TO->FROM	G14_030	CLINTON JUNCTION - ELK CITY 138KV CKT 1	148	0.03113	123.4178	G14-058T 345.00 - NORTHWEST 345KV CKT 1
15SP	0	0	TO->FROM	G14_030	CLINTON JUNCTION - ELK CITY 138KV CKT 1	148	0.03113	121.9989	G14-058T 345.00 - TATONGA7 345.00 345KV CKT 1
15SP	0	0	TO->FROM	G14_030	CLINTON JUNCTION - ELK CITY 138KV CKT 1	148	0.03189	121.596	DBL-THIS-WWRD
15SP	0	0	TO->FROM	G14_030	CLINTON JUNCTION - ELK CITY 138KV CKT 1	148	0.03111	120.5036	CLINTON AIR FORCE BASE TAP - ELK CITY 138KV CKT 1
15SP	0	0	TO->FROM	G14_030	CLINTON JUNCTION - ELK CITY 138KV CKT 1	148	0.03111	119.5576	CLINTON AIR FORCE BASE TAP - HOBART JUNCTION 138KV CKT 1
15SP	0	0	TO->FROM	G14_030	CLINTON JUNCTION - ELK CITY 138KV CKT 1	148	0.03022	118.8971	DBL-THIS-WICH
15G	6	0	TO->FROM	G14_030	CLINTON JUNCTION - ELK CITY 138KV CKT 1	185.4	0.04015	118.5212	CHISHOLM7 345.00 - GRACEMONT 345KV CKT 1
20SP	0	0	TO->FROM	G14_030	CLINTON JUNCTION - ELK CITY 138KV CKT 1	150.5	0.04116	116.8587	CHISHOLM7 345.00 - GRACEMONT 345KV CKT 1

SEASON	GROUP	SCENARIO	DIRECTION	SOURCE	MONITORED ELEMENT	RATE (MVA)	TDF	CONTINGENCY LOADING %	CONTINGENCY
20WP	0	0	TO->FROM	G14_030	CLINTON JUNCTION - ELK CITY 138KV CKT 1	185.3	0.04149	112.958	CHISHOLM7 345.00 - GRACEMONT 345KV CKT 1
20SP	0	0	TO->FROM	G14_030	CLINTON JUNCTION - ELK CITY 138KV CKT 1	150.5	0.03625	102.8153	SPP-AEPW-32
20SP	0	0	TO->FROM	G14_030	CLINTON JUNCTION - ELK CITY 138KV CKT 1	150.5	0.03625	102.8153	SPSCont-01
20SP	0	0	TO->FROM	G14_030	CLINTON JUNCTION - ELK CITY 138KV CKT 1	150.5	0.03625	102.2173	OKLAUNION - TUCO INTERCHANGE 345KV CKT 1
20SP	0	0	TO->FROM	G14_030	CLINTON JUNCTION - ELK CITY 138KV CKT 1	150.5	0.03625	102.2115	SPP-SWPS-01
15G	6	0	TO->FROM	G14_030	CLINTON JUNCTION - ELK CITY 138KV CKT 1	185.4	0.0353	101.6291	SPP-AEPW-32
15G	6	0	TO->FROM	G14_030	CLINTON JUNCTION - ELK CITY 138KV CKT 1	185.4	0.0353	101.6291	SPSCont-01
15G	6	0	TO->FROM	G14_030	CLINTON JUNCTION - ELK CITY 138KV CKT 1	185.4	0.0353	101.0897	OKLAUNION - TUCO INTERCHANGE 345KV CKT 1
15G	6	0	TO->FROM	G14_030	CLINTON JUNCTION - ELK CITY 138KV CKT 1	185.4	0.03529	101.0335	SPP-SWPS-01
20WP	0	0	TO->FROM	G14_030	DAWN SUB - Panda Energy Substation Hereford 115KV CKT 1	105.7	0.03011	105.5676	BUSHLAND INTERCHANGE - DEAF SMITH COUNTY INTERCHANGE 230KV CKT 1
15SP	0	0	TO->FROM	G14_030	DEAF SMITH COUNTY INTERCHANGE - G14-068T 230.00 230KV CKT 1	348.9	0.09869	109.871	POTTER COUNTY INTERCHANGE - TOLK STATION 345KV CKT 1
20WP	0	0	TO->FROM	G14_030	DEAF SMITH COUNTY INTERCHANGE - G14-068T 230.00 230KV CKT 1	360.6	0.09606	108.1503	POTTER COUNTY INTERCHANGE - TOLK STATION 345KV CKT 1
20SP	0	0	TO->FROM	G14_030	DEAF SMITH COUNTY INTERCHANGE - G14-068T 230.00 230KV CKT 1	347.7	0.09849	103.1477	POTTER COUNTY INTERCHANGE - TOLK STATION 345KV CKT 1
25SP	0	0	TO->FROM	G14_030	DEAF SMITH COUNTY INTERCHANGE - G14-068T 230.00 230KV CKT 1	346.1	0.09871	102.6987	POTTER COUNTY INTERCHANGE - TOLK STATION 345KV CKT 1
20WP	0	0	FROM->TO	G14_030	DEAF SMITH COUNTY INTERCHANGE - Panda Energy Substation Hereford 115KV CKT 1	105.9	0.03011	111.9782	BUSHLAND INTERCHANGE - DEAF SMITH COUNTY INTERCHANGE 230KV CKT 1
15SP	0	0	FROM->TO	G14_030	ELK CITY 230KV (ELKCTY-6) 230/138/13.8KV TRANSFORMER CKT 1	309.1	0.09994	178.2357	CHISHOLM7 345.00 - GRACEMONT 345KV CKT 1
15SP	0	0	FROM->TO	G14_030	ELK CITY 230KV (ELKCTY-6) 230/138/13.8KV TRANSFORMER CKT 1	314.8	0.09994	175.1673	CHISHOLM7 345.00 - GRACEMONT 345KV CKT 1
20WP	0	0	FROM->TO	G14_030	ELK CITY 230KV (ELKCTY-6) 230/138/13.8KV TRANSFORMER CKT 1	308.8	0.1012	172.2036	CHISHOLM7 345.00 - GRACEMONT 345KV CKT 1
20WP	0	0	FROM->TO	G14_030	ELK CITY 230KV (ELKCTY-6) 230/138/13.8KV TRANSFORMER CKT 1	314.1	0.1012	169.4252	CHISHOLM7 345.00 - GRACEMONT 345KV CKT 1
15G	6	0	FROM->TO	G14_030	ELK CITY 230KV (ELKCTY-6) 230/138/13.8KV TRANSFORMER CKT 1	310	0.09496	165.2132	CHISHOLM7 345.00 - GRACEMONT 345KV CKT 1
15G	6	0	FROM->TO	G14_030	ELK CITY 230KV (ELKCTY-6) 230/138/13.8KV TRANSFORMER CKT 1	314.4	0.09496	163.0601	CHISHOLM7 345.00 - GRACEMONT 345KV CKT 1
15SP	0	0	FROM->TO	G14_030	ELK CITY 230KV (ELKCTY-6) 230/138/13.8KV TRANSFORMER CKT 1	309.1	0.08917	158.6922	SPP-AEPW-32
15SP	0	0	FROM->TO	G14_030	ELK CITY 230KV (ELKCTY-6) 230/138/13.8KV TRANSFORMER CKT 1	309.1	0.08917	158.6922	SPSCont-01
15SP	0	0	FROM->TO	G14_030	ELK CITY 230KV (ELKCTY-6) 230/138/13.8KV TRANSFORMER CKT 1	309.1	0.08917	157.4952	OKLAUNION - TUCO INTERCHANGE 345KV CKT 1
15SP	0	0	FROM->TO	G14_030	ELK CITY 230KV (ELKCTY-6) 230/138/13.8KV TRANSFORMER CKT 1	309.1	0.08915	157.453	SPP-SWPS-01
15SP	0	0	FROM->TO	G14_030	ELK CITY 230KV (ELKCTY-6) 230/138/13.8KV TRANSFORMER CKT 1	314.8	0.08917	155.9777	SPP-AEPW-32
15SP	0	0	FROM->TO	G14_030	ELK CITY 230KV (ELKCTY-6) 230/138/13.8KV TRANSFORMER CKT 1	314.8	0.08917	155.9777	SPSCont-01
15SP	0	0	FROM->TO	G14_030	ELK CITY 230KV (ELKCTY-6) 230/138/13.8KV TRANSFORMER CKT 1	309.1	0.09413	154.8693	CHISHOLM7 345.00 - WOODWARD DISTRICT EHV 345KV CKT 1
15SP	0	0	FROM->TO	G14_030	ELK CITY 230KV (ELKCTY-6) 230/138/13.8KV TRANSFORMER CKT 1	314.8	0.08917	154.8341	OKLAUNION - TUCO INTERCHANGE 345KV CKT 1
15SP	0	0	FROM->TO	G14_030	ELK CITY 230KV (ELKCTY-6) 230/138/13.8KV TRANSFORMER CKT 1	314.8	0.08915	154.7609	SPP-SWPS-01
15SP	0	0	FROM->TO	G14_030	ELK CITY 230KV (ELKCTY-6) 230/138/13.8KV TRANSFORMER CKT 1	264	0.06647	154.4995	BASE CASE
15SP	0	0	FROM->TO	G14_030	ELK CITY 230KV (ELKCTY-6) 230/138/13.8KV TRANSFORMER CKT 1	314.8	0.09413	152.2239	CHISHOLM7 345.00 - WOODWARD DISTRICT EHV 345KV CKT 1
20WP	0	0	FROM->TO	G14_030	ELK CITY 230KV (ELKCTY-6) 230/138/13.8KV TRANSFORMER CKT 1	308.8	0.09014	151.0826	SPP-AEPW-32
20WP	0	0	FROM->TO	G14_030	ELK CITY 230KV (ELKCTY-6) 230/138/13.8KV TRANSFORMER CKT 1	308.8	0.09014	151.0826	SPSCont-01
15SP	0	0	FROM->TO	G14_030	ELK CITY 230KV (ELKCTY-6) 230/138/13.8KV TRANSFORMER CKT 1	270.6	0.06647	150.916	BASE CASE
20WP	0	0	FROM->TO	G14_030	ELK CITY 230KV (ELKCTY-6) 230/138/13.8KV TRANSFORMER CKT 1	308.8	0.09014	149.9168	OKLAUNION - TUCO INTERCHANGE 345KV CKT 1
20WP	0	0	FROM->TO	G14_030	ELK CITY 230KV (ELKCTY-6) 230/138/13.8KV TRANSFORMER CKT 1	308.8	0.09011	149.8084	SPP-SWPS-01
20WP	0	0	FROM->TO	G14_030	ELK CITY 230KV (ELKCTY-6) 230/138/13.8KV TRANSFORMER CKT 1	308.8	0.09519	149.1468	CHISHOLM7 345.00 - WOODWARD DISTRICT EHV 345KV CKT 1
20SP	0	0	FROM->TO	G14_030	ELK CITY 230KV (ELKCTY-6) 230/138/13.8KV TRANSFORMER CKT 1	314.5	0.10008	148.769	CHISHOLM7 345.00 - GRACEMONT 345KV CKT 1
20WP	0	0	FROM->TO	G14_030	ELK CITY 230KV (ELKCTY-6) 230/138/13.8KV TRANSFORMER CKT 1	314.1	0.09014	148.6925	SPP-AEPW-32
20WP	0	0	FROM->TO	G14_030	ELK CITY 230KV (ELKCTY-6) 230/138/13.8KV TRANSFORMER CKT 1	314.1	0.09014	148.6925	SPSCont-01
20SP	0	0	FROM->TO	G14_030	ELK CITY 230KV (ELKCTY-6) 230/138/13.8KV TRANSFORMER CKT 1	316	0.10008	148.1895	CHISHOLM7 345.00 - GRACEMONT 345KV CKT 1
20WP	0	0	FROM->TO	G14_030	ELK CITY 230KV (ELKCTY-6) 230/138/13.8KV TRANSFORMER CKT 1	314.1	0.09014	147.5463	OKLAUNION - TUCO INTERCHANGE 345KV CKT 1
20WP	0	0	FROM->TO	G14_030	ELK CITY 230KV (ELKCTY-6) 230/138/13.8KV TRANSFORMER CKT 1	314.1	0.09011	147.4398	SPP-SWPS-01
20WP	0	0	FROM->TO	G14_030	ELK CITY 230KV (ELKCTY-6) 230/138/13.8KV TRANSFORMER CKT 1	314.1	0.09519	146.7893	CHISHOLM7 345.00 - WOODWARD DISTRICT EHV 345KV CKT 1
15SP	0	0	FROM->TO	G14_030	ELK CITY 230KV (ELKCTY-6) 230/138/13.8KV TRANSFORMER CKT 1	309.1	0.07164	143.1353	G14-058T 345.00 - NORTHWEST 345KV CKT 1
15SP	0	0	FROM->TO	G14_030	ELK CITY 230KV (ELKCTY-6) 230/138/13.8KV TRANSFORMER CKT 1	309.1	0.07331	142.8057	DBL-THIS-WWRD
15G	6	0	FROM->TO	G14_030	ELK CITY 230KV (ELKCTY-6) 230/138/13.8KV TRANSFORMER CKT 1	310	0.08436	142.4936	SPP-AEPW-32
15G	6	0	FROM->TO	G14_030	ELK CITY 230KV (ELKCTY-6) 230/138/13.8KV TRANSFORMER CKT 1	310	0.08436	142.4936	SPSCont-01
15SP	0	0	FROM->TO	G14_030	ELK CITY 230KV (ELKCTY-6) 230/138/13.8KV TRANSFORMER CKT 1	309.1	0.07164	142.1647	G14-058T 345.00 - TATONGA7 345.00 345KV CKT 1
15SP	0	0	FROM->TO	G14_030	ELK CITY 230KV (ELKCTY-6) 230/138/13.8KV TRANSFORMER CKT 1	309.1	0.07117	141.7766	DBL-THIS-WICH
15SP	0	0	FROM->TO	G14_030	ELK CITY 230KV (ELKCTY-6) 230/138/13.8KV TRANSFORMER CKT 1	309.1	0.07211	141.6821	DBL-G1114-WWRD
15G	6	0	FROM->TO	G14_030	ELK CITY 230KV (ELKCTY-6) 230/138/13.8KV TRANSFORMER CKT 1	310	0.08436	141.3	OKLAUNION - TUCO INTERCHANGE 345KV CKT 1
15G	6	0	FROM->TO	G14_030	ELK CITY 230KV (ELKCTY-6) 230/138/13.8KV TRANSFORMER CKT 1	310	0.08434	141.1935	SPP-SWPS-01
15SP	0	0	FROM->TO	G14_030	ELK CITY 230KV (ELKCTY-6) 230/138/13.8KV TRANSFORMER CKT 1	314.8	0.07164	140.7024	G14-058T 345.00 - NORTHWEST 345KV CKT 1
15SP	0	0	FROM->TO	G14_030	ELK CITY 230KV (ELKCTY-6) 230/138/13.8KV TRANSFORMER CKT 1	309.1	0.07211	140.6792	DBL-BVR-G1114
15G	6	0	FROM->TO	G14_030	ELK CITY 230KV (ELKCTY-6) 230/138/13.8KV TRANSFORMER CKT 1	314.4	0.08436	140.6584	SPP-AEPW-32
15G	6	0	FROM->TO	G14_030	ELK CITY 230KV (ELKCTY-6) 230/138/13.8KV TRANSFORMER CKT 1	314.4	0.08436	140.6584	SPSCont-01

SEASON	GROUP	SCENARIO	DIRECTION	SOURCE	MONITORED ELEMENT	RATE (MVA)	TDF	CONTINGENCY LOADING %	CONTINGENCY
15SP	0	0	FROM->TO	G14_030	ELK CITY 230KV (ELKCTY-6) 230/138/13.8KV TRANSFORMER CKT 1	314.8	0.07331	140.4106	DBL-THIS-WWRD
15SP	0	0	FROM->TO	G14_030	ELK CITY 230KV (ELKCTY-6) 230/138/13.8KV TRANSFORMER CKT 1	309.1	0.07222	140.0533	FINNEY SWITCHING STATION - HOLCOMB 345KV CKT 1
15SP	0	0	FROM->TO	G14_030	ELK CITY 230KV (ELKCTY-6) 230/138/13.8KV TRANSFORMER CKT 1	314.8	0.07164	139.7494	G14-058T 345.00 - TATONGA7 345.00 345KV CKT 1
15G	6	0	FROM->TO	G14_030	ELK CITY 230KV (ELKCTY-6) 230/138/13.8KV TRANSFORMER CKT 1	310	0.08897	139.5051	CHISHOLM7 345.00 - WOODWARD DISTRICT EHV 345KV CKT 1
15G	6	0	FROM->TO	G14_030	ELK CITY 230KV (ELKCTY-6) 230/138/13.8KV TRANSFORMER CKT 1	314.4	0.08436	139.4498	OKLAUNION - TUCO INTERCHANGE 345KV CKT 1
15SP	0	0	FROM->TO	G14_030	ELK CITY 230KV (ELKCTY-6) 230/138/13.8KV TRANSFORMER CKT 1	314.8	0.07117	139.3683	DBL-THIS-WICH
15G	6	0	FROM->TO	G14_030	ELK CITY 230KV (ELKCTY-6) 230/138/13.8KV TRANSFORMER CKT 1	314.4	0.08434	139.3447	SPP-SWPS-01
15SP	0	0	FROM->TO	G14_030	ELK CITY 230KV (ELKCTY-6) 230/138/13.8KV TRANSFORMER CKT 1	314.8	0.07211	139.3073	DBL-G1114-WWRD
15SP	0	0	FROM->TO	G14_030	ELK CITY 230KV (ELKCTY-6) 230/138/13.8KV TRANSFORMER CKT 1	314.8	0.07211	138.2908	DBL-BVR-G1114
15SP	0	0	FROM->TO	G14_030	ELK CITY 230KV (ELKCTY-6) 230/138/13.8KV TRANSFORMER CKT 1	314.8	0.07222	137.708	FINNEY SWITCHING STATION - HOLCOMB 345KV CKT 1
15G	6	0	FROM->TO	G14_030	ELK CITY 230KV (ELKCTY-6) 230/138/13.8KV TRANSFORMER CKT 1	314.4	0.08897	137.68	CHISHOLM7 345.00 - WOODWARD DISTRICT EHV 345KV CKT 1
15SP	0	0	FROM->TO	G14_030	ELK CITY 230KV (ELKCTY-6) 230/138/13.8KV TRANSFORMER CKT 1	314.8	0.07164	136.5728	G11_051T 345.00 - TATONGA7 345.00 345KV CKT 1
20WP	0	0	FROM->TO	G14_030	ELK CITY 230KV (ELKCTY-6) 230/138/13.8KV TRANSFORMER CKT 1	279.1	0.06748	136.264	BASE CASE
15SP	0	0	FROM->TO	G14_030	ELK CITY 230KV (ELKCTY-6) 230/138/13.8KV TRANSFORMER CKT 1	309.1	0.06304	136.1354	ONEY - WASHITA 138KV CKT 1
15SP	0	0	FROM->TO	G14_030	ELK CITY 230KV (ELKCTY-6) 230/138/13.8KV TRANSFORMER CKT 1	309.1	0.06647	136.0657	SOUTHWESTERN STATION 138/24.0KV TRANSFORMER CKT 1
15SP	0	0	FROM->TO	G14_030	ELK CITY 230KV (ELKCTY-6) 230/138/13.8KV TRANSFORMER CKT 1	309.1	0.06304	135.456	BINGER NIJECT - ONEY 138KV CKT 1
20WP	0	0	FROM->TO	G14_030	ELK CITY 230KV (ELKCTY-6) 230/138/13.8KV TRANSFORMER CKT 1	308.8	0.0726	135.2121	G14-058T 345.00 - NORTHWEST 345KV CKT 1
15SP	0	0	FROM->TO	G14_030	ELK CITY 230KV (ELKCTY-6) 230/138/13.8KV TRANSFORMER CKT 1	309.1	0.06304	134.2913	BINGER NIJECT - SICKLES 138KV CKT 1
20WP	0	0	FROM->TO	G14_030	ELK CITY 230KV (ELKCTY-6) 230/138/13.8KV TRANSFORMER CKT 1	308.8	0.0726	134.2729	G14-058T 345.00 - TATONGA7 345.00 345KV CKT 1
20WP	0	0	FROM->TO	G14_030	ELK CITY 230KV (ELKCTY-6) 230/138/13.8KV TRANSFORMER CKT 1	308.8	0.07419	134.0952	DBL-THIS-WWRD
20SP	0	0	FROM->TO	G14_030	ELK CITY 230KV (ELKCTY-6) 230/138/13.8KV TRANSFORMER CKT 1	314.5	0.08931	133.8882	SPP-AEPW-32
20SP	0	0	FROM->TO	G14_030	ELK CITY 230KV (ELKCTY-6) 230/138/13.8KV TRANSFORMER CKT 1	314.5	0.08931	133.8882	SPSCont-01
15SP	0	0	FROM->TO	G14_030	ELK CITY 230KV (ELKCTY-6) 230/138/13.8KV TRANSFORMER CKT 1	314.8	0.06304	133.861	ONEY - WASHITA 138KV CKT 1
20WP	0	0	FROM->TO	G14_030	ELK CITY 230KV (ELKCTY-6) 230/138/13.8KV TRANSFORMER CKT 1	308.8	0.07332	133.794	DBL-G1114-WWRD
15SP	0	0	FROM->TO	G14_030	ELK CITY 230KV (ELKCTY-6) 230/138/13.8KV TRANSFORMER CKT 1	314.8	0.06647	133.7926	SOUTHWESTERN STATION 138/24.0KV TRANSFORMER CKT 1
20WP	0	0	FROM->TO	G14_030	ELK CITY 230KV (ELKCTY-6) 230/138/13.8KV TRANSFORMER CKT 1	284.9	0.06748	133.6654	BASE CASE
20WP	0	0	FROM->TO	G14_030	ELK CITY 230KV (ELKCTY-6) 230/138/13.8KV TRANSFORMER CKT 1	308.8	0.0719	133.5297	DBL-THIS-WICH
20SP	0	0	FROM->TO	G14_030	ELK CITY 230KV (ELKCTY-6) 230/138/13.8KV TRANSFORMER CKT 1	316	0.08931	133.3793	SPP-AEPW-32
20SP	0	0	FROM->TO	G14_030	ELK CITY 230KV (ELKCTY-6) 230/138/13.8KV TRANSFORMER CKT 1	316	0.08931	133.3793	SPSCont-01
15SP	0	0	FROM->TO	G14_030	ELK CITY 230KV (ELKCTY-6) 230/138/13.8KV TRANSFORMER CKT 1	314.8	0.06304	133.1622	BINGER NIJECT - ONEY 138KV CKT 1
20WP	0	0	FROM->TO	G14_030	ELK CITY 230KV (ELKCTY-6) 230/138/13.8KV TRANSFORMER CKT 1	314.1	0.0726	133.0579	G14-058T 345.00 - NORTHWEST 345KV CKT 1
20WP	0	0	FROM->TO	G14_030	ELK CITY 230KV (ELKCTY-6) 230/138/13.8KV TRANSFORMER CKT 1	308.8	0.07332	132.7578	DBL-BVR-G1114
20SP	0	0	FROM->TO	G14_030	ELK CITY 230KV (ELKCTY-6) 230/138/13.8KV TRANSFORMER CKT 1	314.5	0.08931	132.7435	OKLAUNION - TUCO INTERCHANGE 345KV CKT 1
20SP	0	0	FROM->TO	G14_030	ELK CITY 230KV (ELKCTY-6) 230/138/13.8KV TRANSFORMER CKT 1	314.5	0.08927	132.7007	SPP-SWPS-01
20SP	0	0	FROM->TO	G14_030	ELK CITY 230KV (ELKCTY-6) 230/138/13.8KV TRANSFORMER CKT 1	314.5	0.09455	132.3331	CHISHOLM7 345.00 - WOODWARD DISTRICT EHV 345KV CKT 1
20SP	0	0	FROM->TO	G14_030	ELK CITY 230KV (ELKCTY-6) 230/138/13.8KV TRANSFORMER CKT 1	316	0.08931	132.24	OKLAUNION - TUCO INTERCHANGE 345KV CKT 1
20SP	0	0	FROM->TO	G14_030	ELK CITY 230KV (ELKCTY-6) 230/138/13.8KV TRANSFORMER CKT 1	316	0.08927	132.1974	SPP-SWPS-01
20WP	0	0	FROM->TO	G14_030	ELK CITY 230KV (ELKCTY-6) 230/138/13.8KV TRANSFORMER CKT 1	314.1	0.0726	132.1346	G14-058T 345.00 - TATONGA7 345.00 345KV CKT 1
15SP	0	0	FROM->TO	G14_030	ELK CITY 230KV (ELKCTY-6) 230/138/13.8KV TRANSFORMER CKT 1	314.8	0.06304	132.0186	BINGER NIJECT - SICKLES 138KV CKT 1
20WP	0	0	FROM->TO	G14_030	ELK CITY 230KV (ELKCTY-6) 230/138/13.8KV TRANSFORMER CKT 1	314.1	0.07419	131.9917	DBL-THIS-WWRD
20SP	0	0	FROM->TO	G14_030	ELK CITY 230KV (ELKCTY-6) 230/138/13.8KV TRANSFORMER CKT 1	316	0.09455	131.8315	CHISHOLM7 345.00 - WOODWARD DISTRICT EHV 345KV CKT 1
20WP	0	0	FROM->TO	G14_030	ELK CITY 230KV (ELKCTY-6) 230/138/13.8KV TRANSFORMER CKT 1	308.8	0.07573	131.7786	G14_038T 345.00 - Hitchland Interchange 345KV CKT 1
20WP	0	0	FROM->TO	G14_030	ELK CITY 230KV (ELKCTY-6) 230/138/13.8KV TRANSFORMER CKT 1	314.1	0.07332	131.6638	DBL-G1114-WWRD
20WP	0	0	FROM->TO	G14_030	ELK CITY 230KV (ELKCTY-6) 230/138/13.8KV TRANSFORMER CKT 1	314.1	0.0719	131.4357	DBL-THIS-WICH
15SP	0	0	FROM->TO	G14_030	ELK CITY 230KV (ELKCTY-6) 230/138/13.8KV TRANSFORMER CKT 1	314.8	0.0617	131.3283	3TERM10
20WP	0	0	FROM->TO	G14_030	ELK CITY 230KV (ELKCTY-6) 230/138/13.8KV TRANSFORMER CKT 1	308.8	0.0726	131.1317	G11_051T 345.00 - TATONGA7 345.00 345KV CKT 1
20WP	0	0	FROM->TO	G14_030	ELK CITY 230KV (ELKCTY-6) 230/138/13.8KV TRANSFORMER CKT 1	314.1	0.07332	130.6768	DBL-BVR-G1114
20WP	0	0	FROM->TO	G14_030	ELK CITY 230KV (ELKCTY-6) 230/138/13.8KV TRANSFORMER CKT 1	308.8	0.07337	130.6656	FINNEY SWITCHING STATION - HOLCOMB 345KV CKT 1
20SP	0	0	FROM->TO	G14_030	ELK CITY 230KV (ELKCTY-6) 230/138/13.8KV TRANSFORMER CKT 1	270.3	0.06674	130.5185	BASE CASE
20WP	0	0	FROM->TO	G14_030	ELK CITY 230KV (ELKCTY-6) 230/138/13.8KV TRANSFORMER CKT 1	308.8	0.0726	130.5165	SPSCont-05ax
20WP	0	0	FROM->TO	G14_030	ELK CITY 230KV (ELKCTY-6) 230/138/13.8KV TRANSFORMER CKT 1	308.8	0.0726	130.4193	G11_051T 345.00 - WOODWARD DISTRICT EHV 345KV CKT 1
15SP	0	0	FROM->TO	G14_030	ELK CITY 230KV (ELKCTY-6) 230/138/13.8KV TRANSFORMER CKT 1	309.1	0.05538	130.321	MOORELAND - NINE MILE 138KV CKT 1
15SP	0	0	FROM->TO	G14_030	ELK CITY 230KV (ELKCTY-6) 230/138/13.8KV TRANSFORMER CKT 1	309.1	0.05538	130.321	MOREWOOD SW - NINE MILE 138KV CKT 1
15G	6	0	FROM->TO	G14_030	ELK CITY 230KV (ELKCTY-6) 230/138/13.8KV TRANSFORMER CKT 1	310	0.06237	130.2578	REDHIL-HVB1 138.00 138/34.5KV TRANSFORMER CKT 1
15G	6	0	FROM->TO	G14_030	ELK CITY 230KV (ELKCTY-6) 230/138/13.8KV TRANSFORMER CKT 1	310	0.06237	130.1933	RED HILLS WIND - REDHIL-HVB1 138.00 138KV CKT 1
20SP	0	0	FROM->TO	G14_030	ELK CITY 230KV (ELKCTY-6) 230/138/13.8KV TRANSFORMER CKT 1	272	0.06674	129.8498	BASE CASE
20WP	0	0	FROM->TO	G14_030	ELK CITY 230KV (ELKCTY-6) 230/138/13.8KV TRANSFORMER CKT 1	314.1	0.07573	129.7142	G14_038T 345.00 - Hitchland Interchange 345KV CKT 1
20WP	0	0	FROM->TO	G14_030	ELK CITY 230KV (ELKCTY-6) 230/138/13.8KV TRANSFORMER CKT 1	314.1	0.0726	129.0783	G11_051T 345.00 - TATONGA7 345.00 345KV CKT 1

SEASON	GROUP	SCENARIO	DIRECTION	SOURCE	MONITORED ELEMENT	RATE		CONTINGENCY	
						(MVA)	TDF	LOADING %	CONTINGENCY
20WP	0	0	FROM->TO	G14_030	ELK CITY 230KV (ELKCTY-6) 230/138/13.8KV TRANSFORMER CKT 1	308.8	0.06748	128.8254	RED HILLS WIND - REDHIL-HVB1 138.00 138KV CKT 1
20WP	0	0	FROM->TO	G14_030	ELK CITY 230KV (ELKCTY-6) 230/138/13.8KV TRANSFORMER CKT 1	308.8	0.06748	128.8254	REDHIL-HVB1 138.00 138/34.5KV TRANSFORMER CKT 1
20WP	0	0	FROM->TO	G14_030	ELK CITY 230KV (ELKCTY-6) 230/138/13.8KV TRANSFORMER CKT 1	314.1	0.07337	128.5881	FINNEY SWITCHING STATION - HOLCOMB 345KV CKT 1
15G	6	0	FROM->TO	G14_030	ELK CITY 230KV (ELKCTY-6) 230/138/13.8KV TRANSFORMER CKT 1	280.4	0.06237	128.5661	BASE CASE
15G	6	0	FROM->TO	G14_030	ELK CITY 230KV (ELKCTY-6) 230/138/13.8KV TRANSFORMER CKT 1	314.4	0.06237	128.5621	REDHIL-HVB1 138.00 138/34.5KV TRANSFORMER CKT 1
15G	6	0	FROM->TO	G14_030	ELK CITY 230KV (ELKCTY-6) 230/138/13.8KV TRANSFORMER CKT 1	314.4	0.06237	128.4985	RED HILLS WIND - REDHIL-HVB1 138.00 138KV CKT 1
20WP	0	0	FROM->TO	G14_030	ELK CITY 230KV (ELKCTY-6) 230/138/13.8KV TRANSFORMER CKT 1	314.1	0.0726	128.4415	SPSCont-05ax
20WP	0	0	FROM->TO	G14_030	ELK CITY 230KV (ELKCTY-6) 230/138/13.8KV TRANSFORMER CKT 1	314.1	0.0726	128.3778	G11_051T 345.00 - WOODWARD DISTRICT EHV 345KV CKT 1
15G	6	0	FROM->TO	G14_030	ELK CITY 230KV (ELKCTY-6) 230/138/13.8KV TRANSFORMER CKT 1	310	0.06761	128.1233	G14-058T 345.00 - NORTHWEST 345KV CKT 1
15G	6	0	FROM->TO	G14_030	ELK CITY 230KV (ELKCTY-6) 230/138/13.8KV TRANSFORMER CKT 1	310	0.06761	127.1555	G14-058T 345.00 - TATONGA7 345.00 345KV CKT 1
15G	6	0	FROM->TO	G14_030	ELK CITY 230KV (ELKCTY-6) 230/138/13.8KV TRANSFORMER CKT 1	310	0.06909	126.8326	DBL-THIS-WWRD
20WP	0	0	FROM->TO	G14_030	ELK CITY 230KV (ELKCTY-6) 230/138/13.8KV TRANSFORMER CKT 1	314.1	0.06748	126.8108	RED HILLS WIND - REDHIL-HVB1 138.00 138KV CKT 1
20WP	0	0	FROM->TO	G14_030	ELK CITY 230KV (ELKCTY-6) 230/138/13.8KV TRANSFORMER CKT 1	314.1	0.06748	126.8108	REDHIL-HVB1 138.00 138/34.5KV TRANSFORMER CKT 1
15G	6	0	FROM->TO	G14_030	ELK CITY 230KV (ELKCTY-6) 230/138/13.8KV TRANSFORMER CKT 1	285.2	0.06237	126.5425	BASE CASE
15G	6	0	FROM->TO	G14_030	ELK CITY 230KV (ELKCTY-6) 230/138/13.8KV TRANSFORMER CKT 1	310	0.06704	126.4628	DBL-THIS-WICH
15G	6	0	FROM->TO	G14_030	ELK CITY 230KV (ELKCTY-6) 230/138/13.8KV TRANSFORMER CKT 1	314.4	0.06761	126.4574	G14-058T 345.00 - NORTHWEST 345KV CKT 1
15G	6	0	FROM->TO	G14_030	ELK CITY 230KV (ELKCTY-6) 230/138/13.8KV TRANSFORMER CKT 1	310	0.06756	126.408	DBL-G1114-WWRD
15G	6	0	FROM->TO	G14_030	ELK CITY 230KV (ELKCTY-6) 230/138/13.8KV TRANSFORMER CKT 1	314.4	0.06761	125.5032	G14-058T 345.00 - TATONGA7 345.00 345KV CKT 1
15G	6	0	FROM->TO	G14_030	ELK CITY 230KV (ELKCTY-6) 230/138/13.8KV TRANSFORMER CKT 1	310	0.06756	125.4403	DBL-BVR-G1114
15G	6	0	FROM->TO	G14_030	ELK CITY 230KV (ELKCTY-6) 230/138/13.8KV TRANSFORMER CKT 1	314.4	0.06909	125.1848	DBL-THIS-WWRD
15G	6	0	FROM->TO	G14_030	ELK CITY 230KV (ELKCTY-6) 230/138/13.8KV TRANSFORMER CKT 1	314.4	0.06704	124.8202	DBL-THIS-WICH
15G	6	0	FROM->TO	G14_030	ELK CITY 230KV (ELKCTY-6) 230/138/13.8KV TRANSFORMER CKT 1	314.4	0.06756	124.7662	DBL-G1114-WWRD
15G	6	0	FROM->TO	G14_030	ELK CITY 230KV (ELKCTY-6) 230/138/13.8KV TRANSFORMER CKT 1	310	0.07016	124.2657	G14_038T 345.00 - Hitchland Interchange 345KV CKT 1
15G	6	0	FROM->TO	G14_030	ELK CITY 230KV (ELKCTY-6) 230/138/13.8KV TRANSFORMER CKT 1	310	0.06493	123.9402	FPL SWITCH - MOORELAND 138KV CKT 1
15G	6	0	FROM->TO	G14_030	ELK CITY 230KV (ELKCTY-6) 230/138/13.8KV TRANSFORMER CKT 1	310	0.06761	123.9297	G11_051T 345.00 - TATONGA7 345.00 345KV CKT 1
15G	6	0	FROM->TO	G14_030	ELK CITY 230KV (ELKCTY-6) 230/138/13.8KV TRANSFORMER CKT 1	314.4	0.06756	123.8438	DBL-BVR-G1114
15G	6	0	FROM->TO	G14_030	ELK CITY 230KV (ELKCTY-6) 230/138/13.8KV TRANSFORMER CKT 1	310	0.06771	123.5328	FINNEY SWITCHING STATION - HOLCOMB 345KV CKT 1
15G	6	0	FROM->TO	G14_030	ELK CITY 230KV (ELKCTY-6) 230/138/13.8KV TRANSFORMER CKT 1	310	0.06493	123.4564	FPL SWITCH - WOODWARD 138KV CKT 1
15G	6	0	FROM->TO	G14_030	ELK CITY 230KV (ELKCTY-6) 230/138/13.8KV TRANSFORMER CKT 1	314.4	0.07016	122.6539	G14_038T 345.00 - Hitchland Interchange 345KV CKT 1
15G	6	0	FROM->TO	G14_030	ELK CITY 230KV (ELKCTY-6) 230/138/13.8KV TRANSFORMER CKT 1	314.4	0.06493	122.3329	FPL SWITCH - MOORELAND 138KV CKT 1
15G	6	0	FROM->TO	G14_030	ELK CITY 230KV (ELKCTY-6) 230/138/13.8KV TRANSFORMER CKT 1	314.4	0.06761	122.3226	G11_051T 345.00 - TATONGA7 345.00 345KV CKT 1
15G	6	0	FROM->TO	G14_030	ELK CITY 230KV (ELKCTY-6) 230/138/13.8KV TRANSFORMER CKT 1	314.4	0.06771	121.9312	FINNEY SWITCHING STATION - HOLCOMB 345KV CKT 1
15G	6	0	FROM->TO	G14_030	ELK CITY 230KV (ELKCTY-6) 230/138/13.8KV TRANSFORMER CKT 1	314.4	0.06493	121.8558	FPL SWITCH - WOODWARD 138KV CKT 1
20SP	0	0	FROM->TO	G14_030	ELK CITY 230KV (ELKCTY-6) 230/138/13.8KV TRANSFORMER CKT 1	314.5	0.07353	121.8122	DBL-THIS-WWRD
20SP	0	0	FROM->TO	G14_030	ELK CITY 230KV (ELKCTY-6) 230/138/13.8KV TRANSFORMER CKT 1	314.5	0.07177	121.5513	G14-058T 345.00 - NORTHWEST 345KV CKT 1
20SP	0	0	FROM->TO	G14_030	ELK CITY 230KV (ELKCTY-6) 230/138/13.8KV TRANSFORMER CKT 1	316	0.07353	121.3605	DBL-THIS-WWRD
20SP	0	0	FROM->TO	G14_030	ELK CITY 230KV (ELKCTY-6) 230/138/13.8KV TRANSFORMER CKT 1	316	0.07177	121.1009	G14-058T 345.00 - NORTHWEST 345KV CKT 1
20SP	0	0	FROM->TO	G14_030	ELK CITY 230KV (ELKCTY-6) 230/138/13.8KV TRANSFORMER CKT 1	314.5	0.07177	120.5974	G14-058T 345.00 - TATONGA7 345.00 345KV CKT 1
20SP	0	0	FROM->TO	G14_030	ELK CITY 230KV (ELKCTY-6) 230/138/13.8KV TRANSFORMER CKT 1	314.5	0.07127	120.5934	DBL-THIS-WICH
20SP	0	0	FROM->TO	G14_030	ELK CITY 230KV (ELKCTY-6) 230/138/13.8KV TRANSFORMER CKT 1	314.5	0.07251	120.3829	DBL-G1114-WWRD
20SP	0	0	FROM->TO	G14_030	ELK CITY 230KV (ELKCTY-6) 230/138/13.8KV TRANSFORMER CKT 1	316	0.07177	120.1516	G14-058T 345.00 - TATONGA7 345.00 345KV CKT 1
20SP	0	0	FROM->TO	G14_030	ELK CITY 230KV (ELKCTY-6) 230/138/13.8KV TRANSFORMER CKT 1	316	0.07127	120.1476	DBL-THIS-WICH
20SP	0	0	FROM->TO	G14_030	ELK CITY 230KV (ELKCTY-6) 230/138/13.8KV TRANSFORMER CKT 1	316	0.07251	119.9065	DBL-G1114-WWRD
20SP	0	0	FROM->TO	G14_030	ELK CITY 230KV (ELKCTY-6) 230/138/13.8KV TRANSFORMER CKT 1	314.5	0.07261	119.4484	FINNEY SWITCHING STATION - HOLCOMB 345KV CKT 1
20SP	0	0	FROM->TO	G14_030	ELK CITY 230KV (ELKCTY-6) 230/138/13.8KV TRANSFORMER CKT 1	314.5	0.07251	119.3337	DBL-BVR-G1114
20SP	0	0	FROM->TO	G14_030	ELK CITY 230KV (ELKCTY-6) 230/138/13.8KV TRANSFORMER CKT 1	316	0.07261	118.9764	FINNEY SWITCHING STATION - HOLCOMB 345KV CKT 1
20SP	0	0	FROM->TO	G14_030	ELK CITY 230KV (ELKCTY-6) 230/138/13.8KV TRANSFORMER CKT 1	316	0.07251	118.8938	DBL-BVR-G1114
20SP	0	0	FROM->TO	G14_030	ELK CITY 230KV (ELKCTY-6) 230/138/13.8KV TRANSFORMER CKT 1	314.5	0.07498	118.888	G14_038T 345.00 - Hitchland Interchange 345KV CKT 1
20SP	0	0	FROM->TO	G14_030	ELK CITY 230KV (ELKCTY-6) 230/138/13.8KV TRANSFORMER CKT 1	314.5	0.06327	118.8839	ONEY - WASHITA 138KV CKT 1
20SP	0	0	FROM->TO	G14_030	ELK CITY 230KV (ELKCTY-6) 230/138/13.8KV TRANSFORMER CKT 1	316	0.06327	118.4462	ONEY - WASHITA 138KV CKT 1
20SP	0	0	FROM->TO	G14_030	ELK CITY 230KV (ELKCTY-6) 230/138/13.8KV TRANSFORMER CKT 1	316	0.07498	118.4185	G14_038T 345.00 - Hitchland Interchange 345KV CKT 1
20SP	0	0	FROM->TO	G14_030	ELK CITY 230KV (ELKCTY-6) 230/138/13.8KV TRANSFORMER CKT 1	314.5	0.06327	118.1526	BINGER NIJECT - ONEY 138KV CKT 1
20SP	0	0	FROM->TO	G14_030	ELK CITY 230KV (ELKCTY-6) 230/138/13.8KV TRANSFORMER CKT 1	314.5	0.07136	117.863	CIMARRON - MINCO 345KV CKT 1
20SP	0	0	FROM->TO	G14_030	ELK CITY 230KV (ELKCTY-6) 230/138/13.8KV TRANSFORMER CKT 1	316	0.06327	117.7183	BINGER NIJECT - ONEY 138KV CKT 1
20SP	0	0	FROM->TO	G14_030	ELK CITY 230KV (ELKCTY-6) 230/138/13.8KV TRANSFORMER CKT 1	316	0.07136	117.4301	CIMARRON - MINCO 345KV CKT 1
20SP	0	0	FROM->TO	G14_030	ELK CITY 230KV (ELKCTY-6) 230/138/13.8KV TRANSFORMER CKT 1	314.5	0.06327	117.0079	BINGER NIJECT - SICKLES 138KV CKT 1
20SP	0	0	FROM->TO	G14_030	ELK CITY 230KV (ELKCTY-6) 230/138/13.8KV TRANSFORMER CKT 1	314.5	0.06327	116.5946	CLINTON JUNCTION - G07-32T 138.00 138KV CKT 1
20SP	0	0	FROM->TO	G14_030	ELK CITY 230KV (ELKCTY-6) 230/138/13.8KV TRANSFORMER CKT 1	316	0.06327	116.5791	BINGER NIJECT - SICKLES 138KV CKT 1

SEASON	GROUP	SCENARIO	DIRECTION	SOURCE	MONITORED ELEMENT	RATE		CONTINGENCY		CONTINGENCY
						(MVA)	TDF	LOADING %		
20SP	0	0	FROM->TO	G14_030	ELK CITY 230KV (ELKCTY-6) 230/138/13.8KV TRANSFORMER CKT 1	316	0.06327	116.1677		CLINTON JUNCTION - G07-32T 138.00 138KV CKT 1
25SP	0	0	FROM->TO	G14_030	ELK CITY 230KV (ELKCTY-6) 230/138/13.8KV TRANSFORMER CKT 1	315.7	0.09435	109.9752		CHISHOLM7 345.00 - GRACEMONT 345KV CKT 1
25SP	0	0	FROM->TO	G14_030	ELK CITY 230KV (ELKCTY-6) 230/138/13.8KV TRANSFORMER CKT 1	316	0.09435	109.9341		CHISHOLM7 345.00 - GRACEMONT 345KV CKT 1
25SP	0	0	FROM->TO	G14_030	ELK CITY 230KV (ELKCTY-6) 230/138/13.8KV TRANSFORMER CKT 1	315.7	0.09583	103.4966		CHISHOLM7 345.00 - WOODWARD DISTRICT EHV 345KV CKT 1
25SP	0	0	FROM->TO	G14_030	ELK CITY 230KV (ELKCTY-6) 230/138/13.8KV TRANSFORMER CKT 1	316	0.09583	103.4616		CHISHOLM7 345.00 - WOODWARD DISTRICT EHV 345KV CKT 1
25SP	0	0	FROM->TO	G14_030	ELK CITY 230KV (ELKCTY-6) 230/138/13.8KV TRANSFORMER CKT 1	271.6	0.06513	103.2742		BASE CASE
25SP	0	0	FROM->TO	G14_030	ELK CITY 230KV (ELKCTY-6) 230/138/13.8KV TRANSFORMER CKT 1	315.7	0.08642	103.2083		SPP-AEPW-32
25SP	0	0	FROM->TO	G14_030	ELK CITY 230KV (ELKCTY-6) 230/138/13.8KV TRANSFORMER CKT 1	315.7	0.08642	103.2083		SPSCont-01
25SP	0	0	FROM->TO	G14_030	ELK CITY 230KV (ELKCTY-6) 230/138/13.8KV TRANSFORMER CKT 1	272	0.06513	103.1959		BASE CASE
25SP	0	0	FROM->TO	G14_030	ELK CITY 230KV (ELKCTY-6) 230/138/13.8KV TRANSFORMER CKT 1	316	0.08642	103.1736		SPP-AEPW-32
25SP	0	0	FROM->TO	G14_030	ELK CITY 230KV (ELKCTY-6) 230/138/13.8KV TRANSFORMER CKT 1	316	0.08642	103.1736		SPSCont-01
25SP	0	0	FROM->TO	G14_030	ELK CITY 230KV (ELKCTY-6) 230/138/13.8KV TRANSFORMER CKT 1	315.7	0.08642	102.163		OKLAUNION - TUCO INTERCHANGE 345KV CKT 1
25SP	0	0	FROM->TO	G14_030	ELK CITY 230KV (ELKCTY-6) 230/138/13.8KV TRANSFORMER CKT 1	315.7	0.08638	102.152		SPP-SWPS-01
25SP	0	0	FROM->TO	G14_030	ELK CITY 230KV (ELKCTY-6) 230/138/13.8KV TRANSFORMER CKT 1	316	0.08642	102.1293		OKLAUNION - TUCO INTERCHANGE 345KV CKT 1
25SP	0	0	FROM->TO	G14_030	ELK CITY 230KV (ELKCTY-6) 230/138/13.8KV TRANSFORMER CKT 1	316	0.08638	102.1183		SPP-SWPS-01
15SP	0	0	TO->FROM	G14_030	FLATRDG3 - THISTLE4 138.00 138KV CKT 1	285	0.0405	126.323		DBL-THIS-WICH
20WP	0	0	TO->FROM	G14_030	FLATRDG3 - THISTLE4 138.00 138KV CKT 1	284.9	0.04158	120.5313		DBL-THIS-WICH
20SP	0	0	TO->FROM	G14_030	FLATRDG3 - THISTLE4 138.00 138KV CKT 1	286	0.04227	119.4047		DBL-THIS-WICH
15G	6	0	TO->FROM	G14_030	FLATRDG3 - THISTLE4 138.00 138KV CKT 1	284.5	0.03974	111.9475		DBL-THIS-WICH
15SP	0	0	TO->FROM	G14_030	FLATRDG3 - THISTLE4 138.00 138KV CKT 1	285.7	0.04749	111.7404		DBL-THIS-WICH
20SP	0	0	TO->FROM	G14_030	FLATRDG3 - THISTLE4 138.00 138KV CKT 1	285.1	0.04783	105.2903		DBL-THIS-WICH
20WP	0	0	TO->FROM	G14_030	FLATRDG3 - THISTLE4 138.00 138KV CKT 1	285.9	0.04778	105.2387		DBL-THIS-WICH
15G	3	0	FROM->TO	G14_030	FPL SWITCH - MOORELAND 138KV CKT 1	272	0.04256	129.7477		DBL-THIS-WICH
15G	3	0	FROM->TO	G14_030	FPL SWITCH - MOORELAND 138KV CKT 1	272	0.04509	123.8956		G14-058T 345.00 - NORTHWEST 345KV CKT 1
15G	3	0	FROM->TO	G14_030	FPL SWITCH - MOORELAND 138KV CKT 1	272	0.04509	121.2118		G14-058T 345.00 - TATONGA7 345.00 345KV CKT 1
15G	3	0	FROM->TO	G14_030	FPL SWITCH - MOORELAND 138KV CKT 1	272	0.04509	112.1309		G11_051T 345.00 - TATONGA7 345.00 345KV CKT 1
15G	3	0	FROM->TO	G14_030	FPL SWITCH - MOORELAND 138KV CKT 1	272	0.04509	110.0721		G11_051T 345.00 - WOODWARD DISTRICT EHV 345KV CKT 1
20WP	0	0	FROM->TO	G14_030	FPL SWITCH - MOORELAND 138KV CKT 1	273.6	0.04954	108.8037		DBL-THIS-WICH
15G	3	0	FROM->TO	G14_030	FPL SWITCH - MOORELAND 138KV CKT 1	272	0.04509	108.528		SPSCont-05ax
15G	3	0	FROM->TO	G14_030	FPL SWITCH - MOORELAND 138KV CKT 1	272	0.03209	105.108		WOODWARD (WOODWRD2) 138/69/13.2KV TRANSFORMER CKT 1
20WP	0	0	FROM->TO	G14_030	FPL SWITCH - MOORELAND 138KV CKT 1	273.6	0.05209	104.3001		G14-058T 345.00 - NORTHWEST 345KV CKT 1
15SP	0	0	FROM->TO	G14_030	FPL SWITCH - MOORELAND 138KV CKT 1	278	0.0463	103.6383		DBL-THIS-WICH
15G	3	0	FROM->TO	G14_030	FPL SWITCH - MOORELAND 138KV CKT 1	272	0.03395	102.2076		IODINE - WOODWARD EHV 138KV CKT 1
20WP	0	0	FROM->TO	G14_030	FPL SWITCH - MOORELAND 138KV CKT 1	273.6	0.05209	101.5588		G14-058T 345.00 - TATONGA7 345.00 345KV CKT 1
15G	3	0	FROM->TO	G14_030	FPL SWITCH - MOORELAND 138KV CKT 1	272	0.03395	100.6267		DEWEY - IODINE 138KV CKT 1
15G	6	0	FROM->TO	G14_030	FPL SWITCH - MOORELAND 138KV CKT 1	279.2	0.03871	100.4424		DBL-THIS-WWRD
15G	3	0	TO->FROM	G14_030	FPL SWITCH - WOODWARD 138KV CKT 1	135.1	0.04256	256.1908		DBL-THIS-WICH
15G	3	0	TO->FROM	G14_030	FPL SWITCH - WOODWARD 138KV CKT 1	135.1	0.04509	244.3347		G14-058T 345.00 - NORTHWEST 345KV CKT 1
15G	3	0	TO->FROM	G14_030	FPL SWITCH - WOODWARD 138KV CKT 1	135.1	0.04509	238.9312		G14-058T 345.00 - TATONGA7 345.00 345KV CKT 1
15SP	0	0	TO->FROM	G14_030	FPL SWITCH - WOODWARD 138KV CKT 1	132.6	0.0463	207.477		DBL-THIS-WICH
15G	3	0	TO->FROM	G14_030	FPL SWITCH - WOODWARD 138KV CKT 1	135.1	0.03209	206.5091		WOODWARD (WOODWRD2) 138/69/13.2KV TRANSFORMER CKT 1
15G	3	0	TO->FROM	G14_030	FPL SWITCH - WOODWARD 138KV CKT 1	135.1	0.03395	200.7437		IODINE - WOODWARD EHV 138KV CKT 1
15G	3	0	TO->FROM	G14_030	FPL SWITCH - WOODWARD 138KV CKT 1	135.1	0.03395	197.4868		DEWEY - IODINE 138KV CKT 1
15SP	0	0	TO->FROM	G14_030	FPL SWITCH - WOODWARD 138KV CKT 1	132.6	0.04868	194.1811		G14-058T 345.00 - NORTHWEST 345KV CKT 1
15G	6	0	TO->FROM	G14_030	FPL SWITCH - WOODWARD 138KV CKT 1	141.6	0.03871	189.4315		DBL-THIS-WWRD
15SP	0	0	TO->FROM	G14_030	FPL SWITCH - WOODWARD 138KV CKT 1	132.6	0.04868	188.6004		G14-058T 345.00 - TATONGA7 345.00 345KV CKT 1
15G	3	0	TO->FROM	G14_030	FPL SWITCH - WOODWARD 138KV CKT 1	135.1	0.03179	188.2161		THISTLE7 345.00 - WICHITA 345KV CKT 2
20SP	0	0	TO->FROM	G14_030	FPL SWITCH - WOODWARD 138KV CKT 1	136.3	0.04808	177.8666		DBL-THIS-WICH
15G	6	0	TO->FROM	G14_030	FPL SWITCH - WOODWARD 138KV CKT 1	141.6	0.03117	177.1781		DBL-THIS-WICH
15G	6	0	TO->FROM	G14_030	FPL SWITCH - WOODWARD 138KV CKT 1	141.6	0.03074	176.8252		G14-058T 345.00 - NORTHWEST 345KV CKT 1
15G	6	0	TO->FROM	G14_030	FPL SWITCH - WOODWARD 138KV CKT 1	141.6	0.03074	172.8704		G14-058T 345.00 - TATONGA7 345.00 345KV CKT 1
20WP	0	0	TO->FROM	G14_030	FPL SWITCH - WOODWARD 138KV CKT 1	167.7	0.04954	170.356		DBL-THIS-WICH
15SP	0	0	TO->FROM	G14_030	FPL SWITCH - WOODWARD 138KV CKT 1	132.6	0.04868	169.7467		G11_051T 345.00 - TATONGA7 345.00 345KV CKT 1
15G	6	0	TO->FROM	G14_030	FPL SWITCH - WOODWARD 138KV CKT 1	141.6	0.03101	169.6095		CHISHOLM6 230.00 - ELK CITY 230KV 230KV CKT 1
15G	6	0	TO->FROM	G14_030	FPL SWITCH - WOODWARD 138KV CKT 1	141.6	0.03101	169.6095		ELK CITY 230KV (ELKCTY-6) 230/138/13.8KV TRANSFORMER CKT 1
15SP	0	0	TO->FROM	G14_030	FPL SWITCH - WOODWARD 138KV CKT 1	132.6	0.04868	165.448		G11_051T 345.00 - WOODWARD DISTRICT EHV 345KV CKT 1
20WP	0	0	TO->FROM	G14_030	FPL SWITCH - WOODWARD 138KV CKT 1	167.7	0.05209	163.0083		G14-058T 345.00 - NORTHWEST 345KV CKT 1
20SP	0	0	TO->FROM	G14_030	FPL SWITCH - WOODWARD 138KV CKT 1	136.3	0.0502	162.8501		G14-058T 345.00 - NORTHWEST 345KV CKT 1

SEASON	GROUP	SCENARIO	DIRECTION	SOURCE	MONITORED ELEMENT	RATE		CONTINGENCY		CONTINGENCY
						(MVA)	TDF	LOADING %		
15SP	0	0	TO->FROM	G14_030	FPL SWITCH - WOODWARD 138KV CKT 1	132.6	0.03606	162.7625	WOODWARD (WOODWRD2) 138/69/13.2KV TRANSFORMER CKT 1	
15SP	0	0	TO->FROM	G14_030	FPL SWITCH - WOODWARD 138KV CKT 1	132.6	0.04868	162.2806	SPSCont-05ax	
15G	6	0	TO->FROM	G14_030	FPL SWITCH - WOODWARD 138KV CKT 1	141.6	0.03074	159.7349	G11_051T 345.00 - TATONGA7 345.00 345KV CKT 1	
15SP	0	0	TO->FROM	G14_030	FPL SWITCH - WOODWARD 138KV CKT 1	132.6	0.03207	159.3995	MOORELAND 138/18.0KV TRANSFORMER CKT 1	
20WP	0	0	TO->FROM	G14_030	FPL SWITCH - WOODWARD 138KV CKT 1	167.7	0.05209	158.5361	G14-058T 345.00 - TATONGA7 345.00 345KV CKT 1	
15SP	0	0	TO->FROM	G14_030	FPL SWITCH - WOODWARD 138KV CKT 1	132.6	0.03207	158.4231	MOORELAND 138/18.0KV TRANSFORMER CKT 1	
20SP	0	0	TO->FROM	G14_030	FPL SWITCH - WOODWARD 138KV CKT 1	136.3	0.0502	157.1274	G14-058T 345.00 - TATONGA7 345.00 345KV CKT 1	
15G	6	0	TO->FROM	G14_030	FPL SWITCH - WOODWARD 138KV CKT 1	141.6	0.03074	156.6981	G11_051T 345.00 - WOODWARD DISTRICT EHV 345KV CKT 1	
15G	6	0	TO->FROM	G14_030	FPL SWITCH - WOODWARD 138KV CKT 1	141.6	0.03074	153.8733	SPSCont-05ax	
15SP	0	0	TO->FROM	G14_030	FPL SWITCH - WOODWARD 138KV CKT 1	132.6	0.03786	152.2833	IODINE - WOODWARD EHV 138KV CKT 1	
15SP	0	0	TO->FROM	G14_030	FPL SWITCH - WOODWARD 138KV CKT 1	132.6	0.03786	149.1159	DEWEY - IODINE 138KV CKT 1	
15SP	0	0	TO->FROM	G14_030	FPL SWITCH - WOODWARD 138KV CKT 1	108.9	0.03207	145.4449	BASE CASE	
20WP	0	0	TO->FROM	G14_030	FPL SWITCH - WOODWARD 138KV CKT 1	167.7	0.05209	143.5689	G11_051T 345.00 - TATONGA7 345.00 345KV CKT 1	
20SP	0	0	TO->FROM	G14_030	FPL SWITCH - WOODWARD 138KV CKT 1	136.3	0.03867	142.5898	WOODWARD (WOODWRD2) 138/69/13.2KV TRANSFORMER CKT 1	
15SP	0	0	TO->FROM	G14_030	FPL SWITCH - WOODWARD 138KV CKT 1	132.6	0.03546	140.4045	THISTLE7 345.00 - WICHITA 345KV CKT 1	
15SP	0	0	TO->FROM	G14_030	FPL SWITCH - WOODWARD 138KV CKT 1	132.6	0.03546	140.4045	THISTLE7 345.00 - WICHITA 345KV CKT 2	
20WP	0	0	TO->FROM	G14_030	FPL SWITCH - WOODWARD 138KV CKT 1	167.7	0.05209	140.17	G11_051T 345.00 - WOODWARD DISTRICT EHV 345KV CKT 1	
15SP	0	0	TO->FROM	G14_030	FPL SWITCH - WOODWARD 138KV CKT 1	136.1	0.04308	139.6233	DBL-THIS-WWRD	
20SP	0	0	TO->FROM	G14_030	FPL SWITCH - WOODWARD 138KV CKT 1	136.3	0.0502	138.4187	G11_051T 345.00 - TATONGA7 345.00 345KV CKT 1	
20WP	0	0	TO->FROM	G14_030	FPL SWITCH - WOODWARD 138KV CKT 1	167.7	0.05209	137.6059	SPSCont-05ax	
15SP	0	0	TO->FROM	G14_030	FPL SWITCH - WOODWARD 138KV CKT 1	132.6	0.03137	135.7011	RENFROW7 345.00 (BANK 1) 345/138/13.8KV TRANSFORMER CKT 1	
15SP	0	0	TO->FROM	G14_030	FPL SWITCH - WOODWARD 138KV CKT 1	132.6	0.03154	134.4268	RENFROW7 345.00 - VIOLA 7 345.00 345KV CKT 1	
20SP	0	0	TO->FROM	G14_030	FPL SWITCH - WOODWARD 138KV CKT 1	136.3	0.0502	134.09	G11_051T 345.00 - WOODWARD DISTRICT EHV 345KV CKT 1	
20WP	0	0	TO->FROM	G14_030	FPL SWITCH - WOODWARD 138KV CKT 1	167.7	0.04037	134.0072	WOODWARD (WOODWRD2) 138/69/13.2KV TRANSFORMER CKT 1	
20SP	0	0	TO->FROM	G14_030	FPL SWITCH - WOODWARD 138KV CKT 1	136.3	0.03447	133.9864	MOORELAND 138/18.0KV TRANSFORMER CKT 1	
20SP	0	0	TO->FROM	G14_030	FPL SWITCH - WOODWARD 138KV CKT 1	136.3	0.03447	132.16	MOORELAND 138/18.0KV TRANSFORMER CKT 1	
20WP	0	0	TO->FROM	G14_030	FPL SWITCH - WOODWARD 138KV CKT 1	167.4	0.04397	131.7857	DBL-THIS-WWRD	
20SP	0	0	TO->FROM	G14_030	FPL SWITCH - WOODWARD 138KV CKT 1	136.3	0.0502	131.0085	SPSCont-05ax	
20SP	0	0	TO->FROM	G14_030	FPL SWITCH - WOODWARD 138KV CKT 1	136.3	0.04021	130.5376	IODINE - WOODWARD EHV 138KV CKT 1	
20WP	0	0	TO->FROM	G14_030	FPL SWITCH - WOODWARD 138KV CKT 1	167.7	0.0419	128.4447	IODINE - WOODWARD EHV 138KV CKT 1	
20SP	0	0	TO->FROM	G14_030	FPL SWITCH - WOODWARD 138KV CKT 1	136.3	0.04021	127.0893	DEWEY - IODINE 138KV CKT 1	
20SP	0	0	TO->FROM	G14_030	FPL SWITCH - WOODWARD 138KV CKT 1	141.3	0.04298	127.0879	DBL-THIS-WWRD	
25SP	0	0	TO->FROM	G14_030	FPL SWITCH - WOODWARD 138KV CKT 1	142.1	0.05036	126.7288	DBL-G1458-MATT	
20WP	0	0	TO->FROM	G14_030	FPL SWITCH - WOODWARD 138KV CKT 1	167.7	0.03603	126.1243	MOORELAND 138/18.0KV TRANSFORMER CKT 1	
20WP	0	0	TO->FROM	G14_030	FPL SWITCH - WOODWARD 138KV CKT 1	167.7	0.0419	125.5229	DEWEY - IODINE 138KV CKT 1	
20WP	0	0	TO->FROM	G14_030	FPL SWITCH - WOODWARD 138KV CKT 1	167.7	0.03603	124.7616	MOORELAND 138/18.0KV TRANSFORMER CKT 1	
15SP	0	0	TO->FROM	G14_030	FPL SWITCH - WOODWARD 138KV CKT 1	136.1	0.03589	123.7918	CHISHOLM6 230.00 - ELK CITY 230KV 230KV CKT 1	
15SP	0	0	TO->FROM	G14_030	FPL SWITCH - WOODWARD 138KV CKT 1	136.1	0.03589	123.7183	ELK CITY 230KV (ELKCTY-6) 230/138/13.8KV TRANSFORMER CKT 1	
15SP	0	0	TO->FROM	G14_030	FPL SWITCH - WOODWARD 138KV CKT 1	136.1	0.03511	122.5495	DBL-THIS-WICH	
20SP	0	0	TO->FROM	G14_030	FPL SWITCH - WOODWARD 138KV CKT 1	113.4	0.03447	122.3981	BASE CASE	
15SP	0	0	TO->FROM	G14_030	FPL SWITCH - WOODWARD 138KV CKT 1	136.1	0.03458	121.7128	G14-058T 345.00 - NORTHWEST 345KV CKT 1	
25SP	0	0	TO->FROM	G14_030	FPL SWITCH - WOODWARD 138KV CKT 1	142.1	0.05036	121.0286	DBL-TGA-G1458	
20SP	0	0	TO->FROM	G14_030	FPL SWITCH - WOODWARD 138KV CKT 1	136.3	0.03775	120.1536	THISTLE7 345.00 - WICHITA 345KV CKT 1	
20SP	0	0	TO->FROM	G14_030	FPL SWITCH - WOODWARD 138KV CKT 1	136.3	0.03775	120.1536	THISTLE7 345.00 - WICHITA 345KV CKT 2	
20SP	0	0	TO->FROM	G14_030	FPL SWITCH - WOODWARD 138KV CKT 1	136.3	0.03071	119.9237	RENFROW4 138.00 - SAND RDG 138138.00 138KV CKT 1	
20WP	0	0	TO->FROM	G14_030	FPL SWITCH - WOODWARD 138KV CKT 1	167.4	0.03558	119.7589	G14-058T 345.00 - NORTHWEST 345KV CKT 1	
20WP	0	0	TO->FROM	G14_030	FPL SWITCH - WOODWARD 138KV CKT 1	167.4	0.03551	119.3304	DBL-THIS-WICH	
20WP	0	0	TO->FROM	G14_030	FPL SWITCH - WOODWARD 138KV CKT 1	167.7	0.03929	118.6831	THISTLE7 345.00 - WICHITA 345KV CKT 1	
20WP	0	0	TO->FROM	G14_030	FPL SWITCH - WOODWARD 138KV CKT 1	167.7	0.03929	118.6831	THISTLE7 345.00 - WICHITA 345KV CKT 2	
20SP	0	0	TO->FROM	G14_030	FPL SWITCH - WOODWARD 138KV CKT 1	136.3	0.03383	118.3103	RENFROW7 345.00 (BANK 1) 345/138/13.8KV TRANSFORMER CKT 1	
20WP	0	0	TO->FROM	G14_030	FPL SWITCH - WOODWARD 138KV CKT 1	167.7	0.04037	117.9667	WOODWARD - WOODWARD 69KV CKT 1	
15SP	0	0	TO->FROM	G14_030	FPL SWITCH - WOODWARD 138KV CKT 1	136.1	0.03458	117.5247	G14-058T 345.00 - TATONGA7 345.00 345KV CKT 1	
20SP	0	0	TO->FROM	G14_030	FPL SWITCH - WOODWARD 138KV CKT 1	136.3	0.03867	116.8378	WOODWARD - WOODWARD 69KV CKT 1	
20WP	0	0	TO->FROM	G14_030	FPL SWITCH - WOODWARD 138KV CKT 1	167.4	0.03558	116.4136	G14-058T 345.00 - TATONGA7 345.00 345KV CKT 1	
20WP	0	0	TO->FROM	G14_030	FPL SWITCH - WOODWARD 138KV CKT 1	167.4	0.03699	114.9066	CHISHOLM6 230.00 - ELK CITY 230KV 230KV CKT 1	
20WP	0	0	TO->FROM	G14_030	FPL SWITCH - WOODWARD 138KV CKT 1	167.4	0.03699	114.9066	ELK CITY 230KV (ELKCTY-6) 230/138/13.8KV TRANSFORMER CKT 1	
20SP	0	0	TO->FROM	G14_030	FPL SWITCH - WOODWARD 138KV CKT 1	136.3	0.03071	114.5678	SAND RDG 138138.00 - WAKITA 138 138.00 138KV CKT 1	
20WP	0	0	TO->FROM	G14_030	FPL SWITCH - WOODWARD 138KV CKT 1	167.7	0.0323	114.5048	RENFROW4 138.00 - SAND RDG 138138.00 138KV CKT 1	

SEASON	GROUP	SCENARIO	DIRECTION	SOURCE	MONITORED ELEMENT	RATE		CONTINGENCY		CONTINGENCY
						(MVA)	TDF	LOADING %		
20WP	0	0	TO->FROM	G14_030	FPL SWITCH - WOODWARD 138KV CKT 1	167.7	0.03545	113.4936	RENFLOW7	345.00 (BANK 1) 345/138/13.8KV TRANSFORMER CKT 1
20WP	0	0	TO->FROM	G14_030	FPL SWITCH - WOODWARD 138KV CKT 1	152.1	0.03603	112.7973		BASE CASE
20WP	0	0	TO->FROM	G14_030	FPL SWITCH - WOODWARD 138KV CKT 1	167.7	0.03552	111.5186	RENFLOW7	345.00 - VIOLA 7 345.00 345KV CKT 1
20SP	0	0	TO->FROM	G14_030	FPL SWITCH - WOODWARD 138KV CKT 1	141.3	0.03566	110.4575	CHISHOLM6	230.00 - ELK CITY 230KV 230KV CKT 1
20SP	0	0	TO->FROM	G14_030	FPL SWITCH - WOODWARD 138KV CKT 1	141.3	0.03566	110.4575		ELK CITY 230KV (ELKCTY-6) 230/138/13.8KV TRANSFORMER CKT 1
20SP	0	0	TO->FROM	G14_030	FPL SWITCH - WOODWARD 138KV CKT 1	141.3	0.03454	110.1473		DBL-THIS-WICH
20SP	0	0	TO->FROM	G14_030	FPL SWITCH - WOODWARD 138KV CKT 1	141.3	0.03422	108.9044	G14-058T	345.00 - NORTHWEST 345KV CKT 1
20WP	0	0	TO->FROM	G14_030	FPL SWITCH - WOODWARD 138KV CKT 1	167.4	0.03558	105.3623	G11_051T	345.00 - TATONGA7 345.00 345KV CKT 1
20SP	0	0	TO->FROM	G14_030	FPL SWITCH - WOODWARD 138KV CKT 1	141.3	0.03422	104.7996	G14-058T	345.00 - TATONGA7 345.00 345KV CKT 1
15SP	0	0	TO->FROM	G14_030	FPL SWITCH - WOODWARD 138KV CKT 1	136.1	0.03458	103.7113	G11_051T	345.00 - TATONGA7 345.00 345KV CKT 1
25SP	0	0	TO->FROM	G14_030	FPL SWITCH - WOODWARD 138KV CKT 1	142.1	0.05036	102.9427		DBL-G1151-TGA
20WP	0	0	TO->FROM	G14_030	FPL SWITCH - WOODWARD 138KV CKT 1	167.4	0.03558	102.7936	G11_051T	345.00 - WOODWARD DISTRICT EHV 345KV CKT 1
25SP	0	0	TO->FROM	G14_030	FPL SWITCH - WOODWARD 138KV CKT 1	142.1	0.05533	101.2359		DBL-THIS-WICH
15SP	0	0	TO->FROM	G14_030	FPL SWITCH - WOODWARD 138KV CKT 1	136.1	0.03458	100.5519	G11_051T	345.00 - WOODWARD DISTRICT EHV 345KV CKT 1
20WP	0	0	TO->FROM	G14_030	FPL SWITCH - WOODWARD 138KV CKT 1	167.4	0.03558	100.4041		SPSCont-05ax
15G	6	0	FROM->TO	G14_030	G13_027T 230.00 - TOLK STATION WEST 230KV CKT 1	350.1	0.18093	100.3837		TUCO INTERCHANGE - YOAKUM_345 345.00 345KV CKT 1
20WP	0	0	TO->FROM	G14_030	G14-057T 345.00 - LAWTON EASTSIDE 345KV CKT 1	786.2	0.17251	113.4285		CIMARRON - MINCO 345KV CKT 1
20WP	0	0	TO->FROM	G14_030	G14-057T 345.00 - LAWTON EASTSIDE 345KV CKT 1	786.2	0.17251	109.5363		GRACEMONT - MINCO 345KV CKT 1
15G	6	0	TO->FROM	G14_030	G14-057T 345.00 - LAWTON EASTSIDE 345KV CKT 1	786.5	0.17108	103.3851		CIMARRON - MINCO 345KV CKT 1
20WP	0	0	FROM->TO	G14_030	G14-057T 345.00 - SUNNYSIDE 345KV CKT 1	784.7	0.17251	119.3927		CIMARRON - MINCO 345KV CKT 1
20WP	0	0	FROM->TO	G14_030	G14-057T 345.00 - SUNNYSIDE 345KV CKT 1	784.7	0.17251	115.4932		GRACEMONT - MINCO 345KV CKT 1
15G	6	0	FROM->TO	G14_030	G14-057T 345.00 - SUNNYSIDE 345KV CKT 1	785.8	0.17108	109.2929		CIMARRON - MINCO 345KV CKT 1
15G	6	0	FROM->TO	G14_030	G14-057T 345.00 - SUNNYSIDE 345KV CKT 1	785.8	0.17108	105.3734		GRACEMONT - MINCO 345KV CKT 1
15SP	0	0	FROM->TO	G14_030	G14-057T 345.00 - SUNNYSIDE 345KV CKT 1	786.4	0.17372	100.7591		CIMARRON - MINCO 345KV CKT 1
15G	3	0	FROM->TO	G14_030	HARPER - MILAN TAP 138KV CKT 1	139	0.03139	225.879		DBL-THIS-WICH
15SP	0	0	FROM->TO	G14_030	HARPER - MILAN TAP 138KV CKT 1	131.8	0.03206	223.7766		DBL-THIS-WICH
15SP	0	0	TO->FROM	G14_030	MULLERGREIN - SPEARVILLE 230KV CKT 1	393.1	0.03087	140.277	G13-010T	345.00 - POST ROCK 345KV CKT 1
20SP	0	0	TO->FROM	G14_030	MULLERGREIN - SPEARVILLE 230KV CKT 1	393.4	0.03063	135.6187	G13-010T	345.00 - POST ROCK 345KV CKT 1
20WP	0	0	TO->FROM	G14_030	MULLERGREIN - SPEARVILLE 230KV CKT 1	392	0.03074	135.0598	G13-010T	345.00 - POST ROCK 345KV CKT 1
15SP	0	0	TO->FROM	G14_030	MULLERGREIN - SPEARVILLE 230KV CKT 1	393.1	0.03087	134.426	G11-17T	345.00 - G13-010T 345.00 345KV CKT 1
20SP	0	0	TO->FROM	G14_030	MULLERGREIN - SPEARVILLE 230KV CKT 1	393.4	0.03063	129.7213	G11-17T	345.00 - G13-010T 345.00 345KV CKT 1
20WP	0	0	TO->FROM	G14_030	MULLERGREIN - SPEARVILLE 230KV CKT 1	392	0.03074	129.1414	G11-17T	345.00 - G13-010T 345.00 345KV CKT 1
15SP	0	0	TO->FROM	G14_030	MULLERGREIN - SPEARVILLE 230KV CKT 1	393.1	0.0333	120.4938		DBL-THIS-WICH
15G	3	0	TO->FROM	G14_030	MULLERGREIN - SPEARVILLE 230KV CKT 1	393.4	0.03252	115.6486		DBL-THIS-WICH
20WP	0	0	TO->FROM	G14_030	MULLERGREIN - SPEARVILLE 230KV CKT 1	392	0.0319	115.389		DBL-THIS-WICH
15SP	0	0	TO->FROM	G14_030	MULLERGREIN - SPEARVILLE 230KV CKT 1	393.1	0.03087	114.6092	G11-17T	345.00 - SPEARVILLE 345KV CKT 1
20SP	0	0	TO->FROM	G14_030	MULLERGREIN - SPEARVILLE 230KV CKT 1	393.4	0.03215	113.1549		DBL-THIS-WICH
20SP	0	0	TO->FROM	G14_030	MULLERGREIN - SPEARVILLE 230KV CKT 1	393.4	0.03063	109.945	G11-17T	345.00 - SPEARVILLE 345KV CKT 1
20WP	0	0	TO->FROM	G14_030	MULLERGREIN - SPEARVILLE 230KV CKT 1	392	0.03074	109.32	G11-17T	345.00 - SPEARVILLE 345KV CKT 1
15G	6	0	TO->FROM	G14_030	OASIS INTERCHANGE - SAN JUAN MESA TAP 230KV CKT 1	350.7	0.12332	109.2268		CROSSROADS 345.00 - TOLK STATION 345KV CKT 1
15SP	0	0	TO->FROM	G14_030	PLANT X STATION - TOLK STATION WEST 230KV CKT 1	502	0.10312	103.0607		TOLK STATION TAP - TOLK STATION WEST 230KV CKT @1
15G	6	0	FROM->TO	G14_030	POTTER COUNTY INTERCHANGE (WAUK 90343-A) 345/230/13.2KV TRANSFORMER CKT 1	557.5	0.15417	106.5012		POTTER COUNTY INTERCHANGE - TOLK STATION 345KV CKT 1
15G	6	0	FROM->TO	G14_030	POTTER COUNTY INTERCHANGE (WAUK 90343-A) 345/230/13.2KV TRANSFORMER CKT 1	559	0.15417	106.1617		POTTER COUNTY INTERCHANGE - TOLK STATION 345KV CKT 1
20WP	0	0	FROM->TO	G14_030	POTTER COUNTY INTERCHANGE (WAUK 90343-A) 345/230/13.2KV TRANSFORMER CKT 1	554.2	0.16285	100.1786		POTTER COUNTY INTERCHANGE - TOLK STATION 345KV CKT 1
20WP	0	0	TO->FROM	G14_030	TOLK STATION (ABBXNL844501) 345/230/13.2KV TRANSFORMER CKT 1	546.3	0.14533	107.1654		CROSSROADS 345.00 - TOLK STATION 345KV CKT 1
20WP	0	0	TO->FROM	G14_030	TOLK STATION (ABBXNL844501) 345/230/13.2KV TRANSFORMER CKT 1	550.9	0.14533	106.2161		CROSSROADS 345.00 - TOLK STATION 345KV CKT 1
20WP	0	0	FROM->TO	G14_030	TUCO INTERCHANGE (GE M1022338) 345/230/13.2KV TRANSFORMER CKT 1	550.1	0.07747	101.4548		TUCO INTERCHANGE (SIEM 8743066) 345/230/13.2KV TRANSFORMER CKT 2
20WP	0	0	FROM->TO	G14_030	TUCO INTERCHANGE (GE M1022338) 345/230/13.2KV TRANSFORMER CKT 1	556.4	0.07747	100.2342		TUCO INTERCHANGE (SIEM 8743066) 345/230/13.2KV TRANSFORMER CKT 2
15G	3	0	TO->FROM	G14_030	WOODWARD - WOODWARD EHV 138KV CKT 1	280.6	0.03588	109.1493		DBL-THIS-WICH
15G	3	0	TO->FROM	G14_030	WOODWARD - WOODWARD EHV 138KV CKT 1	280.6	0.03805	104.5017	G14-058T	345.00 - NORTHWEST 345KV CKT 1
15G	3	0	TO->FROM	G14_030	WOODWARD - WOODWARD EHV 138KV CKT 1	280.6	0.03392	103.49		WOODWARD - WOODWARD EHV 138KV CKT 2
15G	3	0	TO->FROM	G14_030	WOODWARD - WOODWARD EHV 138KV CKT 1	280.6	0.03805	102.3278	G14-058T	345.00 - TATONGA7 345.00 345KV CKT 1
15G	6	0	TO->FROM	G14_042	ANADARKO - GRACMNT4 138.00 138KV CKT 1	225.8	0.0566	123.9127		CIMARRON - MINCO 345KV CKT 1
15G	6	0	TO->FROM	G14_042	ANADARKO - GRACMNT4 138.00 138KV CKT 1	225.8	0.0566	115.6311		GRACEMONT - MINCO 345KV CKT 1
15G	6	0	TO->FROM	G14_042	ANADARKO - GRACMNT4 138.00 138KV CKT 1	225.8	0.03121	106.5148		SOUTHWESTERN STATION - WASHITA 138KV CKT 1
15SP	0	0	TO->FROM	G14_042	ANADARKO - GRACMNT4 138.00 138KV CKT 1	227	0.05775	104.1805		CIMARRON - MINCO 345KV CKT 1
20WP	0	0	FROM->TO	G14_042	BUSHLAND INTERCHANGE (WH 7001795) 230/115/13.2KV TRANSFORMER CKT 1	165.7	0.03927	102.1133		BUSHLAND INTERCHANGE - POTTER COUNTY INTERCHANGE 230KV CKT 1
20WP	0	0	FROM->TO	G14_042	BUSHLAND INTERCHANGE (WH 7001795) 230/115/13.2KV TRANSFORMER CKT 1	166.6	0.03927	101.4416		BUSHLAND INTERCHANGE - POTTER COUNTY INTERCHANGE 230KV CKT 1

SEASON	GROUP	SCENARIO	DIRECTION	SOURCE	MONITORED ELEMENT	RATE (MVA)	TDF	CONTINGENCY LOADING %	CONTINGENCY
20WP	0	0	TO->FROM	G14_042	CANYON WEST SUB - DAWN SUB 115KV CKT 1	105.4	0.0325	100.2703	BUSHLAND INTERCHANGE - DEAF SMITH COUNTY INTERCHANGE 230KV CKT 1
15SP	0	0	FROM->TO	G14_042	CHISHOLM6 230.00 - ELK CITY 230KV 230KV CKT 1	351.9	0.10018	156.6998	CHISHOLM7 345.00 - GRACEMONT 345KV CKT 1
15SP	0	0	FROM->TO	G14_042	CHISHOLM6 230.00 - ELK CITY 230KV 230KV CKT 1	351.9	0.08908	139.5333	SPP-AEPW-32
15SP	0	0	FROM->TO	G14_042	CHISHOLM6 230.00 - ELK CITY 230KV 230KV CKT 1	351.9	0.08908	139.5333	SPSCont-01
15SP	0	0	FROM->TO	G14_042	CHISHOLM6 230.00 - ELK CITY 230KV 230KV CKT 1	351.9	0.08908	138.5103	OKLAUNION - TUCO INTERCHANGE 345KV CKT 1
15SP	0	0	FROM->TO	G14_042	CHISHOLM6 230.00 - ELK CITY 230KV 230KV CKT 1	351.9	0.08892	138.4448	SPP-SWPS-01
15SP	0	0	FROM->TO	G14_042	CHISHOLM6 230.00 - ELK CITY 230KV 230KV CKT 1	351.9	0.09409	136.1753	CHISHOLM7 345.00 - WOODWARD DISTRICT EHV 345KV CKT 1
20SP	0	0	FROM->TO	G14_042	CHISHOLM6 230.00 - ELK CITY 230KV 230KV CKT 1	353	0.10028	132.6568	CHISHOLM7 345.00 - GRACEMONT 345KV CKT 1
15SP	0	0	FROM->TO	G14_042	CHISHOLM6 230.00 - ELK CITY 230KV 230KV CKT 1	351.9	0.07189	125.8685	G14-058T 345.00 - NORTHWEST 345KV CKT 1
15SP	0	0	FROM->TO	G14_042	CHISHOLM6 230.00 - ELK CITY 230KV 230KV CKT 1	351.9	0.07354	125.6074	DBL-THIS-WWRD
15SP	0	0	FROM->TO	G14_042	CHISHOLM6 230.00 - ELK CITY 230KV 230KV CKT 1	351.9	0.07189	125.016	G14-058T 345.00 - TATONGA7 345.00 345KV CKT 1
15SP	0	0	FROM->TO	G14_042	CHISHOLM6 230.00 - ELK CITY 230KV 230KV CKT 1	351.9	0.07141	124.6751	DBL-THIS-WICH
15SP	0	0	FROM->TO	G14_042	CHISHOLM6 230.00 - ELK CITY 230KV 230KV CKT 1	351.9	0.07244	124.6205	DBL-G1114-WWRD
15SP	0	0	FROM->TO	G14_042	CHISHOLM6 230.00 - ELK CITY 230KV 230KV CKT 1	351.9	0.07244	123.7111	DBL-BVR-G1114
15SP	0	0	FROM->TO	G14_042	CHISHOLM6 230.00 - ELK CITY 230KV 230KV CKT 1	351.9	0.07248	123.1898	FINNEY SWITCHING STATION - HOLCOMB 345KV CKT 1
15SP	0	0	FROM->TO	G14_042	CHISHOLM6 230.00 - ELK CITY 230KV 230KV CKT 1	351.9	0.07494	123.1645	G14_038T 345.00 - Hitchland Interchange 345KV CKT 1
15SP	0	0	FROM->TO	G14_042	CHISHOLM6 230.00 - ELK CITY 230KV 230KV CKT 1	351.9	0.07494	122.5961	G14_038T 345.00 - POTTER COUNTY INTERCHANGE 345KV CKT 1
15SP	0	0	FROM->TO	G14_042	CHISHOLM6 230.00 - ELK CITY 230KV 230KV CKT 1	351.9	0.07189	122.1742	G11_051T 345.00 - TATONGA7 345.00 345KV CKT 1
20WP	0	0	FROM->TO	G14_042	CHISHOLM6 230.00 - ELK CITY 230KV 230KV CKT 1	437.6	0.1014	121.6099	CHISHOLM7 345.00 - GRACEMONT 345KV CKT 1
15SP	0	0	FROM->TO	G14_042	CHISHOLM6 230.00 - ELK CITY 230KV 230KV CKT 1	351.9	0.07189	121.5775	SPSCont-05ax
15SP	0	0	FROM->TO	G14_042	CHISHOLM6 230.00 - ELK CITY 230KV 230KV CKT 1	351.9	0.06322	119.7484	ONEY - WASHITA 138KV CKT 1
20SP	0	0	FROM->TO	G14_042	CHISHOLM6 230.00 - ELK CITY 230KV 230KV CKT 1	353	0.08925	119.399	SPP-AEPW-32
20SP	0	0	FROM->TO	G14_042	CHISHOLM6 230.00 - ELK CITY 230KV 230KV CKT 1	353	0.08925	119.399	SPSCont-01
15SP	0	0	FROM->TO	G14_042	CHISHOLM6 230.00 - ELK CITY 230KV 230KV CKT 1	351.9	0.06322	119.1232	BINGER NIJECT - ONEY 138KV CKT 1
20SP	0	0	FROM->TO	G14_042	CHISHOLM6 230.00 - ELK CITY 230KV 230KV CKT 1	353	0.08925	118.3792	OKLAUNION - TUCO INTERCHANGE 345KV CKT 1
20SP	0	0	FROM->TO	G14_042	CHISHOLM6 230.00 - ELK CITY 230KV 230KV CKT 1	353	0.08907	118.341	SPP-SWPS-01
20SP	0	0	FROM->TO	G14_042	CHISHOLM6 230.00 - ELK CITY 230KV 230KV CKT 1	353	0.09452	118.0135	CHISHOLM7 345.00 - WOODWARD DISTRICT EHV 345KV CKT 1
15G	6	0	FROM->TO	G14_042	CHISHOLM6 230.00 - ELK CITY 230KV 230KV CKT 1	437.8	0.09514	117.0994	CHISHOLM7 345.00 - GRACEMONT 345KV CKT 1
15SP	0	0	FROM->TO	G14_042	CHISHOLM6 230.00 - ELK CITY 230KV 230KV CKT 1	351.9	0.06669	116.0497	BASE CASE
20SP	0	0	FROM->TO	G14_042	CHISHOLM6 230.00 - ELK CITY 230KV 230KV CKT 1	353	0.07373	108.6401	DBL-THIS-WWRD
20SP	0	0	FROM->TO	G14_042	CHISHOLM6 230.00 - ELK CITY 230KV 230KV CKT 1	353	0.07199	108.4076	G14-058T 345.00 - NORTHWEST 345KV CKT 1
20SP	0	0	FROM->TO	G14_042	CHISHOLM6 230.00 - ELK CITY 230KV 230KV CKT 1	353	0.07199	107.5578	G14-058T 345.00 - TATONGA7 345.00 345KV CKT 1
20SP	0	0	FROM->TO	G14_042	CHISHOLM6 230.00 - ELK CITY 230KV 230KV CKT 1	353	0.07147	107.5542	DBL-THIS-WICH
20SP	0	0	FROM->TO	G14_042	CHISHOLM6 230.00 - ELK CITY 230KV 230KV CKT 1	353	0.0728	107.3384	DBL-G1114-WWRD
20WP	0	0	FROM->TO	G14_042	CHISHOLM6 230.00 - ELK CITY 230KV 230KV CKT 1	437.6	0.09009	106.7283	SPP-AEPW-32
20WP	0	0	FROM->TO	G14_042	CHISHOLM6 230.00 - ELK CITY 230KV 230KV CKT 1	437.6	0.09009	106.7283	SPSCont-01
20SP	0	0	FROM->TO	G14_042	CHISHOLM6 230.00 - ELK CITY 230KV 230KV CKT 1	353	0.07284	106.5058	FINNEY SWITCHING STATION - HOLCOMB 345KV CKT 1
20SP	0	0	FROM->TO	G14_042	CHISHOLM6 230.00 - ELK CITY 230KV 230KV CKT 1	353	0.0728	106.4318	DBL-BVR-G1114
20SP	0	0	FROM->TO	G14_042	CHISHOLM6 230.00 - ELK CITY 230KV 230KV CKT 1	353	0.06343	106.0311	ONEY - WASHITA 138KV CKT 1
20SP	0	0	FROM->TO	G14_042	CHISHOLM6 230.00 - ELK CITY 230KV 230KV CKT 1	353	0.07511	106.0064	G14_038T 345.00 - Hitchland Interchange 345KV CKT 1
20WP	0	0	FROM->TO	G14_042	CHISHOLM6 230.00 - ELK CITY 230KV 230KV CKT 1	437.6	0.09009	105.9056	OKLAUNION - TUCO INTERCHANGE 345KV CKT 1
20WP	0	0	FROM->TO	G14_042	CHISHOLM6 230.00 - ELK CITY 230KV 230KV CKT 1	437.6	0.08991	105.8291	SPP-SWPS-01
20SP	0	0	FROM->TO	G14_042	CHISHOLM6 230.00 - ELK CITY 230KV 230KV CKT 1	353	0.07511	105.4398	G14_038T 345.00 - POTTER COUNTY INTERCHANGE 345KV CKT 1
20SP	0	0	FROM->TO	G14_042	CHISHOLM6 230.00 - ELK CITY 230KV 230KV CKT 1	353	0.06343	105.3796	BINGER NIJECT - ONEY 138KV CKT 1
20WP	0	0	FROM->TO	G14_042	CHISHOLM6 230.00 - ELK CITY 230KV 230KV CKT 1	437.6	0.09517	105.3623	CHISHOLM7 345.00 - WOODWARD DISTRICT EHV 345KV CKT 1
20SP	0	0	FROM->TO	G14_042	CHISHOLM6 230.00 - ELK CITY 230KV 230KV CKT 1	353	0.07153	105.0933	CIMARRON - MINCO 345KV CKT 1
20SP	0	0	FROM->TO	G14_042	CHISHOLM6 230.00 - ELK CITY 230KV 230KV CKT 1	353	0.06343	104.3597	BINGER NIJECT - SICKLES 138KV CKT 1
15G	6	0	FROM->TO	G14_042	CHISHOLM6 230.00 - ELK CITY 230KV 230KV CKT 1	437.8	0.08424	101.0119	SPP-AEPW-32
15G	6	0	FROM->TO	G14_042	CHISHOLM6 230.00 - ELK CITY 230KV 230KV CKT 1	437.8	0.08424	101.0119	SPSCont-01
15G	6	0	FROM->TO	G14_042	CHISHOLM6 230.00 - ELK CITY 230KV 230KV CKT 1	437.8	0.08424	100.1439	OKLAUNION - TUCO INTERCHANGE 345KV CKT 1
15G	6	0	FROM->TO	G14_042	CHISHOLM6 230.00 - ELK CITY 230KV 230KV CKT 1	437.8	0.08406	100.0685	SPP-SWPS-01
20SP	0	0	FROM->TO	G14_042	CHISHOLM6 230.00 - ELK CITY 230KV 230KV CKT 1	353	0.06693	100.0543	BASE CASE
20WP	0	0	TO->FROM	G14_042	CIMARRON - MINCO 345KV CKT 1	953.8	0.23496	122.044	G14-057T 345.00 - SUNNYSIDE 345KV CKT 1
20WP	0	0	TO->FROM	G14_042	CIMARRON - MINCO 345KV CKT 1	953.8	0.23496	119.8528	G14-057T 345.00 - LAWTON EASTSIDE 345KV CKT 1
20WP	0	0	TO->FROM	G14_042	CIMARRON - MINCO 345KV CKT 1	953.8	0.20141	105.5389	G14-058T 345.00 - NORTHWEST 345KV CKT 1
15G	6	0	TO->FROM	G14_042	CIMARRON - MINCO 345KV CKT 1	954.6	0.23598	104.8564	G14-057T 345.00 - SUNNYSIDE 345KV CKT 1
20WP	0	0	TO->FROM	G14_042	CIMARRON - MINCO 345KV CKT 1	953.8	0.20141	104.1235	G14-058T 345.00 - TATONGA7 345.00 345KV CKT 1
20WP	0	0	TO->FROM	G14_042	CIMARRON - MINCO 345KV CKT 1	953.8	0.23073	103.6945	CHISHOLM7 345.00 - WOODWARD DISTRICT EHV 345KV CKT 1

SEASON	GROUP	SCENARIO	DIRECTION	SOURCE	MONITORED ELEMENT	RATE		CONTINGENCY		CONTINGENCY
						(MVA)	TDF	LOADING %		
15SP	0	0	TO->FROM	G14_042	CIMARRON - MINCO 345KV CKT 1	954.9	0.23843	103.0708	G14-057T 345.00 - SUNNYSIDE 345KV CKT 1	
15G	6	0	TO->FROM	G14_042	CIMARRON - MINCO 345KV CKT 1	954.6	0.23598	102.6147	G14-057T 345.00 - LAWTON EASTSIDE 345KV CKT 1	
15SP	0	0	TO->FROM	G14_042	CIMARRON - MINCO 345KV CKT 1	954.9	0.23843	100.7773	G14-057T 345.00 - LAWTON EASTSIDE 345KV CKT 1	
15G	3	0	TO->FROM	G14_042	CIRCLE - MULLERGREY 230KV CKT 1	392.8	0.0324	106.1357	DBL-THIS-WICH	
15G	3	0	FROM->TO	G14_042	CLEARWATER - GILL ENERGY CENTER WEST 138KV CKT 1	131.5	0.03241	213.2866	DBL-THIS-WICH	
15SP	0	0	FROM->TO	G14_042	CLEARWATER - GILL ENERGY CENTER WEST 138KV CKT 1	128	0.03307	182.3731	DBL-THIS-WICH	
15G	3	0	TO->FROM	G14_042	CLEARWATER - MILAN TAP 138KV CKT 1	87.2	0.03241	328.064	DBL-THIS-WICH	
15SP	0	0	TO->FROM	G14_042	CLEARWATER - MILAN TAP 138KV CKT 1	82	0.03307	294.3141	DBL-THIS-WICH	
20WP	0	0	TO->FROM	G14_042	CLEARWATER - MILAN TAP 138KV CKT 1	92.1	0.03294	290.0294	DBL-THIS-WICH	
20SP	0	0	TO->FROM	G14_042	CLEARWATER - MILAN TAP 138KV CKT 1	85.8	0.03338	264.8761	DBL-THIS-WICH	
15SP	0	0	TO->FROM	G14_042	CLINTON JUNCTION - ELK CITY 138KV CKT 1	148	0.0414	146.7703	CHISHOLM7 345.00 - GRACEMONT 345KV CKT 1	
15SP	0	0	TO->FROM	G14_042	CLINTON JUNCTION - ELK CITY 138KV CKT 1	148	0.03636	128.5649	SPP-AEPW-32	
15SP	0	0	TO->FROM	G14_042	CLINTON JUNCTION - ELK CITY 138KV CKT 1	148	0.03636	128.5649	SPSCont-01	
15SP	0	0	TO->FROM	G14_042	CLINTON JUNCTION - ELK CITY 138KV CKT 1	148	0.03636	127.8217	OKLAUNION - TUCO INTERCHANGE 345KV CKT 1	
15SP	0	0	TO->FROM	G14_042	CLINTON JUNCTION - ELK CITY 138KV CKT 1	148	0.03633	127.8187	SPP-SWPS-01	
15SP	0	0	TO->FROM	G14_042	CLINTON JUNCTION - ELK CITY 138KV CKT 1	148	0.03128	123.4178	G14-058T 345.00 - NORTHWEST 345KV CKT 1	
15SP	0	0	TO->FROM	G14_042	CLINTON JUNCTION - ELK CITY 138KV CKT 1	148	0.03128	121.9989	G14-058T 345.00 - TATONGA7 345.00 345KV CKT 1	
15SP	0	0	TO->FROM	G14_042	CLINTON JUNCTION - ELK CITY 138KV CKT 1	148	0.03202	121.596	DBL-THIS-WWRD	
15SP	0	0	TO->FROM	G14_042	CLINTON JUNCTION - ELK CITY 138KV CKT 1	148	0.03126	120.5036	CLINTON AIR FORCE BASE TAP - ELK CITY 138KV CKT 1	
15SP	0	0	TO->FROM	G14_042	CLINTON JUNCTION - ELK CITY 138KV CKT 1	148	0.03126	119.5576	CLINTON AIR FORCE BASE TAP - HOBART JUNCTION 138KV CKT 1	
15SP	0	0	TO->FROM	G14_042	CLINTON JUNCTION - ELK CITY 138KV CKT 1	148	0.03036	118.8971	DBL-THIS-WICH	
15G	6	0	TO->FROM	G14_042	CLINTON JUNCTION - ELK CITY 138KV CKT 1	185.4	0.04027	118.5212	CHISHOLM7 345.00 - GRACEMONT 345KV CKT 1	
20SP	0	0	TO->FROM	G14_042	CLINTON JUNCTION - ELK CITY 138KV CKT 1	150.5	0.04127	116.8587	CHISHOLM7 345.00 - GRACEMONT 345KV CKT 1	
20WP	0	0	TO->FROM	G14_042	CLINTON JUNCTION - ELK CITY 138KV CKT 1	185.3	0.0416	112.958	CHISHOLM7 345.00 - GRACEMONT 345KV CKT 1	
20SP	0	0	TO->FROM	G14_042	CLINTON JUNCTION - ELK CITY 138KV CKT 1	150.5	0.03627	102.8153	SPP-AEPW-32	
20SP	0	0	TO->FROM	G14_042	CLINTON JUNCTION - ELK CITY 138KV CKT 1	150.5	0.03627	102.8153	SPSCont-01	
20SP	0	0	TO->FROM	G14_042	CLINTON JUNCTION - ELK CITY 138KV CKT 1	150.5	0.03627	102.2173	OKLAUNION - TUCO INTERCHANGE 345KV CKT 1	
20SP	0	0	TO->FROM	G14_042	CLINTON JUNCTION - ELK CITY 138KV CKT 1	150.5	0.03623	102.2115	SPP-SWPS-01	
15G	6	0	TO->FROM	G14_042	CLINTON JUNCTION - ELK CITY 138KV CKT 1	185.4	0.0353	101.6291	SPP-AEPW-32	
15G	6	0	TO->FROM	G14_042	CLINTON JUNCTION - ELK CITY 138KV CKT 1	185.4	0.0353	101.6291	SPSCont-01	
15G	6	0	TO->FROM	G14_042	CLINTON JUNCTION - ELK CITY 138KV CKT 1	185.4	0.0353	101.0897	OKLAUNION - TUCO INTERCHANGE 345KV CKT 1	
15G	6	0	TO->FROM	G14_042	CLINTON JUNCTION - ELK CITY 138KV CKT 1	185.4	0.03527	101.0335	SPP-SWPS-01	
20WP	0	0	TO->FROM	G14_042	DAWN SUB - Panda Energy Substation Hereford 115KV CKT 1	105.7	0.0325	105.5676	BUSHLAND INTERCHANGE - DEAF SMITH COUNTY INTERCHANGE 230KV CKT 1	
15SP	0	0	TO->FROM	G14_042	DEAF SMITH COUNTY INTERCHANGE - G14-068T 230.00 230KV CKT 1	348.9	0.10421	109.871	POTTER COUNTY INTERCHANGE - TOLK STATION 345KV CKT 1	
20WP	0	0	TO->FROM	G14_042	DEAF SMITH COUNTY INTERCHANGE - G14-068T 230.00 230KV CKT 1	360.6	0.09997	108.1503	POTTER COUNTY INTERCHANGE - TOLK STATION 345KV CKT 1	
20SP	0	0	TO->FROM	G14_042	DEAF SMITH COUNTY INTERCHANGE - G14-068T 230.00 230KV CKT 1	347.7	0.10239	103.1477	POTTER COUNTY INTERCHANGE - TOLK STATION 345KV CKT 1	
25SP	0	0	TO->FROM	G14_042	DEAF SMITH COUNTY INTERCHANGE - G14-068T 230.00 230KV CKT 1	346.1	0.10262	102.6987	POTTER COUNTY INTERCHANGE - TOLK STATION 345KV CKT 1	
20WP	0	0	FROM->TO	G14_042	DEAF SMITH COUNTY INTERCHANGE - Panda Energy Substation Hereford 115KV CKT 1	105.9	0.0325	111.9782	BUSHLAND INTERCHANGE - DEAF SMITH COUNTY INTERCHANGE 230KV CKT 1	
15SP	0	0	FROM->TO	G14_042	ELK CITY 230KV (ELKCTY-6) 230/138/13.8KV TRANSFORMER CKT 1	309.1	0.10018	178.2357	CHISHOLM7 345.00 - GRACEMONT 345KV CKT 1	
15SP	0	0	FROM->TO	G14_042	ELK CITY 230KV (ELKCTY-6) 230/138/13.8KV TRANSFORMER CKT 1	314.8	0.10018	175.1673	CHISHOLM7 345.00 - GRACEMONT 345KV CKT 1	
20WP	0	0	FROM->TO	G14_042	ELK CITY 230KV (ELKCTY-6) 230/138/13.8KV TRANSFORMER CKT 1	308.8	0.1014	172.2036	CHISHOLM7 345.00 - GRACEMONT 345KV CKT 1	
20WP	0	0	FROM->TO	G14_042	ELK CITY 230KV (ELKCTY-6) 230/138/13.8KV TRANSFORMER CKT 1	314.1	0.1014	169.4252	CHISHOLM7 345.00 - GRACEMONT 345KV CKT 1	
15G	6	0	FROM->TO	G14_042	ELK CITY 230KV (ELKCTY-6) 230/138/13.8KV TRANSFORMER CKT 1	310	0.09514	165.2132	CHISHOLM7 345.00 - GRACEMONT 345KV CKT 1	
15G	6	0	FROM->TO	G14_042	ELK CITY 230KV (ELKCTY-6) 230/138/13.8KV TRANSFORMER CKT 1	314.4	0.09514	163.0601	CHISHOLM7 345.00 - GRACEMONT 345KV CKT 1	
15SP	0	0	FROM->TO	G14_042	ELK CITY 230KV (ELKCTY-6) 230/138/13.8KV TRANSFORMER CKT 1	309.1	0.08908	158.6922	SPP-AEPW-32	
15SP	0	0	FROM->TO	G14_042	ELK CITY 230KV (ELKCTY-6) 230/138/13.8KV TRANSFORMER CKT 1	309.1	0.08908	158.6922	SPSCont-01	
15SP	0	0	FROM->TO	G14_042	ELK CITY 230KV (ELKCTY-6) 230/138/13.8KV TRANSFORMER CKT 1	309.1	0.08908	157.4952	OKLAUNION - TUCO INTERCHANGE 345KV CKT 1	
15SP	0	0	FROM->TO	G14_042	ELK CITY 230KV (ELKCTY-6) 230/138/13.8KV TRANSFORMER CKT 1	309.1	0.08892	157.453	SPP-SWPS-01	
15SP	0	0	FROM->TO	G14_042	ELK CITY 230KV (ELKCTY-6) 230/138/13.8KV TRANSFORMER CKT 1	314.8	0.08908	155.9777	SPP-AEPW-32	
15SP	0	0	FROM->TO	G14_042	ELK CITY 230KV (ELKCTY-6) 230/138/13.8KV TRANSFORMER CKT 1	314.8	0.08908	155.9777	SPSCont-01	
15SP	0	0	FROM->TO	G14_042	ELK CITY 230KV (ELKCTY-6) 230/138/13.8KV TRANSFORMER CKT 1	309.1	0.09409	154.8693	CHISHOLM7 345.00 - WOODWARD DISTRICT EHV 345KV CKT 1	
15SP	0	0	FROM->TO	G14_042	ELK CITY 230KV (ELKCTY-6) 230/138/13.8KV TRANSFORMER CKT 1	314.8	0.08908	154.8341	OKLAUNION - TUCO INTERCHANGE 345KV CKT 1	
15SP	0	0	FROM->TO	G14_042	ELK CITY 230KV (ELKCTY-6) 230/138/13.8KV TRANSFORMER CKT 1	314.8	0.08892	154.7609	SPP-SWPS-01	
15SP	0	0	FROM->TO	G14_042	ELK CITY 230KV (ELKCTY-6) 230/138/13.8KV TRANSFORMER CKT 1	264	0.06669	154.4995	BASE CASE	
15SP	0	0	FROM->TO	G14_042	ELK CITY 230KV (ELKCTY-6) 230/138/13.8KV TRANSFORMER CKT 1	314.8	0.09409	152.2239	CHISHOLM7 345.00 - WOODWARD DISTRICT EHV 345KV CKT 1	
20WP	0	0	FROM->TO	G14_042	ELK CITY 230KV (ELKCTY-6) 230/138/13.8KV TRANSFORMER CKT 1	308.8	0.09009	151.0826	SPP-AEPW-32	
20WP	0	0	FROM->TO	G14_042	ELK CITY 230KV (ELKCTY-6) 230/138/13.8KV TRANSFORMER CKT 1	308.8	0.09009	151.0826	SPSCont-01	
15SP	0	0	FROM->TO	G14_042	ELK CITY 230KV (ELKCTY-6) 230/138/13.8KV TRANSFORMER CKT 1	270.6	0.06669	150.916	BASE CASE	

SEASON	GROUP	SCENARIO	DIRECTION	SOURCE	MONITORED ELEMENT	RATE		CONTINGENCY		CONTINGENCY
						(MVA)	TDF	LOADING %		
20WP	0	0	FROM->TO	G14_042	ELK CITY 230KV (ELKCTY-6) 230/138/13.8KV TRANSFORMER CKT 1	308.8	0.09009	149.9168	OKLAUNION - TUCO INTERCHANGE 345KV CKT 1	
20WP	0	0	FROM->TO	G14_042	ELK CITY 230KV (ELKCTY-6) 230/138/13.8KV TRANSFORMER CKT 1	308.8	0.08991	149.8084	SPP-SWPS-01	
20WP	0	0	FROM->TO	G14_042	ELK CITY 230KV (ELKCTY-6) 230/138/13.8KV TRANSFORMER CKT 1	308.8	0.09517	149.1468	CHISHOLM7 345.00 - WOODWARD DISTRICT EHV 345KV CKT 1	
20SP	0	0	FROM->TO	G14_042	ELK CITY 230KV (ELKCTY-6) 230/138/13.8KV TRANSFORMER CKT 1	314.5	0.10028	148.769	CHISHOLM7 345.00 - GRACEMONT 345KV CKT 1	
20WP	0	0	FROM->TO	G14_042	ELK CITY 230KV (ELKCTY-6) 230/138/13.8KV TRANSFORMER CKT 1	314.1	0.09009	148.6925	SPP-AEPW-32	
20WP	0	0	FROM->TO	G14_042	ELK CITY 230KV (ELKCTY-6) 230/138/13.8KV TRANSFORMER CKT 1	314.1	0.09009	148.6925	SPSCont-01	
20SP	0	0	FROM->TO	G14_042	ELK CITY 230KV (ELKCTY-6) 230/138/13.8KV TRANSFORMER CKT 1	316	0.10028	148.1895	CHISHOLM7 345.00 - GRACEMONT 345KV CKT 1	
20WP	0	0	FROM->TO	G14_042	ELK CITY 230KV (ELKCTY-6) 230/138/13.8KV TRANSFORMER CKT 1	314.1	0.09009	147.5463	OKLAUNION - TUCO INTERCHANGE 345KV CKT 1	
20WP	0	0	FROM->TO	G14_042	ELK CITY 230KV (ELKCTY-6) 230/138/13.8KV TRANSFORMER CKT 1	314.1	0.08991	147.4398	SPP-SWPS-01	
20WP	0	0	FROM->TO	G14_042	ELK CITY 230KV (ELKCTY-6) 230/138/13.8KV TRANSFORMER CKT 1	314.1	0.09517	146.7893	CHISHOLM7 345.00 - WOODWARD DISTRICT EHV 345KV CKT 1	
15SP	0	0	FROM->TO	G14_042	ELK CITY 230KV (ELKCTY-6) 230/138/13.8KV TRANSFORMER CKT 1	309.1	0.07189	143.1353	G14-058T 345.00 - NORTHWEST 345KV CKT 1	
15SP	0	0	FROM->TO	G14_042	ELK CITY 230KV (ELKCTY-6) 230/138/13.8KV TRANSFORMER CKT 1	309.1	0.07354	142.8057	DBL-THIS-WWRD	
15G	6	0	FROM->TO	G14_042	ELK CITY 230KV (ELKCTY-6) 230/138/13.8KV TRANSFORMER CKT 1	310	0.08424	142.4936	SPP-AEPW-32	
15G	6	0	FROM->TO	G14_042	ELK CITY 230KV (ELKCTY-6) 230/138/13.8KV TRANSFORMER CKT 1	310	0.08424	142.4936	SPSCont-01	
15SP	0	0	FROM->TO	G14_042	ELK CITY 230KV (ELKCTY-6) 230/138/13.8KV TRANSFORMER CKT 1	309.1	0.07189	142.1647	G14-058T 345.00 - TATONGA7 345.00 345KV CKT 1	
15SP	0	0	FROM->TO	G14_042	ELK CITY 230KV (ELKCTY-6) 230/138/13.8KV TRANSFORMER CKT 1	309.1	0.07141	141.7766	DBL-THIS-WICH	
15SP	0	0	FROM->TO	G14_042	ELK CITY 230KV (ELKCTY-6) 230/138/13.8KV TRANSFORMER CKT 1	309.1	0.07244	141.6821	DBL-G1114-WWRD	
15G	6	0	FROM->TO	G14_042	ELK CITY 230KV (ELKCTY-6) 230/138/13.8KV TRANSFORMER CKT 1	310	0.08424	141.3	OKLAUNION - TUCO INTERCHANGE 345KV CKT 1	
15G	6	0	FROM->TO	G14_042	ELK CITY 230KV (ELKCTY-6) 230/138/13.8KV TRANSFORMER CKT 1	310	0.08406	141.1935	SPP-SWPS-01	
15SP	0	0	FROM->TO	G14_042	ELK CITY 230KV (ELKCTY-6) 230/138/13.8KV TRANSFORMER CKT 1	314.8	0.07189	140.7024	G14-058T 345.00 - NORTHWEST 345KV CKT 1	
15SP	0	0	FROM->TO	G14_042	ELK CITY 230KV (ELKCTY-6) 230/138/13.8KV TRANSFORMER CKT 1	309.1	0.07244	140.6792	DBL-BVR-G1114	
15G	6	0	FROM->TO	G14_042	ELK CITY 230KV (ELKCTY-6) 230/138/13.8KV TRANSFORMER CKT 1	314.4	0.08424	140.6584	SPP-AEPW-32	
15G	6	0	FROM->TO	G14_042	ELK CITY 230KV (ELKCTY-6) 230/138/13.8KV TRANSFORMER CKT 1	314.4	0.08424	140.6584	SPSCont-01	
15SP	0	0	FROM->TO	G14_042	ELK CITY 230KV (ELKCTY-6) 230/138/13.8KV TRANSFORMER CKT 1	314.8	0.07354	140.4106	DBL-THIS-WWRD	
15SP	0	0	FROM->TO	G14_042	ELK CITY 230KV (ELKCTY-6) 230/138/13.8KV TRANSFORMER CKT 1	309.1	0.07248	140.0533	FINNEY SWITCHING STATION - HOLCOMB 345KV CKT 1	
15SP	0	0	FROM->TO	G14_042	ELK CITY 230KV (ELKCTY-6) 230/138/13.8KV TRANSFORMER CKT 1	314.8	0.07189	139.7494	G14-058T 345.00 - TATONGA7 345.00 345KV CKT 1	
15G	6	0	FROM->TO	G14_042	ELK CITY 230KV (ELKCTY-6) 230/138/13.8KV TRANSFORMER CKT 1	310	0.08889	139.5051	CHISHOLM7 345.00 - WOODWARD DISTRICT EHV 345KV CKT 1	
15G	6	0	FROM->TO	G14_042	ELK CITY 230KV (ELKCTY-6) 230/138/13.8KV TRANSFORMER CKT 1	314.4	0.08424	139.4498	OKLAUNION - TUCO INTERCHANGE 345KV CKT 1	
15SP	0	0	FROM->TO	G14_042	ELK CITY 230KV (ELKCTY-6) 230/138/13.8KV TRANSFORMER CKT 1	314.8	0.07141	139.3683	DBL-THIS-WICH	
15G	6	0	FROM->TO	G14_042	ELK CITY 230KV (ELKCTY-6) 230/138/13.8KV TRANSFORMER CKT 1	314.4	0.08406	139.3447	SPP-SWPS-01	
15SP	0	0	FROM->TO	G14_042	ELK CITY 230KV (ELKCTY-6) 230/138/13.8KV TRANSFORMER CKT 1	314.8	0.07244	139.3073	DBL-G1114-WWRD	
15SP	0	0	FROM->TO	G14_042	ELK CITY 230KV (ELKCTY-6) 230/138/13.8KV TRANSFORMER CKT 1	314.8	0.07244	138.2908	DBL-BVR-G1114	
15SP	0	0	FROM->TO	G14_042	ELK CITY 230KV (ELKCTY-6) 230/138/13.8KV TRANSFORMER CKT 1	314.8	0.07248	137.708	FINNEY SWITCHING STATION - HOLCOMB 345KV CKT 1	
15G	6	0	FROM->TO	G14_042	ELK CITY 230KV (ELKCTY-6) 230/138/13.8KV TRANSFORMER CKT 1	314.4	0.08889	137.68	CHISHOLM7 345.00 - WOODWARD DISTRICT EHV 345KV CKT 1	
15SP	0	0	FROM->TO	G14_042	ELK CITY 230KV (ELKCTY-6) 230/138/13.8KV TRANSFORMER CKT 1	314.8	0.07189	136.5728	G11_051T 345.00 - TATONGA7 345.00 345KV CKT 1	
20WP	0	0	FROM->TO	G14_042	ELK CITY 230KV (ELKCTY-6) 230/138/13.8KV TRANSFORMER CKT 1	279.1	0.06767	136.264	BASE CASE	
15SP	0	0	FROM->TO	G14_042	ELK CITY 230KV (ELKCTY-6) 230/138/13.8KV TRANSFORMER CKT 1	309.1	0.06322	136.1354	ONEY - WASHITA 138KV CKT 1	
15SP	0	0	FROM->TO	G14_042	ELK CITY 230KV (ELKCTY-6) 230/138/13.8KV TRANSFORMER CKT 1	309.1	0.06669	136.0657	SOUTHWESTERN STATION 138/24.0KV TRANSFORMER CKT 1	
15SP	0	0	FROM->TO	G14_042	ELK CITY 230KV (ELKCTY-6) 230/138/13.8KV TRANSFORMER CKT 1	309.1	0.06322	135.456	BINGER NIJECT - ONEY 138KV CKT 1	
20WP	0	0	FROM->TO	G14_042	ELK CITY 230KV (ELKCTY-6) 230/138/13.8KV TRANSFORMER CKT 1	308.8	0.07281	135.2121	G14-058T 345.00 - NORTHWEST 345KV CKT 1	
15SP	0	0	FROM->TO	G14_042	ELK CITY 230KV (ELKCTY-6) 230/138/13.8KV TRANSFORMER CKT 1	309.1	0.06322	134.2913	BINGER NIJECT - SICKLES 138KV CKT 1	
20WP	0	0	FROM->TO	G14_042	ELK CITY 230KV (ELKCTY-6) 230/138/13.8KV TRANSFORMER CKT 1	308.8	0.07281	134.2729	G14-058T 345.00 - TATONGA7 345.00 345KV CKT 1	
20WP	0	0	FROM->TO	G14_042	ELK CITY 230KV (ELKCTY-6) 230/138/13.8KV TRANSFORMER CKT 1	308.8	0.07439	134.0952	DBL-THIS-WWRD	
20SP	0	0	FROM->TO	G14_042	ELK CITY 230KV (ELKCTY-6) 230/138/13.8KV TRANSFORMER CKT 1	314.5	0.08925	133.8882	SPP-AEPW-32	
20SP	0	0	FROM->TO	G14_042	ELK CITY 230KV (ELKCTY-6) 230/138/13.8KV TRANSFORMER CKT 1	314.5	0.08925	133.8882	SPSCont-01	
15SP	0	0	FROM->TO	G14_042	ELK CITY 230KV (ELKCTY-6) 230/138/13.8KV TRANSFORMER CKT 1	314.8	0.06322	133.861	ONEY - WASHITA 138KV CKT 1	
20WP	0	0	FROM->TO	G14_042	ELK CITY 230KV (ELKCTY-6) 230/138/13.8KV TRANSFORMER CKT 1	308.8	0.07361	133.794	DBL-G1114-WWRD	
15SP	0	0	FROM->TO	G14_042	ELK CITY 230KV (ELKCTY-6) 230/138/13.8KV TRANSFORMER CKT 1	314.8	0.06669	133.7926	SOUTHWESTERN STATION 138/24.0KV TRANSFORMER CKT 1	
20WP	0	0	FROM->TO	G14_042	ELK CITY 230KV (ELKCTY-6) 230/138/13.8KV TRANSFORMER CKT 1	284.9	0.06767	133.6654	BASE CASE	
20WP	0	0	FROM->TO	G14_042	ELK CITY 230KV (ELKCTY-6) 230/138/13.8KV TRANSFORMER CKT 1	308.8	0.07211	133.5297	DBL-THIS-WICH	
20SP	0	0	FROM->TO	G14_042	ELK CITY 230KV (ELKCTY-6) 230/138/13.8KV TRANSFORMER CKT 1	316	0.08925	133.3793	SPP-AEPW-32	
20SP	0	0	FROM->TO	G14_042	ELK CITY 230KV (ELKCTY-6) 230/138/13.8KV TRANSFORMER CKT 1	316	0.08925	133.3793	SPSCont-01	
15SP	0	0	FROM->TO	G14_042	ELK CITY 230KV (ELKCTY-6) 230/138/13.8KV TRANSFORMER CKT 1	314.8	0.06322	133.1622	BINGER NIJECT - ONEY 138KV CKT 1	
20WP	0	0	FROM->TO	G14_042	ELK CITY 230KV (ELKCTY-6) 230/138/13.8KV TRANSFORMER CKT 1	314.1	0.07281	133.0579	G14-058T 345.00 - NORTHWEST 345KV CKT 1	
20WP	0	0	FROM->TO	G14_042	ELK CITY 230KV (ELKCTY-6) 230/138/13.8KV TRANSFORMER CKT 1	308.8	0.07361	132.7578	DBL-BVR-G1114	
20SP	0	0	FROM->TO	G14_042	ELK CITY 230KV (ELKCTY-6) 230/138/13.8KV TRANSFORMER CKT 1	314.5	0.08925	132.7435	OKLAUNION - TUCO INTERCHANGE 345KV CKT 1	
20SP	0	0	FROM->TO	G14_042	ELK CITY 230KV (ELKCTY-6) 230/138/13.8KV TRANSFORMER CKT 1	314.5	0.08907	132.7007	SPP-SWPS-01	
20SP	0	0	FROM->TO	G14_042	ELK CITY 230KV (ELKCTY-6) 230/138/13.8KV TRANSFORMER CKT 1	314.5	0.09452	132.3331	CHISHOLM7 345.00 - WOODWARD DISTRICT EHV 345KV CKT 1	

SEASON	GROUP	SCENARIO	DIRECTION	SOURCE	MONITORED ELEMENT	RATE		CONTINGENCY	
						(MVA)	TDF	LOADING %	CONTINGENCY
20SP	0	0	FROM->TO	G14_042	ELK CITY 230KV (ELKCTY-6) 230/138/13.8KV TRANSFORMER CKT 1	316	0.08925	132.24	OKLAUNION - TUCO INTERCHANGE 345KV CKT 1
20SP	0	0	FROM->TO	G14_042	ELK CITY 230KV (ELKCTY-6) 230/138/13.8KV TRANSFORMER CKT 1	316	0.08907	132.1974	SPP-SWPS-01
20WP	0	0	FROM->TO	G14_042	ELK CITY 230KV (ELKCTY-6) 230/138/13.8KV TRANSFORMER CKT 1	314.1	0.07281	132.1346	G14-058T 345.00 - TATONGA7 345.00 345KV CKT 1
15SP	0	0	FROM->TO	G14_042	ELK CITY 230KV (ELKCTY-6) 230/138/13.8KV TRANSFORMER CKT 1	314.8	0.06322	132.0186	BINGER NIJECT - SICKLES 138KV CKT 1
20WP	0	0	FROM->TO	G14_042	ELK CITY 230KV (ELKCTY-6) 230/138/13.8KV TRANSFORMER CKT 1	314.1	0.07439	131.9917	DBL-THIS-WWRD
20SP	0	0	FROM->TO	G14_042	ELK CITY 230KV (ELKCTY-6) 230/138/13.8KV TRANSFORMER CKT 1	316	0.09452	131.8315	CHISHOLM7 345.00 - WOODWARD DISTRICT EHV 345KV CKT 1
20WP	0	0	FROM->TO	G14_042	ELK CITY 230KV (ELKCTY-6) 230/138/13.8KV TRANSFORMER CKT 1	308.8	0.07586	131.7786	G14_038T 345.00 - Hitchland Interchange 345KV CKT 1
20WP	0	0	FROM->TO	G14_042	ELK CITY 230KV (ELKCTY-6) 230/138/13.8KV TRANSFORMER CKT 1	314.1	0.07361	131.6638	DBL-G1114-WWRD
20WP	0	0	FROM->TO	G14_042	ELK CITY 230KV (ELKCTY-6) 230/138/13.8KV TRANSFORMER CKT 1	314.1	0.07211	131.4357	DBL-THIS-WICH
15SP	0	0	FROM->TO	G14_042	ELK CITY 230KV (ELKCTY-6) 230/138/13.8KV TRANSFORMER CKT 1	314.8	0.06191	131.3283	3TERM10
20WP	0	0	FROM->TO	G14_042	ELK CITY 230KV (ELKCTY-6) 230/138/13.8KV TRANSFORMER CKT 1	308.8	0.07281	131.1317	G11_051T 345.00 - TATONGA7 345.00 345KV CKT 1
20WP	0	0	FROM->TO	G14_042	ELK CITY 230KV (ELKCTY-6) 230/138/13.8KV TRANSFORMER CKT 1	314.1	0.07361	130.6768	DBL-BVR-G1114
20WP	0	0	FROM->TO	G14_042	ELK CITY 230KV (ELKCTY-6) 230/138/13.8KV TRANSFORMER CKT 1	308.8	0.0736	130.6656	FINNEY SWITCHING STATION - HOLCOMB 345KV CKT 1
20SP	0	0	FROM->TO	G14_042	ELK CITY 230KV (ELKCTY-6) 230/138/13.8KV TRANSFORMER CKT 1	270.3	0.06693	130.5185	BASE CASE
20WP	0	0	FROM->TO	G14_042	ELK CITY 230KV (ELKCTY-6) 230/138/13.8KV TRANSFORMER CKT 1	308.8	0.07281	130.5165	SPSCont-05ax
20WP	0	0	FROM->TO	G14_042	ELK CITY 230KV (ELKCTY-6) 230/138/13.8KV TRANSFORMER CKT 1	308.8	0.07281	130.4193	G11_051T 345.00 - WOODWARD DISTRICT EHV 345KV CKT 1
15SP	0	0	FROM->TO	G14_042	ELK CITY 230KV (ELKCTY-6) 230/138/13.8KV TRANSFORMER CKT 1	309.1	0.05561	130.321	MOORELAND - NINE MILE 138KV CKT 1
15SP	0	0	FROM->TO	G14_042	ELK CITY 230KV (ELKCTY-6) 230/138/13.8KV TRANSFORMER CKT 1	309.1	0.05561	130.321	MOREWOOD SW - NINE MILE 138KV CKT 1
15G	6	0	FROM->TO	G14_042	ELK CITY 230KV (ELKCTY-6) 230/138/13.8KV TRANSFORMER CKT 1	310	0.06255	130.2578	REDHIL-HVB1 138.00 138/34.5KV TRANSFORMER CKT 1
15G	6	0	FROM->TO	G14_042	ELK CITY 230KV (ELKCTY-6) 230/138/13.8KV TRANSFORMER CKT 1	310	0.06255	130.1933	RED HILLS WIND - REDHIL-HVB1 138.00 138KV CKT 1
20SP	0	0	FROM->TO	G14_042	ELK CITY 230KV (ELKCTY-6) 230/138/13.8KV TRANSFORMER CKT 1	272	0.06693	129.8498	BASE CASE
20WP	0	0	FROM->TO	G14_042	ELK CITY 230KV (ELKCTY-6) 230/138/13.8KV TRANSFORMER CKT 1	314.1	0.07586	129.7142	G14_038T 345.00 - Hitchland Interchange 345KV CKT 1
20WP	0	0	FROM->TO	G14_042	ELK CITY 230KV (ELKCTY-6) 230/138/13.8KV TRANSFORMER CKT 1	314.1	0.07281	129.0783	G11_051T 345.00 - TATONGA7 345.00 345KV CKT 1
20WP	0	0	FROM->TO	G14_042	ELK CITY 230KV (ELKCTY-6) 230/138/13.8KV TRANSFORMER CKT 1	308.8	0.06767	128.8254	RED HILLS WIND - REDHIL-HVB1 138.00 138KV CKT 1
20WP	0	0	FROM->TO	G14_042	ELK CITY 230KV (ELKCTY-6) 230/138/13.8KV TRANSFORMER CKT 1	308.8	0.06767	128.8254	REDHIL-HVB1 138.00 138/34.5KV TRANSFORMER CKT 1
20WP	0	0	FROM->TO	G14_042	ELK CITY 230KV (ELKCTY-6) 230/138/13.8KV TRANSFORMER CKT 1	314.1	0.0736	128.5881	FINNEY SWITCHING STATION - HOLCOMB 345KV CKT 1
15G	6	0	FROM->TO	G14_042	ELK CITY 230KV (ELKCTY-6) 230/138/13.8KV TRANSFORMER CKT 1	280.4	0.06255	128.5661	BASE CASE
15G	6	0	FROM->TO	G14_042	ELK CITY 230KV (ELKCTY-6) 230/138/13.8KV TRANSFORMER CKT 1	314.4	0.06255	128.5621	REDHIL-HVB1 138.00 138/34.5KV TRANSFORMER CKT 1
15G	6	0	FROM->TO	G14_042	ELK CITY 230KV (ELKCTY-6) 230/138/13.8KV TRANSFORMER CKT 1	314.4	0.06255	128.4985	RED HILLS WIND - REDHIL-HVB1 138.00 138KV CKT 1
20WP	0	0	FROM->TO	G14_042	ELK CITY 230KV (ELKCTY-6) 230/138/13.8KV TRANSFORMER CKT 1	314.1	0.07281	128.4415	SPSCont-05ax
20WP	0	0	FROM->TO	G14_042	ELK CITY 230KV (ELKCTY-6) 230/138/13.8KV TRANSFORMER CKT 1	314.1	0.07281	128.3778	G11_051T 345.00 - WOODWARD DISTRICT EHV 345KV CKT 1
15G	6	0	FROM->TO	G14_042	ELK CITY 230KV (ELKCTY-6) 230/138/13.8KV TRANSFORMER CKT 1	310	0.06782	128.1233	G14-058T 345.00 - NORTHWEST 345KV CKT 1
15G	6	0	FROM->TO	G14_042	ELK CITY 230KV (ELKCTY-6) 230/138/13.8KV TRANSFORMER CKT 1	310	0.06782	127.1555	G14-058T 345.00 - TATONGA7 345.00 345KV CKT 1
15G	6	0	FROM->TO	G14_042	ELK CITY 230KV (ELKCTY-6) 230/138/13.8KV TRANSFORMER CKT 1	310	0.06928	126.8326	DBL-THIS-WWRD
20WP	0	0	FROM->TO	G14_042	ELK CITY 230KV (ELKCTY-6) 230/138/13.8KV TRANSFORMER CKT 1	314.1	0.06767	126.8108	RED HILLS WIND - REDHIL-HVB1 138.00 138KV CKT 1
20WP	0	0	FROM->TO	G14_042	ELK CITY 230KV (ELKCTY-6) 230/138/13.8KV TRANSFORMER CKT 1	314.1	0.06767	126.8108	REDHIL-HVB1 138.00 138/34.5KV TRANSFORMER CKT 1
15G	6	0	FROM->TO	G14_042	ELK CITY 230KV (ELKCTY-6) 230/138/13.8KV TRANSFORMER CKT 1	285.2	0.06255	126.5425	BASE CASE
15G	6	0	FROM->TO	G14_042	ELK CITY 230KV (ELKCTY-6) 230/138/13.8KV TRANSFORMER CKT 1	310	0.06723	126.4628	DBL-THIS-WICH
15G	6	0	FROM->TO	G14_042	ELK CITY 230KV (ELKCTY-6) 230/138/13.8KV TRANSFORMER CKT 1	314.4	0.06782	126.4574	G14-058T 345.00 - NORTHWEST 345KV CKT 1
15G	6	0	FROM->TO	G14_042	ELK CITY 230KV (ELKCTY-6) 230/138/13.8KV TRANSFORMER CKT 1	310	0.06784	126.408	DBL-G1114-WWRD
15G	6	0	FROM->TO	G14_042	ELK CITY 230KV (ELKCTY-6) 230/138/13.8KV TRANSFORMER CKT 1	314.4	0.06782	125.5032	G14-058T 345.00 - TATONGA7 345.00 345KV CKT 1
15G	6	0	FROM->TO	G14_042	ELK CITY 230KV (ELKCTY-6) 230/138/13.8KV TRANSFORMER CKT 1	310	0.06784	125.4403	DBL-BVR-G1114
15G	6	0	FROM->TO	G14_042	ELK CITY 230KV (ELKCTY-6) 230/138/13.8KV TRANSFORMER CKT 1	314.4	0.06928	125.1848	DBL-THIS-WWRD
15G	6	0	FROM->TO	G14_042	ELK CITY 230KV (ELKCTY-6) 230/138/13.8KV TRANSFORMER CKT 1	314.4	0.06723	124.8202	DBL-THIS-WICH
15G	6	0	FROM->TO	G14_042	ELK CITY 230KV (ELKCTY-6) 230/138/13.8KV TRANSFORMER CKT 1	314.4	0.06784	124.7662	DBL-G1114-WWRD
15G	6	0	FROM->TO	G14_042	ELK CITY 230KV (ELKCTY-6) 230/138/13.8KV TRANSFORMER CKT 1	310	0.07031	124.2657	G14_038T 345.00 - Hitchland Interchange 345KV CKT 1
15G	6	0	FROM->TO	G14_042	ELK CITY 230KV (ELKCTY-6) 230/138/13.8KV TRANSFORMER CKT 1	310	0.06512	123.9402	FPL SWITCH - MOORELAND 138KV CKT 1
15G	6	0	FROM->TO	G14_042	ELK CITY 230KV (ELKCTY-6) 230/138/13.8KV TRANSFORMER CKT 1	310	0.06782	123.9297	G11_051T 345.00 - TATONGA7 345.00 345KV CKT 1
15G	6	0	FROM->TO	G14_042	ELK CITY 230KV (ELKCTY-6) 230/138/13.8KV TRANSFORMER CKT 1	314.4	0.06784	123.8438	DBL-BVR-G1114
15G	6	0	FROM->TO	G14_042	ELK CITY 230KV (ELKCTY-6) 230/138/13.8KV TRANSFORMER CKT 1	310	0.06794	123.5328	FINNEY SWITCHING STATION - HOLCOMB 345KV CKT 1
15G	6	0	FROM->TO	G14_042	ELK CITY 230KV (ELKCTY-6) 230/138/13.8KV TRANSFORMER CKT 1	310	0.06512	123.4564	FPL SWITCH - WOODWARD 138KV CKT 1
15G	6	0	FROM->TO	G14_042	ELK CITY 230KV (ELKCTY-6) 230/138/13.8KV TRANSFORMER CKT 1	314.4	0.07031	122.6539	G14_038T 345.00 - Hitchland Interchange 345KV CKT 1
15G	6	0	FROM->TO	G14_042	ELK CITY 230KV (ELKCTY-6) 230/138/13.8KV TRANSFORMER CKT 1	314.4	0.06512	122.3329	FPL SWITCH - MOORELAND 138KV CKT 1
15G	6	0	FROM->TO	G14_042	ELK CITY 230KV (ELKCTY-6) 230/138/13.8KV TRANSFORMER CKT 1	314.4	0.06782	122.3226	G11_051T 345.00 - TATONGA7 345.00 345KV CKT 1
15G	6	0	FROM->TO	G14_042	ELK CITY 230KV (ELKCTY-6) 230/138/13.8KV TRANSFORMER CKT 1	314.4	0.06794	121.9312	FINNEY SWITCHING STATION - HOLCOMB 345KV CKT 1
15G	6	0	FROM->TO	G14_042	ELK CITY 230KV (ELKCTY-6) 230/138/13.8KV TRANSFORMER CKT 1	314.4	0.06512	121.8558	FPL SWITCH - WOODWARD 138KV CKT 1
20SP	0	0	FROM->TO	G14_042	ELK CITY 230KV (ELKCTY-6) 230/138/13.8KV TRANSFORMER CKT 1	314.5	0.07373	121.8122	DBL-THIS-WWRD
20SP	0	0	FROM->TO	G14_042	ELK CITY 230KV (ELKCTY-6) 230/138/13.8KV TRANSFORMER CKT 1	314.5	0.07199	121.5513	G14-058T 345.00 - NORTHWEST 345KV CKT 1

SEASON	GROUP	SCENARIO	DIRECTION	SOURCE	MONITORED ELEMENT	RATE (MVA)	TDF	CONTINGENCY LOADING %	CONTINGENCY
20SP	0	0	FROM->TO	G14_042	ELK CITY 230KV (ELKCTY-6) 230/138/13.8KV TRANSFORMER CKT 1	316	0.07373	121.3605	DBL-THIS-WWRD
20SP	0	0	FROM->TO	G14_042	ELK CITY 230KV (ELKCTY-6) 230/138/13.8KV TRANSFORMER CKT 1	316	0.07199	121.1009	G14-058T 345.00 - NORTHWEST 345KV CKT 1
20SP	0	0	FROM->TO	G14_042	ELK CITY 230KV (ELKCTY-6) 230/138/13.8KV TRANSFORMER CKT 1	314.5	0.07199	120.5974	G14-058T 345.00 - TATONGA7 345.00 345KV CKT 1
20SP	0	0	FROM->TO	G14_042	ELK CITY 230KV (ELKCTY-6) 230/138/13.8KV TRANSFORMER CKT 1	314.5	0.07147	120.5934	DBL-THIS-WICH
20SP	0	0	FROM->TO	G14_042	ELK CITY 230KV (ELKCTY-6) 230/138/13.8KV TRANSFORMER CKT 1	314.5	0.0728	120.3829	DBL-G1114-WWRD
20SP	0	0	FROM->TO	G14_042	ELK CITY 230KV (ELKCTY-6) 230/138/13.8KV TRANSFORMER CKT 1	316	0.07199	120.1516	G14-058T 345.00 - TATONGA7 345.00 345KV CKT 1
20SP	0	0	FROM->TO	G14_042	ELK CITY 230KV (ELKCTY-6) 230/138/13.8KV TRANSFORMER CKT 1	316	0.07147	120.1476	DBL-THIS-WICH
20SP	0	0	FROM->TO	G14_042	ELK CITY 230KV (ELKCTY-6) 230/138/13.8KV TRANSFORMER CKT 1	316	0.0728	119.9065	DBL-G1114-WWRD
20SP	0	0	FROM->TO	G14_042	ELK CITY 230KV (ELKCTY-6) 230/138/13.8KV TRANSFORMER CKT 1	314.5	0.07284	119.4484	FINNEY SWITCHING STATION - HOLCOMB 345KV CKT 1
20SP	0	0	FROM->TO	G14_042	ELK CITY 230KV (ELKCTY-6) 230/138/13.8KV TRANSFORMER CKT 1	314.5	0.0728	119.3337	DBL-BVR-G1114
20SP	0	0	FROM->TO	G14_042	ELK CITY 230KV (ELKCTY-6) 230/138/13.8KV TRANSFORMER CKT 1	316	0.07284	118.9764	FINNEY SWITCHING STATION - HOLCOMB 345KV CKT 1
20SP	0	0	FROM->TO	G14_042	ELK CITY 230KV (ELKCTY-6) 230/138/13.8KV TRANSFORMER CKT 1	316	0.0728	118.8938	DBL-BVR-G1114
20SP	0	0	FROM->TO	G14_042	ELK CITY 230KV (ELKCTY-6) 230/138/13.8KV TRANSFORMER CKT 1	314.5	0.07511	118.888	G14_038T 345.00 - Hitchland Interchange 345KV CKT 1
20SP	0	0	FROM->TO	G14_042	ELK CITY 230KV (ELKCTY-6) 230/138/13.8KV TRANSFORMER CKT 1	314.5	0.06343	118.8839	ONEY - WASHITA 138KV CKT 1
20SP	0	0	FROM->TO	G14_042	ELK CITY 230KV (ELKCTY-6) 230/138/13.8KV TRANSFORMER CKT 1	316	0.06343	118.4662	ONEY - WASHITA 138KV CKT 1
20SP	0	0	FROM->TO	G14_042	ELK CITY 230KV (ELKCTY-6) 230/138/13.8KV TRANSFORMER CKT 1	316	0.07511	118.4185	G14_038T 345.00 - Hitchland Interchange 345KV CKT 1
20SP	0	0	FROM->TO	G14_042	ELK CITY 230KV (ELKCTY-6) 230/138/13.8KV TRANSFORMER CKT 1	314.5	0.06343	118.1526	BINGER NIJECT - ONEY 138KV CKT 1
20SP	0	0	FROM->TO	G14_042	ELK CITY 230KV (ELKCTY-6) 230/138/13.8KV TRANSFORMER CKT 1	314.5	0.07153	117.863	CIMARRON - MINCO 345KV CKT 1
20SP	0	0	FROM->TO	G14_042	ELK CITY 230KV (ELKCTY-6) 230/138/13.8KV TRANSFORMER CKT 1	316	0.06343	117.7183	BINGER NIJECT - ONEY 138KV CKT 1
20SP	0	0	FROM->TO	G14_042	ELK CITY 230KV (ELKCTY-6) 230/138/13.8KV TRANSFORMER CKT 1	316	0.07153	117.3985	CIMARRON - MINCO 345KV CKT 1
20SP	0	0	FROM->TO	G14_042	ELK CITY 230KV (ELKCTY-6) 230/138/13.8KV TRANSFORMER CKT 1	314.5	0.06343	117.0079	BINGER NIJECT - SICKLES 138KV CKT 1
20SP	0	0	FROM->TO	G14_042	ELK CITY 230KV (ELKCTY-6) 230/138/13.8KV TRANSFORMER CKT 1	314.5	0.06343	116.5946	CLINTON JUNCTION - G07-32T 138.00 138KV CKT 1
20SP	0	0	FROM->TO	G14_042	ELK CITY 230KV (ELKCTY-6) 230/138/13.8KV TRANSFORMER CKT 1	316	0.06343	116.5791	BINGER NIJECT - SICKLES 138KV CKT 1
20SP	0	0	FROM->TO	G14_042	ELK CITY 230KV (ELKCTY-6) 230/138/13.8KV TRANSFORMER CKT 1	316	0.06343	116.1677	CLINTON JUNCTION - G07-32T 138.00 138KV CKT 1
25SP	0	0	FROM->TO	G14_042	ELK CITY 230KV (ELKCTY-6) 230/138/13.8KV TRANSFORMER CKT 1	315.7	0.09452	109.9752	CHISHOLM7 345.00 - GRACEMONT 345KV CKT 1
25SP	0	0	FROM->TO	G14_042	ELK CITY 230KV (ELKCTY-6) 230/138/13.8KV TRANSFORMER CKT 1	316	0.09452	109.9341	CHISHOLM7 345.00 - GRACEMONT 345KV CKT 1
25SP	0	0	FROM->TO	G14_042	ELK CITY 230KV (ELKCTY-6) 230/138/13.8KV TRANSFORMER CKT 1	315.7	0.0958	103.4966	CHISHOLM7 345.00 - WOODWARD DISTRICT EHV 345KV CKT 1
25SP	0	0	FROM->TO	G14_042	ELK CITY 230KV (ELKCTY-6) 230/138/13.8KV TRANSFORMER CKT 1	316	0.0958	103.4616	CHISHOLM7 345.00 - WOODWARD DISTRICT EHV 345KV CKT 1
25SP	0	0	FROM->TO	G14_042	ELK CITY 230KV (ELKCTY-6) 230/138/13.8KV TRANSFORMER CKT 1	271.6	0.06531	103.2742	BASE CASE
25SP	0	0	FROM->TO	G14_042	ELK CITY 230KV (ELKCTY-6) 230/138/13.8KV TRANSFORMER CKT 1	315.7	0.08636	103.2083	SPP-AEPW-32
25SP	0	0	FROM->TO	G14_042	ELK CITY 230KV (ELKCTY-6) 230/138/13.8KV TRANSFORMER CKT 1	315.7	0.08636	103.2083	SPSCont-01
25SP	0	0	FROM->TO	G14_042	ELK CITY 230KV (ELKCTY-6) 230/138/13.8KV TRANSFORMER CKT 1	272	0.06531	103.1959	BASE CASE
25SP	0	0	FROM->TO	G14_042	ELK CITY 230KV (ELKCTY-6) 230/138/13.8KV TRANSFORMER CKT 1	316	0.08636	103.1736	SPP-AEPW-32
25SP	0	0	FROM->TO	G14_042	ELK CITY 230KV (ELKCTY-6) 230/138/13.8KV TRANSFORMER CKT 1	316	0.08636	103.1736	SPSCont-01
25SP	0	0	FROM->TO	G14_042	ELK CITY 230KV (ELKCTY-6) 230/138/13.8KV TRANSFORMER CKT 1	315.7	0.08636	102.163	OKLAUNION - TUCO INTERCHANGE 345KV CKT 1
25SP	0	0	FROM->TO	G14_042	ELK CITY 230KV (ELKCTY-6) 230/138/13.8KV TRANSFORMER CKT 1	315.7	0.08617	102.152	SPP-SWPS-01
25SP	0	0	FROM->TO	G14_042	ELK CITY 230KV (ELKCTY-6) 230/138/13.8KV TRANSFORMER CKT 1	316	0.08636	102.1293	OKLAUNION - TUCO INTERCHANGE 345KV CKT 1
25SP	0	0	FROM->TO	G14_042	ELK CITY 230KV (ELKCTY-6) 230/138/13.8KV TRANSFORMER CKT 1	316	0.08617	102.1183	SPP-SWPS-01
15SP	0	0	TO->FROM	G14_042	FLATRDG3 - THISTLE4 138.00 138KV CKT 1	285	0.04061	126.323	DBL-THIS-WICH
20WP	0	0	TO->FROM	G14_042	FLATRDG3 - THISTLE4 138.00 138KV CKT 1	284.9	0.04168	120.5313	DBL-THIS-WICH
20SP	0	0	TO->FROM	G14_042	FLATRDG3 - THISTLE4 138.00 138KV CKT 1	286	0.04237	119.4047	DBL-THIS-WICH
15G	6	0	TO->FROM	G14_042	FLATRDG3 - THISTLE4 138.00 138KV CKT 1	284.5	0.03985	111.9475	DBL-THIS-WICH
15SP	0	0	TO->FROM	G14_042	FLATRDG3 - THISTLE4 138.00 138KV CKT 1	285.7	0.04845	111.7404	DBL-THIS-WICH
20SP	0	0	TO->FROM	G14_042	FLATRDG3 - THISTLE4 138.00 138KV CKT 1	285.1	0.04793	105.2903	DBL-THIS-WICH
20WP	0	0	TO->FROM	G14_042	FLATRDG3 - THISTLE4 138.00 138KV CKT 1	285.9	0.04788	105.2387	DBL-THIS-WICH
15G	3	0	FROM->TO	G14_042	FPL SWITCH - MOORELAND 138KV CKT 1	272	0.04304	129.7477	DBL-THIS-WICH
15G	3	0	FROM->TO	G14_042	FPL SWITCH - MOORELAND 138KV CKT 1	272	0.04584	123.8956	G14-058T 345.00 - NORTHWEST 345KV CKT 1
15G	3	0	FROM->TO	G14_042	FPL SWITCH - MOORELAND 138KV CKT 1	272	0.04584	121.2118	G14-058T 345.00 - TATONGA7 345.00 345KV CKT 1
15G	3	0	FROM->TO	G14_042	FPL SWITCH - MOORELAND 138KV CKT 1	272	0.04584	112.1309	G11_051T 345.00 - TATONGA7 345.00 345KV CKT 1
15G	3	0	FROM->TO	G14_042	FPL SWITCH - MOORELAND 138KV CKT 1	272	0.04584	110.0721	G11_051T 345.00 - WOODWARD DISTRICT EHV 345KV CKT 1
20WP	0	0	FROM->TO	G14_042	FPL SWITCH - MOORELAND 138KV CKT 1	273.6	0.04963	108.8037	DBL-THIS-WICH
15G	3	0	FROM->TO	G14_042	FPL SWITCH - MOORELAND 138KV CKT 1	272	0.04584	108.528	SPSCont-05ax
15G	3	0	FROM->TO	G14_042	FPL SWITCH - MOORELAND 138KV CKT 1	272	0.03217	105.108	WOODWARD (WOODWRD2) 138/69/13.2KV TRANSFORMER CKT 1
20WP	0	0	FROM->TO	G14_042	FPL SWITCH - MOORELAND 138KV CKT 1	273.6	0.0522	104.3001	G14-058T 345.00 - NORTHWEST 345KV CKT 1
15SP	0	0	FROM->TO	G14_042	FPL SWITCH - MOORELAND 138KV CKT 1	278	0.04663	103.6383	DBL-THIS-WICH
15G	3	0	FROM->TO	G14_042	FPL SWITCH - MOORELAND 138KV CKT 1	272	0.03416	102.2076	IODINE - WOODWARD EHV 138KV CKT 1
20WP	0	0	FROM->TO	G14_042	FPL SWITCH - MOORELAND 138KV CKT 1	273.6	0.0522	101.5588	G14-058T 345.00 - TATONGA7 345.00 345KV CKT 1
15G	3	0	FROM->TO	G14_042	FPL SWITCH - MOORELAND 138KV CKT 1	272	0.03416	100.6267	DEWEY - IODINE 138KV CKT 1

SEASON	GROUP	SCENARIO	DIRECTION	SOURCE	MONITORED ELEMENT	RATE		CONTINGENCY		
						(MVA)	TDF	LOADING %	CONTINGENCY	
15G		6	0	FROM->TO	G14_042	FPL SWITCH - MOORELAND 138KV CKT 1	279.2	0.03888	100.4424	DBL-THIS-WWRD
15G		3	0	TO->FROM	G14_042	FPL SWITCH - WOODWARD 138KV CKT 1	135.1	0.04304	256.1908	DBL-THIS-WICH
15G		3	0	TO->FROM	G14_042	FPL SWITCH - WOODWARD 138KV CKT 1	135.1	0.04584	244.3347	G14-058T 345.00 - NORTHWEST 345KV CKT 1
15G		3	0	TO->FROM	G14_042	FPL SWITCH - WOODWARD 138KV CKT 1	135.1	0.04584	238.9312	G14-058T 345.00 - TATONGA7 345.00 345KV CKT 1
15SP		0	0	TO->FROM	G14_042	FPL SWITCH - WOODWARD 138KV CKT 1	132.6	0.04663	207.477	DBL-THIS-WICH
15G		3	0	TO->FROM	G14_042	FPL SWITCH - WOODWARD 138KV CKT 1	135.1	0.03217	206.5091	WOODWARD (WOODWRD2) 138/69/13.2KV TRANSFORMER CKT 1
15G		3	0	TO->FROM	G14_042	FPL SWITCH - WOODWARD 138KV CKT 1	135.1	0.03416	200.7437	IODINE - WOODWARD EHV 138KV CKT 1
15G		3	0	TO->FROM	G14_042	FPL SWITCH - WOODWARD 138KV CKT 1	135.1	0.03416	197.4868	DEWEY - IODINE 138KV CKT 1
15SP		0	0	TO->FROM	G14_042	FPL SWITCH - WOODWARD 138KV CKT 1	132.6	0.04928	194.1811	G14-058T 345.00 - NORTHWEST 345KV CKT 1
15G		6	0	TO->FROM	G14_042	FPL SWITCH - WOODWARD 138KV CKT 1	141.6	0.03888	189.4315	DBL-THIS-WWRD
15SP		0	0	TO->FROM	G14_042	FPL SWITCH - WOODWARD 138KV CKT 1	132.6	0.04928	188.6004	G14-058T 345.00 - TATONGA7 345.00 345KV CKT 1
15G		3	0	TO->FROM	G14_042	FPL SWITCH - WOODWARD 138KV CKT 1	135.1	0.03194	188.2161	THISTLE7 345.00 - WICHITA 345KV CKT 2
20SP		0	0	TO->FROM	G14_042	FPL SWITCH - WOODWARD 138KV CKT 1	136.3	0.04817	177.8666	DBL-THIS-WICH
15G		6	0	TO->FROM	G14_042	FPL SWITCH - WOODWARD 138KV CKT 1	141.6	0.03136	177.1781	DBL-THIS-WICH
15G		6	0	TO->FROM	G14_042	FPL SWITCH - WOODWARD 138KV CKT 1	141.6	0.03095	176.8252	G14-058T 345.00 - NORTHWEST 345KV CKT 1
15G		6	0	TO->FROM	G14_042	FPL SWITCH - WOODWARD 138KV CKT 1	141.6	0.03095	172.8704	G14-058T 345.00 - TATONGA7 345.00 345KV CKT 1
20WP		0	0	TO->FROM	G14_042	FPL SWITCH - WOODWARD 138KV CKT 1	167.7	0.04963	170.356	DBL-THIS-WICH
15SP		0	0	TO->FROM	G14_042	FPL SWITCH - WOODWARD 138KV CKT 1	132.6	0.04928	169.7467	G11_051T 345.00 - TATONGA7 345.00 345KV CKT 1
15G		6	0	TO->FROM	G14_042	FPL SWITCH - WOODWARD 138KV CKT 1	141.6	0.03118	169.6095	CHISHOLM6 230.00 - ELK CITY 230KV 230KV CKT 1
15G		6	0	TO->FROM	G14_042	FPL SWITCH - WOODWARD 138KV CKT 1	141.6	0.03118	169.6095	ELK CITY 230KV (ELKCTY-6) 230/138/13.8KV TRANSFORMER CKT 1
15SP		0	0	TO->FROM	G14_042	FPL SWITCH - WOODWARD 138KV CKT 1	132.6	0.04928	165.448	G11_051T 345.00 - WOODWARD DISTRICT EHV 345KV CKT 1
20WP		0	0	TO->FROM	G14_042	FPL SWITCH - WOODWARD 138KV CKT 1	167.7	0.0522	163.0083	G14-058T 345.00 - NORTHWEST 345KV CKT 1
20SP		0	0	TO->FROM	G14_042	FPL SWITCH - WOODWARD 138KV CKT 1	136.3	0.05031	162.8501	G14-058T 345.00 - NORTHWEST 345KV CKT 1
15SP		0	0	TO->FROM	G14_042	FPL SWITCH - WOODWARD 138KV CKT 1	132.6	0.03599	162.7625	WOODWARD (WOODWRD2) 138/69/13.2KV TRANSFORMER CKT 1
15SP		0	0	TO->FROM	G14_042	FPL SWITCH - WOODWARD 138KV CKT 1	132.6	0.04928	162.2806	SPSCont-05ax
15G		6	0	TO->FROM	G14_042	FPL SWITCH - WOODWARD 138KV CKT 1	141.6	0.03095	159.7349	G11_051T 345.00 - TATONGA7 345.00 345KV CKT 1
15SP		0	0	TO->FROM	G14_042	FPL SWITCH - WOODWARD 138KV CKT 1	132.6	0.03198	159.3995	MOORELAND 138/18.0KV TRANSFORMER CKT 1
20WP		0	0	TO->FROM	G14_042	FPL SWITCH - WOODWARD 138KV CKT 1	167.7	0.0522	158.5361	G14-058T 345.00 - TATONGA7 345.00 345KV CKT 1
15SP		0	0	TO->FROM	G14_042	FPL SWITCH - WOODWARD 138KV CKT 1	132.6	0.03198	158.4231	MOORELAND 138/18.0KV TRANSFORMER CKT 1
20SP		0	0	TO->FROM	G14_042	FPL SWITCH - WOODWARD 138KV CKT 1	136.3	0.05031	157.1274	G14-058T 345.00 - TATONGA7 345.00 345KV CKT 1
15G		6	0	TO->FROM	G14_042	FPL SWITCH - WOODWARD 138KV CKT 1	141.6	0.03095	156.6981	G11_051T 345.00 - WOODWARD DISTRICT EHV 345KV CKT 1
15G		6	0	TO->FROM	G14_042	FPL SWITCH - WOODWARD 138KV CKT 1	141.6	0.03095	153.8733	SPSCont-05ax
15SP		0	0	TO->FROM	G14_042	FPL SWITCH - WOODWARD 138KV CKT 1	132.6	0.03792	152.2833	IODINE - WOODWARD EHV 138KV CKT 1
15SP		0	0	TO->FROM	G14_042	FPL SWITCH - WOODWARD 138KV CKT 1	132.6	0.03792	149.1159	DEWEY - IODINE 138KV CKT 1
15SP		0	0	TO->FROM	G14_042	FPL SWITCH - WOODWARD 138KV CKT 1	108.9	0.03198	145.4449	BASE CASE
20WP		0	0	TO->FROM	G14_042	FPL SWITCH - WOODWARD 138KV CKT 1	167.7	0.0522	143.5689	G11_051T 345.00 - TATONGA7 345.00 345KV CKT 1
20SP		0	0	TO->FROM	G14_042	FPL SWITCH - WOODWARD 138KV CKT 1	136.3	0.03873	142.5898	WOODWARD (WOODWRD2) 138/69/13.2KV TRANSFORMER CKT 1
15SP		0	0	TO->FROM	G14_042	FPL SWITCH - WOODWARD 138KV CKT 1	132.6	0.03547	140.4045	THISTLE7 345.00 - WICHITA 345KV CKT 1
15SP		0	0	TO->FROM	G14_042	FPL SWITCH - WOODWARD 138KV CKT 1	132.6	0.03547	140.4045	THISTLE7 345.00 - WICHITA 345KV CKT 2
20WP		0	0	TO->FROM	G14_042	FPL SWITCH - WOODWARD 138KV CKT 1	167.7	0.0522	140.17	G11_051T 345.00 - WOODWARD DISTRICT EHV 345KV CKT 1
15SP		0	0	TO->FROM	G14_042	FPL SWITCH - WOODWARD 138KV CKT 1	136.1	0.04324	139.6233	DBL-THIS-WWRD
20SP		0	0	TO->FROM	G14_042	FPL SWITCH - WOODWARD 138KV CKT 1	136.3	0.05031	138.4187	G11_051T 345.00 - TATONGA7 345.00 345KV CKT 1
20WP		0	0	TO->FROM	G14_042	FPL SWITCH - WOODWARD 138KV CKT 1	167.7	0.0522	137.6059	SPSCont-05ax
15SP		0	0	TO->FROM	G14_042	FPL SWITCH - WOODWARD 138KV CKT 1	132.6	0.03125	135.7011	RENFROW7 345.00 (BANK 1) 345/138/13.8KV TRANSFORMER CKT 1
15SP		0	0	TO->FROM	G14_042	FPL SWITCH - WOODWARD 138KV CKT 1	132.6	0.03164	134.4268	RENFROW7 345.00 - VIOLA 7 345.00 345KV CKT 1
20SP		0	0	TO->FROM	G14_042	FPL SWITCH - WOODWARD 138KV CKT 1	136.3	0.05031	134.09	G11_051T 345.00 - WOODWARD DISTRICT EHV 345KV CKT 1
20WP		0	0	TO->FROM	G14_042	FPL SWITCH - WOODWARD 138KV CKT 1	167.7	0.04043	134.0072	WOODWARD (WOODWRD2) 138/69/13.2KV TRANSFORMER CKT 1
20SP		0	0	TO->FROM	G14_042	FPL SWITCH - WOODWARD 138KV CKT 1	136.3	0.03452	133.9864	MOORELAND 138/18.0KV TRANSFORMER CKT 1
20SP		0	0	TO->FROM	G14_042	FPL SWITCH - WOODWARD 138KV CKT 1	136.3	0.03452	132.16	MOORELAND 138/18.0KV TRANSFORMER CKT 1
20WP		0	0	TO->FROM	G14_042	FPL SWITCH - WOODWARD 138KV CKT 1	167.4	0.0441	131.7857	DBL-THIS-WWRD
20SP		0	0	TO->FROM	G14_042	FPL SWITCH - WOODWARD 138KV CKT 1	136.3	0.05031	131.0085	SPSCont-05ax
20SP		0	0	TO->FROM	G14_042	FPL SWITCH - WOODWARD 138KV CKT 1	136.3	0.04027	130.5376	IODINE - WOODWARD EHV 138KV CKT 1
20WP		0	0	TO->FROM	G14_042	FPL SWITCH - WOODWARD 138KV CKT 1	167.7	0.04197	128.4447	IODINE - WOODWARD EHV 138KV CKT 1
20SP		0	0	TO->FROM	G14_042	FPL SWITCH - WOODWARD 138KV CKT 1	136.3	0.04027	127.0893	DEWEY - IODINE 138KV CKT 1
20SP		0	0	TO->FROM	G14_042	FPL SWITCH - WOODWARD 138KV CKT 1	141.3	0.0431	127.0879	DBL-THIS-WWRD
25SP		0	0	TO->FROM	G14_042	FPL SWITCH - WOODWARD 138KV CKT 1	142.1	0.05047	126.7288	DBL-G1458-MATT
20WP		0	0	TO->FROM	G14_042	FPL SWITCH - WOODWARD 138KV CKT 1	167.7	0.03608	126.1243	MOORELAND 138/18.0KV TRANSFORMER CKT 1
20WP		0	0	TO->FROM	G14_042	FPL SWITCH - WOODWARD 138KV CKT 1	167.7	0.04197	125.5229	DEWEY - IODINE 138KV CKT 1

SEASON	GROUP	SCENARIO	DIRECTION	SOURCE	MONITORED ELEMENT	RATE (MVA)	TDF	CONTINGENCY LOADING %	CONTINGENCY
20WP	0	0	TO->FROM	G14_042	FPL SWITCH - WOODWARD 138KV CKT 1	167.7	0.03608	124.7616	MOORELAND 138/18.0KV TRANSFORMER CKT 1
15SP	0	0	TO->FROM	G14_042	FPL SWITCH - WOODWARD 138KV CKT 1	136.1	0.03606	123.7918	CHISHOLM6 230.00 - ELK CITY 230KV 230KV CKT 1
15SP	0	0	TO->FROM	G14_042	FPL SWITCH - WOODWARD 138KV CKT 1	136.1	0.03606	123.7183	ELK CITY 230KV (ELKCTY-6) 230/138/13.8KV TRANSFORMER CKT 1
15SP	0	0	TO->FROM	G14_042	FPL SWITCH - WOODWARD 138KV CKT 1	136.1	0.03528	122.5495	DBL-THIS-WICH
20SP	0	0	TO->FROM	G14_042	FPL SWITCH - WOODWARD 138KV CKT 1	113.4	0.03452	122.3981	BASE CASE
15SP	0	0	TO->FROM	G14_042	FPL SWITCH - WOODWARD 138KV CKT 1	136.1	0.03478	121.7128	G14-058T 345.00 - NORTHWEST 345KV CKT 1
25SP	0	0	TO->FROM	G14_042	FPL SWITCH - WOODWARD 138KV CKT 1	142.1	0.05047	121.0286	DBL-TGA-G1458
20SP	0	0	TO->FROM	G14_042	FPL SWITCH - WOODWARD 138KV CKT 1	136.3	0.03781	120.1536	THISTLE7 345.00 - WICHITA 345KV CKT 1
20SP	0	0	TO->FROM	G14_042	FPL SWITCH - WOODWARD 138KV CKT 1	136.3	0.03781	120.1536	THISTLE7 345.00 - WICHITA 345KV CKT 2
20SP	0	0	TO->FROM	G14_042	FPL SWITCH - WOODWARD 138KV CKT 1	136.3	0.03076	119.9237	RENFROW4 138.00 - SAND RDG_138138.00 138KV CKT 1
20WP	0	0	TO->FROM	G14_042	FPL SWITCH - WOODWARD 138KV CKT 1	167.4	0.03574	119.7589	G14-058T 345.00 - NORTHWEST 345KV CKT 1
20WP	0	0	TO->FROM	G14_042	FPL SWITCH - WOODWARD 138KV CKT 1	167.4	0.03565	119.3304	DBL-THIS-WICH
20WP	0	0	TO->FROM	G14_042	FPL SWITCH - WOODWARD 138KV CKT 1	167.7	0.03935	118.6831	THISTLE7 345.00 - WICHITA 345KV CKT 1
20WP	0	0	TO->FROM	G14_042	FPL SWITCH - WOODWARD 138KV CKT 1	167.7	0.03935	118.6831	THISTLE7 345.00 - WICHITA 345KV CKT 2
20SP	0	0	TO->FROM	G14_042	FPL SWITCH - WOODWARD 138KV CKT 1	136.3	0.03387	118.3103	RENFROW7 345.00 (BANK 1) 345/138/13.8KV TRANSFORMER CKT 1
20WP	0	0	TO->FROM	G14_042	FPL SWITCH - WOODWARD 138KV CKT 1	167.7	0.04043	117.9667	WOODWARD - WOODWARD 69KV CKT 1
15SP	0	0	TO->FROM	G14_042	FPL SWITCH - WOODWARD 138KV CKT 1	136.1	0.03478	117.5247	G14-058T 345.00 - TATONGA7 345.00 345KV CKT 1
20SP	0	0	TO->FROM	G14_042	FPL SWITCH - WOODWARD 138KV CKT 1	136.3	0.03873	116.8378	WOODWARD - WOODWARD 69KV CKT 1
20WP	0	0	TO->FROM	G14_042	FPL SWITCH - WOODWARD 138KV CKT 1	167.4	0.03574	116.4136	G14-058T 345.00 - TATONGA7 345.00 345KV CKT 1
20WP	0	0	TO->FROM	G14_042	FPL SWITCH - WOODWARD 138KV CKT 1	167.4	0.03713	114.9066	CHISHOLM6 230.00 - ELK CITY 230KV 230KV CKT 1
20WP	0	0	TO->FROM	G14_042	FPL SWITCH - WOODWARD 138KV CKT 1	167.4	0.03713	114.9066	ELK CITY 230KV (ELKCTY-6) 230/138/13.8KV TRANSFORMER CKT 1
20SP	0	0	TO->FROM	G14_042	FPL SWITCH - WOODWARD 138KV CKT 1	136.3	0.03076	114.5678	SAND RDG_138138.00 - WAKITA_138 138.00 138KV CKT 1
20WP	0	0	TO->FROM	G14_042	FPL SWITCH - WOODWARD 138KV CKT 1	167.7	0.03234	114.5048	RENFROW4 138.00 - SAND RDG_138138.00 138KV CKT 1
20WP	0	0	TO->FROM	G14_042	FPL SWITCH - WOODWARD 138KV CKT 1	167.7	0.0355	113.4936	RENFROW7 345.00 (BANK 1) 345/138/13.8KV TRANSFORMER CKT 1
20WP	0	0	TO->FROM	G14_042	FPL SWITCH - WOODWARD 138KV CKT 1	152.1	0.03608	112.7973	BASE CASE
20WP	0	0	TO->FROM	G14_042	FPL SWITCH - WOODWARD 138KV CKT 1	167.7	0.03559	111.5186	RENFROW7 345.00 - VIOLA 7 345.00 345KV CKT 1
20SP	0	0	TO->FROM	G14_042	FPL SWITCH - WOODWARD 138KV CKT 1	141.3	0.0358	110.4575	CHISHOLM6 230.00 - ELK CITY 230KV 230KV CKT 1
20SP	0	0	TO->FROM	G14_042	FPL SWITCH - WOODWARD 138KV CKT 1	141.3	0.0358	110.4575	ELK CITY 230KV (ELKCTY-6) 230/138/13.8KV TRANSFORMER CKT 1
20SP	0	0	TO->FROM	G14_042	FPL SWITCH - WOODWARD 138KV CKT 1	141.3	0.03468	110.1473	DBL-THIS-WICH
20SP	0	0	TO->FROM	G14_042	FPL SWITCH - WOODWARD 138KV CKT 1	141.3	0.03438	108.9044	G14-058T 345.00 - NORTHWEST 345KV CKT 1
20WP	0	0	TO->FROM	G14_042	FPL SWITCH - WOODWARD 138KV CKT 1	167.4	0.03574	105.3623	G11_051T 345.00 - TATONGA7 345.00 345KV CKT 1
20SP	0	0	TO->FROM	G14_042	FPL SWITCH - WOODWARD 138KV CKT 1	141.3	0.03438	104.7996	G14-058T 345.00 - TATONGA7 345.00 345KV CKT 1
15SP	0	0	TO->FROM	G14_042	FPL SWITCH - WOODWARD 138KV CKT 1	136.1	0.03478	103.7113	G11_051T 345.00 - TATONGA7 345.00 345KV CKT 1
25SP	0	0	TO->FROM	G14_042	FPL SWITCH - WOODWARD 138KV CKT 1	142.1	0.05047	102.9427	DBL-G1151-TGA
20WP	0	0	TO->FROM	G14_042	FPL SWITCH - WOODWARD 138KV CKT 1	167.4	0.03574	102.7936	G11_051T 345.00 - WOODWARD DISTRICT EHV 345KV CKT 1
25SP	0	0	TO->FROM	G14_042	FPL SWITCH - WOODWARD 138KV CKT 1	142.1	0.03537	101.2359	DBL-THIS-WICH
15SP	0	0	TO->FROM	G14_042	FPL SWITCH - WOODWARD 138KV CKT 1	136.1	0.03478	100.5519	G11_051T 345.00 - WOODWARD DISTRICT EHV 345KV CKT 1
20WP	0	0	TO->FROM	G14_042	FPL SWITCH - WOODWARD 138KV CKT 1	167.4	0.03574	100.4041	SPSCont-05ax
15G	6	0	FROM->TO	G14_042	G13_027T 230.00 - TOLK STATION WEST 230KV CKT 1	350.1	0.11501	100.3837	TUCO INTERCHANGE - YOAKUM_345 345.00 345KV CKT 1
20WP	0	0	TO->FROM	G14_042	G14-057T 345.00 - LAWTON EASTSIDE 345KV CKT 1	786.2	0.17171	113.4285	CIMARRON - MINCO 345KV CKT 1
20WP	0	0	TO->FROM	G14_042	G14-057T 345.00 - LAWTON EASTSIDE 345KV CKT 1	786.2	0.17171	109.5363	GRACEMONT - MINCO 345KV CKT 1
15G	6	0	TO->FROM	G14_042	G14-057T 345.00 - LAWTON EASTSIDE 345KV CKT 1	786.5	0.1701	103.3851	CIMARRON - MINCO 345KV CKT 1
20WP	0	0	FROM->TO	G14_042	G14-057T 345.00 - SUNNYSIDE 345KV CKT 1	784.7	0.17171	119.3927	CIMARRON - MINCO 345KV CKT 1
20WP	0	0	FROM->TO	G14_042	G14-057T 345.00 - SUNNYSIDE 345KV CKT 1	784.7	0.17171	115.4932	GRACEMONT - MINCO 345KV CKT 1
15G	6	0	FROM->TO	G14_042	G14-057T 345.00 - SUNNYSIDE 345KV CKT 1	785.8	0.1701	109.2929	CIMARRON - MINCO 345KV CKT 1
15G	6	0	FROM->TO	G14_042	G14-057T 345.00 - SUNNYSIDE 345KV CKT 1	785.8	0.1701	105.3734	GRACEMONT - MINCO 345KV CKT 1
15SP	0	0	FROM->TO	G14_042	G14-057T 345.00 - SUNNYSIDE 345KV CKT 1	786.4	0.17274	100.7718	CIMARRON - MINCO 345KV CKT 1
15G	3	0	FROM->TO	G14_042	HARPER - MILAN TAP 138KV CKT 1	139	0.03241	225.879	DBL-THIS-WICH
15SP	0	0	FROM->TO	G14_042	HARPER - MILAN TAP 138KV CKT 1	131.8	0.03307	223.7766	DBL-THIS-WICH
15SP	0	0	TO->FROM	G14_042	MULLERGREN - SPEARVILLE 230KV CKT 1	393.1	0.0322	140.277	G13-010T 345.00 - POST ROCK 345KV CKT 1
20SP	0	0	TO->FROM	G14_042	MULLERGREN - SPEARVILLE 230KV CKT 1	393.4	0.03077	135.6187	G13-010T 345.00 - POST ROCK 345KV CKT 1
20WP	0	0	TO->FROM	G14_042	MULLERGREN - SPEARVILLE 230KV CKT 1	392	0.03088	135.0598	G13-010T 345.00 - POST ROCK 345KV CKT 1
15SP	0	0	TO->FROM	G14_042	MULLERGREN - SPEARVILLE 230KV CKT 1	393.1	0.0322	134.426	G11-17T 345.00 - G13-010T 345.00 345KV CKT 1
15G	3	0	TO->FROM	G14_042	MULLERGREN - SPEARVILLE 230KV CKT 1	393.4	0.03108	132.484	G13-010T 345.00 - POST ROCK 345KV CKT 1
20SP	0	0	TO->FROM	G14_042	MULLERGREN - SPEARVILLE 230KV CKT 1	393.4	0.03077	129.7213	G11-17T 345.00 - G13-010T 345.00 345KV CKT 1
20WP	0	0	TO->FROM	G14_042	MULLERGREN - SPEARVILLE 230KV CKT 1	392	0.03088	129.1414	G11-17T 345.00 - G13-010T 345.00 345KV CKT 1
15G	3	0	TO->FROM	G14_042	MULLERGREN - SPEARVILLE 230KV CKT 1	393.4	0.03108	126.5104	G11-17T 345.00 - G13-010T 345.00 345KV CKT 1
15SP	0	0	TO->FROM	G14_042	MULLERGREN - SPEARVILLE 230KV CKT 1	393.1	0.03463	120.4938	DBL-THIS-WICH

SEASON	GROUP	SCENARIO	DIRECTION	SOURCE	MONITORED ELEMENT	RATE (MVA)	TDF	CONTINGENCY LOADING %	CONTINGENCY
15G	3	0	TO->FROM	G14_042	MULLERGREN - SPEARVILLE 230KV CKT 1	393.4	0.03384	115.6486	DBL-THIS-WICH
20WP	0	0	TO->FROM	G14_042	MULLERGREN - SPEARVILLE 230KV CKT 1	392	0.03204	115.389	DBL-THIS-WICH
15SP	0	0	TO->FROM	G14_042	MULLERGREN - SPEARVILLE 230KV CKT 1	393.1	0.0322	114.6092	G11-17T 345.00 - SPEARVILLE 345KV CKT 1
20SP	0	0	TO->FROM	G14_042	MULLERGREN - SPEARVILLE 230KV CKT 1	393.4	0.03229	113.1549	DBL-THIS-WICH
20SP	0	0	TO->FROM	G14_042	MULLERGREN - SPEARVILLE 230KV CKT 1	393.4	0.03077	109.945	G11-17T 345.00 - SPEARVILLE 345KV CKT 1
20WP	0	0	TO->FROM	G14_042	MULLERGREN - SPEARVILLE 230KV CKT 1	392	0.03088	109.32	G11-17T 345.00 - SPEARVILLE 345KV CKT 1
15G	3	0	TO->FROM	G14_042	MULLERGREN - SPEARVILLE 230KV CKT 1	393.4	0.03108	106.6324	G11-17T 345.00 - SPEARVILLE 345KV CKT 1
15G	6	0	TO->FROM	G14_042	OASIS INTERCHANGE - SAN JUAN MESA TAP 230KV CKT 1	350.7	0.03212	109.2268	CROSSROADS 345.00 - TOLK STATION 345KV CKT 1
15SP	0	0	TO->FROM	G14_042	PLANT X STATION - TOLK STATION WEST 230KV CKT 1	502	0.08887	103.0607	TOLK STATION TAP - TOLK STATION WEST 230KV CKT @1
15G	6	0	FROM->TO	G14_042	POTTER COUNTY INTERCHANGE (WAUK 90343-A) 345/230/13.2KV TRANSFORMER CKT 1	557.5	0.16339	106.5012	POTTER COUNTY INTERCHANGE - TOLK STATION 345KV CKT 1
15G	6	0	FROM->TO	G14_042	POTTER COUNTY INTERCHANGE (WAUK 90343-A) 345/230/13.2KV TRANSFORMER CKT 1	559	0.16339	106.1617	POTTER COUNTY INTERCHANGE - TOLK STATION 345KV CKT 1
20WP	0	0	FROM->TO	G14_042	POTTER COUNTY INTERCHANGE (WAUK 90343-A) 345/230/13.2KV TRANSFORMER CKT 1	554.2	0.17127	100.1786	POTTER COUNTY INTERCHANGE - TOLK STATION 345KV CKT 1
20WP	0	0	TO->FROM	G14_042	TOLK STATION (ABBXNL844501) 345/230/13.2KV TRANSFORMER CKT 1	546.3	0.16434	107.1654	CROSSROADS 345.00 - TOLK STATION 345KV CKT 1
20WP	0	0	TO->FROM	G14_042	TOLK STATION (ABBXNL844501) 345/230/13.2KV TRANSFORMER CKT 1	550.9	0.16434	106.2161	CROSSROADS 345.00 - TOLK STATION 345KV CKT 1
15G	3	0	TO->FROM	G14_042	WOODWARD - WOODWARD EHV 138KV CKT 1	280.6	0.03632	109.1493	DBL-THIS-WICH
15G	3	0	TO->FROM	G14_042	WOODWARD - WOODWARD EHV 138KV CKT 1	280.6	0.03872	104.5017	G14-058T 345.00 - NORTHWEST 345KV CKT 1
15G	3	0	TO->FROM	G14_042	WOODWARD - WOODWARD EHV 138KV CKT 1	280.6	0.03403	103.49	WOODWARD - WOODWARD EHV 138KV CKT 2
15G	3	0	TO->FROM	G14_042	WOODWARD - WOODWARD EHV 138KV CKT 1	280.6	0.03872	102.3278	G14-058T 345.00 - TATONGA7 345.00 345KV CKT 1
15G	6	0	TO->FROM	G14_042_44	AMOCO SWITCHING STATION - YOAKUM COUNTY INTERCHANGE 230KV CKT 1	350.4	0.04335	111.9184	TUCO INTERCHANGE - YOAKUM 345 345.00 345KV CKT 1
15SP	0	0	TO->FROM	G14_042_44	AMOCO SWITCHING STATION - YOAKUM COUNTY INTERCHANGE 230KV CKT 1	350.9	0.04779	101.0463	TUCO INTERCHANGE - YOAKUM 345 345.00 345KV CKT 1
15G	6	0	TO->FROM	G14_042_44	ANADARKO - GRACMNT4 138.00 138KV CKT 1	225.8	0.0567	123.9127	CIMARRON - MINCO 345KV CKT 1
15G	6	0	TO->FROM	G14_042_44	ANADARKO - GRACMNT4 138.00 138KV CKT 1	225.8	0.0567	115.6311	GRACEMONT - MINCO 345KV CKT 1
15G	6	0	TO->FROM	G14_042_44	ANADARKO - GRACMNT4 138.00 138KV CKT 1	225.8	0.03123	106.5148	SOUTHWESTERN STATION - WASHITA 138KV CKT 1
15SP	0	0	TO->FROM	G14_042_44	ANADARKO - GRACMNT4 138.00 138KV CKT 1	227	0.05784	104.1805	CIMARRON - MINCO 345KV CKT 1
20WP	0	0	FROM->TO	G14_042_44	BUSHLAND INTERCHANGE (WH 7001795) 230/115/13.2KV TRANSFORMER CKT 1	165.7	0.0383	102.1133	BUSHLAND INTERCHANGE - POTTER COUNTY INTERCHANGE 230KV CKT 1
20WP	0	0	TO->FROM	G14_042_44	BUSHLAND INTERCHANGE (WH 7001795) 230/115/13.2KV TRANSFORMER CKT 1	166.6	0.0383	101.4416	BUSHLAND INTERCHANGE - POTTER COUNTY INTERCHANGE 230KV CKT 1
20WP	0	0	TO->FROM	G14_042_44	CANYON WEST SUB - DAWN SUB 115KV CKT 1	105.4	0.03168	100.2703	BUSHLAND INTERCHANGE - DEAF SMITH COUNTY INTERCHANGE 230KV CKT 1
15SP	0	0	FROM->TO	G14_042_44	CHISHOLM6 230.00 - ELK CITY 230KV 230KV CKT 1	351.9	0.10012	156.6998	CHISHOLM7 345.00 - GRACEMONT 345KV CKT 1
15SP	0	0	FROM->TO	G14_042_44	CHISHOLM6 230.00 - ELK CITY 230KV 230KV CKT 1	351.9	0.08915	139.5333	SPP-AEPW-32
15SP	0	0	FROM->TO	G14_042_44	CHISHOLM6 230.00 - ELK CITY 230KV 230KV CKT 1	351.9	0.08915	139.5333	SPSCont-01
15SP	0	0	FROM->TO	G14_042_44	CHISHOLM6 230.00 - ELK CITY 230KV 230KV CKT 1	351.9	0.08915	138.5103	OKLAUNION - TUCO INTERCHANGE 345KV CKT 1
15SP	0	0	FROM->TO	G14_042_44	CHISHOLM6 230.00 - ELK CITY 230KV 230KV CKT 1	351.9	0.08899	138.4448	SPP-SWPS-01
15SP	0	0	FROM->TO	G14_042_44	CHISHOLM6 230.00 - ELK CITY 230KV 230KV CKT 1	351.9	0.09413	136.1753	CHISHOLM7 345.00 - WOODWARD DISTRICT EHV 345KV CKT 1
20SP	0	0	FROM->TO	G14_042_44	CHISHOLM6 230.00 - ELK CITY 230KV 230KV CKT 1	353	0.10022	132.6568	CHISHOLM7 345.00 - GRACEMONT 345KV CKT 1
15SP	0	0	FROM->TO	G14_042_44	CHISHOLM6 230.00 - ELK CITY 230KV 230KV CKT 1	351.9	0.07184	125.8685	G14-058T 345.00 - NORTHWEST 345KV CKT 1
15SP	0	0	FROM->TO	G14_042_44	CHISHOLM6 230.00 - ELK CITY 230KV 230KV CKT 1	351.9	0.07349	125.6074	DBL-THIS-WWRD
15SP	0	0	FROM->TO	G14_042_44	CHISHOLM6 230.00 - ELK CITY 230KV 230KV CKT 1	351.9	0.07184	125.016	G14-058T 345.00 - TATONGA7 345.00 345KV CKT 1
15SP	0	0	FROM->TO	G14_042_44	CHISHOLM6 230.00 - ELK CITY 230KV 230KV CKT 1	351.9	0.07135	124.6751	DBL-THIS-WICH
15SP	0	0	FROM->TO	G14_042_44	CHISHOLM6 230.00 - ELK CITY 230KV 230KV CKT 1	351.9	0.07236	124.6205	DBL-G1114-WWRD
15SP	0	0	FROM->TO	G14_042_44	CHISHOLM6 230.00 - ELK CITY 230KV 230KV CKT 1	351.9	0.07236	123.7111	DBL-BVR-G1114
15SP	0	0	FROM->TO	G14_042_44	CHISHOLM6 230.00 - ELK CITY 230KV 230KV CKT 1	351.9	0.07242	123.1898	FINNEY SWITCHING STATION - HOLCOMB 345KV CKT 1
15SP	0	0	FROM->TO	G14_042_44	CHISHOLM6 230.00 - ELK CITY 230KV 230KV CKT 1	351.9	0.07486	123.1645	G14_038T 345.00 - Hitchland Interchange 345KV CKT 1
15SP	0	0	FROM->TO	G14_042_44	CHISHOLM6 230.00 - ELK CITY 230KV 230KV CKT 1	351.9	0.07486	122.5961	G14_038T 345.00 - POTTER COUNTY INTERCHANGE 345KV CKT 1
15SP	0	0	FROM->TO	G14_042_44	CHISHOLM6 230.00 - ELK CITY 230KV 230KV CKT 1	351.9	0.07184	122.1742	G11_051T 345.00 - TATONGA7 345.00 345KV CKT 1
20WP	0	0	FROM->TO	G14_042_44	CHISHOLM6 230.00 - ELK CITY 230KV 230KV CKT 1	437.6	0.10134	121.6099	CHISHOLM7 345.00 - GRACEMONT 345KV CKT 1
15SP	0	0	FROM->TO	G14_042_44	CHISHOLM6 230.00 - ELK CITY 230KV 230KV CKT 1	351.9	0.07184	121.5775	SPSCont-05ax
15SP	0	0	FROM->TO	G14_042_44	CHISHOLM6 230.00 - ELK CITY 230KV 230KV CKT 1	351.9	0.06319	119.7484	ONEY - WASHITA 138KV CKT 1
20SP	0	0	FROM->TO	G14_042_44	CHISHOLM6 230.00 - ELK CITY 230KV 230KV CKT 1	353	0.08931	119.399	SPP-AEPW-32
20SP	0	0	FROM->TO	G14_042_44	CHISHOLM6 230.00 - ELK CITY 230KV 230KV CKT 1	353	0.08931	119.399	SPSCont-01
15SP	0	0	FROM->TO	G14_042_44	CHISHOLM6 230.00 - ELK CITY 230KV 230KV CKT 1	351.9	0.06319	119.1232	BINGER NIJECT - ONEY 138KV CKT 1
20SP	0	0	FROM->TO	G14_042_44	CHISHOLM6 230.00 - ELK CITY 230KV 230KV CKT 1	353	0.08931	118.3792	OKLAUNION - TUCO INTERCHANGE 345KV CKT 1
20SP	0	0	FROM->TO	G14_042_44	CHISHOLM6 230.00 - ELK CITY 230KV 230KV CKT 1	353	0.08914	118.341	SPP-SWPS-01
20SP	0	0	FROM->TO	G14_042_44	CHISHOLM6 230.00 - ELK CITY 230KV 230KV CKT 1	353	0.09456	118.0135	CHISHOLM7 345.00 - WOODWARD DISTRICT EHV 345KV CKT 1
15G	6	0	FROM->TO	G14_042_44	CHISHOLM6 230.00 - ELK CITY 230KV 230KV CKT 1	437.8	0.09509	117.0994	CHISHOLM7 345.00 - GRACEMONT 345KV CKT 1
15SP	0	0	FROM->TO	G14_042_44	CHISHOLM6 230.00 - ELK CITY 230KV 230KV CKT 1	351.9	0.06664	116.0497	BASE CASE
20SP	0	0	FROM->TO	G14_042_44	CHISHOLM6 230.00 - ELK CITY 230KV 230KV CKT 1	353	0.07368	108.6401	DBL-THIS-WWRD
20SP	0	0	FROM->TO	G14_042_44	CHISHOLM6 230.00 - ELK CITY 230KV 230KV CKT 1	353	0.07194	108.4076	G14-058T 345.00 - NORTHWEST 345KV CKT 1
20SP	0	0	FROM->TO	G14_042_44	CHISHOLM6 230.00 - ELK CITY 230KV 230KV CKT 1	353	0.07194	107.5578	G14-058T 345.00 - TATONGA7 345.00 345KV CKT 1

SEASON	GROUP	SCENARIO	DIRECTION	SOURCE	MONITORED ELEMENT	RATE (MVA)	TDF	CONTINGENCY LOADING %	CONTINGENCY
20SP	0	0	FROM->TO	G14_042_44	CHISHOLM6 230.00 - ELK CITY 230KV 230KV CKT 1	353	0.07143	107.5542	DBL-THIS-WICH
20SP	0	0	FROM->TO	G14_042_44	CHISHOLM6 230.00 - ELK CITY 230KV 230KV CKT 1	353	0.07272	107.3384	DBL-G1114-WWRD
20WP	0	0	FROM->TO	G14_042_44	CHISHOLM6 230.00 - ELK CITY 230KV 230KV CKT 1	437.6	0.09015	106.7283	SPP-AEPW-32
20WP	0	0	FROM->TO	G14_042_44	CHISHOLM6 230.00 - ELK CITY 230KV 230KV CKT 1	437.6	0.09015	106.7283	SPSCont-01
20SP	0	0	FROM->TO	G14_042_44	CHISHOLM6 230.00 - ELK CITY 230KV 230KV CKT 1	353	0.07278	106.5058	FINNEY SWITCHING STATION - HOLCOMB 345KV CKT 1
20SP	0	0	FROM->TO	G14_042_44	CHISHOLM6 230.00 - ELK CITY 230KV 230KV CKT 1	353	0.07272	106.4318	DBL-BVR-G1114
20SP	0	0	FROM->TO	G14_042_44	CHISHOLM6 230.00 - ELK CITY 230KV 230KV CKT 1	353	0.0634	106.0311	ONEY - WASHITA 138KV CKT 1
20SP	0	0	FROM->TO	G14_042_44	CHISHOLM6 230.00 - ELK CITY 230KV 230KV CKT 1	353	0.07504	106.0064	G14_038T 345.00 - Hitchland Interchange 345KV CKT 1
20WP	0	0	FROM->TO	G14_042_44	CHISHOLM6 230.00 - ELK CITY 230KV 230KV CKT 1	437.6	0.09015	105.9056	OKLAUNION - TUCO INTERCHANGE 345KV CKT 1
20WP	0	0	FROM->TO	G14_042_44	CHISHOLM6 230.00 - ELK CITY 230KV 230KV CKT 1	437.6	0.08997	105.8291	SPP-SWPS-01
20SP	0	0	FROM->TO	G14_042_44	CHISHOLM6 230.00 - ELK CITY 230KV 230KV CKT 1	353	0.07504	105.4398	G14_038T 345.00 - POTTER COUNTY INTERCHANGE 345KV CKT 1
20SP	0	0	FROM->TO	G14_042_44	CHISHOLM6 230.00 - ELK CITY 230KV 230KV CKT 1	353	0.0634	105.3796	BINGER NUJECT - ONEY 138KV CKT 1
20WP	0	0	FROM->TO	G14_042_44	CHISHOLM6 230.00 - ELK CITY 230KV 230KV CKT 1	437.6	0.09521	105.3623	CHISHOLM7 345.00 - WOODWARD DISTRICT EHV 345KV CKT 1
20SP	0	0	FROM->TO	G14_042_44	CHISHOLM6 230.00 - ELK CITY 230KV 230KV CKT 1	353	0.0715	105.1216	CIMARRON - MINCO 345KV CKT 1
20SP	0	0	FROM->TO	G14_042_44	CHISHOLM6 230.00 - ELK CITY 230KV 230KV CKT 1	353	0.0634	104.3597	BINGER NUJECT - SICKLES 138KV CKT 1
15G	6	0	FROM->TO	G14_042_44	CHISHOLM6 230.00 - ELK CITY 230KV 230KV CKT 1	437.8	0.08431	101.0119	SPP-AEPW-32
15G	6	0	FROM->TO	G14_042_44	CHISHOLM6 230.00 - ELK CITY 230KV 230KV CKT 1	437.8	0.08431	101.0119	SPSCont-01
15G	6	0	FROM->TO	G14_042_44	CHISHOLM6 230.00 - ELK CITY 230KV 230KV CKT 1	437.8	0.08431	100.1439	OKLAUNION - TUCO INTERCHANGE 345KV CKT 1
15G	6	0	FROM->TO	G14_042_44	CHISHOLM6 230.00 - ELK CITY 230KV 230KV CKT 1	437.8	0.08413	100.0685	SPP-SWPS-01
20SP	0	0	FROM->TO	G14_042_44	CHISHOLM6 230.00 - ELK CITY 230KV 230KV CKT 1	353	0.06689	100.0543	BASE CASE
20WP	0	0	TO->FROM	G14_042_44	CIMARRON - MINCO 345KV CKT 1	953.8	0.23541	122.044	G14-057T 345.00 - SUNNYSIDE 345KV CKT 1
20WP	0	0	TO->FROM	G14_042_44	CIMARRON - MINCO 345KV CKT 1	953.8	0.23541	119.8528	G14-057T 345.00 - LAWTON EASTSIDE 345KV CKT 1
20WP	0	0	TO->FROM	G14_042_44	CIMARRON - MINCO 345KV CKT 1	953.8	0.2017	105.5389	G14-058T 345.00 - NORTHWEST 345KV CKT 1
15G	6	0	TO->FROM	G14_042_44	CIMARRON - MINCO 345KV CKT 1	954.6	0.23645	104.8564	G14-057T 345.00 - SUNNYSIDE 345KV CKT 1
20WP	0	0	TO->FROM	G14_042_44	CIMARRON - MINCO 345KV CKT 1	953.8	0.2017	104.1235	G14-058T 345.00 - TATONGA7 345.00 345KV CKT 1
20WP	0	0	TO->FROM	G14_042_44	CIMARRON - MINCO 345KV CKT 1	953.8	0.23123	103.6945	CHISHOLM7 345.00 - WOODWARD DISTRICT EHV 345KV CKT 1
15SP	0	0	TO->FROM	G14_042_44	CIMARRON - MINCO 345KV CKT 1	954.9	0.2389	103.0708	G14-057T 345.00 - SUNNYSIDE 345KV CKT 1
15G	6	0	TO->FROM	G14_042_44	CIMARRON - MINCO 345KV CKT 1	954.6	0.23645	102.6147	G14-057T 345.00 - LAWTON EASTSIDE 345KV CKT 1
15SP	0	0	TO->FROM	G14_042_44	CIMARRON - MINCO 345KV CKT 1	954.9	0.2389	100.7773	G14-057T 345.00 - LAWTON EASTSIDE 345KV CKT 1
15SP	0	0	TO->FROM	G14_042_44	CLINTON JUNCTION - ELK CITY 138KV CKT 1	148	0.04136	146.7703	CHISHOLM7 345.00 - GRACEMONT 345KV CKT 1
15SP	0	0	TO->FROM	G14_042_44	CLINTON JUNCTION - ELK CITY 138KV CKT 1	148	0.03637	128.5649	SPP-AEPW-32
15SP	0	0	TO->FROM	G14_042_44	CLINTON JUNCTION - ELK CITY 138KV CKT 1	148	0.03637	128.5649	SPSCont-01
15SP	0	0	TO->FROM	G14_042_44	CLINTON JUNCTION - ELK CITY 138KV CKT 1	148	0.03637	127.8217	OKLAUNION - TUCO INTERCHANGE 345KV CKT 1
15SP	0	0	TO->FROM	G14_042_44	CLINTON JUNCTION - ELK CITY 138KV CKT 1	148	0.03634	127.8187	SPP-SWPS-01
15SP	0	0	TO->FROM	G14_042_44	CLINTON JUNCTION - ELK CITY 138KV CKT 1	148	0.03124	123.4178	G14-058T 345.00 - NORTHWEST 345KV CKT 1
15SP	0	0	TO->FROM	G14_042_44	CLINTON JUNCTION - ELK CITY 138KV CKT 1	148	0.03124	121.9989	G14-058T 345.00 - TATONGA7 345.00 345KV CKT 1
15SP	0	0	TO->FROM	G14_042_44	CLINTON JUNCTION - ELK CITY 138KV CKT 1	148	0.03199	121.596	DBL-THIS-WWRD
15SP	0	0	TO->FROM	G14_042_44	CLINTON JUNCTION - ELK CITY 138KV CKT 1	148	0.03122	120.5036	CLINTON AIR FORCE BASE TAP - ELK CITY 138KV CKT 1
15SP	0	0	TO->FROM	G14_042_44	CLINTON JUNCTION - ELK CITY 138KV CKT 1	148	0.03122	119.5576	CLINTON AIR FORCE BASE TAP - HOBART JUNCTION 138KV CKT 1
15SP	0	0	TO->FROM	G14_042_44	CLINTON JUNCTION - ELK CITY 138KV CKT 1	148	0.03033	118.8971	DBL-THIS-WICH
15G	6	0	TO->FROM	G14_042_44	CLINTON JUNCTION - ELK CITY 138KV CKT 1	185.4	0.04024	118.5212	CHISHOLM7 345.00 - GRACEMONT 345KV CKT 1
20SP	0	0	TO->FROM	G14_042_44	CLINTON JUNCTION - ELK CITY 138KV CKT 1	150.5	0.04124	116.8587	CHISHOLM7 345.00 - GRACEMONT 345KV CKT 1
20WP	0	0	TO->FROM	G14_042_44	CLINTON JUNCTION - ELK CITY 138KV CKT 1	185.3	0.04157	112.958	CHISHOLM7 345.00 - GRACEMONT 345KV CKT 1
20SP	0	0	TO->FROM	G14_042_44	CLINTON JUNCTION - ELK CITY 138KV CKT 1	150.5	0.03628	102.8153	SPP-AEPW-32
20SP	0	0	TO->FROM	G14_042_44	CLINTON JUNCTION - ELK CITY 138KV CKT 1	150.5	0.03628	102.8153	SPSCont-01
20SP	0	0	TO->FROM	G14_042_44	CLINTON JUNCTION - ELK CITY 138KV CKT 1	150.5	0.03628	102.2173	OKLAUNION - TUCO INTERCHANGE 345KV CKT 1
20SP	0	0	TO->FROM	G14_042_44	CLINTON JUNCTION - ELK CITY 138KV CKT 1	150.5	0.03625	102.2115	SPP-SWPS-01
15G	6	0	TO->FROM	G14_042_44	CLINTON JUNCTION - ELK CITY 138KV CKT 1	185.4	0.03531	101.6291	SPP-AEPW-32
15G	6	0	TO->FROM	G14_042_44	CLINTON JUNCTION - ELK CITY 138KV CKT 1	185.4	0.03531	101.6291	SPSCont-01
15G	6	0	TO->FROM	G14_042_44	CLINTON JUNCTION - ELK CITY 138KV CKT 1	185.4	0.03531	101.0897	OKLAUNION - TUCO INTERCHANGE 345KV CKT 1
15G	6	0	TO->FROM	G14_042_44	CLINTON JUNCTION - ELK CITY 138KV CKT 1	185.4	0.03528	101.0335	SPP-SWPS-01
20WP	0	0	TO->FROM	G14_042_44	DAWN SUB - Panda Energy Substation Hereford 115KV CKT 1	105.7	0.03168	105.5676	BUSHLAND INTERCHANGE - DEAF SMITH COUNTY INTERCHANGE 230KV CKT 1
15SP	0	0	TO->FROM	G14_042_44	DEAF SMITH COUNTY INTERCHANGE - G14-068T 230.00 230KV CKT 1	348.9	0.10223	109.871	POTTER COUNTY INTERCHANGE - TOLK STATION 345KV CKT 1
20WP	0	0	TO->FROM	G14_042_44	DEAF SMITH COUNTY INTERCHANGE - G14-068T 230.00 230KV CKT 1	360.6	0.09821	108.1503	POTTER COUNTY INTERCHANGE - TOLK STATION 345KV CKT 1
20SP	0	0	TO->FROM	G14_042_44	DEAF SMITH COUNTY INTERCHANGE - G14-068T 230.00 230KV CKT 1	347.7	0.10064	103.1477	POTTER COUNTY INTERCHANGE - TOLK STATION 345KV CKT 1
25SP	0	0	TO->FROM	G14_042_44	DEAF SMITH COUNTY INTERCHANGE - G14-068T 230.00 230KV CKT 1	346.1	0.10086	102.6987	POTTER COUNTY INTERCHANGE - TOLK STATION 345KV CKT 1
20WP	0	0	FROM->TO	G14_042_44	DEAF SMITH COUNTY INTERCHANGE - Panda Energy Substation Hereford 115KV CKT 1	105.9	0.03168	111.9782	BUSHLAND INTERCHANGE - DEAF SMITH COUNTY INTERCHANGE 230KV CKT 1
15SP	0	0	FROM->TO	G14_042_44	ELK CITY 230KV (ELCKTY-6) 230/138/13.8KV TRANSFORMER CKT 1	309.1	0.10012	178.2357	CHISHOLM7 345.00 - GRACEMONT 345KV CKT 1

SEASON	GROUP	SCENARIO	DIRECTION	SOURCE	MONITORED ELEMENT	RATE (MVA)	TDF	CONTINGENCY LOADING %	CONTINGENCY
15SP	0	0	FROM->TO	G14_042_44	ELK CITY 230KV (ELKCTY-6) 230/138/13.8KV TRANSFORMER CKT 1	314.8	0.10012	175.1673	CHISHOLM7 345.00 - GRACEMONT 345KV CKT 1
20WP	0	0	FROM->TO	G14_042_44	ELK CITY 230KV (ELKCTY-6) 230/138/13.8KV TRANSFORMER CKT 1	308.8	0.10134	172.2036	CHISHOLM7 345.00 - GRACEMONT 345KV CKT 1
20WP	0	0	FROM->TO	G14_042_44	ELK CITY 230KV (ELKCTY-6) 230/138/13.8KV TRANSFORMER CKT 1	314.1	0.10134	169.4252	CHISHOLM7 345.00 - GRACEMONT 345KV CKT 1
15G	6	0	FROM->TO	G14_042_44	ELK CITY 230KV (ELKCTY-6) 230/138/13.8KV TRANSFORMER CKT 1	310	0.09509	165.2132	CHISHOLM7 345.00 - GRACEMONT 345KV CKT 1
15G	6	0	FROM->TO	G14_042_44	ELK CITY 230KV (ELKCTY-6) 230/138/13.8KV TRANSFORMER CKT 1	314.4	0.09509	163.0601	CHISHOLM7 345.00 - GRACEMONT 345KV CKT 1
15SP	0	0	FROM->TO	G14_042_44	ELK CITY 230KV (ELKCTY-6) 230/138/13.8KV TRANSFORMER CKT 1	309.1	0.08915	158.6922	SPP-AEPW-32
15SP	0	0	FROM->TO	G14_042_44	ELK CITY 230KV (ELKCTY-6) 230/138/13.8KV TRANSFORMER CKT 1	309.1	0.08915	158.6922	SPSCont-01
15SP	0	0	FROM->TO	G14_042_44	ELK CITY 230KV (ELKCTY-6) 230/138/13.8KV TRANSFORMER CKT 1	309.1	0.08915	157.4952	OKLAUNION - TUCO INTERCHANGE 345KV CKT 1
15SP	0	0	FROM->TO	G14_042_44	ELK CITY 230KV (ELKCTY-6) 230/138/13.8KV TRANSFORMER CKT 1	309.1	0.08899	157.453	SPP-SWPS-01
15SP	0	0	FROM->TO	G14_042_44	ELK CITY 230KV (ELKCTY-6) 230/138/13.8KV TRANSFORMER CKT 1	314.8	0.08915	155.9777	SPP-AEPW-32
15SP	0	0	FROM->TO	G14_042_44	ELK CITY 230KV (ELKCTY-6) 230/138/13.8KV TRANSFORMER CKT 1	314.8	0.08915	155.9777	SPSCont-01
15SP	0	0	FROM->TO	G14_042_44	ELK CITY 230KV (ELKCTY-6) 230/138/13.8KV TRANSFORMER CKT 1	309.1	0.09413	154.8693	CHISHOLM7 345.00 - WOODWARD DISTRICT EHV 345KV CKT 1
15SP	0	0	FROM->TO	G14_042_44	ELK CITY 230KV (ELKCTY-6) 230/138/13.8KV TRANSFORMER CKT 1	314.8	0.08915	154.8341	OKLAUNION - TUCO INTERCHANGE 345KV CKT 1
15SP	0	0	FROM->TO	G14_042_44	ELK CITY 230KV (ELKCTY-6) 230/138/13.8KV TRANSFORMER CKT 1	314.8	0.08899	154.7609	SPP-SWPS-01
15SP	0	0	FROM->TO	G14_042_44	ELK CITY 230KV (ELKCTY-6) 230/138/13.8KV TRANSFORMER CKT 1	264	0.06664	154.4995	BASE CASE
15SP	0	0	FROM->TO	G14_042_44	ELK CITY 230KV (ELKCTY-6) 230/138/13.8KV TRANSFORMER CKT 1	314.8	0.09413	152.2239	CHISHOLM7 345.00 - WOODWARD DISTRICT EHV 345KV CKT 1
20WP	0	0	FROM->TO	G14_042_44	ELK CITY 230KV (ELKCTY-6) 230/138/13.8KV TRANSFORMER CKT 1	308.8	0.09015	151.0826	SPP-AEPW-32
20WP	0	0	FROM->TO	G14_042_44	ELK CITY 230KV (ELKCTY-6) 230/138/13.8KV TRANSFORMER CKT 1	308.8	0.09015	151.0826	SPSCont-01
15SP	0	0	FROM->TO	G14_042_44	ELK CITY 230KV (ELKCTY-6) 230/138/13.8KV TRANSFORMER CKT 1	270.6	0.06664	150.916	BASE CASE
20WP	0	0	FROM->TO	G14_042_44	ELK CITY 230KV (ELKCTY-6) 230/138/13.8KV TRANSFORMER CKT 1	308.8	0.09015	149.9168	OKLAUNION - TUCO INTERCHANGE 345KV CKT 1
20WP	0	0	FROM->TO	G14_042_44	ELK CITY 230KV (ELKCTY-6) 230/138/13.8KV TRANSFORMER CKT 1	308.8	0.08997	149.8084	SPP-SWPS-01
20WP	0	0	FROM->TO	G14_042_44	ELK CITY 230KV (ELKCTY-6) 230/138/13.8KV TRANSFORMER CKT 1	308.8	0.09521	149.1468	CHISHOLM7 345.00 - WOODWARD DISTRICT EHV 345KV CKT 1
20SP	0	0	FROM->TO	G14_042_44	ELK CITY 230KV (ELKCTY-6) 230/138/13.8KV TRANSFORMER CKT 1	314.5	0.10022	148.769	CHISHOLM7 345.00 - GRACEMONT 345KV CKT 1
20WP	0	0	FROM->TO	G14_042_44	ELK CITY 230KV (ELKCTY-6) 230/138/13.8KV TRANSFORMER CKT 1	314.1	0.09015	148.6925	SPP-AEPW-32
20WP	0	0	FROM->TO	G14_042_44	ELK CITY 230KV (ELKCTY-6) 230/138/13.8KV TRANSFORMER CKT 1	314.1	0.09015	148.6925	SPSCont-01
20SP	0	0	FROM->TO	G14_042_44	ELK CITY 230KV (ELKCTY-6) 230/138/13.8KV TRANSFORMER CKT 1	316	0.10022	148.1895	CHISHOLM7 345.00 - GRACEMONT 345KV CKT 1
20WP	0	0	FROM->TO	G14_042_44	ELK CITY 230KV (ELKCTY-6) 230/138/13.8KV TRANSFORMER CKT 1	314.1	0.09015	147.5463	OKLAUNION - TUCO INTERCHANGE 345KV CKT 1
20WP	0	0	FROM->TO	G14_042_44	ELK CITY 230KV (ELKCTY-6) 230/138/13.8KV TRANSFORMER CKT 1	314.1	0.08997	147.4398	SPP-SWPS-01
20WP	0	0	FROM->TO	G14_042_44	ELK CITY 230KV (ELKCTY-6) 230/138/13.8KV TRANSFORMER CKT 1	314.1	0.09521	146.7893	CHISHOLM7 345.00 - WOODWARD DISTRICT EHV 345KV CKT 1
15SP	0	0	FROM->TO	G14_042_44	ELK CITY 230KV (ELKCTY-6) 230/138/13.8KV TRANSFORMER CKT 1	309.1	0.07184	143.1353	G14-058T 345.00 - NORTHWEST 345KV CKT 1
15SP	0	0	FROM->TO	G14_042_44	ELK CITY 230KV (ELKCTY-6) 230/138/13.8KV TRANSFORMER CKT 1	309.1	0.07349	142.8057	DBL-THIS-WWRD
15G	6	0	FROM->TO	G14_042_44	ELK CITY 230KV (ELKCTY-6) 230/138/13.8KV TRANSFORMER CKT 1	310	0.08431	142.4936	SPP-AEPW-32
15G	6	0	FROM->TO	G14_042_44	ELK CITY 230KV (ELKCTY-6) 230/138/13.8KV TRANSFORMER CKT 1	310	0.08431	142.4936	SPSCont-01
15SP	0	0	FROM->TO	G14_042_44	ELK CITY 230KV (ELKCTY-6) 230/138/13.8KV TRANSFORMER CKT 1	309.1	0.07184	142.1647	G14-058T 345.00 - TATONGA7 345.00 345KV CKT 1
15SP	0	0	FROM->TO	G14_042_44	ELK CITY 230KV (ELKCTY-6) 230/138/13.8KV TRANSFORMER CKT 1	309.1	0.07135	141.7766	DBL-THIS-WICH
15SP	0	0	FROM->TO	G14_042_44	ELK CITY 230KV (ELKCTY-6) 230/138/13.8KV TRANSFORMER CKT 1	309.1	0.07236	141.6821	DBL-G1114-WWRD
15G	6	0	FROM->TO	G14_042_44	ELK CITY 230KV (ELKCTY-6) 230/138/13.8KV TRANSFORMER CKT 1	310	0.08431	141.3	OKLAUNION - TUCO INTERCHANGE 345KV CKT 1
15G	6	0	FROM->TO	G14_042_44	ELK CITY 230KV (ELKCTY-6) 230/138/13.8KV TRANSFORMER CKT 1	310	0.08413	141.1935	SPP-SWPS-01
15SP	0	0	FROM->TO	G14_042_44	ELK CITY 230KV (ELKCTY-6) 230/138/13.8KV TRANSFORMER CKT 1	314.8	0.07184	140.7024	G14-058T 345.00 - NORTHWEST 345KV CKT 1
15SP	0	0	FROM->TO	G14_042_44	ELK CITY 230KV (ELKCTY-6) 230/138/13.8KV TRANSFORMER CKT 1	309.1	0.07236	140.6792	DBL-BVR-G1114
15G	6	0	FROM->TO	G14_042_44	ELK CITY 230KV (ELKCTY-6) 230/138/13.8KV TRANSFORMER CKT 1	314.4	0.08431	140.6584	SPP-AEPW-32
15G	6	0	FROM->TO	G14_042_44	ELK CITY 230KV (ELKCTY-6) 230/138/13.8KV TRANSFORMER CKT 1	314.4	0.08431	140.6584	SPSCont-01
15SP	0	0	FROM->TO	G14_042_44	ELK CITY 230KV (ELKCTY-6) 230/138/13.8KV TRANSFORMER CKT 1	314.8	0.07349	140.4106	DBL-THIS-WWRD
15SP	0	0	FROM->TO	G14_042_44	ELK CITY 230KV (ELKCTY-6) 230/138/13.8KV TRANSFORMER CKT 1	309.1	0.07242	140.0533	FINNEY SWITCHING STATION - HOLCOMB 345KV CKT 1
15SP	0	0	FROM->TO	G14_042_44	ELK CITY 230KV (ELKCTY-6) 230/138/13.8KV TRANSFORMER CKT 1	314.8	0.07184	139.7494	G14-058T 345.00 - TATONGA7 345.00 345KV CKT 1
15G	6	0	FROM->TO	G14_042_44	ELK CITY 230KV (ELKCTY-6) 230/138/13.8KV TRANSFORMER CKT 1	310	0.08894	139.5051	CHISHOLM7 345.00 - WOODWARD DISTRICT EHV 345KV CKT 1
15G	6	0	FROM->TO	G14_042_44	ELK CITY 230KV (ELKCTY-6) 230/138/13.8KV TRANSFORMER CKT 1	314.4	0.08431	139.4498	OKLAUNION - TUCO INTERCHANGE 345KV CKT 1
15SP	0	0	FROM->TO	G14_042_44	ELK CITY 230KV (ELKCTY-6) 230/138/13.8KV TRANSFORMER CKT 1	314.8	0.07135	139.3683	DBL-THIS-WICH
15G	6	0	FROM->TO	G14_042_44	ELK CITY 230KV (ELKCTY-6) 230/138/13.8KV TRANSFORMER CKT 1	314.4	0.08413	139.3447	SPP-SWPS-01
15SP	0	0	FROM->TO	G14_042_44	ELK CITY 230KV (ELKCTY-6) 230/138/13.8KV TRANSFORMER CKT 1	314.8	0.07236	139.3073	DBL-G1114-WWRD
15SP	0	0	FROM->TO	G14_042_44	ELK CITY 230KV (ELKCTY-6) 230/138/13.8KV TRANSFORMER CKT 1	314.8	0.07236	138.2908	DBL-BVR-G1114
15SP	0	0	FROM->TO	G14_042_44	ELK CITY 230KV (ELKCTY-6) 230/138/13.8KV TRANSFORMER CKT 1	314.8	0.07242	137.708	FINNEY SWITCHING STATION - HOLCOMB 345KV CKT 1
15G	6	0	FROM->TO	G14_042_44	ELK CITY 230KV (ELKCTY-6) 230/138/13.8KV TRANSFORMER CKT 1	314.4	0.08894	137.68	CHISHOLM7 345.00 - WOODWARD DISTRICT EHV 345KV CKT 1
15SP	0	0	FROM->TO	G14_042_44	ELK CITY 230KV (ELKCTY-6) 230/138/13.8KV TRANSFORMER CKT 1	314.8	0.07184	136.5728	G11_051T 345.00 - TATONGA7 345.00 345KV CKT 1
20WP	0	0	FROM->TO	G14_042_44	ELK CITY 230KV (ELKCTY-6) 230/138/13.8KV TRANSFORMER CKT 1	279.1	0.06763	136.264	BASE CASE
15SP	0	0	FROM->TO	G14_042_44	ELK CITY 230KV (ELKCTY-6) 230/138/13.8KV TRANSFORMER CKT 1	309.1	0.06319	136.1354	ONEY - WASHITA 138KV CKT 1
15SP	0	0	FROM->TO	G14_042_44	ELK CITY 230KV (ELKCTY-6) 230/138/13.8KV TRANSFORMER CKT 1	309.1	0.06664	136.0657	SOUTHWESTERN STATION 138/24.0KV TRANSFORMER CKT 1
15SP	0	0	FROM->TO	G14_042_44	ELK CITY 230KV (ELKCTY-6) 230/138/13.8KV TRANSFORMER CKT 1	309.1	0.06319	135.456	BINGER NUJECT - ONEY 138KV CKT 1

SEASON	GROUP	SCENARIO	DIRECTION	SOURCE	MONITORED ELEMENT	RATE (MVA)	TDF	CONTINGENCY LOADING %	CONTINGENCY
20WP	0	0	FROM->TO	G14_042_44	ELK CITY 230KV (ELKCTY-6) 230/138/13.8KV TRANSFORMER CKT 1	308.8	0.07276	135.2121	G14-058T 345.00 - NORTHWEST 345KV CKT 1
15SP	0	0	FROM->TO	G14_042_44	ELK CITY 230KV (ELKCTY-6) 230/138/13.8KV TRANSFORMER CKT 1	309.1	0.06319	134.2913	BINGER NIJECT - SICKLES 138KV CKT 1
20WP	0	0	FROM->TO	G14_042_44	ELK CITY 230KV (ELKCTY-6) 230/138/13.8KV TRANSFORMER CKT 1	308.8	0.07276	134.2729	G14-058T 345.00 - TATONGA7 345.00 345KV CKT 1
20WP	0	0	FROM->TO	G14_042_44	ELK CITY 230KV (ELKCTY-6) 230/138/13.8KV TRANSFORMER CKT 1	308.8	0.07434	134.0952	DBL-THIS-WWRD
20SP	0	0	FROM->TO	G14_042_44	ELK CITY 230KV (ELKCTY-6) 230/138/13.8KV TRANSFORMER CKT 1	314.5	0.08931	133.8882	SPP-AEPW-32
20SP	0	0	FROM->TO	G14_042_44	ELK CITY 230KV (ELKCTY-6) 230/138/13.8KV TRANSFORMER CKT 1	314.5	0.08931	133.8882	SPSCont-01
15SP	0	0	FROM->TO	G14_042_44	ELK CITY 230KV (ELKCTY-6) 230/138/13.8KV TRANSFORMER CKT 1	314.8	0.06319	133.861	ONEY - WASHITA 138KV CKT 1
20WP	0	0	FROM->TO	G14_042_44	ELK CITY 230KV (ELKCTY-6) 230/138/13.8KV TRANSFORMER CKT 1	308.8	0.07353	133.794	DBL-G1114-WWRD
15SP	0	0	FROM->TO	G14_042_44	ELK CITY 230KV (ELKCTY-6) 230/138/13.8KV TRANSFORMER CKT 1	314.8	0.06664	133.7926	SOUTHWESTERN STATION 138/24.0KV TRANSFORMER CKT 1
20WP	0	0	FROM->TO	G14_042_44	ELK CITY 230KV (ELKCTY-6) 230/138/13.8KV TRANSFORMER CKT 1	284.9	0.06763	133.6654	BASE CASE
20WP	0	0	FROM->TO	G14_042_44	ELK CITY 230KV (ELKCTY-6) 230/138/13.8KV TRANSFORMER CKT 1	308.8	0.07206	133.5297	DBL-THIS-WICH
20SP	0	0	FROM->TO	G14_042_44	ELK CITY 230KV (ELKCTY-6) 230/138/13.8KV TRANSFORMER CKT 1	316	0.08931	133.3793	SPP-AEPW-32
20SP	0	0	FROM->TO	G14_042_44	ELK CITY 230KV (ELKCTY-6) 230/138/13.8KV TRANSFORMER CKT 1	316	0.08931	133.3793	SPSCont-01
15SP	0	0	FROM->TO	G14_042_44	ELK CITY 230KV (ELKCTY-6) 230/138/13.8KV TRANSFORMER CKT 1	314.8	0.06319	133.1622	BINGER NIJECT - ONEY 138KV CKT 1
20WP	0	0	FROM->TO	G14_042_44	ELK CITY 230KV (ELKCTY-6) 230/138/13.8KV TRANSFORMER CKT 1	314.1	0.07276	133.0579	G14-058T 345.00 - NORTHWEST 345KV CKT 1
20WP	0	0	FROM->TO	G14_042_44	ELK CITY 230KV (ELKCTY-6) 230/138/13.8KV TRANSFORMER CKT 1	308.8	0.07353	132.7578	DBL-BVR-G1114
20SP	0	0	FROM->TO	G14_042_44	ELK CITY 230KV (ELKCTY-6) 230/138/13.8KV TRANSFORMER CKT 1	314.5	0.08931	132.7435	OKLAUNION - TUCO INTERCHANGE 345KV CKT 1
20SP	0	0	FROM->TO	G14_042_44	ELK CITY 230KV (ELKCTY-6) 230/138/13.8KV TRANSFORMER CKT 1	314.5	0.08914	132.7007	SPP-SWPS-01
20SP	0	0	FROM->TO	G14_042_44	ELK CITY 230KV (ELKCTY-6) 230/138/13.8KV TRANSFORMER CKT 1	314.5	0.09456	132.3331	CHISHOLM7 345.00 - WOODWARD DISTRICT EHV 345KV CKT 1
20SP	0	0	FROM->TO	G14_042_44	ELK CITY 230KV (ELKCTY-6) 230/138/13.8KV TRANSFORMER CKT 1	316	0.08931	132.24	OKLAUNION - TUCO INTERCHANGE 345KV CKT 1
20SP	0	0	FROM->TO	G14_042_44	ELK CITY 230KV (ELKCTY-6) 230/138/13.8KV TRANSFORMER CKT 1	316	0.08914	132.1974	SPP-SWPS-01
20WP	0	0	FROM->TO	G14_042_44	ELK CITY 230KV (ELKCTY-6) 230/138/13.8KV TRANSFORMER CKT 1	314.1	0.07276	132.1346	G14-058T 345.00 - TATONGA7 345.00 345KV CKT 1
15SP	0	0	FROM->TO	G14_042_44	ELK CITY 230KV (ELKCTY-6) 230/138/13.8KV TRANSFORMER CKT 1	314.8	0.06319	132.0186	BINGER NIJECT - SICKLES 138KV CKT 1
20WP	0	0	FROM->TO	G14_042_44	ELK CITY 230KV (ELKCTY-6) 230/138/13.8KV TRANSFORMER CKT 1	314.1	0.07434	131.9917	DBL-THIS-WWRD
20SP	0	0	FROM->TO	G14_042_44	ELK CITY 230KV (ELKCTY-6) 230/138/13.8KV TRANSFORMER CKT 1	316	0.09456	131.8315	CHISHOLM7 345.00 - WOODWARD DISTRICT EHV 345KV CKT 1
20WP	0	0	FROM->TO	G14_042_44	ELK CITY 230KV (ELKCTY-6) 230/138/13.8KV TRANSFORMER CKT 1	308.8	0.05759	131.7786	G14_038T 345.00 - Hitchland Interchange 345KV CKT 1
20WP	0	0	FROM->TO	G14_042_44	ELK CITY 230KV (ELKCTY-6) 230/138/13.8KV TRANSFORMER CKT 1	314.1	0.07353	131.6638	DBL-G1114-WWRD
20WP	0	0	FROM->TO	G14_042_44	ELK CITY 230KV (ELKCTY-6) 230/138/13.8KV TRANSFORMER CKT 1	314.1	0.07206	131.4357	DBL-THIS-WICH
15SP	0	0	FROM->TO	G14_042_44	ELK CITY 230KV (ELKCTY-6) 230/138/13.8KV TRANSFORMER CKT 1	314.8	0.06186	131.3283	3TERM10
20WP	0	0	FROM->TO	G14_042_44	ELK CITY 230KV (ELKCTY-6) 230/138/13.8KV TRANSFORMER CKT 1	308.8	0.07276	131.1317	G11_051T 345.00 - TATONGA7 345.00 345KV CKT 1
20WP	0	0	FROM->TO	G14_042_44	ELK CITY 230KV (ELKCTY-6) 230/138/13.8KV TRANSFORMER CKT 1	314.1	0.07353	130.6768	DBL-BVR-G1114
20WP	0	0	FROM->TO	G14_042_44	ELK CITY 230KV (ELKCTY-6) 230/138/13.8KV TRANSFORMER CKT 1	308.8	0.07354	130.6656	FINNEY SWITCHING STATION - HOLCOMB 345KV CKT 1
20SP	0	0	FROM->TO	G14_042_44	ELK CITY 230KV (ELKCTY-6) 230/138/13.8KV TRANSFORMER CKT 1	270.3	0.06689	130.5185	BASE CASE
20WP	0	0	FROM->TO	G14_042_44	ELK CITY 230KV (ELKCTY-6) 230/138/13.8KV TRANSFORMER CKT 1	308.8	0.07276	130.5165	SPSCont-05ax
20WP	0	0	FROM->TO	G14_042_44	ELK CITY 230KV (ELKCTY-6) 230/138/13.8KV TRANSFORMER CKT 1	308.8	0.07276	130.4193	G11_051T 345.00 - WOODWARD DISTRICT EHV 345KV CKT 1
15SP	0	0	FROM->TO	G14_042_44	ELK CITY 230KV (ELKCTY-6) 230/138/13.8KV TRANSFORMER CKT 1	309.1	0.05555	130.321	MOORELAND - NINE MILE 138KV CKT 1
15SP	0	0	FROM->TO	G14_042_44	ELK CITY 230KV (ELKCTY-6) 230/138/13.8KV TRANSFORMER CKT 1	309.1	0.05555	130.321	MOREWOOD SW - NINE MILE 138KV CKT 1
15G	6	0	FROM->TO	G14_042_44	ELK CITY 230KV (ELKCTY-6) 230/138/13.8KV TRANSFORMER CKT 1	310	0.06251	130.2578	REDHIL-HVB1 138.00 138/34.5KV TRANSFORMER CKT 1
15G	6	0	FROM->TO	G14_042_44	ELK CITY 230KV (ELKCTY-6) 230/138/13.8KV TRANSFORMER CKT 1	310	0.06251	130.1933	RED HILLS WIND - REDHIL-HVB1 138.00 138KV CKT 1
20SP	0	0	FROM->TO	G14_042_44	ELK CITY 230KV (ELKCTY-6) 230/138/13.8KV TRANSFORMER CKT 1	272	0.06689	129.8498	BASE CASE
20WP	0	0	FROM->TO	G14_042_44	ELK CITY 230KV (ELKCTY-6) 230/138/13.8KV TRANSFORMER CKT 1	314.1	0.07579	129.7142	G14_038T 345.00 - Hitchland Interchange 345KV CKT 1
20WP	0	0	FROM->TO	G14_042_44	ELK CITY 230KV (ELKCTY-6) 230/138/13.8KV TRANSFORMER CKT 1	314.1	0.07276	129.0783	G11_051T 345.00 - TATONGA7 345.00 345KV CKT 1
20WP	0	0	FROM->TO	G14_042_44	ELK CITY 230KV (ELKCTY-6) 230/138/13.8KV TRANSFORMER CKT 1	308.8	0.06763	128.8254	RED HILLS WIND - REDHIL-HVB1 138.00 138KV CKT 1
20WP	0	0	FROM->TO	G14_042_44	ELK CITY 230KV (ELKCTY-6) 230/138/13.8KV TRANSFORMER CKT 1	308.8	0.06763	128.8254	REDHIL-HVB1 138.00 138/34.5KV TRANSFORMER CKT 1
20WP	0	0	FROM->TO	G14_042_44	ELK CITY 230KV (ELKCTY-6) 230/138/13.8KV TRANSFORMER CKT 1	314.1	0.07354	128.5881	FINNEY SWITCHING STATION - HOLCOMB 345KV CKT 1
15G	6	0	FROM->TO	G14_042_44	ELK CITY 230KV (ELKCTY-6) 230/138/13.8KV TRANSFORMER CKT 1	280.4	0.06251	128.5661	BASE CASE
15G	6	0	FROM->TO	G14_042_44	ELK CITY 230KV (ELKCTY-6) 230/138/13.8KV TRANSFORMER CKT 1	314.4	0.06251	128.5621	REDHIL-HVB1 138.00 138/34.5KV TRANSFORMER CKT 1
15G	6	0	FROM->TO	G14_042_44	ELK CITY 230KV (ELKCTY-6) 230/138/13.8KV TRANSFORMER CKT 1	314.4	0.06251	128.4985	RED HILLS WIND - REDHIL-HVB1 138.00 138KV CKT 1
20WP	0	0	FROM->TO	G14_042_44	ELK CITY 230KV (ELKCTY-6) 230/138/13.8KV TRANSFORMER CKT 1	314.1	0.07276	128.4415	SPSCont-05ax
20WP	0	0	FROM->TO	G14_042_44	ELK CITY 230KV (ELKCTY-6) 230/138/13.8KV TRANSFORMER CKT 1	314.1	0.07276	128.3778	G11_051T 345.00 - WOODWARD DISTRICT EHV 345KV CKT 1
15G	6	0	FROM->TO	G14_042_44	ELK CITY 230KV (ELKCTY-6) 230/138/13.8KV TRANSFORMER CKT 1	310	0.06777	128.1233	G14-058T 345.00 - NORTHWEST 345KV CKT 1
15G	6	0	FROM->TO	G14_042_44	ELK CITY 230KV (ELKCTY-6) 230/138/13.8KV TRANSFORMER CKT 1	310	0.06777	127.1555	G14-058T 345.00 - TATONGA7 345.00 345KV CKT 1
15G	6	0	FROM->TO	G14_042_44	ELK CITY 230KV (ELKCTY-6) 230/138/13.8KV TRANSFORMER CKT 1	310	0.06924	126.8326	DBL-THIS-WWRD
20WP	0	0	FROM->TO	G14_042_44	ELK CITY 230KV (ELKCTY-6) 230/138/13.8KV TRANSFORMER CKT 1	314.1	0.06763	126.8108	RED HILLS WIND - REDHIL-HVB1 138.00 138KV CKT 1
20WP	0	0	FROM->TO	G14_042_44	ELK CITY 230KV (ELKCTY-6) 230/138/13.8KV TRANSFORMER CKT 1	314.1	0.06763	126.8108	REDHIL-HVB1 138.00 138/34.5KV TRANSFORMER CKT 1
15G	6	0	FROM->TO	G14_042_44	ELK CITY 230KV (ELKCTY-6) 230/138/13.8KV TRANSFORMER CKT 1	285.2	0.06251	126.5425	BASE CASE
15G	6	0	FROM->TO	G14_042_44	ELK CITY 230KV (ELKCTY-6) 230/138/13.8KV TRANSFORMER CKT 1	310	0.06719	126.4628	DBL-THIS-WICH
15G	6	0	FROM->TO	G14_042_44	ELK CITY 230KV (ELKCTY-6) 230/138/13.8KV TRANSFORMER CKT 1	314.4	0.06777	126.4574	G14-058T 345.00 - NORTHWEST 345KV CKT 1

SEASON	GROUP	SCENARIO	DIRECTION	SOURCE	MONITORED ELEMENT	RATE (MVA)	TDF	CONTINGENCY LOADING %	CONTINGENCY
15G		6	0	FROM->TO	G14_042_44 ELK CITY 230KV (ELKCTY-6) 230/138/13.8KV TRANSFORMER CKT 1	310	0.06777	126.408	DBL-G1114-WWRD
15G		6	0	FROM->TO	G14_042_44 ELK CITY 230KV (ELKCTY-6) 230/138/13.8KV TRANSFORMER CKT 1	314.4	0.06777	125.5032	G14-058T 345.00 - TATONGA7 345.00 345KV CKT 1
15G		6	0	FROM->TO	G14_042_44 ELK CITY 230KV (ELKCTY-6) 230/138/13.8KV TRANSFORMER CKT 1	310	0.06777	125.4403	DBL-BVR-G1114
15G		6	0	FROM->TO	G14_042_44 ELK CITY 230KV (ELKCTY-6) 230/138/13.8KV TRANSFORMER CKT 1	314.4	0.06924	125.1848	DBL-THIS-WWRD
15G		6	0	FROM->TO	G14_042_44 ELK CITY 230KV (ELKCTY-6) 230/138/13.8KV TRANSFORMER CKT 1	314.4	0.06719	124.8202	DBL-THIS-WICH
15G		6	0	FROM->TO	G14_042_44 ELK CITY 230KV (ELKCTY-6) 230/138/13.8KV TRANSFORMER CKT 1	314.4	0.06777	124.7662	DBL-G1114-WWRD
15G		6	0	FROM->TO	G14_042_44 ELK CITY 230KV (ELKCTY-6) 230/138/13.8KV TRANSFORMER CKT 1	310	0.07024	124.2657	G14_038T 345.00 - Hitchland Interchange 345KV CKT 1
15G		6	0	FROM->TO	G14_042_44 ELK CITY 230KV (ELKCTY-6) 230/138/13.8KV TRANSFORMER CKT 1	310	0.06508	123.9402	FPL SWITCH - MOORELAND 138KV CKT 1
15G		6	0	FROM->TO	G14_042_44 ELK CITY 230KV (ELKCTY-6) 230/138/13.8KV TRANSFORMER CKT 1	310	0.06777	123.9297	G11_051T 345.00 - TATONGA7 345.00 345KV CKT 1
15G		6	0	FROM->TO	G14_042_44 ELK CITY 230KV (ELKCTY-6) 230/138/13.8KV TRANSFORMER CKT 1	314.4	0.06777	123.8438	DBL-BVR-G1114
15G		6	0	FROM->TO	G14_042_44 ELK CITY 230KV (ELKCTY-6) 230/138/13.8KV TRANSFORMER CKT 1	310	0.06788	123.5328	FINNEY SWITCHING STATION - HOLCOMB 345KV CKT 1
15G		6	0	FROM->TO	G14_042_44 ELK CITY 230KV (ELKCTY-6) 230/138/13.8KV TRANSFORMER CKT 1	310	0.06508	123.4564	FPL SWITCH - WOODWARD 138KV CKT 1
15G		6	0	FROM->TO	G14_042_44 ELK CITY 230KV (ELKCTY-6) 230/138/13.8KV TRANSFORMER CKT 1	314.4	0.07024	122.6539	G14_038T 345.00 - Hitchland Interchange 345KV CKT 1
15G		6	0	FROM->TO	G14_042_44 ELK CITY 230KV (ELKCTY-6) 230/138/13.8KV TRANSFORMER CKT 1	314.4	0.06508	122.3329	FPL SWITCH - MOORELAND 138KV CKT 1
15G		6	0	FROM->TO	G14_042_44 ELK CITY 230KV (ELKCTY-6) 230/138/13.8KV TRANSFORMER CKT 1	314.4	0.06777	122.3226	G11_051T 345.00 - TATONGA7 345.00 345KV CKT 1
15G		6	0	FROM->TO	G14_042_44 ELK CITY 230KV (ELKCTY-6) 230/138/13.8KV TRANSFORMER CKT 1	314.4	0.06788	121.9312	FINNEY SWITCHING STATION - HOLCOMB 345KV CKT 1
15G		6	0	FROM->TO	G14_042_44 ELK CITY 230KV (ELKCTY-6) 230/138/13.8KV TRANSFORMER CKT 1	314.4	0.06508	121.8558	FPL SWITCH - WOODWARD 138KV CKT 1
20SP		0	0	FROM->TO	G14_042_44 ELK CITY 230KV (ELKCTY-6) 230/138/13.8KV TRANSFORMER CKT 1	314.5	0.07368	121.8122	DBL-THIS-WWRD
20SP		0	0	FROM->TO	G14_042_44 ELK CITY 230KV (ELKCTY-6) 230/138/13.8KV TRANSFORMER CKT 1	314.5	0.07194	121.5513	G14-058T 345.00 - NORTHWEST 345KV CKT 1
20SP		0	0	FROM->TO	G14_042_44 ELK CITY 230KV (ELKCTY-6) 230/138/13.8KV TRANSFORMER CKT 1	316	0.07368	121.3605	DBL-THIS-WWRD
20SP		0	0	FROM->TO	G14_042_44 ELK CITY 230KV (ELKCTY-6) 230/138/13.8KV TRANSFORMER CKT 1	316	0.07194	121.1009	G14-058T 345.00 - NORTHWEST 345KV CKT 1
20SP		0	0	FROM->TO	G14_042_44 ELK CITY 230KV (ELKCTY-6) 230/138/13.8KV TRANSFORMER CKT 1	314.5	0.07194	120.5974	G14-058T 345.00 - TATONGA7 345.00 345KV CKT 1
20SP		0	0	FROM->TO	G14_042_44 ELK CITY 230KV (ELKCTY-6) 230/138/13.8KV TRANSFORMER CKT 1	314.5	0.07143	120.5934	DBL-THIS-WICH
20SP		0	0	FROM->TO	G14_042_44 ELK CITY 230KV (ELKCTY-6) 230/138/13.8KV TRANSFORMER CKT 1	314.5	0.07272	120.3829	DBL-G1114-WWRD
20SP		0	0	FROM->TO	G14_042_44 ELK CITY 230KV (ELKCTY-6) 230/138/13.8KV TRANSFORMER CKT 1	316	0.07194	120.1516	G14-058T 345.00 - TATONGA7 345.00 345KV CKT 1
20SP		0	0	FROM->TO	G14_042_44 ELK CITY 230KV (ELKCTY-6) 230/138/13.8KV TRANSFORMER CKT 1	316	0.07143	120.1476	DBL-THIS-WICH
20SP		0	0	FROM->TO	G14_042_44 ELK CITY 230KV (ELKCTY-6) 230/138/13.8KV TRANSFORMER CKT 1	316	0.07272	119.9065	DBL-G1114-WWRD
20SP		0	0	FROM->TO	G14_042_44 ELK CITY 230KV (ELKCTY-6) 230/138/13.8KV TRANSFORMER CKT 1	314.5	0.07278	119.4484	FINNEY SWITCHING STATION - HOLCOMB 345KV CKT 1
20SP		0	0	FROM->TO	G14_042_44 ELK CITY 230KV (ELKCTY-6) 230/138/13.8KV TRANSFORMER CKT 1	314.5	0.07272	119.3337	DBL-BVR-G1114
20SP		0	0	FROM->TO	G14_042_44 ELK CITY 230KV (ELKCTY-6) 230/138/13.8KV TRANSFORMER CKT 1	316	0.07278	118.9764	FINNEY SWITCHING STATION - HOLCOMB 345KV CKT 1
20SP		0	0	FROM->TO	G14_042_44 ELK CITY 230KV (ELKCTY-6) 230/138/13.8KV TRANSFORMER CKT 1	316	0.07272	118.8938	DBL-BVR-G1114
20SP		0	0	FROM->TO	G14_042_44 ELK CITY 230KV (ELKCTY-6) 230/138/13.8KV TRANSFORMER CKT 1	314.5	0.07504	118.888	G14_038T 345.00 - Hitchland Interchange 345KV CKT 1
20SP		0	0	FROM->TO	G14_042_44 ELK CITY 230KV (ELKCTY-6) 230/138/13.8KV TRANSFORMER CKT 1	314.5	0.0634	118.8839	ONEY - WASHITA 138KV CKT 1
20SP		0	0	FROM->TO	G14_042_44 ELK CITY 230KV (ELKCTY-6) 230/138/13.8KV TRANSFORMER CKT 1	316	0.0634	118.4462	ONEY - WASHITA 138KV CKT 1
20SP		0	0	FROM->TO	G14_042_44 ELK CITY 230KV (ELKCTY-6) 230/138/13.8KV TRANSFORMER CKT 1	316	0.07504	118.4185	G14_038T 345.00 - Hitchland Interchange 345KV CKT 1
20SP		0	0	FROM->TO	G14_042_44 ELK CITY 230KV (ELKCTY-6) 230/138/13.8KV TRANSFORMER CKT 1	314.5	0.0634	118.1526	BINGER NIJECT - ONEY 138KV CKT 1
20SP		0	0	FROM->TO	G14_042_44 ELK CITY 230KV (ELKCTY-6) 230/138/13.8KV TRANSFORMER CKT 1	314.5	0.0715	117.863	CIMARRON - MINCO 345KV CKT 1
20SP		0	0	FROM->TO	G14_042_44 ELK CITY 230KV (ELKCTY-6) 230/138/13.8KV TRANSFORMER CKT 1	316	0.0634	117.7183	BINGER NIJECT - ONEY 138KV CKT 1
20SP		0	0	FROM->TO	G14_042_44 ELK CITY 230KV (ELKCTY-6) 230/138/13.8KV TRANSFORMER CKT 1	316	0.0715	117.4301	CIMARRON - MINCO 345KV CKT 1
20SP		0	0	FROM->TO	G14_042_44 ELK CITY 230KV (ELKCTY-6) 230/138/13.8KV TRANSFORMER CKT 1	314.5	0.0634	117.0079	BINGER NIJECT - SICKLES 138KV CKT 1
20SP		0	0	FROM->TO	G14_042_44 ELK CITY 230KV (ELKCTY-6) 230/138/13.8KV TRANSFORMER CKT 1	314.5	0.0634	116.5946	CLINTON JUNCTION - G07-32T 138.00 138KV CKT 1
20SP		0	0	FROM->TO	G14_042_44 ELK CITY 230KV (ELKCTY-6) 230/138/13.8KV TRANSFORMER CKT 1	316	0.0634	116.5791	BINGER NIJECT - SICKLES 138KV CKT 1
20SP		0	0	FROM->TO	G14_042_44 ELK CITY 230KV (ELKCTY-6) 230/138/13.8KV TRANSFORMER CKT 1	316	0.0634	116.1677	CLINTON JUNCTION - G07-32T 138.00 138KV CKT 1
25SP		0	0	FROM->TO	G14_042_44 ELK CITY 230KV (ELKCTY-6) 230/138/13.8KV TRANSFORMER CKT 1	315.7	0.09447	109.9752	CHISHOLM7 345.00 - GRACEMONT 345KV CKT 1
25SP		0	0	FROM->TO	G14_042_44 ELK CITY 230KV (ELKCTY-6) 230/138/13.8KV TRANSFORMER CKT 1	316	0.09447	109.9341	CHISHOLM7 345.00 - GRACEMONT 345KV CKT 1
25SP		0	0	FROM->TO	G14_042_44 ELK CITY 230KV (ELKCTY-6) 230/138/13.8KV TRANSFORMER CKT 1	315.7	0.09584	103.4966	CHISHOLM7 345.00 - WOODWARD DISTRICT EHV 345KV CKT 1
25SP		0	0	FROM->TO	G14_042_44 ELK CITY 230KV (ELKCTY-6) 230/138/13.8KV TRANSFORMER CKT 1	316	0.09584	103.4616	CHISHOLM7 345.00 - WOODWARD DISTRICT EHV 345KV CKT 1
25SP		0	0	FROM->TO	G14_042_44 ELK CITY 230KV (ELKCTY-6) 230/138/13.8KV TRANSFORMER CKT 1	271.6	0.06527	103.2742	BASE CASE
25SP		0	0	FROM->TO	G14_042_44 ELK CITY 230KV (ELKCTY-6) 230/138/13.8KV TRANSFORMER CKT 1	315.7	0.08642	103.2083	SPP-AEPW-32
25SP		0	0	FROM->TO	G14_042_44 ELK CITY 230KV (ELKCTY-6) 230/138/13.8KV TRANSFORMER CKT 1	315.7	0.08642	103.2083	SPSCont-01
25SP		0	0	FROM->TO	G14_042_44 ELK CITY 230KV (ELKCTY-6) 230/138/13.8KV TRANSFORMER CKT 1	272	0.06527	103.1959	BASE CASE
25SP		0	0	FROM->TO	G14_042_44 ELK CITY 230KV (ELKCTY-6) 230/138/13.8KV TRANSFORMER CKT 1	316	0.08642	103.1736	SPP-AEPW-32
25SP		0	0	FROM->TO	G14_042_44 ELK CITY 230KV (ELKCTY-6) 230/138/13.8KV TRANSFORMER CKT 1	316	0.08642	103.1736	SPSCont-01
25SP		0	0	FROM->TO	G14_042_44 ELK CITY 230KV (ELKCTY-6) 230/138/13.8KV TRANSFORMER CKT 1	315.7	0.08642	102.163	OKLAUNION - TUCO INTERCHANGE 345KV CKT 1
25SP		0	0	FROM->TO	G14_042_44 ELK CITY 230KV (ELKCTY-6) 230/138/13.8KV TRANSFORMER CKT 1	315.7	0.08624	102.152	SPP-SWPS-01
25SP		0	0	FROM->TO	G14_042_44 ELK CITY 230KV (ELKCTY-6) 230/138/13.8KV TRANSFORMER CKT 1	316	0.08642	102.1293	OKLAUNION - TUCO INTERCHANGE 345KV CKT 1
25SP		0	0	FROM->TO	G14_042_44 ELK CITY 230KV (ELKCTY-6) 230/138/13.8KV TRANSFORMER CKT 1	316	0.08624	102.1183	SPP-SWPS-01
15SP		0	0	TO->FROM	G14_042_44 FLATRDG3 - THISTLE4 138.00 138KV CKT 1	285	0.04057	126.323	DBL-THIS-WICH

SEASON	GROUP	SCENARIO	DIRECTION	SOURCE	MONITORED ELEMENT	RATE (MVA)	TDF	CONTINGENCY LOADING %	CONTINGENCY
20WP	0	0	TO->FROM	G14_042_44	FLATRDG3 - THISTLE4 138.00 138KV CKT 1	284.9	0.04163	120.5313	DBL-THIS-WICH
20SP	0	0	TO->FROM	G14_042_44	FLATRDG3 - THISTLE4 138.00 138KV CKT 1	286	0.04233	119.4047	DBL-THIS-WICH
15G	6	0	TO->FROM	G14_042_44	FLATRDG3 - THISTLE4 138.00 138KV CKT 1	284.5	0.03981	111.9475	DBL-THIS-WICH
15G	6	0	FROM->TO	G14_042_44	FPL SWITCH - MOORELAND 138KV CKT 1	279.2	0.03881	100.4424	DBL-THIS-WWRD
15G	6	0	TO->FROM	G14_042_44	FPL SWITCH - WOODWARD 138KV CKT 1	141.6	0.03881	189.4315	DBL-THIS-WWRD
15G	6	0	TO->FROM	G14_042_44	FPL SWITCH - WOODWARD 138KV CKT 1	141.6	0.03128	177.1781	DBL-THIS-WICH
15G	6	0	TO->FROM	G14_042_44	FPL SWITCH - WOODWARD 138KV CKT 1	141.6	0.03086	176.8252	G14-058T 345.00 - NORTHWEST 345KV CKT 1
15G	6	0	TO->FROM	G14_042_44	FPL SWITCH - WOODWARD 138KV CKT 1	141.6	0.03086	172.8704	G14-058T 345.00 - TATONGA7 345.00 345KV CKT 1
15G	6	0	TO->FROM	G14_042_44	FPL SWITCH - WOODWARD 138KV CKT 1	141.6	0.03112	169.6095	CHISHOLM6 230.00 - ELK CITY 230KV 230KV CKT 1
15G	6	0	TO->FROM	G14_042_44	FPL SWITCH - WOODWARD 138KV CKT 1	141.6	0.03112	169.6095	ELK CITY 230KV (ELKCTY-6) 230/138/13.8KV TRANSFORMER CKT 1
15G	6	0	TO->FROM	G14_042_44	FPL SWITCH - WOODWARD 138KV CKT 1	141.6	0.03086	159.7349	G11_051T 345.00 - TATONGA7 345.00 345KV CKT 1
15G	6	0	TO->FROM	G14_042_44	FPL SWITCH - WOODWARD 138KV CKT 1	141.6	0.03086	156.6981	G11_051T 345.00 - WOODWARD DISTRICT EHV 345KV CKT 1
15G	6	0	TO->FROM	G14_042_44	FPL SWITCH - WOODWARD 138KV CKT 1	141.6	0.03086	153.8733	SPSCont-05ax
15SP	0	0	TO->FROM	G14_042_44	FPL SWITCH - WOODWARD 138KV CKT 1	136.1	0.04317	139.6233	DBL-THIS-WWRD
20WP	0	0	TO->FROM	G14_042_44	FPL SWITCH - WOODWARD 138KV CKT 1	167.4	0.04403	131.7857	DBL-THIS-WWRD
20SP	0	0	TO->FROM	G14_042_44	FPL SWITCH - WOODWARD 138KV CKT 1	141.3	0.04303	127.0879	DBL-THIS-WWRD
15SP	0	0	TO->FROM	G14_042_44	FPL SWITCH - WOODWARD 138KV CKT 1	136.1	0.03599	123.7918	CHISHOLM6 230.00 - ELK CITY 230KV 230KV CKT 1
15SP	0	0	TO->FROM	G14_042_44	FPL SWITCH - WOODWARD 138KV CKT 1	136.1	0.03599	123.7183	ELK CITY 230KV (ELKCTY-6) 230/138/13.8KV TRANSFORMER CKT 1
15SP	0	0	TO->FROM	G14_042_44	FPL SWITCH - WOODWARD 138KV CKT 1	136.1	0.03521	122.5495	DBL-THIS-WICH
15SP	0	0	TO->FROM	G14_042_44	FPL SWITCH - WOODWARD 138KV CKT 1	136.1	0.0347	121.7128	G14-058T 345.00 - NORTHWEST 345KV CKT 1
20WP	0	0	TO->FROM	G14_042_44	FPL SWITCH - WOODWARD 138KV CKT 1	167.4	0.03566	119.7589	G14-058T 345.00 - NORTHWEST 345KV CKT 1
20WP	0	0	TO->FROM	G14_042_44	FPL SWITCH - WOODWARD 138KV CKT 1	167.4	0.03558	119.3304	DBL-THIS-WICH
15SP	0	0	TO->FROM	G14_042_44	FPL SWITCH - WOODWARD 138KV CKT 1	136.1	0.0347	117.5247	G14-058T 345.00 - TATONGA7 345.00 345KV CKT 1
20WP	0	0	TO->FROM	G14_042_44	FPL SWITCH - WOODWARD 138KV CKT 1	167.4	0.03566	116.4136	G14-058T 345.00 - TATONGA7 345.00 345KV CKT 1
20WP	0	0	TO->FROM	G14_042_44	FPL SWITCH - WOODWARD 138KV CKT 1	167.4	0.03706	114.9066	CHISHOLM6 230.00 - ELK CITY 230KV 230KV CKT 1
20WP	0	0	TO->FROM	G14_042_44	FPL SWITCH - WOODWARD 138KV CKT 1	167.4	0.03706	114.9066	ELK CITY 230KV (ELKCTY-6) 230/138/13.8KV TRANSFORMER CKT 1
20SP	0	0	TO->FROM	G14_042_44	FPL SWITCH - WOODWARD 138KV CKT 1	141.3	0.03574	110.4575	CHISHOLM6 230.00 - ELK CITY 230KV 230KV CKT 1
20SP	0	0	TO->FROM	G14_042_44	FPL SWITCH - WOODWARD 138KV CKT 1	141.3	0.03574	110.4575	ELK CITY 230KV (ELKCTY-6) 230/138/13.8KV TRANSFORMER CKT 1
20SP	0	0	TO->FROM	G14_042_44	FPL SWITCH - WOODWARD 138KV CKT 1	141.3	0.03461	110.1473	DBL-THIS-WICH
20SP	0	0	TO->FROM	G14_042_44	FPL SWITCH - WOODWARD 138KV CKT 1	141.3	0.03429	108.9044	G14-058T 345.00 - NORTHWEST 345KV CKT 1
20WP	0	0	TO->FROM	G14_042_44	FPL SWITCH - WOODWARD 138KV CKT 1	167.4	0.03566	105.3623	G11_051T 345.00 - TATONGA7 345.00 345KV CKT 1
20SP	0	0	TO->FROM	G14_042_44	FPL SWITCH - WOODWARD 138KV CKT 1	141.3	0.03429	104.7996	G14-058T 345.00 - TATONGA7 345.00 345KV CKT 1
15SP	0	0	TO->FROM	G14_042_44	FPL SWITCH - WOODWARD 138KV CKT 1	136.1	0.0347	103.7113	G11_051T 345.00 - TATONGA7 345.00 345KV CKT 1
20WP	0	0	TO->FROM	G14_042_44	FPL SWITCH - WOODWARD 138KV CKT 1	167.4	0.03566	102.7936	G11_051T 345.00 - WOODWARD DISTRICT EHV 345KV CKT 1
15SP	0	0	TO->FROM	G14_042_44	FPL SWITCH - WOODWARD 138KV CKT 1	136.1	0.0347	100.5519	G11_051T 345.00 - WOODWARD DISTRICT EHV 345KV CKT 1
20WP	0	0	TO->FROM	G14_042_44	FPL SWITCH - WOODWARD 138KV CKT 1	167.4	0.03566	100.4041	SPSCont-05ax
15G	6	0	FROM->TO	G14_042_44	G13_027T 230.00 - TOLK STATION WEST 230KV CKT 1	350.1	0.12492	100.3837	TUCO INTERCHANGE - YOAKUM_345 345.00 345KV CKT 1
20WP	0	0	TO->FROM	G14_042_44	G14-057T 345.00 - LAWTON EASTSIDE 345KV CKT 1	786.2	0.17206	113.4285	CIMARRON - MINCO 345KV CKT 1
20WP	0	0	TO->FROM	G14_042_44	G14-057T 345.00 - LAWTON EASTSIDE 345KV CKT 1	786.2	0.17206	109.5363	GRACEMONT - MINCO 345KV CKT 1
15G	6	0	TO->FROM	G14_042_44	G14-057T 345.00 - LAWTON EASTSIDE 345KV CKT 1	786.5	0.17046	103.3851	CIMARRON - MINCO 345KV CKT 1
20WP	0	0	FROM->TO	G14_042_44	G14-057T 345.00 - SUNNYSIDE 345KV CKT 1	784.7	0.17206	119.3927	CIMARRON - MINCO 345KV CKT 1
20WP	0	0	FROM->TO	G14_042_44	G14-057T 345.00 - SUNNYSIDE 345KV CKT 1	784.7	0.17206	115.4932	GRACEMONT - MINCO 345KV CKT 1
15G	6	0	FROM->TO	G14_042_44	G14-057T 345.00 - SUNNYSIDE 345KV CKT 1	785.8	0.17046	109.2929	CIMARRON - MINCO 345KV CKT 1
15G	6	0	FROM->TO	G14_042_44	G14-057T 345.00 - SUNNYSIDE 345KV CKT 1	785.8	0.17046	105.3734	GRACEMONT - MINCO 345KV CKT 1
15SP	0	0	FROM->TO	G14_042_44	G14-057T 345.00 - SUNNYSIDE 345KV CKT 1	786.4	0.1731	100.7591	CIMARRON - MINCO 345KV CKT 1
15G	6	0	TO->FROM	G14_042_44	OASIS INTERCHANGE - SAN JUAN MESA TAP 230KV CKT 1	350.7	0.03646	109.2268	CROSSROADS 345.00 - TOLK STATION 345KV CKT 1
15SP	0	0	TO->FROM	G14_042_44	PLANT X STATION - TOLK STATION WEST 230KV CKT 1	502	0.08781	103.0607	TOLK STATION TAP - TOLK STATION WEST 230KV CKT @1
15G	6	0	FROM->TO	G14_042_44	POTTER COUNTY INTERCHANGE (WAUK 90343-A) 345/230/13.2KV TRANSFORMER CKT 1	557.5	0.16161	106.5012	POTTER COUNTY INTERCHANGE - TOLK STATION 345KV CKT 1
15G	6	0	FROM->TO	G14_042_44	POTTER COUNTY INTERCHANGE (WAUK 90343-A) 345/230/13.2KV TRANSFORMER CKT 1	559	0.16161	106.1617	POTTER COUNTY INTERCHANGE - TOLK STATION 345KV CKT 1
20WP	0	0	FROM->TO	G14_042_44	POTTER COUNTY INTERCHANGE (WAUK 90343-A) 345/230/13.2KV TRANSFORMER CKT 1	554.2	0.16956	100.1786	POTTER COUNTY INTERCHANGE - TOLK STATION 345KV CKT 1
20WP	0	0	TO->FROM	G14_042_44	TOLK STATION (ABBXNL844501) 345/230/13.2KV TRANSFORMER CKT 1	546.3	0.15645	107.1654	CROSSROADS 345.00 - TOLK STATION 345KV CKT 1
20WP	0	0	TO->FROM	G14_042_44	TOLK STATION (ABBXNL844501) 345/230/13.2KV TRANSFORMER CKT 1	550.9	0.15645	106.2161	CROSSROADS 345.00 - TOLK STATION 345KV CKT 1
15G	6	0	TO->FROM	G14_043	ANADARKO - GRACMNT4 138.00 138KV CKT 1	225.8	0.05682	123.9127	CIMARRON - MINCO 345KV CKT 1
15G	6	0	TO->FROM	G14_043	ANADARKO - GRACMNT4 138.00 138KV CKT 1	225.8	0.05682	115.6311	GRACEMONT - MINCO 345KV CKT 1
15G	6	0	TO->FROM	G14_043	ANADARKO - GRACMNT4 138.00 138KV CKT 1	225.8	0.03128	106.5148	SOUTHWESTERN STATION - WASHITA 138KV CKT 1
15SP	0	0	TO->FROM	G14_043	ANADARKO - GRACMNT4 138.00 138KV CKT 1	227	0.05796	104.1805	CIMARRON - MINCO 345KV CKT 1
20WP	0	0	FROM->TO	G14_043	BUSHLAND INTERCHANGE (WH 7001795) 230/115/13.2KV TRANSFORMER CKT 1	165.7	0.03748	102.1133	BUSHLAND INTERCHANGE - POTTER COUNTY INTERCHANGE 230KV CKT 1
20WP	0	0	FROM->TO	G14_043	BUSHLAND INTERCHANGE (WH 7001795) 230/115/13.2KV TRANSFORMER CKT 1	166.6	0.03748	101.4416	BUSHLAND INTERCHANGE - POTTER COUNTY INTERCHANGE 230KV CKT 1

SEASON	GROUP	SCENARIO	DIRECTION	SOURCE	MONITORED ELEMENT	RATE (MVA)	TDF	CONTINGENCY LOADING %	CONTINGENCY
20WP	0	0	TO->FROM	G14_043	CANYON WEST SUB - DAWN SUB 115KV CKT 1	105.4	0.03099	100.2703	BUSHLAND INTERCHANGE - DEAF SMITH COUNTY INTERCHANGE 230KV CKT 1
15SP	0	0	FROM->TO	G14_043	CHISHOLM6 230.00 - ELK CITY 230KV 230KV CKT 1	351.9	0.10002	156.6998	CHISHOLM7 345.00 - GRACEMONT 345KV CKT 1
15SP	0	0	FROM->TO	G14_043	CHISHOLM6 230.00 - ELK CITY 230KV 230KV CKT 1	351.9	0.0892	139.5333	SPP-AEPW-32
15SP	0	0	FROM->TO	G14_043	CHISHOLM6 230.00 - ELK CITY 230KV 230KV CKT 1	351.9	0.0892	139.5333	SPSCont-01
15SP	0	0	FROM->TO	G14_043	CHISHOLM6 230.00 - ELK CITY 230KV 230KV CKT 1	351.9	0.0892	138.5103	OKLAUNION - TUCO INTERCHANGE 345KV CKT 1
15SP	0	0	FROM->TO	G14_043	CHISHOLM6 230.00 - ELK CITY 230KV 230KV CKT 1	351.9	0.0891	138.4448	SPP-SWPS-01
15SP	0	0	FROM->TO	G14_043	CHISHOLM6 230.00 - ELK CITY 230KV 230KV CKT 1	351.9	0.09416	136.1753	CHISHOLM7 345.00 - WOODWARD DISTRICT EHV 345KV CKT 1
20SP	0	0	FROM->TO	G14_043	CHISHOLM6 230.00 - ELK CITY 230KV 230KV CKT 1	353	0.10013	132.6568	CHISHOLM7 345.00 - GRACEMONT 345KV CKT 1
15SP	0	0	FROM->TO	G14_043	CHISHOLM6 230.00 - ELK CITY 230KV 230KV CKT 1	351.9	0.07173	125.8685	G14-058T 345.00 - NORTHWEST 345KV CKT 1
15SP	0	0	FROM->TO	G14_043	CHISHOLM6 230.00 - ELK CITY 230KV 230KV CKT 1	351.9	0.0734	125.6074	DBL-THIS-WWRD
15SP	0	0	FROM->TO	G14_043	CHISHOLM6 230.00 - ELK CITY 230KV 230KV CKT 1	351.9	0.07173	125.016	G14-058T 345.00 - TATONGA7 345.00 345KV CKT 1
15SP	0	0	FROM->TO	G14_043	CHISHOLM6 230.00 - ELK CITY 230KV 230KV CKT 1	351.9	0.07126	124.6751	DBL-THIS-WICH
15SP	0	0	FROM->TO	G14_043	CHISHOLM6 230.00 - ELK CITY 230KV 230KV CKT 1	351.9	0.07222	124.6205	DBL-G1114-WWRD
15SP	0	0	FROM->TO	G14_043	CHISHOLM6 230.00 - ELK CITY 230KV 230KV CKT 1	351.9	0.07222	123.7111	DBL-BVR-G1114
15SP	0	0	FROM->TO	G14_043	CHISHOLM6 230.00 - ELK CITY 230KV 230KV CKT 1	351.9	0.07231	123.1898	FINNEY SWITCHING STATION - HOLCOMB 345KV CKT 1
15SP	0	0	FROM->TO	G14_043	CHISHOLM6 230.00 - ELK CITY 230KV 230KV CKT 1	351.9	0.07477	123.1645	G14_038T 345.00 - Hitchland Interchange 345KV CKT 1
15SP	0	0	FROM->TO	G14_043	CHISHOLM6 230.00 - ELK CITY 230KV 230KV CKT 1	351.9	0.07477	122.5961	G14_038T 345.00 - POTTER COUNTY INTERCHANGE 345KV CKT 1
15SP	0	0	FROM->TO	G14_043	CHISHOLM6 230.00 - ELK CITY 230KV 230KV CKT 1	351.9	0.07173	122.1742	G11_051T 345.00 - TATONGA7 345.00 345KV CKT 1
20WP	0	0	FROM->TO	G14_043	CHISHOLM6 230.00 - ELK CITY 230KV 230KV CKT 1	437.6	0.10125	121.6099	CHISHOLM7 345.00 - GRACEMONT 345KV CKT 1
15SP	0	0	FROM->TO	G14_043	CHISHOLM6 230.00 - ELK CITY 230KV 230KV CKT 1	351.9	0.07173	121.5775	SPSCont-05ax
15SP	0	0	FROM->TO	G14_043	CHISHOLM6 230.00 - ELK CITY 230KV 230KV CKT 1	351.9	0.06311	119.7484	ONEY - WASHITA 138KV CKT 1
20SP	0	0	FROM->TO	G14_043	CHISHOLM6 230.00 - ELK CITY 230KV 230KV CKT 1	353	0.08936	119.399	SPP-AEPW-32
20SP	0	0	FROM->TO	G14_043	CHISHOLM6 230.00 - ELK CITY 230KV 230KV CKT 1	353	0.08936	119.399	SPSCont-01
15SP	0	0	FROM->TO	G14_043	CHISHOLM6 230.00 - ELK CITY 230KV 230KV CKT 1	351.9	0.06311	119.1232	BINGER NIJECT - ONEY 138KV CKT 1
20SP	0	0	FROM->TO	G14_043	CHISHOLM6 230.00 - ELK CITY 230KV 230KV CKT 1	353	0.08936	118.3792	OKLAUNION - TUCO INTERCHANGE 345KV CKT 1
20SP	0	0	FROM->TO	G14_043	CHISHOLM6 230.00 - ELK CITY 230KV 230KV CKT 1	353	0.08925	118.341	SPP-SWPS-01
20SP	0	0	FROM->TO	G14_043	CHISHOLM6 230.00 - ELK CITY 230KV 230KV CKT 1	353	0.09459	118.0135	CHISHOLM7 345.00 - WOODWARD DISTRICT EHV 345KV CKT 1
15G	6	0	FROM->TO	G14_043	CHISHOLM6 230.00 - ELK CITY 230KV 230KV CKT 1	437.8	0.09501	117.0994	CHISHOLM7 345.00 - GRACEMONT 345KV CKT 1
15SP	0	0	FROM->TO	G14_043	CHISHOLM6 230.00 - ELK CITY 230KV 230KV CKT 1	351.9	0.06655	116.0497	BASE CASE
20SP	0	0	FROM->TO	G14_043	CHISHOLM6 230.00 - ELK CITY 230KV 230KV CKT 1	353	0.07359	108.6401	DBL-THIS-WWRD
20SP	0	0	FROM->TO	G14_043	CHISHOLM6 230.00 - ELK CITY 230KV 230KV CKT 1	353	0.07184	108.4076	G14-058T 345.00 - NORTHWEST 345KV CKT 1
20SP	0	0	FROM->TO	G14_043	CHISHOLM6 230.00 - ELK CITY 230KV 230KV CKT 1	353	0.07184	107.5578	G14-058T 345.00 - TATONGA7 345.00 345KV CKT 1
20SP	0	0	FROM->TO	G14_043	CHISHOLM6 230.00 - ELK CITY 230KV 230KV CKT 1	353	0.07134	107.5542	DBL-THIS-WICH
20SP	0	0	FROM->TO	G14_043	CHISHOLM6 230.00 - ELK CITY 230KV 230KV CKT 1	353	0.07259	107.3384	DBL-G1114-WWRD
20WP	0	0	FROM->TO	G14_043	CHISHOLM6 230.00 - ELK CITY 230KV 230KV CKT 1	437.6	0.09019	106.7283	SPP-AEPW-32
20WP	0	0	FROM->TO	G14_043	CHISHOLM6 230.00 - ELK CITY 230KV 230KV CKT 1	437.6	0.09019	106.7283	SPSCont-01
20SP	0	0	FROM->TO	G14_043	CHISHOLM6 230.00 - ELK CITY 230KV 230KV CKT 1	353	0.07268	106.5058	FINNEY SWITCHING STATION - HOLCOMB 345KV CKT 1
20SP	0	0	FROM->TO	G14_043	CHISHOLM6 230.00 - ELK CITY 230KV 230KV CKT 1	353	0.07259	106.4318	DBL-BVR-G1114
20SP	0	0	FROM->TO	G14_043	CHISHOLM6 230.00 - ELK CITY 230KV 230KV CKT 1	353	0.06333	106.0311	ONEY - WASHITA 138KV CKT 1
20SP	0	0	FROM->TO	G14_043	CHISHOLM6 230.00 - ELK CITY 230KV 230KV CKT 1	353	0.07497	106.0064	G14_038T 345.00 - Hitchland Interchange 345KV CKT 1
20WP	0	0	FROM->TO	G14_043	CHISHOLM6 230.00 - ELK CITY 230KV 230KV CKT 1	437.6	0.09019	105.9056	OKLAUNION - TUCO INTERCHANGE 345KV CKT 1
20WP	0	0	FROM->TO	G14_043	CHISHOLM6 230.00 - ELK CITY 230KV 230KV CKT 1	437.6	0.09009	105.8291	SPP-SWPS-01
20SP	0	0	FROM->TO	G14_043	CHISHOLM6 230.00 - ELK CITY 230KV 230KV CKT 1	353	0.07497	105.4398	G14_038T 345.00 - POTTER COUNTY INTERCHANGE 345KV CKT 1
20SP	0	0	FROM->TO	G14_043	CHISHOLM6 230.00 - ELK CITY 230KV 230KV CKT 1	353	0.06333	105.3796	BINGER NIJECT - ONEY 138KV CKT 1
20WP	0	0	FROM->TO	G14_043	CHISHOLM6 230.00 - ELK CITY 230KV 230KV CKT 1	437.6	0.09523	105.3623	CHISHOLM7 345.00 - WOODWARD DISTRICT EHV 345KV CKT 1
20SP	0	0	FROM->TO	G14_043	CHISHOLM6 230.00 - ELK CITY 230KV 230KV CKT 1	353	0.07143	105.1216	CIMARRON - MINCO 345KV CKT 1
20SP	0	0	FROM->TO	G14_043	CHISHOLM6 230.00 - ELK CITY 230KV 230KV CKT 1	353	0.06333	104.3597	BINGER NIJECT - SICKLES 138KV CKT 1
15G	6	0	FROM->TO	G14_043	CHISHOLM6 230.00 - ELK CITY 230KV 230KV CKT 1	437.8	0.08437	101.0119	SPP-AEPW-32
15G	6	0	FROM->TO	G14_043	CHISHOLM6 230.00 - ELK CITY 230KV 230KV CKT 1	437.8	0.08437	101.0119	SPSCont-01
15G	6	0	FROM->TO	G14_043	CHISHOLM6 230.00 - ELK CITY 230KV 230KV CKT 1	437.8	0.08437	100.1439	OKLAUNION - TUCO INTERCHANGE 345KV CKT 1
15G	6	0	FROM->TO	G14_043	CHISHOLM6 230.00 - ELK CITY 230KV 230KV CKT 1	437.8	0.08427	100.0685	SPP-SWPS-01
20SP	0	0	FROM->TO	G14_043	CHISHOLM6 230.00 - ELK CITY 230KV 230KV CKT 1	353	0.06681	100.0543	BASE CASE
20WP	0	0	TO->FROM	G14_043	CIMARRON - MINCO 345KV CKT 1	953.8	0.23593	122.044	G14-057T 345.00 - SUNNYSIDE 345KV CKT 1
20WP	0	0	TO->FROM	G14_043	CIMARRON - MINCO 345KV CKT 1	953.8	0.23593	119.8528	G14-057T 345.00 - LAWTON EASTSIDE 345KV CKT 1
20WP	0	0	TO->FROM	G14_043	CIMARRON - MINCO 345KV CKT 1	953.8	0.20203	105.5389	G14-058T 345.00 - NORTHWEST 345KV CKT 1
15G	6	0	TO->FROM	G14_043	CIMARRON - MINCO 345KV CKT 1	954.6	0.23703	104.8564	G14-057T 345.00 - SUNNYSIDE 345KV CKT 1
20WP	0	0	TO->FROM	G14_043	CIMARRON - MINCO 345KV CKT 1	953.8	0.20203	104.1235	G14-058T 345.00 - TATONGA7 345.00 345KV CKT 1
20WP	0	0	TO->FROM	G14_043	CIMARRON - MINCO 345KV CKT 1	953.8	0.23182	103.6945	CHISHOLM7 345.00 - WOODWARD DISTRICT EHV 345KV CKT 1

SEASON	GROUP	SCENARIO	DIRECTION	SOURCE	MONITORED ELEMENT	RATE (MVA)	TDF	CONTINGENCY LOADING %	CONTINGENCY
15SP	0	0	TO->FROM	G14_043	CIMARRON - MINCO 345KV CKT 1	954.9	0.23948	103.0708	G14-057T 345.00 - SUNNYSIDE 345KV CKT 1
15G	6	0	TO->FROM	G14_043	CIMARRON - MINCO 345KV CKT 1	954.6	0.23703	102.6147	G14-057T 345.00 - LAWTON EASTSIDE 345KV CKT 1
15SP	0	0	TO->FROM	G14_043	CIMARRON - MINCO 345KV CKT 1	954.9	0.23948	100.7773	G14-057T 345.00 - LAWTON EASTSIDE 345KV CKT 1
15G	3	0	TO->FROM	G14_043	CIRCLE - MULLERGREY 230KV CKT 1	392.8	0.03241	106.1357	DBL-THIS-WICH
15G	3	0	FROM->TO	G14_043	CLEARWATER - GILL ENERGY CENTER WEST 138KV CKT 1	131.5	0.03242	213.2866	DBL-THIS-WICH
15SP	0	0	FROM->TO	G14_043	CLEARWATER - GILL ENERGY CENTER WEST 138KV CKT 1	128	0.03308	182.3731	DBL-THIS-WICH
15G	3	0	TO->FROM	G14_043	CLEARWATER - MILAN TAP 138KV CKT 1	87.2	0.03242	328.064	DBL-THIS-WICH
15SP	0	0	TO->FROM	G14_043	CLEARWATER - MILAN TAP 138KV CKT 1	82	0.03308	294.3141	DBL-THIS-WICH
20WP	0	0	TO->FROM	G14_043	CLEARWATER - MILAN TAP 138KV CKT 1	92.1	0.03285	290.0294	DBL-THIS-WICH
20SP	0	0	TO->FROM	G14_043	CLEARWATER - MILAN TAP 138KV CKT 1	85.8	0.03329	264.8761	DBL-THIS-WICH
15SP	0	0	TO->FROM	G14_043	CLINTON JUNCTION - ELK CITY 138KV CKT 1	148	0.0413	146.7703	CHISHOLM7 345.00 - GRACEMONT 345KV CKT 1
15SP	0	0	TO->FROM	G14_043	CLINTON JUNCTION - ELK CITY 138KV CKT 1	148	0.03637	128.5649	SPP-AEPW-32
15SP	0	0	TO->FROM	G14_043	CLINTON JUNCTION - ELK CITY 138KV CKT 1	148	0.03637	128.5649	SPSCont-01
15SP	0	0	TO->FROM	G14_043	CLINTON JUNCTION - ELK CITY 138KV CKT 1	148	0.03637	127.8217	OKLAUNION - TUCO INTERCHANGE 345KV CKT 1
15SP	0	0	TO->FROM	G14_043	CLINTON JUNCTION - ELK CITY 138KV CKT 1	148	0.03636	127.8187	SPP-SWPS-01
15SP	0	0	TO->FROM	G14_043	CLINTON JUNCTION - ELK CITY 138KV CKT 1	148	0.03118	123.4178	G14-058T 345.00 - NORTHWEST 345KV CKT 1
15SP	0	0	TO->FROM	G14_043	CLINTON JUNCTION - ELK CITY 138KV CKT 1	148	0.03118	121.9989	G14-058T 345.00 - TATONGA7 345.00 345KV CKT 1
15SP	0	0	TO->FROM	G14_043	CLINTON JUNCTION - ELK CITY 138KV CKT 1	148	0.03193	121.596	DBL-THIS-WWRD
15SP	0	0	TO->FROM	G14_043	CLINTON JUNCTION - ELK CITY 138KV CKT 1	148	0.03116	120.5036	CLINTON AIR FORCE BASE TAP - ELK CITY 138KV CKT 1
15SP	0	0	TO->FROM	G14_043	CLINTON JUNCTION - ELK CITY 138KV CKT 1	148	0.03116	119.5576	CLINTON AIR FORCE BASE TAP - HOBART JUNCTION 138KV CKT 1
15SP	0	0	TO->FROM	G14_043	CLINTON JUNCTION - ELK CITY 138KV CKT 1	148	0.03027	118.8971	DBL-THIS-WICH
15G	6	0	TO->FROM	G14_043	CLINTON JUNCTION - ELK CITY 138KV CKT 1	185.4	0.04019	118.5212	CHISHOLM7 345.00 - GRACEMONT 345KV CKT 1
20SP	0	0	TO->FROM	G14_043	CLINTON JUNCTION - ELK CITY 138KV CKT 1	150.5	0.04119	116.8587	CHISHOLM7 345.00 - GRACEMONT 345KV CKT 1
20WP	0	0	TO->FROM	G14_043	CLINTON JUNCTION - ELK CITY 138KV CKT 1	185.3	0.04151	112.958	CHISHOLM7 345.00 - GRACEMONT 345KV CKT 1
20SP	0	0	TO->FROM	G14_043	CLINTON JUNCTION - ELK CITY 138KV CKT 1	150.5	0.03628	102.8153	SPP-AEPW-32
20SP	0	0	TO->FROM	G14_043	CLINTON JUNCTION - ELK CITY 138KV CKT 1	150.5	0.03628	102.8153	SPSCont-01
20SP	0	0	TO->FROM	G14_043	CLINTON JUNCTION - ELK CITY 138KV CKT 1	150.5	0.03628	102.2173	OKLAUNION - TUCO INTERCHANGE 345KV CKT 1
20SP	0	0	TO->FROM	G14_043	CLINTON JUNCTION - ELK CITY 138KV CKT 1	150.5	0.03626	102.2115	SPP-SWPS-01
15G	6	0	TO->FROM	G14_043	CLINTON JUNCTION - ELK CITY 138KV CKT 1	185.4	0.03532	101.6291	SPP-AEPW-32
15G	6	0	TO->FROM	G14_043	CLINTON JUNCTION - ELK CITY 138KV CKT 1	185.4	0.03532	101.6291	SPSCont-01
15G	6	0	TO->FROM	G14_043	CLINTON JUNCTION - ELK CITY 138KV CKT 1	185.4	0.03532	101.0897	OKLAUNION - TUCO INTERCHANGE 345KV CKT 1
15G	6	0	TO->FROM	G14_043	CLINTON JUNCTION - ELK CITY 138KV CKT 1	185.4	0.0353	101.0335	SPP-SWPS-01
20WP	0	0	TO->FROM	G14_043	DAWN SUB - Panda Energy Substation Hereford 115KV CKT 1	105.7	0.03099	105.5676	BUSHLAND INTERCHANGE - DEAF SMITH COUNTY INTERCHANGE 230KV CKT 1
15SP	0	0	TO->FROM	G14_043	DEAF SMITH COUNTY INTERCHANGE - G14-068T 230.00 230KV CKT 1	348.9	0.10137	109.871	POTTER COUNTY INTERCHANGE - TOLK STATION 345KV CKT 1
20WP	0	0	TO->FROM	G14_043	DEAF SMITH COUNTY INTERCHANGE - G14-068T 230.00 230KV CKT 1	360.6	0.09801	108.1503	POTTER COUNTY INTERCHANGE - TOLK STATION 345KV CKT 1
20SP	0	0	TO->FROM	G14_043	DEAF SMITH COUNTY INTERCHANGE - G14-068T 230.00 230KV CKT 1	347.7	0.10044	103.1477	POTTER COUNTY INTERCHANGE - TOLK STATION 345KV CKT 1
25SP	0	0	TO->FROM	G14_043	DEAF SMITH COUNTY INTERCHANGE - G14-068T 230.00 230KV CKT 1	346.1	0.10066	102.6987	POTTER COUNTY INTERCHANGE - TOLK STATION 345KV CKT 1
20WP	0	0	FROM->TO	G14_043	DEAF SMITH COUNTY INTERCHANGE - Panda Energy Substation Hereford 115KV CKT 1	105.9	0.03099	111.9782	BUSHLAND INTERCHANGE - DEAF SMITH COUNTY INTERCHANGE 230KV CKT 1
15SP	0	0	FROM->TO	G14_043	ELK CITY 230KV (ELKCTY-6) 230/138/13.8KV TRANSFORMER CKT 1	309.1	0.10002	178.2357	CHISHOLM7 345.00 - GRACEMONT 345KV CKT 1
15SP	0	0	FROM->TO	G14_043	ELK CITY 230KV (ELKCTY-6) 230/138/13.8KV TRANSFORMER CKT 1	314.8	0.10002	175.1673	CHISHOLM7 345.00 - GRACEMONT 345KV CKT 1
20WP	0	0	FROM->TO	G14_043	ELK CITY 230KV (ELKCTY-6) 230/138/13.8KV TRANSFORMER CKT 1	308.8	0.10125	172.2036	CHISHOLM7 345.00 - GRACEMONT 345KV CKT 1
20WP	0	0	FROM->TO	G14_043	ELK CITY 230KV (ELKCTY-6) 230/138/13.8KV TRANSFORMER CKT 1	314.1	0.10125	169.4252	CHISHOLM7 345.00 - GRACEMONT 345KV CKT 1
15G	6	0	FROM->TO	G14_043	ELK CITY 230KV (ELKCTY-6) 230/138/13.8KV TRANSFORMER CKT 1	310	0.09501	165.2132	CHISHOLM7 345.00 - GRACEMONT 345KV CKT 1
15G	6	0	FROM->TO	G14_043	ELK CITY 230KV (ELKCTY-6) 230/138/13.8KV TRANSFORMER CKT 1	314.4	0.09501	163.0601	CHISHOLM7 345.00 - GRACEMONT 345KV CKT 1
15SP	0	0	FROM->TO	G14_043	ELK CITY 230KV (ELKCTY-6) 230/138/13.8KV TRANSFORMER CKT 1	309.1	0.0892	158.6922	SPP-AEPW-32
15SP	0	0	FROM->TO	G14_043	ELK CITY 230KV (ELKCTY-6) 230/138/13.8KV TRANSFORMER CKT 1	309.1	0.0892	158.6922	SPSCont-01
15SP	0	0	FROM->TO	G14_043	ELK CITY 230KV (ELKCTY-6) 230/138/13.8KV TRANSFORMER CKT 1	309.1	0.0892	157.4952	OKLAUNION - TUCO INTERCHANGE 345KV CKT 1
15SP	0	0	FROM->TO	G14_043	ELK CITY 230KV (ELKCTY-6) 230/138/13.8KV TRANSFORMER CKT 1	309.1	0.0891	157.453	SPP-SWPS-01
15SP	0	0	FROM->TO	G14_043	ELK CITY 230KV (ELKCTY-6) 230/138/13.8KV TRANSFORMER CKT 1	314.8	0.0892	155.9777	SPP-AEPW-32
15SP	0	0	FROM->TO	G14_043	ELK CITY 230KV (ELKCTY-6) 230/138/13.8KV TRANSFORMER CKT 1	314.8	0.0892	155.9777	SPSCont-01
15SP	0	0	FROM->TO	G14_043	ELK CITY 230KV (ELKCTY-6) 230/138/13.8KV TRANSFORMER CKT 1	309.1	0.09416	154.8693	CHISHOLM7 345.00 - WOODWARD DISTRICT EHV 345KV CKT 1
15SP	0	0	FROM->TO	G14_043	ELK CITY 230KV (ELKCTY-6) 230/138/13.8KV TRANSFORMER CKT 1	314.8	0.0892	154.8341	OKLAUNION - TUCO INTERCHANGE 345KV CKT 1
15SP	0	0	FROM->TO	G14_043	ELK CITY 230KV (ELKCTY-6) 230/138/13.8KV TRANSFORMER CKT 1	314.8	0.0891	154.7609	SPP-SWPS-01
15SP	0	0	FROM->TO	G14_043	ELK CITY 230KV (ELKCTY-6) 230/138/13.8KV TRANSFORMER CKT 1	264	0.06655	154.4995	BASE CASE
15SP	0	0	FROM->TO	G14_043	ELK CITY 230KV (ELKCTY-6) 230/138/13.8KV TRANSFORMER CKT 1	314.8	0.09416	152.2239	CHISHOLM7 345.00 - WOODWARD DISTRICT EHV 345KV CKT 1
20WP	0	0	FROM->TO	G14_043	ELK CITY 230KV (ELKCTY-6) 230/138/13.8KV TRANSFORMER CKT 1	308.8	0.09019	151.0826	SPP-AEPW-32
20WP	0	0	FROM->TO	G14_043	ELK CITY 230KV (ELKCTY-6) 230/138/13.8KV TRANSFORMER CKT 1	308.8	0.09019	151.0826	SPSCont-01
15SP	0	0	FROM->TO	G14_043	ELK CITY 230KV (ELKCTY-6) 230/138/13.8KV TRANSFORMER CKT 1	270.6	0.06655	150.916	BASE CASE

SEASON	GROUP	SCENARIO	DIRECTION	SOURCE	MONITORED ELEMENT	RATE		CONTINGENCY		CONTINGENCY
						(MVA)	TDF	LOADING %		
20WP	0	0	FROM->TO	G14_043	ELK CITY 230KV (ELKCTY-6) 230/138/13.8KV TRANSFORMER CKT 1	308.8	0.09019	149.9168	OKLAUNION - TUCO INTERCHANGE 345KV CKT 1	
20WP	0	0	FROM->TO	G14_043	ELK CITY 230KV (ELKCTY-6) 230/138/13.8KV TRANSFORMER CKT 1	308.8	0.09009	149.8084	SPP-SWPS-01	
20WP	0	0	FROM->TO	G14_043	ELK CITY 230KV (ELKCTY-6) 230/138/13.8KV TRANSFORMER CKT 1	308.8	0.09523	149.1468	CHISHOLM7 345.00 - WOODWARD DISTRICT EHV 345KV CKT 1	
20SP	0	0	FROM->TO	G14_043	ELK CITY 230KV (ELKCTY-6) 230/138/13.8KV TRANSFORMER CKT 1	314.5	0.10013	148.769	CHISHOLM7 345.00 - GRACEMONT 345KV CKT 1	
20WP	0	0	FROM->TO	G14_043	ELK CITY 230KV (ELKCTY-6) 230/138/13.8KV TRANSFORMER CKT 1	314.1	0.09019	148.6925	SPP-AEPW-32	
20WP	0	0	FROM->TO	G14_043	ELK CITY 230KV (ELKCTY-6) 230/138/13.8KV TRANSFORMER CKT 1	314.1	0.09019	148.6925	SPSCont-01	
20SP	0	0	FROM->TO	G14_043	ELK CITY 230KV (ELKCTY-6) 230/138/13.8KV TRANSFORMER CKT 1	316	0.10013	148.1895	CHISHOLM7 345.00 - GRACEMONT 345KV CKT 1	
20WP	0	0	FROM->TO	G14_043	ELK CITY 230KV (ELKCTY-6) 230/138/13.8KV TRANSFORMER CKT 1	314.1	0.09019	147.5463	OKLAUNION - TUCO INTERCHANGE 345KV CKT 1	
20WP	0	0	FROM->TO	G14_043	ELK CITY 230KV (ELKCTY-6) 230/138/13.8KV TRANSFORMER CKT 1	314.1	0.09009	147.4398	SPP-SWPS-01	
20WP	0	0	FROM->TO	G14_043	ELK CITY 230KV (ELKCTY-6) 230/138/13.8KV TRANSFORMER CKT 1	314.1	0.09523	146.7893	CHISHOLM7 345.00 - WOODWARD DISTRICT EHV 345KV CKT 1	
15SP	0	0	FROM->TO	G14_043	ELK CITY 230KV (ELKCTY-6) 230/138/13.8KV TRANSFORMER CKT 1	309.1	0.07173	143.1353	G14-058T 345.00 - NORTHWEST 345KV CKT 1	
15SP	0	0	FROM->TO	G14_043	ELK CITY 230KV (ELKCTY-6) 230/138/13.8KV TRANSFORMER CKT 1	309.1	0.0734	142.8057	DBL-THIS-WWRD	
15G	6	0	FROM->TO	G14_043	ELK CITY 230KV (ELKCTY-6) 230/138/13.8KV TRANSFORMER CKT 1	310	0.08437	142.4936	SPP-AEPW-32	
15G	6	0	FROM->TO	G14_043	ELK CITY 230KV (ELKCTY-6) 230/138/13.8KV TRANSFORMER CKT 1	310	0.08437	142.4936	SPSCont-01	
15SP	0	0	FROM->TO	G14_043	ELK CITY 230KV (ELKCTY-6) 230/138/13.8KV TRANSFORMER CKT 1	309.1	0.07173	142.1647	G14-058T 345.00 - TATONGA7 345.00 345KV CKT 1	
15SP	0	0	FROM->TO	G14_043	ELK CITY 230KV (ELKCTY-6) 230/138/13.8KV TRANSFORMER CKT 1	309.1	0.07126	141.7766	DBL-THIS-WICH	
15SP	0	0	FROM->TO	G14_043	ELK CITY 230KV (ELKCTY-6) 230/138/13.8KV TRANSFORMER CKT 1	309.1	0.07222	141.6821	DBL-G1114-WWRD	
15G	6	0	FROM->TO	G14_043	ELK CITY 230KV (ELKCTY-6) 230/138/13.8KV TRANSFORMER CKT 1	310	0.08437	141.3	OKLAUNION - TUCO INTERCHANGE 345KV CKT 1	
15G	6	0	FROM->TO	G14_043	ELK CITY 230KV (ELKCTY-6) 230/138/13.8KV TRANSFORMER CKT 1	310	0.08427	141.1935	SPP-SWPS-01	
15SP	0	0	FROM->TO	G14_043	ELK CITY 230KV (ELKCTY-6) 230/138/13.8KV TRANSFORMER CKT 1	314.8	0.07173	140.7024	G14-058T 345.00 - NORTHWEST 345KV CKT 1	
15SP	0	0	FROM->TO	G14_043	ELK CITY 230KV (ELKCTY-6) 230/138/13.8KV TRANSFORMER CKT 1	309.1	0.07222	140.6792	DBL-BVR-G1114	
15G	6	0	FROM->TO	G14_043	ELK CITY 230KV (ELKCTY-6) 230/138/13.8KV TRANSFORMER CKT 1	314.4	0.08437	140.6584	SPP-AEPW-32	
15G	6	0	FROM->TO	G14_043	ELK CITY 230KV (ELKCTY-6) 230/138/13.8KV TRANSFORMER CKT 1	314.4	0.08437	140.6584	SPSCont-01	
15SP	0	0	FROM->TO	G14_043	ELK CITY 230KV (ELKCTY-6) 230/138/13.8KV TRANSFORMER CKT 1	314.8	0.0734	140.4106	DBL-THIS-WWRD	
15SP	0	0	FROM->TO	G14_043	ELK CITY 230KV (ELKCTY-6) 230/138/13.8KV TRANSFORMER CKT 1	309.1	0.07231	140.0533	FINNEY SWITCHING STATION - HOLCOMB 345KV CKT 1	
15SP	0	0	FROM->TO	G14_043	ELK CITY 230KV (ELKCTY-6) 230/138/13.8KV TRANSFORMER CKT 1	314.8	0.07173	139.7494	G14-058T 345.00 - TATONGA7 345.00 345KV CKT 1	
15G	6	0	FROM->TO	G14_043	ELK CITY 230KV (ELKCTY-6) 230/138/13.8KV TRANSFORMER CKT 1	310	0.08898	139.5051	CHISHOLM7 345.00 - WOODWARD DISTRICT EHV 345KV CKT 1	
15G	6	0	FROM->TO	G14_043	ELK CITY 230KV (ELKCTY-6) 230/138/13.8KV TRANSFORMER CKT 1	314.4	0.08437	139.4498	OKLAUNION - TUCO INTERCHANGE 345KV CKT 1	
15SP	0	0	FROM->TO	G14_043	ELK CITY 230KV (ELKCTY-6) 230/138/13.8KV TRANSFORMER CKT 1	314.8	0.07126	139.3683	DBL-THIS-WICH	
15G	6	0	FROM->TO	G14_043	ELK CITY 230KV (ELKCTY-6) 230/138/13.8KV TRANSFORMER CKT 1	314.4	0.08427	139.3447	SPP-SWPS-01	
15SP	0	0	FROM->TO	G14_043	ELK CITY 230KV (ELKCTY-6) 230/138/13.8KV TRANSFORMER CKT 1	314.8	0.07222	139.3073	DBL-G1114-WWRD	
15SP	0	0	FROM->TO	G14_043	ELK CITY 230KV (ELKCTY-6) 230/138/13.8KV TRANSFORMER CKT 1	314.8	0.07222	138.2908	DBL-BVR-G1114	
15SP	0	0	FROM->TO	G14_043	ELK CITY 230KV (ELKCTY-6) 230/138/13.8KV TRANSFORMER CKT 1	314.8	0.07231	137.708	FINNEY SWITCHING STATION - HOLCOMB 345KV CKT 1	
15G	6	0	FROM->TO	G14_043	ELK CITY 230KV (ELKCTY-6) 230/138/13.8KV TRANSFORMER CKT 1	314.4	0.08898	137.68	CHISHOLM7 345.00 - WOODWARD DISTRICT EHV 345KV CKT 1	
15SP	0	0	FROM->TO	G14_043	ELK CITY 230KV (ELKCTY-6) 230/138/13.8KV TRANSFORMER CKT 1	314.8	0.07173	136.5728	G11_051T 345.00 - TATONGA7 345.00 345KV CKT 1	
20WP	0	0	FROM->TO	G14_043	ELK CITY 230KV (ELKCTY-6) 230/138/13.8KV TRANSFORMER CKT 1	279.1	0.06755	136.264	BASE CASE	
15SP	0	0	FROM->TO	G14_043	ELK CITY 230KV (ELKCTY-6) 230/138/13.8KV TRANSFORMER CKT 1	309.1	0.06311	136.1354	ONEY - WASHITA 138KV CKT 1	
15SP	0	0	FROM->TO	G14_043	ELK CITY 230KV (ELKCTY-6) 230/138/13.8KV TRANSFORMER CKT 1	309.1	0.06655	136.0657	SOUTHWESTERN STATION 138/24.0KV TRANSFORMER CKT 1	
15SP	0	0	FROM->TO	G14_043	ELK CITY 230KV (ELKCTY-6) 230/138/13.8KV TRANSFORMER CKT 1	309.1	0.06311	135.456	BINGER NIJECT - ONEY 138KV CKT 1	
20WP	0	0	FROM->TO	G14_043	ELK CITY 230KV (ELKCTY-6) 230/138/13.8KV TRANSFORMER CKT 1	308.8	0.07267	135.2121	G14-058T 345.00 - NORTHWEST 345KV CKT 1	
15SP	0	0	FROM->TO	G14_043	ELK CITY 230KV (ELKCTY-6) 230/138/13.8KV TRANSFORMER CKT 1	309.1	0.06311	134.2913	BINGER NIJECT - SICKLES 138KV CKT 1	
20WP	0	0	FROM->TO	G14_043	ELK CITY 230KV (ELKCTY-6) 230/138/13.8KV TRANSFORMER CKT 1	308.8	0.07267	134.2729	G14-058T 345.00 - TATONGA7 345.00 345KV CKT 1	
20WP	0	0	FROM->TO	G14_043	ELK CITY 230KV (ELKCTY-6) 230/138/13.8KV TRANSFORMER CKT 1	308.8	0.07426	134.0952	DBL-THIS-WWRD	
20SP	0	0	FROM->TO	G14_043	ELK CITY 230KV (ELKCTY-6) 230/138/13.8KV TRANSFORMER CKT 1	314.5	0.08936	133.8882	SPP-AEPW-32	
20SP	0	0	FROM->TO	G14_043	ELK CITY 230KV (ELKCTY-6) 230/138/13.8KV TRANSFORMER CKT 1	314.5	0.08936	133.8882	SPSCont-01	
15SP	0	0	FROM->TO	G14_043	ELK CITY 230KV (ELKCTY-6) 230/138/13.8KV TRANSFORMER CKT 1	314.8	0.06311	133.861	ONEY - WASHITA 138KV CKT 1	
20WP	0	0	FROM->TO	G14_043	ELK CITY 230KV (ELKCTY-6) 230/138/13.8KV TRANSFORMER CKT 1	308.8	0.0734	133.794	DBL-G1114-WWRD	
15SP	0	0	FROM->TO	G14_043	ELK CITY 230KV (ELKCTY-6) 230/138/13.8KV TRANSFORMER CKT 1	314.8	0.06655	133.7926	SOUTHWESTERN STATION 138/24.0KV TRANSFORMER CKT 1	
20WP	0	0	FROM->TO	G14_043	ELK CITY 230KV (ELKCTY-6) 230/138/13.8KV TRANSFORMER CKT 1	284.9	0.06755	133.6654	BASE CASE	
20WP	0	0	FROM->TO	G14_043	ELK CITY 230KV (ELKCTY-6) 230/138/13.8KV TRANSFORMER CKT 1	308.8	0.07197	133.5297	DBL-THIS-WICH	
20SP	0	0	FROM->TO	G14_043	ELK CITY 230KV (ELKCTY-6) 230/138/13.8KV TRANSFORMER CKT 1	316	0.08936	133.3793	SPP-AEPW-32	
20SP	0	0	FROM->TO	G14_043	ELK CITY 230KV (ELKCTY-6) 230/138/13.8KV TRANSFORMER CKT 1	316	0.08936	133.3793	SPSCont-01	
15SP	0	0	FROM->TO	G14_043	ELK CITY 230KV (ELKCTY-6) 230/138/13.8KV TRANSFORMER CKT 1	314.8	0.06311	133.1622	BINGER NIJECT - ONEY 138KV CKT 1	
20WP	0	0	FROM->TO	G14_043	ELK CITY 230KV (ELKCTY-6) 230/138/13.8KV TRANSFORMER CKT 1	314.1	0.07267	133.0579	G14-058T 345.00 - NORTHWEST 345KV CKT 1	
20WP	0	0	FROM->TO	G14_043	ELK CITY 230KV (ELKCTY-6) 230/138/13.8KV TRANSFORMER CKT 1	308.8	0.0734	132.7578	DBL-BVR-G1114	
20SP	0	0	FROM->TO	G14_043	ELK CITY 230KV (ELKCTY-6) 230/138/13.8KV TRANSFORMER CKT 1	314.5	0.08936	132.7435	OKLAUNION - TUCO INTERCHANGE 345KV CKT 1	
20SP	0	0	FROM->TO	G14_043	ELK CITY 230KV (ELKCTY-6) 230/138/13.8KV TRANSFORMER CKT 1	314.5	0.08925	132.7007	SPP-SWPS-01	
20SP	0	0	FROM->TO	G14_043	ELK CITY 230KV (ELKCTY-6) 230/138/13.8KV TRANSFORMER CKT 1	314.5	0.09459	132.3331	CHISHOLM7 345.00 - WOODWARD DISTRICT EHV 345KV CKT 1	

SEASON	GROUP	SCENARIO	DIRECTION	SOURCE	MONITORED ELEMENT	RATE		CONTINGENCY	
						(MVA)	TDF	LOADING %	CONTINGENCY
20SP	0	0	FROM->TO	G14_043	ELK CITY 230KV (ELKCTY-6) 230/138/13.8KV TRANSFORMER CKT 1	316	0.08936	132.24	OKLAUNION - TUCO INTERCHANGE 345KV CKT 1
20SP	0	0	FROM->TO	G14_043	ELK CITY 230KV (ELKCTY-6) 230/138/13.8KV TRANSFORMER CKT 1	316	0.08925	132.1974	SPP-SWPS-01
20WP	0	0	FROM->TO	G14_043	ELK CITY 230KV (ELKCTY-6) 230/138/13.8KV TRANSFORMER CKT 1	314.1	0.07267	132.1346	G14-058T 345.00 - TATONGA7 345.00 345KV CKT 1
15SP	0	0	FROM->TO	G14_043	ELK CITY 230KV (ELKCTY-6) 230/138/13.8KV TRANSFORMER CKT 1	314.8	0.06311	132.0186	BINGER NIJECT - SICKLES 138KV CKT 1
20WP	0	0	FROM->TO	G14_043	ELK CITY 230KV (ELKCTY-6) 230/138/13.8KV TRANSFORMER CKT 1	314.1	0.07426	131.9917	DBL-THIS-WWRD
20SP	0	0	FROM->TO	G14_043	ELK CITY 230KV (ELKCTY-6) 230/138/13.8KV TRANSFORMER CKT 1	316	0.09459	131.8315	CHISHOLM7 345.00 - WOODWARD DISTRICT EHV 345KV CKT 1
20WP	0	0	FROM->TO	G14_043	ELK CITY 230KV (ELKCTY-6) 230/138/13.8KV TRANSFORMER CKT 1	308.8	0.07572	131.7786	G14_038T 345.00 - Hitchland Interchange 345KV CKT 1
20WP	0	0	FROM->TO	G14_043	ELK CITY 230KV (ELKCTY-6) 230/138/13.8KV TRANSFORMER CKT 1	314.1	0.0734	131.6638	DBL-G1114-WWRD
20WP	0	0	FROM->TO	G14_043	ELK CITY 230KV (ELKCTY-6) 230/138/13.8KV TRANSFORMER CKT 1	314.1	0.07197	131.4357	DBL-THIS-WICH
15SP	0	0	FROM->TO	G14_043	ELK CITY 230KV (ELKCTY-6) 230/138/13.8KV TRANSFORMER CKT 1	314.8	0.06178	131.3283	3TERM10
20WP	0	0	FROM->TO	G14_043	ELK CITY 230KV (ELKCTY-6) 230/138/13.8KV TRANSFORMER CKT 1	308.8	0.07267	131.1317	G11_051T 345.00 - TATONGA7 345.00 345KV CKT 1
20WP	0	0	FROM->TO	G14_043	ELK CITY 230KV (ELKCTY-6) 230/138/13.8KV TRANSFORMER CKT 1	314.1	0.0734	130.6768	DBL-BVR-G1114
20WP	0	0	FROM->TO	G14_043	ELK CITY 230KV (ELKCTY-6) 230/138/13.8KV TRANSFORMER CKT 1	308.8	0.07344	130.6656	FINNEY SWITCHING STATION - HOLCOMB 345KV CKT 1
20SP	0	0	FROM->TO	G14_043	ELK CITY 230KV (ELKCTY-6) 230/138/13.8KV TRANSFORMER CKT 1	270.3	0.06681	130.5185	BASE CASE
20WP	0	0	FROM->TO	G14_043	ELK CITY 230KV (ELKCTY-6) 230/138/13.8KV TRANSFORMER CKT 1	308.8	0.07267	130.5165	SPSCont-05ax
20WP	0	0	FROM->TO	G14_043	ELK CITY 230KV (ELKCTY-6) 230/138/13.8KV TRANSFORMER CKT 1	308.8	0.07267	130.4193	G11_051T 345.00 - WOODWARD DISTRICT EHV 345KV CKT 1
15SP	0	0	FROM->TO	G14_043	ELK CITY 230KV (ELKCTY-6) 230/138/13.8KV TRANSFORMER CKT 1	309.1	0.05546	130.321	MOORELAND - NINE MILE 138KV CKT 1
15SP	0	0	FROM->TO	G14_043	ELK CITY 230KV (ELKCTY-6) 230/138/13.8KV TRANSFORMER CKT 1	309.1	0.05546	130.321	MOREWOOD SW - NINE MILE 138KV CKT 1
15G	6	0	FROM->TO	G14_043	ELK CITY 230KV (ELKCTY-6) 230/138/13.8KV TRANSFORMER CKT 1	310	0.06244	130.2578	REDHIL-HVB1 138.00 138/34.5KV TRANSFORMER CKT 1
15G	6	0	FROM->TO	G14_043	ELK CITY 230KV (ELKCTY-6) 230/138/13.8KV TRANSFORMER CKT 1	310	0.06244	130.1933	RED HILLS WIND - REDHIL-HVB1 138.00 138KV CKT 1
20SP	0	0	FROM->TO	G14_043	ELK CITY 230KV (ELKCTY-6) 230/138/13.8KV TRANSFORMER CKT 1	272	0.06681	129.8498	BASE CASE
20WP	0	0	FROM->TO	G14_043	ELK CITY 230KV (ELKCTY-6) 230/138/13.8KV TRANSFORMER CKT 1	314.1	0.07572	129.7142	G14_038T 345.00 - Hitchland Interchange 345KV CKT 1
20WP	0	0	FROM->TO	G14_043	ELK CITY 230KV (ELKCTY-6) 230/138/13.8KV TRANSFORMER CKT 1	314.1	0.07267	129.0783	G11_051T 345.00 - TATONGA7 345.00 345KV CKT 1
20WP	0	0	FROM->TO	G14_043	ELK CITY 230KV (ELKCTY-6) 230/138/13.8KV TRANSFORMER CKT 1	308.8	0.06755	128.8254	RED HILLS WIND - REDHIL-HVB1 138.00 138KV CKT 1
20WP	0	0	FROM->TO	G14_043	ELK CITY 230KV (ELKCTY-6) 230/138/13.8KV TRANSFORMER CKT 1	308.8	0.06755	128.8254	REDHIL-HVB1 138.00 138/34.5KV TRANSFORMER CKT 1
20WP	0	0	FROM->TO	G14_043	ELK CITY 230KV (ELKCTY-6) 230/138/13.8KV TRANSFORMER CKT 1	314.1	0.07344	128.5881	FINNEY SWITCHING STATION - HOLCOMB 345KV CKT 1
15G	6	0	FROM->TO	G14_043	ELK CITY 230KV (ELKCTY-6) 230/138/13.8KV TRANSFORMER CKT 1	280.4	0.06244	128.5661	BASE CASE
15G	6	0	FROM->TO	G14_043	ELK CITY 230KV (ELKCTY-6) 230/138/13.8KV TRANSFORMER CKT 1	314.4	0.06244	128.5621	REDHIL-HVB1 138.00 138/34.5KV TRANSFORMER CKT 1
15G	6	0	FROM->TO	G14_043	ELK CITY 230KV (ELKCTY-6) 230/138/13.8KV TRANSFORMER CKT 1	314.4	0.06244	128.4985	RED HILLS WIND - REDHIL-HVB1 138.00 138KV CKT 1
20WP	0	0	FROM->TO	G14_043	ELK CITY 230KV (ELKCTY-6) 230/138/13.8KV TRANSFORMER CKT 1	314.1	0.07267	128.4415	SPSCont-05ax
20WP	0	0	FROM->TO	G14_043	ELK CITY 230KV (ELKCTY-6) 230/138/13.8KV TRANSFORMER CKT 1	314.1	0.07267	128.3778	G11_051T 345.00 - WOODWARD DISTRICT EHV 345KV CKT 1
15G	6	0	FROM->TO	G14_043	ELK CITY 230KV (ELKCTY-6) 230/138/13.8KV TRANSFORMER CKT 1	310	0.06769	128.1233	G14-058T 345.00 - NORTHWEST 345KV CKT 1
15G	6	0	FROM->TO	G14_043	ELK CITY 230KV (ELKCTY-6) 230/138/13.8KV TRANSFORMER CKT 1	310	0.06769	127.1555	G14-058T 345.00 - TATONGA7 345.00 345KV CKT 1
15G	6	0	FROM->TO	G14_043	ELK CITY 230KV (ELKCTY-6) 230/138/13.8KV TRANSFORMER CKT 1	310	0.06916	126.8326	DBL-THIS-WWRD
20WP	0	0	FROM->TO	G14_043	ELK CITY 230KV (ELKCTY-6) 230/138/13.8KV TRANSFORMER CKT 1	314.1	0.06755	126.8108	RED HILLS WIND - REDHIL-HVB1 138.00 138KV CKT 1
20WP	0	0	FROM->TO	G14_043	ELK CITY 230KV (ELKCTY-6) 230/138/13.8KV TRANSFORMER CKT 1	314.1	0.06755	126.8108	REDHIL-HVB1 138.00 138/34.5KV TRANSFORMER CKT 1
15G	6	0	FROM->TO	G14_043	ELK CITY 230KV (ELKCTY-6) 230/138/13.8KV TRANSFORMER CKT 1	285.2	0.06244	126.5425	BASE CASE
15G	6	0	FROM->TO	G14_043	ELK CITY 230KV (ELKCTY-6) 230/138/13.8KV TRANSFORMER CKT 1	310	0.06711	126.4628	DBL-THIS-WICH
15G	6	0	FROM->TO	G14_043	ELK CITY 230KV (ELKCTY-6) 230/138/13.8KV TRANSFORMER CKT 1	314.4	0.06769	126.4574	G14-058T 345.00 - NORTHWEST 345KV CKT 1
15G	6	0	FROM->TO	G14_043	ELK CITY 230KV (ELKCTY-6) 230/138/13.8KV TRANSFORMER CKT 1	310	0.06765	126.408	DBL-G1114-WWRD
15G	6	0	FROM->TO	G14_043	ELK CITY 230KV (ELKCTY-6) 230/138/13.8KV TRANSFORMER CKT 1	314.4	0.06769	125.5032	G14-058T 345.00 - TATONGA7 345.00 345KV CKT 1
15G	6	0	FROM->TO	G14_043	ELK CITY 230KV (ELKCTY-6) 230/138/13.8KV TRANSFORMER CKT 1	310	0.06765	125.4403	DBL-BVR-G1114
15G	6	0	FROM->TO	G14_043	ELK CITY 230KV (ELKCTY-6) 230/138/13.8KV TRANSFORMER CKT 1	314.4	0.06916	125.1848	DBL-THIS-WWRD
15G	6	0	FROM->TO	G14_043	ELK CITY 230KV (ELKCTY-6) 230/138/13.8KV TRANSFORMER CKT 1	314.4	0.06711	124.8202	DBL-THIS-WICH
15G	6	0	FROM->TO	G14_043	ELK CITY 230KV (ELKCTY-6) 230/138/13.8KV TRANSFORMER CKT 1	314.4	0.06765	124.7662	DBL-G1114-WWRD
15G	6	0	FROM->TO	G14_043	ELK CITY 230KV (ELKCTY-6) 230/138/13.8KV TRANSFORMER CKT 1	310	0.07017	124.2657	G14_038T 345.00 - Hitchland Interchange 345KV CKT 1
15G	6	0	FROM->TO	G14_043	ELK CITY 230KV (ELKCTY-6) 230/138/13.8KV TRANSFORMER CKT 1	310	0.065	123.9402	FPL SWITCH - MOORELAND 138KV CKT 1
15G	6	0	FROM->TO	G14_043	ELK CITY 230KV (ELKCTY-6) 230/138/13.8KV TRANSFORMER CKT 1	310	0.06769	123.9297	G11_051T 345.00 - TATONGA7 345.00 345KV CKT 1
15G	6	0	FROM->TO	G14_043	ELK CITY 230KV (ELKCTY-6) 230/138/13.8KV TRANSFORMER CKT 1	314.4	0.06765	123.8438	DBL-BVR-G1114
15G	6	0	FROM->TO	G14_043	ELK CITY 230KV (ELKCTY-6) 230/138/13.8KV TRANSFORMER CKT 1	310	0.06779	123.5328	FINNEY SWITCHING STATION - HOLCOMB 345KV CKT 1
15G	6	0	FROM->TO	G14_043	ELK CITY 230KV (ELKCTY-6) 230/138/13.8KV TRANSFORMER CKT 1	310	0.065	123.4564	FPL SWITCH - WOODWARD 138KV CKT 1
15G	6	0	FROM->TO	G14_043	ELK CITY 230KV (ELKCTY-6) 230/138/13.8KV TRANSFORMER CKT 1	314.4	0.07017	122.6539	G14_038T 345.00 - Hitchland Interchange 345KV CKT 1
15G	6	0	FROM->TO	G14_043	ELK CITY 230KV (ELKCTY-6) 230/138/13.8KV TRANSFORMER CKT 1	314.4	0.065	122.3329	FPL SWITCH - MOORELAND 138KV CKT 1
15G	6	0	FROM->TO	G14_043	ELK CITY 230KV (ELKCTY-6) 230/138/13.8KV TRANSFORMER CKT 1	314.4	0.06769	122.3226	G11_051T 345.00 - TATONGA7 345.00 345KV CKT 1
15G	6	0	FROM->TO	G14_043	ELK CITY 230KV (ELKCTY-6) 230/138/13.8KV TRANSFORMER CKT 1	314.4	0.06779	121.9312	FINNEY SWITCHING STATION - HOLCOMB 345KV CKT 1
15G	6	0	FROM->TO	G14_043	ELK CITY 230KV (ELKCTY-6) 230/138/13.8KV TRANSFORMER CKT 1	314.4	0.065	121.8558	FPL SWITCH - WOODWARD 138KV CKT 1
20SP	0	0	FROM->TO	G14_043	ELK CITY 230KV (ELKCTY-6) 230/138/13.8KV TRANSFORMER CKT 1	314.5	0.07359	121.8122	DBL-THIS-WWRD
20SP	0	0	FROM->TO	G14_043	ELK CITY 230KV (ELKCTY-6) 230/138/13.8KV TRANSFORMER CKT 1	314.5	0.07184	121.5513	G14-058T 345.00 - NORTHWEST 345KV CKT 1

SEASON	GROUP	SCENARIO	DIRECTION	SOURCE	MONITORED ELEMENT	RATE (MVA)	TDF	CONTINGENCY LOADING %	CONTINGENCY
20SP	0	0	FROM->TO	G14_043	ELK CITY 230KV (ELKCTY-6) 230/138/13.8KV TRANSFORMER CKT 1	316	0.07359	121.3605	DBL-THIS-WWRD
20SP	0	0	FROM->TO	G14_043	ELK CITY 230KV (ELKCTY-6) 230/138/13.8KV TRANSFORMER CKT 1	316	0.07184	121.1009	G14-058T 345.00 - NORTHWEST 345KV CKT 1
20SP	0	0	FROM->TO	G14_043	ELK CITY 230KV (ELKCTY-6) 230/138/13.8KV TRANSFORMER CKT 1	314.5	0.07184	120.5974	G14-058T 345.00 - TATONGA7 345.00 345KV CKT 1
20SP	0	0	FROM->TO	G14_043	ELK CITY 230KV (ELKCTY-6) 230/138/13.8KV TRANSFORMER CKT 1	314.5	0.07134	120.5934	DBL-THIS-WICH
20SP	0	0	FROM->TO	G14_043	ELK CITY 230KV (ELKCTY-6) 230/138/13.8KV TRANSFORMER CKT 1	314.5	0.07259	120.3829	DBL-G1114-WWRD
20SP	0	0	FROM->TO	G14_043	ELK CITY 230KV (ELKCTY-6) 230/138/13.8KV TRANSFORMER CKT 1	316	0.07184	120.1516	G14-058T 345.00 - TATONGA7 345.00 345KV CKT 1
20SP	0	0	FROM->TO	G14_043	ELK CITY 230KV (ELKCTY-6) 230/138/13.8KV TRANSFORMER CKT 1	316	0.07134	120.1476	DBL-THIS-WICH
20SP	0	0	FROM->TO	G14_043	ELK CITY 230KV (ELKCTY-6) 230/138/13.8KV TRANSFORMER CKT 1	316	0.07259	119.9065	DBL-G1114-WWRD
20SP	0	0	FROM->TO	G14_043	ELK CITY 230KV (ELKCTY-6) 230/138/13.8KV TRANSFORMER CKT 1	314.5	0.07268	119.4484	FINNEY SWITCHING STATION - HOLCOMB 345KV CKT 1
20SP	0	0	FROM->TO	G14_043	ELK CITY 230KV (ELKCTY-6) 230/138/13.8KV TRANSFORMER CKT 1	314.5	0.07259	119.3337	DBL-BVR-G1114
20SP	0	0	FROM->TO	G14_043	ELK CITY 230KV (ELKCTY-6) 230/138/13.8KV TRANSFORMER CKT 1	316	0.07268	118.9764	FINNEY SWITCHING STATION - HOLCOMB 345KV CKT 1
20SP	0	0	FROM->TO	G14_043	ELK CITY 230KV (ELKCTY-6) 230/138/13.8KV TRANSFORMER CKT 1	316	0.07259	118.8938	DBL-BVR-G1114
20SP	0	0	FROM->TO	G14_043	ELK CITY 230KV (ELKCTY-6) 230/138/13.8KV TRANSFORMER CKT 1	314.5	0.07497	118.888	G14_038T 345.00 - Hitchland Interchange 345KV CKT 1
20SP	0	0	FROM->TO	G14_043	ELK CITY 230KV (ELKCTY-6) 230/138/13.8KV TRANSFORMER CKT 1	314.5	0.06333	118.8839	ONEY - WASHITA 138KV CKT 1
20SP	0	0	FROM->TO	G14_043	ELK CITY 230KV (ELKCTY-6) 230/138/13.8KV TRANSFORMER CKT 1	316	0.06333	118.4662	ONEY - WASHITA 138KV CKT 1
20SP	0	0	FROM->TO	G14_043	ELK CITY 230KV (ELKCTY-6) 230/138/13.8KV TRANSFORMER CKT 1	316	0.07497	118.4185	G14_038T 345.00 - Hitchland Interchange 345KV CKT 1
20SP	0	0	FROM->TO	G14_043	ELK CITY 230KV (ELKCTY-6) 230/138/13.8KV TRANSFORMER CKT 1	314.5	0.06333	118.1526	BINGER NIJECT - ONEY 138KV CKT 1
20SP	0	0	FROM->TO	G14_043	ELK CITY 230KV (ELKCTY-6) 230/138/13.8KV TRANSFORMER CKT 1	314.5	0.07143	117.863	CIMARRON - MINCO 345KV CKT 1
20SP	0	0	FROM->TO	G14_043	ELK CITY 230KV (ELKCTY-6) 230/138/13.8KV TRANSFORMER CKT 1	316	0.06333	117.7183	BINGER NIJECT - ONEY 138KV CKT 1
20SP	0	0	FROM->TO	G14_043	ELK CITY 230KV (ELKCTY-6) 230/138/13.8KV TRANSFORMER CKT 1	316	0.07143	117.4301	CIMARRON - MINCO 345KV CKT 1
20SP	0	0	FROM->TO	G14_043	ELK CITY 230KV (ELKCTY-6) 230/138/13.8KV TRANSFORMER CKT 1	314.5	0.06333	117.0079	BINGER NIJECT - SICKLES 138KV CKT 1
20SP	0	0	FROM->TO	G14_043	ELK CITY 230KV (ELKCTY-6) 230/138/13.8KV TRANSFORMER CKT 1	314.5	0.06333	116.5946	CLINTON JUNCTION - G07-32T 138.00 138KV CKT 1
20SP	0	0	FROM->TO	G14_043	ELK CITY 230KV (ELKCTY-6) 230/138/13.8KV TRANSFORMER CKT 1	316	0.06333	116.5791	BINGER NIJECT - SICKLES 138KV CKT 1
20SP	0	0	FROM->TO	G14_043	ELK CITY 230KV (ELKCTY-6) 230/138/13.8KV TRANSFORMER CKT 1	316	0.06333	116.1677	CLINTON JUNCTION - G07-32T 138.00 138KV CKT 1
25SP	0	0	FROM->TO	G14_043	ELK CITY 230KV (ELKCTY-6) 230/138/13.8KV TRANSFORMER CKT 1	315.7	0.0944	109.9752	CHISHOLM7 345.00 - GRACEMONT 345KV CKT 1
25SP	0	0	FROM->TO	G14_043	ELK CITY 230KV (ELKCTY-6) 230/138/13.8KV TRANSFORMER CKT 1	316	0.0944	109.9341	CHISHOLM7 345.00 - GRACEMONT 345KV CKT 1
25SP	0	0	FROM->TO	G14_043	ELK CITY 230KV (ELKCTY-6) 230/138/13.8KV TRANSFORMER CKT 1	315.7	0.09587	103.4966	CHISHOLM7 345.00 - WOODWARD DISTRICT EHV 345KV CKT 1
25SP	0	0	FROM->TO	G14_043	ELK CITY 230KV (ELKCTY-6) 230/138/13.8KV TRANSFORMER CKT 1	316	0.09587	103.4616	CHISHOLM7 345.00 - WOODWARD DISTRICT EHV 345KV CKT 1
25SP	0	0	FROM->TO	G14_043	ELK CITY 230KV (ELKCTY-6) 230/138/13.8KV TRANSFORMER CKT 1	271.6	0.0652	103.2742	BASE CASE
25SP	0	0	FROM->TO	G14_043	ELK CITY 230KV (ELKCTY-6) 230/138/13.8KV TRANSFORMER CKT 1	315.7	0.08647	103.2083	SPP-AEPW-32
25SP	0	0	FROM->TO	G14_043	ELK CITY 230KV (ELKCTY-6) 230/138/13.8KV TRANSFORMER CKT 1	315.7	0.08647	103.2083	SPSCont-01
25SP	0	0	FROM->TO	G14_043	ELK CITY 230KV (ELKCTY-6) 230/138/13.8KV TRANSFORMER CKT 1	272	0.0652	103.1959	BASE CASE
25SP	0	0	FROM->TO	G14_043	ELK CITY 230KV (ELKCTY-6) 230/138/13.8KV TRANSFORMER CKT 1	316	0.08647	103.1736	SPP-AEPW-32
25SP	0	0	FROM->TO	G14_043	ELK CITY 230KV (ELKCTY-6) 230/138/13.8KV TRANSFORMER CKT 1	316	0.08647	103.1736	SPSCont-01
25SP	0	0	FROM->TO	G14_043	ELK CITY 230KV (ELKCTY-6) 230/138/13.8KV TRANSFORMER CKT 1	315.7	0.08647	102.163	OKLAUNION - TUCO INTERCHANGE 345KV CKT 1
25SP	0	0	FROM->TO	G14_043	ELK CITY 230KV (ELKCTY-6) 230/138/13.8KV TRANSFORMER CKT 1	315.7	0.08635	102.152	SPP-SWPS-01
25SP	0	0	FROM->TO	G14_043	ELK CITY 230KV (ELKCTY-6) 230/138/13.8KV TRANSFORMER CKT 1	316	0.08647	102.1293	OKLAUNION - TUCO INTERCHANGE 345KV CKT 1
25SP	0	0	FROM->TO	G14_043	ELK CITY 230KV (ELKCTY-6) 230/138/13.8KV TRANSFORMER CKT 1	316	0.08635	102.1183	SPP-SWPS-01
15SP	0	0	TO->FROM	G14_043	FLATRDG3 - THISTLE4 138.00 138KV CKT 1	285	0.04051	126.323	DBL-THIS-WICH
20WP	0	0	TO->FROM	G14_043	FLATRDG3 - THISTLE4 138.00 138KV CKT 1	284.9	0.04158	120.5313	DBL-THIS-WICH
20SP	0	0	TO->FROM	G14_043	FLATRDG3 - THISTLE4 138.00 138KV CKT 1	286	0.04228	119.4047	DBL-THIS-WICH
15G	6	0	TO->FROM	G14_043	FLATRDG3 - THISTLE4 138.00 138KV CKT 1	284.5	0.03976	111.9475	DBL-THIS-WICH
15SP	0	0	TO->FROM	G14_043	FLATRDG3 - THISTLE4 138.00 138KV CKT 1	285.7	0.04846	111.7404	DBL-THIS-WICH
20SP	0	0	TO->FROM	G14_043	FLATRDG3 - THISTLE4 138.00 138KV CKT 1	285.1	0.04785	105.2903	DBL-THIS-WICH
20WP	0	0	TO->FROM	G14_043	FLATRDG3 - THISTLE4 138.00 138KV CKT 1	285.9	0.04779	105.2387	DBL-THIS-WICH
15G	3	0	FROM->TO	G14_043	FPL SWITCH - MOORELAND 138KV CKT 1	272	0.04304	129.7477	DBL-THIS-WICH
15G	3	0	FROM->TO	G14_043	FPL SWITCH - MOORELAND 138KV CKT 1	272	0.04585	123.8956	G14-058T 345.00 - NORTHWEST 345KV CKT 1
15G	3	0	FROM->TO	G14_043	FPL SWITCH - MOORELAND 138KV CKT 1	272	0.04585	121.2118	G14-058T 345.00 - TATONGA7 345.00 345KV CKT 1
15G	3	0	FROM->TO	G14_043	FPL SWITCH - MOORELAND 138KV CKT 1	272	0.04585	112.1309	G11_051T 345.00 - TATONGA7 345.00 345KV CKT 1
15G	3	0	FROM->TO	G14_043	FPL SWITCH - MOORELAND 138KV CKT 1	272	0.04585	110.0721	G11_051T 345.00 - WOODWARD DISTRICT EHV 345KV CKT 1
20WP	0	0	FROM->TO	G14_043	FPL SWITCH - MOORELAND 138KV CKT 1	273.6	0.04955	108.8037	DBL-THIS-WICH
15G	3	0	FROM->TO	G14_043	FPL SWITCH - MOORELAND 138KV CKT 1	272	0.04585	108.528	SPSCont-05ax
15G	3	0	FROM->TO	G14_043	FPL SWITCH - MOORELAND 138KV CKT 1	272	0.03217	105.108	WOODWARD (WOODWRD2) 138/69/13.2KV TRANSFORMER CKT 1
20WP	0	0	FROM->TO	G14_043	FPL SWITCH - MOORELAND 138KV CKT 1	273.6	0.0521	104.3001	G14-058T 345.00 - NORTHWEST 345KV CKT 1
15SP	0	0	FROM->TO	G14_043	FPL SWITCH - MOORELAND 138KV CKT 1	278	0.04663	103.6383	DBL-THIS-WICH
15G	3	0	FROM->TO	G14_043	FPL SWITCH - MOORELAND 138KV CKT 1	272	0.03417	102.2076	IODINE - WOODWARD EHV 138KV CKT 1
20WP	0	0	FROM->TO	G14_043	FPL SWITCH - MOORELAND 138KV CKT 1	273.6	0.0521	101.5588	G14-058T 345.00 - TATONGA7 345.00 345KV CKT 1
15G	3	0	FROM->TO	G14_043	FPL SWITCH - MOORELAND 138KV CKT 1	272	0.03417	100.6267	DEWEY - IODINE 138KV CKT 1

SEASON	GROUP	SCENARIO	DIRECTION	SOURCE	MONITORED ELEMENT	RATE (MVA)	TDF	CONTINGENCY LOADING %	CONTINGENCY
15G		6	0	FROM->TO	G14_043 FPL SWITCH - MOORELAND 138KV CKT 1	279.2	0.03873	100.4424	DBL-THIS-WWRD
15G		3	0	TO->FROM	G14_043 FPL SWITCH - WOODWARD 138KV CKT 1	135.1	0.04304	256.1908	DBL-THIS-WICH
15G		3	0	TO->FROM	G14_043 FPL SWITCH - WOODWARD 138KV CKT 1	135.1	0.04585	244.3347	G14-058T 345.00 - NORTHWEST 345KV CKT 1
15G		3	0	TO->FROM	G14_043 FPL SWITCH - WOODWARD 138KV CKT 1	135.1	0.04585	238.9312	G14-058T 345.00 - TATONGA7 345.00 345KV CKT 1
15SP		0	0	TO->FROM	G14_043 FPL SWITCH - WOODWARD 138KV CKT 1	132.6	0.04663	207.477	DBL-THIS-WICH
15G		3	0	TO->FROM	G14_043 FPL SWITCH - WOODWARD 138KV CKT 1	135.1	0.03217	206.5091	WOODWARD (WOODWRD2) 138/69/13.2KV TRANSFORMER CKT 1
15G		3	0	TO->FROM	G14_043 FPL SWITCH - WOODWARD 138KV CKT 1	135.1	0.03417	200.7437	IODINE - WOODWARD EHV 138KV CKT 1
15G		3	0	TO->FROM	G14_043 FPL SWITCH - WOODWARD 138KV CKT 1	135.1	0.03417	197.4868	DEWEY - IODINE 138KV CKT 1
15SP		0	0	TO->FROM	G14_043 FPL SWITCH - WOODWARD 138KV CKT 1	132.6	0.04929	194.1811	G14-058T 345.00 - NORTHWEST 345KV CKT 1
15G		6	0	TO->FROM	G14_043 FPL SWITCH - WOODWARD 138KV CKT 1	141.6	0.03873	189.4315	DBL-THIS-WWRD
15SP		0	0	TO->FROM	G14_043 FPL SWITCH - WOODWARD 138KV CKT 1	132.6	0.04929	188.6004	G14-058T 345.00 - TATONGA7 345.00 345KV CKT 1
15G		3	0	TO->FROM	G14_043 FPL SWITCH - WOODWARD 138KV CKT 1	135.1	0.03194	188.2161	THISTLE7 345.00 - WICHITA 345KV CKT 2
20SP		0	0	TO->FROM	G14_043 FPL SWITCH - WOODWARD 138KV CKT 1	136.3	0.04809	177.8666	DBL-THIS-WICH
15G		6	0	TO->FROM	G14_043 FPL SWITCH - WOODWARD 138KV CKT 1	141.6	0.0312	177.1781	DBL-THIS-WICH
15G		6	0	TO->FROM	G14_043 FPL SWITCH - WOODWARD 138KV CKT 1	141.6	0.03077	176.8252	G14-058T 345.00 - NORTHWEST 345KV CKT 1
15G		6	0	TO->FROM	G14_043 FPL SWITCH - WOODWARD 138KV CKT 1	141.6	0.03077	172.8704	G14-058T 345.00 - TATONGA7 345.00 345KV CKT 1
20WP		0	0	TO->FROM	G14_043 FPL SWITCH - WOODWARD 138KV CKT 1	167.7	0.04955	170.356	DBL-THIS-WICH
15SP		0	0	TO->FROM	G14_043 FPL SWITCH - WOODWARD 138KV CKT 1	132.6	0.04929	169.7467	G11_051T 345.00 - TATONGA7 345.00 345KV CKT 1
15G		6	0	TO->FROM	G14_043 FPL SWITCH - WOODWARD 138KV CKT 1	141.6	0.03104	169.6095	CHISHOLM6 230.00 - ELK CITY 230KV 230KV CKT 1
15G		6	0	TO->FROM	G14_043 FPL SWITCH - WOODWARD 138KV CKT 1	141.6	0.03104	169.6095	ELK CITY 230KV (ELKCTY-6) 230/138/13.8KV TRANSFORMER CKT 1
15SP		0	0	TO->FROM	G14_043 FPL SWITCH - WOODWARD 138KV CKT 1	132.6	0.04929	165.448	G11_051T 345.00 - WOODWARD DISTRICT EHV 345KV CKT 1
20WP		0	0	TO->FROM	G14_043 FPL SWITCH - WOODWARD 138KV CKT 1	167.7	0.0521	163.0083	G14-058T 345.00 - NORTHWEST 345KV CKT 1
20SP		0	0	TO->FROM	G14_043 FPL SWITCH - WOODWARD 138KV CKT 1	136.3	0.05021	162.8501	G14-058T 345.00 - NORTHWEST 345KV CKT 1
15SP		0	0	TO->FROM	G14_043 FPL SWITCH - WOODWARD 138KV CKT 1	132.6	0.036	162.7625	WOODWARD (WOODWRD2) 138/69/13.2KV TRANSFORMER CKT 1
15SP		0	0	TO->FROM	G14_043 FPL SWITCH - WOODWARD 138KV CKT 1	132.6	0.04929	162.2806	SPSCont-05ax
15G		6	0	TO->FROM	G14_043 FPL SWITCH - WOODWARD 138KV CKT 1	141.6	0.03077	159.7349	G11_051T 345.00 - TATONGA7 345.00 345KV CKT 1
15SP		0	0	TO->FROM	G14_043 FPL SWITCH - WOODWARD 138KV CKT 1	132.6	0.03198	159.3995	MOORELAND 138/18.0KV TRANSFORMER CKT 1
20WP		0	0	TO->FROM	G14_043 FPL SWITCH - WOODWARD 138KV CKT 1	167.7	0.0521	158.5361	G14-058T 345.00 - TATONGA7 345.00 345KV CKT 1
15SP		0	0	TO->FROM	G14_043 FPL SWITCH - WOODWARD 138KV CKT 1	132.6	0.03198	158.4231	MOORELAND 138/18.0KV TRANSFORMER CKT 1
20SP		0	0	TO->FROM	G14_043 FPL SWITCH - WOODWARD 138KV CKT 1	136.3	0.05021	157.1274	G14-058T 345.00 - TATONGA7 345.00 345KV CKT 1
15G		6	0	TO->FROM	G14_043 FPL SWITCH - WOODWARD 138KV CKT 1	141.6	0.03077	156.6981	G11_051T 345.00 - WOODWARD DISTRICT EHV 345KV CKT 1
15G		6	0	TO->FROM	G14_043 FPL SWITCH - WOODWARD 138KV CKT 1	141.6	0.03077	153.8733	SPSCont-05ax
15SP		0	0	TO->FROM	G14_043 FPL SWITCH - WOODWARD 138KV CKT 1	132.6	0.03793	152.2833	IODINE - WOODWARD EHV 138KV CKT 1
15SP		0	0	TO->FROM	G14_043 FPL SWITCH - WOODWARD 138KV CKT 1	132.6	0.03793	149.1159	DEWEY - IODINE 138KV CKT 1
15SP		0	0	TO->FROM	G14_043 FPL SWITCH - WOODWARD 138KV CKT 1	108.9	0.03198	145.4449	BASE CASE
20WP		0	0	TO->FROM	G14_043 FPL SWITCH - WOODWARD 138KV CKT 1	167.7	0.0521	143.5689	G11_051T 345.00 - TATONGA7 345.00 345KV CKT 1
20SP		0	0	TO->FROM	G14_043 FPL SWITCH - WOODWARD 138KV CKT 1	136.3	0.03867	142.5898	WOODWARD (WOODWRD2) 138/69/13.2KV TRANSFORMER CKT 1
15SP		0	0	TO->FROM	G14_043 FPL SWITCH - WOODWARD 138KV CKT 1	132.6	0.03547	140.4045	THISTLE7 345.00 - WICHITA 345KV CKT 1
15SP		0	0	TO->FROM	G14_043 FPL SWITCH - WOODWARD 138KV CKT 1	132.6	0.03547	140.4045	THISTLE7 345.00 - WICHITA 345KV CKT 2
20WP		0	0	TO->FROM	G14_043 FPL SWITCH - WOODWARD 138KV CKT 1	167.7	0.0521	140.17	G11_051T 345.00 - WOODWARD DISTRICT EHV 345KV CKT 1
15SP		0	0	TO->FROM	G14_043 FPL SWITCH - WOODWARD 138KV CKT 1	136.1	0.04309	139.6233	DBL-THIS-WWRD
20SP		0	0	TO->FROM	G14_043 FPL SWITCH - WOODWARD 138KV CKT 1	136.3	0.05021	138.4187	G11_051T 345.00 - TATONGA7 345.00 345KV CKT 1
20WP		0	0	TO->FROM	G14_043 FPL SWITCH - WOODWARD 138KV CKT 1	167.7	0.0521	137.6059	SPSCont-05ax
15SP		0	0	TO->FROM	G14_043 FPL SWITCH - WOODWARD 138KV CKT 1	132.6	0.03126	135.7011	RENFROW7 345.00 (BANK 1) 345/138/13.8KV TRANSFORMER CKT 1
15SP		0	0	TO->FROM	G14_043 FPL SWITCH - WOODWARD 138KV CKT 1	132.6	0.03164	134.4268	RENFROW7 345.00 - VIOLA 7 345.00 345KV CKT 1
20SP		0	0	TO->FROM	G14_043 FPL SWITCH - WOODWARD 138KV CKT 1	136.3	0.05021	134.09	G11_051T 345.00 - WOODWARD DISTRICT EHV 345KV CKT 1
20WP		0	0	TO->FROM	G14_043 FPL SWITCH - WOODWARD 138KV CKT 1	167.7	0.04038	134.0072	WOODWARD (WOODWRD2) 138/69/13.2KV TRANSFORMER CKT 1
20SP		0	0	TO->FROM	G14_043 FPL SWITCH - WOODWARD 138KV CKT 1	136.3	0.03448	133.9864	MOORELAND 138/18.0KV TRANSFORMER CKT 1
20SP		0	0	TO->FROM	G14_043 FPL SWITCH - WOODWARD 138KV CKT 1	136.3	0.03448	132.16	MOORELAND 138/18.0KV TRANSFORMER CKT 1
20WP		0	0	TO->FROM	G14_043 FPL SWITCH - WOODWARD 138KV CKT 1	167.4	0.04396	131.7857	DBL-THIS-WWRD
20SP		0	0	TO->FROM	G14_043 FPL SWITCH - WOODWARD 138KV CKT 1	136.3	0.05021	131.0085	SPSCont-05ax
20SP		0	0	TO->FROM	G14_043 FPL SWITCH - WOODWARD 138KV CKT 1	136.3	0.04021	130.5376	IODINE - WOODWARD EHV 138KV CKT 1
20WP		0	0	TO->FROM	G14_043 FPL SWITCH - WOODWARD 138KV CKT 1	167.7	0.0419	128.4447	IODINE - WOODWARD EHV 138KV CKT 1
20SP		0	0	TO->FROM	G14_043 FPL SWITCH - WOODWARD 138KV CKT 1	136.3	0.04021	127.0893	DEWEY - IODINE 138KV CKT 1
20SP		0	0	TO->FROM	G14_043 FPL SWITCH - WOODWARD 138KV CKT 1	141.3	0.04297	127.0879	DBL-THIS-WWRD
25SP		0	0	TO->FROM	G14_043 FPL SWITCH - WOODWARD 138KV CKT 1	142.1	0.05037	126.7288	DBL-G1458-MATT
20WP		0	0	TO->FROM	G14_043 FPL SWITCH - WOODWARD 138KV CKT 1	167.7	0.03603	126.1243	MOORELAND 138/18.0KV TRANSFORMER CKT 1
20WP		0	0	TO->FROM	G14_043 FPL SWITCH - WOODWARD 138KV CKT 1	167.7	0.0419	125.5229	DEWEY - IODINE 138KV CKT 1

SEASON	GROUP	SCENARIO	DIRECTION	SOURCE	MONITORED ELEMENT	RATE (MVA)	TDF	CONTINGENCY LOADING %	CONTINGENCY
20WP	0	0	TO->FROM	G14_043	FPL SWITCH - WOODWARD 138KV CKT 1	167.7	0.03603	124.7616	MOORELAND 138/18.0KV TRANSFORMER CKT 1
15SP	0	0	TO->FROM	G14_043	FPL SWITCH - WOODWARD 138KV CKT 1	136.1	0.03591	123.7918	CHISHOLM6 230.00 - ELK CITY 230KV 230KV CKT 1
15SP	0	0	TO->FROM	G14_043	FPL SWITCH - WOODWARD 138KV CKT 1	136.1	0.03591	123.7183	ELK CITY 230KV (ELKCTY-6) 230/138/13.8KV TRANSFORMER CKT 1
15SP	0	0	TO->FROM	G14_043	FPL SWITCH - WOODWARD 138KV CKT 1	136.1	0.03513	122.5495	DBL-THIS-WICH
20SP	0	0	TO->FROM	G14_043	FPL SWITCH - WOODWARD 138KV CKT 1	113.4	0.03448	122.3981	BASE CASE
15SP	0	0	TO->FROM	G14_043	FPL SWITCH - WOODWARD 138KV CKT 1	136.1	0.0346	121.7128	G14-058T 345.00 - NORTHWEST 345KV CKT 1
25SP	0	0	TO->FROM	G14_043	FPL SWITCH - WOODWARD 138KV CKT 1	142.1	0.05037	121.0286	DBL-TGA-G1458
20SP	0	0	TO->FROM	G14_043	FPL SWITCH - WOODWARD 138KV CKT 1	136.3	0.03776	120.1536	THISTLE7 345.00 - WICHITA 345KV CKT 1
20SP	0	0	TO->FROM	G14_043	FPL SWITCH - WOODWARD 138KV CKT 1	136.3	0.03776	120.1536	THISTLE7 345.00 - WICHITA 345KV CKT 2
20SP	0	0	TO->FROM	G14_043	FPL SWITCH - WOODWARD 138KV CKT 1	136.3	0.03072	119.9237	RENFROW4 138.00 - SAND RDG_138138.00 138KV CKT 1
20WP	0	0	TO->FROM	G14_043	FPL SWITCH - WOODWARD 138KV CKT 1	167.4	0.03558	119.7589	G14-058T 345.00 - NORTHWEST 345KV CKT 1
20WP	0	0	TO->FROM	G14_043	FPL SWITCH - WOODWARD 138KV CKT 1	167.4	0.03551	119.3304	DBL-THIS-WICH
20WP	0	0	TO->FROM	G14_043	FPL SWITCH - WOODWARD 138KV CKT 1	167.7	0.03929	118.6831	THISTLE7 345.00 - WICHITA 345KV CKT 1
20WP	0	0	TO->FROM	G14_043	FPL SWITCH - WOODWARD 138KV CKT 1	167.7	0.03929	118.6831	THISTLE7 345.00 - WICHITA 345KV CKT 2
20SP	0	0	TO->FROM	G14_043	FPL SWITCH - WOODWARD 138KV CKT 1	136.3	0.03383	118.3103	RENFROW7 345.00 (BANK 1) 345/138/13.8KV TRANSFORMER CKT 1
20WP	0	0	TO->FROM	G14_043	FPL SWITCH - WOODWARD 138KV CKT 1	167.7	0.04038	117.9667	WOODWARD - WOODWARD 69KV CKT 1
15SP	0	0	TO->FROM	G14_043	FPL SWITCH - WOODWARD 138KV CKT 1	136.1	0.0346	117.5247	G14-058T 345.00 - TATONGA7 345.00 345KV CKT 1
20SP	0	0	TO->FROM	G14_043	FPL SWITCH - WOODWARD 138KV CKT 1	136.3	0.03867	116.8378	WOODWARD - WOODWARD 69KV CKT 1
20WP	0	0	TO->FROM	G14_043	FPL SWITCH - WOODWARD 138KV CKT 1	167.4	0.03558	116.4136	G14-058T 345.00 - TATONGA7 345.00 345KV CKT 1
20WP	0	0	TO->FROM	G14_043	FPL SWITCH - WOODWARD 138KV CKT 1	167.4	0.03699	114.9066	CHISHOLM6 230.00 - ELK CITY 230KV 230KV CKT 1
20WP	0	0	TO->FROM	G14_043	FPL SWITCH - WOODWARD 138KV CKT 1	167.4	0.03699	114.9066	ELK CITY 230KV (ELKCTY-6) 230/138/13.8KV TRANSFORMER CKT 1
20SP	0	0	TO->FROM	G14_043	FPL SWITCH - WOODWARD 138KV CKT 1	136.3	0.03072	114.5678	SAND RDG_138138.00 - WAKITA_138 138.00 138KV CKT 1
20WP	0	0	TO->FROM	G14_043	FPL SWITCH - WOODWARD 138KV CKT 1	167.7	0.0323	114.5048	RENFROW4 138.00 - SAND RDG_138138.00 138KV CKT 1
20WP	0	0	TO->FROM	G14_043	FPL SWITCH - WOODWARD 138KV CKT 1	167.7	0.03545	113.4936	RENFROW7 345.00 (BANK 1) 345/138/13.8KV TRANSFORMER CKT 1
20WP	0	0	TO->FROM	G14_043	FPL SWITCH - WOODWARD 138KV CKT 1	152.1	0.03603	112.7973	BASE CASE
20WP	0	0	TO->FROM	G14_043	FPL SWITCH - WOODWARD 138KV CKT 1	167.7	0.03553	111.5186	RENFROW7 345.00 - VIOLA 7 345.00 345KV CKT 1
20SP	0	0	TO->FROM	G14_043	FPL SWITCH - WOODWARD 138KV CKT 1	141.3	0.03566	110.4575	CHISHOLM6 230.00 - ELK CITY 230KV 230KV CKT 1
20SP	0	0	TO->FROM	G14_043	FPL SWITCH - WOODWARD 138KV CKT 1	141.3	0.03566	110.4575	ELK CITY 230KV (ELKCTY-6) 230/138/13.8KV TRANSFORMER CKT 1
20SP	0	0	TO->FROM	G14_043	FPL SWITCH - WOODWARD 138KV CKT 1	141.3	0.03454	110.1473	DBL-THIS-WICH
20SP	0	0	TO->FROM	G14_043	FPL SWITCH - WOODWARD 138KV CKT 1	141.3	0.03421	108.9044	G14-058T 345.00 - NORTHWEST 345KV CKT 1
20WP	0	0	TO->FROM	G14_043	FPL SWITCH - WOODWARD 138KV CKT 1	167.4	0.03558	105.3623	G11_051T 345.00 - TATONGA7 345.00 345KV CKT 1
20SP	0	0	TO->FROM	G14_043	FPL SWITCH - WOODWARD 138KV CKT 1	141.3	0.03421	104.7996	G14-058T 345.00 - TATONGA7 345.00 345KV CKT 1
15SP	0	0	TO->FROM	G14_043	FPL SWITCH - WOODWARD 138KV CKT 1	136.1	0.0346	103.7113	G11_051T 345.00 - TATONGA7 345.00 345KV CKT 1
25SP	0	0	TO->FROM	G14_043	FPL SWITCH - WOODWARD 138KV CKT 1	142.1	0.05037	102.9427	DBL-G1151-TGA
20WP	0	0	TO->FROM	G14_043	FPL SWITCH - WOODWARD 138KV CKT 1	167.4	0.03558	102.7936	G11_051T 345.00 - WOODWARD DISTRICT EHV 345KV CKT 1
25SP	0	0	TO->FROM	G14_043	FPL SWITCH - WOODWARD 138KV CKT 1	142.1	0.03534	101.2359	DBL-THIS-WICH
15SP	0	0	TO->FROM	G14_043	FPL SWITCH - WOODWARD 138KV CKT 1	136.1	0.0346	100.5519	G11_051T 345.00 - WOODWARD DISTRICT EHV 345KV CKT 1
20WP	0	0	TO->FROM	G14_043	FPL SWITCH - WOODWARD 138KV CKT 1	167.4	0.03558	100.4041	SPSCont-05ax
15G	6	0	FROM->TO	G14_043	G13_027T 230.00 - TOLK STATION WEST 230KV CKT 1	350.1	0.18888	100.3837	TUCO INTERCHANGE - YOAKUM_345 345.00 345KV CKT 1
20WP	0	0	TO->FROM	G14_043	G14-057T 345.00 - LAWTON EASTSIDE 345KV CKT 1	786.2	0.17245	113.4285	CIMARRON - MINCO 345KV CKT 1
20WP	0	0	TO->FROM	G14_043	G14-057T 345.00 - LAWTON EASTSIDE 345KV CKT 1	786.2	0.17245	109.5363	GRACEMONT - MINCO 345KV CKT 1
15G	6	0	TO->FROM	G14_043	G14-057T 345.00 - LAWTON EASTSIDE 345KV CKT 1	786.5	0.17089	103.3851	CIMARRON - MINCO 345KV CKT 1
20WP	0	0	FROM->TO	G14_043	G14-057T 345.00 - SUNNYSIDE 345KV CKT 1	784.7	0.17245	119.3927	CIMARRON - MINCO 345KV CKT 1
20WP	0	0	FROM->TO	G14_043	G14-057T 345.00 - SUNNYSIDE 345KV CKT 1	784.7	0.17245	115.4932	GRACEMONT - MINCO 345KV CKT 1
15G	6	0	FROM->TO	G14_043	G14-057T 345.00 - SUNNYSIDE 345KV CKT 1	785.8	0.17089	109.2929	CIMARRON - MINCO 345KV CKT 1
15G	6	0	FROM->TO	G14_043	G14-057T 345.00 - SUNNYSIDE 345KV CKT 1	785.8	0.17089	105.3734	GRACEMONT - MINCO 345KV CKT 1
15SP	0	0	FROM->TO	G14_043	G14-057T 345.00 - SUNNYSIDE 345KV CKT 1	786.4	0.17353	100.7591	CIMARRON - MINCO 345KV CKT 1
15G	3	0	FROM->TO	G14_043	HARPER - MILAN TAP 138KV CKT 1	139	0.03242	225.879	DBL-THIS-WICH
15SP	0	0	FROM->TO	G14_043	HARPER - MILAN TAP 138KV CKT 1	131.8	0.03308	223.7766	DBL-THIS-WICH
15SP	0	0	TO->FROM	G14_043	MULLERGREN - SPEARVILLE 230KV CKT 1	393.1	0.03222	140.277	G13-010T 345.00 - POST ROCK 345KV CKT 1
20SP	0	0	TO->FROM	G14_043	MULLERGREN - SPEARVILLE 230KV CKT 1	393.4	0.03065	135.6187	G13-010T 345.00 - POST ROCK 345KV CKT 1
20WP	0	0	TO->FROM	G14_043	MULLERGREN - SPEARVILLE 230KV CKT 1	392	0.03076	135.0598	G13-010T 345.00 - POST ROCK 345KV CKT 1
15SP	0	0	TO->FROM	G14_043	MULLERGREN - SPEARVILLE 230KV CKT 1	393.1	0.03222	134.426	G11-17T 345.00 - G13-010T 345.00 345KV CKT 1
15G	3	0	TO->FROM	G14_043	MULLERGREN - SPEARVILLE 230KV CKT 1	393.4	0.0311	132.484	G13-010T 345.00 - POST ROCK 345KV CKT 1
20SP	0	0	TO->FROM	G14_043	MULLERGREN - SPEARVILLE 230KV CKT 1	393.4	0.03065	129.7213	G11-17T 345.00 - G13-010T 345.00 345KV CKT 1
20WP	0	0	TO->FROM	G14_043	MULLERGREN - SPEARVILLE 230KV CKT 1	392	0.03076	129.1414	G11-17T 345.00 - G13-010T 345.00 345KV CKT 1
15G	3	0	TO->FROM	G14_043	MULLERGREN - SPEARVILLE 230KV CKT 1	393.4	0.0311	126.5104	G11-17T 345.00 - G13-010T 345.00 345KV CKT 1
15SP	0	0	TO->FROM	G14_043	MULLERGREN - SPEARVILLE 230KV CKT 1	393.1	0.03464	120.4938	DBL-THIS-WICH

SEASON	GROUP	SCENARIO	DIRECTION	SOURCE	MONITORED ELEMENT	RATE (MVA)	TDF	CONTINGENCY LOADING %	CONTINGENCY	
15G		3	0	TO->FROM	G14_043	MULLERGREN - SPEARVILLE 230KV CKT 1	393.4	0.03385	115.6486	DBL-THIS-WICH
20WP		0	0	TO->FROM	G14_043	MULLERGREN - SPEARVILLE 230KV CKT 1	392	0.03192	115.389	DBL-THIS-WICH
15SP		0	0	TO->FROM	G14_043	MULLERGREN - SPEARVILLE 230KV CKT 1	393.1	0.03222	114.6092	G11-17T 345.00 - SPEARVILLE 345KV CKT 1
20SP		0	0	TO->FROM	G14_043	MULLERGREN - SPEARVILLE 230KV CKT 1	393.4	0.03217	113.1549	DBL-THIS-WICH
20SP		0	0	TO->FROM	G14_043	MULLERGREN - SPEARVILLE 230KV CKT 1	393.4	0.03065	109.945	G11-17T 345.00 - SPEARVILLE 345KV CKT 1
20WP		0	0	TO->FROM	G14_043	MULLERGREN - SPEARVILLE 230KV CKT 1	392	0.03076	109.32	G11-17T 345.00 - SPEARVILLE 345KV CKT 1
15G		3	0	TO->FROM	G14_043	MULLERGREN - SPEARVILLE 230KV CKT 1	393.4	0.0311	106.6324	G11-17T 345.00 - SPEARVILLE 345KV CKT 1
15G		6	0	TO->FROM	G14_043	OASIS INTERCHANGE - SAN JUAN MESA TAP 230KV CKT 1	350.7	0.05963	109.2268	CROSSROADS 345.00 - TOLK STATION 345KV CKT 1
15SP		0	0	TO->FROM	G14_043	PLANT X STATION - TOLK STATION WEST 230KV CKT 1	502	0.11117	103.0607	TOLK STATION TAP - TOLK STATION WEST 230KV CKT @1
15G		6	0	FROM->TO	G14_043	POTTER COUNTY INTERCHANGE (WAUK 90343-A) 345/230/13.2KV TRANSFORMER CKT 1	557.5	0.15805	106.5012	POTTER COUNTY INTERCHANGE - TOLK STATION 345KV CKT 1
15G		6	0	FROM->TO	G14_043	POTTER COUNTY INTERCHANGE (WAUK 90343-A) 345/230/13.2KV TRANSFORMER CKT 1	559	0.15805	106.1617	POTTER COUNTY INTERCHANGE - TOLK STATION 345KV CKT 1
20WP		0	0	FROM->TO	G14_043	POTTER COUNTY INTERCHANGE (WAUK 90343-A) 345/230/13.2KV TRANSFORMER CKT 1	554.2	0.16616	100.1786	POTTER COUNTY INTERCHANGE - TOLK STATION 345KV CKT 1
20WP		0	0	TO->FROM	G14_043	TOLK STATION (ABBXNL844501) 345/230/13.2KV TRANSFORMER CKT 1	546.3	0.15286	107.1654	CROSSROADS 345.00 - TOLK STATION 345KV CKT 1
20WP		0	0	TO->FROM	G14_043	TOLK STATION (ABBXNL844501) 345/230/13.2KV TRANSFORMER CKT 1	550.9	0.15286	106.2161	CROSSROADS 345.00 - TOLK STATION 345KV CKT 1
20WP		0	0	FROM->TO	G14_043	TUCO INTERCHANGE (GE M1022338) 345/230/13.2KV TRANSFORMER CKT 1	550.1	0.15663	101.4548	TUCO INTERCHANGE (SIEM 8743066) 345/230/13.2KV TRANSFORMER CKT 2
20WP		0	0	FROM->TO	G14_043	TUCO INTERCHANGE (GE M1022338) 345/230/13.2KV TRANSFORMER CKT 1	556.4	0.15663	100.2342	TUCO INTERCHANGE (SIEM 8743066) 345/230/13.2KV TRANSFORMER CKT 2
15G		3	0	TO->FROM	G14_043	WOODWARD - WOODWARD EHV 138KV CKT 1	280.6	0.03633	109.1493	DBL-THIS-WICH
15G		3	0	TO->FROM	G14_043	WOODWARD - WOODWARD EHV 138KV CKT 1	280.6	0.03873	104.5017	G14-058T 345.00 - NORTHWEST 345KV CKT 1
15G		3	0	TO->FROM	G14_043	WOODWARD - WOODWARD EHV 138KV CKT 1	280.6	0.03404	103.49	WOODWARD - WOODWARD EHV 138KV CKT 2
15G		3	0	TO->FROM	G14_043	WOODWARD - WOODWARD EHV 138KV CKT 1	280.6	0.03873	102.3278	G14-058T 345.00 - TATONGA7 345.00 345KV CKT 1
15G		6	0	TO->FROM	G14_044	AMOCO SWITCHING STATION - YOAKUM COUNTY INTERCHANGE 230KV CKT 1	350.4	0.08149	111.9184	TUCO INTERCHANGE - YOAKUM 345 345.00 345KV CKT 1
15SP		0	0	TO->FROM	G14_044	AMOCO SWITCHING STATION - YOAKUM COUNTY INTERCHANGE 230KV CKT 1	350.9	0.08593	101.0463	TUCO INTERCHANGE - YOAKUM 345 345.00 345KV CKT 1
15G		6	0	TO->FROM	G14_044	ANADARKO - GRACMNT4 138.00 138KV CKT 1	225.8	0.05679	123.9127	CIMARRON - MINCO 345KV CKT 1
15G		6	0	TO->FROM	G14_044	ANADARKO - GRACMNT4 138.00 138KV CKT 1	225.8	0.05679	115.6311	GRACEMONT - MINCO 345KV CKT 1
15G		6	0	TO->FROM	G14_044	ANADARKO - GRACMNT4 138.00 138KV CKT 1	225.8	0.03126	106.5148	SOUTHWESTERN STATION - WASHITA 138KV CKT 1
15SP		0	0	TO->FROM	G14_044	ANADARKO - GRACMNT4 138.00 138KV CKT 1	227	0.05794	104.1805	CIMARRON - MINCO 345KV CKT 1
20WP		0	0	FROM->TO	G14_044	BUSHLAND INTERCHANGE (WH 7001795) 230/115/13.2KV TRANSFORMER CKT 1	165.7	0.03733	102.1133	BUSHLAND INTERCHANGE - POTTER COUNTY INTERCHANGE 230KV CKT 1
20WP		0	0	FROM->TO	G14_044	BUSHLAND INTERCHANGE (WH 7001795) 230/115/13.2KV TRANSFORMER CKT 1	166.6	0.03733	101.4416	BUSHLAND INTERCHANGE - POTTER COUNTY INTERCHANGE 230KV CKT 1
20WP		0	0	TO->FROM	G14_044	CANYON WEST SUB - DAWN SUB 115KV CKT 1	105.4	0.03087	100.2703	BUSHLAND INTERCHANGE - DEAF SMITH COUNTY INTERCHANGE 230KV CKT 1
15SP		0	0	FROM->TO	G14_044	CHISHOLM6 230.00 - ELK CITY 230KV 230KV CKT 1	351.9	0.10005	156.6998	CHISHOLM7 345.00 - GRACEMONT 345KV CKT 1
15SP		0	0	FROM->TO	G14_044	CHISHOLM6 230.00 - ELK CITY 230KV 230KV CKT 1	351.9	0.08921	139.5333	SPP-AEPW-32
15SP		0	0	FROM->TO	G14_044	CHISHOLM6 230.00 - ELK CITY 230KV 230KV CKT 1	351.9	0.08921	139.5333	SPSCont-01
15SP		0	0	FROM->TO	G14_044	CHISHOLM6 230.00 - ELK CITY 230KV 230KV CKT 1	351.9	0.08921	138.5103	OKLAUNION - TUCO INTERCHANGE 345KV CKT 1
15SP		0	0	FROM->TO	G14_044	CHISHOLM6 230.00 - ELK CITY 230KV 230KV CKT 1	351.9	0.08905	138.4448	SPP-SWPS-01
15SP		0	0	FROM->TO	G14_044	CHISHOLM6 230.00 - ELK CITY 230KV 230KV CKT 1	351.9	0.09417	136.1753	CHISHOLM7 345.00 - WOODWARD DISTRICT EHV 345KV CKT 1
20SP		0	0	FROM->TO	G14_044	CHISHOLM6 230.00 - ELK CITY 230KV 230KV CKT 1	353	0.10016	132.6568	CHISHOLM7 345.00 - GRACEMONT 345KV CKT 1
15SP		0	0	FROM->TO	G14_044	CHISHOLM6 230.00 - ELK CITY 230KV 230KV CKT 1	351.9	0.07178	125.8685	G14-058T 345.00 - NORTHWEST 345KV CKT 1
15SP		0	0	FROM->TO	G14_044	CHISHOLM6 230.00 - ELK CITY 230KV 230KV CKT 1	351.9	0.07344	125.6074	DBL-THIS-WWRD
15SP		0	0	FROM->TO	G14_044	CHISHOLM6 230.00 - ELK CITY 230KV 230KV CKT 1	351.9	0.07178	125.016	G14-058T 345.00 - TATONGA7 345.00 345KV CKT 1
15SP		0	0	FROM->TO	G14_044	CHISHOLM6 230.00 - ELK CITY 230KV 230KV CKT 1	351.9	0.0713	124.6751	DBL-THIS-WICH
15SP		0	0	FROM->TO	G14_044	CHISHOLM6 230.00 - ELK CITY 230KV 230KV CKT 1	351.9	0.07227	124.6205	DBL-G1114-WWRD
15SP		0	0	FROM->TO	G14_044	CHISHOLM6 230.00 - ELK CITY 230KV 230KV CKT 1	351.9	0.07227	123.7111	DBL-BVR-G1114
15SP		0	0	FROM->TO	G14_044	CHISHOLM6 230.00 - ELK CITY 230KV 230KV CKT 1	351.9	0.07236	123.1898	FINNEY SWITCHING STATION - HOLCOMB 345KV CKT 1
15SP		0	0	FROM->TO	G14_044	CHISHOLM6 230.00 - ELK CITY 230KV 230KV CKT 1	351.9	0.07478	123.1645	G14_038T 345.00 - Hitchland Interchange 345KV CKT 1
15SP		0	0	FROM->TO	G14_044	CHISHOLM6 230.00 - ELK CITY 230KV 230KV CKT 1	351.9	0.07478	122.5961	G14_038T 345.00 - POTTER COUNTY INTERCHANGE 345KV CKT 1
15SP		0	0	FROM->TO	G14_044	CHISHOLM6 230.00 - ELK CITY 230KV 230KV CKT 1	351.9	0.07178	122.1742	G11_051T 345.00 - TATONGA7 345.00 345KV CKT 1
20WP		0	0	FROM->TO	G14_044	CHISHOLM6 230.00 - ELK CITY 230KV 230KV CKT 1	437.6	0.10129	121.6099	CHISHOLM7 345.00 - GRACEMONT 345KV CKT 1
15SP		0	0	FROM->TO	G14_044	CHISHOLM6 230.00 - ELK CITY 230KV 230KV CKT 1	351.9	0.07178	121.5775	SPSCont-05ax
15SP		0	0	FROM->TO	G14_044	CHISHOLM6 230.00 - ELK CITY 230KV 230KV CKT 1	351.9	0.06315	119.7484	ONEY - WASHITA 138KV CKT 1
20SP		0	0	FROM->TO	G14_044	CHISHOLM6 230.00 - ELK CITY 230KV 230KV CKT 1	353	0.08938	119.399	SPP-AEPW-32
20SP		0	0	FROM->TO	G14_044	CHISHOLM6 230.00 - ELK CITY 230KV 230KV CKT 1	353	0.08938	119.399	SPSCont-01
15SP		0	0	FROM->TO	G14_044	CHISHOLM6 230.00 - ELK CITY 230KV 230KV CKT 1	351.9	0.06315	119.1232	BINGER NUJECT - ONEY 138KV CKT 1
20SP		0	0	FROM->TO	G14_044	CHISHOLM6 230.00 - ELK CITY 230KV 230KV CKT 1	353	0.08938	118.3792	OKLAUNION - TUCO INTERCHANGE 345KV CKT 1
20SP		0	0	FROM->TO	G14_044	CHISHOLM6 230.00 - ELK CITY 230KV 230KV CKT 1	353	0.0892	118.341	SPP-SWPS-01
20SP		0	0	FROM->TO	G14_044	CHISHOLM6 230.00 - ELK CITY 230KV 230KV CKT 1	353	0.09461	118.0135	CHISHOLM7 345.00 - WOODWARD DISTRICT EHV 345KV CKT 1
15G		6	0	FROM->TO	G14_044	CHISHOLM6 230.00 - ELK CITY 230KV 230KV CKT 1	437.8	0.09504	117.0994	CHISHOLM7 345.00 - GRACEMONT 345KV CKT 1
15SP		0	0	FROM->TO	G14_044	CHISHOLM6 230.00 - ELK CITY 230KV 230KV CKT 1	351.9	0.06659	116.0497	BASE CASE
20SP		0	0	FROM->TO	G14_044	CHISHOLM6 230.00 - ELK CITY 230KV 230KV CKT 1	353	0.07363	108.6401	DBL-THIS-WWRD

SEASON	GROUP	SCENARIO	DIRECTION	SOURCE	MONITORED ELEMENT	RATE		CONTINGENCY		CONTINGENCY
						(MVA)	TDF	LOADING %		
20SP	0	0	FROM->TO	G14_044	CHISHOLM6 230.00 - ELK CITY 230KV 230KV CKT 1	353	0.07188	108.4076	G14-058T 345.00 - NORTHWEST 345KV CKT 1	
20SP	0	0	FROM->TO	G14_044	CHISHOLM6 230.00 - ELK CITY 230KV 230KV CKT 1	353	0.07188	107.5578	G14-058T 345.00 - TATONGA7 345.00 345KV CKT 1	
20SP	0	0	FROM->TO	G14_044	CHISHOLM6 230.00 - ELK CITY 230KV 230KV CKT 1	353	0.07138	107.5542	DBL-THIS-WICH	
20SP	0	0	FROM->TO	G14_044	CHISHOLM6 230.00 - ELK CITY 230KV 230KV CKT 1	353	0.07263	107.3384	DBL-G1114-WWRD	
20WP	0	0	FROM->TO	G14_044	CHISHOLM6 230.00 - ELK CITY 230KV 230KV CKT 1	437.6	0.09022	106.7283	SPP-AEPW-32	
20WP	0	0	FROM->TO	G14_044	CHISHOLM6 230.00 - ELK CITY 230KV 230KV CKT 1	437.6	0.09022	106.7283	SPSCont-01	
20SP	0	0	FROM->TO	G14_044	CHISHOLM6 230.00 - ELK CITY 230KV 230KV CKT 1	353	0.07272	106.5058	FINNEY SWITCHING STATION - HOLCOMB 345KV CKT 1	
20SP	0	0	FROM->TO	G14_044	CHISHOLM6 230.00 - ELK CITY 230KV 230KV CKT 1	353	0.07263	106.4318	DBL-BVR-G1114	
20SP	0	0	FROM->TO	G14_044	CHISHOLM6 230.00 - ELK CITY 230KV 230KV CKT 1	353	0.06337	106.0311	ONEY - WASHITA 138KV CKT 1	
20SP	0	0	FROM->TO	G14_044	CHISHOLM6 230.00 - ELK CITY 230KV 230KV CKT 1	353	0.07497	106.0064	G14_038T 345.00 - Hitchland Interchange 345KV CKT 1	
20WP	0	0	FROM->TO	G14_044	CHISHOLM6 230.00 - ELK CITY 230KV 230KV CKT 1	437.6	0.09022	105.9056	OKLAUNION - TUCO INTERCHANGE 345KV CKT 1	
20WP	0	0	FROM->TO	G14_044	CHISHOLM6 230.00 - ELK CITY 230KV 230KV CKT 1	437.6	0.09004	105.8291	SPP-SWPS-01	
20SP	0	0	FROM->TO	G14_044	CHISHOLM6 230.00 - ELK CITY 230KV 230KV CKT 1	353	0.07497	105.4398	G14_038T 345.00 - POTTER COUNTY INTERCHANGE 345KV CKT 1	
20SP	0	0	FROM->TO	G14_044	CHISHOLM6 230.00 - ELK CITY 230KV 230KV CKT 1	353	0.06337	105.3796	BINGER NIJECT - ONEY 138KV CKT 1	
20WP	0	0	FROM->TO	G14_044	CHISHOLM6 230.00 - ELK CITY 230KV 230KV CKT 1	437.6	0.09525	105.3623	CHISHOLM7 345.00 - WOODWARD DISTRICT EHV 345KV CKT 1	
20SP	0	0	FROM->TO	G14_044	CHISHOLM6 230.00 - ELK CITY 230KV 230KV CKT 1	353	0.07146	105.0933	CIMARRON - MINCO 345KV CKT 1	
20SP	0	0	FROM->TO	G14_044	CHISHOLM6 230.00 - ELK CITY 230KV 230KV CKT 1	353	0.06337	104.3597	BINGER NIJECT - SICKLES 138KV CKT 1	
15G	6	0	FROM->TO	G14_044	CHISHOLM6 230.00 - ELK CITY 230KV 230KV CKT 1	437.8	0.08438	101.0119	SPP-AEPW-32	
15G	6	0	FROM->TO	G14_044	CHISHOLM6 230.00 - ELK CITY 230KV 230KV CKT 1	437.8	0.08438	101.0119	SPSCont-01	
15G	6	0	FROM->TO	G14_044	CHISHOLM6 230.00 - ELK CITY 230KV 230KV CKT 1	437.8	0.08438	100.1439	OKLAUNION - TUCO INTERCHANGE 345KV CKT 1	
15G	6	0	FROM->TO	G14_044	CHISHOLM6 230.00 - ELK CITY 230KV 230KV CKT 1	437.8	0.08421	100.0685	SPP-SWPS-01	
20SP	0	0	FROM->TO	G14_044	CHISHOLM6 230.00 - ELK CITY 230KV 230KV CKT 1	353	0.06685	100.0543	BASE CASE	
20WP	0	0	TO->FROM	G14_044	CIMARRON - MINCO 345KV CKT 1	953.8	0.23586	122.044	G14-057T 345.00 - SUNNYSIDE 345KV CKT 1	
20WP	0	0	TO->FROM	G14_044	CIMARRON - MINCO 345KV CKT 1	953.8	0.23586	119.8528	G14-057T 345.00 - LAWTON EASTSIDE 345KV CKT 1	
20WP	0	0	TO->FROM	G14_044	CIMARRON - MINCO 345KV CKT 1	953.8	0.20198	105.5389	G14-058T 345.00 - NORTHWEST 345KV CKT 1	
15G	6	0	TO->FROM	G14_044	CIMARRON - MINCO 345KV CKT 1	954.6	0.23693	104.8564	G14-057T 345.00 - SUNNYSIDE 345KV CKT 1	
20WP	0	0	TO->FROM	G14_044	CIMARRON - MINCO 345KV CKT 1	953.8	0.20198	104.1235	G14-058T 345.00 - TATONGA7 345.00 345KV CKT 1	
20WP	0	0	TO->FROM	G14_044	CIMARRON - MINCO 345KV CKT 1	953.8	0.23173	103.6945	CHISHOLM7 345.00 - WOODWARD DISTRICT EHV 345KV CKT 1	
15SP	0	0	TO->FROM	G14_044	CIMARRON - MINCO 345KV CKT 1	954.9	0.23937	103.0708	G14-057T 345.00 - SUNNYSIDE 345KV CKT 1	
15G	6	0	TO->FROM	G14_044	CIMARRON - MINCO 345KV CKT 1	954.6	0.23693	102.6147	G14-057T 345.00 - LAWTON EASTSIDE 345KV CKT 1	
15SP	0	0	TO->FROM	G14_044	CIMARRON - MINCO 345KV CKT 1	954.9	0.23937	100.7773	G14-057T 345.00 - LAWTON EASTSIDE 345KV CKT 1	
15G	3	0	TO->FROM	G14_044	CIRCLE - MULLERGREEN 230KV CKT 1	392.8	0.03227	106.1357	DBL-THIS-WICH	
15G	3	0	FROM->TO	G14_044	CLEARWATER - GILL ENERGY CENTER WEST 138KV CKT 1	131.5	0.03233	213.2866	DBL-THIS-WICH	
15SP	0	0	FROM->TO	G14_044	CLEARWATER - GILL ENERGY CENTER WEST 138KV CKT 1	128	0.03299	182.3731	DBL-THIS-WICH	
15G	3	0	TO->FROM	G14_044	CLEARWATER - MILAN TAP 138KV CKT 1	87.2	0.03233	328.064	DBL-THIS-WICH	
15SP	0	0	TO->FROM	G14_044	CLEARWATER - MILAN TAP 138KV CKT 1	82	0.03299	294.3141	DBL-THIS-WICH	
20WP	0	0	TO->FROM	G14_044	CLEARWATER - MILAN TAP 138KV CKT 1	92.1	0.03286	290.0294	DBL-THIS-WICH	
20SP	0	0	TO->FROM	G14_044	CLEARWATER - MILAN TAP 138KV CKT 1	85.8	0.0333	264.8761	DBL-THIS-WICH	
15SP	0	0	TO->FROM	G14_044	CLINTON JUNCTION - ELK CITY 138KV CKT 1	148	0.04132	146.7703	CHISHOLM7 345.00 - GRACEMONT 345KV CKT 1	
15SP	0	0	TO->FROM	G14_044	CLINTON JUNCTION - ELK CITY 138KV CKT 1	148	0.03639	128.5649	SPP-AEPW-32	
15SP	0	0	TO->FROM	G14_044	CLINTON JUNCTION - ELK CITY 138KV CKT 1	148	0.03639	128.5649	SPSCont-01	
15SP	0	0	TO->FROM	G14_044	CLINTON JUNCTION - ELK CITY 138KV CKT 1	148	0.03639	127.8217	OKLAUNION - TUCO INTERCHANGE 345KV CKT 1	
15SP	0	0	TO->FROM	G14_044	CLINTON JUNCTION - ELK CITY 138KV CKT 1	148	0.03636	127.8187	SPP-SWPS-01	
15SP	0	0	TO->FROM	G14_044	CLINTON JUNCTION - ELK CITY 138KV CKT 1	148	0.0312	123.4178	G14-058T 345.00 - NORTHWEST 345KV CKT 1	
15SP	0	0	TO->FROM	G14_044	CLINTON JUNCTION - ELK CITY 138KV CKT 1	148	0.0312	121.9989	G14-058T 345.00 - TATONGA7 345.00 345KV CKT 1	
15SP	0	0	TO->FROM	G14_044	CLINTON JUNCTION - ELK CITY 138KV CKT 1	148	0.03196	121.596	DBL-THIS-WWRD	
15SP	0	0	TO->FROM	G14_044	CLINTON JUNCTION - ELK CITY 138KV CKT 1	148	0.03119	120.5036	CLINTON AIR FORCE BASE TAP - ELK CITY 138KV CKT 1	
15SP	0	0	TO->FROM	G14_044	CLINTON JUNCTION - ELK CITY 138KV CKT 1	148	0.03119	119.5576	CLINTON AIR FORCE BASE TAP - HOBART JUNCTION 138KV CKT 1	
15SP	0	0	TO->FROM	G14_044	CLINTON JUNCTION - ELK CITY 138KV CKT 1	148	0.03029	118.8971	DBL-THIS-WICH	
15G	6	0	TO->FROM	G14_044	CLINTON JUNCTION - ELK CITY 138KV CKT 1	185.4	0.0402	118.5212	CHISHOLM7 345.00 - GRACEMONT 345KV CKT 1	
20SP	0	0	TO->FROM	G14_044	CLINTON JUNCTION - ELK CITY 138KV CKT 1	150.5	0.04121	116.8587	CHISHOLM7 345.00 - GRACEMONT 345KV CKT 1	
20WP	0	0	TO->FROM	G14_044	CLINTON JUNCTION - ELK CITY 138KV CKT 1	185.3	0.04153	112.958	CHISHOLM7 345.00 - GRACEMONT 345KV CKT 1	
20SP	0	0	TO->FROM	G14_044	CLINTON JUNCTION - ELK CITY 138KV CKT 1	150.5	0.0363	102.8153	SPP-AEPW-32	
20SP	0	0	TO->FROM	G14_044	CLINTON JUNCTION - ELK CITY 138KV CKT 1	150.5	0.0363	102.8153	SPSCont-01	
20SP	0	0	TO->FROM	G14_044	CLINTON JUNCTION - ELK CITY 138KV CKT 1	150.5	0.0363	102.2173	OKLAUNION - TUCO INTERCHANGE 345KV CKT 1	
20SP	0	0	TO->FROM	G14_044	CLINTON JUNCTION - ELK CITY 138KV CKT 1	150.5	0.03626	102.2115	SPP-SWPS-01	
15G	6	0	TO->FROM	G14_044	CLINTON JUNCTION - ELK CITY 138KV CKT 1	185.4	0.03533	101.6291	SPP-AEPW-32	
15G	6	0	TO->FROM	G14_044	CLINTON JUNCTION - ELK CITY 138KV CKT 1	185.4	0.03533	101.6291	SPSCont-01	

SEASON	GROUP	SCENARIO	DIRECTION	SOURCE	MONITORED ELEMENT	RATE (MVA)	TDF	CONTINGENCY LOADING %	CONTINGENCY	
15G		6	0	TO->FROM	G14_044	CLINTON JUNCTION - ELK CITY 138KV CKT 1	185.4	0.03533	101.0897	OKLAUNION - TUCO INTERCHANGE 345KV CKT 1
15G		6	0	TO->FROM	G14_044	CLINTON JUNCTION - ELK CITY 138KV CKT 1	185.4	0.0353	101.0335	SPP-SWPS-01
20WP		0	0	TO->FROM	G14_044	DAWN SUB - Panda Energy Substation Hereford 115KV CKT 1	105.7	0.03087	105.5676	BUSHLAND INTERCHANGE - DEAF SMITH COUNTY INTERCHANGE 230KV CKT 1
15SP		0	0	TO->FROM	G14_044	DEAF SMITH COUNTY INTERCHANGE - G14-068T 230.00 230KV CKT 1	348.9	0.10025	109.871	POTTER COUNTY INTERCHANGE - TOLK STATION 345KV CKT 1
20WP		0	0	TO->FROM	G14_044	DEAF SMITH COUNTY INTERCHANGE - G14-068T 230.00 230KV CKT 1	360.6	0.09646	108.1503	POTTER COUNTY INTERCHANGE - TOLK STATION 345KV CKT 1
20SP		0	0	TO->FROM	G14_044	DEAF SMITH COUNTY INTERCHANGE - G14-068T 230.00 230KV CKT 1	347.7	0.09889	103.1477	POTTER COUNTY INTERCHANGE - TOLK STATION 345KV CKT 1
25SP		0	0	TO->FROM	G14_044	DEAF SMITH COUNTY INTERCHANGE - G14-068T 230.00 230KV CKT 1	346.1	0.09911	102.6987	POTTER COUNTY INTERCHANGE - TOLK STATION 345KV CKT 1
20WP		0	0	FROM->TO	G14_044	DEAF SMITH COUNTY INTERCHANGE - Panda Energy Substation Hereford 115KV CKT 1	105.9	0.03087	111.9782	BUSHLAND INTERCHANGE - DEAF SMITH COUNTY INTERCHANGE 230KV CKT 1
15SP		0	0	FROM->TO	G14_044	ELK CITY 230KV (ELKCTY-6) 230/138/13.8KV TRANSFORMER CKT 1	309.1	0.10005	178.2357	CHISHOLM7 345.00 - GRACEMONT 345KV CKT 1
15SP		0	0	FROM->TO	G14_044	ELK CITY 230KV (ELKCTY-6) 230/138/13.8KV TRANSFORMER CKT 1	314.8	0.10005	175.1673	CHISHOLM7 345.00 - GRACEMONT 345KV CKT 1
20WP		0	0	FROM->TO	G14_044	ELK CITY 230KV (ELKCTY-6) 230/138/13.8KV TRANSFORMER CKT 1	308.8	0.10129	172.2036	CHISHOLM7 345.00 - GRACEMONT 345KV CKT 1
20WP		0	0	FROM->TO	G14_044	ELK CITY 230KV (ELKCTY-6) 230/138/13.8KV TRANSFORMER CKT 1	314.1	0.10129	169.4252	CHISHOLM7 345.00 - GRACEMONT 345KV CKT 1
15G		6	0	FROM->TO	G14_044	ELK CITY 230KV (ELKCTY-6) 230/138/13.8KV TRANSFORMER CKT 1	310	0.09504	165.2132	CHISHOLM7 345.00 - GRACEMONT 345KV CKT 1
15G		6	0	FROM->TO	G14_044	ELK CITY 230KV (ELKCTY-6) 230/138/13.8KV TRANSFORMER CKT 1	314.4	0.09504	163.0601	CHISHOLM7 345.00 - GRACEMONT 345KV CKT 1
15SP		0	0	FROM->TO	G14_044	ELK CITY 230KV (ELKCTY-6) 230/138/13.8KV TRANSFORMER CKT 1	309.1	0.08921	158.6922	SPP-AEPW-32
15SP		0	0	FROM->TO	G14_044	ELK CITY 230KV (ELKCTY-6) 230/138/13.8KV TRANSFORMER CKT 1	309.1	0.08921	158.6922	SPSCont-01
15SP		0	0	FROM->TO	G14_044	ELK CITY 230KV (ELKCTY-6) 230/138/13.8KV TRANSFORMER CKT 1	309.1	0.08921	157.4952	OKLAUNION - TUCO INTERCHANGE 345KV CKT 1
15SP		0	0	FROM->TO	G14_044	ELK CITY 230KV (ELKCTY-6) 230/138/13.8KV TRANSFORMER CKT 1	309.1	0.08905	157.453	SPP-SWPS-01
15SP		0	0	FROM->TO	G14_044	ELK CITY 230KV (ELKCTY-6) 230/138/13.8KV TRANSFORMER CKT 1	314.8	0.08921	155.9777	SPP-AEPW-32
15SP		0	0	FROM->TO	G14_044	ELK CITY 230KV (ELKCTY-6) 230/138/13.8KV TRANSFORMER CKT 1	314.8	0.08921	155.9777	SPSCont-01
15SP		0	0	FROM->TO	G14_044	ELK CITY 230KV (ELKCTY-6) 230/138/13.8KV TRANSFORMER CKT 1	309.1	0.09417	154.8693	CHISHOLM7 345.00 - WOODWARD DISTRICT EHV 345KV CKT 1
15SP		0	0	FROM->TO	G14_044	ELK CITY 230KV (ELKCTY-6) 230/138/13.8KV TRANSFORMER CKT 1	314.8	0.08921	154.8341	OKLAUNION - TUCO INTERCHANGE 345KV CKT 1
15SP		0	0	FROM->TO	G14_044	ELK CITY 230KV (ELKCTY-6) 230/138/13.8KV TRANSFORMER CKT 1	314.8	0.08905	154.7609	SPP-SWPS-01
15SP		0	0	FROM->TO	G14_044	ELK CITY 230KV (ELKCTY-6) 230/138/13.8KV TRANSFORMER CKT 1	264	0.06659	154.4995	BASE CASE
15SP		0	0	FROM->TO	G14_044	ELK CITY 230KV (ELKCTY-6) 230/138/13.8KV TRANSFORMER CKT 1	314.8	0.09417	152.2239	CHISHOLM7 345.00 - WOODWARD DISTRICT EHV 345KV CKT 1
20WP		0	0	FROM->TO	G14_044	ELK CITY 230KV (ELKCTY-6) 230/138/13.8KV TRANSFORMER CKT 1	308.8	0.09022	151.0826	SPP-AEPW-32
20WP		0	0	FROM->TO	G14_044	ELK CITY 230KV (ELKCTY-6) 230/138/13.8KV TRANSFORMER CKT 1	308.8	0.09022	151.0826	SPSCont-01
15SP		0	0	FROM->TO	G14_044	ELK CITY 230KV (ELKCTY-6) 230/138/13.8KV TRANSFORMER CKT 1	270.6	0.06659	150.916	BASE CASE
20WP		0	0	FROM->TO	G14_044	ELK CITY 230KV (ELKCTY-6) 230/138/13.8KV TRANSFORMER CKT 1	308.8	0.09022	149.9168	OKLAUNION - TUCO INTERCHANGE 345KV CKT 1
20WP		0	0	FROM->TO	G14_044	ELK CITY 230KV (ELKCTY-6) 230/138/13.8KV TRANSFORMER CKT 1	308.8	0.09004	149.8084	SPP-SWPS-01
20WP		0	0	FROM->TO	G14_044	ELK CITY 230KV (ELKCTY-6) 230/138/13.8KV TRANSFORMER CKT 1	308.8	0.09525	149.1468	CHISHOLM7 345.00 - WOODWARD DISTRICT EHV 345KV CKT 1
20SP		0	0	FROM->TO	G14_044	ELK CITY 230KV (ELKCTY-6) 230/138/13.8KV TRANSFORMER CKT 1	314.5	0.10016	148.769	CHISHOLM7 345.00 - GRACEMONT 345KV CKT 1
20WP		0	0	FROM->TO	G14_044	ELK CITY 230KV (ELKCTY-6) 230/138/13.8KV TRANSFORMER CKT 1	314.1	0.09022	148.6925	SPP-AEPW-32
20WP		0	0	FROM->TO	G14_044	ELK CITY 230KV (ELKCTY-6) 230/138/13.8KV TRANSFORMER CKT 1	314.1	0.09022	148.6925	SPSCont-01
20SP		0	0	FROM->TO	G14_044	ELK CITY 230KV (ELKCTY-6) 230/138/13.8KV TRANSFORMER CKT 1	316	0.10016	148.1895	CHISHOLM7 345.00 - GRACEMONT 345KV CKT 1
20WP		0	0	FROM->TO	G14_044	ELK CITY 230KV (ELKCTY-6) 230/138/13.8KV TRANSFORMER CKT 1	314.1	0.09022	147.5463	OKLAUNION - TUCO INTERCHANGE 345KV CKT 1
20WP		0	0	FROM->TO	G14_044	ELK CITY 230KV (ELKCTY-6) 230/138/13.8KV TRANSFORMER CKT 1	314.1	0.09004	147.4398	SPP-SWPS-01
20WP		0	0	FROM->TO	G14_044	ELK CITY 230KV (ELKCTY-6) 230/138/13.8KV TRANSFORMER CKT 1	314.1	0.09525	146.7893	CHISHOLM7 345.00 - WOODWARD DISTRICT EHV 345KV CKT 1
15SP		0	0	FROM->TO	G14_044	ELK CITY 230KV (ELKCTY-6) 230/138/13.8KV TRANSFORMER CKT 1	309.1	0.07178	143.1353	G14-058T 345.00 - NORTHWEST 345KV CKT 1
15SP		0	0	FROM->TO	G14_044	ELK CITY 230KV (ELKCTY-6) 230/138/13.8KV TRANSFORMER CKT 1	309.1	0.07344	142.8057	DBL-THIS-WWRD
15G		6	0	FROM->TO	G14_044	ELK CITY 230KV (ELKCTY-6) 230/138/13.8KV TRANSFORMER CKT 1	310	0.08438	142.4936	SPP-AEPW-32
15G		6	0	FROM->TO	G14_044	ELK CITY 230KV (ELKCTY-6) 230/138/13.8KV TRANSFORMER CKT 1	310	0.08438	142.4936	SPSCont-01
15SP		0	0	FROM->TO	G14_044	ELK CITY 230KV (ELKCTY-6) 230/138/13.8KV TRANSFORMER CKT 1	309.1	0.07178	142.1647	G14-058T 345.00 - TATONGA7 345.00 345KV CKT 1
15SP		0	0	FROM->TO	G14_044	ELK CITY 230KV (ELKCTY-6) 230/138/13.8KV TRANSFORMER CKT 1	309.1	0.0713	141.7766	DBL-THIS-WICH
15SP		0	0	FROM->TO	G14_044	ELK CITY 230KV (ELKCTY-6) 230/138/13.8KV TRANSFORMER CKT 1	309.1	0.07227	141.6821	DBL-G1114-WWRD
15G		6	0	FROM->TO	G14_044	ELK CITY 230KV (ELKCTY-6) 230/138/13.8KV TRANSFORMER CKT 1	310	0.08438	141.3	OKLAUNION - TUCO INTERCHANGE 345KV CKT 1
15G		6	0	FROM->TO	G14_044	ELK CITY 230KV (ELKCTY-6) 230/138/13.8KV TRANSFORMER CKT 1	310	0.08421	141.1935	SPP-SWPS-01
15SP		0	0	FROM->TO	G14_044	ELK CITY 230KV (ELKCTY-6) 230/138/13.8KV TRANSFORMER CKT 1	314.8	0.07178	140.7024	G14-058T 345.00 - NORTHWEST 345KV CKT 1
15SP		0	0	FROM->TO	G14_044	ELK CITY 230KV (ELKCTY-6) 230/138/13.8KV TRANSFORMER CKT 1	309.1	0.07227	140.6792	DBL-BVR-G1114
15G		6	0	FROM->TO	G14_044	ELK CITY 230KV (ELKCTY-6) 230/138/13.8KV TRANSFORMER CKT 1	314.4	0.08438	140.6584	SPP-AEPW-32
15G		6	0	FROM->TO	G14_044	ELK CITY 230KV (ELKCTY-6) 230/138/13.8KV TRANSFORMER CKT 1	314.4	0.08438	140.6584	SPSCont-01
15SP		0	0	FROM->TO	G14_044	ELK CITY 230KV (ELKCTY-6) 230/138/13.8KV TRANSFORMER CKT 1	314.8	0.07344	140.4106	DBL-THIS-WWRD
15SP		0	0	FROM->TO	G14_044	ELK CITY 230KV (ELKCTY-6) 230/138/13.8KV TRANSFORMER CKT 1	309.1	0.07236	140.0533	FINNEY SWITCHING STATION - HOLCOMB 345KV CKT 1
15SP		0	0	FROM->TO	G14_044	ELK CITY 230KV (ELKCTY-6) 230/138/13.8KV TRANSFORMER CKT 1	314.8	0.07178	139.7494	G14-058T 345.00 - TATONGA7 345.00 345KV CKT 1
15G		6	0	FROM->TO	G14_044	ELK CITY 230KV (ELKCTY-6) 230/138/13.8KV TRANSFORMER CKT 1	310	0.08899	139.5051	CHISHOLM7 345.00 - WOODWARD DISTRICT EHV 345KV CKT 1
15G		6	0	FROM->TO	G14_044	ELK CITY 230KV (ELKCTY-6) 230/138/13.8KV TRANSFORMER CKT 1	314.4	0.08438	139.4498	OKLAUNION - TUCO INTERCHANGE 345KV CKT 1
15SP		0	0	FROM->TO	G14_044	ELK CITY 230KV (ELKCTY-6) 230/138/13.8KV TRANSFORMER CKT 1	314.8	0.0713	139.3683	DBL-THIS-WICH
15G		6	0	FROM->TO	G14_044	ELK CITY 230KV (ELKCTY-6) 230/138/13.8KV TRANSFORMER CKT 1	314.4	0.08421	139.3447	SPP-SWPS-01

SEASON	GROUP	SCENARIO	DIRECTION	SOURCE	MONITORED ELEMENT	RATE (MVA)	TDF	CONTINGENCY LOADING %	CONTINGENCY
15SP	0	0	FROM->TO	G14_044	ELK CITY 230KV (ELKCTY-6) 230/138/13.8KV TRANSFORMER CKT 1	314.8	0.07227	139.3073	DBL-G1114-WWRD
15SP	0	0	FROM->TO	G14_044	ELK CITY 230KV (ELKCTY-6) 230/138/13.8KV TRANSFORMER CKT 1	314.8	0.07227	138.2908	DBL-BVR-G1114
15SP	0	0	FROM->TO	G14_044	ELK CITY 230KV (ELKCTY-6) 230/138/13.8KV TRANSFORMER CKT 1	314.8	0.07236	137.708	FINNEY SWITCHING STATION - HOLCOMB 345KV CKT 1
15G	6	0	FROM->TO	G14_044	ELK CITY 230KV (ELKCTY-6) 230/138/13.8KV TRANSFORMER CKT 1	314.4	0.08899	137.68	CHISHOLM7 345.00 - WOODWARD DISTRICT EHV 345KV CKT 1
15SP	0	0	FROM->TO	G14_044	ELK CITY 230KV (ELKCTY-6) 230/138/13.8KV TRANSFORMER CKT 1	314.8	0.07178	136.5728	G11_051T 345.00 - TATONGA7 345.00 345KV CKT 1
20WP	0	0	FROM->TO	G14_044	ELK CITY 230KV (ELKCTY-6) 230/138/13.8KV TRANSFORMER CKT 1	279.1	0.06759	136.264	BASE CASE
15SP	0	0	FROM->TO	G14_044	ELK CITY 230KV (ELKCTY-6) 230/138/13.8KV TRANSFORMER CKT 1	309.1	0.06315	136.1354	ONEY - WASHITA 138KV CKT 1
15SP	0	0	FROM->TO	G14_044	ELK CITY 230KV (ELKCTY-6) 230/138/13.8KV TRANSFORMER CKT 1	309.1	0.06659	136.0657	SOUTHWESTERN STATION 138/24.0KV TRANSFORMER CKT 1
15SP	0	0	FROM->TO	G14_044	ELK CITY 230KV (ELKCTY-6) 230/138/13.8KV TRANSFORMER CKT 1	309.1	0.06315	135.456	BINGER NIJECT - ONEY 138KV CKT 1
20WP	0	0	FROM->TO	G14_044	ELK CITY 230KV (ELKCTY-6) 230/138/13.8KV TRANSFORMER CKT 1	308.8	0.07271	135.2121	G14-058T 345.00 - NORTHWEST 345KV CKT 1
15SP	0	0	FROM->TO	G14_044	ELK CITY 230KV (ELKCTY-6) 230/138/13.8KV TRANSFORMER CKT 1	309.1	0.06315	134.2913	BINGER NIJECT - SICKLES 138KV CKT 1
20WP	0	0	FROM->TO	G14_044	ELK CITY 230KV (ELKCTY-6) 230/138/13.8KV TRANSFORMER CKT 1	308.8	0.07271	134.2729	G14-058T 345.00 - TATONGA7 345.00 345KV CKT 1
20WP	0	0	FROM->TO	G14_044	ELK CITY 230KV (ELKCTY-6) 230/138/13.8KV TRANSFORMER CKT 1	308.8	0.0743	134.0952	DBL-THIS-WWRD
20SP	0	0	FROM->TO	G14_044	ELK CITY 230KV (ELKCTY-6) 230/138/13.8KV TRANSFORMER CKT 1	314.5	0.08938	133.8882	SPP-AEPW-32
20SP	0	0	FROM->TO	G14_044	ELK CITY 230KV (ELKCTY-6) 230/138/13.8KV TRANSFORMER CKT 1	314.5	0.08938	133.8882	SPSCont-01
15SP	0	0	FROM->TO	G14_044	ELK CITY 230KV (ELKCTY-6) 230/138/13.8KV TRANSFORMER CKT 1	314.8	0.06315	133.861	ONEY - WASHITA 138KV CKT 1
20WP	0	0	FROM->TO	G14_044	ELK CITY 230KV (ELKCTY-6) 230/138/13.8KV TRANSFORMER CKT 1	308.8	0.07344	133.794	DBL-G1114-WWRD
15SP	0	0	FROM->TO	G14_044	ELK CITY 230KV (ELKCTY-6) 230/138/13.8KV TRANSFORMER CKT 1	314.8	0.06659	133.7926	SOUTHWESTERN STATION 138/24.0KV TRANSFORMER CKT 1
20WP	0	0	FROM->TO	G14_044	ELK CITY 230KV (ELKCTY-6) 230/138/13.8KV TRANSFORMER CKT 1	284.9	0.06759	133.6654	BASE CASE
20WP	0	0	FROM->TO	G14_044	ELK CITY 230KV (ELKCTY-6) 230/138/13.8KV TRANSFORMER CKT 1	308.8	0.07201	133.5297	DBL-THIS-WICH
20SP	0	0	FROM->TO	G14_044	ELK CITY 230KV (ELKCTY-6) 230/138/13.8KV TRANSFORMER CKT 1	316	0.08938	133.3793	SPP-AEPW-32
20SP	0	0	FROM->TO	G14_044	ELK CITY 230KV (ELKCTY-6) 230/138/13.8KV TRANSFORMER CKT 1	316	0.08938	133.3793	SPSCont-01
15SP	0	0	FROM->TO	G14_044	ELK CITY 230KV (ELKCTY-6) 230/138/13.8KV TRANSFORMER CKT 1	314.8	0.06315	133.1622	BINGER NIJECT - ONEY 138KV CKT 1
20WP	0	0	FROM->TO	G14_044	ELK CITY 230KV (ELKCTY-6) 230/138/13.8KV TRANSFORMER CKT 1	314.1	0.07271	133.0579	G14-058T 345.00 - NORTHWEST 345KV CKT 1
20WP	0	0	FROM->TO	G14_044	ELK CITY 230KV (ELKCTY-6) 230/138/13.8KV TRANSFORMER CKT 1	308.8	0.07344	132.7578	DBL-BVR-G1114
20SP	0	0	FROM->TO	G14_044	ELK CITY 230KV (ELKCTY-6) 230/138/13.8KV TRANSFORMER CKT 1	314.5	0.08938	132.7435	OKLAUNION - TUCO INTERCHANGE 345KV CKT 1
20SP	0	0	FROM->TO	G14_044	ELK CITY 230KV (ELKCTY-6) 230/138/13.8KV TRANSFORMER CKT 1	314.5	0.0892	132.7007	SPP-SWPS-01
20SP	0	0	FROM->TO	G14_044	ELK CITY 230KV (ELKCTY-6) 230/138/13.8KV TRANSFORMER CKT 1	314.5	0.09461	132.3331	CHISHOLM7 345.00 - WOODWARD DISTRICT EHV 345KV CKT 1
20SP	0	0	FROM->TO	G14_044	ELK CITY 230KV (ELKCTY-6) 230/138/13.8KV TRANSFORMER CKT 1	316	0.08938	132.24	OKLAUNION - TUCO INTERCHANGE 345KV CKT 1
20SP	0	0	FROM->TO	G14_044	ELK CITY 230KV (ELKCTY-6) 230/138/13.8KV TRANSFORMER CKT 1	316	0.0892	132.1974	SPP-SWPS-01
20WP	0	0	FROM->TO	G14_044	ELK CITY 230KV (ELKCTY-6) 230/138/13.8KV TRANSFORMER CKT 1	314.1	0.07271	132.1346	G14-058T 345.00 - TATONGA7 345.00 345KV CKT 1
15SP	0	0	FROM->TO	G14_044	ELK CITY 230KV (ELKCTY-6) 230/138/13.8KV TRANSFORMER CKT 1	314.8	0.06315	132.0186	BINGER NIJECT - SICKLES 138KV CKT 1
20WP	0	0	FROM->TO	G14_044	ELK CITY 230KV (ELKCTY-6) 230/138/13.8KV TRANSFORMER CKT 1	314.1	0.0743	131.9917	DBL-THIS-WWRD
20SP	0	0	FROM->TO	G14_044	ELK CITY 230KV (ELKCTY-6) 230/138/13.8KV TRANSFORMER CKT 1	316	0.09461	131.8315	CHISHOLM7 345.00 - WOODWARD DISTRICT EHV 345KV CKT 1
20WP	0	0	FROM->TO	G14_044	ELK CITY 230KV (ELKCTY-6) 230/138/13.8KV TRANSFORMER CKT 1	308.8	0.07572	131.7786	G14_038T 345.00 - Hitchland Interchange 345KV CKT 1
20WP	0	0	FROM->TO	G14_044	ELK CITY 230KV (ELKCTY-6) 230/138/13.8KV TRANSFORMER CKT 1	314.1	0.07344	131.6638	DBL-G1114-WWRD
20WP	0	0	FROM->TO	G14_044	ELK CITY 230KV (ELKCTY-6) 230/138/13.8KV TRANSFORMER CKT 1	314.1	0.07201	131.4357	DBL-THIS-WICH
15SP	0	0	FROM->TO	G14_044	ELK CITY 230KV (ELKCTY-6) 230/138/13.8KV TRANSFORMER CKT 1	314.8	0.06182	131.3283	3TERM10
20WP	0	0	FROM->TO	G14_044	ELK CITY 230KV (ELKCTY-6) 230/138/13.8KV TRANSFORMER CKT 1	308.8	0.07271	131.1317	G11_051T 345.00 - TATONGA7 345.00 345KV CKT 1
20WP	0	0	FROM->TO	G14_044	ELK CITY 230KV (ELKCTY-6) 230/138/13.8KV TRANSFORMER CKT 1	314.1	0.07344	130.6768	DBL-BVR-G1114
20WP	0	0	FROM->TO	G14_044	ELK CITY 230KV (ELKCTY-6) 230/138/13.8KV TRANSFORMER CKT 1	308.8	0.07348	130.6656	FINNEY SWITCHING STATION - HOLCOMB 345KV CKT 1
20SP	0	0	FROM->TO	G14_044	ELK CITY 230KV (ELKCTY-6) 230/138/13.8KV TRANSFORMER CKT 1	270.3	0.06685	130.5185	BASE CASE
20WP	0	0	FROM->TO	G14_044	ELK CITY 230KV (ELKCTY-6) 230/138/13.8KV TRANSFORMER CKT 1	308.8	0.07271	130.5165	SPSCont-05ax
20WP	0	0	FROM->TO	G14_044	ELK CITY 230KV (ELKCTY-6) 230/138/13.8KV TRANSFORMER CKT 1	308.8	0.07271	130.4193	G11_051T 345.00 - WOODWARD DISTRICT EHV 345KV CKT 1
15SP	0	0	FROM->TO	G14_044	ELK CITY 230KV (ELKCTY-6) 230/138/13.8KV TRANSFORMER CKT 1	309.1	0.05549	130.321	MOORELAND - NINE MILE 138KV CKT 1
15SP	0	0	FROM->TO	G14_044	ELK CITY 230KV (ELKCTY-6) 230/138/13.8KV TRANSFORMER CKT 1	309.1	0.05549	130.321	MOREWOOD SW - NINE MILE 138KV CKT 1
15G	6	0	FROM->TO	G14_044	ELK CITY 230KV (ELKCTY-6) 230/138/13.8KV TRANSFORMER CKT 1	310	0.06247	130.2578	REDHIL-HVB1 138.00 138/34.5KV TRANSFORMER CKT 1
15G	6	0	FROM->TO	G14_044	ELK CITY 230KV (ELKCTY-6) 230/138/13.8KV TRANSFORMER CKT 1	310	0.06247	130.1933	RED HILLS WIND - REDHIL-HVB1 138.00 138KV CKT 1
20SP	0	0	FROM->TO	G14_044	ELK CITY 230KV (ELKCTY-6) 230/138/13.8KV TRANSFORMER CKT 1	272	0.06685	129.8498	BASE CASE
20WP	0	0	FROM->TO	G14_044	ELK CITY 230KV (ELKCTY-6) 230/138/13.8KV TRANSFORMER CKT 1	314.1	0.07572	129.7142	G14_038T 345.00 - Hitchland Interchange 345KV CKT 1
20WP	0	0	FROM->TO	G14_044	ELK CITY 230KV (ELKCTY-6) 230/138/13.8KV TRANSFORMER CKT 1	314.1	0.07271	129.0783	G11_051T 345.00 - TATONGA7 345.00 345KV CKT 1
20WP	0	0	FROM->TO	G14_044	ELK CITY 230KV (ELKCTY-6) 230/138/13.8KV TRANSFORMER CKT 1	308.8	0.06759	128.8254	RED HILLS WIND - REDHIL-HVB1 138.00 138KV CKT 1
20WP	0	0	FROM->TO	G14_044	ELK CITY 230KV (ELKCTY-6) 230/138/13.8KV TRANSFORMER CKT 1	308.8	0.06759	128.8254	REDHIL-HVB1 138.00 138/34.5KV TRANSFORMER CKT 1
20WP	0	0	FROM->TO	G14_044	ELK CITY 230KV (ELKCTY-6) 230/138/13.8KV TRANSFORMER CKT 1	314.1	0.07348	128.5881	FINNEY SWITCHING STATION - HOLCOMB 345KV CKT 1
15G	6	0	FROM->TO	G14_044	ELK CITY 230KV (ELKCTY-6) 230/138/13.8KV TRANSFORMER CKT 1	280.4	0.06247	128.5661	BASE CASE
15G	6	0	FROM->TO	G14_044	ELK CITY 230KV (ELKCTY-6) 230/138/13.8KV TRANSFORMER CKT 1	314.4	0.06247	128.5621	REDHIL-HVB1 138.00 138/34.5KV TRANSFORMER CKT 1
15G	6	0	FROM->TO	G14_044	ELK CITY 230KV (ELKCTY-6) 230/138/13.8KV TRANSFORMER CKT 1	314.4	0.06247	128.4985	RED HILLS WIND - REDHIL-HVB1 138.00 138KV CKT 1
20WP	0	0	FROM->TO	G14_044	ELK CITY 230KV (ELKCTY-6) 230/138/13.8KV TRANSFORMER CKT 1	314.1	0.07271	128.4415	SPSCont-05ax

SEASON	GROUP	SCENARIO	DIRECTION	SOURCE	MONITORED ELEMENT	RATE (MVA)	TDF	CONTINGENCY LOADING %	CONTINGENCY
20WP	0	0	FROM->TO	G14_044	ELK CITY 230KV (ELKCTY-6) 230/138/13.8KV TRANSFORMER CKT 1	314.1	0.07271	128.3778	G11_051T 345.00 - WOODWARD DISTRICT EHV 345KV CKT 1
15G	6	0	FROM->TO	G14_044	ELK CITY 230KV (ELKCTY-6) 230/138/13.8KV TRANSFORMER CKT 1	310	0.06772	128.1233	G14-058T 345.00 - NORTHWEST 345KV CKT 1
15G	6	0	FROM->TO	G14_044	ELK CITY 230KV (ELKCTY-6) 230/138/13.8KV TRANSFORMER CKT 1	310	0.06772	127.1555	G14-058T 345.00 - TATONGA7 345.00 345KV CKT 1
15G	6	0	FROM->TO	G14_044	ELK CITY 230KV (ELKCTY-6) 230/138/13.8KV TRANSFORMER CKT 1	310	0.0692	126.8326	DBL-THIS-WWRD
20WP	0	0	FROM->TO	G14_044	ELK CITY 230KV (ELKCTY-6) 230/138/13.8KV TRANSFORMER CKT 1	314.1	0.06759	126.8108	RED HILLS WIND - REDHIL-HVB1 138.00 138KV CKT 1
20WP	0	0	FROM->TO	G14_044	ELK CITY 230KV (ELKCTY-6) 230/138/13.8KV TRANSFORMER CKT 1	314.1	0.06759	126.8108	REDHIL-HVB1 138.00 138/34.5KV TRANSFORMER CKT 1
15G	6	0	FROM->TO	G14_044	ELK CITY 230KV (ELKCTY-6) 230/138/13.8KV TRANSFORMER CKT 1	285.2	0.06247	126.5425	BASE CASE
15G	6	0	FROM->TO	G14_044	ELK CITY 230KV (ELKCTY-6) 230/138/13.8KV TRANSFORMER CKT 1	310	0.06715	126.4628	DBL-THIS-WICH
15G	6	0	FROM->TO	G14_044	ELK CITY 230KV (ELKCTY-6) 230/138/13.8KV TRANSFORMER CKT 1	314.4	0.06772	126.4574	G14-058T 345.00 - NORTHWEST 345KV CKT 1
15G	6	0	FROM->TO	G14_044	ELK CITY 230KV (ELKCTY-6) 230/138/13.8KV TRANSFORMER CKT 1	310	0.06769	126.408	DBL-G1114-WWRD
15G	6	0	FROM->TO	G14_044	ELK CITY 230KV (ELKCTY-6) 230/138/13.8KV TRANSFORMER CKT 1	314.4	0.06772	125.5032	G14-058T 345.00 - TATONGA7 345.00 345KV CKT 1
15G	6	0	FROM->TO	G14_044	ELK CITY 230KV (ELKCTY-6) 230/138/13.8KV TRANSFORMER CKT 1	310	0.06769	125.4403	DBL-BVR-G1114
15G	6	0	FROM->TO	G14_044	ELK CITY 230KV (ELKCTY-6) 230/138/13.8KV TRANSFORMER CKT 1	314.4	0.0692	125.1848	DBL-THIS-WWRD
15G	6	0	FROM->TO	G14_044	ELK CITY 230KV (ELKCTY-6) 230/138/13.8KV TRANSFORMER CKT 1	314.4	0.06715	124.8202	DBL-THIS-WICH
15G	6	0	FROM->TO	G14_044	ELK CITY 230KV (ELKCTY-6) 230/138/13.8KV TRANSFORMER CKT 1	314.4	0.06769	124.7662	DBL-G1114-WWRD
15G	6	0	FROM->TO	G14_044	ELK CITY 230KV (ELKCTY-6) 230/138/13.8KV TRANSFORMER CKT 1	310	0.07017	124.2657	G14_038T 345.00 - Hitchland Interchange 345KV CKT 1
15G	6	0	FROM->TO	G14_044	ELK CITY 230KV (ELKCTY-6) 230/138/13.8KV TRANSFORMER CKT 1	310	0.06503	123.9402	FPL SWITCH - MOORELAND 138KV CKT 1
15G	6	0	FROM->TO	G14_044	ELK CITY 230KV (ELKCTY-6) 230/138/13.8KV TRANSFORMER CKT 1	310	0.06772	123.9297	G11_051T 345.00 - TATONGA7 345.00 345KV CKT 1
15G	6	0	FROM->TO	G14_044	ELK CITY 230KV (ELKCTY-6) 230/138/13.8KV TRANSFORMER CKT 1	314.4	0.06769	123.8438	DBL-BVR-G1114
15G	6	0	FROM->TO	G14_044	ELK CITY 230KV (ELKCTY-6) 230/138/13.8KV TRANSFORMER CKT 1	310	0.06783	123.5328	FINNEY SWITCHING STATION - HOLCOMB 345KV CKT 1
15G	6	0	FROM->TO	G14_044	ELK CITY 230KV (ELKCTY-6) 230/138/13.8KV TRANSFORMER CKT 1	310	0.06503	123.4564	FPL SWITCH - WOODWARD 138KV CKT 1
15G	6	0	FROM->TO	G14_044	ELK CITY 230KV (ELKCTY-6) 230/138/13.8KV TRANSFORMER CKT 1	314.4	0.07017	122.6539	G14_038T 345.00 - Hitchland Interchange 345KV CKT 1
15G	6	0	FROM->TO	G14_044	ELK CITY 230KV (ELKCTY-6) 230/138/13.8KV TRANSFORMER CKT 1	314.4	0.06503	122.3329	FPL SWITCH - MOORELAND 138KV CKT 1
15G	6	0	FROM->TO	G14_044	ELK CITY 230KV (ELKCTY-6) 230/138/13.8KV TRANSFORMER CKT 1	314.4	0.06772	122.3226	G11_051T 345.00 - TATONGA7 345.00 345KV CKT 1
15G	6	0	FROM->TO	G14_044	ELK CITY 230KV (ELKCTY-6) 230/138/13.8KV TRANSFORMER CKT 1	314.4	0.06783	121.9312	FINNEY SWITCHING STATION - HOLCOMB 345KV CKT 1
15G	6	0	FROM->TO	G14_044	ELK CITY 230KV (ELKCTY-6) 230/138/13.8KV TRANSFORMER CKT 1	314.4	0.06503	121.8558	FPL SWITCH - WOODWARD 138KV CKT 1
20SP	0	0	FROM->TO	G14_044	ELK CITY 230KV (ELKCTY-6) 230/138/13.8KV TRANSFORMER CKT 1	314.5	0.07363	121.8122	DBL-THIS-WWRD
20SP	0	0	FROM->TO	G14_044	ELK CITY 230KV (ELKCTY-6) 230/138/13.8KV TRANSFORMER CKT 1	314.5	0.07188	121.5513	G14-058T 345.00 - NORTHWEST 345KV CKT 1
20SP	0	0	FROM->TO	G14_044	ELK CITY 230KV (ELKCTY-6) 230/138/13.8KV TRANSFORMER CKT 1	316	0.07363	121.3605	DBL-THIS-WWRD
20SP	0	0	FROM->TO	G14_044	ELK CITY 230KV (ELKCTY-6) 230/138/13.8KV TRANSFORMER CKT 1	316	0.07188	121.1009	G14-058T 345.00 - NORTHWEST 345KV CKT 1
20SP	0	0	FROM->TO	G14_044	ELK CITY 230KV (ELKCTY-6) 230/138/13.8KV TRANSFORMER CKT 1	314.5	0.07188	120.5974	G14-058T 345.00 - TATONGA7 345.00 345KV CKT 1
20SP	0	0	FROM->TO	G14_044	ELK CITY 230KV (ELKCTY-6) 230/138/13.8KV TRANSFORMER CKT 1	314.5	0.07138	120.5934	DBL-THIS-WICH
20SP	0	0	FROM->TO	G14_044	ELK CITY 230KV (ELKCTY-6) 230/138/13.8KV TRANSFORMER CKT 1	314.5	0.07263	120.3829	DBL-G1114-WWRD
20SP	0	0	FROM->TO	G14_044	ELK CITY 230KV (ELKCTY-6) 230/138/13.8KV TRANSFORMER CKT 1	316	0.07188	120.1516	G14-058T 345.00 - TATONGA7 345.00 345KV CKT 1
20SP	0	0	FROM->TO	G14_044	ELK CITY 230KV (ELKCTY-6) 230/138/13.8KV TRANSFORMER CKT 1	316	0.07138	120.1476	DBL-THIS-WICH
20SP	0	0	FROM->TO	G14_044	ELK CITY 230KV (ELKCTY-6) 230/138/13.8KV TRANSFORMER CKT 1	316	0.07263	119.9065	DBL-G1114-WWRD
20SP	0	0	FROM->TO	G14_044	ELK CITY 230KV (ELKCTY-6) 230/138/13.8KV TRANSFORMER CKT 1	314.5	0.07272	119.4484	FINNEY SWITCHING STATION - HOLCOMB 345KV CKT 1
20SP	0	0	FROM->TO	G14_044	ELK CITY 230KV (ELKCTY-6) 230/138/13.8KV TRANSFORMER CKT 1	314.5	0.07263	119.3337	DBL-BVR-G1114
20SP	0	0	FROM->TO	G14_044	ELK CITY 230KV (ELKCTY-6) 230/138/13.8KV TRANSFORMER CKT 1	316	0.07272	118.9764	FINNEY SWITCHING STATION - HOLCOMB 345KV CKT 1
20SP	0	0	FROM->TO	G14_044	ELK CITY 230KV (ELKCTY-6) 230/138/13.8KV TRANSFORMER CKT 1	316	0.07263	118.8938	DBL-BVR-G1114
20SP	0	0	FROM->TO	G14_044	ELK CITY 230KV (ELKCTY-6) 230/138/13.8KV TRANSFORMER CKT 1	314.5	0.07497	118.888	G14_038T 345.00 - Hitchland Interchange 345KV CKT 1
20SP	0	0	FROM->TO	G14_044	ELK CITY 230KV (ELKCTY-6) 230/138/13.8KV TRANSFORMER CKT 1	314.5	0.06337	118.8839	ONEY - WASHITA 138KV CKT 1
20SP	0	0	FROM->TO	G14_044	ELK CITY 230KV (ELKCTY-6) 230/138/13.8KV TRANSFORMER CKT 1	316	0.06337	118.4462	ONEY - WASHITA 138KV CKT 1
20SP	0	0	FROM->TO	G14_044	ELK CITY 230KV (ELKCTY-6) 230/138/13.8KV TRANSFORMER CKT 1	316	0.07497	118.4185	G14_038T 345.00 - Hitchland Interchange 345KV CKT 1
20SP	0	0	FROM->TO	G14_044	ELK CITY 230KV (ELKCTY-6) 230/138/13.8KV TRANSFORMER CKT 1	314.5	0.06337	118.1526	BINGER NIJECT - ONEY 138KV CKT 1
20SP	0	0	FROM->TO	G14_044	ELK CITY 230KV (ELKCTY-6) 230/138/13.8KV TRANSFORMER CKT 1	314.5	0.07146	117.863	CIMARRON - MINCO 345KV CKT 1
20SP	0	0	FROM->TO	G14_044	ELK CITY 230KV (ELKCTY-6) 230/138/13.8KV TRANSFORMER CKT 1	316	0.06337	117.7183	BINGER NIJECT - ONEY 138KV CKT 1
20SP	0	0	FROM->TO	G14_044	ELK CITY 230KV (ELKCTY-6) 230/138/13.8KV TRANSFORMER CKT 1	316	0.07146	117.3985	CIMARRON - MINCO 345KV CKT 1
20SP	0	0	FROM->TO	G14_044	ELK CITY 230KV (ELKCTY-6) 230/138/13.8KV TRANSFORMER CKT 1	314.5	0.06337	117.0079	BINGER NIJECT - SICKLES 138KV CKT 1
20SP	0	0	FROM->TO	G14_044	ELK CITY 230KV (ELKCTY-6) 230/138/13.8KV TRANSFORMER CKT 1	314.5	0.06337	116.5946	CLINTON JUNCTION - G07-32T 138.00 138KV CKT 1
20SP	0	0	FROM->TO	G14_044	ELK CITY 230KV (ELKCTY-6) 230/138/13.8KV TRANSFORMER CKT 1	316	0.06337	116.5791	BINGER NIJECT - SICKLES 138KV CKT 1
20SP	0	0	FROM->TO	G14_044	ELK CITY 230KV (ELKCTY-6) 230/138/13.8KV TRANSFORMER CKT 1	316	0.06337	116.1677	CLINTON JUNCTION - G07-32T 138.00 138KV CKT 1
25SP	0	0	FROM->TO	G14_044	ELK CITY 230KV (ELKCTY-6) 230/138/13.8KV TRANSFORMER CKT 1	315.7	0.09443	109.9752	CHISHOLM7 345.00 - GRACEMONT 345KV CKT 1
25SP	0	0	FROM->TO	G14_044	ELK CITY 230KV (ELKCTY-6) 230/138/13.8KV TRANSFORMER CKT 1	316	0.09443	109.9341	CHISHOLM7 345.00 - GRACEMONT 345KV CKT 1
25SP	0	0	FROM->TO	G14_044	ELK CITY 230KV (ELKCTY-6) 230/138/13.8KV TRANSFORMER CKT 1	315.7	0.09589	103.4966	CHISHOLM7 345.00 - WOODWARD DISTRICT EHV 345KV CKT 1
25SP	0	0	FROM->TO	G14_044	ELK CITY 230KV (ELKCTY-6) 230/138/13.8KV TRANSFORMER CKT 1	316	0.09589	103.4616	CHISHOLM7 345.00 - WOODWARD DISTRICT EHV 345KV CKT 1
25SP	0	0	FROM->TO	G14_044	ELK CITY 230KV (ELKCTY-6) 230/138/13.8KV TRANSFORMER CKT 1	271.6	0.06524	103.2742	BASE CASE
25SP	0	0	FROM->TO	G14_044	ELK CITY 230KV (ELKCTY-6) 230/138/13.8KV TRANSFORMER CKT 1	315.7	0.08649	103.2083	SPP-AEPW-32

SEASON	GROUP	SCENARIO	DIRECTION	SOURCE	MONITORED ELEMENT	RATE (MVA)	TDF	CONTINGENCY LOADING %	CONTINGENCY
25SP	0	0	FROM->TO	G14_044	ELK CITY 230KV (ELKCTY-6) 230/138/13.8KV TRANSFORMER CKT 1	315.7	0.08649	103.2083	SPSCont-01
25SP	0	0	FROM->TO	G14_044	ELK CITY 230KV (ELKCTY-6) 230/138/13.8KV TRANSFORMER CKT 1	272	0.06524	103.1959	BASE CASE
25SP	0	0	FROM->TO	G14_044	ELK CITY 230KV (ELKCTY-6) 230/138/13.8KV TRANSFORMER CKT 1	316	0.08649	103.1736	SPP-AEPW-32
25SP	0	0	FROM->TO	G14_044	ELK CITY 230KV (ELKCTY-6) 230/138/13.8KV TRANSFORMER CKT 1	316	0.08649	103.1736	SPSCont-01
25SP	0	0	FROM->TO	G14_044	ELK CITY 230KV (ELKCTY-6) 230/138/13.8KV TRANSFORMER CKT 1	315.7	0.08649	102.163	OKLAUNION - TUCO INTERCHANGE 345KV CKT 1
25SP	0	0	FROM->TO	G14_044	ELK CITY 230KV (ELKCTY-6) 230/138/13.8KV TRANSFORMER CKT 1	315.7	0.0863	102.152	SPP-SWPS-01
25SP	0	0	FROM->TO	G14_044	ELK CITY 230KV (ELKCTY-6) 230/138/13.8KV TRANSFORMER CKT 1	316	0.08649	102.1293	OKLAUNION - TUCO INTERCHANGE 345KV CKT 1
25SP	0	0	FROM->TO	G14_044	ELK CITY 230KV (ELKCTY-6) 230/138/13.8KV TRANSFORMER CKT 1	316	0.0863	102.1183	SPP-SWPS-01
15SP	0	0	TO->FROM	G14_044	FLATRDG3 - THISTLE4 138.00 138KV CKT 1	285	0.04052	126.323	DBL-THIS-WICH
20WP	0	0	TO->FROM	G14_044	FLATRDG3 - THISTLE4 138.00 138KV CKT 1	284.9	0.04158	120.5313	DBL-THIS-WICH
20SP	0	0	TO->FROM	G14_044	FLATRDG3 - THISTLE4 138.00 138KV CKT 1	286	0.04228	119.4047	DBL-THIS-WICH
15G	6	0	TO->FROM	G14_044	FLATRDG3 - THISTLE4 138.00 138KV CKT 1	284.5	0.03977	111.9475	DBL-THIS-WICH
15SP	0	0	TO->FROM	G14_044	FLATRDG3 - THISTLE4 138.00 138KV CKT 1	285.7	0.04838	111.7404	DBL-THIS-WICH
20SP	0	0	TO->FROM	G14_044	FLATRDG3 - THISTLE4 138.00 138KV CKT 1	285.1	0.04785	105.2903	DBL-THIS-WICH
20WP	0	0	TO->FROM	G14_044	FLATRDG3 - THISTLE4 138.00 138KV CKT 1	285.9	0.0478	105.2387	DBL-THIS-WICH
15G	3	0	FROM->TO	G14_044	FPL SWITCH - MOORELAND 138KV CKT 1	272	0.043	129.7477	DBL-THIS-WICH
15G	3	0	FROM->TO	G14_044	FPL SWITCH - MOORELAND 138KV CKT 1	272	0.04577	123.8956	G14-058T 345.00 - NORTHWEST 345KV CKT 1
15G	3	0	FROM->TO	G14_044	FPL SWITCH - MOORELAND 138KV CKT 1	272	0.04577	121.2118	G14-058T 345.00 - TATONGA7 345.00 345KV CKT 1
15G	3	0	FROM->TO	G14_044	FPL SWITCH - MOORELAND 138KV CKT 1	272	0.04577	112.1309	G11_051T 345.00 - TATONGA7 345.00 345KV CKT 1
15G	3	0	FROM->TO	G14_044	FPL SWITCH - MOORELAND 138KV CKT 1	272	0.04577	110.0721	G11_051T 345.00 - WOODWARD DISTRICT EHV 345KV CKT 1
20WP	0	0	FROM->TO	G14_044	FPL SWITCH - MOORELAND 138KV CKT 1	273.6	0.04955	108.8037	DBL-THIS-WICH
15G	3	0	FROM->TO	G14_044	FPL SWITCH - MOORELAND 138KV CKT 1	272	0.04577	108.528	SPSCont-05ax
15G	3	0	FROM->TO	G14_044	FPL SWITCH - MOORELAND 138KV CKT 1	272	0.03216	105.108	WOODWARD (WOODWRD2) 138/69/13.2KV TRANSFORMER CKT 1
20WP	0	0	FROM->TO	G14_044	FPL SWITCH - MOORELAND 138KV CKT 1	273.6	0.05211	104.3001	G14-058T 345.00 - NORTHWEST 345KV CKT 1
15SP	0	0	FROM->TO	G14_044	FPL SWITCH - MOORELAND 138KV CKT 1	278	0.0466	103.6383	DBL-THIS-WICH
15G	3	0	FROM->TO	G14_044	FPL SWITCH - MOORELAND 138KV CKT 1	272	0.03414	102.2076	IODINE - WOODWARD EHV 138KV CKT 1
20WP	0	0	FROM->TO	G14_044	FPL SWITCH - MOORELAND 138KV CKT 1	273.6	0.05211	101.5588	G14-058T 345.00 - TATONGA7 345.00 345KV CKT 1
15G	3	0	FROM->TO	G14_044	FPL SWITCH - MOORELAND 138KV CKT 1	272	0.03414	100.6267	DEWEY - IODINE 138KV CKT 1
15G	6	0	FROM->TO	G14_044	FPL SWITCH - MOORELAND 138KV CKT 1	279.2	0.03874	100.4424	DBL-THIS-WWRD
15G	3	0	TO->FROM	G14_044	FPL SWITCH - WOODWARD 138KV CKT 1	135.1	0.043	256.1908	DBL-THIS-WICH
15G	3	0	TO->FROM	G14_044	FPL SWITCH - WOODWARD 138KV CKT 1	135.1	0.04577	244.3347	G14-058T 345.00 - NORTHWEST 345KV CKT 1
15G	3	0	TO->FROM	G14_044	FPL SWITCH - WOODWARD 138KV CKT 1	135.1	0.04577	238.9312	G14-058T 345.00 - TATONGA7 345.00 345KV CKT 1
15SP	0	0	TO->FROM	G14_044	FPL SWITCH - WOODWARD 138KV CKT 1	132.6	0.0466	207.477	DBL-THIS-WICH
15G	3	0	TO->FROM	G14_044	FPL SWITCH - WOODWARD 138KV CKT 1	135.1	0.03216	206.5091	WOODWARD (WOODWRD2) 138/69/13.2KV TRANSFORMER CKT 1
15G	3	0	TO->FROM	G14_044	FPL SWITCH - WOODWARD 138KV CKT 1	135.1	0.03414	200.7437	IODINE - WOODWARD EHV 138KV CKT 1
15G	3	0	TO->FROM	G14_044	FPL SWITCH - WOODWARD 138KV CKT 1	135.1	0.03414	197.4868	DEWEY - IODINE 138KV CKT 1
15SP	0	0	TO->FROM	G14_044	FPL SWITCH - WOODWARD 138KV CKT 1	132.6	0.04923	194.1811	G14-058T 345.00 - NORTHWEST 345KV CKT 1
15G	6	0	TO->FROM	G14_044	FPL SWITCH - WOODWARD 138KV CKT 1	141.6	0.03874	189.4315	DBL-THIS-WWRD
15SP	0	0	TO->FROM	G14_044	FPL SWITCH - WOODWARD 138KV CKT 1	132.6	0.04923	188.6004	G14-058T 345.00 - TATONGA7 345.00 345KV CKT 1
15G	3	0	TO->FROM	G14_044	FPL SWITCH - WOODWARD 138KV CKT 1	135.1	0.03192	188.2161	THISTLE7 345.00 - WICHITA 345KV CKT 2
20SP	0	0	TO->FROM	G14_044	FPL SWITCH - WOODWARD 138KV CKT 1	136.3	0.04809	177.8666	DBL-THIS-WICH
15G	6	0	TO->FROM	G14_044	FPL SWITCH - WOODWARD 138KV CKT 1	141.6	0.0312	177.1781	DBL-THIS-WICH
15G	6	0	TO->FROM	G14_044	FPL SWITCH - WOODWARD 138KV CKT 1	141.6	0.03078	176.8252	G14-058T 345.00 - NORTHWEST 345KV CKT 1
15G	6	0	TO->FROM	G14_044	FPL SWITCH - WOODWARD 138KV CKT 1	141.6	0.03078	172.8704	G14-058T 345.00 - TATONGA7 345.00 345KV CKT 1
20WP	0	0	TO->FROM	G14_044	FPL SWITCH - WOODWARD 138KV CKT 1	167.7	0.04955	170.356	DBL-THIS-WICH
15SP	0	0	TO->FROM	G14_044	FPL SWITCH - WOODWARD 138KV CKT 1	132.6	0.04923	169.7467	G11_051T 345.00 - TATONGA7 345.00 345KV CKT 1
15G	6	0	TO->FROM	G14_044	FPL SWITCH - WOODWARD 138KV CKT 1	141.6	0.03105	169.6095	CHISHOLM6 230.00 - ELK CITY 230KV 230KV CKT 1
15G	6	0	TO->FROM	G14_044	FPL SWITCH - WOODWARD 138KV CKT 1	141.6	0.03105	169.6095	ELK CITY 230KV (ELKCTY-6) 230/138/13.8KV TRANSFORMER CKT 1
15SP	0	0	TO->FROM	G14_044	FPL SWITCH - WOODWARD 138KV CKT 1	132.6	0.04923	165.448	G11_051T 345.00 - WOODWARD DISTRICT EHV 345KV CKT 1
20WP	0	0	TO->FROM	G14_044	FPL SWITCH - WOODWARD 138KV CKT 1	167.7	0.05211	163.0083	G14-058T 345.00 - NORTHWEST 345KV CKT 1
20SP	0	0	TO->FROM	G14_044	FPL SWITCH - WOODWARD 138KV CKT 1	136.3	0.05021	162.8501	G14-058T 345.00 - NORTHWEST 345KV CKT 1
15SP	0	0	TO->FROM	G14_044	FPL SWITCH - WOODWARD 138KV CKT 1	132.6	0.03599	162.7625	WOODWARD (WOODWRD2) 138/69/13.2KV TRANSFORMER CKT 1
15SP	0	0	TO->FROM	G14_044	FPL SWITCH - WOODWARD 138KV CKT 1	132.6	0.04923	162.2806	SPSCont-05ax
15G	6	0	TO->FROM	G14_044	FPL SWITCH - WOODWARD 138KV CKT 1	141.6	0.03078	159.7349	G11_051T 345.00 - TATONGA7 345.00 345KV CKT 1
15SP	0	0	TO->FROM	G14_044	FPL SWITCH - WOODWARD 138KV CKT 1	132.6	0.03198	159.3995	MOORELAND 138/18.0KV TRANSFORMER CKT 1
20WP	0	0	TO->FROM	G14_044	FPL SWITCH - WOODWARD 138KV CKT 1	167.7	0.05211	158.5361	G14-058T 345.00 - TATONGA7 345.00 345KV CKT 1
15SP	0	0	TO->FROM	G14_044	FPL SWITCH - WOODWARD 138KV CKT 1	132.6	0.03198	158.4231	MOORELAND 138/18.0KV TRANSFORMER CKT 1
20SP	0	0	TO->FROM	G14_044	FPL SWITCH - WOODWARD 138KV CKT 1	136.3	0.05021	157.1274	G14-058T 345.00 - TATONGA7 345.00 345KV CKT 1

SEASON	GROUP	SCENARIO	DIRECTION	SOURCE	MONITORED ELEMENT	RATE		CONTINGENCY		CONTINGENCY
						(MVA)	TDF	LOADING %		
15G		6	0	TO->FROM	G14_044	FPL SWITCH - WOODWARD 138KV CKT 1	141.6	0.03078	156.6981	G11_051T 345.00 - WOODWARD DISTRICT EHV 345KV CKT 1
15G		6	0	TO->FROM	G14_044	FPL SWITCH - WOODWARD 138KV CKT 1	141.6	0.03078	153.8733	SPSCont-05ax
15SP		0	0	TO->FROM	G14_044	FPL SWITCH - WOODWARD 138KV CKT 1	132.6	0.03791	152.2833	IODINE - WOODWARD EHV 138KV CKT 1
15SP		0	0	TO->FROM	G14_044	FPL SWITCH - WOODWARD 138KV CKT 1	132.6	0.03791	149.1159	DEWEY - IODINE 138KV CKT 1
15SP		0	0	TO->FROM	G14_044	FPL SWITCH - WOODWARD 138KV CKT 1	108.9	0.03198	145.4449	BASE CASE
20WP		0	0	TO->FROM	G14_044	FPL SWITCH - WOODWARD 138KV CKT 1	167.7	0.05211	143.5689	G11_051T 345.00 - TATONGA7 345.00 345KV CKT 1
20SP		0	0	TO->FROM	G14_044	FPL SWITCH - WOODWARD 138KV CKT 1	136.3	0.03867	142.5898	WOODWARD (WOODWRD2) 138/69/13.2KV TRANSFORMER CKT 1
15SP		0	0	TO->FROM	G14_044	FPL SWITCH - WOODWARD 138KV CKT 1	132.6	0.03546	140.4045	THISTLE7 345.00 - WICHITA 345KV CKT 1
15SP		0	0	TO->FROM	G14_044	FPL SWITCH - WOODWARD 138KV CKT 1	132.6	0.03546	140.4045	THISTLE7 345.00 - WICHITA 345KV CKT 2
20WP		0	0	TO->FROM	G14_044	FPL SWITCH - WOODWARD 138KV CKT 1	167.7	0.05211	140.17	G11_051T 345.00 - WOODWARD DISTRICT EHV 345KV CKT 1
15SP		0	0	TO->FROM	G14_044	FPL SWITCH - WOODWARD 138KV CKT 1	136.1	0.0431	139.6233	DBL-THIS-WWRD
20SP		0	0	TO->FROM	G14_044	FPL SWITCH - WOODWARD 138KV CKT 1	136.3	0.05021	138.4187	G11_051T 345.00 - TATONGA7 345.00 345KV CKT 1
20WP		0	0	TO->FROM	G14_044	FPL SWITCH - WOODWARD 138KV CKT 1	167.7	0.05211	137.6059	SPSCont-05ax
15SP		0	0	TO->FROM	G14_044	FPL SWITCH - WOODWARD 138KV CKT 1	132.6	0.03126	135.7011	RENFROW7 345.00 (BANK 1) 345/138/13.8KV TRANSFORMER CKT 1
15SP		0	0	TO->FROM	G14_044	FPL SWITCH - WOODWARD 138KV CKT 1	132.6	0.03163	134.4268	RENFROW7 345.00 - VIOLA 7 345.00 345KV CKT 1
20SP		0	0	TO->FROM	G14_044	FPL SWITCH - WOODWARD 138KV CKT 1	136.3	0.05021	134.09	G11_051T 345.00 - WOODWARD DISTRICT EHV 345KV CKT 1
20WP		0	0	TO->FROM	G14_044	FPL SWITCH - WOODWARD 138KV CKT 1	167.7	0.04038	134.0072	WOODWARD (WOODWRD2) 138/69/13.2KV TRANSFORMER CKT 1
20SP		0	0	TO->FROM	G14_044	FPL SWITCH - WOODWARD 138KV CKT 1	136.3	0.03448	133.9864	MOORELAND 138/18.0KV TRANSFORMER CKT 1
20SP		0	0	TO->FROM	G14_044	FPL SWITCH - WOODWARD 138KV CKT 1	136.3	0.03448	132.16	MOORELAND 138/18.0KV TRANSFORMER CKT 1
20WP		0	0	TO->FROM	G14_044	FPL SWITCH - WOODWARD 138KV CKT 1	167.4	0.04396	131.7857	DBL-THIS-WWRD
20SP		0	0	TO->FROM	G14_044	FPL SWITCH - WOODWARD 138KV CKT 1	136.3	0.05021	131.0085	SPSCont-05ax
20SP		0	0	TO->FROM	G14_044	FPL SWITCH - WOODWARD 138KV CKT 1	136.3	0.04021	130.5376	IODINE - WOODWARD EHV 138KV CKT 1
20WP		0	0	TO->FROM	G14_044	FPL SWITCH - WOODWARD 138KV CKT 1	167.7	0.0419	128.4447	IODINE - WOODWARD EHV 138KV CKT 1
20SP		0	0	TO->FROM	G14_044	FPL SWITCH - WOODWARD 138KV CKT 1	136.3	0.04021	127.0893	DEWEY - IODINE 138KV CKT 1
20SP		0	0	TO->FROM	G14_044	FPL SWITCH - WOODWARD 138KV CKT 1	141.3	0.04297	127.0879	DBL-THIS-WWRD
25SP		0	0	TO->FROM	G14_044	FPL SWITCH - WOODWARD 138KV CKT 1	142.1	0.05037	126.7288	DBL-G1458-MATT
20WP		0	0	TO->FROM	G14_044	FPL SWITCH - WOODWARD 138KV CKT 1	167.7	0.03603	126.1243	MOORELAND 138/18.0KV TRANSFORMER CKT 1
20WP		0	0	TO->FROM	G14_044	FPL SWITCH - WOODWARD 138KV CKT 1	167.7	0.0419	125.5229	DEWEY - IODINE 138KV CKT 1
20WP		0	0	TO->FROM	G14_044	FPL SWITCH - WOODWARD 138KV CKT 1	167.7	0.03603	124.7616	MOORELAND 138/18.0KV TRANSFORMER CKT 1
15SP		0	0	TO->FROM	G14_044	FPL SWITCH - WOODWARD 138KV CKT 1	136.1	0.03592	123.7918	CHISHOLM6 230.00 - ELK CITY 230KV 230KV CKT 1
15SP		0	0	TO->FROM	G14_044	FPL SWITCH - WOODWARD 138KV CKT 1	136.1	0.03592	123.7183	ELK CITY 230KV (ELKCTY-6) 230/138/13.8KV TRANSFORMER CKT 1
15SP		0	0	TO->FROM	G14_044	FPL SWITCH - WOODWARD 138KV CKT 1	136.1	0.03513	122.5495	DBL-THIS-WICH
20SP		0	0	TO->FROM	G14_044	FPL SWITCH - WOODWARD 138KV CKT 1	113.4	0.03448	122.3981	BASE CASE
15SP		0	0	TO->FROM	G14_044	FPL SWITCH - WOODWARD 138KV CKT 1	136.1	0.03461	121.7128	G14-058T 345.00 - NORTHWEST 345KV CKT 1
25SP		0	0	TO->FROM	G14_044	FPL SWITCH - WOODWARD 138KV CKT 1	142.1	0.05037	121.0286	DBL-TGA-G1458
20SP		0	0	TO->FROM	G14_044	FPL SWITCH - WOODWARD 138KV CKT 1	136.3	0.03776	120.1536	THISTLE7 345.00 - WICHITA 345KV CKT 1
20SP		0	0	TO->FROM	G14_044	FPL SWITCH - WOODWARD 138KV CKT 1	136.3	0.03776	120.1536	THISTLE7 345.00 - WICHITA 345KV CKT 2
20SP		0	0	TO->FROM	G14_044	FPL SWITCH - WOODWARD 138KV CKT 1	136.3	0.03072	119.9237	RENFROW4 138.00 - SAND RDG 138138.00 138KV CKT 1
20WP		0	0	TO->FROM	G14_044	FPL SWITCH - WOODWARD 138KV CKT 1	167.4	0.03557	119.7589	G14-058T 345.00 - NORTHWEST 345KV CKT 1
20WP		0	0	TO->FROM	G14_044	FPL SWITCH - WOODWARD 138KV CKT 1	167.4	0.0355	119.3304	DBL-THIS-WICH
20WP		0	0	TO->FROM	G14_044	FPL SWITCH - WOODWARD 138KV CKT 1	167.7	0.03929	118.6831	THISTLE7 345.00 - WICHITA 345KV CKT 1
20WP		0	0	TO->FROM	G14_044	FPL SWITCH - WOODWARD 138KV CKT 1	167.7	0.03929	118.6831	THISTLE7 345.00 - WICHITA 345KV CKT 2
20SP		0	0	TO->FROM	G14_044	FPL SWITCH - WOODWARD 138KV CKT 1	136.3	0.03383	118.3103	RENFROW7 345.00 (BANK 1) 345/138/13.8KV TRANSFORMER CKT 1
20WP		0	0	TO->FROM	G14_044	FPL SWITCH - WOODWARD 138KV CKT 1	167.7	0.04038	117.9667	WOODWARD - WOODWARD 69KV CKT 1
15SP		0	0	TO->FROM	G14_044	FPL SWITCH - WOODWARD 138KV CKT 1	136.1	0.03461	117.5247	G14-058T 345.00 - TATONGA7 345.00 345KV CKT 1
20SP		0	0	TO->FROM	G14_044	FPL SWITCH - WOODWARD 138KV CKT 1	136.3	0.03867	116.8378	WOODWARD - WOODWARD 69KV CKT 1
20WP		0	0	TO->FROM	G14_044	FPL SWITCH - WOODWARD 138KV CKT 1	167.4	0.03557	116.4136	G14-058T 345.00 - TATONGA7 345.00 345KV CKT 1
20WP		0	0	TO->FROM	G14_044	FPL SWITCH - WOODWARD 138KV CKT 1	167.4	0.037	114.9066	CHISHOLM6 230.00 - ELK CITY 230KV 230KV CKT 1
20WP		0	0	TO->FROM	G14_044	FPL SWITCH - WOODWARD 138KV CKT 1	167.4	0.037	114.9066	ELK CITY 230KV (ELKCTY-6) 230/138/13.8KV TRANSFORMER CKT 1
20SP		0	0	TO->FROM	G14_044	FPL SWITCH - WOODWARD 138KV CKT 1	136.3	0.03072	114.5678	SAND RDG 138138.00 - WAKITA 138 138.00 138KV CKT 1
20WP		0	0	TO->FROM	G14_044	FPL SWITCH - WOODWARD 138KV CKT 1	167.7	0.0323	114.5048	RENFROW4 138.00 - SAND RDG 138138.00 138KV CKT 1
20WP		0	0	TO->FROM	G14_044	FPL SWITCH - WOODWARD 138KV CKT 1	167.7	0.03545	113.4936	RENFROW7 345.00 (BANK 1) 345/138/13.8KV TRANSFORMER CKT 1
20WP		0	0	TO->FROM	G14_044	FPL SWITCH - WOODWARD 138KV CKT 1	152.1	0.03603	112.7973	BASE CASE
20WP		0	0	TO->FROM	G14_044	FPL SWITCH - WOODWARD 138KV CKT 1	167.7	0.03553	111.5186	RENFROW7 345.00 - VIOLA 7 345.00 345KV CKT 1
20SP		0	0	TO->FROM	G14_044	FPL SWITCH - WOODWARD 138KV CKT 1	141.3	0.03567	110.4575	CHISHOLM6 230.00 - ELK CITY 230KV 230KV CKT 1
20SP		0	0	TO->FROM	G14_044	FPL SWITCH - WOODWARD 138KV CKT 1	141.3	0.03567	110.4575	ELK CITY 230KV (ELKCTY-6) 230/138/13.8KV TRANSFORMER CKT 1
20SP		0	0	TO->FROM	G14_044	FPL SWITCH - WOODWARD 138KV CKT 1	141.3	0.03454	110.1473	DBL-THIS-WICH
20SP		0	0	TO->FROM	G14_044	FPL SWITCH - WOODWARD 138KV CKT 1	141.3	0.03421	108.9044	G14-058T 345.00 - NORTHWEST 345KV CKT 1

SEASON	GROUP	SCENARIO	DIRECTION	SOURCE	MONITORED ELEMENT	RATE (MVA)	TDF	CONTINGENCY LOADING %	CONTINGENCY
20WP	0	0	TO->FROM	G14_044	FPL SWITCH - WOODWARD 138KV CKT 1	167.4	0.03557	105.3623	G11_051T 345.00 - TATONGA7 345.00 345KV CKT 1
20SP	0	0	TO->FROM	G14_044	FPL SWITCH - WOODWARD 138KV CKT 1	141.3	0.03421	104.7996	G14-058T 345.00 - TATONGA7 345.00 345KV CKT 1
15SP	0	0	TO->FROM	G14_044	FPL SWITCH - WOODWARD 138KV CKT 1	136.1	0.03461	103.7113	G11_051T 345.00 - TATONGA7 345.00 345KV CKT 1
25SP	0	0	TO->FROM	G14_044	FPL SWITCH - WOODWARD 138KV CKT 1	142.1	0.05037	102.9427	DBL-G1151-TGA
20WP	0	0	TO->FROM	G14_044	FPL SWITCH - WOODWARD 138KV CKT 1	167.4	0.03557	102.7936	G11_051T 345.00 - WOODWARD DISTRICT EHV 345KV CKT 1
25SP	0	0	TO->FROM	G14_044	FPL SWITCH - WOODWARD 138KV CKT 1	142.1	0.03533	101.2359	DBL-THIS-WICH
15SP	0	0	TO->FROM	G14_044	FPL SWITCH - WOODWARD 138KV CKT 1	136.1	0.03461	100.5519	G11_051T 345.00 - WOODWARD DISTRICT EHV 345KV CKT 1
20WP	0	0	TO->FROM	G14_044	FPL SWITCH - WOODWARD 138KV CKT 1	167.4	0.03557	100.4041	SPSCont-05ax
15G	6	0	FROM->TO	G14_044	G13_027T 230.00 - TOLK STATION WEST 230KV CKT 1	350.1	0.13483	100.3837	TUCO INTERCHANGE - YOAKUM_345 345.00 345KV CKT 1
20WP	0	0	TO->FROM	G14_044	G14-057T 345.00 - LAWTON EASTSIDE 345KV CKT 1	786.2	0.1724	113.4285	CIMARRON - MINCO 345KV CKT 1
20WP	0	0	TO->FROM	G14_044	G14-057T 345.00 - LAWTON EASTSIDE 345KV CKT 1	786.2	0.1724	109.5363	GRACEMONT - MINCO 345KV CKT 1
15G	6	0	TO->FROM	G14_044	G14-057T 345.00 - LAWTON EASTSIDE 345KV CKT 1	786.5	0.17081	103.3851	CIMARRON - MINCO 345KV CKT 1
20WP	0	0	FROM->TO	G14_044	G14-057T 345.00 - SUNNYSIDE 345KV CKT 1	784.7	0.1724	119.3927	CIMARRON - MINCO 345KV CKT 1
20WP	0	0	FROM->TO	G14_044	G14-057T 345.00 - SUNNYSIDE 345KV CKT 1	784.7	0.1724	115.4932	GRACEMONT - MINCO 345KV CKT 1
15G	6	0	FROM->TO	G14_044	G14-057T 345.00 - SUNNYSIDE 345KV CKT 1	785.8	0.17081	109.2929	CIMARRON - MINCO 345KV CKT 1
15G	6	0	FROM->TO	G14_044	G14-057T 345.00 - SUNNYSIDE 345KV CKT 1	785.8	0.17081	105.3734	GRACEMONT - MINCO 345KV CKT 1
15SP	0	0	FROM->TO	G14_044	G14-057T 345.00 - SUNNYSIDE 345KV CKT 1	786.4	0.17345	100.7718	CIMARRON - MINCO 345KV CKT 1
15G	3	0	FROM->TO	G14_044	HARPER - MILAN TAP 138KV CKT 1	139	0.03233	225.879	DBL-THIS-WICH
15SP	0	0	FROM->TO	G14_044	HARPER - MILAN TAP 138KV CKT 1	131.8	0.03299	223.7766	DBL-THIS-WICH
15SP	0	0	TO->FROM	G14_044	MULLERGREN - SPEARVILLE 230KV CKT 1	393.1	0.0321	140.277	G13-010T 345.00 - POST ROCK 345KV CKT 1
20SP	0	0	TO->FROM	G14_044	MULLERGREN - SPEARVILLE 230KV CKT 1	393.4	0.03066	135.6187	G13-010T 345.00 - POST ROCK 345KV CKT 1
20WP	0	0	TO->FROM	G14_044	MULLERGREN - SPEARVILLE 230KV CKT 1	392	0.03077	135.0598	G13-010T 345.00 - POST ROCK 345KV CKT 1
15SP	0	0	TO->FROM	G14_044	MULLERGREN - SPEARVILLE 230KV CKT 1	393.1	0.0321	134.426	G11-17T 345.00 - G13-010T 345.00 345KV CKT 1
15G	3	0	TO->FROM	G14_044	MULLERGREN - SPEARVILLE 230KV CKT 1	393.4	0.03098	132.484	G13-010T 345.00 - POST ROCK 345KV CKT 1
20SP	0	0	TO->FROM	G14_044	MULLERGREN - SPEARVILLE 230KV CKT 1	393.4	0.03066	129.7213	G11-17T 345.00 - G13-010T 345.00 345KV CKT 1
20WP	0	0	TO->FROM	G14_044	MULLERGREN - SPEARVILLE 230KV CKT 1	392	0.03077	129.1414	G11-17T 345.00 - G13-010T 345.00 345KV CKT 1
15G	3	0	TO->FROM	G14_044	MULLERGREN - SPEARVILLE 230KV CKT 1	393.4	0.03098	126.5104	G11-17T 345.00 - G13-010T 345.00 345KV CKT 1
15SP	0	0	TO->FROM	G14_044	MULLERGREN - SPEARVILLE 230KV CKT 1	393.1	0.03452	120.4938	DBL-THIS-WICH
15G	3	0	TO->FROM	G14_044	MULLERGREN - SPEARVILLE 230KV CKT 1	393.4	0.03374	115.6486	DBL-THIS-WICH
20WP	0	0	TO->FROM	G14_044	MULLERGREN - SPEARVILLE 230KV CKT 1	392	0.03193	115.389	DBL-THIS-WICH
15SP	0	0	TO->FROM	G14_044	MULLERGREN - SPEARVILLE 230KV CKT 1	393.1	0.0321	114.6092	G11-17T 345.00 - SPEARVILLE 345KV CKT 1
20SP	0	0	TO->FROM	G14_044	MULLERGREN - SPEARVILLE 230KV CKT 1	393.4	0.03218	113.1549	DBL-THIS-WICH
20SP	0	0	TO->FROM	G14_044	MULLERGREN - SPEARVILLE 230KV CKT 1	393.4	0.03066	109.945	G11-17T 345.00 - SPEARVILLE 345KV CKT 1
20WP	0	0	TO->FROM	G14_044	MULLERGREN - SPEARVILLE 230KV CKT 1	392	0.03077	109.32	G11-17T 345.00 - SPEARVILLE 345KV CKT 1
15G	3	0	TO->FROM	G14_044	MULLERGREN - SPEARVILLE 230KV CKT 1	393.4	0.03098	106.6324	G11-17T 345.00 - SPEARVILLE 345KV CKT 1
15G	6	0	TO->FROM	G14_044	OASIS INTERCHANGE - SAN JUAN MESA TAP 230KV CKT 1	350.7	0.04081	109.2268	CROSSROADS 345.00 - TOLK STATION 345KV CKT 1
15SP	0	0	TO->FROM	G14_044	PLANT X STATION - TOLK STATION WEST 230KV CKT 1	502	0.08675	103.0607	TOLK STATION TAP - TOLK STATION WEST 230KV CKT @1
15G	6	0	FROM->TO	G14_044	POTTER COUNTY INTERCHANGE (WAUK 90343-A) 345/230/13.2KV TRANSFORMER CKT 1	557.5	0.15982	106.5012	POTTER COUNTY INTERCHANGE - TOLK STATION 345KV CKT 1
15G	6	0	FROM->TO	G14_044	POTTER COUNTY INTERCHANGE (WAUK 90343-A) 345/230/13.2KV TRANSFORMER CKT 1	559	0.15982	106.1617	POTTER COUNTY INTERCHANGE - TOLK STATION 345KV CKT 1
20WP	0	0	FROM->TO	G14_044	POTTER COUNTY INTERCHANGE (WAUK 90343-A) 345/230/13.2KV TRANSFORMER CKT 1	554.2	0.16784	100.1786	POTTER COUNTY INTERCHANGE - TOLK STATION 345KV CKT 1
20WP	0	0	TO->FROM	G14_044	TOLK STATION (ABBXL844501) 345/230/13.2KV TRANSFORMER CKT 1	546.3	0.14856	107.1654	CROSSROADS 345.00 - TOLK STATION 345KV CKT 1
20WP	0	0	TO->FROM	G14_044	TOLK STATION (ABBXL844501) 345/230/13.2KV TRANSFORMER CKT 1	550.9	0.14856	106.2161	CROSSROADS 345.00 - TOLK STATION 345KV CKT 1
15G	3	0	TO->FROM	G14_044	WOODWARD - WOODWARD EHV 138KV CKT 1	280.6	0.03628	109.1493	DBL-THIS-WICH
15G	3	0	TO->FROM	G14_044	WOODWARD - WOODWARD EHV 138KV CKT 1	280.6	0.03866	104.5017	G14-058T 345.00 - NORTHWEST 345KV CKT 1
15G	3	0	TO->FROM	G14_044	WOODWARD - WOODWARD EHV 138KV CKT 1	280.6	0.03402	103.49	WOODWARD - WOODWARD EHV 138KV CKT 2
15G	3	0	TO->FROM	G14_044	WOODWARD - WOODWARD EHV 138KV CKT 1	280.6	0.03866	102.3278	G14-058T 345.00 - TATONGA7 345.00 345KV CKT 1
15G	3	0	TO->FROM	G14_071	BARBER 3 115.00 - MEDICINE LODGE 115KV CKT 1	158.1	0.04653	127.2239	DBL-CLR-THIS
20WP	0	0	TO->FROM	G14_071	BARBER 3 115.00 - MEDICINE LODGE 115KV CKT 1	158.5	0.04565	122.4053	DBL-CLR-THIS
15SP	0	0	TO->FROM	G14_071	BARBER 3 115.00 - MEDICINE LODGE 115KV CKT 1	160.2	0.04705	117.9837	DBL-CLR-THIS
20SP	0	0	TO->FROM	G14_071	BARBER 3 115.00 - MEDICINE LODGE 115KV CKT 1	160.5	0.0462	109.3275	DBL-CLR-THIS
25SP	0	0	TO->FROM	G14_071	BARBER 3 115.00 - MEDICINE LODGE 115KV CKT 1	160.7	0.04662	104.2409	DBL-CLR-THIS
15SP	0	0	FROM->TO	G14_071	CHISHOLM6 230.00 - ELK CITY 230KV 230KV CKT 1	351.9	0.03052	156.6998	CHISHOLM7 345.00 - GRACEMONT 345KV CKT 1
20SP	0	0	FROM->TO	G14_071	CHISHOLM6 230.00 - ELK CITY 230KV 230KV CKT 1	353	0.03011	132.6568	CHISHOLM7 345.00 - GRACEMONT 345KV CKT 1
20WP	0	0	FROM->TO	G14_071	CHISHOLM6 230.00 - ELK CITY 230KV 230KV CKT 1	437.6	0.03123	121.6099	CHISHOLM7 345.00 - GRACEMONT 345KV CKT 1
20WP	0	0	TO->FROM	G14_071	CIMARRON - MINCO 345KV CKT 1	953.8	0.04285	122.044	G14-057T 345.00 - SUNNYSIDE 345KV CKT 1
20WP	0	0	TO->FROM	G14_071	CIMARRON - MINCO 345KV CKT 1	953.8	0.04285	119.8528	G14-057T 345.00 - LAWTON EASTSIDE 345KV CKT 1
20WP	0	0	TO->FROM	G14_071	CIMARRON - MINCO 345KV CKT 1	953.8	0.04924	105.5389	G14-058T 345.00 - NORTHWEST 345KV CKT 1
15G	6	0	TO->FROM	G14_071	CIMARRON - MINCO 345KV CKT 1	954.6	0.04371	104.8564	G14-057T 345.00 - SUNNYSIDE 345KV CKT 1

SEASON	GROUP	SCENARIO	DIRECTION	SOURCE	MONITORED ELEMENT	RATE		CONTINGENCY		CONTINGENCY	
						(MVA)	TDF	LOADING %			
20WP	0	0	TO->FROM	G14_071	CIMARRON - MINCO 345KV CKT 1	953.8	0.04924	104.1235	G14-058T	345.00 - TATONGA7	345.00 345KV CKT 1
15SP	0	0	TO->FROM	G14_071	CIMARRON - MINCO 345KV CKT 1	954.9	0.04618	103.0708	G14-057T	345.00 - SUNNYSIDE	345KV CKT 1
15G	6	0	TO->FROM	G14_071	CIMARRON - MINCO 345KV CKT 1	954.6	0.04371	102.6147	G14-057T	345.00 - LAWTON EASTSIDE	345KV CKT 1
15SP	0	0	TO->FROM	G14_071	CIMARRON - MINCO 345KV CKT 1	954.9	0.04618	100.7773	G14-057T	345.00 - LAWTON EASTSIDE	345KV CKT 1
15G	3	0	TO->FROM	G14_071	CIRCLE - MULLERGREN 230KV CKT 1	392.8	0.09746	119.913	DBL-CLRK-THIS		
15SP	0	0	TO->FROM	G14_071	CIRCLE - MULLERGREN 230KV CKT 1	397	0.09205	110.6015	DBL-CLRK-THIS		
20WP	0	0	TO->FROM	G14_071	CIRCLE - MULLERGREN 230KV CKT 1	397.6	0.08934	107.1485	DBL-CLRK-THIS		
15G	3	0	TO->FROM	G14_071	CIRCLE - MULLERGREN 230KV CKT 1	392.8	0.08313	106.1357	DBL-THIS-WICH		
20SP	0	0	TO->FROM	G14_071	CIRCLE - MULLERGREN 230KV CKT 1	398.5	0.08966	103.3768	DBL-CLRK-THIS		
15G	3	0	FROM->TO	G14_071	CLEARWATER - GILL ENERGY CENTER WEST 138KV CKT 1	131.5	0.04574	213.2866	DBL-THIS-WICH		
15SP	0	0	FROM->TO	G14_071	CLEARWATER - GILL ENERGY CENTER WEST 138KV CKT 1	128	0.04618	182.3731	DBL-THIS-WICH		
15G	6	0	FROM->TO	G14_071	CLEARWATER - GILL ENERGY CENTER WEST 138KV CKT 1	141	0.04107	134.2496	DBL-THIS-WICH		
15SP	0	0	FROM->TO	G14_071	CLEARWATER - GILL ENERGY CENTER WEST 138KV CKT 1	139.1	0.04143	104.1385	DBL-THIS-WICH		
15G	3	0	TO->FROM	G14_071	CLEARWATER - MILAN TAP 138KV CKT 1	87.2	0.04574	328.064	DBL-THIS-WICH		
15SP	0	0	TO->FROM	G14_071	CLEARWATER - MILAN TAP 138KV CKT 1	82	0.04618	294.3141	DBL-THIS-WICH		
20WP	0	0	TO->FROM	G14_071	CLEARWATER - MILAN TAP 138KV CKT 1	92.1	0.04956	290.0294	DBL-THIS-WICH		
20SP	0	0	TO->FROM	G14_071	CLEARWATER - MILAN TAP 138KV CKT 1	85.8	0.05	264.8761	DBL-THIS-WICH		
15G	6	0	TO->FROM	G14_071	CLEARWATER - MILAN TAP 138KV CKT 1	104.1	0.04107	187.2161	DBL-THIS-WICH		
20WP	0	0	TO->FROM	G14_071	CLEARWATER - MILAN TAP 138KV CKT 1	105.7	0.04502	172.5056	DBL-THIS-WICH		
25SP	0	0	TO->FROM	G14_071	CLEARWATER - MILAN TAP 138KV CKT 1	99.7	0.0439	164.853	DBL-THIS-WICH		
15SP	0	0	TO->FROM	G14_071	CLEARWATER - MILAN TAP 138KV CKT 1	101.1	0.04143	150.9957	DBL-THIS-WICH		
20SP	0	0	TO->FROM	G14_071	CLEARWATER - MILAN TAP 138KV CKT 1	103	0.04588	128.1667	DBL-THIS-WICH		
15SP	0	0	TO->FROM	G14_071	DOBSON - KANSAS AVENUE WATER TREATMENT PLANT 115KV CKT 1	148.2	0.18277	111.1831	HOLCOMB (HOLCOMB) 345/115/13.8KV TRANSFORMER CKT 1		
15SP	0	0	TO->FROM	G14_071	DOBSON - KANSAS AVENUE WATER TREATMENT PLANT 115KV CKT 1	148.2	0.18277	111.1831	SPP-SEPC-01		
15SP	0	0	FROM->TO	G14_071	ELK CITY 230KV (ELKCTY-6) 230/138/13.8KV TRANSFORMER CKT 1	309.1	0.03052	178.2357	CHISHOLM7	345.00 - GRACEMONT	345KV CKT 1
15SP	0	0	FROM->TO	G14_071	ELK CITY 230KV (ELKCTY-6) 230/138/13.8KV TRANSFORMER CKT 1	314.8	0.03052	175.1673	CHISHOLM7	345.00 - GRACEMONT	345KV CKT 1
20WP	0	0	FROM->TO	G14_071	ELK CITY 230KV (ELKCTY-6) 230/138/13.8KV TRANSFORMER CKT 1	308.8	0.03123	172.2036	CHISHOLM7	345.00 - GRACEMONT	345KV CKT 1
20WP	0	0	FROM->TO	G14_071	ELK CITY 230KV (ELKCTY-6) 230/138/13.8KV TRANSFORMER CKT 1	314.1	0.03123	169.4252	CHISHOLM7	345.00 - GRACEMONT	345KV CKT 1
20SP	0	0	FROM->TO	G14_071	ELK CITY 230KV (ELKCTY-6) 230/138/13.8KV TRANSFORMER CKT 1	314.5	0.03011	148.769	CHISHOLM7	345.00 - GRACEMONT	345KV CKT 1
20SP	0	0	FROM->TO	G14_071	ELK CITY 230KV (ELKCTY-6) 230/138/13.8KV TRANSFORMER CKT 1	316	0.03011	148.1895	CHISHOLM7	345.00 - GRACEMONT	345KV CKT 1
15SP	0	0	FROM->TO	G14_071	EVANS ENERGY CENTER NORTH - MAIZEW 4 138.00 138KV CKT 1	377.9	0.04173	103.4833	BENTON - WICHITA	345KV CKT 1	
15SP	0	0	TO->FROM	G14_071	FLATRDG3 - THISTLE4 138.00 138KV CKT 1	285.7	0.03022	111.7404	DBL-THIS-WICH		
20SP	0	0	TO->FROM	G14_071	FLATRDG3 - THISTLE4 138.00 138KV CKT 1	285.1	0.03337	105.2903	DBL-THIS-WICH		
20WP	0	0	TO->FROM	G14_071	FLATRDG3 - THISTLE4 138.00 138KV CKT 1	285.9	0.03331	105.2387	DBL-THIS-WICH		
15SP	0	0	TO->FROM	G14_071	FORD 3 115.00 - NORTH JUDSON LARGE SUB 115KV CKT 1	114.8	0.04705	117.0817	DBL-CLRK-THIS		
20SP	0	0	TO->FROM	G14_071	FORD 3 115.00 - NORTH JUDSON LARGE SUB 115KV CKT 1	114.8	0.0462	115.741	DBL-CLRK-THIS		
25SP	0	0	TO->FROM	G14_071	FORD 3 115.00 - NORTH JUDSON LARGE SUB 115KV CKT 1	114.8	0.04662	113.9505	DBL-CLRK-THIS		
20WP	0	0	TO->FROM	G14_071	FORD 3 115.00 - NORTH JUDSON LARGE SUB 115KV CKT 1	119.3	0.04565	112.416	DBL-CLRK-THIS		
15G	3	0	TO->FROM	G14_071	FORD 3 115.00 - NORTH JUDSON LARGE SUB 115KV CKT 1	119.3	0.04653	111.9371	DBL-CLRK-THIS		
15SP	0	0	FROM->TO	G14_071	FORD 3 115.00 - SSTARTP3 115.00 115KV CKT 1	114.8	0.04705	117.0817	DBL-CLRK-THIS		
20SP	0	0	FROM->TO	G14_071	FORD 3 115.00 - SSTARTP3 115.00 115KV CKT 1	114.8	0.0462	115.741	DBL-CLRK-THIS		
25SP	0	0	FROM->TO	G14_071	FORD 3 115.00 - SSTARTP3 115.00 115KV CKT 1	114.8	0.04662	113.9505	DBL-CLRK-THIS		
20WP	0	0	FROM->TO	G14_071	FORD 3 115.00 - SSTARTP3 115.00 115KV CKT 1	119.3	0.04565	112.416	DBL-CLRK-THIS		
15G	3	0	FROM->TO	G14_071	FORD 3 115.00 - SSTARTP3 115.00 115KV CKT 1	119.3	0.04653	111.9371	DBL-CLRK-THIS		
15G	3	0	FROM->TO	G14_071	FPL SWITCH - MOORELAND 138KV CKT 1	272	0.05133	129.7477	DBL-THIS-WICH		
15G	3	0	FROM->TO	G14_071	FPL SWITCH - MOORELAND 138KV CKT 1	272	0.04883	123.8956	G14-058T	345.00 - NORTHWEST	345KV CKT 1
15G	3	0	FROM->TO	G14_071	FPL SWITCH - MOORELAND 138KV CKT 1	272	0.04883	121.2118	G14-058T	345.00 - TATONGA7	345.00 345KV CKT 1
15G	3	0	FROM->TO	G14_071	FPL SWITCH - MOORELAND 138KV CKT 1	272	0.04883	112.1309	G11_051T	345.00 - TATONGA7	345.00 345KV CKT 1
15G	3	0	FROM->TO	G14_071	FPL SWITCH - MOORELAND 138KV CKT 1	272	0.04883	110.0721	G11_051T	345.00 - WOODWARD DISTRICT	EHV 345KV CKT 1
20WP	0	0	FROM->TO	G14_071	FPL SWITCH - MOORELAND 138KV CKT 1	273.6	0.05622	108.8037	DBL-THIS-WICH		
15G	3	0	FROM->TO	G14_071	FPL SWITCH - MOORELAND 138KV CKT 1	272	0.04883	108.528	SPSCont-05ax		
15G	3	0	FROM->TO	G14_071	FPL SWITCH - MOORELAND 138KV CKT 1	272	0.03645	105.108	WOODWARD (WOODWRD2) 138/69/13.2KV TRANSFORMER CKT 1		
20WP	0	0	FROM->TO	G14_071	FPL SWITCH - MOORELAND 138KV CKT 1	273.6	0.05414	104.3001	G14-058T	345.00 - NORTHWEST	345KV CKT 1
15SP	0	0	FROM->TO	G14_071	FPL SWITCH - MOORELAND 138KV CKT 1	278	0.05573	103.6383	DBL-THIS-WICH		
15G	3	0	FROM->TO	G14_071	FPL SWITCH - MOORELAND 138KV CKT 1	272	0.03866	102.2076	IODINE - WOODWARD	EHV 138KV CKT 1	
20WP	0	0	FROM->TO	G14_071	FPL SWITCH - MOORELAND 138KV CKT 1	273.6	0.05414	101.5588	G14-058T	345.00 - TATONGA7	345.00 345KV CKT 1
15G	3	0	FROM->TO	G14_071	FPL SWITCH - MOORELAND 138KV CKT 1	272	0.03866	100.6267	DEWEY - IODINE	138KV CKT 1	
15G	3	0	TO->FROM	G14_071	FPL SWITCH - WOODWARD 138KV CKT 1	135.1	0.05133	256.1908	DBL-THIS-WICH		

SEASON	GROUP	SCENARIO	DIRECTION	SOURCE	MONITORED ELEMENT	RATE		CONTINGENCY		CONTINGENCY
						(MVA)	TDF	LOADING %		
15G		3	0	TO->FROM	G14_071	FPL SWITCH - WOODWARD 138KV CKT 1	135.1	0.04883	244.3347	G14-058T 345.00 - NORTHWEST 345KV CKT 1
15G		3	0	TO->FROM	G14_071	FPL SWITCH - WOODWARD 138KV CKT 1	135.1	0.04883	238.9312	G14-058T 345.00 - TATONGA7 345.00 345KV CKT 1
15SP		0	0	TO->FROM	G14_071	FPL SWITCH - WOODWARD 138KV CKT 1	132.6	0.05573	207.477	DBL-THIS-WICH
15G		3	0	TO->FROM	G14_071	FPL SWITCH - WOODWARD 138KV CKT 1	135.1	0.03645	206.5091	WOODWARD (WOODWRD2) 138/69/13.2KV TRANSFORMER CKT 1
15G		3	0	TO->FROM	G14_071	FPL SWITCH - WOODWARD 138KV CKT 1	112	0.03239	201.4243	BASE CASE
15G		3	0	TO->FROM	G14_071	FPL SWITCH - WOODWARD 138KV CKT 1	135.1	0.03866	200.7437	IODINE - WOODWARD EHV 138KV CKT 1
15G		3	0	TO->FROM	G14_071	FPL SWITCH - WOODWARD 138KV CKT 1	135.1	0.03866	197.4868	DEWEY - IODINE 138KV CKT 1
15SP		0	0	TO->FROM	G14_071	FPL SWITCH - WOODWARD 138KV CKT 1	132.6	0.05318	194.1811	G14-058T 345.00 - NORTHWEST 345KV CKT 1
15SP		0	0	TO->FROM	G14_071	FPL SWITCH - WOODWARD 138KV CKT 1	132.6	0.05318	188.6004	G14-058T 345.00 - TATONGA7 345.00 345KV CKT 1
15G		3	0	TO->FROM	G14_071	FPL SWITCH - WOODWARD 138KV CKT 1	135.1	0.03689	188.2161	THISTLE7 345.00 - WICHITA 345KV CKT 2
15G		3	0	TO->FROM	G14_071	FPL SWITCH - WOODWARD 138KV CKT 1	135.1	0.03734	181.6993	RENFROW7 345.00 - VIOLA 7 345.00 345KV CKT 1
15G		3	0	TO->FROM	G14_071	FPL SWITCH - WOODWARD 138KV CKT 1	135.1	0.03303	180.4208	RENFROW7 345.00 (BANK 1) 345/138/13.8KV TRANSFORMER CKT 1
15G		3	0	TO->FROM	G14_071	FPL SWITCH - WOODWARD 138KV CKT 1	135.1	0.0307	180.1329	RENFROW4 138.00 - SAND RDG 138138.00 138KV CKT 1
15G		3	0	TO->FROM	G14_071	FPL SWITCH - WOODWARD 138KV CKT 1	135.1	0.03453	180.0746	G14_007T 345.00 - TUCO INTERCHANGE 345KV CKT 1
20SP		0	0	TO->FROM	G14_071	FPL SWITCH - WOODWARD 138KV CKT 1	136.3	0.05477	177.8666	DBL-THIS-WICH
15G		6	0	TO->FROM	G14_071	FPL SWITCH - WOODWARD 138KV CKT 1	141.6	0.03966	177.1781	DBL-THIS-WICH
15G		6	0	TO->FROM	G14_071	FPL SWITCH - WOODWARD 138KV CKT 1	141.6	0.03531	176.8252	G14-058T 345.00 - NORTHWEST 345KV CKT 1
15G		3	0	TO->FROM	G14_071	FPL SWITCH - WOODWARD 138KV CKT 1	135.1	0.03453	175.8555	BORDER 7345.00 - G14_007T 345.00 345KV CKT 1
15G		3	0	TO->FROM	G14_071	FPL SWITCH - WOODWARD 138KV CKT 1	135.1	0.0307	175.4697	SAND RDG 138138.00 - WAKITA 138 138.00 138KV CKT 1
15G		3	0	TO->FROM	G14_071	FPL SWITCH - WOODWARD 138KV CKT 1	135.1	0.035	174.814	POTTER COUNTY INTERCHANGE (WAUK 90343-A) 345/230/13.2KV TRANSFORMER CKT 1
15G		3	0	TO->FROM	G14_071	FPL SWITCH - WOODWARD 138KV CKT 1	135.1	0.03453	173.1168	BORDER 7345.00 - WOODWARD DISTRICT EHV 345KV CKT 1
15G		3	0	TO->FROM	G14_071	FPL SWITCH - WOODWARD 138KV CKT 1	135.1	0.035	173.0375	G14_038T 345.00 - POTTER COUNTY INTERCHANGE 345KV CKT 1
15G		6	0	TO->FROM	G14_071	FPL SWITCH - WOODWARD 138KV CKT 1	141.6	0.03531	172.8704	G14-058T 345.00 - TATONGA7 345.00 345KV CKT 1
15G		3	0	TO->FROM	G14_071	FPL SWITCH - WOODWARD 138KV CKT 1	135.1	0.035	171.9272	G14_038T 345.00 - Hitchland Interchange 345KV CKT 1
15G		3	0	TO->FROM	G14_071	FPL SWITCH - WOODWARD 138KV CKT 1	135.1	0.03096	171.6983	SANDY_CN 138138.00 - WAKITA 138 138.00 138KV CKT 1
20WP		0	0	TO->FROM	G14_071	FPL SWITCH - WOODWARD 138KV CKT 1	167.7	0.05622	170.356	DBL-THIS-WICH
15SP		0	0	TO->FROM	G14_071	FPL SWITCH - WOODWARD 138KV CKT 1	132.6	0.05318	169.7467	G11_051T 345.00 - TATONGA7 345.00 345KV CKT 1
15SP		0	0	TO->FROM	G14_071	FPL SWITCH - WOODWARD 138KV CKT 1	132.6	0.05318	165.448	G11_051T 345.00 - WOODWARD DISTRICT EHV 345KV CKT 1
20WP		0	0	TO->FROM	G14_071	FPL SWITCH - WOODWARD 138KV CKT 1	167.7	0.05414	163.0083	G14-058T 345.00 - NORTHWEST 345KV CKT 1
20SP		0	0	TO->FROM	G14_071	FPL SWITCH - WOODWARD 138KV CKT 1	136.3	0.05225	162.8501	G14-058T 345.00 - NORTHWEST 345KV CKT 1
15SP		0	0	TO->FROM	G14_071	FPL SWITCH - WOODWARD 138KV CKT 1	132.6	0.04127	162.7625	WOODWARD (WOODWRD2) 138/69/13.2KV TRANSFORMER CKT 1
15SP		0	0	TO->FROM	G14_071	FPL SWITCH - WOODWARD 138KV CKT 1	132.6	0.05318	162.2806	SPSCont-05ax
15G		6	0	TO->FROM	G14_071	FPL SWITCH - WOODWARD 138KV CKT 1	141.6	0.03531	159.7349	G11_051T 345.00 - TATONGA7 345.00 345KV CKT 1
15SP		0	0	TO->FROM	G14_071	FPL SWITCH - WOODWARD 138KV CKT 1	132.6	0.0368	159.3995	MOORELAND 138/18.0KV TRANSFORMER CKT 1
20WP		0	0	TO->FROM	G14_071	FPL SWITCH - WOODWARD 138KV CKT 1	167.7	0.05414	158.5361	G14-058T 345.00 - TATONGA7 345.00 345KV CKT 1
15SP		0	0	TO->FROM	G14_071	FPL SWITCH - WOODWARD 138KV CKT 1	132.6	0.0368	158.4231	MOORELAND 138/18.0KV TRANSFORMER CKT 1
20SP		0	0	TO->FROM	G14_071	FPL SWITCH - WOODWARD 138KV CKT 1	136.3	0.05225	157.1274	G14-058T 345.00 - TATONGA7 345.00 345KV CKT 1
15G		6	0	TO->FROM	G14_071	FPL SWITCH - WOODWARD 138KV CKT 1	141.6	0.03531	156.6981	G11_051T 345.00 - WOODWARD DISTRICT EHV 345KV CKT 1
15G		6	0	TO->FROM	G14_071	FPL SWITCH - WOODWARD 138KV CKT 1	141.6	0.03023	154.073	IODINE - WOODWARD EHV 138KV CKT 1
15G		6	0	TO->FROM	G14_071	FPL SWITCH - WOODWARD 138KV CKT 1	141.6	0.03531	153.8733	SPSCont-05ax
15SP		0	0	TO->FROM	G14_071	FPL SWITCH - WOODWARD 138KV CKT 1	132.6	0.04338	152.2833	IODINE - WOODWARD EHV 138KV CKT 1
15G		6	0	TO->FROM	G14_071	FPL SWITCH - WOODWARD 138KV CKT 1	141.6	0.03023	151.3894	DEWEY - IODINE 138KV CKT 1
15SP		0	0	TO->FROM	G14_071	FPL SWITCH - WOODWARD 138KV CKT 1	132.6	0.04338	149.1159	DEWEY - IODINE 138KV CKT 1
15SP		0	0	TO->FROM	G14_071	FPL SWITCH - WOODWARD 138KV CKT 1	108.9	0.0368	145.4449	BASE CASE
20WP		0	0	TO->FROM	G14_071	FPL SWITCH - WOODWARD 138KV CKT 1	167.7	0.05414	143.5689	G11_051T 345.00 - TATONGA7 345.00 345KV CKT 1
20SP		0	0	TO->FROM	G14_071	FPL SWITCH - WOODWARD 138KV CKT 1	136.3	0.04114	142.5898	WOODWARD (WOODWRD2) 138/69/13.2KV TRANSFORMER CKT 1
15SP		0	0	TO->FROM	G14_071	FPL SWITCH - WOODWARD 138KV CKT 1	132.6	0.04131	140.4045	THISTLE7 345.00 - WICHITA 345KV CKT 1
15SP		0	0	TO->FROM	G14_071	FPL SWITCH - WOODWARD 138KV CKT 1	132.6	0.04131	140.4045	THISTLE7 345.00 - WICHITA 345KV CKT 2
20WP		0	0	TO->FROM	G14_071	FPL SWITCH - WOODWARD 138KV CKT 1	167.7	0.05414	140.17	G11_051T 345.00 - WOODWARD DISTRICT EHV 345KV CKT 1
20SP		0	0	TO->FROM	G14_071	FPL SWITCH - WOODWARD 138KV CKT 1	136.3	0.05225	138.4187	G11_051T 345.00 - TATONGA7 345.00 345KV CKT 1
20WP		0	0	TO->FROM	G14_071	FPL SWITCH - WOODWARD 138KV CKT 1	167.7	0.05414	137.6059	SPSCont-05ax
15SP		0	0	TO->FROM	G14_071	FPL SWITCH - WOODWARD 138KV CKT 1	132.6	0.03743	135.7011	RENFROW7 345.00 (BANK 1) 345/138/13.8KV TRANSFORMER CKT 1
15SP		0	0	TO->FROM	G14_071	FPL SWITCH - WOODWARD 138KV CKT 1	132.6	0.04157	134.4268	RENFROW7 345.00 - VIOLA 7 345.00 345KV CKT 1
20SP		0	0	TO->FROM	G14_071	FPL SWITCH - WOODWARD 138KV CKT 1	136.3	0.05225	134.09	G11_051T 345.00 - WOODWARD DISTRICT EHV 345KV CKT 1
20WP		0	0	TO->FROM	G14_071	FPL SWITCH - WOODWARD 138KV CKT 1	167.7	0.04284	134.0072	WOODWARD (WOODWRD2) 138/69/13.2KV TRANSFORMER CKT 1
20SP		0	0	TO->FROM	G14_071	FPL SWITCH - WOODWARD 138KV CKT 1	136.3	0.0367	133.9864	MOORELAND 138/18.0KV TRANSFORMER CKT 1
20SP		0	0	TO->FROM	G14_071	FPL SWITCH - WOODWARD 138KV CKT 1	136.3	0.0367	132.16	MOORELAND 138/18.0KV TRANSFORMER CKT 1

SEASON	GROUP	SCENARIO	DIRECTION	SOURCE	MONITORED ELEMENT	RATE (MVA)	TDF	CONTINGENCY LOADING %	CONTINGENCY
15SP		0	0	TO->FROM	G14_071 FPL SWITCH - WOODWARD 138KV CKT 1	132.6	0.03544	131.5118	RENFLOW4 138.00 - SAND RDG 138138.00 138KV CKT 1
20SP		0	0	TO->FROM	G14_071 FPL SWITCH - WOODWARD 138KV CKT 1	136.3	0.05225	131.0085	SPSCont-05ax
15SP		0	0	TO->FROM	G14_071 FPL SWITCH - WOODWARD 138KV CKT 1	132.6	0.03888	130.7153	G14_007T 345.00 - TUCO INTERCHANGE 345KV CKT 1
20SP		0	0	TO->FROM	G14_071 FPL SWITCH - WOODWARD 138KV CKT 1	136.3	0.04319	130.5376	IODINE - WOODWARD EHV 138KV CKT 1
15SP		0	0	TO->FROM	G14_071 FPL SWITCH - WOODWARD 138KV CKT 1	132.6	0.03939	128.8341	POTTER COUNTY INTERCHANGE (WAUK 90343-A) 345/230/13.2KV TRANSFORMER CKT 1
20WP		0	0	TO->FROM	G14_071 FPL SWITCH - WOODWARD 138KV CKT 1	167.7	0.04489	128.4447	IODINE - WOODWARD EHV 138KV CKT 1
20SP		0	0	TO->FROM	G14_071 FPL SWITCH - WOODWARD 138KV CKT 1	136.3	0.04319	127.0893	DEWEY - IODINE 138KV CKT 1
25SP		0	0	TO->FROM	G14_071 FPL SWITCH - WOODWARD 138KV CKT 1	142.1	0.05242	126.7288	DBL-G1458-MATT
15SP		0	0	TO->FROM	G14_071 FPL SWITCH - WOODWARD 138KV CKT 1	132.6	0.03888	126.2658	BORDER 7345.00 - G14_007T 345.00 345KV CKT 1
20WP		0	0	TO->FROM	G14_071 FPL SWITCH - WOODWARD 138KV CKT 1	167.7	0.03825	126.1243	MOORELAND 138/18.0KV TRANSFORMER CKT 1
20WP		0	0	TO->FROM	G14_071 FPL SWITCH - WOODWARD 138KV CKT 1	167.7	0.04489	125.5229	DEWEY - IODINE 138KV CKT 1
20WP		0	0	TO->FROM	G14_071 FPL SWITCH - WOODWARD 138KV CKT 1	167.7	0.03825	124.7616	MOORELAND 138/18.0KV TRANSFORMER CKT 1
15SP		0	0	TO->FROM	G14_071 FPL SWITCH - WOODWARD 138KV CKT 1	136.1	0.03278	123.7918	CHISHOLM6 230.00 - ELK CITY 230KV 230KV CKT 1
15SP		0	0	TO->FROM	G14_071 FPL SWITCH - WOODWARD 138KV CKT 1	136.1	0.03278	123.7183	ELK CITY 230KV (ELKCTY-6) 230/138/13.8KV TRANSFORMER CKT 1
15SP		0	0	TO->FROM	G14_071 FPL SWITCH - WOODWARD 138KV CKT 1	132.6	0.03888	123.4755	BORDER 7345.00 - WOODWARD DISTRICT EHV 345KV CKT 1
15SP		0	0	TO->FROM	G14_071 FPL SWITCH - WOODWARD 138KV CKT 1	136.1	0.04404	122.5495	DBL-THIS-WICH
20SP		0	0	TO->FROM	G14_071 FPL SWITCH - WOODWARD 138KV CKT 1	113.4	0.0367	122.3981	BASE CASE
15SP		0	0	TO->FROM	G14_071 FPL SWITCH - WOODWARD 138KV CKT 1	136.1	0.03967	121.7128	G14-058T 345.00 - NORTHWEST 345KV CKT 1
25SP		0	0	TO->FROM	G14_071 FPL SWITCH - WOODWARD 138KV CKT 1	142.1	0.05242	121.0286	DBL-TGA-G1458
20SP		0	0	TO->FROM	G14_071 FPL SWITCH - WOODWARD 138KV CKT 1	136.3	0.04105	120.1536	THISTLE7 345.00 - WICHITA 345KV CKT 1
20SP		0	0	TO->FROM	G14_071 FPL SWITCH - WOODWARD 138KV CKT 1	136.3	0.04105	120.1536	THISTLE7 345.00 - WICHITA 345KV CKT 2
20SP		0	0	TO->FROM	G14_071 FPL SWITCH - WOODWARD 138KV CKT 1	136.3	0.03571	119.9237	RENFLOW4 138.00 - SAND RDG 138138.00 138KV CKT 1
20WP		0	0	TO->FROM	G14_071 FPL SWITCH - WOODWARD 138KV CKT 1	167.4	0.04011	119.7589	G14-058T 345.00 - NORTHWEST 345KV CKT 1
20WP		0	0	TO->FROM	G14_071 FPL SWITCH - WOODWARD 138KV CKT 1	167.4	0.04374	119.3304	DBL-THIS-WICH
20SP		0	0	TO->FROM	G14_071 FPL SWITCH - WOODWARD 138KV CKT 1	136.3	0.03881	118.7742	G14_007T 345.00 - TUCO INTERCHANGE 345KV CKT 1
20WP		0	0	TO->FROM	G14_071 FPL SWITCH - WOODWARD 138KV CKT 1	167.7	0.04259	118.6831	THISTLE7 345.00 - WICHITA 345KV CKT 1
20WP		0	0	TO->FROM	G14_071 FPL SWITCH - WOODWARD 138KV CKT 1	167.7	0.04259	118.6831	THISTLE7 345.00 - WICHITA 345KV CKT 2
20SP		0	0	TO->FROM	G14_071 FPL SWITCH - WOODWARD 138KV CKT 1	136.3	0.03737	118.3103	RENFLOW7 345.00 (BANK 1) 345/138/13.8KV TRANSFORMER CKT 1
20WP		0	0	TO->FROM	G14_071 FPL SWITCH - WOODWARD 138KV CKT 1	167.7	0.04284	117.9667	WOODWARD - WOODWARD 69KV CKT 1
15SP		0	0	TO->FROM	G14_071 FPL SWITCH - WOODWARD 138KV CKT 1	136.1	0.03967	117.5247	G14-058T 345.00 - TATONGA7 345.00 345KV CKT 1
20SP		0	0	TO->FROM	G14_071 FPL SWITCH - WOODWARD 138KV CKT 1	136.3	0.04114	116.8378	WOODWARD - WOODWARD 69KV CKT 1
20WP		0	0	TO->FROM	G14_071 FPL SWITCH - WOODWARD 138KV CKT 1	167.4	0.04011	116.4136	G14-058T 345.00 - TATONGA7 345.00 345KV CKT 1
20WP		0	0	TO->FROM	G14_071 FPL SWITCH - WOODWARD 138KV CKT 1	167.4	0.03339	114.9066	CHISHOLM6 230.00 - ELK CITY 230KV 230KV CKT 1
20WP		0	0	TO->FROM	G14_071 FPL SWITCH - WOODWARD 138KV CKT 1	167.4	0.03339	114.9066	ELK CITY 230KV (ELKCTY-6) 230/138/13.8KV TRANSFORMER CKT 1
20SP		0	0	TO->FROM	G14_071 FPL SWITCH - WOODWARD 138KV CKT 1	136.3	0.03881	114.739	BORDER 7345.00 - G14_007T 345.00 345KV CKT 1
20SP		0	0	TO->FROM	G14_071 FPL SWITCH - WOODWARD 138KV CKT 1	136.3	0.03571	114.5678	SAND RDG 138138.00 - WAKITA 138 138.00 138KV CKT 1
20WP		0	0	TO->FROM	G14_071 FPL SWITCH - WOODWARD 138KV CKT 1	167.7	0.03729	114.5048	RENFLOW4 138.00 - SAND RDG 138138.00 138KV CKT 1
20WP		0	0	TO->FROM	G14_071 FPL SWITCH - WOODWARD 138KV CKT 1	167.7	0.03899	113.4936	RENFLOW7 345.00 (BANK 1) 345/138/13.8KV TRANSFORMER CKT 1
20WP		0	0	TO->FROM	G14_071 FPL SWITCH - WOODWARD 138KV CKT 1	152.1	0.03825	112.7973	BASE CASE
20WP		0	0	TO->FROM	G14_071 FPL SWITCH - WOODWARD 138KV CKT 1	167.7	0.04023	112.6653	G14_007T 345.00 - TUCO INTERCHANGE 345KV CKT 1
20SP		0	0	TO->FROM	G14_071 FPL SWITCH - WOODWARD 138KV CKT 1	136.3	0.03881	112.1711	BORDER 7345.00 - WOODWARD DISTRICT EHV 345KV CKT 1
20WP		0	0	TO->FROM	G14_071 FPL SWITCH - WOODWARD 138KV CKT 1	167.7	0.04303	111.5186	RENFLOW7 345.00 - VIOLA 7 345.00 345KV CKT 1
15SP		0	0	TO->FROM	G14_071 FPL SWITCH - WOODWARD 138KV CKT 1	136.1	0.03337	110.4589	WOODWARD (WOODWRD2) 138/69/13.2KV TRANSFORMER CKT 1
20SP		0	0	TO->FROM	G14_071 FPL SWITCH - WOODWARD 138KV CKT 1	141.3	0.03207	110.4575	CHISHOLM6 230.00 - ELK CITY 230KV 230KV CKT 1
20SP		0	0	TO->FROM	G14_071 FPL SWITCH - WOODWARD 138KV CKT 1	141.3	0.03207	110.4575	ELK CITY 230KV (ELKCTY-6) 230/138/13.8KV TRANSFORMER CKT 1
20SP		0	0	TO->FROM	G14_071 FPL SWITCH - WOODWARD 138KV CKT 1	141.3	0.04277	110.1473	DBL-THIS-WICH
20WP		0	0	TO->FROM	G14_071 FPL SWITCH - WOODWARD 138KV CKT 1	167.7	0.04023	109.326	BORDER 7345.00 - G14_007T 345.00 345KV CKT 1
20SP		0	0	TO->FROM	G14_071 FPL SWITCH - WOODWARD 138KV CKT 1	141.3	0.03875	108.9044	G14-058T 345.00 - NORTHWEST 345KV CKT 1
20WP		0	0	TO->FROM	G14_071 FPL SWITCH - WOODWARD 138KV CKT 1	167.4	0.04011	105.3623	G11_051T 345.00 - TATONGA7 345.00 345KV CKT 1
20WP		0	0	TO->FROM	G14_071 FPL SWITCH - WOODWARD 138KV CKT 1	167.4	0.03393	105.3473	WOODWARD (WOODWRD2) 138/69/13.2KV TRANSFORMER CKT 1
20SP		0	0	TO->FROM	G14_071 FPL SWITCH - WOODWARD 138KV CKT 1	141.3	0.03875	104.7996	G14-058T 345.00 - TATONGA7 345.00 345KV CKT 1
20SP		0	0	TO->FROM	G14_071 FPL SWITCH - WOODWARD 138KV CKT 1	141.3	0.03262	103.954	WOODWARD (WOODWRD2) 138/69/13.2KV TRANSFORMER CKT 1
15SP		0	0	TO->FROM	G14_071 FPL SWITCH - WOODWARD 138KV CKT 1	136.1	0.03967	103.7113	G11_051T 345.00 - TATONGA7 345.00 345KV CKT 1
25SP		0	0	TO->FROM	G14_071 FPL SWITCH - WOODWARD 138KV CKT 1	142.1	0.05242	102.9427	DBL-G1151-TGA
20WP		0	0	TO->FROM	G14_071 FPL SWITCH - WOODWARD 138KV CKT 1	167.4	0.04011	102.7936	G11_051T 345.00 - WOODWARD DISTRICT EHV 345KV CKT 1
25SP		0	0	TO->FROM	G14_071 FPL SWITCH - WOODWARD 138KV CKT 1	142.1	0.04083	101.2359	DBL-THIS-WICH
20WP		0	0	TO->FROM	G14_071 FPL SWITCH - WOODWARD 138KV CKT 1	167.4	0.03034	100.6254	MOORELAND 138/18.0KV TRANSFORMER CKT 1

SEASON	GROUP	SCENARIO	DIRECTION	SOURCE	MONITORED ELEMENT	RATE		CONTINGENCY		CONTINGENCY
						(MVA)	TDF	LOADING %		
15SP	0	0	TO->FROM	G14_071	FPL SWITCH - WOODWARD 138KV CKT 1	136.1	0.03967	100.5519	G11_051T 345.00 - WOODWARD DISTRICT EHV 345KV CKT 1	
20WP	0	0	TO->FROM	G14_071	FPL SWITCH - WOODWARD 138KV CKT 1	167.4	0.04011	100.4041	SPSCont-05ax	
20WP	0	0	TO->FROM	G14_071	G14-057T 345.00 - LAWTON EASTSIDE 345KV CKT 1	786.2	0.04403	113.4285	CIMARRON - MINCO 345KV CKT 1	
20WP	0	0	TO->FROM	G14_071	G14-057T 345.00 - LAWTON EASTSIDE 345KV CKT 1	786.2	0.04403	109.5363	GRACEMONT - MINCO 345KV CKT 1	
15G	6	0	TO->FROM	G14_071	G14-057T 345.00 - LAWTON EASTSIDE 345KV CKT 1	786.5	0.04248	103.3851	CIMARRON - MINCO 345KV CKT 1	
20WP	0	0	FROM->TO	G14_071	G14-057T 345.00 - SUNNYSIDE 345KV CKT 1	784.7	0.04403	119.3927	CIMARRON - MINCO 345KV CKT 1	
20WP	0	0	FROM->TO	G14_071	G14-057T 345.00 - SUNNYSIDE 345KV CKT 1	784.7	0.04403	115.4932	GRACEMONT - MINCO 345KV CKT 1	
15G	6	0	FROM->TO	G14_071	G14-057T 345.00 - SUNNYSIDE 345KV CKT 1	785.8	0.04248	109.2929	CIMARRON - MINCO 345KV CKT 1	
15G	6	0	FROM->TO	G14_071	G14-057T 345.00 - SUNNYSIDE 345KV CKT 1	785.8	0.04248	105.3734	GRACEMONT - MINCO 345KV CKT 1	
15SP	0	0	FROM->TO	G14_071	G14-057T 345.00 - SUNNYSIDE 345KV CKT 1	786.4	0.04521	100.7591	CIMARRON - MINCO 345KV CKT 1	
15SP	0	0	TO->FROM	G14_071	GREENSBURG - SSTARTP3 115.00 115KV CKT 1	114.7	0.04705	205.3268	DBL-CLRK-THIS	
20SP	0	0	TO->FROM	G14_071	GREENSBURG - SSTARTP3 115.00 115KV CKT 1	114.9	0.0462	203.5428	DBL-CLRK-THIS	
25SP	0	0	TO->FROM	G14_071	GREENSBURG - SSTARTP3 115.00 115KV CKT 1	114.8	0.04662	202.0167	DBL-CLRK-THIS	
15G	3	0	TO->FROM	G14_071	GREENSBURG - SSTARTP3 115.00 115KV CKT 1	134.3	0.04653	174.9374	DBL-CLRK-THIS	
20WP	0	0	TO->FROM	G14_071	GREENSBURG - SSTARTP3 115.00 115KV CKT 1	148	0.04565	158.9272	DBL-CLRK-THIS	
15SP	0	0	TO->FROM	G14_071	GREENSBURG - SSTARTP3 115.00 115KV CKT 1	114.7	0.04705	157.55	DBL-IRON-CLRK	
20SP	0	0	TO->FROM	G14_071	GREENSBURG - SSTARTP3 115.00 115KV CKT 1	114.9	0.0462	156.1972	DBL-IRON-CLRK	
25SP	0	0	TO->FROM	G14_071	GREENSBURG - SSTARTP3 115.00 115KV CKT 1	114.8	0.04662	154.6299	DBL-IRON-CLRK	
20SP	0	0	TO->FROM	G14_071	GREENSBURG - SSTARTP3 115.00 115KV CKT 1	114.9	0.03085	134.0714	CLARKCOUNTY7345.00 - THISTLE7 345.00 345KV CKT 1	
20SP	0	0	TO->FROM	G14_071	GREENSBURG - SSTARTP3 115.00 115KV CKT 1	114.9	0.03085	134.0714	CLARKCOUNTY7345.00 - THISTLE7 345.00 345KV CKT 2	
15G	3	0	TO->FROM	G14_071	GREENSBURG - SSTARTP3 115.00 115KV CKT 1	134.3	0.04653	133.9843	DBL-IRON-CLRK	
25SP	0	0	TO->FROM	G14_071	GREENSBURG - SSTARTP3 115.00 115KV CKT 1	114.8	0.03107	133.5116	CLARKCOUNTY7345.00 - THISTLE7 345.00 345KV CKT 1	
25SP	0	0	TO->FROM	G14_071	GREENSBURG - SSTARTP3 115.00 115KV CKT 1	114.8	0.03107	133.5116	CLARKCOUNTY7345.00 - THISTLE7 345.00 345KV CKT 2	
15SP	0	0	TO->FROM	G14_071	GREENSBURG - SSTARTP3 115.00 115KV CKT 1	114.7	0.03132	133.0159	CLARKCOUNTY7345.00 - THISTLE7 345.00 345KV CKT 1	
15SP	0	0	TO->FROM	G14_071	GREENSBURG - SSTARTP3 115.00 115KV CKT 1	114.7	0.03132	133.0159	CLARKCOUNTY7345.00 - THISTLE7 345.00 345KV CKT 2	
15SP	0	0	TO->FROM	G14_071	GREENSBURG - SSTARTP3 115.00 115KV CKT 1	114.7	0.04705	129.8255	DBL-SPRVL-CLRK	
20SP	0	0	TO->FROM	G14_071	GREENSBURG - SSTARTP3 115.00 115KV CKT 1	114.9	0.0462	128.6951	DBL-SPRVL-CLRK	
25SP	0	0	TO->FROM	G14_071	GREENSBURG - SSTARTP3 115.00 115KV CKT 1	114.8	0.04662	127.1038	DBL-SPRVL-CLRK	
20WP	0	0	TO->FROM	G14_071	GREENSBURG - SSTARTP3 115.00 115KV CKT 1	148	0.04565	122.1705	DBL-IRON-CLRK	
20SP	0	0	TO->FROM	G14_071	GREENSBURG - SSTARTP3 115.00 115KV CKT 1	114.9	0.03513	121.3478	NORTH JUDSON LARGE SUB - SPEARVILLE 115KV CKT 1	
20SP	0	0	TO->FROM	G14_071	GREENSBURG - SSTARTP3 115.00 115KV CKT 1	114.9	0.04103	121.0817	HOLCOMB (HOLCOMB) 345/115/13.8KV TRANSFORMER CKT 1	
20SP	0	0	TO->FROM	G14_071	GREENSBURG - SSTARTP3 115.00 115KV CKT 1	114.9	0.04103	121.0817	SPP-SEPC-01	
20SP	0	0	TO->FROM	G14_071	GREENSBURG - SSTARTP3 115.00 115KV CKT 1	114.9	0.03513	120.4774	SPEARVILLE (SPEARV6) 230/115/13.8KV TRANSFORMER CKT 1	
20SP	0	0	TO->FROM	G14_071	GREENSBURG - SSTARTP3 115.00 115KV CKT 1	114.9	0.03499	120.3655	NORTH JUDSON LARGE SUB - SPRVL 3 115.00 115KV CKT 1	
20SP	0	0	TO->FROM	G14_071	GREENSBURG - SSTARTP3 115.00 115KV CKT 1	114.9	0.03499	120.3655	SPEARVILLE (SPEARVILLE) 345/115/13.8KV TRANSFORMER CKT 1	
15SP	0	0	TO->FROM	G14_071	GREENSBURG - SSTARTP3 115.00 115KV CKT 1	114.7	0.03566	120.3545	NORTH JUDSON LARGE SUB - SPEARVILLE 115KV CKT 1	
25SP	0	0	TO->FROM	G14_071	GREENSBURG - SSTARTP3 115.00 115KV CKT 1	114.8	0.03535	119.9058	NORTH JUDSON LARGE SUB - SPEARVILLE 115KV CKT 1	
25SP	0	0	TO->FROM	G14_071	GREENSBURG - SSTARTP3 115.00 115KV CKT 1	114.8	0.03523	119.5334	NORTH JUDSON LARGE SUB - SPRVL 3 115.00 115KV CKT 1	
25SP	0	0	TO->FROM	G14_071	GREENSBURG - SSTARTP3 115.00 115KV CKT 1	114.8	0.03523	119.5334	SPEARVILLE (SPEARVILLE) 345/115/13.8KV TRANSFORMER CKT 1	
25SP	0	0	TO->FROM	G14_071	GREENSBURG - SSTARTP3 115.00 115KV CKT 1	114.8	0.03535	119.4703	SPEARVILLE (SPEARV6) 230/115/13.8KV TRANSFORMER CKT 1	
15SP	0	0	TO->FROM	G14_071	GREENSBURG - SSTARTP3 115.00 115KV CKT 1	114.7	0.03552	119.2824	NORTH JUDSON LARGE SUB - SPRVL 3 115.00 115KV CKT 1	
15SP	0	0	TO->FROM	G14_071	GREENSBURG - SSTARTP3 115.00 115KV CKT 1	114.7	0.03552	119.2824	SPEARVILLE (SPEARVILLE) 345/115/13.8KV TRANSFORMER CKT 1	
25SP	0	0	TO->FROM	G14_071	GREENSBURG - SSTARTP3 115.00 115KV CKT 1	114.8	0.0413	118.8602	HOLCOMB (HOLCOMB) 345/115/13.8KV TRANSFORMER CKT 1	
15G	3	0	TO->FROM	G14_071	GREENSBURG - SSTARTP3 115.00 115KV CKT 1	134.3	0.04653	110.2315	DBL-SPRVL-CLRK	
15G	3	0	TO->FROM	G14_071	GREENSBURG - SSTARTP3 115.00 115KV CKT 1	134.3	0.03468	101.2968	NORTH JUDSON LARGE SUB - SPEARVILLE 115KV CKT 1	
15G	3	0	TO->FROM	G14_071	GREENSBURG - SSTARTP3 115.00 115KV CKT 1	134.3	0.03468	100.8501	SPEARVILLE (SPEARV6) 230/115/13.8KV TRANSFORMER CKT 1	
20WP	0	0	TO->FROM	G14_071	GREENSBURG - SSTARTP3 115.00 115KV CKT 1	148	0.04565	100.8191	DBL-SPRVL-CLRK	
15SP	0	0	FROM->TO	G14_071	GREENSBURG - SUN CITY 115KV CKT 1	114.6	0.04705	191.9807	DBL-CLRK-THIS	
20SP	0	0	FROM->TO	G14_071	GREENSBURG - SUN CITY 115KV CKT 1	114.3	0.0462	180.7267	DBL-CLRK-THIS	
25SP	0	0	FROM->TO	G14_071	GREENSBURG - SUN CITY 115KV CKT 1	114	0.04662	174.3115	DBL-CLRK-THIS	
15G	3	0	FROM->TO	G14_071	GREENSBURG - SUN CITY 115KV CKT 1	134.3	0.04653	169.6507	DBL-CLRK-THIS	
15SP	0	0	FROM->TO	G14_071	GREENSBURG - SUN CITY 115KV CKT 1	114.6	0.04705	144.1622	DBL-IRON-CLRK	
20WP	0	0	FROM->TO	G14_071	GREENSBURG - SUN CITY 115KV CKT 1	160.6	0.04565	135.375	DBL-CLRK-THIS	
20SP	0	0	FROM->TO	G14_071	GREENSBURG - SUN CITY 115KV CKT 1	114.3	0.0462	133.1326	DBL-IRON-CLRK	
15G	3	0	FROM->TO	G14_071	GREENSBURG - SUN CITY 115KV CKT 1	134.3	0.04653	128.6976	DBL-IRON-CLRK	
25SP	0	0	FROM->TO	G14_071	GREENSBURG - SUN CITY 115KV CKT 1	114	0.04662	126.5922	DBL-IRON-CLRK	
15SP	0	0	FROM->TO	G14_071	GREENSBURG - SUN CITY 115KV CKT 1	114.6	0.03132	119.5194	CLARKCOUNTY7345.00 - THISTLE7 345.00 345KV CKT 1	
15SP	0	0	FROM->TO	G14_071	GREENSBURG - SUN CITY 115KV CKT 1	114.6	0.03132	119.5194	CLARKCOUNTY7345.00 - THISTLE7 345.00 345KV CKT 2	

SEASON	GROUP	SCENARIO	DIRECTION	SOURCE	MONITORED ELEMENT	RATE (MVA)	TDF	CONTINGENCY LOADING %	CONTINGENCY
15SP	0	0	FROM->TO	G14_071	GREENSBURG - SUN CITY 115KV CKT 1	114.6	0.04705	116.3262	DBL-SPRVL-CLRK
20SP	0	0	FROM->TO	G14_071	GREENSBURG - SUN CITY 115KV CKT 1	114.3	0.03085	110.8906	CLARKCOUNTY7345.00 - THISTLE7 345.00 345KV CKT 1
20SP	0	0	FROM->TO	G14_071	GREENSBURG - SUN CITY 115KV CKT 1	114.3	0.03085	110.8906	CLARKCOUNTY7345.00 - THISTLE7 345.00 345KV CKT 2
15SP	0	0	FROM->TO	G14_071	GREENSBURG - SUN CITY 115KV CKT 1	114.6	0.03566	106.9342	NORTH JUDSON LARGE SUB - SPEARVILLE 115KV CKT 1
15SP	0	0	FROM->TO	G14_071	GREENSBURG - SUN CITY 115KV CKT 1	114.6	0.04182	106.3203	HOLCOMB (HOLCOMB) 345/115/13.8KV TRANSFORMER CKT 1
15SP	0	0	FROM->TO	G14_071	GREENSBURG - SUN CITY 115KV CKT 1	114.6	0.03566	106.1489	SPEARVILLE (SPEARVL6) 230/115/13.8KV TRANSFORMER CKT 1
15SP	0	0	FROM->TO	G14_071	GREENSBURG - SUN CITY 115KV CKT 1	114.6	0.03552	105.8612	NORTH JUDSON LARGE SUB - SPRVL 3 115.00 115KV CKT 1
15SP	0	0	FROM->TO	G14_071	GREENSBURG - SUN CITY 115KV CKT 1	114.6	0.03552	105.8612	SPEARVILLE (SPEARVILLE) 345/115/13.8KV TRANSFORMER CKT 1
20SP	0	0	FROM->TO	G14_071	GREENSBURG - SUN CITY 115KV CKT 1	114.3	0.0462	105.4861	DBL-SPRVL-CLRK
25SP	0	0	FROM->TO	G14_071	GREENSBURG - SUN CITY 115KV CKT 1	114	0.03107	105.3257	CLARKCOUNTY7345.00 - THISTLE7 345.00 345KV CKT 1
25SP	0	0	FROM->TO	G14_071	GREENSBURG - SUN CITY 115KV CKT 1	114	0.03107	105.3257	CLARKCOUNTY7345.00 - THISTLE7 345.00 345KV CKT 2
15G	3	0	FROM->TO	G14_071	GREENSBURG - SUN CITY 115KV CKT 1	134.3	0.04653	104.8704	DBL-SPRVL-CLRK
20WP	0	0	FROM->TO	G14_071	GREENSBURG - SUN CITY 115KV CKT 1	160.6	0.04565	101.5021	DBL-IRON-CLRK
15G	3	0	FROM->TO	G14_071	HARPER - MILAN TAP 138KV CKT 1	139	0.04574	225.879	DBL-THIS-WICH
15SP	0	0	FROM->TO	G14_071	HARPER - MILAN TAP 138KV CKT 1	131.8	0.04618	223.7766	DBL-THIS-WICH
20WP	0	0	FROM->TO	G14_071	HARPER - MILAN TAP 138KV CKT 1	139.4	0.03917	175.837	DBL-THIS-WICH
20SP	0	0	FROM->TO	G14_071	HARPER - MILAN TAP 138KV CKT 1	130.4	0.03951	166.7591	DBL-THIS-WICH
15G	6	0	FROM->TO	G14_071	HARPER - MILAN TAP 138KV CKT 1	141.7	0.04107	151.7939	DBL-THIS-WICH
15SP	0	0	FROM->TO	G14_071	HARPER - MILAN TAP 138KV CKT 1	135	0.04143	147.9679	DBL-THIS-WICH
25SP	0	0	FROM->TO	G14_071	HARPER - MILAN TAP 138KV CKT 1	133.8	0.0347	124.6448	DBL-THIS-WICH
20WP	0	0	FROM->TO	G14_071	HARPER - MILAN TAP 138KV CKT 1	142.1	0.03558	123.0331	DBL-THIS-WICH
20SP	0	0	FROM->TO	G14_071	HARPER - MILAN TAP 138KV CKT 1	134.4	0.03626	103.8134	DBL-THIS-WICH
15SP	0	0	TO->FROM	G14_071	KNOLL 230 - POSTROCK6 230.00 230KV CKT 1	397.6	0.0695	124.9704	DBL-CLRK-THIS
15G	3	0	TO->FROM	G14_071	KNOLL 230 - POSTROCK6 230.00 230KV CKT 1	397.9	0.07083	123.8411	DBL-CLRK-THIS
20SP	0	0	TO->FROM	G14_071	KNOLL 230 - POSTROCK6 230.00 230KV CKT 1	397.2	0.06735	120.0255	DBL-CLRK-THIS
20WP	0	0	TO->FROM	G14_071	KNOLL 230 - POSTROCK6 230.00 230KV CKT 1	397.4	0.06695	117.5893	DBL-CLRK-THIS
25SP	0	0	TO->FROM	G14_071	KNOLL 230 - POSTROCK6 230.00 230KV CKT 1	397.3	0.06735	113.902	DBL-CLRK-THIS
15SP	0	0	TO->FROM	G14_071	KNOLL 230 - POSTROCK6 230.00 230KV CKT 1	397.6	0.0526	107.0236	DBL-THIS-WICH
15G	3	0	TO->FROM	G14_071	KNOLL 230 - POSTROCK6 230.00 230KV CKT 1	397.9	0.05375	105.5079	DBL-THIS-WICH
15SP	0	0	TO->FROM	G14_071	KNOLL 230 - POSTROCK6 230.00 230KV CKT 1	397.6	0.04913	102.9566	AXTELL - POST ROCK 345KV CKT 1
15G	3	0	FROM->TO	G14_071	KNOLL 230 - SMOKYHL6 230.00 230KV CKT 1	327.2	0.08252	118.1687	DBL-CLRK-THIS
15SP	0	0	FROM->TO	G14_071	KNOLL 230 - SMOKYHL6 230.00 230KV CKT 1	328.3	0.08008	117.1274	DBL-CLRK-THIS
20SP	0	0	FROM->TO	G14_071	KNOLL 230 - SMOKYHL6 230.00 230KV CKT 1	327.3	0.07756	109.4428	DBL-CLRK-THIS
20WP	0	0	FROM->TO	G14_071	KNOLL 230 - SMOKYHL6 230.00 230KV CKT 1	327	0.0774	104.7371	DBL-CLRK-THIS
15G	3	0	FROM->TO	G14_071	KNOLL 230 - SMOKYHL6 230.00 230KV CKT 1	327.2	0.06873	101.0327	DBL-THIS-WICH
15SP	0	0	FROM->TO	G14_071	KNOLL 230 - SMOKYHL6 230.00 230KV CKT 1	328.3	0.06655	100.4681	DBL-THIS-WICH
15G	3	0	TO->FROM	G14_071	MEDICINE LODGE - SUN CITY 115KV CKT 1	110.9	0.04653	190.9296	DBL-CLRK-THIS
15SP	0	0	TO->FROM	G14_071	MEDICINE LODGE - SUN CITY 115KV CKT 1	107.7	0.04705	188.5885	DBL-CLRK-THIS
20WP	0	0	TO->FROM	G14_071	MEDICINE LODGE - SUN CITY 115KV CKT 1	111	0.04565	182.2634	DBL-CLRK-THIS
20SP	0	0	TO->FROM	G14_071	MEDICINE LODGE - SUN CITY 115KV CKT 1	108.1	0.0462	175.8285	DBL-CLRK-THIS
25SP	0	0	TO->FROM	G14_071	MEDICINE LODGE - SUN CITY 115KV CKT 1	108.5	0.04662	168.4932	DBL-CLRK-THIS
15G	3	0	TO->FROM	G14_071	MEDICINE LODGE - SUN CITY 115KV CKT 1	110.9	0.04653	141.3354	DBL-IRON-CLRK
15SP	0	0	TO->FROM	G14_071	MEDICINE LODGE - SUN CITY 115KV CKT 1	107.7	0.04705	137.7065	DBL-IRON-CLRK
20WP	0	0	TO->FROM	G14_071	MEDICINE LODGE - SUN CITY 115KV CKT 1	111	0.04565	133.2543	DBL-IRON-CLRK
20SP	0	0	TO->FROM	G14_071	MEDICINE LODGE - SUN CITY 115KV CKT 1	108.1	0.0462	125.5047	DBL-IRON-CLRK
25SP	0	0	TO->FROM	G14_071	MEDICINE LODGE - SUN CITY 115KV CKT 1	108.5	0.04662	118.355	DBL-IRON-CLRK
15G	3	0	TO->FROM	G14_071	MEDICINE LODGE - SUN CITY 115KV CKT 1	110.9	0.04653	112.5707	DBL-SPRVL-CLRK
15SP	0	0	TO->FROM	G14_071	MEDICINE LODGE - SUN CITY 115KV CKT 1	107.7	0.03132	111.5777	CLARKCOUNTY7345.00 - THISTLE7 345.00 345KV CKT 1
15SP	0	0	TO->FROM	G14_071	MEDICINE LODGE - SUN CITY 115KV CKT 1	107.7	0.03132	111.5777	CLARKCOUNTY7345.00 - THISTLE7 345.00 345KV CKT 2
15SP	0	0	TO->FROM	G14_071	MEDICINE LODGE - SUN CITY 115KV CKT 1	107.7	0.04705	108.18	DBL-SPRVL-CLRK
20WP	0	0	TO->FROM	G14_071	MEDICINE LODGE - SUN CITY 115KV CKT 1	111	0.04565	104.7859	DBL-SPRVL-CLRK
20SP	0	0	TO->FROM	G14_071	MEDICINE LODGE - SUN CITY 115KV CKT 1	108.1	0.03085	101.9871	CLARKCOUNTY7345.00 - THISTLE7 345.00 345KV CKT 1
20SP	0	0	TO->FROM	G14_071	MEDICINE LODGE - SUN CITY 115KV CKT 1	108.1	0.03085	101.9871	CLARKCOUNTY7345.00 - THISTLE7 345.00 345KV CKT 2
15G	3	0	TO->FROM	G14_071	MEDICINE LODGE - SUN CITY 115KV CKT 1	110.9	0.03468	101.7508	NORTH JUDSON LARGE SUB - SPEARVILLE 115KV CKT 1
15G	3	0	TO->FROM	G14_071	MEDICINE LODGE - SUN CITY 115KV CKT 1	110.9	0.03468	101.3	SPEARVILLE (SPEARVL6) 230/115/13.8KV TRANSFORMER CKT 1
15SP	0	0	TO->FROM	G14_071	MULLERGREN - SPEARVILLE 230KV CKT 1	393.1	0.09189	150.2339	DBL-CLRK-THIS
15G	3	0	TO->FROM	G14_071	MULLERGREN - SPEARVILLE 230KV CKT 1	393.4	0.09023	145.8549	DBL-CLRK-THIS
20WP	0	0	TO->FROM	G14_071	MULLERGREN - SPEARVILLE 230KV CKT 1	392	0.08992	145.1796	DBL-CLRK-THIS

SEASON	GROUP	SCENARIO	DIRECTION	SOURCE	MONITORED ELEMENT	RATE (MVA)	TDF	CONTINGENCY LOADING %	CONTINGENCY
20SP	0	0	TO->FROM	G14_071	MULLERGREN - SPEARVILLE 230KV CKT 1	393.4	0.09026	144.9774	DBL-CLRK-THIS
15SP	0	0	TO->FROM	G14_071	MULLERGREN - SPEARVILLE 230KV CKT 1	393.1	0.06997	140.277	G13-010T 345.00 - POST ROCK 345KV CKT 1
25SP	0	0	TO->FROM	G14_071	MULLERGREN - SPEARVILLE 230KV CKT 1	394.5	0.09025	136.8896	DBL-CLRK-THIS
20SP	0	0	TO->FROM	G14_071	MULLERGREN - SPEARVILLE 230KV CKT 1	393.4	0.06932	135.6187	G13-010T 345.00 - POST ROCK 345KV CKT 1
20WP	0	0	TO->FROM	G14_071	MULLERGREN - SPEARVILLE 230KV CKT 1	392	0.06942	135.0598	G13-010T 345.00 - POST ROCK 345KV CKT 1
15SP	0	0	TO->FROM	G14_071	MULLERGREN - SPEARVILLE 230KV CKT 1	393.1	0.06997	134.426	G11-17T 345.00 - G13-010T 345.00 345KV CKT 1
15G	3	0	TO->FROM	G14_071	MULLERGREN - SPEARVILLE 230KV CKT 1	393.4	0.06791	132.484	G13-010T 345.00 - POST ROCK 345KV CKT 1
20SP	0	0	TO->FROM	G14_071	MULLERGREN - SPEARVILLE 230KV CKT 1	393.4	0.06932	129.7213	G11-17T 345.00 - G13-010T 345.00 345KV CKT 1
20WP	0	0	TO->FROM	G14_071	MULLERGREN - SPEARVILLE 230KV CKT 1	392	0.06942	129.1414	G11-17T 345.00 - G13-010T 345.00 345KV CKT 1
15G	3	0	TO->FROM	G14_071	MULLERGREN - SPEARVILLE 230KV CKT 1	393.4	0.06791	126.5104	G11-17T 345.00 - G13-010T 345.00 345KV CKT 1
25SP	0	0	TO->FROM	G14_071	MULLERGREN - SPEARVILLE 230KV CKT 1	394.5	0.06797	123.2411	G13-010T 345.00 - POST ROCK 345KV CKT 1
15SP	0	0	TO->FROM	G14_071	MULLERGREN - SPEARVILLE 230KV CKT 1	393.1	0.06617	120.4938	DBL-THIS-WICH
15SP	0	0	TO->FROM	G14_071	MULLERGREN - SPEARVILLE 230KV CKT 1	393.1	0.09189	117.2906	DBL-IRON-CLRK
25SP	0	0	TO->FROM	G14_071	MULLERGREN - SPEARVILLE 230KV CKT 1	394.5	0.06797	117.2335	G11-17T 345.00 - G13-010T 345.00 345KV CKT 1
15G	3	0	TO->FROM	G14_071	MULLERGREN - SPEARVILLE 230KV CKT 1	393.4	0.06452	115.6486	DBL-THIS-WICH
20WP	0	0	TO->FROM	G14_071	MULLERGREN - SPEARVILLE 230KV CKT 1	392	0.06394	115.389	DBL-THIS-WICH
15SP	0	0	TO->FROM	G14_071	MULLERGREN - SPEARVILLE 230KV CKT 1	393.1	0.06997	114.6092	G11-17T 345.00 - SPEARVILLE 345KV CKT 1
15SP	0	0	TO->FROM	G14_071	MULLERGREN - SPEARVILLE 230KV CKT 1	393.1	0.05361	113.4488	POST ROCK (POSTROCK T1) 345/230/13.8KV TRANSFORMER CKT 1
15G	3	0	TO->FROM	G14_071	MULLERGREN - SPEARVILLE 230KV CKT 1	393.4	0.09023	113.2672	DBL-IRON-CLRK
20SP	0	0	TO->FROM	G14_071	MULLERGREN - SPEARVILLE 230KV CKT 1	393.4	0.06419	113.1549	DBL-THIS-WICH
20WP	0	0	TO->FROM	G14_071	MULLERGREN - SPEARVILLE 230KV CKT 1	392	0.08992	112.297	DBL-IRON-CLRK
20SP	0	0	TO->FROM	G14_071	MULLERGREN - SPEARVILLE 230KV CKT 1	393.4	0.09026	112.1864	DBL-IRON-CLRK
20SP	0	0	TO->FROM	G14_071	MULLERGREN - SPEARVILLE 230KV CKT 1	393.4	0.06932	109.945	G11-17T 345.00 - SPEARVILLE 345KV CKT 1
20WP	0	0	TO->FROM	G14_071	MULLERGREN - SPEARVILLE 230KV CKT 1	392	0.06942	109.32	G11-17T 345.00 - SPEARVILLE 345KV CKT 1
20SP	0	0	TO->FROM	G14_071	MULLERGREN - SPEARVILLE 230KV CKT 1	393.4	0.05242	109.2913	POST ROCK (POSTROCK T1) 345/230/13.8KV TRANSFORMER CKT 1
15G	3	0	TO->FROM	G14_071	MULLERGREN - SPEARVILLE 230KV CKT 1	393.4	0.06791	106.6324	G11-17T 345.00 - SPEARVILLE 345KV CKT 1
20WP	0	0	TO->FROM	G14_071	MULLERGREN - SPEARVILLE 230KV CKT 1	392	0.0521	106.6117	POST ROCK (POSTROCK T1) 345/230/13.8KV TRANSFORMER CKT 1
15G	3	0	TO->FROM	G14_071	MULLERGREN - SPEARVILLE 230KV CKT 1	393.4	0.0527	106.1927	POST ROCK (POSTROCK T1) 345/230/13.8KV TRANSFORMER CKT 1
25SP	0	0	TO->FROM	G14_071	MULLERGREN - SPEARVILLE 230KV CKT 1	394.5	0.09025	104.1139	DBL-IRON-CLRK
25SP	0	0	TO->FROM	G14_071	MULLERGREN - SPEARVILLE 230KV CKT 1	394.5	0.05151	100.6221	POST ROCK (POSTROCK T1) 345/230/13.8KV TRANSFORMER CKT 1
15SP	0	0	TO->FROM	G14_071	MULLERGREN - SPEARVILLE 230KV CKT 1	393.1	0.05471	100.3307	CLARKCOUNTY7345.00 - THISTLE7 345.00 345KV CKT 1
15SP	0	0	TO->FROM	G14_071	MULLERGREN - SPEARVILLE 230KV CKT 1	393.1	0.05471	100.3307	CLARKCOUNTY7345.00 - THISTLE7 345.00 345KV CKT 2
20SP	0	0	FROM->TO	G14_071	PALMER3 - SHARON SPRINGS 115KV CKT 1	79	0.09594	104.6001	MINGO - SETAB 345KV CKT 1
15SP	0	0	FROM->TO	G14_071	PALMER3 - SHARON SPRINGS 115KV CKT 1	79.7	0.09547	103.8255	MINGO - SETAB 345KV CKT 1
20SP	0	0	TO->FROM	G14_071	PALMER3 - TRIBUNE SWITCH 115KV CKT 1	79.3	0.09594	108.4919	MINGO - SETAB 345KV CKT 1
15SP	0	0	TO->FROM	G14_071	PALMER3 - TRIBUNE SWITCH 115KV CKT 1	79.8	0.09547	107.5801	MINGO - SETAB 345KV CKT 1
15G	3	0	FROM->TO	G14_071	SMOKYHL6 230.00 - SUMMIT 230KV CKT 1	318	0.08252	144.4805	DBL-CLRK-THIS
20WP	0	0	FROM->TO	G14_071	SMOKYHL6 230.00 - SUMMIT 230KV CKT 1	322.6	0.0774	134.7769	DBL-CLRK-THIS
15SP	0	0	FROM->TO	G14_071	SMOKYHL6 230.00 - SUMMIT 230KV CKT 1	320.4	0.08008	131.8131	DBL-CLRK-THIS
15G	3	0	FROM->TO	G14_071	SMOKYHL6 230.00 - SUMMIT 230KV CKT 1	318	0.06873	126.8487	DBL-THIS-WICH
20SP	0	0	FROM->TO	G14_071	SMOKYHL6 230.00 - SUMMIT 230KV CKT 1	322	0.07756	123.6665	DBL-CLRK-THIS
20WP	0	0	FROM->TO	G14_071	SMOKYHL6 230.00 - SUMMIT 230KV CKT 1	322.6	0.06353	117.5748	DBL-THIS-WICH
15G	3	0	FROM->TO	G14_071	SMOKYHL6 230.00 - SUMMIT 230KV CKT 1	318	0.08252	115.927	DBL-IRON-CLRK
15SP	0	0	FROM->TO	G14_071	SMOKYHL6 230.00 - SUMMIT 230KV CKT 1	320.4	0.06655	114.7431	DBL-THIS-WICH
25SP	0	0	FROM->TO	G14_071	SMOKYHL6 230.00 - SUMMIT 230KV CKT 1	326.1	0.07757	111.7751	DBL-CLRK-THIS
15G	3	0	FROM->TO	G14_071	SMOKYHL6 230.00 - SUMMIT 230KV CKT 1	318	0.06028	111.3281	AXTELL - POST ROCK 345KV CKT 1
20WP	0	0	FROM->TO	G14_071	SMOKYHL6 230.00 - SUMMIT 230KV CKT 1	322.6	0.05845	107.8865	AXTELL - POST ROCK 345KV CKT 1
20WP	0	0	FROM->TO	G14_071	SMOKYHL6 230.00 - SUMMIT 230KV CKT 1	322.6	0.0774	107.7155	DBL-IRON-CLRK
15G	3	0	FROM->TO	G14_071	SMOKYHL6 230.00 - SUMMIT 230KV CKT 1	318	0.06139	105.1941	CIRCLE - MULLERGREN 230KV CKT 1
15SP	0	0	FROM->TO	G14_071	SMOKYHL6 230.00 - SUMMIT 230KV CKT 1	320.4	0.08008	104.0353	DBL-IRON-CLRK
20SP	0	0	FROM->TO	G14_071	SMOKYHL6 230.00 - SUMMIT 230KV CKT 1	322	0.06364	103.9776	DBL-THIS-WICH
15SP	0	0	FROM->TO	G14_071	SMOKYHL6 230.00 - SUMMIT 230KV CKT 1	320.4	0.05915	101.6177	AXTELL - POST ROCK 345KV CKT 1
15G	3	0	FROM->TO	G14_071	SMOKYHL6 230.00 - SUMMIT 230KV CKT 1	318	0.05642	100.1744	CLARKCOUNTY7345.00 - THISTLE7 345.00 345KV CKT 1
15G	3	0	FROM->TO	G14_071	SMOKYHL6 230.00 - SUMMIT 230KV CKT 1	318	0.05642	100.1744	CLARKCOUNTY7345.00 - THISTLE7 345.00 345KV CKT 2
15G	3	0	TO->FROM	G14_071	WOODWARD - WOODWARD EHV 138KV CKT 1	280.6	0.04314	109.1493	DBL-THIS-WICH
15G	3	0	TO->FROM	G14_071	WOODWARD - WOODWARD EHV 138KV CKT 1	280.6	0.0411	104.5017	G14-058T 345.00 - NORTHWEST 345KV CKT 1
15G	3	0	TO->FROM	G14_071	WOODWARD - WOODWARD EHV 138KV CKT 1	280.6	0.03847	103.49	WOODWARD - WOODWARD EHV 138KV CKT 2
15G	3	0	TO->FROM	G14_071	WOODWARD - WOODWARD EHV 138KV CKT 1	280.6	0.0411	102.3278	G14-058T 345.00 - TATONGA7 345.00 345KV CKT 1