



Feasibility Cluster Study for Generation Interconnection Requests (FCS-2012-004)

December 2012

Generation Interconnection



Revision History

Date or Version Number	Author	Change Description	Comments
12/20/2012	Southwest Power Pool	N/A	Report Issued

Executive Summary

Generation Interconnection customers have requested a Feasibility Study under the Generation Interconnection Procedures (GIP) in the Southwest Power Pool Open Access Transmission Tariff (OATT). The Interconnection Customers' requests have been clustered together for the following Feasibility Cluster Study (FCS) window which closed September 30th 2012. This Feasibility Cluster Study analyzes the interconnecting of multiple generation interconnection requests associated with new generation totaling approximately 955 MW which would be located within the transmission systems of Oklahoma Gas & Electric (OKGE) and Southwestern Public Service (SPS). The various generation interconnection requests have differing proposed in-service dates¹. The generation interconnection requests included in this Feasibility Cluster Study are listed in Appendix A by their queue number, amount, requested interconnection service, area, requested interconnection point, proposed interconnection point, and the requested in-service date.

Power flow analysis has indicated that for the power flow cases studied, 955 MW of nameplate generation may be interconnected with transmission system reinforcements within the SPP transmission system. The need for reactive compensation in accordance with Order No. 661-A for wind farm interconnection requests will be evaluated in the Preliminary Interconnection System Impact Study (PISIS) and Definitive Interconnection System Impact Study (DISIS) based on the wind turbine manufacturer and type requested by the Customer. Dynamic stability studies performed as part of the PISIS and DISIS Cluster Studies will provide additional guidance as to whether required reactive compensation can be static or a portion must be dynamic (such as a SVC).

The total estimated minimum cost for interconnecting the studied generation interconnection request is \$260,000,000. These costs are shown in Appendix E. These costs do not include the Interconnection Customer Interconnection Facilities as defined by the SPP Open Access Transmission Tariff (OATT). This cost does not include the possible need for reactive compensation or additional interconnection facilities or network upgrades that may be identified through additional analyses performed in the PISIS and DISIS.

Network Constraints listed in Appendix F are in the local area of the new generation when this generation is injected throughout the SPP footprint for the Energy Resource (ER) Interconnection Request. Certain interconnection requests have been studied for Network Resource (NR) Interconnection Service. Additional Network constraints will have to be verified with a Transmission Service Request (TSR) and associated studies. With a defined source and sink in a TSR, this list of Network Constraints will be refined and expanded to account for all Network Upgrade requirements.

The required interconnection costs listed in Appendix E does not include all costs associated with the deliverability of the energy to final customers. These costs are determined by separate studies if the Customer submits a Transmission Service Request through SPP's Open Access Same Time Information System (OASIS) as required by Attachment Z1 of the SPP OATT.

¹ The generation interconnection requests in-service dates will need to be deferred based on the required lead time for the Network Upgrades necessary. The Interconnection Customer's that proceed to the Facility Study will be provided a new in-service date based on the competition of the Facility Study.

Table of Contents

Revision History	1
Executive Summary	2
Table of Contents	3
Introduction	4
Model Development	4
Interconnection Requests Included in the Cluster	4
Previously Queued Interconnection Requests	4
Development of Base Cases.....	4
Base Case Upgrades.....	5
Contingent Upgrades.....	6
Regional Groupings	7
Identification of Network Constraints	7
Determination of Cost Allocated Network Upgrades	8
Credits for Amounts Advanced for Network Upgrades	8
Interconnection Facilities	9
Power Flow Analysis	9
Power Flow Analysis Methodology.....	9
Power Flow Analysis.....	9
Conclusion	11
Appendix	12
A: Generation Interconnection Requests Considered for Feasibility Study	13
B: Prior Queued Interconnection Requests	14
D: Proposed Point of Interconnection One line Diagrams.....	16
E: Cost Allocation per Interconnection Request (Including Prior Queued Upgrades)	19
F: Cost Allocation per Proposed Study Network Upgrade	20
G: FCITC Analysis Constraints Requiring Mitigation (ERIS)	21
H: FCITC Analysis Constraints Requiring Mitigation (NRIS)	22
I: FCITC Analysis Constraints Not Requiring Mitigation	23

Introduction

Generation Interconnection customers have requested a Feasibility Study under the Generation Interconnection Procedures (GIP) in the Southwest Power Pool Open Access Transmission Tariff (OATT). The Interconnection Customers' requests have been clustered together for the following Feasibility Cluster Study (FCS) window which closed September 30th 2012. This Feasibility Cluster Study analyzes the interconnecting of generation interconnection requests associated with new generation totaling approximately 955 MW which would be located within the transmission systems of Oklahoma Gas & Electric (OKGE) and Southwestern Public Service (SPS). The various generation interconnection requests have differing proposed in-service dates². The generation interconnection requests included in this Feasibility Cluster Study are listed in Appendix A by their queue number, amount, area, requested interconnection service, requested interconnection point, proposed interconnection point, and the requested in-service date.

The primary objective of this Feasibility Cluster Study is to identify the system constraints associated with connecting the generation to the area transmission system. The Feasibility and other subsequent Interconnection Studies are designed to identify attachment facilities, Network Upgrades and other Direct Assignment Facilities needed to accept power into the grid at each specific interconnection receipt point.

Model Development

Interconnection Requests Included in the Cluster

SPP has included all interconnection requests that submitted a Feasibility Study Agreement no later than 9/30/2012 and were subsequently accepted by Southwest Power Pool under the terms of the Generator Interconnection Procedures (GIP) that became effective March 30, 2010. The interconnection requests that are included in this study are listed in Appendix A.

Previously Queued Interconnection Requests

The previous queued requests included in this study are listed in Appendix B. In addition to the Base Case Upgrades, the previous queued requests and associated upgrades were assumed to be in-service and added to the Base Case models. These projects were dispatched as Energy Resources and or Network Resources (in accordance with the individual Interconnection Requests) with equal distribution across the SPP footprint.

Development of Base Cases

The 2012 series Transmission Service Request (TSR) Models 2013 spring, 2013 summer and winter peak, and 2018 summer and winter peak scenario 0 cases were used for this study. After the cases were developed, each of the control areas' resources were then re-dispatched to account for the new generation requests using current dispatch orders.

² The generation interconnection requests in-service dates will need to be deferred based on the required lead time for the Network Upgrades necessary. The Interconnection Customer's that proceed to the Facility Study will be provided a new in-service date based on the competition of the Facility Study.

Base Case Upgrades

The following facilities are part of the SPP Transmission Expansion Plan or the Balanced Portfolio or recently approved Priority Projects. These facilities, have an approved Notice to Construct (NTC), or are in construction stages and were assumed to be in-service at the time of dispatch and added to the base case models. The FCS-2012-004 Customers have not been assigned cost for the below listed projects. The FCS-2012-004 Customers Generation Facilities in service dates may need to be delayed until the completion of the following upgrades. If for some reason, construction on these projects is discontinued, additional restudies will be needed to determine the interconnection needs of the Feasibility Study customers.

- Hitchland 230/115kV area projects³:
 - Hitchland – Moore County 230kV, (placed in-service in 2012)
 - Hitchland – Ochiltree 230kV Project, scheduled for 12/31/2012 in-service
- Valliant – Hugo – Sunnyside 345kV, (placed in-service in 2012)⁴
- Rose Hill – Sooner 345kV, (placed in-service in 2012)⁵
- Balanced Portfolio Projects⁶:
 - Woodward – Border – TUCO 345kV project, scheduled for 5/19/2014 in-service
 - Woodward 345/138kV circuit #2 autotransformer
 - TUCO 345/138kV circuit #2 autotransformer
 - Reactors at Woodward and Border
 - Iatan– Nashua 345kV, scheduled for 6/1/2015 in-service
 - Nashua 345/161kV autotransformer
 - Muskogee– Seminole 345kV, scheduled for 12/31/2013 in-service
 - Spearville – Post Rock 345kV, (placed in-service in 2012)
 - Post Rock 345/230kV autotransformer, (placed in-service in 2012)
 - Post Rock – Axtell 345kV, (placed in service 12/2012)
 - Cleveland – Sooner 345kV, scheduled for 12/31/2012 in-service
 - Tap Stillwell – Swissvale 345kV line at West Gardner, scheduled for 12/31/2012 in-service
- Priority Projects⁷:
 - Hitchland – Woodward double circuit 345kV, scheduled for 6/30/2014 in-service
 - Hitchland 345/230kV autotransformer
 - Woodward – Thistle double circuit 345kV, scheduled for 12/31/2014 in-service
 - Spearville – Clark double circuit 345kV, scheduled for 12/31/2014 in-service
 - Clark – Thistle double circuit 345kV, scheduled for 12/31/2014 in-service
 - Thistle – Wichita double circuit 345kV, scheduled for 12/31/2014 in-service
 - Thistle 345/138kV autotransformer, scheduled for 12/31/2014 in-service
 - Thistle – Flat Ridge 138kV, scheduled for 12/31/2014 in-service
- Various Mid-Kansas Electric (MKEC) Transmission System Upgrades⁸
 - Harper – Flat Ridge 138kV rebuild, scheduled for 12/31/2013 in-service
 - Flat Ridge – Medicine Lodge 138kV rebuild, scheduled for 12/31/2013 in-service

³ SPP Regional Reliability Projects identified in 2007 STEP. As of the writing of this report, SPP Project Tracking TAGIT shows some of these project's in-service dates have been delayed from the original 2010/2011 in-service dates.

⁴ SPP Transmission Service Projects identified in SPP-2006-AG3-AFS-11.

⁵ SPP Regional Reliability Project. Approved based on an order of the Kansas Corporation Commission issued in Docket no. 07-WSEE-715-MIS.

⁶ Notice to Construct (NTC) issued June 2009.

⁷ Notice to Construct (NTC) issued June 2010.

⁸ SPP Transmission Service Projects identified in SPP-2007-AG3-AFS-9.

- Pratt – Medicine Lodge 115kV rebuild, scheduled for 6/1/2013 in-service
- Medicine Lodge 138/115kV autotransformer replacement, scheduled for 6/1/2013 in-service

Contingent Upgrades

The following facilities do not yet have approval. These facilities have been assigned to higher queued interconnection customers. These facilities have been included in the models for the FCS-2012-004 study and are assumed to be in service. This list may not be all inclusive. The FCS-2012-004 Customers at this time do not have responsibility for these facilities but may later be assigned the cost of these facilities if higher queued customers terminate their GIA or withdraw from the interconnection queue. The FCS-2012-004 Customer Generation Facilities in service dates may need to be delayed until the completion of the following upgrades.

- Upgrades assigned to 1st Cluster (ICS-2008-001) Interconnection Customers:
 - Amarillo - Swisher 230kV CKT 1 Rerate replace line traps
 - Clinton Jct - GEN-2007-032 Tap - Clinton 138kV Rerate
- Upgrades assigned to DISIS-2009-001 Interconnection Customers:
 - Fort Dodge – North Fort Dodge – Spearville 115kV circuit #2
 - Albion – Petersburg – Neligh 115kV rerate (placed in service 2011)
 - Fort Randall – Madison County – Kelly 230kV rerate (320MVA)
 - Spearville 345/115kV autotransformer
- Upgrades assigned to DISIS-2010-001 Interconnection Customers:
 - Post Rock 345/230kV circuit #2 autotransformer
 - South Hays – Hays Plant – Vine Street 115kV rebuild
 - Switch 2749 – Wildorado 69kV rebuild
- Upgrades assigned to DISIS-2010-002 Interconnection Customers:
 - Dixon County – Twin Church Conductor Clearance increase (320 MVA)
 - Beaver County Expansion (Tap & Tie Hitchland – Woodward 345kV CKT 2)
- Upgrades assigned to DISIS-2011-001 Interconnection Customers:
 - Beaver County – Buckner 345kV
 - Spearville – Mullergren – Reno double circuit 345kV
 - Tatonga – Matthewson - Cimarron 345kV circuit #2
 - Tatonga terminal equipment upgrade (1792 MVA)
 - Rice County – Circle 230kV conversion
 - Rice County – Lyons 115kV rebuild
 - Rice County 230/115kV autotransformer
 - Lyons – Wheatland 115kV rerate (199 MVA)
 - Hoskins – Dixon County – Twin Church 230kV rerate
 - (NRIS only) Benton – Wichita 345kV rerate (1195MVA)
 - (NRIS only) Chisholm – Maize – Evans Energy Center 138kV rerate
 - (NRIS only) Deaf Smith County – South Randle County 230kV rerate
 - (NRIS only) EL Reno – Roman Nose 138kV rebuild
 - (NRIS only) FPL Switch – Woodward - Mooreland 138kV rebuild
 - (NRIS only) Hitchland 230/115/13.2kV transformer circuit #2
 - (NRIS only) Knoll – North Hays – Vine 115kV rebuild
- Upgrades assigned to DISIS-2011-002 Interconnection Customers
 - Harbine – Crete 115kV ckt 1 build
 - Power System Stabilizers (Group 6) for Jones (Units: 1,2,3,4) and Tolk (Units: 1,2)
 - West Brock – Sub 967 – Sub 968 – Sub 969 – Sub 974 69kV replace terminal equipment
 - (NRIS only) Allen – Lubbock South 115kV ckt 1 rebuild

- (NRIS only) Cimarron – Draper 345kV ckt 1 replace line traps
- (NRIS only) Jones - Lubbock South 230kV ckt 2 replace line traps
- (NRIS only) Jones – TUCO 230kV ckt 1 replace line traps
- (NRIS only) Nebraska City U Syracuse – Sub 970 ckt 1 terminal equipment
- (NRIS only) Lubbock South 230/115kV Autotransformer ckt 2
- (NRIS only) Hydro Carbon Tap – Sub 974 69kV rewire CT (63MVA)
- (NRIS only) Lubbock South – Lubbock East 115kV ckt 1 rebuild
- Upgrades assigned to DISIS-2012-001 Interconnection Customers
 - GEN-2011-017 Tap (Post Rock-Spearville 345kV) – Post Rock 345kV circuit #2
 - Holcomb 345/115/13.8kV transformer circuit #2

Potential Upgrades Not in the Base Case

Any potential upgrades that do not have a Notification to Construct (NTC) have not been included in the base case. These upgrades include any identified in the SPP Extra-High Voltage (EHV) overlay plan, or any other SPP planning study other than the upgrades listed above in the previous section.

Regional Groupings

The interconnection requests listed in Appendix A were grouped together in two regional groups based on geographical and electrical impacts. These groupings are shown in Appendix C.

For each interconnection request, the generator was dispatched at 100% of nameplate in each season. In light load seasons (2013 spring), within each group, all study wind generating plants were dispatched at 100% nameplate of maximum generation. In the groups the generator was not a part of the wind generating plants were dispatched at 20% nameplate of maximum generation. These projects were dispatched as Energy Resources with equal distribution across the SPP footprint. Certain projects that requested Network Resource Interconnection Service were dispatched in an additional analysis into the balancing authority of the interconnecting transmission owner. This method allowed for the identification of network constraints that were common to the regional groupings that could then in turn have the mitigating upgrade cost allocated throughout the entire cluster.

Peaking units were not dispatched in the 2013 spring model. To study peaking units' impacts, the 2013 summer and winter, 2018 summer and winter seasonal models were chosen and peaking units were dispatched at 100% of the nameplate rating and wind generating facilities were modeled at 10% of the nameplate rating. Solar units were dispatched at 100% nameplate in summer peak models. Each interconnection request was also modeled separately at 100% nameplate for certain analyses.

Identification of Network Constraints

The initial set of network constraints were found by using PSS® MUST First Contingency Incremental Transfer Capability (FCITC) analysis on the entire cluster grouping dispatched at the various levels mentioned above. These constraints were then screened to determine if any of the generation interconnection requests had at least a 20% Distribution Factor (DF) upon the constraint. Constraints that measured at least a 20% DF from at least one interconnection request were considered for mitigation. Interconnection Requests that were being studied for Network Resource Interconnection Service (NRIS) were studied in the additional NRIS analysis to determine if any constraint had at least a 3% DF. If so, these constraints were considered for mitigation.

Identification of Electrically Isolated Groups and Requests – From the FCITC analysis, it was determined that some of the regional groups had no common impacts with the other groups. However, this determination may change as the Interconnection Customers depending upon the time at which the interconnection customers enter either the Preliminary Interconnection System Impact Study (PISIS) or the Definitive Interconnection System Impact Study (DISIS).

Determination of Cost Allocated Network Upgrades

Cost Allocated Network Upgrades of wind generation interconnection requests were determined using the 2013 spring model. Cost Allocated Network Upgrades of peaking units was determined using the 2018 summer peak model. A PSSE® MUST sensitivity analysis was performed to determine the Distribution Factors (DF), a distribution factor with no contingency that each generation interconnection request had on each new upgrade. The impact each generation interconnection request had on each upgrade project was weighted by the size of each request. Finally the costs due by each request for a particular project were then determined by allocating the portion of each request's impact over the impact of all affecting requests.

For example, assume that there are three Generation Interconnection requests, X, Y, and Z that are responsible for the costs of Upgrade Project '1'. Given that their respective DF for the project have been determined, the cost allocation for Generation Interconnection request 'X' for Upgrade Project 1 is found by the following set of steps and formulas:

- Determine an Impact Factor on a given project for all responsible GI requests:

$$\text{Request X Impact Factor on Upgrade Project 1} = \text{DF}(\%)(X) * \text{MW}(X) = X1$$

$$\text{Request Y Impact Factor on Upgrade Project 1} = \text{DF}(\%)(Y) * \text{MW}(Y) = Y1$$

$$\text{Request Z Impact Factor on Upgrade Project 1} = \text{DF}(\%)(Z) * \text{MW}(Z) = Z1$$

- Determine each request's Allocation of Cost for that particular project:

$$\text{Request X's Project 1 Cost Allocation (\$)} = \frac{\text{Network Upgrade Project 1 Cost(\$)} * X1}{X1 + Y1 + Z1}$$

- Repeat previous for each responsible GI request for each Project

The cost allocation of each needed Network Upgrade is determined by the size of each request and its impact on the given project. This allows for the most efficient and reasonable mechanism for sharing the costs of upgrades.

Credits for Amounts Advanced for Network Upgrades

Interconnection Customer shall be entitled to credits in accordance with Attachment Z2 of the SPP Tariff for any Network Upgrades including any tax gross-up or any other tax-related payments associated with the Network Upgrades, and not refunded to the Interconnection Customer.

Interconnection Facilities

The requirement to interconnect the 955 MW of generation into the existing and proposed transmission systems in the affected areas of the SPP transmission footprint consist of the necessary cost allocated shared facilities listed in Appendix E with an approximate cost of \$250,000,000. Appendix E also includes Interconnection Facilities specific to each generation interconnection request.

A list of constraints with greater than or equal to a 20% DF that were identified and used for mitigation are listed in Appendix G. Other Network Constraints, those between 3% and 20% DF, which were not used are shown in Appendix H. With a defined source and sink in a TSR, this list of Network Constraints will be refined and expanded to account for all Network Upgrade requirements.

A preliminary one-line drawing for each generation interconnection request are listed in Appendix D.

Power Flow Analysis

Power Flow Analysis Methodology

The Southwest Power Pool (SPP) Criteria states that:

“The transmission system of the SPP region shall be planned and constructed so that the contingencies as set forth in the Criteria will meet the applicable *NERC Reliability Standards* for transmission planning. All MDWG power flow models shall be tested to verify compliance with the System Performance Standards from NERC Table 1 – Category A.”

The FCITC function of PSS® MUST was used to simulate single element and special (i.e., breaker-to-breaker, multi-element, etc) contingencies in portions or all of the modeled control areas of SPP, as well as, other control areas external to SPP and the resulting scenarios analyzed. This satisfies the “more probable” contingency testing criteria mandated by NERC and the SPP criteria.

Power Flow Analysis

A power flow analysis was conducted for each Interconnection Customer’s facility using modified versions of the 2013 (spring, summer, and winter) peak and the 2018 (summer and winter) peak models. The output of the Interconnection Customer’s facility was offset in each model by a reduction in output of existing online SPP generation. This method allows the request to be studied as an Energy Resource (ER) Interconnection Request. Certain requests that requested Network Resource Interconnection Service (NRIS) had an additional analysis conducted for displacing resources in the interconnecting Transmission Owner’s balancing authority.

This analysis was conducted assuming that previous queued requests in the immediate area of these interconnect requests were in-service. The analysis of the each Customer’s project indicates that criteria violations will occur on the OKGE & SPS transmission systems under steady state and contingency conditions in the peak seasons.

The need for reactive compensation will be determined during the Interconnection System Impact Study. The need for reactive compensation will be based on the Interconnection Customer's choice of wind turbine make and manufacturer. Dynamic Stability studies performed as part of the System Impact Cluster Study will provide additional guidance as to whether the reactive compensation can be static or a portion must be dynamic (such as a SVC or STATCOM). It is possible that an SVC or STATCOM device will be required at the Customer facility because of FERC Order 661A Low Voltage Ride-Through Provisions (LVRT) which went into effect January 1, 2006. FERC Order 661A orders that wind farms stay on-line for 3-phase faults at the point of interconnection even if that requires the installation of a SVC or STATCOM device.

Cluster Group 1 (Woodward Area)

In addition to the 5,466 MW of previously queued generation in the area, 200 MW of new interconnection service was studied. Constraints in this area were primarily around the Cimarron substation. These constraints require replacing terminal equipment on the Cimarron – Draper 345kV circuit. NRIS service constraints require a 3rd Cimarron 345/138kV Autotransformer and rebuilds of certain 138kV circuits near Cimarron substation.

Cluster Group 6 (South Texas Panhandle/New Mexico)

In addition to the 3,639.5 MW of previously queued generation in the area, 755 MW of new interconnection service was studied. Constraints in this area were primarily around the Eddy County – Tolk 345kV circuit. These constraints require a new 345kV circuit from the GEN-2012-043 POI – Tuco 345kV, an 2nd Tolk 345/230kV Autotransformer, and rebuilding certain 230kV circuits near Tolk substation. NRIS service constraints require an Eddy County 345/115kV Autotransformer and additional rebuilds of certain 138kV circuits near Tolk substation.

Conclusion

The minimum cost of interconnecting 955 MW of new interconnection requests included in this Feasibility Cluster Study is estimated at \$260,000,000 for the Allocated Network Upgrades and Transmission Owner Interconnection Facilities are listed in Appendices E and F. These costs do not include the cost of upgrades of other transmission facilities listed in Appendix H which are Network Constraints.

These interconnection costs do not include any cost of Network Upgrades determined to be required by AC power flow, short circuit or transient stability analysis. These studies will be performed if the Interconnection Customer executes the appropriate Interconnection System Impact Study Agreement and provides the required data along with demonstration of Site Control and the appropriate deposit. At the time of the System Impact Cluster Study, a better determination of the interconnection facilities may be available.

The required interconnection costs listed in Appendices E and F, and other upgrades associated with Network Constraints do not include all costs associated with the deliverability of the energy to final customers. These costs are determined by separate studies if the Customer submits a Transmission Service Request (TSR) through SPP's Open Access Same Time Information System (OASIS) as required by Attachment Z1 of the SPP Open Access Transmission Tariff (OATT).

Appendix

A: Generation Interconnection Requests Considered for Feasibility Study

A: Generation Interconnection Requests Considered for Impact Study

Request	Amount	Service	Area	Requested Point of Interconnection	Proposed Point of Interconnection	Requested In-Service Date	In Service Date Delayed Until no earlier than*
GEN-2012-019	200.0	ER/NR	SPS	Tap Eddy County - Tolk (GEN-2008-022 Tap) 345kV	Tap Eddy County - Tolk (GEN-2008-022 Tap) 345kV	11/29/2014	TBD
GEN-2012-022	30.0	ER/NR	SPS	Ochoa 115kV	Ochoa 115kV	12/1/2014	TBD
GEN-2012-030	200.0	ER/NR	OKGE	Cimarron 345kV (GEN-2010-040 Sub)	Cimarron 345kV (GEN-2010-040 Sub)	11/30/2015	TBD
GEN-2012-043	525.0	ER/NR	SPS	Tap Eddy County - Tolk (North of GEN-2008-022 Tap)	Tap Eddy County - Tolk (North of GEN-2008-022 Tap)	12/1/2015	TBD
TOTAL		955.0					

*request dependent upon Priority Projects or Balanced Portfolio may be delayed until 12/31/2014.
Other projects in service date to be determined after Facility Study.

B: Prior Queued Interconnection Requests

B: Prior Queued Interconnection Requests

Request	Amount	Area	Requested/Proposed Point of Interconnection	Status or In-Service Date
ASGI-2010-006	150	AECI	Tap Fairfax (AECI) - Shilder (AEPW) 138kV	AECI queue Affected Study
ASGI-2010-010	42.2	SPS	Lovington 115kV	Lea County Affected Study
ASGI-2010-020	30	SPS	Tap LE-Tatum - LE-Crossroads 69kV	Lea County Affected Study
ASGI-2010-021	15	SPS	Tap LE-Saunders Tap - LE-Anderson 69kV	Lea County Affected Study
ASGI-2011-001	28.8	SPS	Lovington 115kV	Lea County Affected Study
ASGI-2011-002	10	SPS	Herring 115kV	AECI queue Affected Study
ASGI-2011-003	10	SPS	Hendricks 115kV	AECI queue Affected Study
ASGI-2011-004	20	SPS	Pleasant Hill 69kV	Under Study (DISIS-2011-002)
ASGI-2012-002	18	SPS	FE-Clovis Interchange 115kV	Under Study (DISIS-2012-002)
ASGI-2012-006	22.5	SUNCMKEC	Tap Hugoton - Rolla 69kV	Under Study (DISIS-2012-001)
GEN-2001-014	96	WFEC	Ft Supply 138kV	On-Line
GEN-2001-026	74	WFEC	Washita 138kV	On-Line
GEN-2001-033	180	SPS	San Juan Tap 230kV	On-Line
GEN-2001-036	80	SPS	Norton 115kV	On-Line
GEN-2001-037	102	OKGE	FPL Moreland Tap 138kV	On-Line
GEN-2001-039A	105	SUNCMKEC	Tap Greensburg - Ft Dodge (Shooting Star Tap) 115kV	On Schedule for 2012
GEN-2001-039M	99	SUNCMKEC	Central Plains Tap 115kV	On-Line
GEN-2002-004	200	WERE	Latham 345kV	On-Line at 150MW
GEN-2002-005	120	WFEC	Red Hills Tap 138kV	On-Line
GEN-2002-008	240	SPS	Hitchland 345kV	On-Line at 120MW
GEN-2002-009	80	SPS	Hansford 115kV	On-Line
GEN-2002-022	240	SPS	Bushland 230kV	On-Line
GEN-2002-023N	0.8	NPPD	Harmony 115kV	On-Line
GEN-2002-025A	150	SUNCMKEC	Spearville 230kV	On-Line
GEN-2003-004 GEN-2004-023 GEN-2005-003	151.2	WFEC	Washita 138kV	On-Line
GEN-2003-005	100	WFEC	Anadarko - Paradise (Blue Canyon) 138kV	On-Line
GEN-2003-006A	200	SUNCMKEC	Elm Creek 230kV	On-Line
GEN-2003-019	250	MIDW	Smoky Hills Tap 230kV	On-Line
GEN-2003-020	160	SPS	Martin 115kV	On-Line at 80MW
GEN-2003-021N	75	NPPD	Ainsworth Wind Tap 115kV	On-Line
GEN-2003-022	120	AEPW	Washita 138kV	On-Line
GEN-2004-005N	30	NPPD	St Francis 115kV	On Suspension
GEN-2004-014	154.5	SUNCMKEC	Spearville 230kV	On Schedule for 2012
GEN-2004-020	27	AEPW	Washita 34.5kV	On-Line
GEN-2004-023N	75	NPPD	Columbus Co 115kV	On-Line
GEN-2005-005	18	OKGE	FPL Moreland Tap 138kV	IA Pending
GEN-2005-008	120	OKGE	Woodward 138kV	On-Line
GEN-2005-012	250	SUNCMKEC	Spearville 345kV	On Schedule for 2012
GEN-2005-013	201	WERE	Tap Latham - Neosho (Caney River) 345kV	On-Line
GEN-2006-002	101	AEPW	Sweetwater 230kV	On-Line
GEN-2006-006	205.5	SUNCMKEC	Spearville 345kV	IA Pending
GEN-2006-014	300	MIPU	Tap Maryville - Midway (Nodway Co) 161kV	On Suspension
GEN-2006-018	170	SPS	TUCO Interchange 230kV	On-Line
GEN-2006-020N	42	NPPD	Bloomfield 115kV	On-Line

Request	Amount	Area	Requested/Proposed Point of Interconnection	Status or In-Service Date
GEN-2006-020S	18.9	SPS	DWS Frisco 115kV	On Schedule for 3/2012
GEN-2006-021	101	SUNCMKEC	Flat Ridge Tap 138kV	On-Line
GEN-2006-022	150	SUNCMKEC	Ninnescah 115kV	On Suspension
GEN-2006-024S	19.8	WFEC	Buffalo Bear Tap 69kV	On-Line
GEN-2006-026	604	SPS	Hobbs 230kV & Hobbs 115kV	On-Line
GEN-2006-031	75	MIDW	Knoll 115kV	On-Line
GEN-2006-032	200	MIDW	South Hays 230kV	On Suspension
GEN-2006-035	225	AEPW	Sweetwater 230kV	On-Line at 132MW
GEN-2006-037N1	75	NPPD	Broken Bow 115kV	On Suspension
GEN-2006-038N005	80	NPPD	Broken Bow 115kV	On-Line
GEN-2006-038N019	80	NPPD	Petersburg North 115kV	On-Line
GEN-2006-040	108	SUNCMKEC	Mingo 115kV	On Suspension
GEN-2006-043	99	AEPW	Sweetwater 230kV	On-Line
GEN-2006-044	370	SPS	Hitchland 345kV	On Schedule for 2012
GEN-2006-044N	40.5	OPPD	North Petersburg 115kV	On-Line
GEN-2006-045	240	SPS	Tap Potter - Plant X 230kV (South Randle County) 230kV	On Suspension
GEN-2006-046	131	OKGE	Dewey 138kV	On-Line
GEN-2006-047	240	SPS	Tap Bushland - Deaf Smith (Buffalo) 230kV	On Suspension
GEN-2007-011	135	SUNCMKEC	Syracuse 115kV	On Suspension
GEN-2007-011N08	81	NPPD	Bloomfield 115kV	On-Line
GEN-2007-015	135	WERE	Tap Kelly(WERE) - S1399(OPPD) 161kV	On Schedule 2014
GEN-2007-021	201	OKGE	Tatonga 345kV	On Schedule for 2014
GEN-2007-025	300	WERE	Viola 345kV	On Schedule for 2012
GEN-2007-032	150	WFEC	Tap Clinton Junction - Clinton 138kV	On Schedule for 2013
GEN-2007-038	200	SUNCMKEC	Spearville 345kV	On Schedule for 2015
GEN-2007-040	200	SUNCMKEC	Buckner 345kV	On Schedule for 2012
GEN-2007-043	200	OKGE	Minco 345kV	On-Line
GEN-2007-044	300	OKGE	Tatonga 345kV	On Schedule for 2014
GEN-2007-046	199.5	SPS	Hitchland 115kV	On Schedule for 2014
GEN-2007-048	400	SPS	Tap Amarillo S - Swisher 230kV	On Schedule for 2014
GEN-2007-050	170	OKGE	Woodward EHV 138kV	On-Line at 150MW
GEN-2007-052	150	WFEC	Anadarko 138kV	On-Line
GEN-2007-057	34.5	SPS	Moore County East 115kV	On Schedule for 2014
GEN-2007-062	765	OKGE	Woodward EHV 345kV	On Schedule for 2014
GEN-2008-003	101	OKGE	Woodward EHV 138kV	On-Line
GEN-2008-008	60	SPS	Graham 69kV	On Suspension
GEN-2008-009	60	SPS	San Juan Tap 230kV	On Schedule for 2014
GEN-2008-013	300	OKGE	Tap Wichita - Woodring (Hunter) 345kV	On-Line
GEN-2008-017	300	SUNCMKEC	Setab 345kV	On Schedule for 2014
GEN-2008-018	405	SPS	Finney 345kV	On Schedule for 2012
GEN-2008-019	300	OKGE	Tatonga 345kV	On Schedule for 2015
GEN-2008-021	42.0	WERE	Wolf Creek 345kV	On-Line
GEN-2008-022	300	SPS	Tap Eddy Co - Tolk (Chaves County) 345kV	On Schedule for 2015
GEN-2008-023	150	AEPW	Hobart Junction 138kV	On Schedule for 2012
GEN-2008-025	101	SUNCMKEC	Ruleton 115kV	On Schedule for 2015
GEN-2008-029	250	OKGE	Woodward EHV 138kV	On Schedule for 2014
GEN-2008-037	101	WFEC	Tap Washita - Blue Canyon Wind 138kV	On-Line

Request	Amount	Area	Requested/Proposed Point of Interconnection	Status or In-Service Date
GEN-2008-044	197.8	OKGE	Tatonga 345kV	On-Line
GEN-2008-046	200	OKGE	Sunnyside 345kV	On Suspension
GEN-2008-047	300	SPS	Tap Hitchland - Woodward Ckt 1 (Beaver County) 345kV	IA Pending
GEN-2008-051	322	SPS	Potter County 345kV	On Schedule for 2012
GEN-2008-071	76.8	OKGE	Newkirk 138kV	On Suspension
GEN-2008-079	98.9	SUNCMKEC	Tap Cudahy - Ft Dodge 115kV	On-Line
GEN-2008-086N02	200	NPPD	Tap Ft Randle - Columbus (Madison County) 230kV	On Schedule for 2014
GEN-2008-088	50.6	SPS	Vega 69kV	IA Pending
GEN-2008-092	201	MIDW	Knoll 230kV	IA Pending
GEN-2008-098	100.8	WERE	Tap Lacygne - Wolf Creek (Anderson County) 345kV	IA Pending
GEN-2008-1190	60	OPPD	S1399 161kV	On-Line
GEN-2008-123N	89.7	NPPD	Tap Guide Rock - Pauline 115kV	On Suspension
GEN-2008-124	200	SUNCMKEC	Spearville 345kV	On Schedule for 2014
GEN-2008-124T	42	SPS	TC-Keyes Texas County 69kV	IA Pending
GEN-2008-129	80	MIPU	Pleasant Hill 161kV	On-Line
GEN-2009-008	199.5	MIDW	South Hays 230kV	On Suspension
GEN-2009-016	100.8	AEPW	Falcon Road 138kV	On Suspension
GEN-2009-020	48.6	MIDW	Tap Nekoma - Bazine 69kV	On Suspension
GEN-2009-025	60	OKGE	Tap Deer Creek - Sinclair Blackwell 69kV	On Schedule for 2012
GEN-2009-040	73.8	WERE	Marshall 115kV	On Suspension
GEN-2009-067S	20	SPS	Seven Rivers 69kV	On Suspension
GEN-2009-073T	48	SPS	TC-Eva Texas County 69kV	IA Pending
GEN-2010-001	300	SPS	Tap Hitchland - Woodward Ckt 1 (Beaver County) 345kV	On Schedule for 2014 (204 MW) and 2015
GEN-2010-003	100.8	WERE	Tap Lacygne - Wolf Creek (Anderson County) 345kV	IA Pending
GEN-2010-005	300	WERE	Viola 345kV	On Schedule for 2012
GEN-2010-006	205	SPS	Jones 230kV	On-Line
GEN-2010-009	165.6	SUNCMKEC	Buckner 345kV	On-Line
GEN-2010-011	30	OKGE	Tatonga 345kV	On Line
GEN-2010-014	358.8	SPS	Hitchland 345kV	On Schedule for 2016
GEN-2010-015	200.1	SUNCMKEC	Spearville 345kV	On Schedule for 2015
GEN-2010-020	20	SPS	Roswell 69kV	On Suspension
GEN-2010-029	450	SUNCMKEC	Spearville 345kV	IA Pending
GEN-2010-036	4.6	WERE	6th Street 115kV	On Schedule for 2012
GEN-2010-040	300	OKGE	Cimarron 345kV	On Schedule for 2012
GEN-2010-041	10.5	OPPD	S 1399 161kV	Facility Study
GEN-2010-044	99	NPPD	Harbine 115kV	IA Pending
GEN-2010-045	197.8	SUNCMKEC	Buckner 345kV	IA Pending
GEN-2010-046	56	SPS	TUCO Interchange 230kV	On Schedule for 2016
GEN-2010-048	70	MIDW	Tap Beach Station - Redline 115kV	IA Pending
GEN-2010-051	200	NPPD	Tap Twin Church - Hoskins 230kV	On Schedule for 2014
GEN-2010-055	4.5	AEPW	Wekiwa 138kV	On Schedule for 2013
GEN-2010-056	151	MIPU	Tap Saint Joseph - Cooper 345kV	On Schedule for 2015
GEN-2010-057	201	MIDW	Rice County 230kV	On-Line
GEN-2010-058	20	SPS	Chaves County 115kV	On Suspension
GEN-2010-061	180	MIDW	Tap Post Rock - Spearville (GEN-2011-017T) 345kV	Facility Study
GEN-2011-007	250	OKGE	Tap Cimarron - Woodring (Matthewson) 345kV	IA Pending
GEN-2011-008	600	SUNCMKEC	Clark County 345kV	Facility Study

Request	Amount	Area	Requested/Proposed Point of Interconnection	Status or In-Service Date
GEN-2011-010	100.8	OKGE	Minco 345kV	On Schedule for 2012
GEN-2011-011	50	KACP	Iatan 345kV	On-Line
GEN-2011-012	104.5	SPS	Tap Moore County - Hitchland 345kV	IA Pending
GEN-2011-014	201	SPS	Tap Hitchland - Woodward Ckt 1 (Beaver County) 345kV	IA Pending
GEN-2011-016	200.1	SUNCMKEC	Spearville 345kV	IA Pending
GEN-2011-017	299	SUNCMKEC	Tap Spearville - PostRock (GEN-2011-017T) 345kV	Facility Study
GEN-2011-018	73.6	NPPD	Steele City 115kV	On Schedule for 2013
GEN-2011-019	299	OKGE	Woodward 345kV	IA Pending
GEN-2011-020	299	OKGE	Woodward 345kV	IA Pending
GEN-2011-021	299	SPS	Beaver County 345kV	IA Pending
GEN-2011-022	299	SPS	Hitchland 345kV	IA Pending
GEN-2011-023	299	SUNCMKEC	Clark County 345kV	Facility Study
GEN-2011-024	299	OKGE	Tatonga 345kV	IA Pending
GEN-2011-025	82.3	SPS	Tap Floyd County - Crosby County 115kV	On Suspension
GEN-2011-027	120	NPPD	Hoskins 230kV	IA Pending
GEN-2011-037	7	WFEC	Blue Canyon 5 138kV	IA Pending
GEN-2011-040	111	OKGE	Tap Ratliff - Pooleville 138kV	On Schedule for 2013
GEN-2011-043	150	SUNCMKEC	Thistle 345kV	Facility Study
GEN-2011-044	150	SUNCMKEC	Thistle 345kV	Facility Study
GEN-2011-045	205	SPS	Jones 230kV	IA Pending
GEN-2011-046	27	SPS	Lopez 115kV	IA Pending
GEN-2011-048	175	SPS	Mustang 230kV	IA Pending
GEN-2011-049	250	OKGE	Border 345kV	IA Pending
GEN-2011-050	109.8	AEPW	Tap Rush Springs - Marlow 138kV	IA Pending
GEN-2011-051	104.4	OKGE	Tap Woodward - Tatonga 345kV	IA Pending
GEN-2011-054	300	OKGE	Cimarron 345kV	IA Pending
GEN-2011-055	52.8	OPPD	South Sterling 69kV	Facility Study
GEN-2011-056	3.6	NPPD	Jeffrey 115kV	IA Pending
GEN-2011-056A	3.6	NPPD	John 1 115kV	IA Pending
GEN-2011-056B	4.5	NPPD	John 2 115kV	IA Pending
GEN-2011-057	150.4	WERE	Creswell 138kV	IA Pending
GEN-2012-001	61.2	SPS	Tap Grassland - Borden County 230kV	Facility Study
GEN-2012-002	101.2	SUNCMKEC	Tap Pile - Scott City 115kV	Facility Study
GEN-2012-004	41.4	OKGE	Tap Ratliff - Pooleville 138kV	IA Pending
GEN-2012-007	120	SUNCMKEC	Rubart 115kV	Facility Study
GEN-2012-008	40	SPS	Mustang 115kV & Mustang 230kV	Facility Study
GEN-2012-009	15	SPS	Mustang 230kV	Facility Study
GEN-2012-010	15	SPS	Mustang 230kV	Facility Study
GEN-2012-011	200	SUNCMKEC	Tap Spearville - Post Rock 345kV (North of GEN-2011-017 Tap)	Facility Study
GEN-2012-015	25	SPS	Caprock 34.5kV	Under Study (DISIS-2012-002)
GEN-2012-016	312	WFEC	Tap Woodward - Thistle 345kV Ckt 1	Under Study (DISIS-2012-002)
GEN-2012-017	115	NPPD	Cooper 345kV	Under Study (DISIS-2012-002)
GEN-2012-018	200	NPPD	Tap Hoskins - Twin Church 230kV (GEN-2010-051T)	Under Study (DISIS-2012-002)
GEN-2012-020	478	SPS	TUCO 230kV	Under Study (DISIS-2012-002)
GEN-2012-021	4.8	LES	Terry Bundy Generating Station 115kV	Under Study (DISIS-2012-002)
GEN-2012-023	115	WERE	Viola 345kV	Under Study (DISIS-2012-002)
GEN-2012-024	180	SUNCMKEC	Clark County 345kV	Under Study (DISIS-2012-002)

Request	Amount	Area	Requested/Proposed Point of Interconnection	Status or In-Service Date
GEN-2012-026	100	MIDW	Colby 115kV	Under Study (DISIS-2012-002)
GEN-2012-027	150.7	AEPW	Shidler 138kV	Under Study (DISIS-2012-002)
GEN-2012-028	74.8	WFEC	Gotebo 69kV	Under Study (DISIS-2012-002)
GEN-2012-029	100	AEPW	Tap Little Elk - Hobart 138kV	Under Study (DISIS-2012-002)
GEN-2012-031	200.1	OKGE	Cimarron 345kV (GEN-2010-040 Sub)	Under Study (DISIS-2012-002)
GEN-2012-032	300	OKGE	Tap Rose Hill - Sooner 345kV	Under Study (DISIS-2012-002)
GEN-2012-033	100	OKGE	Tap and Tie South 4th - Bunch Creek & Enid Tap - Fairmont (GEN-2012-033T) 138kV	Under Study (DISIS-2012-002)
GEN-2012-034	7	SPS	Mustang 230kV	Under Study (DISIS-2012-002)
GEN-2012-035	7	SPS	Mustang 230kV	Under Study (DISIS-2012-002)
GEN-2012-036	7	SPS	Mustang 230kV	Under Study (DISIS-2012-002)
GEN-2012-037	203	SPS	TUCO 345kV	Under Study (DISIS-2012-002)
GEN-2012-038	203	SPS	Tap Border - TUCO 345kV	Under Study (DISIS-2012-002)
GEN-2012-040	76.5	OKGE	Chilocco 138kV	Under Study (DISIS-2012-002)
GEN-2012-041	195	OKGE	Tap Rose Hill - Sooner 345kV	Under Study (DISIS-2012-002)
GEN-2012-042	220	SUNCMKEC	Spearville 345kV	Under Study (DISIS-2012-002)
Gray County Wind (Montezuma)	110	SUNCMKEC	Gray County Tap 115kV	On-Line
Llano Estacado (White Deer)	80	SPS	Llano Wind 115kV	On-Line
NPPD Distributed (Broken Bow)	8.3	NPPD	Broken Bow 115kV	On-Line
NPPD Distributed (Burwell)	3	NPPD	Ord 115kV	On-Line
NPPD Distributed (Columbus Hydro)	45	NPPD	Columbus 115kV	On-Line
NPPD Distributed (North Platte - Lexington)	54	NPPD	Multiple: Jeffrey 115kV, John_1 115kV, John_2 115kV	On-Line
NPPD Distributed (Ord)	10.8	NPPD	Ord 115kV	On-Line
NPPD Distributed (Stuart)	2.1	NPPD	Ainsworth 115kV	On-Line
SPS Distributed (Dumas 19th St)	20	SPS	Dumas 19th Street 115kV	On-Line
SPS Distributed (Etter)	20	SPS	Etter 115kV	On-Line
SPS Distributed (Hopi)	10	SPS	Hopi 115kV	On-Line
SPS Distributed (Jal)	10	SPS	S Jal 115kV	On-Line
SPS Distributed (Lea Road)	10	SPS	Lea Road 115kV	On-Line
SPS Distributed (Monument)	10	SPS	Monument 115kV	On-Line
SPS Distributed (Moore E)	25	SPS	Moore East 115kV	On-Line
SPS Distributed (Ocotillo)	10	SPS	Ocotillo 115kV	On-Line
SPS Distributed (Sherman)	20	SPS	Sherman 115kV	On-Line
SPS Distributed (Spearman)	10	SPS	Spearman 69kV	On-Line
SPS Distributed (TC-Texas County)	20	SPS	Texas County 115kV	On-Line
TOTAL				30,332.0

C: Study Groupings

C. Study Groups

GROUP 1: WOODWARD AREA			
Request	Capacity	Area	Proposed Point of Interconnection
GEN-2001-014	96.0	WFEC	Ft Supply 138kV
GEN-2001-037	102.0	OKGE	FPL Moreland Tap 138kV
GEN-2005-005	18.0	OKGE	FPL Moreland Tap 138kV
GEN-2005-008	120.0	OKGE	Woodward 138kV
GEN-2006-024S	19.8	WFEC	Buffalo Bear Tap 69kV
GEN-2006-046	131.0	OKGE	Dewey 138kV
GEN-2007-021	201.0	OKGE	Tatonga 345kV
GEN-2007-043	200.0	OKGE	Minco 345kV
GEN-2007-044	300.0	OKGE	Tatonga 345kV
GEN-2007-050	170.0	OKGE	Woodward EHV 138kV
GEN-2007-062	765.0	OKGE	Woodward EHV 345kV
GEN-2008-003	101.0	OKGE	Woodward EHV 138kV
GEN-2008-019	300.0	OKGE	Tatonga 345kV
GEN-2008-029	250.0	OKGE	Woodward EHV 138kV
GEN-2008-044	197.8	OKGE	Tatonga 345kV
GEN-2010-011	30.0	OKGE	Tatonga 345kV
GEN-2010-040	300.0	OKGE	Cimarron 345kV
GEN-2011-007	250.0	OKGE	Tap Cimarron - Woodring (Matthewson) 345kV
GEN-2011-010	100.8	OKGE	Minco 345kV
GEN-2011-019	299.0	OKGE	Woodward 345kV
GEN-2011-020	299.0	OKGE	Woodward 345kV
GEN-2011-024	299.0	OKGE	Tatonga 345kV
GEN-2011-051	104.4	OKGE	Tap Woodward - Tatonga 345kV
GEN-2011-054	300.0	OKGE	Cimarron 345kV
GEN-2012-016	312.0	WFEC	Tap Woodward - Thistle 345kV Ckt 1
GEN-2012-031	200.1	OKGE	Cimarron 345kV (GEN-2010-040 Sub)
PRIOR QUEUED SUBTOTAL	5,465.9		
GEN-2012-030	200.0	OKGE	Cimarron 345kV (GEN-2010-040 Sub)
CURRENT CLUSTER SUBTOTAL	200.0		
AREA TOTAL	5,665.9		

GROUP 2: HITCHLAND AREA			
Request	Capacity	Area	Proposed Point of Interconnection
ASGI-2011-002	10.0	SPS	Herring 115kV
GEN-2002-008	240.0	SPS	Hitchland 345kV
GEN-2002-009	80.0	SPS	Hansford 115kV
GEN-2003-020	160.0	SPS	Martin 115kV
GEN-2006-020S	18.9	SPS	DWS Frisco 115kV
GEN-2006-044	370.0	SPS	Hitchland 345kV
GEN-2007-046	199.5	SPS	Hitchland 115kV
GEN-2007-057	34.5	SPS	Moore County East 115kV
GEN-2008-047	300.0	SPS	Tap Hitchland - Woodward Ckt 1 (Beaver County) 345kV
GEN-2008-124T	42.0	SPS	TC-Keyes Texas County 69kV
GEN-2009-073T	48.0	SPS	TC-Eva Texas County 69kV
GEN-2010-001	300.0	SPS	Tap Hitchland - Woodward Ckt 1 (Beaver County) 345kV
GEN-2010-014	358.8	SPS	Hitchland 345kV
GEN-2011-012	104.5	SPS	Tap Moore County - Hitchland 345kV
GEN-2011-014	201.0	SPS	Tap Hitchland - Woodward Ckt 1 (Beaver County) 345kV
GEN-2011-021	299.0	SPS	Beaver County 345kV
GEN-2011-022	299.0	SPS	Hitchland 345kV
SPS Distributed (Dumas 19th St)	20.0	SPS	Dumas 19th Street 115kV
SPS Distributed (Etter)	20.0	SPS	Etter 115kV
SPS Distributed (Moore E)	25.0	SPS	Moore East 115kV
SPS Distributed (Sherman)	20.0	SPS	Sherman 115kV
SPS Distributed (Spearman)	10.0	SPS	Spearman 69kV
SPS Distributed (TC-Texas County)	20.0	SPS	Texas County 115kV
PRIOR QUEUED SUBTOTAL	3,180.2		
AREA TOTAL	3,180.2		

GROUP 3: SPEARVILLE AREA			
Request	Capacity	Area	Proposed Point of Interconnection
ASGI-2012-006	22.5	SUNCMKEC	Tap Hugoton - Rolla 69kV
GEN-2001-039A	105.0	SUNCMKEC	Tap Greensburg - Ft Dodge (Shooting Star Tap) 115kV
GEN-2002-025A	150.0	SUNCMKEC	Spearville 230kV
GEN-2004-014	154.5	SUNCMKEC	Spearville 230kV
GEN-2005-012	250.0	SUNCMKEC	Spearville 345kV
GEN-2006-006	205.5	SUNCMKEC	Spearville 345kV
GEN-2006-021	101.0	SUNCMKEC	Flat Ridge Tap 138kV
GEN-2006-022	150.0	SUNCMKEC	Ninnescah 115kV
GEN-2007-038	200.0	SUNCMKEC	Spearville 345kV
GEN-2007-040	200.0	SUNCMKEC	Buckner 345kV
GEN-2008-018	405.0	SPS	Finney 345kV
GEN-2008-079	98.9	SUNCMKEC	Tap Cudahy - Ft Dodge 115kV
GEN-2008-124	200.0	SUNCMKEC	Spearville 345kV
GEN-2010-009	165.6	SUNCMKEC	Buckner 345kV
GEN-2010-015	200.1	SUNCMKEC	Spearville 345kV
GEN-2010-029	450.0	SUNCMKEC	Spearville 345kV
GEN-2010-045	197.8	SUNCMKEC	Buckner 345kV
GEN-2010-061	180.0	MIDW	Tap Post Rock - Spearville (GEN-2011-017T) 345kV
GEN-2011-008	600.0	SUNCMKEC	Clark County 345kV
GEN-2011-016	200.1	SUNCMKEC	Spearville 345kV
GEN-2011-017	299.0	SUNCMKEC	Tap Spearville - PostRock (GEN-2011-017T) 345kV
GEN-2011-023	299.0	SUNCMKEC	Clark County 345kV
GEN-2011-043	150.0	SUNCMKEC	Thistle 345kV
GEN-2011-044	150.0	SUNCMKEC	Thistle 345kV
GEN-2012-007	120.0	SUNCMKEC	Rubart 115kV
GEN-2012-011	200.0	SUNCMKEC	Tap Spearville - Post Rock 345kV (North of GEN-2011-017 Tap)
GEN-2012-024	180.0	SUNCMKEC	Clark County 345kV
GEN-2012-042	220.0	SUNCMKEC	Spearville 345kV
Gray County Wind (Montezuma)	110.0	SUNCMKEC	Gray County Tap 115kV
PRIOR QUEUED SUBTOTAL	5,964.0		
AREA TOTAL	5,964.0		

GROUP 4: NW KANSAS AREA

Request	Capacity	Area	Proposed Point of Interconnection
GEN-2001-039M	99.0	SUNCMKEC	Central Plains Tap 115kV
GEN-2003-006A	200.0	SUNCMKEC	Elm Creek 230kV
GEN-2003-019	250.0	MIDW	Smoky Hills Tap 230kV
GEN-2006-031	75.0	MIDW	Knoll 115kV
GEN-2006-032	200.0	MIDW	South Hays 230kV
GEN-2006-040	108.0	SUNCMKEC	Mingo 115kV
GEN-2007-011	135.0	SUNCMKEC	Syracuse 115kV
GEN-2008-017	300.0	SUNCMKEC	Setab 345kV
GEN-2008-025	101.0	SUNCMKEC	Ruleton 115kV
GEN-2008-092	201.0	MIDW	Knoll 230kV
GEN-2009-008	199.5	MIDW	South Hays 230kV
GEN-2009-020	48.6	MIDW	Tap Nekoma - Bazine 69kV
GEN-2010-048	70.0	MIDW	Tap Beach Station - Redline 115kV
GEN-2010-057	201.0	MIDW	Rice County 230kV
GEN-2012-002	101.2	SUNCMKEC	Tap Pile - Scott City 115kV
PRIOR QUEUED SUBTOTAL	2,289.3		
AREA TOTAL	2,289.3		

GROUP 5: AMARILLO AREA

Request	Capacity	Area	Proposed Point of Interconnection
GEN-2002-022	240.0	SPS	Bushland 230kV
GEN-2006-045	240.0	SPS	Tap Potter - Plant X 230kV (South Randle County) 230kV
GEN-2006-047	240.0	SPS	Tap Bushland - Deaf Smith (Buffalo) 230kV
GEN-2007-048	400.0	SPS	Tap Amarillo S - Swisher 230kV
GEN-2008-051	322.0	SPS	Potter County 345kV
GEN-2008-088	50.6	SPS	Vega 69kV
Llano Estacado (White Deer)	80.0	SPS	Llano Wind 115kV
PRIOR QUEUED SUBTOTAL	1,572.6		
AREA TOTAL	1,572.6		

GROUP 6: S-TX PANHANDLE/NW AREA			
Request	Capacity	Area	Proposed Point of Interconnection
ASGI-2010-010	42.2	SPS	Lovington 115kV
ASGI-2010-020	30.0	SPS	Tap LE-Tatum - LE-Crossroads 69kV
ASGI-2010-021	15.0	SPS	Tap LE-Saunders Tap - LE-Anderson 69kV
ASGI-2011-001	28.8	SPS	Lovington 115kV
ASGI-2011-003	10.0	SPS	Hendricks 115kV
ASGI-2011-004	20.0	SPS	Pleasant Hill 69kV
ASGI-2012-002	18.0	SPS	FE-Clovis Interchange 115kV
GEN-2001-033	180.0	SPS	San Juan Tap 230kV
GEN-2001-036	80.0	SPS	Norton 115kV
GEN-2006-018	170.0	SPS	TUCO Interchange 230kV
GEN-2006-026	604.0	SPS	Hobbs 230kV & Hobbs 115kV
GEN-2008-008	60.0	SPS	Graham 69kV
GEN-2008-009	60.0	SPS	San Juan Tap 230kV
GEN-2008-022	300.0	SPS	Tap Eddy Co - Tolk (Chaves County) 345kV
GEN-2009-067S	20.0	SPS	Seven Rivers 69kV
GEN-2010-006	205.0	SPS	Jones 230kV
GEN-2010-020	20.0	SPS	Roswell 69kV
GEN-2010-046	56.0	SPS	TUCO Interchange 230kV
GEN-2010-058	20.0	SPS	Chaves County 115kV
GEN-2011-025	82.3	SPS	Tap Floyd County - Crosby County 115kV
GEN-2011-045	205.0	SPS	Jones 230kV
GEN-2011-046	27.0	SPS	Lopez 115kV
GEN-2011-048	175.0	SPS	Mustang 230kV
GEN-2012-001	61.2	SPS	Tap Grassland - Borden County 230kV
GEN-2012-008	40.0	SPS	Mustang 115kV & Mustang 230kV
GEN-2012-009	15.0	SPS	Mustang 230kV
GEN-2012-010	15.0	SPS	Mustang 230kV
GEN-2012-015	25.0	SPS	Caprock 34.5kV
GEN-2012-020	478.0	SPS	TUCO 230kV
GEN-2012-026	100.0	MIDW	Colby 115kV
GEN-2012-034	7.0	SPS	Mustang 230kV
GEN-2012-035	7.0	SPS	Mustang 230kV
GEN-2012-036	7.0	SPS	Mustang 230kV
GEN-2012-037	203.0	SPS	TUCO 345kV
GEN-2012-038	203.0	SPS	Tap Border - TUCO 345kV
SPS Distributed (Hopi)	10.0	SPS	Hopi 115kV
SPS Distributed (Jal)	10.0	SPS	S Jal 115kV
SPS Distributed (Lea Road)	10.0	SPS	Lea Road 115kV
SPS Distributed (Monument)	10.0	SPS	Monument 115kV
SPS Distributed (Ocotillo)	10.0	SPS	Ocotillo 115kV
PRIOR QUEUED SUBTOTAL	3,639.5		
GEN-2012-019	200.0	SPS	Tap Eddy County - Tolk (GEN-2008-022 Tap) 345kV
GEN-2012-022	30.0	SPS	Ochoa 115kV
GEN-2012-043	525.0	SPS	Tap Eddy County - Tolk (North of GEN-2008-022 Tap)
CURRENT CLUSTER SUBTOTAL	755.0		
AREA TOTAL	4,394.5		

GROUP 7: SW OKLAHOMA AREA			
Request	Capacity	Area	Proposed Point of Interconnection
GEN-2001-026	74.0	WFEC	Washita 138kV
GEN-2002-005	120.0	WFEC	Red Hills Tap 138kV
GEN-2003-004 GEN-2004-023 GEN-2005-003	151.2	WFEC	Washita 138kV
GEN-2003-005	100.0	WFEC	Anadarko - Paradise (Blue Canyon) 138kV
GEN-2003-022	120.0	AEPW	Washita 138kV
GEN-2004-020	27.0	AEPW	Washita 34.5kV
GEN-2006-002	101.0	AEPW	Sweetwater 230kV
GEN-2006-035	225.0	AEPW	Sweetwater 230kV
GEN-2006-043	99.0	AEPW	Sweetwater 230kV
GEN-2007-032	150.0	WFEC	Tap Clinton Junction - Clinton 138kV
GEN-2007-052	150.0	WFEC	Anadarko 138kV
GEN-2008-023	150.0	AEPW	Hobart Junction 138kV
GEN-2008-037	101.0	WFEC	Tap Washita - Blue Canyon Wind 138kV
GEN-2009-016	100.8	AEPW	Falcon Road 138kV
GEN-2011-037	7.0	WFEC	Blue Canyon 5 138kV
GEN-2011-049	250.0	OKGE	Border 345kV
GEN-2012-028	74.8	WFEC	Gotebo 69kV
GEN-2012-029	100.0	AEPW	Tap Little Elk - Hobart 138kV
PRIOR QUEUED SUBTOTAL	2,100.8		
AREA TOTAL	2,100.8		

GROUP 8: N-OK/S-KS AREA			
Request	Capacity	Area	Proposed Point of Interconnection
ASGI-2010-006	150.0	AECI	Tap Fairfax (AECI) - Shilder (AEPW) 138kV
GEN-2002-004	200.0	WERE	Latham 345kV
GEN-2005-013	201.0	WERE	Tap Latham - Neosho (Caney River) 345kV
GEN-2007-025	300.0	WERE	Viola 345kV
GEN-2008-013	300.0	OKGE	Tap Wichita - Woodring (Hunter) 345kV
GEN-2008-021	42.0	WERE	Wolf Creek 345kV
GEN-2008-071	76.8	OKGE	Newkirk 138kV
GEN-2008-098	100.8	WERE	Tap Lacygne - Wolf Creek (Anderson County) 345kV
GEN-2009-025	60.0	OKGE	Tap Deer Creek - Sinclair Blackwell 69kV
GEN-2010-003	100.8	WERE	Tap Lacygne - Wolf Creek (Anderson County) 345kV
GEN-2010-005	300.0	WERE	Viola 345kV
GEN-2010-055	4.5	AEPW	Wekiwa 138kV
GEN-2011-057	150.4	WERE	Creswell 138kV
GEN-2012-023	115.0	WERE	Viola 345kV
GEN-2012-027	150.7	AEPW	Shidler 138kV
GEN-2012-032	300.0	OKGE	Tap Rose Hill - Sooner 345kV
GEN-2012-033	100.0	OKGE	Tap and Tie South 4th - Bunch Creek & Enid Tap - Fairmont (GEN-2012-033T) 138kV
GEN-2012-040	76.5	OKGE	Chilocco 138kV
GEN-2012-041	195.0	OKGE	Tap Rose Hill - Sooner 345kV
PRIOR QUEUED SUBTOTAL	2,923.5		
AREA TOTAL	2,923.5		

GROUP 9/10: NEBRASKA AREA			
Request	Capacity	Area	Proposed Point of Interconnection
GEN-2002-023N	0.8	NPPD	Harmony 115kV
GEN-2003-021N	75.0	NPPD	Ainsworth Wind Tap 115kV
GEN-2004-005N	30.0	NPPD	St Francis 115kV
GEN-2004-023N	75.0	NPPD	Columbus Co 115kV
GEN-2006-020N	42.0	NPPD	Bloomfield 115kV
GEN-2006-037N1	75.0	NPPD	Broken Bow 115kV
GEN-2006-038N005	80.0	NPPD	Broken Bow 115kV
GEN-2006-038N019	80.0	NPPD	Petersburg North 115kV
GEN-2006-044N	40.5	OPPD	North Petersburg 115kV
GEN-2007-011N08	81.0	NPPD	Bloomfield 115kV
GEN-2007-015	135.0	WERE	Tap Kelly(WERE) - S1399(OPPD) 161kV
GEN-2008-086N02	200.0	NPPD	Tap Ft Randle - Columbus (Madison County) 230kV
GEN-2008-1190	60.0	OPPD	S1399 161kV
GEN-2008-123N	89.7	NPPD	Tap Guide Rock - Pauline 115kV
GEN-2009-040	73.8	WERE	Marshall 115kV
GEN-2010-041	10.5	OPPD	S 1399 161kV
GEN-2010-044	99.0	NPPD	Harbine 115kV
GEN-2010-051	200.0	NPPD	Tap Twin Church - Hoskins 230kV
GEN-2011-018	73.6	NPPD	Steele City 115kV
GEN-2011-027	120.0	NPPD	Hoskins 230kV
GEN-2011-055	52.8	OPPD	South Sterling 69kV
GEN-2011-056	3.6	NPPD	Jeffrey 115kV
GEN-2011-056A	3.6	NPPD	John 1 115kV
GEN-2011-056B	4.5	NPPD	John 2 115kV
GEN-2012-017	115.0	NPPD	Cooper 345kV
GEN-2012-018	200.0	NPPD	Tap Hoskins - Twin Church 230kV (GEN-2010-051T)
GEN-2012-021	4.8	LES	Terry Bundy Generating Station 115kV
NPPD Distributed (Broken Bow)	8.3	NPPD	Broken Bow 115kV
NPPD Distributed (Burwell)	3.0	NPPD	Ord 115kV
NPPD Distributed (Columbus Hydro)	45.0	NPPD	Columbus 115kV
NPPD Distributed (North Platte - Lexington)	54.0	NPPD	Multiple: Jeffrey 115kV, John_1 115kV, John_2 115kV
NPPD Distributed (Ord)	10.8	NPPD	Ord 115kV
NPPD Distributed (Stuart)	2.1	NPPD	Ainsworth 115kV
PRIOR QUEUED SUBTOTAL	2,148.4		
AREA TOTAL	2,148.4		

GROUP 12: NW AR AREA

Request	Capacity	Area	Proposed Point of Interconnection
AREA TOTAL	0.0		

GROUP 13: NW MISSOURI AREA

Request	Capacity	Area	Proposed Point of Interconnection
GEN-2006-014	300.0	MIPU	Tap Maryville - Midway (Nodway Co) 161kV
GEN-2008-129	80.0	MIPU	Pleasant Hill 161kV
GEN-2010-036	4.6	WERE	6th Street 115kV
GEN-2010-056	151.0	MIPU	Tap Saint Joseph - Cooper 345kV
GEN-2011-011	50.0	KACP	Iatan 345kV
PRIOR QUEUED SUBTOTAL	585.6		
AREA TOTAL	585.6		

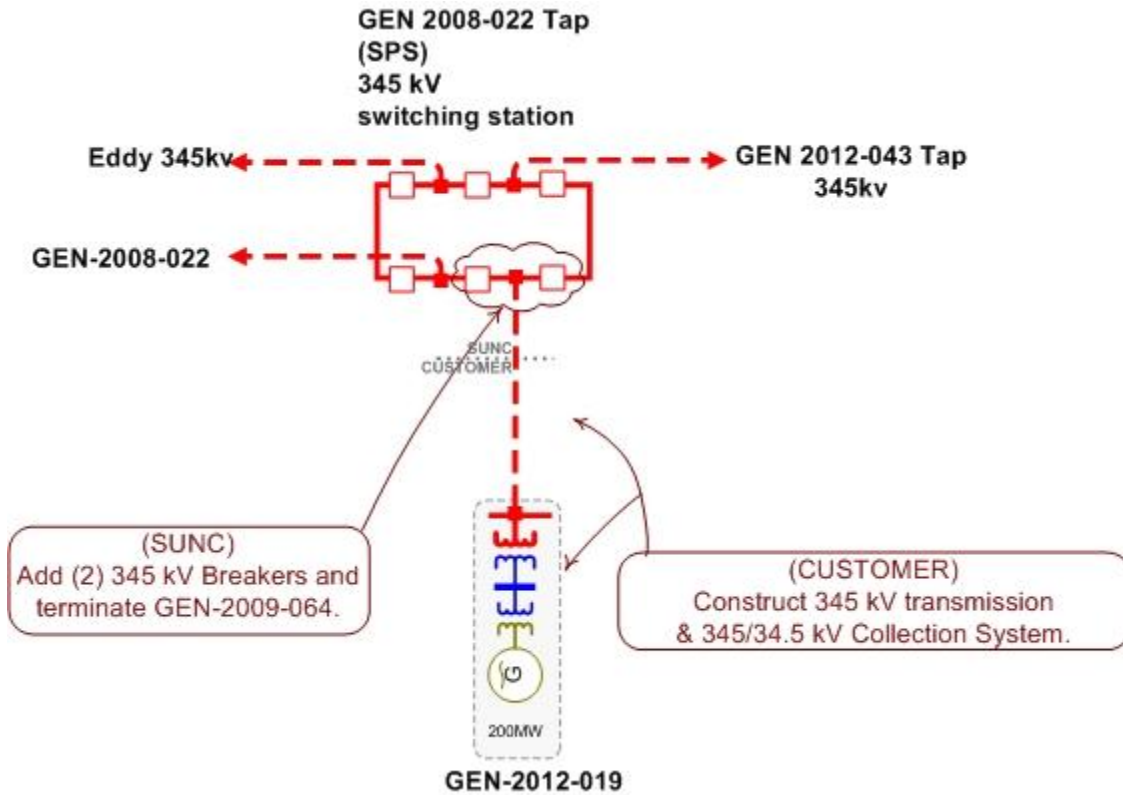
GROUP 14: S OKLAHOMA AREA

Request	Capacity	Area	Proposed Point of Interconnection
GEN-2008-046	200.0	OKGE	Sunnyside 345kV
GEN-2011-040	111.0	OKGE	Tap Ratliff - Pooleville 138kV
GEN-2011-050	109.8	AEPW	Tap Rush Springs - Marlow 138kV
GEN-2012-004	41.4	OKGE	Tap Ratliff - Pooleville 138kV
PRIOR QUEUED SUBTOTAL	462.2		
AREA TOTAL	462.2		

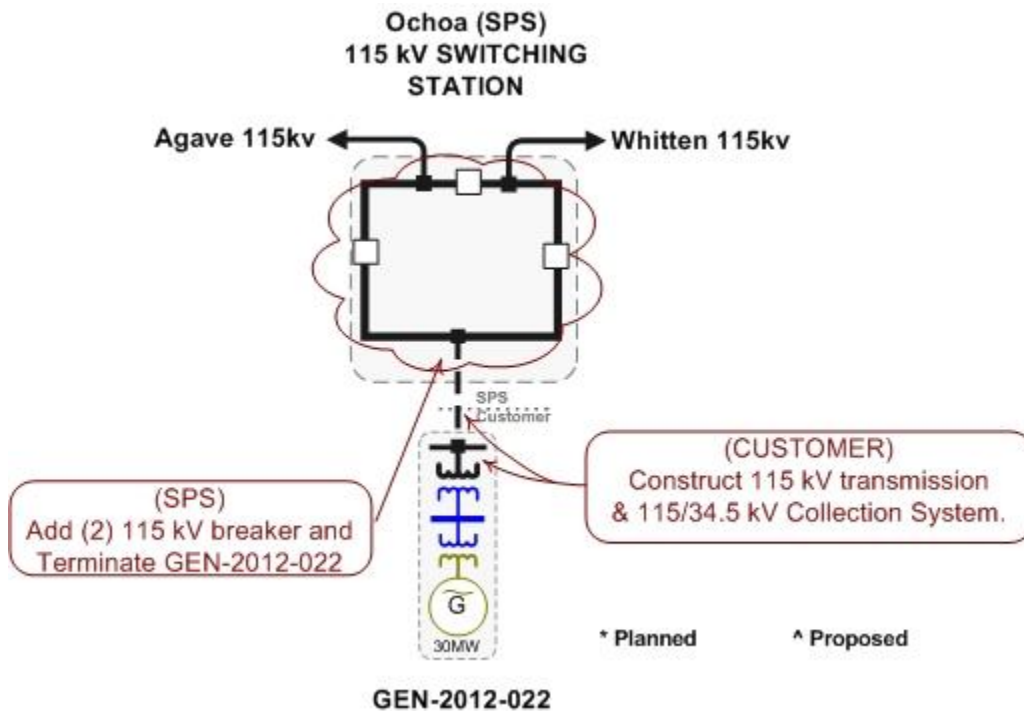
CLUSTER TOTAL (CURRENT STUDY)	955.0	MW
PQ TOTAL (PRIOR QUEUED)	30,332.0	MW
CLUSTER TOTAL (INCLUDING PRIOR QUEUED)	31,287.0	MW

D: Proposed Point of Interconnection One line Diagrams

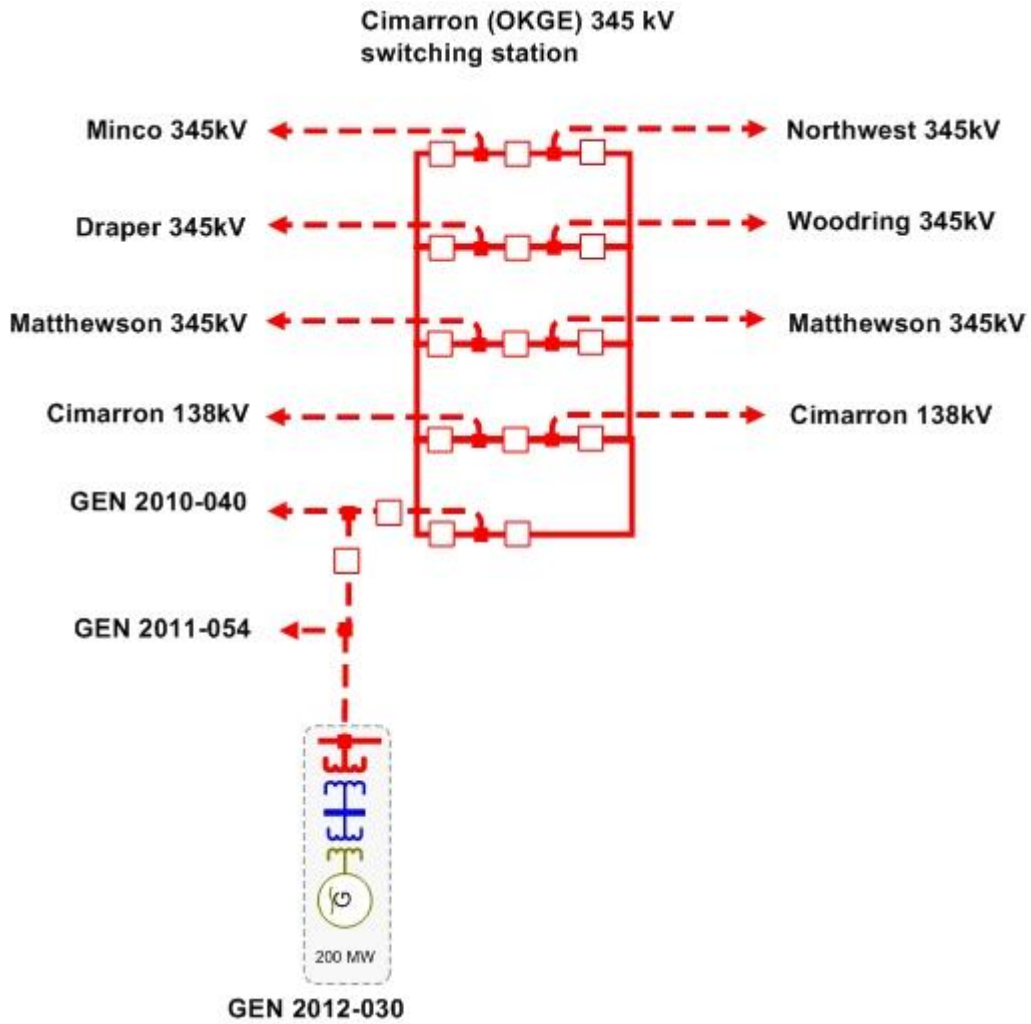
GEN-2012-019



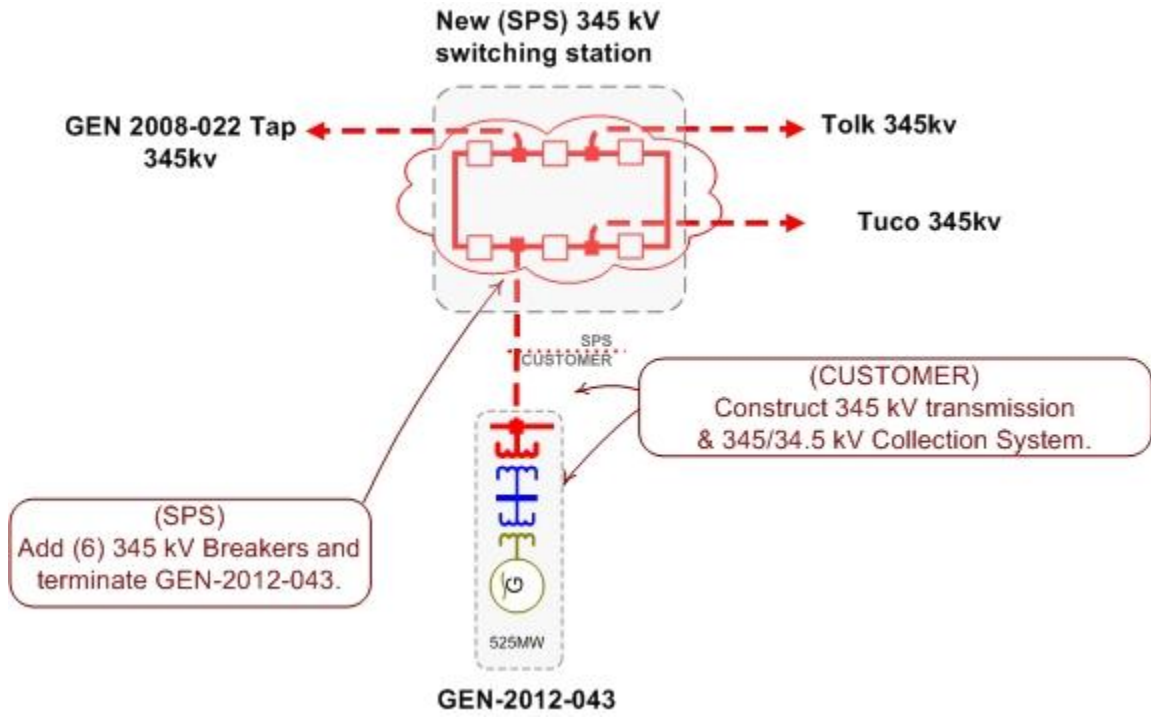
GEN-2012-022



GEN-2012-030



GEN-2012-043



E: Cost Allocation per Interconnection Request (Including Prior Queued Upgrades)

Important Note:

****WITHDRAWAL OF HIGHER QUEUED PROJECTS WILL CAUSE A RESTUDY AND MAY RESULT IN HIGHER INTERCONNECTION COSTS****

This section shows each Generation Interconnection Request Customer, their current study impacted Network Upgrades, and the previously allocated upgrades upon which they rely to accommodate their interconnection to the transmission system.

The costs associated with the current study Network Upgrades are allocated to the Customers shown in this report.

In addition should a higher queued request, defined as one this study includes as a prior queued request, withdraw, the Network Upgrades assigned to the withdrawn request may be reallocated to the remaining requests that have an impact on the Network Upgrade under a restudy. Also, should a Interconnection Request choose to go into service prior to the operation date of any necessary Network Upgrades, the costs associated with those upgrades may be reallocated to the impacted Interconnection Request. The actual costs allocated to each Generation Interconnection Request Customer will be determined at the time of a restudy.

The required interconnection costs listed do not include all costs associated with the deliverability of the energy to final customers. These costs are determined by separate studies if the Customer submits a Transmission Service Request through SPP's Open Access Same Time Information System (OASIS) as required by Attachment Z1 of the SPP OATT. In addition, costs associated with a short circuit analysis will be allocated should the Interconnection Request Customer choose to execute a Facility Study Agreement.

Appendix E. Cost Allocation Per Request

(Including Previously Allocated Network Upgrades*)

Interconnection Request and Upgrades	Upgrade Type	Allocated Cost	Upgrade Cost
GEN-2012-019			
Eddy County 345/115kV Autotransformer CKT 1 NRIS only required upgrade: Eddy County 345/115kV Autotransformer CKT 1	Current Study	\$6,047,073.62	\$13,000,000.00
GEN-2012-019 Interconnection Costs See Online Diagram.	Current Study	\$5,000,000.00	\$5,000,000.00
GEN-2012-043-Tap - Tuco 345kV CKT 1 Build new 345kV line from GEN-2012-043 Tap (Eddy County-Tolk) - Tuco	Current Study	\$43,459,031.01	\$180,000,000.00
Plant X - Potter County 230kV CKT 1 Replace Plant X Wave Traps @ 1200 amps	Current Study	\$26,884.97	\$100,000.00
Stanton - Indiana 115kV CKT 1 NRIS only required upgrade: Rebuild approximately 2 miles of 115kV from Indiana - Stanton	Current Study	\$1,484,324.22	\$2,000,000.00
Tolk - Plant X 230kV CKT 1 Rebuild approximately 10 miles of 230kV from Tolk - Plant X	Current Study	\$2,566,205.76	\$10,000,000.00
Tolk - Plant X 230kV CKT 2 Rebuild approximately 10 miles of 230kV from Tolk - Plant X	Current Study	\$2,516,359.65	\$10,000,000.00
Tolk 345/230kV Autotransformer CKT 2 Tolk 345/230kV Autotransformer CKT 2	Current Study	\$2,185,946.51	\$10,000,000.00
Beaver County - Woodward 345kV Dbl CKT Priority Project: Hitchland - Woodward Dbl 345kV CKT (Total Project E&C Cost Shown)	Previously Allocated		\$226,040,727.00
Beaver County 345kV Expansion Beaver County Expansion: Tap & Tie in Hitchland - Woodward 345kV CKT 2	Previously Allocated		\$3,500,000.00
Border - GEN-2012-038-Tap Interchange 345KV CKT 1 Balanced Portfolio: Tuco - Woodward 345kV CKT 1 (Total Project E&C Cost Shown)	Previously Allocated		\$249,932,114.00
Border - Woodward 345KV CKT 1 Balanced Portfolio: Tuco - Woodward 345kV CKT 1 (Total Project E&C Cost Shown)	Previously Allocated		\$249,932,114.00
GEN-2012-016 Tap - Woodward 345KV Dbl CKT Priority Project: Thistle - Woodward Dbl 345kV CKT (Total Project E&C Cost Shown)	Previously Allocated		\$212,090,000.00
GEN-2012-038-Tap - Tuco Interchange 345KV CKT 1 Balanced Portfolio: Tuco - Woodward 345kV CKT 1 (Total Project E&C Cost Shown)	Previously Allocated		\$249,932,114.00

* Withdrawal of higher queued projects will cause a restudy and may result in higher costs

Interconnection Request and Upgrades	Upgrade Type	Allocated Cost	Upgrade Cost
Hitchland - Beaver County 345kV Dbl CKT 1 Priority Project: Hitchland - Woodward Dbl 345kV CKT (Total Project E&C Cost Shown)	Previously Allocated		\$226,040,727.00
Power System Stabilizers (PSS) Install Power System Stabilizers @ Tolk(Units: 1,2) and Jones (Units: 1,2,3,4)	Previously Allocated		\$300,000.00
Thistle - GEN-2012-016 Tap 345KV Dbl CKT Priority Project: Thistle - Woodward Dbl 345kV CKT (Total Project E&C Cost Shown)	Previously Allocated		\$212,090,000.00
Thistle - Wichita 345KV Dbl CKT Priority Project: Thistle - Wichita Dbl 345kV CKT (Total Project E&C Cost Shown.)	Previously Allocated		\$166,598,000.00
Thistle - Woodward 345KV Dbl CKT Priority Project: Thistle - Woodward Dbl 345kV CKT (Total Project E&C Cost Shown)	Previously Allocated		\$212,090,000.00
TUCO Interchange 345/230/13.2KV Autotransformer CKT 2 Balanced Portfolio: TUCO 345/230 kV Transformer CKT 2 (Total Project E&C Cost Shown)	Previously Allocated		\$14,900,907.00
Woodward XFMR 345/138/13.8kV CKT 2 Balanced Portfolio: Woodward 345/138kV Transformer CKT 2 & 50 MVAR Reactor (Total Project E&C Cost Shown).	Previously Allocated		\$15,000,000.00
	Current Study Total	\$63,285,825.74	

GEN-2012-022

GEN-2012-022 Interconnection Costs See Online Diagram.	Current Study	\$5,000,000.00	\$5,000,000.00
GEN-2012-043-Tap - Tucco 345kV CKT 1 Build new 345kV line from GEN-2012-043 Tap (Eddy County-Tolk) - Tucco	Current Study	\$3,908,799.39	\$180,000,000.00
Plant X - Potter County 230kV CKT 1 Replace Plant X Wave Traps @ 1200 amps	Current Study	\$4,204.19	\$100,000.00
Stanton - Indiana 115kV CKT 1 NRIS only required upgrade: Rebuild approximately 2 miles of 115kV from Indiana - Stanton	Current Study	\$515,675.78	\$2,000,000.00
Tolk - Plant X 230kV CKT 1 Rebuild approximately 10 miles of 230kV from Tolk - Plant X	Current Study	\$280,490.60	\$10,000,000.00
Tolk - Plant X 230kV CKT 2 Rebuild approximately 10 miles of 230kV from Tolk - Plant X	Current Study	\$232,378.21	\$10,000,000.00
Tolk 345/230kV Autotransformer CKT 2 Tolk 345/230kV Autotransformer CKT 2	Current Study	\$74,110.22	\$10,000,000.00
Beaver County - Woodward 345kV Dbl CKT Priority Project: Hitchland - Woodward Dbl 345kV CKT (Total Project E&C Cost Shown)	Previously Allocated		\$226,040,727.00

* Withdrawal of higher queued projects will cause a restudy and may result in higher costs

Interconnection Request and Upgrades	Upgrade Type	Allocated Cost	Upgrade Cost
Beaver County 345kV Expansion Beaver County Expansion: Tap & Tie in Hitchland - Woodward 345kV CKT 2	Previously Allocated		\$3,500,000.00
Border - GEN-2012-038-Tap Interchange 345KV CKT 1 Balanced Portfolio: Tuco - Woodward 345kV CKT 1 (Total Project E&C Cost Shown)	Previously Allocated		\$249,932,114.00
Border - Woodward 345KV CKT 1 Balanced Portfolio: Tuco - Woodward 345kV CKT 1 (Total Project E&C Cost Shown)	Previously Allocated		\$249,932,114.00
GEN-2012-016 Tap - Woodward 345KV Dbl CKT Priority Project: Thistle - Woodward Dbl 345kV CKT (Total Project E&C Cost Shown)	Previously Allocated		\$212,090,000.00
GEN-2012-038-Tap - Tuco Interchange 345KV CKT 1 Balanced Portfolio: Tuco - Woodward 345kV CKT 1 (Total Project E&C Cost Shown)	Previously Allocated		\$249,932,114.00
Hitchland - Beaver County 345kV Dbl CKT 1 Priority Project: Hitchland - Woodward Dbl 345kV CKT (Total Project E&C Cost Shown)	Previously Allocated		\$226,040,727.00
Power System Stabilizers (PSS) Install Power System Stabilizers @ Tolk(Units: 1,2) and Jones (Units: 1,2,3,4)	Previously Allocated		\$300,000.00
Thistle - GEN-2012-016 Tap 345KV Dbl CKT Priority Project: Thistle - Woodward Dbl 345kV CKT (Total Project E&C Cost Shown)	Previously Allocated		\$212,090,000.00
Thistle - Wichita 345KV Dbl CKT Priority Project: Thistle - Wichita Dbl 345kV CKT (Total Project E&C Cost Shown.)	Previously Allocated		\$166,598,000.00
Thistle - Woodward 345KV Dbl CKT Priority Project: Thistle - Woodward Dbl 345kV CKT (Total Project E&C Cost Shown)	Previously Allocated		\$212,090,000.00
TUCO Interchange 345/230/13.2KV Autotransformer CKT 2 Balanced Portfolio: TUCO 345/230 kV Transformer CKT 2 (Total Project E&C Cost Shown)	Previously Allocated		\$14,900,907.00
Woodward XFMR 345/138/13.8kV CKT 2 Balanced Portfolio: Woodward 345/138kV Transformer CKT 2 & 50 MVAR Reactor (Total Project E&C Cost Shown).	Previously Allocated		\$15,000,000.00
	Current Study Total	\$10,015,658.39	

GEN-2012-030

Cimarron - Czech Hall 138kV CKT 1 NRIS only required upgrade: Replace Switches @ 2000 amps	Current Study	\$100,000.00	\$100,000.00
Cimarron - Haymaker 138kV CKT 1 NRIS only required upgrade: Reconductor approx. 5 miles of 138kV from Cimarron - Haymaker	Current Study	\$5,000,000.00	\$5,000,000.00
Cimarron - Sara 138kV CKT 1 NRIS only required upgrade: Replace Cimarron Switches @ 2000 amps	Current Study	\$100,000.00	\$100,000.00

* Withdrawal of higher queued projects will cause a restudy and may result in higher costs

Interconnection Request and Upgrades	Upgrade Type	Allocated Cost	Upgrade Cost
Cimarron 345/138kV Autotransformer CKT 3 NRIS only required upgrade: Cimarron 345/138kV Autotransformer CKT 3	Current Study	\$15,000,000.00	\$15,000,000.00
Czech Hall - Xerox 138kV CKT 1 NRIS only required upgrade: Replace Czech Hall Switches @ 2000 amps	Current Study	\$100,000.00	\$100,000.00
Division - Haymaker 138kV CKT 1 NRIS only required upgrade: Reconductor approx. 4 miles of 138kV from Division - Haymaker	Current Study	\$4,000,000.00	\$4,000,000.00
GEN-2012-030 Interconnection Costs See Online Diagram.	Current Study	\$1.00	\$1.00
Gracemont Transformer 345/138/13.8KV CKT 1 Priority Project: Gracemont Transformer 345/138/13.8KV CKT 1 (Total Project E&C Cost Shown)	In-Service		\$15,000,000.00
Border - GEN-2012-038-Tap Interchange 345KV CKT 1 Balanced Portfolio: Tuco - Woodward 345kV CKT 1 (Total Project E&C Cost Shown)	Previously Allocated		\$249,932,114.00
Border - Woodward 345KV CKT 1 Balanced Portfolio: Tuco - Woodward 345kV CKT 1 (Total Project E&C Cost Shown)	Previously Allocated		\$249,932,114.00
Cimarron - Draper 345kV CKT 1 NRIS only required upgrade: Replace Cimarron Wave Trap and Draper CT @ 1600 amps	Previously Allocated		\$80,000.00
Cimarron - Draper 345kV CKT 1 NRIS only required upgrade: Replace Cimarron Wave Trap and Draper CT @ 1600 amps	Previously Allocated		\$80,000.00
Cimarron - Draper 345kV CKT 1 NRIS only required upgrade: Replace Cimarron Wave Trap and Draper CT @ 1600 amps	Previously Allocated		\$80,000.00
Cimarron - Draper 345kV CKT 1 NRIS only required upgrade: Replace Cimarron Wave Trap and Draper CT @ 1600 amps	Previously Allocated		\$80,000.00
GEN-2012-016 Tap - Woodward 345KV Dbl CKT Priority Project: Thistle - Woodward Dbl 345kV CKT (Total Project E&C Cost Shown)	Previously Allocated		\$212,090,000.00
GEN-2012-038-Tap - Tuco Interchange 345KV CKT 1 Balanced Portfolio: Tuco - Woodward 345kV CKT 1 (Total Project E&C Cost Shown)	Previously Allocated		\$249,932,114.00
Thistle - GEN-2012-016 Tap 345KV Dbl CKT Priority Project: Thistle - Woodward Dbl 345kV CKT (Total Project E&C Cost Shown)	Previously Allocated		\$212,090,000.00
Thistle - Woodward 345KV Dbl CKT Priority Project: Thistle - Woodward Dbl 345kV CKT (Total Project E&C Cost Shown)	Previously Allocated		\$212,090,000.00
	Current Study Total	\$24,300,001.00	

GEN-2012-043

* Withdrawal of higher queued projects will cause a restudy and may result in higher costs

Interconnection Request and Upgrades	Upgrade Type	Allocated Cost	Upgrade Cost
Eddy County 345/115kV Autotransformer CKT 1 NRIS only required upgrade: Eddy County 345/115kV Autotransformer CKT 1	Current Study	\$6,952,926.38	\$13,000,000.00
GEN-2012-043-Tap - Tuco 345kV CKT 1 Build new 345kV line from GEN-2012-043 Tap (Eddy County-Tolk) - Tuco	Current Study	\$132,632,169.60	\$180,000,000.00
Plant X - Potter County 230kV CKT 1 Replace Plant X Wave Traps @ 1200 amps	Current Study	\$68,910.84	\$100,000.00
Tolk - Plant X 230kV CKT 1 Rebuild approximately 10 miles of 230kV from Tolk - Plant X	Current Study	\$7,153,303.64	\$10,000,000.00
Tolk - Plant X 230kV CKT 2 Rebuild approximately 10 miles of 230kV from Tolk - Plant X	Current Study	\$7,251,262.13	\$10,000,000.00
Tolk 345/230kV Autotransformer CKT 2 Tolk 345/230kV Autotransformer CKT 2	Current Study	\$7,739,943.27	\$10,000,000.00
Beaver County - Woodward 345kV Dbl CKT Priority Project: Hitchland - Woodward Dbl 345kV CKT (Total Project E&C Cost Shown)	Previously Allocated		\$226,040,727.00
Beaver County 345kV Expansion Beaver County Expansion: Tap & Tie in Hitchland - Woodward 345kV CKT 2	Previously Allocated		\$3,500,000.00
Border - GEN-2012-038-Tap Interchange 345KV CKT 1 Balanced Portfolio: Tuco - Woodward 345kV CKT 1 (Total Project E&C Cost Shown)	Previously Allocated		\$249,932,114.00
Border - Woodward 345KV CKT 1 Balanced Portfolio: Tuco - Woodward 345kV CKT 1 (Total Project E&C Cost Shown)	Previously Allocated		\$249,932,114.00
GEN-2012-016 Tap - Woodward 345KV Dbl CKT Priority Project: Thistle - Woodward Dbl 345kV CKT (Total Project E&C Cost Shown)	Previously Allocated		\$212,090,000.00
GEN-2012-038-Tap - Tuco Interchange 345KV CKT 1 Balanced Portfolio: Tuco - Woodward 345kV CKT 1 (Total Project E&C Cost Shown)	Previously Allocated		\$249,932,114.00
Hitchland - Beaver County 345kV Dbl CKT 1 Priority Project: Hitchland - Woodward Dbl 345kV CKT (Total Project E&C Cost Shown)	Previously Allocated		\$226,040,727.00
Power System Stabilizers (PSS) Install Power System Stabilizers @ Tolk(Units: 1,2) and Jones (Units: 1,2,3,4)	Previously Allocated		\$300,000.00
Thistle - GEN-2012-016 Tap 345KV Dbl CKT Priority Project: Thistle - Woodward Dbl 345kV CKT (Total Project E&C Cost Shown)	Previously Allocated		\$212,090,000.00
Thistle - Wichita 345KV Dbl CKT Priority Project: Thistle - Wichita Dbl 345kV CKT (Total Project E&C Cost Shown.)	Previously Allocated		\$166,598,000.00

* Withdrawal of higher queued projects will cause a restudy and may result in higher costs

Interconnection Request and Upgrades	Upgrade Type	Allocated Cost	Upgrade Cost
Thistle - Woodward 345KV Dbl CKT Priority Project: Thistle - Woodward Dbl 345kV CKT (Total Project E&C Cost Shown)	Previously Allocated		\$212,090,000.00
Woodward XFMR 345/138/13.8kV CKT 2 Balanced Portfolio: Woodward 345/138kV Transformer CKT 2 & 50 MVAR Reactor (Total Project E&C Cost Shown).	Previously Allocated		\$15,000,000.00
	Current Study Total	\$161,798,515.86	
TOTAL CURRENT STUDY COSTS:		\$259,400,000.99	

* Withdrawal of higher queued projects will cause a restudy and may result in higher costs

Wednesday, December 19, 2012



F: Cost Allocation per Proposed Study Network Upgrade

Important Note:

****WITHDRAWAL OF HIGHER QUEUED PROJECTS WILL CAUSE A RESTUDY
AND MAY RESULT IN HIGHER INTERCONNECTION COSTS****

This section shows each Direct Assigned Facility and Network Upgrade and the Generation Interconnection Request Customer(s) which have an impact in this study assuming all higher queued projects remain in the queue and achieve commercial operation.

The required interconnection costs listed do not include all costs associated with the deliverability of the energy to final customers. These costs are determined by separate studies if the Customer submits a Transmission Service Request through SPP's Open Access Same Time Information System (OASIS) as required by Attachment Z1 of the SPP OATT. In addition, costs associated with a short circuit analysis will be allocated should the Interconnection Request Customer choose to execute a Facility Study Agreement.

There may be additional costs allocated to each Customer. See Appendix E for more details.

Appendix F. Cost Allocation by Upgrade

Cimarron - Czech Hall 138kV CKT 1	\$100,000.00
NRIS only required upgrade: Replace Switches @ 2000 amps	
GEN-2012-030	\$100,000.00
Total Allocated Costs	\$100,000.00
Cimarron - Haymaker 138kV CKT 1	\$5,000,000.00
NRIS only required upgrade: Reconductor approx. 5 miles of 138kV from Cimarron - Haymaker	
GEN-2012-030	\$5,000,000.00
Total Allocated Costs	\$5,000,000.00
Cimarron - Sara 138kV CKT 1	\$100,000.00
NRIS only required upgrade: Replace Cimarron Switches @ 2000 amps	
GEN-2012-030	\$100,000.00
Total Allocated Costs	\$100,000.00
Cimarron 345/138kV Autotransformer CKT 3	\$15,000,000.00
NRIS only required upgrade: Cimarron 345/138kV Autotransformer CKT 3	
GEN-2012-030	\$15,000,000.00
Total Allocated Costs	\$15,000,000.00
Czech Hall - Xerox 138kV CKT 1	\$100,000.00
NRIS only required upgrade: Replace Czech Hall Switches @ 2000 amps	
GEN-2012-030	\$100,000.00
Total Allocated Costs	\$100,000.00
Division - Haymaker 138kV CKT 1	\$4,000,000.00
NRIS only required upgrade: Reconductor approx. 4 miles of 138kV from Division - Haymaker	
GEN-2012-030	\$4,000,000.00
Total Allocated Costs	\$4,000,000.00
Eddy County 345/115kV Autotransformer CKT 1	\$13,000,000.00
NRIS only required upgrade: Eddy County 345/115kV Autotransformer CKT 1	
GEN-2012-019	\$6,047,073.62
GEN-2012-043	\$6,952,926.38
Total Allocated Costs	\$13,000,000.00
GEN-2012-019 Interconnection Costs	\$5,000,000.00
See Online Diagram.	
GEN-2012-019	\$5,000,000.00

* Withdrawal of higher queued projects will cause a restudy and may result in higher costs

	Total Allocated Costs	\$5,000,000.00
<hr/>		
GEN-2012-022 Interconnection Costs		\$5,000,000.00
See Oonline Diagram.		
	GEN-2012-022	\$5,000,000.00
	Total Allocated Costs	\$5,000,000.00
<hr/>		
GEN-2012-030 Interconnection Costs		\$1.00
See Oonline Diagram.		
	GEN-2012-030	\$1.00
	Total Allocated Costs	\$1.00
<hr/>		
GEN-2012-043-Tap - Tuco 345kV CKT 1		\$180,000,000.00
Build new 345kV line from GEN-2012-043 Tap (Eddy County-Tolk) - Tuco		
	GEN-2012-019	\$43,459,031.01
	GEN-2012-022	\$3,908,799.39
	GEN-2012-043	\$132,632,169.60
	Total Allocated Costs	\$180,000,000.00
<hr/>		
Plant X - Potter County 230kV CKT 1		\$100,000.00
Replace Plant X Wave Traps @ 1200 amps		
	GEN-2012-019	\$26,884.97
	GEN-2012-022	\$4,204.19
	GEN-2012-043	\$68,910.84
	Total Allocated Costs	\$100,000.00
<hr/>		
Stanton - Indiana 115kV CKT 1		\$2,000,000.00
NRIS only required upgrade: Rebuild approximately 2 miles of 115kV from Indiana - Stanton		
	GEN-2012-019	\$1,484,324.22
	GEN-2012-022	\$515,675.78
	Total Allocated Costs	\$2,000,000.00
<hr/>		
Tolk - Plant X 230kV CKT 1		\$10,000,000.00
Rebuild approximately 10 miles of 230kV from Tolk - Plant X		
	GEN-2012-019	\$2,566,205.76
	GEN-2012-022	\$280,490.60
	GEN-2012-043	\$7,153,303.64
	Total Allocated Costs	\$10,000,000.00
<hr/>		
Tolk - Plant X 230kV CKT 2		\$10,000,000.00
Rebuild approximately 10 miles of 230kV from Tolk - Plant X		

* Withdrawal of higher queued projects will cause a restudy and may result in higher costs

GEN-2012-019	\$2,516,359.65
GEN-2012-022	\$232,378.21
GEN-2012-043	\$7,251,262.13
Total Allocated Costs	\$10,000,000.00

Tolk 345/230kV Autotransformer CKT 2

\$10,000,000.00

Tolk 345/230kV Autotransformer CKT 2

GEN-2012-019	\$2,185,946.51
GEN-2012-022	\$74,110.22
GEN-2012-043	\$7,739,943.27
Total Allocated Costs	\$10,000,000.00

* Withdrawal of higher queued projects will cause a restudy and may result in higher costs

G: FCITC Analysis Constraints Requiring Mitigation (ERIS)

Season	Scenario	Source	MontCommonName	Direction	TDF	Rating	Contingency		Contname
							Loading %		
13SP		0	G12_019	'EDDY COUNTY INTERCHANGE (ABB AEM30711) 345/230/13.2KV TRANSFORMER CKT 1'	FROM->TO	1	554.3	184.7192	'TOLK STATION (ABBXL844501) 345/230/13.2KV TRANSFORMER CKT 1'
13SP		0	G12_019	'EDDY COUNTY INTERCHANGE (ABB AEM30711) 345/230/13.2KV TRANSFORMER CKT 1'	FROM->TO	1	553.7	184.9377	'TOLK STATION (ABBXL844501) 345/230/13.2KV TRANSFORMER CKT 1'
13SP		0	G12_019	'EDDY COUNTY INTERCHANGE (ABB AEM30711) 345/230/13.2KV TRANSFORMER CKT 1'	FROM->TO	1	554.3	184.7195	'TOLK STATION (ABBXL844501) 345/230/13.2KV TRANSFORMER CKT 1'
13WP		0	G12_019	'EDDY COUNTY INTERCHANGE (ABB AEM30711) 345/230/13.2KV TRANSFORMER CKT 1'	FROM->TO	1	555.5	184.3561	'G-12-043-TAP345.00 - TOLK STATION 345KV CKT 1'
13WP		0	G12_019	'EDDY COUNTY INTERCHANGE (ABB AEM30711) 345/230/13.2KV TRANSFORMER CKT 1'	FROM->TO	1	555.9	184.1875	'G-12-043-TAP345.00 - TOLK STATION 345KV CKT 1'
13WP		0	G12_019	'EDDY COUNTY INTERCHANGE (ABB AEM30711) 345/230/13.2KV TRANSFORMER CKT 1'	FROM->TO	1	555.5	184.3564	'G-12-043-TAP345.00 - TOLK STATION 345KV CKT 1'
13WP		0	G12_019	'EDDY COUNTY INTERCHANGE (ABB AEM30711) 345/230/13.2KV TRANSFORMER CKT 1'	FROM->TO	1	555.9	184.1878	'G-12-043-TAP345.00 - TOLK STATION 345KV CKT 1'
13WP		0	G12_019	'EDDY COUNTY INTERCHANGE (ABB AEM30711) 345/230/13.2KV TRANSFORMER CKT 1'	FROM->TO	1	555.5	184.3561	'TOLK STATION (ABBXL844501) 345/230/13.2KV TRANSFORMER CKT 1'
13WP		0	G12_019	'EDDY COUNTY INTERCHANGE (ABB AEM30711) 345/230/13.2KV TRANSFORMER CKT 1'	FROM->TO	1	555.9	184.2055	'TOLK STATION (ABBXL844501) 345/230/13.2KV TRANSFORMER CKT 1'
13WP		0	G12_019	'EDDY COUNTY INTERCHANGE (ABB AEM30711) 345/230/13.2KV TRANSFORMER CKT 1'	FROM->TO	1	555.5	184.3564	'TOLK STATION (ABBXL844501) 345/230/13.2KV TRANSFORMER CKT 1'
13WP		0	G12_019	'EDDY COUNTY INTERCHANGE (ABB AEM30711) 345/230/13.2KV TRANSFORMER CKT 1'	FROM->TO	1	555.9	184.2058	'TOLK STATION (ABBXL844501) 345/230/13.2KV TRANSFORMER CKT 1'
18SP		0	G12_019	'EDDY COUNTY INTERCHANGE (ABB AEM30711) 345/230/13.2KV TRANSFORMER CKT 1'	FROM->TO	1	557.1	183.8985	'G-12-043-TAP345.00 - TOLK STATION 345KV CKT 1'
18SP		0	G12_019	'EDDY COUNTY INTERCHANGE (ABB AEM30711) 345/230/13.2KV TRANSFORMER CKT 1'	FROM->TO	1	557.3	183.8145	'G-12-043-TAP345.00 - TOLK STATION 345KV CKT 1'
18SP		0	G12_019	'EDDY COUNTY INTERCHANGE (ABB AEM30711) 345/230/13.2KV TRANSFORMER CKT 1'	FROM->TO	1	557.1	183.8988	'G-12-043-TAP345.00 - TOLK STATION 345KV CKT 1'
18SP		0	G12_019	'EDDY COUNTY INTERCHANGE (ABB AEM30711) 345/230/13.2KV TRANSFORMER CKT 1'	FROM->TO	1	557.3	183.8148	'G-12-043-TAP345.00 - TOLK STATION 345KV CKT 1'
18SP		0	G12_019	'EDDY COUNTY INTERCHANGE (ABB AEM30711) 345/230/13.2KV TRANSFORMER CKT 1'	FROM->TO	1	557.1	183.8985	'TOLK STATION (ABBXL844501) 345/230/13.2KV TRANSFORMER CKT 1'
18SP		0	G12_019	'EDDY COUNTY INTERCHANGE (ABB AEM30711) 345/230/13.2KV TRANSFORMER CKT 1'	FROM->TO	1	557.3	183.8145	'TOLK STATION (ABBXL844501) 345/230/13.2KV TRANSFORMER CKT 1'
18SP		0	G12_019	'EDDY COUNTY INTERCHANGE (ABB AEM30711) 345/230/13.2KV TRANSFORMER CKT 1'	FROM->TO	1	557.1	183.8988	'TOLK STATION (ABBXL844501) 345/230/13.2KV TRANSFORMER CKT 1'
18SP		0	G12_019	'EDDY COUNTY INTERCHANGE (ABB AEM30711) 345/230/13.2KV TRANSFORMER CKT 1'	FROM->TO	1	557.3	183.8148	'TOLK STATION (ABBXL844501) 345/230/13.2KV TRANSFORMER CKT 1'
18WP		0	G12_019	'EDDY COUNTY INTERCHANGE (ABB AEM30711) 345/230/13.2KV TRANSFORMER CKT 1'	FROM->TO	1	553.8	184.8859	'G-12-043-TAP345.00 - TOLK STATION 345KV CKT 1'
18WP		0	G12_019	'EDDY COUNTY INTERCHANGE (ABB AEM30711) 345/230/13.2KV TRANSFORMER CKT 1'	FROM->TO	1	554.4	184.6678	'G-12-043-TAP345.00 - TOLK STATION 345KV CKT 1'
18WP		0	G12_019	'EDDY COUNTY INTERCHANGE (ABB AEM30711) 345/230/13.2KV TRANSFORMER CKT 1'	FROM->TO	1	553.8	184.8862	'G-12-043-TAP345.00 - TOLK STATION 345KV CKT 1'
18WP		0	G12_019	'EDDY COUNTY INTERCHANGE (ABB AEM30711) 345/230/13.2KV TRANSFORMER CKT 1'	FROM->TO	1	554.4	184.6681	'G-12-043-TAP345.00 - TOLK STATION 345KV CKT 1'
18WP		0	G12_019	'EDDY COUNTY INTERCHANGE (ABB AEM30711) 345/230/13.2KV TRANSFORMER CKT 1'	FROM->TO	1	553.8	184.8859	'TOLK STATION (ABBXL844501) 345/230/13.2KV TRANSFORMER CKT 1'
18WP		0	G12_019	'EDDY COUNTY INTERCHANGE (ABB AEM30711) 345/230/13.2KV TRANSFORMER CKT 1'	FROM->TO	1	554.4	184.6678	'TOLK STATION (ABBXL844501) 345/230/13.2KV TRANSFORMER CKT 1'
18WP		0	G12_019	'EDDY COUNTY INTERCHANGE (ABB AEM30711) 345/230/13.2KV TRANSFORMER CKT 1'	FROM->TO	1	553.8	184.8862	'TOLK STATION (ABBXL844501) 345/230/13.2KV TRANSFORMER CKT 1'
18WP		0	G12_019	'EDDY COUNTY INTERCHANGE (ABB AEM30711) 345/230/13.2KV TRANSFORMER CKT 1'	FROM->TO	1	554.4	184.6681	'TOLK STATION (ABBXL844501) 345/230/13.2KV TRANSFORMER CKT 1'
13G		0	G12_019	'G-12-043-TAP345.00 - TOLK STATION 345KV CKT 1'	FROM->TO	0.58434	554.5	100.1771	'AMOCO SWITCHING STATION - SUNDOWN INTERCHANGE 230KV CKT 1'
13G		0	G12_019	'G-12-043-TAP345.00 - TOLK STATION 345KV CKT 1'	FROM->TO	0.58434	554.5	102.6658	'AMOCO SWITCHING STATION - YOAKUM COUNTY INTERCHANGE 230KV CKT 1'
13G		0	G12_019	'G-12-043-TAP345.00 - TOLK STATION 345KV CKT 1'	FROM->TO	0.58074	554.5	100.3173	'BORDEN COUNTY INTERCHANGE - G12_001T 230.00 230KV CKT 1'
13G		0	G12_019	'G-12-043-TAP345.00 - TOLK STATION 345KV CKT 1'	FROM->TO	0.58074	554.5	100.3173	'BORDEN COUNTY INTERCHANGE (ABB LLS8862) 230/138/13.2KV TRANSFORMER CKT 1'
13G		0	G12_019	'G-12-043-TAP345.00 - TOLK STATION 345KV CKT 1'	FROM->TO	0.58074	554.5	100.3173	'CAPROCK REC-TATE - CAPROCK REC-VEALMOOR 138KV CKT 1'
13G		0	G12_019	'G-12-043-TAP345.00 - TOLK STATION 345KV CKT 1'	FROM->TO	0.57	554.5	102.5557	'Central Valley REC-12 Mile Hill - EDDY COUNTY INTERCHANGE 115KV CKT 1'
13G		0	G12_019	'G-12-043-TAP345.00 - TOLK STATION 345KV CKT 1'	FROM->TO	1	554.5	184.184	'CHAVESCO 345.00 - EDDY COUNTY INTERCHANGE 345KV CKT 1'
13G		0	G12_019	'G-12-043-TAP345.00 - TOLK STATION 345KV CKT 1'	FROM->TO	0.61117	554.5	103.5016	'CUNNINGHAM STATION - EDDY COUNTY INTERCHANGE 230KV CKT 1'
13G		0	G12_019	'G-12-043-TAP345.00 - TOLK STATION 345KV CKT 1'	FROM->TO	0.61237	554.5	102.6359	'CUNNINGHAM STATION - LEA COUNTY INTERCHANGE 230KV CKT 1'
13G		0	G12_019	'G-12-043-TAP345.00 - TOLK STATION 345KV CKT 1'	FROM->TO	0.7426	554.5	141.2822	'EDDY COUNTY INTERCHANGE - EDDY_NORTH 6230.00 230KV CKT 1'
13G		0	G12_019	'G-12-043-TAP345.00 - TOLK STATION 345KV CKT 1'	FROM->TO	0.58139	554.5	101.0334	'EDDY COUNTY INTERCHANGE - SEVEN RIVERS INTERCHANGE 230KV CKT 1'
13G		0	G12_019	'G-12-043-TAP345.00 - TOLK STATION 345KV CKT 1'	FROM->TO	1	554.5	183.9856	'EDDY COUNTY INTERCHANGE (ABB AEM30711) 345/230/13.2KV TRANSFORMER CKT 1'
13G		0	G12_019	'G-12-043-TAP345.00 - TOLK STATION 345KV CKT 1'	FROM->TO	0.58074	554.5	102.7158	'G12_001T 230.00 - GRASSLAND INTERCHANGE 230KV CKT 1'
13G		0	G12_019	'G-12-043-TAP345.00 - TOLK STATION 345KV CKT 1'	FROM->TO	0.58074	554.5	100.3353	'HOBBS INTERCHANGE - MIDLAND COUNTY INTERCHANGE 230KV CKT 1'
13G		0	G12_019	'G-12-043-TAP345.00 - TOLK STATION 345KV CKT 1'	FROM->TO	0.60328	554.5	102.1661	'LEA COUNTY INTERCHANGE - YOAKUM COUNTY INTERCHANGE 230KV CKT 1'
13G		0	G12_019	'G-12-043-TAP345.00 - TOLK STATION 345KV CKT 1'	FROM->TO	0.58074	554.5	100.3353	'MIDLAND COUNTY INTERCHANGE (ABB LLS8861) 230/138/13.2KV TRANSFORMER CKT 1'
13G		0	G12_019	'G-12-043-TAP345.00 - TOLK STATION 345KV CKT 1'	FROM->TO	0.58433	554.5	100.1885	'OASIS INTERCHANGE - Roosevelt County Interchange SWITCH #4K33 230KV CKT 1'
13G		0	G12_019	'G-12-043-TAP345.00 - TOLK STATION 345KV CKT 1'	FROM->TO	0.63109	554.5	113.5358	'OASIS INTERCHANGE - SAN JUAN MESA TAP 230KV CKT 1'
13G		0	G12_019	'G-12-043-TAP345.00 - TOLK STATION 345KV CKT 1'	FROM->TO	0.57	554.5	100.9911	'TOLK STATION EAST 230/24.0KV TRANSFORMER CKT 1'
13G		0	G12_019	'G-12-043-TAP345.00 - TOLK STATION 345KV CKT 1'	FROM->TO	0.57	554.5	101.1989	'TOLK STATION WEST 230/24.0KV TRANSFORMER CKT 1'
13SP		0	G12_019	'G-12-043-TAP345.00 - TOLK STATION 345KV CKT 1'	FROM->TO	0.58103	554.8	102.5762	'AMOCO SWITCHING STATION - YOAKUM COUNTY INTERCHANGE 230KV CKT 1'
13SP		0	G12_019	'G-12-043-TAP345.00 - TOLK STATION 345KV CKT 1'	FROM->TO	0.58103	554.8	101.1493	'AMOCO SWITCHING STATION - YOAKUM COUNTY INTERCHANGE 230KV CKT 1'
13SP		0	G12_019	'G-12-043-TAP345.00 - TOLK STATION 345KV CKT 1'	FROM->TO	0.56736	554.8	100.3786	'ARTESIA INTERCHANGE - EAGLE CREEK3115.00 115KV CKT 1'
13SP		0	G12_019	'G-12-043-TAP345.00 - TOLK STATION 345KV CKT 1'	FROM->TO	0.56736	554.8	105.2813	'Central Valley REC-12 Mile Hill - EDDY COUNTY INTERCHANGE 115KV CKT 1'
13SP		0	G12_019	'G-12-043-TAP345.00 - TOLK STATION 345KV CKT 1'	FROM->TO	0.56736	554.8	104.0004	'Central Valley REC-12 Mile Hill - EDDY COUNTY INTERCHANGE 115KV CKT 1'
13SP		0	G12_019	'G-12-043-TAP345.00 - TOLK STATION 345KV CKT 1'	FROM->TO	0.60095	554.8	105.2801	'CHAVES COUNTY INTERCHANGE - EDDY_NORTH 6230.00 230KV CKT 1'
13SP		0	G12_019	'G-12-043-TAP345.00 - TOLK STATION 345KV CKT 1'	FROM->TO	0.60095	554.8	103.8378	'CHAVES COUNTY INTERCHANGE - EDDY_NORTH 6230.00 230KV CKT 1'
13SP		0	G12_019	'G-12-043-TAP345.00 - TOLK STATION 345KV CKT 1'	FROM->TO	0.62923	554.8	101.1184	'CHAVES COUNTY INTERCHANGE - SAN JUAN MESA TAP 230KV CKT 1'
13SP		0	G12_019	'G-12-043-TAP345.00 - TOLK STATION 345KV CKT 1'	FROM->TO	1	554.8	184.6428	'CHAVESCO 345.00 - EDDY COUNTY INTERCHANGE 345KV CKT 1'
13SP		0	G12_019	'G-12-043-TAP345.00 - TOLK STATION 345KV CKT 1'	FROM->TO	1	554.8	184.6431	'CHAVESCO 345.00 - EDDY COUNTY INTERCHANGE 345KV CKT 1'
13SP		0	G12_019	'G-12-043-TAP345.00 - TOLK STATION 345KV CKT 1'	FROM->TO	0.56736	554.8	100.1082	'EAGLE CREEK3115.00 - NAVAJO 2TP 3115.00 115KV CKT 1'
13SP		0	G12_019	'G-12-043-TAP345.00 - TOLK STATION 345KV CKT 1'	FROM->TO	0.73997	554.8	132.1485	'EDDY COUNTY INTERCHANGE - EDDY_NORTH 6230.00 230KV CKT 1'
13SP		0	G12_019	'G-12-043-TAP345.00 - TOLK STATION 345KV CKT 1'	FROM->TO	0.73997	554.8	131.81	'EDDY COUNTY INTERCHANGE - EDDY_NORTH 6230.00 230KV CKT 1'
13SP		0	G12_019	'G-12-043-TAP345.00 - TOLK STATION 345KV CKT 1'	FROM->TO	0.57876	554.8	100.5514	'EDDY COUNTY INTERCHANGE - SEVEN RIVERS INTERCHANGE 230KV CKT 1'
13SP		0	G12_019	'G-12-043-TAP345.00 - TOLK STATION 345KV CKT 1'	FROM->TO	1	554.8	184.5707	'EDDY COUNTY INTERCHANGE (ABB AEM30711) 345/230/13.2KV TRANSFORMER CKT 1'
13SP		0	G12_019	'G-12-043-TAP345.00 - TOLK STATION 345KV CKT 1'	FROM->TO	1	554.8	184.571	'EDDY COUNTY INTERCHANGE (ABB AEM30711) 345/230/13.2KV TRANSFORMER CKT 1'
13SP		0	G12_019	'G-12-043-TAP345.00 - TOLK STATION 345KV CKT 1'	FROM->TO	0.57769	554.8	100.305	'G12_001T 230.00 - GRASSLAND INTERCHANGE 230KV CKT 1'
13SP		0	G12_019	'G-12-043-TAP345.00 - TOLK STATION 345KV CKT 1'	FROM->TO	0.57769	554.8	100.0346	'HOBBS INTERCHANGE - MIDLAND COUNTY INTERCHANGE 230KV CKT 1'
13SP		0	G12_019	'G-12-043-TAP345.00 - TOLK STATION 345KV CKT 1'	FROM->TO	0.59888	554.8	103.5294	'HOBBS INTERCHANGE - YOAKUM COUNTY INTERCHANGE 230KV CKT 1'
13SP		0	G12_019	'G-12-043-TAP345.00 - TOLK STATION 345KV CKT 1'	FROM->TO	0.59888	554.8	101.9389	'HOBBS INTERCHANGE - YOAKUM COUNTY INTERCHANGE 230KV CKT 1'
13SP		0	G12_019	'G-12-043-TAP345.00 - TOLK STATION 345KV CKT 1'	FROM->TO	0.57175	554.8	100.2099	'JONES STATION - TUCO INTERCHANGE 230KV CKT 1'
13SP		0	G12_019	'G-12-043-TAP345.00 - TOLK STATION 345KV CKT 1'	FROM->TO	0.57769	554.8	100.0346	'MIDLAND COUNTY INTERCHANGE (ABB LLS8861) 230/138/13.2KV TRANSFORMER CKT 1'
13SP		0	G12_019	'G-12-043-TAP345.00 - TOLK STATION 345KV CKT 1'	FROM->TO	0.62923	554.8	105.5164	'OASIS INTERCHANGE - SAN JUAN MESA TAP 230KV CKT 1'
13SP		0	G12_019	'G-12-043-TAP345.00 - TOLK STATION 345KV CKT 1'	FROM->TO	0.62923	554.8	103.8864	'OASIS INTERCHANGE - SAN JUAN MESA TAP 230KV CKT 1'
13SP		0	G12_019	'G-12-043-TAP345.00 - TOLK STATION 345KV CKT 1'	FROM->TO	0.56768	554.8	100.7728	'SPP-SWPS-T14'
13SP		0	G12_019	'G-12-043-TAP345.00 - TOLK STATION 345KV CKT 1'	FROM->TO	0.56758	554.8	100.1595	'SPP-SWPS-T43'
13SP		0	G12_019	'G-12-043-TAP345.00 - TOLK STATION 345KV CKT 1'	FROM->TO	0.56736	554.8	101.0031	'TOLK STATION EAST 230/24.0KV TRANSFORMER CKT 1'

Season	Scenario	Source	MontCommonName	Direction	TDF	Rating	Contingency		Contname
							Loading %		
13SP		0 G12_019	'G-12-043-TAP345.00 - TOLK STATION 345KV CKT 1'	FROM->TO	0.56736	554.8	101.2443		TOLK STATION WEST 230/24.0KV TRANSFORMER CKT 1'
13WP		0 G12_019	'G-12-043-TAP345.00 - TOLK STATION 345KV CKT 1'	FROM->TO	0.58137	552.7	103.1547		AMOCO SWITCHING STATION - YOAKUM COUNTY INTERCHANGE 230KV CKT 1'
13WP		0 G12_019	'G-12-043-TAP345.00 - TOLK STATION 345KV CKT 1'	FROM->TO	0.58137	552.7	101.718		AMOCO SWITCHING STATION - YOAKUM COUNTY INTERCHANGE 230KV CKT 1'
13WP		0 G12_019	'G-12-043-TAP345.00 - TOLK STATION 345KV CKT 1'	FROM->TO	0.56719	552.7	101.6178		ARTESIA INTERCHANGE - EAGLE_CREEK3115.00 115KV CKT 1'
13WP		0 G12_019	'G-12-043-TAP345.00 - TOLK STATION 345KV CKT 1'	FROM->TO	0.56719	552.7	100.3304		ARTESIA INTERCHANGE - EAGLE_CREEK3115.00 115KV CKT 1'
13WP		0 G12_019	'G-12-043-TAP345.00 - TOLK STATION 345KV CKT 1'	FROM->TO	0.57784	552.7	101.5671		BORDEN COUNTY INTERCHANGE (ABB LLS8862) 230/138/13.2KV TRANSFORMER CKT 1'
13WP		0 G12_019	'G-12-043-TAP345.00 - TOLK STATION 345KV CKT 1'	FROM->TO	0.56719	552.7	104.2413		Central Valley REC-12 Mile Hill - EDDY COUNTY INTERCHANGE 115KV CKT 1'
13WP		0 G12_019	'G-12-043-TAP345.00 - TOLK STATION 345KV CKT 1'	FROM->TO	0.56719	552.7	102.9539		Central Valley REC-12 Mile Hill - EDDY COUNTY INTERCHANGE 115KV CKT 1'
13WP		0 G12_019	'G-12-043-TAP345.00 - TOLK STATION 345KV CKT 1'	FROM->TO	0.59989	552.7	107.3628		CHAVES COUNTY INTERCHANGE - EDDY_NORTH 6230.00 230KV CKT 1'
13WP		0 G12_019	'G-12-043-TAP345.00 - TOLK STATION 345KV CKT 1'	FROM->TO	0.59989	552.7	105.9179		CHAVES COUNTY INTERCHANGE - EDDY_NORTH 6230.00 230KV CKT 1'
13WP		0 G12_019	'G-12-043-TAP345.00 - TOLK STATION 345KV CKT 1'	FROM->TO	0.62772	552.7	102.3926		CHAVES COUNTY INTERCHANGE - SAN JUAN MESA TAP 230KV CKT 1'
13WP		0 G12_019	'G-12-043-TAP345.00 - TOLK STATION 345KV CKT 1'	FROM->TO	0.62772	552.7	100.7617		CHAVES COUNTY INTERCHANGE - SAN JUAN MESA TAP 230KV CKT 1'
13WP		0 G12_019	'G-12-043-TAP345.00 - TOLK STATION 345KV CKT 1'	FROM->TO	1	552.7	185.3443		CHAVESCO 345.00 - EDDY COUNTY INTERCHANGE 345KV CKT 1'
13WP		0 G12_019	'G-12-043-TAP345.00 - TOLK STATION 345KV CKT 1'	FROM->TO	1	552.7	185.3447		CHAVESCO 345.00 - EDDY COUNTY INTERCHANGE 345KV CKT 1'
13WP		0 G12_019	'G-12-043-TAP345.00 - TOLK STATION 345KV CKT 1'	FROM->TO	0.60855	552.7	102.4299		CUNNINGHAM STATION - HOBBS INTERCHANGE 230KV CKT 1'
13WP		0 G12_019	'G-12-043-TAP345.00 - TOLK STATION 345KV CKT 1'	FROM->TO	0.60855	552.7	101.0047		CUNNINGHAM STATION - HOBBS INTERCHANGE 230KV CKT 1'
13WP		0 G12_019	'G-12-043-TAP345.00 - TOLK STATION 345KV CKT 1'	FROM->TO	0.74172	552.7	132.2338		EDDY COUNTY INTERCHANGE - EDDY_NORTH 6230.00 230KV CKT 1'
13WP		0 G12_019	'G-12-043-TAP345.00 - TOLK STATION 345KV CKT 1'	FROM->TO	0.74172	552.7	131.8879		EDDY COUNTY INTERCHANGE - EDDY_NORTH 6230.00 230KV CKT 1'
13WP		0 G12_019	'G-12-043-TAP345.00 - TOLK STATION 345KV CKT 1'	FROM->TO	0.57871	552.7	102.045		EDDY COUNTY INTERCHANGE - SEVEN RIVERS INTERCHANGE 230KV CKT 1'
13WP		0 G12_019	'G-12-043-TAP345.00 - TOLK STATION 345KV CKT 1'	FROM->TO	0.57871	552.7	100.859		EDDY COUNTY INTERCHANGE - SEVEN RIVERS INTERCHANGE 230KV CKT 1'
13WP		0 G12_019	'G-12-043-TAP345.00 - TOLK STATION 345KV CKT 1'	FROM->TO	1	552.7	185.2901		EDDY COUNTY INTERCHANGE (ABB AEM30711) 345/230/13.2KV TRANSFORMER CKT 1'
13WP		0 G12_019	'G-12-043-TAP345.00 - TOLK STATION 345KV CKT 1'	FROM->TO	1	552.7	185.2904		EDDY COUNTY INTERCHANGE (ABB AEM30711) 345/230/13.2KV TRANSFORMER CKT 1'
13WP		0 G12_019	'G-12-043-TAP345.00 - TOLK STATION 345KV CKT 1'	FROM->TO	0.57784	552.7	101.8385		G12_001T 230.00 - GRASSLAND INTERCHANGE 230KV CKT 1'
13WP		0 G12_019	'G-12-043-TAP345.00 - TOLK STATION 345KV CKT 1'	FROM->TO	0.57784	552.7	100.4559		G12_001T 230.00 - GRASSLAND INTERCHANGE 230KV CKT 1'
13WP		0 G12_019	'G-12-043-TAP345.00 - TOLK STATION 345KV CKT 1'	FROM->TO	0.57784	552.7	101.5671		HOBBS INTERCHANGE - MIDLAND COUNTY INTERCHANGE 230KV CKT 1'
13WP		0 G12_019	'G-12-043-TAP345.00 - TOLK STATION 345KV CKT 1'	FROM->TO	0.57784	552.7	100.1845		HOBBS INTERCHANGE - MIDLAND COUNTY INTERCHANGE 230KV CKT 1'
13WP		0 G12_019	'G-12-043-TAP345.00 - TOLK STATION 345KV CKT 1'	FROM->TO	0.59836	552.7	107.3517		HOBBS INTERCHANGE - YOAKUM COUNTY INTERCHANGE 230KV CKT 1'
13WP		0 G12_019	'G-12-043-TAP345.00 - TOLK STATION 345KV CKT 1'	FROM->TO	0.59836	552.7	105.7537		HOBBS INTERCHANGE - YOAKUM COUNTY INTERCHANGE 230KV CKT 1'
13WP		0 G12_019	'G-12-043-TAP345.00 - TOLK STATION 345KV CKT 1'	FROM->TO	0.57262	552.7	102.0357		JONES STATION - TUCO INTERCHANGE 230KV CKT 1'
13WP		0 G12_019	'G-12-043-TAP345.00 - TOLK STATION 345KV CKT 1'	FROM->TO	0.57262	552.7	100.7076		JONES STATION - TUCO INTERCHANGE 230KV CKT 1'
13WP		0 G12_019	'G-12-043-TAP345.00 - TOLK STATION 345KV CKT 1'	FROM->TO	0.56975	552.7	100.2087		LAWTON EASTSIDE - OKLAUNION 345KV CKT 1'
13WP		0 G12_019	'G-12-043-TAP345.00 - TOLK STATION 345KV CKT 1'	FROM->TO	0.57784	552.7	101.5671		MIDLAND COUNTY INTERCHANGE (ABB LLS8861) 230/138/13.2KV TRANSFORMER CKT 1'
13WP		0 G12_019	'G-12-043-TAP345.00 - TOLK STATION 345KV CKT 1'	FROM->TO	0.57784	552.7	100.1845		MIDLAND COUNTY INTERCHANGE (ABB LLS8861) 230/138/13.2KV TRANSFORMER CKT 1'
13WP		0 G12_019	'G-12-043-TAP345.00 - TOLK STATION 345KV CKT 1'	FROM->TO	0.62772	552.7	106.8073		OASIS INTERCHANGE - SAN JUAN MESA TAP 230KV CKT 1'
13WP		0 G12_019	'G-12-043-TAP345.00 - TOLK STATION 345KV CKT 1'	FROM->TO	0.62772	552.7	105.1764		OASIS INTERCHANGE - SAN JUAN MESA TAP 230KV CKT 1'
13WP		0 G12_019	'G-12-043-TAP345.00 - TOLK STATION 345KV CKT 1'	FROM->TO	0.56751	552.7	102.0098		SPP-SWPS-T14'
13WP		0 G12_019	'G-12-043-TAP345.00 - TOLK STATION 345KV CKT 1'	FROM->TO	0.56751	552.7	100.7192		SPP-SWPS-T14'
13WP		0 G12_019	'G-12-043-TAP345.00 - TOLK STATION 345KV CKT 1'	FROM->TO	0.56719	552.7	102.568		TOLK STATION EAST 230/24.0KV TRANSFORMER CKT 1'
13WP		0 G12_019	'G-12-043-TAP345.00 - TOLK STATION 345KV CKT 1'	FROM->TO	0.56719	552.7	101.2846		TOLK STATION EAST 230/24.0KV TRANSFORMER CKT 1'
13WP		0 G12_019	'G-12-043-TAP345.00 - TOLK STATION 345KV CKT 1'	FROM->TO	0.56719	552.7	102.8626		TOLK STATION WEST 230/24.0KV TRANSFORMER CKT 1'
13WP		0 G12_019	'G-12-043-TAP345.00 - TOLK STATION 345KV CKT 1'	FROM->TO	0.56719	552.7	101.5778		TOLK STATION WEST 230/24.0KV TRANSFORMER CKT 1'
18SP		0 G12_019	'G-12-043-TAP345.00 - TOLK STATION 345KV CKT 1'	FROM->TO	0.58026	553.2	109.312		AMOCO SWITCHING STATION - SUNDOWN INTERCHANGE 230KV CKT 1'
18SP		0 G12_019	'G-12-043-TAP345.00 - TOLK STATION 345KV CKT 1'	FROM->TO	0.58026	553.2	107.885		AMOCO SWITCHING STATION - SUNDOWN INTERCHANGE 230KV CKT 1'
18SP		0 G12_019	'G-12-043-TAP345.00 - TOLK STATION 345KV CKT 1'	FROM->TO	0.58026	553.2	112.2223		AMOCO SWITCHING STATION - YOAKUM COUNTY INTERCHANGE 230KV CKT 1'
18SP		0 G12_019	'G-12-043-TAP345.00 - TOLK STATION 345KV CKT 1'	FROM->TO	0.58026	553.2	110.7954		AMOCO SWITCHING STATION - YOAKUM COUNTY INTERCHANGE 230KV CKT 1'
18SP		0 G12_019	'G-12-043-TAP345.00 - TOLK STATION 345KV CKT 1'	FROM->TO	0.5667	553.2	107.7249		ARTESIA INTERCHANGE - EAGLE_CREEK3115.00 115KV CKT 1'
18SP		0 G12_019	'G-12-043-TAP345.00 - TOLK STATION 345KV CKT 1'	FROM->TO	0.5667	553.2	106.4439		ARTESIA INTERCHANGE - EAGLE_CREEK3115.00 115KV CKT 1'
18SP		0 G12_019	'G-12-043-TAP345.00 - TOLK STATION 345KV CKT 1'	FROM->TO	0.5667	553.2	105.0315		'BASE CASE'
18SP		0 G12_019	'G-12-043-TAP345.00 - TOLK STATION 345KV CKT 1'	FROM->TO	0.5667	553.2	103.7505		'BASE CASE'
18SP		0 G12_019	'G-12-043-TAP345.00 - TOLK STATION 345KV CKT 1'	FROM->TO	0.57656	553.2	108.072		BORDEN COUNTY INTERCHANGE - G12_001T 230.00 230KV CKT 1'
18SP		0 G12_019	'G-12-043-TAP345.00 - TOLK STATION 345KV CKT 1'	FROM->TO	0.57656	553.2	106.7001		BORDEN COUNTY INTERCHANGE - G12_001T 230.00 230KV CKT 1'
18SP		0 G12_019	'G-12-043-TAP345.00 - TOLK STATION 345KV CKT 1'	FROM->TO	0.57656	553.2	108.072		BORDEN COUNTY INTERCHANGE (ABB LLS8862) 230/138/13.2KV TRANSFORMER CKT 1'
18SP		0 G12_019	'G-12-043-TAP345.00 - TOLK STATION 345KV CKT 1'	FROM->TO	0.57656	553.2	106.7001		BORDEN COUNTY INTERCHANGE (ABB LLS8862) 230/138/13.2KV TRANSFORMER CKT 1'
18SP		0 G12_019	'G-12-043-TAP345.00 - TOLK STATION 345KV CKT 1'	FROM->TO	0.57656	553.2	108.0901		CAPROCK REC-TATE - CAPROCK REC-VEALMOOR 138KV CKT 1'
18SP		0 G12_019	'G-12-043-TAP345.00 - TOLK STATION 345KV CKT 1'	FROM->TO	0.57656	553.2	106.7182		CAPROCK REC-TATE - CAPROCK REC-VEALMOOR 138KV CKT 1'
18SP		0 G12_019	'G-12-043-TAP345.00 - TOLK STATION 345KV CKT 1'	FROM->TO	0.5667	553.2	112.0814		Central Valley REC-12 Mile Hill - EDDY COUNTY INTERCHANGE 115KV CKT 1'
18SP		0 G12_019	'G-12-043-TAP345.00 - TOLK STATION 345KV CKT 1'	FROM->TO	0.5667	553.2	110.8004		Central Valley REC-12 Mile Hill - EDDY COUNTY INTERCHANGE 115KV CKT 1'
18SP		0 G12_019	'G-12-043-TAP345.00 - TOLK STATION 345KV CKT 1'	FROM->TO	0.60023	553.2	115.1583		CHAVES COUNTY INTERCHANGE - EDDY_NORTH 6230.00 230KV CKT 1'
18SP		0 G12_019	'G-12-043-TAP345.00 - TOLK STATION 345KV CKT 1'	FROM->TO	0.60023	553.2	113.7158		CHAVES COUNTY INTERCHANGE - EDDY_NORTH 6230.00 230KV CKT 1'
18SP		0 G12_019	'G-12-043-TAP345.00 - TOLK STATION 345KV CKT 1'	FROM->TO	0.62843	553.2	110.6987		CHAVES COUNTY INTERCHANGE - SAN JUAN MESA TAP 230KV CKT 1'
18SP		0 G12_019	'G-12-043-TAP345.00 - TOLK STATION 345KV CKT 1'	FROM->TO	0.62843	553.2	109.0701		CHAVES COUNTY INTERCHANGE - SAN JUAN MESA TAP 230KV CKT 1'
18SP		0 G12_019	'G-12-043-TAP345.00 - TOLK STATION 345KV CKT 1'	FROM->TO	1	553.2	185.231		CHAVESCO 345.00 - EDDY COUNTY INTERCHANGE 345KV CKT 1'
18SP		0 G12_019	'G-12-043-TAP345.00 - TOLK STATION 345KV CKT 1'	FROM->TO	1	553.2	185.2314		CHAVESCO 345.00 - EDDY COUNTY INTERCHANGE 345KV CKT 1'
18SP		0 G12_019	'G-12-043-TAP345.00 - TOLK STATION 345KV CKT 1'	FROM->TO	0.73976	553.2	130.4691		EDDY COUNTY INTERCHANGE - EDDY_NORTH 6230.00 230KV CKT 1'
18SP		0 G12_019	'G-12-043-TAP345.00 - TOLK STATION 345KV CKT 1'	FROM->TO	0.73976	553.2	130.1289		EDDY COUNTY INTERCHANGE - EDDY_NORTH 6230.00 230KV CKT 1'
18SP		0 G12_019	'G-12-043-TAP345.00 - TOLK STATION 345KV CKT 1'	FROM->TO	1	553.2	185.1949		EDDY COUNTY INTERCHANGE (ABB AEM30711) 345/230/13.2KV TRANSFORMER CKT 1'
18SP		0 G12_019	'G-12-043-TAP345.00 - TOLK STATION 345KV CKT 1'	FROM->TO	1	553.2	185.1952		EDDY COUNTY INTERCHANGE (ABB AEM30711) 345/230/13.2KV TRANSFORMER CKT 1'
18SP		0 G12_019	'G-12-043-TAP345.00 - TOLK STATION 345KV CKT 1'	FROM->TO	0.57656	553.2	108.3431		G12_001T 230.00 - GRASSLAND INTERCHANGE 230KV CKT 1'
18SP		0 G12_019	'G-12-043-TAP345.00 - TOLK STATION 345KV CKT 1'	FROM->TO	0.57656	553.2	106.9712		G12_001T 230.00 - GRASSLAND INTERCHANGE 230KV CKT 1'
18SP		0 G12_019	'G-12-043-TAP345.00 - TOLK STATION 345KV CKT 1'	FROM->TO	0.57656	553.2	108.1081		HOBBS INTERCHANGE - MIDLAND COUNTY INTERCHANGE 230KV CKT 1'
18SP		0 G12_019	'G-12-043-TAP345.00 - TOLK STATION 345KV CKT 1'	FROM->TO	0.57656	553.2	106.7362		HOBBS INTERCHANGE - MIDLAND COUNTY INTERCHANGE 230KV CKT 1'
18SP		0 G12_019	'G-12-043-TAP345.00 - TOLK STATION 345KV CKT 1'	FROM->TO	0.59837	553.2	112.0551		HOBBS INTERCHANGE - YOAKUM COUNTY INTERCHANGE 230KV CKT 1'
18SP		0 G12_019	'G-12-043-TAP345.00 - TOLK STATION 345KV CKT 1'	FROM->TO	0.59837	553.2	110.4627		HOBBS INTERCHANGE - YOAKUM COUNTY INTERCHANGE 230KV CKT 1'
18SP		0 G12_019	'G-12-043-TAP345.00 - TOLK STATION 345KV CKT 1'	FROM->TO	0.57656	553.2	108.0901		MIDLAND COUNTY INTERCHANGE (ABB LLS8861) 230/138/13.2KV TRANSFORMER CKT 1'

Season	Scenario	Source	MontCommonName	Direction	TDF	Rating	Contingency	
							Loading %	Contname
18SP		0 G12_019	'G-12-043-TAP345.00 - TOLK STATION 345KV CKT 1'	FROM->TO	0.57656	553.2	106.7182	'MIDLAND COUNTY INTERCHANGE (ABB LLL58861) 230/138/13.2KV TRANSFORMER CKT 1'
18SP		0 G12_019	'G-12-043-TAP345.00 - TOLK STATION 345KV CKT 1'	FROM->TO	0.62843	553.2	112.8859	'OASIS INTERCHANGE - SAN JUAN MESA TAP 230KV CKT 1'
18SP		0 G12_019	'G-12-043-TAP345.00 - TOLK STATION 345KV CKT 1'	FROM->TO	0.62843	553.2	111.2574	'OASIS INTERCHANGE - SAN JUAN MESA TAP 230KV CKT 1'
18SP		0 G12_019	'G-12-043-TAP345.00 - TOLK STATION 345KV CKT 1'	FROM->TO	0.56702	553.2	107.8816	'SPP-SWPS-T14'
18SP		0 G12_019	'G-12-043-TAP345.00 - TOLK STATION 345KV CKT 1'	FROM->TO	0.56702	553.2	106.5991	'SPP-SWPS-T14'
18SP		0 G12_019	'G-12-043-TAP345.00 - TOLK STATION 345KV CKT 1'	FROM->TO	0.5667	553.2	107.8242	'TOLK STATION EAST 230/24.0KV TRANSFORMER CKT 1'
18SP		0 G12_019	'G-12-043-TAP345.00 - TOLK STATION 345KV CKT 1'	FROM->TO	0.5667	553.2	106.5437	'TOLK STATION EAST 230/24.0KV TRANSFORMER CKT 1'
18SP		0 G12_019	'G-12-043-TAP345.00 - TOLK STATION 345KV CKT 1'	FROM->TO	0.5667	553.2	108.0698	'TOLK STATION WEST 230/24.0KV TRANSFORMER CKT 1'
18SP		0 G12_019	'G-12-043-TAP345.00 - TOLK STATION 345KV CKT 1'	FROM->TO	0.5667	553.2	106.7914	'TOLK STATION WEST 230/24.0KV TRANSFORMER CKT 1'
18WP		0 G12_019	'G-12-043-TAP345.00 - TOLK STATION 345KV CKT 1'	FROM->TO	0.58055	554.8	101.6242	'AMOCO SWITCHING STATION - YOAKUM COUNTY INTERCHANGE 230KV CKT 1'
18WP		0 G12_019	'G-12-043-TAP345.00 - TOLK STATION 345KV CKT 1'	FROM->TO	0.58055	554.8	100.1998	'AMOCO SWITCHING STATION - YOAKUM COUNTY INTERCHANGE 230KV CKT 1'
18WP		0 G12_019	'G-12-043-TAP345.00 - TOLK STATION 345KV CKT 1'	FROM->TO	0.56687	554.8	104.3815	'Central Valley REC-12 Mile Hill - EDDY COUNTY INTERCHANGE 115KV CKT 1'
18WP		0 G12_019	'G-12-043-TAP345.00 - TOLK STATION 345KV CKT 1'	FROM->TO	0.56687	554.8	103.1032	'Central Valley REC-12 Mile Hill - EDDY COUNTY INTERCHANGE 115KV CKT 1'
18WP		0 G12_019	'G-12-043-TAP345.00 - TOLK STATION 345KV CKT 1'	FROM->TO	0.6004	554.8	105.5209	'CHAVES COUNTY INTERCHANGE - EDDY NORTH 6230.00 230KV CKT 1'
18WP		0 G12_019	'G-12-043-TAP345.00 - TOLK STATION 345KV CKT 1'	FROM->TO	0.6004	554.8	104.0817	'CHAVES COUNTY INTERCHANGE - EDDY NORTH 6230.00 230KV CKT 1'
18WP		0 G12_019	'G-12-043-TAP345.00 - TOLK STATION 345KV CKT 1'	FROM->TO	1	554.8	184.6248	'CHAVESCO 345.00 - EDDY COUNTY INTERCHANGE 345KV CKT 1'
18WP		0 G12_019	'G-12-043-TAP345.00 - TOLK STATION 345KV CKT 1'	FROM->TO	1	554.8	184.6251	'CHAVESCO 345.00 - EDDY COUNTY INTERCHANGE 345KV CKT 1'
18WP		0 G12_019	'G-12-043-TAP345.00 - TOLK STATION 345KV CKT 1'	FROM->TO	0.73986	554.8	129.8031	'EDDY COUNTY INTERCHANGE - EDDY NORTH 6230.00 230KV CKT 1'
18WP		0 G12_019	'G-12-043-TAP345.00 - TOLK STATION 345KV CKT 1'	FROM->TO	0.73986	554.8	129.4633	'EDDY COUNTY INTERCHANGE - EDDY NORTH 6230.00 230KV CKT 1'
18WP		0 G12_019	'G-12-043-TAP345.00 - TOLK STATION 345KV CKT 1'	FROM->TO	1	554.8	184.5527	'EDDY COUNTY INTERCHANGE (ABB AEM30711) 345/230/13.2KV TRANSFORMER CKT 1'
18WP		0 G12_019	'G-12-043-TAP345.00 - TOLK STATION 345KV CKT 1'	FROM->TO	1	554.8	184.553	'EDDY COUNTY INTERCHANGE (ABB AEM30711) 345/230/13.2KV TRANSFORMER CKT 1'
18WP		0 G12_019	'G-12-043-TAP345.00 - TOLK STATION 345KV CKT 1'	FROM->TO	0.59833	554.8	102.5141	'HOBBS INTERCHANGE - YOAKUM COUNTY INTERCHANGE 230KV CKT 1'
18WP		0 G12_019	'G-12-043-TAP345.00 - TOLK STATION 345KV CKT 1'	FROM->TO	0.59833	554.8	100.9264	'HOBBS INTERCHANGE - YOAKUM COUNTY INTERCHANGE 230KV CKT 1'
18WP		0 G12_019	'G-12-043-TAP345.00 - TOLK STATION 345KV CKT 1'	FROM->TO	0.6286	554.8	103.922	'OASIS INTERCHANGE - SAN JUAN MESA TAP 230KV CKT 1'
18WP		0 G12_019	'G-12-043-TAP345.00 - TOLK STATION 345KV CKT 1'	FROM->TO	0.6286	554.8	102.2972	'OASIS INTERCHANGE - SAN JUAN MESA TAP 230KV CKT 1'
18WP		0 G12_019	'G-12-043-TAP345.00 - TOLK STATION 345KV CKT 1'	FROM->TO	0.56687	554.8	100.1213	'TOLK STATION EAST 230/24.0KV TRANSFORMER CKT 1'
18WP		0 G12_019	'G-12-043-TAP345.00 - TOLK STATION 345KV CKT 1'	FROM->TO	0.56687	554.8	100.3806	'TOLK STATION WEST 230/24.0KV TRANSFORMER CKT 1'
13SP		0 G12_019	'NEWHART 6230.00 - PLANT X STATION 230KV CKT 1'	TO->FROM	0.20822	360.6	102.1497	'BORDER 7345.00 - G12-038 TAP 345.00 345KV CKT 1'
13SP		0 G12_019	'NEWHART 6230.00 - PLANT X STATION 230KV CKT 1'	TO->FROM	0.20822	360.6	100.5962	'BORDER 7345.00 - G12-038 TAP 345.00 345KV CKT 1'
13SP		0 G12_019	'NEWHART 6230.00 - PLANT X STATION 230KV CKT 1'	TO->FROM	0.20822	360.6	102.5656	'BORDER 7345.00 - WWRDEHV7 345.00 345KV CKT 1'
13SP		0 G12_019	'NEWHART 6230.00 - PLANT X STATION 230KV CKT 1'	TO->FROM	0.20822	360.6	101.0122	'BORDER 7345.00 - WWRDEHV7 345.00 345KV CKT 1'
13SP		0 G12_019	'NEWHART 6230.00 - PLANT X STATION 230KV CKT 1'	TO->FROM	0.24417	360.6	113.7656	'BUFFALO 230.00 - BUSHLAND INTERCHANGE 230KV CKT 1'
13SP		0 G12_019	'NEWHART 6230.00 - PLANT X STATION 230KV CKT 1'	TO->FROM	0.24417	360.6	111.9434	'BUFFALO 230.00 - BUSHLAND INTERCHANGE 230KV CKT 1'
13SP		0 G12_019	'NEWHART 6230.00 - PLANT X STATION 230KV CKT 1'	TO->FROM	0.24417	360.6	111.8244	'BUFFALO 230.00 - DEAF SMITH COUNTY INTERCHANGE 230KV CKT 1'
13SP		0 G12_019	'NEWHART 6230.00 - PLANT X STATION 230KV CKT 1'	TO->FROM	0.24417	360.6	110.0022	'BUFFALO 230.00 - DEAF SMITH COUNTY INTERCHANGE 230KV CKT 1'
13SP		0 G12_019	'NEWHART 6230.00 - PLANT X STATION 230KV CKT 1'	TO->FROM	0.21974	360.6	102.8437	'BUSHLAND INTERCHANGE - POTTER COUNTY INTERCHANGE 230KV CKT 1'
13SP		0 G12_019	'NEWHART 6230.00 - PLANT X STATION 230KV CKT 1'	TO->FROM	0.21974	360.6	101.2122	'BUSHLAND INTERCHANGE - POTTER COUNTY INTERCHANGE 230KV CKT 1'
13SP		0 G12_019	'NEWHART 6230.00 - PLANT X STATION 230KV CKT 1'	TO->FROM	0.21573	360.6	100.0366	'CHAVESCO 345.00 - EDDY COUNTY INTERCHANGE 345KV CKT 1'
13SP		0 G12_019	'NEWHART 6230.00 - PLANT X STATION 230KV CKT 1'	TO->FROM	0.24553	360.6	121.2628	'DEAF SMITH COUNTY INTERCHANGE - PLANT X STATION 230KV CKT 1'
13SP		0 G12_019	'NEWHART 6230.00 - PLANT X STATION 230KV CKT 1'	TO->FROM	0.24553	360.6	119.4367	'DEAF SMITH COUNTY INTERCHANGE - PLANT X STATION 230KV CKT 1'
13SP		0 G12_019	'NEWHART 6230.00 - PLANT X STATION 230KV CKT 1'	TO->FROM	0.21573	360.6	100.0366	'EDDY COUNTY INTERCHANGE (ABB AEM30711) 345/230/13.2KV TRANSFORMER CKT 1'
13SP		0 G12_019	'NEWHART 6230.00 - PLANT X STATION 230KV CKT 1'	TO->FROM	0.20987	360.6	110.3281	'LAWTON EASTSIDE - OKLAUNION 345KV CKT 1'
13SP		0 G12_019	'NEWHART 6230.00 - PLANT X STATION 230KV CKT 1'	TO->FROM	0.20987	360.6	108.7636	'LAWTON EASTSIDE - OKLAUNION 345KV CKT 1'
13SP		0 G12_019	'NEWHART 6230.00 - PLANT X STATION 230KV CKT 1'	TO->FROM	0.20987	360.6	105.9187	'OKLAUNION - TUCO INTERCHANGE 345KV CKT 1'
13SP		0 G12_019	'NEWHART 6230.00 - PLANT X STATION 230KV CKT 1'	TO->FROM	0.20987	360.6	104.3543	'OKLAUNION - TUCO INTERCHANGE 345KV CKT 1'
13SP		0 G12_019	'NEWHART 6230.00 - PLANT X STATION 230KV CKT 1'	TO->FROM	0.2057	360.6	103.0879	'PLANT X STATION (WH ALM20171) 230/115/13.2KV TRANSFORMER CKT 1'
13SP		0 G12_019	'NEWHART 6230.00 - PLANT X STATION 230KV CKT 1'	TO->FROM	0.2057	360.6	101.5859	'PLANT X STATION (WH ALM20171) 230/115/13.2KV TRANSFORMER CKT 1'
13SP		0 G12_019	'NEWHART 6230.00 - PLANT X STATION 230KV CKT 1'	TO->FROM	0.21091	360.6	106.2976	'SPP-SWPS-01'
13SP		0 G12_019	'NEWHART 6230.00 - PLANT X STATION 230KV CKT 1'	TO->FROM	0.21091	360.6	104.7245	'SPP-SWPS-01'
13SP		0 G12_019	'NEWHART 6230.00 - PLANT X STATION 230KV CKT 1'	TO->FROM	0.24746	360.6	117.6671	'TOLK STATION EAST - TUCO INTERCHANGE 230KV CKT 1'
13SP		0 G12_019	'NEWHART 6230.00 - PLANT X STATION 230KV CKT 1'	TO->FROM	0.24746	360.6	115.9075	'TOLK STATION EAST - TUCO INTERCHANGE 230KV CKT 1'
18SP		0 G12_019	'NEWHART 6230.00 - PLANT X STATION 230KV CKT 1'	TO->FROM	0.20812	350.9	120.6438	'BORDER 7345.00 - G12-038 TAP 345.00 345KV CKT 1'
18SP		0 G12_019	'NEWHART 6230.00 - PLANT X STATION 230KV CKT 1'	TO->FROM	0.20812	350.9	119.0483	'BORDER 7345.00 - G12-038 TAP 345.00 345KV CKT 1'
18SP		0 G12_019	'NEWHART 6230.00 - PLANT X STATION 230KV CKT 1'	TO->FROM	0.20812	350.9	121.1283	'BORDER 7345.00 - WWRDEHV7 345.00 345KV CKT 1'
18SP		0 G12_019	'NEWHART 6230.00 - PLANT X STATION 230KV CKT 1'	TO->FROM	0.20812	350.9	119.5328	'BORDER 7345.00 - WWRDEHV7 345.00 345KV CKT 1'
18SP		0 G12_019	'NEWHART 6230.00 - PLANT X STATION 230KV CKT 1'	TO->FROM	0.24362	350.9	131.7939	'BUFFALO 230.00 - BUSHLAND INTERCHANGE 230KV CKT 1'
18SP		0 G12_019	'NEWHART 6230.00 - PLANT X STATION 230KV CKT 1'	TO->FROM	0.24362	350.9	129.9261	'BUFFALO 230.00 - BUSHLAND INTERCHANGE 230KV CKT 1'
18SP		0 G12_019	'NEWHART 6230.00 - PLANT X STATION 230KV CKT 1'	TO->FROM	0.24362	350.9	129.799	'BUFFALO 230.00 - DEAF SMITH COUNTY INTERCHANGE 230KV CKT 1'
18SP		0 G12_019	'NEWHART 6230.00 - PLANT X STATION 230KV CKT 1'	TO->FROM	0.24362	350.9	127.9313	'BUFFALO 230.00 - DEAF SMITH COUNTY INTERCHANGE 230KV CKT 1'
18SP		0 G12_019	'NEWHART 6230.00 - PLANT X STATION 230KV CKT 1'	TO->FROM	0.24503	350.9	147.3214	'DEAF SMITH COUNTY INTERCHANGE - PLANT X STATION 230KV CKT 1'
18SP		0 G12_019	'NEWHART 6230.00 - PLANT X STATION 230KV CKT 1'	TO->FROM	0.24503	350.9	145.4464	'DEAF SMITH COUNTY INTERCHANGE - PLANT X STATION 230KV CKT 1'
18SP		0 G12_019	'NEWHART 6230.00 - PLANT X STATION 230KV CKT 1'	TO->FROM	0.24503	350.9	107.4563	'DEAF SMITH COUNTY INTERCHANGE - PLANT X STATION 230KV CKT 1'
18SP		0 G12_019	'NEWHART 6230.00 - PLANT X STATION 230KV CKT 1'	TO->FROM	0.20981	350.9	127.578	'LAWTON EASTSIDE - OKLAUNION 345KV CKT 1'
18SP		0 G12_019	'NEWHART 6230.00 - PLANT X STATION 230KV CKT 1'	TO->FROM	0.20981	350.9	125.9681	'LAWTON EASTSIDE - OKLAUNION 345KV CKT 1'
18SP		0 G12_019	'NEWHART 6230.00 - PLANT X STATION 230KV CKT 1'	TO->FROM	0.20981	350.9	123.0468	'OKLAUNION - TUCO INTERCHANGE 345KV CKT 1'
18SP		0 G12_019	'NEWHART 6230.00 - PLANT X STATION 230KV CKT 1'	TO->FROM	0.20981	350.9	121.4369	'OKLAUNION - TUCO INTERCHANGE 345KV CKT 1'
18SP		0 G12_019	'NEWHART 6230.00 - PLANT X STATION 230KV CKT 1'	TO->FROM	0.20589	350.9	124.454	'PLANT X STATION (WH ALM20171) 230/115/13.2KV TRANSFORMER CKT 1'
18SP		0 G12_019	'NEWHART 6230.00 - PLANT X STATION 230KV CKT 1'	TO->FROM	0.20589	350.9	122.909	'PLANT X STATION (WH ALM20171) 230/115/13.2KV TRANSFORMER CKT 1'
18SP		0 G12_019	'NEWHART 6230.00 - PLANT X STATION 230KV CKT 1'	TO->FROM	0.21087	350.9	123.2709	'SPP-SWPS-01'
18SP		0 G12_019	'NEWHART 6230.00 - PLANT X STATION 230KV CKT 1'	TO->FROM	0.21087	350.9	121.6548	'SPP-SWPS-01'
18SP		0 G12_019	'NEWHART 6230.00 - PLANT X STATION 230KV CKT 1'	TO->FROM	0.20215	350.9	120.9956	'SPP-SWPS-25'
18SP		0 G12_019	'NEWHART 6230.00 - PLANT X STATION 230KV CKT 1'	TO->FROM	0.20215	350.9	119.4669	'SPP-SWPS-25'
18SP		0 G12_019	'NEWHART 6230.00 - PLANT X STATION 230KV CKT 1'	TO->FROM	0.1995	350.9	121.3125	'SPP-SWPS-26'
18SP		0 G12_019	'NEWHART 6230.00 - PLANT X STATION 230KV CKT 1'	TO->FROM	0.1995	350.9	119.7985	'SPP-SWPS-26'

Season	Scenario	Source	MontCommonName	Direction	TDF	Rating	Contingency		
							Loading %	Contname	
18SP		0	G12_019	'NEWHART 6230.00 - PLANT X STATION 230KV CKT 1'	TO->FROM	0.20215	350.9	120.9956	'SPP-SWPS-T28'
18SP		0	G12_019	'NEWHART 6230.00 - PLANT X STATION 230KV CKT 1'	TO->FROM	0.20215	350.9	119.4669	'SPP-SWPS-T28'
18SP		0	G12_019	'NEWHART 6230.00 - PLANT X STATION 230KV CKT 1'	TO->FROM	0.1995	350.9	121.3125	'SPP-SWPS-V37'
18SP		0	G12_019	'NEWHART 6230.00 - PLANT X STATION 230KV CKT 1'	TO->FROM	0.1995	350.9	119.7985	'SPP-SWPS-V37'
18SP		0	G12_019	'NEWHART 6230.00 - PLANT X STATION 230KV CKT 1'	TO->FROM	0.2155	350.9	121.8847	'SUNDOWN INTERCHANGE - WOLFFORTH INTERCHANGE 230KV CKT 1'
18SP		0	G12_019	'NEWHART 6230.00 - PLANT X STATION 230KV CKT 1'	TO->FROM	0.2155	350.9	120.1927	'SUNDOWN INTERCHANGE - WOLFFORTH INTERCHANGE 230KV CKT 1'
18SP		0	G12_019	'NEWHART 6230.00 - PLANT X STATION 230KV CKT 1'	TO->FROM	0.19508	350.9	119.152	'SWISHER COUNTY INTERCHANGE - TUCO INTERCHANGE 230KV CKT 1'
18SP		0	G12_019	'NEWHART 6230.00 - PLANT X STATION 230KV CKT 1'	TO->FROM	0.19508	350.9	117.6149	'SWISHER COUNTY INTERCHANGE - TUCO INTERCHANGE 230KV CKT 1'
18SP		0	G12_019	'NEWHART 6230.00 - PLANT X STATION 230KV CKT 1'	TO->FROM	0.24689	350.9	140.9526	'TOLK STATION EAST - TUCO INTERCHANGE 230KV CKT 1'
18SP		0	G12_019	'NEWHART 6230.00 - PLANT X STATION 230KV CKT 1'	TO->FROM	0.24689	350.9	139.1466	'TOLK STATION EAST - TUCO INTERCHANGE 230KV CKT 1'
18SP		0	G12_019	'NEWHART 6230.00 - PLANT X STATION 230KV CKT 1'	TO->FROM	0.24689	350.9	100.4954	'TOLK STATION EAST - TUCO INTERCHANGE 230KV CKT 1'
18WP		0	G12_019	'NEWHART 6230.00 - PLANT X STATION 230KV CKT 1'	TO->FROM	0.20729	360.7	103.903	'BORDER 7345.00 - G12-038 TAP 345.00 345KV CKT 1'
18WP		0	G12_019	'NEWHART 6230.00 - PLANT X STATION 230KV CKT 1'	TO->FROM	0.20729	360.7	102.3606	'BORDER 7345.00 - G12-038 TAP 345.00 345KV CKT 1'
18WP		0	G12_019	'NEWHART 6230.00 - PLANT X STATION 230KV CKT 1'	TO->FROM	0.20729	360.7	104.2911	'BORDER 7345.00 - WWRDEHV7 345.00 345KV CKT 1'
18WP		0	G12_019	'NEWHART 6230.00 - PLANT X STATION 230KV CKT 1'	TO->FROM	0.20729	360.7	102.7487	'BORDER 7345.00 - WWRDEHV7 345.00 345KV CKT 1'
18WP		0	G12_019	'NEWHART 6230.00 - PLANT X STATION 230KV CKT 1'	TO->FROM	0.24291	360.7	115.6991	'BUFFALO 230.00 - BUSHLAND INTERCHANGE 230KV CKT 1'
18WP		0	G12_019	'NEWHART 6230.00 - PLANT X STATION 230KV CKT 1'	TO->FROM	0.24291	360.7	113.8881	'BUFFALO 230.00 - BUSHLAND INTERCHANGE 230KV CKT 1'
18WP		0	G12_019	'NEWHART 6230.00 - PLANT X STATION 230KV CKT 1'	TO->FROM	0.24291	360.7	113.7585	'BUFFALO 230.00 - DEAF SMITH COUNTY INTERCHANGE 230KV CKT 1'
18WP		0	G12_019	'NEWHART 6230.00 - PLANT X STATION 230KV CKT 1'	TO->FROM	0.24291	360.7	111.9474	'BUFFALO 230.00 - DEAF SMITH COUNTY INTERCHANGE 230KV CKT 1'
18WP		0	G12_019	'NEWHART 6230.00 - PLANT X STATION 230KV CKT 1'	TO->FROM	0.21866	360.7	104.3324	'BUSHLAND INTERCHANGE - POTTER COUNTY INTERCHANGE 230KV CKT 1'
18WP		0	G12_019	'NEWHART 6230.00 - PLANT X STATION 230KV CKT 1'	TO->FROM	0.21866	360.7	102.7104	'BUSHLAND INTERCHANGE - POTTER COUNTY INTERCHANGE 230KV CKT 1'
18WP		0	G12_019	'NEWHART 6230.00 - PLANT X STATION 230KV CKT 1'	TO->FROM	0.21475	360.7	101.2829	'CHAVESCO 345.00 - EDDY COUNTY INTERCHANGE 345KV CKT 1'
18WP		0	G12_019	'NEWHART 6230.00 - PLANT X STATION 230KV CKT 1'	TO->FROM	0.24424	360.7	123.4629	'DEAF SMITH COUNTY INTERCHANGE - PLANT X STATION 230KV CKT 1'
18WP		0	G12_019	'NEWHART 6230.00 - PLANT X STATION 230KV CKT 1'	TO->FROM	0.24424	360.7	121.6483	'DEAF SMITH COUNTY INTERCHANGE - PLANT X STATION 230KV CKT 1'
18WP		0	G12_019	'NEWHART 6230.00 - PLANT X STATION 230KV CKT 1'	TO->FROM	0.21475	360.7	101.2829	'EDDY COUNTY INTERCHANGE (ABB AEM30711) 345/230/13.2KV TRANSFORMER CKT 1'
18WP		0	G12_019	'NEWHART 6230.00 - PLANT X STATION 230KV CKT 1'	TO->FROM	0.20194	360.7	101.8695	'JONES STATION - TUCO INTERCHANGE 230KV CKT 1'
18WP		0	G12_019	'NEWHART 6230.00 - PLANT X STATION 230KV CKT 1'	TO->FROM	0.20194	360.7	100.3422	'JONES STATION - TUCO INTERCHANGE 230KV CKT 1'
18WP		0	G12_019	'NEWHART 6230.00 - PLANT X STATION 230KV CKT 1'	TO->FROM	0.20899	360.7	111.708	'LAWTON EASTSIDE - OKLAUNION 345KV CKT 1'
18WP		0	G12_019	'NEWHART 6230.00 - PLANT X STATION 230KV CKT 1'	TO->FROM	0.20899	360.7	110.1514	'LAWTON EASTSIDE - OKLAUNION 345KV CKT 1'
18WP		0	G12_019	'NEWHART 6230.00 - PLANT X STATION 230KV CKT 1'	TO->FROM	0.20899	360.7	107.2722	'OKLAUNION - TUCO INTERCHANGE 345KV CKT 1'
18WP		0	G12_019	'NEWHART 6230.00 - PLANT X STATION 230KV CKT 1'	TO->FROM	0.20899	360.7	105.7156	'OKLAUNION - TUCO INTERCHANGE 345KV CKT 1'
18WP		0	G12_019	'NEWHART 6230.00 - PLANT X STATION 230KV CKT 1'	TO->FROM	0.20457	360.7	105.0891	'PLANT X STATION (WH ALM20171) 230/115/13.2KV TRANSFORMER CKT 1'
18WP		0	G12_019	'NEWHART 6230.00 - PLANT X STATION 230KV CKT 1'	TO->FROM	0.20457	360.7	103.597	'PLANT X STATION (WH ALM20171) 230/115/13.2KV TRANSFORMER CKT 1'
18WP		0	G12_019	'NEWHART 6230.00 - PLANT X STATION 230KV CKT 1'	TO->FROM	0.21004	360.7	107.6814	'SPP-SWPS-01'
18WP		0	G12_019	'NEWHART 6230.00 - PLANT X STATION 230KV CKT 1'	TO->FROM	0.21004	360.7	106.1161	'SPP-SWPS-01'
18WP		0	G12_019	'NEWHART 6230.00 - PLANT X STATION 230KV CKT 1'	TO->FROM	0.24605	360.7	117.3362	'TOLK STATION EAST - TUCO INTERCHANGE 230KV CKT 1'
18WP		0	G12_019	'NEWHART 6230.00 - PLANT X STATION 230KV CKT 1'	TO->FROM	0.24605	360.7	115.589	'TOLK STATION EAST - TUCO INTERCHANGE 230KV CKT 1'
13G		0	G12_019	'OASIS INTERCHANGE - SAN JUAN MESA TAP 230KV CKT 1'	TO->FROM	0.31535	350.5	101.2291	'G-12-043-TAP345.00 - TOLK STATION 345KV CKT 1'
13G		0	G12_019	'OASIS INTERCHANGE - SAN JUAN MESA TAP 230KV CKT 1'	TO->FROM	0.31535	350.5	101.2291	'TOLK STATION (ABBXL844501) 345/230/13.2KV TRANSFORMER CKT 1'
13G		0	G12_019	'PLANT X STATION - TOLK STATION EAST 230KV CKT 2'	TO->FROM	0.34434	502	155.3048	'PLANT X STATION - TOLK STATION WEST 230KV CKT 1'
13G		2	G12_019	'PLANT X STATION - TOLK STATION EAST 230KV CKT 2'	TO->FROM	0.21556	502	115.6112	'PLANT X STATION - TOLK STATION WEST 230KV CKT 1'
13G		0	G12_019	'PLANT X STATION - TOLK STATION EAST 230KV CKT 2'	TO->FROM	0.26138	502	116.2175	'TOLK STATION EAST - TUCO INTERCHANGE 230KV CKT 1'
13G		0	G12_019	'PLANT X STATION - TOLK STATION EAST 230KV CKT 2'	TO->FROM	0.31249	502	103.8238	'TOLK STATION TAP - TOLK STATION WEST 230KV CKT 1'
13SP		0	G12_019	'PLANT X STATION - TOLK STATION EAST 230KV CKT 2'	TO->FROM	0.35497	557	137.0474	'PLANT X STATION - TOLK STATION WEST 230KV CKT 1'
13SP		2	G12_019	'PLANT X STATION - TOLK STATION EAST 230KV CKT 2'	TO->FROM	0.21579	557	104.3886	'PLANT X STATION - TOLK STATION WEST 230KV CKT 1'
13SP		0	G12_019	'PLANT X STATION - TOLK STATION EAST 230KV CKT 2'	TO->FROM	0.35497	557	135.8043	'PLANT X STATION - TOLK STATION WEST 230KV CKT 1'
13SP		2	G12_019	'PLANT X STATION - TOLK STATION EAST 230KV CKT 2'	TO->FROM	0.21579	557	103.5917	'PLANT X STATION - TOLK STATION WEST 230KV CKT 1'
13WP		0	G12_019	'PLANT X STATION - TOLK STATION EAST 230KV CKT 2'	TO->FROM	0.34369	556.2	129.4702	'PLANT X STATION - TOLK STATION WEST 230KV CKT 1'
13WP		0	G12_019	'PLANT X STATION - TOLK STATION EAST 230KV CKT 2'	TO->FROM	0.34369	556.2	128.2727	'PLANT X STATION - TOLK STATION WEST 230KV CKT 1'
18SP		0	G12_019	'PLANT X STATION - TOLK STATION EAST 230KV CKT 2'	TO->FROM	0.3621	500.6	146.0771	'PLANT X STATION - TOLK STATION WEST 230KV CKT 1'
18SP		2	G12_019	'PLANT X STATION - TOLK STATION EAST 230KV CKT 2'	TO->FROM	0.22235	500.3	107.747	'PLANT X STATION - TOLK STATION WEST 230KV CKT 1'
18SP		0	G12_019	'PLANT X STATION - TOLK STATION EAST 230KV CKT 2'	TO->FROM	0.3621	500.6	144.6533	'PLANT X STATION - TOLK STATION WEST 230KV CKT 1'
18SP		2	G12_019	'PLANT X STATION - TOLK STATION EAST 230KV CKT 2'	TO->FROM	0.22235	500.3	106.8185	'PLANT X STATION - TOLK STATION WEST 230KV CKT 1'
18SP		0	G12_019	'PLANT X STATION - TOLK STATION EAST 230KV CKT 2'	TO->FROM	0.3621	500.6	102.4944	'PLANT X STATION - TOLK STATION WEST 230KV CKT 1'
18SP		0	G12_019	'PLANT X STATION - TOLK STATION EAST 230KV CKT 2'	TO->FROM	0.26829	500.6	105.8663	'TOLK STATION EAST - TUCO INTERCHANGE 230KV CKT 1'
18SP		0	G12_019	'PLANT X STATION - TOLK STATION EAST 230KV CKT 2'	TO->FROM	0.26829	500.6	104.7969	'TOLK STATION EAST - TUCO INTERCHANGE 230KV CKT 1'
18WP		0	G12_019	'PLANT X STATION - TOLK STATION EAST 230KV CKT 2'	TO->FROM	0.35439	556.9	137.7033	'PLANT X STATION - TOLK STATION WEST 230KV CKT 1'
18WP		2	G12_019	'PLANT X STATION - TOLK STATION EAST 230KV CKT 2'	TO->FROM	0.21509	556.9	105.5857	'PLANT X STATION - TOLK STATION WEST 230KV CKT 1'
18WP		0	G12_019	'PLANT X STATION - TOLK STATION EAST 230KV CKT 2'	TO->FROM	0.35439	556.9	136.463	'PLANT X STATION - TOLK STATION WEST 230KV CKT 1'
18WP		2	G12_019	'PLANT X STATION - TOLK STATION EAST 230KV CKT 2'	TO->FROM	0.21509	556.9	104.7925	'PLANT X STATION - TOLK STATION WEST 230KV CKT 1'
13G		0	G12_019	'PLANT X STATION - TOLK STATION WEST 230KV CKT 1'	TO->FROM	0.26493	502	103.7985	'CHAVESCO 345.00 - EDDY COUNTY INTERCHANGE 345KV CKT 1'
13G		0	G12_019	'PLANT X STATION - TOLK STATION WEST 230KV CKT 1'	TO->FROM	0.24731	502	102.3107	'EDDY COUNTY INTERCHANGE - EDDY NORTH 6230.00 230KV CKT 1'
13G		0	G12_019	'PLANT X STATION - TOLK STATION WEST 230KV CKT 1'	TO->FROM	0.26493	502	103.7586	'EDDY COUNTY INTERCHANGE (ABB AEM30711) 345/230/13.2KV TRANSFORMER CKT 1'
13G		0	G12_019	'PLANT X STATION - TOLK STATION WEST 230KV CKT 1'	TO->FROM	0.21293	502	100.7879	'LAMB COUNTY INTERCHANGE - TOLK STATION WEST 230KV CKT 1'
13G		0	G12_019	'PLANT X STATION - TOLK STATION WEST 230KV CKT 1'	TO->FROM	0.21293	502	100.7082	'LAMB COUNTY INTERCHANGE (WH ALM20172) 230/115/13.2KV TRANSFORMER CKT 1'
13G		0	G12_019	'PLANT X STATION - TOLK STATION WEST 230KV CKT 1'	TO->FROM	0.22259	502	102.5413	'LAWTON EASTSIDE - OKLAUNION 345KV CKT 1'
13G		0	G12_019	'PLANT X STATION - TOLK STATION WEST 230KV CKT 1'	TO->FROM	0.34999	502	157.286	'PLANT X STATION - TOLK STATION EAST 230KV CKT 2'
13G		2	G12_019	'PLANT X STATION - TOLK STATION WEST 230KV CKT 1'	TO->FROM	0.21882	502	116.9909	'PLANT X STATION - TOLK STATION EAST 230KV CKT 2'
13G		0	G12_019	'PLANT X STATION - TOLK STATION WEST 230KV CKT 1'	TO->FROM	0.46859	502	144.8133	'TOLK STATION EAST - TOLK STATION TAP 230KV CKT 1'
13G		0	G12_019	'PLANT X STATION - TOLK STATION WEST 230KV CKT 1'	TO->FROM	0.26867	502	117.1733	'TOLK STATION EAST - TUCO INTERCHANGE 230KV CKT 1'
13SP		0	G12_019	'PLANT X STATION - TOLK STATION WEST 230KV CKT 1'	TO->FROM	0.36082	557	138.878	'PLANT X STATION - TOLK STATION EAST 230KV CKT 2'
13SP		2	G12_019	'PLANT X STATION - TOLK STATION WEST 230KV CKT 1'	TO->FROM	0.21921	557	105.7656	'PLANT X STATION - TOLK STATION EAST 230KV CKT 2'
13SP		0	G12_019	'PLANT X STATION - TOLK STATION WEST 230KV CKT 1'	TO->FROM	0.36082	557	137.6016	'PLANT X STATION - TOLK STATION EAST 230KV CKT 2'
13SP		2	G12_019	'PLANT X STATION - TOLK STATION WEST 230KV CKT 1'	TO->FROM	0.21921	557	104.9426	'PLANT X STATION - TOLK STATION EAST 230KV CKT 2'

Season	Scenario	Source	MontCommonName	Direction	TDF	Rating	Contingency		Contname
							Loading %		
13SP		0	G12_019	'PLANT X STATION - TOLK STATION WEST 230KV CKT 1'	TO->FROM	0.46821	557	128.5936	'TOLK STATION EAST - TOLK STATION TAP 230KV CKT 1'
13SP		0	G12_019	'PLANT X STATION - TOLK STATION WEST 230KV CKT 1'	TO->FROM	0.46821	557	126.9154	'TOLK STATION EAST - TOLK STATION TAP 230KV CKT 1'
13WP		0	G12_019	'PLANT X STATION - TOLK STATION WEST 230KV CKT 1'	TO->FROM	0.34932	555.9	131.2059	'PLANT X STATION - TOLK STATION EAST 230KV CKT 1'
13WP		0	G12_019	'PLANT X STATION - TOLK STATION WEST 230KV CKT 1'	TO->FROM	0.34932	555.9	129.9774	'PLANT X STATION - TOLK STATION EAST 230KV CKT 2'
13WP		0	G12_019	'PLANT X STATION - TOLK STATION WEST 230KV CKT 1'	TO->FROM	0.46662	555.9	124.0886	'TOLK STATION EAST - TOLK STATION TAP 230KV CKT 1'
13WP		0	G12_019	'PLANT X STATION - TOLK STATION WEST 230KV CKT 1'	TO->FROM	0.46662	555.9	122.407	'TOLK STATION EAST - TOLK STATION TAP 230KV CKT 1'
18SP		0	G12_019	'PLANT X STATION - TOLK STATION WEST 230KV CKT 1'	TO->FROM	0.36799	501.1	148.0542	'PLANT X STATION - TOLK STATION EAST 230KV CKT 2'
18SP		2	G12_019	'PLANT X STATION - TOLK STATION WEST 230KV CKT 1'	TO->FROM	0.22582	500.8	109.219	'PLANT X STATION - TOLK STATION EAST 230KV CKT 2'
18SP		0	G12_019	'PLANT X STATION - TOLK STATION WEST 230KV CKT 1'	TO->FROM	0.36799	501.1	146.5925	'PLANT X STATION - TOLK STATION EAST 230KV CKT 2'
18SP		2	G12_019	'PLANT X STATION - TOLK STATION WEST 230KV CKT 1'	TO->FROM	0.22582	500.8	108.2642	'PLANT X STATION - TOLK STATION EAST 230KV CKT 2'
18SP		0	G12_019	'PLANT X STATION - TOLK STATION WEST 230KV CKT 1'	TO->FROM	0.36799	501.1	103.8626	'PLANT X STATION - TOLK STATION EAST 230KV CKT 2'
18SP		0	G12_019	'PLANT X STATION - TOLK STATION WEST 230KV CKT 1'	TO->FROM	0.47158	501.1	146.3222	'TOLK STATION EAST - TOLK STATION TAP 230KV CKT 1'
18SP		0	G12_019	'PLANT X STATION - TOLK STATION WEST 230KV CKT 1'	TO->FROM	0.47158	501.1	144.4366	'TOLK STATION EAST - TOLK STATION TAP 230KV CKT 1'
18SP		0	G12_019	'PLANT X STATION - TOLK STATION WEST 230KV CKT 1'	TO->FROM	0.27639	501.1	108.4097	'TOLK STATION EAST - TUCO INTERCHANGE 230KV CKT 1'
18SP		0	G12_019	'PLANT X STATION - TOLK STATION WEST 230KV CKT 1'	TO->FROM	0.27639	501.1	107.2555	'TOLK STATION EAST - TUCO INTERCHANGE 230KV CKT 1'
18WP		0	G12_019	'PLANT X STATION - TOLK STATION WEST 230KV CKT 1'	TO->FROM	0.36021	557	139.5216	'PLANT X STATION - TOLK STATION EAST 230KV CKT 2'
18WP		2	G12_019	'PLANT X STATION - TOLK STATION WEST 230KV CKT 1'	TO->FROM	0.21848	556.9	106.9771	'PLANT X STATION - TOLK STATION EAST 230KV CKT 2'
18WP		0	G12_019	'PLANT X STATION - TOLK STATION WEST 230KV CKT 1'	TO->FROM	0.36021	557	138.2484	'PLANT X STATION - TOLK STATION EAST 230KV CKT 2'
18WP		2	G12_019	'PLANT X STATION - TOLK STATION WEST 230KV CKT 1'	TO->FROM	0.21848	556.9	106.158	'PLANT X STATION - TOLK STATION EAST 230KV CKT 2'
18WP		0	G12_019	'PLANT X STATION - TOLK STATION WEST 230KV CKT 1'	TO->FROM	0.36021	557	100.5384	'PLANT X STATION - TOLK STATION EAST 230KV CKT 2'
18WP		0	G12_019	'PLANT X STATION - TOLK STATION WEST 230KV CKT 1'	TO->FROM	0.46719	557	128.6034	'TOLK STATION EAST - TOLK STATION TAP 230KV CKT 1'
18WP		0	G12_019	'PLANT X STATION - TOLK STATION WEST 230KV CKT 1'	TO->FROM	0.46719	557	126.9307	'TOLK STATION EAST - TOLK STATION TAP 230KV CKT 1'
13G		0	G12_019	'SUNDOWN INTERCHANGE - WOLFFORTH INTERCHANGE 230KV CKT 1'	FROM->TO	0.20743	350.2	111.3863	'TOLK STATION EAST - TUCO INTERCHANGE 230KV CKT 1'
13G		0	G12_019	'TOLK STATION (ABBXNL844501) 345/230/13.2KV TRANSFORMER CKT 1'	FROM->TO	0.58434	554.5	100.1771	'AMOCO SWITCHING STATION - SUNDOWN INTERCHANGE 230KV CKT 1'
13G		0	G12_019	'TOLK STATION (ABBXNL844501) 345/230/13.2KV TRANSFORMER CKT 1'	FROM->TO	0.58434	554.5	102.6838	'AMOCO SWITCHING STATION - YOAKUM COUNTY INTERCHANGE 230KV CKT 1'
13G		0	G12_019	'TOLK STATION (ABBXNL844501) 345/230/13.2KV TRANSFORMER CKT 1'	FROM->TO	0.58434	556.9	102.2054	'AMOCO SWITCHING STATION - YOAKUM COUNTY INTERCHANGE 230KV CKT 1'
13G		0	G12_019	'TOLK STATION (ABBXNL844501) 345/230/13.2KV TRANSFORMER CKT 1'	FROM->TO	0.57	475.1	114.4751	'BASE CASE'
13G		0	G12_019	'TOLK STATION (ABBXNL844501) 345/230/13.2KV TRANSFORMER CKT 1'	FROM->TO	0.57	477.9	113.7625	'BASE CASE'
13G		0	G12_019	'TOLK STATION (ABBXNL844501) 345/230/13.2KV TRANSFORMER CKT 1'	FROM->TO	0.58074	554.5	100.3173	'BORDEN COUNTY INTERCHANGE - G12_001T 230.00 230KV CKT 1'
13G		0	G12_019	'TOLK STATION (ABBXNL844501) 345/230/13.2KV TRANSFORMER CKT 1'	FROM->TO	0.58074	554.5	100.3173	'BORDEN COUNTY INTERCHANGE (ABB LLS8862) 230/138/13.2KV TRANSFORMER CKT 1'
13G		0	G12_019	'TOLK STATION (ABBXNL844501) 345/230/13.2KV TRANSFORMER CKT 1'	FROM->TO	0.58074	554.5	100.3173	'CAPROCK REC-TATE - CAPROCK REC-VEALMOOR 138KV CKT 1'
13G		0	G12_019	'TOLK STATION (ABBXNL844501) 345/230/13.2KV TRANSFORMER CKT 1'	FROM->TO	0.57	554.5	102.5737	'Central Valley REC-12 Mile Hill - EDDY COUNTY INTERCHANGE 115KV CKT 1'
13G		0	G12_019	'TOLK STATION (ABBXNL844501) 345/230/13.2KV TRANSFORMER CKT 1'	FROM->TO	0.57	556.9	102.0957	'Central Valley REC-12 Mile Hill - EDDY COUNTY INTERCHANGE 115KV CKT 1'
13G		0	G12_019	'TOLK STATION (ABBXNL844501) 345/230/13.2KV TRANSFORMER CKT 1'	FROM->TO	1	554.5	184.202	'CHAVESCO 345.00 - EDDY COUNTY INTERCHANGE 345KV CKT 1'
13G		0	G12_019	'TOLK STATION (ABBXNL844501) 345/230/13.2KV TRANSFORMER CKT 1'	FROM->TO	1	556.9	183.3723	'CHAVESCO 345.00 - EDDY COUNTY INTERCHANGE 345KV CKT 1'
13G		0	G12_019	'TOLK STATION (ABBXNL844501) 345/230/13.2KV TRANSFORMER CKT 1'	FROM->TO	0.61117	554.5	103.5016	'CUNNINGHAM STATION - EDDY COUNTY INTERCHANGE 230KV CKT 1'
13G		0	G12_019	'TOLK STATION (ABBXNL844501) 345/230/13.2KV TRANSFORMER CKT 1'	FROM->TO	0.61117	556.9	103.0196	'CUNNINGHAM STATION - EDDY COUNTY INTERCHANGE 230KV CKT 1'
13G		0	G12_019	'TOLK STATION (ABBXNL844501) 345/230/13.2KV TRANSFORMER CKT 1'	FROM->TO	0.61237	554.5	102.654	'CUNNINGHAM STATION - LEA COUNTY INTERCHANGE 230KV CKT 1'
13G		0	G12_019	'TOLK STATION (ABBXNL844501) 345/230/13.2KV TRANSFORMER CKT 1'	FROM->TO	0.61237	556.9	102.1756	'CUNNINGHAM STATION - LEA COUNTY INTERCHANGE 230KV CKT 1'
13G		0	G12_019	'TOLK STATION (ABBXNL844501) 345/230/13.2KV TRANSFORMER CKT 1'	FROM->TO	0.7426	554.5	141.3002	'EDDY COUNTY INTERCHANGE - EDDY_NORTH 6230.00 230KV CKT 1'
13G		0	G12_019	'TOLK STATION (ABBXNL844501) 345/230/13.2KV TRANSFORMER CKT 1'	FROM->TO	0.7426	556.9	140.6553	'EDDY COUNTY INTERCHANGE - EDDY_NORTH 6230.00 230KV CKT 1'
13G		0	G12_019	'TOLK STATION (ABBXNL844501) 345/230/13.2KV TRANSFORMER CKT 1'	FROM->TO	0.58139	554.5	101.0515	'EDDY COUNTY INTERCHANGE - SEVEN RIVERS INTERCHANGE 230KV CKT 1'
13G		0	G12_019	'TOLK STATION (ABBXNL844501) 345/230/13.2KV TRANSFORMER CKT 1'	FROM->TO	0.58139	556.9	100.58	'EDDY COUNTY INTERCHANGE - SEVEN RIVERS INTERCHANGE 230KV CKT 1'
13G		0	G12_019	'TOLK STATION (ABBXNL844501) 345/230/13.2KV TRANSFORMER CKT 1'	FROM->TO	1	554.5	189.8956	'EDDY COUNTY INTERCHANGE (ABB AEM30711) 345/230/13.2KV TRANSFORMER CKT 1'
13G		0	G12_019	'TOLK STATION (ABBXNL844501) 345/230/13.2KV TRANSFORMER CKT 1'	FROM->TO	1	556.9	183.1748	'EDDY COUNTY INTERCHANGE (ABB AEM30711) 345/230/13.2KV TRANSFORMER CKT 1'
13G		0	G12_019	'TOLK STATION (ABBXNL844501) 345/230/13.2KV TRANSFORMER CKT 1'	FROM->TO	0.58074	554.5	102.7158	'G12_001T 230.00 - GRASSLAND INTERCHANGE 230KV CKT 1'
13G		0	G12_019	'TOLK STATION (ABBXNL844501) 345/230/13.2KV TRANSFORMER CKT 1'	FROM->TO	0.58074	556.9	102.2373	'G12_001T 230.00 - GRASSLAND INTERCHANGE 230KV CKT 1'
13G		0	G12_019	'TOLK STATION (ABBXNL844501) 345/230/13.2KV TRANSFORMER CKT 1'	FROM->TO	0.58074	554.5	100.3353	'HOBBS INTERCHANGE - MIDLAND COUNTY INTERCHANGE 230KV CKT 1'
13G		0	G12_019	'TOLK STATION (ABBXNL844501) 345/230/13.2KV TRANSFORMER CKT 1'	FROM->TO	0.60328	554.5	102.1841	'LEA COUNTY INTERCHANGE - YOAKUM COUNTY INTERCHANGE 230KV CKT 1'
13G		0	G12_019	'TOLK STATION (ABBXNL844501) 345/230/13.2KV TRANSFORMER CKT 1'	FROM->TO	0.60328	556.9	101.7079	'LEA COUNTY INTERCHANGE - YOAKUM COUNTY INTERCHANGE 230KV CKT 1'
13G		0	G12_019	'TOLK STATION (ABBXNL844501) 345/230/13.2KV TRANSFORMER CKT 1'	FROM->TO	0.58074	554.5	100.3353	'MIDLAND COUNTY INTERCHANGE (ABB LLS8861) 230/138/13.2KV TRANSFORMER CKT 1'
13G		0	G12_019	'TOLK STATION (ABBXNL844501) 345/230/13.2KV TRANSFORMER CKT 1'	FROM->TO	0.58433	554.5	100.1885	'OASIS INTERCHANGE - Roosevelt County interchange SWITCH #4K33 230KV CKT 1'
13G		0	G12_019	'TOLK STATION (ABBXNL844501) 345/230/13.2KV TRANSFORMER CKT 1'	FROM->TO	0.63109	554.5	113.5538	'OASIS INTERCHANGE - SAN JUAN MESA TAP 230KV CKT 1'
13G		0	G12_019	'TOLK STATION (ABBXNL844501) 345/230/13.2KV TRANSFORMER CKT 1'	FROM->TO	0.63109	556.9	113.0285	'OASIS INTERCHANGE - SAN JUAN MESA TAP 230KV CKT 1'
13G		0	G12_019	'TOLK STATION (ABBXNL844501) 345/230/13.2KV TRANSFORMER CKT 1'	FROM->TO	0.57	554.5	101.0091	'TOLK STATION EAST 230/24.0KV TRANSFORMER CKT 1'
13G		0	G12_019	'TOLK STATION (ABBXNL844501) 345/230/13.2KV TRANSFORMER CKT 1'	FROM->TO	0.57	556.9	100.5379	'TOLK STATION EAST 230/24.0KV TRANSFORMER CKT 1'
13G		0	G12_019	'TOLK STATION (ABBXNL844501) 345/230/13.2KV TRANSFORMER CKT 1'	FROM->TO	0.57	554.5	101.1989	'TOLK STATION WEST 230/24.0KV TRANSFORMER CKT 1'
13G		0	G12_019	'TOLK STATION (ABBXNL844501) 345/230/13.2KV TRANSFORMER CKT 1'	FROM->TO	0.57	556.9	100.7448	'TOLK STATION WEST 230/24.0KV TRANSFORMER CKT 1'
13SP		0	G12_019	'TOLK STATION (ABBXNL844501) 345/230/13.2KV TRANSFORMER CKT 1'	FROM->TO	0.58103	554.8	102.5762	'AMOCO SWITCHING STATION - YOAKUM COUNTY INTERCHANGE 230KV CKT 1'
13SP		0	G12_019	'TOLK STATION (ABBXNL844501) 345/230/13.2KV TRANSFORMER CKT 1'	FROM->TO	0.58103	555.1	102.5028	'AMOCO SWITCHING STATION - YOAKUM COUNTY INTERCHANGE 230KV CKT 1'
13SP		0	G12_019	'TOLK STATION (ABBXNL844501) 345/230/13.2KV TRANSFORMER CKT 1'	FROM->TO	0.58103	554.8	101.1493	'AMOCO SWITCHING STATION - YOAKUM COUNTY INTERCHANGE 230KV CKT 1'
13SP		0	G12_019	'TOLK STATION (ABBXNL844501) 345/230/13.2KV TRANSFORMER CKT 1'	FROM->TO	0.58103	555.1	101.0766	'AMOCO SWITCHING STATION - YOAKUM COUNTY INTERCHANGE 230KV CKT 1'
13SP		0	G12_019	'TOLK STATION (ABBXNL844501) 345/230/13.2KV TRANSFORMER CKT 1'	FROM->TO	0.56736	554.8	100.3786	'ARTESIA INTERCHANGE - EAGLE_CREEK3115.00 115KV CKT 1'
13SP		0	G12_019	'TOLK STATION (ABBXNL844501) 345/230/13.2KV TRANSFORMER CKT 1'	FROM->TO	0.56736	555.1	100.3063	'ARTESIA INTERCHANGE - EAGLE_CREEK3115.00 115KV CKT 1'
13SP		0	G12_019	'TOLK STATION (ABBXNL844501) 345/230/13.2KV TRANSFORMER CKT 1'	FROM->TO	0.56736	554.8	105.2813	'Central Valley REC-12 Mile Hill - EDDY COUNTY INTERCHANGE 115KV CKT 1'
13SP		0	G12_019	'TOLK STATION (ABBXNL844501) 345/230/13.2KV TRANSFORMER CKT 1'	FROM->TO	0.56736	555.1	105.2064	'Central Valley REC-12 Mile Hill - EDDY COUNTY INTERCHANGE 115KV CKT 1'
13SP		0	G12_019	'TOLK STATION (ABBXNL844501) 345/230/13.2KV TRANSFORMER CKT 1'	FROM->TO	0.56736	554.8	104.0004	'Central Valley REC-12 Mile Hill - EDDY COUNTY INTERCHANGE 115KV CKT 1'
13SP		0	G12_019	'TOLK STATION (ABBXNL844501) 345/230/13.2KV TRANSFORMER CKT 1'	FROM->TO	0.56736	555.1	103.9262	'Central Valley REC-12 Mile Hill - EDDY COUNTY INTERCHANGE 115KV CKT 1'
13SP		0	G12_019	'TOLK STATION (ABBXNL844501) 345/230/13.2KV TRANSFORMER CKT 1'	FROM->TO	0.60095	554.8	105.2801	'CHAVES COUNTY INTERCHANGE - EDDY_NORTH 6230.00 230KV CKT 1'
13SP		0	G12_019	'TOLK STATION (ABBXNL844501) 345/230/13.2KV TRANSFORMER CKT 1'	FROM->TO	0.60095	555.1	105.2052	'CHAVES COUNTY INTERCHANGE - EDDY_NORTH 6230.00 230KV CKT 1'
13SP		0	G12_019	'TOLK STATION (ABBXNL844501) 345/230/13.2KV TRANSFORMER CKT 1'	FROM->TO	0.60095	554.8	103.8378	'CHAVES COUNTY INTERCHANGE - EDDY_NORTH 6230.00 230KV CKT 1'
13SP		0	G12_019	'TOLK STATION (ABBXNL844501) 345/230/13.2KV TRANSFORMER CKT 1'	FROM->TO	0.60095	555.1	103.7637	'CHAVES COUNTY INTERCHANGE - EDDY_NORTH 6230.00 230KV CKT 1'
13SP		0	G12_019	'TOLK STATION (ABBXNL844501) 345/230/13.2KV TRANSFORMER CKT 1'	FROM->TO	0.62923	554.8	101.1184	'CHAVES COUNTY INTERCHANGE - SAN JUAN MESA TAP 230KV CKT 1'
13SP		0	G12_019	'TOLK STATION (ABBXNL844501) 345/230/13.2KV TRANSFORMER CKT 1'	FROM->TO	0.62923	555.1	101.0458	'CHAVES COUNTY INTERCHANGE - SAN JUAN MESA TAP 230KV CKT 1'

Season	Scenario	Source	MontCommonName	Direction	TDF	Rating	Contingency		Contname
							Loading %		
18WP		0 G12_019	'TOLK STATION (ABBXNL844501) 345/230/13.2KV TRANSFORMER CKT 1'	FROM->TO	0.59833	555.1	100.8538	'HOBBS INTERCHANGE - YOAKUM COUNTY INTERCHANGE 230KV CKT 1'	
18WP		0 G12_019	'TOLK STATION (ABBXNL844501) 345/230/13.2KV TRANSFORMER CKT 1'	FROM->TO	0.6286	554.8	103.922	'OASIS INTERCHANGE - SAN JUAN MESA TAP 230KV CKT 1'	
18WP		0 G12_019	'TOLK STATION (ABBXNL844501) 345/230/13.2KV TRANSFORMER CKT 1'	FROM->TO	0.6286	555.1	103.8298	'OASIS INTERCHANGE - SAN JUAN MESA TAP 230KV CKT 1'	
18WP		0 G12_019	'TOLK STATION (ABBXNL844501) 345/230/13.2KV TRANSFORMER CKT 1'	FROM->TO	0.6286	554.8	102.2972	'OASIS INTERCHANGE - SAN JUAN MESA TAP 230KV CKT 1'	
18WP		0 G12_019	'TOLK STATION (ABBXNL844501) 345/230/13.2KV TRANSFORMER CKT 1'	FROM->TO	0.6286	555.1	102.2059	'OASIS INTERCHANGE - SAN JUAN MESA TAP 230KV CKT 1'	
18WP		0 G12_019	'TOLK STATION (ABBXNL844501) 345/230/13.2KV TRANSFORMER CKT 1'	FROM->TO	0.56687	554.8	100.1213	'TOLK STATION EAST 230/24.0KV TRANSFORMER CKT 1'	
18WP		0 G12_019	'TOLK STATION (ABBXNL844501) 345/230/13.2KV TRANSFORMER CKT 1'	FROM->TO	0.56687	555.1	100.0312	'TOLK STATION EAST 230/24.0KV TRANSFORMER CKT 1'	
18WP		0 G12_019	'TOLK STATION (ABBXNL844501) 345/230/13.2KV TRANSFORMER CKT 1'	FROM->TO	0.56687	554.8	100.3806	'TOLK STATION WEST 230/24.0KV TRANSFORMER CKT 1'	
18WP		0 G12_019	'TOLK STATION (ABBXNL844501) 345/230/13.2KV TRANSFORMER CKT 1'	FROM->TO	0.56687	555.1	100.3083	'TOLK STATION WEST 230/24.0KV TRANSFORMER CKT 1'	
13G		0 G12_019	'TOLK STATION EAST - TOLK STATION TAP 230KV CKT 1'	TO->FROM	0.55513	610	128.344	'PLANT X STATION - TOLK STATION WEST 230KV CKT 1'	
13SP		0 G12_019	'TOLK STATION EAST - TOLK STATION TAP 230KV CKT 1'	TO->FROM	0.54784	663.6	115.4249	'PLANT X STATION - TOLK STATION WEST 230KV CKT 1'	
13SP		0 G12_019	'TOLK STATION EAST - TOLK STATION TAP 230KV CKT 1'	TO->FROM	0.54784	663.6	113.784	'PLANT X STATION - TOLK STATION WEST 230KV CKT 1'	
13WP		0 G12_019	'TOLK STATION EAST - TOLK STATION TAP 230KV CKT 1'	TO->FROM	0.55251	663.9	112.8882	'PLANT X STATION - TOLK STATION WEST 230KV CKT 1'	
13WP		0 G12_019	'TOLK STATION EAST - TOLK STATION TAP 230KV CKT 1'	TO->FROM	0.55251	663.9	111.2246	'PLANT X STATION - TOLK STATION WEST 230KV CKT 1'	
18SP		0 G12_019	'TOLK STATION EAST - TOLK STATION TAP 230KV CKT 1'	TO->FROM	0.54966	609.8	101.445	'CHAVESCO 345.00 - EDDY COUNTY INTERCHANGE 345KV CKT 1'	
18SP		0 G12_019	'TOLK STATION EAST - TOLK STATION TAP 230KV CKT 1'	TO->FROM	0.54966	609.8	100.7563	'CHAVESCO 345.00 - EDDY COUNTY INTERCHANGE 345KV CKT 1'	
18SP		0 G12_019	'TOLK STATION EAST - TOLK STATION TAP 230KV CKT 1'	TO->FROM	0.54966	609.8	101.4282	'EDDY COUNTY INTERCHANGE (ABB AEM30711) 345/230/13.2KV TRANSFORMER CKT 1'	
18SP		0 G12_019	'TOLK STATION EAST - TOLK STATION TAP 230KV CKT 1'	TO->FROM	0.54966	609.8	100.7399	'EDDY COUNTY INTERCHANGE (ABB AEM30711) 345/230/13.2KV TRANSFORMER CKT 1'	
18SP		0 G12_019	'TOLK STATION EAST - TOLK STATION TAP 230KV CKT 1'	TO->FROM	0.55036	609.8	131.1631	'PLANT X STATION - TOLK STATION WEST 230KV CKT 1'	
18SP		0 G12_019	'TOLK STATION EAST - TOLK STATION TAP 230KV CKT 1'	TO->FROM	0.55036	609.8	129.3635	'PLANT X STATION - TOLK STATION WEST 230KV CKT 1'	
18SP		0 G12_019	'TOLK STATION EAST - TOLK STATION TAP 230KV CKT 1'	TO->FROM	0.36641	609.8	101.4481	'TOLK STATION EAST 230/24.0KV TRANSFORMER CKT 1'	
18SP		0 G12_019	'TOLK STATION EAST - TOLK STATION TAP 230KV CKT 1'	TO->FROM	0.36641	609.8	100.2943	'TOLK STATION EAST 230/24.0KV TRANSFORMER CKT 1'	
18WP		0 G12_019	'TOLK STATION EAST - TOLK STATION TAP 230KV CKT 1'	TO->FROM	0.54663	663.6	115.2515	'PLANT X STATION - TOLK STATION WEST 230KV CKT 1'	
18WP		0 G12_019	'TOLK STATION EAST - TOLK STATION TAP 230KV CKT 1'	TO->FROM	0.54663	663.6	113.6162	'PLANT X STATION - TOLK STATION WEST 230KV CKT 1'	
13G		0 G12_019	'TUCO INTERCHANGE 230KV CKT 1'	FROM->TO	0.26428	501.3	100.2083	'CHAVESCO 345.00 - EDDY COUNTY INTERCHANGE 345KV CKT 1'	
13G		0 G12_019	'TOLK STATION EAST - TUCO INTERCHANGE 230KV CKT 1'	FROM->TO	0.26428	501.3	100.1884	'EDDY COUNTY INTERCHANGE (ABB AEM30711) 345/230/13.2KV TRANSFORMER CKT 1'	
13G		0 G12_019	'TOLK STATION EAST - TUCO INTERCHANGE 230KV CKT 1'	FROM->TO	0.25836	501.3	104.5544	'SUNDOWN INTERCHANGE - WOLFFORTH INTERCHANGE 230KV CKT 1'	
13G		0 G12_019	'TUCO INTERCHANGE (GE M1022338) 345/230/13.2KV TRANSFORMER CKT 1'	FROM->TO	0.40792	559.9	144.632	'TUCO INTERCHANGE (UPDATE DATA) 345/230/13.2KV TRANSFORMER CKT 2'	
13G		0 G12_019	'TUCO INTERCHANGE (GE M1022338) 345/230/13.2KV TRANSFORMER CKT 1'	FROM->TO	0.40792	560	144.5705	'TUCO INTERCHANGE (UPDATE DATA) 345/230/13.2KV TRANSFORMER CKT 2'	
13SP		0 G12_019	'TUCO INTERCHANGE (GE M1022338) 345/230/13.2KV TRANSFORMER CKT 1'	FROM->TO	0.34581	559	108.837	'TUCO INTERCHANGE (UPDATE DATA) 345/230/13.2KV TRANSFORMER CKT 2'	
13SP		0 G12_019	'TUCO INTERCHANGE (GE M1022338) 345/230/13.2KV TRANSFORMER CKT 1'	FROM->TO	0.34581	559.2	108.7802	'TUCO INTERCHANGE (UPDATE DATA) 345/230/13.2KV TRANSFORMER CKT 2'	
13SP		0 G12_019	'TUCO INTERCHANGE (GE M1022338) 345/230/13.2KV TRANSFORMER CKT 1'	FROM->TO	0.34581	559	106.9665	'TUCO INTERCHANGE (UPDATE DATA) 345/230/13.2KV TRANSFORMER CKT 2'	
13SP		0 G12_019	'TUCO INTERCHANGE (GE M1022338) 345/230/13.2KV TRANSFORMER CKT 1'	FROM->TO	0.34581	559.2	106.9103	'TUCO INTERCHANGE (UPDATE DATA) 345/230/13.2KV TRANSFORMER CKT 2'	
13WP		0 G12_019	'TUCO INTERCHANGE (GE M1022338) 345/230/13.2KV TRANSFORMER CKT 1'	FROM->TO	0.39762	558.1	122.1047	'TUCO INTERCHANGE (UPDATE DATA) 345/230/13.2KV TRANSFORMER CKT 2'	
13WP		0 G12_019	'TUCO INTERCHANGE (GE M1022338) 345/230/13.2KV TRANSFORMER CKT 1'	FROM->TO	0.39762	559.8	121.6982	'TUCO INTERCHANGE (UPDATE DATA) 345/230/13.2KV TRANSFORMER CKT 2'	
13WP		0 G12_019	'TUCO INTERCHANGE (GE M1022338) 345/230/13.2KV TRANSFORMER CKT 1'	FROM->TO	0.39762	558.1	119.8998	'TUCO INTERCHANGE (UPDATE DATA) 345/230/13.2KV TRANSFORMER CKT 2'	
13WP		0 G12_019	'TUCO INTERCHANGE (GE M1022338) 345/230/13.2KV TRANSFORMER CKT 1'	FROM->TO	0.39762	559.8	119.5	'TUCO INTERCHANGE (UPDATE DATA) 345/230/13.2KV TRANSFORMER CKT 2'	
18WP		0 G12_019	'TUCO INTERCHANGE (GE M1022338) 345/230/13.2KV TRANSFORMER CKT 1'	FROM->TO	0.34536	558.7	111.1255	'TUCO INTERCHANGE (UPDATE DATA) 345/230/13.2KV TRANSFORMER CKT 2'	
18WP		0 G12_019	'TUCO INTERCHANGE (GE M1022338) 345/230/13.2KV TRANSFORMER CKT 1'	FROM->TO	0.34536	559	111.0301	'TUCO INTERCHANGE (UPDATE DATA) 345/230/13.2KV TRANSFORMER CKT 2'	
18WP		0 G12_019	'TUCO INTERCHANGE (GE M1022338) 345/230/13.2KV TRANSFORMER CKT 1'	FROM->TO	0.34536	558.7	109.2545	'TUCO INTERCHANGE (UPDATE DATA) 345/230/13.2KV TRANSFORMER CKT 2'	
18WP		0 G12_019	'TUCO INTERCHANGE (GE M1022338) 345/230/13.2KV TRANSFORMER CKT 1'	FROM->TO	0.34536	559	109.1601	'TUCO INTERCHANGE (UPDATE DATA) 345/230/13.2KV TRANSFORMER CKT 2'	
13G		0 G12_019	'TUCO INTERCHANGE (UPDATE DATA) 345/230/13.2KV TRANSFORMER CKT 2'	FROM->TO	0.39873	559.9	141.3748	'TUCO INTERCHANGE (GE M1022338) 345/230/13.2KV TRANSFORMER CKT 1'	
13G		0 G12_019	'TUCO INTERCHANGE (UPDATE DATA) 345/230/13.2KV TRANSFORMER CKT 2'	FROM->TO	0.39873	560	141.3139	'TUCO INTERCHANGE (GE M1022338) 345/230/13.2KV TRANSFORMER CKT 1'	
13SP		0 G12_019	'TUCO INTERCHANGE (UPDATE DATA) 345/230/13.2KV TRANSFORMER CKT 2'	FROM->TO	0.33166	559.3	104.3297	'TUCO INTERCHANGE (GE M1022338) 345/230/13.2KV TRANSFORMER CKT 1'	
13SP		0 G12_019	'TUCO INTERCHANGE (UPDATE DATA) 345/230/13.2KV TRANSFORMER CKT 2'	FROM->TO	0.33166	559.5	104.2745	'TUCO INTERCHANGE (GE M1022338) 345/230/13.2KV TRANSFORMER CKT 1'	
13SP		0 G12_019	'TUCO INTERCHANGE (UPDATE DATA) 345/230/13.2KV TRANSFORMER CKT 2'	FROM->TO	0.33166	559.3	102.5359	'TUCO INTERCHANGE (GE M1022338) 345/230/13.2KV TRANSFORMER CKT 1'	
13SP		0 G12_019	'TUCO INTERCHANGE (UPDATE DATA) 345/230/13.2KV TRANSFORMER CKT 2'	FROM->TO	0.33166	559.5	102.4814	'TUCO INTERCHANGE (GE M1022338) 345/230/13.2KV TRANSFORMER CKT 1'	
13WP		0 G12_019	'TUCO INTERCHANGE (UPDATE DATA) 345/230/13.2KV TRANSFORMER CKT 2'	FROM->TO	0.38861	559.4	119.0493	'TUCO INTERCHANGE (GE M1022338) 345/230/13.2KV TRANSFORMER CKT 1'	
13WP		0 G12_019	'TUCO INTERCHANGE (UPDATE DATA) 345/230/13.2KV TRANSFORMER CKT 2'	FROM->TO	0.38861	559.5	118.9923	'TUCO INTERCHANGE (GE M1022338) 345/230/13.2KV TRANSFORMER CKT 1'	
13WP		0 G12_019	'TUCO INTERCHANGE (UPDATE DATA) 345/230/13.2KV TRANSFORMER CKT 2'	FROM->TO	0.38861	559.4	116.8995	'TUCO INTERCHANGE (GE M1022338) 345/230/13.2KV TRANSFORMER CKT 1'	
13WP		0 G12_019	'TUCO INTERCHANGE (UPDATE DATA) 345/230/13.2KV TRANSFORMER CKT 2'	FROM->TO	0.38861	559.5	116.8428	'TUCO INTERCHANGE (GE M1022338) 345/230/13.2KV TRANSFORMER CKT 1'	
18WP		0 G12_019	'TUCO INTERCHANGE (UPDATE DATA) 345/230/13.2KV TRANSFORMER CKT 2'	FROM->TO	0.33123	559.2	106.4691	'TUCO INTERCHANGE (GE M1022338) 345/230/13.2KV TRANSFORMER CKT 1'	
18WP		0 G12_019	'TUCO INTERCHANGE (UPDATE DATA) 345/230/13.2KV TRANSFORMER CKT 2'	FROM->TO	0.33123	559.4	106.4131	'TUCO INTERCHANGE (GE M1022338) 345/230/13.2KV TRANSFORMER CKT 1'	
18WP		0 G12_019	'TUCO INTERCHANGE (UPDATE DATA) 345/230/13.2KV TRANSFORMER CKT 2'	FROM->TO	0.33123	559.2	104.6773	'TUCO INTERCHANGE (GE M1022338) 345/230/13.2KV TRANSFORMER CKT 1'	
18WP		0 G12_019	'TUCO INTERCHANGE (UPDATE DATA) 345/230/13.2KV TRANSFORMER CKT 2'	FROM->TO	0.33123	559.4	104.622	'TUCO INTERCHANGE (GE M1022338) 345/230/13.2KV TRANSFORMER CKT 1'	
18SP		0 G12_022	'AMOCO SWITCHING STATION - YOAKUM COUNTY INTERCHANGE 230KV CKT 1'	TO->FROM	0.25665	350.9	121.8692	'G-12-043-TAP345.00 - TOLK STATION 345KV CKT 1'	
18SP		0 G12_022	'AMOCO SWITCHING STATION - YOAKUM COUNTY INTERCHANGE 230KV CKT 1'	TO->FROM	0.25665	350.9	121.8692	'TOLK STATION (ABBXNL844501) 345/230/13.2KV TRANSFORMER CKT 1'	
13WP		0 G12_022	'BUFFALO 230.00 - BUSHLAND INTERCHANGE 230KV CKT 1'	FROM->TO	0.20023	359.5	105.8786	'LAWTON EASTSIDE - OKLAUNION 345KV CKT 1'	
13WP		0 G12_022	'BUFFALO 230.00 - BUSHLAND INTERCHANGE 230KV CKT 1'	FROM->TO	0.22569	359.5	101.7056	'POTTER COUNTY INTERCHANGE - S-RANDLCO 230.00 230KV CKT 1'	
13WP		0 G12_022	'DEAF SMITH COUNTY INTERCHANGE - PLANT X STATION 230KV CKT 1'	TO->FROM	0.20093	360.9	110.7077	'PLANT X STATION - S-RANDLCO 230.00 230KV CKT 1'	
13WP		0 G12_022	'DEAF SMITH COUNTY INTERCHANGE - PLANT X STATION 230KV CKT 1'	TO->FROM	0.20093	360.9	113.0907	'POTTER COUNTY INTERCHANGE - S-RANDLCO 230.00 230KV CKT 1'	
13G		0 G12_022	'G-12-043-TAP345.00 - TOLK STATION 345KV CKT 1'	FROM->TO	0.26779	554.5	100.1771	'AMOCO SWITCHING STATION - SUNDOWN INTERCHANGE 230KV CKT 1'	
13G		0 G12_022	'G-12-043-TAP345.00 - TOLK STATION 345KV CKT 1'	FROM->TO	0.26779	554.5	102.6658	'AMOCO SWITCHING STATION - YOAKUM COUNTY INTERCHANGE 230KV CKT 1'	
13G		0 G12_022	'G-12-043-TAP345.00 - TOLK STATION 345KV CKT 1'	FROM->TO	0.2576	554.5	100.3173	'BORDEN COUNTY INTERCHANGE - G12_001T 230.00 230KV CKT 1'	
13G		0 G12_022	'G-12-043-TAP345.00 - TOLK STATION 345KV CKT 1'	FROM->TO	0.2576	554.5	100.3173	'BORDEN COUNTY INTERCHANGE (ABB LLS8862) 230/138/13.2KV TRANSFORMER CKT 1'	
13G		0 G12_022	'G-12-043-TAP345.00 - TOLK STATION 345KV CKT 1'	FROM->TO	0.2576	554.5	100.3173	'CAPROCK REC-TATE - CAPROCK REC-VEALMOOR 138KV CKT 1'	
13G		0 G12_022	'G-12-043-TAP345.00 - TOLK STATION 345KV CKT 1'	FROM->TO	0.24008	554.5	102.5557	'Central Valley REC-12 Mile Hill - EDDY COUNTY INTERCHANGE 115KV CKT 1'	
13G		0 G12_022	'G-12-043-TAP345.00 - TOLK STATION 345KV CKT 1'	FROM->TO	0.22182	554.5	103.5016	'CUNNINGHAM STATION - EDDY COUNTY INTERCHANGE 230KV CKT 1'	
13G		0 G12_022	'G-12-043-TAP345.00 - TOLK STATION 345KV CKT 1'	FROM->TO	0.26656	554.5	102.6359	'CUNNINGHAM STATION - LEA COUNTY INTERCHANGE 230KV CKT 1'	
13G		0 G12_022	'G-12-043-TAP345.00 - TOLK STATION 345KV CKT 1'	FROM->TO	0.22118	554.5	101.0334	'EDDY COUNTY INTERCHANGE - SEVEN RIVERS INTERCHANGE 230KV CKT 1'	
13G		0 G12_022	'G-12-043-TAP345.00 - TOLK STATION 345KV CKT 1'	FROM->TO	0.2576	554.5	102.7158	'G12_001T 230.00 - GRASSLAND INTERCHANGE 230KV CKT 1'	
13G		0 G12_022	'G-12-043-TAP345.00 - TOLK STATION 345KV CKT 1'	FROM->TO	0.2576	554.5	100.3353	'HOBBS INTERCHANGE - MIDLAND COUNTY INTERCHANGE 230KV CKT 1'	
13G		0 G12_022	'G-12-043-TAP345.00 - TOLK STATION 345KV CKT 1'	FROM->TO	0.29913	554.5	102.1661	'LEA COUNTY INTERCHANGE - YOAKUM COUNTY INTERCHANGE 230KV CKT 1'	
13G		0 G12_022	'G-12-043-TAP345.00 - TOLK STATION 345KV CKT 1'	FROM->TO	0.2576	554.5	100.3353	'MIDLAND COUNTY INTERCHANGE (ABB LLS8861) 230/138/13.2KV TRANSFORMER CKT 1'	

Season	Scenario	Source	MontCommonName	Direction	TDF	Rating	Contingency		Contname
							Loading %		
13G		0 G12_022	'G-12-043-TAP345.00 - TOLK STATION 345KV CKT 1'	FROM->TO	0.25543	554.5	100.1885		'OASIS INTERCHANGE - Roosevelt County Interchange SWITCH #4K33 230KV CKT 1'
13G		0 G12_022	'G-12-043-TAP345.00 - TOLK STATION 345KV CKT 1'	FROM->TO	0.30399	554.5	113.5358		'OASIS INTERCHANGE - SAN JUAN MESA TAP 230KV CKT 1'
13G		0 G12_022	'G-12-043-TAP345.00 - TOLK STATION 345KV CKT 1'	FROM->TO	0.24008	554.5	100.9911		'TOLK STATION EAST 230/24.0KV TRANSFORMER CKT 1'
13G		0 G12_022	'G-12-043-TAP345.00 - TOLK STATION 345KV CKT 1'	FROM->TO	0.24008	554.5	101.1989		'TOLK STATION WEST 230/24.0KV TRANSFORMER CKT 1'
13SP		0 G12_022	'G-12-043-TAP345.00 - TOLK STATION 345KV CKT 1'	FROM->TO	0.26396	554.8	102.5762		'AMOCO SWITCHING STATION - YOAKUM COUNTY INTERCHANGE 230KV CKT 1'
13SP		0 G12_022	'G-12-043-TAP345.00 - TOLK STATION 345KV CKT 1'	FROM->TO	0.23694	554.8	100.3786		'ARTESIA INTERCHANGE - EAGLE CREEK3115.00 115KV CKT 1'
13SP		0 G12_022	'G-12-043-TAP345.00 - TOLK STATION 345KV CKT 1'	FROM->TO	0.23694	554.8	105.2813		'Central Valley REC-12 Mile Hill - EDDY COUNTY INTERCHANGE 115KV CKT 1'
13SP		0 G12_022	'G-12-043-TAP345.00 - TOLK STATION 345KV CKT 1'	FROM->TO	0.26671	554.8	105.2801		'CHAVES COUNTY INTERCHANGE - EDDY NORTH 6230.00 230KV CKT 1'
13SP		0 G12_022	'G-12-043-TAP345.00 - TOLK STATION 345KV CKT 1'	FROM->TO	0.3013	554.8	101.1184		'CHAVES COUNTY INTERCHANGE - SAN JUAN MESA TAP 230KV CKT 1'
13SP		0 G12_022	'G-12-043-TAP345.00 - TOLK STATION 345KV CKT 1'	FROM->TO	0.23694	554.8	100.1082		'EAGLE_CREEK3115.00 - NAVAJO_2TP 3115.00 115KV CKT 1'
13SP		0 G12_022	'G-12-043-TAP345.00 - TOLK STATION 345KV CKT 1'	FROM->TO	0.21817	554.8	100.5514		'EDDY COUNTY INTERCHANGE - SEVEN RIVERS INTERCHANGE 230KV CKT 1'
13SP		0 G12_022	'G-12-043-TAP345.00 - TOLK STATION 345KV CKT 1'	FROM->TO	0.2542	554.8	100.305		'G12_001T 230.00 - GRASSLAND INTERCHANGE 230KV CKT 1'
13SP		0 G12_022	'G-12-043-TAP345.00 - TOLK STATION 345KV CKT 1'	FROM->TO	0.2542	554.8	100.0346		'HOBBS INTERCHANGE - MIDLAND COUNTY INTERCHANGE 230KV CKT 1'
13SP		0 G12_022	'G-12-043-TAP345.00 - TOLK STATION 345KV CKT 1'	FROM->TO	0.29414	554.8	103.5294		'HOBBS INTERCHANGE - YOAKUM COUNTY INTERCHANGE 230KV CKT 1'
13SP		0 G12_022	'G-12-043-TAP345.00 - TOLK STATION 345KV CKT 1'	FROM->TO	0.24326	554.8	100.2099		'JONES STATION - TUCO INTERCHANGE 230KV CKT 1'
13SP		0 G12_022	'G-12-043-TAP345.00 - TOLK STATION 345KV CKT 1'	FROM->TO	0.2542	554.8	100.0346		'MIDLAND COUNTY INTERCHANGE (ABB LLL58861) 230/138/13.2KV TRANSFORMER CKT 1'
13SP		0 G12_022	'G-12-043-TAP345.00 - TOLK STATION 345KV CKT 1'	FROM->TO	0.3013	554.8	105.5164		'OASIS INTERCHANGE - SAN JUAN MESA TAP 230KV CKT 1'
13SP		0 G12_022	'G-12-043-TAP345.00 - TOLK STATION 345KV CKT 1'	FROM->TO	0.23739	554.8	100.7728		'SPP-SWPS-T14'
13SP		0 G12_022	'G-12-043-TAP345.00 - TOLK STATION 345KV CKT 1'	FROM->TO	0.23636	554.8	100.1595		'SPP-SWPS-T43'
13SP		0 G12_022	'G-12-043-TAP345.00 - TOLK STATION 345KV CKT 1'	FROM->TO	0.23694	554.8	101.0031		'TOLK STATION EAST 230/24.0KV TRANSFORMER CKT 1'
13SP		0 G12_022	'G-12-043-TAP345.00 - TOLK STATION 345KV CKT 1'	FROM->TO	0.23694	554.8	101.2443		'TOLK STATION WEST 230/24.0KV TRANSFORMER CKT 1'
13WP		0 G12_022	'G-12-043-TAP345.00 - TOLK STATION 345KV CKT 1'	FROM->TO	0.26474	552.7	103.1547		'AMOCO SWITCHING STATION - YOAKUM COUNTY INTERCHANGE 230KV CKT 1'
13WP		0 G12_022	'G-12-043-TAP345.00 - TOLK STATION 345KV CKT 1'	FROM->TO	0.23727	552.7	101.6178		'ARTESIA INTERCHANGE - EAGLE CREEK3115.00 115KV CKT 1'
13WP		0 G12_022	'G-12-043-TAP345.00 - TOLK STATION 345KV CKT 1'	FROM->TO	0.25472	552.7	101.5671		'BORDEN COUNTY INTERCHANGE (ABB LLS8862) 230/138/13.2KV TRANSFORMER CKT 1'
13WP		0 G12_022	'G-12-043-TAP345.00 - TOLK STATION 345KV CKT 1'	FROM->TO	0.23727	552.7	104.2413		'Central Valley REC-12 Mile Hill - EDDY COUNTY INTERCHANGE 115KV CKT 1'
13WP		0 G12_022	'G-12-043-TAP345.00 - TOLK STATION 345KV CKT 1'	FROM->TO	0.26631	552.7	107.3628		'CHAVES COUNTY INTERCHANGE - EDDY NORTH 6230.00 230KV CKT 1'
13WP		0 G12_022	'G-12-043-TAP345.00 - TOLK STATION 345KV CKT 1'	FROM->TO	0.30062	552.7	102.3926		'CHAVES COUNTY INTERCHANGE - SAN JUAN MESA TAP 230KV CKT 1'
13WP		0 G12_022	'G-12-043-TAP345.00 - TOLK STATION 345KV CKT 1'	FROM->TO	0.26251	552.7	102.4299		'CUNNINGHAM STATION - HOBBS INTERCHANGE 230KV CKT 1'
13WP		0 G12_022	'G-12-043-TAP345.00 - TOLK STATION 345KV CKT 1'	FROM->TO	0.21857	552.7	102.045		'EDDY COUNTY INTERCHANGE - SEVEN RIVERS INTERCHANGE 230KV CKT 1'
13WP		0 G12_022	'G-12-043-TAP345.00 - TOLK STATION 345KV CKT 1'	FROM->TO	0.25472	552.7	101.8385		'G12_001T 230.00 - GRASSLAND INTERCHANGE 230KV CKT 1'
13WP		0 G12_022	'G-12-043-TAP345.00 - TOLK STATION 345KV CKT 1'	FROM->TO	0.25472	552.7	101.5671		'HOBBS INTERCHANGE - MIDLAND COUNTY INTERCHANGE 230KV CKT 1'
13WP		0 G12_022	'G-12-043-TAP345.00 - TOLK STATION 345KV CKT 1'	FROM->TO	0.29413	552.7	107.3517		'HOBBS INTERCHANGE - YOAKUM COUNTY INTERCHANGE 230KV CKT 1'
13WP		0 G12_022	'G-12-043-TAP345.00 - TOLK STATION 345KV CKT 1'	FROM->TO	0.24468	552.7	102.0357		'JONES STATION - TUCO INTERCHANGE 230KV CKT 1'
13WP		0 G12_022	'G-12-043-TAP345.00 - TOLK STATION 345KV CKT 1'	FROM->TO	0.25472	552.7	101.5671		'MIDLAND COUNTY INTERCHANGE (ABB LLS8861) 230/138/13.2KV TRANSFORMER CKT 1'
13WP		0 G12_022	'G-12-043-TAP345.00 - TOLK STATION 345KV CKT 1'	FROM->TO	0.30062	552.7	106.8073		'OASIS INTERCHANGE - SAN JUAN MESA TAP 230KV CKT 1'
13WP		0 G12_022	'G-12-043-TAP345.00 - TOLK STATION 345KV CKT 1'	FROM->TO	0.23772	552.7	102.0098		'SPP-SWPS-T14'
13WP		0 G12_022	'G-12-043-TAP345.00 - TOLK STATION 345KV CKT 1'	FROM->TO	0.23727	552.7	102.568		'TOLK STATION EAST 230/24.0KV TRANSFORMER CKT 1'
13WP		0 G12_022	'G-12-043-TAP345.00 - TOLK STATION 345KV CKT 1'	FROM->TO	0.23727	552.7	102.8626		'TOLK STATION WEST 230/24.0KV TRANSFORMER CKT 1'
18SP		0 G12_022	'G-12-043-TAP345.00 - TOLK STATION 345KV CKT 1'	FROM->TO	0.26312	553.2	109.312		'AMOCO SWITCHING STATION - SUNDOWN INTERCHANGE 230KV CKT 1'
18SP		0 G12_022	'G-12-043-TAP345.00 - TOLK STATION 345KV CKT 1'	FROM->TO	0.26312	553.2	112.2223		'AMOCO SWITCHING STATION - YOAKUM COUNTY INTERCHANGE 230KV CKT 1'
18SP		0 G12_022	'G-12-043-TAP345.00 - TOLK STATION 345KV CKT 1'	FROM->TO	0.23628	553.2	107.7249		'ARTESIA INTERCHANGE - EAGLE CREEK3115.00 115KV CKT 1'
18SP		0 G12_022	'G-12-043-TAP345.00 - TOLK STATION 345KV CKT 1'	FROM->TO	0.23628	553.2	105.0315		'BASE CASE'
18SP		0 G12_022	'G-12-043-TAP345.00 - TOLK STATION 345KV CKT 1'	FROM->TO	0.25295	553.2	108.072		'BORDEN COUNTY INTERCHANGE - G12_001T 230.00 230KV CKT 1'
18SP		0 G12_022	'G-12-043-TAP345.00 - TOLK STATION 345KV CKT 1'	FROM->TO	0.25295	553.2	108.072		'BORDEN COUNTY INTERCHANGE (ABB LLS8862) 230/138/13.2KV TRANSFORMER CKT 1'
18SP		0 G12_022	'G-12-043-TAP345.00 - TOLK STATION 345KV CKT 1'	FROM->TO	0.25295	553.2	108.0901		'CAPROCK REC-TATE - CAPROCK REC-VEALMOOR 138KV CKT 1'
18SP		0 G12_022	'G-12-043-TAP345.00 - TOLK STATION 345KV CKT 1'	FROM->TO	0.23628	553.2	112.0814		'Central Valley REC-12 Mile Hill - EDDY COUNTY INTERCHANGE 115KV CKT 1'
18SP		0 G12_022	'G-12-043-TAP345.00 - TOLK STATION 345KV CKT 1'	FROM->TO	0.26599	553.2	115.1583		'CHAVES COUNTY INTERCHANGE - EDDY NORTH 6230.00 230KV CKT 1'
18SP		0 G12_022	'G-12-043-TAP345.00 - TOLK STATION 345KV CKT 1'	FROM->TO	0.30051	553.2	110.6987		'CHAVES COUNTY INTERCHANGE - SAN JUAN MESA TAP 230KV CKT 1'
18SP		0 G12_022	'G-12-043-TAP345.00 - TOLK STATION 345KV CKT 1'	FROM->TO	0.25295	553.2	108.3431		'G12_001T 230.00 - GRASSLAND INTERCHANGE 230KV CKT 1'
18SP		0 G12_022	'G-12-043-TAP345.00 - TOLK STATION 345KV CKT 1'	FROM->TO	0.25295	553.2	108.1081		'HOBBS INTERCHANGE - MIDLAND COUNTY INTERCHANGE 230KV CKT 1'
18SP		0 G12_022	'G-12-043-TAP345.00 - TOLK STATION 345KV CKT 1'	FROM->TO	0.29357	553.2	112.0551		'HOBBS INTERCHANGE - YOAKUM COUNTY INTERCHANGE 230KV CKT 1'
18SP		0 G12_022	'G-12-043-TAP345.00 - TOLK STATION 345KV CKT 1'	FROM->TO	0.25295	553.2	108.0901		'MIDLAND COUNTY INTERCHANGE (ABB LLS8861) 230/138/13.2KV TRANSFORMER CKT 1'
18SP		0 G12_022	'G-12-043-TAP345.00 - TOLK STATION 345KV CKT 1'	FROM->TO	0.30051	553.2	112.8859		'OASIS INTERCHANGE - SAN JUAN MESA TAP 230KV CKT 1'
18SP		0 G12_022	'G-12-043-TAP345.00 - TOLK STATION 345KV CKT 1'	FROM->TO	0.23673	553.2	107.8816		'SPP-SWPS-T14'
18SP		0 G12_022	'G-12-043-TAP345.00 - TOLK STATION 345KV CKT 1'	FROM->TO	0.23628	553.2	107.8242		'TOLK STATION EAST 230/24.0KV TRANSFORMER CKT 1'
18SP		0 G12_022	'G-12-043-TAP345.00 - TOLK STATION 345KV CKT 1'	FROM->TO	0.23628	553.2	108.0698		'TOLK STATION WEST 230/24.0KV TRANSFORMER CKT 1'
18WP		0 G12_022	'G-12-043-TAP345.00 - TOLK STATION 345KV CKT 1'	FROM->TO	0.26341	554.8	101.6242		'AMOCO SWITCHING STATION - YOAKUM COUNTY INTERCHANGE 230KV CKT 1'
18WP		0 G12_022	'G-12-043-TAP345.00 - TOLK STATION 345KV CKT 1'	FROM->TO	0.23646	554.8	104.3815		'Central Valley REC-12 Mile Hill - EDDY COUNTY INTERCHANGE 115KV CKT 1'
18WP		0 G12_022	'G-12-043-TAP345.00 - TOLK STATION 345KV CKT 1'	FROM->TO	0.26616	554.8	105.5209		'CHAVES COUNTY INTERCHANGE - EDDY NORTH 6230.00 230KV CKT 1'
18WP		0 G12_022	'G-12-043-TAP345.00 - TOLK STATION 345KV CKT 1'	FROM->TO	0.29353	554.8	102.5141		'HOBBS INTERCHANGE - YOAKUM COUNTY INTERCHANGE 230KV CKT 1'
18WP		0 G12_022	'G-12-043-TAP345.00 - TOLK STATION 345KV CKT 1'	FROM->TO	0.30068	554.8	103.922		'OASIS INTERCHANGE - SAN JUAN MESA TAP 230KV CKT 1'
18WP		0 G12_022	'G-12-043-TAP345.00 - TOLK STATION 345KV CKT 1'	FROM->TO	0.23646	554.8	100.1213		'TOLK STATION EAST 230/24.0KV TRANSFORMER CKT 1'
18WP		0 G12_022	'G-12-043-TAP345.00 - TOLK STATION 345KV CKT 1'	FROM->TO	0.23646	554.8	100.3806		'TOLK STATION WEST 230/24.0KV TRANSFORMER CKT 1'
13WP		0 G12_022	'JONES STATION - TUCO INTERCHANGE 230KV CKT 1'	FROM->TO	0.21627	353.5	111.2229		'TOLK STATION EAST - TUCO INTERCHANGE 230KV CKT 1'
13SP		0 G12_022	'NEWHART 6230.00 - PLANT X STATION 230KV CKT 1'	TO->FROM	0.21891	360.6	113.7656		'BUFFALO 230.00 - BUSHLAND INTERCHANGE 230KV CKT 1'
13SP		0 G12_022	'NEWHART 6230.00 - PLANT X STATION 230KV CKT 1'	TO->FROM	0.21891	360.6	111.8244		'BUFFALO 230.00 - DEAF SMITH COUNTY INTERCHANGE 230KV CKT 1'
13SP		0 G12_022	'NEWHART 6230.00 - PLANT X STATION 230KV CKT 1'	TO->FROM	0.19603	360.6	102.8437		'BUSHLAND INTERCHANGE - POTTER COUNTY INTERCHANGE 230KV CKT 1'
13SP		0 G12_022	'NEWHART 6230.00 - PLANT X STATION 230KV CKT 1'	TO->FROM	0.2197	360.6	121.2628		'DEAF SMITH COUNTY INTERCHANGE - PLANT X STATION 230KV CKT 1'
13SP		0 G12_022	'NEWHART 6230.00 - PLANT X STATION 230KV CKT 1'	TO->FROM	0.21155	360.6	117.6671		'TOLK STATION EAST - TUCO INTERCHANGE 230KV CKT 1'
18SP		0 G12_022	'NEWHART 6230.00 - PLANT X STATION 230KV CKT 1'	TO->FROM	0.21837	350.9	131.7939		'BUFFALO 230.00 - BUSHLAND INTERCHANGE 230KV CKT 1'
18SP		0 G12_022	'NEWHART 6230.00 - PLANT X STATION 230KV CKT 1'	TO->FROM	0.21837	350.9	129.799		'BUFFALO 230.00 - DEAF SMITH COUNTY INTERCHANGE 230KV CKT 1'
18SP		0 G12_022	'NEWHART 6230.00 - PLANT X STATION 230KV CKT 1'	TO->FROM	0.21921	350.9	147.3214		'DEAF SMITH COUNTY INTERCHANGE - PLANT X STATION 230KV CKT 1'
18SP		0 G12_022	'NEWHART 6230.00 - PLANT X STATION 230KV CKT 1'	TO->FROM	0.19776	350.9	121.8847		'SUNDOWN INTERCHANGE - WOLFORTH INTERCHANGE 230KV CKT 1'
18SP		0 G12_022	'NEWHART 6230.00 - PLANT X STATION 230KV CKT 1'	TO->FROM	0.21106	350.9	140.9526		'TOLK STATION EAST - TUCO INTERCHANGE 230KV CKT 1'

Season	Scenario	Source	MontCommonName	Direction	TDF	Rating	Contingency		Contname
							Loading %		
18WP		0 G12_022	'NEWHART 6230.00 - PLANT X STATION 230KV CKT 1'	TO->FROM	0.21765	360.7	115.6991	'BUFFALO 230.00 - BUSHLAND INTERCHANGE 230KV CKT 1'	
18WP		0 G12_022	'NEWHART 6230.00 - PLANT X STATION 230KV CKT 1'	TO->FROM	0.21765	360.7	113.7585	'BUFFALO 230.00 - DEAF SMITH COUNTY INTERCHANGE 230KV CKT 1'	
18WP		0 G12_022	'NEWHART 6230.00 - PLANT X STATION 230KV CKT 1'	TO->FROM	0.21841	360.7	123.4629	'DEAF SMITH COUNTY INTERCHANGE - PLANT X STATION 230KV CKT 1'	
18WP		0 G12_022	'NEWHART 6230.00 - PLANT X STATION 230KV CKT 1'	TO->FROM	0.21022	360.7	117.3362	'TOLK STATION EAST - TUCO INTERCHANGE 230KV CKT 1'	
13G		0 G12_022	'OASIS INTERCHANGE - SAN JUAN MESA TAP 230KV CKT 1'	TO->FROM	0.20769	350.5	101.2291	'G-12-043-TAP345.00 - TOLK STATION 345KV CKT 1'	
13G		0 G12_022	'OASIS INTERCHANGE - SAN JUAN MESA TAP 230KV CKT 1'	TO->FROM	0.20769	350.5	101.2291	'TOLK STATION (ABBXNL844501) 345/230/13.2KV TRANSFORMER CKT 1'	
13G		0 G12_022	'PLANT X STATION - TOLK STATION EAST 230KV CKT 2'	TO->FROM	0.22267	502	155.3048	'PLANT X STATION - TOLK STATION WEST 230KV CKT 1'	
13SP		0 G12_022	'PLANT X STATION - TOLK STATION EAST 230KV CKT 2'	TO->FROM	0.23069	557	137.0474	'PLANT X STATION - TOLK STATION WEST 230KV CKT 1'	
13WP		0 G12_022	'PLANT X STATION - TOLK STATION EAST 230KV CKT 2'	TO->FROM	0.22194	556.2	129.4702	'PLANT X STATION - TOLK STATION WEST 230KV CKT 1'	
18SP		0 G12_022	'PLANT X STATION - TOLK STATION EAST 230KV CKT 2'	TO->FROM	0.23782	500.6	146.0771	'PLANT X STATION - TOLK STATION WEST 230KV CKT 1'	
18WP		0 G12_022	'PLANT X STATION - TOLK STATION EAST 230KV CKT 2'	TO->FROM	0.23012	556.9	137.7033	'PLANT X STATION - TOLK STATION WEST 230KV CKT 1'	
13G		0 G12_022	'PLANT X STATION - TOLK STATION WEST 230KV CKT 1'	TO->FROM	0.22842	502	157.286	'PLANT X STATION - TOLK STATION EAST 230KV CKT 2'	
13G		0 G12_022	'PLANT X STATION - TOLK STATION WEST 230KV CKT 1'	TO->FROM	0.31361	502	144.8133	'TOLK STATION EAST - TOLK STATION TAP 230KV CKT 1'	
13SP		0 G12_022	'PLANT X STATION - TOLK STATION WEST 230KV CKT 1'	TO->FROM	0.23673	557	138.878	'PLANT X STATION - TOLK STATION EAST 230KV CKT 2'	
13SP		0 G12_022	'PLANT X STATION - TOLK STATION WEST 230KV CKT 1'	TO->FROM	0.31146	557	128.5936	'TOLK STATION EAST - TOLK STATION TAP 230KV CKT 1'	
13WP		0 G12_022	'PLANT X STATION - TOLK STATION WEST 230KV CKT 1'	TO->FROM	0.22766	555.9	131.2059	'PLANT X STATION - TOLK STATION EAST 230KV CKT 2'	
13WP		0 G12_022	'PLANT X STATION - TOLK STATION WEST 230KV CKT 1'	TO->FROM	0.31159	555.9	124.0886	'TOLK STATION EAST - TOLK STATION TAP 230KV CKT 1'	
18SP		0 G12_022	'PLANT X STATION - TOLK STATION WEST 230KV CKT 1'	TO->FROM	0.2439	501.1	148.0542	'PLANT X STATION - TOLK STATION EAST 230KV CKT 2'	
18SP		0 G12_022	'PLANT X STATION - TOLK STATION WEST 230KV CKT 1'	TO->FROM	0.31484	501.1	146.3222	'TOLK STATION EAST - TOLK STATION TAP 230KV CKT 1'	
18WP		0 G12_022	'PLANT X STATION - TOLK STATION WEST 230KV CKT 1'	TO->FROM	0.23613	557	139.5216	'PLANT X STATION - TOLK STATION EAST 230KV CKT 2'	
18WP		0 G12_022	'PLANT X STATION - TOLK STATION WEST 230KV CKT 1'	TO->FROM	0.31045	557	128.6034	'TOLK STATION EAST - TOLK STATION TAP 230KV CKT 1'	
13G		0 G12_022	'SUNDOWN INTERCHANGE - WOLFFORTH INTERCHANGE 230KV CKT 1'	FROM->TO	0.21279	350.2	111.3863	'TOLK STATION EAST - TUCO INTERCHANGE 230KV CKT 1'	
13G		0 G12_022	'TOLK STATION (ABBXNL844501) 345/230/13.2KV TRANSFORMER CKT 1'	FROM->TO	0.26779	554.5	100.1771	'AMOCO SWITCHING STATION - SUNDOWN INTERCHANGE 230KV CKT 1'	
13G		0 G12_022	'TOLK STATION (ABBXNL844501) 345/230/13.2KV TRANSFORMER CKT 1'	FROM->TO	0.26779	554.5	102.6838	'AMOCO SWITCHING STATION - YOAKUM COUNTY INTERCHANGE 230KV CKT 1'	
13G		0 G12_022	'TOLK STATION (ABBXNL844501) 345/230/13.2KV TRANSFORMER CKT 1'	FROM->TO	0.26779	556.9	102.2054	'AMOCO SWITCHING STATION - YOAKUM COUNTY INTERCHANGE 230KV CKT 1'	
13G		0 G12_022	'TOLK STATION (ABBXNL844501) 345/230/13.2KV TRANSFORMER CKT 1'	FROM->TO	0.24008	475.1	114.4751	'BASE CASE'	
13G		0 G12_022	'TOLK STATION (ABBXNL844501) 345/230/13.2KV TRANSFORMER CKT 1'	FROM->TO	0.24008	477.9	113.7625	'BASE CASE'	
13G		0 G12_022	'TOLK STATION (ABBXNL844501) 345/230/13.2KV TRANSFORMER CKT 1'	FROM->TO	0.2576	554.5	100.3173	'BORDEN COUNTY INTERCHANGE - G12_001T 230.00 230KV CKT 1'	
13G		0 G12_022	'TOLK STATION (ABBXNL844501) 345/230/13.2KV TRANSFORMER CKT 1'	FROM->TO	0.2576	554.5	100.3173	'BORDEN COUNTY INTERCHANGE (ABB_LL58862) 230/138/13.2KV TRANSFORMER CKT 1'	
13G		0 G12_022	'TOLK STATION (ABBXNL844501) 345/230/13.2KV TRANSFORMER CKT 1'	FROM->TO	0.2576	554.5	100.3173	'CAPROCK REC-TATE - CAPROCK REC-VEALMOOR 138KV CKT 1'	
13G		0 G12_022	'TOLK STATION (ABBXNL844501) 345/230/13.2KV TRANSFORMER CKT 1'	FROM->TO	0.24008	554.5	102.5737	'Central Valley REC-12 Mile Hill - EDDY COUNTY INTERCHANGE 115KV CKT 1'	
13G		0 G12_022	'TOLK STATION (ABBXNL844501) 345/230/13.2KV TRANSFORMER CKT 1'	FROM->TO	0.24008	556.9	102.0957	'Central Valley REC-12 Mile Hill - EDDY COUNTY INTERCHANGE 115KV CKT 1'	
13G		0 G12_022	'TOLK STATION (ABBXNL844501) 345/230/13.2KV TRANSFORMER CKT 1'	FROM->TO	0.22182	554.5	103.5016	'CUNNINGHAM STATION - EDDY COUNTY INTERCHANGE 230KV CKT 1'	
13G		0 G12_022	'TOLK STATION (ABBXNL844501) 345/230/13.2KV TRANSFORMER CKT 1'	FROM->TO	0.22182	556.9	103.0196	'CUNNINGHAM STATION - EDDY COUNTY INTERCHANGE 230KV CKT 1'	
13G		0 G12_022	'TOLK STATION (ABBXNL844501) 345/230/13.2KV TRANSFORMER CKT 1'	FROM->TO	0.26656	554.5	102.654	'CUNNINGHAM STATION - LEA COUNTY INTERCHANGE 230KV CKT 1'	
13G		0 G12_022	'TOLK STATION (ABBXNL844501) 345/230/13.2KV TRANSFORMER CKT 1'	FROM->TO	0.26656	556.9	102.1756	'CUNNINGHAM STATION - LEA COUNTY INTERCHANGE 230KV CKT 1'	
13G		0 G12_022	'TOLK STATION (ABBXNL844501) 345/230/13.2KV TRANSFORMER CKT 1'	FROM->TO	0.22118	554.5	101.0515	'EDDY COUNTY INTERCHANGE - SEVEN RIVERS INTERCHANGE 230KV CKT 1'	
13G		0 G12_022	'TOLK STATION (ABBXNL844501) 345/230/13.2KV TRANSFORMER CKT 1'	FROM->TO	0.22118	556.9	100.58	'EDDY COUNTY INTERCHANGE - SEVEN RIVERS INTERCHANGE 230KV CKT 1'	
13G		0 G12_022	'TOLK STATION (ABBXNL844501) 345/230/13.2KV TRANSFORMER CKT 1'	FROM->TO	0.2576	554.5	102.7158	'G12_001T 230.00 - GRASSLAND INTERCHANGE 230KV CKT 1'	
13G		0 G12_022	'TOLK STATION (ABBXNL844501) 345/230/13.2KV TRANSFORMER CKT 1'	FROM->TO	0.2576	556.9	102.2373	'G12_001T 230.00 - GRASSLAND INTERCHANGE 230KV CKT 1'	
13G		0 G12_022	'TOLK STATION (ABBXNL844501) 345/230/13.2KV TRANSFORMER CKT 1'	FROM->TO	0.2576	554.5	100.3353	'HOBBS INTERCHANGE - MIDLAND COUNTY INTERCHANGE 230KV CKT 1'	
13G		0 G12_022	'TOLK STATION (ABBXNL844501) 345/230/13.2KV TRANSFORMER CKT 1'	FROM->TO	0.29913	554.5	102.1841	'LEA COUNTY INTERCHANGE - YOAKUM COUNTY INTERCHANGE 230KV CKT 1'	
13G		0 G12_022	'TOLK STATION (ABBXNL844501) 345/230/13.2KV TRANSFORMER CKT 1'	FROM->TO	0.29913	556.9	101.7079	'LEA COUNTY INTERCHANGE - YOAKUM COUNTY INTERCHANGE 230KV CKT 1'	
13G		0 G12_022	'TOLK STATION (ABBXNL844501) 345/230/13.2KV TRANSFORMER CKT 1'	FROM->TO	0.2576	554.5	100.3353	'MIDLAND COUNTY INTERCHANGE (ABB_LL58861) 230/138/13.2KV TRANSFORMER CKT 1'	
13G		0 G12_022	'TOLK STATION (ABBXNL844501) 345/230/13.2KV TRANSFORMER CKT 1'	FROM->TO	0.25543	554.5	100.1885	'OASIS INTERCHANGE - Roosevelt County Interchange SWITCH #4K33 230KV CKT 1'	
13G		0 G12_022	'TOLK STATION (ABBXNL844501) 345/230/13.2KV TRANSFORMER CKT 1'	FROM->TO	0.30399	554.5	113.5538	'OASIS INTERCHANGE - SAN JUAN MESA TAP 230KV CKT 1'	
13G		0 G12_022	'TOLK STATION (ABBXNL844501) 345/230/13.2KV TRANSFORMER CKT 1'	FROM->TO	0.30399	556.9	113.0285	'OASIS INTERCHANGE - SAN JUAN MESA TAP 230KV CKT 1'	
13G		0 G12_022	'TOLK STATION (ABBXNL844501) 345/230/13.2KV TRANSFORMER CKT 1'	FROM->TO	0.24008	554.5	101.0091	'TOLK STATION EAST 230/24.0KV TRANSFORMER CKT 1'	
13G		0 G12_022	'TOLK STATION (ABBXNL844501) 345/230/13.2KV TRANSFORMER CKT 1'	FROM->TO	0.24008	556.9	100.5379	'TOLK STATION EAST 230/24.0KV TRANSFORMER CKT 1'	
13G		0 G12_022	'TOLK STATION (ABBXNL844501) 345/230/13.2KV TRANSFORMER CKT 1'	FROM->TO	0.24008	554.5	101.1989	'TOLK STATION WEST 230/24.0KV TRANSFORMER CKT 1'	
13G		0 G12_022	'TOLK STATION (ABBXNL844501) 345/230/13.2KV TRANSFORMER CKT 1'	FROM->TO	0.24008	556.9	100.7448	'TOLK STATION WEST 230/24.0KV TRANSFORMER CKT 1'	
13SP		0 G12_022	'TOLK STATION (ABBXNL844501) 345/230/13.2KV TRANSFORMER CKT 1'	FROM->TO	0.26396	554.8	102.5762	'AMOCO SWITCHING STATION - YOAKUM COUNTY INTERCHANGE 230KV CKT 1'	
13SP		0 G12_022	'TOLK STATION (ABBXNL844501) 345/230/13.2KV TRANSFORMER CKT 1'	FROM->TO	0.26396	555.1	102.5028	'AMOCO SWITCHING STATION - YOAKUM COUNTY INTERCHANGE 230KV CKT 1'	
13SP		0 G12_022	'TOLK STATION (ABBXNL844501) 345/230/13.2KV TRANSFORMER CKT 1'	FROM->TO	0.23694	554.8	100.3786	'ARTESIA INTERCHANGE - EAGLE_CREEK3115.00 115KV CKT 1'	
13SP		0 G12_022	'TOLK STATION (ABBXNL844501) 345/230/13.2KV TRANSFORMER CKT 1'	FROM->TO	0.23694	555.1	100.3063	'ARTESIA INTERCHANGE - EAGLE_CREEK3115.00 115KV CKT 1'	
13SP		0 G12_022	'TOLK STATION (ABBXNL844501) 345/230/13.2KV TRANSFORMER CKT 1'	FROM->TO	0.23694	554.8	105.2813	'Central Valley REC-12 Mile Hill - EDDY COUNTY INTERCHANGE 115KV CKT 1'	
13SP		0 G12_022	'TOLK STATION (ABBXNL844501) 345/230/13.2KV TRANSFORMER CKT 1'	FROM->TO	0.23694	555.1	105.2064	'Central Valley REC-12 Mile Hill - EDDY COUNTY INTERCHANGE 115KV CKT 1'	
13SP		0 G12_022	'TOLK STATION (ABBXNL844501) 345/230/13.2KV TRANSFORMER CKT 1'	FROM->TO	0.26671	554.8	105.2801	'CHAVES COUNTY INTERCHANGE - EDDY_NORTH 6230.00 230KV CKT 1'	
13SP		0 G12_022	'TOLK STATION (ABBXNL844501) 345/230/13.2KV TRANSFORMER CKT 1'	FROM->TO	0.26671	555.1	105.2052	'CHAVES COUNTY INTERCHANGE - EDDY_NORTH 6230.00 230KV CKT 1'	
13SP		0 G12_022	'TOLK STATION (ABBXNL844501) 345/230/13.2KV TRANSFORMER CKT 1'	FROM->TO	0.3013	554.8	101.1184	'CHAVES COUNTY INTERCHANGE - SAN JUAN MESA TAP 230KV CKT 1'	
13SP		0 G12_022	'TOLK STATION (ABBXNL844501) 345/230/13.2KV TRANSFORMER CKT 1'	FROM->TO	0.3013	555.1	101.0458	'CHAVES COUNTY INTERCHANGE - SAN JUAN MESA TAP 230KV CKT 1'	
13SP		0 G12_022	'TOLK STATION (ABBXNL844501) 345/230/13.2KV TRANSFORMER CKT 1'	FROM->TO	0.23694	554.8	100.1082	'EAGLE_CREEK3115.00 - NAVAJO_2TP 3115.00 115KV CKT 1'	
13SP		0 G12_022	'TOLK STATION (ABBXNL844501) 345/230/13.2KV TRANSFORMER CKT 1'	FROM->TO	0.23694	555.1	100.0181	'EAGLE_CREEK3115.00 - NAVAJO_2TP 3115.00 115KV CKT 1'	
13SP		0 G12_022	'TOLK STATION (ABBXNL844501) 345/230/13.2KV TRANSFORMER CKT 1'	FROM->TO	0.21817	554.8	100.5514	'EDDY COUNTY INTERCHANGE - SEVEN RIVERS INTERCHANGE 230KV CKT 1'	
13SP		0 G12_022	'TOLK STATION (ABBXNL844501) 345/230/13.2KV TRANSFORMER CKT 1'	FROM->TO	0.21817	555.1	100.479	'EDDY COUNTY INTERCHANGE - SEVEN RIVERS INTERCHANGE 230KV CKT 1'	
13SP		0 G12_022	'TOLK STATION (ABBXNL844501) 345/230/13.2KV TRANSFORMER CKT 1'	FROM->TO	0.2542	554.8	100.305	'G12_001T 230.00 - GRASSLAND INTERCHANGE 230KV CKT 1'	
13SP		0 G12_022	'TOLK STATION (ABBXNL844501) 345/230/13.2KV TRANSFORMER CKT 1'	FROM->TO	0.2542	555.1	100.2328	'G12_001T 230.00 - GRASSLAND INTERCHANGE 230KV CKT 1'	
13SP		0 G12_022	'TOLK STATION (ABBXNL844501) 345/230/13.2KV TRANSFORMER CKT 1'	FROM->TO	0.2542	554.8	100.0346	'HOBBS INTERCHANGE - MIDLAND COUNTY INTERCHANGE 230KV CKT 1'	
13SP		0 G12_022	'TOLK STATION (ABBXNL844501) 345/230/13.2KV TRANSFORMER CKT 1'	FROM->TO	0.29414	554.8	103.5294	'HOBBS INTERCHANGE - YOAKUM COUNTY INTERCHANGE 230KV CKT 1'	
13SP		0 G12_022	'TOLK STATION (ABBXNL844501) 345/230/13.2KV TRANSFORMER CKT 1'	FROM->TO	0.29414	555.1	103.4554	'HOBBS INTERCHANGE - YOAKUM COUNTY INTERCHANGE 230KV CKT 1'	
13SP		0 G12_022	'TOLK STATION (ABBXNL844501) 345/230/13.2KV TRANSFORMER CKT 1'	FROM->TO	0.24326	554.8	100.2099	'JONES STATION - TUCO INTERCHANGE 230KV CKT 1'	
13SP		0 G12_022	'TOLK STATION (ABBXNL844501) 345/230/13.2KV TRANSFORMER CKT 1'	FROM->TO	0.24326	555.1	100.1377	'JONES STATION - TUCO INTERCHANGE 230KV CKT 1'	
13SP		0 G12_022	'TOLK STATION (ABBXNL844501) 345/230/13.2KV TRANSFORMER CKT 1'	FROM->TO	0.2542	554.8	100.0346	'MIDLAND COUNTY INTERCHANGE (ABB_LL58861) 230/138/13.2KV TRANSFORMER CKT 1'	
13SP		0 G12_022	'TOLK STATION (ABBXNL844501) 345/230/13.2KV TRANSFORMER CKT 1'	FROM->TO	0.3013	554.8	105.4984	'OASIS INTERCHANGE - SAN JUAN MESA TAP 230KV CKT 1'	

Season	Scenario	Source	MontCommonName	Direction	TDF	Rating	Contingency	
							Loading %	Contname
18SP		0 G12_022	'TOLK STATION (ABBXNL844501) 345/230/13.2KV TRANSFORMER CKT 1'	FROM->TO	0.23673	556.4	107.2431	'SPP-SWPS-T14'
18SP		0 G12_022	'TOLK STATION (ABBXNL844501) 345/230/13.2KV TRANSFORMER CKT 1'	FROM->TO	0.23628	556.2	107.2426	'TOLK STATION EAST 230/24.0KV TRANSFORMER CKT 1'
18SP		0 G12_022	'TOLK STATION (ABBXNL844501) 345/230/13.2KV TRANSFORMER CKT 1'	FROM->TO	0.23628	556.4	107.1861	'TOLK STATION EAST 230/24.0KV TRANSFORMER CKT 1'
18SP		0 G12_022	'TOLK STATION (ABBXNL844501) 345/230/13.2KV TRANSFORMER CKT 1'	FROM->TO	0.23628	556.2	107.4869	'TOLK STATION WEST 230/24.0KV TRANSFORMER CKT 1'
18SP		0 G12_022	'TOLK STATION (ABBXNL844501) 345/230/13.2KV TRANSFORMER CKT 1'	FROM->TO	0.23628	556.4	107.4303	'TOLK STATION WEST 230/24.0KV TRANSFORMER CKT 1'
18WP		0 G12_022	'TOLK STATION (ABBXNL844501) 345/230/13.2KV TRANSFORMER CKT 1'	FROM->TO	0.26341	554.8	101.6242	'AMOCO SWITCHING STATION - YOAKUM COUNTY INTERCHANGE 230KV CKT 1'
18WP		0 G12_022	'TOLK STATION (ABBXNL844501) 345/230/13.2KV TRANSFORMER CKT 1'	FROM->TO	0.26341	555.1	101.5513	'AMOCO SWITCHING STATION - YOAKUM COUNTY INTERCHANGE 230KV CKT 1'
18WP		0 G12_022	'TOLK STATION (ABBXNL844501) 345/230/13.2KV TRANSFORMER CKT 1'	FROM->TO	0.23646	554.8	104.3815	'Central Valley REC-12 Mile Hill - EDDY COUNTY INTERCHANGE 115KV CKT 1'
18WP		0 G12_022	'TOLK STATION (ABBXNL844501) 345/230/13.2KV TRANSFORMER CKT 1'	FROM->TO	0.23646	555.1	104.3071	'Central Valley REC-12 Mile Hill - EDDY COUNTY INTERCHANGE 115KV CKT 1'
18WP		0 G12_022	'TOLK STATION (ABBXNL844501) 345/230/13.2KV TRANSFORMER CKT 1'	FROM->TO	0.26616	554.8	105.5209	'CHAVES COUNTY INTERCHANGE - EDDY_NORTH 6230.00 230KV CKT 1'
18WP		0 G12_022	'TOLK STATION (ABBXNL844501) 345/230/13.2KV TRANSFORMER CKT 1'	FROM->TO	0.26616	555.1	105.4459	'CHAVES COUNTY INTERCHANGE - EDDY_NORTH 6230.00 230KV CKT 1'
18WP		0 G12_022	'TOLK STATION (ABBXNL844501) 345/230/13.2KV TRANSFORMER CKT 1'	FROM->TO	0.29353	554.8	102.5143	'HOBBS INTERCHANGE - YOAKUM COUNTY INTERCHANGE 230KV CKT 1'
18WP		0 G12_022	'TOLK STATION (ABBXNL844501) 345/230/13.2KV TRANSFORMER CKT 1'	FROM->TO	0.29353	555.1	102.4406	'HOBBS INTERCHANGE - YOAKUM COUNTY INTERCHANGE 230KV CKT 1'
18WP		0 G12_022	'TOLK STATION (ABBXNL844501) 345/230/13.2KV TRANSFORMER CKT 1'	FROM->TO	0.30068	554.8	103.922	'OASIS INTERCHANGE - SAN JUAN MESA TAP 230KV CKT 1'
18WP		0 G12_022	'TOLK STATION (ABBXNL844501) 345/230/13.2KV TRANSFORMER CKT 1'	FROM->TO	0.30068	555.1	103.8298	'OASIS INTERCHANGE - SAN JUAN MESA TAP 230KV CKT 1'
18WP		0 G12_022	'TOLK STATION (ABBXNL844501) 345/230/13.2KV TRANSFORMER CKT 1'	FROM->TO	0.23646	554.8	100.1213	'TOLK STATION EAST 230/24.0KV TRANSFORMER CKT 1'
18WP		0 G12_022	'TOLK STATION (ABBXNL844501) 345/230/13.2KV TRANSFORMER CKT 1'	FROM->TO	0.23646	555.1	100.0312	'TOLK STATION EAST 230/24.0KV TRANSFORMER CKT 1'
18WP		0 G12_022	'TOLK STATION (ABBXNL844501) 345/230/13.2KV TRANSFORMER CKT 1'	FROM->TO	0.23646	554.8	100.3806	'TOLK STATION WEST 230/24.0KV TRANSFORMER CKT 1'
18WP		0 G12_022	'TOLK STATION (ABBXNL844501) 345/230/13.2KV TRANSFORMER CKT 1'	FROM->TO	0.23646	555.1	100.3083	'TOLK STATION WEST 230/24.0KV TRANSFORMER CKT 1'
18WP		0 G12_022	'TOLK STATION (ABBXNL844501) 345/230/13.2KV TRANSFORMER CKT 1'	FROM->TO	0.23646	555.1	100.0312	'TOLK STATION WEST 230/24.0KV TRANSFORMER CKT 1'
18WP		0 G12_022	'TOLK STATION (ABBXNL844501) 345/230/13.2KV TRANSFORMER CKT 1'	FROM->TO	0.23646	554.8	100.3806	'TOLK STATION WEST 230/24.0KV TRANSFORMER CKT 1'
18WP		0 G12_022	'TOLK STATION (ABBXNL844501) 345/230/13.2KV TRANSFORMER CKT 1'	FROM->TO	0.23646	555.1	100.3083	'TOLK STATION WEST 230/24.0KV TRANSFORMER CKT 1'
13G		0 G12_022	'TOLK STATION EAST - TOLK STATION TAP 230KV CKT 1'	TO->FROM	0.37077	610	128.344	'PLANT X STATION - TOLK STATION WEST 230KV CKT 1'
13SP		0 G12_022	'TOLK STATION EAST - TOLK STATION TAP 230KV CKT 1'	TO->FROM	0.363	663.6	115.4249	'PLANT X STATION - TOLK STATION WEST 230KV CKT 1'
13WP		0 G12_022	'TOLK STATION EAST - TOLK STATION TAP 230KV CKT 1'	TO->FROM	0.36814	663.9	112.8882	'PLANT X STATION - TOLK STATION WEST 230KV CKT 1'
18SP		0 G12_022	'TOLK STATION EAST - TOLK STATION TAP 230KV CKT 1'	TO->FROM	0.36551	609.8	131.1631	'PLANT X STATION - TOLK STATION WEST 230KV CKT 1'
18SP		0 G12_022	'TOLK STATION EAST - TOLK STATION TAP 230KV CKT 1'	TO->FROM	0.23985	609.8	101.4481	'TOLK STATION EAST 230/24.0KV TRANSFORMER CKT 1'
18WP		0 G12_022	'TOLK STATION EAST - TOLK STATION TAP 230KV CKT 1'	TO->FROM	0.36179	663.6	115.2515	'PLANT X STATION - TOLK STATION WEST 230KV CKT 1'
13G		0 G12_022	'TOLK STATION EAST - TUCO INTERCHANGE 230KV CKT 1'	FROM->TO	0.2121	501.3	104.5544	'SUNDOWN INTERCHANGE - WOLFFORTH INTERCHANGE 230KV CKT 1'
13G		0 G12_022	'TUCO INTERCHANGE (GE M1022338) 345/230/13.2KV TRANSFORMER CKT 1'	FROM->TO	0.42064	559.9	144.632	'TUCO INTERCHANGE (UPDATE DATA) 345/230/13.2KV TRANSFORMER CKT 2'
13G		0 G12_022	'TUCO INTERCHANGE (GE M1022338) 345/230/13.2KV TRANSFORMER CKT 1'	FROM->TO	0.42064	560	144.5705	'TUCO INTERCHANGE (UPDATE DATA) 345/230/13.2KV TRANSFORMER CKT 2'
13SP		0 G12_022	'TUCO INTERCHANGE (GE M1022338) 345/230/13.2KV TRANSFORMER CKT 1'	FROM->TO	0.34867	559	108.837	'TUCO INTERCHANGE (UPDATE DATA) 345/230/13.2KV TRANSFORMER CKT 2'
13SP		0 G12_022	'TUCO INTERCHANGE (GE M1022338) 345/230/13.2KV TRANSFORMER CKT 1'	FROM->TO	0.34867	559.2	108.7802	'TUCO INTERCHANGE (UPDATE DATA) 345/230/13.2KV TRANSFORMER CKT 2'
13WP		0 G12_022	'TUCO INTERCHANGE (GE M1022338) 345/230/13.2KV TRANSFORMER CKT 1'	FROM->TO	0.41019	558.1	122.1047	'TUCO INTERCHANGE (UPDATE DATA) 345/230/13.2KV TRANSFORMER CKT 2'
13WP		0 G12_022	'TUCO INTERCHANGE (GE M1022338) 345/230/13.2KV TRANSFORMER CKT 1'	FROM->TO	0.41019	559.8	121.6982	'TUCO INTERCHANGE (UPDATE DATA) 345/230/13.2KV TRANSFORMER CKT 2'
18WP		0 G12_022	'TUCO INTERCHANGE (GE M1022338) 345/230/13.2KV TRANSFORMER CKT 1'	FROM->TO	0.34823	558.7	111.1255	'TUCO INTERCHANGE (UPDATE DATA) 345/230/13.2KV TRANSFORMER CKT 2'
18WP		0 G12_022	'TUCO INTERCHANGE (GE M1022338) 345/230/13.2KV TRANSFORMER CKT 1'	FROM->TO	0.34823	559	111.0301	'TUCO INTERCHANGE (UPDATE DATA) 345/230/13.2KV TRANSFORMER CKT 2'
13G		0 G12_022	'TUCO INTERCHANGE (UPDATE DATA) 345/230/13.2KV TRANSFORMER CKT 2'	FROM->TO	0.41117	559.9	141.3748	'TUCO INTERCHANGE (GE M1022338) 345/230/13.2KV TRANSFORMER CKT 1'
13G		0 G12_022	'TUCO INTERCHANGE (UPDATE DATA) 345/230/13.2KV TRANSFORMER CKT 2'	FROM->TO	0.41117	560	141.3139	'TUCO INTERCHANGE (GE M1022338) 345/230/13.2KV TRANSFORMER CKT 1'
13SP		0 G12_022	'TUCO INTERCHANGE (UPDATE DATA) 345/230/13.2KV TRANSFORMER CKT 2'	FROM->TO	0.33441	559.3	104.3297	'TUCO INTERCHANGE (GE M1022338) 345/230/13.2KV TRANSFORMER CKT 1'
13SP		0 G12_022	'TUCO INTERCHANGE (UPDATE DATA) 345/230/13.2KV TRANSFORMER CKT 2'	FROM->TO	0.33441	559.5	104.2745	'TUCO INTERCHANGE (GE M1022338) 345/230/13.2KV TRANSFORMER CKT 1'
13WP		0 G12_022	'TUCO INTERCHANGE (UPDATE DATA) 345/230/13.2KV TRANSFORMER CKT 2'	FROM->TO	0.40089	559.4	119.0493	'TUCO INTERCHANGE (GE M1022338) 345/230/13.2KV TRANSFORMER CKT 1'
13WP		0 G12_022	'TUCO INTERCHANGE (UPDATE DATA) 345/230/13.2KV TRANSFORMER CKT 2'	FROM->TO	0.40089	559.5	118.9923	'TUCO INTERCHANGE (GE M1022338) 345/230/13.2KV TRANSFORMER CKT 1'
18WP		0 G12_022	'TUCO INTERCHANGE (UPDATE DATA) 345/230/13.2KV TRANSFORMER CKT 2'	FROM->TO	0.33397	559.2	106.4691	'TUCO INTERCHANGE (GE M1022338) 345/230/13.2KV TRANSFORMER CKT 1'
18WP		0 G12_022	'TUCO INTERCHANGE (UPDATE DATA) 345/230/13.2KV TRANSFORMER CKT 2'	FROM->TO	0.33397	559.4	106.4131	'TUCO INTERCHANGE (GE M1022338) 345/230/13.2KV TRANSFORMER CKT 1'
13G		0 G12_030	'CIMARRON - DRAPER LAKE 345KV CKT 1'	FROM->TO	0.20956	711.7	107.9335	'ARCADIA - NORTHWEST 345KV CKT 1'
13G		0 G12_030	'CIMARRON - DRAPER LAKE 345KV CKT 1'	FROM->TO	0.2059	711.7	104.048	'CIMARRON - MINCO 7 345.00 345KV CKT 1'
13G		0 G12_030	'CIMARRON - DRAPER LAKE 345KV CKT 1'	FROM->TO	0.2059	711.7	114.8812	'GRACMNT7 345.00 - MINCO 7 345.00 345KV CKT 1'
18SP		0 G12_043	'AMOCO SWITCHING STATION - YOAKUM COUNTY INTERCHANGE 230KV CKT 1'	TO->FROM	0.22215	350.9	121.8692	'G-12-043-TAP345.00 - TOLK STATION 345KV CKT 1'
18SP		0 G12_043	'AMOCO SWITCHING STATION - YOAKUM COUNTY INTERCHANGE 230KV CKT 1'	TO->FROM	0.22215	350.9	119.6749	'G-12-043-TAP345.00 - TOLK STATION 345KV CKT 1'
18SP		0 G12_043	'AMOCO SWITCHING STATION - YOAKUM COUNTY INTERCHANGE 230KV CKT 1'	TO->FROM	0.22215	350.9	121.8692	'TOLK STATION (ABBXNL844501) 345/230/13.2KV TRANSFORMER CKT 1'
18SP		0 G12_043	'AMOCO SWITCHING STATION - YOAKUM COUNTY INTERCHANGE 230KV CKT 1'	TO->FROM	0.22215	350.9	119.6749	'TOLK STATION (ABBXNL844501) 345/230/13.2KV TRANSFORMER CKT 1'
13SP		0 G12_043	'BUFFALO 230.00 - BUSHLAND INTERCHANGE 230KV CKT 1'	FROM->TO	0.20518	359.6	103.9282	'LAWTON EASTSIDE - OKLAUNION 345KV CKT 1'
13SP		0 G12_043	'BUFFALO 230.00 - BUSHLAND INTERCHANGE 230KV CKT 1'	FROM->TO	0.20518	359.6	102.3107	'LAWTON EASTSIDE - OKLAUNION 345KV CKT 1'
13WP		0 G12_043	'BUFFALO 230.00 - BUSHLAND INTERCHANGE 230KV CKT 1'	FROM->TO	0.21325	359.5	105.8786	'LAWTON EASTSIDE - OKLAUNION 345KV CKT 1'
13WP		0 G12_043	'BUFFALO 230.00 - BUSHLAND INTERCHANGE 230KV CKT 1'	FROM->TO	0.21325	359.5	104.2085	'LAWTON EASTSIDE - OKLAUNION 345KV CKT 1'
13WP		0 G12_043	'BUFFALO 230.00 - BUSHLAND INTERCHANGE 230KV CKT 1'	FROM->TO	0.24529	359.5	101.7056	'POTTER COUNTY INTERCHANGE - S-RANDLCO 230.00 230KV CKT 1'
18WP		0 G12_043	'BUFFALO 230.00 - BUSHLAND INTERCHANGE 230KV CKT 1'	FROM->TO	0.20438	359.6	106.8425	'LAWTON EASTSIDE - OKLAUNION 345KV CKT 1'
18WP		0 G12_043	'BUFFALO 230.00 - BUSHLAND INTERCHANGE 230KV CKT 1'	FROM->TO	0.20438	359.6	105.2345	'LAWTON EASTSIDE - OKLAUNION 345KV CKT 1'
18WP		0 G12_043	'BUFFALO 230.00 - DEAF SMITH COUNTY INTERCHANGE 230KV CKT 1'	TO->FROM	0.20438	359.6	100.2519	'LAWTON EASTSIDE - OKLAUNION 345KV CKT 1'
13G		0 G12_043	'CHAVESCO 345.00 - EDDY COUNTY INTERCHANGE 345KV CKT 1'	FROM->TO	1	556.9	183.3902	'G-12-043-TAP345.00 - TOLK STATION 345KV CKT 1'
13G		0 G12_043	'CHAVESCO 345.00 - EDDY COUNTY INTERCHANGE 345KV CKT 1'	FROM->TO	1	556.9	183.4082	'TOLK STATION (ABBXNL844501) 345/230/13.2KV TRANSFORMER CKT 1'
13SP		0 G12_043	'CHAVESCO 345.00 - EDDY COUNTY INTERCHANGE 345KV CKT 1'	FROM->TO	1	555.5	184.4101	'G-12-043-TAP345.00 - TOLK STATION 345KV CKT 1'
13SP		0 G12_043	'CHAVESCO 345.00 - EDDY COUNTY INTERCHANGE 345KV CKT 1'	FROM->TO	1	555.5	184.4104	'G-12-043-TAP345.00 - TOLK STATION 345KV CKT 1'
13SP		0 G12_043	'CHAVESCO 345.00 - EDDY COUNTY INTERCHANGE 345KV CKT 1'	FROM->TO	1	555.5	184.4101	'TOLK STATION (ABBXNL844501) 345/230/13.2KV TRANSFORMER CKT 1'
13SP		0 G12_043	'CHAVESCO 345.00 - EDDY COUNTY INTERCHANGE 345KV CKT 1'	FROM->TO	1	555.5	184.4104	'TOLK STATION (ABBXNL844501) 345/230/13.2KV TRANSFORMER CKT 1'
13WP		0 G12_043	'CHAVESCO 345.00 - EDDY COUNTY INTERCHANGE 345KV CKT 1'	FROM->TO	1	556.5	184.0787	'G-12-043-TAP345.00 - TOLK STATION 345KV CKT 1'
13WP		0 G12_043	'CHAVESCO 345.00 - EDDY COUNTY INTERCHANGE 345KV CKT 1'	FROM->TO	1	556.5	184.0791	'G-12-043-TAP345.00 - TOLK STATION 345KV CKT 1'
13WP		0 G12_043	'CHAVESCO 345.00 - EDDY COUNTY INTERCHANGE 345KV CKT 1'	FROM->TO	1	556.5	184.0787	'TOLK STATION (ABBXNL844501) 345/230/13.2KV TRANSFORMER CKT 1'
13WP		0 G12_043	'CHAVESCO 345.00 - EDDY COUNTY INTERCHANGE 345KV CKT 1'	FROM->TO	1	556.5	184.0791	'TOLK STATION (ABBXNL844501) 345/230/13.2KV TRANSFORMER CKT 1'
18SP		0 G12_043	'CHAVESCO 345.00 - EDDY COUNTY INTERCHANGE 345KV CKT 1'	FROM->TO	1	556.4	184.1657	'G-12-043-TAP345.00 - TOLK STATION 345KV CKT 1'
18SP		0 G12_043	'CHAVESCO 345.00 - EDDY COUNTY INTERCHANGE 345KV CKT 1'	FROM->TO	1	556.4	184.166	'G-12-043-TAP345.00 - TOLK STATION 345KV CKT 1'
18SP		0 G12_043	'CHAVESCO 345.00 - EDDY COUNTY INTERCHANGE 345KV CKT 1'	FROM->TO	1	556.4	184.1657	'TOLK STATION (ABBXNL844501) 345/230/13.2KV TRANSFORMER CKT 1'
18SP		0 G12_043	'CHAVESCO 345.00 - EDDY COUNTY INTERCHANGE 345KV CKT 1'	FROM->TO	1	556.4	184.166	'TOLK STATION (ABBXNL844501) 345/230/13.2KV TRANSFORMER CKT 1'
18WP		0 G12_043	'CHAVESCO 345.00 - EDDY COUNTY INTERCHANGE 345KV CKT 1'	FROM->TO	1	556.6	184.3589	'G-12-043-TAP345.00 - TOLK STATION 345KV CKT 1'
18WP		0 G12_043	'CHAVESCO 345.00 - EDDY COUNTY INTERCHANGE 345KV CKT 1'	FROM->TO	1	555.6	184.3593	'G-12-043-TAP345.00 - TOLK STATION 345KV CKT 1'
18WP		0 G12_043	'CHAVESCO 345.00 - EDDY COUNTY INTERCHANGE 345KV CKT 1'	FROM->TO	1	555.6	184.3589	'TOLK STATION (ABBXNL844501) 345/230/13.2KV TRANSFORMER CKT 1'

Season	Scenario	Source	MontCommonName	Direction	TDF	Rating	Contingency		Contname
							Loading %		
18WP		0	G12_043	'EDDY COUNTY INTERCHANGE (ABB AEM30711) 345/230/13.2KV TRANSFORMER CKT 1'	FROM->TO	1	553.8	184.8859	TOLK STATION (ABBXL844501) 345/230/13.2KV TRANSFORMER CKT 1'
18WP		0	G12_043	'EDDY COUNTY INTERCHANGE (ABB AEM30711) 345/230/13.2KV TRANSFORMER CKT 1'	FROM->TO	1	554.4	184.6678	TOLK STATION (ABBXL844501) 345/230/13.2KV TRANSFORMER CKT 1'
18WP		0	G12_043	'EDDY COUNTY INTERCHANGE (ABB AEM30711) 345/230/13.2KV TRANSFORMER CKT 1'	FROM->TO	1	553.8	184.8862	TOLK STATION (ABBXL844501) 345/230/13.2KV TRANSFORMER CKT 1'
18WP		0	G12_043	'EDDY COUNTY INTERCHANGE (ABB AEM30711) 345/230/13.2KV TRANSFORMER CKT 1'	FROM->TO	1	554.4	184.6681	TOLK STATION (ABBXL844501) 345/230/13.2KV TRANSFORMER CKT 1'
18WP		0	G12_043	'EDDY COUNTY INTERCHANGE (ABB AEM30711) 345/230/13.2KV TRANSFORMER CKT 1'	FROM->TO	1	553.8	100.0181	TOLK STATION (ABBXL844501) 345/230/13.2KV TRANSFORMER CKT 1'
13G		0	G12_043	'G-12-043-TAP345.00 - TOLK STATION 345KV CKT 1'	FROM->TO	0.72385	554.5	100.1771	AMOCO SWITCHING STATION - SUNDOWN INTERCHANGE 230KV CKT 1'
13G		0	G12_043	'G-12-043-TAP345.00 - TOLK STATION 345KV CKT 1'	FROM->TO	0.72385	554.5	102.6658	AMOCO SWITCHING STATION - YOAKUM COUNTY INTERCHANGE 230KV CKT 1'
13G		0	G12_043	'G-12-043-TAP345.00 - TOLK STATION 345KV CKT 1'	FROM->TO	0.72169	554.5	100.3173	BORDEN COUNTY INTERCHANGE - G12_001T 230.00 230KV CKT 1'
13G		0	G12_043	'G-12-043-TAP345.00 - TOLK STATION 345KV CKT 1'	FROM->TO	0.72169	554.5	100.3173	BORDEN COUNTY INTERCHANGE (ABB LL58862) 230/138/13.2KV TRANSFORMER CKT 1'
13G		0	G12_043	'G-12-043-TAP345.00 - TOLK STATION 345KV CKT 1'	FROM->TO	0.72169	554.5	100.3173	CAPROCK REC-TATE - CAPROCK REC-VEALMOOR 138KV CKT 1'
13G		0	G12_043	'G-12-043-TAP345.00 - TOLK STATION 345KV CKT 1'	FROM->TO	0.71341	554.5	102.5557	Central Valley REC-12 Mile Hill - EDDY COUNTY INTERCHANGE 115KV CKT 1'
13G		0	G12_043	'G-12-043-TAP345.00 - TOLK STATION 345KV CKT 1'	FROM->TO	1	554.5	184.184	CHAVESCO 345.00 - EDDY COUNTY INTERCHANGE 345KV CKT 1'
13G		0	G12_043	'G-12-043-TAP345.00 - TOLK STATION 345KV CKT 1'	FROM->TO	0.74203	554.5	103.5016	CUNNINGHAM STATION - EDDY COUNTY INTERCHANGE 230KV CKT 1'
13G		0	G12_043	'G-12-043-TAP345.00 - TOLK STATION 345KV CKT 1'	FROM->TO	0.7427	554.5	102.6359	CUNNINGHAM STATION - LEA COUNTY INTERCHANGE 230KV CKT 1'
13G		0	G12_043	'G-12-043-TAP345.00 - TOLK STATION 345KV CKT 1'	FROM->TO	0.83239	554.5	141.2822	EDDY COUNTY INTERCHANGE - EDDY_NORTH 6230.00 230KV CKT 1'
13G		0	G12_043	'G-12-043-TAP345.00 - TOLK STATION 345KV CKT 1'	FROM->TO	0.7213	554.5	101.0334	EDDY COUNTY INTERCHANGE - SEVEN RIVERS INTERCHANGE 230KV CKT 1'
13G		0	G12_043	'G-12-043-TAP345.00 - TOLK STATION 345KV CKT 1'	FROM->TO	1	554.5	183.9856	EDDY COUNTY INTERCHANGE (ABB AEM30711) 345/230/13.2KV TRANSFORMER CKT 1'
13G		0	G12_043	'G-12-043-TAP345.00 - TOLK STATION 345KV CKT 1'	FROM->TO	0.72169	554.5	102.7158	G12_001T 230.00 - GRASSLAND INTERCHANGE 230KV CKT 1'
13G		0	G12_043	'G-12-043-TAP345.00 - TOLK STATION 345KV CKT 1'	FROM->TO	0.72169	554.5	100.3353	HOBBS INTERCHANGE - MIDLAND COUNTY INTERCHANGE 230KV CKT 1'
13G		0	G12_043	'G-12-043-TAP345.00 - TOLK STATION 345KV CKT 1'	FROM->TO	0.73503	554.5	102.1661	LEA COUNTY INTERCHANGE - YOAKUM COUNTY INTERCHANGE 230KV CKT 1'
13G		0	G12_043	'G-12-043-TAP345.00 - TOLK STATION 345KV CKT 1'	FROM->TO	0.72169	554.5	100.3353	MIDLAND COUNTY INTERCHANGE (ABB LL58861) 230/138/13.2KV TRANSFORMER CKT 1'
13G		0	G12_043	'G-12-043-TAP345.00 - TOLK STATION 345KV CKT 1'	FROM->TO	0.72095	554.5	100.1885	OASIS INTERCHANGE - Roosevelt County Interchange SWITCH #4K33 230KV CKT 1'
13G		0	G12_043	'G-12-043-TAP345.00 - TOLK STATION 345KV CKT 1'	FROM->TO	0.74941	554.5	113.5358	OASIS INTERCHANGE - SAN JUAN MESA TAP 230KV CKT 1'
13G		0	G12_043	'G-12-043-TAP345.00 - TOLK STATION 345KV CKT 1'	FROM->TO	0.71341	554.5	100.9911	TOLK STATION EAST 230/24.0KV TRANSFORMER CKT 1'
13G		0	G12_043	'G-12-043-TAP345.00 - TOLK STATION 345KV CKT 1'	FROM->TO	0.71341	554.5	101.1989	TOLK STATION WEST 230/24.0KV TRANSFORMER CKT 1'
13SP		0	G12_043	'G-12-043-TAP345.00 - TOLK STATION 345KV CKT 1'	FROM->TO	0.72074	554.8	102.5762	AMOCO SWITCHING STATION - YOAKUM COUNTY INTERCHANGE 230KV CKT 1'
13SP		0	G12_043	'G-12-043-TAP345.00 - TOLK STATION 345KV CKT 1'	FROM->TO	0.72074	554.8	101.1493	AMOCO SWITCHING STATION - YOAKUM COUNTY INTERCHANGE 230KV CKT 1'
13SP		0	G12_043	'G-12-043-TAP345.00 - TOLK STATION 345KV CKT 1'	FROM->TO	0.71093	554.8	100.3786	ARTESIA INTERCHANGE - EAGLE_CREEK3115.00 115KV CKT 1'
13SP		0	G12_043	'G-12-043-TAP345.00 - TOLK STATION 345KV CKT 1'	FROM->TO	0.71093	554.8	105.2813	Central Valley REC-12 Mile Hill - EDDY COUNTY INTERCHANGE 115KV CKT 1'
13SP		0	G12_043	'G-12-043-TAP345.00 - TOLK STATION 345KV CKT 1'	FROM->TO	0.71093	554.8	104.0004	Central Valley REC-12 Mile Hill - EDDY COUNTY INTERCHANGE 115KV CKT 1'
13SP		0	G12_043	'G-12-043-TAP345.00 - TOLK STATION 345KV CKT 1'	FROM->TO	0.73095	554.8	105.2801	CHAVES COUNTY INTERCHANGE - EDDY_NORTH 6230.00 230KV CKT 1'
13SP		0	G12_043	'G-12-043-TAP345.00 - TOLK STATION 345KV CKT 1'	FROM->TO	0.73095	554.8	103.8378	CHAVES COUNTY INTERCHANGE - EDDY_NORTH 6230.00 230KV CKT 1'
13SP		0	G12_043	'G-12-043-TAP345.00 - TOLK STATION 345KV CKT 1'	FROM->TO	0.74748	554.8	101.1184	CHAVES COUNTY INTERCHANGE - SAN JUAN MESA TAP 230KV CKT 1'
13SP		0	G12_043	'G-12-043-TAP345.00 - TOLK STATION 345KV CKT 1'	FROM->TO	1	554.8	184.6428	CHAVESCO 345.00 - EDDY COUNTY INTERCHANGE 345KV CKT 1'
13SP		0	G12_043	'G-12-043-TAP345.00 - TOLK STATION 345KV CKT 1'	FROM->TO	1	554.8	184.6431	CHAVESCO 345.00 - EDDY COUNTY INTERCHANGE 345KV CKT 1'
13SP		0	G12_043	'G-12-043-TAP345.00 - TOLK STATION 345KV CKT 1'	FROM->TO	0.71093	554.8	100.1082	EAGLE_CREEK3115.00 - NAVAJO_2TP 3115.00 115KV CKT 1'
13SP		0	G12_043	'G-12-043-TAP345.00 - TOLK STATION 345KV CKT 1'	FROM->TO	0.83027	554.8	132.1485	EDDY COUNTY INTERCHANGE - EDDY_NORTH 6230.00 230KV CKT 1'
13SP		0	G12_043	'G-12-043-TAP345.00 - TOLK STATION 345KV CKT 1'	FROM->TO	0.83027	554.8	131.81	EDDY COUNTY INTERCHANGE - EDDY_NORTH 6230.00 230KV CKT 1'
13SP		0	G12_043	'G-12-043-TAP345.00 - TOLK STATION 345KV CKT 1'	FROM->TO	0.71885	554.8	100.5514	EDDY COUNTY INTERCHANGE - SEVEN RIVERS INTERCHANGE 230KV CKT 1'
13SP		0	G12_043	'G-12-043-TAP345.00 - TOLK STATION 345KV CKT 1'	FROM->TO	1	554.8	184.5707	EDDY COUNTY INTERCHANGE (ABB AEM30711) 345/230/13.2KV TRANSFORMER CKT 1'
13SP		0	G12_043	'G-12-043-TAP345.00 - TOLK STATION 345KV CKT 1'	FROM->TO	1	554.8	184.571	EDDY COUNTY INTERCHANGE (ABB AEM30711) 345/230/13.2KV TRANSFORMER CKT 1'
13SP		0	G12_043	'G-12-043-TAP345.00 - TOLK STATION 345KV CKT 1'	FROM->TO	0.71877	554.8	100.305	G12_001T 230.00 - GRASSLAND INTERCHANGE 230KV CKT 1'
13SP		0	G12_043	'G-12-043-TAP345.00 - TOLK STATION 345KV CKT 1'	FROM->TO	0.71877	554.8	100.0346	HOBBS INTERCHANGE - MIDLAND COUNTY INTERCHANGE 230KV CKT 1'
13SP		0	G12_043	'G-12-043-TAP345.00 - TOLK STATION 345KV CKT 1'	FROM->TO	0.73102	554.8	103.5294	HOBBS INTERCHANGE - YOAKUM COUNTY INTERCHANGE 230KV CKT 1'
13SP		0	G12_043	'G-12-043-TAP345.00 - TOLK STATION 345KV CKT 1'	FROM->TO	0.73102	554.8	101.9389	HOBBS INTERCHANGE - YOAKUM COUNTY INTERCHANGE 230KV CKT 1'
13SP		0	G12_043	'G-12-043-TAP345.00 - TOLK STATION 345KV CKT 1'	FROM->TO	0.71475	554.8	100.2099	JONES STATION - TUCO INTERCHANGE 230KV CKT 1'
13SP		0	G12_043	'G-12-043-TAP345.00 - TOLK STATION 345KV CKT 1'	FROM->TO	0.71877	554.8	100.0346	MIDLAND COUNTY INTERCHANGE (ABB LL58861) 230/138/13.2KV TRANSFORMER CKT 1'
13SP		0	G12_043	'G-12-043-TAP345.00 - TOLK STATION 345KV CKT 1'	FROM->TO	0.74748	554.8	105.5164	OASIS INTERCHANGE - SAN JUAN MESA TAP 230KV CKT 1'
13SP		0	G12_043	'G-12-043-TAP345.00 - TOLK STATION 345KV CKT 1'	FROM->TO	0.74748	554.8	103.8864	OASIS INTERCHANGE - SAN JUAN MESA TAP 230KV CKT 1'
13SP		0	G12_043	'G-12-043-TAP345.00 - TOLK STATION 345KV CKT 1'	FROM->TO	0.71115	554.8	100.7728	SPP-SWPS-T14'
13SP		0	G12_043	'G-12-043-TAP345.00 - TOLK STATION 345KV CKT 1'	FROM->TO	0.71115	554.8	100.1595	SPP-SWPS-T42'
13SP		0	G12_043	'G-12-043-TAP345.00 - TOLK STATION 345KV CKT 1'	FROM->TO	0.71093	554.8	101.0031	TOLK STATION EAST 230/24.0KV TRANSFORMER CKT 1'
13SP		0	G12_043	'G-12-043-TAP345.00 - TOLK STATION 345KV CKT 1'	FROM->TO	0.71093	554.8	101.2443	TOLK STATION WEST 230/24.0KV TRANSFORMER CKT 1'
13WP		0	G12_043	'G-12-043-TAP345.00 - TOLK STATION 345KV CKT 1'	FROM->TO	0.72067	552.7	103.1547	AMOCO SWITCHING STATION - YOAKUM COUNTY INTERCHANGE 230KV CKT 1'
13WP		0	G12_043	'G-12-043-TAP345.00 - TOLK STATION 345KV CKT 1'	FROM->TO	0.72067	552.7	101.718	AMOCO SWITCHING STATION - YOAKUM COUNTY INTERCHANGE 230KV CKT 1'
13WP		0	G12_043	'G-12-043-TAP345.00 - TOLK STATION 345KV CKT 1'	FROM->TO	0.71037	552.7	101.6178	ARTESIA INTERCHANGE - EAGLE_CREEK3115.00 115KV CKT 1'
13WP		0	G12_043	'G-12-043-TAP345.00 - TOLK STATION 345KV CKT 1'	FROM->TO	0.71037	552.7	100.3304	ARTESIA INTERCHANGE - EAGLE_CREEK3115.00 115KV CKT 1'
13WP		0	G12_043	'G-12-043-TAP345.00 - TOLK STATION 345KV CKT 1'	FROM->TO	0.71855	552.7	101.5671	BORDEN COUNTY INTERCHANGE (ABB LL58862) 230/138/13.2KV TRANSFORMER CKT 1'
13WP		0	G12_043	'G-12-043-TAP345.00 - TOLK STATION 345KV CKT 1'	FROM->TO	0.71037	552.7	104.2413	Central Valley REC-12 Mile Hill - EDDY COUNTY INTERCHANGE 115KV CKT 1'
13WP		0	G12_043	'G-12-043-TAP345.00 - TOLK STATION 345KV CKT 1'	FROM->TO	0.71037	552.7	102.9539	Central Valley REC-12 Mile Hill - EDDY COUNTY INTERCHANGE 115KV CKT 1'
13WP		0	G12_043	'G-12-043-TAP345.00 - TOLK STATION 345KV CKT 1'	FROM->TO	0.72963	552.7	107.3628	CHAVES COUNTY INTERCHANGE - EDDY_NORTH 6230.00 230KV CKT 1'
13WP		0	G12_043	'G-12-043-TAP345.00 - TOLK STATION 345KV CKT 1'	FROM->TO	0.72963	552.7	105.9179	CHAVES COUNTY INTERCHANGE - EDDY_NORTH 6230.00 230KV CKT 1'
13WP		0	G12_043	'G-12-043-TAP345.00 - TOLK STATION 345KV CKT 1'	FROM->TO	0.74567	552.7	102.3926	CHAVES COUNTY INTERCHANGE - SAN JUAN MESA TAP 230KV CKT 1'
13WP		0	G12_043	'G-12-043-TAP345.00 - TOLK STATION 345KV CKT 1'	FROM->TO	0.74567	552.7	100.7617	CHAVES COUNTY INTERCHANGE - SAN JUAN MESA TAP 230KV CKT 1'
13WP		0	G12_043	'G-12-043-TAP345.00 - TOLK STATION 345KV CKT 1'	FROM->TO	1	552.7	185.3443	CHAVESCO 345.00 - EDDY COUNTY INTERCHANGE 345KV CKT 1'
13WP		0	G12_043	'G-12-043-TAP345.00 - TOLK STATION 345KV CKT 1'	FROM->TO	1	552.7	185.3447	CHAVESCO 345.00 - EDDY COUNTY INTERCHANGE 345KV CKT 1'
13WP		0	G12_043	'G-12-043-TAP345.00 - TOLK STATION 345KV CKT 1'	FROM->TO	1	552.7	100.3076	CHAVESCO 345.00 - EDDY COUNTY INTERCHANGE 345KV CKT 1'
13WP		0	G12_043	'G-12-043-TAP345.00 - TOLK STATION 345KV CKT 1'	FROM->TO	0.73892	552.7	102.4299	CUNNINGHAM STATION - HOBBS INTERCHANGE 230KV CKT 1'
13WP		0	G12_043	'G-12-043-TAP345.00 - TOLK STATION 345KV CKT 1'	FROM->TO	0.73892	552.7	101.0047	CUNNINGHAM STATION - HOBBS INTERCHANGE 230KV CKT 1'
13WP		0	G12_043	'G-12-043-TAP345.00 - TOLK STATION 345KV CKT 1'	FROM->TO	0.8315	552.7	132.2338	EDDY COUNTY INTERCHANGE - EDDY_NORTH 6230.00 230KV CKT 1'
13WP		0	G12_043	'G-12-043-TAP345.00 - TOLK STATION 345KV CKT 1'	FROM->TO	0.8315	552.7	131.8879	EDDY COUNTY INTERCHANGE - EDDY_NORTH 6230.00 230KV CKT 1'
13WP		0	G12_043	'G-12-043-TAP345.00 - TOLK STATION 345KV CKT 1'	FROM->TO	0.71839	552.7	102.045	EDDY COUNTY INTERCHANGE - SEVEN RIVERS INTERCHANGE 230KV CKT 1'
13WP		0	G12_043	'G-12-043-TAP345.00 - TOLK STATION 345KV CKT 1'	FROM->TO	0.71839	552.7	100.859	EDDY COUNTY INTERCHANGE - SEVEN RIVERS INTERCHANGE 230KV CKT 1'
13WP		0	G12_043	'G-12-043-TAP345.00 - TOLK STATION 345KV CKT 1'	FROM->TO	1	552.7	185.2901	EDDY COUNTY INTERCHANGE (ABB AEM30711) 345/230/13.2KV TRANSFORMER CKT 1'

Season	Scenario	Source	MontCommonName	Direction	TDF	Rating	Contingency		Contname
							Loading %		
13WP	0	G12_043	'G-12-043-TAP345.00 - TOLK STATION 345KV CKT 1'	FROM->TO	1	552.7	185.2904	EDDY COUNTY INTERCHANGE (ABB AEM30711) 345/230/13.2KV TRANSFORMER CKT 1'	
13WP	0	G12_043	'G-12-043-TAP345.00 - TOLK STATION 345KV CKT 1'	FROM->TO	1	552.7	100.2533	EDDY COUNTY INTERCHANGE (ABB AEM30711) 345/230/13.2KV TRANSFORMER CKT 1'	
13WP	0	G12_043	'G-12-043-TAP345.00 - TOLK STATION 345KV CKT 1'	FROM->TO	0.71855	552.7	101.8385	'G12_001T 230.00 - GRASSLAND INTERCHANGE 230KV CKT 1'	
13WP	0	G12_043	'G-12-043-TAP345.00 - TOLK STATION 345KV CKT 1'	FROM->TO	0.71855	552.7	100.4559	'G12_001T 230.00 - GRASSLAND INTERCHANGE 230KV CKT 1'	
13WP	0	G12_043	'G-12-043-TAP345.00 - TOLK STATION 345KV CKT 1'	FROM->TO	0.71855	552.7	101.5671	'HOBBS INTERCHANGE - MIDLAND COUNTY INTERCHANGE 230KV CKT 1'	
13WP	0	G12_043	'G-12-043-TAP345.00 - TOLK STATION 345KV CKT 1'	FROM->TO	0.71855	552.7	100.1845	'HOBBS INTERCHANGE - MIDLAND COUNTY INTERCHANGE 230KV CKT 1'	
13WP	0	G12_043	'G-12-043-TAP345.00 - TOLK STATION 345KV CKT 1'	FROM->TO	0.73005	552.7	107.3517	'HOBBS INTERCHANGE - YOAKUM COUNTY INTERCHANGE 230KV CKT 1'	
13WP	0	G12_043	'G-12-043-TAP345.00 - TOLK STATION 345KV CKT 1'	FROM->TO	0.73005	552.7	105.7537	'HOBBS INTERCHANGE - YOAKUM COUNTY INTERCHANGE 230KV CKT 1'	
13WP	0	G12_043	'G-12-043-TAP345.00 - TOLK STATION 345KV CKT 1'	FROM->TO	0.7152	552.7	102.0357	JONES STATION - TUCO INTERCHANGE 230KV CKT 1'	
13WP	0	G12_043	'G-12-043-TAP345.00 - TOLK STATION 345KV CKT 1'	FROM->TO	0.7152	552.7	100.7076	JONES STATION - TUCO INTERCHANGE 230KV CKT 1'	
13WP	0	G12_043	'G-12-043-TAP345.00 - TOLK STATION 345KV CKT 1'	FROM->TO	0.7129	552.7	100.2087	LAWTON EASTSIDE - OKLAUNION 345KV CKT 1'	
13WP	0	G12_043	'G-12-043-TAP345.00 - TOLK STATION 345KV CKT 1'	FROM->TO	0.71855	552.7	101.5671	'MIDLAND COUNTY INTERCHANGE (ABB LLL58861) 230/138/13.2KV TRANSFORMER CKT 1'	
13WP	0	G12_043	'G-12-043-TAP345.00 - TOLK STATION 345KV CKT 1'	FROM->TO	0.71855	552.7	100.1845	'MIDLAND COUNTY INTERCHANGE (ABB LLL58861) 230/138/13.2KV TRANSFORMER CKT 1'	
13WP	0	G12_043	'G-12-043-TAP345.00 - TOLK STATION 345KV CKT 1'	FROM->TO	0.74567	552.7	106.8073	OASIS INTERCHANGE - SAN JUAN MESA TAP 230KV CKT 1'	
13WP	0	G12_043	'G-12-043-TAP345.00 - TOLK STATION 345KV CKT 1'	FROM->TO	0.74567	552.7	105.1764	OASIS INTERCHANGE - SAN JUAN MESA TAP 230KV CKT 1'	
13WP	0	G12_043	'G-12-043-TAP345.00 - TOLK STATION 345KV CKT 1'	FROM->TO	0.71057	552.7	102.0098	SPP-SWPS-T14'	
13WP	0	G12_043	'G-12-043-TAP345.00 - TOLK STATION 345KV CKT 1'	FROM->TO	0.71057	552.7	100.7192	SPP-SWPS-T14'	
13WP	0	G12_043	'G-12-043-TAP345.00 - TOLK STATION 345KV CKT 1'	FROM->TO	0.71037	552.7	102.568	TOLK STATION EAST 230/24.0KV TRANSFORMER CKT 1'	
13WP	0	G12_043	'G-12-043-TAP345.00 - TOLK STATION 345KV CKT 1'	FROM->TO	0.71037	552.7	101.2846	TOLK STATION EAST 230/24.0KV TRANSFORMER CKT 1'	
13WP	0	G12_043	'G-12-043-TAP345.00 - TOLK STATION 345KV CKT 1'	FROM->TO	0.71037	552.7	102.8626	TOLK STATION WEST 230/24.0KV TRANSFORMER CKT 1'	
13WP	0	G12_043	'G-12-043-TAP345.00 - TOLK STATION 345KV CKT 1'	FROM->TO	0.71037	552.7	101.5778	TOLK STATION WEST 230/24.0KV TRANSFORMER CKT 1'	
18SP	0	G12_043	'G-12-043-TAP345.00 - TOLK STATION 345KV CKT 1'	FROM->TO	0.72	553.2	109.312	AMOCO SWITCHING STATION - SUNDOWN INTERCHANGE 230KV CKT 1'	
18SP	0	G12_043	'G-12-043-TAP345.00 - TOLK STATION 345KV CKT 1'	FROM->TO	0.72	553.2	107.885	AMOCO SWITCHING STATION - SUNDOWN INTERCHANGE 230KV CKT 1'	
18SP	0	G12_043	'G-12-043-TAP345.00 - TOLK STATION 345KV CKT 1'	FROM->TO	0.72	553.2	112.2233	AMOCO SWITCHING STATION - YOAKUM COUNTY INTERCHANGE 230KV CKT 1'	
18SP	0	G12_043	'G-12-043-TAP345.00 - TOLK STATION 345KV CKT 1'	FROM->TO	0.72	553.2	110.7954	AMOCO SWITCHING STATION - YOAKUM COUNTY INTERCHANGE 230KV CKT 1'	
18SP	0	G12_043	'G-12-043-TAP345.00 - TOLK STATION 345KV CKT 1'	FROM->TO	0.71028	553.2	107.7249	ARTESIA INTERCHANGE - EAGLE_CREEK3115.00 115KV CKT 1'	
18SP	0	G12_043	'G-12-043-TAP345.00 - TOLK STATION 345KV CKT 1'	FROM->TO	0.71028	553.2	106.4439	ARTESIA INTERCHANGE - EAGLE_CREEK3115.00 115KV CKT 1'	
18SP	0	G12_043	'G-12-043-TAP345.00 - TOLK STATION 345KV CKT 1'	FROM->TO	0.71028	553.2	105.0315	'BASE CASE'	
18SP	0	G12_043	'G-12-043-TAP345.00 - TOLK STATION 345KV CKT 1'	FROM->TO	0.71028	553.2	103.7505	'BASE CASE'	
18SP	0	G12_043	'G-12-043-TAP345.00 - TOLK STATION 345KV CKT 1'	FROM->TO	0.71767	553.2	108.072	BORDEN COUNTY INTERCHANGE - G12_001T 230.00 230KV CKT 1'	
18SP	0	G12_043	'G-12-043-TAP345.00 - TOLK STATION 345KV CKT 1'	FROM->TO	0.71767	553.2	106.7001	BORDEN COUNTY INTERCHANGE - G12_001T 230.00 230KV CKT 1'	
18SP	0	G12_043	'G-12-043-TAP345.00 - TOLK STATION 345KV CKT 1'	FROM->TO	0.71767	553.2	108.072	BORDEN COUNTY INTERCHANGE (ABB LL58862) 230/138/13.2KV TRANSFORMER CKT 1'	
18SP	0	G12_043	'G-12-043-TAP345.00 - TOLK STATION 345KV CKT 1'	FROM->TO	0.71767	553.2	106.7001	BORDEN COUNTY INTERCHANGE (ABB LL58862) 230/138/13.2KV TRANSFORMER CKT 1'	
18SP	0	G12_043	'G-12-043-TAP345.00 - TOLK STATION 345KV CKT 1'	FROM->TO	0.71767	553.2	108.0901	CAPROCK REC-TATE - CAPROCK REC-VEALMOOR 138KV CKT 1'	
18SP	0	G12_043	'G-12-043-TAP345.00 - TOLK STATION 345KV CKT 1'	FROM->TO	0.71767	553.2	106.7182	CAPROCK REC-TATE - CAPROCK REC-VEALMOOR 138KV CKT 1'	
18SP	0	G12_043	'G-12-043-TAP345.00 - TOLK STATION 345KV CKT 1'	FROM->TO	0.71028	553.2	112.0814	Central Valley REC-12 Mile Hill - EDDY COUNTY INTERCHANGE 115KV CKT 1'	
18SP	0	G12_043	'G-12-043-TAP345.00 - TOLK STATION 345KV CKT 1'	FROM->TO	0.71028	553.2	110.8004	Central Valley REC-12 Mile Hill - EDDY COUNTY INTERCHANGE 115KV CKT 1'	
18SP	0	G12_043	'G-12-043-TAP345.00 - TOLK STATION 345KV CKT 1'	FROM->TO	0.73023	553.2	115.1583	CHAVES COUNTY INTERCHANGE - EDDY_NORTH 6230.00 230KV CKT 1'	
18SP	0	G12_043	'G-12-043-TAP345.00 - TOLK STATION 345KV CKT 1'	FROM->TO	0.73023	553.2	113.7158	CHAVES COUNTY INTERCHANGE - EDDY_NORTH 6230.00 230KV CKT 1'	
18SP	0	G12_043	'G-12-043-TAP345.00 - TOLK STATION 345KV CKT 1'	FROM->TO	0.74669	553.2	110.6987	CHAVES COUNTY INTERCHANGE - SAN JUAN MESA TAP 230KV CKT 1'	
18SP	0	G12_043	'G-12-043-TAP345.00 - TOLK STATION 345KV CKT 1'	FROM->TO	0.74669	553.2	109.0701	CHAVES COUNTY INTERCHANGE - SAN JUAN MESA TAP 230KV CKT 1'	
18SP	0	G12_043	'G-12-043-TAP345.00 - TOLK STATION 345KV CKT 1'	FROM->TO	1	553.2	185.231	CHAVESCO 345.00 - EDDY COUNTY INTERCHANGE 345KV CKT 1'	
18SP	0	G12_043	'G-12-043-TAP345.00 - TOLK STATION 345KV CKT 1'	FROM->TO	1	553.2	185.2314	CHAVESCO 345.00 - EDDY COUNTY INTERCHANGE 345KV CKT 1'	
18SP	0	G12_043	'G-12-043-TAP345.00 - TOLK STATION 345KV CKT 1'	FROM->TO	1	553.2	100.2712	CHAVESCO 345.00 - EDDY COUNTY INTERCHANGE 345KV CKT 1'	
18SP	0	G12_043	'G-12-043-TAP345.00 - TOLK STATION 345KV CKT 1'	FROM->TO	0.83007	553.2	130.4691	EDDY COUNTY INTERCHANGE - EDDY_NORTH 6230.00 230KV CKT 1'	
18SP	0	G12_043	'G-12-043-TAP345.00 - TOLK STATION 345KV CKT 1'	FROM->TO	0.83007	553.2	130.1289	EDDY COUNTY INTERCHANGE - EDDY_NORTH 6230.00 230KV CKT 1'	
18SP	0	G12_043	'G-12-043-TAP345.00 - TOLK STATION 345KV CKT 1'	FROM->TO	1	553.2	185.1949	EDDY COUNTY INTERCHANGE (ABB AEM30711) 345/230/13.2KV TRANSFORMER CKT 1'	
18SP	0	G12_043	'G-12-043-TAP345.00 - TOLK STATION 345KV CKT 1'	FROM->TO	1	553.2	185.1952	EDDY COUNTY INTERCHANGE (ABB AEM30711) 345/230/13.2KV TRANSFORMER CKT 1'	
18SP	0	G12_043	'G-12-043-TAP345.00 - TOLK STATION 345KV CKT 1'	FROM->TO	1	553.2	100.235	EDDY COUNTY INTERCHANGE (ABB AEM30711) 345/230/13.2KV TRANSFORMER CKT 1'	
18SP	0	G12_043	'G-12-043-TAP345.00 - TOLK STATION 345KV CKT 1'	FROM->TO	0.71767	553.2	108.3431	G12_001T 230.00 - GRASSLAND INTERCHANGE 230KV CKT 1'	
18SP	0	G12_043	'G-12-043-TAP345.00 - TOLK STATION 345KV CKT 1'	FROM->TO	0.71767	553.2	106.9712	G12_001T 230.00 - GRASSLAND INTERCHANGE 230KV CKT 1'	
18SP	0	G12_043	'G-12-043-TAP345.00 - TOLK STATION 345KV CKT 1'	FROM->TO	0.71767	553.2	108.1081	'HOBBS INTERCHANGE - MIDLAND COUNTY INTERCHANGE 230KV CKT 1'	
18SP	0	G12_043	'G-12-043-TAP345.00 - TOLK STATION 345KV CKT 1'	FROM->TO	0.71767	553.2	106.7362	'HOBBS INTERCHANGE - MIDLAND COUNTY INTERCHANGE 230KV CKT 1'	
18SP	0	G12_043	'G-12-043-TAP345.00 - TOLK STATION 345KV CKT 1'	FROM->TO	0.73056	553.2	112.0551	'HOBBS INTERCHANGE - YOAKUM COUNTY INTERCHANGE 230KV CKT 1'	
18SP	0	G12_043	'G-12-043-TAP345.00 - TOLK STATION 345KV CKT 1'	FROM->TO	0.73056	553.2	110.4627	'HOBBS INTERCHANGE - YOAKUM COUNTY INTERCHANGE 230KV CKT 1'	
18SP	0	G12_043	'G-12-043-TAP345.00 - TOLK STATION 345KV CKT 1'	FROM->TO	0.71767	553.2	108.0901	'MIDLAND COUNTY INTERCHANGE (ABB LLL58861) 230/138/13.2KV TRANSFORMER CKT 1'	
18SP	0	G12_043	'G-12-043-TAP345.00 - TOLK STATION 345KV CKT 1'	FROM->TO	0.71767	553.2	106.7182	'MIDLAND COUNTY INTERCHANGE (ABB LLL58861) 230/138/13.2KV TRANSFORMER CKT 1'	
18SP	0	G12_043	'G-12-043-TAP345.00 - TOLK STATION 345KV CKT 1'	FROM->TO	0.74669	553.2	112.8859	OASIS INTERCHANGE - SAN JUAN MESA TAP 230KV CKT 1'	
18SP	0	G12_043	'G-12-043-TAP345.00 - TOLK STATION 345KV CKT 1'	FROM->TO	0.74669	553.2	111.2574	OASIS INTERCHANGE - SAN JUAN MESA TAP 230KV CKT 1'	
18SP	0	G12_043	'G-12-043-TAP345.00 - TOLK STATION 345KV CKT 1'	FROM->TO	0.71049	553.2	107.8816	SPP-SWPS-T14'	
18SP	0	G12_043	'G-12-043-TAP345.00 - TOLK STATION 345KV CKT 1'	FROM->TO	0.71049	553.2	106.5991	SPP-SWPS-T14'	
18SP	0	G12_043	'G-12-043-TAP345.00 - TOLK STATION 345KV CKT 1'	FROM->TO	0.71028	553.2	107.8242	TOLK STATION EAST 230/24.0KV TRANSFORMER CKT 1'	
18SP	0	G12_043	'G-12-043-TAP345.00 - TOLK STATION 345KV CKT 1'	FROM->TO	0.71028	553.2	106.5437	TOLK STATION EAST 230/24.0KV TRANSFORMER CKT 1'	
18SP	0	G12_043	'G-12-043-TAP345.00 - TOLK STATION 345KV CKT 1'	FROM->TO	0.71028	553.2	108.0698	TOLK STATION WEST 230/24.0KV TRANSFORMER CKT 1'	
18SP	0	G12_043	'G-12-043-TAP345.00 - TOLK STATION 345KV CKT 1'	FROM->TO	0.71028	553.2	106.7914	TOLK STATION WEST 230/24.0KV TRANSFORMER CKT 1'	
18WP	0	G12_043	'G-12-043-TAP345.00 - TOLK STATION 345KV CKT 1'	FROM->TO	0.72029	554.8	101.6242	AMOCO SWITCHING STATION - YOAKUM COUNTY INTERCHANGE 230KV CKT 1'	
18WP	0	G12_043	'G-12-043-TAP345.00 - TOLK STATION 345KV CKT 1'	FROM->TO	0.72029	554.8	100.1998	AMOCO SWITCHING STATION - YOAKUM COUNTY INTERCHANGE 230KV CKT 1'	
18WP	0	G12_043	'G-12-043-TAP345.00 - TOLK STATION 345KV CKT 1'	FROM->TO	0.71046	554.8	104.3815	Central Valley REC-12 Mile Hill - EDDY COUNTY INTERCHANGE 115KV CKT 1'	
18WP	0	G12_043	'G-12-043-TAP345.00 - TOLK STATION 345KV CKT 1'	FROM->TO	0.71046	554.8	103.1032	Central Valley REC-12 Mile Hill - EDDY COUNTY INTERCHANGE 115KV CKT 1'	
18WP	0	G12_043	'G-12-043-TAP345.00 - TOLK STATION 345KV CKT 1'	FROM->TO	0.7304	554.8	105.5209	CHAVES COUNTY INTERCHANGE - EDDY_NORTH 6230.00 230KV CKT 1'	
18WP	0	G12_043	'G-12-043-TAP345.00 - TOLK STATION 345KV CKT 1'	FROM->TO	0.7304	554.8	104.0817	CHAVES COUNTY INTERCHANGE - EDDY_NORTH 6230.00 230KV CKT 1'	
18WP	0	G12_043	'G-12-043-TAP345.00 - TOLK STATION 345KV CKT 1'	FROM->TO	1	554.8	184.6248	CHAVESCO 345.00 - EDDY COUNTY INTERCHANGE 345KV CKT 1'	
18WP	0	G12_043	'G-12-043-TAP345.00 - TOLK STATION 345KV CKT 1'	FROM->TO	1	554.8	184.6251	CHAVESCO 345.00 - EDDY COUNTY INTERCHANGE 345KV CKT 1'	
18WP	0	G12_043	'G-12-043-TAP345.00 - TOLK STATION 345KV CKT 1'	FROM->TO	0.83016	554.8	129.8031	EDDY COUNTY INTERCHANGE - EDDY_NORTH 6230.00 230KV CKT 1'	

Season	Scenario	Source	MontCommonName	Direction	TDF	Rating	Contingency		Contname
							Loading %		
18WP		0	G12_043	'G-12-043-TAP345.00 - TOLK STATION 345KV CKT 1'	FROM->TO	0.83016	554.8	129.4633	'EDDY COUNTY INTERCHANGE - EDDY NORTH 6230.00 230KV CKT 1'
18WP		0	G12_043	'G-12-043-TAP345.00 - TOLK STATION 345KV CKT 1'	FROM->TO	1	554.8	184.5527	'EDDY COUNTY INTERCHANGE (ABB AEM30711) 345/230/13.2KV TRANSFORMER CKT 1'
18WP		0	G12_043	'G-12-043-TAP345.00 - TOLK STATION 345KV CKT 1'	FROM->TO	1	554.8	184.553	'EDDY COUNTY INTERCHANGE (ABB AEM30711) 345/230/13.2KV TRANSFORMER CKT 1'
18WP		0	G12_043	'G-12-043-TAP345.00 - TOLK STATION 345KV CKT 1'	FROM->TO	0.73052	554.8	102.5141	'HOBBS INTERCHANGE - YOAKUM COUNTY INTERCHANGE 230KV CKT 1'
18WP		0	G12_043	'G-12-043-TAP345.00 - TOLK STATION 345KV CKT 1'	FROM->TO	0.73052	554.8	100.9264	'HOBBS INTERCHANGE - YOAKUM COUNTY INTERCHANGE 230KV CKT 1'
18WP		0	G12_043	'G-12-043-TAP345.00 - TOLK STATION 345KV CKT 1'	FROM->TO	0.74686	554.8	103.922	'OASIS INTERCHANGE - SAN JUAN MESA TAP 230KV CKT 1'
18WP		0	G12_043	'G-12-043-TAP345.00 - TOLK STATION 345KV CKT 1'	FROM->TO	0.74686	554.8	102.2972	'OASIS INTERCHANGE - SAN JUAN MESA TAP 230KV CKT 1'
18WP		0	G12_043	'G-12-043-TAP345.00 - TOLK STATION 345KV CKT 1'	FROM->TO	0.71046	554.8	100.1213	'TOLK STATION EAST 230/24.0KV TRANSFORMER CKT 1'
18WP		0	G12_043	'G-12-043-TAP345.00 - TOLK STATION 345KV CKT 1'	FROM->TO	0.71046	554.8	100.3806	'TOLK STATION WEST 230/24.0KV TRANSFORMER CKT 1'
13SP		0	G12_043	'NEWHART 6230.00 - PLANT X STATION 230KV CKT 1'	TO->FROM	0.20101	328.6	102.3462	'BASE CASE'
13SP		0	G12_043	'NEWHART 6230.00 - PLANT X STATION 230KV CKT 1'	TO->FROM	0.20101	328.6	100.7797	'BASE CASE'
13SP		0	G12_043	'NEWHART 6230.00 - PLANT X STATION 230KV CKT 1'	TO->FROM	0.21541	360.6	102.1497	'BORDER 7345.00 - G12-038 TAP 345.00 345KV CKT 1'
13SP		0	G12_043	'NEWHART 6230.00 - PLANT X STATION 230KV CKT 1'	TO->FROM	0.21541	360.6	100.5962	'BORDER 7345.00 - G12-038 TAP 345.00 345KV CKT 1'
13SP		0	G12_043	'NEWHART 6230.00 - PLANT X STATION 230KV CKT 1'	TO->FROM	0.21541	360.6	102.5656	'BORDER 7345.00 - WWRDEHV7 345.00 345KV CKT 1'
13SP		0	G12_043	'NEWHART 6230.00 - PLANT X STATION 230KV CKT 1'	TO->FROM	0.21541	360.6	101.0122	'BORDER 7345.00 - WWRDEHV7 345.00 345KV CKT 1'
13SP		0	G12_043	'NEWHART 6230.00 - PLANT X STATION 230KV CKT 1'	TO->FROM	0.25221	360.6	113.7656	'BUFFALO 230.00 - BUSHLAND INTERCHANGE 230KV CKT 1'
13SP		0	G12_043	'NEWHART 6230.00 - PLANT X STATION 230KV CKT 1'	TO->FROM	0.25221	360.6	111.9434	'BUFFALO 230.00 - BUSHLAND INTERCHANGE 230KV CKT 1'
13SP		0	G12_043	'NEWHART 6230.00 - PLANT X STATION 230KV CKT 1'	TO->FROM	0.25221	360.6	111.8244	'BUFFALO 230.00 - DEAF SMITH COUNTY INTERCHANGE 230KV CKT 1'
13SP		0	G12_043	'NEWHART 6230.00 - PLANT X STATION 230KV CKT 1'	TO->FROM	0.25221	360.6	110.0022	'BUFFALO 230.00 - DEAF SMITH COUNTY INTERCHANGE 230KV CKT 1'
13SP		0	G12_043	'NEWHART 6230.00 - PLANT X STATION 230KV CKT 1'	TO->FROM	0.22741	360.6	102.8437	'BUSHLAND INTERCHANGE - POTTER COUNTY INTERCHANGE 230KV CKT 1'
13SP		0	G12_043	'NEWHART 6230.00 - PLANT X STATION 230KV CKT 1'	TO->FROM	0.22741	360.6	101.2122	'BUSHLAND INTERCHANGE - POTTER COUNTY INTERCHANGE 230KV CKT 1'
13SP		0	G12_043	'NEWHART 6230.00 - PLANT X STATION 230KV CKT 1'	TO->FROM	0.21573	360.6	100.0366	'CHAVESCO 345.00 - EDDY COUNTY INTERCHANGE 345KV CKT 1'
13SP		0	G12_043	'NEWHART 6230.00 - PLANT X STATION 230KV CKT 1'	TO->FROM	0.25445	360.6	121.2628	'DEAF SMITH COUNTY INTERCHANGE - PLANT X STATION 230KV CKT 1'
13SP		0	G12_043	'NEWHART 6230.00 - PLANT X STATION 230KV CKT 1'	TO->FROM	0.25445	360.6	119.4367	'DEAF SMITH COUNTY INTERCHANGE - PLANT X STATION 230KV CKT 1'
13SP		0	G12_043	'NEWHART 6230.00 - PLANT X STATION 230KV CKT 1'	TO->FROM	0.21573	360.6	100.0366	'EDDY COUNTY INTERCHANGE (ABB AEM30711) 345/230/13.2KV TRANSFORMER CKT 1'
13SP		0	G12_043	'NEWHART 6230.00 - PLANT X STATION 230KV CKT 1'	TO->FROM	0.21707	360.6	110.3281	'LAWTON EASTSIDE - OKLAUNION 345KV CKT 1'
13SP		0	G12_043	'NEWHART 6230.00 - PLANT X STATION 230KV CKT 1'	TO->FROM	0.21707	360.6	108.7636	'LAWTON EASTSIDE - OKLAUNION 345KV CKT 1'
13SP		0	G12_043	'NEWHART 6230.00 - PLANT X STATION 230KV CKT 1'	TO->FROM	0.21707	360.6	105.9187	'OKLAUNION - TUCO INTERCHANGE 345KV CKT 1'
13SP		0	G12_043	'NEWHART 6230.00 - PLANT X STATION 230KV CKT 1'	TO->FROM	0.21707	360.6	104.3543	'OKLAUNION - TUCO INTERCHANGE 345KV CKT 1'
13SP		0	G12_043	'NEWHART 6230.00 - PLANT X STATION 230KV CKT 1'	TO->FROM	0.21436	360.6	103.0879	'PLANT X STATION (WH ALM20171) 230/115/13.2KV TRANSFORMER CKT 1'
13SP		0	G12_043	'NEWHART 6230.00 - PLANT X STATION 230KV CKT 1'	TO->FROM	0.21436	360.6	101.5859	'PLANT X STATION (WH ALM20171) 230/115/13.2KV TRANSFORMER CKT 1'
13SP		0	G12_043	'NEWHART 6230.00 - PLANT X STATION 230KV CKT 1'	TO->FROM	0.21811	360.6	106.2976	'SPP-SWPS-01'
13SP		0	G12_043	'NEWHART 6230.00 - PLANT X STATION 230KV CKT 1'	TO->FROM	0.21811	360.6	104.7245	'SPP-SWPS-01'
13SP		0	G12_043	'NEWHART 6230.00 - PLANT X STATION 230KV CKT 1'	TO->FROM	0.25897	360.6	117.6671	'TOLK STATION EAST - TUCO INTERCHANGE 230KV CKT 1'
13SP		0	G12_043	'NEWHART 6230.00 - PLANT X STATION 230KV CKT 1'	TO->FROM	0.25897	360.6	115.9075	'TOLK STATION EAST - TUCO INTERCHANGE 230KV CKT 1'
18SP		0	G12_043	'NEWHART 6230.00 - PLANT X STATION 230KV CKT 1'	TO->FROM	0.20066	318.9	124.4469	'BASE CASE'
18SP		0	G12_043	'NEWHART 6230.00 - PLANT X STATION 230KV CKT 1'	TO->FROM	0.20066	318.9	122.836	'BASE CASE'
18SP		0	G12_043	'NEWHART 6230.00 - PLANT X STATION 230KV CKT 1'	TO->FROM	0.21529	350.9	120.6438	'BORDER 7345.00 - G12-038 TAP 345.00 345KV CKT 1'
18SP		0	G12_043	'NEWHART 6230.00 - PLANT X STATION 230KV CKT 1'	TO->FROM	0.21529	350.9	119.0483	'BORDER 7345.00 - G12-038 TAP 345.00 345KV CKT 1'
18SP		0	G12_043	'NEWHART 6230.00 - PLANT X STATION 230KV CKT 1'	TO->FROM	0.21529	350.9	121.1283	'BORDER 7345.00 - WWRDEHV7 345.00 345KV CKT 1'
18SP		0	G12_043	'NEWHART 6230.00 - PLANT X STATION 230KV CKT 1'	TO->FROM	0.21529	350.9	119.5328	'BORDER 7345.00 - WWRDEHV7 345.00 345KV CKT 1'
18SP		0	G12_043	'NEWHART 6230.00 - PLANT X STATION 230KV CKT 1'	TO->FROM	0.25163	350.9	131.7939	'BUFFALO 230.00 - BUSHLAND INTERCHANGE 230KV CKT 1'
18SP		0	G12_043	'NEWHART 6230.00 - PLANT X STATION 230KV CKT 1'	TO->FROM	0.25163	350.9	129.9261	'BUFFALO 230.00 - BUSHLAND INTERCHANGE 230KV CKT 1'
18SP		0	G12_043	'NEWHART 6230.00 - PLANT X STATION 230KV CKT 1'	TO->FROM	0.25163	350.9	129.799	'BUFFALO 230.00 - DEAF SMITH COUNTY INTERCHANGE 230KV CKT 1'
18SP		0	G12_043	'NEWHART 6230.00 - PLANT X STATION 230KV CKT 1'	TO->FROM	0.25163	350.9	127.9313	'BUFFALO 230.00 - DEAF SMITH COUNTY INTERCHANGE 230KV CKT 1'
18SP		0	G12_043	'NEWHART 6230.00 - PLANT X STATION 230KV CKT 1'	TO->FROM	0.20066	350.9	119.4532	'Central Valley REC-12 Mile Hill - EDDY COUNTY INTERCHANGE 115KV CKT 1'
18SP		0	G12_043	'NEWHART 6230.00 - PLANT X STATION 230KV CKT 1'	TO->FROM	0.20066	350.9	117.9892	'Central Valley REC-12 Mile Hill - EDDY COUNTY INTERCHANGE 115KV CKT 1'
18SP		0	G12_043	'NEWHART 6230.00 - PLANT X STATION 230KV CKT 1'	TO->FROM	0.25392	350.9	147.3214	'DEAF SMITH COUNTY INTERCHANGE - PLANT X STATION 230KV CKT 1'
18SP		0	G12_043	'NEWHART 6230.00 - PLANT X STATION 230KV CKT 1'	TO->FROM	0.25392	350.9	145.4464	'DEAF SMITH COUNTY INTERCHANGE - PLANT X STATION 230KV CKT 1'
18SP		0	G12_043	'NEWHART 6230.00 - PLANT X STATION 230KV CKT 1'	TO->FROM	0.25392	350.9	112.627	'DEAF SMITH COUNTY INTERCHANGE - PLANT X STATION 230KV CKT 1'
18SP		0	G12_043	'NEWHART 6230.00 - PLANT X STATION 230KV CKT 1'	TO->FROM	0.21698	350.9	127.578	'LAWTON EASTSIDE - OKLAUNION 345KV CKT 1'
18SP		0	G12_043	'NEWHART 6230.00 - PLANT X STATION 230KV CKT 1'	TO->FROM	0.21698	350.9	125.9681	'LAWTON EASTSIDE - OKLAUNION 345KV CKT 1'
18SP		0	G12_043	'NEWHART 6230.00 - PLANT X STATION 230KV CKT 1'	TO->FROM	0.21698	350.9	123.0468	'OKLAUNION - TUCO INTERCHANGE 345KV CKT 1'
18SP		0	G12_043	'NEWHART 6230.00 - PLANT X STATION 230KV CKT 1'	TO->FROM	0.21698	350.9	121.4369	'OKLAUNION - TUCO INTERCHANGE 345KV CKT 1'
18SP		0	G12_043	'NEWHART 6230.00 - PLANT X STATION 230KV CKT 1'	TO->FROM	0.21452	350.9	124.454	'PLANT X STATION (WH ALM20171) 230/115/13.2KV TRANSFORMER CKT 1'
18SP		0	G12_043	'NEWHART 6230.00 - PLANT X STATION 230KV CKT 1'	TO->FROM	0.21452	350.9	122.909	'PLANT X STATION (WH ALM20171) 230/115/13.2KV TRANSFORMER CKT 1'
18SP		0	G12_043	'NEWHART 6230.00 - PLANT X STATION 230KV CKT 1'	TO->FROM	0.21805	350.9	123.2709	'SPP-SWPS-01'
18SP		0	G12_043	'NEWHART 6230.00 - PLANT X STATION 230KV CKT 1'	TO->FROM	0.21805	350.9	121.6548	'SPP-SWPS-01'
18SP		0	G12_043	'NEWHART 6230.00 - PLANT X STATION 230KV CKT 1'	TO->FROM	0.20972	350.9	120.9956	'SPP-SWPS-25'
18SP		0	G12_043	'NEWHART 6230.00 - PLANT X STATION 230KV CKT 1'	TO->FROM	0.20972	350.9	119.4669	'SPP-SWPS-25'
18SP		0	G12_043	'NEWHART 6230.00 - PLANT X STATION 230KV CKT 1'	TO->FROM	0.20687	350.9	121.3125	'SPP-SWPS-26'
18SP		0	G12_043	'NEWHART 6230.00 - PLANT X STATION 230KV CKT 1'	TO->FROM	0.20687	350.9	119.7985	'SPP-SWPS-26'
18SP		0	G12_043	'NEWHART 6230.00 - PLANT X STATION 230KV CKT 1'	TO->FROM	0.20972	350.9	120.9956	'SPP-SWPS-T28'
18SP		0	G12_043	'NEWHART 6230.00 - PLANT X STATION 230KV CKT 1'	TO->FROM	0.20972	350.9	119.4669	'SPP-SWPS-T28'
18SP		0	G12_043	'NEWHART 6230.00 - PLANT X STATION 230KV CKT 1'	TO->FROM	0.20687	350.9	121.3125	'SPP-SWPS-V37'
18SP		0	G12_043	'NEWHART 6230.00 - PLANT X STATION 230KV CKT 1'	TO->FROM	0.20687	350.9	119.7985	'SPP-SWPS-V37'
18SP		0	G12_043	'NEWHART 6230.00 - PLANT X STATION 230KV CKT 1'	TO->FROM	0.22166	350.9	121.8847	'SUNDOWN INTERCHANGE - WOLFFORTH INTERCHANGE 230KV CKT 1'
18SP		0	G12_043	'NEWHART 6230.00 - PLANT X STATION 230KV CKT 1'	TO->FROM	0.22166	350.9	120.1927	'SUNDOWN INTERCHANGE - WOLFFORTH INTERCHANGE 230KV CKT 1'
18SP		0	G12_043	'NEWHART 6230.00 - PLANT X STATION 230KV CKT 1'	TO->FROM	0.20042	350.9	119.152	'SWISHER COUNTY INTERCHANGE - TUCO INTERCHANGE 230KV CKT 1'
18SP		0	G12_043	'NEWHART 6230.00 - PLANT X STATION 230KV CKT 1'	TO->FROM	0.20042	350.9	117.6149	'SWISHER COUNTY INTERCHANGE - TUCO INTERCHANGE 230KV CKT 1'
18SP		0	G12_043	'NEWHART 6230.00 - PLANT X STATION 230KV CKT 1'	TO->FROM	0.25834	350.9	140.9526	'TOLK STATION EAST - TUCO INTERCHANGE 230KV CKT 1'
18SP		0	G12_043	'NEWHART 6230.00 - PLANT X STATION 230KV CKT 1'	TO->FROM	0.25834	350.9	139.1466	'TOLK STATION EAST - TUCO INTERCHANGE 230KV CKT 1'
18SP		0	G12_043	'NEWHART 6230.00 - PLANT X STATION 230KV CKT 1'	TO->FROM	0.25834	350.9	106.0782	'TOLK STATION EAST - TUCO INTERCHANGE 230KV CKT 1'
18WP		0	G12_043	'NEWHART 6230.00 - PLANT X STATION 230KV CKT 1'	TO->FROM	0.20005	328.6	103.6932	'BASE CASE'

Season	Scenario	Source	MontCommonName	Direction	TDF	Rating	Contingency	
							Loading %	Contname
18WP		0	G12_043 'NEWHART 6230.00 - PLANT X STATION 230KV CKT 1'	TO->FROM	0.20005	328.6	102.1354	'BASE CASE'
18WP		0	G12_043 'NEWHART 6230.00 - PLANT X STATION 230KV CKT 1'	TO->FROM	0.21445	360.7	103.903	'BORDER 7345.00 - G12-038 TAP 345.00 345KV CKT 1'
18WP		0	G12_043 'NEWHART 6230.00 - PLANT X STATION 230KV CKT 1'	TO->FROM	0.21445	360.7	102.3606	'BORDER 7345.00 - G12-038 TAP 345.00 345KV CKT 1'
18WP		0	G12_043 'NEWHART 6230.00 - PLANT X STATION 230KV CKT 1'	TO->FROM	0.21445	360.7	104.2911	'BORDER 7345.00 - WWRDEHV7 345.00 345KV CKT 1'
18WP		0	G12_043 'NEWHART 6230.00 - PLANT X STATION 230KV CKT 1'	TO->FROM	0.21445	360.7	102.7487	'BORDER 7345.00 - WWRDEHV7 345.00 345KV CKT 1'
18WP		0	G12_043 'NEWHART 6230.00 - PLANT X STATION 230KV CKT 1'	TO->FROM	0.25092	360.7	115.6991	'BUFFALO 230.00 - BUSHLAND INTERCHANGE 230KV CKT 1'
18WP		0	G12_043 'NEWHART 6230.00 - PLANT X STATION 230KV CKT 1'	TO->FROM	0.25092	360.7	113.8881	'BUFFALO 230.00 - BUSHLAND INTERCHANGE 230KV CKT 1'
18WP		0	G12_043 'NEWHART 6230.00 - PLANT X STATION 230KV CKT 1'	TO->FROM	0.25092	360.7	113.7585	'BUFFALO 230.00 - DEAF SMITH COUNTY INTERCHANGE 230KV CKT 1'
18WP		0	G12_043 'NEWHART 6230.00 - PLANT X STATION 230KV CKT 1'	TO->FROM	0.25092	360.7	111.9474	'BUFFALO 230.00 - DEAF SMITH COUNTY INTERCHANGE 230KV CKT 1'
18WP		0	G12_043 'NEWHART 6230.00 - PLANT X STATION 230KV CKT 1'	TO->FROM	0.22663	360.7	104.3324	'BUSHLAND INTERCHANGE - POTTER COUNTY INTERCHANGE 230KV CKT 1'
18WP		0	G12_043 'NEWHART 6230.00 - PLANT X STATION 230KV CKT 1'	TO->FROM	0.22663	360.7	102.7104	'BUSHLAND INTERCHANGE - POTTER COUNTY INTERCHANGE 230KV CKT 1'
18WP		0	G12_043 'NEWHART 6230.00 - PLANT X STATION 230KV CKT 1'	TO->FROM	0.20005	360.7	100.6476	'Central Valley REC-12 Mile Hill - EDDY COUNTY INTERCHANGE 115KV CKT 1'
18WP		0	G12_043 'NEWHART 6230.00 - PLANT X STATION 230KV CKT 1'	TO->FROM	0.21475	360.7	101.2829	'CHAVESCO 345.00 - EDDY COUNTY INTERCHANGE 345KV CKT 1'
18WP		0	G12_043 'NEWHART 6230.00 - PLANT X STATION 230KV CKT 1'	TO->FROM	0.25312	360.7	123.4629	'DEAF SMITH COUNTY INTERCHANGE - PLANT X STATION 230KV CKT 1'
18WP		0	G12_043 'NEWHART 6230.00 - PLANT X STATION 230KV CKT 1'	TO->FROM	0.25312	360.7	121.6483	'DEAF SMITH COUNTY INTERCHANGE - PLANT X STATION 230KV CKT 1'
18WP		0	G12_043 'NEWHART 6230.00 - PLANT X STATION 230KV CKT 1'	TO->FROM	0.21475	360.7	101.2829	'EDDY COUNTY INTERCHANGE (ABB AEM30711) 345/230/13.2KV TRANSFORMER CKT 1'
18WP		0	G12_043 'NEWHART 6230.00 - PLANT X STATION 230KV CKT 1'	TO->FROM	0.20804	360.7	101.8695	'JONES STATION - TUCO INTERCHANGE 230KV CKT 1'
18WP		0	G12_043 'NEWHART 6230.00 - PLANT X STATION 230KV CKT 1'	TO->FROM	0.20804	360.7	100.3422	'JONES STATION - TUCO INTERCHANGE 230KV CKT 1'
18WP		0	G12_043 'NEWHART 6230.00 - PLANT X STATION 230KV CKT 1'	TO->FROM	0.21617	360.7	111.708	'LAWTON EASTSIDE - OKLAUNION 345KV CKT 1'
18WP		0	G12_043 'NEWHART 6230.00 - PLANT X STATION 230KV CKT 1'	TO->FROM	0.21617	360.7	110.1514	'LAWTON EASTSIDE - OKLAUNION 345KV CKT 1'
18WP		0	G12_043 'NEWHART 6230.00 - PLANT X STATION 230KV CKT 1'	TO->FROM	0.21617	360.7	107.2722	'OKLAUNION - TUCO INTERCHANGE 345KV CKT 1'
18WP		0	G12_043 'NEWHART 6230.00 - PLANT X STATION 230KV CKT 1'	TO->FROM	0.21617	360.7	105.7156	'OKLAUNION - TUCO INTERCHANGE 345KV CKT 1'
18WP		0	G12_043 'NEWHART 6230.00 - PLANT X STATION 230KV CKT 1'	TO->FROM	0.2132	360.7	105.0891	'PLANT X STATION (WH ALM20171) 230/115/13.2KV TRANSFORMER CKT 1'
18WP		0	G12_043 'NEWHART 6230.00 - PLANT X STATION 230KV CKT 1'	TO->FROM	0.2132	360.7	103.597	'PLANT X STATION (WH ALM20171) 230/115/13.2KV TRANSFORMER CKT 1'
18WP		0	G12_043 'NEWHART 6230.00 - PLANT X STATION 230KV CKT 1'	TO->FROM	0.21722	360.7	107.6814	'SPP-SWPS-01'
18WP		0	G12_043 'NEWHART 6230.00 - PLANT X STATION 230KV CKT 1'	TO->FROM	0.21722	360.7	106.1161	'SPP-SWPS-01'
18WP		0	G12_043 'NEWHART 6230.00 - PLANT X STATION 230KV CKT 1'	TO->FROM	0.19966	360.7	101.4764	'SWISHER COUNTY INTERCHANGE - TUCO INTERCHANGE 230KV CKT 1'
18WP		0	G12_043 'NEWHART 6230.00 - PLANT X STATION 230KV CKT 1'	TO->FROM	0.2575	360.7	117.3362	'TOLK STATION EAST - TUCO INTERCHANGE 230KV CKT 1'
18WP		0	G12_043 'NEWHART 6230.00 - PLANT X STATION 230KV CKT 1'	TO->FROM	0.2575	360.7	115.589	'TOLK STATION EAST - TUCO INTERCHANGE 230KV CKT 1'
13G		0	G12_043 'OASIS INTERCHANGE - SAN JUAN MESA TAP 230KV CKT 1'	TO->FROM	0.31535	350.5	101.2291	'G-12-043-TAP345.00 - TOLK STATION 345KV CKT 1'
13G		0	G12_043 'OASIS INTERCHANGE - SAN JUAN MESA TAP 230KV CKT 1'	TO->FROM	0.31535	350.5	101.2291	'TOLK STATION (ABXNL844501) 345/230/13.2KV TRANSFORMER CKT 1'
13G		0	G12_043 'PLANT X STATION - TOLK STATION EAST 230KV CKT 2'	TO->FROM	0.38192	502	155.3048	'PLANT X STATION - TOLK STATION WEST 230KV CKT 1'
13G		2	G12_043 'PLANT X STATION - TOLK STATION EAST 230KV CKT 2'	TO->FROM	0.23309	502	115.6112	'PLANT X STATION - TOLK STATION WEST 230KV CKT 1'
13G		0	G12_043 'PLANT X STATION - TOLK STATION EAST 230KV CKT 2'	TO->FROM	0.28857	502	116.2175	'TOLK STATION EAST - TUCO INTERCHANGE 230KV CKT 1'
13G		0	G12_043 'PLANT X STATION - TOLK STATION EAST 230KV CKT 2'	TO->FROM	0.39038	502	103.8238	'TOLK STATION TAP - TOLK STATION WEST 230KV CKT 1'
13SP		0	G12_043 'PLANT X STATION - TOLK STATION EAST 230KV CKT 2'	TO->FROM	0.39485	557	137.0474	'PLANT X STATION - TOLK STATION WEST 230KV CKT 1'
13SP		2	G12_043 'PLANT X STATION - TOLK STATION EAST 230KV CKT 2'	TO->FROM	0.23293	557	104.3886	'PLANT X STATION - TOLK STATION WEST 230KV CKT 1'
13SP		0	G12_043 'PLANT X STATION - TOLK STATION EAST 230KV CKT 2'	TO->FROM	0.39485	557	135.8043	'PLANT X STATION - TOLK STATION WEST 230KV CKT 1'
13SP		2	G12_043 'PLANT X STATION - TOLK STATION EAST 230KV CKT 2'	TO->FROM	0.23293	557	103.5917	'PLANT X STATION - TOLK STATION WEST 230KV CKT 1'
13SP		0	G12_043 'PLANT X STATION - TOLK STATION EAST 230KV CKT 2'	TO->FROM	0.39485	557	105.8521	'PLANT X STATION - TOLK STATION WEST 230KV CKT 1'
13WP		0	G12_043 'PLANT X STATION - TOLK STATION EAST 230KV CKT 2'	TO->FROM	0.38117	556.2	129.4702	'PLANT X STATION - TOLK STATION WEST 230KV CKT 1'
13WP		0	G12_043 'PLANT X STATION - TOLK STATION EAST 230KV CKT 2'	TO->FROM	0.38117	556.2	128.2727	'PLANT X STATION - TOLK STATION WEST 230KV CKT 1'
18SP		0	G12_043 'PLANT X STATION - TOLK STATION EAST 230KV CKT 2'	TO->FROM	0.40199	500.6	146.0771	'PLANT X STATION - TOLK STATION WEST 230KV CKT 1'
18SP		2	G12_043 'PLANT X STATION - TOLK STATION EAST 230KV CKT 2'	TO->FROM	0.23945	500.3	107.747	'PLANT X STATION - TOLK STATION WEST 230KV CKT 1'
18SP		0	G12_043 'PLANT X STATION - TOLK STATION EAST 230KV CKT 2'	TO->FROM	0.40199	500.6	144.6533	'PLANT X STATION - TOLK STATION WEST 230KV CKT 1'
18SP		2	G12_043 'PLANT X STATION - TOLK STATION EAST 230KV CKT 2'	TO->FROM	0.23945	500.3	106.8185	'PLANT X STATION - TOLK STATION WEST 230KV CKT 1'
18SP		0	G12_043 'PLANT X STATION - TOLK STATION EAST 230KV CKT 2'	TO->FROM	0.40199	500.6	110.6562	'PLANT X STATION - TOLK STATION WEST 230KV CKT 1'
18SP		0	G12_043 'PLANT X STATION - TOLK STATION EAST 230KV CKT 2'	TO->FROM	0.29679	500.6	105.8663	'TOLK STATION EAST - TUCO INTERCHANGE 230KV CKT 1'
18SP		0	G12_043 'PLANT X STATION - TOLK STATION EAST 230KV CKT 2'	TO->FROM	0.29679	500.6	104.7969	'TOLK STATION EAST - TUCO INTERCHANGE 230KV CKT 1'
18WP		0	G12_043 'PLANT X STATION - TOLK STATION EAST 230KV CKT 2'	TO->FROM	0.39429	556.9	137.7033	'PLANT X STATION - TOLK STATION WEST 230KV CKT 1'
18WP		2	G12_043 'PLANT X STATION - TOLK STATION EAST 230KV CKT 2'	TO->FROM	0.23219	556.9	105.5857	'PLANT X STATION - TOLK STATION WEST 230KV CKT 1'
18WP		0	G12_043 'PLANT X STATION - TOLK STATION EAST 230KV CKT 2'	TO->FROM	0.39429	556.9	136.463	'PLANT X STATION - TOLK STATION WEST 230KV CKT 1'
18WP		2	G12_043 'PLANT X STATION - TOLK STATION EAST 230KV CKT 2'	TO->FROM	0.23219	556.9	104.7925	'PLANT X STATION - TOLK STATION WEST 230KV CKT 1'
18WP		0	G12_043 'PLANT X STATION - TOLK STATION EAST 230KV CKT 2'	TO->FROM	0.39429	556.9	106.5545	'PLANT X STATION - TOLK STATION WEST 230KV CKT 1'
13G		0	G12_043 'PLANT X STATION - TOLK STATION WEST 230KV CKT 1'	TO->FROM	0.26493	502	103.7985	'CHAVESCO 345.00 - EDDY COUNTY INTERCHANGE 345KV CKT 1'
13G		0	G12_043 'PLANT X STATION - TOLK STATION WEST 230KV CKT 1'	TO->FROM	0.25419	502	102.3107	'EDDY COUNTY INTERCHANGE - EDDY NORTH 6230.00 230KV CKT 1'
13G		0	G12_043 'PLANT X STATION - TOLK STATION WEST 230KV CKT 1'	TO->FROM	0.26493	502	103.7586	'EDDY COUNTY INTERCHANGE (ABB AEM30711) 345/230/13.2KV TRANSFORMER CKT 1'
13G		0	G12_043 'PLANT X STATION - TOLK STATION WEST 230KV CKT 1'	TO->FROM	0.23598	502	100.7879	'LAMB COUNTY INTERCHANGE - TOLK STATION WEST 230KV CKT 1'
13G		0	G12_043 'PLANT X STATION - TOLK STATION WEST 230KV CKT 1'	TO->FROM	0.23598	502	100.7082	'LAMB COUNTY INTERCHANGE (WH ALM20172) 230/115/13.2KV TRANSFORMER CKT 1'
13G		0	G12_043 'PLANT X STATION - TOLK STATION WEST 230KV CKT 1'	TO->FROM	0.24292	502	102.5413	'LAWTON EASTSIDE - OKLAUNION 345KV CKT 1'
13G		0	G12_043 'PLANT X STATION - TOLK STATION WEST 230KV CKT 1'	TO->FROM	0.38757	502	157.286	'PLANT X STATION - TOLK STATION EAST 230KV CKT 2'
13G		2	G12_043 'PLANT X STATION - TOLK STATION WEST 230KV CKT 1'	TO->FROM	0.23587	502	116.9909	'PLANT X STATION - TOLK STATION EAST 230KV CKT 2'
13G		0	G12_043 'PLANT X STATION - TOLK STATION WEST 230KV CKT 1'	TO->FROM	0.5317	502	144.8133	'TOLK STATION EAST - TOLK STATION TAP 230KV CKT 1'
13G		0	G12_043 'PLANT X STATION - TOLK STATION WEST 230KV CKT 1'	TO->FROM	0.29401	502	117.1733	'TOLK STATION EAST - TUCO INTERCHANGE 230KV CKT 1'
13SP		0	G12_043 'PLANT X STATION - TOLK STATION WEST 230KV CKT 1'	TO->FROM	0.40068	557	138.878	'PLANT X STATION - TOLK STATION EAST 230KV CKT 2'
13SP		2	G12_043 'PLANT X STATION - TOLK STATION WEST 230KV CKT 1'	TO->FROM	0.23581	557	105.7656	'PLANT X STATION - TOLK STATION EAST 230KV CKT 2'
13SP		0	G12_043 'PLANT X STATION - TOLK STATION WEST 230KV CKT 1'	TO->FROM	0.40068	557	137.6016	'PLANT X STATION - TOLK STATION EAST 230KV CKT 2'
13SP		2	G12_043 'PLANT X STATION - TOLK STATION WEST 230KV CKT 1'	TO->FROM	0.23581	557	104.9426	'PLANT X STATION - TOLK STATION EAST 230KV CKT 2'
13SP		0	G12_043 'PLANT X STATION - TOLK STATION WEST 230KV CKT 1'	TO->FROM	0.40068	557	107.1557	'PLANT X STATION - TOLK STATION EAST 230KV CKT 2'
13SP		0	G12_043 'PLANT X STATION - TOLK STATION WEST 230KV CKT 1'	TO->FROM	0.5327	557	128.5936	'TOLK STATION EAST - TOLK STATION TAP 230KV CKT 1'
13SP		0	G12_043 'PLANT X STATION - TOLK STATION WEST 230KV CKT 1'	TO->FROM	0.5327	557	126.9154	'TOLK STATION EAST - TOLK STATION TAP 230KV CKT 1'
13WP		0	G12_043 'PLANT X STATION - TOLK STATION WEST 230KV CKT 1'	TO->FROM	0.3868	555.9	131.2059	'PLANT X STATION - TOLK STATION EAST 230KV CKT 2'
13WP		0	G12_043 'PLANT X STATION - TOLK STATION WEST 230KV CKT 1'	TO->FROM	0.3868	555.9	129.9774	'PLANT X STATION - TOLK STATION EAST 230KV CKT 2'
13WP		0	G12_043 'PLANT X STATION - TOLK STATION WEST 230KV CKT 1'	TO->FROM	0.3868	555.9	100.4443	'PLANT X STATION - TOLK STATION EAST 230KV CKT 2'

Season	Scenario	Source	MontCommonName	Direction	TDF	Rating	Contingency		Contname
							Loading %		
13WP		0	G12_043	'PLANT X STATION - TOLK STATION WEST 230KV CKT 1'	TO->FROM	0.52963	555.9	124.0886	'TOLK STATION EAST - TOLK STATION TAP 230KV CKT 1'
13WP		0	G12_043	'PLANT X STATION - TOLK STATION WEST 230KV CKT 1'	TO->FROM	0.52963	555.9	122.407	'TOLK STATION EAST - TOLK STATION TAP 230KV CKT 1'
18SP		0	G12_043	'PLANT X STATION - TOLK STATION WEST 230KV CKT 1'	TO->FROM	0.40786	501.1	148.0542	'PLANT X STATION - TOLK STATION EAST 230KV CKT 2'
18SP		2	G12_043	'PLANT X STATION - TOLK STATION WEST 230KV CKT 1'	TO->FROM	0.24239	500.8	109.219	'PLANT X STATION - TOLK STATION EAST 230KV CKT 2'
18SP		0	G12_043	'PLANT X STATION - TOLK STATION WEST 230KV CKT 1'	TO->FROM	0.40786	501.1	146.5925	'PLANT X STATION - TOLK STATION EAST 230KV CKT 2'
18SP		2	G12_043	'PLANT X STATION - TOLK STATION WEST 230KV CKT 1'	TO->FROM	0.24239	500.8	108.2642	'PLANT X STATION - TOLK STATION EAST 230KV CKT 2'
18SP		0	G12_043	'PLANT X STATION - TOLK STATION WEST 230KV CKT 1'	TO->FROM	0.40786	501.1	112.0787	'PLANT X STATION - TOLK STATION EAST 230KV CKT 2'
18SP		0	G12_043	'PLANT X STATION - TOLK STATION WEST 230KV CKT 1'	TO->FROM	0.53606	501.1	146.3222	'TOLK STATION EAST - TOLK STATION TAP 230KV CKT 1'
18SP		0	G12_043	'PLANT X STATION - TOLK STATION WEST 230KV CKT 1'	TO->FROM	0.53606	501.1	144.4366	'TOLK STATION EAST - TOLK STATION TAP 230KV CKT 1'
18SP		0	G12_043	'PLANT X STATION - TOLK STATION WEST 230KV CKT 1'	TO->FROM	0.53606	501.1	100.2058	'TOLK STATION EAST - TOLK STATION TAP 230KV CKT 1'
18SP		0	G12_043	'PLANT X STATION - TOLK STATION WEST 230KV CKT 1'	TO->FROM	0.30316	501.1	108.4097	'TOLK STATION EAST - TUCO INTERCHANGE 230KV CKT 1'
18SP		0	G12_043	'PLANT X STATION - TOLK STATION WEST 230KV CKT 1'	TO->FROM	0.30316	501.1	107.2555	'TOLK STATION EAST - TUCO INTERCHANGE 230KV CKT 1'
18WP		0	G12_043	'PLANT X STATION - TOLK STATION WEST 230KV CKT 1'	TO->FROM	0.40009	557	139.5216	'PLANT X STATION - TOLK STATION EAST 230KV CKT 2'
18WP		2	G12_043	'PLANT X STATION - TOLK STATION WEST 230KV CKT 1'	TO->FROM	0.23505	556.9	106.9771	'PLANT X STATION - TOLK STATION EAST 230KV CKT 2'
18WP		0	G12_043	'PLANT X STATION - TOLK STATION WEST 230KV CKT 1'	TO->FROM	0.40009	557	138.2484	'PLANT X STATION - TOLK STATION EAST 230KV CKT 2'
18WP		2	G12_043	'PLANT X STATION - TOLK STATION WEST 230KV CKT 1'	TO->FROM	0.23505	556.9	106.158	'PLANT X STATION - TOLK STATION EAST 230KV CKT 2'
18WP		0	G12_043	'PLANT X STATION - TOLK STATION WEST 230KV CKT 1'	TO->FROM	0.40009	557	107.8541	'PLANT X STATION - TOLK STATION EAST 230KV CKT 2'
18WP		0	G12_043	'PLANT X STATION - TOLK STATION WEST 230KV CKT 1'	TO->FROM	0.53167	557	128.6034	'TOLK STATION EAST - TOLK STATION TAP 230KV CKT 1'
18WP		0	G12_043	'PLANT X STATION - TOLK STATION WEST 230KV CKT 1'	TO->FROM	0.53167	557	126.9307	'TOLK STATION EAST - TOLK STATION TAP 230KV CKT 1'
13G		0	G12_043	'SUNDOWN INTERCHANGE - WOLFFORTH INTERCHANGE 230KV CKT 1'	FROM->TO	0.20681	350.2	111.3863	'TOLK STATION EAST - TUCO INTERCHANGE 230KV CKT 1'
13G		0	G12_043	'TOLK STATION (ABBXNL844501) 345/230/13.2KV TRANSFORMER CKT 1'	FROM->TO	0.72385	554.5	100.1771	'AMOCO SWITCHING STATION - SUNDOWN INTERCHANGE 230KV CKT 1'
13G		0	G12_043	'TOLK STATION (ABBXNL844501) 345/230/13.2KV TRANSFORMER CKT 1'	FROM->TO	0.72385	554.5	102.6838	'AMOCO SWITCHING STATION - YOAKUM COUNTY INTERCHANGE 230KV CKT 1'
13G		0	G12_043	'TOLK STATION (ABBXNL844501) 345/230/13.2KV TRANSFORMER CKT 1'	FROM->TO	0.72385	556.9	102.2054	'AMOCO SWITCHING STATION - YOAKUM COUNTY INTERCHANGE 230KV CKT 1'
13G		0	G12_043	'TOLK STATION (ABBXNL844501) 345/230/13.2KV TRANSFORMER CKT 1'	FROM->TO	0.71341	475.1	114.4751	'BASE CASE'
13G		0	G12_043	'TOLK STATION (ABBXNL844501) 345/230/13.2KV TRANSFORMER CKT 1'	FROM->TO	0.71341	477.9	113.7625	'BASE CASE'
13G		0	G12_043	'TOLK STATION (ABBXNL844501) 345/230/13.2KV TRANSFORMER CKT 1'	FROM->TO	0.72169	554.5	100.3173	'BORDEN COUNTY INTERCHANGE - G12_001T 230.00 230KV CKT 1'
13G		0	G12_043	'TOLK STATION (ABBXNL844501) 345/230/13.2KV TRANSFORMER CKT 1'	FROM->TO	0.72169	554.5	100.3173	'BORDEN COUNTY INTERCHANGE (ABB LLS8862) 230/138/13.2KV TRANSFORMER CKT 1'
13G		0	G12_043	'TOLK STATION (ABBXNL844501) 345/230/13.2KV TRANSFORMER CKT 1'	FROM->TO	0.72169	554.5	100.3173	'CAPROCK REC-TATE - CAPROCK REC-VEALMOOR 138KV CKT 1'
13G		0	G12_043	'TOLK STATION (ABBXNL844501) 345/230/13.2KV TRANSFORMER CKT 1'	FROM->TO	0.71341	554.5	102.5737	'Central Valley REC-12 Mile Hill - EDDY COUNTY INTERCHANGE 115KV CKT 1'
13G		0	G12_043	'TOLK STATION (ABBXNL844501) 345/230/13.2KV TRANSFORMER CKT 1'	FROM->TO	0.71341	556.9	102.0957	'Central Valley REC-12 Mile Hill - EDDY COUNTY INTERCHANGE 115KV CKT 1'
13G		0	G12_043	'TOLK STATION (ABBXNL844501) 345/230/13.2KV TRANSFORMER CKT 1'	FROM->TO	1	554.5	184.202	'CHAVESCO 345.00 - EDDY COUNTY INTERCHANGE 345KV CKT 1'
13G		0	G12_043	'TOLK STATION (ABBXNL844501) 345/230/13.2KV TRANSFORMER CKT 1'	FROM->TO	1	556.9	183.3723	'CHAVESCO 345.00 - EDDY COUNTY INTERCHANGE 345KV CKT 1'
13G		0	G12_043	'TOLK STATION (ABBXNL844501) 345/230/13.2KV TRANSFORMER CKT 1'	FROM->TO	0.74203	554.5	103.5016	'CUNNINGHAM STATION - EDDY COUNTY INTERCHANGE 230KV CKT 1'
13G		0	G12_043	'TOLK STATION (ABBXNL844501) 345/230/13.2KV TRANSFORMER CKT 1'	FROM->TO	0.74203	556.9	103.0196	'CUNNINGHAM STATION - EDDY COUNTY INTERCHANGE 230KV CKT 1'
13G		0	G12_043	'TOLK STATION (ABBXNL844501) 345/230/13.2KV TRANSFORMER CKT 1'	FROM->TO	0.7427	554.5	102.654	'CUNNINGHAM STATION - LEA COUNTY INTERCHANGE 230KV CKT 1'
13G		0	G12_043	'TOLK STATION (ABBXNL844501) 345/230/13.2KV TRANSFORMER CKT 1'	FROM->TO	0.7427	556.9	102.1756	'CUNNINGHAM STATION - LEA COUNTY INTERCHANGE 230KV CKT 1'
13G		0	G12_043	'TOLK STATION (ABBXNL844501) 345/230/13.2KV TRANSFORMER CKT 1'	FROM->TO	0.83239	554.5	141.3002	'EDDY COUNTY INTERCHANGE - EDDY NORTH 6230.00 230KV CKT 1'
13G		0	G12_043	'TOLK STATION (ABBXNL844501) 345/230/13.2KV TRANSFORMER CKT 1'	FROM->TO	0.83239	556.9	140.6553	'EDDY COUNTY INTERCHANGE - EDDY NORTH 6230.00 230KV CKT 1'
13G		0	G12_043	'TOLK STATION (ABBXNL844501) 345/230/13.2KV TRANSFORMER CKT 1'	FROM->TO	0.7213	554.5	101.0515	'EDDY COUNTY INTERCHANGE - SEVEN RIVERS INTERCHANGE 230KV CKT 1'
13G		0	G12_043	'TOLK STATION (ABBXNL844501) 345/230/13.2KV TRANSFORMER CKT 1'	FROM->TO	0.7213	556.9	100.58	'EDDY COUNTY INTERCHANGE - SEVEN RIVERS INTERCHANGE 230KV CKT 1'
13G		0	G12_043	'TOLK STATION (ABBXNL844501) 345/230/13.2KV TRANSFORMER CKT 1'	FROM->TO	1	554.5	183.9856	'EDDY COUNTY INTERCHANGE (ABB AEM30711) 345/230/13.2KV TRANSFORMER CKT 1'
13G		0	G12_043	'TOLK STATION (ABBXNL844501) 345/230/13.2KV TRANSFORMER CKT 1'	FROM->TO	1	556.9	188.1748	'EDDY COUNTY INTERCHANGE (ABB AEM30711) 345/230/13.2KV TRANSFORMER CKT 1'
13G		0	G12_043	'TOLK STATION (ABBXNL844501) 345/230/13.2KV TRANSFORMER CKT 1'	FROM->TO	0.72169	554.5	102.7158	'G12_001T 230.00 - GRASSLAND INTERCHANGE 230KV CKT 1'
13G		0	G12_043	'TOLK STATION (ABBXNL844501) 345/230/13.2KV TRANSFORMER CKT 1'	FROM->TO	0.72169	556.9	102.2373	'G12_001T 230.00 - GRASSLAND INTERCHANGE 230KV CKT 1'
13G		0	G12_043	'TOLK STATION (ABBXNL844501) 345/230/13.2KV TRANSFORMER CKT 1'	FROM->TO	0.72169	554.5	100.3353	'HOBBS INTERCHANGE - MIDLAND COUNTY INTERCHANGE 230KV CKT 1'
13G		0	G12_043	'TOLK STATION (ABBXNL844501) 345/230/13.2KV TRANSFORMER CKT 1'	FROM->TO	0.73503	554.5	102.1841	'LEA COUNTY INTERCHANGE - YOAKUM COUNTY INTERCHANGE 230KV CKT 1'
13G		0	G12_043	'TOLK STATION (ABBXNL844501) 345/230/13.2KV TRANSFORMER CKT 1'	FROM->TO	0.73503	556.9	101.7079	'LEA COUNTY INTERCHANGE - YOAKUM COUNTY INTERCHANGE 230KV CKT 1'
13G		0	G12_043	'TOLK STATION (ABBXNL844501) 345/230/13.2KV TRANSFORMER CKT 1'	FROM->TO	0.72169	554.5	100.3353	'MIDLAND COUNTY INTERCHANGE (ABB LLS8861) 230/138/13.2KV TRANSFORMER CKT 1'
13G		0	G12_043	'TOLK STATION (ABBXNL844501) 345/230/13.2KV TRANSFORMER CKT 1'	FROM->TO	0.72095	554.5	100.1885	'OASIS INTERCHANGE - Roosevelt County Interchange SWITCH #4K33 230KV CKT 1'
13G		0	G12_043	'TOLK STATION (ABBXNL844501) 345/230/13.2KV TRANSFORMER CKT 1'	FROM->TO	0.74941	554.5	113.5538	'OASIS INTERCHANGE - SAN JUAN MESA TAP 230KV CKT 1'
13G		0	G12_043	'TOLK STATION (ABBXNL844501) 345/230/13.2KV TRANSFORMER CKT 1'	FROM->TO	0.74941	556.9	113.0285	'OASIS INTERCHANGE - SAN JUAN MESA TAP 230KV CKT 1'
13G		0	G12_043	'TOLK STATION (ABBXNL844501) 345/230/13.2KV TRANSFORMER CKT 1'	FROM->TO	0.71341	554.5	101.0091	'TOLK STATION EAST 230/24.0KV TRANSFORMER CKT 1'
13G		0	G12_043	'TOLK STATION (ABBXNL844501) 345/230/13.2KV TRANSFORMER CKT 1'	FROM->TO	0.71341	556.9	100.5379	'TOLK STATION EAST 230/24.0KV TRANSFORMER CKT 1'
13G		0	G12_043	'TOLK STATION (ABBXNL844501) 345/230/13.2KV TRANSFORMER CKT 1'	FROM->TO	0.71341	554.5	101.1989	'TOLK STATION WEST 230/24.0KV TRANSFORMER CKT 1'
13G		0	G12_043	'TOLK STATION (ABBXNL844501) 345/230/13.2KV TRANSFORMER CKT 1'	FROM->TO	0.71341	556.9	100.7448	'TOLK STATION WEST 230/24.0KV TRANSFORMER CKT 1'
13SP		0	G12_043	'TOLK STATION (ABBXNL844501) 345/230/13.2KV TRANSFORMER CKT 1'	FROM->TO	0.72074	554.8	102.5762	'AMOCO SWITCHING STATION - YOAKUM COUNTY INTERCHANGE 230KV CKT 1'
13SP		0	G12_043	'TOLK STATION (ABBXNL844501) 345/230/13.2KV TRANSFORMER CKT 1'	FROM->TO	0.72074	555.1	102.5028	'AMOCO SWITCHING STATION - YOAKUM COUNTY INTERCHANGE 230KV CKT 1'
13SP		0	G12_043	'TOLK STATION (ABBXNL844501) 345/230/13.2KV TRANSFORMER CKT 1'	FROM->TO	0.72074	554.8	101.1493	'AMOCO SWITCHING STATION - YOAKUM COUNTY INTERCHANGE 230KV CKT 1'
13SP		0	G12_043	'TOLK STATION (ABBXNL844501) 345/230/13.2KV TRANSFORMER CKT 1'	FROM->TO	0.72074	555.1	101.0766	'AMOCO SWITCHING STATION - YOAKUM COUNTY INTERCHANGE 230KV CKT 1'
13SP		0	G12_043	'TOLK STATION (ABBXNL844501) 345/230/13.2KV TRANSFORMER CKT 1'	FROM->TO	0.71093	554.8	100.3786	'ARTESIA INTERCHANGE - EAGLE_CREEK3115.00 115KV CKT 1'
13SP		0	G12_043	'TOLK STATION (ABBXNL844501) 345/230/13.2KV TRANSFORMER CKT 1'	FROM->TO	0.71093	555.1	100.3063	'ARTESIA INTERCHANGE - EAGLE_CREEK3115.00 115KV CKT 1'
13SP		0	G12_043	'TOLK STATION (ABBXNL844501) 345/230/13.2KV TRANSFORMER CKT 1'	FROM->TO	0.71093	554.8	105.2813	'Central Valley REC-12 Mile Hill - EDDY COUNTY INTERCHANGE 115KV CKT 1'
13SP		0	G12_043	'TOLK STATION (ABBXNL844501) 345/230/13.2KV TRANSFORMER CKT 1'	FROM->TO	0.71093	555.1	105.2064	'Central Valley REC-12 Mile Hill - EDDY COUNTY INTERCHANGE 115KV CKT 1'
13SP		0	G12_043	'TOLK STATION (ABBXNL844501) 345/230/13.2KV TRANSFORMER CKT 1'	FROM->TO	0.71093	554.8	104.0004	'Central Valley REC-12 Mile Hill - EDDY COUNTY INTERCHANGE 115KV CKT 1'
13SP		0	G12_043	'TOLK STATION (ABBXNL844501) 345/230/13.2KV TRANSFORMER CKT 1'	FROM->TO	0.71093	555.1	103.9262	'Central Valley REC-12 Mile Hill - EDDY COUNTY INTERCHANGE 115KV CKT 1'
13SP		0	G12_043	'TOLK STATION (ABBXNL844501) 345/230/13.2KV TRANSFORMER CKT 1'	FROM->TO	0.73095	554.8	105.2801	'CHAVES COUNTY INTERCHANGE - EDDY NORTH 6230.00 230KV CKT 1'
13SP		0	G12_043	'TOLK STATION (ABBXNL844501) 345/230/13.2KV TRANSFORMER CKT 1'	FROM->TO	0.73095	555.1	105.2052	'CHAVES COUNTY INTERCHANGE - EDDY NORTH 6230.00 230KV CKT 1'
13SP		0	G12_043	'TOLK STATION (ABBXNL844501) 345/230/13.2KV TRANSFORMER CKT 1'	FROM->TO	0.73095	554.8	103.8378	'CHAVES COUNTY INTERCHANGE - EDDY NORTH 6230.00 230KV CKT 1'
13SP		0	G12_043	'TOLK STATION (ABBXNL844501) 345/230/13.2KV TRANSFORMER CKT 1'	FROM->TO	0.73095	555.1	103.7637	'CHAVES COUNTY INTERCHANGE - EDDY NORTH 6230.00 230KV CKT 1'
13SP		0	G12_043	'TOLK STATION (ABBXNL844501) 345/230/13.2KV TRANSFORMER CKT 1'	FROM->TO	0.74748	554.8	101.1184	'CHAVES COUNTY INTERCHANGE - SAN JUAN MESA TAP 230KV CKT 1'
13SP		0	G12_043	'TOLK STATION (ABBXNL844501) 345/230/13.2KV TRANSFORMER CKT 1'	FROM->TO	0.74748	555.1	101.0458	'CHAVES COUNTY INTERCHANGE - SAN JUAN MESA TAP 230KV CKT 1'
13SP		0	G12_043	'TOLK STATION (ABBXNL844501) 345/230/13.2KV TRANSFORMER CKT 1'	FROM->TO	1	554.8	184.6428	'CHAVESCO 345.00 - EDDY COUNTY INTERCHANGE 345KV CKT 1'
13SP		0	G12_043	'TOLK STATION (ABBXNL844501) 345/230/13.2KV TRANSFORMER CKT 1'	FROM->TO	1	555.1	184.507	'CHAVESCO 345.00 - EDDY COUNTY INTERCHANGE 345KV CKT 1'
13SP		0	G12_043	'TOLK STATION (ABBXNL844501) 345/230/13.2KV TRANSFORMER CKT 1'	FROM->TO	1	554.8	184.6431	'CHAVESCO 345.00 - EDDY COUNTY INTERCHANGE 345KV CKT 1'

H: FCITC Analysis Constraints Requiring Mitigation (NRIS)

Season	Scenario	Source	MontCommonName	Direction	TDF	Rating	Contingency		
							Loading %	Contname	
13G		0	G12_019	'CANYON WEST SUB - DAWN SUB 115KV CKT 1'	TO->FROM	0.04167	95.7	102.7261	'BUFFALO 230.00 - BUSHLAND INTERCHANGE 230KV CKT 1'
13G		0	G12_019	'CARGILL SUB - PARMER COUNTY SUB 115KV CKT 1'	TO->FROM	0.03372	95.2	101.487	'DEAF SMITH COUNTY INTERCHANGE - PLANT X STATION 230KV CKT 1'
13G		0	G12_019	'CHAVESCO 345.00 - EDDY COUNTY INTERCHANGE 345KV CKT 1'	FROM->TO	1	556.8	127.083	'CHAVESCO 345.00 - G-12-043-TAP345.00 345KV CKT 1'
13G		0	G12_019	'CHAVESCO 345.00 - EDDY COUNTY INTERCHANGE 345KV CKT 1'	FROM->TO	0.47543	556.8	102.9671	'CUNNINGHAM STATION 230/20.0KV TRANSFORMER CKT 1'
13G		0	G12_019	'CHAVESCO 345.00 - EDDY COUNTY INTERCHANGE 345KV CKT 1'	FROM->TO	1	556.8	190.5222	'G-12-043-TAP345.00 - TOLK STATION 345KV CKT 1'
13G		0	G12_019	'CHAVESCO 345.00 - EDDY COUNTY INTERCHANGE 345KV CKT 1'	FROM->TO	1	556.8	221.3183	'G-12-043-TAP345.00 - TOLK STATION 345KV CKT 1'
13G		0	G12_019	'CHAVESCO 345.00 - EDDY COUNTY INTERCHANGE 345KV CKT 1'	FROM->TO	0.47543	556.8	101.5376	'Golden Spread REC - Mustang Interchange 230 kV Generation Bus - MUSTANG STATION 230KV CKT 1'
13G		0	G12_019	'CHAVESCO 345.00 - EDDY COUNTY INTERCHANGE 345KV CKT 1'	FROM->TO	0.47543	556.8	101.5376	'Golden Spread REC - Mustang Interchange 230 kV Generation Bus 230/18.0KV TRANSFORMER CKT 1'
13G		0	G12_019	'CHAVESCO 345.00 - EDDY COUNTY INTERCHANGE 345KV CKT 1'	FROM->TO	0.47543	556.8	102.1952	'HOBBS INTERCHANGE 115/18.0KV TRANSFORMER CKT 1'
13G		0	G12_019	'CHAVESCO 345.00 - EDDY COUNTY INTERCHANGE 345KV CKT 1'	FROM->TO	0.47543	556.8	102.17	'HOBBS INTERCHANGE 115/18.0KV TRANSFORMER CKT 1'
13G		0	G12_019	'CHAVESCO 345.00 - EDDY COUNTY INTERCHANGE 345KV CKT 1'	FROM->TO	0.47543	556.8	104.3724	'HOBBS INTERCHANGE 230/18.0KV TRANSFORMER CKT 1'
13G		0	G12_019	'CHAVESCO 345.00 - EDDY COUNTY INTERCHANGE 345KV CKT 1'	FROM->TO	0.47543	556.8	100.9428	'MADDOX STATION 115/13.8KV TRANSFORMER CKT 1'
13G		0	G12_019	'CHAVESCO 345.00 - EDDY COUNTY INTERCHANGE 345KV CKT 1'	FROM->TO	0.47543	556.8	100.6189	'MUSTANG STATION N. 115/13.8KV TRANSFORMER CKT 1'
13G		0	G12_019	'CHAVESCO 345.00 - EDDY COUNTY INTERCHANGE 345KV CKT 1'	FROM->TO	0.47543	556.8	100.6189	'MUSTANG STATION N. 115/13.8KV TRANSFORMER CKT 1'
13G		0	G12_019	'CHAVESCO 345.00 - EDDY COUNTY INTERCHANGE 345KV CKT 1'	FROM->TO	0.47855	556.8	101.8026	'PLANT X STATION - SUNDOWN INTERCHANGE 230KV CKT 1'
13G		0	G12_019	'CHAVESCO 345.00 - EDDY COUNTY INTERCHANGE 345KV CKT 1'	FROM->TO	0.47543	556.8	102.0045	'SAN JUAN MESA TAP - SAN JUAN MESA WIND GEN 230KV CKT 1'
13G		0	G12_019	'CHAVESCO 345.00 - EDDY COUNTY INTERCHANGE 345KV CKT 1'	FROM->TO	0.47543	556.8	102.0225	'SAN JUAN MESA WIND GEN 230/34.5KV TRANSFORMER CKT 1'
13G		0	G12_019	'CHAVESCO 345.00 - EDDY COUNTY INTERCHANGE 345KV CKT 1'	FROM->TO	1	556.8	190.5222	'TOLK STATION (ABBXNL844501) 345/230/13.2KV TRANSFORMER CKT 1'
13G		0	G12_019	'CHAVESCO 345.00 - EDDY COUNTY INTERCHANGE 345KV CKT 1'	FROM->TO	1	556.8	221.3183	'TOLK STATION (ABBXNL844501) 345/230/13.2KV TRANSFORMER CKT 1'
13G		0	G12_019	'CHAVESCO 345.00 - EDDY COUNTY INTERCHANGE 345KV CKT 1'	FROM->TO	0.48866	556.8	101.9787	'TOLK STATION EAST - TOLK STATION TAP 230KV CKT 1'
13G		0	G12_019	'CHAVESCO 345.00 - EDDY COUNTY INTERCHANGE 345KV CKT 1'	FROM->TO	0.48203	556.8	103.3127	'TOLK STATION EAST - TUCO INTERCHANGE 230KV CKT 1'
13G		0	G12_019	'CHAVESCO 345.00 - EDDY COUNTY INTERCHANGE 345KV CKT 1'	FROM->TO	0.49029	556.8	100.9723	'TOLK STATION TAP - TOLK STATION WEST 230KV CKT 1'
13G		0	G12_019	'CHAVESCO 345.00 - EDDY COUNTY INTERCHANGE 345KV CKT 1'	FROM->TO	0.47755	556.8	100.1084	'TOLK STATION WEST - YOAKUM COUNTY INTERCHANGE 230KV CKT 1'
13SP		0	G12_019	'CHAVESCO 345.00 - EDDY COUNTY INTERCHANGE 345KV CKT 1'	FROM->TO	0.44823	556.2	110.3734	'AMOCO SWITCHING STATION - SUNDOWN INTERCHANGE 230KV CKT 1'
13SP		0	G12_019	'CHAVESCO 345.00 - EDDY COUNTY INTERCHANGE 345KV CKT 1'	FROM->TO	0.44823	556.2	111.6392	'AMOCO SWITCHING STATION - SUNDOWN INTERCHANGE 230KV CKT 1'
13SP		0	G12_019	'CHAVESCO 345.00 - EDDY COUNTY INTERCHANGE 345KV CKT 1'	FROM->TO	0.4538	556.2	108.5179	'BASE CASE'
13SP		0	G12_019	'CHAVESCO 345.00 - EDDY COUNTY INTERCHANGE 345KV CKT 1'	FROM->TO	0.4538	556.2	109.6817	'BASE CASE'
13SP		0	G12_019	'CHAVESCO 345.00 - EDDY COUNTY INTERCHANGE 345KV CKT 1'	FROM->TO	0.39859	556.2	111.706	'CHAVES COUNTY INTERCHANGE - SAN JUAN MESA TAP 230KV CKT 1'
13SP		0	G12_019	'CHAVESCO 345.00 - EDDY COUNTY INTERCHANGE 345KV CKT 1'	FROM->TO	0.39859	556.2	113.1821	'CHAVES COUNTY INTERCHANGE - SAN JUAN MESA TAP 230KV CKT 1'
13SP		0	G12_019	'CHAVESCO 345.00 - EDDY COUNTY INTERCHANGE 345KV CKT 1'	FROM->TO	0.4538	556.2	110.1152	'CUNNINGHAM STATION 230/20.0KV TRANSFORMER CKT 1'
13SP		0	G12_019	'CHAVESCO 345.00 - EDDY COUNTY INTERCHANGE 345KV CKT 1'	FROM->TO	0.4538	556.2	111.2975	'CUNNINGHAM STATION 230/20.0KV TRANSFORMER CKT 1'
13SP		0	G12_019	'CHAVESCO 345.00 - EDDY COUNTY INTERCHANGE 345KV CKT 1'	FROM->TO	1	556.2	183.8544	'G-12-043-TAP345.00 - TOLK STATION 345KV CKT 1'
13SP		0	G12_019	'CHAVESCO 345.00 - EDDY COUNTY INTERCHANGE 345KV CKT 1'	FROM->TO	1	556.2	183.8547	'G-12-043-TAP345.00 - TOLK STATION 345KV CKT 1'
13SP		0	G12_019	'CHAVESCO 345.00 - EDDY COUNTY INTERCHANGE 345KV CKT 1'	FROM->TO	0.4538	556.2	112.532	'Golden Spread REC - Mustang Interchange 230 kV Generation Bus - MUSTANG STATION 230KV CKT 1'
13SP		0	G12_019	'CHAVESCO 345.00 - EDDY COUNTY INTERCHANGE 345KV CKT 1'	FROM->TO	0.4538	556.2	113.7031	'Golden Spread REC - Mustang Interchange 230 kV Generation Bus - MUSTANG STATION 230KV CKT 1'
13SP		0	G12_019	'CHAVESCO 345.00 - EDDY COUNTY INTERCHANGE 345KV CKT 1'	FROM->TO	0.4538	556.2	111.9159	'Golden Spread REC - Mustang Interchange 230 kV Generation Bus 230/18.0KV TRANSFORMER CKT 1'
13SP		0	G12_019	'CHAVESCO 345.00 - EDDY COUNTY INTERCHANGE 345KV CKT 1'	FROM->TO	0.4538	556.2	113.0798	'Golden Spread REC - Mustang Interchange 230 kV Generation Bus 230/18.0KV TRANSFORMER CKT 1'
13SP		0	G12_019	'CHAVESCO 345.00 - EDDY COUNTY INTERCHANGE 345KV CKT 1'	FROM->TO	0.42493	556.2	110.8098	'HOBBS INTERCHANGE - YOAKUM COUNTY INTERCHANGE 230KV CKT 1'
13SP		0	G12_019	'CHAVESCO 345.00 - EDDY COUNTY INTERCHANGE 345KV CKT 1'	FROM->TO	0.4538	556.2	112.389	'HOBBS INTERCHANGE 115/18.0KV TRANSFORMER CKT 1'
13SP		0	G12_019	'CHAVESCO 345.00 - EDDY COUNTY INTERCHANGE 345KV CKT 1'	FROM->TO	0.4538	556.2	113.5979	'HOBBS INTERCHANGE 115/18.0KV TRANSFORMER CKT 1'
13SP		0	G12_019	'CHAVESCO 345.00 - EDDY COUNTY INTERCHANGE 345KV CKT 1'	FROM->TO	0.4538	556.2	110.6423	'HOBBS INTERCHANGE 230/18.0KV TRANSFORMER CKT 1'
13SP		0	G12_019	'CHAVESCO 345.00 - EDDY COUNTY INTERCHANGE 345KV CKT 1'	FROM->TO	0.4538	556.2	111.8308	'HOBBS INTERCHANGE 230/18.0KV TRANSFORMER CKT 1'
13SP		0	G12_019	'CHAVESCO 345.00 - EDDY COUNTY INTERCHANGE 345KV CKT 1'	FROM->TO	0.4538	556.2	110.9092	'MUSTANG STATION 230/22.0KV TRANSFORMER CKT 1'
13SP		0	G12_019	'CHAVESCO 345.00 - EDDY COUNTY INTERCHANGE 345KV CKT 1'	FROM->TO	0.4538	556.2	112.101	'MUSTANG STATION 230/22.0KV TRANSFORMER CKT 1'
13SP		0	G12_019	'CHAVESCO 345.00 - EDDY COUNTY INTERCHANGE 345KV CKT 1'	FROM->TO	0.4538	556.2	111.0536	'MUSTANG STATION N. 115/13.8KV TRANSFORMER CKT 1'
13SP		0	G12_019	'CHAVESCO 345.00 - EDDY COUNTY INTERCHANGE 345KV CKT 1'	FROM->TO	0.4538	556.2	111.0536	'MUSTANG STATION N. 115/13.8KV TRANSFORMER CKT 1'
13SP		0	G12_019	'CHAVESCO 345.00 - EDDY COUNTY INTERCHANGE 345KV CKT 1'	FROM->TO	0.4538	556.2	112.2469	'MUSTANG STATION N. 115/13.8KV TRANSFORMER CKT 1'
13SP		0	G12_019	'CHAVESCO 345.00 - EDDY COUNTY INTERCHANGE 345KV CKT 1'	FROM->TO	0.4538	556.2	112.2469	'MUSTANG STATION N. 115/13.8KV TRANSFORMER CKT 1'
13SP		0	G12_019	'CHAVESCO 345.00 - EDDY COUNTY INTERCHANGE 345KV CKT 1'	FROM->TO	0.45529	556.2	111.9751	'PLANT X STATION - SUNDOWN INTERCHANGE 230KV CKT 1'
13SP		0	G12_019	'CHAVESCO 345.00 - EDDY COUNTY INTERCHANGE 345KV CKT 1'	FROM->TO	0.45529	556.2	113.1885	'PLANT X STATION - SUNDOWN INTERCHANGE 230KV CKT 1'
13SP		0	G12_019	'CHAVESCO 345.00 - EDDY COUNTY INTERCHANGE 345KV CKT 1'	FROM->TO	0.45114	556.2	110.2395	'ROOSEVELT COUNTY INTERCHANGE - TOLK STATION WEST 230KV CKT 2'
13SP		0	G12_019	'CHAVESCO 345.00 - EDDY COUNTY INTERCHANGE 345KV CKT 1'	FROM->TO	0.45114	556.2	111.4183	'ROOSEVELT COUNTY INTERCHANGE - TOLK STATION WEST 230KV CKT 2'
13SP		0	G12_019	'CHAVESCO 345.00 - EDDY COUNTY INTERCHANGE 345KV CKT 1'	FROM->TO	0.45098	556.2	110.2713	'Roosevelt County Interchange SOUTH - Roosevelt County Interchange SWITCH #4K33 230KV CKT 1'
13SP		0	G12_019	'CHAVESCO 345.00 - EDDY COUNTY INTERCHANGE 345KV CKT 1'	FROM->TO	0.45098	556.2	111.4526	'Roosevelt County Interchange SOUTH - Roosevelt County Interchange SWITCH #4K33 230KV CKT 1'
13SP		0	G12_019	'CHAVESCO 345.00 - EDDY COUNTY INTERCHANGE 345KV CKT 1'	FROM->TO	0.45098	556.2	110.2713	'Roosevelt County Interchange SOUTH - TOLK STATION EAST 230KV CKT 1'
13SP		0	G12_019	'CHAVESCO 345.00 - EDDY COUNTY INTERCHANGE 345KV CKT 1'	FROM->TO	0.45098	556.2	111.4526	'Roosevelt County Interchange SOUTH - TOLK STATION EAST 230KV CKT 1'
13SP		0	G12_019	'CHAVESCO 345.00 - EDDY COUNTY INTERCHANGE 345KV CKT 1'	FROM->TO	0.44698	556.2	111.0743	'SPP-SWPS-K51'
13SP		0	G12_019	'CHAVESCO 345.00 - EDDY COUNTY INTERCHANGE 345KV CKT 1'	FROM->TO	0.44698	556.2	112.2786	'SPP-SWPS-K51'
13SP		0	G12_019	'CHAVESCO 345.00 - EDDY COUNTY INTERCHANGE 345KV CKT 1'	FROM->TO	1	556.2	183.8544	'TOLK STATION (ABBXNL844501) 345/230/13.2KV TRANSFORMER CKT 1'
13SP		0	G12_019	'CHAVESCO 345.00 - EDDY COUNTY INTERCHANGE 345KV CKT 1'	FROM->TO	1	556.2	183.8547	'TOLK STATION (ABBXNL844501) 345/230/13.2KV TRANSFORMER CKT 1'
13SP		0	G12_019	'CHAVESCO 345.00 - EDDY COUNTY INTERCHANGE 345KV CKT 1'	FROM->TO	0.45908	556.2	110.282	'TOLK STATION EAST - TUCO INTERCHANGE 230KV CKT 1'
13SP		0	G12_019	'CHAVESCO 345.00 - EDDY COUNTY INTERCHANGE 345KV CKT 1'	FROM->TO	0.46939	556.2	110.9804	'TOLK STATION TAP - TOLK STATION WEST 230KV CKT 1'
13SP		0	G12_019	'CHAVESCO 345.00 - EDDY COUNTY INTERCHANGE 345KV CKT 1'	FROM->TO	0.46939	556.2	112.1284	'TOLK STATION TAP - TOLK STATION WEST 230KV CKT 1'
13SP		0	G12_019	'CHAVESCO 345.00 - EDDY COUNTY INTERCHANGE 345KV CKT 1'	FROM->TO	0.4538	556.2	112.4901	'TOLK STATION WEST - YOAKUM COUNTY INTERCHANGE 230KV CKT 1'
13SP		0	G12_019	'CHAVESCO 345.00 - EDDY COUNTY INTERCHANGE 345KV CKT 1'	FROM->TO	0.4538	556.2	113.7673	'TOLK STATION WEST - YOAKUM COUNTY INTERCHANGE 230KV CKT 1'
13WP		0	G12_019	'CHAVESCO 345.00 - EDDY COUNTY INTERCHANGE 345KV CKT 1'	FROM->TO	0.45203	556.7	104.616	'AMOCO SWITCHING STATION - SUNDOWN INTERCHANGE 230KV CKT 1'
13WP		0	G12_019	'CHAVESCO 345.00 - EDDY COUNTY INTERCHANGE 345KV CKT 1'	FROM->TO	0.45203	556.7	105.8626	'AMOCO SWITCHING STATION - SUNDOWN INTERCHANGE 230KV CKT 1'
13WP		0	G12_019	'CHAVESCO 345.00 - EDDY COUNTY INTERCHANGE 345KV CKT 1'	FROM->TO	0.45813	556.7	102.8776	'BASE CASE'
13WP		0	G12_019	'CHAVESCO 345.00 - EDDY COUNTY INTERCHANGE 345KV CKT 1'	FROM->TO	0.45813	556.7	104.0196	'BASE CASE'
13WP		0	G12_019	'CHAVESCO 345.00 - EDDY COUNTY INTERCHANGE 345KV CKT 1'	FROM->TO	0.40499	556.7	105.2455	'CHAVES COUNTY INTERCHANGE - SAN JUAN MESA TAP 230KV CKT 1'
13WP		0	G12_019	'CHAVESCO 345.00 - EDDY COUNTY INTERCHANGE 345KV CKT 1'	FROM->TO	0.40499	556.7	106.6888	'CHAVES COUNTY INTERCHANGE - SAN JUAN MESA TAP 230KV CKT 1'
13WP		0	G12_019	'CHAVESCO 345.00 - EDDY COUNTY INTERCHANGE 345KV CKT 1'	FROM->TO	0.45813	556.7	104.4763	'CUNNINGHAM STATION 230/20.0KV TRANSFORMER CKT 1'
13WP		0	G12_019	'CHAVESCO 345.00 - EDDY COUNTY INTERCHANGE 345KV CKT 1'	FROM->TO	0.45813	556.7	105.6399	'CUNNINGHAM STATION 230/20.0KV TRANSFORMER CKT 1'
13WP		0	G12_019	'CHAVESCO 345.00 - EDDY COUNTY INTERCHANGE 345KV CKT 1'	FROM->TO	1	556.7	183.815	'G-12-043-TAP345.00 - TOLK STATION 345KV CKT 1'

Season	Scenario	Source	MontCommonName	Direction	TDF	Rating	Contingency		Contname
							Loading %		
18SP		0	G12_019	'CHAVESCO 345.00 - EDDY COUNTY INTERCHANGE 345KV CKT 1'	FROM->TO	0.48975	556.7	103.8309	TOLK STATION TAP - TOLK STATION WEST 230KV CKT 1'
18WP		0	G12_019	'CHAVESCO 345.00 - EDDY COUNTY INTERCHANGE 345KV CKT 1'	FROM->TO	0.45538	556.2	110.143	AMOCO SWITCHING STATION - SUNDOWN INTERCHANGE 230KV CKT 1'
18WP		0	G12_019	'CHAVESCO 345.00 - EDDY COUNTY INTERCHANGE 345KV CKT 1'	FROM->TO	0.45538	556.2	111.3685	AMOCO SWITCHING STATION - SUNDOWN INTERCHANGE 230KV CKT 1'
18WP		0	G12_019	'CHAVESCO 345.00 - EDDY COUNTY INTERCHANGE 345KV CKT 1'	FROM->TO	0.46015	556.2	108.5194	'BASE CASE'
18WP		0	G12_019	'CHAVESCO 345.00 - EDDY COUNTY INTERCHANGE 345KV CKT 1'	FROM->TO	0.46015	556.2	109.649	'BASE CASE'
18WP		0	G12_019	'CHAVESCO 345.00 - EDDY COUNTY INTERCHANGE 345KV CKT 1'	FROM->TO	0.40668	556.2	112.3878	CHAVES COUNTY INTERCHANGE - SAN JUAN MESA TAP 230KV CKT 1'
18WP		0	G12_019	'CHAVESCO 345.00 - EDDY COUNTY INTERCHANGE 345KV CKT 1'	FROM->TO	0.40668	556.2	113.8185	CHAVES COUNTY INTERCHANGE - SAN JUAN MESA TAP 230KV CKT 1'
18WP		0	G12_019	'CHAVESCO 345.00 - EDDY COUNTY INTERCHANGE 345KV CKT 1'	FROM->TO	0.46015	556.2	110.197	CUNNINGHAM STATION 230/20.0KV TRANSFORMER CKT 1'
18WP		0	G12_019	'CHAVESCO 345.00 - EDDY COUNTY INTERCHANGE 345KV CKT 1'	FROM->TO	0.46015	556.2	111.3459	CUNNINGHAM STATION 230/20.0KV TRANSFORMER CKT 1'
18WP		0	G12_019	'CHAVESCO 345.00 - EDDY COUNTY INTERCHANGE 345KV CKT 1'	FROM->TO	1	556.2	183.8904	G-12-043-TAP345.00 - TOLK STATION 345KV CKT 1'
18WP		0	G12_019	'CHAVESCO 345.00 - EDDY COUNTY INTERCHANGE 345KV CKT 1'	FROM->TO	1	556.2	183.8907	G-12-043-TAP345.00 - TOLK STATION 345KV CKT 1'
18WP		0	G12_019	'CHAVESCO 345.00 - EDDY COUNTY INTERCHANGE 345KV CKT 1'	FROM->TO	0.46015	556.2	112.7171	Golden Spread REC - Mustang Interchange 230 kV Generation Bus - MUSTANG STATION 230KV CKT 1'
18WP		0	G12_019	'CHAVESCO 345.00 - EDDY COUNTY INTERCHANGE 345KV CKT 1'	FROM->TO	0.46015	556.2	113.8538	Golden Spread REC - Mustang Interchange 230 kV Generation Bus - MUSTANG STATION 230KV CKT 1'
18WP		0	G12_019	'CHAVESCO 345.00 - EDDY COUNTY INTERCHANGE 345KV CKT 1'	FROM->TO	0.46015	556.2	112.0973	Golden Spread REC - Mustang Interchange 230 kV Generation Bus - MUSTANG STATION 230KV CKT 1'
18WP		0	G12_019	'CHAVESCO 345.00 - EDDY COUNTY INTERCHANGE 345KV CKT 1'	FROM->TO	0.46015	556.2	113.2269	Golden Spread REC - Mustang Interchange 230 kV Generation Bus 230/18.0KV TRANSFORMER CKT 1'
18WP		0	G12_019	'CHAVESCO 345.00 - EDDY COUNTY INTERCHANGE 345KV CKT 1'	FROM->TO	0.46015	556.2	112.4855	HOBBS INTERCHANGE 115/18.0KV TRANSFORMER CKT 1'
18WP		0	G12_019	'CHAVESCO 345.00 - EDDY COUNTY INTERCHANGE 345KV CKT 1'	FROM->TO	0.46015	556.2	112.4606	HOBBS INTERCHANGE 115/18.0KV TRANSFORMER CKT 1'
18WP		0	G12_019	'CHAVESCO 345.00 - EDDY COUNTY INTERCHANGE 345KV CKT 1'	FROM->TO	0.46015	556.2	113.6606	HOBBS INTERCHANGE 115/18.0KV TRANSFORMER CKT 1'
18WP		0	G12_019	'CHAVESCO 345.00 - EDDY COUNTY INTERCHANGE 345KV CKT 1'	FROM->TO	0.46015	556.2	113.6354	HOBBS INTERCHANGE 115/18.0KV TRANSFORMER CKT 1'
18WP		0	G12_019	'CHAVESCO 345.00 - EDDY COUNTY INTERCHANGE 345KV CKT 1'	FROM->TO	0.46015	556.2	111.6076	HOBBS INTERCHANGE 230/18.0KV TRANSFORMER CKT 1'
18WP		0	G12_019	'CHAVESCO 345.00 - EDDY COUNTY INTERCHANGE 345KV CKT 1'	FROM->TO	0.46015	556.2	112.7725	HOBBS INTERCHANGE 230/18.0KV TRANSFORMER CKT 1'
18WP		0	G12_019	'CHAVESCO 345.00 - EDDY COUNTY INTERCHANGE 345KV CKT 1'	FROM->TO	0.46015	556.2	110.9039	MUSTANG STATION 230/22.0KV TRANSFORMER CKT 1'
18WP		0	G12_019	'CHAVESCO 345.00 - EDDY COUNTY INTERCHANGE 345KV CKT 1'	FROM->TO	0.46015	556.2	112.0611	MUSTANG STATION 230/22.0KV TRANSFORMER CKT 1'
18WP		0	G12_019	'CHAVESCO 345.00 - EDDY COUNTY INTERCHANGE 345KV CKT 1'	FROM->TO	0.46015	556.2	111.0482	MUSTANG STATION N. 115/13.8KV TRANSFORMER CKT 1'
18WP		0	G12_019	'CHAVESCO 345.00 - EDDY COUNTY INTERCHANGE 345KV CKT 1'	FROM->TO	0.46015	556.2	111.0482	MUSTANG STATION N. 115/13.8KV TRANSFORMER CKT 1'
18WP		0	G12_019	'CHAVESCO 345.00 - EDDY COUNTY INTERCHANGE 345KV CKT 1'	FROM->TO	0.46015	556.2	112.2069	MUSTANG STATION N. 115/13.8KV TRANSFORMER CKT 1'
18WP		0	G12_019	'CHAVESCO 345.00 - EDDY COUNTY INTERCHANGE 345KV CKT 1'	FROM->TO	0.46015	556.2	112.2069	MUSTANG STATION N. 115/13.8KV TRANSFORMER CKT 1'
18WP		0	G12_019	'CHAVESCO 345.00 - EDDY COUNTY INTERCHANGE 345KV CKT 1'	FROM->TO	0.46214	556.2	111.5636	PLANT X STATION - SUNDOWN INTERCHANGE 230KV CKT 1'
18WP		0	G12_019	'CHAVESCO 345.00 - EDDY COUNTY INTERCHANGE 345KV CKT 1'	FROM->TO	0.46214	556.2	112.74	PLANT X STATION - SUNDOWN INTERCHANGE 230KV CKT 1'
18WP		0	G12_019	'CHAVESCO 345.00 - EDDY COUNTY INTERCHANGE 345KV CKT 1'	FROM->TO	0.45755	556.2	110.2862	ROOSEVELT COUNTY INTERCHANGE - TOLK STATION WEST 230KV CKT 2'
18WP		0	G12_019	'CHAVESCO 345.00 - EDDY COUNTY INTERCHANGE 345KV CKT 1'	FROM->TO	0.45755	556.2	111.4323	ROOSEVELT COUNTY INTERCHANGE - TOLK STATION WEST 230KV CKT 2'
18WP		0	G12_019	'CHAVESCO 345.00 - EDDY COUNTY INTERCHANGE 345KV CKT 1'	FROM->TO	0.4574	556.2	110.3199	Roosevelt County Interchange SOUTH - Roosevelt County Interchange SWITCH #4K33 230KV CKT 1'
18WP		0	G12_019	'CHAVESCO 345.00 - EDDY COUNTY INTERCHANGE 345KV CKT 1'	FROM->TO	0.4574	556.2	111.4684	Roosevelt County Interchange SOUTH - Roosevelt County Interchange SWITCH #4K33 230KV CKT 1'
18WP		0	G12_019	'CHAVESCO 345.00 - EDDY COUNTY INTERCHANGE 345KV CKT 1'	FROM->TO	0.4574	556.2	110.3199	Roosevelt County Interchange SOUTH - TOLK STATION EAST 230KV CKT 1'
18WP		0	G12_019	'CHAVESCO 345.00 - EDDY COUNTY INTERCHANGE 345KV CKT 1'	FROM->TO	0.4574	556.2	111.4684	Roosevelt County Interchange SOUTH - TOLK STATION EAST 230KV CKT 1'
18WP		0	G12_019	'CHAVESCO 345.00 - EDDY COUNTY INTERCHANGE 345KV CKT 1'	FROM->TO	0.45351	556.2	111.1989	'SPP-SWPS-K51'
18WP		0	G12_019	'CHAVESCO 345.00 - EDDY COUNTY INTERCHANGE 345KV CKT 1'	FROM->TO	0.45351	556.2	112.3698	'SPP-SWPS-K51'
18WP		0	G12_019	'CHAVESCO 345.00 - EDDY COUNTY INTERCHANGE 345KV CKT 1'	FROM->TO	1	556.2	183.8904	TOLK STATION (ABBXL844501) 345/230/13.2KV TRANSFORMER CKT 1'
18WP		0	G12_019	'CHAVESCO 345.00 - EDDY COUNTY INTERCHANGE 345KV CKT 1'	FROM->TO	1	556.2	183.8907	TOLK STATION (ABBXL844501) 345/230/13.2KV TRANSFORMER CKT 1'
18WP		0	G12_019	'CHAVESCO 345.00 - EDDY COUNTY INTERCHANGE 345KV CKT 1'	FROM->TO	0.47575	556.2	110.8777	TOLK STATION TAP - TOLK STATION WEST 230KV CKT 1'
18WP		0	G12_019	'CHAVESCO 345.00 - EDDY COUNTY INTERCHANGE 345KV CKT 1'	FROM->TO	0.47575	556.2	111.9914	TOLK STATION TAP - TOLK STATION WEST 230KV CKT 1'
18WP		0	G12_019	'CHAVESCO 345.00 - EDDY COUNTY INTERCHANGE 345KV CKT 1'	FROM->TO	0.46109	556.2	111.9817	TOLK STATION WEST - YOAKUM COUNTY INTERCHANGE 230KV CKT 1'
18WP		0	G12_019	'CHAVESCO 345.00 - EDDY COUNTY INTERCHANGE 345KV CKT 1'	FROM->TO	0.46109	556.2	113.2196	TOLK STATION WEST - YOAKUM COUNTY INTERCHANGE 230KV CKT 1'
13G		0	G12_019	'CHAVESCO 345.00 - G-12-043-TAP345.00 345KV CKT 1'	FROM->TO	1	557	127.0374	CHAVESCO 345.00 - EDDY COUNTY INTERCHANGE 345KV CKT 1'
13G		0	G12_019	'CHAVESCO 345.00 - G-12-043-TAP345.00 345KV CKT 1'	FROM->TO	1	557	126.9656	EDDY COUNTY INTERCHANGE (ABB AEM30711) 345/230/13.2KV TRANSFORMER CKT 1'
13G		0	G12_019	'CUNNINGHAM STATION - EDDY COUNTY INTERCHANGE 230KV CKT 1'	TO->FROM	0.38101	350.9	101.0273	G-12-043-TAP345.00 - TOLK STATION 345KV CKT 1'
13G		0	G12_019	'CUNNINGHAM STATION - EDDY COUNTY INTERCHANGE 230KV CKT 1'	TO->FROM	0.38101	350.9	101.0558	TOLK STATION (ABBXL844501) 345/230/13.2KV TRANSFORMER CKT 1'
13G		0	G12_019	'CUNNINGHAM STATION - LEA COUNTY INTERCHANGE 230KV CKT 1'	FROM->TO	0.49578	496.2	103.6076	G-12-043-TAP345.00 - TOLK STATION 345KV CKT 1'
13G		0	G12_019	'CUNNINGHAM STATION - LEA COUNTY INTERCHANGE 230KV CKT 1'	FROM->TO	0.49578	496.2	103.6278	TOLK STATION (ABBXL844501) 345/230/13.2KV TRANSFORMER CKT 1'
13G		0	G12_019	'CURRY COUNTY INTERCHANGE - DEAF SMITH REC-#20 115KV CKT 1'	FROM->TO	0.03372	93.6	119.9653	DEAF SMITH COUNTY INTERCHANGE - PLANT X STATION 230KV CKT 1'
13G		0	G12_019	'CURRY COUNTY INTERCHANGE - DEAF SMITH REC-#20 115KV CKT 1'	FROM->TO	0.03372	93.6	125.2303	DEAF SMITH COUNTY INTERCHANGE - PLANT X STATION 230KV CKT 1'
13G		0	G12_019	'DAWN SUB - Panda Energy Substation Hereford 115KV CKT 1'	TO->FROM	0.04167	95.7	100.031	'BUFFALO 230.00 - BUSHLAND INTERCHANGE 230KV CKT 1'
13G		0	G12_019	'DAWN SUB - Panda Energy Substation Hereford 115KV CKT 1'	TO->FROM	0.04167	95.7	106.2789	'BUFFALO 230.00 - BUSHLAND INTERCHANGE 230KV CKT 1'
13G		0	G12_019	'DEAF SMITH COUNTY INTERCHANGE - Panda Energy Substation Hereford 115KV CKT 1'	FROM->TO	0.04167	95.9	105.6618	'BUFFALO 230.00 - BUSHLAND INTERCHANGE 230KV CKT 1'
13G		0	G12_019	'DEAF SMITH COUNTY INTERCHANGE - Panda Energy Substation Hereford 115KV CKT 1'	FROM->TO	0.04167	95.9	111.8967	'BUFFALO 230.00 - BUSHLAND INTERCHANGE 230KV CKT 1'
13G		0	G12_019	'DEAF SMITH COUNTY INTERCHANGE - Panda Energy Substation Hereford 115KV CKT 1'	FROM->TO	0.04167	95.9	100.8435	'BUFFALO 230.00 - DEAF SMITH COUNTY INTERCHANGE 230KV CKT 1'
13G		0	G12_019	'DEAF SMITH REC-#20 - DS-#24 3115.00 115KV CKT 1'	FROM->TO	0.03372	96.1	107.2711	'DEAF SMITH COUNTY INTERCHANGE - PLANT X STATION 230KV CKT 1'
13G		0	G12_019	'DEAF SMITH REC-#20 - DS-#24 3115.00 115KV CKT 1'	FROM->TO	0.03372	96.1	112.3992	'DEAF SMITH COUNTY INTERCHANGE - PLANT X STATION 230KV CKT 1'
13G		0	G12_019	'DS-#24 3115.00 - PARMER COUNTY SUB 115KV CKT 1'	FROM->TO	0.03372	95.6	100.0915	'DEAF SMITH COUNTY INTERCHANGE - PLANT X STATION 230KV CKT 1'
13G		0	G12_019	'DS-#24 3115.00 - PARMER COUNTY SUB 115KV CKT 1'	FROM->TO	0.03372	95.6	105.2464	'DEAF SMITH COUNTY INTERCHANGE - PLANT X STATION 230KV CKT 1'
13G		0	G12_019	'EDDY COUNTY INTERCHANGE - EDDY_NORTH 6230.00 230KV CKT 1'	TO->FROM	0.4486	477.5	109.6524	CHAVES COUNTY INTERCHANGE - EDDY_NORTH 6230.00 230KV CKT 1'
13G		0	G12_019	'EDDY COUNTY INTERCHANGE - EDDY_NORTH 6230.00 230KV CKT 1'	TO->FROM	0.76177	477.5	123.0399	CHAVESCO 345.00 - G-12-043-TAP345.00 345KV CKT 1'
13G		2	G12_019	'EDDY COUNTY INTERCHANGE - EDDY_NORTH 6230.00 230KV CKT 1'	TO->FROM	0.76134	477.2	120.4538	CHAVESCO 345.00 - G-12-043-TAP345.00 345KV CKT 1'
13G		3	G12_019	'EDDY COUNTY INTERCHANGE - EDDY_NORTH 6230.00 230KV CKT 1'	TO->FROM	0.76124	477.2	120.3324	CHAVESCO 345.00 - G-12-043-TAP345.00 345KV CKT 1'
13G		0	G12_019	'EDDY COUNTY INTERCHANGE - EDDY_NORTH 6230.00 230KV CKT 1'	TO->FROM	0.39103	477.5	106.9616	CUNNINGHAM STATION 230/20.0KV TRANSFORMER CKT 1'
13G		0	G12_019	'EDDY COUNTY INTERCHANGE - EDDY_NORTH 6230.00 230KV CKT 1'	TO->FROM	0.76177	477.5	172.4908	G-12-043-TAP345.00 - TOLK STATION 345KV CKT 1'
13G		0	G12_019	'EDDY COUNTY INTERCHANGE - EDDY_NORTH 6230.00 230KV CKT 1'	TO->FROM	0.76177	477.5	200.7039	G-12-043-TAP345.00 - TOLK STATION 345KV CKT 1'
13G		0	G12_019	'EDDY COUNTY INTERCHANGE - EDDY_NORTH 6230.00 230KV CKT 1'	TO->FROM	0.39103	477.5	104.6832	Golden Spread REC - Mustang Interchange 230 kV Generation Bus - MUSTANG STATION 230KV CKT 1'
13G		0	G12_019	'EDDY COUNTY INTERCHANGE - EDDY_NORTH 6230.00 230KV CKT 1'	TO->FROM	0.39103	477.5	106.6832	Golden Spread REC - Mustang Interchange 230 kV Generation Bus 230/18.0KV TRANSFORMER CKT 1'
13G		0	G12_019	'EDDY COUNTY INTERCHANGE - EDDY_NORTH 6230.00 230KV CKT 1'	TO->FROM	0.39103	477.5	105.7006	HOBBS INTERCHANGE 115/18.0KV TRANSFORMER CKT 1'
13G		0	G12_019	'EDDY COUNTY INTERCHANGE - EDDY_NORTH 6230.00 230KV CKT 1'	TO->FROM	0.39103	477.5	105.6544	HOBBS INTERCHANGE 115/18.0KV TRANSFORMER CKT 1'
13G		0	G12_019	'EDDY COUNTY INTERCHANGE - EDDY_NORTH 6230.00 230KV CKT 1'	TO->FROM	0.39103	477.5	109.2718	HOBBS INTERCHANGE 230/18.0KV TRANSFORMER CKT 1'
13G		0	G12_019	'EDDY COUNTY INTERCHANGE - EDDY_NORTH 6230.00 230KV CKT 1'	TO->FROM	0.39103	477.5	103.6464	MADDOX STATION 115/13.8KV TRANSFORMER CKT 1'
13G		0	G12_019	'EDDY COUNTY INTERCHANGE - EDDY_NORTH 6230.00 230KV CKT 1'	TO->FROM	0.39103	477.5	103.1659	MUSTANG STATION N. 115/13.8KV TRANSFORMER CKT 1'

Season	Scenario	Source	MontCommonName	Direction	TDF	Rating	Contingency		Contname
							Loading %		
18WP		0	G12_019 'EDDY COUNTY INTERCHANGE (WH_XHS70551) 230/115/13.2KV TRANSFORMER CKT 1'	FROM->TO	0.04145	166.3	106.0622		'EDDY COUNTY INTERCHANGE (UPDATE_LATER) 230/115/13.2KV TRANSFORMER CKT 2'
13G		0	G12_019 'G-12-043-TAP345.00 - TOLK STATION 345KV CKT 1'	FROM->TO	0.52927	554.5	113.2379		'AMOCO SWITCHING STATION - YOAKUM COUNTY INTERCHANGE 230KV CKT 1'
13G		0	G12_019 'G-12-043-TAP345.00 - TOLK STATION 345KV CKT 1'	FROM->TO	0.52927	554.5	127.7485		'AMOCO SWITCHING STATION - YOAKUM COUNTY INTERCHANGE 230KV CKT 1'
13G		0	G12_019 'G-12-043-TAP345.00 - TOLK STATION 345KV CKT 1'	FROM->TO	0.52457	554.5	109.09		'BASE CASE'
13G		0	G12_019 'G-12-043-TAP345.00 - TOLK STATION 345KV CKT 1'	FROM->TO	0.52457	554.5	123.5417		'BASE CASE'
13G		0	G12_019 'G-12-043-TAP345.00 - TOLK STATION 345KV CKT 1'	FROM->TO	0.52993	554.5	111.3705		'BORDEN COUNTY INTERCHANGE - G12_001T 230.00 230KV CKT 1'
13G		0	G12_019 'G-12-043-TAP345.00 - TOLK STATION 345KV CKT 1'	FROM->TO	0.52993	554.5	125.9294		'BORDEN COUNTY INTERCHANGE - G12_001T 230.00 230KV CKT 1'
13G		0	G12_019 'G-12-043-TAP345.00 - TOLK STATION 345KV CKT 1'	FROM->TO	0.52993	554.5	111.3705		'BORDEN COUNTY INTERCHANGE (ABB_LL58862) 230/138/13.2KV TRANSFORMER CKT 1'
13G		0	G12_019 'G-12-043-TAP345.00 - TOLK STATION 345KV CKT 1'	FROM->TO	0.52993	554.5	125.9294		'BORDEN COUNTY INTERCHANGE (ABB_LL58862) 230/138/13.2KV TRANSFORMER CKT 1'
13G		0	G12_019 'G-12-043-TAP345.00 - TOLK STATION 345KV CKT 1'	FROM->TO	0.52993	554.5	111.3705		'CAPROCK REC-TATE - CAPROCK REC-VEALMOOR 138KV CKT 1'
13G		0	G12_019 'G-12-043-TAP345.00 - TOLK STATION 345KV CKT 1'	FROM->TO	0.52993	554.5	125.9294		'CAPROCK REC-TATE - CAPROCK REC-VEALMOOR 138KV CKT 1'
13G		0	G12_019 'G-12-043-TAP345.00 - TOLK STATION 345KV CKT 1'	FROM->TO	0.52457	554.5	113.5805		'Central Valley REC-12 Mile Hill - EDDY COUNTY INTERCHANGE 115KV CKT 1'
13G		0	G12_019 'G-12-043-TAP345.00 - TOLK STATION 345KV CKT 1'	FROM->TO	0.52457	554.5	128.0322		'Central Valley REC-12 Mile Hill - EDDY COUNTY INTERCHANGE 115KV CKT 1'
13G		0	G12_019 'G-12-043-TAP345.00 - TOLK STATION 345KV CKT 1'	FROM->TO	0.5514	554.5	112.4925		'CHAVES COUNTY INTERCHANGE - EDDY_NORTH 6230.00 230KV CKT 1'
13G		0	G12_019 'G-12-043-TAP345.00 - TOLK STATION 345KV CKT 1'	FROM->TO	0.5514	554.5	127.7024		'CHAVES COUNTY INTERCHANGE - EDDY_NORTH 6230.00 230KV CKT 1'
13G		0	G12_019 'G-12-043-TAP345.00 - TOLK STATION 345KV CKT 1'	FROM->TO	1	554.5	191.3124		'CHAVESCO 345.00 - EDDY COUNTY INTERCHANGE 345KV CKT 1'
13G		0	G12_019 'G-12-043-TAP345.00 - TOLK STATION 345KV CKT 1'	FROM->TO	1	554.5	222.2363		'CHAVESCO 345.00 - EDDY COUNTY INTERCHANGE 345KV CKT 1'
13G		0	G12_019 'G-12-043-TAP345.00 - TOLK STATION 345KV CKT 1'	FROM->TO	0.57475	554.5	112.7371		'CUNNINGHAM STATION - EDDY COUNTY INTERCHANGE 230KV CKT 1'
13G		0	G12_019 'G-12-043-TAP345.00 - TOLK STATION 345KV CKT 1'	FROM->TO	0.57475	554.5	128.8496		'CUNNINGHAM STATION - EDDY COUNTY INTERCHANGE 230KV CKT 1'
13G		0	G12_019 'G-12-043-TAP345.00 - TOLK STATION 345KV CKT 1'	FROM->TO	0.56768	554.5	113.5905		'CUNNINGHAM STATION - LEA COUNTY INTERCHANGE 230KV CKT 1'
13G		0	G12_019 'G-12-043-TAP345.00 - TOLK STATION 345KV CKT 1'	FROM->TO	0.56768	554.5	129.28		'CUNNINGHAM STATION - LEA COUNTY INTERCHANGE 230KV CKT 1'
13G		0	G12_019 'G-12-043-TAP345.00 - TOLK STATION 345KV CKT 1'	FROM->TO	0.73143	554.5	146.8848		'EDDY COUNTY INTERCHANGE - EDDY_NORTH 6230.00 230KV CKT 1'
13G		0	G12_019 'G-12-043-TAP345.00 - TOLK STATION 345KV CKT 1'	FROM->TO	0.73143	554.5	168.7838		'EDDY COUNTY INTERCHANGE - EDDY_NORTH 6230.00 230KV CKT 1'
13G		0	G12_019 'G-12-043-TAP345.00 - TOLK STATION 345KV CKT 1'	FROM->TO	0.53839	554.5	111.7112		'EDDY COUNTY INTERCHANGE - SEVEN RIVERS INTERCHANGE 230KV CKT 1'
13G		0	G12_019 'G-12-043-TAP345.00 - TOLK STATION 345KV CKT 1'	FROM->TO	0.53839	554.5	126.6995		'EDDY COUNTY INTERCHANGE - SEVEN RIVERS INTERCHANGE 230KV CKT 1'
13G		0	G12_019 'G-12-043-TAP345.00 - TOLK STATION 345KV CKT 1'	FROM->TO	1	554.5	191.2403		'EDDY COUNTY INTERCHANGE (ABB_AEM30711) 345/230/13.2KV TRANSFORMER CKT 1'
13G		0	G12_019 'G-12-043-TAP345.00 - TOLK STATION 345KV CKT 1'	FROM->TO	1	554.5	222.1641		'EDDY COUNTY INTERCHANGE (ABB_AEM30711) 345/230/13.2KV TRANSFORMER CKT 1'
13G		0	G12_019 'G-12-043-TAP345.00 - TOLK STATION 345KV CKT 1'	FROM->TO	0.52993	554.5	113.7691		'G12_001T 230.00 - GRASSLAND INTERCHANGE 230KV CKT 1'
13G		0	G12_019 'G-12-043-TAP345.00 - TOLK STATION 345KV CKT 1'	FROM->TO	0.52993	554.5	128.328		'G12_001T 230.00 - GRASSLAND INTERCHANGE 230KV CKT 1'
13G		0	G12_019 'G-12-043-TAP345.00 - TOLK STATION 345KV CKT 1'	FROM->TO	0.52993	554.5	111.4066		'HOBBS INTERCHANGE - MIDLAND COUNTY INTERCHANGE 230KV CKT 1'
13G		0	G12_019 'G-12-043-TAP345.00 - TOLK STATION 345KV CKT 1'	FROM->TO	0.52993	554.5	125.9655		'HOBBS INTERCHANGE - MIDLAND COUNTY INTERCHANGE 230KV CKT 1'
13G		0	G12_019 'G-12-043-TAP345.00 - TOLK STATION 345KV CKT 1'	FROM->TO	0.54498	554.5	116.5276		'LEA COUNTY INTERCHANGE - YOAKUM COUNTY INTERCHANGE 230KV CKT 1'
13G		0	G12_019 'G-12-043-TAP345.00 - TOLK STATION 345KV CKT 1'	FROM->TO	0.54498	554.5	131.4008		'LEA COUNTY INTERCHANGE - YOAKUM COUNTY INTERCHANGE 230KV CKT 1'
13G		0	G12_019 'G-12-043-TAP345.00 - TOLK STATION 345KV CKT 1'	FROM->TO	0.52993	554.5	111.4066		'MIDLAND COUNTY INTERCHANGE (ABB_LL58861) 230/138/13.2KV TRANSFORMER CKT 1'
13G		0	G12_019 'G-12-043-TAP345.00 - TOLK STATION 345KV CKT 1'	FROM->TO	0.52993	554.5	125.9655		'MIDLAND COUNTY INTERCHANGE (ABB_LL58861) 230/138/13.2KV TRANSFORMER CKT 1'
13G		0	G12_019 'G-12-043-TAP345.00 - TOLK STATION 345KV CKT 1'	FROM->TO	0.57296	554.5	123.9053		'OASIS INTERCHANGE - SAN JUAN MESA TAP 230KV CKT 1'
13G		0	G12_019 'G-12-043-TAP345.00 - TOLK STATION 345KV CKT 1'	FROM->TO	0.57296	554.5	139.6777		'OASIS INTERCHANGE - SAN JUAN MESA TAP 230KV CKT 1'
13G		0	G12_019 'G-12-043-TAP345.00 - TOLK STATION 345KV CKT 1'	FROM->TO	0.52474	554.5	110.9645		'SPP-SWPS-T14'
13G		0	G12_019 'G-12-043-TAP345.00 - TOLK STATION 345KV CKT 1'	FROM->TO	0.52474	554.5	125.419		'SPP-SWPS-T14'
13G		0	G12_019 'G-12-043-TAP345.00 - TOLK STATION 345KV CKT 1'	FROM->TO	0.52457	554.5	111.0346		'TOLK STATION EAST 230/24.0KV TRANSFORMER CKT 1'
13G		0	G12_019 'G-12-043-TAP345.00 - TOLK STATION 345KV CKT 1'	FROM->TO	0.52457	554.5	125.3883		'TOLK STATION EAST 230/24.0KV TRANSFORMER CKT 1'
13G		0	G12_019 'G-12-043-TAP345.00 - TOLK STATION 345KV CKT 1'	FROM->TO	0.52457	554.5	111.1568		'TOLK STATION WEST 230/24.0KV TRANSFORMER CKT 1'
13G		0	G12_019 'G-12-043-TAP345.00 - TOLK STATION 345KV CKT 1'	FROM->TO	0.52457	554.5	125.504		'TOLK STATION WEST 230/24.0KV TRANSFORMER CKT 1'
13SP		0	G12_019 'G-12-043-TAP345.00 - TOLK STATION 345KV CKT 1'	FROM->TO	1	555.3	184.1524		'CHAVESCO 345.00 - EDDY COUNTY INTERCHANGE 345KV CKT 1'
13SP		0	G12_019 'G-12-043-TAP345.00 - TOLK STATION 345KV CKT 1'	FROM->TO	1	555.3	184.1527		'CHAVESCO 345.00 - EDDY COUNTY INTERCHANGE 345KV CKT 1'
13SP		0	G12_019 'G-12-043-TAP345.00 - TOLK STATION 345KV CKT 1'	FROM->TO	0.73533	555.3	125.8625		'EDDY COUNTY INTERCHANGE - EDDY_NORTH 6230.00 230KV CKT 1'
13SP		0	G12_019 'G-12-043-TAP345.00 - TOLK STATION 345KV CKT 1'	FROM->TO	0.73533	555.3	125.5475		'EDDY COUNTY INTERCHANGE - EDDY_NORTH 6230.00 230KV CKT 1'
13SP		0	G12_019 'G-12-043-TAP345.00 - TOLK STATION 345KV CKT 1'	FROM->TO	1	555.3	183.9723		'EDDY COUNTY INTERCHANGE (ABB_AEM30711) 345/230/13.2KV TRANSFORMER CKT 1'
13SP		0	G12_019 'G-12-043-TAP345.00 - TOLK STATION 345KV CKT 1'	FROM->TO	1	555.3	183.9726		'EDDY COUNTY INTERCHANGE (ABB_AEM30711) 345/230/13.2KV TRANSFORMER CKT 1'
13WP		0	G12_019 'G-12-043-TAP345.00 - TOLK STATION 345KV CKT 1'	FROM->TO	1	552.9	185.0784		'CHAVESCO 345.00 - EDDY COUNTY INTERCHANGE 345KV CKT 1'
13WP		0	G12_019 'G-12-043-TAP345.00 - TOLK STATION 345KV CKT 1'	FROM->TO	1	552.9	185.0787		'CHAVESCO 345.00 - EDDY COUNTY INTERCHANGE 345KV CKT 1'
13WP		0	G12_019 'G-12-043-TAP345.00 - TOLK STATION 345KV CKT 1'	FROM->TO	0.73571	552.9	127.4907		'EDDY COUNTY INTERCHANGE - EDDY_NORTH 6230.00 230KV CKT 1'
13WP		0	G12_019 'G-12-043-TAP345.00 - TOLK STATION 345KV CKT 1'	FROM->TO	0.73571	552.9	127.1775		'EDDY COUNTY INTERCHANGE - EDDY_NORTH 6230.00 230KV CKT 1'
13WP		0	G12_019 'G-12-043-TAP345.00 - TOLK STATION 345KV CKT 1'	FROM->TO	1	552.9	184.9337		'EDDY COUNTY INTERCHANGE (ABB_AEM30711) 345/230/13.2KV TRANSFORMER CKT 1'
13WP		0	G12_019 'G-12-043-TAP345.00 - TOLK STATION 345KV CKT 1'	FROM->TO	1	552.9	184.9344		'EDDY COUNTY INTERCHANGE (ABB_AEM30711) 345/230/13.2KV TRANSFORMER CKT 1'
18SP		0	G12_019 'G-12-043-TAP345.00 - TOLK STATION 345KV CKT 1'	FROM->TO	1	553.3	185.053		'CHAVESCO 345.00 - EDDY COUNTY INTERCHANGE 345KV CKT 1'
18SP		0	G12_019 'G-12-043-TAP345.00 - TOLK STATION 345KV CKT 1'	FROM->TO	1	553.3	185.0533		'CHAVESCO 345.00 - EDDY COUNTY INTERCHANGE 345KV CKT 1'
18SP		0	G12_019 'G-12-043-TAP345.00 - TOLK STATION 345KV CKT 1'	FROM->TO	0.73004	553.3	124.956		'EDDY COUNTY INTERCHANGE - EDDY_NORTH 6230.00 230KV CKT 1'
18SP		0	G12_019 'G-12-043-TAP345.00 - TOLK STATION 345KV CKT 1'	FROM->TO	0.73004	553.3	124.6686		'EDDY COUNTY INTERCHANGE - EDDY_NORTH 6230.00 230KV CKT 1'
18SP		0	G12_019 'G-12-043-TAP345.00 - TOLK STATION 345KV CKT 1'	FROM->TO	1	553.3	184.9446		'EDDY COUNTY INTERCHANGE (ABB_AEM30711) 345/230/13.2KV TRANSFORMER CKT 1'
18SP		0	G12_019 'G-12-043-TAP345.00 - TOLK STATION 345KV CKT 1'	FROM->TO	1	553.3	184.9449		'EDDY COUNTY INTERCHANGE (ABB_AEM30711) 345/230/13.2KV TRANSFORMER CKT 1'
18WP		0	G12_019 'G-12-043-TAP345.00 - TOLK STATION 345KV CKT 1'	FROM->TO	1	555.2	184.2216		'CHAVESCO 345.00 - EDDY COUNTY INTERCHANGE 345KV CKT 1'
18WP		0	G12_019 'G-12-043-TAP345.00 - TOLK STATION 345KV CKT 1'	FROM->TO	1	555.2	184.2219		'CHAVESCO 345.00 - EDDY COUNTY INTERCHANGE 345KV CKT 1'
18WP		0	G12_019 'G-12-043-TAP345.00 - TOLK STATION 345KV CKT 1'	FROM->TO	0.73373	555.2	124.0569		'EDDY COUNTY INTERCHANGE - EDDY_NORTH 6230.00 230KV CKT 1'
18WP		0	G12_019 'G-12-043-TAP345.00 - TOLK STATION 345KV CKT 1'	FROM->TO	0.73373	555.2	123.7506		'EDDY COUNTY INTERCHANGE - EDDY_NORTH 6230.00 230KV CKT 1'
18WP		0	G12_019 'G-12-043-TAP345.00 - TOLK STATION 345KV CKT 1'	FROM->TO	1	555.2	184.0415		'EDDY COUNTY INTERCHANGE (ABB_AEM30711) 345/230/13.2KV TRANSFORMER CKT 1'
18WP		0	G12_019 'G-12-043-TAP345.00 - TOLK STATION 345KV CKT 1'	FROM->TO	1	555.2	184.0418		'EDDY COUNTY INTERCHANGE (ABB_AEM30711) 345/230/13.2KV TRANSFORMER CKT 1'
13G		0	G12_019 'LEA COUNTY INTERCHANGE - YOAKUM COUNTY INTERCHANGE 230KV CKT 1'	FROM->TO	0.26805	350.9	109.56		'G-12-043-TAP345.00 - TOLK STATION 345KV CKT 1'
13G		0	G12_019 'LEA COUNTY INTERCHANGE - YOAKUM COUNTY INTERCHANGE 230KV CKT 1'	FROM->TO	0.26805	350.9	120.2935		'G-12-043-TAP345.00 - TOLK STATION 345KV CKT 1'
13G		0	G12_019 'LEA COUNTY INTERCHANGE - YOAKUM COUNTY INTERCHANGE 230KV CKT 1'	FROM->TO	0.26805	350.9	109.56		'TOLK STATION (ABBXL844501) 345/230/13.2KV TRANSFORMER CKT 1'
13G		0	G12_019 'LEA COUNTY INTERCHANGE - YOAKUM COUNTY INTERCHANGE 230KV CKT 1'	FROM->TO	0.26805	350.9	120.2935		'TOLK STATION (ABBXL844501) 345/230/13.2KV TRANSFORMER CKT 1'
13G		0	G12_019 'OASIS INTERCHANGE - SAN JUAN MESA TAP 230KV CKT 1'	TO->FROM	0.27486	350.5	105.1672		'G-12-043-TAP345.00 - TOLK STATION 345KV CKT 1'
13G		0	G12_019 'OASIS INTERCHANGE - SAN JUAN MESA TAP 230KV CKT 1'	TO->FROM	0.27486	350.5	117.1143		'G-12-043-TAP345.00 - TOLK STATION 345KV CKT 1'
13G		0	G12_019 'OASIS INTERCHANGE - SAN JUAN MESA TAP 230KV CKT 1'	TO->FROM	0.27486	350.5	105.1672		'TOLK STATION (ABBXL844501) 345/230/13.2KV TRANSFORMER CKT 1'

Season	Scenario	Source	MontCommonName	Direction	TDF	Rating	Contingency		Contname
							Loading %		
13G		0 G12_019	'TUCO INTERCHANGE (UPDATE DATA) 345/230/13.2KV TRANSFORMER CKT 2'	FROM->TO	0.04848	559.7	106.6459		TUCO INTERCHANGE (GE M1022338) 345/230/13.2KV TRANSFORMER CKT 1'
13G		0 G12_019	'TUCO INTERCHANGE (UPDATE DATA) 345/230/13.2KV TRANSFORMER CKT 2'	FROM->TO	0.04848	560	106.5351		TUCO INTERCHANGE (GE M1022338) 345/230/13.2KV TRANSFORMER CKT 1'
13G		0 G12_019	'TUCO INTERCHANGE (UPDATE DATA) 345/230/13.2KV TRANSFORMER CKT 2'	FROM->TO	0.04848	559.7	107.8036		TUCO INTERCHANGE (GE M1022338) 345/230/13.2KV TRANSFORMER CKT 1'
13G		0 G12_019	'TUCO INTERCHANGE (UPDATE DATA) 345/230/13.2KV TRANSFORMER CKT 2'	FROM->TO	0.04848	560	107.6922		TUCO INTERCHANGE (GE M1022338) 345/230/13.2KV TRANSFORMER CKT 1'
13G		0 G12_019	'TUCO INTERCHANGE (UPDATE DATA) 345/230/13.2KV TRANSFORMER CKT 2'	FROM->TO	0.04848	559.7	101.7518		TUCO INTERCHANGE (GE M1022338) 345/230/13.2KV TRANSFORMER CKT 1'
13G		0 G12_019	'TUCO INTERCHANGE (UPDATE DATA) 345/230/13.2KV TRANSFORMER CKT 2'	FROM->TO	0.04848	560	101.6437		TUCO INTERCHANGE (GE M1022338) 345/230/13.2KV TRANSFORMER CKT 1'
13G		0 G12_019	'WOLFFORTH INTERCHANGE - YUMA INTERCHANGE 115KV CKT 1'	FROM->TO	0.0456	152.1	109.3995		LUBBOCK SOUTH INTERCHANGE - WOLFFORTH INTERCHANGE 230KV CKT 1'
13G		0 G12_019	'WOLFFORTH INTERCHANGE - YUMA INTERCHANGE 115KV CKT 1'	FROM->TO	0.0456	152.1	112.9258		LUBBOCK SOUTH INTERCHANGE - WOLFFORTH INTERCHANGE 230KV CKT 1'
13G		0 G12_022	'DAWN SUB - Panda Energy Substation Hereford 115KV CKT 1'	TO->FROM	0.03612	95.7	100.031		'BUFFALO 230.00 - BUSHLAND INTERCHANGE 230KV CKT 1'
13G		0 G12_022	'DEAF SMITH COUNTY INTERCHANGE - Panda Energy Substation Hereford 115KV CKT 1'	FROM->TO	0.03612	95.9	105.6618		'BUFFALO 230.00 - BUSHLAND INTERCHANGE 230KV CKT 1'
13G		0 G12_022	'G-12-043-TAP345.00 - TOLK STATION 345KV CKT 1'	FROM->TO	0.21272	554.5	113.2379		'AMOCO SWITCHING STATION - YOAKUM COUNTY INTERCHANGE 230KV CKT 1'
13G		0 G12_022	'G-12-043-TAP345.00 - TOLK STATION 345KV CKT 1'	FROM->TO	0.19465	554.5	109.09		'BASE CASE'
13G		0 G12_022	'G-12-043-TAP345.00 - TOLK STATION 345KV CKT 1'	FROM->TO	0.20679	554.5	111.3705		'BORDEN COUNTY INTERCHANGE - G12_001T 230.00 230KV CKT 1'
13G		0 G12_022	'G-12-043-TAP345.00 - TOLK STATION 345KV CKT 1'	FROM->TO	0.20679	554.5	111.3705		'BORDEN COUNTY INTERCHANGE (ABB LL58862) 230/138/13.2KV TRANSFORMER CKT 1'
13G		0 G12_022	'G-12-043-TAP345.00 - TOLK STATION 345KV CKT 1'	FROM->TO	0.20679	554.5	111.3705		'CAPROCK REC-TATE - CAPROCK REC-VEALMOOR 138KV CKT 1'
13G		0 G12_022	'G-12-043-TAP345.00 - TOLK STATION 345KV CKT 1'	FROM->TO	0.19465	554.5	113.5805		'Central Valley REC-12 Mile Hill - EDDY COUNTY INTERCHANGE 115KV CKT 1'
13G		0 G12_022	'G-12-043-TAP345.00 - TOLK STATION 345KV CKT 1'	FROM->TO	0.21783	554.5	112.4925		'CHAVES COUNTY INTERCHANGE - EDDY NORTH 6230.00 230KV CKT 1'
13G		0 G12_022	'G-12-043-TAP345.00 - TOLK STATION 345KV CKT 1'	FROM->TO	0.1854	554.5	112.7371		'CUNNINGHAM STATION - EDDY COUNTY INTERCHANGE 230KV CKT 1'
13G		0 G12_022	'G-12-043-TAP345.00 - TOLK STATION 345KV CKT 1'	FROM->TO	0.22187	554.5	113.5905		'CUNNINGHAM STATION - LEA COUNTY INTERCHANGE 230KV CKT 1'
13G		0 G12_022	'G-12-043-TAP345.00 - TOLK STATION 345KV CKT 1'	FROM->TO	0.0531	554.5	146.8848		'EDDY COUNTY INTERCHANGE - EDDY NORTH 6230.00 230KV CKT 1'
13G		0 G12_022	'G-12-043-TAP345.00 - TOLK STATION 345KV CKT 1'	FROM->TO	0.17817	554.5	111.7112		'EDDY COUNTY INTERCHANGE - SEVEN RIVERS INTERCHANGE 230KV CKT 1'
13G		0 G12_022	'G-12-043-TAP345.00 - TOLK STATION 345KV CKT 1'	FROM->TO	0.20679	554.5	113.7691		'G12_001T 230.00 - GRASSLAND INTERCHANGE 230KV CKT 1'
13G		0 G12_022	'G-12-043-TAP345.00 - TOLK STATION 345KV CKT 1'	FROM->TO	0.20679	554.5	111.4066		'HOBBS INTERCHANGE - MIDLAND COUNTY INTERCHANGE 230KV CKT 1'
13G		0 G12_022	'G-12-043-TAP345.00 - TOLK STATION 345KV CKT 1'	FROM->TO	0.24083	554.5	116.5276		'LEA COUNTY INTERCHANGE - YOAKUM COUNTY INTERCHANGE 230KV CKT 1'
13G		0 G12_022	'G-12-043-TAP345.00 - TOLK STATION 345KV CKT 1'	FROM->TO	0.20679	554.5	111.4066		'MIDLAND COUNTY INTERCHANGE (ABB LL58861) 230/138/13.2KV TRANSFORMER CKT 1'
13G		0 G12_022	'G-12-043-TAP345.00 - TOLK STATION 345KV CKT 1'	FROM->TO	0.24586	554.5	123.9053		'OASIS INTERCHANGE - SAN JUAN MESA TAP 230KV CKT 1'
13G		0 G12_022	'G-12-043-TAP345.00 - TOLK STATION 345KV CKT 1'	FROM->TO	0.19495	554.5	110.9645		'SPP-SWPS-T14'
13G		0 G12_022	'G-12-043-TAP345.00 - TOLK STATION 345KV CKT 1'	FROM->TO	0.19465	554.5	111.0346		'TOLK STATION EAST 230/24.0KV TRANSFORMER CKT 1'
13G		0 G12_022	'G-12-043-TAP345.00 - TOLK STATION 345KV CKT 1'	FROM->TO	0.19465	554.5	111.1568		'TOLK STATION WEST 230/24.0KV TRANSFORMER CKT 1'
13SP		0 G12_022	'G-12-043-TAP345.00 - TOLK STATION 345KV CKT 1'	FROM->TO	0.05824	555.3	125.8625		'EDDY COUNTY INTERCHANGE - EDDY NORTH 6230.00 230KV CKT 1'
13WP		0 G12_022	'G-12-043-TAP345.00 - TOLK STATION 345KV CKT 1'	FROM->TO	0.05768	552.9	127.4907		'EDDY COUNTY INTERCHANGE - EDDY NORTH 6230.00 230KV CKT 1'
18SP		0 G12_022	'G-12-043-TAP345.00 - TOLK STATION 345KV CKT 1'	FROM->TO	0.05294	553.3	124.956		'EDDY COUNTY INTERCHANGE - EDDY NORTH 6230.00 230KV CKT 1'
18WP		0 G12_022	'G-12-043-TAP345.00 - TOLK STATION 345KV CKT 1'	FROM->TO	0.05663	555.2	124.0569		'EDDY COUNTY INTERCHANGE - EDDY NORTH 6230.00 230KV CKT 1'
13G		0 G12_022	'LEA COUNTY INTERCHANGE - YOAKUM COUNTY INTERCHANGE 230KV CKT 1'	FROM->TO	0.2635	350.9	109.56		'G-12-043-TAP345.00 - TOLK STATION 345KV CKT 1'
13G		0 G12_022	'LEA COUNTY INTERCHANGE - YOAKUM COUNTY INTERCHANGE 230KV CKT 1'	FROM->TO	0.2635	350.9	109.56		'TOLK STATION (ABBXNL844501) 345/230/13.2KV TRANSFORMER CKT 1'
13G		0 G12_022	'OASIS INTERCHANGE - SAN JUAN MESA TAP 230KV CKT 1'	TO->FROM	0.16719	350.5	105.1672		'G-12-043-TAP345.00 - TOLK STATION 345KV CKT 1'
13G		0 G12_022	'OASIS INTERCHANGE - SAN JUAN MESA TAP 230KV CKT 1'	TO->FROM	0.16719	350.5	105.1672		'TOLK STATION (ABBXNL844501) 345/230/13.2KV TRANSFORMER CKT 1'
13G		0 G12_022	'PLANT X STATION - TOLK STATION EAST 230KV CKT 2'	TO->FROM	0.09624	502	124.2594		'PLANT X STATION - TOLK STATION WEST 230KV CKT 1'
18SP		0 G12_022	'PLANT X STATION - TOLK STATION EAST 230KV CKT 2'	TO->FROM	0.1015	500.1	104.528		'PLANT X STATION - TOLK STATION WEST 230KV CKT 1'
13G		0 G12_022	'PLANT X STATION - TOLK STATION WEST 230KV CKT 1'	TO->FROM	0.09879	502	125.8321		'PLANT X STATION - TOLK STATION EAST 230KV CKT 2'
13G		0 G12_022	'PLANT X STATION - TOLK STATION WEST 230KV CKT 1'	TO->FROM	0.1689	502	127.8685		'TOLK STATION EAST - TOLK STATION TAP 230KV CKT 1'
18SP		0 G12_022	'PLANT X STATION - TOLK STATION WEST 230KV CKT 1'	TO->FROM	0.10412	500.5	105.3397		'PLANT X STATION - TOLK STATION EAST 230KV CKT 2'
13G		0 G12_022	'TOLK STATION (ABBXNL844501) 345/230/13.2KV TRANSFORMER CKT 1'	FROM->TO	0.21272	554.5	113.2559		'AMOCO SWITCHING STATION - YOAKUM COUNTY INTERCHANGE 230KV CKT 1'
13G		0 G12_022	'TOLK STATION (ABBXNL844501) 345/230/13.2KV TRANSFORMER CKT 1'	FROM->TO	0.21272	556.9	112.7319		'AMOCO SWITCHING STATION - YOAKUM COUNTY INTERCHANGE 230KV CKT 1'
13G		0 G12_022	'TOLK STATION (ABBXNL844501) 345/230/13.2KV TRANSFORMER CKT 1'	FROM->TO	0.19465	475	127.3693		'BASE CASE'
13G		0 G12_022	'TOLK STATION (ABBXNL844501) 345/230/13.2KV TRANSFORMER CKT 1'	FROM->TO	0.19465	477.9	126.5545		'BASE CASE'
13G		0 G12_022	'TOLK STATION (ABBXNL844501) 345/230/13.2KV TRANSFORMER CKT 1'	FROM->TO	0.20679	554.5	111.3705		'BORDEN COUNTY INTERCHANGE - G12_001T 230.00 230KV CKT 1'
13G		0 G12_022	'TOLK STATION (ABBXNL844501) 345/230/13.2KV TRANSFORMER CKT 1'	FROM->TO	0.20679	556.9	110.8547		'BORDEN COUNTY INTERCHANGE - G12_001T 230.00 230KV CKT 1'
13G		0 G12_022	'TOLK STATION (ABBXNL844501) 345/230/13.2KV TRANSFORMER CKT 1'	FROM->TO	0.20679	554.5	111.3705		'BORDEN COUNTY INTERCHANGE (ABB LL58862) 230/138/13.2KV TRANSFORMER CKT 1'
13G		0 G12_022	'TOLK STATION (ABBXNL844501) 345/230/13.2KV TRANSFORMER CKT 1'	FROM->TO	0.20679	556.9	110.8547		'BORDEN COUNTY INTERCHANGE (ABB LL58862) 230/138/13.2KV TRANSFORMER CKT 1'
13G		0 G12_022	'TOLK STATION (ABBXNL844501) 345/230/13.2KV TRANSFORMER CKT 1'	FROM->TO	0.20679	554.5	111.3705		'CAPROCK REC-TATE - CAPROCK REC-VEALMOOR 138KV CKT 1'
13G		0 G12_022	'TOLK STATION (ABBXNL844501) 345/230/13.2KV TRANSFORMER CKT 1'	FROM->TO	0.20679	556.9	110.8547		'CAPROCK REC-TATE - CAPROCK REC-VEALMOOR 138KV CKT 1'
13G		0 G12_022	'TOLK STATION (ABBXNL844501) 345/230/13.2KV TRANSFORMER CKT 1'	FROM->TO	0.19465	554.5	113.5986		'Central Valley REC-12 Mile Hill - EDDY COUNTY INTERCHANGE 115KV CKT 1'
13G		0 G12_022	'TOLK STATION (ABBXNL844501) 345/230/13.2KV TRANSFORMER CKT 1'	FROM->TO	0.19465	556.9	113.0731		'Central Valley REC-12 Mile Hill - EDDY COUNTY INTERCHANGE 115KV CKT 1'
13G		0 G12_022	'TOLK STATION (ABBXNL844501) 345/230/13.2KV TRANSFORMER CKT 1'	FROM->TO	0.21783	554.5	112.4925		'CHAVES COUNTY INTERCHANGE - EDDY NORTH 6230.00 230KV CKT 1'
13G		0 G12_022	'TOLK STATION (ABBXNL844501) 345/230/13.2KV TRANSFORMER CKT 1'	FROM->TO	0.21783	556.9	111.9718		'CHAVES COUNTY INTERCHANGE - EDDY NORTH 6230.00 230KV CKT 1'
13G		0 G12_022	'TOLK STATION (ABBXNL844501) 345/230/13.2KV TRANSFORMER CKT 1'	FROM->TO	0.1854	554.5	112.7551		'CUNNINGHAM STATION - EDDY COUNTY INTERCHANGE 230KV CKT 1'
13G		0 G12_022	'TOLK STATION (ABBXNL844501) 345/230/13.2KV TRANSFORMER CKT 1'	FROM->TO	0.1854	556.9	112.2333		'CUNNINGHAM STATION - EDDY COUNTY INTERCHANGE 230KV CKT 1'
13G		0 G12_022	'TOLK STATION (ABBXNL844501) 345/230/13.2KV TRANSFORMER CKT 1'	FROM->TO	0.22187	554.5	113.6086		'CUNNINGHAM STATION - LEA COUNTY INTERCHANGE 230KV CKT 1'
13G		0 G12_022	'TOLK STATION (ABBXNL844501) 345/230/13.2KV TRANSFORMER CKT 1'	FROM->TO	0.22187	556.9	113.083		'CUNNINGHAM STATION - LEA COUNTY INTERCHANGE 230KV CKT 1'
13G		0 G12_022	'TOLK STATION (ABBXNL844501) 345/230/13.2KV TRANSFORMER CKT 1'	FROM->TO	0.0531	554.5	146.9029		'EDDY COUNTY INTERCHANGE - EDDY NORTH 6230.00 230KV CKT 1'
13G		0 G12_022	'TOLK STATION (ABBXNL844501) 345/230/13.2KV TRANSFORMER CKT 1'	FROM->TO	0.0531	556.9	146.2339		'EDDY COUNTY INTERCHANGE - EDDY NORTH 6230.00 230KV CKT 1'
13G		0 G12_022	'TOLK STATION (ABBXNL844501) 345/230/13.2KV TRANSFORMER CKT 1'	FROM->TO	0.17817	554.5	111.7112		'EDDY COUNTY INTERCHANGE - SEVEN RIVERS INTERCHANGE 230KV CKT 1'
13G		0 G12_022	'TOLK STATION (ABBXNL844501) 345/230/13.2KV TRANSFORMER CKT 1'	FROM->TO	0.17817	556.9	111.1939		'EDDY COUNTY INTERCHANGE - SEVEN RIVERS INTERCHANGE 230KV CKT 1'
13G		0 G12_022	'TOLK STATION (ABBXNL844501) 345/230/13.2KV TRANSFORMER CKT 1'	FROM->TO	0.20679	554.5	113.7691		'G12_001T 230.00 - GRASSLAND INTERCHANGE 230KV CKT 1'
13G		0 G12_022	'TOLK STATION (ABBXNL844501) 345/230/13.2KV TRANSFORMER CKT 1'	FROM->TO	0.20679	556.9	113.2429		'G12_001T 230.00 - GRASSLAND INTERCHANGE 230KV CKT 1'
13G		0 G12_022	'TOLK STATION (ABBXNL844501) 345/230/13.2KV TRANSFORMER CKT 1'	FROM->TO	0.20679	554.5	111.4246		'HOBBS INTERCHANGE - MIDLAND COUNTY INTERCHANGE 230KV CKT 1'
13G		0 G12_022	'TOLK STATION (ABBXNL844501) 345/230/13.2KV TRANSFORMER CKT 1'	FROM->TO	0.20679	556.9	110.9085		'HOBBS INTERCHANGE - MIDLAND COUNTY INTERCHANGE 230KV CKT 1'
13G		0 G12_022	'TOLK STATION (ABBXNL844501) 345/230/13.2KV TRANSFORMER CKT 1'	FROM->TO	0.24083	554.5	116.5457		'LEA COUNTY INTERCHANGE - YOAKUM COUNTY INTERCHANGE 230KV CKT 1'
13G		0 G12_022	'TOLK STATION (ABBXNL844501) 345/230/13.2KV TRANSFORMER CKT 1'	FROM->TO	0.24083	556.9	116.0075		'LEA COUNTY INTERCHANGE - YOAKUM COUNTY INTERCHANGE 230KV CKT 1'
13G		0 G12_022	'TOLK STATION (ABBXNL844501) 345/230/13.2KV TRANSFORMER CKT 1'	FROM->TO	0.20679	554.5	111.4066		'MIDLAND COUNTY INTERCHANGE (ABB LL58861) 230/138/13.2KV TRANSFORMER CKT 1'
13G		0 G12_022	'TOLK STATION (ABBXNL844501) 345/230/13.2KV TRANSFORMER CKT 1'	FROM->TO	0.20679	556.9	110.8906		'MIDLAND COUNTY INTERCHANGE (ABB LL58861) 230/138/13.2KV TRANSFORMER CKT 1'
13G		0 G12_022	'TOLK STATION (ABBXNL844501) 345/230/13.2KV TRANSFORMER CKT 1'	FROM->TO	0.24586	554.5	123.9233		'OASIS INTERCHANGE - SAN JUAN MESA TAP 230KV CKT 1'
13G		0 G12_022	'TOLK STATION (ABBXNL844501) 345/230/13.2KV TRANSFORMER CKT 1'	FROM->TO	0.24586	556.9	123.3533		'OASIS INTERCHANGE - SAN JUAN MESA TAP 230KV CKT 1'

Season	Scenario	Source	MontCommonName	Direction	TDF	Rating	Contingency		
							Loading %	Contname	
13G		0	G12_022	'TOLK STATION (ABBXNL844501) 345/230/13.2KV TRANSFORMER CKT 1'	FROM->TO	0.19495	554.5	110.9645	'SPP-SWPS-T14'
13G		0	G12_022	'TOLK STATION (ABBXNL844501) 345/230/13.2KV TRANSFORMER CKT 1'	FROM->TO	0.19495	556.9	110.4504	'SPP-SWPS-T14'
13G		0	G12_022	'TOLK STATION (ABBXNL844501) 345/230/13.2KV TRANSFORMER CKT 1'	FROM->TO	0.19465	554.5	111.0526	'TOLK STATION EAST 230/24.0KV TRANSFORMER CKT 1'
13G		0	G12_022	'TOLK STATION (ABBXNL844501) 345/230/13.2KV TRANSFORMER CKT 1'	FROM->TO	0.19465	556.9	110.5381	'TOLK STATION EAST 230/24.0KV TRANSFORMER CKT 1'
13G		0	G12_022	'TOLK STATION (ABBXNL844501) 345/230/13.2KV TRANSFORMER CKT 1'	FROM->TO	0.19465	554.5	111.1748	'TOLK STATION WEST 230/24.0KV TRANSFORMER CKT 1'
13G		0	G12_022	'TOLK STATION (ABBXNL844501) 345/230/13.2KV TRANSFORMER CKT 1'	FROM->TO	0.19465	556.9	110.6598	'TOLK STATION WEST 230/24.0KV TRANSFORMER CKT 1'
13SP		0	G12_022	'TOLK STATION (ABBXNL844501) 345/230/13.2KV TRANSFORMER CKT 1'	FROM->TO	0.05824	555.3	125.8625	'EDDY COUNTY INTERCHANGE - EDDY_NORTH 6230.00 230KV CKT 1'
13SP		0	G12_022	'TOLK STATION (ABBXNL844501) 345/230/13.2KV TRANSFORMER CKT 1'	FROM->TO	0.05824	555.9	125.7086	'EDDY COUNTY INTERCHANGE - EDDY_NORTH 6230.00 230KV CKT 1'
13WP		0	G12_022	'TOLK STATION (ABBXNL844501) 345/230/13.2KV TRANSFORMER CKT 1'	FROM->TO	0.05768	552.9	127.5088	'EDDY COUNTY INTERCHANGE - EDDY_NORTH 6230.00 230KV CKT 1'
13WP		0	G12_022	'TOLK STATION (ABBXNL844501) 345/230/13.2KV TRANSFORMER CKT 1'	FROM->TO	0.05768	556.7	126.5846	'EDDY COUNTY INTERCHANGE - EDDY_NORTH 6230.00 230KV CKT 1'
18SP		0	G12_022	'TOLK STATION (ABBXNL844501) 345/230/13.2KV TRANSFORMER CKT 1'	FROM->TO	0.05294	556.4	124.2598	'EDDY COUNTY INTERCHANGE - EDDY_NORTH 6230.00 230KV CKT 1'
18SP		0	G12_022	'TOLK STATION (ABBXNL844501) 345/230/13.2KV TRANSFORMER CKT 1'	FROM->TO	0.05294	556.9	124.1303	'EDDY COUNTY INTERCHANGE - EDDY_NORTH 6230.00 230KV CKT 1'
18WP		0	G12_022	'TOLK STATION (ABBXNL844501) 345/230/13.2KV TRANSFORMER CKT 1'	FROM->TO	0.05663	555.2	124.0569	'EDDY COUNTY INTERCHANGE - EDDY_NORTH 6230.00 230KV CKT 1'
18WP		0	G12_022	'TOLK STATION (ABBXNL844501) 345/230/13.2KV TRANSFORMER CKT 1'	FROM->TO	0.05663	555.8	123.887	'EDDY COUNTY INTERCHANGE - EDDY_NORTH 6230.00 230KV CKT 1'
13G		0	G12_022	'TOLK STATION EAST - TOLK STATION TAP 230KV CKT 1'	TO->FROM	0.20794	610	116.8308	'PLANT X STATION - TOLK STATION WEST 230KV CKT 1'
13G		0	G12_022	'TUCO INTERCHANGE (GE M1022338) 345/230/13.2KV TRANSFORMER CKT 1'	FROM->TO	0.06232	559.6	109.1173	'TUCO INTERCHANGE (UPDATE DATA) 345/230/13.2KV TRANSFORMER CKT 2'
13G		0	G12_022	'TUCO INTERCHANGE (GE M1022338) 345/230/13.2KV TRANSFORMER CKT 1'	FROM->TO	0.06232	560	108.9858	'TUCO INTERCHANGE (UPDATE DATA) 345/230/13.2KV TRANSFORMER CKT 2'
13G		0	G12_022	'TUCO INTERCHANGE (GE M1022338) 345/230/13.2KV TRANSFORMER CKT 1'	FROM->TO	0.06232	559.6	102.139	'TUCO INTERCHANGE (UPDATE DATA) 345/230/13.2KV TRANSFORMER CKT 2'
13G		0	G12_022	'TUCO INTERCHANGE (GE M1022338) 345/230/13.2KV TRANSFORMER CKT 1'	FROM->TO	0.06232	560	102.0124	'TUCO INTERCHANGE (UPDATE DATA) 345/230/13.2KV TRANSFORMER CKT 2'
13G		0	G12_022	'TUCO INTERCHANGE (UPDATE DATA) 345/230/13.2KV TRANSFORMER CKT 2'	FROM->TO	0.06091	559.7	106.6459	'TUCO INTERCHANGE (GE M1022338) 345/230/13.2KV TRANSFORMER CKT 1'
13G		0	G12_022	'TUCO INTERCHANGE (UPDATE DATA) 345/230/13.2KV TRANSFORMER CKT 2'	FROM->TO	0.06091	560	106.5351	'TUCO INTERCHANGE (GE M1022338) 345/230/13.2KV TRANSFORMER CKT 1'
13G		0	G12_022	'WOLFFORTH INTERCHANGE - YUMA INTERCHANGE 115KV CKT 1'	FROM->TO	0.08682	152.1	109.3995	'LUBBOCK SOUTH INTERCHANGE - WOLFFORTH INTERCHANGE 230KV CKT 1'
13G		0	G12_022	'WOLFFORTH INTERCHANGE - YUMA INTERCHANGE 115KV CKT 1'	FROM->TO	0.049	152.1	106.8285	'TOLK STATION EAST - TUCO INTERCHANGE 230KV CKT 1'
13G		0	G12_030	'CIMARRON - CZECH HALL 138KV CKT 1'	FROM->TO	0.04722	381.1	100.0116	'CIMARRON - HAYMAKER 138KV CKT 1'
13G		2	G12_030	'CIMARRON - CZECH HALL 138KV CKT 1'	FROM->TO	0.04722	381.1	100.0116	'CIMARRON - HAYMAKER 138KV CKT 1'
13G		3	G12_030	'CIMARRON - CZECH HALL 138KV CKT 1'	FROM->TO	0.04722	381.1	100.0116	'CIMARRON - HAYMAKER 138KV CKT 1'
13SP		0	G12_030	'CIMARRON - CZECH HALL 138KV CKT 1'	FROM->TO	0.04059	381.3	100.8177	'CIMARRON - SARA 138KV CKT 1'
13SP		2	G12_030	'CIMARRON - CZECH HALL 138KV CKT 1'	FROM->TO	0.04059	381.3	100.8177	'CIMARRON - SARA 138KV CKT 1'
13SP		3	G12_030	'CIMARRON - CZECH HALL 138KV CKT 1'	FROM->TO	0.04059	381.3	100.8177	'CIMARRON - SARA 138KV CKT 1'
13WP		0	G12_030	'CIMARRON - CZECH HALL 138KV CKT 1'	FROM->TO	0.05067	380.7	105.8403	'CIMARRON - DRAPER LAKE 345KV CKT 1'
13WP		2	G12_030	'CIMARRON - CZECH HALL 138KV CKT 1'	FROM->TO	0.05068	380.7	105.8408	'CIMARRON - DRAPER LAKE 345KV CKT 1'
13WP		3	G12_030	'CIMARRON - CZECH HALL 138KV CKT 1'	FROM->TO	0.05068	380.7	105.8408	'CIMARRON - DRAPER LAKE 345KV CKT 1'
13WP		0	G12_030	'CIMARRON - CZECH HALL 138KV CKT 1'	FROM->TO	0.04567	380.7	106.6283	'CIMARRON - HAYMAKER 138KV CKT 1'
13WP		2	G12_030	'CIMARRON - CZECH HALL 138KV CKT 1'	FROM->TO	0.04567	380.7	106.6283	'CIMARRON - HAYMAKER 138KV CKT 1'
13WP		3	G12_030	'CIMARRON - CZECH HALL 138KV CKT 1'	FROM->TO	0.04567	380.7	106.6283	'CIMARRON - HAYMAKER 138KV CKT 1'
13WP		0	G12_030	'CIMARRON - CZECH HALL 138KV CKT 1'	FROM->TO	0.04072	380.7	104.5558	'CIMARRON - SARA 138KV CKT 1'
13WP		2	G12_030	'CIMARRON - CZECH HALL 138KV CKT 1'	FROM->TO	0.04073	380.7	104.5826	'CIMARRON - SARA 138KV CKT 1'
13WP		3	G12_030	'CIMARRON - CZECH HALL 138KV CKT 1'	FROM->TO	0.04073	380.7	104.5826	'CIMARRON - SARA 138KV CKT 1'
13WP		0	G12_030	'CIMARRON - CZECH HALL 138KV CKT 1'	FROM->TO	0.04567	380.7	104.9997	'DIVISION AVE - HAYMAKER 138KV CKT 1'
13WP		2	G12_030	'CIMARRON - CZECH HALL 138KV CKT 1'	FROM->TO	0.04567	380.7	105.026	'DIVISION AVE - HAYMAKER 138KV CKT 1'
13WP		3	G12_030	'CIMARRON - CZECH HALL 138KV CKT 1'	FROM->TO	0.04567	380.7	105.026	'DIVISION AVE - HAYMAKER 138KV CKT 1'
13WP		0	G12_030	'CIMARRON - CZECH HALL 138KV CKT 1'	FROM->TO	0.03538	380.7	103.5661	'DIVISION AVE - MUSTANG 138KV CKT 1'
13WP		2	G12_030	'CIMARRON - CZECH HALL 138KV CKT 1'	FROM->TO	0.03538	380.7	103.5661	'DIVISION AVE - MUSTANG 138KV CKT 1'
13WP		3	G12_030	'CIMARRON - CZECH HALL 138KV CKT 1'	FROM->TO	0.03538	380.7	103.5661	'DIVISION AVE - MUSTANG 138KV CKT 1'
13WP		0	G12_030	'CIMARRON - CZECH HALL 138KV CKT 1'	FROM->TO	0.04072	380.7	101.2987	'MCCLAIN - SARA 138KV CKT 1'
13WP		2	G12_030	'CIMARRON - CZECH HALL 138KV CKT 1'	FROM->TO	0.04073	380.7	101.2992	'MCCLAIN - SARA 138KV CKT 1'
13WP		3	G12_030	'CIMARRON - CZECH HALL 138KV CKT 1'	FROM->TO	0.04073	380.7	101.2992	'MCCLAIN - SARA 138KV CKT 1'
18WP		0	G12_030	'CIMARRON - CZECH HALL 138KV CKT 1'	FROM->TO	0.04054	381.3	101.8379	'CIMARRON - SARA 138KV CKT 1'
18WP		2	G12_030	'CIMARRON - CZECH HALL 138KV CKT 1'	FROM->TO	0.04054	381.3	101.8379	'CIMARRON - SARA 138KV CKT 1'
18WP		3	G12_030	'CIMARRON - CZECH HALL 138KV CKT 1'	FROM->TO	0.04054	381.3	101.8379	'CIMARRON - SARA 138KV CKT 1'
13G		0	G12_030	'CIMARRON - DRAPER LAKE 345KV CKT 1'	FROM->TO	0.25468	713	107.4104	'ARCADIA - NORTHWEST 345KV CKT 1'
13G		0	G12_030	'CIMARRON - DRAPER LAKE 345KV CKT 1'	FROM->TO	0.19544	713	112.4948	'ARCADIA - SEMINOLE 345KV CKT 1'
13G		0	G12_030	'CIMARRON - DRAPER LAKE 345KV CKT 1'	FROM->TO	0.1999	713	103.9804	'CIMARRON - CZECH HALL 138KV CKT 1'
13G		0	G12_030	'CIMARRON - DRAPER LAKE 345KV CKT 1'	FROM->TO	0.21681	713	103.8516	'CIMARRON - MINCO 7 345.00 345KV CKT 1'
13G		0	G12_030	'CIMARRON - DRAPER LAKE 345KV CKT 1'	FROM->TO	0.20071	713	105.2233	'CIMARRON - SARA 138KV CKT 1'
13G		0	G12_030	'CIMARRON - DRAPER LAKE 345KV CKT 1'	FROM->TO	0.20351	713	105.7927	'CIMARRON (CIMARON1) 345/138/13.8KV TRANSFORMER CKT 1'
13G		0	G12_030	'CIMARRON - DRAPER LAKE 345KV CKT 1'	FROM->TO	0.20327	713	105.5616	'CIMARRON (CIMARON2) 345/138/13.8KV TRANSFORMER CKT 1'
13G		0	G12_030	'CIMARRON - DRAPER LAKE 345KV CKT 1'	FROM->TO	0.20027	713	106.88	'CLEVELAND - SOONER 345KV CKT 1'
13G		0	G12_030	'CIMARRON - DRAPER LAKE 345KV CKT 1'	FROM->TO	0.19887	713	103.2081	'CLEVELAND - TULSA NORTH 345KV CKT 1'
13G		0	G12_030	'CIMARRON - DRAPER LAKE 345KV CKT 1'	FROM->TO	0.1999	713	103.4895	'CZECH HALL - XEROX 138KV CKT 1'
13G		0	G12_030	'CIMARRON - DRAPER LAKE 345KV CKT 1'	FROM->TO	0.20511	713	104.5473	'GRACMNT7 345.00 - LAWTON EASTSIDE 345KV CKT 1'
13G		0	G12_030	'CIMARRON - DRAPER LAKE 345KV CKT 1'	FROM->TO	0.21681	713	112.5192	'GRACMNT7 345.00 - MINCO 7 345.00 345KV CKT 1'
13G		0	G12_030	'CIMARRON - DRAPER LAKE 345KV CKT 1'	FROM->TO	0.20816	713	112.5711	'LAWTON EASTSIDE - SUNNYSIDE 345KV CKT 1'
13G		0	G12_030	'CIMARRON - DRAPER LAKE 345KV CKT 1'	FROM->TO	0.20444	713	106.492	'MATTHEWSON 345.00 - NORTHWEST 345KV CKT 1'
13G		0	G12_030	'CIMARRON - DRAPER LAKE 345KV CKT 1'	FROM->TO	0.20071	713	103.8067	'MCCLAIN - SARA 138KV CKT 1'
13G		0	G12_030	'CIMARRON - DRAPER LAKE 345KV CKT 1'	FROM->TO	0.1999	713	103.3212	'MORGAN - MUSTANG 138KV CKT 1'
13G		0	G12_030	'CIMARRON - DRAPER LAKE 345KV CKT 1'	FROM->TO	0.1999	713	103.4614	'MORGAN - XEROX 138KV CKT 1'
13G		0	G12_030	'CIMARRON - DRAPER LAKE 345KV CKT 1'	FROM->TO	0.19713	713	102.7666	'NORTHWEST (NORTWST2) 345/138/13.8KV TRANSFORMER CKT 1'
13G		0	G12_030	'CIMARRON - DRAPER LAKE 345KV CKT 1'	FROM->TO	0.19577	713	102.993	'SEMINOLE 345/17.1KV TRANSFORMER CKT 1'
13G		0	G12_030	'CIMARRON - DRAPER LAKE 345KV CKT 1'	FROM->TO	0.19577	713	103.0331	'SEMINOLE 345/20.9KV TRANSFORMER CKT 1'
13SP		0	G12_030	'CIMARRON - DRAPER LAKE 345KV CKT 1'	FROM->TO	0.24148	709.3	110.2772	'ARCADIA - NORTHWEST 345KV CKT 1'
13SP		0	G12_030	'CIMARRON - DRAPER LAKE 345KV CKT 1'	FROM->TO	0.1937	709.3	109.7899	'ARCADIA - SEMINOLE 345KV CKT 1'
13SP		0	G12_030	'CIMARRON - DRAPER LAKE 345KV CKT 1'	FROM->TO	0.19433	709.3	102.5188	'CIMARRON - CZECH HALL 138KV CKT 1'
13SP		0	G12_030	'CIMARRON - DRAPER LAKE 345KV CKT 1'	FROM->TO	0.21243	709.3	103.6072	'CIMARRON - MINCO 7 345.00 345KV CKT 1'

Season	Scenario	Source	MontCommonName	Direction	TDF	Rating	Contingency		Contname
							Loading %		
13SP		0	G12_030	'CIMARRON - DRAPER LAKE 345KV CKT 1'	FROM->TO	0.19911	709.3	108.3071	'CIMARRON - SARA 138KV CKT 1'
13SP		0	G12_030	'CIMARRON - DRAPER LAKE 345KV CKT 1'	FROM->TO	0.19964	709.3	106.3341	'CIMARRON (CIMARON1) 345/138/13.8KV TRANSFORMER CKT 1'
13SP		0	G12_030	'CIMARRON - DRAPER LAKE 345KV CKT 1'	FROM->TO	0.19939	709.3	106.0874	'CIMARRON (CIMARON2) 345/138/13.8KV TRANSFORMER CKT 1'
13SP		0	G12_030	'CIMARRON - DRAPER LAKE 345KV CKT 1'	FROM->TO	0.19537	709.3	108.836	'CLEVELAND - SOONER 345KV CKT 1'
13SP		0	G12_030	'CIMARRON - DRAPER LAKE 345KV CKT 1'	FROM->TO	0.19424	709.3	104.2363	'CLEVELAND - TULSA NORTH 345KV CKT 1'
13SP		0	G12_030	'CIMARRON - DRAPER LAKE 345KV CKT 1'	FROM->TO	0.19433	709.3	102.11	'CZECH HALL - XEROX 138KV CKT 1'
13SP		0	G12_030	'CIMARRON - DRAPER LAKE 345KV CKT 1'	FROM->TO	0.19228	709.3	102.5315	'DBL-CLK-WOODW'
13SP		0	G12_030	'CIMARRON - DRAPER LAKE 345KV CKT 1'	FROM->TO	0.19228	709.3	102.5315	'DBL-THIS-WIC'
13SP		0	G12_030	'CIMARRON - DRAPER LAKE 345KV CKT 1'	FROM->TO	0.21243	709.3	104.6646	'GRACMNT7 345.00 - MINCO 7 345.00 345KV CKT 1'
13SP		0	G12_030	'CIMARRON - DRAPER LAKE 345KV CKT 1'	FROM->TO	0.19126	709.3	102.0234	'LAWTON EASTSIDE - OKLAUNION 345KV CKT 1'
13SP		0	G12_030	'CIMARRON - DRAPER LAKE 345KV CKT 1'	FROM->TO	0.20338	709.3	111.8111	'LAWTON EASTSIDE - SUNNYSIDE 345KV CKT 1'
13SP		0	G12_030	'CIMARRON - DRAPER LAKE 345KV CKT 1'	FROM->TO	0.19972	709.3	107.0413	'MATTHEWSON 345.00 - NORTHWEST 345KV CKT 1'
13SP		0	G12_030	'CIMARRON - DRAPER LAKE 345KV CKT 1'	FROM->TO	0.19433	709.3	102.0959	'MORGAN - XEROX 138KV CKT 1'
13SP		0	G12_030	'CIMARRON - DRAPER LAKE 345KV CKT 1'	FROM->TO	0.19149	709.3	102.1286	'PIRKEY 138/23.4KV TRANSFORMER CKT 1'
13SP		0	G12_030	'CIMARRON - DRAPER LAKE 345KV CKT 1'	FROM->TO	0.19149	709.3	102.7029	'SEMINOLE 345/20.9KV TRANSFORMER CKT 1'
13SP		0	G12_030	'CIMARRON - DRAPER LAKE 345KV CKT 1'	FROM->TO	0.19149	709.3	102.5092	'TURK 138/24.0KV TRANSFORMER CKT 1'
13WP		0	G12_030	'CIMARRON - DRAPER LAKE 345KV CKT 1'	FROM->TO	0.2447	708.1	121.4009	'ARCADIA - NORTHWEST 345KV CKT 1'
13WP		0	G12_030	'CIMARRON - DRAPER LAKE 345KV CKT 1'	FROM->TO	0.19224	708.1	119.4391	'ARCADIA - SEMINOLE 345KV CKT 1'
13WP		0	G12_030	'CIMARRON - DRAPER LAKE 345KV CKT 1'	FROM->TO	0.19117	708.1	106.8965	'BASE CASE'
13WP		0	G12_030	'CIMARRON - DRAPER LAKE 345KV CKT 1'	FROM->TO	0.19512	708.1	112.318	'CIMARRON - CZECH HALL 138KV CKT 1'
13WP		0	G12_030	'CIMARRON - DRAPER LAKE 345KV CKT 1'	FROM->TO	0.21253	708.1	113.5865	'CIMARRON - MINCO 7 345.00 345KV CKT 1'
13WP		0	G12_030	'CIMARRON - DRAPER LAKE 345KV CKT 1'	FROM->TO	0.19604	708.1	113.7845	'CIMARRON - SARA 138KV CKT 1'
13WP		0	G12_030	'CIMARRON - DRAPER LAKE 345KV CKT 1'	FROM->TO	0.19879	708.1	114.074	'CIMARRON (CIMARON1) 345/138/13.8KV TRANSFORMER CKT 1'
13WP		0	G12_030	'CIMARRON - DRAPER LAKE 345KV CKT 1'	FROM->TO	0.19856	708.1	113.8416	'CIMARRON (CIMARON2) 345/138/13.8KV TRANSFORMER CKT 1'
13WP		0	G12_030	'CIMARRON - DRAPER LAKE 345KV CKT 1'	FROM->TO	0.19528	708.1	117.8585	'CLEVELAND - SOONER 345KV CKT 1'
13WP		0	G12_030	'CIMARRON - DRAPER LAKE 345KV CKT 1'	FROM->TO	0.19402	708.1	112.9931	'CLEVELAND - TULSA NORTH 345KV CKT 1'
13WP		0	G12_030	'CIMARRON - DRAPER LAKE 345KV CKT 1'	FROM->TO	0.19512	708.1	111.8096	'CZECH HALL - XEROX 138KV CKT 1'
13WP		0	G12_030	'CIMARRON - DRAPER LAKE 345KV CKT 1'	FROM->TO	0.19197	708.1	110.8451	'DBL-CLK-WOODW'
13WP		0	G12_030	'CIMARRON - DRAPER LAKE 345KV CKT 1'	FROM->TO	0.19197	708.1	110.8451	'DBL-THIS-WIC'
13WP		0	G12_030	'CIMARRON - DRAPER LAKE 345KV CKT 1'	FROM->TO	0.21253	708.1	114.7163	'GRACMNT7 345.00 - MINCO 7 345.00 345KV CKT 1'
13WP		0	G12_030	'CIMARRON - DRAPER LAKE 345KV CKT 1'	FROM->TO	0.20358	708.1	120.988	'LAWTON EASTSIDE - SUNNYSIDE 345KV CKT 1'
13WP		0	G12_030	'CIMARRON - DRAPER LAKE 345KV CKT 1'	FROM->TO	0.19923	708.1	115.0044	'MATTHEWSON 345.00 - NORTHWEST 345KV CKT 1'
13WP		0	G12_030	'CIMARRON - DRAPER LAKE 345KV CKT 1'	FROM->TO	0.19604	708.1	112.2875	'MCCLAIN - SARA 138KV CKT 1'
13WP		0	G12_030	'CIMARRON - DRAPER LAKE 345KV CKT 1'	FROM->TO	0.19512	708.1	111.6402	'MORGAN - MUSTANG 138KV CKT 1'
13WP		0	G12_030	'CIMARRON - DRAPER LAKE 345KV CKT 1'	FROM->TO	0.19512	708.1	111.7955	'MORGAN - XEROX 138KV CKT 1'
13WP		0	G12_030	'CIMARRON - DRAPER LAKE 345KV CKT 1'	FROM->TO	0.19242	708.1	110.9708	'NORTHWEST (NORTWST2) 345/138/13.8KV TRANSFORMER CKT 1'
13WP		0	G12_030	'CIMARRON - DRAPER LAKE 345KV CKT 1'	FROM->TO	0.19117	708.1	110.4129	'TURK 138/24.0KV TRANSFORMER CKT 1'
18SP		0	G12_030	'CIMARRON - DRAPER LAKE 345KV CKT 1'	FROM->TO	0.19827	714.3	104.3615	'ARCADIA - SEMINOLE 345KV CKT 1'
18SP		0	G12_030	'CIMARRON - DRAPER LAKE 345KV CKT 1'	FROM->TO	0.20078	714.3	100.8338	'CLEVELAND - SOONER 345KV CKT 1'
18SP		0	G12_030	'CIMARRON - DRAPER LAKE 345KV CKT 1'	FROM->TO	0.20727	714.3	105.7334	'LAWTON EASTSIDE - SUNNYSIDE 345KV CKT 1'
18WP		0	G12_030	'CIMARRON - DRAPER LAKE 345KV CKT 1'	FROM->TO	0.24028	709.2	113.4456	'ARCADIA - NORTHWEST 345KV CKT 1'
18WP		0	G12_030	'CIMARRON - DRAPER LAKE 345KV CKT 1'	FROM->TO	0.19166	709.2	112.8923	'ARCADIA - SEMINOLE 345KV CKT 1'
18WP		0	G12_030	'CIMARRON - DRAPER LAKE 345KV CKT 1'	FROM->TO	0.19006	709.2	101.3412	'BASE CASE'
18WP		0	G12_030	'CIMARRON - DRAPER LAKE 345KV CKT 1'	FROM->TO	0.1929	709.2	105.2143	'CIMARRON - CZECH HALL 138KV CKT 1'
18WP		0	G12_030	'CIMARRON - DRAPER LAKE 345KV CKT 1'	FROM->TO	0.21097	709.2	105.174	'CIMARRON - MINCO 7 345.00 345KV CKT 1'
18WP		0	G12_030	'CIMARRON - DRAPER LAKE 345KV CKT 1'	FROM->TO	0.19764	709.2	111.0869	'CIMARRON - SARA 138KV CKT 1'
18WP		0	G12_030	'CIMARRON - DRAPER LAKE 345KV CKT 1'	FROM->TO	0.1982	709.2	109.0017	'CIMARRON (CIMARON1) 345/138/13.8KV TRANSFORMER CKT 1'
18WP		0	G12_030	'CIMARRON - DRAPER LAKE 345KV CKT 1'	FROM->TO	0.19795	709.2	108.769	'CIMARRON (CIMARON2) 345/138/13.8KV TRANSFORMER CKT 1'
18WP		0	G12_030	'CIMARRON - DRAPER LAKE 345KV CKT 1'	FROM->TO	0.19393	709.2	112.0257	'CLEVELAND - SOONER 345KV CKT 1'
18WP		0	G12_030	'CIMARRON - DRAPER LAKE 345KV CKT 1'	FROM->TO	0.1928	709.2	107.4253	'CLEVELAND - TULSA NORTH 345KV CKT 1'
18WP		0	G12_030	'CIMARRON - DRAPER LAKE 345KV CKT 1'	FROM->TO	0.1929	709.2	104.8195	'CZECH HALL - XEROX 138KV CKT 1'
18WP		0	G12_030	'CIMARRON - DRAPER LAKE 345KV CKT 1'	FROM->TO	0.19086	709.2	105.2696	'DBL-CLK-WOODW'
18WP		0	G12_030	'CIMARRON - DRAPER LAKE 345KV CKT 1'	FROM->TO	0.19086	709.2	105.2696	'DBL-THIS-WIC'
18WP		0	G12_030	'CIMARRON - DRAPER LAKE 345KV CKT 1'	FROM->TO	0.21097	709.2	106.2456	'GRACMNT7 345.00 - MINCO 7 345.00 345KV CKT 1'
18WP		0	G12_030	'CIMARRON - DRAPER LAKE 345KV CKT 1'	FROM->TO	0.18983	709.2	104.7893	'LAWTON EASTSIDE - OKLAUNION 345KV CKT 1'
18WP		0	G12_030	'CIMARRON - DRAPER LAKE 345KV CKT 1'	FROM->TO	0.2019	709.2	115.7614	'LAWTON EASTSIDE - SUNNYSIDE 345KV CKT 1'
18WP		0	G12_030	'CIMARRON - DRAPER LAKE 345KV CKT 1'	FROM->TO	0.19832	709.2	109.8229	'MATTHEWSON 345.00 - NORTHWEST 345KV CKT 1'
18WP		0	G12_030	'CIMARRON - DRAPER LAKE 345KV CKT 1'	FROM->TO	0.1929	709.2	104.8054	'MORGAN - XEROX 138KV CKT 1'
18WP		0	G12_030	'CIMARRON - DRAPER LAKE 345KV CKT 1'	FROM->TO	0.19006	709.2	104.7958	'PIRKEY 138/23.4KV TRANSFORMER CKT 1'
18WP		0	G12_030	'CIMARRON - DRAPER LAKE 345KV CKT 1'	FROM->TO	0.19006	709.2	104.6754	'SEMINOLE 345/20.9KV TRANSFORMER CKT 1'
18WP		0	G12_030	'CIMARRON - DRAPER LAKE 345KV CKT 1'	FROM->TO	0.19006	709.2	105.1765	'TURK 138/24.0KV TRANSFORMER CKT 1'
13G		4	G12_030	'CIMARRON - HAYMAKER 138KV CKT 1'	FROM->TO	0.0504	306.4	106.1945	'CIMARRON - CZECH HALL 138KV CKT 1'
13G		4	G12_030	'CIMARRON - HAYMAKER 138KV CKT 1'	FROM->TO	0.0504	306.4	103.0614	'CZECH HALL - XEROX 138KV CKT 1'
13G		4	G12_030	'CIMARRON - HAYMAKER 138KV CKT 1'	FROM->TO	0.0504	306.4	102.017	'MORGAN - MUSTANG 138KV CKT 1'
13G		4	G12_030	'CIMARRON - HAYMAKER 138KV CKT 1'	FROM->TO	0.0504	306.4	102.9308	'MORGAN - XEROX 138KV CKT 1'
18SP		4	G12_030	'CIMARRON - HAYMAKER 138KV CKT 1'	FROM->TO	0.04957	307.3	103.3889	'CIMARRON - CZECH HALL 138KV CKT 1'
13SP		0	G12_030	'CIMARRON - SARA 138KV CKT 1'	FROM->TO	0.06002	380.1	104.9208	'CIMARRON - DRAPER LAKE 345KV CKT 1'
13SP		2	G12_030	'CIMARRON - SARA 138KV CKT 1'	FROM->TO	0.06002	380.1	104.9208	'CIMARRON - DRAPER LAKE 345KV CKT 1'
13SP		3	G12_030	'CIMARRON - SARA 138KV CKT 1'	FROM->TO	0.06002	380.1	104.9208	'CIMARRON - DRAPER LAKE 345KV CKT 1'
18WP		0	G12_030	'CIMARRON - SARA 138KV CKT 1'	FROM->TO	0.05964	380	106.5074	'CIMARRON - DRAPER LAKE 345KV CKT 1'
18WP		2	G12_030	'CIMARRON - SARA 138KV CKT 1'	FROM->TO	0.05964	380	106.5337	'CIMARRON - DRAPER LAKE 345KV CKT 1'
18WP		3	G12_030	'CIMARRON - SARA 138KV CKT 1'	FROM->TO	0.05964	380	106.5337	'CIMARRON - DRAPER LAKE 345KV CKT 1'
13G		0	G12_030	'CIMARRON (CIMARON1) 345/138/13.8KV TRANSFORMER CKT 1'	FROM->TO	0.08367	486.4	109.5876	'CIMARRON (CIMARON2) 345/138/13.8KV TRANSFORMER CKT 1'
13G		0	G12_030	'CIMARRON (CIMARON1) 345/138/13.8KV TRANSFORMER CKT 1'	FROM->TO	0.08367	492.9	107.9801	'CIMARRON (CIMARON2) 345/138/13.8KV TRANSFORMER CKT 1'

Season	Scenario	Source	MontCommonName	Direction	TDF	Rating	Contingency	
							Loading %	Contname
18WP		0	G12_043 'CHAVESCO 345.00 - EDDY COUNTY INTERCHANGE 345KV CKT 1'	FROM->TO	0.31657	556.2	108.5194	'BASE CASE'
18WP		0	G12_043 'CHAVESCO 345.00 - EDDY COUNTY INTERCHANGE 345KV CKT 1'	FROM->TO	0.31657	556.2	109.649	'BASE CASE'
18WP		0	G12_043 'CHAVESCO 345.00 - EDDY COUNTY INTERCHANGE 345KV CKT 1'	FROM->TO	0.28843	556.2	112.3878	'CHAVES COUNTY INTERCHANGE - SAN JUAN MESA TAP 230KV CKT 1'
18WP		0	G12_043 'CHAVESCO 345.00 - EDDY COUNTY INTERCHANGE 345KV CKT 1'	FROM->TO	0.28843	556.2	113.8185	'CHAVES COUNTY INTERCHANGE - SAN JUAN MESA TAP 230KV CKT 1'
18WP		0	G12_043 'CHAVESCO 345.00 - EDDY COUNTY INTERCHANGE 345KV CKT 1'	FROM->TO	0.31657	556.2	110.197	'CUNNINGHAM STATION 230/20.0KV TRANSFORMER CKT 1'
18WP		0	G12_043 'CHAVESCO 345.00 - EDDY COUNTY INTERCHANGE 345KV CKT 1'	FROM->TO	0.31657	556.2	111.3459	'CUNNINGHAM STATION 230/20.0KV TRANSFORMER CKT 1'
18WP		0	G12_043 'CHAVESCO 345.00 - EDDY COUNTY INTERCHANGE 345KV CKT 1'	FROM->TO	1	556.2	183.8904	'G-12-043-TAP345.00 - TOLK STATION 345KV CKT 1'
18WP		0	G12_043 'CHAVESCO 345.00 - EDDY COUNTY INTERCHANGE 345KV CKT 1'	FROM->TO	1	556.2	183.8907	'G-12-043-TAP345.00 - TOLK STATION 345KV CKT 1'
18WP		0	G12_043 'CHAVESCO 345.00 - EDDY COUNTY INTERCHANGE 345KV CKT 1'	FROM->TO	0.31657	556.2	112.7171	'Golden Spread REC - Mustang Interchange 230 kV Generation Bus - MUSTANG STATION 230KV CKT 1'
18WP		0	G12_043 'CHAVESCO 345.00 - EDDY COUNTY INTERCHANGE 345KV CKT 1'	FROM->TO	0.31657	556.2	113.8538	'Golden Spread REC - Mustang Interchange 230 kV Generation Bus - MUSTANG STATION 230KV CKT 1'
18WP		0	G12_043 'CHAVESCO 345.00 - EDDY COUNTY INTERCHANGE 345KV CKT 1'	FROM->TO	0.31657	556.2	112.0973	'Golden Spread REC - Mustang Interchange 230 kV Generation Bus 230/18.0KV TRANSFORMER CKT 1'
18WP		0	G12_043 'CHAVESCO 345.00 - EDDY COUNTY INTERCHANGE 345KV CKT 1'	FROM->TO	0.31657	556.2	112.2629	'Golden Spread REC - Mustang Interchange 230 kV Generation Bus 230/18.0KV TRANSFORMER CKT 1'
18WP		0	G12_043 'CHAVESCO 345.00 - EDDY COUNTY INTERCHANGE 345KV CKT 1'	FROM->TO	0.31657	556.2	112.4855	'HOBBS INTERCHANGE 115/18.0KV TRANSFORMER CKT 1'
18WP		0	G12_043 'CHAVESCO 345.00 - EDDY COUNTY INTERCHANGE 345KV CKT 1'	FROM->TO	0.31657	556.2	112.4606	'HOBBS INTERCHANGE 115/18.0KV TRANSFORMER CKT 1'
18WP		0	G12_043 'CHAVESCO 345.00 - EDDY COUNTY INTERCHANGE 345KV CKT 1'	FROM->TO	0.31657	556.2	113.6606	'HOBBS INTERCHANGE 115/18.0KV TRANSFORMER CKT 1'
18WP		0	G12_043 'CHAVESCO 345.00 - EDDY COUNTY INTERCHANGE 345KV CKT 1'	FROM->TO	0.31657	556.2	113.6354	'HOBBS INTERCHANGE 115/18.0KV TRANSFORMER CKT 1'
18WP		0	G12_043 'CHAVESCO 345.00 - EDDY COUNTY INTERCHANGE 345KV CKT 1'	FROM->TO	0.31657	556.2	111.6076	'HOBBS INTERCHANGE 230/18.0KV TRANSFORMER CKT 1'
18WP		0	G12_043 'CHAVESCO 345.00 - EDDY COUNTY INTERCHANGE 345KV CKT 1'	FROM->TO	0.31657	556.2	112.7725	'HOBBS INTERCHANGE 230/18.0KV TRANSFORMER CKT 1'
18WP		0	G12_043 'CHAVESCO 345.00 - EDDY COUNTY INTERCHANGE 345KV CKT 1'	FROM->TO	0.31657	556.2	110.9039	'MUSTANG STATION 230/22.0KV TRANSFORMER CKT 1'
18WP		0	G12_043 'CHAVESCO 345.00 - EDDY COUNTY INTERCHANGE 345KV CKT 1'	FROM->TO	0.31657	556.2	112.0611	'MUSTANG STATION 230/22.0KV TRANSFORMER CKT 1'
18WP		0	G12_043 'CHAVESCO 345.00 - EDDY COUNTY INTERCHANGE 345KV CKT 1'	FROM->TO	0.31657	556.2	111.0482	'MUSTANG STATION N. 115/13.8KV TRANSFORMER CKT 1'
18WP		0	G12_043 'CHAVESCO 345.00 - EDDY COUNTY INTERCHANGE 345KV CKT 1'	FROM->TO	0.31657	556.2	111.0482	'MUSTANG STATION N. 115/13.8KV TRANSFORMER CKT 1'
18WP		0	G12_043 'CHAVESCO 345.00 - EDDY COUNTY INTERCHANGE 345KV CKT 1'	FROM->TO	0.31657	556.2	112.2069	'MUSTANG STATION N. 115/13.8KV TRANSFORMER CKT 1'
18WP		0	G12_043 'CHAVESCO 345.00 - EDDY COUNTY INTERCHANGE 345KV CKT 1'	FROM->TO	0.31657	556.2	112.2069	'MUSTANG STATION N. 115/13.8KV TRANSFORMER CKT 1'
18WP		0	G12_043 'CHAVESCO 345.00 - EDDY COUNTY INTERCHANGE 345KV CKT 1'	FROM->TO	0.32163	556.2	111.5636	'PLANT X STATION - SUNDOWN INTERCHANGE 230KV CKT 1'
18WP		0	G12_043 'CHAVESCO 345.00 - EDDY COUNTY INTERCHANGE 345KV CKT 1'	FROM->TO	0.32163	556.2	112.74	'PLANT X STATION - SUNDOWN INTERCHANGE 230KV CKT 1'
18WP		0	G12_043 'CHAVESCO 345.00 - EDDY COUNTY INTERCHANGE 345KV CKT 1'	FROM->TO	0.31569	556.2	110.2862	'ROOSEVELT COUNTY INTERCHANGE - TOLK STATION WEST 230KV CKT 2'
18WP		0	G12_043 'CHAVESCO 345.00 - EDDY COUNTY INTERCHANGE 345KV CKT 1'	FROM->TO	0.31569	556.2	111.4323	'ROOSEVELT COUNTY INTERCHANGE - TOLK STATION WEST 230KV CKT 2'
18WP		0	G12_043 'CHAVESCO 345.00 - EDDY COUNTY INTERCHANGE 345KV CKT 1'	FROM->TO	0.31563	556.2	110.3199	'Roosevelt County Interchange SOUTH - Roosevelt County Interchange SWITCH #4K33 230KV CKT 1'
18WP		0	G12_043 'CHAVESCO 345.00 - EDDY COUNTY INTERCHANGE 345KV CKT 1'	FROM->TO	0.31563	556.2	111.4684	'Roosevelt County Interchange SOUTH - Roosevelt County Interchange SWITCH #4K33 230KV CKT 1'
18WP		0	G12_043 'CHAVESCO 345.00 - EDDY COUNTY INTERCHANGE 345KV CKT 1'	FROM->TO	0.31563	556.2	110.3199	'Roosevelt County Interchange SOUTH - TOLK STATION EAST 230KV CKT 1'
18WP		0	G12_043 'CHAVESCO 345.00 - EDDY COUNTY INTERCHANGE 345KV CKT 1'	FROM->TO	0.31563	556.2	111.4684	'Roosevelt County Interchange SOUTH - TOLK STATION EAST 230KV CKT 1'
18WP		0	G12_043 'CHAVESCO 345.00 - EDDY COUNTY INTERCHANGE 345KV CKT 1'	FROM->TO	0.3138	556.2	111.1989	'SPP-SWPS-K51'
18WP		0	G12_043 'CHAVESCO 345.00 - EDDY COUNTY INTERCHANGE 345KV CKT 1'	FROM->TO	0.3138	556.2	112.3698	'SPP-SWPS-K51'
18WP		0	G12_043 'CHAVESCO 345.00 - EDDY COUNTY INTERCHANGE 345KV CKT 1'	FROM->TO	1	556.2	183.8904	'TOLK STATION (ABBXL844501) 345/230/13.2KV TRANSFORMER CKT 1'
18WP		0	G12_043 'CHAVESCO 345.00 - EDDY COUNTY INTERCHANGE 345KV CKT 1'	FROM->TO	1	556.2	183.8907	'TOLK STATION (ABBXL844501) 345/230/13.2KV TRANSFORMER CKT 1'
18WP		0	G12_043 'CHAVESCO 345.00 - EDDY COUNTY INTERCHANGE 345KV CKT 1'	FROM->TO	0.33731	556.2	110.8777	'TOLK STATION TAP - TOLK STATION WEST 230KV CKT 1'
18WP		0	G12_043 'CHAVESCO 345.00 - EDDY COUNTY INTERCHANGE 345KV CKT 1'	FROM->TO	0.33731	556.2	111.9914	'TOLK STATION TAP - TOLK STATION WEST 230KV CKT 1'
18WP		0	G12_043 'CHAVESCO 345.00 - EDDY COUNTY INTERCHANGE 345KV CKT 1'	FROM->TO	0.32365	556.2	111.9817	'TOLK STATION WEST - YOAKUM COUNTY INTERCHANGE 230KV CKT 1'
18WP		0	G12_043 'CHAVESCO 345.00 - EDDY COUNTY INTERCHANGE 345KV CKT 1'	FROM->TO	0.32365	556.2	113.2196	'TOLK STATION WEST - YOAKUM COUNTY INTERCHANGE 230KV CKT 1'
13G		0	G12_043 'CUNNINGHAM STATION - EDDY COUNTY INTERCHANGE 230KV CKT 1'	TO->FROM	0.38101	350.9	101.0273	'G-12-043-TAP345.00 - TOLK STATION 345KV CKT 1'
13G		0	G12_043 'CUNNINGHAM STATION - EDDY COUNTY INTERCHANGE 230KV CKT 1'	TO->FROM	0.38101	350.9	101.0558	'TOLK STATION (ABBXL844501) 345/230/13.2KV TRANSFORMER CKT 1'
13G		0	G12_043 'CUNNINGHAM STATION - LEA COUNTY INTERCHANGE 230KV CKT 1'	FROM->TO	0.49578	496.2	103.6076	'G-12-043-TAP345.00 - TOLK STATION 345KV CKT 1'
13G		0	G12_043 'CUNNINGHAM STATION - LEA COUNTY INTERCHANGE 230KV CKT 1'	FROM->TO	0.49578	496.2	103.6278	'TOLK STATION (ABBXL844501) 345/230/13.2KV TRANSFORMER CKT 1'
13G		0	G12_043 'CURRY COUNTY INTERCHANGE - DEAF SMITH REC-#20 115KV CKT 1'	FROM->TO	0.03212	93.6	119.9653	'DEAF SMITH COUNTY INTERCHANGE - PLANT X STATION 230KV CKT 1'
13G		0	G12_043 'CURRY COUNTY INTERCHANGE - DEAF SMITH REC-#20 115KV CKT 1'	FROM->TO	0.03212	93.6	125.2303	'DEAF SMITH COUNTY INTERCHANGE - PLANT X STATION 230KV CKT 1'
13G		0	G12_043 'CURRY COUNTY INTERCHANGE - DEAF SMITH REC-#20 115KV CKT 1'	FROM->TO	0.03212	93.6	108.2938	'DEAF SMITH COUNTY INTERCHANGE - PLANT X STATION 230KV CKT 1'
13G		0	G12_043 'DAWN SUB - Panda Energy Substation Hereford 115KV CKT 1'	TO->FROM	0.04272	95.7	100.031	'BUFFALO 230.00 - BUSHLAND INTERCHANGE 230KV CKT 1'
13G		0	G12_043 'DAWN SUB - Panda Energy Substation Hereford 115KV CKT 1'	TO->FROM	0.04272	95.7	106.2789	'BUFFALO 230.00 - BUSHLAND INTERCHANGE 230KV CKT 1'
13G		0	G12_043 'DEAF SMITH COUNTY INTERCHANGE - Panda Energy Substation Hereford 115KV CKT 1'	FROM->TO	0.04272	95.9	105.6618	'BUFFALO 230.00 - BUSHLAND INTERCHANGE 230KV CKT 1'
13G		0	G12_043 'DEAF SMITH COUNTY INTERCHANGE - Panda Energy Substation Hereford 115KV CKT 1'	FROM->TO	0.04272	95.9	111.8967	'BUFFALO 230.00 - BUSHLAND INTERCHANGE 230KV CKT 1'
13G		0	G12_043 'DEAF SMITH COUNTY INTERCHANGE - Panda Energy Substation Hereford 115KV CKT 1'	FROM->TO	0.04272	95.9	100.8435	'BUFFALO 230.00 - DEAF SMITH COUNTY INTERCHANGE 230KV CKT 1'
13G		0	G12_043 'DEAF SMITH REC-#20 - DS-#24 3115.00 115KV CKT 1'	FROM->TO	0.03212	96.1	107.2711	'DEAF SMITH COUNTY INTERCHANGE - PLANT X STATION 230KV CKT 1'
13G		0	G12_043 'DEAF SMITH REC-#20 - DS-#24 3115.00 115KV CKT 1'	FROM->TO	0.03212	96.1	112.3992	'DEAF SMITH COUNTY INTERCHANGE - PLANT X STATION 230KV CKT 1'
13G		0	G12_043 'DS-#24 3115.00 - PARMER COUNTY SUB 115KV CKT 1'	FROM->TO	0.03212	95.6	100.0915	'DEAF SMITH COUNTY INTERCHANGE - PLANT X STATION 230KV CKT 1'
13G		0	G12_043 'DS-#24 3115.00 - PARMER COUNTY SUB 115KV CKT 1'	FROM->TO	0.03212	95.6	105.2464	'DEAF SMITH COUNTY INTERCHANGE - PLANT X STATION 230KV CKT 1'
13G		0	G12_043 'EDDY COUNTY INTERCHANGE - EDDY_NORTH 6230.00 230KV CKT 1'	TO->FROM	0.31856	477.5	109.6524	'CHAVES COUNTY INTERCHANGE - EDDY_NORTH 6230.00 230KV CKT 1'
13G		0	G12_043 'EDDY COUNTY INTERCHANGE - EDDY_NORTH 6230.00 230KV CKT 1'	TO->FROM	0.05502	477.5	123.0399	'CHAVESCO 345.00 - G-12-043-TAP345.00 345KV CKT 1'
13G		2	G12_043 'EDDY COUNTY INTERCHANGE - EDDY_NORTH 6230.00 230KV CKT 1'	TO->FROM	0.04414	477.2	120.4538	'CHAVESCO 345.00 - G-12-043-TAP345.00 345KV CKT 1'
13G		3	G12_043 'EDDY COUNTY INTERCHANGE - EDDY_NORTH 6230.00 230KV CKT 1'	TO->FROM	0.04389	477.2	120.3324	'CHAVESCO 345.00 - G-12-043-TAP345.00 345KV CKT 1'
13G		0	G12_043 'EDDY COUNTY INTERCHANGE - EDDY_NORTH 6230.00 230KV CKT 1'	TO->FROM	0.28967	477.5	106.9616	'CUNNINGHAM STATION 230/20.0KV TRANSFORMER CKT 1'
13G		0	G12_043 'EDDY COUNTY INTERCHANGE - EDDY_NORTH 6230.00 230KV CKT 1'	TO->FROM	0.76177	477.5	172.4908	'G-12-043-TAP345.00 - TOLK STATION 345KV CKT 1'
13G		0	G12_043 'EDDY COUNTY INTERCHANGE - EDDY_NORTH 6230.00 230KV CKT 1'	TO->FROM	0.76177	477.5	200.7039	'G-12-043-TAP345.00 - TOLK STATION 345KV CKT 1'
13G		0	G12_043 'EDDY COUNTY INTERCHANGE - EDDY_NORTH 6230.00 230KV CKT 1'	TO->FROM	0.76177	477.5	125.7234	'G-12-043-TAP345.00 - TOLK STATION 345KV CKT 1'
13G		0	G12_043 'EDDY COUNTY INTERCHANGE - EDDY_NORTH 6230.00 230KV CKT 1'	TO->FROM	0.28967	477.5	104.6832	'Golden Spread REC - Mustang Interchange 230 kV Generation Bus - MUSTANG STATION 230KV CKT 1'
13G		0	G12_043 'EDDY COUNTY INTERCHANGE - EDDY_NORTH 6230.00 230KV CKT 1'	TO->FROM	0.28967	477.5	104.6832	'Golden Spread REC - Mustang Interchange 230 kV Generation Bus 230/18.0KV TRANSFORMER CKT 1'
13G		0	G12_043 'EDDY COUNTY INTERCHANGE - EDDY_NORTH 6230.00 230KV CKT 1'	TO->FROM	0.28967	477.5	105.7006	'HOBBS INTERCHANGE 115/18.0KV TRANSFORMER CKT 1'
13G		0	G12_043 'EDDY COUNTY INTERCHANGE - EDDY_NORTH 6230.00 230KV CKT 1'	TO->FROM	0.28967	477.5	105.6544	'HOBBS INTERCHANGE 115/18.0KV TRANSFORMER CKT 1'
13G		0	G12_043 'EDDY COUNTY INTERCHANGE - EDDY_NORTH 6230.00 230KV CKT 1'	TO->FROM	0.28967	477.5	109.2718	'HOBBS INTERCHANGE 230/18.0KV TRANSFORMER CKT 1'
13G		0	G12_043 'EDDY COUNTY INTERCHANGE - EDDY_NORTH 6230.00 230KV CKT 1'	TO->FROM	0.28967	477.5	103.6464	'MADDOX STATION 115/13.8KV TRANSFORMER CKT 1'
13G		0	G12_043 'EDDY COUNTY INTERCHANGE - EDDY_NORTH 6230.00 230KV CKT 1'	TO->FROM	0.28967	477.5	103.1659	'MUSTANG STATION N. 115/13.8KV TRANSFORMER CKT 1'
13G		0	G12_043 'EDDY COUNTY INTERCHANGE - EDDY_NORTH 6230.00 230KV CKT 1'	TO->FROM	0.28967	477.5	103.1659	'MUSTANG STATION N. 115/13.8KV TRANSFORMER CKT 1'
13G		0	G12_043 'EDDY COUNTY INTERCHANGE - EDDY_NORTH 6230.00 230KV CKT 1'	TO->FROM	0.30363	477.5	110.5355	'OASIS INTERCHANGE - SAN JUAN MESA TAP 230KV CKT 1'
13G		0	G12_043 'EDDY COUNTY INTERCHANGE - EDDY_NORTH 6230.00 230KV CKT 1'	TO->FROM	0.29865	477.5	105.0049	'PLANT X STATION - SUNDOWN INTERCHANGE 230KV CKT 1'

I: FCITC Analysis Constraints Not Requiring Mitigation

Season	Scenario	Source	MontCommonName	Direction	TDF	Rating	Contingency		Contname
							Loading %		
18SP		0	G12_019	'ALLEN SUB - LUBBOCK SOUTH INTERCHANGE 115KV CKT 1'	TO->FROM	0.03053	158.7	101.1968	'LP-DOUD_TP 3115.00 - SP-WOLF_TP 3115.00 115KV CKT 1'
18SP		0	G12_019	'ALLEN SUB - LUBBOCK SOUTH INTERCHANGE 115KV CKT 1'	TO->FROM	0.03053	158.7	100.4071	'LP-DOUD_TP 3115.00 - SP-WOLF_TP 3115.00 115KV CKT 1'
18SP		0	G12_019	'ALLEN SUB - LUBBOCK SOUTH INTERCHANGE 115KV CKT 1'	TO->FROM	0.03053	158.7	104.6624	'SP-WOLF_TP 3115.00 - YUMA INTERCHANGE 115KV CKT 1'
18SP		0	G12_019	'ALLEN SUB - LUBBOCK SOUTH INTERCHANGE 115KV CKT 1'	TO->FROM	0.03053	158.7	103.8727	'SP-WOLF_TP 3115.00 - YUMA INTERCHANGE 115KV CKT 1'
18SP		0	G12_019	'ALLEN SUB - LUBBOCK SOUTH INTERCHANGE 115KV CKT 1'	TO->FROM	0.03053	158.7	107.1199	'WOLFORTH INTERCHANGE - YUMA INTERCHANGE 115KV CKT 1'
18SP		0	G12_019	'ALLEN SUB - LUBBOCK SOUTH INTERCHANGE 115KV CKT 1'	TO->FROM	0.03053	158.7	106.3302	'WOLFORTH INTERCHANGE - YUMA INTERCHANGE 115KV CKT 1'
18SP		0	G12_019	'BAILEY COUNTY REC-EARTH INTERCHANGE - PLANT X STATION 115KV CKT 1'	TO->FROM	0.03656	159.9	102.1165	'CURRY COUNTY INTERCHANGE - DEAF SMITH REC-#20 115KV CKT 1'
18SP		0	G12_019	'BAILEY COUNTY REC-EARTH INTERCHANGE - PLANT X STATION 115KV CKT 1'	TO->FROM	0.03656	159.9	101.4677	'CURRY COUNTY INTERCHANGE - DEAF SMITH REC-#20 115KV CKT 1'
18SP		0	G12_019	'BAILEY COUNTY REC-EARTH INTERCHANGE - PLANT X STATION 115KV CKT 1'	TO->FROM	0.05333	159.9	126.6826	'DEAF SMITH COUNTY INTERCHANGE - PLANT X STATION 230KV CKT 1'
18SP		2	G12_019	'BAILEY COUNTY REC-EARTH INTERCHANGE - PLANT X STATION 115KV CKT 1'	TO->FROM	0.03935	159.9	114.641	'DEAF SMITH COUNTY INTERCHANGE - PLANT X STATION 230KV CKT 1'
18SP		3	G12_019	'BAILEY COUNTY REC-EARTH INTERCHANGE - PLANT X STATION 115KV CKT 1'	TO->FROM	0.03952	159.9	114.8815	'DEAF SMITH COUNTY INTERCHANGE - PLANT X STATION 230KV CKT 1'
18SP		0	G12_019	'BAILEY COUNTY REC-EARTH INTERCHANGE - PLANT X STATION 115KV CKT 1'	TO->FROM	0.05333	159.9	125.7351	'DEAF SMITH COUNTY INTERCHANGE - PLANT X STATION 230KV CKT 1'
18SP		2	G12_019	'BAILEY COUNTY REC-EARTH INTERCHANGE - PLANT X STATION 115KV CKT 1'	TO->FROM	0.03935	159.9	113.8501	'DEAF SMITH COUNTY INTERCHANGE - PLANT X STATION 230KV CKT 1'
18SP		3	G12_019	'BAILEY COUNTY REC-EARTH INTERCHANGE - PLANT X STATION 115KV CKT 1'	TO->FROM	0.03952	159.9	114.0872	'DEAF SMITH COUNTY INTERCHANGE - PLANT X STATION 230KV CKT 1'
18SP		0	G12_019	'BAILEY COUNTY REC-EARTH INTERCHANGE - PLANT X STATION 115KV CKT 1'	TO->FROM	0.05333	159.9	107.8581	'DEAF SMITH COUNTY INTERCHANGE - PLANT X STATION 230KV CKT 1'
18SP		2	G12_019	'BAILEY COUNTY REC-EARTH INTERCHANGE - PLANT X STATION 115KV CKT 1'	TO->FROM	0.03935	159.9	101.3099	'DEAF SMITH COUNTY INTERCHANGE - PLANT X STATION 230KV CKT 1'
18SP		3	G12_019	'BAILEY COUNTY REC-EARTH INTERCHANGE - PLANT X STATION 115KV CKT 1'	TO->FROM	0.03952	159.9	101.4849	'DEAF SMITH COUNTY INTERCHANGE - PLANT X STATION 230KV CKT 1'
18SP		4	G12_019	'BAILEY COUNTY REC-EARTH INTERCHANGE - PLANT X STATION 115KV CKT 1'	TO->FROM	0.03966	159.9	115.0017	'DEAF SMITH COUNTY INTERCHANGE - PLANT X STATION 230KV CKT 1'
18SP		5	G12_019	'BAILEY COUNTY REC-EARTH INTERCHANGE - PLANT X STATION 115KV CKT 1'	TO->FROM	0.03966	159.9	115.0017	'DEAF SMITH COUNTY INTERCHANGE - PLANT X STATION 230KV CKT 1'
18SP		4	G12_019	'BAILEY COUNTY REC-EARTH INTERCHANGE - PLANT X STATION 115KV CKT 1'	TO->FROM	0.03966	159.9	114.212	'DEAF SMITH COUNTY INTERCHANGE - PLANT X STATION 230KV CKT 1'
18SP		5	G12_019	'BAILEY COUNTY REC-EARTH INTERCHANGE - PLANT X STATION 115KV CKT 1'	TO->FROM	0.03966	159.9	114.212	'DEAF SMITH COUNTY INTERCHANGE - PLANT X STATION 230KV CKT 1'
18SP		4	G12_019	'BAILEY COUNTY REC-EARTH INTERCHANGE - PLANT X STATION 115KV CKT 1'	TO->FROM	0.03966	159.9	101.5886	'DEAF SMITH COUNTY INTERCHANGE - PLANT X STATION 230KV CKT 1'
18SP		5	G12_019	'BAILEY COUNTY REC-EARTH INTERCHANGE - PLANT X STATION 115KV CKT 1'	TO->FROM	0.03966	159.9	101.5886	'DEAF SMITH COUNTY INTERCHANGE - PLANT X STATION 230KV CKT 1'
18SP		0	G12_019	'BAILEY COUNTY REC-EARTH INTERCHANGE - PLANT X STATION 115KV CKT 1'	TO->FROM	0.03656	159.9	100.553	'DEAF SMITH REC-#20 - D5-#24 3115.00 115KV CKT 1'
18SP		0	G12_019	'BAILEY COUNTY REC-EARTH INTERCHANGE - PLANT X STATION 115KV CKT 1'	TO->FROM	0.03471	159.9	101.0844	'HALE CO INTERCHANGE - PLANT X STATION 115KV CKT 1'
18SP		0	G12_019	'BAILEY COUNTY REC-EARTH INTERCHANGE - PLANT X STATION 115KV CKT 1'	TO->FROM	0.03471	159.9	100.4721	'HALE CO INTERCHANGE - PLANT X STATION 115KV CKT 1'
18SP		0	G12_019	'BAILEY COUNTY REC-EARTH INTERCHANGE - PLANT X STATION 115KV CKT 1'	TO->FROM	0.03635	159.9	104.6485	'LAWTON EASTSIDE - OKLAUNION 345KV CKT 1'
18SP		0	G12_019	'BAILEY COUNTY REC-EARTH INTERCHANGE - PLANT X STATION 115KV CKT 1'	TO->FROM	0.03635	159.9	103.9882	'LAWTON EASTSIDE - OKLAUNION 345KV CKT 1'
18SP		0	G12_019	'BAILEY COUNTY REC-EARTH INTERCHANGE - PLANT X STATION 115KV CKT 1'	TO->FROM	0.04663	159.9	114.3443	'NEWHART 6230.00 - PLANT X STATION 230KV CKT 1'
18SP		2	G12_019	'BAILEY COUNTY REC-EARTH INTERCHANGE - PLANT X STATION 115KV CKT 1'	TO->FROM	0.03209	159.9	101.6246	'NEWHART 6230.00 - PLANT X STATION 230KV CKT 1'
18SP		3	G12_019	'BAILEY COUNTY REC-EARTH INTERCHANGE - PLANT X STATION 115KV CKT 1'	TO->FROM	0.03222	159.9	101.8394	'NEWHART 6230.00 - PLANT X STATION 230KV CKT 1'
18SP		0	G12_019	'BAILEY COUNTY REC-EARTH INTERCHANGE - PLANT X STATION 115KV CKT 1'	TO->FROM	0.04663	159.9	113.5236	'NEWHART 6230.00 - PLANT X STATION 230KV CKT 1'
18SP		2	G12_019	'BAILEY COUNTY REC-EARTH INTERCHANGE - PLANT X STATION 115KV CKT 1'	TO->FROM	0.03209	159.9	100.9712	'NEWHART 6230.00 - PLANT X STATION 230KV CKT 1'
18SP		3	G12_019	'BAILEY COUNTY REC-EARTH INTERCHANGE - PLANT X STATION 115KV CKT 1'	TO->FROM	0.03222	159.9	101.1834	'NEWHART 6230.00 - PLANT X STATION 230KV CKT 1'
18SP		4	G12_019	'BAILEY COUNTY REC-EARTH INTERCHANGE - PLANT X STATION 115KV CKT 1'	TO->FROM	0.03237	159.9	102.0222	'NEWHART 6230.00 - PLANT X STATION 230KV CKT 1'
18SP		5	G12_019	'BAILEY COUNTY REC-EARTH INTERCHANGE - PLANT X STATION 115KV CKT 1'	TO->FROM	0.03237	159.9	102.0222	'NEWHART 6230.00 - PLANT X STATION 230KV CKT 1'
18SP		4	G12_019	'BAILEY COUNTY REC-EARTH INTERCHANGE - PLANT X STATION 115KV CKT 1'	TO->FROM	0.03237	159.9	101.3769	'NEWHART 6230.00 - PLANT X STATION 230KV CKT 1'
18SP		5	G12_019	'BAILEY COUNTY REC-EARTH INTERCHANGE - PLANT X STATION 115KV CKT 1'	TO->FROM	0.03237	159.9	101.3769	'NEWHART 6230.00 - PLANT X STATION 230KV CKT 1'
18SP		0	G12_019	'BAILEY COUNTY REC-EARTH INTERCHANGE - PLANT X STATION 115KV CKT 1'	TO->FROM	0.03635	159.9	101.334	'OKLAUNION - TUCO INTERCHANGE 345KV CKT 1'
18SP		0	G12_019	'BAILEY COUNTY REC-EARTH INTERCHANGE - PLANT X STATION 115KV CKT 1'	TO->FROM	0.03635	159.9	100.6737	'OKLAUNION - TUCO INTERCHANGE 345KV CKT 1'
18SP		0	G12_019	'BAILEY COUNTY REC-EARTH INTERCHANGE - PLANT X STATION 115KV CKT 1'	TO->FROM	0.03676	159.9	101.5904	'SPP-SWPS-01'
18SP		0	G12_019	'BAILEY COUNTY REC-EARTH INTERCHANGE - PLANT X STATION 115KV CKT 1'	TO->FROM	0.03676	159.9	100.9226	'SPP-SWPS-01'
18SP		0	G12_019	'BAILEY COUNTY REC-EARTH INTERCHANGE - PLANT X STATION 115KV CKT 1'	TO->FROM	0.03739	159.9	107.0614	'SPP-SWPS-25'
18SP		0	G12_019	'BAILEY COUNTY REC-EARTH INTERCHANGE - PLANT X STATION 115KV CKT 1'	TO->FROM	0.03739	159.9	106.3986	'SPP-SWPS-25'
18SP		0	G12_019	'BAILEY COUNTY REC-EARTH INTERCHANGE - PLANT X STATION 115KV CKT 1'	TO->FROM	0.03739	159.9	107.0614	'SPP-SWPS-T28'
18SP		0	G12_019	'BAILEY COUNTY REC-EARTH INTERCHANGE - PLANT X STATION 115KV CKT 1'	TO->FROM	0.03739	159.9	106.3986	'SPP-SWPS-T28'
18SP		0	G12_019	'BAILEY COUNTY REC-EARTH INTERCHANGE - PLANT X STATION 115KV CKT 1'	TO->FROM	0.03644	159.9	100.4503	'TOLK STATION EAST - TUCO INTERCHANGE 230KV CKT 1'
13WP		0	G12_019	'CANYON EAST SUB - CANYON WEST SUB 115KV CKT 1'	TO->FROM	0.08335	105.9	104.2712	'BUFFALO 230.00 - BUSHLAND INTERCHANGE 230KV CKT 1'
13WP		0	G12_019	'CANYON EAST SUB - CANYON WEST SUB 115KV CKT 1'	TO->FROM	0.08335	105.9	102.0684	'BUFFALO 230.00 - BUSHLAND INTERCHANGE 230KV CKT 1'
13G		0	G12_019	'CANYON WEST SUB - DAWN SUB 115KV CKT 1'	TO->FROM	0.08466	96	100.6093	'BUFFALO 230.00 - BUSHLAND INTERCHANGE 230KV CKT 1'
13SP		0	G12_019	'CANYON WEST SUB - DAWN SUB 115KV CKT 1'	TO->FROM	0.07013	106	104.6889	'BUFFALO 230.00 - BUSHLAND INTERCHANGE 230KV CKT 1'
13SP		0	G12_019	'CANYON WEST SUB - DAWN SUB 115KV CKT 1'	TO->FROM	0.07013	106	102.8276	'BUFFALO 230.00 - BUSHLAND INTERCHANGE 230KV CKT 1'
13SP		0	G12_019	'CANYON WEST SUB - DAWN SUB 115KV CKT 1'	TO->FROM	0.07013	106	100.255	'BUFFALO 230.00 - DEAF SMITH COUNTY INTERCHANGE 230KV CKT 1'
13WP		0	G12_019	'CANYON WEST SUB - DAWN SUB 115KV CKT 1'	TO->FROM	0.08335	106	119.8333	'BUFFALO 230.00 - BUSHLAND INTERCHANGE 230KV CKT 1'
13WP		0	G12_019	'CANYON WEST SUB - DAWN SUB 115KV CKT 1'	TO->FROM	0.08335	106	117.6325	'BUFFALO 230.00 - BUSHLAND INTERCHANGE 230KV CKT 1'
13WP		0	G12_019	'CANYON WEST SUB - DAWN SUB 115KV CKT 1'	TO->FROM	0.08335	106	114.8333	'BUFFALO 230.00 - DEAF SMITH COUNTY INTERCHANGE 230KV CKT 1'
13WP		0	G12_019	'CANYON WEST SUB - DAWN SUB 115KV CKT 1'	TO->FROM	0.08335	106	112.6325	'BUFFALO 230.00 - DEAF SMITH COUNTY INTERCHANGE 230KV CKT 1'
18SP		0	G12_019	'CANYON WEST SUB - DAWN SUB 115KV CKT 1'	TO->FROM	0.06985	95.7	103.4308	'BUFFALO 230.00 - BUSHLAND INTERCHANGE 230KV CKT 1'
18SP		0	G12_019	'CANYON WEST SUB - DAWN SUB 115KV CKT 1'	TO->FROM	0.06985	95.7	101.3779	'BUFFALO 230.00 - BUSHLAND INTERCHANGE 230KV CKT 1'
18WP		0	G12_019	'CANYON WEST SUB - DAWN SUB 115KV CKT 1'	TO->FROM	0.06976	106	108.1991	'BUFFALO 230.00 - BUSHLAND INTERCHANGE 230KV CKT 1'
18WP		0	G12_019	'CANYON WEST SUB - DAWN SUB 115KV CKT 1'	TO->FROM	0.06976	106	106.3482	'BUFFALO 230.00 - BUSHLAND INTERCHANGE 230KV CKT 1'
18WP		0	G12_019	'CANYON WEST SUB - DAWN SUB 115KV CKT 1'	TO->FROM	0.06976	106	103.8594	'BUFFALO 230.00 - DEAF SMITH COUNTY INTERCHANGE 230KV CKT 1'
18WP		0	G12_019	'CANYON WEST SUB - DAWN SUB 115KV CKT 1'	TO->FROM	0.06976	106	102.0086	'BUFFALO 230.00 - DEAF SMITH COUNTY INTERCHANGE 230KV CKT 1'
13G		0	G12_019	'CARGILL SUB - PARMER COUNTY SUB 115KV CKT 1'	TO->FROM	0.06398	95.3	104.566	'DEAF SMITH COUNTY INTERCHANGE - PLANT X STATION 230KV CKT 1'
18SP		0	G12_019	'CARGILL SUB - PARMER COUNTY SUB 115KV CKT 1'	TO->FROM	0.0594	96	106.0773	'DEAF SMITH COUNTY INTERCHANGE - PLANT X STATION 230KV CKT 1'
18SP		0	G12_019	'CARGILL SUB - PARMER COUNTY SUB 115KV CKT 1'	TO->FROM	0.0594	96	104.3714	'DEAF SMITH COUNTY INTERCHANGE - PLANT X STATION 230KV CKT 1'
13G		0	G12_019	'CARLISLE INTERCHANGE - LP-DOUD_TP 3115.00 115KV CKT 1'	TO->FROM	0.12113	151.2	105.1749	'LUBBOCK SOUTH INTERCHANGE - WOLFORTH INTERCHANGE 230KV CKT 1'
13G		0	G12_019	'CIMARRON - DRAPER LAKE 345KV CKT 1'	FROM->TO	0.0811	711.7	107.9335	'ARCADIA - NORTHWEST 345KV CKT 1'
13G		0	G12_019	'CIMARRON - DRAPER LAKE 345KV CKT 1'	FROM->TO	0.06196	711.7	113.0427	'ARCADIA - SEMINOLE 345KV CKT 1'
13G		0	G12_019	'CIMARRON - DRAPER LAKE 345KV CKT 1'	FROM->TO	0.06148	711.7	104.7314	'CIMARRON - CZECH HALL 138KV CKT 1'
13G		0	G12_019	'CIMARRON - DRAPER LAKE 345KV CKT 1'	FROM->TO	0.03585	711.7	104.048	'CIMARRON - MINCO 7 345.00 345KV CKT 1'
13G		0	G12_019	'CIMARRON - DRAPER LAKE 345KV CKT 1'	FROM->TO	0.06166	711.7	106.017	'CIMARRON - SARA 138KV CKT 1'
13G		0	G12_019	'CIMARRON - DRAPER LAKE 345KV CKT 1'	FROM->TO	0.05971	711.7	106.5514	'CIMARRON (CIMARON1) 345/138/13.8KV TRANSFORMER CKT 1'
13G		0	G12_019	'CIMARRON - DRAPER LAKE 345KV CKT 1'	FROM->TO	0.05972	711.7	106.3337	'CIMARRON (CIMARON2) 345/138/13.8KV TRANSFORMER CKT 1'

Season	Scenario	Source	MontCommonName	Direction	TDF	Rating	Contingency	
							Loading %	Contname
13G		0 G12_019	'CIMARRON - DRAPER LAKE 345KV CKT 1'	FROM->TO	0.06589	711.7	108.7602	'CLEVELAND - SOONER 345KV CKT 1'
13G		0 G12_019	'CIMARRON - DRAPER LAKE 345KV CKT 1'	FROM->TO	0.06408	711.7	104.7544	'CLEVELAND - TULSA NORTH 345KV CKT 1'
13G		0 G12_019	'CIMARRON - DRAPER LAKE 345KV CKT 1'	FROM->TO	0.06148	711.7	104.2396	'CZECH HALL - XEROX 138KV CKT 1'
13G		0 G12_019	'CIMARRON - DRAPER LAKE 345KV CKT 1'	FROM->TO	0.04499	711.7	106.0127	'GRACMNT7 345.00 - LAWTON EASTSIDE 345KV CKT 1'
13G		0 G12_019	'CIMARRON - DRAPER LAKE 345KV CKT 1'	FROM->TO	0.03585	711.7	114.8812	'GRACMNT7 345.00 - MINCO 7 345.00 345KV CKT 1'
13G		0 G12_019	'CIMARRON - DRAPER LAKE 345KV CKT 1'	FROM->TO	0.08497	711.7	114.5303	'LAWTON EASTSIDE - SUNNYSIDE 345KV CKT 1'
13G		0 G12_019	'CIMARRON - DRAPER LAKE 345KV CKT 1'	FROM->TO	0.06548	711.7	107.6245	'MATTHEWSON 345.00 - NORTHWEST 345KV CKT 1'
13G		0 G12_019	'CIMARRON - DRAPER LAKE 345KV CKT 1'	FROM->TO	0.06166	711.7	104.5978	'MCLAIN - SARA 138KV CKT 1'
13G		0 G12_019	'CIMARRON - DRAPER LAKE 345KV CKT 1'	FROM->TO	0.06148	711.7	104.0851	'MORGAN - MUSTANG 138KV CKT 1'
13G		0 G12_019	'CIMARRON - DRAPER LAKE 345KV CKT 1'	FROM->TO	0.06148	711.7	104.2256	'MORGAN - XEROX 138KV CKT 1'
13G		0 G12_019	'CIMARRON - DRAPER LAKE 345KV CKT 1'	FROM->TO	0.06011	711.7	103.4804	'NORTHWEST (NORTWST2) 345/138/13.8KV TRANSFORMER CKT 1'
13G		0 G12_019	'CIMARRON - DRAPER LAKE 345KV CKT 1'	FROM->TO	0.05974	711.7	105.6612	'SEMINOLE 345/17.1KV TRANSFORMER CKT 1'
13G		0 G12_019	'CIMARRON - DRAPER LAKE 345KV CKT 1'	FROM->TO	0.05974	711.7	108.2359	'SEMINOLE 345/20.9KV TRANSFORMER CKT 1'
13G		0 G12_019	'CURRY COUNTY INTERCHANGE - DEAF SMITH REC-#20 115KV CKT 1'	FROM->TO	0.06398	93.8	127.9866	'DEAF SMITH COUNTY INTERCHANGE - PLANT X STATION 230KV CKT 1'
13G		0 G12_019	'CURRY COUNTY INTERCHANGE - DEAF SMITH REC-#20 115KV CKT 1'	FROM->TO	0.04483	93.8	104.1114	'LAWTON EASTSIDE - OKLAUNION 345KV CKT 1'
13G		0 G12_019	'CURRY COUNTY INTERCHANGE - DEAF SMITH REC-#20 115KV CKT 1'	FROM->TO	0.04538	93.8	100.2793	'SPP-SWPS-01'
13G		0 G12_019	'CURRY COUNTY INTERCHANGE - DEAF SMITH REC-#20 115KV CKT 1'	FROM->TO	0.04734	93.8	103.5213	'TOLK STATION EAST - TUCO INTERCHANGE 230KV CKT 1'
18SP		0 G12_019	'CURRY COUNTY INTERCHANGE - DEAF SMITH REC-#20 115KV CKT 1'	FROM->TO	0.0594	95.9	141.2245	'DEAF SMITH COUNTY INTERCHANGE - PLANT X STATION 230KV CKT 1'
18SP		2 G12_019	'CURRY COUNTY INTERCHANGE - DEAF SMITH REC-#20 115KV CKT 1'	FROM->TO	0.04327	95.9	118.4479	'DEAF SMITH COUNTY INTERCHANGE - PLANT X STATION 230KV CKT 1'
18SP		3 G12_019	'CURRY COUNTY INTERCHANGE - DEAF SMITH REC-#20 115KV CKT 1'	FROM->TO	0.04296	95.9	117.8973	'DEAF SMITH COUNTY INTERCHANGE - PLANT X STATION 230KV CKT 1'
18SP		0 G12_019	'CURRY COUNTY INTERCHANGE - DEAF SMITH REC-#20 115KV CKT 1'	FROM->TO	0.0594	95.9	139.5167	'DEAF SMITH COUNTY INTERCHANGE - PLANT X STATION 230KV CKT 1'
18SP		2 G12_019	'CURRY COUNTY INTERCHANGE - DEAF SMITH REC-#20 115KV CKT 1'	FROM->TO	0.04327	95.9	117.043	'DEAF SMITH COUNTY INTERCHANGE - PLANT X STATION 230KV CKT 1'
18SP		3 G12_019	'CURRY COUNTY INTERCHANGE - DEAF SMITH REC-#20 115KV CKT 1'	FROM->TO	0.04296	95.9	116.4921	'DEAF SMITH COUNTY INTERCHANGE - PLANT X STATION 230KV CKT 1'
18SP		0 G12_019	'CURRY COUNTY INTERCHANGE - DEAF SMITH REC-#20 115KV CKT 1'	FROM->TO	0.0594	95.9	107.7351	'DEAF SMITH COUNTY INTERCHANGE - PLANT X STATION 230KV CKT 1'
18SP		4 G12_019	'CURRY COUNTY INTERCHANGE - DEAF SMITH REC-#20 115KV CKT 1'	FROM->TO	0.04341	95.9	118.6137	'DEAF SMITH COUNTY INTERCHANGE - PLANT X STATION 230KV CKT 1'
18SP		5 G12_019	'CURRY COUNTY INTERCHANGE - DEAF SMITH REC-#20 115KV CKT 1'	FROM->TO	0.04341	95.9	118.6137	'DEAF SMITH COUNTY INTERCHANGE - PLANT X STATION 230KV CKT 1'
18SP		4 G12_019	'CURRY COUNTY INTERCHANGE - DEAF SMITH REC-#20 115KV CKT 1'	FROM->TO	0.04341	95.9	117.2308	'DEAF SMITH COUNTY INTERCHANGE - PLANT X STATION 230KV CKT 1'
18SP		5 G12_019	'CURRY COUNTY INTERCHANGE - DEAF SMITH REC-#20 115KV CKT 1'	FROM->TO	0.04341	95.9	117.2308	'DEAF SMITH COUNTY INTERCHANGE - PLANT X STATION 230KV CKT 1'
18SP		0 G12_019	'CURRY COUNTY INTERCHANGE - DEAF SMITH REC-#20 115KV CKT 1'	FROM->TO	0.04245	95.9	104.1006	'LAWTON EASTSIDE - OKLAUNION 345KV CKT 1'
18SP		0 G12_019	'CURRY COUNTY INTERCHANGE - DEAF SMITH REC-#20 115KV CKT 1'	FROM->TO	0.04245	95.9	102.8709	'LAWTON EASTSIDE - OKLAUNION 345KV CKT 1'
18SP		0 G12_019	'CURRY COUNTY INTERCHANGE - DEAF SMITH REC-#20 115KV CKT 1'	FROM->TO	0.04428	95.9	102.7437	'NEWHART 6230.00 - PLANT X STATION 230KV CKT 1'
18SP		0 G12_019	'CURRY COUNTY INTERCHANGE - DEAF SMITH REC-#20 115KV CKT 1'	FROM->TO	0.04428	95.9	101.4842	'NEWHART 6230.00 - PLANT X STATION 230KV CKT 1'
13G		0 G12_019	'DAWN SUB - Panda Energy Substation Hereford 115KV CKT 1'	TO->FROM	0.08466	96	103.7343	'BUFFALO 230.00 - BUSHLAND INTERCHANGE 230KV CKT 1'
13SP		0 G12_019	'DAWN SUB - Panda Energy Substation Hereford 115KV CKT 1'	TO->FROM	0.07013	106	108.8399	'BUFFALO 230.00 - BUSHLAND INTERCHANGE 230KV CKT 1'
13SP		0 G12_019	'DAWN SUB - Panda Energy Substation Hereford 115KV CKT 1'	TO->FROM	0.07013	106	106.9785	'BUFFALO 230.00 - BUSHLAND INTERCHANGE 230KV CKT 1'
13SP		0 G12_019	'DAWN SUB - Panda Energy Substation Hereford 115KV CKT 1'	TO->FROM	0.07013	106	104.5002	'BUFFALO 230.00 - DEAF SMITH COUNTY INTERCHANGE 230KV CKT 1'
13SP		0 G12_019	'DAWN SUB - Panda Energy Substation Hereford 115KV CKT 1'	TO->FROM	0.07013	106	102.6389	'BUFFALO 230.00 - DEAF SMITH COUNTY INTERCHANGE 230KV CKT 1'
13WP		0 G12_019	'DAWN SUB - Panda Energy Substation Hereford 115KV CKT 1'	TO->FROM	0.08335	106	123.7012	'BUFFALO 230.00 - BUSHLAND INTERCHANGE 230KV CKT 1'
13WP		0 G12_019	'DAWN SUB - Panda Energy Substation Hereford 115KV CKT 1'	TO->FROM	0.08335	106	121.5004	'BUFFALO 230.00 - BUSHLAND INTERCHANGE 230KV CKT 1'
13WP		0 G12_019	'DAWN SUB - Panda Energy Substation Hereford 115KV CKT 1'	TO->FROM	0.08335	106	118.6068	'BUFFALO 230.00 - DEAF SMITH COUNTY INTERCHANGE 230KV CKT 1'
13WP		0 G12_019	'DAWN SUB - Panda Energy Substation Hereford 115KV CKT 1'	TO->FROM	0.08335	106	116.4061	'BUFFALO 230.00 - DEAF SMITH COUNTY INTERCHANGE 230KV CKT 1'
18SP		0 G12_019	'DAWN SUB - Panda Energy Substation Hereford 115KV CKT 1'	TO->FROM	0.06985	95.7	108.3419	'BUFFALO 230.00 - BUSHLAND INTERCHANGE 230KV CKT 1'
18SP		0 G12_019	'DAWN SUB - Panda Energy Substation Hereford 115KV CKT 1'	TO->FROM	0.06985	95.7	106.2891	'BUFFALO 230.00 - BUSHLAND INTERCHANGE 230KV CKT 1'
18SP		0 G12_019	'DAWN SUB - Panda Energy Substation Hereford 115KV CKT 1'	TO->FROM	0.06985	95.7	103.4308	'BUFFALO 230.00 - DEAF SMITH COUNTY INTERCHANGE 230KV CKT 1'
18SP		0 G12_019	'DAWN SUB - Panda Energy Substation Hereford 115KV CKT 1'	TO->FROM	0.06985	95.7	101.3779	'BUFFALO 230.00 - DEAF SMITH COUNTY INTERCHANGE 230KV CKT 1'
18WP		0 G12_019	'DAWN SUB - Panda Energy Substation Hereford 115KV CKT 1'	TO->FROM	0.06976	106	112.4443	'BUFFALO 230.00 - BUSHLAND INTERCHANGE 230KV CKT 1'
18WP		0 G12_019	'DAWN SUB - Panda Energy Substation Hereford 115KV CKT 1'	TO->FROM	0.06976	106	110.5935	'BUFFALO 230.00 - BUSHLAND INTERCHANGE 230KV CKT 1'
18WP		0 G12_019	'DAWN SUB - Panda Energy Substation Hereford 115KV CKT 1'	TO->FROM	0.06976	106	108.1047	'BUFFALO 230.00 - DEAF SMITH COUNTY INTERCHANGE 230KV CKT 1'
18WP		0 G12_019	'DAWN SUB - Panda Energy Substation Hereford 115KV CKT 1'	TO->FROM	0.06976	106	106.2539	'BUFFALO 230.00 - DEAF SMITH COUNTY INTERCHANGE 230KV CKT 1'
13G		0 G12_019	'DEAF SMITH COUNTY INTERCHANGE - Panda Energy Substation Hereford 115KV CKT 1'	FROM->TO	0.08466	96	109.3593	'BUFFALO 230.00 - BUSHLAND INTERCHANGE 230KV CKT 1'
13SP		0 G12_019	'DEAF SMITH COUNTY INTERCHANGE - Panda Energy Substation Hereford 115KV CKT 1'	FROM->TO	0.07013	106	113.5568	'BUFFALO 230.00 - BUSHLAND INTERCHANGE 230KV CKT 1'
13SP		0 G12_019	'DEAF SMITH COUNTY INTERCHANGE - Panda Energy Substation Hereford 115KV CKT 1'	FROM->TO	0.07013	106	111.6955	'BUFFALO 230.00 - BUSHLAND INTERCHANGE 230KV CKT 1'
13SP		0 G12_019	'DEAF SMITH COUNTY INTERCHANGE - Panda Energy Substation Hereford 115KV CKT 1'	FROM->TO	0.07013	106	109.2172	'BUFFALO 230.00 - DEAF SMITH COUNTY INTERCHANGE 230KV CKT 1'
13SP		0 G12_019	'DEAF SMITH COUNTY INTERCHANGE - Panda Energy Substation Hereford 115KV CKT 1'	FROM->TO	0.07013	106	107.3559	'BUFFALO 230.00 - DEAF SMITH COUNTY INTERCHANGE 230KV CKT 1'
13WP		0 G12_019	'DEAF SMITH COUNTY INTERCHANGE - Panda Energy Substation Hereford 115KV CKT 1'	FROM->TO	0.08335	106	128.6068	'BUFFALO 230.00 - BUSHLAND INTERCHANGE 230KV CKT 1'
13WP		2 G12_019	'DEAF SMITH COUNTY INTERCHANGE - Panda Energy Substation Hereford 115KV CKT 1'	FROM->TO	0.06037	106	100.5569	'BUFFALO 230.00 - BUSHLAND INTERCHANGE 230KV CKT 1'
13WP		3 G12_019	'DEAF SMITH COUNTY INTERCHANGE - Panda Energy Substation Hereford 115KV CKT 1'	FROM->TO	0.06059	106	101.1566	'BUFFALO 230.00 - BUSHLAND INTERCHANGE 230KV CKT 1'
13WP		0 G12_019	'DEAF SMITH COUNTY INTERCHANGE - Panda Energy Substation Hereford 115KV CKT 1'	FROM->TO	0.08335	106	126.4061	'BUFFALO 230.00 - BUSHLAND INTERCHANGE 230KV CKT 1'
13WP		4 G12_019	'DEAF SMITH COUNTY INTERCHANGE - Panda Energy Substation Hereford 115KV CKT 1'	FROM->TO	0.06086	106	101.5193	'BUFFALO 230.00 - BUSHLAND INTERCHANGE 230KV CKT 1'
13WP		5 G12_019	'DEAF SMITH COUNTY INTERCHANGE - Panda Energy Substation Hereford 115KV CKT 1'	FROM->TO	0.06086	106	101.5193	'BUFFALO 230.00 - BUSHLAND INTERCHANGE 230KV CKT 1'
13WP		0 G12_019	'DEAF SMITH COUNTY INTERCHANGE - Panda Energy Substation Hereford 115KV CKT 1'	FROM->TO	0.08335	106	123.6068	'BUFFALO 230.00 - DEAF SMITH COUNTY INTERCHANGE 230KV CKT 1'
13WP		0 G12_019	'DEAF SMITH COUNTY INTERCHANGE - Panda Energy Substation Hereford 115KV CKT 1'	FROM->TO	0.08335	106	121.4061	'BUFFALO 230.00 - DEAF SMITH COUNTY INTERCHANGE 230KV CKT 1'
18SP		0 G12_019	'DEAF SMITH COUNTY INTERCHANGE - Panda Energy Substation Hereford 115KV CKT 1'	FROM->TO	0.06985	95.5	114.1186	'BUFFALO 230.00 - BUSHLAND INTERCHANGE 230KV CKT 1'
18SP		0 G12_019	'DEAF SMITH COUNTY INTERCHANGE - Panda Energy Substation Hereford 115KV CKT 1'	FROM->TO	0.06985	95.5	112.0614	'BUFFALO 230.00 - BUSHLAND INTERCHANGE 230KV CKT 1'
18SP		0 G12_019	'DEAF SMITH COUNTY INTERCHANGE - Panda Energy Substation Hereford 115KV CKT 1'	FROM->TO	0.06985	95.5	109.3018	'BUFFALO 230.00 - DEAF SMITH COUNTY INTERCHANGE 230KV CKT 1'
18SP		0 G12_019	'DEAF SMITH COUNTY INTERCHANGE - Panda Energy Substation Hereford 115KV CKT 1'	FROM->TO	0.06985	95.5	107.2447	'BUFFALO 230.00 - DEAF SMITH COUNTY INTERCHANGE 230KV CKT 1'
18WP		0 G12_019	'DEAF SMITH COUNTY INTERCHANGE - Panda Energy Substation Hereford 115KV CKT 1'	FROM->TO	0.06976	106	117.2557	'BUFFALO 230.00 - BUSHLAND INTERCHANGE 230KV CKT 1'
18WP		0 G12_019	'DEAF SMITH COUNTY INTERCHANGE - Panda Energy Substation Hereford 115KV CKT 1'	FROM->TO	0.06976	106	115.4048	'BUFFALO 230.00 - BUSHLAND INTERCHANGE 230KV CKT 1'
18WP		0 G12_019	'DEAF SMITH COUNTY INTERCHANGE - Panda Energy Substation Hereford 115KV CKT 1'	FROM->TO	0.06976	106	112.916	'BUFFALO 230.00 - DEAF SMITH COUNTY INTERCHANGE 230KV CKT 1'
18WP		0 G12_019	'DEAF SMITH COUNTY INTERCHANGE - Panda Energy Substation Hereford 115KV CKT 1'	FROM->TO	0.06976	106	111.0652	'BUFFALO 230.00 - DEAF SMITH COUNTY INTERCHANGE 230KV CKT 1'
13SP		0 G12_019	'DEAF SMITH COUNTY INTERCHANGE - PLANT X STATION 230KV CKT 1'	TO->FROM	0.18066	361	111.7582	'LAWTON EASTSIDE - OKLAUNION 345KV CKT 1'
13SP		2 G12_019	'DEAF SMITH COUNTY INTERCHANGE - PLANT X STATION 230KV CKT 1'	TO->FROM	0.15035	361	102.8223	'LAWTON EASTSIDE - OKLAUNION 345KV CKT 1'
13SP		3 G12_019	'DEAF SMITH COUNTY INTERCHANGE - PLANT X STATION 230KV CKT 1'	TO->FROM	0.15185	361	104.0906	'LAWTON EASTSIDE - OKLAUNION 345KV CKT 1'
13SP		0 G12_019	'DEAF SMITH COUNTY INTERCHANGE - PLANT X STATION 230KV CKT 1'	TO->FROM	0.18066	361	110.3393	'LAWTON EASTSIDE - OKLAUNION 345KV CKT 1'

Season	Scenario	Source	MontCommonName	Direction	TDF	Rating	Contingency		Contname
							Loading %		
13WP		5 G12_019	'ELK CITY 230KV (ELKCTY-6) 230/138/13.8KV TRANSFORMER CKT 1'	FROM->TO	0.091	286.8	113.702		'OKLAUNION - TUCO INTERCHANGE 345KV CKT 1'
13WP		5 G12_019	'ELK CITY 230KV (ELKCTY-6) 230/138/13.8KV TRANSFORMER CKT 1'	FROM->TO	0.091	287	113.6576		'OKLAUNION - TUCO INTERCHANGE 345KV CKT 1'
13WP		0 G12_019	'ELK CITY 230KV (ELKCTY-6) 230/138/13.8KV TRANSFORMER CKT 1'	FROM->TO	0.09038	286.7	103.3613		'POTTER COUNTY INTERCHANGE (WAUK 90343-A) 345/230/13.2KV TRANSFORMER CKT 1'
13WP		0 G12_019	'ELK CITY 230KV (ELKCTY-6) 230/138/13.8KV TRANSFORMER CKT 1'	FROM->TO	0.09038	287	103.2881		'POTTER COUNTY INTERCHANGE (WAUK 90343-A) 345/230/13.2KV TRANSFORMER CKT 1'
13WP		0 G12_019	'ELK CITY 230KV (ELKCTY-6) 230/138/13.8KV TRANSFORMER CKT 1'	FROM->TO	0.09038	286.7	102.4472		'POTTER COUNTY INTERCHANGE (WAUK 90343-A) 345/230/13.2KV TRANSFORMER CKT 1'
13WP		0 G12_019	'ELK CITY 230KV (ELKCTY-6) 230/138/13.8KV TRANSFORMER CKT 1'	FROM->TO	0.09038	287	102.375		'POTTER COUNTY INTERCHANGE (WAUK 90343-A) 345/230/13.2KV TRANSFORMER CKT 1'
13WP		0 G12_019	'ELK CITY 230KV (ELKCTY-6) 230/138/13.8KV TRANSFORMER CKT 1'	FROM->TO	0.09941	286.7	118.2869		'SPP-SWPS-01'
13WP		0 G12_019	'ELK CITY 230KV (ELKCTY-6) 230/138/13.8KV TRANSFORMER CKT 1'	FROM->TO	0.09941	287	118.1981		'SPP-SWPS-01'
13WP		2 G12_019	'ELK CITY 230KV (ELKCTY-6) 230/138/13.8KV TRANSFORMER CKT 1'	FROM->TO	0.09057	286.8	114.7843		'SPP-SWPS-01'
13WP		2 G12_019	'ELK CITY 230KV (ELKCTY-6) 230/138/13.8KV TRANSFORMER CKT 1'	FROM->TO	0.09057	287	114.7391		'SPP-SWPS-01'
13WP		3 G12_019	'ELK CITY 230KV (ELKCTY-6) 230/138/13.8KV TRANSFORMER CKT 1'	FROM->TO	0.09069	286.8	114.8692		'SPP-SWPS-01'
13WP		3 G12_019	'ELK CITY 230KV (ELKCTY-6) 230/138/13.8KV TRANSFORMER CKT 1'	FROM->TO	0.09069	287	114.824		'SPP-SWPS-01'
13WP		0 G12_019	'ELK CITY 230KV (ELKCTY-6) 230/138/13.8KV TRANSFORMER CKT 1'	FROM->TO	0.09941	286.7	117.2592		'SPP-SWPS-01'
13WP		0 G12_019	'ELK CITY 230KV (ELKCTY-6) 230/138/13.8KV TRANSFORMER CKT 1'	FROM->TO	0.09941	287	117.1715		'SPP-SWPS-01'
13WP		2 G12_019	'ELK CITY 230KV (ELKCTY-6) 230/138/13.8KV TRANSFORMER CKT 1'	FROM->TO	0.09057	286.8	113.8146		'SPP-SWPS-01'
13WP		2 G12_019	'ELK CITY 230KV (ELKCTY-6) 230/138/13.8KV TRANSFORMER CKT 1'	FROM->TO	0.09057	287	113.7701		'SPP-SWPS-01'
13WP		3 G12_019	'ELK CITY 230KV (ELKCTY-6) 230/138/13.8KV TRANSFORMER CKT 1'	FROM->TO	0.09069	286.8	113.8945		'SPP-SWPS-01'
13WP		3 G12_019	'ELK CITY 230KV (ELKCTY-6) 230/138/13.8KV TRANSFORMER CKT 1'	FROM->TO	0.09069	287	113.85		'SPP-SWPS-01'
13WP		4 G12_019	'ELK CITY 230KV (ELKCTY-6) 230/138/13.8KV TRANSFORMER CKT 1'	FROM->TO	0.09083	286.8	114.6537		'SPP-SWPS-01'
13WP		4 G12_019	'ELK CITY 230KV (ELKCTY-6) 230/138/13.8KV TRANSFORMER CKT 1'	FROM->TO	0.09083	287	114.6086		'SPP-SWPS-01'
13WP		5 G12_019	'ELK CITY 230KV (ELKCTY-6) 230/138/13.8KV TRANSFORMER CKT 1'	FROM->TO	0.09083	286.8	114.6537		'SPP-SWPS-01'
13WP		5 G12_019	'ELK CITY 230KV (ELKCTY-6) 230/138/13.8KV TRANSFORMER CKT 1'	FROM->TO	0.09083	287	114.6086		'SPP-SWPS-01'
13WP		4 G12_019	'ELK CITY 230KV (ELKCTY-6) 230/138/13.8KV TRANSFORMER CKT 1'	FROM->TO	0.09083	286.8	113.6817		'SPP-SWPS-01'
13WP		4 G12_019	'ELK CITY 230KV (ELKCTY-6) 230/138/13.8KV TRANSFORMER CKT 1'	FROM->TO	0.09083	287	113.6373		'SPP-SWPS-01'
13WP		5 G12_019	'ELK CITY 230KV (ELKCTY-6) 230/138/13.8KV TRANSFORMER CKT 1'	FROM->TO	0.09083	286.8	113.6817		'SPP-SWPS-01'
13WP		5 G12_019	'ELK CITY 230KV (ELKCTY-6) 230/138/13.8KV TRANSFORMER CKT 1'	FROM->TO	0.09083	287	113.6373		'SPP-SWPS-01'
13G		0 G12_019	'FPL SWITCH - MOORELAND 138KV CKT 1'	FROM->TO	0.03013	261.7	106.4574		'ELK CITY 230KV - SWEETWT6 230.00 230KV CKT 1'
13G		0 G12_019	'FPL SWITCH - MOORELAND 138KV CKT 1'	FROM->TO	0.03013	261.7	106.4574		'ELK CITY 230KV (ELKCTY-6) 230/138/13.8KV TRANSFORMER CKT 1'
13G		0 G12_019	'FPL SWITCH - MOORELAND 138KV CKT 1'	FROM->TO	0.03013	261.7	104.2411		'GRAPEVINE INTERCHANGE - STATELINE INTERCHANGE 230KV CKT 1'
13G		0 G12_019	'FPL SWITCH - MOORELAND 138KV CKT 1'	FROM->TO	0.03038	261.7	106.8911		'LAWTON EASTSIDE - OKLAUNION 345KV CKT 1'
13G		2 G12_019	'FPL SWITCH - MOORELAND 138KV CKT 1'	FROM->TO	0.03249	261.8	106.8972		'LAWTON EASTSIDE - OKLAUNION 345KV CKT 1'
13G		3 G12_019	'FPL SWITCH - MOORELAND 138KV CKT 1'	FROM->TO	0.03244	261.8	106.8959		'LAWTON EASTSIDE - OKLAUNION 345KV CKT 1'
13G		4 G12_019	'FPL SWITCH - MOORELAND 138KV CKT 1'	FROM->TO	0.03241	261.9	106.2596		'LAWTON EASTSIDE - OKLAUNION 345KV CKT 1'
13G		5 G12_019	'FPL SWITCH - MOORELAND 138KV CKT 1'	FROM->TO	0.03241	261.9	106.2596		'LAWTON EASTSIDE - OKLAUNION 345KV CKT 1'
13G		0 G12_019	'FPL SWITCH - MOORELAND 138KV CKT 1'	FROM->TO	0.03038	261.7	102.3057		'OKLAUNION - TUCO INTERCHANGE 345KV CKT 1'
13G		2 G12_019	'FPL SWITCH - MOORELAND 138KV CKT 1'	FROM->TO	0.03249	261.8	102.3518		'OKLAUNION - TUCO INTERCHANGE 345KV CKT 1'
13G		3 G12_019	'FPL SWITCH - MOORELAND 138KV CKT 1'	FROM->TO	0.03244	261.8	102.3505		'OKLAUNION - TUCO INTERCHANGE 345KV CKT 1'
13G		4 G12_019	'FPL SWITCH - MOORELAND 138KV CKT 1'	FROM->TO	0.03241	261.9	101.7159		'OKLAUNION - TUCO INTERCHANGE 345KV CKT 1'
13G		5 G12_019	'FPL SWITCH - MOORELAND 138KV CKT 1'	FROM->TO	0.03241	261.9	101.7159		'OKLAUNION - TUCO INTERCHANGE 345KV CKT 1'
13G		2 G12_019	'FPL SWITCH - MOORELAND 138KV CKT 1'	FROM->TO	0.03255	261.8	102.5166		'SPP-SWPS-01'
13G		3 G12_019	'FPL SWITCH - MOORELAND 138KV CKT 1'	FROM->TO	0.03251	261.8	102.514		'SPP-SWPS-01'
13G		4 G12_019	'FPL SWITCH - MOORELAND 138KV CKT 1'	FROM->TO	0.03246	261.9	101.8793		'SPP-SWPS-01'
13G		5 G12_019	'FPL SWITCH - MOORELAND 138KV CKT 1'	FROM->TO	0.03246	261.9	101.8793		'SPP-SWPS-01'
13G		0 G12_019	'FPL SWITCH - MOORELAND 138KV CKT 1'	FROM->TO	0.03013	261.7	105.3492		'SPP-SWPS-02a'
13G		0 G12_019	'FPL SWITCH - MOORELAND 138KV CKT 1'	FROM->TO	0.0303	261.7	104.5903		'SPP-SWPS-03'
13G		0 G12_019	'FPL SWITCH - WOODWARD 138KV CKT 1'	TO->FROM	0.03013	123.1	136.7172		'ELK CITY 230KV - SWEETWT6 230.00 230KV CKT 1'
13G		0 G12_019	'FPL SWITCH - WOODWARD 138KV CKT 1'	TO->FROM	0.03013	123.1	136.7172		'ELK CITY 230KV (ELKCTY-6) 230/138/13.8KV TRANSFORMER CKT 1'
13G		0 G12_019	'FPL SWITCH - WOODWARD 138KV CKT 1'	TO->FROM	0.03417	135.3	158.4984		'G11_051T 345.00 - TATONGA7 345.00 345KV CKT 1'
13G		2 G12_019	'FPL SWITCH - WOODWARD 138KV CKT 1'	TO->FROM	0.03402	135.2	158.4476		'G11_051T 345.00 - TATONGA7 345.00 345KV CKT 1'
13G		3 G12_019	'FPL SWITCH - WOODWARD 138KV CKT 1'	TO->FROM	0.03402	135.2	158.4476		'G11_051T 345.00 - TATONGA7 345.00 345KV CKT 1'
13G		4 G12_019	'FPL SWITCH - WOODWARD 138KV CKT 1'	TO->FROM	0.03404	135.3	157.819		'G11_051T 345.00 - TATONGA7 345.00 345KV CKT 1'
13G		5 G12_019	'FPL SWITCH - WOODWARD 138KV CKT 1'	TO->FROM	0.03404	135.3	157.819		'G11_051T 345.00 - TATONGA7 345.00 345KV CKT 1'
13G		0 G12_019	'FPL SWITCH - WOODWARD 138KV CKT 1'	TO->FROM	0.03417	135.3	156.8724		'G11_051T 345.00 - WWRDEHV7 345.00 345KV CKT 1'
13G		2 G12_019	'FPL SWITCH - WOODWARD 138KV CKT 1'	TO->FROM	0.03402	135.2	156.7464		'G11_051T 345.00 - WWRDEHV7 345.00 345KV CKT 1'
13G		3 G12_019	'FPL SWITCH - WOODWARD 138KV CKT 1'	TO->FROM	0.03402	135.2	156.7464		'G11_051T 345.00 - WWRDEHV7 345.00 345KV CKT 1'
13G		4 G12_019	'FPL SWITCH - WOODWARD 138KV CKT 1'	TO->FROM	0.03404	135.3	156.193		'G11_051T 345.00 - WWRDEHV7 345.00 345KV CKT 1'
13G		5 G12_019	'FPL SWITCH - WOODWARD 138KV CKT 1'	TO->FROM	0.03404	135.3	156.193		'G11_051T 345.00 - WWRDEHV7 345.00 345KV CKT 1'
13G		0 G12_019	'FPL SWITCH - WOODWARD 138KV CKT 1'	TO->FROM	0.03013	123.1	132.0056		'GRAPEVINE INTERCHANGE - STATELINE INTERCHANGE 230KV CKT 1'
13G		0 G12_019	'FPL SWITCH - WOODWARD 138KV CKT 1'	TO->FROM	0.03038	123.1	137.6394		'LAWTON EASTSIDE - OKLAUNION 345KV CKT 1'
13G		2 G12_019	'FPL SWITCH - WOODWARD 138KV CKT 1'	TO->FROM	0.03249	123.2	137.6274		'LAWTON EASTSIDE - OKLAUNION 345KV CKT 1'
13G		3 G12_019	'FPL SWITCH - WOODWARD 138KV CKT 1'	TO->FROM	0.03244	123.2	137.6246		'LAWTON EASTSIDE - OKLAUNION 345KV CKT 1'
13G		0 G12_019	'FPL SWITCH - WOODWARD 138KV CKT 1'	TO->FROM	0.03014	135.3	130.6078		'LAWTON EASTSIDE - OKLAUNION 345KV CKT 1'
13G		2 G12_019	'FPL SWITCH - WOODWARD 138KV CKT 1'	TO->FROM	0.03228	135.2	132.6132		'LAWTON EASTSIDE - OKLAUNION 345KV CKT 1'
13G		3 G12_019	'FPL SWITCH - WOODWARD 138KV CKT 1'	TO->FROM	0.03224	135.2	132.5897		'LAWTON EASTSIDE - OKLAUNION 345KV CKT 1'
13G		4 G12_019	'FPL SWITCH - WOODWARD 138KV CKT 1'	TO->FROM	0.03241	123.1	136.3882		'LAWTON EASTSIDE - OKLAUNION 345KV CKT 1'
13G		5 G12_019	'FPL SWITCH - WOODWARD 138KV CKT 1'	TO->FROM	0.03241	123.1	136.3882		'LAWTON EASTSIDE - OKLAUNION 345KV CKT 1'
13G		4 G12_019	'FPL SWITCH - WOODWARD 138KV CKT 1'	TO->FROM	0.0322	135.3	131.5074		'LAWTON EASTSIDE - OKLAUNION 345KV CKT 1'
13G		5 G12_019	'FPL SWITCH - WOODWARD 138KV CKT 1'	TO->FROM	0.0322	135.3	131.5074		'LAWTON EASTSIDE - OKLAUNION 345KV CKT 1'
13G		0 G12_019	'FPL SWITCH - WOODWARD 138KV CKT 1'	TO->FROM	0.03038	123.1	127.8912		'OKLAUNION - TUCO INTERCHANGE 345KV CKT 1'
13G		2 G12_019	'FPL SWITCH - WOODWARD 138KV CKT 1'	TO->FROM	0.03249	123.2	127.9683		'OKLAUNION - TUCO INTERCHANGE 345KV CKT 1'
13G		3 G12_019	'FPL SWITCH - WOODWARD 138KV CKT 1'	TO->FROM	0.03244	123.2	127.9655		'OKLAUNION - TUCO INTERCHANGE 345KV CKT 1'
13G		0 G12_019	'FPL SWITCH - WOODWARD 138KV CKT 1'	TO->FROM	0.03014	135.3	121.6647		'OKLAUNION - TUCO INTERCHANGE 345KV CKT 1'
13G		2 G12_019	'FPL SWITCH - WOODWARD 138KV CKT 1'	TO->FROM	0.03228	135.2	123.8115		'OKLAUNION - TUCO INTERCHANGE 345KV CKT 1'
13G		3 G12_019	'FPL SWITCH - WOODWARD 138KV CKT 1'	TO->FROM	0.03224	135.2	123.7879		'OKLAUNION - TUCO INTERCHANGE 345KV CKT 1'

Season	Scenario	Source	MontCommonName	Direction	TDF	Rating	Contingency		Contname
							Loading %		
18WP		2	G12_019	'GRAPEVINE INTERCHANGE - STATELINE INTERCHANGE 230KV CKT 1'	FROM->TO	0.09923	356.2	104.6929	'LAWTON EASTSIDE - OKLAUNION 345KV CKT 1'
18WP		3	G12_019	'GRAPEVINE INTERCHANGE - STATELINE INTERCHANGE 230KV CKT 1'	FROM->TO	0.09936	356.2	104.7853	'LAWTON EASTSIDE - OKLAUNION 345KV CKT 1'
18WP		4	G12_019	'GRAPEVINE INTERCHANGE - STATELINE INTERCHANGE 230KV CKT 1'	FROM->TO	0.09945	356.2	105.566	'LAWTON EASTSIDE - OKLAUNION 345KV CKT 1'
18WP		5	G12_019	'GRAPEVINE INTERCHANGE - STATELINE INTERCHANGE 230KV CKT 1'	FROM->TO	0.09945	356.2	105.566	'LAWTON EASTSIDE - OKLAUNION 345KV CKT 1'
18WP		4	G12_019	'GRAPEVINE INTERCHANGE - STATELINE INTERCHANGE 230KV CKT 1'	FROM->TO	0.09945	356.2	104.7178	'LAWTON EASTSIDE - OKLAUNION 345KV CKT 1'
18WP		5	G12_019	'GRAPEVINE INTERCHANGE - STATELINE INTERCHANGE 230KV CKT 1'	FROM->TO	0.09945	356.2	104.7178	'LAWTON EASTSIDE - OKLAUNION 345KV CKT 1'
13WP		0	G12_019	'JONES STATION - TUCO INTERCHANGE 230KV CKT 1'	FROM->TO	0.18586	353.5	111.2229	'TOLK STATION EAST - TUCO INTERCHANGE 230KV CKT 1'
13WP		0	G12_019	'JONES STATION - TUCO INTERCHANGE 230KV CKT 1'	FROM->TO	0.18586	353.5	109.3874	'TOLK STATION EAST - TUCO INTERCHANGE 230KV CKT 1'
18WP		0	G12_019	'JONES STATION - TUCO INTERCHANGE 230KV CKT 1'	FROM->TO	0.15751	351.7	100.5938	'G-12-043-TAP345.00 - TOLK STATION 345KV CKT 1'
18WP		0	G12_019	'JONES STATION - TUCO INTERCHANGE 230KV CKT 1'	FROM->TO	0.15751	351.7	100.5938	'TOLK STATION (ABBXL844501) 345/230/13.2KV TRANSFORMER CKT 1'
18WP		0	G12_019	'JONES STATION - TUCO INTERCHANGE 230KV CKT 1'	FROM->TO	0.14925	351.7	105.9591	'TOLK STATION EAST - TUCO INTERCHANGE 230KV CKT 1'
18WP		0	G12_019	'JONES STATION - TUCO INTERCHANGE 230KV CKT 1'	FROM->TO	0.14925	351.7	104.393	'TOLK STATION EAST - TUCO INTERCHANGE 230KV CKT 1'
18WP		0	G12_019	'KRESS INTERCHANGE - TULIA TAP 115KV CKT 1'	FROM->TO	0.04354	105.9	104.5571	'LAWTON EASTSIDE - OKLAUNION 345KV CKT 1'
18WP		2	G12_019	'KRESS INTERCHANGE - TULIA TAP 115KV CKT 1'	FROM->TO	0.04375	105.9	104.6853	'LAWTON EASTSIDE - OKLAUNION 345KV CKT 1'
18WP		3	G12_019	'KRESS INTERCHANGE - TULIA TAP 115KV CKT 1'	FROM->TO	0.0437	105.9	104.5328	'LAWTON EASTSIDE - OKLAUNION 345KV CKT 1'
18WP		0	G12_019	'KRESS INTERCHANGE - TULIA TAP 115KV CKT 1'	FROM->TO	0.04354	105.9	103.2889	'LAWTON EASTSIDE - OKLAUNION 345KV CKT 1'
18WP		2	G12_019	'KRESS INTERCHANGE - TULIA TAP 115KV CKT 1'	FROM->TO	0.04375	105.9	103.4106	'LAWTON EASTSIDE - OKLAUNION 345KV CKT 1'
18WP		3	G12_019	'KRESS INTERCHANGE - TULIA TAP 115KV CKT 1'	FROM->TO	0.0437	105.9	103.2692	'LAWTON EASTSIDE - OKLAUNION 345KV CKT 1'
18WP		4	G12_019	'KRESS INTERCHANGE - TULIA TAP 115KV CKT 1'	FROM->TO	0.04373	105.9	104.5522	'LAWTON EASTSIDE - OKLAUNION 345KV CKT 1'
18WP		5	G12_019	'KRESS INTERCHANGE - TULIA TAP 115KV CKT 1'	FROM->TO	0.04373	105.9	104.5522	'LAWTON EASTSIDE - OKLAUNION 345KV CKT 1'
18WP		4	G12_019	'KRESS INTERCHANGE - TULIA TAP 115KV CKT 1'	FROM->TO	0.04373	105.9	103.288	'LAWTON EASTSIDE - OKLAUNION 345KV CKT 1'
18WP		5	G12_019	'KRESS INTERCHANGE - TULIA TAP 115KV CKT 1'	FROM->TO	0.04373	105.9	103.288	'LAWTON EASTSIDE - OKLAUNION 345KV CKT 1'
13G		0	G12_019	'LP-DOUD_TP 3115.00 - SP-WOLF_TP 3115.00 115KV CKT 1'	TO->FROM	0.12113	172.5	103.6663	'LUBBOCK SOUTH INTERCHANGE - WOLFFORTH INTERCHANGE 230KV CKT 1'
18SP		0	G12_019	'LUBBOCK SOUTH INTERCHANGE (ABB LLM60043) 230/115/13.2KV TRANSFORMER CKT 1'	FROM->TO	0.03763	236.6	102.0982	'JONES STATION - TUCO INTERCHANGE 230KV CKT 1'
18SP		0	G12_019	'LUBBOCK SOUTH INTERCHANGE (ABB LLM60043) 230/115/13.2KV TRANSFORMER CKT 1'	FROM->TO	0.03763	236.6	101.4301	'JONES STATION - TUCO INTERCHANGE 230KV CKT 1'
13SP		0	G12_019	'NEWHART 6230.00 - PLANT X STATION 230KV CKT 1'	TO->FROM	0.1937	328.6	102.3462	'BASE CASE'
13SP		0	G12_019	'NEWHART 6230.00 - PLANT X STATION 230KV CKT 1'	TO->FROM	0.1937	328.6	100.7797	'BASE CASE'
18SP		0	G12_019	'NEWHART 6230.00 - PLANT X STATION 230KV CKT 1'	TO->FROM	0.19337	318.9	124.4469	'BASE CASE'
18SP		0	G12_019	'NEWHART 6230.00 - PLANT X STATION 230KV CKT 1'	TO->FROM	0.19337	318.9	122.836	'BASE CASE'
18SP		0	G12_019	'NEWHART 6230.00 - PLANT X STATION 230KV CKT 1'	TO->FROM	0.19337	350.9	119.4532	'Central Valley REC-12 Mile Hill - EDDY COUNTY INTERCHANGE 115KV CKT 1'
18SP		0	G12_019	'NEWHART 6230.00 - PLANT X STATION 230KV CKT 1'	TO->FROM	0.19337	350.9	117.9892	'Central Valley REC-12 Mile Hill - EDDY COUNTY INTERCHANGE 115KV CKT 1'
18WP		0	G12_019	'NEWHART 6230.00 - PLANT X STATION 230KV CKT 1'	TO->FROM	0.19276	328.6	103.6932	'BASE CASE'
18WP		0	G12_019	'NEWHART 6230.00 - PLANT X STATION 230KV CKT 1'	TO->FROM	0.19276	328.6	102.1354	'BASE CASE'
18WP		0	G12_019	'NEWHART 6230.00 - PLANT X STATION 230KV CKT 1'	TO->FROM	0.19276	360.7	100.6476	'Central Valley REC-12 Mile Hill - EDDY COUNTY INTERCHANGE 115KV CKT 1'
18WP		0	G12_019	'NEWHART 6230.00 - PLANT X STATION 230KV CKT 1'	TO->FROM	0.19432	360.7	101.4764	'SWISHER COUNTY INTERCHANGE - TUCO INTERCHANGE 230KV CKT 1'
13G		0	G12_019	'PLANT X STATION (WH ALM20171) 230/115/13.2KV TRANSFORMER CKT 1'	FROM->TO	0.06393	238.1	102.013	'CARGILL SUB - FRIONA SUB 115KV CKT 1'
13G		0	G12_019	'PLANT X STATION (WH ALM20171) 230/115/13.2KV TRANSFORMER CKT 1'	FROM->TO	0.06393	239	101.4615	'CARGILL SUB - FRIONA SUB 115KV CKT 1'
13G		0	G12_019	'PLANT X STATION (WH ALM20171) 230/115/13.2KV TRANSFORMER CKT 1'	FROM->TO	0.06393	238.1	102.517	'CARGILL SUB - PARMER COUNTY SUB 115KV CKT 1'
13G		0	G12_019	'PLANT X STATION (WH ALM20171) 230/115/13.2KV TRANSFORMER CKT 1'	FROM->TO	0.06393	239	101.9217	'CARGILL SUB - PARMER COUNTY SUB 115KV CKT 1'
13G		0	G12_019	'PLANT X STATION (WH ALM20171) 230/115/13.2KV TRANSFORMER CKT 1'	FROM->TO	0.0745	238.1	106.4996	'CHAVESCO 345.00 - EDDY COUNTY INTERCHANGE 345KV CKT 1'
13G		0	G12_019	'PLANT X STATION (WH ALM20171) 230/115/13.2KV TRANSFORMER CKT 1'	FROM->TO	0.0745	239	105.9312	'CHAVESCO 345.00 - EDDY COUNTY INTERCHANGE 345KV CKT 1'
13G		0	G12_019	'PLANT X STATION (WH ALM20171) 230/115/13.2KV TRANSFORMER CKT 1'	FROM->TO	0.06393	238.1	103.609	'CURRY COUNTY INTERCHANGE - DEAF SMITH REC-#20 115KV CKT 1'
13G		0	G12_019	'PLANT X STATION (WH ALM20171) 230/115/13.2KV TRANSFORMER CKT 1'	FROM->TO	0.06393	239	103.0514	'CURRY COUNTY INTERCHANGE - DEAF SMITH REC-#20 115KV CKT 1'
13G		0	G12_019	'PLANT X STATION (WH ALM20171) 230/115/13.2KV TRANSFORMER CKT 1'	FROM->TO	0.09288	238.1	121.9773	'DEAF SMITH COUNTY INTERCHANGE - PLANT X STATION 230KV CKT 1'
13G		0	G12_019	'PLANT X STATION (WH ALM20171) 230/115/13.2KV TRANSFORMER CKT 1'	FROM->TO	0.09288	239	121.3506	'DEAF SMITH COUNTY INTERCHANGE - PLANT X STATION 230KV CKT 1'
13G		0	G12_019	'PLANT X STATION (WH ALM20171) 230/115/13.2KV TRANSFORMER CKT 1'	FROM->TO	0.06393	238.1	103.105	'DEAF SMITH REC-#20 - DS-#24 3115.00 115KV CKT 1'
13G		0	G12_019	'PLANT X STATION (WH ALM20171) 230/115/13.2KV TRANSFORMER CKT 1'	FROM->TO	0.06393	239	102.5493	'DEAF SMITH REC-#20 - DS-#24 3115.00 115KV CKT 1'
13G		0	G12_019	'PLANT X STATION (WH ALM20171) 230/115/13.2KV TRANSFORMER CKT 1'	FROM->TO	0.06393	238.1	102.727	'DS-#24 3115.00 - PARMER COUNTY SUB 115KV CKT 1'
13G		0	G12_019	'PLANT X STATION (WH ALM20171) 230/115/13.2KV TRANSFORMER CKT 1'	FROM->TO	0.06393	239	102.131	'DS-#24 3115.00 - PARMER COUNTY SUB 115KV CKT 1'
13G		0	G12_019	'PLANT X STATION (WH ALM20171) 230/115/13.2KV TRANSFORMER CKT 1'	FROM->TO	0.06959	238.1	105.4751	'EDDY COUNTY INTERCHANGE - EDDY NORTH 6230.00 230KV CKT 1'
13G		0	G12_019	'PLANT X STATION (WH ALM20171) 230/115/13.2KV TRANSFORMER CKT 1'	FROM->TO	0.06959	239	104.9105	'EDDY COUNTY INTERCHANGE - EDDY NORTH 6230.00 230KV CKT 1'
13G		0	G12_019	'PLANT X STATION (WH ALM20171) 230/115/13.2KV TRANSFORMER CKT 1'	FROM->TO	0.0745	238.1	106.4996	'EDDY COUNTY INTERCHANGE (ABB AEM30711) 345/230/13.2KV TRANSFORMER CKT 1'
13G		0	G12_019	'PLANT X STATION (WH ALM20171) 230/115/13.2KV TRANSFORMER CKT 1'	FROM->TO	0.0745	239	105.8893	'EDDY COUNTY INTERCHANGE (ABB AEM30711) 345/230/13.2KV TRANSFORMER CKT 1'
13G		0	G12_019	'PLANT X STATION (WH ALM20171) 230/115/13.2KV TRANSFORMER CKT 1'	FROM->TO	0.06131	238.1	101.7362	'G12_001T 230.00 - GRASSLAND INTERCHANGE 230KV CKT 1'
13G		0	G12_019	'PLANT X STATION (WH ALM20171) 230/115/13.2KV TRANSFORMER CKT 1'	FROM->TO	0.06131	239	101.1439	'G12_001T 230.00 - GRASSLAND INTERCHANGE 230KV CKT 1'
13G		3	G12_019	'PLANT X STATION (WH ALM20171) 230/115/13.2KV TRANSFORMER CKT 1'	FROM->TO	0.06265	238.1	102.1286	'G-12-043-TAP345.00 - TUCO INTERCHANGE 345KV CKT 1'
13G		3	G12_019	'PLANT X STATION (WH ALM20171) 230/115/13.2KV TRANSFORMER CKT 1'	FROM->TO	0.06265	239	101.5767	'G-12-043-TAP345.00 - TUCO INTERCHANGE 345KV CKT 1'
13G		4	G12_019	'PLANT X STATION (WH ALM20171) 230/115/13.2KV TRANSFORMER CKT 1'	FROM->TO	0.0617	238.1	101.5536	'G-12-043-TAP345.00 - TUCO INTERCHANGE 345KV CKT 1'
13G		4	G12_019	'PLANT X STATION (WH ALM20171) 230/115/13.2KV TRANSFORMER CKT 1'	FROM->TO	0.0617	239	101.0039	'G-12-043-TAP345.00 - TUCO INTERCHANGE 345KV CKT 1'
13G		5	G12_019	'PLANT X STATION (WH ALM20171) 230/115/13.2KV TRANSFORMER CKT 1'	FROM->TO	0.0617	238.1	101.5536	'G-12-043-TAP345.00 - TUCO INTERCHANGE 345KV CKT 1'
13G		5	G12_019	'PLANT X STATION (WH ALM20171) 230/115/13.2KV TRANSFORMER CKT 1'	FROM->TO	0.0617	239	101.0039	'G-12-043-TAP345.00 - TUCO INTERCHANGE 345KV CKT 1'
13G		0	G12_019	'PLANT X STATION (WH ALM20171) 230/115/13.2KV TRANSFORMER CKT 1'	FROM->TO	0.07713	238.1	111.1731	'LAMB COUNTY INTERCHANGE - PLANT X STATION 115KV CKT 1'
13G		0	G12_019	'PLANT X STATION (WH ALM20171) 230/115/13.2KV TRANSFORMER CKT 1'	FROM->TO	0.07713	239	110.5871	'LAMB COUNTY INTERCHANGE - PLANT X STATION 115KV CKT 1'
13G		0	G12_019	'PLANT X STATION (WH ALM20171) 230/115/13.2KV TRANSFORMER CKT 1'	FROM->TO	0.06987	238.1	125.5841	'LAMB COUNTY INTERCHANGE - TOLK STATION WEST 230KV CKT 1'
13G		0	G12_019	'PLANT X STATION (WH ALM20171) 230/115/13.2KV TRANSFORMER CKT 1'	FROM->TO	0.06987	239	124.9438	'LAMB COUNTY INTERCHANGE - TOLK STATION WEST 230KV CKT 1'
13G		2	G12_019	'PLANT X STATION (WH ALM20171) 230/115/13.2KV TRANSFORMER CKT 1'	FROM->TO	0.03194	238.2	101.3737	'LAMB COUNTY INTERCHANGE - TOLK STATION WEST 230KV CKT 1'
13G		2	G12_019	'PLANT X STATION (WH ALM20171) 230/115/13.2KV TRANSFORMER CKT 1'	FROM->TO	0.03194	239	100.867	'LAMB COUNTY INTERCHANGE - TOLK STATION WEST 230KV CKT 1'
13G		3	G12_019	'PLANT X STATION (WH ALM20171) 230/115/13.2KV TRANSFORMER CKT 1'	FROM->TO	0.0332	238.1	103.055	'LAMB COUNTY INTERCHANGE - TOLK STATION WEST 230KV CKT 1'
13G		3	G12_019	'PLANT X STATION (WH ALM20171) 230/115/13.2KV TRANSFORMER CKT 1'	FROM->TO	0.0332	239	102.5414	'LAMB COUNTY INTERCHANGE - TOLK STATION WEST 230KV CKT 1'
13G		4	G12_019	'PLANT X STATION (WH ALM20171) 230/115/13.2KV TRANSFORMER CKT 1'	FROM->TO	0.03289	238.1	102.8756	'LAMB COUNTY INTERCHANGE - TOLK STATION WEST 230KV CKT 1'
13G		4	G12_019	'PLANT X STATION (WH ALM20171) 230/115/13.2KV TRANSFORMER CKT 1'	FROM->TO	0.03289	239	102.3208	'LAMB COUNTY INTERCHANGE - TOLK STATION WEST 230KV CKT 1'
13G		5	G12_019	'PLANT X STATION (WH ALM20171) 230/115/13.2KV TRANSFORMER CKT 1'	FROM->TO	0.03289	238.1	102.8756	'LAMB COUNTY INTERCHANGE - TOLK STATION WEST 230KV CKT 1'
13G		5	G12_019	'PLANT X STATION (WH ALM20171) 230/115/13.2KV TRANSFORMER CKT 1'	FROM->TO	0.03289	239	102.3208	'LAMB COUNTY INTERCHANGE - TOLK STATION WEST 230KV CKT 1'
13G		0	G12_019	'PLANT X STATION (WH ALM20171) 230/115/13.2KV TRANSFORMER CKT 1'	FROM->TO	0.06987	238.1	125.3321	'LAMB COUNTY INTERCHANGE (WH ALM20172) 230/115/13.2KV TRANSFORMER CKT 1'

Season	Scenario	Source	MontCommonName	Direction	TDF	Rating	Contingency		Contname
							Loading %		
13G		0	G12_019	'PLANT X STATION (WH ALM20171) 230/115/13.2KV TRANSFORMER CKT 1'	FROM->TO	0.06987	239	124.6927	'LAMB COUNTY INTERCHANGE (WH ALM20172) 230/115/13.2KV TRANSFORMER CKT 1'
13G		2	G12_019	'PLANT X STATION (WH ALM20171) 230/115/13.2KV TRANSFORMER CKT 1'	FROM->TO	0.03194	238.2	101.1638	'LAMB COUNTY INTERCHANGE (WH ALM20172) 230/115/13.2KV TRANSFORMER CKT 1'
13G		2	G12_019	'PLANT X STATION (WH ALM20171) 230/115/13.2KV TRANSFORMER CKT 1'	FROM->TO	0.03194	239	100.6997	'LAMB COUNTY INTERCHANGE (WH ALM20172) 230/115/13.2KV TRANSFORMER CKT 1'
13G		3	G12_019	'PLANT X STATION (WH ALM20171) 230/115/13.2KV TRANSFORMER CKT 1'	FROM->TO	0.0332	238.1	102.887	'LAMB COUNTY INTERCHANGE (WH ALM20172) 230/115/13.2KV TRANSFORMER CKT 1'
13G		3	G12_019	'PLANT X STATION (WH ALM20171) 230/115/13.2KV TRANSFORMER CKT 1'	FROM->TO	0.0332	239	102.3322	'LAMB COUNTY INTERCHANGE (WH ALM20172) 230/115/13.2KV TRANSFORMER CKT 1'
13G		4	G12_019	'PLANT X STATION (WH ALM20171) 230/115/13.2KV TRANSFORMER CKT 1'	FROM->TO	0.03289	238.1	102.7076	'LAMB COUNTY INTERCHANGE (WH ALM20172) 230/115/13.2KV TRANSFORMER CKT 1'
13G		4	G12_019	'PLANT X STATION (WH ALM20171) 230/115/13.2KV TRANSFORMER CKT 1'	FROM->TO	0.03289	239	102.1534	'LAMB COUNTY INTERCHANGE (WH ALM20172) 230/115/13.2KV TRANSFORMER CKT 1'
13G		5	G12_019	'PLANT X STATION (WH ALM20171) 230/115/13.2KV TRANSFORMER CKT 1'	FROM->TO	0.03289	238.1	102.7076	'LAMB COUNTY INTERCHANGE (WH ALM20172) 230/115/13.2KV TRANSFORMER CKT 1'
13G		5	G12_019	'PLANT X STATION (WH ALM20171) 230/115/13.2KV TRANSFORMER CKT 1'	FROM->TO	0.03289	239	102.1534	'LAMB COUNTY INTERCHANGE (WH ALM20172) 230/115/13.2KV TRANSFORMER CKT 1'
13G		0	G12_019	'PLANT X STATION (WH ALM20171) 230/115/13.2KV TRANSFORMER CKT 1'	FROM->TO	0.06643	238.1	104.0123	'LUBBOCK SOUTH INTERCHANGE - WOLFFORTH INTERCHANGE 230KV CKT 1'
13G		0	G12_019	'PLANT X STATION (WH ALM20171) 230/115/13.2KV TRANSFORMER CKT 1'	FROM->TO	0.06643	239	103.4533	'LUBBOCK SOUTH INTERCHANGE - WOLFFORTH INTERCHANGE 230KV CKT 1'
13G		0	G12_019	'PLANT X STATION (WH ALM20171) 230/115/13.2KV TRANSFORMER CKT 1'	FROM->TO	0.08036	238.1	109.5039	'PLANT X STATION - S-RANDLCO 230.00 230KV CKT 1'
13G		0	G12_019	'PLANT X STATION (WH ALM20171) 230/115/13.2KV TRANSFORMER CKT 1'	FROM->TO	0.08036	239	108.9242	'PLANT X STATION - S-RANDLCO 230.00 230KV CKT 1'
13G		0	G12_019	'PLANT X STATION (WH ALM20171) 230/115/13.2KV TRANSFORMER CKT 1'	FROM->TO	0.05962	238.1	109.4964	'PLANT X STATION - SUNDOWN INTERCHANGE 230KV CKT 1'
13G		0	G12_019	'PLANT X STATION (WH ALM20171) 230/115/13.2KV TRANSFORMER CKT 1'	FROM->TO	0.05962	239	108.9167	'PLANT X STATION - SUNDOWN INTERCHANGE 230KV CKT 1'
13G		0	G12_019	'PLANT X STATION (WH ALM20171) 230/115/13.2KV TRANSFORMER CKT 1'	FROM->TO	0.08036	238.1	112.1919	'POTTER COUNTY INTERCHANGE - S-RANDLCO 230.00 230KV CKT 1'
13G		0	G12_019	'PLANT X STATION (WH ALM20171) 230/115/13.2KV TRANSFORMER CKT 1'	FROM->TO	0.08036	239	111.5602	'POTTER COUNTY INTERCHANGE - S-RANDLCO 230.00 230KV CKT 1'
13G		0	G12_019	'PLANT X STATION (WH ALM20171) 230/115/13.2KV TRANSFORMER CKT 1'	FROM->TO	0.06964	238.1	107.2852	'SUNDOWN INTERCHANGE - WOLFFORTH INTERCHANGE 230KV CKT 1'
13G		0	G12_019	'PLANT X STATION (WH ALM20171) 230/115/13.2KV TRANSFORMER CKT 1'	FROM->TO	0.06964	239	106.7139	'SUNDOWN INTERCHANGE - WOLFFORTH INTERCHANGE 230KV CKT 1'
13G		0	G12_019	'PLANT X STATION (WH ALM20171) 230/115/13.2KV TRANSFORMER CKT 1'	FROM->TO	0.08974	238.1	126.2058	'TOLK STATION EAST - TUCO INTERCHANGE 230KV CKT 1'
13G		0	G12_019	'PLANT X STATION (WH ALM20171) 230/115/13.2KV TRANSFORMER CKT 1'	FROM->TO	0.08974	239	125.5632	'TOLK STATION EAST - TUCO INTERCHANGE 230KV CKT 1'
18SP		0	G12_019	'PLANT X STATION (WH ALM20171) 230/115/13.2KV TRANSFORMER CKT 1'	FROM->TO	0.09401	252	100.54	'NEWHART 6230.00 - PLANT X STATION 230KV CKT 1'
18SP		0	G12_019	'PLANT X STATION (WH ALM20171) 230/115/13.2KV TRANSFORMER CKT 1'	FROM->TO	0.09401	251.9	100.5005	'NEWHART 6230.00 - PLANT X STATION 230KV CKT 1'
13WP		0	G12_019	'POTTER COUNTY INTERCHANGE - S-RANDLCO 230.00 230KV CKT 1'	TO->FROM	0.18222	361	103.5678	'LAWTON EASTSIDE - OKLAUNION 345KV CKT 1'
13WP		0	G12_019	'POTTER COUNTY INTERCHANGE - S-RANDLCO 230.00 230KV CKT 1'	TO->FROM	0.18222	361	102.1331	'LAWTON EASTSIDE - OKLAUNION 345KV CKT 1'
13G		0	G12_019	'ROSWELL INTERCHANGE - TWEEDY SUB 115KV CKT 1'	FROM->TO	0.08741	159.9	101.7495	'EDDY COUNTY INTERCHANGE - EDDY NORTH 6230.00 230KV CKT 1'
13G		0	G12_019	'SP-WOLF_TP 3115.00 - YUMA INTERCHANGE 115KV CKT 1'	TO->FROM	0.12113	172.8	108.2896	'LUBBOCK SOUTH INTERCHANGE - WOLFFORTH INTERCHANGE 230KV CKT 1'
18SP		0	G12_019	'SP-WOLF_TP 3115.00 - YUMA INTERCHANGE 115KV CKT 1'	TO->FROM	0.06958	173.1	108.6277	'ALLEN SUB - LUBBOCK SOUTH INTERCHANGE 115KV CKT 1'
18SP		0	G12_019	'SP-WOLF_TP 3115.00 - YUMA INTERCHANGE 115KV CKT 1'	TO->FROM	0.06958	173.1	106.8772	'ALLEN SUB - LUBBOCK SOUTH INTERCHANGE 115KV CKT 1'
18SP		0	G12_019	'SP-WOLF_TP 3115.00 - YUMA INTERCHANGE 115KV CKT 1'	TO->FROM	0.05823	173.1	105.3003	'CARLISLE INTERCHANGE - TUCO INTERCHANGE 230KV CKT 1'
18SP		0	G12_019	'SP-WOLF_TP 3115.00 - YUMA INTERCHANGE 115KV CKT 1'	TO->FROM	0.05823	173.1	103.8287	'CARLISLE INTERCHANGE - TUCO INTERCHANGE 230KV CKT 1'
18SP		0	G12_019	'SP-WOLF_TP 3115.00 - YUMA INTERCHANGE 115KV CKT 1'	TO->FROM	0.0987	173.1	103.077	'G-12-043-TAP345.00 - TOLK STATION 345KV CKT 1'
18SP		0	G12_019	'SP-WOLF_TP 3115.00 - YUMA INTERCHANGE 115KV CKT 1'	TO->FROM	0.0987	173.1	101.1592	'G-12-043-TAP345.00 - TOLK STATION 345KV CKT 1'
18SP		0	G12_019	'SP-WOLF_TP 3115.00 - YUMA INTERCHANGE 115KV CKT 1'	TO->FROM	0.08114	173.1	101.3846	'JONES STATION - TUCO INTERCHANGE 230KV CKT 1'
18SP		0	G12_019	'SP-WOLF_TP 3115.00 - YUMA INTERCHANGE 115KV CKT 1'	TO->FROM	0.0987	173.1	103.1347	'TOLK STATION (ABBXNL844501) 345/230/13.2KV TRANSFORMER CKT 1'
18SP		0	G12_019	'SP-WOLF_TP 3115.00 - YUMA INTERCHANGE 115KV CKT 1'	TO->FROM	0.0987	173.1	101.2169	'TOLK STATION (ABBXNL844501) 345/230/13.2KV TRANSFORMER CKT 1'
18SP		0	G12_019	'SP-WOLF_TP 3115.00 - YUMA INTERCHANGE 115KV CKT 1'	TO->FROM	0.08702	173.1	105.7769	'TOLK STATION EAST - TUCO INTERCHANGE 230KV CKT 1'
18SP		0	G12_019	'SP-WOLF_TP 3115.00 - YUMA INTERCHANGE 115KV CKT 1'	TO->FROM	0.08702	173.1	103.8257	'TOLK STATION EAST - TUCO INTERCHANGE 230KV CKT 1'
13G		0	G12_019	'TERRY COUNTY INTERCHANGE - WOLFFORTH INTERCHANGE 115KV CKT 1'	FROM->TO	0.10136	137.6	110.8855	'SUNDOWN INTERCHANGE - WOLFFORTH INTERCHANGE 230KV CKT 1'
13G		0	G12_019	'WOLFFORTH INTERCHANGE - YUMA INTERCHANGE 115KV CKT 1'	FROM->TO	0.06599	118.5	104.385	'BASE CASE'
13G		0	G12_019	'WOLFFORTH INTERCHANGE - YUMA INTERCHANGE 115KV CKT 1'	FROM->TO	0.12113	152.8	135.2909	'LUBBOCK SOUTH INTERCHANGE - WOLFFORTH INTERCHANGE 230KV CKT 1'
13G		0	G12_019	'WOLFFORTH INTERCHANGE - YUMA INTERCHANGE 115KV CKT 1'	FROM->TO	0.09362	152.8	118.5133	'TOLK STATION EAST - TUCO INTERCHANGE 230KV CKT 1'
13WP		0	G12_019	'WOLFFORTH INTERCHANGE - YUMA INTERCHANGE 115KV CKT 1'	FROM->TO	0.0662	172.8	101.128	'ALLEN SUB - LUBBOCK SOUTH INTERCHANGE 115KV CKT 1'
13WP		0	G12_019	'WOLFFORTH INTERCHANGE - YUMA INTERCHANGE 115KV CKT 1'	FROM->TO	0.08053	172.8	100.0531	'JONES STATION - TUCO INTERCHANGE 230KV CKT 1'
13WP		0	G12_019	'WOLFFORTH INTERCHANGE - YUMA INTERCHANGE 115KV CKT 1'	FROM->TO	0.09304	172.8	105.6732	'TOLK STATION EAST - TUCO INTERCHANGE 230KV CKT 1'
13WP		0	G12_019	'WOLFFORTH INTERCHANGE - YUMA INTERCHANGE 115KV CKT 1'	FROM->TO	0.09304	172.8	103.6857	'TOLK STATION EAST - TUCO INTERCHANGE 230KV CKT 1'
18SP		0	G12_019	'WOLFFORTH INTERCHANGE - YUMA INTERCHANGE 115KV CKT 1'	FROM->TO	0.06958	152.6	131.1497	'ALLEN SUB - LUBBOCK SOUTH INTERCHANGE 115KV CKT 1'
18SP		0	G12_019	'WOLFFORTH INTERCHANGE - YUMA INTERCHANGE 115KV CKT 1'	FROM->TO	0.06958	152.6	129.164	'ALLEN SUB - LUBBOCK SOUTH INTERCHANGE 115KV CKT 1'
18SP		0	G12_019	'WOLFFORTH INTERCHANGE - YUMA INTERCHANGE 115KV CKT 1'	FROM->TO	0.06958	152.6	108.1275	'ALLEN SUB - LUBBOCK SOUTH INTERCHANGE 115KV CKT 1'
18SP		0	G12_019	'WOLFFORTH INTERCHANGE - YUMA INTERCHANGE 115KV CKT 1'	FROM->TO	0.06958	152.6	116.6674	'ALLEN SUB - SOUTH PLAINS REC-QUAKER 115KV CKT 1'
18SP		0	G12_019	'WOLFFORTH INTERCHANGE - YUMA INTERCHANGE 115KV CKT 1'	FROM->TO	0.06958	152.6	114.6817	'ALLEN SUB - SOUTH PLAINS REC-QUAKER 115KV CKT 1'
18SP		0	G12_019	'WOLFFORTH INTERCHANGE - YUMA INTERCHANGE 115KV CKT 1'	FROM->TO	0.0663	118.2	133.143	'BASE CASE'
18SP		0	G12_019	'WOLFFORTH INTERCHANGE - YUMA INTERCHANGE 115KV CKT 1'	FROM->TO	0.0663	118.2	130.677	'BASE CASE'
18SP		0	G12_019	'WOLFFORTH INTERCHANGE - YUMA INTERCHANGE 115KV CKT 1'	FROM->TO	0.0663	118.2	104.8739	'BASE CASE'
18SP		0	G12_019	'WOLFFORTH INTERCHANGE - YUMA INTERCHANGE 115KV CKT 1'	FROM->TO	0.0663	152.6	109.6166	'BROWNFIELD SWITCHING STATION - LYNTEGAR REC-BROWNFIELD 69KV CKT 1'
18SP		0	G12_019	'WOLFFORTH INTERCHANGE - YUMA INTERCHANGE 115KV CKT 1'	FROM->TO	0.0663	152.6	107.7065	'BROWNFIELD SWITCHING STATION - LYNTEGAR REC-BROWNFIELD 69KV CKT 1'
18SP		0	G12_019	'WOLFFORTH INTERCHANGE - YUMA INTERCHANGE 115KV CKT 1'	FROM->TO	0.05823	152.6	127.3098	'CARLISLE INTERCHANGE - TUCO INTERCHANGE 230KV CKT 1'
18SP		0	G12_019	'WOLFFORTH INTERCHANGE - YUMA INTERCHANGE 115KV CKT 1'	FROM->TO	0.05823	152.6	125.6406	'CARLISLE INTERCHANGE - TUCO INTERCHANGE 230KV CKT 1'
18SP		0	G12_019	'WOLFFORTH INTERCHANGE - YUMA INTERCHANGE 115KV CKT 1'	FROM->TO	0.05823	152.6	108.0394	'CARLISLE INTERCHANGE - TUCO INTERCHANGE 230KV CKT 1'
18SP		0	G12_019	'WOLFFORTH INTERCHANGE - YUMA INTERCHANGE 115KV CKT 1'	FROM->TO	0.0663	152.6	109.6166	'Central Valley REC-12 Mile Hill - EDDY COUNTY INTERCHANGE 115KV CKT 1'
18SP		0	G12_019	'WOLFFORTH INTERCHANGE - YUMA INTERCHANGE 115KV CKT 1'	FROM->TO	0.0663	152.6	107.7065	'Central Valley REC-12 Mile Hill - EDDY COUNTY INTERCHANGE 115KV CKT 1'
18SP		0	G12_019	'WOLFFORTH INTERCHANGE - YUMA INTERCHANGE 115KV CKT 1'	FROM->TO	0.07223	152.6	112.1463	'DEAF SMITH COUNTY INTERCHANGE - PLANT X STATION 230KV CKT 1'
18SP		0	G12_019	'WOLFFORTH INTERCHANGE - YUMA INTERCHANGE 115KV CKT 1'	FROM->TO	0.07223	152.6	110.1311	'DEAF SMITH COUNTY INTERCHANGE - PLANT X STATION 230KV CKT 1'
18SP		0	G12_019	'WOLFFORTH INTERCHANGE - YUMA INTERCHANGE 115KV CKT 1'	FROM->TO	0.0987	152.6	124.8534	'G-12-043-TAP345.00 - TOLK STATION 345KV CKT 1'
18SP		0	G12_019	'WOLFFORTH INTERCHANGE - YUMA INTERCHANGE 115KV CKT 1'	FROM->TO	0.0987	152.6	122.6779	'G-12-043-TAP345.00 - TOLK STATION 345KV CKT 1'
18SP		2	G12_019	'WOLFFORTH INTERCHANGE - YUMA INTERCHANGE 115KV CKT 1'	FROM->TO	0.06457	152.9	102.0253	'G-12-043-TAP345.00 - TUCO INTERCHANGE 345KV CKT 1'
18SP		3	G12_019	'WOLFFORTH INTERCHANGE - YUMA INTERCHANGE 115KV CKT 1'	FROM->TO	0.06449	152.8	101.9663	'G-12-043-TAP345.00 - TUCO INTERCHANGE 345KV CKT 1'
18SP		2	G12_019	'WOLFFORTH INTERCHANGE - YUMA INTERCHANGE 115KV CKT 1'	FROM->TO	0.06457	152.9	100.1308	'G-12-043-TAP345.00 - TUCO INTERCHANGE 345KV CKT 1'
18SP		3	G12_019	'WOLFFORTH INTERCHANGE - YUMA INTERCHANGE 115KV CKT 1'	FROM->TO	0.06449	152.8	100.0788	'G-12-043-TAP345.00 - TUCO INTERCHANGE 345KV CKT 1'
18SP		4	G12_019	'WOLFFORTH INTERCHANGE - YUMA INTERCHANGE 115KV CKT 1'	FROM->TO	0.06592	152.7	103.4129	'G-12-043-TAP345.00 - TUCO INTERCHANGE 345KV CKT 1'
18SP		5	G12_019	'WOLFFORTH INTERCHANGE - YUMA INTERCHANGE 115KV CKT 1'	FROM->TO	0.06592	152.7	103.4129	'G-12-043-TAP345.00 - TUCO INTERCHANGE 345KV CKT 1'
18SP		4	G12_019	'WOLFFORTH INTERCHANGE - YUMA INTERCHANGE 115KV CKT 1'	FROM->TO	0.06592	152.7	101.5486	'G-12-043-TAP345.00 - TUCO INTERCHANGE 345KV CKT 1'
18SP		5	G12_019	'WOLFFORTH INTERCHANGE - YUMA INTERCHANGE 115KV CKT 1'	FROM->TO	0.06592	152.7	101.5486	'G-12-043-TAP345.00 - TUCO INTERCHANGE 345KV CKT 1'
18SP		0	G12_019	'WOLFFORTH INTERCHANGE - YUMA INTERCHANGE 115KV CKT 1'	FROM->TO	0.08114	152.6	122.8681	'JONES STATION - TUCO INTERCHANGE 230KV CKT 1'

Season	Scenario	Source	MontCommonName	Direction	TDF	Rating	Contingency		Contname
							Loading %		
18SP		0	G12_019	'WOLFFORTH INTERCHANGE - YUMA INTERCHANGE 115KV CKT 1'	FROM->TO	0.08114	152.6	120.5445	'JONES STATION - TUCO INTERCHANGE 230KV CKT 1'
18SP		0	G12_019	'WOLFFORTH INTERCHANGE - YUMA INTERCHANGE 115KV CKT 1'	FROM->TO	0.0674	152.6	113.585	'Jones Station Bus#2 - LUBBOCK EAST INTERCHANGE 230KV CKT 1'
18SP		0	G12_019	'WOLFFORTH INTERCHANGE - YUMA INTERCHANGE 115KV CKT 1'	FROM->TO	0.0674	152.6	111.6416	'Jones Station Bus#2 - LUBBOCK EAST INTERCHANGE 230KV CKT 1'
18SP		0	G12_019	'WOLFFORTH INTERCHANGE - YUMA INTERCHANGE 115KV CKT 1'	FROM->TO	0.06736	152.6	110.4782	'LUBBOCK EAST INTERCHANGE (ENRCO 136162) 230/115/13.2KV TRANSFORMER CKT 1'
18SP		0	G12_019	'WOLFFORTH INTERCHANGE - YUMA INTERCHANGE 115KV CKT 1'	FROM->TO	0.06736	152.6	108.5356	'LUBBOCK EAST INTERCHANGE (ENRCO 136162) 230/115/13.2KV TRANSFORMER CKT 1'
18SP		0	G12_019	'WOLFFORTH INTERCHANGE - YUMA INTERCHANGE 115KV CKT 1'	FROM->TO	0.06702	152.6	108.3696	'LUBBOCK POWER & LIGHT-MILWAUKEE - LUBBOCK POWER & LIGHT-VICKSBURG 69KV CKT 1
18SP		0	G12_019	'WOLFFORTH INTERCHANGE - YUMA INTERCHANGE 115KV CKT 1'	FROM->TO	0.06702	152.6	106.4396	'LUBBOCK POWER & LIGHT-MILWAUKEE - LUBBOCK POWER & LIGHT-VICKSBURG 69KV CKT 1
18SP		0	G12_019	'WOLFFORTH INTERCHANGE - YUMA INTERCHANGE 115KV CKT 1'	FROM->TO	0.09028	152.6	112.6633	'LUBBOCK SOUTH INTERCHANGE - WOLFFORTH INTERCHANGE 230KV CKT 1'
18SP		0	G12_019	'WOLFFORTH INTERCHANGE - YUMA INTERCHANGE 115KV CKT 1'	FROM->TO	0.09028	152.6	110.1412	'LUBBOCK SOUTH INTERCHANGE - WOLFFORTH INTERCHANGE 230KV CKT 1'
18SP		0	G12_019	'WOLFFORTH INTERCHANGE - YUMA INTERCHANGE 115KV CKT 1'	FROM->TO	0.06834	152.6	120.0352	'LUBBOCK SOUTH INTERCHANGE (ABB LLM60043) 230/115/13.2KV TRANSFORMER CKT 1'
18SP		0	G12_019	'WOLFFORTH INTERCHANGE - YUMA INTERCHANGE 115KV CKT 1'	FROM->TO	0.06834	152.6	118.0672	'LUBBOCK SOUTH INTERCHANGE (ABB LLM60043) 230/115/13.2KV TRANSFORMER CKT 1'
18SP		0	G12_019	'WOLFFORTH INTERCHANGE - YUMA INTERCHANGE 115KV CKT 1'	FROM->TO	0.0663	152.6	110.8617	'LYNTEGAR REC-BROWNFIELD - TERRY COUNTY INTERCHANGE 69KV CKT 1'
18SP		0	G12_019	'WOLFFORTH INTERCHANGE - YUMA INTERCHANGE 115KV CKT 1'	FROM->TO	0.0663	152.6	108.9516	'LYNTEGAR REC-BROWNFIELD - TERRY COUNTY INTERCHANGE 69KV CKT 1'
18SP		0	G12_019	'WOLFFORTH INTERCHANGE - YUMA INTERCHANGE 115KV CKT 1'	FROM->TO	0.07742	152.6	118.0519	'NEWHART 6230.00 - PLANT X STATION 230KV CKT 1'
18SP		0	G12_019	'WOLFFORTH INTERCHANGE - YUMA INTERCHANGE 115KV CKT 1'	FROM->TO	0.07742	152.6	115.9525	'NEWHART 6230.00 - PLANT X STATION 230KV CKT 1'
18SP		0	G12_019	'WOLFFORTH INTERCHANGE - YUMA INTERCHANGE 115KV CKT 1'	FROM->TO	0.0663	152.6	106.658	'SEAGRAVES INTERCHANGE (ABB ML192408) 115/69/13.2KV TRANSFORMER CKT 1'
18SP		0	G12_019	'WOLFFORTH INTERCHANGE - YUMA INTERCHANGE 115KV CKT 1'	FROM->TO	0.06958	152.6	111.2939	'SOUTH PLAINS REC-QUAKER - South Plains REC-Frankford Sub 115KV CKT 1'
18SP		0	G12_019	'WOLFFORTH INTERCHANGE - YUMA INTERCHANGE 115KV CKT 1'	FROM->TO	0.06958	152.6	109.3082	'SOUTH PLAINS REC-QUAKER - South Plains REC-Frankford Sub 115KV CKT 1'
18SP		0	G12_019	'WOLFFORTH INTERCHANGE - YUMA INTERCHANGE 115KV CKT 1'	FROM->TO	0.06633	152.6	110.4887	'SPP-SWPS-V49'
18SP		0	G12_019	'WOLFFORTH INTERCHANGE - YUMA INTERCHANGE 115KV CKT 1'	FROM->TO	0.06633	152.6	108.578	'SPP-SWPS-V49'
18SP		0	G12_019	'WOLFFORTH INTERCHANGE - YUMA INTERCHANGE 115KV CKT 1'	FROM->TO	0.0987	152.6	124.8534	'TOLK STATION (ABBXLN844501) 345/230/13.2KV TRANSFORMER CKT 1'
18SP		0	G12_019	'WOLFFORTH INTERCHANGE - YUMA INTERCHANGE 115KV CKT 1'	FROM->TO	0.0987	152.6	122.6779	'TOLK STATION (ABBXLN844501) 345/230/13.2KV TRANSFORMER CKT 1'
18SP		0	G12_019	'WOLFFORTH INTERCHANGE - YUMA INTERCHANGE 115KV CKT 1'	FROM->TO	0.08702	152.6	127.9159	'TOLK STATION EAST - TUCO INTERCHANGE 230KV CKT 1'
18SP		0	G12_019	'WOLFFORTH INTERCHANGE - YUMA INTERCHANGE 115KV CKT 1'	FROM->TO	0.08702	152.6	125.7027	'TOLK STATION EAST - TUCO INTERCHANGE 230KV CKT 1'
18SP		0	G12_022	'ALLEN SUB - LUBBOCK SOUTH INTERCHANGE 115KV CKT 1'	TO->FROM	0.04178	158.7	101.1968	'LP-DOUD TP 3115.00 - SP-WOLF TP 3115.00 115KV CKT 1'
18SP		0	G12_022	'ALLEN SUB - LUBBOCK SOUTH INTERCHANGE 115KV CKT 1'	TO->FROM	0.04178	158.7	104.6624	'SP-WOLF TP 3115.00 - YUMA INTERCHANGE 115KV CKT 1'
18SP		0	G12_022	'ALLEN SUB - LUBBOCK SOUTH INTERCHANGE 115KV CKT 1'	TO->FROM	0.04178	158.7	107.1199	'WOLFFORTH INTERCHANGE - YUMA INTERCHANGE 115KV CKT 1'
18SP		0	G12_022	'AMOCO WASSON SWITCHING STATION - OXYBRU_TP 6230.00 230KV CKT 1'	FROM->TO	0.09367	351	104.2827	'MUSTANG STATION - YOAKUM COUNTY INTERCHANGE 230KV CKT 1'
18SP		2	G12_022	'AMOCO WASSON SWITCHING STATION - OXYBRU_TP 6230.00 230KV CKT 1'	FROM->TO	0.09042	351	103.991	'MUSTANG STATION - YOAKUM COUNTY INTERCHANGE 230KV CKT 1'
18SP		3	G12_022	'AMOCO WASSON SWITCHING STATION - OXYBRU_TP 6230.00 230KV CKT 1'	FROM->TO	0.09042	351	103.9914	'MUSTANG STATION - YOAKUM COUNTY INTERCHANGE 230KV CKT 1'
18SP		0	G12_022	'AMOCO WASSON SWITCHING STATION - OXYBRU_TP 6230.00 230KV CKT 1'	FROM->TO	0.09367	351	105.6032	'MUSTANG STATION - YOAKUM COUNTY INTERCHANGE 230KV CKT 1'
18SP		0	G12_022	'AMOCO WASSON SWITCHING STATION - OXYBRU_TP 6230.00 230KV CKT 1'	FROM->TO	0.09367	351	104.3334	'MUSTANG STATION - YOAKUM COUNTY INTERCHANGE 230KV CKT 1'
18SP		2	G12_022	'AMOCO WASSON SWITCHING STATION - OXYBRU_TP 6230.00 230KV CKT 1'	FROM->TO	0.09042	351	104.1916	'MUSTANG STATION - YOAKUM COUNTY INTERCHANGE 230KV CKT 1'
18SP		3	G12_022	'AMOCO WASSON SWITCHING STATION - OXYBRU_TP 6230.00 230KV CKT 1'	FROM->TO	0.09042	351	104.1916	'MUSTANG STATION - YOAKUM COUNTY INTERCHANGE 230KV CKT 1'
18SP		4	G12_022	'AMOCO WASSON SWITCHING STATION - OXYBRU_TP 6230.00 230KV CKT 1'	FROM->TO	0.08785	351	104.5637	'MUSTANG STATION - YOAKUM COUNTY INTERCHANGE 230KV CKT 1'
18SP		5	G12_022	'AMOCO WASSON SWITCHING STATION - OXYBRU_TP 6230.00 230KV CKT 1'	FROM->TO	0.08785	351	104.5637	'MUSTANG STATION - YOAKUM COUNTY INTERCHANGE 230KV CKT 1'
18SP		4	G12_022	'AMOCO WASSON SWITCHING STATION - OXYBRU_TP 6230.00 230KV CKT 1'	FROM->TO	0.08785	351	104.7395	'MUSTANG STATION - YOAKUM COUNTY INTERCHANGE 230KV CKT 1'
18SP		5	G12_022	'AMOCO WASSON SWITCHING STATION - OXYBRU_TP 6230.00 230KV CKT 1'	FROM->TO	0.08785	351	104.7395	'MUSTANG STATION - YOAKUM COUNTY INTERCHANGE 230KV CKT 1'
18SP		0	G12_022	'BAILEY COUNTY REC-EARTH INTERCHANGE - PLANT X STATION 115KV CKT 1'	TO->FROM	0.03481	159.9	102.1165	'CURRY COUNTY INTERCHANGE - DEAF SMITH REC-#20 115KV CKT 1'
18SP		0	G12_022	'BAILEY COUNTY REC-EARTH INTERCHANGE - PLANT X STATION 115KV CKT 1'	TO->FROM	0.05051	159.9	126.6826	'DEAF SMITH COUNTY INTERCHANGE - PLANT X STATION 230KV CKT 1'
18SP		2	G12_022	'BAILEY COUNTY REC-EARTH INTERCHANGE - PLANT X STATION 115KV CKT 1'	TO->FROM	0.04211	159.9	114.641	'DEAF SMITH COUNTY INTERCHANGE - PLANT X STATION 230KV CKT 1'
18SP		3	G12_022	'BAILEY COUNTY REC-EARTH INTERCHANGE - PLANT X STATION 115KV CKT 1'	TO->FROM	0.04211	159.9	114.8815	'DEAF SMITH COUNTY INTERCHANGE - PLANT X STATION 230KV CKT 1'
18SP		4	G12_022	'BAILEY COUNTY REC-EARTH INTERCHANGE - PLANT X STATION 115KV CKT 1'	TO->FROM	0.04203	159.9	115.0017	'DEAF SMITH COUNTY INTERCHANGE - PLANT X STATION 230KV CKT 1'
18SP		5	G12_022	'BAILEY COUNTY REC-EARTH INTERCHANGE - PLANT X STATION 115KV CKT 1'	TO->FROM	0.04203	159.9	115.0017	'DEAF SMITH COUNTY INTERCHANGE - PLANT X STATION 230KV CKT 1'
18SP		0	G12_022	'BAILEY COUNTY REC-EARTH INTERCHANGE - PLANT X STATION 115KV CKT 1'	TO->FROM	0.03481	159.9	100.553	'DEAF SMITH REC-#20 - DS-#24 3115.00 115KV CKT 1'
18SP		0	G12_022	'BAILEY COUNTY REC-EARTH INTERCHANGE - PLANT X STATION 115KV CKT 1'	TO->FROM	0.03274	159.9	101.0844	'HALE CO INTERCHANGE - PLANT X STATION 115KV CKT 1'
18SP		0	G12_022	'BAILEY COUNTY REC-EARTH INTERCHANGE - PLANT X STATION 115KV CKT 1'	TO->FROM	0.03523	159.9	104.6485	'LAWTON EASTSIDE - OKLAUNION 345KV CKT 1'
18SP		0	G12_022	'BAILEY COUNTY REC-EARTH INTERCHANGE - PLANT X STATION 115KV CKT 1'	TO->FROM	0.04357	159.9	114.3443	'NEWHART 6230.00 - PLANT X STATION 230KV CKT 1'
18SP		2	G12_022	'BAILEY COUNTY REC-EARTH INTERCHANGE - PLANT X STATION 115KV CKT 1'	TO->FROM	0.03472	159.9	101.6246	'NEWHART 6230.00 - PLANT X STATION 230KV CKT 1'
18SP		3	G12_022	'BAILEY COUNTY REC-EARTH INTERCHANGE - PLANT X STATION 115KV CKT 1'	TO->FROM	0.0348	159.9	101.8394	'NEWHART 6230.00 - PLANT X STATION 230KV CKT 1'
18SP		4	G12_022	'BAILEY COUNTY REC-EARTH INTERCHANGE - PLANT X STATION 115KV CKT 1'	TO->FROM	0.0346	159.9	102.0222	'NEWHART 6230.00 - PLANT X STATION 230KV CKT 1'
18SP		5	G12_022	'BAILEY COUNTY REC-EARTH INTERCHANGE - PLANT X STATION 115KV CKT 1'	TO->FROM	0.0346	159.9	102.0222	'NEWHART 6230.00 - PLANT X STATION 230KV CKT 1'
18SP		0	G12_022	'BAILEY COUNTY REC-EARTH INTERCHANGE - PLANT X STATION 115KV CKT 1'	TO->FROM	0.03523	159.9	101.334	'OKLAUNION - TUCO INTERCHANGE 345KV CKT 1'
18SP		0	G12_022	'BAILEY COUNTY REC-EARTH INTERCHANGE - PLANT X STATION 115KV CKT 1'	TO->FROM	0.03564	159.9	101.5904	'SPP-SWPS-01'
18SP		0	G12_022	'BAILEY COUNTY REC-EARTH INTERCHANGE - PLANT X STATION 115KV CKT 1'	TO->FROM	0.03527	159.9	107.0614	'SPP-SWPS-25'
18SP		0	G12_022	'BAILEY COUNTY REC-EARTH INTERCHANGE - PLANT X STATION 115KV CKT 1'	TO->FROM	0.03527	159.9	107.0614	'SPP-SWPS-T28'
18SP		0	G12_022	'BAILEY COUNTY REC-EARTH INTERCHANGE - PLANT X STATION 115KV CKT 1'	TO->FROM	0.03379	159.9	100.4503	'TOLK STATION EAST - TUCO INTERCHANGE 230KV CKT 1'
13SP		0	G12_022	'BUFFALO 230.00 - BUSHLAND INTERCHANGE 230KV CKT 1'	FROM->TO	0.19362	359.6	103.9282	'LAWTON EASTSIDE - OKLAUNION 345KV CKT 1'
18WP		0	G12_022	'BUFFALO 230.00 - BUSHLAND INTERCHANGE 230KV CKT 1'	FROM->TO	0.19282	359.6	106.8425	'LAWTON EASTSIDE - OKLAUNION 345KV CKT 1'
18WP		0	G12_022	'BUFFALO 230.00 - DEAF SMITH COUNTY INTERCHANGE 230KV CKT 1'	TO->FROM	0.19282	359.6	100.2519	'LAWTON EASTSIDE - OKLAUNION 345KV CKT 1'
13WP		0	G12_022	'CANYON EAST SUB - CANYON WEST SUB 115KV CKT 1'	TO->FROM	0.07775	105.9	104.2712	'BUFFALO 230.00 - BUSHLAND INTERCHANGE 230KV CKT 1'
13G		0	G12_022	'CANYON WEST SUB - DAWN SUB 115KV CKT 1'	TO->FROM	0.07911	96	100.6093	'BUFFALO 230.00 - BUSHLAND INTERCHANGE 230KV CKT 1'
13SP		0	G12_022	'CANYON WEST SUB - DAWN SUB 115KV CKT 1'	TO->FROM	0.0658	106	104.6889	'BUFFALO 230.00 - BUSHLAND INTERCHANGE 230KV CKT 1'
13SP		0	G12_022	'CANYON WEST SUB - DAWN SUB 115KV CKT 1'	TO->FROM	0.0658	106	100.255	'BUFFALO 230.00 - DEAF SMITH COUNTY INTERCHANGE 230KV CKT 1'
13WP		0	G12_022	'CANYON WEST SUB - DAWN SUB 115KV CKT 1'	TO->FROM	0.07775	106	119.8333	'BUFFALO 230.00 - BUSHLAND INTERCHANGE 230KV CKT 1'
13WP		0	G12_022	'CANYON WEST SUB - DAWN SUB 115KV CKT 1'	TO->FROM	0.07775	106	114.8333	'BUFFALO 230.00 - DEAF SMITH COUNTY INTERCHANGE 230KV CKT 1'
18SP		0	G12_022	'CANYON WEST SUB - DAWN SUB 115KV CKT 1'	TO->FROM	0.06552	95.7	103.4308	'BUFFALO 230.00 - BUSHLAND INTERCHANGE 230KV CKT 1'
18WP		0	G12_022	'CANYON WEST SUB - DAWN SUB 115KV CKT 1'	TO->FROM	0.06543	106	108.1991	'BUFFALO 230.00 - BUSHLAND INTERCHANGE 230KV CKT 1'
18WP		0	G12_022	'CANYON WEST SUB - DAWN SUB 115KV CKT 1'	TO->FROM	0.06543	106	103.8594	'BUFFALO 230.00 - DEAF SMITH COUNTY INTERCHANGE 230KV CKT 1'
13G		0	G12_022	'CARGILL SUB - PARMER COUNTY SUB 115KV CKT 1'	TO->FROM	0.05867	95.3	104.566	'DEAF SMITH COUNTY INTERCHANGE - PLANT X STATION 230KV CKT 1'
18SP		0	G12_022	'CARGILL SUB - PARMER COUNTY SUB 115KV CKT 1'	TO->FROM	0.0546	96	106.0773	'DEAF SMITH COUNTY INTERCHANGE - PLANT X STATION 230KV CKT 1'
13G		0	G12_022	'CARLISLE INTERCHANGE - LP-DOUD_TP 3115.00 115KV CKT 1'	TO->FROM	0.16236	151.2	105.1749	'LUBBOCK SOUTH INTERCHANGE - WOLFFORTH INTERCHANGE 230KV CKT 1'
13G		0	G12_022	'CIMARRON - DRAPER LAKE 345KV CKT 1'	FROM->TO	0.081	711.7	107.9335	'ARCADIA - NORTHWEST 345KV CKT 1'
13G		0	G12_022	'CIMARRON - DRAPER LAKE 345KV CKT 1'	FROM->TO	0.06179	711.7	113.0427	'ARCADIA - SEMINOLE 345KV CKT 1'

Season	Scenario	Source	MontCommonName	Direction	TDF	Rating	Contingency		Contname
							Loading %		
13G		0	G12_022	'CIMARRON - DRAPER LAKE 345KV CKT 1'	FROM->TO	0.06138	711.7	104.7314	'CIMARRON - CZECH HALL 138KV CKT 1'
13G		0	G12_022	'CIMARRON - DRAPER LAKE 345KV CKT 1'	FROM->TO	0.03517	711.7	104.048	'CIMARRON - MINCO 7 345.00 345KV CKT 1'
13G		0	G12_022	'CIMARRON - DRAPER LAKE 345KV CKT 1'	FROM->TO	0.06156	711.7	106.017	'CIMARRON - SARA 138KV CKT 1'
13G		0	G12_022	'CIMARRON - DRAPER LAKE 345KV CKT 1'	FROM->TO	0.05963	711.7	106.5514	'CIMARRON (CIMARON1) 345/138/13.8KV TRANSFORMER CKT 1'
13G		0	G12_022	'CIMARRON - DRAPER LAKE 345KV CKT 1'	FROM->TO	0.05963	711.7	106.3337	'CIMARRON (CIMARON2) 345/138/13.8KV TRANSFORMER CKT 1'
13G		0	G12_022	'CIMARRON - DRAPER LAKE 345KV CKT 1'	FROM->TO	0.06579	711.7	108.7602	'CLEVELAND - SOONER 345KV CKT 1'
13G		0	G12_022	'CIMARRON - DRAPER LAKE 345KV CKT 1'	FROM->TO	0.06398	711.7	104.7544	'CLEVELAND - TULSA NORTH 345KV CKT 1'
13G		0	G12_022	'CIMARRON - DRAPER LAKE 345KV CKT 1'	FROM->TO	0.06138	711.7	104.2396	'CZECH HALL - XEROX 138KV CKT 1'
13G		0	G12_022	'CIMARRON - DRAPER LAKE 345KV CKT 1'	FROM->TO	0.04443	711.7	106.0127	'GRACMNT7 345.00 - LAWTON EASTSIDE 345KV CKT 1'
13G		0	G12_022	'CIMARRON - DRAPER LAKE 345KV CKT 1'	FROM->TO	0.03517	711.7	114.8812	'GRACMNT7 345.00 - MINCO 7 345.00 345KV CKT 1'
13G		0	G12_022	'CIMARRON - DRAPER LAKE 345KV CKT 1'	FROM->TO	0.08525	711.7	114.5303	'LAWTON EASTSIDE - SUNNYSIDE 345KV CKT 1'
13G		0	G12_022	'CIMARRON - DRAPER LAKE 345KV CKT 1'	FROM->TO	0.06536	711.7	107.6245	'MATTHEWSON 345.00 - NORTHWEST 345KV CKT 1'
13G		0	G12_022	'CIMARRON - DRAPER LAKE 345KV CKT 1'	FROM->TO	0.06156	711.7	104.5978	'MCCLAIN - SARA 138KV CKT 1'
13G		0	G12_022	'CIMARRON - DRAPER LAKE 345KV CKT 1'	FROM->TO	0.06138	711.7	104.0851	'MORGAN - MUSTANG 138KV CKT 1'
13G		0	G12_022	'CIMARRON - DRAPER LAKE 345KV CKT 1'	FROM->TO	0.06138	711.7	104.2256	'MORGAN - XEROX 138KV CKT 1'
13G		0	G12_022	'CIMARRON - DRAPER LAKE 345KV CKT 1'	FROM->TO	0.06001	711.7	103.4804	'NORTHWEST (NORTWST2) 345/138/13.8KV TRANSFORMER CKT 1'
13G		0	G12_022	'CIMARRON - DRAPER LAKE 345KV CKT 1'	FROM->TO	0.05965	711.7	105.6612	'SEMINOLE 345/17.1KV TRANSFORMER CKT 1'
13G		0	G12_022	'CIMARRON - DRAPER LAKE 345KV CKT 1'	FROM->TO	0.05965	711.7	108.2359	'SEMINOLE 345/20.9KV TRANSFORMER CKT 1'
13G		0	G12_022	'CURRY COUNTY INTERCHANGE - DEAF SMITH REC-#20 115KV CKT 1'	FROM->TO	0.05867	93.8	127.9866	'DEAF SMITH COUNTY INTERCHANGE - PLANT X STATION 230KV CKT 1'
13G		0	G12_022	'CURRY COUNTY INTERCHANGE - DEAF SMITH REC-#20 115KV CKT 1'	FROM->TO	0.04134	93.8	104.1114	'LAWTON EASTSIDE - OKLAUNION 345KV CKT 1'
13G		0	G12_022	'CURRY COUNTY INTERCHANGE - DEAF SMITH REC-#20 115KV CKT 1'	FROM->TO	0.04191	93.8	100.2793	'SPP-SWPS-01'
13G		0	G12_022	'CURRY COUNTY INTERCHANGE - DEAF SMITH REC-#20 115KV CKT 1'	FROM->TO	0.0419	93.8	103.5213	'TOLK STATION EAST - TUCO INTERCHANGE 230KV CKT 1'
18SP		0	G12_022	'CURRY COUNTY INTERCHANGE - DEAF SMITH REC-#20 115KV CKT 1'	FROM->TO	0.0546	95.9	141.2245	'DEAF SMITH COUNTY INTERCHANGE - PLANT X STATION 230KV CKT 1'
18SP		2	G12_022	'CURRY COUNTY INTERCHANGE - DEAF SMITH REC-#20 115KV CKT 1'	FROM->TO	0.045	95.9	118.4479	'DEAF SMITH COUNTY INTERCHANGE - PLANT X STATION 230KV CKT 1'
18SP		3	G12_022	'CURRY COUNTY INTERCHANGE - DEAF SMITH REC-#20 115KV CKT 1'	FROM->TO	0.04481	95.9	117.8973	'DEAF SMITH COUNTY INTERCHANGE - PLANT X STATION 230KV CKT 1'
18SP		4	G12_022	'CURRY COUNTY INTERCHANGE - DEAF SMITH REC-#20 115KV CKT 1'	FROM->TO	0.04423	95.9	118.6137	'DEAF SMITH COUNTY INTERCHANGE - PLANT X STATION 230KV CKT 1'
18SP		5	G12_022	'CURRY COUNTY INTERCHANGE - DEAF SMITH REC-#20 115KV CKT 1'	FROM->TO	0.04423	95.9	118.6137	'DEAF SMITH COUNTY INTERCHANGE - PLANT X STATION 230KV CKT 1'
18SP		0	G12_022	'CURRY COUNTY INTERCHANGE - DEAF SMITH REC-#20 115KV CKT 1'	FROM->TO	0.03929	95.9	104.1006	'LAWTON EASTSIDE - OKLAUNION 345KV CKT 1'
18SP		0	G12_022	'CURRY COUNTY INTERCHANGE - DEAF SMITH REC-#20 115KV CKT 1'	FROM->TO	0.04022	95.9	102.7437	'NEWHART 6230.00 - PLANT X STATION 230KV CKT 1'
13G		0	G12_022	'DAWN SUB - Panda Energy Substation Hereford 115KV CKT 1'	TO->FROM	0.07911	96	103.7343	'BUFFALO 230.00 - BUSHLAND INTERCHANGE 230KV CKT 1'
13SP		0	G12_022	'DAWN SUB - Panda Energy Substation Hereford 115KV CKT 1'	TO->FROM	0.0658	106	108.8399	'BUFFALO 230.00 - BUSHLAND INTERCHANGE 230KV CKT 1'
13SP		0	G12_022	'DAWN SUB - Panda Energy Substation Hereford 115KV CKT 1'	TO->FROM	0.0658	106	104.5002	'BUFFALO 230.00 - DEAF SMITH COUNTY INTERCHANGE 230KV CKT 1'
13WP		0	G12_022	'DAWN SUB - Panda Energy Substation Hereford 115KV CKT 1'	TO->FROM	0.07775	106	123.7012	'BUFFALO 230.00 - BUSHLAND INTERCHANGE 230KV CKT 1'
13WP		0	G12_022	'DAWN SUB - Panda Energy Substation Hereford 115KV CKT 1'	TO->FROM	0.07775	106	118.6068	'BUFFALO 230.00 - DEAF SMITH COUNTY INTERCHANGE 230KV CKT 1'
18SP		0	G12_022	'DAWN SUB - Panda Energy Substation Hereford 115KV CKT 1'	TO->FROM	0.06552	95.7	108.3419	'BUFFALO 230.00 - BUSHLAND INTERCHANGE 230KV CKT 1'
18SP		0	G12_022	'DAWN SUB - Panda Energy Substation Hereford 115KV CKT 1'	TO->FROM	0.06552	95.7	103.4308	'BUFFALO 230.00 - DEAF SMITH COUNTY INTERCHANGE 230KV CKT 1'
18WP		0	G12_022	'DAWN SUB - Panda Energy Substation Hereford 115KV CKT 1'	TO->FROM	0.06543	106	112.4443	'BUFFALO 230.00 - BUSHLAND INTERCHANGE 230KV CKT 1'
18WP		0	G12_022	'DAWN SUB - Panda Energy Substation Hereford 115KV CKT 1'	TO->FROM	0.06543	106	108.1047	'BUFFALO 230.00 - DEAF SMITH COUNTY INTERCHANGE 230KV CKT 1'
13G		0	G12_022	'DEAF SMITH COUNTY INTERCHANGE - Panda Energy Substation Hereford 115KV CKT 1'	FROM->TO	0.07911	96	109.3593	'BUFFALO 230.00 - BUSHLAND INTERCHANGE 230KV CKT 1'
13SP		0	G12_022	'DEAF SMITH COUNTY INTERCHANGE - Panda Energy Substation Hereford 115KV CKT 1'	FROM->TO	0.0658	106	113.5568	'BUFFALO 230.00 - BUSHLAND INTERCHANGE 230KV CKT 1'
13SP		0	G12_022	'DEAF SMITH COUNTY INTERCHANGE - Panda Energy Substation Hereford 115KV CKT 1'	FROM->TO	0.0658	106	109.2172	'BUFFALO 230.00 - DEAF SMITH COUNTY INTERCHANGE 230KV CKT 1'
13WP		0	G12_022	'DEAF SMITH COUNTY INTERCHANGE - Panda Energy Substation Hereford 115KV CKT 1'	FROM->TO	0.07775	106	128.6068	'BUFFALO 230.00 - BUSHLAND INTERCHANGE 230KV CKT 1'
13WP		2	G12_022	'DEAF SMITH COUNTY INTERCHANGE - Panda Energy Substation Hereford 115KV CKT 1'	FROM->TO	0.06346	106	100.5569	'BUFFALO 230.00 - BUSHLAND INTERCHANGE 230KV CKT 1'
13WP		3	G12_022	'DEAF SMITH COUNTY INTERCHANGE - Panda Energy Substation Hereford 115KV CKT 1'	FROM->TO	0.06359	106	101.1566	'BUFFALO 230.00 - BUSHLAND INTERCHANGE 230KV CKT 1'
13WP		4	G12_022	'DEAF SMITH COUNTY INTERCHANGE - Panda Energy Substation Hereford 115KV CKT 1'	FROM->TO	0.06323	106	101.5193	'BUFFALO 230.00 - BUSHLAND INTERCHANGE 230KV CKT 1'
13WP		5	G12_022	'DEAF SMITH COUNTY INTERCHANGE - Panda Energy Substation Hereford 115KV CKT 1'	FROM->TO	0.06323	106	101.5193	'BUFFALO 230.00 - BUSHLAND INTERCHANGE 230KV CKT 1'
13WP		0	G12_022	'DEAF SMITH COUNTY INTERCHANGE - Panda Energy Substation Hereford 115KV CKT 1'	FROM->TO	0.07775	106	123.6068	'BUFFALO 230.00 - DEAF SMITH COUNTY INTERCHANGE 230KV CKT 1'
18SP		0	G12_022	'DEAF SMITH COUNTY INTERCHANGE - Panda Energy Substation Hereford 115KV CKT 1'	FROM->TO	0.06552	95.5	114.1186	'BUFFALO 230.00 - BUSHLAND INTERCHANGE 230KV CKT 1'
18SP		0	G12_022	'DEAF SMITH COUNTY INTERCHANGE - Panda Energy Substation Hereford 115KV CKT 1'	FROM->TO	0.06552	95.5	109.3018	'BUFFALO 230.00 - DEAF SMITH COUNTY INTERCHANGE 230KV CKT 1'
18WP		0	G12_022	'DEAF SMITH COUNTY INTERCHANGE - Panda Energy Substation Hereford 115KV CKT 1'	FROM->TO	0.06543	106	117.2557	'BUFFALO 230.00 - BUSHLAND INTERCHANGE 230KV CKT 1'
18WP		0	G12_022	'DEAF SMITH COUNTY INTERCHANGE - Panda Energy Substation Hereford 115KV CKT 1'	FROM->TO	0.06543	106	112.916	'BUFFALO 230.00 - DEAF SMITH COUNTY INTERCHANGE 230KV CKT 1'
13SP		0	G12_022	'DEAF SMITH COUNTY INTERCHANGE - PLANT X STATION 230KV CKT 1'	TO->FROM	0.17078	361	111.7582	'LAWTON EASTSIDE - OKLAUNION 345KV CKT 1'
13SP		2	G12_022	'DEAF SMITH COUNTY INTERCHANGE - PLANT X STATION 230KV CKT 1'	TO->FROM	0.15408	361	102.8223	'LAWTON EASTSIDE - OKLAUNION 345KV CKT 1'
13SP		3	G12_022	'DEAF SMITH COUNTY INTERCHANGE - PLANT X STATION 230KV CKT 1'	TO->FROM	0.15518	361	104.0906	'LAWTON EASTSIDE - OKLAUNION 345KV CKT 1'
13SP		4	G12_022	'DEAF SMITH COUNTY INTERCHANGE - PLANT X STATION 230KV CKT 1'	TO->FROM	0.15504	361	104.141	'LAWTON EASTSIDE - OKLAUNION 345KV CKT 1'
13SP		5	G12_022	'DEAF SMITH COUNTY INTERCHANGE - PLANT X STATION 230KV CKT 1'	TO->FROM	0.15504	361	104.141	'LAWTON EASTSIDE - OKLAUNION 345KV CKT 1'
13SP		0	G12_022	'DEAF SMITH COUNTY INTERCHANGE - PLANT X STATION 230KV CKT 1'	TO->FROM	0.18516	361	105.7191	'NEWHART 6230.00 - PLANT X STATION 230KV CKT 1'
13SP		0	G12_022	'DEAF SMITH COUNTY INTERCHANGE - PLANT X STATION 230KV CKT 1'	TO->FROM	0.17078	361	104.1404	'OKLAUNION - TUCO INTERCHANGE 345KV CKT 1'
13SP		0	G12_022	'DEAF SMITH COUNTY INTERCHANGE - PLANT X STATION 230KV CKT 1'	TO->FROM	0.17308	361	104.9902	'SPP-SWPS-01'
13WP		0	G12_022	'DEAF SMITH COUNTY INTERCHANGE - PLANT X STATION 230KV CKT 1'	TO->FROM	0.17227	360.9	101.2204	'BORDER 7345.00 - G12-038 TAP 345.00 345KV CKT 1'
13WP		0	G12_022	'DEAF SMITH COUNTY INTERCHANGE - PLANT X STATION 230KV CKT 1'	TO->FROM	0.17227	360.9	101.83	'BORDER 7345.00 - WWRDEHV7 345.00 345KV CKT 1'
13WP		0	G12_022	'DEAF SMITH COUNTY INTERCHANGE - PLANT X STATION 230KV CKT 1'	TO->FROM	0.175	360.9	114.5598	'LAWTON EASTSIDE - OKLAUNION 345KV CKT 1'
13WP		2	G12_022	'DEAF SMITH COUNTY INTERCHANGE - PLANT X STATION 230KV CKT 1'	TO->FROM	0.15547	360.9	104.261	'LAWTON EASTSIDE - OKLAUNION 345KV CKT 1'
13WP		3	G12_022	'DEAF SMITH COUNTY INTERCHANGE - PLANT X STATION 230KV CKT 1'	TO->FROM	0.15663	360.9	105.4749	'LAWTON EASTSIDE - OKLAUNION 345KV CKT 1'
13WP		4	G12_022	'DEAF SMITH COUNTY INTERCHANGE - PLANT X STATION 230KV CKT 1'	TO->FROM	0.15646	360.9	105.531	'LAWTON EASTSIDE - OKLAUNION 345KV CKT 1'
13WP		5	G12_022	'DEAF SMITH COUNTY INTERCHANGE - PLANT X STATION 230KV CKT 1'	TO->FROM	0.15646	360.9	105.531	'LAWTON EASTSIDE - OKLAUNION 345KV CKT 1'
13WP		0	G12_022	'DEAF SMITH COUNTY INTERCHANGE - PLANT X STATION 230KV CKT 1'	TO->FROM	0.175	360.9	107.2724	'OKLAUNION - TUCO INTERCHANGE 345KV CKT 1'
13WP		0	G12_022	'DEAF SMITH COUNTY INTERCHANGE - PLANT X STATION 230KV CKT 1'	TO->FROM	0.17815	360.9	108.3021	'SPP-SWPS-01'
13WP		0	G12_022	'DEAF SMITH COUNTY INTERCHANGE - PLANT X STATION 230KV CKT 1'	TO->FROM	0.17388	360.9	101.5053	'TOLK STATION EAST - TUCO INTERCHANGE 230KV CKT 1'
18SP		0	G12_022	'DEAF SMITH COUNTY INTERCHANGE - PLANT X STATION 230KV CKT 1'	TO->FROM	0.16066	350.5	110.723	'AMARILLO SOUTH INTERCHANGE - G07-48T 230.00 230KV CKT 1'
18SP		0	G12_022	'DEAF SMITH COUNTY INTERCHANGE - PLANT X STATION 230KV CKT 1'	TO->FROM	0.14184	318.4	111.2513	'BASE CASE'
18SP		0	G12_022	'DEAF SMITH COUNTY INTERCHANGE - PLANT X STATION 230KV CKT 1'	TO->FROM	0.1682	350.5	114.1227	'BORDER 7345.00 - G12-038 TAP 345.00 345KV CKT 1'
18SP		2	G12_022	'DEAF SMITH COUNTY INTERCHANGE - PLANT X STATION 230KV CKT 1'	TO->FROM	0.15155	350.4	102.985	'BORDER 7345.00 - G12-038 TAP 345.00 345KV CKT 1'
18SP		3	G12_022	'DEAF SMITH COUNTY INTERCHANGE - PLANT X STATION 230KV CKT 1'	TO->FROM	0.15266	350.4	103.9806	'BORDER 7345.00 - G12-038 TAP 345.00 345KV CKT 1'

Season	Scenario	Source	MontCommonName	Direction	TDF	Rating	Contingency		
							Loading %	Contname	
18SP		4 G12_022	'DEAF SMITH COUNTY INTERCHANGE - PLANT X STATION 230KV CKT 1'	TO->FROM	0.15253	350.4	104.004	'BORDER 7345.00 - G12-038 TAP 345.00 345KV CKT 1'	
18SP		5 G12_022	'DEAF SMITH COUNTY INTERCHANGE - PLANT X STATION 230KV CKT 1'	TO->FROM	0.15253	350.4	104.004	'BORDER 7345.00 - G12-038 TAP 345.00 345KV CKT 1'	
18SP		0 G12_022	'DEAF SMITH COUNTY INTERCHANGE - PLANT X STATION 230KV CKT 1'	TO->FROM	0.1682	350.5	114.9501	'BORDER 7345.00 - WWRDEHV7 345.00 345KV CKT 1'	
18SP		2 G12_022	'DEAF SMITH COUNTY INTERCHANGE - PLANT X STATION 230KV CKT 1'	TO->FROM	0.15155	350.4	103.8982	'BORDER 7345.00 - WWRDEHV7 345.00 345KV CKT 1'	
18SP		3 G12_022	'DEAF SMITH COUNTY INTERCHANGE - PLANT X STATION 230KV CKT 1'	TO->FROM	0.15266	350.4	104.8653	'BORDER 7345.00 - WWRDEHV7 345.00 345KV CKT 1'	
18SP		4 G12_022	'DEAF SMITH COUNTY INTERCHANGE - PLANT X STATION 230KV CKT 1'	TO->FROM	0.15253	350.4	104.8887	'BORDER 7345.00 - WWRDEHV7 345.00 345KV CKT 1'	
18SP		5 G12_022	'DEAF SMITH COUNTY INTERCHANGE - PLANT X STATION 230KV CKT 1'	TO->FROM	0.15253	350.4	104.8887	'BORDER 7345.00 - WWRDEHV7 345.00 345KV CKT 1'	
18SP		0 G12_022	'DEAF SMITH COUNTY INTERCHANGE - PLANT X STATION 230KV CKT 1'	TO->FROM	0.15733	350.5	107.6449	'CARGILL SUB - PARMER COUNTY SUB 115KV CKT 1'	
18SP		0 G12_022	'DEAF SMITH COUNTY INTERCHANGE - PLANT X STATION 230KV CKT 1'	TO->FROM	0.15733	350.5	111.9816	'CURRY COUNTY INTERCHANGE - DEAF SMITH REC-#20 115KV CKT 1'	
18SP		0 G12_022	'DEAF SMITH COUNTY INTERCHANGE - PLANT X STATION 230KV CKT 1'	TO->FROM	0.15733	350.5	109.8133	'DEAF SMITH REC-#20 - DS-#24 3115.00 115KV CKT 1'	
18SP		0 G12_022	'DEAF SMITH COUNTY INTERCHANGE - PLANT X STATION 230KV CKT 1'	TO->FROM	0.15733	350.5	108.3297	'DS-#24 3115.00 - PARMER COUNTY SUB 115KV CKT 1'	
18SP		0 G12_022	'DEAF SMITH COUNTY INTERCHANGE - PLANT X STATION 230KV CKT 1'	TO->FROM	0.16066	350.5	108.6402	'G07-48T 230.00 - SWISHER COUNTY INTERCHANGE 230KV CKT 1'	
18SP		2 G12_022	'DEAF SMITH COUNTY INTERCHANGE - PLANT X STATION 230KV CKT 1'	TO->FROM	0.14226	350.4	101.3875	'G-12-043-TAP345.00 - TUCO INTERCHANGE 345KV CKT 1'	
18SP		3 G12_022	'DEAF SMITH COUNTY INTERCHANGE - PLANT X STATION 230KV CKT 1'	TO->FROM	0.14353	350.4	102.4979	'G-12-043-TAP345.00 - TUCO INTERCHANGE 345KV CKT 1'	
18SP		4 G12_022	'DEAF SMITH COUNTY INTERCHANGE - PLANT X STATION 230KV CKT 1'	TO->FROM	0.14422	350.4	102.0626	'G-12-043-TAP345.00 - TUCO INTERCHANGE 345KV CKT 1'	
18SP		5 G12_022	'DEAF SMITH COUNTY INTERCHANGE - PLANT X STATION 230KV CKT 1'	TO->FROM	0.14422	350.4	102.0626	'G-12-043-TAP345.00 - TUCO INTERCHANGE 345KV CKT 1'	
18SP		0 G12_022	'DEAF SMITH COUNTY INTERCHANGE - PLANT X STATION 230KV CKT 1'	TO->FROM	0.17087	350.5	126.0026	'LAWTON EASTSIDE - OKLAUNION 345KV CKT 1'	
18SP		2 G12_022	'DEAF SMITH COUNTY INTERCHANGE - PLANT X STATION 230KV CKT 1'	TO->FROM	0.15422	350.4	115.8028	'LAWTON EASTSIDE - OKLAUNION 345KV CKT 1'	
18SP		3 G12_022	'DEAF SMITH COUNTY INTERCHANGE - PLANT X STATION 230KV CKT 1'	TO->FROM	0.15536	350.4	116.8929	'LAWTON EASTSIDE - OKLAUNION 345KV CKT 1'	
18SP		4 G12_022	'DEAF SMITH COUNTY INTERCHANGE - PLANT X STATION 230KV CKT 1'	TO->FROM	0.15522	350.4	116.8877	'LAWTON EASTSIDE - OKLAUNION 345KV CKT 1'	
18SP		5 G12_022	'DEAF SMITH COUNTY INTERCHANGE - PLANT X STATION 230KV CKT 1'	TO->FROM	0.15522	350.4	116.8877	'LAWTON EASTSIDE - OKLAUNION 345KV CKT 1'	
18SP		0 G12_022	'DEAF SMITH COUNTY INTERCHANGE - PLANT X STATION 230KV CKT 1'	TO->FROM	0.18471	350.5	129.4335	'NEWHART 6230.00 - PLANT X STATION 230KV CKT 1'	
18SP		2 G12_022	'DEAF SMITH COUNTY INTERCHANGE - PLANT X STATION 230KV CKT 1'	TO->FROM	0.14972	350.4	106.6842	'NEWHART 6230.00 - PLANT X STATION 230KV CKT 1'	
18SP		3 G12_022	'DEAF SMITH COUNTY INTERCHANGE - PLANT X STATION 230KV CKT 1'	TO->FROM	0.15053	350.4	107.5965	'NEWHART 6230.00 - PLANT X STATION 230KV CKT 1'	
18SP		4 G12_022	'DEAF SMITH COUNTY INTERCHANGE - PLANT X STATION 230KV CKT 1'	TO->FROM	0.15017	350.4	107.7062	'NEWHART 6230.00 - PLANT X STATION 230KV CKT 1'	
18SP		5 G12_022	'DEAF SMITH COUNTY INTERCHANGE - PLANT X STATION 230KV CKT 1'	TO->FROM	0.15017	350.4	107.7062	'NEWHART 6230.00 - PLANT X STATION 230KV CKT 1'	
18SP		0 G12_022	'DEAF SMITH COUNTY INTERCHANGE - PLANT X STATION 230KV CKT 1'	TO->FROM	0.1676	350.5	111.1253	'NEWHART 6230.00 - S-RANDLCO 230.00 230KV CKT 1'	
18SP		0 G12_022	'DEAF SMITH COUNTY INTERCHANGE - PLANT X STATION 230KV CKT 1'	TO->FROM	0.17087	350.5	118.1567	'OKLAUNION - TUCO INTERCHANGE 345KV CKT 1'	
18SP		2 G12_022	'DEAF SMITH COUNTY INTERCHANGE - PLANT X STATION 230KV CKT 1'	TO->FROM	0.15422	350.4	107.2697	'OKLAUNION - TUCO INTERCHANGE 345KV CKT 1'	
18SP		3 G12_022	'DEAF SMITH COUNTY INTERCHANGE - PLANT X STATION 230KV CKT 1'	TO->FROM	0.15536	350.4	108.2741	'OKLAUNION - TUCO INTERCHANGE 345KV CKT 1'	
18SP		4 G12_022	'DEAF SMITH COUNTY INTERCHANGE - PLANT X STATION 230KV CKT 1'	TO->FROM	0.15522	350.4	108.2975	'OKLAUNION - TUCO INTERCHANGE 345KV CKT 1'	
18SP		5 G12_022	'DEAF SMITH COUNTY INTERCHANGE - PLANT X STATION 230KV CKT 1'	TO->FROM	0.15522	350.4	108.2975	'OKLAUNION - TUCO INTERCHANGE 345KV CKT 1'	
18SP		0 G12_022	'DEAF SMITH COUNTY INTERCHANGE - PLANT X STATION 230KV CKT 1'	TO->FROM	0.14816	350.5	108.5681	'PLANT X STATION (WH ALM20171) 230/115/13.2KV TRANSFORMER CKT 1'	
18SP		0 G12_022	'DEAF SMITH COUNTY INTERCHANGE - PLANT X STATION 230KV CKT 1'	TO->FROM	0.1676	350.5	112.5804	'POTTER COUNTY INTERCHANGE - S-RANDLCO 230.00 230KV CKT 1'	
18SP		0 G12_022	'DEAF SMITH COUNTY INTERCHANGE - PLANT X STATION 230KV CKT 1'	TO->FROM	0.17321	350.5	118.6984	'SPP-SWPS-01'	
18SP		2 G12_022	'DEAF SMITH COUNTY INTERCHANGE - PLANT X STATION 230KV CKT 1'	TO->FROM	0.15442	350.4	107.1717	'SPP-SWPS-01'	
18SP		3 G12_022	'DEAF SMITH COUNTY INTERCHANGE - PLANT X STATION 230KV CKT 1'	TO->FROM	0.15555	350.4	108.1761	'SPP-SWPS-01'	
18SP		4 G12_022	'DEAF SMITH COUNTY INTERCHANGE - PLANT X STATION 230KV CKT 1'	TO->FROM	0.15539	350.4	108.2024	'SPP-SWPS-01'	
18SP		5 G12_022	'DEAF SMITH COUNTY INTERCHANGE - PLANT X STATION 230KV CKT 1'	TO->FROM	0.15539	350.4	108.2024	'SPP-SWPS-01'	
18SP		0 G12_022	'DEAF SMITH COUNTY INTERCHANGE - PLANT X STATION 230KV CKT 1'	TO->FROM	0.14972	350.5	111.0672	'SPP-SWPS-26'	
18SP		0 G12_022	'DEAF SMITH COUNTY INTERCHANGE - PLANT X STATION 230KV CKT 1'	TO->FROM	0.14972	350.5	111.0672	'SPP-SWPS-V37'	
18SP		0 G12_022	'DEAF SMITH COUNTY INTERCHANGE - PLANT X STATION 230KV CKT 1'	TO->FROM	0.16126	350.5	114.6265	'TOLK STATION EAST - TUCO INTERCHANGE 230KV CKT 1'	
18WP		0 G12_022	'DEAF SMITH COUNTY INTERCHANGE - PLANT X STATION 230KV CKT 1'	TO->FROM	0.16728	361	101.844	'BORDER 7345.00 - G12-038 TAP 345.00 345KV CKT 1'	
18WP		0 G12_022	'DEAF SMITH COUNTY INTERCHANGE - PLANT X STATION 230KV CKT 1'	TO->FROM	0.16728	361	102.4811	'BORDER 7345.00 - WWRDEHV7 345.00 345KV CKT 1'	
18WP		0 G12_022	'DEAF SMITH COUNTY INTERCHANGE - PLANT X STATION 230KV CKT 1'	TO->FROM	0.16998	361	115.1598	'LAWTON EASTSIDE - OKLAUNION 345KV CKT 1'	
18WP		2 G12_022	'DEAF SMITH COUNTY INTERCHANGE - PLANT X STATION 230KV CKT 1'	TO->FROM	0.15339	361	106.4882	'LAWTON EASTSIDE - OKLAUNION 345KV CKT 1'	
18WP		3 G12_022	'DEAF SMITH COUNTY INTERCHANGE - PLANT X STATION 230KV CKT 1'	TO->FROM	0.15449	361	107.701	'LAWTON EASTSIDE - OKLAUNION 345KV CKT 1'	
18WP		4 G12_022	'DEAF SMITH COUNTY INTERCHANGE - PLANT X STATION 230KV CKT 1'	TO->FROM	0.15435	361	107.7514	'LAWTON EASTSIDE - OKLAUNION 345KV CKT 1'	
18WP		5 G12_022	'DEAF SMITH COUNTY INTERCHANGE - PLANT X STATION 230KV CKT 1'	TO->FROM	0.15435	361	107.7514	'LAWTON EASTSIDE - OKLAUNION 345KV CKT 1'	
18WP		0 G12_022	'DEAF SMITH COUNTY INTERCHANGE - PLANT X STATION 230KV CKT 1'	TO->FROM	0.18402	361	109.1571	'NEWHART 6230.00 - PLANT X STATION 230KV CKT 1'	
18WP		0 G12_022	'DEAF SMITH COUNTY INTERCHANGE - PLANT X STATION 230KV CKT 1'	TO->FROM	0.16998	361	107.5421	'OKLAUNION - TUCO INTERCHANGE 345KV CKT 1'	
18WP		0 G12_022	'DEAF SMITH COUNTY INTERCHANGE - PLANT X STATION 230KV CKT 1'	TO->FROM	0.17229	361	108.3919	'SPP-SWPS-01'	
13G		0 G12_022	'DEAF SMITH REC-#20 - DS-#24 3115.00 115KV CKT 1'	FROM->TO	0.05867	96.3	115.1105	'DEAF SMITH COUNTY INTERCHANGE - PLANT X STATION 230KV CKT 1'	
18SP		0 G12_022	'DEAF SMITH REC-#20 - DS-#24 3115.00 115KV CKT 1'	FROM->TO	0.0546	98.5	120.5424	'DEAF SMITH COUNTY INTERCHANGE - PLANT X STATION 230KV CKT 1'	
18SP		0 G12_022	'DENVER CITY INTERCHANGE N. - EL PASO SUB 115KV CKT 1'	FROM->TO	0.06136	159.5	106.3303	'MUSTANG STATION N. - SEAGRAVES INTERCHANGE 115KV CKT 1'	
18SP		2 G12_022	'DENVER CITY INTERCHANGE N. - EL PASO SUB 115KV CKT 1'	FROM->TO	0.05703	159.5	100.0335	'MUSTANG STATION N. - SEAGRAVES INTERCHANGE 115KV CKT 1'	
18SP		4 G12_022	'DENVER CITY INTERCHANGE N. - EL PASO SUB 115KV CKT 1'	FROM->TO	0.05535	159.5	101.2614	'MUSTANG STATION N. - SEAGRAVES INTERCHANGE 115KV CKT 1'	
18SP		5 G12_022	'DENVER CITY INTERCHANGE N. - EL PASO SUB 115KV CKT 1'	FROM->TO	0.05535	159.5	101.2614	'MUSTANG STATION N. - SEAGRAVES INTERCHANGE 115KV CKT 1'	
13G		0 G12_022	'DS-#24 3115.00 - PARMER COUNTY SUB 115KV CKT 1'	FROM->TO	0.05867	95.8	108.0913	'DEAF SMITH COUNTY INTERCHANGE - PLANT X STATION 230KV CKT 1'	
18SP		0 G12_022	'DS-#24 3115.00 - PARMER COUNTY SUB 115KV CKT 1'	FROM->TO	0.0546	98.2	108.9962	'DEAF SMITH COUNTY INTERCHANGE - PLANT X STATION 230KV CKT 1'	
13SP		0 G12_022	'ELK CITY 230KV - SWEETW76 230.00 230KV CKT 1'	TO->FROM	0.12451	438.5	100.3277	'LAWTON EASTSIDE - OKLAUNION 345KV CKT 1'	
13G		0 G12_022	'ELK CITY 230KV (ELKCTY-6) 230/138/13.8KV TRANSFORMER CKT 1'	FROM->TO	0.07683	286.7	109.7664	'DBL-G0847-WOOD'	
13G		0 G12_022	'ELK CITY 230KV (ELKCTY-6) 230/138/13.8KV TRANSFORMER CKT 1'	FROM->TO	0.07683	287	109.7214	'DBL-G0847-WOOD'	
13G		2 G12_022	'ELK CITY 230KV (ELKCTY-6) 230/138/13.8KV TRANSFORMER CKT 1'	FROM->TO	0.068	286.8	102.1952	'DBL-G0847-WOOD'	
13G		2 G12_022	'ELK CITY 230KV (ELKCTY-6) 230/138/13.8KV TRANSFORMER CKT 1'	FROM->TO	0.068	287	102.1937	'DBL-G0847-WOOD'	
13G		3 G12_022	'ELK CITY 230KV (ELKCTY-6) 230/138/13.8KV TRANSFORMER CKT 1'	FROM->TO	0.06813	286.8	102.3901	'DBL-G0847-WOOD'	
13G		3 G12_022	'ELK CITY 230KV (ELKCTY-6) 230/138/13.8KV TRANSFORMER CKT 1'	FROM->TO	0.06813	287	102.3536	'DBL-G0847-WOOD'	
13G		4 G12_022	'ELK CITY 230KV (ELKCTY-6) 230/138/13.8KV TRANSFORMER CKT 1'	FROM->TO	0.06787	286.8	102.2003	'DBL-G0847-WOOD'	
13G		4 G12_022	'ELK CITY 230KV (ELKCTY-6) 230/138/13.8KV TRANSFORMER CKT 1'	FROM->TO	0.06787	287	102.1988	'DBL-G0847-WOOD'	
13G		5 G12_022	'ELK CITY 230KV (ELKCTY-6) 230/138/13.8KV TRANSFORMER CKT 1'	FROM->TO	0.06787	286.8	102.2003	'DBL-G0847-WOOD'	
13G		5 G12_022	'ELK CITY 230KV (ELKCTY-6) 230/138/13.8KV TRANSFORMER CKT 1'	FROM->TO	0.06787	287	102.1988	'DBL-G0847-WOOD'	
13G		0 G12_022	'ELK CITY 230KV (ELKCTY-6) 230/138/13.8KV TRANSFORMER CKT 1'	FROM->TO	0.07326	286.7	101.2794	'G11_051T 345.00 - TATONGA7 345.00 345KV CKT 1'	
13G		0 G12_022	'ELK CITY 230KV (ELKCTY-6) 230/138/13.8KV TRANSFORMER CKT 1'	FROM->TO	0.07326	287	101.2432	'G11_051T 345.00 - TATONGA7 345.00 345KV CKT 1'	
13G		0 G12_022	'ELK CITY 230KV (ELKCTY-6) 230/138/13.8KV TRANSFORMER CKT 1'	FROM->TO	0.07326	286.7	101.0352	'G11_051T 345.00 - WWRDEHV7 345.00 345KV CKT 1'	

Season	Scenario	Source	MontCommonName	Direction	TDF	Rating	Contingency		Contname
							Loading %		
13WP		5	G12_022	'ELK CITY 230KV (ELKCTY-6) 230/138/13.8KV TRANSFORMER CKT 1'	FROM->TO	0.09286	287	114.6086	'SPP-SWPS-01'
13G		0	G12_022	'FPL SWITCH - MOORELAND 138KV CKT 1'	FROM->TO	0.03081	261.7	106.8911	'LAWTON EASTSIDE - OKLAUNION 345KV CKT 1'
13G		2	G12_022	'FPL SWITCH - MOORELAND 138KV CKT 1'	FROM->TO	0.03199	261.8	106.8972	'LAWTON EASTSIDE - OKLAUNION 345KV CKT 1'
13G		3	G12_022	'FPL SWITCH - MOORELAND 138KV CKT 1'	FROM->TO	0.03196	261.8	106.8959	'LAWTON EASTSIDE - OKLAUNION 345KV CKT 1'
13G		4	G12_022	'FPL SWITCH - MOORELAND 138KV CKT 1'	FROM->TO	0.032	261.9	106.2596	'LAWTON EASTSIDE - OKLAUNION 345KV CKT 1'
13G		5	G12_022	'FPL SWITCH - MOORELAND 138KV CKT 1'	FROM->TO	0.032	261.9	106.2596	'LAWTON EASTSIDE - OKLAUNION 345KV CKT 1'
13G		0	G12_022	'FPL SWITCH - MOORELAND 138KV CKT 1'	FROM->TO	0.03081	261.7	102.3057	'OKLAUNION - TUCO INTERCHANGE 345KV CKT 1'
13G		2	G12_022	'FPL SWITCH - MOORELAND 138KV CKT 1'	FROM->TO	0.03199	261.8	102.3518	'OKLAUNION - TUCO INTERCHANGE 345KV CKT 1'
13G		3	G12_022	'FPL SWITCH - MOORELAND 138KV CKT 1'	FROM->TO	0.03196	261.8	102.3505	'OKLAUNION - TUCO INTERCHANGE 345KV CKT 1'
13G		4	G12_022	'FPL SWITCH - MOORELAND 138KV CKT 1'	FROM->TO	0.032	261.9	101.7159	'OKLAUNION - TUCO INTERCHANGE 345KV CKT 1'
13G		5	G12_022	'FPL SWITCH - MOORELAND 138KV CKT 1'	FROM->TO	0.032	261.9	101.7159	'OKLAUNION - TUCO INTERCHANGE 345KV CKT 1'
13G		0	G12_022	'FPL SWITCH - MOORELAND 138KV CKT 1'	FROM->TO	0.03013	261.7	102.4686	'SPP-SWPS-01'
13G		2	G12_022	'FPL SWITCH - MOORELAND 138KV CKT 1'	FROM->TO	0.0318	261.8	102.5166	'SPP-SWPS-01'
13G		3	G12_022	'FPL SWITCH - MOORELAND 138KV CKT 1'	FROM->TO	0.03177	261.8	102.514	'SPP-SWPS-01'
13G		4	G12_022	'FPL SWITCH - MOORELAND 138KV CKT 1'	FROM->TO	0.03182	261.9	101.8793	'SPP-SWPS-01'
13G		5	G12_022	'FPL SWITCH - MOORELAND 138KV CKT 1'	FROM->TO	0.03182	261.9	101.8793	'SPP-SWPS-01'
13G		0	G12_022	'FPL SWITCH - MOORELAND 138KV CKT 1'	FROM->TO	0.03001	261.7	104.5903	'SPP-SWPS-03'
13G		0	G12_022	'FPL SWITCH - WOODWARD 138KV CKT 1'	TO->FROM	0.03412	135.3	158.4984	'G11_051T 345.00 - TATONGA7 345.00 345KV CKT 1'
13G		2	G12_022	'FPL SWITCH - WOODWARD 138KV CKT 1'	TO->FROM	0.03403	135.2	158.4476	'G11_051T 345.00 - TATONGA7 345.00 345KV CKT 1'
13G		3	G12_022	'FPL SWITCH - WOODWARD 138KV CKT 1'	TO->FROM	0.03404	135.2	158.4476	'G11_051T 345.00 - TATONGA7 345.00 345KV CKT 1'
13G		4	G12_022	'FPL SWITCH - WOODWARD 138KV CKT 1'	TO->FROM	0.03405	135.3	157.819	'G11_051T 345.00 - TATONGA7 345.00 345KV CKT 1'
13G		5	G12_022	'FPL SWITCH - WOODWARD 138KV CKT 1'	TO->FROM	0.03405	135.3	157.819	'G11_051T 345.00 - TATONGA7 345.00 345KV CKT 1'
13G		0	G12_022	'FPL SWITCH - WOODWARD 138KV CKT 1'	TO->FROM	0.03412	135.3	156.8724	'G11_051T 345.00 - WWRDEHV7 345.00 345KV CKT 1'
13G		2	G12_022	'FPL SWITCH - WOODWARD 138KV CKT 1'	TO->FROM	0.03403	135.2	156.7464	'G11_051T 345.00 - WWRDEHV7 345.00 345KV CKT 1'
13G		3	G12_022	'FPL SWITCH - WOODWARD 138KV CKT 1'	TO->FROM	0.03404	135.2	156.7464	'G11_051T 345.00 - WWRDEHV7 345.00 345KV CKT 1'
13G		4	G12_022	'FPL SWITCH - WOODWARD 138KV CKT 1'	TO->FROM	0.03405	135.3	156.193	'G11_051T 345.00 - WWRDEHV7 345.00 345KV CKT 1'
13G		5	G12_022	'FPL SWITCH - WOODWARD 138KV CKT 1'	TO->FROM	0.03405	135.3	156.193	'G11_051T 345.00 - WWRDEHV7 345.00 345KV CKT 1'
13G		0	G12_022	'FPL SWITCH - WOODWARD 138KV CKT 1'	TO->FROM	0.03081	123.1	137.6394	'LAWTON EASTSIDE - OKLAUNION 345KV CKT 1'
13G		2	G12_022	'FPL SWITCH - WOODWARD 138KV CKT 1'	TO->FROM	0.03199	123.2	137.6274	'LAWTON EASTSIDE - OKLAUNION 345KV CKT 1'
13G		3	G12_022	'FPL SWITCH - WOODWARD 138KV CKT 1'	TO->FROM	0.03196	123.2	137.6246	'LAWTON EASTSIDE - OKLAUNION 345KV CKT 1'
13G		0	G12_022	'FPL SWITCH - WOODWARD 138KV CKT 1'	TO->FROM	0.03057	135.3	130.6078	'LAWTON EASTSIDE - OKLAUNION 345KV CKT 1'
13G		2	G12_022	'FPL SWITCH - WOODWARD 138KV CKT 1'	TO->FROM	0.03179	135.2	132.6132	'LAWTON EASTSIDE - OKLAUNION 345KV CKT 1'
13G		3	G12_022	'FPL SWITCH - WOODWARD 138KV CKT 1'	TO->FROM	0.03176	135.2	132.5897	'LAWTON EASTSIDE - OKLAUNION 345KV CKT 1'
13G		4	G12_022	'FPL SWITCH - WOODWARD 138KV CKT 1'	TO->FROM	0.032	123.1	136.3882	'LAWTON EASTSIDE - OKLAUNION 345KV CKT 1'
13G		5	G12_022	'FPL SWITCH - WOODWARD 138KV CKT 1'	TO->FROM	0.032	123.1	136.3882	'LAWTON EASTSIDE - OKLAUNION 345KV CKT 1'
13G		4	G12_022	'FPL SWITCH - WOODWARD 138KV CKT 1'	TO->FROM	0.03179	135.3	131.5074	'LAWTON EASTSIDE - OKLAUNION 345KV CKT 1'
13G		5	G12_022	'FPL SWITCH - WOODWARD 138KV CKT 1'	TO->FROM	0.03179	135.3	131.5074	'LAWTON EASTSIDE - OKLAUNION 345KV CKT 1'
13G		0	G12_022	'FPL SWITCH - WOODWARD 138KV CKT 1'	TO->FROM	0.03081	123.1	127.8912	'OKLAUNION - TUCO INTERCHANGE 345KV CKT 1'
13G		2	G12_022	'FPL SWITCH - WOODWARD 138KV CKT 1'	TO->FROM	0.03199	123.2	127.9683	'OKLAUNION - TUCO INTERCHANGE 345KV CKT 1'
13G		3	G12_022	'FPL SWITCH - WOODWARD 138KV CKT 1'	TO->FROM	0.03196	123.2	127.9655	'OKLAUNION - TUCO INTERCHANGE 345KV CKT 1'
13G		0	G12_022	'FPL SWITCH - WOODWARD 138KV CKT 1'	TO->FROM	0.03057	135.3	121.6647	'OKLAUNION - TUCO INTERCHANGE 345KV CKT 1'
13G		2	G12_022	'FPL SWITCH - WOODWARD 138KV CKT 1'	TO->FROM	0.03179	135.2	123.8115	'OKLAUNION - TUCO INTERCHANGE 345KV CKT 1'
13G		3	G12_022	'FPL SWITCH - WOODWARD 138KV CKT 1'	TO->FROM	0.03176	135.2	123.7879	'OKLAUNION - TUCO INTERCHANGE 345KV CKT 1'
13G		4	G12_022	'FPL SWITCH - WOODWARD 138KV CKT 1'	TO->FROM	0.032	123.1	126.7212	'OKLAUNION - TUCO INTERCHANGE 345KV CKT 1'
13G		5	G12_022	'FPL SWITCH - WOODWARD 138KV CKT 1'	TO->FROM	0.032	123.1	126.7212	'OKLAUNION - TUCO INTERCHANGE 345KV CKT 1'
13G		4	G12_022	'FPL SWITCH - WOODWARD 138KV CKT 1'	TO->FROM	0.03179	135.3	122.7121	'OKLAUNION - TUCO INTERCHANGE 345KV CKT 1'
13G		5	G12_022	'FPL SWITCH - WOODWARD 138KV CKT 1'	TO->FROM	0.03179	135.3	122.7121	'OKLAUNION - TUCO INTERCHANGE 345KV CKT 1'
13G		0	G12_022	'FPL SWITCH - WOODWARD 138KV CKT 1'	TO->FROM	0.03013	123.1	128.2375	'SPP-SWPS-01'
13G		2	G12_022	'FPL SWITCH - WOODWARD 138KV CKT 1'	TO->FROM	0.0318	123.2	128.3187	'SPP-SWPS-01'
13G		3	G12_022	'FPL SWITCH - WOODWARD 138KV CKT 1'	TO->FROM	0.03177	123.2	128.313	'SPP-SWPS-01'
13G		4	G12_022	'FPL SWITCH - WOODWARD 138KV CKT 1'	TO->FROM	0.03182	123.1	127.069	'SPP-SWPS-01'
13G		5	G12_022	'FPL SWITCH - WOODWARD 138KV CKT 1'	TO->FROM	0.03182	123.1	127.069	'SPP-SWPS-01'
13G		0	G12_022	'FPL SWITCH - WOODWARD 138KV CKT 1'	TO->FROM	0.03001	123.1	132.7481	'SPP-SWPS-03'
13G		0	G12_022	'G-12-043-TAP345.00 - TOLK STATION 345KV CKT 1'	FROM->TO	0.06427	554.5	141.2822	'EDDY COUNTY INTERCHANGE - EDDY_NORTH 6230.00 230KV CKT 1'
13SP		0	G12_022	'G-12-043-TAP345.00 - TOLK STATION 345KV CKT 1'	FROM->TO	0.06288	554.8	132.1485	'EDDY COUNTY INTERCHANGE - EDDY_NORTH 6230.00 230KV CKT 1'
13WP		0	G12_022	'G-12-043-TAP345.00 - TOLK STATION 345KV CKT 1'	FROM->TO	0.0637	552.7	132.2338	'EDDY COUNTY INTERCHANGE - EDDY_NORTH 6230.00 230KV CKT 1'
18SP		0	G12_022	'G-12-043-TAP345.00 - TOLK STATION 345KV CKT 1'	FROM->TO	0.06267	553.2	130.4691	'EDDY COUNTY INTERCHANGE - EDDY_NORTH 6230.00 230KV CKT 1'
18WP		0	G12_022	'G-12-043-TAP345.00 - TOLK STATION 345KV CKT 1'	FROM->TO	0.06276	554.8	129.8031	'EDDY COUNTY INTERCHANGE - EDDY_NORTH 6230.00 230KV CKT 1'
13G		0	G12_022	'GRAPEVINE INTERCHANGE - NICHOLS STATION 230KV CKT 1'	TO->FROM	0.09	350.6	100.6164	'LAWTON EASTSIDE - OKLAUNION 345KV CKT 1'
13SP		0	G12_022	'GRAPEVINE INTERCHANGE - NICHOLS STATION 230KV CKT 1'	TO->FROM	0.07932	359.9	100.7755	'CONWAY SUB - NICHOLS STATION 115KV CKT 1'
13SP		0	G12_022	'GRAPEVINE INTERCHANGE - NICHOLS STATION 230KV CKT 1'	TO->FROM	0.10344	359.9	120.9038	'LAWTON EASTSIDE - OKLAUNION 345KV CKT 1'
13SP		2	G12_022	'GRAPEVINE INTERCHANGE - NICHOLS STATION 230KV CKT 1'	TO->FROM	0.10002	359.9	119.0704	'LAWTON EASTSIDE - OKLAUNION 345KV CKT 1'
13SP		3	G12_022	'GRAPEVINE INTERCHANGE - NICHOLS STATION 230KV CKT 1'	TO->FROM	0.10011	359.9	119.188	'LAWTON EASTSIDE - OKLAUNION 345KV CKT 1'
13SP		4	G12_022	'GRAPEVINE INTERCHANGE - NICHOLS STATION 230KV CKT 1'	TO->FROM	0.09999	359.9	119.1217	'LAWTON EASTSIDE - OKLAUNION 345KV CKT 1'
13SP		5	G12_022	'GRAPEVINE INTERCHANGE - NICHOLS STATION 230KV CKT 1'	TO->FROM	0.09999	359.9	119.1217	'LAWTON EASTSIDE - OKLAUNION 345KV CKT 1'
13SP		0	G12_022	'GRAPEVINE INTERCHANGE - NICHOLS STATION 230KV CKT 1'	TO->FROM	0.10344	359.9	112.1236	'OKLAUNION - TUCO INTERCHANGE 345KV CKT 1'
13SP		2	G12_022	'GRAPEVINE INTERCHANGE - NICHOLS STATION 230KV CKT 1'	TO->FROM	0.10002	359.9	110.1513	'OKLAUNION - TUCO INTERCHANGE 345KV CKT 1'
13SP		3	G12_022	'GRAPEVINE INTERCHANGE - NICHOLS STATION 230KV CKT 1'	TO->FROM	0.10011	359.9	110.241	'OKLAUNION - TUCO INTERCHANGE 345KV CKT 1'
13SP		4	G12_022	'GRAPEVINE INTERCHANGE - NICHOLS STATION 230KV CKT 1'	TO->FROM	0.09999	359.9	110.2026	'OKLAUNION - TUCO INTERCHANGE 345KV CKT 1'
13SP		5	G12_022	'GRAPEVINE INTERCHANGE - NICHOLS STATION 230KV CKT 1'	TO->FROM	0.09999	359.9	110.2026	'OKLAUNION - TUCO INTERCHANGE 345KV CKT 1'
13SP		0	G12_022	'GRAPEVINE INTERCHANGE - NICHOLS STATION 230KV CKT 1'	TO->FROM	0.10511	359.9	112.7103	'SPP-SWPS-01'
13SP		2	G12_022	'GRAPEVINE INTERCHANGE - NICHOLS STATION 230KV CKT 1'	TO->FROM	0.10047	359.9	110.135	'SPP-SWPS-01'
13SP		3	G12_022	'GRAPEVINE INTERCHANGE - NICHOLS STATION 230KV CKT 1'	TO->FROM	0.10056	359.9	110.2553	'SPP-SWPS-01'
13SP		4	G12_022	'GRAPEVINE INTERCHANGE - NICHOLS STATION 230KV CKT 1'	TO->FROM	0.10039	359.9	110.1948	'SPP-SWPS-01'

Season	Scenario	Source	MontCommonName	Direction	TDF	Rating	Contingency	
							Loading %	Contname
13SP		5 G12_022	'GRAPEVINE INTERCHANGE - NICHOLS STATION 230KV CKT 1'	TO->FROM	0.10039	359.9	110.1948	'SPP-SWPS-01'
13WP		0 G12_022	'GRAPEVINE INTERCHANGE - NICHOLS STATION 230KV CKT 1'	TO->FROM	0.08866	360.3	110.4133	'LAWTON EASTSIDE - OKLAUNION 345KV CKT 1'
13WP		2 G12_022	'GRAPEVINE INTERCHANGE - NICHOLS STATION 230KV CKT 1'	TO->FROM	0.08527	360.3	108.6837	'LAWTON EASTSIDE - OKLAUNION 345KV CKT 1'
13WP		3 G12_022	'GRAPEVINE INTERCHANGE - NICHOLS STATION 230KV CKT 1'	TO->FROM	0.08536	360.3	108.7456	'LAWTON EASTSIDE - OKLAUNION 345KV CKT 1'
13WP		4 G12_022	'GRAPEVINE INTERCHANGE - NICHOLS STATION 230KV CKT 1'	TO->FROM	0.08525	360.2	108.6263	'LAWTON EASTSIDE - OKLAUNION 345KV CKT 1'
13WP		5 G12_022	'GRAPEVINE INTERCHANGE - NICHOLS STATION 230KV CKT 1'	TO->FROM	0.08525	360.2	108.6263	'LAWTON EASTSIDE - OKLAUNION 345KV CKT 1'
13WP		0 G12_022	'GRAPEVINE INTERCHANGE - NICHOLS STATION 230KV CKT 1'	TO->FROM	0.08866	360.3	103.2526	'OKLAUNION - TUCO INTERCHANGE 345KV CKT 1'
13WP		2 G12_022	'GRAPEVINE INTERCHANGE - NICHOLS STATION 230KV CKT 1'	TO->FROM	0.08527	360.3	101.3565	'OKLAUNION - TUCO INTERCHANGE 345KV CKT 1'
13WP		3 G12_022	'GRAPEVINE INTERCHANGE - NICHOLS STATION 230KV CKT 1'	TO->FROM	0.08536	360.3	101.4184	'OKLAUNION - TUCO INTERCHANGE 345KV CKT 1'
13WP		4 G12_022	'GRAPEVINE INTERCHANGE - NICHOLS STATION 230KV CKT 1'	TO->FROM	0.08525	360.2	101.2971	'OKLAUNION - TUCO INTERCHANGE 345KV CKT 1'
13WP		5 G12_022	'GRAPEVINE INTERCHANGE - NICHOLS STATION 230KV CKT 1'	TO->FROM	0.08525	360.2	101.2971	'OKLAUNION - TUCO INTERCHANGE 345KV CKT 1'
13WP		0 G12_022	'GRAPEVINE INTERCHANGE - NICHOLS STATION 230KV CKT 1'	TO->FROM	0.09063	360.3	103.907	'SPP-SWPS-01'
13WP		2 G12_022	'GRAPEVINE INTERCHANGE - NICHOLS STATION 230KV CKT 1'	TO->FROM	0.08582	360.3	101.3181	'SPP-SWPS-01'
13WP		3 G12_022	'GRAPEVINE INTERCHANGE - NICHOLS STATION 230KV CKT 1'	TO->FROM	0.0859	360.3	101.4106	'SPP-SWPS-01'
13WP		4 G12_022	'GRAPEVINE INTERCHANGE - NICHOLS STATION 230KV CKT 1'	TO->FROM	0.08574	360.2	101.2644	'SPP-SWPS-01'
13WP		5 G12_022	'GRAPEVINE INTERCHANGE - NICHOLS STATION 230KV CKT 1'	TO->FROM	0.08574	360.2	101.2644	'SPP-SWPS-01'
18SP		0 G12_022	'GRAPEVINE INTERCHANGE - NICHOLS STATION 230KV CKT 1'	TO->FROM	0.1055	349.5	106.9082	'LAWTON EASTSIDE - OKLAUNION 345KV CKT 1'
18SP		2 G12_022	'GRAPEVINE INTERCHANGE - NICHOLS STATION 230KV CKT 1'	TO->FROM	0.1021	349.5	104.823	'LAWTON EASTSIDE - OKLAUNION 345KV CKT 1'
18SP		3 G12_022	'GRAPEVINE INTERCHANGE - NICHOLS STATION 230KV CKT 1'	TO->FROM	0.10219	349.5	104.9183	'LAWTON EASTSIDE - OKLAUNION 345KV CKT 1'
18SP		4 G12_022	'GRAPEVINE INTERCHANGE - NICHOLS STATION 230KV CKT 1'	TO->FROM	0.10206	349.5	104.8471	'LAWTON EASTSIDE - OKLAUNION 345KV CKT 1'
18SP		5 G12_022	'GRAPEVINE INTERCHANGE - NICHOLS STATION 230KV CKT 1'	TO->FROM	0.10206	349.5	104.8471	'LAWTON EASTSIDE - OKLAUNION 345KV CKT 1'
18WP		0 G12_022	'GRAPEVINE INTERCHANGE - NICHOLS STATION 230KV CKT 1'	TO->FROM	0.10352	360.2	120.2428	'LAWTON EASTSIDE - OKLAUNION 345KV CKT 1'
18WP		2 G12_022	'GRAPEVINE INTERCHANGE - NICHOLS STATION 230KV CKT 1'	TO->FROM	0.10013	360.2	118.4722	'LAWTON EASTSIDE - OKLAUNION 345KV CKT 1'
18WP		3 G12_022	'GRAPEVINE INTERCHANGE - NICHOLS STATION 230KV CKT 1'	TO->FROM	0.10022	360.2	118.5648	'LAWTON EASTSIDE - OKLAUNION 345KV CKT 1'
18WP		4 G12_022	'GRAPEVINE INTERCHANGE - NICHOLS STATION 230KV CKT 1'	TO->FROM	0.1001	360.2	118.4985	'LAWTON EASTSIDE - OKLAUNION 345KV CKT 1'
18WP		5 G12_022	'GRAPEVINE INTERCHANGE - NICHOLS STATION 230KV CKT 1'	TO->FROM	0.1001	360.2	118.4985	'LAWTON EASTSIDE - OKLAUNION 345KV CKT 1'
18WP		0 G12_022	'GRAPEVINE INTERCHANGE - NICHOLS STATION 230KV CKT 1'	TO->FROM	0.10352	360.2	111.4699	'OKLAUNION - TUCO INTERCHANGE 345KV CKT 1'
18WP		2 G12_022	'GRAPEVINE INTERCHANGE - NICHOLS STATION 230KV CKT 1'	TO->FROM	0.10013	360.2	109.5605	'OKLAUNION - TUCO INTERCHANGE 345KV CKT 1'
18WP		3 G12_022	'GRAPEVINE INTERCHANGE - NICHOLS STATION 230KV CKT 1'	TO->FROM	0.10022	360.2	109.653	'OKLAUNION - TUCO INTERCHANGE 345KV CKT 1'
18WP		4 G12_022	'GRAPEVINE INTERCHANGE - NICHOLS STATION 230KV CKT 1'	TO->FROM	0.1001	360.2	109.5868	'OKLAUNION - TUCO INTERCHANGE 345KV CKT 1'
18WP		5 G12_022	'GRAPEVINE INTERCHANGE - NICHOLS STATION 230KV CKT 1'	TO->FROM	0.1001	360.2	109.5868	'OKLAUNION - TUCO INTERCHANGE 345KV CKT 1'
18WP		0 G12_022	'GRAPEVINE INTERCHANGE - NICHOLS STATION 230KV CKT 1'	TO->FROM	0.1052	360.2	112.0868	'SPP-SWPS-01'
18WP		2 G12_022	'GRAPEVINE INTERCHANGE - NICHOLS STATION 230KV CKT 1'	TO->FROM	0.10057	360.2	109.572	'SPP-SWPS-01'
18WP		3 G12_022	'GRAPEVINE INTERCHANGE - NICHOLS STATION 230KV CKT 1'	TO->FROM	0.10066	360.2	109.6673	'SPP-SWPS-01'
18WP		4 G12_022	'GRAPEVINE INTERCHANGE - NICHOLS STATION 230KV CKT 1'	TO->FROM	0.10049	360.2	109.6317	'SPP-SWPS-01'
18WP		5 G12_022	'GRAPEVINE INTERCHANGE - NICHOLS STATION 230KV CKT 1'	TO->FROM	0.10049	360.2	109.6317	'SPP-SWPS-01'
13SP		0 G12_022	'GRAPEVINE INTERCHANGE - STATELINE INTERCHANGE 230KV CKT 1'	FROM->TO	0.10401	356.6	108.2831	'LAWTON EASTSIDE - OKLAUNION 345KV CKT 1'
13SP		2 G12_022	'GRAPEVINE INTERCHANGE - STATELINE INTERCHANGE 230KV CKT 1'	FROM->TO	0.10057	356.6	106.4155	'LAWTON EASTSIDE - OKLAUNION 345KV CKT 1'
13SP		3 G12_022	'GRAPEVINE INTERCHANGE - STATELINE INTERCHANGE 230KV CKT 1'	FROM->TO	0.10066	356.6	106.5341	'LAWTON EASTSIDE - OKLAUNION 345KV CKT 1'
13SP		4 G12_022	'GRAPEVINE INTERCHANGE - STATELINE INTERCHANGE 230KV CKT 1'	FROM->TO	0.10054	356.5	106.4971	'LAWTON EASTSIDE - OKLAUNION 345KV CKT 1'
13SP		5 G12_022	'GRAPEVINE INTERCHANGE - STATELINE INTERCHANGE 230KV CKT 1'	FROM->TO	0.10054	356.5	106.4971	'LAWTON EASTSIDE - OKLAUNION 345KV CKT 1'
13SP		0 G12_022	'GRAPEVINE INTERCHANGE - STATELINE INTERCHANGE 230KV CKT 1'	FROM->TO	0.1057	356.6	100.0167	'SPP-SWPS-01'
13WP		0 G12_022	'GRAPEVINE INTERCHANGE - STATELINE INTERCHANGE 230KV CKT 1'	FROM->TO	0.09603	357.2	106.018	'LAWTON EASTSIDE - OKLAUNION 345KV CKT 1'
13WP		2 G12_022	'GRAPEVINE INTERCHANGE - STATELINE INTERCHANGE 230KV CKT 1'	FROM->TO	0.09235	357.1	104.1082	'LAWTON EASTSIDE - OKLAUNION 345KV CKT 1'
13WP		3 G12_022	'GRAPEVINE INTERCHANGE - STATELINE INTERCHANGE 230KV CKT 1'	FROM->TO	0.09244	357.1	104.2015	'LAWTON EASTSIDE - OKLAUNION 345KV CKT 1'
13WP		4 G12_022	'GRAPEVINE INTERCHANGE - STATELINE INTERCHANGE 230KV CKT 1'	FROM->TO	0.09232	357.1	103.9667	'LAWTON EASTSIDE - OKLAUNION 345KV CKT 1'
13WP		5 G12_022	'GRAPEVINE INTERCHANGE - STATELINE INTERCHANGE 230KV CKT 1'	FROM->TO	0.09232	357.1	103.9667	'LAWTON EASTSIDE - OKLAUNION 345KV CKT 1'
18WP		0 G12_022	'GRAPEVINE INTERCHANGE - STATELINE INTERCHANGE 230KV CKT 1'	FROM->TO	0.10415	356.2	107.3472	'LAWTON EASTSIDE - OKLAUNION 345KV CKT 1'
18WP		2 G12_022	'GRAPEVINE INTERCHANGE - STATELINE INTERCHANGE 230KV CKT 1'	FROM->TO	0.10072	356.2	105.5423	'LAWTON EASTSIDE - OKLAUNION 345KV CKT 1'
18WP		3 G12_022	'GRAPEVINE INTERCHANGE - STATELINE INTERCHANGE 230KV CKT 1'	FROM->TO	0.10082	356.2	105.633	'LAWTON EASTSIDE - OKLAUNION 345KV CKT 1'
18WP		4 G12_022	'GRAPEVINE INTERCHANGE - STATELINE INTERCHANGE 230KV CKT 1'	FROM->TO	0.10069	356.2	105.566	'LAWTON EASTSIDE - OKLAUNION 345KV CKT 1'
18WP		5 G12_022	'GRAPEVINE INTERCHANGE - STATELINE INTERCHANGE 230KV CKT 1'	FROM->TO	0.10069	356.2	105.566	'LAWTON EASTSIDE - OKLAUNION 345KV CKT 1'
18WP		0 G12_022	'JONES STATION - TUCO INTERCHANGE 230KV CKT 1'	FROM->TO	0.17204	351.7	100.5938	'G-12-043-TAP345.00 - TOLK STATION 345KV CKT 1'
18WP		0 G12_022	'JONES STATION - TUCO INTERCHANGE 230KV CKT 1'	FROM->TO	0.17204	351.7	100.5938	'TOLK STATION (ABBXL844501) 345/230/13.2KV TRANSFORMER CKT 1'
18WP		0 G12_022	'JONES STATION - TUCO INTERCHANGE 230KV CKT 1'	FROM->TO	0.18338	351.7	105.9591	'TOLK STATION EAST - TUCO INTERCHANGE 230KV CKT 1'
18WP		0 G12_022	'KRESS INTERCHANGE - TULIA TAP 115KV CKT 1'	FROM->TO	0.04461	105.9	104.5571	'LAWTON EASTSIDE - OKLAUNION 345KV CKT 1'
18WP		2 G12_022	'KRESS INTERCHANGE - TULIA TAP 115KV CKT 1'	FROM->TO	0.04473	105.9	104.6853	'LAWTON EASTSIDE - OKLAUNION 345KV CKT 1'
18WP		3 G12_022	'KRESS INTERCHANGE - TULIA TAP 115KV CKT 1'	FROM->TO	0.04469	105.9	104.5328	'LAWTON EASTSIDE - OKLAUNION 345KV CKT 1'
18WP		4 G12_022	'KRESS INTERCHANGE - TULIA TAP 115KV CKT 1'	FROM->TO	0.04465	105.9	104.5522	'LAWTON EASTSIDE - OKLAUNION 345KV CKT 1'
18WP		5 G12_022	'KRESS INTERCHANGE - TULIA TAP 115KV CKT 1'	FROM->TO	0.04465	105.9	104.5522	'LAWTON EASTSIDE - OKLAUNION 345KV CKT 1'
13G		0 G12_022	'LP-DOUD_TP 3115.00 - SP-WOLF_TP 3115.00 115KV CKT 1'	TO->FROM	0.16236	172.5	103.6663	'LUBBOCK SOUTH INTERCHANGE - WOLFFORTH INTERCHANGE 230KV CKT 1'
18SP		0 G12_022	'LUBBOCK SOUTH INTERCHANGE (ABB LLM60043) 230/115/13.2KV TRANSFORMER CKT 1'	FROM->TO	0.05276	236.6	102.0982	'JONES STATION - TUCO INTERCHANGE 230KV CKT 1'
18SP		0 G12_022	'LUBBOCK SOUTH INTERCHANGE (ABB LLM60043) 230/115/13.2KV TRANSFORMER CKT 1'	FROM->TO	0.03087	236.6	115.0852	'Jones Station Bus#2 - LUBBOCK EAST INTERCHANGE 230KV CKT 1'
18SP		0 G12_022	'LUBBOCK SOUTH INTERCHANGE (ABB LLM60043) 230/115/13.2KV TRANSFORMER CKT 1'	FROM->TO	0.03087	242.5	112.079	'Jones Station Bus#2 - LUBBOCK EAST INTERCHANGE 230KV CKT 1'
18SP		0 G12_022	'LUBBOCK SOUTH INTERCHANGE (ABB LLM60043) 230/115/13.2KV TRANSFORMER CKT 1'	FROM->TO	0.03087	236.6	123.1796	'Jones Station Bus#2 - LUBBOCK EAST INTERCHANGE 230KV CKT 1'
18SP		0 G12_022	'LUBBOCK SOUTH INTERCHANGE (ABB LLM60043) 230/115/13.2KV TRANSFORMER CKT 1'	FROM->TO	0.03087	242.5	119.9765	'Jones Station Bus#2 - LUBBOCK EAST INTERCHANGE 230KV CKT 1'
18SP		0 G12_022	'LUBBOCK SOUTH INTERCHANGE (ABB LLM60043) 230/115/13.2KV TRANSFORMER CKT 1'	FROM->TO	0.03087	236.6	114.5081	'Jones Station Bus#2 - LUBBOCK EAST INTERCHANGE 230KV CKT 1'
18SP		0 G12_022	'LUBBOCK SOUTH INTERCHANGE (ABB LLM60043) 230/115/13.2KV TRANSFORMER CKT 1'	FROM->TO	0.03087	242.5	111.5159	'Jones Station Bus#2 - LUBBOCK EAST INTERCHANGE 230KV CKT 1'
18SP		0 G12_022	'LUBBOCK SOUTH INTERCHANGE (ABB LLM60043) 230/115/13.2KV TRANSFORMER CKT 1'	FROM->TO	0.03187	236.6	105.7987	'LUBBOCK EAST INTERCHANGE (ENRCC 136162) 230/115/13.2KV TRANSFORMER CKT 1'
18SP		0 G12_022	'LUBBOCK SOUTH INTERCHANGE (ABB LLM60043) 230/115/13.2KV TRANSFORMER CKT 1'	FROM->TO	0.03187	242.5	103.0597	'LUBBOCK EAST INTERCHANGE (ENRCC 136162) 230/115/13.2KV TRANSFORMER CKT 1'
18SP		0 G12_022	'LUBBOCK SOUTH INTERCHANGE (ABB LLM60043) 230/115/13.2KV TRANSFORMER CKT 1'	FROM->TO	0.03187	236.6	114.0069	'LUBBOCK EAST INTERCHANGE (ENRCC 136162) 230/115/13.2KV TRANSFORMER CKT 1'
18SP		0 G12_022	'LUBBOCK SOUTH INTERCHANGE (ABB LLM60043) 230/115/13.2KV TRANSFORMER CKT 1'	FROM->TO	0.03187	242.5	111.0682	'LUBBOCK EAST INTERCHANGE (ENRCC 136162) 230/115/13.2KV TRANSFORMER CKT 1'
18SP		0 G12_022	'LUBBOCK SOUTH INTERCHANGE (ABB LLM60043) 230/115/13.2KV TRANSFORMER CKT 1'	FROM->TO	0.03187	236.6	105.2224	'LUBBOCK EAST INTERCHANGE (ENRCC 136162) 230/115/13.2KV TRANSFORMER CKT 1'
18SP		0 G12_022	'LUBBOCK SOUTH INTERCHANGE (ABB LLM60043) 230/115/13.2KV TRANSFORMER CKT 1'	FROM->TO	0.03187	242.5	102.4974	'LUBBOCK EAST INTERCHANGE (ENRCC 136162) 230/115/13.2KV TRANSFORMER CKT 1'

Season	Scenario	Source	MontCommonName	Direction	TDF	Rating	Contingency		Contname
							Loading %		
18SP		3	G12_022	'OXYBRU_TP 6230.00 - YOAKUM COUNTY INTERCHANGE 230KV CKT 1'	FROM->TO	0.09042	351	101.599	'MUSTANG STATION - YOAKUM COUNTY INTERCHANGE 230KV CKT 1'
18SP		4	G12_022	'OXYBRU_TP 6230.00 - YOAKUM COUNTY INTERCHANGE 230KV CKT 1'	FROM->TO	0.08785	351	101.9711	'MUSTANG STATION - YOAKUM COUNTY INTERCHANGE 230KV CKT 1'
18SP		5	G12_022	'OXYBRU_TP 6230.00 - YOAKUM COUNTY INTERCHANGE 230KV CKT 1'	FROM->TO	0.08785	351	101.9711	'MUSTANG STATION - YOAKUM COUNTY INTERCHANGE 230KV CKT 1'
18SP		4	G12_022	'OXYBRU_TP 6230.00 - YOAKUM COUNTY INTERCHANGE 230KV CKT 1'	FROM->TO	0.08785	351	102.1469	'MUSTANG STATION - YOAKUM COUNTY INTERCHANGE 230KV CKT 1'
18SP		5	G12_022	'OXYBRU_TP 6230.00 - YOAKUM COUNTY INTERCHANGE 230KV CKT 1'	FROM->TO	0.08785	351	102.1469	'MUSTANG STATION - YOAKUM COUNTY INTERCHANGE 230KV CKT 1'
13G		2	G12_022	'PLANT X STATION - TOLK STATION EAST 230KV CKT 2'	TO->FROM	0.14389	502	115.6112	'PLANT X STATION - TOLK STATION WEST 230KV CKT 1'
13G		0	G12_022	'PLANT X STATION - TOLK STATION EAST 230KV CKT 2'	TO->FROM	0.17277	502	116.2175	'TOLK STATION EAST - TUCO INTERCHANGE 230KV CKT 1'
13G		0	G12_022	'PLANT X STATION - TOLK STATION EAST 230KV CKT 2'	TO->FROM	0.10422	502	103.8238	'TOLK STATION TAP - TOLK STATION WEST 230KV CKT 1'
13SP		2	G12_022	'PLANT X STATION - TOLK STATION EAST 230KV CKT 2'	TO->FROM	0.14787	557	104.3886	'PLANT X STATION - TOLK STATION WEST 230KV CKT 1'
18SP		2	G12_022	'PLANT X STATION - TOLK STATION EAST 230KV CKT 2'	TO->FROM	0.15458	500.3	107.747	'PLANT X STATION - TOLK STATION WEST 230KV CKT 1'
18SP		0	G12_022	'PLANT X STATION - TOLK STATION EAST 230KV CKT 2'	TO->FROM	0.17838	500.6	105.8663	'TOLK STATION EAST - TUCO INTERCHANGE 230KV CKT 1'
18WP		2	G12_022	'PLANT X STATION - TOLK STATION EAST 230KV CKT 2'	TO->FROM	0.14731	556.9	105.5857	'PLANT X STATION - TOLK STATION WEST 230KV CKT 1'
13G		0	G12_022	'PLANT X STATION - TOLK STATION WEST 230KV CKT 1'	TO->FROM	0.10329	502	103.7985	'CHAVESCO 345.00 - EDDY COUNTY INTERCHANGE 345KV CKT 1'
13G		0	G12_022	'PLANT X STATION - TOLK STATION WEST 230KV CKT 1'	TO->FROM	0.09299	502	102.3107	'EDDY COUNTY INTERCHANGE - EDDY_NORTH 6230.00 230KV CKT 1'
13G		0	G12_022	'PLANT X STATION - TOLK STATION WEST 230KV CKT 1'	TO->FROM	0.10329	502	103.7879	'EDDY COUNTY INTERCHANGE (ABB_AEM30711) 345/230/13.2KV TRANSFORMER CKT 1'
13G		0	G12_022	'PLANT X STATION - TOLK STATION WEST 230KV CKT 1'	TO->FROM	0.13812	502	100.7879	'LAMB COUNTY INTERCHANGE - TOLK STATION WEST 230KV CKT 1'
13G		0	G12_022	'PLANT X STATION - TOLK STATION WEST 230KV CKT 1'	TO->FROM	0.13812	502	100.7082	'LAMB COUNTY INTERCHANGE (WH_ALM20172) 230/115/13.2KV TRANSFORMER CKT 1'
13G		0	G12_022	'PLANT X STATION - TOLK STATION WEST 230KV CKT 1'	TO->FROM	0.1571	502	102.5413	'LAWTON EASTSIDE - OKLAUNION 345KV CKT 1'
13G		2	G12_022	'PLANT X STATION - TOLK STATION WEST 230KV CKT 1'	TO->FROM	0.14839	502	116.9909	'PLANT X STATION - TOLK STATION EAST 230KV CKT 2'
13G		0	G12_022	'PLANT X STATION - TOLK STATION WEST 230KV CKT 1'	TO->FROM	0.18655	502	117.1733	'TOLK STATION EAST - TUCO INTERCHANGE 230KV CKT 1'
13SP		2	G12_022	'PLANT X STATION - TOLK STATION WEST 230KV CKT 1'	TO->FROM	0.15273	557	105.7656	'PLANT X STATION - TOLK STATION EAST 230KV CKT 2'
18SP		2	G12_022	'PLANT X STATION - TOLK STATION WEST 230KV CKT 1'	TO->FROM	0.15949	500.8	109.219	'PLANT X STATION - TOLK STATION EAST 230KV CKT 2'
18SP		0	G12_022	'PLANT X STATION - TOLK STATION WEST 230KV CKT 1'	TO->FROM	0.19264	501.1	108.4097	'TOLK STATION EAST - TUCO INTERCHANGE 230KV CKT 1'
18WP		2	G12_022	'PLANT X STATION - TOLK STATION WEST 230KV CKT 1'	TO->FROM	0.15215	556.9	106.9771	'PLANT X STATION - TOLK STATION EAST 230KV CKT 2'
13G		0	G12_022	'PLANT X STATION (WH_ALM20171) 230/115/13.2KV TRANSFORMER CKT 1'	FROM->TO	0.04691	238.1	102.013	'CARGILL SUB - FRIONA SUB 115KV CKT 1'
13G		0	G12_022	'PLANT X STATION (WH_ALM20171) 230/115/13.2KV TRANSFORMER CKT 1'	FROM->TO	0.04691	239	101.4615	'CARGILL SUB - FRIONA SUB 115KV CKT 1'
13G		0	G12_022	'PLANT X STATION (WH_ALM20171) 230/115/13.2KV TRANSFORMER CKT 1'	FROM->TO	0.04691	238.1	102.517	'CARGILL SUB - PARMER COUNTY SUB 115KV CKT 1'
13G		0	G12_022	'PLANT X STATION (WH_ALM20171) 230/115/13.2KV TRANSFORMER CKT 1'	FROM->TO	0.04691	239	101.9217	'CARGILL SUB - PARMER COUNTY SUB 115KV CKT 1'
13G		0	G12_022	'PLANT X STATION (WH_ALM20171) 230/115/13.2KV TRANSFORMER CKT 1'	FROM->TO	0.03343	238.1	106.4996	'CHAVESCO 345.00 - EDDY COUNTY INTERCHANGE 345KV CKT 1'
13G		0	G12_022	'PLANT X STATION (WH_ALM20171) 230/115/13.2KV TRANSFORMER CKT 1'	FROM->TO	0.03343	239	105.9312	'CHAVESCO 345.00 - EDDY COUNTY INTERCHANGE 345KV CKT 1'
13G		0	G12_022	'PLANT X STATION (WH_ALM20171) 230/115/13.2KV TRANSFORMER CKT 1'	FROM->TO	0.04691	238.1	103.609	'CURRY COUNTY INTERCHANGE - DEAF SMITH REC-#20 115KV CKT 1'
13G		0	G12_022	'PLANT X STATION (WH_ALM20171) 230/115/13.2KV TRANSFORMER CKT 1'	FROM->TO	0.04691	239	103.0514	'CURRY COUNTY INTERCHANGE - DEAF SMITH REC-#20 115KV CKT 1'
13G		0	G12_022	'PLANT X STATION (WH_ALM20171) 230/115/13.2KV TRANSFORMER CKT 1'	FROM->TO	0.07393	238.1	121.9773	'DEAF SMITH COUNTY INTERCHANGE - PLANT X STATION 230KV CKT 1'
13G		0	G12_022	'PLANT X STATION (WH_ALM20171) 230/115/13.2KV TRANSFORMER CKT 1'	FROM->TO	0.07393	239	121.3506	'DEAF SMITH COUNTY INTERCHANGE - PLANT X STATION 230KV CKT 1'
13G		0	G12_022	'PLANT X STATION (WH_ALM20171) 230/115/13.2KV TRANSFORMER CKT 1'	FROM->TO	0.04691	238.1	103.105	'DEAF SMITH REC-#20 - DS-#24 3115.00 115KV CKT 1'
13G		0	G12_022	'PLANT X STATION (WH_ALM20171) 230/115/13.2KV TRANSFORMER CKT 1'	FROM->TO	0.04691	239	102.5493	'DEAF SMITH REC-#20 - DS-#24 3115.00 115KV CKT 1'
13G		0	G12_022	'PLANT X STATION (WH_ALM20171) 230/115/13.2KV TRANSFORMER CKT 1'	FROM->TO	0.04691	238.1	102.727	'DS-#24 3115.00 - PARMER COUNTY SUB 115KV CKT 1'
13G		0	G12_022	'PLANT X STATION (WH_ALM20171) 230/115/13.2KV TRANSFORMER CKT 1'	FROM->TO	0.04691	239	102.131	'DS-#24 3115.00 - PARMER COUNTY SUB 115KV CKT 1'
13G		0	G12_022	'PLANT X STATION (WH_ALM20171) 230/115/13.2KV TRANSFORMER CKT 1'	FROM->TO	0.03119	238.1	105.4751	'EDDY COUNTY INTERCHANGE - EDDY_NORTH 6230.00 230KV CKT 1'
13G		0	G12_022	'PLANT X STATION (WH_ALM20171) 230/115/13.2KV TRANSFORMER CKT 1'	FROM->TO	0.03119	239	104.9105	'EDDY COUNTY INTERCHANGE - EDDY_NORTH 6230.00 230KV CKT 1'
13G		0	G12_022	'PLANT X STATION (WH_ALM20171) 230/115/13.2KV TRANSFORMER CKT 1'	FROM->TO	0.03343	238.1	106.4996	'EDDY COUNTY INTERCHANGE (ABB_AEM30711) 345/230/13.2KV TRANSFORMER CKT 1'
13G		0	G12_022	'PLANT X STATION (WH_ALM20171) 230/115/13.2KV TRANSFORMER CKT 1'	FROM->TO	0.03343	239	105.8893	'EDDY COUNTY INTERCHANGE (ABB_AEM30711) 345/230/13.2KV TRANSFORMER CKT 1'
13G		0	G12_022	'PLANT X STATION (WH_ALM20171) 230/115/13.2KV TRANSFORMER CKT 1'	FROM->TO	0.04636	238.1	101.7362	'G12_001T 230.00 - GRASSLAND INTERCHANGE 230KV CKT 1'
13G		0	G12_022	'PLANT X STATION (WH_ALM20171) 230/115/13.2KV TRANSFORMER CKT 1'	FROM->TO	0.04636	239	101.1439	'G12_001T 230.00 - GRASSLAND INTERCHANGE 230KV CKT 1'
13G		3	G12_022	'PLANT X STATION (WH_ALM20171) 230/115/13.2KV TRANSFORMER CKT 1'	FROM->TO	0.04448	238.1	102.1286	'G-12-043-TAP345.00 - TUCO INTERCHANGE 345KV CKT 1'
13G		3	G12_022	'PLANT X STATION (WH_ALM20171) 230/115/13.2KV TRANSFORMER CKT 1'	FROM->TO	0.04448	239	101.5767	'G-12-043-TAP345.00 - TUCO INTERCHANGE 345KV CKT 1'
13G		4	G12_022	'PLANT X STATION (WH_ALM20171) 230/115/13.2KV TRANSFORMER CKT 1'	FROM->TO	0.04529	238.1	101.5536	'G-12-043-TAP345.00 - TUCO INTERCHANGE 345KV CKT 1'
13G		4	G12_022	'PLANT X STATION (WH_ALM20171) 230/115/13.2KV TRANSFORMER CKT 1'	FROM->TO	0.04529	239	101.0039	'G-12-043-TAP345.00 - TUCO INTERCHANGE 345KV CKT 1'
13G		5	G12_022	'PLANT X STATION (WH_ALM20171) 230/115/13.2KV TRANSFORMER CKT 1'	FROM->TO	0.04529	238.1	101.5536	'G-12-043-TAP345.00 - TUCO INTERCHANGE 345KV CKT 1'
13G		5	G12_022	'PLANT X STATION (WH_ALM20171) 230/115/13.2KV TRANSFORMER CKT 1'	FROM->TO	0.04529	239	101.0039	'G-12-043-TAP345.00 - TUCO INTERCHANGE 345KV CKT 1'
13G		0	G12_022	'PLANT X STATION (WH_ALM20171) 230/115/13.2KV TRANSFORMER CKT 1'	FROM->TO	0.06368	238.1	111.1731	'LAMB COUNTY INTERCHANGE - PLANT X STATION 115KV CKT 1'
13G		0	G12_022	'PLANT X STATION (WH_ALM20171) 230/115/13.2KV TRANSFORMER CKT 1'	FROM->TO	0.06368	239	110.5871	'LAMB COUNTY INTERCHANGE - PLANT X STATION 115KV CKT 1'
13G		0	G12_022	'PLANT X STATION (WH_ALM20171) 230/115/13.2KV TRANSFORMER CKT 1'	FROM->TO	0.04289	238.1	125.5841	'LAMB COUNTY INTERCHANGE - TOLK STATION WEST 230KV CKT 1'
13G		0	G12_022	'PLANT X STATION (WH_ALM20171) 230/115/13.2KV TRANSFORMER CKT 1'	FROM->TO	0.04289	239	124.9438	'LAMB COUNTY INTERCHANGE - TOLK STATION WEST 230KV CKT 1'
13G		0	G12_022	'PLANT X STATION (WH_ALM20171) 230/115/13.2KV TRANSFORMER CKT 1'	FROM->TO	0.04289	238.1	125.3321	'LAMB COUNTY INTERCHANGE (WH_ALM20172) 230/115/13.2KV TRANSFORMER CKT 1'
13G		0	G12_022	'PLANT X STATION (WH_ALM20171) 230/115/13.2KV TRANSFORMER CKT 1'	FROM->TO	0.04289	239	124.6927	'LAMB COUNTY INTERCHANGE (WH_ALM20172) 230/115/13.2KV TRANSFORMER CKT 1'
13G		0	G12_022	'PLANT X STATION (WH_ALM20171) 230/115/13.2KV TRANSFORMER CKT 1'	FROM->TO	0.05172	238.1	104.0123	'LUBBOCK SOUTH INTERCHANGE - WOLFFORTH INTERCHANGE 230KV CKT 1'
13G		0	G12_022	'PLANT X STATION (WH_ALM20171) 230/115/13.2KV TRANSFORMER CKT 1'	FROM->TO	0.05172	239	103.4533	'LUBBOCK SOUTH INTERCHANGE - WOLFFORTH INTERCHANGE 230KV CKT 1'
13G		0	G12_022	'PLANT X STATION (WH_ALM20171) 230/115/13.2KV TRANSFORMER CKT 1'	FROM->TO	0.06241	238.1	109.5039	'PLANT X STATION - S-RANDLCO 230.00 230KV CKT 1'
13G		0	G12_022	'PLANT X STATION (WH_ALM20171) 230/115/13.2KV TRANSFORMER CKT 1'	FROM->TO	0.06241	239	108.9242	'PLANT X STATION - S-RANDLCO 230.00 230KV CKT 1'
13G		0	G12_022	'PLANT X STATION (WH_ALM20171) 230/115/13.2KV TRANSFORMER CKT 1'	FROM->TO	0.03081	238.1	109.4964	'PLANT X STATION - SUNDOWN INTERCHANGE 230KV CKT 1'
13G		0	G12_022	'PLANT X STATION (WH_ALM20171) 230/115/13.2KV TRANSFORMER CKT 1'	FROM->TO	0.03081	239	108.9167	'PLANT X STATION - SUNDOWN INTERCHANGE 230KV CKT 1'
13G		0	G12_022	'PLANT X STATION (WH_ALM20171) 230/115/13.2KV TRANSFORMER CKT 1'	FROM->TO	0.06241	238.1	112.1919	'POTTER COUNTY INTERCHANGE - S-RANDLCO 230.00 230KV CKT 1'
13G		0	G12_022	'PLANT X STATION (WH_ALM20171) 230/115/13.2KV TRANSFORMER CKT 1'	FROM->TO	0.06241	239	111.5602	'POTTER COUNTY INTERCHANGE - S-RANDLCO 230.00 230KV CKT 1'
13G		0	G12_022	'PLANT X STATION (WH_ALM20171) 230/115/13.2KV TRANSFORMER CKT 1'	FROM->TO	0.05491	238.1	107.2852	'SUNDOWN INTERCHANGE - WOLFFORTH INTERCHANGE 230KV CKT 1'
13G		0	G12_022	'PLANT X STATION (WH_ALM20171) 230/115/13.2KV TRANSFORMER CKT 1'	FROM->TO	0.05491	239	106.7139	'SUNDOWN INTERCHANGE - WOLFFORTH INTERCHANGE 230KV CKT 1'
13G		0	G12_022	'PLANT X STATION (WH_ALM20171) 230/115/13.2KV TRANSFORMER CKT 1'	FROM->TO	0.06553	238.1	126.2058	'TOLK STATION EAST - TUCO INTERCHANGE 230KV CKT 1'
13G		0	G12_022	'PLANT X STATION (WH_ALM20171) 230/115/13.2KV TRANSFORMER CKT 1'	FROM->TO	0.06553	239	125.5632	'TOLK STATION EAST - TUCO INTERCHANGE 230KV CKT 1'
18SP		0	G12_022	'PLANT X STATION (WH_ALM20171) 230/115/13.2KV TRANSFORMER CKT 1'	FROM->TO	0.07658	252	100.54	'NEWHART 6230.00 - PLANT X STATION 230KV CKT 1'
18SP		0	G12_022	'PLANT X STATION (WH_ALM20171) 230/115/13.2KV TRANSFORMER CKT 1'	FROM->TO	0.07658	251.9	100.5005	'NEWHART 6230.00 - PLANT X STATION 230KV CKT 1'
13WP		0	G12_022	'POTTER COUNTY INTERCHANGE - S-RANDLCO 230.00 230KV CKT 1'	TO->FROM	0.17265	361	103.5678	'LAWTON EASTSIDE - OKLAUNION 345KV CKT 1'
13G		0	G12_022	'SP-WOLF_TP 3115.00 - YUMA INTERCHANGE 115KV CKT 1'	TO->FROM	0.16236	172.8	108.2896	'LUBBOCK SOUTH INTERCHANGE - WOLFFORTH INTERCHANGE 230KV CKT 1'
18SP		0	G12_022	'SP-WOLF_TP 3115.00 - YUMA INTERCHANGE 115KV CKT 1'	TO->FROM	0.10096	173.1	108.6277	'ALLEN SUB - LUBBOCK SOUTH INTERCHANGE 115KV CKT 1'
18SP		0	G12_022	'SP-WOLF_TP 3115.00 - YUMA INTERCHANGE 115KV CKT 1'	TO->FROM	0.08498	173.1	105.3003	'CARLISLE INTERCHANGE - TUCO INTERCHANGE 230KV CKT 1'

Season	Scenario	Source	MontCommonName	Direction	TDF	Rating	Contingency		Contname
							Loading %		
18SP		0	G12_022	'SP-WOLF_TP 3115.00 - YUMA INTERCHANGE 115KV CKT 1'	TO->FROM	0.11061	173.1	103.077	G-12-043-TAP345.00 - TOLK STATION 345KV CKT 1'
18SP		0	G12_022	'SP-WOLF_TP 3115.00 - YUMA INTERCHANGE 115KV CKT 1'	TO->FROM	0.11824	173.1	101.3846	JONES STATION - TUCO INTERCHANGE 230KV CKT 1'
18SP		0	G12_022	'SP-WOLF_TP 3115.00 - YUMA INTERCHANGE 115KV CKT 1'	TO->FROM	0.11061	173.1	103.1347	TOLK STATION (ABBXNL844501) 345/230/13.2KV TRANSFORMER CKT 1'
18SP		0	G12_022	'SP-WOLF_TP 3115.00 - YUMA INTERCHANGE 115KV CKT 1'	TO->FROM	0.11256	173.1	105.7769	TOLK STATION EAST - TUCO INTERCHANGE 230KV CKT 1'
13G		0	G12_022	'TERRY COUNTY INTERCHANGE - WOLFFORTH INTERCHANGE 115KV CKT 1'	FROM->TO	0.14488	137.6	110.8855	SUNDOWN INTERCHANGE - WOLFFORTH INTERCHANGE 230KV CKT 1'
13G		0	G12_022	'TOLK STATION (ABBXNL844501) 345/230/13.2KV TRANSFORMER CKT 1'	FROM->TO	0.06427	554.5	141.3002	EDDY COUNTY INTERCHANGE - EDDY NORTH 6230.00 230KV CKT 1'
13G		0	G12_022	'TOLK STATION (ABBXNL844501) 345/230/13.2KV TRANSFORMER CKT 1'	FROM->TO	0.06427	556.9	140.6553	EDDY COUNTY INTERCHANGE - EDDY NORTH 6230.00 230KV CKT 1'
13SP		0	G12_022	'TOLK STATION (ABBXNL844501) 345/230/13.2KV TRANSFORMER CKT 1'	FROM->TO	0.06288	554.8	132.1485	EDDY COUNTY INTERCHANGE - EDDY NORTH 6230.00 230KV CKT 1'
13SP		0	G12_022	'TOLK STATION (ABBXNL844501) 345/230/13.2KV TRANSFORMER CKT 1'	FROM->TO	0.06288	555.1	132.0591	EDDY COUNTY INTERCHANGE - EDDY NORTH 6230.00 230KV CKT 1'
13WP		0	G12_022	'TOLK STATION (ABBXNL844501) 345/230/13.2KV TRANSFORMER CKT 1'	FROM->TO	0.0637	552.7	132.2338	EDDY COUNTY INTERCHANGE - EDDY NORTH 6230.00 230KV CKT 1'
13WP		0	G12_022	'TOLK STATION (ABBXNL844501) 345/230/13.2KV TRANSFORMER CKT 1'	FROM->TO	0.0637	556.5	131.295	EDDY COUNTY INTERCHANGE - EDDY NORTH 6230.00 230KV CKT 1'
18SP		0	G12_022	'TOLK STATION (ABBXNL844501) 345/230/13.2KV TRANSFORMER CKT 1'	FROM->TO	0.06267	556.2	129.7654	EDDY COUNTY INTERCHANGE - EDDY NORTH 6230.00 230KV CKT 1'
18SP		0	G12_022	'TOLK STATION (ABBXNL844501) 345/230/13.2KV TRANSFORMER CKT 1'	FROM->TO	0.06267	556.4	129.7007	EDDY COUNTY INTERCHANGE - EDDY NORTH 6230.00 230KV CKT 1'
18WP		0	G12_022	'TOLK STATION (ABBXNL844501) 345/230/13.2KV TRANSFORMER CKT 1'	FROM->TO	0.06276	554.8	129.8031	EDDY COUNTY INTERCHANGE - EDDY NORTH 6230.00 230KV CKT 1'
18WP		0	G12_022	'TOLK STATION (ABBXNL844501) 345/230/13.2KV TRANSFORMER CKT 1'	FROM->TO	0.06276	555.1	129.7149	EDDY COUNTY INTERCHANGE - EDDY NORTH 6230.00 230KV CKT 1'
18SP		0	G12_022	'TOLK STATION EAST - TOLK STATION TAP 230KV CKT 1'	TO->FROM	0.13992	609.8	101.445	CHAVESCO 345.00 - EDDY COUNTY INTERCHANGE 345KV CKT 1'
18SP		0	G12_022	'TOLK STATION EAST - TOLK STATION TAP 230KV CKT 1'	TO->FROM	0.13992	609.8	101.4286	EDDY COUNTY INTERCHANGE (ABB AEM30711) 345/230/13.2KV TRANSFORMER CKT 1'
13G		0	G12_022	'TOLK STATION EAST - TUCO INTERCHANGE 230KV CKT 1'	FROM->TO	0.13537	501.3	100.2083	CHAVESCO 345.00 - EDDY COUNTY INTERCHANGE 345KV CKT 1'
13G		0	G12_022	'TOLK STATION EAST - TUCO INTERCHANGE 230KV CKT 1'	FROM->TO	0.13537	501.3	100.1884	EDDY COUNTY INTERCHANGE (ABB AEM30711) 345/230/13.2KV TRANSFORMER CKT 1'
13G		0	G12_022	'WOLFFORTH INTERCHANGE - YUMA INTERCHANGE 115KV CKT 1'	FROM->TO	0.09403	118.5	104.385	'BASE CASE'
13G		0	G12_022	'WOLFFORTH INTERCHANGE - YUMA INTERCHANGE 115KV CKT 1'	FROM->TO	0.16236	152.8	135.2909	LUBBOCK SOUTH INTERCHANGE - WOLFFORTH INTERCHANGE 230KV CKT 1'
13G		0	G12_022	'WOLFFORTH INTERCHANGE - YUMA INTERCHANGE 115KV CKT 1'	FROM->TO	0.11482	152.8	118.5133	TOLK STATION EAST - TUCO INTERCHANGE 230KV CKT 1'
13WP		0	G12_022	'WOLFFORTH INTERCHANGE - YUMA INTERCHANGE 115KV CKT 1'	FROM->TO	0.09422	172.8	101.128	ALLEN SUB - LUBBOCK SOUTH INTERCHANGE 115KV CKT 1'
13WP		0	G12_022	'WOLFFORTH INTERCHANGE - YUMA INTERCHANGE 115KV CKT 1'	FROM->TO	0.11412	172.8	100.0531	JONES STATION - TUCO INTERCHANGE 230KV CKT 1'
13WP		0	G12_022	'WOLFFORTH INTERCHANGE - YUMA INTERCHANGE 115KV CKT 1'	FROM->TO	0.1143	172.8	105.6732	TOLK STATION EAST - TUCO INTERCHANGE 230KV CKT 1'
18SP		0	G12_022	'WOLFFORTH INTERCHANGE - YUMA INTERCHANGE 115KV CKT 1'	FROM->TO	0.10086	152.6	131.1497	ALLEN SUB - LUBBOCK SOUTH INTERCHANGE 115KV CKT 1'
18SP		0	G12_022	'WOLFFORTH INTERCHANGE - YUMA INTERCHANGE 115KV CKT 1'	FROM->TO	0.10086	152.6	116.6674	ALLEN SUB - SOUTH PLAINS REC-QUAKER 115KV CKT 1'
18SP		0	G12_022	'WOLFFORTH INTERCHANGE - YUMA INTERCHANGE 115KV CKT 1'	FROM->TO	0.0971	118.2	133.143	'BASE CASE'
18SP		0	G12_022	'WOLFFORTH INTERCHANGE - YUMA INTERCHANGE 115KV CKT 1'	FROM->TO	0.0971	152.6	109.6166	BROWNFIELD SWITCHING STATION - LYNTEGAR REC-BROWNFIELD 69KV CKT 1'
18SP		0	G12_022	'WOLFFORTH INTERCHANGE - YUMA INTERCHANGE 115KV CKT 1'	FROM->TO	0.08498	152.6	127.3098	CARLISLE INTERCHANGE - TUCO INTERCHANGE 230KV CKT 1'
18SP		4	G12_022	'WOLFFORTH INTERCHANGE - YUMA INTERCHANGE 115KV CKT 1'	FROM->TO	0.06345	152.7	101.0544	CARLISLE INTERCHANGE - TUCO INTERCHANGE 230KV CKT 1'
18SP		5	G12_022	'WOLFFORTH INTERCHANGE - YUMA INTERCHANGE 115KV CKT 1'	FROM->TO	0.06345	152.7	101.0544	CARLISLE INTERCHANGE - TUCO INTERCHANGE 230KV CKT 1'
18SP		0	G12_022	'WOLFFORTH INTERCHANGE - YUMA INTERCHANGE 115KV CKT 1'	FROM->TO	0.0971	152.6	109.6166	Central Valley REC-12 Mile Hill - EDDY COUNTY INTERCHANGE 115KV CKT 1'
18SP		0	G12_022	'WOLFFORTH INTERCHANGE - YUMA INTERCHANGE 115KV CKT 1'	FROM->TO	0.10262	152.6	112.1463	DEAF SMITH COUNTY INTERCHANGE - PLANT X STATION 230KV CKT 1'
18SP		0	G12_022	'WOLFFORTH INTERCHANGE - YUMA INTERCHANGE 115KV CKT 1'	FROM->TO	0.11061	152.6	124.8534	G-12-043-TAP345.00 - TOLK STATION 345KV CKT 1'
18SP		2	G12_022	'WOLFFORTH INTERCHANGE - YUMA INTERCHANGE 115KV CKT 1'	FROM->TO	0.09638	152.9	102.0253	G-12-043-TAP345.00 - TUCO INTERCHANGE 345KV CKT 1'
18SP		3	G12_022	'WOLFFORTH INTERCHANGE - YUMA INTERCHANGE 115KV CKT 1'	FROM->TO	0.09633	152.8	101.9663	G-12-043-TAP345.00 - TUCO INTERCHANGE 345KV CKT 1'
18SP		4	G12_022	'WOLFFORTH INTERCHANGE - YUMA INTERCHANGE 115KV CKT 1'	FROM->TO	0.09508	152.7	103.4129	G-12-043-TAP345.00 - TUCO INTERCHANGE 345KV CKT 1'
18SP		5	G12_022	'WOLFFORTH INTERCHANGE - YUMA INTERCHANGE 115KV CKT 1'	FROM->TO	0.09508	152.7	103.4129	G-12-043-TAP345.00 - TUCO INTERCHANGE 345KV CKT 1'
18SP		0	G12_022	'WOLFFORTH INTERCHANGE - YUMA INTERCHANGE 115KV CKT 1'	FROM->TO	0.11824	152.6	122.8681	JONES STATION - TUCO INTERCHANGE 230KV CKT 1'
18SP		0	G12_022	'WOLFFORTH INTERCHANGE - YUMA INTERCHANGE 115KV CKT 1'	FROM->TO	0.09872	152.6	113.585	Jones Station Bus#2 - LUBBOCK EAST INTERCHANGE 230KV CKT 1'
18SP		0	G12_022	'WOLFFORTH INTERCHANGE - YUMA INTERCHANGE 115KV CKT 1'	FROM->TO	0.09874	152.6	110.4782	LUBBOCK EAST INTERCHANGE (ENRC 136162) 230/115/13.2KV TRANSFORMER CKT 1'
18SP		0	G12_022	'WOLFFORTH INTERCHANGE - YUMA INTERCHANGE 115KV CKT 1'	FROM->TO	0.09816	152.6	108.3696	LUBBOCK POWER & LIGHT-MILWAUKEE - LUBBOCK POWER & LIGHT-VICKSBURG 69KV CKT 1'
18SP		0	G12_022	'WOLFFORTH INTERCHANGE - YUMA INTERCHANGE 115KV CKT 1'	FROM->TO	0.12858	152.6	112.6633	LUBBOCK SOUTH INTERCHANGE - WOLFFORTH INTERCHANGE 230KV CKT 1'
18SP		0	G12_022	'WOLFFORTH INTERCHANGE - YUMA INTERCHANGE 115KV CKT 1'	FROM->TO	0.0999	152.6	120.0352	LUBBOCK SOUTH INTERCHANGE (ABB LLM60043) 230/115/13.2KV TRANSFORMER CKT 1'
18SP		0	G12_022	'WOLFFORTH INTERCHANGE - YUMA INTERCHANGE 115KV CKT 1'	FROM->TO	0.0971	152.6	110.8617	LYNTEGAR REC-BROWNFIELD - TERRY COUNTY INTERCHANGE 69KV CKT 1'
18SP		0	G12_022	'WOLFFORTH INTERCHANGE - YUMA INTERCHANGE 115KV CKT 1'	FROM->TO	0.10694	152.6	118.0519	'NEWHART 6230.00 - PLANT X STATION 230KV CKT 1'
18SP		0	G12_022	'WOLFFORTH INTERCHANGE - YUMA INTERCHANGE 115KV CKT 1'	FROM->TO	0.10086	152.6	111.2939	'SOUTH PLAINS REC-QUAKER - South Plains REC-Frankford Sub 115KV CKT 1'
18SP		0	G12_022	'WOLFFORTH INTERCHANGE - YUMA INTERCHANGE 115KV CKT 1'	FROM->TO	0.09721	152.6	110.4887	'SPP-SWPS-V49'
18SP		0	G12_022	'WOLFFORTH INTERCHANGE - YUMA INTERCHANGE 115KV CKT 1'	FROM->TO	0.11061	152.6	124.8534	TOLK STATION (ABBXNL844501) 345/230/13.2KV TRANSFORMER CKT 1'
18SP		0	G12_022	'WOLFFORTH INTERCHANGE - YUMA INTERCHANGE 115KV CKT 1'	FROM->TO	0.11256	152.6	127.9159	TOLK STATION EAST - TUCO INTERCHANGE 230KV CKT 1'
13G		0	G12_030	'CIMARRON - CZECH HALL 138KV CKT 1'	FROM->TO	0.04233	381	100.4758	'CIMARRON - DRAPER LAKE 345KV CKT 1'
13G		2	G12_030	'CIMARRON - CZECH HALL 138KV CKT 1'	FROM->TO	0.04234	381	100.4721	'CIMARRON - DRAPER LAKE 345KV CKT 1'
13G		3	G12_030	'CIMARRON - CZECH HALL 138KV CKT 1'	FROM->TO	0.04234	381	100.4721	'CIMARRON - DRAPER LAKE 345KV CKT 1'
13G		0	G12_030	'CIMARRON - CZECH HALL 138KV CKT 1'	FROM->TO	0.03587	381	101.3948	'CIMARRON - HAYMAKER 138KV CKT 1'
13G		2	G12_030	'CIMARRON - CZECH HALL 138KV CKT 1'	FROM->TO	0.03587	381	101.3929	'CIMARRON - HAYMAKER 138KV CKT 1'
13G		3	G12_030	'CIMARRON - CZECH HALL 138KV CKT 1'	FROM->TO	0.03587	381	101.3929	'CIMARRON - HAYMAKER 138KV CKT 1'
13G		0	G12_030	'CIMARRON - DRAPER LAKE 345KV CKT 1'	FROM->TO	0.18083	711.7	113.0427	'ARCADIA - SEMINOLE 345KV CKT 1'
13G		0	G12_030	'CIMARRON - DRAPER LAKE 345KV CKT 1'	FROM->TO	0.17645	711.7	104.7314	'CIMARRON - CZECH HALL 138KV CKT 1'
13G		0	G12_030	'CIMARRON - DRAPER LAKE 345KV CKT 1'	FROM->TO	0.17755	711.7	106.017	'CIMARRON - SARA 138KV CKT 1'
13G		0	G12_030	'CIMARRON - DRAPER LAKE 345KV CKT 1'	FROM->TO	0.18104	711.7	106.5514	'CIMARRON (CIMARON1) 345/138/13.8KV TRANSFORMER CKT 1'
13G		0	G12_030	'CIMARRON - DRAPER LAKE 345KV CKT 1'	FROM->TO	0.1808	711.7	106.3337	'CIMARRON (CIMARON2) 345/138/13.8KV TRANSFORMER CKT 1'
13G		0	G12_030	'CIMARRON - DRAPER LAKE 345KV CKT 1'	FROM->TO	0.18098	711.7	108.7602	'CLEVELAND - SOONER 345KV CKT 1'
13G		0	G12_030	'CIMARRON - DRAPER LAKE 345KV CKT 1'	FROM->TO	0.1788	711.7	104.7544	'CLEVELAND - TULSA NORTH 345KV CKT 1'
13G		0	G12_030	'CIMARRON - DRAPER LAKE 345KV CKT 1'	FROM->TO	0.17645	711.7	104.2396	'CZECH HALL - XEROX 138KV CKT 1'
13G		0	G12_030	'CIMARRON - DRAPER LAKE 345KV CKT 1'	FROM->TO	0.18844	711.7	106.0127	'GRACMNT7 345.00 - LAWTON EASTSIDE 345KV CKT 1'
13G		0	G12_030	'CIMARRON - DRAPER LAKE 345KV CKT 1'	FROM->TO	0.18243	711.7	114.5303	'LAWTON EASTSIDE - SUNNYSIDE 345KV CKT 1'
13G		0	G12_030	'CIMARRON - DRAPER LAKE 345KV CKT 1'	FROM->TO	0.17737	711.7	107.6245	'MATTHEWSON 345.00 - NORTHWEST 345KV CKT 1'
13G		0	G12_030	'CIMARRON - DRAPER LAKE 345KV CKT 1'	FROM->TO	0.17755	711.7	104.5978	'MCLAIN - SARA 138KV CKT 1'
13G		0	G12_030	'CIMARRON - DRAPER LAKE 345KV CKT 1'	FROM->TO	0.17645	711.7	104.0851	'MORGAN - MUSTANG 138KV CKT 1'
13G		0	G12_030	'CIMARRON - DRAPER LAKE 345KV CKT 1'	FROM->TO	0.17645	711.7	104.2256	'MORGAN - XEROX 138KV CKT 1'
13G		0	G12_030	'CIMARRON - DRAPER LAKE 345KV CKT 1'	FROM->TO	0.17445	711.7	103.4804	'NORTHWEST (NORTWST2) 345/138/13.8KV TRANSFORMER CKT 1'
13G		0	G12_030	'CIMARRON - DRAPER LAKE 345KV CKT 1'	FROM->TO	0.17326	711.7	105.6612	'SEMINOLE 345/17.1KV TRANSFORMER CKT 1'
13G		0	G12_030	'CIMARRON - DRAPER LAKE 345KV CKT 1'	FROM->TO	0.17326	711.7	108.2359	'SEMINOLE 345/20.9KV TRANSFORMER CKT 1'

Season	Scenario	Source	MontCommonName	Direction	TDF	Rating	Contingency		Contname
							Loading %		
18SP		0	G12_043	'BAILEY COUNTY REC-EARTH INTERCHANGE - PLANT X STATION 115KV CKT 1'	TO->FROM	0.03669	159.9	100.553	'DEAF SMITH REC-#20 - DS-#24 3115.00 115KV CKT 1'
18SP		0	G12_043	'BAILEY COUNTY REC-EARTH INTERCHANGE - PLANT X STATION 115KV CKT 1'	TO->FROM	0.03531	159.9	101.0844	'HALE CO INTERCHANGE - PLANT X STATION 115KV CKT 1'
18SP		0	G12_043	'BAILEY COUNTY REC-EARTH INTERCHANGE - PLANT X STATION 115KV CKT 1'	TO->FROM	0.03531	159.9	100.4721	'HALE CO INTERCHANGE - PLANT X STATION 115KV CKT 1'
18SP		0	G12_043	'BAILEY COUNTY REC-EARTH INTERCHANGE - PLANT X STATION 115KV CKT 1'	TO->FROM	0.03674	159.9	104.6485	'LAWTON EASTSIDE - OKLAUNION 345KV CKT 1'
18SP		0	G12_043	'BAILEY COUNTY REC-EARTH INTERCHANGE - PLANT X STATION 115KV CKT 1'	TO->FROM	0.03674	159.9	103.9882	'LAWTON EASTSIDE - OKLAUNION 345KV CKT 1'
18SP		0	G12_043	'BAILEY COUNTY REC-EARTH INTERCHANGE - PLANT X STATION 115KV CKT 1'	TO->FROM	0.04764	159.9	114.3443	'NEWHART 6230.00 - PLANT X STATION 230KV CKT 1'
18SP		2	G12_043	'BAILEY COUNTY REC-EARTH INTERCHANGE - PLANT X STATION 115KV CKT 1'	TO->FROM	0.0308	159.9	101.6246	'NEWHART 6230.00 - PLANT X STATION 230KV CKT 1'
18SP		3	G12_043	'BAILEY COUNTY REC-EARTH INTERCHANGE - PLANT X STATION 115KV CKT 1'	TO->FROM	0.03095	159.9	101.8394	'NEWHART 6230.00 - PLANT X STATION 230KV CKT 1'
18SP		0	G12_043	'BAILEY COUNTY REC-EARTH INTERCHANGE - PLANT X STATION 115KV CKT 1'	TO->FROM	0.04764	159.9	113.5236	'NEWHART 6230.00 - PLANT X STATION 230KV CKT 1'
18SP		2	G12_043	'BAILEY COUNTY REC-EARTH INTERCHANGE - PLANT X STATION 115KV CKT 1'	TO->FROM	0.0308	159.9	100.9712	'NEWHART 6230.00 - PLANT X STATION 230KV CKT 1'
18SP		3	G12_043	'BAILEY COUNTY REC-EARTH INTERCHANGE - PLANT X STATION 115KV CKT 1'	TO->FROM	0.03095	159.9	101.1834	'NEWHART 6230.00 - PLANT X STATION 230KV CKT 1'
18SP		4	G12_043	'BAILEY COUNTY REC-EARTH INTERCHANGE - PLANT X STATION 115KV CKT 1'	TO->FROM	0.03102	159.9	102.0222	'NEWHART 6230.00 - PLANT X STATION 230KV CKT 1'
18SP		5	G12_043	'BAILEY COUNTY REC-EARTH INTERCHANGE - PLANT X STATION 115KV CKT 1'	TO->FROM	0.03102	159.9	102.0222	'NEWHART 6230.00 - PLANT X STATION 230KV CKT 1'
18SP		4	G12_043	'BAILEY COUNTY REC-EARTH INTERCHANGE - PLANT X STATION 115KV CKT 1'	TO->FROM	0.03102	159.9	101.3769	'NEWHART 6230.00 - PLANT X STATION 230KV CKT 1'
18SP		5	G12_043	'BAILEY COUNTY REC-EARTH INTERCHANGE - PLANT X STATION 115KV CKT 1'	TO->FROM	0.03102	159.9	101.3769	'NEWHART 6230.00 - PLANT X STATION 230KV CKT 1'
18SP		0	G12_043	'BAILEY COUNTY REC-EARTH INTERCHANGE - PLANT X STATION 115KV CKT 1'	TO->FROM	0.03674	159.9	101.334	'OKLAUNION - TUCO INTERCHANGE 345KV CKT 1'
18SP		0	G12_043	'BAILEY COUNTY REC-EARTH INTERCHANGE - PLANT X STATION 115KV CKT 1'	TO->FROM	0.03674	159.9	100.6737	'OKLAUNION - TUCO INTERCHANGE 345KV CKT 1'
18SP		0	G12_043	'BAILEY COUNTY REC-EARTH INTERCHANGE - PLANT X STATION 115KV CKT 1'	TO->FROM	0.03715	159.9	101.5904	'SPP-SWPS-01'
18SP		0	G12_043	'BAILEY COUNTY REC-EARTH INTERCHANGE - PLANT X STATION 115KV CKT 1'	TO->FROM	0.03715	159.9	100.9226	'SPP-SWPS-01'
18SP		0	G12_043	'BAILEY COUNTY REC-EARTH INTERCHANGE - PLANT X STATION 115KV CKT 1'	TO->FROM	0.03802	159.9	107.0614	'SPP-SWPS-25'
18SP		0	G12_043	'BAILEY COUNTY REC-EARTH INTERCHANGE - PLANT X STATION 115KV CKT 1'	TO->FROM	0.03802	159.9	106.3986	'SPP-SWPS-25'
18SP		0	G12_043	'BAILEY COUNTY REC-EARTH INTERCHANGE - PLANT X STATION 115KV CKT 1'	TO->FROM	0.03802	159.9	107.0614	'SPP-SWPS-T28'
18SP		0	G12_043	'BAILEY COUNTY REC-EARTH INTERCHANGE - PLANT X STATION 115KV CKT 1'	TO->FROM	0.03802	159.9	106.3986	'SPP-SWPS-T28'
18SP		0	G12_043	'BAILEY COUNTY REC-EARTH INTERCHANGE - PLANT X STATION 115KV CKT 1'	TO->FROM	0.03729	159.9	100.4503	'TOLK STATION EAST - TUCO INTERCHANGE 230KV CKT 1'
13WP		0	G12_043	'CANYON EAST SUB - CANYON WEST SUB 115KV CKT 1'	TO->FROM	0.08441	105.9	104.2712	'BUFFALO 230.00 - BUSHLAND INTERCHANGE 230KV CKT 1'
13WP		0	G12_043	'CANYON EAST SUB - CANYON WEST SUB 115KV CKT 1'	TO->FROM	0.08441	105.9	102.0684	'BUFFALO 230.00 - BUSHLAND INTERCHANGE 230KV CKT 1'
13G		0	G12_043	'CANYON WEST SUB - DAWN SUB 115KV CKT 1'	TO->FROM	0.08571	96	100.6093	'BUFFALO 230.00 - BUSHLAND INTERCHANGE 230KV CKT 1'
13SP		0	G12_043	'CANYON WEST SUB - DAWN SUB 115KV CKT 1'	TO->FROM	0.07093	106	104.6889	'BUFFALO 230.00 - BUSHLAND INTERCHANGE 230KV CKT 1'
13SP		0	G12_043	'CANYON WEST SUB - DAWN SUB 115KV CKT 1'	TO->FROM	0.07093	106	102.8276	'BUFFALO 230.00 - BUSHLAND INTERCHANGE 230KV CKT 1'
13SP		0	G12_043	'CANYON WEST SUB - DAWN SUB 115KV CKT 1'	TO->FROM	0.07093	106	100.255	'BUFFALO 230.00 - DEAF SMITH COUNTY INTERCHANGE 230KV CKT 1'
13WP		0	G12_043	'CANYON WEST SUB - DAWN SUB 115KV CKT 1'	TO->FROM	0.08441	106	119.8333	'BUFFALO 230.00 - BUSHLAND INTERCHANGE 230KV CKT 1'
13WP		0	G12_043	'CANYON WEST SUB - DAWN SUB 115KV CKT 1'	TO->FROM	0.08441	106	117.6325	'BUFFALO 230.00 - BUSHLAND INTERCHANGE 230KV CKT 1'
13WP		0	G12_043	'CANYON WEST SUB - DAWN SUB 115KV CKT 1'	TO->FROM	0.08441	106	114.8333	'BUFFALO 230.00 - DEAF SMITH COUNTY INTERCHANGE 230KV CKT 1'
13WP		0	G12_043	'CANYON WEST SUB - DAWN SUB 115KV CKT 1'	TO->FROM	0.08441	106	112.6325	'BUFFALO 230.00 - DEAF SMITH COUNTY INTERCHANGE 230KV CKT 1'
18SP		0	G12_043	'CANYON WEST SUB - DAWN SUB 115KV CKT 1'	TO->FROM	0.07064	95.7	103.4308	'BUFFALO 230.00 - BUSHLAND INTERCHANGE 230KV CKT 1'
18SP		0	G12_043	'CANYON WEST SUB - DAWN SUB 115KV CKT 1'	TO->FROM	0.07064	95.7	101.3779	'BUFFALO 230.00 - BUSHLAND INTERCHANGE 230KV CKT 1'
18WP		0	G12_043	'CANYON WEST SUB - DAWN SUB 115KV CKT 1'	TO->FROM	0.07055	106	108.1991	'BUFFALO 230.00 - BUSHLAND INTERCHANGE 230KV CKT 1'
18WP		0	G12_043	'CANYON WEST SUB - DAWN SUB 115KV CKT 1'	TO->FROM	0.07055	106	106.3482	'BUFFALO 230.00 - BUSHLAND INTERCHANGE 230KV CKT 1'
18WP		0	G12_043	'CANYON WEST SUB - DAWN SUB 115KV CKT 1'	TO->FROM	0.07055	106	103.8594	'BUFFALO 230.00 - DEAF SMITH COUNTY INTERCHANGE 230KV CKT 1'
18WP		0	G12_043	'CANYON WEST SUB - DAWN SUB 115KV CKT 1'	TO->FROM	0.07055	106	102.0086	'BUFFALO 230.00 - DEAF SMITH COUNTY INTERCHANGE 230KV CKT 1'
13G		0	G12_043	'CARGILL SUB - PARMER COUNTY SUB 115KV CKT 1'	TO->FROM	0.06238	95.3	104.566	'DEAF SMITH COUNTY INTERCHANGE - PLANT X STATION 230KV CKT 1'
18SP		0	G12_043	'CARGILL SUB - PARMER COUNTY SUB 115KV CKT 1'	TO->FROM	0.05805	96	106.0773	'DEAF SMITH COUNTY INTERCHANGE - PLANT X STATION 230KV CKT 1'
18SP		0	G12_043	'CARGILL SUB - PARMER COUNTY SUB 115KV CKT 1'	TO->FROM	0.05805	96	104.3714	'DEAF SMITH COUNTY INTERCHANGE - PLANT X STATION 230KV CKT 1'
13G		0	G12_043	'CARLISLE INTERCHANGE - LP-DOUD_TP 3115.00 115KV CKT 1'	TO->FROM	0.11044	151.2	105.1749	'LUBBOCK SOUTH INTERCHANGE - WOLFORTH INTERCHANGE 230KV CKT 1'
13G		0	G12_043	'CIMARRON - DRAPER LAKE 345KV CKT 1'	FROM->TO	0.08113	711.7	107.9335	'ARCADIA - NORTHWEST 345KV CKT 1'
13G		0	G12_043	'CIMARRON - DRAPER LAKE 345KV CKT 1'	FROM->TO	0.062	711.7	113.0427	'ARCADIA - SEMINOLE 345KV CKT 1'
13G		0	G12_043	'CIMARRON - DRAPER LAKE 345KV CKT 1'	FROM->TO	0.0615	711.7	104.7314	'CIMARRON - CZECH HALL 138KV CKT 1'
13G		0	G12_043	'CIMARRON - DRAPER LAKE 345KV CKT 1'	FROM->TO	0.03603	711.7	104.048	'CIMARRON - MINCO 7 345.00 345KV CKT 1'
13G		0	G12_043	'CIMARRON - DRAPER LAKE 345KV CKT 1'	FROM->TO	0.06169	711.7	106.017	'CIMARRON - SARA 138KV CKT 1'
13G		0	G12_043	'CIMARRON - DRAPER LAKE 345KV CKT 1'	FROM->TO	0.05974	711.7	106.5514	'CIMARRON (CIMARON1) 345/138/13.8KV TRANSFORMER CKT 1'
13G		0	G12_043	'CIMARRON - DRAPER LAKE 345KV CKT 1'	FROM->TO	0.05974	711.7	106.3337	'CIMARRON (CIMARON2) 345/138/13.8KV TRANSFORMER CKT 1'
13G		0	G12_043	'CIMARRON - DRAPER LAKE 345KV CKT 1'	FROM->TO	0.06592	711.7	108.7602	'CLEVELAND - SOONER 345KV CKT 1'
13G		0	G12_043	'CIMARRON - DRAPER LAKE 345KV CKT 1'	FROM->TO	0.0641	711.7	104.7544	'CLEVELAND - TULSA NORTH 345KV CKT 1'
13G		0	G12_043	'CIMARRON - DRAPER LAKE 345KV CKT 1'	FROM->TO	0.0615	711.7	104.2396	'CZECH HALL - XEROX 138KV CKT 1'
13G		0	G12_043	'CIMARRON - DRAPER LAKE 345KV CKT 1'	FROM->TO	0.04514	711.7	106.0127	'GRACMNT7 345.00 - LAWTON EASTSIDE 345KV CKT 1'
13G		0	G12_043	'CIMARRON - DRAPER LAKE 345KV CKT 1'	FROM->TO	0.03603	711.7	114.8812	'GRACMNT7 345.00 - MINCO 7 345.00 345KV CKT 1'
13G		0	G12_043	'CIMARRON - DRAPER LAKE 345KV CKT 1'	FROM->TO	0.08489	711.7	114.5303	'LAWTON EASTSIDE - SUNNYSIDE 345KV CKT 1'
13G		0	G12_043	'CIMARRON - DRAPER LAKE 345KV CKT 1'	FROM->TO	0.06551	711.7	107.6245	'MATTHEWSON 345.00 - NORTHWEST 345KV CKT 1'
13G		0	G12_043	'CIMARRON - DRAPER LAKE 345KV CKT 1'	FROM->TO	0.06169	711.7	104.5978	'MCCLELLAIN - SARA 138KV CKT 1'
13G		0	G12_043	'CIMARRON - DRAPER LAKE 345KV CKT 1'	FROM->TO	0.0615	711.7	104.0851	'MORGAN - MUSTANG 138KV CKT 1'
13G		0	G12_043	'CIMARRON - DRAPER LAKE 345KV CKT 1'	FROM->TO	0.0615	711.7	104.2256	'MORGAN - XEROX 138KV CKT 1'
13G		0	G12_043	'CIMARRON - DRAPER LAKE 345KV CKT 1'	FROM->TO	0.06014	711.7	103.4804	'NORTHWEST (NORTWST2) 345/138/13.8KV TRANSFORMER CKT 1'
13G		0	G12_043	'CIMARRON - DRAPER LAKE 345KV CKT 1'	FROM->TO	0.05977	711.7	105.6612	'SEMINOLE 345/17.1KV TRANSFORMER CKT 1'
13G		0	G12_043	'CIMARRON - DRAPER LAKE 345KV CKT 1'	FROM->TO	0.05977	711.7	108.2359	'SEMINOLE 345/20.9KV TRANSFORMER CKT 1'
13G		0	G12_043	'CURRY COUNTY INTERCHANGE - DEAF SMITH REC-#20 115KV CKT 1'	FROM->TO	0.06238	93.8	127.9866	'DEAF SMITH COUNTY INTERCHANGE - PLANT X STATION 230KV CKT 1'
13G		0	G12_043	'CURRY COUNTY INTERCHANGE - DEAF SMITH REC-#20 115KV CKT 1'	FROM->TO	0.04245	93.8	104.1114	'LAWTON EASTSIDE - OKLAUNION 345KV CKT 1'
13G		0	G12_043	'CURRY COUNTY INTERCHANGE - DEAF SMITH REC-#20 115KV CKT 1'	FROM->TO	0.04299	93.8	100.2793	'SPP-SWPS-01'
13G		0	G12_043	'CURRY COUNTY INTERCHANGE - DEAF SMITH REC-#20 115KV CKT 1'	FROM->TO	0.04555	93.8	103.5213	'TOLK STATION EAST - TUCO INTERCHANGE 230KV CKT 1'
18SP		0	G12_043	'CURRY COUNTY INTERCHANGE - DEAF SMITH REC-#20 115KV CKT 1'	FROM->TO	0.05805	95.9	141.2245	'DEAF SMITH COUNTY INTERCHANGE - PLANT X STATION 230KV CKT 1'
18SP		2	G12_043	'CURRY COUNTY INTERCHANGE - DEAF SMITH REC-#20 115KV CKT 1'	FROM->TO	0.03924	95.9	118.4479	'DEAF SMITH COUNTY INTERCHANGE - PLANT X STATION 230KV CKT 1'
18SP		3	G12_043	'CURRY COUNTY INTERCHANGE - DEAF SMITH REC-#20 115KV CKT 1'	FROM->TO	0.0389	95.9	117.8973	'DEAF SMITH COUNTY INTERCHANGE - PLANT X STATION 230KV CKT 1'
18SP		0	G12_043	'CURRY COUNTY INTERCHANGE - DEAF SMITH REC-#20 115KV CKT 1'	FROM->TO	0.05805	95.9	139.5167	'DEAF SMITH COUNTY INTERCHANGE - PLANT X STATION 230KV CKT 1'
18SP		2	G12_043	'CURRY COUNTY INTERCHANGE - DEAF SMITH REC-#20 115KV CKT 1'	FROM->TO	0.03924	95.9	117.043	'DEAF SMITH COUNTY INTERCHANGE - PLANT X STATION 230KV CKT 1'
18SP		3	G12_043	'CURRY COUNTY INTERCHANGE - DEAF SMITH REC-#20 115KV CKT 1'	FROM->TO	0.0389	95.9	116.4921	'DEAF SMITH COUNTY INTERCHANGE - PLANT X STATION 230KV CKT 1'

Season	Scenario	Source	MontCommonName	Direction	TDF	Rating	Contingency	
							Loading %	Contname
13G		3 G12_043	'FPL SWITCH - MOORELAND 138KV CKT 1'	FROM->TO	0.03286	261.8	102.514	'SPP-SWPS-01'
13G		4 G12_043	'FPL SWITCH - MOORELAND 138KV CKT 1'	FROM->TO	0.03284	261.9	101.8793	'SPP-SWPS-01'
13G		5 G12_043	'FPL SWITCH - MOORELAND 138KV CKT 1'	FROM->TO	0.03284	261.9	101.8793	'SPP-SWPS-01'
13G		0 G12_043	'FPL SWITCH - MOORELAND 138KV CKT 1'	FROM->TO	0.03021	261.7	105.3492	'SPP-SWPS-02a'
13G		0 G12_043	'FPL SWITCH - MOORELAND 138KV CKT 1'	FROM->TO	0.03038	261.7	104.5903	'SPP-SWPS-03'
13G		0 G12_043	'FPL SWITCH - WOODWARD 138KV CKT 1'	TO->FROM	0.03021	123.1	136.7172	'ELK CITY 230KV - SWEETWT6 230.00 230KV CKT 1'
13G		0 G12_043	'FPL SWITCH - WOODWARD 138KV CKT 1'	TO->FROM	0.03021	123.1	136.7172	'ELK CITY 230KV (ELKCTY-6) 230/138/13.8KV TRANSFORMER CKT 1'
13G		0 G12_043	'FPL SWITCH - WOODWARD 138KV CKT 1'	TO->FROM	0.03419	135.3	158.4984	'G11_051T 345.00 - TATONGA7 345.00 345KV CKT 1'
13G		2 G12_043	'FPL SWITCH - WOODWARD 138KV CKT 1'	TO->FROM	0.034	135.2	158.4476	'G11_051T 345.00 - TATONGA7 345.00 345KV CKT 1'
13G		3 G12_043	'FPL SWITCH - WOODWARD 138KV CKT 1'	TO->FROM	0.03401	135.2	158.4476	'G11_051T 345.00 - TATONGA7 345.00 345KV CKT 1'
13G		4 G12_043	'FPL SWITCH - WOODWARD 138KV CKT 1'	TO->FROM	0.03403	135.3	157.819	'G11_051T 345.00 - TATONGA7 345.00 345KV CKT 1'
13G		5 G12_043	'FPL SWITCH - WOODWARD 138KV CKT 1'	TO->FROM	0.03403	135.3	157.819	'G11_051T 345.00 - TATONGA7 345.00 345KV CKT 1'
13G		0 G12_043	'FPL SWITCH - WOODWARD 138KV CKT 1'	TO->FROM	0.03419	135.3	156.8724	'G11_051T 345.00 - WWRDEHV7 345.00 345KV CKT 1'
13G		2 G12_043	'FPL SWITCH - WOODWARD 138KV CKT 1'	TO->FROM	0.034	135.2	156.7464	'G11_051T 345.00 - WWRDEHV7 345.00 345KV CKT 1'
13G		3 G12_043	'FPL SWITCH - WOODWARD 138KV CKT 1'	TO->FROM	0.03401	135.2	156.7464	'G11_051T 345.00 - WWRDEHV7 345.00 345KV CKT 1'
13G		4 G12_043	'FPL SWITCH - WOODWARD 138KV CKT 1'	TO->FROM	0.03403	135.3	156.193	'G11_051T 345.00 - WWRDEHV7 345.00 345KV CKT 1'
13G		5 G12_043	'FPL SWITCH - WOODWARD 138KV CKT 1'	TO->FROM	0.03403	135.3	156.193	'G11_051T 345.00 - WWRDEHV7 345.00 345KV CKT 1'
13G		0 G12_043	'FPL SWITCH - WOODWARD 138KV CKT 1'	TO->FROM	0.03021	123.1	132.0056	'GRAPEVINE INTERCHANGE - STATELINE INTERCHANGE 230KV CKT 1'
13G		0 G12_043	'FPL SWITCH - WOODWARD 138KV CKT 1'	TO->FROM	0.03027	123.1	137.6394	'LAWTON EASTSIDE - OKLAUNION 345KV CKT 1'
13G		2 G12_043	'FPL SWITCH - WOODWARD 138KV CKT 1'	TO->FROM	0.03274	123.2	137.6274	'LAWTON EASTSIDE - OKLAUNION 345KV CKT 1'
13G		3 G12_043	'FPL SWITCH - WOODWARD 138KV CKT 1'	TO->FROM	0.0327	123.2	137.6246	'LAWTON EASTSIDE - OKLAUNION 345KV CKT 1'
13G		0 G12_043	'FPL SWITCH - WOODWARD 138KV CKT 1'	TO->FROM	0.03003	135.3	130.6078	'LAWTON EASTSIDE - OKLAUNION 345KV CKT 1'
13G		2 G12_043	'FPL SWITCH - WOODWARD 138KV CKT 1'	TO->FROM	0.03254	135.2	132.6132	'LAWTON EASTSIDE - OKLAUNION 345KV CKT 1'
13G		3 G12_043	'FPL SWITCH - WOODWARD 138KV CKT 1'	TO->FROM	0.0325	135.2	132.5897	'LAWTON EASTSIDE - OKLAUNION 345KV CKT 1'
13G		4 G12_043	'FPL SWITCH - WOODWARD 138KV CKT 1'	TO->FROM	0.03268	123.1	136.3882	'LAWTON EASTSIDE - OKLAUNION 345KV CKT 1'
13G		5 G12_043	'FPL SWITCH - WOODWARD 138KV CKT 1'	TO->FROM	0.03268	123.1	136.3882	'LAWTON EASTSIDE - OKLAUNION 345KV CKT 1'
13G		4 G12_043	'FPL SWITCH - WOODWARD 138KV CKT 1'	TO->FROM	0.03248	135.3	131.5074	'LAWTON EASTSIDE - OKLAUNION 345KV CKT 1'
13G		5 G12_043	'FPL SWITCH - WOODWARD 138KV CKT 1'	TO->FROM	0.03248	135.3	131.5074	'LAWTON EASTSIDE - OKLAUNION 345KV CKT 1'
13G		0 G12_043	'FPL SWITCH - WOODWARD 138KV CKT 1'	TO->FROM	0.03027	123.1	127.8912	'OKLAUNION - TUCO INTERCHANGE 345KV CKT 1'
13G		2 G12_043	'FPL SWITCH - WOODWARD 138KV CKT 1'	TO->FROM	0.03274	123.2	127.9683	'OKLAUNION - TUCO INTERCHANGE 345KV CKT 1'
13G		3 G12_043	'FPL SWITCH - WOODWARD 138KV CKT 1'	TO->FROM	0.0327	123.2	127.9655	'OKLAUNION - TUCO INTERCHANGE 345KV CKT 1'
13G		0 G12_043	'FPL SWITCH - WOODWARD 138KV CKT 1'	TO->FROM	0.03003	135.3	121.6647	'OKLAUNION - TUCO INTERCHANGE 345KV CKT 1'
13G		2 G12_043	'FPL SWITCH - WOODWARD 138KV CKT 1'	TO->FROM	0.03254	135.2	123.8115	'OKLAUNION - TUCO INTERCHANGE 345KV CKT 1'
13G		3 G12_043	'FPL SWITCH - WOODWARD 138KV CKT 1'	TO->FROM	0.0325	135.2	123.7879	'OKLAUNION - TUCO INTERCHANGE 345KV CKT 1'
13G		4 G12_043	'FPL SWITCH - WOODWARD 138KV CKT 1'	TO->FROM	0.03268	123.1	126.7212	'OKLAUNION - TUCO INTERCHANGE 345KV CKT 1'
13G		5 G12_043	'FPL SWITCH - WOODWARD 138KV CKT 1'	TO->FROM	0.03268	123.1	126.7212	'OKLAUNION - TUCO INTERCHANGE 345KV CKT 1'
13G		4 G12_043	'FPL SWITCH - WOODWARD 138KV CKT 1'	TO->FROM	0.03248	135.3	122.7121	'OKLAUNION - TUCO INTERCHANGE 345KV CKT 1'
13G		5 G12_043	'FPL SWITCH - WOODWARD 138KV CKT 1'	TO->FROM	0.03248	135.3	122.7121	'OKLAUNION - TUCO INTERCHANGE 345KV CKT 1'
13G		2 G12_043	'FPL SWITCH - WOODWARD 138KV CKT 1'	TO->FROM	0.0329	123.2	128.3187	'SPP-SWPS-01'
13G		3 G12_043	'FPL SWITCH - WOODWARD 138KV CKT 1'	TO->FROM	0.03286	123.2	128.313	'SPP-SWPS-01'
13G		4 G12_043	'FPL SWITCH - WOODWARD 138KV CKT 1'	TO->FROM	0.03284	123.1	127.069	'SPP-SWPS-01'
13G		5 G12_043	'FPL SWITCH - WOODWARD 138KV CKT 1'	TO->FROM	0.03284	123.1	127.069	'SPP-SWPS-01'
13G		0 G12_043	'FPL SWITCH - WOODWARD 138KV CKT 1'	TO->FROM	0.03021	123.1	134.3614	'SPP-SWPS-02a'
13G		0 G12_043	'FPL SWITCH - WOODWARD 138KV CKT 1'	TO->FROM	0.03038	123.1	132.7481	'SPP-SWPS-03'
13G		0 G12_043	'GRAPEVINE INTERCHANGE - NICHOLS STATION 230KV CKT 1'	TO->FROM	0.09154	350.6	100.6164	'LAWTON EASTSIDE - OKLAUNION 345KV CKT 1'
13SP		0 G12_043	'GRAPEVINE INTERCHANGE - NICHOLS STATION 230KV CKT 1'	TO->FROM	0.08243	359.9	100.7755	'CONWAY SUB - NICHOLS STATION 115KV CKT 1'
13SP		0 G12_043	'GRAPEVINE INTERCHANGE - NICHOLS STATION 230KV CKT 1'	TO->FROM	0.08243	359.9	100.1138	'CONWAY SUB - NICHOLS STATION 115KV CKT 1'
13SP		0 G12_043	'GRAPEVINE INTERCHANGE - NICHOLS STATION 230KV CKT 1'	TO->FROM	0.10512	359.9	120.9038	'LAWTON EASTSIDE - OKLAUNION 345KV CKT 1'
13SP		2 G12_043	'GRAPEVINE INTERCHANGE - NICHOLS STATION 230KV CKT 1'	TO->FROM	0.09775	359.9	119.0704	'LAWTON EASTSIDE - OKLAUNION 345KV CKT 1'
13SP		3 G12_043	'GRAPEVINE INTERCHANGE - NICHOLS STATION 230KV CKT 1'	TO->FROM	0.09787	359.9	119.188	'LAWTON EASTSIDE - OKLAUNION 345KV CKT 1'
13SP		0 G12_043	'GRAPEVINE INTERCHANGE - NICHOLS STATION 230KV CKT 1'	TO->FROM	0.10512	359.9	120.0404	'LAWTON EASTSIDE - OKLAUNION 345KV CKT 1'
13SP		2 G12_043	'GRAPEVINE INTERCHANGE - NICHOLS STATION 230KV CKT 1'	TO->FROM	0.09775	359.9	118.2355	'LAWTON EASTSIDE - OKLAUNION 345KV CKT 1'
13SP		3 G12_043	'GRAPEVINE INTERCHANGE - NICHOLS STATION 230KV CKT 1'	TO->FROM	0.09787	359.9	118.3548	'LAWTON EASTSIDE - OKLAUNION 345KV CKT 1'
13SP		0 G12_043	'GRAPEVINE INTERCHANGE - NICHOLS STATION 230KV CKT 1'	TO->FROM	0.10512	359.9	106.3596	'LAWTON EASTSIDE - OKLAUNION 345KV CKT 1'
13SP		2 G12_043	'GRAPEVINE INTERCHANGE - NICHOLS STATION 230KV CKT 1'	TO->FROM	0.09775	359.9	105.3678	'LAWTON EASTSIDE - OKLAUNION 345KV CKT 1'
13SP		3 G12_043	'GRAPEVINE INTERCHANGE - NICHOLS STATION 230KV CKT 1'	TO->FROM	0.09787	359.9	105.4687	'LAWTON EASTSIDE - OKLAUNION 345KV CKT 1'
13SP		4 G12_043	'GRAPEVINE INTERCHANGE - NICHOLS STATION 230KV CKT 1'	TO->FROM	0.09791	359.9	119.1217	'LAWTON EASTSIDE - OKLAUNION 345KV CKT 1'
13SP		5 G12_043	'GRAPEVINE INTERCHANGE - NICHOLS STATION 230KV CKT 1'	TO->FROM	0.09791	359.9	119.1217	'LAWTON EASTSIDE - OKLAUNION 345KV CKT 1'
13SP		4 G12_043	'GRAPEVINE INTERCHANGE - NICHOLS STATION 230KV CKT 1'	TO->FROM	0.09791	359.9	118.288	'LAWTON EASTSIDE - OKLAUNION 345KV CKT 1'
13SP		5 G12_043	'GRAPEVINE INTERCHANGE - NICHOLS STATION 230KV CKT 1'	TO->FROM	0.09791	359.9	118.288	'LAWTON EASTSIDE - OKLAUNION 345KV CKT 1'
13SP		4 G12_043	'GRAPEVINE INTERCHANGE - NICHOLS STATION 230KV CKT 1'	TO->FROM	0.09791	359.9	105.3911	'LAWTON EASTSIDE - OKLAUNION 345KV CKT 1'
13SP		5 G12_043	'GRAPEVINE INTERCHANGE - NICHOLS STATION 230KV CKT 1'	TO->FROM	0.09791	359.9	105.3911	'LAWTON EASTSIDE - OKLAUNION 345KV CKT 1'
13SP		0 G12_043	'GRAPEVINE INTERCHANGE - NICHOLS STATION 230KV CKT 1'	TO->FROM	0.10512	359.9	112.1236	'OKLAUNION - TUCO INTERCHANGE 345KV CKT 1'
13SP		2 G12_043	'GRAPEVINE INTERCHANGE - NICHOLS STATION 230KV CKT 1'	TO->FROM	0.09775	359.9	110.1513	'OKLAUNION - TUCO INTERCHANGE 345KV CKT 1'
13SP		3 G12_043	'GRAPEVINE INTERCHANGE - NICHOLS STATION 230KV CKT 1'	TO->FROM	0.09787	359.9	110.241	'OKLAUNION - TUCO INTERCHANGE 345KV CKT 1'
13SP		0 G12_043	'GRAPEVINE INTERCHANGE - NICHOLS STATION 230KV CKT 1'	TO->FROM	0.10512	359.9	111.2602	'OKLAUNION - TUCO INTERCHANGE 345KV CKT 1'
13SP		2 G12_043	'GRAPEVINE INTERCHANGE - NICHOLS STATION 230KV CKT 1'	TO->FROM	0.09775	359.9	109.3163	'OKLAUNION - TUCO INTERCHANGE 345KV CKT 1'
13SP		3 G12_043	'GRAPEVINE INTERCHANGE - NICHOLS STATION 230KV CKT 1'	TO->FROM	0.09787	359.9	109.4078	'OKLAUNION - TUCO INTERCHANGE 345KV CKT 1'
13SP		4 G12_043	'GRAPEVINE INTERCHANGE - NICHOLS STATION 230KV CKT 1'	TO->FROM	0.09791	359.9	110.2026	'OKLAUNION - TUCO INTERCHANGE 345KV CKT 1'
13SP		5 G12_043	'GRAPEVINE INTERCHANGE - NICHOLS STATION 230KV CKT 1'	TO->FROM	0.09791	359.9	110.2026	'OKLAUNION - TUCO INTERCHANGE 345KV CKT 1'
13SP		4 G12_043	'GRAPEVINE INTERCHANGE - NICHOLS STATION 230KV CKT 1'	TO->FROM	0.09791	359.9	109.3688	'OKLAUNION - TUCO INTERCHANGE 345KV CKT 1'
13SP		5 G12_043	'GRAPEVINE INTERCHANGE - NICHOLS STATION 230KV CKT 1'	TO->FROM	0.09791	359.9	109.3688	'OKLAUNION - TUCO INTERCHANGE 345KV CKT 1'
13SP		0 G12_043	'GRAPEVINE INTERCHANGE - NICHOLS STATION 230KV CKT 1'	TO->FROM	0.10679	359.9	112.7103	'SPP-SWPS-01'
13SP		2 G12_043	'GRAPEVINE INTERCHANGE - NICHOLS STATION 230KV CKT 1'	TO->FROM	0.09725	359.9	110.135	'SPP-SWPS-01'

Season	Scenario	Source	MontCommonName	Direction	TDF	Rating	Contingency		
							Loading %	Contname	
18WP		2	G12_043	'GRAPEVINE INTERCHANGE - NICHOLS STATION 230KV CKT 1'	TO->FROM	0.09735	360.2	109.572	'SPP-SWPS-01'
18WP		3	G12_043	'GRAPEVINE INTERCHANGE - NICHOLS STATION 230KV CKT 1'	TO->FROM	0.09749	360.2	109.6673	'SPP-SWPS-01'
18WP		0	G12_043	'GRAPEVINE INTERCHANGE - NICHOLS STATION 230KV CKT 1'	TO->FROM	0.10688	360.2	111.2094	'SPP-SWPS-01'
18WP		2	G12_043	'GRAPEVINE INTERCHANGE - NICHOLS STATION 230KV CKT 1'	TO->FROM	0.09735	360.2	108.737	'SPP-SWPS-01'
18WP		3	G12_043	'GRAPEVINE INTERCHANGE - NICHOLS STATION 230KV CKT 1'	TO->FROM	0.09749	360.2	108.8284	'SPP-SWPS-01'
18WP		4	G12_043	'GRAPEVINE INTERCHANGE - NICHOLS STATION 230KV CKT 1'	TO->FROM	0.09754	360.2	109.6317	'SPP-SWPS-01'
18WP		5	G12_043	'GRAPEVINE INTERCHANGE - NICHOLS STATION 230KV CKT 1'	TO->FROM	0.09754	360.2	109.6317	'SPP-SWPS-01'
18WP		4	G12_043	'GRAPEVINE INTERCHANGE - NICHOLS STATION 230KV CKT 1'	TO->FROM	0.09754	360.2	108.795	'SPP-SWPS-01'
18WP		5	G12_043	'GRAPEVINE INTERCHANGE - NICHOLS STATION 230KV CKT 1'	TO->FROM	0.09754	360.2	108.795	'SPP-SWPS-01'
13SP		0	G12_043	'GRAPEVINE INTERCHANGE - STATELINE INTERCHANGE 230KV CKT 1'	FROM->TO	0.10571	356.6	108.2831	'LAWTON EASTSIDE - OKLAUNION 345KV CKT 1'
13SP		2	G12_043	'GRAPEVINE INTERCHANGE - STATELINE INTERCHANGE 230KV CKT 1'	FROM->TO	0.09828	356.6	106.4155	'LAWTON EASTSIDE - OKLAUNION 345KV CKT 1'
13SP		3	G12_043	'GRAPEVINE INTERCHANGE - STATELINE INTERCHANGE 230KV CKT 1'	FROM->TO	0.0984	356.6	106.5341	'LAWTON EASTSIDE - OKLAUNION 345KV CKT 1'
13SP		0	G12_043	'GRAPEVINE INTERCHANGE - STATELINE INTERCHANGE 230KV CKT 1'	FROM->TO	0.10571	356.6	107.4067	'LAWTON EASTSIDE - OKLAUNION 345KV CKT 1'
13SP		2	G12_043	'GRAPEVINE INTERCHANGE - STATELINE INTERCHANGE 230KV CKT 1'	FROM->TO	0.09828	356.6	105.5711	'LAWTON EASTSIDE - OKLAUNION 345KV CKT 1'
13SP		3	G12_043	'GRAPEVINE INTERCHANGE - STATELINE INTERCHANGE 230KV CKT 1'	FROM->TO	0.0984	356.6	105.6888	'LAWTON EASTSIDE - OKLAUNION 345KV CKT 1'
13SP		4	G12_043	'GRAPEVINE INTERCHANGE - STATELINE INTERCHANGE 230KV CKT 1'	FROM->TO	0.09844	356.5	106.4971	'LAWTON EASTSIDE - OKLAUNION 345KV CKT 1'
13SP		5	G12_043	'GRAPEVINE INTERCHANGE - STATELINE INTERCHANGE 230KV CKT 1'	FROM->TO	0.09844	356.5	106.4971	'LAWTON EASTSIDE - OKLAUNION 345KV CKT 1'
13SP		4	G12_043	'GRAPEVINE INTERCHANGE - STATELINE INTERCHANGE 230KV CKT 1'	FROM->TO	0.09844	356.5	105.651	'LAWTON EASTSIDE - OKLAUNION 345KV CKT 1'
13SP		5	G12_043	'GRAPEVINE INTERCHANGE - STATELINE INTERCHANGE 230KV CKT 1'	FROM->TO	0.09844	356.5	105.651	'LAWTON EASTSIDE - OKLAUNION 345KV CKT 1'
13SP		0	G12_043	'GRAPEVINE INTERCHANGE - STATELINE INTERCHANGE 230KV CKT 1'	FROM->TO	0.10739	356.6	100.0167	'SPP-SWPS-01'
13WP		0	G12_043	'GRAPEVINE INTERCHANGE - STATELINE INTERCHANGE 230KV CKT 1'	FROM->TO	0.09767	357.2	106.018	'LAWTON EASTSIDE - OKLAUNION 345KV CKT 1'
13WP		2	G12_043	'GRAPEVINE INTERCHANGE - STATELINE INTERCHANGE 230KV CKT 1'	FROM->TO	0.08997	357.1	104.1082	'LAWTON EASTSIDE - OKLAUNION 345KV CKT 1'
13WP		3	G12_043	'GRAPEVINE INTERCHANGE - STATELINE INTERCHANGE 230KV CKT 1'	FROM->TO	0.0901	357.1	104.2015	'LAWTON EASTSIDE - OKLAUNION 345KV CKT 1'
13WP		0	G12_043	'GRAPEVINE INTERCHANGE - STATELINE INTERCHANGE 230KV CKT 1'	FROM->TO	0.09767	357.2	105.2135	'LAWTON EASTSIDE - OKLAUNION 345KV CKT 1'
13WP		2	G12_043	'GRAPEVINE INTERCHANGE - STATELINE INTERCHANGE 230KV CKT 1'	FROM->TO	0.08997	357.1	103.3319	'LAWTON EASTSIDE - OKLAUNION 345KV CKT 1'
13WP		3	G12_043	'GRAPEVINE INTERCHANGE - STATELINE INTERCHANGE 230KV CKT 1'	FROM->TO	0.0901	357.1	103.4241	'LAWTON EASTSIDE - OKLAUNION 345KV CKT 1'
13WP		4	G12_043	'GRAPEVINE INTERCHANGE - STATELINE INTERCHANGE 230KV CKT 1'	FROM->TO	0.09014	357.1	103.9667	'LAWTON EASTSIDE - OKLAUNION 345KV CKT 1'
13WP		5	G12_043	'GRAPEVINE INTERCHANGE - STATELINE INTERCHANGE 230KV CKT 1'	FROM->TO	0.09014	357.1	103.9667	'LAWTON EASTSIDE - OKLAUNION 345KV CKT 1'
13WP		4	G12_043	'GRAPEVINE INTERCHANGE - STATELINE INTERCHANGE 230KV CKT 1'	FROM->TO	0.09014	357.1	103.1916	'LAWTON EASTSIDE - OKLAUNION 345KV CKT 1'
13WP		5	G12_043	'GRAPEVINE INTERCHANGE - STATELINE INTERCHANGE 230KV CKT 1'	FROM->TO	0.09014	357.1	103.1916	'LAWTON EASTSIDE - OKLAUNION 345KV CKT 1'
18WP		0	G12_043	'GRAPEVINE INTERCHANGE - STATELINE INTERCHANGE 230KV CKT 1'	FROM->TO	0.10584	356.2	107.3472	'LAWTON EASTSIDE - OKLAUNION 345KV CKT 1'
18WP		2	G12_043	'GRAPEVINE INTERCHANGE - STATELINE INTERCHANGE 230KV CKT 1'	FROM->TO	0.09843	356.2	105.5423	'LAWTON EASTSIDE - OKLAUNION 345KV CKT 1'
18WP		3	G12_043	'GRAPEVINE INTERCHANGE - STATELINE INTERCHANGE 230KV CKT 1'	FROM->TO	0.09856	356.2	105.633	'LAWTON EASTSIDE - OKLAUNION 345KV CKT 1'
18WP		0	G12_043	'GRAPEVINE INTERCHANGE - STATELINE INTERCHANGE 230KV CKT 1'	FROM->TO	0.10584	356.2	106.4715	'LAWTON EASTSIDE - OKLAUNION 345KV CKT 1'
18WP		2	G12_043	'GRAPEVINE INTERCHANGE - STATELINE INTERCHANGE 230KV CKT 1'	FROM->TO	0.09843	356.2	104.6929	'LAWTON EASTSIDE - OKLAUNION 345KV CKT 1'
18WP		3	G12_043	'GRAPEVINE INTERCHANGE - STATELINE INTERCHANGE 230KV CKT 1'	FROM->TO	0.09856	356.2	104.7853	'LAWTON EASTSIDE - OKLAUNION 345KV CKT 1'
18WP		4	G12_043	'GRAPEVINE INTERCHANGE - STATELINE INTERCHANGE 230KV CKT 1'	FROM->TO	0.0986	356.2	105.566	'LAWTON EASTSIDE - OKLAUNION 345KV CKT 1'
18WP		5	G12_043	'GRAPEVINE INTERCHANGE - STATELINE INTERCHANGE 230KV CKT 1'	FROM->TO	0.0986	356.2	105.566	'LAWTON EASTSIDE - OKLAUNION 345KV CKT 1'
18WP		4	G12_043	'GRAPEVINE INTERCHANGE - STATELINE INTERCHANGE 230KV CKT 1'	FROM->TO	0.0986	356.2	104.7178	'LAWTON EASTSIDE - OKLAUNION 345KV CKT 1'
18WP		5	G12_043	'GRAPEVINE INTERCHANGE - STATELINE INTERCHANGE 230KV CKT 1'	FROM->TO	0.0986	356.2	104.7178	'LAWTON EASTSIDE - OKLAUNION 345KV CKT 1'
18SP		0	G12_043	'GRAPEVINE INTERCHANGE (PENN 0257751) 230/115/13.2KV TRANSFORMER CKT 1'	FROM->TO	0.03009	111.6	108.8327	'GRAPEVINE INTERCHANGE - STATELINE INTERCHANGE 230KV CKT 1'
18SP		0	G12_043	'GRAPEVINE INTERCHANGE (PENN 0257751) 230/115/13.2KV TRANSFORMER CKT 1'	FROM->TO	0.03009	111.9	108.3622	'GRAPEVINE INTERCHANGE - STATELINE INTERCHANGE 230KV CKT 1'
18SP		0	G12_043	'GRAPEVINE INTERCHANGE (PENN 0257751) 230/115/13.2KV TRANSFORMER CKT 1'	FROM->TO	0.03009	111.6	133.7894	'GRAPEVINE INTERCHANGE - STATELINE INTERCHANGE 230KV CKT 1'
18SP		0	G12_043	'GRAPEVINE INTERCHANGE (PENN 0257751) 230/115/13.2KV TRANSFORMER CKT 1'	FROM->TO	0.03009	111.9	133.252	'GRAPEVINE INTERCHANGE - STATELINE INTERCHANGE 230KV CKT 1'
18SP		0	G12_043	'GRAPEVINE INTERCHANGE (PENN 0257751) 230/115/13.2KV TRANSFORMER CKT 1'	FROM->TO	0.03009	111.6	133.0108	'GRAPEVINE INTERCHANGE - STATELINE INTERCHANGE 230KV CKT 1'
18SP		0	G12_043	'GRAPEVINE INTERCHANGE (PENN 0257751) 230/115/13.2KV TRANSFORMER CKT 1'	FROM->TO	0.03009	111.9	132.4755	'GRAPEVINE INTERCHANGE - STATELINE INTERCHANGE 230KV CKT 1'
18SP		0	G12_043	'GRAPEVINE INTERCHANGE (PENN 0257751) 230/115/13.2KV TRANSFORMER CKT 1'	FROM->TO	0.03009	111.6	120.4276	'GRAPEVINE INTERCHANGE - STATELINE INTERCHANGE 230KV CKT 1'
18SP		0	G12_043	'GRAPEVINE INTERCHANGE (PENN 0257751) 230/115/13.2KV TRANSFORMER CKT 1'	FROM->TO	0.03009	111.9	119.926	'GRAPEVINE INTERCHANGE - STATELINE INTERCHANGE 230KV CKT 1'
13WP		0	G12_043	'JONES STATION - TUCO INTERCHANGE 230KV CKT 1'	FROM->TO	0.17683	353.5	111.2229	'TOLK STATION EAST - TUCO INTERCHANGE 230KV CKT 1'
13WP		0	G12_043	'JONES STATION - TUCO INTERCHANGE 230KV CKT 1'	FROM->TO	0.17683	353.5	109.3874	'TOLK STATION EAST - TUCO INTERCHANGE 230KV CKT 1'
18WP		0	G12_043	'JONES STATION - TUCO INTERCHANGE 230KV CKT 1'	FROM->TO	0.15751	351.7	100.5938	'G-12-043-TAP345.00 - TOLK STATION 345KV CKT 1'
18WP		0	G12_043	'JONES STATION - TUCO INTERCHANGE 230KV CKT 1'	FROM->TO	0.15751	351.7	100.5938	'TOLK STATION (ABBXLN844501) 345/230/13.2KV TRANSFORMER CKT 1'
18WP		0	G12_043	'JONES STATION - TUCO INTERCHANGE 230KV CKT 1'	FROM->TO	0.13925	351.7	105.9591	'TOLK STATION EAST - TUCO INTERCHANGE 230KV CKT 1'
18WP		0	G12_043	'JONES STATION - TUCO INTERCHANGE 230KV CKT 1'	FROM->TO	0.13925	351.7	104.393	'TOLK STATION EAST - TUCO INTERCHANGE 230KV CKT 1'
18WP		0	G12_043	'KRESS INTERCHANGE - TULIA TAP 115KV CKT 1'	FROM->TO	0.04328	105.9	104.5571	'LAWTON EASTSIDE - OKLAUNION 345KV CKT 1'
18WP		2	G12_043	'KRESS INTERCHANGE - TULIA TAP 115KV CKT 1'	FROM->TO	0.04353	105.9	104.6853	'LAWTON EASTSIDE - OKLAUNION 345KV CKT 1'
18WP		3	G12_043	'KRESS INTERCHANGE - TULIA TAP 115KV CKT 1'	FROM->TO	0.04347	105.9	104.5328	'LAWTON EASTSIDE - OKLAUNION 345KV CKT 1'
18WP		0	G12_043	'KRESS INTERCHANGE - TULIA TAP 115KV CKT 1'	FROM->TO	0.04328	105.9	103.2889	'LAWTON EASTSIDE - OKLAUNION 345KV CKT 1'
18WP		2	G12_043	'KRESS INTERCHANGE - TULIA TAP 115KV CKT 1'	FROM->TO	0.04353	105.9	103.4106	'LAWTON EASTSIDE - OKLAUNION 345KV CKT 1'
18WP		3	G12_043	'KRESS INTERCHANGE - TULIA TAP 115KV CKT 1'	FROM->TO	0.04347	105.9	103.2692	'LAWTON EASTSIDE - OKLAUNION 345KV CKT 1'
18WP		4	G12_043	'KRESS INTERCHANGE - TULIA TAP 115KV CKT 1'	FROM->TO	0.04349	105.9	104.5522	'LAWTON EASTSIDE - OKLAUNION 345KV CKT 1'
18WP		5	G12_043	'KRESS INTERCHANGE - TULIA TAP 115KV CKT 1'	FROM->TO	0.04349	105.9	104.5522	'LAWTON EASTSIDE - OKLAUNION 345KV CKT 1'
18WP		4	G12_043	'KRESS INTERCHANGE - TULIA TAP 115KV CKT 1'	FROM->TO	0.04349	105.9	103.288	'LAWTON EASTSIDE - OKLAUNION 345KV CKT 1'
18WP		5	G12_043	'KRESS INTERCHANGE - TULIA TAP 115KV CKT 1'	FROM->TO	0.04349	105.9	103.288	'LAWTON EASTSIDE - OKLAUNION 345KV CKT 1'
13G		0	G12_043	'LP-DOUD_TP 3115.00 - SP-WOLF_TP 3115.00 115KV CKT 1'	TO->FROM	0.11044	172.5	103.6663	'LUBBOCK SOUTH INTERCHANGE - WOLFFORTH INTERCHANGE 230KV CKT 1'
18SP		0	G12_043	'LUBBOCK SOUTH INTERCHANGE (ABB LLM60043) 230/115/13.2KV TRANSFORMER CKT 1'	FROM->TO	0.03313	236.6	102.0982	'JONES STATION - TUCO INTERCHANGE 230KV CKT 1'
18SP		0	G12_043	'LUBBOCK SOUTH INTERCHANGE (ABB LLM60043) 230/115/13.2KV TRANSFORMER CKT 1'	FROM->TO	0.03313	236.6	101.4301	'JONES STATION - TUCO INTERCHANGE 230KV CKT 1'
13G		0	G12_043	'PLANT X STATION (WH ALM20171) 230/115/13.2KV TRANSFORMER CKT 1'	FROM->TO	0.06887	238.1	102.013	'CARGILL SUB - FRIONA SUB 115KV CKT 1'
13G		0	G12_043	'PLANT X STATION (WH ALM20171) 230/115/13.2KV TRANSFORMER CKT 1'	FROM->TO	0.06887	239	101.4615	'CARGILL SUB - FRIONA SUB 115KV CKT 1'
13G		0	G12_043	'PLANT X STATION (WH ALM20171) 230/115/13.2KV TRANSFORMER CKT 1'	FROM->TO	0.06887	238.1	102.517	'CARGILL SUB - PARMER COUNTY SUB 115KV CKT 1'
13G		0	G12_043	'PLANT X STATION (WH ALM20171) 230/115/13.2KV TRANSFORMER CKT 1'	FROM->TO	0.06887	239	101.9217	'CARGILL SUB - PARMER COUNTY SUB 115KV CKT 1'
13G		0	G12_043	'PLANT X STATION (WH ALM20171) 230/115/13.2KV TRANSFORMER CKT 1'	FROM->TO	0.0745	238.1	106.4996	'CHAVESCO 345.00 - EDDY COUNTY INTERCHANGE 345KV CKT 1'
13G		0	G12_043	'PLANT X STATION (WH ALM20171) 230/115/13.2KV TRANSFORMER CKT 1'	FROM->TO	0.0745	239	105.9312	'CHAVESCO 345.00 - EDDY COUNTY INTERCHANGE 345KV CKT 1'
13G		0	G12_043	'PLANT X STATION (WH ALM20171) 230/115/13.2KV TRANSFORMER CKT 1'	FROM->TO	0.06887	238.1	103.609	'CURRY COUNTY INTERCHANGE - DEAF SMITH REC-20 115KV CKT 1'

Season	Scenario	Source	MontCommonName	Direction	TDF	Rating	Contingency		Contname
							Loading %		
13G		0	G12_043	'PLANT X STATION (WH ALM20171) 230/115/13.2KV TRANSFORMER CKT 1'	FROM->TO	0.06887	239	103.0514	'CURRY COUNTY INTERCHANGE - DEAF SMITH REC-#20 115KV CKT 1'
13G		0	G12_043	'PLANT X STATION (WH ALM20171) 230/115/13.2KV TRANSFORMER CKT 1'	FROM->TO	0.09919	238.1	121.9773	'DEAF SMITH COUNTY INTERCHANGE - PLANT X STATION 230KV CKT 1'
13G		0	G12_043	'PLANT X STATION (WH ALM20171) 230/115/13.2KV TRANSFORMER CKT 1'	FROM->TO	0.09919	239	121.3506	'DEAF SMITH COUNTY INTERCHANGE - PLANT X STATION 230KV CKT 1'
13G		0	G12_043	'PLANT X STATION (WH ALM20171) 230/115/13.2KV TRANSFORMER CKT 1'	FROM->TO	0.06887	238.1	103.105	'DEAF SMITH REC-#20 - DS-#24 3115.00 115KV CKT 1'
13G		0	G12_043	'PLANT X STATION (WH ALM20171) 230/115/13.2KV TRANSFORMER CKT 1'	FROM->TO	0.06887	239	102.5493	'DEAF SMITH REC-#20 - DS-#24 3115.00 115KV CKT 1'
13G		0	G12_043	'PLANT X STATION (WH ALM20171) 230/115/13.2KV TRANSFORMER CKT 1'	FROM->TO	0.06887	238.1	102.727	'DS-#24 3115.00 - PARMER COUNTY SUB 115KV CKT 1'
13G		0	G12_043	'PLANT X STATION (WH ALM20171) 230/115/13.2KV TRANSFORMER CKT 1'	FROM->TO	0.06887	239	102.131	'DS-#24 3115.00 - PARMER COUNTY SUB 115KV CKT 1'
13G		0	G12_043	'PLANT X STATION (WH ALM20171) 230/115/13.2KV TRANSFORMER CKT 1'	FROM->TO	0.07147	238.1	105.4751	'EDDY COUNTY INTERCHANGE - EDDY NORTH 6230.00 230KV CKT 1'
13G		0	G12_043	'PLANT X STATION (WH ALM20171) 230/115/13.2KV TRANSFORMER CKT 1'	FROM->TO	0.07147	239	104.9105	'EDDY COUNTY INTERCHANGE - EDDY NORTH 6230.00 230KV CKT 1'
13G		0	G12_043	'PLANT X STATION (WH ALM20171) 230/115/13.2KV TRANSFORMER CKT 1'	FROM->TO	0.0745	238.1	106.4996	'EDDY COUNTY INTERCHANGE (ABB AEM30711) 345/230/13.2KV TRANSFORMER CKT 1'
13G		0	G12_043	'PLANT X STATION (WH ALM20171) 230/115/13.2KV TRANSFORMER CKT 1'	FROM->TO	0.0745	239	105.8893	'EDDY COUNTY INTERCHANGE (ABB AEM30711) 345/230/13.2KV TRANSFORMER CKT 1'
13G		0	G12_043	'PLANT X STATION (WH ALM20171) 230/115/13.2KV TRANSFORMER CKT 1'	FROM->TO	0.06597	238.1	101.7362	'G12_001T 230.00 - GRASSLAND INTERCHANGE 230KV CKT 1'
13G		0	G12_043	'PLANT X STATION (WH ALM20171) 230/115/13.2KV TRANSFORMER CKT 1'	FROM->TO	0.06597	239	101.1439	'G12_001T 230.00 - GRASSLAND INTERCHANGE 230KV CKT 1'
13G		3	G12_043	'PLANT X STATION (WH ALM20171) 230/115/13.2KV TRANSFORMER CKT 1'	FROM->TO	0.06849	238.1	102.1286	'G-12-043-TAP345.00 - TUCO INTERCHANGE 345KV CKT 1'
13G		3	G12_043	'PLANT X STATION (WH ALM20171) 230/115/13.2KV TRANSFORMER CKT 1'	FROM->TO	0.06849	239	101.5767	'G-12-043-TAP345.00 - TUCO INTERCHANGE 345KV CKT 1'
13G		4	G12_043	'PLANT X STATION (WH ALM20171) 230/115/13.2KV TRANSFORMER CKT 1'	FROM->TO	0.0679	238.1	101.5536	'G-12-043-TAP345.00 - TUCO INTERCHANGE 345KV CKT 1'
13G		4	G12_043	'PLANT X STATION (WH ALM20171) 230/115/13.2KV TRANSFORMER CKT 1'	FROM->TO	0.0679	239	101.0039	'G-12-043-TAP345.00 - TUCO INTERCHANGE 345KV CKT 1'
13G		5	G12_043	'PLANT X STATION (WH ALM20171) 230/115/13.2KV TRANSFORMER CKT 1'	FROM->TO	0.0679	238.1	101.5536	'G-12-043-TAP345.00 - TUCO INTERCHANGE 345KV CKT 1'
13G		5	G12_043	'PLANT X STATION (WH ALM20171) 230/115/13.2KV TRANSFORMER CKT 1'	FROM->TO	0.0679	239	101.0039	'G-12-043-TAP345.00 - TUCO INTERCHANGE 345KV CKT 1'
13G		0	G12_043	'PLANT X STATION (WH ALM20171) 230/115/13.2KV TRANSFORMER CKT 1'	FROM->TO	0.08168	238.1	111.1731	'LAMB COUNTY INTERCHANGE - PLANT X STATION 115KV CKT 1'
13G		0	G12_043	'PLANT X STATION (WH ALM20171) 230/115/13.2KV TRANSFORMER CKT 1'	FROM->TO	0.08168	239	110.5871	'LAMB COUNTY INTERCHANGE - PLANT X STATION 115KV CKT 1'
13G		0	G12_043	'PLANT X STATION (WH ALM20171) 230/115/13.2KV TRANSFORMER CKT 1'	FROM->TO	0.07817	238.1	125.5841	'LAMB COUNTY INTERCHANGE - TOLK STATION WEST 230KV CKT 1'
13G		0	G12_043	'PLANT X STATION (WH ALM20171) 230/115/13.2KV TRANSFORMER CKT 1'	FROM->TO	0.07817	239	124.9438	'LAMB COUNTY INTERCHANGE - TOLK STATION WEST 230KV CKT 1'
13G		2	G12_043	'PLANT X STATION (WH ALM20171) 230/115/13.2KV TRANSFORMER CKT 1'	FROM->TO	0.0342	238.2	101.3737	'LAMB COUNTY INTERCHANGE - TOLK STATION WEST 230KV CKT 1'
13G		2	G12_043	'PLANT X STATION (WH ALM20171) 230/115/13.2KV TRANSFORMER CKT 1'	FROM->TO	0.0342	239	100.867	'LAMB COUNTY INTERCHANGE - TOLK STATION WEST 230KV CKT 1'
13G		3	G12_043	'PLANT X STATION (WH ALM20171) 230/115/13.2KV TRANSFORMER CKT 1'	FROM->TO	0.03558	238.1	103.055	'LAMB COUNTY INTERCHANGE - TOLK STATION WEST 230KV CKT 1'
13G		3	G12_043	'PLANT X STATION (WH ALM20171) 230/115/13.2KV TRANSFORMER CKT 1'	FROM->TO	0.03558	239	102.5414	'LAMB COUNTY INTERCHANGE - TOLK STATION WEST 230KV CKT 1'
13G		4	G12_043	'PLANT X STATION (WH ALM20171) 230/115/13.2KV TRANSFORMER CKT 1'	FROM->TO	0.03545	238.1	102.8756	'LAMB COUNTY INTERCHANGE - TOLK STATION WEST 230KV CKT 1'
13G		4	G12_043	'PLANT X STATION (WH ALM20171) 230/115/13.2KV TRANSFORMER CKT 1'	FROM->TO	0.03545	239	102.3208	'LAMB COUNTY INTERCHANGE - TOLK STATION WEST 230KV CKT 1'
13G		5	G12_043	'PLANT X STATION (WH ALM20171) 230/115/13.2KV TRANSFORMER CKT 1'	FROM->TO	0.03545	238.1	102.8756	'LAMB COUNTY INTERCHANGE - TOLK STATION WEST 230KV CKT 1'
13G		5	G12_043	'PLANT X STATION (WH ALM20171) 230/115/13.2KV TRANSFORMER CKT 1'	FROM->TO	0.03545	239	102.3208	'LAMB COUNTY INTERCHANGE - TOLK STATION WEST 230KV CKT 1'
13G		0	G12_043	'PLANT X STATION (WH ALM20171) 230/115/13.2KV TRANSFORMER CKT 1'	FROM->TO	0.07817	238.1	125.3321	'LAMB COUNTY INTERCHANGE (WH ALM20172) 230/115/13.2KV TRANSFORMER CKT 1'
13G		0	G12_043	'PLANT X STATION (WH ALM20171) 230/115/13.2KV TRANSFORMER CKT 1'	FROM->TO	0.07817	239	124.6927	'LAMB COUNTY INTERCHANGE (WH ALM20172) 230/115/13.2KV TRANSFORMER CKT 1'
13G		2	G12_043	'PLANT X STATION (WH ALM20171) 230/115/13.2KV TRANSFORMER CKT 1'	FROM->TO	0.0342	238.2	101.1638	'LAMB COUNTY INTERCHANGE (WH ALM20172) 230/115/13.2KV TRANSFORMER CKT 1'
13G		2	G12_043	'PLANT X STATION (WH ALM20171) 230/115/13.2KV TRANSFORMER CKT 1'	FROM->TO	0.0342	239	100.6997	'LAMB COUNTY INTERCHANGE (WH ALM20172) 230/115/13.2KV TRANSFORMER CKT 1'
13G		3	G12_043	'PLANT X STATION (WH ALM20171) 230/115/13.2KV TRANSFORMER CKT 1'	FROM->TO	0.03558	238.1	102.887	'LAMB COUNTY INTERCHANGE (WH ALM20172) 230/115/13.2KV TRANSFORMER CKT 1'
13G		3	G12_043	'PLANT X STATION (WH ALM20171) 230/115/13.2KV TRANSFORMER CKT 1'	FROM->TO	0.03558	239	102.3322	'LAMB COUNTY INTERCHANGE (WH ALM20172) 230/115/13.2KV TRANSFORMER CKT 1'
13G		4	G12_043	'PLANT X STATION (WH ALM20171) 230/115/13.2KV TRANSFORMER CKT 1'	FROM->TO	0.03545	238.1	102.7076	'LAMB COUNTY INTERCHANGE (WH ALM20172) 230/115/13.2KV TRANSFORMER CKT 1'
13G		4	G12_043	'PLANT X STATION (WH ALM20171) 230/115/13.2KV TRANSFORMER CKT 1'	FROM->TO	0.03545	239	102.1534	'LAMB COUNTY INTERCHANGE (WH ALM20172) 230/115/13.2KV TRANSFORMER CKT 1'
13G		5	G12_043	'PLANT X STATION (WH ALM20171) 230/115/13.2KV TRANSFORMER CKT 1'	FROM->TO	0.03545	238.1	102.7076	'LAMB COUNTY INTERCHANGE (WH ALM20172) 230/115/13.2KV TRANSFORMER CKT 1'
13G		5	G12_043	'PLANT X STATION (WH ALM20171) 230/115/13.2KV TRANSFORMER CKT 1'	FROM->TO	0.03545	239	102.1534	'LAMB COUNTY INTERCHANGE (WH ALM20172) 230/115/13.2KV TRANSFORMER CKT 1'
13G		0	G12_043	'PLANT X STATION (WH ALM20171) 230/115/13.2KV TRANSFORMER CKT 1'	FROM->TO	0.07123	238.1	104.0123	'LUBBOCK SOUTH INTERCHANGE - WOLFFORTH INTERCHANGE 230KV CKT 1'
13G		0	G12_043	'PLANT X STATION (WH ALM20171) 230/115/13.2KV TRANSFORMER CKT 1'	FROM->TO	0.07123	239	103.4533	'LUBBOCK SOUTH INTERCHANGE - WOLFFORTH INTERCHANGE 230KV CKT 1'
13G		0	G12_043	'PLANT X STATION (WH ALM20171) 230/115/13.2KV TRANSFORMER CKT 1'	FROM->TO	0.08607	238.1	109.5039	'PLANT X STATION - S-RANDLCO 230.00 230KV CKT 1'
13G		0	G12_043	'PLANT X STATION (WH ALM20171) 230/115/13.2KV TRANSFORMER CKT 1'	FROM->TO	0.08607	239	108.9242	'PLANT X STATION - S-RANDLCO 230.00 230KV CKT 1'
13G		0	G12_043	'PLANT X STATION (WH ALM20171) 230/115/13.2KV TRANSFORMER CKT 1'	FROM->TO	0.06841	238.1	109.4964	'PLANT X STATION - SUNDOWN INTERCHANGE 230KV CKT 1'
13G		0	G12_043	'PLANT X STATION (WH ALM20171) 230/115/13.2KV TRANSFORMER CKT 1'	FROM->TO	0.06841	239	108.9167	'PLANT X STATION - SUNDOWN INTERCHANGE 230KV CKT 1'
13G		0	G12_043	'PLANT X STATION (WH ALM20171) 230/115/13.2KV TRANSFORMER CKT 1'	FROM->TO	0.08607	238.1	112.1919	'POTTER COUNTY INTERCHANGE - S-RANDLCO 230.00 230KV CKT 1'
13G		0	G12_043	'PLANT X STATION (WH ALM20171) 230/115/13.2KV TRANSFORMER CKT 1'	FROM->TO	0.08607	239	111.5602	'POTTER COUNTY INTERCHANGE - S-RANDLCO 230.00 230KV CKT 1'
13G		0	G12_043	'PLANT X STATION (WH ALM20171) 230/115/13.2KV TRANSFORMER CKT 1'	FROM->TO	0.07442	238.1	107.2852	'SUNDOWN INTERCHANGE - WOLFFORTH INTERCHANGE 230KV CKT 1'
13G		0	G12_043	'PLANT X STATION (WH ALM20171) 230/115/13.2KV TRANSFORMER CKT 1'	FROM->TO	0.07442	239	106.7139	'SUNDOWN INTERCHANGE - WOLFFORTH INTERCHANGE 230KV CKT 1'
13G		0	G12_043	'PLANT X STATION (WH ALM20171) 230/115/13.2KV TRANSFORMER CKT 1'	FROM->TO	0.09731	238.1	126.2058	'TOLK STATION EAST - TUCO INTERCHANGE 230KV CKT 1'
13G		0	G12_043	'PLANT X STATION (WH ALM20171) 230/115/13.2KV TRANSFORMER CKT 1'	FROM->TO	0.09731	239	125.5632	'TOLK STATION EAST - TUCO INTERCHANGE 230KV CKT 1'
18SP		0	G12_043	'PLANT X STATION (WH ALM20171) 230/115/13.2KV TRANSFORMER CKT 1'	FROM->TO	0.10129	252	100.54	'NEWHART 6230.00 - PLANT X STATION 230KV CKT 1'
18SP		0	G12_043	'PLANT X STATION (WH ALM20171) 230/115/13.2KV TRANSFORMER CKT 1'	FROM->TO	0.10129	251.9	100.5005	'NEWHART 6230.00 - PLANT X STATION 230KV CKT 1'
13WP		0	G12_043	'POTTER COUNTY INTERCHANGE - S-RANDLCO 230.00 230KV CKT 1'	TO->FROM	0.18545	361	103.5678	'LAWTON EASTSIDE - OKLAUNION 345KV CKT 1'
13WP		0	G12_043	'POTTER COUNTY INTERCHANGE - S-RANDLCO 230.00 230KV CKT 1'	TO->FROM	0.18545	361	102.1331	'LAWTON EASTSIDE - OKLAUNION 345KV CKT 1'
13G		0	G12_043	'ROSWELL INTERCHANGE - TWEEEDY SUB 115KV CKT 1'	FROM->TO	0.06241	159.9	101.7495	'EDDY COUNTY INTERCHANGE - EDDY NORTH 6230.00 230KV CKT 1'
13G		0	G12_043	'SP-WOLF_TP 3115.00 - YUMA INTERCHANGE 115KV CKT 1'	TO->FROM	0.11044	172.8	108.2896	'LUBBOCK SOUTH INTERCHANGE - WOLFFORTH INTERCHANGE 230KV CKT 1'
18SP		0	G12_043	'SP-WOLF_TP 3115.00 - YUMA INTERCHANGE 115KV CKT 1'	TO->FROM	0.06115	173.1	108.6277	'ALLEN SUB - LUBBOCK SOUTH INTERCHANGE 115KV CKT 1'
18SP		0	G12_043	'SP-WOLF_TP 3115.00 - YUMA INTERCHANGE 115KV CKT 1'	TO->FROM	0.06115	173.1	106.8772	'ALLEN SUB - LUBBOCK SOUTH INTERCHANGE 115KV CKT 1'
18SP		0	G12_043	'SP-WOLF_TP 3115.00 - YUMA INTERCHANGE 115KV CKT 1'	TO->FROM	0.05116	173.1	105.3003	'CARLISLE INTERCHANGE - TUCO INTERCHANGE 230KV CKT 1'
18SP		0	G12_043	'SP-WOLF_TP 3115.00 - YUMA INTERCHANGE 115KV CKT 1'	TO->FROM	0.05116	173.1	103.8287	'CARLISLE INTERCHANGE - TUCO INTERCHANGE 230KV CKT 1'
18SP		0	G12_043	'SP-WOLF_TP 3115.00 - YUMA INTERCHANGE 115KV CKT 1'	TO->FROM	0.0987	173.1	103.077	'G-12-043-TAP345.00 - TOLK STATION 345KV CKT 1'
18SP		0	G12_043	'SP-WOLF_TP 3115.00 - YUMA INTERCHANGE 115KV CKT 1'	TO->FROM	0.0987	173.1	101.1592	'G-12-043-TAP345.00 - TOLK STATION 345KV CKT 1'
18SP		0	G12_043	'SP-WOLF_TP 3115.00 - YUMA INTERCHANGE 115KV CKT 1'	TO->FROM	0.07107	173.1	101.3846	'JONES STATION - TUCO INTERCHANGE 230KV CKT 1'
18SP		0	G12_043	'SP-WOLF_TP 3115.00 - YUMA INTERCHANGE 115KV CKT 1'	TO->FROM	0.0987	173.1	103.1347	'TOLK STATION (ABBXNL844501) 345/230/13.2KV TRANSFORMER CKT 1'
18SP		0	G12_043	'SP-WOLF_TP 3115.00 - YUMA INTERCHANGE 115KV CKT 1'	TO->FROM	0.0987	173.1	101.2169	'TOLK STATION (ABBXNL844501) 345/230/13.2KV TRANSFORMER CKT 1'
18SP		0	G12_043	'SP-WOLF_TP 3115.00 - YUMA INTERCHANGE 115KV CKT 1'	TO->FROM	0.08043	173.1	105.7769	'TOLK STATION EAST - TUCO INTERCHANGE 230KV CKT 1'
18SP		0	G12_043	'SP-WOLF_TP 3115.00 - YUMA INTERCHANGE 115KV CKT 1'	TO->FROM	0.08043	173.1	103.8257	'TOLK STATION EAST - TUCO INTERCHANGE 230KV CKT 1'
13G		0	G12_043	'TERRY COUNTY INTERCHANGE - WOLFFORTH INTERCHANGE 115KV CKT 1'	FROM->TO	0.09029	137.6	110.8855	'SUNDOWN INTERCHANGE - WOLFFORTH INTERCHANGE 230KV CKT 1'
13G		0	G12_043	'WOLFFORTH INTERCHANGE - YUMA INTERCHANGE 115KV CKT 1'	FROM->TO	0.05857	118.5	104.385	'BASE CASE'
13G		0	G12_043	'WOLFFORTH INTERCHANGE - YUMA INTERCHANGE 115KV CKT 1'	FROM->TO	0.11044	152.8	135.2909	'LUBBOCK SOUTH INTERCHANGE - WOLFFORTH INTERCHANGE 230KV CKT 1'
13G		0	G12_043	'WOLFFORTH INTERCHANGE - YUMA INTERCHANGE 115KV CKT 1'	FROM->TO	0.08826	152.8	118.5133	'TOLK STATION EAST - TUCO INTERCHANGE 230KV CKT 1'

Season	Scenario	Source	MontCommonName	Direction	TDF	Rating	Contingency		Contname
							Loading %		
13WP		0	G12_043	'WOLFFORTH INTERCHANGE - YUMA INTERCHANGE 115KV CKT 1'	FROM->TO	0.05869	172.8	101.128	ALLEN SUB - LUBBOCK SOUTH INTERCHANGE 115KV CKT 1'
13WP		0	G12_043	'WOLFFORTH INTERCHANGE - YUMA INTERCHANGE 115KV CKT 1'	FROM->TO	0.07147	172.8	100.0531	JONES STATION - TUCO INTERCHANGE 230KV CKT 1'
13WP		0	G12_043	'WOLFFORTH INTERCHANGE - YUMA INTERCHANGE 115KV CKT 1'	FROM->TO	0.0877	172.8	105.6732	TOLK STATION EAST - TUCO INTERCHANGE 230KV CKT 1'
13WP		0	G12_043	'WOLFFORTH INTERCHANGE - YUMA INTERCHANGE 115KV CKT 1'	FROM->TO	0.0877	172.8	103.6857	TOLK STATION EAST - TUCO INTERCHANGE 230KV CKT 1'
18SP		0	G12_043	'WOLFFORTH INTERCHANGE - YUMA INTERCHANGE 115KV CKT 1'	FROM->TO	0.06115	152.6	131.1497	ALLEN SUB - LUBBOCK SOUTH INTERCHANGE 115KV CKT 1'
18SP		0	G12_043	'WOLFFORTH INTERCHANGE - YUMA INTERCHANGE 115KV CKT 1'	FROM->TO	0.06115	152.6	129.164	ALLEN SUB - LUBBOCK SOUTH INTERCHANGE 115KV CKT 1'
18SP		0	G12_043	'WOLFFORTH INTERCHANGE - YUMA INTERCHANGE 115KV CKT 1'	FROM->TO	0.06115	152.6	107.7351	ALLEN SUB - LUBBOCK SOUTH INTERCHANGE 115KV CKT 1'
18SP		0	G12_043	'WOLFFORTH INTERCHANGE - YUMA INTERCHANGE 115KV CKT 1'	FROM->TO	0.06115	152.6	116.6674	ALLEN SUB - SOUTH PLAINS REC-QUAKER 115KV CKT 1'
18SP		0	G12_043	'WOLFFORTH INTERCHANGE - YUMA INTERCHANGE 115KV CKT 1'	FROM->TO	0.06115	152.6	114.6817	ALLEN SUB - SOUTH PLAINS REC-QUAKER 115KV CKT 1'
18SP		0	G12_043	'WOLFFORTH INTERCHANGE - YUMA INTERCHANGE 115KV CKT 1'	FROM->TO	0.05809	118.2	133.143	'BASE CASE'
18SP		0	G12_043	'WOLFFORTH INTERCHANGE - YUMA INTERCHANGE 115KV CKT 1'	FROM->TO	0.05809	118.2	130.677	'BASE CASE'
18SP		0	G12_043	'WOLFFORTH INTERCHANGE - YUMA INTERCHANGE 115KV CKT 1'	FROM->TO	0.05809	118.2	104.3124	'BASE CASE'
18SP		0	G12_043	'WOLFFORTH INTERCHANGE - YUMA INTERCHANGE 115KV CKT 1'	FROM->TO	0.05809	152.6	109.6166	BROWNFIELD SWITCHING STATION - LYNTGAR REC-BROWNFIELD 69KV CKT 1'
18SP		0	G12_043	'WOLFFORTH INTERCHANGE - YUMA INTERCHANGE 115KV CKT 1'	FROM->TO	0.05809	152.6	107.7065	BROWNFIELD SWITCHING STATION - LYNTGAR REC-BROWNFIELD 69KV CKT 1'
18SP		0	G12_043	'WOLFFORTH INTERCHANGE - YUMA INTERCHANGE 115KV CKT 1'	FROM->TO	0.05116	152.6	127.3098	CARLISLE INTERCHANGE - TUCO INTERCHANGE 230KV CKT 1'
18SP		0	G12_043	'WOLFFORTH INTERCHANGE - YUMA INTERCHANGE 115KV CKT 1'	FROM->TO	0.05116	152.6	125.6406	CARLISLE INTERCHANGE - TUCO INTERCHANGE 230KV CKT 1'
18SP		0	G12_043	'WOLFFORTH INTERCHANGE - YUMA INTERCHANGE 115KV CKT 1'	FROM->TO	0.05116	152.6	107.7058	CARLISLE INTERCHANGE - TUCO INTERCHANGE 230KV CKT 1'
18SP		0	G12_043	'WOLFFORTH INTERCHANGE - YUMA INTERCHANGE 115KV CKT 1'	FROM->TO	0.05809	152.6	109.6166	Central Valley REC-12 Mile Hill - EDDY COUNTY INTERCHANGE 115KV CKT 1'
18SP		0	G12_043	'WOLFFORTH INTERCHANGE - YUMA INTERCHANGE 115KV CKT 1'	FROM->TO	0.05809	152.6	107.7065	Central Valley REC-12 Mile Hill - EDDY COUNTY INTERCHANGE 115KV CKT 1'
18SP		0	G12_043	'WOLFFORTH INTERCHANGE - YUMA INTERCHANGE 115KV CKT 1'	FROM->TO	0.06421	152.6	112.1463	DEAF SMITH COUNTY INTERCHANGE - PLANT X STATION 230KV CKT 1'
18SP		0	G12_043	'WOLFFORTH INTERCHANGE - YUMA INTERCHANGE 115KV CKT 1'	FROM->TO	0.06421	152.6	110.1311	DEAF SMITH COUNTY INTERCHANGE - PLANT X STATION 230KV CKT 1'
18SP		0	G12_043	'WOLFFORTH INTERCHANGE - YUMA INTERCHANGE 115KV CKT 1'	FROM->TO	0.0987	152.6	124.8534	G-12-043-TAP345.00 - TOLK STATION 345KV CKT 1'
18SP		0	G12_043	'WOLFFORTH INTERCHANGE - YUMA INTERCHANGE 115KV CKT 1'	FROM->TO	0.0987	152.6	122.6779	G-12-043-TAP345.00 - TOLK STATION 345KV CKT 1'
18SP		2	G12_043	'WOLFFORTH INTERCHANGE - YUMA INTERCHANGE 115KV CKT 1'	FROM->TO	0.05592	152.9	102.0253	G-12-043-TAP345.00 - TUCO INTERCHANGE 345KV CKT 1'
18SP		3	G12_043	'WOLFFORTH INTERCHANGE - YUMA INTERCHANGE 115KV CKT 1'	FROM->TO	0.05583	152.8	101.9663	G-12-043-TAP345.00 - TUCO INTERCHANGE 345KV CKT 1'
18SP		2	G12_043	'WOLFFORTH INTERCHANGE - YUMA INTERCHANGE 115KV CKT 1'	FROM->TO	0.05592	152.9	100.1308	G-12-043-TAP345.00 - TUCO INTERCHANGE 345KV CKT 1'
18SP		3	G12_043	'WOLFFORTH INTERCHANGE - YUMA INTERCHANGE 115KV CKT 1'	FROM->TO	0.05583	152.8	100.0788	G-12-043-TAP345.00 - TUCO INTERCHANGE 345KV CKT 1'
18SP		4	G12_043	'WOLFFORTH INTERCHANGE - YUMA INTERCHANGE 115KV CKT 1'	FROM->TO	0.05672	152.7	103.4129	G-12-043-TAP345.00 - TUCO INTERCHANGE 345KV CKT 1'
18SP		5	G12_043	'WOLFFORTH INTERCHANGE - YUMA INTERCHANGE 115KV CKT 1'	FROM->TO	0.05672	152.7	103.4129	G-12-043-TAP345.00 - TUCO INTERCHANGE 345KV CKT 1'
18SP		4	G12_043	'WOLFFORTH INTERCHANGE - YUMA INTERCHANGE 115KV CKT 1'	FROM->TO	0.05672	152.7	101.5486	G-12-043-TAP345.00 - TUCO INTERCHANGE 345KV CKT 1'
18SP		5	G12_043	'WOLFFORTH INTERCHANGE - YUMA INTERCHANGE 115KV CKT 1'	FROM->TO	0.05672	152.7	101.5486	G-12-043-TAP345.00 - TUCO INTERCHANGE 345KV CKT 1'
18SP		0	G12_043	'WOLFFORTH INTERCHANGE - YUMA INTERCHANGE 115KV CKT 1'	FROM->TO	0.07107	152.6	122.8681	JONES STATION - TUCO INTERCHANGE 230KV CKT 1'
18SP		0	G12_043	'WOLFFORTH INTERCHANGE - YUMA INTERCHANGE 115KV CKT 1'	FROM->TO	0.07107	152.6	120.5445	JONES STATION - TUCO INTERCHANGE 230KV CKT 1'
18SP		0	G12_043	'WOLFFORTH INTERCHANGE - YUMA INTERCHANGE 115KV CKT 1'	FROM->TO	0.05903	152.6	113.585	Jones Station Bus#2 - LUBBOCK EAST INTERCHANGE 230KV CKT 1'
18SP		0	G12_043	'WOLFFORTH INTERCHANGE - YUMA INTERCHANGE 115KV CKT 1'	FROM->TO	0.05903	152.6	111.6416	Jones Station Bus#2 - LUBBOCK EAST INTERCHANGE 230KV CKT 1'
18SP		0	G12_043	'WOLFFORTH INTERCHANGE - YUMA INTERCHANGE 115KV CKT 1'	FROM->TO	0.05898	152.6	110.4782	LUBBOCK EAST INTERCHANGE (ENRCO 136162) 230/115/13.2KV TRANSFORMER CKT 1'
18SP		0	G12_043	'WOLFFORTH INTERCHANGE - YUMA INTERCHANGE 115KV CKT 1'	FROM->TO	0.05898	152.6	108.5356	LUBBOCK EAST INTERCHANGE (ENRCO 136162) 230/115/13.2KV TRANSFORMER CKT 1'
18SP		0	G12_043	'WOLFFORTH INTERCHANGE - YUMA INTERCHANGE 115KV CKT 1'	FROM->TO	0.05871	152.6	108.3696	LUBBOCK POWER & LIGHT-MILWAUKEE - LUBBOCK POWER & LIGHT-VICKSBURG 69KV CKT 1
18SP		0	G12_043	'WOLFFORTH INTERCHANGE - YUMA INTERCHANGE 115KV CKT 1'	FROM->TO	0.05871	152.6	106.4396	LUBBOCK POWER & LIGHT-MILWAUKEE - LUBBOCK POWER & LIGHT-VICKSBURG 69KV CKT 1
18SP		0	G12_043	'WOLFFORTH INTERCHANGE - YUMA INTERCHANGE 115KV CKT 1'	FROM->TO	0.08008	152.6	112.6633	LUBBOCK SOUTH INTERCHANGE - WOLFFORTH INTERCHANGE 230KV CKT 1'
18SP		0	G12_043	'WOLFFORTH INTERCHANGE - YUMA INTERCHANGE 115KV CKT 1'	FROM->TO	0.08008	152.6	110.1412	LUBBOCK SOUTH INTERCHANGE - WOLFFORTH INTERCHANGE 230KV CKT 1'
18SP		0	G12_043	'WOLFFORTH INTERCHANGE - YUMA INTERCHANGE 115KV CKT 1'	FROM->TO	0.05991	152.6	120.0352	LUBBOCK SOUTH INTERCHANGE (ABB LLM60043) 230/115/13.2KV TRANSFORMER CKT 1'
18SP		0	G12_043	'WOLFFORTH INTERCHANGE - YUMA INTERCHANGE 115KV CKT 1'	FROM->TO	0.05991	152.6	118.0672	LUBBOCK SOUTH INTERCHANGE (ABB LLM60043) 230/115/13.2KV TRANSFORMER CKT 1'
18SP		0	G12_043	'WOLFFORTH INTERCHANGE - YUMA INTERCHANGE 115KV CKT 1'	FROM->TO	0.05809	152.6	110.8617	LYNTGAR REC-BROWNFIELD - TERRY COUNTY INTERCHANGE 69KV CKT 1'
18SP		0	G12_043	'WOLFFORTH INTERCHANGE - YUMA INTERCHANGE 115KV CKT 1'	FROM->TO	0.05809	152.6	108.9516	LYNTGAR REC-BROWNFIELD - TERRY COUNTY INTERCHANGE 69KV CKT 1'
18SP		0	G12_043	'WOLFFORTH INTERCHANGE - YUMA INTERCHANGE 115KV CKT 1'	FROM->TO	0.06963	152.6	118.0519	NEWHART 6230.00 - PLANT X STATION 230KV CKT 1'
18SP		0	G12_043	'WOLFFORTH INTERCHANGE - YUMA INTERCHANGE 115KV CKT 1'	FROM->TO	0.06963	152.6	115.9525	NEWHART 6230.00 - PLANT X STATION 230KV CKT 1'
18SP		0	G12_043	'WOLFFORTH INTERCHANGE - YUMA INTERCHANGE 115KV CKT 1'	FROM->TO	0.05809	152.6	106.658	SEAGRAVES INTERCHANGE (ABB MLL92408) 115/69/13.2KV TRANSFORMER CKT 1'
18SP		0	G12_043	'WOLFFORTH INTERCHANGE - YUMA INTERCHANGE 115KV CKT 1'	FROM->TO	0.06115	152.6	111.2939	SOUTH PLAINS REC-QUAKER - South Plains REC-Frankford Sub 115KV CKT 1'
18SP		0	G12_043	'WOLFFORTH INTERCHANGE - YUMA INTERCHANGE 115KV CKT 1'	FROM->TO	0.06115	152.6	109.3082	SOUTH PLAINS REC-QUAKER - South Plains REC-Frankford Sub 115KV CKT 1'
18SP		0	G12_043	'WOLFFORTH INTERCHANGE - YUMA INTERCHANGE 115KV CKT 1'	FROM->TO	0.05811	152.6	110.4887	'SPP-SWPS-V49'
18SP		0	G12_043	'WOLFFORTH INTERCHANGE - YUMA INTERCHANGE 115KV CKT 1'	FROM->TO	0.05811	152.6	108.578	'SPP-SWPS-V49'
18SP		0	G12_043	'WOLFFORTH INTERCHANGE - YUMA INTERCHANGE 115KV CKT 1'	FROM->TO	0.0987	152.6	124.8534	TOLK STATION (ABBXL844501) 345/230/13.2KV TRANSFORMER CKT 1'
18SP		0	G12_043	'WOLFFORTH INTERCHANGE - YUMA INTERCHANGE 115KV CKT 1'	FROM->TO	0.0987	152.6	122.6779	TOLK STATION (ABBXL844501) 345/230/13.2KV TRANSFORMER CKT 1'
18SP		0	G12_043	'WOLFFORTH INTERCHANGE - YUMA INTERCHANGE 115KV CKT 1'	FROM->TO	0.08043	152.6	127.9159	TOLK STATION EAST - TUCO INTERCHANGE 230KV CKT 1'
18SP		0	G12_043	'WOLFFORTH INTERCHANGE - YUMA INTERCHANGE 115KV CKT 1'	FROM->TO	0.08043	152.6	125.7027	TOLK STATION EAST - TUCO INTERCHANGE 230KV CKT 1'