

○ ○ ○ ○ ○ ○      ○ ○ ○      ○ ○ ○

# Feasibility Cluster Study for Generation Interconnection Requests

(FCS-2011-001)

February 2011

Tariff Studies – Generation Interconnection

---

## Revision History

---

| Date or Version Number | Author               | Change Description | Comments      |
|------------------------|----------------------|--------------------|---------------|
| 02/28/2011             | Southwest Power Pool | N/A                | Report Issued |
|                        |                      |                    |               |
|                        |                      |                    |               |
|                        |                      |                    |               |

---

## Executive Summary

---

Generation Interconnection customers have requested a Feasibility Study under the Generation Interconnection Procedures (GIP) in the Southwest Power Pool Open Access Transmission Tariff (OATT). The Interconnection Customers' requests have been clustered together for the following Feasibility Cluster Study. This Feasibility Cluster Study analyzes the interconnecting of multiple generation interconnection requests associated with new generation totaling approximately 2,188 MW of new generation which would be located within the transmission systems of Midwest Energy Inc. (MIDW), Missouri Public Service (MIPU), Southwestern Public Service (SPS), and Sunflower Electric Power Corporation (SUNC). The various generation interconnection requests have differing proposed in-service dates<sup>1</sup>. The generation interconnection requests included in this Feasibility Cluster Study are listed in Appendix A by their queue number, amount, requested interconnection service, area, requested interconnection point, proposed interconnection point, and the requested in-service date.

Power flow analysis has indicated that for the powerflow cases studied, 2,188 MW of nameplate generation may be interconnected with transmission system reinforcements within the SPP transmission system. The need for reactive compensation in accordance with Order No. 661-A for wind farm interconnection requests will be evaluated in the Interconnection System Impact Study based on the wind turbine manufacturer and type requested by the Customer. Dynamic stability studies performed as part of the System Impact Cluster Study will provide additional guidance as to whether the required reactive compensation can be static or a portion must be dynamic (such as a SVC).

The total estimated minimum cost for interconnecting the studied generation interconnection request is \$471,500,000. These costs are shown in Appendix E. These costs do not include the Interconnection Customer Interconnection Facilities as defined by the SPP Open Access Transmission Tariff (OATT). This cost does not include the possible need for reactive compensation or additional interconnection facilities or network upgrades that may be identified through additional analyses performed in the Preliminary Interconnection System Impact Study (PISIS).

Network Constraints listed in Appendix F are in the local area of the new generation when this generation is injected throughout the SPP footprint for the Energy Resource (ER) Interconnection Request. Certain interconnection requests have been studied for Network Resource (NR) Interconnection Service. Additional Network constraints will have to be verified with a Transmission Service Request (TSR) and associated studies. With a defined source and sink in a TSR, this list of Network Constraints will be refined and expanded to account for all Network Upgrade requirements.

The required interconnection costs listed in Appendix E does not include all costs associated with the deliverability of the energy to final customers. These costs are determined by separate studies if the Customer submits a Transmission Service Request through SPP's Open Access Same Time Information System (OASIS) as required by Attachment Z1 of the SPP OATT.

---

<sup>1</sup> The generation interconnection requests in-service dates will need to be deferred based on the required lead time for the Network Upgrades necessary. The Interconnection Customer's that proceed to the Facility Study will be provided a new in-service date based on the competition of the Facility Study.

Based on the SPP Tariff Attachment O, transmission facilities that are part of the SPP Transmission Expansion Plan (STEP) including Sponsored Economic Upgrades or the Balanced Portfolio that may be approved by the SPP Board of Directors will receive notifications to construct. These projects will then be considered construction pending projects and would not be assignable to the Feasibility Cluster Study Generation Interconnection Requests. The network Upgrades identified in the Base Case Upgrades will not be assigned to the Feasibility Cluster Study for Generation Interconnection Requests.

# Table of Contents

**Revision History** ..... 1

**Executive Summary** ..... 2

**Table of Contents**..... 4

**Introduction** ..... 5

**Model Development**..... 5

    Interconnection Requests Included in the Cluster ..... 5

    Electrically Isolated Interconnection Requests ..... 5

    Previous Queued Projects ..... 5

    Development of Base Cases ..... 5

    Base Case Upgrades ..... 6

    Contingent Upgrades ..... 7

    Regional Groupings ..... 8

**Identification of Network Constraints**..... 8

**Determination of Cost Allocated Network Upgrades**..... 9

    Credits for Amounts Advanced for Network Upgrades ..... 10

**Interconnection Facilities** ..... 11

**Powerflow Analysis Methodology** ..... 11

**Powerflow Analysis**..... 12

**Conclusion** ..... 14

**Appendix** ..... 15

    A: Generation Interconnection Requests Considered for Feasibility Study ..... 16

    B: Prior Queued Interconnection Requests ..... 17

    C: Study Groupings ..... 22

    D: Proposed Point of Interconnection One line Diagrams ..... 28

    E: Cost Allocation per Interconnection Request..... 32

    F: FCITC Analysis (No Upgrades) ..... 33

---

## Introduction

---

Generation Interconnection customers have requested a Feasibility Study under the Generation Interconnection Procedures (GIP) in the Southwest Power Pool Open Access Transmission Tariff (OATT). The Interconnection Customers' requests have been clustered together for the following Feasibility Cluster Study. This Feasibility Cluster Study analyzes the interconnecting of multiple generation interconnection requests associated with new generation totaling approximately 2,188 MW of new generation which would be located within the transmission systems of Midwest Energy Inc. (MIDW), Missouri Public Service (MIPU), Southwestern Public Service (SPS), and Sunflower Electric Power Corporation (SUNC). The various generation interconnection requests have differing proposed in-service dates<sup>2</sup>. The generation interconnection requests included in this Feasibility Cluster Study are listed in Appendix A by their queue number, amount, area, requested interconnection service, requested interconnection point, proposed interconnection point, and the requested in-service date.

The primary objective of this Feasibility Cluster Study is to identify the system constraints associated with connecting the generation to the area transmission system. The Feasibility and other subsequent Interconnection Studies are designed to identify attachment facilities, Network Upgrades and other Direct Assignment Facilities needed to accept power into the grid at each specific interconnection receipt point.

---

## Model Development

---

**Interconnection Requests Included in the Cluster** – SPP has included the interconnection requests listed in Appendix A to be analyzed in this cluster study. These interconnection requests represent requests with an executed Feasibility Study Agreement signed by 12/30/2010.

**Electrically Isolated Interconnection Requests** – Electrically isolated requests are discussed in the “Regional Groupings” section.

**Previous Queued Projects** - The previous queued projects included in this study are listed in Appendix B. In addition to the Base Case Upgrades, the previous queued projects were assumed to be in-service and added to the Base Case models. These projects were dispatched as Energy Resources with equal distribution across the SPP footprint.

**Development of Base Cases** - The 2010 series Transmission Service Request (TSR) Models 2011 spring, 2011 summer and winter, and 2016 summer and winter scenario 0 peak cases were used for this study. After the cases were developed, each of the control areas' resources were then redispatched using current dispatch orders.

---

<sup>2</sup> The generation interconnection requests in-service dates will need to be deferred based on the required lead time for the Network Upgrades necessary. The Interconnection Customer's that proceed to the Facility Study will be provided a new in-service date based on the competition of the Facility Study.

**Base Case Upgrades** - The following facilities are part of the SPP Transmission Expansion Plan, Balanced Portfolio, or Priority Projects. These facilities have been approved or are in the construction stages and were assumed to be in-service at the time of dispatch and added to the base case models. The FCS-2011-001 Customers do not have cost for the below listed projects. **However, the FCS-2011-001 Customer Generation Facilities in service dated may need to be delayed until the completion of the following upgrades (See Appendix A for more detail).** If for some reason, construction on these projects is discontinued, additional restudies will be needed to determine the interconnection needs of the FCS-2011-001 customers.

- Hitchland 345/230/115kV upgrades to be built by SPS for 2010/2011 in-service<sup>3</sup>.
  - Hitchland – Moore County 230kV line
  - Hitchland – Perryton 230kV line
  - Hitchland – Texas County 115kV line
  - Hitchland – Hansford County 115kV line
  - Hitchland – Sherman County Tap 115kV line
- Valliant – Hugo – Sunnyside 345kV – assigned to Aggregate Study AG3-2006 Customers.
- Wichita – Reno County – Summit 345kV to be built by WERE<sup>4</sup>.
- Rose Hill – Sooner 345kV to be built by WERE/OKGE.
- Knob Hill – Steele City 115kV to be built by NPPD/WERE.
- Balanced Portfolio Projects<sup>5</sup>:
  - Gracemont 345/138/13.2kV Autotransformer
  - Woodward– Tuco 345kV line
  - Iatan– Nashua 345kV line
  - Muskogee– Seminole 345kV line
  - Post Rock – Axtell 345kV line
  - Spearville– Post Rock 345kV line
  - Tap Stillwell – Swissvale 345kV line at West Gardner
- Priority Projects<sup>6</sup>:
  - Hitchland - Woodward double circuit 345kV
  - Woodward – Medicine Lodge double circuit 345kV
  - Spearville – Comanche (Clark) double circuit 345kV
  - Comanche (Clark) – Medicine Lodge double circuit 345kV
  - Medicine Lodge – Wichita double circuit 345kV
  - Medicine Lodge 345/138kV autotransformer

---

<sup>3</sup> Approved 230kV upgrades are based on SPP 2007 STEP. Upgrades may need to be re-evaluated in the system impact study.

<sup>4</sup> Approved based on an order of the Kansas Corporation Commission issued in Docket no. 07-WSEE-715-MIS

<sup>5</sup> Notice to Construct (NTC) issued June, 2009

<sup>6</sup> Notice to Construct (NTC) issued June, 2010. NTC for double circuit lines indicated that NTC may be revised at a later time to be built at a higher voltage.

**Contingent Upgrades** - The following facilities do not yet have approval. These facilities have been assigned to higher queued interconnection customers. These facilities have been included in the models for the FCS-2011-001 study and are assumed to be in service. The FCS-2011-001 Customers at this time do not have responsibility for these facilities but may later be assigned the cost of these facilities if higher queued customers terminate their GIA, withdraw from the interconnection queue, or withdraw from NRIS interconnection queue. The FCS-2011-001 Customer Generation Facilities in service dates may need to be delayed until the completion of the following upgrades.

- Finney – Holcomb 345kV ckt #2 line assigned to GEN-2006-044 interconnection customer. This customer is currently in suspension<sup>7</sup>.
- Central Plains – Setab 115kV transmission line assigned to GEN-2007-013 interconnection customer.
- Spearville 345/230kV autotransformer #2 assigned to 1<sup>st</sup> Cluster Interconnection Customers (100% to GEN-2006-006)
- Grassland 230/115kV autotransformer #2 assigned to 1<sup>st</sup> Cluster Interconnection Customers (100% to GEN-2008-016)
- Spearville 230/115kV autotransformer #2 assigned to DISIS-2009-001-1 Interconnection Customers (100% to GEN-2008-079)
- Petersburg – Madison 115kV assigned to DISIS-2009-001-1 Interconnection Customers
- Judson Large – North Judson Large – Spearville Ckt #2 assigned to DISIS-2009-001-1 Interconnection Customers (100% to GEN-2008-079)
- GEN-2008-038 Tap – Barnsdall 138kV assigned to DISIS-2009-001-1 Interconnection Customers (100% to GEN-2008-038)
- Belden – Bloomfield 115kV assigned to DISIS-2009-001-1 Interconnection Customers
- Hitchland – Wheeler (Border) double circuit 345kV assigned to DISIS-2010-001 Interconnection Customers
- Madison County 230/115kV autotransformer #1 assigned to DISIS-2010-001 Interconnection Customers
- Norfolk – Madison County Tap 115kV Ckt #1 assigned to DISIS-2010-001 Interconnection Customers
- Washita – Gracemont 138kV Ckt #2 assigned to DISIS-2010-001 Interconnection Customers
- Post Rock 345/230kV autotransformer #2 assigned to DISIS-2010-001 Interconnection Customers
- Washita – Weatherford 138kV Ckt #1 assigned to DISIS-2010-001 Interconnection Customers
- GEN-2008-079 Tap – Spearville 115kV Ckt #1 assigned to DISIS-2010-001 Interconnection Customers
- Spearville 345/230kV autotransformer #3 assigned to DISIS-2010-001 Interconnection Customers
- Beaver County – Comanche 345kV Ckt #1 assigned to DISIS-2010-002 Interconnection Customers
- Broken Bow – Ord – North Loup 115kV Ckt #1 assigned to DISIS-2010-002 Interconnection Customers
- Clinton Junction – Elk City 138kV Ckt #1 assigned to DISIS-2010-002 Interconnection Customers

---

<sup>7</sup> Based on Facility Study Posting November 2008



- Harbine – Gen-2010-047 Tap 115kV Ckt #1 assigned to DISIS-2010-002 Interconnection Customers
- Mulgren – Circle 345kV Ckt #1 and Ckt #2 assigned to DISIS-2010-002 Interconnection Customers
- Spearville – Mulgren 345kV Ckt #1 and Ckt #2 assigned to DISIS-2010-002 Interconnection Customers
- St. John – St. John 115kV Ckt #1 assigned to DISIS-2010-002 Interconnection Customers
- Northwest 345/138/13.8kV autotransformer Ckt #1 assigned to DISIS-2010-002 NRIS Interconnection Customer Gen-2010-040

**Potential Upgrades Not in the Base Case** - Any potential upgrades that do not have a Notification to Construct (NTC) to construct have not been included in the base case. These upgrades include any identified in the SPP Extra-High Voltage (EHV) overlay plan, or any other SPP planning study other than the upgrades listed above in the previous section.

**Regional Groupings** - The interconnection requests listed in Appendix A were grouped together in four different regional groups based on geographical and electrical impacts. These groupings are shown in Appendix C.

To determine interconnection impacts, four different dispatch variations of the spring base case models were developed to accommodate the regional groupings.

For each group, the various wind generating plants were modeled at 80% nameplate of maximum generation. The wind generating plants in the other areas were modeled at 20% nameplate of maximum generation. This process created four different scenarios with each group being studied at 80% nameplate rating. These projects were dispatched as Energy Resources with equal distribution across the SPP footprint. Certain projects that requested Network Resource Interconnection Service were dispatched in an additional analysis into the balancing authority of the interconnecting transmission owner. This method allowed for the identification of network constraints that were common to the regional groupings that could then in turn have the mitigating upgrade cost allocated throughout the entire cluster. Each interconnection request was also modeled separately at 100% nameplate for certain analyses.

Peaking units were not dispatched in the 2010 spring model. To study peaking units' impacts, the 2016 summer peak model was chosen and peaking units were modeled at 100% of the nameplate rating and wind generating facilities were modeled at 10% of the nameplate rating. Each interconnection request was also modeled separately at 100% nameplate for certain analyses.

---

## Identification of Network Constraints

---

The initial set of network constraints were found by using PTI MUST First Contingency Incremental Transfer Capability (FCITC) analysis on the entire cluster grouping dispatched at the various levels mentioned above. These constraints were then screened to determine if any of the generation interconnection requests had at least a 20% Distribution Factor (DF) upon the constraint. Constraints that measured at least a 20% DF from at least one interconnection request were considered for mitigation. Interconnection Requests that were being studied for Network Resource Interconnection Service were studied in the additional NRIS analysis to determine if any constraint had at least a 3% DF. If so, these constraints were considered for mitigation.

Identification of Electrically Isolated Groups and Requests – From the FCITC analysis, it was determined that some of the regional groups had no common impacts with the other groups. However, this determination may change as the Interconnection Customers depending upon the time at which the interconnection customers enter either the Preliminary Interconnection System Impact Study (PISIS) or the Definitive Interconnection System Impact Study (DISIS).

---

## Determination of Cost Allocated Network Upgrades

---

Cost Allocated Network Upgrades of wind generation interconnection requests were determined using the 2011 spring model. Cost Allocated Network Upgrades of peaking units was determined using the 2016 summer peak model. Once a determination of the required Network Upgrades was made, a powerflow model of the 2011 spring case was developed with all cost allocated Network Upgrades in-service. A MUST FCITC analysis was performed to determine the Power Transfer Distribution Factors (PTDF), a distribution factor with no contingency that each generation interconnection request had on each new upgrade. The impact each generation interconnection request had on each upgrade project was weighted by the size of each request. Finally the costs due by each request for a particular project were then determined by allocating the portion of each request's impact over the impact of all affecting requests.

For example, assume that there are three Generation Interconnection requests, X, Y, and Z that are responsible for the costs of Upgrade Project '1'. Given that their respective PTDF for the project have been determined, the cost allocation for Generation Interconnection request 'X' for Upgrade Project 1 is found by the following set of steps and formulas:

- Determine an Impact Factor on a given project for all responsible GI requests:

$$\text{Request X Impact Factor on Upgrade Project 1} = \text{PTDF}(\%)(X) * \text{MW}(X) = X1$$

$$\text{Request Y Impact Factor on Upgrade Project 1} = \text{PTDF}(\%)(Y) * \text{MW}(Y) = Y1$$

$$\text{Request Z Impact Factor on Upgrade Project 1} = \text{PTDF}(\%)(Z) * \text{MW}(Z) = Z1$$

- Determine each request's Allocation of Cost for that particular project:

$$\text{Request X's Project 1 Cost Allocation} (\$) = \frac{\text{Network Upgrade Project 1 Cost}(\$) * X1}{X1 + Y1 + Z1}$$

- Repeat previous for each responsible GI request for each Project

The cost allocation of each needed Network Upgrade is determined by the size of each request and its impact on the given project. This allows for the most efficient and reasonable mechanism for sharing the costs of upgrades.

**Credits for Amounts Advanced for Network Upgrades** - Interconnection

Customer shall be entitled to credits in accordance with Attachment Z1 of the SPP Tariff for any Network Upgrades including any tax gross-up or any other tax-related payments associated with the Network Upgrades, and not refunded to the Interconnection Customer.

---

## Interconnection Facilities

---

The requirement to interconnect the 2,188 MW of generation into the existing and proposed transmission systems in the affected areas of the SPP transmission footprint consist of the necessary cost allocated shared facilities listed in Appendix E with an approximate cost of \$471,500,000. Appendix E also includes Interconnection Facilities specific to each generation interconnection request.

A list of constraints with greater than or equal to a 20% OTDF that were identified and used for mitigation are listed in Appendix F. Other Network Constraints in the AEPW, MIDW, OKGE, SPS, MIPU, NPPD, SUNC, MKEC, WERE, and WFEC transmission systems that were identified that may be needed to deliver to load are listed in Appendix F. With a defined source and sink in a TSR, a list of Network Constraints will be refined and expanded to account for all Network Upgrade requirements.

A preliminary one-line drawing for each generation interconnection request are listed in Appendix D.

---

## Powerflow Analysis Methodology

---

The Southwest Power Pool (SPP) Criteria states that:

“The transmission system of the SPP region shall be planned and constructed so that the contingencies as set forth in the Criteria will meet the applicable *NERC Reliability Standards* for transmission planning. All MDWG power flow models shall be tested to verify compliance with the System Performance Standards from NERC Table 1 – Category A.”

The FCITC function of MUST was used to simulate single contingencies in portions or all of the modeled control areas of AEPW, EMDE, Grand River Dam Authority (GRDA), Kansas City Power & Light (KCPL), LES, MIDW, MIPU, NPPD, OPPD, OKGE, SPS, SUNC, WERE, WFEC and other control areas were applied and the resulting scenarios analyzed. This satisfies the “more probable” contingency testing criteria mandated by NERC and the SPP criteria.

---

## Powerflow Analysis

---

A powerflow analysis was conducted for each Interconnection Customer's facility using modified versions of the 2011 (spring, summer, and winter) peak models and the 2016 (summer and winter) peak models. The output of the Interconnection Customer's facility was offset in each model by a reduction in output of existing online SPP generation. This method allows the request to be studied as an Energy Resource (ER) Interconnection Request. The available seasonal models used were through the 2016 Winter Peak. Certain requests that requested Network Resource Interconnection Service (NRIS) had an additional analysis conducted for sinking the energy in the interconnecting Transmission Owner's balancing authority.

This analysis was conducted assuming that previous queued requests in the immediate area of these interconnect requests were in-service. The analysis of the each Customer's project indicates that additional criteria violations will occur on the AEPW, MIDW, MIPU, NPPD, OKGE, SPS, SUNC, SWPA, MKEC, WERE, and WFEC transmission systems under steady state and contingency conditions in the peak seasons.

The need for reactive compensation will be determined during the Interconnection System Impact Study. The need for reactive compensation will be based on the Interconnection Customer's choice of wind turbine make and manufacturer. Dynamic Stability studies performed as part of the System Impact Cluster Study will provide additional guidance as to whether the reactive compensation can be static or a portion must be dynamic (such as a SVC or STATCOM). It is possible that an SVC or STATCOM device will be required at the Customer facility because of FERC Order 661A Low Voltage Ride-Through Provisions (LVRT) which went into effect January 1, 2006. FERC Order 661A orders that wind farms stay on-line for 3-phase faults at the point of interconnection even if that requires the installation of a SVC or STATCOM device.

**Spearville Area** – The Spearville group had 309 MW of interconnection requests in addition to the 4,761.2 MW of previously queued generation in the area. Constraints were observed in the Fort Dodge area. As several 115kV lines have already been proposed in this area, to mitigate the overloads in the Fort Dodge area, a new 345kV transmission line from GEN-2010-062 – Comanche 345kV will need to be constructed.

**South Panhandle/New Mexico Area** – There are approximately 1,528 MW of interconnection requests in the southern panhandle area in addition to the 2,017.6 MW of previously queued generation in the area. The vast majority of this generation is requesting to interconnect at the SPS Midland 230kV interchange. Several transmission lines in the SPS area leading north from the Midland area were identified as constraints due the addition of the generation. The plans to improve the area to accommodate the generation include the following upgrades:

- Convert the Midland Interchange – Hobbs Interchange 230kV line to 345kV (this line is designed at 345kV but currently operated at 230kV). In addition replace the 230/138kV stepdown at Midland with a 345/138kV transformer.
- Convert the Jones - Grassland Interchange – Borden Interchange 230kV line to 345kV (this line is designed at 345kV bus currently operated at 230kV). In addition replace the 230/138kV stepdown at Borden with a 345/138kV transformer and add a 345/230kV stepdown at Jones.
- Construct a new 345kV transmission line from Borden Interchange to Midland Interchange (approximately 70 miles).
- Construct a new 345kV transmission from Tuco – Jones (approximately 30 miles)

- Construct a new 345kV transmission line from Midland Interchange to Yoakum Interchange (approximately 100 miles) with a 345/230kV stepdown at Yoakum.
- Construct a new 345kV transmission line from Hobbs Interchange to a point in Chaves County, New Mexico on the Tolk – Eddy County 345kV line (approximately 45 miles)
- Construct a new 345kV transmission line from Yoakum Interchange to Tuco Interchange (approximately 85 miles).
- The base case assumption include the Balanced Portfolio, Priority Projects as well as a double circuit 345kV line from Border – Hitchland as being in service. The Border-Hitchland 345kV double circuit has been assigned to DISIS-2010-001 Interconnection Customers.

For this study, SPP did not consider that the Sharyland Utilities transmission system and its load may disconnect from the Eastern Interconnection and interconnect into ERCOT. This study also did not consider that the Midland-Hobbs 230kV line and the Borden-Grassland 230kV line may be interconnected into ERCOT. If the Customer(s) proceed into the Impact Study, further clarification may be available as to the status of the Sharyland transmission system and the referenced transmission lines.

**North Kansas Area** - The North Kansas group had 200 MW of interconnection requests in addition to the 1,368.4 MW of previously queued generation in the area. No additional constraints were observed in this area.

**North Missouri Area** - The Northern Missouri area had 151MW of interconnection requests in addition to the 2,674.5 MW of previously queued generation in the area. No new constraints were found in this area.

---

## Conclusion

---

The minimum cost of interconnecting all of the interconnection requests included in the Feasibility Cluster Study is estimated at \$471,500,000 for the Allocated Network Upgrades and Transmission Owner Interconnection Facilities are listed in Appendix E. These costs do not include the cost of upgrades of other transmission facilities listed in Appendix F which are Network Constraints.

These interconnection costs do not include any cost of Network Upgrades determined to be required by AC powerflow, short circuit or transient stability analysis. These studies will be performed if the Interconnection Customer executes the appropriate Interconnection System Impact Study Agreement and provides the required data along with demonstration of Site Control and the appropriate deposit. At the time of the System Impact Cluster Study, a better determination of the interconnection facilities may be available.

The required interconnection costs listed in Appendix E, and other upgrades associated with Network Constraints do not include all costs associated with the deliverability of the energy to final customers. These costs are determined by separate studies if the Customer submits a Transmission Service Request (TSR) through SPP's Open Access Same Time Information System (OASIS) as required by Attachment Z1 of the SPP Open Access Transmission Tariff (OATT).

---

# Appendix

---



**A: Generation Interconnection Requests Considered for Feasibility Study**

| Request      | MW           | Service | Area | Requested Point of Interconnection | Proposed Point of Interconnection | Requested In-Service Date | EARLIEST IN SERVICE DATE AVAILABLE** |
|--------------|--------------|---------|------|------------------------------------|-----------------------------------|---------------------------|--------------------------------------|
| GEN-2010-056 | 151          | ER/NR   | MIPU | Tap St. Joe – Cooper 345kV         | Tap St. Joe – Cooper 345kV        | 06/01/2012                | Determined in Facility Study         |
| GEN-2010-058 | 20           | ER/NR   | SPS  | Chaves County 69kV                 | Chaves County 69kV                | 12/31/2011                | 12/31/2014                           |
| GEN-2010-059 | 516          | NR      | SPS  | Midland Substation                 | Midland 345kV                     | 04/01/2013                | Determined in Facility Study         |
| GEN-2010-060 | 992          | NR      | SPS  | Midland Substation                 | Midland 345kV                     | 06/01/2014                | Determined in Facility Study         |
| GEN-2010-061 | 180          | ER/NR   | SUNC | Tap Post Rock – Spearville 345kV   | GEN-2010-016 345kV                | 12/31/2012                | 12/31/2014                           |
| GEN-2010-062 | 129          | ER      | SUNC | Tap Cudahy – Fort Dodge 115kV      | Tap GEN-2008-079 115kV            | 01/01/2015                | 12/31/2014                           |
| GEN-2011-001 | 200          | ER/NR   | MIDW | Tap Post Rock – Axtell 345kV       | Tap Post Rock – Axtell 345kV      | 06/30/2013                | 12/31/2014                           |
| <b>TOTAL</b> | <b>2,188</b> |         |      |                                    |                                   |                           |                                      |

\* Planned Facility

^ Proposed Facility

\*\* Interconnection Customer may be delayed until the completion of certain Base Case Upgrades. Interconnection Customer may explore the possibility of an earlier in service date with a Limited Operation Study available under GIA 5.9.

**B: Prior Queued Interconnection Requests**

| Request          | Amount | Area | Requested/Proposed Point of Interconnection               | Status or In-Service Date             |
|------------------|--------|------|---|---------------------------------------|
| GEN-2001-014     | 96     | WFEC | Fort Supply 138kV   | On-Line                               |
| GEN-2001-026     | 74     | WFEC | Washita 138kV   | On-Line                               |
| GEN-2001-033     | 180    | SPS  | San Juan Mesa Tap 230kV                                   | On-Line                               |
| GEN-2001-036     | 80     | SPS  | Caprock Tap 115kV   | On-Line                               |
| GEN-2001-037     | 100    | OKGE | Windfarm Switching 138kV                                  | On-Line                               |
| GEN-2001-039A    | 105    | WPEK | Greensburg - Judson-Large 115kV                           | On Schedule for 2011                  |
| GEN-2001-039M    | 100    | SUNC | Central Plains Tap 115kV                                  | On-Line                               |
| GEN-2002-004     | 200    | WERE | Latham 345kV  | On-Line                               |
| GEN-2002-005     | 120    | WFEC | Red Hills Tap 138kV                                       | On-Line                               |
| GEN-2002-006     | 150    | SPS  | Texas County 115kV  | IA Executed/On Schedule<br>12/31/2010 |
| GEN-2002-008     | 240    | SPS  | *Hitchland 345kV  | On-Line at 120MW                      |
| GEN-2002-009     | 80     | SPS  | Hansford County 115kV                                     | On-Line                               |
| GEN-2002-022     | 240    | SPS  | Bushland 230kV  | On-Line at 160MW                      |
| GEN-2002-025A    | 150    | WPEK | Spearville 230kV  | On-Line at 100.5MW                    |
| GEN-2003-005     | 100    | WFEC | Anadarko - Paradise 138kV                                 | On Line                               |
| GEN-2003-006A-E  | 100    | EMDE | Elm Creek 230kV   | On-Line                               |
| GEN-2003-006A-W  | 100    | WERE | Elm Creek 230kV   | On-Line                               |
| GEN-2003-013**   | 198    | SPS  | *Hitchland - Finney 345kV                                 | On Schedule for 2012                  |
| GEN-2003-019     | 250    | MIDW | Smoky Hills Tap 230kV                                     | On-Line                               |
| GEN-2003-020     | 160    | SPS  | Martin 115kV  | On-Line at 80MW                       |
| GEN-2003-022     | 120    | AEPW | Washita 138kV   | On-Line                               |
| GEN-2004-014     | 155    | MKEC | Spearville 230kV  | On Schedule for 2010                  |
| GEN-2004-020     | 27     | AEPW | Washita 138kV   | On-Line                               |
| GEN-2005-005     | 18     | OKGE | Windfarm Tap 138kV  | IA Pending                            |
| GEN-2005-008     | 120    | OKGE | Woodward 138kV  | On-Line                               |
| GEN-2005-012     | 250    | WPEK | Spearville 345kV  | On Suspension                         |
| GEN-2005-013     | 201    | WERE | Tap Latham - Neosho                                       | On Schedule for 2012                  |
| GEN-2005-015     | 150    | SPS  | Tuco - Oklaunion 345kV                                    | On Suspension                         |
| GEN-2005-016     | 150    | WFEC | Tap Latham - Neosho                                       | On Scheudle for 2012                  |
| GEN-2005-017     | 340    | SPS  | Tap *Hitchland - Potter County 345kV                      | On Suspension                         |
| GEN-2005-021     | 86     | SPS  | Kirby 115kV   | On Suspension                         |
| GEN-2006-002     | 150    | AEPW | Grapevine - Elk City 230kV                                | On Suspension                         |
| GEN-2006-006     | 206    | MKEC | Spearville 230kV  | Under Study<br>(ICS-2008-001)         |
| GEN-2006-014     | 300    | MIPU | Tap Maryville – Clarinda and tie Midway (WFARMS)<br>161kV | On Suspension                         |
| GEN-2006-017     | 300    | MIPU | Tap Maryville – Clarinda and tie Midway (WFARMS)<br>161kV | On Suspension                         |
| GEN-2006-018     | 170    | SPS  | Tuco 230kV  | On Schedule for 2010                  |
| GEN-2006-020S    | 20     | SPS  | DWS Frisco Tap  | IA Executed/On Schedule<br>12/31/2010 |
| GEN-2006-020N    | 42     | NPPD | Bloomfield 115kV  | 1/1/2009                              |
| GEN-2006-021     | 101    | WPEK | Flat Ridge Tap 138kV                                      | On-Line (100MW)                       |
| GEN-2006-022     | 150    | WPEK | Ninnescah Tap 115kV                                       | On Suspension                         |
| GEN-2006-024S    | 20     | WFEC | South Buffalo Tap 69kV                                    | On-Line                               |
| GEN-2006-031     | 75     | MIDW | Knoll 115kV   | On-Line                               |
| GEN-2006-032     | 200    | MIDW | South Hays 230kV  | On Suspension                         |
| GEN-2006-034     | 81     | SUNC | Tap Kanarado - Sharon Springs 115kV                       | On Suspension                         |
| GEN-2006-035     | 225    | AEPW | Tap Grapevine - Elk City 230kV                            | On Schedule for 2010                  |
| GEN-2006-037N1   | 75     | NPPD | Broken Bow 115kV  | Under Study<br>(DISIS-2009-001)       |
| GEN-2006-038N019 | 80     | NPPD | Petersburg 115kV  | 5/1/2011                              |

| Request         | Amount | Area | Requested/Proposed Point of Interconnection                                    | Status or In-Service Date    |
|-----------------|--------|------|--|------------------------------|
| GEN-2006-038    | 750    | WFEC | Hugo 345kV   | On Suspension                |
| GEN-2006-039    | 400    | SPS  | Tap and Tie both Potter County - Plant X 230kV and Bushland - Deaf Smith 230kV | On Suspension                |
| GEN-2006-040    | 108    | SUNC | Mingo 115kV  | On Schedule for 2010         |
| GEN-2006-043    | 99     | AEPW | Grapevine - Elk City 230kV   | On Line                      |
| GEN-2006-044    | 370    | SPS  | *Hitchland 345kV   | On Suspension                |
| GEN-2006-044N   | 40.5   | NPPD | Tap Neligh – Petersburg 115kV  | Under Study (DISIS-2009-001) |
| GEN-2006-044N02 | 100.5  | NPPD | GEN-2008-086N02 230kV  | Under Study (DISIS-2010-001) |
| GEN-2006-045    | 240    | SPS  | Tap and Tie both Potter County - Plant X 230kV and Bushland - Deaf Smith 230kV | On Suspension                |
| GEN-2006-046    | 131    | OKGE | Dewey 138kV  | On Schedule for 2010         |
| GEN-2006-047    | 240    | SPS  | Tap and Tie both Potter County - Plant X 230kV and Bushland - Deaf Smith 230kV | On Schedule for 2013         |
| GEN-2006-049    | 400    | SPS  | *Hitchland - Finney 345kV  | IA Pending                   |
| GEN-2007-002    | 160    | SPS  | Grapevine 115kV  | On Suspension                |
| GEN-2007-005    | 200    | SPS  | Pringle 115kV  | Under Study (ICS-2008-001)   |
| GEN-2007-006    | 160    | OKGE | Roman Nose 138kV   | On Suspension                |
| GEN-2007-011    | 135    | SUNC | Syracuse 115kV   | On Schedule                  |
| GEN-2007-011N06 | 75     | NPPD | Tap Neligh – Petersburg 115kV  | Under Study (DISIS-2009-001) |
| GEN-2007-011N08 | 81     | NPPD | Bloomfield 115kV   | On-Line                      |
| GEN-2007-011N09 | 75     | NPPD | Bloomfield 115kV   | Under Study (DISIS-2009-001) |
| GEN-2007-013    | 99     | SUNC | Selkirk 115kV  | On Schedule for 2011         |
| GEN-2007-015    | 135    | WERE | Tap Humboldt – Kelly 161kV   | On Schedule for 2011         |
| GEN-2007-017    | 101    | MIPU | Tap Maryville – Clarinda and tie Midway (WFARMS) 161kV                         | On Schedule for 2012         |
| GEN-2007-021    | 201    | OKGE | *Tatonga 345kV   | Under Study (ICS-2008-001)   |
| GEN-2007-025    | 300    | WERE | Tap Woodring – Wichita 345kV   | Under Study (ICS-2008-001)   |
| GEN-2007-032    | 150    | WFEC | Tap Clinton Junction – Clinton 138kV   | Under Study (ICS-2008-001)   |
| GEN-2007-034    | 150    | SPS  | Tap Eddy – Tolk 345kV  | Under Study (ICS-2008-001)   |
| GEN-2007-038    | 200    | SUNC | Spearville 345kV   | Under Study (ICS-2008-001)   |
| GEN-2007-040    | 200    | SUNC | Tap Holcomb – Spearville 345kV   | Under Study (DISIS-2009-001) |
| GEN-2007-043    | 300    | AEPW | Tap Lawton Eastside – Cimarron 345kV   | IA Pending                   |
| GEN-2007-044    | 300    | OKGE | *Tatonga 345kV   | Under Study (ICS-2008-001)   |
| GEN-2007-046    | 200    | SPS  | Tap & Tie Texas County – Hitchland & DWS Frisco Tap – Hitchland 115kV          | Under Study (ICS-2008-001)   |
| GEN-2007-048    | 400    | SPS  | Tap Amarillo South – Swisher 230kV   | Under Study (ICS-2008-001)   |
| GEN-2007-050    | 170    | OKGE | *Woodward 138kV  | Under Study (ICS-2008-001)   |
| GEN-2007-051    | 200    | WFEC | Mooreland 138kV  | Under Study (ICS-2008-001)   |
| GEN-2007-052    | 150    | WFEC | Anadarko 138kV   | Under Study (ICS-2008-001)   |
| GEN-2007-053    | 110    | MIPU | Tap Maryville – Clarinda and tie Midway (WFARMS) 161kV                         | Under Study (ICS-2008-001)   |
| GEN-2007-057    | 35     | SPS  | Moore County East 115kV  | Under Study (ICS-2008-001)   |
| GEN-2007-062**  | 765    | OKGE | *Woodward 345kV  | Under Study (ICS-2008-001)   |

| Request         | Amount | Area | Requested/Proposed Point of Interconnection        | Status or In-Service Date    |
|-----------------|--------|------|--|------------------------------|
| GEN-2008-003    | 101    | OKGE | *Woodward EHV 138kV                                | Under Study (ICS-2008-001)   |
| GEN-2008-008    | 60     | SPS  | Graham 115kV                                       | Under Study (ICS-2008-001)   |
| GEN-2008-009    | 60     | SPS  | San Juan Mesa Tap 230kV                            | Under Study (ICS-2008-001)   |
| GEN-2008-013    | 300    | OKGE | Tap Woodring – Wichita 345kV                       | Under Study (ICS-2008-001)   |
| GEN-2008-014    | 150    | SPS  | Tap Tuco – Oklaunion 345kV                         | Under Study (ICS-2008-001)   |
| GEN-2008-016    | 248    | SPS  | Grassland 230kV                                    | Under Study (ICS-2008-001)   |
| GEN-2008-017    | 300    | SUNC | Setab 345kV  | Under Study (ICS-2008-001)   |
| GEN-2008-018    | 405    | SUNC | Finney 345kV                                       | Under Study (ICS-2008-001)   |
| GEN-2008-019**  | 300    | OKGE | *Tatonga 345kV                                     | Under Study (ICS-2008-001)   |
| GEN-2008-021    | 42     | WERE | Wolf Creek 345kV                                   | Under Study (DISIS-2009-001) |
| GEN-2008-022    | 300    | SWPS | Tap Eddy – GEN-2007-034 345kV                      | Under Study (DISIS-2010-001) |
| GEN-2008-023    | 150    | AEPW | Hobart Junction 138kV                              | Under Study (DISIS-2009-001) |
| GEN-2008-025    | 101.2  | SUNC | Ruleton 115kV                                      | Under Study (DISIS-2009-001) |
| GEN-2008-029    | 250.5  | OKGE | Woodward EHV 138kV                                 | Under Study (DISIS-2009-001) |
| GEN-2008-037    | 100.8  | WFEC | Tap Washita – Blue Canyon 138kV                    | Under Study (DISIS-2010-001) |
| GEN-2008-038    | 144    | AEPW | Tap Shidler – West Pawhuska 138kV                  | Under Study (DISIS-2009-001) |
| GEN-2008-044    | 197.8  | OKGE | Tatonga 345kV                                      | Under Study (DISIS-2010-001) |
| GEN-2008-046    | 200    | OKGE | Sunnyside 345kV                                    | Under Study (DISIS-2010-001) |
| GEN-2008-047    | 300    | SWPS | Tap Hitchland - Woodward 345kV                     | Under Study (DISIS-2010-001) |
| GEN-2008-051    | 322    | SPS  | Potter 345kV                                       | Under Study (DISIS-2009-001) |
| GEN-2008-071    | 76.8   | OKGE | Newkirk 138kV                                      | Under Study (DISIS-2010-001) |
| GEN-2008-079    | 100.5  | MKEC | Tap Fort Dodge – Cudahy 115kV                      | Under Study (DISIS-2009-001) |
| GEN-2008-086N02 | 200    | NPPD | Tap Ft. Randall – Columbus 230kV                   | Under Study (DISIS-2009-001) |
| GEN-2008-088    | 50.6   | SWPS | Vega 69kV  | Under Study (DISIS-2010-001) |
| GEN-2008-092    | 201    | MIDW | Knoll 115kV  | Under Study (DISIS-2009-001) |
| GEN-2008-098    | 100.8  | WERE | Tap Wolf Creek – LaCygne 345kV                     | Under Study (DISIS-2010-001) |
| GEN-2008-110    | 299.2  | SWPS | Hitchland 345kV                                    | Under Study (DISIS-2010-001) |
| GEN-2008-119O   | 60     | OPPD | Tap Humboldt – Kelly (North of GEN-2007-015) 161kV | On-Line                      |
| GEN-2008-123N   | 89.7   | NPPD | Tap Guide - Pauline 115kV                          | Under Study (DISIS-2010-001) |
| GEN-2008-124    | 200.1  | MKEC | Spearville 230kV                                   | Under Study (DISIS-2009-001) |
| GEN-2008-127    | 200.1  | WERE | Tap Sooner – Rose Hill 345kV                       | Under Study (DISIS-2009-001) |
| GEN-2008-129    | 80     | MIPU | Pleasant Hill 161kV                                | Under Study (DISIS-2009-001) |
| GEN-2009-008    | 200    | SUNC | South Hays 230kV                                   | Under Study (DISIS-2010-001) |
| GEN-2009-011    | 50     | MKEC | Tap Plainville – Phillipsburg 115kV                | Under Study (DISIS-2009-001) |
| GEN-2009-016    | 140    | MKEC | Falcon Road 138kV                                  | Under Study (DISIS-2009-001) |

| Request        | Amount | Area | Requested/Proposed Point of Interconnection | Status or In-Service Date    |
|----------------|--------|------|---|------------------------------|
| GEN-2009-017** | 60     | SPS  | Tap Pembroke – Stiles 138kV                 | Under Study (DISIS-2009-001) |
| GEN-2009-020   | 48.6   | MIDW | Tap Bazine – Nekoma 69kV                    | Under Study (DISIS-2010-001) |
| GEN-2009-025   | 60     | OKGE | Tap Deer Creek – Sinclair 69kV              | Under Study (DISIS-2009-001) |
| GEN-2009-030   | 100.8  | WFEC | Weatherford 138kV                           | Under Study (DISIS-2010-001) |
| GEN-2009-032S  | 6.4    | OKGE | Foster 138kV                                | Under Study (DISIS-2010-001) |
| GEN-2009-040   | 73.8   | WERE | Tap Smittyville - Knob Hill 115kV           | Under Study (DISIS-2010-001) |
| GEN-2009-059   | 100.5  | SUNC | Tap GEN-2008-079 - Cudahy 115kV             | Under Study (DISIS-2010-001) |
| GEN-2009-060   | 84     | WFEC | Gotebo 69kV                                 | Under Study (DISIS-2010-001) |
| GEN-2009-062   | 115    | SUNC | Hugoton 115kV                               | Under Study (DISIS-2010-001) |
| GEN-2009-067S  | 20     | SWPS | 7 Rivers 69kV                               | Under Study (DISIS-2010-001) |
| GEN-2010-001   | 300    | WFEC | Tap Woodward – Hitchland 230kV              | Under Study (DISIS-2010-002) |
| GEN-2010-003   | 100.8  | WERE | GEN-2008-098 345kV                          | Under Study (DISIS-2010-001) |
| GEN-2010-005   | 300    | MKEC | GEN-2007-025 345kV                          | Under Study (DISIS-2010-001) |
| GEN-2010-006   | 205    | SWPS | Jones 230kV                                 | Under Study (DISIS-2010-001) |
| GEN-2010-007   | 73.8   | SWPS | TAP PRINGLE - RIVERVIEW 115kV               | Under Study (DISIS-2010-001) |
| GEN-2010-008   | 64.4   | WFEC | FARGO 69kV                                  | Under Study (DISIS-2010-001) |
| GEN-2010-009   | 165.6  | SUNC | GRAY COUNTY 345kV                           | Under Study (DISIS-2010-001) |
| GEN-2010-010   | 100.5  | NPPD | EMERICK 69kV                                | Under Study (DISIS-2010-001) |
| GEN-2010-011   | 29.7   | OKGE | GEN-2008-044 345kV                          | Under Study (DISIS-2010-001) |
| GEN-2010-012   | 125    | WFEC | BRANTLEY 138kV                              | Under Study (DISIS-2010-002) |
| GEN-2010-013   | 50.4   | WERE | GEN-2005-013 345kV                          | Under Study (DISIS-2010-001) |
| GEN-2010-014   | 358.8  | SWPS | HITCHLAND 345kV                             | Under Study (DISIS-2010-001) |
| GEN-2010-015   | 200.1  | SUNC | SPEARVILLE 345kV                            | Under Study (DISIS-2010-001) |
| GEN-2010-016   | 199.8  | SUNC | TAP SPEARVILLE - KNOLL 345kV                | Under Study (DISIS-2010-001) |
| GEN-2010-027   | 900    | SUNC | SPEARVILLE 345kV                            | Under Study (DISIS-2010-002) |
| GEN-2010-036   | 4.6    | WERE | 6 <sup>th</sup> STREET 115kV                | Under Study (DISIS-2010-002) |
| GEN-2010-038   | 74.9   | NPPD | BROKEN BOW 115kV                            | Under Study (DISIS-2010-002) |
| GEN-2010-040   | 300    | OKGE | CIMARRON 345kV                              | Under Study (DISIS-2010-002) |
| GEN-2010-041   | 10.5   | OPPD | S 1399 161kV                                | Under Study (DISIS-2010-002) |
| GEN-2010-043   | 320    | WFEC | MOORELAND 138kV                             | Under Study (DISIS-2010-002) |
| GEN-2010-045   | 197.8  | SUNC | TAP HOLCOMB – SPEARVILLE 345kV              | Under Study (DISIS-2010-002) |
| GEN-2010-046   | 56     | SWPS | TUCO 230kV                                  | Under Study (DISIS-2010-002) |
| GEN-2010-047   | 72     | NPPD | TAP BEATRICE – HARBINE 115kV                | Under Study (DISIS-2010-002) |
| GEN-2010-048   | 70     | MIDW | TAP BEACH STATION – REDLINE 115kV           | Under Study (DISIS-2010-002) |

| Request              | Amount          | Area | Requested/Proposed Point of Interconnection | Status or In-Service Date    |
|----------------------|-----------------|------|---|------------------------------|
| GEN-2010-049         | 49.6            | SUNC | PRATT 115kV                                 | Under Study (DISIS-2010-002) |
| GEN-2010-050         | 150.4           | KCPL | TAP CENTERVILLE – MARMATON 161kV            | Under Study (DISIS-2010-002) |
| GEN-2010-051         | 200             | NPPD | TAP TWIN CHURCH – HOSKINS 230kV             | Under Study (DISIS-2010-002) |
| GEN-2010-052         | 301.3           | SUNC | FINNEY 345kV                                | Under Study (DISIS-2010-002) |
| GEN-2010-053         | 199.8           | SUNC | COMANCHE 345kV                              | Under Study (DISIS-2010-002) |
| Broken Bow           | 8.3             | NPPD | Genoa 115kV                                 | On-Line                      |
| Ord                  | 13.9            | NPPD | Bloomfield 115kV                            | On-Line                      |
| Stuart               | 2.1             | NPPD | Petersburg 115kV                            | On-Line                      |
| Ainsworth            | 75              | NPPD | Ainsworth Wind Tap 115kV                    | On-Line                      |
| Rosebud Wind Project | 30              | NPPD | St. Francis 115kV                           | On-Line                      |
| Broken Bow           | 80              | NPPD | Broken Bow 115kV                            | On-Line                      |
| Wolf Creek           | 1170            | WERE | Wolf Creek 345kV                            | On-Line                      |
| Genoa                | 4               | NPPD | Genoa 115kV                                 | On-Line                      |
| ASGI-2010-001        | 400             | AECI | Tap Cooper – Fairport 345kV                 | AECI queue Affected Study    |
| ASGI-2010-002        | 201             | AECI | Lathrop 161kV                               | AECI queue Affected Study    |
| ASGI-2010-003        | 300             | AECI | MARYVILLE 161kV                             | AECI queue Affected Study    |
| ASGI-2010-004        | 50              | AECI | TAP QUEEN CITY – LANCASTER 69kV             | AECI queue Affected Study    |
| ASGI-2010-005        | 99              | AECI | LATHROP 161kV                               | AECI queue Affected Study    |
| ASGI-2010-006        | 150             | AECI | TAP FAIRFAX – FAIRFAX TAP 138kV             | AECI queue Affected Study    |
| ASGI-2010-007        | 150             | AECI | TAP FAIRFAX – FAIRFAX TAP 138kV             | AECI queue Affected Study    |
| ASGI-2010-008        | 100             | AECI | MARYVILLE 161kV                             | AECI queue Affected Study    |
| ASGI-2010-009        | 201             | AECI | OSBORN 161kV                                | AECI queue Affected Study    |
| ASGI-2010-010        | 42              | SWPS | LOVINGTON 115kV                             | AECI queue Affected Study    |
| ASGI-2010-020        | 50              | SWPS | TAP (LE) TATUM – (LE) CROSSROADS 69kV       | AECI queue Affected Study    |
| ASGI-2010-021        | 36.6            | SWPS | TAP (LE) SAUNDERS TAP – (LE) ANDERSON 69kV  | AECI queue Affected Study    |
| Llanoest             | 80              | SPS  | Llano Wind Farm Tap 115kV                   | On-Line                      |
| SPSDISTR             | 90              | SPS  | DUMAS_19ST 115kV                            | On-Line                      |
|                      |                 |      | Etter 115kV                                 | On-Line                      |
|                      |                 |      | Sherman 115kV                               | On-Line                      |
|                      |                 |      | Spearman 115kV                              | On-Line                      |
|                      |                 |      | Texas County 115kV                          | On-Line                      |
| BLUCAN2              | 153             | WFEC | Washita 138kV (GEN-2003-004)                | On-Line                      |
|                      |                 |      | Washita 138kV (GEN-2004-023)                | On-Line                      |
|                      |                 |      | Washita 138kV (GEN-2005-003)                | On-Line                      |
| Monte                | 110             | MKEC | Haggard 115kV                               | On-Line                      |
| <b>GROUPED TOTAL</b> | <b>30,092.9</b> |      |   |                              |

\*\* Interconnection on Caprock Electric tested for impacts on SPP

\* Planned Facility

^ Proposed Facility

### C: Study Groupings

| Cluster                      | Request       | Amount         | Area | Proposed Point of Interconnection |
|------------------------------|---------------|----------------|------|-----------------------------------|
| Prior Queued                 | GEN-2001-014  | 96             | WFEC | Fort Supply 138kV                 |
|                              | GEN-2001-037  | 100            | OKGE | Windfarm Switching 138kV          |
|                              | GEN-2002-005  | 120            | WFEC | Tap Morewood - Elk City 138kV     |
|                              | GEN-2005-005  | 18             | OKGE | Windfarm Tap 138kV                |
|                              | GEN-2005-008  | 120            | OKGE | Woodward 138kV                    |
|                              | GEN-2006-024S | 20             | WFEC | South Buffalo Tap 69kV            |
|                              | GEN-2006-046  | 131            | OKGE | Dewey 138kV                       |
|                              | GEN-2007-006  | 160            | OKGE | Roman Nose 138kV                  |
|                              | GEN-2007-021  | 201            | OKGE | *Tatonga 345kV                    |
|                              | GEN-2007-044  | 300            | OKGE | *Tatonga 345kV                    |
|                              | GEN-2007-050  | 170            | OKGE | *Woodward 138kV                   |
|                              | GEN-2007-051  | 200            | WFEC | Mooreland 138kV                   |
|                              | GEN-2007-062  | 765            | OKGE | *Woodward 345kV                   |
|                              | GEN-2008-003  | 101            | OKGE | *Woodward EHV 138kV               |
|                              | GEN-2008-019  | 300            | OKGE | *Tatonga 345kV                    |
|                              | GEN-2008-029  | 250.5          | OKGE | WOODWARD EHV 138kV                |
|                              | GEN-2008-044  | 197.8          | OKGE | Tatonga 345kV                     |
|                              | GEN-2010-008  | 64.4           | WFEC | Fargo 69kV                        |
|                              | GEN-2010-011  | 29.7           | OKGE | GEN-2008-044 345kV                |
|                              | GEN-2010-043  | 320            | WFEC | Mooreland 138kV                   |
| <b>PRIOR QUEUED SUBTOTAL</b> |               | <b>3,664.4</b> |      |                                   |
| <b>WOODWARD SUBTOTAL</b>     |               | <b>3,664.4</b> |      |                                   |

| Cluster                      | Request          | Amount         | Area | Proposed Point of Interconnection                                     |
|------------------------------|------------------|----------------|------|---|
| Prior Queued                 | SPS Distribution | 90             | SPS  | Various   |
|                              | GEN-2002-006     | 150            | SPS  | Texas County 115kV  |
|                              | GEN-2002-008     | 240            | SPS  | *Hitchland 345kV  |
|                              | GEN-2002-009     | 80             | SPS  | Hansford County 115kV   |
|                              | GEN-2003-013     | 198            | SPS  | *Tap Hitchland - Finney 345kV   |
|                              | GEN-2003-020     | 160            | SPS  | Martin 115kV  |
|                              | GEN-2005-017     | 340            | SPS  | *Tap Hitchland - Potter County 345kV                                  |
|                              | GEN-2006-020     | 20             | SPS  | DWS Frisco Tap  |
|                              | GEN-2006-044     | 370            | SPS  | *Hitchland 345kV  |
|                              | GEN-2006-049     | 400            | SPS  | *Tap Hitchland - Finney 345kV   |
|                              | GEN-2007-005     | 200            | SPS  | Pringle 115kV   |
|                              | GEN-2007-046     | 200            | SPS  | Tap & Tie Texas County – Hitchland & DWS Frisco Tap – Hitchland 115kV |
|                              | GEN-2007-057     | 35             | SPS  | Moore County East 115kV   |
|                              | GEN-2008-047     | 300            | SPS  | Tap Hitchland – Woodward 345kV  |
|                              | GEN-2008-110     | 299.2          | SPS  | Hitchland 345kV   |
|                              | GEN-2010-001     | 300            | WFEC | Tap Woodward – Hitchland 230kV  |
|                              | GEN-2010-007     | 73.8           | SPS  | Tap Pringle – Riverview 115kV   |
|                              | GEN-2010-014     | 358.8          | SPS  | Hitchland 345kV   |
| <b>PRIOR QUEUED SUBTOTAL</b> |                  | <b>3,814.8</b> |      |   |
| <b>HITCHLAND SUBTOTAL</b>    |                  | <b>3,814.8</b> |      |   |

| Cluster                      | Request       | Amount         | Area           | Proposed Point of Interconnection   |
|------------------------------|---------------|----------------|----------------|-------------------------------------|
| Prior Queued                 | Montezuma     | 110            | MKEC           | Haggard 115kV                       |
|                              | GEN-2001-039A | 105            | WPEK           | Tap Greensburg - Judson-Large 115kV |
|                              | GEN-2002-025A | 150            | WPEK           | Spearville 230kV                    |
|                              | GEN-2004-014  | 155            | MKEC           | Spearville 230kV                    |
|                              | GEN-2005-012  | 250            | WPEK           | Spearville 345kV                    |
|                              | GEN-2006-006  | 206            | MKEC           | Spearville 230kV                    |
|                              | GEN-2006-021  | 101            | WPEK           | Flat Ridge Tap 138kV                |
|                              | GEN-2006-022  | 150            | WPEK           | Ninnescah Tap 115kV                 |
|                              | GEN-2007-038  | 200            | SUNC           | Spearville 345kV                    |
|                              | GEN-2007-040  | 200            | SUNC           | Tap Holcomb – Spearville 345kV      |
|                              | GEN-2008-018  | 405            | SUNC           | Finney 345kV                        |
|                              | GEN-2008-079  | 100.5          | MKEC           | Tap Fort Dodge – Cudahy 115kV       |
|                              | GEN-2008-124  | 200.1          | MKEK           | Spearville 230kV                    |
|                              | GEN-2009-059  | 100.5          | SUNC           | Tap GEN-2008-079 – Cudahy 115kV     |
|                              | GEN-2009-062  | 115            | SUNC           | Hugoton 115kV                       |
|                              | GEN-2010-009  | 165.6          | SUNC           | Gray County 345kV                   |
|                              | GEN-2010-015  | 200.1          | SUNC           | Spearville 345kV                    |
|                              | GEN-2010-016  | 199.8          | MIDW           | Tap Spearville – Knoll 345kV        |
|                              | GEN-2010-027  | 900            | SUNC           | Spearville 345kV                    |
|                              | GEN-2010-045  | 197.8          | SUNC           | Tap Holcomb – Spearville 345kV      |
|                              | GEN-2010-049  | 49.6           | SUNC           | Pratt 115kV                         |
| GEN-2010-052                 | 301.3         | SUNC           | Finney 345kV   |                                     |
| GEN-2010-053                 | 199.8         | SUNC           | Comanche 345kV |                                     |
| <b>PRIOR QUEUED SUBTOTAL</b> |               | <b>4,762.1</b> |                |                                     |
| Cluster                      | Request       | Amount         | Area           | Proposed Point of Interconnection   |
| Spearville                   | GEN-2010-061  | 180            | SUNC           | GEN-2010-016 345kV                  |
|                              | GEN-2010-062  | 129            | MKEC           | GEN-2008-079 115kV                  |
| <b>SPEARVILLE SUBTOTAL</b>   |               | <b>309</b>     |                |                                     |
| <b>AREA SUBTOTAL</b>         |               | <b>5,071.1</b> |                |                                     |

| Cluster                         | Request       | Amount       | Area | Proposed Point of Interconnection   |
|---------------------------------|---------------|--------------|------|-------------------------------------|
| Prior Queued                    | GEN-2001-039M | 100          | SUNC | Central Plains Tap 115kV            |
|                                 | GEN-2006-034  | 81           | SUNC | Tap Kanarado - Sharon Springs 115kV |
|                                 | GEN-2006-040  | 108          | SUNC | Mingo 115kV                         |
|                                 | GEN-2007-011  | 135          | SUNC | Syracuse 115kV                      |
|                                 | GEN-2007-013  | 99           | SUNC | Selkirk 115kV                       |
|                                 | GEN-2008-017  | 300          | SUNC | Setab 345kV                         |
|                                 | GEN-2008-025  | 101.2        | SUNC | Ruleton 115kV                       |
| <b>PRIOR QUEUED SUBTOTAL</b>    |               | <b>924.2</b> |      |                                     |
| <b>MINGO/NW KANSAS SUBTOTAL</b> |               | <b>924.2</b> |      |                                     |



| Cluster                      | Request        | Amount         | Area | Proposed Point of Interconnection  |
|------------------------------|----------------|----------------|------|--|
| Prior Queued                 | Llano Estacado | 80             | SPS  | Llano Estacado Tap 115kV   |
|                              | GEN-2002-022   | 240            | SPS  | Bushland 230kV   |
|                              | GEN-2005-021   | 86             | SPS  | Kirby 115kV  |
|                              | GEN-2006-039   | 400            | SPS  | Tap and Tie both Potter County - Plant X 230kV and Bushland - Deaf Smith 230kV |
|                              | GEN-2006-045   | 240            | SPS  | Tap and Tie both Potter County - Plant X 230kV and Bushland - Deaf Smith 230kV |
|                              | GEN-2006-047   | 240            | SPS  | Tap and Tie both Potter County - Plant X 230kV and Bushland - Deaf Smith 230kV |
|                              | GEN-2007-002   | 160            | SPS  | Grapevine 115kV  |
|                              | GEN-2007-048   | 400            | SPS  | Tap Amarillo South – Swisher 230kV   |
|                              | GEN-2008-051   | 322            | SPS  | Potter 345kV   |
|                              | GEN-2008-088   | 50.6           | SPS  | Vega 69kV  |
| <b>PRIOR QUEUED SUBTOTAL</b> |                | <b>2,218.6</b> |      |  |
| <b>AMARILLO SUBTOTAL</b>     |                | <b>2,218.6</b> |      |  |

| Cluster                            | Request       | Amount         | Area       | Proposed Point of Interconnection          |
|------------------------------------|---------------|----------------|------------|--|
| Prior Queued                       | ASGI-2010-010 | 42             | SPS        | Lovington 115kV                            |
|                                    | ASGI-2010-020 | 50             | SPS        | Tap (LE) Tatum – (LE) Crossroads 69kV      |
|                                    | ASGI-2010-021 | 36.6           | SPS        | Tap (LE) Saunders Tap – (LE) Anderson 69kV |
|                                    | GEN-2001-033  | 180            | SPS        | San Juan Mesa Tap 230kV                    |
|                                    | GEN-2001-036  | 80             | SPS        | Caprock Tap 115kV                          |
|                                    | GEN-2005-015  | 150            | SPS        | Tap Tuco - Oklaunion 345kV                 |
|                                    | GEN-2006-018  | 170            | SPS        | Tuco 230kV                                 |
|                                    | GEN-2007-034  | 150            | SPS        | Tap Eddy – Tolk 345kV                      |
|                                    | GEN-2008-008  | 60             | SPS        | Graham 115kV                               |
|                                    | GEN-2008-009  | 60             | SPS        | San Juan Mesa Tap 230kV                    |
|                                    | GEN-2008-014  | 150            | SPS        | Tap Tuco – Oklaunion 345kV                 |
|                                    | GEN-2008-016  | 248            | SPS        | Grassland 230kV                            |
|                                    | GEN-2008-022  | 300            | SPS        | Tap Eddy – GEN-2007-034 345kV              |
|                                    | GEN-2009-017  | 60             | SPS        | Tap Pembroke – Stiles 138kV                |
|                                    | GEN-2009-067S | 20             | SPS        | 7 Rivers 69kV                              |
|                                    | GEN-2010-006  | 205            | SPS        | Jones 345kV                                |
| GEN-2010-046                       | 56            | SPS            | Tuco 230kV |  |
| <b>PRIOR QUEUED SUBTOTAL</b>       |               | <b>2,017.6</b> |            |  |
| Cluster                            | Request       | Amount         | Area       | Proposed Point of Interconnection          |
| South Panhandle                    | GEN-2010-058  | 20             | SPS        | Chaves County 69kV                         |
|                                    | GEN-2010-059  | 516            | SPS        | Midland 345kV                              |
|                                    | GEN-2010-060  | 992            | SPS        | Midland 345kV                              |
| <b>SOUTH PANHANDLE/NM SUBTOTAL</b> |               | <b>1,528</b>   |            |  |
| <b>AREA SUBTOTAL</b>               |               | <b>3,545.6</b> |            |  |

| Cluster                      | Request      | Amount         | Area           | Proposed Point of Interconnection    |
|------------------------------|--------------|----------------|----------------|--------------------------------------|
| Prior Queued                 | GEN-2001-026 | 74             | WFEC           | Washita 138kV                        |
|                              | GEN-2003-004 | 101            | WFEC           | Washita 138kV                        |
|                              | GEN-2003-005 | 100            | WFEC           | Anadarko - Paradise 138kV            |
|                              | GEN-2003-022 | 120            | AEPW           | Washita 138kV                        |
|                              | GEN-2004-020 | 27             | AEPW           | Washita 138kV                        |
|                              | GEN-2004-023 | 21             | WFEC           | Washita 138kV                        |
|                              | GEN-2005-003 | 31             | WFEC           | Washita 138kV                        |
|                              | GEN-2006-002 | 150            | AEPW           | Grapevine - Elk City 230kV           |
|                              | GEN-2006-035 | 225            | AEPW           | Grapevine - Elk City 230kV           |
|                              | GEN-2006-043 | 99             | AEPW           | Grapevine - Elk City 230kV           |
|                              | GEN-2007-032 | 150            | WFEC           | Tap Clinton Junction – Clinton 138kV |
|                              | GEN-2007-043 | 300            | AEPW           | Tap Lawton Eastside – Cimarron 345kV |
|                              | GEN-2007-052 | 150            | WFEC           | Anadarko 138kV                       |
|                              | GEN-2008-023 | 150            | AEPW           | Hobart Junction 138kV                |
|                              | GEN-2008-037 | 100.8          | WFEC           | Tap Washita – Blue Canyon 138kV      |
|                              | GEN-2009-016 | 140            | AEPW           | Falcon Road 138kV                    |
|                              | GEN-2009-030 | 100.8          | WFEC           | Weatherford 138kV                    |
|                              | GEN-2009-060 | 84             | WFEC           | Gotebo 69kV                          |
| GEN-2010-012                 | 125          | WFEC           | Brantley 138kV |                                      |
| <b>PRIOR QUEUED SUBTOTAL</b> |              | <b>2,248.6</b> |                |                                      |
| <b>SW OKLAHOMA SUBTOTAL</b>  |              | <b>2,248.6</b> |                |                                      |

| Cluster                        | Request       | Amount         | Area | Proposed Point of Interconnection |
|--------------------------------|---------------|----------------|------|-----------------------------------|
| Prior Queued                   | Wolf Creek    | 1170           | WERE | Wolf Creek 345kV                  |
|                                | ASGI-2010-006 | 150            | AECI | Tap Fairfax – Fairfax Tap 138kV   |
|                                | ASGI-2010-007 | 150            | AECI | Tap Fairfax – Fairfax Tap 138kV   |
|                                | GEN-2002-004  | 200            | WERE | Latham 345kV                      |
|                                | GEN-2005-013  | 201            | WERE | Tap Latham - Neosho               |
|                                | GEN-2005-016  | 150            | WFEC | Tap Latham - Neosho               |
|                                | GEN-2007-025  | 300            | WERE | Tap Woodring – Wichita 345kV      |
|                                | GEN-2008-013  | 300            | OKGE | Tap Woodring – Wichita 345kV      |
|                                | GEN-2008-021  | 42             | WERE | Wolf Creek 25kV                   |
|                                | GEN-2008-038  | 144            | AEPW | Tap Shidler – West Pawhuska 138kV |
|                                | GEN-2008-071  | 76.8           | OKGE | Newkirk 138kV                     |
|                                | GEN-2008-098  | 100.8          | WERE | Tap Wolf Creek – LaCygne 345kV    |
|                                | GEN-2008-127  | 200.1          | WERE | Tap Sooner – Rose Hill 345kV      |
|                                | GEN-2009-025  | 60             | OKGE | Tap Deer Creek – Sinclair 69kV    |
|                                | GEN-2010-003  | 100.8          | WERE | GEN-2008-098 345kV                |
|                                | GEN-2010-005  | 300            | MKEC | GEN-2007-025 345kV                |
|                                | GEN-2010-013  | 50.4           | WERE | GEN-2005-013 345kV                |
| <b>PRIOR QUEUED SUBTOTAL</b>   |               | <b>3,695.9</b> |      |                                   |
| <b>NORTH OKLAHOMA SUBTOTAL</b> |               | <b>3,695.9</b> |      |                                   |

| Cluster                     | Request          | Amount       | Area | Proposed Point of Interconnection |
|-----------------------------|------------------|--------------|------|-----------------------------------|
| Prior Queued                | Genoa            | 4            | NPPD | Genoa 115kV                       |
|                             | GEN-2006-020N    | 42           | NPPD | Bloomfield 115kV                  |
|                             | GEN-2006-038N019 | 80           | NPPD | Petersburg 115kV                  |
|                             | GEN-2006-044N    | 40.5         | NPPD | Tap Neligh – Petersburg 115kV     |
|                             | GEN-2006-044N02  | 100.5        | NPPD | GEN-2008-086N02 230kV             |
|                             | GEN-2007-011N06  | 75           | NPPD | Tap Neligh – Petersburg 115kV     |
|                             | GEN-2007-011N08  | 81           | NPPD | Bloomfield 115kV                  |
|                             | GEN-2007-011N09  | 75           | NPPD | Bloomfield 115kV                  |
|                             | GEN-2008-086N02  | 200          | NPPD | Tap Ft. Randall – Columbus 230kV  |
|                             | GEN-2010-010     | 100.5        | NPPD | Emerick 69kV                      |
|                             | GEN-2010-051     | 200          | NPPD | Tap Twin Church – Hoskins 230kV   |
| <b>PRIOR SUBTOTAL</b>       |                  | <b>998.5</b> |      |                                   |
| <b>NE NEBRASKA SUBTOTAL</b> |                  | <b>998.5</b> |      |                                   |

| Cluster                        | Request              | Amount       | Area | Proposed Point of Interconnection |
|--------------------------------|----------------------|--------------|------|-----------------------------------|
| Prior Queued                   | Broken Bow           | 8.3          | NPPD | Genoa 115kV                       |
|                                | Ord                  | 13.9         | NPPD | Bloomfield 115kV                  |
|                                | Stuart               | 2.1          | NPPD | Petersburg 115kV                  |
|                                | Ainsworth            | 75           | NPPD | Ainsworth Wind Tap 115kV          |
|                                | Rosebud Wind Project | 30           | NPPD | St. Francis 115kV                 |
|                                | Broken Bow           | 80           | NPPD | Broken Bow 115kV                  |
|                                | GEN-2006-037N1       | 75           | NPPD | Broken Bow 115kV                  |
|                                | GEN-2010-038         | 74.9         | NPPD | Broken Bow 115kV                  |
| <b>PRIOR QUEUED SUBTOTAL</b>   |                      | <b>359.2</b> |      |                                   |
| <b>NORTH NEBRASKA SUBTOTAL</b> |                      | <b>359.2</b> |      |                                   |

| Cluster                      | Request                      | Amount         | Area           | Proposed Point of Interconnection   |
|------------------------------|------------------------------|----------------|----------------|-------------------------------------|
| Prior Queued                 | GEN-2003-006A-E              | 100            | EMDE           | Elm Creek 230kV                     |
|                              | GEN-2003-006A-W              | 100            | WERE           | Elm Creek 230kV                     |
|                              | GEN-2003-019                 | 250            | MIDW           | Smoky Hills Tap 230kV               |
|                              | GEN-2006-031                 | 75             | MIDW           | Knoll 115kV                         |
|                              | GEN-2006-032                 | 200            | MIDW           | South Hays 230kV                    |
|                              | GEN-2008-092                 | 201            | MIDW           | Knoll 115kV                         |
|                              | GEN-2009-008                 | 200            | SUNC           | South Hays 230kV                    |
|                              | GEN-2009-011                 | 50             | MKEC           | Tap Plainville – Phillipsburg 115kV |
|                              | GEN-2009-020                 | 48.6           | MIDW           | Tap Bazine – Nekoma 69kV            |
|                              | GEN-2009-040                 | 73.8           | WERE           | Tap Smittyville – Knob Hill 115kV   |
|                              | GEN-2010-048                 | 70             | MIDW           | Tap Beach Station – Redline 115kV   |
|                              | <b>PRIOR QUEUED SUBTOTAL</b> |                | <b>1,368.4</b> |                                     |
| Cluster                      | Request                      | Amount         | Area           | Proposed Point of Interconnection   |
| North Kansas                 | GEN-2011-001                 | 200            | MIDW           | Tap Post Rock – Axtell 345kV        |
| <b>NORTH KANSAS SUBTOTAL</b> |                              | <b>200</b>     |                |                                     |
| <b>AREA SUBTOTAL</b>         |                              | <b>1,568.4</b> |                |                                     |

| Cluster                        | Request       | Amount         | Area                             | Proposed Point of Interconnection                    |
|--------------------------------|---------------|----------------|----------------------------------|--|
| <b>Prior Queued</b>            | ASGI-2010-001 | 400            | AECI                             | Tap Cooper – Fairport 345kV                          |
|                                | ASGI-2010-002 | 201            | AECI                             | Lathrop 161kV  |
|                                | ASGI-2010-003 | 300            | AECI                             | Maryville 161kV                                      |
|                                | ASGI-2010-004 | 50             | AECI                             | Tap Queen City – Lancaster 69kV                      |
|                                | ASGI-2010-005 | 99             | AECI                             | Lathrop 161kV  |
|                                | ASGI-2010-008 | 100            | AECI                             | Maryville 161kV                                      |
|                                | ASGI-2010-009 | 201            | AECI                             | Osborn 161kV   |
|                                | GEN-2006-014  | 300            | MIPU                             | Tap Maryville – Clarinda 161kV & Tie to Midway 161kV |
|                                | GEN-2006-017  | 300            | MIPU                             | Tap Maryville – Clarinda 161kV & Tie to Midway 161kV |
|                                | GEN-2007-015  | 135            | WERE                             | Tap Humboldt – Kelly 161kV                           |
|                                | GEN-2007-017  | 101            | MIPU                             | Tap Maryville – Clarinda 161kV & Tie to Midway 161kV |
|                                | GEN-2007-053  | 110            | MIPU                             | Tap Maryville – Clarinda 161kV & Tie to Midway 161kV |
|                                | GEN-2008-1190 | 60             | OPPD                             | Tap Humboldt – Kelly 161kV                           |
|                                | GEN-2008-129  | 80             | MIPU                             | Pleasant Hill 161kV                                  |
|                                | GEN-2010-036  | 4.6            | WERE                             | 6 <sup>th</sup> Street 115kV                         |
|                                | GEN-2010-041  | 10.5           | OPPD                             | S 1399 161kV   |
|                                | GEN-2010-047  | 72             | NPPD                             | Tap Beatrice – Harbine 115kV                         |
| GEN-2010-050                   | 150.4         | KCPL           | Tap Centerville – Marmaton 161kV |  |
| <b>PRIOR QUEUED SUBTOTAL</b>   |               | <b>2,674.5</b> |                                  |  |
| Cluster                        | Request       | Amount         | Area                             | Proposed Point of Interconnection                    |
| <b>North Missouri</b>          | GEN-2010-056  | 151            | MIPU                             | Tap St. Joe – Cooper 345kV                           |
| <b>NORTH MISSOURI SUBTOTAL</b> |               | <b>151</b>     |                                  |  |
| <b>AREA SUBTOTAL</b>           |               | <b>2,825.5</b> |                                  |  |

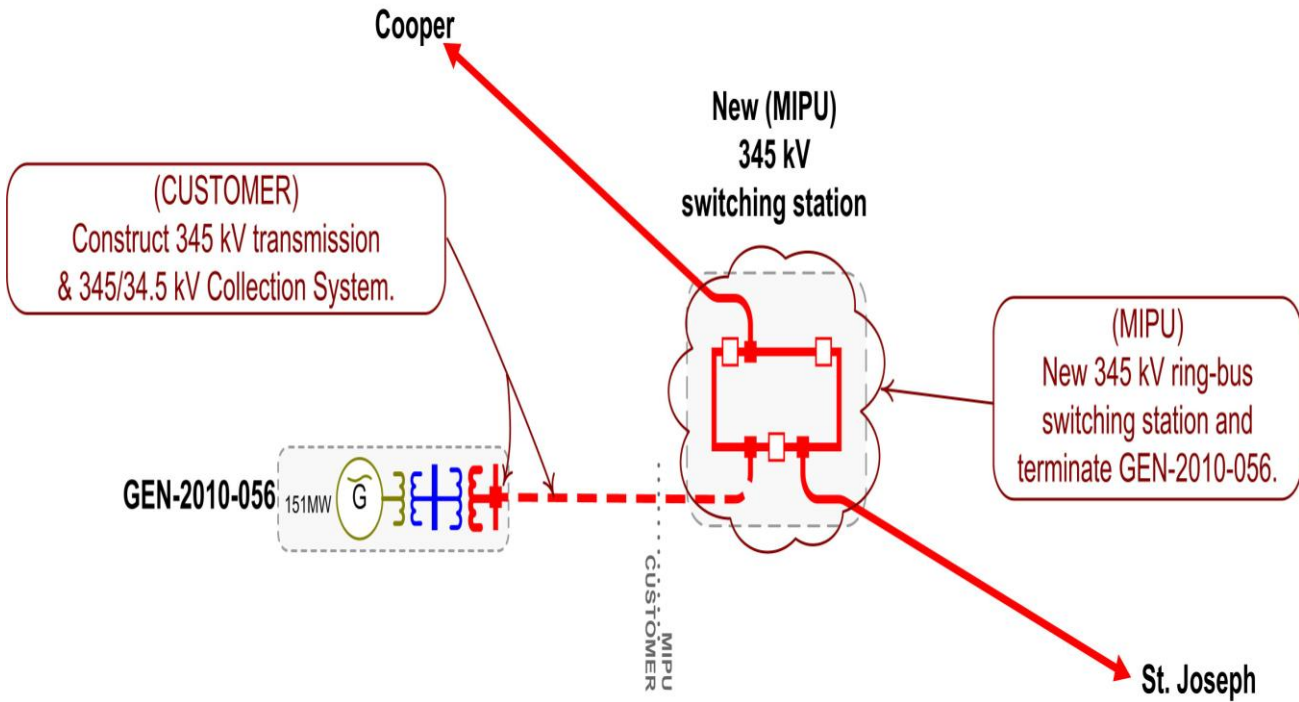
| Cluster                                | Request       | Amount         | Area | Proposed Point of Interconnection |
|--|---------------|----------------|------|-----------------------------------|
| <b>Prior Queued</b>                    | GEN-2006-038  | 750            | WFEC | Hugo 345kV                        |
|  | GEN-2008-046  | 200            | OKGE | Sunnyside 345kV                   |
|  | GEN-2009-032S | 6.4            | OKGE | Foster 138kV                      |
|  | GEN-2010-040  | 300            | OKGE | Cimarron 345kV                    |
| <b>PRIOR QUEUED SUBTOTAL</b>           |               | <b>1,256.4</b> |      |                                   |
| <b>SOUTH CENTRAL OKLAHOMA SUBTOTAL</b> |               | <b>1,256.4</b> |      |                                   |

| Cluster                                      | Request       | Amount          | Area | Proposed Point of Interconnection |
|--|---------------|-----------------|------|-----------------------------------|
| <b>Prior Queued</b>                          | GEN-2008-123N | 89.7            | NPPD | Tap Guide – Pauline 115kV         |
| <b>SOUTHWEST NEBRASKA</b>                    |               | <b>89.7</b>     |      |                                   |
| <b>***CLUSTERED TOTAL (w/o PRIOR QUEUED)</b> |               | <b>2,188</b>    |      |                                   |
| <b>***CLUSTERED TOTAL (w/PRIOR QUEUED)</b>   |               | <b>32,280.9</b> |      |                                   |

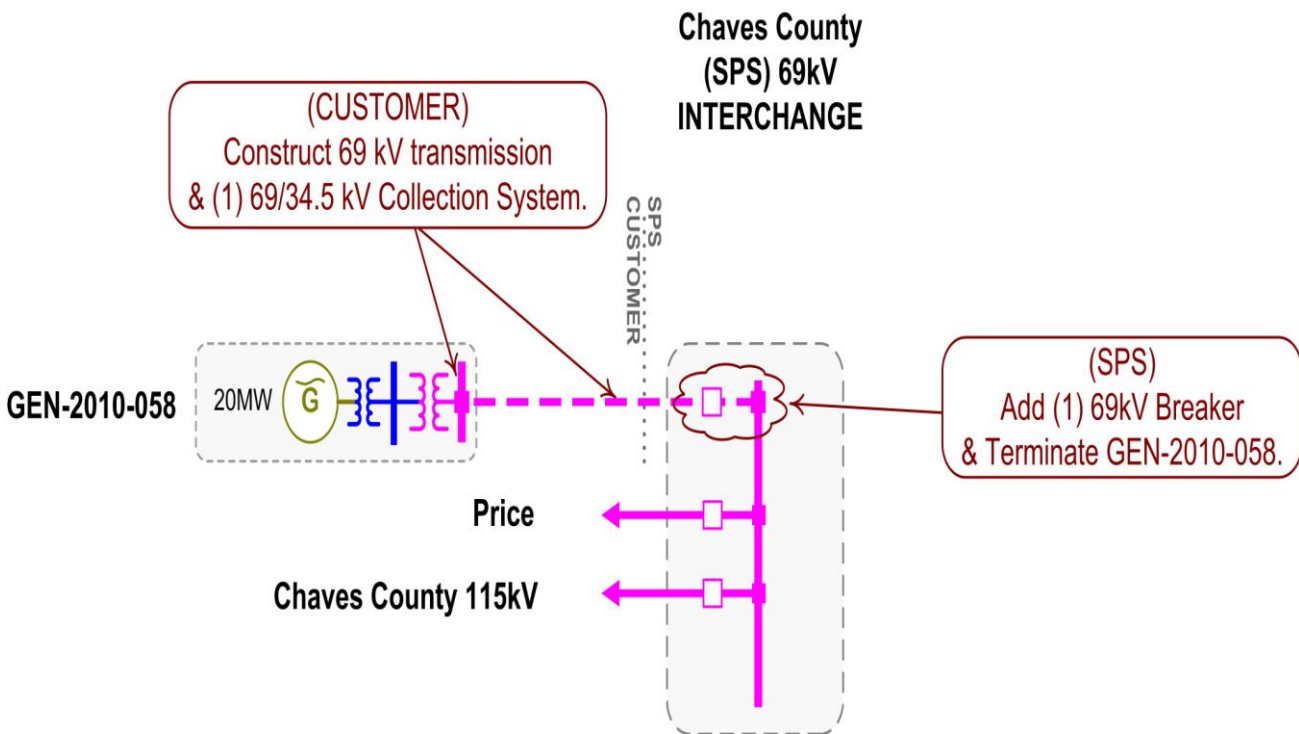
- \* Planned Facility
- ^ Proposed Facility
- \*\* Alternate requests - counted as one request for study purpose
- \*\*\* Electrically Remote Interconnection Requests

### D: Proposed Point of Interconnection One line Diagrams

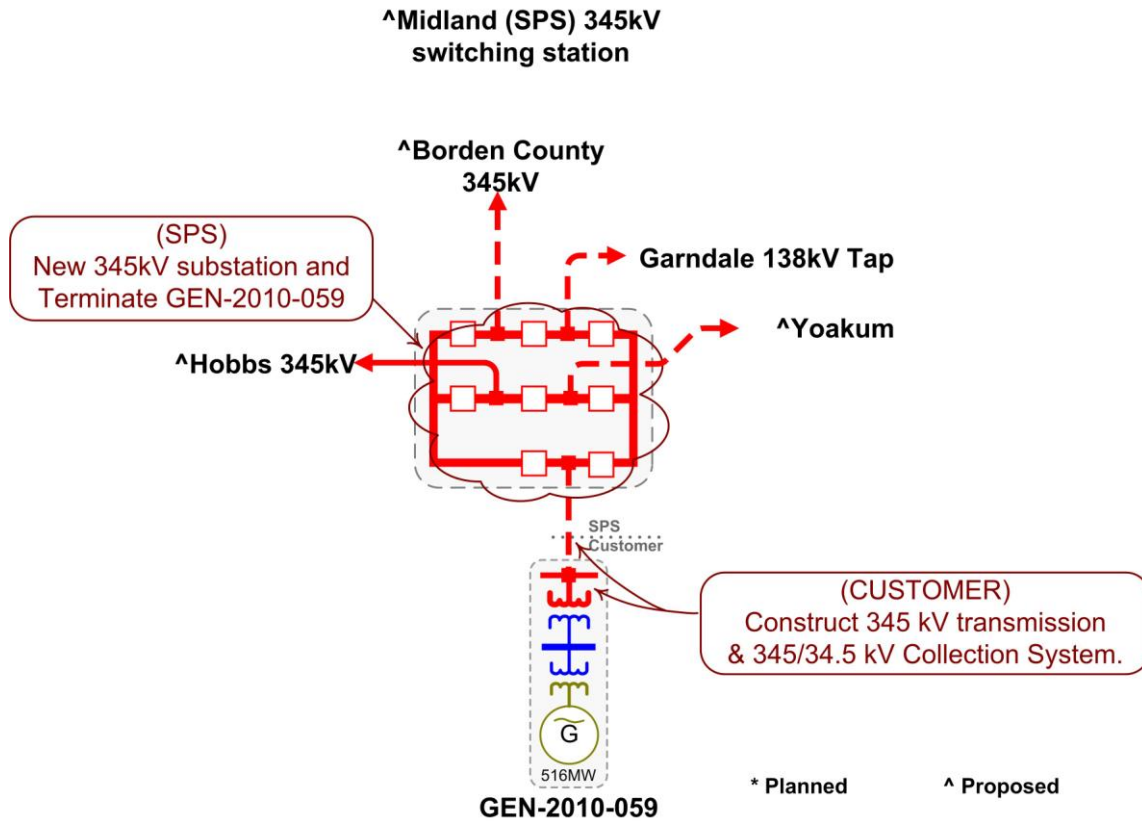
GEN-2010-056



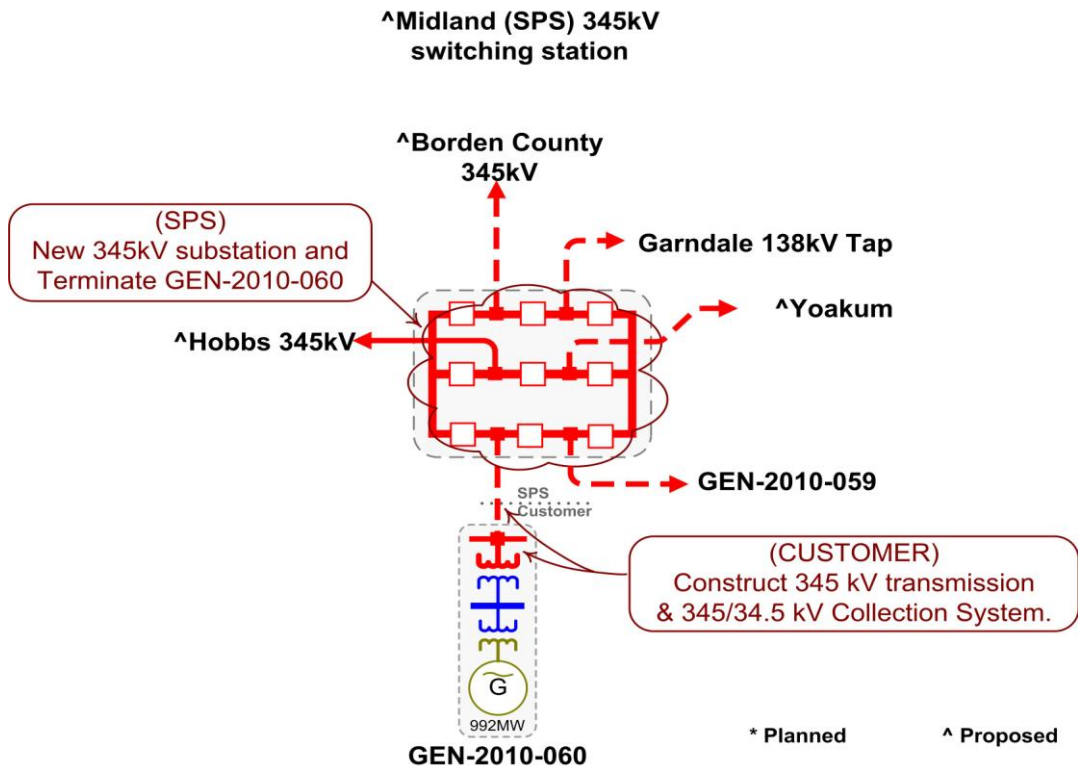
GEN-2010-058



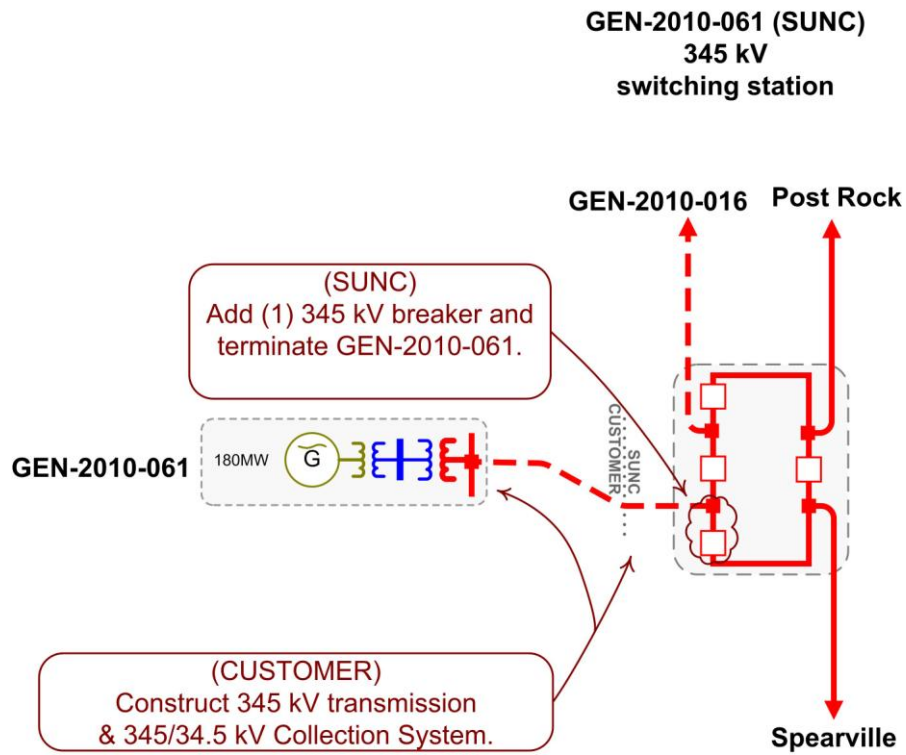
GEN-2010-059



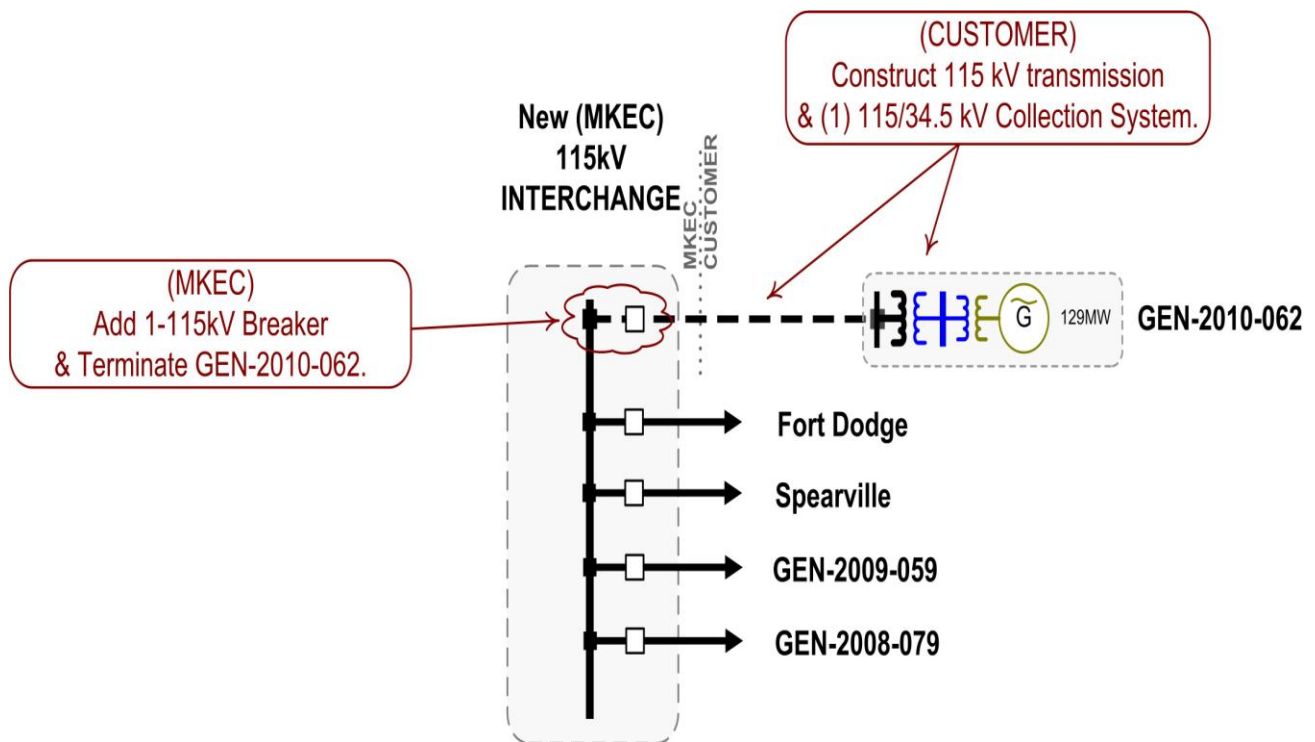
GEN-2010-060



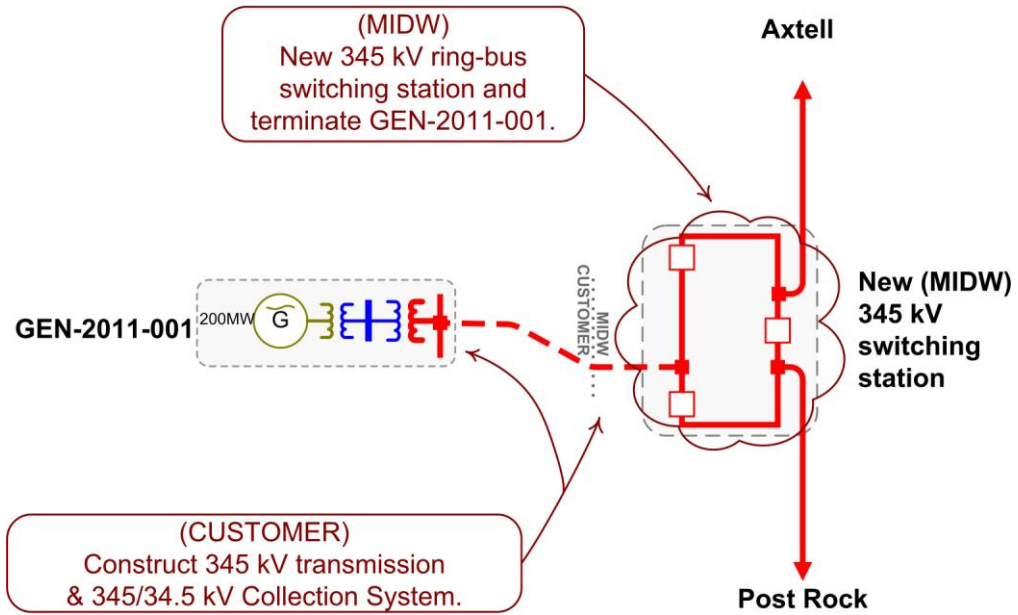
GEN-2010-061



GEN-2010-062



GEN-2011-001





## **E: Cost Allocation per Interconnection Request**

# Appendix E. - Cost Allocation Per Request - FCS-2011-001

(Including Previously Allocated Network Upgrades\*)

| Interconnection Request and Upgrades  | Upgrade Type               | Allocated Costs       | E + C Costs   |
|---|----------------------------|-----------------------|---------------|
| <b>GEN-2010-056</b>   |                            |                       |               |
| GEN-2010-056 Interconnection Costs<br>See Online Diagram  | Current Study Allocation   | \$8,000,000.00        | \$8,000,000   |
|   | <b>Current Study Total</b> | <b>\$8,000,000.00</b> |               |
| <b>GEN-2010-058</b>   |                            |                       |               |
| GEN-2010-058 Interconnection Costs<br>See Online Diagram  | Current Study Allocation   | \$1,000,000.00        | \$1,000,000   |
| Yoakum - Tucco 345kV<br>Build 100 Miles of 345kV  | Current Study Allocation   | \$926,185.39          | \$100,000,000 |
| Rebuild Plant X - Tolk West 230kV<br>Cost undetermined at this time   | Current Study Allocation   | \$0.02                | \$1           |
| Borden - Grassland 345kV conversion<br>Convert to 345kV operation   | Current Study Allocation   | \$97,945.80           | \$20,000,000  |
| Jones - Tucco 345kV conversion<br>Convert to 345kV operation  | Current Study Allocation   | \$120,755.58          | \$15,000,000  |
| Midland - Borden 345kV<br>Build 63 Miles of 345kV   | Current Study Allocation   | \$295,340.36          | \$60,000,000  |
| Grassland - Jones 345kV conversion<br>Convert to 345kV operation  | Current Study Allocation   | \$73,302.62           | \$15,000,000  |
| Midland - Yoakum 345kV<br>Build 83.2 Miles of 345kV   | Current Study Allocation   | \$229,873.80          | \$85,000,000  |
| Lynn County - Woodrow - Lubbock South<br>Rebuild 23 miles of 115kV from Lynn County - Woodrow - Lubbock South                                   | Current Study Allocation   | \$37,645.42           | \$11,500,000  |
| Border - Tucco Interchange 345KV CKT 1<br>Balanced Portfolio: Tucco - Woodward 345kV (Total Project E&C Cost Shown)                             | Previously Allocated       |                       | \$148,727,500 |
| Border - Woodward 345KV CKT 1<br>Balanced Portfolio: Tucco - Woodward 345kV   | Previously Allocated       |                       |               |
| Beaver Co. - Hitchland CKT 1<br>Priority Project: Hitchland - Woodward Dbl 345kV CKT (Total Project E&C Cost Shown)                             | Previously Allocated       |                       | \$247,005,793 |
| Tucco Interchange 345/230/13.2KV Autotransformer CKT 2<br>Balanced Portfolio: Tucco 345/230 kV Transformer CKT 2 (Total Project E&C Cost Shown) | Previously Allocated       |                       | \$11,250,000  |
|   | <b>Current Study Total</b> | <b>\$2,781,048.99</b> |               |
| <b>GEN-2010-059</b>   |                            |                       |               |
| GEN-2010-059 Interconnection Costs<br>See Online Diagram  | Current Study Allocation   | \$6,000,000.00        | \$6,000,000   |
| Midland - Yoakum 345kV<br>Build 83.2 Miles of 345kV   | Current Study Allocation   | \$29,006,223.55       | \$85,000,000  |
| Midland - Hobbs 345kV conversion<br>Convert to 345kV operation  | Current Study Allocation   | \$6,843,501.33        | \$20,000,000  |

\* Current Study Requests' Costs of Previously Allocated Network Upgrades will be determined by a restudy, if necessary.

| <b>Interconnection Request and Upgrades</b>   | <b>Upgrade Type</b>        | <b>Allocated Costs</b>  | <b>E + C Costs</b> |
|---|----------------------------|-------------------------|--------------------|
| Yoakum - Tuco 345kV<br>Build 100 Miles of 345kV   | Current Study Allocation   | \$33,900,589.09         | \$100,000,000      |
| Borden - Grassland 345kV conversion<br>Convert to 345kV operation   | Current Study Allocation   | \$6,809,986.72          | \$20,000,000       |
| Midland - Borden 345kV<br>Build 63 Miles of 345kV   | Current Study Allocation   | \$20,429,445.87         | \$60,000,000       |
| Grassland - Jones 345kV conversion<br>Convert to 345kV operation  | Current Study Allocation   | \$5,107,543.67          | \$15,000,000       |
| Hobbs - 08-22 tap 345kV<br>Build 43.2 Miles of 345kV  | Current Study Allocation   | \$13,687,002.65         | \$40,000,000       |
| Jones - Tuco 345kV conversion<br>Convert to 345kV operation   | Current Study Allocation   | \$5,091,306.44          | \$15,000,000       |
| Yoakum 230/345kV transformer  | Current Study Allocation   | \$5,132,625.99          | \$15,000,000       |
| Rebuild Plant X - Tolk West 230kV<br>Cost undetermined at this time   | Current Study Allocation   | \$0.33                  | \$1                |
| Jones 230/345kV transformer<br>Install new 230/345kV transformer  | Current Study Allocation   | \$5,132,625.99          | \$15,000,000       |
| Lynn County - Woodrow - Lubbock South<br>Rebuild 23 miles of 115kV from Lynn County - Woodrow - Lubbock South       | Current Study Allocation   | \$3,922,131.94          | \$11,500,000       |
| Border - Tuco Interchange 345KV CKT 1<br>Balanced Portfolio: Tuco - Woodward 345kV (Total Project E&C Cost Shown)   | Previously Allocated       |                         | \$148,727,500      |
| Border - Woodward 345KV CKT 1<br>Balanced Portfolio: Tuco - Woodward 345kV  | Previously Allocated       |                         |                    |
| Beaver Co. - Hitchland CKT 1<br>Priority Project: Hitchland - Woodward Dbl 345kV CKT (Total Project E&C Cost Shown) | Previously Allocated       |                         | \$247,005,793      |
| Grassland - Lynn County 115kV<br>Rebuild 7 miles of 115kV from Grassland - Lynn County                              | Previously Allocated       |                         | \$3,500,000        |
|   | <b>Current Study Total</b> | <b>\$141,062,983.57</b> |                    |
| <b>GEN-2010-060</b>   |                            |                         |                    |
| GEN-2010-060 Interconnection Costs<br>See Online Diagram  | Current Study Allocation   | \$6,000,000.00          | \$6,000,000        |
| Midland - Yoakum 345kV<br>Build 83.2 Miles of 345kV   | Current Study Allocation   | \$55,763,902.65         | \$85,000,000       |
| Midland - Hobbs 345kV conversion<br>Convert to 345kV operation  | Current Study Allocation   | \$13,156,498.67         | \$20,000,000       |
| Yoakum - Tuco 345kV<br>Build 100 Miles of 345kV   | Current Study Allocation   | \$65,173,225.53         | \$100,000,000      |
| Borden - Grassland 345kV conversion<br>Convert to 345kV operation   | Current Study Allocation   | \$13,092,067.49         | \$20,000,000       |
| Midland - Borden 345kV<br>Build 63 Miles of 345kV   | Current Study Allocation   | \$39,275,213.77         | \$60,000,000       |
| Grassland - Jones 345kV conversion<br>Convert to 345kV operation  | Current Study Allocation   | \$9,819,153.72          | \$15,000,000       |

\* Current Study Requests' Costs of Previously Allocated Network Upgrades will be determined by a restudy, if necessary.

| <b>Interconnection Request and Upgrades</b>   | <b>Upgrade Type</b>         | <b>Allocated Costs</b>  | <b>E + C Costs</b> |
|---|-----------------------------|-------------------------|--------------------|
| Hobbs - 08-22 tap 345kV<br>Build 43.2 Miles of 345kV  | Current Study<br>Allocation | \$26,312,997.35         | \$40,000,000       |
| Jones - Tuco 345kV conversion<br>Convert to 345kV operation   | Current Study<br>Allocation | \$9,787,937.97          | \$15,000,000       |
| Yoakum 230/345kV transformer  | Current Study<br>Allocation | \$9,867,374.01          | \$15,000,000       |
| Rebuild Plant X - Tolk West 230kV<br>Cost undetermined at this time   | Current Study<br>Allocation | \$0.64                  | \$1                |
| Jones 230/345kV transformer<br>Install new 230/345kV transformer  | Current Study<br>Allocation | \$9,867,374.01          | \$15,000,000       |
| Lynn County - Woodrow - Lubbock South<br>Rebuild 23 miles of 115kV from Lynn County - Woodrow - Lubbock South   | Current Study<br>Allocation | \$7,540,222.64          | \$11,500,000       |
| Border - Tuco Interchange 345KV CKT 1<br>Balanced Portfolio: Tuco - Woodward 345kV (Total Project E&C Cost Shown)                                     | Previously<br>Allocated     |                         | \$148,727,500      |
| Border - Woodward 345KV CKT 1<br>Balanced Portfolio: Tuco - Woodward 345kV  | Previously<br>Allocated     |                         |                    |
| Beaver Co. - Hitchland CKT 1<br>Priority Project: Hitchland - Woodward Dbl 345kV CKT (Total Project E&C Cost Shown)                                   | Previously<br>Allocated     |                         | \$247,005,793      |
| Grassland - Lynn County 115kV<br>Rebuild 7 miles of 115kV from Grassland - Lynn County  | Previously<br>Allocated     |                         | \$3,500,000        |
|   | <b>Current Study Total</b>  | <b>\$265,655,968.45</b> |                    |
| <b>GEN-2010-061</b>   |                             |                         |                    |
| GEN-2010-061 Interconnection Costs<br>See Online Diagram  | Current Study<br>Allocation | \$5,000,000.00          | \$5,000,000        |
| Commache - G10-62 345kV CKT 1<br>Build 25 Miles of 345kV and install transformer  | Current Study<br>Allocation | \$858,157.94            | \$40,000,000       |
| PostRock - GEN-2010-016 Tap 345KV CKT 1<br>Balanced Portfolio: Spearville - PostRock - Axtell 345kV CKT   | Previously<br>Allocated     |                         |                    |
| Axtell - PostRock 345KV CKT 1<br>Balanced Portfolio: Spearville - PostRock - Axtell 345kV CKT (Total Project E&C Cost Shown)                          | Previously<br>Allocated     |                         | \$112,700,000      |
| Beaver Co. - Comanche 345KV CKT 1<br>Build 345kV between Beaver County - Comanche   | Previously<br>Allocated     |                         | \$90,000,000       |
| Comanche - Medicine Lodge 345KV Dbl CKT<br>Priority Project: Spearville - Comanche - Med Lodge - Wichita Dbl 345kV CKT (Total Project E&C Cost Shown) | Previously<br>Allocated     |                         | \$356,300,000      |
| Post Rock 345/230/13.8KV Autotransformer CKT 2<br>Per DISIS-2010-01 Restudy   | Previously<br>Allocated     |                         | \$8,000,000        |
| Spearville - Mulgren 345kV Dbl CKT<br>Build approximately 74 miles of double 345kV Spearville - Mulgren   | Previously<br>Allocated     |                         | \$124,264,151      |
| Mulgren - Circle 345kV Dbl CKT<br>Build approximately 79 miles of double 345kV Mulgren - Circle   | Previously<br>Allocated     |                         | \$132,660,377      |
| Circle - Reno 345kV Dbl CKT<br>Build approximately 6 miles of double 345kV Circle - Reno  | Previously<br>Allocated     |                         | \$10,075,472       |
|   | <b>Current Study Total</b>  | <b>\$5,858,157.94</b>   |                    |

\* Current Study Requests' Costs of Previously Allocated Network Upgrades will be determined by a restudy, if necessary.

| <b>Interconnection Request and Upgrades</b>   | <b>Upgrade Type</b>        | <b>Allocated Costs</b> | <b>E + C Costs</b> |
|---|----------------------------|------------------------|--------------------|
| <b>GEN-2010-062</b>   |                            |                        |                    |
| GEN-2010-062 Interconnection Costs<br>See Online Diagram  | Current Study Allocation   | \$4,000,000.00         | \$4,000,000        |
| Commache - G10-62 345kV CKT 1<br>Build 25 Miles of 345kV and install transformer  | Current Study Allocation   | \$39,141,842.06        | \$40,000,000       |
| Beaver Co. - Comanche 345KV CKT 1<br>Build 345kV between Beaver County - Comanche   | Previously Allocated       |                        | \$90,000,000       |
| Comanche - Medicine Lodge 345KV Dbl CKT<br>Priority Project: Spearville - Comanche - Med Lodge - Wichita Dbl 345kV CKT (Total Project E&C Cost Shown) | Previously Allocated       |                        | \$356,300,000      |
| PostRock - GEN-2010-016 Tap 345KV CKT 1<br>Balanced Portfolio: Spearville - PostRock - Axtell 345kV CKT   | Previously Allocated       |                        |                    |
| GEN-2008-079 Tap - Spearville 115KV CKT 1<br>Per DISIS-2010-01 Restudy  | Previously Allocated       |                        | \$13,800,000       |
| Axtell - PostRock 345KV CKT 1<br>Balanced Portfolio: Spearville - PostRock - Axtell 345kV CKT (Total Project E&C Cost Shown)                          | Previously Allocated       |                        | \$112,700,000      |
| Spearville - Mulgren 345KV Dbl CKT<br>Build approximately 74 miles of double 345kV Spearville - Mulgren   | Previously Allocated       |                        | \$124,264,151      |
| Mulgren - Circle 345kV Dbl CKT<br>Build approximately 79 miles of double 345kV Mulgren - Circle   | Previously Allocated       |                        | \$132,660,377      |
| Circle - Reno 345kV Dbl CKT<br>Build approximately 6 miles of double 345kV Circle - Reno  | Previously Allocated       |                        | \$10,075,472       |
|   | <b>Current Study Total</b> | <b>\$43,141,842.06</b> |                    |
| <b>GEN-2011-001</b>   |                            |                        |                    |
| GEN-2011-001 Interconnection Costs<br>See Online Diagram  | Current Study Allocation   | \$5,000,000.00         | \$5,000,000        |
| Axtell - PostRock 345KV CKT 1<br>Balanced Portfolio: Spearville - PostRock - Axtell 345kV CKT (Total Project E&C Cost Shown)                          | Previously Allocated       |                        | \$112,700,000      |
| PostRock - GEN-2010-016 Tap 345KV CKT 1<br>Balanced Portfolio: Spearville - PostRock - Axtell 345kV CKT   | Previously Allocated       |                        |                    |
| Spearville - GEN-2010-016 Tap 345KV CKT 1<br>Balanced Portfolio: Spearville - PostRock - Axtell 345kV CKT   | Previously Allocated       |                        |                    |
| Comanche - Medicine Lodge 345KV Dbl CKT<br>Priority Project: Spearville - Comanche - Med Lodge - Wichita Dbl 345kV CKT (Total Project E&C Cost Shown) | Previously Allocated       |                        | \$356,300,000      |
|   | <b>Current Study Total</b> | <b>\$5,000,000.00</b>  |                    |
| <b>TOTAL CURRENT STUDY COSTS</b>  |                            | <b>\$471,500,001</b>   |                    |

\* Current Study Requests' Costs of Previously Allocated Network Upgrades will be determined by a restudy, if necessary.

## **F: FCITC Analysis (No Upgrades)**

| Season | Scenario | Source    | MontCommonName  | Direction | TDF     | Rating | Contingency   |
|--------|----------|-----------|---|-----------|---------|--------|---|
| 11SP   |          | 0 G10_059 | 'HOBBS INTERCHANGE 230/115KV TRANSFORMER CKT 1'           | FROM->TO  | 0.69108 | 149.1  | 'HOBBS INTERCHANGE - LEA COUNTY INTERCHANGE 230KV CKT 1'          |
| 11SP   |          | 0 G10_060 | 'HOBBS INTERCHANGE 230/115KV TRANSFORMER CKT 1'           | FROM->TO  | 0.69108 | 149.1  | 'HOBBS INTERCHANGE - LEA COUNTY INTERCHANGE 230KV CKT 1'          |
| 11SP   |          | 0 G10_059 | 'MIDLAND COUNTY INTERCHANGE 230/138KV TRANSFORMER CKT 1'  | FROM->TO  | 1       | 192.9  | 'HOBBS INTERCHANGE - MIDLAND COUNTY INTERCHANGE 230KV CKT 1'      |
| 11SP   |          | 0 G10_060 | 'MIDLAND COUNTY INTERCHANGE 230/138KV TRANSFORMER CKT 1'  | FROM->TO  | 1       | 192.9  | 'HOBBS INTERCHANGE - MIDLAND COUNTY INTERCHANGE 230KV CKT 1'      |
| 11SP   |          | 0 G10_059 | 'CAPROCK REC-PHILLIPS - CAPROCK REC-TATE 138KV CKT 1'     | TO->FROM  | 1       | 271    | 'HOBBS INTERCHANGE - MIDLAND COUNTY INTERCHANGE 230KV CKT 1'      |
| 11SP   |          | 0 G10_060 | 'CAPROCK REC-PHILLIPS - CAPROCK REC-TATE 138KV CKT 1'     | TO->FROM  | 1       | 271    | 'HOBBS INTERCHANGE - MIDLAND COUNTY INTERCHANGE 230KV CKT 1'      |
| 11SP   |          | 0 G10_059 | 'CAPROCK REC-MCDONALD - CAPROCK REC-PHILLIPS 138KV CKT 1' | TO->FROM  | 1       | 271    | 'HOBBS INTERCHANGE - MIDLAND COUNTY INTERCHANGE 230KV CKT 1'      |
| 11SP   |          | 0 G10_060 | 'CAPROCK REC-MCDONALD - CAPROCK REC-PHILLIPS 138KV CKT 1' | TO->FROM  | 1       | 271    | 'HOBBS INTERCHANGE - MIDLAND COUNTY INTERCHANGE 230KV CKT 1'      |
| 11SP   |          | 0 G10_059 | 'BORDEN COUNTY INTERCHANGE 230/138KV TRANSFORMER CKT 1'   | TO->FROM  | 0.99984 | 167.2  | 'HOBBS INTERCHANGE - MIDLAND COUNTY INTERCHANGE 230KV CKT 1'      |
| 11SP   |          | 0 G10_060 | 'BORDEN COUNTY INTERCHANGE 230/138KV TRANSFORMER CKT 1'   | TO->FROM  | 0.99984 | 167.2  | 'HOBBS INTERCHANGE - MIDLAND COUNTY INTERCHANGE 230KV CKT 1'      |
| 11SP   |          | 0 G10_059 | 'MIDLAND COUNTY INTERCHANGE 230/138KV TRANSFORMER CKT 1'  | FROM->TO  | 0.30388 | 192.9  | 'HOBBS INTERCHANGE - LEA COUNTY INTERCHANGE 230KV CKT 1'          |
| 11SP   |          | 0 G10_060 | 'MIDLAND COUNTY INTERCHANGE 230/138KV TRANSFORMER CKT 1'  | FROM->TO  | 0.30388 | 192.9  | 'HOBBS INTERCHANGE - LEA COUNTY INTERCHANGE 230KV CKT 1'          |
| 11SP   |          | 0 G10_059 | 'CAPROCK REC-GRADY - CAPROCK REC-TRIANGLE 138KV CKT 1'    | TO->FROM  | 0.7044  | 175.8  | 'HOBBS INTERCHANGE - MIDLAND COUNTY INTERCHANGE 230KV CKT 1'      |
| 11SP   |          | 0 G10_060 | 'CAPROCK REC-GRADY - CAPROCK REC-TRIANGLE 138KV CKT 1'    | TO->FROM  | 0.7044  | 175.8  | 'HOBBS INTERCHANGE - MIDLAND COUNTY INTERCHANGE 230KV CKT 1'      |
| 11SP   |          | 0 G10_059 | 'CAPROCK REC-KOCH - CAPROCK REC-REED 138KV CKT 1'         | TO->FROM  | 0.7044  | 175.7  | 'HOBBS INTERCHANGE - MIDLAND COUNTY INTERCHANGE 230KV CKT 1'      |
| 11SP   |          | 0 G10_060 | 'CAPROCK REC-KOCH - CAPROCK REC-REED 138KV CKT 1'         | TO->FROM  | 0.7044  | 175.7  | 'HOBBS INTERCHANGE - MIDLAND COUNTY INTERCHANGE 230KV CKT 1'      |
| 11SP   |          | 0 G10_059 | 'CAPROCK REC-KOCH - CAPROCK REC-VEALMOOR 138KV CKT 1'     | FROM->TO  | 0.7044  | 175.7  | 'HOBBS INTERCHANGE - MIDLAND COUNTY INTERCHANGE 230KV CKT 1'      |
| 11SP   |          | 0 G10_060 | 'CAPROCK REC-KOCH - CAPROCK REC-VEALMOOR 138KV CKT 1'     | FROM->TO  | 0.7044  | 175.7  | 'HOBBS INTERCHANGE - MIDLAND COUNTY INTERCHANGE 230KV CKT 1'      |
| 11SP   |          | 0 G10_059 | 'MIDLAND COUNTY INTERCHANGE 230/138KV TRANSFORMER CKT 1'  | FROM->TO  | 0.22488 | 167.9  | 'BASE CASE'   |
| 11SP   |          | 0 G10_060 | 'MIDLAND COUNTY INTERCHANGE 230/138KV TRANSFORMER CKT 1'  | FROM->TO  | 0.22488 | 167.9  | 'BASE CASE'   |
| 11SP   |          | 0 G10_059 | 'MIDLAND COUNTY INTERCHANGE 230/138KV TRANSFORMER CKT 1'  | FROM->TO  | 0.24933 | 192.9  | 'LEA COUNTY INTERCHANGE - YOAKUM COUNTY INTERCHANGE 230KV CKT 1'  |
| 11SP   |          | 0 G10_060 | 'MIDLAND COUNTY INTERCHANGE 230/138KV TRANSFORMER CKT 1'  | FROM->TO  | 0.24933 | 192.9  | 'LEA COUNTY INTERCHANGE - YOAKUM COUNTY INTERCHANGE 230KV CKT 1'  |
| 11SP   |          | 0 G10_059 | 'MIDLAND COUNTY INTERCHANGE 230/138KV TRANSFORMER CKT 1'  | FROM->TO  | 0.23559 | 192.9  | 'AMOCO SWITCHING STATION - YOAKUM COUNTY INTERCHANGE 230KV CKT 1' |
| 11SP   |          | 0 G10_060 | 'MIDLAND COUNTY INTERCHANGE 230/138KV TRANSFORMER CKT 1'  | FROM->TO  | 0.23559 | 192.9  | 'AMOCO SWITCHING STATION - YOAKUM COUNTY INTERCHANGE 230KV CKT 1' |
| 11SP   |          | 0 G10_059 | 'MIDLAND COUNTY INTERCHANGE 230/138KV TRANSFORMER CKT 1'  | FROM->TO  | 0.23033 | 192.9  | 'TOLK STATION EAST - TUCO INTERCHANGE 230KV CKT 1'                |

|      |   |         |   |          |         |       |   |
|------|---|---------|---|----------|---------|-------|---|
| 11SP | 0 | G10_060 | 'MIDLAND COUNTY INTERCHANGE 230/138KV TRANSFORMER CKT 1'  | FROM->TO | 0.23033 | 192.9 | 'TOLK STATION EAST - TUCO INTERCHANGE 230KV CKT 1'                |
| 11SP | 0 | G10_059 | 'MIDLAND COUNTY INTERCHANGE 230/138KV TRANSFORMER CKT 1'  | FROM->TO | 0.23256 | 192.9 | 'SUNDOWN INTERCHANGE - WOLFFORTH INTERCHANGE 230KV CKT 1'         |
| 11SP | 0 | G10_060 | 'MIDLAND COUNTY INTERCHANGE 230/138KV TRANSFORMER CKT 1'  | FROM->TO | 0.23256 | 192.9 | 'SUNDOWN INTERCHANGE - WOLFFORTH INTERCHANGE 230KV CKT 1'         |
| 11SP | 0 | G10_059 | 'MIDLAND COUNTY INTERCHANGE 230/138KV TRANSFORMER CKT 1'  | FROM->TO | 0.23115 | 192.9 | 'CUNNINGHAM STATION - EDDY COUNTY INTERCHANGE 230KV CKT 1'        |
| 11SP | 0 | G10_060 | 'MIDLAND COUNTY INTERCHANGE 230/138KV TRANSFORMER CKT 1'  | FROM->TO | 0.23115 | 192.9 | 'CUNNINGHAM STATION - EDDY COUNTY INTERCHANGE 230KV CKT 1'        |
| 11SP | 0 | G10_059 | 'MIDLAND COUNTY INTERCHANGE 230/138KV TRANSFORMER CKT 1'  | FROM->TO | 0.23827 | 192.9 | 'CUNNINGHAM STATION - LEA COUNTY INTERCHANGE 230KV CKT 1'         |
| 11SP | 0 | G10_060 | 'MIDLAND COUNTY INTERCHANGE 230/138KV TRANSFORMER CKT 1'  | FROM->TO | 0.23827 | 192.9 | 'CUNNINGHAM STATION - LEA COUNTY INTERCHANGE 230KV CKT 1'         |
| 11SP | 0 | G10_059 | 'MIDLAND COUNTY INTERCHANGE 230/138KV TRANSFORMER CKT 1'  | FROM->TO | 0.22488 | 192.9 | 'Jones Station Bus#2 230/22.0KV TRANSFORMER CKT 1'                |
| 11SP | 0 | G10_060 | 'MIDLAND COUNTY INTERCHANGE 230/138KV TRANSFORMER CKT 1'  | FROM->TO | 0.22488 | 192.9 | 'Jones Station Bus#2 230/22.0KV TRANSFORMER CKT 1'                |
| 11SP | 0 | G10_059 | 'MIDLAND COUNTY INTERCHANGE 230/138KV TRANSFORMER CKT 1'  | FROM->TO | 0.22488 | 192.9 | 'JONES STATION 230/22.0KV TRANSFORMER CKT 1'                      |
| 11SP | 0 | G10_060 | 'MIDLAND COUNTY INTERCHANGE 230/138KV TRANSFORMER CKT 1'  | FROM->TO | 0.22488 | 192.9 | 'JONES STATION 230/22.0KV TRANSFORMER CKT 1'                      |
| 11SP | 0 | G10_059 | 'MIDLAND COUNTY INTERCHANGE 230/138KV TRANSFORMER CKT 1'  | FROM->TO | 0.23559 | 192.9 | 'AMOCO SWITCHING STATION - SUNDOWN INTERCHANGE 230KV CKT 1'       |
| 11SP | 0 | G10_060 | 'MIDLAND COUNTY INTERCHANGE 230/138KV TRANSFORMER CKT 1'  | FROM->TO | 0.23559 | 192.9 | 'AMOCO SWITCHING STATION - SUNDOWN INTERCHANGE 230KV CKT 1'       |
| 11SP | 0 | G10_059 | 'MIDLAND COUNTY INTERCHANGE 230/138KV TRANSFORMER CKT 1'  | FROM->TO | 0.22488 | 192.9 | 'Jones Station Bus#2 230/22.0KV TRANSFORMER CKT 1'                |
| 11SP | 0 | G10_060 | 'MIDLAND COUNTY INTERCHANGE 230/138KV TRANSFORMER CKT 1'  | FROM->TO | 0.22488 | 192.9 | 'Jones Station Bus#2 230/22.0KV TRANSFORMER CKT 1'                |
| 11SP | 0 | G10_059 | 'MIDLAND COUNTY INTERCHANGE 230/138KV TRANSFORMER CKT 1'  | FROM->TO | 0.22767 | 192.9 | 'CUNNINGHAM STATION - POTASH JUNCTION INTERCHANGE 230KV CKT 1'    |
| 11SP | 0 | G10_060 | 'MIDLAND COUNTY INTERCHANGE 230/138KV TRANSFORMER CKT 1'  | FROM->TO | 0.22767 | 192.9 | 'CUNNINGHAM STATION - POTASH JUNCTION INTERCHANGE 230KV CKT 1'    |
| 11SP | 0 | G10_059 | 'MIDLAND COUNTY INTERCHANGE 230/138KV TRANSFORMER CKT 1'  | FROM->TO | 0.22506 | 192.9 | 'SPP-SWPS-T14'  |
| 11SP | 0 | G10_060 | 'MIDLAND COUNTY INTERCHANGE 230/138KV TRANSFORMER CKT 1'  | FROM->TO | 0.22506 | 192.9 | 'SPP-SWPS-T14'  |
| 11SP | 0 | G10_059 | 'CAPROCK REC-MCDONALD - CAPROCK REC-TRIANGLE 138KV CKT 1' | FROM->TO | 0.7044  | 270.9 | 'HOBBS INTERCHANGE - MIDLAND COUNTY INTERCHANGE 230KV CKT 1'      |
| 11SP | 0 | G10_060 | 'CAPROCK REC-MCDONALD - CAPROCK REC-TRIANGLE 138KV CKT 1' | FROM->TO | 0.7044  | 270.9 | 'HOBBS INTERCHANGE - MIDLAND COUNTY INTERCHANGE 230KV CKT 1'      |
| 11SP | 0 | G10_059 | 'MIDLAND COUNTY INTERCHANGE 230/138KV TRANSFORMER CKT 1'  | FROM->TO | 0.22958 | 192.9 | 'TERRY COUNTY INTERCHANGE - WOLFFORTH INTERCHANGE 115KV CKT 1'    |
| 11SP | 0 | G10_060 | 'MIDLAND COUNTY INTERCHANGE 230/138KV TRANSFORMER CKT 1'  | FROM->TO | 0.22958 | 192.9 | 'TERRY COUNTY INTERCHANGE - WOLFFORTH INTERCHANGE 115KV CKT 1'    |
| 11SP | 0 | G10_059 | 'MIDLAND COUNTY INTERCHANGE 230/138KV TRANSFORMER CKT 1'  | FROM->TO | 0.22697 | 192.9 | 'CHAVES COUNTY INTERCHANGE - EDDY COUNTY INTERCHANGE 230KV CKT 1' |
| 11SP | 0 | G10_060 | 'MIDLAND COUNTY INTERCHANGE 230/138KV TRANSFORMER CKT 1'  | FROM->TO | 0.22697 | 192.9 | 'CHAVES COUNTY INTERCHANGE - EDDY COUNTY INTERCHANGE 230KV CKT 1' |



|      |   |         |  |          |         |       |  |
|------|---|---------|--|----------|---------|-------|--|
| 11SP | 0 | G10_059 | 'MIDLAND COUNTY INTERCHANGE 230/138KV TRANSFORMER CKT 1'     | FROM->TO | 0.22692 | 192.9 | 'WOLFFORTH INTERCHANGE - YUMA INTERCHANGE 115KV CKT 1'             |
| 11SP | 0 | G10_060 | 'MIDLAND COUNTY INTERCHANGE 230/138KV TRANSFORMER CKT 1'     | FROM->TO | 0.22692 | 192.9 | 'WOLFFORTH INTERCHANGE - YUMA INTERCHANGE 115KV CKT 1'             |
| 11SP | 0 | G10_059 | 'MIDLAND COUNTY INTERCHANGE 230/138KV TRANSFORMER CKT 1'     | FROM->TO | 0.22507 | 192.9 | 'SPP-SWPS-T97'   |
| 11SP | 0 | G10_060 | 'MIDLAND COUNTY INTERCHANGE 230/138KV TRANSFORMER CKT 1'     | FROM->TO | 0.22507 | 192.9 | 'SPP-SWPS-T97'   |
| 11SP | 0 | G10_059 | 'MIDLAND COUNTY INTERCHANGE 230/138KV TRANSFORMER CKT 1'     | FROM->TO | 0.22745 | 192.9 | 'GAINES COUNTY INTERCHANGE - TAYLOR SWITCHING STATION 115KV CKT 1' |
| 11SP | 0 | G10_060 | 'MIDLAND COUNTY INTERCHANGE 230/138KV TRANSFORMER CKT 1'     | FROM->TO | 0.22745 | 192.9 | 'GAINES COUNTY INTERCHANGE - TAYLOR SWITCHING STATION 115KV CKT 1' |
| 11SP | 0 | G10_059 | 'HOBBS INTERCHANGE - MIDLAND COUNTY INTERCHANGE 230KV CKT 1' | TO->FROM | 1       | 478   | 'MIDLAND COUNTY INTERCHANGE 230/138KV TRANSFORMER CKT 1'           |
| 11SP | 0 | G10_060 | 'HOBBS INTERCHANGE - MIDLAND COUNTY INTERCHANGE 230KV CKT 1' | TO->FROM | 1       | 478   | 'MIDLAND COUNTY INTERCHANGE 230/138KV TRANSFORMER CKT 1'           |
| 11SP | 0 | G10_059 | 'CAPROCK REC-GRADY - CAPROCK REC-REED 138KV CKT 1'           | FROM->TO | 0.7044  | 270.8 | 'HOBBS INTERCHANGE - MIDLAND COUNTY INTERCHANGE 230KV CKT 1'       |
| 11SP | 0 | G10_060 | 'CAPROCK REC-GRADY - CAPROCK REC-REED 138KV CKT 1'           | FROM->TO | 0.7044  | 270.8 | 'HOBBS INTERCHANGE - MIDLAND COUNTY INTERCHANGE 230KV CKT 1'       |
| 11SP | 0 | G10_059 | 'HOBBS INTERCHANGE - MIDLAND COUNTY INTERCHANGE 230KV CKT 1' | TO->FROM | 1       | 478   | 'CAPROCK REC-PHILLIPS - CAPROCK REC-TATE 138KV CKT 1'              |
| 11SP | 0 | G10_060 | 'HOBBS INTERCHANGE - MIDLAND COUNTY INTERCHANGE 230KV CKT 1' | TO->FROM | 1       | 478   | 'CAPROCK REC-PHILLIPS - CAPROCK REC-TATE 138KV CKT 1'              |
| 11SP | 0 | G10_059 | 'HOBBS INTERCHANGE - LEA COUNTY INTERCHANGE 230KV CKT 1'     | FROM->TO | 0.88445 | 617   | 'MIDLAND COUNTY INTERCHANGE 230/138KV TRANSFORMER CKT 1'           |
| 11SP | 0 | G10_060 | 'HOBBS INTERCHANGE - LEA COUNTY INTERCHANGE 230KV CKT 1'     | FROM->TO | 0.88445 | 617   | 'MIDLAND COUNTY INTERCHANGE 230/138KV TRANSFORMER CKT 1'           |
| 11SP | 0 | G10_059 | 'HOBBS INTERCHANGE - MIDLAND COUNTY INTERCHANGE 230KV CKT 1' | TO->FROM | 1       | 478   | 'CAPROCK REC-MCDONALD - CAPROCK REC-PHILLIPS 138KV CKT 1'          |
| 11SP | 0 | G10_060 | 'HOBBS INTERCHANGE - MIDLAND COUNTY INTERCHANGE 230KV CKT 1' | TO->FROM | 1       | 478   | 'CAPROCK REC-MCDONALD - CAPROCK REC-PHILLIPS 138KV CKT 1'          |
| 11SP | 0 | G10_059 | 'HOBBS INTERCHANGE - LEA COUNTY INTERCHANGE 230KV CKT 1'     | FROM->TO | 0.88445 | 617   | 'CAPROCK REC-PHILLIPS - CAPROCK REC-TATE 138KV CKT 1'              |
| 11SP | 0 | G10_060 | 'HOBBS INTERCHANGE - LEA COUNTY INTERCHANGE 230KV CKT 1'     | FROM->TO | 0.88445 | 617   | 'CAPROCK REC-PHILLIPS - CAPROCK REC-TATE 138KV CKT 1'              |
| 11SP | 0 | G10_059 | 'HOBBS INTERCHANGE - LEA COUNTY INTERCHANGE 230KV CKT 1'     | FROM->TO | 0.88445 | 617   | 'CAPROCK REC-MCDONALD - CAPROCK REC-PHILLIPS 138KV CKT 1'          |
| 11SP | 0 | G10_060 | 'HOBBS INTERCHANGE - LEA COUNTY INTERCHANGE 230KV CKT 1'     | FROM->TO | 0.88445 | 617   | 'CAPROCK REC-MCDONALD - CAPROCK REC-PHILLIPS 138KV CKT 1'          |
| 11SP | 0 | G10_059 | 'HOBBS INTERCHANGE - LEA COUNTY INTERCHANGE 230KV CKT 1'     | FROM->TO | 0.6848  | 478   | 'BASE CASE'  |
| 11SP | 0 | G10_060 | 'HOBBS INTERCHANGE - LEA COUNTY INTERCHANGE 230KV CKT 1'     | FROM->TO | 0.6848  | 478   | 'BASE CASE'  |
| 11SP | 0 | G10_059 | 'CAPROCK REC-PHILLIPS - CAPROCK REC-TATE 138KV CKT 1'        | TO->FROM | 0.22488 | 208   | 'BASE CASE'  |
| 11SP | 0 | G10_060 | 'CAPROCK REC-PHILLIPS - CAPROCK REC-TATE 138KV CKT 1'        | TO->FROM | 0.22488 | 208   | 'BASE CASE'  |
| 11SP | 0 | G10_059 | 'CAPROCK REC-PHILLIPS - CAPROCK REC-TATE 138KV CKT 1'        | TO->FROM | 0.30388 | 271   | 'HOBBS INTERCHANGE - LEA COUNTY INTERCHANGE 230KV CKT 1'           |

|      |   |         |  |          |         |       |   |
|------|---|---------|--|----------|---------|-------|---|
| 11SP | 0 | G10_060 | 'CAPROCK REC-PHILLIPS - CAPROCK REC-TATE 138KV CKT 1'            | TO->FROM | 0.30388 | 271   | 'HOBBS INTERCHANGE - LEA COUNTY INTERCHANGE 230KV CKT 1'        |
| 11SP | 0 | G10_059 | 'GRASSLAND INTERCHANGE - Jones Station Bus#2 230KV CKT 1'        | FROM->TO | 0.8766  | 350.8 | 'HOBBS INTERCHANGE - MIDLAND COUNTY INTERCHANGE 230KV CKT 1'    |
| 11SP | 0 | G10_060 | 'GRASSLAND INTERCHANGE - Jones Station Bus#2 230KV CKT 1'        | FROM->TO | 0.8766  | 350.8 | 'HOBBS INTERCHANGE - MIDLAND COUNTY INTERCHANGE 230KV CKT 1'    |
| 11SP | 0 | G10_059 | 'HOBBS INTERCHANGE - MIDLAND COUNTY INTERCHANGE 230KV CKT 1'     | TO->FROM | 0.99984 | 478   | 'SPP-SWPS-K48'  |
| 11SP | 0 | G10_060 | 'HOBBS INTERCHANGE - MIDLAND COUNTY INTERCHANGE 230KV CKT 1'     | TO->FROM | 0.99984 | 478   | 'SPP-SWPS-K48'  |
| 11SP | 0 | G10_059 | 'HOBBS INTERCHANGE - MIDLAND COUNTY INTERCHANGE 230KV CKT 1'     | TO->FROM | 0.99984 | 478   | 'BORDEN COUNTY INTERCHANGE 230/138KV TRANSFORMER CKT 1'         |
| 11SP | 0 | G10_060 | 'HOBBS INTERCHANGE - MIDLAND COUNTY INTERCHANGE 230KV CKT 1'     | TO->FROM | 0.99984 | 478   | 'BORDEN COUNTY INTERCHANGE 230/138KV TRANSFORMER CKT 1'         |
| 11SP | 0 | G10_059 | 'BORDEN COUNTY INTERCHANGE - GRASSLAND INTERCHANGE 230KV CKT 1'  | FROM->TO | 0.99984 | 478   | 'HOBBS INTERCHANGE - MIDLAND COUNTY INTERCHANGE 230KV CKT 1'    |
| 11SP | 0 | G10_060 | 'BORDEN COUNTY INTERCHANGE - GRASSLAND INTERCHANGE 230KV CKT 1'  | FROM->TO | 0.99984 | 478   | 'HOBBS INTERCHANGE - MIDLAND COUNTY INTERCHANGE 230KV CKT 1'    |
| 11SP | 0 | G10_059 | 'HOBBS INTERCHANGE - MIDLAND COUNTY INTERCHANGE 230KV CKT 1'     | TO->FROM | 0.99984 | 478   | 'BORDEN COUNTY INTERCHANGE - GRASSLAND INTERCHANGE 230KV CKT 1' |
| 11SP | 0 | G10_060 | 'HOBBS INTERCHANGE - MIDLAND COUNTY INTERCHANGE 230KV CKT 1'     | TO->FROM | 0.99984 | 478   | 'BORDEN COUNTY INTERCHANGE - GRASSLAND INTERCHANGE 230KV CKT 1' |
| 11SP | 0 | G10_059 | 'HOBBS INTERCHANGE - LEA COUNTY INTERCHANGE 115KV CKT 1'         | FROM->TO | 0.24126 | 238.9 | 'HOBBS INTERCHANGE - LEA COUNTY INTERCHANGE 230KV CKT 1'        |
| 11SP | 0 | G10_060 | 'HOBBS INTERCHANGE - LEA COUNTY INTERCHANGE 115KV CKT 1'         | FROM->TO | 0.24126 | 238.9 | 'HOBBS INTERCHANGE - LEA COUNTY INTERCHANGE 230KV CKT 1'        |
| 11SP | 0 | G10_059 | 'CAPROCK REC-STILES - G09-17T 138.00 138KV CKT 1'                | TO->FROM | 0.29544 | 175.9 | 'HOBBS INTERCHANGE - MIDLAND COUNTY INTERCHANGE 230KV CKT 1'    |
| 11SP | 0 | G10_060 | 'CAPROCK REC-STILES - G09-17T 138.00 138KV CKT 1'                | TO->FROM | 0.29544 | 175.9 | 'HOBBS INTERCHANGE - MIDLAND COUNTY INTERCHANGE 230KV CKT 1'    |
| 11SP | 0 | G10_059 | 'HOBBS INTERCHANGE - LEA COUNTY INTERCHANGE 230KV CKT 1'         | FROM->TO | 0.88431 | 617   | 'SPP-SWPS-K48'  |
| 11SP | 0 | G10_060 | 'HOBBS INTERCHANGE - LEA COUNTY INTERCHANGE 230KV CKT 1'         | FROM->TO | 0.88431 | 617   | 'SPP-SWPS-K48'  |
| 11SP | 0 | G10_059 | 'HOBBS INTERCHANGE - LEA COUNTY INTERCHANGE 230KV CKT 1'         | FROM->TO | 0.88431 | 617   | 'BORDEN COUNTY INTERCHANGE 230/138KV TRANSFORMER CKT 1'         |
| 11SP | 0 | G10_060 | 'HOBBS INTERCHANGE - LEA COUNTY INTERCHANGE 230KV CKT 1'         | FROM->TO | 0.88431 | 617   | 'BORDEN COUNTY INTERCHANGE 230/138KV TRANSFORMER CKT 1'         |
| 11SP | 0 | G10_059 | 'HOBBS INTERCHANGE - LEA COUNTY INTERCHANGE 230KV CKT 1'         | FROM->TO | 0.88431 | 617   | 'BORDEN COUNTY INTERCHANGE - GRASSLAND INTERCHANGE 230KV CKT 1' |
| 11SP | 0 | G10_060 | 'HOBBS INTERCHANGE - LEA COUNTY INTERCHANGE 230KV CKT 1'         | FROM->TO | 0.88431 | 617   | 'BORDEN COUNTY INTERCHANGE - GRASSLAND INTERCHANGE 230KV CKT 1' |
| 11SP | 0 | G10_059 | 'HOBBS INTERCHANGE - MIDLAND COUNTY INTERCHANGE 230KV CKT 1'     | TO->FROM | 0.86935 | 478   | 'CAPROCK REC-MCDONALD - CAPROCK REC-TRIANGLE 138KV CKT 1'       |
| 11SP | 0 | G10_060 | 'HOBBS INTERCHANGE - MIDLAND COUNTY INTERCHANGE 230KV CKT 1'     | TO->FROM | 0.86935 | 478   | 'CAPROCK REC-MCDONALD - CAPROCK REC-TRIANGLE 138KV CKT 1'       |
| 11SP | 0 | G10_059 | 'LEA COUNTY INTERCHANGE - YOAKUM COUNTY INTERCHANGE 230KV CKT 1' | FROM->TO | 0.38386 | 351   | 'MIDLAND COUNTY INTERCHANGE 230/138KV TRANSFORMER CKT 1'        |
| 11SP | 0 | G10_060 | 'LEA COUNTY INTERCHANGE - YOAKUM COUNTY INTERCHANGE 230KV CKT 1' | FROM->TO | 0.38386 | 351   | 'MIDLAND COUNTY INTERCHANGE 230/138KV TRANSFORMER CKT 1'        |

|      |   |         |   |          |         |       |  |
|------|---|---------|---|----------|---------|-------|--|
| 11SP | 0 | G10_059 | 'LEA COUNTY INTERCHANGE - YOAKUM COUNTY INTERCHANGE 230KV CKT 1'  | FROM->TO | 0.38386 | 351   | 'CAPROCK REC-PHILLIPS - CAPROCK REC-TATE 138KV CKT 1'        |
| 11SP | 0 | G10_060 | 'LEA COUNTY INTERCHANGE - YOAKUM COUNTY INTERCHANGE 230KV CKT 1'  | FROM->TO | 0.38386 | 351   | 'CAPROCK REC-PHILLIPS - CAPROCK REC-TATE 138KV CKT 1'        |
| 11SP | 0 | G10_059 | 'HOBBS INTERCHANGE - MIDLAND COUNTY INTERCHANGE 230KV CKT 1'      | TO->FROM | 0.86935 | 478   | 'CAPROCK REC-GRADY - CAPROCK REC-TRIANGLE 138KV CKT 1'       |
| 11SP | 0 | G10_060 | 'HOBBS INTERCHANGE - MIDLAND COUNTY INTERCHANGE 230KV CKT 1'      | TO->FROM | 0.86935 | 478   | 'CAPROCK REC-GRADY - CAPROCK REC-TRIANGLE 138KV CKT 1'       |
| 11SP | 0 | G10_059 | 'CAPROCK REC-MCDONALD - CAPROCK REC-PHILLIPS 138KV CKT 1'         | TO->FROM | 0.22488 | 207.9 | 'BASE CASE'  |
| 11SP | 0 | G10_060 | 'CAPROCK REC-MCDONALD - CAPROCK REC-PHILLIPS 138KV CKT 1'         | TO->FROM | 0.22488 | 207.9 | 'BASE CASE'  |
| 11SP | 0 | G10_059 | 'CAPROCK REC-MCDONALD - CAPROCK REC-PHILLIPS 138KV CKT 1'         | TO->FROM | 0.30388 | 271   | 'HOBBS INTERCHANGE - LEA COUNTY INTERCHANGE 230KV CKT 1'     |
| 11SP | 0 | G10_060 | 'CAPROCK REC-MCDONALD - CAPROCK REC-PHILLIPS 138KV CKT 1'         | TO->FROM | 0.30388 | 271   | 'HOBBS INTERCHANGE - LEA COUNTY INTERCHANGE 230KV CKT 1'     |
| 11SP | 0 | G10_059 | 'CAPROCK REC-PEMBROOK - G09-17T 138.00 138KV CKT 1'               | FROM->TO | 0.2956  | 175.9 | 'HOBBS INTERCHANGE - MIDLAND COUNTY INTERCHANGE 230KV CKT 1' |
| 11SP | 0 | G10_060 | 'CAPROCK REC-PEMBROOK - G09-17T 138.00 138KV CKT 1'               | FROM->TO | 0.2956  | 175.9 | 'HOBBS INTERCHANGE - MIDLAND COUNTY INTERCHANGE 230KV CKT 1' |
| 11SP | 0 | G10_059 | 'HOBBS INTERCHANGE - MIDLAND COUNTY INTERCHANGE 230KV CKT 1'      | TO->FROM | 0.86935 | 478   | 'CAPROCK REC-GRADY - CAPROCK REC-REED 138KV CKT 1'           |
| 11SP | 0 | G10_060 | 'HOBBS INTERCHANGE - MIDLAND COUNTY INTERCHANGE 230KV CKT 1'      | TO->FROM | 0.86935 | 478   | 'CAPROCK REC-GRADY - CAPROCK REC-REED 138KV CKT 1'           |
| 11SP | 0 | G10_059 | 'HOBBS INTERCHANGE - MIDLAND COUNTY INTERCHANGE 230KV CKT 1'      | TO->FROM | 0.86935 | 478   | 'CAPROCK REC-KOCH - CAPROCK REC-REED 138KV CKT 1'            |
| 11SP | 0 | G10_060 | 'HOBBS INTERCHANGE - MIDLAND COUNTY INTERCHANGE 230KV CKT 1'      | TO->FROM | 0.86935 | 478   | 'CAPROCK REC-KOCH - CAPROCK REC-REED 138KV CKT 1'            |
| 11SP | 0 | G10_059 | 'HOBBS INTERCHANGE - MIDLAND COUNTY INTERCHANGE 230KV CKT 1'      | TO->FROM | 0.86935 | 478   | 'CAPROCK REC-KOCH - CAPROCK REC-VEALMOOR 138KV CKT 1'        |
| 11SP | 0 | G10_060 | 'HOBBS INTERCHANGE - MIDLAND COUNTY INTERCHANGE 230KV CKT 1'      | TO->FROM | 0.86935 | 478   | 'CAPROCK REC-KOCH - CAPROCK REC-VEALMOOR 138KV CKT 1'        |
| 11SP | 0 | G10_059 | 'HOBBS INTERCHANGE - LEA COUNTY INTERCHANGE 230KV CKT 1'          | FROM->TO | 0.7687  | 617   | 'HOBBS INTERCHANGE 230/115KV TRANSFORMER CKT 1'              |
| 11SP | 0 | G10_060 | 'HOBBS INTERCHANGE - LEA COUNTY INTERCHANGE 230KV CKT 1'          | FROM->TO | 0.7687  | 617   | 'HOBBS INTERCHANGE 230/115KV TRANSFORMER CKT 1'              |
| 11SP | 0 | G10_059 | 'HOBBS INTERCHANGE - LEA COUNTY INTERCHANGE 230KV CKT 1'          | FROM->TO | 0.76845 | 617   | 'CAPROCK REC-MCDONALD - CAPROCK REC-TRIANGLE 138KV CKT 1'    |
| 11SP | 0 | G10_060 | 'HOBBS INTERCHANGE - LEA COUNTY INTERCHANGE 230KV CKT 1'          | FROM->TO | 0.76845 | 617   | 'CAPROCK REC-MCDONALD - CAPROCK REC-TRIANGLE 138KV CKT 1'    |
| 11SP | 0 | G10_059 | 'LEA COUNTY INTERCHANGE - YOAKUM COUNTY INTERCHANGE 230KV CKT 1'  | FROM->TO | 0.38386 | 351   | 'CAPROCK REC-MCDONALD - CAPROCK REC-PHILLIPS 138KV CKT 1'    |
| 11SP | 0 | G10_060 | 'LEA COUNTY INTERCHANGE - YOAKUM COUNTY INTERCHANGE 230KV CKT 1'  | FROM->TO | 0.38386 | 351   | 'CAPROCK REC-MCDONALD - CAPROCK REC-PHILLIPS 138KV CKT 1'    |
| 11SP | 0 | G10_059 | 'BORDEN COUNTY INTERCHANGE 230/138KV TRANSFORMER CKT 1'           | TO->FROM | 0.30372 | 167.2 | 'HOBBS INTERCHANGE - LEA COUNTY INTERCHANGE 230KV CKT 1'     |
| 11SP | 0 | G10_060 | 'BORDEN COUNTY INTERCHANGE 230/138KV TRANSFORMER CKT 1'           | TO->FROM | 0.30372 | 167.2 | 'HOBBS INTERCHANGE - LEA COUNTY INTERCHANGE 230KV CKT 1'     |
| 11SP | 0 | G10_059 | 'AMOCO SWITCHING STATION - YOAKUM COUNTY INTERCHANGE 230KV CKT 1' | TO->FROM | 0.25213 | 349.9 | 'MIDLAND COUNTY INTERCHANGE 230/138KV TRANSFORMER CKT 1'     |

|      |   |         |   |          |         |       |   |
|------|---|---------|---|----------|---------|-------|---|
| 11SP | 0 | G10_060 | 'AMOCO SWITCHING STATION - YOAKUM COUNTY INTERCHANGE 230KV CKT 1' | TO->FROM | 0.25213 | 349.9 | 'MIDLAND COUNTY INTERCHANGE 230/138KV TRANSFORMER CKT 1'      |
| 11SP | 0 | G10_059 | 'HOBBS INTERCHANGE - LEA COUNTY INTERCHANGE 230KV CKT 1'          | FROM->TO | 0.76845 | 617   | 'CAPROCK REC-GRADY - CAPROCK REC-TRIANGLE 138KV CKT 1'        |
| 11SP | 0 | G10_060 | 'HOBBS INTERCHANGE - LEA COUNTY INTERCHANGE 230KV CKT 1'          | FROM->TO | 0.76845 | 617   | 'CAPROCK REC-GRADY - CAPROCK REC-TRIANGLE 138KV CKT 1'        |
| 11SP | 0 | G10_059 | 'HOBBS INTERCHANGE - LEA COUNTY INTERCHANGE 230KV CKT 1'          | FROM->TO | 0.76845 | 617   | 'CAPROCK REC-GRADY - CAPROCK REC-REED 138KV CKT 1'            |
| 11SP | 0 | G10_060 | 'HOBBS INTERCHANGE - LEA COUNTY INTERCHANGE 230KV CKT 1'          | FROM->TO | 0.76845 | 617   | 'CAPROCK REC-GRADY - CAPROCK REC-REED 138KV CKT 1'            |
| 11SP | 0 | G10_059 | 'HOBBS INTERCHANGE - LEA COUNTY INTERCHANGE 230KV CKT 1'          | FROM->TO | 0.76845 | 617   | 'CAPROCK REC-KOCH - CAPROCK REC-REED 138KV CKT 1'             |
| 11SP | 0 | G10_060 | 'HOBBS INTERCHANGE - LEA COUNTY INTERCHANGE 230KV CKT 1'          | FROM->TO | 0.76845 | 617   | 'CAPROCK REC-KOCH - CAPROCK REC-REED 138KV CKT 1'             |
| 11SP | 0 | G10_059 | 'AMOCO SWITCHING STATION - YOAKUM COUNTY INTERCHANGE 230KV CKT 1' | TO->FROM | 0.25213 | 349.9 | 'CAPROCK REC-PHILLIPS - CAPROCK REC-TATE 138KV CKT 1'         |
| 11SP | 0 | G10_060 | 'AMOCO SWITCHING STATION - YOAKUM COUNTY INTERCHANGE 230KV CKT 1' | TO->FROM | 0.25213 | 349.9 | 'CAPROCK REC-PHILLIPS - CAPROCK REC-TATE 138KV CKT 1'         |
| 11SP | 0 | G10_059 | 'HOBBS INTERCHANGE - LEA COUNTY INTERCHANGE 230KV CKT 1'          | FROM->TO | 0.76845 | 617   | 'CAPROCK REC-KOCH - CAPROCK REC-VEALMOOR 138KV CKT 1'         |
| 11SP | 0 | G10_060 | 'HOBBS INTERCHANGE - LEA COUNTY INTERCHANGE 230KV CKT 1'          | FROM->TO | 0.76845 | 617   | 'CAPROCK REC-KOCH - CAPROCK REC-VEALMOOR 138KV CKT 1'         |
| 11SP | 0 | G10_059 | 'HOBBS INTERCHANGE - MIDLAND COUNTY INTERCHANGE 230KV CKT 1'      | TO->FROM | 0.80049 | 478   | 'CAPROCK REC-MCDONALD - CR-1956 4138.00 138KV CKT 1'          |
| 11SP | 0 | G10_060 | 'HOBBS INTERCHANGE - MIDLAND COUNTY INTERCHANGE 230KV CKT 1'      | TO->FROM | 0.80049 | 478   | 'CAPROCK REC-MCDONALD - CR-1956 4138.00 138KV CKT 1'          |
| 11SP | 0 | G10_059 | 'HOBBS INTERCHANGE 230/115KV TRANSFORMER CKT 1'                   | FROM->TO | 0.19527 | 149.1 | 'CUNNINGHAM STATION - LEA COUNTY INTERCHANGE 230KV CKT 1'     |
| 11SP | 0 | G10_060 | 'HOBBS INTERCHANGE 230/115KV TRANSFORMER CKT 1'                   | FROM->TO | 0.19527 | 149.1 | 'CUNNINGHAM STATION - LEA COUNTY INTERCHANGE 230KV CKT 1'     |
| 11SP | 0 | G10_059 | 'HOBBS INTERCHANGE - MIDLAND COUNTY INTERCHANGE 230KV CKT 1'      | TO->FROM | 0.80049 | 478   | 'CAPROCK REC-NEW SCHWARTZ - CR-1956 4138.00 138KV CKT 1'      |
| 11SP | 0 | G10_060 | 'HOBBS INTERCHANGE - MIDLAND COUNTY INTERCHANGE 230KV CKT 1'      | TO->FROM | 0.80049 | 478   | 'CAPROCK REC-NEW SCHWARTZ - CR-1956 4138.00 138KV CKT 1'      |
| 11SP | 0 | G10_059 | 'HOBBS INTERCHANGE - MIDLAND COUNTY INTERCHANGE 230KV CKT 1'      | TO->FROM | 0.80049 | 478   | 'CAPROCK REC-NEW SCHWARTZ - CAPROCK REC-PEMBROOK 138KV CKT 1' |
| 11SP | 0 | G10_060 | 'HOBBS INTERCHANGE - MIDLAND COUNTY INTERCHANGE 230KV CKT 1'      | TO->FROM | 0.80049 | 478   | 'CAPROCK REC-NEW SCHWARTZ - CAPROCK REC-PEMBROOK 138KV CKT 1' |
| 11SP | 0 | G10_059 | 'HOBBS INTERCHANGE - MIDLAND COUNTY INTERCHANGE 230KV CKT 1'      | TO->FROM | 0.80043 | 478   | 'CAPROCK REC-STILES - G09-17T 138.00 138KV CKT 1'             |
| 11SP | 0 | G10_060 | 'HOBBS INTERCHANGE - MIDLAND COUNTY INTERCHANGE 230KV CKT 1'      | TO->FROM | 0.80043 | 478   | 'CAPROCK REC-STILES - G09-17T 138.00 138KV CKT 1'             |
| 11SP | 0 | G10_059 | 'HOBBS INTERCHANGE - MIDLAND COUNTY INTERCHANGE 230KV CKT 1'      | TO->FROM | 0.80049 | 478   | 'CAPROCK REC-PEMBROOK - G09-17T 138.00 138KV CKT 1'           |
| 11SP | 0 | G10_060 | 'HOBBS INTERCHANGE - MIDLAND COUNTY INTERCHANGE 230KV CKT 1'      | TO->FROM | 0.80049 | 478   | 'CAPROCK REC-PEMBROOK - G09-17T 138.00 138KV CKT 1'           |
| 11SP | 0 | G10_059 | 'HOBBS INTERCHANGE - MIDLAND COUNTY INTERCHANGE 230KV CKT 1'      | TO->FROM | 0.80043 | 478   | 'CAPROCK REC-ST LAWRENCE - CAPROCK REC-STILES 138KV CKT 1'    |
| 11SP | 0 | G10_060 | 'HOBBS INTERCHANGE - MIDLAND COUNTY INTERCHANGE 230KV CKT 1'      | TO->FROM | 0.80043 | 478   | 'CAPROCK REC-ST LAWRENCE - CAPROCK REC-STILES 138KV CKT 1'    |

|      |   |         |   |          |         |       |   |
|------|---|---------|---|----------|---------|-------|---|
| 11SP | 0 | G10_059 | 'HOBBS INTERCHANGE - MIDLAND COUNTY INTERCHANGE 230KV CKT 1'      | TO->FROM | 0.77512 | 478   | 'Golden Spread REC - Mustang Interchange 230 kV Generation Bus - MUSTANG STATION 230KV CKT 1' |
| 11SP | 0 | G10_060 | 'HOBBS INTERCHANGE - MIDLAND COUNTY INTERCHANGE 230KV CKT 1'      | TO->FROM | 0.77512 | 478   | 'Golden Spread REC - Mustang Interchange 230 kV Generation Bus - MUSTANG STATION 230KV CKT 1' |
| 11SP | 0 | G10_059 | 'AMOCO SWITCHING STATION - YOAKUM COUNTY INTERCHANGE 230KV CKT 1' | TO->FROM | 0.25213 | 349.9 | 'CAPROCK REC-MCDONALD - CAPROCK REC-PHILLIPS 138KV CKT 1'                                     |
| 11SP | 0 | G10_060 | 'AMOCO SWITCHING STATION - YOAKUM COUNTY INTERCHANGE 230KV CKT 1' | TO->FROM | 0.25213 | 349.9 | 'CAPROCK REC-MCDONALD - CAPROCK REC-PHILLIPS 138KV CKT 1'                                     |
| 11SP | 0 | G10_059 | 'HOBBS INTERCHANGE - MIDLAND COUNTY INTERCHANGE 230KV CKT 1'      | TO->FROM | 0.77512 | 478   | 'HOBBS INTERCHANGE 230/18.0KV TRANSFORMER CKT 1'  |
| 11SP | 0 | G10_060 | 'HOBBS INTERCHANGE - MIDLAND COUNTY INTERCHANGE 230KV CKT 1'      | TO->FROM | 0.77512 | 478   | 'HOBBS INTERCHANGE 230/18.0KV TRANSFORMER CKT 1'  |
| 11SP | 0 | G10_059 | 'HOBBS INTERCHANGE - MIDLAND COUNTY INTERCHANGE 230KV CKT 1'      | TO->FROM | 0.80043 | 478   | 'CAPROCK REC-LANGE - CAPROCK REC-ST LAWRENCE 138KV CKT 1'                                     |
| 11SP | 0 | G10_060 | 'HOBBS INTERCHANGE - MIDLAND COUNTY INTERCHANGE 230KV CKT 1'      | TO->FROM | 0.80043 | 478   | 'CAPROCK REC-LANGE - CAPROCK REC-ST LAWRENCE 138KV CKT 1'                                     |
| 11SP | 0 | G10_059 | 'CAPROCK REC-LANGE - CAPROCK REC-ST LAWRENCE 138KV CKT 1'         | TO->FROM | 0.29544 | 175.9 | 'HOBBS INTERCHANGE - MIDLAND COUNTY INTERCHANGE 230KV CKT 1'                                  |
| 11SP | 0 | G10_060 | 'CAPROCK REC-LANGE - CAPROCK REC-ST LAWRENCE 138KV CKT 1'         | TO->FROM | 0.29544 | 175.9 | 'HOBBS INTERCHANGE - MIDLAND COUNTY INTERCHANGE 230KV CKT 1'                                  |
| 11SP | 0 | G10_059 | 'HOBBS INTERCHANGE - LEA COUNTY INTERCHANGE 230KV CKT 1'          | FROM->TO | 0.70732 | 617   | 'CAPROCK REC-MCDONALD - CR-1956 4138.00 138KV CKT 1'  |
| 11SP | 0 | G10_060 | 'HOBBS INTERCHANGE - LEA COUNTY INTERCHANGE 230KV CKT 1'          | FROM->TO | 0.70732 | 617   | 'CAPROCK REC-MCDONALD - CR-1956 4138.00 138KV CKT 1'  |
| 11SP | 0 | G10_059 | 'HOBBS INTERCHANGE - LEA COUNTY INTERCHANGE 230KV CKT 1'          | FROM->TO | 0.70732 | 617   | 'CAPROCK REC-NEW SCHWARTZ - CR-1956 4138.00 138KV CKT 1'                                      |
| 11SP | 0 | G10_060 | 'HOBBS INTERCHANGE - LEA COUNTY INTERCHANGE 230KV CKT 1'          | FROM->TO | 0.70732 | 617   | 'CAPROCK REC-NEW SCHWARTZ - CR-1956 4138.00 138KV CKT 1'                                      |
| 11SP | 0 | G10_059 | 'HOBBS INTERCHANGE - LEA COUNTY INTERCHANGE 230KV CKT 1'          | FROM->TO | 0.6848  | 617   | 'CUNNINGHAM STATION 230/20.0KV TRANSFORMER CKT 1'   |
| 11SP | 0 | G10_060 | 'HOBBS INTERCHANGE - LEA COUNTY INTERCHANGE 230KV CKT 1'          | FROM->TO | 0.6848  | 617   | 'CUNNINGHAM STATION 230/20.0KV TRANSFORMER CKT 1'   |
| 11SP | 0 | G10_059 | 'HOBBS INTERCHANGE - LEA COUNTY INTERCHANGE 230KV CKT 1'          | FROM->TO | 0.70732 | 617   | 'CAPROCK REC-NEW SCHWARTZ - CAPROCK REC-PEMBROOK 138KV CKT 1'                                 |
| 11SP | 0 | G10_060 | 'HOBBS INTERCHANGE - LEA COUNTY INTERCHANGE 230KV CKT 1'          | FROM->TO | 0.70732 | 617   | 'CAPROCK REC-NEW SCHWARTZ - CAPROCK REC-PEMBROOK 138KV CKT 1'                                 |
| 11SP | 0 | G10_059 | 'HOBBS INTERCHANGE - LEA COUNTY INTERCHANGE 230KV CKT 1'          | FROM->TO | 0.70727 | 617   | 'CAPROCK REC-STILES - G09-17T 138.00 138KV CKT 1'   |
| 11SP | 0 | G10_060 | 'HOBBS INTERCHANGE - LEA COUNTY INTERCHANGE 230KV CKT 1'          | FROM->TO | 0.70727 | 617   | 'CAPROCK REC-STILES - G09-17T 138.00 138KV CKT 1'   |
| 11SP | 0 | G10_059 | 'HOBBS INTERCHANGE - MIDLAND COUNTY INTERCHANGE 230KV CKT 1'      | TO->FROM | 0.77512 | 478   | 'BASE CASE'   |
| 11SP | 0 | G10_060 | 'HOBBS INTERCHANGE - MIDLAND COUNTY INTERCHANGE 230KV CKT 1'      | TO->FROM | 0.77512 | 478   | 'BASE CASE'   |
| 11SP | 0 | G10_059 | 'LEA COUNTY INTERCHANGE - YOAKUM COUNTY INTERCHANGE 230KV CKT 1'  | FROM->TO | 0.38042 | 351   | 'CUNNINGHAM STATION - LEA COUNTY INTERCHANGE 230KV CKT 1'                                     |
| 11SP | 0 | G10_060 | 'LEA COUNTY INTERCHANGE - YOAKUM COUNTY INTERCHANGE 230KV CKT 1'  | FROM->TO | 0.38042 | 351   | 'CUNNINGHAM STATION - LEA COUNTY INTERCHANGE 230KV CKT 1'                                     |

|      |   |         |  |          |         |       |  |
|------|---|---------|--|----------|---------|-------|--|
| 11SP | 0 | G10_059 | 'HOBBS INTERCHANGE - LEA COUNTY INTERCHANGE 230KV CKT 1'         | FROM->TO | 0.70732 | 617   | 'CAPROCK REC-PEMBROOK - G09-17T 138.00 138KV CKT 1'                |
| 11SP | 0 | G10_060 | 'HOBBS INTERCHANGE - LEA COUNTY INTERCHANGE 230KV CKT 1'         | FROM->TO | 0.70732 | 617   | 'CAPROCK REC-PEMBROOK - G09-17T 138.00 138KV CKT 1'                |
| 11SP | 0 | G10_059 | 'HOBBS INTERCHANGE - LEA COUNTY INTERCHANGE 230KV CKT 1'         | FROM->TO | 0.70727 | 617   | 'CAPROCK REC-ST LAWRENCE - CAPROCK REC-STILES 138KV CKT 1'         |
| 11SP | 0 | G10_060 | 'HOBBS INTERCHANGE - LEA COUNTY INTERCHANGE 230KV CKT 1'         | FROM->TO | 0.70727 | 617   | 'CAPROCK REC-ST LAWRENCE - CAPROCK REC-STILES 138KV CKT 1'         |
| 11SP | 0 | G10_059 | 'CAPROCK REC-PHILLIPS - CAPROCK REC-TATE 138KV CKT 1'            | TO->FROM | 0.24933 | 271   | 'LEA COUNTY INTERCHANGE - YOAKUM COUNTY INTERCHANGE 230KV CKT 1'   |
| 11SP | 0 | G10_060 | 'CAPROCK REC-PHILLIPS - CAPROCK REC-TATE 138KV CKT 1'            | TO->FROM | 0.24933 | 271   | 'LEA COUNTY INTERCHANGE - YOAKUM COUNTY INTERCHANGE 230KV CKT 1'   |
| 11SP | 0 | G10_059 | 'HOBBS INTERCHANGE - LEA COUNTY INTERCHANGE 230KV CKT 1'         | FROM->TO | 0.69574 | 617   | 'GAINES COUNTY INTERCHANGE - TAYLOR SWITCHING STATION 115KV CKT 1' |
| 11SP | 0 | G10_060 | 'HOBBS INTERCHANGE - LEA COUNTY INTERCHANGE 230KV CKT 1'         | FROM->TO | 0.69574 | 617   | 'GAINES COUNTY INTERCHANGE - TAYLOR SWITCHING STATION 115KV CKT 1' |
| 11SP | 0 | G10_059 | 'CAPROCK REC-GRADY - CAPROCK REC-TRIANGLE 138KV CKT 1'           | TO->FROM | 0.19951 | 175.8 | 'CAPROCK REC-MCDONALD - CR-1956 4138.00 138KV CKT 1'               |
| 11SP | 0 | G10_060 | 'CAPROCK REC-GRADY - CAPROCK REC-TRIANGLE 138KV CKT 1'           | TO->FROM | 0.19951 | 175.8 | 'CAPROCK REC-MCDONALD - CR-1956 4138.00 138KV CKT 1'               |
| 11SP | 0 | G10_059 | 'CAPROCK REC-PHILLIPS - CAPROCK REC-TATE 138KV CKT 1'            | TO->FROM | 0.23559 | 271   | 'AMOCO SWITCHING STATION - YOAKUM COUNTY INTERCHANGE 230KV CKT 1'  |
| 11SP | 0 | G10_060 | 'CAPROCK REC-PHILLIPS - CAPROCK REC-TATE 138KV CKT 1'            | TO->FROM | 0.23559 | 271   | 'AMOCO SWITCHING STATION - YOAKUM COUNTY INTERCHANGE 230KV CKT 1'  |
| 11SP | 0 | G10_059 | 'CAPROCK REC-GRADY - CAPROCK REC-TRIANGLE 138KV CKT 1'           | TO->FROM | 0.214   | 175.8 | 'HOBBS INTERCHANGE - LEA COUNTY INTERCHANGE 230KV CKT 1'           |
| 11SP | 0 | G10_060 | 'CAPROCK REC-GRADY - CAPROCK REC-TRIANGLE 138KV CKT 1'           | TO->FROM | 0.214   | 175.8 | 'HOBBS INTERCHANGE - LEA COUNTY INTERCHANGE 230KV CKT 1'           |
| 11SP | 0 | G10_059 | 'CAPROCK REC-GRADY - CAPROCK REC-TRIANGLE 138KV CKT 1'           | TO->FROM | 0.19951 | 175.8 | 'CAPROCK REC-NEW SCHWARTZ - CR-1956 4138.00 138KV CKT 1'           |
| 11SP | 0 | G10_060 | 'CAPROCK REC-GRADY - CAPROCK REC-TRIANGLE 138KV CKT 1'           | TO->FROM | 0.19951 | 175.8 | 'CAPROCK REC-NEW SCHWARTZ - CR-1956 4138.00 138KV CKT 1'           |
| 11SP | 0 | G10_059 | 'LEA COUNTY INTERCHANGE - YOAKUM COUNTY INTERCHANGE 230KV CKT 1' | FROM->TO | 0.32607 | 351   | 'CUNNINGHAM STATION - EDDY COUNTY INTERCHANGE 230KV CKT 1'         |
| 11SP | 0 | G10_060 | 'LEA COUNTY INTERCHANGE - YOAKUM COUNTY INTERCHANGE 230KV CKT 1' | FROM->TO | 0.32607 | 351   | 'CUNNINGHAM STATION - EDDY COUNTY INTERCHANGE 230KV CKT 1'         |
| 11SP | 0 | G10_059 | 'LEA COUNTY INTERCHANGE - YOAKUM COUNTY INTERCHANGE 230KV CKT 1' | FROM->TO | 0.3838  | 351   | 'BORDEN COUNTY INTERCHANGE 230/138KV TRANSFORMER CKT 1'            |
| 11SP | 0 | G10_060 | 'LEA COUNTY INTERCHANGE - YOAKUM COUNTY INTERCHANGE 230KV CKT 1' | FROM->TO | 0.3838  | 351   | 'BORDEN COUNTY INTERCHANGE 230/138KV TRANSFORMER CKT 1'            |
| 11SP | 0 | G10_059 | 'LEA COUNTY INTERCHANGE - YOAKUM COUNTY INTERCHANGE 230KV CKT 1' | FROM->TO | 0.3838  | 351   | 'SPP-SWPS-K48'   |
| 11SP | 0 | G10_060 | 'LEA COUNTY INTERCHANGE - YOAKUM COUNTY INTERCHANGE 230KV CKT 1' | FROM->TO | 0.3838  | 351   | 'SPP-SWPS-K48'   |
| 11SP | 0 | G10_059 | 'LEA COUNTY INTERCHANGE - YOAKUM COUNTY INTERCHANGE 230KV CKT 1' | FROM->TO | 0.3838  | 351   | 'BORDEN COUNTY INTERCHANGE - GRASSLAND INTERCHANGE 230KV CKT 1'    |
| 11SP | 0 | G10_060 | 'LEA COUNTY INTERCHANGE - YOAKUM COUNTY INTERCHANGE 230KV CKT 1' | FROM->TO | 0.3838  | 351   | 'BORDEN COUNTY INTERCHANGE - GRASSLAND INTERCHANGE 230KV CKT 1'    |
| 11SP | 0 | G10_059 | 'CAPROCK REC-PHILLIPS - CAPROCK REC-TATE 138KV CKT 1'            | TO->FROM | 0.23033 | 271   | 'TOLK STATION EAST - TUCO INTERCHANGE 230KV CKT 1'                 |

|      |   |         |  |          |         |       |   |
|------|---|---------|--|----------|---------|-------|---|
| 11SP | 0 | G10_060 | 'CAPROCK REC-PHILLIPS - CAPROCK REC-TATE 138KV CKT 1'            | TO->FROM | 0.23033 | 271   | 'TOLK STATION EAST - TUCO INTERCHANGE 230KV CKT 1'  |
| 11SP | 0 | G10_059 | 'CAPROCK REC-PHILLIPS - CAPROCK REC-TATE 138KV CKT 1'            | TO->FROM | 0.23827 | 271   | 'CUNNINGHAM STATION - LEA COUNTY INTERCHANGE 230KV CKT 1'                                     |
| 11SP | 0 | G10_060 | 'CAPROCK REC-PHILLIPS - CAPROCK REC-TATE 138KV CKT 1'            | TO->FROM | 0.23827 | 271   | 'CUNNINGHAM STATION - LEA COUNTY INTERCHANGE 230KV CKT 1'                                     |
| 11SP | 0 | G10_059 | 'CAPROCK REC-PHILLIPS - CAPROCK REC-TATE 138KV CKT 1'            | TO->FROM | 0.23256 | 271   | 'SUNDOWN INTERCHANGE - WOLFFORTH INTERCHANGE 230KV CKT 1'                                     |
| 11SP | 0 | G10_060 | 'CAPROCK REC-PHILLIPS - CAPROCK REC-TATE 138KV CKT 1'            | TO->FROM | 0.23256 | 271   | 'SUNDOWN INTERCHANGE - WOLFFORTH INTERCHANGE 230KV CKT 1'                                     |
| 11SP | 0 | G10_059 | 'CAPROCK REC-PHILLIPS - CAPROCK REC-TATE 138KV CKT 1'            | TO->FROM | 0.23115 | 271   | 'CUNNINGHAM STATION - EDDY COUNTY INTERCHANGE 230KV CKT 1'                                    |
| 11SP | 0 | G10_060 | 'CAPROCK REC-PHILLIPS - CAPROCK REC-TATE 138KV CKT 1'            | TO->FROM | 0.23115 | 271   | 'CUNNINGHAM STATION - EDDY COUNTY INTERCHANGE 230KV CKT 1'                                    |
| 11SP | 0 | G10_059 | 'CAPROCK REC-PHILLIPS - CAPROCK REC-TATE 138KV CKT 1'            | TO->FROM | 0.23559 | 271   | 'AMOCO SWITCHING STATION - SUNDOWN INTERCHANGE 230KV CKT 1'                                   |
| 11SP | 0 | G10_060 | 'CAPROCK REC-PHILLIPS - CAPROCK REC-TATE 138KV CKT 1'            | TO->FROM | 0.23559 | 271   | 'AMOCO SWITCHING STATION - SUNDOWN INTERCHANGE 230KV CKT 1'                                   |
| 11SP | 0 | G10_059 | 'LEA COUNTY INTERCHANGE - YOAKUM COUNTY INTERCHANGE 230KV CKT 1' | FROM->TO | 0.2915  | 351   | 'Golden Spread REC - Mustang Interchange 230 kV Generation Bus - MUSTANG STATION 230KV CKT 1' |
| 11SP | 0 | G10_060 | 'LEA COUNTY INTERCHANGE - YOAKUM COUNTY INTERCHANGE 230KV CKT 1' | FROM->TO | 0.2915  | 351   | 'Golden Spread REC - Mustang Interchange 230 kV Generation Bus - MUSTANG STATION 230KV CKT 1' |
| 11SP | 0 | G10_059 | 'CAPROCK REC-MCDONALD - CAPROCK REC-PHILLIPS 138KV CKT 1'        | TO->FROM | 0.24933 | 271   | 'LEA COUNTY INTERCHANGE - YOAKUM COUNTY INTERCHANGE 230KV CKT 1'                              |
| 11SP | 0 | G10_060 | 'CAPROCK REC-MCDONALD - CAPROCK REC-PHILLIPS 138KV CKT 1'        | TO->FROM | 0.24933 | 271   | 'LEA COUNTY INTERCHANGE - YOAKUM COUNTY INTERCHANGE 230KV CKT 1'                              |
| 11SP | 0 | G10_059 | 'CAPROCK REC-PHILLIPS - CAPROCK REC-TATE 138KV CKT 1'            | TO->FROM | 0.22767 | 271   | 'CUNNINGHAM STATION - POTASH JUNCTION INTERCHANGE 230KV CKT 1'                                |
| 11SP | 0 | G10_060 | 'CAPROCK REC-PHILLIPS - CAPROCK REC-TATE 138KV CKT 1'            | TO->FROM | 0.22767 | 271   | 'CUNNINGHAM STATION - POTASH JUNCTION INTERCHANGE 230KV CKT 1'                                |
| 11SP | 0 | G10_059 | 'CUNNINGHAM STATION - EDDY COUNTY INTERCHANGE 230KV CKT 1'       | FROM->TO | 0.20305 | 350.9 | 'CUNNINGHAM STATION - POTASH JUNCTION INTERCHANGE 230KV CKT 1'                                |
| 11SP | 0 | G10_060 | 'CUNNINGHAM STATION - EDDY COUNTY INTERCHANGE 230KV CKT 1'       | FROM->TO | 0.20305 | 350.9 | 'CUNNINGHAM STATION - POTASH JUNCTION INTERCHANGE 230KV CKT 1'                                |
| 11SP | 0 | G10_059 | 'CAPROCK REC-PHILLIPS - CAPROCK REC-TATE 138KV CKT 1'            | TO->FROM | 0.22488 | 271   | 'Jones Station Bus#2 230/22.0KV TRANSFORMER CKT 1'  |
| 11SP | 0 | G10_060 | 'CAPROCK REC-PHILLIPS - CAPROCK REC-TATE 138KV CKT 1'            | TO->FROM | 0.22488 | 271   | 'Jones Station Bus#2 230/22.0KV TRANSFORMER CKT 1'  |
| 11SP | 0 | G10_059 | 'CAPROCK REC-PHILLIPS - CAPROCK REC-TATE 138KV CKT 1'            | TO->FROM | 0.22488 | 271   | 'JONES STATION 230/22.0KV TRANSFORMER CKT 1'  |
| 11SP | 0 | G10_060 | 'CAPROCK REC-PHILLIPS - CAPROCK REC-TATE 138KV CKT 1'            | TO->FROM | 0.22488 | 271   | 'JONES STATION 230/22.0KV TRANSFORMER CKT 1'  |
| 11SP | 0 | G10_059 | 'CAPROCK REC-PHILLIPS - CAPROCK REC-TATE 138KV CKT 1'            | TO->FROM | 0.23694 | 271   | 'TOLK STATION (ABBXNL844501) 345/230/13.2KV TRANSFORMER CKT 1'                                |
| 11SP | 0 | G10_060 | 'CAPROCK REC-PHILLIPS - CAPROCK REC-TATE 138KV CKT 1'            | TO->FROM | 0.23694 | 271   | 'TOLK STATION (ABBXNL844501) 345/230/13.2KV TRANSFORMER CKT 1'                                |
| 11SP | 0 | G10_059 | 'CAPROCK REC-PHILLIPS - CAPROCK REC-TATE 138KV CKT 1'            | TO->FROM | 0.23694 | 271   | 'CHAVESCO 345.00 - TOLK STATION 345KV CKT 1'  |

|      |   |         |  |          |         |       |  |
|------|---|---------|--|----------|---------|-------|--|
| 11SP | 0 | G10_060 | 'CAPROCK REC-PHILLIPS - CAPROCK REC-TATE 138KV CKT 1'            | TO->FROM | 0.23694 | 271   | 'CHAVESCO 345.00 - TOLK STATION 345KV CKT 1'                       |
| 11SP | 0 | G10_059 | 'CAPROCK REC-PHILLIPS - CAPROCK REC-TATE 138KV CKT 1'            | TO->FROM | 0.22488 | 271   | 'Jones Station Bus#2 230/22.0KV TRANSFORMER CKT 1'                 |
| 11SP | 0 | G10_060 | 'CAPROCK REC-PHILLIPS - CAPROCK REC-TATE 138KV CKT 1'            | TO->FROM | 0.22488 | 271   | 'Jones Station Bus#2 230/22.0KV TRANSFORMER CKT 1'                 |
| 11SP | 0 | G10_059 | 'CAPROCK REC-PHILLIPS - CAPROCK REC-TATE 138KV CKT 1'            | TO->FROM | 0.22958 | 271   | 'TERRY COUNTY INTERCHANGE - WOLFFORTH INTERCHANGE 115KV CKT 1'     |
| 11SP | 0 | G10_060 | 'CAPROCK REC-PHILLIPS - CAPROCK REC-TATE 138KV CKT 1'            | TO->FROM | 0.22958 | 271   | 'TERRY COUNTY INTERCHANGE - WOLFFORTH INTERCHANGE 115KV CKT 1'     |
| 11SP | 0 | G10_059 | 'CAPROCK REC-GRADY - CAPROCK REC-TRIANGLE 138KV CKT 1'           | TO->FROM | 0.19951 | 175.8 | 'CAPROCK REC-NEW SCHWARTZ - CAPROCK REC-PEMBROOK 138KV CKT 1'      |
| 11SP | 0 | G10_060 | 'CAPROCK REC-GRADY - CAPROCK REC-TRIANGLE 138KV CKT 1'           | TO->FROM | 0.19951 | 175.8 | 'CAPROCK REC-NEW SCHWARTZ - CAPROCK REC-PEMBROOK 138KV CKT 1'      |
| 11SP | 0 | G10_059 | 'CAPROCK REC-PHILLIPS - CAPROCK REC-TATE 138KV CKT 1'            | TO->FROM | 0.23254 | 271   | 'LUBBOCK SOUTH INTERCHANGE - WOLFFORTH INTERCHANGE 230KV CKT 1'    |
| 11SP | 0 | G10_060 | 'CAPROCK REC-PHILLIPS - CAPROCK REC-TATE 138KV CKT 1'            | TO->FROM | 0.23254 | 271   | 'LUBBOCK SOUTH INTERCHANGE - WOLFFORTH INTERCHANGE 230KV CKT 1'    |
| 11SP | 0 | G10_059 | 'CAPROCK REC-KOCH - CAPROCK REC-REED 138KV CKT 1'                | TO->FROM | 0.19951 | 175.7 | 'CAPROCK REC-MCDONALD - CR-1956 4138.00 138KV CKT 1'               |
| 11SP | 0 | G10_060 | 'CAPROCK REC-KOCH - CAPROCK REC-REED 138KV CKT 1'                | TO->FROM | 0.19951 | 175.7 | 'CAPROCK REC-MCDONALD - CR-1956 4138.00 138KV CKT 1'               |
| 11SP | 0 | G10_059 | 'CAPROCK REC-GRADY - CAPROCK REC-TRIANGLE 138KV CKT 1'           | TO->FROM | 0.19941 | 175.8 | 'CAPROCK REC-STILES - G09-17T 138.00 138KV CKT 1'                  |
| 11SP | 0 | G10_060 | 'CAPROCK REC-GRADY - CAPROCK REC-TRIANGLE 138KV CKT 1'           | TO->FROM | 0.19941 | 175.8 | 'CAPROCK REC-STILES - G09-17T 138.00 138KV CKT 1'                  |
| 11SP | 0 | G10_059 | 'CAPROCK REC-PHILLIPS - CAPROCK REC-TATE 138KV CKT 1'            | TO->FROM | 0.22697 | 271   | 'CHAVES COUNTY INTERCHANGE - EDDY COUNTY INTERCHANGE 230KV CKT 1'  |
| 11SP | 0 | G10_060 | 'CAPROCK REC-PHILLIPS - CAPROCK REC-TATE 138KV CKT 1'            | TO->FROM | 0.22697 | 271   | 'CHAVES COUNTY INTERCHANGE - EDDY COUNTY INTERCHANGE 230KV CKT 1'  |
| 11SP | 0 | G10_059 | 'CAPROCK REC-PHILLIPS - CAPROCK REC-TATE 138KV CKT 1'            | TO->FROM | 0.22506 | 271   | 'SPP-SWPS-T14'   |
| 11SP | 0 | G10_060 | 'CAPROCK REC-PHILLIPS - CAPROCK REC-TATE 138KV CKT 1'            | TO->FROM | 0.22506 | 271   | 'SPP-SWPS-T14'   |
| 11SP | 0 | G10_059 | 'CAPROCK REC-PHILLIPS - CAPROCK REC-TATE 138KV CKT 1'            | TO->FROM | 0.22692 | 271   | 'WOLFFORTH INTERCHANGE - YUMA INTERCHANGE 115KV CKT 1'             |
| 11SP | 0 | G10_060 | 'CAPROCK REC-PHILLIPS - CAPROCK REC-TATE 138KV CKT 1'            | TO->FROM | 0.22692 | 271   | 'WOLFFORTH INTERCHANGE - YUMA INTERCHANGE 115KV CKT 1'             |
| 11SP | 0 | G10_059 | 'LEA COUNTY INTERCHANGE - YOAKUM COUNTY INTERCHANGE 230KV CKT 1' | FROM->TO | 0.32108 | 351   | 'GAINES COUNTY INTERCHANGE - TAYLOR SWITCHING STATION 115KV CKT 1' |
| 11SP | 0 | G10_060 | 'LEA COUNTY INTERCHANGE - YOAKUM COUNTY INTERCHANGE 230KV CKT 1' | FROM->TO | 0.32108 | 351   | 'GAINES COUNTY INTERCHANGE - TAYLOR SWITCHING STATION 115KV CKT 1' |
| 11SP | 0 | G10_059 | 'CAPROCK REC-KOCH - CAPROCK REC-REED 138KV CKT 1'                | TO->FROM | 0.214   | 175.7 | 'HOBBS INTERCHANGE - LEA COUNTY INTERCHANGE 230KV CKT 1'           |
| 11SP | 0 | G10_060 | 'CAPROCK REC-KOCH - CAPROCK REC-REED 138KV CKT 1'                | TO->FROM | 0.214   | 175.7 | 'HOBBS INTERCHANGE - LEA COUNTY INTERCHANGE 230KV CKT 1'           |
| 11SP | 0 | G10_059 | 'CAPROCK REC-KOCH - CAPROCK REC-VEALMOOR 138KV CKT 1'            | FROM->TO | 0.19951 | 175.7 | 'CAPROCK REC-MCDONALD - CR-1956 4138.00 138KV CKT 1'               |
| 11SP | 0 | G10_060 | 'CAPROCK REC-KOCH - CAPROCK REC-VEALMOOR 138KV CKT 1'            | FROM->TO | 0.19951 | 175.7 | 'CAPROCK REC-MCDONALD - CR-1956 4138.00 138KV CKT 1'               |



|      |   |         |  |          |         |       |  |
|------|---|---------|--|----------|---------|-------|--|
| 11SP | 0 | G10_059 | 'JONES STATION - TUCO INTERCHANGE 230KV<br>CKT 1'                    | FROM->TO | 0.45772 | 347   | 'HOBBS INTERCHANGE - MIDLAND COUNTY<br>INTERCHANGE 230KV CKT 1'      |
| 11SP | 0 | G10_060 | 'JONES STATION - TUCO INTERCHANGE 230KV<br>CKT 1'                    | FROM->TO | 0.45772 | 347   | 'HOBBS INTERCHANGE - MIDLAND COUNTY<br>INTERCHANGE 230KV CKT 1'      |
| 11SP | 0 | G10_059 | 'CAPROCK REC-KOCH - CAPROCK REC-<br>VEALMOOR 138KV CKT 1'            | FROM->TO | 0.214   | 175.7 | 'HOBBS INTERCHANGE - LEA COUNTY<br>INTERCHANGE 230KV CKT 1'          |
| 11SP | 0 | G10_060 | 'CAPROCK REC-KOCH - CAPROCK REC-<br>VEALMOOR 138KV CKT 1'            | FROM->TO | 0.214   | 175.7 | 'HOBBS INTERCHANGE - LEA COUNTY<br>INTERCHANGE 230KV CKT 1'          |
| 11SP | 0 | G10_059 | 'CAPROCK REC-KOCH - CAPROCK REC-REED<br>138KV CKT 1'                 | TO->FROM | 0.19951 | 175.7 | 'CAPROCK REC-NEW SCHWARTZ - CR-1956<br>4138.00 138KV CKT 1'          |
| 11SP | 0 | G10_060 | 'CAPROCK REC-KOCH - CAPROCK REC-REED<br>138KV CKT 1'                 | TO->FROM | 0.19951 | 175.7 | 'CAPROCK REC-NEW SCHWARTZ - CR-1956<br>4138.00 138KV CKT 1'          |
| 11SP | 0 | G10_059 | 'LEA COUNTY INTERCHANGE - YOAKUM<br>COUNTY INTERCHANGE 230KV CKT 1'  | FROM->TO | 0.30807 | 351   | 'CUNNINGHAM STATION - POTASH JUNCTION<br>INTERCHANGE 230KV CKT 1'    |
| 11SP | 0 | G10_060 | 'LEA COUNTY INTERCHANGE - YOAKUM<br>COUNTY INTERCHANGE 230KV CKT 1'  | FROM->TO | 0.30807 | 351   | 'CUNNINGHAM STATION - POTASH JUNCTION<br>INTERCHANGE 230KV CKT 1'    |
| 11SP | 0 | G10_059 | 'BORDEN COUNTY INTERCHANGE 230/138KV<br>TRANSFORMER CKT 1'           | TO->FROM | 0.24917 | 167.2 | 'LEA COUNTY INTERCHANGE - YOAKUM<br>COUNTY INTERCHANGE 230KV CKT 1'  |
| 11SP | 0 | G10_060 | 'BORDEN COUNTY INTERCHANGE 230/138KV<br>TRANSFORMER CKT 1'           | TO->FROM | 0.24917 | 167.2 | 'LEA COUNTY INTERCHANGE - YOAKUM<br>COUNTY INTERCHANGE 230KV CKT 1'  |
| 11SP | 0 | G10_059 | 'CAPROCK REC-KOCH - CAPROCK REC-<br>VEALMOOR 138KV CKT 1'            | FROM->TO | 0.19951 | 175.7 | 'CAPROCK REC-NEW SCHWARTZ - CR-1956<br>4138.00 138KV CKT 1'          |
| 11SP | 0 | G10_060 | 'CAPROCK REC-KOCH - CAPROCK REC-<br>VEALMOOR 138KV CKT 1'            | FROM->TO | 0.19951 | 175.7 | 'CAPROCK REC-NEW SCHWARTZ - CR-1956<br>4138.00 138KV CKT 1'          |
| 11SP | 0 | G10_059 | 'LEA COUNTY INTERCHANGE - YOAKUM<br>COUNTY INTERCHANGE 230KV CKT 1'  | FROM->TO | 0.3302  | 351   | 'CAPROCK REC-MCDONALD - CAPROCK REC-<br>TRIANGLE 138KV CKT 1'        |
| 11SP | 0 | G10_060 | 'LEA COUNTY INTERCHANGE - YOAKUM<br>COUNTY INTERCHANGE 230KV CKT 1'  | FROM->TO | 0.3302  | 351   | 'CAPROCK REC-MCDONALD - CAPROCK REC-<br>TRIANGLE 138KV CKT 1'        |
| 11SP | 0 | G10_059 | 'CAPROCK REC-GRADY - CAPROCK REC-<br>TRIANGLE 138KV CKT 1'           | TO->FROM | 0.19951 | 175.8 | 'CAPROCK REC-PEMBROOK - G09-17T 138.00<br>138KV CKT 1'               |
| 11SP | 0 | G10_060 | 'CAPROCK REC-GRADY - CAPROCK REC-<br>TRIANGLE 138KV CKT 1'           | TO->FROM | 0.19951 | 175.8 | 'CAPROCK REC-PEMBROOK - G09-17T 138.00<br>138KV CKT 1'               |
| 11SP | 0 | G10_059 | 'AMOCO SWITCHING STATION - YOAKUM<br>COUNTY INTERCHANGE 230KV CKT 1' | TO->FROM | 0.25208 | 349.9 | 'BORDEN COUNTY INTERCHANGE 230/138KV<br>TRANSFORMER CKT 1'           |
| 11SP | 0 | G10_060 | 'AMOCO SWITCHING STATION - YOAKUM<br>COUNTY INTERCHANGE 230KV CKT 1' | TO->FROM | 0.25208 | 349.9 | 'BORDEN COUNTY INTERCHANGE 230/138KV<br>TRANSFORMER CKT 1'           |
| 11SP | 0 | G10_059 | 'AMOCO SWITCHING STATION - YOAKUM<br>COUNTY INTERCHANGE 230KV CKT 1' | TO->FROM | 0.25208 | 349.9 | 'SPP-SWPS-K48'   |
| 11SP | 0 | G10_060 | 'AMOCO SWITCHING STATION - YOAKUM<br>COUNTY INTERCHANGE 230KV CKT 1' | TO->FROM | 0.25208 | 349.9 | 'SPP-SWPS-K48'   |
| 11SP | 0 | G10_059 | 'AMOCO SWITCHING STATION - YOAKUM<br>COUNTY INTERCHANGE 230KV CKT 1' | TO->FROM | 0.25208 | 349.9 | 'BORDEN COUNTY INTERCHANGE -<br>GRASSLAND INTERCHANGE 230KV CKT 1'   |
| 11SP | 0 | G10_060 | 'AMOCO SWITCHING STATION - YOAKUM<br>COUNTY INTERCHANGE 230KV CKT 1' | TO->FROM | 0.25208 | 349.9 | 'BORDEN COUNTY INTERCHANGE -<br>GRASSLAND INTERCHANGE 230KV CKT 1'   |
| 11SP | 0 | G10_059 | 'CAPROCK REC-MCDONALD - CAPROCK REC-<br>PHILLIPS 138KV CKT 1'        | TO->FROM | 0.23559 | 271   | 'AMOCO SWITCHING STATION - YOAKUM<br>COUNTY INTERCHANGE 230KV CKT 1' |
| 11SP | 0 | G10_060 | 'CAPROCK REC-MCDONALD - CAPROCK REC-<br>PHILLIPS 138KV CKT 1'        | TO->FROM | 0.23559 | 271   | 'AMOCO SWITCHING STATION - YOAKUM<br>COUNTY INTERCHANGE 230KV CKT 1' |
| 11SP | 0 | G10_059 | 'LEA COUNTY INTERCHANGE - YOAKUM<br>COUNTY INTERCHANGE 230KV CKT 1'  | FROM->TO | 0.3302  | 351   | 'CAPROCK REC-GRADY - CAPROCK REC-<br>TRIANGLE 138KV CKT 1'           |

|      |   |         |  |          |         |       |   |
|------|---|---------|--|----------|---------|-------|---|
| 11SP | 0 | G10_060 | 'LEA COUNTY INTERCHANGE - YOAKUM COUNTY INTERCHANGE 230KV CKT 1' | FROM->TO | 0.3302  | 351   | 'CAPROCK REC-GRADY - CAPROCK REC-TRIANGLE 138KV CKT 1'                                |
| 11SP | 0 | G10_059 | 'LEA COUNTY INTERCHANGE - YOAKUM COUNTY INTERCHANGE 230KV CKT 1' | FROM->TO | 0.31157 | 351   | 'HOBBS INTERCHANGE - Higg Switch Station 115KV CKT 1'                                 |
| 11SP | 0 | G10_060 | 'LEA COUNTY INTERCHANGE - YOAKUM COUNTY INTERCHANGE 230KV CKT 1' | FROM->TO | 0.31157 | 351   | 'HOBBS INTERCHANGE - Higg Switch Station 115KV CKT 1'                                 |
| 11SP | 0 | G10_059 | 'CAPROCK REC-GRADY - CAPROCK REC-TRIANGLE 138KV CKT 1'           | TO->FROM | 0.19941 | 175.8 | 'CAPROCK REC-ST LAWRENCE - CAPROCK REC-STILES 138KV CKT 1'                            |
| 11SP | 0 | G10_060 | 'CAPROCK REC-GRADY - CAPROCK REC-TRIANGLE 138KV CKT 1'           | TO->FROM | 0.19941 | 175.8 | 'CAPROCK REC-ST LAWRENCE - CAPROCK REC-STILES 138KV CKT 1'                            |
| 11SP | 0 | G10_059 | 'LEA COUNTY INTERCHANGE - YOAKUM COUNTY INTERCHANGE 230KV CKT 1' | FROM->TO | 0.2915  | 319   | 'BASE CASE'   |
| 11SP | 0 | G10_060 | 'LEA COUNTY INTERCHANGE - YOAKUM COUNTY INTERCHANGE 230KV CKT 1' | FROM->TO | 0.2915  | 319   | 'BASE CASE'   |
| 11SP | 0 | G10_059 | 'LEA COUNTY INTERCHANGE - YOAKUM COUNTY INTERCHANGE 230KV CKT 1' | FROM->TO | 0.35531 | 351   | 'CHAVESCO 345.00 - TOLK STATION 345KV CKT 1'  |
| 11SP | 0 | G10_058 | 'LEA COUNTY INTERCHANGE - YOAKUM COUNTY INTERCHANGE 230KV CKT 1' | FROM->TO | 0.25814 | 351   | 'CHAVESCO 345.00 - TOLK STATION 345KV CKT 1'  |
| 11SP | 0 | G10_060 | 'LEA COUNTY INTERCHANGE - YOAKUM COUNTY INTERCHANGE 230KV CKT 1' | FROM->TO | 0.35531 | 351   | 'CHAVESCO 345.00 - TOLK STATION 345KV CKT 1'  |
| 11SP | 0 | G10_059 | 'LEA COUNTY INTERCHANGE - YOAKUM COUNTY INTERCHANGE 230KV CKT 1' | FROM->TO | 0.35531 | 351   | 'TOLK STATION (ABBXNL844501) 345/230/13.2KV TRANSFORMER CKT 1'                        |
| 11SP | 0 | G10_058 | 'LEA COUNTY INTERCHANGE - YOAKUM COUNTY INTERCHANGE 230KV CKT 1' | FROM->TO | 0.25814 | 351   | 'TOLK STATION (ABBXNL844501) 345/230/13.2KV TRANSFORMER CKT 1'                        |
| 11SP | 0 | G10_060 | 'LEA COUNTY INTERCHANGE - YOAKUM COUNTY INTERCHANGE 230KV CKT 1' | FROM->TO | 0.35531 | 351   | 'TOLK STATION (ABBXNL844501) 345/230/13.2KV TRANSFORMER CKT 1'                        |
| 11SP | 0 | G10_059 | 'LEA COUNTY INTERCHANGE - YOAKUM COUNTY INTERCHANGE 230KV CKT 1' | FROM->TO | 0.3302  | 351   | 'CAPROCK REC-GRADY - CAPROCK REC-REED 138KV CKT 1'                                    |
| 11SP | 0 | G10_060 | 'LEA COUNTY INTERCHANGE - YOAKUM COUNTY INTERCHANGE 230KV CKT 1' | FROM->TO | 0.3302  | 351   | 'CAPROCK REC-GRADY - CAPROCK REC-REED 138KV CKT 1'                                    |
| 11SP | 0 | G10_059 | 'LEA COUNTY INTERCHANGE - YOAKUM COUNTY INTERCHANGE 230KV CKT 1' | FROM->TO | 0.3302  | 351   | 'CAPROCK REC-KOCH - CAPROCK REC-REED 138KV CKT 1'                                     |
| 11SP | 0 | G10_060 | 'LEA COUNTY INTERCHANGE - YOAKUM COUNTY INTERCHANGE 230KV CKT 1' | FROM->TO | 0.3302  | 351   | 'CAPROCK REC-KOCH - CAPROCK REC-REED 138KV CKT 1'                                     |
| 11SP | 0 | G10_059 | 'LEA COUNTY INTERCHANGE - YOAKUM COUNTY INTERCHANGE 230KV CKT 1' | FROM->TO | 0.3302  | 351   | 'CAPROCK REC-KOCH - CAPROCK REC-VEALMOOR 138KV CKT 1'                                 |
| 11SP | 0 | G10_060 | 'LEA COUNTY INTERCHANGE - YOAKUM COUNTY INTERCHANGE 230KV CKT 1' | FROM->TO | 0.3302  | 351   | 'CAPROCK REC-KOCH - CAPROCK REC-VEALMOOR 138KV CKT 1'                                 |
| 11SP | 0 | G10_059 | 'LEA COUNTY INTERCHANGE - YOAKUM COUNTY INTERCHANGE 230KV CKT 1' | FROM->TO | 0.30906 | 351   | 'LEA COUNTY REC-LOVINGTON INTERCHANGE - LEA COUNTY REC-WAITS INTERCHANGE 115KV CKT 1' |
| 11SP | 0 | G10_060 | 'LEA COUNTY INTERCHANGE - YOAKUM COUNTY INTERCHANGE 230KV CKT 1' | FROM->TO | 0.30906 | 351   | 'LEA COUNTY REC-LOVINGTON INTERCHANGE - LEA COUNTY REC-WAITS INTERCHANGE 115KV CKT 1' |
| 11SP | 0 | G10_059 | 'CAPROCK REC-MCDONALD - CAPROCK REC-PHILLIPS 138KV CKT 1'        | TO->FROM | 0.23827 | 271   | 'CUNNINGHAM STATION - LEA COUNTY INTERCHANGE 230KV CKT 1'                             |
| 11SP | 0 | G10_060 | 'CAPROCK REC-MCDONALD - CAPROCK REC-PHILLIPS 138KV CKT 1'        | TO->FROM | 0.23827 | 271   | 'CUNNINGHAM STATION - LEA COUNTY INTERCHANGE 230KV CKT 1'                             |
| 11SP | 0 | G10_059 | 'CAPROCK REC-MCDONALD - CAPROCK REC-PHILLIPS 138KV CKT 1'        | TO->FROM | 0.23033 | 271   | 'TOLK STATION EAST - TUCO INTERCHANGE 230KV CKT 1'                                    |

|      |   |         |   |          |         |       |   |
|------|---|---------|---|----------|---------|-------|---|
| 11SP | 0 | G10_060 | 'CAPROCK REC-MCDONALD - CAPROCK REC-PHILLIPS 138KV CKT 1'         | TO->FROM | 0.23033 | 271   | 'TOLK STATION EAST - TUCO INTERCHANGE 230KV CKT 1'                |
| 11SP | 0 | G10_059 | 'BORDEN COUNTY INTERCHANGE 230/138KV TRANSFORMER CKT 1'           | TO->FROM | 0.23544 | 167.2 | 'AMOCO SWITCHING STATION - YOAKUM COUNTY INTERCHANGE 230KV CKT 1' |
| 11SP | 0 | G10_060 | 'BORDEN COUNTY INTERCHANGE 230/138KV TRANSFORMER CKT 1'           | TO->FROM | 0.23544 | 167.2 | 'AMOCO SWITCHING STATION - YOAKUM COUNTY INTERCHANGE 230KV CKT 1' |
| 11SP | 0 | G10_059 | 'AMOCO SWITCHING STATION - YOAKUM COUNTY INTERCHANGE 230KV CKT 1' | TO->FROM | 0.23857 | 349.9 | 'TOLK STATION WEST - YOAKUM COUNTY INTERCHANGE 230KV CKT 1'       |
| 11SP | 0 | G10_060 | 'AMOCO SWITCHING STATION - YOAKUM COUNTY INTERCHANGE 230KV CKT 1' | TO->FROM | 0.23857 | 349.9 | 'TOLK STATION WEST - YOAKUM COUNTY INTERCHANGE 230KV CKT 1'       |
| 11SP | 0 | G10_059 | 'CAPROCK REC-KOCH - CAPROCK REC-REED 138KV CKT 1'                 | TO->FROM | 0.19951 | 175.7 | 'CAPROCK REC-NEW SCHWARTZ - CAPROCK REC-PEMBROOK 138KV CKT 1'     |
| 11SP | 0 | G10_060 | 'CAPROCK REC-KOCH - CAPROCK REC-REED 138KV CKT 1'                 | TO->FROM | 0.19951 | 175.7 | 'CAPROCK REC-NEW SCHWARTZ - CAPROCK REC-PEMBROOK 138KV CKT 1'     |
| 11SP | 0 | G10_059 | 'CAPROCK REC-MCDONALD - CAPROCK REC-PHILLIPS 138KV CKT 1'         | TO->FROM | 0.23256 | 271   | 'SUNDOWN INTERCHANGE - WOLFFORTH INTERCHANGE 230KV CKT 1'         |
| 11SP | 0 | G10_060 | 'CAPROCK REC-MCDONALD - CAPROCK REC-PHILLIPS 138KV CKT 1'         | TO->FROM | 0.23256 | 271   | 'SUNDOWN INTERCHANGE - WOLFFORTH INTERCHANGE 230KV CKT 1'         |
| 11SP | 0 | G10_059 | 'CAPROCK REC-KOCH - CAPROCK REC-VEALMOOR 138KV CKT 1'             | FROM->TO | 0.19951 | 175.7 | 'CAPROCK REC-NEW SCHWARTZ - CAPROCK REC-PEMBROOK 138KV CKT 1'     |
| 11SP | 0 | G10_060 | 'CAPROCK REC-KOCH - CAPROCK REC-VEALMOOR 138KV CKT 1'             | FROM->TO | 0.19951 | 175.7 | 'CAPROCK REC-NEW SCHWARTZ - CAPROCK REC-PEMBROOK 138KV CKT 1'     |
| 11SP | 0 | G10_059 | 'CAPROCK REC-KOCH - CAPROCK REC-REED 138KV CKT 1'                 | TO->FROM | 0.19941 | 175.7 | 'CAPROCK REC-STILES - G09-17T 138.00 138KV CKT 1'                 |
| 11SP | 0 | G10_060 | 'CAPROCK REC-KOCH - CAPROCK REC-REED 138KV CKT 1'                 | TO->FROM | 0.19941 | 175.7 | 'CAPROCK REC-STILES - G09-17T 138.00 138KV CKT 1'                 |
| 11SP | 0 | G10_059 | 'CAPROCK REC-MCDONALD - CAPROCK REC-PHILLIPS 138KV CKT 1'         | TO->FROM | 0.23115 | 271   | 'CUNNINGHAM STATION - EDDY COUNTY INTERCHANGE 230KV CKT 1'        |
| 11SP | 0 | G10_060 | 'CAPROCK REC-MCDONALD - CAPROCK REC-PHILLIPS 138KV CKT 1'         | TO->FROM | 0.23115 | 271   | 'CUNNINGHAM STATION - EDDY COUNTY INTERCHANGE 230KV CKT 1'        |
| 11SP | 0 | G10_059 | 'CAPROCK REC-MCDONALD - CAPROCK REC-PHILLIPS 138KV CKT 1'         | TO->FROM | 0.23559 | 271   | 'AMOCO SWITCHING STATION - SUNDOWN INTERCHANGE 230KV CKT 1'       |
| 11SP | 0 | G10_060 | 'CAPROCK REC-MCDONALD - CAPROCK REC-PHILLIPS 138KV CKT 1'         | TO->FROM | 0.23559 | 271   | 'AMOCO SWITCHING STATION - SUNDOWN INTERCHANGE 230KV CKT 1'       |
| 11SP | 0 | G10_059 | 'CAPROCK REC-KOCH - CAPROCK REC-VEALMOOR 138KV CKT 1'             | FROM->TO | 0.19941 | 175.7 | 'CAPROCK REC-STILES - G09-17T 138.00 138KV CKT 1'                 |
| 11SP | 0 | G10_060 | 'CAPROCK REC-KOCH - CAPROCK REC-VEALMOOR 138KV CKT 1'             | FROM->TO | 0.19941 | 175.7 | 'CAPROCK REC-STILES - G09-17T 138.00 138KV CKT 1'                 |
| 11SP | 0 | G10_059 | 'CAPROCK REC-MCDONALD - CR-1956 4138.00 138KV CKT 1'              | FROM->TO | 0.2956  | 271   | 'HOBBS INTERCHANGE - MIDLAND COUNTY INTERCHANGE 230KV CKT 1'      |
| 11SP | 0 | G10_060 | 'CAPROCK REC-MCDONALD - CR-1956 4138.00 138KV CKT 1'              | FROM->TO | 0.2956  | 271   | 'HOBBS INTERCHANGE - MIDLAND COUNTY INTERCHANGE 230KV CKT 1'      |
| 11SP | 0 | G10_059 | 'CAPROCK REC-GRADY - CAPROCK REC-TRIANGLE 138KV CKT 1'            | TO->FROM | 0.19941 | 175.8 | 'CAPROCK REC-LANGE - CAPROCK REC-ST LAWRENCE 138KV CKT 1'         |
| 11SP | 0 | G10_060 | 'CAPROCK REC-GRADY - CAPROCK REC-TRIANGLE 138KV CKT 1'            | TO->FROM | 0.19941 | 175.8 | 'CAPROCK REC-LANGE - CAPROCK REC-ST LAWRENCE 138KV CKT 1'         |
| 11SP | 0 | G10_059 | 'CAPROCK REC-KOCH - CAPROCK REC-REED 138KV CKT 1'                 | TO->FROM | 0.19951 | 175.7 | 'CAPROCK REC-PEMBROOK - G09-17T 138.00 138KV CKT 1'               |
| 11SP | 0 | G10_060 | 'CAPROCK REC-KOCH - CAPROCK REC-REED 138KV CKT 1'                 | TO->FROM | 0.19951 | 175.7 | 'CAPROCK REC-PEMBROOK - G09-17T 138.00 138KV CKT 1'               |

|      |   |         |   |          |         |       |   |
|------|---|---------|---|----------|---------|-------|---|
| 11SP | 0 | G10_059 | 'CAPROCK REC-MCDONALD - CAPROCK REC-PHILLIPS 138KV CKT 1'         | TO->FROM | 0.23694 | 271   | 'TOLK STATION (ABBXNL844501) 345/230/13.2KV TRANSFORMER CKT 1'              |
| 11SP | 0 | G10_060 | 'CAPROCK REC-MCDONALD - CAPROCK REC-PHILLIPS 138KV CKT 1'         | TO->FROM | 0.23694 | 271   | 'TOLK STATION (ABBXNL844501) 345/230/13.2KV TRANSFORMER CKT 1'              |
| 11SP | 0 | G10_059 | 'CAPROCK REC-MCDONALD - CAPROCK REC-PHILLIPS 138KV CKT 1'         | TO->FROM | 0.23694 | 271   | 'CHAVESCO 345.00 - TOLK STATION 345KV CKT 1'                                |
| 11SP | 0 | G10_060 | 'CAPROCK REC-MCDONALD - CAPROCK REC-PHILLIPS 138KV CKT 1'         | TO->FROM | 0.23694 | 271   | 'CHAVESCO 345.00 - TOLK STATION 345KV CKT 1'                                |
| 11SP | 0 | G10_059 | 'CAPROCK REC-MCDONALD - CAPROCK REC-PHILLIPS 138KV CKT 1'         | TO->FROM | 0.22767 | 271   | 'CUNNINGHAM STATION - POTASH JUNCTION INTERCHANGE 230KV CKT 1'              |
| 11SP | 0 | G10_060 | 'CAPROCK REC-MCDONALD - CAPROCK REC-PHILLIPS 138KV CKT 1'         | TO->FROM | 0.22767 | 271   | 'CUNNINGHAM STATION - POTASH JUNCTION INTERCHANGE 230KV CKT 1'              |
| 11SP | 0 | G10_059 | 'BORDEN COUNTY INTERCHANGE 230/138KV TRANSFORMER CKT 1'           | TO->FROM | 0.23811 | 167.2 | 'CUNNINGHAM STATION - LEA COUNTY INTERCHANGE 230KV CKT 1'                   |
| 11SP | 0 | G10_060 | 'BORDEN COUNTY INTERCHANGE 230/138KV TRANSFORMER CKT 1'           | TO->FROM | 0.23811 | 167.2 | 'CUNNINGHAM STATION - LEA COUNTY INTERCHANGE 230KV CKT 1'                   |
| 11SP | 0 | G10_059 | 'AMOCO SWITCHING STATION - YOAKUM COUNTY INTERCHANGE 230KV CKT 1' | TO->FROM | 0.19318 | 349.9 | 'LEA COUNTY REC-PLAINS INTERCHANGE - YOAKUM COUNTY INTERCHANGE 115KV CKT 1' |
| 11SP | 0 | G10_060 | 'AMOCO SWITCHING STATION - YOAKUM COUNTY INTERCHANGE 230KV CKT 1' | TO->FROM | 0.19318 | 349.9 | 'LEA COUNTY REC-PLAINS INTERCHANGE - YOAKUM COUNTY INTERCHANGE 115KV CKT 1' |
| 11SP | 0 | G10_059 | 'CAPROCK REC-MCDONALD - CAPROCK REC-PHILLIPS 138KV CKT 1'         | TO->FROM | 0.23254 | 271   | 'LUBBOCK SOUTH INTERCHANGE - WOLFFORTH INTERCHANGE 230KV CKT 1'             |
| 11SP | 0 | G10_060 | 'CAPROCK REC-MCDONALD - CAPROCK REC-PHILLIPS 138KV CKT 1'         | TO->FROM | 0.23254 | 271   | 'LUBBOCK SOUTH INTERCHANGE - WOLFFORTH INTERCHANGE 230KV CKT 1'             |
| 11SP | 0 | G10_059 | 'CAPROCK REC-MCDONALD - CAPROCK REC-PHILLIPS 138KV CKT 1'         | TO->FROM | 0.22958 | 271   | 'TERRY COUNTY INTERCHANGE - WOLFFORTH INTERCHANGE 115KV CKT 1'              |
| 11SP | 0 | G10_060 | 'CAPROCK REC-MCDONALD - CAPROCK REC-PHILLIPS 138KV CKT 1'         | TO->FROM | 0.22958 | 271   | 'TERRY COUNTY INTERCHANGE - WOLFFORTH INTERCHANGE 115KV CKT 1'              |
| 11SP | 0 | G10_059 | 'CAPROCK REC-MCDONALD - CAPROCK REC-PHILLIPS 138KV CKT 1'         | TO->FROM | 0.22488 | 271   | 'Jones Station Bus#2 230/22.0KV TRANSFORMER CKT 1'                          |
| 11SP | 0 | G10_060 | 'CAPROCK REC-MCDONALD - CAPROCK REC-PHILLIPS 138KV CKT 1'         | TO->FROM | 0.22488 | 271   | 'Jones Station Bus#2 230/22.0KV TRANSFORMER CKT 1'                          |
| 11SP | 0 | G10_059 | 'CAPROCK REC-MCDONALD - CAPROCK REC-PHILLIPS 138KV CKT 1'         | TO->FROM | 0.22488 | 271   | 'JONES STATION 230/22.0KV TRANSFORMER CKT 1'                                |
| 11SP | 0 | G10_060 | 'CAPROCK REC-MCDONALD - CAPROCK REC-PHILLIPS 138KV CKT 1'         | TO->FROM | 0.22488 | 271   | 'JONES STATION 230/22.0KV TRANSFORMER CKT 1'                                |
| 11SP | 0 | G10_059 | 'CAPROCK REC-KOCH - CAPROCK REC-VEALMOOR 138KV CKT 1'             | FROM->TO | 0.19951 | 175.7 | 'CAPROCK REC-PEMBROOK - G09-17T 138.00 138KV CKT 1'                         |
| 11SP | 0 | G10_060 | 'CAPROCK REC-KOCH - CAPROCK REC-VEALMOOR 138KV CKT 1'             | FROM->TO | 0.19951 | 175.7 | 'CAPROCK REC-PEMBROOK - G09-17T 138.00 138KV CKT 1'                         |
| 11SP | 0 | G10_059 | 'BORDEN COUNTY INTERCHANGE 230/138KV TRANSFORMER CKT 1'           | TO->FROM | 0.23017 | 167.2 | 'TOLK STATION EAST - TUCO INTERCHANGE 230KV CKT 1'                          |
| 11SP | 0 | G10_060 | 'BORDEN COUNTY INTERCHANGE 230/138KV TRANSFORMER CKT 1'           | TO->FROM | 0.23017 | 167.2 | 'TOLK STATION EAST - TUCO INTERCHANGE 230KV CKT 1'                          |
| 11SP | 0 | G10_059 | 'CAPROCK REC-MCDONALD - CAPROCK REC-PHILLIPS 138KV CKT 1'         | TO->FROM | 0.22488 | 271   | 'Jones Station Bus#2 230/22.0KV TRANSFORMER CKT 1'                          |
| 11SP | 0 | G10_060 | 'CAPROCK REC-MCDONALD - CAPROCK REC-PHILLIPS 138KV CKT 1'         | TO->FROM | 0.22488 | 271   | 'Jones Station Bus#2 230/22.0KV TRANSFORMER CKT 1'                          |

|      |   |         |   |          |         |       |   |
|------|---|---------|---|----------|---------|-------|---|
| 11SP | 0 | G10_059 | 'BORDEN COUNTY INTERCHANGE 230/138KV TRANSFORMER CKT 1'           | TO->FROM | 0.2324  | 167.2 | 'SUNDOWN INTERCHANGE - WOLFFORTH INTERCHANGE 230KV CKT 1'                 |
| 11SP | 0 | G10_060 | 'BORDEN COUNTY INTERCHANGE 230/138KV TRANSFORMER CKT 1'           | TO->FROM | 0.2324  | 167.2 | 'SUNDOWN INTERCHANGE - WOLFFORTH INTERCHANGE 230KV CKT 1'                 |
| 11SP | 0 | G10_059 | 'CAPROCK REC-NEW SCHWARTZ - CR-1956 4138.00 138KV CKT 1'          | TO->FROM | 0.2956  | 271   | 'HOBBS INTERCHANGE - MIDLAND COUNTY INTERCHANGE 230KV CKT 1'              |
| 11SP | 0 | G10_060 | 'CAPROCK REC-NEW SCHWARTZ - CR-1956 4138.00 138KV CKT 1'          | TO->FROM | 0.2956  | 271   | 'HOBBS INTERCHANGE - MIDLAND COUNTY INTERCHANGE 230KV CKT 1'              |
| 11SP | 0 | G10_059 | 'CAPROCK REC-MCDONALD - CAPROCK REC-PHILLIPS 138KV CKT 1'         | TO->FROM | 0.23699 | 271   | 'EDDY COUNTY INTERCHANGE (ABB AEM30711) 345/230/13.2KV TRANSFORMER CKT 1' |
| 11SP | 0 | G10_060 | 'CAPROCK REC-MCDONALD - CAPROCK REC-PHILLIPS 138KV CKT 1'         | TO->FROM | 0.23699 | 271   | 'EDDY COUNTY INTERCHANGE (ABB AEM30711) 345/230/13.2KV TRANSFORMER CKT 1' |
| 11SP | 0 | G10_059 | 'CAPROCK REC-MCDONALD - CAPROCK REC-PHILLIPS 138KV CKT 1'         | TO->FROM | 0.23699 | 271   | 'CHAVESCO 345.00 - EDDY COUNTY INTERCHANGE 345KV CKT 1'                   |
| 11SP | 0 | G10_060 | 'CAPROCK REC-MCDONALD - CAPROCK REC-PHILLIPS 138KV CKT 1'         | TO->FROM | 0.23699 | 271   | 'CHAVESCO 345.00 - EDDY COUNTY INTERCHANGE 345KV CKT 1'                   |
| 11SP | 0 | G10_059 | 'CAPROCK REC-MCDONALD - CAPROCK REC-PHILLIPS 138KV CKT 1'         | TO->FROM | 0.22697 | 271   | 'CHAVES COUNTY INTERCHANGE - EDDY COUNTY INTERCHANGE 230KV CKT 1'         |
| 11SP | 0 | G10_060 | 'CAPROCK REC-MCDONALD - CAPROCK REC-PHILLIPS 138KV CKT 1'         | TO->FROM | 0.22697 | 271   | 'CHAVES COUNTY INTERCHANGE - EDDY COUNTY INTERCHANGE 230KV CKT 1'         |
| 11SP | 0 | G10_059 | 'CAPROCK REC-KOCH - CAPROCK REC-REED 138KV CKT 1'                 | TO->FROM | 0.19941 | 175.7 | 'CAPROCK REC-ST LAWRENCE - CAPROCK REC-STILES 138KV CKT 1'                |
| 11SP | 0 | G10_060 | 'CAPROCK REC-KOCH - CAPROCK REC-REED 138KV CKT 1'                 | TO->FROM | 0.19941 | 175.7 | 'CAPROCK REC-ST LAWRENCE - CAPROCK REC-STILES 138KV CKT 1'                |
| 11SP | 0 | G10_059 | 'CAPROCK REC-GRADY - CAPROCK REC-TRIANGLE 138KV CKT 1'            | TO->FROM | 0.19941 | 175.8 | 'CAPROCK REC-BUCHANAN - CAPROCK REC-LANGE 138KV CKT 1'                    |
| 11SP | 0 | G10_060 | 'CAPROCK REC-GRADY - CAPROCK REC-TRIANGLE 138KV CKT 1'            | TO->FROM | 0.19941 | 175.8 | 'CAPROCK REC-BUCHANAN - CAPROCK REC-LANGE 138KV CKT 1'                    |
| 11SP | 0 | G10_059 | 'BORDEN COUNTY INTERCHANGE 230/138KV TRANSFORMER CKT 1'           | TO->FROM | 0.23544 | 167.2 | 'AMOCO SWITCHING STATION - SUNDOWN INTERCHANGE 230KV CKT 1'               |
| 11SP | 0 | G10_060 | 'BORDEN COUNTY INTERCHANGE 230/138KV TRANSFORMER CKT 1'           | TO->FROM | 0.23544 | 167.2 | 'AMOCO SWITCHING STATION - SUNDOWN INTERCHANGE 230KV CKT 1'               |
| 11SP | 0 | G10_059 | 'BORDEN COUNTY INTERCHANGE 230/138KV TRANSFORMER CKT 1'           | TO->FROM | 0.231   | 167.2 | 'CUNNINGHAM STATION - EDDY COUNTY INTERCHANGE 230KV CKT 1'                |
| 11SP | 0 | G10_060 | 'BORDEN COUNTY INTERCHANGE 230/138KV TRANSFORMER CKT 1'           | TO->FROM | 0.231   | 167.2 | 'CUNNINGHAM STATION - EDDY COUNTY INTERCHANGE 230KV CKT 1'                |
| 11SP | 0 | G10_059 | 'AMOCO SWITCHING STATION - YOAKUM COUNTY INTERCHANGE 230KV CKT 1' | TO->FROM | 0.20084 | 349.9 | 'CUNNINGHAM STATION - EDDY COUNTY INTERCHANGE 230KV CKT 1'                |
| 11SP | 0 | G10_060 | 'AMOCO SWITCHING STATION - YOAKUM COUNTY INTERCHANGE 230KV CKT 1' | TO->FROM | 0.20084 | 349.9 | 'CUNNINGHAM STATION - EDDY COUNTY INTERCHANGE 230KV CKT 1'                |
| 11SP | 0 | G10_059 | 'CAPROCK REC-KOCH - CAPROCK REC-VEALMOOR 138KV CKT 1'             | FROM->TO | 0.19941 | 175.7 | 'CAPROCK REC-ST LAWRENCE - CAPROCK REC-STILES 138KV CKT 1'                |
| 11SP | 0 | G10_060 | 'CAPROCK REC-KOCH - CAPROCK REC-VEALMOOR 138KV CKT 1'             | FROM->TO | 0.19941 | 175.7 | 'CAPROCK REC-ST LAWRENCE - CAPROCK REC-STILES 138KV CKT 1'                |
| 11SP | 0 | G10_059 | 'AMOCO SWITCHING STATION - YOAKUM COUNTY INTERCHANGE 230KV CKT 1' | TO->FROM | 0.21126 | 349.9 | 'CAPROCK REC-MCDONALD - CAPROCK REC-TRIANGLE 138KV CKT 1'                 |
| 11SP | 0 | G10_060 | 'AMOCO SWITCHING STATION - YOAKUM COUNTY INTERCHANGE 230KV CKT 1' | TO->FROM | 0.21126 | 349.9 | 'CAPROCK REC-MCDONALD - CAPROCK REC-TRIANGLE 138KV CKT 1'                 |

|      |   |         |   |          |         |       |   |
|------|---|---------|---|----------|---------|-------|---|
| 11SP | 0 | G10_059 | 'BORDEN COUNTY INTERCHANGE 230/138KV TRANSFORMER CKT 1'           | TO->FROM | 0.22472 | 167.2 | 'CAPROCK REC-BUCHANAN - CAPROCK REC-LONE WOLF 138KV CKT 1'                |
| 11SP | 0 | G10_060 | 'BORDEN COUNTY INTERCHANGE 230/138KV TRANSFORMER CKT 1'           | TO->FROM | 0.22472 | 167.2 | 'CAPROCK REC-BUCHANAN - CAPROCK REC-LONE WOLF 138KV CKT 1'                |
| 11SP | 0 | G10_059 | 'BORDEN COUNTY INTERCHANGE 230/138KV TRANSFORMER CKT 1'           | TO->FROM | 0.23678 | 167.2 | 'TOLK STATION (ABBXNL844501) 345/230/13.2KV TRANSFORMER CKT 1'            |
| 11SP | 0 | G10_060 | 'BORDEN COUNTY INTERCHANGE 230/138KV TRANSFORMER CKT 1'           | TO->FROM | 0.23678 | 167.2 | 'TOLK STATION (ABBXNL844501) 345/230/13.2KV TRANSFORMER CKT 1'            |
| 11SP | 0 | G10_059 | 'BORDEN COUNTY INTERCHANGE 230/138KV TRANSFORMER CKT 1'           | TO->FROM | 0.23678 | 167.2 | 'CHAVESCO 345.00 - TOLK STATION 345KV CKT 1'                              |
| 11SP | 0 | G10_060 | 'BORDEN COUNTY INTERCHANGE 230/138KV TRANSFORMER CKT 1'           | TO->FROM | 0.23678 | 167.2 | 'CHAVESCO 345.00 - TOLK STATION 345KV CKT 1'                              |
| 11SP | 0 | G10_059 | 'BORDEN COUNTY INTERCHANGE 230/138KV TRANSFORMER CKT 1'           | TO->FROM | 0.22751 | 167.2 | 'CUNNINGHAM STATION - POTASH JUNCTION INTERCHANGE 230KV CKT 1'            |
| 11SP | 0 | G10_060 | 'BORDEN COUNTY INTERCHANGE 230/138KV TRANSFORMER CKT 1'           | TO->FROM | 0.22751 | 167.2 | 'CUNNINGHAM STATION - POTASH JUNCTION INTERCHANGE 230KV CKT 1'            |
| 11SP | 0 | G10_059 | 'AMOCO SWITCHING STATION - YOAKUM COUNTY INTERCHANGE 230KV CKT 1' | TO->FROM | 0.21097 | 349.9 | 'CUNNINGHAM STATION - LEA COUNTY INTERCHANGE 230KV CKT 1'                 |
| 11SP | 0 | G10_060 | 'AMOCO SWITCHING STATION - YOAKUM COUNTY INTERCHANGE 230KV CKT 1' | TO->FROM | 0.21097 | 349.9 | 'CUNNINGHAM STATION - LEA COUNTY INTERCHANGE 230KV CKT 1'                 |
| 11SP | 0 | G10_059 | 'BORDEN COUNTY INTERCHANGE 230/138KV TRANSFORMER CKT 1'           | TO->FROM | 0.23239 | 167.2 | 'LUBBOCK SOUTH INTERCHANGE - WOLFFORTH INTERCHANGE 230KV CKT 1'           |
| 11SP | 0 | G10_060 | 'BORDEN COUNTY INTERCHANGE 230/138KV TRANSFORMER CKT 1'           | TO->FROM | 0.23239 | 167.2 | 'LUBBOCK SOUTH INTERCHANGE - WOLFFORTH INTERCHANGE 230KV CKT 1'           |
| 11SP | 0 | G10_059 | 'BORDEN COUNTY INTERCHANGE 230/138KV TRANSFORMER CKT 1'           | TO->FROM | 0.22942 | 167.2 | 'TERRY COUNTY INTERCHANGE - WOLFFORTH INTERCHANGE 115KV CKT 1'            |
| 11SP | 0 | G10_060 | 'BORDEN COUNTY INTERCHANGE 230/138KV TRANSFORMER CKT 1'           | TO->FROM | 0.22942 | 167.2 | 'TERRY COUNTY INTERCHANGE - WOLFFORTH INTERCHANGE 115KV CKT 1'            |
| 11SP | 0 | G10_059 | 'BORDEN COUNTY INTERCHANGE 230/138KV TRANSFORMER CKT 1'           | TO->FROM | 0.22472 | 167.2 | 'Jones Station Bus#2 230/22.0KV TRANSFORMER CKT 1'                        |
| 11SP | 0 | G10_060 | 'BORDEN COUNTY INTERCHANGE 230/138KV TRANSFORMER CKT 1'           | TO->FROM | 0.22472 | 167.2 | 'Jones Station Bus#2 230/22.0KV TRANSFORMER CKT 1'                        |
| 11SP | 0 | G10_059 | 'AMOCO SWITCHING STATION - YOAKUM COUNTY INTERCHANGE 230KV CKT 1' | TO->FROM | 0.21126 | 349.9 | 'CAPROCK REC-GRADY - CAPROCK REC-TRIANGLE 138KV CKT 1'                    |
| 11SP | 0 | G10_060 | 'AMOCO SWITCHING STATION - YOAKUM COUNTY INTERCHANGE 230KV CKT 1' | TO->FROM | 0.21126 | 349.9 | 'CAPROCK REC-GRADY - CAPROCK REC-TRIANGLE 138KV CKT 1'                    |
| 11SP | 0 | G10_059 | 'BORDEN COUNTY INTERCHANGE 230/138KV TRANSFORMER CKT 1'           | TO->FROM | 0.22472 | 167.2 | 'JONES STATION 230/22.0KV TRANSFORMER CKT 1'                              |
| 11SP | 0 | G10_060 | 'BORDEN COUNTY INTERCHANGE 230/138KV TRANSFORMER CKT 1'           | TO->FROM | 0.22472 | 167.2 | 'JONES STATION 230/22.0KV TRANSFORMER CKT 1'                              |
| 11SP | 0 | G10_059 | 'AMOCO SWITCHING STATION - YOAKUM COUNTY INTERCHANGE 230KV CKT 1' | TO->FROM | 0.20411 | 349.9 | 'TERRY COUNTY INTERCHANGE - WOLFFORTH INTERCHANGE 115KV CKT 1'            |
| 11SP | 0 | G10_060 | 'AMOCO SWITCHING STATION - YOAKUM COUNTY INTERCHANGE 230KV CKT 1' | TO->FROM | 0.20411 | 349.9 | 'TERRY COUNTY INTERCHANGE - WOLFFORTH INTERCHANGE 115KV CKT 1'            |
| 11SP | 0 | G10_059 | 'BORDEN COUNTY INTERCHANGE 230/138KV TRANSFORMER CKT 1'           | TO->FROM | 0.22472 | 167.2 | 'Jones Station Bus#2 230/22.0KV TRANSFORMER CKT 1'                        |
| 11SP | 0 | G10_060 | 'BORDEN COUNTY INTERCHANGE 230/138KV TRANSFORMER CKT 1'           | TO->FROM | 0.22472 | 167.2 | 'Jones Station Bus#2 230/22.0KV TRANSFORMER CKT 1'                        |
| 11SP | 0 | G10_059 | 'BORDEN COUNTY INTERCHANGE 230/138KV TRANSFORMER CKT 1'           | TO->FROM | 0.23683 | 167.2 | 'EDDY COUNTY INTERCHANGE (ABB AEM30711) 345/230/13.2KV TRANSFORMER CKT 1' |

|      |   |         |   |          |         |       |   |
|------|---|---------|---|----------|---------|-------|---|
| 11SP | 0 | G10_060 | 'BORDEN COUNTY INTERCHANGE 230/138KV TRANSFORMER CKT 1'           | TO->FROM | 0.23683 | 167.2 | 'EDDY COUNTY INTERCHANGE (ABB AEM30711) 345/230/13.2KV TRANSFORMER CKT 1' |
| 11SP | 0 | G10_059 | 'BORDEN COUNTY INTERCHANGE 230/138KV TRANSFORMER CKT 1'           | TO->FROM | 0.23683 | 167.2 | 'CHAVESCO 345.00 - EDDY COUNTY INTERCHANGE 345KV CKT 1'                   |
| 11SP | 0 | G10_060 | 'BORDEN COUNTY INTERCHANGE 230/138KV TRANSFORMER CKT 1'           | TO->FROM | 0.23683 | 167.2 | 'CHAVESCO 345.00 - EDDY COUNTY INTERCHANGE 345KV CKT 1'                   |
| 11SP | 0 | G10_059 | 'AMOCO SWITCHING STATION - YOAKUM COUNTY INTERCHANGE 230KV CKT 1' | TO->FROM | 0.21126 | 349.9 | 'CAPROCK REC-GRADY - CAPROCK REC-REED 138KV CKT 1'                        |
| 11SP | 0 | G10_060 | 'AMOCO SWITCHING STATION - YOAKUM COUNTY INTERCHANGE 230KV CKT 1' | TO->FROM | 0.21126 | 349.9 | 'CAPROCK REC-GRADY - CAPROCK REC-REED 138KV CKT 1'                        |
| 11SP | 0 | G10_059 | 'AMOCO SWITCHING STATION - YOAKUM COUNTY INTERCHANGE 230KV CKT 1' | TO->FROM | 0.21126 | 349.9 | 'CAPROCK REC-KOCH - CAPROCK REC-REED 138KV CKT 1'                         |
| 11SP | 0 | G10_060 | 'AMOCO SWITCHING STATION - YOAKUM COUNTY INTERCHANGE 230KV CKT 1' | TO->FROM | 0.21126 | 349.9 | 'CAPROCK REC-KOCH - CAPROCK REC-REED 138KV CKT 1'                         |
| 11SP | 0 | G10_059 | 'AMOCO SWITCHING STATION - YOAKUM COUNTY INTERCHANGE 230KV CKT 1' | TO->FROM | 0.21126 | 349.9 | 'CAPROCK REC-KOCH - CAPROCK REC-VEALMOOR 138KV CKT 1'                     |
| 11SP | 0 | G10_060 | 'AMOCO SWITCHING STATION - YOAKUM COUNTY INTERCHANGE 230KV CKT 1' | TO->FROM | 0.21126 | 349.9 | 'CAPROCK REC-KOCH - CAPROCK REC-VEALMOOR 138KV CKT 1'                     |
| 11SP | 0 | G10_059 | 'AMOCO SWITCHING STATION - YOAKUM COUNTY INTERCHANGE 230KV CKT 1' | TO->FROM | 0.19318 | 349.9 | 'LEA COUNTY REC-PLAINS INTERCHANGE - LYNTEGAR REC-PLAINS 115KV CKT 1'     |
| 11SP | 0 | G10_060 | 'AMOCO SWITCHING STATION - YOAKUM COUNTY INTERCHANGE 230KV CKT 1' | TO->FROM | 0.19318 | 349.9 | 'LEA COUNTY REC-PLAINS INTERCHANGE - LYNTEGAR REC-PLAINS 115KV CKT 1'     |
| 11SP | 0 | G10_059 | 'CAPROCK REC-NEW SCHWARTZ - CAPROCK REC-PEMBROOK 138KV CKT 1'     | FROM->TO | 0.2956  | 271   | 'HOBBS INTERCHANGE - MIDLAND COUNTY INTERCHANGE 230KV CKT 1'              |
| 11SP | 0 | G10_060 | 'CAPROCK REC-NEW SCHWARTZ - CAPROCK REC-PEMBROOK 138KV CKT 1'     | FROM->TO | 0.2956  | 271   | 'HOBBS INTERCHANGE - MIDLAND COUNTY INTERCHANGE 230KV CKT 1'              |
| 11SP | 0 | G10_059 | 'CAPROCK REC-GRADY - CAPROCK REC-TRIANGLE 138KV CKT 1'            | TO->FROM | 0.19941 | 175.8 | 'CAPROCK REC-BUCHANAN - CAPROCK REC-RUSSEL TAP 138KV CKT 1'               |
| 11SP | 0 | G10_060 | 'CAPROCK REC-GRADY - CAPROCK REC-TRIANGLE 138KV CKT 1'            | TO->FROM | 0.19941 | 175.8 | 'CAPROCK REC-BUCHANAN - CAPROCK REC-RUSSEL TAP 138KV CKT 1'               |
| 11SP | 0 | G10_059 | 'CAPROCK REC-KOCH - CAPROCK REC-REED 138KV CKT 1'                 | TO->FROM | 0.19941 | 175.7 | 'CAPROCK REC-LANGE - CAPROCK REC-ST LAWRENCE 138KV CKT 1'                 |
| 11SP | 0 | G10_060 | 'CAPROCK REC-KOCH - CAPROCK REC-REED 138KV CKT 1'                 | TO->FROM | 0.19941 | 175.7 | 'CAPROCK REC-LANGE - CAPROCK REC-ST LAWRENCE 138KV CKT 1'                 |
| 11SP | 0 | G10_059 | 'AMOCO SWITCHING STATION - YOAKUM COUNTY INTERCHANGE 230KV CKT 1' | TO->FROM | 0.19318 | 349.9 | 'LEHMAN SUB - LYNTEGAR REC-PLAINS 115KV CKT 1'                            |
| 11SP | 0 | G10_060 | 'AMOCO SWITCHING STATION - YOAKUM COUNTY INTERCHANGE 230KV CKT 1' | TO->FROM | 0.19318 | 349.9 | 'LEHMAN SUB - LYNTEGAR REC-PLAINS 115KV CKT 1'                            |
| 11SP | 0 | G10_059 | 'AMOCO SWITCHING STATION - YOAKUM COUNTY INTERCHANGE 230KV CKT 1' | TO->FROM | 0.1923  | 349.9 | 'TOLK STATION EAST - TUCO INTERCHANGE 230KV CKT 1'                        |
| 11SP | 0 | G10_060 | 'AMOCO SWITCHING STATION - YOAKUM COUNTY INTERCHANGE 230KV CKT 1' | TO->FROM | 0.1923  | 349.9 | 'TOLK STATION EAST - TUCO INTERCHANGE 230KV CKT 1'                        |
| 11SP | 0 | G10_059 | 'BORDEN COUNTY INTERCHANGE 230/138KV TRANSFORMER CKT 1'           | TO->FROM | 0.22472 | 167.2 | 'BASE CASE'   |
| 11SP | 0 | G10_060 | 'BORDEN COUNTY INTERCHANGE 230/138KV TRANSFORMER CKT 1'           | TO->FROM | 0.22472 | 167.2 | 'BASE CASE'   |
| 11SP | 0 | G10_059 | 'AMOCO SWITCHING STATION - YOAKUM COUNTY INTERCHANGE 230KV CKT 1' | TO->FROM | 0.22059 | 349.9 | 'TOLK STATION (ABBXNL844501) 345/230/13.2KV TRANSFORMER CKT 1'            |
| 11SP | 0 | G10_060 | 'AMOCO SWITCHING STATION - YOAKUM COUNTY INTERCHANGE 230KV CKT 1' | TO->FROM | 0.22059 | 349.9 | 'TOLK STATION (ABBXNL844501) 345/230/13.2KV TRANSFORMER CKT 1'            |

|      |   |         |   |          |         |       |  |
|------|---|---------|---|----------|---------|-------|--|
| 11SP | 0 | G10_059 | 'CAPROCK REC-KOCH - CAPROCK REC-VEALMOOR 138KV CKT 1'       | FROM->TO | 0.19941 | 175.7 | 'CAPROCK REC-LANGE - CAPROCK REC-ST LAWRENCE 138KV CKT 1'        |
| 11SP | 0 | G10_060 | 'CAPROCK REC-KOCH - CAPROCK REC-VEALMOOR 138KV CKT 1'       | FROM->TO | 0.19941 | 175.7 | 'CAPROCK REC-LANGE - CAPROCK REC-ST LAWRENCE 138KV CKT 1'        |
| 11SP | 0 | G10_059 | 'CUNNINGHAM STATION - LEA COUNTY INTERCHANGE 230KV CKT 1'   | TO->FROM | 0.46856 | 501.3 | 'LEA COUNTY INTERCHANGE - YOAKUM COUNTY INTERCHANGE 230KV CKT 1' |
| 11SP | 0 | G10_060 | 'CUNNINGHAM STATION - LEA COUNTY INTERCHANGE 230KV CKT 1'   | TO->FROM | 0.46856 | 501.3 | 'LEA COUNTY INTERCHANGE - YOAKUM COUNTY INTERCHANGE 230KV CKT 1' |
| 11SP | 0 | G10_059 | 'CAPROCK REC-KOCH - CAPROCK REC-REED 138KV CKT 1'           | TO->FROM | 0.19941 | 175.7 | 'CAPROCK REC-BUCHANAN - CAPROCK REC-LANGE 138KV CKT 1'           |
| 11SP | 0 | G10_060 | 'CAPROCK REC-KOCH - CAPROCK REC-REED 138KV CKT 1'           | TO->FROM | 0.19941 | 175.7 | 'CAPROCK REC-BUCHANAN - CAPROCK REC-LANGE 138KV CKT 1'           |
| 11SP | 0 | G10_059 | 'CAPROCK REC-GRADY - CAPROCK REC-TRIANGLE 138KV CKT 1'      | TO->FROM | 0.19941 | 175.8 | 'CAPROCK REC-RUSSEL TAP - CAPROCK REC-VEALMOOR 138KV CKT 1'      |
| 11SP | 0 | G10_060 | 'CAPROCK REC-GRADY - CAPROCK REC-TRIANGLE 138KV CKT 1'      | TO->FROM | 0.19941 | 175.8 | 'CAPROCK REC-RUSSEL TAP - CAPROCK REC-VEALMOOR 138KV CKT 1'      |
| 11SP | 0 | G10_059 | 'CAPROCK REC-KOCH - CAPROCK REC-VEALMOOR 138KV CKT 1'       | FROM->TO | 0.19941 | 175.7 | 'CAPROCK REC-BUCHANAN - CAPROCK REC-LANGE 138KV CKT 1'           |
| 11SP | 0 | G10_060 | 'CAPROCK REC-KOCH - CAPROCK REC-VEALMOOR 138KV CKT 1'       | FROM->TO | 0.19941 | 175.7 | 'CAPROCK REC-BUCHANAN - CAPROCK REC-LANGE 138KV CKT 1'           |
| 11SP | 0 | G10_059 | 'CAPROCK REC-ST LAWRENCE - CAPROCK REC-STILES 138KV CKT 1'  | TO->FROM | 0.29544 | 270.9 | 'HOBBS INTERCHANGE - MIDLAND COUNTY INTERCHANGE 230KV CKT 1'     |
| 11SP | 0 | G10_060 | 'CAPROCK REC-ST LAWRENCE - CAPROCK REC-STILES 138KV CKT 1'  | TO->FROM | 0.29544 | 270.9 | 'HOBBS INTERCHANGE - MIDLAND COUNTY INTERCHANGE 230KV CKT 1'     |
| 11SP | 0 | G10_059 | 'CAPROCK REC-KOCH - CAPROCK REC-REED 138KV CKT 1'           | TO->FROM | 0.19941 | 175.7 | 'CAPROCK REC-BUCHANAN - CAPROCK REC-RUSSEL TAP 138KV CKT 1'      |
| 11SP | 0 | G10_060 | 'CAPROCK REC-KOCH - CAPROCK REC-REED 138KV CKT 1'           | TO->FROM | 0.19941 | 175.7 | 'CAPROCK REC-BUCHANAN - CAPROCK REC-RUSSEL TAP 138KV CKT 1'      |
| 11SP | 0 | G10_059 | 'CAPROCK REC-KOCH - CAPROCK REC-VEALMOOR 138KV CKT 1'       | FROM->TO | 0.19941 | 175.7 | 'CAPROCK REC-BUCHANAN - CAPROCK REC-RUSSEL TAP 138KV CKT 1'      |
| 11SP | 0 | G10_060 | 'CAPROCK REC-KOCH - CAPROCK REC-VEALMOOR 138KV CKT 1'       | FROM->TO | 0.19941 | 175.7 | 'CAPROCK REC-BUCHANAN - CAPROCK REC-RUSSEL TAP 138KV CKT 1'      |
| 11SP | 0 | G10_059 | 'CAPROCK REC-KOCH - CAPROCK REC-REED 138KV CKT 1'           | TO->FROM | 0.19941 | 175.7 | 'CAPROCK REC-RUSSEL TAP - CAPROCK REC-VEALMOOR 138KV CKT 1'      |
| 11SP | 0 | G10_060 | 'CAPROCK REC-KOCH - CAPROCK REC-REED 138KV CKT 1'           | TO->FROM | 0.19941 | 175.7 | 'CAPROCK REC-RUSSEL TAP - CAPROCK REC-VEALMOOR 138KV CKT 1'      |
| 11SP | 0 | G10_059 | 'CUNNINGHAM STATION - EDDY COUNTY INTERCHANGE 230KV CKT 1'  | FROM->TO | 0.21504 | 350.9 | 'LEA COUNTY INTERCHANGE - YOAKUM COUNTY INTERCHANGE 230KV CKT 1' |
| 11SP | 0 | G10_060 | 'CUNNINGHAM STATION - EDDY COUNTY INTERCHANGE 230KV CKT 1'  | FROM->TO | 0.21504 | 350.9 | 'LEA COUNTY INTERCHANGE - YOAKUM COUNTY INTERCHANGE 230KV CKT 1' |
| 11SP | 0 | G10_059 | 'CAPROCK REC-KOCH - CAPROCK REC-VEALMOOR 138KV CKT 1'       | FROM->TO | 0.19941 | 175.7 | 'CAPROCK REC-RUSSEL TAP - CAPROCK REC-VEALMOOR 138KV CKT 1'      |
| 11SP | 0 | G10_060 | 'CAPROCK REC-KOCH - CAPROCK REC-VEALMOOR 138KV CKT 1'       | FROM->TO | 0.19941 | 175.7 | 'CAPROCK REC-RUSSEL TAP - CAPROCK REC-VEALMOOR 138KV CKT 1'      |
| 11SP | 0 | G10_059 | 'CAPROCK REC-BUCHANAN - CAPROCK REC-LANGE 138KV CKT 1'      | TO->FROM | 0.29544 | 271   | 'HOBBS INTERCHANGE - MIDLAND COUNTY INTERCHANGE 230KV CKT 1'     |
| 11SP | 0 | G10_060 | 'CAPROCK REC-BUCHANAN - CAPROCK REC-LANGE 138KV CKT 1'      | TO->FROM | 0.29544 | 271   | 'HOBBS INTERCHANGE - MIDLAND COUNTY INTERCHANGE 230KV CKT 1'     |
| 11SP | 0 | G10_059 | 'CAPROCK REC-BUCHANAN - CAPROCK REC-RUSSEL TAP 138KV CKT 1' | FROM->TO | 0.29544 | 271   | 'HOBBS INTERCHANGE - MIDLAND COUNTY INTERCHANGE 230KV CKT 1'     |



|      |   |         |   |          |         |       |  |
|------|---|---------|---|----------|---------|-------|--|
| 11SP | 0 | G10_060 | 'CAPROCK REC-BUCHANAN - CAPROCK REC-RUSSEL TAP 138KV CKT 1'   | FROM->TO | 0.29544 | 271   | 'HOBBS INTERCHANGE - MIDLAND COUNTY INTERCHANGE 230KV CKT 1' |
| 11SP | 0 | G10_059 | 'CAPROCK REC-RUSSEL TAP - CAPROCK REC-VEALMOOR 138KV CKT 1'   | FROM->TO | 0.29544 | 271   | 'HOBBS INTERCHANGE - MIDLAND COUNTY INTERCHANGE 230KV CKT 1' |
| 11SP | 0 | G10_060 | 'CAPROCK REC-RUSSEL TAP - CAPROCK REC-VEALMOOR 138KV CKT 1'   | FROM->TO | 0.29544 | 271   | 'HOBBS INTERCHANGE - MIDLAND COUNTY INTERCHANGE 230KV CKT 1' |
| 11SP | 0 | G10_059 | 'CUNNINGHAM STATION - EDDY COUNTY INTERCHANGE 230KV CKT 1'    | FROM->TO | 0.19617 | 350.9 | 'MIDLAND COUNTY INTERCHANGE 230/138KV TRANSFORMER CKT 1'     |
| 11SP | 0 | G10_060 | 'CUNNINGHAM STATION - EDDY COUNTY INTERCHANGE 230KV CKT 1'    | FROM->TO | 0.19617 | 350.9 | 'MIDLAND COUNTY INTERCHANGE 230/138KV TRANSFORMER CKT 1'     |
| 11SP | 0 | G10_059 | 'CUNNINGHAM STATION - LEA COUNTY INTERCHANGE 230KV CKT 1'     | TO->FROM | 0.40401 | 501.3 | 'MIDLAND COUNTY INTERCHANGE 230/138KV TRANSFORMER CKT 1'     |
| 11SP | 0 | G10_060 | 'CUNNINGHAM STATION - LEA COUNTY INTERCHANGE 230KV CKT 1'     | TO->FROM | 0.40401 | 501.3 | 'MIDLAND COUNTY INTERCHANGE 230/138KV TRANSFORMER CKT 1'     |
| 11SP | 0 | G10_059 | 'CUNNINGHAM STATION - EDDY COUNTY INTERCHANGE 230KV CKT 1'    | FROM->TO | 0.19617 | 350.9 | 'CAPROCK REC-PHILLIPS - CAPROCK REC-TATE 138KV CKT 1'        |
| 11SP | 0 | G10_060 | 'CUNNINGHAM STATION - EDDY COUNTY INTERCHANGE 230KV CKT 1'    | FROM->TO | 0.19617 | 350.9 | 'CAPROCK REC-PHILLIPS - CAPROCK REC-TATE 138KV CKT 1'        |
| 11SP | 0 | G10_059 | 'CUNNINGHAM STATION - LEA COUNTY INTERCHANGE 230KV CKT 1'     | TO->FROM | 0.40401 | 501.3 | 'CAPROCK REC-PHILLIPS - CAPROCK REC-TATE 138KV CKT 1'        |
| 11SP | 0 | G10_060 | 'CUNNINGHAM STATION - LEA COUNTY INTERCHANGE 230KV CKT 1'     | TO->FROM | 0.40401 | 501.3 | 'CAPROCK REC-PHILLIPS - CAPROCK REC-TATE 138KV CKT 1'        |
| 11SP | 0 | G10_059 | 'CUNNINGHAM STATION - EDDY COUNTY INTERCHANGE 230KV CKT 1'    | FROM->TO | 0.19617 | 350.9 | 'CAPROCK REC-MCDONALD - CAPROCK REC-PHILLIPS 138KV CKT 1'    |
| 11SP | 0 | G10_060 | 'CUNNINGHAM STATION - EDDY COUNTY INTERCHANGE 230KV CKT 1'    | FROM->TO | 0.19617 | 350.9 | 'CAPROCK REC-MCDONALD - CAPROCK REC-PHILLIPS 138KV CKT 1'    |
| 11SP | 0 | G10_059 | 'CUNNINGHAM STATION - LEA COUNTY INTERCHANGE 230KV CKT 1'     | TO->FROM | 0.40401 | 501.3 | 'CAPROCK REC-MCDONALD - CAPROCK REC-PHILLIPS 138KV CKT 1'    |
| 11SP | 0 | G10_060 | 'CUNNINGHAM STATION - LEA COUNTY INTERCHANGE 230KV CKT 1'     | TO->FROM | 0.40401 | 501.3 | 'CAPROCK REC-MCDONALD - CAPROCK REC-PHILLIPS 138KV CKT 1'    |
| 11SP | 0 | G10_059 | 'DEAF SMITH COUNTY INTERCHANGE - PLANT X STATION 230KV CKT 1' | TO->FROM | 0.22226 | 350.8 | 'PLANT X STATION - S-RANDLCO 230.00 230KV CKT 1'             |
| 11SP | 0 | G10_058 | 'DEAF SMITH COUNTY INTERCHANGE - PLANT X STATION 230KV CKT 1' | TO->FROM | 0.2411  | 350.8 | 'PLANT X STATION - S-RANDLCO 230.00 230KV CKT 1'             |
| 11SP | 0 | G10_060 | 'DEAF SMITH COUNTY INTERCHANGE - PLANT X STATION 230KV CKT 1' | TO->FROM | 0.22226 | 350.8 | 'PLANT X STATION - S-RANDLCO 230.00 230KV CKT 1'             |
| 11SP | 0 | G10_059 | 'CAPROCK REC-MCDONALD - CAPROCK REC-TRIANGLE 138KV CKT 1'     | FROM->TO | 0.214   | 270.9 | 'HOBBS INTERCHANGE - LEA COUNTY INTERCHANGE 230KV CKT 1'     |
| 11SP | 0 | G10_060 | 'CAPROCK REC-MCDONALD - CAPROCK REC-TRIANGLE 138KV CKT 1'     | FROM->TO | 0.214   | 270.9 | 'HOBBS INTERCHANGE - LEA COUNTY INTERCHANGE 230KV CKT 1'     |
| 11SP | 0 | G10_059 | 'CAPROCK REC-MCDONALD - CAPROCK REC-TRIANGLE 138KV CKT 1'     | FROM->TO | 0.19951 | 270.9 | 'CAPROCK REC-MCDONALD - CR-1956 4138.00 138KV CKT 1'         |
| 11SP | 0 | G10_060 | 'CAPROCK REC-MCDONALD - CAPROCK REC-TRIANGLE 138KV CKT 1'     | FROM->TO | 0.19951 | 270.9 | 'CAPROCK REC-MCDONALD - CR-1956 4138.00 138KV CKT 1'         |
| 11SP | 0 | G10_059 | 'CAPROCK REC-MCDONALD - CAPROCK REC-TRIANGLE 138KV CKT 1'     | FROM->TO | 0.19951 | 270.9 | 'CAPROCK REC-NEW SCHWARTZ - CR-1956 4138.00 138KV CKT 1'     |
| 11SP | 0 | G10_060 | 'CAPROCK REC-MCDONALD - CAPROCK REC-TRIANGLE 138KV CKT 1'     | FROM->TO | 0.19951 | 270.9 | 'CAPROCK REC-NEW SCHWARTZ - CR-1956 4138.00 138KV CKT 1'     |
| 11SP | 0 | G10_059 | 'JONES STATION - TUCO INTERCHANGE 230KV CKT 1'                | FROM->TO | 0.25723 | 347   | 'TOLK STATION EAST - TUCO INTERCHANGE 230KV CKT 1'           |

|      |   |         |  |          |         |       |  |
|------|---|---------|--|----------|---------|-------|--|
| 11SP | 0 | G10_060 | 'JONES STATION - TUCO INTERCHANGE 230KV<br>CKT 1'                | FROM->TO | 0.25723 | 347   | 'TOLK STATION EAST - TUCO INTERCHANGE<br>230KV CKT 1'              |
| 11SP | 0 | G10_059 | 'CAPROCK REC-MCDONALD - CAPROCK REC-<br>TRIANGLE 138KV CKT 1'    | FROM->TO | 0.19951 | 270.9 | 'CAPROCK REC-NEW SCHWARTZ - CAPROCK<br>REC-PEMBROOK 138KV CKT 1'   |
| 11SP | 0 | G10_060 | 'CAPROCK REC-MCDONALD - CAPROCK REC-<br>TRIANGLE 138KV CKT 1'    | FROM->TO | 0.19951 | 270.9 | 'CAPROCK REC-NEW SCHWARTZ - CAPROCK<br>REC-PEMBROOK 138KV CKT 1'   |
| 11SP | 0 | G10_059 | 'AMOCO SWITCHING STATION - SUNDOWN<br>INTERCHANGE 230KV CKT 1'   | FROM->TO | 0.25213 | 350.9 | 'MIDLAND COUNTY INTERCHANGE 230/138KV<br>TRANSFORMER CKT 1'        |
| 11SP | 0 | G10_060 | 'AMOCO SWITCHING STATION - SUNDOWN<br>INTERCHANGE 230KV CKT 1'   | FROM->TO | 0.25213 | 350.9 | 'MIDLAND COUNTY INTERCHANGE 230/138KV<br>TRANSFORMER CKT 1'        |
| 11SP | 0 | G10_059 | 'CAPROCK REC-MCDONALD - CAPROCK REC-<br>TRIANGLE 138KV CKT 1'    | FROM->TO | 0.19941 | 270.9 | 'CAPROCK REC-STILES - G09-17T 138.00<br>138KV CKT 1'               |
| 11SP | 0 | G10_060 | 'CAPROCK REC-MCDONALD - CAPROCK REC-<br>TRIANGLE 138KV CKT 1'    | FROM->TO | 0.19941 | 270.9 | 'CAPROCK REC-STILES - G09-17T 138.00<br>138KV CKT 1'               |
| 11SP | 0 | G10_059 | 'CUNNINGHAM STATION - LEA COUNTY<br>INTERCHANGE 230KV CKT 1'     | TO->FROM | 0.31884 | 501.3 | 'CUNNINGHAM STATION 230/20.0KV<br>TRANSFORMER CKT 1'               |
| 11SP | 0 | G10_060 | 'CUNNINGHAM STATION - LEA COUNTY<br>INTERCHANGE 230KV CKT 1'     | TO->FROM | 0.31884 | 501.3 | 'CUNNINGHAM STATION 230/20.0KV<br>TRANSFORMER CKT 1'               |
| 11SP | 0 | G10_059 | 'AMOCO SWITCHING STATION - SUNDOWN<br>INTERCHANGE 230KV CKT 1'   | FROM->TO | 0.25213 | 350.9 | 'CAPROCK REC-PHILLIPS - CAPROCK REC-<br>TATE 138KV CKT 1'          |
| 11SP | 0 | G10_060 | 'AMOCO SWITCHING STATION - SUNDOWN<br>INTERCHANGE 230KV CKT 1'   | FROM->TO | 0.25213 | 350.9 | 'CAPROCK REC-PHILLIPS - CAPROCK REC-<br>TATE 138KV CKT 1'          |
| 11SP | 0 | G10_059 | 'CUNNINGHAM STATION - EDDY COUNTY<br>INTERCHANGE 230KV CKT 1'    | FROM->TO | 0.19614 | 350.9 | 'SPP-SWPS-K48'   |
| 11SP | 0 | G10_060 | 'CUNNINGHAM STATION - EDDY COUNTY<br>INTERCHANGE 230KV CKT 1'    | FROM->TO | 0.19614 | 350.9 | 'SPP-SWPS-K48'   |
| 11SP | 0 | G10_059 | 'CUNNINGHAM STATION - EDDY COUNTY<br>INTERCHANGE 230KV CKT 1'    | FROM->TO | 0.19614 | 350.9 | 'BORDEN COUNTY INTERCHANGE 230/138KV<br>TRANSFORMER CKT 1'         |
| 11SP | 0 | G10_060 | 'CUNNINGHAM STATION - EDDY COUNTY<br>INTERCHANGE 230KV CKT 1'    | FROM->TO | 0.19614 | 350.9 | 'BORDEN COUNTY INTERCHANGE 230/138KV<br>TRANSFORMER CKT 1'         |
| 11SP | 0 | G10_059 | 'CUNNINGHAM STATION - EDDY COUNTY<br>INTERCHANGE 230KV CKT 1'    | FROM->TO | 0.19614 | 350.9 | 'BORDEN COUNTY INTERCHANGE -<br>GRASSLAND INTERCHANGE 230KV CKT 1' |
| 11SP | 0 | G10_060 | 'CUNNINGHAM STATION - EDDY COUNTY<br>INTERCHANGE 230KV CKT 1'    | FROM->TO | 0.19614 | 350.9 | 'BORDEN COUNTY INTERCHANGE -<br>GRASSLAND INTERCHANGE 230KV CKT 1' |
| 11SP | 0 | G10_058 | 'DEAF SMITH COUNTY INTERCHANGE - PLANT<br>X STATION 230KV CKT 1' | TO->FROM | 0.19894 | 350.8 | 'LAWTON EASTSIDE - OKLAUNION 345KV CKT 1'                          |
| 11SP | 0 | G10_059 | 'CUNNINGHAM STATION - LEA COUNTY<br>INTERCHANGE 230KV CKT 1'     | TO->FROM | 0.40395 | 501.3 | 'SPP-SWPS-K48'   |
| 11SP | 0 | G10_060 | 'CUNNINGHAM STATION - LEA COUNTY<br>INTERCHANGE 230KV CKT 1'     | TO->FROM | 0.40395 | 501.3 | 'SPP-SWPS-K48'   |
| 11SP | 0 | G10_059 | 'CUNNINGHAM STATION - LEA COUNTY<br>INTERCHANGE 230KV CKT 1'     | TO->FROM | 0.40395 | 501.3 | 'BORDEN COUNTY INTERCHANGE 230/138KV<br>TRANSFORMER CKT 1'         |
| 11SP | 0 | G10_060 | 'CUNNINGHAM STATION - LEA COUNTY<br>INTERCHANGE 230KV CKT 1'     | TO->FROM | 0.40395 | 501.3 | 'BORDEN COUNTY INTERCHANGE 230/138KV<br>TRANSFORMER CKT 1'         |
| 11SP | 0 | G10_059 | 'CUNNINGHAM STATION - LEA COUNTY<br>INTERCHANGE 230KV CKT 1'     | TO->FROM | 0.40395 | 501.3 | 'BORDEN COUNTY INTERCHANGE -<br>GRASSLAND INTERCHANGE 230KV CKT 1' |
| 11SP | 0 | G10_060 | 'CUNNINGHAM STATION - LEA COUNTY<br>INTERCHANGE 230KV CKT 1'     | TO->FROM | 0.40395 | 501.3 | 'BORDEN COUNTY INTERCHANGE -<br>GRASSLAND INTERCHANGE 230KV CKT 1' |
| 11SP | 0 | G10_059 | 'CAPROCK REC-MCDONALD - CAPROCK REC-<br>TRIANGLE 138KV CKT 1'    | FROM->TO | 0.19951 | 270.9 | 'CAPROCK REC-PEMBROOK - G09-17T 138.00<br>138KV CKT 1'             |

|      |   |         |   |          |         |       |   |
|------|---|---------|---|----------|---------|-------|---|
| 11SP | 0 | G10_060 | 'CAPROCK REC-MCDONALD - CAPROCK REC-TRIANGLE 138KV CKT 1'         | FROM->TO | 0.19951 | 270.9 | 'CAPROCK REC-PEMBROOK - G09-17T 138.00 138KV CKT 1'               |
| 11SP | 0 | G10_059 | 'CAPROCK REC-GRADY - CAPROCK REC-REED 138KV CKT 1'                | FROM->TO | 0.214   | 270.8 | 'HOBBS INTERCHANGE - LEA COUNTY INTERCHANGE 230KV CKT 1'          |
| 11SP | 0 | G10_060 | 'CAPROCK REC-GRADY - CAPROCK REC-REED 138KV CKT 1'                | FROM->TO | 0.214   | 270.8 | 'HOBBS INTERCHANGE - LEA COUNTY INTERCHANGE 230KV CKT 1'          |
| 11SP | 0 | G10_059 | 'CAPROCK REC-MCDONALD - CAPROCK REC-TRIANGLE 138KV CKT 1'         | FROM->TO | 0.19941 | 270.9 | 'CAPROCK REC-ST LAWRENCE - CAPROCK REC-STILES 138KV CKT 1'        |
| 11SP | 0 | G10_060 | 'CAPROCK REC-MCDONALD - CAPROCK REC-TRIANGLE 138KV CKT 1'         | FROM->TO | 0.19941 | 270.9 | 'CAPROCK REC-ST LAWRENCE - CAPROCK REC-STILES 138KV CKT 1'        |
| 11SP | 0 | G10_059 | 'AMOCO SWITCHING STATION - SUNDOWN INTERCHANGE 230KV CKT 1'       | FROM->TO | 0.25213 | 350.9 | 'CAPROCK REC-MCDONALD - CAPROCK REC-PHILLIPS 138KV CKT 1'         |
| 11SP | 0 | G10_060 | 'AMOCO SWITCHING STATION - SUNDOWN INTERCHANGE 230KV CKT 1'       | FROM->TO | 0.25213 | 350.9 | 'CAPROCK REC-MCDONALD - CAPROCK REC-PHILLIPS 138KV CKT 1'         |
| 11SP | 0 | G10_059 | 'TUCO INTERCHANGE (GE M1022338) 345/230/13.2KV TRANSFORMER CKT 1' | FROM->TO | 0.44143 | 557.6 | 'TUCO INTERCHANGE (UPDATE DATA) 345/230/13.2KV TRANSFORMER CKT 2' |
| 11SP | 0 | G10_058 | 'TUCO INTERCHANGE (GE M1022338) 345/230/13.2KV TRANSFORMER CKT 1' | FROM->TO | 0.41355 | 557.6 | 'TUCO INTERCHANGE (UPDATE DATA) 345/230/13.2KV TRANSFORMER CKT 2' |
| 11SP | 0 | G10_060 | 'TUCO INTERCHANGE (GE M1022338) 345/230/13.2KV TRANSFORMER CKT 1' | FROM->TO | 0.44143 | 557.6 | 'TUCO INTERCHANGE (UPDATE DATA) 345/230/13.2KV TRANSFORMER CKT 2' |
| 11SP | 0 | G10_059 | 'TUCO INTERCHANGE (GE M1022338) 345/230/13.2KV TRANSFORMER CKT 1' | FROM->TO | 0.44143 | 557.5 | 'TUCO INTERCHANGE (UPDATE DATA) 345/230/13.2KV TRANSFORMER CKT 2' |
| 11SP | 0 | G10_058 | 'TUCO INTERCHANGE (GE M1022338) 345/230/13.2KV TRANSFORMER CKT 1' | FROM->TO | 0.41355 | 557.5 | 'TUCO INTERCHANGE (UPDATE DATA) 345/230/13.2KV TRANSFORMER CKT 2' |
| 11SP | 0 | G10_060 | 'TUCO INTERCHANGE (GE M1022338) 345/230/13.2KV TRANSFORMER CKT 1' | FROM->TO | 0.44143 | 557.5 | 'TUCO INTERCHANGE (UPDATE DATA) 345/230/13.2KV TRANSFORMER CKT 2' |
| 11SP | 0 | G10_059 | 'SUNDOWN INTERCHANGE - WOLFFORTH INTERCHANGE 230KV CKT 1'         | FROM->TO | 0.19566 | 350.5 | 'MIDLAND COUNTY INTERCHANGE 230/138KV TRANSFORMER CKT 1'          |
| 11SP | 0 | G10_060 | 'SUNDOWN INTERCHANGE - WOLFFORTH INTERCHANGE 230KV CKT 1'         | FROM->TO | 0.19566 | 350.5 | 'MIDLAND COUNTY INTERCHANGE 230/138KV TRANSFORMER CKT 1'          |
| 11SP | 0 | G10_059 | 'CAPROCK REC-GRADY - CAPROCK REC-REED 138KV CKT 1'                | FROM->TO | 0.19951 | 270.8 | 'CAPROCK REC-MCDONALD - CR-1956 4138.00 138KV CKT 1'              |
| 11SP | 0 | G10_060 | 'CAPROCK REC-GRADY - CAPROCK REC-REED 138KV CKT 1'                | FROM->TO | 0.19951 | 270.8 | 'CAPROCK REC-MCDONALD - CR-1956 4138.00 138KV CKT 1'              |
| 11SP | 0 | G10_059 | 'SUNDOWN INTERCHANGE - WOLFFORTH INTERCHANGE 230KV CKT 1'         | FROM->TO | 0.19566 | 350.5 | 'CAPROCK REC-PHILLIPS - CAPROCK REC-TATE 138KV CKT 1'             |
| 11SP | 0 | G10_060 | 'SUNDOWN INTERCHANGE - WOLFFORTH INTERCHANGE 230KV CKT 1'         | FROM->TO | 0.19566 | 350.5 | 'CAPROCK REC-PHILLIPS - CAPROCK REC-TATE 138KV CKT 1'             |
| 11SP | 0 | G10_059 | 'CAPROCK REC-GRADY - CAPROCK REC-REED 138KV CKT 1'                | FROM->TO | 0.19951 | 270.8 | 'CAPROCK REC-NEW SCHWARTZ - CR-1956 4138.00 138KV CKT 1'          |
| 11SP | 0 | G10_060 | 'CAPROCK REC-GRADY - CAPROCK REC-REED 138KV CKT 1'                | FROM->TO | 0.19951 | 270.8 | 'CAPROCK REC-NEW SCHWARTZ - CR-1956 4138.00 138KV CKT 1'          |
| 11SP | 0 | G10_059 | 'TUCO INTERCHANGE (UPDATE DATA) 345/230/13.2KV TRANSFORMER CKT 2' | FROM->TO | 0.4307  | 558.5 | 'TUCO INTERCHANGE (GE M1022338) 345/230/13.2KV TRANSFORMER CKT 1' |
| 11SP | 0 | G10_058 | 'TUCO INTERCHANGE (UPDATE DATA) 345/230/13.2KV TRANSFORMER CKT 2' | FROM->TO | 0.40351 | 558.5 | 'TUCO INTERCHANGE (GE M1022338) 345/230/13.2KV TRANSFORMER CKT 1' |
| 11SP | 0 | G10_060 | 'TUCO INTERCHANGE (UPDATE DATA) 345/230/13.2KV TRANSFORMER CKT 2' | FROM->TO | 0.4307  | 558.5 | 'TUCO INTERCHANGE (GE M1022338) 345/230/13.2KV TRANSFORMER CKT 1' |
| 11SP | 0 | G10_059 | 'TUCO INTERCHANGE (UPDATE DATA) 345/230/13.2KV TRANSFORMER CKT 2' | FROM->TO | 0.4307  | 558.4 | 'TUCO INTERCHANGE (GE M1022338) 345/230/13.2KV TRANSFORMER CKT 1' |

|      |   |         |  |          |         |       |  |
|------|---|---------|--|----------|---------|-------|--|
| 11SP | 0 | G10_058 | 'TUCO INTERCHANGE (UPDATE DATA)<br>345/230/13.2KV TRANSFORMER CKT 2' | FROM->TO | 0.40351 | 558.4 | 'TUCO INTERCHANGE (GE M1022338)<br>345/230/13.2KV TRANSFORMER CKT 1' |
| 11SP | 0 | G10_060 | 'TUCO INTERCHANGE (UPDATE DATA)<br>345/230/13.2KV TRANSFORMER CKT 2' | FROM->TO | 0.4307  | 558.4 | 'TUCO INTERCHANGE (GE M1022338)<br>345/230/13.2KV TRANSFORMER CKT 1' |
| 11SP | 0 | G10_059 | 'CAPROCK REC-MCDONALD - CAPROCK REC-<br>TRIANGLE 138KV CKT 1'        | FROM->TO | 0.19941 | 270.9 | 'CAPROCK REC-LANGE - CAPROCK REC-ST<br>LAWRENCE 138KV CKT 1'         |
| 11SP | 0 | G10_060 | 'CAPROCK REC-MCDONALD - CAPROCK REC-<br>TRIANGLE 138KV CKT 1'        | FROM->TO | 0.19941 | 270.9 | 'CAPROCK REC-LANGE - CAPROCK REC-ST<br>LAWRENCE 138KV CKT 1'         |
| 11SP | 0 | G10_059 | 'CAPROCK REC-MCDONALD - CAPROCK REC-<br>TRIANGLE 138KV CKT 1'        | FROM->TO | 0.19941 | 270.9 | 'CAPROCK REC-BUCHANAN - CAPROCK REC-<br>LANGE 138KV CKT 1'           |
| 11SP | 0 | G10_060 | 'CAPROCK REC-MCDONALD - CAPROCK REC-<br>TRIANGLE 138KV CKT 1'        | FROM->TO | 0.19941 | 270.9 | 'CAPROCK REC-BUCHANAN - CAPROCK REC-<br>LANGE 138KV CKT 1'           |
| 11SP | 0 | G10_059 | 'SUNDOWN INTERCHANGE - WOLFFORTH<br>INTERCHANGE 230KV CKT 1'         | FROM->TO | 0.19566 | 350.5 | 'CAPROCK REC-MCDONALD - CAPROCK REC-<br>PHILLIPS 138KV CKT 1'        |
| 11SP | 0 | G10_060 | 'SUNDOWN INTERCHANGE - WOLFFORTH<br>INTERCHANGE 230KV CKT 1'         | FROM->TO | 0.19566 | 350.5 | 'CAPROCK REC-MCDONALD - CAPROCK REC-<br>PHILLIPS 138KV CKT 1'        |
| 11SP | 0 | G10_059 | 'CUNNINGHAM STATION - LEA COUNTY<br>INTERCHANGE 230KV CKT 1'         | TO->FROM | 0.34712 | 501.3 | 'AMOCO SWITCHING STATION - YOAKUM<br>COUNTY INTERCHANGE 230KV CKT 1' |
| 11SP | 0 | G10_060 | 'CUNNINGHAM STATION - LEA COUNTY<br>INTERCHANGE 230KV CKT 1'         | TO->FROM | 0.34712 | 501.3 | 'AMOCO SWITCHING STATION - YOAKUM<br>COUNTY INTERCHANGE 230KV CKT 1' |
| 11SP | 0 | G10_059 | 'CAPROCK REC-GRADY - CAPROCK REC-REED<br>138KV CKT 1'                | FROM->TO | 0.19951 | 270.8 | 'CAPROCK REC-NEW SCHWARTZ - CAPROCK<br>REC-PEMBROOK 138KV CKT 1'     |
| 11SP | 0 | G10_060 | 'CAPROCK REC-GRADY - CAPROCK REC-REED<br>138KV CKT 1'                | FROM->TO | 0.19951 | 270.8 | 'CAPROCK REC-NEW SCHWARTZ - CAPROCK<br>REC-PEMBROOK 138KV CKT 1'     |
| 11SP | 0 | G10_059 | 'JONES STATION - TUCO INTERCHANGE 230KV<br>CKT 1'                    | FROM->TO | 0.22895 | 347   | 'Jones Station Bus#2 - LUBBOCK EAST<br>INTERCHANGE 230KV CKT 1'      |
| 11SP | 0 | G10_060 | 'JONES STATION - TUCO INTERCHANGE 230KV<br>CKT 1'                    | FROM->TO | 0.22895 | 347   | 'Jones Station Bus#2 - LUBBOCK EAST<br>INTERCHANGE 230KV CKT 1'      |
| 11SP | 0 | G10_059 | 'CAPROCK REC-GRADY - CAPROCK REC-REED<br>138KV CKT 1'                | FROM->TO | 0.19941 | 270.8 | 'CAPROCK REC-STILES - G09-17T 138.00<br>138KV CKT 1'                 |
| 11SP | 0 | G10_060 | 'CAPROCK REC-GRADY - CAPROCK REC-REED<br>138KV CKT 1'                | FROM->TO | 0.19941 | 270.8 | 'CAPROCK REC-STILES - G09-17T 138.00<br>138KV CKT 1'                 |
| 11SP | 0 | G10_059 | 'CUNNINGHAM STATION - LEA COUNTY<br>INTERCHANGE 230KV CKT 1'         | TO->FROM | 0.35718 | 501.3 | 'HOBBS INTERCHANGE 230/115KV<br>TRANSFORMER CKT 1'                   |
| 11SP | 0 | G10_060 | 'CUNNINGHAM STATION - LEA COUNTY<br>INTERCHANGE 230KV CKT 1'         | TO->FROM | 0.35718 | 501.3 | 'HOBBS INTERCHANGE 230/115KV<br>TRANSFORMER CKT 1'                   |
| 11SP | 0 | G10_059 | 'CAPROCK REC-GRADY - CAPROCK REC-REED<br>138KV CKT 1'                | FROM->TO | 0.19951 | 270.8 | 'CAPROCK REC-PEMBROOK - G09-17T 138.00<br>138KV CKT 1'               |
| 11SP | 0 | G10_060 | 'CAPROCK REC-GRADY - CAPROCK REC-REED<br>138KV CKT 1'                | FROM->TO | 0.19951 | 270.8 | 'CAPROCK REC-PEMBROOK - G09-17T 138.00<br>138KV CKT 1'               |
| 11SP | 0 | G10_059 | 'CAPROCK REC-MCDONALD - CAPROCK REC-<br>TRIANGLE 138KV CKT 1'        | FROM->TO | 0.19941 | 270.9 | 'CAPROCK REC-BUCHANAN - CAPROCK REC-<br>RUSSEL TAP 138KV CKT 1'      |
| 11SP | 0 | G10_060 | 'CAPROCK REC-MCDONALD - CAPROCK REC-<br>TRIANGLE 138KV CKT 1'        | FROM->TO | 0.19941 | 270.9 | 'CAPROCK REC-BUCHANAN - CAPROCK REC-<br>RUSSEL TAP 138KV CKT 1'      |
| 11SP | 0 | G10_059 | 'CUNNINGHAM STATION - LEA COUNTY<br>INTERCHANGE 230KV CKT 1'         | TO->FROM | 0.35453 | 501.3 | 'CAPROCK REC-MCDONALD - CAPROCK REC-<br>TRIANGLE 138KV CKT 1'        |
| 11SP | 0 | G10_060 | 'CUNNINGHAM STATION - LEA COUNTY<br>INTERCHANGE 230KV CKT 1'         | TO->FROM | 0.35453 | 501.3 | 'CAPROCK REC-MCDONALD - CAPROCK REC-<br>TRIANGLE 138KV CKT 1'        |
| 11SP | 0 | G10_059 | 'CUNNINGHAM STATION - LEA COUNTY<br>INTERCHANGE 230KV CKT 1'         | TO->FROM | 0.31884 | 501.3 | 'CUNNINGHAM STATION 230/13.8KV<br>TRANSFORMER CKT 1'                 |

|      |   |         |   |          |         |       |  |
|------|---|---------|---|----------|---------|-------|--|
| 11SP | 0 | G10_060 | 'CUNNINGHAM STATION - LEA COUNTY INTERCHANGE 230KV CKT 1'       | TO->FROM | 0.31884 | 501.3 | 'CUNNINGHAM STATION 230/13.8KV TRANSFORMER CKT 1'            |
| 11SP | 0 | G10_059 | 'POTTER COUNTY INTERCHANGE - S-RANDLCO 230.00 230KV CKT 1'      | TO->FROM | 0.26306 | 351   | 'BUSHLAND INTERCHANGE - S-RANDLCO 230.00 230KV CKT 1'        |
| 11SP | 0 | G10_058 | 'POTTER COUNTY INTERCHANGE - S-RANDLCO 230.00 230KV CKT 1'      | TO->FROM | 0.29667 | 351   | 'BUSHLAND INTERCHANGE - S-RANDLCO 230.00 230KV CKT 1'        |
| 11SP | 0 | G10_060 | 'POTTER COUNTY INTERCHANGE - S-RANDLCO 230.00 230KV CKT 1'      | TO->FROM | 0.26306 | 351   | 'BUSHLAND INTERCHANGE - S-RANDLCO 230.00 230KV CKT 1'        |
| 11SP | 0 | G10_059 | 'CUNNINGHAM STATION - LEA COUNTY INTERCHANGE 230KV CKT 1'       | TO->FROM | 0.35178 | 501.3 | 'LEA COUNTY INTERCHANGE 230/115KV TRANSFORMER CKT 1'         |
| 11SP | 0 | G10_060 | 'CUNNINGHAM STATION - LEA COUNTY INTERCHANGE 230KV CKT 1'       | TO->FROM | 0.35178 | 501.3 | 'LEA COUNTY INTERCHANGE 230/115KV TRANSFORMER CKT 1'         |
| 11SP | 0 | G10_059 | 'CAPROCK REC-GRADY - CAPROCK REC-REED 138KV CKT 1'              | FROM->TO | 0.19941 | 270.8 | 'CAPROCK REC-ST LAWRENCE - CAPROCK REC-STILES 138KV CKT 1'   |
| 11SP | 0 | G10_060 | 'CAPROCK REC-GRADY - CAPROCK REC-REED 138KV CKT 1'              | FROM->TO | 0.19941 | 270.8 | 'CAPROCK REC-ST LAWRENCE - CAPROCK REC-STILES 138KV CKT 1'   |
| 11SP | 0 | G10_058 | 'DEAF SMITH COUNTY INTERCHANGE - PLANT X STATION 230KV CKT 1'   | TO->FROM | 0.20404 | 350.8 | 'TOLK STATION EAST - TUCO INTERCHANGE 230KV CKT 1'           |
| 11SP | 0 | G10_059 | 'CUNNINGHAM STATION - LEA COUNTY INTERCHANGE 230KV CKT 1'       | TO->FROM | 0.35453 | 501.3 | 'CAPROCK REC-GRADY - CAPROCK REC-TRIANGLE 138KV CKT 1'       |
| 11SP | 0 | G10_060 | 'CUNNINGHAM STATION - LEA COUNTY INTERCHANGE 230KV CKT 1'       | TO->FROM | 0.35453 | 501.3 | 'CAPROCK REC-GRADY - CAPROCK REC-TRIANGLE 138KV CKT 1'       |
| 11SP | 0 | G10_059 | 'JONES STATION - TUCO INTERCHANGE 230KV CKT 1'                  | FROM->TO | 0.24044 | 347   | 'WOLFFORTH INTERCHANGE - YUMA INTERCHANGE 115KV CKT 1'       |
| 11SP | 0 | G10_060 | 'JONES STATION - TUCO INTERCHANGE 230KV CKT 1'                  | FROM->TO | 0.24044 | 347   | 'WOLFFORTH INTERCHANGE - YUMA INTERCHANGE 115KV CKT 1'       |
| 11SP | 0 | G10_059 | 'CAPROCK REC-MCDONALD - CAPROCK REC-TRIANGLE 138KV CKT 1'       | FROM->TO | 0.19941 | 270.9 | 'CAPROCK REC-RUSSEL TAP - CAPROCK REC-VEALMOOR 138KV CKT 1'  |
| 11SP | 0 | G10_060 | 'CAPROCK REC-MCDONALD - CAPROCK REC-TRIANGLE 138KV CKT 1'       | FROM->TO | 0.19941 | 270.9 | 'CAPROCK REC-RUSSEL TAP - CAPROCK REC-VEALMOOR 138KV CKT 1'  |
| 11SP | 0 | G10_059 | 'LUBBOCK SOUTH INTERCHANGE - WOLFFORTH INTERCHANGE 230KV CKT 1' | FROM->TO | 0.27246 | 347.3 | 'HOBBS INTERCHANGE - MIDLAND COUNTY INTERCHANGE 230KV CKT 1' |
| 11SP | 0 | G10_060 | 'LUBBOCK SOUTH INTERCHANGE - WOLFFORTH INTERCHANGE 230KV CKT 1' | FROM->TO | 0.27246 | 347.3 | 'HOBBS INTERCHANGE - MIDLAND COUNTY INTERCHANGE 230KV CKT 1' |
| 11SP | 0 | G10_059 | 'CUNNINGHAM STATION - LEA COUNTY INTERCHANGE 230KV CKT 1'       | TO->FROM | 0.35453 | 501.3 | 'CAPROCK REC-GRADY - CAPROCK REC-REED 138KV CKT 1'           |
| 11SP | 0 | G10_060 | 'CUNNINGHAM STATION - LEA COUNTY INTERCHANGE 230KV CKT 1'       | TO->FROM | 0.35453 | 501.3 | 'CAPROCK REC-GRADY - CAPROCK REC-REED 138KV CKT 1'           |
| 11SP | 0 | G10_059 | 'BUSHLAND INTERCHANGE - S-RANDLCO 230.00 230KV CKT 1'           | TO->FROM | 0.25301 | 350   | 'POTTER COUNTY INTERCHANGE - S-RANDLCO 230.00 230KV CKT 1'   |
| 11SP | 0 | G10_058 | 'BUSHLAND INTERCHANGE - S-RANDLCO 230.00 230KV CKT 1'           | TO->FROM | 0.28552 | 350   | 'POTTER COUNTY INTERCHANGE - S-RANDLCO 230.00 230KV CKT 1'   |
| 11SP | 0 | G10_060 | 'BUSHLAND INTERCHANGE - S-RANDLCO 230.00 230KV CKT 1'           | TO->FROM | 0.25301 | 350   | 'POTTER COUNTY INTERCHANGE - S-RANDLCO 230.00 230KV CKT 1'   |
| 11SP | 0 | G10_059 | 'CUNNINGHAM STATION - LEA COUNTY INTERCHANGE 230KV CKT 1'       | TO->FROM | 0.35453 | 501.3 | 'CAPROCK REC-KOCH - CAPROCK REC-REED 138KV CKT 1'            |
| 11SP | 0 | G10_060 | 'CUNNINGHAM STATION - LEA COUNTY INTERCHANGE 230KV CKT 1'       | TO->FROM | 0.35453 | 501.3 | 'CAPROCK REC-KOCH - CAPROCK REC-REED 138KV CKT 1'            |
| 11SP | 0 | G10_059 | 'CUNNINGHAM STATION - LEA COUNTY INTERCHANGE 230KV CKT 1'       | TO->FROM | 0.35453 | 501.3 | 'CAPROCK REC-KOCH - CAPROCK REC-VEALMOOR 138KV CKT 1'        |

|      |   |         |   |          |         |       |   |
|------|---|---------|---|----------|---------|-------|---|
| 11SP | 0 | G10_060 | 'CUNNINGHAM STATION - LEA COUNTY INTERCHANGE 230KV CKT 1'     | TO->FROM | 0.35453 | 501.3 | 'CAPROCK REC-KOCH - CAPROCK REC-VEALMOOR 138KV CKT 1'           |
| 11SP | 0 | G10_059 | 'JONES STATION - TUCO INTERCHANGE 230KV CKT 1'                | FROM->TO | 0.24044 | 347   | 'SPP-SWPS-T71'  |
| 11SP | 0 | G10_060 | 'JONES STATION - TUCO INTERCHANGE 230KV CKT 1'                | FROM->TO | 0.24044 | 347   | 'SPP-SWPS-T71'  |
| 11SP | 0 | G10_059 | 'CUNNINGHAM STATION - LEA COUNTY INTERCHANGE 230KV CKT 1'     | TO->FROM | 0.34712 | 501.3 | 'AMOCO SWITCHING STATION - SUNDOWN INTERCHANGE 230KV CKT 1'     |
| 11SP | 0 | G10_060 | 'CUNNINGHAM STATION - LEA COUNTY INTERCHANGE 230KV CKT 1'     | TO->FROM | 0.34712 | 501.3 | 'AMOCO SWITCHING STATION - SUNDOWN INTERCHANGE 230KV CKT 1'     |
| 11SP | 0 | G10_059 | 'AMOCO SWITCHING STATION - SUNDOWN INTERCHANGE 230KV CKT 1'   | FROM->TO | 0.25208 | 350.9 | 'BORDEN COUNTY INTERCHANGE 230/138KV TRANSFORMER CKT 1'         |
| 11SP | 0 | G10_060 | 'AMOCO SWITCHING STATION - SUNDOWN INTERCHANGE 230KV CKT 1'   | FROM->TO | 0.25208 | 350.9 | 'BORDEN COUNTY INTERCHANGE 230/138KV TRANSFORMER CKT 1'         |
| 11SP | 0 | G10_059 | 'AMOCO SWITCHING STATION - SUNDOWN INTERCHANGE 230KV CKT 1'   | FROM->TO | 0.25208 | 350.9 | 'SPP-SWPS-K48'  |
| 11SP | 0 | G10_060 | 'AMOCO SWITCHING STATION - SUNDOWN INTERCHANGE 230KV CKT 1'   | FROM->TO | 0.25208 | 350.9 | 'SPP-SWPS-K48'  |
| 11SP | 0 | G10_059 | 'AMOCO SWITCHING STATION - SUNDOWN INTERCHANGE 230KV CKT 1'   | FROM->TO | 0.25208 | 350.9 | 'BORDEN COUNTY INTERCHANGE - GRASSLAND INTERCHANGE 230KV CKT 1' |
| 11SP | 0 | G10_060 | 'AMOCO SWITCHING STATION - SUNDOWN INTERCHANGE 230KV CKT 1'   | FROM->TO | 0.25208 | 350.9 | 'BORDEN COUNTY INTERCHANGE - GRASSLAND INTERCHANGE 230KV CKT 1' |
| 11SP | 0 | G10_059 | 'PLANT X STATION - TOLK STATION WEST 230KV CKT 1'             | TO->FROM | 0.26636 | 501.1 | 'TOLK STATION EAST - TOLK STATION TAP 230KV CKT 1'              |
| 11SP | 0 | G10_058 | 'PLANT X STATION - TOLK STATION WEST 230KV CKT 1'             | TO->FROM | 0.35772 | 501.1 | 'TOLK STATION EAST - TOLK STATION TAP 230KV CKT 1'              |
| 11SP | 0 | G10_060 | 'PLANT X STATION - TOLK STATION WEST 230KV CKT 1'             | TO->FROM | 0.26636 | 501.1 | 'TOLK STATION EAST - TOLK STATION TAP 230KV CKT 1'              |
| 11SP | 0 | G10_058 | 'DEAF SMITH COUNTY INTERCHANGE - PLANT X STATION 230KV CKT 1' | TO->FROM | 0.19894 | 350.8 | 'G05-15T 345.00 - OKLAUNION 345KV CKT 1'                        |
| 11SP | 0 | G10_059 | 'JONES STATION - TUCO INTERCHANGE 230KV CKT 1'                | FROM->TO | 0.24845 | 347   | 'HOBBS INTERCHANGE - LEA COUNTY INTERCHANGE 230KV CKT 1'        |
| 11SP | 0 | G10_060 | 'JONES STATION - TUCO INTERCHANGE 230KV CKT 1'                | FROM->TO | 0.24845 | 347   | 'HOBBS INTERCHANGE - LEA COUNTY INTERCHANGE 230KV CKT 1'        |
| 11SP | 0 | G10_059 | 'JONES STATION - TUCO INTERCHANGE 230KV CKT 1'                | FROM->TO | 0.22924 | 347   | 'LUBBOCK EAST INTERCHANGE 230/115KV TRANSFORMER CKT 1'          |
| 11SP | 0 | G10_060 | 'JONES STATION - TUCO INTERCHANGE 230KV CKT 1'                | FROM->TO | 0.22924 | 347   | 'LUBBOCK EAST INTERCHANGE 230/115KV TRANSFORMER CKT 1'          |
| 11SP | 0 | G10_059 | 'JONES STATION - TUCO INTERCHANGE 230KV CKT 1'                | FROM->TO | 0.24044 | 347   | 'DOUD SUB - YUMA INTERCHANGE 115KV CKT 1'                       |
| 11SP | 0 | G10_060 | 'JONES STATION - TUCO INTERCHANGE 230KV CKT 1'                | FROM->TO | 0.24044 | 347   | 'DOUD SUB - YUMA INTERCHANGE 115KV CKT 1'                       |
| 11SP | 0 | G10_059 | 'CUNNINGHAM STATION - LEA COUNTY INTERCHANGE 230KV CKT 1'     | TO->FROM | 0.34825 | 501.3 | 'TOLK STATION WEST - YOAKUM COUNTY INTERCHANGE 230KV CKT 1'     |
| 11SP | 0 | G10_060 | 'CUNNINGHAM STATION - LEA COUNTY INTERCHANGE 230KV CKT 1'     | TO->FROM | 0.34825 | 501.3 | 'TOLK STATION WEST - YOAKUM COUNTY INTERCHANGE 230KV CKT 1'     |
| 11SP | 0 | G10_059 | 'CAPROCK REC-GRADY - CAPROCK REC-REED 138KV CKT 1'            | FROM->TO | 0.19941 | 270.8 | 'CAPROCK REC-LANGE - CAPROCK REC-ST LAWRENCE 138KV CKT 1'       |
| 11SP | 0 | G10_060 | 'CAPROCK REC-GRADY - CAPROCK REC-REED 138KV CKT 1'            | FROM->TO | 0.19941 | 270.8 | 'CAPROCK REC-LANGE - CAPROCK REC-ST LAWRENCE 138KV CKT 1'       |

|      |   |         |   |          |         |       |   |
|------|---|---------|---|----------|---------|-------|---|
| 11SP | 0 | G10_058 | 'DEAF SMITH COUNTY INTERCHANGE - PLANT X STATION 230KV CKT 1' | TO->FROM | 0.19905 | 350.8 | 'G05-15T 345.00 - TUCO INTERCHANGE 345KV CKT 1'             |
| 11SP | 0 | G10_059 | 'CAPROCK REC-GRADY - CAPROCK REC-REED 138KV CKT 1'            | FROM->TO | 0.19941 | 270.8 | 'CAPROCK REC-BUCHANAN - CAPROCK REC-LANGE 138KV CKT 1'      |
| 11SP | 0 | G10_060 | 'CAPROCK REC-GRADY - CAPROCK REC-REED 138KV CKT 1'            | FROM->TO | 0.19941 | 270.8 | 'CAPROCK REC-BUCHANAN - CAPROCK REC-LANGE 138KV CKT 1'      |
| 11SP | 0 | G10_059 | 'CUNNINGHAM STATION - LEA COUNTY INTERCHANGE 230KV CKT 1'     | TO->FROM | 0.32448 | 501.3 | 'CUNNINGHAM STATION - PCA INTERCHANGE 115KV CKT 1'          |
| 11SP | 0 | G10_060 | 'CUNNINGHAM STATION - LEA COUNTY INTERCHANGE 230KV CKT 1'     | TO->FROM | 0.32448 | 501.3 | 'CUNNINGHAM STATION - PCA INTERCHANGE 115KV CKT 1'          |
| 11SP | 0 | G10_059 | 'PLANT X STATION - TOLK STATION WEST 230KV CKT 1'             | TO->FROM | 0.20319 | 501.1 | 'PLANT X STATION - TOLK STATION EAST 230KV CKT 2'           |
| 11SP | 0 | G10_058 | 'PLANT X STATION - TOLK STATION WEST 230KV CKT 1'             | TO->FROM | 0.33433 | 501.1 | 'PLANT X STATION - TOLK STATION EAST 230KV CKT 2'           |
| 11SP | 0 | G10_060 | 'PLANT X STATION - TOLK STATION WEST 230KV CKT 1'             | TO->FROM | 0.20319 | 501.1 | 'PLANT X STATION - TOLK STATION EAST 230KV CKT 2'           |
| 11SP | 0 | G10_059 | 'JONES STATION - TUCO INTERCHANGE 230KV CKT 1'                | FROM->TO | 0.24044 | 347   | 'CARLISLE INTERCHANGE - DOUD SUB 115KV CKT 1'               |
| 11SP | 0 | G10_060 | 'JONES STATION - TUCO INTERCHANGE 230KV CKT 1'                | FROM->TO | 0.24044 | 347   | 'CARLISLE INTERCHANGE - DOUD SUB 115KV CKT 1'               |
| 11SP | 0 | G10_059 | 'JONES STATION - TUCO INTERCHANGE 230KV CKT 1'                | FROM->TO | 0.22154 | 314.6 | 'BASE CASE'   |
| 11SP | 0 | G10_060 | 'JONES STATION - TUCO INTERCHANGE 230KV CKT 1'                | FROM->TO | 0.22154 | 314.6 | 'BASE CASE'   |
| 11SP | 0 | G10_059 | 'JONES STATION - TUCO INTERCHANGE 230KV CKT 1'                | FROM->TO | 0.22493 | 347   | 'LUBBOCK SOUTH INTERCHANGE 230/115KV TRANSFORMER CKT 1'     |
| 11SP | 0 | G10_060 | 'JONES STATION - TUCO INTERCHANGE 230KV CKT 1'                | FROM->TO | 0.22493 | 347   | 'LUBBOCK SOUTH INTERCHANGE 230/115KV TRANSFORMER CKT 1'     |
| 11SP | 0 | G10_059 | 'JONES STATION - TUCO INTERCHANGE 230KV CKT 1'                | FROM->TO | 0.22549 | 347   | 'ALLEN SUB - LUBBOCK SOUTH INTERCHANGE 115KV CKT 1'         |
| 11SP | 0 | G10_060 | 'JONES STATION - TUCO INTERCHANGE 230KV CKT 1'                | FROM->TO | 0.22549 | 347   | 'ALLEN SUB - LUBBOCK SOUTH INTERCHANGE 115KV CKT 1'         |
| 11SP | 0 | G10_059 | 'CUNNINGHAM STATION - LEA COUNTY INTERCHANGE 230KV CKT 1'     | TO->FROM | 0.31884 | 477.3 | 'BASE CASE'   |
| 11SP | 0 | G10_060 | 'CUNNINGHAM STATION - LEA COUNTY INTERCHANGE 230KV CKT 1'     | TO->FROM | 0.31884 | 477.3 | 'BASE CASE'   |
| 11SP | 0 | G10_059 | 'DEAF SMITH COUNTY INTERCHANGE - PLANT X STATION 230KV CKT 1' | TO->FROM | 0.19137 | 350.8 | 'BORDER 7345.00 - TUCO INTERCHANGE 345KV CKT 1'             |
| 11SP | 0 | G10_058 | 'DEAF SMITH COUNTY INTERCHANGE - PLANT X STATION 230KV CKT 1' | TO->FROM | 0.20112 | 350.8 | 'BORDER 7345.00 - TUCO INTERCHANGE 345KV CKT 1'             |
| 11SP | 0 | G10_060 | 'DEAF SMITH COUNTY INTERCHANGE - PLANT X STATION 230KV CKT 1' | TO->FROM | 0.19137 | 350.8 | 'BORDER 7345.00 - TUCO INTERCHANGE 345KV CKT 1'             |
| 11SP | 0 | G10_059 | 'PLANT X STATION - TOLK STATION EAST 230KV CKT 2'             | TO->FROM | 0.20132 | 501.2 | 'PLANT X STATION - TOLK STATION WEST 230KV CKT 1'           |
| 11SP | 0 | G10_058 | 'PLANT X STATION - TOLK STATION EAST 230KV CKT 2'             | TO->FROM | 0.3315  | 501.2 | 'PLANT X STATION - TOLK STATION WEST 230KV CKT 1'           |
| 11SP | 0 | G10_060 | 'PLANT X STATION - TOLK STATION EAST 230KV CKT 2'             | TO->FROM | 0.20132 | 501.2 | 'PLANT X STATION - TOLK STATION WEST 230KV CKT 1'           |
| 11SP | 0 | G10_059 | 'AMOCO SWITCHING STATION - SUNDOWN INTERCHANGE 230KV CKT 1'   | FROM->TO | 0.23857 | 350.9 | 'TOLK STATION WEST - YOAKUM COUNTY INTERCHANGE 230KV CKT 1' |

|      |   |         |   |          |         |       |  |
|------|---|---------|---|----------|---------|-------|--|
| 11SP | 0 | G10_060 | 'AMOCO SWITCHING STATION - SUNDOWN INTERCHANGE 230KV CKT 1' | FROM->TO | 0.23857 | 350.9 | 'TOLK STATION WEST - YOAKUM COUNTY INTERCHANGE 230KV CKT 1'        |
| 11SP | 0 | G10_059 | 'PLANT X STATION - S-RANDLCO 230.00 230KV CKT 1'            | FROM->TO | 0.1951  | 350.9 | 'DEAF SMITH COUNTY INTERCHANGE - PLANT X STATION 230KV CKT 1'      |
| 11SP | 0 | G10_058 | 'PLANT X STATION - S-RANDLCO 230.00 230KV CKT 1'            | FROM->TO | 0.21271 | 350.9 | 'DEAF SMITH COUNTY INTERCHANGE - PLANT X STATION 230KV CKT 1'      |
| 11SP | 0 | G10_060 | 'PLANT X STATION - S-RANDLCO 230.00 230KV CKT 1'            | FROM->TO | 0.1951  | 350.9 | 'DEAF SMITH COUNTY INTERCHANGE - PLANT X STATION 230KV CKT 1'      |
| 11SP | 0 | G10_059 | 'CAPROCK REC-GRADY - CAPROCK REC-REED 138KV CKT 1'          | FROM->TO | 0.19941 | 270.8 | 'CAPROCK REC-BUCHANAN - CAPROCK REC-RUSSEL TAP 138KV CKT 1'        |
| 11SP | 0 | G10_060 | 'CAPROCK REC-GRADY - CAPROCK REC-REED 138KV CKT 1'          | FROM->TO | 0.19941 | 270.8 | 'CAPROCK REC-BUCHANAN - CAPROCK REC-RUSSEL TAP 138KV CKT 1'        |
| 11SP | 0 | G10_059 | 'JONES STATION - TUCO INTERCHANGE 230KV CKT 1'              | FROM->TO | 0.24227 | 347   | 'LUBBOCK EAST INTERCHANGE - TUCO INTERCHANGE 115KV CKT 1'          |
| 11SP | 0 | G10_060 | 'JONES STATION - TUCO INTERCHANGE 230KV CKT 1'              | FROM->TO | 0.24227 | 347   | 'LUBBOCK EAST INTERCHANGE - TUCO INTERCHANGE 115KV CKT 1'          |
| 11SP | 0 | G10_059 | 'CAPROCK REC-GRADY - CAPROCK REC-REED 138KV CKT 1'          | FROM->TO | 0.19941 | 270.8 | 'CAPROCK REC-RUSSEL TAP - CAPROCK REC-VEALMOOR 138KV CKT 1'        |
| 11SP | 0 | G10_060 | 'CAPROCK REC-GRADY - CAPROCK REC-REED 138KV CKT 1'          | FROM->TO | 0.19941 | 270.8 | 'CAPROCK REC-RUSSEL TAP - CAPROCK REC-VEALMOOR 138KV CKT 1'        |
| 11SP | 0 | G10_059 | 'JONES STATION - TUCO INTERCHANGE 230KV CKT 1'              | FROM->TO | 0.23305 | 347   | 'DEAF SMITH COUNTY INTERCHANGE - PLANT X STATION 230KV CKT 1'      |
| 11SP | 0 | G10_060 | 'JONES STATION - TUCO INTERCHANGE 230KV CKT 1'              | FROM->TO | 0.23305 | 347   | 'DEAF SMITH COUNTY INTERCHANGE - PLANT X STATION 230KV CKT 1'      |
| 11SP | 0 | G10_059 | 'JONES STATION - TUCO INTERCHANGE 230KV CKT 1'              | FROM->TO | 0.23913 | 347   | 'TOLK STATION WEST - YOAKUM COUNTY INTERCHANGE 230KV CKT 1'        |
| 11SP | 0 | G10_060 | 'JONES STATION - TUCO INTERCHANGE 230KV CKT 1'              | FROM->TO | 0.23913 | 347   | 'TOLK STATION WEST - YOAKUM COUNTY INTERCHANGE 230KV CKT 1'        |
| 11SP | 0 | G10_059 | 'JONES STATION - TUCO INTERCHANGE 230KV CKT 1'              | FROM->TO | 0.23499 | 347   | 'CUNNINGHAM STATION - LEA COUNTY INTERCHANGE 230KV CKT 1'          |
| 11SP | 0 | G10_060 | 'JONES STATION - TUCO INTERCHANGE 230KV CKT 1'              | FROM->TO | 0.23499 | 347   | 'CUNNINGHAM STATION - LEA COUNTY INTERCHANGE 230KV CKT 1'          |
| 11SP | 0 | G10_059 | 'JONES STATION - TUCO INTERCHANGE 230KV CKT 1'              | FROM->TO | 0.23842 | 347   | 'TOLK STATION (ABBXNL844501) 345/230/13.2KV TRANSFORMER CKT 1'     |
| 11SP | 0 | G10_060 | 'JONES STATION - TUCO INTERCHANGE 230KV CKT 1'              | FROM->TO | 0.23842 | 347   | 'TOLK STATION (ABBXNL844501) 345/230/13.2KV TRANSFORMER CKT 1'     |
| 11SP | 0 | G10_059 | 'JONES STATION - TUCO INTERCHANGE 230KV CKT 1'              | FROM->TO | 0.23842 | 347   | 'CHAVESCO 345.00 - TOLK STATION 345KV CKT 1'                       |
| 11SP | 0 | G10_060 | 'JONES STATION - TUCO INTERCHANGE 230KV CKT 1'              | FROM->TO | 0.23842 | 347   | 'CHAVESCO 345.00 - TOLK STATION 345KV CKT 1'                       |
| 11SP | 0 | G10_059 | 'JONES STATION - TUCO INTERCHANGE 230KV CKT 1'              | FROM->TO | 0.22225 | 347   | 'WOLFFORTH INTERCHANGE 230/115KV TRANSFORMER CKT 1'                |
| 11SP | 0 | G10_060 | 'JONES STATION - TUCO INTERCHANGE 230KV CKT 1'              | FROM->TO | 0.22225 | 347   | 'WOLFFORTH INTERCHANGE 230/115KV TRANSFORMER CKT 1'                |
| 16SP | 0 | G10_059 | 'HOBBS INTERCHANGE 230/115KV TRANSFORMER CKT 1'             | FROM->TO | 0.69396 | 148.9 | 'HOBBS INTERCHANGE - LEA COUNTY INTERCHANGE 230KV CKT 1'           |
| 16SP | 0 | G10_060 | 'HOBBS INTERCHANGE 230/115KV TRANSFORMER CKT 1'             | FROM->TO | 0.69396 | 148.9 | 'HOBBS INTERCHANGE - LEA COUNTY INTERCHANGE 230KV CKT 1'           |
| 16SP | 0 | G10_059 | 'CAPROCK REC-PHILLIPS - CAPROCK REC-TATE 138KV CKT 1'       | TO->FROM | 1       | 270.5 | 'HOBBS_INT 7345.00 (LIKE POTTER) 345/230/13.2KV TRANSFORMER CKT 1' |



|      |   |         |   |          |         |       |  |
|------|---|---------|---|----------|---------|-------|--|
| 16SP | 0 | G10_060 | 'CAPROCK REC-PHILLIPS - CAPROCK REC-TATE 138KV CKT 1'             | TO->FROM | 1       | 270.5 | 'HOBBS_INT 7345.00 (LIKE POTTER) 345/230/13.2KV TRANSFORMER CKT 1' |
| 16SP | 0 | G10_059 | 'CAPROCK REC-PHILLIPS - CAPROCK REC-TATE 138KV CKT 1'             | TO->FROM | 1       | 270.5 | 'HOBBS_INT 7345.00 - MIDLAND 7345.00 345KV CKT 1'                  |
| 16SP | 0 | G10_060 | 'CAPROCK REC-PHILLIPS - CAPROCK REC-TATE 138KV CKT 1'             | TO->FROM | 1       | 270.5 | 'HOBBS_INT 7345.00 - MIDLAND 7345.00 345KV CKT 1'                  |
| 16SP | 0 | G10_059 | 'CAPROCK REC-MCDONALD - CAPROCK REC-PHILLIPS 138KV CKT 1'         | TO->FROM | 1       | 270.9 | 'HOBBS_INT 7345.00 (LIKE POTTER) 345/230/13.2KV TRANSFORMER CKT 1' |
| 16SP | 0 | G10_060 | 'CAPROCK REC-MCDONALD - CAPROCK REC-PHILLIPS 138KV CKT 1'         | TO->FROM | 1       | 270.9 | 'HOBBS_INT 7345.00 (LIKE POTTER) 345/230/13.2KV TRANSFORMER CKT 1' |
| 16SP | 0 | G10_059 | 'CAPROCK REC-MCDONALD - CAPROCK REC-PHILLIPS 138KV CKT 1'         | TO->FROM | 1       | 270.9 | 'HOBBS_INT 7345.00 - MIDLAND 7345.00 345KV CKT 1'                  |
| 16SP | 0 | G10_060 | 'CAPROCK REC-MCDONALD - CAPROCK REC-PHILLIPS 138KV CKT 1'         | TO->FROM | 1       | 270.9 | 'HOBBS_INT 7345.00 - MIDLAND 7345.00 345KV CKT 1'                  |
| 16SP | 0 | G10_059 | 'CAPROCK REC-GRADY - CAPROCK REC-TRIANGLE 138KV CKT 1'            | TO->FROM | 0.70441 | 175.9 | 'HOBBS_INT 7345.00 (LIKE POTTER) 345/230/13.2KV TRANSFORMER CKT 1' |
| 16SP | 0 | G10_060 | 'CAPROCK REC-GRADY - CAPROCK REC-TRIANGLE 138KV CKT 1'            | TO->FROM | 0.70441 | 175.9 | 'HOBBS_INT 7345.00 (LIKE POTTER) 345/230/13.2KV TRANSFORMER CKT 1' |
| 16SP | 0 | G10_059 | 'CAPROCK REC-GRADY - CAPROCK REC-TRIANGLE 138KV CKT 1'            | TO->FROM | 0.70441 | 175.9 | 'HOBBS_INT 7345.00 - MIDLAND 7345.00 345KV CKT 1'                  |
| 16SP | 0 | G10_060 | 'CAPROCK REC-GRADY - CAPROCK REC-TRIANGLE 138KV CKT 1'            | TO->FROM | 0.70441 | 175.9 | 'HOBBS_INT 7345.00 - MIDLAND 7345.00 345KV CKT 1'                  |
| 16SP | 0 | G10_059 | 'CAPROCK REC-KOCH - CAPROCK REC-REED 138KV CKT 1'                 | TO->FROM | 0.70441 | 175.9 | 'HOBBS_INT 7345.00 - MIDLAND 7345.00 345KV CKT 1'                  |
| 16SP | 0 | G10_060 | 'CAPROCK REC-KOCH - CAPROCK REC-REED 138KV CKT 1'                 | TO->FROM | 0.70441 | 175.9 | 'HOBBS_INT 7345.00 - MIDLAND 7345.00 345KV CKT 1'                  |
| 16SP | 0 | G10_059 | 'CAPROCK REC-KOCH - CAPROCK REC-REED 138KV CKT 1'                 | TO->FROM | 0.70441 | 175.9 | 'HOBBS_INT 7345.00 (LIKE POTTER) 345/230/13.2KV TRANSFORMER CKT 1' |
| 16SP | 0 | G10_060 | 'CAPROCK REC-KOCH - CAPROCK REC-REED 138KV CKT 1'                 | TO->FROM | 0.70441 | 175.9 | 'HOBBS_INT 7345.00 (LIKE POTTER) 345/230/13.2KV TRANSFORMER CKT 1' |
| 16SP | 0 | G10_059 | 'CAPROCK REC-KOCH - CAPROCK REC-VEALMOOR 138KV CKT 1'             | FROM->TO | 0.70441 | 175.9 | 'HOBBS_INT 7345.00 (LIKE POTTER) 345/230/13.2KV TRANSFORMER CKT 1' |
| 16SP | 0 | G10_060 | 'CAPROCK REC-KOCH - CAPROCK REC-VEALMOOR 138KV CKT 1'             | FROM->TO | 0.70441 | 175.9 | 'HOBBS_INT 7345.00 (LIKE POTTER) 345/230/13.2KV TRANSFORMER CKT 1' |
| 16SP | 0 | G10_059 | 'CAPROCK REC-KOCH - CAPROCK REC-VEALMOOR 138KV CKT 1'             | FROM->TO | 0.70441 | 175.9 | 'HOBBS_INT 7345.00 - MIDLAND 7345.00 345KV CKT 1'                  |
| 16SP | 0 | G10_060 | 'CAPROCK REC-KOCH - CAPROCK REC-VEALMOOR 138KV CKT 1'             | FROM->TO | 0.70441 | 175.9 | 'HOBBS_INT 7345.00 - MIDLAND 7345.00 345KV CKT 1'                  |
| 16SP | 0 | G10_059 | 'MIDLAND 7345.00 (LIKE WICHITA) 345/138/13.8KV TRANSFORMER CKT 1' | FROM->TO | 1       | 384.9 | 'HOBBS_INT 7345.00 (LIKE POTTER) 345/230/13.2KV TRANSFORMER CKT 1' |
| 16SP | 0 | G10_060 | 'MIDLAND 7345.00 (LIKE WICHITA) 345/138/13.8KV TRANSFORMER CKT 1' | FROM->TO | 1       | 384.9 | 'HOBBS_INT 7345.00 (LIKE POTTER) 345/230/13.2KV TRANSFORMER CKT 1' |
| 16SP | 0 | G10_059 | 'MIDLAND 7345.00 (LIKE WICHITA) 345/138/13.8KV TRANSFORMER CKT 1' | FROM->TO | 1       | 384.9 | 'HOBBS_INT 7345.00 - MIDLAND 7345.00 345KV CKT 1'                  |
| 16SP | 0 | G10_060 | 'MIDLAND 7345.00 (LIKE WICHITA) 345/138/13.8KV TRANSFORMER CKT 1' | FROM->TO | 1       | 384.9 | 'HOBBS_INT 7345.00 - MIDLAND 7345.00 345KV CKT 1'                  |
| 16SP | 0 | G10_059 | 'MIDLAND 7345.00 (LIKE WICHITA) 345/138/13.8KV TRANSFORMER CKT 1' | FROM->TO | 1       | 385.2 | 'HOBBS_INT 7345.00 (LIKE POTTER) 345/230/13.2KV TRANSFORMER CKT 1' |
| 16SP | 0 | G10_060 | 'MIDLAND 7345.00 (LIKE WICHITA) 345/138/13.8KV TRANSFORMER CKT 1' | FROM->TO | 1       | 385.2 | 'HOBBS_INT 7345.00 (LIKE POTTER) 345/230/13.2KV TRANSFORMER CKT 1' |

|      |   |         |  |          |         |       |   |
|------|---|---------|--|----------|---------|-------|---|
| 16SP | 0 | G10_059 | 'MIDLAND 7345.00 (LIKE WICHITA)<br>345/138/13.8KV TRANSFORMER CKT 1' | FROM->TO | 1       | 385.2 | 'HOBBS_INT 7345.00 - MIDLAND 7345.00<br>345KV CKT 1'                  |
| 16SP | 0 | G10_060 | 'MIDLAND 7345.00 (LIKE WICHITA)<br>345/138/13.8KV TRANSFORMER CKT 1' | FROM->TO | 1       | 385.2 | 'HOBBS_INT 7345.00 - MIDLAND 7345.00<br>345KV CKT 1'                  |
| 16SP | 0 | G10_059 | 'CAPROCK REC-MCDONALD - CAPROCK REC-<br>TRIANGLE 138KV CKT 1'        | FROM->TO | 0.70441 | 271   | 'HOBBS_INT 7345.00 (LIKE POTTER)<br>345/230/13.2KV TRANSFORMER CKT 1' |
| 16SP | 0 | G10_060 | 'CAPROCK REC-MCDONALD - CAPROCK REC-<br>TRIANGLE 138KV CKT 1'        | FROM->TO | 0.70441 | 271   | 'HOBBS_INT 7345.00 (LIKE POTTER)<br>345/230/13.2KV TRANSFORMER CKT 1' |
| 16SP | 0 | G10_059 | 'CAPROCK REC-MCDONALD - CAPROCK REC-<br>TRIANGLE 138KV CKT 1'        | FROM->TO | 0.70441 | 271   | 'HOBBS_INT 7345.00 - MIDLAND 7345.00<br>345KV CKT 1'                  |
| 16SP | 0 | G10_060 | 'CAPROCK REC-MCDONALD - CAPROCK REC-<br>TRIANGLE 138KV CKT 1'        | FROM->TO | 0.70441 | 271   | 'HOBBS_INT 7345.00 - MIDLAND 7345.00<br>345KV CKT 1'                  |
| 16SP | 0 | G10_059 | 'HOBBS INTERCHANGE - LEA COUNTY<br>INTERCHANGE 230KV CKT 1'          | FROM->TO | 0.88576 | 616.4 | 'MIDLAND 7345.00 (LIKE WICHITA)<br>345/138/13.8KV TRANSFORMER CKT 1'  |
| 16SP | 0 | G10_060 | 'HOBBS INTERCHANGE - LEA COUNTY<br>INTERCHANGE 230KV CKT 1'          | FROM->TO | 0.88576 | 616.4 | 'MIDLAND 7345.00 (LIKE WICHITA)<br>345/138/13.8KV TRANSFORMER CKT 1'  |
| 16SP | 0 | G10_059 | 'HOBBS INTERCHANGE - LEA COUNTY<br>INTERCHANGE 230KV CKT 1'          | FROM->TO | 0.88576 | 616.4 | 'CAPROCK REC-PHILLIPS - CAPROCK REC-<br>TATE 138KV CKT 1'             |
| 16SP | 0 | G10_060 | 'HOBBS INTERCHANGE - LEA COUNTY<br>INTERCHANGE 230KV CKT 1'          | FROM->TO | 0.88576 | 616.4 | 'CAPROCK REC-PHILLIPS - CAPROCK REC-<br>TATE 138KV CKT 1'             |
| 16SP | 0 | G10_059 | 'CAPROCK REC-PHILLIPS - CAPROCK REC-<br>TATE 138KV CKT 1'            | TO->FROM | 0.20669 | 207.3 | 'BASE CASE'   |
| 16SP | 0 | G10_060 | 'CAPROCK REC-PHILLIPS - CAPROCK REC-<br>TATE 138KV CKT 1'            | TO->FROM | 0.20669 | 207.3 | 'BASE CASE'   |
| 16SP | 0 | G10_059 | 'BORDEN COUNTY INTERCHANGE 230/138KV<br>TRANSFORMER CKT 1'           | TO->FROM | 0.50115 | 167.5 | 'HOBBS_INT 7345.00 (LIKE POTTER)<br>345/230/13.2KV TRANSFORMER CKT 1' |
| 16SP | 0 | G10_060 | 'BORDEN COUNTY INTERCHANGE 230/138KV<br>TRANSFORMER CKT 1'           | TO->FROM | 0.50115 | 167.5 | 'HOBBS_INT 7345.00 (LIKE POTTER)<br>345/230/13.2KV TRANSFORMER CKT 1' |
| 16SP | 0 | G10_059 | 'BORDEN COUNTY INTERCHANGE 230/138KV<br>TRANSFORMER CKT 1'           | TO->FROM | 0.50115 | 167.5 | 'HOBBS_INT 7345.00 - MIDLAND 7345.00<br>345KV CKT 1'                  |
| 16SP | 0 | G10_060 | 'BORDEN COUNTY INTERCHANGE 230/138KV<br>TRANSFORMER CKT 1'           | TO->FROM | 0.50115 | 167.5 | 'HOBBS_INT 7345.00 - MIDLAND 7345.00<br>345KV CKT 1'                  |
| 16SP | 0 | G10_059 | 'CAPROCK REC-PHILLIPS - CAPROCK REC-<br>TATE 138KV CKT 1'            | TO->FROM | 0.301   | 270.5 | 'HOBBS INTERCHANGE - LEA COUNTY<br>INTERCHANGE 230KV CKT 1'           |
| 16SP | 0 | G10_060 | 'CAPROCK REC-PHILLIPS - CAPROCK REC-<br>TATE 138KV CKT 1'            | TO->FROM | 0.301   | 270.5 | 'HOBBS INTERCHANGE - LEA COUNTY<br>INTERCHANGE 230KV CKT 1'           |
| 16SP | 0 | G10_059 | 'HOBBS INTERCHANGE - LEA COUNTY<br>INTERCHANGE 230KV CKT 1'          | FROM->TO | 0.88576 | 616.4 | 'CAPROCK REC-MCDONALD - CAPROCK REC-<br>PHILLIPS 138KV CKT 1'         |
| 16SP | 0 | G10_060 | 'HOBBS INTERCHANGE - LEA COUNTY<br>INTERCHANGE 230KV CKT 1'          | FROM->TO | 0.88576 | 616.4 | 'CAPROCK REC-MCDONALD - CAPROCK REC-<br>PHILLIPS 138KV CKT 1'         |
| 16SP | 0 | G10_059 | 'CAPROCK REC-GRADY - CAPROCK REC-REED<br>138KV CKT 1'                | FROM->TO | 0.70441 | 270.9 | 'HOBBS_INT 7345.00 (LIKE POTTER)<br>345/230/13.2KV TRANSFORMER CKT 1' |
| 16SP | 0 | G10_060 | 'CAPROCK REC-GRADY - CAPROCK REC-REED<br>138KV CKT 1'                | FROM->TO | 0.70441 | 270.9 | 'HOBBS_INT 7345.00 (LIKE POTTER)<br>345/230/13.2KV TRANSFORMER CKT 1' |
| 16SP | 0 | G10_059 | 'CAPROCK REC-GRADY - CAPROCK REC-REED<br>138KV CKT 1'                | FROM->TO | 0.70441 | 270.9 | 'HOBBS_INT 7345.00 - MIDLAND 7345.00<br>345KV CKT 1'                  |
| 16SP | 0 | G10_060 | 'CAPROCK REC-GRADY - CAPROCK REC-REED<br>138KV CKT 1'                | FROM->TO | 0.70441 | 270.9 | 'HOBBS_INT 7345.00 - MIDLAND 7345.00<br>345KV CKT 1'                  |
| 16SP | 0 | G10_059 | 'AMOCO SWITCHING STATION - YOAKUM<br>COUNTY INTERCHANGE 230KV CKT 1' | TO->FROM | 0.24838 | 350.2 | 'MIDLAND 7345.00 (LIKE WICHITA)<br>345/138/13.8KV TRANSFORMER CKT 1'  |

|      |   |         |  |          |         |       |  |
|------|---|---------|--|----------|---------|-------|--|
| 16SP | 0 | G10_060 | 'AMOCO SWITCHING STATION - YOAKUM COUNTY INTERCHANGE 230KV CKT 1'  | TO->FROM | 0.24838 | 350.2 | 'MIDLAND 7345.00 (LIKE WICHITA) 345/138/13.8KV TRANSFORMER CKT 1'  |
| 16SP | 0 | G10_059 | 'HOBBS INTERCHANGE - LEA COUNTY INTERCHANGE 115KV CKT 1'           | FROM->TO | 0.24482 | 239   | 'HOBBS INTERCHANGE - LEA COUNTY INTERCHANGE 230KV CKT 1'           |
| 16SP | 0 | G10_060 | 'HOBBS INTERCHANGE - LEA COUNTY INTERCHANGE 115KV CKT 1'           | FROM->TO | 0.24482 | 239   | 'HOBBS INTERCHANGE - LEA COUNTY INTERCHANGE 230KV CKT 1'           |
| 16SP | 0 | G10_059 | 'AMOCO SWITCHING STATION - YOAKUM COUNTY INTERCHANGE 230KV CKT 1'  | TO->FROM | 0.24838 | 350.2 | 'CAPROCK REC-PHILLIPS - CAPROCK REC-TATE 138KV CKT 1'              |
| 16SP | 0 | G10_060 | 'AMOCO SWITCHING STATION - YOAKUM COUNTY INTERCHANGE 230KV CKT 1'  | TO->FROM | 0.24838 | 350.2 | 'CAPROCK REC-PHILLIPS - CAPROCK REC-TATE 138KV CKT 1'              |
| 16SP | 0 | G10_059 | 'HOBBS INTERCHANGE - LEA COUNTY INTERCHANGE 230KV CKT 1'           | FROM->TO | 0.70183 | 477.2 | 'BASE CASE'  |
| 16SP | 0 | G10_060 | 'HOBBS INTERCHANGE - LEA COUNTY INTERCHANGE 230KV CKT 1'           | FROM->TO | 0.70183 | 477.2 | 'BASE CASE'  |
| 16SP | 0 | G10_059 | 'BORDEN COUNTY INTERCHANGE 230/138KV TRANSFORMER CKT 2'            | TO->FROM | 0.4987  | 193   | 'HOBBS_INT 7345.00 (LIKE POTTER) 345/230/13.2KV TRANSFORMER CKT 1' |
| 16SP | 0 | G10_060 | 'BORDEN COUNTY INTERCHANGE 230/138KV TRANSFORMER CKT 2'            | TO->FROM | 0.4987  | 193   | 'HOBBS_INT 7345.00 (LIKE POTTER) 345/230/13.2KV TRANSFORMER CKT 1' |
| 16SP | 0 | G10_059 | 'BORDEN COUNTY INTERCHANGE 230/138KV TRANSFORMER CKT 2'            | TO->FROM | 0.4987  | 193   | 'HOBBS_INT 7345.00 - MIDLAND 7345.00 345KV CKT 1'                  |
| 16SP | 0 | G10_060 | 'BORDEN COUNTY INTERCHANGE 230/138KV TRANSFORMER CKT 2'            | TO->FROM | 0.4987  | 193   | 'HOBBS_INT 7345.00 - MIDLAND 7345.00 345KV CKT 1'                  |
| 16SP | 0 | G10_059 | 'LEA COUNTY INTERCHANGE - YOAKUM COUNTY INTERCHANGE 230KV CKT 1'   | FROM->TO | 0.38557 | 351   | 'MIDLAND 7345.00 (LIKE WICHITA) 345/138/13.8KV TRANSFORMER CKT 1'  |
| 16SP | 0 | G10_060 | 'LEA COUNTY INTERCHANGE - YOAKUM COUNTY INTERCHANGE 230KV CKT 1'   | FROM->TO | 0.38557 | 351   | 'MIDLAND 7345.00 (LIKE WICHITA) 345/138/13.8KV TRANSFORMER CKT 1'  |
| 16SP | 0 | G10_059 | 'LEA COUNTY INTERCHANGE - YOAKUM COUNTY INTERCHANGE 230KV CKT 1'   | FROM->TO | 0.38557 | 351   | 'CAPROCK REC-PHILLIPS - CAPROCK REC-TATE 138KV CKT 1'              |
| 16SP | 0 | G10_060 | 'LEA COUNTY INTERCHANGE - YOAKUM COUNTY INTERCHANGE 230KV CKT 1'   | FROM->TO | 0.38557 | 351   | 'CAPROCK REC-PHILLIPS - CAPROCK REC-TATE 138KV CKT 1'              |
| 16SP | 0 | G10_059 | 'HOBBS_INT 7345.00 (LIKE POTTER) 345/230/13.2KV TRANSFORMER CKT 1' | FROM->TO | 1       | 557.5 | 'MIDLAND 7345.00 (LIKE WICHITA) 345/138/13.8KV TRANSFORMER CKT 1'  |
| 16SP | 0 | G10_060 | 'HOBBS_INT 7345.00 (LIKE POTTER) 345/230/13.2KV TRANSFORMER CKT 1' | FROM->TO | 1       | 557.5 | 'MIDLAND 7345.00 (LIKE WICHITA) 345/138/13.8KV TRANSFORMER CKT 1'  |
| 16SP | 0 | G10_059 | 'HOBBS_INT 7345.00 (LIKE POTTER) 345/230/13.2KV TRANSFORMER CKT 1' | FROM->TO | 1       | 557.7 | 'MIDLAND 7345.00 (LIKE WICHITA) 345/138/13.8KV TRANSFORMER CKT 1'  |
| 16SP | 0 | G10_060 | 'HOBBS_INT 7345.00 (LIKE POTTER) 345/230/13.2KV TRANSFORMER CKT 1' | FROM->TO | 1       | 557.7 | 'MIDLAND 7345.00 (LIKE WICHITA) 345/138/13.8KV TRANSFORMER CKT 1'  |
| 16SP | 0 | G10_059 | 'AMOCO SWITCHING STATION - YOAKUM COUNTY INTERCHANGE 230KV CKT 1'  | TO->FROM | 0.24838 | 350.2 | 'CAPROCK REC-MCDONALD - CAPROCK REC-PHILLIPS 138KV CKT 1'          |
| 16SP | 0 | G10_060 | 'AMOCO SWITCHING STATION - YOAKUM COUNTY INTERCHANGE 230KV CKT 1'  | TO->FROM | 0.24838 | 350.2 | 'CAPROCK REC-MCDONALD - CAPROCK REC-PHILLIPS 138KV CKT 1'          |
| 16SP | 0 | G10_059 | 'HOBBS_INT 7345.00 (LIKE POTTER) 345/230/13.2KV TRANSFORMER CKT 1' | FROM->TO | 1       | 557.5 | 'CAPROCK REC-PHILLIPS - CAPROCK REC-TATE 138KV CKT 1'              |
| 16SP | 0 | G10_060 | 'HOBBS_INT 7345.00 (LIKE POTTER) 345/230/13.2KV TRANSFORMER CKT 1' | FROM->TO | 1       | 557.5 | 'CAPROCK REC-PHILLIPS - CAPROCK REC-TATE 138KV CKT 1'              |
| 16SP | 0 | G10_059 | 'HOBBS_INT 7345.00 (LIKE POTTER) 345/230/13.2KV TRANSFORMER CKT 1' | FROM->TO | 1       | 557.7 | 'CAPROCK REC-PHILLIPS - CAPROCK REC-TATE 138KV CKT 1'              |
| 16SP | 0 | G10_060 | 'HOBBS_INT 7345.00 (LIKE POTTER) 345/230/13.2KV TRANSFORMER CKT 1' | FROM->TO | 1       | 557.7 | 'CAPROCK REC-PHILLIPS - CAPROCK REC-TATE 138KV CKT 1'              |

|      |   |         |  |          |         |       |  |
|------|---|---------|--|----------|---------|-------|--|
| 16SP | 0 | G10_059 | 'CAPROCK REC-MCDONALD - CAPROCK REC-PHILLIPS 138KV CKT 1'          | TO->FROM | 0.301   | 270.9 | 'HOBBS INTERCHANGE - LEA COUNTY INTERCHANGE 230KV CKT 1'           |
| 16SP | 0 | G10_060 | 'CAPROCK REC-MCDONALD - CAPROCK REC-PHILLIPS 138KV CKT 1'          | TO->FROM | 0.301   | 270.9 | 'HOBBS INTERCHANGE - LEA COUNTY INTERCHANGE 230KV CKT 1'           |
| 16SP | 0 | G10_059 | 'LEA COUNTY INTERCHANGE - YOAKUM COUNTY INTERCHANGE 230KV CKT 1'   | FROM->TO | 0.38557 | 351   | 'CAPROCK REC-MCDONALD - CAPROCK REC-PHILLIPS 138KV CKT 1'          |
| 16SP | 0 | G10_060 | 'LEA COUNTY INTERCHANGE - YOAKUM COUNTY INTERCHANGE 230KV CKT 1'   | FROM->TO | 0.38557 | 351   | 'CAPROCK REC-MCDONALD - CAPROCK REC-PHILLIPS 138KV CKT 1'          |
| 16SP | 0 | G10_059 | 'HOBBS_INT 7345.00 (LIKE POTTER) 345/230/13.2KV TRANSFORMER CKT 1' | FROM->TO | 1       | 557.5 | 'CAPROCK REC-MCDONALD - CAPROCK REC-PHILLIPS 138KV CKT 1'          |
| 16SP | 0 | G10_060 | 'HOBBS_INT 7345.00 (LIKE POTTER) 345/230/13.2KV TRANSFORMER CKT 1' | FROM->TO | 1       | 557.5 | 'CAPROCK REC-MCDONALD - CAPROCK REC-PHILLIPS 138KV CKT 1'          |
| 16SP | 0 | G10_059 | 'HOBBS_INT 7345.00 (LIKE POTTER) 345/230/13.2KV TRANSFORMER CKT 1' | FROM->TO | 1       | 557.7 | 'CAPROCK REC-MCDONALD - CAPROCK REC-PHILLIPS 138KV CKT 1'          |
| 16SP | 0 | G10_060 | 'HOBBS_INT 7345.00 (LIKE POTTER) 345/230/13.2KV TRANSFORMER CKT 1' | FROM->TO | 1       | 557.7 | 'CAPROCK REC-MCDONALD - CAPROCK REC-PHILLIPS 138KV CKT 1'          |
| 16SP | 0 | G10_059 | 'CAPROCK REC-MCDONALD - CAPROCK REC-PHILLIPS 138KV CKT 1'          | TO->FROM | 0.20669 | 207.9 | 'BASE CASE'  |
| 16SP | 0 | G10_060 | 'CAPROCK REC-MCDONALD - CAPROCK REC-PHILLIPS 138KV CKT 1'          | TO->FROM | 0.20669 | 207.9 | 'BASE CASE'  |
| 16SP | 0 | G10_059 | 'HOBBS INTERCHANGE - LEA COUNTY INTERCHANGE 230KV CKT 1'           | FROM->TO | 0.88563 | 616.4 | 'BORDEN COUNTY INTERCHANGE - GRASSLAND INTERCHANGE 230KV CKT 1'    |
| 16SP | 0 | G10_060 | 'HOBBS INTERCHANGE - LEA COUNTY INTERCHANGE 230KV CKT 1'           | FROM->TO | 0.88563 | 616.4 | 'BORDEN COUNTY INTERCHANGE - GRASSLAND INTERCHANGE 230KV CKT 1'    |
| 16SP | 0 | G10_059 | 'HOBBS INTERCHANGE - LEA COUNTY INTERCHANGE 230KV CKT 1'           | FROM->TO | 0.88563 | 616.4 | 'SPP-SWPS-K48'   |
| 16SP | 0 | G10_060 | 'HOBBS INTERCHANGE - LEA COUNTY INTERCHANGE 230KV CKT 1'           | FROM->TO | 0.88563 | 616.4 | 'SPP-SWPS-K48'   |
| 16SP | 0 | G10_059 | 'BORDEN COUNTY INTERCHANGE - GRASSLAND INTERCHANGE 230KV CKT 1'    | FROM->TO | 0.99986 | 478   | 'HOBBS_INT 7345.00 (LIKE POTTER) 345/230/13.2KV TRANSFORMER CKT 1' |
| 16SP | 0 | G10_060 | 'BORDEN COUNTY INTERCHANGE - GRASSLAND INTERCHANGE 230KV CKT 1'    | FROM->TO | 0.99986 | 478   | 'HOBBS_INT 7345.00 (LIKE POTTER) 345/230/13.2KV TRANSFORMER CKT 1' |
| 16SP | 0 | G10_059 | 'BORDEN COUNTY INTERCHANGE - GRASSLAND INTERCHANGE 230KV CKT 1'    | FROM->TO | 0.99986 | 478   | 'HOBBS_INT 7345.00 - MIDLAND 7345.00 345KV CKT 1'                  |
| 16SP | 0 | G10_060 | 'BORDEN COUNTY INTERCHANGE - GRASSLAND INTERCHANGE 230KV CKT 1'    | FROM->TO | 0.99986 | 478   | 'HOBBS_INT 7345.00 - MIDLAND 7345.00 345KV CKT 1'                  |
| 16SP | 0 | G10_059 | 'HOBBS INTERCHANGE - LEA COUNTY INTERCHANGE 230KV CKT 1'           | FROM->TO | 0.78651 | 616.4 | 'CAPROCK REC-MCDONALD - CAPROCK REC-TRIANGLE 138KV CKT 1'          |
| 16SP | 0 | G10_060 | 'HOBBS INTERCHANGE - LEA COUNTY INTERCHANGE 230KV CKT 1'           | FROM->TO | 0.78651 | 616.4 | 'CAPROCK REC-MCDONALD - CAPROCK REC-TRIANGLE 138KV CKT 1'          |
| 16SP | 0 | G10_059 | 'CUNNINGHAM STATION - EDDY COUNTY INTERCHANGE 230KV CKT 1'         | FROM->TO | 0.20803 | 348.3 | 'CUNNINGHAM STATION - POTASH JUNCTION INTERCHANGE 230KV CKT 1'     |
| 16SP | 0 | G10_060 | 'CUNNINGHAM STATION - EDDY COUNTY INTERCHANGE 230KV CKT 1'         | FROM->TO | 0.20803 | 348.3 | 'CUNNINGHAM STATION - POTASH JUNCTION INTERCHANGE 230KV CKT 1'     |
| 16SP | 0 | G10_059 | 'HOBBS INTERCHANGE - LEA COUNTY INTERCHANGE 230KV CKT 1'           | FROM->TO | 0.78651 | 616.4 | 'CAPROCK REC-GRADY - CAPROCK REC-TRIANGLE 138KV CKT 1'             |
| 16SP | 0 | G10_060 | 'HOBBS INTERCHANGE - LEA COUNTY INTERCHANGE 230KV CKT 1'           | FROM->TO | 0.78651 | 616.4 | 'CAPROCK REC-GRADY - CAPROCK REC-TRIANGLE 138KV CKT 1'             |
| 16SP | 0 | G10_059 | 'CAPROCK REC-STILES - G09-17T 138.00 138KV CKT 1'                  | TO->FROM | 0.29545 | 176   | 'HOBBS_INT 7345.00 (LIKE POTTER) 345/230/13.2KV TRANSFORMER CKT 1' |

|      |   |         |   |          |         |       |   |
|------|---|---------|---|----------|---------|-------|---|
| 16SP | 0 | G10_060 | 'CAPROCK REC-STILES - G09-17T 138.00<br>138KV CKT 1'                | TO->FROM | 0.29545 | 176   | 'HOBBS_INT 7345.00 (LIKE POTTER)<br>345/230/13.2KV TRANSFORMER CKT 1'                               |
| 16SP | 0 | G10_059 | 'CAPROCK REC-STILES - G09-17T 138.00<br>138KV CKT 1'                | TO->FROM | 0.29545 | 176   | 'HOBBS_INT 7345.00 - MIDLAND 7345.00<br>345KV CKT 1'  |
| 16SP | 0 | G10_060 | 'CAPROCK REC-STILES - G09-17T 138.00<br>138KV CKT 1'                | TO->FROM | 0.29545 | 176   | 'HOBBS_INT 7345.00 - MIDLAND 7345.00<br>345KV CKT 1'  |
| 16SP | 0 | G10_059 | 'CAPROCK REC-PHILLIPS - CAPROCK REC-<br>TATE 138KV CKT 1'           | TO->FROM | 0.23675 | 270.5 | 'LEA COUNTY INTERCHANGE - YOAKUM<br>COUNTY INTERCHANGE 230KV CKT 1'                                 |
| 16SP | 0 | G10_060 | 'CAPROCK REC-PHILLIPS - CAPROCK REC-<br>TATE 138KV CKT 1'           | TO->FROM | 0.23675 | 270.5 | 'LEA COUNTY INTERCHANGE - YOAKUM<br>COUNTY INTERCHANGE 230KV CKT 1'                                 |
| 16SP | 0 | G10_059 | 'LEA COUNTY INTERCHANGE - YOAKUM<br>COUNTY INTERCHANGE 230KV CKT 1' | FROM->TO | 0.38964 | 351   | 'CUNNINGHAM STATION - LEA COUNTY<br>INTERCHANGE 230KV CKT 1'  |
| 16SP | 0 | G10_060 | 'LEA COUNTY INTERCHANGE - YOAKUM<br>COUNTY INTERCHANGE 230KV CKT 1' | FROM->TO | 0.38964 | 351   | 'CUNNINGHAM STATION - LEA COUNTY<br>INTERCHANGE 230KV CKT 1'  |
| 16SP | 0 | G10_059 | 'HOBBS INTERCHANGE - LEA COUNTY<br>INTERCHANGE 230KV CKT 1'         | FROM->TO | 0.78651 | 616.4 | 'CAPROCK REC-GRADY - CAPROCK REC-REED<br>138KV CKT 1'   |
| 16SP | 0 | G10_060 | 'HOBBS INTERCHANGE - LEA COUNTY<br>INTERCHANGE 230KV CKT 1'         | FROM->TO | 0.78651 | 616.4 | 'CAPROCK REC-GRADY - CAPROCK REC-REED<br>138KV CKT 1'   |
| 16SP | 0 | G10_059 | 'HOBBS INTERCHANGE - LEA COUNTY<br>INTERCHANGE 230KV CKT 1'         | FROM->TO | 0.78651 | 616.4 | 'CAPROCK REC-KOCH - CAPROCK REC-REED<br>138KV CKT 1'  |
| 16SP | 0 | G10_060 | 'HOBBS INTERCHANGE - LEA COUNTY<br>INTERCHANGE 230KV CKT 1'         | FROM->TO | 0.78651 | 616.4 | 'CAPROCK REC-KOCH - CAPROCK REC-REED<br>138KV CKT 1'  |
| 16SP | 0 | G10_059 | 'HOBBS INTERCHANGE - LEA COUNTY<br>INTERCHANGE 230KV CKT 1'         | FROM->TO | 0.78651 | 616.4 | 'CAPROCK REC-KOCH - CAPROCK REC-<br>VEALMOOR 138KV CKT 1'   |
| 16SP | 0 | G10_060 | 'HOBBS INTERCHANGE - LEA COUNTY<br>INTERCHANGE 230KV CKT 1'         | FROM->TO | 0.78651 | 616.4 | 'CAPROCK REC-KOCH - CAPROCK REC-<br>VEALMOOR 138KV CKT 1'   |
| 16SP | 0 | G10_059 | 'HOBBS INTERCHANGE - LEA COUNTY<br>INTERCHANGE 230KV CKT 1'         | FROM->TO | 0.78664 | 616.4 | 'HOBBS INTERCHANGE 230/115KV<br>TRANSFORMER CKT 1'  |
| 16SP | 0 | G10_060 | 'HOBBS INTERCHANGE - LEA COUNTY<br>INTERCHANGE 230KV CKT 1'         | FROM->TO | 0.78664 | 616.4 | 'HOBBS INTERCHANGE 230/115KV<br>TRANSFORMER CKT 1'  |
| 16SP | 0 | G10_059 | 'CAPROCK REC-PEMBROOK - G09-17T 138.00<br>138KV CKT 1'              | FROM->TO | 0.29559 | 176   | 'HOBBS_INT 7345.00 - MIDLAND 7345.00<br>345KV CKT 1'  |
| 16SP | 0 | G10_060 | 'CAPROCK REC-PEMBROOK - G09-17T 138.00<br>138KV CKT 1'              | FROM->TO | 0.29559 | 176   | 'HOBBS_INT 7345.00 - MIDLAND 7345.00<br>345KV CKT 1'  |
| 16SP | 0 | G10_059 | 'CAPROCK REC-PEMBROOK - G09-17T 138.00<br>138KV CKT 1'              | FROM->TO | 0.29559 | 176   | 'HOBBS_INT 7345.00 (LIKE POTTER)<br>345/230/13.2KV TRANSFORMER CKT 1'                               |
| 16SP | 0 | G10_060 | 'CAPROCK REC-PEMBROOK - G09-17T 138.00<br>138KV CKT 1'              | FROM->TO | 0.29559 | 176   | 'HOBBS_INT 7345.00 (LIKE POTTER)<br>345/230/13.2KV TRANSFORMER CKT 1'                               |
| 16SP | 0 | G10_059 | 'LEA COUNTY INTERCHANGE - YOAKUM<br>COUNTY INTERCHANGE 230KV CKT 1' | FROM->TO | 0.33547 | 351   | 'CUNNINGHAM STATION - EDDY COUNTY<br>INTERCHANGE 230KV CKT 1'                                       |
| 16SP | 0 | G10_060 | 'LEA COUNTY INTERCHANGE - YOAKUM<br>COUNTY INTERCHANGE 230KV CKT 1' | FROM->TO | 0.33547 | 351   | 'CUNNINGHAM STATION - EDDY COUNTY<br>INTERCHANGE 230KV CKT 1'                                       |
| 16SP | 0 | G10_059 | 'LEA COUNTY INTERCHANGE - YOAKUM<br>COUNTY INTERCHANGE 230KV CKT 1' | FROM->TO | 0.30023 | 351   | 'Golden Spread REC - Mustang Interchange 230 kV<br>Generation Bus - MUSTANG STATION 230KV CKT<br>1' |
| 16SP | 0 | G10_060 | 'LEA COUNTY INTERCHANGE - YOAKUM<br>COUNTY INTERCHANGE 230KV CKT 1' | FROM->TO | 0.30023 | 351   | 'Golden Spread REC - Mustang Interchange 230 kV<br>Generation Bus - MUSTANG STATION 230KV CKT<br>1' |
| 16SP | 0 | G10_059 | 'CAPROCK REC-PHILLIPS - CAPROCK REC-<br>TATE 138KV CKT 1'           | TO->FROM | 0.21935 | 270.5 | 'AMOCO SWITCHING STATION - YOAKUM<br>COUNTY INTERCHANGE 230KV CKT 1'                                |

|      |   |         |   |          |         |       |   |
|------|---|---------|---|----------|---------|-------|---|
| 16SP | 0 | G10_060 | 'CAPROCK REC-PHILLIPS - CAPROCK REC-TATE 138KV CKT 1'             | TO->FROM | 0.21935 | 270.5 | 'AMOCO SWITCHING STATION - YOAKUM COUNTY INTERCHANGE 230KV CKT 1'           |
| 16SP | 0 | G10_059 | 'HOBBS INTERCHANGE - LEA COUNTY INTERCHANGE 230KV CKT 1'          | FROM->TO | 0.72589 | 616.4 | 'CAPROCK REC-MCDONALD - CR-1956 4138.00 138KV CKT 1'                        |
| 16SP | 0 | G10_060 | 'HOBBS INTERCHANGE - LEA COUNTY INTERCHANGE 230KV CKT 1'          | FROM->TO | 0.72589 | 616.4 | 'CAPROCK REC-MCDONALD - CR-1956 4138.00 138KV CKT 1'                        |
| 16SP | 0 | G10_059 | 'HOBBS INTERCHANGE - LEA COUNTY INTERCHANGE 230KV CKT 1'          | FROM->TO | 0.72589 | 616.4 | 'CAPROCK REC-NEW SCHWARTZ - CR-1956 4138.00 138KV CKT 1'                    |
| 16SP | 0 | G10_060 | 'HOBBS INTERCHANGE - LEA COUNTY INTERCHANGE 230KV CKT 1'          | FROM->TO | 0.72589 | 616.4 | 'CAPROCK REC-NEW SCHWARTZ - CR-1956 4138.00 138KV CKT 1'                    |
| 16SP | 0 | G10_059 | 'HOBBS INTERCHANGE - LEA COUNTY INTERCHANGE 230KV CKT 1'          | FROM->TO | 0.70183 | 616.4 | 'CUNNINGHAM STATION 230/20.0KV TRANSFORMER CKT 1'                           |
| 16SP | 0 | G10_060 | 'HOBBS INTERCHANGE - LEA COUNTY INTERCHANGE 230KV CKT 1'          | FROM->TO | 0.70183 | 616.4 | 'CUNNINGHAM STATION 230/20.0KV TRANSFORMER CKT 1'                           |
| 16SP | 0 | G10_059 | 'HOBBS INTERCHANGE - LEA COUNTY INTERCHANGE 230KV CKT 1'          | FROM->TO | 0.72589 | 616.4 | 'CAPROCK REC-NEW SCHWARTZ - CAPROCK REC-PEMBROOK 138KV CKT 1'               |
| 16SP | 0 | G10_060 | 'HOBBS INTERCHANGE - LEA COUNTY INTERCHANGE 230KV CKT 1'          | FROM->TO | 0.72589 | 616.4 | 'CAPROCK REC-NEW SCHWARTZ - CAPROCK REC-PEMBROOK 138KV CKT 1'               |
| 16SP | 0 | G10_059 | 'HOBBS INTERCHANGE - LEA COUNTY INTERCHANGE 230KV CKT 1'          | FROM->TO | 0.72583 | 616.4 | 'CAPROCK REC-STILES - G09-17T 138.00 138KV CKT 1'                           |
| 16SP | 0 | G10_060 | 'HOBBS INTERCHANGE - LEA COUNTY INTERCHANGE 230KV CKT 1'          | FROM->TO | 0.72583 | 616.4 | 'CAPROCK REC-STILES - G09-17T 138.00 138KV CKT 1'                           |
| 16SP | 0 | G10_059 | 'HOBBS INTERCHANGE - LEA COUNTY INTERCHANGE 230KV CKT 1'          | FROM->TO | 0.72589 | 616.4 | 'CAPROCK REC-PEMBROOK - G09-17T 138.00 138KV CKT 1'                         |
| 16SP | 0 | G10_060 | 'HOBBS INTERCHANGE - LEA COUNTY INTERCHANGE 230KV CKT 1'          | FROM->TO | 0.72589 | 616.4 | 'CAPROCK REC-PEMBROOK - G09-17T 138.00 138KV CKT 1'                         |
| 16SP | 0 | G10_059 | 'HOBBS INTERCHANGE - LEA COUNTY INTERCHANGE 230KV CKT 1'          | FROM->TO | 0.72583 | 616.4 | 'CAPROCK REC-ST LAWRENCE - CAPROCK REC-STILES 138KV CKT 1'                  |
| 16SP | 0 | G10_060 | 'HOBBS INTERCHANGE - LEA COUNTY INTERCHANGE 230KV CKT 1'          | FROM->TO | 0.72583 | 616.4 | 'CAPROCK REC-ST LAWRENCE - CAPROCK REC-STILES 138KV CKT 1'                  |
| 16SP | 0 | G10_059 | 'AMOCO SWITCHING STATION - YOAKUM COUNTY INTERCHANGE 230KV CKT 1' | TO->FROM | 0.1961  | 350.2 | 'LEA COUNTY REC-PLAINS INTERCHANGE - YOAKUM COUNTY INTERCHANGE 115KV CKT 1' |
| 16SP | 0 | G10_060 | 'AMOCO SWITCHING STATION - YOAKUM COUNTY INTERCHANGE 230KV CKT 1' | TO->FROM | 0.1961  | 350.2 | 'LEA COUNTY REC-PLAINS INTERCHANGE - YOAKUM COUNTY INTERCHANGE 115KV CKT 1' |
| 16SP | 0 | G10_059 | 'HOBBS INTERCHANGE - LEA COUNTY INTERCHANGE 230KV CKT 1'          | FROM->TO | 0.6912  | 616.4 | 'HOBBS INTERCHANGE - LEA COUNTY INTERCHANGE 115KV CKT 1'                    |
| 16SP | 0 | G10_060 | 'HOBBS INTERCHANGE - LEA COUNTY INTERCHANGE 230KV CKT 1'          | FROM->TO | 0.6912  | 616.4 | 'HOBBS INTERCHANGE - LEA COUNTY INTERCHANGE 115KV CKT 1'                    |
| 16SP | 0 | G10_059 | 'LEA COUNTY INTERCHANGE - YOAKUM COUNTY INTERCHANGE 230KV CKT 1'  | FROM->TO | 0.38551 | 351   | 'SPP-SWPS-K48'  |
| 16SP | 0 | G10_060 | 'LEA COUNTY INTERCHANGE - YOAKUM COUNTY INTERCHANGE 230KV CKT 1'  | FROM->TO | 0.38551 | 351   | 'SPP-SWPS-K48'  |
| 16SP | 0 | G10_059 | 'LEA COUNTY INTERCHANGE - YOAKUM COUNTY INTERCHANGE 230KV CKT 1'  | FROM->TO | 0.38551 | 351   | 'BORDEN COUNTY INTERCHANGE - GRASSLAND INTERCHANGE 230KV CKT 1'             |
| 16SP | 0 | G10_060 | 'LEA COUNTY INTERCHANGE - YOAKUM COUNTY INTERCHANGE 230KV CKT 1'  | FROM->TO | 0.38551 | 351   | 'BORDEN COUNTY INTERCHANGE - GRASSLAND INTERCHANGE 230KV CKT 1'             |
| 16SP | 0 | G10_059 | 'HOBBS INTERCHANGE - LEA COUNTY INTERCHANGE 230KV CKT 1'          | FROM->TO | 0.70183 | 616.4 | 'CUNNINGHAM STATION 230/13.8KV TRANSFORMER CKT 1'                           |

|      |   |         |  |          |         |       |   |
|------|---|---------|--|----------|---------|-------|---|
| 16SP | 0 | G10_060 | 'HOBBS INTERCHANGE - LEA COUNTY INTERCHANGE 230KV CKT 1'           | FROM->TO | 0.70183 | 616.4 | 'CUNNINGHAM STATION 230/13.8KV TRANSFORMER CKT 1'               |
| 16SP | 0 | G10_059 | 'HOBBS_INT 7345.00 (LIKE POTTER) 345/230/13.2KV TRANSFORMER CKT 1' | FROM->TO | 0.99986 | 557.5 | 'BORDEN COUNTY INTERCHANGE - GRASSLAND INTERCHANGE 230KV CKT 1' |
| 16SP | 0 | G10_060 | 'HOBBS_INT 7345.00 (LIKE POTTER) 345/230/13.2KV TRANSFORMER CKT 1' | FROM->TO | 0.99986 | 557.5 | 'BORDEN COUNTY INTERCHANGE - GRASSLAND INTERCHANGE 230KV CKT 1' |
| 16SP | 0 | G10_059 | 'HOBBS_INT 7345.00 (LIKE POTTER) 345/230/13.2KV TRANSFORMER CKT 1' | FROM->TO | 0.99986 | 557.5 | 'SPP-SWPS-K48'  |
| 16SP | 0 | G10_060 | 'HOBBS_INT 7345.00 (LIKE POTTER) 345/230/13.2KV TRANSFORMER CKT 1' | FROM->TO | 0.99986 | 557.5 | 'SPP-SWPS-K48'  |
| 16SP | 0 | G10_059 | 'HOBBS_INT 7345.00 (LIKE POTTER) 345/230/13.2KV TRANSFORMER CKT 1' | FROM->TO | 0.99986 | 557.7 | 'BORDEN COUNTY INTERCHANGE - GRASSLAND INTERCHANGE 230KV CKT 1' |
| 16SP | 0 | G10_060 | 'HOBBS_INT 7345.00 (LIKE POTTER) 345/230/13.2KV TRANSFORMER CKT 1' | FROM->TO | 0.99986 | 557.7 | 'BORDEN COUNTY INTERCHANGE - GRASSLAND INTERCHANGE 230KV CKT 1' |
| 16SP | 0 | G10_059 | 'HOBBS_INT 7345.00 (LIKE POTTER) 345/230/13.2KV TRANSFORMER CKT 1' | FROM->TO | 0.99986 | 557.7 | 'SPP-SWPS-K48'  |
| 16SP | 0 | G10_060 | 'HOBBS_INT 7345.00 (LIKE POTTER) 345/230/13.2KV TRANSFORMER CKT 1' | FROM->TO | 0.99986 | 557.7 | 'SPP-SWPS-K48'  |
| 16SP | 0 | G10_059 | 'AMOCO SWITCHING STATION - YOAKUM COUNTY INTERCHANGE 230KV CKT 1'  | TO->FROM | 0.24834 | 350.2 | 'SPP-SWPS-K48'  |
| 16SP | 0 | G10_060 | 'AMOCO SWITCHING STATION - YOAKUM COUNTY INTERCHANGE 230KV CKT 1'  | TO->FROM | 0.24834 | 350.2 | 'SPP-SWPS-K48'  |
| 16SP | 0 | G10_059 | 'AMOCO SWITCHING STATION - YOAKUM COUNTY INTERCHANGE 230KV CKT 1'  | TO->FROM | 0.24834 | 350.2 | 'BORDEN COUNTY INTERCHANGE - GRASSLAND INTERCHANGE 230KV CKT 1' |
| 16SP | 0 | G10_060 | 'AMOCO SWITCHING STATION - YOAKUM COUNTY INTERCHANGE 230KV CKT 1'  | TO->FROM | 0.24834 | 350.2 | 'BORDEN COUNTY INTERCHANGE - GRASSLAND INTERCHANGE 230KV CKT 1' |
| 16SP | 0 | G10_059 | 'AMOCO SWITCHING STATION - YOAKUM COUNTY INTERCHANGE 230KV CKT 1'  | TO->FROM | 0.24219 | 350.2 | 'TOLK STATION WEST - YOAKUM COUNTY INTERCHANGE 230KV CKT 1'     |
| 16SP | 0 | G10_060 | 'AMOCO SWITCHING STATION - YOAKUM COUNTY INTERCHANGE 230KV CKT 1'  | TO->FROM | 0.24219 | 350.2 | 'TOLK STATION WEST - YOAKUM COUNTY INTERCHANGE 230KV CKT 1'     |
| 16SP | 0 | G10_059 | 'CAPROCK REC-PHILLIPS - CAPROCK REC-TATE 138KV CKT 1'              | TO->FROM | 0.21439 | 270.5 | 'CUNNINGHAM STATION - EDDY COUNTY INTERCHANGE 230KV CKT 1'      |
| 16SP | 0 | G10_060 | 'CAPROCK REC-PHILLIPS - CAPROCK REC-TATE 138KV CKT 1'              | TO->FROM | 0.21439 | 270.5 | 'CUNNINGHAM STATION - EDDY COUNTY INTERCHANGE 230KV CKT 1'      |
| 16SP | 0 | G10_059 | 'LEA COUNTY INTERCHANGE - YOAKUM COUNTY INTERCHANGE 230KV CKT 1'   | FROM->TO | 0.31706 | 351   | 'CUNNINGHAM STATION - POTASH JUNCTION INTERCHANGE 230KV CKT 1'  |
| 16SP | 0 | G10_060 | 'LEA COUNTY INTERCHANGE - YOAKUM COUNTY INTERCHANGE 230KV CKT 1'   | FROM->TO | 0.31706 | 351   | 'CUNNINGHAM STATION - POTASH JUNCTION INTERCHANGE 230KV CKT 1'  |
| 16SP | 0 | G10_059 | 'CAPROCK REC-PHILLIPS - CAPROCK REC-TATE 138KV CKT 1'              | TO->FROM | 0.22292 | 270.5 | 'CUNNINGHAM STATION - LEA COUNTY INTERCHANGE 230KV CKT 1'       |
| 16SP | 0 | G10_060 | 'CAPROCK REC-PHILLIPS - CAPROCK REC-TATE 138KV CKT 1'              | TO->FROM | 0.22292 | 270.5 | 'CUNNINGHAM STATION - LEA COUNTY INTERCHANGE 230KV CKT 1'       |
| 16SP | 0 | G10_059 | 'CAPROCK REC-PHILLIPS - CAPROCK REC-TATE 138KV CKT 1'              | TO->FROM | 0.21514 | 270.5 | 'SUNDOWN INTERCHANGE - WOLFFORTH INTERCHANGE 230KV CKT 1'       |
| 16SP | 0 | G10_060 | 'CAPROCK REC-PHILLIPS - CAPROCK REC-TATE 138KV CKT 1'              | TO->FROM | 0.21514 | 270.5 | 'SUNDOWN INTERCHANGE - WOLFFORTH INTERCHANGE 230KV CKT 1'       |
| 16SP | 0 | G10_059 | 'AMOCO SWITCHING STATION - YOAKUM COUNTY INTERCHANGE 230KV CKT 1'  | TO->FROM | 0.20366 | 350.2 | 'CUNNINGHAM STATION - EDDY COUNTY INTERCHANGE 230KV CKT 1'      |
| 16SP | 0 | G10_060 | 'AMOCO SWITCHING STATION - YOAKUM COUNTY INTERCHANGE 230KV CKT 1'  | TO->FROM | 0.20366 | 350.2 | 'CUNNINGHAM STATION - EDDY COUNTY INTERCHANGE 230KV CKT 1'      |

|      |   |         |  |          |         |       |  |
|------|---|---------|--|----------|---------|-------|--|
| 16SP | 0 | G10_059 | 'CAPROCK REC-GRADY - CAPROCK REC-TRIANGLE 138KV CKT 1'             | TO->FROM | 0.21198 | 175.9 | 'HOBBS INTERCHANGE - LEA COUNTY INTERCHANGE 230KV CKT 1'           |
| 16SP | 0 | G10_060 | 'CAPROCK REC-GRADY - CAPROCK REC-TRIANGLE 138KV CKT 1'             | TO->FROM | 0.21198 | 175.9 | 'HOBBS INTERCHANGE - LEA COUNTY INTERCHANGE 230KV CKT 1'           |
| 16SP | 0 | G10_059 | 'LEA COUNTY INTERCHANGE - YOAKUM COUNTY INTERCHANGE 230KV CKT 1'   | FROM->TO | 0.32312 | 351   | 'JOHNSON_DRW3115.00 - TAYLOR SWITCHING STATION 115KV CKT 1'        |
| 16SP | 0 | G10_060 | 'LEA COUNTY INTERCHANGE - YOAKUM COUNTY INTERCHANGE 230KV CKT 1'   | FROM->TO | 0.32312 | 351   | 'JOHNSON_DRW3115.00 - TAYLOR SWITCHING STATION 115KV CKT 1'        |
| 16SP | 0 | G10_059 | 'LEA COUNTY INTERCHANGE - YOAKUM COUNTY INTERCHANGE 230KV CKT 1'   | FROM->TO | 0.33952 | 351   | 'CAPROCK REC-MCDONALD - CAPROCK REC-TRIANGLE 138KV CKT 1'          |
| 16SP | 0 | G10_060 | 'LEA COUNTY INTERCHANGE - YOAKUM COUNTY INTERCHANGE 230KV CKT 1'   | FROM->TO | 0.33952 | 351   | 'CAPROCK REC-MCDONALD - CAPROCK REC-TRIANGLE 138KV CKT 1'          |
| 16SP | 0 | G10_059 | 'CAPROCK REC-LANGE - CAPROCK REC-ST LAWRENCE 138KV CKT 1'          | TO->FROM | 0.29545 | 176   | 'HOBBS_INT 7345.00 - MIDLAND 7345.00 345KV CKT 1'                  |
| 16SP | 0 | G10_060 | 'CAPROCK REC-LANGE - CAPROCK REC-ST LAWRENCE 138KV CKT 1'          | TO->FROM | 0.29545 | 176   | 'HOBBS_INT 7345.00 - MIDLAND 7345.00 345KV CKT 1'                  |
| 16SP | 0 | G10_059 | 'CAPROCK REC-LANGE - CAPROCK REC-ST LAWRENCE 138KV CKT 1'          | TO->FROM | 0.29545 | 176   | 'HOBBS_INT 7345.00 (LIKE POTTER) 345/230/13.2KV TRANSFORMER CKT 1' |
| 16SP | 0 | G10_060 | 'CAPROCK REC-LANGE - CAPROCK REC-ST LAWRENCE 138KV CKT 1'          | TO->FROM | 0.29545 | 176   | 'HOBBS_INT 7345.00 (LIKE POTTER) 345/230/13.2KV TRANSFORMER CKT 1' |
| 16SP | 0 | G10_059 | 'CAPROCK REC-PHILLIPS - CAPROCK REC-TATE 138KV CKT 1'              | TO->FROM | 0.21168 | 270.5 | 'TOLK STATION EAST - TUCO INTERCHANGE 230KV CKT 1'                 |
| 16SP | 0 | G10_060 | 'CAPROCK REC-PHILLIPS - CAPROCK REC-TATE 138KV CKT 1'              | TO->FROM | 0.21168 | 270.5 | 'TOLK STATION EAST - TUCO INTERCHANGE 230KV CKT 1'                 |
| 16SP | 0 | G10_059 | 'HOBBS_INT 7345.00 (LIKE POTTER) 345/230/13.2KV TRANSFORMER CKT 1' | FROM->TO | 0.88846 | 557.5 | 'CAPROCK REC-MCDONALD - CAPROCK REC-TRIANGLE 138KV CKT 1'          |
| 16SP | 0 | G10_060 | 'HOBBS_INT 7345.00 (LIKE POTTER) 345/230/13.2KV TRANSFORMER CKT 1' | FROM->TO | 0.88846 | 557.5 | 'CAPROCK REC-MCDONALD - CAPROCK REC-TRIANGLE 138KV CKT 1'          |
| 16SP | 0 | G10_059 | 'HOBBS_INT 7345.00 (LIKE POTTER) 345/230/13.2KV TRANSFORMER CKT 1' | FROM->TO | 0.88846 | 557.7 | 'CAPROCK REC-MCDONALD - CAPROCK REC-TRIANGLE 138KV CKT 1'          |
| 16SP | 0 | G10_060 | 'HOBBS_INT 7345.00 (LIKE POTTER) 345/230/13.2KV TRANSFORMER CKT 1' | FROM->TO | 0.88846 | 557.7 | 'CAPROCK REC-MCDONALD - CAPROCK REC-TRIANGLE 138KV CKT 1'          |
| 16SP | 0 | G10_059 | 'CAPROCK REC-PHILLIPS - CAPROCK REC-TATE 138KV CKT 1'              | TO->FROM | 0.21935 | 270.5 | 'AMOCO SWITCHING STATION - SUNDOWN INTERCHANGE 230KV CKT 1'        |
| 16SP | 0 | G10_060 | 'CAPROCK REC-PHILLIPS - CAPROCK REC-TATE 138KV CKT 1'              | TO->FROM | 0.21935 | 270.5 | 'AMOCO SWITCHING STATION - SUNDOWN INTERCHANGE 230KV CKT 1'        |
| 16SP | 0 | G10_059 | 'CAPROCK REC-MCDONALD - CAPROCK REC-PHILLIPS 138KV CKT 1'          | TO->FROM | 0.23675 | 270.9 | 'LEA COUNTY INTERCHANGE - YOAKUM COUNTY INTERCHANGE 230KV CKT 1'   |
| 16SP | 0 | G10_060 | 'CAPROCK REC-MCDONALD - CAPROCK REC-PHILLIPS 138KV CKT 1'          | TO->FROM | 0.23675 | 270.9 | 'LEA COUNTY INTERCHANGE - YOAKUM COUNTY INTERCHANGE 230KV CKT 1'   |
| 16SP | 0 | G10_059 | 'LEA COUNTY INTERCHANGE - YOAKUM COUNTY INTERCHANGE 230KV CKT 1'   | FROM->TO | 0.33952 | 351   | 'CAPROCK REC-GRADY - CAPROCK REC-TRIANGLE 138KV CKT 1'             |
| 16SP | 0 | G10_060 | 'LEA COUNTY INTERCHANGE - YOAKUM COUNTY INTERCHANGE 230KV CKT 1'   | FROM->TO | 0.33952 | 351   | 'CAPROCK REC-GRADY - CAPROCK REC-TRIANGLE 138KV CKT 1'             |
| 16SP | 0 | G10_059 | 'HOBBS_INT 7345.00 (LIKE POTTER) 345/230/13.2KV TRANSFORMER CKT 1' | FROM->TO | 0.88846 | 557.5 | 'CAPROCK REC-GRADY - CAPROCK REC-TRIANGLE 138KV CKT 1'             |
| 16SP | 0 | G10_060 | 'HOBBS_INT 7345.00 (LIKE POTTER) 345/230/13.2KV TRANSFORMER CKT 1' | FROM->TO | 0.88846 | 557.5 | 'CAPROCK REC-GRADY - CAPROCK REC-TRIANGLE 138KV CKT 1'             |
| 16SP | 0 | G10_059 | 'LEA COUNTY INTERCHANGE - YOAKUM COUNTY INTERCHANGE 230KV CKT 1'   | FROM->TO | 0.30023 | 319   | 'BASE CASE'  |



|      |   |         |  |          |         |       |  |
|------|---|---------|--|----------|---------|-------|--|
| 16SP | 0 | G10_060 | 'LEA COUNTY INTERCHANGE - YOAKUM COUNTY INTERCHANGE 230KV CKT 1'   | FROM->TO | 0.30023 | 319   | 'BASE CASE'  |
| 16SP | 0 | G10_059 | 'HOBBS_INT 7345.00 (LIKE POTTER) 345/230/13.2KV TRANSFORMER CKT 1' | FROM->TO | 0.88846 | 557.7 | 'CAPROCK REC-GRADY - CAPROCK REC-TRIANGLE 138KV CKT 1'         |
| 16SP | 0 | G10_060 | 'HOBBS_INT 7345.00 (LIKE POTTER) 345/230/13.2KV TRANSFORMER CKT 1' | FROM->TO | 0.88846 | 557.7 | 'CAPROCK REC-GRADY - CAPROCK REC-TRIANGLE 138KV CKT 1'         |
| 16SP | 0 | G10_059 | 'CAPROCK REC-PHILLIPS - CAPROCK REC-TATE 138KV CKT 1'              | TO->FROM | 0.2101  | 270.5 | 'CUNNINGHAM STATION - POTASH JUNCTION INTERCHANGE 230KV CKT 1' |
| 16SP | 0 | G10_060 | 'CAPROCK REC-PHILLIPS - CAPROCK REC-TATE 138KV CKT 1'              | TO->FROM | 0.2101  | 270.5 | 'CUNNINGHAM STATION - POTASH JUNCTION INTERCHANGE 230KV CKT 1' |
| 16SP | 0 | G10_059 | 'AMOCO SWITCHING STATION - YOAKUM COUNTY INTERCHANGE 230KV CKT 1'  | TO->FROM | 0.21391 | 350.2 | 'CAPROCK REC-MCDONALD - CAPROCK REC-TRIANGLE 138KV CKT 1'      |
| 16SP | 0 | G10_060 | 'AMOCO SWITCHING STATION - YOAKUM COUNTY INTERCHANGE 230KV CKT 1'  | TO->FROM | 0.21391 | 350.2 | 'CAPROCK REC-MCDONALD - CAPROCK REC-TRIANGLE 138KV CKT 1'      |
| 16SP | 0 | G10_059 | 'CAPROCK REC-PHILLIPS - CAPROCK REC-TATE 138KV CKT 1'              | TO->FROM | 0.20669 | 270.5 | 'Jones Station Bus#2 230/22.0KV TRANSFORMER CKT 1'             |
| 16SP | 0 | G10_060 | 'CAPROCK REC-PHILLIPS - CAPROCK REC-TATE 138KV CKT 1'              | TO->FROM | 0.20669 | 270.5 | 'Jones Station Bus#2 230/22.0KV TRANSFORMER CKT 1'             |
| 16SP | 0 | G10_059 | 'CAPROCK REC-PHILLIPS - CAPROCK REC-TATE 138KV CKT 1'              | TO->FROM | 0.20669 | 270.5 | 'JONES STATION 230/22.0KV TRANSFORMER CKT 1'                   |
| 16SP | 0 | G10_060 | 'CAPROCK REC-PHILLIPS - CAPROCK REC-TATE 138KV CKT 1'              | TO->FROM | 0.20669 | 270.5 | 'JONES STATION 230/22.0KV TRANSFORMER CKT 1'                   |
| 16SP | 0 | G10_059 | 'LEA COUNTY INTERCHANGE - YOAKUM COUNTY INTERCHANGE 230KV CKT 1'   | FROM->TO | 0.33952 | 351   | 'CAPROCK REC-GRADY - CAPROCK REC-REED 138KV CKT 1'             |
| 16SP | 0 | G10_060 | 'LEA COUNTY INTERCHANGE - YOAKUM COUNTY INTERCHANGE 230KV CKT 1'   | FROM->TO | 0.33952 | 351   | 'CAPROCK REC-GRADY - CAPROCK REC-REED 138KV CKT 1'             |
| 16SP | 0 | G10_059 | 'HOBBS_INT 7345.00 (LIKE POTTER) 345/230/13.2KV TRANSFORMER CKT 1' | FROM->TO | 0.88846 | 557.5 | 'CAPROCK REC-GRADY - CAPROCK REC-REED 138KV CKT 1'             |
| 16SP | 0 | G10_060 | 'HOBBS_INT 7345.00 (LIKE POTTER) 345/230/13.2KV TRANSFORMER CKT 1' | FROM->TO | 0.88846 | 557.5 | 'CAPROCK REC-GRADY - CAPROCK REC-REED 138KV CKT 1'             |
| 16SP | 0 | G10_059 | 'HOBBS_INT 7345.00 (LIKE POTTER) 345/230/13.2KV TRANSFORMER CKT 1' | FROM->TO | 0.88846 | 557.7 | 'CAPROCK REC-GRADY - CAPROCK REC-REED 138KV CKT 1'             |
| 16SP | 0 | G10_060 | 'HOBBS_INT 7345.00 (LIKE POTTER) 345/230/13.2KV TRANSFORMER CKT 1' | FROM->TO | 0.88846 | 557.7 | 'CAPROCK REC-GRADY - CAPROCK REC-REED 138KV CKT 1'             |
| 16SP | 0 | G10_059 | 'CAPROCK REC-PHILLIPS - CAPROCK REC-TATE 138KV CKT 1'              | TO->FROM | 0.22143 | 270.5 | 'TOLK STATION (ABBXNL844501) 345/230/13.2KV TRANSFORMER CKT 1' |
| 16SP | 0 | G10_060 | 'CAPROCK REC-PHILLIPS - CAPROCK REC-TATE 138KV CKT 1'              | TO->FROM | 0.22143 | 270.5 | 'TOLK STATION (ABBXNL844501) 345/230/13.2KV TRANSFORMER CKT 1' |
| 16SP | 0 | G10_059 | 'CAPROCK REC-PHILLIPS - CAPROCK REC-TATE 138KV CKT 1'              | TO->FROM | 0.22143 | 270.5 | 'CHAVESCO 345.00 - TOLK STATION 345KV CKT 1'                   |
| 16SP | 0 | G10_060 | 'CAPROCK REC-PHILLIPS - CAPROCK REC-TATE 138KV CKT 1'              | TO->FROM | 0.22143 | 270.5 | 'CHAVESCO 345.00 - TOLK STATION 345KV CKT 1'                   |
| 16SP | 0 | G10_059 | 'CAPROCK REC-PHILLIPS - CAPROCK REC-TATE 138KV CKT 1'              | TO->FROM | 0.21206 | 270.5 | 'TERRY COUNTY INTERCHANGE - WOLFFORTH INTERCHANGE 115KV CKT 1' |
| 16SP | 0 | G10_060 | 'CAPROCK REC-PHILLIPS - CAPROCK REC-TATE 138KV CKT 1'              | TO->FROM | 0.21206 | 270.5 | 'TERRY COUNTY INTERCHANGE - WOLFFORTH INTERCHANGE 115KV CKT 1' |
| 16SP | 0 | G10_059 | 'AMOCO SWITCHING STATION - YOAKUM COUNTY INTERCHANGE 230KV CKT 1'  | TO->FROM | 0.20649 | 350.2 | 'TERRY COUNTY INTERCHANGE - WOLFFORTH INTERCHANGE 115KV CKT 1' |
| 16SP | 0 | G10_060 | 'AMOCO SWITCHING STATION - YOAKUM COUNTY INTERCHANGE 230KV CKT 1'  | TO->FROM | 0.20649 | 350.2 | 'TERRY COUNTY INTERCHANGE - WOLFFORTH INTERCHANGE 115KV CKT 1' |

|      |   |         |  |          |         |       |   |
|------|---|---------|--|----------|---------|-------|---|
| 16SP | 0 | G10_059 | 'LEA COUNTY INTERCHANGE - YOAKUM COUNTY INTERCHANGE 230KV CKT 1'   | FROM->TO | 0.33952 | 351   | 'CAPROCK REC-KOCH - CAPROCK REC-REED 138KV CKT 1'                     |
| 16SP | 0 | G10_060 | 'LEA COUNTY INTERCHANGE - YOAKUM COUNTY INTERCHANGE 230KV CKT 1'   | FROM->TO | 0.33952 | 351   | 'CAPROCK REC-KOCH - CAPROCK REC-REED 138KV CKT 1'                     |
| 16SP | 0 | G10_059 | 'HOBBS_INT 7345.00 (LIKE POTTER) 345/230/13.2KV TRANSFORMER CKT 1' | FROM->TO | 0.88846 | 557.5 | 'CAPROCK REC-KOCH - CAPROCK REC-REED 138KV CKT 1'                     |
| 16SP | 0 | G10_060 | 'HOBBS_INT 7345.00 (LIKE POTTER) 345/230/13.2KV TRANSFORMER CKT 1' | FROM->TO | 0.88846 | 557.5 | 'CAPROCK REC-KOCH - CAPROCK REC-REED 138KV CKT 1'                     |
| 16SP | 0 | G10_059 | 'HOBBS_INT 7345.00 (LIKE POTTER) 345/230/13.2KV TRANSFORMER CKT 1' | FROM->TO | 0.88846 | 557.7 | 'CAPROCK REC-KOCH - CAPROCK REC-REED 138KV CKT 1'                     |
| 16SP | 0 | G10_060 | 'HOBBS_INT 7345.00 (LIKE POTTER) 345/230/13.2KV TRANSFORMER CKT 1' | FROM->TO | 0.88846 | 557.7 | 'CAPROCK REC-KOCH - CAPROCK REC-REED 138KV CKT 1'                     |
| 16SP | 0 | G10_059 | 'LEA COUNTY INTERCHANGE - YOAKUM COUNTY INTERCHANGE 230KV CKT 1'   | FROM->TO | 0.33952 | 351   | 'CAPROCK REC-KOCH - CAPROCK REC-VEALMOOR 138KV CKT 1'                 |
| 16SP | 0 | G10_060 | 'LEA COUNTY INTERCHANGE - YOAKUM COUNTY INTERCHANGE 230KV CKT 1'   | FROM->TO | 0.33952 | 351   | 'CAPROCK REC-KOCH - CAPROCK REC-VEALMOOR 138KV CKT 1'                 |
| 16SP | 0 | G10_059 | 'HOBBS_INT 7345.00 (LIKE POTTER) 345/230/13.2KV TRANSFORMER CKT 1' | FROM->TO | 0.88846 | 557.5 | 'CAPROCK REC-KOCH - CAPROCK REC-VEALMOOR 138KV CKT 1'                 |
| 16SP | 0 | G10_060 | 'HOBBS_INT 7345.00 (LIKE POTTER) 345/230/13.2KV TRANSFORMER CKT 1' | FROM->TO | 0.88846 | 557.5 | 'CAPROCK REC-KOCH - CAPROCK REC-VEALMOOR 138KV CKT 1'                 |
| 16SP | 0 | G10_059 | 'HOBBS_INT 7345.00 (LIKE POTTER) 345/230/13.2KV TRANSFORMER CKT 1' | FROM->TO | 0.88846 | 557.7 | 'CAPROCK REC-KOCH - CAPROCK REC-VEALMOOR 138KV CKT 1'                 |
| 16SP | 0 | G10_060 | 'HOBBS_INT 7345.00 (LIKE POTTER) 345/230/13.2KV TRANSFORMER CKT 1' | FROM->TO | 0.88846 | 557.7 | 'CAPROCK REC-KOCH - CAPROCK REC-VEALMOOR 138KV CKT 1'                 |
| 16SP | 0 | G10_059 | 'AMOCO SWITCHING STATION - YOAKUM COUNTY INTERCHANGE 230KV CKT 1'  | TO->FROM | 0.1961  | 350.2 | 'LEA COUNTY REC-PLAINS INTERCHANGE - LYNTEGAR REC-PLAINS 115KV CKT 1' |
| 16SP | 0 | G10_060 | 'AMOCO SWITCHING STATION - YOAKUM COUNTY INTERCHANGE 230KV CKT 1'  | TO->FROM | 0.1961  | 350.2 | 'LEA COUNTY REC-PLAINS INTERCHANGE - LYNTEGAR REC-PLAINS 115KV CKT 1' |
| 16SP | 0 | G10_059 | 'LEA COUNTY INTERCHANGE - YOAKUM COUNTY INTERCHANGE 230KV CKT 1'   | FROM->TO | 0.3651  | 351   | 'CHAVESCO 345.00 - TOLK STATION 345KV CKT 1'                          |
| 16SP | 0 | G10_058 | 'LEA COUNTY INTERCHANGE - YOAKUM COUNTY INTERCHANGE 230KV CKT 1'   | FROM->TO | 0.25366 | 351   | 'CHAVESCO 345.00 - TOLK STATION 345KV CKT 1'                          |
| 16SP | 0 | G10_060 | 'LEA COUNTY INTERCHANGE - YOAKUM COUNTY INTERCHANGE 230KV CKT 1'   | FROM->TO | 0.3651  | 351   | 'CHAVESCO 345.00 - TOLK STATION 345KV CKT 1'                          |
| 16SP | 0 | G10_059 | 'LEA COUNTY INTERCHANGE - YOAKUM COUNTY INTERCHANGE 230KV CKT 1'   | FROM->TO | 0.3651  | 351   | 'TOLK STATION (ABBXNL844501) 345/230/13.2KV TRANSFORMER CKT 1'        |
| 16SP | 0 | G10_058 | 'LEA COUNTY INTERCHANGE - YOAKUM COUNTY INTERCHANGE 230KV CKT 1'   | FROM->TO | 0.25366 | 351   | 'TOLK STATION (ABBXNL844501) 345/230/13.2KV TRANSFORMER CKT 1'        |
| 16SP | 0 | G10_060 | 'LEA COUNTY INTERCHANGE - YOAKUM COUNTY INTERCHANGE 230KV CKT 1'   | FROM->TO | 0.3651  | 351   | 'TOLK STATION (ABBXNL844501) 345/230/13.2KV TRANSFORMER CKT 1'        |
| 16SP | 0 | G10_059 | 'CAPROCK REC-PHILLIPS - CAPROCK REC-TATE 138KV CKT 1'              | TO->FROM | 0.20928 | 270.5 | 'CHAVES COUNTY INTERCHANGE - EDDY COUNTY INTERCHANGE 230KV CKT 1'     |
| 16SP | 0 | G10_060 | 'CAPROCK REC-PHILLIPS - CAPROCK REC-TATE 138KV CKT 1'              | TO->FROM | 0.20928 | 270.5 | 'CHAVES COUNTY INTERCHANGE - EDDY COUNTY INTERCHANGE 230KV CKT 1'     |
| 16SP | 0 | G10_059 | 'CAPROCK REC-PHILLIPS - CAPROCK REC-TATE 138KV CKT 1'              | TO->FROM | 0.20669 | 270.5 | 'Jones Station Bus#2 230/22.0KV TRANSFORMER CKT 1'                    |
| 16SP | 0 | G10_060 | 'CAPROCK REC-PHILLIPS - CAPROCK REC-TATE 138KV CKT 1'              | TO->FROM | 0.20669 | 270.5 | 'Jones Station Bus#2 230/22.0KV TRANSFORMER CKT 1'                    |
| 16SP | 0 | G10_059 | 'CAPROCK REC-PHILLIPS - CAPROCK REC-TATE 138KV CKT 1'              | TO->FROM | 0.21539 | 270.5 | 'LUBBOCK SOUTH INTERCHANGE - WOLFFORTH INTERCHANGE 230KV CKT 1'       |

|      |   |         |   |          |         |       |   |
|------|---|---------|---|----------|---------|-------|---|
| 16SP | 0 | G10_060 | 'CAPROCK REC-PHILLIPS - CAPROCK REC-TATE 138KV CKT 1'             | TO->FROM | 0.21539 | 270.5 | 'LUBBOCK SOUTH INTERCHANGE - WOLFFORTH INTERCHANGE 230KV CKT 1'                       |
| 16SP | 0 | G10_059 | 'CAPROCK REC-PHILLIPS - CAPROCK REC-TATE 138KV CKT 1'             | TO->FROM | 0.20692 | 270.5 | 'SPP-SWPS-T14'  |
| 16SP | 0 | G10_060 | 'CAPROCK REC-PHILLIPS - CAPROCK REC-TATE 138KV CKT 1'             | TO->FROM | 0.20692 | 270.5 | 'SPP-SWPS-T14'  |
| 16SP | 0 | G10_059 | 'AMOCO SWITCHING STATION - YOAKUM COUNTY INTERCHANGE 230KV CKT 1' | TO->FROM | 0.21391 | 350.2 | 'CAPROCK REC-GRADY - CAPROCK REC-TRIANGLE 138KV CKT 1'                                |
| 16SP | 0 | G10_060 | 'AMOCO SWITCHING STATION - YOAKUM COUNTY INTERCHANGE 230KV CKT 1' | TO->FROM | 0.21391 | 350.2 | 'CAPROCK REC-GRADY - CAPROCK REC-TRIANGLE 138KV CKT 1'                                |
| 16SP | 0 | G10_059 | 'LEA COUNTY INTERCHANGE - YOAKUM COUNTY INTERCHANGE 230KV CKT 1'  | FROM->TO | 0.31833 | 351   | 'LEA COUNTY REC-LOVINGTON INTERCHANGE - LEA COUNTY REC-WAITS INTERCHANGE 115KV CKT 1' |
| 16SP | 0 | G10_060 | 'LEA COUNTY INTERCHANGE - YOAKUM COUNTY INTERCHANGE 230KV CKT 1'  | FROM->TO | 0.31833 | 351   | 'LEA COUNTY REC-LOVINGTON INTERCHANGE - LEA COUNTY REC-WAITS INTERCHANGE 115KV CKT 1' |
| 16SP | 0 | G10_059 | 'HOBBS INTERCHANGE 230/115KV TRANSFORMER CKT 1'                   | FROM->TO | 0.19846 | 148.9 | 'CUNNINGHAM STATION - LEA COUNTY INTERCHANGE 230KV CKT 1'                             |
| 16SP | 0 | G10_060 | 'HOBBS INTERCHANGE 230/115KV TRANSFORMER CKT 1'                   | FROM->TO | 0.19846 | 148.9 | 'CUNNINGHAM STATION - LEA COUNTY INTERCHANGE 230KV CKT 1'                             |
| 16SP | 0 | G10_059 | 'AMOCO SWITCHING STATION - YOAKUM COUNTY INTERCHANGE 230KV CKT 1' | TO->FROM | 0.1961  | 350.2 | 'LEHMAN SUB - LYNTEGAR REC-PLAINS 115KV CKT 1'  |
| 16SP | 0 | G10_060 | 'AMOCO SWITCHING STATION - YOAKUM COUNTY INTERCHANGE 230KV CKT 1' | TO->FROM | 0.1961  | 350.2 | 'LEHMAN SUB - LYNTEGAR REC-PLAINS 115KV CKT 1'  |
| 16SP | 0 | G10_059 | 'LEA COUNTY INTERCHANGE - YOAKUM COUNTY INTERCHANGE 230KV CKT 1'  | FROM->TO | 0.31156 | 351   | 'LEA COUNTY INTERCHANGE - LEA COUNTY REC-LOVINGTON INTERCHANGE 115KV CKT 1'           |
| 16SP | 0 | G10_060 | 'LEA COUNTY INTERCHANGE - YOAKUM COUNTY INTERCHANGE 230KV CKT 1'  | FROM->TO | 0.31156 | 351   | 'LEA COUNTY INTERCHANGE - LEA COUNTY REC-LOVINGTON INTERCHANGE 115KV CKT 1'           |
| 16SP | 0 | G10_059 | 'AMOCO SWITCHING STATION - YOAKUM COUNTY INTERCHANGE 230KV CKT 1' | TO->FROM | 0.21376 | 350.2 | 'CUNNINGHAM STATION - LEA COUNTY INTERCHANGE 230KV CKT 1'                             |
| 16SP | 0 | G10_060 | 'AMOCO SWITCHING STATION - YOAKUM COUNTY INTERCHANGE 230KV CKT 1' | TO->FROM | 0.21376 | 350.2 | 'CUNNINGHAM STATION - LEA COUNTY INTERCHANGE 230KV CKT 1'                             |
| 16SP | 0 | G10_059 | 'AMOCO SWITCHING STATION - YOAKUM COUNTY INTERCHANGE 230KV CKT 1' | TO->FROM | 0.19632 | 350.2 | 'DENVER CITY INTERCHANGE N. - TERRY COUNTY INTERCHANGE 115KV CKT 1'                   |
| 16SP | 0 | G10_060 | 'AMOCO SWITCHING STATION - YOAKUM COUNTY INTERCHANGE 230KV CKT 1' | TO->FROM | 0.19632 | 350.2 | 'DENVER CITY INTERCHANGE N. - TERRY COUNTY INTERCHANGE 115KV CKT 1'                   |
| 16SP | 0 | G10_059 | 'AMOCO SWITCHING STATION - YOAKUM COUNTY INTERCHANGE 230KV CKT 1' | TO->FROM | 0.1961  | 350.2 | 'SPP-SWPS-V36'  |
| 16SP | 0 | G10_060 | 'AMOCO SWITCHING STATION - YOAKUM COUNTY INTERCHANGE 230KV CKT 1' | TO->FROM | 0.1961  | 350.2 | 'SPP-SWPS-V36'  |
| 16SP | 0 | G10_059 | 'AMOCO SWITCHING STATION - YOAKUM COUNTY INTERCHANGE 230KV CKT 1' | TO->FROM | 0.21391 | 350.2 | 'CAPROCK REC-GRADY - CAPROCK REC-REED 138KV CKT 1'                                    |
| 16SP | 0 | G10_060 | 'AMOCO SWITCHING STATION - YOAKUM COUNTY INTERCHANGE 230KV CKT 1' | TO->FROM | 0.21391 | 350.2 | 'CAPROCK REC-GRADY - CAPROCK REC-REED 138KV CKT 1'                                    |
| 16SP | 0 | G10_059 | 'LEA COUNTY INTERCHANGE - YOAKUM COUNTY INTERCHANGE 230KV CKT 1'  | FROM->TO | 0.31152 | 351   | 'CHAVES COUNTY INTERCHANGE - EDDY COUNTY INTERCHANGE 230KV CKT 1'                     |
| 16SP | 0 | G10_060 | 'LEA COUNTY INTERCHANGE - YOAKUM COUNTY INTERCHANGE 230KV CKT 1'  | FROM->TO | 0.31152 | 351   | 'CHAVES COUNTY INTERCHANGE - EDDY COUNTY INTERCHANGE 230KV CKT 1'                     |
| 16SP | 0 | G10_059 | 'AMOCO SWITCHING STATION - YOAKUM COUNTY INTERCHANGE 230KV CKT 1' | TO->FROM | 0.21391 | 350.2 | 'CAPROCK REC-KOCH - CAPROCK REC-REED 138KV CKT 1'                                     |

|      |   |         |  |          |         |       |   |
|------|---|---------|--|----------|---------|-------|---|
| 16SP | 0 | G10_060 | 'AMOCO SWITCHING STATION - YOAKUM COUNTY INTERCHANGE 230KV CKT 1'  | TO->FROM | 0.21391 | 350.2 | 'CAPROCK REC-KOCH - CAPROCK REC-REED 138KV CKT 1'                 |
| 16SP | 0 | G10_059 | 'AMOCO SWITCHING STATION - YOAKUM COUNTY INTERCHANGE 230KV CKT 1'  | TO->FROM | 0.21391 | 350.2 | 'CAPROCK REC-KOCH - CAPROCK REC-VEALMOOR 138KV CKT 1'             |
| 16SP | 0 | G10_060 | 'AMOCO SWITCHING STATION - YOAKUM COUNTY INTERCHANGE 230KV CKT 1'  | TO->FROM | 0.21391 | 350.2 | 'CAPROCK REC-KOCH - CAPROCK REC-VEALMOOR 138KV CKT 1'             |
| 16SP | 0 | G10_059 | 'CAPROCK REC-MCDONALD - CAPROCK REC-PHILLIPS 138KV CKT 1'          | TO->FROM | 0.21935 | 270.9 | 'AMOCO SWITCHING STATION - YOAKUM COUNTY INTERCHANGE 230KV CKT 1' |
| 16SP | 0 | G10_060 | 'CAPROCK REC-MCDONALD - CAPROCK REC-PHILLIPS 138KV CKT 1'          | TO->FROM | 0.21935 | 270.9 | 'AMOCO SWITCHING STATION - YOAKUM COUNTY INTERCHANGE 230KV CKT 1' |
| 16SP | 0 | G10_059 | 'CAPROCK REC-KOCH - CAPROCK REC-REED 138KV CKT 1'                  | TO->FROM | 0.21198 | 175.9 | 'HOBBS INTERCHANGE - LEA COUNTY INTERCHANGE 230KV CKT 1'          |
| 16SP | 0 | G10_060 | 'CAPROCK REC-KOCH - CAPROCK REC-REED 138KV CKT 1'                  | TO->FROM | 0.21198 | 175.9 | 'HOBBS INTERCHANGE - LEA COUNTY INTERCHANGE 230KV CKT 1'          |
| 16SP | 0 | G10_059 | 'CAPROCK REC-KOCH - CAPROCK REC-VEALMOOR 138KV CKT 1'              | FROM->TO | 0.21198 | 175.9 | 'HOBBS INTERCHANGE - LEA COUNTY INTERCHANGE 230KV CKT 1'          |
| 16SP | 0 | G10_060 | 'CAPROCK REC-KOCH - CAPROCK REC-VEALMOOR 138KV CKT 1'              | FROM->TO | 0.21198 | 175.9 | 'HOBBS INTERCHANGE - LEA COUNTY INTERCHANGE 230KV CKT 1'          |
| 16SP | 0 | G10_059 | 'HOBBS_INT 7345.00 (LIKE POTTER) 345/230/13.2KV TRANSFORMER CKT 1' | FROM->TO | 0.82034 | 557.5 | 'CAPROCK REC-MCDONALD - CR-1956 4138.00 138KV CKT 1'              |
| 16SP | 0 | G10_060 | 'HOBBS_INT 7345.00 (LIKE POTTER) 345/230/13.2KV TRANSFORMER CKT 1' | FROM->TO | 0.82034 | 557.5 | 'CAPROCK REC-MCDONALD - CR-1956 4138.00 138KV CKT 1'              |
| 16SP | 0 | G10_059 | 'HOBBS_INT 7345.00 (LIKE POTTER) 345/230/13.2KV TRANSFORMER CKT 1' | FROM->TO | 0.82034 | 557.7 | 'CAPROCK REC-MCDONALD - CR-1956 4138.00 138KV CKT 1'              |
| 16SP | 0 | G10_060 | 'HOBBS_INT 7345.00 (LIKE POTTER) 345/230/13.2KV TRANSFORMER CKT 1' | FROM->TO | 0.82034 | 557.7 | 'CAPROCK REC-MCDONALD - CR-1956 4138.00 138KV CKT 1'              |
| 16SP | 0 | G10_059 | 'HOBBS_INT 7345.00 (LIKE POTTER) 345/230/13.2KV TRANSFORMER CKT 1' | FROM->TO | 0.82034 | 557.5 | 'CAPROCK REC-NEW SCHWARTZ - CR-1956 4138.00 138KV CKT 1'          |
| 16SP | 0 | G10_060 | 'HOBBS_INT 7345.00 (LIKE POTTER) 345/230/13.2KV TRANSFORMER CKT 1' | FROM->TO | 0.82034 | 557.5 | 'CAPROCK REC-NEW SCHWARTZ - CR-1956 4138.00 138KV CKT 1'          |
| 16SP | 0 | G10_059 | 'HOBBS_INT 7345.00 (LIKE POTTER) 345/230/13.2KV TRANSFORMER CKT 1' | FROM->TO | 0.82034 | 557.7 | 'CAPROCK REC-NEW SCHWARTZ - CR-1956 4138.00 138KV CKT 1'          |
| 16SP | 0 | G10_060 | 'HOBBS_INT 7345.00 (LIKE POTTER) 345/230/13.2KV TRANSFORMER CKT 1' | FROM->TO | 0.82034 | 557.7 | 'CAPROCK REC-NEW SCHWARTZ - CR-1956 4138.00 138KV CKT 1'          |
| 16SP | 0 | G10_059 | 'HOBBS_INT 7345.00 (LIKE POTTER) 345/230/13.2KV TRANSFORMER CKT 1' | FROM->TO | 0.82034 | 557.5 | 'CAPROCK REC-NEW SCHWARTZ - CAPROCK REC-PEMBROOK 138KV CKT 1'     |
| 16SP | 0 | G10_060 | 'HOBBS_INT 7345.00 (LIKE POTTER) 345/230/13.2KV TRANSFORMER CKT 1' | FROM->TO | 0.82034 | 557.5 | 'CAPROCK REC-NEW SCHWARTZ - CAPROCK REC-PEMBROOK 138KV CKT 1'     |
| 16SP | 0 | G10_059 | 'HOBBS_INT 7345.00 (LIKE POTTER) 345/230/13.2KV TRANSFORMER CKT 1' | FROM->TO | 0.82034 | 557.7 | 'CAPROCK REC-NEW SCHWARTZ - CAPROCK REC-PEMBROOK 138KV CKT 1'     |
| 16SP | 0 | G10_060 | 'HOBBS_INT 7345.00 (LIKE POTTER) 345/230/13.2KV TRANSFORMER CKT 1' | FROM->TO | 0.82034 | 557.7 | 'CAPROCK REC-NEW SCHWARTZ - CAPROCK REC-PEMBROOK 138KV CKT 1'     |
| 16SP | 0 | G10_059 | 'HOBBS_INT 7345.00 (LIKE POTTER) 345/230/13.2KV TRANSFORMER CKT 1' | FROM->TO | 0.82028 | 557.5 | 'CAPROCK REC-STILES - G09-17T 138.00 138KV CKT 1'                 |
| 16SP | 0 | G10_060 | 'HOBBS_INT 7345.00 (LIKE POTTER) 345/230/13.2KV TRANSFORMER CKT 1' | FROM->TO | 0.82028 | 557.5 | 'CAPROCK REC-STILES - G09-17T 138.00 138KV CKT 1'                 |
| 16SP | 0 | G10_059 | 'HOBBS_INT 7345.00 (LIKE POTTER) 345/230/13.2KV TRANSFORMER CKT 1' | FROM->TO | 0.82028 | 557.7 | 'CAPROCK REC-STILES - G09-17T 138.00 138KV CKT 1'                 |
| 16SP | 0 | G10_060 | 'HOBBS_INT 7345.00 (LIKE POTTER) 345/230/13.2KV TRANSFORMER CKT 1' | FROM->TO | 0.82028 | 557.7 | 'CAPROCK REC-STILES - G09-17T 138.00 138KV CKT 1'                 |

|      |   |         |   |          |         |       |   |
|------|---|---------|---|----------|---------|-------|---|
| 16SP | 0 | G10_059 | 'HOBBS_INT 7345.00 (LIKE POTTER)<br>345/230/13.2KV TRANSFORMER CKT 1' | FROM->TO | 0.82034 | 557.5 | 'CAPROCK REC-PEMBROOK - G09-17T 138.00<br>138KV CKT 1'  |
| 16SP | 0 | G10_060 | 'HOBBS_INT 7345.00 (LIKE POTTER)<br>345/230/13.2KV TRANSFORMER CKT 1' | FROM->TO | 0.82034 | 557.5 | 'CAPROCK REC-PEMBROOK - G09-17T 138.00<br>138KV CKT 1'  |
| 16SP | 0 | G10_059 | 'HOBBS_INT 7345.00 (LIKE POTTER)<br>345/230/13.2KV TRANSFORMER CKT 1' | FROM->TO | 0.82034 | 557.7 | 'CAPROCK REC-PEMBROOK - G09-17T 138.00<br>138KV CKT 1'  |
| 16SP | 0 | G10_060 | 'HOBBS_INT 7345.00 (LIKE POTTER)<br>345/230/13.2KV TRANSFORMER CKT 1' | FROM->TO | 0.82034 | 557.7 | 'CAPROCK REC-PEMBROOK - G09-17T 138.00<br>138KV CKT 1'  |
| 16SP | 0 | G10_059 | 'HOBBS_INT 7345.00 (LIKE POTTER)<br>345/230/13.2KV TRANSFORMER CKT 1' | FROM->TO | 0.82028 | 557.5 | 'CAPROCK REC-ST LAWRENCE - CAPROCK<br>REC-STILES 138KV CKT 1'                                       |
| 16SP | 0 | G10_060 | 'HOBBS_INT 7345.00 (LIKE POTTER)<br>345/230/13.2KV TRANSFORMER CKT 1' | FROM->TO | 0.82028 | 557.5 | 'CAPROCK REC-ST LAWRENCE - CAPROCK<br>REC-STILES 138KV CKT 1'                                       |
| 16SP | 0 | G10_059 | 'HOBBS_INT 7345.00 (LIKE POTTER)<br>345/230/13.2KV TRANSFORMER CKT 1' | FROM->TO | 0.82028 | 557.7 | 'CAPROCK REC-ST LAWRENCE - CAPROCK<br>REC-STILES 138KV CKT 1'                                       |
| 16SP | 0 | G10_060 | 'HOBBS_INT 7345.00 (LIKE POTTER)<br>345/230/13.2KV TRANSFORMER CKT 1' | FROM->TO | 0.82028 | 557.7 | 'CAPROCK REC-ST LAWRENCE - CAPROCK<br>REC-STILES 138KV CKT 1'                                       |
| 16SP | 0 | G10_059 | 'HOBBS_INT 7345.00 (LIKE POTTER)<br>345/230/13.2KV TRANSFORMER CKT 1' | FROM->TO | 0.79331 | 557.5 | 'Golden Spread REC - Mustang Interchange 230 kV<br>Generation Bus - MUSTANG STATION 230KV CKT<br>1' |
| 16SP | 0 | G10_060 | 'HOBBS_INT 7345.00 (LIKE POTTER)<br>345/230/13.2KV TRANSFORMER CKT 1' | FROM->TO | 0.79331 | 557.5 | 'Golden Spread REC - Mustang Interchange 230 kV<br>Generation Bus - MUSTANG STATION 230KV CKT<br>1' |
| 16SP | 0 | G10_059 | 'HOBBS_INT 7345.00 (LIKE POTTER)<br>345/230/13.2KV TRANSFORMER CKT 1' | FROM->TO | 0.79331 | 557.7 | 'Golden Spread REC - Mustang Interchange 230 kV<br>Generation Bus - MUSTANG STATION 230KV CKT<br>1' |
| 16SP | 0 | G10_060 | 'HOBBS_INT 7345.00 (LIKE POTTER)<br>345/230/13.2KV TRANSFORMER CKT 1' | FROM->TO | 0.79331 | 557.7 | 'Golden Spread REC - Mustang Interchange 230 kV<br>Generation Bus - MUSTANG STATION 230KV CKT<br>1' |
| 16SP | 0 | G10_059 | 'HOBBS_INT 7345.00 (LIKE POTTER)<br>345/230/13.2KV TRANSFORMER CKT 1' | FROM->TO | 0.79331 | 557.5 | 'HOBBS INTERCHANGE 230/18.0KV<br>TRANSFORMER CKT 1'   |
| 16SP | 0 | G10_060 | 'HOBBS_INT 7345.00 (LIKE POTTER)<br>345/230/13.2KV TRANSFORMER CKT 1' | FROM->TO | 0.79331 | 557.5 | 'HOBBS INTERCHANGE 230/18.0KV<br>TRANSFORMER CKT 1'   |
| 16SP | 0 | G10_059 | 'HOBBS_INT 7345.00 (LIKE POTTER)<br>345/230/13.2KV TRANSFORMER CKT 1' | FROM->TO | 0.79331 | 557.7 | 'HOBBS INTERCHANGE 230/18.0KV<br>TRANSFORMER CKT 1'   |
| 16SP | 0 | G10_060 | 'HOBBS_INT 7345.00 (LIKE POTTER)<br>345/230/13.2KV TRANSFORMER CKT 1' | FROM->TO | 0.79331 | 557.7 | 'HOBBS INTERCHANGE 230/18.0KV<br>TRANSFORMER CKT 1'   |
| 16SP | 0 | G10_059 | 'HOBBS_INT 7345.00 (LIKE POTTER)<br>345/230/13.2KV TRANSFORMER CKT 1' | FROM->TO | 0.82028 | 557.5 | 'CAPROCK REC-LANGE - CAPROCK REC-ST<br>LAWRENCE 138KV CKT 1'  |
| 16SP | 0 | G10_060 | 'HOBBS_INT 7345.00 (LIKE POTTER)<br>345/230/13.2KV TRANSFORMER CKT 1' | FROM->TO | 0.82028 | 557.5 | 'CAPROCK REC-LANGE - CAPROCK REC-ST<br>LAWRENCE 138KV CKT 1'  |
| 16SP | 0 | G10_059 | 'HOBBS_INT 7345.00 (LIKE POTTER)<br>345/230/13.2KV TRANSFORMER CKT 1' | FROM->TO | 0.82028 | 557.7 | 'CAPROCK REC-LANGE - CAPROCK REC-ST<br>LAWRENCE 138KV CKT 1'  |
| 16SP | 0 | G10_060 | 'HOBBS_INT 7345.00 (LIKE POTTER)<br>345/230/13.2KV TRANSFORMER CKT 1' | FROM->TO | 0.82028 | 557.7 | 'CAPROCK REC-LANGE - CAPROCK REC-ST<br>LAWRENCE 138KV CKT 1'  |
| 16SP | 0 | G10_059 | 'HOBBS_INT 7345.00 (LIKE POTTER)<br>345/230/13.2KV TRANSFORMER CKT 1' | FROM->TO | 0.79331 | 557.5 | 'CUNNINGHAM STATION 230/20.0KV<br>TRANSFORMER CKT 1'  |
| 16SP | 0 | G10_060 | 'HOBBS_INT 7345.00 (LIKE POTTER)<br>345/230/13.2KV TRANSFORMER CKT 1' | FROM->TO | 0.79331 | 557.5 | 'CUNNINGHAM STATION 230/20.0KV<br>TRANSFORMER CKT 1'  |
| 16SP | 0 | G10_059 | 'HOBBS_INT 7345.00 (LIKE POTTER)<br>345/230/13.2KV TRANSFORMER CKT 1' | FROM->TO | 0.79331 | 557.7 | 'CUNNINGHAM STATION 230/20.0KV<br>TRANSFORMER CKT 1'  |

|      |   |         |   |          |         |       |   |
|------|---|---------|---|----------|---------|-------|---|
| 16SP | 0 | G10_060 | 'HOBBS_INT 7345.00 (LIKE POTTER)<br>345/230/13.2KV TRANSFORMER CKT 1' | FROM->TO | 0.79331 | 557.7 | 'CUNNINGHAM STATION 230/20.0KV<br>TRANSFORMER CKT 1'              |
| 16SP | 0 | G10_059 | 'CAPROCK REC-MCDONALD - CAPROCK REC-<br>PHILLIPS 138KV CKT 1'         | TO->FROM | 0.22292 | 270.9 | 'CUNNINGHAM STATION - LEA COUNTY<br>INTERCHANGE 230KV CKT 1'      |
| 16SP | 0 | G10_060 | 'CAPROCK REC-MCDONALD - CAPROCK REC-<br>PHILLIPS 138KV CKT 1'         | TO->FROM | 0.22292 | 270.9 | 'CUNNINGHAM STATION - LEA COUNTY<br>INTERCHANGE 230KV CKT 1'      |
| 16SP | 0 | G10_059 | 'CAPROCK REC-MCDONALD - CAPROCK REC-<br>PHILLIPS 138KV CKT 1'         | TO->FROM | 0.21439 | 270.9 | 'CUNNINGHAM STATION - EDDY COUNTY<br>INTERCHANGE 230KV CKT 1'     |
| 16SP | 0 | G10_060 | 'CAPROCK REC-MCDONALD - CAPROCK REC-<br>PHILLIPS 138KV CKT 1'         | TO->FROM | 0.21439 | 270.9 | 'CUNNINGHAM STATION - EDDY COUNTY<br>INTERCHANGE 230KV CKT 1'     |
| 16SP | 0 | G10_059 | 'CAPROCK REC-MCDONALD - CAPROCK REC-<br>PHILLIPS 138KV CKT 1'         | TO->FROM | 0.21514 | 270.9 | 'SUNDOWN INTERCHANGE - WOLFFORTH<br>INTERCHANGE 230KV CKT 1'      |
| 16SP | 0 | G10_060 | 'CAPROCK REC-MCDONALD - CAPROCK REC-<br>PHILLIPS 138KV CKT 1'         | TO->FROM | 0.21514 | 270.9 | 'SUNDOWN INTERCHANGE - WOLFFORTH<br>INTERCHANGE 230KV CKT 1'      |
| 16SP | 0 | G10_059 | 'CAPROCK REC-MCDONALD - CAPROCK REC-<br>PHILLIPS 138KV CKT 1'         | TO->FROM | 0.21935 | 270.9 | 'AMOCO SWITCHING STATION - SUNDOWN<br>INTERCHANGE 230KV CKT 1'    |
| 16SP | 0 | G10_060 | 'CAPROCK REC-MCDONALD - CAPROCK REC-<br>PHILLIPS 138KV CKT 1'         | TO->FROM | 0.21935 | 270.9 | 'AMOCO SWITCHING STATION - SUNDOWN<br>INTERCHANGE 230KV CKT 1'    |
| 16SP | 0 | G10_059 | 'CAPROCK REC-MCDONALD - CAPROCK REC-<br>PHILLIPS 138KV CKT 1'         | TO->FROM | 0.21168 | 270.9 | 'TOLK STATION EAST - TUCO INTERCHANGE<br>230KV CKT 1'             |
| 16SP | 0 | G10_060 | 'CAPROCK REC-MCDONALD - CAPROCK REC-<br>PHILLIPS 138KV CKT 1'         | TO->FROM | 0.21168 | 270.9 | 'TOLK STATION EAST - TUCO INTERCHANGE<br>230KV CKT 1'             |
| 16SP | 0 | G10_059 | 'HOBBS_INT 7345.00 (LIKE POTTER)<br>345/230/13.2KV TRANSFORMER CKT 1' | FROM->TO | 0.79331 | 557.5 | 'BASE CASE'   |
| 16SP | 0 | G10_060 | 'HOBBS_INT 7345.00 (LIKE POTTER)<br>345/230/13.2KV TRANSFORMER CKT 1' | FROM->TO | 0.79331 | 557.5 | 'BASE CASE'   |
| 16SP | 0 | G10_059 | 'MIDLAND 7345.00 (LIKE WICHITA)<br>345/138/13.8KV TRANSFORMER CKT 1'  | FROM->TO | 0.301   | 384.9 | 'HOBBS INTERCHANGE - LEA COUNTY<br>INTERCHANGE 230KV CKT 1'       |
| 16SP | 0 | G10_060 | 'MIDLAND 7345.00 (LIKE WICHITA)<br>345/138/13.8KV TRANSFORMER CKT 1'  | FROM->TO | 0.301   | 384.9 | 'HOBBS INTERCHANGE - LEA COUNTY<br>INTERCHANGE 230KV CKT 1'       |
| 16SP | 0 | G10_059 | 'HOBBS_INT 7345.00 (LIKE POTTER)<br>345/230/13.2KV TRANSFORMER CKT 1' | FROM->TO | 0.79331 | 557.7 | 'BASE CASE'   |
| 16SP | 0 | G10_060 | 'HOBBS_INT 7345.00 (LIKE POTTER)<br>345/230/13.2KV TRANSFORMER CKT 1' | FROM->TO | 0.79331 | 557.7 | 'BASE CASE'   |
| 16SP | 0 | G10_059 | 'MIDLAND 7345.00 (LIKE WICHITA)<br>345/138/13.8KV TRANSFORMER CKT 1'  | FROM->TO | 0.301   | 385.2 | 'HOBBS INTERCHANGE - LEA COUNTY<br>INTERCHANGE 230KV CKT 1'       |
| 16SP | 0 | G10_060 | 'MIDLAND 7345.00 (LIKE WICHITA)<br>345/138/13.8KV TRANSFORMER CKT 1'  | FROM->TO | 0.301   | 385.2 | 'HOBBS INTERCHANGE - LEA COUNTY<br>INTERCHANGE 230KV CKT 1'       |
| 16SP | 0 | G10_059 | 'CAPROCK REC-MCDONALD - CAPROCK REC-<br>PHILLIPS 138KV CKT 1'         | TO->FROM | 0.2101  | 270.9 | 'CUNNINGHAM STATION - POTASH JUNCTION<br>INTERCHANGE 230KV CKT 1' |
| 16SP | 0 | G10_060 | 'CAPROCK REC-MCDONALD - CAPROCK REC-<br>PHILLIPS 138KV CKT 1'         | TO->FROM | 0.2101  | 270.9 | 'CUNNINGHAM STATION - POTASH JUNCTION<br>INTERCHANGE 230KV CKT 1' |
| 16SP | 0 | G10_059 | 'CAPROCK REC-MCDONALD - CAPROCK REC-<br>PHILLIPS 138KV CKT 1'         | TO->FROM | 0.22143 | 270.9 | 'TOLK STATION (ABBXNL844501) 345/230/13.2KV<br>TRANSFORMER CKT 1' |
| 16SP | 0 | G10_060 | 'CAPROCK REC-MCDONALD - CAPROCK REC-<br>PHILLIPS 138KV CKT 1'         | TO->FROM | 0.22143 | 270.9 | 'TOLK STATION (ABBXNL844501) 345/230/13.2KV<br>TRANSFORMER CKT 1' |
| 16SP | 0 | G10_059 | 'CAPROCK REC-MCDONALD - CAPROCK REC-<br>PHILLIPS 138KV CKT 1'         | TO->FROM | 0.22143 | 270.9 | 'CHAVESCO 345.00 - TOLK STATION 345KV<br>CKT 1'                   |
| 16SP | 0 | G10_060 | 'CAPROCK REC-MCDONALD - CAPROCK REC-<br>PHILLIPS 138KV CKT 1'         | TO->FROM | 0.22143 | 270.9 | 'CHAVESCO 345.00 - TOLK STATION 345KV<br>CKT 1'                   |

|      |   |         |  |          |         |       |   |
|------|---|---------|--|----------|---------|-------|---|
| 16SP | 0 | G10_059 | 'CUNNINGHAM STATION - EDDY COUNTY INTERCHANGE 230KV CKT 1' | FROM->TO | 0.22076 | 348.3 | 'LEA COUNTY INTERCHANGE - YOAKUM COUNTY INTERCHANGE 230KV CKT 1'          |
| 16SP | 0 | G10_060 | 'CUNNINGHAM STATION - EDDY COUNTY INTERCHANGE 230KV CKT 1' | FROM->TO | 0.22076 | 348.3 | 'LEA COUNTY INTERCHANGE - YOAKUM COUNTY INTERCHANGE 230KV CKT 1'          |
| 16SP | 0 | G10_059 | 'CAPROCK REC-MCDONALD - CAPROCK REC-PHILLIPS 138KV CKT 1'  | TO->FROM | 0.20669 | 270.9 | 'Jones Station Bus#2 230/22.0KV TRANSFORMER CKT 1'                        |
| 16SP | 0 | G10_060 | 'CAPROCK REC-MCDONALD - CAPROCK REC-PHILLIPS 138KV CKT 1'  | TO->FROM | 0.20669 | 270.9 | 'Jones Station Bus#2 230/22.0KV TRANSFORMER CKT 1'                        |
| 16SP | 0 | G10_059 | 'CAPROCK REC-MCDONALD - CAPROCK REC-PHILLIPS 138KV CKT 1'  | TO->FROM | 0.20669 | 270.9 | 'JONES STATION 230/22.0KV TRANSFORMER CKT 1'                              |
| 16SP | 0 | G10_060 | 'CAPROCK REC-MCDONALD - CAPROCK REC-PHILLIPS 138KV CKT 1'  | TO->FROM | 0.20669 | 270.9 | 'JONES STATION 230/22.0KV TRANSFORMER CKT 1'                              |
| 16SP | 0 | G10_059 | 'CAPROCK REC-MCDONALD - CAPROCK REC-PHILLIPS 138KV CKT 1'  | TO->FROM | 0.21206 | 270.9 | 'TERRY COUNTY INTERCHANGE - WOLFFORTH INTERCHANGE 115KV CKT 1'            |
| 16SP | 0 | G10_060 | 'CAPROCK REC-MCDONALD - CAPROCK REC-PHILLIPS 138KV CKT 1'  | TO->FROM | 0.21206 | 270.9 | 'TERRY COUNTY INTERCHANGE - WOLFFORTH INTERCHANGE 115KV CKT 1'            |
| 16SP | 0 | G10_059 | 'CAPROCK REC-MCDONALD - CAPROCK REC-PHILLIPS 138KV CKT 1'  | TO->FROM | 0.21539 | 270.9 | 'LUBBOCK SOUTH INTERCHANGE - WOLFFORTH INTERCHANGE 230KV CKT 1'           |
| 16SP | 0 | G10_060 | 'CAPROCK REC-MCDONALD - CAPROCK REC-PHILLIPS 138KV CKT 1'  | TO->FROM | 0.21539 | 270.9 | 'LUBBOCK SOUTH INTERCHANGE - WOLFFORTH INTERCHANGE 230KV CKT 1'           |
| 16SP | 0 | G10_059 | 'CAPROCK REC-MCDONALD - CAPROCK REC-PHILLIPS 138KV CKT 1'  | TO->FROM | 0.22148 | 270.9 | 'EDDY COUNTY INTERCHANGE (ABB AEM30711) 345/230/13.2KV TRANSFORMER CKT 1' |
| 16SP | 0 | G10_060 | 'CAPROCK REC-MCDONALD - CAPROCK REC-PHILLIPS 138KV CKT 1'  | TO->FROM | 0.22148 | 270.9 | 'EDDY COUNTY INTERCHANGE (ABB AEM30711) 345/230/13.2KV TRANSFORMER CKT 1' |
| 16SP | 0 | G10_059 | 'CAPROCK REC-MCDONALD - CAPROCK REC-PHILLIPS 138KV CKT 1'  | TO->FROM | 0.22148 | 270.9 | 'CHAVESCO 345.00 - EDDY COUNTY INTERCHANGE 345KV CKT 1'                   |
| 16SP | 0 | G10_060 | 'CAPROCK REC-MCDONALD - CAPROCK REC-PHILLIPS 138KV CKT 1'  | TO->FROM | 0.22148 | 270.9 | 'CHAVESCO 345.00 - EDDY COUNTY INTERCHANGE 345KV CKT 1'                   |
| 16SP | 0 | G10_059 | 'CAPROCK REC-MCDONALD - CAPROCK REC-PHILLIPS 138KV CKT 1'  | TO->FROM | 0.20928 | 270.9 | 'CHAVES COUNTY INTERCHANGE - EDDY COUNTY INTERCHANGE 230KV CKT 1'         |
| 16SP | 0 | G10_060 | 'CAPROCK REC-MCDONALD - CAPROCK REC-PHILLIPS 138KV CKT 1'  | TO->FROM | 0.20928 | 270.9 | 'CHAVES COUNTY INTERCHANGE - EDDY COUNTY INTERCHANGE 230KV CKT 1'         |
| 16SP | 0 | G10_059 | 'CAPROCK REC-MCDONALD - CR-1956 4138.00 138KV CKT 1'       | FROM->TO | 0.29559 | 270.9 | 'HOBBS_INT 7345.00 (LIKE POTTER) 345/230/13.2KV TRANSFORMER CKT 1'        |
| 16SP | 0 | G10_060 | 'CAPROCK REC-MCDONALD - CR-1956 4138.00 138KV CKT 1'       | FROM->TO | 0.29559 | 270.9 | 'HOBBS_INT 7345.00 (LIKE POTTER) 345/230/13.2KV TRANSFORMER CKT 1'        |
| 16SP | 0 | G10_059 | 'CAPROCK REC-MCDONALD - CR-1956 4138.00 138KV CKT 1'       | FROM->TO | 0.29559 | 270.9 | 'HOBBS_INT 7345.00 - MIDLAND 7345.00 345KV CKT 1'                         |
| 16SP | 0 | G10_060 | 'CAPROCK REC-MCDONALD - CR-1956 4138.00 138KV CKT 1'       | FROM->TO | 0.29559 | 270.9 | 'HOBBS_INT 7345.00 - MIDLAND 7345.00 345KV CKT 1'                         |
| 16SP | 0 | G10_059 | 'NEWHART 6230.00 - PLANT X STATION 230KV CKT 1'            | TO->FROM | 0.20851 | 350.9 | 'DEAF SMITH COUNTY INTERCHANGE - PLANT X STATION 230KV CKT 1'             |
| 16SP | 0 | G10_058 | 'NEWHART 6230.00 - PLANT X STATION 230KV CKT 1'            | TO->FROM | 0.24175 | 350.9 | 'DEAF SMITH COUNTY INTERCHANGE - PLANT X STATION 230KV CKT 1'             |
| 16SP | 0 | G10_060 | 'NEWHART 6230.00 - PLANT X STATION 230KV CKT 1'            | TO->FROM | 0.20851 | 350.9 | 'DEAF SMITH COUNTY INTERCHANGE - PLANT X STATION 230KV CKT 1'             |
| 16SP | 0 | G10_059 | 'CAPROCK REC-NEW SCHWARTZ - CR-1956 4138.00 138KV CKT 1'   | TO->FROM | 0.29559 | 270.9 | 'HOBBS_INT 7345.00 - MIDLAND 7345.00 345KV CKT 1'                         |

|      |   |         |  |          |         |       |   |
|------|---|---------|--|----------|---------|-------|---|
| 16SP | 0 | G10_060 | 'CAPROCK REC-NEW SCHWARTZ - CR-1956<br>4138.00 138KV CKT 1'      | TO->FROM | 0.29559 | 270.9 | 'HOBBS_INT 7345.00 - MIDLAND 7345.00<br>345KV CKT 1'                  |
| 16SP | 0 | G10_059 | 'CAPROCK REC-NEW SCHWARTZ - CR-1956<br>4138.00 138KV CKT 1'      | TO->FROM | 0.29559 | 270.9 | 'HOBBS_INT 7345.00 (LIKE POTTER)<br>345/230/13.2KV TRANSFORMER CKT 1' |
| 16SP | 0 | G10_060 | 'CAPROCK REC-NEW SCHWARTZ - CR-1956<br>4138.00 138KV CKT 1'      | TO->FROM | 0.29559 | 270.9 | 'HOBBS_INT 7345.00 (LIKE POTTER)<br>345/230/13.2KV TRANSFORMER CKT 1' |
| 16SP | 0 | G10_059 | 'CUNNINGHAM STATION - EDDY COUNTY<br>INTERCHANGE 230KV CKT 1'    | FROM->TO | 0.19258 | 348.3 | 'PECOS INTERCHANGE - POTASH JUNCTION<br>INTERCHANGE 230KV CKT 1'      |
| 16SP | 0 | G10_060 | 'CUNNINGHAM STATION - EDDY COUNTY<br>INTERCHANGE 230KV CKT 1'    | FROM->TO | 0.19258 | 348.3 | 'PECOS INTERCHANGE - POTASH JUNCTION<br>INTERCHANGE 230KV CKT 1'      |
| 16SP | 0 | G10_059 | 'JONES STATION - TUCO INTERCHANGE 230KV<br>CKT 1'                | FROM->TO | 0.46453 | 346.4 | 'HOBBS_INT 7345.00 (LIKE POTTER)<br>345/230/13.2KV TRANSFORMER CKT 1' |
| 16SP | 0 | G10_060 | 'JONES STATION - TUCO INTERCHANGE 230KV<br>CKT 1'                | FROM->TO | 0.46453 | 346.4 | 'HOBBS_INT 7345.00 (LIKE POTTER)<br>345/230/13.2KV TRANSFORMER CKT 1' |
| 16SP | 0 | G10_059 | 'JONES STATION - TUCO INTERCHANGE 230KV<br>CKT 1'                | FROM->TO | 0.46453 | 346.4 | 'HOBBS_INT 7345.00 - MIDLAND 7345.00<br>345KV CKT 1'                  |
| 16SP | 0 | G10_060 | 'JONES STATION - TUCO INTERCHANGE 230KV<br>CKT 1'                | FROM->TO | 0.46453 | 346.4 | 'HOBBS_INT 7345.00 - MIDLAND 7345.00<br>345KV CKT 1'                  |
| 16SP | 0 | G10_059 | 'CUNNINGHAM STATION - LEA COUNTY<br>INTERCHANGE 230KV CKT 1'     | TO->FROM | 0.47884 | 499.3 | 'LEA COUNTY INTERCHANGE - YOAKUM<br>COUNTY INTERCHANGE 230KV CKT 1'   |
| 16SP | 0 | G10_060 | 'CUNNINGHAM STATION - LEA COUNTY<br>INTERCHANGE 230KV CKT 1'     | TO->FROM | 0.47884 | 499.3 | 'LEA COUNTY INTERCHANGE - YOAKUM<br>COUNTY INTERCHANGE 230KV CKT 1'   |
| 16SP | 0 | G10_059 | 'CUNNINGHAM STATION - EDDY COUNTY<br>INTERCHANGE 230KV CKT 1'    | FROM->TO | 0.19729 | 348.3 | 'MIDLAND 7345.00 (LIKE WICHITA)<br>345/138/13.8KV TRANSFORMER CKT 1'  |
| 16SP | 0 | G10_060 | 'CUNNINGHAM STATION - EDDY COUNTY<br>INTERCHANGE 230KV CKT 1'    | FROM->TO | 0.19729 | 348.3 | 'MIDLAND 7345.00 (LIKE WICHITA)<br>345/138/13.8KV TRANSFORMER CKT 1'  |
| 16SP | 0 | G10_059 | 'CAPROCK REC-NEW SCHWARTZ - CAPROCK<br>REC-PEMBROOK 138KV CKT 1' | FROM->TO | 0.29559 | 271   | 'HOBBS_INT 7345.00 (LIKE POTTER)<br>345/230/13.2KV TRANSFORMER CKT 1' |
| 16SP | 0 | G10_060 | 'CAPROCK REC-NEW SCHWARTZ - CAPROCK<br>REC-PEMBROOK 138KV CKT 1' | FROM->TO | 0.29559 | 271   | 'HOBBS_INT 7345.00 (LIKE POTTER)<br>345/230/13.2KV TRANSFORMER CKT 1' |
| 16SP | 0 | G10_059 | 'CAPROCK REC-NEW SCHWARTZ - CAPROCK<br>REC-PEMBROOK 138KV CKT 1' | FROM->TO | 0.29559 | 271   | 'HOBBS_INT 7345.00 - MIDLAND 7345.00<br>345KV CKT 1'                  |
| 16SP | 0 | G10_060 | 'CAPROCK REC-NEW SCHWARTZ - CAPROCK<br>REC-PEMBROOK 138KV CKT 1' | FROM->TO | 0.29559 | 271   | 'HOBBS_INT 7345.00 - MIDLAND 7345.00<br>345KV CKT 1'                  |
| 16SP | 0 | G10_059 | 'CUNNINGHAM STATION - EDDY COUNTY<br>INTERCHANGE 230KV CKT 1'    | FROM->TO | 0.19729 | 348.3 | 'CAPROCK REC-PHILLIPS - CAPROCK REC-<br>TATE 138KV CKT 1'             |
| 16SP | 0 | G10_060 | 'CUNNINGHAM STATION - EDDY COUNTY<br>INTERCHANGE 230KV CKT 1'    | FROM->TO | 0.19729 | 348.3 | 'CAPROCK REC-PHILLIPS - CAPROCK REC-<br>TATE 138KV CKT 1'             |
| 16SP | 0 | G10_059 | 'GRASSLAND INTERCHANGE - Jones Station<br>Bus#2 230KV CKT 1'     | FROM->TO | 0.47172 | 350.8 | 'HOBBS_INT 7345.00 - MIDLAND 7345.00<br>345KV CKT 1'                  |
| 16SP | 0 | G10_060 | 'GRASSLAND INTERCHANGE - Jones Station<br>Bus#2 230KV CKT 1'     | FROM->TO | 0.47172 | 350.8 | 'HOBBS_INT 7345.00 - MIDLAND 7345.00<br>345KV CKT 1'                  |
| 16SP | 0 | G10_059 | 'GRASSLAND INTERCHANGE - Jones Station<br>Bus#2 230KV CKT 1'     | FROM->TO | 0.47172 | 350.8 | 'HOBBS_INT 7345.00 (LIKE POTTER)<br>345/230/13.2KV TRANSFORMER CKT 1' |
| 16SP | 0 | G10_060 | 'GRASSLAND INTERCHANGE - Jones Station<br>Bus#2 230KV CKT 1'     | FROM->TO | 0.47172 | 350.8 | 'HOBBS_INT 7345.00 (LIKE POTTER)<br>345/230/13.2KV TRANSFORMER CKT 1' |
| 16SP | 0 | G10_059 | 'CUNNINGHAM STATION - EDDY COUNTY<br>INTERCHANGE 230KV CKT 1'    | FROM->TO | 0.19729 | 348.3 | 'CAPROCK REC-MCDONALD - CAPROCK REC-<br>PHILLIPS 138KV CKT 1'         |
| 16SP | 0 | G10_060 | 'CUNNINGHAM STATION - EDDY COUNTY<br>INTERCHANGE 230KV CKT 1'    | FROM->TO | 0.19729 | 348.3 | 'CAPROCK REC-MCDONALD - CAPROCK REC-<br>PHILLIPS 138KV CKT 1'         |



|      |   |         |  |          |         |       |   |
|------|---|---------|--|----------|---------|-------|---|
| 16SP | 0 | G10_058 | 'NEWHART 6230.00 - PLANT X STATION 230KV<br>CKT 1'                   | TO->FROM | 0.22513 | 350.9 | 'TOLK STATION EAST - TUCO INTERCHANGE<br>230KV CKT 1'                 |
| 16SP | 0 | G10_059 | 'CAPROCK REC-ST LAWRENCE - CAPROCK<br>REC-STILES 138KV CKT 1'        | TO->FROM | 0.29545 | 271   | 'HOBBS_INT 7345.00 (LIKE POTTER)<br>345/230/13.2KV TRANSFORMER CKT 1' |
| 16SP | 0 | G10_060 | 'CAPROCK REC-ST LAWRENCE - CAPROCK<br>REC-STILES 138KV CKT 1'        | TO->FROM | 0.29545 | 271   | 'HOBBS_INT 7345.00 (LIKE POTTER)<br>345/230/13.2KV TRANSFORMER CKT 1' |
| 16SP | 0 | G10_059 | 'CAPROCK REC-ST LAWRENCE - CAPROCK<br>REC-STILES 138KV CKT 1'        | TO->FROM | 0.29545 | 271   | 'HOBBS_INT 7345.00 - MIDLAND 7345.00<br>345KV CKT 1'                  |
| 16SP | 0 | G10_060 | 'CAPROCK REC-ST LAWRENCE - CAPROCK<br>REC-STILES 138KV CKT 1'        | TO->FROM | 0.29545 | 271   | 'HOBBS_INT 7345.00 - MIDLAND 7345.00<br>345KV CKT 1'                  |
| 16SP | 0 | G10_059 | 'PLANT X STATION - TOLK STATION WEST<br>230KV CKT 1'                 | TO->FROM | 0.21621 | 500.8 | 'PLANT X STATION - TOLK STATION EAST<br>230KV CKT 2'                  |
| 16SP | 0 | G10_058 | 'PLANT X STATION - TOLK STATION WEST<br>230KV CKT 1'                 | TO->FROM | 0.352   | 500.8 | 'PLANT X STATION - TOLK STATION EAST<br>230KV CKT 2'                  |
| 16SP | 0 | G10_060 | 'PLANT X STATION - TOLK STATION WEST<br>230KV CKT 1'                 | TO->FROM | 0.21621 | 500.8 | 'PLANT X STATION - TOLK STATION EAST<br>230KV CKT 2'                  |
| 16SP | 0 | G10_059 | 'BORDEN COUNTY INTERCHANGE 230/138KV<br>TRANSFORMER CKT 1'           | TO->FROM | 0.19646 | 167.5 | 'BORDEN COUNTY INTERCHANGE 230/138KV<br>TRANSFORMER CKT 2'            |
| 16SP | 0 | G10_060 | 'BORDEN COUNTY INTERCHANGE 230/138KV<br>TRANSFORMER CKT 1'           | TO->FROM | 0.19646 | 167.5 | 'BORDEN COUNTY INTERCHANGE 230/138KV<br>TRANSFORMER CKT 2'            |
| 16SP | 0 | G10_059 | 'MIDLAND 7345.00 (LIKE WICHITA)<br>345/138/13.8KV TRANSFORMER CKT 1' | FROM->TO | 0.20669 | 334.8 | 'BASE CASE'   |
| 16SP | 0 | G10_060 | 'MIDLAND 7345.00 (LIKE WICHITA)<br>345/138/13.8KV TRANSFORMER CKT 1' | FROM->TO | 0.20669 | 334.8 | 'BASE CASE'   |
| 16SP | 0 | G10_059 | 'MIDLAND 7345.00 (LIKE WICHITA)<br>345/138/13.8KV TRANSFORMER CKT 1' | FROM->TO | 0.20669 | 335.1 | 'BASE CASE'   |
| 16SP | 0 | G10_060 | 'MIDLAND 7345.00 (LIKE WICHITA)<br>345/138/13.8KV TRANSFORMER CKT 1' | FROM->TO | 0.20669 | 335.1 | 'BASE CASE'   |
| 16SP | 0 | G10_059 | 'PLANT X STATION - TOLK STATION EAST<br>230KV CKT 2'                 | TO->FROM | 0.21413 | 500.8 | 'PLANT X STATION - TOLK STATION WEST<br>230KV CKT 1'                  |
| 16SP | 0 | G10_058 | 'PLANT X STATION - TOLK STATION EAST<br>230KV CKT 2'                 | TO->FROM | 0.34889 | 500.8 | 'PLANT X STATION - TOLK STATION WEST<br>230KV CKT 1'                  |
| 16SP | 0 | G10_060 | 'PLANT X STATION - TOLK STATION EAST<br>230KV CKT 2'                 | TO->FROM | 0.21413 | 500.8 | 'PLANT X STATION - TOLK STATION WEST<br>230KV CKT 1'                  |
| 16SP | 0 | G10_059 | 'CAPROCK REC-BUCHANAN - CAPROCK REC-<br>LANGE 138KV CKT 1'           | TO->FROM | 0.29545 | 271   | 'HOBBS_INT 7345.00 (LIKE POTTER)<br>345/230/13.2KV TRANSFORMER CKT 1' |
| 16SP | 0 | G10_060 | 'CAPROCK REC-BUCHANAN - CAPROCK REC-<br>LANGE 138KV CKT 1'           | TO->FROM | 0.29545 | 271   | 'HOBBS_INT 7345.00 (LIKE POTTER)<br>345/230/13.2KV TRANSFORMER CKT 1' |
| 16SP | 0 | G10_059 | 'CAPROCK REC-BUCHANAN - CAPROCK REC-<br>LANGE 138KV CKT 1'           | TO->FROM | 0.29545 | 271   | 'HOBBS_INT 7345.00 - MIDLAND 7345.00<br>345KV CKT 1'                  |
| 16SP | 0 | G10_060 | 'CAPROCK REC-BUCHANAN - CAPROCK REC-<br>LANGE 138KV CKT 1'           | TO->FROM | 0.29545 | 271   | 'HOBBS_INT 7345.00 - MIDLAND 7345.00<br>345KV CKT 1'                  |
| 16SP | 0 | G10_059 | 'DEAF SMITH COUNTY INTERCHANGE - PLANT<br>X STATION 230KV CKT 1'     | TO->FROM | 0.19871 | 350.5 | 'NEWHART 6230.00 - PLANT X STATION 230KV<br>CKT 1'                    |
| 16SP | 0 | G10_058 | 'DEAF SMITH COUNTY INTERCHANGE - PLANT<br>X STATION 230KV CKT 1'     | TO->FROM | 0.22046 | 350.5 | 'NEWHART 6230.00 - PLANT X STATION 230KV<br>CKT 1'                    |
| 16SP | 0 | G10_060 | 'DEAF SMITH COUNTY INTERCHANGE - PLANT<br>X STATION 230KV CKT 1'     | TO->FROM | 0.19871 | 350.5 | 'NEWHART 6230.00 - PLANT X STATION 230KV<br>CKT 1'                    |
| 16SP | 0 | G10_059 | 'MIDLAND 7345.00 (LIKE WICHITA)<br>345/138/13.8KV TRANSFORMER CKT 1' | FROM->TO | 0.23675 | 384.9 | 'LEA COUNTY INTERCHANGE - YOAKUM<br>COUNTY INTERCHANGE 230KV CKT 1'   |

|      |   |         |  |          |         |       |   |
|------|---|---------|--|----------|---------|-------|---|
| 16SP | 0 | G10_060 | 'MIDLAND 7345.00 (LIKE WICHITA)<br>345/138/13.8KV TRANSFORMER CKT 1' | FROM->TO | 0.23675 | 384.9 | 'LEA COUNTY INTERCHANGE - YOAKUM<br>COUNTY INTERCHANGE 230KV CKT 1'   |
| 16SP | 0 | G10_059 | 'MIDLAND 7345.00 (LIKE WICHITA)<br>345/138/13.8KV TRANSFORMER CKT 1' | FROM->TO | 0.23675 | 385.2 | 'LEA COUNTY INTERCHANGE - YOAKUM<br>COUNTY INTERCHANGE 230KV CKT 1'   |
| 16SP | 0 | G10_060 | 'MIDLAND 7345.00 (LIKE WICHITA)<br>345/138/13.8KV TRANSFORMER CKT 1' | FROM->TO | 0.23675 | 385.2 | 'LEA COUNTY INTERCHANGE - YOAKUM<br>COUNTY INTERCHANGE 230KV CKT 1'   |
| 16SP | 0 | G10_059 | 'CUNNINGHAM STATION - LEA COUNTY<br>INTERCHANGE 230KV CKT 1'         | TO->FROM | 0.4049  | 499.3 | 'MIDLAND 7345.00 (LIKE WICHITA)<br>345/138/13.8KV TRANSFORMER CKT 1'  |
| 16SP | 0 | G10_060 | 'CUNNINGHAM STATION - LEA COUNTY<br>INTERCHANGE 230KV CKT 1'         | TO->FROM | 0.4049  | 499.3 | 'MIDLAND 7345.00 (LIKE WICHITA)<br>345/138/13.8KV TRANSFORMER CKT 1'  |
| 16SP | 0 | G10_059 | 'CUNNINGHAM STATION - EDDY COUNTY<br>INTERCHANGE 230KV CKT 1'        | FROM->TO | 0.19726 | 348.3 | 'BORDEN COUNTY INTERCHANGE -<br>GRASSLAND INTERCHANGE 230KV CKT 1'    |
| 16SP | 0 | G10_060 | 'CUNNINGHAM STATION - EDDY COUNTY<br>INTERCHANGE 230KV CKT 1'        | FROM->TO | 0.19726 | 348.3 | 'BORDEN COUNTY INTERCHANGE -<br>GRASSLAND INTERCHANGE 230KV CKT 1'    |
| 16SP | 0 | G10_059 | 'CUNNINGHAM STATION - EDDY COUNTY<br>INTERCHANGE 230KV CKT 1'        | FROM->TO | 0.19726 | 348.3 | 'SPP-SWPS-K48'  |
| 16SP | 0 | G10_060 | 'CUNNINGHAM STATION - EDDY COUNTY<br>INTERCHANGE 230KV CKT 1'        | FROM->TO | 0.19726 | 348.3 | 'SPP-SWPS-K48'  |
| 16SP | 0 | G10_059 | 'CAPROCK REC-MCDONALD - CAPROCK REC-<br>TRIANGLE 138KV CKT 1'        | FROM->TO | 0.21198 | 271   | 'HOBBS INTERCHANGE - LEA COUNTY<br>INTERCHANGE 230KV CKT 1'           |
| 16SP | 0 | G10_060 | 'CAPROCK REC-MCDONALD - CAPROCK REC-<br>TRIANGLE 138KV CKT 1'        | FROM->TO | 0.21198 | 271   | 'HOBBS INTERCHANGE - LEA COUNTY<br>INTERCHANGE 230KV CKT 1'           |
| 16SP | 0 | G10_059 | 'CUNNINGHAM STATION - LEA COUNTY<br>INTERCHANGE 230KV CKT 1'         | TO->FROM | 0.4049  | 499.3 | 'CAPROCK REC-PHILLIPS - CAPROCK REC-<br>TATE 138KV CKT 1'             |
| 16SP | 0 | G10_060 | 'CUNNINGHAM STATION - LEA COUNTY<br>INTERCHANGE 230KV CKT 1'         | TO->FROM | 0.4049  | 499.3 | 'CAPROCK REC-PHILLIPS - CAPROCK REC-<br>TATE 138KV CKT 1'             |
| 16SP | 0 | G10_059 | 'CAPROCK REC-BUCHANAN - CAPROCK REC-<br>RUSSEL TAP 138KV CKT 1'      | FROM->TO | 0.29545 | 271   | 'HOBBS_INT 7345.00 (LIKE POTTER)<br>345/230/13.2KV TRANSFORMER CKT 1' |
| 16SP | 0 | G10_060 | 'CAPROCK REC-BUCHANAN - CAPROCK REC-<br>RUSSEL TAP 138KV CKT 1'      | FROM->TO | 0.29545 | 271   | 'HOBBS_INT 7345.00 (LIKE POTTER)<br>345/230/13.2KV TRANSFORMER CKT 1' |
| 16SP | 0 | G10_059 | 'CAPROCK REC-BUCHANAN - CAPROCK REC-<br>RUSSEL TAP 138KV CKT 1'      | FROM->TO | 0.29545 | 271   | 'HOBBS_INT 7345.00 - MIDLAND 7345.00<br>345KV CKT 1'                  |
| 16SP | 0 | G10_060 | 'CAPROCK REC-BUCHANAN - CAPROCK REC-<br>RUSSEL TAP 138KV CKT 1'      | FROM->TO | 0.29545 | 271   | 'HOBBS_INT 7345.00 - MIDLAND 7345.00<br>345KV CKT 1'                  |
| 16SP | 0 | G10_059 | 'CUNNINGHAM STATION - LEA COUNTY<br>INTERCHANGE 230KV CKT 1'         | TO->FROM | 0.4049  | 499.3 | 'CAPROCK REC-MCDONALD - CAPROCK REC-<br>PHILLIPS 138KV CKT 1'         |
| 16SP | 0 | G10_060 | 'CUNNINGHAM STATION - LEA COUNTY<br>INTERCHANGE 230KV CKT 1'         | TO->FROM | 0.4049  | 499.3 | 'CAPROCK REC-MCDONALD - CAPROCK REC-<br>PHILLIPS 138KV CKT 1'         |
| 16SP | 0 | G10_059 | 'CAPROCK REC-RUSSEL TAP - CAPROCK REC-<br>VEALMOOR 138KV CKT 1'      | FROM->TO | 0.29545 | 271   | 'HOBBS_INT 7345.00 - MIDLAND 7345.00<br>345KV CKT 1'                  |
| 16SP | 0 | G10_060 | 'CAPROCK REC-RUSSEL TAP - CAPROCK REC-<br>VEALMOOR 138KV CKT 1'      | FROM->TO | 0.29545 | 271   | 'HOBBS_INT 7345.00 - MIDLAND 7345.00<br>345KV CKT 1'                  |
| 16SP | 0 | G10_059 | 'CAPROCK REC-RUSSEL TAP - CAPROCK REC-<br>VEALMOOR 138KV CKT 1'      | FROM->TO | 0.29545 | 271   | 'HOBBS_INT 7345.00 (LIKE POTTER)<br>345/230/13.2KV TRANSFORMER CKT 1' |
| 16SP | 0 | G10_060 | 'CAPROCK REC-RUSSEL TAP - CAPROCK REC-<br>VEALMOOR 138KV CKT 1'      | FROM->TO | 0.29545 | 271   | 'HOBBS_INT 7345.00 (LIKE POTTER)<br>345/230/13.2KV TRANSFORMER CKT 1' |
| 16SP | 0 | G10_059 | 'MIDLAND 7345.00 (LIKE WICHITA)<br>345/138/13.8KV TRANSFORMER CKT 1' | FROM->TO | 0.21935 | 384.9 | 'AMOCO SWITCHING STATION - YOAKUM<br>COUNTY INTERCHANGE 230KV CKT 1'  |
| 16SP | 0 | G10_060 | 'MIDLAND 7345.00 (LIKE WICHITA)<br>345/138/13.8KV TRANSFORMER CKT 1' | FROM->TO | 0.21935 | 384.9 | 'AMOCO SWITCHING STATION - YOAKUM<br>COUNTY INTERCHANGE 230KV CKT 1'  |

|      |   |         |  |          |         |       |  |
|------|---|---------|--|----------|---------|-------|--|
| 16SP | 0 | G10_059 | 'MIDLAND 7345.00 (LIKE WICHITA)<br>345/138/13.8KV TRANSFORMER CKT 1' | FROM->TO | 0.21935 | 385.2 | 'AMOCO SWITCHING STATION - YOAKUM<br>COUNTY INTERCHANGE 230KV CKT 1' |
| 16SP | 0 | G10_060 | 'MIDLAND 7345.00 (LIKE WICHITA)<br>345/138/13.8KV TRANSFORMER CKT 1' | FROM->TO | 0.21935 | 385.2 | 'AMOCO SWITCHING STATION - YOAKUM<br>COUNTY INTERCHANGE 230KV CKT 1' |
| 16SP | 0 | G10_059 | 'BORDEN COUNTY INTERCHANGE 230/138KV<br>TRANSFORMER CKT 2'           | TO->FROM | 0.19637 | 193   | 'BORDEN COUNTY INTERCHANGE 230/138KV<br>TRANSFORMER CKT 1'           |
| 16SP | 0 | G10_060 | 'BORDEN COUNTY INTERCHANGE 230/138KV<br>TRANSFORMER CKT 2'           | TO->FROM | 0.19637 | 193   | 'BORDEN COUNTY INTERCHANGE 230/138KV<br>TRANSFORMER CKT 1'           |
| 16SP | 0 | G10_059 | 'CUNNINGHAM STATION - LEA COUNTY<br>INTERCHANGE 230KV CKT 1'         | TO->FROM | 0.32623 | 499.3 | 'CUNNINGHAM STATION 230/20.0KV<br>TRANSFORMER CKT 1'                 |
| 16SP | 0 | G10_060 | 'CUNNINGHAM STATION - LEA COUNTY<br>INTERCHANGE 230KV CKT 1'         | TO->FROM | 0.32623 | 499.3 | 'CUNNINGHAM STATION 230/20.0KV<br>TRANSFORMER CKT 1'                 |
| 16SP | 0 | G10_059 | 'MIDLAND 7345.00 (LIKE WICHITA)<br>345/138/13.8KV TRANSFORMER CKT 1' | FROM->TO | 0.22292 | 384.9 | 'CUNNINGHAM STATION - LEA COUNTY<br>INTERCHANGE 230KV CKT 1'         |
| 16SP | 0 | G10_060 | 'MIDLAND 7345.00 (LIKE WICHITA)<br>345/138/13.8KV TRANSFORMER CKT 1' | FROM->TO | 0.22292 | 384.9 | 'CUNNINGHAM STATION - LEA COUNTY<br>INTERCHANGE 230KV CKT 1'         |
| 16SP | 0 | G10_059 | 'MIDLAND 7345.00 (LIKE WICHITA)<br>345/138/13.8KV TRANSFORMER CKT 1' | FROM->TO | 0.22292 | 385.2 | 'CUNNINGHAM STATION - LEA COUNTY<br>INTERCHANGE 230KV CKT 1'         |
| 16SP | 0 | G10_060 | 'MIDLAND 7345.00 (LIKE WICHITA)<br>345/138/13.8KV TRANSFORMER CKT 1' | FROM->TO | 0.22292 | 385.2 | 'CUNNINGHAM STATION - LEA COUNTY<br>INTERCHANGE 230KV CKT 1'         |
| 16SP | 0 | G10_058 | 'NEWHART 6230.00 - PLANT X STATION 230KV<br>CKT 1'                   | TO->FROM | 0.19132 | 350.9 | 'PLANT X STATION (WH ALM20171)<br>230/115/13.2KV TRANSFORMER CKT 1'  |
| 16SP | 0 | G10_059 | 'MIDLAND 7345.00 (LIKE WICHITA)<br>345/138/13.8KV TRANSFORMER CKT 1' | FROM->TO | 0.21935 | 384.9 | 'AMOCO SWITCHING STATION - SUNDOWN<br>INTERCHANGE 230KV CKT 1'       |
| 16SP | 0 | G10_060 | 'MIDLAND 7345.00 (LIKE WICHITA)<br>345/138/13.8KV TRANSFORMER CKT 1' | FROM->TO | 0.21935 | 384.9 | 'AMOCO SWITCHING STATION - SUNDOWN<br>INTERCHANGE 230KV CKT 1'       |
| 16SP | 0 | G10_059 | 'MIDLAND 7345.00 (LIKE WICHITA)<br>345/138/13.8KV TRANSFORMER CKT 1' | FROM->TO | 0.21514 | 384.9 | 'SUNDOWN INTERCHANGE - WOLFFORTH<br>INTERCHANGE 230KV CKT 1'         |
| 16SP | 0 | G10_060 | 'MIDLAND 7345.00 (LIKE WICHITA)<br>345/138/13.8KV TRANSFORMER CKT 1' | FROM->TO | 0.21514 | 384.9 | 'SUNDOWN INTERCHANGE - WOLFFORTH<br>INTERCHANGE 230KV CKT 1'         |
| 16SP | 0 | G10_059 | 'MIDLAND 7345.00 (LIKE WICHITA)<br>345/138/13.8KV TRANSFORMER CKT 1' | FROM->TO | 0.21439 | 384.9 | 'CUNNINGHAM STATION - EDDY COUNTY<br>INTERCHANGE 230KV CKT 1'        |
| 16SP | 0 | G10_060 | 'MIDLAND 7345.00 (LIKE WICHITA)<br>345/138/13.8KV TRANSFORMER CKT 1' | FROM->TO | 0.21439 | 384.9 | 'CUNNINGHAM STATION - EDDY COUNTY<br>INTERCHANGE 230KV CKT 1'        |
| 16SP | 0 | G10_059 | 'MIDLAND 7345.00 (LIKE WICHITA)<br>345/138/13.8KV TRANSFORMER CKT 1' | FROM->TO | 0.21935 | 385.2 | 'AMOCO SWITCHING STATION - SUNDOWN<br>INTERCHANGE 230KV CKT 1'       |
| 16SP | 0 | G10_060 | 'MIDLAND 7345.00 (LIKE WICHITA)<br>345/138/13.8KV TRANSFORMER CKT 1' | FROM->TO | 0.21935 | 385.2 | 'AMOCO SWITCHING STATION - SUNDOWN<br>INTERCHANGE 230KV CKT 1'       |
| 16SP | 0 | G10_059 | 'MIDLAND 7345.00 (LIKE WICHITA)<br>345/138/13.8KV TRANSFORMER CKT 1' | FROM->TO | 0.21514 | 385.2 | 'SUNDOWN INTERCHANGE - WOLFFORTH<br>INTERCHANGE 230KV CKT 1'         |
| 16SP | 0 | G10_060 | 'MIDLAND 7345.00 (LIKE WICHITA)<br>345/138/13.8KV TRANSFORMER CKT 1' | FROM->TO | 0.21514 | 385.2 | 'SUNDOWN INTERCHANGE - WOLFFORTH<br>INTERCHANGE 230KV CKT 1'         |
| 16SP | 0 | G10_059 | 'MIDLAND 7345.00 (LIKE WICHITA)<br>345/138/13.8KV TRANSFORMER CKT 1' | FROM->TO | 0.21439 | 385.2 | 'CUNNINGHAM STATION - EDDY COUNTY<br>INTERCHANGE 230KV CKT 1'        |
| 16SP | 0 | G10_060 | 'MIDLAND 7345.00 (LIKE WICHITA)<br>345/138/13.8KV TRANSFORMER CKT 1' | FROM->TO | 0.21439 | 385.2 | 'CUNNINGHAM STATION - EDDY COUNTY<br>INTERCHANGE 230KV CKT 1'        |
| 16SP | 0 | G10_059 | 'AMOCO SWITCHING STATION - SUNDOWN<br>INTERCHANGE 230KV CKT 1'       | FROM->TO | 0.24838 | 350.3 | 'MIDLAND 7345.00 (LIKE WICHITA)<br>345/138/13.8KV TRANSFORMER CKT 1' |
| 16SP | 0 | G10_060 | 'AMOCO SWITCHING STATION - SUNDOWN<br>INTERCHANGE 230KV CKT 1'       | FROM->TO | 0.24838 | 350.3 | 'MIDLAND 7345.00 (LIKE WICHITA)<br>345/138/13.8KV TRANSFORMER CKT 1' |

|      |   |         |  |          |         |       |  |
|------|---|---------|--|----------|---------|-------|--|
| 16SP | 0 | G10_059 | 'CAPROCK REC-GRADY - CAPROCK REC-REED<br>138KV CKT 1'                | FROM->TO | 0.21198 | 270.9 | 'HOBBS INTERCHANGE - LEA COUNTY<br>INTERCHANGE 230KV CKT 1'                  |
| 16SP | 0 | G10_060 | 'CAPROCK REC-GRADY - CAPROCK REC-REED<br>138KV CKT 1'                | FROM->TO | 0.21198 | 270.9 | 'HOBBS INTERCHANGE - LEA COUNTY<br>INTERCHANGE 230KV CKT 1'                  |
| 16SP | 0 | G10_059 | 'PLANT X STATION - TOLK STATION WEST<br>230KV CKT 1'                 | TO->FROM | 0.27377 | 500.8 | 'TOLK STATION EAST - TOLK STATION TAP<br>230KV CKT 1'                        |
| 16SP | 0 | G10_058 | 'PLANT X STATION - TOLK STATION WEST<br>230KV CKT 1'                 | TO->FROM | 0.36124 | 500.8 | 'TOLK STATION EAST - TOLK STATION TAP<br>230KV CKT 1'                        |
| 16SP | 0 | G10_060 | 'PLANT X STATION - TOLK STATION WEST<br>230KV CKT 1'                 | TO->FROM | 0.27377 | 500.8 | 'TOLK STATION EAST - TOLK STATION TAP<br>230KV CKT 1'                        |
| 16SP | 0 | G10_059 | 'MIDLAND 7345.00 (LIKE WICHITA)<br>345/138/13.8KV TRANSFORMER CKT 1' | FROM->TO | 0.22143 | 384.9 | 'TOLK STATION (ABBXNL844501) 345/230/13.2KV<br>TRANSFORMER CKT 1'            |
| 16SP | 0 | G10_060 | 'MIDLAND 7345.00 (LIKE WICHITA)<br>345/138/13.8KV TRANSFORMER CKT 1' | FROM->TO | 0.22143 | 384.9 | 'TOLK STATION (ABBXNL844501) 345/230/13.2KV<br>TRANSFORMER CKT 1'            |
| 16SP | 0 | G10_059 | 'MIDLAND 7345.00 (LIKE WICHITA)<br>345/138/13.8KV TRANSFORMER CKT 1' | FROM->TO | 0.22143 | 384.9 | 'CHAVESCO 345.00 - TOLK STATION 345KV<br>CKT 1'                              |
| 16SP | 0 | G10_060 | 'MIDLAND 7345.00 (LIKE WICHITA)<br>345/138/13.8KV TRANSFORMER CKT 1' | FROM->TO | 0.22143 | 384.9 | 'CHAVESCO 345.00 - TOLK STATION 345KV<br>CKT 1'                              |
| 16SP | 0 | G10_059 | 'NEWHART 6230.00 - PLANT X STATION 230KV<br>CKT 1'                   | TO->FROM | 0.20959 | 350.9 | 'DEAF SMITH COUNTY INTERCHANGE - S-<br>RANDLCO 230.00 230KV CKT 1'           |
| 16SP | 0 | G10_058 | 'NEWHART 6230.00 - PLANT X STATION 230KV<br>CKT 1'                   | TO->FROM | 0.24739 | 350.9 | 'DEAF SMITH COUNTY INTERCHANGE - S-<br>RANDLCO 230.00 230KV CKT 1'           |
| 16SP | 0 | G10_060 | 'NEWHART 6230.00 - PLANT X STATION 230KV<br>CKT 1'                   | TO->FROM | 0.20959 | 350.9 | 'DEAF SMITH COUNTY INTERCHANGE - S-<br>RANDLCO 230.00 230KV CKT 1'           |
| 16SP | 0 | G10_059 | 'AMOCO SWITCHING STATION - SUNDOWN<br>INTERCHANGE 230KV CKT 1'       | FROM->TO | 0.24838 | 350.3 | 'CAPROCK REC-PHILLIPS - CAPROCK REC-<br>TATE 138KV CKT 1'                    |
| 16SP | 0 | G10_060 | 'AMOCO SWITCHING STATION - SUNDOWN<br>INTERCHANGE 230KV CKT 1'       | FROM->TO | 0.24838 | 350.3 | 'CAPROCK REC-PHILLIPS - CAPROCK REC-<br>TATE 138KV CKT 1'                    |
| 16SP | 0 | G10_059 | 'MIDLAND 7345.00 (LIKE WICHITA)<br>345/138/13.8KV TRANSFORMER CKT 1' | FROM->TO | 0.21168 | 384.9 | 'TOLK STATION EAST - TUCO INTERCHANGE<br>230KV CKT 1'                        |
| 16SP | 0 | G10_060 | 'MIDLAND 7345.00 (LIKE WICHITA)<br>345/138/13.8KV TRANSFORMER CKT 1' | FROM->TO | 0.21168 | 384.9 | 'TOLK STATION EAST - TUCO INTERCHANGE<br>230KV CKT 1'                        |
| 16SP | 0 | G10_059 | 'MIDLAND 7345.00 (LIKE WICHITA)<br>345/138/13.8KV TRANSFORMER CKT 1' | FROM->TO | 0.22143 | 385.2 | 'TOLK STATION (ABBXNL844501) 345/230/13.2KV<br>TRANSFORMER CKT 1'            |
| 16SP | 0 | G10_060 | 'MIDLAND 7345.00 (LIKE WICHITA)<br>345/138/13.8KV TRANSFORMER CKT 1' | FROM->TO | 0.22143 | 385.2 | 'TOLK STATION (ABBXNL844501) 345/230/13.2KV<br>TRANSFORMER CKT 1'            |
| 16SP | 0 | G10_059 | 'MIDLAND 7345.00 (LIKE WICHITA)<br>345/138/13.8KV TRANSFORMER CKT 1' | FROM->TO | 0.22143 | 385.2 | 'CHAVESCO 345.00 - TOLK STATION 345KV<br>CKT 1'                              |
| 16SP | 0 | G10_060 | 'MIDLAND 7345.00 (LIKE WICHITA)<br>345/138/13.8KV TRANSFORMER CKT 1' | FROM->TO | 0.22143 | 385.2 | 'CHAVESCO 345.00 - TOLK STATION 345KV<br>CKT 1'                              |
| 16SP | 0 | G10_059 | 'MIDLAND 7345.00 (LIKE WICHITA)<br>345/138/13.8KV TRANSFORMER CKT 1' | FROM->TO | 0.21168 | 385.2 | 'TOLK STATION EAST - TUCO INTERCHANGE<br>230KV CKT 1'                        |
| 16SP | 0 | G10_060 | 'MIDLAND 7345.00 (LIKE WICHITA)<br>345/138/13.8KV TRANSFORMER CKT 1' | FROM->TO | 0.21168 | 385.2 | 'TOLK STATION EAST - TUCO INTERCHANGE<br>230KV CKT 1'                        |
| 16SP | 0 | G10_059 | 'MIDLAND 7345.00 (LIKE WICHITA)<br>345/138/13.8KV TRANSFORMER CKT 1' | FROM->TO | 0.22148 | 384.9 | 'EDDY COUNTY INTERCHANGE (ABB AEM30711)<br>345/230/13.2KV TRANSFORMER CKT 1' |
| 16SP | 0 | G10_060 | 'MIDLAND 7345.00 (LIKE WICHITA)<br>345/138/13.8KV TRANSFORMER CKT 1' | FROM->TO | 0.22148 | 384.9 | 'EDDY COUNTY INTERCHANGE (ABB AEM30711)<br>345/230/13.2KV TRANSFORMER CKT 1' |

|      |   |         |  |          |         |       |  |
|------|---|---------|--|----------|---------|-------|--|
| 16SP | 0 | G10_059 | 'MIDLAND 7345.00 (LIKE WICHITA)<br>345/138/13.8KV TRANSFORMER CKT 1' | FROM->TO | 0.22148 | 384.9 | 'CHAVESCO 345.00 - EDDY COUNTY<br>INTERCHANGE 345KV CKT 1'                   |
| 16SP | 0 | G10_060 | 'MIDLAND 7345.00 (LIKE WICHITA)<br>345/138/13.8KV TRANSFORMER CKT 1' | FROM->TO | 0.22148 | 384.9 | 'CHAVESCO 345.00 - EDDY COUNTY<br>INTERCHANGE 345KV CKT 1'                   |
| 16SP | 0 | G10_059 | 'MIDLAND 7345.00 (LIKE WICHITA)<br>345/138/13.8KV TRANSFORMER CKT 1' | FROM->TO | 0.22148 | 385.2 | 'EDDY COUNTY INTERCHANGE (ABB AEM30711)<br>345/230/13.2KV TRANSFORMER CKT 1' |
| 16SP | 0 | G10_060 | 'MIDLAND 7345.00 (LIKE WICHITA)<br>345/138/13.8KV TRANSFORMER CKT 1' | FROM->TO | 0.22148 | 385.2 | 'EDDY COUNTY INTERCHANGE (ABB AEM30711)<br>345/230/13.2KV TRANSFORMER CKT 1' |
| 16SP | 0 | G10_059 | 'MIDLAND 7345.00 (LIKE WICHITA)<br>345/138/13.8KV TRANSFORMER CKT 1' | FROM->TO | 0.22148 | 385.2 | 'CHAVESCO 345.00 - EDDY COUNTY<br>INTERCHANGE 345KV CKT 1'                   |
| 16SP | 0 | G10_060 | 'MIDLAND 7345.00 (LIKE WICHITA)<br>345/138/13.8KV TRANSFORMER CKT 1' | FROM->TO | 0.22148 | 385.2 | 'CHAVESCO 345.00 - EDDY COUNTY<br>INTERCHANGE 345KV CKT 1'                   |
| 16SP | 0 | G10_059 | 'MIDLAND 7345.00 (LIKE WICHITA)<br>345/138/13.8KV TRANSFORMER CKT 1' | FROM->TO | 0.21539 | 384.9 | 'LUBBOCK SOUTH INTERCHANGE -<br>WOLFFORTH INTERCHANGE 230KV CKT 1'           |
| 16SP | 0 | G10_060 | 'MIDLAND 7345.00 (LIKE WICHITA)<br>345/138/13.8KV TRANSFORMER CKT 1' | FROM->TO | 0.21539 | 384.9 | 'LUBBOCK SOUTH INTERCHANGE -<br>WOLFFORTH INTERCHANGE 230KV CKT 1'           |
| 16SP | 0 | G10_059 | 'CUNNINGHAM STATION - LEA COUNTY<br>INTERCHANGE 230KV CKT 1'         | TO->FROM | 0.40484 | 499.3 | 'BORDEN COUNTY INTERCHANGE -<br>GRASSLAND INTERCHANGE 230KV CKT 1'           |
| 16SP | 0 | G10_060 | 'CUNNINGHAM STATION - LEA COUNTY<br>INTERCHANGE 230KV CKT 1'         | TO->FROM | 0.40484 | 499.3 | 'BORDEN COUNTY INTERCHANGE -<br>GRASSLAND INTERCHANGE 230KV CKT 1'           |
| 16SP | 0 | G10_059 | 'CUNNINGHAM STATION - LEA COUNTY<br>INTERCHANGE 230KV CKT 1'         | TO->FROM | 0.40484 | 499.3 | 'SPP-SWPS-K48'   |
| 16SP | 0 | G10_060 | 'CUNNINGHAM STATION - LEA COUNTY<br>INTERCHANGE 230KV CKT 1'         | TO->FROM | 0.40484 | 499.3 | 'SPP-SWPS-K48'   |
| 16SP | 0 | G10_059 | 'MIDLAND 7345.00 (LIKE WICHITA)<br>345/138/13.8KV TRANSFORMER CKT 1' | FROM->TO | 0.2101  | 384.9 | 'CUNNINGHAM STATION - POTASH JUNCTION<br>INTERCHANGE 230KV CKT 1'            |
| 16SP | 0 | G10_060 | 'MIDLAND 7345.00 (LIKE WICHITA)<br>345/138/13.8KV TRANSFORMER CKT 1' | FROM->TO | 0.2101  | 384.9 | 'CUNNINGHAM STATION - POTASH JUNCTION<br>INTERCHANGE 230KV CKT 1'            |
| 16SP | 0 | G10_058 | 'NEWHART 6230.00 - PLANT X STATION 230KV<br>CKT 1'                   | TO->FROM | 0.19065 | 350.9 | 'LAWTON EASTSIDE - OKLAUNION 345KV CKT 1'                                    |
| 16SP | 0 | G10_059 | 'MIDLAND 7345.00 (LIKE WICHITA)<br>345/138/13.8KV TRANSFORMER CKT 1' | FROM->TO | 0.21539 | 385.2 | 'LUBBOCK SOUTH INTERCHANGE -<br>WOLFFORTH INTERCHANGE 230KV CKT 1'           |
| 16SP | 0 | G10_060 | 'MIDLAND 7345.00 (LIKE WICHITA)<br>345/138/13.8KV TRANSFORMER CKT 1' | FROM->TO | 0.21539 | 385.2 | 'LUBBOCK SOUTH INTERCHANGE -<br>WOLFFORTH INTERCHANGE 230KV CKT 1'           |
| 16SP | 0 | G10_059 | 'MIDLAND 7345.00 (LIKE WICHITA)<br>345/138/13.8KV TRANSFORMER CKT 1' | FROM->TO | 0.21206 | 384.9 | 'TERRY COUNTY INTERCHANGE - WOLFFORTH<br>INTERCHANGE 115KV CKT 1'            |
| 16SP | 0 | G10_060 | 'MIDLAND 7345.00 (LIKE WICHITA)<br>345/138/13.8KV TRANSFORMER CKT 1' | FROM->TO | 0.21206 | 384.9 | 'TERRY COUNTY INTERCHANGE - WOLFFORTH<br>INTERCHANGE 115KV CKT 1'            |
| 16SP | 0 | G10_059 | 'MIDLAND 7345.00 (LIKE WICHITA)<br>345/138/13.8KV TRANSFORMER CKT 1' | FROM->TO | 0.2101  | 385.2 | 'CUNNINGHAM STATION - POTASH JUNCTION<br>INTERCHANGE 230KV CKT 1'            |
| 16SP | 0 | G10_060 | 'MIDLAND 7345.00 (LIKE WICHITA)<br>345/138/13.8KV TRANSFORMER CKT 1' | FROM->TO | 0.2101  | 385.2 | 'CUNNINGHAM STATION - POTASH JUNCTION<br>INTERCHANGE 230KV CKT 1'            |
| 16SP | 0 | G10_059 | 'MIDLAND 7345.00 (LIKE WICHITA)<br>345/138/13.8KV TRANSFORMER CKT 1' | FROM->TO | 0.21206 | 385.2 | 'TERRY COUNTY INTERCHANGE - WOLFFORTH<br>INTERCHANGE 115KV CKT 1'            |
| 16SP | 0 | G10_060 | 'MIDLAND 7345.00 (LIKE WICHITA)<br>345/138/13.8KV TRANSFORMER CKT 1' | FROM->TO | 0.21206 | 385.2 | 'TERRY COUNTY INTERCHANGE - WOLFFORTH<br>INTERCHANGE 115KV CKT 1'            |
| 16SP | 0 | G10_059 | 'AMOCO SWITCHING STATION - SUNDOWN<br>INTERCHANGE 230KV CKT 1'       | FROM->TO | 0.24838 | 350.3 | 'CAPROCK REC-MCDONALD - CAPROCK REC-<br>PHILLIPS 138KV CKT 1'                |

|      |   |         |   |          |         |       |   |
|------|---|---------|---|----------|---------|-------|---|
| 16SP | 0 | G10_060 | 'AMOCO SWITCHING STATION - SUNDOWN INTERCHANGE 230KV CKT 1'       | FROM->TO | 0.24838 | 350.3 | 'CAPROCK REC-MCDONALD - CAPROCK REC-PHILLIPS 138KV CKT 1'         |
| 16SP | 0 | G10_059 | 'MIDLAND 7345.00 (LIKE WICHITA) 345/138/13.8KV TRANSFORMER CKT 1' | FROM->TO | 0.20669 | 384.9 | 'Jones Station Bus#2 230/22.0KV TRANSFORMER CKT 1'                |
| 16SP | 0 | G10_060 | 'MIDLAND 7345.00 (LIKE WICHITA) 345/138/13.8KV TRANSFORMER CKT 1' | FROM->TO | 0.20669 | 384.9 | 'Jones Station Bus#2 230/22.0KV TRANSFORMER CKT 1'                |
| 16SP | 0 | G10_059 | 'MIDLAND 7345.00 (LIKE WICHITA) 345/138/13.8KV TRANSFORMER CKT 1' | FROM->TO | 0.20669 | 384.9 | 'JONES STATION 230/22.0KV TRANSFORMER CKT 1'                      |
| 16SP | 0 | G10_060 | 'MIDLAND 7345.00 (LIKE WICHITA) 345/138/13.8KV TRANSFORMER CKT 1' | FROM->TO | 0.20669 | 384.9 | 'JONES STATION 230/22.0KV TRANSFORMER CKT 1'                      |
| 16SP | 0 | G10_059 | 'MIDLAND 7345.00 (LIKE WICHITA) 345/138/13.8KV TRANSFORMER CKT 1' | FROM->TO | 0.20928 | 384.9 | 'CHAVES COUNTY INTERCHANGE - EDDY COUNTY INTERCHANGE 230KV CKT 1' |
| 16SP | 0 | G10_060 | 'MIDLAND 7345.00 (LIKE WICHITA) 345/138/13.8KV TRANSFORMER CKT 1' | FROM->TO | 0.20928 | 384.9 | 'CHAVES COUNTY INTERCHANGE - EDDY COUNTY INTERCHANGE 230KV CKT 1' |
| 16SP | 0 | G10_059 | 'MIDLAND 7345.00 (LIKE WICHITA) 345/138/13.8KV TRANSFORMER CKT 1' | FROM->TO | 0.20669 | 385.2 | 'Jones Station Bus#2 230/22.0KV TRANSFORMER CKT 1'                |
| 16SP | 0 | G10_060 | 'MIDLAND 7345.00 (LIKE WICHITA) 345/138/13.8KV TRANSFORMER CKT 1' | FROM->TO | 0.20669 | 385.2 | 'Jones Station Bus#2 230/22.0KV TRANSFORMER CKT 1'                |
| 16SP | 0 | G10_059 | 'MIDLAND 7345.00 (LIKE WICHITA) 345/138/13.8KV TRANSFORMER CKT 1' | FROM->TO | 0.20669 | 385.2 | 'JONES STATION 230/22.0KV TRANSFORMER CKT 1'                      |
| 16SP | 0 | G10_060 | 'MIDLAND 7345.00 (LIKE WICHITA) 345/138/13.8KV TRANSFORMER CKT 1' | FROM->TO | 0.20669 | 385.2 | 'JONES STATION 230/22.0KV TRANSFORMER CKT 1'                      |
| 16SP | 0 | G10_059 | 'MIDLAND 7345.00 (LIKE WICHITA) 345/138/13.8KV TRANSFORMER CKT 1' | FROM->TO | 0.20928 | 385.2 | 'CHAVES COUNTY INTERCHANGE - EDDY COUNTY INTERCHANGE 230KV CKT 1' |
| 16SP | 0 | G10_060 | 'MIDLAND 7345.00 (LIKE WICHITA) 345/138/13.8KV TRANSFORMER CKT 1' | FROM->TO | 0.20928 | 385.2 | 'CHAVES COUNTY INTERCHANGE - EDDY COUNTY INTERCHANGE 230KV CKT 1' |
| 16SP | 0 | G10_058 | 'NEWHART 6230.00 - PLANT X STATION 230KV CKT 1'                   | TO->FROM | 0.1956  | 350.9 | 'SUNDOWN INTERCHANGE - WOLFFORTH INTERCHANGE 230KV CKT 1'         |
| 16SP | 0 | G10_059 | 'CUNNINGHAM STATION - LEA COUNTY INTERCHANGE 230KV CKT 1'         | TO->FROM | 0.35434 | 499.3 | 'AMOCO SWITCHING STATION - YOAKUM COUNTY INTERCHANGE 230KV CKT 1' |
| 16SP | 0 | G10_060 | 'CUNNINGHAM STATION - LEA COUNTY INTERCHANGE 230KV CKT 1'         | TO->FROM | 0.35434 | 499.3 | 'AMOCO SWITCHING STATION - YOAKUM COUNTY INTERCHANGE 230KV CKT 1' |
| 16SP | 0 | G10_059 | 'TUCO INTERCHANGE (GE M1022338) 345/230/13.2KV TRANSFORMER CKT 1' | FROM->TO | 0.43193 | 557.9 | 'TUCO INTERCHANGE (UPDATE DATA) 345/230/13.2KV TRANSFORMER CKT 2' |
| 16SP | 0 | G10_058 | 'TUCO INTERCHANGE (GE M1022338) 345/230/13.2KV TRANSFORMER CKT 1' | FROM->TO | 0.41016 | 557.9 | 'TUCO INTERCHANGE (UPDATE DATA) 345/230/13.2KV TRANSFORMER CKT 2' |
| 16SP | 0 | G10_060 | 'TUCO INTERCHANGE (GE M1022338) 345/230/13.2KV TRANSFORMER CKT 1' | FROM->TO | 0.43193 | 557.9 | 'TUCO INTERCHANGE (UPDATE DATA) 345/230/13.2KV TRANSFORMER CKT 2' |
| 16SP | 0 | G10_059 | 'TUCO INTERCHANGE (GE M1022338) 345/230/13.2KV TRANSFORMER CKT 1' | FROM->TO | 0.43193 | 557.8 | 'TUCO INTERCHANGE (UPDATE DATA) 345/230/13.2KV TRANSFORMER CKT 2' |
| 16SP | 0 | G10_058 | 'TUCO INTERCHANGE (GE M1022338) 345/230/13.2KV TRANSFORMER CKT 1' | FROM->TO | 0.41016 | 557.8 | 'TUCO INTERCHANGE (UPDATE DATA) 345/230/13.2KV TRANSFORMER CKT 2' |
| 16SP | 0 | G10_060 | 'TUCO INTERCHANGE (GE M1022338) 345/230/13.2KV TRANSFORMER CKT 1' | FROM->TO | 0.43193 | 557.8 | 'TUCO INTERCHANGE (UPDATE DATA) 345/230/13.2KV TRANSFORMER CKT 2' |
| 16SP | 0 | G10_059 | 'CUNNINGHAM STATION - LEA COUNTY INTERCHANGE 230KV CKT 1'         | TO->FROM | 0.32623 | 499.3 | 'CUNNINGHAM STATION 230/13.8KV TRANSFORMER CKT 1'                 |
| 16SP | 0 | G10_060 | 'CUNNINGHAM STATION - LEA COUNTY INTERCHANGE 230KV CKT 1'         | TO->FROM | 0.32623 | 499.3 | 'CUNNINGHAM STATION 230/13.8KV TRANSFORMER CKT 1'                 |
| 16SP | 0 | G10_058 | 'NEWHART 6230.00 - PLANT X STATION 230KV CKT 1'                   | TO->FROM | 0.19065 | 350.9 | 'G05-15T 345.00 - OKLAUNION 345KV CKT 1'                          |

|      |   |         |   |          |         |       |   |
|------|---|---------|---|----------|---------|-------|---|
| 16SP | 0 | G10_059 | 'CUNNINGHAM STATION - LEA COUNTY INTERCHANGE 230KV CKT 1'         | TO->FROM | 0.36244 | 499.3 | 'CAPROCK REC-MCDONALD - CAPROCK REC-TRIANGLE 138KV CKT 1'         |
| 16SP | 0 | G10_060 | 'CUNNINGHAM STATION - LEA COUNTY INTERCHANGE 230KV CKT 1'         | TO->FROM | 0.36244 | 499.3 | 'CAPROCK REC-MCDONALD - CAPROCK REC-TRIANGLE 138KV CKT 1'         |
| 16SP | 0 | G10_058 | 'NEWHART 6230.00 - PLANT X STATION 230KV CKT 1'                   | TO->FROM | 0.1907  | 350.9 | 'G05-15T 345.00 - TUCO INTERCHANGE 345KV CKT 1'                   |
| 16SP | 0 | G10_059 | 'CUNNINGHAM STATION - LEA COUNTY INTERCHANGE 230KV CKT 1'         | TO->FROM | 0.36244 | 499.3 | 'CAPROCK REC-GRADY - CAPROCK REC-TRIANGLE 138KV CKT 1'            |
| 16SP | 0 | G10_060 | 'CUNNINGHAM STATION - LEA COUNTY INTERCHANGE 230KV CKT 1'         | TO->FROM | 0.36244 | 499.3 | 'CAPROCK REC-GRADY - CAPROCK REC-TRIANGLE 138KV CKT 1'            |
| 16SP | 0 | G10_059 | 'CUNNINGHAM STATION - LEA COUNTY INTERCHANGE 230KV CKT 1'         | TO->FROM | 0.36509 | 499.3 | 'HOBBS INTERCHANGE 230/115KV TRANSFORMER CKT 1'                   |
| 16SP | 0 | G10_060 | 'CUNNINGHAM STATION - LEA COUNTY INTERCHANGE 230KV CKT 1'         | TO->FROM | 0.36509 | 499.3 | 'HOBBS INTERCHANGE 230/115KV TRANSFORMER CKT 1'                   |
| 16SP | 0 | G10_059 | 'CUNNINGHAM STATION - LEA COUNTY INTERCHANGE 230KV CKT 1'         | TO->FROM | 0.36244 | 499.3 | 'CAPROCK REC-GRADY - CAPROCK REC-REED 138KV CKT 1'                |
| 16SP | 0 | G10_060 | 'CUNNINGHAM STATION - LEA COUNTY INTERCHANGE 230KV CKT 1'         | TO->FROM | 0.36244 | 499.3 | 'CAPROCK REC-GRADY - CAPROCK REC-REED 138KV CKT 1'                |
| 16SP | 0 | G10_058 | 'DEAF SMITH COUNTY INTERCHANGE - PLANT X STATION 230KV CKT 1'     | TO->FROM | 0.19336 | 350.5 | 'TOLK STATION EAST - TUCO INTERCHANGE 230KV CKT 1'                |
| 16SP | 0 | G10_059 | 'CUNNINGHAM STATION - LEA COUNTY INTERCHANGE 230KV CKT 1'         | TO->FROM | 0.36244 | 499.3 | 'CAPROCK REC-KOCH - CAPROCK REC-REED 138KV CKT 1'                 |
| 16SP | 0 | G10_060 | 'CUNNINGHAM STATION - LEA COUNTY INTERCHANGE 230KV CKT 1'         | TO->FROM | 0.36244 | 499.3 | 'CAPROCK REC-KOCH - CAPROCK REC-REED 138KV CKT 1'                 |
| 16SP | 0 | G10_059 | 'CUNNINGHAM STATION - LEA COUNTY INTERCHANGE 230KV CKT 1'         | TO->FROM | 0.36244 | 499.3 | 'CAPROCK REC-KOCH - CAPROCK REC-VEALMOOR 138KV CKT 1'             |
| 16SP | 0 | G10_060 | 'CUNNINGHAM STATION - LEA COUNTY INTERCHANGE 230KV CKT 1'         | TO->FROM | 0.36244 | 499.3 | 'CAPROCK REC-KOCH - CAPROCK REC-VEALMOOR 138KV CKT 1'             |
| 16SP | 0 | G10_059 | 'TUCO INTERCHANGE (UPDATE DATA) 345/230/13.2KV TRANSFORMER CKT 2' | FROM->TO | 0.42095 | 558.7 | 'TUCO INTERCHANGE (GE M1022338) 345/230/13.2KV TRANSFORMER CKT 1' |
| 16SP | 0 | G10_058 | 'TUCO INTERCHANGE (UPDATE DATA) 345/230/13.2KV TRANSFORMER CKT 2' | FROM->TO | 0.39973 | 558.7 | 'TUCO INTERCHANGE (GE M1022338) 345/230/13.2KV TRANSFORMER CKT 1' |
| 16SP | 0 | G10_060 | 'TUCO INTERCHANGE (UPDATE DATA) 345/230/13.2KV TRANSFORMER CKT 2' | FROM->TO | 0.42095 | 558.7 | 'TUCO INTERCHANGE (GE M1022338) 345/230/13.2KV TRANSFORMER CKT 1' |
| 16SP | 0 | G10_059 | 'TUCO INTERCHANGE (UPDATE DATA) 345/230/13.2KV TRANSFORMER CKT 2' | FROM->TO | 0.42095 | 558.6 | 'TUCO INTERCHANGE (GE M1022338) 345/230/13.2KV TRANSFORMER CKT 1' |
| 16SP | 0 | G10_058 | 'TUCO INTERCHANGE (UPDATE DATA) 345/230/13.2KV TRANSFORMER CKT 2' | FROM->TO | 0.39973 | 558.6 | 'TUCO INTERCHANGE (GE M1022338) 345/230/13.2KV TRANSFORMER CKT 1' |
| 16SP | 0 | G10_060 | 'TUCO INTERCHANGE (UPDATE DATA) 345/230/13.2KV TRANSFORMER CKT 2' | FROM->TO | 0.42095 | 558.6 | 'TUCO INTERCHANGE (GE M1022338) 345/230/13.2KV TRANSFORMER CKT 1' |
| 16SP | 0 | G10_059 | 'CUNNINGHAM STATION - LEA COUNTY INTERCHANGE 230KV CKT 1'         | TO->FROM | 0.35958 | 499.3 | 'LEA COUNTY INTERCHANGE 230/115KV TRANSFORMER CKT 1'              |
| 16SP | 0 | G10_060 | 'CUNNINGHAM STATION - LEA COUNTY INTERCHANGE 230KV CKT 1'         | TO->FROM | 0.35958 | 499.3 | 'LEA COUNTY INTERCHANGE 230/115KV TRANSFORMER CKT 1'              |
| 16SP | 0 | G10_059 | 'CUNNINGHAM STATION - LEA COUNTY INTERCHANGE 230KV CKT 1'         | TO->FROM | 0.35434 | 499.3 | 'AMOCO SWITCHING STATION - SUNDOWN INTERCHANGE 230KV CKT 1'       |
| 16SP | 0 | G10_060 | 'CUNNINGHAM STATION - LEA COUNTY INTERCHANGE 230KV CKT 1'         | TO->FROM | 0.35434 | 499.3 | 'AMOCO SWITCHING STATION - SUNDOWN INTERCHANGE 230KV CKT 1'       |
| 16SP | 0 | G10_059 | 'CUNNINGHAM STATION - LEA COUNTY INTERCHANGE 230KV CKT 1'         | TO->FROM | 0.35567 | 499.3 | 'TOLK STATION WEST - YOAKUM COUNTY INTERCHANGE 230KV CKT 1'       |

|      |   |         |   |          |         |       |  |
|------|---|---------|---|----------|---------|-------|--|
| 16SP | 0 | G10_060 | 'CUNNINGHAM STATION - LEA COUNTY INTERCHANGE 230KV CKT 1'       | TO->FROM | 0.35567 | 499.3 | 'TOLK STATION WEST - YOAKUM COUNTY INTERCHANGE 230KV CKT 1'        |
| 16SP | 0 | G10_059 | 'CUNNINGHAM STATION - LEA COUNTY INTERCHANGE 230KV CKT 1'       | TO->FROM | 0.33205 | 499.3 | 'CUNNINGHAM STATION - PCA INTERCHANGE 115KV CKT 1'                 |
| 16SP | 0 | G10_060 | 'CUNNINGHAM STATION - LEA COUNTY INTERCHANGE 230KV CKT 1'       | TO->FROM | 0.33205 | 499.3 | 'CUNNINGHAM STATION - PCA INTERCHANGE 115KV CKT 1'                 |
| 16SP | 0 | G10_059 | 'AMOCO SWITCHING STATION - SUNDOWN INTERCHANGE 230KV CKT 1'     | FROM->TO | 0.24834 | 350.3 | 'SPP-SWPS-K48'   |
| 16SP | 0 | G10_060 | 'AMOCO SWITCHING STATION - SUNDOWN INTERCHANGE 230KV CKT 1'     | FROM->TO | 0.24834 | 350.3 | 'SPP-SWPS-K48'   |
| 16SP | 0 | G10_059 | 'AMOCO SWITCHING STATION - SUNDOWN INTERCHANGE 230KV CKT 1'     | FROM->TO | 0.24834 | 350.3 | 'BORDEN COUNTY INTERCHANGE - GRASSLAND INTERCHANGE 230KV CKT 1'    |
| 16SP | 0 | G10_060 | 'AMOCO SWITCHING STATION - SUNDOWN INTERCHANGE 230KV CKT 1'     | FROM->TO | 0.24834 | 350.3 | 'BORDEN COUNTY INTERCHANGE - GRASSLAND INTERCHANGE 230KV CKT 1'    |
| 16SP | 0 | G10_059 | 'LUBBOCK SOUTH INTERCHANGE - WOLFFORTH INTERCHANGE 230KV CKT 1' | FROM->TO | 0.27133 | 345.8 | 'HOBBS_INT 7345.00 - MIDLAND 7345.00 345KV CKT 1'                  |
| 16SP | 0 | G10_060 | 'LUBBOCK SOUTH INTERCHANGE - WOLFFORTH INTERCHANGE 230KV CKT 1' | FROM->TO | 0.27133 | 345.8 | 'HOBBS_INT 7345.00 - MIDLAND 7345.00 345KV CKT 1'                  |
| 16SP | 0 | G10_059 | 'LUBBOCK SOUTH INTERCHANGE - WOLFFORTH INTERCHANGE 230KV CKT 1' | FROM->TO | 0.27133 | 345.8 | 'HOBBS_INT 7345.00 (LIKE POTTER) 345/230/13.2KV TRANSFORMER CKT 1' |
| 16SP | 0 | G10_060 | 'LUBBOCK SOUTH INTERCHANGE - WOLFFORTH INTERCHANGE 230KV CKT 1' | FROM->TO | 0.27133 | 345.8 | 'HOBBS_INT 7345.00 (LIKE POTTER) 345/230/13.2KV TRANSFORMER CKT 1' |
| 16SP | 0 | G10_059 | 'CUNNINGHAM STATION - LEA COUNTY INTERCHANGE 230KV CKT 1'       | TO->FROM | 0.32623 | 475.2 | 'BASE CASE'  |
| 16SP | 0 | G10_060 | 'CUNNINGHAM STATION - LEA COUNTY INTERCHANGE 230KV CKT 1'       | TO->FROM | 0.32623 | 475.2 | 'BASE CASE'  |
| 16SP | 0 | G10_059 | 'AMOCO SWITCHING STATION - SUNDOWN INTERCHANGE 230KV CKT 1'     | FROM->TO | 0.24219 | 350.3 | 'TOLK STATION WEST - YOAKUM COUNTY INTERCHANGE 230KV CKT 1'        |
| 16SP | 0 | G10_060 | 'AMOCO SWITCHING STATION - SUNDOWN INTERCHANGE 230KV CKT 1'     | FROM->TO | 0.24219 | 350.3 | 'TOLK STATION WEST - YOAKUM COUNTY INTERCHANGE 230KV CKT 1'        |
| 16SP | 0 | G10_059 | 'CUNNINGHAM STATION - LEA COUNTY INTERCHANGE 230KV CKT 1'       | TO->FROM | 0.33652 | 499.3 | 'CAPROCK REC-MCDONALD - CR-1956 4138.00 138KV CKT 1'               |
| 16SP | 0 | G10_060 | 'CUNNINGHAM STATION - LEA COUNTY INTERCHANGE 230KV CKT 1'       | TO->FROM | 0.33652 | 499.3 | 'CAPROCK REC-MCDONALD - CR-1956 4138.00 138KV CKT 1'               |
| 16SP | 0 | G10_059 | 'JONES STATION - TUCO INTERCHANGE 230KV CKT 1'                  | FROM->TO | 0.2383  | 346.4 | 'TOLK STATION EAST - TUCO INTERCHANGE 230KV CKT 1'                 |
| 16SP | 0 | G10_060 | 'JONES STATION - TUCO INTERCHANGE 230KV CKT 1'                  | FROM->TO | 0.2383  | 346.4 | 'TOLK STATION EAST - TUCO INTERCHANGE 230KV CKT 1'                 |
| 16SP | 0 | G10_058 | 'DEAF SMITH COUNTY INTERCHANGE - PLANT X STATION 230KV CKT 1'   | TO->FROM | 0.19138 | 350.5 | 'BORDER 7345.00 - TUCO INTERCHANGE 345KV CKT 1'                    |
| 16SP | 0 | G10_058 | 'DEAF SMITH COUNTY INTERCHANGE - PLANT X STATION 230KV CKT 1'   | TO->FROM | 0.19529 | 350.5 | 'NEWHART 6230.00 - S-RANDLCO 230.00 230KV CKT 1'                   |
| 11WP | 0 | G10_059 | 'HOBBS INTERCHANGE 230/115KV TRANSFORMER CKT 1'                 | FROM->TO | 0.6894  | 149.6 | 'HOBBS INTERCHANGE - LEA COUNTY INTERCHANGE 230KV CKT 1'           |
| 11WP | 0 | G10_060 | 'HOBBS INTERCHANGE 230/115KV TRANSFORMER CKT 1'                 | FROM->TO | 0.6894  | 149.6 | 'HOBBS INTERCHANGE - LEA COUNTY INTERCHANGE 230KV CKT 1'           |
| 11WP | 0 | G10_059 | 'MIDLAND COUNTY INTERCHANGE 230/138KV TRANSFORMER CKT 1'        | FROM->TO | 1       | 209.9 | 'HOBBS INTERCHANGE - MIDLAND COUNTY INTERCHANGE 230KV CKT 1'       |
| 11WP | 0 | G10_060 | 'MIDLAND COUNTY INTERCHANGE 230/138KV TRANSFORMER CKT 1'        | FROM->TO | 1       | 209.9 | 'HOBBS INTERCHANGE - MIDLAND COUNTY INTERCHANGE 230KV CKT 1'       |



|      |   |         |  |          |         |       |  |
|------|---|---------|--|----------|---------|-------|--|
| 11WP | 0 | G10_059 | 'CAPROCK REC-PHILLIPS - CAPROCK REC-TATE 138KV CKT 1'        | TO->FROM | 1       | 271   | 'HOBBS INTERCHANGE - MIDLAND COUNTY INTERCHANGE 230KV CKT 1' |
| 11WP | 0 | G10_060 | 'CAPROCK REC-PHILLIPS - CAPROCK REC-TATE 138KV CKT 1'        | TO->FROM | 1       | 271   | 'HOBBS INTERCHANGE - MIDLAND COUNTY INTERCHANGE 230KV CKT 1' |
| 11WP | 0 | G10_059 | 'BORDEN COUNTY INTERCHANGE 230/138KV TRANSFORMER CKT 1'      | TO->FROM | 0.99979 | 167.8 | 'HOBBS INTERCHANGE - MIDLAND COUNTY INTERCHANGE 230KV CKT 1' |
| 11WP | 0 | G10_060 | 'BORDEN COUNTY INTERCHANGE 230/138KV TRANSFORMER CKT 1'      | TO->FROM | 0.99979 | 167.8 | 'HOBBS INTERCHANGE - MIDLAND COUNTY INTERCHANGE 230KV CKT 1' |
| 11WP | 0 | G10_059 | 'CAPROCK REC-MCDONALD - CAPROCK REC-PHILLIPS 138KV CKT 1'    | TO->FROM | 1       | 271   | 'HOBBS INTERCHANGE - MIDLAND COUNTY INTERCHANGE 230KV CKT 1' |
| 11WP | 0 | G10_060 | 'CAPROCK REC-MCDONALD - CAPROCK REC-PHILLIPS 138KV CKT 1'    | TO->FROM | 1       | 271   | 'HOBBS INTERCHANGE - MIDLAND COUNTY INTERCHANGE 230KV CKT 1' |
| 11WP | 0 | G10_059 | 'CAPROCK REC-GRADY - CAPROCK REC-TRIANGLE 138KV CKT 1'       | TO->FROM | 0.70437 | 175.9 | 'HOBBS INTERCHANGE - MIDLAND COUNTY INTERCHANGE 230KV CKT 1' |
| 11WP | 0 | G10_060 | 'CAPROCK REC-GRADY - CAPROCK REC-TRIANGLE 138KV CKT 1'       | TO->FROM | 0.70437 | 175.9 | 'HOBBS INTERCHANGE - MIDLAND COUNTY INTERCHANGE 230KV CKT 1' |
| 11WP | 0 | G10_059 | 'CAPROCK REC-KOCH - CAPROCK REC-REED 138KV CKT 1'            | TO->FROM | 0.70437 | 175.9 | 'HOBBS INTERCHANGE - MIDLAND COUNTY INTERCHANGE 230KV CKT 1' |
| 11WP | 0 | G10_060 | 'CAPROCK REC-KOCH - CAPROCK REC-REED 138KV CKT 1'            | TO->FROM | 0.70437 | 175.9 | 'HOBBS INTERCHANGE - MIDLAND COUNTY INTERCHANGE 230KV CKT 1' |
| 11WP | 0 | G10_059 | 'CAPROCK REC-KOCH - CAPROCK REC-VEALMOOR 138KV CKT 1'        | FROM->TO | 0.70437 | 175.9 | 'HOBBS INTERCHANGE - MIDLAND COUNTY INTERCHANGE 230KV CKT 1' |
| 11WP | 0 | G10_060 | 'CAPROCK REC-KOCH - CAPROCK REC-VEALMOOR 138KV CKT 1'        | FROM->TO | 0.70437 | 175.9 | 'HOBBS INTERCHANGE - MIDLAND COUNTY INTERCHANGE 230KV CKT 1' |
| 11WP | 0 | G10_059 | 'CAPROCK REC-MCDONALD - CAPROCK REC-TRIANGLE 138KV CKT 1'    | FROM->TO | 0.70437 | 271   | 'HOBBS INTERCHANGE - MIDLAND COUNTY INTERCHANGE 230KV CKT 1' |
| 11WP | 0 | G10_060 | 'CAPROCK REC-MCDONALD - CAPROCK REC-TRIANGLE 138KV CKT 1'    | FROM->TO | 0.70437 | 271   | 'HOBBS INTERCHANGE - MIDLAND COUNTY INTERCHANGE 230KV CKT 1' |
| 11WP | 0 | G10_059 | 'MIDLAND COUNTY INTERCHANGE 230/138KV TRANSFORMER CKT 1'     | FROM->TO | 0.30397 | 209.9 | 'HOBBS INTERCHANGE - LEA COUNTY INTERCHANGE 230KV CKT 1'     |
| 11WP | 0 | G10_060 | 'MIDLAND COUNTY INTERCHANGE 230/138KV TRANSFORMER CKT 1'     | FROM->TO | 0.30397 | 209.9 | 'HOBBS INTERCHANGE - LEA COUNTY INTERCHANGE 230KV CKT 1'     |
| 11WP | 0 | G10_059 | 'MIDLAND COUNTY INTERCHANGE 230/138KV TRANSFORMER CKT 1'     | FROM->TO | 0.22512 | 167.9 | 'BASE CASE'  |
| 11WP | 0 | G10_060 | 'MIDLAND COUNTY INTERCHANGE 230/138KV TRANSFORMER CKT 1'     | FROM->TO | 0.22512 | 167.9 | 'BASE CASE'  |
| 11WP | 0 | G10_059 | 'CAPROCK REC-GRADY - CAPROCK REC-REED 138KV CKT 1'           | FROM->TO | 0.70437 | 270.9 | 'HOBBS INTERCHANGE - MIDLAND COUNTY INTERCHANGE 230KV CKT 1' |
| 11WP | 0 | G10_060 | 'CAPROCK REC-GRADY - CAPROCK REC-REED 138KV CKT 1'           | FROM->TO | 0.70437 | 270.9 | 'HOBBS INTERCHANGE - MIDLAND COUNTY INTERCHANGE 230KV CKT 1' |
| 11WP | 0 | G10_059 | 'HOBBS INTERCHANGE - MIDLAND COUNTY INTERCHANGE 230KV CKT 1' | TO->FROM | 1       | 529   | 'MIDLAND COUNTY INTERCHANGE 230/138KV TRANSFORMER CKT 1'     |
| 11WP | 0 | G10_060 | 'HOBBS INTERCHANGE - MIDLAND COUNTY INTERCHANGE 230KV CKT 1' | TO->FROM | 1       | 529   | 'MIDLAND COUNTY INTERCHANGE 230/138KV TRANSFORMER CKT 1'     |
| 11WP | 0 | G10_059 | 'HOBBS INTERCHANGE - MIDLAND COUNTY INTERCHANGE 230KV CKT 1' | TO->FROM | 1       | 529   | 'CAPROCK REC-PHILLIPS - CAPROCK REC-TATE 138KV CKT 1'        |
| 11WP | 0 | G10_060 | 'HOBBS INTERCHANGE - MIDLAND COUNTY INTERCHANGE 230KV CKT 1' | TO->FROM | 1       | 529   | 'CAPROCK REC-PHILLIPS - CAPROCK REC-TATE 138KV CKT 1'        |
| 11WP | 0 | G10_059 | 'HOBBS INTERCHANGE - MIDLAND COUNTY INTERCHANGE 230KV CKT 1' | TO->FROM | 1       | 529   | 'CAPROCK REC-MCDONALD - CAPROCK REC-PHILLIPS 138KV CKT 1'    |

|      |   |         |  |          |         |       |   |
|------|---|---------|--|----------|---------|-------|---|
| 11WP | 0 | G10_060 | 'HOBBS INTERCHANGE - MIDLAND COUNTY INTERCHANGE 230KV CKT 1' | TO->FROM | 1       | 529   | 'CAPROCK REC-MCDONALD - CAPROCK REC-PHILLIPS 138KV CKT 1'         |
| 11WP | 0 | G10_059 | 'HOBBS INTERCHANGE 230/115KV TRANSFORMER CKT 1'              | FROM->TO | 0.19432 | 149.6 | 'CUNNINGHAM STATION - LEA COUNTY INTERCHANGE 230KV CKT 1'         |
| 11WP | 0 | G10_060 | 'HOBBS INTERCHANGE 230/115KV TRANSFORMER CKT 1'              | FROM->TO | 0.19432 | 149.6 | 'CUNNINGHAM STATION - LEA COUNTY INTERCHANGE 230KV CKT 1'         |
| 11WP | 0 | G10_059 | 'GRASSLAND INTERCHANGE - Jones Station Bus#2 230KV CKT 1'    | FROM->TO | 0.87621 | 360.5 | 'HOBBS INTERCHANGE - MIDLAND COUNTY INTERCHANGE 230KV CKT 1'      |
| 11WP | 0 | G10_060 | 'GRASSLAND INTERCHANGE - Jones Station Bus#2 230KV CKT 1'    | FROM->TO | 0.87621 | 360.5 | 'HOBBS INTERCHANGE - MIDLAND COUNTY INTERCHANGE 230KV CKT 1'      |
| 11WP | 0 | G10_059 | 'MIDLAND COUNTY INTERCHANGE 230/138KV TRANSFORMER CKT 1'     | FROM->TO | 0.24961 | 209.9 | 'LEA COUNTY INTERCHANGE - YOAKUM COUNTY INTERCHANGE 230KV CKT 1'  |
| 11WP | 0 | G10_060 | 'MIDLAND COUNTY INTERCHANGE 230/138KV TRANSFORMER CKT 1'     | FROM->TO | 0.24961 | 209.9 | 'LEA COUNTY INTERCHANGE - YOAKUM COUNTY INTERCHANGE 230KV CKT 1'  |
| 11WP | 0 | G10_059 | 'MIDLAND COUNTY INTERCHANGE 230/138KV TRANSFORMER CKT 1'     | FROM->TO | 0.23585 | 209.9 | 'AMOCO SWITCHING STATION - YOAKUM COUNTY INTERCHANGE 230KV CKT 1' |
| 11WP | 0 | G10_060 | 'MIDLAND COUNTY INTERCHANGE 230/138KV TRANSFORMER CKT 1'     | FROM->TO | 0.23585 | 209.9 | 'AMOCO SWITCHING STATION - YOAKUM COUNTY INTERCHANGE 230KV CKT 1' |
| 11WP | 0 | G10_059 | 'MIDLAND COUNTY INTERCHANGE 230/138KV TRANSFORMER CKT 1'     | FROM->TO | 0.23846 | 209.9 | 'CUNNINGHAM STATION - LEA COUNTY INTERCHANGE 230KV CKT 1'         |
| 11WP | 0 | G10_060 | 'MIDLAND COUNTY INTERCHANGE 230/138KV TRANSFORMER CKT 1'     | FROM->TO | 0.23846 | 209.9 | 'CUNNINGHAM STATION - LEA COUNTY INTERCHANGE 230KV CKT 1'         |
| 11WP | 0 | G10_059 | 'MIDLAND COUNTY INTERCHANGE 230/138KV TRANSFORMER CKT 1'     | FROM->TO | 0.2306  | 209.9 | 'TOLK STATION EAST - TUCO INTERCHANGE 230KV CKT 1'                |
| 11WP | 0 | G10_060 | 'MIDLAND COUNTY INTERCHANGE 230/138KV TRANSFORMER CKT 1'     | FROM->TO | 0.2306  | 209.9 | 'TOLK STATION EAST - TUCO INTERCHANGE 230KV CKT 1'                |
| 11WP | 0 | G10_059 | 'HOBBS INTERCHANGE - LEA COUNTY INTERCHANGE 230KV CKT 1'     | FROM->TO | 0.88328 | 689.3 | 'MIDLAND COUNTY INTERCHANGE 230/138KV TRANSFORMER CKT 1'          |
| 11WP | 0 | G10_060 | 'HOBBS INTERCHANGE - LEA COUNTY INTERCHANGE 230KV CKT 1'     | FROM->TO | 0.88328 | 689.3 | 'MIDLAND COUNTY INTERCHANGE 230/138KV TRANSFORMER CKT 1'          |
| 11WP | 0 | G10_059 | 'MIDLAND COUNTY INTERCHANGE 230/138KV TRANSFORMER CKT 1'     | FROM->TO | 0.23289 | 209.9 | 'SUNDOWN INTERCHANGE - WOLFFORTH INTERCHANGE 230KV CKT 1'         |
| 11WP | 0 | G10_060 | 'MIDLAND COUNTY INTERCHANGE 230/138KV TRANSFORMER CKT 1'     | FROM->TO | 0.23289 | 209.9 | 'SUNDOWN INTERCHANGE - WOLFFORTH INTERCHANGE 230KV CKT 1'         |
| 11WP | 0 | G10_059 | 'MIDLAND COUNTY INTERCHANGE 230/138KV TRANSFORMER CKT 1'     | FROM->TO | 0.23141 | 209.9 | 'CUNNINGHAM STATION - EDDY COUNTY INTERCHANGE 230KV CKT 1'        |
| 11WP | 0 | G10_060 | 'MIDLAND COUNTY INTERCHANGE 230/138KV TRANSFORMER CKT 1'     | FROM->TO | 0.23141 | 209.9 | 'CUNNINGHAM STATION - EDDY COUNTY INTERCHANGE 230KV CKT 1'        |
| 11WP | 0 | G10_059 | 'HOBBS INTERCHANGE - LEA COUNTY INTERCHANGE 230KV CKT 1'     | FROM->TO | 0.88328 | 689.3 | 'CAPROCK REC-PHILLIPS - CAPROCK REC-TATE 138KV CKT 1'             |
| 11WP | 0 | G10_060 | 'HOBBS INTERCHANGE - LEA COUNTY INTERCHANGE 230KV CKT 1'     | FROM->TO | 0.88328 | 689.3 | 'CAPROCK REC-PHILLIPS - CAPROCK REC-TATE 138KV CKT 1'             |
| 11WP | 0 | G10_059 | 'MIDLAND COUNTY INTERCHANGE 230/138KV TRANSFORMER CKT 1'     | FROM->TO | 0.22512 | 209.9 | 'Jones Station Bus#2 230/22.0KV TRANSFORMER CKT 1'                |
| 11WP | 0 | G10_060 | 'MIDLAND COUNTY INTERCHANGE 230/138KV TRANSFORMER CKT 1'     | FROM->TO | 0.22512 | 209.9 | 'Jones Station Bus#2 230/22.0KV TRANSFORMER CKT 1'                |
| 11WP | 0 | G10_059 | 'MIDLAND COUNTY INTERCHANGE 230/138KV TRANSFORMER CKT 1'     | FROM->TO | 0.22512 | 209.9 | 'Jones Station Bus#2 230/22.0KV TRANSFORMER CKT 1'                |
| 11WP | 0 | G10_060 | 'MIDLAND COUNTY INTERCHANGE 230/138KV TRANSFORMER CKT 1'     | FROM->TO | 0.22512 | 209.9 | 'Jones Station Bus#2 230/22.0KV TRANSFORMER CKT 1'                |

|      |   |         |  |          |         |       |  |
|------|---|---------|--|----------|---------|-------|--|
| 11WP | 0 | G10_059 | 'MIDLAND COUNTY INTERCHANGE 230/138KV TRANSFORMER CKT 1'     | FROM->TO | 0.22791 | 209.9 | 'CUNNINGHAM STATION - POTASH JUNCTION INTERCHANGE 230KV CKT 1'     |
| 11WP | 0 | G10_060 | 'MIDLAND COUNTY INTERCHANGE 230/138KV TRANSFORMER CKT 1'     | FROM->TO | 0.22791 | 209.9 | 'CUNNINGHAM STATION - POTASH JUNCTION INTERCHANGE 230KV CKT 1'     |
| 11WP | 0 | G10_059 | 'MIDLAND COUNTY INTERCHANGE 230/138KV TRANSFORMER CKT 1'     | FROM->TO | 0.23585 | 209.9 | 'AMOCO SWITCHING STATION - SUNDOWN INTERCHANGE 230KV CKT 1'        |
| 11WP | 0 | G10_060 | 'MIDLAND COUNTY INTERCHANGE 230/138KV TRANSFORMER CKT 1'     | FROM->TO | 0.23585 | 209.9 | 'AMOCO SWITCHING STATION - SUNDOWN INTERCHANGE 230KV CKT 1'        |
| 11WP | 0 | G10_059 | 'MIDLAND COUNTY INTERCHANGE 230/138KV TRANSFORMER CKT 1'     | FROM->TO | 0.22984 | 209.9 | 'TERRY COUNTY INTERCHANGE - WOLFFORTH INTERCHANGE 115KV CKT 1'     |
| 11WP | 0 | G10_060 | 'MIDLAND COUNTY INTERCHANGE 230/138KV TRANSFORMER CKT 1'     | FROM->TO | 0.22984 | 209.9 | 'TERRY COUNTY INTERCHANGE - WOLFFORTH INTERCHANGE 115KV CKT 1'     |
| 11WP | 0 | G10_059 | 'MIDLAND COUNTY INTERCHANGE 230/138KV TRANSFORMER CKT 1'     | FROM->TO | 0.2253  | 209.9 | 'SPP-SWPS-T14'   |
| 11WP | 0 | G10_060 | 'MIDLAND COUNTY INTERCHANGE 230/138KV TRANSFORMER CKT 1'     | FROM->TO | 0.2253  | 209.9 | 'SPP-SWPS-T14'   |
| 11WP | 0 | G10_059 | 'MIDLAND COUNTY INTERCHANGE 230/138KV TRANSFORMER CKT 1'     | FROM->TO | 0.23287 | 209.9 | 'LUBBOCK SOUTH INTERCHANGE - WOLFFORTH INTERCHANGE 230KV CKT 1'    |
| 11WP | 0 | G10_060 | 'MIDLAND COUNTY INTERCHANGE 230/138KV TRANSFORMER CKT 1'     | FROM->TO | 0.23287 | 209.9 | 'LUBBOCK SOUTH INTERCHANGE - WOLFFORTH INTERCHANGE 230KV CKT 1'    |
| 11WP | 0 | G10_059 | 'MIDLAND COUNTY INTERCHANGE 230/138KV TRANSFORMER CKT 1'     | FROM->TO | 0.22717 | 209.9 | 'WOLFFORTH INTERCHANGE - YUMA INTERCHANGE 115KV CKT 1'             |
| 11WP | 0 | G10_060 | 'MIDLAND COUNTY INTERCHANGE 230/138KV TRANSFORMER CKT 1'     | FROM->TO | 0.22717 | 209.9 | 'WOLFFORTH INTERCHANGE - YUMA INTERCHANGE 115KV CKT 1'             |
| 11WP | 0 | G10_059 | 'HOBBS INTERCHANGE - LEA COUNTY INTERCHANGE 230KV CKT 1'     | FROM->TO | 0.88328 | 689.3 | 'CAPROCK REC-MCDONALD - CAPROCK REC-PHILLIPS 138KV CKT 1'          |
| 11WP | 0 | G10_060 | 'HOBBS INTERCHANGE - LEA COUNTY INTERCHANGE 230KV CKT 1'     | FROM->TO | 0.88328 | 689.3 | 'CAPROCK REC-MCDONALD - CAPROCK REC-PHILLIPS 138KV CKT 1'          |
| 11WP | 0 | G10_059 | 'MIDLAND COUNTY INTERCHANGE 230/138KV TRANSFORMER CKT 1'     | FROM->TO | 0.22722 | 209.9 | 'CHAVES COUNTY INTERCHANGE - EDDY COUNTY INTERCHANGE 230KV CKT 1'  |
| 11WP | 0 | G10_060 | 'MIDLAND COUNTY INTERCHANGE 230/138KV TRANSFORMER CKT 1'     | FROM->TO | 0.22722 | 209.9 | 'CHAVES COUNTY INTERCHANGE - EDDY COUNTY INTERCHANGE 230KV CKT 1'  |
| 11WP | 0 | G10_059 | 'MIDLAND COUNTY INTERCHANGE 230/138KV TRANSFORMER CKT 1'     | FROM->TO | 0.22771 | 209.9 | 'GAINES COUNTY INTERCHANGE - TAYLOR SWITCHING STATION 115KV CKT 1' |
| 11WP | 0 | G10_060 | 'MIDLAND COUNTY INTERCHANGE 230/138KV TRANSFORMER CKT 1'     | FROM->TO | 0.22771 | 209.9 | 'GAINES COUNTY INTERCHANGE - TAYLOR SWITCHING STATION 115KV CKT 1' |
| 11WP | 0 | G10_059 | 'MIDLAND COUNTY INTERCHANGE 230/138KV TRANSFORMER CKT 1'     | FROM->TO | 0.22715 | 209.9 | 'HOBBS INTERCHANGE - Higg Switch Station 115KV CKT 1'              |
| 11WP | 0 | G10_060 | 'MIDLAND COUNTY INTERCHANGE 230/138KV TRANSFORMER CKT 1'     | FROM->TO | 0.22715 | 209.9 | 'HOBBS INTERCHANGE - Higg Switch Station 115KV CKT 1'              |
| 11WP | 0 | G10_059 | 'MIDLAND COUNTY INTERCHANGE 230/138KV TRANSFORMER CKT 1'     | FROM->TO | 0.22689 | 209.9 | 'PECOS INTERCHANGE - POTASH JUNCTION INTERCHANGE 230KV CKT 1'      |
| 11WP | 0 | G10_060 | 'MIDLAND COUNTY INTERCHANGE 230/138KV TRANSFORMER CKT 1'     | FROM->TO | 0.22689 | 209.9 | 'PECOS INTERCHANGE - POTASH JUNCTION INTERCHANGE 230KV CKT 1'      |
| 11WP | 0 | G10_059 | 'CAPROCK REC-STILES - G09-17T 138.00 138KV CKT 1'            | TO->FROM | 0.29541 | 175.9 | 'HOBBS INTERCHANGE - MIDLAND COUNTY INTERCHANGE 230KV CKT 1'       |
| 11WP | 0 | G10_060 | 'CAPROCK REC-STILES - G09-17T 138.00 138KV CKT 1'            | TO->FROM | 0.29541 | 175.9 | 'HOBBS INTERCHANGE - MIDLAND COUNTY INTERCHANGE 230KV CKT 1'       |
| 11WP | 0 | G10_059 | 'HOBBS INTERCHANGE - MIDLAND COUNTY INTERCHANGE 230KV CKT 1' | TO->FROM | 0.99979 | 529   | 'SPP-SWPS-K48'   |

|      |   |         |   |          |         |       |   |
|------|---|---------|---|----------|---------|-------|---|
| 11WP | 0 | G10_060 | 'HOBBS INTERCHANGE - MIDLAND COUNTY INTERCHANGE 230KV CKT 1'    | TO->FROM | 0.99979 | 529   | 'SPP-SWPS-K48'  |
| 11WP | 0 | G10_059 | 'HOBBS INTERCHANGE - MIDLAND COUNTY INTERCHANGE 230KV CKT 1'    | TO->FROM | 0.99979 | 529   | 'BORDEN COUNTY INTERCHANGE 230/138KV TRANSFORMER CKT 1'         |
| 11WP | 0 | G10_060 | 'HOBBS INTERCHANGE - MIDLAND COUNTY INTERCHANGE 230KV CKT 1'    | TO->FROM | 0.99979 | 529   | 'BORDEN COUNTY INTERCHANGE 230/138KV TRANSFORMER CKT 1'         |
| 11WP | 0 | G10_059 | 'HOBBS INTERCHANGE - MIDLAND COUNTY INTERCHANGE 230KV CKT 1'    | TO->FROM | 0.99979 | 529   | 'BORDEN COUNTY INTERCHANGE - GRASSLAND INTERCHANGE 230KV CKT 1' |
| 11WP | 0 | G10_060 | 'HOBBS INTERCHANGE - MIDLAND COUNTY INTERCHANGE 230KV CKT 1'    | TO->FROM | 0.99979 | 529   | 'BORDEN COUNTY INTERCHANGE - GRASSLAND INTERCHANGE 230KV CKT 1' |
| 11WP | 0 | G10_059 | 'BORDEN COUNTY INTERCHANGE - GRASSLAND INTERCHANGE 230KV CKT 1' | FROM->TO | 0.99979 | 529   | 'HOBBS INTERCHANGE - MIDLAND COUNTY INTERCHANGE 230KV CKT 1'    |
| 11WP | 0 | G10_060 | 'BORDEN COUNTY INTERCHANGE - GRASSLAND INTERCHANGE 230KV CKT 1' | FROM->TO | 0.99979 | 529   | 'HOBBS INTERCHANGE - MIDLAND COUNTY INTERCHANGE 230KV CKT 1'    |
| 11WP | 0 | G10_059 | 'CAPROCK REC-PEMBROOK - G09-17T 138.00 138KV CKT 1'             | FROM->TO | 0.29563 | 175.9 | 'HOBBS INTERCHANGE - MIDLAND COUNTY INTERCHANGE 230KV CKT 1'    |
| 11WP | 0 | G10_060 | 'CAPROCK REC-PEMBROOK - G09-17T 138.00 138KV CKT 1'             | FROM->TO | 0.29563 | 175.9 | 'HOBBS INTERCHANGE - MIDLAND COUNTY INTERCHANGE 230KV CKT 1'    |
| 11WP | 0 | G10_059 | 'CAPROCK REC-PHILLIPS - CAPROCK REC-TATE 138KV CKT 1'           | TO->FROM | 0.30397 | 271   | 'HOBBS INTERCHANGE - LEA COUNTY INTERCHANGE 230KV CKT 1'        |
| 11WP | 0 | G10_060 | 'CAPROCK REC-PHILLIPS - CAPROCK REC-TATE 138KV CKT 1'           | TO->FROM | 0.30397 | 271   | 'HOBBS INTERCHANGE - LEA COUNTY INTERCHANGE 230KV CKT 1'        |
| 11WP | 0 | G10_059 | 'CAPROCK REC-PHILLIPS - CAPROCK REC-TATE 138KV CKT 1'           | TO->FROM | 0.22512 | 208   | 'BASE CASE'   |
| 11WP | 0 | G10_060 | 'CAPROCK REC-PHILLIPS - CAPROCK REC-TATE 138KV CKT 1'           | TO->FROM | 0.22512 | 208   | 'BASE CASE'   |
| 11WP | 0 | G10_059 | 'HOBBS INTERCHANGE - MIDLAND COUNTY INTERCHANGE 230KV CKT 1'    | TO->FROM | 0.86919 | 529   | 'CAPROCK REC-MCDONALD - CAPROCK REC-TRIANGLE 138KV CKT 1'       |
| 11WP | 0 | G10_060 | 'HOBBS INTERCHANGE - MIDLAND COUNTY INTERCHANGE 230KV CKT 1'    | TO->FROM | 0.86919 | 529   | 'CAPROCK REC-MCDONALD - CAPROCK REC-TRIANGLE 138KV CKT 1'       |
| 11WP | 0 | G10_059 | 'HOBBS INTERCHANGE - MIDLAND COUNTY INTERCHANGE 230KV CKT 1'    | TO->FROM | 0.86919 | 529   | 'CAPROCK REC-GRADY - CAPROCK REC-TRIANGLE 138KV CKT 1'          |
| 11WP | 0 | G10_060 | 'HOBBS INTERCHANGE - MIDLAND COUNTY INTERCHANGE 230KV CKT 1'    | TO->FROM | 0.86919 | 529   | 'CAPROCK REC-GRADY - CAPROCK REC-TRIANGLE 138KV CKT 1'          |
| 11WP | 0 | G10_059 | 'BORDEN COUNTY INTERCHANGE 230/138KV TRANSFORMER CKT 1'         | TO->FROM | 0.30375 | 167.8 | 'HOBBS INTERCHANGE - LEA COUNTY INTERCHANGE 230KV CKT 1'        |
| 11WP | 0 | G10_060 | 'BORDEN COUNTY INTERCHANGE 230/138KV TRANSFORMER CKT 1'         | TO->FROM | 0.30375 | 167.8 | 'HOBBS INTERCHANGE - LEA COUNTY INTERCHANGE 230KV CKT 1'        |
| 11WP | 0 | G10_059 | 'CAPROCK REC-LANGE - CAPROCK REC-ST LAWRENCE 138KV CKT 1'       | TO->FROM | 0.29541 | 176   | 'HOBBS INTERCHANGE - MIDLAND COUNTY INTERCHANGE 230KV CKT 1'    |
| 11WP | 0 | G10_060 | 'CAPROCK REC-LANGE - CAPROCK REC-ST LAWRENCE 138KV CKT 1'       | TO->FROM | 0.29541 | 176   | 'HOBBS INTERCHANGE - MIDLAND COUNTY INTERCHANGE 230KV CKT 1'    |
| 11WP | 0 | G10_059 | 'HOBBS INTERCHANGE - MIDLAND COUNTY INTERCHANGE 230KV CKT 1'    | TO->FROM | 0.86919 | 529   | 'CAPROCK REC-GRADY - CAPROCK REC-REED 138KV CKT 1'              |
| 11WP | 0 | G10_060 | 'HOBBS INTERCHANGE - MIDLAND COUNTY INTERCHANGE 230KV CKT 1'    | TO->FROM | 0.86919 | 529   | 'CAPROCK REC-GRADY - CAPROCK REC-REED 138KV CKT 1'              |
| 11WP | 0 | G10_059 | 'HOBBS INTERCHANGE - MIDLAND COUNTY INTERCHANGE 230KV CKT 1'    | TO->FROM | 0.86919 | 529   | 'CAPROCK REC-KOCH - CAPROCK REC-REED 138KV CKT 1'               |
| 11WP | 0 | G10_060 | 'HOBBS INTERCHANGE - MIDLAND COUNTY INTERCHANGE 230KV CKT 1'    | TO->FROM | 0.86919 | 529   | 'CAPROCK REC-KOCH - CAPROCK REC-REED 138KV CKT 1'               |

|      |   |         |  |          |         |       |   |
|------|---|---------|--|----------|---------|-------|---|
| 11WP | 0 | G10_059 | 'HOBBS INTERCHANGE - MIDLAND COUNTY INTERCHANGE 230KV CKT 1' | TO->FROM | 0.86919 | 529   | 'CAPROCK REC-KOCH - CAPROCK REC-VEALMOOR 138KV CKT 1'           |
| 11WP | 0 | G10_060 | 'HOBBS INTERCHANGE - MIDLAND COUNTY INTERCHANGE 230KV CKT 1' | TO->FROM | 0.86919 | 529   | 'CAPROCK REC-KOCH - CAPROCK REC-VEALMOOR 138KV CKT 1'           |
| 11WP | 0 | G10_059 | 'HOBBS INTERCHANGE - LEA COUNTY INTERCHANGE 230KV CKT 1'     | FROM->TO | 0.68341 | 567.5 | 'BASE CASE'   |
| 11WP | 0 | G10_060 | 'HOBBS INTERCHANGE - LEA COUNTY INTERCHANGE 230KV CKT 1'     | FROM->TO | 0.68341 | 567.5 | 'BASE CASE'   |
| 11WP | 0 | G10_059 | 'CAPROCK REC-MCDONALD - CAPROCK REC-PHILLIPS 138KV CKT 1'    | TO->FROM | 0.30397 | 271   | 'HOBBS INTERCHANGE - LEA COUNTY INTERCHANGE 230KV CKT 1'        |
| 11WP | 0 | G10_060 | 'CAPROCK REC-MCDONALD - CAPROCK REC-PHILLIPS 138KV CKT 1'    | TO->FROM | 0.30397 | 271   | 'HOBBS INTERCHANGE - LEA COUNTY INTERCHANGE 230KV CKT 1'        |
| 11WP | 0 | G10_059 | 'HOBBS INTERCHANGE - LEA COUNTY INTERCHANGE 230KV CKT 1'     | FROM->TO | 0.88309 | 689.3 | 'SPP-SWPS-K48'  |
| 11WP | 0 | G10_060 | 'HOBBS INTERCHANGE - LEA COUNTY INTERCHANGE 230KV CKT 1'     | FROM->TO | 0.88309 | 689.3 | 'SPP-SWPS-K48'  |
| 11WP | 0 | G10_059 | 'HOBBS INTERCHANGE - LEA COUNTY INTERCHANGE 230KV CKT 1'     | FROM->TO | 0.88309 | 689.3 | 'BORDEN COUNTY INTERCHANGE 230/138KV TRANSFORMER CKT 1'         |
| 11WP | 0 | G10_060 | 'HOBBS INTERCHANGE - LEA COUNTY INTERCHANGE 230KV CKT 1'     | FROM->TO | 0.88309 | 689.3 | 'BORDEN COUNTY INTERCHANGE 230/138KV TRANSFORMER CKT 1'         |
| 11WP | 0 | G10_059 | 'HOBBS INTERCHANGE - LEA COUNTY INTERCHANGE 230KV CKT 1'     | FROM->TO | 0.88309 | 689.3 | 'BORDEN COUNTY INTERCHANGE - GRASSLAND INTERCHANGE 230KV CKT 1' |
| 11WP | 0 | G10_060 | 'HOBBS INTERCHANGE - LEA COUNTY INTERCHANGE 230KV CKT 1'     | FROM->TO | 0.88309 | 689.3 | 'BORDEN COUNTY INTERCHANGE - GRASSLAND INTERCHANGE 230KV CKT 1' |
| 11WP | 0 | G10_059 | 'HOBBS INTERCHANGE - MIDLAND COUNTY INTERCHANGE 230KV CKT 1' | TO->FROM | 0.80029 | 529   | 'CAPROCK REC-MCDONALD - CR-1956 4138.00 138KV CKT 1'            |
| 11WP | 0 | G10_060 | 'HOBBS INTERCHANGE - MIDLAND COUNTY INTERCHANGE 230KV CKT 1' | TO->FROM | 0.80029 | 529   | 'CAPROCK REC-MCDONALD - CR-1956 4138.00 138KV CKT 1'            |
| 11WP | 0 | G10_059 | 'HOBBS INTERCHANGE - MIDLAND COUNTY INTERCHANGE 230KV CKT 1' | TO->FROM | 0.80029 | 529   | 'CAPROCK REC-NEW SCHWARTZ - CR-1956 4138.00 138KV CKT 1'        |
| 11WP | 0 | G10_060 | 'HOBBS INTERCHANGE - MIDLAND COUNTY INTERCHANGE 230KV CKT 1' | TO->FROM | 0.80029 | 529   | 'CAPROCK REC-NEW SCHWARTZ - CR-1956 4138.00 138KV CKT 1'        |
| 11WP | 0 | G10_059 | 'CAPROCK REC-MCDONALD - CAPROCK REC-PHILLIPS 138KV CKT 1'    | TO->FROM | 0.22512 | 208   | 'BASE CASE'   |
| 11WP | 0 | G10_060 | 'CAPROCK REC-MCDONALD - CAPROCK REC-PHILLIPS 138KV CKT 1'    | TO->FROM | 0.22512 | 208   | 'BASE CASE'   |
| 11WP | 0 | G10_059 | 'HOBBS INTERCHANGE - MIDLAND COUNTY INTERCHANGE 230KV CKT 1' | TO->FROM | 0.80021 | 529   | 'CAPROCK REC-STILES - G09-17T 138.00 138KV CKT 1'               |
| 11WP | 0 | G10_060 | 'HOBBS INTERCHANGE - MIDLAND COUNTY INTERCHANGE 230KV CKT 1' | TO->FROM | 0.80021 | 529   | 'CAPROCK REC-STILES - G09-17T 138.00 138KV CKT 1'               |
| 11WP | 0 | G10_059 | 'HOBBS INTERCHANGE - MIDLAND COUNTY INTERCHANGE 230KV CKT 1' | TO->FROM | 0.80029 | 529   | 'CAPROCK REC-NEW SCHWARTZ - CAPROCK REC-PEMBROOK 138KV CKT 1'   |
| 11WP | 0 | G10_060 | 'HOBBS INTERCHANGE - MIDLAND COUNTY INTERCHANGE 230KV CKT 1' | TO->FROM | 0.80029 | 529   | 'CAPROCK REC-NEW SCHWARTZ - CAPROCK REC-PEMBROOK 138KV CKT 1'   |
| 11WP | 0 | G10_059 | 'HOBBS INTERCHANGE - MIDLAND COUNTY INTERCHANGE 230KV CKT 1' | TO->FROM | 0.82994 | 529   | 'GRASSLAND INTERCHANGE - Jones Station Bus#2 230KV CKT 1'       |
| 11WP | 0 | G10_060 | 'HOBBS INTERCHANGE - MIDLAND COUNTY INTERCHANGE 230KV CKT 1' | TO->FROM | 0.82994 | 529   | 'GRASSLAND INTERCHANGE - Jones Station Bus#2 230KV CKT 1'       |
| 11WP | 0 | G10_059 | 'HOBBS INTERCHANGE - MIDLAND COUNTY INTERCHANGE 230KV CKT 1' | TO->FROM | 0.80029 | 529   | 'CAPROCK REC-PEMBROOK - G09-17T 138.00 138KV CKT 1'             |

|      |   |         |  |          |         |       |  |
|------|---|---------|--|----------|---------|-------|--|
| 11WP | 0 | G10_060 | 'HOBBS INTERCHANGE - MIDLAND COUNTY INTERCHANGE 230KV CKT 1'     | TO->FROM | 0.80029 | 529   | 'CAPROCK REC-PEMBROOK - G09-17T 138.00 138KV CKT 1'        |
| 11WP | 0 | G10_059 | 'HOBBS INTERCHANGE - LEA COUNTY INTERCHANGE 230KV CKT 1'         | FROM->TO | 0.76687 | 689.3 | 'HOBBS INTERCHANGE 230/115KV TRANSFORMER CKT 1'            |
| 11WP | 0 | G10_060 | 'HOBBS INTERCHANGE - LEA COUNTY INTERCHANGE 230KV CKT 1'         | FROM->TO | 0.76687 | 689.3 | 'HOBBS INTERCHANGE 230/115KV TRANSFORMER CKT 1'            |
| 11WP | 0 | G10_059 | 'HOBBS INTERCHANGE - MIDLAND COUNTY INTERCHANGE 230KV CKT 1'     | TO->FROM | 0.80021 | 529   | 'CAPROCK REC-ST LAWRENCE - CAPROCK REC-STILES 138KV CKT 1' |
| 11WP | 0 | G10_060 | 'HOBBS INTERCHANGE - MIDLAND COUNTY INTERCHANGE 230KV CKT 1'     | TO->FROM | 0.80021 | 529   | 'CAPROCK REC-ST LAWRENCE - CAPROCK REC-STILES 138KV CKT 1' |
| 11WP | 0 | G10_059 | 'HOBBS INTERCHANGE - MIDLAND COUNTY INTERCHANGE 230KV CKT 1'     | TO->FROM | 0.80021 | 529   | 'CAPROCK REC-LANGE - CAPROCK REC-ST LAWRENCE 138KV CKT 1'  |
| 11WP | 0 | G10_060 | 'HOBBS INTERCHANGE - MIDLAND COUNTY INTERCHANGE 230KV CKT 1'     | TO->FROM | 0.80021 | 529   | 'CAPROCK REC-LANGE - CAPROCK REC-ST LAWRENCE 138KV CKT 1'  |
| 11WP | 0 | G10_059 | 'HOBBS INTERCHANGE - MIDLAND COUNTY INTERCHANGE 230KV CKT 1'     | TO->FROM | 0.77488 | 529   | 'HOBBS INTERCHANGE 230/18.0KV TRANSFORMER CKT 1'           |
| 11WP | 0 | G10_060 | 'HOBBS INTERCHANGE - MIDLAND COUNTY INTERCHANGE 230KV CKT 1'     | TO->FROM | 0.77488 | 529   | 'HOBBS INTERCHANGE 230/18.0KV TRANSFORMER CKT 1'           |
| 11WP | 0 | G10_059 | 'HOBBS INTERCHANGE - MIDLAND COUNTY INTERCHANGE 230KV CKT 1'     | TO->FROM | 0.77488 | 526   | 'BASE CASE'  |
| 11WP | 0 | G10_060 | 'HOBBS INTERCHANGE - MIDLAND COUNTY INTERCHANGE 230KV CKT 1'     | TO->FROM | 0.77488 | 526   | 'BASE CASE'  |
| 11WP | 0 | G10_059 | 'HOBBS INTERCHANGE - LEA COUNTY INTERCHANGE 230KV CKT 1'         | FROM->TO | 0.76714 | 689.3 | 'CAPROCK REC-MCDONALD - CAPROCK REC-TRIANGLE 138KV CKT 1'  |
| 11WP | 0 | G10_060 | 'HOBBS INTERCHANGE - LEA COUNTY INTERCHANGE 230KV CKT 1'         | FROM->TO | 0.76714 | 689.3 | 'CAPROCK REC-MCDONALD - CAPROCK REC-TRIANGLE 138KV CKT 1'  |
| 11WP | 0 | G10_059 | 'HOBBS INTERCHANGE - LEA COUNTY INTERCHANGE 230KV CKT 1'         | FROM->TO | 0.76714 | 689.3 | 'CAPROCK REC-GRADY - CAPROCK REC-TRIANGLE 138KV CKT 1'     |
| 11WP | 0 | G10_060 | 'HOBBS INTERCHANGE - LEA COUNTY INTERCHANGE 230KV CKT 1'         | FROM->TO | 0.76714 | 689.3 | 'CAPROCK REC-GRADY - CAPROCK REC-TRIANGLE 138KV CKT 1'     |
| 11WP | 0 | G10_059 | 'HOBBS INTERCHANGE - LEA COUNTY INTERCHANGE 230KV CKT 1'         | FROM->TO | 0.76714 | 689.3 | 'CAPROCK REC-GRADY - CAPROCK REC-REED 138KV CKT 1'         |
| 11WP | 0 | G10_060 | 'HOBBS INTERCHANGE - LEA COUNTY INTERCHANGE 230KV CKT 1'         | FROM->TO | 0.76714 | 689.3 | 'CAPROCK REC-GRADY - CAPROCK REC-REED 138KV CKT 1'         |
| 11WP | 0 | G10_059 | 'HOBBS INTERCHANGE - LEA COUNTY INTERCHANGE 230KV CKT 1'         | FROM->TO | 0.76714 | 689.3 | 'CAPROCK REC-KOCH - CAPROCK REC-REED 138KV CKT 1'          |
| 11WP | 0 | G10_060 | 'HOBBS INTERCHANGE - LEA COUNTY INTERCHANGE 230KV CKT 1'         | FROM->TO | 0.76714 | 689.3 | 'CAPROCK REC-KOCH - CAPROCK REC-REED 138KV CKT 1'          |
| 11WP | 0 | G10_059 | 'HOBBS INTERCHANGE - LEA COUNTY INTERCHANGE 230KV CKT 1'         | FROM->TO | 0.76714 | 689.3 | 'CAPROCK REC-KOCH - CAPROCK REC-VEALMOOR 138KV CKT 1'      |
| 11WP | 0 | G10_060 | 'HOBBS INTERCHANGE - LEA COUNTY INTERCHANGE 230KV CKT 1'         | FROM->TO | 0.76714 | 689.3 | 'CAPROCK REC-KOCH - CAPROCK REC-VEALMOOR 138KV CKT 1'      |
| 11WP | 0 | G10_059 | 'LEA COUNTY INTERCHANGE - YOAKUM COUNTY INTERCHANGE 230KV CKT 1' | FROM->TO | 0.38437 | 360.7 | 'MIDLAND COUNTY INTERCHANGE 230/138KV TRANSFORMER CKT 1'   |
| 11WP | 0 | G10_060 | 'LEA COUNTY INTERCHANGE - YOAKUM COUNTY INTERCHANGE 230KV CKT 1' | FROM->TO | 0.38437 | 360.7 | 'MIDLAND COUNTY INTERCHANGE 230/138KV TRANSFORMER CKT 1'   |
| 11WP | 0 | G10_059 | 'CAPROCK REC-GRADY - CAPROCK REC-TRIANGLE 138KV CKT 1'           | TO->FROM | 0.21403 | 175.9 | 'HOBBS INTERCHANGE - LEA COUNTY INTERCHANGE 230KV CKT 1'   |
| 11WP | 0 | G10_060 | 'CAPROCK REC-GRADY - CAPROCK REC-TRIANGLE 138KV CKT 1'           | TO->FROM | 0.21403 | 175.9 | 'HOBBS INTERCHANGE - LEA COUNTY INTERCHANGE 230KV CKT 1'   |

|      |   |         |  |          |         |       |  |
|------|---|---------|--|----------|---------|-------|--|
| 11WP | 0 | G10_059 | 'LEA COUNTY INTERCHANGE - YOAKUM COUNTY INTERCHANGE 230KV CKT 1' | FROM->TO | 0.38437 | 360.7 | 'CAPROCK REC-PHILLIPS - CAPROCK REC-TATE 138KV CKT 1'            |
| 11WP | 0 | G10_060 | 'LEA COUNTY INTERCHANGE - YOAKUM COUNTY INTERCHANGE 230KV CKT 1' | FROM->TO | 0.38437 | 360.7 | 'CAPROCK REC-PHILLIPS - CAPROCK REC-TATE 138KV CKT 1'            |
| 11WP | 0 | G10_059 | 'LEA COUNTY INTERCHANGE - YOAKUM COUNTY INTERCHANGE 230KV CKT 1' | FROM->TO | 0.38437 | 360.7 | 'CAPROCK REC-MCDONALD - CAPROCK REC-PHILLIPS 138KV CKT 1'        |
| 11WP | 0 | G10_060 | 'LEA COUNTY INTERCHANGE - YOAKUM COUNTY INTERCHANGE 230KV CKT 1' | FROM->TO | 0.38437 | 360.7 | 'CAPROCK REC-MCDONALD - CAPROCK REC-PHILLIPS 138KV CKT 1'        |
| 11WP | 0 | G10_059 | 'HOBBS INTERCHANGE - LEA COUNTY INTERCHANGE 230KV CKT 1'         | FROM->TO | 0.70597 | 689.3 | 'CAPROCK REC-MCDONALD - CR-1956 4138.00 138KV CKT 1'             |
| 11WP | 0 | G10_060 | 'HOBBS INTERCHANGE - LEA COUNTY INTERCHANGE 230KV CKT 1'         | FROM->TO | 0.70597 | 689.3 | 'CAPROCK REC-MCDONALD - CR-1956 4138.00 138KV CKT 1'             |
| 11WP | 0 | G10_059 | 'CAPROCK REC-GRADY - CAPROCK REC-TRIANGLE 138KV CKT 1'           | TO->FROM | 0.19971 | 175.9 | 'CAPROCK REC-MCDONALD - CR-1956 4138.00 138KV CKT 1'             |
| 11WP | 0 | G10_060 | 'CAPROCK REC-GRADY - CAPROCK REC-TRIANGLE 138KV CKT 1'           | TO->FROM | 0.19971 | 175.9 | 'CAPROCK REC-MCDONALD - CR-1956 4138.00 138KV CKT 1'             |
| 11WP | 0 | G10_059 | 'HOBBS INTERCHANGE - LEA COUNTY INTERCHANGE 230KV CKT 1'         | FROM->TO | 0.70597 | 689.3 | 'CAPROCK REC-NEW SCHWARTZ - CR-1956 4138.00 138KV CKT 1'         |
| 11WP | 0 | G10_060 | 'HOBBS INTERCHANGE - LEA COUNTY INTERCHANGE 230KV CKT 1'         | FROM->TO | 0.70597 | 689.3 | 'CAPROCK REC-NEW SCHWARTZ - CR-1956 4138.00 138KV CKT 1'         |
| 11WP | 0 | G10_059 | 'HOBBS INTERCHANGE - LEA COUNTY INTERCHANGE 230KV CKT 1'         | FROM->TO | 0.68341 | 689.3 | 'CUNNINGHAM STATION 230/20.0KV TRANSFORMER CKT 1'                |
| 11WP | 0 | G10_060 | 'HOBBS INTERCHANGE - LEA COUNTY INTERCHANGE 230KV CKT 1'         | FROM->TO | 0.68341 | 689.3 | 'CUNNINGHAM STATION 230/20.0KV TRANSFORMER CKT 1'                |
| 11WP | 0 | G10_059 | 'HOBBS INTERCHANGE - LEA COUNTY INTERCHANGE 230KV CKT 1'         | FROM->TO | 0.73233 | 689.3 | 'GRASSLAND INTERCHANGE - Jones Station Bus#2 230KV CKT 1'        |
| 11WP | 0 | G10_060 | 'HOBBS INTERCHANGE - LEA COUNTY INTERCHANGE 230KV CKT 1'         | FROM->TO | 0.73233 | 689.3 | 'GRASSLAND INTERCHANGE - Jones Station Bus#2 230KV CKT 1'        |
| 11WP | 0 | G10_059 | 'HOBBS INTERCHANGE - LEA COUNTY INTERCHANGE 230KV CKT 1'         | FROM->TO | 0.7059  | 689.3 | 'CAPROCK REC-STILES - G09-17T 138.00 138KV CKT 1'                |
| 11WP | 0 | G10_060 | 'HOBBS INTERCHANGE - LEA COUNTY INTERCHANGE 230KV CKT 1'         | FROM->TO | 0.7059  | 689.3 | 'CAPROCK REC-STILES - G09-17T 138.00 138KV CKT 1'                |
| 11WP | 0 | G10_059 | 'HOBBS INTERCHANGE - LEA COUNTY INTERCHANGE 230KV CKT 1'         | FROM->TO | 0.70597 | 689.3 | 'CAPROCK REC-NEW SCHWARTZ - CAPROCK REC-PEMBROOK 138KV CKT 1'    |
| 11WP | 0 | G10_060 | 'HOBBS INTERCHANGE - LEA COUNTY INTERCHANGE 230KV CKT 1'         | FROM->TO | 0.70597 | 689.3 | 'CAPROCK REC-NEW SCHWARTZ - CAPROCK REC-PEMBROOK 138KV CKT 1'    |
| 11WP | 0 | G10_059 | 'HOBBS INTERCHANGE - LEA COUNTY INTERCHANGE 230KV CKT 1'         | FROM->TO | 0.70597 | 689.3 | 'CAPROCK REC-PEMBROOK - G09-17T 138.00 138KV CKT 1'              |
| 11WP | 0 | G10_060 | 'HOBBS INTERCHANGE - LEA COUNTY INTERCHANGE 230KV CKT 1'         | FROM->TO | 0.70597 | 689.3 | 'CAPROCK REC-PEMBROOK - G09-17T 138.00 138KV CKT 1'              |
| 11WP | 0 | G10_059 | 'HOBBS INTERCHANGE - LEA COUNTY INTERCHANGE 230KV CKT 1'         | FROM->TO | 0.7059  | 689.3 | 'CAPROCK REC-ST LAWRENCE - CAPROCK REC-STILES 138KV CKT 1'       |
| 11WP | 0 | G10_060 | 'HOBBS INTERCHANGE - LEA COUNTY INTERCHANGE 230KV CKT 1'         | FROM->TO | 0.7059  | 689.3 | 'CAPROCK REC-ST LAWRENCE - CAPROCK REC-STILES 138KV CKT 1'       |
| 11WP | 0 | G10_059 | 'CAPROCK REC-PHILLIPS - CAPROCK REC-TATE 138KV CKT 1'            | TO->FROM | 0.24961 | 271   | 'LEA COUNTY INTERCHANGE - YOAKUM COUNTY INTERCHANGE 230KV CKT 1' |
| 11WP | 0 | G10_060 | 'CAPROCK REC-PHILLIPS - CAPROCK REC-TATE 138KV CKT 1'            | TO->FROM | 0.24961 | 271   | 'LEA COUNTY INTERCHANGE - YOAKUM COUNTY INTERCHANGE 230KV CKT 1' |
| 11WP | 0 | G10_059 | 'CAPROCK REC-GRADY - CAPROCK REC-TRIANGLE 138KV CKT 1'           | TO->FROM | 0.19971 | 175.9 | 'CAPROCK REC-NEW SCHWARTZ - CR-1956 4138.00 138KV CKT 1'         |

|      |   |         |  |          |         |       |   |
|------|---|---------|--|----------|---------|-------|---|
| 11WP | 0 | G10_060 | 'CAPROCK REC-GRADY - CAPROCK REC-TRIANGLE 138KV CKT 1'           | TO->FROM | 0.19971 | 175.9 | 'CAPROCK REC-NEW SCHWARTZ - CR-1956 4138.00 138KV CKT 1'          |
| 11WP | 0 | G10_059 | 'LEA COUNTY INTERCHANGE - YOAKUM COUNTY INTERCHANGE 230KV CKT 1' | FROM->TO | 0.38045 | 360.7 | 'CUNNINGHAM STATION - LEA COUNTY INTERCHANGE 230KV CKT 1'         |
| 11WP | 0 | G10_060 | 'LEA COUNTY INTERCHANGE - YOAKUM COUNTY INTERCHANGE 230KV CKT 1' | FROM->TO | 0.38045 | 360.7 | 'CUNNINGHAM STATION - LEA COUNTY INTERCHANGE 230KV CKT 1'         |
| 11WP | 0 | G10_059 | 'CAPROCK REC-KOCH - CAPROCK REC-REED 138KV CKT 1'                | TO->FROM | 0.21403 | 175.9 | 'HOBBS INTERCHANGE - LEA COUNTY INTERCHANGE 230KV CKT 1'          |
| 11WP | 0 | G10_060 | 'CAPROCK REC-KOCH - CAPROCK REC-REED 138KV CKT 1'                | TO->FROM | 0.21403 | 175.9 | 'HOBBS INTERCHANGE - LEA COUNTY INTERCHANGE 230KV CKT 1'          |
| 11WP | 0 | G10_059 | 'CAPROCK REC-KOCH - CAPROCK REC-VEALMOOR 138KV CKT 1'            | FROM->TO | 0.21403 | 175.9 | 'HOBBS INTERCHANGE - LEA COUNTY INTERCHANGE 230KV CKT 1'          |
| 11WP | 0 | G10_060 | 'CAPROCK REC-KOCH - CAPROCK REC-VEALMOOR 138KV CKT 1'            | FROM->TO | 0.21403 | 175.9 | 'HOBBS INTERCHANGE - LEA COUNTY INTERCHANGE 230KV CKT 1'          |
| 11WP | 0 | G10_059 | 'BORDEN COUNTY INTERCHANGE 230/138KV TRANSFORMER CKT 1'          | TO->FROM | 0.24939 | 167.8 | 'LEA COUNTY INTERCHANGE - YOAKUM COUNTY INTERCHANGE 230KV CKT 1'  |
| 11WP | 0 | G10_060 | 'BORDEN COUNTY INTERCHANGE 230/138KV TRANSFORMER CKT 1'          | TO->FROM | 0.24939 | 167.8 | 'LEA COUNTY INTERCHANGE - YOAKUM COUNTY INTERCHANGE 230KV CKT 1'  |
| 11WP | 0 | G10_059 | 'CAPROCK REC-PHILLIPS - CAPROCK REC-TATE 138KV CKT 1'            | TO->FROM | 0.23585 | 271   | 'AMOCO SWITCHING STATION - YOAKUM COUNTY INTERCHANGE 230KV CKT 1' |
| 11WP | 0 | G10_060 | 'CAPROCK REC-PHILLIPS - CAPROCK REC-TATE 138KV CKT 1'            | TO->FROM | 0.23585 | 271   | 'AMOCO SWITCHING STATION - YOAKUM COUNTY INTERCHANGE 230KV CKT 1' |
| 11WP | 0 | G10_059 | 'CAPROCK REC-GRADY - CAPROCK REC-TRIANGLE 138KV CKT 1'           | TO->FROM | 0.19958 | 175.9 | 'CAPROCK REC-STILES - G09-17T 138.00 138KV CKT 1'                 |
| 11WP | 0 | G10_060 | 'CAPROCK REC-GRADY - CAPROCK REC-TRIANGLE 138KV CKT 1'           | TO->FROM | 0.19958 | 175.9 | 'CAPROCK REC-STILES - G09-17T 138.00 138KV CKT 1'                 |
| 11WP | 0 | G10_059 | 'CAPROCK REC-GRADY - CAPROCK REC-TRIANGLE 138KV CKT 1'           | TO->FROM | 0.19971 | 175.9 | 'CAPROCK REC-NEW SCHWARTZ - CAPROCK REC-PEMBROOK 138KV CKT 1'     |
| 11WP | 0 | G10_060 | 'CAPROCK REC-GRADY - CAPROCK REC-TRIANGLE 138KV CKT 1'           | TO->FROM | 0.19971 | 175.9 | 'CAPROCK REC-NEW SCHWARTZ - CAPROCK REC-PEMBROOK 138KV CKT 1'     |
| 11WP | 0 | G10_059 | 'CAPROCK REC-PHILLIPS - CAPROCK REC-TATE 138KV CKT 1'            | TO->FROM | 0.23846 | 271   | 'CUNNINGHAM STATION - LEA COUNTY INTERCHANGE 230KV CKT 1'         |
| 11WP | 0 | G10_060 | 'CAPROCK REC-PHILLIPS - CAPROCK REC-TATE 138KV CKT 1'            | TO->FROM | 0.23846 | 271   | 'CUNNINGHAM STATION - LEA COUNTY INTERCHANGE 230KV CKT 1'         |
| 11WP | 0 | G10_059 | 'CAPROCK REC-KOCH - CAPROCK REC-REED 138KV CKT 1'                | TO->FROM | 0.19971 | 175.9 | 'CAPROCK REC-MCDONALD - CR-1956 4138.00 138KV CKT 1'              |
| 11WP | 0 | G10_060 | 'CAPROCK REC-KOCH - CAPROCK REC-REED 138KV CKT 1'                | TO->FROM | 0.19971 | 175.9 | 'CAPROCK REC-MCDONALD - CR-1956 4138.00 138KV CKT 1'              |
| 11WP | 0 | G10_059 | 'CAPROCK REC-KOCH - CAPROCK REC-VEALMOOR 138KV CKT 1'            | FROM->TO | 0.19971 | 175.9 | 'CAPROCK REC-MCDONALD - CR-1956 4138.00 138KV CKT 1'              |
| 11WP | 0 | G10_060 | 'CAPROCK REC-KOCH - CAPROCK REC-VEALMOOR 138KV CKT 1'            | FROM->TO | 0.19971 | 175.9 | 'CAPROCK REC-MCDONALD - CR-1956 4138.00 138KV CKT 1'              |
| 11WP | 0 | G10_059 | 'CAPROCK REC-PHILLIPS - CAPROCK REC-TATE 138KV CKT 1'            | TO->FROM | 0.2306  | 271   | 'TOLK STATION EAST - TUCO INTERCHANGE 230KV CKT 1'                |
| 11WP | 0 | G10_060 | 'CAPROCK REC-PHILLIPS - CAPROCK REC-TATE 138KV CKT 1'            | TO->FROM | 0.2306  | 271   | 'TOLK STATION EAST - TUCO INTERCHANGE 230KV CKT 1'                |
| 11WP | 0 | G10_059 | 'CAPROCK REC-MCDONALD - CR-1956 4138.00 138KV CKT 1'             | FROM->TO | 0.29563 | 271   | 'HOBBS INTERCHANGE - MIDLAND COUNTY INTERCHANGE 230KV CKT 1'      |
| 11WP | 0 | G10_060 | 'CAPROCK REC-MCDONALD - CR-1956 4138.00 138KV CKT 1'             | FROM->TO | 0.29563 | 271   | 'HOBBS INTERCHANGE - MIDLAND COUNTY INTERCHANGE 230KV CKT 1'      |



|      |   |         |   |          |         |       |   |
|------|---|---------|---|----------|---------|-------|---|
| 11WP | 0 | G10_059 | 'CAPROCK REC-GRADY - CAPROCK REC-TRIANGLE 138KV CKT 1'    | TO->FROM | 0.19971 | 175.9 | 'CAPROCK REC-PEMBROOK - G09-17T 138.00 138KV CKT 1'               |
| 11WP | 0 | G10_060 | 'CAPROCK REC-GRADY - CAPROCK REC-TRIANGLE 138KV CKT 1'    | TO->FROM | 0.19971 | 175.9 | 'CAPROCK REC-PEMBROOK - G09-17T 138.00 138KV CKT 1'               |
| 11WP | 0 | G10_059 | 'BORDEN COUNTY INTERCHANGE 230/138KV TRANSFORMER CKT 1'   | TO->FROM | 0.23563 | 167.8 | 'AMOCO SWITCHING STATION - YOAKUM COUNTY INTERCHANGE 230KV CKT 1' |
| 11WP | 0 | G10_060 | 'BORDEN COUNTY INTERCHANGE 230/138KV TRANSFORMER CKT 1'   | TO->FROM | 0.23563 | 167.8 | 'AMOCO SWITCHING STATION - YOAKUM COUNTY INTERCHANGE 230KV CKT 1' |
| 11WP | 0 | G10_059 | 'CAPROCK REC-PHILLIPS - CAPROCK REC-TATE 138KV CKT 1'     | TO->FROM | 0.23289 | 271   | 'SUNDOWN INTERCHANGE - WOLFFORTH INTERCHANGE 230KV CKT 1'         |
| 11WP | 0 | G10_060 | 'CAPROCK REC-PHILLIPS - CAPROCK REC-TATE 138KV CKT 1'     | TO->FROM | 0.23289 | 271   | 'SUNDOWN INTERCHANGE - WOLFFORTH INTERCHANGE 230KV CKT 1'         |
| 11WP | 0 | G10_059 | 'CAPROCK REC-MCDONALD - CAPROCK REC-PHILLIPS 138KV CKT 1' | TO->FROM | 0.24961 | 271   | 'LEA COUNTY INTERCHANGE - YOAKUM COUNTY INTERCHANGE 230KV CKT 1'  |
| 11WP | 0 | G10_060 | 'CAPROCK REC-MCDONALD - CAPROCK REC-PHILLIPS 138KV CKT 1' | TO->FROM | 0.24961 | 271   | 'LEA COUNTY INTERCHANGE - YOAKUM COUNTY INTERCHANGE 230KV CKT 1'  |
| 11WP | 0 | G10_059 | 'CAPROCK REC-KOCH - CAPROCK REC-REED 138KV CKT 1'         | TO->FROM | 0.19971 | 175.9 | 'CAPROCK REC-NEW SCHWARTZ - CR-1956 4138.00 138KV CKT 1'          |
| 11WP | 0 | G10_060 | 'CAPROCK REC-KOCH - CAPROCK REC-REED 138KV CKT 1'         | TO->FROM | 0.19971 | 175.9 | 'CAPROCK REC-NEW SCHWARTZ - CR-1956 4138.00 138KV CKT 1'          |
| 11WP | 0 | G10_059 | 'CAPROCK REC-KOCH - CAPROCK REC-VEALMOOR 138KV CKT 1'     | FROM->TO | 0.19971 | 175.9 | 'CAPROCK REC-NEW SCHWARTZ - CR-1956 4138.00 138KV CKT 1'          |
| 11WP | 0 | G10_060 | 'CAPROCK REC-KOCH - CAPROCK REC-VEALMOOR 138KV CKT 1'     | FROM->TO | 0.19971 | 175.9 | 'CAPROCK REC-NEW SCHWARTZ - CR-1956 4138.00 138KV CKT 1'          |
| 11WP | 0 | G10_059 | 'CAPROCK REC-GRADY - CAPROCK REC-TRIANGLE 138KV CKT 1'    | TO->FROM | 0.19958 | 175.9 | 'CAPROCK REC-ST LAWRENCE - CAPROCK REC-STILES 138KV CKT 1'        |
| 11WP | 0 | G10_060 | 'CAPROCK REC-GRADY - CAPROCK REC-TRIANGLE 138KV CKT 1'    | TO->FROM | 0.19958 | 175.9 | 'CAPROCK REC-ST LAWRENCE - CAPROCK REC-STILES 138KV CKT 1'        |
| 11WP | 0 | G10_059 | 'CAPROCK REC-PHILLIPS - CAPROCK REC-TATE 138KV CKT 1'     | TO->FROM | 0.23141 | 271   | 'CUNNINGHAM STATION - EDDY COUNTY INTERCHANGE 230KV CKT 1'        |
| 11WP | 0 | G10_060 | 'CAPROCK REC-PHILLIPS - CAPROCK REC-TATE 138KV CKT 1'     | TO->FROM | 0.23141 | 271   | 'CUNNINGHAM STATION - EDDY COUNTY INTERCHANGE 230KV CKT 1'        |
| 11WP | 0 | G10_059 | 'BORDEN COUNTY INTERCHANGE 230/138KV TRANSFORMER CKT 1'   | TO->FROM | 0.23824 | 167.8 | 'CUNNINGHAM STATION - LEA COUNTY INTERCHANGE 230KV CKT 1'         |
| 11WP | 0 | G10_060 | 'BORDEN COUNTY INTERCHANGE 230/138KV TRANSFORMER CKT 1'   | TO->FROM | 0.23824 | 167.8 | 'CUNNINGHAM STATION - LEA COUNTY INTERCHANGE 230KV CKT 1'         |
| 11WP | 0 | G10_059 | 'CAPROCK REC-PHILLIPS - CAPROCK REC-TATE 138KV CKT 1'     | TO->FROM | 0.23585 | 271   | 'AMOCO SWITCHING STATION - SUNDOWN INTERCHANGE 230KV CKT 1'       |
| 11WP | 0 | G10_060 | 'CAPROCK REC-PHILLIPS - CAPROCK REC-TATE 138KV CKT 1'     | TO->FROM | 0.23585 | 271   | 'AMOCO SWITCHING STATION - SUNDOWN INTERCHANGE 230KV CKT 1'       |
| 11WP | 0 | G10_059 | 'CAPROCK REC-NEW SCHWARTZ - CR-1956 4138.00 138KV CKT 1'  | TO->FROM | 0.29563 | 271   | 'HOBBS INTERCHANGE - MIDLAND COUNTY INTERCHANGE 230KV CKT 1'      |
| 11WP | 0 | G10_060 | 'CAPROCK REC-NEW SCHWARTZ - CR-1956 4138.00 138KV CKT 1'  | TO->FROM | 0.29563 | 271   | 'HOBBS INTERCHANGE - MIDLAND COUNTY INTERCHANGE 230KV CKT 1'      |
| 11WP | 0 | G10_059 | 'BORDEN COUNTY INTERCHANGE 230/138KV TRANSFORMER CKT 1'   | TO->FROM | 0.23039 | 167.8 | 'TOLK STATION EAST - TUCO INTERCHANGE 230KV CKT 1'                |
| 11WP | 0 | G10_060 | 'BORDEN COUNTY INTERCHANGE 230/138KV TRANSFORMER CKT 1'   | TO->FROM | 0.23039 | 167.8 | 'TOLK STATION EAST - TUCO INTERCHANGE 230KV CKT 1'                |
| 11WP | 0 | G10_059 | 'CAPROCK REC-PHILLIPS - CAPROCK REC-TATE 138KV CKT 1'     | TO->FROM | 0.22791 | 271   | 'CUNNINGHAM STATION - POTASH JUNCTION INTERCHANGE 230KV CKT 1'    |

|      |   |         |  |          |         |       |   |
|------|---|---------|--|----------|---------|-------|---|
| 11WP | 0 | G10_060 | 'CAPROCK REC-PHILLIPS - CAPROCK REC-TATE 138KV CKT 1'            | TO->FROM | 0.22791 | 271   | 'CUNNINGHAM STATION - POTASH JUNCTION INTERCHANGE 230KV CKT 1'            |
| 11WP | 0 | G10_059 | 'CAPROCK REC-PHILLIPS - CAPROCK REC-TATE 138KV CKT 1'            | TO->FROM | 0.23287 | 271   | 'LUBBOCK SOUTH INTERCHANGE - WOLFFORTH INTERCHANGE 230KV CKT 1'           |
| 11WP | 0 | G10_060 | 'CAPROCK REC-PHILLIPS - CAPROCK REC-TATE 138KV CKT 1'            | TO->FROM | 0.23287 | 271   | 'LUBBOCK SOUTH INTERCHANGE - WOLFFORTH INTERCHANGE 230KV CKT 1'           |
| 11WP | 0 | G10_059 | 'CAPROCK REC-PHILLIPS - CAPROCK REC-TATE 138KV CKT 1'            | TO->FROM | 0.22512 | 271   | 'Jones Station Bus#2 230/22.0KV TRANSFORMER CKT 1'                        |
| 11WP | 0 | G10_060 | 'CAPROCK REC-PHILLIPS - CAPROCK REC-TATE 138KV CKT 1'            | TO->FROM | 0.22512 | 271   | 'Jones Station Bus#2 230/22.0KV TRANSFORMER CKT 1'                        |
| 11WP | 0 | G10_059 | 'CAPROCK REC-PHILLIPS - CAPROCK REC-TATE 138KV CKT 1'            | TO->FROM | 0.23719 | 271   | 'TOLK STATION (ABBXNL844501) 345/230/13.2KV TRANSFORMER CKT 1'            |
| 11WP | 0 | G10_060 | 'CAPROCK REC-PHILLIPS - CAPROCK REC-TATE 138KV CKT 1'            | TO->FROM | 0.23719 | 271   | 'TOLK STATION (ABBXNL844501) 345/230/13.2KV TRANSFORMER CKT 1'            |
| 11WP | 0 | G10_059 | 'CAPROCK REC-PHILLIPS - CAPROCK REC-TATE 138KV CKT 1'            | TO->FROM | 0.23719 | 271   | 'CHAVESCO 345.00 - TOLK STATION 345KV CKT 1'                              |
| 11WP | 0 | G10_060 | 'CAPROCK REC-PHILLIPS - CAPROCK REC-TATE 138KV CKT 1'            | TO->FROM | 0.23719 | 271   | 'CHAVESCO 345.00 - TOLK STATION 345KV CKT 1'                              |
| 11WP | 0 | G10_059 | 'CAPROCK REC-PHILLIPS - CAPROCK REC-TATE 138KV CKT 1'            | TO->FROM | 0.22512 | 271   | 'Jones Station Bus#2 230/22.0KV TRANSFORMER CKT 1'                        |
| 11WP | 0 | G10_060 | 'CAPROCK REC-PHILLIPS - CAPROCK REC-TATE 138KV CKT 1'            | TO->FROM | 0.22512 | 271   | 'Jones Station Bus#2 230/22.0KV TRANSFORMER CKT 1'                        |
| 11WP | 0 | G10_059 | 'CAPROCK REC-PHILLIPS - CAPROCK REC-TATE 138KV CKT 1'            | TO->FROM | 0.22984 | 271   | 'TERRY COUNTY INTERCHANGE - WOLFFORTH INTERCHANGE 115KV CKT 1'            |
| 11WP | 0 | G10_060 | 'CAPROCK REC-PHILLIPS - CAPROCK REC-TATE 138KV CKT 1'            | TO->FROM | 0.22984 | 271   | 'TERRY COUNTY INTERCHANGE - WOLFFORTH INTERCHANGE 115KV CKT 1'            |
| 11WP | 0 | G10_059 | 'LEA COUNTY INTERCHANGE - YOAKUM COUNTY INTERCHANGE 230KV CKT 1' | FROM->TO | 0.38428 | 360.7 | 'BORDEN COUNTY INTERCHANGE 230/138KV TRANSFORMER CKT 1'                   |
| 11WP | 0 | G10_060 | 'LEA COUNTY INTERCHANGE - YOAKUM COUNTY INTERCHANGE 230KV CKT 1' | FROM->TO | 0.38428 | 360.7 | 'BORDEN COUNTY INTERCHANGE 230/138KV TRANSFORMER CKT 1'                   |
| 11WP | 0 | G10_059 | 'LEA COUNTY INTERCHANGE - YOAKUM COUNTY INTERCHANGE 230KV CKT 1' | FROM->TO | 0.38428 | 360.7 | 'SPP-SWPS-K48'  |
| 11WP | 0 | G10_060 | 'LEA COUNTY INTERCHANGE - YOAKUM COUNTY INTERCHANGE 230KV CKT 1' | FROM->TO | 0.38428 | 360.7 | 'SPP-SWPS-K48'  |
| 11WP | 0 | G10_059 | 'LEA COUNTY INTERCHANGE - YOAKUM COUNTY INTERCHANGE 230KV CKT 1' | FROM->TO | 0.38428 | 360.7 | 'BORDEN COUNTY INTERCHANGE - GRASSLAND INTERCHANGE 230KV CKT 1'           |
| 11WP | 0 | G10_060 | 'LEA COUNTY INTERCHANGE - YOAKUM COUNTY INTERCHANGE 230KV CKT 1' | FROM->TO | 0.38428 | 360.7 | 'BORDEN COUNTY INTERCHANGE - GRASSLAND INTERCHANGE 230KV CKT 1'           |
| 11WP | 0 | G10_059 | 'BORDEN COUNTY INTERCHANGE 230/138KV TRANSFORMER CKT 1'          | TO->FROM | 0.23268 | 167.8 | 'SUNDOWN INTERCHANGE - WOLFFORTH INTERCHANGE 230KV CKT 1'                 |
| 11WP | 0 | G10_060 | 'BORDEN COUNTY INTERCHANGE 230/138KV TRANSFORMER CKT 1'          | TO->FROM | 0.23268 | 167.8 | 'SUNDOWN INTERCHANGE - WOLFFORTH INTERCHANGE 230KV CKT 1'                 |
| 11WP | 0 | G10_059 | 'CAPROCK REC-PHILLIPS - CAPROCK REC-TATE 138KV CKT 1'            | TO->FROM | 0.2253  | 271   | 'SPP-SWPS-T14'  |
| 11WP | 0 | G10_060 | 'CAPROCK REC-PHILLIPS - CAPROCK REC-TATE 138KV CKT 1'            | TO->FROM | 0.2253  | 271   | 'SPP-SWPS-T14'  |
| 11WP | 0 | G10_059 | 'CAPROCK REC-PHILLIPS - CAPROCK REC-TATE 138KV CKT 1'            | TO->FROM | 0.23726 | 271   | 'EDDY COUNTY INTERCHANGE (ABB AEM30711) 345/230/13.2KV TRANSFORMER CKT 1' |

|      |   |         |   |          |         |       |   |
|------|---|---------|---|----------|---------|-------|---|
| 11WP | 0 | G10_060 | 'CAPROCK REC-PHILLIPS - CAPROCK REC-TATE 138KV CKT 1'     | TO->FROM | 0.23726 | 271   | 'EDDY COUNTY INTERCHANGE (ABB AEM30711) 345/230/13.2KV TRANSFORMER CKT 1' |
| 11WP | 0 | G10_059 | 'CAPROCK REC-PHILLIPS - CAPROCK REC-TATE 138KV CKT 1'     | TO->FROM | 0.22717 | 271   | 'WOLFFORTH INTERCHANGE - YUMA INTERCHANGE 115KV CKT 1'                    |
| 11WP | 0 | G10_060 | 'CAPROCK REC-PHILLIPS - CAPROCK REC-TATE 138KV CKT 1'     | TO->FROM | 0.22717 | 271   | 'WOLFFORTH INTERCHANGE - YUMA INTERCHANGE 115KV CKT 1'                    |
| 11WP | 0 | G10_059 | 'CAPROCK REC-PHILLIPS - CAPROCK REC-TATE 138KV CKT 1'     | TO->FROM | 0.23726 | 271   | 'CHAVESCO 345.00 - EDDY COUNTY INTERCHANGE 345KV CKT 1'                   |
| 11WP | 0 | G10_060 | 'CAPROCK REC-PHILLIPS - CAPROCK REC-TATE 138KV CKT 1'     | TO->FROM | 0.23726 | 271   | 'CHAVESCO 345.00 - EDDY COUNTY INTERCHANGE 345KV CKT 1'                   |
| 11WP | 0 | G10_059 | 'HOBBS INTERCHANGE - LEA COUNTY INTERCHANGE 115KV CKT 1'  | FROM->TO | 0.24165 | 263.8 | 'HOBBS INTERCHANGE - LEA COUNTY INTERCHANGE 230KV CKT 1'                  |
| 11WP | 0 | G10_060 | 'HOBBS INTERCHANGE - LEA COUNTY INTERCHANGE 115KV CKT 1'  | FROM->TO | 0.24165 | 263.8 | 'HOBBS INTERCHANGE - LEA COUNTY INTERCHANGE 230KV CKT 1'                  |
| 11WP | 0 | G10_059 | 'CAPROCK REC-GRADY - CAPROCK REC-TRIANGLE 138KV CKT 1'    | TO->FROM | 0.19958 | 175.9 | 'CAPROCK REC-LANGE - CAPROCK REC-ST LAWRENCE 138KV CKT 1'                 |
| 11WP | 0 | G10_060 | 'CAPROCK REC-GRADY - CAPROCK REC-TRIANGLE 138KV CKT 1'    | TO->FROM | 0.19958 | 175.9 | 'CAPROCK REC-LANGE - CAPROCK REC-ST LAWRENCE 138KV CKT 1'                 |
| 11WP | 0 | G10_059 | 'BORDEN COUNTY INTERCHANGE 230/138KV TRANSFORMER CKT 1'   | TO->FROM | 0.2312  | 167.8 | 'CUNNINGHAM STATION - EDDY COUNTY INTERCHANGE 230KV CKT 1'                |
| 11WP | 0 | G10_060 | 'BORDEN COUNTY INTERCHANGE 230/138KV TRANSFORMER CKT 1'   | TO->FROM | 0.2312  | 167.8 | 'CUNNINGHAM STATION - EDDY COUNTY INTERCHANGE 230KV CKT 1'                |
| 11WP | 0 | G10_059 | 'BORDEN COUNTY INTERCHANGE 230/138KV TRANSFORMER CKT 1'   | TO->FROM | 0.23563 | 167.8 | 'AMOCO SWITCHING STATION - SUNDOWN INTERCHANGE 230KV CKT 1'               |
| 11WP | 0 | G10_060 | 'BORDEN COUNTY INTERCHANGE 230/138KV TRANSFORMER CKT 1'   | TO->FROM | 0.23563 | 167.8 | 'AMOCO SWITCHING STATION - SUNDOWN INTERCHANGE 230KV CKT 1'               |
| 11WP | 0 | G10_059 | 'CAPROCK REC-GRADY - CAPROCK REC-TRIANGLE 138KV CKT 1'    | TO->FROM | 0.19958 | 175.9 | 'CAPROCK REC-BUCHANAN - CAPROCK REC-LANGE 138KV CKT 1'                    |
| 11WP | 0 | G10_060 | 'CAPROCK REC-GRADY - CAPROCK REC-TRIANGLE 138KV CKT 1'    | TO->FROM | 0.19958 | 175.9 | 'CAPROCK REC-BUCHANAN - CAPROCK REC-LANGE 138KV CKT 1'                    |
| 11WP | 0 | G10_059 | 'CAPROCK REC-KOCH - CAPROCK REC-REED 138KV CKT 1'         | TO->FROM | 0.19958 | 175.9 | 'CAPROCK REC-STILES - G09-17T 138.00 138KV CKT 1'                         |
| 11WP | 0 | G10_060 | 'CAPROCK REC-KOCH - CAPROCK REC-REED 138KV CKT 1'         | TO->FROM | 0.19958 | 175.9 | 'CAPROCK REC-STILES - G09-17T 138.00 138KV CKT 1'                         |
| 11WP | 0 | G10_059 | 'CAPROCK REC-KOCH - CAPROCK REC-VEALMOOR 138KV CKT 1'     | FROM->TO | 0.19958 | 175.9 | 'CAPROCK REC-STILES - G09-17T 138.00 138KV CKT 1'                         |
| 11WP | 0 | G10_060 | 'CAPROCK REC-KOCH - CAPROCK REC-VEALMOOR 138KV CKT 1'     | FROM->TO | 0.19958 | 175.9 | 'CAPROCK REC-STILES - G09-17T 138.00 138KV CKT 1'                         |
| 11WP | 0 | G10_059 | 'CAPROCK REC-KOCH - CAPROCK REC-REED 138KV CKT 1'         | TO->FROM | 0.19971 | 175.9 | 'CAPROCK REC-NEW SCHWARTZ - CAPROCK REC-PEMBROOK 138KV CKT 1'             |
| 11WP | 0 | G10_060 | 'CAPROCK REC-KOCH - CAPROCK REC-REED 138KV CKT 1'         | TO->FROM | 0.19971 | 175.9 | 'CAPROCK REC-NEW SCHWARTZ - CAPROCK REC-PEMBROOK 138KV CKT 1'             |
| 11WP | 0 | G10_059 | 'CAPROCK REC-KOCH - CAPROCK REC-VEALMOOR 138KV CKT 1'     | FROM->TO | 0.19971 | 175.9 | 'CAPROCK REC-NEW SCHWARTZ - CAPROCK REC-PEMBROOK 138KV CKT 1'             |
| 11WP | 0 | G10_060 | 'CAPROCK REC-KOCH - CAPROCK REC-VEALMOOR 138KV CKT 1'     | FROM->TO | 0.19971 | 175.9 | 'CAPROCK REC-NEW SCHWARTZ - CAPROCK REC-PEMBROOK 138KV CKT 1'             |
| 11WP | 0 | G10_059 | 'CAPROCK REC-MCDONALD - CAPROCK REC-PHILLIPS 138KV CKT 1' | TO->FROM | 0.23585 | 271   | 'AMOCO SWITCHING STATION - YOAKUM COUNTY INTERCHANGE 230KV CKT 1'         |
| 11WP | 0 | G10_060 | 'CAPROCK REC-MCDONALD - CAPROCK REC-PHILLIPS 138KV CKT 1' | TO->FROM | 0.23585 | 271   | 'AMOCO SWITCHING STATION - YOAKUM COUNTY INTERCHANGE 230KV CKT 1'         |

|      |   |         |   |          |         |       |   |
|------|---|---------|---|----------|---------|-------|---|
| 11WP | 0 | G10_059 | 'BORDEN COUNTY INTERCHANGE 230/138KV TRANSFORMER CKT 1'   | TO->FROM | 0.23265 | 167.8 | 'LUBBOCK SOUTH INTERCHANGE - WOLFFORTH INTERCHANGE 230KV CKT 1'           |
| 11WP | 0 | G10_060 | 'BORDEN COUNTY INTERCHANGE 230/138KV TRANSFORMER CKT 1'   | TO->FROM | 0.23265 | 167.8 | 'LUBBOCK SOUTH INTERCHANGE - WOLFFORTH INTERCHANGE 230KV CKT 1'           |
| 11WP | 0 | G10_059 | 'BORDEN COUNTY INTERCHANGE 230/138KV TRANSFORMER CKT 1'   | TO->FROM | 0.23698 | 167.8 | 'TOLK STATION (ABBXNL844501) 345/230/13.2KV TRANSFORMER CKT 1'            |
| 11WP | 0 | G10_060 | 'BORDEN COUNTY INTERCHANGE 230/138KV TRANSFORMER CKT 1'   | TO->FROM | 0.23698 | 167.8 | 'TOLK STATION (ABBXNL844501) 345/230/13.2KV TRANSFORMER CKT 1'            |
| 11WP | 0 | G10_059 | 'BORDEN COUNTY INTERCHANGE 230/138KV TRANSFORMER CKT 1'   | TO->FROM | 0.23698 | 167.8 | 'CHAVESCO 345.00 - TOLK STATION 345KV CKT 1'                              |
| 11WP | 0 | G10_060 | 'BORDEN COUNTY INTERCHANGE 230/138KV TRANSFORMER CKT 1'   | TO->FROM | 0.23698 | 167.8 | 'CHAVESCO 345.00 - TOLK STATION 345KV CKT 1'                              |
| 11WP | 0 | G10_059 | 'BORDEN COUNTY INTERCHANGE 230/138KV TRANSFORMER CKT 1'   | TO->FROM | 0.2277  | 167.8 | 'CUNNINGHAM STATION - POTASH JUNCTION INTERCHANGE 230KV CKT 1'            |
| 11WP | 0 | G10_060 | 'BORDEN COUNTY INTERCHANGE 230/138KV TRANSFORMER CKT 1'   | TO->FROM | 0.2277  | 167.8 | 'CUNNINGHAM STATION - POTASH JUNCTION INTERCHANGE 230KV CKT 1'            |
| 11WP | 0 | G10_059 | 'BORDEN COUNTY INTERCHANGE 230/138KV TRANSFORMER CKT 1'   | TO->FROM | 0.22491 | 167.8 | 'Jones Station Bus#2 230/22.0KV TRANSFORMER CKT 1'                        |
| 11WP | 0 | G10_060 | 'BORDEN COUNTY INTERCHANGE 230/138KV TRANSFORMER CKT 1'   | TO->FROM | 0.22491 | 167.8 | 'Jones Station Bus#2 230/22.0KV TRANSFORMER CKT 1'                        |
| 11WP | 0 | G10_059 | 'BORDEN COUNTY INTERCHANGE 230/138KV TRANSFORMER CKT 1'   | TO->FROM | 0.22962 | 167.8 | 'TERRY COUNTY INTERCHANGE - WOLFFORTH INTERCHANGE 115KV CKT 1'            |
| 11WP | 0 | G10_060 | 'BORDEN COUNTY INTERCHANGE 230/138KV TRANSFORMER CKT 1'   | TO->FROM | 0.22962 | 167.8 | 'TERRY COUNTY INTERCHANGE - WOLFFORTH INTERCHANGE 115KV CKT 1'            |
| 11WP | 0 | G10_059 | 'BORDEN COUNTY INTERCHANGE 230/138KV TRANSFORMER CKT 1'   | TO->FROM | 0.22491 | 167.8 | 'Jones Station Bus#2 230/22.0KV TRANSFORMER CKT 1'                        |
| 11WP | 0 | G10_060 | 'BORDEN COUNTY INTERCHANGE 230/138KV TRANSFORMER CKT 1'   | TO->FROM | 0.22491 | 167.8 | 'Jones Station Bus#2 230/22.0KV TRANSFORMER CKT 1'                        |
| 11WP | 0 | G10_059 | 'BORDEN COUNTY INTERCHANGE 230/138KV TRANSFORMER CKT 1'   | TO->FROM | 0.22491 | 167.8 | 'CAPROCK REC-BUCHANAN - CAPROCK REC-LONE WOLF 138KV CKT 1'                |
| 11WP | 0 | G10_060 | 'BORDEN COUNTY INTERCHANGE 230/138KV TRANSFORMER CKT 1'   | TO->FROM | 0.22491 | 167.8 | 'CAPROCK REC-BUCHANAN - CAPROCK REC-LONE WOLF 138KV CKT 1'                |
| 11WP | 0 | G10_059 | 'CAPROCK REC-MCDONALD - CAPROCK REC-PHILLIPS 138KV CKT 1' | TO->FROM | 0.23846 | 271   | 'CUNNINGHAM STATION - LEA COUNTY INTERCHANGE 230KV CKT 1'                 |
| 11WP | 0 | G10_060 | 'CAPROCK REC-MCDONALD - CAPROCK REC-PHILLIPS 138KV CKT 1' | TO->FROM | 0.23846 | 271   | 'CUNNINGHAM STATION - LEA COUNTY INTERCHANGE 230KV CKT 1'                 |
| 11WP | 0 | G10_059 | 'BORDEN COUNTY INTERCHANGE 230/138KV TRANSFORMER CKT 1'   | TO->FROM | 0.23705 | 167.8 | 'EDDY COUNTY INTERCHANGE (ABB AEM30711) 345/230/13.2KV TRANSFORMER CKT 1' |
| 11WP | 0 | G10_060 | 'BORDEN COUNTY INTERCHANGE 230/138KV TRANSFORMER CKT 1'   | TO->FROM | 0.23705 | 167.8 | 'EDDY COUNTY INTERCHANGE (ABB AEM30711) 345/230/13.2KV TRANSFORMER CKT 1' |
| 11WP | 0 | G10_059 | 'BORDEN COUNTY INTERCHANGE 230/138KV TRANSFORMER CKT 1'   | TO->FROM | 0.23705 | 167.8 | 'CHAVESCO 345.00 - EDDY COUNTY INTERCHANGE 345KV CKT 1'                   |
| 11WP | 0 | G10_060 | 'BORDEN COUNTY INTERCHANGE 230/138KV TRANSFORMER CKT 1'   | TO->FROM | 0.23705 | 167.8 | 'CHAVESCO 345.00 - EDDY COUNTY INTERCHANGE 345KV CKT 1'                   |
| 11WP | 0 | G10_059 | 'BORDEN COUNTY INTERCHANGE 230/138KV TRANSFORMER CKT 1'   | TO->FROM | 0.22696 | 167.8 | 'WOLFFORTH INTERCHANGE - YUMA INTERCHANGE 115KV CKT 1'                    |
| 11WP | 0 | G10_060 | 'BORDEN COUNTY INTERCHANGE 230/138KV TRANSFORMER CKT 1'   | TO->FROM | 0.22696 | 167.8 | 'WOLFFORTH INTERCHANGE - YUMA INTERCHANGE 115KV CKT 1'                    |

|      |   |         |   |          |         |       |   |
|------|---|---------|---|----------|---------|-------|---|
| 11WP | 0 | G10_059 | 'CAPROCK REC-NEW SCHWARTZ - CAPROCK REC-PEMBROOK 138KV CKT 1'     | FROM->TO | 0.29563 | 271   | 'HOBBS INTERCHANGE - MIDLAND COUNTY INTERCHANGE 230KV CKT 1'      |
| 11WP | 0 | G10_060 | 'CAPROCK REC-NEW SCHWARTZ - CAPROCK REC-PEMBROOK 138KV CKT 1'     | FROM->TO | 0.29563 | 271   | 'HOBBS INTERCHANGE - MIDLAND COUNTY INTERCHANGE 230KV CKT 1'      |
| 11WP | 0 | G10_059 | 'CAPROCK REC-KOCH - CAPROCK REC-REED 138KV CKT 1'                 | TO->FROM | 0.19971 | 175.9 | 'CAPROCK REC-PEMBROOK - G09-17T 138.00 138KV CKT 1'               |
| 11WP | 0 | G10_060 | 'CAPROCK REC-KOCH - CAPROCK REC-REED 138KV CKT 1'                 | TO->FROM | 0.19971 | 175.9 | 'CAPROCK REC-PEMBROOK - G09-17T 138.00 138KV CKT 1'               |
| 11WP | 0 | G10_059 | 'TUCO INTERCHANGE (GE M1022338) 345/230/13.2KV TRANSFORMER CKT 1' | FROM->TO | 0.43393 | 553.3 | 'TUCO INTERCHANGE (UPDATE DATA) 345/230/13.2KV TRANSFORMER CKT 2' |
| 11WP | 0 | G10_058 | 'TUCO INTERCHANGE (GE M1022338) 345/230/13.2KV TRANSFORMER CKT 1' | FROM->TO | 0.40705 | 553.3 | 'TUCO INTERCHANGE (UPDATE DATA) 345/230/13.2KV TRANSFORMER CKT 2' |
| 11WP | 0 | G10_060 | 'TUCO INTERCHANGE (GE M1022338) 345/230/13.2KV TRANSFORMER CKT 1' | FROM->TO | 0.43393 | 553.3 | 'TUCO INTERCHANGE (UPDATE DATA) 345/230/13.2KV TRANSFORMER CKT 2' |
| 11WP | 0 | G10_059 | 'CAPROCK REC-KOCH - CAPROCK REC-VEALMOOR 138KV CKT 1'             | FROM->TO | 0.19971 | 175.9 | 'CAPROCK REC-PEMBROOK - G09-17T 138.00 138KV CKT 1'               |
| 11WP | 0 | G10_060 | 'CAPROCK REC-KOCH - CAPROCK REC-VEALMOOR 138KV CKT 1'             | FROM->TO | 0.19971 | 175.9 | 'CAPROCK REC-PEMBROOK - G09-17T 138.00 138KV CKT 1'               |
| 11WP | 0 | G10_059 | 'CAPROCK REC-MCDONALD - CAPROCK REC-PHILLIPS 138KV CKT 1'         | TO->FROM | 0.2306  | 271   | 'TOLK STATION EAST - TUCO INTERCHANGE 230KV CKT 1'                |
| 11WP | 0 | G10_060 | 'CAPROCK REC-MCDONALD - CAPROCK REC-PHILLIPS 138KV CKT 1'         | TO->FROM | 0.2306  | 271   | 'TOLK STATION EAST - TUCO INTERCHANGE 230KV CKT 1'                |
| 11WP | 0 | G10_059 | 'CAPROCK REC-KOCH - CAPROCK REC-REED 138KV CKT 1'                 | TO->FROM | 0.19958 | 175.9 | 'CAPROCK REC-ST LAWRENCE - CAPROCK REC-STILES 138KV CKT 1'        |
| 11WP | 0 | G10_060 | 'CAPROCK REC-KOCH - CAPROCK REC-REED 138KV CKT 1'                 | TO->FROM | 0.19958 | 175.9 | 'CAPROCK REC-ST LAWRENCE - CAPROCK REC-STILES 138KV CKT 1'        |
| 11WP | 0 | G10_059 | 'CAPROCK REC-KOCH - CAPROCK REC-VEALMOOR 138KV CKT 1'             | FROM->TO | 0.19958 | 175.9 | 'CAPROCK REC-ST LAWRENCE - CAPROCK REC-STILES 138KV CKT 1'        |
| 11WP | 0 | G10_060 | 'CAPROCK REC-KOCH - CAPROCK REC-VEALMOOR 138KV CKT 1'             | FROM->TO | 0.19958 | 175.9 | 'CAPROCK REC-ST LAWRENCE - CAPROCK REC-STILES 138KV CKT 1'        |
| 11WP | 0 | G10_059 | 'CAPROCK REC-MCDONALD - CAPROCK REC-PHILLIPS 138KV CKT 1'         | TO->FROM | 0.23289 | 271   | 'SUNDOWN INTERCHANGE - WOLFFORTH INTERCHANGE 230KV CKT 1'         |
| 11WP | 0 | G10_060 | 'CAPROCK REC-MCDONALD - CAPROCK REC-PHILLIPS 138KV CKT 1'         | TO->FROM | 0.23289 | 271   | 'SUNDOWN INTERCHANGE - WOLFFORTH INTERCHANGE 230KV CKT 1'         |
| 11WP | 0 | G10_059 | 'BORDEN COUNTY INTERCHANGE 230/138KV TRANSFORMER CKT 1'           | TO->FROM | 0.22491 | 167.8 | 'BASE CASE'   |
| 11WP | 0 | G10_060 | 'BORDEN COUNTY INTERCHANGE 230/138KV TRANSFORMER CKT 1'           | TO->FROM | 0.22491 | 167.8 | 'BASE CASE'   |
| 11WP | 0 | G10_059 | 'CAPROCK REC-GRADY - CAPROCK REC-TRIANGLE 138KV CKT 1'            | TO->FROM | 0.19958 | 175.9 | 'CAPROCK REC-BUCHANAN - CAPROCK REC-RUSSEL TAP 138KV CKT 1'       |
| 11WP | 0 | G10_060 | 'CAPROCK REC-GRADY - CAPROCK REC-TRIANGLE 138KV CKT 1'            | TO->FROM | 0.19958 | 175.9 | 'CAPROCK REC-BUCHANAN - CAPROCK REC-RUSSEL TAP 138KV CKT 1'       |
| 11WP | 0 | G10_059 | 'TUCO INTERCHANGE (GE M1022338) 345/230/13.2KV TRANSFORMER CKT 1' | FROM->TO | 0.43393 | 558.9 | 'TUCO INTERCHANGE (UPDATE DATA) 345/230/13.2KV TRANSFORMER CKT 2' |
| 11WP | 0 | G10_058 | 'TUCO INTERCHANGE (GE M1022338) 345/230/13.2KV TRANSFORMER CKT 1' | FROM->TO | 0.40705 | 558.9 | 'TUCO INTERCHANGE (UPDATE DATA) 345/230/13.2KV TRANSFORMER CKT 2' |
| 11WP | 0 | G10_060 | 'TUCO INTERCHANGE (GE M1022338) 345/230/13.2KV TRANSFORMER CKT 1' | FROM->TO | 0.43393 | 558.9 | 'TUCO INTERCHANGE (UPDATE DATA) 345/230/13.2KV TRANSFORMER CKT 2' |
| 11WP | 0 | G10_059 | 'CAPROCK REC-MCDONALD - CAPROCK REC-PHILLIPS 138KV CKT 1'         | TO->FROM | 0.23141 | 271   | 'CUNNINGHAM STATION - EDDY COUNTY INTERCHANGE 230KV CKT 1'        |

|      |   |         |   |          |         |       |   |
|------|---|---------|---|----------|---------|-------|---|
| 11WP | 0 | G10_060 | 'CAPROCK REC-MCDONALD - CAPROCK REC-PHILLIPS 138KV CKT 1'         | TO->FROM | 0.23141 | 271   | 'CUNNINGHAM STATION - EDDY COUNTY INTERCHANGE 230KV CKT 1'      |
| 11WP | 0 | G10_059 | 'AMOCO SWITCHING STATION - YOAKUM COUNTY INTERCHANGE 230KV CKT 1' | TO->FROM | 0.25244 | 358.7 | 'MIDLAND COUNTY INTERCHANGE 230/138KV TRANSFORMER CKT 1'        |
| 11WP | 0 | G10_060 | 'AMOCO SWITCHING STATION - YOAKUM COUNTY INTERCHANGE 230KV CKT 1' | TO->FROM | 0.25244 | 358.7 | 'MIDLAND COUNTY INTERCHANGE 230/138KV TRANSFORMER CKT 1'        |
| 11WP | 0 | G10_059 | 'CAPROCK REC-MCDONALD - CAPROCK REC-PHILLIPS 138KV CKT 1'         | TO->FROM | 0.23585 | 271   | 'AMOCO SWITCHING STATION - SUNDOWN INTERCHANGE 230KV CKT 1'     |
| 11WP | 0 | G10_060 | 'CAPROCK REC-MCDONALD - CAPROCK REC-PHILLIPS 138KV CKT 1'         | TO->FROM | 0.23585 | 271   | 'AMOCO SWITCHING STATION - SUNDOWN INTERCHANGE 230KV CKT 1'     |
| 11WP | 0 | G10_059 | 'CAPROCK REC-ST LAWRENCE - CAPROCK REC-STILES 138KV CKT 1'        | TO->FROM | 0.29541 | 270.9 | 'HOBBS INTERCHANGE - MIDLAND COUNTY INTERCHANGE 230KV CKT 1'    |
| 11WP | 0 | G10_060 | 'CAPROCK REC-ST LAWRENCE - CAPROCK REC-STILES 138KV CKT 1'        | TO->FROM | 0.29541 | 270.9 | 'HOBBS INTERCHANGE - MIDLAND COUNTY INTERCHANGE 230KV CKT 1'    |
| 11WP | 0 | G10_059 | 'LEA COUNTY INTERCHANGE - YOAKUM COUNTY INTERCHANGE 230KV CKT 1'  | FROM->TO | 0.32654 | 360.7 | 'CUNNINGHAM STATION - EDDY COUNTY INTERCHANGE 230KV CKT 1'      |
| 11WP | 0 | G10_060 | 'LEA COUNTY INTERCHANGE - YOAKUM COUNTY INTERCHANGE 230KV CKT 1'  | FROM->TO | 0.32654 | 360.7 | 'CUNNINGHAM STATION - EDDY COUNTY INTERCHANGE 230KV CKT 1'      |
| 11WP | 0 | G10_059 | 'CAPROCK REC-GRADY - CAPROCK REC-TRIANGLE 138KV CKT 1'            | TO->FROM | 0.19958 | 175.9 | 'CAPROCK REC-RUSSEL TAP - CAPROCK REC-VEALMOOR 138KV CKT 1'     |
| 11WP | 0 | G10_060 | 'CAPROCK REC-GRADY - CAPROCK REC-TRIANGLE 138KV CKT 1'            | TO->FROM | 0.19958 | 175.9 | 'CAPROCK REC-RUSSEL TAP - CAPROCK REC-VEALMOOR 138KV CKT 1'     |
| 11WP | 0 | G10_059 | 'CAPROCK REC-MCDONALD - CAPROCK REC-PHILLIPS 138KV CKT 1'         | TO->FROM | 0.23719 | 271   | 'TOLK STATION (ABBXNL844501) 345/230/13.2KV TRANSFORMER CKT 1'  |
| 11WP | 0 | G10_060 | 'CAPROCK REC-MCDONALD - CAPROCK REC-PHILLIPS 138KV CKT 1'         | TO->FROM | 0.23719 | 271   | 'TOLK STATION (ABBXNL844501) 345/230/13.2KV TRANSFORMER CKT 1'  |
| 11WP | 0 | G10_059 | 'CAPROCK REC-MCDONALD - CAPROCK REC-PHILLIPS 138KV CKT 1'         | TO->FROM | 0.23719 | 271   | 'CHAVESCO 345.00 - TOLK STATION 345KV CKT 1'                    |
| 11WP | 0 | G10_060 | 'CAPROCK REC-MCDONALD - CAPROCK REC-PHILLIPS 138KV CKT 1'         | TO->FROM | 0.23719 | 271   | 'CHAVESCO 345.00 - TOLK STATION 345KV CKT 1'                    |
| 11WP | 0 | G10_059 | 'AMOCO SWITCHING STATION - YOAKUM COUNTY INTERCHANGE 230KV CKT 1' | TO->FROM | 0.25244 | 358.7 | 'CAPROCK REC-PHILLIPS - CAPROCK REC-TATE 138KV CKT 1'           |
| 11WP | 0 | G10_060 | 'AMOCO SWITCHING STATION - YOAKUM COUNTY INTERCHANGE 230KV CKT 1' | TO->FROM | 0.25244 | 358.7 | 'CAPROCK REC-PHILLIPS - CAPROCK REC-TATE 138KV CKT 1'           |
| 11WP | 0 | G10_059 | 'CAPROCK REC-MCDONALD - CAPROCK REC-PHILLIPS 138KV CKT 1'         | TO->FROM | 0.23287 | 271   | 'LUBBOCK SOUTH INTERCHANGE - WOLFFORTH INTERCHANGE 230KV CKT 1' |
| 11WP | 0 | G10_060 | 'CAPROCK REC-MCDONALD - CAPROCK REC-PHILLIPS 138KV CKT 1'         | TO->FROM | 0.23287 | 271   | 'LUBBOCK SOUTH INTERCHANGE - WOLFFORTH INTERCHANGE 230KV CKT 1' |
| 11WP | 0 | G10_059 | 'CAPROCK REC-MCDONALD - CAPROCK REC-PHILLIPS 138KV CKT 1'         | TO->FROM | 0.22791 | 271   | 'CUNNINGHAM STATION - POTASH JUNCTION INTERCHANGE 230KV CKT 1'  |
| 11WP | 0 | G10_060 | 'CAPROCK REC-MCDONALD - CAPROCK REC-PHILLIPS 138KV CKT 1'         | TO->FROM | 0.22791 | 271   | 'CUNNINGHAM STATION - POTASH JUNCTION INTERCHANGE 230KV CKT 1'  |
| 11WP | 0 | G10_059 | 'CAPROCK REC-MCDONALD - CAPROCK REC-PHILLIPS 138KV CKT 1'         | TO->FROM | 0.22984 | 271   | 'TERRY COUNTY INTERCHANGE - WOLFFORTH INTERCHANGE 115KV CKT 1'  |
| 11WP | 0 | G10_060 | 'CAPROCK REC-MCDONALD - CAPROCK REC-PHILLIPS 138KV CKT 1'         | TO->FROM | 0.22984 | 271   | 'TERRY COUNTY INTERCHANGE - WOLFFORTH INTERCHANGE 115KV CKT 1'  |
| 11WP | 0 | G10_059 | 'CAPROCK REC-MCDONALD - CAPROCK REC-PHILLIPS 138KV CKT 1'         | TO->FROM | 0.22512 | 271   | 'Jones Station Bus#2 230/22.0KV TRANSFORMER CKT 1'              |
| 11WP | 0 | G10_060 | 'CAPROCK REC-MCDONALD - CAPROCK REC-PHILLIPS 138KV CKT 1'         | TO->FROM | 0.22512 | 271   | 'Jones Station Bus#2 230/22.0KV TRANSFORMER CKT 1'              |

|      |   |         |   |          |         |       |   |
|------|---|---------|---|----------|---------|-------|---|
| 11WP | 0 | G10_059 | 'CAPROCK REC-KOCH - CAPROCK REC-REED 138KV CKT 1'                 | TO->FROM | 0.19958 | 175.9 | 'CAPROCK REC-LANGE - CAPROCK REC-ST LAWRENCE 138KV CKT 1'                 |
| 11WP | 0 | G10_060 | 'CAPROCK REC-KOCH - CAPROCK REC-REED 138KV CKT 1'                 | TO->FROM | 0.19958 | 175.9 | 'CAPROCK REC-LANGE - CAPROCK REC-ST LAWRENCE 138KV CKT 1'                 |
| 11WP | 0 | G10_059 | 'CAPROCK REC-MCDONALD - CAPROCK REC-PHILLIPS 138KV CKT 1'         | TO->FROM | 0.22512 | 271   | 'Jones Station Bus#2 230/22.0KV TRANSFORMER CKT 1'                        |
| 11WP | 0 | G10_060 | 'CAPROCK REC-MCDONALD - CAPROCK REC-PHILLIPS 138KV CKT 1'         | TO->FROM | 0.22512 | 271   | 'Jones Station Bus#2 230/22.0KV TRANSFORMER CKT 1'                        |
| 11WP | 0 | G10_059 | 'CAPROCK REC-KOCH - CAPROCK REC-VEALMOOR 138KV CKT 1'             | FROM->TO | 0.19958 | 175.9 | 'CAPROCK REC-LANGE - CAPROCK REC-ST LAWRENCE 138KV CKT 1'                 |
| 11WP | 0 | G10_060 | 'CAPROCK REC-KOCH - CAPROCK REC-VEALMOOR 138KV CKT 1'             | FROM->TO | 0.19958 | 175.9 | 'CAPROCK REC-LANGE - CAPROCK REC-ST LAWRENCE 138KV CKT 1'                 |
| 11WP | 0 | G10_059 | 'CAPROCK REC-MCDONALD - CAPROCK REC-PHILLIPS 138KV CKT 1'         | TO->FROM | 0.23726 | 271   | 'EDDY COUNTY INTERCHANGE (ABB AEM30711) 345/230/13.2KV TRANSFORMER CKT 1' |
| 11WP | 0 | G10_060 | 'CAPROCK REC-MCDONALD - CAPROCK REC-PHILLIPS 138KV CKT 1'         | TO->FROM | 0.23726 | 271   | 'EDDY COUNTY INTERCHANGE (ABB AEM30711) 345/230/13.2KV TRANSFORMER CKT 1' |
| 11WP | 0 | G10_059 | 'CAPROCK REC-MCDONALD - CAPROCK REC-PHILLIPS 138KV CKT 1'         | TO->FROM | 0.23726 | 271   | 'CHAVESCO 345.00 - EDDY COUNTY INTERCHANGE 345KV CKT 1'                   |
| 11WP | 0 | G10_060 | 'CAPROCK REC-MCDONALD - CAPROCK REC-PHILLIPS 138KV CKT 1'         | TO->FROM | 0.23726 | 271   | 'CHAVESCO 345.00 - EDDY COUNTY INTERCHANGE 345KV CKT 1'                   |
| 11WP | 0 | G10_059 | 'CAPROCK REC-MCDONALD - CAPROCK REC-PHILLIPS 138KV CKT 1'         | TO->FROM | 0.22717 | 271   | 'WOLFFORTH INTERCHANGE - YUMA INTERCHANGE 115KV CKT 1'                    |
| 11WP | 0 | G10_060 | 'CAPROCK REC-MCDONALD - CAPROCK REC-PHILLIPS 138KV CKT 1'         | TO->FROM | 0.22717 | 271   | 'WOLFFORTH INTERCHANGE - YUMA INTERCHANGE 115KV CKT 1'                    |
| 11WP | 0 | G10_059 | 'CAPROCK REC-MCDONALD - CAPROCK REC-PHILLIPS 138KV CKT 1'         | TO->FROM | 0.22981 | 271   | 'OASIS INTERCHANGE - SAN JUAN MESA TAP 230KV CKT 1'                       |
| 11WP | 0 | G10_060 | 'CAPROCK REC-MCDONALD - CAPROCK REC-PHILLIPS 138KV CKT 1'         | TO->FROM | 0.22981 | 271   | 'OASIS INTERCHANGE - SAN JUAN MESA TAP 230KV CKT 1'                       |
| 11WP | 0 | G10_059 | 'CAPROCK REC-KOCH - CAPROCK REC-REED 138KV CKT 1'                 | TO->FROM | 0.19958 | 175.9 | 'CAPROCK REC-BUCHANAN - CAPROCK REC-LANGE 138KV CKT 1'                    |
| 11WP | 0 | G10_060 | 'CAPROCK REC-KOCH - CAPROCK REC-REED 138KV CKT 1'                 | TO->FROM | 0.19958 | 175.9 | 'CAPROCK REC-BUCHANAN - CAPROCK REC-LANGE 138KV CKT 1'                    |
| 11WP | 0 | G10_059 | 'CAPROCK REC-KOCH - CAPROCK REC-VEALMOOR 138KV CKT 1'             | FROM->TO | 0.19958 | 175.9 | 'CAPROCK REC-BUCHANAN - CAPROCK REC-LANGE 138KV CKT 1'                    |
| 11WP | 0 | G10_060 | 'CAPROCK REC-KOCH - CAPROCK REC-VEALMOOR 138KV CKT 1'             | FROM->TO | 0.19958 | 175.9 | 'CAPROCK REC-BUCHANAN - CAPROCK REC-LANGE 138KV CKT 1'                    |
| 11WP | 0 | G10_059 | 'TUCO INTERCHANGE (UPDATE DATA) 345/230/13.2KV TRANSFORMER CKT 2' | FROM->TO | 0.42315 | 557.9 | 'TUCO INTERCHANGE (GE M1022338) 345/230/13.2KV TRANSFORMER CKT 1'         |
| 11WP | 0 | G10_058 | 'TUCO INTERCHANGE (UPDATE DATA) 345/230/13.2KV TRANSFORMER CKT 2' | FROM->TO | 0.39694 | 557.9 | 'TUCO INTERCHANGE (GE M1022338) 345/230/13.2KV TRANSFORMER CKT 1'         |
| 11WP | 0 | G10_060 | 'TUCO INTERCHANGE (UPDATE DATA) 345/230/13.2KV TRANSFORMER CKT 2' | FROM->TO | 0.42315 | 557.9 | 'TUCO INTERCHANGE (GE M1022338) 345/230/13.2KV TRANSFORMER CKT 1'         |
| 11WP | 0 | G10_059 | 'TUCO INTERCHANGE (UPDATE DATA) 345/230/13.2KV TRANSFORMER CKT 2' | FROM->TO | 0.42315 | 558   | 'TUCO INTERCHANGE (GE M1022338) 345/230/13.2KV TRANSFORMER CKT 1'         |
| 11WP | 0 | G10_058 | 'TUCO INTERCHANGE (UPDATE DATA) 345/230/13.2KV TRANSFORMER CKT 2' | FROM->TO | 0.39694 | 558   | 'TUCO INTERCHANGE (GE M1022338) 345/230/13.2KV TRANSFORMER CKT 1'         |
| 11WP | 0 | G10_060 | 'TUCO INTERCHANGE (UPDATE DATA) 345/230/13.2KV TRANSFORMER CKT 2' | FROM->TO | 0.42315 | 558   | 'TUCO INTERCHANGE (GE M1022338) 345/230/13.2KV TRANSFORMER CKT 1'         |

|      |   |         |   |          |         |       |  |
|------|---|---------|---|----------|---------|-------|--|
| 11WP | 0 | G10_059 | 'AMOCO SWITCHING STATION - YOAKUM COUNTY INTERCHANGE 230KV CKT 1' | TO->FROM | 0.25244 | 358.7 | 'CAPROCK REC-MCDONALD - CAPROCK REC-PHILLIPS 138KV CKT 1'          |
| 11WP | 0 | G10_060 | 'AMOCO SWITCHING STATION - YOAKUM COUNTY INTERCHANGE 230KV CKT 1' | TO->FROM | 0.25244 | 358.7 | 'CAPROCK REC-MCDONALD - CAPROCK REC-PHILLIPS 138KV CKT 1'          |
| 11WP | 0 | G10_059 | 'LEA COUNTY INTERCHANGE - YOAKUM COUNTY INTERCHANGE 230KV CKT 1'  | FROM->TO | 0.33065 | 360.7 | 'CAPROCK REC-MCDONALD - CAPROCK REC-TRIANGLE 138KV CKT 1'          |
| 11WP | 0 | G10_060 | 'LEA COUNTY INTERCHANGE - YOAKUM COUNTY INTERCHANGE 230KV CKT 1'  | FROM->TO | 0.33065 | 360.7 | 'CAPROCK REC-MCDONALD - CAPROCK REC-TRIANGLE 138KV CKT 1'          |
| 11WP | 0 | G10_059 | 'LEA COUNTY INTERCHANGE - YOAKUM COUNTY INTERCHANGE 230KV CKT 1'  | FROM->TO | 0.33065 | 360.7 | 'CAPROCK REC-GRADY - CAPROCK REC-TRIANGLE 138KV CKT 1'             |
| 11WP | 0 | G10_060 | 'LEA COUNTY INTERCHANGE - YOAKUM COUNTY INTERCHANGE 230KV CKT 1'  | FROM->TO | 0.33065 | 360.7 | 'CAPROCK REC-GRADY - CAPROCK REC-TRIANGLE 138KV CKT 1'             |
| 11WP | 0 | G10_059 | 'LEA COUNTY INTERCHANGE - YOAKUM COUNTY INTERCHANGE 230KV CKT 1'  | FROM->TO | 0.32169 | 360.7 | 'GAINES COUNTY INTERCHANGE - TAYLOR SWITCHING STATION 115KV CKT 1' |
| 11WP | 0 | G10_060 | 'LEA COUNTY INTERCHANGE - YOAKUM COUNTY INTERCHANGE 230KV CKT 1'  | FROM->TO | 0.32169 | 360.7 | 'GAINES COUNTY INTERCHANGE - TAYLOR SWITCHING STATION 115KV CKT 1' |
| 11WP | 0 | G10_059 | 'CAPROCK REC-BUCHANAN - CAPROCK REC-LANGE 138KV CKT 1'            | TO->FROM | 0.29541 | 271   | 'HOBBS INTERCHANGE - MIDLAND COUNTY INTERCHANGE 230KV CKT 1'       |
| 11WP | 0 | G10_060 | 'CAPROCK REC-BUCHANAN - CAPROCK REC-LANGE 138KV CKT 1'            | TO->FROM | 0.29541 | 271   | 'HOBBS INTERCHANGE - MIDLAND COUNTY INTERCHANGE 230KV CKT 1'       |
| 11WP | 0 | G10_059 | 'LEA COUNTY INTERCHANGE - YOAKUM COUNTY INTERCHANGE 230KV CKT 1'  | FROM->TO | 0.33065 | 360.7 | 'CAPROCK REC-GRADY - CAPROCK REC-REED 138KV CKT 1'                 |
| 11WP | 0 | G10_060 | 'LEA COUNTY INTERCHANGE - YOAKUM COUNTY INTERCHANGE 230KV CKT 1'  | FROM->TO | 0.33065 | 360.7 | 'CAPROCK REC-GRADY - CAPROCK REC-REED 138KV CKT 1'                 |
| 11WP | 0 | G10_059 | 'LEA COUNTY INTERCHANGE - YOAKUM COUNTY INTERCHANGE 230KV CKT 1'  | FROM->TO | 0.33065 | 360.7 | 'CAPROCK REC-KOCH - CAPROCK REC-REED 138KV CKT 1'                  |
| 11WP | 0 | G10_060 | 'LEA COUNTY INTERCHANGE - YOAKUM COUNTY INTERCHANGE 230KV CKT 1'  | FROM->TO | 0.33065 | 360.7 | 'CAPROCK REC-KOCH - CAPROCK REC-REED 138KV CKT 1'                  |
| 11WP | 0 | G10_059 | 'LEA COUNTY INTERCHANGE - YOAKUM COUNTY INTERCHANGE 230KV CKT 1'  | FROM->TO | 0.33065 | 360.7 | 'CAPROCK REC-KOCH - CAPROCK REC-VEALMOOR 138KV CKT 1'              |
| 11WP | 0 | G10_060 | 'LEA COUNTY INTERCHANGE - YOAKUM COUNTY INTERCHANGE 230KV CKT 1'  | FROM->TO | 0.33065 | 360.7 | 'CAPROCK REC-KOCH - CAPROCK REC-VEALMOOR 138KV CKT 1'              |
| 11WP | 0 | G10_059 | 'LEA COUNTY INTERCHANGE - YOAKUM COUNTY INTERCHANGE 230KV CKT 1'  | FROM->TO | 0.35575 | 360.7 | 'TOLK STATION (ABBXNL844501) 345/230/13.2KV TRANSFORMER CKT 1'     |
| 11WP | 0 | G10_058 | 'LEA COUNTY INTERCHANGE - YOAKUM COUNTY INTERCHANGE 230KV CKT 1'  | FROM->TO | 0.25858 | 360.7 | 'TOLK STATION (ABBXNL844501) 345/230/13.2KV TRANSFORMER CKT 1'     |
| 11WP | 0 | G10_060 | 'LEA COUNTY INTERCHANGE - YOAKUM COUNTY INTERCHANGE 230KV CKT 1'  | FROM->TO | 0.35575 | 360.7 | 'TOLK STATION (ABBXNL844501) 345/230/13.2KV TRANSFORMER CKT 1'     |
| 11WP | 0 | G10_059 | 'LEA COUNTY INTERCHANGE - YOAKUM COUNTY INTERCHANGE 230KV CKT 1'  | FROM->TO | 0.35575 | 360.7 | 'CHAVESCO 345.00 - TOLK STATION 345KV CKT 1'                       |
| 11WP | 0 | G10_058 | 'LEA COUNTY INTERCHANGE - YOAKUM COUNTY INTERCHANGE 230KV CKT 1'  | FROM->TO | 0.25858 | 360.7 | 'CHAVESCO 345.00 - TOLK STATION 345KV CKT 1'                       |
| 11WP | 0 | G10_060 | 'LEA COUNTY INTERCHANGE - YOAKUM COUNTY INTERCHANGE 230KV CKT 1'  | FROM->TO | 0.35575 | 360.7 | 'CHAVESCO 345.00 - TOLK STATION 345KV CKT 1'                       |
| 11WP | 0 | G10_059 | 'CAPROCK REC-KOCH - CAPROCK REC-REED 138KV CKT 1'                 | TO->FROM | 0.19958 | 175.9 | 'CAPROCK REC-BUCHANAN - CAPROCK REC-RUSSEL TAP 138KV CKT 1'        |
| 11WP | 0 | G10_060 | 'CAPROCK REC-KOCH - CAPROCK REC-REED 138KV CKT 1'                 | TO->FROM | 0.19958 | 175.9 | 'CAPROCK REC-BUCHANAN - CAPROCK REC-RUSSEL TAP 138KV CKT 1'        |
| 11WP | 0 | G10_059 | 'CAPROCK REC-KOCH - CAPROCK REC-VEALMOOR 138KV CKT 1'             | FROM->TO | 0.19958 | 175.9 | 'CAPROCK REC-BUCHANAN - CAPROCK REC-RUSSEL TAP 138KV CKT 1'        |



|      |   |         |   |          |         |       |   |
|------|---|---------|---|----------|---------|-------|---|
| 11WP | 0 | G10_060 | 'CAPROCK REC-KOCH - CAPROCK REC-VEALMOOR 138KV CKT 1'             | FROM->TO | 0.19958 | 175.9 | 'CAPROCK REC-BUCHANAN - CAPROCK REC-RUSSEL TAP 138KV CKT 1'                                   |
| 11WP | 0 | G10_059 | 'LEA COUNTY INTERCHANGE - YOAKUM COUNTY INTERCHANGE 230KV CKT 1'  | FROM->TO | 0.30849 | 360.7 | 'CUNNINGHAM STATION - POTASH JUNCTION INTERCHANGE 230KV CKT 1'                                |
| 11WP | 0 | G10_060 | 'LEA COUNTY INTERCHANGE - YOAKUM COUNTY INTERCHANGE 230KV CKT 1'  | FROM->TO | 0.30849 | 360.7 | 'CUNNINGHAM STATION - POTASH JUNCTION INTERCHANGE 230KV CKT 1'                                |
| 11WP | 0 | G10_059 | 'LEA COUNTY INTERCHANGE - YOAKUM COUNTY INTERCHANGE 230KV CKT 1'  | FROM->TO | 0.29192 | 328.6 | 'BASE CASE'   |
| 11WP | 0 | G10_060 | 'LEA COUNTY INTERCHANGE - YOAKUM COUNTY INTERCHANGE 230KV CKT 1'  | FROM->TO | 0.29192 | 328.6 | 'BASE CASE'   |
| 11WP | 0 | G10_059 | 'LEA COUNTY INTERCHANGE - YOAKUM COUNTY INTERCHANGE 230KV CKT 1'  | FROM->TO | 0.31214 | 360.7 | 'HOBBS INTERCHANGE - Higg Switch Station 115KV CKT 1'   |
| 11WP | 0 | G10_060 | 'LEA COUNTY INTERCHANGE - YOAKUM COUNTY INTERCHANGE 230KV CKT 1'  | FROM->TO | 0.31214 | 360.7 | 'HOBBS INTERCHANGE - Higg Switch Station 115KV CKT 1'   |
| 11WP | 0 | G10_059 | 'CAPROCK REC-KOCH - CAPROCK REC-REED 138KV CKT 1'                 | TO->FROM | 0.19958 | 175.9 | 'CAPROCK REC-RUSSEL TAP - CAPROCK REC-VEALMOOR 138KV CKT 1'                                   |
| 11WP | 0 | G10_060 | 'CAPROCK REC-KOCH - CAPROCK REC-REED 138KV CKT 1'                 | TO->FROM | 0.19958 | 175.9 | 'CAPROCK REC-RUSSEL TAP - CAPROCK REC-VEALMOOR 138KV CKT 1'                                   |
| 11WP | 0 | G10_059 | 'CAPROCK REC-KOCH - CAPROCK REC-VEALMOOR 138KV CKT 1'             | FROM->TO | 0.19958 | 175.9 | 'CAPROCK REC-RUSSEL TAP - CAPROCK REC-VEALMOOR 138KV CKT 1'                                   |
| 11WP | 0 | G10_060 | 'CAPROCK REC-KOCH - CAPROCK REC-VEALMOOR 138KV CKT 1'             | FROM->TO | 0.19958 | 175.9 | 'CAPROCK REC-RUSSEL TAP - CAPROCK REC-VEALMOOR 138KV CKT 1'                                   |
| 11WP | 0 | G10_059 | 'LEA COUNTY INTERCHANGE - YOAKUM COUNTY INTERCHANGE 230KV CKT 1'  | FROM->TO | 0.29192 | 360.7 | 'Golden Spread REC - Mustang Interchange 230 kV Generation Bus - MUSTANG STATION 230KV CKT 1' |
| 11WP | 0 | G10_060 | 'LEA COUNTY INTERCHANGE - YOAKUM COUNTY INTERCHANGE 230KV CKT 1'  | FROM->TO | 0.29192 | 360.7 | 'Golden Spread REC - Mustang Interchange 230 kV Generation Bus - MUSTANG STATION 230KV CKT 1' |
| 11WP | 0 | G10_059 | 'CAPROCK REC-BUCHANAN - CAPROCK REC-RUSSEL TAP 138KV CKT 1'       | FROM->TO | 0.29541 | 271   | 'HOBBS INTERCHANGE - MIDLAND COUNTY INTERCHANGE 230KV CKT 1'                                  |
| 11WP | 0 | G10_060 | 'CAPROCK REC-BUCHANAN - CAPROCK REC-RUSSEL TAP 138KV CKT 1'       | FROM->TO | 0.29541 | 271   | 'HOBBS INTERCHANGE - MIDLAND COUNTY INTERCHANGE 230KV CKT 1'                                  |
| 11WP | 0 | G10_059 | 'LEA COUNTY INTERCHANGE - YOAKUM COUNTY INTERCHANGE 230KV CKT 1'  | FROM->TO | 0.35612 | 360.7 | 'EDDY COUNTY INTERCHANGE (ABB AEM30711) 345/230/13.2KV TRANSFORMER CKT 1'                     |
| 11WP | 0 | G10_058 | 'LEA COUNTY INTERCHANGE - YOAKUM COUNTY INTERCHANGE 230KV CKT 1'  | FROM->TO | 0.25895 | 360.7 | 'EDDY COUNTY INTERCHANGE (ABB AEM30711) 345/230/13.2KV TRANSFORMER CKT 1'                     |
| 11WP | 0 | G10_060 | 'LEA COUNTY INTERCHANGE - YOAKUM COUNTY INTERCHANGE 230KV CKT 1'  | FROM->TO | 0.35612 | 360.7 | 'EDDY COUNTY INTERCHANGE (ABB AEM30711) 345/230/13.2KV TRANSFORMER CKT 1'                     |
| 11WP | 0 | G10_059 | 'CAPROCK REC-RUSSEL TAP - CAPROCK REC-VEALMOOR 138KV CKT 1'       | FROM->TO | 0.29541 | 271   | 'HOBBS INTERCHANGE - MIDLAND COUNTY INTERCHANGE 230KV CKT 1'                                  |
| 11WP | 0 | G10_060 | 'CAPROCK REC-RUSSEL TAP - CAPROCK REC-VEALMOOR 138KV CKT 1'       | FROM->TO | 0.29541 | 271   | 'HOBBS INTERCHANGE - MIDLAND COUNTY INTERCHANGE 230KV CKT 1'                                  |
| 11WP | 0 | G10_059 | 'CUNNINGHAM STATION - LEA COUNTY INTERCHANGE 230KV CKT 1'         | TO->FROM | 0.46735 | 556.2 | 'LEA COUNTY INTERCHANGE - YOAKUM COUNTY INTERCHANGE 230KV CKT 1'                              |
| 11WP | 0 | G10_060 | 'CUNNINGHAM STATION - LEA COUNTY INTERCHANGE 230KV CKT 1'         | TO->FROM | 0.46735 | 556.2 | 'LEA COUNTY INTERCHANGE - YOAKUM COUNTY INTERCHANGE 230KV CKT 1'                              |
| 11WP | 0 | G10_059 | 'AMOCO SWITCHING STATION - YOAKUM COUNTY INTERCHANGE 230KV CKT 1' | TO->FROM | 0.25238 | 358.7 | 'BORDEN COUNTY INTERCHANGE 230/138KV TRANSFORMER CKT 1'                                       |

|      |   |         |   |          |         |       |   |
|------|---|---------|---|----------|---------|-------|---|
| 11WP | 0 | G10_060 | 'AMOCO SWITCHING STATION - YOAKUM COUNTY INTERCHANGE 230KV CKT 1' | TO->FROM | 0.25238 | 358.7 | 'BORDEN COUNTY INTERCHANGE 230/138KV TRANSFORMER CKT 1'         |
| 11WP | 0 | G10_059 | 'AMOCO SWITCHING STATION - YOAKUM COUNTY INTERCHANGE 230KV CKT 1' | TO->FROM | 0.25238 | 358.7 | 'SPP-SWPS-K48'  |
| 11WP | 0 | G10_060 | 'AMOCO SWITCHING STATION - YOAKUM COUNTY INTERCHANGE 230KV CKT 1' | TO->FROM | 0.25238 | 358.7 | 'SPP-SWPS-K48'  |
| 11WP | 0 | G10_059 | 'AMOCO SWITCHING STATION - YOAKUM COUNTY INTERCHANGE 230KV CKT 1' | TO->FROM | 0.25238 | 358.7 | 'BORDEN COUNTY INTERCHANGE - GRASSLAND INTERCHANGE 230KV CKT 1' |
| 11WP | 0 | G10_060 | 'AMOCO SWITCHING STATION - YOAKUM COUNTY INTERCHANGE 230KV CKT 1' | TO->FROM | 0.25238 | 358.7 | 'BORDEN COUNTY INTERCHANGE - GRASSLAND INTERCHANGE 230KV CKT 1' |
| 11WP | 0 | G10_059 | 'CAPROCK REC-MCDONALD - CAPROCK REC-TRIANGLE 138KV CKT 1'         | FROM->TO | 0.21403 | 271   | 'HOBBS INTERCHANGE - LEA COUNTY INTERCHANGE 230KV CKT 1'        |
| 11WP | 0 | G10_060 | 'CAPROCK REC-MCDONALD - CAPROCK REC-TRIANGLE 138KV CKT 1'         | FROM->TO | 0.21403 | 271   | 'HOBBS INTERCHANGE - LEA COUNTY INTERCHANGE 230KV CKT 1'        |
| 11WP | 0 | G10_059 | 'CUNNINGHAM STATION - LEA COUNTY INTERCHANGE 230KV CKT 1'         | TO->FROM | 0.40269 | 556.2 | 'MIDLAND COUNTY INTERCHANGE 230/138KV TRANSFORMER CKT 1'        |
| 11WP | 0 | G10_060 | 'CUNNINGHAM STATION - LEA COUNTY INTERCHANGE 230KV CKT 1'         | TO->FROM | 0.40269 | 556.2 | 'MIDLAND COUNTY INTERCHANGE 230/138KV TRANSFORMER CKT 1'        |
| 11WP | 0 | G10_059 | 'CUNNINGHAM STATION - LEA COUNTY INTERCHANGE 230KV CKT 1'         | TO->FROM | 0.40269 | 556.2 | 'CAPROCK REC-PHILLIPS - CAPROCK REC-TATE 138KV CKT 1'           |
| 11WP | 0 | G10_060 | 'CUNNINGHAM STATION - LEA COUNTY INTERCHANGE 230KV CKT 1'         | TO->FROM | 0.40269 | 556.2 | 'CAPROCK REC-PHILLIPS - CAPROCK REC-TATE 138KV CKT 1'           |
| 11WP | 0 | G10_059 | 'AMOCO SWITCHING STATION - YOAKUM COUNTY INTERCHANGE 230KV CKT 1' | TO->FROM | 0.23884 | 358.7 | 'TOLK STATION WEST - YOAKUM COUNTY INTERCHANGE 230KV CKT 1'     |
| 11WP | 0 | G10_060 | 'AMOCO SWITCHING STATION - YOAKUM COUNTY INTERCHANGE 230KV CKT 1' | TO->FROM | 0.23884 | 358.7 | 'TOLK STATION WEST - YOAKUM COUNTY INTERCHANGE 230KV CKT 1'     |
| 11WP | 0 | G10_059 | 'CUNNINGHAM STATION - EDDY COUNTY INTERCHANGE 230KV CKT 1'        | FROM->TO | 0.20325 | 360.8 | 'CUNNINGHAM STATION - POTASH JUNCTION INTERCHANGE 230KV CKT 1'  |
| 11WP | 0 | G10_060 | 'CUNNINGHAM STATION - EDDY COUNTY INTERCHANGE 230KV CKT 1'        | FROM->TO | 0.20325 | 360.8 | 'CUNNINGHAM STATION - POTASH JUNCTION INTERCHANGE 230KV CKT 1'  |
| 11WP | 0 | G10_059 | 'CUNNINGHAM STATION - LEA COUNTY INTERCHANGE 230KV CKT 1'         | TO->FROM | 0.40269 | 556.2 | 'CAPROCK REC-MCDONALD - CAPROCK REC-PHILLIPS 138KV CKT 1'       |
| 11WP | 0 | G10_060 | 'CUNNINGHAM STATION - LEA COUNTY INTERCHANGE 230KV CKT 1'         | TO->FROM | 0.40269 | 556.2 | 'CAPROCK REC-MCDONALD - CAPROCK REC-PHILLIPS 138KV CKT 1'       |
| 11WP | 0 | G10_059 | 'AMOCO SWITCHING STATION - YOAKUM COUNTY INTERCHANGE 230KV CKT 1' | TO->FROM | 0.21111 | 358.7 | 'CUNNINGHAM STATION - LEA COUNTY INTERCHANGE 230KV CKT 1'       |
| 11WP | 0 | G10_060 | 'AMOCO SWITCHING STATION - YOAKUM COUNTY INTERCHANGE 230KV CKT 1' | TO->FROM | 0.21111 | 358.7 | 'CUNNINGHAM STATION - LEA COUNTY INTERCHANGE 230KV CKT 1'       |
| 11WP | 0 | G10_059 | 'CAPROCK REC-MCDONALD - CAPROCK REC-TRIANGLE 138KV CKT 1'         | FROM->TO | 0.19971 | 271   | 'CAPROCK REC-MCDONALD - CR-1956 4138.00 138KV CKT 1'            |
| 11WP | 0 | G10_060 | 'CAPROCK REC-MCDONALD - CAPROCK REC-TRIANGLE 138KV CKT 1'         | FROM->TO | 0.19971 | 271   | 'CAPROCK REC-MCDONALD - CR-1956 4138.00 138KV CKT 1'            |
| 11WP | 0 | G10_059 | 'AMOCO SWITCHING STATION - YOAKUM COUNTY INTERCHANGE 230KV CKT 1' | TO->FROM | 0.21154 | 358.7 | 'CAPROCK REC-MCDONALD - CAPROCK REC-TRIANGLE 138KV CKT 1'       |
| 11WP | 0 | G10_060 | 'AMOCO SWITCHING STATION - YOAKUM COUNTY INTERCHANGE 230KV CKT 1' | TO->FROM | 0.21154 | 358.7 | 'CAPROCK REC-MCDONALD - CAPROCK REC-TRIANGLE 138KV CKT 1'       |
| 11WP | 0 | G10_059 | 'AMOCO SWITCHING STATION - YOAKUM COUNTY INTERCHANGE 230KV CKT 1' | TO->FROM | 0.21154 | 358.7 | 'CAPROCK REC-GRADY - CAPROCK REC-TRIANGLE 138KV CKT 1'          |
| 11WP | 0 | G10_060 | 'AMOCO SWITCHING STATION - YOAKUM COUNTY INTERCHANGE 230KV CKT 1' | TO->FROM | 0.21154 | 358.7 | 'CAPROCK REC-GRADY - CAPROCK REC-TRIANGLE 138KV CKT 1'          |

|      |   |         |   |          |         |       |   |
|------|---|---------|---|----------|---------|-------|---|
| 11WP | 0 | G10_059 | 'CAPROCK REC-MCDONALD - CAPROCK REC-TRIANGLE 138KV CKT 1'         | FROM->TO | 0.19971 | 271   | 'CAPROCK REC-NEW SCHWARTZ - CR-1956 4138.00 138KV CKT 1'                    |
| 11WP | 0 | G10_060 | 'CAPROCK REC-MCDONALD - CAPROCK REC-TRIANGLE 138KV CKT 1'         | FROM->TO | 0.19971 | 271   | 'CAPROCK REC-NEW SCHWARTZ - CR-1956 4138.00 138KV CKT 1'                    |
| 11WP | 0 | G10_059 | 'AMOCO SWITCHING STATION - YOAKUM COUNTY INTERCHANGE 230KV CKT 1' | TO->FROM | 0.21154 | 358.7 | 'CAPROCK REC-GRADY - CAPROCK REC-REED 138KV CKT 1'                          |
| 11WP | 0 | G10_060 | 'AMOCO SWITCHING STATION - YOAKUM COUNTY INTERCHANGE 230KV CKT 1' | TO->FROM | 0.21154 | 358.7 | 'CAPROCK REC-GRADY - CAPROCK REC-REED 138KV CKT 1'                          |
| 11WP | 0 | G10_059 | 'AMOCO SWITCHING STATION - YOAKUM COUNTY INTERCHANGE 230KV CKT 1' | TO->FROM | 0.21154 | 358.7 | 'CAPROCK REC-KOCH - CAPROCK REC-REED 138KV CKT 1'                           |
| 11WP | 0 | G10_060 | 'AMOCO SWITCHING STATION - YOAKUM COUNTY INTERCHANGE 230KV CKT 1' | TO->FROM | 0.21154 | 358.7 | 'CAPROCK REC-KOCH - CAPROCK REC-REED 138KV CKT 1'                           |
| 11WP | 0 | G10_059 | 'AMOCO SWITCHING STATION - YOAKUM COUNTY INTERCHANGE 230KV CKT 1' | TO->FROM | 0.21154 | 358.7 | 'CAPROCK REC-KOCH - CAPROCK REC-VEALMOOR 138KV CKT 1'                       |
| 11WP | 0 | G10_060 | 'AMOCO SWITCHING STATION - YOAKUM COUNTY INTERCHANGE 230KV CKT 1' | TO->FROM | 0.21154 | 358.7 | 'CAPROCK REC-KOCH - CAPROCK REC-VEALMOOR 138KV CKT 1'                       |
| 11WP | 0 | G10_059 | 'AMOCO SWITCHING STATION - YOAKUM COUNTY INTERCHANGE 230KV CKT 1' | TO->FROM | 0.20447 | 358.7 | 'TERRY COUNTY INTERCHANGE - WOLFFORTH INTERCHANGE 115KV CKT 1'              |
| 11WP | 0 | G10_060 | 'AMOCO SWITCHING STATION - YOAKUM COUNTY INTERCHANGE 230KV CKT 1' | TO->FROM | 0.20447 | 358.7 | 'TERRY COUNTY INTERCHANGE - WOLFFORTH INTERCHANGE 115KV CKT 1'              |
| 11WP | 0 | G10_059 | 'CAPROCK REC-GRADY - CAPROCK REC-REED 138KV CKT 1'                | FROM->TO | 0.21403 | 270.9 | 'HOBBS INTERCHANGE - LEA COUNTY INTERCHANGE 230KV CKT 1'                    |
| 11WP | 0 | G10_060 | 'CAPROCK REC-GRADY - CAPROCK REC-REED 138KV CKT 1'                | FROM->TO | 0.21403 | 270.9 | 'HOBBS INTERCHANGE - LEA COUNTY INTERCHANGE 230KV CKT 1'                    |
| 11WP | 0 | G10_059 | 'AMOCO SWITCHING STATION - YOAKUM COUNTY INTERCHANGE 230KV CKT 1' | TO->FROM | 0.20113 | 358.7 | 'CUNNINGHAM STATION - EDDY COUNTY INTERCHANGE 230KV CKT 1'                  |
| 11WP | 0 | G10_060 | 'AMOCO SWITCHING STATION - YOAKUM COUNTY INTERCHANGE 230KV CKT 1' | TO->FROM | 0.20113 | 358.7 | 'CUNNINGHAM STATION - EDDY COUNTY INTERCHANGE 230KV CKT 1'                  |
| 11WP | 0 | G10_059 | 'AMOCO SWITCHING STATION - YOAKUM COUNTY INTERCHANGE 230KV CKT 1' | TO->FROM | 0.22086 | 358.7 | 'TOLK STATION (ABBXNL844501) 345/230/13.2KV TRANSFORMER CKT 1'              |
| 11WP | 0 | G10_060 | 'AMOCO SWITCHING STATION - YOAKUM COUNTY INTERCHANGE 230KV CKT 1' | TO->FROM | 0.22086 | 358.7 | 'TOLK STATION (ABBXNL844501) 345/230/13.2KV TRANSFORMER CKT 1'              |
| 11WP | 0 | G10_059 | 'AMOCO SWITCHING STATION - YOAKUM COUNTY INTERCHANGE 230KV CKT 1' | TO->FROM | 0.22086 | 358.7 | 'CHAVESCO 345.00 - TOLK STATION 345KV CKT 1'                                |
| 11WP | 0 | G10_060 | 'AMOCO SWITCHING STATION - YOAKUM COUNTY INTERCHANGE 230KV CKT 1' | TO->FROM | 0.22086 | 358.7 | 'CHAVESCO 345.00 - TOLK STATION 345KV CKT 1'                                |
| 11WP | 0 | G10_059 | 'AMOCO SWITCHING STATION - YOAKUM COUNTY INTERCHANGE 230KV CKT 1' | TO->FROM | 0.19344 | 358.7 | 'LEA COUNTY REC-PLAINS INTERCHANGE - YOAKUM COUNTY INTERCHANGE 115KV CKT 1' |
| 11WP | 0 | G10_060 | 'AMOCO SWITCHING STATION - YOAKUM COUNTY INTERCHANGE 230KV CKT 1' | TO->FROM | 0.19344 | 358.7 | 'LEA COUNTY REC-PLAINS INTERCHANGE - YOAKUM COUNTY INTERCHANGE 115KV CKT 1' |
| 11WP | 0 | G10_059 | 'CAPROCK REC-MCDONALD - CAPROCK REC-TRIANGLE 138KV CKT 1'         | FROM->TO | 0.19958 | 271   | 'CAPROCK REC-STILES - G09-17T 138.00 138KV CKT 1'                           |
| 11WP | 0 | G10_060 | 'CAPROCK REC-MCDONALD - CAPROCK REC-TRIANGLE 138KV CKT 1'         | FROM->TO | 0.19958 | 271   | 'CAPROCK REC-STILES - G09-17T 138.00 138KV CKT 1'                           |
| 11WP | 0 | G10_059 | 'CAPROCK REC-MCDONALD - CAPROCK REC-TRIANGLE 138KV CKT 1'         | FROM->TO | 0.19971 | 271   | 'CAPROCK REC-NEW SCHWARTZ - CAPROCK REC-PEMBROOK 138KV CKT 1'               |
| 11WP | 0 | G10_060 | 'CAPROCK REC-MCDONALD - CAPROCK REC-TRIANGLE 138KV CKT 1'         | FROM->TO | 0.19971 | 271   | 'CAPROCK REC-NEW SCHWARTZ - CAPROCK REC-PEMBROOK 138KV CKT 1'               |

|      |   |         |  |          |         |       |  |
|------|---|---------|--|----------|---------|-------|--|
| 11WP | 0 | G10_059 | 'POTTER COUNTY INTERCHANGE - S-RANDLCO<br>230.00 230KV CKT 1'        | TO->FROM | 0.25589 | 360.9 | 'BUSHLAND INTERCHANGE - S-RANDLCO<br>230.00 230KV CKT 1'                     |
| 11WP | 0 | G10_058 | 'POTTER COUNTY INTERCHANGE - S-RANDLCO<br>230.00 230KV CKT 1'        | TO->FROM | 0.29029 | 360.9 | 'BUSHLAND INTERCHANGE - S-RANDLCO<br>230.00 230KV CKT 1'                     |
| 11WP | 0 | G10_060 | 'POTTER COUNTY INTERCHANGE - S-RANDLCO<br>230.00 230KV CKT 1'        | TO->FROM | 0.25589 | 360.9 | 'BUSHLAND INTERCHANGE - S-RANDLCO<br>230.00 230KV CKT 1'                     |
| 11WP | 0 | G10_059 | 'AMOCO SWITCHING STATION - YOAKUM<br>COUNTY INTERCHANGE 230KV CKT 1' | TO->FROM | 0.22109 | 358.7 | 'EDDY COUNTY INTERCHANGE (ABB AEM30711)<br>345/230/13.2KV TRANSFORMER CKT 1' |
| 11WP | 0 | G10_060 | 'AMOCO SWITCHING STATION - YOAKUM<br>COUNTY INTERCHANGE 230KV CKT 1' | TO->FROM | 0.22109 | 358.7 | 'EDDY COUNTY INTERCHANGE (ABB AEM30711)<br>345/230/13.2KV TRANSFORMER CKT 1' |
| 11WP | 0 | G10_059 | 'AMOCO SWITCHING STATION - YOAKUM<br>COUNTY INTERCHANGE 230KV CKT 1' | TO->FROM | 0.22109 | 358.7 | 'CHAVESCO 345.00 - EDDY COUNTY<br>INTERCHANGE 345KV CKT 1'                   |
| 11WP | 0 | G10_060 | 'AMOCO SWITCHING STATION - YOAKUM<br>COUNTY INTERCHANGE 230KV CKT 1' | TO->FROM | 0.22109 | 358.7 | 'CHAVESCO 345.00 - EDDY COUNTY<br>INTERCHANGE 345KV CKT 1'                   |
| 11WP | 0 | G10_059 | 'CAPROCK REC-MCDONALD - CAPROCK REC-<br>TRIANGLE 138KV CKT 1'        | FROM->TO | 0.19971 | 271   | 'CAPROCK REC-PEMBROOK - G09-17T 138.00<br>138KV CKT 1'                       |
| 11WP | 0 | G10_060 | 'CAPROCK REC-MCDONALD - CAPROCK REC-<br>TRIANGLE 138KV CKT 1'        | FROM->TO | 0.19971 | 271   | 'CAPROCK REC-PEMBROOK - G09-17T 138.00<br>138KV CKT 1'                       |
| 11WP | 0 | G10_059 | 'CAPROCK REC-MCDONALD - CAPROCK REC-<br>TRIANGLE 138KV CKT 1'        | FROM->TO | 0.19958 | 271   | 'CAPROCK REC-ST LAWRENCE - CAPROCK<br>REC-STILES 138KV CKT 1'                |
| 11WP | 0 | G10_060 | 'CAPROCK REC-MCDONALD - CAPROCK REC-<br>TRIANGLE 138KV CKT 1'        | FROM->TO | 0.19958 | 271   | 'CAPROCK REC-ST LAWRENCE - CAPROCK<br>REC-STILES 138KV CKT 1'                |
| 11WP | 0 | G10_059 | 'CUNNINGHAM STATION - LEA COUNTY<br>INTERCHANGE 230KV CKT 1'         | TO->FROM | 0.40261 | 556.2 | 'SPP-SWPS-K48'   |
| 11WP | 0 | G10_060 | 'CUNNINGHAM STATION - LEA COUNTY<br>INTERCHANGE 230KV CKT 1'         | TO->FROM | 0.40261 | 556.2 | 'SPP-SWPS-K48'   |
| 11WP | 0 | G10_059 | 'CUNNINGHAM STATION - LEA COUNTY<br>INTERCHANGE 230KV CKT 1'         | TO->FROM | 0.40261 | 556.2 | 'BORDEN COUNTY INTERCHANGE 230/138KV<br>TRANSFORMER CKT 1'                   |
| 11WP | 0 | G10_060 | 'CUNNINGHAM STATION - LEA COUNTY<br>INTERCHANGE 230KV CKT 1'         | TO->FROM | 0.40261 | 556.2 | 'BORDEN COUNTY INTERCHANGE 230/138KV<br>TRANSFORMER CKT 1'                   |
| 11WP | 0 | G10_059 | 'CUNNINGHAM STATION - LEA COUNTY<br>INTERCHANGE 230KV CKT 1'         | TO->FROM | 0.40261 | 556.2 | 'BORDEN COUNTY INTERCHANGE -<br>GRASSLAND INTERCHANGE 230KV CKT 1'           |
| 11WP | 0 | G10_060 | 'CUNNINGHAM STATION - LEA COUNTY<br>INTERCHANGE 230KV CKT 1'         | TO->FROM | 0.40261 | 556.2 | 'BORDEN COUNTY INTERCHANGE -<br>GRASSLAND INTERCHANGE 230KV CKT 1'           |
| 11WP | 0 | G10_059 | 'LUBBOCK SOUTH INTERCHANGE -<br>WOLFFORTH INTERCHANGE 230KV CKT 1'   | FROM->TO | 0.27079 | 358.2 | 'HOBBS INTERCHANGE - MIDLAND COUNTY<br>INTERCHANGE 230KV CKT 1'              |
| 11WP | 0 | G10_060 | 'LUBBOCK SOUTH INTERCHANGE -<br>WOLFFORTH INTERCHANGE 230KV CKT 1'   | FROM->TO | 0.27079 | 358.2 | 'HOBBS INTERCHANGE - MIDLAND COUNTY<br>INTERCHANGE 230KV CKT 1'              |
| 11WP | 0 | G10_059 | 'CAPROCK REC-GRADY - CAPROCK REC-REED<br>138KV CKT 1'                | FROM->TO | 0.19971 | 270.9 | 'CAPROCK REC-MCDONALD - CR-1956 4138.00<br>138KV CKT 1'                      |
| 11WP | 0 | G10_060 | 'CAPROCK REC-GRADY - CAPROCK REC-REED<br>138KV CKT 1'                | FROM->TO | 0.19971 | 270.9 | 'CAPROCK REC-MCDONALD - CR-1956 4138.00<br>138KV CKT 1'                      |
| 11WP | 0 | G10_059 | 'CUNNINGHAM STATION - LEA COUNTY<br>INTERCHANGE 230KV CKT 1'         | TO->FROM | 0.31741 | 556.2 | 'CUNNINGHAM STATION 230/20.0KV<br>TRANSFORMER CKT 1'                         |
| 11WP | 0 | G10_060 | 'CUNNINGHAM STATION - LEA COUNTY<br>INTERCHANGE 230KV CKT 1'         | TO->FROM | 0.31741 | 556.2 | 'CUNNINGHAM STATION 230/20.0KV<br>TRANSFORMER CKT 1'                         |
| 11WP | 0 | G10_059 | 'CAPROCK REC-MCDONALD - CAPROCK REC-<br>TRIANGLE 138KV CKT 1'        | FROM->TO | 0.19958 | 271   | 'CAPROCK REC-LANGE - CAPROCK REC-ST<br>LAWRENCE 138KV CKT 1'                 |

|      |   |         |  |          |         |       |  |
|------|---|---------|--|----------|---------|-------|--|
| 11WP | 0 | G10_060 | 'CAPROCK REC-MCDONALD - CAPROCK REC-TRIANGLE 138KV CKT 1'  | FROM->TO | 0.19958 | 271   | 'CAPROCK REC-LANGE - CAPROCK REC-ST LAWRENCE 138KV CKT 1'        |
| 11WP | 0 | G10_059 | 'CAPROCK REC-GRADY - CAPROCK REC-REED 138KV CKT 1'         | FROM->TO | 0.19971 | 270.9 | 'CAPROCK REC-NEW SCHWARTZ - CR-1956 4138.00 138KV CKT 1'         |
| 11WP | 0 | G10_060 | 'CAPROCK REC-GRADY - CAPROCK REC-REED 138KV CKT 1'         | FROM->TO | 0.19971 | 270.9 | 'CAPROCK REC-NEW SCHWARTZ - CR-1956 4138.00 138KV CKT 1'         |
| 11WP | 0 | G10_059 | 'CAPROCK REC-MCDONALD - CAPROCK REC-TRIANGLE 138KV CKT 1'  | FROM->TO | 0.19958 | 271   | 'CAPROCK REC-BUCHANAN - CAPROCK REC-LANGE 138KV CKT 1'           |
| 11WP | 0 | G10_060 | 'CAPROCK REC-MCDONALD - CAPROCK REC-TRIANGLE 138KV CKT 1'  | FROM->TO | 0.19958 | 271   | 'CAPROCK REC-BUCHANAN - CAPROCK REC-LANGE 138KV CKT 1'           |
| 11WP | 0 | G10_059 | 'BUSHLAND INTERCHANGE - S-RANDLCO 230.00 230KV CKT 1'      | TO->FROM | 0.24594 | 359.9 | 'POTTER COUNTY INTERCHANGE - S-RANDLCO 230.00 230KV CKT 1'       |
| 11WP | 0 | G10_058 | 'BUSHLAND INTERCHANGE - S-RANDLCO 230.00 230KV CKT 1'      | TO->FROM | 0.27925 | 359.9 | 'POTTER COUNTY INTERCHANGE - S-RANDLCO 230.00 230KV CKT 1'       |
| 11WP | 0 | G10_060 | 'BUSHLAND INTERCHANGE - S-RANDLCO 230.00 230KV CKT 1'      | TO->FROM | 0.24594 | 359.9 | 'POTTER COUNTY INTERCHANGE - S-RANDLCO 230.00 230KV CKT 1'       |
| 11WP | 0 | G10_059 | 'CUNNINGHAM STATION - EDDY COUNTY INTERCHANGE 230KV CKT 1' | FROM->TO | 0.21534 | 360.8 | 'LEA COUNTY INTERCHANGE - YOAKUM COUNTY INTERCHANGE 230KV CKT 1' |
| 11WP | 0 | G10_060 | 'CUNNINGHAM STATION - EDDY COUNTY INTERCHANGE 230KV CKT 1' | FROM->TO | 0.21534 | 360.8 | 'LEA COUNTY INTERCHANGE - YOAKUM COUNTY INTERCHANGE 230KV CKT 1' |
| 11WP | 0 | G10_059 | 'CAPROCK REC-MCDONALD - CAPROCK REC-TRIANGLE 138KV CKT 1'  | FROM->TO | 0.19958 | 271   | 'CAPROCK REC-BUCHANAN - CAPROCK REC-RUSSEL TAP 138KV CKT 1'      |
| 11WP | 0 | G10_060 | 'CAPROCK REC-MCDONALD - CAPROCK REC-TRIANGLE 138KV CKT 1'  | FROM->TO | 0.19958 | 271   | 'CAPROCK REC-BUCHANAN - CAPROCK REC-RUSSEL TAP 138KV CKT 1'      |
| 11WP | 0 | G10_059 | 'CAPROCK REC-GRADY - CAPROCK REC-REED 138KV CKT 1'         | FROM->TO | 0.19958 | 270.9 | 'CAPROCK REC-STILES - G09-17T 138.00 138KV CKT 1'                |
| 11WP | 0 | G10_060 | 'CAPROCK REC-GRADY - CAPROCK REC-REED 138KV CKT 1'         | FROM->TO | 0.19958 | 270.9 | 'CAPROCK REC-STILES - G09-17T 138.00 138KV CKT 1'                |
| 11WP | 0 | G10_059 | 'CAPROCK REC-GRADY - CAPROCK REC-REED 138KV CKT 1'         | FROM->TO | 0.19971 | 270.9 | 'CAPROCK REC-NEW SCHWARTZ - CAPROCK REC-PEMBROOK 138KV CKT 1'    |
| 11WP | 0 | G10_060 | 'CAPROCK REC-GRADY - CAPROCK REC-REED 138KV CKT 1'         | FROM->TO | 0.19971 | 270.9 | 'CAPROCK REC-NEW SCHWARTZ - CAPROCK REC-PEMBROOK 138KV CKT 1'    |
| 11WP | 0 | G10_059 | 'CAPROCK REC-MCDONALD - CAPROCK REC-TRIANGLE 138KV CKT 1'  | FROM->TO | 0.19958 | 271   | 'CAPROCK REC-RUSSEL TAP - CAPROCK REC-VEALMOOR 138KV CKT 1'      |
| 11WP | 0 | G10_060 | 'CAPROCK REC-MCDONALD - CAPROCK REC-TRIANGLE 138KV CKT 1'  | FROM->TO | 0.19958 | 271   | 'CAPROCK REC-RUSSEL TAP - CAPROCK REC-VEALMOOR 138KV CKT 1'      |
| 11WP | 0 | G10_059 | 'CUNNINGHAM STATION - LEA COUNTY INTERCHANGE 230KV CKT 1'  | TO->FROM | 0.35555 | 556.2 | 'HOBBS INTERCHANGE 230/115KV TRANSFORMER CKT 1'                  |
| 11WP | 0 | G10_060 | 'CUNNINGHAM STATION - LEA COUNTY INTERCHANGE 230KV CKT 1'  | TO->FROM | 0.35555 | 556.2 | 'HOBBS INTERCHANGE 230/115KV TRANSFORMER CKT 1'                  |
| 11WP | 0 | G10_059 | 'CAPROCK REC-GRADY - CAPROCK REC-REED 138KV CKT 1'         | FROM->TO | 0.19971 | 270.9 | 'CAPROCK REC-PEMBROOK - G09-17T 138.00 138KV CKT 1'              |
| 11WP | 0 | G10_060 | 'CAPROCK REC-GRADY - CAPROCK REC-REED 138KV CKT 1'         | FROM->TO | 0.19971 | 270.9 | 'CAPROCK REC-PEMBROOK - G09-17T 138.00 138KV CKT 1'              |
| 11WP | 0 | G10_059 | 'CAPROCK REC-GRADY - CAPROCK REC-REED 138KV CKT 1'         | FROM->TO | 0.19958 | 270.9 | 'CAPROCK REC-ST LAWRENCE - CAPROCK REC-STILES 138KV CKT 1'       |
| 11WP | 0 | G10_060 | 'CAPROCK REC-GRADY - CAPROCK REC-REED 138KV CKT 1'         | FROM->TO | 0.19958 | 270.9 | 'CAPROCK REC-ST LAWRENCE - CAPROCK REC-STILES 138KV CKT 1'       |
| 11WP | 0 | G10_059 | 'CUNNINGHAM STATION - LEA COUNTY INTERCHANGE 230KV CKT 1'  | TO->FROM | 0.35018 | 556.2 | 'LEA COUNTY INTERCHANGE 230/115KV TRANSFORMER CKT 1'             |

|      |   |         |  |          |         |       |   |
|------|---|---------|--|----------|---------|-------|---|
| 11WP | 0 | G10_060 | 'CUNNINGHAM STATION - LEA COUNTY INTERCHANGE 230KV CKT 1'  | TO->FROM | 0.35018 | 556.2 | 'LEA COUNTY INTERCHANGE 230/115KV TRANSFORMER CKT 1'              |
| 11WP | 0 | G10_059 | 'JONES STATION - Jones Station Bus#2 230KV CKT 1'          | TO->FROM | 0.60771 | 881.4 | 'HOBBS INTERCHANGE - MIDLAND COUNTY INTERCHANGE 230KV CKT 1'      |
| 11WP | 0 | G10_060 | 'JONES STATION - Jones Station Bus#2 230KV CKT 1'          | TO->FROM | 0.60771 | 881.4 | 'HOBBS INTERCHANGE - MIDLAND COUNTY INTERCHANGE 230KV CKT 1'      |
| 11WP | 0 | G10_059 | 'CAPROCK REC-GRADY - CAPROCK REC-REED 138KV CKT 1'         | FROM->TO | 0.19958 | 270.9 | 'CAPROCK REC-LANGE - CAPROCK REC-ST LAWRENCE 138KV CKT 1'         |
| 11WP | 0 | G10_060 | 'CAPROCK REC-GRADY - CAPROCK REC-REED 138KV CKT 1'         | FROM->TO | 0.19958 | 270.9 | 'CAPROCK REC-LANGE - CAPROCK REC-ST LAWRENCE 138KV CKT 1'         |
| 11WP | 0 | G10_059 | 'CUNNINGHAM STATION - LEA COUNTY INTERCHANGE 230KV CKT 1'  | TO->FROM | 0.34573 | 556.2 | 'AMOCO SWITCHING STATION - YOAKUM COUNTY INTERCHANGE 230KV CKT 1' |
| 11WP | 0 | G10_060 | 'CUNNINGHAM STATION - LEA COUNTY INTERCHANGE 230KV CKT 1'  | TO->FROM | 0.34573 | 556.2 | 'AMOCO SWITCHING STATION - YOAKUM COUNTY INTERCHANGE 230KV CKT 1' |
| 11WP | 0 | G10_059 | 'CAPROCK REC-GRADY - CAPROCK REC-REED 138KV CKT 1'         | FROM->TO | 0.19958 | 270.9 | 'CAPROCK REC-BUCHANAN - CAPROCK REC-LANGE 138KV CKT 1'            |
| 11WP | 0 | G10_060 | 'CAPROCK REC-GRADY - CAPROCK REC-REED 138KV CKT 1'         | FROM->TO | 0.19958 | 270.9 | 'CAPROCK REC-BUCHANAN - CAPROCK REC-LANGE 138KV CKT 1'            |
| 11WP | 0 | G10_059 | 'CUNNINGHAM STATION - LEA COUNTY INTERCHANGE 230KV CKT 1'  | TO->FROM | 0.35314 | 556.2 | 'CAPROCK REC-MCDONALD - CAPROCK REC-TRIANGLE 138KV CKT 1'         |
| 11WP | 0 | G10_060 | 'CUNNINGHAM STATION - LEA COUNTY INTERCHANGE 230KV CKT 1'  | TO->FROM | 0.35314 | 556.2 | 'CAPROCK REC-MCDONALD - CAPROCK REC-TRIANGLE 138KV CKT 1'         |
| 11WP | 0 | G10_059 | 'CUNNINGHAM STATION - LEA COUNTY INTERCHANGE 230KV CKT 1'  | TO->FROM | 0.35314 | 556.2 | 'CAPROCK REC-GRADY - CAPROCK REC-TRIANGLE 138KV CKT 1'            |
| 11WP | 0 | G10_060 | 'CUNNINGHAM STATION - LEA COUNTY INTERCHANGE 230KV CKT 1'  | TO->FROM | 0.35314 | 556.2 | 'CAPROCK REC-GRADY - CAPROCK REC-TRIANGLE 138KV CKT 1'            |
| 11WP | 0 | G10_059 | 'CUNNINGHAM STATION - EDDY COUNTY INTERCHANGE 230KV CKT 1' | FROM->TO | 0.19644 | 360.8 | 'MIDLAND COUNTY INTERCHANGE 230/138KV TRANSFORMER CKT 1'          |
| 11WP | 0 | G10_060 | 'CUNNINGHAM STATION - EDDY COUNTY INTERCHANGE 230KV CKT 1' | FROM->TO | 0.19644 | 360.8 | 'MIDLAND COUNTY INTERCHANGE 230/138KV TRANSFORMER CKT 1'          |
| 11WP | 0 | G10_059 | 'CUNNINGHAM STATION - LEA COUNTY INTERCHANGE 230KV CKT 1'  | TO->FROM | 0.35314 | 556.2 | 'CAPROCK REC-GRADY - CAPROCK REC-REED 138KV CKT 1'                |
| 11WP | 0 | G10_060 | 'CUNNINGHAM STATION - LEA COUNTY INTERCHANGE 230KV CKT 1'  | TO->FROM | 0.35314 | 556.2 | 'CAPROCK REC-GRADY - CAPROCK REC-REED 138KV CKT 1'                |
| 11WP | 0 | G10_059 | 'CUNNINGHAM STATION - EDDY COUNTY INTERCHANGE 230KV CKT 1' | FROM->TO | 0.19644 | 360.8 | 'CAPROCK REC-PHILLIPS - CAPROCK REC-TATE 138KV CKT 1'             |
| 11WP | 0 | G10_060 | 'CUNNINGHAM STATION - EDDY COUNTY INTERCHANGE 230KV CKT 1' | FROM->TO | 0.19644 | 360.8 | 'CAPROCK REC-PHILLIPS - CAPROCK REC-TATE 138KV CKT 1'             |
| 11WP | 0 | G10_059 | 'CUNNINGHAM STATION - LEA COUNTY INTERCHANGE 230KV CKT 1'  | TO->FROM | 0.35314 | 556.2 | 'CAPROCK REC-KOCH - CAPROCK REC-REED 138KV CKT 1'                 |
| 11WP | 0 | G10_060 | 'CUNNINGHAM STATION - LEA COUNTY INTERCHANGE 230KV CKT 1'  | TO->FROM | 0.35314 | 556.2 | 'CAPROCK REC-KOCH - CAPROCK REC-REED 138KV CKT 1'                 |
| 11WP | 0 | G10_059 | 'CUNNINGHAM STATION - LEA COUNTY INTERCHANGE 230KV CKT 1'  | TO->FROM | 0.35314 | 556.2 | 'CAPROCK REC-KOCH - CAPROCK REC-VEALMOOR 138KV CKT 1'             |
| 11WP | 0 | G10_060 | 'CUNNINGHAM STATION - LEA COUNTY INTERCHANGE 230KV CKT 1'  | TO->FROM | 0.35314 | 556.2 | 'CAPROCK REC-KOCH - CAPROCK REC-VEALMOOR 138KV CKT 1'             |
| 11WP | 0 | G10_059 | 'PLANT X STATION - TOLK STATION WEST 230KV CKT 1'          | TO->FROM | 0.1946  | 557   | 'PLANT X STATION - TOLK STATION EAST 230KV CKT 2'                 |
| 11WP | 0 | G10_058 | 'PLANT X STATION - TOLK STATION WEST 230KV CKT 1'          | TO->FROM | 0.3261  | 557   | 'PLANT X STATION - TOLK STATION EAST 230KV CKT 2'                 |

|      |   |         |   |          |         |       |   |
|------|---|---------|---|----------|---------|-------|---|
| 11WP | 0 | G10_060 | 'PLANT X STATION - TOLK STATION WEST<br>230KV CKT 1'          | TO->FROM | 0.1946  | 557   | 'PLANT X STATION - TOLK STATION EAST<br>230KV CKT 2'                  |
| 11WP | 0 | G10_059 | 'CAPROCK REC-GRADY - CAPROCK REC-REED<br>138KV CKT 1'         | FROM->TO | 0.19958 | 270.9 | 'CAPROCK REC-BUCHANAN - CAPROCK REC-<br>RUSSEL TAP 138KV CKT 1'       |
| 11WP | 0 | G10_060 | 'CAPROCK REC-GRADY - CAPROCK REC-REED<br>138KV CKT 1'         | FROM->TO | 0.19958 | 270.9 | 'CAPROCK REC-BUCHANAN - CAPROCK REC-<br>RUSSEL TAP 138KV CKT 1'       |
| 11WP | 0 | G10_059 | 'CUNNINGHAM STATION - EDDY COUNTY<br>INTERCHANGE 230KV CKT 1' | FROM->TO | 0.19644 | 360.8 | 'CAPROCK REC-MCDONALD - CAPROCK REC-<br>PHILLIPS 138KV CKT 1'         |
| 11WP | 0 | G10_060 | 'CUNNINGHAM STATION - EDDY COUNTY<br>INTERCHANGE 230KV CKT 1' | FROM->TO | 0.19644 | 360.8 | 'CAPROCK REC-MCDONALD - CAPROCK REC-<br>PHILLIPS 138KV CKT 1'         |
| 16WP | 0 | G10_059 | 'HOBBS INTERCHANGE 230/115KV<br>TRANSFORMER CKT 1'            | FROM->TO | 0.69264 | 148.3 | 'HOBBS INTERCHANGE - LEA COUNTY<br>INTERCHANGE 230KV CKT 1'           |
| 16WP | 0 | G10_060 | 'HOBBS INTERCHANGE 230/115KV<br>TRANSFORMER CKT 1'            | FROM->TO | 0.69264 | 148.3 | 'HOBBS INTERCHANGE - LEA COUNTY<br>INTERCHANGE 230KV CKT 1'           |
| 16WP | 0 | G10_059 | 'CAPROCK REC-PHILLIPS - CAPROCK REC-<br>TATE 138KV CKT 1'     | TO->FROM | 1       | 270.3 | 'HOBBS_INT 7345.00 (LIKE POTTER)<br>345/230/13.2KV TRANSFORMER CKT 1' |
| 16WP | 0 | G10_060 | 'CAPROCK REC-PHILLIPS - CAPROCK REC-<br>TATE 138KV CKT 1'     | TO->FROM | 1       | 270.3 | 'HOBBS_INT 7345.00 (LIKE POTTER)<br>345/230/13.2KV TRANSFORMER CKT 1' |
| 16WP | 0 | G10_059 | 'CAPROCK REC-PHILLIPS - CAPROCK REC-<br>TATE 138KV CKT 1'     | TO->FROM | 1       | 270.3 | 'HOBBS_INT 7345.00 - MIDLAND 7345.00<br>345KV CKT 1'                  |
| 16WP | 0 | G10_060 | 'CAPROCK REC-PHILLIPS - CAPROCK REC-<br>TATE 138KV CKT 1'     | TO->FROM | 1       | 270.3 | 'HOBBS_INT 7345.00 - MIDLAND 7345.00<br>345KV CKT 1'                  |
| 16WP | 0 | G10_059 | 'CAPROCK REC-MCDONALD - CAPROCK REC-<br>PHILLIPS 138KV CKT 1' | TO->FROM | 1       | 270.7 | 'HOBBS_INT 7345.00 - MIDLAND 7345.00<br>345KV CKT 1'                  |
| 16WP | 0 | G10_060 | 'CAPROCK REC-MCDONALD - CAPROCK REC-<br>PHILLIPS 138KV CKT 1' | TO->FROM | 1       | 270.7 | 'HOBBS_INT 7345.00 - MIDLAND 7345.00<br>345KV CKT 1'                  |
| 16WP | 0 | G10_059 | 'CAPROCK REC-MCDONALD - CAPROCK REC-<br>PHILLIPS 138KV CKT 1' | TO->FROM | 1       | 270.7 | 'HOBBS_INT 7345.00 (LIKE POTTER)<br>345/230/13.2KV TRANSFORMER CKT 1' |
| 16WP | 0 | G10_060 | 'CAPROCK REC-MCDONALD - CAPROCK REC-<br>PHILLIPS 138KV CKT 1' | TO->FROM | 1       | 270.7 | 'HOBBS_INT 7345.00 (LIKE POTTER)<br>345/230/13.2KV TRANSFORMER CKT 1' |
| 16WP | 0 | G10_059 | 'CAPROCK REC-GRADY - CAPROCK REC-<br>TRIANGLE 138KV CKT 1'    | TO->FROM | 0.70438 | 176   | 'HOBBS_INT 7345.00 (LIKE POTTER)<br>345/230/13.2KV TRANSFORMER CKT 1' |
| 16WP | 0 | G10_060 | 'CAPROCK REC-GRADY - CAPROCK REC-<br>TRIANGLE 138KV CKT 1'    | TO->FROM | 0.70438 | 176   | 'HOBBS_INT 7345.00 (LIKE POTTER)<br>345/230/13.2KV TRANSFORMER CKT 1' |
| 16WP | 0 | G10_059 | 'CAPROCK REC-GRADY - CAPROCK REC-<br>TRIANGLE 138KV CKT 1'    | TO->FROM | 0.70438 | 176   | 'HOBBS_INT 7345.00 - MIDLAND 7345.00<br>345KV CKT 1'                  |
| 16WP | 0 | G10_060 | 'CAPROCK REC-GRADY - CAPROCK REC-<br>TRIANGLE 138KV CKT 1'    | TO->FROM | 0.70438 | 176   | 'HOBBS_INT 7345.00 - MIDLAND 7345.00<br>345KV CKT 1'                  |
| 16WP | 0 | G10_059 | 'CAPROCK REC-KOCH - CAPROCK REC-REED<br>138KV CKT 1'          | TO->FROM | 0.70438 | 176   | 'HOBBS_INT 7345.00 - MIDLAND 7345.00<br>345KV CKT 1'                  |
| 16WP | 0 | G10_060 | 'CAPROCK REC-KOCH - CAPROCK REC-REED<br>138KV CKT 1'          | TO->FROM | 0.70438 | 176   | 'HOBBS_INT 7345.00 - MIDLAND 7345.00<br>345KV CKT 1'                  |
| 16WP | 0 | G10_059 | 'CAPROCK REC-KOCH - CAPROCK REC-REED<br>138KV CKT 1'          | TO->FROM | 0.70438 | 176   | 'HOBBS_INT 7345.00 (LIKE POTTER)<br>345/230/13.2KV TRANSFORMER CKT 1' |
| 16WP | 0 | G10_060 | 'CAPROCK REC-KOCH - CAPROCK REC-REED<br>138KV CKT 1'          | TO->FROM | 0.70438 | 176   | 'HOBBS_INT 7345.00 (LIKE POTTER)<br>345/230/13.2KV TRANSFORMER CKT 1' |
| 16WP | 0 | G10_059 | 'CAPROCK REC-KOCH - CAPROCK REC-<br>VEALMOOR 138KV CKT 1'     | FROM->TO | 0.70438 | 176   | 'HOBBS_INT 7345.00 (LIKE POTTER)<br>345/230/13.2KV TRANSFORMER CKT 1' |
| 16WP | 0 | G10_060 | 'CAPROCK REC-KOCH - CAPROCK REC-<br>VEALMOOR 138KV CKT 1'     | FROM->TO | 0.70438 | 176   | 'HOBBS_INT 7345.00 (LIKE POTTER)<br>345/230/13.2KV TRANSFORMER CKT 1' |

|      |   |         |   |          |         |       |  |
|------|---|---------|---|----------|---------|-------|--|
| 16WP | 0 | G10_059 | 'CAPROCK REC-KOCH - CAPROCK REC-VEALMOOR 138KV CKT 1'             | FROM->TO | 0.70438 | 176   | 'HOBBS_INT 7345.00 - MIDLAND 7345.00 345KV CKT 1'                  |
| 16WP | 0 | G10_060 | 'CAPROCK REC-KOCH - CAPROCK REC-VEALMOOR 138KV CKT 1'             | FROM->TO | 0.70438 | 176   | 'HOBBS_INT 7345.00 - MIDLAND 7345.00 345KV CKT 1'                  |
| 16WP | 0 | G10_059 | 'MIDLAND 7345.00 (LIKE WICHITA) 345/138/13.8KV TRANSFORMER CKT 1' | FROM->TO | 1       | 419.3 | 'HOBBS_INT 7345.00 (LIKE POTTER) 345/230/13.2KV TRANSFORMER CKT 1' |
| 16WP | 0 | G10_060 | 'MIDLAND 7345.00 (LIKE WICHITA) 345/138/13.8KV TRANSFORMER CKT 1' | FROM->TO | 1       | 419.3 | 'HOBBS_INT 7345.00 (LIKE POTTER) 345/230/13.2KV TRANSFORMER CKT 1' |
| 16WP | 0 | G10_059 | 'MIDLAND 7345.00 (LIKE WICHITA) 345/138/13.8KV TRANSFORMER CKT 1' | FROM->TO | 1       | 419.3 | 'HOBBS_INT 7345.00 - MIDLAND 7345.00 345KV CKT 1'                  |
| 16WP | 0 | G10_060 | 'MIDLAND 7345.00 (LIKE WICHITA) 345/138/13.8KV TRANSFORMER CKT 1' | FROM->TO | 1       | 419.3 | 'HOBBS_INT 7345.00 - MIDLAND 7345.00 345KV CKT 1'                  |
| 16WP | 0 | G10_059 | 'MIDLAND 7345.00 (LIKE WICHITA) 345/138/13.8KV TRANSFORMER CKT 1' | FROM->TO | 1       | 419.4 | 'HOBBS_INT 7345.00 (LIKE POTTER) 345/230/13.2KV TRANSFORMER CKT 1' |
| 16WP | 0 | G10_060 | 'MIDLAND 7345.00 (LIKE WICHITA) 345/138/13.8KV TRANSFORMER CKT 1' | FROM->TO | 1       | 419.4 | 'HOBBS_INT 7345.00 (LIKE POTTER) 345/230/13.2KV TRANSFORMER CKT 1' |
| 16WP | 0 | G10_059 | 'MIDLAND 7345.00 (LIKE WICHITA) 345/138/13.8KV TRANSFORMER CKT 1' | FROM->TO | 1       | 419.4 | 'HOBBS_INT 7345.00 - MIDLAND 7345.00 345KV CKT 1'                  |
| 16WP | 0 | G10_060 | 'MIDLAND 7345.00 (LIKE WICHITA) 345/138/13.8KV TRANSFORMER CKT 1' | FROM->TO | 1       | 419.4 | 'HOBBS_INT 7345.00 - MIDLAND 7345.00 345KV CKT 1'                  |
| 16WP | 0 | G10_059 | 'CAPROCK REC-MCDONALD - CAPROCK REC-TRIANGLE 138KV CKT 1'         | FROM->TO | 0.70438 | 271   | 'HOBBS_INT 7345.00 (LIKE POTTER) 345/230/13.2KV TRANSFORMER CKT 1' |
| 16WP | 0 | G10_060 | 'CAPROCK REC-MCDONALD - CAPROCK REC-TRIANGLE 138KV CKT 1'         | FROM->TO | 0.70438 | 271   | 'HOBBS_INT 7345.00 (LIKE POTTER) 345/230/13.2KV TRANSFORMER CKT 1' |
| 16WP | 0 | G10_059 | 'CAPROCK REC-MCDONALD - CAPROCK REC-TRIANGLE 138KV CKT 1'         | FROM->TO | 0.70438 | 271   | 'HOBBS_INT 7345.00 - MIDLAND 7345.00 345KV CKT 1'                  |
| 16WP | 0 | G10_060 | 'CAPROCK REC-MCDONALD - CAPROCK REC-TRIANGLE 138KV CKT 1'         | FROM->TO | 0.70438 | 271   | 'HOBBS_INT 7345.00 - MIDLAND 7345.00 345KV CKT 1'                  |
| 16WP | 0 | G10_059 | 'BORDEN COUNTY INTERCHANGE 230/138KV TRANSFORMER CKT 1'           | TO->FROM | 0.50113 | 167.8 | 'HOBBS_INT 7345.00 (LIKE POTTER) 345/230/13.2KV TRANSFORMER CKT 1' |
| 16WP | 0 | G10_060 | 'BORDEN COUNTY INTERCHANGE 230/138KV TRANSFORMER CKT 1'           | TO->FROM | 0.50113 | 167.8 | 'HOBBS_INT 7345.00 (LIKE POTTER) 345/230/13.2KV TRANSFORMER CKT 1' |
| 16WP | 0 | G10_059 | 'BORDEN COUNTY INTERCHANGE 230/138KV TRANSFORMER CKT 1'           | TO->FROM | 0.50113 | 167.8 | 'HOBBS_INT 7345.00 - MIDLAND 7345.00 345KV CKT 1'                  |
| 16WP | 0 | G10_060 | 'BORDEN COUNTY INTERCHANGE 230/138KV TRANSFORMER CKT 1'           | TO->FROM | 0.50113 | 167.8 | 'HOBBS_INT 7345.00 - MIDLAND 7345.00 345KV CKT 1'                  |
| 16WP | 0 | G10_059 | 'CAPROCK REC-GRADY - CAPROCK REC-REED 138KV CKT 1'                | FROM->TO | 0.70438 | 271   | 'HOBBS_INT 7345.00 - MIDLAND 7345.00 345KV CKT 1'                  |
| 16WP | 0 | G10_060 | 'CAPROCK REC-GRADY - CAPROCK REC-REED 138KV CKT 1'                | FROM->TO | 0.70438 | 271   | 'HOBBS_INT 7345.00 - MIDLAND 7345.00 345KV CKT 1'                  |
| 16WP | 0 | G10_059 | 'CAPROCK REC-GRADY - CAPROCK REC-REED 138KV CKT 1'                | FROM->TO | 0.70438 | 271   | 'HOBBS_INT 7345.00 (LIKE POTTER) 345/230/13.2KV TRANSFORMER CKT 1' |
| 16WP | 0 | G10_060 | 'CAPROCK REC-GRADY - CAPROCK REC-REED 138KV CKT 1'                | FROM->TO | 0.70438 | 271   | 'HOBBS_INT 7345.00 (LIKE POTTER) 345/230/13.2KV TRANSFORMER CKT 1' |
| 16WP | 0 | G10_059 | 'BORDEN COUNTY INTERCHANGE 230/138KV TRANSFORMER CKT 2'           | TO->FROM | 0.49868 | 209.9 | 'HOBBS_INT 7345.00 - MIDLAND 7345.00 345KV CKT 1'                  |
| 16WP | 0 | G10_060 | 'BORDEN COUNTY INTERCHANGE 230/138KV TRANSFORMER CKT 2'           | TO->FROM | 0.49868 | 209.9 | 'HOBBS_INT 7345.00 - MIDLAND 7345.00 345KV CKT 1'                  |
| 16WP | 0 | G10_059 | 'BORDEN COUNTY INTERCHANGE 230/138KV TRANSFORMER CKT 2'           | TO->FROM | 0.49868 | 209.9 | 'HOBBS_INT 7345.00 (LIKE POTTER) 345/230/13.2KV TRANSFORMER CKT 1' |



|      |   |         |  |          |         |       |  |
|------|---|---------|--|----------|---------|-------|--|
| 16WP | 0 | G10_060 | 'BORDEN COUNTY INTERCHANGE 230/138KV TRANSFORMER CKT 2'            | TO->FROM | 0.49868 | 209.9 | 'HOBBS_INT 7345.00 (LIKE POTTER) 345/230/13.2KV TRANSFORMER CKT 1' |
| 16WP | 0 | G10_059 | 'HOBBS_INT 7345.00 (LIKE POTTER) 345/230/13.2KV TRANSFORMER CKT 1' | FROM->TO | 1       | 556.9 | 'MIDLAND 7345.00 (LIKE WICHITA) 345/138/13.8KV TRANSFORMER CKT 1'  |
| 16WP | 0 | G10_060 | 'HOBBS_INT 7345.00 (LIKE POTTER) 345/230/13.2KV TRANSFORMER CKT 1' | FROM->TO | 1       | 556.9 | 'MIDLAND 7345.00 (LIKE WICHITA) 345/138/13.8KV TRANSFORMER CKT 1'  |
| 16WP | 0 | G10_059 | 'HOBBS_INT 7345.00 (LIKE POTTER) 345/230/13.2KV TRANSFORMER CKT 1' | FROM->TO | 1       | 557.1 | 'MIDLAND 7345.00 (LIKE WICHITA) 345/138/13.8KV TRANSFORMER CKT 1'  |
| 16WP | 0 | G10_060 | 'HOBBS_INT 7345.00 (LIKE POTTER) 345/230/13.2KV TRANSFORMER CKT 1' | FROM->TO | 1       | 557.1 | 'MIDLAND 7345.00 (LIKE WICHITA) 345/138/13.8KV TRANSFORMER CKT 1'  |
| 16WP | 0 | G10_059 | 'HOBBS_INT 7345.00 (LIKE POTTER) 345/230/13.2KV TRANSFORMER CKT 1' | FROM->TO | 1       | 556.9 | 'CAPROCK REC-PHILLIPS - CAPROCK REC-TATE 138KV CKT 1'              |
| 16WP | 0 | G10_060 | 'HOBBS_INT 7345.00 (LIKE POTTER) 345/230/13.2KV TRANSFORMER CKT 1' | FROM->TO | 1       | 556.9 | 'CAPROCK REC-PHILLIPS - CAPROCK REC-TATE 138KV CKT 1'              |
| 16WP | 0 | G10_059 | 'HOBBS_INT 7345.00 (LIKE POTTER) 345/230/13.2KV TRANSFORMER CKT 1' | FROM->TO | 1       | 557.1 | 'CAPROCK REC-PHILLIPS - CAPROCK REC-TATE 138KV CKT 1'              |
| 16WP | 0 | G10_060 | 'HOBBS_INT 7345.00 (LIKE POTTER) 345/230/13.2KV TRANSFORMER CKT 1' | FROM->TO | 1       | 557.1 | 'CAPROCK REC-PHILLIPS - CAPROCK REC-TATE 138KV CKT 1'              |
| 16WP | 0 | G10_059 | 'HOBBS_INT 7345.00 (LIKE POTTER) 345/230/13.2KV TRANSFORMER CKT 1' | FROM->TO | 1       | 556.9 | 'CAPROCK REC-MCDONALD - CAPROCK REC-PHILLIPS 138KV CKT 1'          |
| 16WP | 0 | G10_060 | 'HOBBS_INT 7345.00 (LIKE POTTER) 345/230/13.2KV TRANSFORMER CKT 1' | FROM->TO | 1       | 556.9 | 'CAPROCK REC-MCDONALD - CAPROCK REC-PHILLIPS 138KV CKT 1'          |
| 16WP | 0 | G10_059 | 'HOBBS_INT 7345.00 (LIKE POTTER) 345/230/13.2KV TRANSFORMER CKT 1' | FROM->TO | 1       | 557.1 | 'CAPROCK REC-MCDONALD - CAPROCK REC-PHILLIPS 138KV CKT 1'          |
| 16WP | 0 | G10_060 | 'HOBBS_INT 7345.00 (LIKE POTTER) 345/230/13.2KV TRANSFORMER CKT 1' | FROM->TO | 1       | 557.1 | 'CAPROCK REC-MCDONALD - CAPROCK REC-PHILLIPS 138KV CKT 1'          |
| 16WP | 0 | G10_059 | 'HOBBS INTERCHANGE 230/115KV TRANSFORMER CKT 1'                    | FROM->TO | 0.19759 | 148.3 | 'CUNNINGHAM STATION - LEA COUNTY INTERCHANGE 230KV CKT 1'          |
| 16WP | 0 | G10_060 | 'HOBBS INTERCHANGE 230/115KV TRANSFORMER CKT 1'                    | FROM->TO | 0.19759 | 148.3 | 'CUNNINGHAM STATION - LEA COUNTY INTERCHANGE 230KV CKT 1'          |
| 16WP | 0 | G10_059 | 'HOBBS INTERCHANGE - LEA COUNTY INTERCHANGE 230KV CKT 1'           | FROM->TO | 0.88508 | 691.7 | 'MIDLAND 7345.00 (LIKE WICHITA) 345/138/13.8KV TRANSFORMER CKT 1'  |
| 16WP | 0 | G10_060 | 'HOBBS INTERCHANGE - LEA COUNTY INTERCHANGE 230KV CKT 1'           | FROM->TO | 0.88508 | 691.7 | 'MIDLAND 7345.00 (LIKE WICHITA) 345/138/13.8KV TRANSFORMER CKT 1'  |
| 16WP | 0 | G10_059 | 'HOBBS INTERCHANGE - LEA COUNTY INTERCHANGE 230KV CKT 1'           | FROM->TO | 0.88508 | 691.7 | 'CAPROCK REC-PHILLIPS - CAPROCK REC-TATE 138KV CKT 1'              |
| 16WP | 0 | G10_060 | 'HOBBS INTERCHANGE - LEA COUNTY INTERCHANGE 230KV CKT 1'           | FROM->TO | 0.88508 | 691.7 | 'CAPROCK REC-PHILLIPS - CAPROCK REC-TATE 138KV CKT 1'              |
| 16WP | 0 | G10_059 | 'HOBBS INTERCHANGE - LEA COUNTY INTERCHANGE 230KV CKT 1'           | FROM->TO | 0.88508 | 691.7 | 'CAPROCK REC-MCDONALD - CAPROCK REC-PHILLIPS 138KV CKT 1'          |
| 16WP | 0 | G10_060 | 'HOBBS INTERCHANGE - LEA COUNTY INTERCHANGE 230KV CKT 1'           | FROM->TO | 0.88508 | 691.7 | 'CAPROCK REC-MCDONALD - CAPROCK REC-PHILLIPS 138KV CKT 1'          |
| 16WP | 0 | G10_059 | 'CAPROCK REC-PHILLIPS - CAPROCK REC-TATE 138KV CKT 1'              | TO->FROM | 0.30121 | 270.3 | 'HOBBS INTERCHANGE - LEA COUNTY INTERCHANGE 230KV CKT 1'           |
| 16WP | 0 | G10_060 | 'CAPROCK REC-PHILLIPS - CAPROCK REC-TATE 138KV CKT 1'              | TO->FROM | 0.30121 | 270.3 | 'HOBBS INTERCHANGE - LEA COUNTY INTERCHANGE 230KV CKT 1'           |
| 16WP | 0 | G10_059 | 'CAPROCK REC-STILES - G09-17T 138.00 138KV CKT 1'                  | TO->FROM | 0.29542 | 176   | 'HOBBS_INT 7345.00 (LIKE POTTER) 345/230/13.2KV TRANSFORMER CKT 1' |
| 16WP | 0 | G10_060 | 'CAPROCK REC-STILES - G09-17T 138.00 138KV CKT 1'                  | TO->FROM | 0.29542 | 176   | 'HOBBS_INT 7345.00 (LIKE POTTER) 345/230/13.2KV TRANSFORMER CKT 1' |

|      |   |         |   |          |         |       |   |
|------|---|---------|---|----------|---------|-------|---|
| 16WP | 0 | G10_059 | 'CAPROCK REC-STILES - G09-17T 138.00<br>138KV CKT 1'                  | TO->FROM | 0.29542 | 176   | 'HOBBS_INT 7345.00 - MIDLAND 7345.00<br>345KV CKT 1'                  |
| 16WP | 0 | G10_060 | 'CAPROCK REC-STILES - G09-17T 138.00<br>138KV CKT 1'                  | TO->FROM | 0.29542 | 176   | 'HOBBS_INT 7345.00 - MIDLAND 7345.00<br>345KV CKT 1'                  |
| 16WP | 0 | G10_059 | 'BORDEN COUNTY INTERCHANGE -<br>GRASSLAND INTERCHANGE 230KV CKT 1'    | FROM->TO | 0.9998  | 528.8 | 'HOBBS_INT 7345.00 - MIDLAND 7345.00<br>345KV CKT 1'                  |
| 16WP | 0 | G10_060 | 'BORDEN COUNTY INTERCHANGE -<br>GRASSLAND INTERCHANGE 230KV CKT 1'    | FROM->TO | 0.9998  | 528.8 | 'HOBBS_INT 7345.00 - MIDLAND 7345.00<br>345KV CKT 1'                  |
| 16WP | 0 | G10_059 | 'BORDEN COUNTY INTERCHANGE -<br>GRASSLAND INTERCHANGE 230KV CKT 1'    | FROM->TO | 0.9998  | 528.8 | 'HOBBS_INT 7345.00 (LIKE POTTER)<br>345/230/13.2KV TRANSFORMER CKT 1' |
| 16WP | 0 | G10_060 | 'BORDEN COUNTY INTERCHANGE -<br>GRASSLAND INTERCHANGE 230KV CKT 1'    | FROM->TO | 0.9998  | 528.8 | 'HOBBS_INT 7345.00 (LIKE POTTER)<br>345/230/13.2KV TRANSFORMER CKT 1' |
| 16WP | 0 | G10_059 | 'CAPROCK REC-PEMBROOK - G09-17T 138.00<br>138KV CKT 1'                | FROM->TO | 0.29562 | 176   | 'HOBBS_INT 7345.00 (LIKE POTTER)<br>345/230/13.2KV TRANSFORMER CKT 1' |
| 16WP | 0 | G10_060 | 'CAPROCK REC-PEMBROOK - G09-17T 138.00<br>138KV CKT 1'                | FROM->TO | 0.29562 | 176   | 'HOBBS_INT 7345.00 (LIKE POTTER)<br>345/230/13.2KV TRANSFORMER CKT 1' |
| 16WP | 0 | G10_059 | 'CAPROCK REC-PEMBROOK - G09-17T 138.00<br>138KV CKT 1'                | FROM->TO | 0.29562 | 176   | 'HOBBS_INT 7345.00 - MIDLAND 7345.00<br>345KV CKT 1'                  |
| 16WP | 0 | G10_060 | 'CAPROCK REC-PEMBROOK - G09-17T 138.00<br>138KV CKT 1'                | FROM->TO | 0.29562 | 176   | 'HOBBS_INT 7345.00 - MIDLAND 7345.00<br>345KV CKT 1'                  |
| 16WP | 0 | G10_059 | 'CAPROCK REC-PHILLIPS - CAPROCK REC-<br>TATE 138KV CKT 1'             | TO->FROM | 0.20703 | 207.1 | 'BASE CASE'   |
| 16WP | 0 | G10_060 | 'CAPROCK REC-PHILLIPS - CAPROCK REC-<br>TATE 138KV CKT 1'             | TO->FROM | 0.20703 | 207.1 | 'BASE CASE'   |
| 16WP | 0 | G10_059 | 'HOBBS INTERCHANGE - LEA COUNTY<br>INTERCHANGE 230KV CKT 1'           | FROM->TO | 0.70084 | 570.4 | 'BASE CASE'   |
| 16WP | 0 | G10_060 | 'HOBBS INTERCHANGE - LEA COUNTY<br>INTERCHANGE 230KV CKT 1'           | FROM->TO | 0.70084 | 570.4 | 'BASE CASE'   |
| 16WP | 0 | G10_059 | 'HOBBS_INT 7345.00 (LIKE POTTER)<br>345/230/13.2KV TRANSFORMER CKT 1' | FROM->TO | 0.9998  | 556.9 | 'SPP-SWPS-K48'  |
| 16WP | 0 | G10_060 | 'HOBBS_INT 7345.00 (LIKE POTTER)<br>345/230/13.2KV TRANSFORMER CKT 1' | FROM->TO | 0.9998  | 556.9 | 'SPP-SWPS-K48'  |
| 16WP | 0 | G10_059 | 'HOBBS_INT 7345.00 (LIKE POTTER)<br>345/230/13.2KV TRANSFORMER CKT 1' | FROM->TO | 0.9998  | 556.9 | 'BORDEN COUNTY INTERCHANGE -<br>GRASSLAND INTERCHANGE 230KV CKT 1'    |
| 16WP | 0 | G10_060 | 'HOBBS_INT 7345.00 (LIKE POTTER)<br>345/230/13.2KV TRANSFORMER CKT 1' | FROM->TO | 0.9998  | 556.9 | 'BORDEN COUNTY INTERCHANGE -<br>GRASSLAND INTERCHANGE 230KV CKT 1'    |
| 16WP | 0 | G10_059 | 'HOBBS_INT 7345.00 (LIKE POTTER)<br>345/230/13.2KV TRANSFORMER CKT 1' | FROM->TO | 0.9998  | 557.1 | 'SPP-SWPS-K48'  |
| 16WP | 0 | G10_060 | 'HOBBS_INT 7345.00 (LIKE POTTER)<br>345/230/13.2KV TRANSFORMER CKT 1' | FROM->TO | 0.9998  | 557.1 | 'SPP-SWPS-K48'  |
| 16WP | 0 | G10_059 | 'HOBBS_INT 7345.00 (LIKE POTTER)<br>345/230/13.2KV TRANSFORMER CKT 1' | FROM->TO | 0.9998  | 557.1 | 'BORDEN COUNTY INTERCHANGE -<br>GRASSLAND INTERCHANGE 230KV CKT 1'    |
| 16WP | 0 | G10_060 | 'HOBBS_INT 7345.00 (LIKE POTTER)<br>345/230/13.2KV TRANSFORMER CKT 1' | FROM->TO | 0.9998  | 557.1 | 'BORDEN COUNTY INTERCHANGE -<br>GRASSLAND INTERCHANGE 230KV CKT 1'    |
| 16WP | 0 | G10_059 | 'CAPROCK REC-MCDONALD - CAPROCK REC-<br>PHILLIPS 138KV CKT 1'         | TO->FROM | 0.30121 | 270.7 | 'HOBBS INTERCHANGE - LEA COUNTY<br>INTERCHANGE 230KV CKT 1'           |
| 16WP | 0 | G10_060 | 'CAPROCK REC-MCDONALD - CAPROCK REC-<br>PHILLIPS 138KV CKT 1'         | TO->FROM | 0.30121 | 270.7 | 'HOBBS INTERCHANGE - LEA COUNTY<br>INTERCHANGE 230KV CKT 1'           |
| 16WP | 0 | G10_059 | 'HOBBS_INT 7345.00 (LIKE POTTER)<br>345/230/13.2KV TRANSFORMER CKT 1' | FROM->TO | 0.88826 | 556.9 | 'CAPROCK REC-MCDONALD - CAPROCK REC-<br>TRIANGLE 138KV CKT 1'         |

|      |   |         |   |          |         |       |   |
|------|---|---------|---|----------|---------|-------|---|
| 16WP | 0 | G10_060 | 'HOBBS_INT 7345.00 (LIKE POTTER)<br>345/230/13.2KV TRANSFORMER CKT 1' | FROM->TO | 0.88826 | 556.9 | 'CAPROCK REC-MCDONALD - CAPROCK REC-<br>TRIANGLE 138KV CKT 1'         |
| 16WP | 0 | G10_059 | 'HOBBS_INT 7345.00 (LIKE POTTER)<br>345/230/13.2KV TRANSFORMER CKT 1' | FROM->TO | 0.88826 | 557.1 | 'CAPROCK REC-MCDONALD - CAPROCK REC-<br>TRIANGLE 138KV CKT 1'         |
| 16WP | 0 | G10_060 | 'HOBBS_INT 7345.00 (LIKE POTTER)<br>345/230/13.2KV TRANSFORMER CKT 1' | FROM->TO | 0.88826 | 557.1 | 'CAPROCK REC-MCDONALD - CAPROCK REC-<br>TRIANGLE 138KV CKT 1'         |
| 16WP | 0 | G10_059 | 'CAPROCK REC-LANGE - CAPROCK REC-ST<br>LAWRENCE 138KV CKT 1'          | TO->FROM | 0.29542 | 176   | 'HOBBS_INT 7345.00 - MIDLAND 7345.00<br>345KV CKT 1'                  |
| 16WP | 0 | G10_060 | 'CAPROCK REC-LANGE - CAPROCK REC-ST<br>LAWRENCE 138KV CKT 1'          | TO->FROM | 0.29542 | 176   | 'HOBBS_INT 7345.00 - MIDLAND 7345.00<br>345KV CKT 1'                  |
| 16WP | 0 | G10_059 | 'CAPROCK REC-LANGE - CAPROCK REC-ST<br>LAWRENCE 138KV CKT 1'          | TO->FROM | 0.29542 | 176   | 'HOBBS_INT 7345.00 (LIKE POTTER)<br>345/230/13.2KV TRANSFORMER CKT 1' |
| 16WP | 0 | G10_060 | 'CAPROCK REC-LANGE - CAPROCK REC-ST<br>LAWRENCE 138KV CKT 1'          | TO->FROM | 0.29542 | 176   | 'HOBBS_INT 7345.00 (LIKE POTTER)<br>345/230/13.2KV TRANSFORMER CKT 1' |
| 16WP | 0 | G10_059 | 'HOBBS_INT 7345.00 (LIKE POTTER)<br>345/230/13.2KV TRANSFORMER CKT 1' | FROM->TO | 0.88826 | 556.9 | 'CAPROCK REC-GRADY - CAPROCK REC-<br>TRIANGLE 138KV CKT 1'            |
| 16WP | 0 | G10_060 | 'HOBBS_INT 7345.00 (LIKE POTTER)<br>345/230/13.2KV TRANSFORMER CKT 1' | FROM->TO | 0.88826 | 556.9 | 'CAPROCK REC-GRADY - CAPROCK REC-<br>TRIANGLE 138KV CKT 1'            |
| 16WP | 0 | G10_059 | 'HOBBS_INT 7345.00 (LIKE POTTER)<br>345/230/13.2KV TRANSFORMER CKT 1' | FROM->TO | 0.88826 | 557.1 | 'CAPROCK REC-GRADY - CAPROCK REC-<br>TRIANGLE 138KV CKT 1'            |
| 16WP | 0 | G10_060 | 'HOBBS_INT 7345.00 (LIKE POTTER)<br>345/230/13.2KV TRANSFORMER CKT 1' | FROM->TO | 0.88826 | 557.1 | 'CAPROCK REC-GRADY - CAPROCK REC-<br>TRIANGLE 138KV CKT 1'            |
| 16WP | 0 | G10_059 | 'HOBBS_INT 7345.00 (LIKE POTTER)<br>345/230/13.2KV TRANSFORMER CKT 1' | FROM->TO | 0.88826 | 556.9 | 'CAPROCK REC-GRADY - CAPROCK REC-REED<br>138KV CKT 1'                 |
| 16WP | 0 | G10_060 | 'HOBBS_INT 7345.00 (LIKE POTTER)<br>345/230/13.2KV TRANSFORMER CKT 1' | FROM->TO | 0.88826 | 556.9 | 'CAPROCK REC-GRADY - CAPROCK REC-REED<br>138KV CKT 1'                 |
| 16WP | 0 | G10_059 | 'HOBBS_INT 7345.00 (LIKE POTTER)<br>345/230/13.2KV TRANSFORMER CKT 1' | FROM->TO | 0.88826 | 557.1 | 'CAPROCK REC-GRADY - CAPROCK REC-REED<br>138KV CKT 1'                 |
| 16WP | 0 | G10_060 | 'HOBBS_INT 7345.00 (LIKE POTTER)<br>345/230/13.2KV TRANSFORMER CKT 1' | FROM->TO | 0.88826 | 557.1 | 'CAPROCK REC-GRADY - CAPROCK REC-REED<br>138KV CKT 1'                 |
| 16WP | 0 | G10_059 | 'HOBBS_INT 7345.00 (LIKE POTTER)<br>345/230/13.2KV TRANSFORMER CKT 1' | FROM->TO | 0.88826 | 556.9 | 'CAPROCK REC-KOCH - CAPROCK REC-REED<br>138KV CKT 1'                  |
| 16WP | 0 | G10_060 | 'HOBBS_INT 7345.00 (LIKE POTTER)<br>345/230/13.2KV TRANSFORMER CKT 1' | FROM->TO | 0.88826 | 556.9 | 'CAPROCK REC-KOCH - CAPROCK REC-REED<br>138KV CKT 1'                  |
| 16WP | 0 | G10_059 | 'HOBBS_INT 7345.00 (LIKE POTTER)<br>345/230/13.2KV TRANSFORMER CKT 1' | FROM->TO | 0.88826 | 556.9 | 'CAPROCK REC-KOCH - CAPROCK REC-<br>VEALMOOR 138KV CKT 1'             |
| 16WP | 0 | G10_060 | 'HOBBS_INT 7345.00 (LIKE POTTER)<br>345/230/13.2KV TRANSFORMER CKT 1' | FROM->TO | 0.88826 | 556.9 | 'CAPROCK REC-KOCH - CAPROCK REC-<br>VEALMOOR 138KV CKT 1'             |
| 16WP | 0 | G10_059 | 'HOBBS_INT 7345.00 (LIKE POTTER)<br>345/230/13.2KV TRANSFORMER CKT 1' | FROM->TO | 0.88826 | 557.1 | 'CAPROCK REC-KOCH - CAPROCK REC-REED<br>138KV CKT 1'                  |
| 16WP | 0 | G10_060 | 'HOBBS_INT 7345.00 (LIKE POTTER)<br>345/230/13.2KV TRANSFORMER CKT 1' | FROM->TO | 0.88826 | 557.1 | 'CAPROCK REC-KOCH - CAPROCK REC-REED<br>138KV CKT 1'                  |
| 16WP | 0 | G10_059 | 'HOBBS_INT 7345.00 (LIKE POTTER)<br>345/230/13.2KV TRANSFORMER CKT 1' | FROM->TO | 0.88826 | 557.1 | 'CAPROCK REC-KOCH - CAPROCK REC-<br>VEALMOOR 138KV CKT 1'             |
| 16WP | 0 | G10_060 | 'HOBBS_INT 7345.00 (LIKE POTTER)<br>345/230/13.2KV TRANSFORMER CKT 1' | FROM->TO | 0.88826 | 557.1 | 'CAPROCK REC-KOCH - CAPROCK REC-<br>VEALMOOR 138KV CKT 1'             |
| 16WP | 0 | G10_059 | 'HOBBS INTERCHANGE - LEA COUNTY<br>INTERCHANGE 230KV CKT 1'           | FROM->TO | 0.8849  | 691.7 | 'BORDEN COUNTY INTERCHANGE -<br>GRASSLAND INTERCHANGE 230KV CKT 1'    |
| 16WP | 0 | G10_060 | 'HOBBS INTERCHANGE - LEA COUNTY<br>INTERCHANGE 230KV CKT 1'           | FROM->TO | 0.8849  | 691.7 | 'BORDEN COUNTY INTERCHANGE -<br>GRASSLAND INTERCHANGE 230KV CKT 1'    |

|      |   |         |  |          |         |       |   |
|------|---|---------|--|----------|---------|-------|---|
| 16WP | 0 | G10_059 | 'HOBBS INTERCHANGE - LEA COUNTY INTERCHANGE 230KV CKT 1'           | FROM->TO | 0.8849  | 691.7 | 'SPP-SWPS-K48'  |
| 16WP | 0 | G10_060 | 'HOBBS INTERCHANGE - LEA COUNTY INTERCHANGE 230KV CKT 1'           | FROM->TO | 0.8849  | 691.7 | 'SPP-SWPS-K48'  |
| 16WP | 0 | G10_059 | 'HOBBS INTERCHANGE - LEA COUNTY INTERCHANGE 230KV CKT 1'           | FROM->TO | 0.7852  | 691.7 | 'HOBBS INTERCHANGE 230/115KV TRANSFORMER CKT 1'                   |
| 16WP | 0 | G10_060 | 'HOBBS INTERCHANGE - LEA COUNTY INTERCHANGE 230KV CKT 1'           | FROM->TO | 0.7852  | 691.7 | 'HOBBS INTERCHANGE 230/115KV TRANSFORMER CKT 1'                   |
| 16WP | 0 | G10_059 | 'HOBBS_INT 7345.00 (LIKE POTTER) 345/230/13.2KV TRANSFORMER CKT 1' | FROM->TO | 0.82005 | 556.9 | 'CAPROCK REC-MCDONALD - CR-1956 4138.00 138KV CKT 1'              |
| 16WP | 0 | G10_060 | 'HOBBS_INT 7345.00 (LIKE POTTER) 345/230/13.2KV TRANSFORMER CKT 1' | FROM->TO | 0.82005 | 556.9 | 'CAPROCK REC-MCDONALD - CR-1956 4138.00 138KV CKT 1'              |
| 16WP | 0 | G10_059 | 'HOBBS_INT 7345.00 (LIKE POTTER) 345/230/13.2KV TRANSFORMER CKT 1' | FROM->TO | 0.82005 | 557.1 | 'CAPROCK REC-MCDONALD - CR-1956 4138.00 138KV CKT 1'              |
| 16WP | 0 | G10_060 | 'HOBBS_INT 7345.00 (LIKE POTTER) 345/230/13.2KV TRANSFORMER CKT 1' | FROM->TO | 0.82005 | 557.1 | 'CAPROCK REC-MCDONALD - CR-1956 4138.00 138KV CKT 1'              |
| 16WP | 0 | G10_059 | 'HOBBS_INT 7345.00 (LIKE POTTER) 345/230/13.2KV TRANSFORMER CKT 1' | FROM->TO | 0.82005 | 556.9 | 'CAPROCK REC-NEW SCHWARTZ - CR-1956 4138.00 138KV CKT 1'          |
| 16WP | 0 | G10_060 | 'HOBBS_INT 7345.00 (LIKE POTTER) 345/230/13.2KV TRANSFORMER CKT 1' | FROM->TO | 0.82005 | 556.9 | 'CAPROCK REC-NEW SCHWARTZ - CR-1956 4138.00 138KV CKT 1'          |
| 16WP | 0 | G10_059 | 'HOBBS_INT 7345.00 (LIKE POTTER) 345/230/13.2KV TRANSFORMER CKT 1' | FROM->TO | 0.82005 | 557.1 | 'CAPROCK REC-NEW SCHWARTZ - CR-1956 4138.00 138KV CKT 1'          |
| 16WP | 0 | G10_060 | 'HOBBS_INT 7345.00 (LIKE POTTER) 345/230/13.2KV TRANSFORMER CKT 1' | FROM->TO | 0.82005 | 557.1 | 'CAPROCK REC-NEW SCHWARTZ - CR-1956 4138.00 138KV CKT 1'          |
| 16WP | 0 | G10_059 | 'HOBBS INTERCHANGE - LEA COUNTY INTERCHANGE 230KV CKT 1'           | FROM->TO | 0.78564 | 691.7 | 'CAPROCK REC-MCDONALD - CAPROCK REC-TRIANGLE 138KV CKT 1'         |
| 16WP | 0 | G10_060 | 'HOBBS INTERCHANGE - LEA COUNTY INTERCHANGE 230KV CKT 1'           | FROM->TO | 0.78564 | 691.7 | 'CAPROCK REC-MCDONALD - CAPROCK REC-TRIANGLE 138KV CKT 1'         |
| 16WP | 0 | G10_059 | 'CAPROCK REC-MCDONALD - CAPROCK REC-PHILLIPS 138KV CKT 1'          | TO->FROM | 0.20703 | 207.6 | 'BASE CASE'   |
| 16WP | 0 | G10_060 | 'CAPROCK REC-MCDONALD - CAPROCK REC-PHILLIPS 138KV CKT 1'          | TO->FROM | 0.20703 | 207.6 | 'BASE CASE'   |
| 16WP | 0 | G10_059 | 'LEA COUNTY INTERCHANGE - YOAKUM COUNTY INTERCHANGE 230KV CKT 1'   | FROM->TO | 0.38634 | 361   | 'MIDLAND 7345.00 (LIKE WICHITA) 345/138/13.8KV TRANSFORMER CKT 1' |
| 16WP | 0 | G10_060 | 'LEA COUNTY INTERCHANGE - YOAKUM COUNTY INTERCHANGE 230KV CKT 1'   | FROM->TO | 0.38634 | 361   | 'MIDLAND 7345.00 (LIKE WICHITA) 345/138/13.8KV TRANSFORMER CKT 1' |
| 16WP | 0 | G10_059 | 'HOBBS INTERCHANGE - LEA COUNTY INTERCHANGE 230KV CKT 1'           | FROM->TO | 0.78564 | 691.7 | 'CAPROCK REC-GRADY - CAPROCK REC-TRIANGLE 138KV CKT 1'            |
| 16WP | 0 | G10_060 | 'HOBBS INTERCHANGE - LEA COUNTY INTERCHANGE 230KV CKT 1'           | FROM->TO | 0.78564 | 691.7 | 'CAPROCK REC-GRADY - CAPROCK REC-TRIANGLE 138KV CKT 1'            |
| 16WP | 0 | G10_059 | 'HOBBS_INT 7345.00 (LIKE POTTER) 345/230/13.2KV TRANSFORMER CKT 1' | FROM->TO | 0.82005 | 556.9 | 'CAPROCK REC-NEW SCHWARTZ - CAPROCK REC-PEMBROOK 138KV CKT 1'     |
| 16WP | 0 | G10_060 | 'HOBBS_INT 7345.00 (LIKE POTTER) 345/230/13.2KV TRANSFORMER CKT 1' | FROM->TO | 0.82005 | 556.9 | 'CAPROCK REC-NEW SCHWARTZ - CAPROCK REC-PEMBROOK 138KV CKT 1'     |
| 16WP | 0 | G10_059 | 'HOBBS_INT 7345.00 (LIKE POTTER) 345/230/13.2KV TRANSFORMER CKT 1' | FROM->TO | 0.81997 | 556.9 | 'CAPROCK REC-STILES - G09-17T 138.00 138KV CKT 1'                 |
| 16WP | 0 | G10_060 | 'HOBBS_INT 7345.00 (LIKE POTTER) 345/230/13.2KV TRANSFORMER CKT 1' | FROM->TO | 0.81997 | 556.9 | 'CAPROCK REC-STILES - G09-17T 138.00 138KV CKT 1'                 |
| 16WP | 0 | G10_059 | 'HOBBS_INT 7345.00 (LIKE POTTER) 345/230/13.2KV TRANSFORMER CKT 1' | FROM->TO | 0.82005 | 557.1 | 'CAPROCK REC-NEW SCHWARTZ - CAPROCK REC-PEMBROOK 138KV CKT 1'     |

|      |   |         |   |          |         |       |  |
|------|---|---------|---|----------|---------|-------|--|
| 16WP | 0 | G10_060 | 'HOBBS_INT 7345.00 (LIKE POTTER)<br>345/230/13.2KV TRANSFORMER CKT 1' | FROM->TO | 0.82005 | 557.1 | 'CAPROCK REC-NEW SCHWARTZ - CAPROCK<br>REC-PEMBROOK 138KV CKT 1' |
| 16WP | 0 | G10_059 | 'HOBBS_INT 7345.00 (LIKE POTTER)<br>345/230/13.2KV TRANSFORMER CKT 1' | FROM->TO | 0.81997 | 557.1 | 'CAPROCK REC-STILES - G09-17T 138.00<br>138KV CKT 1'             |
| 16WP | 0 | G10_060 | 'HOBBS_INT 7345.00 (LIKE POTTER)<br>345/230/13.2KV TRANSFORMER CKT 1' | FROM->TO | 0.81997 | 557.1 | 'CAPROCK REC-STILES - G09-17T 138.00<br>138KV CKT 1'             |
| 16WP | 0 | G10_059 | 'HOBBS_INT 7345.00 (LIKE POTTER)<br>345/230/13.2KV TRANSFORMER CKT 1' | FROM->TO | 0.82005 | 556.9 | 'CAPROCK REC-PEMBROOK - G09-17T 138.00<br>138KV CKT 1'           |
| 16WP | 0 | G10_060 | 'HOBBS_INT 7345.00 (LIKE POTTER)<br>345/230/13.2KV TRANSFORMER CKT 1' | FROM->TO | 0.82005 | 556.9 | 'CAPROCK REC-PEMBROOK - G09-17T 138.00<br>138KV CKT 1'           |
| 16WP | 0 | G10_059 | 'HOBBS_INT 7345.00 (LIKE POTTER)<br>345/230/13.2KV TRANSFORMER CKT 1' | FROM->TO | 0.82005 | 557.1 | 'CAPROCK REC-PEMBROOK - G09-17T 138.00<br>138KV CKT 1'           |
| 16WP | 0 | G10_060 | 'HOBBS_INT 7345.00 (LIKE POTTER)<br>345/230/13.2KV TRANSFORMER CKT 1' | FROM->TO | 0.82005 | 557.1 | 'CAPROCK REC-PEMBROOK - G09-17T 138.00<br>138KV CKT 1'           |
| 16WP | 0 | G10_059 | 'HOBBS_INT 7345.00 (LIKE POTTER)<br>345/230/13.2KV TRANSFORMER CKT 1' | FROM->TO | 0.81997 | 556.9 | 'CAPROCK REC-ST LAWRENCE - CAPROCK<br>REC-STILES 138KV CKT 1'    |
| 16WP | 0 | G10_060 | 'HOBBS_INT 7345.00 (LIKE POTTER)<br>345/230/13.2KV TRANSFORMER CKT 1' | FROM->TO | 0.81997 | 556.9 | 'CAPROCK REC-ST LAWRENCE - CAPROCK<br>REC-STILES 138KV CKT 1'    |
| 16WP | 0 | G10_059 | 'HOBBS_INT 7345.00 (LIKE POTTER)<br>345/230/13.2KV TRANSFORMER CKT 1' | FROM->TO | 0.81997 | 557.1 | 'CAPROCK REC-ST LAWRENCE - CAPROCK<br>REC-STILES 138KV CKT 1'    |
| 16WP | 0 | G10_060 | 'HOBBS_INT 7345.00 (LIKE POTTER)<br>345/230/13.2KV TRANSFORMER CKT 1' | FROM->TO | 0.81997 | 557.1 | 'CAPROCK REC-ST LAWRENCE - CAPROCK<br>REC-STILES 138KV CKT 1'    |
| 16WP | 0 | G10_059 | 'HOBBS INTERCHANGE - LEA COUNTY<br>INTERCHANGE 230KV CKT 1'           | FROM->TO | 0.78564 | 691.7 | 'CAPROCK REC-GRADY - CAPROCK REC-REED<br>138KV CKT 1'            |
| 16WP | 0 | G10_060 | 'HOBBS INTERCHANGE - LEA COUNTY<br>INTERCHANGE 230KV CKT 1'           | FROM->TO | 0.78564 | 691.7 | 'CAPROCK REC-GRADY - CAPROCK REC-REED<br>138KV CKT 1'            |
| 16WP | 0 | G10_059 | 'HOBBS_INT 7345.00 (LIKE POTTER)<br>345/230/13.2KV TRANSFORMER CKT 1' | FROM->TO | 0.79297 | 556.9 | 'HOBBS INTERCHANGE 230/18.0KV<br>TRANSFORMER CKT 1'              |
| 16WP | 0 | G10_060 | 'HOBBS_INT 7345.00 (LIKE POTTER)<br>345/230/13.2KV TRANSFORMER CKT 1' | FROM->TO | 0.79297 | 556.9 | 'HOBBS INTERCHANGE 230/18.0KV<br>TRANSFORMER CKT 1'              |
| 16WP | 0 | G10_059 | 'HOBBS_INT 7345.00 (LIKE POTTER)<br>345/230/13.2KV TRANSFORMER CKT 1' | FROM->TO | 0.79297 | 557.1 | 'HOBBS INTERCHANGE 230/18.0KV<br>TRANSFORMER CKT 1'              |
| 16WP | 0 | G10_060 | 'HOBBS_INT 7345.00 (LIKE POTTER)<br>345/230/13.2KV TRANSFORMER CKT 1' | FROM->TO | 0.79297 | 557.1 | 'HOBBS INTERCHANGE 230/18.0KV<br>TRANSFORMER CKT 1'              |
| 16WP | 0 | G10_059 | 'LEA COUNTY INTERCHANGE - YOAKUM<br>COUNTY INTERCHANGE 230KV CKT 1'   | FROM->TO | 0.38634 | 361   | 'CAPROCK REC-PHILLIPS - CAPROCK REC-<br>TATE 138KV CKT 1'        |
| 16WP | 0 | G10_060 | 'LEA COUNTY INTERCHANGE - YOAKUM<br>COUNTY INTERCHANGE 230KV CKT 1'   | FROM->TO | 0.38634 | 361   | 'CAPROCK REC-PHILLIPS - CAPROCK REC-<br>TATE 138KV CKT 1'        |
| 16WP | 0 | G10_059 | 'HOBBS INTERCHANGE - LEA COUNTY<br>INTERCHANGE 230KV CKT 1'           | FROM->TO | 0.78564 | 691.7 | 'CAPROCK REC-KOCH - CAPROCK REC-REED<br>138KV CKT 1'             |
| 16WP | 0 | G10_060 | 'HOBBS INTERCHANGE - LEA COUNTY<br>INTERCHANGE 230KV CKT 1'           | FROM->TO | 0.78564 | 691.7 | 'CAPROCK REC-KOCH - CAPROCK REC-REED<br>138KV CKT 1'             |
| 16WP | 0 | G10_059 | 'HOBBS INTERCHANGE - LEA COUNTY<br>INTERCHANGE 230KV CKT 1'           | FROM->TO | 0.78564 | 691.7 | 'CAPROCK REC-KOCH - CAPROCK REC-<br>VEALMOOR 138KV CKT 1'        |
| 16WP | 0 | G10_060 | 'HOBBS INTERCHANGE - LEA COUNTY<br>INTERCHANGE 230KV CKT 1'           | FROM->TO | 0.78564 | 691.7 | 'CAPROCK REC-KOCH - CAPROCK REC-<br>VEALMOOR 138KV CKT 1'        |
| 16WP | 0 | G10_059 | 'HOBBS_INT 7345.00 (LIKE POTTER)<br>345/230/13.2KV TRANSFORMER CKT 1' | FROM->TO | 0.81997 | 556.9 | 'CAPROCK REC-LANGE - CAPROCK REC-ST<br>LAWRENCE 138KV CKT 1'     |
| 16WP | 0 | G10_060 | 'HOBBS_INT 7345.00 (LIKE POTTER)<br>345/230/13.2KV TRANSFORMER CKT 1' | FROM->TO | 0.81997 | 556.9 | 'CAPROCK REC-LANGE - CAPROCK REC-ST<br>LAWRENCE 138KV CKT 1'     |

|      |   |         |   |          |         |       |   |
|------|---|---------|---|----------|---------|-------|---|
| 16WP | 0 | G10_059 | 'HOBBS_INT 7345.00 (LIKE POTTER)<br>345/230/13.2KV TRANSFORMER CKT 1' | FROM->TO | 0.81997 | 557.1 | 'CAPROCK REC-LANGE - CAPROCK REC-ST<br>LAWRENCE 138KV CKT 1'  |
| 16WP | 0 | G10_060 | 'HOBBS_INT 7345.00 (LIKE POTTER)<br>345/230/13.2KV TRANSFORMER CKT 1' | FROM->TO | 0.81997 | 557.1 | 'CAPROCK REC-LANGE - CAPROCK REC-ST<br>LAWRENCE 138KV CKT 1'  |
| 16WP | 0 | G10_059 | 'HOBBS_INT 7345.00 (LIKE POTTER)<br>345/230/13.2KV TRANSFORMER CKT 1' | FROM->TO | 0.79297 | 556.9 | 'CUNNINGHAM STATION 230/20.0KV<br>TRANSFORMER CKT 1'          |
| 16WP | 0 | G10_060 | 'HOBBS_INT 7345.00 (LIKE POTTER)<br>345/230/13.2KV TRANSFORMER CKT 1' | FROM->TO | 0.79297 | 556.9 | 'CUNNINGHAM STATION 230/20.0KV<br>TRANSFORMER CKT 1'          |
| 16WP | 0 | G10_059 | 'HOBBS_INT 7345.00 (LIKE POTTER)<br>345/230/13.2KV TRANSFORMER CKT 1' | FROM->TO | 0.79297 | 557.1 | 'CUNNINGHAM STATION 230/20.0KV<br>TRANSFORMER CKT 1'          |
| 16WP | 0 | G10_060 | 'HOBBS_INT 7345.00 (LIKE POTTER)<br>345/230/13.2KV TRANSFORMER CKT 1' | FROM->TO | 0.79297 | 557.1 | 'CUNNINGHAM STATION 230/20.0KV<br>TRANSFORMER CKT 1'          |
| 16WP | 0 | G10_059 | 'HOBBS_INT 7345.00 (LIKE POTTER)<br>345/230/13.2KV TRANSFORMER CKT 1' | FROM->TO | 0.81997 | 556.9 | 'CAPROCK REC-BUCHANAN - CAPROCK REC-<br>LANGE 138KV CKT 1'    |
| 16WP | 0 | G10_060 | 'HOBBS_INT 7345.00 (LIKE POTTER)<br>345/230/13.2KV TRANSFORMER CKT 1' | FROM->TO | 0.81997 | 556.9 | 'CAPROCK REC-BUCHANAN - CAPROCK REC-<br>LANGE 138KV CKT 1'    |
| 16WP | 0 | G10_059 | 'HOBBS_INT 7345.00 (LIKE POTTER)<br>345/230/13.2KV TRANSFORMER CKT 1' | FROM->TO | 0.81997 | 557.1 | 'CAPROCK REC-BUCHANAN - CAPROCK REC-<br>LANGE 138KV CKT 1'    |
| 16WP | 0 | G10_060 | 'HOBBS_INT 7345.00 (LIKE POTTER)<br>345/230/13.2KV TRANSFORMER CKT 1' | FROM->TO | 0.81997 | 557.1 | 'CAPROCK REC-BUCHANAN - CAPROCK REC-<br>LANGE 138KV CKT 1'    |
| 16WP | 0 | G10_059 | 'LEA COUNTY INTERCHANGE - YOAKUM<br>COUNTY INTERCHANGE 230KV CKT 1'   | FROM->TO | 0.38634 | 361   | 'CAPROCK REC-MCDONALD - CAPROCK REC-<br>PHILLIPS 138KV CKT 1' |
| 16WP | 0 | G10_060 | 'LEA COUNTY INTERCHANGE - YOAKUM<br>COUNTY INTERCHANGE 230KV CKT 1'   | FROM->TO | 0.38634 | 361   | 'CAPROCK REC-MCDONALD - CAPROCK REC-<br>PHILLIPS 138KV CKT 1' |
| 16WP | 0 | G10_059 | 'HOBBS_INT 7345.00 (LIKE POTTER)<br>345/230/13.2KV TRANSFORMER CKT 1' | FROM->TO | 0.79297 | 556.9 | 'BASE CASE'   |
| 16WP | 0 | G10_060 | 'HOBBS_INT 7345.00 (LIKE POTTER)<br>345/230/13.2KV TRANSFORMER CKT 1' | FROM->TO | 0.79297 | 556.9 | 'BASE CASE'   |
| 16WP | 0 | G10_059 | 'HOBBS_INT 7345.00 (LIKE POTTER)<br>345/230/13.2KV TRANSFORMER CKT 1' | FROM->TO | 0.79297 | 557.1 | 'BASE CASE'   |
| 16WP | 0 | G10_060 | 'HOBBS_INT 7345.00 (LIKE POTTER)<br>345/230/13.2KV TRANSFORMER CKT 1' | FROM->TO | 0.79297 | 557.1 | 'BASE CASE'   |
| 16WP | 0 | G10_059 | 'HOBBS INTERCHANGE - LEA COUNTY<br>INTERCHANGE 230KV CKT 1'           | FROM->TO | 0.72495 | 691.7 | 'CAPROCK REC-MCDONALD - CR-1956 4138.00<br>138KV CKT 1'       |
| 16WP | 0 | G10_060 | 'HOBBS INTERCHANGE - LEA COUNTY<br>INTERCHANGE 230KV CKT 1'           | FROM->TO | 0.72495 | 691.7 | 'CAPROCK REC-MCDONALD - CR-1956 4138.00<br>138KV CKT 1'       |
| 16WP | 0 | G10_059 | 'HOBBS INTERCHANGE - LEA COUNTY<br>INTERCHANGE 230KV CKT 1'           | FROM->TO | 0.72495 | 691.7 | 'CAPROCK REC-NEW SCHWARTZ - CR-1956<br>4138.00 138KV CKT 1'   |
| 16WP | 0 | G10_060 | 'HOBBS INTERCHANGE - LEA COUNTY<br>INTERCHANGE 230KV CKT 1'           | FROM->TO | 0.72495 | 691.7 | 'CAPROCK REC-NEW SCHWARTZ - CR-1956<br>4138.00 138KV CKT 1'   |
| 16WP | 0 | G10_059 | 'LEA COUNTY INTERCHANGE - YOAKUM<br>COUNTY INTERCHANGE 230KV CKT 1'   | FROM->TO | 0.38993 | 361   | 'CUNNINGHAM STATION - LEA COUNTY<br>INTERCHANGE 230KV CKT 1'  |
| 16WP | 0 | G10_060 | 'LEA COUNTY INTERCHANGE - YOAKUM<br>COUNTY INTERCHANGE 230KV CKT 1'   | FROM->TO | 0.38993 | 361   | 'CUNNINGHAM STATION - LEA COUNTY<br>INTERCHANGE 230KV CKT 1'  |
| 16WP | 0 | G10_059 | 'CAPROCK REC-GRADY - CAPROCK REC-<br>TRIANGLE 138KV CKT 1'            | TO->FROM | 0.2121  | 176   | 'HOBBS INTERCHANGE - LEA COUNTY<br>INTERCHANGE 230KV CKT 1'   |
| 16WP | 0 | G10_060 | 'CAPROCK REC-GRADY - CAPROCK REC-<br>TRIANGLE 138KV CKT 1'            | TO->FROM | 0.2121  | 176   | 'HOBBS INTERCHANGE - LEA COUNTY<br>INTERCHANGE 230KV CKT 1'   |
| 16WP | 0 | G10_059 | 'HOBBS INTERCHANGE - LEA COUNTY<br>INTERCHANGE 230KV CKT 1'           | FROM->TO | 0.70084 | 691.7 | 'CUNNINGHAM STATION 230/20.0KV<br>TRANSFORMER CKT 1'          |

|      |   |         |   |          |         |       |   |
|------|---|---------|---|----------|---------|-------|---|
| 16WP | 0 | G10_060 | 'HOBBS INTERCHANGE - LEA COUNTY INTERCHANGE 230KV CKT 1'          | FROM->TO | 0.70084 | 691.7 | 'CUNNINGHAM STATION 230/20.0KV TRANSFORMER CKT 1'                 |
| 16WP | 0 | G10_059 | 'TUCO INTERCHANGE (GE M1022338) 345/230/13.2KV TRANSFORMER CKT 1' | FROM->TO | 0.42725 | 555.4 | 'TUCO INTERCHANGE (UPDATE DATA) 345/230/13.2KV TRANSFORMER CKT 2' |
| 16WP | 0 | G10_058 | 'TUCO INTERCHANGE (GE M1022338) 345/230/13.2KV TRANSFORMER CKT 1' | FROM->TO | 0.40549 | 555.4 | 'TUCO INTERCHANGE (UPDATE DATA) 345/230/13.2KV TRANSFORMER CKT 2' |
| 16WP | 0 | G10_060 | 'TUCO INTERCHANGE (GE M1022338) 345/230/13.2KV TRANSFORMER CKT 1' | FROM->TO | 0.42725 | 555.4 | 'TUCO INTERCHANGE (UPDATE DATA) 345/230/13.2KV TRANSFORMER CKT 2' |
| 16WP | 0 | G10_059 | 'HOBBS INTERCHANGE - LEA COUNTY INTERCHANGE 230KV CKT 1'          | FROM->TO | 0.72495 | 691.7 | 'CAPROCK REC-NEW SCHWARTZ - CAPROCK REC-PEMBROOK 138KV CKT 1'     |
| 16WP | 0 | G10_060 | 'HOBBS INTERCHANGE - LEA COUNTY INTERCHANGE 230KV CKT 1'          | FROM->TO | 0.72495 | 691.7 | 'CAPROCK REC-NEW SCHWARTZ - CAPROCK REC-PEMBROOK 138KV CKT 1'     |
| 16WP | 0 | G10_059 | 'HOBBS INTERCHANGE - LEA COUNTY INTERCHANGE 230KV CKT 1'          | FROM->TO | 0.72487 | 691.7 | 'CAPROCK REC-STILES - G09-17T 138.00 138KV CKT 1'                 |
| 16WP | 0 | G10_060 | 'HOBBS INTERCHANGE - LEA COUNTY INTERCHANGE 230KV CKT 1'          | FROM->TO | 0.72487 | 691.7 | 'CAPROCK REC-STILES - G09-17T 138.00 138KV CKT 1'                 |
| 16WP | 0 | G10_059 | 'HOBBS INTERCHANGE - LEA COUNTY INTERCHANGE 230KV CKT 1'          | FROM->TO | 0.72495 | 691.7 | 'CAPROCK REC-PEMBROOK - G09-17T 138.00 138KV CKT 1'               |
| 16WP | 0 | G10_060 | 'HOBBS INTERCHANGE - LEA COUNTY INTERCHANGE 230KV CKT 1'          | FROM->TO | 0.72495 | 691.7 | 'CAPROCK REC-PEMBROOK - G09-17T 138.00 138KV CKT 1'               |
| 16WP | 0 | G10_059 | 'HOBBS INTERCHANGE - LEA COUNTY INTERCHANGE 230KV CKT 1'          | FROM->TO | 0.72487 | 691.7 | 'CAPROCK REC-ST LAWRENCE - CAPROCK REC-STILES 138KV CKT 1'        |
| 16WP | 0 | G10_060 | 'HOBBS INTERCHANGE - LEA COUNTY INTERCHANGE 230KV CKT 1'          | FROM->TO | 0.72487 | 691.7 | 'CAPROCK REC-ST LAWRENCE - CAPROCK REC-STILES 138KV CKT 1'        |
| 16WP | 0 | G10_059 | 'TUCO INTERCHANGE (GE M1022338) 345/230/13.2KV TRANSFORMER CKT 1' | FROM->TO | 0.42725 | 559.6 | 'TUCO INTERCHANGE (UPDATE DATA) 345/230/13.2KV TRANSFORMER CKT 2' |
| 16WP | 0 | G10_058 | 'TUCO INTERCHANGE (GE M1022338) 345/230/13.2KV TRANSFORMER CKT 1' | FROM->TO | 0.40549 | 559.6 | 'TUCO INTERCHANGE (UPDATE DATA) 345/230/13.2KV TRANSFORMER CKT 2' |
| 16WP | 0 | G10_060 | 'TUCO INTERCHANGE (GE M1022338) 345/230/13.2KV TRANSFORMER CKT 1' | FROM->TO | 0.42725 | 559.6 | 'TUCO INTERCHANGE (UPDATE DATA) 345/230/13.2KV TRANSFORMER CKT 2' |
| 16WP | 0 | G10_059 | 'HOBBS INTERCHANGE - LEA COUNTY INTERCHANGE 230KV CKT 1'          | FROM->TO | 0.72487 | 691.7 | 'CAPROCK REC-LANGE - CAPROCK REC-ST LAWRENCE 138KV CKT 1'         |
| 16WP | 0 | G10_060 | 'HOBBS INTERCHANGE - LEA COUNTY INTERCHANGE 230KV CKT 1'          | FROM->TO | 0.72487 | 691.7 | 'CAPROCK REC-LANGE - CAPROCK REC-ST LAWRENCE 138KV CKT 1'         |
| 16WP | 0 | G10_059 | 'HOBBS INTERCHANGE - LEA COUNTY INTERCHANGE 230KV CKT 1'          | FROM->TO | 0.72487 | 691.7 | 'CAPROCK REC-BUCHANAN - CAPROCK REC-LANGE 138KV CKT 1'            |
| 16WP | 0 | G10_060 | 'HOBBS INTERCHANGE - LEA COUNTY INTERCHANGE 230KV CKT 1'          | FROM->TO | 0.72487 | 691.7 | 'CAPROCK REC-BUCHANAN - CAPROCK REC-LANGE 138KV CKT 1'            |
| 16WP | 0 | G10_059 | 'CAPROCK REC-PHILLIPS - CAPROCK REC-TATE 138KV CKT 1'             | TO->FROM | 0.23716 | 270.3 | 'LEA COUNTY INTERCHANGE - YOAKUM COUNTY INTERCHANGE 230KV CKT 1'  |
| 16WP | 0 | G10_060 | 'CAPROCK REC-PHILLIPS - CAPROCK REC-TATE 138KV CKT 1'             | TO->FROM | 0.23716 | 270.3 | 'LEA COUNTY INTERCHANGE - YOAKUM COUNTY INTERCHANGE 230KV CKT 1'  |
| 16WP | 0 | G10_059 | 'HOBBS INTERCHANGE - LEA COUNTY INTERCHANGE 115KV CKT 1'          | FROM->TO | 0.24533 | 261.2 | 'HOBBS INTERCHANGE - LEA COUNTY INTERCHANGE 230KV CKT 1'          |
| 16WP | 0 | G10_060 | 'HOBBS INTERCHANGE - LEA COUNTY INTERCHANGE 115KV CKT 1'          | FROM->TO | 0.24533 | 261.2 | 'HOBBS INTERCHANGE - LEA COUNTY INTERCHANGE 230KV CKT 1'          |
| 16WP | 0 | G10_059 | 'TUCO INTERCHANGE (UPDATE DATA) 345/230/13.2KV TRANSFORMER CKT 2' | FROM->TO | 0.41639 | 558.8 | 'TUCO INTERCHANGE (GE M1022338) 345/230/13.2KV TRANSFORMER CKT 1' |
| 16WP | 0 | G10_058 | 'TUCO INTERCHANGE (UPDATE DATA) 345/230/13.2KV TRANSFORMER CKT 2' | FROM->TO | 0.39518 | 558.8 | 'TUCO INTERCHANGE (GE M1022338) 345/230/13.2KV TRANSFORMER CKT 1' |

|      |   |         |  |          |         |       |   |
|------|---|---------|--|----------|---------|-------|---|
| 16WP | 0 | G10_060 | 'TUCO INTERCHANGE (UPDATE DATA)<br>345/230/13.2KV TRANSFORMER CKT 2' | FROM->TO | 0.41639 | 558.8 | 'TUCO INTERCHANGE (GE M1022338)<br>345/230/13.2KV TRANSFORMER CKT 1'  |
| 16WP | 0 | G10_059 | 'TUCO INTERCHANGE (UPDATE DATA)<br>345/230/13.2KV TRANSFORMER CKT 2' | FROM->TO | 0.41639 | 558.9 | 'TUCO INTERCHANGE (GE M1022338)<br>345/230/13.2KV TRANSFORMER CKT 1'  |
| 16WP | 0 | G10_058 | 'TUCO INTERCHANGE (UPDATE DATA)<br>345/230/13.2KV TRANSFORMER CKT 2' | FROM->TO | 0.39518 | 558.9 | 'TUCO INTERCHANGE (GE M1022338)<br>345/230/13.2KV TRANSFORMER CKT 1'  |
| 16WP | 0 | G10_060 | 'TUCO INTERCHANGE (UPDATE DATA)<br>345/230/13.2KV TRANSFORMER CKT 2' | FROM->TO | 0.41639 | 558.9 | 'TUCO INTERCHANGE (GE M1022338)<br>345/230/13.2KV TRANSFORMER CKT 1'  |
| 16WP | 0 | G10_059 | 'CAPROCK REC-KOCH - CAPROCK REC-REED<br>138KV CKT 1'                 | TO->FROM | 0.2121  | 176   | 'HOBBS INTERCHANGE - LEA COUNTY<br>INTERCHANGE 230KV CKT 1'           |
| 16WP | 0 | G10_060 | 'CAPROCK REC-KOCH - CAPROCK REC-REED<br>138KV CKT 1'                 | TO->FROM | 0.2121  | 176   | 'HOBBS INTERCHANGE - LEA COUNTY<br>INTERCHANGE 230KV CKT 1'           |
| 16WP | 0 | G10_059 | 'CAPROCK REC-KOCH - CAPROCK REC-<br>VEALMOOR 138KV CKT 1'            | FROM->TO | 0.2121  | 176   | 'HOBBS INTERCHANGE - LEA COUNTY<br>INTERCHANGE 230KV CKT 1'           |
| 16WP | 0 | G10_060 | 'CAPROCK REC-KOCH - CAPROCK REC-<br>VEALMOOR 138KV CKT 1'            | FROM->TO | 0.2121  | 176   | 'HOBBS INTERCHANGE - LEA COUNTY<br>INTERCHANGE 230KV CKT 1'           |
| 16WP | 0 | G10_059 | 'CAPROCK REC-PHILLIPS - CAPROCK REC-<br>TATE 138KV CKT 1'            | TO->FROM | 0.21976 | 270.3 | 'AMOCO SWITCHING STATION - YOAKUM<br>COUNTY INTERCHANGE 230KV CKT 1'  |
| 16WP | 0 | G10_060 | 'CAPROCK REC-PHILLIPS - CAPROCK REC-<br>TATE 138KV CKT 1'            | TO->FROM | 0.21976 | 270.3 | 'AMOCO SWITCHING STATION - YOAKUM<br>COUNTY INTERCHANGE 230KV CKT 1'  |
| 16WP | 0 | G10_059 | 'CAPROCK REC-MCDONALD - CR-1956<br>4138.00 138KV CKT 1'              | FROM->TO | 0.29562 | 270.9 | 'HOBBS_INT 7345.00 - MIDLAND 7345.00<br>345KV CKT 1'                  |
| 16WP | 0 | G10_060 | 'CAPROCK REC-MCDONALD - CR-1956<br>4138.00 138KV CKT 1'              | FROM->TO | 0.29562 | 270.9 | 'HOBBS_INT 7345.00 - MIDLAND 7345.00<br>345KV CKT 1'                  |
| 16WP | 0 | G10_059 | 'CAPROCK REC-MCDONALD - CR-1956<br>4138.00 138KV CKT 1'              | FROM->TO | 0.29562 | 270.9 | 'HOBBS_INT 7345.00 (LIKE POTTER)<br>345/230/13.2KV TRANSFORMER CKT 1' |
| 16WP | 0 | G10_060 | 'CAPROCK REC-MCDONALD - CR-1956<br>4138.00 138KV CKT 1'              | FROM->TO | 0.29562 | 270.9 | 'HOBBS_INT 7345.00 (LIKE POTTER)<br>345/230/13.2KV TRANSFORMER CKT 1' |
| 16WP | 0 | G10_059 | 'CAPROCK REC-PHILLIPS - CAPROCK REC-<br>TATE 138KV CKT 1'            | TO->FROM | 0.22321 | 270.3 | 'CUNNINGHAM STATION - LEA COUNTY<br>INTERCHANGE 230KV CKT 1'          |
| 16WP | 0 | G10_060 | 'CAPROCK REC-PHILLIPS - CAPROCK REC-<br>TATE 138KV CKT 1'            | TO->FROM | 0.22321 | 270.3 | 'CUNNINGHAM STATION - LEA COUNTY<br>INTERCHANGE 230KV CKT 1'          |
| 16WP | 0 | G10_059 | 'LEA COUNTY INTERCHANGE - YOAKUM<br>COUNTY INTERCHANGE 230KV CKT 1'  | FROM->TO | 0.38625 | 361   | 'SPP-SWPS-K48'  |
| 16WP | 0 | G10_060 | 'LEA COUNTY INTERCHANGE - YOAKUM<br>COUNTY INTERCHANGE 230KV CKT 1'  | FROM->TO | 0.38625 | 361   | 'SPP-SWPS-K48'  |
| 16WP | 0 | G10_059 | 'LEA COUNTY INTERCHANGE - YOAKUM<br>COUNTY INTERCHANGE 230KV CKT 1'  | FROM->TO | 0.38625 | 361   | 'BORDEN COUNTY INTERCHANGE -<br>GRASSLAND INTERCHANGE 230KV CKT 1'    |
| 16WP | 0 | G10_060 | 'LEA COUNTY INTERCHANGE - YOAKUM<br>COUNTY INTERCHANGE 230KV CKT 1'  | FROM->TO | 0.38625 | 361   | 'BORDEN COUNTY INTERCHANGE -<br>GRASSLAND INTERCHANGE 230KV CKT 1'    |
| 16WP | 0 | G10_059 | 'CAPROCK REC-NEW SCHWARTZ - CR-1956<br>4138.00 138KV CKT 1'          | TO->FROM | 0.29562 | 270.9 | 'HOBBS_INT 7345.00 (LIKE POTTER)<br>345/230/13.2KV TRANSFORMER CKT 1' |
| 16WP | 0 | G10_060 | 'CAPROCK REC-NEW SCHWARTZ - CR-1956<br>4138.00 138KV CKT 1'          | TO->FROM | 0.29562 | 270.9 | 'HOBBS_INT 7345.00 (LIKE POTTER)<br>345/230/13.2KV TRANSFORMER CKT 1' |
| 16WP | 0 | G10_059 | 'CAPROCK REC-NEW SCHWARTZ - CR-1956<br>4138.00 138KV CKT 1'          | TO->FROM | 0.29562 | 270.9 | 'HOBBS_INT 7345.00 - MIDLAND 7345.00<br>345KV CKT 1'                  |
| 16WP | 0 | G10_060 | 'CAPROCK REC-NEW SCHWARTZ - CR-1956<br>4138.00 138KV CKT 1'          | TO->FROM | 0.29562 | 270.9 | 'HOBBS_INT 7345.00 - MIDLAND 7345.00<br>345KV CKT 1'                  |
| 16WP | 0 | G10_059 | 'CAPROCK REC-MCDONALD - CAPROCK REC-<br>PHILLIPS 138KV CKT 1'        | TO->FROM | 0.23716 | 270.7 | 'LEA COUNTY INTERCHANGE - YOAKUM<br>COUNTY INTERCHANGE 230KV CKT 1'   |



|      |   |         |  |          |         |       |  |
|------|---|---------|--|----------|---------|-------|--|
| 16WP | 0 | G10_060 | 'CAPROCK REC-MCDONALD - CAPROCK REC-PHILLIPS 138KV CKT 1'        | TO->FROM | 0.23716 | 270.7 | 'LEA COUNTY INTERCHANGE - YOAKUM COUNTY INTERCHANGE 230KV CKT 1'   |
| 16WP | 0 | G10_059 | 'CAPROCK REC-PHILLIPS - CAPROCK REC-TATE 138KV CKT 1'            | TO->FROM | 0.21198 | 270.3 | 'TOLK STATION EAST - TUCO INTERCHANGE 230KV CKT 1'                 |
| 16WP | 0 | G10_060 | 'CAPROCK REC-PHILLIPS - CAPROCK REC-TATE 138KV CKT 1'            | TO->FROM | 0.21198 | 270.3 | 'TOLK STATION EAST - TUCO INTERCHANGE 230KV CKT 1'                 |
| 16WP | 0 | G10_059 | 'CAPROCK REC-PHILLIPS - CAPROCK REC-TATE 138KV CKT 1'            | TO->FROM | 0.21477 | 270.3 | 'CUNNINGHAM STATION - EDDY COUNTY INTERCHANGE 230KV CKT 1'         |
| 16WP | 0 | G10_060 | 'CAPROCK REC-PHILLIPS - CAPROCK REC-TATE 138KV CKT 1'            | TO->FROM | 0.21477 | 270.3 | 'CUNNINGHAM STATION - EDDY COUNTY INTERCHANGE 230KV CKT 1'         |
| 16WP | 0 | G10_059 | 'LEA COUNTY INTERCHANGE - YOAKUM COUNTY INTERCHANGE 230KV CKT 1' | FROM->TO | 0.33625 | 361   | 'CUNNINGHAM STATION - EDDY COUNTY INTERCHANGE 230KV CKT 1'         |
| 16WP | 0 | G10_060 | 'LEA COUNTY INTERCHANGE - YOAKUM COUNTY INTERCHANGE 230KV CKT 1' | FROM->TO | 0.33625 | 361   | 'CUNNINGHAM STATION - EDDY COUNTY INTERCHANGE 230KV CKT 1'         |
| 16WP | 0 | G10_059 | 'CAPROCK REC-PHILLIPS - CAPROCK REC-TATE 138KV CKT 1'            | TO->FROM | 0.21555 | 270.3 | 'SUNDOWN INTERCHANGE - WOLFFORTH INTERCHANGE 230KV CKT 1'          |
| 16WP | 0 | G10_060 | 'CAPROCK REC-PHILLIPS - CAPROCK REC-TATE 138KV CKT 1'            | TO->FROM | 0.21555 | 270.3 | 'SUNDOWN INTERCHANGE - WOLFFORTH INTERCHANGE 230KV CKT 1'          |
| 16WP | 0 | G10_059 | 'GRASSLAND INTERCHANGE - Jones Station Bus#2 230KV CKT 1'        | FROM->TO | 0.47163 | 360.4 | 'HOBBS_INT 7345.00 - MIDLAND 7345.00 345KV CKT 1'                  |
| 16WP | 0 | G10_060 | 'GRASSLAND INTERCHANGE - Jones Station Bus#2 230KV CKT 1'        | FROM->TO | 0.47163 | 360.4 | 'HOBBS_INT 7345.00 - MIDLAND 7345.00 345KV CKT 1'                  |
| 16WP | 0 | G10_059 | 'GRASSLAND INTERCHANGE - Jones Station Bus#2 230KV CKT 1'        | FROM->TO | 0.47163 | 360.4 | 'HOBBS_INT 7345.00 (LIKE POTTER) 345/230/13.2KV TRANSFORMER CKT 1' |
| 16WP | 0 | G10_060 | 'GRASSLAND INTERCHANGE - Jones Station Bus#2 230KV CKT 1'        | FROM->TO | 0.47163 | 360.4 | 'HOBBS_INT 7345.00 (LIKE POTTER) 345/230/13.2KV TRANSFORMER CKT 1' |
| 16WP | 0 | G10_059 | 'CAPROCK REC-PHILLIPS - CAPROCK REC-TATE 138KV CKT 1'            | TO->FROM | 0.21046 | 270.3 | 'CUNNINGHAM STATION - POTASH JUNCTION INTERCHANGE 230KV CKT 1'     |
| 16WP | 0 | G10_060 | 'CAPROCK REC-PHILLIPS - CAPROCK REC-TATE 138KV CKT 1'            | TO->FROM | 0.21046 | 270.3 | 'CUNNINGHAM STATION - POTASH JUNCTION INTERCHANGE 230KV CKT 1'     |
| 16WP | 0 | G10_059 | 'CAPROCK REC-PHILLIPS - CAPROCK REC-TATE 138KV CKT 1'            | TO->FROM | 0.22182 | 270.3 | 'TOLK STATION (ABBXNL844501) 345/230/13.2KV TRANSFORMER CKT 1'     |
| 16WP | 0 | G10_060 | 'CAPROCK REC-PHILLIPS - CAPROCK REC-TATE 138KV CKT 1'            | TO->FROM | 0.22182 | 270.3 | 'TOLK STATION (ABBXNL844501) 345/230/13.2KV TRANSFORMER CKT 1'     |
| 16WP | 0 | G10_059 | 'CAPROCK REC-PHILLIPS - CAPROCK REC-TATE 138KV CKT 1'            | TO->FROM | 0.22182 | 270.3 | 'CHAVESCO 345.00 - TOLK STATION 345KV CKT 1'                       |
| 16WP | 0 | G10_060 | 'CAPROCK REC-PHILLIPS - CAPROCK REC-TATE 138KV CKT 1'            | TO->FROM | 0.22182 | 270.3 | 'CHAVESCO 345.00 - TOLK STATION 345KV CKT 1'                       |
| 16WP | 0 | G10_059 | 'CAPROCK REC-PHILLIPS - CAPROCK REC-TATE 138KV CKT 1'            | TO->FROM | 0.21976 | 270.3 | 'AMOCO SWITCHING STATION - SUNDOWN INTERCHANGE 230KV CKT 1'        |
| 16WP | 0 | G10_060 | 'CAPROCK REC-PHILLIPS - CAPROCK REC-TATE 138KV CKT 1'            | TO->FROM | 0.21976 | 270.3 | 'AMOCO SWITCHING STATION - SUNDOWN INTERCHANGE 230KV CKT 1'        |
| 16WP | 0 | G10_059 | 'CAPROCK REC-PHILLIPS - CAPROCK REC-TATE 138KV CKT 1'            | TO->FROM | 0.20703 | 270.3 | 'Jones Station Bus#2 230/22.0KV TRANSFORMER CKT 1'                 |
| 16WP | 0 | G10_060 | 'CAPROCK REC-PHILLIPS - CAPROCK REC-TATE 138KV CKT 1'            | TO->FROM | 0.20703 | 270.3 | 'Jones Station Bus#2 230/22.0KV TRANSFORMER CKT 1'                 |
| 16WP | 0 | G10_059 | 'CAPROCK REC-PHILLIPS - CAPROCK REC-TATE 138KV CKT 1'            | TO->FROM | 0.20703 | 270.3 | 'JONES STATION 230/22.0KV TRANSFORMER CKT 1'                       |
| 16WP | 0 | G10_060 | 'CAPROCK REC-PHILLIPS - CAPROCK REC-TATE 138KV CKT 1'            | TO->FROM | 0.20703 | 270.3 | 'JONES STATION 230/22.0KV TRANSFORMER CKT 1'                       |

|      |   |         |  |          |         |       |   |
|------|---|---------|--|----------|---------|-------|---|
| 16WP | 0 | G10_059 | 'CAPROCK REC-PHILLIPS - CAPROCK REC-TATE 138KV CKT 1'            | TO->FROM | 0.20703 | 270.3 | 'Jones Station Bus#2 230/22.0KV TRANSFORMER CKT 1'                        |
| 16WP | 0 | G10_060 | 'CAPROCK REC-PHILLIPS - CAPROCK REC-TATE 138KV CKT 1'            | TO->FROM | 0.20703 | 270.3 | 'Jones Station Bus#2 230/22.0KV TRANSFORMER CKT 1'                        |
| 16WP | 0 | G10_059 | 'CAPROCK REC-PHILLIPS - CAPROCK REC-TATE 138KV CKT 1'            | TO->FROM | 0.21242 | 270.3 | 'TERRY COUNTY INTERCHANGE - WOLFFORTH INTERCHANGE 115KV CKT 1'            |
| 16WP | 0 | G10_060 | 'CAPROCK REC-PHILLIPS - CAPROCK REC-TATE 138KV CKT 1'            | TO->FROM | 0.21242 | 270.3 | 'TERRY COUNTY INTERCHANGE - WOLFFORTH INTERCHANGE 115KV CKT 1'            |
| 16WP | 0 | G10_059 | 'CAPROCK REC-PHILLIPS - CAPROCK REC-TATE 138KV CKT 1'            | TO->FROM | 0.20726 | 270.3 | 'SPP-SWPS-T14'  |
| 16WP | 0 | G10_060 | 'CAPROCK REC-PHILLIPS - CAPROCK REC-TATE 138KV CKT 1'            | TO->FROM | 0.20726 | 270.3 | 'SPP-SWPS-T14'  |
| 16WP | 0 | G10_059 | 'CAPROCK REC-PHILLIPS - CAPROCK REC-TATE 138KV CKT 1'            | TO->FROM | 0.2219  | 270.3 | 'EDDY COUNTY INTERCHANGE (ABB AEM30711) 345/230/13.2KV TRANSFORMER CKT 1' |
| 16WP | 0 | G10_060 | 'CAPROCK REC-PHILLIPS - CAPROCK REC-TATE 138KV CKT 1'            | TO->FROM | 0.2219  | 270.3 | 'EDDY COUNTY INTERCHANGE (ABB AEM30711) 345/230/13.2KV TRANSFORMER CKT 1' |
| 16WP | 0 | G10_059 | 'CAPROCK REC-PHILLIPS - CAPROCK REC-TATE 138KV CKT 1'            | TO->FROM | 0.2219  | 270.3 | 'CHAVESCO 345.00 - EDDY COUNTY INTERCHANGE 345KV CKT 1'                   |
| 16WP | 0 | G10_060 | 'CAPROCK REC-PHILLIPS - CAPROCK REC-TATE 138KV CKT 1'            | TO->FROM | 0.2219  | 270.3 | 'CHAVESCO 345.00 - EDDY COUNTY INTERCHANGE 345KV CKT 1'                   |
| 16WP | 0 | G10_059 | 'LEA COUNTY INTERCHANGE - YOAKUM COUNTY INTERCHANGE 230KV CKT 1' | FROM->TO | 0.3402  | 361   | 'CAPROCK REC-MCDONALD - CAPROCK REC-TRIANGLE 138KV CKT 1'                 |
| 16WP | 0 | G10_060 | 'LEA COUNTY INTERCHANGE - YOAKUM COUNTY INTERCHANGE 230KV CKT 1' | FROM->TO | 0.3402  | 361   | 'CAPROCK REC-MCDONALD - CAPROCK REC-TRIANGLE 138KV CKT 1'                 |
| 16WP | 0 | G10_059 | 'LEA COUNTY INTERCHANGE - YOAKUM COUNTY INTERCHANGE 230KV CKT 1' | FROM->TO | 0.3402  | 361   | 'CAPROCK REC-GRADY - CAPROCK REC-TRIANGLE 138KV CKT 1'                    |
| 16WP | 0 | G10_060 | 'LEA COUNTY INTERCHANGE - YOAKUM COUNTY INTERCHANGE 230KV CKT 1' | FROM->TO | 0.3402  | 361   | 'CAPROCK REC-GRADY - CAPROCK REC-TRIANGLE 138KV CKT 1'                    |
| 16WP | 0 | G10_059 | 'CAPROCK REC-NEW SCHWARTZ - CAPROCK REC-PEMBROOK 138KV CKT 1'    | FROM->TO | 0.29562 | 271   | 'HOBBS_INT 7345.00 (LIKE POTTER) 345/230/13.2KV TRANSFORMER CKT 1'        |
| 16WP | 0 | G10_060 | 'CAPROCK REC-NEW SCHWARTZ - CAPROCK REC-PEMBROOK 138KV CKT 1'    | FROM->TO | 0.29562 | 271   | 'HOBBS_INT 7345.00 (LIKE POTTER) 345/230/13.2KV TRANSFORMER CKT 1'        |
| 16WP | 0 | G10_059 | 'CAPROCK REC-NEW SCHWARTZ - CAPROCK REC-PEMBROOK 138KV CKT 1'    | FROM->TO | 0.29562 | 271   | 'HOBBS_INT 7345.00 - MIDLAND 7345.00 345KV CKT 1'                         |
| 16WP | 0 | G10_060 | 'CAPROCK REC-NEW SCHWARTZ - CAPROCK REC-PEMBROOK 138KV CKT 1'    | FROM->TO | 0.29562 | 271   | 'HOBBS_INT 7345.00 - MIDLAND 7345.00 345KV CKT 1'                         |
| 16WP | 0 | G10_059 | 'LEA COUNTY INTERCHANGE - YOAKUM COUNTY INTERCHANGE 230KV CKT 1' | FROM->TO | 0.3402  | 361   | 'CAPROCK REC-GRADY - CAPROCK REC-REED 138KV CKT 1'                        |
| 16WP | 0 | G10_060 | 'LEA COUNTY INTERCHANGE - YOAKUM COUNTY INTERCHANGE 230KV CKT 1' | FROM->TO | 0.3402  | 361   | 'CAPROCK REC-GRADY - CAPROCK REC-REED 138KV CKT 1'                        |
| 16WP | 0 | G10_059 | 'CAPROCK REC-MCDONALD - CAPROCK REC-PHILLIPS 138KV CKT 1'        | TO->FROM | 0.21976 | 270.7 | 'AMOCO SWITCHING STATION - YOAKUM COUNTY INTERCHANGE 230KV CKT 1'         |
| 16WP | 0 | G10_060 | 'CAPROCK REC-MCDONALD - CAPROCK REC-PHILLIPS 138KV CKT 1'        | TO->FROM | 0.21976 | 270.7 | 'AMOCO SWITCHING STATION - YOAKUM COUNTY INTERCHANGE 230KV CKT 1'         |
| 16WP | 0 | G10_059 | 'LEA COUNTY INTERCHANGE - YOAKUM COUNTY INTERCHANGE 230KV CKT 1' | FROM->TO | 0.31773 | 361   | 'CUNNINGHAM STATION - POTASH JUNCTION INTERCHANGE 230KV CKT 1'            |
| 16WP | 0 | G10_060 | 'LEA COUNTY INTERCHANGE - YOAKUM COUNTY INTERCHANGE 230KV CKT 1' | FROM->TO | 0.31773 | 361   | 'CUNNINGHAM STATION - POTASH JUNCTION INTERCHANGE 230KV CKT 1'            |

|      |   |         |   |          |         |       |   |
|------|---|---------|---|----------|---------|-------|---|
| 16WP | 0 | G10_059 | 'AMOCO SWITCHING STATION - YOAKUM COUNTY INTERCHANGE 230KV CKT 1' | TO->FROM | 0.24942 | 359.5 | 'MIDLAND 7345.00 (LIKE WICHITA) 345/138/13.8KV TRANSFORMER CKT 1'                             |
| 16WP | 0 | G10_060 | 'AMOCO SWITCHING STATION - YOAKUM COUNTY INTERCHANGE 230KV CKT 1' | TO->FROM | 0.24942 | 359.5 | 'MIDLAND 7345.00 (LIKE WICHITA) 345/138/13.8KV TRANSFORMER CKT 1'                             |
| 16WP | 0 | G10_059 | 'LEA COUNTY INTERCHANGE - YOAKUM COUNTY INTERCHANGE 230KV CKT 1'  | FROM->TO | 0.3402  | 361   | 'CAPROCK REC-KOCH - CAPROCK REC-REED 138KV CKT 1'   |
| 16WP | 0 | G10_060 | 'LEA COUNTY INTERCHANGE - YOAKUM COUNTY INTERCHANGE 230KV CKT 1'  | FROM->TO | 0.3402  | 361   | 'CAPROCK REC-KOCH - CAPROCK REC-REED 138KV CKT 1'   |
| 16WP | 0 | G10_059 | 'LEA COUNTY INTERCHANGE - YOAKUM COUNTY INTERCHANGE 230KV CKT 1'  | FROM->TO | 0.3402  | 361   | 'CAPROCK REC-KOCH - CAPROCK REC-VEALMOOR 138KV CKT 1'   |
| 16WP | 0 | G10_060 | 'LEA COUNTY INTERCHANGE - YOAKUM COUNTY INTERCHANGE 230KV CKT 1'  | FROM->TO | 0.3402  | 361   | 'CAPROCK REC-KOCH - CAPROCK REC-VEALMOOR 138KV CKT 1'   |
| 16WP | 0 | G10_059 | 'LEA COUNTY INTERCHANGE - YOAKUM COUNTY INTERCHANGE 230KV CKT 1'  | FROM->TO | 0.32388 | 361   | 'JOHNSON_DRW3115.00 - TAYLOR SWITCHING STATION 115KV CKT 1'                                   |
| 16WP | 0 | G10_060 | 'LEA COUNTY INTERCHANGE - YOAKUM COUNTY INTERCHANGE 230KV CKT 1'  | FROM->TO | 0.32388 | 361   | 'JOHNSON_DRW3115.00 - TAYLOR SWITCHING STATION 115KV CKT 1'                                   |
| 16WP | 0 | G10_059 | 'CAPROCK REC-MCDONALD - CAPROCK REC-PHILLIPS 138KV CKT 1'         | TO->FROM | 0.22321 | 270.7 | 'CUNNINGHAM STATION - LEA COUNTY INTERCHANGE 230KV CKT 1'                                     |
| 16WP | 0 | G10_060 | 'CAPROCK REC-MCDONALD - CAPROCK REC-PHILLIPS 138KV CKT 1'         | TO->FROM | 0.22321 | 270.7 | 'CUNNINGHAM STATION - LEA COUNTY INTERCHANGE 230KV CKT 1'                                     |
| 16WP | 0 | G10_059 | 'LEA COUNTY INTERCHANGE - YOAKUM COUNTY INTERCHANGE 230KV CKT 1'  | FROM->TO | 0.30085 | 329   | 'BASE CASE'   |
| 16WP | 0 | G10_060 | 'LEA COUNTY INTERCHANGE - YOAKUM COUNTY INTERCHANGE 230KV CKT 1'  | FROM->TO | 0.30085 | 329   | 'BASE CASE'   |
| 16WP | 0 | G10_059 | 'LEA COUNTY INTERCHANGE - YOAKUM COUNTY INTERCHANGE 230KV CKT 1'  | FROM->TO | 0.30085 | 361   | 'Golden Spread REC - Mustang Interchange 230 kV Generation Bus - MUSTANG STATION 230KV CKT 1' |
| 16WP | 0 | G10_060 | 'LEA COUNTY INTERCHANGE - YOAKUM COUNTY INTERCHANGE 230KV CKT 1'  | FROM->TO | 0.30085 | 361   | 'Golden Spread REC - Mustang Interchange 230 kV Generation Bus - MUSTANG STATION 230KV CKT 1' |
| 16WP | 0 | G10_059 | 'LEA COUNTY INTERCHANGE - YOAKUM COUNTY INTERCHANGE 230KV CKT 1'  | FROM->TO | 0.36595 | 361   | 'CHAVESCO 345.00 - TOLK STATION 345KV CKT 1'  |
| 16WP | 0 | G10_058 | 'LEA COUNTY INTERCHANGE - YOAKUM COUNTY INTERCHANGE 230KV CKT 1'  | FROM->TO | 0.25452 | 361   | 'CHAVESCO 345.00 - TOLK STATION 345KV CKT 1'  |
| 16WP | 0 | G10_060 | 'LEA COUNTY INTERCHANGE - YOAKUM COUNTY INTERCHANGE 230KV CKT 1'  | FROM->TO | 0.36595 | 361   | 'CHAVESCO 345.00 - TOLK STATION 345KV CKT 1'  |
| 16WP | 0 | G10_059 | 'LEA COUNTY INTERCHANGE - YOAKUM COUNTY INTERCHANGE 230KV CKT 1'  | FROM->TO | 0.36595 | 361   | 'TOLK STATION (ABBXNL844501) 345/230/13.2KV TRANSFORMER CKT 1'                                |
| 16WP | 0 | G10_058 | 'LEA COUNTY INTERCHANGE - YOAKUM COUNTY INTERCHANGE 230KV CKT 1'  | FROM->TO | 0.25452 | 361   | 'TOLK STATION (ABBXNL844501) 345/230/13.2KV TRANSFORMER CKT 1'                                |
| 16WP | 0 | G10_060 | 'LEA COUNTY INTERCHANGE - YOAKUM COUNTY INTERCHANGE 230KV CKT 1'  | FROM->TO | 0.36595 | 361   | 'TOLK STATION (ABBXNL844501) 345/230/13.2KV TRANSFORMER CKT 1'                                |
| 16WP | 0 | G10_059 | 'AMOCO SWITCHING STATION - YOAKUM COUNTY INTERCHANGE 230KV CKT 1' | TO->FROM | 0.24942 | 359.5 | 'CAPROCK REC-PHILLIPS - CAPROCK REC-TATE 138KV CKT 1'   |
| 16WP | 0 | G10_060 | 'AMOCO SWITCHING STATION - YOAKUM COUNTY INTERCHANGE 230KV CKT 1' | TO->FROM | 0.24942 | 359.5 | 'CAPROCK REC-PHILLIPS - CAPROCK REC-TATE 138KV CKT 1'   |
| 16WP | 0 | G10_059 | 'CAPROCK REC-ST LAWRENCE - CAPROCK REC-STILES 138KV CKT 1'        | TO->FROM | 0.29542 | 271   | 'HOBBS_INT 7345.00 - MIDLAND 7345.00 345KV CKT 1'   |
| 16WP | 0 | G10_060 | 'CAPROCK REC-ST LAWRENCE - CAPROCK REC-STILES 138KV CKT 1'        | TO->FROM | 0.29542 | 271   | 'HOBBS_INT 7345.00 - MIDLAND 7345.00 345KV CKT 1'   |

|      |   |         |   |          |         |       |   |
|------|---|---------|---|----------|---------|-------|---|
| 16WP | 0 | G10_059 | 'CAPROCK REC-ST LAWRENCE - CAPROCK REC-STILES 138KV CKT 1'        | TO->FROM | 0.29542 | 271   | 'HOBBS_INT 7345.00 (LIKE POTTER) 345/230/13.2KV TRANSFORMER CKT 1'                    |
| 16WP | 0 | G10_060 | 'CAPROCK REC-ST LAWRENCE - CAPROCK REC-STILES 138KV CKT 1'        | TO->FROM | 0.29542 | 271   | 'HOBBS_INT 7345.00 (LIKE POTTER) 345/230/13.2KV TRANSFORMER CKT 1'                    |
| 16WP | 0 | G10_059 | 'CAPROCK REC-MCDONALD - CAPROCK REC-PHILLIPS 138KV CKT 1'         | TO->FROM | 0.21198 | 270.7 | 'TOLK STATION EAST - TUCO INTERCHANGE 230KV CKT 1'                                    |
| 16WP | 0 | G10_060 | 'CAPROCK REC-MCDONALD - CAPROCK REC-PHILLIPS 138KV CKT 1'         | TO->FROM | 0.21198 | 270.7 | 'TOLK STATION EAST - TUCO INTERCHANGE 230KV CKT 1'                                    |
| 16WP | 0 | G10_059 | 'AMOCO SWITCHING STATION - YOAKUM COUNTY INTERCHANGE 230KV CKT 1' | TO->FROM | 0.24942 | 359.5 | 'CAPROCK REC-MCDONALD - CAPROCK REC-PHILLIPS 138KV CKT 1'                             |
| 16WP | 0 | G10_060 | 'AMOCO SWITCHING STATION - YOAKUM COUNTY INTERCHANGE 230KV CKT 1' | TO->FROM | 0.24942 | 359.5 | 'CAPROCK REC-MCDONALD - CAPROCK REC-PHILLIPS 138KV CKT 1'                             |
| 16WP | 0 | G10_059 | 'LEA COUNTY INTERCHANGE - YOAKUM COUNTY INTERCHANGE 230KV CKT 1'  | FROM->TO | 0.36629 | 361   | 'EDDY COUNTY INTERCHANGE (ABB AEM30711) 345/230/13.2KV TRANSFORMER CKT 1'             |
| 16WP | 0 | G10_058 | 'LEA COUNTY INTERCHANGE - YOAKUM COUNTY INTERCHANGE 230KV CKT 1'  | FROM->TO | 0.25486 | 361   | 'EDDY COUNTY INTERCHANGE (ABB AEM30711) 345/230/13.2KV TRANSFORMER CKT 1'             |
| 16WP | 0 | G10_060 | 'LEA COUNTY INTERCHANGE - YOAKUM COUNTY INTERCHANGE 230KV CKT 1'  | FROM->TO | 0.36629 | 361   | 'EDDY COUNTY INTERCHANGE (ABB AEM30711) 345/230/13.2KV TRANSFORMER CKT 1'             |
| 16WP | 0 | G10_059 | 'LEA COUNTY INTERCHANGE - YOAKUM COUNTY INTERCHANGE 230KV CKT 1'  | FROM->TO | 0.36629 | 361   | 'CHAVESCO 345.00 - EDDY COUNTY INTERCHANGE 345KV CKT 1'                               |
| 16WP | 0 | G10_058 | 'LEA COUNTY INTERCHANGE - YOAKUM COUNTY INTERCHANGE 230KV CKT 1'  | FROM->TO | 0.25486 | 361   | 'CHAVESCO 345.00 - EDDY COUNTY INTERCHANGE 345KV CKT 1'                               |
| 16WP | 0 | G10_060 | 'LEA COUNTY INTERCHANGE - YOAKUM COUNTY INTERCHANGE 230KV CKT 1'  | FROM->TO | 0.36629 | 361   | 'CHAVESCO 345.00 - EDDY COUNTY INTERCHANGE 345KV CKT 1'                               |
| 16WP | 0 | G10_059 | 'CAPROCK REC-MCDONALD - CAPROCK REC-PHILLIPS 138KV CKT 1'         | TO->FROM | 0.21477 | 270.7 | 'CUNNINGHAM STATION - EDDY COUNTY INTERCHANGE 230KV CKT 1'                            |
| 16WP | 0 | G10_060 | 'CAPROCK REC-MCDONALD - CAPROCK REC-PHILLIPS 138KV CKT 1'         | TO->FROM | 0.21477 | 270.7 | 'CUNNINGHAM STATION - EDDY COUNTY INTERCHANGE 230KV CKT 1'                            |
| 16WP | 0 | G10_059 | 'LEA COUNTY INTERCHANGE - YOAKUM COUNTY INTERCHANGE 230KV CKT 1'  | FROM->TO | 0.31902 | 361   | 'LEA COUNTY REC-LOVINGTON INTERCHANGE - LEA COUNTY REC-WAITS INTERCHANGE 115KV CKT 1' |
| 16WP | 0 | G10_060 | 'LEA COUNTY INTERCHANGE - YOAKUM COUNTY INTERCHANGE 230KV CKT 1'  | FROM->TO | 0.31902 | 361   | 'LEA COUNTY REC-LOVINGTON INTERCHANGE - LEA COUNTY REC-WAITS INTERCHANGE 115KV CKT 1' |
| 16WP | 0 | G10_059 | 'CAPROCK REC-MCDONALD - CAPROCK REC-PHILLIPS 138KV CKT 1'         | TO->FROM | 0.21555 | 270.7 | 'SUNDOWN INTERCHANGE - WOLFFORTH INTERCHANGE 230KV CKT 1'                             |
| 16WP | 0 | G10_060 | 'CAPROCK REC-MCDONALD - CAPROCK REC-PHILLIPS 138KV CKT 1'         | TO->FROM | 0.21555 | 270.7 | 'SUNDOWN INTERCHANGE - WOLFFORTH INTERCHANGE 230KV CKT 1'                             |
| 16WP | 0 | G10_059 | 'NEWHART 6230.00 - PLANT X STATION 230KV CKT 1'                   | TO->FROM | 0.20732 | 360.7 | 'DEAF SMITH COUNTY INTERCHANGE - PLANT X STATION 230KV CKT 1'                         |
| 16WP | 0 | G10_058 | 'NEWHART 6230.00 - PLANT X STATION 230KV CKT 1'                   | TO->FROM | 0.24055 | 360.7 | 'DEAF SMITH COUNTY INTERCHANGE - PLANT X STATION 230KV CKT 1'                         |
| 16WP | 0 | G10_060 | 'NEWHART 6230.00 - PLANT X STATION 230KV CKT 1'                   | TO->FROM | 0.20732 | 360.7 | 'DEAF SMITH COUNTY INTERCHANGE - PLANT X STATION 230KV CKT 1'                         |
| 16WP | 0 | G10_059 | 'CAPROCK REC-MCDONALD - CAPROCK REC-PHILLIPS 138KV CKT 1'         | TO->FROM | 0.22182 | 270.7 | 'TOLK STATION (ABBXL844501) 345/230/13.2KV TRANSFORMER CKT 1'                         |
| 16WP | 0 | G10_060 | 'CAPROCK REC-MCDONALD - CAPROCK REC-PHILLIPS 138KV CKT 1'         | TO->FROM | 0.22182 | 270.7 | 'TOLK STATION (ABBXL844501) 345/230/13.2KV TRANSFORMER CKT 1'                         |

|      |   |         |   |          |         |       |   |
|------|---|---------|---|----------|---------|-------|---|
| 16WP | 0 | G10_059 | 'CAPROCK REC-MCDONALD - CAPROCK REC-PHILLIPS 138KV CKT 1' | TO->FROM | 0.22182 | 270.7 | 'CHAVESCO 345.00 - TOLK STATION 345KV CKT 1'                              |
| 16WP | 0 | G10_060 | 'CAPROCK REC-MCDONALD - CAPROCK REC-PHILLIPS 138KV CKT 1' | TO->FROM | 0.22182 | 270.7 | 'CHAVESCO 345.00 - TOLK STATION 345KV CKT 1'                              |
| 16WP | 0 | G10_059 | 'CAPROCK REC-MCDONALD - CAPROCK REC-PHILLIPS 138KV CKT 1' | TO->FROM | 0.21976 | 270.7 | 'AMOCO SWITCHING STATION - SUNDOWN INTERCHANGE 230KV CKT 1'               |
| 16WP | 0 | G10_060 | 'CAPROCK REC-MCDONALD - CAPROCK REC-PHILLIPS 138KV CKT 1' | TO->FROM | 0.21976 | 270.7 | 'AMOCO SWITCHING STATION - SUNDOWN INTERCHANGE 230KV CKT 1'               |
| 16WP | 0 | G10_059 | 'CAPROCK REC-MCDONALD - CAPROCK REC-PHILLIPS 138KV CKT 1' | TO->FROM | 0.21046 | 270.7 | 'CUNNINGHAM STATION - POTASH JUNCTION INTERCHANGE 230KV CKT 1'            |
| 16WP | 0 | G10_060 | 'CAPROCK REC-MCDONALD - CAPROCK REC-PHILLIPS 138KV CKT 1' | TO->FROM | 0.21046 | 270.7 | 'CUNNINGHAM STATION - POTASH JUNCTION INTERCHANGE 230KV CKT 1'            |
| 16WP | 0 | G10_059 | 'CAPROCK REC-MCDONALD - CAPROCK REC-PHILLIPS 138KV CKT 1' | TO->FROM | 0.20703 | 270.7 | 'Jones Station Bus#2 230/22.0KV TRANSFORMER CKT 1'                        |
| 16WP | 0 | G10_060 | 'CAPROCK REC-MCDONALD - CAPROCK REC-PHILLIPS 138KV CKT 1' | TO->FROM | 0.20703 | 270.7 | 'Jones Station Bus#2 230/22.0KV TRANSFORMER CKT 1'                        |
| 16WP | 0 | G10_059 | 'CAPROCK REC-MCDONALD - CAPROCK REC-PHILLIPS 138KV CKT 1' | TO->FROM | 0.20703 | 270.7 | 'JONES STATION 230/22.0KV TRANSFORMER CKT 1'                              |
| 16WP | 0 | G10_060 | 'CAPROCK REC-MCDONALD - CAPROCK REC-PHILLIPS 138KV CKT 1' | TO->FROM | 0.20703 | 270.7 | 'JONES STATION 230/22.0KV TRANSFORMER CKT 1'                              |
| 16WP | 0 | G10_059 | 'CAPROCK REC-MCDONALD - CAPROCK REC-PHILLIPS 138KV CKT 1' | TO->FROM | 0.20703 | 270.7 | 'Jones Station Bus#2 230/22.0KV TRANSFORMER CKT 1'                        |
| 16WP | 0 | G10_060 | 'CAPROCK REC-MCDONALD - CAPROCK REC-PHILLIPS 138KV CKT 1' | TO->FROM | 0.20703 | 270.7 | 'Jones Station Bus#2 230/22.0KV TRANSFORMER CKT 1'                        |
| 16WP | 0 | G10_059 | 'CAPROCK REC-MCDONALD - CAPROCK REC-PHILLIPS 138KV CKT 1' | TO->FROM | 0.21242 | 270.7 | 'TERRY COUNTY INTERCHANGE - WOLFFORTH INTERCHANGE 115KV CKT 1'            |
| 16WP | 0 | G10_060 | 'CAPROCK REC-MCDONALD - CAPROCK REC-PHILLIPS 138KV CKT 1' | TO->FROM | 0.21242 | 270.7 | 'TERRY COUNTY INTERCHANGE - WOLFFORTH INTERCHANGE 115KV CKT 1'            |
| 16WP | 0 | G10_059 | 'CAPROCK REC-MCDONALD - CAPROCK REC-PHILLIPS 138KV CKT 1' | TO->FROM | 0.2219  | 270.7 | 'EDDY COUNTY INTERCHANGE (ABB AEM30711) 345/230/13.2KV TRANSFORMER CKT 1' |
| 16WP | 0 | G10_060 | 'CAPROCK REC-MCDONALD - CAPROCK REC-PHILLIPS 138KV CKT 1' | TO->FROM | 0.2219  | 270.7 | 'EDDY COUNTY INTERCHANGE (ABB AEM30711) 345/230/13.2KV TRANSFORMER CKT 1' |
| 16WP | 0 | G10_059 | 'CAPROCK REC-MCDONALD - CAPROCK REC-PHILLIPS 138KV CKT 1' | TO->FROM | 0.2219  | 270.7 | 'CHAVESCO 345.00 - EDDY COUNTY INTERCHANGE 345KV CKT 1'                   |
| 16WP | 0 | G10_060 | 'CAPROCK REC-MCDONALD - CAPROCK REC-PHILLIPS 138KV CKT 1' | TO->FROM | 0.2219  | 270.7 | 'CHAVESCO 345.00 - EDDY COUNTY INTERCHANGE 345KV CKT 1'                   |
| 16WP | 0 | G10_059 | 'CAPROCK REC-BUCHANAN - CAPROCK REC-LANGE 138KV CKT 1'    | TO->FROM | 0.29542 | 271   | 'HOBBS_INT 7345.00 (LIKE POTTER) 345/230/13.2KV TRANSFORMER CKT 1'        |
| 16WP | 0 | G10_060 | 'CAPROCK REC-BUCHANAN - CAPROCK REC-LANGE 138KV CKT 1'    | TO->FROM | 0.29542 | 271   | 'HOBBS_INT 7345.00 (LIKE POTTER) 345/230/13.2KV TRANSFORMER CKT 1'        |
| 16WP | 0 | G10_059 | 'CAPROCK REC-BUCHANAN - CAPROCK REC-LANGE 138KV CKT 1'    | TO->FROM | 0.29542 | 271   | 'HOBBS_INT 7345.00 - MIDLAND 7345.00 345KV CKT 1'                         |
| 16WP | 0 | G10_060 | 'CAPROCK REC-BUCHANAN - CAPROCK REC-LANGE 138KV CKT 1'    | TO->FROM | 0.29542 | 271   | 'HOBBS_INT 7345.00 - MIDLAND 7345.00 345KV CKT 1'                         |
| 16WP | 0 | G10_059 | 'CAPROCK REC-MCDONALD - CAPROCK REC-PHILLIPS 138KV CKT 1' | TO->FROM | 0.20955 | 270.7 | 'NEWHART 6230.00 - PLANT X STATION 230KV CKT 1'                           |
| 16WP | 0 | G10_060 | 'CAPROCK REC-MCDONALD - CAPROCK REC-PHILLIPS 138KV CKT 1' | TO->FROM | 0.20955 | 270.7 | 'NEWHART 6230.00 - PLANT X STATION 230KV CKT 1'                           |

|      |   |         |   |          |         |       |  |
|------|---|---------|---|----------|---------|-------|--|
| 16WP | 0 | G10_059 | 'CUNNINGHAM STATION - LEA COUNTY INTERCHANGE 230KV CKT 1'         | TO->FROM | 0.47795 | 556.7 | 'LEA COUNTY INTERCHANGE - YOAKUM COUNTY INTERCHANGE 230KV CKT 1'   |
| 16WP | 0 | G10_060 | 'CUNNINGHAM STATION - LEA COUNTY INTERCHANGE 230KV CKT 1'         | TO->FROM | 0.47795 | 556.7 | 'LEA COUNTY INTERCHANGE - YOAKUM COUNTY INTERCHANGE 230KV CKT 1'   |
| 16WP | 0 | G10_059 | 'CAPROCK REC-BUCHANAN - CAPROCK REC-RUSSEL TAP 138KV CKT 1'       | FROM->TO | 0.29542 | 271   | 'HOBBS_INT 7345.00 - MIDLAND 7345.00 345KV CKT 1'                  |
| 16WP | 0 | G10_060 | 'CAPROCK REC-BUCHANAN - CAPROCK REC-RUSSEL TAP 138KV CKT 1'       | FROM->TO | 0.29542 | 271   | 'HOBBS_INT 7345.00 - MIDLAND 7345.00 345KV CKT 1'                  |
| 16WP | 0 | G10_059 | 'CAPROCK REC-BUCHANAN - CAPROCK REC-RUSSEL TAP 138KV CKT 1'       | FROM->TO | 0.29542 | 271   | 'HOBBS_INT 7345.00 (LIKE POTTER) 345/230/13.2KV TRANSFORMER CKT 1' |
| 16WP | 0 | G10_060 | 'CAPROCK REC-BUCHANAN - CAPROCK REC-RUSSEL TAP 138KV CKT 1'       | FROM->TO | 0.29542 | 271   | 'HOBBS_INT 7345.00 (LIKE POTTER) 345/230/13.2KV TRANSFORMER CKT 1' |
| 16WP | 0 | G10_059 | 'CAPROCK REC-RUSSEL TAP - CAPROCK REC-VEALMOOR 138KV CKT 1'       | FROM->TO | 0.29542 | 271   | 'HOBBS_INT 7345.00 - MIDLAND 7345.00 345KV CKT 1'                  |
| 16WP | 0 | G10_060 | 'CAPROCK REC-RUSSEL TAP - CAPROCK REC-VEALMOOR 138KV CKT 1'       | FROM->TO | 0.29542 | 271   | 'HOBBS_INT 7345.00 - MIDLAND 7345.00 345KV CKT 1'                  |
| 16WP | 0 | G10_059 | 'CAPROCK REC-RUSSEL TAP - CAPROCK REC-VEALMOOR 138KV CKT 1'       | FROM->TO | 0.29542 | 271   | 'HOBBS_INT 7345.00 (LIKE POTTER) 345/230/13.2KV TRANSFORMER CKT 1' |
| 16WP | 0 | G10_060 | 'CAPROCK REC-RUSSEL TAP - CAPROCK REC-VEALMOOR 138KV CKT 1'       | FROM->TO | 0.29542 | 271   | 'HOBBS_INT 7345.00 (LIKE POTTER) 345/230/13.2KV TRANSFORMER CKT 1' |
| 16WP | 0 | G10_059 | 'MIDLAND 7345.00 (LIKE WICHITA) 345/138/13.8KV TRANSFORMER CKT 1' | FROM->TO | 0.30121 | 419.3 | 'HOBBS INTERCHANGE - LEA COUNTY INTERCHANGE 230KV CKT 1'           |
| 16WP | 0 | G10_060 | 'MIDLAND 7345.00 (LIKE WICHITA) 345/138/13.8KV TRANSFORMER CKT 1' | FROM->TO | 0.30121 | 419.3 | 'HOBBS INTERCHANGE - LEA COUNTY INTERCHANGE 230KV CKT 1'           |
| 16WP | 0 | G10_059 | 'MIDLAND 7345.00 (LIKE WICHITA) 345/138/13.8KV TRANSFORMER CKT 1' | FROM->TO | 0.30121 | 419.4 | 'HOBBS INTERCHANGE - LEA COUNTY INTERCHANGE 230KV CKT 1'           |
| 16WP | 0 | G10_060 | 'MIDLAND 7345.00 (LIKE WICHITA) 345/138/13.8KV TRANSFORMER CKT 1' | FROM->TO | 0.30121 | 419.4 | 'HOBBS INTERCHANGE - LEA COUNTY INTERCHANGE 230KV CKT 1'           |
| 16WP | 0 | G10_059 | 'BORDEN COUNTY INTERCHANGE 230/138KV TRANSFORMER CKT 1'           | TO->FROM | 0.19674 | 167.8 | 'BORDEN COUNTY INTERCHANGE 230/138KV TRANSFORMER CKT 2'            |
| 16WP | 0 | G10_060 | 'BORDEN COUNTY INTERCHANGE 230/138KV TRANSFORMER CKT 1'           | TO->FROM | 0.19674 | 167.8 | 'BORDEN COUNTY INTERCHANGE 230/138KV TRANSFORMER CKT 2'            |
| 16WP | 0 | G10_059 | 'AMOCO SWITCHING STATION - YOAKUM COUNTY INTERCHANGE 230KV CKT 1' | TO->FROM | 0.24936 | 359.5 | 'BORDEN COUNTY INTERCHANGE - GRASSLAND INTERCHANGE 230KV CKT 1'    |
| 16WP | 0 | G10_060 | 'AMOCO SWITCHING STATION - YOAKUM COUNTY INTERCHANGE 230KV CKT 1' | TO->FROM | 0.24936 | 359.5 | 'BORDEN COUNTY INTERCHANGE - GRASSLAND INTERCHANGE 230KV CKT 1'    |
| 16WP | 0 | G10_059 | 'AMOCO SWITCHING STATION - YOAKUM COUNTY INTERCHANGE 230KV CKT 1' | TO->FROM | 0.24936 | 359.5 | 'SPP-SWPS-K48'   |
| 16WP | 0 | G10_060 | 'AMOCO SWITCHING STATION - YOAKUM COUNTY INTERCHANGE 230KV CKT 1' | TO->FROM | 0.24936 | 359.5 | 'SPP-SWPS-K48'   |
| 16WP | 0 | G10_058 | 'NEWHART 6230.00 - PLANT X STATION 230KV CKT 1'                   | TO->FROM | 0.22393 | 360.7 | 'TOLK STATION EAST - TUCO INTERCHANGE 230KV CKT 1'                 |
| 16WP | 0 | G10_059 | 'CUNNINGHAM STATION - EDDY COUNTY INTERCHANGE 230KV CKT 1'        | FROM->TO | 0.20891 | 360.8 | 'CUNNINGHAM STATION - POTASH JUNCTION INTERCHANGE 230KV CKT 1'     |
| 16WP | 0 | G10_060 | 'CUNNINGHAM STATION - EDDY COUNTY INTERCHANGE 230KV CKT 1'        | FROM->TO | 0.20891 | 360.8 | 'CUNNINGHAM STATION - POTASH JUNCTION INTERCHANGE 230KV CKT 1'     |
| 16WP | 0 | G10_059 | 'NEWHART 6230.00 - PLANT X STATION 230KV CKT 1'                   | TO->FROM | 0.20849 | 360.7 | 'DEAF SMITH COUNTY INTERCHANGE - S-RANDLCO 230.00 230KV CKT 1'     |
| 16WP | 0 | G10_058 | 'NEWHART 6230.00 - PLANT X STATION 230KV CKT 1'                   | TO->FROM | 0.24628 | 360.7 | 'DEAF SMITH COUNTY INTERCHANGE - S-RANDLCO 230.00 230KV CKT 1'     |

|      |   |         |  |          |         |       |   |
|------|---|---------|--|----------|---------|-------|---|
| 16WP | 0 | G10_060 | 'NEWHART 6230.00 - PLANT X STATION 230KV<br>CKT 1'                   | TO->FROM | 0.20849 | 360.7 | 'DEAF SMITH COUNTY INTERCHANGE - S-<br>RANDLCO 230.00 230KV CKT 1'    |
| 16WP | 0 | G10_059 | 'DEAF SMITH COUNTY INTERCHANGE - PLANT<br>X STATION 230KV CKT 1'     | TO->FROM | 0.19773 | 360.9 | 'NEWHART 6230.00 - PLANT X STATION 230KV<br>CKT 1'                    |
| 16WP | 0 | G10_058 | 'DEAF SMITH COUNTY INTERCHANGE - PLANT<br>X STATION 230KV CKT 1'     | TO->FROM | 0.21948 | 360.9 | 'NEWHART 6230.00 - PLANT X STATION 230KV<br>CKT 1'                    |
| 16WP | 0 | G10_060 | 'DEAF SMITH COUNTY INTERCHANGE - PLANT<br>X STATION 230KV CKT 1'     | TO->FROM | 0.19773 | 360.9 | 'NEWHART 6230.00 - PLANT X STATION 230KV<br>CKT 1'                    |
| 16WP | 0 | G10_059 | 'CAPROCK REC-MCDONALD - CAPROCK REC-<br>TRIANGLE 138KV CKT 1'        | FROM->TO | 0.2121  | 271   | 'HOBBS INTERCHANGE - LEA COUNTY<br>INTERCHANGE 230KV CKT 1'           |
| 16WP | 0 | G10_060 | 'CAPROCK REC-MCDONALD - CAPROCK REC-<br>TRIANGLE 138KV CKT 1'        | FROM->TO | 0.2121  | 271   | 'HOBBS INTERCHANGE - LEA COUNTY<br>INTERCHANGE 230KV CKT 1'           |
| 16WP | 0 | G10_059 | 'CUNNINGHAM STATION - LEA COUNTY<br>INTERCHANGE 230KV CKT 1'         | TO->FROM | 0.40382 | 556.7 | 'MIDLAND 7345.00 (LIKE WICHITA)<br>345/138/13.8KV TRANSFORMER CKT 1'  |
| 16WP | 0 | G10_060 | 'CUNNINGHAM STATION - LEA COUNTY<br>INTERCHANGE 230KV CKT 1'         | TO->FROM | 0.40382 | 556.7 | 'MIDLAND 7345.00 (LIKE WICHITA)<br>345/138/13.8KV TRANSFORMER CKT 1'  |
| 16WP | 0 | G10_059 | 'AMOCO SWITCHING STATION - YOAKUM<br>COUNTY INTERCHANGE 230KV CKT 1' | TO->FROM | 0.24349 | 359.5 | 'TOLK STATION WEST - YOAKUM COUNTY<br>INTERCHANGE 230KV CKT 1'        |
| 16WP | 0 | G10_060 | 'AMOCO SWITCHING STATION - YOAKUM<br>COUNTY INTERCHANGE 230KV CKT 1' | TO->FROM | 0.24349 | 359.5 | 'TOLK STATION WEST - YOAKUM COUNTY<br>INTERCHANGE 230KV CKT 1'        |
| 16WP | 0 | G10_059 | 'CUNNINGHAM STATION - LEA COUNTY<br>INTERCHANGE 230KV CKT 1'         | TO->FROM | 0.40382 | 556.7 | 'CAPROCK REC-PHILLIPS - CAPROCK REC-<br>TATE 138KV CKT 1'             |
| 16WP | 0 | G10_060 | 'CUNNINGHAM STATION - LEA COUNTY<br>INTERCHANGE 230KV CKT 1'         | TO->FROM | 0.40382 | 556.7 | 'CAPROCK REC-PHILLIPS - CAPROCK REC-<br>TATE 138KV CKT 1'             |
| 16WP | 0 | G10_059 | 'LUBBOCK SOUTH INTERCHANGE -<br>WOLFFORTH INTERCHANGE 230KV CKT 1'   | FROM->TO | 0.27    | 360.3 | 'HOBBS_INT 7345.00 - MIDLAND 7345.00<br>345KV CKT 1'                  |
| 16WP | 0 | G10_060 | 'LUBBOCK SOUTH INTERCHANGE -<br>WOLFFORTH INTERCHANGE 230KV CKT 1'   | FROM->TO | 0.27    | 360.3 | 'HOBBS_INT 7345.00 - MIDLAND 7345.00<br>345KV CKT 1'                  |
| 16WP | 0 | G10_059 | 'LUBBOCK SOUTH INTERCHANGE -<br>WOLFFORTH INTERCHANGE 230KV CKT 1'   | FROM->TO | 0.27    | 360.3 | 'HOBBS_INT 7345.00 (LIKE POTTER)<br>345/230/13.2KV TRANSFORMER CKT 1' |
| 16WP | 0 | G10_060 | 'LUBBOCK SOUTH INTERCHANGE -<br>WOLFFORTH INTERCHANGE 230KV CKT 1'   | FROM->TO | 0.27    | 360.3 | 'HOBBS_INT 7345.00 (LIKE POTTER)<br>345/230/13.2KV TRANSFORMER CKT 1' |
| 16WP | 0 | G10_059 | 'AMOCO SWITCHING STATION - YOAKUM<br>COUNTY INTERCHANGE 230KV CKT 1' | TO->FROM | 0.21458 | 359.5 | 'CUNNINGHAM STATION - LEA COUNTY<br>INTERCHANGE 230KV CKT 1'          |
| 16WP | 0 | G10_060 | 'AMOCO SWITCHING STATION - YOAKUM<br>COUNTY INTERCHANGE 230KV CKT 1' | TO->FROM | 0.21458 | 359.5 | 'CUNNINGHAM STATION - LEA COUNTY<br>INTERCHANGE 230KV CKT 1'          |
| 16WP | 0 | G10_059 | 'CUNNINGHAM STATION - LEA COUNTY<br>INTERCHANGE 230KV CKT 1'         | TO->FROM | 0.40382 | 556.7 | 'CAPROCK REC-MCDONALD - CAPROCK REC-<br>PHILLIPS 138KV CKT 1'         |
| 16WP | 0 | G10_060 | 'CUNNINGHAM STATION - LEA COUNTY<br>INTERCHANGE 230KV CKT 1'         | TO->FROM | 0.40382 | 556.7 | 'CAPROCK REC-MCDONALD - CAPROCK REC-<br>PHILLIPS 138KV CKT 1'         |
| 16WP | 0 | G10_059 | 'AMOCO SWITCHING STATION - YOAKUM<br>COUNTY INTERCHANGE 230KV CKT 1' | TO->FROM | 0.21489 | 359.5 | 'CAPROCK REC-MCDONALD - CAPROCK REC-<br>TRIANGLE 138KV CKT 1'         |
| 16WP | 0 | G10_060 | 'AMOCO SWITCHING STATION - YOAKUM<br>COUNTY INTERCHANGE 230KV CKT 1' | TO->FROM | 0.21489 | 359.5 | 'CAPROCK REC-MCDONALD - CAPROCK REC-<br>TRIANGLE 138KV CKT 1'         |
| 16WP | 0 | G10_059 | 'MIDLAND 7345.00 (LIKE WICHITA)<br>345/138/13.8KV TRANSFORMER CKT 1' | FROM->TO | 0.20703 | 335.1 | 'BASE CASE'   |
| 16WP | 0 | G10_060 | 'MIDLAND 7345.00 (LIKE WICHITA)<br>345/138/13.8KV TRANSFORMER CKT 1' | FROM->TO | 0.20703 | 335.1 | 'BASE CASE'   |
| 16WP | 0 | G10_059 | 'AMOCO SWITCHING STATION - YOAKUM<br>COUNTY INTERCHANGE 230KV CKT 1' | TO->FROM | 0.21489 | 359.5 | 'CAPROCK REC-GRADY - CAPROCK REC-<br>TRIANGLE 138KV CKT 1'            |

|      |   |         |   |          |         |       |   |
|------|---|---------|---|----------|---------|-------|---|
| 16WP | 0 | G10_060 | 'AMOCO SWITCHING STATION - YOAKUM COUNTY INTERCHANGE 230KV CKT 1' | TO->FROM | 0.21489 | 359.5 | 'CAPROCK REC-GRADY - CAPROCK REC-TRIANGLE 138KV CKT 1'                      |
| 16WP | 0 | G10_059 | 'MIDLAND 7345.00 (LIKE WICHITA) 345/138/13.8KV TRANSFORMER CKT 1' | FROM->TO | 0.20703 | 335.2 | 'BASE CASE'   |
| 16WP | 0 | G10_060 | 'MIDLAND 7345.00 (LIKE WICHITA) 345/138/13.8KV TRANSFORMER CKT 1' | FROM->TO | 0.20703 | 335.2 | 'BASE CASE'   |
| 16WP | 0 | G10_059 | 'AMOCO SWITCHING STATION - YOAKUM COUNTY INTERCHANGE 230KV CKT 1' | TO->FROM | 0.21489 | 359.5 | 'CAPROCK REC-GRADY - CAPROCK REC-REED 138KV CKT 1'                          |
| 16WP | 0 | G10_060 | 'AMOCO SWITCHING STATION - YOAKUM COUNTY INTERCHANGE 230KV CKT 1' | TO->FROM | 0.21489 | 359.5 | 'CAPROCK REC-GRADY - CAPROCK REC-REED 138KV CKT 1'                          |
| 16WP | 0 | G10_059 | 'AMOCO SWITCHING STATION - YOAKUM COUNTY INTERCHANGE 230KV CKT 1' | TO->FROM | 0.21489 | 359.5 | 'CAPROCK REC-KOCH - CAPROCK REC-REED 138KV CKT 1'                           |
| 16WP | 0 | G10_060 | 'AMOCO SWITCHING STATION - YOAKUM COUNTY INTERCHANGE 230KV CKT 1' | TO->FROM | 0.21489 | 359.5 | 'CAPROCK REC-KOCH - CAPROCK REC-REED 138KV CKT 1'                           |
| 16WP | 0 | G10_059 | 'AMOCO SWITCHING STATION - YOAKUM COUNTY INTERCHANGE 230KV CKT 1' | TO->FROM | 0.21489 | 359.5 | 'CAPROCK REC-KOCH - CAPROCK REC-VEALMOOR 138KV CKT 1'                       |
| 16WP | 0 | G10_060 | 'AMOCO SWITCHING STATION - YOAKUM COUNTY INTERCHANGE 230KV CKT 1' | TO->FROM | 0.21489 | 359.5 | 'CAPROCK REC-KOCH - CAPROCK REC-VEALMOOR 138KV CKT 1'                       |
| 16WP | 0 | G10_059 | 'AMOCO SWITCHING STATION - YOAKUM COUNTY INTERCHANGE 230KV CKT 1' | TO->FROM | 0.20468 | 359.5 | 'CUNNINGHAM STATION - EDDY COUNTY INTERCHANGE 230KV CKT 1'                  |
| 16WP | 0 | G10_060 | 'AMOCO SWITCHING STATION - YOAKUM COUNTY INTERCHANGE 230KV CKT 1' | TO->FROM | 0.20468 | 359.5 | 'CUNNINGHAM STATION - EDDY COUNTY INTERCHANGE 230KV CKT 1'                  |
| 16WP | 0 | G10_059 | 'AMOCO SWITCHING STATION - YOAKUM COUNTY INTERCHANGE 230KV CKT 1' | TO->FROM | 0.20749 | 359.5 | 'TERRY COUNTY INTERCHANGE - WOLFFORTH INTERCHANGE 115KV CKT 1'              |
| 16WP | 0 | G10_060 | 'AMOCO SWITCHING STATION - YOAKUM COUNTY INTERCHANGE 230KV CKT 1' | TO->FROM | 0.20749 | 359.5 | 'TERRY COUNTY INTERCHANGE - WOLFFORTH INTERCHANGE 115KV CKT 1'              |
| 16WP | 0 | G10_059 | 'AMOCO SWITCHING STATION - YOAKUM COUNTY INTERCHANGE 230KV CKT 1' | TO->FROM | 0.19707 | 359.5 | 'LEA COUNTY REC-PLAINS INTERCHANGE - YOAKUM COUNTY INTERCHANGE 115KV CKT 1' |
| 16WP | 0 | G10_060 | 'AMOCO SWITCHING STATION - YOAKUM COUNTY INTERCHANGE 230KV CKT 1' | TO->FROM | 0.19707 | 359.5 | 'LEA COUNTY REC-PLAINS INTERCHANGE - YOAKUM COUNTY INTERCHANGE 115KV CKT 1' |
| 16WP | 0 | G10_059 | 'AMOCO SWITCHING STATION - YOAKUM COUNTY INTERCHANGE 230KV CKT 1' | TO->FROM | 0.22436 | 359.5 | 'TOLK STATION (ABBXNL844501) 345/230/13.2KV TRANSFORMER CKT 1'              |
| 16WP | 0 | G10_060 | 'AMOCO SWITCHING STATION - YOAKUM COUNTY INTERCHANGE 230KV CKT 1' | TO->FROM | 0.22436 | 359.5 | 'TOLK STATION (ABBXNL844501) 345/230/13.2KV TRANSFORMER CKT 1'              |
| 16WP | 0 | G10_059 | 'AMOCO SWITCHING STATION - YOAKUM COUNTY INTERCHANGE 230KV CKT 1' | TO->FROM | 0.22436 | 359.5 | 'CHAVESCO 345.00 - TOLK STATION 345KV CKT 1'                                |
| 16WP | 0 | G10_060 | 'AMOCO SWITCHING STATION - YOAKUM COUNTY INTERCHANGE 230KV CKT 1' | TO->FROM | 0.22436 | 359.5 | 'CHAVESCO 345.00 - TOLK STATION 345KV CKT 1'                                |
| 16WP | 0 | G10_059 | 'CUNNINGHAM STATION - EDDY COUNTY INTERCHANGE 230KV CKT 1'        | FROM->TO | 0.22163 | 360.8 | 'LEA COUNTY INTERCHANGE - YOAKUM COUNTY INTERCHANGE 230KV CKT 1'            |
| 16WP | 0 | G10_060 | 'CUNNINGHAM STATION - EDDY COUNTY INTERCHANGE 230KV CKT 1'        | FROM->TO | 0.22163 | 360.8 | 'LEA COUNTY INTERCHANGE - YOAKUM COUNTY INTERCHANGE 230KV CKT 1'            |
| 16WP | 0 | G10_059 | 'AMOCO SWITCHING STATION - YOAKUM COUNTY INTERCHANGE 230KV CKT 1' | TO->FROM | 0.22456 | 359.5 | 'EDDY COUNTY INTERCHANGE (ABB AEM30711) 345/230/13.2KV TRANSFORMER CKT 1'   |
| 16WP | 0 | G10_060 | 'AMOCO SWITCHING STATION - YOAKUM COUNTY INTERCHANGE 230KV CKT 1' | TO->FROM | 0.22456 | 359.5 | 'EDDY COUNTY INTERCHANGE (ABB AEM30711) 345/230/13.2KV TRANSFORMER CKT 1'   |



|      |   |         |   |          |         |       |   |
|------|---|---------|---|----------|---------|-------|---|
| 16WP | 0 | G10_059 | 'AMOCO SWITCHING STATION - YOAKUM COUNTY INTERCHANGE 230KV CKT 1' | TO->FROM | 0.22456 | 359.5 | 'CHAVESCO 345.00 - EDDY COUNTY INTERCHANGE 345KV CKT 1'               |
| 16WP | 0 | G10_060 | 'AMOCO SWITCHING STATION - YOAKUM COUNTY INTERCHANGE 230KV CKT 1' | TO->FROM | 0.22456 | 359.5 | 'CHAVESCO 345.00 - EDDY COUNTY INTERCHANGE 345KV CKT 1'               |
| 16WP | 0 | G10_059 | 'CAPROCK REC-GRADY - CAPROCK REC-REED 138KV CKT 1'                | FROM->TO | 0.2121  | 271   | 'HOBBS INTERCHANGE - LEA COUNTY INTERCHANGE 230KV CKT 1'              |
| 16WP | 0 | G10_060 | 'CAPROCK REC-GRADY - CAPROCK REC-REED 138KV CKT 1'                | FROM->TO | 0.2121  | 271   | 'HOBBS INTERCHANGE - LEA COUNTY INTERCHANGE 230KV CKT 1'              |
| 16WP | 0 | G10_059 | 'AMOCO SWITCHING STATION - YOAKUM COUNTY INTERCHANGE 230KV CKT 1' | TO->FROM | 0.19707 | 359.5 | 'LEA COUNTY REC-PLAINS INTERCHANGE - LYNTEGAR REC-PLAINS 115KV CKT 1' |
| 16WP | 0 | G10_060 | 'AMOCO SWITCHING STATION - YOAKUM COUNTY INTERCHANGE 230KV CKT 1' | TO->FROM | 0.19707 | 359.5 | 'LEA COUNTY REC-PLAINS INTERCHANGE - LYNTEGAR REC-PLAINS 115KV CKT 1' |
| 16WP | 0 | G10_059 | 'CUNNINGHAM STATION - LEA COUNTY INTERCHANGE 230KV CKT 1'         | TO->FROM | 0.32502 | 556.7 | 'CUNNINGHAM STATION 230/20.0KV TRANSFORMER CKT 1'                     |
| 16WP | 0 | G10_060 | 'CUNNINGHAM STATION - LEA COUNTY INTERCHANGE 230KV CKT 1'         | TO->FROM | 0.32502 | 556.7 | 'CUNNINGHAM STATION 230/20.0KV TRANSFORMER CKT 1'                     |
| 16WP | 0 | G10_059 | 'CUNNINGHAM STATION - LEA COUNTY INTERCHANGE 230KV CKT 1'         | TO->FROM | 0.40375 | 556.7 | 'BORDEN COUNTY INTERCHANGE - GRASSLAND INTERCHANGE 230KV CKT 1'       |
| 16WP | 0 | G10_060 | 'CUNNINGHAM STATION - LEA COUNTY INTERCHANGE 230KV CKT 1'         | TO->FROM | 0.40375 | 556.7 | 'BORDEN COUNTY INTERCHANGE - GRASSLAND INTERCHANGE 230KV CKT 1'       |
| 16WP | 0 | G10_059 | 'CUNNINGHAM STATION - LEA COUNTY INTERCHANGE 230KV CKT 1'         | TO->FROM | 0.40375 | 556.7 | 'SPP-SWPS-K48'  |
| 16WP | 0 | G10_060 | 'CUNNINGHAM STATION - LEA COUNTY INTERCHANGE 230KV CKT 1'         | TO->FROM | 0.40375 | 556.7 | 'SPP-SWPS-K48'  |
| 16WP | 0 | G10_059 | 'BORDEN COUNTY INTERCHANGE 230/138KV TRANSFORMER CKT 2'           | TO->FROM | 0.19665 | 209.9 | 'BORDEN COUNTY INTERCHANGE 230/138KV TRANSFORMER CKT 1'               |
| 16WP | 0 | G10_060 | 'BORDEN COUNTY INTERCHANGE 230/138KV TRANSFORMER CKT 2'           | TO->FROM | 0.19665 | 209.9 | 'BORDEN COUNTY INTERCHANGE 230/138KV TRANSFORMER CKT 1'               |
| 16WP | 0 | G10_059 | 'PLANT X STATION - TOLK STATION WEST 230KV CKT 1'                 | TO->FROM | 0.21302 | 556.6 | 'PLANT X STATION - TOLK STATION EAST 230KV CKT 2'                     |
| 16WP | 0 | G10_058 | 'PLANT X STATION - TOLK STATION WEST 230KV CKT 1'                 | TO->FROM | 0.34881 | 556.6 | 'PLANT X STATION - TOLK STATION EAST 230KV CKT 2'                     |
| 16WP | 0 | G10_060 | 'PLANT X STATION - TOLK STATION WEST 230KV CKT 1'                 | TO->FROM | 0.21302 | 556.6 | 'PLANT X STATION - TOLK STATION EAST 230KV CKT 2'                     |
| 16WP | 0 | G10_059 | 'POTTER COUNTY INTERCHANGE - S-RANDLCO 230.00 230KV CKT 1'        | TO->FROM | 0.22052 | 360.6 | 'BUSHLAND INTERCHANGE - S-RANDLCO 230.00 230KV CKT 1'                 |
| 16WP | 0 | G10_058 | 'POTTER COUNTY INTERCHANGE - S-RANDLCO 230.00 230KV CKT 1'        | TO->FROM | 0.23911 | 360.6 | 'BUSHLAND INTERCHANGE - S-RANDLCO 230.00 230KV CKT 1'                 |
| 16WP | 0 | G10_060 | 'POTTER COUNTY INTERCHANGE - S-RANDLCO 230.00 230KV CKT 1'        | TO->FROM | 0.22052 | 360.6 | 'BUSHLAND INTERCHANGE - S-RANDLCO 230.00 230KV CKT 1'                 |
| 16WP | 0 | G10_059 | 'PLANT X STATION - TOLK STATION EAST 230KV CKT 2'                 | TO->FROM | 0.21097 | 556.7 | 'PLANT X STATION - TOLK STATION WEST 230KV CKT 1'                     |
| 16WP | 0 | G10_058 | 'PLANT X STATION - TOLK STATION EAST 230KV CKT 2'                 | TO->FROM | 0.34573 | 556.7 | 'PLANT X STATION - TOLK STATION WEST 230KV CKT 1'                     |
| 16WP | 0 | G10_060 | 'PLANT X STATION - TOLK STATION EAST 230KV CKT 2'                 | TO->FROM | 0.21097 | 556.7 | 'PLANT X STATION - TOLK STATION WEST 230KV CKT 1'                     |
| 16WP | 0 | G10_059 | 'CUNNINGHAM STATION - LEA COUNTY INTERCHANGE 230KV CKT 1'         | TO->FROM | 0.36367 | 556.7 | 'HOBBS INTERCHANGE 230/115KV TRANSFORMER CKT 1'                       |
| 16WP | 0 | G10_060 | 'CUNNINGHAM STATION - LEA COUNTY INTERCHANGE 230KV CKT 1'         | TO->FROM | 0.36367 | 556.7 | 'HOBBS INTERCHANGE 230/115KV TRANSFORMER CKT 1'                       |

|      |   |         |  |          |         |       |  |
|------|---|---------|--|----------|---------|-------|--|
| 16WP | 0 | G10_059 | 'JONES STATION - TUCO INTERCHANGE 230KV<br>CKT 1'                    | FROM->TO | 0.20787 | 324.3 | 'BASE CASE'  |
| 16WP | 0 | G10_060 | 'JONES STATION - TUCO INTERCHANGE 230KV<br>CKT 1'                    | FROM->TO | 0.20787 | 324.3 | 'BASE CASE'  |
| 16WP | 0 | G10_059 | 'CUNNINGHAM STATION - EDDY COUNTY<br>INTERCHANGE 230KV CKT 1'        | FROM->TO | 0.19809 | 360.8 | 'MIDLAND 7345.00 (LIKE WICHITA)<br>345/138/13.8KV TRANSFORMER CKT 1' |
| 16WP | 0 | G10_060 | 'CUNNINGHAM STATION - EDDY COUNTY<br>INTERCHANGE 230KV CKT 1'        | FROM->TO | 0.19809 | 360.8 | 'MIDLAND 7345.00 (LIKE WICHITA)<br>345/138/13.8KV TRANSFORMER CKT 1' |
| 16WP | 0 | G10_059 | 'CUNNINGHAM STATION - LEA COUNTY<br>INTERCHANGE 230KV CKT 1'         | TO->FROM | 0.3582  | 556.7 | 'LEA COUNTY INTERCHANGE 230/115KV<br>TRANSFORMER CKT 1'              |
| 16WP | 0 | G10_060 | 'CUNNINGHAM STATION - LEA COUNTY<br>INTERCHANGE 230KV CKT 1'         | TO->FROM | 0.3582  | 556.7 | 'LEA COUNTY INTERCHANGE 230/115KV<br>TRANSFORMER CKT 1'              |
| 16WP | 0 | G10_059 | 'CUNNINGHAM STATION - EDDY COUNTY<br>INTERCHANGE 230KV CKT 1'        | FROM->TO | 0.19346 | 360.8 | 'PECOS INTERCHANGE - POTASH JUNCTION<br>INTERCHANGE 230KV CKT 1'     |
| 16WP | 0 | G10_060 | 'CUNNINGHAM STATION - EDDY COUNTY<br>INTERCHANGE 230KV CKT 1'        | FROM->TO | 0.19346 | 360.8 | 'PECOS INTERCHANGE - POTASH JUNCTION<br>INTERCHANGE 230KV CKT 1'     |
| 16WP | 0 | G10_059 | 'MIDLAND 7345.00 (LIKE WICHITA)<br>345/138/13.8KV TRANSFORMER CKT 1' | FROM->TO | 0.23716 | 419.3 | 'LEA COUNTY INTERCHANGE - YOAKUM<br>COUNTY INTERCHANGE 230KV CKT 1'  |
| 16WP | 0 | G10_060 | 'MIDLAND 7345.00 (LIKE WICHITA)<br>345/138/13.8KV TRANSFORMER CKT 1' | FROM->TO | 0.23716 | 419.3 | 'LEA COUNTY INTERCHANGE - YOAKUM<br>COUNTY INTERCHANGE 230KV CKT 1'  |
| 16WP | 0 | G10_059 | 'CUNNINGHAM STATION - LEA COUNTY<br>INTERCHANGE 230KV CKT 1'         | TO->FROM | 0.35327 | 556.7 | 'AMOCO SWITCHING STATION - YOAKUM<br>COUNTY INTERCHANGE 230KV CKT 1' |
| 16WP | 0 | G10_060 | 'CUNNINGHAM STATION - LEA COUNTY<br>INTERCHANGE 230KV CKT 1'         | TO->FROM | 0.35327 | 556.7 | 'AMOCO SWITCHING STATION - YOAKUM<br>COUNTY INTERCHANGE 230KV CKT 1' |
| 16WP | 0 | G10_059 | 'CUNNINGHAM STATION - EDDY COUNTY<br>INTERCHANGE 230KV CKT 1'        | FROM->TO | 0.19809 | 360.8 | 'CAPROCK REC-PHILLIPS - CAPROCK REC-<br>TATE 138KV CKT 1'            |
| 16WP | 0 | G10_060 | 'CUNNINGHAM STATION - EDDY COUNTY<br>INTERCHANGE 230KV CKT 1'        | FROM->TO | 0.19809 | 360.8 | 'CAPROCK REC-PHILLIPS - CAPROCK REC-<br>TATE 138KV CKT 1'            |
| 16WP | 0 | G10_059 | 'MIDLAND 7345.00 (LIKE WICHITA)<br>345/138/13.8KV TRANSFORMER CKT 1' | FROM->TO | 0.23716 | 419.4 | 'LEA COUNTY INTERCHANGE - YOAKUM<br>COUNTY INTERCHANGE 230KV CKT 1'  |
| 16WP | 0 | G10_060 | 'MIDLAND 7345.00 (LIKE WICHITA)<br>345/138/13.8KV TRANSFORMER CKT 1' | FROM->TO | 0.23716 | 419.4 | 'LEA COUNTY INTERCHANGE - YOAKUM<br>COUNTY INTERCHANGE 230KV CKT 1'  |
| 16WP | 0 | G10_059 | 'CUNNINGHAM STATION - LEA COUNTY<br>INTERCHANGE 230KV CKT 1'         | TO->FROM | 0.36129 | 556.7 | 'CAPROCK REC-MCDONALD - CAPROCK REC-<br>TRIANGLE 138KV CKT 1'        |
| 16WP | 0 | G10_060 | 'CUNNINGHAM STATION - LEA COUNTY<br>INTERCHANGE 230KV CKT 1'         | TO->FROM | 0.36129 | 556.7 | 'CAPROCK REC-MCDONALD - CAPROCK REC-<br>TRIANGLE 138KV CKT 1'        |
| 16WP | 0 | G10_059 | 'CUNNINGHAM STATION - LEA COUNTY<br>INTERCHANGE 230KV CKT 1'         | TO->FROM | 0.36129 | 556.7 | 'CAPROCK REC-GRADY - CAPROCK REC-<br>TRIANGLE 138KV CKT 1'           |
| 16WP | 0 | G10_060 | 'CUNNINGHAM STATION - LEA COUNTY<br>INTERCHANGE 230KV CKT 1'         | TO->FROM | 0.36129 | 556.7 | 'CAPROCK REC-GRADY - CAPROCK REC-<br>TRIANGLE 138KV CKT 1'           |
| 16WP | 0 | G10_059 | 'CUNNINGHAM STATION - EDDY COUNTY<br>INTERCHANGE 230KV CKT 1'        | FROM->TO | 0.19809 | 360.8 | 'CAPROCK REC-MCDONALD - CAPROCK REC-<br>PHILLIPS 138KV CKT 1'        |
| 16WP | 0 | G10_060 | 'CUNNINGHAM STATION - EDDY COUNTY<br>INTERCHANGE 230KV CKT 1'        | FROM->TO | 0.19809 | 360.8 | 'CAPROCK REC-MCDONALD - CAPROCK REC-<br>PHILLIPS 138KV CKT 1'        |
| 16WP | 0 | G10_059 | 'CUNNINGHAM STATION - LEA COUNTY<br>INTERCHANGE 230KV CKT 1'         | TO->FROM | 0.36129 | 556.7 | 'CAPROCK REC-GRADY - CAPROCK REC-REED<br>138KV CKT 1'                |
| 16WP | 0 | G10_060 | 'CUNNINGHAM STATION - LEA COUNTY<br>INTERCHANGE 230KV CKT 1'         | TO->FROM | 0.36129 | 556.7 | 'CAPROCK REC-GRADY - CAPROCK REC-REED<br>138KV CKT 1'                |
| 16WP | 0 | G10_059 | 'CUNNINGHAM STATION - LEA COUNTY<br>INTERCHANGE 230KV CKT 1'         | TO->FROM | 0.36129 | 556.7 | 'CAPROCK REC-KOCH - CAPROCK REC-REED<br>138KV CKT 1'                 |

|      |   |         |   |          |         |       |  |
|------|---|---------|---|----------|---------|-------|--|
| 16WP | 0 | G10_060 | 'CUNNINGHAM STATION - LEA COUNTY INTERCHANGE 230KV CKT 1'         | TO->FROM | 0.36129 | 556.7 | 'CAPROCK REC-KOCH - CAPROCK REC-REED 138KV CKT 1'          |
| 16WP | 0 | G10_059 | 'CUNNINGHAM STATION - LEA COUNTY INTERCHANGE 230KV CKT 1'         | TO->FROM | 0.36129 | 556.7 | 'CAPROCK REC-KOCH - CAPROCK REC-VEALMOOR 138KV CKT 1'      |
| 16WP | 0 | G10_060 | 'CUNNINGHAM STATION - LEA COUNTY INTERCHANGE 230KV CKT 1'         | TO->FROM | 0.36129 | 556.7 | 'CAPROCK REC-KOCH - CAPROCK REC-VEALMOOR 138KV CKT 1'      |
| 16WP | 0 | G10_059 | 'TUCO INTERCHANGE (GE M1022338) 345/230/13.2KV TRANSFORMER CKT 1' | FROM->TO | 0.27931 | 555.4 | 'G05-17T 345.00 - Hitchland Interchange 345KV CKT 1'       |
| 16WP | 0 | G10_058 | 'TUCO INTERCHANGE (GE M1022338) 345/230/13.2KV TRANSFORMER CKT 1' | FROM->TO | 0.26845 | 555.4 | 'G05-17T 345.00 - Hitchland Interchange 345KV CKT 1'       |
| 16WP | 0 | G10_060 | 'TUCO INTERCHANGE (GE M1022338) 345/230/13.2KV TRANSFORMER CKT 1' | FROM->TO | 0.27931 | 555.4 | 'G05-17T 345.00 - Hitchland Interchange 345KV CKT 1'       |
| 16WP | 0 | G10_059 | 'BUSHLAND INTERCHANGE - S-RANDLCO 230.00 230KV CKT 1'             | TO->FROM | 0.20924 | 359.8 | 'POTTER COUNTY INTERCHANGE - S-RANDLCO 230.00 230KV CKT 1' |
| 16WP | 0 | G10_058 | 'BUSHLAND INTERCHANGE - S-RANDLCO 230.00 230KV CKT 1'             | TO->FROM | 0.22696 | 359.8 | 'POTTER COUNTY INTERCHANGE - S-RANDLCO 230.00 230KV CKT 1' |
| 16WP | 0 | G10_060 | 'BUSHLAND INTERCHANGE - S-RANDLCO 230.00 230KV CKT 1'             | TO->FROM | 0.20924 | 359.8 | 'POTTER COUNTY INTERCHANGE - S-RANDLCO 230.00 230KV CKT 1' |
| 16WP | 0 | G10_058 | 'POTTER COUNTY INTERCHANGE - S-RANDLCO 230.00 230KV CKT 1'        | TO->FROM | 0.19103 | 360.6 | 'LAWTON EASTSIDE - OKLAUNION 345KV CKT 1'                  |
| 16WP | 0 | G10_059 | 'DEAF SMITH COUNTY INTERCHANGE - S-RANDLCO 230.00 230KV CKT 1'    | FROM->TO | 0.22482 | 359.7 | 'NEWHART 6230.00 - PLANT X STATION 230KV CKT 1'            |
| 16WP | 0 | G10_058 | 'DEAF SMITH COUNTY INTERCHANGE - S-RANDLCO 230.00 230KV CKT 1'    | FROM->TO | 0.26174 | 359.7 | 'NEWHART 6230.00 - PLANT X STATION 230KV CKT 1'            |
| 16WP | 0 | G10_060 | 'DEAF SMITH COUNTY INTERCHANGE - S-RANDLCO 230.00 230KV CKT 1'    | FROM->TO | 0.22482 | 359.7 | 'NEWHART 6230.00 - PLANT X STATION 230KV CKT 1'            |
| 16WP | 0 | G10_059 | 'TUCO INTERCHANGE (GE M1022338) 345/230/13.2KV TRANSFORMER CKT 1' | FROM->TO | 0.27931 | 559.6 | 'G05-17T 345.00 - Hitchland Interchange 345KV CKT 1'       |
| 16WP | 0 | G10_058 | 'TUCO INTERCHANGE (GE M1022338) 345/230/13.2KV TRANSFORMER CKT 1' | FROM->TO | 0.26845 | 559.6 | 'G05-17T 345.00 - Hitchland Interchange 345KV CKT 1'       |
| 16WP | 0 | G10_060 | 'TUCO INTERCHANGE (GE M1022338) 345/230/13.2KV TRANSFORMER CKT 1' | FROM->TO | 0.27931 | 559.6 | 'G05-17T 345.00 - Hitchland Interchange 345KV CKT 1'       |
| 16WP | 0 | G10_059 | 'TUCO INTERCHANGE (GE M1022338) 345/230/13.2KV TRANSFORMER CKT 1' | FROM->TO | 0.27951 | 555.4 | 'G05-17T 345.00 - POTTER COUNTY INTERCHANGE 345KV CKT 1'   |
| 16WP | 0 | G10_058 | 'TUCO INTERCHANGE (GE M1022338) 345/230/13.2KV TRANSFORMER CKT 1' | FROM->TO | 0.26865 | 555.4 | 'G05-17T 345.00 - POTTER COUNTY INTERCHANGE 345KV CKT 1'   |
| 16WP | 0 | G10_060 | 'TUCO INTERCHANGE (GE M1022338) 345/230/13.2KV TRANSFORMER CKT 1' | FROM->TO | 0.27951 | 555.4 | 'G05-17T 345.00 - POTTER COUNTY INTERCHANGE 345KV CKT 1'   |
| 16WP | 0 | G10_058 | 'DEAF SMITH COUNTY INTERCHANGE - PLANT X STATION 230KV CKT 1'     | TO->FROM | 0.1925  | 360.9 | 'TOLK STATION EAST - TUCO INTERCHANGE 230KV CKT 1'         |
| 16WP | 0 | G10_058 | 'DEAF SMITH COUNTY INTERCHANGE - PLANT X STATION 230KV CKT 1'     | TO->FROM | 0.19045 | 360.9 | 'BORDER 7345.00 - TUCO INTERCHANGE 345KV CKT 1'            |
| 16WP | 0 | G10_058 | 'NEWHART 6230.00 - PLANT X STATION 230KV CKT 1'                   | TO->FROM | 0.19033 | 360.7 | 'BORDER 7345.00 - TUCO INTERCHANGE 345KV CKT 1'            |
| 16WP | 0 | G10_059 | 'TUCO INTERCHANGE (GE M1022338) 345/230/13.2KV TRANSFORMER CKT 1' | FROM->TO | 0.27951 | 559.6 | 'G05-17T 345.00 - POTTER COUNTY INTERCHANGE 345KV CKT 1'   |
| 16WP | 0 | G10_058 | 'TUCO INTERCHANGE (GE M1022338) 345/230/13.2KV TRANSFORMER CKT 1' | FROM->TO | 0.26865 | 559.6 | 'G05-17T 345.00 - POTTER COUNTY INTERCHANGE 345KV CKT 1'   |
| 16WP | 0 | G10_060 | 'TUCO INTERCHANGE (GE M1022338) 345/230/13.2KV TRANSFORMER CKT 1' | FROM->TO | 0.27951 | 559.6 | 'G05-17T 345.00 - POTTER COUNTY INTERCHANGE 345KV CKT 1'   |

|      |   |         |   |          |         |       |  |
|------|---|---------|---|----------|---------|-------|--|
| 11G  | 0 | G10_062 | 'CUDAHY - KISMET 3 115.00 115KV CKT 1'                    | FROM->TO | 0.99743 | 126.5 | 'G08-79T 115.00 - G10-62 115.00 115KV CKT 1'                 |
| 11G  | 0 | G10_062 | 'CIMARRON RIVER TAP - KISMET 3 115.00 115KV CKT 1'        | TO->FROM | 0.99743 | 126.3 | 'G08-79T 115.00 - G10-62 115.00 115KV CKT 1'                 |
| 11G  | 0 | G10_062 | 'CUDAHY - G09-59T 115.00 115KV CKT 1'                     | TO->FROM | 0.99743 | 158.3 | 'G08-79T 115.00 - G10-62 115.00 115KV CKT 1'                 |
| 11G  | 0 | G10_062 | 'G08-79T 115.00 - G10-62 115.00 115KV CKT 1'              | TO->FROM | 0.99743 | 159.3 | 'CUDAHY - G09-59T 115.00 115KV CKT 1'                        |
| 11G  | 0 | G10_062 | 'G08-79T 115.00 - JUDSON LARGE 115KV CKT 1'               | FROM->TO | 0.5923  | 158.9 | 'CUDAHY - G09-59T 115.00 115KV CKT 1'                        |
| 11SP | 0 | G10_060 | 'HOBBS INTERCHANGE 230/115KV TRANSFORMER CKT 1'           | FROM->TO | 0.69108 | 149.1 | 'HOBBS INTERCHANGE - LEA COUNTY INTERCHANGE 230KV CKT 1'     |
| 11SP | 0 | G10_059 | 'HOBBS INTERCHANGE 230/115KV TRANSFORMER CKT 1'           | FROM->TO | 0.69108 | 149.1 | 'HOBBS INTERCHANGE - LEA COUNTY INTERCHANGE 230KV CKT 1'     |
| 11SP | 0 | G10_060 | 'MIDLAND COUNTY INTERCHANGE 230/138KV TRANSFORMER CKT 1'  | FROM->TO | 1       | 192.9 | 'HOBBS INTERCHANGE - MIDLAND COUNTY INTERCHANGE 230KV CKT 1' |
| 11SP | 0 | G10_059 | 'MIDLAND COUNTY INTERCHANGE 230/138KV TRANSFORMER CKT 1'  | FROM->TO | 1       | 192.9 | 'HOBBS INTERCHANGE - MIDLAND COUNTY INTERCHANGE 230KV CKT 1' |
| 11SP | 0 | G10_060 | 'CAPROCK REC-PHILLIPS - CAPROCK REC-TATE 138KV CKT 1'     | TO->FROM | 1       | 271   | 'HOBBS INTERCHANGE - MIDLAND COUNTY INTERCHANGE 230KV CKT 1' |
| 11SP | 0 | G10_059 | 'CAPROCK REC-PHILLIPS - CAPROCK REC-TATE 138KV CKT 1'     | TO->FROM | 1       | 271   | 'HOBBS INTERCHANGE - MIDLAND COUNTY INTERCHANGE 230KV CKT 1' |
| 11SP | 0 | G10_060 | 'CAPROCK REC-MCDONALD - CAPROCK REC-PHILLIPS 138KV CKT 1' | TO->FROM | 1       | 271   | 'HOBBS INTERCHANGE - MIDLAND COUNTY INTERCHANGE 230KV CKT 1' |
| 11SP | 0 | G10_059 | 'CAPROCK REC-MCDONALD - CAPROCK REC-PHILLIPS 138KV CKT 1' | TO->FROM | 1       | 271   | 'HOBBS INTERCHANGE - MIDLAND COUNTY INTERCHANGE 230KV CKT 1' |
| 11SP | 0 | G10_060 | 'BORDEN COUNTY INTERCHANGE 230/138KV TRANSFORMER CKT 1'   | TO->FROM | 0.99984 | 167.2 | 'HOBBS INTERCHANGE - MIDLAND COUNTY INTERCHANGE 230KV CKT 1' |
| 11SP | 0 | G10_059 | 'BORDEN COUNTY INTERCHANGE 230/138KV TRANSFORMER CKT 1'   | TO->FROM | 0.99984 | 167.2 | 'HOBBS INTERCHANGE - MIDLAND COUNTY INTERCHANGE 230KV CKT 1' |
| 11SP | 0 | G10_060 | 'MIDLAND COUNTY INTERCHANGE 230/138KV TRANSFORMER CKT 1'  | FROM->TO | 0.30388 | 192.9 | 'HOBBS INTERCHANGE - LEA COUNTY INTERCHANGE 230KV CKT 1'     |
| 11SP | 0 | G10_059 | 'MIDLAND COUNTY INTERCHANGE 230/138KV TRANSFORMER CKT 1'  | FROM->TO | 0.30388 | 192.9 | 'HOBBS INTERCHANGE - LEA COUNTY INTERCHANGE 230KV CKT 1'     |
| 11SP | 0 | G10_060 | 'CAPROCK REC-GRADY - CAPROCK REC-TRIANGLE 138KV CKT 1'    | TO->FROM | 0.7044  | 175.8 | 'HOBBS INTERCHANGE - MIDLAND COUNTY INTERCHANGE 230KV CKT 1' |
| 11SP | 0 | G10_059 | 'CAPROCK REC-GRADY - CAPROCK REC-TRIANGLE 138KV CKT 1'    | TO->FROM | 0.7044  | 175.8 | 'HOBBS INTERCHANGE - MIDLAND COUNTY INTERCHANGE 230KV CKT 1' |
| 11SP | 0 | G10_060 | 'CAPROCK REC-KOCH - CAPROCK REC-REED 138KV CKT 1'         | TO->FROM | 0.7044  | 175.7 | 'HOBBS INTERCHANGE - MIDLAND COUNTY INTERCHANGE 230KV CKT 1' |
| 11SP | 0 | G10_059 | 'CAPROCK REC-KOCH - CAPROCK REC-REED 138KV CKT 1'         | TO->FROM | 0.7044  | 175.7 | 'HOBBS INTERCHANGE - MIDLAND COUNTY INTERCHANGE 230KV CKT 1' |
| 11SP | 0 | G10_060 | 'CAPROCK REC-KOCH - CAPROCK REC-VEALMOOR 138KV CKT 1'     | FROM->TO | 0.7044  | 175.7 | 'HOBBS INTERCHANGE - MIDLAND COUNTY INTERCHANGE 230KV CKT 1' |
| 11SP | 0 | G10_059 | 'CAPROCK REC-KOCH - CAPROCK REC-VEALMOOR 138KV CKT 1'     | FROM->TO | 0.7044  | 175.7 | 'HOBBS INTERCHANGE - MIDLAND COUNTY INTERCHANGE 230KV CKT 1' |
| 11SP | 0 | G10_060 | 'MIDLAND COUNTY INTERCHANGE 230/138KV TRANSFORMER CKT 1'  | FROM->TO | 0.22488 | 167.9 | 'BASE CASE'  |
| 11SP | 0 | G10_059 | 'MIDLAND COUNTY INTERCHANGE 230/138KV TRANSFORMER CKT 1'  | FROM->TO | 0.22488 | 167.9 | 'BASE CASE'  |

|      |   |         |   |          |         |       |   |
|------|---|---------|---|----------|---------|-------|---|
| 11SP | 0 | G10_060 | 'MIDLAND COUNTY INTERCHANGE 230/138KV TRANSFORMER CKT 1'  | FROM->TO | 0.24933 | 192.9 | 'LEA COUNTY INTERCHANGE - YOAKUM COUNTY INTERCHANGE 230KV CKT 1'  |
| 11SP | 0 | G10_059 | 'MIDLAND COUNTY INTERCHANGE 230/138KV TRANSFORMER CKT 1'  | FROM->TO | 0.24933 | 192.9 | 'LEA COUNTY INTERCHANGE - YOAKUM COUNTY INTERCHANGE 230KV CKT 1'  |
| 11SP | 0 | G10_060 | 'MIDLAND COUNTY INTERCHANGE 230/138KV TRANSFORMER CKT 1'  | FROM->TO | 0.23559 | 192.9 | 'AMOCO SWITCHING STATION - YOAKUM COUNTY INTERCHANGE 230KV CKT 1' |
| 11SP | 0 | G10_059 | 'MIDLAND COUNTY INTERCHANGE 230/138KV TRANSFORMER CKT 1'  | FROM->TO | 0.23559 | 192.9 | 'AMOCO SWITCHING STATION - YOAKUM COUNTY INTERCHANGE 230KV CKT 1' |
| 11SP | 0 | G10_060 | 'MIDLAND COUNTY INTERCHANGE 230/138KV TRANSFORMER CKT 1'  | FROM->TO | 0.23033 | 192.9 | 'TOLK STATION EAST - TUCO INTERCHANGE 230KV CKT 1'                |
| 11SP | 0 | G10_059 | 'MIDLAND COUNTY INTERCHANGE 230/138KV TRANSFORMER CKT 1'  | FROM->TO | 0.23033 | 192.9 | 'TOLK STATION EAST - TUCO INTERCHANGE 230KV CKT 1'                |
| 11SP | 0 | G10_060 | 'MIDLAND COUNTY INTERCHANGE 230/138KV TRANSFORMER CKT 1'  | FROM->TO | 0.23256 | 192.9 | 'SUNDOWN INTERCHANGE - WOLFFORTH INTERCHANGE 230KV CKT 1'         |
| 11SP | 0 | G10_059 | 'MIDLAND COUNTY INTERCHANGE 230/138KV TRANSFORMER CKT 1'  | FROM->TO | 0.23256 | 192.9 | 'SUNDOWN INTERCHANGE - WOLFFORTH INTERCHANGE 230KV CKT 1'         |
| 11SP | 0 | G10_060 | 'MIDLAND COUNTY INTERCHANGE 230/138KV TRANSFORMER CKT 1'  | FROM->TO | 0.23115 | 192.9 | 'CUNNINGHAM STATION - EDDY COUNTY INTERCHANGE 230KV CKT 1'        |
| 11SP | 0 | G10_059 | 'MIDLAND COUNTY INTERCHANGE 230/138KV TRANSFORMER CKT 1'  | FROM->TO | 0.23115 | 192.9 | 'CUNNINGHAM STATION - EDDY COUNTY INTERCHANGE 230KV CKT 1'        |
| 11SP | 0 | G10_060 | 'MIDLAND COUNTY INTERCHANGE 230/138KV TRANSFORMER CKT 1'  | FROM->TO | 0.23827 | 192.9 | 'CUNNINGHAM STATION - LEA COUNTY INTERCHANGE 230KV CKT 1'         |
| 11SP | 0 | G10_059 | 'MIDLAND COUNTY INTERCHANGE 230/138KV TRANSFORMER CKT 1'  | FROM->TO | 0.23827 | 192.9 | 'CUNNINGHAM STATION - LEA COUNTY INTERCHANGE 230KV CKT 1'         |
| 11SP | 0 | G10_060 | 'MIDLAND COUNTY INTERCHANGE 230/138KV TRANSFORMER CKT 1'  | FROM->TO | 0.22488 | 192.9 | 'Jones Station Bus#2 230/22.0KV TRANSFORMER CKT 1'                |
| 11SP | 0 | G10_059 | 'MIDLAND COUNTY INTERCHANGE 230/138KV TRANSFORMER CKT 1'  | FROM->TO | 0.22488 | 192.9 | 'Jones Station Bus#2 230/22.0KV TRANSFORMER CKT 1'                |
| 11SP | 0 | G10_060 | 'MIDLAND COUNTY INTERCHANGE 230/138KV TRANSFORMER CKT 1'  | FROM->TO | 0.22488 | 192.9 | 'JONES STATION 230/22.0KV TRANSFORMER CKT 1'                      |
| 11SP | 0 | G10_059 | 'MIDLAND COUNTY INTERCHANGE 230/138KV TRANSFORMER CKT 1'  | FROM->TO | 0.22488 | 192.9 | 'JONES STATION 230/22.0KV TRANSFORMER CKT 1'                      |
| 11SP | 0 | G10_060 | 'MIDLAND COUNTY INTERCHANGE 230/138KV TRANSFORMER CKT 1'  | FROM->TO | 0.23559 | 192.9 | 'AMOCO SWITCHING STATION - SUNDOWN INTERCHANGE 230KV CKT 1'       |
| 11SP | 0 | G10_059 | 'MIDLAND COUNTY INTERCHANGE 230/138KV TRANSFORMER CKT 1'  | FROM->TO | 0.23559 | 192.9 | 'AMOCO SWITCHING STATION - SUNDOWN INTERCHANGE 230KV CKT 1'       |
| 11SP | 0 | G10_060 | 'MIDLAND COUNTY INTERCHANGE 230/138KV TRANSFORMER CKT 1'  | FROM->TO | 0.22488 | 192.9 | 'Jones Station Bus#2 230/22.0KV TRANSFORMER CKT 1'                |
| 11SP | 0 | G10_059 | 'MIDLAND COUNTY INTERCHANGE 230/138KV TRANSFORMER CKT 1'  | FROM->TO | 0.22488 | 192.9 | 'Jones Station Bus#2 230/22.0KV TRANSFORMER CKT 1'                |
| 11SP | 0 | G10_060 | 'MIDLAND COUNTY INTERCHANGE 230/138KV TRANSFORMER CKT 1'  | FROM->TO | 0.22767 | 192.9 | 'CUNNINGHAM STATION - POTASH JUNCTION INTERCHANGE 230KV CKT 1'    |
| 11SP | 0 | G10_059 | 'MIDLAND COUNTY INTERCHANGE 230/138KV TRANSFORMER CKT 1'  | FROM->TO | 0.22767 | 192.9 | 'CUNNINGHAM STATION - POTASH JUNCTION INTERCHANGE 230KV CKT 1'    |
| 11SP | 0 | G10_060 | 'MIDLAND COUNTY INTERCHANGE 230/138KV TRANSFORMER CKT 1'  | FROM->TO | 0.22506 | 192.9 | 'SPP-SWPS-T14'  |
| 11SP | 0 | G10_059 | 'MIDLAND COUNTY INTERCHANGE 230/138KV TRANSFORMER CKT 1'  | FROM->TO | 0.22506 | 192.9 | 'SPP-SWPS-T14'  |
| 11SP | 0 | G10_060 | 'CAPROCK REC-MCDONALD - CAPROCK REC-TRIANGLE 138KV CKT 1' | FROM->TO | 0.7044  | 270.9 | 'HOBBS INTERCHANGE - MIDLAND COUNTY INTERCHANGE 230KV CKT 1'      |

|      |   |         |  |          |         |       |  |
|------|---|---------|--|----------|---------|-------|--|
| 11SP | 0 | G10_059 | 'CAPROCK REC-MCDONALD - CAPROCK REC-TRIANGLE 138KV CKT 1'    | FROM->TO | 0.7044  | 270.9 | 'HOBBS INTERCHANGE - MIDLAND COUNTY INTERCHANGE 230KV CKT 1'       |
| 11SP | 0 | G10_060 | 'MIDLAND COUNTY INTERCHANGE 230/138KV TRANSFORMER CKT 1'     | FROM->TO | 0.22958 | 192.9 | 'TERRY COUNTY INTERCHANGE - WOLFFORTH INTERCHANGE 115KV CKT 1'     |
| 11SP | 0 | G10_059 | 'MIDLAND COUNTY INTERCHANGE 230/138KV TRANSFORMER CKT 1'     | FROM->TO | 0.22958 | 192.9 | 'TERRY COUNTY INTERCHANGE - WOLFFORTH INTERCHANGE 115KV CKT 1'     |
| 11SP | 0 | G10_060 | 'MIDLAND COUNTY INTERCHANGE 230/138KV TRANSFORMER CKT 1'     | FROM->TO | 0.22697 | 192.9 | 'CHAVES COUNTY INTERCHANGE - EDDY COUNTY INTERCHANGE 230KV CKT 1'  |
| 11SP | 0 | G10_059 | 'MIDLAND COUNTY INTERCHANGE 230/138KV TRANSFORMER CKT 1'     | FROM->TO | 0.22697 | 192.9 | 'CHAVES COUNTY INTERCHANGE - EDDY COUNTY INTERCHANGE 230KV CKT 1'  |
| 11SP | 0 | G10_060 | 'MIDLAND COUNTY INTERCHANGE 230/138KV TRANSFORMER CKT 1'     | FROM->TO | 0.22692 | 192.9 | 'WOLFFORTH INTERCHANGE - YUMA INTERCHANGE 115KV CKT 1'             |
| 11SP | 0 | G10_059 | 'MIDLAND COUNTY INTERCHANGE 230/138KV TRANSFORMER CKT 1'     | FROM->TO | 0.22692 | 192.9 | 'WOLFFORTH INTERCHANGE - YUMA INTERCHANGE 115KV CKT 1'             |
| 11SP | 0 | G10_060 | 'MIDLAND COUNTY INTERCHANGE 230/138KV TRANSFORMER CKT 1'     | FROM->TO | 0.22507 | 192.9 | 'SPP-SWPS-T97'   |
| 11SP | 0 | G10_059 | 'MIDLAND COUNTY INTERCHANGE 230/138KV TRANSFORMER CKT 1'     | FROM->TO | 0.22507 | 192.9 | 'SPP-SWPS-T97'   |
| 11SP | 0 | G10_060 | 'MIDLAND COUNTY INTERCHANGE 230/138KV TRANSFORMER CKT 1'     | FROM->TO | 0.22745 | 192.9 | 'GAINES COUNTY INTERCHANGE - TAYLOR SWITCHING STATION 115KV CKT 1' |
| 11SP | 0 | G10_059 | 'MIDLAND COUNTY INTERCHANGE 230/138KV TRANSFORMER CKT 1'     | FROM->TO | 0.22745 | 192.9 | 'GAINES COUNTY INTERCHANGE - TAYLOR SWITCHING STATION 115KV CKT 1' |
| 11SP | 0 | G10_060 | 'HOBBS INTERCHANGE - MIDLAND COUNTY INTERCHANGE 230KV CKT 1' | TO->FROM | 1       | 478   | 'MIDLAND COUNTY INTERCHANGE 230/138KV TRANSFORMER CKT 1'           |
| 11SP | 0 | G10_059 | 'HOBBS INTERCHANGE - MIDLAND COUNTY INTERCHANGE 230KV CKT 1' | TO->FROM | 1       | 478   | 'MIDLAND COUNTY INTERCHANGE 230/138KV TRANSFORMER CKT 1'           |
| 11SP | 0 | G10_060 | 'CAPROCK REC-GRADY - CAPROCK REC-REED 138KV CKT 1'           | FROM->TO | 0.7044  | 270.8 | 'HOBBS INTERCHANGE - MIDLAND COUNTY INTERCHANGE 230KV CKT 1'       |
| 11SP | 0 | G10_059 | 'CAPROCK REC-GRADY - CAPROCK REC-REED 138KV CKT 1'           | FROM->TO | 0.7044  | 270.8 | 'HOBBS INTERCHANGE - MIDLAND COUNTY INTERCHANGE 230KV CKT 1'       |
| 11SP | 0 | G10_060 | 'HOBBS INTERCHANGE - MIDLAND COUNTY INTERCHANGE 230KV CKT 1' | TO->FROM | 1       | 478   | 'CAPROCK REC-PHILLIPS - CAPROCK REC-TATE 138KV CKT 1'              |
| 11SP | 0 | G10_059 | 'HOBBS INTERCHANGE - MIDLAND COUNTY INTERCHANGE 230KV CKT 1' | TO->FROM | 1       | 478   | 'CAPROCK REC-PHILLIPS - CAPROCK REC-TATE 138KV CKT 1'              |
| 11SP | 0 | G10_060 | 'HOBBS INTERCHANGE - LEA COUNTY INTERCHANGE 230KV CKT 1'     | FROM->TO | 0.88445 | 617   | 'MIDLAND COUNTY INTERCHANGE 230/138KV TRANSFORMER CKT 1'           |
| 11SP | 0 | G10_059 | 'HOBBS INTERCHANGE - LEA COUNTY INTERCHANGE 230KV CKT 1'     | FROM->TO | 0.88445 | 617   | 'MIDLAND COUNTY INTERCHANGE 230/138KV TRANSFORMER CKT 1'           |
| 11SP | 0 | G10_060 | 'HOBBS INTERCHANGE - MIDLAND COUNTY INTERCHANGE 230KV CKT 1' | TO->FROM | 1       | 478   | 'CAPROCK REC-MCDONALD - CAPROCK REC-PHILLIPS 138KV CKT 1'          |
| 11SP | 0 | G10_059 | 'HOBBS INTERCHANGE - MIDLAND COUNTY INTERCHANGE 230KV CKT 1' | TO->FROM | 1       | 478   | 'CAPROCK REC-MCDONALD - CAPROCK REC-PHILLIPS 138KV CKT 1'          |
| 11SP | 0 | G10_060 | 'HOBBS INTERCHANGE - LEA COUNTY INTERCHANGE 230KV CKT 1'     | FROM->TO | 0.88445 | 617   | 'CAPROCK REC-PHILLIPS - CAPROCK REC-TATE 138KV CKT 1'              |
| 11SP | 0 | G10_059 | 'HOBBS INTERCHANGE - LEA COUNTY INTERCHANGE 230KV CKT 1'     | FROM->TO | 0.88445 | 617   | 'CAPROCK REC-PHILLIPS - CAPROCK REC-TATE 138KV CKT 1'              |
| 11SP | 0 | G10_060 | 'HOBBS INTERCHANGE - LEA COUNTY INTERCHANGE 230KV CKT 1'     | FROM->TO | 0.88445 | 617   | 'CAPROCK REC-MCDONALD - CAPROCK REC-PHILLIPS 138KV CKT 1'          |
| 11SP | 0 | G10_059 | 'HOBBS INTERCHANGE - LEA COUNTY INTERCHANGE 230KV CKT 1'     | FROM->TO | 0.88445 | 617   | 'CAPROCK REC-MCDONALD - CAPROCK REC-PHILLIPS 138KV CKT 1'          |

|      |   |         |   |          |         |       |   |
|------|---|---------|---|----------|---------|-------|---|
| 11SP | 0 | G10_060 | 'HOBBS INTERCHANGE - LEA COUNTY INTERCHANGE 230KV CKT 1'        | FROM->TO | 0.6848  | 478   | 'BASE CASE'   |
| 11SP | 0 | G10_059 | 'HOBBS INTERCHANGE - LEA COUNTY INTERCHANGE 230KV CKT 1'        | FROM->TO | 0.6848  | 478   | 'BASE CASE'   |
| 11SP | 0 | G10_060 | 'CAPROCK REC-PHILLIPS - CAPROCK REC-TATE 138KV CKT 1'           | TO->FROM | 0.22488 | 208   | 'BASE CASE'   |
| 11SP | 0 | G10_059 | 'CAPROCK REC-PHILLIPS - CAPROCK REC-TATE 138KV CKT 1'           | TO->FROM | 0.22488 | 208   | 'BASE CASE'   |
| 11SP | 0 | G10_060 | 'CAPROCK REC-PHILLIPS - CAPROCK REC-TATE 138KV CKT 1'           | TO->FROM | 0.30388 | 271   | 'HOBBS INTERCHANGE - LEA COUNTY INTERCHANGE 230KV CKT 1'        |
| 11SP | 0 | G10_059 | 'CAPROCK REC-PHILLIPS - CAPROCK REC-TATE 138KV CKT 1'           | TO->FROM | 0.30388 | 271   | 'HOBBS INTERCHANGE - LEA COUNTY INTERCHANGE 230KV CKT 1'        |
| 11SP | 0 | G10_060 | 'GRASSLAND INTERCHANGE - Jones Station Bus#2 230KV CKT 1'       | FROM->TO | 0.8766  | 350.8 | 'HOBBS INTERCHANGE - MIDLAND COUNTY INTERCHANGE 230KV CKT 1'    |
| 11SP | 0 | G10_059 | 'GRASSLAND INTERCHANGE - Jones Station Bus#2 230KV CKT 1'       | FROM->TO | 0.8766  | 350.8 | 'HOBBS INTERCHANGE - MIDLAND COUNTY INTERCHANGE 230KV CKT 1'    |
| 11SP | 0 | G10_060 | 'HOBBS INTERCHANGE - MIDLAND COUNTY INTERCHANGE 230KV CKT 1'    | TO->FROM | 0.99984 | 478   | 'BORDEN COUNTY INTERCHANGE 230/138KV TRANSFORMER CKT 1'         |
| 11SP | 0 | G10_059 | 'HOBBS INTERCHANGE - MIDLAND COUNTY INTERCHANGE 230KV CKT 1'    | TO->FROM | 0.99984 | 478   | 'BORDEN COUNTY INTERCHANGE 230/138KV TRANSFORMER CKT 1'         |
| 11SP | 0 | G10_060 | 'HOBBS INTERCHANGE - MIDLAND COUNTY INTERCHANGE 230KV CKT 1'    | TO->FROM | 0.99984 | 478   | 'SPP-SWPS-K48'  |
| 11SP | 0 | G10_059 | 'HOBBS INTERCHANGE - MIDLAND COUNTY INTERCHANGE 230KV CKT 1'    | TO->FROM | 0.99984 | 478   | 'SPP-SWPS-K48'  |
| 11SP | 0 | G10_060 | 'BORDEN COUNTY INTERCHANGE - GRASSLAND INTERCHANGE 230KV CKT 1' | FROM->TO | 0.99984 | 478   | 'HOBBS INTERCHANGE - MIDLAND COUNTY INTERCHANGE 230KV CKT 1'    |
| 11SP | 0 | G10_059 | 'BORDEN COUNTY INTERCHANGE - GRASSLAND INTERCHANGE 230KV CKT 1' | FROM->TO | 0.99984 | 478   | 'HOBBS INTERCHANGE - MIDLAND COUNTY INTERCHANGE 230KV CKT 1'    |
| 11SP | 0 | G10_060 | 'HOBBS INTERCHANGE - MIDLAND COUNTY INTERCHANGE 230KV CKT 1'    | TO->FROM | 0.99984 | 478   | 'BORDEN COUNTY INTERCHANGE - GRASSLAND INTERCHANGE 230KV CKT 1' |
| 11SP | 0 | G10_059 | 'HOBBS INTERCHANGE - MIDLAND COUNTY INTERCHANGE 230KV CKT 1'    | TO->FROM | 0.99984 | 478   | 'BORDEN COUNTY INTERCHANGE - GRASSLAND INTERCHANGE 230KV CKT 1' |
| 11SP | 0 | G10_060 | 'HOBBS INTERCHANGE - LEA COUNTY INTERCHANGE 115KV CKT 1'        | FROM->TO | 0.24126 | 238.9 | 'HOBBS INTERCHANGE - LEA COUNTY INTERCHANGE 230KV CKT 1'        |
| 11SP | 0 | G10_059 | 'HOBBS INTERCHANGE - LEA COUNTY INTERCHANGE 115KV CKT 1'        | FROM->TO | 0.24126 | 238.9 | 'HOBBS INTERCHANGE - LEA COUNTY INTERCHANGE 230KV CKT 1'        |
| 11SP | 0 | G10_060 | 'CAPROCK REC-STILES - G09-17T 138.00 138KV CKT 1'               | TO->FROM | 0.29544 | 175.9 | 'HOBBS INTERCHANGE - MIDLAND COUNTY INTERCHANGE 230KV CKT 1'    |
| 11SP | 0 | G10_059 | 'CAPROCK REC-STILES - G09-17T 138.00 138KV CKT 1'               | TO->FROM | 0.29544 | 175.9 | 'HOBBS INTERCHANGE - MIDLAND COUNTY INTERCHANGE 230KV CKT 1'    |
| 11SP | 0 | G10_060 | 'HOBBS INTERCHANGE - LEA COUNTY INTERCHANGE 230KV CKT 1'        | FROM->TO | 0.88431 | 617   | 'SPP-SWPS-K48'  |
| 11SP | 0 | G10_059 | 'HOBBS INTERCHANGE - LEA COUNTY INTERCHANGE 230KV CKT 1'        | FROM->TO | 0.88431 | 617   | 'SPP-SWPS-K48'  |
| 11SP | 0 | G10_060 | 'HOBBS INTERCHANGE - LEA COUNTY INTERCHANGE 230KV CKT 1'        | FROM->TO | 0.88431 | 617   | 'BORDEN COUNTY INTERCHANGE 230/138KV TRANSFORMER CKT 1'         |
| 11SP | 0 | G10_059 | 'HOBBS INTERCHANGE - LEA COUNTY INTERCHANGE 230KV CKT 1'        | FROM->TO | 0.88431 | 617   | 'BORDEN COUNTY INTERCHANGE 230/138KV TRANSFORMER CKT 1'         |
| 11SP | 0 | G10_060 | 'HOBBS INTERCHANGE - LEA COUNTY INTERCHANGE 230KV CKT 1'        | FROM->TO | 0.88431 | 617   | 'BORDEN COUNTY INTERCHANGE - GRASSLAND INTERCHANGE 230KV CKT 1' |

|      |   |         |  |          |         |       |   |
|------|---|---------|--|----------|---------|-------|---|
| 11SP | 0 | G10_059 | 'HOBBS INTERCHANGE - LEA COUNTY INTERCHANGE 230KV CKT 1'         | FROM->TO | 0.88431 | 617   | 'BORDEN COUNTY INTERCHANGE - GRASSLAND INTERCHANGE 230KV CKT 1' |
| 11SP | 0 | G10_060 | 'HOBBS INTERCHANGE - MIDLAND COUNTY INTERCHANGE 230KV CKT 1'     | TO->FROM | 0.86935 | 478   | 'CAPROCK REC-MCDONALD - CAPROCK REC-TRIANGLE 138KV CKT 1'       |
| 11SP | 0 | G10_059 | 'HOBBS INTERCHANGE - MIDLAND COUNTY INTERCHANGE 230KV CKT 1'     | TO->FROM | 0.86935 | 478   | 'CAPROCK REC-MCDONALD - CAPROCK REC-TRIANGLE 138KV CKT 1'       |
| 11SP | 0 | G10_060 | 'LEA COUNTY INTERCHANGE - YOAKUM COUNTY INTERCHANGE 230KV CKT 1' | FROM->TO | 0.38386 | 351   | 'MIDLAND COUNTY INTERCHANGE 230/138KV TRANSFORMER CKT 1'        |
| 11SP | 0 | G10_059 | 'LEA COUNTY INTERCHANGE - YOAKUM COUNTY INTERCHANGE 230KV CKT 1' | FROM->TO | 0.38386 | 351   | 'MIDLAND COUNTY INTERCHANGE 230/138KV TRANSFORMER CKT 1'        |
| 11SP | 0 | G10_060 | 'HOBBS INTERCHANGE - MIDLAND COUNTY INTERCHANGE 230KV CKT 1'     | TO->FROM | 0.86935 | 478   | 'CAPROCK REC-GRADY - CAPROCK REC-TRIANGLE 138KV CKT 1'          |
| 11SP | 0 | G10_059 | 'HOBBS INTERCHANGE - MIDLAND COUNTY INTERCHANGE 230KV CKT 1'     | TO->FROM | 0.86935 | 478   | 'CAPROCK REC-GRADY - CAPROCK REC-TRIANGLE 138KV CKT 1'          |
| 11SP | 0 | G10_060 | 'CAPROCK REC-MCDONALD - CAPROCK REC-PHILLIPS 138KV CKT 1'        | TO->FROM | 0.22488 | 207.9 | 'BASE CASE'   |
| 11SP | 0 | G10_059 | 'CAPROCK REC-MCDONALD - CAPROCK REC-PHILLIPS 138KV CKT 1'        | TO->FROM | 0.22488 | 207.9 | 'BASE CASE'   |
| 11SP | 0 | G10_060 | 'LEA COUNTY INTERCHANGE - YOAKUM COUNTY INTERCHANGE 230KV CKT 1' | FROM->TO | 0.38386 | 351   | 'CAPROCK REC-PHILLIPS - CAPROCK REC-TATE 138KV CKT 1'           |
| 11SP | 0 | G10_059 | 'LEA COUNTY INTERCHANGE - YOAKUM COUNTY INTERCHANGE 230KV CKT 1' | FROM->TO | 0.38386 | 351   | 'CAPROCK REC-PHILLIPS - CAPROCK REC-TATE 138KV CKT 1'           |
| 11SP | 0 | G10_060 | 'CAPROCK REC-MCDONALD - CAPROCK REC-PHILLIPS 138KV CKT 1'        | TO->FROM | 0.30388 | 271   | 'HOBBS INTERCHANGE - LEA COUNTY INTERCHANGE 230KV CKT 1'        |
| 11SP | 0 | G10_059 | 'CAPROCK REC-MCDONALD - CAPROCK REC-PHILLIPS 138KV CKT 1'        | TO->FROM | 0.30388 | 271   | 'HOBBS INTERCHANGE - LEA COUNTY INTERCHANGE 230KV CKT 1'        |
| 11SP | 0 | G10_060 | 'CAPROCK REC-PEMBROOK - G09-17T 138.00 138KV CKT 1'              | FROM->TO | 0.2956  | 175.9 | 'HOBBS INTERCHANGE - MIDLAND COUNTY INTERCHANGE 230KV CKT 1'    |
| 11SP | 0 | G10_059 | 'CAPROCK REC-PEMBROOK - G09-17T 138.00 138KV CKT 1'              | FROM->TO | 0.2956  | 175.9 | 'HOBBS INTERCHANGE - MIDLAND COUNTY INTERCHANGE 230KV CKT 1'    |
| 11SP | 0 | G10_060 | 'HOBBS INTERCHANGE - MIDLAND COUNTY INTERCHANGE 230KV CKT 1'     | TO->FROM | 0.86935 | 478   | 'CAPROCK REC-GRADY - CAPROCK REC-REED 138KV CKT 1'              |
| 11SP | 0 | G10_059 | 'HOBBS INTERCHANGE - MIDLAND COUNTY INTERCHANGE 230KV CKT 1'     | TO->FROM | 0.86935 | 478   | 'CAPROCK REC-GRADY - CAPROCK REC-REED 138KV CKT 1'              |
| 11SP | 0 | G10_060 | 'HOBBS INTERCHANGE - MIDLAND COUNTY INTERCHANGE 230KV CKT 1'     | TO->FROM | 0.86935 | 478   | 'CAPROCK REC-KOCH - CAPROCK REC-REED 138KV CKT 1'               |
| 11SP | 0 | G10_059 | 'HOBBS INTERCHANGE - MIDLAND COUNTY INTERCHANGE 230KV CKT 1'     | TO->FROM | 0.86935 | 478   | 'CAPROCK REC-KOCH - CAPROCK REC-REED 138KV CKT 1'               |
| 11SP | 0 | G10_060 | 'HOBBS INTERCHANGE - MIDLAND COUNTY INTERCHANGE 230KV CKT 1'     | TO->FROM | 0.86935 | 478   | 'CAPROCK REC-KOCH - CAPROCK REC-VEALMOOR 138KV CKT 1'           |
| 11SP | 0 | G10_059 | 'HOBBS INTERCHANGE - MIDLAND COUNTY INTERCHANGE 230KV CKT 1'     | TO->FROM | 0.86935 | 478   | 'CAPROCK REC-KOCH - CAPROCK REC-VEALMOOR 138KV CKT 1'           |
| 11SP | 0 | G10_060 | 'HOBBS INTERCHANGE - LEA COUNTY INTERCHANGE 230KV CKT 1'         | FROM->TO | 0.7687  | 617   | 'HOBBS INTERCHANGE 230/115KV TRANSFORMER CKT 1'                 |
| 11SP | 0 | G10_059 | 'HOBBS INTERCHANGE - LEA COUNTY INTERCHANGE 230KV CKT 1'         | FROM->TO | 0.7687  | 617   | 'HOBBS INTERCHANGE 230/115KV TRANSFORMER CKT 1'                 |
| 11SP | 0 | G10_060 | 'HOBBS INTERCHANGE - LEA COUNTY INTERCHANGE 230KV CKT 1'         | FROM->TO | 0.76845 | 617   | 'CAPROCK REC-MCDONALD - CAPROCK REC-TRIANGLE 138KV CKT 1'       |
| 11SP | 0 | G10_059 | 'HOBBS INTERCHANGE - LEA COUNTY INTERCHANGE 230KV CKT 1'         | FROM->TO | 0.76845 | 617   | 'CAPROCK REC-MCDONALD - CAPROCK REC-TRIANGLE 138KV CKT 1'       |



|      |   |         |   |          |         |       |   |
|------|---|---------|---|----------|---------|-------|---|
| 11SP | 0 | G10_060 | 'LEA COUNTY INTERCHANGE - YOAKUM COUNTY INTERCHANGE 230KV CKT 1'  | FROM->TO | 0.38386 | 351   | 'CAPROCK REC-MCDONALD - CAPROCK REC-PHILLIPS 138KV CKT 1'     |
| 11SP | 0 | G10_059 | 'LEA COUNTY INTERCHANGE - YOAKUM COUNTY INTERCHANGE 230KV CKT 1'  | FROM->TO | 0.38386 | 351   | 'CAPROCK REC-MCDONALD - CAPROCK REC-PHILLIPS 138KV CKT 1'     |
| 11SP | 0 | G10_060 | 'BORDEN COUNTY INTERCHANGE 230/138KV TRANSFORMER CKT 1'           | TO->FROM | 0.30372 | 167.2 | 'HOBBS INTERCHANGE - LEA COUNTY INTERCHANGE 230KV CKT 1'      |
| 11SP | 0 | G10_059 | 'BORDEN COUNTY INTERCHANGE 230/138KV TRANSFORMER CKT 1'           | TO->FROM | 0.30372 | 167.2 | 'HOBBS INTERCHANGE - LEA COUNTY INTERCHANGE 230KV CKT 1'      |
| 11SP | 0 | G10_060 | 'HOBBS INTERCHANGE - LEA COUNTY INTERCHANGE 230KV CKT 1'          | FROM->TO | 0.76845 | 617   | 'CAPROCK REC-GRADY - CAPROCK REC-TRIANGLE 138KV CKT 1'        |
| 11SP | 0 | G10_059 | 'HOBBS INTERCHANGE - LEA COUNTY INTERCHANGE 230KV CKT 1'          | FROM->TO | 0.76845 | 617   | 'CAPROCK REC-GRADY - CAPROCK REC-TRIANGLE 138KV CKT 1'        |
| 11SP | 0 | G10_060 | 'AMOCO SWITCHING STATION - YOAKUM COUNTY INTERCHANGE 230KV CKT 1' | TO->FROM | 0.25213 | 349.9 | 'MIDLAND COUNTY INTERCHANGE 230/138KV TRANSFORMER CKT 1'      |
| 11SP | 0 | G10_059 | 'AMOCO SWITCHING STATION - YOAKUM COUNTY INTERCHANGE 230KV CKT 1' | TO->FROM | 0.25213 | 349.9 | 'MIDLAND COUNTY INTERCHANGE 230/138KV TRANSFORMER CKT 1'      |
| 11SP | 0 | G10_060 | 'HOBBS INTERCHANGE - LEA COUNTY INTERCHANGE 230KV CKT 1'          | FROM->TO | 0.76845 | 617   | 'CAPROCK REC-GRADY - CAPROCK REC-REED 138KV CKT 1'            |
| 11SP | 0 | G10_059 | 'HOBBS INTERCHANGE - LEA COUNTY INTERCHANGE 230KV CKT 1'          | FROM->TO | 0.76845 | 617   | 'CAPROCK REC-GRADY - CAPROCK REC-REED 138KV CKT 1'            |
| 11SP | 0 | G10_060 | 'HOBBS INTERCHANGE - LEA COUNTY INTERCHANGE 230KV CKT 1'          | FROM->TO | 0.76845 | 617   | 'CAPROCK REC-KOCH - CAPROCK REC-REED 138KV CKT 1'             |
| 11SP | 0 | G10_059 | 'HOBBS INTERCHANGE - LEA COUNTY INTERCHANGE 230KV CKT 1'          | FROM->TO | 0.76845 | 617   | 'CAPROCK REC-KOCH - CAPROCK REC-REED 138KV CKT 1'             |
| 11SP | 0 | G10_060 | 'HOBBS INTERCHANGE - LEA COUNTY INTERCHANGE 230KV CKT 1'          | FROM->TO | 0.76845 | 617   | 'CAPROCK REC-KOCH - CAPROCK REC-VEALMOOR 138KV CKT 1'         |
| 11SP | 0 | G10_059 | 'HOBBS INTERCHANGE - LEA COUNTY INTERCHANGE 230KV CKT 1'          | FROM->TO | 0.76845 | 617   | 'CAPROCK REC-KOCH - CAPROCK REC-VEALMOOR 138KV CKT 1'         |
| 11SP | 0 | G10_060 | 'AMOCO SWITCHING STATION - YOAKUM COUNTY INTERCHANGE 230KV CKT 1' | TO->FROM | 0.25213 | 349.9 | 'CAPROCK REC-PHILLIPS - CAPROCK REC-TATE 138KV CKT 1'         |
| 11SP | 0 | G10_059 | 'AMOCO SWITCHING STATION - YOAKUM COUNTY INTERCHANGE 230KV CKT 1' | TO->FROM | 0.25213 | 349.9 | 'CAPROCK REC-PHILLIPS - CAPROCK REC-TATE 138KV CKT 1'         |
| 11SP | 0 | G10_060 | 'HOBBS INTERCHANGE 230/115KV TRANSFORMER CKT 1'                   | FROM->TO | 0.19527 | 149.1 | 'CUNNINGHAM STATION - LEA COUNTY INTERCHANGE 230KV CKT 1'     |
| 11SP | 0 | G10_059 | 'HOBBS INTERCHANGE 230/115KV TRANSFORMER CKT 1'                   | FROM->TO | 0.19527 | 149.1 | 'CUNNINGHAM STATION - LEA COUNTY INTERCHANGE 230KV CKT 1'     |
| 11SP | 0 | G10_060 | 'HOBBS INTERCHANGE - MIDLAND COUNTY INTERCHANGE 230KV CKT 1'      | TO->FROM | 0.80049 | 478   | 'CAPROCK REC-MCDONALD - CR-1956 4138.00 138KV CKT 1'          |
| 11SP | 0 | G10_059 | 'HOBBS INTERCHANGE - MIDLAND COUNTY INTERCHANGE 230KV CKT 1'      | TO->FROM | 0.80049 | 478   | 'CAPROCK REC-MCDONALD - CR-1956 4138.00 138KV CKT 1'          |
| 11SP | 0 | G10_060 | 'HOBBS INTERCHANGE - MIDLAND COUNTY INTERCHANGE 230KV CKT 1'      | TO->FROM | 0.80049 | 478   | 'CAPROCK REC-NEW SCHWARTZ - CR-1956 4138.00 138KV CKT 1'      |
| 11SP | 0 | G10_059 | 'HOBBS INTERCHANGE - MIDLAND COUNTY INTERCHANGE 230KV CKT 1'      | TO->FROM | 0.80049 | 478   | 'CAPROCK REC-NEW SCHWARTZ - CR-1956 4138.00 138KV CKT 1'      |
| 11SP | 0 | G10_060 | 'HOBBS INTERCHANGE - MIDLAND COUNTY INTERCHANGE 230KV CKT 1'      | TO->FROM | 0.80049 | 478   | 'CAPROCK REC-NEW SCHWARTZ - CAPROCK REC-PEMBROOK 138KV CKT 1' |
| 11SP | 0 | G10_059 | 'HOBBS INTERCHANGE - MIDLAND COUNTY INTERCHANGE 230KV CKT 1'      | TO->FROM | 0.80049 | 478   | 'CAPROCK REC-NEW SCHWARTZ - CAPROCK REC-PEMBROOK 138KV CKT 1' |
| 11SP | 0 | G10_060 | 'HOBBS INTERCHANGE - MIDLAND COUNTY INTERCHANGE 230KV CKT 1'      | TO->FROM | 0.80043 | 478   | 'CAPROCK REC-STILES - G09-17T 138.00 138KV CKT 1'             |

|      |   |         |   |          |         |       |   |
|------|---|---------|---|----------|---------|-------|---|
| 11SP | 0 | G10_059 | 'HOBBS INTERCHANGE - MIDLAND COUNTY INTERCHANGE 230KV CKT 1'      | TO->FROM | 0.80043 | 478   | 'CAPROCK REC-STILES - G09-17T 138.00 138KV CKT 1'   |
| 11SP | 0 | G10_060 | 'HOBBS INTERCHANGE - MIDLAND COUNTY INTERCHANGE 230KV CKT 1'      | TO->FROM | 0.80049 | 478   | 'CAPROCK REC-PEMBROOK - G09-17T 138.00 138KV CKT 1'   |
| 11SP | 0 | G10_059 | 'HOBBS INTERCHANGE - MIDLAND COUNTY INTERCHANGE 230KV CKT 1'      | TO->FROM | 0.80049 | 478   | 'CAPROCK REC-PEMBROOK - G09-17T 138.00 138KV CKT 1'   |
| 11SP | 0 | G10_060 | 'HOBBS INTERCHANGE - MIDLAND COUNTY INTERCHANGE 230KV CKT 1'      | TO->FROM | 0.80043 | 478   | 'CAPROCK REC-ST LAWRENCE - CAPROCK REC-STILES 138KV CKT 1'                                    |
| 11SP | 0 | G10_059 | 'HOBBS INTERCHANGE - MIDLAND COUNTY INTERCHANGE 230KV CKT 1'      | TO->FROM | 0.80043 | 478   | 'CAPROCK REC-ST LAWRENCE - CAPROCK REC-STILES 138KV CKT 1'                                    |
| 11SP | 0 | G10_060 | 'HOBBS INTERCHANGE - MIDLAND COUNTY INTERCHANGE 230KV CKT 1'      | TO->FROM | 0.77512 | 478   | 'Golden Spread REC - Mustang Interchange 230 kV Generation Bus - MUSTANG STATION 230KV CKT 1' |
| 11SP | 0 | G10_059 | 'HOBBS INTERCHANGE - MIDLAND COUNTY INTERCHANGE 230KV CKT 1'      | TO->FROM | 0.77512 | 478   | 'Golden Spread REC - Mustang Interchange 230 kV Generation Bus - MUSTANG STATION 230KV CKT 1' |
| 11SP | 0 | G10_060 | 'HOBBS INTERCHANGE - MIDLAND COUNTY INTERCHANGE 230KV CKT 1'      | TO->FROM | 0.77512 | 478   | 'HOBBS INTERCHANGE 230/18.0KV TRANSFORMER CKT 1'  |
| 11SP | 0 | G10_059 | 'HOBBS INTERCHANGE - MIDLAND COUNTY INTERCHANGE 230KV CKT 1'      | TO->FROM | 0.77512 | 478   | 'HOBBS INTERCHANGE 230/18.0KV TRANSFORMER CKT 1'  |
| 11SP | 0 | G10_060 | 'HOBBS INTERCHANGE - MIDLAND COUNTY INTERCHANGE 230KV CKT 1'      | TO->FROM | 0.80043 | 478   | 'CAPROCK REC-LANGE - CAPROCK REC-ST LAWRENCE 138KV CKT 1'                                     |
| 11SP | 0 | G10_059 | 'HOBBS INTERCHANGE - MIDLAND COUNTY INTERCHANGE 230KV CKT 1'      | TO->FROM | 0.80043 | 478   | 'CAPROCK REC-LANGE - CAPROCK REC-ST LAWRENCE 138KV CKT 1'                                     |
| 11SP | 0 | G10_060 | 'AMOCO SWITCHING STATION - YOAKUM COUNTY INTERCHANGE 230KV CKT 1' | TO->FROM | 0.25213 | 349.9 | 'CAPROCK REC-MCDONALD - CAPROCK REC-PHILLIPS 138KV CKT 1'                                     |
| 11SP | 0 | G10_059 | 'AMOCO SWITCHING STATION - YOAKUM COUNTY INTERCHANGE 230KV CKT 1' | TO->FROM | 0.25213 | 349.9 | 'CAPROCK REC-MCDONALD - CAPROCK REC-PHILLIPS 138KV CKT 1'                                     |
| 11SP | 0 | G10_060 | 'CAPROCK REC-LANGE - CAPROCK REC-ST LAWRENCE 138KV CKT 1'         | TO->FROM | 0.29544 | 175.9 | 'HOBBS INTERCHANGE - MIDLAND COUNTY INTERCHANGE 230KV CKT 1'                                  |
| 11SP | 0 | G10_059 | 'CAPROCK REC-LANGE - CAPROCK REC-ST LAWRENCE 138KV CKT 1'         | TO->FROM | 0.29544 | 175.9 | 'HOBBS INTERCHANGE - MIDLAND COUNTY INTERCHANGE 230KV CKT 1'                                  |
| 11SP | 0 | G10_060 | 'HOBBS INTERCHANGE - LEA COUNTY INTERCHANGE 230KV CKT 1'          | FROM->TO | 0.70732 | 617   | 'CAPROCK REC-MCDONALD - CR-1956 4138.00 138KV CKT 1'  |
| 11SP | 0 | G10_059 | 'HOBBS INTERCHANGE - LEA COUNTY INTERCHANGE 230KV CKT 1'          | FROM->TO | 0.70732 | 617   | 'CAPROCK REC-MCDONALD - CR-1956 4138.00 138KV CKT 1'  |
| 11SP | 0 | G10_060 | 'HOBBS INTERCHANGE - LEA COUNTY INTERCHANGE 230KV CKT 1'          | FROM->TO | 0.70732 | 617   | 'CAPROCK REC-NEW SCHWARTZ - CR-1956 4138.00 138KV CKT 1'                                      |
| 11SP | 0 | G10_059 | 'HOBBS INTERCHANGE - LEA COUNTY INTERCHANGE 230KV CKT 1'          | FROM->TO | 0.70732 | 617   | 'CAPROCK REC-NEW SCHWARTZ - CR-1956 4138.00 138KV CKT 1'                                      |
| 11SP | 0 | G10_060 | 'HOBBS INTERCHANGE - LEA COUNTY INTERCHANGE 230KV CKT 1'          | FROM->TO | 0.6848  | 617   | 'CUNNINGHAM STATION 230/20.0KV TRANSFORMER CKT 1'   |
| 11SP | 0 | G10_059 | 'HOBBS INTERCHANGE - LEA COUNTY INTERCHANGE 230KV CKT 1'          | FROM->TO | 0.6848  | 617   | 'CUNNINGHAM STATION 230/20.0KV TRANSFORMER CKT 1'   |
| 11SP | 0 | G10_060 | 'HOBBS INTERCHANGE - LEA COUNTY INTERCHANGE 230KV CKT 1'          | FROM->TO | 0.70732 | 617   | 'CAPROCK REC-NEW SCHWARTZ - CAPROCK REC-PEMBROOK 138KV CKT 1'                                 |
| 11SP | 0 | G10_059 | 'HOBBS INTERCHANGE - LEA COUNTY INTERCHANGE 230KV CKT 1'          | FROM->TO | 0.70732 | 617   | 'CAPROCK REC-NEW SCHWARTZ - CAPROCK REC-PEMBROOK 138KV CKT 1'                                 |
| 11SP | 0 | G10_060 | 'HOBBS INTERCHANGE - LEA COUNTY INTERCHANGE 230KV CKT 1'          | FROM->TO | 0.70727 | 617   | 'CAPROCK REC-STILES - G09-17T 138.00 138KV CKT 1'   |

|      |   |         |  |          |         |       |  |
|------|---|---------|--|----------|---------|-------|--|
| 11SP | 0 | G10_059 | 'HOBBS INTERCHANGE - LEA COUNTY INTERCHANGE 230KV CKT 1'         | FROM->TO | 0.70727 | 617   | 'CAPROCK REC-STILES - G09-17T 138.00 138KV CKT 1'                  |
| 11SP | 0 | G10_060 | 'HOBBS INTERCHANGE - MIDLAND COUNTY INTERCHANGE 230KV CKT 1'     | TO->FROM | 0.77512 | 478   | 'BASE CASE'  |
| 11SP | 0 | G10_059 | 'HOBBS INTERCHANGE - MIDLAND COUNTY INTERCHANGE 230KV CKT 1'     | TO->FROM | 0.77512 | 478   | 'BASE CASE'  |
| 11SP | 0 | G10_060 | 'HOBBS INTERCHANGE - LEA COUNTY INTERCHANGE 230KV CKT 1'         | FROM->TO | 0.70732 | 617   | 'CAPROCK REC-PEMBROOK - G09-17T 138.00 138KV CKT 1'                |
| 11SP | 0 | G10_059 | 'HOBBS INTERCHANGE - LEA COUNTY INTERCHANGE 230KV CKT 1'         | FROM->TO | 0.70732 | 617   | 'CAPROCK REC-PEMBROOK - G09-17T 138.00 138KV CKT 1'                |
| 11SP | 0 | G10_060 | 'LEA COUNTY INTERCHANGE - YOAKUM COUNTY INTERCHANGE 230KV CKT 1' | FROM->TO | 0.38042 | 351   | 'CUNNINGHAM STATION - LEA COUNTY INTERCHANGE 230KV CKT 1'          |
| 11SP | 0 | G10_059 | 'LEA COUNTY INTERCHANGE - YOAKUM COUNTY INTERCHANGE 230KV CKT 1' | FROM->TO | 0.38042 | 351   | 'CUNNINGHAM STATION - LEA COUNTY INTERCHANGE 230KV CKT 1'          |
| 11SP | 0 | G10_060 | 'HOBBS INTERCHANGE - LEA COUNTY INTERCHANGE 230KV CKT 1'         | FROM->TO | 0.70727 | 617   | 'CAPROCK REC-ST LAWRENCE - CAPROCK REC-STILES 138KV CKT 1'         |
| 11SP | 0 | G10_059 | 'HOBBS INTERCHANGE - LEA COUNTY INTERCHANGE 230KV CKT 1'         | FROM->TO | 0.70727 | 617   | 'CAPROCK REC-ST LAWRENCE - CAPROCK REC-STILES 138KV CKT 1'         |
| 11SP | 0 | G10_060 | 'HOBBS INTERCHANGE - LEA COUNTY INTERCHANGE 230KV CKT 1'         | FROM->TO | 0.69574 | 617   | 'GAINES COUNTY INTERCHANGE - TAYLOR SWITCHING STATION 115KV CKT 1' |
| 11SP | 0 | G10_059 | 'HOBBS INTERCHANGE - LEA COUNTY INTERCHANGE 230KV CKT 1'         | FROM->TO | 0.69574 | 617   | 'GAINES COUNTY INTERCHANGE - TAYLOR SWITCHING STATION 115KV CKT 1' |
| 11SP | 0 | G10_060 | 'CAPROCK REC-PHILLIPS - CAPROCK REC-TATE 138KV CKT 1'            | TO->FROM | 0.24933 | 271   | 'LEA COUNTY INTERCHANGE - YOAKUM COUNTY INTERCHANGE 230KV CKT 1'   |
| 11SP | 0 | G10_059 | 'CAPROCK REC-PHILLIPS - CAPROCK REC-TATE 138KV CKT 1'            | TO->FROM | 0.24933 | 271   | 'LEA COUNTY INTERCHANGE - YOAKUM COUNTY INTERCHANGE 230KV CKT 1'   |
| 11SP | 0 | G10_060 | 'CAPROCK REC-GRADY - CAPROCK REC-TRIANGLE 138KV CKT 1'           | TO->FROM | 0.19951 | 175.8 | 'CAPROCK REC-MCDONALD - CR-1956 4138.00 138KV CKT 1'               |
| 11SP | 0 | G10_059 | 'CAPROCK REC-GRADY - CAPROCK REC-TRIANGLE 138KV CKT 1'           | TO->FROM | 0.19951 | 175.8 | 'CAPROCK REC-MCDONALD - CR-1956 4138.00 138KV CKT 1'               |
| 11SP | 0 | G10_060 | 'CAPROCK REC-PHILLIPS - CAPROCK REC-TATE 138KV CKT 1'            | TO->FROM | 0.23559 | 271   | 'AMOCO SWITCHING STATION - YOAKUM COUNTY INTERCHANGE 230KV CKT 1'  |
| 11SP | 0 | G10_059 | 'CAPROCK REC-PHILLIPS - CAPROCK REC-TATE 138KV CKT 1'            | TO->FROM | 0.23559 | 271   | 'AMOCO SWITCHING STATION - YOAKUM COUNTY INTERCHANGE 230KV CKT 1'  |
| 11SP | 0 | G10_060 | 'CAPROCK REC-GRADY - CAPROCK REC-TRIANGLE 138KV CKT 1'           | TO->FROM | 0.214   | 175.8 | 'HOBBS INTERCHANGE - LEA COUNTY INTERCHANGE 230KV CKT 1'           |
| 11SP | 0 | G10_059 | 'CAPROCK REC-GRADY - CAPROCK REC-TRIANGLE 138KV CKT 1'           | TO->FROM | 0.214   | 175.8 | 'HOBBS INTERCHANGE - LEA COUNTY INTERCHANGE 230KV CKT 1'           |
| 11SP | 0 | G10_060 | 'CAPROCK REC-GRADY - CAPROCK REC-TRIANGLE 138KV CKT 1'           | TO->FROM | 0.19951 | 175.8 | 'CAPROCK REC-NEW SCHWARTZ - CR-1956 4138.00 138KV CKT 1'           |
| 11SP | 0 | G10_059 | 'CAPROCK REC-GRADY - CAPROCK REC-TRIANGLE 138KV CKT 1'           | TO->FROM | 0.19951 | 175.8 | 'CAPROCK REC-NEW SCHWARTZ - CR-1956 4138.00 138KV CKT 1'           |
| 11SP | 0 | G10_060 | 'LEA COUNTY INTERCHANGE - YOAKUM COUNTY INTERCHANGE 230KV CKT 1' | FROM->TO | 0.32607 | 351   | 'CUNNINGHAM STATION - EDDY COUNTY INTERCHANGE 230KV CKT 1'         |
| 11SP | 0 | G10_059 | 'LEA COUNTY INTERCHANGE - YOAKUM COUNTY INTERCHANGE 230KV CKT 1' | FROM->TO | 0.32607 | 351   | 'CUNNINGHAM STATION - EDDY COUNTY INTERCHANGE 230KV CKT 1'         |
| 11SP | 0 | G10_060 | 'LEA COUNTY INTERCHANGE - YOAKUM COUNTY INTERCHANGE 230KV CKT 1' | FROM->TO | 0.3838  | 351   | 'BORDEN COUNTY INTERCHANGE 230/138KV TRANSFORMER CKT 1'            |
| 11SP | 0 | G10_059 | 'LEA COUNTY INTERCHANGE - YOAKUM COUNTY INTERCHANGE 230KV CKT 1' | FROM->TO | 0.3838  | 351   | 'BORDEN COUNTY INTERCHANGE 230/138KV TRANSFORMER CKT 1'            |

|      |   |         |  |          |         |       |   |
|------|---|---------|--|----------|---------|-------|---|
| 11SP | 0 | G10_060 | 'LEA COUNTY INTERCHANGE - YOAKUM COUNTY INTERCHANGE 230KV CKT 1' | FROM->TO | 0.3838  | 351   | 'SPP-SWPS-K48'  |
| 11SP | 0 | G10_059 | 'LEA COUNTY INTERCHANGE - YOAKUM COUNTY INTERCHANGE 230KV CKT 1' | FROM->TO | 0.3838  | 351   | 'SPP-SWPS-K48'  |
| 11SP | 0 | G10_060 | 'LEA COUNTY INTERCHANGE - YOAKUM COUNTY INTERCHANGE 230KV CKT 1' | FROM->TO | 0.3838  | 351   | 'BORDEN COUNTY INTERCHANGE - GRASSLAND INTERCHANGE 230KV CKT 1'                               |
| 11SP | 0 | G10_059 | 'LEA COUNTY INTERCHANGE - YOAKUM COUNTY INTERCHANGE 230KV CKT 1' | FROM->TO | 0.3838  | 351   | 'BORDEN COUNTY INTERCHANGE - GRASSLAND INTERCHANGE 230KV CKT 1'                               |
| 11SP | 0 | G10_060 | 'CAPROCK REC-PHILLIPS - CAPROCK REC-TATE 138KV CKT 1'            | TO->FROM | 0.23827 | 271   | 'CUNNINGHAM STATION - LEA COUNTY INTERCHANGE 230KV CKT 1'                                     |
| 11SP | 0 | G10_059 | 'CAPROCK REC-PHILLIPS - CAPROCK REC-TATE 138KV CKT 1'            | TO->FROM | 0.23827 | 271   | 'CUNNINGHAM STATION - LEA COUNTY INTERCHANGE 230KV CKT 1'                                     |
| 11SP | 0 | G10_060 | 'CAPROCK REC-PHILLIPS - CAPROCK REC-TATE 138KV CKT 1'            | TO->FROM | 0.23033 | 271   | 'TOLK STATION EAST - TUCO INTERCHANGE 230KV CKT 1'  |
| 11SP | 0 | G10_059 | 'CAPROCK REC-PHILLIPS - CAPROCK REC-TATE 138KV CKT 1'            | TO->FROM | 0.23033 | 271   | 'TOLK STATION EAST - TUCO INTERCHANGE 230KV CKT 1'  |
| 11SP | 0 | G10_060 | 'CAPROCK REC-PHILLIPS - CAPROCK REC-TATE 138KV CKT 1'            | TO->FROM | 0.23256 | 271   | 'SUNDOWN INTERCHANGE - WOLFFORTH INTERCHANGE 230KV CKT 1'                                     |
| 11SP | 0 | G10_059 | 'CAPROCK REC-PHILLIPS - CAPROCK REC-TATE 138KV CKT 1'            | TO->FROM | 0.23256 | 271   | 'SUNDOWN INTERCHANGE - WOLFFORTH INTERCHANGE 230KV CKT 1'                                     |
| 11SP | 0 | G10_060 | 'CAPROCK REC-PHILLIPS - CAPROCK REC-TATE 138KV CKT 1'            | TO->FROM | 0.23115 | 271   | 'CUNNINGHAM STATION - EDDY COUNTY INTERCHANGE 230KV CKT 1'                                    |
| 11SP | 0 | G10_059 | 'CAPROCK REC-PHILLIPS - CAPROCK REC-TATE 138KV CKT 1'            | TO->FROM | 0.23115 | 271   | 'CUNNINGHAM STATION - EDDY COUNTY INTERCHANGE 230KV CKT 1'                                    |
| 11SP | 0 | G10_060 | 'CAPROCK REC-PHILLIPS - CAPROCK REC-TATE 138KV CKT 1'            | TO->FROM | 0.23559 | 271   | 'AMOCO SWITCHING STATION - SUNDOWN INTERCHANGE 230KV CKT 1'                                   |
| 11SP | 0 | G10_059 | 'CAPROCK REC-PHILLIPS - CAPROCK REC-TATE 138KV CKT 1'            | TO->FROM | 0.23559 | 271   | 'AMOCO SWITCHING STATION - SUNDOWN INTERCHANGE 230KV CKT 1'                                   |
| 11SP | 0 | G10_060 | 'CUNNINGHAM STATION - EDDY COUNTY INTERCHANGE 230KV CKT 1'       | FROM->TO | 0.20305 | 350.9 | 'CUNNINGHAM STATION - POTASH JUNCTION INTERCHANGE 230KV CKT 1'                                |
| 11SP | 0 | G10_059 | 'CUNNINGHAM STATION - EDDY COUNTY INTERCHANGE 230KV CKT 1'       | FROM->TO | 0.20305 | 350.9 | 'CUNNINGHAM STATION - POTASH JUNCTION INTERCHANGE 230KV CKT 1'                                |
| 11SP | 0 | G10_060 | 'LEA COUNTY INTERCHANGE - YOAKUM COUNTY INTERCHANGE 230KV CKT 1' | FROM->TO | 0.2915  | 351   | 'Golden Spread REC - Mustang Interchange 230 kV Generation Bus - MUSTANG STATION 230KV CKT 1' |
| 11SP | 0 | G10_059 | 'LEA COUNTY INTERCHANGE - YOAKUM COUNTY INTERCHANGE 230KV CKT 1' | FROM->TO | 0.2915  | 351   | 'Golden Spread REC - Mustang Interchange 230 kV Generation Bus - MUSTANG STATION 230KV CKT 1' |
| 11SP | 0 | G10_060 | 'CAPROCK REC-MCDONALD - CAPROCK REC-PHILLIPS 138KV CKT 1'        | TO->FROM | 0.24933 | 271   | 'LEA COUNTY INTERCHANGE - YOAKUM COUNTY INTERCHANGE 230KV CKT 1'                              |
| 11SP | 0 | G10_059 | 'CAPROCK REC-MCDONALD - CAPROCK REC-PHILLIPS 138KV CKT 1'        | TO->FROM | 0.24933 | 271   | 'LEA COUNTY INTERCHANGE - YOAKUM COUNTY INTERCHANGE 230KV CKT 1'                              |
| 11SP | 0 | G10_060 | 'CAPROCK REC-PHILLIPS - CAPROCK REC-TATE 138KV CKT 1'            | TO->FROM | 0.22767 | 271   | 'CUNNINGHAM STATION - POTASH JUNCTION INTERCHANGE 230KV CKT 1'                                |
| 11SP | 0 | G10_059 | 'CAPROCK REC-PHILLIPS - CAPROCK REC-TATE 138KV CKT 1'            | TO->FROM | 0.22767 | 271   | 'CUNNINGHAM STATION - POTASH JUNCTION INTERCHANGE 230KV CKT 1'                                |
| 11SP | 0 | G10_060 | 'CAPROCK REC-PHILLIPS - CAPROCK REC-TATE 138KV CKT 1'            | TO->FROM | 0.22488 | 271   | 'Jones Station Bus#2 230/22.0KV TRANSFORMER CKT 1'  |
| 11SP | 0 | G10_059 | 'CAPROCK REC-PHILLIPS - CAPROCK REC-TATE 138KV CKT 1'            | TO->FROM | 0.22488 | 271   | 'Jones Station Bus#2 230/22.0KV TRANSFORMER CKT 1'  |

|      |   |         |  |          |         |       |   |
|------|---|---------|--|----------|---------|-------|---|
| 11SP | 0 | G10_060 | 'CAPROCK REC-PHILLIPS - CAPROCK REC-TATE 138KV CKT 1'  | TO->FROM | 0.22488 | 271   | 'JONES STATION 230/22.0KV TRANSFORMER CKT 1'                      |
| 11SP | 0 | G10_059 | 'CAPROCK REC-PHILLIPS - CAPROCK REC-TATE 138KV CKT 1'  | TO->FROM | 0.22488 | 271   | 'JONES STATION 230/22.0KV TRANSFORMER CKT 1'                      |
| 11SP | 0 | G10_060 | 'CAPROCK REC-PHILLIPS - CAPROCK REC-TATE 138KV CKT 1'  | TO->FROM | 0.23694 | 271   | 'TOLK STATION (ABBXNL844501) 345/230/13.2KV TRANSFORMER CKT 1'    |
| 11SP | 0 | G10_059 | 'CAPROCK REC-PHILLIPS - CAPROCK REC-TATE 138KV CKT 1'  | TO->FROM | 0.23694 | 271   | 'TOLK STATION (ABBXNL844501) 345/230/13.2KV TRANSFORMER CKT 1'    |
| 11SP | 0 | G10_060 | 'CAPROCK REC-PHILLIPS - CAPROCK REC-TATE 138KV CKT 1'  | TO->FROM | 0.23694 | 271   | 'CHAVESCO 345.00 - TOLK STATION 345KV CKT 1'                      |
| 11SP | 0 | G10_059 | 'CAPROCK REC-PHILLIPS - CAPROCK REC-TATE 138KV CKT 1'  | TO->FROM | 0.23694 | 271   | 'CHAVESCO 345.00 - TOLK STATION 345KV CKT 1'                      |
| 11SP | 0 | G10_060 | 'CAPROCK REC-PHILLIPS - CAPROCK REC-TATE 138KV CKT 1'  | TO->FROM | 0.22488 | 271   | 'Jones Station Bus#2 230/22.0KV TRANSFORMER CKT 1'                |
| 11SP | 0 | G10_059 | 'CAPROCK REC-PHILLIPS - CAPROCK REC-TATE 138KV CKT 1'  | TO->FROM | 0.22488 | 271   | 'Jones Station Bus#2 230/22.0KV TRANSFORMER CKT 1'                |
| 11SP | 0 | G10_060 | 'CAPROCK REC-PHILLIPS - CAPROCK REC-TATE 138KV CKT 1'  | TO->FROM | 0.22958 | 271   | 'TERRY COUNTY INTERCHANGE - WOLFFORTH INTERCHANGE 115KV CKT 1'    |
| 11SP | 0 | G10_059 | 'CAPROCK REC-PHILLIPS - CAPROCK REC-TATE 138KV CKT 1'  | TO->FROM | 0.22958 | 271   | 'TERRY COUNTY INTERCHANGE - WOLFFORTH INTERCHANGE 115KV CKT 1'    |
| 11SP | 0 | G10_060 | 'CAPROCK REC-GRADY - CAPROCK REC-TRIANGLE 138KV CKT 1' | TO->FROM | 0.19951 | 175.8 | 'CAPROCK REC-NEW SCHWARTZ - CAPROCK REC-PEMBROOK 138KV CKT 1'     |
| 11SP | 0 | G10_059 | 'CAPROCK REC-GRADY - CAPROCK REC-TRIANGLE 138KV CKT 1' | TO->FROM | 0.19951 | 175.8 | 'CAPROCK REC-NEW SCHWARTZ - CAPROCK REC-PEMBROOK 138KV CKT 1'     |
| 11SP | 0 | G10_060 | 'CAPROCK REC-PHILLIPS - CAPROCK REC-TATE 138KV CKT 1'  | TO->FROM | 0.23254 | 271   | 'LUBBOCK SOUTH INTERCHANGE - WOLFFORTH INTERCHANGE 230KV CKT 1'   |
| 11SP | 0 | G10_059 | 'CAPROCK REC-PHILLIPS - CAPROCK REC-TATE 138KV CKT 1'  | TO->FROM | 0.23254 | 271   | 'LUBBOCK SOUTH INTERCHANGE - WOLFFORTH INTERCHANGE 230KV CKT 1'   |
| 11SP | 0 | G10_060 | 'CAPROCK REC-KOCH - CAPROCK REC-REED 138KV CKT 1'      | TO->FROM | 0.19951 | 175.7 | 'CAPROCK REC-MCDONALD - CR-1956 4138.00 138KV CKT 1'              |
| 11SP | 0 | G10_059 | 'CAPROCK REC-KOCH - CAPROCK REC-REED 138KV CKT 1'      | TO->FROM | 0.19951 | 175.7 | 'CAPROCK REC-MCDONALD - CR-1956 4138.00 138KV CKT 1'              |
| 11SP | 0 | G10_060 | 'CAPROCK REC-PHILLIPS - CAPROCK REC-TATE 138KV CKT 1'  | TO->FROM | 0.22697 | 271   | 'CHAVES COUNTY INTERCHANGE - EDDY COUNTY INTERCHANGE 230KV CKT 1' |
| 11SP | 0 | G10_059 | 'CAPROCK REC-PHILLIPS - CAPROCK REC-TATE 138KV CKT 1'  | TO->FROM | 0.22697 | 271   | 'CHAVES COUNTY INTERCHANGE - EDDY COUNTY INTERCHANGE 230KV CKT 1' |
| 11SP | 0 | G10_060 | 'CAPROCK REC-GRADY - CAPROCK REC-TRIANGLE 138KV CKT 1' | TO->FROM | 0.19941 | 175.8 | 'CAPROCK REC-STILES - G09-17T 138.00 138KV CKT 1'                 |
| 11SP | 0 | G10_059 | 'CAPROCK REC-GRADY - CAPROCK REC-TRIANGLE 138KV CKT 1' | TO->FROM | 0.19941 | 175.8 | 'CAPROCK REC-STILES - G09-17T 138.00 138KV CKT 1'                 |
| 11SP | 0 | G10_060 | 'CAPROCK REC-PHILLIPS - CAPROCK REC-TATE 138KV CKT 1'  | TO->FROM | 0.22506 | 271   | 'SPP-SWPS-T14'  |
| 11SP | 0 | G10_059 | 'CAPROCK REC-PHILLIPS - CAPROCK REC-TATE 138KV CKT 1'  | TO->FROM | 0.22506 | 271   | 'SPP-SWPS-T14'  |
| 11SP | 0 | G10_060 | 'CAPROCK REC-PHILLIPS - CAPROCK REC-TATE 138KV CKT 1'  | TO->FROM | 0.22692 | 271   | 'WOLFFORTH INTERCHANGE - YUMA INTERCHANGE 115KV CKT 1'            |
| 11SP | 0 | G10_059 | 'CAPROCK REC-PHILLIPS - CAPROCK REC-TATE 138KV CKT 1'  | TO->FROM | 0.22692 | 271   | 'WOLFFORTH INTERCHANGE - YUMA INTERCHANGE 115KV CKT 1'            |
| 11SP | 0 | G10_060 | 'CAPROCK REC-KOCH - CAPROCK REC-REED 138KV CKT 1'      | TO->FROM | 0.214   | 175.7 | 'HOBBS INTERCHANGE - LEA COUNTY INTERCHANGE 230KV CKT 1'          |

|      |   |         |   |          |         |       |  |
|------|---|---------|---|----------|---------|-------|--|
| 11SP | 0 | G10_059 | 'CAPROCK REC-KOCH - CAPROCK REC-REED 138KV CKT 1'                 | TO->FROM | 0.214   | 175.7 | 'HOBBS INTERCHANGE - LEA COUNTY INTERCHANGE 230KV CKT 1'           |
| 11SP | 0 | G10_060 | 'CAPROCK REC-KOCH - CAPROCK REC-VEALMOOR 138KV CKT 1'             | FROM->TO | 0.19951 | 175.7 | 'CAPROCK REC-MCDONALD - CR-1956 4138.00 138KV CKT 1'               |
| 11SP | 0 | G10_059 | 'CAPROCK REC-KOCH - CAPROCK REC-VEALMOOR 138KV CKT 1'             | FROM->TO | 0.19951 | 175.7 | 'CAPROCK REC-MCDONALD - CR-1956 4138.00 138KV CKT 1'               |
| 11SP | 0 | G10_060 | 'JONES STATION - TUCO INTERCHANGE 230KV CKT 1'                    | FROM->TO | 0.45772 | 347   | 'HOBBS INTERCHANGE - MIDLAND COUNTY INTERCHANGE 230KV CKT 1'       |
| 11SP | 0 | G10_059 | 'JONES STATION - TUCO INTERCHANGE 230KV CKT 1'                    | FROM->TO | 0.45772 | 347   | 'HOBBS INTERCHANGE - MIDLAND COUNTY INTERCHANGE 230KV CKT 1'       |
| 11SP | 0 | G10_060 | 'LEA COUNTY INTERCHANGE - YOAKUM COUNTY INTERCHANGE 230KV CKT 1'  | FROM->TO | 0.32108 | 351   | 'GAINES COUNTY INTERCHANGE - TAYLOR SWITCHING STATION 115KV CKT 1' |
| 11SP | 0 | G10_059 | 'LEA COUNTY INTERCHANGE - YOAKUM COUNTY INTERCHANGE 230KV CKT 1'  | FROM->TO | 0.32108 | 351   | 'GAINES COUNTY INTERCHANGE - TAYLOR SWITCHING STATION 115KV CKT 1' |
| 11SP | 0 | G10_060 | 'CAPROCK REC-KOCH - CAPROCK REC-VEALMOOR 138KV CKT 1'             | FROM->TO | 0.214   | 175.7 | 'HOBBS INTERCHANGE - LEA COUNTY INTERCHANGE 230KV CKT 1'           |
| 11SP | 0 | G10_059 | 'CAPROCK REC-KOCH - CAPROCK REC-VEALMOOR 138KV CKT 1'             | FROM->TO | 0.214   | 175.7 | 'HOBBS INTERCHANGE - LEA COUNTY INTERCHANGE 230KV CKT 1'           |
| 11SP | 0 | G10_060 | 'CAPROCK REC-KOCH - CAPROCK REC-REED 138KV CKT 1'                 | TO->FROM | 0.19951 | 175.7 | 'CAPROCK REC-NEW SCHWARTZ - CR-1956 4138.00 138KV CKT 1'           |
| 11SP | 0 | G10_059 | 'CAPROCK REC-KOCH - CAPROCK REC-REED 138KV CKT 1'                 | TO->FROM | 0.19951 | 175.7 | 'CAPROCK REC-NEW SCHWARTZ - CR-1956 4138.00 138KV CKT 1'           |
| 11SP | 0 | G10_060 | 'LEA COUNTY INTERCHANGE - YOAKUM COUNTY INTERCHANGE 230KV CKT 1'  | FROM->TO | 0.30807 | 351   | 'CUNNINGHAM STATION - POTASH JUNCTION INTERCHANGE 230KV CKT 1'     |
| 11SP | 0 | G10_059 | 'LEA COUNTY INTERCHANGE - YOAKUM COUNTY INTERCHANGE 230KV CKT 1'  | FROM->TO | 0.30807 | 351   | 'CUNNINGHAM STATION - POTASH JUNCTION INTERCHANGE 230KV CKT 1'     |
| 11SP | 0 | G10_060 | 'CAPROCK REC-KOCH - CAPROCK REC-VEALMOOR 138KV CKT 1'             | FROM->TO | 0.19951 | 175.7 | 'CAPROCK REC-NEW SCHWARTZ - CR-1956 4138.00 138KV CKT 1'           |
| 11SP | 0 | G10_059 | 'CAPROCK REC-KOCH - CAPROCK REC-VEALMOOR 138KV CKT 1'             | FROM->TO | 0.19951 | 175.7 | 'CAPROCK REC-NEW SCHWARTZ - CR-1956 4138.00 138KV CKT 1'           |
| 11SP | 0 | G10_060 | 'BORDEN COUNTY INTERCHANGE 230/138KV TRANSFORMER CKT 1'           | TO->FROM | 0.24917 | 167.2 | 'LEA COUNTY INTERCHANGE - YOAKUM COUNTY INTERCHANGE 230KV CKT 1'   |
| 11SP | 0 | G10_059 | 'BORDEN COUNTY INTERCHANGE 230/138KV TRANSFORMER CKT 1'           | TO->FROM | 0.24917 | 167.2 | 'LEA COUNTY INTERCHANGE - YOAKUM COUNTY INTERCHANGE 230KV CKT 1'   |
| 11SP | 0 | G10_060 | 'CAPROCK REC-GRADY - CAPROCK REC-TRIANGLE 138KV CKT 1'            | TO->FROM | 0.19951 | 175.8 | 'CAPROCK REC-PEMBROOK - G09-17T 138.00 138KV CKT 1'                |
| 11SP | 0 | G10_059 | 'CAPROCK REC-GRADY - CAPROCK REC-TRIANGLE 138KV CKT 1'            | TO->FROM | 0.19951 | 175.8 | 'CAPROCK REC-PEMBROOK - G09-17T 138.00 138KV CKT 1'                |
| 11SP | 0 | G10_060 | 'LEA COUNTY INTERCHANGE - YOAKUM COUNTY INTERCHANGE 230KV CKT 1'  | FROM->TO | 0.3302  | 351   | 'CAPROCK REC-MCDONALD - CAPROCK REC-TRIANGLE 138KV CKT 1'          |
| 11SP | 0 | G10_059 | 'LEA COUNTY INTERCHANGE - YOAKUM COUNTY INTERCHANGE 230KV CKT 1'  | FROM->TO | 0.3302  | 351   | 'CAPROCK REC-MCDONALD - CAPROCK REC-TRIANGLE 138KV CKT 1'          |
| 11SP | 0 | G10_060 | 'AMOCO SWITCHING STATION - YOAKUM COUNTY INTERCHANGE 230KV CKT 1' | TO->FROM | 0.25208 | 349.9 | 'BORDEN COUNTY INTERCHANGE 230/138KV TRANSFORMER CKT 1'            |
| 11SP | 0 | G10_059 | 'AMOCO SWITCHING STATION - YOAKUM COUNTY INTERCHANGE 230KV CKT 1' | TO->FROM | 0.25208 | 349.9 | 'BORDEN COUNTY INTERCHANGE 230/138KV TRANSFORMER CKT 1'            |
| 11SP | 0 | G10_060 | 'AMOCO SWITCHING STATION - YOAKUM COUNTY INTERCHANGE 230KV CKT 1' | TO->FROM | 0.25208 | 349.9 | 'SPP-SWPS-K48'   |
| 11SP | 0 | G10_059 | 'AMOCO SWITCHING STATION - YOAKUM COUNTY INTERCHANGE 230KV CKT 1' | TO->FROM | 0.25208 | 349.9 | 'SPP-SWPS-K48'   |

|      |  |           |   |          |         |       |   |
|------|--|-----------|---|----------|---------|-------|---|
| 11SP |  | 0 G10_060 | 'AMOCO SWITCHING STATION - YOAKUM COUNTY INTERCHANGE 230KV CKT 1' | TO->FROM | 0.25208 | 349.9 | 'BORDEN COUNTY INTERCHANGE - GRASSLAND INTERCHANGE 230KV CKT 1'                       |
| 11SP |  | 0 G10_059 | 'AMOCO SWITCHING STATION - YOAKUM COUNTY INTERCHANGE 230KV CKT 1' | TO->FROM | 0.25208 | 349.9 | 'BORDEN COUNTY INTERCHANGE - GRASSLAND INTERCHANGE 230KV CKT 1'                       |
| 11SP |  | 0 G10_060 | 'CAPROCK REC-MCDONALD - CAPROCK REC-PHILLIPS 138KV CKT 1'         | TO->FROM | 0.23559 | 271   | 'AMOCO SWITCHING STATION - YOAKUM COUNTY INTERCHANGE 230KV CKT 1'                     |
| 11SP |  | 0 G10_059 | 'CAPROCK REC-MCDONALD - CAPROCK REC-PHILLIPS 138KV CKT 1'         | TO->FROM | 0.23559 | 271   | 'AMOCO SWITCHING STATION - YOAKUM COUNTY INTERCHANGE 230KV CKT 1'                     |
| 11SP |  | 0 G10_060 | 'CAPROCK REC-GRADY - CAPROCK REC-TRIANGLE 138KV CKT 1'            | TO->FROM | 0.19941 | 175.8 | 'CAPROCK REC-ST LAWRENCE - CAPROCK REC-STILES 138KV CKT 1'                            |
| 11SP |  | 0 G10_059 | 'CAPROCK REC-GRADY - CAPROCK REC-TRIANGLE 138KV CKT 1'            | TO->FROM | 0.19941 | 175.8 | 'CAPROCK REC-ST LAWRENCE - CAPROCK REC-STILES 138KV CKT 1'                            |
| 11SP |  | 0 G10_060 | 'LEA COUNTY INTERCHANGE - YOAKUM COUNTY INTERCHANGE 230KV CKT 1'  | FROM->TO | 0.3302  | 351   | 'CAPROCK REC-GRADY - CAPROCK REC-TRIANGLE 138KV CKT 1'                                |
| 11SP |  | 0 G10_059 | 'LEA COUNTY INTERCHANGE - YOAKUM COUNTY INTERCHANGE 230KV CKT 1'  | FROM->TO | 0.3302  | 351   | 'CAPROCK REC-GRADY - CAPROCK REC-TRIANGLE 138KV CKT 1'                                |
| 11SP |  | 0 G10_060 | 'LEA COUNTY INTERCHANGE - YOAKUM COUNTY INTERCHANGE 230KV CKT 1'  | FROM->TO | 0.31157 | 351   | 'HOBBS INTERCHANGE - Higg Switch Station 115KV CKT 1'                                 |
| 11SP |  | 0 G10_059 | 'LEA COUNTY INTERCHANGE - YOAKUM COUNTY INTERCHANGE 230KV CKT 1'  | FROM->TO | 0.31157 | 351   | 'HOBBS INTERCHANGE - Higg Switch Station 115KV CKT 1'                                 |
| 11SP |  | 0 G10_060 | 'LEA COUNTY INTERCHANGE - YOAKUM COUNTY INTERCHANGE 230KV CKT 1'  | FROM->TO | 0.2915  | 319   | 'BASE CASE'   |
| 11SP |  | 0 G10_059 | 'LEA COUNTY INTERCHANGE - YOAKUM COUNTY INTERCHANGE 230KV CKT 1'  | FROM->TO | 0.2915  | 319   | 'BASE CASE'   |
| 11SP |  | 0 G10_060 | 'LEA COUNTY INTERCHANGE - YOAKUM COUNTY INTERCHANGE 230KV CKT 1'  | FROM->TO | 0.3302  | 351   | 'CAPROCK REC-GRADY - CAPROCK REC-REED 138KV CKT 1'                                    |
| 11SP |  | 0 G10_059 | 'LEA COUNTY INTERCHANGE - YOAKUM COUNTY INTERCHANGE 230KV CKT 1'  | FROM->TO | 0.3302  | 351   | 'CAPROCK REC-GRADY - CAPROCK REC-REED 138KV CKT 1'                                    |
| 11SP |  | 0 G10_060 | 'LEA COUNTY INTERCHANGE - YOAKUM COUNTY INTERCHANGE 230KV CKT 1'  | FROM->TO | 0.35531 | 351   | 'CHAVESCO 345.00 - TOLK STATION 345KV CKT 1'  |
| 11SP |  | 0 G10_059 | 'LEA COUNTY INTERCHANGE - YOAKUM COUNTY INTERCHANGE 230KV CKT 1'  | FROM->TO | 0.35531 | 351   | 'CHAVESCO 345.00 - TOLK STATION 345KV CKT 1'  |
| 11SP |  | 0 G10_060 | 'LEA COUNTY INTERCHANGE - YOAKUM COUNTY INTERCHANGE 230KV CKT 1'  | FROM->TO | 0.35531 | 351   | 'TOLK STATION (ABBXNL844501) 345/230/13.2KV TRANSFORMER CKT 1'                        |
| 11SP |  | 0 G10_059 | 'LEA COUNTY INTERCHANGE - YOAKUM COUNTY INTERCHANGE 230KV CKT 1'  | FROM->TO | 0.35531 | 351   | 'TOLK STATION (ABBXNL844501) 345/230/13.2KV TRANSFORMER CKT 1'                        |
| 11SP |  | 0 G10_060 | 'LEA COUNTY INTERCHANGE - YOAKUM COUNTY INTERCHANGE 230KV CKT 1'  | FROM->TO | 0.3302  | 351   | 'CAPROCK REC-KOCH - CAPROCK REC-REED 138KV CKT 1'                                     |
| 11SP |  | 0 G10_059 | 'LEA COUNTY INTERCHANGE - YOAKUM COUNTY INTERCHANGE 230KV CKT 1'  | FROM->TO | 0.3302  | 351   | 'CAPROCK REC-KOCH - CAPROCK REC-REED 138KV CKT 1'                                     |
| 11SP |  | 0 G10_060 | 'LEA COUNTY INTERCHANGE - YOAKUM COUNTY INTERCHANGE 230KV CKT 1'  | FROM->TO | 0.3302  | 351   | 'CAPROCK REC-KOCH - CAPROCK REC-VEALMOOR 138KV CKT 1'                                 |
| 11SP |  | 0 G10_059 | 'LEA COUNTY INTERCHANGE - YOAKUM COUNTY INTERCHANGE 230KV CKT 1'  | FROM->TO | 0.3302  | 351   | 'CAPROCK REC-KOCH - CAPROCK REC-VEALMOOR 138KV CKT 1'                                 |
| 11SP |  | 0 G10_060 | 'LEA COUNTY INTERCHANGE - YOAKUM COUNTY INTERCHANGE 230KV CKT 1'  | FROM->TO | 0.30906 | 351   | 'LEA COUNTY REC-LOVINGTON INTERCHANGE - LEA COUNTY REC-WAITS INTERCHANGE 115KV CKT 1' |
| 11SP |  | 0 G10_059 | 'LEA COUNTY INTERCHANGE - YOAKUM COUNTY INTERCHANGE 230KV CKT 1'  | FROM->TO | 0.30906 | 351   | 'LEA COUNTY REC-LOVINGTON INTERCHANGE - LEA COUNTY REC-WAITS INTERCHANGE 115KV CKT 1' |

|      |   |         |   |          |         |       |   |
|------|---|---------|---|----------|---------|-------|---|
| 11SP | 0 | G10_060 | 'CAPROCK REC-MCDONALD - CAPROCK REC-PHILLIPS 138KV CKT 1'         | TO->FROM | 0.23827 | 271   | 'CUNNINGHAM STATION - LEA COUNTY INTERCHANGE 230KV CKT 1'         |
| 11SP | 0 | G10_059 | 'CAPROCK REC-MCDONALD - CAPROCK REC-PHILLIPS 138KV CKT 1'         | TO->FROM | 0.23827 | 271   | 'CUNNINGHAM STATION - LEA COUNTY INTERCHANGE 230KV CKT 1'         |
| 11SP | 0 | G10_060 | 'CAPROCK REC-MCDONALD - CAPROCK REC-PHILLIPS 138KV CKT 1'         | TO->FROM | 0.23033 | 271   | 'TOLK STATION EAST - TUCO INTERCHANGE 230KV CKT 1'                |
| 11SP | 0 | G10_059 | 'CAPROCK REC-MCDONALD - CAPROCK REC-PHILLIPS 138KV CKT 1'         | TO->FROM | 0.23033 | 271   | 'TOLK STATION EAST - TUCO INTERCHANGE 230KV CKT 1'                |
| 11SP | 0 | G10_060 | 'BORDEN COUNTY INTERCHANGE 230/138KV TRANSFORMER CKT 1'           | TO->FROM | 0.23544 | 167.2 | 'AMOCO SWITCHING STATION - YOAKUM COUNTY INTERCHANGE 230KV CKT 1' |
| 11SP | 0 | G10_059 | 'BORDEN COUNTY INTERCHANGE 230/138KV TRANSFORMER CKT 1'           | TO->FROM | 0.23544 | 167.2 | 'AMOCO SWITCHING STATION - YOAKUM COUNTY INTERCHANGE 230KV CKT 1' |
| 11SP | 0 | G10_060 | 'CAPROCK REC-KOCH - CAPROCK REC-REED 138KV CKT 1'                 | TO->FROM | 0.19951 | 175.7 | 'CAPROCK REC-NEW SCHWARTZ - CAPROCK REC-PEMBROOK 138KV CKT 1'     |
| 11SP | 0 | G10_059 | 'CAPROCK REC-KOCH - CAPROCK REC-REED 138KV CKT 1'                 | TO->FROM | 0.19951 | 175.7 | 'CAPROCK REC-NEW SCHWARTZ - CAPROCK REC-PEMBROOK 138KV CKT 1'     |
| 11SP | 0 | G10_060 | 'CAPROCK REC-MCDONALD - CAPROCK REC-PHILLIPS 138KV CKT 1'         | TO->FROM | 0.23256 | 271   | 'SUNDOWN INTERCHANGE - WOLFFORTH INTERCHANGE 230KV CKT 1'         |
| 11SP | 0 | G10_059 | 'CAPROCK REC-MCDONALD - CAPROCK REC-PHILLIPS 138KV CKT 1'         | TO->FROM | 0.23256 | 271   | 'SUNDOWN INTERCHANGE - WOLFFORTH INTERCHANGE 230KV CKT 1'         |
| 11SP | 0 | G10_060 | 'AMOCO SWITCHING STATION - YOAKUM COUNTY INTERCHANGE 230KV CKT 1' | TO->FROM | 0.23857 | 349.9 | 'TOLK STATION WEST - YOAKUM COUNTY INTERCHANGE 230KV CKT 1'       |
| 11SP | 0 | G10_059 | 'AMOCO SWITCHING STATION - YOAKUM COUNTY INTERCHANGE 230KV CKT 1' | TO->FROM | 0.23857 | 349.9 | 'TOLK STATION WEST - YOAKUM COUNTY INTERCHANGE 230KV CKT 1'       |
| 11SP | 0 | G10_060 | 'CAPROCK REC-KOCH - CAPROCK REC-VEALMOOR 138KV CKT 1'             | FROM->TO | 0.19951 | 175.7 | 'CAPROCK REC-NEW SCHWARTZ - CAPROCK REC-PEMBROOK 138KV CKT 1'     |
| 11SP | 0 | G10_059 | 'CAPROCK REC-KOCH - CAPROCK REC-VEALMOOR 138KV CKT 1'             | FROM->TO | 0.19951 | 175.7 | 'CAPROCK REC-NEW SCHWARTZ - CAPROCK REC-PEMBROOK 138KV CKT 1'     |
| 11SP | 0 | G10_060 | 'CAPROCK REC-KOCH - CAPROCK REC-REED 138KV CKT 1'                 | TO->FROM | 0.19941 | 175.7 | 'CAPROCK REC-STILES - G09-17T 138.00 138KV CKT 1'                 |
| 11SP | 0 | G10_059 | 'CAPROCK REC-KOCH - CAPROCK REC-REED 138KV CKT 1'                 | TO->FROM | 0.19941 | 175.7 | 'CAPROCK REC-STILES - G09-17T 138.00 138KV CKT 1'                 |
| 11SP | 0 | G10_060 | 'CAPROCK REC-MCDONALD - CAPROCK REC-PHILLIPS 138KV CKT 1'         | TO->FROM | 0.23115 | 271   | 'CUNNINGHAM STATION - EDDY COUNTY INTERCHANGE 230KV CKT 1'        |
| 11SP | 0 | G10_059 | 'CAPROCK REC-MCDONALD - CAPROCK REC-PHILLIPS 138KV CKT 1'         | TO->FROM | 0.23115 | 271   | 'CUNNINGHAM STATION - EDDY COUNTY INTERCHANGE 230KV CKT 1'        |
| 11SP | 0 | G10_060 | 'CAPROCK REC-MCDONALD - CAPROCK REC-PHILLIPS 138KV CKT 1'         | TO->FROM | 0.23559 | 271   | 'AMOCO SWITCHING STATION - SUNDOWN INTERCHANGE 230KV CKT 1'       |
| 11SP | 0 | G10_059 | 'CAPROCK REC-MCDONALD - CAPROCK REC-PHILLIPS 138KV CKT 1'         | TO->FROM | 0.23559 | 271   | 'AMOCO SWITCHING STATION - SUNDOWN INTERCHANGE 230KV CKT 1'       |
| 11SP | 0 | G10_060 | 'CAPROCK REC-KOCH - CAPROCK REC-VEALMOOR 138KV CKT 1'             | FROM->TO | 0.19941 | 175.7 | 'CAPROCK REC-STILES - G09-17T 138.00 138KV CKT 1'                 |
| 11SP | 0 | G10_059 | 'CAPROCK REC-KOCH - CAPROCK REC-VEALMOOR 138KV CKT 1'             | FROM->TO | 0.19941 | 175.7 | 'CAPROCK REC-STILES - G09-17T 138.00 138KV CKT 1'                 |
| 11SP | 0 | G10_060 | 'CAPROCK REC-MCDONALD - CR-1956 4138.00 138KV CKT 1'              | FROM->TO | 0.2956  | 271   | 'HOBBS INTERCHANGE - MIDLAND COUNTY INTERCHANGE 230KV CKT 1'      |
| 11SP | 0 | G10_059 | 'CAPROCK REC-MCDONALD - CR-1956 4138.00 138KV CKT 1'              | FROM->TO | 0.2956  | 271   | 'HOBBS INTERCHANGE - MIDLAND COUNTY INTERCHANGE 230KV CKT 1'      |
| 11SP | 0 | G10_060 | 'CAPROCK REC-GRADY - CAPROCK REC-TRIANGLE 138KV CKT 1'            | TO->FROM | 0.19941 | 175.8 | 'CAPROCK REC-LANGE - CAPROCK REC-ST LAWRENCE 138KV CKT 1'         |



|      |   |         |   |          |         |       |   |
|------|---|---------|---|----------|---------|-------|---|
| 11SP | 0 | G10_059 | 'CAPROCK REC-GRADY - CAPROCK REC-TRIANGLE 138KV CKT 1'    | TO->FROM | 0.19941 | 175.8 | 'CAPROCK REC-LANGE - CAPROCK REC-ST LAWRENCE 138KV CKT 1'       |
| 11SP | 0 | G10_060 | 'CAPROCK REC-KOCH - CAPROCK REC-REED 138KV CKT 1'         | TO->FROM | 0.19951 | 175.7 | 'CAPROCK REC-PEMBROOK - G09-17T 138.00 138KV CKT 1'             |
| 11SP | 0 | G10_059 | 'CAPROCK REC-KOCH - CAPROCK REC-REED 138KV CKT 1'         | TO->FROM | 0.19951 | 175.7 | 'CAPROCK REC-PEMBROOK - G09-17T 138.00 138KV CKT 1'             |
| 11SP | 0 | G10_060 | 'CAPROCK REC-MCDONALD - CAPROCK REC-PHILLIPS 138KV CKT 1' | TO->FROM | 0.22767 | 271   | 'CUNNINGHAM STATION - POTASH JUNCTION INTERCHANGE 230KV CKT 1'  |
| 11SP | 0 | G10_059 | 'CAPROCK REC-MCDONALD - CAPROCK REC-PHILLIPS 138KV CKT 1' | TO->FROM | 0.22767 | 271   | 'CUNNINGHAM STATION - POTASH JUNCTION INTERCHANGE 230KV CKT 1'  |
| 11SP | 0 | G10_060 | 'CAPROCK REC-MCDONALD - CAPROCK REC-PHILLIPS 138KV CKT 1' | TO->FROM | 0.23694 | 271   | 'TOLK STATION (ABBXNL844501) 345/230/13.2KV TRANSFORMER CKT 1'  |
| 11SP | 0 | G10_059 | 'CAPROCK REC-MCDONALD - CAPROCK REC-PHILLIPS 138KV CKT 1' | TO->FROM | 0.23694 | 271   | 'TOLK STATION (ABBXNL844501) 345/230/13.2KV TRANSFORMER CKT 1'  |
| 11SP | 0 | G10_060 | 'CAPROCK REC-MCDONALD - CAPROCK REC-PHILLIPS 138KV CKT 1' | TO->FROM | 0.23694 | 271   | 'CHAVESCO 345.00 - TOLK STATION 345KV CKT 1'                    |
| 11SP | 0 | G10_059 | 'CAPROCK REC-MCDONALD - CAPROCK REC-PHILLIPS 138KV CKT 1' | TO->FROM | 0.23694 | 271   | 'CHAVESCO 345.00 - TOLK STATION 345KV CKT 1'                    |
| 11SP | 0 | G10_060 | 'BORDEN COUNTY INTERCHANGE 230/138KV TRANSFORMER CKT 1'   | TO->FROM | 0.23811 | 167.2 | 'CUNNINGHAM STATION - LEA COUNTY INTERCHANGE 230KV CKT 1'       |
| 11SP | 0 | G10_059 | 'BORDEN COUNTY INTERCHANGE 230/138KV TRANSFORMER CKT 1'   | TO->FROM | 0.23811 | 167.2 | 'CUNNINGHAM STATION - LEA COUNTY INTERCHANGE 230KV CKT 1'       |
| 11SP | 0 | G10_060 | 'CAPROCK REC-MCDONALD - CAPROCK REC-PHILLIPS 138KV CKT 1' | TO->FROM | 0.23254 | 271   | 'LUBBOCK SOUTH INTERCHANGE - WOLFFORTH INTERCHANGE 230KV CKT 1' |
| 11SP | 0 | G10_059 | 'CAPROCK REC-MCDONALD - CAPROCK REC-PHILLIPS 138KV CKT 1' | TO->FROM | 0.23254 | 271   | 'LUBBOCK SOUTH INTERCHANGE - WOLFFORTH INTERCHANGE 230KV CKT 1' |
| 11SP | 0 | G10_060 | 'CAPROCK REC-MCDONALD - CAPROCK REC-PHILLIPS 138KV CKT 1' | TO->FROM | 0.22958 | 271   | 'TERRY COUNTY INTERCHANGE - WOLFFORTH INTERCHANGE 115KV CKT 1'  |
| 11SP | 0 | G10_059 | 'CAPROCK REC-MCDONALD - CAPROCK REC-PHILLIPS 138KV CKT 1' | TO->FROM | 0.22958 | 271   | 'TERRY COUNTY INTERCHANGE - WOLFFORTH INTERCHANGE 115KV CKT 1'  |
| 11SP | 0 | G10_060 | 'CAPROCK REC-MCDONALD - CAPROCK REC-PHILLIPS 138KV CKT 1' | TO->FROM | 0.22488 | 271   | 'Jones Station Bus#2 230/22.0KV TRANSFORMER CKT 1'              |
| 11SP | 0 | G10_059 | 'CAPROCK REC-MCDONALD - CAPROCK REC-PHILLIPS 138KV CKT 1' | TO->FROM | 0.22488 | 271   | 'Jones Station Bus#2 230/22.0KV TRANSFORMER CKT 1'              |
| 11SP | 0 | G10_060 | 'CAPROCK REC-MCDONALD - CAPROCK REC-PHILLIPS 138KV CKT 1' | TO->FROM | 0.22488 | 271   | 'JONES STATION 230/22.0KV TRANSFORMER CKT 1'                    |
| 11SP | 0 | G10_059 | 'CAPROCK REC-MCDONALD - CAPROCK REC-PHILLIPS 138KV CKT 1' | TO->FROM | 0.22488 | 271   | 'JONES STATION 230/22.0KV TRANSFORMER CKT 1'                    |
| 11SP | 0 | G10_060 | 'CAPROCK REC-KOCH - CAPROCK REC-VEALMOOR 138KV CKT 1'     | FROM->TO | 0.19951 | 175.7 | 'CAPROCK REC-PEMBROOK - G09-17T 138.00 138KV CKT 1'             |
| 11SP | 0 | G10_059 | 'CAPROCK REC-KOCH - CAPROCK REC-VEALMOOR 138KV CKT 1'     | FROM->TO | 0.19951 | 175.7 | 'CAPROCK REC-PEMBROOK - G09-17T 138.00 138KV CKT 1'             |
| 11SP | 0 | G10_060 | 'CAPROCK REC-NEW SCHWARTZ - CR-1956 4138.00 138KV CKT 1'  | TO->FROM | 0.2956  | 271   | 'HOBBS INTERCHANGE - MIDLAND COUNTY INTERCHANGE 230KV CKT 1'    |
| 11SP | 0 | G10_059 | 'CAPROCK REC-NEW SCHWARTZ - CR-1956 4138.00 138KV CKT 1'  | TO->FROM | 0.2956  | 271   | 'HOBBS INTERCHANGE - MIDLAND COUNTY INTERCHANGE 230KV CKT 1'    |
| 11SP | 0 | G10_060 | 'CAPROCK REC-MCDONALD - CAPROCK REC-PHILLIPS 138KV CKT 1' | TO->FROM | 0.22488 | 271   | 'Jones Station Bus#2 230/22.0KV TRANSFORMER CKT 1'              |
| 11SP | 0 | G10_059 | 'CAPROCK REC-MCDONALD - CAPROCK REC-PHILLIPS 138KV CKT 1' | TO->FROM | 0.22488 | 271   | 'Jones Station Bus#2 230/22.0KV TRANSFORMER CKT 1'              |

|      |   |         |   |          |         |       |   |
|------|---|---------|---|----------|---------|-------|---|
| 11SP | 0 | G10_060 | 'BORDEN COUNTY INTERCHANGE 230/138KV TRANSFORMER CKT 1'           | TO->FROM | 0.23017 | 167.2 | 'TOLK STATION EAST - TUCO INTERCHANGE 230KV CKT 1'                          |
| 11SP | 0 | G10_059 | 'BORDEN COUNTY INTERCHANGE 230/138KV TRANSFORMER CKT 1'           | TO->FROM | 0.23017 | 167.2 | 'TOLK STATION EAST - TUCO INTERCHANGE 230KV CKT 1'                          |
| 11SP | 0 | G10_060 | 'AMOCO SWITCHING STATION - YOAKUM COUNTY INTERCHANGE 230KV CKT 1' | TO->FROM | 0.19318 | 349.9 | 'LEA COUNTY REC-PLAINS INTERCHANGE - YOAKUM COUNTY INTERCHANGE 115KV CKT 1' |
| 11SP | 0 | G10_059 | 'AMOCO SWITCHING STATION - YOAKUM COUNTY INTERCHANGE 230KV CKT 1' | TO->FROM | 0.19318 | 349.9 | 'LEA COUNTY REC-PLAINS INTERCHANGE - YOAKUM COUNTY INTERCHANGE 115KV CKT 1' |
| 11SP | 0 | G10_060 | 'BORDEN COUNTY INTERCHANGE 230/138KV TRANSFORMER CKT 1'           | TO->FROM | 0.2324  | 167.2 | 'SUNDOWN INTERCHANGE - WOLFFORTH INTERCHANGE 230KV CKT 1'                   |
| 11SP | 0 | G10_059 | 'BORDEN COUNTY INTERCHANGE 230/138KV TRANSFORMER CKT 1'           | TO->FROM | 0.2324  | 167.2 | 'SUNDOWN INTERCHANGE - WOLFFORTH INTERCHANGE 230KV CKT 1'                   |
| 11SP | 0 | G10_060 | 'CAPROCK REC-MCDONALD - CAPROCK REC-PHILLIPS 138KV CKT 1'         | TO->FROM | 0.23699 | 271   | 'EDDY COUNTY INTERCHANGE (ABB AEM30711) 345/230/13.2KV TRANSFORMER CKT 1'   |
| 11SP | 0 | G10_059 | 'CAPROCK REC-MCDONALD - CAPROCK REC-PHILLIPS 138KV CKT 1'         | TO->FROM | 0.23699 | 271   | 'EDDY COUNTY INTERCHANGE (ABB AEM30711) 345/230/13.2KV TRANSFORMER CKT 1'   |
| 11SP | 0 | G10_060 | 'CAPROCK REC-MCDONALD - CAPROCK REC-PHILLIPS 138KV CKT 1'         | TO->FROM | 0.23699 | 271   | 'CHAVESCO 345.00 - EDDY COUNTY INTERCHANGE 345KV CKT 1'                     |
| 11SP | 0 | G10_059 | 'CAPROCK REC-MCDONALD - CAPROCK REC-PHILLIPS 138KV CKT 1'         | TO->FROM | 0.23699 | 271   | 'CHAVESCO 345.00 - EDDY COUNTY INTERCHANGE 345KV CKT 1'                     |
| 11SP | 0 | G10_060 | 'CAPROCK REC-MCDONALD - CAPROCK REC-PHILLIPS 138KV CKT 1'         | TO->FROM | 0.22697 | 271   | 'CHAVES COUNTY INTERCHANGE - EDDY COUNTY INTERCHANGE 230KV CKT 1'           |
| 11SP | 0 | G10_059 | 'CAPROCK REC-MCDONALD - CAPROCK REC-PHILLIPS 138KV CKT 1'         | TO->FROM | 0.22697 | 271   | 'CHAVES COUNTY INTERCHANGE - EDDY COUNTY INTERCHANGE 230KV CKT 1'           |
| 11SP | 0 | G10_060 | 'CAPROCK REC-KOCH - CAPROCK REC-REED 138KV CKT 1'                 | TO->FROM | 0.19941 | 175.7 | 'CAPROCK REC-ST LAWRENCE - CAPROCK REC-STILES 138KV CKT 1'                  |
| 11SP | 0 | G10_059 | 'CAPROCK REC-KOCH - CAPROCK REC-REED 138KV CKT 1'                 | TO->FROM | 0.19941 | 175.7 | 'CAPROCK REC-ST LAWRENCE - CAPROCK REC-STILES 138KV CKT 1'                  |
| 11SP | 0 | G10_060 | 'CAPROCK REC-GRADY - CAPROCK REC-TRIANGLE 138KV CKT 1'            | TO->FROM | 0.19941 | 175.8 | 'CAPROCK REC-BUCHANAN - CAPROCK REC-LANGE 138KV CKT 1'                      |
| 11SP | 0 | G10_059 | 'CAPROCK REC-GRADY - CAPROCK REC-TRIANGLE 138KV CKT 1'            | TO->FROM | 0.19941 | 175.8 | 'CAPROCK REC-BUCHANAN - CAPROCK REC-LANGE 138KV CKT 1'                      |
| 11SP | 0 | G10_060 | 'BORDEN COUNTY INTERCHANGE 230/138KV TRANSFORMER CKT 1'           | TO->FROM | 0.231   | 167.2 | 'CUNNINGHAM STATION - EDDY COUNTY INTERCHANGE 230KV CKT 1'                  |
| 11SP | 0 | G10_059 | 'BORDEN COUNTY INTERCHANGE 230/138KV TRANSFORMER CKT 1'           | TO->FROM | 0.231   | 167.2 | 'CUNNINGHAM STATION - EDDY COUNTY INTERCHANGE 230KV CKT 1'                  |
| 11SP | 0 | G10_060 | 'BORDEN COUNTY INTERCHANGE 230/138KV TRANSFORMER CKT 1'           | TO->FROM | 0.23544 | 167.2 | 'AMOCO SWITCHING STATION - SUNDOWN INTERCHANGE 230KV CKT 1'                 |
| 11SP | 0 | G10_059 | 'BORDEN COUNTY INTERCHANGE 230/138KV TRANSFORMER CKT 1'           | TO->FROM | 0.23544 | 167.2 | 'AMOCO SWITCHING STATION - SUNDOWN INTERCHANGE 230KV CKT 1'                 |
| 11SP | 0 | G10_060 | 'AMOCO SWITCHING STATION - YOAKUM COUNTY INTERCHANGE 230KV CKT 1' | TO->FROM | 0.20084 | 349.9 | 'CUNNINGHAM STATION - EDDY COUNTY INTERCHANGE 230KV CKT 1'                  |
| 11SP | 0 | G10_059 | 'AMOCO SWITCHING STATION - YOAKUM COUNTY INTERCHANGE 230KV CKT 1' | TO->FROM | 0.20084 | 349.9 | 'CUNNINGHAM STATION - EDDY COUNTY INTERCHANGE 230KV CKT 1'                  |
| 11SP | 0 | G10_060 | 'CAPROCK REC-KOCH - CAPROCK REC-VEALMOOR 138KV CKT 1'             | FROM->TO | 0.19941 | 175.7 | 'CAPROCK REC-ST LAWRENCE - CAPROCK REC-STILES 138KV CKT 1'                  |

|      |   |         |   |          |         |       |   |
|------|---|---------|---|----------|---------|-------|---|
| 11SP | 0 | G10_059 | 'CAPROCK REC-KOCH - CAPROCK REC-VEALMOOR 138KV CKT 1'             | FROM->TO | 0.19941 | 175.7 | 'CAPROCK REC-ST LAWRENCE - CAPROCK REC-STILES 138KV CKT 1'                |
| 11SP | 0 | G10_060 | 'BORDEN COUNTY INTERCHANGE 230/138KV TRANSFORMER CKT 1'           | TO->FROM | 0.22472 | 167.2 | 'CAPROCK REC-BUCHANAN - CAPROCK REC-LONE WOLF 138KV CKT 1'                |
| 11SP | 0 | G10_059 | 'BORDEN COUNTY INTERCHANGE 230/138KV TRANSFORMER CKT 1'           | TO->FROM | 0.22472 | 167.2 | 'CAPROCK REC-BUCHANAN - CAPROCK REC-LONE WOLF 138KV CKT 1'                |
| 11SP | 0 | G10_060 | 'AMOCO SWITCHING STATION - YOAKUM COUNTY INTERCHANGE 230KV CKT 1' | TO->FROM | 0.21126 | 349.9 | 'CAPROCK REC-MCDONALD - CAPROCK REC-TRIANGLE 138KV CKT 1'                 |
| 11SP | 0 | G10_059 | 'AMOCO SWITCHING STATION - YOAKUM COUNTY INTERCHANGE 230KV CKT 1' | TO->FROM | 0.21126 | 349.9 | 'CAPROCK REC-MCDONALD - CAPROCK REC-TRIANGLE 138KV CKT 1'                 |
| 11SP | 0 | G10_060 | 'BORDEN COUNTY INTERCHANGE 230/138KV TRANSFORMER CKT 1'           | TO->FROM | 0.23678 | 167.2 | 'TOLK STATION (ABBXNL844501) 345/230/13.2KV TRANSFORMER CKT 1'            |
| 11SP | 0 | G10_059 | 'BORDEN COUNTY INTERCHANGE 230/138KV TRANSFORMER CKT 1'           | TO->FROM | 0.23678 | 167.2 | 'TOLK STATION (ABBXNL844501) 345/230/13.2KV TRANSFORMER CKT 1'            |
| 11SP | 0 | G10_060 | 'BORDEN COUNTY INTERCHANGE 230/138KV TRANSFORMER CKT 1'           | TO->FROM | 0.23678 | 167.2 | 'CHAVESCO 345.00 - TOLK STATION 345KV CKT 1'                              |
| 11SP | 0 | G10_059 | 'BORDEN COUNTY INTERCHANGE 230/138KV TRANSFORMER CKT 1'           | TO->FROM | 0.23678 | 167.2 | 'CHAVESCO 345.00 - TOLK STATION 345KV CKT 1'                              |
| 11SP | 0 | G10_060 | 'BORDEN COUNTY INTERCHANGE 230/138KV TRANSFORMER CKT 1'           | TO->FROM | 0.22751 | 167.2 | 'CUNNINGHAM STATION - POTASH JUNCTION INTERCHANGE 230KV CKT 1'            |
| 11SP | 0 | G10_059 | 'BORDEN COUNTY INTERCHANGE 230/138KV TRANSFORMER CKT 1'           | TO->FROM | 0.22751 | 167.2 | 'CUNNINGHAM STATION - POTASH JUNCTION INTERCHANGE 230KV CKT 1'            |
| 11SP | 0 | G10_060 | 'BORDEN COUNTY INTERCHANGE 230/138KV TRANSFORMER CKT 1'           | TO->FROM | 0.23239 | 167.2 | 'LUBBOCK SOUTH INTERCHANGE - WOLFFORTH INTERCHANGE 230KV CKT 1'           |
| 11SP | 0 | G10_059 | 'BORDEN COUNTY INTERCHANGE 230/138KV TRANSFORMER CKT 1'           | TO->FROM | 0.23239 | 167.2 | 'LUBBOCK SOUTH INTERCHANGE - WOLFFORTH INTERCHANGE 230KV CKT 1'           |
| 11SP | 0 | G10_060 | 'AMOCO SWITCHING STATION - YOAKUM COUNTY INTERCHANGE 230KV CKT 1' | TO->FROM | 0.21097 | 349.9 | 'CUNNINGHAM STATION - LEA COUNTY INTERCHANGE 230KV CKT 1'                 |
| 11SP | 0 | G10_059 | 'AMOCO SWITCHING STATION - YOAKUM COUNTY INTERCHANGE 230KV CKT 1' | TO->FROM | 0.21097 | 349.9 | 'CUNNINGHAM STATION - LEA COUNTY INTERCHANGE 230KV CKT 1'                 |
| 11SP | 0 | G10_060 | 'BORDEN COUNTY INTERCHANGE 230/138KV TRANSFORMER CKT 1'           | TO->FROM | 0.22942 | 167.2 | 'TERRY COUNTY INTERCHANGE - WOLFFORTH INTERCHANGE 115KV CKT 1'            |
| 11SP | 0 | G10_059 | 'BORDEN COUNTY INTERCHANGE 230/138KV TRANSFORMER CKT 1'           | TO->FROM | 0.22942 | 167.2 | 'TERRY COUNTY INTERCHANGE - WOLFFORTH INTERCHANGE 115KV CKT 1'            |
| 11SP | 0 | G10_060 | 'BORDEN COUNTY INTERCHANGE 230/138KV TRANSFORMER CKT 1'           | TO->FROM | 0.22472 | 167.2 | 'Jones Station Bus#2 230/22.0KV TRANSFORMER CKT 1'                        |
| 11SP | 0 | G10_059 | 'BORDEN COUNTY INTERCHANGE 230/138KV TRANSFORMER CKT 1'           | TO->FROM | 0.22472 | 167.2 | 'Jones Station Bus#2 230/22.0KV TRANSFORMER CKT 1'                        |
| 11SP | 0 | G10_060 | 'BORDEN COUNTY INTERCHANGE 230/138KV TRANSFORMER CKT 1'           | TO->FROM | 0.22472 | 167.2 | 'JONES STATION 230/22.0KV TRANSFORMER CKT 1'                              |
| 11SP | 0 | G10_059 | 'BORDEN COUNTY INTERCHANGE 230/138KV TRANSFORMER CKT 1'           | TO->FROM | 0.22472 | 167.2 | 'JONES STATION 230/22.0KV TRANSFORMER CKT 1'                              |
| 11SP | 0 | G10_060 | 'BORDEN COUNTY INTERCHANGE 230/138KV TRANSFORMER CKT 1'           | TO->FROM | 0.22472 | 167.2 | 'Jones Station Bus#2 230/22.0KV TRANSFORMER CKT 1'                        |
| 11SP | 0 | G10_059 | 'BORDEN COUNTY INTERCHANGE 230/138KV TRANSFORMER CKT 1'           | TO->FROM | 0.22472 | 167.2 | 'Jones Station Bus#2 230/22.0KV TRANSFORMER CKT 1'                        |
| 11SP | 0 | G10_060 | 'BORDEN COUNTY INTERCHANGE 230/138KV TRANSFORMER CKT 1'           | TO->FROM | 0.23683 | 167.2 | 'EDDY COUNTY INTERCHANGE (ABB AEM30711) 345/230/13.2KV TRANSFORMER CKT 1' |

|      |   |         |   |          |         |       |   |
|------|---|---------|---|----------|---------|-------|---|
| 11SP | 0 | G10_059 | 'BORDEN COUNTY INTERCHANGE 230/138KV TRANSFORMER CKT 1'           | TO->FROM | 0.23683 | 167.2 | 'EDDY COUNTY INTERCHANGE (ABB AEM30711) 345/230/13.2KV TRANSFORMER CKT 1' |
| 11SP | 0 | G10_060 | 'BORDEN COUNTY INTERCHANGE 230/138KV TRANSFORMER CKT 1'           | TO->FROM | 0.23683 | 167.2 | 'CHAVESCO 345.00 - EDDY COUNTY INTERCHANGE 345KV CKT 1'                   |
| 11SP | 0 | G10_059 | 'BORDEN COUNTY INTERCHANGE 230/138KV TRANSFORMER CKT 1'           | TO->FROM | 0.23683 | 167.2 | 'CHAVESCO 345.00 - EDDY COUNTY INTERCHANGE 345KV CKT 1'                   |
| 11SP | 0 | G10_060 | 'AMOCO SWITCHING STATION - YOAKUM COUNTY INTERCHANGE 230KV CKT 1' | TO->FROM | 0.21126 | 349.9 | 'CAPROCK REC-GRADY - CAPROCK REC-TRIANGLE 138KV CKT 1'                    |
| 11SP | 0 | G10_059 | 'AMOCO SWITCHING STATION - YOAKUM COUNTY INTERCHANGE 230KV CKT 1' | TO->FROM | 0.21126 | 349.9 | 'CAPROCK REC-GRADY - CAPROCK REC-TRIANGLE 138KV CKT 1'                    |
| 11SP | 0 | G10_060 | 'AMOCO SWITCHING STATION - YOAKUM COUNTY INTERCHANGE 230KV CKT 1' | TO->FROM | 0.20411 | 349.9 | 'TERRY COUNTY INTERCHANGE - WOLFFORTH INTERCHANGE 115KV CKT 1'            |
| 11SP | 0 | G10_059 | 'AMOCO SWITCHING STATION - YOAKUM COUNTY INTERCHANGE 230KV CKT 1' | TO->FROM | 0.20411 | 349.9 | 'TERRY COUNTY INTERCHANGE - WOLFFORTH INTERCHANGE 115KV CKT 1'            |
| 11SP | 0 | G10_060 | 'AMOCO SWITCHING STATION - YOAKUM COUNTY INTERCHANGE 230KV CKT 1' | TO->FROM | 0.21126 | 349.9 | 'CAPROCK REC-GRADY - CAPROCK REC-REED 138KV CKT 1'                        |
| 11SP | 0 | G10_059 | 'AMOCO SWITCHING STATION - YOAKUM COUNTY INTERCHANGE 230KV CKT 1' | TO->FROM | 0.21126 | 349.9 | 'CAPROCK REC-GRADY - CAPROCK REC-REED 138KV CKT 1'                        |
| 11SP | 0 | G10_060 | 'AMOCO SWITCHING STATION - YOAKUM COUNTY INTERCHANGE 230KV CKT 1' | TO->FROM | 0.21126 | 349.9 | 'CAPROCK REC-KOCH - CAPROCK REC-REED 138KV CKT 1'                         |
| 11SP | 0 | G10_059 | 'AMOCO SWITCHING STATION - YOAKUM COUNTY INTERCHANGE 230KV CKT 1' | TO->FROM | 0.21126 | 349.9 | 'CAPROCK REC-KOCH - CAPROCK REC-REED 138KV CKT 1'                         |
| 11SP | 0 | G10_060 | 'AMOCO SWITCHING STATION - YOAKUM COUNTY INTERCHANGE 230KV CKT 1' | TO->FROM | 0.21126 | 349.9 | 'CAPROCK REC-KOCH - CAPROCK REC-VEALMOOR 138KV CKT 1'                     |
| 11SP | 0 | G10_059 | 'AMOCO SWITCHING STATION - YOAKUM COUNTY INTERCHANGE 230KV CKT 1' | TO->FROM | 0.21126 | 349.9 | 'CAPROCK REC-KOCH - CAPROCK REC-VEALMOOR 138KV CKT 1'                     |
| 11SP | 0 | G10_060 | 'CAPROCK REC-NEW SCHWARTZ - CAPROCK REC-PEMBROOK 138KV CKT 1'     | FROM->TO | 0.2956  | 271   | 'HOBBS INTERCHANGE - MIDLAND COUNTY INTERCHANGE 230KV CKT 1'              |
| 11SP | 0 | G10_059 | 'CAPROCK REC-NEW SCHWARTZ - CAPROCK REC-PEMBROOK 138KV CKT 1'     | FROM->TO | 0.2956  | 271   | 'HOBBS INTERCHANGE - MIDLAND COUNTY INTERCHANGE 230KV CKT 1'              |
| 11SP | 0 | G10_060 | 'AMOCO SWITCHING STATION - YOAKUM COUNTY INTERCHANGE 230KV CKT 1' | TO->FROM | 0.19318 | 349.9 | 'LEA COUNTY REC-PLAINS INTERCHANGE - LYNTEGAR REC-PLAINS 115KV CKT 1'     |
| 11SP | 0 | G10_059 | 'AMOCO SWITCHING STATION - YOAKUM COUNTY INTERCHANGE 230KV CKT 1' | TO->FROM | 0.19318 | 349.9 | 'LEA COUNTY REC-PLAINS INTERCHANGE - LYNTEGAR REC-PLAINS 115KV CKT 1'     |
| 11SP | 0 | G10_060 | 'CAPROCK REC-GRADY - CAPROCK REC-TRIANGLE 138KV CKT 1'            | TO->FROM | 0.19941 | 175.8 | 'CAPROCK REC-BUCHANAN - CAPROCK REC-RUSSEL TAP 138KV CKT 1'               |
| 11SP | 0 | G10_059 | 'CAPROCK REC-GRADY - CAPROCK REC-TRIANGLE 138KV CKT 1'            | TO->FROM | 0.19941 | 175.8 | 'CAPROCK REC-BUCHANAN - CAPROCK REC-RUSSEL TAP 138KV CKT 1'               |
| 11SP | 0 | G10_060 | 'CUNNINGHAM STATION - LEA COUNTY INTERCHANGE 230KV CKT 1'         | TO->FROM | 0.46856 | 501.3 | 'LEA COUNTY INTERCHANGE - YOAKUM COUNTY INTERCHANGE 230KV CKT 1'          |
| 11SP | 0 | G10_059 | 'CUNNINGHAM STATION - LEA COUNTY INTERCHANGE 230KV CKT 1'         | TO->FROM | 0.46856 | 501.3 | 'LEA COUNTY INTERCHANGE - YOAKUM COUNTY INTERCHANGE 230KV CKT 1'          |
| 11SP | 0 | G10_060 | 'CAPROCK REC-KOCH - CAPROCK REC-REED 138KV CKT 1'                 | TO->FROM | 0.19941 | 175.7 | 'CAPROCK REC-LANGE - CAPROCK REC-ST LAWRENCE 138KV CKT 1'                 |
| 11SP | 0 | G10_059 | 'CAPROCK REC-KOCH - CAPROCK REC-REED 138KV CKT 1'                 | TO->FROM | 0.19941 | 175.7 | 'CAPROCK REC-LANGE - CAPROCK REC-ST LAWRENCE 138KV CKT 1'                 |
| 11SP | 0 | G10_060 | 'BORDEN COUNTY INTERCHANGE 230/138KV TRANSFORMER CKT 1'           | TO->FROM | 0.22472 | 167.2 | 'BASE CASE'   |
| 11SP | 0 | G10_059 | 'BORDEN COUNTY INTERCHANGE 230/138KV TRANSFORMER CKT 1'           | TO->FROM | 0.22472 | 167.2 | 'BASE CASE'   |

|      |   |         |   |          |         |       |  |
|------|---|---------|---|----------|---------|-------|--|
| 11SP | 0 | G10_060 | 'CAPROCK REC-KOCH - CAPROCK REC-VEALMOOR 138KV CKT 1'             | FROM->TO | 0.19941 | 175.7 | 'CAPROCK REC-LANGE - CAPROCK REC-ST LAWRENCE 138KV CKT 1'        |
| 11SP | 0 | G10_059 | 'CAPROCK REC-KOCH - CAPROCK REC-VEALMOOR 138KV CKT 1'             | FROM->TO | 0.19941 | 175.7 | 'CAPROCK REC-LANGE - CAPROCK REC-ST LAWRENCE 138KV CKT 1'        |
| 11SP | 0 | G10_060 | 'AMOCO SWITCHING STATION - YOAKUM COUNTY INTERCHANGE 230KV CKT 1' | TO->FROM | 0.19318 | 349.9 | 'LEHMAN SUB - LYNTEGAR REC-PLAINS 115KV CKT 1'                   |
| 11SP | 0 | G10_059 | 'AMOCO SWITCHING STATION - YOAKUM COUNTY INTERCHANGE 230KV CKT 1' | TO->FROM | 0.19318 | 349.9 | 'LEHMAN SUB - LYNTEGAR REC-PLAINS 115KV CKT 1'                   |
| 11SP | 0 | G10_060 | 'AMOCO SWITCHING STATION - YOAKUM COUNTY INTERCHANGE 230KV CKT 1' | TO->FROM | 0.1923  | 349.9 | 'TOLK STATION EAST - TUCO INTERCHANGE 230KV CKT 1'               |
| 11SP | 0 | G10_059 | 'AMOCO SWITCHING STATION - YOAKUM COUNTY INTERCHANGE 230KV CKT 1' | TO->FROM | 0.1923  | 349.9 | 'TOLK STATION EAST - TUCO INTERCHANGE 230KV CKT 1'               |
| 11SP | 0 | G10_060 | 'AMOCO SWITCHING STATION - YOAKUM COUNTY INTERCHANGE 230KV CKT 1' | TO->FROM | 0.19318 | 349.9 | 'SPP-SWPS-V36'   |
| 11SP | 0 | G10_059 | 'AMOCO SWITCHING STATION - YOAKUM COUNTY INTERCHANGE 230KV CKT 1' | TO->FROM | 0.19318 | 349.9 | 'SPP-SWPS-V36'   |
| 11SP | 0 | G10_060 | 'CAPROCK REC-KOCH - CAPROCK REC-REED 138KV CKT 1'                 | TO->FROM | 0.19941 | 175.7 | 'CAPROCK REC-BUCHANAN - CAPROCK REC-LANGE 138KV CKT 1'           |
| 11SP | 0 | G10_059 | 'CAPROCK REC-KOCH - CAPROCK REC-REED 138KV CKT 1'                 | TO->FROM | 0.19941 | 175.7 | 'CAPROCK REC-BUCHANAN - CAPROCK REC-LANGE 138KV CKT 1'           |
| 11SP | 0 | G10_060 | 'CAPROCK REC-GRADY - CAPROCK REC-TRIANGLE 138KV CKT 1'            | TO->FROM | 0.19941 | 175.8 | 'CAPROCK REC-RUSSEL TAP - CAPROCK REC-VEALMOOR 138KV CKT 1'      |
| 11SP | 0 | G10_059 | 'CAPROCK REC-GRADY - CAPROCK REC-TRIANGLE 138KV CKT 1'            | TO->FROM | 0.19941 | 175.8 | 'CAPROCK REC-RUSSEL TAP - CAPROCK REC-VEALMOOR 138KV CKT 1'      |
| 11SP | 0 | G10_060 | 'CAPROCK REC-KOCH - CAPROCK REC-VEALMOOR 138KV CKT 1'             | FROM->TO | 0.19941 | 175.7 | 'CAPROCK REC-BUCHANAN - CAPROCK REC-LANGE 138KV CKT 1'           |
| 11SP | 0 | G10_059 | 'CAPROCK REC-KOCH - CAPROCK REC-VEALMOOR 138KV CKT 1'             | FROM->TO | 0.19941 | 175.7 | 'CAPROCK REC-BUCHANAN - CAPROCK REC-LANGE 138KV CKT 1'           |
| 11SP | 0 | G10_060 | 'CAPROCK REC-ST LAWRENCE - CAPROCK REC-STILES 138KV CKT 1'        | TO->FROM | 0.29544 | 270.9 | 'HOBBS INTERCHANGE - MIDLAND COUNTY INTERCHANGE 230KV CKT 1'     |
| 11SP | 0 | G10_059 | 'CAPROCK REC-ST LAWRENCE - CAPROCK REC-STILES 138KV CKT 1'        | TO->FROM | 0.29544 | 270.9 | 'HOBBS INTERCHANGE - MIDLAND COUNTY INTERCHANGE 230KV CKT 1'     |
| 11SP | 0 | G10_060 | 'CAPROCK REC-KOCH - CAPROCK REC-REED 138KV CKT 1'                 | TO->FROM | 0.19941 | 175.7 | 'CAPROCK REC-BUCHANAN - CAPROCK REC-RUSSEL TAP 138KV CKT 1'      |
| 11SP | 0 | G10_059 | 'CAPROCK REC-KOCH - CAPROCK REC-REED 138KV CKT 1'                 | TO->FROM | 0.19941 | 175.7 | 'CAPROCK REC-BUCHANAN - CAPROCK REC-RUSSEL TAP 138KV CKT 1'      |
| 11SP | 0 | G10_060 | 'CUNNINGHAM STATION - EDDY COUNTY INTERCHANGE 230KV CKT 1'        | FROM->TO | 0.21504 | 350.9 | 'LEA COUNTY INTERCHANGE - YOAKUM COUNTY INTERCHANGE 230KV CKT 1' |
| 11SP | 0 | G10_059 | 'CUNNINGHAM STATION - EDDY COUNTY INTERCHANGE 230KV CKT 1'        | FROM->TO | 0.21504 | 350.9 | 'LEA COUNTY INTERCHANGE - YOAKUM COUNTY INTERCHANGE 230KV CKT 1' |
| 11SP | 0 | G10_060 | 'CAPROCK REC-KOCH - CAPROCK REC-VEALMOOR 138KV CKT 1'             | FROM->TO | 0.19941 | 175.7 | 'CAPROCK REC-BUCHANAN - CAPROCK REC-RUSSEL TAP 138KV CKT 1'      |
| 11SP | 0 | G10_059 | 'CAPROCK REC-KOCH - CAPROCK REC-VEALMOOR 138KV CKT 1'             | FROM->TO | 0.19941 | 175.7 | 'CAPROCK REC-BUCHANAN - CAPROCK REC-RUSSEL TAP 138KV CKT 1'      |
| 11SP | 0 | G10_060 | 'CAPROCK REC-KOCH - CAPROCK REC-REED 138KV CKT 1'                 | TO->FROM | 0.19941 | 175.7 | 'CAPROCK REC-RUSSEL TAP - CAPROCK REC-VEALMOOR 138KV CKT 1'      |
| 11SP | 0 | G10_059 | 'CAPROCK REC-KOCH - CAPROCK REC-REED 138KV CKT 1'                 | TO->FROM | 0.19941 | 175.7 | 'CAPROCK REC-RUSSEL TAP - CAPROCK REC-VEALMOOR 138KV CKT 1'      |
| 11SP | 0 | G10_060 | 'CAPROCK REC-KOCH - CAPROCK REC-VEALMOOR 138KV CKT 1'             | FROM->TO | 0.19941 | 175.7 | 'CAPROCK REC-RUSSEL TAP - CAPROCK REC-VEALMOOR 138KV CKT 1'      |

|      |   |         |   |          |         |       |  |
|------|---|---------|---|----------|---------|-------|--|
| 11SP | 0 | G10_059 | 'CAPROCK REC-KOCH - CAPROCK REC-VEALMOOR 138KV CKT 1'         | FROM->TO | 0.19941 | 175.7 | 'CAPROCK REC-RUSSEL TAP - CAPROCK REC-VEALMOOR 138KV CKT 1'  |
| 11SP | 0 | G10_060 | 'CAPROCK REC-BUCHANAN - CAPROCK REC-LANGE 138KV CKT 1'        | TO->FROM | 0.29544 | 271   | 'HOBBS INTERCHANGE - MIDLAND COUNTY INTERCHANGE 230KV CKT 1' |
| 11SP | 0 | G10_059 | 'CAPROCK REC-BUCHANAN - CAPROCK REC-LANGE 138KV CKT 1'        | TO->FROM | 0.29544 | 271   | 'HOBBS INTERCHANGE - MIDLAND COUNTY INTERCHANGE 230KV CKT 1' |
| 11SP | 0 | G10_060 | 'CAPROCK REC-BUCHANAN - CAPROCK REC-RUSSEL TAP 138KV CKT 1'   | FROM->TO | 0.29544 | 271   | 'HOBBS INTERCHANGE - MIDLAND COUNTY INTERCHANGE 230KV CKT 1' |
| 11SP | 0 | G10_059 | 'CAPROCK REC-BUCHANAN - CAPROCK REC-RUSSEL TAP 138KV CKT 1'   | FROM->TO | 0.29544 | 271   | 'HOBBS INTERCHANGE - MIDLAND COUNTY INTERCHANGE 230KV CKT 1' |
| 11SP | 0 | G10_060 | 'CUNNINGHAM STATION - EDDY COUNTY INTERCHANGE 230KV CKT 1'    | FROM->TO | 0.19617 | 350.9 | 'MIDLAND COUNTY INTERCHANGE 230/138KV TRANSFORMER CKT 1'     |
| 11SP | 0 | G10_059 | 'CUNNINGHAM STATION - EDDY COUNTY INTERCHANGE 230KV CKT 1'    | FROM->TO | 0.19617 | 350.9 | 'MIDLAND COUNTY INTERCHANGE 230/138KV TRANSFORMER CKT 1'     |
| 11SP | 0 | G10_060 | 'CUNNINGHAM STATION - EDDY COUNTY INTERCHANGE 230KV CKT 1'    | FROM->TO | 0.19617 | 350.9 | 'CAPROCK REC-PHILLIPS - CAPROCK REC-TATE 138KV CKT 1'        |
| 11SP | 0 | G10_059 | 'CUNNINGHAM STATION - EDDY COUNTY INTERCHANGE 230KV CKT 1'    | FROM->TO | 0.19617 | 350.9 | 'CAPROCK REC-PHILLIPS - CAPROCK REC-TATE 138KV CKT 1'        |
| 11SP | 0 | G10_060 | 'CAPROCK REC-RUSSEL TAP - CAPROCK REC-VEALMOOR 138KV CKT 1'   | FROM->TO | 0.29544 | 271   | 'HOBBS INTERCHANGE - MIDLAND COUNTY INTERCHANGE 230KV CKT 1' |
| 11SP | 0 | G10_059 | 'CAPROCK REC-RUSSEL TAP - CAPROCK REC-VEALMOOR 138KV CKT 1'   | FROM->TO | 0.29544 | 271   | 'HOBBS INTERCHANGE - MIDLAND COUNTY INTERCHANGE 230KV CKT 1' |
| 11SP | 0 | G10_060 | 'CUNNINGHAM STATION - LEA COUNTY INTERCHANGE 230KV CKT 1'     | TO->FROM | 0.40401 | 501.3 | 'MIDLAND COUNTY INTERCHANGE 230/138KV TRANSFORMER CKT 1'     |
| 11SP | 0 | G10_059 | 'CUNNINGHAM STATION - LEA COUNTY INTERCHANGE 230KV CKT 1'     | TO->FROM | 0.40401 | 501.3 | 'MIDLAND COUNTY INTERCHANGE 230/138KV TRANSFORMER CKT 1'     |
| 11SP | 0 | G10_060 | 'CUNNINGHAM STATION - LEA COUNTY INTERCHANGE 230KV CKT 1'     | TO->FROM | 0.40401 | 501.3 | 'CAPROCK REC-PHILLIPS - CAPROCK REC-TATE 138KV CKT 1'        |
| 11SP | 0 | G10_059 | 'CUNNINGHAM STATION - LEA COUNTY INTERCHANGE 230KV CKT 1'     | TO->FROM | 0.40401 | 501.3 | 'CAPROCK REC-PHILLIPS - CAPROCK REC-TATE 138KV CKT 1'        |
| 11SP | 0 | G10_060 | 'CUNNINGHAM STATION - EDDY COUNTY INTERCHANGE 230KV CKT 1'    | FROM->TO | 0.19617 | 350.9 | 'CAPROCK REC-MCDONALD - CAPROCK REC-PHILLIPS 138KV CKT 1'    |
| 11SP | 0 | G10_059 | 'CUNNINGHAM STATION - EDDY COUNTY INTERCHANGE 230KV CKT 1'    | FROM->TO | 0.19617 | 350.9 | 'CAPROCK REC-MCDONALD - CAPROCK REC-PHILLIPS 138KV CKT 1'    |
| 11SP | 0 | G10_060 | 'CUNNINGHAM STATION - LEA COUNTY INTERCHANGE 230KV CKT 1'     | TO->FROM | 0.40401 | 501.3 | 'CAPROCK REC-MCDONALD - CAPROCK REC-PHILLIPS 138KV CKT 1'    |
| 11SP | 0 | G10_059 | 'CUNNINGHAM STATION - LEA COUNTY INTERCHANGE 230KV CKT 1'     | TO->FROM | 0.40401 | 501.3 | 'CAPROCK REC-MCDONALD - CAPROCK REC-PHILLIPS 138KV CKT 1'    |
| 11SP | 0 | G10_060 | 'CAPROCK REC-MCDONALD - CAPROCK REC-TRIANGLE 138KV CKT 1'     | FROM->TO | 0.214   | 270.9 | 'HOBBS INTERCHANGE - LEA COUNTY INTERCHANGE 230KV CKT 1'     |
| 11SP | 0 | G10_059 | 'CAPROCK REC-MCDONALD - CAPROCK REC-TRIANGLE 138KV CKT 1'     | FROM->TO | 0.214   | 270.9 | 'HOBBS INTERCHANGE - LEA COUNTY INTERCHANGE 230KV CKT 1'     |
| 11SP | 0 | G10_060 | 'DEAF SMITH COUNTY INTERCHANGE - PLANT X STATION 230KV CKT 1' | TO->FROM | 0.22226 | 350.8 | 'PLANT X STATION - S-RANDLCO 230.00 230KV CKT 1'             |
| 11SP | 0 | G10_059 | 'DEAF SMITH COUNTY INTERCHANGE - PLANT X STATION 230KV CKT 1' | TO->FROM | 0.22226 | 350.8 | 'PLANT X STATION - S-RANDLCO 230.00 230KV CKT 1'             |
| 11SP | 0 | G10_060 | 'CAPROCK REC-MCDONALD - CAPROCK REC-TRIANGLE 138KV CKT 1'     | FROM->TO | 0.19951 | 270.9 | 'CAPROCK REC-MCDONALD - CR-1956 4138.00 138KV CKT 1'         |
| 11SP | 0 | G10_059 | 'CAPROCK REC-MCDONALD - CAPROCK REC-TRIANGLE 138KV CKT 1'     | FROM->TO | 0.19951 | 270.9 | 'CAPROCK REC-MCDONALD - CR-1956 4138.00 138KV CKT 1'         |

|      |   |         |   |          |         |       |   |
|------|---|---------|---|----------|---------|-------|---|
| 11SP | 0 | G10_060 | 'CAPROCK REC-MCDONALD - CAPROCK REC-TRIANGLE 138KV CKT 1'   | FROM->TO | 0.19951 | 270.9 | 'CAPROCK REC-NEW SCHWARTZ - CR-1956 4138.00 138KV CKT 1'        |
| 11SP | 0 | G10_059 | 'CAPROCK REC-MCDONALD - CAPROCK REC-TRIANGLE 138KV CKT 1'   | FROM->TO | 0.19951 | 270.9 | 'CAPROCK REC-NEW SCHWARTZ - CR-1956 4138.00 138KV CKT 1'        |
| 11SP | 0 | G10_060 | 'JONES STATION - TUCO INTERCHANGE 230KV CKT 1'              | FROM->TO | 0.25723 | 347   | 'TOLK STATION EAST - TUCO INTERCHANGE 230KV CKT 1'              |
| 11SP | 0 | G10_059 | 'JONES STATION - TUCO INTERCHANGE 230KV CKT 1'              | FROM->TO | 0.25723 | 347   | 'TOLK STATION EAST - TUCO INTERCHANGE 230KV CKT 1'              |
| 11SP | 0 | G10_060 | 'CUNNINGHAM STATION - LEA COUNTY INTERCHANGE 230KV CKT 1'   | TO->FROM | 0.31884 | 501.3 | 'CUNNINGHAM STATION 230/20.0KV TRANSFORMER CKT 1'               |
| 11SP | 0 | G10_059 | 'CUNNINGHAM STATION - LEA COUNTY INTERCHANGE 230KV CKT 1'   | TO->FROM | 0.31884 | 501.3 | 'CUNNINGHAM STATION 230/20.0KV TRANSFORMER CKT 1'               |
| 11SP | 0 | G10_060 | 'CUNNINGHAM STATION - EDDY COUNTY INTERCHANGE 230KV CKT 1'  | FROM->TO | 0.19614 | 350.9 | 'SPP-SWPS-K48'  |
| 11SP | 0 | G10_059 | 'CUNNINGHAM STATION - EDDY COUNTY INTERCHANGE 230KV CKT 1'  | FROM->TO | 0.19614 | 350.9 | 'SPP-SWPS-K48'  |
| 11SP | 0 | G10_060 | 'CUNNINGHAM STATION - EDDY COUNTY INTERCHANGE 230KV CKT 1'  | FROM->TO | 0.19614 | 350.9 | 'BORDEN COUNTY INTERCHANGE 230/138KV TRANSFORMER CKT 1'         |
| 11SP | 0 | G10_059 | 'CUNNINGHAM STATION - EDDY COUNTY INTERCHANGE 230KV CKT 1'  | FROM->TO | 0.19614 | 350.9 | 'BORDEN COUNTY INTERCHANGE 230/138KV TRANSFORMER CKT 1'         |
| 11SP | 0 | G10_060 | 'CUNNINGHAM STATION - EDDY COUNTY INTERCHANGE 230KV CKT 1'  | FROM->TO | 0.19614 | 350.9 | 'BORDEN COUNTY INTERCHANGE - GRASSLAND INTERCHANGE 230KV CKT 1' |
| 11SP | 0 | G10_059 | 'CUNNINGHAM STATION - EDDY COUNTY INTERCHANGE 230KV CKT 1'  | FROM->TO | 0.19614 | 350.9 | 'BORDEN COUNTY INTERCHANGE - GRASSLAND INTERCHANGE 230KV CKT 1' |
| 11SP | 0 | G10_060 | 'CAPROCK REC-MCDONALD - CAPROCK REC-TRIANGLE 138KV CKT 1'   | FROM->TO | 0.19951 | 270.9 | 'CAPROCK REC-NEW SCHWARTZ - CAPROCK REC-PEMBROOK 138KV CKT 1'   |
| 11SP | 0 | G10_059 | 'CAPROCK REC-MCDONALD - CAPROCK REC-TRIANGLE 138KV CKT 1'   | FROM->TO | 0.19951 | 270.9 | 'CAPROCK REC-NEW SCHWARTZ - CAPROCK REC-PEMBROOK 138KV CKT 1'   |
| 11SP | 0 | G10_060 | 'CAPROCK REC-MCDONALD - CAPROCK REC-TRIANGLE 138KV CKT 1'   | FROM->TO | 0.19941 | 270.9 | 'CAPROCK REC-STILES - G09-17T 138.00 138KV CKT 1'               |
| 11SP | 0 | G10_059 | 'CAPROCK REC-MCDONALD - CAPROCK REC-TRIANGLE 138KV CKT 1'   | FROM->TO | 0.19941 | 270.9 | 'CAPROCK REC-STILES - G09-17T 138.00 138KV CKT 1'               |
| 11SP | 0 | G10_060 | 'AMOCO SWITCHING STATION - SUNDOWN INTERCHANGE 230KV CKT 1' | FROM->TO | 0.25213 | 350.9 | 'MIDLAND COUNTY INTERCHANGE 230/138KV TRANSFORMER CKT 1'        |
| 11SP | 0 | G10_059 | 'AMOCO SWITCHING STATION - SUNDOWN INTERCHANGE 230KV CKT 1' | FROM->TO | 0.25213 | 350.9 | 'MIDLAND COUNTY INTERCHANGE 230/138KV TRANSFORMER CKT 1'        |
| 11SP | 0 | G10_060 | 'CUNNINGHAM STATION - LEA COUNTY INTERCHANGE 230KV CKT 1'   | TO->FROM | 0.40395 | 501.3 | 'SPP-SWPS-K48'  |
| 11SP | 0 | G10_059 | 'CUNNINGHAM STATION - LEA COUNTY INTERCHANGE 230KV CKT 1'   | TO->FROM | 0.40395 | 501.3 | 'SPP-SWPS-K48'  |
| 11SP | 0 | G10_060 | 'CUNNINGHAM STATION - LEA COUNTY INTERCHANGE 230KV CKT 1'   | TO->FROM | 0.40395 | 501.3 | 'BORDEN COUNTY INTERCHANGE 230/138KV TRANSFORMER CKT 1'         |
| 11SP | 0 | G10_059 | 'CUNNINGHAM STATION - LEA COUNTY INTERCHANGE 230KV CKT 1'   | TO->FROM | 0.40395 | 501.3 | 'BORDEN COUNTY INTERCHANGE 230/138KV TRANSFORMER CKT 1'         |
| 11SP | 0 | G10_060 | 'CUNNINGHAM STATION - LEA COUNTY INTERCHANGE 230KV CKT 1'   | TO->FROM | 0.40395 | 501.3 | 'BORDEN COUNTY INTERCHANGE - GRASSLAND INTERCHANGE 230KV CKT 1' |
| 11SP | 0 | G10_059 | 'CUNNINGHAM STATION - LEA COUNTY INTERCHANGE 230KV CKT 1'   | TO->FROM | 0.40395 | 501.3 | 'BORDEN COUNTY INTERCHANGE - GRASSLAND INTERCHANGE 230KV CKT 1' |
| 11SP | 0 | G10_060 | 'AMOCO SWITCHING STATION - SUNDOWN INTERCHANGE 230KV CKT 1' | FROM->TO | 0.25213 | 350.9 | 'CAPROCK REC-PHILLIPS - CAPROCK REC-TATE 138KV CKT 1'           |

|      |   |         |   |          |         |       |   |
|------|---|---------|---|----------|---------|-------|---|
| 11SP | 0 | G10_059 | 'AMOCO SWITCHING STATION - SUNDOWN INTERCHANGE 230KV CKT 1'       | FROM->TO | 0.25213 | 350.9 | 'CAPROCK REC-PHILLIPS - CAPROCK REC-TATE 138KV CKT 1'             |
| 11SP | 0 | G10_060 | 'CAPROCK REC-MCDONALD - CAPROCK REC-TRIANGLE 138KV CKT 1'         | FROM->TO | 0.19951 | 270.9 | 'CAPROCK REC-PEMBROOK - G09-17T 138.00 138KV CKT 1'               |
| 11SP | 0 | G10_059 | 'CAPROCK REC-MCDONALD - CAPROCK REC-TRIANGLE 138KV CKT 1'         | FROM->TO | 0.19951 | 270.9 | 'CAPROCK REC-PEMBROOK - G09-17T 138.00 138KV CKT 1'               |
| 11SP | 0 | G10_060 | 'CAPROCK REC-GRADY - CAPROCK REC-REED 138KV CKT 1'                | FROM->TO | 0.214   | 270.8 | 'HOBBS INTERCHANGE - LEA COUNTY INTERCHANGE 230KV CKT 1'          |
| 11SP | 0 | G10_059 | 'CAPROCK REC-GRADY - CAPROCK REC-REED 138KV CKT 1'                | FROM->TO | 0.214   | 270.8 | 'HOBBS INTERCHANGE - LEA COUNTY INTERCHANGE 230KV CKT 1'          |
| 11SP | 0 | G10_060 | 'CAPROCK REC-MCDONALD - CAPROCK REC-TRIANGLE 138KV CKT 1'         | FROM->TO | 0.19941 | 270.9 | 'CAPROCK REC-ST LAWRENCE - CAPROCK REC-STILES 138KV CKT 1'        |
| 11SP | 0 | G10_059 | 'CAPROCK REC-MCDONALD - CAPROCK REC-TRIANGLE 138KV CKT 1'         | FROM->TO | 0.19941 | 270.9 | 'CAPROCK REC-ST LAWRENCE - CAPROCK REC-STILES 138KV CKT 1'        |
| 11SP | 0 | G10_060 | 'AMOCO SWITCHING STATION - SUNDOWN INTERCHANGE 230KV CKT 1'       | FROM->TO | 0.25213 | 350.9 | 'CAPROCK REC-MCDONALD - CAPROCK REC-PHILLIPS 138KV CKT 1'         |
| 11SP | 0 | G10_059 | 'AMOCO SWITCHING STATION - SUNDOWN INTERCHANGE 230KV CKT 1'       | FROM->TO | 0.25213 | 350.9 | 'CAPROCK REC-MCDONALD - CAPROCK REC-PHILLIPS 138KV CKT 1'         |
| 11SP | 0 | G10_060 | 'TUCO INTERCHANGE (GE M1022338) 345/230/13.2KV TRANSFORMER CKT 1' | FROM->TO | 0.44143 | 557.6 | 'TUCO INTERCHANGE (UPDATE DATA) 345/230/13.2KV TRANSFORMER CKT 2' |
| 11SP | 0 | G10_059 | 'TUCO INTERCHANGE (GE M1022338) 345/230/13.2KV TRANSFORMER CKT 1' | FROM->TO | 0.44143 | 557.6 | 'TUCO INTERCHANGE (UPDATE DATA) 345/230/13.2KV TRANSFORMER CKT 2' |
| 11SP | 0 | G10_060 | 'TUCO INTERCHANGE (GE M1022338) 345/230/13.2KV TRANSFORMER CKT 1' | FROM->TO | 0.44143 | 557.5 | 'TUCO INTERCHANGE (UPDATE DATA) 345/230/13.2KV TRANSFORMER CKT 2' |
| 11SP | 0 | G10_059 | 'TUCO INTERCHANGE (GE M1022338) 345/230/13.2KV TRANSFORMER CKT 1' | FROM->TO | 0.44143 | 557.5 | 'TUCO INTERCHANGE (UPDATE DATA) 345/230/13.2KV TRANSFORMER CKT 2' |
| 11SP | 0 | G10_060 | 'SUNDOWN INTERCHANGE - WOLFFORTH INTERCHANGE 230KV CKT 1'         | FROM->TO | 0.19566 | 350.5 | 'MIDLAND COUNTY INTERCHANGE 230/138KV TRANSFORMER CKT 1'          |
| 11SP | 0 | G10_059 | 'SUNDOWN INTERCHANGE - WOLFFORTH INTERCHANGE 230KV CKT 1'         | FROM->TO | 0.19566 | 350.5 | 'MIDLAND COUNTY INTERCHANGE 230/138KV TRANSFORMER CKT 1'          |
| 11SP | 0 | G10_060 | 'CAPROCK REC-GRADY - CAPROCK REC-REED 138KV CKT 1'                | FROM->TO | 0.19951 | 270.8 | 'CAPROCK REC-MCDONALD - CR-1956 4138.00 138KV CKT 1'              |
| 11SP | 0 | G10_059 | 'CAPROCK REC-GRADY - CAPROCK REC-REED 138KV CKT 1'                | FROM->TO | 0.19951 | 270.8 | 'CAPROCK REC-MCDONALD - CR-1956 4138.00 138KV CKT 1'              |
| 11SP | 0 | G10_060 | 'SUNDOWN INTERCHANGE - WOLFFORTH INTERCHANGE 230KV CKT 1'         | FROM->TO | 0.19566 | 350.5 | 'CAPROCK REC-PHILLIPS - CAPROCK REC-TATE 138KV CKT 1'             |
| 11SP | 0 | G10_059 | 'SUNDOWN INTERCHANGE - WOLFFORTH INTERCHANGE 230KV CKT 1'         | FROM->TO | 0.19566 | 350.5 | 'CAPROCK REC-PHILLIPS - CAPROCK REC-TATE 138KV CKT 1'             |
| 11SP | 0 | G10_060 | 'CAPROCK REC-GRADY - CAPROCK REC-REED 138KV CKT 1'                | FROM->TO | 0.19951 | 270.8 | 'CAPROCK REC-NEW SCHWARTZ - CR-1956 4138.00 138KV CKT 1'          |
| 11SP | 0 | G10_059 | 'CAPROCK REC-GRADY - CAPROCK REC-REED 138KV CKT 1'                | FROM->TO | 0.19951 | 270.8 | 'CAPROCK REC-NEW SCHWARTZ - CR-1956 4138.00 138KV CKT 1'          |
| 11SP | 0 | G10_060 | 'CAPROCK REC-MCDONALD - CAPROCK REC-TRIANGLE 138KV CKT 1'         | FROM->TO | 0.19941 | 270.9 | 'CAPROCK REC-LANGE - CAPROCK REC-ST LAWRENCE 138KV CKT 1'         |
| 11SP | 0 | G10_059 | 'CAPROCK REC-MCDONALD - CAPROCK REC-TRIANGLE 138KV CKT 1'         | FROM->TO | 0.19941 | 270.9 | 'CAPROCK REC-LANGE - CAPROCK REC-ST LAWRENCE 138KV CKT 1'         |
| 11SP | 0 | G10_060 | 'TUCO INTERCHANGE (UPDATE DATA) 345/230/13.2KV TRANSFORMER CKT 2' | FROM->TO | 0.4307  | 558.5 | 'TUCO INTERCHANGE (GE M1022338) 345/230/13.2KV TRANSFORMER CKT 1' |
| 11SP | 0 | G10_059 | 'TUCO INTERCHANGE (UPDATE DATA) 345/230/13.2KV TRANSFORMER CKT 2' | FROM->TO | 0.4307  | 558.5 | 'TUCO INTERCHANGE (GE M1022338) 345/230/13.2KV TRANSFORMER CKT 1' |



|      |   |         |  |          |         |       |  |
|------|---|---------|--|----------|---------|-------|--|
| 11SP | 0 | G10_060 | 'TUCO INTERCHANGE (UPDATE DATA)<br>345/230/13.2KV TRANSFORMER CKT 2' | FROM->TO | 0.4307  | 558.4 | 'TUCO INTERCHANGE (GE M1022338)<br>345/230/13.2KV TRANSFORMER CKT 1' |
| 11SP | 0 | G10_059 | 'TUCO INTERCHANGE (UPDATE DATA)<br>345/230/13.2KV TRANSFORMER CKT 2' | FROM->TO | 0.4307  | 558.4 | 'TUCO INTERCHANGE (GE M1022338)<br>345/230/13.2KV TRANSFORMER CKT 1' |
| 11SP | 0 | G10_060 | 'CAPROCK REC-MCDONALD - CAPROCK REC-<br>TRIANGLE 138KV CKT 1'        | FROM->TO | 0.19941 | 270.9 | 'CAPROCK REC-BUCHANAN - CAPROCK REC-<br>LANGE 138KV CKT 1'           |
| 11SP | 0 | G10_059 | 'CAPROCK REC-MCDONALD - CAPROCK REC-<br>TRIANGLE 138KV CKT 1'        | FROM->TO | 0.19941 | 270.9 | 'CAPROCK REC-BUCHANAN - CAPROCK REC-<br>LANGE 138KV CKT 1'           |
| 11SP | 0 | G10_060 | 'CUNNINGHAM STATION - LEA COUNTY<br>INTERCHANGE 230KV CKT 1'         | TO->FROM | 0.34712 | 501.3 | 'AMOCO SWITCHING STATION - YOAKUM<br>COUNTY INTERCHANGE 230KV CKT 1' |
| 11SP | 0 | G10_059 | 'CUNNINGHAM STATION - LEA COUNTY<br>INTERCHANGE 230KV CKT 1'         | TO->FROM | 0.34712 | 501.3 | 'AMOCO SWITCHING STATION - YOAKUM<br>COUNTY INTERCHANGE 230KV CKT 1' |
| 11SP | 0 | G10_060 | 'SUNDOWN INTERCHANGE - WOLFFORTH<br>INTERCHANGE 230KV CKT 1'         | FROM->TO | 0.19566 | 350.5 | 'CAPROCK REC-MCDONALD - CAPROCK REC-<br>PHILLIPS 138KV CKT 1'        |
| 11SP | 0 | G10_059 | 'SUNDOWN INTERCHANGE - WOLFFORTH<br>INTERCHANGE 230KV CKT 1'         | FROM->TO | 0.19566 | 350.5 | 'CAPROCK REC-MCDONALD - CAPROCK REC-<br>PHILLIPS 138KV CKT 1'        |
| 11SP | 0 | G10_060 | 'CUNNINGHAM STATION - LEA COUNTY<br>INTERCHANGE 230KV CKT 1'         | TO->FROM | 0.35718 | 501.3 | 'HOBBS INTERCHANGE 230/115KV<br>TRANSFORMER CKT 1'                   |
| 11SP | 0 | G10_059 | 'CUNNINGHAM STATION - LEA COUNTY<br>INTERCHANGE 230KV CKT 1'         | TO->FROM | 0.35718 | 501.3 | 'HOBBS INTERCHANGE 230/115KV<br>TRANSFORMER CKT 1'                   |
| 11SP | 0 | G10_060 | 'CAPROCK REC-GRADY - CAPROCK REC-REED<br>138KV CKT 1'                | FROM->TO | 0.19951 | 270.8 | 'CAPROCK REC-NEW SCHWARTZ - CAPROCK<br>REC-PEMBROOK 138KV CKT 1'     |
| 11SP | 0 | G10_059 | 'CAPROCK REC-GRADY - CAPROCK REC-REED<br>138KV CKT 1'                | FROM->TO | 0.19951 | 270.8 | 'CAPROCK REC-NEW SCHWARTZ - CAPROCK<br>REC-PEMBROOK 138KV CKT 1'     |
| 11SP | 0 | G10_060 | 'JONES STATION - TUCO INTERCHANGE 230KV<br>CKT 1'                    | FROM->TO | 0.22895 | 347   | 'Jones Station Bus#2 - LUBBOCK EAST<br>INTERCHANGE 230KV CKT 1'      |
| 11SP | 0 | G10_059 | 'JONES STATION - TUCO INTERCHANGE 230KV<br>CKT 1'                    | FROM->TO | 0.22895 | 347   | 'Jones Station Bus#2 - LUBBOCK EAST<br>INTERCHANGE 230KV CKT 1'      |
| 11SP | 0 | G10_060 | 'CAPROCK REC-GRADY - CAPROCK REC-REED<br>138KV CKT 1'                | FROM->TO | 0.19941 | 270.8 | 'CAPROCK REC-STILES - G09-17T 138.00<br>138KV CKT 1'                 |
| 11SP | 0 | G10_059 | 'CAPROCK REC-GRADY - CAPROCK REC-REED<br>138KV CKT 1'                | FROM->TO | 0.19941 | 270.8 | 'CAPROCK REC-STILES - G09-17T 138.00<br>138KV CKT 1'                 |
| 11SP | 0 | G10_060 | 'CUNNINGHAM STATION - LEA COUNTY<br>INTERCHANGE 230KV CKT 1'         | TO->FROM | 0.31884 | 501.3 | 'CUNNINGHAM STATION 230/13.8KV<br>TRANSFORMER CKT 1'                 |
| 11SP | 0 | G10_059 | 'CUNNINGHAM STATION - LEA COUNTY<br>INTERCHANGE 230KV CKT 1'         | TO->FROM | 0.31884 | 501.3 | 'CUNNINGHAM STATION 230/13.8KV<br>TRANSFORMER CKT 1'                 |
| 11SP | 0 | G10_060 | 'CUNNINGHAM STATION - LEA COUNTY<br>INTERCHANGE 230KV CKT 1'         | TO->FROM | 0.35453 | 501.3 | 'CAPROCK REC-MCDONALD - CAPROCK REC-<br>TRIANGLE 138KV CKT 1'        |
| 11SP | 0 | G10_059 | 'CUNNINGHAM STATION - LEA COUNTY<br>INTERCHANGE 230KV CKT 1'         | TO->FROM | 0.35453 | 501.3 | 'CAPROCK REC-MCDONALD - CAPROCK REC-<br>TRIANGLE 138KV CKT 1'        |
| 11SP | 0 | G10_060 | 'CUNNINGHAM STATION - LEA COUNTY<br>INTERCHANGE 230KV CKT 1'         | TO->FROM | 0.35178 | 501.3 | 'LEA COUNTY INTERCHANGE 230/115KV<br>TRANSFORMER CKT 1'              |
| 11SP | 0 | G10_059 | 'CUNNINGHAM STATION - LEA COUNTY<br>INTERCHANGE 230KV CKT 1'         | TO->FROM | 0.35178 | 501.3 | 'LEA COUNTY INTERCHANGE 230/115KV<br>TRANSFORMER CKT 1'              |
| 11SP | 0 | G10_060 | 'CUNNINGHAM STATION - LEA COUNTY<br>INTERCHANGE 230KV CKT 1'         | TO->FROM | 0.35453 | 501.3 | 'CAPROCK REC-GRADY - CAPROCK REC-<br>TRIANGLE 138KV CKT 1'           |
| 11SP | 0 | G10_059 | 'CUNNINGHAM STATION - LEA COUNTY<br>INTERCHANGE 230KV CKT 1'         | TO->FROM | 0.35453 | 501.3 | 'CAPROCK REC-GRADY - CAPROCK REC-<br>TRIANGLE 138KV CKT 1'           |
| 11SP | 0 | G10_060 | 'CAPROCK REC-GRADY - CAPROCK REC-REED<br>138KV CKT 1'                | FROM->TO | 0.19951 | 270.8 | 'CAPROCK REC-PEMBROOK - G09-17T 138.00<br>138KV CKT 1'               |

|      |   |         |  |          |         |       |   |
|------|---|---------|--|----------|---------|-------|---|
| 11SP | 0 | G10_059 | 'CAPROCK REC-GRADY - CAPROCK REC-REED<br>138KV CKT 1'              | FROM->TO | 0.19951 | 270.8 | 'CAPROCK REC-PEMBROOK - G09-17T 138.00<br>138KV CKT 1'          |
| 11SP | 0 | G10_060 | 'CAPROCK REC-MCDONALD - CAPROCK REC-<br>TRIANGLE 138KV CKT 1'      | FROM->TO | 0.19941 | 270.9 | 'CAPROCK REC-BUCHANAN - CAPROCK REC-<br>RUSSEL TAP 138KV CKT 1' |
| 11SP | 0 | G10_059 | 'CAPROCK REC-MCDONALD - CAPROCK REC-<br>TRIANGLE 138KV CKT 1'      | FROM->TO | 0.19941 | 270.9 | 'CAPROCK REC-BUCHANAN - CAPROCK REC-<br>RUSSEL TAP 138KV CKT 1' |
| 11SP | 0 | G10_060 | 'CUNNINGHAM STATION - LEA COUNTY<br>INTERCHANGE 230KV CKT 1'       | TO->FROM | 0.35453 | 501.3 | 'CAPROCK REC-GRADY - CAPROCK REC-REED<br>138KV CKT 1'           |
| 11SP | 0 | G10_059 | 'CUNNINGHAM STATION - LEA COUNTY<br>INTERCHANGE 230KV CKT 1'       | TO->FROM | 0.35453 | 501.3 | 'CAPROCK REC-GRADY - CAPROCK REC-REED<br>138KV CKT 1'           |
| 11SP | 0 | G10_060 | 'CUNNINGHAM STATION - LEA COUNTY<br>INTERCHANGE 230KV CKT 1'       | TO->FROM | 0.35453 | 501.3 | 'CAPROCK REC-KOCH - CAPROCK REC-REED<br>138KV CKT 1'            |
| 11SP | 0 | G10_059 | 'CUNNINGHAM STATION - LEA COUNTY<br>INTERCHANGE 230KV CKT 1'       | TO->FROM | 0.35453 | 501.3 | 'CAPROCK REC-KOCH - CAPROCK REC-REED<br>138KV CKT 1'            |
| 11SP | 0 | G10_060 | 'LUBBOCK SOUTH INTERCHANGE -<br>WOLFFORTH INTERCHANGE 230KV CKT 1' | FROM->TO | 0.27246 | 347.3 | 'HOBBS INTERCHANGE - MIDLAND COUNTY<br>INTERCHANGE 230KV CKT 1' |
| 11SP | 0 | G10_059 | 'LUBBOCK SOUTH INTERCHANGE -<br>WOLFFORTH INTERCHANGE 230KV CKT 1' | FROM->TO | 0.27246 | 347.3 | 'HOBBS INTERCHANGE - MIDLAND COUNTY<br>INTERCHANGE 230KV CKT 1' |
| 11SP | 0 | G10_060 | 'CUNNINGHAM STATION - LEA COUNTY<br>INTERCHANGE 230KV CKT 1'       | TO->FROM | 0.35453 | 501.3 | 'CAPROCK REC-KOCH - CAPROCK REC-<br>VEALMOOR 138KV CKT 1'       |
| 11SP | 0 | G10_059 | 'CUNNINGHAM STATION - LEA COUNTY<br>INTERCHANGE 230KV CKT 1'       | TO->FROM | 0.35453 | 501.3 | 'CAPROCK REC-KOCH - CAPROCK REC-<br>VEALMOOR 138KV CKT 1'       |
| 11SP | 0 | G10_060 | 'CAPROCK REC-GRADY - CAPROCK REC-REED<br>138KV CKT 1'              | FROM->TO | 0.19941 | 270.8 | 'CAPROCK REC-ST LAWRENCE - CAPROCK<br>REC-STILES 138KV CKT 1'   |
| 11SP | 0 | G10_059 | 'CAPROCK REC-GRADY - CAPROCK REC-REED<br>138KV CKT 1'              | FROM->TO | 0.19941 | 270.8 | 'CAPROCK REC-ST LAWRENCE - CAPROCK<br>REC-STILES 138KV CKT 1'   |
| 11SP | 0 | G10_060 | 'CAPROCK REC-MCDONALD - CAPROCK REC-<br>TRIANGLE 138KV CKT 1'      | FROM->TO | 0.19941 | 270.9 | 'CAPROCK REC-RUSSEL TAP - CAPROCK REC-<br>VEALMOOR 138KV CKT 1' |
| 11SP | 0 | G10_059 | 'CAPROCK REC-MCDONALD - CAPROCK REC-<br>TRIANGLE 138KV CKT 1'      | FROM->TO | 0.19941 | 270.9 | 'CAPROCK REC-RUSSEL TAP - CAPROCK REC-<br>VEALMOOR 138KV CKT 1' |
| 11SP | 0 | G10_060 | 'JONES STATION - TUCO INTERCHANGE 230KV<br>CKT 1'                  | FROM->TO | 0.24044 | 347   | 'WOLFFORTH INTERCHANGE - YUMA<br>INTERCHANGE 115KV CKT 1'       |
| 11SP | 0 | G10_059 | 'JONES STATION - TUCO INTERCHANGE 230KV<br>CKT 1'                  | FROM->TO | 0.24044 | 347   | 'WOLFFORTH INTERCHANGE - YUMA<br>INTERCHANGE 115KV CKT 1'       |
| 11SP | 0 | G10_060 | 'POTTER COUNTY INTERCHANGE - S-RANDLCO<br>230.00 230KV CKT 1'      | TO->FROM | 0.26306 | 351   | 'BUSHLAND INTERCHANGE - S-RANDLCO<br>230.00 230KV CKT 1'        |
| 11SP | 0 | G10_059 | 'POTTER COUNTY INTERCHANGE - S-RANDLCO<br>230.00 230KV CKT 1'      | TO->FROM | 0.26306 | 351   | 'BUSHLAND INTERCHANGE - S-RANDLCO<br>230.00 230KV CKT 1'        |
| 11SP | 0 | G10_060 | 'CUNNINGHAM STATION - LEA COUNTY<br>INTERCHANGE 230KV CKT 1'       | TO->FROM | 0.34712 | 501.3 | 'AMOCO SWITCHING STATION - SUNDOWN<br>INTERCHANGE 230KV CKT 1'  |
| 11SP | 0 | G10_059 | 'CUNNINGHAM STATION - LEA COUNTY<br>INTERCHANGE 230KV CKT 1'       | TO->FROM | 0.34712 | 501.3 | 'AMOCO SWITCHING STATION - SUNDOWN<br>INTERCHANGE 230KV CKT 1'  |
| 11SP | 0 | G10_060 | 'BUSHLAND INTERCHANGE - S-RANDLCO<br>230.00 230KV CKT 1'           | TO->FROM | 0.25301 | 350   | 'POTTER COUNTY INTERCHANGE - S-RANDLCO<br>230.00 230KV CKT 1'   |
| 11SP | 0 | G10_059 | 'BUSHLAND INTERCHANGE - S-RANDLCO<br>230.00 230KV CKT 1'           | TO->FROM | 0.25301 | 350   | 'POTTER COUNTY INTERCHANGE - S-RANDLCO<br>230.00 230KV CKT 1'   |
| 11SP | 0 | G10_060 | 'JONES STATION - TUCO INTERCHANGE 230KV<br>CKT 1'                  | FROM->TO | 0.24044 | 347   | 'SPP-SWPS-T71'  |
| 11SP | 0 | G10_059 | 'JONES STATION - TUCO INTERCHANGE 230KV<br>CKT 1'                  | FROM->TO | 0.24044 | 347   | 'SPP-SWPS-T71'  |

|      |   |         |   |          |         |       |   |
|------|---|---------|---|----------|---------|-------|---|
| 11SP | 0 | G10_060 | 'CUNNINGHAM STATION - LEA COUNTY INTERCHANGE 230KV CKT 1'   | TO->FROM | 0.34825 | 501.3 | 'TOLK STATION WEST - YOAKUM COUNTY INTERCHANGE 230KV CKT 1'     |
| 11SP | 0 | G10_059 | 'CUNNINGHAM STATION - LEA COUNTY INTERCHANGE 230KV CKT 1'   | TO->FROM | 0.34825 | 501.3 | 'TOLK STATION WEST - YOAKUM COUNTY INTERCHANGE 230KV CKT 1'     |
| 11SP | 0 | G10_060 | 'AMOCO SWITCHING STATION - SUNDOWN INTERCHANGE 230KV CKT 1' | FROM->TO | 0.25208 | 350.9 | 'BORDEN COUNTY INTERCHANGE 230/138KV TRANSFORMER CKT 1'         |
| 11SP | 0 | G10_059 | 'AMOCO SWITCHING STATION - SUNDOWN INTERCHANGE 230KV CKT 1' | FROM->TO | 0.25208 | 350.9 | 'BORDEN COUNTY INTERCHANGE 230/138KV TRANSFORMER CKT 1'         |
| 11SP | 0 | G10_060 | 'AMOCO SWITCHING STATION - SUNDOWN INTERCHANGE 230KV CKT 1' | FROM->TO | 0.25208 | 350.9 | 'SPP-SWPS-K48'  |
| 11SP | 0 | G10_059 | 'AMOCO SWITCHING STATION - SUNDOWN INTERCHANGE 230KV CKT 1' | FROM->TO | 0.25208 | 350.9 | 'SPP-SWPS-K48'  |
| 11SP | 0 | G10_060 | 'AMOCO SWITCHING STATION - SUNDOWN INTERCHANGE 230KV CKT 1' | FROM->TO | 0.25208 | 350.9 | 'BORDEN COUNTY INTERCHANGE - GRASSLAND INTERCHANGE 230KV CKT 1' |
| 11SP | 0 | G10_059 | 'AMOCO SWITCHING STATION - SUNDOWN INTERCHANGE 230KV CKT 1' | FROM->TO | 0.25208 | 350.9 | 'BORDEN COUNTY INTERCHANGE - GRASSLAND INTERCHANGE 230KV CKT 1' |
| 11SP | 0 | G10_060 | 'JONES STATION - TUCO INTERCHANGE 230KV CKT 1'              | FROM->TO | 0.24845 | 347   | 'HOBBS INTERCHANGE - LEA COUNTY INTERCHANGE 230KV CKT 1'        |
| 11SP | 0 | G10_059 | 'JONES STATION - TUCO INTERCHANGE 230KV CKT 1'              | FROM->TO | 0.24845 | 347   | 'HOBBS INTERCHANGE - LEA COUNTY INTERCHANGE 230KV CKT 1'        |
| 11SP | 0 | G10_060 | 'JONES STATION - TUCO INTERCHANGE 230KV CKT 1'              | FROM->TO | 0.22924 | 347   | 'LUBBOCK EAST INTERCHANGE 230/115KV TRANSFORMER CKT 1'          |
| 11SP | 0 | G10_059 | 'JONES STATION - TUCO INTERCHANGE 230KV CKT 1'              | FROM->TO | 0.22924 | 347   | 'LUBBOCK EAST INTERCHANGE 230/115KV TRANSFORMER CKT 1'          |
| 11SP | 0 | G10_060 | 'JONES STATION - TUCO INTERCHANGE 230KV CKT 1'              | FROM->TO | 0.24044 | 347   | 'DOUD SUB - YUMA INTERCHANGE 115KV CKT 1'                       |
| 11SP | 0 | G10_059 | 'JONES STATION - TUCO INTERCHANGE 230KV CKT 1'              | FROM->TO | 0.24044 | 347   | 'DOUD SUB - YUMA INTERCHANGE 115KV CKT 1'                       |
| 11SP | 0 | G10_060 | 'CAPROCK REC-GRADY - CAPROCK REC-REED 138KV CKT 1'          | FROM->TO | 0.19941 | 270.8 | 'CAPROCK REC-LANGE - CAPROCK REC-ST LAWRENCE 138KV CKT 1'       |
| 11SP | 0 | G10_059 | 'CAPROCK REC-GRADY - CAPROCK REC-REED 138KV CKT 1'          | FROM->TO | 0.19941 | 270.8 | 'CAPROCK REC-LANGE - CAPROCK REC-ST LAWRENCE 138KV CKT 1'       |
| 11SP | 0 | G10_060 | 'PLANT X STATION - TOLK STATION WEST 230KV CKT 1'           | TO->FROM | 0.26636 | 501.1 | 'TOLK STATION EAST - TOLK STATION TAP 230KV CKT 1'              |
| 11SP | 0 | G10_059 | 'PLANT X STATION - TOLK STATION WEST 230KV CKT 1'           | TO->FROM | 0.26636 | 501.1 | 'TOLK STATION EAST - TOLK STATION TAP 230KV CKT 1'              |
| 11SP | 0 | G10_060 | 'CUNNINGHAM STATION - LEA COUNTY INTERCHANGE 230KV CKT 1'   | TO->FROM | 0.32448 | 501.3 | 'CUNNINGHAM STATION - PCA INTERCHANGE 115KV CKT 1'              |
| 11SP | 0 | G10_059 | 'CUNNINGHAM STATION - LEA COUNTY INTERCHANGE 230KV CKT 1'   | TO->FROM | 0.32448 | 501.3 | 'CUNNINGHAM STATION - PCA INTERCHANGE 115KV CKT 1'              |
| 11SP | 0 | G10_060 | 'CAPROCK REC-GRADY - CAPROCK REC-REED 138KV CKT 1'          | FROM->TO | 0.19941 | 270.8 | 'CAPROCK REC-BUCHANAN - CAPROCK REC-LANGE 138KV CKT 1'          |
| 11SP | 0 | G10_059 | 'CAPROCK REC-GRADY - CAPROCK REC-REED 138KV CKT 1'          | FROM->TO | 0.19941 | 270.8 | 'CAPROCK REC-BUCHANAN - CAPROCK REC-LANGE 138KV CKT 1'          |
| 11SP | 0 | G10_060 | 'CUNNINGHAM STATION - LEA COUNTY INTERCHANGE 230KV CKT 1'   | TO->FROM | 0.31884 | 477.3 | 'BASE CASE'   |
| 11SP | 0 | G10_059 | 'CUNNINGHAM STATION - LEA COUNTY INTERCHANGE 230KV CKT 1'   | TO->FROM | 0.31884 | 477.3 | 'BASE CASE'   |
| 11SP | 0 | G10_060 | 'JONES STATION - TUCO INTERCHANGE 230KV CKT 1'              | FROM->TO | 0.24044 | 347   | 'CARLISLE INTERCHANGE - DOUD SUB 115KV CKT 1'                   |

|      |   |         |  |          |         |       |  |
|------|---|---------|--|----------|---------|-------|--|
| 11SP | 0 | G10_059 | 'JONES STATION - TUCO INTERCHANGE 230KV<br>CKT 1'                | FROM->TO | 0.24044 | 347   | 'CARLISLE INTERCHANGE - DOUD SUB 115KV<br>CKT 1'                 |
| 11SP | 0 | G10_060 | 'JONES STATION - TUCO INTERCHANGE 230KV<br>CKT 1'                | FROM->TO | 0.22154 | 314.6 | 'BASE CASE'  |
| 11SP | 0 | G10_059 | 'JONES STATION - TUCO INTERCHANGE 230KV<br>CKT 1'                | FROM->TO | 0.22154 | 314.6 | 'BASE CASE'  |
| 11SP | 0 | G10_060 | 'JONES STATION - TUCO INTERCHANGE 230KV<br>CKT 1'                | FROM->TO | 0.22493 | 347   | 'LUBBOCK SOUTH INTERCHANGE 230/115KV<br>TRANSFORMER CKT 1'       |
| 11SP | 0 | G10_059 | 'JONES STATION - TUCO INTERCHANGE 230KV<br>CKT 1'                | FROM->TO | 0.22493 | 347   | 'LUBBOCK SOUTH INTERCHANGE 230/115KV<br>TRANSFORMER CKT 1'       |
| 11SP | 0 | G10_060 | 'JONES STATION - TUCO INTERCHANGE 230KV<br>CKT 1'                | FROM->TO | 0.22549 | 347   | 'ALLEN SUB - LUBBOCK SOUTH INTERCHANGE<br>115KV CKT 1'           |
| 11SP | 0 | G10_059 | 'JONES STATION - TUCO INTERCHANGE 230KV<br>CKT 1'                | FROM->TO | 0.22549 | 347   | 'ALLEN SUB - LUBBOCK SOUTH INTERCHANGE<br>115KV CKT 1'           |
| 11SP | 0 | G10_060 | 'PLANT X STATION - TOLK STATION WEST<br>230KV CKT 1'             | TO->FROM | 0.20319 | 501.1 | 'PLANT X STATION - TOLK STATION EAST<br>230KV CKT 2'             |
| 11SP | 0 | G10_059 | 'PLANT X STATION - TOLK STATION WEST<br>230KV CKT 1'             | TO->FROM | 0.20319 | 501.1 | 'PLANT X STATION - TOLK STATION EAST<br>230KV CKT 2'             |
| 11SP | 0 | G10_060 | 'DEAF SMITH COUNTY INTERCHANGE - PLANT<br>X STATION 230KV CKT 1' | TO->FROM | 0.19137 | 350.8 | 'BORDER 7345.00 - TUCO INTERCHANGE<br>345KV CKT 1'               |
| 11SP | 0 | G10_059 | 'DEAF SMITH COUNTY INTERCHANGE - PLANT<br>X STATION 230KV CKT 1' | TO->FROM | 0.19137 | 350.8 | 'BORDER 7345.00 - TUCO INTERCHANGE<br>345KV CKT 1'               |
| 11SP | 0 | G10_060 | 'AMOCO SWITCHING STATION - SUNDOWN<br>INTERCHANGE 230KV CKT 1'   | FROM->TO | 0.23857 | 350.9 | 'TOLK STATION WEST - YOAKUM COUNTY<br>INTERCHANGE 230KV CKT 1'   |
| 11SP | 0 | G10_059 | 'AMOCO SWITCHING STATION - SUNDOWN<br>INTERCHANGE 230KV CKT 1'   | FROM->TO | 0.23857 | 350.9 | 'TOLK STATION WEST - YOAKUM COUNTY<br>INTERCHANGE 230KV CKT 1'   |
| 11SP | 0 | G10_060 | 'CAPROCK REC-GRADY - CAPROCK REC-REED<br>138KV CKT 1'            | FROM->TO | 0.19941 | 270.8 | 'CAPROCK REC-BUCHANAN - CAPROCK REC-<br>RUSSEL TAP 138KV CKT 1'  |
| 11SP | 0 | G10_059 | 'CAPROCK REC-GRADY - CAPROCK REC-REED<br>138KV CKT 1'            | FROM->TO | 0.19941 | 270.8 | 'CAPROCK REC-BUCHANAN - CAPROCK REC-<br>RUSSEL TAP 138KV CKT 1'  |
| 11SP | 0 | G10_060 | 'PLANT X STATION - S-RANDLCO 230.00 230KV<br>CKT 1'              | FROM->TO | 0.1951  | 350.9 | 'DEAF SMITH COUNTY INTERCHANGE - PLANT<br>X STATION 230KV CKT 1' |
| 11SP | 0 | G10_059 | 'PLANT X STATION - S-RANDLCO 230.00 230KV<br>CKT 1'              | FROM->TO | 0.1951  | 350.9 | 'DEAF SMITH COUNTY INTERCHANGE - PLANT<br>X STATION 230KV CKT 1' |
| 11SP | 0 | G10_060 | 'JONES STATION - TUCO INTERCHANGE 230KV<br>CKT 1'                | FROM->TO | 0.24227 | 347   | 'LUBBOCK EAST INTERCHANGE - TUCO<br>INTERCHANGE 115KV CKT 1'     |
| 11SP | 0 | G10_059 | 'JONES STATION - TUCO INTERCHANGE 230KV<br>CKT 1'                | FROM->TO | 0.24227 | 347   | 'LUBBOCK EAST INTERCHANGE - TUCO<br>INTERCHANGE 115KV CKT 1'     |
| 11SP | 0 | G10_060 | 'PLANT X STATION - TOLK STATION EAST<br>230KV CKT 2'             | TO->FROM | 0.20132 | 501.2 | 'PLANT X STATION - TOLK STATION WEST<br>230KV CKT 1'             |
| 11SP | 0 | G10_059 | 'PLANT X STATION - TOLK STATION EAST<br>230KV CKT 2'             | TO->FROM | 0.20132 | 501.2 | 'PLANT X STATION - TOLK STATION WEST<br>230KV CKT 1'             |
| 11SP | 0 | G10_060 | 'CAPROCK REC-GRADY - CAPROCK REC-REED<br>138KV CKT 1'            | FROM->TO | 0.19941 | 270.8 | 'CAPROCK REC-RUSSEL TAP - CAPROCK REC-<br>VEALMOOR 138KV CKT 1'  |
| 11SP | 0 | G10_059 | 'CAPROCK REC-GRADY - CAPROCK REC-REED<br>138KV CKT 1'            | FROM->TO | 0.19941 | 270.8 | 'CAPROCK REC-RUSSEL TAP - CAPROCK REC-<br>VEALMOOR 138KV CKT 1'  |
| 11SP | 0 | G10_060 | 'JONES STATION - TUCO INTERCHANGE 230KV<br>CKT 1'                | FROM->TO | 0.23305 | 347   | 'DEAF SMITH COUNTY INTERCHANGE - PLANT<br>X STATION 230KV CKT 1' |
| 11SP | 0 | G10_059 | 'JONES STATION - TUCO INTERCHANGE 230KV<br>CKT 1'                | FROM->TO | 0.23305 | 347   | 'DEAF SMITH COUNTY INTERCHANGE - PLANT<br>X STATION 230KV CKT 1' |

|      |   |         |   |          |         |       |   |
|------|---|---------|---|----------|---------|-------|---|
| 11SP | 0 | G10_060 | 'JONES STATION - TUCO INTERCHANGE 230KV<br>CKT 1'             | FROM->TO | 0.23913 | 347   | 'TOLK STATION WEST - YOAKUM COUNTY<br>INTERCHANGE 230KV CKT 1'  |
| 11SP | 0 | G10_059 | 'JONES STATION - TUCO INTERCHANGE 230KV<br>CKT 1'             | FROM->TO | 0.23913 | 347   | 'TOLK STATION WEST - YOAKUM COUNTY<br>INTERCHANGE 230KV CKT 1'  |
| 11SP | 0 | G10_060 | 'JONES STATION - TUCO INTERCHANGE 230KV<br>CKT 1'             | FROM->TO | 0.23499 | 347   | 'CUNNINGHAM STATION - LEA COUNTY<br>INTERCHANGE 230KV CKT 1'    |
| 11SP | 0 | G10_059 | 'JONES STATION - TUCO INTERCHANGE 230KV<br>CKT 1'             | FROM->TO | 0.23499 | 347   | 'CUNNINGHAM STATION - LEA COUNTY<br>INTERCHANGE 230KV CKT 1'    |
| 11WP | 0 | G10_060 | 'HOBBS INTERCHANGE 230/115KV<br>TRANSFORMER CKT 1'            | FROM->TO | 0.6894  | 149.6 | 'HOBBS INTERCHANGE - LEA COUNTY<br>INTERCHANGE 230KV CKT 1'     |
| 11WP | 0 | G10_059 | 'HOBBS INTERCHANGE 230/115KV<br>TRANSFORMER CKT 1'            | FROM->TO | 0.6894  | 149.6 | 'HOBBS INTERCHANGE - LEA COUNTY<br>INTERCHANGE 230KV CKT 1'     |
| 11WP | 0 | G10_060 | 'MIDLAND COUNTY INTERCHANGE 230/138KV<br>TRANSFORMER CKT 1'   | FROM->TO | 1       | 209.9 | 'HOBBS INTERCHANGE - MIDLAND COUNTY<br>INTERCHANGE 230KV CKT 1' |
| 11WP | 0 | G10_059 | 'MIDLAND COUNTY INTERCHANGE 230/138KV<br>TRANSFORMER CKT 1'   | FROM->TO | 1       | 209.9 | 'HOBBS INTERCHANGE - MIDLAND COUNTY<br>INTERCHANGE 230KV CKT 1' |
| 11WP | 0 | G10_060 | 'CAPROCK REC-PHILLIPS - CAPROCK REC-<br>TATE 138KV CKT 1'     | TO->FROM | 1       | 271   | 'HOBBS INTERCHANGE - MIDLAND COUNTY<br>INTERCHANGE 230KV CKT 1' |
| 11WP | 0 | G10_059 | 'CAPROCK REC-PHILLIPS - CAPROCK REC-<br>TATE 138KV CKT 1'     | TO->FROM | 1       | 271   | 'HOBBS INTERCHANGE - MIDLAND COUNTY<br>INTERCHANGE 230KV CKT 1' |
| 11WP | 0 | G10_060 | 'BORDEN COUNTY INTERCHANGE 230/138KV<br>TRANSFORMER CKT 1'    | TO->FROM | 0.99979 | 167.8 | 'HOBBS INTERCHANGE - MIDLAND COUNTY<br>INTERCHANGE 230KV CKT 1' |
| 11WP | 0 | G10_059 | 'BORDEN COUNTY INTERCHANGE 230/138KV<br>TRANSFORMER CKT 1'    | TO->FROM | 0.99979 | 167.8 | 'HOBBS INTERCHANGE - MIDLAND COUNTY<br>INTERCHANGE 230KV CKT 1' |
| 11WP | 0 | G10_060 | 'CAPROCK REC-MCDONALD - CAPROCK REC-<br>PHILLIPS 138KV CKT 1' | TO->FROM | 1       | 271   | 'HOBBS INTERCHANGE - MIDLAND COUNTY<br>INTERCHANGE 230KV CKT 1' |
| 11WP | 0 | G10_059 | 'CAPROCK REC-MCDONALD - CAPROCK REC-<br>PHILLIPS 138KV CKT 1' | TO->FROM | 1       | 271   | 'HOBBS INTERCHANGE - MIDLAND COUNTY<br>INTERCHANGE 230KV CKT 1' |
| 11WP | 0 | G10_060 | 'CAPROCK REC-GRADY - CAPROCK REC-<br>TRIANGLE 138KV CKT 1'    | TO->FROM | 0.70437 | 175.9 | 'HOBBS INTERCHANGE - MIDLAND COUNTY<br>INTERCHANGE 230KV CKT 1' |
| 11WP | 0 | G10_059 | 'CAPROCK REC-GRADY - CAPROCK REC-<br>TRIANGLE 138KV CKT 1'    | TO->FROM | 0.70437 | 175.9 | 'HOBBS INTERCHANGE - MIDLAND COUNTY<br>INTERCHANGE 230KV CKT 1' |
| 11WP | 0 | G10_060 | 'CAPROCK REC-KOCH - CAPROCK REC-REED<br>138KV CKT 1'          | TO->FROM | 0.70437 | 175.9 | 'HOBBS INTERCHANGE - MIDLAND COUNTY<br>INTERCHANGE 230KV CKT 1' |
| 11WP | 0 | G10_059 | 'CAPROCK REC-KOCH - CAPROCK REC-REED<br>138KV CKT 1'          | TO->FROM | 0.70437 | 175.9 | 'HOBBS INTERCHANGE - MIDLAND COUNTY<br>INTERCHANGE 230KV CKT 1' |
| 11WP | 0 | G10_060 | 'CAPROCK REC-KOCH - CAPROCK REC-<br>VEALMOOR 138KV CKT 1'     | FROM->TO | 0.70437 | 175.9 | 'HOBBS INTERCHANGE - MIDLAND COUNTY<br>INTERCHANGE 230KV CKT 1' |
| 11WP | 0 | G10_059 | 'CAPROCK REC-KOCH - CAPROCK REC-<br>VEALMOOR 138KV CKT 1'     | FROM->TO | 0.70437 | 175.9 | 'HOBBS INTERCHANGE - MIDLAND COUNTY<br>INTERCHANGE 230KV CKT 1' |
| 11WP | 0 | G10_060 | 'CAPROCK REC-MCDONALD - CAPROCK REC-<br>TRIANGLE 138KV CKT 1' | FROM->TO | 0.70437 | 271   | 'HOBBS INTERCHANGE - MIDLAND COUNTY<br>INTERCHANGE 230KV CKT 1' |
| 11WP | 0 | G10_059 | 'CAPROCK REC-MCDONALD - CAPROCK REC-<br>TRIANGLE 138KV CKT 1' | FROM->TO | 0.70437 | 271   | 'HOBBS INTERCHANGE - MIDLAND COUNTY<br>INTERCHANGE 230KV CKT 1' |
| 11WP | 0 | G10_060 | 'MIDLAND COUNTY INTERCHANGE 230/138KV<br>TRANSFORMER CKT 1'   | FROM->TO | 0.30397 | 209.9 | 'HOBBS INTERCHANGE - LEA COUNTY<br>INTERCHANGE 230KV CKT 1'     |
| 11WP | 0 | G10_059 | 'MIDLAND COUNTY INTERCHANGE 230/138KV<br>TRANSFORMER CKT 1'   | FROM->TO | 0.30397 | 209.9 | 'HOBBS INTERCHANGE - LEA COUNTY<br>INTERCHANGE 230KV CKT 1'     |
| 11WP | 0 | G10_060 | 'MIDLAND COUNTY INTERCHANGE 230/138KV<br>TRANSFORMER CKT 1'   | FROM->TO | 0.22512 | 167.9 | 'BASE CASE'   |

|      |   |         |  |          |         |       |   |
|------|---|---------|--|----------|---------|-------|---|
| 11WP | 0 | G10_059 | 'MIDLAND COUNTY INTERCHANGE 230/138KV TRANSFORMER CKT 1'     | FROM->TO | 0.22512 | 167.9 | 'BASE CASE'   |
| 11WP | 0 | G10_060 | 'CAPROCK REC-GRADY - CAPROCK REC-REED 138KV CKT 1'           | FROM->TO | 0.70437 | 270.9 | 'HOBBS INTERCHANGE - MIDLAND COUNTY INTERCHANGE 230KV CKT 1'      |
| 11WP | 0 | G10_059 | 'CAPROCK REC-GRADY - CAPROCK REC-REED 138KV CKT 1'           | FROM->TO | 0.70437 | 270.9 | 'HOBBS INTERCHANGE - MIDLAND COUNTY INTERCHANGE 230KV CKT 1'      |
| 11WP | 0 | G10_060 | 'HOBBS INTERCHANGE - MIDLAND COUNTY INTERCHANGE 230KV CKT 1' | TO->FROM | 1       | 529   | 'MIDLAND COUNTY INTERCHANGE 230/138KV TRANSFORMER CKT 1'          |
| 11WP | 0 | G10_059 | 'HOBBS INTERCHANGE - MIDLAND COUNTY INTERCHANGE 230KV CKT 1' | TO->FROM | 1       | 529   | 'MIDLAND COUNTY INTERCHANGE 230/138KV TRANSFORMER CKT 1'          |
| 11WP | 0 | G10_060 | 'HOBBS INTERCHANGE - MIDLAND COUNTY INTERCHANGE 230KV CKT 1' | TO->FROM | 1       | 529   | 'CAPROCK REC-PHILLIPS - CAPROCK REC-TATE 138KV CKT 1'             |
| 11WP | 0 | G10_059 | 'HOBBS INTERCHANGE - MIDLAND COUNTY INTERCHANGE 230KV CKT 1' | TO->FROM | 1       | 529   | 'CAPROCK REC-PHILLIPS - CAPROCK REC-TATE 138KV CKT 1'             |
| 11WP | 0 | G10_060 | 'HOBBS INTERCHANGE - MIDLAND COUNTY INTERCHANGE 230KV CKT 1' | TO->FROM | 1       | 529   | 'CAPROCK REC-MCDONALD - CAPROCK REC-PHILLIPS 138KV CKT 1'         |
| 11WP | 0 | G10_059 | 'HOBBS INTERCHANGE - MIDLAND COUNTY INTERCHANGE 230KV CKT 1' | TO->FROM | 1       | 529   | 'CAPROCK REC-MCDONALD - CAPROCK REC-PHILLIPS 138KV CKT 1'         |
| 11WP | 0 | G10_060 | 'HOBBS INTERCHANGE 230/115KV TRANSFORMER CKT 1'              | FROM->TO | 0.19432 | 149.6 | 'CUNNINGHAM STATION - LEA COUNTY INTERCHANGE 230KV CKT 1'         |
| 11WP | 0 | G10_059 | 'HOBBS INTERCHANGE 230/115KV TRANSFORMER CKT 1'              | FROM->TO | 0.19432 | 149.6 | 'CUNNINGHAM STATION - LEA COUNTY INTERCHANGE 230KV CKT 1'         |
| 11WP | 0 | G10_060 | 'GRASSLAND INTERCHANGE - Jones Station Bus#2 230KV CKT 1'    | FROM->TO | 0.87621 | 360.5 | 'HOBBS INTERCHANGE - MIDLAND COUNTY INTERCHANGE 230KV CKT 1'      |
| 11WP | 0 | G10_059 | 'GRASSLAND INTERCHANGE - Jones Station Bus#2 230KV CKT 1'    | FROM->TO | 0.87621 | 360.5 | 'HOBBS INTERCHANGE - MIDLAND COUNTY INTERCHANGE 230KV CKT 1'      |
| 11WP | 0 | G10_060 | 'MIDLAND COUNTY INTERCHANGE 230/138KV TRANSFORMER CKT 1'     | FROM->TO | 0.24961 | 209.9 | 'LEA COUNTY INTERCHANGE - YOAKUM COUNTY INTERCHANGE 230KV CKT 1'  |
| 11WP | 0 | G10_059 | 'MIDLAND COUNTY INTERCHANGE 230/138KV TRANSFORMER CKT 1'     | FROM->TO | 0.24961 | 209.9 | 'LEA COUNTY INTERCHANGE - YOAKUM COUNTY INTERCHANGE 230KV CKT 1'  |
| 11WP | 0 | G10_060 | 'MIDLAND COUNTY INTERCHANGE 230/138KV TRANSFORMER CKT 1'     | FROM->TO | 0.23585 | 209.9 | 'AMOCO SWITCHING STATION - YOAKUM COUNTY INTERCHANGE 230KV CKT 1' |
| 11WP | 0 | G10_059 | 'MIDLAND COUNTY INTERCHANGE 230/138KV TRANSFORMER CKT 1'     | FROM->TO | 0.23585 | 209.9 | 'AMOCO SWITCHING STATION - YOAKUM COUNTY INTERCHANGE 230KV CKT 1' |
| 11WP | 0 | G10_060 | 'MIDLAND COUNTY INTERCHANGE 230/138KV TRANSFORMER CKT 1'     | FROM->TO | 0.23846 | 209.9 | 'CUNNINGHAM STATION - LEA COUNTY INTERCHANGE 230KV CKT 1'         |
| 11WP | 0 | G10_059 | 'MIDLAND COUNTY INTERCHANGE 230/138KV TRANSFORMER CKT 1'     | FROM->TO | 0.23846 | 209.9 | 'CUNNINGHAM STATION - LEA COUNTY INTERCHANGE 230KV CKT 1'         |
| 11WP | 0 | G10_060 | 'MIDLAND COUNTY INTERCHANGE 230/138KV TRANSFORMER CKT 1'     | FROM->TO | 0.2306  | 209.9 | 'TOLK STATION EAST - TUCO INTERCHANGE 230KV CKT 1'                |
| 11WP | 0 | G10_059 | 'MIDLAND COUNTY INTERCHANGE 230/138KV TRANSFORMER CKT 1'     | FROM->TO | 0.2306  | 209.9 | 'TOLK STATION EAST - TUCO INTERCHANGE 230KV CKT 1'                |
| 11WP | 0 | G10_060 | 'HOBBS INTERCHANGE - LEA COUNTY INTERCHANGE 230KV CKT 1'     | FROM->TO | 0.88328 | 689.3 | 'MIDLAND COUNTY INTERCHANGE 230/138KV TRANSFORMER CKT 1'          |
| 11WP | 0 | G10_059 | 'HOBBS INTERCHANGE - LEA COUNTY INTERCHANGE 230KV CKT 1'     | FROM->TO | 0.88328 | 689.3 | 'MIDLAND COUNTY INTERCHANGE 230/138KV TRANSFORMER CKT 1'          |
| 11WP | 0 | G10_060 | 'MIDLAND COUNTY INTERCHANGE 230/138KV TRANSFORMER CKT 1'     | FROM->TO | 0.23289 | 209.9 | 'SUNDOWN INTERCHANGE - WOLFFORTH INTERCHANGE 230KV CKT 1'         |
| 11WP | 0 | G10_059 | 'MIDLAND COUNTY INTERCHANGE 230/138KV TRANSFORMER CKT 1'     | FROM->TO | 0.23289 | 209.9 | 'SUNDOWN INTERCHANGE - WOLFFORTH INTERCHANGE 230KV CKT 1'         |

|      |   |         |  |          |         |       |  |
|------|---|---------|--|----------|---------|-------|--|
| 11WP | 0 | G10_060 | 'MIDLAND COUNTY INTERCHANGE 230/138KV TRANSFORMER CKT 1' | FROM->TO | 0.23141 | 209.9 | 'CUNNINGHAM STATION - EDDY COUNTY INTERCHANGE 230KV CKT 1'         |
| 11WP | 0 | G10_059 | 'MIDLAND COUNTY INTERCHANGE 230/138KV TRANSFORMER CKT 1' | FROM->TO | 0.23141 | 209.9 | 'CUNNINGHAM STATION - EDDY COUNTY INTERCHANGE 230KV CKT 1'         |
| 11WP | 0 | G10_060 | 'HOBBS INTERCHANGE - LEA COUNTY INTERCHANGE 230KV CKT 1' | FROM->TO | 0.88328 | 689.3 | 'CAPROCK REC-PHILLIPS - CAPROCK REC-TATE 138KV CKT 1'              |
| 11WP | 0 | G10_059 | 'HOBBS INTERCHANGE - LEA COUNTY INTERCHANGE 230KV CKT 1' | FROM->TO | 0.88328 | 689.3 | 'CAPROCK REC-PHILLIPS - CAPROCK REC-TATE 138KV CKT 1'              |
| 11WP | 0 | G10_060 | 'MIDLAND COUNTY INTERCHANGE 230/138KV TRANSFORMER CKT 1' | FROM->TO | 0.22512 | 209.9 | 'Jones Station Bus#2 230/22.0KV TRANSFORMER CKT 1'                 |
| 11WP | 0 | G10_059 | 'MIDLAND COUNTY INTERCHANGE 230/138KV TRANSFORMER CKT 1' | FROM->TO | 0.22512 | 209.9 | 'Jones Station Bus#2 230/22.0KV TRANSFORMER CKT 1'                 |
| 11WP | 0 | G10_060 | 'MIDLAND COUNTY INTERCHANGE 230/138KV TRANSFORMER CKT 1' | FROM->TO | 0.22512 | 209.9 | 'Jones Station Bus#2 230/22.0KV TRANSFORMER CKT 1'                 |
| 11WP | 0 | G10_059 | 'MIDLAND COUNTY INTERCHANGE 230/138KV TRANSFORMER CKT 1' | FROM->TO | 0.22512 | 209.9 | 'Jones Station Bus#2 230/22.0KV TRANSFORMER CKT 1'                 |
| 11WP | 0 | G10_060 | 'MIDLAND COUNTY INTERCHANGE 230/138KV TRANSFORMER CKT 1' | FROM->TO | 0.22791 | 209.9 | 'CUNNINGHAM STATION - POTASH JUNCTION INTERCHANGE 230KV CKT 1'     |
| 11WP | 0 | G10_059 | 'MIDLAND COUNTY INTERCHANGE 230/138KV TRANSFORMER CKT 1' | FROM->TO | 0.22791 | 209.9 | 'CUNNINGHAM STATION - POTASH JUNCTION INTERCHANGE 230KV CKT 1'     |
| 11WP | 0 | G10_060 | 'MIDLAND COUNTY INTERCHANGE 230/138KV TRANSFORMER CKT 1' | FROM->TO | 0.23585 | 209.9 | 'AMOCO SWITCHING STATION - SUNDOWN INTERCHANGE 230KV CKT 1'        |
| 11WP | 0 | G10_059 | 'MIDLAND COUNTY INTERCHANGE 230/138KV TRANSFORMER CKT 1' | FROM->TO | 0.23585 | 209.9 | 'AMOCO SWITCHING STATION - SUNDOWN INTERCHANGE 230KV CKT 1'        |
| 11WP | 0 | G10_060 | 'MIDLAND COUNTY INTERCHANGE 230/138KV TRANSFORMER CKT 1' | FROM->TO | 0.22984 | 209.9 | 'TERRY COUNTY INTERCHANGE - WOLFFORTH INTERCHANGE 115KV CKT 1'     |
| 11WP | 0 | G10_059 | 'MIDLAND COUNTY INTERCHANGE 230/138KV TRANSFORMER CKT 1' | FROM->TO | 0.22984 | 209.9 | 'TERRY COUNTY INTERCHANGE - WOLFFORTH INTERCHANGE 115KV CKT 1'     |
| 11WP | 0 | G10_060 | 'MIDLAND COUNTY INTERCHANGE 230/138KV TRANSFORMER CKT 1' | FROM->TO | 0.2253  | 209.9 | 'SPP-SWPS-T14'   |
| 11WP | 0 | G10_059 | 'MIDLAND COUNTY INTERCHANGE 230/138KV TRANSFORMER CKT 1' | FROM->TO | 0.2253  | 209.9 | 'SPP-SWPS-T14'   |
| 11WP | 0 | G10_060 | 'MIDLAND COUNTY INTERCHANGE 230/138KV TRANSFORMER CKT 1' | FROM->TO | 0.23287 | 209.9 | 'LUBBOCK SOUTH INTERCHANGE - WOLFFORTH INTERCHANGE 230KV CKT 1'    |
| 11WP | 0 | G10_059 | 'MIDLAND COUNTY INTERCHANGE 230/138KV TRANSFORMER CKT 1' | FROM->TO | 0.23287 | 209.9 | 'LUBBOCK SOUTH INTERCHANGE - WOLFFORTH INTERCHANGE 230KV CKT 1'    |
| 11WP | 0 | G10_060 | 'MIDLAND COUNTY INTERCHANGE 230/138KV TRANSFORMER CKT 1' | FROM->TO | 0.22717 | 209.9 | 'WOLFFORTH INTERCHANGE - YUMA INTERCHANGE 115KV CKT 1'             |
| 11WP | 0 | G10_059 | 'MIDLAND COUNTY INTERCHANGE 230/138KV TRANSFORMER CKT 1' | FROM->TO | 0.22717 | 209.9 | 'WOLFFORTH INTERCHANGE - YUMA INTERCHANGE 115KV CKT 1'             |
| 11WP | 0 | G10_060 | 'HOBBS INTERCHANGE - LEA COUNTY INTERCHANGE 230KV CKT 1' | FROM->TO | 0.88328 | 689.3 | 'CAPROCK REC-MCDONALD - CAPROCK REC-PHILLIPS 138KV CKT 1'          |
| 11WP | 0 | G10_059 | 'HOBBS INTERCHANGE - LEA COUNTY INTERCHANGE 230KV CKT 1' | FROM->TO | 0.88328 | 689.3 | 'CAPROCK REC-MCDONALD - CAPROCK REC-PHILLIPS 138KV CKT 1'          |
| 11WP | 0 | G10_060 | 'MIDLAND COUNTY INTERCHANGE 230/138KV TRANSFORMER CKT 1' | FROM->TO | 0.22722 | 209.9 | 'CHAVES COUNTY INTERCHANGE - EDDY COUNTY INTERCHANGE 230KV CKT 1'  |
| 11WP | 0 | G10_059 | 'MIDLAND COUNTY INTERCHANGE 230/138KV TRANSFORMER CKT 1' | FROM->TO | 0.22722 | 209.9 | 'CHAVES COUNTY INTERCHANGE - EDDY COUNTY INTERCHANGE 230KV CKT 1'  |
| 11WP | 0 | G10_060 | 'MIDLAND COUNTY INTERCHANGE 230/138KV TRANSFORMER CKT 1' | FROM->TO | 0.22771 | 209.9 | 'GAINES COUNTY INTERCHANGE - TAYLOR SWITCHING STATION 115KV CKT 1' |

|      |   |         |   |          |         |       |  |
|------|---|---------|---|----------|---------|-------|--|
| 11WP | 0 | G10_059 | 'MIDLAND COUNTY INTERCHANGE 230/138KV TRANSFORMER CKT 1'        | FROM->TO | 0.22771 | 209.9 | 'GAINES COUNTY INTERCHANGE - TAYLOR SWITCHING STATION 115KV CKT 1' |
| 11WP | 0 | G10_060 | 'MIDLAND COUNTY INTERCHANGE 230/138KV TRANSFORMER CKT 1'        | FROM->TO | 0.22715 | 209.9 | 'HOBBS INTERCHANGE - Higg Switch Station 115KV CKT 1'              |
| 11WP | 0 | G10_059 | 'MIDLAND COUNTY INTERCHANGE 230/138KV TRANSFORMER CKT 1'        | FROM->TO | 0.22715 | 209.9 | 'HOBBS INTERCHANGE - Higg Switch Station 115KV CKT 1'              |
| 11WP | 0 | G10_060 | 'MIDLAND COUNTY INTERCHANGE 230/138KV TRANSFORMER CKT 1'        | FROM->TO | 0.22689 | 209.9 | 'PECOS INTERCHANGE - POTASH JUNCTION INTERCHANGE 230KV CKT 1'      |
| 11WP | 0 | G10_059 | 'MIDLAND COUNTY INTERCHANGE 230/138KV TRANSFORMER CKT 1'        | FROM->TO | 0.22689 | 209.9 | 'PECOS INTERCHANGE - POTASH JUNCTION INTERCHANGE 230KV CKT 1'      |
| 11WP | 0 | G10_060 | 'CAPROCK REC-STILES - G09-17T 138.00 138KV CKT 1'               | TO->FROM | 0.29541 | 175.9 | 'HOBBS INTERCHANGE - MIDLAND COUNTY INTERCHANGE 230KV CKT 1'       |
| 11WP | 0 | G10_059 | 'CAPROCK REC-STILES - G09-17T 138.00 138KV CKT 1'               | TO->FROM | 0.29541 | 175.9 | 'HOBBS INTERCHANGE - MIDLAND COUNTY INTERCHANGE 230KV CKT 1'       |
| 11WP | 0 | G10_060 | 'HOBBS INTERCHANGE - MIDLAND COUNTY INTERCHANGE 230KV CKT 1'    | TO->FROM | 0.99979 | 529   | 'SPP-SWPS-K48'   |
| 11WP | 0 | G10_059 | 'HOBBS INTERCHANGE - MIDLAND COUNTY INTERCHANGE 230KV CKT 1'    | TO->FROM | 0.99979 | 529   | 'SPP-SWPS-K48'   |
| 11WP | 0 | G10_060 | 'HOBBS INTERCHANGE - MIDLAND COUNTY INTERCHANGE 230KV CKT 1'    | TO->FROM | 0.99979 | 529   | 'BORDEN COUNTY INTERCHANGE 230/138KV TRANSFORMER CKT 1'            |
| 11WP | 0 | G10_059 | 'HOBBS INTERCHANGE - MIDLAND COUNTY INTERCHANGE 230KV CKT 1'    | TO->FROM | 0.99979 | 529   | 'BORDEN COUNTY INTERCHANGE 230/138KV TRANSFORMER CKT 1'            |
| 11WP | 0 | G10_060 | 'HOBBS INTERCHANGE - MIDLAND COUNTY INTERCHANGE 230KV CKT 1'    | TO->FROM | 0.99979 | 529   | 'BORDEN COUNTY INTERCHANGE - GRASSLAND INTERCHANGE 230KV CKT 1'    |
| 11WP | 0 | G10_059 | 'HOBBS INTERCHANGE - MIDLAND COUNTY INTERCHANGE 230KV CKT 1'    | TO->FROM | 0.99979 | 529   | 'BORDEN COUNTY INTERCHANGE - GRASSLAND INTERCHANGE 230KV CKT 1'    |
| 11WP | 0 | G10_060 | 'BORDEN COUNTY INTERCHANGE - GRASSLAND INTERCHANGE 230KV CKT 1' | FROM->TO | 0.99979 | 529   | 'HOBBS INTERCHANGE - MIDLAND COUNTY INTERCHANGE 230KV CKT 1'       |
| 11WP | 0 | G10_059 | 'BORDEN COUNTY INTERCHANGE - GRASSLAND INTERCHANGE 230KV CKT 1' | FROM->TO | 0.99979 | 529   | 'HOBBS INTERCHANGE - MIDLAND COUNTY INTERCHANGE 230KV CKT 1'       |
| 11WP | 0 | G10_060 | 'CAPROCK REC-PEMBROOK - G09-17T 138.00 138KV CKT 1'             | FROM->TO | 0.29563 | 175.9 | 'HOBBS INTERCHANGE - MIDLAND COUNTY INTERCHANGE 230KV CKT 1'       |
| 11WP | 0 | G10_059 | 'CAPROCK REC-PEMBROOK - G09-17T 138.00 138KV CKT 1'             | FROM->TO | 0.29563 | 175.9 | 'HOBBS INTERCHANGE - MIDLAND COUNTY INTERCHANGE 230KV CKT 1'       |
| 11WP | 0 | G10_060 | 'CAPROCK REC-PHILLIPS - CAPROCK REC-TATE 138KV CKT 1'           | TO->FROM | 0.30397 | 271   | 'HOBBS INTERCHANGE - LEA COUNTY INTERCHANGE 230KV CKT 1'           |
| 11WP | 0 | G10_059 | 'CAPROCK REC-PHILLIPS - CAPROCK REC-TATE 138KV CKT 1'           | TO->FROM | 0.30397 | 271   | 'HOBBS INTERCHANGE - LEA COUNTY INTERCHANGE 230KV CKT 1'           |
| 11WP | 0 | G10_060 | 'CAPROCK REC-PHILLIPS - CAPROCK REC-TATE 138KV CKT 1'           | TO->FROM | 0.22512 | 208   | 'BASE CASE'  |
| 11WP | 0 | G10_059 | 'CAPROCK REC-PHILLIPS - CAPROCK REC-TATE 138KV CKT 1'           | TO->FROM | 0.22512 | 208   | 'BASE CASE'  |
| 11WP | 0 | G10_060 | 'HOBBS INTERCHANGE - MIDLAND COUNTY INTERCHANGE 230KV CKT 1'    | TO->FROM | 0.86919 | 529   | 'CAPROCK REC-MCDONALD - CAPROCK REC-TRIANGLE 138KV CKT 1'          |
| 11WP | 0 | G10_059 | 'HOBBS INTERCHANGE - MIDLAND COUNTY INTERCHANGE 230KV CKT 1'    | TO->FROM | 0.86919 | 529   | 'CAPROCK REC-MCDONALD - CAPROCK REC-TRIANGLE 138KV CKT 1'          |
| 11WP | 0 | G10_060 | 'HOBBS INTERCHANGE - MIDLAND COUNTY INTERCHANGE 230KV CKT 1'    | TO->FROM | 0.86919 | 529   | 'CAPROCK REC-GRADY - CAPROCK REC-TRIANGLE 138KV CKT 1'             |
| 11WP | 0 | G10_059 | 'HOBBS INTERCHANGE - MIDLAND COUNTY INTERCHANGE 230KV CKT 1'    | TO->FROM | 0.86919 | 529   | 'CAPROCK REC-GRADY - CAPROCK REC-TRIANGLE 138KV CKT 1'             |



|      |   |         |  |          |         |       |   |
|------|---|---------|--|----------|---------|-------|---|
| 11WP | 0 | G10_060 | 'BORDEN COUNTY INTERCHANGE 230/138KV TRANSFORMER CKT 1'      | TO->FROM | 0.30375 | 167.8 | 'HOBBS INTERCHANGE - LEA COUNTY INTERCHANGE 230KV CKT 1'        |
| 11WP | 0 | G10_059 | 'BORDEN COUNTY INTERCHANGE 230/138KV TRANSFORMER CKT 1'      | TO->FROM | 0.30375 | 167.8 | 'HOBBS INTERCHANGE - LEA COUNTY INTERCHANGE 230KV CKT 1'        |
| 11WP | 0 | G10_060 | 'CAPROCK REC-LANGE - CAPROCK REC-ST LAWRENCE 138KV CKT 1'    | TO->FROM | 0.29541 | 176   | 'HOBBS INTERCHANGE - MIDLAND COUNTY INTERCHANGE 230KV CKT 1'    |
| 11WP | 0 | G10_059 | 'CAPROCK REC-LANGE - CAPROCK REC-ST LAWRENCE 138KV CKT 1'    | TO->FROM | 0.29541 | 176   | 'HOBBS INTERCHANGE - MIDLAND COUNTY INTERCHANGE 230KV CKT 1'    |
| 11WP | 0 | G10_060 | 'HOBBS INTERCHANGE - MIDLAND COUNTY INTERCHANGE 230KV CKT 1' | TO->FROM | 0.86919 | 529   | 'CAPROCK REC-GRADY - CAPROCK REC-REED 138KV CKT 1'              |
| 11WP | 0 | G10_059 | 'HOBBS INTERCHANGE - MIDLAND COUNTY INTERCHANGE 230KV CKT 1' | TO->FROM | 0.86919 | 529   | 'CAPROCK REC-GRADY - CAPROCK REC-REED 138KV CKT 1'              |
| 11WP | 0 | G10_060 | 'HOBBS INTERCHANGE - MIDLAND COUNTY INTERCHANGE 230KV CKT 1' | TO->FROM | 0.86919 | 529   | 'CAPROCK REC-KOCH - CAPROCK REC-REED 138KV CKT 1'               |
| 11WP | 0 | G10_059 | 'HOBBS INTERCHANGE - MIDLAND COUNTY INTERCHANGE 230KV CKT 1' | TO->FROM | 0.86919 | 529   | 'CAPROCK REC-KOCH - CAPROCK REC-REED 138KV CKT 1'               |
| 11WP | 0 | G10_060 | 'HOBBS INTERCHANGE - MIDLAND COUNTY INTERCHANGE 230KV CKT 1' | TO->FROM | 0.86919 | 529   | 'CAPROCK REC-KOCH - CAPROCK REC-VEALMOOR 138KV CKT 1'           |
| 11WP | 0 | G10_059 | 'HOBBS INTERCHANGE - MIDLAND COUNTY INTERCHANGE 230KV CKT 1' | TO->FROM | 0.86919 | 529   | 'CAPROCK REC-KOCH - CAPROCK REC-VEALMOOR 138KV CKT 1'           |
| 11WP | 0 | G10_060 | 'HOBBS INTERCHANGE - LEA COUNTY INTERCHANGE 230KV CKT 1'     | FROM->TO | 0.68341 | 567.5 | 'BASE CASE'   |
| 11WP | 0 | G10_059 | 'HOBBS INTERCHANGE - LEA COUNTY INTERCHANGE 230KV CKT 1'     | FROM->TO | 0.68341 | 567.5 | 'BASE CASE'   |
| 11WP | 0 | G10_060 | 'CAPROCK REC-MCDONALD - CAPROCK REC-PHILLIPS 138KV CKT 1'    | TO->FROM | 0.30397 | 271   | 'HOBBS INTERCHANGE - LEA COUNTY INTERCHANGE 230KV CKT 1'        |
| 11WP | 0 | G10_059 | 'CAPROCK REC-MCDONALD - CAPROCK REC-PHILLIPS 138KV CKT 1'    | TO->FROM | 0.30397 | 271   | 'HOBBS INTERCHANGE - LEA COUNTY INTERCHANGE 230KV CKT 1'        |
| 11WP | 0 | G10_060 | 'HOBBS INTERCHANGE - LEA COUNTY INTERCHANGE 230KV CKT 1'     | FROM->TO | 0.88309 | 689.3 | 'SPP-SWPS-K48'  |
| 11WP | 0 | G10_059 | 'HOBBS INTERCHANGE - LEA COUNTY INTERCHANGE 230KV CKT 1'     | FROM->TO | 0.88309 | 689.3 | 'SPP-SWPS-K48'  |
| 11WP | 0 | G10_060 | 'HOBBS INTERCHANGE - LEA COUNTY INTERCHANGE 230KV CKT 1'     | FROM->TO | 0.88309 | 689.3 | 'BORDEN COUNTY INTERCHANGE 230/138KV TRANSFORMER CKT 1'         |
| 11WP | 0 | G10_059 | 'HOBBS INTERCHANGE - LEA COUNTY INTERCHANGE 230KV CKT 1'     | FROM->TO | 0.88309 | 689.3 | 'BORDEN COUNTY INTERCHANGE 230/138KV TRANSFORMER CKT 1'         |
| 11WP | 0 | G10_060 | 'HOBBS INTERCHANGE - LEA COUNTY INTERCHANGE 230KV CKT 1'     | FROM->TO | 0.88309 | 689.3 | 'BORDEN COUNTY INTERCHANGE - GRASSLAND INTERCHANGE 230KV CKT 1' |
| 11WP | 0 | G10_059 | 'HOBBS INTERCHANGE - LEA COUNTY INTERCHANGE 230KV CKT 1'     | FROM->TO | 0.88309 | 689.3 | 'BORDEN COUNTY INTERCHANGE - GRASSLAND INTERCHANGE 230KV CKT 1' |
| 11WP | 0 | G10_060 | 'HOBBS INTERCHANGE - MIDLAND COUNTY INTERCHANGE 230KV CKT 1' | TO->FROM | 0.80029 | 529   | 'CAPROCK REC-MCDONALD - CR-1956 4138.00 138KV CKT 1'            |
| 11WP | 0 | G10_059 | 'HOBBS INTERCHANGE - MIDLAND COUNTY INTERCHANGE 230KV CKT 1' | TO->FROM | 0.80029 | 529   | 'CAPROCK REC-MCDONALD - CR-1956 4138.00 138KV CKT 1'            |
| 11WP | 0 | G10_060 | 'HOBBS INTERCHANGE - MIDLAND COUNTY INTERCHANGE 230KV CKT 1' | TO->FROM | 0.80029 | 529   | 'CAPROCK REC-NEW SCHWARTZ - CR-1956 4138.00 138KV CKT 1'        |
| 11WP | 0 | G10_059 | 'HOBBS INTERCHANGE - MIDLAND COUNTY INTERCHANGE 230KV CKT 1' | TO->FROM | 0.80029 | 529   | 'CAPROCK REC-NEW SCHWARTZ - CR-1956 4138.00 138KV CKT 1'        |
| 11WP | 0 | G10_060 | 'CAPROCK REC-MCDONALD - CAPROCK REC-PHILLIPS 138KV CKT 1'    | TO->FROM | 0.22512 | 208   | 'BASE CASE'   |

|      |   |         |  |          |         |       |   |
|------|---|---------|--|----------|---------|-------|---|
| 11WP | 0 | G10_059 | 'CAPROCK REC-MCDONALD - CAPROCK REC-PHILLIPS 138KV CKT 1'    | TO->FROM | 0.22512 | 208   | 'BASE CASE'   |
| 11WP | 0 | G10_060 | 'HOBBS INTERCHANGE - MIDLAND COUNTY INTERCHANGE 230KV CKT 1' | TO->FROM | 0.80021 | 529   | 'CAPROCK REC-STILES - G09-17T 138.00 138KV CKT 1'             |
| 11WP | 0 | G10_059 | 'HOBBS INTERCHANGE - MIDLAND COUNTY INTERCHANGE 230KV CKT 1' | TO->FROM | 0.80021 | 529   | 'CAPROCK REC-STILES - G09-17T 138.00 138KV CKT 1'             |
| 11WP | 0 | G10_060 | 'HOBBS INTERCHANGE - MIDLAND COUNTY INTERCHANGE 230KV CKT 1' | TO->FROM | 0.80029 | 529   | 'CAPROCK REC-NEW SCHWARTZ - CAPROCK REC-PEMBROOK 138KV CKT 1' |
| 11WP | 0 | G10_059 | 'HOBBS INTERCHANGE - MIDLAND COUNTY INTERCHANGE 230KV CKT 1' | TO->FROM | 0.80029 | 529   | 'CAPROCK REC-NEW SCHWARTZ - CAPROCK REC-PEMBROOK 138KV CKT 1' |
| 11WP | 0 | G10_060 | 'HOBBS INTERCHANGE - MIDLAND COUNTY INTERCHANGE 230KV CKT 1' | TO->FROM | 0.82994 | 529   | 'GRASSLAND INTERCHANGE - Jones Station Bus#2 230KV CKT 1'     |
| 11WP | 0 | G10_059 | 'HOBBS INTERCHANGE - MIDLAND COUNTY INTERCHANGE 230KV CKT 1' | TO->FROM | 0.82994 | 529   | 'GRASSLAND INTERCHANGE - Jones Station Bus#2 230KV CKT 1'     |
| 11WP | 0 | G10_060 | 'HOBBS INTERCHANGE - MIDLAND COUNTY INTERCHANGE 230KV CKT 1' | TO->FROM | 0.80029 | 529   | 'CAPROCK REC-PEMBROOK - G09-17T 138.00 138KV CKT 1'           |
| 11WP | 0 | G10_059 | 'HOBBS INTERCHANGE - MIDLAND COUNTY INTERCHANGE 230KV CKT 1' | TO->FROM | 0.80029 | 529   | 'CAPROCK REC-PEMBROOK - G09-17T 138.00 138KV CKT 1'           |
| 11WP | 0 | G10_060 | 'HOBBS INTERCHANGE - LEA COUNTY INTERCHANGE 230KV CKT 1'     | FROM->TO | 0.76687 | 689.3 | 'HOBBS INTERCHANGE 230/115KV TRANSFORMER CKT 1'               |
| 11WP | 0 | G10_059 | 'HOBBS INTERCHANGE - LEA COUNTY INTERCHANGE 230KV CKT 1'     | FROM->TO | 0.76687 | 689.3 | 'HOBBS INTERCHANGE 230/115KV TRANSFORMER CKT 1'               |
| 11WP | 0 | G10_060 | 'HOBBS INTERCHANGE - MIDLAND COUNTY INTERCHANGE 230KV CKT 1' | TO->FROM | 0.80021 | 529   | 'CAPROCK REC-ST LAWRENCE - CAPROCK REC-STILES 138KV CKT 1'    |
| 11WP | 0 | G10_059 | 'HOBBS INTERCHANGE - MIDLAND COUNTY INTERCHANGE 230KV CKT 1' | TO->FROM | 0.80021 | 529   | 'CAPROCK REC-ST LAWRENCE - CAPROCK REC-STILES 138KV CKT 1'    |
| 11WP | 0 | G10_060 | 'HOBBS INTERCHANGE - MIDLAND COUNTY INTERCHANGE 230KV CKT 1' | TO->FROM | 0.80021 | 529   | 'CAPROCK REC-LANGE - CAPROCK REC-ST LAWRENCE 138KV CKT 1'     |
| 11WP | 0 | G10_059 | 'HOBBS INTERCHANGE - MIDLAND COUNTY INTERCHANGE 230KV CKT 1' | TO->FROM | 0.80021 | 529   | 'CAPROCK REC-LANGE - CAPROCK REC-ST LAWRENCE 138KV CKT 1'     |
| 11WP | 0 | G10_060 | 'HOBBS INTERCHANGE - MIDLAND COUNTY INTERCHANGE 230KV CKT 1' | TO->FROM | 0.77488 | 529   | 'HOBBS INTERCHANGE 230/18.0KV TRANSFORMER CKT 1'              |
| 11WP | 0 | G10_059 | 'HOBBS INTERCHANGE - MIDLAND COUNTY INTERCHANGE 230KV CKT 1' | TO->FROM | 0.77488 | 529   | 'HOBBS INTERCHANGE 230/18.0KV TRANSFORMER CKT 1'              |
| 11WP | 0 | G10_060 | 'HOBBS INTERCHANGE - MIDLAND COUNTY INTERCHANGE 230KV CKT 1' | TO->FROM | 0.77488 | 526   | 'BASE CASE'   |
| 11WP | 0 | G10_059 | 'HOBBS INTERCHANGE - MIDLAND COUNTY INTERCHANGE 230KV CKT 1' | TO->FROM | 0.77488 | 526   | 'BASE CASE'   |
| 11WP | 0 | G10_060 | 'HOBBS INTERCHANGE - LEA COUNTY INTERCHANGE 230KV CKT 1'     | FROM->TO | 0.76714 | 689.3 | 'CAPROCK REC-MCDONALD - CAPROCK REC-TRIANGLE 138KV CKT 1'     |
| 11WP | 0 | G10_059 | 'HOBBS INTERCHANGE - LEA COUNTY INTERCHANGE 230KV CKT 1'     | FROM->TO | 0.76714 | 689.3 | 'CAPROCK REC-MCDONALD - CAPROCK REC-TRIANGLE 138KV CKT 1'     |
| 11WP | 0 | G10_060 | 'HOBBS INTERCHANGE - LEA COUNTY INTERCHANGE 230KV CKT 1'     | FROM->TO | 0.76714 | 689.3 | 'CAPROCK REC-GRADY - CAPROCK REC-TRIANGLE 138KV CKT 1'        |
| 11WP | 0 | G10_059 | 'HOBBS INTERCHANGE - LEA COUNTY INTERCHANGE 230KV CKT 1'     | FROM->TO | 0.76714 | 689.3 | 'CAPROCK REC-GRADY - CAPROCK REC-TRIANGLE 138KV CKT 1'        |
| 11WP | 0 | G10_060 | 'HOBBS INTERCHANGE - LEA COUNTY INTERCHANGE 230KV CKT 1'     | FROM->TO | 0.76714 | 689.3 | 'CAPROCK REC-GRADY - CAPROCK REC-REED 138KV CKT 1'            |
| 11WP | 0 | G10_059 | 'HOBBS INTERCHANGE - LEA COUNTY INTERCHANGE 230KV CKT 1'     | FROM->TO | 0.76714 | 689.3 | 'CAPROCK REC-GRADY - CAPROCK REC-REED 138KV CKT 1'            |

|      |   |         |  |          |         |       |   |
|------|---|---------|--|----------|---------|-------|---|
| 11WP | 0 | G10_060 | 'HOBBS INTERCHANGE - LEA COUNTY INTERCHANGE 230KV CKT 1'         | FROM->TO | 0.76714 | 689.3 | 'CAPROCK REC-KOCH - CAPROCK REC-REED 138KV CKT 1'             |
| 11WP | 0 | G10_059 | 'HOBBS INTERCHANGE - LEA COUNTY INTERCHANGE 230KV CKT 1'         | FROM->TO | 0.76714 | 689.3 | 'CAPROCK REC-KOCH - CAPROCK REC-REED 138KV CKT 1'             |
| 11WP | 0 | G10_060 | 'HOBBS INTERCHANGE - LEA COUNTY INTERCHANGE 230KV CKT 1'         | FROM->TO | 0.76714 | 689.3 | 'CAPROCK REC-KOCH - CAPROCK REC-VEALMOOR 138KV CKT 1'         |
| 11WP | 0 | G10_059 | 'HOBBS INTERCHANGE - LEA COUNTY INTERCHANGE 230KV CKT 1'         | FROM->TO | 0.76714 | 689.3 | 'CAPROCK REC-KOCH - CAPROCK REC-VEALMOOR 138KV CKT 1'         |
| 11WP | 0 | G10_060 | 'LEA COUNTY INTERCHANGE - YOAKUM COUNTY INTERCHANGE 230KV CKT 1' | FROM->TO | 0.38437 | 360.7 | 'MIDLAND COUNTY INTERCHANGE 230/138KV TRANSFORMER CKT 1'      |
| 11WP | 0 | G10_059 | 'LEA COUNTY INTERCHANGE - YOAKUM COUNTY INTERCHANGE 230KV CKT 1' | FROM->TO | 0.38437 | 360.7 | 'MIDLAND COUNTY INTERCHANGE 230/138KV TRANSFORMER CKT 1'      |
| 11WP | 0 | G10_060 | 'CAPROCK REC-GRADY - CAPROCK REC-TRIANGLE 138KV CKT 1'           | TO->FROM | 0.21403 | 175.9 | 'HOBBS INTERCHANGE - LEA COUNTY INTERCHANGE 230KV CKT 1'      |
| 11WP | 0 | G10_059 | 'CAPROCK REC-GRADY - CAPROCK REC-TRIANGLE 138KV CKT 1'           | TO->FROM | 0.21403 | 175.9 | 'HOBBS INTERCHANGE - LEA COUNTY INTERCHANGE 230KV CKT 1'      |
| 11WP | 0 | G10_060 | 'LEA COUNTY INTERCHANGE - YOAKUM COUNTY INTERCHANGE 230KV CKT 1' | FROM->TO | 0.38437 | 360.7 | 'CAPROCK REC-PHILLIPS - CAPROCK REC-TATE 138KV CKT 1'         |
| 11WP | 0 | G10_059 | 'LEA COUNTY INTERCHANGE - YOAKUM COUNTY INTERCHANGE 230KV CKT 1' | FROM->TO | 0.38437 | 360.7 | 'CAPROCK REC-PHILLIPS - CAPROCK REC-TATE 138KV CKT 1'         |
| 11WP | 0 | G10_060 | 'LEA COUNTY INTERCHANGE - YOAKUM COUNTY INTERCHANGE 230KV CKT 1' | FROM->TO | 0.38437 | 360.7 | 'CAPROCK REC-MCDONALD - CAPROCK REC-PHILLIPS 138KV CKT 1'     |
| 11WP | 0 | G10_059 | 'LEA COUNTY INTERCHANGE - YOAKUM COUNTY INTERCHANGE 230KV CKT 1' | FROM->TO | 0.38437 | 360.7 | 'CAPROCK REC-MCDONALD - CAPROCK REC-PHILLIPS 138KV CKT 1'     |
| 11WP | 0 | G10_060 | 'HOBBS INTERCHANGE - LEA COUNTY INTERCHANGE 230KV CKT 1'         | FROM->TO | 0.70597 | 689.3 | 'CAPROCK REC-MCDONALD - CR-1956 4138.00 138KV CKT 1'          |
| 11WP | 0 | G10_059 | 'HOBBS INTERCHANGE - LEA COUNTY INTERCHANGE 230KV CKT 1'         | FROM->TO | 0.70597 | 689.3 | 'CAPROCK REC-MCDONALD - CR-1956 4138.00 138KV CKT 1'          |
| 11WP | 0 | G10_060 | 'CAPROCK REC-GRADY - CAPROCK REC-TRIANGLE 138KV CKT 1'           | TO->FROM | 0.19971 | 175.9 | 'CAPROCK REC-MCDONALD - CR-1956 4138.00 138KV CKT 1'          |
| 11WP | 0 | G10_059 | 'CAPROCK REC-GRADY - CAPROCK REC-TRIANGLE 138KV CKT 1'           | TO->FROM | 0.19971 | 175.9 | 'CAPROCK REC-MCDONALD - CR-1956 4138.00 138KV CKT 1'          |
| 11WP | 0 | G10_060 | 'HOBBS INTERCHANGE - LEA COUNTY INTERCHANGE 230KV CKT 1'         | FROM->TO | 0.70597 | 689.3 | 'CAPROCK REC-NEW SCHWARTZ - CR-1956 4138.00 138KV CKT 1'      |
| 11WP | 0 | G10_059 | 'HOBBS INTERCHANGE - LEA COUNTY INTERCHANGE 230KV CKT 1'         | FROM->TO | 0.70597 | 689.3 | 'CAPROCK REC-NEW SCHWARTZ - CR-1956 4138.00 138KV CKT 1'      |
| 11WP | 0 | G10_060 | 'HOBBS INTERCHANGE - LEA COUNTY INTERCHANGE 230KV CKT 1'         | FROM->TO | 0.68341 | 689.3 | 'CUNNINGHAM STATION 230/20.0KV TRANSFORMER CKT 1'             |
| 11WP | 0 | G10_059 | 'HOBBS INTERCHANGE - LEA COUNTY INTERCHANGE 230KV CKT 1'         | FROM->TO | 0.68341 | 689.3 | 'CUNNINGHAM STATION 230/20.0KV TRANSFORMER CKT 1'             |
| 11WP | 0 | G10_060 | 'HOBBS INTERCHANGE - LEA COUNTY INTERCHANGE 230KV CKT 1'         | FROM->TO | 0.73233 | 689.3 | 'GRASSLAND INTERCHANGE - Jones Station Bus#2 230KV CKT 1'     |
| 11WP | 0 | G10_059 | 'HOBBS INTERCHANGE - LEA COUNTY INTERCHANGE 230KV CKT 1'         | FROM->TO | 0.73233 | 689.3 | 'GRASSLAND INTERCHANGE - Jones Station Bus#2 230KV CKT 1'     |
| 11WP | 0 | G10_060 | 'HOBBS INTERCHANGE - LEA COUNTY INTERCHANGE 230KV CKT 1'         | FROM->TO | 0.7059  | 689.3 | 'CAPROCK REC-STILES - G09-17T 138.00 138KV CKT 1'             |
| 11WP | 0 | G10_059 | 'HOBBS INTERCHANGE - LEA COUNTY INTERCHANGE 230KV CKT 1'         | FROM->TO | 0.7059  | 689.3 | 'CAPROCK REC-STILES - G09-17T 138.00 138KV CKT 1'             |
| 11WP | 0 | G10_060 | 'HOBBS INTERCHANGE - LEA COUNTY INTERCHANGE 230KV CKT 1'         | FROM->TO | 0.70597 | 689.3 | 'CAPROCK REC-NEW SCHWARTZ - CAPROCK REC-PEMBROOK 138KV CKT 1' |

|      |   |         |  |          |         |       |   |
|------|---|---------|--|----------|---------|-------|---|
| 11WP | 0 | G10_059 | 'HOBBS INTERCHANGE - LEA COUNTY INTERCHANGE 230KV CKT 1'         | FROM->TO | 0.70597 | 689.3 | 'CAPROCK REC-NEW SCHWARTZ - CAPROCK REC-PEMBROOK 138KV CKT 1'     |
| 11WP | 0 | G10_060 | 'HOBBS INTERCHANGE - LEA COUNTY INTERCHANGE 230KV CKT 1'         | FROM->TO | 0.70597 | 689.3 | 'CAPROCK REC-PEMBROOK - G09-17T 138.00 138KV CKT 1'               |
| 11WP | 0 | G10_059 | 'HOBBS INTERCHANGE - LEA COUNTY INTERCHANGE 230KV CKT 1'         | FROM->TO | 0.70597 | 689.3 | 'CAPROCK REC-PEMBROOK - G09-17T 138.00 138KV CKT 1'               |
| 11WP | 0 | G10_060 | 'HOBBS INTERCHANGE - LEA COUNTY INTERCHANGE 230KV CKT 1'         | FROM->TO | 0.7059  | 689.3 | 'CAPROCK REC-ST LAWRENCE - CAPROCK REC-STILES 138KV CKT 1'        |
| 11WP | 0 | G10_059 | 'HOBBS INTERCHANGE - LEA COUNTY INTERCHANGE 230KV CKT 1'         | FROM->TO | 0.7059  | 689.3 | 'CAPROCK REC-ST LAWRENCE - CAPROCK REC-STILES 138KV CKT 1'        |
| 11WP | 0 | G10_060 | 'CAPROCK REC-PHILLIPS - CAPROCK REC-TATE 138KV CKT 1'            | TO->FROM | 0.24961 | 271   | 'LEA COUNTY INTERCHANGE - YOAKUM COUNTY INTERCHANGE 230KV CKT 1'  |
| 11WP | 0 | G10_059 | 'CAPROCK REC-PHILLIPS - CAPROCK REC-TATE 138KV CKT 1'            | TO->FROM | 0.24961 | 271   | 'LEA COUNTY INTERCHANGE - YOAKUM COUNTY INTERCHANGE 230KV CKT 1'  |
| 11WP | 0 | G10_060 | 'CAPROCK REC-GRADY - CAPROCK REC-TRIANGLE 138KV CKT 1'           | TO->FROM | 0.19971 | 175.9 | 'CAPROCK REC-NEW SCHWARTZ - CR-1956 4138.00 138KV CKT 1'          |
| 11WP | 0 | G10_059 | 'CAPROCK REC-GRADY - CAPROCK REC-TRIANGLE 138KV CKT 1'           | TO->FROM | 0.19971 | 175.9 | 'CAPROCK REC-NEW SCHWARTZ - CR-1956 4138.00 138KV CKT 1'          |
| 11WP | 0 | G10_060 | 'LEA COUNTY INTERCHANGE - YOAKUM COUNTY INTERCHANGE 230KV CKT 1' | FROM->TO | 0.38045 | 360.7 | 'CUNNINGHAM STATION - LEA COUNTY INTERCHANGE 230KV CKT 1'         |
| 11WP | 0 | G10_059 | 'LEA COUNTY INTERCHANGE - YOAKUM COUNTY INTERCHANGE 230KV CKT 1' | FROM->TO | 0.38045 | 360.7 | 'CUNNINGHAM STATION - LEA COUNTY INTERCHANGE 230KV CKT 1'         |
| 11WP | 0 | G10_060 | 'CAPROCK REC-KOCH - CAPROCK REC-REED 138KV CKT 1'                | TO->FROM | 0.21403 | 175.9 | 'HOBBS INTERCHANGE - LEA COUNTY INTERCHANGE 230KV CKT 1'          |
| 11WP | 0 | G10_059 | 'CAPROCK REC-KOCH - CAPROCK REC-REED 138KV CKT 1'                | TO->FROM | 0.21403 | 175.9 | 'HOBBS INTERCHANGE - LEA COUNTY INTERCHANGE 230KV CKT 1'          |
| 11WP | 0 | G10_060 | 'CAPROCK REC-KOCH - CAPROCK REC-VEALMOOR 138KV CKT 1'            | FROM->TO | 0.21403 | 175.9 | 'HOBBS INTERCHANGE - LEA COUNTY INTERCHANGE 230KV CKT 1'          |
| 11WP | 0 | G10_059 | 'CAPROCK REC-KOCH - CAPROCK REC-VEALMOOR 138KV CKT 1'            | FROM->TO | 0.21403 | 175.9 | 'HOBBS INTERCHANGE - LEA COUNTY INTERCHANGE 230KV CKT 1'          |
| 11WP | 0 | G10_060 | 'BORDEN COUNTY INTERCHANGE 230/138KV TRANSFORMER CKT 1'          | TO->FROM | 0.24939 | 167.8 | 'LEA COUNTY INTERCHANGE - YOAKUM COUNTY INTERCHANGE 230KV CKT 1'  |
| 11WP | 0 | G10_059 | 'BORDEN COUNTY INTERCHANGE 230/138KV TRANSFORMER CKT 1'          | TO->FROM | 0.24939 | 167.8 | 'LEA COUNTY INTERCHANGE - YOAKUM COUNTY INTERCHANGE 230KV CKT 1'  |
| 11WP | 0 | G10_060 | 'CAPROCK REC-PHILLIPS - CAPROCK REC-TATE 138KV CKT 1'            | TO->FROM | 0.23585 | 271   | 'AMOCO SWITCHING STATION - YOAKUM COUNTY INTERCHANGE 230KV CKT 1' |
| 11WP | 0 | G10_059 | 'CAPROCK REC-PHILLIPS - CAPROCK REC-TATE 138KV CKT 1'            | TO->FROM | 0.23585 | 271   | 'AMOCO SWITCHING STATION - YOAKUM COUNTY INTERCHANGE 230KV CKT 1' |
| 11WP | 0 | G10_060 | 'CAPROCK REC-GRADY - CAPROCK REC-TRIANGLE 138KV CKT 1'           | TO->FROM | 0.19958 | 175.9 | 'CAPROCK REC-STILES - G09-17T 138.00 138KV CKT 1'                 |
| 11WP | 0 | G10_059 | 'CAPROCK REC-GRADY - CAPROCK REC-TRIANGLE 138KV CKT 1'           | TO->FROM | 0.19958 | 175.9 | 'CAPROCK REC-STILES - G09-17T 138.00 138KV CKT 1'                 |
| 11WP | 0 | G10_060 | 'CAPROCK REC-PHILLIPS - CAPROCK REC-TATE 138KV CKT 1'            | TO->FROM | 0.23846 | 271   | 'CUNNINGHAM STATION - LEA COUNTY INTERCHANGE 230KV CKT 1'         |
| 11WP | 0 | G10_059 | 'CAPROCK REC-PHILLIPS - CAPROCK REC-TATE 138KV CKT 1'            | TO->FROM | 0.23846 | 271   | 'CUNNINGHAM STATION - LEA COUNTY INTERCHANGE 230KV CKT 1'         |
| 11WP | 0 | G10_060 | 'CAPROCK REC-GRADY - CAPROCK REC-TRIANGLE 138KV CKT 1'           | TO->FROM | 0.19971 | 175.9 | 'CAPROCK REC-NEW SCHWARTZ - CAPROCK REC-PEMBROOK 138KV CKT 1'     |
| 11WP | 0 | G10_059 | 'CAPROCK REC-GRADY - CAPROCK REC-TRIANGLE 138KV CKT 1'           | TO->FROM | 0.19971 | 175.9 | 'CAPROCK REC-NEW SCHWARTZ - CAPROCK REC-PEMBROOK 138KV CKT 1'     |

|      |   |         |   |          |         |       |   |
|------|---|---------|---|----------|---------|-------|---|
| 11WP | 0 | G10_060 | 'CAPROCK REC-KOCH - CAPROCK REC-REED 138KV CKT 1'         | TO->FROM | 0.19971 | 175.9 | 'CAPROCK REC-MCDONALD - CR-1956 4138.00 138KV CKT 1'              |
| 11WP | 0 | G10_059 | 'CAPROCK REC-KOCH - CAPROCK REC-REED 138KV CKT 1'         | TO->FROM | 0.19971 | 175.9 | 'CAPROCK REC-MCDONALD - CR-1956 4138.00 138KV CKT 1'              |
| 11WP | 0 | G10_060 | 'CAPROCK REC-KOCH - CAPROCK REC-VEALMOOR 138KV CKT 1'     | FROM->TO | 0.19971 | 175.9 | 'CAPROCK REC-MCDONALD - CR-1956 4138.00 138KV CKT 1'              |
| 11WP | 0 | G10_059 | 'CAPROCK REC-KOCH - CAPROCK REC-VEALMOOR 138KV CKT 1'     | FROM->TO | 0.19971 | 175.9 | 'CAPROCK REC-MCDONALD - CR-1956 4138.00 138KV CKT 1'              |
| 11WP | 0 | G10_060 | 'CAPROCK REC-PHILLIPS - CAPROCK REC-TATE 138KV CKT 1'     | TO->FROM | 0.2306  | 271   | 'TOLK STATION EAST - TUCO INTERCHANGE 230KV CKT 1'                |
| 11WP | 0 | G10_059 | 'CAPROCK REC-PHILLIPS - CAPROCK REC-TATE 138KV CKT 1'     | TO->FROM | 0.2306  | 271   | 'TOLK STATION EAST - TUCO INTERCHANGE 230KV CKT 1'                |
| 11WP | 0 | G10_060 | 'CAPROCK REC-MCDONALD - CR-1956 4138.00 138KV CKT 1'      | FROM->TO | 0.29563 | 271   | 'HOBBS INTERCHANGE - MIDLAND COUNTY INTERCHANGE 230KV CKT 1'      |
| 11WP | 0 | G10_059 | 'CAPROCK REC-MCDONALD - CR-1956 4138.00 138KV CKT 1'      | FROM->TO | 0.29563 | 271   | 'HOBBS INTERCHANGE - MIDLAND COUNTY INTERCHANGE 230KV CKT 1'      |
| 11WP | 0 | G10_060 | 'CAPROCK REC-GRADY - CAPROCK REC-TRIANGLE 138KV CKT 1'    | TO->FROM | 0.19971 | 175.9 | 'CAPROCK REC-PEMBROOK - G09-17T 138.00 138KV CKT 1'               |
| 11WP | 0 | G10_059 | 'CAPROCK REC-GRADY - CAPROCK REC-TRIANGLE 138KV CKT 1'    | TO->FROM | 0.19971 | 175.9 | 'CAPROCK REC-PEMBROOK - G09-17T 138.00 138KV CKT 1'               |
| 11WP | 0 | G10_060 | 'BORDEN COUNTY INTERCHANGE 230/138KV TRANSFORMER CKT 1'   | TO->FROM | 0.23563 | 167.8 | 'AMOCO SWITCHING STATION - YOAKUM COUNTY INTERCHANGE 230KV CKT 1' |
| 11WP | 0 | G10_059 | 'BORDEN COUNTY INTERCHANGE 230/138KV TRANSFORMER CKT 1'   | TO->FROM | 0.23563 | 167.8 | 'AMOCO SWITCHING STATION - YOAKUM COUNTY INTERCHANGE 230KV CKT 1' |
| 11WP | 0 | G10_060 | 'CAPROCK REC-PHILLIPS - CAPROCK REC-TATE 138KV CKT 1'     | TO->FROM | 0.23289 | 271   | 'SUNDOWN INTERCHANGE - WOLFFORTH INTERCHANGE 230KV CKT 1'         |
| 11WP | 0 | G10_059 | 'CAPROCK REC-PHILLIPS - CAPROCK REC-TATE 138KV CKT 1'     | TO->FROM | 0.23289 | 271   | 'SUNDOWN INTERCHANGE - WOLFFORTH INTERCHANGE 230KV CKT 1'         |
| 11WP | 0 | G10_060 | 'CAPROCK REC-MCDONALD - CAPROCK REC-PHILLIPS 138KV CKT 1' | TO->FROM | 0.24961 | 271   | 'LEA COUNTY INTERCHANGE - YOAKUM COUNTY INTERCHANGE 230KV CKT 1'  |
| 11WP | 0 | G10_059 | 'CAPROCK REC-MCDONALD - CAPROCK REC-PHILLIPS 138KV CKT 1' | TO->FROM | 0.24961 | 271   | 'LEA COUNTY INTERCHANGE - YOAKUM COUNTY INTERCHANGE 230KV CKT 1'  |
| 11WP | 0 | G10_060 | 'CAPROCK REC-KOCH - CAPROCK REC-REED 138KV CKT 1'         | TO->FROM | 0.19971 | 175.9 | 'CAPROCK REC-NEW SCHWARTZ - CR-1956 4138.00 138KV CKT 1'          |
| 11WP | 0 | G10_059 | 'CAPROCK REC-KOCH - CAPROCK REC-REED 138KV CKT 1'         | TO->FROM | 0.19971 | 175.9 | 'CAPROCK REC-NEW SCHWARTZ - CR-1956 4138.00 138KV CKT 1'          |
| 11WP | 0 | G10_060 | 'CAPROCK REC-KOCH - CAPROCK REC-VEALMOOR 138KV CKT 1'     | FROM->TO | 0.19971 | 175.9 | 'CAPROCK REC-NEW SCHWARTZ - CR-1956 4138.00 138KV CKT 1'          |
| 11WP | 0 | G10_059 | 'CAPROCK REC-KOCH - CAPROCK REC-VEALMOOR 138KV CKT 1'     | FROM->TO | 0.19971 | 175.9 | 'CAPROCK REC-NEW SCHWARTZ - CR-1956 4138.00 138KV CKT 1'          |
| 11WP | 0 | G10_060 | 'CAPROCK REC-GRADY - CAPROCK REC-TRIANGLE 138KV CKT 1'    | TO->FROM | 0.19958 | 175.9 | 'CAPROCK REC-ST LAWRENCE - CAPROCK REC-STILES 138KV CKT 1'        |
| 11WP | 0 | G10_059 | 'CAPROCK REC-GRADY - CAPROCK REC-TRIANGLE 138KV CKT 1'    | TO->FROM | 0.19958 | 175.9 | 'CAPROCK REC-ST LAWRENCE - CAPROCK REC-STILES 138KV CKT 1'        |
| 11WP | 0 | G10_060 | 'CAPROCK REC-PHILLIPS - CAPROCK REC-TATE 138KV CKT 1'     | TO->FROM | 0.23141 | 271   | 'CUNNINGHAM STATION - EDDY COUNTY INTERCHANGE 230KV CKT 1'        |
| 11WP | 0 | G10_059 | 'CAPROCK REC-PHILLIPS - CAPROCK REC-TATE 138KV CKT 1'     | TO->FROM | 0.23141 | 271   | 'CUNNINGHAM STATION - EDDY COUNTY INTERCHANGE 230KV CKT 1'        |
| 11WP | 0 | G10_060 | 'BORDEN COUNTY INTERCHANGE 230/138KV TRANSFORMER CKT 1'   | TO->FROM | 0.23824 | 167.8 | 'CUNNINGHAM STATION - LEA COUNTY INTERCHANGE 230KV CKT 1'         |

|      |   |         |  |          |         |       |   |
|------|---|---------|--|----------|---------|-------|---|
| 11WP | 0 | G10_059 | 'BORDEN COUNTY INTERCHANGE 230/138KV TRANSFORMER CKT 1'          | TO->FROM | 0.23824 | 167.8 | 'CUNNINGHAM STATION - LEA COUNTY INTERCHANGE 230KV CKT 1'       |
| 11WP | 0 | G10_060 | 'CAPROCK REC-PHILLIPS - CAPROCK REC-TATE 138KV CKT 1'            | TO->FROM | 0.23585 | 271   | 'AMOCO SWITCHING STATION - SUNDOWN INTERCHANGE 230KV CKT 1'     |
| 11WP | 0 | G10_059 | 'CAPROCK REC-PHILLIPS - CAPROCK REC-TATE 138KV CKT 1'            | TO->FROM | 0.23585 | 271   | 'AMOCO SWITCHING STATION - SUNDOWN INTERCHANGE 230KV CKT 1'     |
| 11WP | 0 | G10_060 | 'CAPROCK REC-NEW SCHWARTZ - CR-1956 4138.00 138KV CKT 1'         | TO->FROM | 0.29563 | 271   | 'HOBBS INTERCHANGE - MIDLAND COUNTY INTERCHANGE 230KV CKT 1'    |
| 11WP | 0 | G10_059 | 'CAPROCK REC-NEW SCHWARTZ - CR-1956 4138.00 138KV CKT 1'         | TO->FROM | 0.29563 | 271   | 'HOBBS INTERCHANGE - MIDLAND COUNTY INTERCHANGE 230KV CKT 1'    |
| 11WP | 0 | G10_060 | 'BORDEN COUNTY INTERCHANGE 230/138KV TRANSFORMER CKT 1'          | TO->FROM | 0.23039 | 167.8 | 'TOLK STATION EAST - TUCO INTERCHANGE 230KV CKT 1'              |
| 11WP | 0 | G10_059 | 'BORDEN COUNTY INTERCHANGE 230/138KV TRANSFORMER CKT 1'          | TO->FROM | 0.23039 | 167.8 | 'TOLK STATION EAST - TUCO INTERCHANGE 230KV CKT 1'              |
| 11WP | 0 | G10_060 | 'CAPROCK REC-PHILLIPS - CAPROCK REC-TATE 138KV CKT 1'            | TO->FROM | 0.22791 | 271   | 'CUNNINGHAM STATION - POTASH JUNCTION INTERCHANGE 230KV CKT 1'  |
| 11WP | 0 | G10_059 | 'CAPROCK REC-PHILLIPS - CAPROCK REC-TATE 138KV CKT 1'            | TO->FROM | 0.22791 | 271   | 'CUNNINGHAM STATION - POTASH JUNCTION INTERCHANGE 230KV CKT 1'  |
| 11WP | 0 | G10_060 | 'CAPROCK REC-PHILLIPS - CAPROCK REC-TATE 138KV CKT 1'            | TO->FROM | 0.23287 | 271   | 'LUBBOCK SOUTH INTERCHANGE - WOLFFORTH INTERCHANGE 230KV CKT 1' |
| 11WP | 0 | G10_059 | 'CAPROCK REC-PHILLIPS - CAPROCK REC-TATE 138KV CKT 1'            | TO->FROM | 0.23287 | 271   | 'LUBBOCK SOUTH INTERCHANGE - WOLFFORTH INTERCHANGE 230KV CKT 1' |
| 11WP | 0 | G10_060 | 'CAPROCK REC-PHILLIPS - CAPROCK REC-TATE 138KV CKT 1'            | TO->FROM | 0.22512 | 271   | 'Jones Station Bus#2 230/22.0KV TRANSFORMER CKT 1'              |
| 11WP | 0 | G10_059 | 'CAPROCK REC-PHILLIPS - CAPROCK REC-TATE 138KV CKT 1'            | TO->FROM | 0.22512 | 271   | 'Jones Station Bus#2 230/22.0KV TRANSFORMER CKT 1'              |
| 11WP | 0 | G10_060 | 'CAPROCK REC-PHILLIPS - CAPROCK REC-TATE 138KV CKT 1'            | TO->FROM | 0.23719 | 271   | 'TOLK STATION (ABBXNL844501) 345/230/13.2KV TRANSFORMER CKT 1'  |
| 11WP | 0 | G10_059 | 'CAPROCK REC-PHILLIPS - CAPROCK REC-TATE 138KV CKT 1'            | TO->FROM | 0.23719 | 271   | 'TOLK STATION (ABBXNL844501) 345/230/13.2KV TRANSFORMER CKT 1'  |
| 11WP | 0 | G10_060 | 'CAPROCK REC-PHILLIPS - CAPROCK REC-TATE 138KV CKT 1'            | TO->FROM | 0.23719 | 271   | 'CHAVESCO 345.00 - TOLK STATION 345KV CKT 1'                    |
| 11WP | 0 | G10_059 | 'CAPROCK REC-PHILLIPS - CAPROCK REC-TATE 138KV CKT 1'            | TO->FROM | 0.23719 | 271   | 'CHAVESCO 345.00 - TOLK STATION 345KV CKT 1'                    |
| 11WP | 0 | G10_060 | 'CAPROCK REC-PHILLIPS - CAPROCK REC-TATE 138KV CKT 1'            | TO->FROM | 0.22512 | 271   | 'Jones Station Bus#2 230/22.0KV TRANSFORMER CKT 1'              |
| 11WP | 0 | G10_059 | 'CAPROCK REC-PHILLIPS - CAPROCK REC-TATE 138KV CKT 1'            | TO->FROM | 0.22512 | 271   | 'Jones Station Bus#2 230/22.0KV TRANSFORMER CKT 1'              |
| 11WP | 0 | G10_060 | 'CAPROCK REC-PHILLIPS - CAPROCK REC-TATE 138KV CKT 1'            | TO->FROM | 0.22984 | 271   | 'TERRY COUNTY INTERCHANGE - WOLFFORTH INTERCHANGE 115KV CKT 1'  |
| 11WP | 0 | G10_059 | 'CAPROCK REC-PHILLIPS - CAPROCK REC-TATE 138KV CKT 1'            | TO->FROM | 0.22984 | 271   | 'TERRY COUNTY INTERCHANGE - WOLFFORTH INTERCHANGE 115KV CKT 1'  |
| 11WP | 0 | G10_060 | 'LEA COUNTY INTERCHANGE - YOAKUM COUNTY INTERCHANGE 230KV CKT 1' | FROM->TO | 0.38428 | 360.7 | 'BORDEN COUNTY INTERCHANGE 230/138KV TRANSFORMER CKT 1'         |
| 11WP | 0 | G10_059 | 'LEA COUNTY INTERCHANGE - YOAKUM COUNTY INTERCHANGE 230KV CKT 1' | FROM->TO | 0.38428 | 360.7 | 'BORDEN COUNTY INTERCHANGE 230/138KV TRANSFORMER CKT 1'         |
| 11WP | 0 | G10_060 | 'LEA COUNTY INTERCHANGE - YOAKUM COUNTY INTERCHANGE 230KV CKT 1' | FROM->TO | 0.38428 | 360.7 | 'SPP-SWPS-K48'  |
| 11WP | 0 | G10_059 | 'LEA COUNTY INTERCHANGE - YOAKUM COUNTY INTERCHANGE 230KV CKT 1' | FROM->TO | 0.38428 | 360.7 | 'SPP-SWPS-K48'  |

|      |   |         |  |          |         |       |   |
|------|---|---------|--|----------|---------|-------|---|
| 11WP | 0 | G10_060 | 'LEA COUNTY INTERCHANGE - YOAKUM COUNTY INTERCHANGE 230KV CKT 1' | FROM->TO | 0.38428 | 360.7 | 'BORDEN COUNTY INTERCHANGE - GRASSLAND INTERCHANGE 230KV CKT 1'           |
| 11WP | 0 | G10_059 | 'LEA COUNTY INTERCHANGE - YOAKUM COUNTY INTERCHANGE 230KV CKT 1' | FROM->TO | 0.38428 | 360.7 | 'BORDEN COUNTY INTERCHANGE - GRASSLAND INTERCHANGE 230KV CKT 1'           |
| 11WP | 0 | G10_060 | 'BORDEN COUNTY INTERCHANGE 230/138KV TRANSFORMER CKT 1'          | TO->FROM | 0.23268 | 167.8 | 'SUNDOWN INTERCHANGE - WOLFFORTH INTERCHANGE 230KV CKT 1'                 |
| 11WP | 0 | G10_059 | 'BORDEN COUNTY INTERCHANGE 230/138KV TRANSFORMER CKT 1'          | TO->FROM | 0.23268 | 167.8 | 'SUNDOWN INTERCHANGE - WOLFFORTH INTERCHANGE 230KV CKT 1'                 |
| 11WP | 0 | G10_060 | 'HOBBS INTERCHANGE - LEA COUNTY INTERCHANGE 115KV CKT 1'         | FROM->TO | 0.24165 | 263.8 | 'HOBBS INTERCHANGE - LEA COUNTY INTERCHANGE 230KV CKT 1'                  |
| 11WP | 0 | G10_059 | 'HOBBS INTERCHANGE - LEA COUNTY INTERCHANGE 115KV CKT 1'         | FROM->TO | 0.24165 | 263.8 | 'HOBBS INTERCHANGE - LEA COUNTY INTERCHANGE 230KV CKT 1'                  |
| 11WP | 0 | G10_060 | 'CAPROCK REC-PHILLIPS - CAPROCK REC-TATE 138KV CKT 1'            | TO->FROM | 0.2253  | 271   | 'SPP-SWPS-T14'  |
| 11WP | 0 | G10_059 | 'CAPROCK REC-PHILLIPS - CAPROCK REC-TATE 138KV CKT 1'            | TO->FROM | 0.2253  | 271   | 'SPP-SWPS-T14'  |
| 11WP | 0 | G10_060 | 'CAPROCK REC-PHILLIPS - CAPROCK REC-TATE 138KV CKT 1'            | TO->FROM | 0.22717 | 271   | 'WOLFFORTH INTERCHANGE - YUMA INTERCHANGE 115KV CKT 1'                    |
| 11WP | 0 | G10_059 | 'CAPROCK REC-PHILLIPS - CAPROCK REC-TATE 138KV CKT 1'            | TO->FROM | 0.22717 | 271   | 'WOLFFORTH INTERCHANGE - YUMA INTERCHANGE 115KV CKT 1'                    |
| 11WP | 0 | G10_060 | 'CAPROCK REC-PHILLIPS - CAPROCK REC-TATE 138KV CKT 1'            | TO->FROM | 0.23726 | 271   | 'EDDY COUNTY INTERCHANGE (ABB AEM30711) 345/230/13.2KV TRANSFORMER CKT 1' |
| 11WP | 0 | G10_059 | 'CAPROCK REC-PHILLIPS - CAPROCK REC-TATE 138KV CKT 1'            | TO->FROM | 0.23726 | 271   | 'EDDY COUNTY INTERCHANGE (ABB AEM30711) 345/230/13.2KV TRANSFORMER CKT 1' |
| 11WP | 0 | G10_060 | 'CAPROCK REC-PHILLIPS - CAPROCK REC-TATE 138KV CKT 1'            | TO->FROM | 0.23726 | 271   | 'CHAVESCO 345.00 - EDDY COUNTY INTERCHANGE 345KV CKT 1'                   |
| 11WP | 0 | G10_059 | 'CAPROCK REC-PHILLIPS - CAPROCK REC-TATE 138KV CKT 1'            | TO->FROM | 0.23726 | 271   | 'CHAVESCO 345.00 - EDDY COUNTY INTERCHANGE 345KV CKT 1'                   |
| 11WP | 0 | G10_060 | 'CAPROCK REC-GRADY - CAPROCK REC-TRIANGLE 138KV CKT 1'           | TO->FROM | 0.19958 | 175.9 | 'CAPROCK REC-LANGE - CAPROCK REC-ST LAWRENCE 138KV CKT 1'                 |
| 11WP | 0 | G10_059 | 'CAPROCK REC-GRADY - CAPROCK REC-TRIANGLE 138KV CKT 1'           | TO->FROM | 0.19958 | 175.9 | 'CAPROCK REC-LANGE - CAPROCK REC-ST LAWRENCE 138KV CKT 1'                 |
| 11WP | 0 | G10_060 | 'BORDEN COUNTY INTERCHANGE 230/138KV TRANSFORMER CKT 1'          | TO->FROM | 0.2312  | 167.8 | 'CUNNINGHAM STATION - EDDY COUNTY INTERCHANGE 230KV CKT 1'                |
| 11WP | 0 | G10_059 | 'BORDEN COUNTY INTERCHANGE 230/138KV TRANSFORMER CKT 1'          | TO->FROM | 0.2312  | 167.8 | 'CUNNINGHAM STATION - EDDY COUNTY INTERCHANGE 230KV CKT 1'                |
| 11WP | 0 | G10_060 | 'BORDEN COUNTY INTERCHANGE 230/138KV TRANSFORMER CKT 1'          | TO->FROM | 0.23563 | 167.8 | 'AMOCO SWITCHING STATION - SUNDOWN INTERCHANGE 230KV CKT 1'               |
| 11WP | 0 | G10_059 | 'BORDEN COUNTY INTERCHANGE 230/138KV TRANSFORMER CKT 1'          | TO->FROM | 0.23563 | 167.8 | 'AMOCO SWITCHING STATION - SUNDOWN INTERCHANGE 230KV CKT 1'               |
| 11WP | 0 | G10_060 | 'CAPROCK REC-GRADY - CAPROCK REC-TRIANGLE 138KV CKT 1'           | TO->FROM | 0.19958 | 175.9 | 'CAPROCK REC-BUCHANAN - CAPROCK REC-LANGE 138KV CKT 1'                    |
| 11WP | 0 | G10_059 | 'CAPROCK REC-GRADY - CAPROCK REC-TRIANGLE 138KV CKT 1'           | TO->FROM | 0.19958 | 175.9 | 'CAPROCK REC-BUCHANAN - CAPROCK REC-LANGE 138KV CKT 1'                    |
| 11WP | 0 | G10_060 | 'CAPROCK REC-KOCH - CAPROCK REC-REED 138KV CKT 1'                | TO->FROM | 0.19958 | 175.9 | 'CAPROCK REC-STILES - G09-17T 138.00 138KV CKT 1'                         |
| 11WP | 0 | G10_059 | 'CAPROCK REC-KOCH - CAPROCK REC-REED 138KV CKT 1'                | TO->FROM | 0.19958 | 175.9 | 'CAPROCK REC-STILES - G09-17T 138.00 138KV CKT 1'                         |

|      |   |         |   |          |         |       |   |
|------|---|---------|---|----------|---------|-------|---|
| 11WP | 0 | G10_060 | 'CAPROCK REC-KOCH - CAPROCK REC-VEALMOOR 138KV CKT 1'     | FROM->TO | 0.19958 | 175.9 | 'CAPROCK REC-STILES - G09-17T 138.00 138KV CKT 1'                 |
| 11WP | 0 | G10_059 | 'CAPROCK REC-KOCH - CAPROCK REC-VEALMOOR 138KV CKT 1'     | FROM->TO | 0.19958 | 175.9 | 'CAPROCK REC-STILES - G09-17T 138.00 138KV CKT 1'                 |
| 11WP | 0 | G10_060 | 'CAPROCK REC-KOCH - CAPROCK REC-REED 138KV CKT 1'         | TO->FROM | 0.19971 | 175.9 | 'CAPROCK REC-NEW SCHWARTZ - CAPROCK REC-PEMBROOK 138KV CKT 1'     |
| 11WP | 0 | G10_059 | 'CAPROCK REC-KOCH - CAPROCK REC-REED 138KV CKT 1'         | TO->FROM | 0.19971 | 175.9 | 'CAPROCK REC-NEW SCHWARTZ - CAPROCK REC-PEMBROOK 138KV CKT 1'     |
| 11WP | 0 | G10_060 | 'CAPROCK REC-KOCH - CAPROCK REC-VEALMOOR 138KV CKT 1'     | FROM->TO | 0.19971 | 175.9 | 'CAPROCK REC-NEW SCHWARTZ - CAPROCK REC-PEMBROOK 138KV CKT 1'     |
| 11WP | 0 | G10_059 | 'CAPROCK REC-KOCH - CAPROCK REC-VEALMOOR 138KV CKT 1'     | FROM->TO | 0.19971 | 175.9 | 'CAPROCK REC-NEW SCHWARTZ - CAPROCK REC-PEMBROOK 138KV CKT 1'     |
| 11WP | 0 | G10_060 | 'CAPROCK REC-MCDONALD - CAPROCK REC-PHILLIPS 138KV CKT 1' | TO->FROM | 0.23585 | 271   | 'AMOCO SWITCHING STATION - YOAKUM COUNTY INTERCHANGE 230KV CKT 1' |
| 11WP | 0 | G10_059 | 'CAPROCK REC-MCDONALD - CAPROCK REC-PHILLIPS 138KV CKT 1' | TO->FROM | 0.23585 | 271   | 'AMOCO SWITCHING STATION - YOAKUM COUNTY INTERCHANGE 230KV CKT 1' |
| 11WP | 0 | G10_060 | 'BORDEN COUNTY INTERCHANGE 230/138KV TRANSFORMER CKT 1'   | TO->FROM | 0.23265 | 167.8 | 'LUBBOCK SOUTH INTERCHANGE - WOLFFORTH INTERCHANGE 230KV CKT 1'   |
| 11WP | 0 | G10_059 | 'BORDEN COUNTY INTERCHANGE 230/138KV TRANSFORMER CKT 1'   | TO->FROM | 0.23265 | 167.8 | 'LUBBOCK SOUTH INTERCHANGE - WOLFFORTH INTERCHANGE 230KV CKT 1'   |
| 11WP | 0 | G10_060 | 'BORDEN COUNTY INTERCHANGE 230/138KV TRANSFORMER CKT 1'   | TO->FROM | 0.23698 | 167.8 | 'TOLK STATION (ABBXNL844501) 345/230/13.2KV TRANSFORMER CKT 1'    |
| 11WP | 0 | G10_059 | 'BORDEN COUNTY INTERCHANGE 230/138KV TRANSFORMER CKT 1'   | TO->FROM | 0.23698 | 167.8 | 'TOLK STATION (ABBXNL844501) 345/230/13.2KV TRANSFORMER CKT 1'    |
| 11WP | 0 | G10_060 | 'BORDEN COUNTY INTERCHANGE 230/138KV TRANSFORMER CKT 1'   | TO->FROM | 0.2277  | 167.8 | 'CUNNINGHAM STATION - POTASH JUNCTION INTERCHANGE 230KV CKT 1'    |
| 11WP | 0 | G10_059 | 'BORDEN COUNTY INTERCHANGE 230/138KV TRANSFORMER CKT 1'   | TO->FROM | 0.2277  | 167.8 | 'CUNNINGHAM STATION - POTASH JUNCTION INTERCHANGE 230KV CKT 1'    |
| 11WP | 0 | G10_060 | 'BORDEN COUNTY INTERCHANGE 230/138KV TRANSFORMER CKT 1'   | TO->FROM | 0.23698 | 167.8 | 'CHAVESCO 345.00 - TOLK STATION 345KV CKT 1'                      |
| 11WP | 0 | G10_059 | 'BORDEN COUNTY INTERCHANGE 230/138KV TRANSFORMER CKT 1'   | TO->FROM | 0.23698 | 167.8 | 'CHAVESCO 345.00 - TOLK STATION 345KV CKT 1'                      |
| 11WP | 0 | G10_060 | 'BORDEN COUNTY INTERCHANGE 230/138KV TRANSFORMER CKT 1'   | TO->FROM | 0.22491 | 167.8 | 'Jones Station Bus#2 230/22.0KV TRANSFORMER CKT 1'                |
| 11WP | 0 | G10_059 | 'BORDEN COUNTY INTERCHANGE 230/138KV TRANSFORMER CKT 1'   | TO->FROM | 0.22491 | 167.8 | 'Jones Station Bus#2 230/22.0KV TRANSFORMER CKT 1'                |
| 11WP | 0 | G10_060 | 'BORDEN COUNTY INTERCHANGE 230/138KV TRANSFORMER CKT 1'   | TO->FROM | 0.22962 | 167.8 | 'TERRY COUNTY INTERCHANGE - WOLFFORTH INTERCHANGE 115KV CKT 1'    |
| 11WP | 0 | G10_059 | 'BORDEN COUNTY INTERCHANGE 230/138KV TRANSFORMER CKT 1'   | TO->FROM | 0.22962 | 167.8 | 'TERRY COUNTY INTERCHANGE - WOLFFORTH INTERCHANGE 115KV CKT 1'    |
| 11WP | 0 | G10_060 | 'BORDEN COUNTY INTERCHANGE 230/138KV TRANSFORMER CKT 1'   | TO->FROM | 0.22491 | 167.8 | 'Jones Station Bus#2 230/22.0KV TRANSFORMER CKT 1'                |
| 11WP | 0 | G10_059 | 'BORDEN COUNTY INTERCHANGE 230/138KV TRANSFORMER CKT 1'   | TO->FROM | 0.22491 | 167.8 | 'Jones Station Bus#2 230/22.0KV TRANSFORMER CKT 1'                |
| 11WP | 0 | G10_060 | 'BORDEN COUNTY INTERCHANGE 230/138KV TRANSFORMER CKT 1'   | TO->FROM | 0.22491 | 167.8 | 'CAPROCK REC-BUCHANAN - CAPROCK REC-LONE WOLF 138KV CKT 1'        |
| 11WP | 0 | G10_059 | 'BORDEN COUNTY INTERCHANGE 230/138KV TRANSFORMER CKT 1'   | TO->FROM | 0.22491 | 167.8 | 'CAPROCK REC-BUCHANAN - CAPROCK REC-LONE WOLF 138KV CKT 1'        |
| 11WP | 0 | G10_060 | 'CAPROCK REC-MCDONALD - CAPROCK REC-PHILLIPS 138KV CKT 1' | TO->FROM | 0.23846 | 271   | 'CUNNINGHAM STATION - LEA COUNTY INTERCHANGE 230KV CKT 1'         |



|      |   |         |   |          |         |       |   |
|------|---|---------|---|----------|---------|-------|---|
| 11WP | 0 | G10_059 | 'CAPROCK REC-MCDONALD - CAPROCK REC-PHILLIPS 138KV CKT 1'         | TO->FROM | 0.23846 | 271   | 'CUNNINGHAM STATION - LEA COUNTY INTERCHANGE 230KV CKT 1'                 |
| 11WP | 0 | G10_060 | 'BORDEN COUNTY INTERCHANGE 230/138KV TRANSFORMER CKT 1'           | TO->FROM | 0.23705 | 167.8 | 'EDDY COUNTY INTERCHANGE (ABB AEM30711) 345/230/13.2KV TRANSFORMER CKT 1' |
| 11WP | 0 | G10_059 | 'BORDEN COUNTY INTERCHANGE 230/138KV TRANSFORMER CKT 1'           | TO->FROM | 0.23705 | 167.8 | 'EDDY COUNTY INTERCHANGE (ABB AEM30711) 345/230/13.2KV TRANSFORMER CKT 1' |
| 11WP | 0 | G10_060 | 'BORDEN COUNTY INTERCHANGE 230/138KV TRANSFORMER CKT 1'           | TO->FROM | 0.23705 | 167.8 | 'CHAVESCO 345.00 - EDDY COUNTY INTERCHANGE 345KV CKT 1'                   |
| 11WP | 0 | G10_059 | 'BORDEN COUNTY INTERCHANGE 230/138KV TRANSFORMER CKT 1'           | TO->FROM | 0.23705 | 167.8 | 'CHAVESCO 345.00 - EDDY COUNTY INTERCHANGE 345KV CKT 1'                   |
| 11WP | 0 | G10_060 | 'BORDEN COUNTY INTERCHANGE 230/138KV TRANSFORMER CKT 1'           | TO->FROM | 0.22696 | 167.8 | 'WOLFFORTH INTERCHANGE - YUMA INTERCHANGE 115KV CKT 1'                    |
| 11WP | 0 | G10_059 | 'BORDEN COUNTY INTERCHANGE 230/138KV TRANSFORMER CKT 1'           | TO->FROM | 0.22696 | 167.8 | 'WOLFFORTH INTERCHANGE - YUMA INTERCHANGE 115KV CKT 1'                    |
| 11WP | 0 | G10_060 | 'CAPROCK REC-NEW SCHWARTZ - CAPROCK REC-PEMBROOK 138KV CKT 1'     | FROM->TO | 0.29563 | 271   | 'HOBBS INTERCHANGE - MIDLAND COUNTY INTERCHANGE 230KV CKT 1'              |
| 11WP | 0 | G10_059 | 'CAPROCK REC-NEW SCHWARTZ - CAPROCK REC-PEMBROOK 138KV CKT 1'     | FROM->TO | 0.29563 | 271   | 'HOBBS INTERCHANGE - MIDLAND COUNTY INTERCHANGE 230KV CKT 1'              |
| 11WP | 0 | G10_060 | 'TUCO INTERCHANGE (GE M1022338) 345/230/13.2KV TRANSFORMER CKT 1' | FROM->TO | 0.43393 | 553.3 | 'TUCO INTERCHANGE (UPDATE DATA) 345/230/13.2KV TRANSFORMER CKT 2'         |
| 11WP | 0 | G10_059 | 'TUCO INTERCHANGE (GE M1022338) 345/230/13.2KV TRANSFORMER CKT 1' | FROM->TO | 0.43393 | 553.3 | 'TUCO INTERCHANGE (UPDATE DATA) 345/230/13.2KV TRANSFORMER CKT 2'         |
| 11WP | 0 | G10_060 | 'CAPROCK REC-KOCH - CAPROCK REC-REED 138KV CKT 1'                 | TO->FROM | 0.19971 | 175.9 | 'CAPROCK REC-PEMBROOK - G09-17T 138.00 138KV CKT 1'                       |
| 11WP | 0 | G10_059 | 'CAPROCK REC-KOCH - CAPROCK REC-REED 138KV CKT 1'                 | TO->FROM | 0.19971 | 175.9 | 'CAPROCK REC-PEMBROOK - G09-17T 138.00 138KV CKT 1'                       |
| 11WP | 0 | G10_060 | 'CAPROCK REC-KOCH - CAPROCK REC-VEALMOOR 138KV CKT 1'             | FROM->TO | 0.19971 | 175.9 | 'CAPROCK REC-PEMBROOK - G09-17T 138.00 138KV CKT 1'                       |
| 11WP | 0 | G10_059 | 'CAPROCK REC-KOCH - CAPROCK REC-VEALMOOR 138KV CKT 1'             | FROM->TO | 0.19971 | 175.9 | 'CAPROCK REC-PEMBROOK - G09-17T 138.00 138KV CKT 1'                       |
| 11WP | 0 | G10_060 | 'CAPROCK REC-MCDONALD - CAPROCK REC-PHILLIPS 138KV CKT 1'         | TO->FROM | 0.2306  | 271   | 'TOLK STATION EAST - TUCO INTERCHANGE 230KV CKT 1'                        |
| 11WP | 0 | G10_059 | 'CAPROCK REC-MCDONALD - CAPROCK REC-PHILLIPS 138KV CKT 1'         | TO->FROM | 0.2306  | 271   | 'TOLK STATION EAST - TUCO INTERCHANGE 230KV CKT 1'                        |
| 11WP | 0 | G10_060 | 'CAPROCK REC-KOCH - CAPROCK REC-REED 138KV CKT 1'                 | TO->FROM | 0.19958 | 175.9 | 'CAPROCK REC-ST LAWRENCE - CAPROCK REC-STILES 138KV CKT 1'                |
| 11WP | 0 | G10_059 | 'CAPROCK REC-KOCH - CAPROCK REC-REED 138KV CKT 1'                 | TO->FROM | 0.19958 | 175.9 | 'CAPROCK REC-ST LAWRENCE - CAPROCK REC-STILES 138KV CKT 1'                |
| 11WP | 0 | G10_060 | 'CAPROCK REC-KOCH - CAPROCK REC-VEALMOOR 138KV CKT 1'             | FROM->TO | 0.19958 | 175.9 | 'CAPROCK REC-ST LAWRENCE - CAPROCK REC-STILES 138KV CKT 1'                |
| 11WP | 0 | G10_059 | 'CAPROCK REC-KOCH - CAPROCK REC-VEALMOOR 138KV CKT 1'             | FROM->TO | 0.19958 | 175.9 | 'CAPROCK REC-ST LAWRENCE - CAPROCK REC-STILES 138KV CKT 1'                |
| 11WP | 0 | G10_060 | 'CAPROCK REC-MCDONALD - CAPROCK REC-PHILLIPS 138KV CKT 1'         | TO->FROM | 0.23289 | 271   | 'SUNDOWN INTERCHANGE - WOLFFORTH INTERCHANGE 230KV CKT 1'                 |
| 11WP | 0 | G10_059 | 'CAPROCK REC-MCDONALD - CAPROCK REC-PHILLIPS 138KV CKT 1'         | TO->FROM | 0.23289 | 271   | 'SUNDOWN INTERCHANGE - WOLFFORTH INTERCHANGE 230KV CKT 1'                 |
| 11WP | 0 | G10_060 | 'BORDEN COUNTY INTERCHANGE 230/138KV TRANSFORMER CKT 1'           | TO->FROM | 0.22491 | 167.8 | 'BASE CASE'   |

|      |   |         |   |          |         |       |   |
|------|---|---------|---|----------|---------|-------|---|
| 11WP | 0 | G10_059 | 'BORDEN COUNTY INTERCHANGE 230/138KV TRANSFORMER CKT 1'           | TO->FROM | 0.22491 | 167.8 | 'BASE CASE'   |
| 11WP | 0 | G10_060 | 'TUCO INTERCHANGE (GE M1022338) 345/230/13.2KV TRANSFORMER CKT 1' | FROM->TO | 0.43393 | 558.9 | 'TUCO INTERCHANGE (UPDATE DATA) 345/230/13.2KV TRANSFORMER CKT 2' |
| 11WP | 0 | G10_059 | 'TUCO INTERCHANGE (GE M1022338) 345/230/13.2KV TRANSFORMER CKT 1' | FROM->TO | 0.43393 | 558.9 | 'TUCO INTERCHANGE (UPDATE DATA) 345/230/13.2KV TRANSFORMER CKT 2' |
| 11WP | 0 | G10_060 | 'CAPROCK REC-GRADY - CAPROCK REC-TRIANGLE 138KV CKT 1'            | TO->FROM | 0.19958 | 175.9 | 'CAPROCK REC-BUCHANAN - CAPROCK REC-RUSSEL TAP 138KV CKT 1'       |
| 11WP | 0 | G10_059 | 'CAPROCK REC-GRADY - CAPROCK REC-TRIANGLE 138KV CKT 1'            | TO->FROM | 0.19958 | 175.9 | 'CAPROCK REC-BUCHANAN - CAPROCK REC-RUSSEL TAP 138KV CKT 1'       |
| 11WP | 0 | G10_060 | 'CAPROCK REC-MCDONALD - CAPROCK REC-PHILLIPS 138KV CKT 1'         | TO->FROM | 0.23141 | 271   | 'CUNNINGHAM STATION - EDDY COUNTY INTERCHANGE 230KV CKT 1'        |
| 11WP | 0 | G10_059 | 'CAPROCK REC-MCDONALD - CAPROCK REC-PHILLIPS 138KV CKT 1'         | TO->FROM | 0.23141 | 271   | 'CUNNINGHAM STATION - EDDY COUNTY INTERCHANGE 230KV CKT 1'        |
| 11WP | 0 | G10_060 | 'AMOCO SWITCHING STATION - YOAKUM COUNTY INTERCHANGE 230KV CKT 1' | TO->FROM | 0.25244 | 358.7 | 'MIDLAND COUNTY INTERCHANGE 230/138KV TRANSFORMER CKT 1'          |
| 11WP | 0 | G10_059 | 'AMOCO SWITCHING STATION - YOAKUM COUNTY INTERCHANGE 230KV CKT 1' | TO->FROM | 0.25244 | 358.7 | 'MIDLAND COUNTY INTERCHANGE 230/138KV TRANSFORMER CKT 1'          |
| 11WP | 0 | G10_060 | 'CAPROCK REC-MCDONALD - CAPROCK REC-PHILLIPS 138KV CKT 1'         | TO->FROM | 0.23585 | 271   | 'AMOCO SWITCHING STATION - SUNDOWN INTERCHANGE 230KV CKT 1'       |
| 11WP | 0 | G10_059 | 'CAPROCK REC-MCDONALD - CAPROCK REC-PHILLIPS 138KV CKT 1'         | TO->FROM | 0.23585 | 271   | 'AMOCO SWITCHING STATION - SUNDOWN INTERCHANGE 230KV CKT 1'       |
| 11WP | 0 | G10_060 | 'CAPROCK REC-ST LAWRENCE - CAPROCK REC-STILES 138KV CKT 1'        | TO->FROM | 0.29541 | 270.9 | 'HOBBS INTERCHANGE - MIDLAND COUNTY INTERCHANGE 230KV CKT 1'      |
| 11WP | 0 | G10_059 | 'CAPROCK REC-ST LAWRENCE - CAPROCK REC-STILES 138KV CKT 1'        | TO->FROM | 0.29541 | 270.9 | 'HOBBS INTERCHANGE - MIDLAND COUNTY INTERCHANGE 230KV CKT 1'      |
| 11WP | 0 | G10_060 | 'LEA COUNTY INTERCHANGE - YOAKUM COUNTY INTERCHANGE 230KV CKT 1'  | FROM->TO | 0.32654 | 360.7 | 'CUNNINGHAM STATION - EDDY COUNTY INTERCHANGE 230KV CKT 1'        |
| 11WP | 0 | G10_059 | 'LEA COUNTY INTERCHANGE - YOAKUM COUNTY INTERCHANGE 230KV CKT 1'  | FROM->TO | 0.32654 | 360.7 | 'CUNNINGHAM STATION - EDDY COUNTY INTERCHANGE 230KV CKT 1'        |
| 11WP | 0 | G10_060 | 'AMOCO SWITCHING STATION - YOAKUM COUNTY INTERCHANGE 230KV CKT 1' | TO->FROM | 0.25244 | 358.7 | 'CAPROCK REC-PHILLIPS - CAPROCK REC-TATE 138KV CKT 1'             |
| 11WP | 0 | G10_059 | 'AMOCO SWITCHING STATION - YOAKUM COUNTY INTERCHANGE 230KV CKT 1' | TO->FROM | 0.25244 | 358.7 | 'CAPROCK REC-PHILLIPS - CAPROCK REC-TATE 138KV CKT 1'             |
| 11WP | 0 | G10_060 | 'CAPROCK REC-GRADY - CAPROCK REC-TRIANGLE 138KV CKT 1'            | TO->FROM | 0.19958 | 175.9 | 'CAPROCK REC-RUSSEL TAP - CAPROCK REC-VEALMOOR 138KV CKT 1'       |
| 11WP | 0 | G10_059 | 'CAPROCK REC-GRADY - CAPROCK REC-TRIANGLE 138KV CKT 1'            | TO->FROM | 0.19958 | 175.9 | 'CAPROCK REC-RUSSEL TAP - CAPROCK REC-VEALMOOR 138KV CKT 1'       |
| 11WP | 0 | G10_060 | 'CAPROCK REC-MCDONALD - CAPROCK REC-PHILLIPS 138KV CKT 1'         | TO->FROM | 0.23719 | 271   | 'TOLK STATION (ABBXNL844501) 345/230/13.2KV TRANSFORMER CKT 1'    |
| 11WP | 0 | G10_059 | 'CAPROCK REC-MCDONALD - CAPROCK REC-PHILLIPS 138KV CKT 1'         | TO->FROM | 0.23719 | 271   | 'TOLK STATION (ABBXNL844501) 345/230/13.2KV TRANSFORMER CKT 1'    |
| 11WP | 0 | G10_060 | 'CAPROCK REC-MCDONALD - CAPROCK REC-PHILLIPS 138KV CKT 1'         | TO->FROM | 0.23719 | 271   | 'CHAVESCO 345.00 - TOLK STATION 345KV CKT 1'                      |
| 11WP | 0 | G10_059 | 'CAPROCK REC-MCDONALD - CAPROCK REC-PHILLIPS 138KV CKT 1'         | TO->FROM | 0.23719 | 271   | 'CHAVESCO 345.00 - TOLK STATION 345KV CKT 1'                      |
| 11WP | 0 | G10_060 | 'CAPROCK REC-MCDONALD - CAPROCK REC-PHILLIPS 138KV CKT 1'         | TO->FROM | 0.23287 | 271   | 'LUBBOCK SOUTH INTERCHANGE - WOLFFORTH INTERCHANGE 230KV CKT 1'   |
| 11WP | 0 | G10_059 | 'CAPROCK REC-MCDONALD - CAPROCK REC-PHILLIPS 138KV CKT 1'         | TO->FROM | 0.23287 | 271   | 'LUBBOCK SOUTH INTERCHANGE - WOLFFORTH INTERCHANGE 230KV CKT 1'   |

|      |   |         |   |          |         |       |   |
|------|---|---------|---|----------|---------|-------|---|
| 11WP | 0 | G10_060 | 'CAPROCK REC-MCDONALD - CAPROCK REC-PHILLIPS 138KV CKT 1' | TO->FROM | 0.22791 | 271   | 'CUNNINGHAM STATION - POTASH JUNCTION INTERCHANGE 230KV CKT 1'            |
| 11WP | 0 | G10_059 | 'CAPROCK REC-MCDONALD - CAPROCK REC-PHILLIPS 138KV CKT 1' | TO->FROM | 0.22791 | 271   | 'CUNNINGHAM STATION - POTASH JUNCTION INTERCHANGE 230KV CKT 1'            |
| 11WP | 0 | G10_060 | 'CAPROCK REC-MCDONALD - CAPROCK REC-PHILLIPS 138KV CKT 1' | TO->FROM | 0.22984 | 271   | 'TERRY COUNTY INTERCHANGE - WOLFFORTH INTERCHANGE 115KV CKT 1'            |
| 11WP | 0 | G10_059 | 'CAPROCK REC-MCDONALD - CAPROCK REC-PHILLIPS 138KV CKT 1' | TO->FROM | 0.22984 | 271   | 'TERRY COUNTY INTERCHANGE - WOLFFORTH INTERCHANGE 115KV CKT 1'            |
| 11WP | 0 | G10_060 | 'CAPROCK REC-MCDONALD - CAPROCK REC-PHILLIPS 138KV CKT 1' | TO->FROM | 0.22512 | 271   | 'Jones Station Bus#2 230/22.0KV TRANSFORMER CKT 1'                        |
| 11WP | 0 | G10_059 | 'CAPROCK REC-MCDONALD - CAPROCK REC-PHILLIPS 138KV CKT 1' | TO->FROM | 0.22512 | 271   | 'Jones Station Bus#2 230/22.0KV TRANSFORMER CKT 1'                        |
| 11WP | 0 | G10_060 | 'CAPROCK REC-KOCH - CAPROCK REC-REED 138KV CKT 1'         | TO->FROM | 0.19958 | 175.9 | 'CAPROCK REC-LANGE - CAPROCK REC-ST LAWRENCE 138KV CKT 1'                 |
| 11WP | 0 | G10_059 | 'CAPROCK REC-KOCH - CAPROCK REC-REED 138KV CKT 1'         | TO->FROM | 0.19958 | 175.9 | 'CAPROCK REC-LANGE - CAPROCK REC-ST LAWRENCE 138KV CKT 1'                 |
| 11WP | 0 | G10_060 | 'CAPROCK REC-MCDONALD - CAPROCK REC-PHILLIPS 138KV CKT 1' | TO->FROM | 0.22512 | 271   | 'Jones Station Bus#2 230/22.0KV TRANSFORMER CKT 1'                        |
| 11WP | 0 | G10_059 | 'CAPROCK REC-MCDONALD - CAPROCK REC-PHILLIPS 138KV CKT 1' | TO->FROM | 0.22512 | 271   | 'Jones Station Bus#2 230/22.0KV TRANSFORMER CKT 1'                        |
| 11WP | 0 | G10_060 | 'CAPROCK REC-KOCH - CAPROCK REC-VEALMOOR 138KV CKT 1'     | FROM->TO | 0.19958 | 175.9 | 'CAPROCK REC-LANGE - CAPROCK REC-ST LAWRENCE 138KV CKT 1'                 |
| 11WP | 0 | G10_059 | 'CAPROCK REC-KOCH - CAPROCK REC-VEALMOOR 138KV CKT 1'     | FROM->TO | 0.19958 | 175.9 | 'CAPROCK REC-LANGE - CAPROCK REC-ST LAWRENCE 138KV CKT 1'                 |
| 11WP | 0 | G10_060 | 'CAPROCK REC-MCDONALD - CAPROCK REC-PHILLIPS 138KV CKT 1' | TO->FROM | 0.23726 | 271   | 'EDDY COUNTY INTERCHANGE (ABB AEM30711) 345/230/13.2KV TRANSFORMER CKT 1' |
| 11WP | 0 | G10_059 | 'CAPROCK REC-MCDONALD - CAPROCK REC-PHILLIPS 138KV CKT 1' | TO->FROM | 0.23726 | 271   | 'EDDY COUNTY INTERCHANGE (ABB AEM30711) 345/230/13.2KV TRANSFORMER CKT 1' |
| 11WP | 0 | G10_060 | 'CAPROCK REC-MCDONALD - CAPROCK REC-PHILLIPS 138KV CKT 1' | TO->FROM | 0.23726 | 271   | 'CHAVESCO 345.00 - EDDY COUNTY INTERCHANGE 345KV CKT 1'                   |
| 11WP | 0 | G10_059 | 'CAPROCK REC-MCDONALD - CAPROCK REC-PHILLIPS 138KV CKT 1' | TO->FROM | 0.23726 | 271   | 'CHAVESCO 345.00 - EDDY COUNTY INTERCHANGE 345KV CKT 1'                   |
| 11WP | 0 | G10_060 | 'CAPROCK REC-MCDONALD - CAPROCK REC-PHILLIPS 138KV CKT 1' | TO->FROM | 0.22717 | 271   | 'WOLFFORTH INTERCHANGE - YUMA INTERCHANGE 115KV CKT 1'                    |
| 11WP | 0 | G10_059 | 'CAPROCK REC-MCDONALD - CAPROCK REC-PHILLIPS 138KV CKT 1' | TO->FROM | 0.22717 | 271   | 'WOLFFORTH INTERCHANGE - YUMA INTERCHANGE 115KV CKT 1'                    |
| 11WP | 0 | G10_060 | 'CAPROCK REC-MCDONALD - CAPROCK REC-PHILLIPS 138KV CKT 1' | TO->FROM | 0.2253  | 271   | 'SPP-SWPS-T14'  |
| 11WP | 0 | G10_059 | 'CAPROCK REC-MCDONALD - CAPROCK REC-PHILLIPS 138KV CKT 1' | TO->FROM | 0.2253  | 271   | 'SPP-SWPS-T14'  |
| 11WP | 0 | G10_060 | 'CAPROCK REC-KOCH - CAPROCK REC-REED 138KV CKT 1'         | TO->FROM | 0.19958 | 175.9 | 'CAPROCK REC-BUCHANAN - CAPROCK REC-LANGE 138KV CKT 1'                    |
| 11WP | 0 | G10_059 | 'CAPROCK REC-KOCH - CAPROCK REC-REED 138KV CKT 1'         | TO->FROM | 0.19958 | 175.9 | 'CAPROCK REC-BUCHANAN - CAPROCK REC-LANGE 138KV CKT 1'                    |
| 11WP | 0 | G10_060 | 'CAPROCK REC-KOCH - CAPROCK REC-VEALMOOR 138KV CKT 1'     | FROM->TO | 0.19958 | 175.9 | 'CAPROCK REC-BUCHANAN - CAPROCK REC-LANGE 138KV CKT 1'                    |
| 11WP | 0 | G10_059 | 'CAPROCK REC-KOCH - CAPROCK REC-VEALMOOR 138KV CKT 1'     | FROM->TO | 0.19958 | 175.9 | 'CAPROCK REC-BUCHANAN - CAPROCK REC-LANGE 138KV CKT 1'                    |

|      |   |         |  |          |         |       |   |
|------|---|---------|--|----------|---------|-------|---|
| 11WP | 0 | G10_060 | 'TUCO INTERCHANGE (UPDATE DATA)<br>345/230/13.2KV TRANSFORMER CKT 2' | FROM->TO | 0.42315 | 557.9 | 'TUCO INTERCHANGE (GE M1022338)<br>345/230/13.2KV TRANSFORMER CKT 1'  |
| 11WP | 0 | G10_059 | 'TUCO INTERCHANGE (UPDATE DATA)<br>345/230/13.2KV TRANSFORMER CKT 2' | FROM->TO | 0.42315 | 557.9 | 'TUCO INTERCHANGE (GE M1022338)<br>345/230/13.2KV TRANSFORMER CKT 1'  |
| 11WP | 0 | G10_060 | 'TUCO INTERCHANGE (UPDATE DATA)<br>345/230/13.2KV TRANSFORMER CKT 2' | FROM->TO | 0.42315 | 558   | 'TUCO INTERCHANGE (GE M1022338)<br>345/230/13.2KV TRANSFORMER CKT 1'  |
| 11WP | 0 | G10_059 | 'TUCO INTERCHANGE (UPDATE DATA)<br>345/230/13.2KV TRANSFORMER CKT 2' | FROM->TO | 0.42315 | 558   | 'TUCO INTERCHANGE (GE M1022338)<br>345/230/13.2KV TRANSFORMER CKT 1'  |
| 11WP | 0 | G10_060 | 'AMOCO SWITCHING STATION - YOAKUM<br>COUNTY INTERCHANGE 230KV CKT 1' | TO->FROM | 0.25244 | 358.7 | 'CAPROCK REC-MCDONALD - CAPROCK REC-<br>PHILLIPS 138KV CKT 1'         |
| 11WP | 0 | G10_059 | 'AMOCO SWITCHING STATION - YOAKUM<br>COUNTY INTERCHANGE 230KV CKT 1' | TO->FROM | 0.25244 | 358.7 | 'CAPROCK REC-MCDONALD - CAPROCK REC-<br>PHILLIPS 138KV CKT 1'         |
| 11WP | 0 | G10_060 | 'LEA COUNTY INTERCHANGE - YOAKUM<br>COUNTY INTERCHANGE 230KV CKT 1'  | FROM->TO | 0.33065 | 360.7 | 'CAPROCK REC-MCDONALD - CAPROCK REC-<br>TRIANGLE 138KV CKT 1'         |
| 11WP | 0 | G10_059 | 'LEA COUNTY INTERCHANGE - YOAKUM<br>COUNTY INTERCHANGE 230KV CKT 1'  | FROM->TO | 0.33065 | 360.7 | 'CAPROCK REC-MCDONALD - CAPROCK REC-<br>TRIANGLE 138KV CKT 1'         |
| 11WP | 0 | G10_060 | 'LEA COUNTY INTERCHANGE - YOAKUM<br>COUNTY INTERCHANGE 230KV CKT 1'  | FROM->TO | 0.33065 | 360.7 | 'CAPROCK REC-GRADY - CAPROCK REC-<br>TRIANGLE 138KV CKT 1'            |
| 11WP | 0 | G10_059 | 'LEA COUNTY INTERCHANGE - YOAKUM<br>COUNTY INTERCHANGE 230KV CKT 1'  | FROM->TO | 0.33065 | 360.7 | 'CAPROCK REC-GRADY - CAPROCK REC-<br>TRIANGLE 138KV CKT 1'            |
| 11WP | 0 | G10_060 | 'CAPROCK REC-BUCHANAN - CAPROCK REC-<br>LANGE 138KV CKT 1'           | TO->FROM | 0.29541 | 271   | 'HOBBS INTERCHANGE - MIDLAND COUNTY<br>INTERCHANGE 230KV CKT 1'       |
| 11WP | 0 | G10_059 | 'CAPROCK REC-BUCHANAN - CAPROCK REC-<br>LANGE 138KV CKT 1'           | TO->FROM | 0.29541 | 271   | 'HOBBS INTERCHANGE - MIDLAND COUNTY<br>INTERCHANGE 230KV CKT 1'       |
| 11WP | 0 | G10_060 | 'LEA COUNTY INTERCHANGE - YOAKUM<br>COUNTY INTERCHANGE 230KV CKT 1'  | FROM->TO | 0.32169 | 360.7 | 'GAINES COUNTY INTERCHANGE - TAYLOR<br>SWITCHING STATION 115KV CKT 1' |
| 11WP | 0 | G10_059 | 'LEA COUNTY INTERCHANGE - YOAKUM<br>COUNTY INTERCHANGE 230KV CKT 1'  | FROM->TO | 0.32169 | 360.7 | 'GAINES COUNTY INTERCHANGE - TAYLOR<br>SWITCHING STATION 115KV CKT 1' |
| 11WP | 0 | G10_060 | 'LEA COUNTY INTERCHANGE - YOAKUM<br>COUNTY INTERCHANGE 230KV CKT 1'  | FROM->TO | 0.33065 | 360.7 | 'CAPROCK REC-GRADY - CAPROCK REC-REED<br>138KV CKT 1'                 |
| 11WP | 0 | G10_059 | 'LEA COUNTY INTERCHANGE - YOAKUM<br>COUNTY INTERCHANGE 230KV CKT 1'  | FROM->TO | 0.33065 | 360.7 | 'CAPROCK REC-GRADY - CAPROCK REC-REED<br>138KV CKT 1'                 |
| 11WP | 0 | G10_060 | 'LEA COUNTY INTERCHANGE - YOAKUM<br>COUNTY INTERCHANGE 230KV CKT 1'  | FROM->TO | 0.33065 | 360.7 | 'CAPROCK REC-KOCH - CAPROCK REC-REED<br>138KV CKT 1'                  |
| 11WP | 0 | G10_059 | 'LEA COUNTY INTERCHANGE - YOAKUM<br>COUNTY INTERCHANGE 230KV CKT 1'  | FROM->TO | 0.33065 | 360.7 | 'CAPROCK REC-KOCH - CAPROCK REC-REED<br>138KV CKT 1'                  |
| 11WP | 0 | G10_060 | 'LEA COUNTY INTERCHANGE - YOAKUM<br>COUNTY INTERCHANGE 230KV CKT 1'  | FROM->TO | 0.33065 | 360.7 | 'CAPROCK REC-KOCH - CAPROCK REC-<br>VEALMOOR 138KV CKT 1'             |
| 11WP | 0 | G10_059 | 'LEA COUNTY INTERCHANGE - YOAKUM<br>COUNTY INTERCHANGE 230KV CKT 1'  | FROM->TO | 0.33065 | 360.7 | 'CAPROCK REC-KOCH - CAPROCK REC-<br>VEALMOOR 138KV CKT 1'             |
| 11WP | 0 | G10_060 | 'LEA COUNTY INTERCHANGE - YOAKUM<br>COUNTY INTERCHANGE 230KV CKT 1'  | FROM->TO | 0.35575 | 360.7 | 'TOLK STATION (ABBXNL844501) 345/230/13.2KV<br>TRANSFORMER CKT 1'     |
| 11WP | 0 | G10_059 | 'LEA COUNTY INTERCHANGE - YOAKUM<br>COUNTY INTERCHANGE 230KV CKT 1'  | FROM->TO | 0.35575 | 360.7 | 'TOLK STATION (ABBXNL844501) 345/230/13.2KV<br>TRANSFORMER CKT 1'     |
| 11WP | 0 | G10_060 | 'LEA COUNTY INTERCHANGE - YOAKUM<br>COUNTY INTERCHANGE 230KV CKT 1'  | FROM->TO | 0.35575 | 360.7 | 'CHAVESCO 345.00 - TOLK STATION 345KV<br>CKT 1'                       |
| 11WP | 0 | G10_059 | 'LEA COUNTY INTERCHANGE - YOAKUM<br>COUNTY INTERCHANGE 230KV CKT 1'  | FROM->TO | 0.35575 | 360.7 | 'CHAVESCO 345.00 - TOLK STATION 345KV<br>CKT 1'                       |
| 11WP | 0 | G10_060 | 'CAPROCK REC-KOCH - CAPROCK REC-REED<br>138KV CKT 1'                 | TO->FROM | 0.19958 | 175.9 | 'CAPROCK REC-BUCHANAN - CAPROCK REC-<br>RUSSEL TAP 138KV CKT 1'       |

|      |   |         |  |          |         |       |   |
|------|---|---------|--|----------|---------|-------|---|
| 11WP | 0 | G10_059 | 'CAPROCK REC-KOCH - CAPROCK REC-REED 138KV CKT 1'                | TO->FROM | 0.19958 | 175.9 | 'CAPROCK REC-BUCHANAN - CAPROCK REC-RUSSEL TAP 138KV CKT 1'                                   |
| 11WP | 0 | G10_060 | 'CAPROCK REC-KOCH - CAPROCK REC-VEALMOOR 138KV CKT 1'            | FROM->TO | 0.19958 | 175.9 | 'CAPROCK REC-BUCHANAN - CAPROCK REC-RUSSEL TAP 138KV CKT 1'                                   |
| 11WP | 0 | G10_059 | 'CAPROCK REC-KOCH - CAPROCK REC-VEALMOOR 138KV CKT 1'            | FROM->TO | 0.19958 | 175.9 | 'CAPROCK REC-BUCHANAN - CAPROCK REC-RUSSEL TAP 138KV CKT 1'                                   |
| 11WP | 0 | G10_060 | 'LEA COUNTY INTERCHANGE - YOAKUM COUNTY INTERCHANGE 230KV CKT 1' | FROM->TO | 0.30849 | 360.7 | 'CUNNINGHAM STATION - POTASH JUNCTION INTERCHANGE 230KV CKT 1'                                |
| 11WP | 0 | G10_059 | 'LEA COUNTY INTERCHANGE - YOAKUM COUNTY INTERCHANGE 230KV CKT 1' | FROM->TO | 0.30849 | 360.7 | 'CUNNINGHAM STATION - POTASH JUNCTION INTERCHANGE 230KV CKT 1'                                |
| 11WP | 0 | G10_060 | 'LEA COUNTY INTERCHANGE - YOAKUM COUNTY INTERCHANGE 230KV CKT 1' | FROM->TO | 0.29192 | 328.6 | 'BASE CASE'   |
| 11WP | 0 | G10_059 | 'LEA COUNTY INTERCHANGE - YOAKUM COUNTY INTERCHANGE 230KV CKT 1' | FROM->TO | 0.29192 | 328.6 | 'BASE CASE'   |
| 11WP | 0 | G10_060 | 'LEA COUNTY INTERCHANGE - YOAKUM COUNTY INTERCHANGE 230KV CKT 1' | FROM->TO | 0.31214 | 360.7 | 'HOBBS INTERCHANGE - Higg Switch Station 115KV CKT 1'   |
| 11WP | 0 | G10_059 | 'LEA COUNTY INTERCHANGE - YOAKUM COUNTY INTERCHANGE 230KV CKT 1' | FROM->TO | 0.31214 | 360.7 | 'HOBBS INTERCHANGE - Higg Switch Station 115KV CKT 1'   |
| 11WP | 0 | G10_060 | 'CAPROCK REC-KOCH - CAPROCK REC-REED 138KV CKT 1'                | TO->FROM | 0.19958 | 175.9 | 'CAPROCK REC-RUSSEL TAP - CAPROCK REC-VEALMOOR 138KV CKT 1'                                   |
| 11WP | 0 | G10_059 | 'CAPROCK REC-KOCH - CAPROCK REC-REED 138KV CKT 1'                | TO->FROM | 0.19958 | 175.9 | 'CAPROCK REC-RUSSEL TAP - CAPROCK REC-VEALMOOR 138KV CKT 1'                                   |
| 11WP | 0 | G10_060 | 'CAPROCK REC-KOCH - CAPROCK REC-VEALMOOR 138KV CKT 1'            | FROM->TO | 0.19958 | 175.9 | 'CAPROCK REC-RUSSEL TAP - CAPROCK REC-VEALMOOR 138KV CKT 1'                                   |
| 11WP | 0 | G10_059 | 'CAPROCK REC-KOCH - CAPROCK REC-VEALMOOR 138KV CKT 1'            | FROM->TO | 0.19958 | 175.9 | 'CAPROCK REC-RUSSEL TAP - CAPROCK REC-VEALMOOR 138KV CKT 1'                                   |
| 11WP | 0 | G10_060 | 'LEA COUNTY INTERCHANGE - YOAKUM COUNTY INTERCHANGE 230KV CKT 1' | FROM->TO | 0.29192 | 360.7 | 'Golden Spread REC - Mustang Interchange 230 kV Generation Bus - MUSTANG STATION 230KV CKT 1' |
| 11WP | 0 | G10_059 | 'LEA COUNTY INTERCHANGE - YOAKUM COUNTY INTERCHANGE 230KV CKT 1' | FROM->TO | 0.29192 | 360.7 | 'Golden Spread REC - Mustang Interchange 230 kV Generation Bus - MUSTANG STATION 230KV CKT 1' |
| 11WP | 0 | G10_060 | 'CAPROCK REC-BUCHANAN - CAPROCK REC-RUSSEL TAP 138KV CKT 1'      | FROM->TO | 0.29541 | 271   | 'HOBBS INTERCHANGE - MIDLAND COUNTY INTERCHANGE 230KV CKT 1'                                  |
| 11WP | 0 | G10_059 | 'CAPROCK REC-BUCHANAN - CAPROCK REC-RUSSEL TAP 138KV CKT 1'      | FROM->TO | 0.29541 | 271   | 'HOBBS INTERCHANGE - MIDLAND COUNTY INTERCHANGE 230KV CKT 1'                                  |
| 11WP | 0 | G10_060 | 'LEA COUNTY INTERCHANGE - YOAKUM COUNTY INTERCHANGE 230KV CKT 1' | FROM->TO | 0.35612 | 360.7 | 'EDDY COUNTY INTERCHANGE (ABB AEM30711) 345/230/13.2KV TRANSFORMER CKT 1'                     |
| 11WP | 0 | G10_059 | 'LEA COUNTY INTERCHANGE - YOAKUM COUNTY INTERCHANGE 230KV CKT 1' | FROM->TO | 0.35612 | 360.7 | 'EDDY COUNTY INTERCHANGE (ABB AEM30711) 345/230/13.2KV TRANSFORMER CKT 1'                     |
| 11WP | 0 | G10_060 | 'CAPROCK REC-RUSSEL TAP - CAPROCK REC-VEALMOOR 138KV CKT 1'      | FROM->TO | 0.29541 | 271   | 'HOBBS INTERCHANGE - MIDLAND COUNTY INTERCHANGE 230KV CKT 1'                                  |
| 11WP | 0 | G10_059 | 'CAPROCK REC-RUSSEL TAP - CAPROCK REC-VEALMOOR 138KV CKT 1'      | FROM->TO | 0.29541 | 271   | 'HOBBS INTERCHANGE - MIDLAND COUNTY INTERCHANGE 230KV CKT 1'                                  |
| 11WP | 0 | G10_060 | 'CUNNINGHAM STATION - LEA COUNTY INTERCHANGE 230KV CKT 1'        | TO->FROM | 0.46735 | 556.2 | 'LEA COUNTY INTERCHANGE - YOAKUM COUNTY INTERCHANGE 230KV CKT 1'                              |
| 11WP | 0 | G10_059 | 'CUNNINGHAM STATION - LEA COUNTY INTERCHANGE 230KV CKT 1'        | TO->FROM | 0.46735 | 556.2 | 'LEA COUNTY INTERCHANGE - YOAKUM COUNTY INTERCHANGE 230KV CKT 1'                              |

|      |   |         |   |          |         |       |   |
|------|---|---------|---|----------|---------|-------|---|
| 11WP | 0 | G10_060 | 'AMOCO SWITCHING STATION - YOAKUM COUNTY INTERCHANGE 230KV CKT 1' | TO->FROM | 0.25238 | 358.7 | 'BORDEN COUNTY INTERCHANGE 230/138KV TRANSFORMER CKT 1'         |
| 11WP | 0 | G10_059 | 'AMOCO SWITCHING STATION - YOAKUM COUNTY INTERCHANGE 230KV CKT 1' | TO->FROM | 0.25238 | 358.7 | 'BORDEN COUNTY INTERCHANGE 230/138KV TRANSFORMER CKT 1'         |
| 11WP | 0 | G10_060 | 'AMOCO SWITCHING STATION - YOAKUM COUNTY INTERCHANGE 230KV CKT 1' | TO->FROM | 0.25238 | 358.7 | 'SPP-SWPS-K48'  |
| 11WP | 0 | G10_059 | 'AMOCO SWITCHING STATION - YOAKUM COUNTY INTERCHANGE 230KV CKT 1' | TO->FROM | 0.25238 | 358.7 | 'SPP-SWPS-K48'  |
| 11WP | 0 | G10_060 | 'AMOCO SWITCHING STATION - YOAKUM COUNTY INTERCHANGE 230KV CKT 1' | TO->FROM | 0.25238 | 358.7 | 'BORDEN COUNTY INTERCHANGE - GRASSLAND INTERCHANGE 230KV CKT 1' |
| 11WP | 0 | G10_059 | 'AMOCO SWITCHING STATION - YOAKUM COUNTY INTERCHANGE 230KV CKT 1' | TO->FROM | 0.25238 | 358.7 | 'BORDEN COUNTY INTERCHANGE - GRASSLAND INTERCHANGE 230KV CKT 1' |
| 11WP | 0 | G10_060 | 'CAPROCK REC-MCDONALD - CAPROCK REC-TRIANGLE 138KV CKT 1'         | FROM->TO | 0.21403 | 271   | 'HOBBS INTERCHANGE - LEA COUNTY INTERCHANGE 230KV CKT 1'        |
| 11WP | 0 | G10_059 | 'CAPROCK REC-MCDONALD - CAPROCK REC-TRIANGLE 138KV CKT 1'         | FROM->TO | 0.21403 | 271   | 'HOBBS INTERCHANGE - LEA COUNTY INTERCHANGE 230KV CKT 1'        |
| 11WP | 0 | G10_060 | 'CUNNINGHAM STATION - LEA COUNTY INTERCHANGE 230KV CKT 1'         | TO->FROM | 0.40269 | 556.2 | 'MIDLAND COUNTY INTERCHANGE 230/138KV TRANSFORMER CKT 1'        |
| 11WP | 0 | G10_059 | 'CUNNINGHAM STATION - LEA COUNTY INTERCHANGE 230KV CKT 1'         | TO->FROM | 0.40269 | 556.2 | 'MIDLAND COUNTY INTERCHANGE 230/138KV TRANSFORMER CKT 1'        |
| 11WP | 0 | G10_060 | 'CUNNINGHAM STATION - LEA COUNTY INTERCHANGE 230KV CKT 1'         | TO->FROM | 0.40269 | 556.2 | 'CAPROCK REC-PHILLIPS - CAPROCK REC-TATE 138KV CKT 1'           |
| 11WP | 0 | G10_059 | 'CUNNINGHAM STATION - LEA COUNTY INTERCHANGE 230KV CKT 1'         | TO->FROM | 0.40269 | 556.2 | 'CAPROCK REC-PHILLIPS - CAPROCK REC-TATE 138KV CKT 1'           |
| 11WP | 0 | G10_060 | 'AMOCO SWITCHING STATION - YOAKUM COUNTY INTERCHANGE 230KV CKT 1' | TO->FROM | 0.23884 | 358.7 | 'TOLK STATION WEST - YOAKUM COUNTY INTERCHANGE 230KV CKT 1'     |
| 11WP | 0 | G10_059 | 'AMOCO SWITCHING STATION - YOAKUM COUNTY INTERCHANGE 230KV CKT 1' | TO->FROM | 0.23884 | 358.7 | 'TOLK STATION WEST - YOAKUM COUNTY INTERCHANGE 230KV CKT 1'     |
| 11WP | 0 | G10_060 | 'CUNNINGHAM STATION - EDDY COUNTY INTERCHANGE 230KV CKT 1'        | FROM->TO | 0.20325 | 360.8 | 'CUNNINGHAM STATION - POTASH JUNCTION INTERCHANGE 230KV CKT 1'  |
| 11WP | 0 | G10_059 | 'CUNNINGHAM STATION - EDDY COUNTY INTERCHANGE 230KV CKT 1'        | FROM->TO | 0.20325 | 360.8 | 'CUNNINGHAM STATION - POTASH JUNCTION INTERCHANGE 230KV CKT 1'  |
| 11WP | 0 | G10_060 | 'CUNNINGHAM STATION - LEA COUNTY INTERCHANGE 230KV CKT 1'         | TO->FROM | 0.40269 | 556.2 | 'CAPROCK REC-MCDONALD - CAPROCK REC-PHILLIPS 138KV CKT 1'       |
| 11WP | 0 | G10_059 | 'CUNNINGHAM STATION - LEA COUNTY INTERCHANGE 230KV CKT 1'         | TO->FROM | 0.40269 | 556.2 | 'CAPROCK REC-MCDONALD - CAPROCK REC-PHILLIPS 138KV CKT 1'       |
| 11WP | 0 | G10_060 | 'AMOCO SWITCHING STATION - YOAKUM COUNTY INTERCHANGE 230KV CKT 1' | TO->FROM | 0.21111 | 358.7 | 'CUNNINGHAM STATION - LEA COUNTY INTERCHANGE 230KV CKT 1'       |
| 11WP | 0 | G10_059 | 'AMOCO SWITCHING STATION - YOAKUM COUNTY INTERCHANGE 230KV CKT 1' | TO->FROM | 0.21111 | 358.7 | 'CUNNINGHAM STATION - LEA COUNTY INTERCHANGE 230KV CKT 1'       |
| 11WP | 0 | G10_060 | 'AMOCO SWITCHING STATION - YOAKUM COUNTY INTERCHANGE 230KV CKT 1' | TO->FROM | 0.21154 | 358.7 | 'CAPROCK REC-MCDONALD - CAPROCK REC-TRIANGLE 138KV CKT 1'       |
| 11WP | 0 | G10_059 | 'AMOCO SWITCHING STATION - YOAKUM COUNTY INTERCHANGE 230KV CKT 1' | TO->FROM | 0.21154 | 358.7 | 'CAPROCK REC-MCDONALD - CAPROCK REC-TRIANGLE 138KV CKT 1'       |
| 11WP | 0 | G10_060 | 'CAPROCK REC-MCDONALD - CAPROCK REC-TRIANGLE 138KV CKT 1'         | FROM->TO | 0.19971 | 271   | 'CAPROCK REC-MCDONALD - CR-1956 4138.00 138KV CKT 1'            |
| 11WP | 0 | G10_059 | 'CAPROCK REC-MCDONALD - CAPROCK REC-TRIANGLE 138KV CKT 1'         | FROM->TO | 0.19971 | 271   | 'CAPROCK REC-MCDONALD - CR-1956 4138.00 138KV CKT 1'            |
| 11WP | 0 | G10_060 | 'AMOCO SWITCHING STATION - YOAKUM COUNTY INTERCHANGE 230KV CKT 1' | TO->FROM | 0.21154 | 358.7 | 'CAPROCK REC-GRADY - CAPROCK REC-TRIANGLE 138KV CKT 1'          |

|      |   |         |   |          |         |       |   |
|------|---|---------|---|----------|---------|-------|---|
| 11WP | 0 | G10_059 | 'AMOCO SWITCHING STATION - YOAKUM COUNTY INTERCHANGE 230KV CKT 1' | TO->FROM | 0.21154 | 358.7 | 'CAPROCK REC-GRADY - CAPROCK REC-TRIANGLE 138KV CKT 1'                      |
| 11WP | 0 | G10_060 | 'CAPROCK REC-MCDONALD - CAPROCK REC-TRIANGLE 138KV CKT 1'         | FROM->TO | 0.19971 | 271   | 'CAPROCK REC-NEW SCHWARTZ - CR-1956 4138.00 138KV CKT 1'                    |
| 11WP | 0 | G10_059 | 'CAPROCK REC-MCDONALD - CAPROCK REC-TRIANGLE 138KV CKT 1'         | FROM->TO | 0.19971 | 271   | 'CAPROCK REC-NEW SCHWARTZ - CR-1956 4138.00 138KV CKT 1'                    |
| 11WP | 0 | G10_060 | 'AMOCO SWITCHING STATION - YOAKUM COUNTY INTERCHANGE 230KV CKT 1' | TO->FROM | 0.21154 | 358.7 | 'CAPROCK REC-GRADY - CAPROCK REC-REED 138KV CKT 1'                          |
| 11WP | 0 | G10_059 | 'AMOCO SWITCHING STATION - YOAKUM COUNTY INTERCHANGE 230KV CKT 1' | TO->FROM | 0.21154 | 358.7 | 'CAPROCK REC-GRADY - CAPROCK REC-REED 138KV CKT 1'                          |
| 11WP | 0 | G10_060 | 'AMOCO SWITCHING STATION - YOAKUM COUNTY INTERCHANGE 230KV CKT 1' | TO->FROM | 0.21154 | 358.7 | 'CAPROCK REC-KOCH - CAPROCK REC-REED 138KV CKT 1'                           |
| 11WP | 0 | G10_059 | 'AMOCO SWITCHING STATION - YOAKUM COUNTY INTERCHANGE 230KV CKT 1' | TO->FROM | 0.21154 | 358.7 | 'CAPROCK REC-KOCH - CAPROCK REC-REED 138KV CKT 1'                           |
| 11WP | 0 | G10_060 | 'AMOCO SWITCHING STATION - YOAKUM COUNTY INTERCHANGE 230KV CKT 1' | TO->FROM | 0.21154 | 358.7 | 'CAPROCK REC-KOCH - CAPROCK REC-VEALMOOR 138KV CKT 1'                       |
| 11WP | 0 | G10_059 | 'AMOCO SWITCHING STATION - YOAKUM COUNTY INTERCHANGE 230KV CKT 1' | TO->FROM | 0.21154 | 358.7 | 'CAPROCK REC-KOCH - CAPROCK REC-VEALMOOR 138KV CKT 1'                       |
| 11WP | 0 | G10_060 | 'AMOCO SWITCHING STATION - YOAKUM COUNTY INTERCHANGE 230KV CKT 1' | TO->FROM | 0.20447 | 358.7 | 'TERRY COUNTY INTERCHANGE - WOLFFORTH INTERCHANGE 115KV CKT 1'              |
| 11WP | 0 | G10_059 | 'AMOCO SWITCHING STATION - YOAKUM COUNTY INTERCHANGE 230KV CKT 1' | TO->FROM | 0.20447 | 358.7 | 'TERRY COUNTY INTERCHANGE - WOLFFORTH INTERCHANGE 115KV CKT 1'              |
| 11WP | 0 | G10_060 | 'AMOCO SWITCHING STATION - YOAKUM COUNTY INTERCHANGE 230KV CKT 1' | TO->FROM | 0.20113 | 358.7 | 'CUNNINGHAM STATION - EDDY COUNTY INTERCHANGE 230KV CKT 1'                  |
| 11WP | 0 | G10_059 | 'AMOCO SWITCHING STATION - YOAKUM COUNTY INTERCHANGE 230KV CKT 1' | TO->FROM | 0.20113 | 358.7 | 'CUNNINGHAM STATION - EDDY COUNTY INTERCHANGE 230KV CKT 1'                  |
| 11WP | 0 | G10_060 | 'CAPROCK REC-GRADY - CAPROCK REC-REED 138KV CKT 1'                | FROM->TO | 0.21403 | 270.9 | 'HOBBS INTERCHANGE - LEA COUNTY INTERCHANGE 230KV CKT 1'                    |
| 11WP | 0 | G10_059 | 'CAPROCK REC-GRADY - CAPROCK REC-REED 138KV CKT 1'                | FROM->TO | 0.21403 | 270.9 | 'HOBBS INTERCHANGE - LEA COUNTY INTERCHANGE 230KV CKT 1'                    |
| 11WP | 0 | G10_060 | 'AMOCO SWITCHING STATION - YOAKUM COUNTY INTERCHANGE 230KV CKT 1' | TO->FROM | 0.22086 | 358.7 | 'TOLK STATION (ABBXNL844501) 345/230/13.2KV TRANSFORMER CKT 1'              |
| 11WP | 0 | G10_059 | 'AMOCO SWITCHING STATION - YOAKUM COUNTY INTERCHANGE 230KV CKT 1' | TO->FROM | 0.22086 | 358.7 | 'TOLK STATION (ABBXNL844501) 345/230/13.2KV TRANSFORMER CKT 1'              |
| 11WP | 0 | G10_060 | 'AMOCO SWITCHING STATION - YOAKUM COUNTY INTERCHANGE 230KV CKT 1' | TO->FROM | 0.22086 | 358.7 | 'CHAVESCO 345.00 - TOLK STATION 345KV CKT 1'                                |
| 11WP | 0 | G10_059 | 'AMOCO SWITCHING STATION - YOAKUM COUNTY INTERCHANGE 230KV CKT 1' | TO->FROM | 0.22086 | 358.7 | 'CHAVESCO 345.00 - TOLK STATION 345KV CKT 1'                                |
| 11WP | 0 | G10_060 | 'AMOCO SWITCHING STATION - YOAKUM COUNTY INTERCHANGE 230KV CKT 1' | TO->FROM | 0.19344 | 358.7 | 'LEA COUNTY REC-PLAINS INTERCHANGE - YOAKUM COUNTY INTERCHANGE 115KV CKT 1' |
| 11WP | 0 | G10_059 | 'AMOCO SWITCHING STATION - YOAKUM COUNTY INTERCHANGE 230KV CKT 1' | TO->FROM | 0.19344 | 358.7 | 'LEA COUNTY REC-PLAINS INTERCHANGE - YOAKUM COUNTY INTERCHANGE 115KV CKT 1' |
| 11WP | 0 | G10_060 | 'CAPROCK REC-MCDONALD - CAPROCK REC-TRIANGLE 138KV CKT 1'         | FROM->TO | 0.19958 | 271   | 'CAPROCK REC-STILES - G09-17T 138.00 138KV CKT 1'                           |
| 11WP | 0 | G10_059 | 'CAPROCK REC-MCDONALD - CAPROCK REC-TRIANGLE 138KV CKT 1'         | FROM->TO | 0.19958 | 271   | 'CAPROCK REC-STILES - G09-17T 138.00 138KV CKT 1'                           |
| 11WP | 0 | G10_060 | 'CAPROCK REC-MCDONALD - CAPROCK REC-TRIANGLE 138KV CKT 1'         | FROM->TO | 0.19971 | 271   | 'CAPROCK REC-NEW SCHWARTZ - CAPROCK REC-PEMBROOK 138KV CKT 1'               |

|      |   |         |   |          |         |       |   |
|------|---|---------|---|----------|---------|-------|---|
| 11WP | 0 | G10_059 | 'CAPROCK REC-MCDONALD - CAPROCK REC-TRIANGLE 138KV CKT 1'         | FROM->TO | 0.19971 | 271   | 'CAPROCK REC-NEW SCHWARTZ - CAPROCK REC-PEMBROOK 138KV CKT 1'             |
| 11WP | 0 | G10_060 | 'POTTER COUNTY INTERCHANGE - S-RANDLCO 230.00 230KV CKT 1'        | TO->FROM | 0.25589 | 360.9 | 'BUSHLAND INTERCHANGE - S-RANDLCO 230.00 230KV CKT 1'                     |
| 11WP | 0 | G10_059 | 'POTTER COUNTY INTERCHANGE - S-RANDLCO 230.00 230KV CKT 1'        | TO->FROM | 0.25589 | 360.9 | 'BUSHLAND INTERCHANGE - S-RANDLCO 230.00 230KV CKT 1'                     |
| 11WP | 0 | G10_060 | 'AMOCO SWITCHING STATION - YOAKUM COUNTY INTERCHANGE 230KV CKT 1' | TO->FROM | 0.22109 | 358.7 | 'EDDY COUNTY INTERCHANGE (ABB AEM30711) 345/230/13.2KV TRANSFORMER CKT 1' |
| 11WP | 0 | G10_059 | 'AMOCO SWITCHING STATION - YOAKUM COUNTY INTERCHANGE 230KV CKT 1' | TO->FROM | 0.22109 | 358.7 | 'EDDY COUNTY INTERCHANGE (ABB AEM30711) 345/230/13.2KV TRANSFORMER CKT 1' |
| 11WP | 0 | G10_060 | 'AMOCO SWITCHING STATION - YOAKUM COUNTY INTERCHANGE 230KV CKT 1' | TO->FROM | 0.22109 | 358.7 | 'CHAVESCO 345.00 - EDDY COUNTY INTERCHANGE 345KV CKT 1'                   |
| 11WP | 0 | G10_059 | 'AMOCO SWITCHING STATION - YOAKUM COUNTY INTERCHANGE 230KV CKT 1' | TO->FROM | 0.22109 | 358.7 | 'CHAVESCO 345.00 - EDDY COUNTY INTERCHANGE 345KV CKT 1'                   |
| 11WP | 0 | G10_060 | 'CAPROCK REC-MCDONALD - CAPROCK REC-TRIANGLE 138KV CKT 1'         | FROM->TO | 0.19971 | 271   | 'CAPROCK REC-PEMBROOK - G09-17T 138.00 138KV CKT 1'                       |
| 11WP | 0 | G10_059 | 'CAPROCK REC-MCDONALD - CAPROCK REC-TRIANGLE 138KV CKT 1'         | FROM->TO | 0.19971 | 271   | 'CAPROCK REC-PEMBROOK - G09-17T 138.00 138KV CKT 1'                       |
| 11WP | 0 | G10_060 | 'CUNNINGHAM STATION - LEA COUNTY INTERCHANGE 230KV CKT 1'         | TO->FROM | 0.40261 | 556.2 | 'SPP-SWPS-K48'  |
| 11WP | 0 | G10_059 | 'CUNNINGHAM STATION - LEA COUNTY INTERCHANGE 230KV CKT 1'         | TO->FROM | 0.40261 | 556.2 | 'SPP-SWPS-K48'  |
| 11WP | 0 | G10_060 | 'CUNNINGHAM STATION - LEA COUNTY INTERCHANGE 230KV CKT 1'         | TO->FROM | 0.40261 | 556.2 | 'BORDEN COUNTY INTERCHANGE 230/138KV TRANSFORMER CKT 1'                   |
| 11WP | 0 | G10_059 | 'CUNNINGHAM STATION - LEA COUNTY INTERCHANGE 230KV CKT 1'         | TO->FROM | 0.40261 | 556.2 | 'BORDEN COUNTY INTERCHANGE 230/138KV TRANSFORMER CKT 1'                   |
| 11WP | 0 | G10_060 | 'CUNNINGHAM STATION - LEA COUNTY INTERCHANGE 230KV CKT 1'         | TO->FROM | 0.40261 | 556.2 | 'BORDEN COUNTY INTERCHANGE - GRASSLAND INTERCHANGE 230KV CKT 1'           |
| 11WP | 0 | G10_059 | 'CUNNINGHAM STATION - LEA COUNTY INTERCHANGE 230KV CKT 1'         | TO->FROM | 0.40261 | 556.2 | 'BORDEN COUNTY INTERCHANGE - GRASSLAND INTERCHANGE 230KV CKT 1'           |
| 11WP | 0 | G10_060 | 'CAPROCK REC-MCDONALD - CAPROCK REC-TRIANGLE 138KV CKT 1'         | FROM->TO | 0.19958 | 271   | 'CAPROCK REC-ST LAWRENCE - CAPROCK REC-STILES 138KV CKT 1'                |
| 11WP | 0 | G10_059 | 'CAPROCK REC-MCDONALD - CAPROCK REC-TRIANGLE 138KV CKT 1'         | FROM->TO | 0.19958 | 271   | 'CAPROCK REC-ST LAWRENCE - CAPROCK REC-STILES 138KV CKT 1'                |
| 11WP | 0 | G10_060 | 'LUBBOCK SOUTH INTERCHANGE - WOLFFORTH INTERCHANGE 230KV CKT 1'   | FROM->TO | 0.27079 | 358.2 | 'HOBBS INTERCHANGE - MIDLAND COUNTY INTERCHANGE 230KV CKT 1'              |
| 11WP | 0 | G10_059 | 'LUBBOCK SOUTH INTERCHANGE - WOLFFORTH INTERCHANGE 230KV CKT 1'   | FROM->TO | 0.27079 | 358.2 | 'HOBBS INTERCHANGE - MIDLAND COUNTY INTERCHANGE 230KV CKT 1'              |
| 11WP | 0 | G10_060 | 'CUNNINGHAM STATION - LEA COUNTY INTERCHANGE 230KV CKT 1'         | TO->FROM | 0.31741 | 556.2 | 'CUNNINGHAM STATION 230/20.0KV TRANSFORMER CKT 1'                         |
| 11WP | 0 | G10_059 | 'CUNNINGHAM STATION - LEA COUNTY INTERCHANGE 230KV CKT 1'         | TO->FROM | 0.31741 | 556.2 | 'CUNNINGHAM STATION 230/20.0KV TRANSFORMER CKT 1'                         |
| 11WP | 0 | G10_060 | 'CAPROCK REC-GRADY - CAPROCK REC-REED 138KV CKT 1'                | FROM->TO | 0.19971 | 270.9 | 'CAPROCK REC-MCDONALD - CR-1956 4138.00 138KV CKT 1'                      |
| 11WP | 0 | G10_059 | 'CAPROCK REC-GRADY - CAPROCK REC-REED 138KV CKT 1'                | FROM->TO | 0.19971 | 270.9 | 'CAPROCK REC-MCDONALD - CR-1956 4138.00 138KV CKT 1'                      |
| 11WP | 0 | G10_060 | 'CAPROCK REC-MCDONALD - CAPROCK REC-TRIANGLE 138KV CKT 1'         | FROM->TO | 0.19958 | 271   | 'CAPROCK REC-LANGE - CAPROCK REC-ST LAWRENCE 138KV CKT 1'                 |



|      |   |         |  |          |         |       |  |
|------|---|---------|--|----------|---------|-------|--|
| 11WP | 0 | G10_059 | 'CAPROCK REC-MCDONALD - CAPROCK REC-TRIANGLE 138KV CKT 1'  | FROM->TO | 0.19958 | 271   | 'CAPROCK REC-LANGE - CAPROCK REC-ST LAWRENCE 138KV CKT 1'        |
| 11WP | 0 | G10_060 | 'CAPROCK REC-GRADY - CAPROCK REC-REED 138KV CKT 1'         | FROM->TO | 0.19971 | 270.9 | 'CAPROCK REC-NEW SCHWARTZ - CR-1956 4138.00 138KV CKT 1'         |
| 11WP | 0 | G10_059 | 'CAPROCK REC-GRADY - CAPROCK REC-REED 138KV CKT 1'         | FROM->TO | 0.19971 | 270.9 | 'CAPROCK REC-NEW SCHWARTZ - CR-1956 4138.00 138KV CKT 1'         |
| 11WP | 0 | G10_060 | 'CUNNINGHAM STATION - EDDY COUNTY INTERCHANGE 230KV CKT 1' | FROM->TO | 0.21534 | 360.8 | 'LEA COUNTY INTERCHANGE - YOAKUM COUNTY INTERCHANGE 230KV CKT 1' |
| 11WP | 0 | G10_059 | 'CUNNINGHAM STATION - EDDY COUNTY INTERCHANGE 230KV CKT 1' | FROM->TO | 0.21534 | 360.8 | 'LEA COUNTY INTERCHANGE - YOAKUM COUNTY INTERCHANGE 230KV CKT 1' |
| 11WP | 0 | G10_060 | 'BUSHLAND INTERCHANGE - S-RANDLCO 230.00 230KV CKT 1'      | TO->FROM | 0.24594 | 359.9 | 'POTTER COUNTY INTERCHANGE - S-RANDLCO 230.00 230KV CKT 1'       |
| 11WP | 0 | G10_059 | 'BUSHLAND INTERCHANGE - S-RANDLCO 230.00 230KV CKT 1'      | TO->FROM | 0.24594 | 359.9 | 'POTTER COUNTY INTERCHANGE - S-RANDLCO 230.00 230KV CKT 1'       |
| 11WP | 0 | G10_060 | 'CAPROCK REC-MCDONALD - CAPROCK REC-TRIANGLE 138KV CKT 1'  | FROM->TO | 0.19958 | 271   | 'CAPROCK REC-BUCHANAN - CAPROCK REC-LANGE 138KV CKT 1'           |
| 11WP | 0 | G10_059 | 'CAPROCK REC-MCDONALD - CAPROCK REC-TRIANGLE 138KV CKT 1'  | FROM->TO | 0.19958 | 271   | 'CAPROCK REC-BUCHANAN - CAPROCK REC-LANGE 138KV CKT 1'           |
| 11WP | 0 | G10_060 | 'CAPROCK REC-MCDONALD - CAPROCK REC-TRIANGLE 138KV CKT 1'  | FROM->TO | 0.19958 | 271   | 'CAPROCK REC-BUCHANAN - CAPROCK REC-RUSSEL TAP 138KV CKT 1'      |
| 11WP | 0 | G10_059 | 'CAPROCK REC-MCDONALD - CAPROCK REC-TRIANGLE 138KV CKT 1'  | FROM->TO | 0.19958 | 271   | 'CAPROCK REC-BUCHANAN - CAPROCK REC-RUSSEL TAP 138KV CKT 1'      |
| 11WP | 0 | G10_060 | 'CAPROCK REC-GRADY - CAPROCK REC-REED 138KV CKT 1'         | FROM->TO | 0.19958 | 270.9 | 'CAPROCK REC-STILES - G09-17T 138.00 138KV CKT 1'                |
| 11WP | 0 | G10_059 | 'CAPROCK REC-GRADY - CAPROCK REC-REED 138KV CKT 1'         | FROM->TO | 0.19958 | 270.9 | 'CAPROCK REC-STILES - G09-17T 138.00 138KV CKT 1'                |
| 11WP | 0 | G10_060 | 'CAPROCK REC-GRADY - CAPROCK REC-REED 138KV CKT 1'         | FROM->TO | 0.19971 | 270.9 | 'CAPROCK REC-NEW SCHWARTZ - CAPROCK REC-PEMBROOK 138KV CKT 1'    |
| 11WP | 0 | G10_059 | 'CAPROCK REC-GRADY - CAPROCK REC-REED 138KV CKT 1'         | FROM->TO | 0.19971 | 270.9 | 'CAPROCK REC-NEW SCHWARTZ - CAPROCK REC-PEMBROOK 138KV CKT 1'    |
| 11WP | 0 | G10_060 | 'CAPROCK REC-MCDONALD - CAPROCK REC-TRIANGLE 138KV CKT 1'  | FROM->TO | 0.19958 | 271   | 'CAPROCK REC-RUSSEL TAP - CAPROCK REC-VEALMOOR 138KV CKT 1'      |
| 11WP | 0 | G10_059 | 'CAPROCK REC-MCDONALD - CAPROCK REC-TRIANGLE 138KV CKT 1'  | FROM->TO | 0.19958 | 271   | 'CAPROCK REC-RUSSEL TAP - CAPROCK REC-VEALMOOR 138KV CKT 1'      |
| 11WP | 0 | G10_060 | 'CUNNINGHAM STATION - LEA COUNTY INTERCHANGE 230KV CKT 1'  | TO->FROM | 0.35555 | 556.2 | 'HOBBS INTERCHANGE 230/115KV TRANSFORMER CKT 1'                  |
| 11WP | 0 | G10_059 | 'CUNNINGHAM STATION - LEA COUNTY INTERCHANGE 230KV CKT 1'  | TO->FROM | 0.35555 | 556.2 | 'HOBBS INTERCHANGE 230/115KV TRANSFORMER CKT 1'                  |
| 11WP | 0 | G10_060 | 'CAPROCK REC-GRADY - CAPROCK REC-REED 138KV CKT 1'         | FROM->TO | 0.19971 | 270.9 | 'CAPROCK REC-PEMBROOK - G09-17T 138.00 138KV CKT 1'              |
| 11WP | 0 | G10_059 | 'CAPROCK REC-GRADY - CAPROCK REC-REED 138KV CKT 1'         | FROM->TO | 0.19971 | 270.9 | 'CAPROCK REC-PEMBROOK - G09-17T 138.00 138KV CKT 1'              |
| 11WP | 0 | G10_060 | 'CAPROCK REC-GRADY - CAPROCK REC-REED 138KV CKT 1'         | FROM->TO | 0.19958 | 270.9 | 'CAPROCK REC-ST LAWRENCE - CAPROCK REC-STILES 138KV CKT 1'       |
| 11WP | 0 | G10_059 | 'CAPROCK REC-GRADY - CAPROCK REC-REED 138KV CKT 1'         | FROM->TO | 0.19958 | 270.9 | 'CAPROCK REC-ST LAWRENCE - CAPROCK REC-STILES 138KV CKT 1'       |
| 11WP | 0 | G10_060 | 'CUNNINGHAM STATION - LEA COUNTY INTERCHANGE 230KV CKT 1'  | TO->FROM | 0.35018 | 556.2 | 'LEA COUNTY INTERCHANGE 230/115KV TRANSFORMER CKT 1'             |
| 11WP | 0 | G10_059 | 'CUNNINGHAM STATION - LEA COUNTY INTERCHANGE 230KV CKT 1'  | TO->FROM | 0.35018 | 556.2 | 'LEA COUNTY INTERCHANGE 230/115KV TRANSFORMER CKT 1'             |

|      |   |         |   |          |         |       |  |
|------|---|---------|---|----------|---------|-------|--|
| 11WP | 0 | G10_060 | 'JONES STATION - Jones Station Bus#2 230KV<br>CKT 1'          | TO->FROM | 0.60771 | 881.4 | 'HOBBS INTERCHANGE - MIDLAND COUNTY<br>INTERCHANGE 230KV CKT 1'      |
| 11WP | 0 | G10_059 | 'JONES STATION - Jones Station Bus#2 230KV<br>CKT 1'          | TO->FROM | 0.60771 | 881.4 | 'HOBBS INTERCHANGE - MIDLAND COUNTY<br>INTERCHANGE 230KV CKT 1'      |
| 11WP | 0 | G10_060 | 'CAPROCK REC-GRADY - CAPROCK REC-REED<br>138KV CKT 1'         | FROM->TO | 0.19958 | 270.9 | 'CAPROCK REC-LANGE - CAPROCK REC-ST<br>LAWRENCE 138KV CKT 1'         |
| 11WP | 0 | G10_059 | 'CAPROCK REC-GRADY - CAPROCK REC-REED<br>138KV CKT 1'         | FROM->TO | 0.19958 | 270.9 | 'CAPROCK REC-LANGE - CAPROCK REC-ST<br>LAWRENCE 138KV CKT 1'         |
| 11WP | 0 | G10_060 | 'CUNNINGHAM STATION - LEA COUNTY<br>INTERCHANGE 230KV CKT 1'  | TO->FROM | 0.34573 | 556.2 | 'AMOCO SWITCHING STATION - YOAKUM<br>COUNTY INTERCHANGE 230KV CKT 1' |
| 11WP | 0 | G10_059 | 'CUNNINGHAM STATION - LEA COUNTY<br>INTERCHANGE 230KV CKT 1'  | TO->FROM | 0.34573 | 556.2 | 'AMOCO SWITCHING STATION - YOAKUM<br>COUNTY INTERCHANGE 230KV CKT 1' |
| 11WP | 0 | G10_060 | 'CUNNINGHAM STATION - LEA COUNTY<br>INTERCHANGE 230KV CKT 1'  | TO->FROM | 0.35314 | 556.2 | 'CAPROCK REC-MCDONALD - CAPROCK REC-<br>TRIANGLE 138KV CKT 1'        |
| 11WP | 0 | G10_059 | 'CUNNINGHAM STATION - LEA COUNTY<br>INTERCHANGE 230KV CKT 1'  | TO->FROM | 0.35314 | 556.2 | 'CAPROCK REC-MCDONALD - CAPROCK REC-<br>TRIANGLE 138KV CKT 1'        |
| 11WP | 0 | G10_060 | 'CAPROCK REC-GRADY - CAPROCK REC-REED<br>138KV CKT 1'         | FROM->TO | 0.19958 | 270.9 | 'CAPROCK REC-BUCHANAN - CAPROCK REC-<br>LANGE 138KV CKT 1'           |
| 11WP | 0 | G10_059 | 'CAPROCK REC-GRADY - CAPROCK REC-REED<br>138KV CKT 1'         | FROM->TO | 0.19958 | 270.9 | 'CAPROCK REC-BUCHANAN - CAPROCK REC-<br>LANGE 138KV CKT 1'           |
| 11WP | 0 | G10_060 | 'CUNNINGHAM STATION - EDDY COUNTY<br>INTERCHANGE 230KV CKT 1' | FROM->TO | 0.19644 | 360.8 | 'MIDLAND COUNTY INTERCHANGE 230/138KV<br>TRANSFORMER CKT 1'          |
| 11WP | 0 | G10_059 | 'CUNNINGHAM STATION - EDDY COUNTY<br>INTERCHANGE 230KV CKT 1' | FROM->TO | 0.19644 | 360.8 | 'MIDLAND COUNTY INTERCHANGE 230/138KV<br>TRANSFORMER CKT 1'          |
| 11WP | 0 | G10_060 | 'CUNNINGHAM STATION - LEA COUNTY<br>INTERCHANGE 230KV CKT 1'  | TO->FROM | 0.35314 | 556.2 | 'CAPROCK REC-GRADY - CAPROCK REC-<br>TRIANGLE 138KV CKT 1'           |
| 11WP | 0 | G10_059 | 'CUNNINGHAM STATION - LEA COUNTY<br>INTERCHANGE 230KV CKT 1'  | TO->FROM | 0.35314 | 556.2 | 'CAPROCK REC-GRADY - CAPROCK REC-<br>TRIANGLE 138KV CKT 1'           |
| 11WP | 0 | G10_060 | 'CUNNINGHAM STATION - EDDY COUNTY<br>INTERCHANGE 230KV CKT 1' | FROM->TO | 0.19644 | 360.8 | 'CAPROCK REC-PHILLIPS - CAPROCK REC-<br>TATE 138KV CKT 1'            |
| 11WP | 0 | G10_059 | 'CUNNINGHAM STATION - EDDY COUNTY<br>INTERCHANGE 230KV CKT 1' | FROM->TO | 0.19644 | 360.8 | 'CAPROCK REC-PHILLIPS - CAPROCK REC-<br>TATE 138KV CKT 1'            |
| 11WP | 0 | G10_060 | 'CUNNINGHAM STATION - LEA COUNTY<br>INTERCHANGE 230KV CKT 1'  | TO->FROM | 0.35314 | 556.2 | 'CAPROCK REC-GRADY - CAPROCK REC-REED<br>138KV CKT 1'                |
| 11WP | 0 | G10_059 | 'CUNNINGHAM STATION - LEA COUNTY<br>INTERCHANGE 230KV CKT 1'  | TO->FROM | 0.35314 | 556.2 | 'CAPROCK REC-GRADY - CAPROCK REC-REED<br>138KV CKT 1'                |
| 11WP | 0 | G10_060 | 'CUNNINGHAM STATION - LEA COUNTY<br>INTERCHANGE 230KV CKT 1'  | TO->FROM | 0.35314 | 556.2 | 'CAPROCK REC-KOCH - CAPROCK REC-REED<br>138KV CKT 1'                 |
| 11WP | 0 | G10_059 | 'CUNNINGHAM STATION - LEA COUNTY<br>INTERCHANGE 230KV CKT 1'  | TO->FROM | 0.35314 | 556.2 | 'CAPROCK REC-KOCH - CAPROCK REC-REED<br>138KV CKT 1'                 |
| 11WP | 0 | G10_060 | 'CUNNINGHAM STATION - LEA COUNTY<br>INTERCHANGE 230KV CKT 1'  | TO->FROM | 0.35314 | 556.2 | 'CAPROCK REC-KOCH - CAPROCK REC-<br>VEALMOOR 138KV CKT 1'            |
| 11WP | 0 | G10_059 | 'CUNNINGHAM STATION - LEA COUNTY<br>INTERCHANGE 230KV CKT 1'  | TO->FROM | 0.35314 | 556.2 | 'CAPROCK REC-KOCH - CAPROCK REC-<br>VEALMOOR 138KV CKT 1'            |
| 11WP | 0 | G10_060 | 'PLANT X STATION - TOLK STATION WEST<br>230KV CKT 1'          | TO->FROM | 0.1946  | 557   | 'PLANT X STATION - TOLK STATION EAST<br>230KV CKT 2'                 |
| 11WP | 0 | G10_059 | 'PLANT X STATION - TOLK STATION WEST<br>230KV CKT 1'          | TO->FROM | 0.1946  | 557   | 'PLANT X STATION - TOLK STATION EAST<br>230KV CKT 2'                 |
| 11WP | 0 | G10_060 | 'CUNNINGHAM STATION - EDDY COUNTY<br>INTERCHANGE 230KV CKT 1' | FROM->TO | 0.19644 | 360.8 | 'CAPROCK REC-MCDONALD - CAPROCK REC-<br>PHILLIPS 138KV CKT 1'        |

|      |   |         |  |          |         |       |  |
|------|---|---------|--|----------|---------|-------|--|
| 11WP | 0 | G10_059 | 'CUNNINGHAM STATION - EDDY COUNTY INTERCHANGE 230KV CKT 1' | FROM->TO | 0.19644 | 360.8 | 'CAPROCK REC-MCDONALD - CAPROCK REC-PHILLIPS 138KV CKT 1'          |
| 11WP | 0 | G10_060 | 'CAPROCK REC-GRADY - CAPROCK REC-REED 138KV CKT 1'         | FROM->TO | 0.19958 | 270.9 | 'CAPROCK REC-BUCHANAN - CAPROCK REC-RUSSEL TAP 138KV CKT 1'        |
| 11WP | 0 | G10_059 | 'CAPROCK REC-GRADY - CAPROCK REC-REED 138KV CKT 1'         | FROM->TO | 0.19958 | 270.9 | 'CAPROCK REC-BUCHANAN - CAPROCK REC-RUSSEL TAP 138KV CKT 1'        |
| 16SP | 0 | G10_060 | 'HOBBS INTERCHANGE 230/115KV TRANSFORMER CKT 1'            | FROM->TO | 0.69396 | 148.9 | 'HOBBS INTERCHANGE - LEA COUNTY INTERCHANGE 230KV CKT 1'           |
| 16SP | 0 | G10_059 | 'HOBBS INTERCHANGE 230/115KV TRANSFORMER CKT 1'            | FROM->TO | 0.69396 | 148.9 | 'HOBBS INTERCHANGE - LEA COUNTY INTERCHANGE 230KV CKT 1'           |
| 16SP | 0 | G10_060 | 'CAPROCK REC-PHILLIPS - CAPROCK REC-TATE 138KV CKT 1'      | TO->FROM | 1       | 270.5 | 'HOBBS_INT 7345.00 (LIKE POTTER) 345/230/13.2KV TRANSFORMER CKT 1' |
| 16SP | 0 | G10_059 | 'CAPROCK REC-PHILLIPS - CAPROCK REC-TATE 138KV CKT 1'      | TO->FROM | 1       | 270.5 | 'HOBBS_INT 7345.00 (LIKE POTTER) 345/230/13.2KV TRANSFORMER CKT 1' |
| 16SP | 0 | G10_060 | 'CAPROCK REC-PHILLIPS - CAPROCK REC-TATE 138KV CKT 1'      | TO->FROM | 1       | 270.5 | 'HOBBS_INT 7345.00 - MIDLAND 7345.00 345KV CKT 1'                  |
| 16SP | 0 | G10_059 | 'CAPROCK REC-PHILLIPS - CAPROCK REC-TATE 138KV CKT 1'      | TO->FROM | 1       | 270.5 | 'HOBBS_INT 7345.00 - MIDLAND 7345.00 345KV CKT 1'                  |
| 16SP | 0 | G10_060 | 'CAPROCK REC-MCDONALD - CAPROCK REC-PHILLIPS 138KV CKT 1'  | TO->FROM | 1       | 270.9 | 'HOBBS_INT 7345.00 (LIKE POTTER) 345/230/13.2KV TRANSFORMER CKT 1' |
| 16SP | 0 | G10_059 | 'CAPROCK REC-MCDONALD - CAPROCK REC-PHILLIPS 138KV CKT 1'  | TO->FROM | 1       | 270.9 | 'HOBBS_INT 7345.00 (LIKE POTTER) 345/230/13.2KV TRANSFORMER CKT 1' |
| 16SP | 0 | G10_060 | 'CAPROCK REC-MCDONALD - CAPROCK REC-PHILLIPS 138KV CKT 1'  | TO->FROM | 1       | 270.9 | 'HOBBS_INT 7345.00 - MIDLAND 7345.00 345KV CKT 1'                  |
| 16SP | 0 | G10_059 | 'CAPROCK REC-MCDONALD - CAPROCK REC-PHILLIPS 138KV CKT 1'  | TO->FROM | 1       | 270.9 | 'HOBBS_INT 7345.00 - MIDLAND 7345.00 345KV CKT 1'                  |
| 16SP | 0 | G10_060 | 'CAPROCK REC-GRADY - CAPROCK REC-TRIANGLE 138KV CKT 1'     | TO->FROM | 0.70441 | 175.9 | 'HOBBS_INT 7345.00 (LIKE POTTER) 345/230/13.2KV TRANSFORMER CKT 1' |
| 16SP | 0 | G10_059 | 'CAPROCK REC-GRADY - CAPROCK REC-TRIANGLE 138KV CKT 1'     | TO->FROM | 0.70441 | 175.9 | 'HOBBS_INT 7345.00 (LIKE POTTER) 345/230/13.2KV TRANSFORMER CKT 1' |
| 16SP | 0 | G10_060 | 'CAPROCK REC-GRADY - CAPROCK REC-TRIANGLE 138KV CKT 1'     | TO->FROM | 0.70441 | 175.9 | 'HOBBS_INT 7345.00 - MIDLAND 7345.00 345KV CKT 1'                  |
| 16SP | 0 | G10_059 | 'CAPROCK REC-GRADY - CAPROCK REC-TRIANGLE 138KV CKT 1'     | TO->FROM | 0.70441 | 175.9 | 'HOBBS_INT 7345.00 - MIDLAND 7345.00 345KV CKT 1'                  |
| 16SP | 0 | G10_060 | 'CAPROCK REC-KOCH - CAPROCK REC-REED 138KV CKT 1'          | TO->FROM | 0.70441 | 175.9 | 'HOBBS_INT 7345.00 (LIKE POTTER) 345/230/13.2KV TRANSFORMER CKT 1' |
| 16SP | 0 | G10_059 | 'CAPROCK REC-KOCH - CAPROCK REC-REED 138KV CKT 1'          | TO->FROM | 0.70441 | 175.9 | 'HOBBS_INT 7345.00 (LIKE POTTER) 345/230/13.2KV TRANSFORMER CKT 1' |
| 16SP | 0 | G10_060 | 'CAPROCK REC-KOCH - CAPROCK REC-REED 138KV CKT 1'          | TO->FROM | 0.70441 | 175.9 | 'HOBBS_INT 7345.00 - MIDLAND 7345.00 345KV CKT 1'                  |
| 16SP | 0 | G10_059 | 'CAPROCK REC-KOCH - CAPROCK REC-REED 138KV CKT 1'          | TO->FROM | 0.70441 | 175.9 | 'HOBBS_INT 7345.00 - MIDLAND 7345.00 345KV CKT 1'                  |
| 16SP | 0 | G10_060 | 'CAPROCK REC-KOCH - CAPROCK REC-VEALMOOR 138KV CKT 1'      | FROM->TO | 0.70441 | 175.9 | 'HOBBS_INT 7345.00 (LIKE POTTER) 345/230/13.2KV TRANSFORMER CKT 1' |
| 16SP | 0 | G10_059 | 'CAPROCK REC-KOCH - CAPROCK REC-VEALMOOR 138KV CKT 1'      | FROM->TO | 0.70441 | 175.9 | 'HOBBS_INT 7345.00 (LIKE POTTER) 345/230/13.2KV TRANSFORMER CKT 1' |
| 16SP | 0 | G10_060 | 'CAPROCK REC-KOCH - CAPROCK REC-VEALMOOR 138KV CKT 1'      | FROM->TO | 0.70441 | 175.9 | 'HOBBS_INT 7345.00 - MIDLAND 7345.00 345KV CKT 1'                  |
| 16SP | 0 | G10_059 | 'CAPROCK REC-KOCH - CAPROCK REC-VEALMOOR 138KV CKT 1'      | FROM->TO | 0.70441 | 175.9 | 'HOBBS_INT 7345.00 - MIDLAND 7345.00 345KV CKT 1'                  |

|      |   |         |  |          |         |       |   |
|------|---|---------|--|----------|---------|-------|---|
| 16SP | 0 | G10_060 | 'MIDLAND 7345.00 (LIKE WICHITA)<br>345/138/13.8KV TRANSFORMER CKT 1' | FROM->TO | 1       | 384.9 | 'HOBBS_INT 7345.00 (LIKE POTTER)<br>345/230/13.2KV TRANSFORMER CKT 1' |
| 16SP | 0 | G10_059 | 'MIDLAND 7345.00 (LIKE WICHITA)<br>345/138/13.8KV TRANSFORMER CKT 1' | FROM->TO | 1       | 384.9 | 'HOBBS_INT 7345.00 (LIKE POTTER)<br>345/230/13.2KV TRANSFORMER CKT 1' |
| 16SP | 0 | G10_060 | 'MIDLAND 7345.00 (LIKE WICHITA)<br>345/138/13.8KV TRANSFORMER CKT 1' | FROM->TO | 1       | 384.9 | 'HOBBS_INT 7345.00 - MIDLAND 7345.00<br>345KV CKT 1'                  |
| 16SP | 0 | G10_059 | 'MIDLAND 7345.00 (LIKE WICHITA)<br>345/138/13.8KV TRANSFORMER CKT 1' | FROM->TO | 1       | 384.9 | 'HOBBS_INT 7345.00 - MIDLAND 7345.00<br>345KV CKT 1'                  |
| 16SP | 0 | G10_060 | 'MIDLAND 7345.00 (LIKE WICHITA)<br>345/138/13.8KV TRANSFORMER CKT 1' | FROM->TO | 1       | 385.2 | 'HOBBS_INT 7345.00 (LIKE POTTER)<br>345/230/13.2KV TRANSFORMER CKT 1' |
| 16SP | 0 | G10_059 | 'MIDLAND 7345.00 (LIKE WICHITA)<br>345/138/13.8KV TRANSFORMER CKT 1' | FROM->TO | 1       | 385.2 | 'HOBBS_INT 7345.00 (LIKE POTTER)<br>345/230/13.2KV TRANSFORMER CKT 1' |
| 16SP | 0 | G10_060 | 'MIDLAND 7345.00 (LIKE WICHITA)<br>345/138/13.8KV TRANSFORMER CKT 1' | FROM->TO | 1       | 385.2 | 'HOBBS_INT 7345.00 - MIDLAND 7345.00<br>345KV CKT 1'                  |
| 16SP | 0 | G10_059 | 'MIDLAND 7345.00 (LIKE WICHITA)<br>345/138/13.8KV TRANSFORMER CKT 1' | FROM->TO | 1       | 385.2 | 'HOBBS_INT 7345.00 - MIDLAND 7345.00<br>345KV CKT 1'                  |
| 16SP | 0 | G10_060 | 'CAPROCK REC-MCDONALD - CAPROCK REC-<br>TRIANGLE 138KV CKT 1'        | FROM->TO | 0.70441 | 271   | 'HOBBS_INT 7345.00 - MIDLAND 7345.00<br>345KV CKT 1'                  |
| 16SP | 0 | G10_059 | 'CAPROCK REC-MCDONALD - CAPROCK REC-<br>TRIANGLE 138KV CKT 1'        | FROM->TO | 0.70441 | 271   | 'HOBBS_INT 7345.00 - MIDLAND 7345.00<br>345KV CKT 1'                  |
| 16SP | 0 | G10_060 | 'CAPROCK REC-MCDONALD - CAPROCK REC-<br>TRIANGLE 138KV CKT 1'        | FROM->TO | 0.70441 | 271   | 'HOBBS_INT 7345.00 (LIKE POTTER)<br>345/230/13.2KV TRANSFORMER CKT 1' |
| 16SP | 0 | G10_059 | 'CAPROCK REC-MCDONALD - CAPROCK REC-<br>TRIANGLE 138KV CKT 1'        | FROM->TO | 0.70441 | 271   | 'HOBBS_INT 7345.00 (LIKE POTTER)<br>345/230/13.2KV TRANSFORMER CKT 1' |
| 16SP | 0 | G10_060 | 'HOBBS INTERCHANGE - LEA COUNTY<br>INTERCHANGE 230KV CKT 1'          | FROM->TO | 0.88576 | 616.4 | 'MIDLAND 7345.00 (LIKE WICHITA)<br>345/138/13.8KV TRANSFORMER CKT 1'  |
| 16SP | 0 | G10_059 | 'HOBBS INTERCHANGE - LEA COUNTY<br>INTERCHANGE 230KV CKT 1'          | FROM->TO | 0.88576 | 616.4 | 'MIDLAND 7345.00 (LIKE WICHITA)<br>345/138/13.8KV TRANSFORMER CKT 1'  |
| 16SP | 0 | G10_060 | 'HOBBS INTERCHANGE - LEA COUNTY<br>INTERCHANGE 230KV CKT 1'          | FROM->TO | 0.88576 | 616.4 | 'CAPROCK REC-PHILLIPS - CAPROCK REC-<br>TATE 138KV CKT 1'             |
| 16SP | 0 | G10_059 | 'HOBBS INTERCHANGE - LEA COUNTY<br>INTERCHANGE 230KV CKT 1'          | FROM->TO | 0.88576 | 616.4 | 'CAPROCK REC-PHILLIPS - CAPROCK REC-<br>TATE 138KV CKT 1'             |
| 16SP | 0 | G10_060 | 'CAPROCK REC-PHILLIPS - CAPROCK REC-<br>TATE 138KV CKT 1'            | TO->FROM | 0.20669 | 207.3 | 'BASE CASE'   |
| 16SP | 0 | G10_059 | 'CAPROCK REC-PHILLIPS - CAPROCK REC-<br>TATE 138KV CKT 1'            | TO->FROM | 0.20669 | 207.3 | 'BASE CASE'   |
| 16SP | 0 | G10_060 | 'BORDEN COUNTY INTERCHANGE 230/138KV<br>TRANSFORMER CKT 1'           | TO->FROM | 0.50115 | 167.5 | 'HOBBS_INT 7345.00 (LIKE POTTER)<br>345/230/13.2KV TRANSFORMER CKT 1' |
| 16SP | 0 | G10_059 | 'BORDEN COUNTY INTERCHANGE 230/138KV<br>TRANSFORMER CKT 1'           | TO->FROM | 0.50115 | 167.5 | 'HOBBS_INT 7345.00 (LIKE POTTER)<br>345/230/13.2KV TRANSFORMER CKT 1' |
| 16SP | 0 | G10_060 | 'BORDEN COUNTY INTERCHANGE 230/138KV<br>TRANSFORMER CKT 1'           | TO->FROM | 0.50115 | 167.5 | 'HOBBS_INT 7345.00 - MIDLAND 7345.00<br>345KV CKT 1'                  |
| 16SP | 0 | G10_059 | 'BORDEN COUNTY INTERCHANGE 230/138KV<br>TRANSFORMER CKT 1'           | TO->FROM | 0.50115 | 167.5 | 'HOBBS_INT 7345.00 - MIDLAND 7345.00<br>345KV CKT 1'                  |
| 16SP | 0 | G10_060 | 'HOBBS INTERCHANGE - LEA COUNTY<br>INTERCHANGE 230KV CKT 1'          | FROM->TO | 0.88576 | 616.4 | 'CAPROCK REC-MCDONALD - CAPROCK REC-<br>PHILLIPS 138KV CKT 1'         |
| 16SP | 0 | G10_059 | 'HOBBS INTERCHANGE - LEA COUNTY<br>INTERCHANGE 230KV CKT 1'          | FROM->TO | 0.88576 | 616.4 | 'CAPROCK REC-MCDONALD - CAPROCK REC-<br>PHILLIPS 138KV CKT 1'         |
| 16SP | 0 | G10_060 | 'CAPROCK REC-PHILLIPS - CAPROCK REC-<br>TATE 138KV CKT 1'            | TO->FROM | 0.301   | 270.5 | 'HOBBS INTERCHANGE - LEA COUNTY<br>INTERCHANGE 230KV CKT 1'           |

|      |   |         |  |          |         |       |  |
|------|---|---------|--|----------|---------|-------|--|
| 16SP | 0 | G10_059 | 'CAPROCK REC-PHILLIPS - CAPROCK REC-TATE 138KV CKT 1'              | TO->FROM | 0.301   | 270.5 | 'HOBBS INTERCHANGE - LEA COUNTY INTERCHANGE 230KV CKT 1'           |
| 16SP | 0 | G10_060 | 'CAPROCK REC-GRADY - CAPROCK REC-REED 138KV CKT 1'                 | FROM->TO | 0.70441 | 270.9 | 'HOBBS_INT 7345.00 (LIKE POTTER) 345/230/13.2KV TRANSFORMER CKT 1' |
| 16SP | 0 | G10_059 | 'CAPROCK REC-GRADY - CAPROCK REC-REED 138KV CKT 1'                 | FROM->TO | 0.70441 | 270.9 | 'HOBBS_INT 7345.00 (LIKE POTTER) 345/230/13.2KV TRANSFORMER CKT 1' |
| 16SP | 0 | G10_060 | 'CAPROCK REC-GRADY - CAPROCK REC-REED 138KV CKT 1'                 | FROM->TO | 0.70441 | 270.9 | 'HOBBS_INT 7345.00 - MIDLAND 7345.00 345KV CKT 1'                  |
| 16SP | 0 | G10_059 | 'CAPROCK REC-GRADY - CAPROCK REC-REED 138KV CKT 1'                 | FROM->TO | 0.70441 | 270.9 | 'HOBBS_INT 7345.00 - MIDLAND 7345.00 345KV CKT 1'                  |
| 16SP | 0 | G10_060 | 'HOBBS INTERCHANGE - LEA COUNTY INTERCHANGE 115KV CKT 1'           | FROM->TO | 0.24482 | 239   | 'HOBBS INTERCHANGE - LEA COUNTY INTERCHANGE 230KV CKT 1'           |
| 16SP | 0 | G10_059 | 'HOBBS INTERCHANGE - LEA COUNTY INTERCHANGE 115KV CKT 1'           | FROM->TO | 0.24482 | 239   | 'HOBBS INTERCHANGE - LEA COUNTY INTERCHANGE 230KV CKT 1'           |
| 16SP | 0 | G10_060 | 'AMOCO SWITCHING STATION - YOAKUM COUNTY INTERCHANGE 230KV CKT 1'  | TO->FROM | 0.24838 | 350.2 | 'MIDLAND 7345.00 (LIKE WICHITA) 345/138/13.8KV TRANSFORMER CKT 1'  |
| 16SP | 0 | G10_059 | 'AMOCO SWITCHING STATION - YOAKUM COUNTY INTERCHANGE 230KV CKT 1'  | TO->FROM | 0.24838 | 350.2 | 'MIDLAND 7345.00 (LIKE WICHITA) 345/138/13.8KV TRANSFORMER CKT 1'  |
| 16SP | 0 | G10_060 | 'HOBBS INTERCHANGE - LEA COUNTY INTERCHANGE 230KV CKT 1'           | FROM->TO | 0.70183 | 477.2 | 'BASE CASE'  |
| 16SP | 0 | G10_059 | 'HOBBS INTERCHANGE - LEA COUNTY INTERCHANGE 230KV CKT 1'           | FROM->TO | 0.70183 | 477.2 | 'BASE CASE'  |
| 16SP | 0 | G10_060 | 'AMOCO SWITCHING STATION - YOAKUM COUNTY INTERCHANGE 230KV CKT 1'  | TO->FROM | 0.24838 | 350.2 | 'CAPROCK REC-PHILLIPS - CAPROCK REC-TATE 138KV CKT 1'              |
| 16SP | 0 | G10_059 | 'AMOCO SWITCHING STATION - YOAKUM COUNTY INTERCHANGE 230KV CKT 1'  | TO->FROM | 0.24838 | 350.2 | 'CAPROCK REC-PHILLIPS - CAPROCK REC-TATE 138KV CKT 1'              |
| 16SP | 0 | G10_060 | 'BORDEN COUNTY INTERCHANGE 230/138KV TRANSFORMER CKT 2'            | TO->FROM | 0.4987  | 193   | 'HOBBS_INT 7345.00 (LIKE POTTER) 345/230/13.2KV TRANSFORMER CKT 1' |
| 16SP | 0 | G10_059 | 'BORDEN COUNTY INTERCHANGE 230/138KV TRANSFORMER CKT 2'            | TO->FROM | 0.4987  | 193   | 'HOBBS_INT 7345.00 (LIKE POTTER) 345/230/13.2KV TRANSFORMER CKT 1' |
| 16SP | 0 | G10_060 | 'BORDEN COUNTY INTERCHANGE 230/138KV TRANSFORMER CKT 2'            | TO->FROM | 0.4987  | 193   | 'HOBBS_INT 7345.00 - MIDLAND 7345.00 345KV CKT 1'                  |
| 16SP | 0 | G10_059 | 'BORDEN COUNTY INTERCHANGE 230/138KV TRANSFORMER CKT 2'            | TO->FROM | 0.4987  | 193   | 'HOBBS_INT 7345.00 - MIDLAND 7345.00 345KV CKT 1'                  |
| 16SP | 0 | G10_060 | 'LEA COUNTY INTERCHANGE - YOAKUM COUNTY INTERCHANGE 230KV CKT 1'   | FROM->TO | 0.38557 | 351   | 'MIDLAND 7345.00 (LIKE WICHITA) 345/138/13.8KV TRANSFORMER CKT 1'  |
| 16SP | 0 | G10_059 | 'LEA COUNTY INTERCHANGE - YOAKUM COUNTY INTERCHANGE 230KV CKT 1'   | FROM->TO | 0.38557 | 351   | 'MIDLAND 7345.00 (LIKE WICHITA) 345/138/13.8KV TRANSFORMER CKT 1'  |
| 16SP | 0 | G10_060 | 'LEA COUNTY INTERCHANGE - YOAKUM COUNTY INTERCHANGE 230KV CKT 1'   | FROM->TO | 0.38557 | 351   | 'CAPROCK REC-PHILLIPS - CAPROCK REC-TATE 138KV CKT 1'              |
| 16SP | 0 | G10_059 | 'LEA COUNTY INTERCHANGE - YOAKUM COUNTY INTERCHANGE 230KV CKT 1'   | FROM->TO | 0.38557 | 351   | 'CAPROCK REC-PHILLIPS - CAPROCK REC-TATE 138KV CKT 1'              |
| 16SP | 0 | G10_060 | 'HOBBS_INT 7345.00 (LIKE POTTER) 345/230/13.2KV TRANSFORMER CKT 1' | FROM->TO | 1       | 557.5 | 'MIDLAND 7345.00 (LIKE WICHITA) 345/138/13.8KV TRANSFORMER CKT 1'  |
| 16SP | 0 | G10_059 | 'HOBBS_INT 7345.00 (LIKE POTTER) 345/230/13.2KV TRANSFORMER CKT 1' | FROM->TO | 1       | 557.5 | 'MIDLAND 7345.00 (LIKE WICHITA) 345/138/13.8KV TRANSFORMER CKT 1'  |
| 16SP | 0 | G10_060 | 'HOBBS_INT 7345.00 (LIKE POTTER) 345/230/13.2KV TRANSFORMER CKT 1' | FROM->TO | 1       | 557.7 | 'MIDLAND 7345.00 (LIKE WICHITA) 345/138/13.8KV TRANSFORMER CKT 1'  |
| 16SP | 0 | G10_059 | 'HOBBS_INT 7345.00 (LIKE POTTER) 345/230/13.2KV TRANSFORMER CKT 1' | FROM->TO | 1       | 557.7 | 'MIDLAND 7345.00 (LIKE WICHITA) 345/138/13.8KV TRANSFORMER CKT 1'  |

|      |   |         |   |          |         |       |   |
|------|---|---------|---|----------|---------|-------|---|
| 16SP | 0 | G10_060 | 'HOBBS_INT 7345.00 (LIKE POTTER)<br>345/230/13.2KV TRANSFORMER CKT 1' | FROM->TO | 1       | 557.5 | 'CAPROCK REC-PHILLIPS - CAPROCK REC-TATE 138KV CKT 1'                 |
| 16SP | 0 | G10_059 | 'HOBBS_INT 7345.00 (LIKE POTTER)<br>345/230/13.2KV TRANSFORMER CKT 1' | FROM->TO | 1       | 557.5 | 'CAPROCK REC-PHILLIPS - CAPROCK REC-TATE 138KV CKT 1'                 |
| 16SP | 0 | G10_060 | 'AMOCO SWITCHING STATION - YOAKUM<br>COUNTY INTERCHANGE 230KV CKT 1'  | TO->FROM | 0.24838 | 350.2 | 'CAPROCK REC-MCDONALD - CAPROCK REC-PHILLIPS 138KV CKT 1'             |
| 16SP | 0 | G10_059 | 'AMOCO SWITCHING STATION - YOAKUM<br>COUNTY INTERCHANGE 230KV CKT 1'  | TO->FROM | 0.24838 | 350.2 | 'CAPROCK REC-MCDONALD - CAPROCK REC-PHILLIPS 138KV CKT 1'             |
| 16SP | 0 | G10_060 | 'HOBBS_INT 7345.00 (LIKE POTTER)<br>345/230/13.2KV TRANSFORMER CKT 1' | FROM->TO | 1       | 557.7 | 'CAPROCK REC-PHILLIPS - CAPROCK REC-TATE 138KV CKT 1'                 |
| 16SP | 0 | G10_059 | 'HOBBS_INT 7345.00 (LIKE POTTER)<br>345/230/13.2KV TRANSFORMER CKT 1' | FROM->TO | 1       | 557.7 | 'CAPROCK REC-PHILLIPS - CAPROCK REC-TATE 138KV CKT 1'                 |
| 16SP | 0 | G10_060 | 'CAPROCK REC-MCDONALD - CAPROCK REC-PHILLIPS 138KV CKT 1'             | TO->FROM | 0.301   | 270.9 | 'HOBBS INTERCHANGE - LEA COUNTY<br>INTERCHANGE 230KV CKT 1'           |
| 16SP | 0 | G10_059 | 'CAPROCK REC-MCDONALD - CAPROCK REC-PHILLIPS 138KV CKT 1'             | TO->FROM | 0.301   | 270.9 | 'HOBBS INTERCHANGE - LEA COUNTY<br>INTERCHANGE 230KV CKT 1'           |
| 16SP | 0 | G10_060 | 'LEA COUNTY INTERCHANGE - YOAKUM<br>COUNTY INTERCHANGE 230KV CKT 1'   | FROM->TO | 0.38557 | 351   | 'CAPROCK REC-MCDONALD - CAPROCK REC-PHILLIPS 138KV CKT 1'             |
| 16SP | 0 | G10_059 | 'LEA COUNTY INTERCHANGE - YOAKUM<br>COUNTY INTERCHANGE 230KV CKT 1'   | FROM->TO | 0.38557 | 351   | 'CAPROCK REC-MCDONALD - CAPROCK REC-PHILLIPS 138KV CKT 1'             |
| 16SP | 0 | G10_060 | 'HOBBS_INT 7345.00 (LIKE POTTER)<br>345/230/13.2KV TRANSFORMER CKT 1' | FROM->TO | 1       | 557.5 | 'CAPROCK REC-MCDONALD - CAPROCK REC-PHILLIPS 138KV CKT 1'             |
| 16SP | 0 | G10_059 | 'HOBBS_INT 7345.00 (LIKE POTTER)<br>345/230/13.2KV TRANSFORMER CKT 1' | FROM->TO | 1       | 557.5 | 'CAPROCK REC-MCDONALD - CAPROCK REC-PHILLIPS 138KV CKT 1'             |
| 16SP | 0 | G10_060 | 'HOBBS_INT 7345.00 (LIKE POTTER)<br>345/230/13.2KV TRANSFORMER CKT 1' | FROM->TO | 1       | 557.7 | 'CAPROCK REC-MCDONALD - CAPROCK REC-PHILLIPS 138KV CKT 1'             |
| 16SP | 0 | G10_059 | 'HOBBS_INT 7345.00 (LIKE POTTER)<br>345/230/13.2KV TRANSFORMER CKT 1' | FROM->TO | 1       | 557.7 | 'CAPROCK REC-MCDONALD - CAPROCK REC-PHILLIPS 138KV CKT 1'             |
| 16SP | 0 | G10_060 | 'CAPROCK REC-MCDONALD - CAPROCK REC-PHILLIPS 138KV CKT 1'             | TO->FROM | 0.20669 | 207.9 | 'BASE CASE'   |
| 16SP | 0 | G10_059 | 'CAPROCK REC-MCDONALD - CAPROCK REC-PHILLIPS 138KV CKT 1'             | TO->FROM | 0.20669 | 207.9 | 'BASE CASE'   |
| 16SP | 0 | G10_060 | 'HOBBS INTERCHANGE - LEA COUNTY<br>INTERCHANGE 230KV CKT 1'           | FROM->TO | 0.88563 | 616.4 | 'BORDEN COUNTY INTERCHANGE -<br>GRASSLAND INTERCHANGE 230KV CKT 1'    |
| 16SP | 0 | G10_059 | 'HOBBS INTERCHANGE - LEA COUNTY<br>INTERCHANGE 230KV CKT 1'           | FROM->TO | 0.88563 | 616.4 | 'BORDEN COUNTY INTERCHANGE -<br>GRASSLAND INTERCHANGE 230KV CKT 1'    |
| 16SP | 0 | G10_060 | 'HOBBS INTERCHANGE - LEA COUNTY<br>INTERCHANGE 230KV CKT 1'           | FROM->TO | 0.88563 | 616.4 | 'SPP-SWPS-K48'  |
| 16SP | 0 | G10_059 | 'HOBBS INTERCHANGE - LEA COUNTY<br>INTERCHANGE 230KV CKT 1'           | FROM->TO | 0.88563 | 616.4 | 'SPP-SWPS-K48'  |
| 16SP | 0 | G10_060 | 'CUNNINGHAM STATION - EDDY COUNTY<br>INTERCHANGE 230KV CKT 1'         | FROM->TO | 0.20803 | 348.3 | 'CUNNINGHAM STATION - POTASH JUNCTION<br>INTERCHANGE 230KV CKT 1'     |
| 16SP | 0 | G10_059 | 'CUNNINGHAM STATION - EDDY COUNTY<br>INTERCHANGE 230KV CKT 1'         | FROM->TO | 0.20803 | 348.3 | 'CUNNINGHAM STATION - POTASH JUNCTION<br>INTERCHANGE 230KV CKT 1'     |
| 16SP | 0 | G10_060 | 'BORDEN COUNTY INTERCHANGE -<br>GRASSLAND INTERCHANGE 230KV CKT 1'    | FROM->TO | 0.99986 | 478   | 'HOBBS_INT 7345.00 (LIKE POTTER)<br>345/230/13.2KV TRANSFORMER CKT 1' |
| 16SP | 0 | G10_059 | 'BORDEN COUNTY INTERCHANGE -<br>GRASSLAND INTERCHANGE 230KV CKT 1'    | FROM->TO | 0.99986 | 478   | 'HOBBS_INT 7345.00 (LIKE POTTER)<br>345/230/13.2KV TRANSFORMER CKT 1' |
| 16SP | 0 | G10_060 | 'BORDEN COUNTY INTERCHANGE -<br>GRASSLAND INTERCHANGE 230KV CKT 1'    | FROM->TO | 0.99986 | 478   | 'HOBBS_INT 7345.00 - MIDLAND 7345.00<br>345KV CKT 1'                  |

|      |   |         |  |          |         |       |  |
|------|---|---------|--|----------|---------|-------|--|
| 16SP | 0 | G10_059 | 'BORDEN COUNTY INTERCHANGE - GRASSLAND INTERCHANGE 230KV CKT 1'  | FROM->TO | 0.99986 | 478   | 'HOBBS_INT 7345.00 - MIDLAND 7345.00 345KV CKT 1'                  |
| 16SP | 0 | G10_060 | 'HOBBS INTERCHANGE - LEA COUNTY INTERCHANGE 230KV CKT 1'         | FROM->TO | 0.78651 | 616.4 | 'CAPROCK REC-MCDONALD - CAPROCK REC-TRIANGLE 138KV CKT 1'          |
| 16SP | 0 | G10_059 | 'HOBBS INTERCHANGE - LEA COUNTY INTERCHANGE 230KV CKT 1'         | FROM->TO | 0.78651 | 616.4 | 'CAPROCK REC-MCDONALD - CAPROCK REC-TRIANGLE 138KV CKT 1'          |
| 16SP | 0 | G10_060 | 'HOBBS INTERCHANGE - LEA COUNTY INTERCHANGE 230KV CKT 1'         | FROM->TO | 0.78651 | 616.4 | 'CAPROCK REC-GRADY - CAPROCK REC-TRIANGLE 138KV CKT 1'             |
| 16SP | 0 | G10_059 | 'HOBBS INTERCHANGE - LEA COUNTY INTERCHANGE 230KV CKT 1'         | FROM->TO | 0.78651 | 616.4 | 'CAPROCK REC-GRADY - CAPROCK REC-TRIANGLE 138KV CKT 1'             |
| 16SP | 0 | G10_060 | 'CAPROCK REC-STILES - G09-17T 138.00 138KV CKT 1'                | TO->FROM | 0.29545 | 176   | 'HOBBS_INT 7345.00 (LIKE POTTER) 345/230/13.2KV TRANSFORMER CKT 1' |
| 16SP | 0 | G10_059 | 'CAPROCK REC-STILES - G09-17T 138.00 138KV CKT 1'                | TO->FROM | 0.29545 | 176   | 'HOBBS_INT 7345.00 (LIKE POTTER) 345/230/13.2KV TRANSFORMER CKT 1' |
| 16SP | 0 | G10_060 | 'CAPROCK REC-STILES - G09-17T 138.00 138KV CKT 1'                | TO->FROM | 0.29545 | 176   | 'HOBBS_INT 7345.00 - MIDLAND 7345.00 345KV CKT 1'                  |
| 16SP | 0 | G10_059 | 'CAPROCK REC-STILES - G09-17T 138.00 138KV CKT 1'                | TO->FROM | 0.29545 | 176   | 'HOBBS_INT 7345.00 - MIDLAND 7345.00 345KV CKT 1'                  |
| 16SP | 0 | G10_060 | 'CAPROCK REC-PHILLIPS - CAPROCK REC-TATE 138KV CKT 1'            | TO->FROM | 0.23675 | 270.5 | 'LEA COUNTY INTERCHANGE - YOAKUM COUNTY INTERCHANGE 230KV CKT 1'   |
| 16SP | 0 | G10_059 | 'CAPROCK REC-PHILLIPS - CAPROCK REC-TATE 138KV CKT 1'            | TO->FROM | 0.23675 | 270.5 | 'LEA COUNTY INTERCHANGE - YOAKUM COUNTY INTERCHANGE 230KV CKT 1'   |
| 16SP | 0 | G10_060 | 'HOBBS INTERCHANGE - LEA COUNTY INTERCHANGE 230KV CKT 1'         | FROM->TO | 0.78651 | 616.4 | 'CAPROCK REC-GRADY - CAPROCK REC-REED 138KV CKT 1'                 |
| 16SP | 0 | G10_059 | 'HOBBS INTERCHANGE - LEA COUNTY INTERCHANGE 230KV CKT 1'         | FROM->TO | 0.78651 | 616.4 | 'CAPROCK REC-GRADY - CAPROCK REC-REED 138KV CKT 1'                 |
| 16SP | 0 | G10_060 | 'LEA COUNTY INTERCHANGE - YOAKUM COUNTY INTERCHANGE 230KV CKT 1' | FROM->TO | 0.38964 | 351   | 'CUNNINGHAM STATION - LEA COUNTY INTERCHANGE 230KV CKT 1'          |
| 16SP | 0 | G10_059 | 'LEA COUNTY INTERCHANGE - YOAKUM COUNTY INTERCHANGE 230KV CKT 1' | FROM->TO | 0.38964 | 351   | 'CUNNINGHAM STATION - LEA COUNTY INTERCHANGE 230KV CKT 1'          |
| 16SP | 0 | G10_060 | 'HOBBS INTERCHANGE - LEA COUNTY INTERCHANGE 230KV CKT 1'         | FROM->TO | 0.78651 | 616.4 | 'CAPROCK REC-KOCH - CAPROCK REC-REED 138KV CKT 1'                  |
| 16SP | 0 | G10_059 | 'HOBBS INTERCHANGE - LEA COUNTY INTERCHANGE 230KV CKT 1'         | FROM->TO | 0.78651 | 616.4 | 'CAPROCK REC-KOCH - CAPROCK REC-REED 138KV CKT 1'                  |
| 16SP | 0 | G10_060 | 'HOBBS INTERCHANGE - LEA COUNTY INTERCHANGE 230KV CKT 1'         | FROM->TO | 0.78651 | 616.4 | 'CAPROCK REC-KOCH - CAPROCK REC-VEALMOOR 138KV CKT 1'              |
| 16SP | 0 | G10_059 | 'HOBBS INTERCHANGE - LEA COUNTY INTERCHANGE 230KV CKT 1'         | FROM->TO | 0.78651 | 616.4 | 'CAPROCK REC-KOCH - CAPROCK REC-VEALMOOR 138KV CKT 1'              |
| 16SP | 0 | G10_060 | 'HOBBS INTERCHANGE - LEA COUNTY INTERCHANGE 230KV CKT 1'         | FROM->TO | 0.78664 | 616.4 | 'HOBBS INTERCHANGE 230/115KV TRANSFORMER CKT 1'                    |
| 16SP | 0 | G10_059 | 'HOBBS INTERCHANGE - LEA COUNTY INTERCHANGE 230KV CKT 1'         | FROM->TO | 0.78664 | 616.4 | 'HOBBS INTERCHANGE 230/115KV TRANSFORMER CKT 1'                    |
| 16SP | 0 | G10_060 | 'CAPROCK REC-PEMBROOK - G09-17T 138.00 138KV CKT 1'              | FROM->TO | 0.29559 | 176   | 'HOBBS_INT 7345.00 - MIDLAND 7345.00 345KV CKT 1'                  |
| 16SP | 0 | G10_059 | 'CAPROCK REC-PEMBROOK - G09-17T 138.00 138KV CKT 1'              | FROM->TO | 0.29559 | 176   | 'HOBBS_INT 7345.00 - MIDLAND 7345.00 345KV CKT 1'                  |
| 16SP | 0 | G10_060 | 'CAPROCK REC-PEMBROOK - G09-17T 138.00 138KV CKT 1'              | FROM->TO | 0.29559 | 176   | 'HOBBS_INT 7345.00 (LIKE POTTER) 345/230/13.2KV TRANSFORMER CKT 1' |
| 16SP | 0 | G10_059 | 'CAPROCK REC-PEMBROOK - G09-17T 138.00 138KV CKT 1'              | FROM->TO | 0.29559 | 176   | 'HOBBS_INT 7345.00 (LIKE POTTER) 345/230/13.2KV TRANSFORMER CKT 1' |

|      |   |         |  |          |         |       |   |
|------|---|---------|--|----------|---------|-------|---|
| 16SP | 0 | G10_060 | 'LEA COUNTY INTERCHANGE - YOAKUM COUNTY INTERCHANGE 230KV CKT 1' | FROM->TO | 0.33547 | 351   | 'CUNNINGHAM STATION - EDDY COUNTY INTERCHANGE 230KV CKT 1'                                    |
| 16SP | 0 | G10_059 | 'LEA COUNTY INTERCHANGE - YOAKUM COUNTY INTERCHANGE 230KV CKT 1' | FROM->TO | 0.33547 | 351   | 'CUNNINGHAM STATION - EDDY COUNTY INTERCHANGE 230KV CKT 1'                                    |
| 16SP | 0 | G10_060 | 'LEA COUNTY INTERCHANGE - YOAKUM COUNTY INTERCHANGE 230KV CKT 1' | FROM->TO | 0.30023 | 351   | 'Golden Spread REC - Mustang Interchange 230 kV Generation Bus - MUSTANG STATION 230KV CKT 1' |
| 16SP | 0 | G10_059 | 'LEA COUNTY INTERCHANGE - YOAKUM COUNTY INTERCHANGE 230KV CKT 1' | FROM->TO | 0.30023 | 351   | 'Golden Spread REC - Mustang Interchange 230 kV Generation Bus - MUSTANG STATION 230KV CKT 1' |
| 16SP | 0 | G10_060 | 'HOBBS INTERCHANGE - LEA COUNTY INTERCHANGE 230KV CKT 1'         | FROM->TO | 0.72589 | 616.4 | 'CAPROCK REC-MCDONALD - CR-1956 4138.00 138KV CKT 1'  |
| 16SP | 0 | G10_059 | 'HOBBS INTERCHANGE - LEA COUNTY INTERCHANGE 230KV CKT 1'         | FROM->TO | 0.72589 | 616.4 | 'CAPROCK REC-MCDONALD - CR-1956 4138.00 138KV CKT 1'  |
| 16SP | 0 | G10_060 | 'CAPROCK REC-PHILLIPS - CAPROCK REC-TATE 138KV CKT 1'            | TO->FROM | 0.21935 | 270.5 | 'AMOCO SWITCHING STATION - YOAKUM COUNTY INTERCHANGE 230KV CKT 1'                             |
| 16SP | 0 | G10_059 | 'CAPROCK REC-PHILLIPS - CAPROCK REC-TATE 138KV CKT 1'            | TO->FROM | 0.21935 | 270.5 | 'AMOCO SWITCHING STATION - YOAKUM COUNTY INTERCHANGE 230KV CKT 1'                             |
| 16SP | 0 | G10_060 | 'HOBBS INTERCHANGE - LEA COUNTY INTERCHANGE 230KV CKT 1'         | FROM->TO | 0.72589 | 616.4 | 'CAPROCK REC-NEW SCHWARTZ - CR-1956 4138.00 138KV CKT 1'                                      |
| 16SP | 0 | G10_059 | 'HOBBS INTERCHANGE - LEA COUNTY INTERCHANGE 230KV CKT 1'         | FROM->TO | 0.72589 | 616.4 | 'CAPROCK REC-NEW SCHWARTZ - CR-1956 4138.00 138KV CKT 1'                                      |
| 16SP | 0 | G10_060 | 'HOBBS INTERCHANGE - LEA COUNTY INTERCHANGE 230KV CKT 1'         | FROM->TO | 0.70183 | 616.4 | 'CUNNINGHAM STATION 230/20.0KV TRANSFORMER CKT 1'   |
| 16SP | 0 | G10_059 | 'HOBBS INTERCHANGE - LEA COUNTY INTERCHANGE 230KV CKT 1'         | FROM->TO | 0.70183 | 616.4 | 'CUNNINGHAM STATION 230/20.0KV TRANSFORMER CKT 1'   |
| 16SP | 0 | G10_060 | 'HOBBS INTERCHANGE - LEA COUNTY INTERCHANGE 230KV CKT 1'         | FROM->TO | 0.72589 | 616.4 | 'CAPROCK REC-NEW SCHWARTZ - CAPROCK REC-PEMBROOK 138KV CKT 1'                                 |
| 16SP | 0 | G10_059 | 'HOBBS INTERCHANGE - LEA COUNTY INTERCHANGE 230KV CKT 1'         | FROM->TO | 0.72589 | 616.4 | 'CAPROCK REC-NEW SCHWARTZ - CAPROCK REC-PEMBROOK 138KV CKT 1'                                 |
| 16SP | 0 | G10_060 | 'HOBBS INTERCHANGE - LEA COUNTY INTERCHANGE 230KV CKT 1'         | FROM->TO | 0.72583 | 616.4 | 'CAPROCK REC-STILES - G09-17T 138.00 138KV CKT 1'   |
| 16SP | 0 | G10_059 | 'HOBBS INTERCHANGE - LEA COUNTY INTERCHANGE 230KV CKT 1'         | FROM->TO | 0.72583 | 616.4 | 'CAPROCK REC-STILES - G09-17T 138.00 138KV CKT 1'   |
| 16SP | 0 | G10_060 | 'HOBBS INTERCHANGE - LEA COUNTY INTERCHANGE 230KV CKT 1'         | FROM->TO | 0.72589 | 616.4 | 'CAPROCK REC-PEMBROOK - G09-17T 138.00 138KV CKT 1'   |
| 16SP | 0 | G10_059 | 'HOBBS INTERCHANGE - LEA COUNTY INTERCHANGE 230KV CKT 1'         | FROM->TO | 0.72589 | 616.4 | 'CAPROCK REC-PEMBROOK - G09-17T 138.00 138KV CKT 1'   |
| 16SP | 0 | G10_060 | 'HOBBS INTERCHANGE - LEA COUNTY INTERCHANGE 230KV CKT 1'         | FROM->TO | 0.72583 | 616.4 | 'CAPROCK REC-ST LAWRENCE - CAPROCK REC-STILES 138KV CKT 1'                                    |
| 16SP | 0 | G10_059 | 'HOBBS INTERCHANGE - LEA COUNTY INTERCHANGE 230KV CKT 1'         | FROM->TO | 0.72583 | 616.4 | 'CAPROCK REC-ST LAWRENCE - CAPROCK REC-STILES 138KV CKT 1'                                    |
| 16SP | 0 | G10_060 | 'HOBBS INTERCHANGE - LEA COUNTY INTERCHANGE 230KV CKT 1'         | FROM->TO | 0.6912  | 616.4 | 'HOBBS INTERCHANGE - LEA COUNTY INTERCHANGE 115KV CKT 1'                                      |
| 16SP | 0 | G10_059 | 'HOBBS INTERCHANGE - LEA COUNTY INTERCHANGE 230KV CKT 1'         | FROM->TO | 0.6912  | 616.4 | 'HOBBS INTERCHANGE - LEA COUNTY INTERCHANGE 115KV CKT 1'                                      |
| 16SP | 0 | G10_060 | 'HOBBS INTERCHANGE - LEA COUNTY INTERCHANGE 230KV CKT 1'         | FROM->TO | 0.70183 | 616.4 | 'CUNNINGHAM STATION 230/13.8KV TRANSFORMER CKT 1'   |
| 16SP | 0 | G10_059 | 'HOBBS INTERCHANGE - LEA COUNTY INTERCHANGE 230KV CKT 1'         | FROM->TO | 0.70183 | 616.4 | 'CUNNINGHAM STATION 230/13.8KV TRANSFORMER CKT 1'   |



|      |   |         |  |          |         |       |   |
|------|---|---------|--|----------|---------|-------|---|
| 16SP | 0 | G10_060 | 'AMOCO SWITCHING STATION - YOAKUM COUNTY INTERCHANGE 230KV CKT 1'  | TO->FROM | 0.1961  | 350.2 | 'LEA COUNTY REC-PLAINS INTERCHANGE - YOAKUM COUNTY INTERCHANGE 115KV CKT 1' |
| 16SP | 0 | G10_059 | 'AMOCO SWITCHING STATION - YOAKUM COUNTY INTERCHANGE 230KV CKT 1'  | TO->FROM | 0.1961  | 350.2 | 'LEA COUNTY REC-PLAINS INTERCHANGE - YOAKUM COUNTY INTERCHANGE 115KV CKT 1' |
| 16SP | 0 | G10_060 | 'HOBBS_INT 7345.00 (LIKE POTTER) 345/230/13.2KV TRANSFORMER CKT 1' | FROM->TO | 0.99986 | 557.5 | 'SPP-SWPS-K48'  |
| 16SP | 0 | G10_059 | 'HOBBS_INT 7345.00 (LIKE POTTER) 345/230/13.2KV TRANSFORMER CKT 1' | FROM->TO | 0.99986 | 557.5 | 'SPP-SWPS-K48'  |
| 16SP | 0 | G10_060 | 'HOBBS_INT 7345.00 (LIKE POTTER) 345/230/13.2KV TRANSFORMER CKT 1' | FROM->TO | 0.99986 | 557.5 | 'BORDEN COUNTY INTERCHANGE - GRASSLAND INTERCHANGE 230KV CKT 1'             |
| 16SP | 0 | G10_059 | 'HOBBS_INT 7345.00 (LIKE POTTER) 345/230/13.2KV TRANSFORMER CKT 1' | FROM->TO | 0.99986 | 557.5 | 'BORDEN COUNTY INTERCHANGE - GRASSLAND INTERCHANGE 230KV CKT 1'             |
| 16SP | 0 | G10_060 | 'HOBBS_INT 7345.00 (LIKE POTTER) 345/230/13.2KV TRANSFORMER CKT 1' | FROM->TO | 0.99986 | 557.7 | 'BORDEN COUNTY INTERCHANGE - GRASSLAND INTERCHANGE 230KV CKT 1'             |
| 16SP | 0 | G10_059 | 'HOBBS_INT 7345.00 (LIKE POTTER) 345/230/13.2KV TRANSFORMER CKT 1' | FROM->TO | 0.99986 | 557.7 | 'BORDEN COUNTY INTERCHANGE - GRASSLAND INTERCHANGE 230KV CKT 1'             |
| 16SP | 0 | G10_060 | 'HOBBS_INT 7345.00 (LIKE POTTER) 345/230/13.2KV TRANSFORMER CKT 1' | FROM->TO | 0.99986 | 557.7 | 'SPP-SWPS-K48'  |
| 16SP | 0 | G10_059 | 'HOBBS_INT 7345.00 (LIKE POTTER) 345/230/13.2KV TRANSFORMER CKT 1' | FROM->TO | 0.99986 | 557.7 | 'SPP-SWPS-K48'  |
| 16SP | 0 | G10_060 | 'LEA COUNTY INTERCHANGE - YOAKUM COUNTY INTERCHANGE 230KV CKT 1'   | FROM->TO | 0.38551 | 351   | 'BORDEN COUNTY INTERCHANGE - GRASSLAND INTERCHANGE 230KV CKT 1'             |
| 16SP | 0 | G10_059 | 'LEA COUNTY INTERCHANGE - YOAKUM COUNTY INTERCHANGE 230KV CKT 1'   | FROM->TO | 0.38551 | 351   | 'BORDEN COUNTY INTERCHANGE - GRASSLAND INTERCHANGE 230KV CKT 1'             |
| 16SP | 0 | G10_060 | 'LEA COUNTY INTERCHANGE - YOAKUM COUNTY INTERCHANGE 230KV CKT 1'   | FROM->TO | 0.38551 | 351   | 'SPP-SWPS-K48'  |
| 16SP | 0 | G10_059 | 'LEA COUNTY INTERCHANGE - YOAKUM COUNTY INTERCHANGE 230KV CKT 1'   | FROM->TO | 0.38551 | 351   | 'SPP-SWPS-K48'  |
| 16SP | 0 | G10_060 | 'AMOCO SWITCHING STATION - YOAKUM COUNTY INTERCHANGE 230KV CKT 1'  | TO->FROM | 0.24834 | 350.2 | 'BORDEN COUNTY INTERCHANGE - GRASSLAND INTERCHANGE 230KV CKT 1'             |
| 16SP | 0 | G10_059 | 'AMOCO SWITCHING STATION - YOAKUM COUNTY INTERCHANGE 230KV CKT 1'  | TO->FROM | 0.24834 | 350.2 | 'BORDEN COUNTY INTERCHANGE - GRASSLAND INTERCHANGE 230KV CKT 1'             |
| 16SP | 0 | G10_060 | 'AMOCO SWITCHING STATION - YOAKUM COUNTY INTERCHANGE 230KV CKT 1'  | TO->FROM | 0.24834 | 350.2 | 'SPP-SWPS-K48'  |
| 16SP | 0 | G10_059 | 'AMOCO SWITCHING STATION - YOAKUM COUNTY INTERCHANGE 230KV CKT 1'  | TO->FROM | 0.24834 | 350.2 | 'SPP-SWPS-K48'  |
| 16SP | 0 | G10_060 | 'AMOCO SWITCHING STATION - YOAKUM COUNTY INTERCHANGE 230KV CKT 1'  | TO->FROM | 0.24219 | 350.2 | 'TOLK STATION WEST - YOAKUM COUNTY INTERCHANGE 230KV CKT 1'                 |
| 16SP | 0 | G10_059 | 'AMOCO SWITCHING STATION - YOAKUM COUNTY INTERCHANGE 230KV CKT 1'  | TO->FROM | 0.24219 | 350.2 | 'TOLK STATION WEST - YOAKUM COUNTY INTERCHANGE 230KV CKT 1'                 |
| 16SP | 0 | G10_060 | 'CAPROCK REC-PHILLIPS - CAPROCK REC-TATE 138KV CKT 1'              | TO->FROM | 0.22292 | 270.5 | 'CUNNINGHAM STATION - LEA COUNTY INTERCHANGE 230KV CKT 1'                   |
| 16SP | 0 | G10_059 | 'CAPROCK REC-PHILLIPS - CAPROCK REC-TATE 138KV CKT 1'              | TO->FROM | 0.22292 | 270.5 | 'CUNNINGHAM STATION - LEA COUNTY INTERCHANGE 230KV CKT 1'                   |
| 16SP | 0 | G10_060 | 'CAPROCK REC-PHILLIPS - CAPROCK REC-TATE 138KV CKT 1'              | TO->FROM | 0.21439 | 270.5 | 'CUNNINGHAM STATION - EDDY COUNTY INTERCHANGE 230KV CKT 1'                  |
| 16SP | 0 | G10_059 | 'CAPROCK REC-PHILLIPS - CAPROCK REC-TATE 138KV CKT 1'              | TO->FROM | 0.21439 | 270.5 | 'CUNNINGHAM STATION - EDDY COUNTY INTERCHANGE 230KV CKT 1'                  |

|      |   |         |  |          |         |       |  |
|------|---|---------|--|----------|---------|-------|--|
| 16SP | 0 | G10_060 | 'LEA COUNTY INTERCHANGE - YOAKUM COUNTY INTERCHANGE 230KV CKT 1'   | FROM->TO | 0.31706 | 351   | 'CUNNINGHAM STATION - POTASH JUNCTION INTERCHANGE 230KV CKT 1'     |
| 16SP | 0 | G10_059 | 'LEA COUNTY INTERCHANGE - YOAKUM COUNTY INTERCHANGE 230KV CKT 1'   | FROM->TO | 0.31706 | 351   | 'CUNNINGHAM STATION - POTASH JUNCTION INTERCHANGE 230KV CKT 1'     |
| 16SP | 0 | G10_060 | 'CAPROCK REC-PHILLIPS - CAPROCK REC-TATE 138KV CKT 1'              | TO->FROM | 0.21514 | 270.5 | 'SUNDOWN INTERCHANGE - WOLFFORTH INTERCHANGE 230KV CKT 1'          |
| 16SP | 0 | G10_059 | 'CAPROCK REC-PHILLIPS - CAPROCK REC-TATE 138KV CKT 1'              | TO->FROM | 0.21514 | 270.5 | 'SUNDOWN INTERCHANGE - WOLFFORTH INTERCHANGE 230KV CKT 1'          |
| 16SP | 0 | G10_060 | 'CAPROCK REC-GRADY - CAPROCK REC-TRIANGLE 138KV CKT 1'             | TO->FROM | 0.21198 | 175.9 | 'HOBBS INTERCHANGE - LEA COUNTY INTERCHANGE 230KV CKT 1'           |
| 16SP | 0 | G10_059 | 'CAPROCK REC-GRADY - CAPROCK REC-TRIANGLE 138KV CKT 1'             | TO->FROM | 0.21198 | 175.9 | 'HOBBS INTERCHANGE - LEA COUNTY INTERCHANGE 230KV CKT 1'           |
| 16SP | 0 | G10_060 | 'AMOCO SWITCHING STATION - YOAKUM COUNTY INTERCHANGE 230KV CKT 1'  | TO->FROM | 0.20366 | 350.2 | 'CUNNINGHAM STATION - EDDY COUNTY INTERCHANGE 230KV CKT 1'         |
| 16SP | 0 | G10_059 | 'AMOCO SWITCHING STATION - YOAKUM COUNTY INTERCHANGE 230KV CKT 1'  | TO->FROM | 0.20366 | 350.2 | 'CUNNINGHAM STATION - EDDY COUNTY INTERCHANGE 230KV CKT 1'         |
| 16SP | 0 | G10_060 | 'CAPROCK REC-LANGE - CAPROCK REC-ST LAWRENCE 138KV CKT 1'          | TO->FROM | 0.29545 | 176   | 'HOBBS_INT 7345.00 (LIKE POTTER) 345/230/13.2KV TRANSFORMER CKT 1' |
| 16SP | 0 | G10_059 | 'CAPROCK REC-LANGE - CAPROCK REC-ST LAWRENCE 138KV CKT 1'          | TO->FROM | 0.29545 | 176   | 'HOBBS_INT 7345.00 (LIKE POTTER) 345/230/13.2KV TRANSFORMER CKT 1' |
| 16SP | 0 | G10_060 | 'CAPROCK REC-LANGE - CAPROCK REC-ST LAWRENCE 138KV CKT 1'          | TO->FROM | 0.29545 | 176   | 'HOBBS_INT 7345.00 - MIDLAND 7345.00 345KV CKT 1'                  |
| 16SP | 0 | G10_059 | 'CAPROCK REC-LANGE - CAPROCK REC-ST LAWRENCE 138KV CKT 1'          | TO->FROM | 0.29545 | 176   | 'HOBBS_INT 7345.00 - MIDLAND 7345.00 345KV CKT 1'                  |
| 16SP | 0 | G10_060 | 'HOBBS_INT 7345.00 (LIKE POTTER) 345/230/13.2KV TRANSFORMER CKT 1' | FROM->TO | 0.88846 | 557.5 | 'CAPROCK REC-MCDONALD - CAPROCK REC-TRIANGLE 138KV CKT 1'          |
| 16SP | 0 | G10_059 | 'HOBBS_INT 7345.00 (LIKE POTTER) 345/230/13.2KV TRANSFORMER CKT 1' | FROM->TO | 0.88846 | 557.5 | 'CAPROCK REC-MCDONALD - CAPROCK REC-TRIANGLE 138KV CKT 1'          |
| 16SP | 0 | G10_060 | 'LEA COUNTY INTERCHANGE - YOAKUM COUNTY INTERCHANGE 230KV CKT 1'   | FROM->TO | 0.32312 | 351   | 'JOHNSON_DRW3115.00 - TAYLOR SWITCHING STATION 115KV CKT 1'        |
| 16SP | 0 | G10_059 | 'LEA COUNTY INTERCHANGE - YOAKUM COUNTY INTERCHANGE 230KV CKT 1'   | FROM->TO | 0.32312 | 351   | 'JOHNSON_DRW3115.00 - TAYLOR SWITCHING STATION 115KV CKT 1'        |
| 16SP | 0 | G10_060 | 'HOBBS_INT 7345.00 (LIKE POTTER) 345/230/13.2KV TRANSFORMER CKT 1' | FROM->TO | 0.88846 | 557.7 | 'CAPROCK REC-MCDONALD - CAPROCK REC-TRIANGLE 138KV CKT 1'          |
| 16SP | 0 | G10_059 | 'HOBBS_INT 7345.00 (LIKE POTTER) 345/230/13.2KV TRANSFORMER CKT 1' | FROM->TO | 0.88846 | 557.7 | 'CAPROCK REC-MCDONALD - CAPROCK REC-TRIANGLE 138KV CKT 1'          |
| 16SP | 0 | G10_060 | 'CAPROCK REC-PHILLIPS - CAPROCK REC-TATE 138KV CKT 1'              | TO->FROM | 0.21168 | 270.5 | 'TOLK STATION EAST - TUCO INTERCHANGE 230KV CKT 1'                 |
| 16SP | 0 | G10_059 | 'CAPROCK REC-PHILLIPS - CAPROCK REC-TATE 138KV CKT 1'              | TO->FROM | 0.21168 | 270.5 | 'TOLK STATION EAST - TUCO INTERCHANGE 230KV CKT 1'                 |
| 16SP | 0 | G10_060 | 'LEA COUNTY INTERCHANGE - YOAKUM COUNTY INTERCHANGE 230KV CKT 1'   | FROM->TO | 0.33952 | 351   | 'CAPROCK REC-MCDONALD - CAPROCK REC-TRIANGLE 138KV CKT 1'          |
| 16SP | 0 | G10_059 | 'LEA COUNTY INTERCHANGE - YOAKUM COUNTY INTERCHANGE 230KV CKT 1'   | FROM->TO | 0.33952 | 351   | 'CAPROCK REC-MCDONALD - CAPROCK REC-TRIANGLE 138KV CKT 1'          |
| 16SP | 0 | G10_060 | 'CAPROCK REC-PHILLIPS - CAPROCK REC-TATE 138KV CKT 1'              | TO->FROM | 0.21935 | 270.5 | 'AMOCO SWITCHING STATION - SUNDOWN INTERCHANGE 230KV CKT 1'        |
| 16SP | 0 | G10_059 | 'CAPROCK REC-PHILLIPS - CAPROCK REC-TATE 138KV CKT 1'              | TO->FROM | 0.21935 | 270.5 | 'AMOCO SWITCHING STATION - SUNDOWN INTERCHANGE 230KV CKT 1'        |
| 16SP | 0 | G10_060 | 'HOBBS_INT 7345.00 (LIKE POTTER) 345/230/13.2KV TRANSFORMER CKT 1' | FROM->TO | 0.88846 | 557.5 | 'CAPROCK REC-GRADY - CAPROCK REC-TRIANGLE 138KV CKT 1'             |

|      |   |         |   |          |         |       |   |
|------|---|---------|---|----------|---------|-------|---|
| 16SP | 0 | G10_059 | 'HOBBS_INT 7345.00 (LIKE POTTER)<br>345/230/13.2KV TRANSFORMER CKT 1' | FROM->TO | 0.88846 | 557.5 | 'CAPROCK REC-GRADY - CAPROCK REC-<br>TRIANGLE 138KV CKT 1'          |
| 16SP | 0 | G10_060 | 'CAPROCK REC-MCDONALD - CAPROCK REC-<br>PHILLIPS 138KV CKT 1'         | TO->FROM | 0.23675 | 270.9 | 'LEA COUNTY INTERCHANGE - YOAKUM<br>COUNTY INTERCHANGE 230KV CKT 1' |
| 16SP | 0 | G10_059 | 'CAPROCK REC-MCDONALD - CAPROCK REC-<br>PHILLIPS 138KV CKT 1'         | TO->FROM | 0.23675 | 270.9 | 'LEA COUNTY INTERCHANGE - YOAKUM<br>COUNTY INTERCHANGE 230KV CKT 1' |
| 16SP | 0 | G10_060 | 'HOBBS_INT 7345.00 (LIKE POTTER)<br>345/230/13.2KV TRANSFORMER CKT 1' | FROM->TO | 0.88846 | 557.7 | 'CAPROCK REC-GRADY - CAPROCK REC-<br>TRIANGLE 138KV CKT 1'          |
| 16SP | 0 | G10_059 | 'HOBBS_INT 7345.00 (LIKE POTTER)<br>345/230/13.2KV TRANSFORMER CKT 1' | FROM->TO | 0.88846 | 557.7 | 'CAPROCK REC-GRADY - CAPROCK REC-<br>TRIANGLE 138KV CKT 1'          |
| 16SP | 0 | G10_060 | 'CAPROCK REC-PHILLIPS - CAPROCK REC-<br>TATE 138KV CKT 1'             | TO->FROM | 0.2101  | 270.5 | 'CUNNINGHAM STATION - POTASH JUNCTION<br>INTERCHANGE 230KV CKT 1'   |
| 16SP | 0 | G10_059 | 'CAPROCK REC-PHILLIPS - CAPROCK REC-<br>TATE 138KV CKT 1'             | TO->FROM | 0.2101  | 270.5 | 'CUNNINGHAM STATION - POTASH JUNCTION<br>INTERCHANGE 230KV CKT 1'   |
| 16SP | 0 | G10_060 | 'LEA COUNTY INTERCHANGE - YOAKUM<br>COUNTY INTERCHANGE 230KV CKT 1'   | FROM->TO | 0.33952 | 351   | 'CAPROCK REC-GRADY - CAPROCK REC-<br>TRIANGLE 138KV CKT 1'          |
| 16SP | 0 | G10_059 | 'LEA COUNTY INTERCHANGE - YOAKUM<br>COUNTY INTERCHANGE 230KV CKT 1'   | FROM->TO | 0.33952 | 351   | 'CAPROCK REC-GRADY - CAPROCK REC-<br>TRIANGLE 138KV CKT 1'          |
| 16SP | 0 | G10_060 | 'LEA COUNTY INTERCHANGE - YOAKUM<br>COUNTY INTERCHANGE 230KV CKT 1'   | FROM->TO | 0.30023 | 319   | 'BASE CASE'   |
| 16SP | 0 | G10_059 | 'LEA COUNTY INTERCHANGE - YOAKUM<br>COUNTY INTERCHANGE 230KV CKT 1'   | FROM->TO | 0.30023 | 319   | 'BASE CASE'   |
| 16SP | 0 | G10_060 | 'AMOCO SWITCHING STATION - YOAKUM<br>COUNTY INTERCHANGE 230KV CKT 1'  | TO->FROM | 0.21391 | 350.2 | 'CAPROCK REC-MCDONALD - CAPROCK REC-<br>TRIANGLE 138KV CKT 1'       |
| 16SP | 0 | G10_059 | 'AMOCO SWITCHING STATION - YOAKUM<br>COUNTY INTERCHANGE 230KV CKT 1'  | TO->FROM | 0.21391 | 350.2 | 'CAPROCK REC-MCDONALD - CAPROCK REC-<br>TRIANGLE 138KV CKT 1'       |
| 16SP | 0 | G10_060 | 'CAPROCK REC-PHILLIPS - CAPROCK REC-<br>TATE 138KV CKT 1'             | TO->FROM | 0.20669 | 270.5 | 'Jones Station Bus#2 230/22.0KV TRANSFORMER<br>CKT 1'               |
| 16SP | 0 | G10_059 | 'CAPROCK REC-PHILLIPS - CAPROCK REC-<br>TATE 138KV CKT 1'             | TO->FROM | 0.20669 | 270.5 | 'Jones Station Bus#2 230/22.0KV TRANSFORMER<br>CKT 1'               |
| 16SP | 0 | G10_060 | 'CAPROCK REC-PHILLIPS - CAPROCK REC-<br>TATE 138KV CKT 1'             | TO->FROM | 0.20669 | 270.5 | 'JONES STATION 230/22.0KV TRANSFORMER<br>CKT 1'                     |
| 16SP | 0 | G10_059 | 'CAPROCK REC-PHILLIPS - CAPROCK REC-<br>TATE 138KV CKT 1'             | TO->FROM | 0.20669 | 270.5 | 'JONES STATION 230/22.0KV TRANSFORMER<br>CKT 1'                     |
| 16SP | 0 | G10_060 | 'HOBBS_INT 7345.00 (LIKE POTTER)<br>345/230/13.2KV TRANSFORMER CKT 1' | FROM->TO | 0.88846 | 557.5 | 'CAPROCK REC-GRADY - CAPROCK REC-REED<br>138KV CKT 1'               |
| 16SP | 0 | G10_059 | 'HOBBS_INT 7345.00 (LIKE POTTER)<br>345/230/13.2KV TRANSFORMER CKT 1' | FROM->TO | 0.88846 | 557.5 | 'CAPROCK REC-GRADY - CAPROCK REC-REED<br>138KV CKT 1'               |
| 16SP | 0 | G10_060 | 'HOBBS_INT 7345.00 (LIKE POTTER)<br>345/230/13.2KV TRANSFORMER CKT 1' | FROM->TO | 0.88846 | 557.7 | 'CAPROCK REC-GRADY - CAPROCK REC-REED<br>138KV CKT 1'               |
| 16SP | 0 | G10_059 | 'HOBBS_INT 7345.00 (LIKE POTTER)<br>345/230/13.2KV TRANSFORMER CKT 1' | FROM->TO | 0.88846 | 557.7 | 'CAPROCK REC-GRADY - CAPROCK REC-REED<br>138KV CKT 1'               |
| 16SP | 0 | G10_060 | 'HOBBS_INT 7345.00 (LIKE POTTER)<br>345/230/13.2KV TRANSFORMER CKT 1' | FROM->TO | 0.88846 | 557.5 | 'CAPROCK REC-KOCH - CAPROCK REC-REED<br>138KV CKT 1'                |
| 16SP | 0 | G10_059 | 'HOBBS_INT 7345.00 (LIKE POTTER)<br>345/230/13.2KV TRANSFORMER CKT 1' | FROM->TO | 0.88846 | 557.5 | 'CAPROCK REC-KOCH - CAPROCK REC-REED<br>138KV CKT 1'                |
| 16SP | 0 | G10_060 | 'HOBBS_INT 7345.00 (LIKE POTTER)<br>345/230/13.2KV TRANSFORMER CKT 1' | FROM->TO | 0.88846 | 557.7 | 'CAPROCK REC-KOCH - CAPROCK REC-REED<br>138KV CKT 1'                |
| 16SP | 0 | G10_059 | 'HOBBS_INT 7345.00 (LIKE POTTER)<br>345/230/13.2KV TRANSFORMER CKT 1' | FROM->TO | 0.88846 | 557.7 | 'CAPROCK REC-KOCH - CAPROCK REC-REED<br>138KV CKT 1'                |

|      |   |         |   |          |         |       |  |
|------|---|---------|---|----------|---------|-------|--|
| 16SP | 0 | G10_060 | 'HOBBS_INT 7345.00 (LIKE POTTER)<br>345/230/13.2KV TRANSFORMER CKT 1' | FROM->TO | 0.88846 | 557.5 | 'CAPROCK REC-KOCH - CAPROCK REC-<br>VEALMOOR 138KV CKT 1'            |
| 16SP | 0 | G10_059 | 'HOBBS_INT 7345.00 (LIKE POTTER)<br>345/230/13.2KV TRANSFORMER CKT 1' | FROM->TO | 0.88846 | 557.5 | 'CAPROCK REC-KOCH - CAPROCK REC-<br>VEALMOOR 138KV CKT 1'            |
| 16SP | 0 | G10_060 | 'HOBBS_INT 7345.00 (LIKE POTTER)<br>345/230/13.2KV TRANSFORMER CKT 1' | FROM->TO | 0.88846 | 557.7 | 'CAPROCK REC-KOCH - CAPROCK REC-<br>VEALMOOR 138KV CKT 1'            |
| 16SP | 0 | G10_059 | 'HOBBS_INT 7345.00 (LIKE POTTER)<br>345/230/13.2KV TRANSFORMER CKT 1' | FROM->TO | 0.88846 | 557.7 | 'CAPROCK REC-KOCH - CAPROCK REC-<br>VEALMOOR 138KV CKT 1'            |
| 16SP | 0 | G10_060 | 'CAPROCK REC-PHILLIPS - CAPROCK REC-<br>TATE 138KV CKT 1'             | TO->FROM | 0.21206 | 270.5 | 'TERRY COUNTY INTERCHANGE - WOLFFORTH<br>INTERCHANGE 115KV CKT 1'    |
| 16SP | 0 | G10_059 | 'CAPROCK REC-PHILLIPS - CAPROCK REC-<br>TATE 138KV CKT 1'             | TO->FROM | 0.21206 | 270.5 | 'TERRY COUNTY INTERCHANGE - WOLFFORTH<br>INTERCHANGE 115KV CKT 1'    |
| 16SP | 0 | G10_060 | 'LEA COUNTY INTERCHANGE - YOAKUM<br>COUNTY INTERCHANGE 230KV CKT 1'   | FROM->TO | 0.33952 | 351   | 'CAPROCK REC-GRADY - CAPROCK REC-REED<br>138KV CKT 1'                |
| 16SP | 0 | G10_059 | 'LEA COUNTY INTERCHANGE - YOAKUM<br>COUNTY INTERCHANGE 230KV CKT 1'   | FROM->TO | 0.33952 | 351   | 'CAPROCK REC-GRADY - CAPROCK REC-REED<br>138KV CKT 1'                |
| 16SP | 0 | G10_060 | 'CAPROCK REC-PHILLIPS - CAPROCK REC-<br>TATE 138KV CKT 1'             | TO->FROM | 0.22143 | 270.5 | 'TOLK STATION (ABBXNL844501) 345/230/13.2KV<br>TRANSFORMER CKT 1'    |
| 16SP | 0 | G10_059 | 'CAPROCK REC-PHILLIPS - CAPROCK REC-<br>TATE 138KV CKT 1'             | TO->FROM | 0.22143 | 270.5 | 'TOLK STATION (ABBXNL844501) 345/230/13.2KV<br>TRANSFORMER CKT 1'    |
| 16SP | 0 | G10_060 | 'CAPROCK REC-PHILLIPS - CAPROCK REC-<br>TATE 138KV CKT 1'             | TO->FROM | 0.22143 | 270.5 | 'CHAVESCO 345.00 - TOLK STATION 345KV<br>CKT 1'                      |
| 16SP | 0 | G10_059 | 'CAPROCK REC-PHILLIPS - CAPROCK REC-<br>TATE 138KV CKT 1'             | TO->FROM | 0.22143 | 270.5 | 'CHAVESCO 345.00 - TOLK STATION 345KV<br>CKT 1'                      |
| 16SP | 0 | G10_060 | 'LEA COUNTY INTERCHANGE - YOAKUM<br>COUNTY INTERCHANGE 230KV CKT 1'   | FROM->TO | 0.33952 | 351   | 'CAPROCK REC-KOCH - CAPROCK REC-REED<br>138KV CKT 1'                 |
| 16SP | 0 | G10_059 | 'LEA COUNTY INTERCHANGE - YOAKUM<br>COUNTY INTERCHANGE 230KV CKT 1'   | FROM->TO | 0.33952 | 351   | 'CAPROCK REC-KOCH - CAPROCK REC-REED<br>138KV CKT 1'                 |
| 16SP | 0 | G10_060 | 'AMOCO SWITCHING STATION - YOAKUM<br>COUNTY INTERCHANGE 230KV CKT 1'  | TO->FROM | 0.20649 | 350.2 | 'TERRY COUNTY INTERCHANGE - WOLFFORTH<br>INTERCHANGE 115KV CKT 1'    |
| 16SP | 0 | G10_059 | 'AMOCO SWITCHING STATION - YOAKUM<br>COUNTY INTERCHANGE 230KV CKT 1'  | TO->FROM | 0.20649 | 350.2 | 'TERRY COUNTY INTERCHANGE - WOLFFORTH<br>INTERCHANGE 115KV CKT 1'    |
| 16SP | 0 | G10_060 | 'CAPROCK REC-PHILLIPS - CAPROCK REC-<br>TATE 138KV CKT 1'             | TO->FROM | 0.20928 | 270.5 | 'CHAVES COUNTY INTERCHANGE - EDDY<br>COUNTY INTERCHANGE 230KV CKT 1' |
| 16SP | 0 | G10_059 | 'CAPROCK REC-PHILLIPS - CAPROCK REC-<br>TATE 138KV CKT 1'             | TO->FROM | 0.20928 | 270.5 | 'CHAVES COUNTY INTERCHANGE - EDDY<br>COUNTY INTERCHANGE 230KV CKT 1' |
| 16SP | 0 | G10_060 | 'LEA COUNTY INTERCHANGE - YOAKUM<br>COUNTY INTERCHANGE 230KV CKT 1'   | FROM->TO | 0.33952 | 351   | 'CAPROCK REC-KOCH - CAPROCK REC-<br>VEALMOOR 138KV CKT 1'            |
| 16SP | 0 | G10_059 | 'LEA COUNTY INTERCHANGE - YOAKUM<br>COUNTY INTERCHANGE 230KV CKT 1'   | FROM->TO | 0.33952 | 351   | 'CAPROCK REC-KOCH - CAPROCK REC-<br>VEALMOOR 138KV CKT 1'            |
| 16SP | 0 | G10_060 | 'CAPROCK REC-PHILLIPS - CAPROCK REC-<br>TATE 138KV CKT 1'             | TO->FROM | 0.20669 | 270.5 | 'Jones Station Bus#2 230/22.0KV TRANSFORMER<br>CKT 1'                |
| 16SP | 0 | G10_059 | 'CAPROCK REC-PHILLIPS - CAPROCK REC-<br>TATE 138KV CKT 1'             | TO->FROM | 0.20669 | 270.5 | 'Jones Station Bus#2 230/22.0KV TRANSFORMER<br>CKT 1'                |
| 16SP | 0 | G10_060 | 'CAPROCK REC-PHILLIPS - CAPROCK REC-<br>TATE 138KV CKT 1'             | TO->FROM | 0.21539 | 270.5 | 'LUBBOCK SOUTH INTERCHANGE -<br>WOLFFORTH INTERCHANGE 230KV CKT 1'   |
| 16SP | 0 | G10_059 | 'CAPROCK REC-PHILLIPS - CAPROCK REC-<br>TATE 138KV CKT 1'             | TO->FROM | 0.21539 | 270.5 | 'LUBBOCK SOUTH INTERCHANGE -<br>WOLFFORTH INTERCHANGE 230KV CKT 1'   |
| 16SP | 0 | G10_060 | 'CAPROCK REC-PHILLIPS - CAPROCK REC-<br>TATE 138KV CKT 1'             | TO->FROM | 0.20692 | 270.5 | 'SPP-SWPS-T14'   |

|      |   |         |   |          |         |       |   |
|------|---|---------|---|----------|---------|-------|---|
| 16SP | 0 | G10_059 | 'CAPROCK REC-PHILLIPS - CAPROCK REC-TATE 138KV CKT 1'             | TO->FROM | 0.20692 | 270.5 | 'SPP-SWPS-T14'  |
| 16SP | 0 | G10_060 | 'AMOCO SWITCHING STATION - YOAKUM COUNTY INTERCHANGE 230KV CKT 1' | TO->FROM | 0.1961  | 350.2 | 'LEA COUNTY REC-PLAINS INTERCHANGE - LYNTEGAR REC-PLAINS 115KV CKT 1'                 |
| 16SP | 0 | G10_059 | 'AMOCO SWITCHING STATION - YOAKUM COUNTY INTERCHANGE 230KV CKT 1' | TO->FROM | 0.1961  | 350.2 | 'LEA COUNTY REC-PLAINS INTERCHANGE - LYNTEGAR REC-PLAINS 115KV CKT 1'                 |
| 16SP | 0 | G10_060 | 'HOBBS INTERCHANGE 230/115KV TRANSFORMER CKT 1'                   | FROM->TO | 0.19846 | 148.9 | 'CUNNINGHAM STATION - LEA COUNTY INTERCHANGE 230KV CKT 1'                             |
| 16SP | 0 | G10_059 | 'HOBBS INTERCHANGE 230/115KV TRANSFORMER CKT 1'                   | FROM->TO | 0.19846 | 148.9 | 'CUNNINGHAM STATION - LEA COUNTY INTERCHANGE 230KV CKT 1'                             |
| 16SP | 0 | G10_060 | 'LEA COUNTY INTERCHANGE - YOAKUM COUNTY INTERCHANGE 230KV CKT 1'  | FROM->TO | 0.3651  | 351   | 'CHAVESCO 345.00 - TOLK STATION 345KV CKT 1'  |
| 16SP | 0 | G10_059 | 'LEA COUNTY INTERCHANGE - YOAKUM COUNTY INTERCHANGE 230KV CKT 1'  | FROM->TO | 0.3651  | 351   | 'CHAVESCO 345.00 - TOLK STATION 345KV CKT 1'  |
| 16SP | 0 | G10_060 | 'LEA COUNTY INTERCHANGE - YOAKUM COUNTY INTERCHANGE 230KV CKT 1'  | FROM->TO | 0.3651  | 351   | 'TOLK STATION (ABBXNL844501) 345/230/13.2KV TRANSFORMER CKT 1'                        |
| 16SP | 0 | G10_059 | 'LEA COUNTY INTERCHANGE - YOAKUM COUNTY INTERCHANGE 230KV CKT 1'  | FROM->TO | 0.3651  | 351   | 'TOLK STATION (ABBXNL844501) 345/230/13.2KV TRANSFORMER CKT 1'                        |
| 16SP | 0 | G10_060 | 'AMOCO SWITCHING STATION - YOAKUM COUNTY INTERCHANGE 230KV CKT 1' | TO->FROM | 0.21391 | 350.2 | 'CAPROCK REC-GRADY - CAPROCK REC-TRIANGLE 138KV CKT 1'                                |
| 16SP | 0 | G10_059 | 'AMOCO SWITCHING STATION - YOAKUM COUNTY INTERCHANGE 230KV CKT 1' | TO->FROM | 0.21391 | 350.2 | 'CAPROCK REC-GRADY - CAPROCK REC-TRIANGLE 138KV CKT 1'                                |
| 16SP | 0 | G10_060 | 'LEA COUNTY INTERCHANGE - YOAKUM COUNTY INTERCHANGE 230KV CKT 1'  | FROM->TO | 0.31833 | 351   | 'LEA COUNTY REC-LOVINGTON INTERCHANGE - LEA COUNTY REC-WAITS INTERCHANGE 115KV CKT 1' |
| 16SP | 0 | G10_059 | 'LEA COUNTY INTERCHANGE - YOAKUM COUNTY INTERCHANGE 230KV CKT 1'  | FROM->TO | 0.31833 | 351   | 'LEA COUNTY REC-LOVINGTON INTERCHANGE - LEA COUNTY REC-WAITS INTERCHANGE 115KV CKT 1' |
| 16SP | 0 | G10_060 | 'AMOCO SWITCHING STATION - YOAKUM COUNTY INTERCHANGE 230KV CKT 1' | TO->FROM | 0.21376 | 350.2 | 'CUNNINGHAM STATION - LEA COUNTY INTERCHANGE 230KV CKT 1'                             |
| 16SP | 0 | G10_059 | 'AMOCO SWITCHING STATION - YOAKUM COUNTY INTERCHANGE 230KV CKT 1' | TO->FROM | 0.21376 | 350.2 | 'CUNNINGHAM STATION - LEA COUNTY INTERCHANGE 230KV CKT 1'                             |
| 16SP | 0 | G10_060 | 'AMOCO SWITCHING STATION - YOAKUM COUNTY INTERCHANGE 230KV CKT 1' | TO->FROM | 0.1961  | 350.2 | 'LEHMAN SUB - LYNTEGAR REC-PLAINS 115KV CKT 1'  |
| 16SP | 0 | G10_059 | 'AMOCO SWITCHING STATION - YOAKUM COUNTY INTERCHANGE 230KV CKT 1' | TO->FROM | 0.1961  | 350.2 | 'LEHMAN SUB - LYNTEGAR REC-PLAINS 115KV CKT 1'  |
| 16SP | 0 | G10_060 | 'LEA COUNTY INTERCHANGE - YOAKUM COUNTY INTERCHANGE 230KV CKT 1'  | FROM->TO | 0.31156 | 351   | 'LEA COUNTY INTERCHANGE - LEA COUNTY REC-LOVINGTON INTERCHANGE 115KV CKT 1'           |
| 16SP | 0 | G10_059 | 'LEA COUNTY INTERCHANGE - YOAKUM COUNTY INTERCHANGE 230KV CKT 1'  | FROM->TO | 0.31156 | 351   | 'LEA COUNTY INTERCHANGE - LEA COUNTY REC-LOVINGTON INTERCHANGE 115KV CKT 1'           |
| 16SP | 0 | G10_060 | 'AMOCO SWITCHING STATION - YOAKUM COUNTY INTERCHANGE 230KV CKT 1' | TO->FROM | 0.19632 | 350.2 | 'DENVER CITY INTERCHANGE N. - TERRY COUNTY INTERCHANGE 115KV CKT 1'                   |
| 16SP | 0 | G10_059 | 'AMOCO SWITCHING STATION - YOAKUM COUNTY INTERCHANGE 230KV CKT 1' | TO->FROM | 0.19632 | 350.2 | 'DENVER CITY INTERCHANGE N. - TERRY COUNTY INTERCHANGE 115KV CKT 1'                   |
| 16SP | 0 | G10_060 | 'AMOCO SWITCHING STATION - YOAKUM COUNTY INTERCHANGE 230KV CKT 1' | TO->FROM | 0.1961  | 350.2 | 'SPP-SWPS-V36'  |
| 16SP | 0 | G10_059 | 'AMOCO SWITCHING STATION - YOAKUM COUNTY INTERCHANGE 230KV CKT 1' | TO->FROM | 0.1961  | 350.2 | 'SPP-SWPS-V36'  |
| 16SP | 0 | G10_060 | 'AMOCO SWITCHING STATION - YOAKUM COUNTY INTERCHANGE 230KV CKT 1' | TO->FROM | 0.21391 | 350.2 | 'CAPROCK REC-GRADY - CAPROCK REC-REED 138KV CKT 1'                                    |

|      |   |         |  |          |         |       |   |
|------|---|---------|--|----------|---------|-------|---|
| 16SP | 0 | G10_059 | 'AMOCO SWITCHING STATION - YOAKUM COUNTY INTERCHANGE 230KV CKT 1'  | TO->FROM | 0.21391 | 350.2 | 'CAPROCK REC-GRADY - CAPROCK REC-REED 138KV CKT 1'                |
| 16SP | 0 | G10_060 | 'LEA COUNTY INTERCHANGE - YOAKUM COUNTY INTERCHANGE 230KV CKT 1'   | FROM->TO | 0.31152 | 351   | 'CHAVES COUNTY INTERCHANGE - EDDY COUNTY INTERCHANGE 230KV CKT 1' |
| 16SP | 0 | G10_059 | 'LEA COUNTY INTERCHANGE - YOAKUM COUNTY INTERCHANGE 230KV CKT 1'   | FROM->TO | 0.31152 | 351   | 'CHAVES COUNTY INTERCHANGE - EDDY COUNTY INTERCHANGE 230KV CKT 1' |
| 16SP | 0 | G10_060 | 'AMOCO SWITCHING STATION - YOAKUM COUNTY INTERCHANGE 230KV CKT 1'  | TO->FROM | 0.21391 | 350.2 | 'CAPROCK REC-KOCH - CAPROCK REC-REED 138KV CKT 1'                 |
| 16SP | 0 | G10_059 | 'AMOCO SWITCHING STATION - YOAKUM COUNTY INTERCHANGE 230KV CKT 1'  | TO->FROM | 0.21391 | 350.2 | 'CAPROCK REC-KOCH - CAPROCK REC-REED 138KV CKT 1'                 |
| 16SP | 0 | G10_060 | 'AMOCO SWITCHING STATION - YOAKUM COUNTY INTERCHANGE 230KV CKT 1'  | TO->FROM | 0.21391 | 350.2 | 'CAPROCK REC-KOCH - CAPROCK REC-VEALMOOR 138KV CKT 1'             |
| 16SP | 0 | G10_059 | 'AMOCO SWITCHING STATION - YOAKUM COUNTY INTERCHANGE 230KV CKT 1'  | TO->FROM | 0.21391 | 350.2 | 'CAPROCK REC-KOCH - CAPROCK REC-VEALMOOR 138KV CKT 1'             |
| 16SP | 0 | G10_060 | 'CAPROCK REC-KOCH - CAPROCK REC-REED 138KV CKT 1'                  | TO->FROM | 0.21198 | 175.9 | 'HOBBS INTERCHANGE - LEA COUNTY INTERCHANGE 230KV CKT 1'          |
| 16SP | 0 | G10_059 | 'CAPROCK REC-KOCH - CAPROCK REC-REED 138KV CKT 1'                  | TO->FROM | 0.21198 | 175.9 | 'HOBBS INTERCHANGE - LEA COUNTY INTERCHANGE 230KV CKT 1'          |
| 16SP | 0 | G10_060 | 'CAPROCK REC-MCDONALD - CAPROCK REC-PHILLIPS 138KV CKT 1'          | TO->FROM | 0.21935 | 270.9 | 'AMOCO SWITCHING STATION - YOAKUM COUNTY INTERCHANGE 230KV CKT 1' |
| 16SP | 0 | G10_059 | 'CAPROCK REC-MCDONALD - CAPROCK REC-PHILLIPS 138KV CKT 1'          | TO->FROM | 0.21935 | 270.9 | 'AMOCO SWITCHING STATION - YOAKUM COUNTY INTERCHANGE 230KV CKT 1' |
| 16SP | 0 | G10_060 | 'HOBBS_INT 7345.00 (LIKE POTTER) 345/230/13.2KV TRANSFORMER CKT 1' | FROM->TO | 0.82034 | 557.5 | 'CAPROCK REC-MCDONALD - CR-1956 4138.00 138KV CKT 1'              |
| 16SP | 0 | G10_059 | 'HOBBS_INT 7345.00 (LIKE POTTER) 345/230/13.2KV TRANSFORMER CKT 1' | FROM->TO | 0.82034 | 557.5 | 'CAPROCK REC-MCDONALD - CR-1956 4138.00 138KV CKT 1'              |
| 16SP | 0 | G10_060 | 'HOBBS_INT 7345.00 (LIKE POTTER) 345/230/13.2KV TRANSFORMER CKT 1' | FROM->TO | 0.82034 | 557.7 | 'CAPROCK REC-MCDONALD - CR-1956 4138.00 138KV CKT 1'              |
| 16SP | 0 | G10_059 | 'HOBBS_INT 7345.00 (LIKE POTTER) 345/230/13.2KV TRANSFORMER CKT 1' | FROM->TO | 0.82034 | 557.7 | 'CAPROCK REC-MCDONALD - CR-1956 4138.00 138KV CKT 1'              |
| 16SP | 0 | G10_060 | 'CAPROCK REC-KOCH - CAPROCK REC-VEALMOOR 138KV CKT 1'              | FROM->TO | 0.21198 | 175.9 | 'HOBBS INTERCHANGE - LEA COUNTY INTERCHANGE 230KV CKT 1'          |
| 16SP | 0 | G10_059 | 'CAPROCK REC-KOCH - CAPROCK REC-VEALMOOR 138KV CKT 1'              | FROM->TO | 0.21198 | 175.9 | 'HOBBS INTERCHANGE - LEA COUNTY INTERCHANGE 230KV CKT 1'          |
| 16SP | 0 | G10_060 | 'HOBBS_INT 7345.00 (LIKE POTTER) 345/230/13.2KV TRANSFORMER CKT 1' | FROM->TO | 0.82034 | 557.5 | 'CAPROCK REC-NEW SCHWARTZ - CR-1956 4138.00 138KV CKT 1'          |
| 16SP | 0 | G10_059 | 'HOBBS_INT 7345.00 (LIKE POTTER) 345/230/13.2KV TRANSFORMER CKT 1' | FROM->TO | 0.82034 | 557.5 | 'CAPROCK REC-NEW SCHWARTZ - CR-1956 4138.00 138KV CKT 1'          |
| 16SP | 0 | G10_060 | 'HOBBS_INT 7345.00 (LIKE POTTER) 345/230/13.2KV TRANSFORMER CKT 1' | FROM->TO | 0.82034 | 557.7 | 'CAPROCK REC-NEW SCHWARTZ - CR-1956 4138.00 138KV CKT 1'          |
| 16SP | 0 | G10_059 | 'HOBBS_INT 7345.00 (LIKE POTTER) 345/230/13.2KV TRANSFORMER CKT 1' | FROM->TO | 0.82034 | 557.7 | 'CAPROCK REC-NEW SCHWARTZ - CR-1956 4138.00 138KV CKT 1'          |
| 16SP | 0 | G10_060 | 'HOBBS_INT 7345.00 (LIKE POTTER) 345/230/13.2KV TRANSFORMER CKT 1' | FROM->TO | 0.82034 | 557.5 | 'CAPROCK REC-NEW SCHWARTZ - CAPROCK REC-PEMBROOK 138KV CKT 1'     |
| 16SP | 0 | G10_059 | 'HOBBS_INT 7345.00 (LIKE POTTER) 345/230/13.2KV TRANSFORMER CKT 1' | FROM->TO | 0.82034 | 557.5 | 'CAPROCK REC-NEW SCHWARTZ - CAPROCK REC-PEMBROOK 138KV CKT 1'     |
| 16SP | 0 | G10_060 | 'HOBBS_INT 7345.00 (LIKE POTTER) 345/230/13.2KV TRANSFORMER CKT 1' | FROM->TO | 0.82034 | 557.7 | 'CAPROCK REC-NEW SCHWARTZ - CAPROCK REC-PEMBROOK 138KV CKT 1'     |
| 16SP | 0 | G10_059 | 'HOBBS_INT 7345.00 (LIKE POTTER) 345/230/13.2KV TRANSFORMER CKT 1' | FROM->TO | 0.82034 | 557.7 | 'CAPROCK REC-NEW SCHWARTZ - CAPROCK REC-PEMBROOK 138KV CKT 1'     |

|      |   |         |   |          |         |       |   |
|------|---|---------|---|----------|---------|-------|---|
| 16SP | 0 | G10_060 | 'HOBBS_INT 7345.00 (LIKE POTTER)<br>345/230/13.2KV TRANSFORMER CKT 1' | FROM->TO | 0.82028 | 557.5 | 'CAPROCK REC-STILES - G09-17T 138.00<br>138KV CKT 1'  |
| 16SP | 0 | G10_059 | 'HOBBS_INT 7345.00 (LIKE POTTER)<br>345/230/13.2KV TRANSFORMER CKT 1' | FROM->TO | 0.82028 | 557.5 | 'CAPROCK REC-STILES - G09-17T 138.00<br>138KV CKT 1'  |
| 16SP | 0 | G10_060 | 'HOBBS_INT 7345.00 (LIKE POTTER)<br>345/230/13.2KV TRANSFORMER CKT 1' | FROM->TO | 0.82028 | 557.7 | 'CAPROCK REC-STILES - G09-17T 138.00<br>138KV CKT 1'  |
| 16SP | 0 | G10_059 | 'HOBBS_INT 7345.00 (LIKE POTTER)<br>345/230/13.2KV TRANSFORMER CKT 1' | FROM->TO | 0.82028 | 557.7 | 'CAPROCK REC-STILES - G09-17T 138.00<br>138KV CKT 1'  |
| 16SP | 0 | G10_060 | 'HOBBS_INT 7345.00 (LIKE POTTER)<br>345/230/13.2KV TRANSFORMER CKT 1' | FROM->TO | 0.82034 | 557.5 | 'CAPROCK REC-PEMBROOK - G09-17T 138.00<br>138KV CKT 1'  |
| 16SP | 0 | G10_059 | 'HOBBS_INT 7345.00 (LIKE POTTER)<br>345/230/13.2KV TRANSFORMER CKT 1' | FROM->TO | 0.82034 | 557.5 | 'CAPROCK REC-PEMBROOK - G09-17T 138.00<br>138KV CKT 1'  |
| 16SP | 0 | G10_060 | 'HOBBS_INT 7345.00 (LIKE POTTER)<br>345/230/13.2KV TRANSFORMER CKT 1' | FROM->TO | 0.82034 | 557.7 | 'CAPROCK REC-PEMBROOK - G09-17T 138.00<br>138KV CKT 1'  |
| 16SP | 0 | G10_059 | 'HOBBS_INT 7345.00 (LIKE POTTER)<br>345/230/13.2KV TRANSFORMER CKT 1' | FROM->TO | 0.82034 | 557.7 | 'CAPROCK REC-PEMBROOK - G09-17T 138.00<br>138KV CKT 1'  |
| 16SP | 0 | G10_060 | 'HOBBS_INT 7345.00 (LIKE POTTER)<br>345/230/13.2KV TRANSFORMER CKT 1' | FROM->TO | 0.82028 | 557.5 | 'CAPROCK REC-ST LAWRENCE - CAPROCK<br>REC-STILES 138KV CKT 1'                                       |
| 16SP | 0 | G10_059 | 'HOBBS_INT 7345.00 (LIKE POTTER)<br>345/230/13.2KV TRANSFORMER CKT 1' | FROM->TO | 0.82028 | 557.5 | 'CAPROCK REC-ST LAWRENCE - CAPROCK<br>REC-STILES 138KV CKT 1'                                       |
| 16SP | 0 | G10_060 | 'HOBBS_INT 7345.00 (LIKE POTTER)<br>345/230/13.2KV TRANSFORMER CKT 1' | FROM->TO | 0.82028 | 557.7 | 'CAPROCK REC-ST LAWRENCE - CAPROCK<br>REC-STILES 138KV CKT 1'                                       |
| 16SP | 0 | G10_059 | 'HOBBS_INT 7345.00 (LIKE POTTER)<br>345/230/13.2KV TRANSFORMER CKT 1' | FROM->TO | 0.82028 | 557.7 | 'CAPROCK REC-ST LAWRENCE - CAPROCK<br>REC-STILES 138KV CKT 1'                                       |
| 16SP | 0 | G10_060 | 'HOBBS_INT 7345.00 (LIKE POTTER)<br>345/230/13.2KV TRANSFORMER CKT 1' | FROM->TO | 0.79331 | 557.5 | 'Golden Spread REC - Mustang Interchange 230 kV<br>Generation Bus - MUSTANG STATION 230KV CKT<br>1' |
| 16SP | 0 | G10_059 | 'HOBBS_INT 7345.00 (LIKE POTTER)<br>345/230/13.2KV TRANSFORMER CKT 1' | FROM->TO | 0.79331 | 557.5 | 'Golden Spread REC - Mustang Interchange 230 kV<br>Generation Bus - MUSTANG STATION 230KV CKT<br>1' |
| 16SP | 0 | G10_060 | 'HOBBS_INT 7345.00 (LIKE POTTER)<br>345/230/13.2KV TRANSFORMER CKT 1' | FROM->TO | 0.79331 | 557.7 | 'Golden Spread REC - Mustang Interchange 230 kV<br>Generation Bus - MUSTANG STATION 230KV CKT<br>1' |
| 16SP | 0 | G10_059 | 'HOBBS_INT 7345.00 (LIKE POTTER)<br>345/230/13.2KV TRANSFORMER CKT 1' | FROM->TO | 0.79331 | 557.7 | 'Golden Spread REC - Mustang Interchange 230 kV<br>Generation Bus - MUSTANG STATION 230KV CKT<br>1' |
| 16SP | 0 | G10_060 | 'HOBBS_INT 7345.00 (LIKE POTTER)<br>345/230/13.2KV TRANSFORMER CKT 1' | FROM->TO | 0.79331 | 557.5 | 'HOBBS INTERCHANGE 230/18.0KV<br>TRANSFORMER CKT 1'   |
| 16SP | 0 | G10_059 | 'HOBBS_INT 7345.00 (LIKE POTTER)<br>345/230/13.2KV TRANSFORMER CKT 1' | FROM->TO | 0.79331 | 557.5 | 'HOBBS INTERCHANGE 230/18.0KV<br>TRANSFORMER CKT 1'   |
| 16SP | 0 | G10_060 | 'HOBBS_INT 7345.00 (LIKE POTTER)<br>345/230/13.2KV TRANSFORMER CKT 1' | FROM->TO | 0.79331 | 557.7 | 'HOBBS INTERCHANGE 230/18.0KV<br>TRANSFORMER CKT 1'   |
| 16SP | 0 | G10_059 | 'HOBBS_INT 7345.00 (LIKE POTTER)<br>345/230/13.2KV TRANSFORMER CKT 1' | FROM->TO | 0.79331 | 557.7 | 'HOBBS INTERCHANGE 230/18.0KV<br>TRANSFORMER CKT 1'   |
| 16SP | 0 | G10_060 | 'HOBBS_INT 7345.00 (LIKE POTTER)<br>345/230/13.2KV TRANSFORMER CKT 1' | FROM->TO | 0.82028 | 557.5 | 'CAPROCK REC-LANGE - CAPROCK REC-ST<br>LAWRENCE 138KV CKT 1'  |
| 16SP | 0 | G10_059 | 'HOBBS_INT 7345.00 (LIKE POTTER)<br>345/230/13.2KV TRANSFORMER CKT 1' | FROM->TO | 0.82028 | 557.5 | 'CAPROCK REC-LANGE - CAPROCK REC-ST<br>LAWRENCE 138KV CKT 1'  |
| 16SP | 0 | G10_060 | 'HOBBS_INT 7345.00 (LIKE POTTER)<br>345/230/13.2KV TRANSFORMER CKT 1' | FROM->TO | 0.82028 | 557.7 | 'CAPROCK REC-LANGE - CAPROCK REC-ST<br>LAWRENCE 138KV CKT 1'  |

|      |   |         |   |          |         |       |   |
|------|---|---------|---|----------|---------|-------|---|
| 16SP | 0 | G10_059 | 'HOBBS_INT 7345.00 (LIKE POTTER)<br>345/230/13.2KV TRANSFORMER CKT 1' | FROM->TO | 0.82028 | 557.7 | 'CAPROCK REC-LANGE - CAPROCK REC-ST<br>LAWRENCE 138KV CKT 1'        |
| 16SP | 0 | G10_060 | 'HOBBS_INT 7345.00 (LIKE POTTER)<br>345/230/13.2KV TRANSFORMER CKT 1' | FROM->TO | 0.79331 | 557.5 | 'CUNNINGHAM STATION 230/20.0KV<br>TRANSFORMER CKT 1'                |
| 16SP | 0 | G10_059 | 'HOBBS_INT 7345.00 (LIKE POTTER)<br>345/230/13.2KV TRANSFORMER CKT 1' | FROM->TO | 0.79331 | 557.5 | 'CUNNINGHAM STATION 230/20.0KV<br>TRANSFORMER CKT 1'                |
| 16SP | 0 | G10_060 | 'HOBBS_INT 7345.00 (LIKE POTTER)<br>345/230/13.2KV TRANSFORMER CKT 1' | FROM->TO | 0.79331 | 557.7 | 'CUNNINGHAM STATION 230/20.0KV<br>TRANSFORMER CKT 1'                |
| 16SP | 0 | G10_059 | 'HOBBS_INT 7345.00 (LIKE POTTER)<br>345/230/13.2KV TRANSFORMER CKT 1' | FROM->TO | 0.79331 | 557.7 | 'CUNNINGHAM STATION 230/20.0KV<br>TRANSFORMER CKT 1'                |
| 16SP | 0 | G10_060 | 'CAPROCK REC-MCDONALD - CAPROCK REC-<br>PHILLIPS 138KV CKT 1'         | TO->FROM | 0.22292 | 270.9 | 'CUNNINGHAM STATION - LEA COUNTY<br>INTERCHANGE 230KV CKT 1'        |
| 16SP | 0 | G10_059 | 'CAPROCK REC-MCDONALD - CAPROCK REC-<br>PHILLIPS 138KV CKT 1'         | TO->FROM | 0.22292 | 270.9 | 'CUNNINGHAM STATION - LEA COUNTY<br>INTERCHANGE 230KV CKT 1'        |
| 16SP | 0 | G10_060 | 'CAPROCK REC-MCDONALD - CAPROCK REC-<br>PHILLIPS 138KV CKT 1'         | TO->FROM | 0.21439 | 270.9 | 'CUNNINGHAM STATION - EDDY COUNTY<br>INTERCHANGE 230KV CKT 1'       |
| 16SP | 0 | G10_059 | 'CAPROCK REC-MCDONALD - CAPROCK REC-<br>PHILLIPS 138KV CKT 1'         | TO->FROM | 0.21439 | 270.9 | 'CUNNINGHAM STATION - EDDY COUNTY<br>INTERCHANGE 230KV CKT 1'       |
| 16SP | 0 | G10_060 | 'CAPROCK REC-MCDONALD - CAPROCK REC-<br>PHILLIPS 138KV CKT 1'         | TO->FROM | 0.21514 | 270.9 | 'SUNDOWN INTERCHANGE - WOLFFORTH<br>INTERCHANGE 230KV CKT 1'        |
| 16SP | 0 | G10_059 | 'CAPROCK REC-MCDONALD - CAPROCK REC-<br>PHILLIPS 138KV CKT 1'         | TO->FROM | 0.21514 | 270.9 | 'SUNDOWN INTERCHANGE - WOLFFORTH<br>INTERCHANGE 230KV CKT 1'        |
| 16SP | 0 | G10_060 | 'HOBBS_INT 7345.00 (LIKE POTTER)<br>345/230/13.2KV TRANSFORMER CKT 1' | FROM->TO | 0.79331 | 557.5 | 'BASE CASE'   |
| 16SP | 0 | G10_059 | 'HOBBS_INT 7345.00 (LIKE POTTER)<br>345/230/13.2KV TRANSFORMER CKT 1' | FROM->TO | 0.79331 | 557.5 | 'BASE CASE'   |
| 16SP | 0 | G10_060 | 'CAPROCK REC-MCDONALD - CAPROCK REC-<br>PHILLIPS 138KV CKT 1'         | TO->FROM | 0.21935 | 270.9 | 'AMOCO SWITCHING STATION - SUNDOWN<br>INTERCHANGE 230KV CKT 1'      |
| 16SP | 0 | G10_059 | 'CAPROCK REC-MCDONALD - CAPROCK REC-<br>PHILLIPS 138KV CKT 1'         | TO->FROM | 0.21935 | 270.9 | 'AMOCO SWITCHING STATION - SUNDOWN<br>INTERCHANGE 230KV CKT 1'      |
| 16SP | 0 | G10_060 | 'HOBBS_INT 7345.00 (LIKE POTTER)<br>345/230/13.2KV TRANSFORMER CKT 1' | FROM->TO | 0.79331 | 557.7 | 'BASE CASE'   |
| 16SP | 0 | G10_059 | 'HOBBS_INT 7345.00 (LIKE POTTER)<br>345/230/13.2KV TRANSFORMER CKT 1' | FROM->TO | 0.79331 | 557.7 | 'BASE CASE'   |
| 16SP | 0 | G10_060 | 'CAPROCK REC-MCDONALD - CAPROCK REC-<br>PHILLIPS 138KV CKT 1'         | TO->FROM | 0.21168 | 270.9 | 'TOLK STATION EAST - TUCO INTERCHANGE<br>230KV CKT 1'               |
| 16SP | 0 | G10_059 | 'CAPROCK REC-MCDONALD - CAPROCK REC-<br>PHILLIPS 138KV CKT 1'         | TO->FROM | 0.21168 | 270.9 | 'TOLK STATION EAST - TUCO INTERCHANGE<br>230KV CKT 1'               |
| 16SP | 0 | G10_060 | 'MIDLAND 7345.00 (LIKE WICHITA)<br>345/138/13.8KV TRANSFORMER CKT 1'  | FROM->TO | 0.301   | 384.9 | 'HOBBS INTERCHANGE - LEA COUNTY<br>INTERCHANGE 230KV CKT 1'         |
| 16SP | 0 | G10_059 | 'MIDLAND 7345.00 (LIKE WICHITA)<br>345/138/13.8KV TRANSFORMER CKT 1'  | FROM->TO | 0.301   | 384.9 | 'HOBBS INTERCHANGE - LEA COUNTY<br>INTERCHANGE 230KV CKT 1'         |
| 16SP | 0 | G10_060 | 'MIDLAND 7345.00 (LIKE WICHITA)<br>345/138/13.8KV TRANSFORMER CKT 1'  | FROM->TO | 0.301   | 385.2 | 'HOBBS INTERCHANGE - LEA COUNTY<br>INTERCHANGE 230KV CKT 1'         |
| 16SP | 0 | G10_059 | 'MIDLAND 7345.00 (LIKE WICHITA)<br>345/138/13.8KV TRANSFORMER CKT 1'  | FROM->TO | 0.301   | 385.2 | 'HOBBS INTERCHANGE - LEA COUNTY<br>INTERCHANGE 230KV CKT 1'         |
| 16SP | 0 | G10_060 | 'CUNNINGHAM STATION - EDDY COUNTY<br>INTERCHANGE 230KV CKT 1'         | FROM->TO | 0.22076 | 348.3 | 'LEA COUNTY INTERCHANGE - YOAKUM<br>COUNTY INTERCHANGE 230KV CKT 1' |
| 16SP | 0 | G10_059 | 'CUNNINGHAM STATION - EDDY COUNTY<br>INTERCHANGE 230KV CKT 1'         | FROM->TO | 0.22076 | 348.3 | 'LEA COUNTY INTERCHANGE - YOAKUM<br>COUNTY INTERCHANGE 230KV CKT 1' |



|      |   |         |   |          |         |       |   |
|------|---|---------|---|----------|---------|-------|---|
| 16SP | 0 | G10_060 | 'CAPROCK REC-MCDONALD - CAPROCK REC-PHILLIPS 138KV CKT 1' | TO->FROM | 0.2101  | 270.9 | 'CUNNINGHAM STATION - POTASH JUNCTION INTERCHANGE 230KV CKT 1'            |
| 16SP | 0 | G10_059 | 'CAPROCK REC-MCDONALD - CAPROCK REC-PHILLIPS 138KV CKT 1' | TO->FROM | 0.2101  | 270.9 | 'CUNNINGHAM STATION - POTASH JUNCTION INTERCHANGE 230KV CKT 1'            |
| 16SP | 0 | G10_060 | 'CAPROCK REC-MCDONALD - CAPROCK REC-PHILLIPS 138KV CKT 1' | TO->FROM | 0.22143 | 270.9 | 'TOLK STATION (ABBXL844501) 345/230/13.2KV TRANSFORMER CKT 1'             |
| 16SP | 0 | G10_059 | 'CAPROCK REC-MCDONALD - CAPROCK REC-PHILLIPS 138KV CKT 1' | TO->FROM | 0.22143 | 270.9 | 'TOLK STATION (ABBXL844501) 345/230/13.2KV TRANSFORMER CKT 1'             |
| 16SP | 0 | G10_060 | 'CAPROCK REC-MCDONALD - CAPROCK REC-PHILLIPS 138KV CKT 1' | TO->FROM | 0.22143 | 270.9 | 'CHAVESCO 345.00 - TOLK STATION 345KV CKT 1'                              |
| 16SP | 0 | G10_059 | 'CAPROCK REC-MCDONALD - CAPROCK REC-PHILLIPS 138KV CKT 1' | TO->FROM | 0.22143 | 270.9 | 'CHAVESCO 345.00 - TOLK STATION 345KV CKT 1'                              |
| 16SP | 0 | G10_060 | 'CAPROCK REC-MCDONALD - CAPROCK REC-PHILLIPS 138KV CKT 1' | TO->FROM | 0.20669 | 270.9 | 'Jones Station Bus#2 230/22.0KV TRANSFORMER CKT 1'                        |
| 16SP | 0 | G10_059 | 'CAPROCK REC-MCDONALD - CAPROCK REC-PHILLIPS 138KV CKT 1' | TO->FROM | 0.20669 | 270.9 | 'Jones Station Bus#2 230/22.0KV TRANSFORMER CKT 1'                        |
| 16SP | 0 | G10_060 | 'CAPROCK REC-MCDONALD - CAPROCK REC-PHILLIPS 138KV CKT 1' | TO->FROM | 0.20669 | 270.9 | 'JONES STATION 230/22.0KV TRANSFORMER CKT 1'                              |
| 16SP | 0 | G10_059 | 'CAPROCK REC-MCDONALD - CAPROCK REC-PHILLIPS 138KV CKT 1' | TO->FROM | 0.20669 | 270.9 | 'JONES STATION 230/22.0KV TRANSFORMER CKT 1'                              |
| 16SP | 0 | G10_060 | 'CAPROCK REC-MCDONALD - CAPROCK REC-PHILLIPS 138KV CKT 1' | TO->FROM | 0.21206 | 270.9 | 'TERRY COUNTY INTERCHANGE - WOLFFORTH INTERCHANGE 115KV CKT 1'            |
| 16SP | 0 | G10_059 | 'CAPROCK REC-MCDONALD - CAPROCK REC-PHILLIPS 138KV CKT 1' | TO->FROM | 0.21206 | 270.9 | 'TERRY COUNTY INTERCHANGE - WOLFFORTH INTERCHANGE 115KV CKT 1'            |
| 16SP | 0 | G10_060 | 'CAPROCK REC-MCDONALD - CAPROCK REC-PHILLIPS 138KV CKT 1' | TO->FROM | 0.21539 | 270.9 | 'LUBBOCK SOUTH INTERCHANGE - WOLFFORTH INTERCHANGE 230KV CKT 1'           |
| 16SP | 0 | G10_059 | 'CAPROCK REC-MCDONALD - CAPROCK REC-PHILLIPS 138KV CKT 1' | TO->FROM | 0.21539 | 270.9 | 'LUBBOCK SOUTH INTERCHANGE - WOLFFORTH INTERCHANGE 230KV CKT 1'           |
| 16SP | 0 | G10_060 | 'CAPROCK REC-MCDONALD - CAPROCK REC-PHILLIPS 138KV CKT 1' | TO->FROM | 0.20928 | 270.9 | 'CHAVES COUNTY INTERCHANGE - EDDY COUNTY INTERCHANGE 230KV CKT 1'         |
| 16SP | 0 | G10_059 | 'CAPROCK REC-MCDONALD - CAPROCK REC-PHILLIPS 138KV CKT 1' | TO->FROM | 0.20928 | 270.9 | 'CHAVES COUNTY INTERCHANGE - EDDY COUNTY INTERCHANGE 230KV CKT 1'         |
| 16SP | 0 | G10_060 | 'CAPROCK REC-MCDONALD - CAPROCK REC-PHILLIPS 138KV CKT 1' | TO->FROM | 0.22148 | 270.9 | 'EDDY COUNTY INTERCHANGE (ABB AEM30711) 345/230/13.2KV TRANSFORMER CKT 1' |
| 16SP | 0 | G10_059 | 'CAPROCK REC-MCDONALD - CAPROCK REC-PHILLIPS 138KV CKT 1' | TO->FROM | 0.22148 | 270.9 | 'EDDY COUNTY INTERCHANGE (ABB AEM30711) 345/230/13.2KV TRANSFORMER CKT 1' |
| 16SP | 0 | G10_060 | 'CAPROCK REC-MCDONALD - CAPROCK REC-PHILLIPS 138KV CKT 1' | TO->FROM | 0.22148 | 270.9 | 'CHAVESCO 345.00 - EDDY COUNTY INTERCHANGE 345KV CKT 1'                   |
| 16SP | 0 | G10_059 | 'CAPROCK REC-MCDONALD - CAPROCK REC-PHILLIPS 138KV CKT 1' | TO->FROM | 0.22148 | 270.9 | 'CHAVESCO 345.00 - EDDY COUNTY INTERCHANGE 345KV CKT 1'                   |
| 16SP | 0 | G10_060 | 'CAPROCK REC-MCDONALD - CR-1956 4138.00 138KV CKT 1'      | FROM->TO | 0.29559 | 270.9 | 'HOBBS_INT 7345.00 (LIKE POTTER) 345/230/13.2KV TRANSFORMER CKT 1'        |
| 16SP | 0 | G10_059 | 'CAPROCK REC-MCDONALD - CR-1956 4138.00 138KV CKT 1'      | FROM->TO | 0.29559 | 270.9 | 'HOBBS_INT 7345.00 (LIKE POTTER) 345/230/13.2KV TRANSFORMER CKT 1'        |
| 16SP | 0 | G10_060 | 'CAPROCK REC-MCDONALD - CR-1956 4138.00 138KV CKT 1'      | FROM->TO | 0.29559 | 270.9 | 'HOBBS_INT 7345.00 - MIDLAND 7345.00 345KV CKT 1'                         |
| 16SP | 0 | G10_059 | 'CAPROCK REC-MCDONALD - CR-1956 4138.00 138KV CKT 1'      | FROM->TO | 0.29559 | 270.9 | 'HOBBS_INT 7345.00 - MIDLAND 7345.00 345KV CKT 1'                         |

|      |   |         |   |          |         |       |  |
|------|---|---------|---|----------|---------|-------|--|
| 16SP | 0 | G10_060 | 'CUNNINGHAM STATION - EDDY COUNTY INTERCHANGE 230KV CKT 1'    | FROM->TO | 0.19258 | 348.3 | 'PECOS INTERCHANGE - POTASH JUNCTION INTERCHANGE 230KV CKT 1'      |
| 16SP | 0 | G10_059 | 'CUNNINGHAM STATION - EDDY COUNTY INTERCHANGE 230KV CKT 1'    | FROM->TO | 0.19258 | 348.3 | 'PECOS INTERCHANGE - POTASH JUNCTION INTERCHANGE 230KV CKT 1'      |
| 16SP | 0 | G10_060 | 'CAPROCK REC-NEW SCHWARTZ - CR-1956 4138.00 138KV CKT 1'      | TO->FROM | 0.29559 | 270.9 | 'HOBBS_INT 7345.00 (LIKE POTTER) 345/230/13.2KV TRANSFORMER CKT 1' |
| 16SP | 0 | G10_059 | 'CAPROCK REC-NEW SCHWARTZ - CR-1956 4138.00 138KV CKT 1'      | TO->FROM | 0.29559 | 270.9 | 'HOBBS_INT 7345.00 (LIKE POTTER) 345/230/13.2KV TRANSFORMER CKT 1' |
| 16SP | 0 | G10_060 | 'CAPROCK REC-NEW SCHWARTZ - CR-1956 4138.00 138KV CKT 1'      | TO->FROM | 0.29559 | 270.9 | 'HOBBS_INT 7345.00 - MIDLAND 7345.00 345KV CKT 1'                  |
| 16SP | 0 | G10_059 | 'CAPROCK REC-NEW SCHWARTZ - CR-1956 4138.00 138KV CKT 1'      | TO->FROM | 0.29559 | 270.9 | 'HOBBS_INT 7345.00 - MIDLAND 7345.00 345KV CKT 1'                  |
| 16SP | 0 | G10_060 | 'NEWHART 6230.00 - PLANT X STATION 230KV CKT 1'               | TO->FROM | 0.20851 | 350.9 | 'DEAF SMITH COUNTY INTERCHANGE - PLANT X STATION 230KV CKT 1'      |
| 16SP | 0 | G10_059 | 'NEWHART 6230.00 - PLANT X STATION 230KV CKT 1'               | TO->FROM | 0.20851 | 350.9 | 'DEAF SMITH COUNTY INTERCHANGE - PLANT X STATION 230KV CKT 1'      |
| 16SP | 0 | G10_060 | 'JONES STATION - TUCO INTERCHANGE 230KV CKT 1'                | FROM->TO | 0.46453 | 346.4 | 'HOBBS_INT 7345.00 (LIKE POTTER) 345/230/13.2KV TRANSFORMER CKT 1' |
| 16SP | 0 | G10_059 | 'JONES STATION - TUCO INTERCHANGE 230KV CKT 1'                | FROM->TO | 0.46453 | 346.4 | 'HOBBS_INT 7345.00 (LIKE POTTER) 345/230/13.2KV TRANSFORMER CKT 1' |
| 16SP | 0 | G10_060 | 'JONES STATION - TUCO INTERCHANGE 230KV CKT 1'                | FROM->TO | 0.46453 | 346.4 | 'HOBBS_INT 7345.00 - MIDLAND 7345.00 345KV CKT 1'                  |
| 16SP | 0 | G10_059 | 'JONES STATION - TUCO INTERCHANGE 230KV CKT 1'                | FROM->TO | 0.46453 | 346.4 | 'HOBBS_INT 7345.00 - MIDLAND 7345.00 345KV CKT 1'                  |
| 16SP | 0 | G10_060 | 'CUNNINGHAM STATION - LEA COUNTY INTERCHANGE 230KV CKT 1'     | TO->FROM | 0.47884 | 499.3 | 'LEA COUNTY INTERCHANGE - YOAKUM COUNTY INTERCHANGE 230KV CKT 1'   |
| 16SP | 0 | G10_059 | 'CUNNINGHAM STATION - LEA COUNTY INTERCHANGE 230KV CKT 1'     | TO->FROM | 0.47884 | 499.3 | 'LEA COUNTY INTERCHANGE - YOAKUM COUNTY INTERCHANGE 230KV CKT 1'   |
| 16SP | 0 | G10_060 | 'CUNNINGHAM STATION - EDDY COUNTY INTERCHANGE 230KV CKT 1'    | FROM->TO | 0.19729 | 348.3 | 'MIDLAND 7345.00 (LIKE WICHITA) 345/138/13.8KV TRANSFORMER CKT 1'  |
| 16SP | 0 | G10_059 | 'CUNNINGHAM STATION - EDDY COUNTY INTERCHANGE 230KV CKT 1'    | FROM->TO | 0.19729 | 348.3 | 'MIDLAND 7345.00 (LIKE WICHITA) 345/138/13.8KV TRANSFORMER CKT 1'  |
| 16SP | 0 | G10_060 | 'CUNNINGHAM STATION - EDDY COUNTY INTERCHANGE 230KV CKT 1'    | FROM->TO | 0.19729 | 348.3 | 'CAPROCK REC-PHILLIPS - CAPROCK REC-TATE 138KV CKT 1'              |
| 16SP | 0 | G10_059 | 'CUNNINGHAM STATION - EDDY COUNTY INTERCHANGE 230KV CKT 1'    | FROM->TO | 0.19729 | 348.3 | 'CAPROCK REC-PHILLIPS - CAPROCK REC-TATE 138KV CKT 1'              |
| 16SP | 0 | G10_060 | 'CAPROCK REC-NEW SCHWARTZ - CAPROCK REC-PEMBROOK 138KV CKT 1' | FROM->TO | 0.29559 | 271   | 'HOBBS_INT 7345.00 (LIKE POTTER) 345/230/13.2KV TRANSFORMER CKT 1' |
| 16SP | 0 | G10_059 | 'CAPROCK REC-NEW SCHWARTZ - CAPROCK REC-PEMBROOK 138KV CKT 1' | FROM->TO | 0.29559 | 271   | 'HOBBS_INT 7345.00 (LIKE POTTER) 345/230/13.2KV TRANSFORMER CKT 1' |
| 16SP | 0 | G10_060 | 'CAPROCK REC-NEW SCHWARTZ - CAPROCK REC-PEMBROOK 138KV CKT 1' | FROM->TO | 0.29559 | 271   | 'HOBBS_INT 7345.00 - MIDLAND 7345.00 345KV CKT 1'                  |
| 16SP | 0 | G10_059 | 'CAPROCK REC-NEW SCHWARTZ - CAPROCK REC-PEMBROOK 138KV CKT 1' | FROM->TO | 0.29559 | 271   | 'HOBBS_INT 7345.00 - MIDLAND 7345.00 345KV CKT 1'                  |
| 16SP | 0 | G10_060 | 'GRASSLAND INTERCHANGE - Jones Station Bus#2 230KV CKT 1'     | FROM->TO | 0.47172 | 350.8 | 'HOBBS_INT 7345.00 - MIDLAND 7345.00 345KV CKT 1'                  |
| 16SP | 0 | G10_059 | 'GRASSLAND INTERCHANGE - Jones Station Bus#2 230KV CKT 1'     | FROM->TO | 0.47172 | 350.8 | 'HOBBS_INT 7345.00 - MIDLAND 7345.00 345KV CKT 1'                  |
| 16SP | 0 | G10_060 | 'GRASSLAND INTERCHANGE - Jones Station Bus#2 230KV CKT 1'     | FROM->TO | 0.47172 | 350.8 | 'HOBBS_INT 7345.00 (LIKE POTTER) 345/230/13.2KV TRANSFORMER CKT 1' |

|      |   |         |   |          |         |       |  |
|------|---|---------|---|----------|---------|-------|--|
| 16SP | 0 | G10_059 | 'GRASSLAND INTERCHANGE - Jones Station Bus#2 230KV CKT 1'         | FROM->TO | 0.47172 | 350.8 | 'HOBBS_INT 7345.00 (LIKE POTTER) 345/230/13.2KV TRANSFORMER CKT 1' |
| 16SP | 0 | G10_060 | 'CUNNINGHAM STATION - EDDY COUNTY INTERCHANGE 230KV CKT 1'        | FROM->TO | 0.19729 | 348.3 | 'CAPROCK REC-MCDONALD - CAPROCK REC-PHILLIPS 138KV CKT 1'          |
| 16SP | 0 | G10_059 | 'CUNNINGHAM STATION - EDDY COUNTY INTERCHANGE 230KV CKT 1'        | FROM->TO | 0.19729 | 348.3 | 'CAPROCK REC-MCDONALD - CAPROCK REC-PHILLIPS 138KV CKT 1'          |
| 16SP | 0 | G10_060 | 'CAPROCK REC-ST LAWRENCE - CAPROCK REC-STILES 138KV CKT 1'        | TO->FROM | 0.29545 | 271   | 'HOBBS_INT 7345.00 - MIDLAND 7345.00 345KV CKT 1'                  |
| 16SP | 0 | G10_059 | 'CAPROCK REC-ST LAWRENCE - CAPROCK REC-STILES 138KV CKT 1'        | TO->FROM | 0.29545 | 271   | 'HOBBS_INT 7345.00 - MIDLAND 7345.00 345KV CKT 1'                  |
| 16SP | 0 | G10_060 | 'CAPROCK REC-ST LAWRENCE - CAPROCK REC-STILES 138KV CKT 1'        | TO->FROM | 0.29545 | 271   | 'HOBBS_INT 7345.00 (LIKE POTTER) 345/230/13.2KV TRANSFORMER CKT 1' |
| 16SP | 0 | G10_059 | 'CAPROCK REC-ST LAWRENCE - CAPROCK REC-STILES 138KV CKT 1'        | TO->FROM | 0.29545 | 271   | 'HOBBS_INT 7345.00 (LIKE POTTER) 345/230/13.2KV TRANSFORMER CKT 1' |
| 16SP | 0 | G10_060 | 'BORDEN COUNTY INTERCHANGE 230/138KV TRANSFORMER CKT 1'           | TO->FROM | 0.19646 | 167.5 | 'BORDEN COUNTY INTERCHANGE 230/138KV TRANSFORMER CKT 2'            |
| 16SP | 0 | G10_059 | 'BORDEN COUNTY INTERCHANGE 230/138KV TRANSFORMER CKT 1'           | TO->FROM | 0.19646 | 167.5 | 'BORDEN COUNTY INTERCHANGE 230/138KV TRANSFORMER CKT 2'            |
| 16SP | 0 | G10_060 | 'PLANT X STATION - TOLK STATION WEST 230KV CKT 1'                 | TO->FROM | 0.21621 | 500.8 | 'PLANT X STATION - TOLK STATION EAST 230KV CKT 2'                  |
| 16SP | 0 | G10_059 | 'PLANT X STATION - TOLK STATION WEST 230KV CKT 1'                 | TO->FROM | 0.21621 | 500.8 | 'PLANT X STATION - TOLK STATION EAST 230KV CKT 2'                  |
| 16SP | 0 | G10_060 | 'MIDLAND 7345.00 (LIKE WICHITA) 345/138/13.8KV TRANSFORMER CKT 1' | FROM->TO | 0.20669 | 334.8 | 'BASE CASE'  |
| 16SP | 0 | G10_059 | 'MIDLAND 7345.00 (LIKE WICHITA) 345/138/13.8KV TRANSFORMER CKT 1' | FROM->TO | 0.20669 | 334.8 | 'BASE CASE'  |
| 16SP | 0 | G10_060 | 'MIDLAND 7345.00 (LIKE WICHITA) 345/138/13.8KV TRANSFORMER CKT 1' | FROM->TO | 0.20669 | 335.1 | 'BASE CASE'  |
| 16SP | 0 | G10_059 | 'MIDLAND 7345.00 (LIKE WICHITA) 345/138/13.8KV TRANSFORMER CKT 1' | FROM->TO | 0.20669 | 335.1 | 'BASE CASE'  |
| 16SP | 0 | G10_060 | 'CAPROCK REC-BUCHANAN - CAPROCK REC-LANGE 138KV CKT 1'            | TO->FROM | 0.29545 | 271   | 'HOBBS_INT 7345.00 (LIKE POTTER) 345/230/13.2KV TRANSFORMER CKT 1' |
| 16SP | 0 | G10_059 | 'CAPROCK REC-BUCHANAN - CAPROCK REC-LANGE 138KV CKT 1'            | TO->FROM | 0.29545 | 271   | 'HOBBS_INT 7345.00 (LIKE POTTER) 345/230/13.2KV TRANSFORMER CKT 1' |
| 16SP | 0 | G10_060 | 'CAPROCK REC-BUCHANAN - CAPROCK REC-LANGE 138KV CKT 1'            | TO->FROM | 0.29545 | 271   | 'HOBBS_INT 7345.00 - MIDLAND 7345.00 345KV CKT 1'                  |
| 16SP | 0 | G10_059 | 'CAPROCK REC-BUCHANAN - CAPROCK REC-LANGE 138KV CKT 1'            | TO->FROM | 0.29545 | 271   | 'HOBBS_INT 7345.00 - MIDLAND 7345.00 345KV CKT 1'                  |
| 16SP | 0 | G10_060 | 'PLANT X STATION - TOLK STATION EAST 230KV CKT 2'                 | TO->FROM | 0.21413 | 500.8 | 'PLANT X STATION - TOLK STATION WEST 230KV CKT 1'                  |
| 16SP | 0 | G10_059 | 'PLANT X STATION - TOLK STATION EAST 230KV CKT 2'                 | TO->FROM | 0.21413 | 500.8 | 'PLANT X STATION - TOLK STATION WEST 230KV CKT 1'                  |
| 16SP | 0 | G10_060 | 'CUNNINGHAM STATION - EDDY COUNTY INTERCHANGE 230KV CKT 1'        | FROM->TO | 0.19726 | 348.3 | 'SPP-SWPS-K48'   |
| 16SP | 0 | G10_059 | 'CUNNINGHAM STATION - EDDY COUNTY INTERCHANGE 230KV CKT 1'        | FROM->TO | 0.19726 | 348.3 | 'SPP-SWPS-K48'   |
| 16SP | 0 | G10_060 | 'CUNNINGHAM STATION - EDDY COUNTY INTERCHANGE 230KV CKT 1'        | FROM->TO | 0.19726 | 348.3 | 'BORDEN COUNTY INTERCHANGE - GRASSLAND INTERCHANGE 230KV CKT 1'    |
| 16SP | 0 | G10_059 | 'CUNNINGHAM STATION - EDDY COUNTY INTERCHANGE 230KV CKT 1'        | FROM->TO | 0.19726 | 348.3 | 'BORDEN COUNTY INTERCHANGE - GRASSLAND INTERCHANGE 230KV CKT 1'    |

|      |   |         |   |          |         |       |  |
|------|---|---------|---|----------|---------|-------|--|
| 16SP | 0 | G10_060 | 'CUNNINGHAM STATION - LEA COUNTY INTERCHANGE 230KV CKT 1'         | TO->FROM | 0.4049  | 499.3 | 'MIDLAND 7345.00 (LIKE WICHITA) 345/138/13.8KV TRANSFORMER CKT 1'  |
| 16SP | 0 | G10_059 | 'CUNNINGHAM STATION - LEA COUNTY INTERCHANGE 230KV CKT 1'         | TO->FROM | 0.4049  | 499.3 | 'MIDLAND 7345.00 (LIKE WICHITA) 345/138/13.8KV TRANSFORMER CKT 1'  |
| 16SP | 0 | G10_060 | 'MIDLAND 7345.00 (LIKE WICHITA) 345/138/13.8KV TRANSFORMER CKT 1' | FROM->TO | 0.23675 | 384.9 | 'LEA COUNTY INTERCHANGE - YOAKUM COUNTY INTERCHANGE 230KV CKT 1'   |
| 16SP | 0 | G10_059 | 'MIDLAND 7345.00 (LIKE WICHITA) 345/138/13.8KV TRANSFORMER CKT 1' | FROM->TO | 0.23675 | 384.9 | 'LEA COUNTY INTERCHANGE - YOAKUM COUNTY INTERCHANGE 230KV CKT 1'   |
| 16SP | 0 | G10_060 | 'DEAF SMITH COUNTY INTERCHANGE - PLANT X STATION 230KV CKT 1'     | TO->FROM | 0.19871 | 350.5 | 'NEWHART 6230.00 - PLANT X STATION 230KV CKT 1'                    |
| 16SP | 0 | G10_059 | 'DEAF SMITH COUNTY INTERCHANGE - PLANT X STATION 230KV CKT 1'     | TO->FROM | 0.19871 | 350.5 | 'NEWHART 6230.00 - PLANT X STATION 230KV CKT 1'                    |
| 16SP | 0 | G10_060 | 'MIDLAND 7345.00 (LIKE WICHITA) 345/138/13.8KV TRANSFORMER CKT 1' | FROM->TO | 0.23675 | 385.2 | 'LEA COUNTY INTERCHANGE - YOAKUM COUNTY INTERCHANGE 230KV CKT 1'   |
| 16SP | 0 | G10_059 | 'MIDLAND 7345.00 (LIKE WICHITA) 345/138/13.8KV TRANSFORMER CKT 1' | FROM->TO | 0.23675 | 385.2 | 'LEA COUNTY INTERCHANGE - YOAKUM COUNTY INTERCHANGE 230KV CKT 1'   |
| 16SP | 0 | G10_060 | 'CUNNINGHAM STATION - LEA COUNTY INTERCHANGE 230KV CKT 1'         | TO->FROM | 0.4049  | 499.3 | 'CAPROCK REC-PHILLIPS - CAPROCK REC-TATE 138KV CKT 1'              |
| 16SP | 0 | G10_059 | 'CUNNINGHAM STATION - LEA COUNTY INTERCHANGE 230KV CKT 1'         | TO->FROM | 0.4049  | 499.3 | 'CAPROCK REC-PHILLIPS - CAPROCK REC-TATE 138KV CKT 1'              |
| 16SP | 0 | G10_060 | 'CAPROCK REC-MCDONALD - CAPROCK REC-TRIANGLE 138KV CKT 1'         | FROM->TO | 0.21198 | 271   | 'HOBBS INTERCHANGE - LEA COUNTY INTERCHANGE 230KV CKT 1'           |
| 16SP | 0 | G10_059 | 'CAPROCK REC-MCDONALD - CAPROCK REC-TRIANGLE 138KV CKT 1'         | FROM->TO | 0.21198 | 271   | 'HOBBS INTERCHANGE - LEA COUNTY INTERCHANGE 230KV CKT 1'           |
| 16SP | 0 | G10_060 | 'CAPROCK REC-BUCHANAN - CAPROCK REC-RUSSEL TAP 138KV CKT 1'       | FROM->TO | 0.29545 | 271   | 'HOBBS_INT 7345.00 (LIKE POTTER) 345/230/13.2KV TRANSFORMER CKT 1' |
| 16SP | 0 | G10_059 | 'CAPROCK REC-BUCHANAN - CAPROCK REC-RUSSEL TAP 138KV CKT 1'       | FROM->TO | 0.29545 | 271   | 'HOBBS_INT 7345.00 (LIKE POTTER) 345/230/13.2KV TRANSFORMER CKT 1' |
| 16SP | 0 | G10_060 | 'CAPROCK REC-BUCHANAN - CAPROCK REC-RUSSEL TAP 138KV CKT 1'       | FROM->TO | 0.29545 | 271   | 'HOBBS_INT 7345.00 - MIDLAND 7345.00 345KV CKT 1'                  |
| 16SP | 0 | G10_059 | 'CAPROCK REC-BUCHANAN - CAPROCK REC-RUSSEL TAP 138KV CKT 1'       | FROM->TO | 0.29545 | 271   | 'HOBBS_INT 7345.00 - MIDLAND 7345.00 345KV CKT 1'                  |
| 16SP | 0 | G10_060 | 'CUNNINGHAM STATION - LEA COUNTY INTERCHANGE 230KV CKT 1'         | TO->FROM | 0.4049  | 499.3 | 'CAPROCK REC-MCDONALD - CAPROCK REC-PHILLIPS 138KV CKT 1'          |
| 16SP | 0 | G10_059 | 'CUNNINGHAM STATION - LEA COUNTY INTERCHANGE 230KV CKT 1'         | TO->FROM | 0.4049  | 499.3 | 'CAPROCK REC-MCDONALD - CAPROCK REC-PHILLIPS 138KV CKT 1'          |
| 16SP | 0 | G10_060 | 'CAPROCK REC-RUSSEL TAP - CAPROCK REC-VEALMOOR 138KV CKT 1'       | FROM->TO | 0.29545 | 271   | 'HOBBS_INT 7345.00 - MIDLAND 7345.00 345KV CKT 1'                  |
| 16SP | 0 | G10_059 | 'CAPROCK REC-RUSSEL TAP - CAPROCK REC-VEALMOOR 138KV CKT 1'       | FROM->TO | 0.29545 | 271   | 'HOBBS_INT 7345.00 - MIDLAND 7345.00 345KV CKT 1'                  |
| 16SP | 0 | G10_060 | 'CAPROCK REC-RUSSEL TAP - CAPROCK REC-VEALMOOR 138KV CKT 1'       | FROM->TO | 0.29545 | 271   | 'HOBBS_INT 7345.00 (LIKE POTTER) 345/230/13.2KV TRANSFORMER CKT 1' |
| 16SP | 0 | G10_059 | 'CAPROCK REC-RUSSEL TAP - CAPROCK REC-VEALMOOR 138KV CKT 1'       | FROM->TO | 0.29545 | 271   | 'HOBBS_INT 7345.00 (LIKE POTTER) 345/230/13.2KV TRANSFORMER CKT 1' |
| 16SP | 0 | G10_060 | 'MIDLAND 7345.00 (LIKE WICHITA) 345/138/13.8KV TRANSFORMER CKT 1' | FROM->TO | 0.21935 | 384.9 | 'AMOCO SWITCHING STATION - YOAKUM COUNTY INTERCHANGE 230KV CKT 1'  |
| 16SP | 0 | G10_059 | 'MIDLAND 7345.00 (LIKE WICHITA) 345/138/13.8KV TRANSFORMER CKT 1' | FROM->TO | 0.21935 | 384.9 | 'AMOCO SWITCHING STATION - YOAKUM COUNTY INTERCHANGE 230KV CKT 1'  |
| 16SP | 0 | G10_060 | 'MIDLAND 7345.00 (LIKE WICHITA) 345/138/13.8KV TRANSFORMER CKT 1' | FROM->TO | 0.21935 | 385.2 | 'AMOCO SWITCHING STATION - YOAKUM COUNTY INTERCHANGE 230KV CKT 1'  |

|      |   |         |  |          |         |       |  |
|------|---|---------|--|----------|---------|-------|--|
| 16SP | 0 | G10_059 | 'MIDLAND 7345.00 (LIKE WICHITA)<br>345/138/13.8KV TRANSFORMER CKT 1' | FROM->TO | 0.21935 | 385.2 | 'AMOCO SWITCHING STATION - YOAKUM<br>COUNTY INTERCHANGE 230KV CKT 1' |
| 16SP | 0 | G10_060 | 'CUNNINGHAM STATION - LEA COUNTY<br>INTERCHANGE 230KV CKT 1'         | TO->FROM | 0.32623 | 499.3 | 'CUNNINGHAM STATION 230/20.0KV<br>TRANSFORMER CKT 1'                 |
| 16SP | 0 | G10_059 | 'CUNNINGHAM STATION - LEA COUNTY<br>INTERCHANGE 230KV CKT 1'         | TO->FROM | 0.32623 | 499.3 | 'CUNNINGHAM STATION 230/20.0KV<br>TRANSFORMER CKT 1'                 |
| 16SP | 0 | G10_060 | 'BORDEN COUNTY INTERCHANGE 230/138KV<br>TRANSFORMER CKT 2'           | TO->FROM | 0.19637 | 193   | 'BORDEN COUNTY INTERCHANGE 230/138KV<br>TRANSFORMER CKT 1'           |
| 16SP | 0 | G10_059 | 'BORDEN COUNTY INTERCHANGE 230/138KV<br>TRANSFORMER CKT 2'           | TO->FROM | 0.19637 | 193   | 'BORDEN COUNTY INTERCHANGE 230/138KV<br>TRANSFORMER CKT 1'           |
| 16SP | 0 | G10_060 | 'MIDLAND 7345.00 (LIKE WICHITA)<br>345/138/13.8KV TRANSFORMER CKT 1' | FROM->TO | 0.22292 | 384.9 | 'CUNNINGHAM STATION - LEA COUNTY<br>INTERCHANGE 230KV CKT 1'         |
| 16SP | 0 | G10_059 | 'MIDLAND 7345.00 (LIKE WICHITA)<br>345/138/13.8KV TRANSFORMER CKT 1' | FROM->TO | 0.22292 | 384.9 | 'CUNNINGHAM STATION - LEA COUNTY<br>INTERCHANGE 230KV CKT 1'         |
| 16SP | 0 | G10_060 | 'MIDLAND 7345.00 (LIKE WICHITA)<br>345/138/13.8KV TRANSFORMER CKT 1' | FROM->TO | 0.22292 | 385.2 | 'CUNNINGHAM STATION - LEA COUNTY<br>INTERCHANGE 230KV CKT 1'         |
| 16SP | 0 | G10_059 | 'MIDLAND 7345.00 (LIKE WICHITA)<br>345/138/13.8KV TRANSFORMER CKT 1' | FROM->TO | 0.22292 | 385.2 | 'CUNNINGHAM STATION - LEA COUNTY<br>INTERCHANGE 230KV CKT 1'         |
| 16SP | 0 | G10_060 | 'MIDLAND 7345.00 (LIKE WICHITA)<br>345/138/13.8KV TRANSFORMER CKT 1' | FROM->TO | 0.21439 | 384.9 | 'CUNNINGHAM STATION - EDDY COUNTY<br>INTERCHANGE 230KV CKT 1'        |
| 16SP | 0 | G10_059 | 'MIDLAND 7345.00 (LIKE WICHITA)<br>345/138/13.8KV TRANSFORMER CKT 1' | FROM->TO | 0.21439 | 384.9 | 'CUNNINGHAM STATION - EDDY COUNTY<br>INTERCHANGE 230KV CKT 1'        |
| 16SP | 0 | G10_060 | 'MIDLAND 7345.00 (LIKE WICHITA)<br>345/138/13.8KV TRANSFORMER CKT 1' | FROM->TO | 0.21935 | 384.9 | 'AMOCO SWITCHING STATION - SUNDOWN<br>INTERCHANGE 230KV CKT 1'       |
| 16SP | 0 | G10_059 | 'MIDLAND 7345.00 (LIKE WICHITA)<br>345/138/13.8KV TRANSFORMER CKT 1' | FROM->TO | 0.21935 | 384.9 | 'AMOCO SWITCHING STATION - SUNDOWN<br>INTERCHANGE 230KV CKT 1'       |
| 16SP | 0 | G10_060 | 'MIDLAND 7345.00 (LIKE WICHITA)<br>345/138/13.8KV TRANSFORMER CKT 1' | FROM->TO | 0.21514 | 384.9 | 'SUNDOWN INTERCHANGE - WOLFFORTH<br>INTERCHANGE 230KV CKT 1'         |
| 16SP | 0 | G10_059 | 'MIDLAND 7345.00 (LIKE WICHITA)<br>345/138/13.8KV TRANSFORMER CKT 1' | FROM->TO | 0.21514 | 384.9 | 'SUNDOWN INTERCHANGE - WOLFFORTH<br>INTERCHANGE 230KV CKT 1'         |
| 16SP | 0 | G10_060 | 'CAPROCK REC-GRADY - CAPROCK REC-REED<br>138KV CKT 1'                | FROM->TO | 0.21198 | 270.9 | 'HOBBS INTERCHANGE - LEA COUNTY<br>INTERCHANGE 230KV CKT 1'          |
| 16SP | 0 | G10_059 | 'CAPROCK REC-GRADY - CAPROCK REC-REED<br>138KV CKT 1'                | FROM->TO | 0.21198 | 270.9 | 'HOBBS INTERCHANGE - LEA COUNTY<br>INTERCHANGE 230KV CKT 1'          |
| 16SP | 0 | G10_060 | 'MIDLAND 7345.00 (LIKE WICHITA)<br>345/138/13.8KV TRANSFORMER CKT 1' | FROM->TO | 0.21439 | 385.2 | 'CUNNINGHAM STATION - EDDY COUNTY<br>INTERCHANGE 230KV CKT 1'        |
| 16SP | 0 | G10_059 | 'MIDLAND 7345.00 (LIKE WICHITA)<br>345/138/13.8KV TRANSFORMER CKT 1' | FROM->TO | 0.21439 | 385.2 | 'CUNNINGHAM STATION - EDDY COUNTY<br>INTERCHANGE 230KV CKT 1'        |
| 16SP | 0 | G10_060 | 'MIDLAND 7345.00 (LIKE WICHITA)<br>345/138/13.8KV TRANSFORMER CKT 1' | FROM->TO | 0.21935 | 385.2 | 'AMOCO SWITCHING STATION - SUNDOWN<br>INTERCHANGE 230KV CKT 1'       |
| 16SP | 0 | G10_059 | 'MIDLAND 7345.00 (LIKE WICHITA)<br>345/138/13.8KV TRANSFORMER CKT 1' | FROM->TO | 0.21935 | 385.2 | 'AMOCO SWITCHING STATION - SUNDOWN<br>INTERCHANGE 230KV CKT 1'       |
| 16SP | 0 | G10_060 | 'MIDLAND 7345.00 (LIKE WICHITA)<br>345/138/13.8KV TRANSFORMER CKT 1' | FROM->TO | 0.21514 | 385.2 | 'SUNDOWN INTERCHANGE - WOLFFORTH<br>INTERCHANGE 230KV CKT 1'         |
| 16SP | 0 | G10_059 | 'MIDLAND 7345.00 (LIKE WICHITA)<br>345/138/13.8KV TRANSFORMER CKT 1' | FROM->TO | 0.21514 | 385.2 | 'SUNDOWN INTERCHANGE - WOLFFORTH<br>INTERCHANGE 230KV CKT 1'         |
| 16SP | 0 | G10_060 | 'AMOCO SWITCHING STATION - SUNDOWN<br>INTERCHANGE 230KV CKT 1'       | FROM->TO | 0.24838 | 350.3 | 'MIDLAND 7345.00 (LIKE WICHITA)<br>345/138/13.8KV TRANSFORMER CKT 1' |
| 16SP | 0 | G10_059 | 'AMOCO SWITCHING STATION - SUNDOWN<br>INTERCHANGE 230KV CKT 1'       | FROM->TO | 0.24838 | 350.3 | 'MIDLAND 7345.00 (LIKE WICHITA)<br>345/138/13.8KV TRANSFORMER CKT 1' |

|      |   |         |  |          |         |       |  |
|------|---|---------|--|----------|---------|-------|--|
| 16SP | 0 | G10_060 | 'MIDLAND 7345.00 (LIKE WICHITA)<br>345/138/13.8KV TRANSFORMER CKT 1' | FROM->TO | 0.22143 | 384.9 | 'TOLK STATION (ABBXNL844501) 345/230/13.2KV<br>TRANSFORMER CKT 1'            |
| 16SP | 0 | G10_059 | 'MIDLAND 7345.00 (LIKE WICHITA)<br>345/138/13.8KV TRANSFORMER CKT 1' | FROM->TO | 0.22143 | 384.9 | 'TOLK STATION (ABBXNL844501) 345/230/13.2KV<br>TRANSFORMER CKT 1'            |
| 16SP | 0 | G10_060 | 'MIDLAND 7345.00 (LIKE WICHITA)<br>345/138/13.8KV TRANSFORMER CKT 1' | FROM->TO | 0.22143 | 384.9 | 'CHAVESCO 345.00 - TOLK STATION 345KV<br>CKT 1'                              |
| 16SP | 0 | G10_059 | 'MIDLAND 7345.00 (LIKE WICHITA)<br>345/138/13.8KV TRANSFORMER CKT 1' | FROM->TO | 0.22143 | 384.9 | 'CHAVESCO 345.00 - TOLK STATION 345KV<br>CKT 1'                              |
| 16SP | 0 | G10_060 | 'MIDLAND 7345.00 (LIKE WICHITA)<br>345/138/13.8KV TRANSFORMER CKT 1' | FROM->TO | 0.21168 | 384.9 | 'TOLK STATION EAST - TUCO INTERCHANGE<br>230KV CKT 1'                        |
| 16SP | 0 | G10_059 | 'MIDLAND 7345.00 (LIKE WICHITA)<br>345/138/13.8KV TRANSFORMER CKT 1' | FROM->TO | 0.21168 | 384.9 | 'TOLK STATION EAST - TUCO INTERCHANGE<br>230KV CKT 1'                        |
| 16SP | 0 | G10_060 | 'MIDLAND 7345.00 (LIKE WICHITA)<br>345/138/13.8KV TRANSFORMER CKT 1' | FROM->TO | 0.22143 | 385.2 | 'TOLK STATION (ABBXNL844501) 345/230/13.2KV<br>TRANSFORMER CKT 1'            |
| 16SP | 0 | G10_059 | 'MIDLAND 7345.00 (LIKE WICHITA)<br>345/138/13.8KV TRANSFORMER CKT 1' | FROM->TO | 0.22143 | 385.2 | 'TOLK STATION (ABBXNL844501) 345/230/13.2KV<br>TRANSFORMER CKT 1'            |
| 16SP | 0 | G10_060 | 'MIDLAND 7345.00 (LIKE WICHITA)<br>345/138/13.8KV TRANSFORMER CKT 1' | FROM->TO | 0.22143 | 385.2 | 'CHAVESCO 345.00 - TOLK STATION 345KV<br>CKT 1'                              |
| 16SP | 0 | G10_059 | 'MIDLAND 7345.00 (LIKE WICHITA)<br>345/138/13.8KV TRANSFORMER CKT 1' | FROM->TO | 0.22143 | 385.2 | 'CHAVESCO 345.00 - TOLK STATION 345KV<br>CKT 1'                              |
| 16SP | 0 | G10_060 | 'AMOCO SWITCHING STATION - SUNDOWN<br>INTERCHANGE 230KV CKT 1'       | FROM->TO | 0.24838 | 350.3 | 'CAPROCK REC-PHILLIPS - CAPROCK REC-<br>TATE 138KV CKT 1'                    |
| 16SP | 0 | G10_059 | 'AMOCO SWITCHING STATION - SUNDOWN<br>INTERCHANGE 230KV CKT 1'       | FROM->TO | 0.24838 | 350.3 | 'CAPROCK REC-PHILLIPS - CAPROCK REC-<br>TATE 138KV CKT 1'                    |
| 16SP | 0 | G10_060 | 'MIDLAND 7345.00 (LIKE WICHITA)<br>345/138/13.8KV TRANSFORMER CKT 1' | FROM->TO | 0.21168 | 385.2 | 'TOLK STATION EAST - TUCO INTERCHANGE<br>230KV CKT 1'                        |
| 16SP | 0 | G10_059 | 'MIDLAND 7345.00 (LIKE WICHITA)<br>345/138/13.8KV TRANSFORMER CKT 1' | FROM->TO | 0.21168 | 385.2 | 'TOLK STATION EAST - TUCO INTERCHANGE<br>230KV CKT 1'                        |
| 16SP | 0 | G10_060 | 'CUNNINGHAM STATION - LEA COUNTY<br>INTERCHANGE 230KV CKT 1'         | TO->FROM | 0.40484 | 499.3 | 'SPP-SWPS-K48'   |
| 16SP | 0 | G10_059 | 'CUNNINGHAM STATION - LEA COUNTY<br>INTERCHANGE 230KV CKT 1'         | TO->FROM | 0.40484 | 499.3 | 'SPP-SWPS-K48'   |
| 16SP | 0 | G10_060 | 'CUNNINGHAM STATION - LEA COUNTY<br>INTERCHANGE 230KV CKT 1'         | TO->FROM | 0.40484 | 499.3 | 'BORDEN COUNTY INTERCHANGE -<br>GRASSLAND INTERCHANGE 230KV CKT 1'           |
| 16SP | 0 | G10_059 | 'CUNNINGHAM STATION - LEA COUNTY<br>INTERCHANGE 230KV CKT 1'         | TO->FROM | 0.40484 | 499.3 | 'BORDEN COUNTY INTERCHANGE -<br>GRASSLAND INTERCHANGE 230KV CKT 1'           |
| 16SP | 0 | G10_060 | 'NEWHART 6230.00 - PLANT X STATION 230KV<br>CKT 1'                   | TO->FROM | 0.20959 | 350.9 | 'DEAF SMITH COUNTY INTERCHANGE - S-<br>RANDLCO 230.00 230KV CKT 1'           |
| 16SP | 0 | G10_059 | 'NEWHART 6230.00 - PLANT X STATION 230KV<br>CKT 1'                   | TO->FROM | 0.20959 | 350.9 | 'DEAF SMITH COUNTY INTERCHANGE - S-<br>RANDLCO 230.00 230KV CKT 1'           |
| 16SP | 0 | G10_060 | 'PLANT X STATION - TOLK STATION WEST<br>230KV CKT 1'                 | TO->FROM | 0.27377 | 500.8 | 'TOLK STATION EAST - TOLK STATION TAP<br>230KV CKT 1'                        |
| 16SP | 0 | G10_059 | 'PLANT X STATION - TOLK STATION WEST<br>230KV CKT 1'                 | TO->FROM | 0.27377 | 500.8 | 'TOLK STATION EAST - TOLK STATION TAP<br>230KV CKT 1'                        |
| 16SP | 0 | G10_060 | 'MIDLAND 7345.00 (LIKE WICHITA)<br>345/138/13.8KV TRANSFORMER CKT 1' | FROM->TO | 0.22148 | 384.9 | 'EDDY COUNTY INTERCHANGE (ABB AEM30711)<br>345/230/13.2KV TRANSFORMER CKT 1' |
| 16SP | 0 | G10_059 | 'MIDLAND 7345.00 (LIKE WICHITA)<br>345/138/13.8KV TRANSFORMER CKT 1' | FROM->TO | 0.22148 | 384.9 | 'EDDY COUNTY INTERCHANGE (ABB AEM30711)<br>345/230/13.2KV TRANSFORMER CKT 1' |

|      |   |         |  |          |         |       |  |
|------|---|---------|--|----------|---------|-------|--|
| 16SP | 0 | G10_060 | 'MIDLAND 7345.00 (LIKE WICHITA)<br>345/138/13.8KV TRANSFORMER CKT 1' | FROM->TO | 0.22148 | 384.9 | 'CHAVESCO 345.00 - EDDY COUNTY<br>INTERCHANGE 345KV CKT 1'                   |
| 16SP | 0 | G10_059 | 'MIDLAND 7345.00 (LIKE WICHITA)<br>345/138/13.8KV TRANSFORMER CKT 1' | FROM->TO | 0.22148 | 384.9 | 'CHAVESCO 345.00 - EDDY COUNTY<br>INTERCHANGE 345KV CKT 1'                   |
| 16SP | 0 | G10_060 | 'MIDLAND 7345.00 (LIKE WICHITA)<br>345/138/13.8KV TRANSFORMER CKT 1' | FROM->TO | 0.22148 | 385.2 | 'EDDY COUNTY INTERCHANGE (ABB AEM30711)<br>345/230/13.2KV TRANSFORMER CKT 1' |
| 16SP | 0 | G10_059 | 'MIDLAND 7345.00 (LIKE WICHITA)<br>345/138/13.8KV TRANSFORMER CKT 1' | FROM->TO | 0.22148 | 385.2 | 'EDDY COUNTY INTERCHANGE (ABB AEM30711)<br>345/230/13.2KV TRANSFORMER CKT 1' |
| 16SP | 0 | G10_060 | 'MIDLAND 7345.00 (LIKE WICHITA)<br>345/138/13.8KV TRANSFORMER CKT 1' | FROM->TO | 0.22148 | 385.2 | 'CHAVESCO 345.00 - EDDY COUNTY<br>INTERCHANGE 345KV CKT 1'                   |
| 16SP | 0 | G10_059 | 'MIDLAND 7345.00 (LIKE WICHITA)<br>345/138/13.8KV TRANSFORMER CKT 1' | FROM->TO | 0.22148 | 385.2 | 'CHAVESCO 345.00 - EDDY COUNTY<br>INTERCHANGE 345KV CKT 1'                   |
| 16SP | 0 | G10_060 | 'MIDLAND 7345.00 (LIKE WICHITA)<br>345/138/13.8KV TRANSFORMER CKT 1' | FROM->TO | 0.21539 | 384.9 | 'LUBBOCK SOUTH INTERCHANGE -<br>WOLFFORTH INTERCHANGE 230KV CKT 1'           |
| 16SP | 0 | G10_059 | 'MIDLAND 7345.00 (LIKE WICHITA)<br>345/138/13.8KV TRANSFORMER CKT 1' | FROM->TO | 0.21539 | 384.9 | 'LUBBOCK SOUTH INTERCHANGE -<br>WOLFFORTH INTERCHANGE 230KV CKT 1'           |
| 16SP | 0 | G10_060 | 'MIDLAND 7345.00 (LIKE WICHITA)<br>345/138/13.8KV TRANSFORMER CKT 1' | FROM->TO | 0.2101  | 384.9 | 'CUNNINGHAM STATION - POTASH JUNCTION<br>INTERCHANGE 230KV CKT 1'            |
| 16SP | 0 | G10_059 | 'MIDLAND 7345.00 (LIKE WICHITA)<br>345/138/13.8KV TRANSFORMER CKT 1' | FROM->TO | 0.2101  | 384.9 | 'CUNNINGHAM STATION - POTASH JUNCTION<br>INTERCHANGE 230KV CKT 1'            |
| 16SP | 0 | G10_060 | 'MIDLAND 7345.00 (LIKE WICHITA)<br>345/138/13.8KV TRANSFORMER CKT 1' | FROM->TO | 0.21539 | 385.2 | 'LUBBOCK SOUTH INTERCHANGE -<br>WOLFFORTH INTERCHANGE 230KV CKT 1'           |
| 16SP | 0 | G10_059 | 'MIDLAND 7345.00 (LIKE WICHITA)<br>345/138/13.8KV TRANSFORMER CKT 1' | FROM->TO | 0.21539 | 385.2 | 'LUBBOCK SOUTH INTERCHANGE -<br>WOLFFORTH INTERCHANGE 230KV CKT 1'           |
| 16SP | 0 | G10_060 | 'MIDLAND 7345.00 (LIKE WICHITA)<br>345/138/13.8KV TRANSFORMER CKT 1' | FROM->TO | 0.2101  | 385.2 | 'CUNNINGHAM STATION - POTASH JUNCTION<br>INTERCHANGE 230KV CKT 1'            |
| 16SP | 0 | G10_059 | 'MIDLAND 7345.00 (LIKE WICHITA)<br>345/138/13.8KV TRANSFORMER CKT 1' | FROM->TO | 0.2101  | 385.2 | 'CUNNINGHAM STATION - POTASH JUNCTION<br>INTERCHANGE 230KV CKT 1'            |
| 16SP | 0 | G10_060 | 'MIDLAND 7345.00 (LIKE WICHITA)<br>345/138/13.8KV TRANSFORMER CKT 1' | FROM->TO | 0.21206 | 384.9 | 'TERRY COUNTY INTERCHANGE - WOLFFORTH<br>INTERCHANGE 115KV CKT 1'            |
| 16SP | 0 | G10_059 | 'MIDLAND 7345.00 (LIKE WICHITA)<br>345/138/13.8KV TRANSFORMER CKT 1' | FROM->TO | 0.21206 | 384.9 | 'TERRY COUNTY INTERCHANGE - WOLFFORTH<br>INTERCHANGE 115KV CKT 1'            |
| 16SP | 0 | G10_060 | 'MIDLAND 7345.00 (LIKE WICHITA)<br>345/138/13.8KV TRANSFORMER CKT 1' | FROM->TO | 0.21206 | 385.2 | 'TERRY COUNTY INTERCHANGE - WOLFFORTH<br>INTERCHANGE 115KV CKT 1'            |
| 16SP | 0 | G10_059 | 'MIDLAND 7345.00 (LIKE WICHITA)<br>345/138/13.8KV TRANSFORMER CKT 1' | FROM->TO | 0.21206 | 385.2 | 'TERRY COUNTY INTERCHANGE - WOLFFORTH<br>INTERCHANGE 115KV CKT 1'            |
| 16SP | 0 | G10_060 | 'MIDLAND 7345.00 (LIKE WICHITA)<br>345/138/13.8KV TRANSFORMER CKT 1' | FROM->TO | 0.20669 | 384.9 | 'Jones Station Bus#2 230/22.0KV TRANSFORMER<br>CKT 1'                        |
| 16SP | 0 | G10_059 | 'MIDLAND 7345.00 (LIKE WICHITA)<br>345/138/13.8KV TRANSFORMER CKT 1' | FROM->TO | 0.20669 | 384.9 | 'Jones Station Bus#2 230/22.0KV TRANSFORMER<br>CKT 1'                        |
| 16SP | 0 | G10_060 | 'MIDLAND 7345.00 (LIKE WICHITA)<br>345/138/13.8KV TRANSFORMER CKT 1' | FROM->TO | 0.20669 | 384.9 | 'JONES STATION 230/22.0KV TRANSFORMER<br>CKT 1'                              |
| 16SP | 0 | G10_059 | 'MIDLAND 7345.00 (LIKE WICHITA)<br>345/138/13.8KV TRANSFORMER CKT 1' | FROM->TO | 0.20669 | 384.9 | 'JONES STATION 230/22.0KV TRANSFORMER<br>CKT 1'                              |
| 16SP | 0 | G10_060 | 'MIDLAND 7345.00 (LIKE WICHITA)<br>345/138/13.8KV TRANSFORMER CKT 1' | FROM->TO | 0.20928 | 384.9 | 'CHAVES COUNTY INTERCHANGE - EDDY<br>COUNTY INTERCHANGE 230KV CKT 1'         |
| 16SP | 0 | G10_059 | 'MIDLAND 7345.00 (LIKE WICHITA)<br>345/138/13.8KV TRANSFORMER CKT 1' | FROM->TO | 0.20928 | 384.9 | 'CHAVES COUNTY INTERCHANGE - EDDY<br>COUNTY INTERCHANGE 230KV CKT 1'         |

|      |   |         |   |          |         |       |   |
|------|---|---------|---|----------|---------|-------|---|
| 16SP | 0 | G10_060 | 'AMOCO SWITCHING STATION - SUNDOWN INTERCHANGE 230KV CKT 1'       | FROM->TO | 0.24838 | 350.3 | 'CAPROCK REC-MCDONALD - CAPROCK REC-PHILLIPS 138KV CKT 1'         |
| 16SP | 0 | G10_059 | 'AMOCO SWITCHING STATION - SUNDOWN INTERCHANGE 230KV CKT 1'       | FROM->TO | 0.24838 | 350.3 | 'CAPROCK REC-MCDONALD - CAPROCK REC-PHILLIPS 138KV CKT 1'         |
| 16SP | 0 | G10_060 | 'MIDLAND 7345.00 (LIKE WICHITA) 345/138/13.8KV TRANSFORMER CKT 1' | FROM->TO | 0.20669 | 385.2 | 'Jones Station Bus#2 230/22.0KV TRANSFORMER CKT 1'                |
| 16SP | 0 | G10_059 | 'MIDLAND 7345.00 (LIKE WICHITA) 345/138/13.8KV TRANSFORMER CKT 1' | FROM->TO | 0.20669 | 385.2 | 'Jones Station Bus#2 230/22.0KV TRANSFORMER CKT 1'                |
| 16SP | 0 | G10_060 | 'MIDLAND 7345.00 (LIKE WICHITA) 345/138/13.8KV TRANSFORMER CKT 1' | FROM->TO | 0.20669 | 385.2 | 'JONES STATION 230/22.0KV TRANSFORMER CKT 1'                      |
| 16SP | 0 | G10_059 | 'MIDLAND 7345.00 (LIKE WICHITA) 345/138/13.8KV TRANSFORMER CKT 1' | FROM->TO | 0.20669 | 385.2 | 'JONES STATION 230/22.0KV TRANSFORMER CKT 1'                      |
| 16SP | 0 | G10_060 | 'MIDLAND 7345.00 (LIKE WICHITA) 345/138/13.8KV TRANSFORMER CKT 1' | FROM->TO | 0.20928 | 385.2 | 'CHAVES COUNTY INTERCHANGE - EDDY COUNTY INTERCHANGE 230KV CKT 1' |
| 16SP | 0 | G10_059 | 'MIDLAND 7345.00 (LIKE WICHITA) 345/138/13.8KV TRANSFORMER CKT 1' | FROM->TO | 0.20928 | 385.2 | 'CHAVES COUNTY INTERCHANGE - EDDY COUNTY INTERCHANGE 230KV CKT 1' |
| 16SP | 0 | G10_060 | 'CUNNINGHAM STATION - LEA COUNTY INTERCHANGE 230KV CKT 1'         | TO->FROM | 0.35434 | 499.3 | 'AMOCO SWITCHING STATION - YOAKUM COUNTY INTERCHANGE 230KV CKT 1' |
| 16SP | 0 | G10_059 | 'CUNNINGHAM STATION - LEA COUNTY INTERCHANGE 230KV CKT 1'         | TO->FROM | 0.35434 | 499.3 | 'AMOCO SWITCHING STATION - YOAKUM COUNTY INTERCHANGE 230KV CKT 1' |
| 16SP | 0 | G10_060 | 'CUNNINGHAM STATION - LEA COUNTY INTERCHANGE 230KV CKT 1'         | TO->FROM | 0.32623 | 499.3 | 'CUNNINGHAM STATION 230/13.8KV TRANSFORMER CKT 1'                 |
| 16SP | 0 | G10_059 | 'CUNNINGHAM STATION - LEA COUNTY INTERCHANGE 230KV CKT 1'         | TO->FROM | 0.32623 | 499.3 | 'CUNNINGHAM STATION 230/13.8KV TRANSFORMER CKT 1'                 |
| 16SP | 0 | G10_060 | 'CUNNINGHAM STATION - LEA COUNTY INTERCHANGE 230KV CKT 1'         | TO->FROM | 0.36244 | 499.3 | 'CAPROCK REC-MCDONALD - CAPROCK REC-TRIANGLE 138KV CKT 1'         |
| 16SP | 0 | G10_059 | 'CUNNINGHAM STATION - LEA COUNTY INTERCHANGE 230KV CKT 1'         | TO->FROM | 0.36244 | 499.3 | 'CAPROCK REC-MCDONALD - CAPROCK REC-TRIANGLE 138KV CKT 1'         |
| 16SP | 0 | G10_060 | 'TUCO INTERCHANGE (GE M1022338) 345/230/13.2KV TRANSFORMER CKT 1' | FROM->TO | 0.43193 | 557.9 | 'TUCO INTERCHANGE (UPDATE DATA) 345/230/13.2KV TRANSFORMER CKT 2' |
| 16SP | 0 | G10_059 | 'TUCO INTERCHANGE (GE M1022338) 345/230/13.2KV TRANSFORMER CKT 1' | FROM->TO | 0.43193 | 557.9 | 'TUCO INTERCHANGE (UPDATE DATA) 345/230/13.2KV TRANSFORMER CKT 2' |
| 16SP | 0 | G10_060 | 'TUCO INTERCHANGE (GE M1022338) 345/230/13.2KV TRANSFORMER CKT 1' | FROM->TO | 0.43193 | 557.8 | 'TUCO INTERCHANGE (UPDATE DATA) 345/230/13.2KV TRANSFORMER CKT 2' |
| 16SP | 0 | G10_059 | 'TUCO INTERCHANGE (GE M1022338) 345/230/13.2KV TRANSFORMER CKT 1' | FROM->TO | 0.43193 | 557.8 | 'TUCO INTERCHANGE (UPDATE DATA) 345/230/13.2KV TRANSFORMER CKT 2' |
| 16SP | 0 | G10_060 | 'CUNNINGHAM STATION - LEA COUNTY INTERCHANGE 230KV CKT 1'         | TO->FROM | 0.36244 | 499.3 | 'CAPROCK REC-GRADY - CAPROCK REC-TRIANGLE 138KV CKT 1'            |
| 16SP | 0 | G10_059 | 'CUNNINGHAM STATION - LEA COUNTY INTERCHANGE 230KV CKT 1'         | TO->FROM | 0.36244 | 499.3 | 'CAPROCK REC-GRADY - CAPROCK REC-TRIANGLE 138KV CKT 1'            |
| 16SP | 0 | G10_060 | 'CUNNINGHAM STATION - LEA COUNTY INTERCHANGE 230KV CKT 1'         | TO->FROM | 0.36509 | 499.3 | 'HOBBS INTERCHANGE 230/115KV TRANSFORMER CKT 1'                   |
| 16SP | 0 | G10_059 | 'CUNNINGHAM STATION - LEA COUNTY INTERCHANGE 230KV CKT 1'         | TO->FROM | 0.36509 | 499.3 | 'HOBBS INTERCHANGE 230/115KV TRANSFORMER CKT 1'                   |
| 16SP | 0 | G10_060 | 'CUNNINGHAM STATION - LEA COUNTY INTERCHANGE 230KV CKT 1'         | TO->FROM | 0.36244 | 499.3 | 'CAPROCK REC-GRADY - CAPROCK REC-REED 138KV CKT 1'                |
| 16SP | 0 | G10_059 | 'CUNNINGHAM STATION - LEA COUNTY INTERCHANGE 230KV CKT 1'         | TO->FROM | 0.36244 | 499.3 | 'CAPROCK REC-GRADY - CAPROCK REC-REED 138KV CKT 1'                |
| 16SP | 0 | G10_060 | 'CUNNINGHAM STATION - LEA COUNTY INTERCHANGE 230KV CKT 1'         | TO->FROM | 0.36244 | 499.3 | 'CAPROCK REC-KOCH - CAPROCK REC-REED 138KV CKT 1'                 |



|      |   |         |   |          |         |       |  |
|------|---|---------|---|----------|---------|-------|--|
| 16SP | 0 | G10_059 | 'CUNNINGHAM STATION - LEA COUNTY INTERCHANGE 230KV CKT 1'         | TO->FROM | 0.36244 | 499.3 | 'CAPROCK REC-KOCH - CAPROCK REC-REED 138KV CKT 1'                  |
| 16SP | 0 | G10_060 | 'CUNNINGHAM STATION - LEA COUNTY INTERCHANGE 230KV CKT 1'         | TO->FROM | 0.36244 | 499.3 | 'CAPROCK REC-KOCH - CAPROCK REC-VEALMOOR 138KV CKT 1'              |
| 16SP | 0 | G10_059 | 'CUNNINGHAM STATION - LEA COUNTY INTERCHANGE 230KV CKT 1'         | TO->FROM | 0.36244 | 499.3 | 'CAPROCK REC-KOCH - CAPROCK REC-VEALMOOR 138KV CKT 1'              |
| 16SP | 0 | G10_060 | 'CUNNINGHAM STATION - LEA COUNTY INTERCHANGE 230KV CKT 1'         | TO->FROM | 0.35958 | 499.3 | 'LEA COUNTY INTERCHANGE 230/115KV TRANSFORMER CKT 1'               |
| 16SP | 0 | G10_059 | 'CUNNINGHAM STATION - LEA COUNTY INTERCHANGE 230KV CKT 1'         | TO->FROM | 0.35958 | 499.3 | 'LEA COUNTY INTERCHANGE 230/115KV TRANSFORMER CKT 1'               |
| 16SP | 0 | G10_060 | 'TUCO INTERCHANGE (UPDATE DATA) 345/230/13.2KV TRANSFORMER CKT 2' | FROM->TO | 0.42095 | 558.7 | 'TUCO INTERCHANGE (GE M1022338) 345/230/13.2KV TRANSFORMER CKT 1'  |
| 16SP | 0 | G10_059 | 'TUCO INTERCHANGE (UPDATE DATA) 345/230/13.2KV TRANSFORMER CKT 2' | FROM->TO | 0.42095 | 558.7 | 'TUCO INTERCHANGE (GE M1022338) 345/230/13.2KV TRANSFORMER CKT 1'  |
| 16SP | 0 | G10_060 | 'TUCO INTERCHANGE (UPDATE DATA) 345/230/13.2KV TRANSFORMER CKT 2' | FROM->TO | 0.42095 | 558.6 | 'TUCO INTERCHANGE (GE M1022338) 345/230/13.2KV TRANSFORMER CKT 1'  |
| 16SP | 0 | G10_059 | 'TUCO INTERCHANGE (UPDATE DATA) 345/230/13.2KV TRANSFORMER CKT 2' | FROM->TO | 0.42095 | 558.6 | 'TUCO INTERCHANGE (GE M1022338) 345/230/13.2KV TRANSFORMER CKT 1'  |
| 16SP | 0 | G10_060 | 'CUNNINGHAM STATION - LEA COUNTY INTERCHANGE 230KV CKT 1'         | TO->FROM | 0.35434 | 499.3 | 'AMOCO SWITCHING STATION - SUNDOWN INTERCHANGE 230KV CKT 1'        |
| 16SP | 0 | G10_059 | 'CUNNINGHAM STATION - LEA COUNTY INTERCHANGE 230KV CKT 1'         | TO->FROM | 0.35434 | 499.3 | 'AMOCO SWITCHING STATION - SUNDOWN INTERCHANGE 230KV CKT 1'        |
| 16SP | 0 | G10_060 | 'CUNNINGHAM STATION - LEA COUNTY INTERCHANGE 230KV CKT 1'         | TO->FROM | 0.35567 | 499.3 | 'TOLK STATION WEST - YOAKUM COUNTY INTERCHANGE 230KV CKT 1'        |
| 16SP | 0 | G10_059 | 'CUNNINGHAM STATION - LEA COUNTY INTERCHANGE 230KV CKT 1'         | TO->FROM | 0.35567 | 499.3 | 'TOLK STATION WEST - YOAKUM COUNTY INTERCHANGE 230KV CKT 1'        |
| 16SP | 0 | G10_060 | 'CUNNINGHAM STATION - LEA COUNTY INTERCHANGE 230KV CKT 1'         | TO->FROM | 0.33205 | 499.3 | 'CUNNINGHAM STATION - PCA INTERCHANGE 115KV CKT 1'                 |
| 16SP | 0 | G10_059 | 'CUNNINGHAM STATION - LEA COUNTY INTERCHANGE 230KV CKT 1'         | TO->FROM | 0.33205 | 499.3 | 'CUNNINGHAM STATION - PCA INTERCHANGE 115KV CKT 1'                 |
| 16SP | 0 | G10_060 | 'LUBBOCK SOUTH INTERCHANGE - WOLFFORTH INTERCHANGE 230KV CKT 1'   | FROM->TO | 0.27133 | 345.8 | 'HOBBS_INT 7345.00 - MIDLAND 7345.00 345KV CKT 1'                  |
| 16SP | 0 | G10_059 | 'LUBBOCK SOUTH INTERCHANGE - WOLFFORTH INTERCHANGE 230KV CKT 1'   | FROM->TO | 0.27133 | 345.8 | 'HOBBS_INT 7345.00 - MIDLAND 7345.00 345KV CKT 1'                  |
| 16SP | 0 | G10_060 | 'LUBBOCK SOUTH INTERCHANGE - WOLFFORTH INTERCHANGE 230KV CKT 1'   | FROM->TO | 0.27133 | 345.8 | 'HOBBS_INT 7345.00 (LIKE POTTER) 345/230/13.2KV TRANSFORMER CKT 1' |
| 16SP | 0 | G10_059 | 'LUBBOCK SOUTH INTERCHANGE - WOLFFORTH INTERCHANGE 230KV CKT 1'   | FROM->TO | 0.27133 | 345.8 | 'HOBBS_INT 7345.00 (LIKE POTTER) 345/230/13.2KV TRANSFORMER CKT 1' |
| 16SP | 0 | G10_060 | 'CUNNINGHAM STATION - LEA COUNTY INTERCHANGE 230KV CKT 1'         | TO->FROM | 0.32623 | 475.2 | 'BASE CASE'  |
| 16SP | 0 | G10_059 | 'CUNNINGHAM STATION - LEA COUNTY INTERCHANGE 230KV CKT 1'         | TO->FROM | 0.32623 | 475.2 | 'BASE CASE'  |
| 16SP | 0 | G10_060 | 'AMOCO SWITCHING STATION - SUNDOWN INTERCHANGE 230KV CKT 1'       | FROM->TO | 0.24834 | 350.3 | 'BORDEN COUNTY INTERCHANGE - GRASSLAND INTERCHANGE 230KV CKT 1'    |
| 16SP | 0 | G10_059 | 'AMOCO SWITCHING STATION - SUNDOWN INTERCHANGE 230KV CKT 1'       | FROM->TO | 0.24834 | 350.3 | 'BORDEN COUNTY INTERCHANGE - GRASSLAND INTERCHANGE 230KV CKT 1'    |
| 16SP | 0 | G10_060 | 'AMOCO SWITCHING STATION - SUNDOWN INTERCHANGE 230KV CKT 1'       | FROM->TO | 0.24834 | 350.3 | 'SPP-SWPS-K48'   |
| 16SP | 0 | G10_059 | 'AMOCO SWITCHING STATION - SUNDOWN INTERCHANGE 230KV CKT 1'       | FROM->TO | 0.24834 | 350.3 | 'SPP-SWPS-K48'   |

|      |   |         |   |          |         |       |  |
|------|---|---------|---|----------|---------|-------|--|
| 16SP | 0 | G10_060 | 'CUNNINGHAM STATION - LEA COUNTY INTERCHANGE 230KV CKT 1'   | TO->FROM | 0.33652 | 499.3 | 'CAPROCK REC-MCDONALD - CR-1956 4138.00 138KV CKT 1'               |
| 16SP | 0 | G10_059 | 'CUNNINGHAM STATION - LEA COUNTY INTERCHANGE 230KV CKT 1'   | TO->FROM | 0.33652 | 499.3 | 'CAPROCK REC-MCDONALD - CR-1956 4138.00 138KV CKT 1'               |
| 16SP | 0 | G10_060 | 'AMOCO SWITCHING STATION - SUNDOWN INTERCHANGE 230KV CKT 1' | FROM->TO | 0.24219 | 350.3 | 'TOLK STATION WEST - YOAKUM COUNTY INTERCHANGE 230KV CKT 1'        |
| 16SP | 0 | G10_059 | 'AMOCO SWITCHING STATION - SUNDOWN INTERCHANGE 230KV CKT 1' | FROM->TO | 0.24219 | 350.3 | 'TOLK STATION WEST - YOAKUM COUNTY INTERCHANGE 230KV CKT 1'        |
| 16SP | 0 | G10_060 | 'JONES STATION - TUCO INTERCHANGE 230KV CKT 1'              | FROM->TO | 0.2383  | 346.4 | 'TOLK STATION EAST - TUCO INTERCHANGE 230KV CKT 1'                 |
| 16SP | 0 | G10_059 | 'JONES STATION - TUCO INTERCHANGE 230KV CKT 1'              | FROM->TO | 0.2383  | 346.4 | 'TOLK STATION EAST - TUCO INTERCHANGE 230KV CKT 1'                 |
| 16WP | 0 | G10_060 | 'HOBBS INTERCHANGE 230/115KV TRANSFORMER CKT 1'             | FROM->TO | 0.69264 | 148.3 | 'HOBBS INTERCHANGE - LEA COUNTY INTERCHANGE 230KV CKT 1'           |
| 16WP | 0 | G10_059 | 'HOBBS INTERCHANGE 230/115KV TRANSFORMER CKT 1'             | FROM->TO | 0.69264 | 148.3 | 'HOBBS INTERCHANGE - LEA COUNTY INTERCHANGE 230KV CKT 1'           |
| 16WP | 0 | G10_060 | 'CAPROCK REC-PHILLIPS - CAPROCK REC-TATE 138KV CKT 1'       | TO->FROM | 1       | 270.3 | 'HOBBS_INT 7345.00 - MIDLAND 7345.00 345KV CKT 1'                  |
| 16WP | 0 | G10_059 | 'CAPROCK REC-PHILLIPS - CAPROCK REC-TATE 138KV CKT 1'       | TO->FROM | 1       | 270.3 | 'HOBBS_INT 7345.00 - MIDLAND 7345.00 345KV CKT 1'                  |
| 16WP | 0 | G10_060 | 'CAPROCK REC-PHILLIPS - CAPROCK REC-TATE 138KV CKT 1'       | TO->FROM | 1       | 270.3 | 'HOBBS_INT 7345.00 (LIKE POTTER) 345/230/13.2KV TRANSFORMER CKT 1' |
| 16WP | 0 | G10_059 | 'CAPROCK REC-PHILLIPS - CAPROCK REC-TATE 138KV CKT 1'       | TO->FROM | 1       | 270.3 | 'HOBBS_INT 7345.00 (LIKE POTTER) 345/230/13.2KV TRANSFORMER CKT 1' |
| 16WP | 0 | G10_060 | 'CAPROCK REC-MCDONALD - CAPROCK REC-PHILLIPS 138KV CKT 1'   | TO->FROM | 1       | 270.7 | 'HOBBS_INT 7345.00 (LIKE POTTER) 345/230/13.2KV TRANSFORMER CKT 1' |
| 16WP | 0 | G10_059 | 'CAPROCK REC-MCDONALD - CAPROCK REC-PHILLIPS 138KV CKT 1'   | TO->FROM | 1       | 270.7 | 'HOBBS_INT 7345.00 (LIKE POTTER) 345/230/13.2KV TRANSFORMER CKT 1' |
| 16WP | 0 | G10_060 | 'CAPROCK REC-MCDONALD - CAPROCK REC-PHILLIPS 138KV CKT 1'   | TO->FROM | 1       | 270.7 | 'HOBBS_INT 7345.00 - MIDLAND 7345.00 345KV CKT 1'                  |
| 16WP | 0 | G10_059 | 'CAPROCK REC-MCDONALD - CAPROCK REC-PHILLIPS 138KV CKT 1'   | TO->FROM | 1       | 270.7 | 'HOBBS_INT 7345.00 - MIDLAND 7345.00 345KV CKT 1'                  |
| 16WP | 0 | G10_060 | 'CAPROCK REC-GRADY - CAPROCK REC-TRIANGLE 138KV CKT 1'      | TO->FROM | 0.70438 | 176   | 'HOBBS_INT 7345.00 (LIKE POTTER) 345/230/13.2KV TRANSFORMER CKT 1' |
| 16WP | 0 | G10_059 | 'CAPROCK REC-GRADY - CAPROCK REC-TRIANGLE 138KV CKT 1'      | TO->FROM | 0.70438 | 176   | 'HOBBS_INT 7345.00 (LIKE POTTER) 345/230/13.2KV TRANSFORMER CKT 1' |
| 16WP | 0 | G10_060 | 'CAPROCK REC-GRADY - CAPROCK REC-TRIANGLE 138KV CKT 1'      | TO->FROM | 0.70438 | 176   | 'HOBBS_INT 7345.00 - MIDLAND 7345.00 345KV CKT 1'                  |
| 16WP | 0 | G10_059 | 'CAPROCK REC-GRADY - CAPROCK REC-TRIANGLE 138KV CKT 1'      | TO->FROM | 0.70438 | 176   | 'HOBBS_INT 7345.00 - MIDLAND 7345.00 345KV CKT 1'                  |
| 16WP | 0 | G10_060 | 'CAPROCK REC-KOCH - CAPROCK REC-REED 138KV CKT 1'           | TO->FROM | 0.70438 | 176   | 'HOBBS_INT 7345.00 - MIDLAND 7345.00 345KV CKT 1'                  |
| 16WP | 0 | G10_059 | 'CAPROCK REC-KOCH - CAPROCK REC-REED 138KV CKT 1'           | TO->FROM | 0.70438 | 176   | 'HOBBS_INT 7345.00 - MIDLAND 7345.00 345KV CKT 1'                  |
| 16WP | 0 | G10_060 | 'CAPROCK REC-KOCH - CAPROCK REC-REED 138KV CKT 1'           | TO->FROM | 0.70438 | 176   | 'HOBBS_INT 7345.00 (LIKE POTTER) 345/230/13.2KV TRANSFORMER CKT 1' |
| 16WP | 0 | G10_059 | 'CAPROCK REC-KOCH - CAPROCK REC-REED 138KV CKT 1'           | TO->FROM | 0.70438 | 176   | 'HOBBS_INT 7345.00 (LIKE POTTER) 345/230/13.2KV TRANSFORMER CKT 1' |
| 16WP | 0 | G10_060 | 'CAPROCK REC-KOCH - CAPROCK REC-VEALMOOR 138KV CKT 1'       | FROM->TO | 0.70438 | 176   | 'HOBBS_INT 7345.00 - MIDLAND 7345.00 345KV CKT 1'                  |

|      |   |         |   |          |         |       |  |
|------|---|---------|---|----------|---------|-------|--|
| 16WP | 0 | G10_059 | 'CAPROCK REC-KOCH - CAPROCK REC-VEALMOOR 138KV CKT 1'             | FROM->TO | 0.70438 | 176   | 'HOBBS_INT 7345.00 - MIDLAND 7345.00 345KV CKT 1'                  |
| 16WP | 0 | G10_060 | 'CAPROCK REC-KOCH - CAPROCK REC-VEALMOOR 138KV CKT 1'             | FROM->TO | 0.70438 | 176   | 'HOBBS_INT 7345.00 (LIKE POTTER) 345/230/13.2KV TRANSFORMER CKT 1' |
| 16WP | 0 | G10_059 | 'CAPROCK REC-KOCH - CAPROCK REC-VEALMOOR 138KV CKT 1'             | FROM->TO | 0.70438 | 176   | 'HOBBS_INT 7345.00 (LIKE POTTER) 345/230/13.2KV TRANSFORMER CKT 1' |
| 16WP | 0 | G10_060 | 'MIDLAND 7345.00 (LIKE WICHITA) 345/138/13.8KV TRANSFORMER CKT 1' | FROM->TO | 1       | 419.3 | 'HOBBS_INT 7345.00 - MIDLAND 7345.00 345KV CKT 1'                  |
| 16WP | 0 | G10_059 | 'MIDLAND 7345.00 (LIKE WICHITA) 345/138/13.8KV TRANSFORMER CKT 1' | FROM->TO | 1       | 419.3 | 'HOBBS_INT 7345.00 - MIDLAND 7345.00 345KV CKT 1'                  |
| 16WP | 0 | G10_060 | 'MIDLAND 7345.00 (LIKE WICHITA) 345/138/13.8KV TRANSFORMER CKT 1' | FROM->TO | 1       | 419.3 | 'HOBBS_INT 7345.00 (LIKE POTTER) 345/230/13.2KV TRANSFORMER CKT 1' |
| 16WP | 0 | G10_059 | 'MIDLAND 7345.00 (LIKE WICHITA) 345/138/13.8KV TRANSFORMER CKT 1' | FROM->TO | 1       | 419.3 | 'HOBBS_INT 7345.00 (LIKE POTTER) 345/230/13.2KV TRANSFORMER CKT 1' |
| 16WP | 0 | G10_060 | 'MIDLAND 7345.00 (LIKE WICHITA) 345/138/13.8KV TRANSFORMER CKT 1' | FROM->TO | 1       | 419.4 | 'HOBBS_INT 7345.00 - MIDLAND 7345.00 345KV CKT 1'                  |
| 16WP | 0 | G10_059 | 'MIDLAND 7345.00 (LIKE WICHITA) 345/138/13.8KV TRANSFORMER CKT 1' | FROM->TO | 1       | 419.4 | 'HOBBS_INT 7345.00 - MIDLAND 7345.00 345KV CKT 1'                  |
| 16WP | 0 | G10_060 | 'MIDLAND 7345.00 (LIKE WICHITA) 345/138/13.8KV TRANSFORMER CKT 1' | FROM->TO | 1       | 419.4 | 'HOBBS_INT 7345.00 (LIKE POTTER) 345/230/13.2KV TRANSFORMER CKT 1' |
| 16WP | 0 | G10_059 | 'MIDLAND 7345.00 (LIKE WICHITA) 345/138/13.8KV TRANSFORMER CKT 1' | FROM->TO | 1       | 419.4 | 'HOBBS_INT 7345.00 (LIKE POTTER) 345/230/13.2KV TRANSFORMER CKT 1' |
| 16WP | 0 | G10_060 | 'CAPROCK REC-MCDONALD - CAPROCK REC-TRIANGLE 138KV CKT 1'         | FROM->TO | 0.70438 | 271   | 'HOBBS_INT 7345.00 - MIDLAND 7345.00 345KV CKT 1'                  |
| 16WP | 0 | G10_059 | 'CAPROCK REC-MCDONALD - CAPROCK REC-TRIANGLE 138KV CKT 1'         | FROM->TO | 0.70438 | 271   | 'HOBBS_INT 7345.00 - MIDLAND 7345.00 345KV CKT 1'                  |
| 16WP | 0 | G10_060 | 'CAPROCK REC-MCDONALD - CAPROCK REC-TRIANGLE 138KV CKT 1'         | FROM->TO | 0.70438 | 271   | 'HOBBS_INT 7345.00 (LIKE POTTER) 345/230/13.2KV TRANSFORMER CKT 1' |
| 16WP | 0 | G10_059 | 'CAPROCK REC-MCDONALD - CAPROCK REC-TRIANGLE 138KV CKT 1'         | FROM->TO | 0.70438 | 271   | 'HOBBS_INT 7345.00 (LIKE POTTER) 345/230/13.2KV TRANSFORMER CKT 1' |
| 16WP | 0 | G10_060 | 'BORDEN COUNTY INTERCHANGE 230/138KV TRANSFORMER CKT 1'           | TO->FROM | 0.50113 | 167.8 | 'HOBBS_INT 7345.00 - MIDLAND 7345.00 345KV CKT 1'                  |
| 16WP | 0 | G10_059 | 'BORDEN COUNTY INTERCHANGE 230/138KV TRANSFORMER CKT 1'           | TO->FROM | 0.50113 | 167.8 | 'HOBBS_INT 7345.00 - MIDLAND 7345.00 345KV CKT 1'                  |
| 16WP | 0 | G10_060 | 'BORDEN COUNTY INTERCHANGE 230/138KV TRANSFORMER CKT 1'           | TO->FROM | 0.50113 | 167.8 | 'HOBBS_INT 7345.00 (LIKE POTTER) 345/230/13.2KV TRANSFORMER CKT 1' |
| 16WP | 0 | G10_059 | 'BORDEN COUNTY INTERCHANGE 230/138KV TRANSFORMER CKT 1'           | TO->FROM | 0.50113 | 167.8 | 'HOBBS_INT 7345.00 (LIKE POTTER) 345/230/13.2KV TRANSFORMER CKT 1' |
| 16WP | 0 | G10_060 | 'CAPROCK REC-GRADY - CAPROCK REC-REED 138KV CKT 1'                | FROM->TO | 0.70438 | 271   | 'HOBBS_INT 7345.00 - MIDLAND 7345.00 345KV CKT 1'                  |
| 16WP | 0 | G10_059 | 'CAPROCK REC-GRADY - CAPROCK REC-REED 138KV CKT 1'                | FROM->TO | 0.70438 | 271   | 'HOBBS_INT 7345.00 - MIDLAND 7345.00 345KV CKT 1'                  |
| 16WP | 0 | G10_060 | 'CAPROCK REC-GRADY - CAPROCK REC-REED 138KV CKT 1'                | FROM->TO | 0.70438 | 271   | 'HOBBS_INT 7345.00 (LIKE POTTER) 345/230/13.2KV TRANSFORMER CKT 1' |
| 16WP | 0 | G10_059 | 'CAPROCK REC-GRADY - CAPROCK REC-REED 138KV CKT 1'                | FROM->TO | 0.70438 | 271   | 'HOBBS_INT 7345.00 (LIKE POTTER) 345/230/13.2KV TRANSFORMER CKT 1' |
| 16WP | 0 | G10_060 | 'BORDEN COUNTY INTERCHANGE 230/138KV TRANSFORMER CKT 2'           | TO->FROM | 0.49868 | 209.9 | 'HOBBS_INT 7345.00 (LIKE POTTER) 345/230/13.2KV TRANSFORMER CKT 1' |
| 16WP | 0 | G10_059 | 'BORDEN COUNTY INTERCHANGE 230/138KV TRANSFORMER CKT 2'           | TO->FROM | 0.49868 | 209.9 | 'HOBBS_INT 7345.00 (LIKE POTTER) 345/230/13.2KV TRANSFORMER CKT 1' |

|      |   |         |  |          |         |       |  |
|------|---|---------|--|----------|---------|-------|--|
| 16WP | 0 | G10_060 | 'BORDEN COUNTY INTERCHANGE 230/138KV TRANSFORMER CKT 2'            | TO->FROM | 0.49868 | 209.9 | 'HOBBS_INT 7345.00 - MIDLAND 7345.00 345KV CKT 1'                  |
| 16WP | 0 | G10_059 | 'BORDEN COUNTY INTERCHANGE 230/138KV TRANSFORMER CKT 2'            | TO->FROM | 0.49868 | 209.9 | 'HOBBS_INT 7345.00 - MIDLAND 7345.00 345KV CKT 1'                  |
| 16WP | 0 | G10_060 | 'HOBBS_INT 7345.00 (LIKE POTTER) 345/230/13.2KV TRANSFORMER CKT 1' | FROM->TO | 1       | 556.9 | 'MIDLAND 7345.00 (LIKE WICHITA) 345/138/13.8KV TRANSFORMER CKT 1'  |
| 16WP | 0 | G10_059 | 'HOBBS_INT 7345.00 (LIKE POTTER) 345/230/13.2KV TRANSFORMER CKT 1' | FROM->TO | 1       | 556.9 | 'MIDLAND 7345.00 (LIKE WICHITA) 345/138/13.8KV TRANSFORMER CKT 1'  |
| 16WP | 0 | G10_060 | 'HOBBS_INT 7345.00 (LIKE POTTER) 345/230/13.2KV TRANSFORMER CKT 1' | FROM->TO | 1       | 557.1 | 'MIDLAND 7345.00 (LIKE WICHITA) 345/138/13.8KV TRANSFORMER CKT 1'  |
| 16WP | 0 | G10_059 | 'HOBBS_INT 7345.00 (LIKE POTTER) 345/230/13.2KV TRANSFORMER CKT 1' | FROM->TO | 1       | 557.1 | 'MIDLAND 7345.00 (LIKE WICHITA) 345/138/13.8KV TRANSFORMER CKT 1'  |
| 16WP | 0 | G10_060 | 'HOBBS_INT 7345.00 (LIKE POTTER) 345/230/13.2KV TRANSFORMER CKT 1' | FROM->TO | 1       | 556.9 | 'CAPROCK REC-PHILLIPS - CAPROCK REC-TATE 138KV CKT 1'              |
| 16WP | 0 | G10_059 | 'HOBBS_INT 7345.00 (LIKE POTTER) 345/230/13.2KV TRANSFORMER CKT 1' | FROM->TO | 1       | 556.9 | 'CAPROCK REC-PHILLIPS - CAPROCK REC-TATE 138KV CKT 1'              |
| 16WP | 0 | G10_060 | 'HOBBS_INT 7345.00 (LIKE POTTER) 345/230/13.2KV TRANSFORMER CKT 1' | FROM->TO | 1       | 557.1 | 'CAPROCK REC-PHILLIPS - CAPROCK REC-TATE 138KV CKT 1'              |
| 16WP | 0 | G10_059 | 'HOBBS_INT 7345.00 (LIKE POTTER) 345/230/13.2KV TRANSFORMER CKT 1' | FROM->TO | 1       | 557.1 | 'CAPROCK REC-PHILLIPS - CAPROCK REC-TATE 138KV CKT 1'              |
| 16WP | 0 | G10_060 | 'HOBBS_INT 7345.00 (LIKE POTTER) 345/230/13.2KV TRANSFORMER CKT 1' | FROM->TO | 1       | 556.9 | 'CAPROCK REC-MCDONALD - CAPROCK REC-PHILLIPS 138KV CKT 1'          |
| 16WP | 0 | G10_059 | 'HOBBS_INT 7345.00 (LIKE POTTER) 345/230/13.2KV TRANSFORMER CKT 1' | FROM->TO | 1       | 556.9 | 'CAPROCK REC-MCDONALD - CAPROCK REC-PHILLIPS 138KV CKT 1'          |
| 16WP | 0 | G10_060 | 'HOBBS_INT 7345.00 (LIKE POTTER) 345/230/13.2KV TRANSFORMER CKT 1' | FROM->TO | 1       | 557.1 | 'CAPROCK REC-MCDONALD - CAPROCK REC-PHILLIPS 138KV CKT 1'          |
| 16WP | 0 | G10_059 | 'HOBBS_INT 7345.00 (LIKE POTTER) 345/230/13.2KV TRANSFORMER CKT 1' | FROM->TO | 1       | 557.1 | 'CAPROCK REC-MCDONALD - CAPROCK REC-PHILLIPS 138KV CKT 1'          |
| 16WP | 0 | G10_060 | 'HOBBS INTERCHANGE 230/115KV TRANSFORMER CKT 1'                    | FROM->TO | 0.19759 | 148.3 | 'CUNNINGHAM STATION - LEA COUNTY INTERCHANGE 230KV CKT 1'          |
| 16WP | 0 | G10_059 | 'HOBBS INTERCHANGE 230/115KV TRANSFORMER CKT 1'                    | FROM->TO | 0.19759 | 148.3 | 'CUNNINGHAM STATION - LEA COUNTY INTERCHANGE 230KV CKT 1'          |
| 16WP | 0 | G10_060 | 'HOBBS INTERCHANGE - LEA COUNTY INTERCHANGE 230KV CKT 1'           | FROM->TO | 0.88508 | 691.7 | 'MIDLAND 7345.00 (LIKE WICHITA) 345/138/13.8KV TRANSFORMER CKT 1'  |
| 16WP | 0 | G10_059 | 'HOBBS INTERCHANGE - LEA COUNTY INTERCHANGE 230KV CKT 1'           | FROM->TO | 0.88508 | 691.7 | 'MIDLAND 7345.00 (LIKE WICHITA) 345/138/13.8KV TRANSFORMER CKT 1'  |
| 16WP | 0 | G10_060 | 'HOBBS INTERCHANGE - LEA COUNTY INTERCHANGE 230KV CKT 1'           | FROM->TO | 0.88508 | 691.7 | 'CAPROCK REC-PHILLIPS - CAPROCK REC-TATE 138KV CKT 1'              |
| 16WP | 0 | G10_059 | 'HOBBS INTERCHANGE - LEA COUNTY INTERCHANGE 230KV CKT 1'           | FROM->TO | 0.88508 | 691.7 | 'CAPROCK REC-PHILLIPS - CAPROCK REC-TATE 138KV CKT 1'              |
| 16WP | 0 | G10_060 | 'HOBBS INTERCHANGE - LEA COUNTY INTERCHANGE 230KV CKT 1'           | FROM->TO | 0.88508 | 691.7 | 'CAPROCK REC-MCDONALD - CAPROCK REC-PHILLIPS 138KV CKT 1'          |
| 16WP | 0 | G10_059 | 'HOBBS INTERCHANGE - LEA COUNTY INTERCHANGE 230KV CKT 1'           | FROM->TO | 0.88508 | 691.7 | 'CAPROCK REC-MCDONALD - CAPROCK REC-PHILLIPS 138KV CKT 1'          |
| 16WP | 0 | G10_060 | 'CAPROCK REC-PHILLIPS - CAPROCK REC-TATE 138KV CKT 1'              | TO->FROM | 0.30121 | 270.3 | 'HOBBS INTERCHANGE - LEA COUNTY INTERCHANGE 230KV CKT 1'           |
| 16WP | 0 | G10_059 | 'CAPROCK REC-PHILLIPS - CAPROCK REC-TATE 138KV CKT 1'              | TO->FROM | 0.30121 | 270.3 | 'HOBBS INTERCHANGE - LEA COUNTY INTERCHANGE 230KV CKT 1'           |
| 16WP | 0 | G10_060 | 'CAPROCK REC-STILES - G09-17T 138.00 138KV CKT 1'                  | TO->FROM | 0.29542 | 176   | 'HOBBS_INT 7345.00 (LIKE POTTER) 345/230/13.2KV TRANSFORMER CKT 1' |

|      |   |         |   |          |         |       |   |
|------|---|---------|---|----------|---------|-------|---|
| 16WP | 0 | G10_059 | 'CAPROCK REC-STILES - G09-17T 138.00<br>138KV CKT 1'                  | TO->FROM | 0.29542 | 176   | 'HOBBS_INT 7345.00 (LIKE POTTER)<br>345/230/13.2KV TRANSFORMER CKT 1' |
| 16WP | 0 | G10_060 | 'CAPROCK REC-STILES - G09-17T 138.00<br>138KV CKT 1'                  | TO->FROM | 0.29542 | 176   | 'HOBBS_INT 7345.00 - MIDLAND 7345.00<br>345KV CKT 1'                  |
| 16WP | 0 | G10_059 | 'CAPROCK REC-STILES - G09-17T 138.00<br>138KV CKT 1'                  | TO->FROM | 0.29542 | 176   | 'HOBBS_INT 7345.00 - MIDLAND 7345.00<br>345KV CKT 1'                  |
| 16WP | 0 | G10_060 | 'BORDEN COUNTY INTERCHANGE -<br>GRASSLAND INTERCHANGE 230KV CKT 1'    | FROM->TO | 0.9998  | 528.8 | 'HOBBS_INT 7345.00 - MIDLAND 7345.00<br>345KV CKT 1'                  |
| 16WP | 0 | G10_059 | 'BORDEN COUNTY INTERCHANGE -<br>GRASSLAND INTERCHANGE 230KV CKT 1'    | FROM->TO | 0.9998  | 528.8 | 'HOBBS_INT 7345.00 - MIDLAND 7345.00<br>345KV CKT 1'                  |
| 16WP | 0 | G10_060 | 'BORDEN COUNTY INTERCHANGE -<br>GRASSLAND INTERCHANGE 230KV CKT 1'    | FROM->TO | 0.9998  | 528.8 | 'HOBBS_INT 7345.00 (LIKE POTTER)<br>345/230/13.2KV TRANSFORMER CKT 1' |
| 16WP | 0 | G10_059 | 'BORDEN COUNTY INTERCHANGE -<br>GRASSLAND INTERCHANGE 230KV CKT 1'    | FROM->TO | 0.9998  | 528.8 | 'HOBBS_INT 7345.00 (LIKE POTTER)<br>345/230/13.2KV TRANSFORMER CKT 1' |
| 16WP | 0 | G10_060 | 'CAPROCK REC-PEMBROOK - G09-17T 138.00<br>138KV CKT 1'                | FROM->TO | 0.29562 | 176   | 'HOBBS_INT 7345.00 - MIDLAND 7345.00<br>345KV CKT 1'                  |
| 16WP | 0 | G10_059 | 'CAPROCK REC-PEMBROOK - G09-17T 138.00<br>138KV CKT 1'                | FROM->TO | 0.29562 | 176   | 'HOBBS_INT 7345.00 - MIDLAND 7345.00<br>345KV CKT 1'                  |
| 16WP | 0 | G10_060 | 'CAPROCK REC-PEMBROOK - G09-17T 138.00<br>138KV CKT 1'                | FROM->TO | 0.29562 | 176   | 'HOBBS_INT 7345.00 (LIKE POTTER)<br>345/230/13.2KV TRANSFORMER CKT 1' |
| 16WP | 0 | G10_059 | 'CAPROCK REC-PEMBROOK - G09-17T 138.00<br>138KV CKT 1'                | FROM->TO | 0.29562 | 176   | 'HOBBS_INT 7345.00 (LIKE POTTER)<br>345/230/13.2KV TRANSFORMER CKT 1' |
| 16WP | 0 | G10_060 | 'CAPROCK REC-PHILLIPS - CAPROCK REC-<br>TATE 138KV CKT 1'             | TO->FROM | 0.20703 | 207.1 | 'BASE CASE'   |
| 16WP | 0 | G10_059 | 'CAPROCK REC-PHILLIPS - CAPROCK REC-<br>TATE 138KV CKT 1'             | TO->FROM | 0.20703 | 207.1 | 'BASE CASE'   |
| 16WP | 0 | G10_060 | 'HOBBS INTERCHANGE - LEA COUNTY<br>INTERCHANGE 230KV CKT 1'           | FROM->TO | 0.70084 | 570.4 | 'BASE CASE'   |
| 16WP | 0 | G10_059 | 'HOBBS INTERCHANGE - LEA COUNTY<br>INTERCHANGE 230KV CKT 1'           | FROM->TO | 0.70084 | 570.4 | 'BASE CASE'   |
| 16WP | 0 | G10_060 | 'HOBBS_INT 7345.00 (LIKE POTTER)<br>345/230/13.2KV TRANSFORMER CKT 1' | FROM->TO | 0.9998  | 556.9 | 'SPP-SWPS-K48'  |
| 16WP | 0 | G10_059 | 'HOBBS_INT 7345.00 (LIKE POTTER)<br>345/230/13.2KV TRANSFORMER CKT 1' | FROM->TO | 0.9998  | 556.9 | 'SPP-SWPS-K48'  |
| 16WP | 0 | G10_060 | 'HOBBS_INT 7345.00 (LIKE POTTER)<br>345/230/13.2KV TRANSFORMER CKT 1' | FROM->TO | 0.9998  | 556.9 | 'BORDEN COUNTY INTERCHANGE -<br>GRASSLAND INTERCHANGE 230KV CKT 1'    |
| 16WP | 0 | G10_059 | 'HOBBS_INT 7345.00 (LIKE POTTER)<br>345/230/13.2KV TRANSFORMER CKT 1' | FROM->TO | 0.9998  | 556.9 | 'BORDEN COUNTY INTERCHANGE -<br>GRASSLAND INTERCHANGE 230KV CKT 1'    |
| 16WP | 0 | G10_060 | 'HOBBS_INT 7345.00 (LIKE POTTER)<br>345/230/13.2KV TRANSFORMER CKT 1' | FROM->TO | 0.9998  | 557.1 | 'BORDEN COUNTY INTERCHANGE -<br>GRASSLAND INTERCHANGE 230KV CKT 1'    |
| 16WP | 0 | G10_059 | 'HOBBS_INT 7345.00 (LIKE POTTER)<br>345/230/13.2KV TRANSFORMER CKT 1' | FROM->TO | 0.9998  | 557.1 | 'BORDEN COUNTY INTERCHANGE -<br>GRASSLAND INTERCHANGE 230KV CKT 1'    |
| 16WP | 0 | G10_060 | 'HOBBS_INT 7345.00 (LIKE POTTER)<br>345/230/13.2KV TRANSFORMER CKT 1' | FROM->TO | 0.9998  | 557.1 | 'SPP-SWPS-K48'  |
| 16WP | 0 | G10_059 | 'HOBBS_INT 7345.00 (LIKE POTTER)<br>345/230/13.2KV TRANSFORMER CKT 1' | FROM->TO | 0.9998  | 557.1 | 'SPP-SWPS-K48'  |
| 16WP | 0 | G10_060 | 'CAPROCK REC-MCDONALD - CAPROCK REC-<br>PHILLIPS 138KV CKT 1'         | TO->FROM | 0.30121 | 270.7 | 'HOBBS INTERCHANGE - LEA COUNTY<br>INTERCHANGE 230KV CKT 1'           |
| 16WP | 0 | G10_059 | 'CAPROCK REC-MCDONALD - CAPROCK REC-<br>PHILLIPS 138KV CKT 1'         | TO->FROM | 0.30121 | 270.7 | 'HOBBS INTERCHANGE - LEA COUNTY<br>INTERCHANGE 230KV CKT 1'           |

|      |   |         |   |          |         |       |   |
|------|---|---------|---|----------|---------|-------|---|
| 16WP | 0 | G10_060 | 'HOBBS_INT 7345.00 (LIKE POTTER)<br>345/230/13.2KV TRANSFORMER CKT 1' | FROM->TO | 0.88826 | 556.9 | 'CAPROCK REC-MCDONALD - CAPROCK REC-<br>TRIANGLE 138KV CKT 1'         |
| 16WP | 0 | G10_059 | 'HOBBS_INT 7345.00 (LIKE POTTER)<br>345/230/13.2KV TRANSFORMER CKT 1' | FROM->TO | 0.88826 | 556.9 | 'CAPROCK REC-MCDONALD - CAPROCK REC-<br>TRIANGLE 138KV CKT 1'         |
| 16WP | 0 | G10_060 | 'HOBBS_INT 7345.00 (LIKE POTTER)<br>345/230/13.2KV TRANSFORMER CKT 1' | FROM->TO | 0.88826 | 557.1 | 'CAPROCK REC-MCDONALD - CAPROCK REC-<br>TRIANGLE 138KV CKT 1'         |
| 16WP | 0 | G10_059 | 'HOBBS_INT 7345.00 (LIKE POTTER)<br>345/230/13.2KV TRANSFORMER CKT 1' | FROM->TO | 0.88826 | 557.1 | 'CAPROCK REC-MCDONALD - CAPROCK REC-<br>TRIANGLE 138KV CKT 1'         |
| 16WP | 0 | G10_060 | 'CAPROCK REC-LANGE - CAPROCK REC-ST<br>LAWRENCE 138KV CKT 1'          | TO->FROM | 0.29542 | 176   | 'HOBBS_INT 7345.00 - MIDLAND 7345.00<br>345KV CKT 1'                  |
| 16WP | 0 | G10_059 | 'CAPROCK REC-LANGE - CAPROCK REC-ST<br>LAWRENCE 138KV CKT 1'          | TO->FROM | 0.29542 | 176   | 'HOBBS_INT 7345.00 - MIDLAND 7345.00<br>345KV CKT 1'                  |
| 16WP | 0 | G10_060 | 'CAPROCK REC-LANGE - CAPROCK REC-ST<br>LAWRENCE 138KV CKT 1'          | TO->FROM | 0.29542 | 176   | 'HOBBS_INT 7345.00 (LIKE POTTER)<br>345/230/13.2KV TRANSFORMER CKT 1' |
| 16WP | 0 | G10_059 | 'CAPROCK REC-LANGE - CAPROCK REC-ST<br>LAWRENCE 138KV CKT 1'          | TO->FROM | 0.29542 | 176   | 'HOBBS_INT 7345.00 (LIKE POTTER)<br>345/230/13.2KV TRANSFORMER CKT 1' |
| 16WP | 0 | G10_060 | 'HOBBS_INT 7345.00 (LIKE POTTER)<br>345/230/13.2KV TRANSFORMER CKT 1' | FROM->TO | 0.88826 | 556.9 | 'CAPROCK REC-GRADY - CAPROCK REC-<br>TRIANGLE 138KV CKT 1'            |
| 16WP | 0 | G10_059 | 'HOBBS_INT 7345.00 (LIKE POTTER)<br>345/230/13.2KV TRANSFORMER CKT 1' | FROM->TO | 0.88826 | 556.9 | 'CAPROCK REC-GRADY - CAPROCK REC-<br>TRIANGLE 138KV CKT 1'            |
| 16WP | 0 | G10_060 | 'HOBBS_INT 7345.00 (LIKE POTTER)<br>345/230/13.2KV TRANSFORMER CKT 1' | FROM->TO | 0.88826 | 557.1 | 'CAPROCK REC-GRADY - CAPROCK REC-<br>TRIANGLE 138KV CKT 1'            |
| 16WP | 0 | G10_059 | 'HOBBS_INT 7345.00 (LIKE POTTER)<br>345/230/13.2KV TRANSFORMER CKT 1' | FROM->TO | 0.88826 | 557.1 | 'CAPROCK REC-GRADY - CAPROCK REC-<br>TRIANGLE 138KV CKT 1'            |
| 16WP | 0 | G10_060 | 'HOBBS_INT 7345.00 (LIKE POTTER)<br>345/230/13.2KV TRANSFORMER CKT 1' | FROM->TO | 0.88826 | 556.9 | 'CAPROCK REC-GRADY - CAPROCK REC-REED<br>138KV CKT 1'                 |
| 16WP | 0 | G10_059 | 'HOBBS_INT 7345.00 (LIKE POTTER)<br>345/230/13.2KV TRANSFORMER CKT 1' | FROM->TO | 0.88826 | 556.9 | 'CAPROCK REC-GRADY - CAPROCK REC-REED<br>138KV CKT 1'                 |
| 16WP | 0 | G10_060 | 'HOBBS_INT 7345.00 (LIKE POTTER)<br>345/230/13.2KV TRANSFORMER CKT 1' | FROM->TO | 0.88826 | 557.1 | 'CAPROCK REC-GRADY - CAPROCK REC-REED<br>138KV CKT 1'                 |
| 16WP | 0 | G10_059 | 'HOBBS_INT 7345.00 (LIKE POTTER)<br>345/230/13.2KV TRANSFORMER CKT 1' | FROM->TO | 0.88826 | 557.1 | 'CAPROCK REC-GRADY - CAPROCK REC-REED<br>138KV CKT 1'                 |
| 16WP | 0 | G10_060 | 'HOBBS_INT 7345.00 (LIKE POTTER)<br>345/230/13.2KV TRANSFORMER CKT 1' | FROM->TO | 0.88826 | 556.9 | 'CAPROCK REC-KOCH - CAPROCK REC-REED<br>138KV CKT 1'                  |
| 16WP | 0 | G10_059 | 'HOBBS_INT 7345.00 (LIKE POTTER)<br>345/230/13.2KV TRANSFORMER CKT 1' | FROM->TO | 0.88826 | 556.9 | 'CAPROCK REC-KOCH - CAPROCK REC-REED<br>138KV CKT 1'                  |
| 16WP | 0 | G10_060 | 'HOBBS_INT 7345.00 (LIKE POTTER)<br>345/230/13.2KV TRANSFORMER CKT 1' | FROM->TO | 0.88826 | 556.9 | 'CAPROCK REC-KOCH - CAPROCK REC-<br>VEALMOOR 138KV CKT 1'             |
| 16WP | 0 | G10_059 | 'HOBBS_INT 7345.00 (LIKE POTTER)<br>345/230/13.2KV TRANSFORMER CKT 1' | FROM->TO | 0.88826 | 556.9 | 'CAPROCK REC-KOCH - CAPROCK REC-<br>VEALMOOR 138KV CKT 1'             |
| 16WP | 0 | G10_060 | 'HOBBS_INT 7345.00 (LIKE POTTER)<br>345/230/13.2KV TRANSFORMER CKT 1' | FROM->TO | 0.88826 | 557.1 | 'CAPROCK REC-KOCH - CAPROCK REC-REED<br>138KV CKT 1'                  |
| 16WP | 0 | G10_059 | 'HOBBS_INT 7345.00 (LIKE POTTER)<br>345/230/13.2KV TRANSFORMER CKT 1' | FROM->TO | 0.88826 | 557.1 | 'CAPROCK REC-KOCH - CAPROCK REC-REED<br>138KV CKT 1'                  |
| 16WP | 0 | G10_060 | 'HOBBS_INT 7345.00 (LIKE POTTER)<br>345/230/13.2KV TRANSFORMER CKT 1' | FROM->TO | 0.88826 | 557.1 | 'CAPROCK REC-KOCH - CAPROCK REC-<br>VEALMOOR 138KV CKT 1'             |
| 16WP | 0 | G10_059 | 'HOBBS_INT 7345.00 (LIKE POTTER)<br>345/230/13.2KV TRANSFORMER CKT 1' | FROM->TO | 0.88826 | 557.1 | 'CAPROCK REC-KOCH - CAPROCK REC-<br>VEALMOOR 138KV CKT 1'             |
| 16WP | 0 | G10_060 | 'HOBBS INTERCHANGE - LEA COUNTY<br>INTERCHANGE 230KV CKT 1'           | FROM->TO | 0.8849  | 691.7 | 'SPP-SWPS-K48'  |

|      |   |         |  |          |         |       |   |
|------|---|---------|--|----------|---------|-------|---|
| 16WP | 0 | G10_059 | 'HOBBS INTERCHANGE - LEA COUNTY INTERCHANGE 230KV CKT 1'           | FROM->TO | 0.8849  | 691.7 | 'SPP-SWPS-K48'  |
| 16WP | 0 | G10_060 | 'HOBBS INTERCHANGE - LEA COUNTY INTERCHANGE 230KV CKT 1'           | FROM->TO | 0.8849  | 691.7 | 'BORDEN COUNTY INTERCHANGE - GRASSLAND INTERCHANGE 230KV CKT 1'   |
| 16WP | 0 | G10_059 | 'HOBBS INTERCHANGE - LEA COUNTY INTERCHANGE 230KV CKT 1'           | FROM->TO | 0.8849  | 691.7 | 'BORDEN COUNTY INTERCHANGE - GRASSLAND INTERCHANGE 230KV CKT 1'   |
| 16WP | 0 | G10_060 | 'HOBBS INTERCHANGE - LEA COUNTY INTERCHANGE 230KV CKT 1'           | FROM->TO | 0.7852  | 691.7 | 'HOBBS INTERCHANGE 230/115KV TRANSFORMER CKT 1'                   |
| 16WP | 0 | G10_059 | 'HOBBS INTERCHANGE - LEA COUNTY INTERCHANGE 230KV CKT 1'           | FROM->TO | 0.7852  | 691.7 | 'HOBBS INTERCHANGE 230/115KV TRANSFORMER CKT 1'                   |
| 16WP | 0 | G10_060 | 'HOBBS_INT 7345.00 (LIKE POTTER) 345/230/13.2KV TRANSFORMER CKT 1' | FROM->TO | 0.82005 | 556.9 | 'CAPROCK REC-MCDONALD - CR-1956 4138.00 138KV CKT 1'              |
| 16WP | 0 | G10_059 | 'HOBBS_INT 7345.00 (LIKE POTTER) 345/230/13.2KV TRANSFORMER CKT 1' | FROM->TO | 0.82005 | 556.9 | 'CAPROCK REC-MCDONALD - CR-1956 4138.00 138KV CKT 1'              |
| 16WP | 0 | G10_060 | 'HOBBS_INT 7345.00 (LIKE POTTER) 345/230/13.2KV TRANSFORMER CKT 1' | FROM->TO | 0.82005 | 557.1 | 'CAPROCK REC-MCDONALD - CR-1956 4138.00 138KV CKT 1'              |
| 16WP | 0 | G10_059 | 'HOBBS_INT 7345.00 (LIKE POTTER) 345/230/13.2KV TRANSFORMER CKT 1' | FROM->TO | 0.82005 | 557.1 | 'CAPROCK REC-MCDONALD - CR-1956 4138.00 138KV CKT 1'              |
| 16WP | 0 | G10_060 | 'HOBBS_INT 7345.00 (LIKE POTTER) 345/230/13.2KV TRANSFORMER CKT 1' | FROM->TO | 0.82005 | 556.9 | 'CAPROCK REC-NEW SCHWARTZ - CR-1956 4138.00 138KV CKT 1'          |
| 16WP | 0 | G10_059 | 'HOBBS_INT 7345.00 (LIKE POTTER) 345/230/13.2KV TRANSFORMER CKT 1' | FROM->TO | 0.82005 | 556.9 | 'CAPROCK REC-NEW SCHWARTZ - CR-1956 4138.00 138KV CKT 1'          |
| 16WP | 0 | G10_060 | 'HOBBS_INT 7345.00 (LIKE POTTER) 345/230/13.2KV TRANSFORMER CKT 1' | FROM->TO | 0.82005 | 557.1 | 'CAPROCK REC-NEW SCHWARTZ - CR-1956 4138.00 138KV CKT 1'          |
| 16WP | 0 | G10_059 | 'HOBBS_INT 7345.00 (LIKE POTTER) 345/230/13.2KV TRANSFORMER CKT 1' | FROM->TO | 0.82005 | 557.1 | 'CAPROCK REC-NEW SCHWARTZ - CR-1956 4138.00 138KV CKT 1'          |
| 16WP | 0 | G10_060 | 'HOBBS INTERCHANGE - LEA COUNTY INTERCHANGE 230KV CKT 1'           | FROM->TO | 0.78564 | 691.7 | 'CAPROCK REC-MCDONALD - CAPROCK REC-TRIANGLE 138KV CKT 1'         |
| 16WP | 0 | G10_059 | 'HOBBS INTERCHANGE - LEA COUNTY INTERCHANGE 230KV CKT 1'           | FROM->TO | 0.78564 | 691.7 | 'CAPROCK REC-MCDONALD - CAPROCK REC-TRIANGLE 138KV CKT 1'         |
| 16WP | 0 | G10_060 | 'CAPROCK REC-MCDONALD - CAPROCK REC-PHILLIPS 138KV CKT 1'          | TO->FROM | 0.20703 | 207.6 | 'BASE CASE'   |
| 16WP | 0 | G10_059 | 'CAPROCK REC-MCDONALD - CAPROCK REC-PHILLIPS 138KV CKT 1'          | TO->FROM | 0.20703 | 207.6 | 'BASE CASE'   |
| 16WP | 0 | G10_060 | 'HOBBS INTERCHANGE - LEA COUNTY INTERCHANGE 230KV CKT 1'           | FROM->TO | 0.78564 | 691.7 | 'CAPROCK REC-GRADY - CAPROCK REC-TRIANGLE 138KV CKT 1'            |
| 16WP | 0 | G10_059 | 'HOBBS INTERCHANGE - LEA COUNTY INTERCHANGE 230KV CKT 1'           | FROM->TO | 0.78564 | 691.7 | 'CAPROCK REC-GRADY - CAPROCK REC-TRIANGLE 138KV CKT 1'            |
| 16WP | 0 | G10_060 | 'LEA COUNTY INTERCHANGE - YOAKUM COUNTY INTERCHANGE 230KV CKT 1'   | FROM->TO | 0.38634 | 361   | 'MIDLAND 7345.00 (LIKE WICHITA) 345/138/13.8KV TRANSFORMER CKT 1' |
| 16WP | 0 | G10_059 | 'LEA COUNTY INTERCHANGE - YOAKUM COUNTY INTERCHANGE 230KV CKT 1'   | FROM->TO | 0.38634 | 361   | 'MIDLAND 7345.00 (LIKE WICHITA) 345/138/13.8KV TRANSFORMER CKT 1' |
| 16WP | 0 | G10_060 | 'HOBBS_INT 7345.00 (LIKE POTTER) 345/230/13.2KV TRANSFORMER CKT 1' | FROM->TO | 0.82005 | 556.9 | 'CAPROCK REC-NEW SCHWARTZ - CAPROCK REC-PEMBROOK 138KV CKT 1'     |
| 16WP | 0 | G10_059 | 'HOBBS_INT 7345.00 (LIKE POTTER) 345/230/13.2KV TRANSFORMER CKT 1' | FROM->TO | 0.82005 | 556.9 | 'CAPROCK REC-NEW SCHWARTZ - CAPROCK REC-PEMBROOK 138KV CKT 1'     |
| 16WP | 0 | G10_060 | 'HOBBS_INT 7345.00 (LIKE POTTER) 345/230/13.2KV TRANSFORMER CKT 1' | FROM->TO | 0.81997 | 556.9 | 'CAPROCK REC-STILES - G09-17T 138.00 138KV CKT 1'                 |
| 16WP | 0 | G10_059 | 'HOBBS_INT 7345.00 (LIKE POTTER) 345/230/13.2KV TRANSFORMER CKT 1' | FROM->TO | 0.81997 | 556.9 | 'CAPROCK REC-STILES - G09-17T 138.00 138KV CKT 1'                 |

|      |   |         |   |          |         |       |  |
|------|---|---------|---|----------|---------|-------|--|
| 16WP | 0 | G10_060 | 'HOBBS_INT 7345.00 (LIKE POTTER)<br>345/230/13.2KV TRANSFORMER CKT 1' | FROM->TO | 0.82005 | 557.1 | 'CAPROCK REC-NEW SCHWARTZ - CAPROCK<br>REC-PEMBROOK 138KV CKT 1' |
| 16WP | 0 | G10_059 | 'HOBBS_INT 7345.00 (LIKE POTTER)<br>345/230/13.2KV TRANSFORMER CKT 1' | FROM->TO | 0.82005 | 557.1 | 'CAPROCK REC-NEW SCHWARTZ - CAPROCK<br>REC-PEMBROOK 138KV CKT 1' |
| 16WP | 0 | G10_060 | 'HOBBS_INT 7345.00 (LIKE POTTER)<br>345/230/13.2KV TRANSFORMER CKT 1' | FROM->TO | 0.81997 | 557.1 | 'CAPROCK REC-STILES - G09-17T 138.00<br>138KV CKT 1'             |
| 16WP | 0 | G10_059 | 'HOBBS_INT 7345.00 (LIKE POTTER)<br>345/230/13.2KV TRANSFORMER CKT 1' | FROM->TO | 0.81997 | 557.1 | 'CAPROCK REC-STILES - G09-17T 138.00<br>138KV CKT 1'             |
| 16WP | 0 | G10_060 | 'HOBBS_INT 7345.00 (LIKE POTTER)<br>345/230/13.2KV TRANSFORMER CKT 1' | FROM->TO | 0.82005 | 556.9 | 'CAPROCK REC-PEMBROOK - G09-17T 138.00<br>138KV CKT 1'           |
| 16WP | 0 | G10_059 | 'HOBBS_INT 7345.00 (LIKE POTTER)<br>345/230/13.2KV TRANSFORMER CKT 1' | FROM->TO | 0.82005 | 556.9 | 'CAPROCK REC-PEMBROOK - G09-17T 138.00<br>138KV CKT 1'           |
| 16WP | 0 | G10_060 | 'HOBBS_INT 7345.00 (LIKE POTTER)<br>345/230/13.2KV TRANSFORMER CKT 1' | FROM->TO | 0.82005 | 557.1 | 'CAPROCK REC-PEMBROOK - G09-17T 138.00<br>138KV CKT 1'           |
| 16WP | 0 | G10_059 | 'HOBBS_INT 7345.00 (LIKE POTTER)<br>345/230/13.2KV TRANSFORMER CKT 1' | FROM->TO | 0.82005 | 557.1 | 'CAPROCK REC-PEMBROOK - G09-17T 138.00<br>138KV CKT 1'           |
| 16WP | 0 | G10_060 | 'HOBBS_INT 7345.00 (LIKE POTTER)<br>345/230/13.2KV TRANSFORMER CKT 1' | FROM->TO | 0.81997 | 556.9 | 'CAPROCK REC-ST LAWRENCE - CAPROCK<br>REC-STILES 138KV CKT 1'    |
| 16WP | 0 | G10_059 | 'HOBBS_INT 7345.00 (LIKE POTTER)<br>345/230/13.2KV TRANSFORMER CKT 1' | FROM->TO | 0.81997 | 556.9 | 'CAPROCK REC-ST LAWRENCE - CAPROCK<br>REC-STILES 138KV CKT 1'    |
| 16WP | 0 | G10_060 | 'HOBBS_INT 7345.00 (LIKE POTTER)<br>345/230/13.2KV TRANSFORMER CKT 1' | FROM->TO | 0.81997 | 557.1 | 'CAPROCK REC-ST LAWRENCE - CAPROCK<br>REC-STILES 138KV CKT 1'    |
| 16WP | 0 | G10_059 | 'HOBBS_INT 7345.00 (LIKE POTTER)<br>345/230/13.2KV TRANSFORMER CKT 1' | FROM->TO | 0.81997 | 557.1 | 'CAPROCK REC-ST LAWRENCE - CAPROCK<br>REC-STILES 138KV CKT 1'    |
| 16WP | 0 | G10_060 | 'HOBBS INTERCHANGE - LEA COUNTY<br>INTERCHANGE 230KV CKT 1'           | FROM->TO | 0.78564 | 691.7 | 'CAPROCK REC-GRADY - CAPROCK REC-REED<br>138KV CKT 1'            |
| 16WP | 0 | G10_059 | 'HOBBS INTERCHANGE - LEA COUNTY<br>INTERCHANGE 230KV CKT 1'           | FROM->TO | 0.78564 | 691.7 | 'CAPROCK REC-GRADY - CAPROCK REC-REED<br>138KV CKT 1'            |
| 16WP | 0 | G10_060 | 'HOBBS_INT 7345.00 (LIKE POTTER)<br>345/230/13.2KV TRANSFORMER CKT 1' | FROM->TO | 0.79297 | 556.9 | 'HOBBS INTERCHANGE 230/18.0KV<br>TRANSFORMER CKT 1'              |
| 16WP | 0 | G10_059 | 'HOBBS_INT 7345.00 (LIKE POTTER)<br>345/230/13.2KV TRANSFORMER CKT 1' | FROM->TO | 0.79297 | 556.9 | 'HOBBS INTERCHANGE 230/18.0KV<br>TRANSFORMER CKT 1'              |
| 16WP | 0 | G10_060 | 'HOBBS_INT 7345.00 (LIKE POTTER)<br>345/230/13.2KV TRANSFORMER CKT 1' | FROM->TO | 0.79297 | 557.1 | 'HOBBS INTERCHANGE 230/18.0KV<br>TRANSFORMER CKT 1'              |
| 16WP | 0 | G10_059 | 'HOBBS_INT 7345.00 (LIKE POTTER)<br>345/230/13.2KV TRANSFORMER CKT 1' | FROM->TO | 0.79297 | 557.1 | 'HOBBS INTERCHANGE 230/18.0KV<br>TRANSFORMER CKT 1'              |
| 16WP | 0 | G10_060 | 'LEA COUNTY INTERCHANGE - YOAKUM<br>COUNTY INTERCHANGE 230KV CKT 1'   | FROM->TO | 0.38634 | 361   | 'CAPROCK REC-PHILLIPS - CAPROCK REC-<br>TATE 138KV CKT 1'        |
| 16WP | 0 | G10_059 | 'LEA COUNTY INTERCHANGE - YOAKUM<br>COUNTY INTERCHANGE 230KV CKT 1'   | FROM->TO | 0.38634 | 361   | 'CAPROCK REC-PHILLIPS - CAPROCK REC-<br>TATE 138KV CKT 1'        |
| 16WP | 0 | G10_060 | 'HOBBS INTERCHANGE - LEA COUNTY<br>INTERCHANGE 230KV CKT 1'           | FROM->TO | 0.78564 | 691.7 | 'CAPROCK REC-KOCH - CAPROCK REC-REED<br>138KV CKT 1'             |
| 16WP | 0 | G10_059 | 'HOBBS INTERCHANGE - LEA COUNTY<br>INTERCHANGE 230KV CKT 1'           | FROM->TO | 0.78564 | 691.7 | 'CAPROCK REC-KOCH - CAPROCK REC-REED<br>138KV CKT 1'             |
| 16WP | 0 | G10_060 | 'HOBBS INTERCHANGE - LEA COUNTY<br>INTERCHANGE 230KV CKT 1'           | FROM->TO | 0.78564 | 691.7 | 'CAPROCK REC-KOCH - CAPROCK REC-<br>VEALMOOR 138KV CKT 1'        |
| 16WP | 0 | G10_059 | 'HOBBS INTERCHANGE - LEA COUNTY<br>INTERCHANGE 230KV CKT 1'           | FROM->TO | 0.78564 | 691.7 | 'CAPROCK REC-KOCH - CAPROCK REC-<br>VEALMOOR 138KV CKT 1'        |
| 16WP | 0 | G10_060 | 'HOBBS_INT 7345.00 (LIKE POTTER)<br>345/230/13.2KV TRANSFORMER CKT 1' | FROM->TO | 0.81997 | 556.9 | 'CAPROCK REC-LANGE - CAPROCK REC-ST<br>LAWRENCE 138KV CKT 1'     |



|      |   |         |   |          |         |       |  |
|------|---|---------|---|----------|---------|-------|--|
| 16WP | 0 | G10_059 | 'HOBBS_INT 7345.00 (LIKE POTTER)<br>345/230/13.2KV TRANSFORMER CKT 1' | FROM->TO | 0.81997 | 556.9 | 'CAPROCK REC-LANGE - CAPROCK REC-ST<br>LAWRENCE 138KV CKT 1'         |
| 16WP | 0 | G10_060 | 'HOBBS_INT 7345.00 (LIKE POTTER)<br>345/230/13.2KV TRANSFORMER CKT 1' | FROM->TO | 0.81997 | 557.1 | 'CAPROCK REC-LANGE - CAPROCK REC-ST<br>LAWRENCE 138KV CKT 1'         |
| 16WP | 0 | G10_059 | 'HOBBS_INT 7345.00 (LIKE POTTER)<br>345/230/13.2KV TRANSFORMER CKT 1' | FROM->TO | 0.81997 | 557.1 | 'CAPROCK REC-LANGE - CAPROCK REC-ST<br>LAWRENCE 138KV CKT 1'         |
| 16WP | 0 | G10_060 | 'HOBBS_INT 7345.00 (LIKE POTTER)<br>345/230/13.2KV TRANSFORMER CKT 1' | FROM->TO | 0.79297 | 556.9 | 'CUNNINGHAM STATION 230/20.0KV<br>TRANSFORMER CKT 1'                 |
| 16WP | 0 | G10_059 | 'HOBBS_INT 7345.00 (LIKE POTTER)<br>345/230/13.2KV TRANSFORMER CKT 1' | FROM->TO | 0.79297 | 556.9 | 'CUNNINGHAM STATION 230/20.0KV<br>TRANSFORMER CKT 1'                 |
| 16WP | 0 | G10_060 | 'HOBBS_INT 7345.00 (LIKE POTTER)<br>345/230/13.2KV TRANSFORMER CKT 1' | FROM->TO | 0.79297 | 557.1 | 'CUNNINGHAM STATION 230/20.0KV<br>TRANSFORMER CKT 1'                 |
| 16WP | 0 | G10_059 | 'HOBBS_INT 7345.00 (LIKE POTTER)<br>345/230/13.2KV TRANSFORMER CKT 1' | FROM->TO | 0.79297 | 557.1 | 'CUNNINGHAM STATION 230/20.0KV<br>TRANSFORMER CKT 1'                 |
| 16WP | 0 | G10_060 | 'HOBBS_INT 7345.00 (LIKE POTTER)<br>345/230/13.2KV TRANSFORMER CKT 1' | FROM->TO | 0.81997 | 556.9 | 'CAPROCK REC-BUCHANAN - CAPROCK REC-<br>LANGE 138KV CKT 1'           |
| 16WP | 0 | G10_059 | 'HOBBS_INT 7345.00 (LIKE POTTER)<br>345/230/13.2KV TRANSFORMER CKT 1' | FROM->TO | 0.81997 | 556.9 | 'CAPROCK REC-BUCHANAN - CAPROCK REC-<br>LANGE 138KV CKT 1'           |
| 16WP | 0 | G10_060 | 'HOBBS_INT 7345.00 (LIKE POTTER)<br>345/230/13.2KV TRANSFORMER CKT 1' | FROM->TO | 0.81997 | 557.1 | 'CAPROCK REC-BUCHANAN - CAPROCK REC-<br>LANGE 138KV CKT 1'           |
| 16WP | 0 | G10_059 | 'HOBBS_INT 7345.00 (LIKE POTTER)<br>345/230/13.2KV TRANSFORMER CKT 1' | FROM->TO | 0.81997 | 557.1 | 'CAPROCK REC-BUCHANAN - CAPROCK REC-<br>LANGE 138KV CKT 1'           |
| 16WP | 0 | G10_060 | 'LEA COUNTY INTERCHANGE - YOAKUM<br>COUNTY INTERCHANGE 230KV CKT 1'   | FROM->TO | 0.38634 | 361   | 'CAPROCK REC-MCDONALD - CAPROCK REC-<br>PHILLIPS 138KV CKT 1'        |
| 16WP | 0 | G10_059 | 'LEA COUNTY INTERCHANGE - YOAKUM<br>COUNTY INTERCHANGE 230KV CKT 1'   | FROM->TO | 0.38634 | 361   | 'CAPROCK REC-MCDONALD - CAPROCK REC-<br>PHILLIPS 138KV CKT 1'        |
| 16WP | 0 | G10_060 | 'HOBBS_INT 7345.00 (LIKE POTTER)<br>345/230/13.2KV TRANSFORMER CKT 1' | FROM->TO | 0.79297 | 556.9 | 'BASE CASE'  |
| 16WP | 0 | G10_059 | 'HOBBS_INT 7345.00 (LIKE POTTER)<br>345/230/13.2KV TRANSFORMER CKT 1' | FROM->TO | 0.79297 | 556.9 | 'BASE CASE'  |
| 16WP | 0 | G10_060 | 'HOBBS_INT 7345.00 (LIKE POTTER)<br>345/230/13.2KV TRANSFORMER CKT 1' | FROM->TO | 0.79297 | 557.1 | 'BASE CASE'  |
| 16WP | 0 | G10_059 | 'HOBBS_INT 7345.00 (LIKE POTTER)<br>345/230/13.2KV TRANSFORMER CKT 1' | FROM->TO | 0.79297 | 557.1 | 'BASE CASE'  |
| 16WP | 0 | G10_060 | 'HOBBS INTERCHANGE - LEA COUNTY<br>INTERCHANGE 230KV CKT 1'           | FROM->TO | 0.72495 | 691.7 | 'CAPROCK REC-MCDONALD - CR-1956 4138.00<br>138KV CKT 1'              |
| 16WP | 0 | G10_059 | 'HOBBS INTERCHANGE - LEA COUNTY<br>INTERCHANGE 230KV CKT 1'           | FROM->TO | 0.72495 | 691.7 | 'CAPROCK REC-MCDONALD - CR-1956 4138.00<br>138KV CKT 1'              |
| 16WP | 0 | G10_060 | 'HOBBS INTERCHANGE - LEA COUNTY<br>INTERCHANGE 230KV CKT 1'           | FROM->TO | 0.72495 | 691.7 | 'CAPROCK REC-NEW SCHWARTZ - CR-1956<br>4138.00 138KV CKT 1'          |
| 16WP | 0 | G10_059 | 'HOBBS INTERCHANGE - LEA COUNTY<br>INTERCHANGE 230KV CKT 1'           | FROM->TO | 0.72495 | 691.7 | 'CAPROCK REC-NEW SCHWARTZ - CR-1956<br>4138.00 138KV CKT 1'          |
| 16WP | 0 | G10_060 | 'LEA COUNTY INTERCHANGE - YOAKUM<br>COUNTY INTERCHANGE 230KV CKT 1'   | FROM->TO | 0.38993 | 361   | 'CUNNINGHAM STATION - LEA COUNTY<br>INTERCHANGE 230KV CKT 1'         |
| 16WP | 0 | G10_059 | 'LEA COUNTY INTERCHANGE - YOAKUM<br>COUNTY INTERCHANGE 230KV CKT 1'   | FROM->TO | 0.38993 | 361   | 'CUNNINGHAM STATION - LEA COUNTY<br>INTERCHANGE 230KV CKT 1'         |
| 16WP | 0 | G10_060 | 'TUCO INTERCHANGE (GE M1022338)<br>345/230/13.2KV TRANSFORMER CKT 1'  | FROM->TO | 0.42725 | 555.4 | 'TUCO INTERCHANGE (UPDATE DATA)<br>345/230/13.2KV TRANSFORMER CKT 2' |
| 16WP | 0 | G10_059 | 'TUCO INTERCHANGE (GE M1022338)<br>345/230/13.2KV TRANSFORMER CKT 1'  | FROM->TO | 0.42725 | 555.4 | 'TUCO INTERCHANGE (UPDATE DATA)<br>345/230/13.2KV TRANSFORMER CKT 2' |

|      |   |         |   |          |         |       |   |
|------|---|---------|---|----------|---------|-------|---|
| 16WP | 0 | G10_060 | 'CAPROCK REC-GRADY - CAPROCK REC-TRIANGLE 138KV CKT 1'            | TO->FROM | 0.2121  | 176   | 'HOBBS INTERCHANGE - LEA COUNTY INTERCHANGE 230KV CKT 1'          |
| 16WP | 0 | G10_059 | 'CAPROCK REC-GRADY - CAPROCK REC-TRIANGLE 138KV CKT 1'            | TO->FROM | 0.2121  | 176   | 'HOBBS INTERCHANGE - LEA COUNTY INTERCHANGE 230KV CKT 1'          |
| 16WP | 0 | G10_060 | 'HOBBS INTERCHANGE - LEA COUNTY INTERCHANGE 230KV CKT 1'          | FROM->TO | 0.70084 | 691.7 | 'CUNNINGHAM STATION 230/20.0KV TRANSFORMER CKT 1'                 |
| 16WP | 0 | G10_059 | 'HOBBS INTERCHANGE - LEA COUNTY INTERCHANGE 230KV CKT 1'          | FROM->TO | 0.70084 | 691.7 | 'CUNNINGHAM STATION 230/20.0KV TRANSFORMER CKT 1'                 |
| 16WP | 0 | G10_060 | 'HOBBS INTERCHANGE - LEA COUNTY INTERCHANGE 230KV CKT 1'          | FROM->TO | 0.72495 | 691.7 | 'CAPROCK REC-NEW SCHWARTZ - CAPROCK REC-PEMBROOK 138KV CKT 1'     |
| 16WP | 0 | G10_059 | 'HOBBS INTERCHANGE - LEA COUNTY INTERCHANGE 230KV CKT 1'          | FROM->TO | 0.72495 | 691.7 | 'CAPROCK REC-NEW SCHWARTZ - CAPROCK REC-PEMBROOK 138KV CKT 1'     |
| 16WP | 0 | G10_060 | 'HOBBS INTERCHANGE - LEA COUNTY INTERCHANGE 230KV CKT 1'          | FROM->TO | 0.72487 | 691.7 | 'CAPROCK REC-STILES - G09-17T 138.00 138KV CKT 1'                 |
| 16WP | 0 | G10_059 | 'HOBBS INTERCHANGE - LEA COUNTY INTERCHANGE 230KV CKT 1'          | FROM->TO | 0.72487 | 691.7 | 'CAPROCK REC-STILES - G09-17T 138.00 138KV CKT 1'                 |
| 16WP | 0 | G10_060 | 'TUCO INTERCHANGE (GE M1022338) 345/230/13.2KV TRANSFORMER CKT 1' | FROM->TO | 0.42725 | 559.6 | 'TUCO INTERCHANGE (UPDATE DATA) 345/230/13.2KV TRANSFORMER CKT 2' |
| 16WP | 0 | G10_059 | 'TUCO INTERCHANGE (GE M1022338) 345/230/13.2KV TRANSFORMER CKT 1' | FROM->TO | 0.42725 | 559.6 | 'TUCO INTERCHANGE (UPDATE DATA) 345/230/13.2KV TRANSFORMER CKT 2' |
| 16WP | 0 | G10_060 | 'HOBBS INTERCHANGE - LEA COUNTY INTERCHANGE 230KV CKT 1'          | FROM->TO | 0.72495 | 691.7 | 'CAPROCK REC-PEMBROOK - G09-17T 138.00 138KV CKT 1'               |
| 16WP | 0 | G10_059 | 'HOBBS INTERCHANGE - LEA COUNTY INTERCHANGE 230KV CKT 1'          | FROM->TO | 0.72495 | 691.7 | 'CAPROCK REC-PEMBROOK - G09-17T 138.00 138KV CKT 1'               |
| 16WP | 0 | G10_060 | 'HOBBS INTERCHANGE - LEA COUNTY INTERCHANGE 230KV CKT 1'          | FROM->TO | 0.72487 | 691.7 | 'CAPROCK REC-ST LAWRENCE - CAPROCK REC-STILES 138KV CKT 1'        |
| 16WP | 0 | G10_059 | 'HOBBS INTERCHANGE - LEA COUNTY INTERCHANGE 230KV CKT 1'          | FROM->TO | 0.72487 | 691.7 | 'CAPROCK REC-ST LAWRENCE - CAPROCK REC-STILES 138KV CKT 1'        |
| 16WP | 0 | G10_060 | 'HOBBS INTERCHANGE - LEA COUNTY INTERCHANGE 230KV CKT 1'          | FROM->TO | 0.72487 | 691.7 | 'CAPROCK REC-LANGE - CAPROCK REC-ST LAWRENCE 138KV CKT 1'         |
| 16WP | 0 | G10_059 | 'HOBBS INTERCHANGE - LEA COUNTY INTERCHANGE 230KV CKT 1'          | FROM->TO | 0.72487 | 691.7 | 'CAPROCK REC-LANGE - CAPROCK REC-ST LAWRENCE 138KV CKT 1'         |
| 16WP | 0 | G10_060 | 'HOBBS INTERCHANGE - LEA COUNTY INTERCHANGE 230KV CKT 1'          | FROM->TO | 0.72487 | 691.7 | 'CAPROCK REC-BUCHANAN - CAPROCK REC-LANGE 138KV CKT 1'            |
| 16WP | 0 | G10_059 | 'HOBBS INTERCHANGE - LEA COUNTY INTERCHANGE 230KV CKT 1'          | FROM->TO | 0.72487 | 691.7 | 'CAPROCK REC-BUCHANAN - CAPROCK REC-LANGE 138KV CKT 1'            |
| 16WP | 0 | G10_060 | 'CAPROCK REC-PHILLIPS - CAPROCK REC-TATE 138KV CKT 1'             | TO->FROM | 0.23716 | 270.3 | 'LEA COUNTY INTERCHANGE - YOAKUM COUNTY INTERCHANGE 230KV CKT 1'  |
| 16WP | 0 | G10_059 | 'CAPROCK REC-PHILLIPS - CAPROCK REC-TATE 138KV CKT 1'             | TO->FROM | 0.23716 | 270.3 | 'LEA COUNTY INTERCHANGE - YOAKUM COUNTY INTERCHANGE 230KV CKT 1'  |
| 16WP | 0 | G10_060 | 'HOBBS INTERCHANGE - LEA COUNTY INTERCHANGE 115KV CKT 1'          | FROM->TO | 0.24533 | 261.2 | 'HOBBS INTERCHANGE - LEA COUNTY INTERCHANGE 230KV CKT 1'          |
| 16WP | 0 | G10_059 | 'HOBBS INTERCHANGE - LEA COUNTY INTERCHANGE 115KV CKT 1'          | FROM->TO | 0.24533 | 261.2 | 'HOBBS INTERCHANGE - LEA COUNTY INTERCHANGE 230KV CKT 1'          |
| 16WP | 0 | G10_060 | 'TUCO INTERCHANGE (UPDATE DATA) 345/230/13.2KV TRANSFORMER CKT 2' | FROM->TO | 0.41639 | 558.8 | 'TUCO INTERCHANGE (GE M1022338) 345/230/13.2KV TRANSFORMER CKT 1' |
| 16WP | 0 | G10_059 | 'TUCO INTERCHANGE (UPDATE DATA) 345/230/13.2KV TRANSFORMER CKT 2' | FROM->TO | 0.41639 | 558.8 | 'TUCO INTERCHANGE (GE M1022338) 345/230/13.2KV TRANSFORMER CKT 1' |
| 16WP | 0 | G10_060 | 'TUCO INTERCHANGE (UPDATE DATA) 345/230/13.2KV TRANSFORMER CKT 2' | FROM->TO | 0.41639 | 558.9 | 'TUCO INTERCHANGE (GE M1022338) 345/230/13.2KV TRANSFORMER CKT 1' |

|      |   |         |  |          |         |       |   |
|------|---|---------|--|----------|---------|-------|---|
| 16WP | 0 | G10_059 | 'TUCO INTERCHANGE (UPDATE DATA)<br>345/230/13.2KV TRANSFORMER CKT 2' | FROM->TO | 0.41639 | 558.9 | 'TUCO INTERCHANGE (GE M1022338)<br>345/230/13.2KV TRANSFORMER CKT 1'  |
| 16WP | 0 | G10_060 | 'CAPROCK REC-KOCH - CAPROCK REC-REED<br>138KV CKT 1'                 | TO->FROM | 0.2121  | 176   | 'HOBBS INTERCHANGE - LEA COUNTY<br>INTERCHANGE 230KV CKT 1'           |
| 16WP | 0 | G10_059 | 'CAPROCK REC-KOCH - CAPROCK REC-REED<br>138KV CKT 1'                 | TO->FROM | 0.2121  | 176   | 'HOBBS INTERCHANGE - LEA COUNTY<br>INTERCHANGE 230KV CKT 1'           |
| 16WP | 0 | G10_060 | 'CAPROCK REC-KOCH - CAPROCK REC-<br>VEALMOOR 138KV CKT 1'            | FROM->TO | 0.2121  | 176   | 'HOBBS INTERCHANGE - LEA COUNTY<br>INTERCHANGE 230KV CKT 1'           |
| 16WP | 0 | G10_059 | 'CAPROCK REC-KOCH - CAPROCK REC-<br>VEALMOOR 138KV CKT 1'            | FROM->TO | 0.2121  | 176   | 'HOBBS INTERCHANGE - LEA COUNTY<br>INTERCHANGE 230KV CKT 1'           |
| 16WP | 0 | G10_060 | 'CAPROCK REC-PHILLIPS - CAPROCK REC-<br>TATE 138KV CKT 1'            | TO->FROM | 0.21976 | 270.3 | 'AMOCO SWITCHING STATION - YOAKUM<br>COUNTY INTERCHANGE 230KV CKT 1'  |
| 16WP | 0 | G10_059 | 'CAPROCK REC-PHILLIPS - CAPROCK REC-<br>TATE 138KV CKT 1'            | TO->FROM | 0.21976 | 270.3 | 'AMOCO SWITCHING STATION - YOAKUM<br>COUNTY INTERCHANGE 230KV CKT 1'  |
| 16WP | 0 | G10_060 | 'CAPROCK REC-MCDONALD - CR-1956<br>4138.00 138KV CKT 1'              | FROM->TO | 0.29562 | 270.9 | 'HOBBS_INT 7345.00 - MIDLAND 7345.00<br>345KV CKT 1'                  |
| 16WP | 0 | G10_059 | 'CAPROCK REC-MCDONALD - CR-1956<br>4138.00 138KV CKT 1'              | FROM->TO | 0.29562 | 270.9 | 'HOBBS_INT 7345.00 - MIDLAND 7345.00<br>345KV CKT 1'                  |
| 16WP | 0 | G10_060 | 'CAPROCK REC-MCDONALD - CR-1956<br>4138.00 138KV CKT 1'              | FROM->TO | 0.29562 | 270.9 | 'HOBBS_INT 7345.00 (LIKE POTTER)<br>345/230/13.2KV TRANSFORMER CKT 1' |
| 16WP | 0 | G10_059 | 'CAPROCK REC-MCDONALD - CR-1956<br>4138.00 138KV CKT 1'              | FROM->TO | 0.29562 | 270.9 | 'HOBBS_INT 7345.00 (LIKE POTTER)<br>345/230/13.2KV TRANSFORMER CKT 1' |
| 16WP | 0 | G10_060 | 'CAPROCK REC-PHILLIPS - CAPROCK REC-<br>TATE 138KV CKT 1'            | TO->FROM | 0.22321 | 270.3 | 'CUNNINGHAM STATION - LEA COUNTY<br>INTERCHANGE 230KV CKT 1'          |
| 16WP | 0 | G10_059 | 'CAPROCK REC-PHILLIPS - CAPROCK REC-<br>TATE 138KV CKT 1'            | TO->FROM | 0.22321 | 270.3 | 'CUNNINGHAM STATION - LEA COUNTY<br>INTERCHANGE 230KV CKT 1'          |
| 16WP | 0 | G10_060 | 'LEA COUNTY INTERCHANGE - YOAKUM<br>COUNTY INTERCHANGE 230KV CKT 1'  | FROM->TO | 0.38625 | 361   | 'SPP-SWPS-K48'  |
| 16WP | 0 | G10_059 | 'LEA COUNTY INTERCHANGE - YOAKUM<br>COUNTY INTERCHANGE 230KV CKT 1'  | FROM->TO | 0.38625 | 361   | 'SPP-SWPS-K48'  |
| 16WP | 0 | G10_060 | 'LEA COUNTY INTERCHANGE - YOAKUM<br>COUNTY INTERCHANGE 230KV CKT 1'  | FROM->TO | 0.38625 | 361   | 'BORDEN COUNTY INTERCHANGE -<br>GRASSLAND INTERCHANGE 230KV CKT 1'    |
| 16WP | 0 | G10_059 | 'LEA COUNTY INTERCHANGE - YOAKUM<br>COUNTY INTERCHANGE 230KV CKT 1'  | FROM->TO | 0.38625 | 361   | 'BORDEN COUNTY INTERCHANGE -<br>GRASSLAND INTERCHANGE 230KV CKT 1'    |
| 16WP | 0 | G10_060 | 'CAPROCK REC-NEW SCHWARTZ - CR-1956<br>4138.00 138KV CKT 1'          | TO->FROM | 0.29562 | 270.9 | 'HOBBS_INT 7345.00 - MIDLAND 7345.00<br>345KV CKT 1'                  |
| 16WP | 0 | G10_059 | 'CAPROCK REC-NEW SCHWARTZ - CR-1956<br>4138.00 138KV CKT 1'          | TO->FROM | 0.29562 | 270.9 | 'HOBBS_INT 7345.00 - MIDLAND 7345.00<br>345KV CKT 1'                  |
| 16WP | 0 | G10_060 | 'CAPROCK REC-NEW SCHWARTZ - CR-1956<br>4138.00 138KV CKT 1'          | TO->FROM | 0.29562 | 270.9 | 'HOBBS_INT 7345.00 (LIKE POTTER)<br>345/230/13.2KV TRANSFORMER CKT 1' |
| 16WP | 0 | G10_059 | 'CAPROCK REC-NEW SCHWARTZ - CR-1956<br>4138.00 138KV CKT 1'          | TO->FROM | 0.29562 | 270.9 | 'HOBBS_INT 7345.00 (LIKE POTTER)<br>345/230/13.2KV TRANSFORMER CKT 1' |
| 16WP | 0 | G10_060 | 'CAPROCK REC-MCDONALD - CAPROCK REC-<br>PHILLIPS 138KV CKT 1'        | TO->FROM | 0.23716 | 270.7 | 'LEA COUNTY INTERCHANGE - YOAKUM<br>COUNTY INTERCHANGE 230KV CKT 1'   |
| 16WP | 0 | G10_059 | 'CAPROCK REC-MCDONALD - CAPROCK REC-<br>PHILLIPS 138KV CKT 1'        | TO->FROM | 0.23716 | 270.7 | 'LEA COUNTY INTERCHANGE - YOAKUM<br>COUNTY INTERCHANGE 230KV CKT 1'   |
| 16WP | 0 | G10_060 | 'CAPROCK REC-PHILLIPS - CAPROCK REC-<br>TATE 138KV CKT 1'            | TO->FROM | 0.21198 | 270.3 | 'TOLK STATION EAST - TUCO INTERCHANGE<br>230KV CKT 1'                 |
| 16WP | 0 | G10_059 | 'CAPROCK REC-PHILLIPS - CAPROCK REC-<br>TATE 138KV CKT 1'            | TO->FROM | 0.21198 | 270.3 | 'TOLK STATION EAST - TUCO INTERCHANGE<br>230KV CKT 1'                 |

|      |   |         |  |          |         |       |  |
|------|---|---------|--|----------|---------|-------|--|
| 16WP | 0 | G10_060 | 'CAPROCK REC-PHILLIPS - CAPROCK REC-TATE 138KV CKT 1'            | TO->FROM | 0.21477 | 270.3 | 'CUNNINGHAM STATION - EDDY COUNTY INTERCHANGE 230KV CKT 1'         |
| 16WP | 0 | G10_059 | 'CAPROCK REC-PHILLIPS - CAPROCK REC-TATE 138KV CKT 1'            | TO->FROM | 0.21477 | 270.3 | 'CUNNINGHAM STATION - EDDY COUNTY INTERCHANGE 230KV CKT 1'         |
| 16WP | 0 | G10_060 | 'LEA COUNTY INTERCHANGE - YOAKUM COUNTY INTERCHANGE 230KV CKT 1' | FROM->TO | 0.33625 | 361   | 'CUNNINGHAM STATION - EDDY COUNTY INTERCHANGE 230KV CKT 1'         |
| 16WP | 0 | G10_059 | 'LEA COUNTY INTERCHANGE - YOAKUM COUNTY INTERCHANGE 230KV CKT 1' | FROM->TO | 0.33625 | 361   | 'CUNNINGHAM STATION - EDDY COUNTY INTERCHANGE 230KV CKT 1'         |
| 16WP | 0 | G10_060 | 'CAPROCK REC-PHILLIPS - CAPROCK REC-TATE 138KV CKT 1'            | TO->FROM | 0.21555 | 270.3 | 'SUNDOWN INTERCHANGE - WOLFFORTH INTERCHANGE 230KV CKT 1'          |
| 16WP | 0 | G10_059 | 'CAPROCK REC-PHILLIPS - CAPROCK REC-TATE 138KV CKT 1'            | TO->FROM | 0.21555 | 270.3 | 'SUNDOWN INTERCHANGE - WOLFFORTH INTERCHANGE 230KV CKT 1'          |
| 16WP | 0 | G10_060 | 'GRASSLAND INTERCHANGE - Jones Station Bus#2 230KV CKT 1'        | FROM->TO | 0.47163 | 360.4 | 'HOBBS_INT 7345.00 - MIDLAND 7345.00 345KV CKT 1'                  |
| 16WP | 0 | G10_059 | 'GRASSLAND INTERCHANGE - Jones Station Bus#2 230KV CKT 1'        | FROM->TO | 0.47163 | 360.4 | 'HOBBS_INT 7345.00 - MIDLAND 7345.00 345KV CKT 1'                  |
| 16WP | 0 | G10_060 | 'GRASSLAND INTERCHANGE - Jones Station Bus#2 230KV CKT 1'        | FROM->TO | 0.47163 | 360.4 | 'HOBBS_INT 7345.00 (LIKE POTTER) 345/230/13.2KV TRANSFORMER CKT 1' |
| 16WP | 0 | G10_059 | 'GRASSLAND INTERCHANGE - Jones Station Bus#2 230KV CKT 1'        | FROM->TO | 0.47163 | 360.4 | 'HOBBS_INT 7345.00 (LIKE POTTER) 345/230/13.2KV TRANSFORMER CKT 1' |
| 16WP | 0 | G10_060 | 'CAPROCK REC-PHILLIPS - CAPROCK REC-TATE 138KV CKT 1'            | TO->FROM | 0.21046 | 270.3 | 'CUNNINGHAM STATION - POTASH JUNCTION INTERCHANGE 230KV CKT 1'     |
| 16WP | 0 | G10_059 | 'CAPROCK REC-PHILLIPS - CAPROCK REC-TATE 138KV CKT 1'            | TO->FROM | 0.21046 | 270.3 | 'CUNNINGHAM STATION - POTASH JUNCTION INTERCHANGE 230KV CKT 1'     |
| 16WP | 0 | G10_060 | 'CAPROCK REC-PHILLIPS - CAPROCK REC-TATE 138KV CKT 1'            | TO->FROM | 0.22182 | 270.3 | 'TOLK STATION (ABXNL844501) 345/230/13.2KV TRANSFORMER CKT 1'      |
| 16WP | 0 | G10_059 | 'CAPROCK REC-PHILLIPS - CAPROCK REC-TATE 138KV CKT 1'            | TO->FROM | 0.22182 | 270.3 | 'TOLK STATION (ABXNL844501) 345/230/13.2KV TRANSFORMER CKT 1'      |
| 16WP | 0 | G10_060 | 'CAPROCK REC-PHILLIPS - CAPROCK REC-TATE 138KV CKT 1'            | TO->FROM | 0.22182 | 270.3 | 'CHAVESCO 345.00 - TOLK STATION 345KV CKT 1'                       |
| 16WP | 0 | G10_059 | 'CAPROCK REC-PHILLIPS - CAPROCK REC-TATE 138KV CKT 1'            | TO->FROM | 0.22182 | 270.3 | 'CHAVESCO 345.00 - TOLK STATION 345KV CKT 1'                       |
| 16WP | 0 | G10_060 | 'CAPROCK REC-PHILLIPS - CAPROCK REC-TATE 138KV CKT 1'            | TO->FROM | 0.21976 | 270.3 | 'AMOCO SWITCHING STATION - SUNDOWN INTERCHANGE 230KV CKT 1'        |
| 16WP | 0 | G10_059 | 'CAPROCK REC-PHILLIPS - CAPROCK REC-TATE 138KV CKT 1'            | TO->FROM | 0.21976 | 270.3 | 'AMOCO SWITCHING STATION - SUNDOWN INTERCHANGE 230KV CKT 1'        |
| 16WP | 0 | G10_060 | 'CAPROCK REC-PHILLIPS - CAPROCK REC-TATE 138KV CKT 1'            | TO->FROM | 0.20703 | 270.3 | 'Jones Station Bus#2 230/22.0KV TRANSFORMER CKT 1'                 |
| 16WP | 0 | G10_059 | 'CAPROCK REC-PHILLIPS - CAPROCK REC-TATE 138KV CKT 1'            | TO->FROM | 0.20703 | 270.3 | 'Jones Station Bus#2 230/22.0KV TRANSFORMER CKT 1'                 |
| 16WP | 0 | G10_060 | 'CAPROCK REC-PHILLIPS - CAPROCK REC-TATE 138KV CKT 1'            | TO->FROM | 0.20703 | 270.3 | 'JONES STATION 230/22.0KV TRANSFORMER CKT 1'                       |
| 16WP | 0 | G10_059 | 'CAPROCK REC-PHILLIPS - CAPROCK REC-TATE 138KV CKT 1'            | TO->FROM | 0.20703 | 270.3 | 'JONES STATION 230/22.0KV TRANSFORMER CKT 1'                       |
| 16WP | 0 | G10_060 | 'CAPROCK REC-PHILLIPS - CAPROCK REC-TATE 138KV CKT 1'            | TO->FROM | 0.20703 | 270.3 | 'Jones Station Bus#2 230/22.0KV TRANSFORMER CKT 1'                 |
| 16WP | 0 | G10_059 | 'CAPROCK REC-PHILLIPS - CAPROCK REC-TATE 138KV CKT 1'            | TO->FROM | 0.20703 | 270.3 | 'Jones Station Bus#2 230/22.0KV TRANSFORMER CKT 1'                 |
| 16WP | 0 | G10_060 | 'CAPROCK REC-PHILLIPS - CAPROCK REC-TATE 138KV CKT 1'            | TO->FROM | 0.21242 | 270.3 | 'TERRY COUNTY INTERCHANGE - WOLFFORTH INTERCHANGE 115KV CKT 1'     |

|      |   |         |   |          |         |       |   |
|------|---|---------|---|----------|---------|-------|---|
| 16WP | 0 | G10_059 | 'CAPROCK REC-PHILLIPS - CAPROCK REC-TATE 138KV CKT 1'             | TO->FROM | 0.21242 | 270.3 | 'TERRY COUNTY INTERCHANGE - WOLFFORTH INTERCHANGE 115KV CKT 1'            |
| 16WP | 0 | G10_060 | 'CAPROCK REC-PHILLIPS - CAPROCK REC-TATE 138KV CKT 1'             | TO->FROM | 0.20726 | 270.3 | 'SPP-SWPS-T14'  |
| 16WP | 0 | G10_059 | 'CAPROCK REC-PHILLIPS - CAPROCK REC-TATE 138KV CKT 1'             | TO->FROM | 0.20726 | 270.3 | 'SPP-SWPS-T14'  |
| 16WP | 0 | G10_060 | 'CAPROCK REC-PHILLIPS - CAPROCK REC-TATE 138KV CKT 1'             | TO->FROM | 0.2219  | 270.3 | 'EDDY COUNTY INTERCHANGE (ABB AEM30711) 345/230/13.2KV TRANSFORMER CKT 1' |
| 16WP | 0 | G10_059 | 'CAPROCK REC-PHILLIPS - CAPROCK REC-TATE 138KV CKT 1'             | TO->FROM | 0.2219  | 270.3 | 'EDDY COUNTY INTERCHANGE (ABB AEM30711) 345/230/13.2KV TRANSFORMER CKT 1' |
| 16WP | 0 | G10_060 | 'CAPROCK REC-PHILLIPS - CAPROCK REC-TATE 138KV CKT 1'             | TO->FROM | 0.20955 | 270.3 | 'NEWHART 6230.00 - PLANT X STATION 230KV CKT 1'                           |
| 16WP | 0 | G10_059 | 'CAPROCK REC-PHILLIPS - CAPROCK REC-TATE 138KV CKT 1'             | TO->FROM | 0.20955 | 270.3 | 'NEWHART 6230.00 - PLANT X STATION 230KV CKT 1'                           |
| 16WP | 0 | G10_060 | 'LEA COUNTY INTERCHANGE - YOAKUM COUNTY INTERCHANGE 230KV CKT 1'  | FROM->TO | 0.3402  | 361   | 'CAPROCK REC-MCDONALD - CAPROCK REC-TRIANGLE 138KV CKT 1'                 |
| 16WP | 0 | G10_059 | 'LEA COUNTY INTERCHANGE - YOAKUM COUNTY INTERCHANGE 230KV CKT 1'  | FROM->TO | 0.3402  | 361   | 'CAPROCK REC-MCDONALD - CAPROCK REC-TRIANGLE 138KV CKT 1'                 |
| 16WP | 0 | G10_060 | 'LEA COUNTY INTERCHANGE - YOAKUM COUNTY INTERCHANGE 230KV CKT 1'  | FROM->TO | 0.3402  | 361   | 'CAPROCK REC-GRADY - CAPROCK REC-TRIANGLE 138KV CKT 1'                    |
| 16WP | 0 | G10_059 | 'LEA COUNTY INTERCHANGE - YOAKUM COUNTY INTERCHANGE 230KV CKT 1'  | FROM->TO | 0.3402  | 361   | 'CAPROCK REC-GRADY - CAPROCK REC-TRIANGLE 138KV CKT 1'                    |
| 16WP | 0 | G10_060 | 'CAPROCK REC-NEW SCHWARTZ - CAPROCK REC-PEMBROOK 138KV CKT 1'     | FROM->TO | 0.29562 | 271   | 'HOBBS_INT 7345.00 - MIDLAND 7345.00 345KV CKT 1'                         |
| 16WP | 0 | G10_059 | 'CAPROCK REC-NEW SCHWARTZ - CAPROCK REC-PEMBROOK 138KV CKT 1'     | FROM->TO | 0.29562 | 271   | 'HOBBS_INT 7345.00 - MIDLAND 7345.00 345KV CKT 1'                         |
| 16WP | 0 | G10_060 | 'CAPROCK REC-NEW SCHWARTZ - CAPROCK REC-PEMBROOK 138KV CKT 1'     | FROM->TO | 0.29562 | 271   | 'HOBBS_INT 7345.00 (LIKE POTTER) 345/230/13.2KV TRANSFORMER CKT 1'        |
| 16WP | 0 | G10_059 | 'CAPROCK REC-NEW SCHWARTZ - CAPROCK REC-PEMBROOK 138KV CKT 1'     | FROM->TO | 0.29562 | 271   | 'HOBBS_INT 7345.00 (LIKE POTTER) 345/230/13.2KV TRANSFORMER CKT 1'        |
| 16WP | 0 | G10_060 | 'CAPROCK REC-MCDONALD - CAPROCK REC-PHILLIPS 138KV CKT 1'         | TO->FROM | 0.21976 | 270.7 | 'AMOCO SWITCHING STATION - YOAKUM COUNTY INTERCHANGE 230KV CKT 1'         |
| 16WP | 0 | G10_059 | 'CAPROCK REC-MCDONALD - CAPROCK REC-PHILLIPS 138KV CKT 1'         | TO->FROM | 0.21976 | 270.7 | 'AMOCO SWITCHING STATION - YOAKUM COUNTY INTERCHANGE 230KV CKT 1'         |
| 16WP | 0 | G10_060 | 'LEA COUNTY INTERCHANGE - YOAKUM COUNTY INTERCHANGE 230KV CKT 1'  | FROM->TO | 0.3402  | 361   | 'CAPROCK REC-GRADY - CAPROCK REC-REED 138KV CKT 1'                        |
| 16WP | 0 | G10_059 | 'LEA COUNTY INTERCHANGE - YOAKUM COUNTY INTERCHANGE 230KV CKT 1'  | FROM->TO | 0.3402  | 361   | 'CAPROCK REC-GRADY - CAPROCK REC-REED 138KV CKT 1'                        |
| 16WP | 0 | G10_060 | 'LEA COUNTY INTERCHANGE - YOAKUM COUNTY INTERCHANGE 230KV CKT 1'  | FROM->TO | 0.31773 | 361   | 'CUNNINGHAM STATION - POTASH JUNCTION INTERCHANGE 230KV CKT 1'            |
| 16WP | 0 | G10_059 | 'LEA COUNTY INTERCHANGE - YOAKUM COUNTY INTERCHANGE 230KV CKT 1'  | FROM->TO | 0.31773 | 361   | 'CUNNINGHAM STATION - POTASH JUNCTION INTERCHANGE 230KV CKT 1'            |
| 16WP | 0 | G10_060 | 'AMOCO SWITCHING STATION - YOAKUM COUNTY INTERCHANGE 230KV CKT 1' | TO->FROM | 0.24942 | 359.5 | 'MIDLAND 7345.00 (LIKE WICHITA) 345/138/13.8KV TRANSFORMER CKT 1'         |
| 16WP | 0 | G10_059 | 'AMOCO SWITCHING STATION - YOAKUM COUNTY INTERCHANGE 230KV CKT 1' | TO->FROM | 0.24942 | 359.5 | 'MIDLAND 7345.00 (LIKE WICHITA) 345/138/13.8KV TRANSFORMER CKT 1'         |
| 16WP | 0 | G10_060 | 'LEA COUNTY INTERCHANGE - YOAKUM COUNTY INTERCHANGE 230KV CKT 1'  | FROM->TO | 0.3402  | 361   | 'CAPROCK REC-KOCH - CAPROCK REC-REED 138KV CKT 1'                         |

|      |   |         |   |          |         |       |   |
|------|---|---------|---|----------|---------|-------|---|
| 16WP | 0 | G10_059 | 'LEA COUNTY INTERCHANGE - YOAKUM COUNTY INTERCHANGE 230KV CKT 1'  | FROM->TO | 0.3402  | 361   | 'CAPROCK REC-KOCH - CAPROCK REC-REED 138KV CKT 1'   |
| 16WP | 0 | G10_060 | 'LEA COUNTY INTERCHANGE - YOAKUM COUNTY INTERCHANGE 230KV CKT 1'  | FROM->TO | 0.3402  | 361   | 'CAPROCK REC-KOCH - CAPROCK REC-VEALMOOR 138KV CKT 1'   |
| 16WP | 0 | G10_059 | 'LEA COUNTY INTERCHANGE - YOAKUM COUNTY INTERCHANGE 230KV CKT 1'  | FROM->TO | 0.3402  | 361   | 'CAPROCK REC-KOCH - CAPROCK REC-VEALMOOR 138KV CKT 1'   |
| 16WP | 0 | G10_060 | 'LEA COUNTY INTERCHANGE - YOAKUM COUNTY INTERCHANGE 230KV CKT 1'  | FROM->TO | 0.32388 | 361   | 'JOHNSON_DRW3115.00 - TAYLOR SWITCHING STATION 115KV CKT 1'                                   |
| 16WP | 0 | G10_059 | 'LEA COUNTY INTERCHANGE - YOAKUM COUNTY INTERCHANGE 230KV CKT 1'  | FROM->TO | 0.32388 | 361   | 'JOHNSON_DRW3115.00 - TAYLOR SWITCHING STATION 115KV CKT 1'                                   |
| 16WP | 0 | G10_060 | 'CAPROCK REC-MCDONALD - CAPROCK REC-PHILLIPS 138KV CKT 1'         | TO->FROM | 0.22321 | 270.7 | 'CUNNINGHAM STATION - LEA COUNTY INTERCHANGE 230KV CKT 1'                                     |
| 16WP | 0 | G10_059 | 'CAPROCK REC-MCDONALD - CAPROCK REC-PHILLIPS 138KV CKT 1'         | TO->FROM | 0.22321 | 270.7 | 'CUNNINGHAM STATION - LEA COUNTY INTERCHANGE 230KV CKT 1'                                     |
| 16WP | 0 | G10_060 | 'LEA COUNTY INTERCHANGE - YOAKUM COUNTY INTERCHANGE 230KV CKT 1'  | FROM->TO | 0.30085 | 329   | 'BASE CASE'   |
| 16WP | 0 | G10_059 | 'LEA COUNTY INTERCHANGE - YOAKUM COUNTY INTERCHANGE 230KV CKT 1'  | FROM->TO | 0.30085 | 329   | 'BASE CASE'   |
| 16WP | 0 | G10_060 | 'LEA COUNTY INTERCHANGE - YOAKUM COUNTY INTERCHANGE 230KV CKT 1'  | FROM->TO | 0.30085 | 361   | 'Golden Spread REC - Mustang Interchange 230 kV Generation Bus - MUSTANG STATION 230KV CKT 1' |
| 16WP | 0 | G10_059 | 'LEA COUNTY INTERCHANGE - YOAKUM COUNTY INTERCHANGE 230KV CKT 1'  | FROM->TO | 0.30085 | 361   | 'Golden Spread REC - Mustang Interchange 230 kV Generation Bus - MUSTANG STATION 230KV CKT 1' |
| 16WP | 0 | G10_060 | 'LEA COUNTY INTERCHANGE - YOAKUM COUNTY INTERCHANGE 230KV CKT 1'  | FROM->TO | 0.36595 | 361   | 'CHAVESCO 345.00 - TOLK STATION 345KV CKT 1'  |
| 16WP | 0 | G10_059 | 'LEA COUNTY INTERCHANGE - YOAKUM COUNTY INTERCHANGE 230KV CKT 1'  | FROM->TO | 0.36595 | 361   | 'CHAVESCO 345.00 - TOLK STATION 345KV CKT 1'  |
| 16WP | 0 | G10_060 | 'LEA COUNTY INTERCHANGE - YOAKUM COUNTY INTERCHANGE 230KV CKT 1'  | FROM->TO | 0.36595 | 361   | 'TOLK STATION (ABBXNL844501) 345/230/13.2KV TRANSFORMER CKT 1'                                |
| 16WP | 0 | G10_059 | 'LEA COUNTY INTERCHANGE - YOAKUM COUNTY INTERCHANGE 230KV CKT 1'  | FROM->TO | 0.36595 | 361   | 'TOLK STATION (ABBXNL844501) 345/230/13.2KV TRANSFORMER CKT 1'                                |
| 16WP | 0 | G10_060 | 'AMOCO SWITCHING STATION - YOAKUM COUNTY INTERCHANGE 230KV CKT 1' | TO->FROM | 0.24942 | 359.5 | 'CAPROCK REC-PHILLIPS - CAPROCK REC-TATE 138KV CKT 1'   |
| 16WP | 0 | G10_059 | 'AMOCO SWITCHING STATION - YOAKUM COUNTY INTERCHANGE 230KV CKT 1' | TO->FROM | 0.24942 | 359.5 | 'CAPROCK REC-PHILLIPS - CAPROCK REC-TATE 138KV CKT 1'   |
| 16WP | 0 | G10_060 | 'CAPROCK REC-ST LAWRENCE - CAPROCK REC-STILES 138KV CKT 1'        | TO->FROM | 0.29542 | 271   | 'HOBBS_INT 7345.00 (LIKE POTTER) 345/230/13.2KV TRANSFORMER CKT 1'                            |
| 16WP | 0 | G10_059 | 'CAPROCK REC-ST LAWRENCE - CAPROCK REC-STILES 138KV CKT 1'        | TO->FROM | 0.29542 | 271   | 'HOBBS_INT 7345.00 (LIKE POTTER) 345/230/13.2KV TRANSFORMER CKT 1'                            |
| 16WP | 0 | G10_060 | 'CAPROCK REC-ST LAWRENCE - CAPROCK REC-STILES 138KV CKT 1'        | TO->FROM | 0.29542 | 271   | 'HOBBS_INT 7345.00 - MIDLAND 7345.00 345KV CKT 1'   |
| 16WP | 0 | G10_059 | 'CAPROCK REC-ST LAWRENCE - CAPROCK REC-STILES 138KV CKT 1'        | TO->FROM | 0.29542 | 271   | 'HOBBS_INT 7345.00 - MIDLAND 7345.00 345KV CKT 1'   |
| 16WP | 0 | G10_060 | 'AMOCO SWITCHING STATION - YOAKUM COUNTY INTERCHANGE 230KV CKT 1' | TO->FROM | 0.24942 | 359.5 | 'CAPROCK REC-MCDONALD - CAPROCK REC-PHILLIPS 138KV CKT 1'                                     |
| 16WP | 0 | G10_059 | 'AMOCO SWITCHING STATION - YOAKUM COUNTY INTERCHANGE 230KV CKT 1' | TO->FROM | 0.24942 | 359.5 | 'CAPROCK REC-MCDONALD - CAPROCK REC-PHILLIPS 138KV CKT 1'                                     |
| 16WP | 0 | G10_060 | 'CAPROCK REC-MCDONALD - CAPROCK REC-PHILLIPS 138KV CKT 1'         | TO->FROM | 0.21198 | 270.7 | 'TOLK STATION EAST - TUCO INTERCHANGE 230KV CKT 1'  |

|      |   |         |  |          |         |       |   |
|------|---|---------|--|----------|---------|-------|---|
| 16WP | 0 | G10_059 | 'CAPROCK REC-MCDONALD - CAPROCK REC-PHILLIPS 138KV CKT 1'        | TO->FROM | 0.21198 | 270.7 | 'TOLK STATION EAST - TUCO INTERCHANGE 230KV CKT 1'                                    |
| 16WP | 0 | G10_060 | 'LEA COUNTY INTERCHANGE - YOAKUM COUNTY INTERCHANGE 230KV CKT 1' | FROM->TO | 0.36629 | 361   | 'EDDY COUNTY INTERCHANGE (ABB AEM30711) 345/230/13.2KV TRANSFORMER CKT 1'             |
| 16WP | 0 | G10_059 | 'LEA COUNTY INTERCHANGE - YOAKUM COUNTY INTERCHANGE 230KV CKT 1' | FROM->TO | 0.36629 | 361   | 'EDDY COUNTY INTERCHANGE (ABB AEM30711) 345/230/13.2KV TRANSFORMER CKT 1'             |
| 16WP | 0 | G10_060 | 'LEA COUNTY INTERCHANGE - YOAKUM COUNTY INTERCHANGE 230KV CKT 1' | FROM->TO | 0.36629 | 361   | 'CHAVESCO 345.00 - EDDY COUNTY INTERCHANGE 345KV CKT 1'                               |
| 16WP | 0 | G10_059 | 'LEA COUNTY INTERCHANGE - YOAKUM COUNTY INTERCHANGE 230KV CKT 1' | FROM->TO | 0.36629 | 361   | 'CHAVESCO 345.00 - EDDY COUNTY INTERCHANGE 345KV CKT 1'                               |
| 16WP | 0 | G10_060 | 'CAPROCK REC-MCDONALD - CAPROCK REC-PHILLIPS 138KV CKT 1'        | TO->FROM | 0.21477 | 270.7 | 'CUNNINGHAM STATION - EDDY COUNTY INTERCHANGE 230KV CKT 1'                            |
| 16WP | 0 | G10_059 | 'CAPROCK REC-MCDONALD - CAPROCK REC-PHILLIPS 138KV CKT 1'        | TO->FROM | 0.21477 | 270.7 | 'CUNNINGHAM STATION - EDDY COUNTY INTERCHANGE 230KV CKT 1'                            |
| 16WP | 0 | G10_060 | 'LEA COUNTY INTERCHANGE - YOAKUM COUNTY INTERCHANGE 230KV CKT 1' | FROM->TO | 0.31902 | 361   | 'LEA COUNTY REC-LOVINGTON INTERCHANGE - LEA COUNTY REC-WAITS INTERCHANGE 115KV CKT 1' |
| 16WP | 0 | G10_059 | 'LEA COUNTY INTERCHANGE - YOAKUM COUNTY INTERCHANGE 230KV CKT 1' | FROM->TO | 0.31902 | 361   | 'LEA COUNTY REC-LOVINGTON INTERCHANGE - LEA COUNTY REC-WAITS INTERCHANGE 115KV CKT 1' |
| 16WP | 0 | G10_060 | 'CAPROCK REC-MCDONALD - CAPROCK REC-PHILLIPS 138KV CKT 1'        | TO->FROM | 0.21555 | 270.7 | 'SUNDOWN INTERCHANGE - WOLFFORTH INTERCHANGE 230KV CKT 1'                             |
| 16WP | 0 | G10_059 | 'CAPROCK REC-MCDONALD - CAPROCK REC-PHILLIPS 138KV CKT 1'        | TO->FROM | 0.21555 | 270.7 | 'SUNDOWN INTERCHANGE - WOLFFORTH INTERCHANGE 230KV CKT 1'                             |
| 16WP | 0 | G10_060 | 'NEWHART 6230.00 - PLANT X STATION 230KV CKT 1'                  | TO->FROM | 0.20732 | 360.7 | 'DEAF SMITH COUNTY INTERCHANGE - PLANT X STATION 230KV CKT 1'                         |
| 16WP | 0 | G10_059 | 'NEWHART 6230.00 - PLANT X STATION 230KV CKT 1'                  | TO->FROM | 0.20732 | 360.7 | 'DEAF SMITH COUNTY INTERCHANGE - PLANT X STATION 230KV CKT 1'                         |
| 16WP | 0 | G10_060 | 'CAPROCK REC-MCDONALD - CAPROCK REC-PHILLIPS 138KV CKT 1'        | TO->FROM | 0.22182 | 270.7 | 'TOLK STATION (ABBXNL844501) 345/230/13.2KV TRANSFORMER CKT 1'                        |
| 16WP | 0 | G10_059 | 'CAPROCK REC-MCDONALD - CAPROCK REC-PHILLIPS 138KV CKT 1'        | TO->FROM | 0.22182 | 270.7 | 'TOLK STATION (ABBXNL844501) 345/230/13.2KV TRANSFORMER CKT 1'                        |
| 16WP | 0 | G10_060 | 'CAPROCK REC-MCDONALD - CAPROCK REC-PHILLIPS 138KV CKT 1'        | TO->FROM | 0.22182 | 270.7 | 'CHAVESCO 345.00 - TOLK STATION 345KV CKT 1'  |
| 16WP | 0 | G10_059 | 'CAPROCK REC-MCDONALD - CAPROCK REC-PHILLIPS 138KV CKT 1'        | TO->FROM | 0.22182 | 270.7 | 'CHAVESCO 345.00 - TOLK STATION 345KV CKT 1'  |
| 16WP | 0 | G10_060 | 'CAPROCK REC-MCDONALD - CAPROCK REC-PHILLIPS 138KV CKT 1'        | TO->FROM | 0.21976 | 270.7 | 'AMOCO SWITCHING STATION - SUNDOWN INTERCHANGE 230KV CKT 1'                           |
| 16WP | 0 | G10_059 | 'CAPROCK REC-MCDONALD - CAPROCK REC-PHILLIPS 138KV CKT 1'        | TO->FROM | 0.21976 | 270.7 | 'AMOCO SWITCHING STATION - SUNDOWN INTERCHANGE 230KV CKT 1'                           |
| 16WP | 0 | G10_060 | 'CAPROCK REC-MCDONALD - CAPROCK REC-PHILLIPS 138KV CKT 1'        | TO->FROM | 0.21046 | 270.7 | 'CUNNINGHAM STATION - POTASH JUNCTION INTERCHANGE 230KV CKT 1'                        |
| 16WP | 0 | G10_059 | 'CAPROCK REC-MCDONALD - CAPROCK REC-PHILLIPS 138KV CKT 1'        | TO->FROM | 0.21046 | 270.7 | 'CUNNINGHAM STATION - POTASH JUNCTION INTERCHANGE 230KV CKT 1'                        |
| 16WP | 0 | G10_060 | 'CAPROCK REC-MCDONALD - CAPROCK REC-PHILLIPS 138KV CKT 1'        | TO->FROM | 0.20703 | 270.7 | 'Jones Station Bus#2 230/22.0KV TRANSFORMER CKT 1'                                    |
| 16WP | 0 | G10_059 | 'CAPROCK REC-MCDONALD - CAPROCK REC-PHILLIPS 138KV CKT 1'        | TO->FROM | 0.20703 | 270.7 | 'Jones Station Bus#2 230/22.0KV TRANSFORMER CKT 1'                                    |

|      |   |         |   |          |         |       |   |
|------|---|---------|---|----------|---------|-------|---|
| 16WP | 0 | G10_060 | 'CAPROCK REC-MCDONALD - CAPROCK REC-PHILLIPS 138KV CKT 1'   | TO->FROM | 0.20703 | 270.7 | 'JONES STATION 230/22.0KV TRANSFORMER CKT 1'                              |
| 16WP | 0 | G10_059 | 'CAPROCK REC-MCDONALD - CAPROCK REC-PHILLIPS 138KV CKT 1'   | TO->FROM | 0.20703 | 270.7 | 'JONES STATION 230/22.0KV TRANSFORMER CKT 1'                              |
| 16WP | 0 | G10_060 | 'CAPROCK REC-MCDONALD - CAPROCK REC-PHILLIPS 138KV CKT 1'   | TO->FROM | 0.20703 | 270.7 | 'Jones Station Bus#2 230/22.0KV TRANSFORMER CKT 1'                        |
| 16WP | 0 | G10_059 | 'CAPROCK REC-MCDONALD - CAPROCK REC-PHILLIPS 138KV CKT 1'   | TO->FROM | 0.20703 | 270.7 | 'Jones Station Bus#2 230/22.0KV TRANSFORMER CKT 1'                        |
| 16WP | 0 | G10_060 | 'CAPROCK REC-MCDONALD - CAPROCK REC-PHILLIPS 138KV CKT 1'   | TO->FROM | 0.21242 | 270.7 | 'TERRY COUNTY INTERCHANGE - WOLFFORTH INTERCHANGE 115KV CKT 1'            |
| 16WP | 0 | G10_059 | 'CAPROCK REC-MCDONALD - CAPROCK REC-PHILLIPS 138KV CKT 1'   | TO->FROM | 0.21242 | 270.7 | 'TERRY COUNTY INTERCHANGE - WOLFFORTH INTERCHANGE 115KV CKT 1'            |
| 16WP | 0 | G10_060 | 'CAPROCK REC-MCDONALD - CAPROCK REC-PHILLIPS 138KV CKT 1'   | TO->FROM | 0.2219  | 270.7 | 'EDDY COUNTY INTERCHANGE (ABB AEM30711) 345/230/13.2KV TRANSFORMER CKT 1' |
| 16WP | 0 | G10_059 | 'CAPROCK REC-MCDONALD - CAPROCK REC-PHILLIPS 138KV CKT 1'   | TO->FROM | 0.2219  | 270.7 | 'EDDY COUNTY INTERCHANGE (ABB AEM30711) 345/230/13.2KV TRANSFORMER CKT 1' |
| 16WP | 0 | G10_060 | 'CAPROCK REC-MCDONALD - CAPROCK REC-PHILLIPS 138KV CKT 1'   | TO->FROM | 0.2219  | 270.7 | 'CHAVESCO 345.00 - EDDY COUNTY INTERCHANGE 345KV CKT 1'                   |
| 16WP | 0 | G10_059 | 'CAPROCK REC-MCDONALD - CAPROCK REC-PHILLIPS 138KV CKT 1'   | TO->FROM | 0.2219  | 270.7 | 'CHAVESCO 345.00 - EDDY COUNTY INTERCHANGE 345KV CKT 1'                   |
| 16WP | 0 | G10_060 | 'CAPROCK REC-BUCHANAN - CAPROCK REC-LANGE 138KV CKT 1'      | TO->FROM | 0.29542 | 271   | 'HOBBS_INT 7345.00 - MIDLAND 7345.00 345KV CKT 1'                         |
| 16WP | 0 | G10_059 | 'CAPROCK REC-BUCHANAN - CAPROCK REC-LANGE 138KV CKT 1'      | TO->FROM | 0.29542 | 271   | 'HOBBS_INT 7345.00 - MIDLAND 7345.00 345KV CKT 1'                         |
| 16WP | 0 | G10_060 | 'CAPROCK REC-BUCHANAN - CAPROCK REC-LANGE 138KV CKT 1'      | TO->FROM | 0.29542 | 271   | 'HOBBS_INT 7345.00 (LIKE POTTER) 345/230/13.2KV TRANSFORMER CKT 1'        |
| 16WP | 0 | G10_059 | 'CAPROCK REC-BUCHANAN - CAPROCK REC-LANGE 138KV CKT 1'      | TO->FROM | 0.29542 | 271   | 'HOBBS_INT 7345.00 (LIKE POTTER) 345/230/13.2KV TRANSFORMER CKT 1'        |
| 16WP | 0 | G10_060 | 'CAPROCK REC-MCDONALD - CAPROCK REC-PHILLIPS 138KV CKT 1'   | TO->FROM | 0.20955 | 270.7 | 'NEWHART 6230.00 - PLANT X STATION 230KV CKT 1'                           |
| 16WP | 0 | G10_059 | 'CAPROCK REC-MCDONALD - CAPROCK REC-PHILLIPS 138KV CKT 1'   | TO->FROM | 0.20955 | 270.7 | 'NEWHART 6230.00 - PLANT X STATION 230KV CKT 1'                           |
| 16WP | 0 | G10_060 | 'CUNNINGHAM STATION - LEA COUNTY INTERCHANGE 230KV CKT 1'   | TO->FROM | 0.47795 | 556.7 | 'LEA COUNTY INTERCHANGE - YOAKUM COUNTY INTERCHANGE 230KV CKT 1'          |
| 16WP | 0 | G10_059 | 'CUNNINGHAM STATION - LEA COUNTY INTERCHANGE 230KV CKT 1'   | TO->FROM | 0.47795 | 556.7 | 'LEA COUNTY INTERCHANGE - YOAKUM COUNTY INTERCHANGE 230KV CKT 1'          |
| 16WP | 0 | G10_060 | 'CAPROCK REC-BUCHANAN - CAPROCK REC-RUSSEL TAP 138KV CKT 1' | FROM->TO | 0.29542 | 271   | 'HOBBS_INT 7345.00 - MIDLAND 7345.00 345KV CKT 1'                         |
| 16WP | 0 | G10_059 | 'CAPROCK REC-BUCHANAN - CAPROCK REC-RUSSEL TAP 138KV CKT 1' | FROM->TO | 0.29542 | 271   | 'HOBBS_INT 7345.00 - MIDLAND 7345.00 345KV CKT 1'                         |
| 16WP | 0 | G10_060 | 'CAPROCK REC-BUCHANAN - CAPROCK REC-RUSSEL TAP 138KV CKT 1' | FROM->TO | 0.29542 | 271   | 'HOBBS_INT 7345.00 (LIKE POTTER) 345/230/13.2KV TRANSFORMER CKT 1'        |
| 16WP | 0 | G10_059 | 'CAPROCK REC-BUCHANAN - CAPROCK REC-RUSSEL TAP 138KV CKT 1' | FROM->TO | 0.29542 | 271   | 'HOBBS_INT 7345.00 (LIKE POTTER) 345/230/13.2KV TRANSFORMER CKT 1'        |
| 16WP | 0 | G10_060 | 'CAPROCK REC-RUSSEL TAP - CAPROCK REC-VEALMOOR 138KV CKT 1' | FROM->TO | 0.29542 | 271   | 'HOBBS_INT 7345.00 - MIDLAND 7345.00 345KV CKT 1'                         |
| 16WP | 0 | G10_059 | 'CAPROCK REC-RUSSEL TAP - CAPROCK REC-VEALMOOR 138KV CKT 1' | FROM->TO | 0.29542 | 271   | 'HOBBS_INT 7345.00 - MIDLAND 7345.00 345KV CKT 1'                         |



|      |   |         |   |          |         |       |  |
|------|---|---------|---|----------|---------|-------|--|
| 16WP | 0 | G10_060 | 'CAPROCK REC-RUSSEL TAP - CAPROCK REC-VEALMOOR 138KV CKT 1'       | FROM->TO | 0.29542 | 271   | 'HOBBS_INT 7345.00 (LIKE POTTER) 345/230/13.2KV TRANSFORMER CKT 1' |
| 16WP | 0 | G10_059 | 'CAPROCK REC-RUSSEL TAP - CAPROCK REC-VEALMOOR 138KV CKT 1'       | FROM->TO | 0.29542 | 271   | 'HOBBS_INT 7345.00 (LIKE POTTER) 345/230/13.2KV TRANSFORMER CKT 1' |
| 16WP | 0 | G10_060 | 'MIDLAND 7345.00 (LIKE WICHITA) 345/138/13.8KV TRANSFORMER CKT 1' | FROM->TO | 0.30121 | 419.3 | 'HOBBS INTERCHANGE - LEA COUNTY INTERCHANGE 230KV CKT 1'           |
| 16WP | 0 | G10_059 | 'MIDLAND 7345.00 (LIKE WICHITA) 345/138/13.8KV TRANSFORMER CKT 1' | FROM->TO | 0.30121 | 419.3 | 'HOBBS INTERCHANGE - LEA COUNTY INTERCHANGE 230KV CKT 1'           |
| 16WP | 0 | G10_060 | 'MIDLAND 7345.00 (LIKE WICHITA) 345/138/13.8KV TRANSFORMER CKT 1' | FROM->TO | 0.30121 | 419.4 | 'HOBBS INTERCHANGE - LEA COUNTY INTERCHANGE 230KV CKT 1'           |
| 16WP | 0 | G10_059 | 'MIDLAND 7345.00 (LIKE WICHITA) 345/138/13.8KV TRANSFORMER CKT 1' | FROM->TO | 0.30121 | 419.4 | 'HOBBS INTERCHANGE - LEA COUNTY INTERCHANGE 230KV CKT 1'           |
| 16WP | 0 | G10_060 | 'BORDEN COUNTY INTERCHANGE 230/138KV TRANSFORMER CKT 1'           | TO->FROM | 0.19674 | 167.8 | 'BORDEN COUNTY INTERCHANGE 230/138KV TRANSFORMER CKT 2'            |
| 16WP | 0 | G10_059 | 'BORDEN COUNTY INTERCHANGE 230/138KV TRANSFORMER CKT 1'           | TO->FROM | 0.19674 | 167.8 | 'BORDEN COUNTY INTERCHANGE 230/138KV TRANSFORMER CKT 2'            |
| 16WP | 0 | G10_060 | 'AMOCO SWITCHING STATION - YOAKUM COUNTY INTERCHANGE 230KV CKT 1' | TO->FROM | 0.24936 | 359.5 | 'SPP-SWPS-K48'   |
| 16WP | 0 | G10_059 | 'AMOCO SWITCHING STATION - YOAKUM COUNTY INTERCHANGE 230KV CKT 1' | TO->FROM | 0.24936 | 359.5 | 'SPP-SWPS-K48'   |
| 16WP | 0 | G10_060 | 'AMOCO SWITCHING STATION - YOAKUM COUNTY INTERCHANGE 230KV CKT 1' | TO->FROM | 0.24936 | 359.5 | 'BORDEN COUNTY INTERCHANGE - GRASSLAND INTERCHANGE 230KV CKT 1'    |
| 16WP | 0 | G10_059 | 'AMOCO SWITCHING STATION - YOAKUM COUNTY INTERCHANGE 230KV CKT 1' | TO->FROM | 0.24936 | 359.5 | 'BORDEN COUNTY INTERCHANGE - GRASSLAND INTERCHANGE 230KV CKT 1'    |
| 16WP | 0 | G10_060 | 'CUNNINGHAM STATION - EDDY COUNTY INTERCHANGE 230KV CKT 1'        | FROM->TO | 0.20891 | 360.8 | 'CUNNINGHAM STATION - POTASH JUNCTION INTERCHANGE 230KV CKT 1'     |
| 16WP | 0 | G10_059 | 'CUNNINGHAM STATION - EDDY COUNTY INTERCHANGE 230KV CKT 1'        | FROM->TO | 0.20891 | 360.8 | 'CUNNINGHAM STATION - POTASH JUNCTION INTERCHANGE 230KV CKT 1'     |
| 16WP | 0 | G10_060 | 'NEWHART 6230.00 - PLANT X STATION 230KV CKT 1'                   | TO->FROM | 0.20849 | 360.7 | 'DEAF SMITH COUNTY INTERCHANGE - S-RANDLCO 230.00 230KV CKT 1'     |
| 16WP | 0 | G10_059 | 'NEWHART 6230.00 - PLANT X STATION 230KV CKT 1'                   | TO->FROM | 0.20849 | 360.7 | 'DEAF SMITH COUNTY INTERCHANGE - S-RANDLCO 230.00 230KV CKT 1'     |
| 16WP | 0 | G10_060 | 'DEAF SMITH COUNTY INTERCHANGE - PLANT X STATION 230KV CKT 1'     | TO->FROM | 0.19773 | 360.9 | 'NEWHART 6230.00 - PLANT X STATION 230KV CKT 1'                    |
| 16WP | 0 | G10_059 | 'DEAF SMITH COUNTY INTERCHANGE - PLANT X STATION 230KV CKT 1'     | TO->FROM | 0.19773 | 360.9 | 'NEWHART 6230.00 - PLANT X STATION 230KV CKT 1'                    |
| 16WP | 0 | G10_060 | 'CUNNINGHAM STATION - LEA COUNTY INTERCHANGE 230KV CKT 1'         | TO->FROM | 0.40382 | 556.7 | 'MIDLAND 7345.00 (LIKE WICHITA) 345/138/13.8KV TRANSFORMER CKT 1'  |
| 16WP | 0 | G10_059 | 'CUNNINGHAM STATION - LEA COUNTY INTERCHANGE 230KV CKT 1'         | TO->FROM | 0.40382 | 556.7 | 'MIDLAND 7345.00 (LIKE WICHITA) 345/138/13.8KV TRANSFORMER CKT 1'  |
| 16WP | 0 | G10_060 | 'CAPROCK REC-MCDONALD - CAPROCK REC-TRIANGLE 138KV CKT 1'         | FROM->TO | 0.2121  | 271   | 'HOBBS INTERCHANGE - LEA COUNTY INTERCHANGE 230KV CKT 1'           |
| 16WP | 0 | G10_059 | 'CAPROCK REC-MCDONALD - CAPROCK REC-TRIANGLE 138KV CKT 1'         | FROM->TO | 0.2121  | 271   | 'HOBBS INTERCHANGE - LEA COUNTY INTERCHANGE 230KV CKT 1'           |
| 16WP | 0 | G10_060 | 'AMOCO SWITCHING STATION - YOAKUM COUNTY INTERCHANGE 230KV CKT 1' | TO->FROM | 0.24349 | 359.5 | 'TOLK STATION WEST - YOAKUM COUNTY INTERCHANGE 230KV CKT 1'        |
| 16WP | 0 | G10_059 | 'AMOCO SWITCHING STATION - YOAKUM COUNTY INTERCHANGE 230KV CKT 1' | TO->FROM | 0.24349 | 359.5 | 'TOLK STATION WEST - YOAKUM COUNTY INTERCHANGE 230KV CKT 1'        |
| 16WP | 0 | G10_060 | 'CUNNINGHAM STATION - LEA COUNTY INTERCHANGE 230KV CKT 1'         | TO->FROM | 0.40382 | 556.7 | 'CAPROCK REC-PHILLIPS - CAPROCK REC-TATE 138KV CKT 1'              |

|      |   |         |   |          |         |       |  |
|------|---|---------|---|----------|---------|-------|--|
| 16WP | 0 | G10_059 | 'CUNNINGHAM STATION - LEA COUNTY INTERCHANGE 230KV CKT 1'         | TO->FROM | 0.40382 | 556.7 | 'CAPROCK REC-PHILLIPS - CAPROCK REC-TATE 138KV CKT 1'              |
| 16WP | 0 | G10_060 | 'LUBBOCK SOUTH INTERCHANGE - WOLFFORTH INTERCHANGE 230KV CKT 1'   | FROM->TO | 0.27    | 360.3 | 'HOBBS_INT 7345.00 - MIDLAND 7345.00 345KV CKT 1'                  |
| 16WP | 0 | G10_059 | 'LUBBOCK SOUTH INTERCHANGE - WOLFFORTH INTERCHANGE 230KV CKT 1'   | FROM->TO | 0.27    | 360.3 | 'HOBBS_INT 7345.00 - MIDLAND 7345.00 345KV CKT 1'                  |
| 16WP | 0 | G10_060 | 'LUBBOCK SOUTH INTERCHANGE - WOLFFORTH INTERCHANGE 230KV CKT 1'   | FROM->TO | 0.27    | 360.3 | 'HOBBS_INT 7345.00 (LIKE POTTER) 345/230/13.2KV TRANSFORMER CKT 1' |
| 16WP | 0 | G10_059 | 'LUBBOCK SOUTH INTERCHANGE - WOLFFORTH INTERCHANGE 230KV CKT 1'   | FROM->TO | 0.27    | 360.3 | 'HOBBS_INT 7345.00 (LIKE POTTER) 345/230/13.2KV TRANSFORMER CKT 1' |
| 16WP | 0 | G10_060 | 'AMOCO SWITCHING STATION - YOAKUM COUNTY INTERCHANGE 230KV CKT 1' | TO->FROM | 0.21458 | 359.5 | 'CUNNINGHAM STATION - LEA COUNTY INTERCHANGE 230KV CKT 1'          |
| 16WP | 0 | G10_059 | 'AMOCO SWITCHING STATION - YOAKUM COUNTY INTERCHANGE 230KV CKT 1' | TO->FROM | 0.21458 | 359.5 | 'CUNNINGHAM STATION - LEA COUNTY INTERCHANGE 230KV CKT 1'          |
| 16WP | 0 | G10_060 | 'CUNNINGHAM STATION - LEA COUNTY INTERCHANGE 230KV CKT 1'         | TO->FROM | 0.40382 | 556.7 | 'CAPROCK REC-MCDONALD - CAPROCK REC-PHILLIPS 138KV CKT 1'          |
| 16WP | 0 | G10_059 | 'CUNNINGHAM STATION - LEA COUNTY INTERCHANGE 230KV CKT 1'         | TO->FROM | 0.40382 | 556.7 | 'CAPROCK REC-MCDONALD - CAPROCK REC-PHILLIPS 138KV CKT 1'          |
| 16WP | 0 | G10_060 | 'AMOCO SWITCHING STATION - YOAKUM COUNTY INTERCHANGE 230KV CKT 1' | TO->FROM | 0.21489 | 359.5 | 'CAPROCK REC-MCDONALD - CAPROCK REC-TRIANGLE 138KV CKT 1'          |
| 16WP | 0 | G10_059 | 'AMOCO SWITCHING STATION - YOAKUM COUNTY INTERCHANGE 230KV CKT 1' | TO->FROM | 0.21489 | 359.5 | 'CAPROCK REC-MCDONALD - CAPROCK REC-TRIANGLE 138KV CKT 1'          |
| 16WP | 0 | G10_060 | 'MIDLAND 7345.00 (LIKE WICHITA) 345/138/13.8KV TRANSFORMER CKT 1' | FROM->TO | 0.20703 | 335.1 | 'BASE CASE'  |
| 16WP | 0 | G10_059 | 'MIDLAND 7345.00 (LIKE WICHITA) 345/138/13.8KV TRANSFORMER CKT 1' | FROM->TO | 0.20703 | 335.1 | 'BASE CASE'  |
| 16WP | 0 | G10_060 | 'AMOCO SWITCHING STATION - YOAKUM COUNTY INTERCHANGE 230KV CKT 1' | TO->FROM | 0.21489 | 359.5 | 'CAPROCK REC-GRADY - CAPROCK REC-TRIANGLE 138KV CKT 1'             |
| 16WP | 0 | G10_059 | 'AMOCO SWITCHING STATION - YOAKUM COUNTY INTERCHANGE 230KV CKT 1' | TO->FROM | 0.21489 | 359.5 | 'CAPROCK REC-GRADY - CAPROCK REC-TRIANGLE 138KV CKT 1'             |
| 16WP | 0 | G10_060 | 'MIDLAND 7345.00 (LIKE WICHITA) 345/138/13.8KV TRANSFORMER CKT 1' | FROM->TO | 0.20703 | 335.2 | 'BASE CASE'  |
| 16WP | 0 | G10_059 | 'MIDLAND 7345.00 (LIKE WICHITA) 345/138/13.8KV TRANSFORMER CKT 1' | FROM->TO | 0.20703 | 335.2 | 'BASE CASE'  |
| 16WP | 0 | G10_060 | 'AMOCO SWITCHING STATION - YOAKUM COUNTY INTERCHANGE 230KV CKT 1' | TO->FROM | 0.21489 | 359.5 | 'CAPROCK REC-GRADY - CAPROCK REC-REED 138KV CKT 1'                 |
| 16WP | 0 | G10_059 | 'AMOCO SWITCHING STATION - YOAKUM COUNTY INTERCHANGE 230KV CKT 1' | TO->FROM | 0.21489 | 359.5 | 'CAPROCK REC-GRADY - CAPROCK REC-REED 138KV CKT 1'                 |
| 16WP | 0 | G10_060 | 'AMOCO SWITCHING STATION - YOAKUM COUNTY INTERCHANGE 230KV CKT 1' | TO->FROM | 0.21489 | 359.5 | 'CAPROCK REC-KOCH - CAPROCK REC-REED 138KV CKT 1'                  |
| 16WP | 0 | G10_059 | 'AMOCO SWITCHING STATION - YOAKUM COUNTY INTERCHANGE 230KV CKT 1' | TO->FROM | 0.21489 | 359.5 | 'CAPROCK REC-KOCH - CAPROCK REC-REED 138KV CKT 1'                  |
| 16WP | 0 | G10_060 | 'AMOCO SWITCHING STATION - YOAKUM COUNTY INTERCHANGE 230KV CKT 1' | TO->FROM | 0.21489 | 359.5 | 'CAPROCK REC-KOCH - CAPROCK REC-VEALMOOR 138KV CKT 1'              |
| 16WP | 0 | G10_059 | 'AMOCO SWITCHING STATION - YOAKUM COUNTY INTERCHANGE 230KV CKT 1' | TO->FROM | 0.21489 | 359.5 | 'CAPROCK REC-KOCH - CAPROCK REC-VEALMOOR 138KV CKT 1'              |
| 16WP | 0 | G10_060 | 'AMOCO SWITCHING STATION - YOAKUM COUNTY INTERCHANGE 230KV CKT 1' | TO->FROM | 0.20468 | 359.5 | 'CUNNINGHAM STATION - EDDY COUNTY INTERCHANGE 230KV CKT 1'         |
| 16WP | 0 | G10_059 | 'AMOCO SWITCHING STATION - YOAKUM COUNTY INTERCHANGE 230KV CKT 1' | TO->FROM | 0.20468 | 359.5 | 'CUNNINGHAM STATION - EDDY COUNTY INTERCHANGE 230KV CKT 1'         |

|      |   |         |   |          |         |       |   |
|------|---|---------|---|----------|---------|-------|---|
| 16WP | 0 | G10_060 | 'AMOCO SWITCHING STATION - YOAKUM COUNTY INTERCHANGE 230KV CKT 1' | TO->FROM | 0.20749 | 359.5 | 'TERRY COUNTY INTERCHANGE - WOLFFORTH INTERCHANGE 115KV CKT 1'              |
| 16WP | 0 | G10_059 | 'AMOCO SWITCHING STATION - YOAKUM COUNTY INTERCHANGE 230KV CKT 1' | TO->FROM | 0.20749 | 359.5 | 'TERRY COUNTY INTERCHANGE - WOLFFORTH INTERCHANGE 115KV CKT 1'              |
| 16WP | 0 | G10_060 | 'AMOCO SWITCHING STATION - YOAKUM COUNTY INTERCHANGE 230KV CKT 1' | TO->FROM | 0.19707 | 359.5 | 'LEA COUNTY REC-PLAINS INTERCHANGE - YOAKUM COUNTY INTERCHANGE 115KV CKT 1' |
| 16WP | 0 | G10_059 | 'AMOCO SWITCHING STATION - YOAKUM COUNTY INTERCHANGE 230KV CKT 1' | TO->FROM | 0.19707 | 359.5 | 'LEA COUNTY REC-PLAINS INTERCHANGE - YOAKUM COUNTY INTERCHANGE 115KV CKT 1' |
| 16WP | 0 | G10_060 | 'AMOCO SWITCHING STATION - YOAKUM COUNTY INTERCHANGE 230KV CKT 1' | TO->FROM | 0.22436 | 359.5 | 'TOLK STATION (ABBXNL844501) 345/230/13.2KV TRANSFORMER CKT 1'              |
| 16WP | 0 | G10_059 | 'AMOCO SWITCHING STATION - YOAKUM COUNTY INTERCHANGE 230KV CKT 1' | TO->FROM | 0.22436 | 359.5 | 'TOLK STATION (ABBXNL844501) 345/230/13.2KV TRANSFORMER CKT 1'              |
| 16WP | 0 | G10_060 | 'AMOCO SWITCHING STATION - YOAKUM COUNTY INTERCHANGE 230KV CKT 1' | TO->FROM | 0.22436 | 359.5 | 'CHAVESCO 345.00 - TOLK STATION 345KV CKT 1'                                |
| 16WP | 0 | G10_059 | 'AMOCO SWITCHING STATION - YOAKUM COUNTY INTERCHANGE 230KV CKT 1' | TO->FROM | 0.22436 | 359.5 | 'CHAVESCO 345.00 - TOLK STATION 345KV CKT 1'                                |
| 16WP | 0 | G10_060 | 'CUNNINGHAM STATION - EDDY COUNTY INTERCHANGE 230KV CKT 1'        | FROM->TO | 0.22163 | 360.8 | 'LEA COUNTY INTERCHANGE - YOAKUM COUNTY INTERCHANGE 230KV CKT 1'            |
| 16WP | 0 | G10_059 | 'CUNNINGHAM STATION - EDDY COUNTY INTERCHANGE 230KV CKT 1'        | FROM->TO | 0.22163 | 360.8 | 'LEA COUNTY INTERCHANGE - YOAKUM COUNTY INTERCHANGE 230KV CKT 1'            |
| 16WP | 0 | G10_060 | 'AMOCO SWITCHING STATION - YOAKUM COUNTY INTERCHANGE 230KV CKT 1' | TO->FROM | 0.22456 | 359.5 | 'EDDY COUNTY INTERCHANGE (ABB AEM30711) 345/230/13.2KV TRANSFORMER CKT 1'   |
| 16WP | 0 | G10_059 | 'AMOCO SWITCHING STATION - YOAKUM COUNTY INTERCHANGE 230KV CKT 1' | TO->FROM | 0.22456 | 359.5 | 'EDDY COUNTY INTERCHANGE (ABB AEM30711) 345/230/13.2KV TRANSFORMER CKT 1'   |
| 16WP | 0 | G10_060 | 'AMOCO SWITCHING STATION - YOAKUM COUNTY INTERCHANGE 230KV CKT 1' | TO->FROM | 0.22456 | 359.5 | 'CHAVESCO 345.00 - EDDY COUNTY INTERCHANGE 345KV CKT 1'                     |
| 16WP | 0 | G10_059 | 'AMOCO SWITCHING STATION - YOAKUM COUNTY INTERCHANGE 230KV CKT 1' | TO->FROM | 0.22456 | 359.5 | 'CHAVESCO 345.00 - EDDY COUNTY INTERCHANGE 345KV CKT 1'                     |
| 16WP | 0 | G10_060 | 'CAPROCK REC-GRADY - CAPROCK REC-REED 138KV CKT 1'                | FROM->TO | 0.2121  | 271   | 'HOBBS INTERCHANGE - LEA COUNTY INTERCHANGE 230KV CKT 1'                    |
| 16WP | 0 | G10_059 | 'CAPROCK REC-GRADY - CAPROCK REC-REED 138KV CKT 1'                | FROM->TO | 0.2121  | 271   | 'HOBBS INTERCHANGE - LEA COUNTY INTERCHANGE 230KV CKT 1'                    |
| 16WP | 0 | G10_060 | 'AMOCO SWITCHING STATION - YOAKUM COUNTY INTERCHANGE 230KV CKT 1' | TO->FROM | 0.19707 | 359.5 | 'LEA COUNTY REC-PLAINS INTERCHANGE - LYNTEGAR REC-PLAINS 115KV CKT 1'       |
| 16WP | 0 | G10_059 | 'AMOCO SWITCHING STATION - YOAKUM COUNTY INTERCHANGE 230KV CKT 1' | TO->FROM | 0.19707 | 359.5 | 'LEA COUNTY REC-PLAINS INTERCHANGE - LYNTEGAR REC-PLAINS 115KV CKT 1'       |
| 16WP | 0 | G10_060 | 'CUNNINGHAM STATION - LEA COUNTY INTERCHANGE 230KV CKT 1'         | TO->FROM | 0.32502 | 556.7 | 'CUNNINGHAM STATION 230/20.0KV TRANSFORMER CKT 1'                           |
| 16WP | 0 | G10_059 | 'CUNNINGHAM STATION - LEA COUNTY INTERCHANGE 230KV CKT 1'         | TO->FROM | 0.32502 | 556.7 | 'CUNNINGHAM STATION 230/20.0KV TRANSFORMER CKT 1'                           |
| 16WP | 0 | G10_060 | 'CUNNINGHAM STATION - LEA COUNTY INTERCHANGE 230KV CKT 1'         | TO->FROM | 0.40375 | 556.7 | 'BORDEN COUNTY INTERCHANGE - GRASSLAND INTERCHANGE 230KV CKT 1'             |
| 16WP | 0 | G10_059 | 'CUNNINGHAM STATION - LEA COUNTY INTERCHANGE 230KV CKT 1'         | TO->FROM | 0.40375 | 556.7 | 'BORDEN COUNTY INTERCHANGE - GRASSLAND INTERCHANGE 230KV CKT 1'             |
| 16WP | 0 | G10_060 | 'CUNNINGHAM STATION - LEA COUNTY INTERCHANGE 230KV CKT 1'         | TO->FROM | 0.40375 | 556.7 | 'SPP-SWPS-K48'  |

|      |   |         |   |          |         |       |   |
|------|---|---------|---|----------|---------|-------|---|
| 16WP | 0 | G10_059 | 'CUNNINGHAM STATION - LEA COUNTY INTERCHANGE 230KV CKT 1'         | TO->FROM | 0.40375 | 556.7 | 'SPP-SWPS-K48'  |
| 16WP | 0 | G10_060 | 'BORDEN COUNTY INTERCHANGE 230/138KV TRANSFORMER CKT 2'           | TO->FROM | 0.19665 | 209.9 | 'BORDEN COUNTY INTERCHANGE 230/138KV TRANSFORMER CKT 1'           |
| 16WP | 0 | G10_059 | 'BORDEN COUNTY INTERCHANGE 230/138KV TRANSFORMER CKT 2'           | TO->FROM | 0.19665 | 209.9 | 'BORDEN COUNTY INTERCHANGE 230/138KV TRANSFORMER CKT 1'           |
| 16WP | 0 | G10_060 | 'PLANT X STATION - TOLK STATION WEST 230KV CKT 1'                 | TO->FROM | 0.21302 | 556.6 | 'PLANT X STATION - TOLK STATION EAST 230KV CKT 2'                 |
| 16WP | 0 | G10_059 | 'PLANT X STATION - TOLK STATION WEST 230KV CKT 1'                 | TO->FROM | 0.21302 | 556.6 | 'PLANT X STATION - TOLK STATION EAST 230KV CKT 2'                 |
| 16WP | 0 | G10_060 | 'POTTER COUNTY INTERCHANGE - S-RANDLCO 230.00 230KV CKT 1'        | TO->FROM | 0.22052 | 360.6 | 'BUSHLAND INTERCHANGE - S-RANDLCO 230.00 230KV CKT 1'             |
| 16WP | 0 | G10_059 | 'POTTER COUNTY INTERCHANGE - S-RANDLCO 230.00 230KV CKT 1'        | TO->FROM | 0.22052 | 360.6 | 'BUSHLAND INTERCHANGE - S-RANDLCO 230.00 230KV CKT 1'             |
| 16WP | 0 | G10_060 | 'PLANT X STATION - TOLK STATION EAST 230KV CKT 2'                 | TO->FROM | 0.21097 | 556.7 | 'PLANT X STATION - TOLK STATION WEST 230KV CKT 1'                 |
| 16WP | 0 | G10_059 | 'PLANT X STATION - TOLK STATION EAST 230KV CKT 2'                 | TO->FROM | 0.21097 | 556.7 | 'PLANT X STATION - TOLK STATION WEST 230KV CKT 1'                 |
| 16WP | 0 | G10_060 | 'CUNNINGHAM STATION - LEA COUNTY INTERCHANGE 230KV CKT 1'         | TO->FROM | 0.36367 | 556.7 | 'HOBBS INTERCHANGE 230/115KV TRANSFORMER CKT 1'                   |
| 16WP | 0 | G10_059 | 'CUNNINGHAM STATION - LEA COUNTY INTERCHANGE 230KV CKT 1'         | TO->FROM | 0.36367 | 556.7 | 'HOBBS INTERCHANGE 230/115KV TRANSFORMER CKT 1'                   |
| 16WP | 0 | G10_060 | 'JONES STATION - TUCO INTERCHANGE 230KV CKT 1'                    | FROM->TO | 0.20787 | 324.3 | 'BASE CASE'   |
| 16WP | 0 | G10_059 | 'JONES STATION - TUCO INTERCHANGE 230KV CKT 1'                    | FROM->TO | 0.20787 | 324.3 | 'BASE CASE'   |
| 16WP | 0 | G10_060 | 'CUNNINGHAM STATION - EDDY COUNTY INTERCHANGE 230KV CKT 1'        | FROM->TO | 0.19809 | 360.8 | 'MIDLAND 7345.00 (LIKE WICHITA) 345/138/13.8KV TRANSFORMER CKT 1' |
| 16WP | 0 | G10_059 | 'CUNNINGHAM STATION - EDDY COUNTY INTERCHANGE 230KV CKT 1'        | FROM->TO | 0.19809 | 360.8 | 'MIDLAND 7345.00 (LIKE WICHITA) 345/138/13.8KV TRANSFORMER CKT 1' |
| 16WP | 0 | G10_060 | 'CUNNINGHAM STATION - LEA COUNTY INTERCHANGE 230KV CKT 1'         | TO->FROM | 0.3582  | 556.7 | 'LEA COUNTY INTERCHANGE 230/115KV TRANSFORMER CKT 1'              |
| 16WP | 0 | G10_059 | 'CUNNINGHAM STATION - LEA COUNTY INTERCHANGE 230KV CKT 1'         | TO->FROM | 0.3582  | 556.7 | 'LEA COUNTY INTERCHANGE 230/115KV TRANSFORMER CKT 1'              |
| 16WP | 0 | G10_060 | 'CUNNINGHAM STATION - EDDY COUNTY INTERCHANGE 230KV CKT 1'        | FROM->TO | 0.19346 | 360.8 | 'PECOS INTERCHANGE - POTASH JUNCTION INTERCHANGE 230KV CKT 1'     |
| 16WP | 0 | G10_059 | 'CUNNINGHAM STATION - EDDY COUNTY INTERCHANGE 230KV CKT 1'        | FROM->TO | 0.19346 | 360.8 | 'PECOS INTERCHANGE - POTASH JUNCTION INTERCHANGE 230KV CKT 1'     |
| 16WP | 0 | G10_060 | 'CUNNINGHAM STATION - EDDY COUNTY INTERCHANGE 230KV CKT 1'        | FROM->TO | 0.19809 | 360.8 | 'CAPROCK REC-PHILLIPS - CAPROCK REC-TATE 138KV CKT 1'             |
| 16WP | 0 | G10_059 | 'CUNNINGHAM STATION - EDDY COUNTY INTERCHANGE 230KV CKT 1'        | FROM->TO | 0.19809 | 360.8 | 'CAPROCK REC-PHILLIPS - CAPROCK REC-TATE 138KV CKT 1'             |
| 16WP | 0 | G10_060 | 'CUNNINGHAM STATION - LEA COUNTY INTERCHANGE 230KV CKT 1'         | TO->FROM | 0.35327 | 556.7 | 'AMOCO SWITCHING STATION - YOAKUM COUNTY INTERCHANGE 230KV CKT 1' |
| 16WP | 0 | G10_059 | 'CUNNINGHAM STATION - LEA COUNTY INTERCHANGE 230KV CKT 1'         | TO->FROM | 0.35327 | 556.7 | 'AMOCO SWITCHING STATION - YOAKUM COUNTY INTERCHANGE 230KV CKT 1' |
| 16WP | 0 | G10_060 | 'MIDLAND 7345.00 (LIKE WICHITA) 345/138/13.8KV TRANSFORMER CKT 1' | FROM->TO | 0.23716 | 419.3 | 'LEA COUNTY INTERCHANGE - YOAKUM COUNTY INTERCHANGE 230KV CKT 1'  |
| 16WP | 0 | G10_059 | 'MIDLAND 7345.00 (LIKE WICHITA) 345/138/13.8KV TRANSFORMER CKT 1' | FROM->TO | 0.23716 | 419.3 | 'LEA COUNTY INTERCHANGE - YOAKUM COUNTY INTERCHANGE 230KV CKT 1'  |

|      |   |         |   |          |         |       |  |
|------|---|---------|---|----------|---------|-------|--|
| 16WP | 0 | G10_060 | 'CUNNINGHAM STATION - LEA COUNTY INTERCHANGE 230KV CKT 1'         | TO->FROM | 0.36129 | 556.7 | 'CAPROCK REC-MCDONALD - CAPROCK REC-TRIANGLE 138KV CKT 1'        |
| 16WP | 0 | G10_059 | 'CUNNINGHAM STATION - LEA COUNTY INTERCHANGE 230KV CKT 1'         | TO->FROM | 0.36129 | 556.7 | 'CAPROCK REC-MCDONALD - CAPROCK REC-TRIANGLE 138KV CKT 1'        |
| 16WP | 0 | G10_060 | 'MIDLAND 7345.00 (LIKE WICHITA) 345/138/13.8KV TRANSFORMER CKT 1' | FROM->TO | 0.23716 | 419.4 | 'LEA COUNTY INTERCHANGE - YOAKUM COUNTY INTERCHANGE 230KV CKT 1' |
| 16WP | 0 | G10_059 | 'MIDLAND 7345.00 (LIKE WICHITA) 345/138/13.8KV TRANSFORMER CKT 1' | FROM->TO | 0.23716 | 419.4 | 'LEA COUNTY INTERCHANGE - YOAKUM COUNTY INTERCHANGE 230KV CKT 1' |
| 16WP | 0 | G10_060 | 'CUNNINGHAM STATION - LEA COUNTY INTERCHANGE 230KV CKT 1'         | TO->FROM | 0.36129 | 556.7 | 'CAPROCK REC-GRADY - CAPROCK REC-TRIANGLE 138KV CKT 1'           |
| 16WP | 0 | G10_059 | 'CUNNINGHAM STATION - LEA COUNTY INTERCHANGE 230KV CKT 1'         | TO->FROM | 0.36129 | 556.7 | 'CAPROCK REC-GRADY - CAPROCK REC-TRIANGLE 138KV CKT 1'           |
| 16WP | 0 | G10_060 | 'CUNNINGHAM STATION - EDDY COUNTY INTERCHANGE 230KV CKT 1'        | FROM->TO | 0.19809 | 360.8 | 'CAPROCK REC-MCDONALD - CAPROCK REC-PHILLIPS 138KV CKT 1'        |
| 16WP | 0 | G10_059 | 'CUNNINGHAM STATION - EDDY COUNTY INTERCHANGE 230KV CKT 1'        | FROM->TO | 0.19809 | 360.8 | 'CAPROCK REC-MCDONALD - CAPROCK REC-PHILLIPS 138KV CKT 1'        |
| 16WP | 0 | G10_060 | 'CUNNINGHAM STATION - LEA COUNTY INTERCHANGE 230KV CKT 1'         | TO->FROM | 0.36129 | 556.7 | 'CAPROCK REC-GRADY - CAPROCK REC-REED 138KV CKT 1'               |
| 16WP | 0 | G10_059 | 'CUNNINGHAM STATION - LEA COUNTY INTERCHANGE 230KV CKT 1'         | TO->FROM | 0.36129 | 556.7 | 'CAPROCK REC-GRADY - CAPROCK REC-REED 138KV CKT 1'               |
| 16WP | 0 | G10_060 | 'TUCO INTERCHANGE (GE M1022338) 345/230/13.2KV TRANSFORMER CKT 1' | FROM->TO | 0.27931 | 555.4 | 'G05-17T 345.00 - Hitchland Interchange 345KV CKT 1'             |
| 16WP | 0 | G10_059 | 'TUCO INTERCHANGE (GE M1022338) 345/230/13.2KV TRANSFORMER CKT 1' | FROM->TO | 0.27931 | 555.4 | 'G05-17T 345.00 - Hitchland Interchange 345KV CKT 1'             |
| 16WP | 0 | G10_060 | 'CUNNINGHAM STATION - LEA COUNTY INTERCHANGE 230KV CKT 1'         | TO->FROM | 0.36129 | 556.7 | 'CAPROCK REC-KOCH - CAPROCK REC-REED 138KV CKT 1'                |
| 16WP | 0 | G10_059 | 'CUNNINGHAM STATION - LEA COUNTY INTERCHANGE 230KV CKT 1'         | TO->FROM | 0.36129 | 556.7 | 'CAPROCK REC-KOCH - CAPROCK REC-REED 138KV CKT 1'                |
| 16WP | 0 | G10_060 | 'CUNNINGHAM STATION - LEA COUNTY INTERCHANGE 230KV CKT 1'         | TO->FROM | 0.36129 | 556.7 | 'CAPROCK REC-KOCH - CAPROCK REC-VEALMOOR 138KV CKT 1'            |
| 16WP | 0 | G10_059 | 'CUNNINGHAM STATION - LEA COUNTY INTERCHANGE 230KV CKT 1'         | TO->FROM | 0.36129 | 556.7 | 'CAPROCK REC-KOCH - CAPROCK REC-VEALMOOR 138KV CKT 1'            |
| 16WP | 0 | G10_060 | 'BUSHLAND INTERCHANGE - S-RANDLCO 230.00 230KV CKT 1'             | TO->FROM | 0.20924 | 359.8 | 'POTTER COUNTY INTERCHANGE - S-RANDLCO 230.00 230KV CKT 1'       |
| 16WP | 0 | G10_059 | 'BUSHLAND INTERCHANGE - S-RANDLCO 230.00 230KV CKT 1'             | TO->FROM | 0.20924 | 359.8 | 'POTTER COUNTY INTERCHANGE - S-RANDLCO 230.00 230KV CKT 1'       |
| 16WP | 0 | G10_060 | 'DEAF SMITH COUNTY INTERCHANGE - S-RANDLCO 230.00 230KV CKT 1'    | FROM->TO | 0.22482 | 359.7 | 'NEWHART 6230.00 - PLANT X STATION 230KV CKT 1'                  |
| 16WP | 0 | G10_059 | 'DEAF SMITH COUNTY INTERCHANGE - S-RANDLCO 230.00 230KV CKT 1'    | FROM->TO | 0.22482 | 359.7 | 'NEWHART 6230.00 - PLANT X STATION 230KV CKT 1'                  |
| 16WP | 0 | G10_060 | 'TUCO INTERCHANGE (GE M1022338) 345/230/13.2KV TRANSFORMER CKT 1' | FROM->TO | 0.27931 | 559.6 | 'G05-17T 345.00 - Hitchland Interchange 345KV CKT 1'             |
| 16WP | 0 | G10_059 | 'TUCO INTERCHANGE (GE M1022338) 345/230/13.2KV TRANSFORMER CKT 1' | FROM->TO | 0.27931 | 559.6 | 'G05-17T 345.00 - Hitchland Interchange 345KV CKT 1'             |
| 16WP | 0 | G10_060 | 'TUCO INTERCHANGE (GE M1022338) 345/230/13.2KV TRANSFORMER CKT 1' | FROM->TO | 0.27951 | 555.4 | 'G05-17T 345.00 - POTTER COUNTY INTERCHANGE 345KV CKT 1'         |
| 16WP | 0 | G10_059 | 'TUCO INTERCHANGE (GE M1022338) 345/230/13.2KV TRANSFORMER CKT 1' | FROM->TO | 0.27951 | 555.4 | 'G05-17T 345.00 - POTTER COUNTY INTERCHANGE 345KV CKT 1'         |
| 16WP | 0 | G10_060 | 'TUCO INTERCHANGE (GE M1022338) 345/230/13.2KV TRANSFORMER CKT 1' | FROM->TO | 0.27951 | 559.6 | 'G05-17T 345.00 - POTTER COUNTY INTERCHANGE 345KV CKT 1'         |

|      |   |         |  |          |         |       |   |
|------|---|---------|--|----------|---------|-------|---|
| 16WP | 0 | G10_059 | 'TUCO INTERCHANGE (GE M1022338)<br>345/230/13.2KV TRANSFORMER CKT 1' | FROM->TO | 0.27951 | 559.6 | 'G05-17T 345.00 - POTTER COUNTY<br>INTERCHANGE 345KV CKT 1'                     |
| 16WP | 0 | G10_060 | 'TUCO INTERCHANGE (GE M1022338)<br>345/230/13.2KV TRANSFORMER CKT 1' | FROM->TO | 0.27969 | 555.4 | 'POTTER COUNTY INTERCHANGE (WAUK 90343-<br>A) 345/230/13.2KV TRANSFORMER CKT 1' |
| 16WP | 0 | G10_059 | 'TUCO INTERCHANGE (GE M1022338)<br>345/230/13.2KV TRANSFORMER CKT 1' | FROM->TO | 0.27969 | 555.4 | 'POTTER COUNTY INTERCHANGE (WAUK 90343-<br>A) 345/230/13.2KV TRANSFORMER CKT 1' |
| 16WP | 0 | G10_060 | 'CUNNINGHAM STATION - LEA COUNTY<br>INTERCHANGE 230KV CKT 1'         | TO->FROM | 0.35327 | 556.7 | 'AMOCO SWITCHING STATION - SUNDOWN<br>INTERCHANGE 230KV CKT 1'                  |
| 16WP | 0 | G10_059 | 'CUNNINGHAM STATION - LEA COUNTY<br>INTERCHANGE 230KV CKT 1'         | TO->FROM | 0.35327 | 556.7 | 'AMOCO SWITCHING STATION - SUNDOWN<br>INTERCHANGE 230KV CKT 1'                  |
| 16WP | 0 | G10_060 | 'CUNNINGHAM STATION - LEA COUNTY<br>INTERCHANGE 230KV CKT 1'         | TO->FROM | 0.35465 | 556.7 | 'TOLK STATION WEST - YOAKUM COUNTY<br>INTERCHANGE 230KV CKT 1'                  |
| 16WP | 0 | G10_059 | 'CUNNINGHAM STATION - LEA COUNTY<br>INTERCHANGE 230KV CKT 1'         | TO->FROM | 0.35465 | 556.7 | 'TOLK STATION WEST - YOAKUM COUNTY<br>INTERCHANGE 230KV CKT 1'                  |
| 11G  | 0 | G10_060 | 'HOBBS INTERCHANGE 230/115KV<br>TRANSFORMER CKT 1'                   | FROM->TO | 0.67274 | 148.3 | 'HOBBS INTERCHANGE - LEA COUNTY<br>INTERCHANGE 230KV CKT 1'                     |
| 11G  | 0 | G10_059 | 'HOBBS INTERCHANGE 230/115KV<br>TRANSFORMER CKT 1'                   | FROM->TO | 0.67274 | 148.3 | 'HOBBS INTERCHANGE - LEA COUNTY<br>INTERCHANGE 230KV CKT 1'                     |
| 11G  | 0 | G10_060 | 'PLANT X STATION - TOLK STATION WEST<br>230KV CKT 1'                 | TO->FROM | 0.19841 | 557   | 'PLANT X STATION - TOLK STATION EAST<br>230KV CKT 2'                            |
| 11G  | 0 | G10_059 | 'PLANT X STATION - TOLK STATION WEST<br>230KV CKT 1'                 | TO->FROM | 0.19841 | 557   | 'PLANT X STATION - TOLK STATION EAST<br>230KV CKT 2'                            |
| 11G  | 0 | G10_060 | 'PLANT X STATION - TOLK STATION EAST<br>230KV CKT 2'                 | TO->FROM | 0.19649 | 557   | 'PLANT X STATION - TOLK STATION WEST<br>230KV CKT 1'                            |
| 11G  | 0 | G10_059 | 'PLANT X STATION - TOLK STATION EAST<br>230KV CKT 2'                 | TO->FROM | 0.19649 | 557   | 'PLANT X STATION - TOLK STATION WEST<br>230KV CKT 1'                            |
| 11G  | 0 | G10_060 | 'MIDLAND COUNTY INTERCHANGE 230/138KV<br>TRANSFORMER CKT 1'          | FROM->TO | 1       | 192.9 | 'HOBBS INTERCHANGE - MIDLAND COUNTY<br>INTERCHANGE 230KV CKT 1'                 |
| 11G  | 0 | G10_059 | 'MIDLAND COUNTY INTERCHANGE 230/138KV<br>TRANSFORMER CKT 1'          | FROM->TO | 1       | 192.9 | 'HOBBS INTERCHANGE - MIDLAND COUNTY<br>INTERCHANGE 230KV CKT 1'                 |
| 11G  | 0 | G10_060 | 'CAPROCK REC-PHILLIPS - CAPROCK REC-<br>TATE 138KV CKT 1'            | TO->FROM | 1       | 271   | 'HOBBS INTERCHANGE - MIDLAND COUNTY<br>INTERCHANGE 230KV CKT 1'                 |
| 11G  | 0 | G10_059 | 'CAPROCK REC-PHILLIPS - CAPROCK REC-<br>TATE 138KV CKT 1'            | TO->FROM | 1       | 271   | 'HOBBS INTERCHANGE - MIDLAND COUNTY<br>INTERCHANGE 230KV CKT 1'                 |
| 11G  | 0 | G10_060 | 'CAPROCK REC-MCDONALD - CAPROCK REC-<br>PHILLIPS 138KV CKT 1'        | TO->FROM | 1       | 271   | 'HOBBS INTERCHANGE - MIDLAND COUNTY<br>INTERCHANGE 230KV CKT 1'                 |
| 11G  | 0 | G10_059 | 'CAPROCK REC-MCDONALD - CAPROCK REC-<br>PHILLIPS 138KV CKT 1'        | TO->FROM | 1       | 271   | 'HOBBS INTERCHANGE - MIDLAND COUNTY<br>INTERCHANGE 230KV CKT 1'                 |
| 11G  | 0 | G10_060 | 'CAPROCK REC-GRADY - CAPROCK REC-<br>TRIANGLE 138KV CKT 1'           | TO->FROM | 0.70371 | 175.6 | 'HOBBS INTERCHANGE - MIDLAND COUNTY<br>INTERCHANGE 230KV CKT 1'                 |
| 11G  | 0 | G10_059 | 'CAPROCK REC-GRADY - CAPROCK REC-<br>TRIANGLE 138KV CKT 1'           | TO->FROM | 0.70371 | 175.6 | 'HOBBS INTERCHANGE - MIDLAND COUNTY<br>INTERCHANGE 230KV CKT 1'                 |
| 11G  | 0 | G10_060 | 'CAPROCK REC-KOCH - CAPROCK REC-REED<br>138KV CKT 1'                 | TO->FROM | 0.70371 | 175.5 | 'HOBBS INTERCHANGE - MIDLAND COUNTY<br>INTERCHANGE 230KV CKT 1'                 |
| 11G  | 0 | G10_059 | 'CAPROCK REC-KOCH - CAPROCK REC-REED<br>138KV CKT 1'                 | TO->FROM | 0.70371 | 175.5 | 'HOBBS INTERCHANGE - MIDLAND COUNTY<br>INTERCHANGE 230KV CKT 1'                 |
| 11G  | 0 | G10_060 | 'CAPROCK REC-KOCH - CAPROCK REC-<br>VEALMOOR 138KV CKT 1'            | FROM->TO | 0.70371 | 175.6 | 'HOBBS INTERCHANGE - MIDLAND COUNTY<br>INTERCHANGE 230KV CKT 1'                 |

|     |   |         |   |          |         |       |   |
|-----|---|---------|---|----------|---------|-------|---|
| 11G | 0 | G10_059 | 'CAPROCK REC-KOCH - CAPROCK REC-VEALMOOR 138KV CKT 1'             | FROM->TO | 0.70371 | 175.6 | 'HOBBS INTERCHANGE - MIDLAND COUNTY INTERCHANGE 230KV CKT 1'      |
| 11G | 0 | G10_060 | 'TUCO INTERCHANGE (GE M1022338) 345/230/13.2KV TRANSFORMER CKT 1' | FROM->TO | 0.42223 | 557.7 | 'TUCO INTERCHANGE (UPDATE DATA) 345/230/13.2KV TRANSFORMER CKT 2' |
| 11G | 0 | G10_059 | 'TUCO INTERCHANGE (GE M1022338) 345/230/13.2KV TRANSFORMER CKT 1' | FROM->TO | 0.42223 | 557.7 | 'TUCO INTERCHANGE (UPDATE DATA) 345/230/13.2KV TRANSFORMER CKT 2' |
| 11G | 0 | G10_060 | 'TUCO INTERCHANGE (GE M1022338) 345/230/13.2KV TRANSFORMER CKT 1' | FROM->TO | 0.42223 | 560   | 'TUCO INTERCHANGE (UPDATE DATA) 345/230/13.2KV TRANSFORMER CKT 2' |
| 11G | 0 | G10_059 | 'TUCO INTERCHANGE (GE M1022338) 345/230/13.2KV TRANSFORMER CKT 1' | FROM->TO | 0.42223 | 560   | 'TUCO INTERCHANGE (UPDATE DATA) 345/230/13.2KV TRANSFORMER CKT 2' |
| 11G | 0 | G10_060 | 'NEWHART 6230.00 - PLANT X STATION 230KV CKT 1'                   | TO->FROM | 0.19891 | 359.8 | 'DEAF SMITH COUNTY INTERCHANGE - PLANT X STATION 230KV CKT 1'     |
| 11G | 0 | G10_059 | 'NEWHART 6230.00 - PLANT X STATION 230KV CKT 1'                   | TO->FROM | 0.19891 | 359.8 | 'DEAF SMITH COUNTY INTERCHANGE - PLANT X STATION 230KV CKT 1'     |
| 11G | 0 | G10_060 | 'TUCO INTERCHANGE (UPDATE DATA) 345/230/13.2KV TRANSFORMER CKT 2' | FROM->TO | 0.41149 | 559.6 | 'TUCO INTERCHANGE (GE M1022338) 345/230/13.2KV TRANSFORMER CKT 1' |
| 11G | 0 | G10_059 | 'TUCO INTERCHANGE (UPDATE DATA) 345/230/13.2KV TRANSFORMER CKT 2' | FROM->TO | 0.41149 | 559.6 | 'TUCO INTERCHANGE (GE M1022338) 345/230/13.2KV TRANSFORMER CKT 1' |
| 11G | 0 | G10_060 | 'TUCO INTERCHANGE (UPDATE DATA) 345/230/13.2KV TRANSFORMER CKT 2' | FROM->TO | 0.41149 | 559.9 | 'TUCO INTERCHANGE (GE M1022338) 345/230/13.2KV TRANSFORMER CKT 1' |
| 11G | 0 | G10_059 | 'TUCO INTERCHANGE (UPDATE DATA) 345/230/13.2KV TRANSFORMER CKT 2' | FROM->TO | 0.41149 | 559.9 | 'TUCO INTERCHANGE (GE M1022338) 345/230/13.2KV TRANSFORMER CKT 1' |
| 11G | 0 | G10_060 | 'MIDLAND COUNTY INTERCHANGE 230/138KV TRANSFORMER CKT 1'          | FROM->TO | 0.32152 | 192.9 | 'HOBBS INTERCHANGE - LEA COUNTY INTERCHANGE 230KV CKT 1'          |
| 11G | 0 | G10_059 | 'MIDLAND COUNTY INTERCHANGE 230/138KV TRANSFORMER CKT 1'          | FROM->TO | 0.32152 | 192.9 | 'HOBBS INTERCHANGE - LEA COUNTY INTERCHANGE 230KV CKT 1'          |
| 11G | 0 | G10_060 | 'CAPROCK REC-MCDONALD - CAPROCK REC-TRIANGLE 138KV CKT 1'         | FROM->TO | 0.70371 | 270.8 | 'HOBBS INTERCHANGE - MIDLAND COUNTY INTERCHANGE 230KV CKT 1'      |
| 11G | 0 | G10_059 | 'CAPROCK REC-MCDONALD - CAPROCK REC-TRIANGLE 138KV CKT 1'         | FROM->TO | 0.70371 | 270.8 | 'HOBBS INTERCHANGE - MIDLAND COUNTY INTERCHANGE 230KV CKT 1'      |
| 11G | 0 | G10_060 | 'BORDEN COUNTY INTERCHANGE 230/138KV TRANSFORMER CKT 1'           | TO->FROM | 0.50045 | 168   | 'HOBBS INTERCHANGE - MIDLAND COUNTY INTERCHANGE 230KV CKT 1'      |
| 11G | 0 | G10_059 | 'BORDEN COUNTY INTERCHANGE 230/138KV TRANSFORMER CKT 1'           | TO->FROM | 0.50045 | 168   | 'HOBBS INTERCHANGE - MIDLAND COUNTY INTERCHANGE 230KV CKT 1'      |
| 11G | 0 | G10_060 | 'MIDLAND COUNTY INTERCHANGE 230/138KV TRANSFORMER CKT 1'          | FROM->TO | 0.23903 | 167.9 | 'BASE CASE'   |
| 11G | 0 | G10_059 | 'MIDLAND COUNTY INTERCHANGE 230/138KV TRANSFORMER CKT 1'          | FROM->TO | 0.23903 | 167.9 | 'BASE CASE'   |
| 11G | 0 | G10_060 | 'CAPROCK REC-GRADY - CAPROCK REC-REED 138KV CKT 1'                | FROM->TO | 0.70371 | 270.7 | 'HOBBS INTERCHANGE - MIDLAND COUNTY INTERCHANGE 230KV CKT 1'      |
| 11G | 0 | G10_059 | 'CAPROCK REC-GRADY - CAPROCK REC-REED 138KV CKT 1'                | FROM->TO | 0.70371 | 270.7 | 'HOBBS INTERCHANGE - MIDLAND COUNTY INTERCHANGE 230KV CKT 1'      |
| 11G | 0 | G10_060 | 'MIDLAND COUNTY INTERCHANGE 230/138KV TRANSFORMER CKT 1'          | FROM->TO | 0.26494 | 192.9 | 'LEA COUNTY INTERCHANGE - YOAKUM COUNTY INTERCHANGE 230KV CKT 1'  |
| 11G | 0 | G10_059 | 'MIDLAND COUNTY INTERCHANGE 230/138KV TRANSFORMER CKT 1'          | FROM->TO | 0.26494 | 192.9 | 'LEA COUNTY INTERCHANGE - YOAKUM COUNTY INTERCHANGE 230KV CKT 1'  |
| 11G | 0 | G10_060 | 'MIDLAND COUNTY INTERCHANGE 230/138KV TRANSFORMER CKT 1'          | FROM->TO | 0.23903 | 192.9 | 'G09-17 34.500 34.5/0.69KV TRANSFORMER CKT 1'                     |
| 11G | 0 | G10_059 | 'MIDLAND COUNTY INTERCHANGE 230/138KV TRANSFORMER CKT 1'          | FROM->TO | 0.23903 | 192.9 | 'G09-17 34.500 34.5/0.69KV TRANSFORMER CKT 1'                     |

|     |  |           |  |          |         |       |   |
|-----|--|-----------|--|----------|---------|-------|---|
| 11G |  | 0 G10_060 | 'MIDLAND COUNTY INTERCHANGE 230/138KV TRANSFORMER CKT 1'     | FROM->TO | 0.23903 | 192.9 | 'G09-17 138.00 138/34.5KV TRANSFORMER CKT 1'                      |
| 11G |  | 0 G10_059 | 'MIDLAND COUNTY INTERCHANGE 230/138KV TRANSFORMER CKT 1'     | FROM->TO | 0.23903 | 192.9 | 'G09-17 138.00 138/34.5KV TRANSFORMER CKT 1'                      |
| 11G |  | 0 G10_060 | 'MIDLAND COUNTY INTERCHANGE 230/138KV TRANSFORMER CKT 1'     | FROM->TO | 0.23903 | 192.9 | 'G09-17 138.00 - G09-17T 138.00 138KV CKT 1'                      |
| 11G |  | 0 G10_059 | 'MIDLAND COUNTY INTERCHANGE 230/138KV TRANSFORMER CKT 1'     | FROM->TO | 0.23903 | 192.9 | 'G09-17 138.00 - G09-17T 138.00 138KV CKT 1'                      |
| 11G |  | 0 G10_060 | 'HOBBS INTERCHANGE - MIDLAND COUNTY INTERCHANGE 230KV CKT 1' | TO->FROM |         | 478   | 'MIDLAND COUNTY INTERCHANGE 230/138KV TRANSFORMER CKT 1'          |
| 11G |  | 0 G10_059 | 'HOBBS INTERCHANGE - MIDLAND COUNTY INTERCHANGE 230KV CKT 1' | TO->FROM |         | 478   | 'MIDLAND COUNTY INTERCHANGE 230/138KV TRANSFORMER CKT 1'          |
| 11G |  | 0 G10_060 | 'HOBBS INTERCHANGE - MIDLAND COUNTY INTERCHANGE 230KV CKT 1' | TO->FROM |         | 478   | 'CAPROCK REC-PHILLIPS - CAPROCK REC-TATE 138KV CKT 1'             |
| 11G |  | 0 G10_059 | 'HOBBS INTERCHANGE - MIDLAND COUNTY INTERCHANGE 230KV CKT 1' | TO->FROM |         | 478   | 'CAPROCK REC-PHILLIPS - CAPROCK REC-TATE 138KV CKT 1'             |
| 11G |  | 0 G10_060 | 'MIDLAND COUNTY INTERCHANGE 230/138KV TRANSFORMER CKT 1'     | FROM->TO | 0.24983 | 192.9 | 'AMOCO SWITCHING STATION - YOAKUM COUNTY INTERCHANGE 230KV CKT 1' |
| 11G |  | 0 G10_059 | 'MIDLAND COUNTY INTERCHANGE 230/138KV TRANSFORMER CKT 1'     | FROM->TO | 0.24983 | 192.9 | 'AMOCO SWITCHING STATION - YOAKUM COUNTY INTERCHANGE 230KV CKT 1' |
| 11G |  | 0 G10_060 | 'MIDLAND COUNTY INTERCHANGE 230/138KV TRANSFORMER CKT 1'     | FROM->TO | 0.2431  | 192.9 | 'TOLK STATION EAST - TUCO INTERCHANGE 230KV CKT 1'                |
| 11G |  | 0 G10_059 | 'MIDLAND COUNTY INTERCHANGE 230/138KV TRANSFORMER CKT 1'     | FROM->TO | 0.2431  | 192.9 | 'TOLK STATION EAST - TUCO INTERCHANGE 230KV CKT 1'                |
| 11G |  | 0 G10_060 | 'HOBBS INTERCHANGE - MIDLAND COUNTY INTERCHANGE 230KV CKT 1' | TO->FROM |         | 478   | 'CAPROCK REC-MCDONALD - CAPROCK REC-PHILLIPS 138KV CKT 1'         |
| 11G |  | 0 G10_059 | 'HOBBS INTERCHANGE - MIDLAND COUNTY INTERCHANGE 230KV CKT 1' | TO->FROM |         | 478   | 'CAPROCK REC-MCDONALD - CAPROCK REC-PHILLIPS 138KV CKT 1'         |
| 11G |  | 0 G10_060 | 'MIDLAND COUNTY INTERCHANGE 230/138KV TRANSFORMER CKT 1'     | FROM->TO | 0.25156 | 192.9 | 'TOLK STATION (ABBXNL844501) 345/230/13.2KV TRANSFORMER CKT 1'    |
| 11G |  | 0 G10_059 | 'MIDLAND COUNTY INTERCHANGE 230/138KV TRANSFORMER CKT 1'     | FROM->TO | 0.25156 | 192.9 | 'TOLK STATION (ABBXNL844501) 345/230/13.2KV TRANSFORMER CKT 1'    |
| 11G |  | 0 G10_060 | 'MIDLAND COUNTY INTERCHANGE 230/138KV TRANSFORMER CKT 1'     | FROM->TO | 0.25156 | 192.9 | 'CHAVESCO 345.00 - TOLK STATION 345KV CKT 1'                      |
| 11G |  | 0 G10_059 | 'MIDLAND COUNTY INTERCHANGE 230/138KV TRANSFORMER CKT 1'     | FROM->TO | 0.25156 | 192.9 | 'CHAVESCO 345.00 - TOLK STATION 345KV CKT 1'                      |
| 11G |  | 0 G10_060 | 'MIDLAND COUNTY INTERCHANGE 230/138KV TRANSFORMER CKT 1'     | FROM->TO | 0.23903 | 192.9 | 'GRASSLAND INTERCHANGE 230/34.5KV TRANSFORMER CKT 1'              |
| 11G |  | 0 G10_059 | 'MIDLAND COUNTY INTERCHANGE 230/138KV TRANSFORMER CKT 1'     | FROM->TO | 0.23903 | 192.9 | 'GRASSLAND INTERCHANGE 230/34.5KV TRANSFORMER CKT 1'              |
| 11G |  | 0 G10_060 | 'BORDEN COUNTY INTERCHANGE 230/138KV TRANSFORMER CKT 2'      | TO->FROM | 0.498   | 209.3 | 'HOBBS INTERCHANGE - MIDLAND COUNTY INTERCHANGE 230KV CKT 1'      |
| 11G |  | 0 G10_059 | 'BORDEN COUNTY INTERCHANGE 230/138KV TRANSFORMER CKT 2'      | TO->FROM | 0.498   | 209.3 | 'HOBBS INTERCHANGE - MIDLAND COUNTY INTERCHANGE 230KV CKT 1'      |
| 11G |  | 0 G10_060 | 'MIDLAND COUNTY INTERCHANGE 230/138KV TRANSFORMER CKT 1'     | FROM->TO | 0.24565 | 192.9 | 'SUNDOWN INTERCHANGE - WOLFFORTH INTERCHANGE 230KV CKT 1'         |
| 11G |  | 0 G10_059 | 'MIDLAND COUNTY INTERCHANGE 230/138KV TRANSFORMER CKT 1'     | FROM->TO | 0.24565 | 192.9 | 'SUNDOWN INTERCHANGE - WOLFFORTH INTERCHANGE 230KV CKT 1'         |
| 11G |  | 0 G10_060 | 'MIDLAND COUNTY INTERCHANGE 230/138KV TRANSFORMER CKT 1'     | FROM->TO | 0.24389 | 192.9 | 'OASIS INTERCHANGE - SAN JUAN MESA TAP 230KV CKT 1'               |



|     |   |         |  |          |         |       |   |
|-----|---|---------|--|----------|---------|-------|---|
| 11G | 0 | G10_059 | 'MIDLAND COUNTY INTERCHANGE 230/138KV TRANSFORMER CKT 1'     | FROM->TO | 0.24389 | 192.9 | 'OASIS INTERCHANGE - SAN JUAN MESA TAP 230KV CKT 1'             |
| 11G | 0 | G10_060 | 'MIDLAND COUNTY INTERCHANGE 230/138KV TRANSFORMER CKT 1'     | FROM->TO | 0.2532  | 192.9 | 'CUNNINGHAM STATION - LEA COUNTY INTERCHANGE 230KV CKT 1'       |
| 11G | 0 | G10_059 | 'MIDLAND COUNTY INTERCHANGE 230/138KV TRANSFORMER CKT 1'     | FROM->TO | 0.2532  | 192.9 | 'CUNNINGHAM STATION - LEA COUNTY INTERCHANGE 230KV CKT 1'       |
| 11G | 0 | G10_060 | 'MIDLAND COUNTY INTERCHANGE 230/138KV TRANSFORMER CKT 1'     | FROM->TO | 0.23903 | 192.9 | 'Jones Station Bus#2 230/22.0KV TRANSFORMER CKT 1'              |
| 11G | 0 | G10_059 | 'MIDLAND COUNTY INTERCHANGE 230/138KV TRANSFORMER CKT 1'     | FROM->TO | 0.23903 | 192.9 | 'Jones Station Bus#2 230/22.0KV TRANSFORMER CKT 1'              |
| 11G | 0 | G10_060 | 'MIDLAND COUNTY INTERCHANGE 230/138KV TRANSFORMER CKT 1'     | FROM->TO | 0.23903 | 192.9 | 'JONES STATION 230/22.0KV TRANSFORMER CKT 1'                    |
| 11G | 0 | G10_059 | 'MIDLAND COUNTY INTERCHANGE 230/138KV TRANSFORMER CKT 1'     | FROM->TO | 0.23903 | 192.9 | 'JONES STATION 230/22.0KV TRANSFORMER CKT 1'                    |
| 11G | 0 | G10_060 | 'MIDLAND COUNTY INTERCHANGE 230/138KV TRANSFORMER CKT 1'     | FROM->TO | 0.24354 | 192.9 | 'TERRY COUNTY INTERCHANGE - WOLFFORTH INTERCHANGE 115KV CKT 1'  |
| 11G | 0 | G10_059 | 'MIDLAND COUNTY INTERCHANGE 230/138KV TRANSFORMER CKT 1'     | FROM->TO | 0.24354 | 192.9 | 'TERRY COUNTY INTERCHANGE - WOLFFORTH INTERCHANGE 115KV CKT 1'  |
| 11G | 0 | G10_060 | 'MIDLAND COUNTY INTERCHANGE 230/138KV TRANSFORMER CKT 1'     | FROM->TO | 0.2412  | 192.9 | 'NEWHART 6230.00 - PLANT X STATION 230KV CKT 1'                 |
| 11G | 0 | G10_059 | 'MIDLAND COUNTY INTERCHANGE 230/138KV TRANSFORMER CKT 1'     | FROM->TO | 0.2412  | 192.9 | 'NEWHART 6230.00 - PLANT X STATION 230KV CKT 1'                 |
| 11G | 0 | G10_060 | 'MIDLAND COUNTY INTERCHANGE 230/138KV TRANSFORMER CKT 1'     | FROM->TO | 0.24583 | 192.9 | 'CUNNINGHAM STATION - EDDY COUNTY INTERCHANGE 230KV CKT 1'      |
| 11G | 0 | G10_059 | 'MIDLAND COUNTY INTERCHANGE 230/138KV TRANSFORMER CKT 1'     | FROM->TO | 0.24583 | 192.9 | 'CUNNINGHAM STATION - EDDY COUNTY INTERCHANGE 230KV CKT 1'      |
| 11G | 0 | G10_060 | 'MIDLAND COUNTY INTERCHANGE 230/138KV TRANSFORMER CKT 1'     | FROM->TO | 0.23922 | 192.9 | 'SPP-SWPS-T14'  |
| 11G | 0 | G10_059 | 'MIDLAND COUNTY INTERCHANGE 230/138KV TRANSFORMER CKT 1'     | FROM->TO | 0.23922 | 192.9 | 'SPP-SWPS-T14'  |
| 11G | 0 | G10_060 | 'POTTER COUNTY INTERCHANGE - S-RANDLCO 230.00 230KV CKT 1'   | TO->FROM | 0.21262 | 360.9 | 'BUSHLAND INTERCHANGE - S-RANDLCO 230.00 230KV CKT 1'           |
| 11G | 0 | G10_059 | 'POTTER COUNTY INTERCHANGE - S-RANDLCO 230.00 230KV CKT 1'   | TO->FROM | 0.21262 | 360.9 | 'BUSHLAND INTERCHANGE - S-RANDLCO 230.00 230KV CKT 1'           |
| 11G | 0 | G10_060 | 'NEWHART 6230.00 - PLANT X STATION 230KV CKT 1'              | TO->FROM | 0.20005 | 359.8 | 'DEAF SMITH COUNTY INTERCHANGE - S-RANDLCO 230.00 230KV CKT 1'  |
| 11G | 0 | G10_059 | 'NEWHART 6230.00 - PLANT X STATION 230KV CKT 1'              | TO->FROM | 0.20005 | 359.8 | 'DEAF SMITH COUNTY INTERCHANGE - S-RANDLCO 230.00 230KV CKT 1'  |
| 11G | 0 | G10_060 | 'HOBBS INTERCHANGE - MIDLAND COUNTY INTERCHANGE 230KV CKT 1' | TO->FROM | 0.99845 | 478   | 'SPP-SWPS-K48'  |
| 11G | 0 | G10_059 | 'HOBBS INTERCHANGE - MIDLAND COUNTY INTERCHANGE 230KV CKT 1' | TO->FROM | 0.99845 | 478   | 'SPP-SWPS-K48'  |
| 11G | 0 | G10_060 | 'HOBBS INTERCHANGE - MIDLAND COUNTY INTERCHANGE 230KV CKT 1' | TO->FROM | 0.99845 | 478   | 'BORDEN COUNTY INTERCHANGE - GRASSLAND INTERCHANGE 230KV CKT 1' |
| 11G | 0 | G10_059 | 'HOBBS INTERCHANGE - MIDLAND COUNTY INTERCHANGE 230KV CKT 1' | TO->FROM | 0.99845 | 478   | 'BORDEN COUNTY INTERCHANGE - GRASSLAND INTERCHANGE 230KV CKT 1' |
| 11G | 0 | G10_060 | 'CAPROCK REC-STILES - G09-17T 138.00 138KV CKT 1'            | TO->FROM | 0.29473 | 175.7 | 'HOBBS INTERCHANGE - MIDLAND COUNTY INTERCHANGE 230KV CKT 1'    |
| 11G | 0 | G10_059 | 'CAPROCK REC-STILES - G09-17T 138.00 138KV CKT 1'            | TO->FROM | 0.29473 | 175.7 | 'HOBBS INTERCHANGE - MIDLAND COUNTY INTERCHANGE 230KV CKT 1'    |

|     |   |         |  |          |         |       |  |
|-----|---|---------|--|----------|---------|-------|--|
| 11G | 0 | G10_060 | 'DEAF SMITH COUNTY INTERCHANGE - PLANT X STATION 230KV CKT 1'    | TO->FROM | 0.19084 | 360.9 | 'NEWHART 6230.00 - PLANT X STATION 230KV CKT 1'              |
| 11G | 0 | G10_059 | 'DEAF SMITH COUNTY INTERCHANGE - PLANT X STATION 230KV CKT 1'    | TO->FROM | 0.19084 | 360.9 | 'NEWHART 6230.00 - PLANT X STATION 230KV CKT 1'              |
| 11G | 0 | G10_060 | 'HOBBS INTERCHANGE - MIDLAND COUNTY INTERCHANGE 230KV CKT 1'     | TO->FROM | 0.86446 | 478   | 'CAPROCK REC-MCDONALD - CAPROCK REC-TRIANGLE 138KV CKT 1'    |
| 11G | 0 | G10_059 | 'HOBBS INTERCHANGE - MIDLAND COUNTY INTERCHANGE 230KV CKT 1'     | TO->FROM | 0.86446 | 478   | 'CAPROCK REC-MCDONALD - CAPROCK REC-TRIANGLE 138KV CKT 1'    |
| 11G | 0 | G10_060 | 'HOBBS INTERCHANGE - LEA COUNTY INTERCHANGE 230KV CKT 1'         | FROM->TO | 0.88571 | 691.4 | 'MIDLAND COUNTY INTERCHANGE 230/138KV TRANSFORMER CKT 1'     |
| 11G | 0 | G10_059 | 'HOBBS INTERCHANGE - LEA COUNTY INTERCHANGE 230KV CKT 1'         | FROM->TO | 0.88571 | 691.4 | 'MIDLAND COUNTY INTERCHANGE 230/138KV TRANSFORMER CKT 1'     |
| 11G | 0 | G10_060 | 'HOBBS INTERCHANGE - MIDLAND COUNTY INTERCHANGE 230KV CKT 1'     | TO->FROM | 0.86446 | 478   | 'CAPROCK REC-GRADY - CAPROCK REC-TRIANGLE 138KV CKT 1'       |
| 11G | 0 | G10_059 | 'HOBBS INTERCHANGE - MIDLAND COUNTY INTERCHANGE 230KV CKT 1'     | TO->FROM | 0.86446 | 478   | 'CAPROCK REC-GRADY - CAPROCK REC-TRIANGLE 138KV CKT 1'       |
| 11G | 0 | G10_060 | 'BORDEN COUNTY INTERCHANGE - GRASSLAND INTERCHANGE 230KV CKT 1'  | FROM->TO | 0.99845 | 529   | 'HOBBS INTERCHANGE - MIDLAND COUNTY INTERCHANGE 230KV CKT 1' |
| 11G | 0 | G10_059 | 'BORDEN COUNTY INTERCHANGE - GRASSLAND INTERCHANGE 230KV CKT 1'  | FROM->TO | 0.99845 | 529   | 'HOBBS INTERCHANGE - MIDLAND COUNTY INTERCHANGE 230KV CKT 1' |
| 11G | 0 | G10_060 | 'HOBBS INTERCHANGE - LEA COUNTY INTERCHANGE 230KV CKT 1'         | FROM->TO | 0.88571 | 691.4 | 'CAPROCK REC-PHILLIPS - CAPROCK REC-TATE 138KV CKT 1'        |
| 11G | 0 | G10_059 | 'HOBBS INTERCHANGE - LEA COUNTY INTERCHANGE 230KV CKT 1'         | FROM->TO | 0.88571 | 691.4 | 'CAPROCK REC-PHILLIPS - CAPROCK REC-TATE 138KV CKT 1'        |
| 11G | 0 | G10_060 | 'HOBBS INTERCHANGE - MIDLAND COUNTY INTERCHANGE 230KV CKT 1'     | TO->FROM | 0.86446 | 478   | 'CAPROCK REC-GRADY - CAPROCK REC-REED 138KV CKT 1'           |
| 11G | 0 | G10_059 | 'HOBBS INTERCHANGE - MIDLAND COUNTY INTERCHANGE 230KV CKT 1'     | TO->FROM | 0.86446 | 478   | 'CAPROCK REC-GRADY - CAPROCK REC-REED 138KV CKT 1'           |
| 11G | 0 | G10_060 | 'BUSHLAND INTERCHANGE - S-RANDLCO 230.00 230KV CKT 1'            | TO->FROM | 0.20177 | 360   | 'POTTER COUNTY INTERCHANGE - S-RANDLCO 230.00 230KV CKT 1'   |
| 11G | 0 | G10_059 | 'BUSHLAND INTERCHANGE - S-RANDLCO 230.00 230KV CKT 1'            | TO->FROM | 0.20177 | 360   | 'POTTER COUNTY INTERCHANGE - S-RANDLCO 230.00 230KV CKT 1'   |
| 11G | 0 | G10_060 | 'HOBBS INTERCHANGE - MIDLAND COUNTY INTERCHANGE 230KV CKT 1'     | TO->FROM | 0.86446 | 478   | 'CAPROCK REC-KOCH - CAPROCK REC-REED 138KV CKT 1'            |
| 11G | 0 | G10_059 | 'HOBBS INTERCHANGE - MIDLAND COUNTY INTERCHANGE 230KV CKT 1'     | TO->FROM | 0.86446 | 478   | 'CAPROCK REC-KOCH - CAPROCK REC-REED 138KV CKT 1'            |
| 11G | 0 | G10_060 | 'HOBBS INTERCHANGE - MIDLAND COUNTY INTERCHANGE 230KV CKT 1'     | TO->FROM | 0.86446 | 478   | 'CAPROCK REC-KOCH - CAPROCK REC-VEALMOOR 138KV CKT 1'        |
| 11G | 0 | G10_059 | 'HOBBS INTERCHANGE - MIDLAND COUNTY INTERCHANGE 230KV CKT 1'     | TO->FROM | 0.86446 | 478   | 'CAPROCK REC-KOCH - CAPROCK REC-VEALMOOR 138KV CKT 1'        |
| 11G | 0 | G10_060 | 'LEA COUNTY INTERCHANGE - YOAKUM COUNTY INTERCHANGE 230KV CKT 1' | FROM->TO | 0.38461 | 360.9 | 'MIDLAND COUNTY INTERCHANGE 230/138KV TRANSFORMER CKT 1'     |
| 11G | 0 | G10_059 | 'LEA COUNTY INTERCHANGE - YOAKUM COUNTY INTERCHANGE 230KV CKT 1' | FROM->TO | 0.38461 | 360.9 | 'MIDLAND COUNTY INTERCHANGE 230/138KV TRANSFORMER CKT 1'     |
| 11G | 0 | G10_060 | 'CAPROCK REC-LANGE - CAPROCK REC-ST LAWRENCE 138KV CKT 1'        | TO->FROM | 0.29473 | 175.8 | 'HOBBS INTERCHANGE - MIDLAND COUNTY INTERCHANGE 230KV CKT 1' |
| 11G | 0 | G10_059 | 'CAPROCK REC-LANGE - CAPROCK REC-ST LAWRENCE 138KV CKT 1'        | TO->FROM | 0.29473 | 175.8 | 'HOBBS INTERCHANGE - MIDLAND COUNTY INTERCHANGE 230KV CKT 1' |
| 11G | 0 | G10_060 | 'LEA COUNTY INTERCHANGE - YOAKUM COUNTY INTERCHANGE 230KV CKT 1' | FROM->TO | 0.38461 | 360.9 | 'CAPROCK REC-PHILLIPS - CAPROCK REC-TATE 138KV CKT 1'        |

|     |   |         |  |          |         |       |   |
|-----|---|---------|--|----------|---------|-------|---|
| 11G | 0 | G10_059 | 'LEA COUNTY INTERCHANGE - YOAKUM COUNTY INTERCHANGE 230KV CKT 1' | FROM->TO | 0.38461 | 360.9 | 'CAPROCK REC-PHILLIPS - CAPROCK REC-TATE 138KV CKT 1'       |
| 11G | 0 | G10_060 | 'CAPROCK REC-PHILLIPS - CAPROCK REC-TATE 138KV CKT 1'            | TO->FROM | 0.32152 | 271   | 'HOBBS INTERCHANGE - LEA COUNTY INTERCHANGE 230KV CKT 1'    |
| 11G | 0 | G10_059 | 'CAPROCK REC-PHILLIPS - CAPROCK REC-TATE 138KV CKT 1'            | TO->FROM | 0.32152 | 271   | 'HOBBS INTERCHANGE - LEA COUNTY INTERCHANGE 230KV CKT 1'    |
| 11G | 0 | G10_060 | 'HOBBS INTERCHANGE - LEA COUNTY INTERCHANGE 230KV CKT 1'         | FROM->TO | 0.88571 | 691.4 | 'CAPROCK REC-MCDONALD - CAPROCK REC-PHILLIPS 138KV CKT 1'   |
| 11G | 0 | G10_059 | 'HOBBS INTERCHANGE - LEA COUNTY INTERCHANGE 230KV CKT 1'         | FROM->TO | 0.88571 | 691.4 | 'CAPROCK REC-MCDONALD - CAPROCK REC-PHILLIPS 138KV CKT 1'   |
| 11G | 0 | G10_060 | 'CAPROCK REC-PHILLIPS - CAPROCK REC-TATE 138KV CKT 1'            | TO->FROM | 0.23903 | 208   | 'BASE CASE'   |
| 11G | 0 | G10_059 | 'CAPROCK REC-PHILLIPS - CAPROCK REC-TATE 138KV CKT 1'            | TO->FROM | 0.23903 | 208   | 'BASE CASE'   |
| 11G | 0 | G10_060 | 'LEA COUNTY INTERCHANGE - YOAKUM COUNTY INTERCHANGE 230KV CKT 1' | FROM->TO | 0.38461 | 360.9 | 'CAPROCK REC-MCDONALD - CAPROCK REC-PHILLIPS 138KV CKT 1'   |
| 11G | 0 | G10_059 | 'LEA COUNTY INTERCHANGE - YOAKUM COUNTY INTERCHANGE 230KV CKT 1' | FROM->TO | 0.38461 | 360.9 | 'CAPROCK REC-MCDONALD - CAPROCK REC-PHILLIPS 138KV CKT 1'   |
| 11G | 0 | G10_060 | 'HOBBS INTERCHANGE - MIDLAND COUNTY INTERCHANGE 230KV CKT 1'     | TO->FROM | 0.78917 | 478   | 'CAPROCK REC-STILES - G09-17T 138.00 138KV CKT 1'           |
| 11G | 0 | G10_059 | 'HOBBS INTERCHANGE - MIDLAND COUNTY INTERCHANGE 230KV CKT 1'     | TO->FROM | 0.78917 | 478   | 'CAPROCK REC-STILES - G09-17T 138.00 138KV CKT 1'           |
| 11G | 0 | G10_060 | 'HOBBS INTERCHANGE - MIDLAND COUNTY INTERCHANGE 230KV CKT 1'     | TO->FROM | 0.78917 | 478   | 'CAPROCK REC-ST LAWRENCE - CAPROCK REC-STILES 138KV CKT 1'  |
| 11G | 0 | G10_059 | 'HOBBS INTERCHANGE - MIDLAND COUNTY INTERCHANGE 230KV CKT 1'     | TO->FROM | 0.78917 | 478   | 'CAPROCK REC-ST LAWRENCE - CAPROCK REC-STILES 138KV CKT 1'  |
| 11G | 0 | G10_060 | 'HOBBS INTERCHANGE - MIDLAND COUNTY INTERCHANGE 230KV CKT 1'     | TO->FROM | 0.78917 | 478   | 'CAPROCK REC-LANGE - CAPROCK REC-ST LAWRENCE 138KV CKT 1'   |
| 11G | 0 | G10_059 | 'HOBBS INTERCHANGE - MIDLAND COUNTY INTERCHANGE 230KV CKT 1'     | TO->FROM | 0.78917 | 478   | 'CAPROCK REC-LANGE - CAPROCK REC-ST LAWRENCE 138KV CKT 1'   |
| 11G | 0 | G10_060 | 'HOBBS INTERCHANGE - MIDLAND COUNTY INTERCHANGE 230KV CKT 1'     | TO->FROM | 0.78979 | 478   | 'CAPROCK REC-MCDONALD - CR-1956 4138.00 138KV CKT 1'        |
| 11G | 0 | G10_059 | 'HOBBS INTERCHANGE - MIDLAND COUNTY INTERCHANGE 230KV CKT 1'     | TO->FROM | 0.78979 | 478   | 'CAPROCK REC-MCDONALD - CR-1956 4138.00 138KV CKT 1'        |
| 11G | 0 | G10_060 | 'HOBBS INTERCHANGE - MIDLAND COUNTY INTERCHANGE 230KV CKT 1'     | TO->FROM | 0.78917 | 478   | 'CAPROCK REC-BUCHANAN - CAPROCK REC-LANGE 138KV CKT 1'      |
| 11G | 0 | G10_059 | 'HOBBS INTERCHANGE - MIDLAND COUNTY INTERCHANGE 230KV CKT 1'     | TO->FROM | 0.78917 | 478   | 'CAPROCK REC-BUCHANAN - CAPROCK REC-LANGE 138KV CKT 1'      |
| 11G | 0 | G10_060 | 'HOBBS INTERCHANGE - MIDLAND COUNTY INTERCHANGE 230KV CKT 1'     | TO->FROM | 0.78979 | 478   | 'CAPROCK REC-NEW SCHWARTZ - CR-1956 4138.00 138KV CKT 1'    |
| 11G | 0 | G10_059 | 'HOBBS INTERCHANGE - MIDLAND COUNTY INTERCHANGE 230KV CKT 1'     | TO->FROM | 0.78979 | 478   | 'CAPROCK REC-NEW SCHWARTZ - CR-1956 4138.00 138KV CKT 1'    |
| 11G | 0 | G10_060 | 'HOBBS INTERCHANGE - MIDLAND COUNTY INTERCHANGE 230KV CKT 1'     | TO->FROM | 0.78917 | 478   | 'CAPROCK REC-BUCHANAN - CAPROCK REC-RUSSEL TAP 138KV CKT 1' |
| 11G | 0 | G10_059 | 'HOBBS INTERCHANGE - MIDLAND COUNTY INTERCHANGE 230KV CKT 1'     | TO->FROM | 0.78917 | 478   | 'CAPROCK REC-BUCHANAN - CAPROCK REC-RUSSEL TAP 138KV CKT 1' |
| 11G | 0 | G10_060 | 'HOBBS INTERCHANGE - MIDLAND COUNTY INTERCHANGE 230KV CKT 1'     | TO->FROM | 0.76097 | 478   | 'HOBBS INTERCHANGE 230/18.0KV TRANSFORMER CKT 1'            |
| 11G | 0 | G10_059 | 'HOBBS INTERCHANGE - MIDLAND COUNTY INTERCHANGE 230KV CKT 1'     | TO->FROM | 0.76097 | 478   | 'HOBBS INTERCHANGE 230/18.0KV TRANSFORMER CKT 1'            |

|     |   |         |  |          |         |       |   |
|-----|---|---------|--|----------|---------|-------|---|
| 11G | 0 | G10_060 | 'HOBBS INTERCHANGE - MIDLAND COUNTY INTERCHANGE 230KV CKT 1'     | TO->FROM | 0.78917 | 478   | 'CAPROCK REC-RUSSEL TAP - CAPROCK REC-VEALMOOR 138KV CKT 1'     |
| 11G | 0 | G10_059 | 'HOBBS INTERCHANGE - MIDLAND COUNTY INTERCHANGE 230KV CKT 1'     | TO->FROM | 0.78917 | 478   | 'CAPROCK REC-RUSSEL TAP - CAPROCK REC-VEALMOOR 138KV CKT 1'     |
| 11G | 0 | G10_060 | 'HOBBS INTERCHANGE - MIDLAND COUNTY INTERCHANGE 230KV CKT 1'     | TO->FROM | 0.76097 | 478   | 'CUNNINGHAM STATION 230/20.0KV TRANSFORMER CKT 1'               |
| 11G | 0 | G10_059 | 'HOBBS INTERCHANGE - MIDLAND COUNTY INTERCHANGE 230KV CKT 1'     | TO->FROM | 0.76097 | 478   | 'CUNNINGHAM STATION 230/20.0KV TRANSFORMER CKT 1'               |
| 11G | 0 | G10_060 | 'HOBBS INTERCHANGE 230/115KV TRANSFORMER CKT 1'                  | FROM->TO | 0.19092 | 148.3 | 'CUNNINGHAM STATION - LEA COUNTY INTERCHANGE 230KV CKT 1'       |
| 11G | 0 | G10_059 | 'HOBBS INTERCHANGE 230/115KV TRANSFORMER CKT 1'                  | FROM->TO | 0.19092 | 148.3 | 'CUNNINGHAM STATION - LEA COUNTY INTERCHANGE 230KV CKT 1'       |
| 11G | 0 | G10_060 | 'GRASSLAND INTERCHANGE - Jones Station Bus#2 230KV CKT 1'        | FROM->TO | 0.46776 | 361   | 'HOBBS INTERCHANGE - MIDLAND COUNTY INTERCHANGE 230KV CKT 1'    |
| 11G | 0 | G10_059 | 'GRASSLAND INTERCHANGE - Jones Station Bus#2 230KV CKT 1'        | FROM->TO | 0.46776 | 361   | 'HOBBS INTERCHANGE - MIDLAND COUNTY INTERCHANGE 230KV CKT 1'    |
| 11G | 0 | G10_060 | 'CAPROCK REC-MCDONALD - CAPROCK REC-PHILLIPS 138KV CKT 1'        | TO->FROM | 0.32152 | 271   | 'HOBBS INTERCHANGE - LEA COUNTY INTERCHANGE 230KV CKT 1'        |
| 11G | 0 | G10_059 | 'CAPROCK REC-MCDONALD - CAPROCK REC-PHILLIPS 138KV CKT 1'        | TO->FROM | 0.32152 | 271   | 'HOBBS INTERCHANGE - LEA COUNTY INTERCHANGE 230KV CKT 1'        |
| 11G | 0 | G10_060 | 'HOBBS INTERCHANGE - MIDLAND COUNTY INTERCHANGE 230KV CKT 1'     | TO->FROM | 0.76097 | 478   | 'BASE CASE'   |
| 11G | 0 | G10_059 | 'HOBBS INTERCHANGE - MIDLAND COUNTY INTERCHANGE 230KV CKT 1'     | TO->FROM | 0.76097 | 478   | 'BASE CASE'   |
| 11G | 0 | G10_060 | 'HOBBS INTERCHANGE - LEA COUNTY INTERCHANGE 230KV CKT 1'         | FROM->TO | 0.88433 | 691.4 | 'SPP-SWPS-K48'  |
| 11G | 0 | G10_059 | 'HOBBS INTERCHANGE - LEA COUNTY INTERCHANGE 230KV CKT 1'         | FROM->TO | 0.88433 | 691.4 | 'SPP-SWPS-K48'  |
| 11G | 0 | G10_060 | 'HOBBS INTERCHANGE - LEA COUNTY INTERCHANGE 230KV CKT 1'         | FROM->TO | 0.88433 | 691.4 | 'BORDEN COUNTY INTERCHANGE - GRASSLAND INTERCHANGE 230KV CKT 1' |
| 11G | 0 | G10_059 | 'HOBBS INTERCHANGE - LEA COUNTY INTERCHANGE 230KV CKT 1'         | FROM->TO | 0.88433 | 691.4 | 'BORDEN COUNTY INTERCHANGE - GRASSLAND INTERCHANGE 230KV CKT 1' |
| 11G | 0 | G10_060 | 'HOBBS INTERCHANGE - LEA COUNTY INTERCHANGE 230KV CKT 1'         | FROM->TO | 0.67301 | 570   | 'BASE CASE'   |
| 11G | 0 | G10_059 | 'HOBBS INTERCHANGE - LEA COUNTY INTERCHANGE 230KV CKT 1'         | FROM->TO | 0.67301 | 570   | 'BASE CASE'   |
| 11G | 0 | G10_060 | 'CAPROCK REC-MCDONALD - CAPROCK REC-PHILLIPS 138KV CKT 1'        | TO->FROM | 0.23903 | 208   | 'BASE CASE'   |
| 11G | 0 | G10_059 | 'CAPROCK REC-MCDONALD - CAPROCK REC-PHILLIPS 138KV CKT 1'        | TO->FROM | 0.23903 | 208   | 'BASE CASE'   |
| 11G | 0 | G10_060 | 'LEA COUNTY INTERCHANGE - YOAKUM COUNTY INTERCHANGE 230KV CKT 1' | FROM->TO | 0.34767 | 360.9 | 'CHAVESCO 345.00 - TOLK STATION 345KV CKT 1'                    |
| 11G | 0 | G10_059 | 'LEA COUNTY INTERCHANGE - YOAKUM COUNTY INTERCHANGE 230KV CKT 1' | FROM->TO | 0.34767 | 360.9 | 'CHAVESCO 345.00 - TOLK STATION 345KV CKT 1'                    |
| 11G | 0 | G10_060 | 'LEA COUNTY INTERCHANGE - YOAKUM COUNTY INTERCHANGE 230KV CKT 1' | FROM->TO | 0.34767 | 360.9 | 'TOLK STATION (ABBXNL844501) 345/230/13.2KV TRANSFORMER CKT 1'  |
| 11G | 0 | G10_059 | 'LEA COUNTY INTERCHANGE - YOAKUM COUNTY INTERCHANGE 230KV CKT 1' | FROM->TO | 0.34767 | 360.9 | 'TOLK STATION (ABBXNL844501) 345/230/13.2KV TRANSFORMER CKT 1'  |
| 11G | 0 | G10_060 | 'POTTER COUNTY INTERCHANGE - S-RANDLCO 230.00 230KV CKT 1'       | TO->FROM | 0.1906  | 360.9 | 'BUSHLAND INTERCHANGE - POTTER COUNTY INTERCHANGE 230KV CKT 1'  |

|     |   |         |   |          |         |       |  |
|-----|---|---------|---|----------|---------|-------|--|
| 11G | 0 | G10_059 | 'POTTER COUNTY INTERCHANGE - S-RANDLCO<br>230.00 230KV CKT 1'       | TO->FROM | 0.1906  | 360.9 | 'BUSHLAND INTERCHANGE - POTTER COUNTY<br>INTERCHANGE 230KV CKT 1'  |
| 11G | 0 | G10_060 | 'CAPROCK REC-GRADY - CAPROCK REC-<br>TRIANGLE 138KV CKT 1'          | TO->FROM | 0.22573 | 175.6 | 'HOBBS INTERCHANGE - LEA COUNTY<br>INTERCHANGE 230KV CKT 1'        |
| 11G | 0 | G10_059 | 'CAPROCK REC-GRADY - CAPROCK REC-<br>TRIANGLE 138KV CKT 1'          | TO->FROM | 0.22573 | 175.6 | 'HOBBS INTERCHANGE - LEA COUNTY<br>INTERCHANGE 230KV CKT 1'        |
| 11G | 0 | G10_060 | 'LEA COUNTY INTERCHANGE - YOAKUM<br>COUNTY INTERCHANGE 230KV CKT 1' | FROM->TO | 0.38397 | 360.9 | 'BORDEN COUNTY INTERCHANGE -<br>GRASSLAND INTERCHANGE 230KV CKT 1' |
| 11G | 0 | G10_059 | 'LEA COUNTY INTERCHANGE - YOAKUM<br>COUNTY INTERCHANGE 230KV CKT 1' | FROM->TO | 0.38397 | 360.9 | 'BORDEN COUNTY INTERCHANGE -<br>GRASSLAND INTERCHANGE 230KV CKT 1' |
| 11G | 0 | G10_060 | 'LEA COUNTY INTERCHANGE - YOAKUM<br>COUNTY INTERCHANGE 230KV CKT 1' | FROM->TO | 0.38397 | 360.9 | 'SPP-SWPS-K48'   |
| 11G | 0 | G10_059 | 'LEA COUNTY INTERCHANGE - YOAKUM<br>COUNTY INTERCHANGE 230KV CKT 1' | FROM->TO | 0.38397 | 360.9 | 'SPP-SWPS-K48'   |
| 11G | 0 | G10_060 | 'CAPROCK REC-PEMBROOK - G09-17T 138.00<br>138KV CKT 1'              | FROM->TO | 0.29629 | 176   | 'HOBBS INTERCHANGE - MIDLAND COUNTY<br>INTERCHANGE 230KV CKT 1'    |
| 11G | 0 | G10_059 | 'CAPROCK REC-PEMBROOK - G09-17T 138.00<br>138KV CKT 1'              | FROM->TO | 0.29629 | 176   | 'HOBBS INTERCHANGE - MIDLAND COUNTY<br>INTERCHANGE 230KV CKT 1'    |
| 11G | 0 | G10_060 | 'LEA COUNTY INTERCHANGE - YOAKUM<br>COUNTY INTERCHANGE 230KV CKT 1' | FROM->TO | 0.37317 | 360.9 | 'CUNNINGHAM STATION - LEA COUNTY<br>INTERCHANGE 230KV CKT 1'       |
| 11G | 0 | G10_059 | 'LEA COUNTY INTERCHANGE - YOAKUM<br>COUNTY INTERCHANGE 230KV CKT 1' | FROM->TO | 0.37317 | 360.9 | 'CUNNINGHAM STATION - LEA COUNTY<br>INTERCHANGE 230KV CKT 1'       |
| 11G | 0 | G10_060 | 'CAPROCK REC-GRADY - CAPROCK REC-<br>TRIANGLE 138KV CKT 1'          | TO->FROM | 0.20928 | 175.6 | 'CAPROCK REC-STILES - G09-17T 138.00<br>138KV CKT 1'               |
| 11G | 0 | G10_059 | 'CAPROCK REC-GRADY - CAPROCK REC-<br>TRIANGLE 138KV CKT 1'          | TO->FROM | 0.20928 | 175.6 | 'CAPROCK REC-STILES - G09-17T 138.00<br>138KV CKT 1'               |
| 11G | 0 | G10_060 | 'HOBBS INTERCHANGE - LEA COUNTY<br>INTERCHANGE 230KV CKT 1'         | FROM->TO | 0.75383 | 691.4 | 'HOBBS INTERCHANGE 230/115KV<br>TRANSFORMER CKT 1'                 |
| 11G | 0 | G10_059 | 'HOBBS INTERCHANGE - LEA COUNTY<br>INTERCHANGE 230KV CKT 1'         | FROM->TO | 0.75383 | 691.4 | 'HOBBS INTERCHANGE 230/115KV<br>TRANSFORMER CKT 1'                 |
| 11G | 0 | G10_060 | 'HOBBS INTERCHANGE - LEA COUNTY<br>INTERCHANGE 230KV CKT 1'         | FROM->TO | 0.7651  | 691.4 | 'CAPROCK REC-MCDONALD - CAPROCK REC-<br>TRIANGLE 138KV CKT 1'      |
| 11G | 0 | G10_059 | 'HOBBS INTERCHANGE - LEA COUNTY<br>INTERCHANGE 230KV CKT 1'         | FROM->TO | 0.7651  | 691.4 | 'CAPROCK REC-MCDONALD - CAPROCK REC-<br>TRIANGLE 138KV CKT 1'      |
| 11G | 0 | G10_060 | 'CAPROCK REC-GRADY - CAPROCK REC-<br>TRIANGLE 138KV CKT 1'          | TO->FROM | 0.20928 | 175.6 | 'CAPROCK REC-ST LAWRENCE - CAPROCK<br>REC-STILES 138KV CKT 1'      |
| 11G | 0 | G10_059 | 'CAPROCK REC-GRADY - CAPROCK REC-<br>TRIANGLE 138KV CKT 1'          | TO->FROM | 0.20928 | 175.6 | 'CAPROCK REC-ST LAWRENCE - CAPROCK<br>REC-STILES 138KV CKT 1'      |
| 11G | 0 | G10_060 | 'CAPROCK REC-KOCH - CAPROCK REC-REED<br>138KV CKT 1'                | TO->FROM | 0.22573 | 175.5 | 'HOBBS INTERCHANGE - LEA COUNTY<br>INTERCHANGE 230KV CKT 1'        |
| 11G | 0 | G10_059 | 'CAPROCK REC-KOCH - CAPROCK REC-REED<br>138KV CKT 1'                | TO->FROM | 0.22573 | 175.5 | 'HOBBS INTERCHANGE - LEA COUNTY<br>INTERCHANGE 230KV CKT 1'        |
| 11G | 0 | G10_060 | 'CAPROCK REC-KOCH - CAPROCK REC-<br>VEALMOOR 138KV CKT 1'           | FROM->TO | 0.22573 | 175.6 | 'HOBBS INTERCHANGE - LEA COUNTY<br>INTERCHANGE 230KV CKT 1'        |
| 11G | 0 | G10_059 | 'CAPROCK REC-KOCH - CAPROCK REC-<br>VEALMOOR 138KV CKT 1'           | FROM->TO | 0.22573 | 175.6 | 'HOBBS INTERCHANGE - LEA COUNTY<br>INTERCHANGE 230KV CKT 1'        |
| 11G | 0 | G10_060 | 'HOBBS INTERCHANGE - LEA COUNTY<br>INTERCHANGE 230KV CKT 1'         | FROM->TO | 0.7651  | 691.4 | 'CAPROCK REC-GRADY - CAPROCK REC-<br>TRIANGLE 138KV CKT 1'         |
| 11G | 0 | G10_059 | 'HOBBS INTERCHANGE - LEA COUNTY<br>INTERCHANGE 230KV CKT 1'         | FROM->TO | 0.7651  | 691.4 | 'CAPROCK REC-GRADY - CAPROCK REC-<br>TRIANGLE 138KV CKT 1'         |

|     |   |         |  |          |         |       |  |
|-----|---|---------|--|----------|---------|-------|--|
| 11G | 0 | G10_060 | 'CAPROCK REC-PHILLIPS - CAPROCK REC-TATE 138KV CKT 1'            | TO->FROM | 0.26494 | 271   | 'LEA COUNTY INTERCHANGE - YOAKUM COUNTY INTERCHANGE 230KV CKT 1' |
| 11G | 0 | G10_059 | 'CAPROCK REC-PHILLIPS - CAPROCK REC-TATE 138KV CKT 1'            | TO->FROM | 0.26494 | 271   | 'LEA COUNTY INTERCHANGE - YOAKUM COUNTY INTERCHANGE 230KV CKT 1' |
| 11G | 0 | G10_060 | 'PLANT X STATION - TOLK STATION WEST 230KV CKT 1'                | TO->FROM | 0.25604 | 557   | 'TOLK STATION EAST - TOLK STATION TAP 230KV CKT 1'               |
| 11G | 0 | G10_059 | 'PLANT X STATION - TOLK STATION WEST 230KV CKT 1'                | TO->FROM | 0.25604 | 557   | 'TOLK STATION EAST - TOLK STATION TAP 230KV CKT 1'               |
| 11G | 0 | G10_060 | 'HOBBS INTERCHANGE - LEA COUNTY INTERCHANGE 230KV CKT 1'         | FROM->TO | 0.7651  | 691.4 | 'CAPROCK REC-GRADY - CAPROCK REC-REED 138KV CKT 1'               |
| 11G | 0 | G10_059 | 'HOBBS INTERCHANGE - LEA COUNTY INTERCHANGE 230KV CKT 1'         | FROM->TO | 0.7651  | 691.4 | 'CAPROCK REC-GRADY - CAPROCK REC-REED 138KV CKT 1'               |
| 11G | 0 | G10_060 | 'HOBBS INTERCHANGE - LEA COUNTY INTERCHANGE 230KV CKT 1'         | FROM->TO | 0.7651  | 691.4 | 'CAPROCK REC-KOCH - CAPROCK REC-REED 138KV CKT 1'                |
| 11G | 0 | G10_059 | 'HOBBS INTERCHANGE - LEA COUNTY INTERCHANGE 230KV CKT 1'         | FROM->TO | 0.7651  | 691.4 | 'CAPROCK REC-KOCH - CAPROCK REC-REED 138KV CKT 1'                |
| 11G | 0 | G10_060 | 'HOBBS INTERCHANGE - LEA COUNTY INTERCHANGE 230KV CKT 1'         | FROM->TO | 0.7651  | 691.4 | 'CAPROCK REC-KOCH - CAPROCK REC-VEALMOOR 138KV CKT 1'            |
| 11G | 0 | G10_059 | 'HOBBS INTERCHANGE - LEA COUNTY INTERCHANGE 230KV CKT 1'         | FROM->TO | 0.7651  | 691.4 | 'CAPROCK REC-KOCH - CAPROCK REC-VEALMOOR 138KV CKT 1'            |
| 11G | 0 | G10_060 | 'LEA COUNTY INTERCHANGE - YOAKUM COUNTY INTERCHANGE 230KV CKT 1' | FROM->TO | 0.3095  | 360.9 | 'OASIS INTERCHANGE - SAN JUAN MESA TAP 230KV CKT 1'              |
| 11G | 0 | G10_059 | 'LEA COUNTY INTERCHANGE - YOAKUM COUNTY INTERCHANGE 230KV CKT 1' | FROM->TO | 0.3095  | 360.9 | 'OASIS INTERCHANGE - SAN JUAN MESA TAP 230KV CKT 1'              |
| 11G | 0 | G10_060 | 'CAPROCK REC-GRADY - CAPROCK REC-TRIANGLE 138KV CKT 1'           | TO->FROM | 0.21021 | 175.6 | 'CAPROCK REC-MCDONALD - CR-1956 4138.00 138KV CKT 1'             |
| 11G | 0 | G10_059 | 'CAPROCK REC-GRADY - CAPROCK REC-TRIANGLE 138KV CKT 1'           | TO->FROM | 0.21021 | 175.6 | 'CAPROCK REC-MCDONALD - CR-1956 4138.00 138KV CKT 1'             |
| 11G | 0 | G10_060 | 'CAPROCK REC-GRADY - CAPROCK REC-TRIANGLE 138KV CKT 1'           | TO->FROM | 0.20928 | 175.6 | 'CAPROCK REC-LANGE - CAPROCK REC-ST LAWRENCE 138KV CKT 1'        |
| 11G | 0 | G10_059 | 'CAPROCK REC-GRADY - CAPROCK REC-TRIANGLE 138KV CKT 1'           | TO->FROM | 0.20928 | 175.6 | 'CAPROCK REC-LANGE - CAPROCK REC-ST LAWRENCE 138KV CKT 1'        |
| 11G | 0 | G10_060 | 'LEA COUNTY INTERCHANGE - YOAKUM COUNTY INTERCHANGE 230KV CKT 1' | FROM->TO | 0.32864 | 360.9 | 'CAPROCK REC-MCDONALD - CAPROCK REC-TRIANGLE 138KV CKT 1'        |
| 11G | 0 | G10_059 | 'LEA COUNTY INTERCHANGE - YOAKUM COUNTY INTERCHANGE 230KV CKT 1' | FROM->TO | 0.32864 | 360.9 | 'CAPROCK REC-MCDONALD - CAPROCK REC-TRIANGLE 138KV CKT 1'        |
| 11G | 0 | G10_060 | 'LEA COUNTY INTERCHANGE - YOAKUM COUNTY INTERCHANGE 230KV CKT 1' | FROM->TO | 0.32864 | 360.9 | 'CAPROCK REC-GRADY - CAPROCK REC-TRIANGLE 138KV CKT 1'           |
| 11G | 0 | G10_059 | 'LEA COUNTY INTERCHANGE - YOAKUM COUNTY INTERCHANGE 230KV CKT 1' | FROM->TO | 0.32864 | 360.9 | 'CAPROCK REC-GRADY - CAPROCK REC-TRIANGLE 138KV CKT 1'           |
| 11G | 0 | G10_060 | 'CAPROCK REC-GRADY - CAPROCK REC-TRIANGLE 138KV CKT 1'           | TO->FROM | 0.20928 | 175.6 | 'CAPROCK REC-BUCHANAN - CAPROCK REC-LANGE 138KV CKT 1'           |
| 11G | 0 | G10_059 | 'CAPROCK REC-GRADY - CAPROCK REC-TRIANGLE 138KV CKT 1'           | TO->FROM | 0.20928 | 175.6 | 'CAPROCK REC-BUCHANAN - CAPROCK REC-LANGE 138KV CKT 1'           |
| 11G | 0 | G10_060 | 'CAPROCK REC-KOCH - CAPROCK REC-REED 138KV CKT 1'                | TO->FROM | 0.20928 | 175.5 | 'CAPROCK REC-STILES - G09-17T 138.00 138KV CKT 1'                |
| 11G | 0 | G10_059 | 'CAPROCK REC-KOCH - CAPROCK REC-REED 138KV CKT 1'                | TO->FROM | 0.20928 | 175.5 | 'CAPROCK REC-STILES - G09-17T 138.00 138KV CKT 1'                |
| 11G | 0 | G10_060 | 'CAPROCK REC-KOCH - CAPROCK REC-VEALMOOR 138KV CKT 1'            | FROM->TO | 0.20928 | 175.6 | 'CAPROCK REC-STILES - G09-17T 138.00 138KV CKT 1'                |

|     |   |         |   |          |         |       |   |
|-----|---|---------|---|----------|---------|-------|---|
| 11G | 0 | G10_059 | 'CAPROCK REC-KOCH - CAPROCK REC-VEALMOOR 138KV CKT 1'             | FROM->TO | 0.20928 | 175.6 | 'CAPROCK REC-STILES - G09-17T 138.00 138KV CKT 1'   |
| 11G | 0 | G10_060 | 'CAPROCK REC-GRADY - CAPROCK REC-TRIANGLE 138KV CKT 1'            | TO->FROM | 0.21021 | 175.6 | 'CAPROCK REC-NEW SCHWARTZ - CR-1956 4138.00 138KV CKT 1'                                      |
| 11G | 0 | G10_059 | 'CAPROCK REC-GRADY - CAPROCK REC-TRIANGLE 138KV CKT 1'            | TO->FROM | 0.21021 | 175.6 | 'CAPROCK REC-NEW SCHWARTZ - CR-1956 4138.00 138KV CKT 1'                                      |
| 11G | 0 | G10_060 | 'LEA COUNTY INTERCHANGE - YOAKUM COUNTY INTERCHANGE 230KV CKT 1'  | FROM->TO | 0.30782 | 360.9 | 'JOHNSON_DRW3115.00 - TAYLOR SWITCHING STATION 115KV CKT 1'                                   |
| 11G | 0 | G10_059 | 'LEA COUNTY INTERCHANGE - YOAKUM COUNTY INTERCHANGE 230KV CKT 1'  | FROM->TO | 0.30782 | 360.9 | 'JOHNSON_DRW3115.00 - TAYLOR SWITCHING STATION 115KV CKT 1'                                   |
| 11G | 0 | G10_060 | 'LEA COUNTY INTERCHANGE - YOAKUM COUNTY INTERCHANGE 230KV CKT 1'  | FROM->TO | 0.32864 | 360.9 | 'CAPROCK REC-GRADY - CAPROCK REC-REED 138KV CKT 1'  |
| 11G | 0 | G10_059 | 'LEA COUNTY INTERCHANGE - YOAKUM COUNTY INTERCHANGE 230KV CKT 1'  | FROM->TO | 0.32864 | 360.9 | 'CAPROCK REC-GRADY - CAPROCK REC-REED 138KV CKT 1'  |
| 11G | 0 | G10_060 | 'LEA COUNTY INTERCHANGE - YOAKUM COUNTY INTERCHANGE 230KV CKT 1'  | FROM->TO | 0.32864 | 360.9 | 'CAPROCK REC-KOCH - CAPROCK REC-REED 138KV CKT 1'   |
| 11G | 0 | G10_059 | 'LEA COUNTY INTERCHANGE - YOAKUM COUNTY INTERCHANGE 230KV CKT 1'  | FROM->TO | 0.32864 | 360.9 | 'CAPROCK REC-KOCH - CAPROCK REC-REED 138KV CKT 1'   |
| 11G | 0 | G10_060 | 'LEA COUNTY INTERCHANGE - YOAKUM COUNTY INTERCHANGE 230KV CKT 1'  | FROM->TO | 0.32864 | 360.9 | 'CAPROCK REC-KOCH - CAPROCK REC-VEALMOOR 138KV CKT 1'   |
| 11G | 0 | G10_059 | 'LEA COUNTY INTERCHANGE - YOAKUM COUNTY INTERCHANGE 230KV CKT 1'  | FROM->TO | 0.32864 | 360.9 | 'CAPROCK REC-KOCH - CAPROCK REC-VEALMOOR 138KV CKT 1'   |
| 11G | 0 | G10_060 | 'LEA COUNTY INTERCHANGE - YOAKUM COUNTY INTERCHANGE 230KV CKT 1'  | FROM->TO | 0.28591 | 328.9 | 'BASE CASE'   |
| 11G | 0 | G10_059 | 'LEA COUNTY INTERCHANGE - YOAKUM COUNTY INTERCHANGE 230KV CKT 1'  | FROM->TO | 0.28591 | 328.9 | 'BASE CASE'   |
| 11G | 0 | G10_060 | 'LEA COUNTY INTERCHANGE - YOAKUM COUNTY INTERCHANGE 230KV CKT 1'  | FROM->TO | 0.32076 | 360.9 | 'CUNNINGHAM STATION - EDDY COUNTY INTERCHANGE 230KV CKT 1'                                    |
| 11G | 0 | G10_059 | 'LEA COUNTY INTERCHANGE - YOAKUM COUNTY INTERCHANGE 230KV CKT 1'  | FROM->TO | 0.32076 | 360.9 | 'CUNNINGHAM STATION - EDDY COUNTY INTERCHANGE 230KV CKT 1'                                    |
| 11G | 0 | G10_060 | 'CAPROCK REC-PHILLIPS - CAPROCK REC-TATE 138KV CKT 1'             | TO->FROM | 0.23903 | 271   | 'G09-17 34.500 34.5/0.69KV TRANSFORMER CKT 1'   |
| 11G | 0 | G10_059 | 'CAPROCK REC-PHILLIPS - CAPROCK REC-TATE 138KV CKT 1'             | TO->FROM | 0.23903 | 271   | 'G09-17 34.500 34.5/0.69KV TRANSFORMER CKT 1'   |
| 11G | 0 | G10_060 | 'CAPROCK REC-PHILLIPS - CAPROCK REC-TATE 138KV CKT 1'             | TO->FROM | 0.23903 | 271   | 'G09-17 138.00 138/34.5KV TRANSFORMER CKT 1'  |
| 11G | 0 | G10_059 | 'CAPROCK REC-PHILLIPS - CAPROCK REC-TATE 138KV CKT 1'             | TO->FROM | 0.23903 | 271   | 'G09-17 138.00 138/34.5KV TRANSFORMER CKT 1'  |
| 11G | 0 | G10_060 | 'AMOCO SWITCHING STATION - YOAKUM COUNTY INTERCHANGE 230KV CKT 1' | TO->FROM | 0.24813 | 360.1 | 'MIDLAND COUNTY INTERCHANGE 230/138KV TRANSFORMER CKT 1'                                      |
| 11G | 0 | G10_059 | 'AMOCO SWITCHING STATION - YOAKUM COUNTY INTERCHANGE 230KV CKT 1' | TO->FROM | 0.24813 | 360.1 | 'MIDLAND COUNTY INTERCHANGE 230/138KV TRANSFORMER CKT 1'                                      |
| 11G | 0 | G10_060 | 'CAPROCK REC-PHILLIPS - CAPROCK REC-TATE 138KV CKT 1'             | TO->FROM | 0.23903 | 271   | 'G09-17 138.00 - G09-17T 138.00 138KV CKT 1'  |
| 11G | 0 | G10_059 | 'CAPROCK REC-PHILLIPS - CAPROCK REC-TATE 138KV CKT 1'             | TO->FROM | 0.23903 | 271   | 'G09-17 138.00 - G09-17T 138.00 138KV CKT 1'  |
| 11G | 0 | G10_060 | 'LEA COUNTY INTERCHANGE - YOAKUM COUNTY INTERCHANGE 230KV CKT 1'  | FROM->TO | 0.28591 | 360.9 | 'Golden Spread REC - Mustang Interchange 230 kV Generation Bus - MUSTANG STATION 230KV CKT 1' |

|     |   |         |   |          |         |       |   |
|-----|---|---------|---|----------|---------|-------|---|
| 11G | 0 | G10_059 | 'LEA COUNTY INTERCHANGE - YOAKUM COUNTY INTERCHANGE 230KV CKT 1'  | FROM->TO | 0.28591 | 360.9 | 'Golden Spread REC - Mustang Interchange 230 kV Generation Bus - MUSTANG STATION 230KV CKT 1' |
| 11G | 0 | G10_060 | 'CAPROCK REC-PHILLIPS - CAPROCK REC-TATE 138KV CKT 1'             | TO->FROM | 0.24983 | 271   | 'AMOCO SWITCHING STATION - YOAKUM COUNTY INTERCHANGE 230KV CKT 1'                             |
| 11G | 0 | G10_059 | 'CAPROCK REC-PHILLIPS - CAPROCK REC-TATE 138KV CKT 1'             | TO->FROM | 0.24983 | 271   | 'AMOCO SWITCHING STATION - YOAKUM COUNTY INTERCHANGE 230KV CKT 1'                             |
| 11G | 0 | G10_060 | 'AMOCO SWITCHING STATION - YOAKUM COUNTY INTERCHANGE 230KV CKT 1' | TO->FROM | 0.24813 | 360.1 | 'CAPROCK REC-PHILLIPS - CAPROCK REC-TATE 138KV CKT 1'   |
| 11G | 0 | G10_059 | 'AMOCO SWITCHING STATION - YOAKUM COUNTY INTERCHANGE 230KV CKT 1' | TO->FROM | 0.24813 | 360.1 | 'CAPROCK REC-PHILLIPS - CAPROCK REC-TATE 138KV CKT 1'   |
| 11G | 0 | G10_060 | 'CAPROCK REC-KOCH - CAPROCK REC-REED 138KV CKT 1'                 | TO->FROM | 0.20928 | 175.5 | 'CAPROCK REC-ST LAWRENCE - CAPROCK REC-STILES 138KV CKT 1'                                    |
| 11G | 0 | G10_059 | 'CAPROCK REC-KOCH - CAPROCK REC-REED 138KV CKT 1'                 | TO->FROM | 0.20928 | 175.5 | 'CAPROCK REC-ST LAWRENCE - CAPROCK REC-STILES 138KV CKT 1'                                    |
| 11G | 0 | G10_060 | 'CAPROCK REC-KOCH - CAPROCK REC-VEALMOOR 138KV CKT 1'             | FROM->TO | 0.20928 | 175.6 | 'CAPROCK REC-ST LAWRENCE - CAPROCK REC-STILES 138KV CKT 1'                                    |
| 11G | 0 | G10_059 | 'CAPROCK REC-KOCH - CAPROCK REC-VEALMOOR 138KV CKT 1'             | FROM->TO | 0.20928 | 175.6 | 'CAPROCK REC-ST LAWRENCE - CAPROCK REC-STILES 138KV CKT 1'                                    |
| 11G | 0 | G10_060 | 'CAPROCK REC-GRADY - CAPROCK REC-TRIANGLE 138KV CKT 1'            | TO->FROM | 0.20928 | 175.6 | 'CAPROCK REC-BUCHANAN - CAPROCK REC-RUSSEL TAP 138KV CKT 1'                                   |
| 11G | 0 | G10_059 | 'CAPROCK REC-GRADY - CAPROCK REC-TRIANGLE 138KV CKT 1'            | TO->FROM | 0.20928 | 175.6 | 'CAPROCK REC-BUCHANAN - CAPROCK REC-RUSSEL TAP 138KV CKT 1'                                   |
| 11G | 0 | G10_060 | 'LEA COUNTY INTERCHANGE - YOAKUM COUNTY INTERCHANGE 230KV CKT 1'  | FROM->TO | 0.30249 | 360.9 | 'CUNNINGHAM STATION - POTASH JUNCTION INTERCHANGE 230KV CKT 1'                                |
| 11G | 0 | G10_059 | 'LEA COUNTY INTERCHANGE - YOAKUM COUNTY INTERCHANGE 230KV CKT 1'  | FROM->TO | 0.30249 | 360.9 | 'CUNNINGHAM STATION - POTASH JUNCTION INTERCHANGE 230KV CKT 1'                                |
| 11G | 0 | G10_060 | 'CAPROCK REC-PHILLIPS - CAPROCK REC-TATE 138KV CKT 1'             | TO->FROM | 0.25156 | 271   | 'TOLK STATION (ABBXNL844501) 345/230/13.2KV TRANSFORMER CKT 1'                                |
| 11G | 0 | G10_059 | 'CAPROCK REC-PHILLIPS - CAPROCK REC-TATE 138KV CKT 1'             | TO->FROM | 0.25156 | 271   | 'TOLK STATION (ABBXNL844501) 345/230/13.2KV TRANSFORMER CKT 1'                                |
| 11G | 0 | G10_060 | 'CAPROCK REC-PHILLIPS - CAPROCK REC-TATE 138KV CKT 1'             | TO->FROM | 0.25156 | 271   | 'CHAVESCO 345.00 - TOLK STATION 345KV CKT 1'  |
| 11G | 0 | G10_059 | 'CAPROCK REC-PHILLIPS - CAPROCK REC-TATE 138KV CKT 1'             | TO->FROM | 0.25156 | 271   | 'CHAVESCO 345.00 - TOLK STATION 345KV CKT 1'  |
| 11G | 0 | G10_060 | 'CAPROCK REC-PHILLIPS - CAPROCK REC-TATE 138KV CKT 1'             | TO->FROM | 0.2431  | 271   | 'TOLK STATION EAST - TUCO INTERCHANGE 230KV CKT 1'  |
| 11G | 0 | G10_059 | 'CAPROCK REC-PHILLIPS - CAPROCK REC-TATE 138KV CKT 1'             | TO->FROM | 0.2431  | 271   | 'TOLK STATION EAST - TUCO INTERCHANGE 230KV CKT 1'  |
| 11G | 0 | G10_060 | 'HOBBS INTERCHANGE - LEA COUNTY INTERCHANGE 230KV CKT 1'          | FROM->TO | 0.6981  | 691.4 | 'CAPROCK REC-STILES - G09-17T 138.00 138KV CKT 1'   |
| 11G | 0 | G10_059 | 'HOBBS INTERCHANGE - LEA COUNTY INTERCHANGE 230KV CKT 1'          | FROM->TO | 0.6981  | 691.4 | 'CAPROCK REC-STILES - G09-17T 138.00 138KV CKT 1'   |
| 11G | 0 | G10_060 | 'HOBBS INTERCHANGE - LEA COUNTY INTERCHANGE 230KV CKT 1'          | FROM->TO | 0.6981  | 691.4 | 'CAPROCK REC-ST LAWRENCE - CAPROCK REC-STILES 138KV CKT 1'                                    |
| 11G | 0 | G10_059 | 'HOBBS INTERCHANGE - LEA COUNTY INTERCHANGE 230KV CKT 1'          | FROM->TO | 0.6981  | 691.4 | 'CAPROCK REC-ST LAWRENCE - CAPROCK REC-STILES 138KV CKT 1'                                    |
| 11G | 0 | G10_060 | 'CAPROCK REC-MCDONALD - CAPROCK REC-PHILLIPS 138KV CKT 1'         | TO->FROM | 0.26494 | 271   | 'LEA COUNTY INTERCHANGE - YOAKUM COUNTY INTERCHANGE 230KV CKT 1'                              |
| 11G | 0 | G10_059 | 'CAPROCK REC-MCDONALD - CAPROCK REC-PHILLIPS 138KV CKT 1'         | TO->FROM | 0.26494 | 271   | 'LEA COUNTY INTERCHANGE - YOAKUM COUNTY INTERCHANGE 230KV CKT 1'                              |



|     |   |         |   |          |         |       |   |
|-----|---|---------|---|----------|---------|-------|---|
| 11G | 0 | G10_060 | 'CAPROCK REC-GRADY - CAPROCK REC-TRIANGLE 138KV CKT 1'            | TO->FROM | 0.20928 | 175.6 | 'CAPROCK REC-RUSSEL TAP - CAPROCK REC-VEALMOOR 138KV CKT 1'                           |
| 11G | 0 | G10_059 | 'CAPROCK REC-GRADY - CAPROCK REC-TRIANGLE 138KV CKT 1'            | TO->FROM | 0.20928 | 175.6 | 'CAPROCK REC-RUSSEL TAP - CAPROCK REC-VEALMOOR 138KV CKT 1'                           |
| 11G | 0 | G10_060 | 'LEA COUNTY INTERCHANGE - YOAKUM COUNTY INTERCHANGE 230KV CKT 1'  | FROM->TO | 0.30319 | 360.9 | 'LEA COUNTY REC-LOVINGTON INTERCHANGE - LEA COUNTY REC-WAITS INTERCHANGE 115KV CKT 1' |
| 11G | 0 | G10_059 | 'LEA COUNTY INTERCHANGE - YOAKUM COUNTY INTERCHANGE 230KV CKT 1'  | FROM->TO | 0.30319 | 360.9 | 'LEA COUNTY REC-LOVINGTON INTERCHANGE - LEA COUNTY REC-WAITS INTERCHANGE 115KV CKT 1' |
| 11G | 0 | G10_060 | 'HOBBS INTERCHANGE - LEA COUNTY INTERCHANGE 230KV CKT 1'          | FROM->TO | 0.69866 | 691.4 | 'CAPROCK REC-MCDONALD - CR-1956 4138.00 138KV CKT 1'                                  |
| 11G | 0 | G10_059 | 'HOBBS INTERCHANGE - LEA COUNTY INTERCHANGE 230KV CKT 1'          | FROM->TO | 0.69866 | 691.4 | 'CAPROCK REC-MCDONALD - CR-1956 4138.00 138KV CKT 1'                                  |
| 11G | 0 | G10_060 | 'HOBBS INTERCHANGE - LEA COUNTY INTERCHANGE 230KV CKT 1'          | FROM->TO | 0.6981  | 691.4 | 'CAPROCK REC-LANGE - CAPROCK REC-ST LAWRENCE 138KV CKT 1'                             |
| 11G | 0 | G10_059 | 'HOBBS INTERCHANGE - LEA COUNTY INTERCHANGE 230KV CKT 1'          | FROM->TO | 0.6981  | 691.4 | 'CAPROCK REC-LANGE - CAPROCK REC-ST LAWRENCE 138KV CKT 1'                             |
| 11G | 0 | G10_060 | 'HOBBS INTERCHANGE - LEA COUNTY INTERCHANGE 230KV CKT 1'          | FROM->TO | 0.67301 | 691.4 | 'CUNNINGHAM STATION 230/20.0KV TRANSFORMER CKT 1'                                     |
| 11G | 0 | G10_059 | 'HOBBS INTERCHANGE - LEA COUNTY INTERCHANGE 230KV CKT 1'          | FROM->TO | 0.67301 | 691.4 | 'CUNNINGHAM STATION 230/20.0KV TRANSFORMER CKT 1'                                     |
| 11G | 0 | G10_060 | 'HOBBS INTERCHANGE - LEA COUNTY INTERCHANGE 230KV CKT 1'          | FROM->TO | 0.6981  | 691.4 | 'CAPROCK REC-BUCHANAN - CAPROCK REC-LANGE 138KV CKT 1'                                |
| 11G | 0 | G10_059 | 'HOBBS INTERCHANGE - LEA COUNTY INTERCHANGE 230KV CKT 1'          | FROM->TO | 0.6981  | 691.4 | 'CAPROCK REC-BUCHANAN - CAPROCK REC-LANGE 138KV CKT 1'                                |
| 11G | 0 | G10_060 | 'HOBBS INTERCHANGE - LEA COUNTY INTERCHANGE 230KV CKT 1'          | FROM->TO | 0.69866 | 691.4 | 'CAPROCK REC-NEW SCHWARTZ - CR-1956 4138.00 138KV CKT 1'                              |
| 11G | 0 | G10_059 | 'HOBBS INTERCHANGE - LEA COUNTY INTERCHANGE 230KV CKT 1'          | FROM->TO | 0.69866 | 691.4 | 'CAPROCK REC-NEW SCHWARTZ - CR-1956 4138.00 138KV CKT 1'                              |
| 11G | 0 | G10_060 | 'CAPROCK REC-PHILLIPS - CAPROCK REC-TATE 138KV CKT 1'             | TO->FROM | 0.24565 | 271   | 'SUNDOWN INTERCHANGE - WOLFFORTH INTERCHANGE 230KV CKT 1'                             |
| 11G | 0 | G10_059 | 'CAPROCK REC-PHILLIPS - CAPROCK REC-TATE 138KV CKT 1'             | TO->FROM | 0.24565 | 271   | 'SUNDOWN INTERCHANGE - WOLFFORTH INTERCHANGE 230KV CKT 1'                             |
| 11G | 0 | G10_060 | 'AMOCO SWITCHING STATION - YOAKUM COUNTY INTERCHANGE 230KV CKT 1' | TO->FROM | 0.24813 | 360.1 | 'CAPROCK REC-MCDONALD - CAPROCK REC-PHILLIPS 138KV CKT 1'                             |
| 11G | 0 | G10_059 | 'AMOCO SWITCHING STATION - YOAKUM COUNTY INTERCHANGE 230KV CKT 1' | TO->FROM | 0.24813 | 360.1 | 'CAPROCK REC-MCDONALD - CAPROCK REC-PHILLIPS 138KV CKT 1'                             |
| 11G | 0 | G10_060 | 'CAPROCK REC-PHILLIPS - CAPROCK REC-TATE 138KV CKT 1'             | TO->FROM | 0.2532  | 271   | 'CUNNINGHAM STATION - LEA COUNTY INTERCHANGE 230KV CKT 1'                             |
| 11G | 0 | G10_059 | 'CAPROCK REC-PHILLIPS - CAPROCK REC-TATE 138KV CKT 1'             | TO->FROM | 0.2532  | 271   | 'CUNNINGHAM STATION - LEA COUNTY INTERCHANGE 230KV CKT 1'                             |
| 11G | 0 | G10_060 | 'LEA COUNTY INTERCHANGE - YOAKUM COUNTY INTERCHANGE 230KV CKT 1'  | FROM->TO | 0.29684 | 360.9 | 'LEA COUNTY INTERCHANGE - LEA COUNTY REC-LOVINGTON INTERCHANGE 115KV CKT 1'           |
| 11G | 0 | G10_059 | 'LEA COUNTY INTERCHANGE - YOAKUM COUNTY INTERCHANGE 230KV CKT 1'  | FROM->TO | 0.29684 | 360.9 | 'LEA COUNTY INTERCHANGE - LEA COUNTY REC-LOVINGTON INTERCHANGE 115KV CKT 1'           |
| 11G | 0 | G10_060 | 'CAPROCK REC-KOCH - CAPROCK REC-REED 138KV CKT 1'                 | TO->FROM | 0.21021 | 175.5 | 'CAPROCK REC-MCDONALD - CR-1956 4138.00 138KV CKT 1'                                  |
| 11G | 0 | G10_059 | 'CAPROCK REC-KOCH - CAPROCK REC-REED 138KV CKT 1'                 | TO->FROM | 0.21021 | 175.5 | 'CAPROCK REC-MCDONALD - CR-1956 4138.00 138KV CKT 1'                                  |

|     |   |         |  |          |         |       |   |
|-----|---|---------|--|----------|---------|-------|---|
| 11G | 0 | G10_060 | 'CAPROCK REC-KOCH - CAPROCK REC-VEALMOOR 138KV CKT 1'          | FROM->TO | 0.21021 | 175.6 | 'CAPROCK REC-MCDONALD - CR-1956 4138.00 138KV CKT 1'          |
| 11G | 0 | G10_059 | 'CAPROCK REC-KOCH - CAPROCK REC-VEALMOOR 138KV CKT 1'          | FROM->TO | 0.21021 | 175.6 | 'CAPROCK REC-MCDONALD - CR-1956 4138.00 138KV CKT 1'          |
| 11G | 0 | G10_060 | 'CAPROCK REC-KOCH - CAPROCK REC-REED 138KV CKT 1'              | TO->FROM | 0.20928 | 175.5 | 'CAPROCK REC-LANGE - CAPROCK REC-ST LAWRENCE 138KV CKT 1'     |
| 11G | 0 | G10_059 | 'CAPROCK REC-KOCH - CAPROCK REC-REED 138KV CKT 1'              | TO->FROM | 0.20928 | 175.5 | 'CAPROCK REC-LANGE - CAPROCK REC-ST LAWRENCE 138KV CKT 1'     |
| 11G | 0 | G10_060 | 'CAPROCK REC-KOCH - CAPROCK REC-VEALMOOR 138KV CKT 1'          | FROM->TO | 0.20928 | 175.6 | 'CAPROCK REC-LANGE - CAPROCK REC-ST LAWRENCE 138KV CKT 1'     |
| 11G | 0 | G10_059 | 'CAPROCK REC-KOCH - CAPROCK REC-VEALMOOR 138KV CKT 1'          | FROM->TO | 0.20928 | 175.6 | 'CAPROCK REC-LANGE - CAPROCK REC-ST LAWRENCE 138KV CKT 1'     |
| 11G | 0 | G10_060 | 'HOBBS INTERCHANGE - LEA COUNTY INTERCHANGE 230KV CKT 1'       | FROM->TO | 0.6981  | 691.4 | 'CAPROCK REC-BUCHANAN - CAPROCK REC-RUSSEL TAP 138KV CKT 1'   |
| 11G | 0 | G10_059 | 'HOBBS INTERCHANGE - LEA COUNTY INTERCHANGE 230KV CKT 1'       | FROM->TO | 0.6981  | 691.4 | 'CAPROCK REC-BUCHANAN - CAPROCK REC-RUSSEL TAP 138KV CKT 1'   |
| 11G | 0 | G10_060 | 'CAPROCK REC-PHILLIPS - CAPROCK REC-TATE 138KV CKT 1'          | TO->FROM | 0.23903 | 271   | 'GRASSLAND INTERCHANGE 230/34.5KV TRANSFORMER CKT 1'          |
| 11G | 0 | G10_059 | 'CAPROCK REC-PHILLIPS - CAPROCK REC-TATE 138KV CKT 1'          | TO->FROM | 0.23903 | 271   | 'GRASSLAND INTERCHANGE 230/34.5KV TRANSFORMER CKT 1'          |
| 11G | 0 | G10_060 | 'BORDEN COUNTY INTERCHANGE 230/138KV TRANSFORMER CKT 1'        | TO->FROM | 0.22697 | 168   | 'BORDEN COUNTY INTERCHANGE 230/138KV TRANSFORMER CKT 2'       |
| 11G | 0 | G10_059 | 'BORDEN COUNTY INTERCHANGE 230/138KV TRANSFORMER CKT 1'        | TO->FROM | 0.22697 | 168   | 'BORDEN COUNTY INTERCHANGE 230/138KV TRANSFORMER CKT 2'       |
| 11G | 0 | G10_060 | 'CAPROCK REC-GRADY - CAPROCK REC-TRIANGLE 138KV CKT 1'         | TO->FROM | 0.21021 | 175.6 | 'CAPROCK REC-NEW SCHWARTZ - CAPROCK REC-PEMBROOK 138KV CKT 1' |
| 11G | 0 | G10_059 | 'CAPROCK REC-GRADY - CAPROCK REC-TRIANGLE 138KV CKT 1'         | TO->FROM | 0.21021 | 175.6 | 'CAPROCK REC-NEW SCHWARTZ - CAPROCK REC-PEMBROOK 138KV CKT 1' |
| 11G | 0 | G10_060 | 'HOBBS INTERCHANGE - LEA COUNTY INTERCHANGE 230KV CKT 1'       | FROM->TO | 0.6981  | 691.4 | 'CAPROCK REC-RUSSEL TAP - CAPROCK REC-VEALMOOR 138KV CKT 1'   |
| 11G | 0 | G10_059 | 'HOBBS INTERCHANGE - LEA COUNTY INTERCHANGE 230KV CKT 1'       | FROM->TO | 0.6981  | 691.4 | 'CAPROCK REC-RUSSEL TAP - CAPROCK REC-VEALMOOR 138KV CKT 1'   |
| 11G | 0 | G10_060 | 'DEAF SMITH COUNTY INTERCHANGE - S-RANDLCO 230.00 230KV CKT 1' | FROM->TO | 0.20025 | 359.9 | 'LAWTON EASTSIDE - OKLAUNION 345KV CKT 1'                     |
| 11G | 0 | G10_059 | 'DEAF SMITH COUNTY INTERCHANGE - S-RANDLCO 230.00 230KV CKT 1' | FROM->TO | 0.20025 | 359.9 | 'LAWTON EASTSIDE - OKLAUNION 345KV CKT 1'                     |
| 11G | 0 | G10_060 | 'CAPROCK REC-PHILLIPS - CAPROCK REC-TATE 138KV CKT 1'          | TO->FROM | 0.24389 | 271   | 'OASIS INTERCHANGE - SAN JUAN MESA TAP 230KV CKT 1'           |
| 11G | 0 | G10_059 | 'CAPROCK REC-PHILLIPS - CAPROCK REC-TATE 138KV CKT 1'          | TO->FROM | 0.24389 | 271   | 'OASIS INTERCHANGE - SAN JUAN MESA TAP 230KV CKT 1'           |
| 11G | 0 | G10_060 | 'DEAF SMITH COUNTY INTERCHANGE - S-RANDLCO 230.00 230KV CKT 1' | FROM->TO | 0.21705 | 359.9 | 'NEWHART 6230.00 - PLANT X STATION 230KV CKT 1'               |
| 11G | 0 | G10_059 | 'DEAF SMITH COUNTY INTERCHANGE - S-RANDLCO 230.00 230KV CKT 1' | FROM->TO | 0.21705 | 359.9 | 'NEWHART 6230.00 - PLANT X STATION 230KV CKT 1'               |
| 11G | 0 | G10_060 | 'CAPROCK REC-KOCH - CAPROCK REC-REED 138KV CKT 1'              | TO->FROM | 0.20928 | 175.5 | 'CAPROCK REC-BUCHANAN - CAPROCK REC-LANGE 138KV CKT 1'        |
| 11G | 0 | G10_059 | 'CAPROCK REC-KOCH - CAPROCK REC-REED 138KV CKT 1'              | TO->FROM | 0.20928 | 175.5 | 'CAPROCK REC-BUCHANAN - CAPROCK REC-LANGE 138KV CKT 1'        |
| 11G | 0 | G10_060 | 'CAPROCK REC-KOCH - CAPROCK REC-VEALMOOR 138KV CKT 1'          | FROM->TO | 0.20928 | 175.6 | 'CAPROCK REC-BUCHANAN - CAPROCK REC-LANGE 138KV CKT 1'        |

|     |   |         |  |          |         |       |   |
|-----|---|---------|--|----------|---------|-------|---|
| 11G | 0 | G10_059 | 'CAPROCK REC-KOCH - CAPROCK REC-VEALMOOR 138KV CKT 1'    | FROM->TO | 0.20928 | 175.6 | 'CAPROCK REC-BUCHANAN - CAPROCK REC-LANGE 138KV CKT 1'          |
| 11G | 0 | G10_060 | 'CAPROCK REC-PHILLIPS - CAPROCK REC-TATE 138KV CKT 1'    | TO->FROM | 0.24983 | 271   | 'AMOCO SWITCHING STATION - SUNDOWN INTERCHANGE 230KV CKT 1'     |
| 11G | 0 | G10_059 | 'CAPROCK REC-PHILLIPS - CAPROCK REC-TATE 138KV CKT 1'    | TO->FROM | 0.24983 | 271   | 'AMOCO SWITCHING STATION - SUNDOWN INTERCHANGE 230KV CKT 1'     |
| 11G | 0 | G10_060 | 'HOBBS INTERCHANGE - LEA COUNTY INTERCHANGE 115KV CKT 1' | FROM->TO | 0.23829 | 262.5 | 'HOBBS INTERCHANGE - LEA COUNTY INTERCHANGE 230KV CKT 1'        |
| 11G | 0 | G10_059 | 'HOBBS INTERCHANGE - LEA COUNTY INTERCHANGE 115KV CKT 1' | FROM->TO | 0.23829 | 262.5 | 'HOBBS INTERCHANGE - LEA COUNTY INTERCHANGE 230KV CKT 1'        |
| 11G | 0 | G10_060 | 'CAPROCK REC-KOCH - CAPROCK REC-REED 138KV CKT 1'        | TO->FROM | 0.21021 | 175.5 | 'CAPROCK REC-NEW SCHWARTZ - CR-1956 4138.00 138KV CKT 1'        |
| 11G | 0 | G10_059 | 'CAPROCK REC-KOCH - CAPROCK REC-REED 138KV CKT 1'        | TO->FROM | 0.21021 | 175.5 | 'CAPROCK REC-NEW SCHWARTZ - CR-1956 4138.00 138KV CKT 1'        |
| 11G | 0 | G10_060 | 'CAPROCK REC-PHILLIPS - CAPROCK REC-TATE 138KV CKT 1'    | TO->FROM | 0.24583 | 271   | 'CUNNINGHAM STATION - EDDY COUNTY INTERCHANGE 230KV CKT 1'      |
| 11G | 0 | G10_059 | 'CAPROCK REC-PHILLIPS - CAPROCK REC-TATE 138KV CKT 1'    | TO->FROM | 0.24583 | 271   | 'CUNNINGHAM STATION - EDDY COUNTY INTERCHANGE 230KV CKT 1'      |
| 11G | 0 | G10_060 | 'CAPROCK REC-KOCH - CAPROCK REC-VEALMOOR 138KV CKT 1'    | FROM->TO | 0.21021 | 175.6 | 'CAPROCK REC-NEW SCHWARTZ - CR-1956 4138.00 138KV CKT 1'        |
| 11G | 0 | G10_059 | 'CAPROCK REC-KOCH - CAPROCK REC-VEALMOOR 138KV CKT 1'    | FROM->TO | 0.21021 | 175.6 | 'CAPROCK REC-NEW SCHWARTZ - CR-1956 4138.00 138KV CKT 1'        |
| 11G | 0 | G10_060 | 'CAPROCK REC-PHILLIPS - CAPROCK REC-TATE 138KV CKT 1'    | TO->FROM | 0.24354 | 271   | 'TERRY COUNTY INTERCHANGE - WOLFFORTH INTERCHANGE 115KV CKT 1'  |
| 11G | 0 | G10_059 | 'CAPROCK REC-PHILLIPS - CAPROCK REC-TATE 138KV CKT 1'    | TO->FROM | 0.24354 | 271   | 'TERRY COUNTY INTERCHANGE - WOLFFORTH INTERCHANGE 115KV CKT 1'  |
| 11G | 0 | G10_060 | 'CAPROCK REC-PHILLIPS - CAPROCK REC-TATE 138KV CKT 1'    | TO->FROM | 0.24567 | 271   | 'LUBBOCK SOUTH INTERCHANGE - WOLFFORTH INTERCHANGE 230KV CKT 1' |
| 11G | 0 | G10_059 | 'CAPROCK REC-PHILLIPS - CAPROCK REC-TATE 138KV CKT 1'    | TO->FROM | 0.24567 | 271   | 'LUBBOCK SOUTH INTERCHANGE - WOLFFORTH INTERCHANGE 230KV CKT 1' |
| 11G | 0 | G10_060 | 'CAPROCK REC-PHILLIPS - CAPROCK REC-TATE 138KV CKT 1'    | TO->FROM | 0.23903 | 271   | 'Jones Station Bus#2 230/22.0KV TRANSFORMER CKT 1'              |
| 11G | 0 | G10_059 | 'CAPROCK REC-PHILLIPS - CAPROCK REC-TATE 138KV CKT 1'    | TO->FROM | 0.23903 | 271   | 'Jones Station Bus#2 230/22.0KV TRANSFORMER CKT 1'              |
| 11G | 0 | G10_060 | 'CAPROCK REC-PHILLIPS - CAPROCK REC-TATE 138KV CKT 1'    | TO->FROM | 0.23903 | 271   | 'JONES STATION 230/22.0KV TRANSFORMER CKT 1'                    |
| 11G | 0 | G10_059 | 'CAPROCK REC-PHILLIPS - CAPROCK REC-TATE 138KV CKT 1'    | TO->FROM | 0.23903 | 271   | 'JONES STATION 230/22.0KV TRANSFORMER CKT 1'                    |
| 11G | 0 | G10_060 | 'CAPROCK REC-GRADY - CAPROCK REC-TRIANGLE 138KV CKT 1'   | TO->FROM | 0.21021 | 175.6 | 'CAPROCK REC-PEMBROOK - G09-17T 138.00 138KV CKT 1'             |
| 11G | 0 | G10_059 | 'CAPROCK REC-GRADY - CAPROCK REC-TRIANGLE 138KV CKT 1'   | TO->FROM | 0.21021 | 175.6 | 'CAPROCK REC-PEMBROOK - G09-17T 138.00 138KV CKT 1'             |
| 11G | 0 | G10_060 | 'CAPROCK REC-KOCH - CAPROCK REC-REED 138KV CKT 1'        | TO->FROM | 0.20928 | 175.5 | 'CAPROCK REC-BUCHANAN - CAPROCK REC-RUSSEL TAP 138KV CKT 1'     |
| 11G | 0 | G10_059 | 'CAPROCK REC-KOCH - CAPROCK REC-REED 138KV CKT 1'        | TO->FROM | 0.20928 | 175.5 | 'CAPROCK REC-BUCHANAN - CAPROCK REC-RUSSEL TAP 138KV CKT 1'     |
| 11G | 0 | G10_060 | 'CAPROCK REC-KOCH - CAPROCK REC-VEALMOOR 138KV CKT 1'    | FROM->TO | 0.20928 | 175.6 | 'CAPROCK REC-BUCHANAN - CAPROCK REC-RUSSEL TAP 138KV CKT 1'     |
| 11G | 0 | G10_059 | 'CAPROCK REC-KOCH - CAPROCK REC-VEALMOOR 138KV CKT 1'    | FROM->TO | 0.20928 | 175.6 | 'CAPROCK REC-BUCHANAN - CAPROCK REC-RUSSEL TAP 138KV CKT 1'     |

|     |   |         |   |          |         |       |   |
|-----|---|---------|---|----------|---------|-------|---|
| 11G | 0 | G10_060 | 'CAPROCK REC-MCDONALD - CAPROCK REC-PHILLIPS 138KV CKT 1'         | TO->FROM | 0.23903 | 271   | 'G09-17 34.500 34.5/0.69KV TRANSFORMER CKT 1'                     |
| 11G | 0 | G10_059 | 'CAPROCK REC-MCDONALD - CAPROCK REC-PHILLIPS 138KV CKT 1'         | TO->FROM | 0.23903 | 271   | 'G09-17 34.500 34.5/0.69KV TRANSFORMER CKT 1'                     |
| 11G | 0 | G10_060 | 'CAPROCK REC-MCDONALD - CAPROCK REC-PHILLIPS 138KV CKT 1'         | TO->FROM | 0.23903 | 271   | 'G09-17 138.00 138/34.5KV TRANSFORMER CKT 1'                      |
| 11G | 0 | G10_059 | 'CAPROCK REC-MCDONALD - CAPROCK REC-PHILLIPS 138KV CKT 1'         | TO->FROM | 0.23903 | 271   | 'G09-17 138.00 138/34.5KV TRANSFORMER CKT 1'                      |
| 11G | 0 | G10_060 | 'CAPROCK REC-MCDONALD - CAPROCK REC-PHILLIPS 138KV CKT 1'         | TO->FROM | 0.23903 | 271   | 'G09-17 138.00 - G09-17T 138.00 138KV CKT 1'                      |
| 11G | 0 | G10_059 | 'CAPROCK REC-MCDONALD - CAPROCK REC-PHILLIPS 138KV CKT 1'         | TO->FROM | 0.23903 | 271   | 'G09-17 138.00 - G09-17T 138.00 138KV CKT 1'                      |
| 11G | 0 | G10_060 | 'CAPROCK REC-MCDONALD - CAPROCK REC-PHILLIPS 138KV CKT 1'         | TO->FROM | 0.24983 | 271   | 'AMOCO SWITCHING STATION - YOAKUM COUNTY INTERCHANGE 230KV CKT 1' |
| 11G | 0 | G10_059 | 'CAPROCK REC-MCDONALD - CAPROCK REC-PHILLIPS 138KV CKT 1'         | TO->FROM | 0.24983 | 271   | 'AMOCO SWITCHING STATION - YOAKUM COUNTY INTERCHANGE 230KV CKT 1' |
| 11G | 0 | G10_060 | 'CAPROCK REC-KOCH - CAPROCK REC-REED 138KV CKT 1'                 | TO->FROM | 0.20928 | 175.5 | 'CAPROCK REC-RUSSEL TAP - CAPROCK REC-VEALMOOR 138KV CKT 1'       |
| 11G | 0 | G10_059 | 'CAPROCK REC-KOCH - CAPROCK REC-REED 138KV CKT 1'                 | TO->FROM | 0.20928 | 175.5 | 'CAPROCK REC-RUSSEL TAP - CAPROCK REC-VEALMOOR 138KV CKT 1'       |
| 11G | 0 | G10_060 | 'CAPROCK REC-KOCH - CAPROCK REC-VEALMOOR 138KV CKT 1'             | FROM->TO | 0.20928 | 175.6 | 'CAPROCK REC-RUSSEL TAP - CAPROCK REC-VEALMOOR 138KV CKT 1'       |
| 11G | 0 | G10_059 | 'CAPROCK REC-KOCH - CAPROCK REC-VEALMOOR 138KV CKT 1'             | FROM->TO | 0.20928 | 175.6 | 'CAPROCK REC-RUSSEL TAP - CAPROCK REC-VEALMOOR 138KV CKT 1'       |
| 11G | 0 | G10_060 | 'CAPROCK REC-MCDONALD - CAPROCK REC-PHILLIPS 138KV CKT 1'         | TO->FROM | 0.25156 | 271   | 'TOLK STATION (ABBXNL844501) 345/230/13.2KV TRANSFORMER CKT 1'    |
| 11G | 0 | G10_059 | 'CAPROCK REC-MCDONALD - CAPROCK REC-PHILLIPS 138KV CKT 1'         | TO->FROM | 0.25156 | 271   | 'TOLK STATION (ABBXNL844501) 345/230/13.2KV TRANSFORMER CKT 1'    |
| 11G | 0 | G10_060 | 'CAPROCK REC-MCDONALD - CAPROCK REC-PHILLIPS 138KV CKT 1'         | TO->FROM | 0.25156 | 271   | 'CHAVESCO 345.00 - TOLK STATION 345KV CKT 1'                      |
| 11G | 0 | G10_059 | 'CAPROCK REC-MCDONALD - CAPROCK REC-PHILLIPS 138KV CKT 1'         | TO->FROM | 0.25156 | 271   | 'CHAVESCO 345.00 - TOLK STATION 345KV CKT 1'                      |
| 11G | 0 | G10_060 | 'TUCO INTERCHANGE (GE M1022338) 345/230/13.2KV TRANSFORMER CKT 1' | FROM->TO | 0.27525 | 557.7 | 'G05-17T 345.00 - Hitchland Interchange 345KV CKT 1'              |
| 11G | 0 | G10_059 | 'TUCO INTERCHANGE (GE M1022338) 345/230/13.2KV TRANSFORMER CKT 1' | FROM->TO | 0.27525 | 557.7 | 'G05-17T 345.00 - Hitchland Interchange 345KV CKT 1'              |
| 11G | 0 | G10_060 | 'CAPROCK REC-MCDONALD - CAPROCK REC-PHILLIPS 138KV CKT 1'         | TO->FROM | 0.2431  | 271   | 'TOLK STATION EAST - TUCO INTERCHANGE 230KV CKT 1'                |
| 11G | 0 | G10_059 | 'CAPROCK REC-MCDONALD - CAPROCK REC-PHILLIPS 138KV CKT 1'         | TO->FROM | 0.2431  | 271   | 'TOLK STATION EAST - TUCO INTERCHANGE 230KV CKT 1'                |
| 11G | 0 | G10_060 | 'CAPROCK REC-ST LAWRENCE - CAPROCK REC-STILES 138KV CKT 1'        | TO->FROM | 0.29473 | 270.8 | 'HOBBS INTERCHANGE - MIDLAND COUNTY INTERCHANGE 230KV CKT 1'      |
| 11G | 0 | G10_059 | 'CAPROCK REC-ST LAWRENCE - CAPROCK REC-STILES 138KV CKT 1'        | TO->FROM | 0.29473 | 270.8 | 'HOBBS INTERCHANGE - MIDLAND COUNTY INTERCHANGE 230KV CKT 1'      |
| 11G | 0 | G10_060 | 'TUCO INTERCHANGE (GE M1022338) 345/230/13.2KV TRANSFORMER CKT 1' | FROM->TO | 0.27525 | 560   | 'G05-17T 345.00 - Hitchland Interchange 345KV CKT 1'              |
| 11G | 0 | G10_059 | 'TUCO INTERCHANGE (GE M1022338) 345/230/13.2KV TRANSFORMER CKT 1' | FROM->TO | 0.27525 | 560   | 'G05-17T 345.00 - Hitchland Interchange 345KV CKT 1'              |
| 11G | 0 | G10_060 | 'CAPROCK REC-KOCH - CAPROCK REC-REED 138KV CKT 1'                 | TO->FROM | 0.21021 | 175.5 | 'CAPROCK REC-NEW SCHWARTZ - CAPROCK REC-PEMBROOK 138KV CKT 1'     |

|     |   |         |   |          |         |       |   |
|-----|---|---------|---|----------|---------|-------|---|
| 11G | 0 | G10_059 | 'CAPROCK REC-KOCH - CAPROCK REC-REED 138KV CKT 1'                 | TO->FROM | 0.21021 | 175.5 | 'CAPROCK REC-NEW SCHWARTZ - CAPROCK REC-PEMBROOK 138KV CKT 1'   |
| 11G | 0 | G10_060 | 'CAPROCK REC-KOCH - CAPROCK REC-VEALMOOR 138KV CKT 1'             | FROM->TO | 0.21021 | 175.6 | 'CAPROCK REC-NEW SCHWARTZ - CAPROCK REC-PEMBROOK 138KV CKT 1'   |
| 11G | 0 | G10_059 | 'CAPROCK REC-KOCH - CAPROCK REC-VEALMOOR 138KV CKT 1'             | FROM->TO | 0.21021 | 175.6 | 'CAPROCK REC-NEW SCHWARTZ - CAPROCK REC-PEMBROOK 138KV CKT 1'   |
| 11G | 0 | G10_060 | 'CAPROCK REC-MCDONALD - CAPROCK REC-PHILLIPS 138KV CKT 1'         | TO->FROM | 0.2532  | 271   | 'CUNNINGHAM STATION - LEA COUNTY INTERCHANGE 230KV CKT 1'       |
| 11G | 0 | G10_059 | 'CAPROCK REC-MCDONALD - CAPROCK REC-PHILLIPS 138KV CKT 1'         | TO->FROM | 0.2532  | 271   | 'CUNNINGHAM STATION - LEA COUNTY INTERCHANGE 230KV CKT 1'       |
| 11G | 0 | G10_060 | 'CAPROCK REC-MCDONALD - CAPROCK REC-PHILLIPS 138KV CKT 1'         | TO->FROM | 0.24565 | 271   | 'SUNDOWN INTERCHANGE - WOLFFORTH INTERCHANGE 230KV CKT 1'       |
| 11G | 0 | G10_059 | 'CAPROCK REC-MCDONALD - CAPROCK REC-PHILLIPS 138KV CKT 1'         | TO->FROM | 0.24565 | 271   | 'SUNDOWN INTERCHANGE - WOLFFORTH INTERCHANGE 230KV CKT 1'       |
| 11G | 0 | G10_060 | 'CAPROCK REC-MCDONALD - CAPROCK REC-PHILLIPS 138KV CKT 1'         | TO->FROM | 0.23903 | 271   | 'GRASSLAND INTERCHANGE 230/34.5KV TRANSFORMER CKT 1'            |
| 11G | 0 | G10_059 | 'CAPROCK REC-MCDONALD - CAPROCK REC-PHILLIPS 138KV CKT 1'         | TO->FROM | 0.23903 | 271   | 'GRASSLAND INTERCHANGE 230/34.5KV TRANSFORMER CKT 1'            |
| 11G | 0 | G10_060 | 'CAPROCK REC-MCDONALD - CAPROCK REC-PHILLIPS 138KV CKT 1'         | TO->FROM | 0.24389 | 271   | 'OASIS INTERCHANGE - SAN JUAN MESA TAP 230KV CKT 1'             |
| 11G | 0 | G10_059 | 'CAPROCK REC-MCDONALD - CAPROCK REC-PHILLIPS 138KV CKT 1'         | TO->FROM | 0.24389 | 271   | 'OASIS INTERCHANGE - SAN JUAN MESA TAP 230KV CKT 1'             |
| 11G | 0 | G10_060 | 'AMOCO SWITCHING STATION - YOAKUM COUNTY INTERCHANGE 230KV CKT 1' | TO->FROM | 0.24765 | 360.1 | 'BORDEN COUNTY INTERCHANGE - GRASSLAND INTERCHANGE 230KV CKT 1' |
| 11G | 0 | G10_059 | 'AMOCO SWITCHING STATION - YOAKUM COUNTY INTERCHANGE 230KV CKT 1' | TO->FROM | 0.24765 | 360.1 | 'BORDEN COUNTY INTERCHANGE - GRASSLAND INTERCHANGE 230KV CKT 1' |
| 11G | 0 | G10_060 | 'AMOCO SWITCHING STATION - YOAKUM COUNTY INTERCHANGE 230KV CKT 1' | TO->FROM | 0.24765 | 360.1 | 'SPP-SWPS-K48'  |
| 11G | 0 | G10_059 | 'AMOCO SWITCHING STATION - YOAKUM COUNTY INTERCHANGE 230KV CKT 1' | TO->FROM | 0.24765 | 360.1 | 'SPP-SWPS-K48'  |
| 11G | 0 | G10_060 | 'CAPROCK REC-KOCH - CAPROCK REC-REED 138KV CKT 1'                 | TO->FROM | 0.21021 | 175.5 | 'CAPROCK REC-PEMBROOK - G09-17T 138.00 138KV CKT 1'             |
| 11G | 0 | G10_059 | 'CAPROCK REC-KOCH - CAPROCK REC-REED 138KV CKT 1'                 | TO->FROM | 0.21021 | 175.5 | 'CAPROCK REC-PEMBROOK - G09-17T 138.00 138KV CKT 1'             |
| 11G | 0 | G10_060 | 'CAPROCK REC-KOCH - CAPROCK REC-VEALMOOR 138KV CKT 1'             | FROM->TO | 0.21021 | 175.6 | 'CAPROCK REC-PEMBROOK - G09-17T 138.00 138KV CKT 1'             |
| 11G | 0 | G10_059 | 'CAPROCK REC-KOCH - CAPROCK REC-VEALMOOR 138KV CKT 1'             | FROM->TO | 0.21021 | 175.6 | 'CAPROCK REC-PEMBROOK - G09-17T 138.00 138KV CKT 1'             |
| 11G | 0 | G10_060 | 'CAPROCK REC-MCDONALD - CAPROCK REC-PHILLIPS 138KV CKT 1'         | TO->FROM | 0.24983 | 271   | 'AMOCO SWITCHING STATION - SUNDOWN INTERCHANGE 230KV CKT 1'     |
| 11G | 0 | G10_059 | 'CAPROCK REC-MCDONALD - CAPROCK REC-PHILLIPS 138KV CKT 1'         | TO->FROM | 0.24983 | 271   | 'AMOCO SWITCHING STATION - SUNDOWN INTERCHANGE 230KV CKT 1'     |
| 11G | 0 | G10_060 | 'CAPROCK REC-MCDONALD - CAPROCK REC-PHILLIPS 138KV CKT 1'         | TO->FROM | 0.24583 | 271   | 'CUNNINGHAM STATION - EDDY COUNTY INTERCHANGE 230KV CKT 1'      |
| 11G | 0 | G10_059 | 'CAPROCK REC-MCDONALD - CAPROCK REC-PHILLIPS 138KV CKT 1'         | TO->FROM | 0.24583 | 271   | 'CUNNINGHAM STATION - EDDY COUNTY INTERCHANGE 230KV CKT 1'      |
| 11G | 0 | G10_060 | 'CAPROCK REC-MCDONALD - CAPROCK REC-PHILLIPS 138KV CKT 1'         | TO->FROM | 0.24354 | 271   | 'TERRY COUNTY INTERCHANGE - WOLFFORTH INTERCHANGE 115KV CKT 1'  |
| 11G | 0 | G10_059 | 'CAPROCK REC-MCDONALD - CAPROCK REC-PHILLIPS 138KV CKT 1'         | TO->FROM | 0.24354 | 271   | 'TERRY COUNTY INTERCHANGE - WOLFFORTH INTERCHANGE 115KV CKT 1'  |

|     |  |           |   |          |         |       |   |
|-----|--|-----------|---|----------|---------|-------|---|
| 11G |  | 0 G10_060 | 'CAPROCK REC-MCDONALD - CAPROCK REC-PHILLIPS 138KV CKT 1'         | TO->FROM | 0.24567 | 271   | 'LUBBOCK SOUTH INTERCHANGE - WOLFFORTH INTERCHANGE 230KV CKT 1'             |
| 11G |  | 0 G10_059 | 'CAPROCK REC-MCDONALD - CAPROCK REC-PHILLIPS 138KV CKT 1'         | TO->FROM | 0.24567 | 271   | 'LUBBOCK SOUTH INTERCHANGE - WOLFFORTH INTERCHANGE 230KV CKT 1'             |
| 11G |  | 0 G10_060 | 'CAPROCK REC-MCDONALD - CR-1956 4138.00 138KV CKT 1'              | FROM->TO | 0.29629 | 270.9 | 'HOBBS INTERCHANGE - MIDLAND COUNTY INTERCHANGE 230KV CKT 1'                |
| 11G |  | 0 G10_059 | 'CAPROCK REC-MCDONALD - CR-1956 4138.00 138KV CKT 1'              | FROM->TO | 0.29629 | 270.9 | 'HOBBS INTERCHANGE - MIDLAND COUNTY INTERCHANGE 230KV CKT 1'                |
| 11G |  | 0 G10_060 | 'CAPROCK REC-MCDONALD - CAPROCK REC-PHILLIPS 138KV CKT 1'         | TO->FROM | 0.2412  | 271   | 'NEWHART 6230.00 - PLANT X STATION 230KV CKT 1'                             |
| 11G |  | 0 G10_059 | 'CAPROCK REC-MCDONALD - CAPROCK REC-PHILLIPS 138KV CKT 1'         | TO->FROM | 0.2412  | 271   | 'NEWHART 6230.00 - PLANT X STATION 230KV CKT 1'                             |
| 11G |  | 0 G10_060 | 'CAPROCK REC-MCDONALD - CAPROCK REC-PHILLIPS 138KV CKT 1'         | TO->FROM | 0.23903 | 271   | 'Jones Station Bus#2 230/22.0KV TRANSFORMER CKT 1'                          |
| 11G |  | 0 G10_059 | 'CAPROCK REC-MCDONALD - CAPROCK REC-PHILLIPS 138KV CKT 1'         | TO->FROM | 0.23903 | 271   | 'Jones Station Bus#2 230/22.0KV TRANSFORMER CKT 1'                          |
| 11G |  | 0 G10_060 | 'TUCO INTERCHANGE (GE M1022338) 345/230/13.2KV TRANSFORMER CKT 1' | FROM->TO | 0.27565 | 557.7 | 'G05-17T 345.00 - POTTER COUNTY INTERCHANGE 345KV CKT 1'                    |
| 11G |  | 0 G10_059 | 'TUCO INTERCHANGE (GE M1022338) 345/230/13.2KV TRANSFORMER CKT 1' | FROM->TO | 0.27565 | 557.7 | 'G05-17T 345.00 - POTTER COUNTY INTERCHANGE 345KV CKT 1'                    |
| 11G |  | 0 G10_060 | 'CAPROCK REC-BUCHANAN - CAPROCK REC-LANGE 138KV CKT 1'            | TO->FROM | 0.29473 | 270.9 | 'HOBBS INTERCHANGE - MIDLAND COUNTY INTERCHANGE 230KV CKT 1'                |
| 11G |  | 0 G10_059 | 'CAPROCK REC-BUCHANAN - CAPROCK REC-LANGE 138KV CKT 1'            | TO->FROM | 0.29473 | 270.9 | 'HOBBS INTERCHANGE - MIDLAND COUNTY INTERCHANGE 230KV CKT 1'                |
| 11G |  | 0 G10_060 | 'TUCO INTERCHANGE (GE M1022338) 345/230/13.2KV TRANSFORMER CKT 1' | FROM->TO | 0.27565 | 560   | 'G05-17T 345.00 - POTTER COUNTY INTERCHANGE 345KV CKT 1'                    |
| 11G |  | 0 G10_059 | 'TUCO INTERCHANGE (GE M1022338) 345/230/13.2KV TRANSFORMER CKT 1' | FROM->TO | 0.27565 | 560   | 'G05-17T 345.00 - POTTER COUNTY INTERCHANGE 345KV CKT 1'                    |
| 11G |  | 0 G10_060 | 'CAPROCK REC-NEW SCHWARTZ - CR-1956 4138.00 138KV CKT 1'          | TO->FROM | 0.29629 | 270.9 | 'HOBBS INTERCHANGE - MIDLAND COUNTY INTERCHANGE 230KV CKT 1'                |
| 11G |  | 0 G10_059 | 'CAPROCK REC-NEW SCHWARTZ - CR-1956 4138.00 138KV CKT 1'          | TO->FROM | 0.29629 | 270.9 | 'HOBBS INTERCHANGE - MIDLAND COUNTY INTERCHANGE 230KV CKT 1'                |
| 11G |  | 0 G10_060 | 'TUCO INTERCHANGE (GE M1022338) 345/230/13.2KV TRANSFORMER CKT 1' | FROM->TO | 0.27603 | 557.7 | 'POTTER COUNTY INTERCHANGE (WAUK 90343-A) 345/230/13.2KV TRANSFORMER CKT 1' |
| 11G |  | 0 G10_059 | 'TUCO INTERCHANGE (GE M1022338) 345/230/13.2KV TRANSFORMER CKT 1' | FROM->TO | 0.27603 | 557.7 | 'POTTER COUNTY INTERCHANGE (WAUK 90343-A) 345/230/13.2KV TRANSFORMER CKT 1' |
| 11G |  | 0 G10_060 | 'CAPROCK REC-BUCHANAN - CAPROCK REC-RUSSEL TAP 138KV CKT 1'       | FROM->TO | 0.29473 | 270.9 | 'HOBBS INTERCHANGE - MIDLAND COUNTY INTERCHANGE 230KV CKT 1'                |
| 11G |  | 0 G10_059 | 'CAPROCK REC-BUCHANAN - CAPROCK REC-RUSSEL TAP 138KV CKT 1'       | FROM->TO | 0.29473 | 270.9 | 'HOBBS INTERCHANGE - MIDLAND COUNTY INTERCHANGE 230KV CKT 1'                |
| 11G |  | 0 G10_060 | 'TUCO INTERCHANGE (GE M1022338) 345/230/13.2KV TRANSFORMER CKT 1' | FROM->TO | 0.27603 | 560   | 'POTTER COUNTY INTERCHANGE (WAUK 90343-A) 345/230/13.2KV TRANSFORMER CKT 1' |
| 11G |  | 0 G10_059 | 'TUCO INTERCHANGE (GE M1022338) 345/230/13.2KV TRANSFORMER CKT 1' | FROM->TO | 0.27603 | 560   | 'POTTER COUNTY INTERCHANGE (WAUK 90343-A) 345/230/13.2KV TRANSFORMER CKT 1' |
| 11G |  | 0 G10_060 | 'AMOCO SWITCHING STATION - YOAKUM COUNTY INTERCHANGE 230KV CKT 1' | TO->FROM | 0.21127 | 360.1 | 'TOLK STATION (ABBXNL844501) 345/230/13.2KV TRANSFORMER CKT 1'              |

|     |   |         |   |          |         |       |  |
|-----|---|---------|---|----------|---------|-------|--|
| 11G | 0 | G10_059 | 'AMOCO SWITCHING STATION - YOAKUM COUNTY INTERCHANGE 230KV CKT 1' | TO->FROM | 0.21127 | 360.1 | 'TOLK STATION (ABBXNL844501) 345/230/13.2KV TRANSFORMER CKT 1' |
| 11G | 0 | G10_060 | 'AMOCO SWITCHING STATION - YOAKUM COUNTY INTERCHANGE 230KV CKT 1' | TO->FROM | 0.21127 | 360.1 | 'CHAVESCO 345.00 - TOLK STATION 345KV CKT 1'                   |
| 11G | 0 | G10_059 | 'AMOCO SWITCHING STATION - YOAKUM COUNTY INTERCHANGE 230KV CKT 1' | TO->FROM | 0.21127 | 360.1 | 'CHAVESCO 345.00 - TOLK STATION 345KV CKT 1'                   |
| 11G | 0 | G10_060 | 'DEAF SMITH COUNTY INTERCHANGE - S-RANDLCO 230.00 230KV CKT 1'    | FROM->TO | 0.20025 | 359.9 | 'G05-15T 345.00 - OKLAUNION 345KV CKT 1'                       |
| 11G | 0 | G10_059 | 'DEAF SMITH COUNTY INTERCHANGE - S-RANDLCO 230.00 230KV CKT 1'    | FROM->TO | 0.20025 | 359.9 | 'G05-15T 345.00 - OKLAUNION 345KV CKT 1'                       |
| 11G | 0 | G10_060 | 'CAPROCK REC-RUSSEL TAP - CAPROCK REC-VEALMOOR 138KV CKT 1'       | FROM->TO | 0.29473 | 270.9 | 'HOBBS INTERCHANGE - MIDLAND COUNTY INTERCHANGE 230KV CKT 1'   |
| 11G | 0 | G10_059 | 'CAPROCK REC-RUSSEL TAP - CAPROCK REC-VEALMOOR 138KV CKT 1'       | FROM->TO | 0.29473 | 270.9 | 'HOBBS INTERCHANGE - MIDLAND COUNTY INTERCHANGE 230KV CKT 1'   |
| 11G | 0 | G10_060 | 'CAPROCK REC-NEW SCHWARTZ - CAPROCK REC-PEMBROOK 138KV CKT 1'     | FROM->TO | 0.29629 | 271   | 'HOBBS INTERCHANGE - MIDLAND COUNTY INTERCHANGE 230KV CKT 1'   |
| 11G | 0 | G10_059 | 'CAPROCK REC-NEW SCHWARTZ - CAPROCK REC-PEMBROOK 138KV CKT 1'     | FROM->TO | 0.29629 | 271   | 'HOBBS INTERCHANGE - MIDLAND COUNTY INTERCHANGE 230KV CKT 1'   |
| 11G | 0 | G10_060 | 'BORDEN COUNTY INTERCHANGE 230/138KV TRANSFORMER CKT 2'           | TO->FROM | 0.22687 | 209.3 | 'BORDEN COUNTY INTERCHANGE 230/138KV TRANSFORMER CKT 1'        |
| 11G | 0 | G10_059 | 'BORDEN COUNTY INTERCHANGE 230/138KV TRANSFORMER CKT 2'           | TO->FROM | 0.22687 | 209.3 | 'BORDEN COUNTY INTERCHANGE 230/138KV TRANSFORMER CKT 1'        |
| 11G | 0 | G10_060 | 'TUCO INTERCHANGE (GE M1022338) 345/230/13.2KV TRANSFORMER CKT 1' | FROM->TO | 0.25742 | 557.7 | 'ELK CITY 230KV - SWEETWT6 230.00 230KV CKT 1'                 |
| 11G | 0 | G10_059 | 'TUCO INTERCHANGE (GE M1022338) 345/230/13.2KV TRANSFORMER CKT 1' | FROM->TO | 0.25742 | 557.7 | 'ELK CITY 230KV - SWEETWT6 230.00 230KV CKT 1'                 |
| 11G | 0 | G10_060 | 'TUCO INTERCHANGE (GE M1022338) 345/230/13.2KV TRANSFORMER CKT 1' | FROM->TO | 0.25742 | 557.7 | 'ELK CITY 230KV (ELKCTY-6) 230/138/13.8KV TRANSFORMER CKT 1'   |
| 11G | 0 | G10_059 | 'TUCO INTERCHANGE (GE M1022338) 345/230/13.2KV TRANSFORMER CKT 1' | FROM->TO | 0.25742 | 557.7 | 'ELK CITY 230KV (ELKCTY-6) 230/138/13.8KV TRANSFORMER CKT 1'   |
| 11G | 0 | G10_060 | 'AMOCO SWITCHING STATION - YOAKUM COUNTY INTERCHANGE 230KV CKT 1' | TO->FROM | 0.20624 | 360.1 | 'CAPROCK REC-MCDONALD - CAPROCK REC-TRIANGLE 138KV CKT 1'      |
| 11G | 0 | G10_059 | 'AMOCO SWITCHING STATION - YOAKUM COUNTY INTERCHANGE 230KV CKT 1' | TO->FROM | 0.20624 | 360.1 | 'CAPROCK REC-MCDONALD - CAPROCK REC-TRIANGLE 138KV CKT 1'      |
| 11G | 0 | G10_060 | 'TUCO INTERCHANGE (GE M1022338) 345/230/13.2KV TRANSFORMER CKT 1' | FROM->TO | 0.25742 | 560   | 'ELK CITY 230KV - SWEETWT6 230.00 230KV CKT 1'                 |
| 11G | 0 | G10_059 | 'TUCO INTERCHANGE (GE M1022338) 345/230/13.2KV TRANSFORMER CKT 1' | FROM->TO | 0.25742 | 560   | 'ELK CITY 230KV - SWEETWT6 230.00 230KV CKT 1'                 |
| 11G | 0 | G10_060 | 'TUCO INTERCHANGE (GE M1022338) 345/230/13.2KV TRANSFORMER CKT 1' | FROM->TO | 0.25742 | 560   | 'ELK CITY 230KV (ELKCTY-6) 230/138/13.8KV TRANSFORMER CKT 1'   |
| 11G | 0 | G10_059 | 'TUCO INTERCHANGE (GE M1022338) 345/230/13.2KV TRANSFORMER CKT 1' | FROM->TO | 0.25742 | 560   | 'ELK CITY 230KV (ELKCTY-6) 230/138/13.8KV TRANSFORMER CKT 1'   |
| 11G | 0 | G10_060 | 'AMOCO SWITCHING STATION - YOAKUM COUNTY INTERCHANGE 230KV CKT 1' | TO->FROM | 0.20624 | 360.1 | 'CAPROCK REC-GRADY - CAPROCK REC-TRIANGLE 138KV CKT 1'         |
| 11G | 0 | G10_059 | 'AMOCO SWITCHING STATION - YOAKUM COUNTY INTERCHANGE 230KV CKT 1' | TO->FROM | 0.20624 | 360.1 | 'CAPROCK REC-GRADY - CAPROCK REC-TRIANGLE 138KV CKT 1'         |
| 11G | 0 | G10_060 | 'JONES STATION - TUCO INTERCHANGE 230KV CKT 1'                    | FROM->TO | 0.21611 | 325.7 | 'BASE CASE'  |
| 11G | 0 | G10_059 | 'JONES STATION - TUCO INTERCHANGE 230KV CKT 1'                    | FROM->TO | 0.21611 | 325.7 | 'BASE CASE'  |

|     |  |           |  |          |         |       |   |
|-----|--|-----------|--|----------|---------|-------|---|
| 11G |  | 0 G10_060 | 'TUCO INTERCHANGE (GE M1022338)<br>345/230/13.2KV TRANSFORMER CKT 1' | FROM->TO | 0.25823 | 557.7 | 'SPP-SWPS-03'   |
| 11G |  | 0 G10_059 | 'TUCO INTERCHANGE (GE M1022338)<br>345/230/13.2KV TRANSFORMER CKT 1' | FROM->TO | 0.25823 | 557.7 | 'SPP-SWPS-03'   |
| 11G |  | 0 G10_060 | 'AMOCO SWITCHING STATION - YOAKUM<br>COUNTY INTERCHANGE 230KV CKT 1' | TO->FROM | 0.20624 | 360.1 | 'CAPROCK REC-GRADY - CAPROCK REC-REED<br>138KV CKT 1'             |
| 11G |  | 0 G10_059 | 'AMOCO SWITCHING STATION - YOAKUM<br>COUNTY INTERCHANGE 230KV CKT 1' | TO->FROM | 0.20624 | 360.1 | 'CAPROCK REC-GRADY - CAPROCK REC-REED<br>138KV CKT 1'             |
| 11G |  | 0 G10_060 | 'AMOCO SWITCHING STATION - YOAKUM<br>COUNTY INTERCHANGE 230KV CKT 1' | TO->FROM | 0.20624 | 360.1 | 'CAPROCK REC-KOCH - CAPROCK REC-REED<br>138KV CKT 1'              |
| 11G |  | 0 G10_059 | 'AMOCO SWITCHING STATION - YOAKUM<br>COUNTY INTERCHANGE 230KV CKT 1' | TO->FROM | 0.20624 | 360.1 | 'CAPROCK REC-KOCH - CAPROCK REC-REED<br>138KV CKT 1'              |
| 11G |  | 0 G10_060 | 'AMOCO SWITCHING STATION - YOAKUM<br>COUNTY INTERCHANGE 230KV CKT 1' | TO->FROM | 0.20624 | 360.1 | 'CAPROCK REC-KOCH - CAPROCK REC-<br>VEALMOOR 138KV CKT 1'         |
| 11G |  | 0 G10_059 | 'AMOCO SWITCHING STATION - YOAKUM<br>COUNTY INTERCHANGE 230KV CKT 1' | TO->FROM | 0.20624 | 360.1 | 'CAPROCK REC-KOCH - CAPROCK REC-<br>VEALMOOR 138KV CKT 1'         |
| 11G |  | 0 G10_060 | 'CAPROCK REC-MCDONALD - CAPROCK REC-<br>TRIANGLE 138KV CKT 1'        | FROM->TO | 0.22573 | 270.8 | 'HOBBS INTERCHANGE - LEA COUNTY<br>INTERCHANGE 230KV CKT 1'       |
| 11G |  | 0 G10_059 | 'CAPROCK REC-MCDONALD - CAPROCK REC-<br>TRIANGLE 138KV CKT 1'        | FROM->TO | 0.22573 | 270.8 | 'HOBBS INTERCHANGE - LEA COUNTY<br>INTERCHANGE 230KV CKT 1'       |
| 11G |  | 0 G10_060 | 'TUCO INTERCHANGE (GE M1022338)<br>345/230/13.2KV TRANSFORMER CKT 1' | FROM->TO | 0.25823 | 560   | 'SPP-SWPS-03'   |
| 11G |  | 0 G10_059 | 'TUCO INTERCHANGE (GE M1022338)<br>345/230/13.2KV TRANSFORMER CKT 1' | FROM->TO | 0.25823 | 560   | 'SPP-SWPS-03'   |
| 11G |  | 0 G10_060 | 'AMOCO SWITCHING STATION - YOAKUM<br>COUNTY INTERCHANGE 230KV CKT 1' | TO->FROM | 0.19492 | 360.1 | 'TERRY COUNTY INTERCHANGE - WOLFFORTH<br>INTERCHANGE 115KV CKT 1' |
| 11G |  | 0 G10_059 | 'AMOCO SWITCHING STATION - YOAKUM<br>COUNTY INTERCHANGE 230KV CKT 1' | TO->FROM | 0.19492 | 360.1 | 'TERRY COUNTY INTERCHANGE - WOLFFORTH<br>INTERCHANGE 115KV CKT 1' |
| 11G |  | 0 G10_060 | 'TUCO INTERCHANGE (GE M1022338)<br>345/230/13.2KV TRANSFORMER CKT 1' | FROM->TO | 0.25789 | 557.7 | 'GRAPEVINE INTERCHANGE - STATELINE<br>INTERCHANGE 230KV CKT 1'    |
| 11G |  | 0 G10_059 | 'TUCO INTERCHANGE (GE M1022338)<br>345/230/13.2KV TRANSFORMER CKT 1' | FROM->TO | 0.25789 | 557.7 | 'GRAPEVINE INTERCHANGE - STATELINE<br>INTERCHANGE 230KV CKT 1'    |
| 11G |  | 0 G10_060 | 'DEAF SMITH COUNTY INTERCHANGE - S-<br>RANDLCO 230.00 230KV CKT 1'   | FROM->TO | 0.20434 | 359.9 | 'BORDER 7345.00 - TUCO INTERCHANGE<br>345KV CKT 1'                |
| 11G |  | 0 G10_059 | 'DEAF SMITH COUNTY INTERCHANGE - S-<br>RANDLCO 230.00 230KV CKT 1'   | FROM->TO | 0.20434 | 359.9 | 'BORDER 7345.00 - TUCO INTERCHANGE<br>345KV CKT 1'                |
| 11G |  | 0 G10_060 | 'AMOCO SWITCHING STATION - YOAKUM<br>COUNTY INTERCHANGE 230KV CKT 1' | TO->FROM | 0.23085 | 360.1 | 'TOLK STATION WEST - YOAKUM COUNTY<br>INTERCHANGE 230KV CKT 1'    |
| 11G |  | 0 G10_059 | 'AMOCO SWITCHING STATION - YOAKUM<br>COUNTY INTERCHANGE 230KV CKT 1' | TO->FROM | 0.23085 | 360.1 | 'TOLK STATION WEST - YOAKUM COUNTY<br>INTERCHANGE 230KV CKT 1'    |
| 11G |  | 0 G10_060 | 'TUCO INTERCHANGE (GE M1022338)<br>345/230/13.2KV TRANSFORMER CKT 1' | FROM->TO | 0.26249 | 557.7 | 'AMARILLO SOUTH INTERCHANGE - G07-48T<br>230.00 230KV CKT 1'      |
| 11G |  | 0 G10_059 | 'TUCO INTERCHANGE (GE M1022338)<br>345/230/13.2KV TRANSFORMER CKT 1' | FROM->TO | 0.26249 | 557.7 | 'AMARILLO SOUTH INTERCHANGE - G07-48T<br>230.00 230KV CKT 1'      |
| 11G |  | 0 G10_060 | 'TUCO INTERCHANGE (GE M1022338)<br>345/230/13.2KV TRANSFORMER CKT 1' | FROM->TO | 0.25789 | 560   | 'GRAPEVINE INTERCHANGE - STATELINE<br>INTERCHANGE 230KV CKT 1'    |
| 11G |  | 0 G10_059 | 'TUCO INTERCHANGE (GE M1022338)<br>345/230/13.2KV TRANSFORMER CKT 1' | FROM->TO | 0.25789 | 560   | 'GRAPEVINE INTERCHANGE - STATELINE<br>INTERCHANGE 230KV CKT 1'    |
| 11G |  | 0 G10_060 | 'TUCO INTERCHANGE (GE M1022338)<br>345/230/13.2KV TRANSFORMER CKT 1' | FROM->TO | 0.26249 | 560   | 'AMARILLO SOUTH INTERCHANGE - G07-48T<br>230.00 230KV CKT 1'      |



|     |  |           |  |          |         |       |  |
|-----|--|-----------|--|----------|---------|-------|--|
| 11G |  | 0 G10_059 | 'TUCO INTERCHANGE (GE M1022338)<br>345/230/13.2KV TRANSFORMER CKT 1' | FROM->TO | 0.26249 | 560   | 'AMARILLO SOUTH INTERCHANGE - G07-48T<br>230.00 230KV CKT 1'     |
| 11G |  | 0 G10_060 | 'TUCO INTERCHANGE (GE M1022338)<br>345/230/13.2KV TRANSFORMER CKT 1' | FROM->TO | 0.25789 | 557.7 | 'SPP-SWPS-02a'   |
| 11G |  | 0 G10_059 | 'TUCO INTERCHANGE (GE M1022338)<br>345/230/13.2KV TRANSFORMER CKT 1' | FROM->TO | 0.25789 | 557.7 | 'SPP-SWPS-02a'   |
| 11G |  | 0 G10_060 | 'TUCO INTERCHANGE (GE M1022338)<br>345/230/13.2KV TRANSFORMER CKT 1' | FROM->TO | 0.25789 | 557.7 | 'SPP-SWPS-02'  |
| 11G |  | 0 G10_059 | 'TUCO INTERCHANGE (GE M1022338)<br>345/230/13.2KV TRANSFORMER CKT 1' | FROM->TO | 0.25789 | 557.7 | 'SPP-SWPS-02'  |
| 11G |  | 0 G10_060 | 'TUCO INTERCHANGE (GE M1022338)<br>345/230/13.2KV TRANSFORMER CKT 1' | FROM->TO | 0.25789 | 557.7 | 'STATELINE INTERCHANGE - SWEETWT6<br>230.00 230KV CKT &1'        |
| 11G |  | 0 G10_059 | 'TUCO INTERCHANGE (GE M1022338)<br>345/230/13.2KV TRANSFORMER CKT 1' | FROM->TO | 0.25789 | 557.7 | 'STATELINE INTERCHANGE - SWEETWT6<br>230.00 230KV CKT &1'        |
| 11G |  | 0 G10_060 | 'AMOCO SWITCHING STATION - YOAKUM<br>COUNTY INTERCHANGE 230KV CKT 1' | TO->FROM | 0.20308 | 360.1 | 'CUNNINGHAM STATION - LEA COUNTY<br>INTERCHANGE 230KV CKT 1'     |
| 11G |  | 0 G10_059 | 'AMOCO SWITCHING STATION - YOAKUM<br>COUNTY INTERCHANGE 230KV CKT 1' | TO->FROM | 0.20308 | 360.1 | 'CUNNINGHAM STATION - LEA COUNTY<br>INTERCHANGE 230KV CKT 1'     |
| 11G |  | 0 G10_060 | 'TUCO INTERCHANGE (GE M1022338)<br>345/230/13.2KV TRANSFORMER CKT 1' | FROM->TO | 0.25789 | 560   | 'SPP-SWPS-02a'   |
| 11G |  | 0 G10_059 | 'TUCO INTERCHANGE (GE M1022338)<br>345/230/13.2KV TRANSFORMER CKT 1' | FROM->TO | 0.25789 | 560   | 'SPP-SWPS-02a'   |
| 11G |  | 0 G10_060 | 'TUCO INTERCHANGE (GE M1022338)<br>345/230/13.2KV TRANSFORMER CKT 1' | FROM->TO | 0.25789 | 560   | 'SPP-SWPS-02'  |
| 11G |  | 0 G10_059 | 'TUCO INTERCHANGE (GE M1022338)<br>345/230/13.2KV TRANSFORMER CKT 1' | FROM->TO | 0.25789 | 560   | 'SPP-SWPS-02'  |
| 11G |  | 0 G10_060 | 'TUCO INTERCHANGE (GE M1022338)<br>345/230/13.2KV TRANSFORMER CKT 1' | FROM->TO | 0.25789 | 560   | 'STATELINE INTERCHANGE - SWEETWT6<br>230.00 230KV CKT &1'        |
| 11G |  | 0 G10_059 | 'TUCO INTERCHANGE (GE M1022338)<br>345/230/13.2KV TRANSFORMER CKT 1' | FROM->TO | 0.25789 | 560   | 'STATELINE INTERCHANGE - SWEETWT6<br>230.00 230KV CKT &1'        |
| 11G |  | 0 G10_060 | 'TUCO INTERCHANGE (GE M1022338)<br>345/230/13.2KV TRANSFORMER CKT 1' | FROM->TO | 0.26081 | 557.7 | 'DEAF SMITH COUNTY INTERCHANGE - PLANT<br>X STATION 230KV CKT 1' |
| 11G |  | 0 G10_059 | 'TUCO INTERCHANGE (GE M1022338)<br>345/230/13.2KV TRANSFORMER CKT 1' | FROM->TO | 0.26081 | 557.7 | 'DEAF SMITH COUNTY INTERCHANGE - PLANT<br>X STATION 230KV CKT 1' |
| 11G |  | 0 G10_060 | 'DEAF SMITH COUNTY INTERCHANGE - S-<br>RANDLCO 230.00 230KV CKT 1'   | FROM->TO | 0.21824 | 359.9 | 'NEWHART 6230.00 - S-RANDLCO 230.00<br>230KV CKT 1'              |
| 11G |  | 0 G10_059 | 'DEAF SMITH COUNTY INTERCHANGE - S-<br>RANDLCO 230.00 230KV CKT 1'   | FROM->TO | 0.21824 | 359.9 | 'NEWHART 6230.00 - S-RANDLCO 230.00<br>230KV CKT 1'              |
| 11G |  | 0 G10_060 | 'TUCO INTERCHANGE (GE M1022338)<br>345/230/13.2KV TRANSFORMER CKT 1' | FROM->TO | 0.26081 | 560   | 'DEAF SMITH COUNTY INTERCHANGE - PLANT<br>X STATION 230KV CKT 1' |
| 11G |  | 0 G10_059 | 'TUCO INTERCHANGE (GE M1022338)<br>345/230/13.2KV TRANSFORMER CKT 1' | FROM->TO | 0.26081 | 560   | 'DEAF SMITH COUNTY INTERCHANGE - PLANT<br>X STATION 230KV CKT 1' |
| 11G |  | 0 G10_060 | 'TUCO INTERCHANGE (GE M1022338)<br>345/230/13.2KV TRANSFORMER CKT 1' | FROM->TO | 0.27464 | 557.7 | 'HOBBS INTERCHANGE - MIDLAND COUNTY<br>INTERCHANGE 230KV CKT 1'  |
| 11G |  | 0 G10_059 | 'TUCO INTERCHANGE (GE M1022338)<br>345/230/13.2KV TRANSFORMER CKT 1' | FROM->TO | 0.27464 | 557.7 | 'HOBBS INTERCHANGE - MIDLAND COUNTY<br>INTERCHANGE 230KV CKT 1'  |
| 11G |  | 0 G10_060 | 'TUCO INTERCHANGE (GE M1022338)<br>345/230/13.2KV TRANSFORMER CKT 1' | FROM->TO | 0.25331 | 557.7 | 'GRAPEVINE INTERCHANGE - NICHOLS<br>STATION 230KV CKT 1'         |
| 11G |  | 0 G10_059 | 'TUCO INTERCHANGE (GE M1022338)<br>345/230/13.2KV TRANSFORMER CKT 1' | FROM->TO | 0.25331 | 557.7 | 'GRAPEVINE INTERCHANGE - NICHOLS<br>STATION 230KV CKT 1'         |

|     |  |           |  |          |         |       |  |
|-----|--|-----------|--|----------|---------|-------|--|
| 11G |  | 0 G10_060 | 'TUCO INTERCHANGE (GE M1022338)<br>345/230/13.2KV TRANSFORMER CKT 1' | FROM->TO | 0.26304 | 557.7 | 'DEAF SMITH COUNTY INTERCHANGE - S-RANDLCO 230.00 230KV CKT 1'   |
| 11G |  | 0 G10_059 | 'TUCO INTERCHANGE (GE M1022338)<br>345/230/13.2KV TRANSFORMER CKT 1' | FROM->TO | 0.26304 | 557.7 | 'DEAF SMITH COUNTY INTERCHANGE - S-RANDLCO 230.00 230KV CKT 1'   |
| 11G |  | 0 G10_060 | 'TUCO INTERCHANGE (GE M1022338)<br>345/230/13.2KV TRANSFORMER CKT 1' | FROM->TO | 0.27464 | 560   | 'HOBBS INTERCHANGE - MIDLAND COUNTY INTERCHANGE 230KV CKT 1'     |
| 11G |  | 0 G10_059 | 'TUCO INTERCHANGE (GE M1022338)<br>345/230/13.2KV TRANSFORMER CKT 1' | FROM->TO | 0.27464 | 560   | 'HOBBS INTERCHANGE - MIDLAND COUNTY INTERCHANGE 230KV CKT 1'     |
| 11G |  | 0 G10_060 | 'TUCO INTERCHANGE (GE M1022338)<br>345/230/13.2KV TRANSFORMER CKT 1' | FROM->TO | 0.25846 | 557.7 | 'POTTER COUNTY INTERCHANGE - S-RANDLCO 230.00 230KV CKT 1'       |
| 11G |  | 0 G10_059 | 'TUCO INTERCHANGE (GE M1022338)<br>345/230/13.2KV TRANSFORMER CKT 1' | FROM->TO | 0.25846 | 557.7 | 'POTTER COUNTY INTERCHANGE - S-RANDLCO 230.00 230KV CKT 1'       |
| 11G |  | 0 G10_060 | 'TUCO INTERCHANGE (GE M1022338)<br>345/230/13.2KV TRANSFORMER CKT 1' | FROM->TO | 0.25331 | 560   | 'GRAPEVINE INTERCHANGE - NICHOLS STATION 230KV CKT 1'            |
| 11G |  | 0 G10_059 | 'TUCO INTERCHANGE (GE M1022338)<br>345/230/13.2KV TRANSFORMER CKT 1' | FROM->TO | 0.25331 | 560   | 'GRAPEVINE INTERCHANGE - NICHOLS STATION 230KV CKT 1'            |
| 11G |  | 0 G10_060 | 'TUCO INTERCHANGE (GE M1022338)<br>345/230/13.2KV TRANSFORMER CKT 1' | FROM->TO | 0.2629  | 557.7 | 'G07-48T 230.00 - SWISHER COUNTY INTERCHANGE 230KV CKT 1'        |
| 11G |  | 0 G10_059 | 'TUCO INTERCHANGE (GE M1022338)<br>345/230/13.2KV TRANSFORMER CKT 1' | FROM->TO | 0.2629  | 557.7 | 'G07-48T 230.00 - SWISHER COUNTY INTERCHANGE 230KV CKT 1'        |
| 11G |  | 0 G10_060 | 'AMOCO SWITCHING STATION - YOAKUM COUNTY INTERCHANGE 230KV CKT 1'    | TO->FROM | 0.19327 | 360.1 | 'CUNNINGHAM STATION - EDDY COUNTY INTERCHANGE 230KV CKT 1'       |
| 11G |  | 0 G10_059 | 'AMOCO SWITCHING STATION - YOAKUM COUNTY INTERCHANGE 230KV CKT 1'    | TO->FROM | 0.19327 | 360.1 | 'CUNNINGHAM STATION - EDDY COUNTY INTERCHANGE 230KV CKT 1'       |
| 11G |  | 0 G10_060 | 'CAPROCK REC-MCDONALD - CAPROCK REC-TRIANGLE 138KV CKT 1'            | FROM->TO | 0.20928 | 270.8 | 'CAPROCK REC-STILES - G09-17T 138.00 138KV CKT 1'                |
| 11G |  | 0 G10_059 | 'CAPROCK REC-MCDONALD - CAPROCK REC-TRIANGLE 138KV CKT 1'            | FROM->TO | 0.20928 | 270.8 | 'CAPROCK REC-STILES - G09-17T 138.00 138KV CKT 1'                |
| 11G |  | 0 G10_060 | 'TUCO INTERCHANGE (GE M1022338)<br>345/230/13.2KV TRANSFORMER CKT 1' | FROM->TO | 0.26304 | 560   | 'DEAF SMITH COUNTY INTERCHANGE - S-RANDLCO 230.00 230KV CKT 1'   |
| 11G |  | 0 G10_059 | 'TUCO INTERCHANGE (GE M1022338)<br>345/230/13.2KV TRANSFORMER CKT 1' | FROM->TO | 0.26304 | 560   | 'DEAF SMITH COUNTY INTERCHANGE - S-RANDLCO 230.00 230KV CKT 1'   |
| 11G |  | 0 G10_060 | 'TUCO INTERCHANGE (GE M1022338)<br>345/230/13.2KV TRANSFORMER CKT 1' | FROM->TO | 0.25846 | 560   | 'POTTER COUNTY INTERCHANGE - S-RANDLCO 230.00 230KV CKT 1'       |
| 11G |  | 0 G10_059 | 'TUCO INTERCHANGE (GE M1022338)<br>345/230/13.2KV TRANSFORMER CKT 1' | FROM->TO | 0.25846 | 560   | 'POTTER COUNTY INTERCHANGE - S-RANDLCO 230.00 230KV CKT 1'       |
| 11G |  | 0 G10_060 | 'TUCO INTERCHANGE (GE M1022338)<br>345/230/13.2KV TRANSFORMER CKT 1' | FROM->TO | 0.2629  | 560   | 'G07-48T 230.00 - SWISHER COUNTY INTERCHANGE 230KV CKT 1'        |
| 11G |  | 0 G10_059 | 'TUCO INTERCHANGE (GE M1022338)<br>345/230/13.2KV TRANSFORMER CKT 1' | FROM->TO | 0.2629  | 560   | 'G07-48T 230.00 - SWISHER COUNTY INTERCHANGE 230KV CKT 1'        |
| 11G |  | 0 G10_060 | 'DEAF SMITH COUNTY INTERCHANGE - S-RANDLCO 230.00 230KV CKT 1'       | FROM->TO | 0.20136 | 359.9 | 'G05-15T 345.00 - TUCO INTERCHANGE 345KV CKT 1'                  |
| 11G |  | 0 G10_059 | 'DEAF SMITH COUNTY INTERCHANGE - S-RANDLCO 230.00 230KV CKT 1'       | FROM->TO | 0.20136 | 359.9 | 'G05-15T 345.00 - TUCO INTERCHANGE 345KV CKT 1'                  |
| 11G |  | 0 G10_060 | 'TUCO INTERCHANGE (GE M1022338)<br>345/230/13.2KV TRANSFORMER CKT 1' | FROM->TO | 0.25578 | 557.7 | 'SPP-SWPS-K31'   |
| 11G |  | 0 G10_059 | 'TUCO INTERCHANGE (GE M1022338)<br>345/230/13.2KV TRANSFORMER CKT 1' | FROM->TO | 0.25578 | 557.7 | 'SPP-SWPS-K31'   |
| 11G |  | 0 G10_060 | 'CUNNINGHAM STATION - LEA COUNTY INTERCHANGE 230KV CKT 1'            | TO->FROM | 0.46246 | 557   | 'LEA COUNTY INTERCHANGE - YOAKUM COUNTY INTERCHANGE 230KV CKT 1' |

|     |   |         |   |          |         |       |  |
|-----|---|---------|---|----------|---------|-------|--|
| 11G | 0 | G10_059 | 'CUNNINGHAM STATION - LEA COUNTY INTERCHANGE 230KV CKT 1'                   | TO->FROM | 0.46246 | 557   | 'LEA COUNTY INTERCHANGE - YOAKUM COUNTY INTERCHANGE 230KV CKT 1' |
| 11G | 0 | G10_060 | 'TUCO INTERCHANGE (GE M1022338) 345/230/13.2KV TRANSFORMER CKT 1'           | FROM->TO | 0.25578 | 560   | 'SPP-SWPS-K31'   |
| 11G | 0 | G10_059 | 'TUCO INTERCHANGE (GE M1022338) 345/230/13.2KV TRANSFORMER CKT 1'           | FROM->TO | 0.25578 | 560   | 'SPP-SWPS-K31'   |
| 11G | 0 | G10_060 | 'TUCO INTERCHANGE (GE M1022338) 345/230/13.2KV TRANSFORMER CKT 1'           | FROM->TO | 0.25537 | 557.7 | 'BUSHLAND INTERCHANGE - S-RANDLCO 230.00 230KV CKT 1'            |
| 11G | 0 | G10_059 | 'TUCO INTERCHANGE (GE M1022338) 345/230/13.2KV TRANSFORMER CKT 1'           | FROM->TO | 0.25537 | 557.7 | 'BUSHLAND INTERCHANGE - S-RANDLCO 230.00 230KV CKT 1'            |
| 11G | 0 | G10_060 | 'CAPROCK REC-MCDONALD - CAPROCK REC-TRIANGLE 138KV CKT 1'                   | FROM->TO | 0.20928 | 270.8 | 'CAPROCK REC-ST LAWRENCE - CAPROCK REC-STILES 138KV CKT 1'       |
| 11G | 0 | G10_059 | 'CAPROCK REC-MCDONALD - CAPROCK REC-TRIANGLE 138KV CKT 1'                   | FROM->TO | 0.20928 | 270.8 | 'CAPROCK REC-ST LAWRENCE - CAPROCK REC-STILES 138KV CKT 1'       |
| 11G | 0 | G10_060 | 'POTTER COUNTY INTERCHANGE (WAUK 90343-A) 345/230/13.2KV TRANSFORMER CKT 1' | FROM->TO | 0.20493 | 557.6 | 'LAWTON EASTSIDE - OKLAUNION 345KV CKT 1'                        |
| 11G | 0 | G10_059 | 'POTTER COUNTY INTERCHANGE (WAUK 90343-A) 345/230/13.2KV TRANSFORMER CKT 1' | FROM->TO | 0.20493 | 557.6 | 'LAWTON EASTSIDE - OKLAUNION 345KV CKT 1'                        |
| 11G | 0 | G10_060 | 'TUCO INTERCHANGE (GE M1022338) 345/230/13.2KV TRANSFORMER CKT 1'           | FROM->TO | 0.25537 | 560   | 'BUSHLAND INTERCHANGE - S-RANDLCO 230.00 230KV CKT 1'            |
| 11G | 0 | G10_059 | 'TUCO INTERCHANGE (GE M1022338) 345/230/13.2KV TRANSFORMER CKT 1'           | FROM->TO | 0.25537 | 560   | 'BUSHLAND INTERCHANGE - S-RANDLCO 230.00 230KV CKT 1'            |
| 11G | 0 | G10_060 | 'CAPROCK REC-GRADY - CAPROCK REC-REED 138KV CKT 1'                          | FROM->TO | 0.22573 | 270.7 | 'HOBBS INTERCHANGE - LEA COUNTY INTERCHANGE 230KV CKT 1'         |
| 11G | 0 | G10_059 | 'CAPROCK REC-GRADY - CAPROCK REC-REED 138KV CKT 1'                          | FROM->TO | 0.22573 | 270.7 | 'HOBBS INTERCHANGE - LEA COUNTY INTERCHANGE 230KV CKT 1'         |
| 11G | 0 | G10_060 | 'POTTER COUNTY INTERCHANGE (WAUK 90343-A) 345/230/13.2KV TRANSFORMER CKT 1' | FROM->TO | 0.20493 | 558.7 | 'LAWTON EASTSIDE - OKLAUNION 345KV CKT 1'                        |
| 11G | 0 | G10_059 | 'POTTER COUNTY INTERCHANGE (WAUK 90343-A) 345/230/13.2KV TRANSFORMER CKT 1' | FROM->TO | 0.20493 | 558.7 | 'LAWTON EASTSIDE - OKLAUNION 345KV CKT 1'                        |
| 11G | 0 | G10_060 | 'CAPROCK REC-MCDONALD - CAPROCK REC-TRIANGLE 138KV CKT 1'                   | FROM->TO | 0.21021 | 270.8 | 'CAPROCK REC-MCDONALD - CR-1956 4138.00 138KV CKT 1'             |
| 11G | 0 | G10_059 | 'CAPROCK REC-MCDONALD - CAPROCK REC-TRIANGLE 138KV CKT 1'                   | FROM->TO | 0.21021 | 270.8 | 'CAPROCK REC-MCDONALD - CR-1956 4138.00 138KV CKT 1'             |
| 11G | 0 | G10_060 | 'CAPROCK REC-MCDONALD - CAPROCK REC-TRIANGLE 138KV CKT 1'                   | FROM->TO | 0.20928 | 270.8 | 'CAPROCK REC-LANGE - CAPROCK REC-ST LAWRENCE 138KV CKT 1'        |
| 11G | 0 | G10_059 | 'CAPROCK REC-MCDONALD - CAPROCK REC-TRIANGLE 138KV CKT 1'                   | FROM->TO | 0.20928 | 270.8 | 'CAPROCK REC-LANGE - CAPROCK REC-ST LAWRENCE 138KV CKT 1'        |
| 11G | 0 | G10_060 | 'CAPROCK REC-MCDONALD - CAPROCK REC-TRIANGLE 138KV CKT 1'                   | FROM->TO | 0.20928 | 270.8 | 'CAPROCK REC-BUCHANAN - CAPROCK REC-LANGE 138KV CKT 1'           |
| 11G | 0 | G10_059 | 'CAPROCK REC-MCDONALD - CAPROCK REC-TRIANGLE 138KV CKT 1'                   | FROM->TO | 0.20928 | 270.8 | 'CAPROCK REC-BUCHANAN - CAPROCK REC-LANGE 138KV CKT 1'           |
| 11G | 0 | G10_060 | 'CAPROCK REC-MCDONALD - CAPROCK REC-TRIANGLE 138KV CKT 1'                   | FROM->TO | 0.21021 | 270.8 | 'CAPROCK REC-NEW SCHWARTZ - CR-1956 4138.00 138KV CKT 1'         |
| 11G | 0 | G10_059 | 'CAPROCK REC-MCDONALD - CAPROCK REC-TRIANGLE 138KV CKT 1'                   | FROM->TO | 0.21021 | 270.8 | 'CAPROCK REC-NEW SCHWARTZ - CR-1956 4138.00 138KV CKT 1'         |

|     |   |         |   |          |         |       |   |
|-----|---|---------|---|----------|---------|-------|---|
| 11G | 0 | G10_060 | 'GRASSLAND INTERCHANGE - Jones Station Bus#2 230KV CKT 1'                   | FROM->TO | 0.19781 | 361   | 'GRASSLAND INTERCHANGE - JONES STATION 230KV CKT 2'           |
| 11G | 0 | G10_059 | 'GRASSLAND INTERCHANGE - Jones Station Bus#2 230KV CKT 1'                   | FROM->TO | 0.19781 | 361   | 'GRASSLAND INTERCHANGE - JONES STATION 230KV CKT 2'           |
| 11G | 0 | G10_060 | 'CAPROCK REC-MCDONALD - CAPROCK REC-TRIANGLE 138KV CKT 1'                   | FROM->TO | 0.20928 | 270.8 | 'CAPROCK REC-BUCHANAN - CAPROCK REC-RUSSEL TAP 138KV CKT 1'   |
| 11G | 0 | G10_059 | 'CAPROCK REC-MCDONALD - CAPROCK REC-TRIANGLE 138KV CKT 1'                   | FROM->TO | 0.20928 | 270.8 | 'CAPROCK REC-BUCHANAN - CAPROCK REC-RUSSEL TAP 138KV CKT 1'   |
| 11G | 0 | G10_060 | 'CAPROCK REC-GRADY - CAPROCK REC-REED 138KV CKT 1'                          | FROM->TO | 0.20928 | 270.7 | 'CAPROCK REC-STILES - G09-17T 138.00 138KV CKT 1'             |
| 11G | 0 | G10_059 | 'CAPROCK REC-GRADY - CAPROCK REC-REED 138KV CKT 1'                          | FROM->TO | 0.20928 | 270.7 | 'CAPROCK REC-STILES - G09-17T 138.00 138KV CKT 1'             |
| 11G | 0 | G10_060 | 'CAPROCK REC-MCDONALD - CAPROCK REC-TRIANGLE 138KV CKT 1'                   | FROM->TO | 0.20928 | 270.8 | 'CAPROCK REC-RUSSEL TAP - CAPROCK REC-VEALMOOR 138KV CKT 1'   |
| 11G | 0 | G10_059 | 'CAPROCK REC-MCDONALD - CAPROCK REC-TRIANGLE 138KV CKT 1'                   | FROM->TO | 0.20928 | 270.8 | 'CAPROCK REC-RUSSEL TAP - CAPROCK REC-VEALMOOR 138KV CKT 1'   |
| 11G | 0 | G10_060 | 'TUCO INTERCHANGE (GE M1022338) 345/230/13.2KV TRANSFORMER CKT 1'           | FROM->TO | 0.24642 | 557.7 | 'BASE CASE'   |
| 11G | 0 | G10_059 | 'TUCO INTERCHANGE (GE M1022338) 345/230/13.2KV TRANSFORMER CKT 1'           | FROM->TO | 0.24642 | 557.7 | 'BASE CASE'   |
| 11G | 0 | G10_060 | 'CAPROCK REC-MCDONALD - CAPROCK REC-TRIANGLE 138KV CKT 1'                   | FROM->TO | 0.21021 | 270.8 | 'CAPROCK REC-NEW SCHWARTZ - CAPROCK REC-PEMBROOK 138KV CKT 1' |
| 11G | 0 | G10_059 | 'CAPROCK REC-MCDONALD - CAPROCK REC-TRIANGLE 138KV CKT 1'                   | FROM->TO | 0.21021 | 270.8 | 'CAPROCK REC-NEW SCHWARTZ - CAPROCK REC-PEMBROOK 138KV CKT 1' |
| 11G | 0 | G10_060 | 'TUCO INTERCHANGE (GE M1022338) 345/230/13.2KV TRANSFORMER CKT 1'           | FROM->TO | 0.24642 | 560   | 'BASE CASE'   |
| 11G | 0 | G10_059 | 'TUCO INTERCHANGE (GE M1022338) 345/230/13.2KV TRANSFORMER CKT 1'           | FROM->TO | 0.24642 | 560   | 'BASE CASE'   |
| 11G | 0 | G10_060 | 'CAPROCK REC-GRADY - CAPROCK REC-REED 138KV CKT 1'                          | FROM->TO | 0.20928 | 270.7 | 'CAPROCK REC-ST LAWRENCE - CAPROCK REC-STILES 138KV CKT 1'    |
| 11G | 0 | G10_059 | 'CAPROCK REC-GRADY - CAPROCK REC-REED 138KV CKT 1'                          | FROM->TO | 0.20928 | 270.7 | 'CAPROCK REC-ST LAWRENCE - CAPROCK REC-STILES 138KV CKT 1'    |
| 11G | 0 | G10_060 | 'CAPROCK REC-MCDONALD - CAPROCK REC-TRIANGLE 138KV CKT 1'                   | FROM->TO | 0.21021 | 270.8 | 'CAPROCK REC-PEMBROOK - G09-17T 138.00 138KV CKT 1'           |
| 11G | 0 | G10_059 | 'CAPROCK REC-MCDONALD - CAPROCK REC-TRIANGLE 138KV CKT 1'                   | FROM->TO | 0.21021 | 270.8 | 'CAPROCK REC-PEMBROOK - G09-17T 138.00 138KV CKT 1'           |
| 11G | 0 | G10_060 | 'POTTER COUNTY INTERCHANGE (WAUK 90343-A) 345/230/13.2KV TRANSFORMER CKT 1' | FROM->TO | 0.22638 | 557.6 | 'BORDER 7345.00 - TUCO INTERCHANGE 345KV CKT 1'               |
| 11G | 0 | G10_059 | 'POTTER COUNTY INTERCHANGE (WAUK 90343-A) 345/230/13.2KV TRANSFORMER CKT 1' | FROM->TO | 0.22638 | 557.6 | 'BORDER 7345.00 - TUCO INTERCHANGE 345KV CKT 1'               |
| 11G | 0 | G10_060 | 'POTTER COUNTY INTERCHANGE (WAUK 90343-A) 345/230/13.2KV TRANSFORMER CKT 1' | FROM->TO | 0.22638 | 558.7 | 'BORDER 7345.00 - TUCO INTERCHANGE 345KV CKT 1'               |
| 11G | 0 | G10_059 | 'POTTER COUNTY INTERCHANGE (WAUK 90343-A) 345/230/13.2KV TRANSFORMER CKT 1' | FROM->TO | 0.22638 | 558.7 | 'BORDER 7345.00 - TUCO INTERCHANGE 345KV CKT 1'               |
| 11G | 0 | G10_060 | 'CAPROCK REC-GRADY - CAPROCK REC-REED 138KV CKT 1'                          | FROM->TO | 0.21021 | 270.7 | 'CAPROCK REC-MCDONALD - CR-1956 4138.00 138KV CKT 1'          |

|     |   |         |   |          |         |       |  |
|-----|---|---------|---|----------|---------|-------|--|
| 11G | 0 | G10_059 | 'CAPROCK REC-GRADY - CAPROCK REC-REED<br>138KV CKT 1'                           | FROM->TO | 0.21021 | 270.7 | 'CAPROCK REC-MCDONALD - CR-1956 4138.00<br>138KV CKT 1'          |
| 11G | 0 | G10_060 | 'CAPROCK REC-GRADY - CAPROCK REC-REED<br>138KV CKT 1'                           | FROM->TO | 0.20928 | 270.7 | 'CAPROCK REC-LANGE - CAPROCK REC-ST<br>LAWRENCE 138KV CKT 1'     |
| 11G | 0 | G10_059 | 'CAPROCK REC-GRADY - CAPROCK REC-REED<br>138KV CKT 1'                           | FROM->TO | 0.20928 | 270.7 | 'CAPROCK REC-LANGE - CAPROCK REC-ST<br>LAWRENCE 138KV CKT 1'     |
| 11G | 0 | G10_060 | 'CAPROCK REC-GRADY - CAPROCK REC-REED<br>138KV CKT 1'                           | FROM->TO | 0.20928 | 270.7 | 'CAPROCK REC-BUCHANAN - CAPROCK REC-<br>LANGE 138KV CKT 1'       |
| 11G | 0 | G10_059 | 'CAPROCK REC-GRADY - CAPROCK REC-REED<br>138KV CKT 1'                           | FROM->TO | 0.20928 | 270.7 | 'CAPROCK REC-BUCHANAN - CAPROCK REC-<br>LANGE 138KV CKT 1'       |
| 11G | 0 | G10_060 | 'CAPROCK REC-GRADY - CAPROCK REC-REED<br>138KV CKT 1'                           | FROM->TO | 0.21021 | 270.7 | 'CAPROCK REC-NEW SCHWARTZ - CR-1956<br>4138.00 138KV CKT 1'      |
| 11G | 0 | G10_059 | 'CAPROCK REC-GRADY - CAPROCK REC-REED<br>138KV CKT 1'                           | FROM->TO | 0.21021 | 270.7 | 'CAPROCK REC-NEW SCHWARTZ - CR-1956<br>4138.00 138KV CKT 1'      |
| 11G | 0 | G10_060 | 'CAPROCK REC-GRADY - CAPROCK REC-REED<br>138KV CKT 1'                           | FROM->TO | 0.20928 | 270.7 | 'CAPROCK REC-BUCHANAN - CAPROCK REC-<br>RUSSEL TAP 138KV CKT 1'  |
| 11G | 0 | G10_059 | 'CAPROCK REC-GRADY - CAPROCK REC-REED<br>138KV CKT 1'                           | FROM->TO | 0.20928 | 270.7 | 'CAPROCK REC-BUCHANAN - CAPROCK REC-<br>RUSSEL TAP 138KV CKT 1'  |
| 11G | 0 | G10_060 | 'CAPROCK REC-GRADY - CAPROCK REC-REED<br>138KV CKT 1'                           | FROM->TO | 0.20928 | 270.7 | 'CAPROCK REC-RUSSEL TAP - CAPROCK REC-<br>VEALMOOR 138KV CKT 1'  |
| 11G | 0 | G10_059 | 'CAPROCK REC-GRADY - CAPROCK REC-REED<br>138KV CKT 1'                           | FROM->TO | 0.20928 | 270.7 | 'CAPROCK REC-RUSSEL TAP - CAPROCK REC-<br>VEALMOOR 138KV CKT 1'  |
| 11G | 0 | G10_060 | 'CAPROCK REC-GRADY - CAPROCK REC-REED<br>138KV CKT 1'                           | FROM->TO | 0.21021 | 270.7 | 'CAPROCK REC-NEW SCHWARTZ - CAPROCK<br>REC-PEMBROOK 138KV CKT 1' |
| 11G | 0 | G10_059 | 'CAPROCK REC-GRADY - CAPROCK REC-REED<br>138KV CKT 1'                           | FROM->TO | 0.21021 | 270.7 | 'CAPROCK REC-NEW SCHWARTZ - CAPROCK<br>REC-PEMBROOK 138KV CKT 1' |
| 11G | 0 | G10_060 | 'POTTER COUNTY INTERCHANGE (WAUK 90343-<br>A) 345/230/13.2KV TRANSFORMER CKT 1' | FROM->TO | 0.20493 | 557.6 | 'G05-15T 345.00 - OKLAUNION 345KV CKT 1'                         |
| 11G | 0 | G10_059 | 'POTTER COUNTY INTERCHANGE (WAUK 90343-<br>A) 345/230/13.2KV TRANSFORMER CKT 1' | FROM->TO | 0.20493 | 557.6 | 'G05-15T 345.00 - OKLAUNION 345KV CKT 1'                         |
| 11G | 0 | G10_060 | 'POTTER COUNTY INTERCHANGE (WAUK 90343-<br>A) 345/230/13.2KV TRANSFORMER CKT 1' | FROM->TO | 0.20493 | 558.7 | 'G05-15T 345.00 - OKLAUNION 345KV CKT 1'                         |
| 11G | 0 | G10_059 | 'POTTER COUNTY INTERCHANGE (WAUK 90343-<br>A) 345/230/13.2KV TRANSFORMER CKT 1' | FROM->TO | 0.20493 | 558.7 | 'G05-15T 345.00 - OKLAUNION 345KV CKT 1'                         |
| 11G | 0 | G10_060 | 'CAPROCK REC-GRADY - CAPROCK REC-REED<br>138KV CKT 1'                           | FROM->TO | 0.21021 | 270.7 | 'CAPROCK REC-PEMBROOK - G09-17T 138.00<br>138KV CKT 1'           |
| 11G | 0 | G10_059 | 'CAPROCK REC-GRADY - CAPROCK REC-REED<br>138KV CKT 1'                           | FROM->TO | 0.21021 | 270.7 | 'CAPROCK REC-PEMBROOK - G09-17T 138.00<br>138KV CKT 1'           |
| 11G | 0 | G10_060 | 'CUNNINGHAM STATION - LEA COUNTY<br>INTERCHANGE 230KV CKT 1'                    | TO->FROM | 0.40643 | 557   | 'MIDLAND COUNTY INTERCHANGE 230/138KV<br>TRANSFORMER CKT 1'      |
| 11G | 0 | G10_059 | 'CUNNINGHAM STATION - LEA COUNTY<br>INTERCHANGE 230KV CKT 1'                    | TO->FROM | 0.40643 | 557   | 'MIDLAND COUNTY INTERCHANGE 230/138KV<br>TRANSFORMER CKT 1'      |
| 11G | 0 | G10_060 | 'CUNNINGHAM STATION - LEA COUNTY<br>INTERCHANGE 230KV CKT 1'                    | TO->FROM | 0.40643 | 557   | 'CAPROCK REC-PHILLIPS - CAPROCK REC-<br>TATE 138KV CKT 1'        |
| 11G | 0 | G10_059 | 'CUNNINGHAM STATION - LEA COUNTY<br>INTERCHANGE 230KV CKT 1'                    | TO->FROM | 0.40643 | 557   | 'CAPROCK REC-PHILLIPS - CAPROCK REC-<br>TATE 138KV CKT 1'        |

|      |   |         |   |          |         |        |   |
|------|---|---------|---|----------|---------|--------|---|
| 11G  | 0 | G10_060 | 'CUNNINGHAM STATION - LEA COUNTY INTERCHANGE 230KV CKT 1'         | TO->FROM | 0.40643 | 557    | 'CAPROCK REC-MCDONALD - CAPROCK REC-PHILLIPS 138KV CKT 1'       |
| 11G  | 0 | G10_059 | 'CUNNINGHAM STATION - LEA COUNTY INTERCHANGE 230KV CKT 1'         | TO->FROM | 0.40643 | 557    | 'CAPROCK REC-MCDONALD - CAPROCK REC-PHILLIPS 138KV CKT 1'       |
| 11G  | 0 | G10_060 | 'LUBBOCK SOUTH INTERCHANGE - WOLFFORTH INTERCHANGE 230KV CKT 1'   | FROM->TO | 0.27197 | 359.1  | 'HOBBS INTERCHANGE - MIDLAND COUNTY INTERCHANGE 230KV CKT 1'    |
| 11G  | 0 | G10_059 | 'LUBBOCK SOUTH INTERCHANGE - WOLFFORTH INTERCHANGE 230KV CKT 1'   | FROM->TO | 0.27197 | 359.1  | 'HOBBS INTERCHANGE - MIDLAND COUNTY INTERCHANGE 230KV CKT 1'    |
| 11G  | 0 | G10_060 | 'TUCO INTERCHANGE (UPDATE DATA) 345/230/13.2KV TRANSFORMER CKT 2' | FROM->TO | 0.21811 | 559.6  | 'G05-17T 345.00 - Hitchland Interchange 345KV CKT 1'            |
| 11G  | 0 | G10_059 | 'TUCO INTERCHANGE (UPDATE DATA) 345/230/13.2KV TRANSFORMER CKT 2' | FROM->TO | 0.21811 | 559.6  | 'G05-17T 345.00 - Hitchland Interchange 345KV CKT 1'            |
| 11G  | 0 | G10_060 | 'TUCO INTERCHANGE (UPDATE DATA) 345/230/13.2KV TRANSFORMER CKT 2' | FROM->TO | 0.21811 | 559.9  | 'G05-17T 345.00 - Hitchland Interchange 345KV CKT 1'            |
| 11G  | 0 | G10_059 | 'TUCO INTERCHANGE (UPDATE DATA) 345/230/13.2KV TRANSFORMER CKT 2' | FROM->TO | 0.21811 | 559.9  | 'G05-17T 345.00 - Hitchland Interchange 345KV CKT 1'            |
| 11G  | 0 | G10_060 | 'CUNNINGHAM STATION - LEA COUNTY INTERCHANGE 230KV CKT 1'         | TO->FROM | 0.40584 | 557    | 'SPP-SWPS-K48'  |
| 11G  | 0 | G10_059 | 'CUNNINGHAM STATION - LEA COUNTY INTERCHANGE 230KV CKT 1'         | TO->FROM | 0.40584 | 557    | 'SPP-SWPS-K48'  |
| 11G  | 0 | G10_060 | 'CUNNINGHAM STATION - LEA COUNTY INTERCHANGE 230KV CKT 1'         | TO->FROM | 0.40584 | 557    | 'BORDEN COUNTY INTERCHANGE - GRASSLAND INTERCHANGE 230KV CKT 1' |
| 11G  | 0 | G10_059 | 'CUNNINGHAM STATION - LEA COUNTY INTERCHANGE 230KV CKT 1'         | TO->FROM | 0.40584 | 557    | 'BORDEN COUNTY INTERCHANGE - GRASSLAND INTERCHANGE 230KV CKT 1' |
| 11G  | 0 | G10_060 | 'LAWTON EASTSIDE - OKLAUNION 345KV CKT 1'                         | TO->FROM | 0.30632 | 1187.3 | 'BORDER 7345.00 - TUCO INTERCHANGE 345KV CKT 1'                 |
| 11G  | 0 | G10_059 | 'LAWTON EASTSIDE - OKLAUNION 345KV CKT 1'                         | TO->FROM | 0.30632 | 1187.3 | 'BORDER 7345.00 - TUCO INTERCHANGE 345KV CKT 1'                 |
| 11G  | 0 | G10_060 | 'TUCO INTERCHANGE (UPDATE DATA) 345/230/13.2KV TRANSFORMER CKT 2' | FROM->TO | 0.21842 | 559.6  | 'G05-17T 345.00 - POTTER COUNTY INTERCHANGE 345KV CKT 1'        |
| 11G  | 0 | G10_059 | 'TUCO INTERCHANGE (UPDATE DATA) 345/230/13.2KV TRANSFORMER CKT 2' | FROM->TO | 0.21842 | 559.6  | 'G05-17T 345.00 - POTTER COUNTY INTERCHANGE 345KV CKT 1'        |
| 11SP | 0 | G10_060 | 'HOBBS INTERCHANGE 230/115KV TRANSFORMER CKT 1'                   | FROM->TO | 0.68278 | 149.1  | 'HOBBS INTERCHANGE - LEA COUNTY INTERCHANGE 230KV CKT 1'        |
| 11SP | 0 | G10_059 | 'HOBBS INTERCHANGE 230/115KV TRANSFORMER CKT 1'                   | FROM->TO | 0.68278 | 149.1  | 'HOBBS INTERCHANGE - LEA COUNTY INTERCHANGE 230KV CKT 1'        |
| 11SP | 0 | G10_060 | 'MIDLAND COUNTY INTERCHANGE 230/138KV TRANSFORMER CKT 1'          | FROM->TO | 1       | 192.9  | 'HOBBS INTERCHANGE - MIDLAND COUNTY INTERCHANGE 230KV CKT 1'    |
| 11SP | 0 | G10_059 | 'MIDLAND COUNTY INTERCHANGE 230/138KV TRANSFORMER CKT 1'          | FROM->TO | 1       | 192.9  | 'HOBBS INTERCHANGE - MIDLAND COUNTY INTERCHANGE 230KV CKT 1'    |
| 11SP | 0 | G10_060 | 'CAPROCK REC-PHILLIPS - CAPROCK REC-TATE 138KV CKT 1'             | TO->FROM | 1       | 271    | 'HOBBS INTERCHANGE - MIDLAND COUNTY INTERCHANGE 230KV CKT 1'    |
| 11SP | 0 | G10_059 | 'CAPROCK REC-PHILLIPS - CAPROCK REC-TATE 138KV CKT 1'             | TO->FROM | 1       | 271    | 'HOBBS INTERCHANGE - MIDLAND COUNTY INTERCHANGE 230KV CKT 1'    |
| 11SP | 0 | G10_060 | 'CAPROCK REC-MCDONALD - CAPROCK REC-PHILLIPS 138KV CKT 1'         | TO->FROM | 1       | 271    | 'HOBBS INTERCHANGE - MIDLAND COUNTY INTERCHANGE 230KV CKT 1'    |
| 11SP | 0 | G10_059 | 'CAPROCK REC-MCDONALD - CAPROCK REC-PHILLIPS 138KV CKT 1'         | TO->FROM | 1       | 271    | 'HOBBS INTERCHANGE - MIDLAND COUNTY INTERCHANGE 230KV CKT 1'    |
| 11SP | 0 | G10_060 | 'BORDEN COUNTY INTERCHANGE 230/138KV TRANSFORMER CKT 1'           | TO->FROM | 0.99902 | 167.2  | 'HOBBS INTERCHANGE - MIDLAND COUNTY INTERCHANGE 230KV CKT 1'    |

|      |   |         |   |          |         |       |   |
|------|---|---------|---|----------|---------|-------|---|
| 11SP | 0 | G10_059 | 'BORDEN COUNTY INTERCHANGE 230/138KV TRANSFORMER CKT 1'   | TO->FROM | 0.99902 | 167.2 | 'HOBBS INTERCHANGE - MIDLAND COUNTY INTERCHANGE 230KV CKT 1'      |
| 11SP | 0 | G10_060 | 'MIDLAND COUNTY INTERCHANGE 230/138KV TRANSFORMER CKT 1'  | FROM->TO | 0.28571 | 192.9 | 'HOBBS INTERCHANGE - LEA COUNTY INTERCHANGE 230KV CKT 1'          |
| 11SP | 0 | G10_059 | 'MIDLAND COUNTY INTERCHANGE 230/138KV TRANSFORMER CKT 1'  | FROM->TO | 0.28571 | 192.9 | 'HOBBS INTERCHANGE - LEA COUNTY INTERCHANGE 230KV CKT 1'          |
| 11SP | 0 | G10_060 | 'CAPROCK REC-GRADY - CAPROCK REC-TRIANGLE 138KV CKT 1'    | TO->FROM | 0.704   | 175.8 | 'HOBBS INTERCHANGE - MIDLAND COUNTY INTERCHANGE 230KV CKT 1'      |
| 11SP | 0 | G10_059 | 'CAPROCK REC-GRADY - CAPROCK REC-TRIANGLE 138KV CKT 1'    | TO->FROM | 0.704   | 175.8 | 'HOBBS INTERCHANGE - MIDLAND COUNTY INTERCHANGE 230KV CKT 1'      |
| 11SP | 0 | G10_060 | 'CAPROCK REC-KOCH - CAPROCK REC-REED 138KV CKT 1'         | TO->FROM | 0.704   | 175.7 | 'HOBBS INTERCHANGE - MIDLAND COUNTY INTERCHANGE 230KV CKT 1'      |
| 11SP | 0 | G10_059 | 'CAPROCK REC-KOCH - CAPROCK REC-REED 138KV CKT 1'         | TO->FROM | 0.704   | 175.7 | 'HOBBS INTERCHANGE - MIDLAND COUNTY INTERCHANGE 230KV CKT 1'      |
| 11SP | 0 | G10_060 | 'CAPROCK REC-KOCH - CAPROCK REC-VEALMOOR 138KV CKT 1'     | FROM->TO | 0.704   | 175.7 | 'HOBBS INTERCHANGE - MIDLAND COUNTY INTERCHANGE 230KV CKT 1'      |
| 11SP | 0 | G10_059 | 'CAPROCK REC-KOCH - CAPROCK REC-VEALMOOR 138KV CKT 1'     | FROM->TO | 0.704   | 175.7 | 'HOBBS INTERCHANGE - MIDLAND COUNTY INTERCHANGE 230KV CKT 1'      |
| 11SP | 0 | G10_060 | 'MIDLAND COUNTY INTERCHANGE 230/138KV TRANSFORMER CKT 1'  | FROM->TO | 0.20923 | 167.9 | 'BASE CASE'   |
| 11SP | 0 | G10_059 | 'MIDLAND COUNTY INTERCHANGE 230/138KV TRANSFORMER CKT 1'  | FROM->TO | 0.20923 | 167.9 | 'BASE CASE'   |
| 11SP | 0 | G10_060 | 'MIDLAND COUNTY INTERCHANGE 230/138KV TRANSFORMER CKT 1'  | FROM->TO | 0.23072 | 192.9 | 'LEA COUNTY INTERCHANGE - YOAKUM COUNTY INTERCHANGE 230KV CKT 1'  |
| 11SP | 0 | G10_059 | 'MIDLAND COUNTY INTERCHANGE 230/138KV TRANSFORMER CKT 1'  | FROM->TO | 0.23072 | 192.9 | 'LEA COUNTY INTERCHANGE - YOAKUM COUNTY INTERCHANGE 230KV CKT 1'  |
| 11SP | 0 | G10_060 | 'MIDLAND COUNTY INTERCHANGE 230/138KV TRANSFORMER CKT 1'  | FROM->TO | 0.21606 | 192.9 | 'AMOCO SWITCHING STATION - YOAKUM COUNTY INTERCHANGE 230KV CKT 1' |
| 11SP | 0 | G10_059 | 'MIDLAND COUNTY INTERCHANGE 230/138KV TRANSFORMER CKT 1'  | FROM->TO | 0.21606 | 192.9 | 'AMOCO SWITCHING STATION - YOAKUM COUNTY INTERCHANGE 230KV CKT 1' |
| 11SP | 0 | G10_060 | 'CAPROCK REC-MCDONALD - CAPROCK REC-TRIANGLE 138KV CKT 1' | FROM->TO | 0.704   | 270.9 | 'HOBBS INTERCHANGE - MIDLAND COUNTY INTERCHANGE 230KV CKT 1'      |
| 11SP | 0 | G10_059 | 'CAPROCK REC-MCDONALD - CAPROCK REC-TRIANGLE 138KV CKT 1' | FROM->TO | 0.704   | 270.9 | 'HOBBS INTERCHANGE - MIDLAND COUNTY INTERCHANGE 230KV CKT 1'      |
| 11SP | 0 | G10_060 | 'MIDLAND COUNTY INTERCHANGE 230/138KV TRANSFORMER CKT 1'  | FROM->TO | 0.21042 | 192.9 | 'TOLK STATION EAST - TUCO INTERCHANGE 230KV CKT 1'                |
| 11SP | 0 | G10_059 | 'MIDLAND COUNTY INTERCHANGE 230/138KV TRANSFORMER CKT 1'  | FROM->TO | 0.21042 | 192.9 | 'TOLK STATION EAST - TUCO INTERCHANGE 230KV CKT 1'                |
| 11SP | 0 | G10_060 | 'MIDLAND COUNTY INTERCHANGE 230/138KV TRANSFORMER CKT 1'  | FROM->TO | 0.21437 | 192.9 | 'CUNNINGHAM STATION - EDDY COUNTY INTERCHANGE 230KV CKT 1'        |
| 11SP | 0 | G10_059 | 'MIDLAND COUNTY INTERCHANGE 230/138KV TRANSFORMER CKT 1'  | FROM->TO | 0.21437 | 192.9 | 'CUNNINGHAM STATION - EDDY COUNTY INTERCHANGE 230KV CKT 1'        |
| 11SP | 0 | G10_060 | 'MIDLAND COUNTY INTERCHANGE 230/138KV TRANSFORMER CKT 1'  | FROM->TO | 0.22274 | 192.9 | 'CUNNINGHAM STATION - LEA COUNTY INTERCHANGE 230KV CKT 1'         |
| 11SP | 0 | G10_059 | 'MIDLAND COUNTY INTERCHANGE 230/138KV TRANSFORMER CKT 1'  | FROM->TO | 0.22274 | 192.9 | 'CUNNINGHAM STATION - LEA COUNTY INTERCHANGE 230KV CKT 1'         |
| 11SP | 0 | G10_060 | 'MIDLAND COUNTY INTERCHANGE 230/138KV TRANSFORMER CKT 1'  | FROM->TO | 0.21273 | 192.9 | 'SUNDOWN INTERCHANGE - WOLFFORTH INTERCHANGE 230KV CKT 1'         |
| 11SP | 0 | G10_059 | 'MIDLAND COUNTY INTERCHANGE 230/138KV TRANSFORMER CKT 1'  | FROM->TO | 0.21273 | 192.9 | 'SUNDOWN INTERCHANGE - WOLFFORTH INTERCHANGE 230KV CKT 1'         |

|      |   |         |  |          |         |       |   |
|------|---|---------|--|----------|---------|-------|---|
| 11SP | 0 | G10_060 | 'MIDLAND COUNTY INTERCHANGE 230/138KV TRANSFORMER CKT 1'     | FROM->TO | 0.20923 | 192.9 | 'Jones Station Bus#2 230/22.0KV TRANSFORMER CKT 1'                |
| 11SP | 0 | G10_059 | 'MIDLAND COUNTY INTERCHANGE 230/138KV TRANSFORMER CKT 1'     | FROM->TO | 0.20923 | 192.9 | 'Jones Station Bus#2 230/22.0KV TRANSFORMER CKT 1'                |
| 11SP | 0 | G10_060 | 'MIDLAND COUNTY INTERCHANGE 230/138KV TRANSFORMER CKT 1'     | FROM->TO | 0.20923 | 192.9 | 'JONES STATION 230/22.0KV TRANSFORMER CKT 1'                      |
| 11SP | 0 | G10_059 | 'MIDLAND COUNTY INTERCHANGE 230/138KV TRANSFORMER CKT 1'     | FROM->TO | 0.20923 | 192.9 | 'JONES STATION 230/22.0KV TRANSFORMER CKT 1'                      |
| 11SP | 0 | G10_060 | 'HOBBS INTERCHANGE - MIDLAND COUNTY INTERCHANGE 230KV CKT 1' | TO->FROM | 1       | 478   | 'MIDLAND COUNTY INTERCHANGE 230/138KV TRANSFORMER CKT 1'          |
| 11SP | 0 | G10_059 | 'HOBBS INTERCHANGE - MIDLAND COUNTY INTERCHANGE 230KV CKT 1' | TO->FROM | 1       | 478   | 'MIDLAND COUNTY INTERCHANGE 230/138KV TRANSFORMER CKT 1'          |
| 11SP | 0 | G10_060 | 'MIDLAND COUNTY INTERCHANGE 230/138KV TRANSFORMER CKT 1'     | FROM->TO | 0.2116  | 192.9 | 'CUNNINGHAM STATION - POTASH JUNCTION INTERCHANGE 230KV CKT 1'    |
| 11SP | 0 | G10_059 | 'MIDLAND COUNTY INTERCHANGE 230/138KV TRANSFORMER CKT 1'     | FROM->TO | 0.2116  | 192.9 | 'CUNNINGHAM STATION - POTASH JUNCTION INTERCHANGE 230KV CKT 1'    |
| 11SP | 0 | G10_060 | 'MIDLAND COUNTY INTERCHANGE 230/138KV TRANSFORMER CKT 1'     | FROM->TO | 0.20923 | 192.9 | 'Jones Station Bus#2 230/22.0KV TRANSFORMER CKT 1'                |
| 11SP | 0 | G10_059 | 'MIDLAND COUNTY INTERCHANGE 230/138KV TRANSFORMER CKT 1'     | FROM->TO | 0.20923 | 192.9 | 'Jones Station Bus#2 230/22.0KV TRANSFORMER CKT 1'                |
| 11SP | 0 | G10_060 | 'CAPROCK REC-GRADY - CAPROCK REC-REED 138KV CKT 1'           | FROM->TO | 0.704   | 270.8 | 'HOBBS INTERCHANGE - MIDLAND COUNTY INTERCHANGE 230KV CKT 1'      |
| 11SP | 0 | G10_059 | 'CAPROCK REC-GRADY - CAPROCK REC-REED 138KV CKT 1'           | FROM->TO | 0.704   | 270.8 | 'HOBBS INTERCHANGE - MIDLAND COUNTY INTERCHANGE 230KV CKT 1'      |
| 11SP | 0 | G10_060 | 'MIDLAND COUNTY INTERCHANGE 230/138KV TRANSFORMER CKT 1'     | FROM->TO | 0.20937 | 192.9 | 'SPP-SWPS-T14'  |
| 11SP | 0 | G10_059 | 'MIDLAND COUNTY INTERCHANGE 230/138KV TRANSFORMER CKT 1'     | FROM->TO | 0.20937 | 192.9 | 'SPP-SWPS-T14'  |
| 11SP | 0 | G10_060 | 'MIDLAND COUNTY INTERCHANGE 230/138KV TRANSFORMER CKT 1'     | FROM->TO | 0.21606 | 192.9 | 'AMOCO SWITCHING STATION - SUNDOWN INTERCHANGE 230KV CKT 1'       |
| 11SP | 0 | G10_059 | 'MIDLAND COUNTY INTERCHANGE 230/138KV TRANSFORMER CKT 1'     | FROM->TO | 0.21606 | 192.9 | 'AMOCO SWITCHING STATION - SUNDOWN INTERCHANGE 230KV CKT 1'       |
| 11SP | 0 | G10_060 | 'HOBBS INTERCHANGE - MIDLAND COUNTY INTERCHANGE 230KV CKT 1' | TO->FROM | 1       | 478   | 'CAPROCK REC-PHILLIPS - CAPROCK REC-TATE 138KV CKT 1'             |
| 11SP | 0 | G10_059 | 'HOBBS INTERCHANGE - MIDLAND COUNTY INTERCHANGE 230KV CKT 1' | TO->FROM | 1       | 478   | 'CAPROCK REC-PHILLIPS - CAPROCK REC-TATE 138KV CKT 1'             |
| 11SP | 0 | G10_060 | 'MIDLAND COUNTY INTERCHANGE 230/138KV TRANSFORMER CKT 1'     | FROM->TO | 0.21089 | 192.9 | 'CHAVES COUNTY INTERCHANGE - EDDY COUNTY INTERCHANGE 230KV CKT 1' |
| 11SP | 0 | G10_059 | 'MIDLAND COUNTY INTERCHANGE 230/138KV TRANSFORMER CKT 1'     | FROM->TO | 0.21089 | 192.9 | 'CHAVES COUNTY INTERCHANGE - EDDY COUNTY INTERCHANGE 230KV CKT 1' |
| 11SP | 0 | G10_060 | 'MIDLAND COUNTY INTERCHANGE 230/138KV TRANSFORMER CKT 1'     | FROM->TO | 0.20939 | 192.9 | 'SPP-SWPS-T97'  |
| 11SP | 0 | G10_059 | 'MIDLAND COUNTY INTERCHANGE 230/138KV TRANSFORMER CKT 1'     | FROM->TO | 0.20939 | 192.9 | 'SPP-SWPS-T97'  |
| 11SP | 0 | G10_060 | 'MIDLAND COUNTY INTERCHANGE 230/138KV TRANSFORMER CKT 1'     | FROM->TO | 0.21022 | 192.9 | 'WOLFFORTH INTERCHANGE - YUMA INTERCHANGE 115KV CKT 1'            |
| 11SP | 0 | G10_059 | 'MIDLAND COUNTY INTERCHANGE 230/138KV TRANSFORMER CKT 1'     | FROM->TO | 0.21022 | 192.9 | 'WOLFFORTH INTERCHANGE - YUMA INTERCHANGE 115KV CKT 1'            |
| 11SP | 0 | G10_060 | 'MIDLAND COUNTY INTERCHANGE 230/138KV TRANSFORMER CKT 1'     | FROM->TO | 0.21171 | 192.9 | 'TERRY COUNTY INTERCHANGE - WOLFFORTH INTERCHANGE 115KV CKT 1'    |



|      |   |         |   |          |         |       |  |
|------|---|---------|---|----------|---------|-------|--|
| 11SP | 0 | G10_059 | 'MIDLAND COUNTY INTERCHANGE 230/138KV TRANSFORMER CKT 1'        | FROM->TO | 0.21171 | 192.9 | 'TERRY COUNTY INTERCHANGE - WOLFFORTH INTERCHANGE 115KV CKT 1'     |
| 11SP | 0 | G10_060 | 'MIDLAND COUNTY INTERCHANGE 230/138KV TRANSFORMER CKT 1'        | FROM->TO | 0.21137 | 192.9 | 'GAINES COUNTY INTERCHANGE - TAYLOR SWITCHING STATION 115KV CKT 1' |
| 11SP | 0 | G10_059 | 'MIDLAND COUNTY INTERCHANGE 230/138KV TRANSFORMER CKT 1'        | FROM->TO | 0.21137 | 192.9 | 'GAINES COUNTY INTERCHANGE - TAYLOR SWITCHING STATION 115KV CKT 1' |
| 11SP | 0 | G10_060 | 'HOBBS INTERCHANGE - MIDLAND COUNTY INTERCHANGE 230KV CKT 1'    | TO->FROM | 1       | 478   | 'CAPROCK REC-MCDONALD - CAPROCK REC-PHILLIPS 138KV CKT 1'          |
| 11SP | 0 | G10_059 | 'HOBBS INTERCHANGE - MIDLAND COUNTY INTERCHANGE 230KV CKT 1'    | TO->FROM | 1       | 478   | 'CAPROCK REC-MCDONALD - CAPROCK REC-PHILLIPS 138KV CKT 1'          |
| 11SP | 0 | G10_060 | 'HOBBS INTERCHANGE - LEA COUNTY INTERCHANGE 230KV CKT 1'        | FROM->TO | 0.84873 | 617   | 'MIDLAND COUNTY INTERCHANGE 230/138KV TRANSFORMER CKT 1'           |
| 11SP | 0 | G10_059 | 'HOBBS INTERCHANGE - LEA COUNTY INTERCHANGE 230KV CKT 1'        | FROM->TO | 0.84873 | 617   | 'MIDLAND COUNTY INTERCHANGE 230/138KV TRANSFORMER CKT 1'           |
| 11SP | 0 | G10_060 | 'HOBBS INTERCHANGE - LEA COUNTY INTERCHANGE 230KV CKT 1'        | FROM->TO | 0.84873 | 617   | 'CAPROCK REC-PHILLIPS - CAPROCK REC-TATE 138KV CKT 1'              |
| 11SP | 0 | G10_059 | 'HOBBS INTERCHANGE - LEA COUNTY INTERCHANGE 230KV CKT 1'        | FROM->TO | 0.84873 | 617   | 'CAPROCK REC-PHILLIPS - CAPROCK REC-TATE 138KV CKT 1'              |
| 11SP | 0 | G10_060 | 'HOBBS INTERCHANGE - LEA COUNTY INTERCHANGE 230KV CKT 1'        | FROM->TO | 0.84873 | 617   | 'CAPROCK REC-MCDONALD - CAPROCK REC-PHILLIPS 138KV CKT 1'          |
| 11SP | 0 | G10_059 | 'HOBBS INTERCHANGE - LEA COUNTY INTERCHANGE 230KV CKT 1'        | FROM->TO | 0.84873 | 617   | 'CAPROCK REC-MCDONALD - CAPROCK REC-PHILLIPS 138KV CKT 1'          |
| 11SP | 0 | G10_060 | 'HOBBS INTERCHANGE - LEA COUNTY INTERCHANGE 230KV CKT 1'        | FROM->TO | 0.66297 | 478   | 'BASE CASE'  |
| 11SP | 0 | G10_059 | 'HOBBS INTERCHANGE - LEA COUNTY INTERCHANGE 230KV CKT 1'        | FROM->TO | 0.66297 | 478   | 'BASE CASE'  |
| 11SP | 0 | G10_060 | 'GRASSLAND INTERCHANGE - Jones Station Bus#2 230KV CKT 1'       | FROM->TO | 0.87429 | 350.8 | 'HOBBS INTERCHANGE - MIDLAND COUNTY INTERCHANGE 230KV CKT 1'       |
| 11SP | 0 | G10_059 | 'GRASSLAND INTERCHANGE - Jones Station Bus#2 230KV CKT 1'       | FROM->TO | 0.87429 | 350.8 | 'HOBBS INTERCHANGE - MIDLAND COUNTY INTERCHANGE 230KV CKT 1'       |
| 11SP | 0 | G10_060 | 'CAPROCK REC-PHILLIPS - CAPROCK REC-TATE 138KV CKT 1'           | TO->FROM | 0.20923 | 208   | 'BASE CASE'  |
| 11SP | 0 | G10_059 | 'CAPROCK REC-PHILLIPS - CAPROCK REC-TATE 138KV CKT 1'           | TO->FROM | 0.20923 | 208   | 'BASE CASE'  |
| 11SP | 0 | G10_060 | 'HOBBS INTERCHANGE - MIDLAND COUNTY INTERCHANGE 230KV CKT 1'    | TO->FROM | 0.99902 | 478   | 'SPP-SWPS-K48'   |
| 11SP | 0 | G10_059 | 'HOBBS INTERCHANGE - MIDLAND COUNTY INTERCHANGE 230KV CKT 1'    | TO->FROM | 0.99902 | 478   | 'SPP-SWPS-K48'   |
| 11SP | 0 | G10_060 | 'HOBBS INTERCHANGE - MIDLAND COUNTY INTERCHANGE 230KV CKT 1'    | TO->FROM | 0.99902 | 478   | 'BORDEN COUNTY INTERCHANGE 230/138KV TRANSFORMER CKT 1'            |
| 11SP | 0 | G10_059 | 'HOBBS INTERCHANGE - MIDLAND COUNTY INTERCHANGE 230KV CKT 1'    | TO->FROM | 0.99902 | 478   | 'BORDEN COUNTY INTERCHANGE 230/138KV TRANSFORMER CKT 1'            |
| 11SP | 0 | G10_060 | 'BORDEN COUNTY INTERCHANGE - GRASSLAND INTERCHANGE 230KV CKT 1' | FROM->TO | 0.99902 | 478   | 'HOBBS INTERCHANGE - MIDLAND COUNTY INTERCHANGE 230KV CKT 1'       |
| 11SP | 0 | G10_059 | 'BORDEN COUNTY INTERCHANGE - GRASSLAND INTERCHANGE 230KV CKT 1' | FROM->TO | 0.99902 | 478   | 'HOBBS INTERCHANGE - MIDLAND COUNTY INTERCHANGE 230KV CKT 1'       |
| 11SP | 0 | G10_060 | 'HOBBS INTERCHANGE - MIDLAND COUNTY INTERCHANGE 230KV CKT 1'    | TO->FROM | 0.99902 | 478   | 'BORDEN COUNTY INTERCHANGE - GRASSLAND INTERCHANGE 230KV CKT 1'    |
| 11SP | 0 | G10_059 | 'HOBBS INTERCHANGE - MIDLAND COUNTY INTERCHANGE 230KV CKT 1'    | TO->FROM | 0.99902 | 478   | 'BORDEN COUNTY INTERCHANGE - GRASSLAND INTERCHANGE 230KV CKT 1'    |

|      |   |         |  |          |         |       |   |
|------|---|---------|--|----------|---------|-------|---|
| 11SP | 0 | G10_060 | 'CAPROCK REC-PHILLIPS - CAPROCK REC-TATE 138KV CKT 1'        | TO->FROM | 0.28571 | 271   | 'HOBBS INTERCHANGE - LEA COUNTY INTERCHANGE 230KV CKT 1'        |
| 11SP | 0 | G10_059 | 'CAPROCK REC-PHILLIPS - CAPROCK REC-TATE 138KV CKT 1'        | TO->FROM | 0.28571 | 271   | 'HOBBS INTERCHANGE - LEA COUNTY INTERCHANGE 230KV CKT 1'        |
| 11SP | 0 | G10_060 | 'HOBBS INTERCHANGE - MIDLAND COUNTY INTERCHANGE 230KV CKT 1' | TO->FROM | 0.87819 | 478   | 'CAPROCK REC-MCDONALD - CAPROCK REC-TRIANGLE 138KV CKT 1'       |
| 11SP | 0 | G10_059 | 'HOBBS INTERCHANGE - MIDLAND COUNTY INTERCHANGE 230KV CKT 1' | TO->FROM | 0.87819 | 478   | 'CAPROCK REC-MCDONALD - CAPROCK REC-TRIANGLE 138KV CKT 1'       |
| 11SP | 0 | G10_060 | 'CAPROCK REC-STILES - G09-17T 138.00 138KV CKT 1'            | TO->FROM | 0.29502 | 175.9 | 'HOBBS INTERCHANGE - MIDLAND COUNTY INTERCHANGE 230KV CKT 1'    |
| 11SP | 0 | G10_059 | 'CAPROCK REC-STILES - G09-17T 138.00 138KV CKT 1'            | TO->FROM | 0.29502 | 175.9 | 'HOBBS INTERCHANGE - MIDLAND COUNTY INTERCHANGE 230KV CKT 1'    |
| 11SP | 0 | G10_060 | 'HOBBS INTERCHANGE - MIDLAND COUNTY INTERCHANGE 230KV CKT 1' | TO->FROM | 0.87819 | 478   | 'CAPROCK REC-GRADY - CAPROCK REC-TRIANGLE 138KV CKT 1'          |
| 11SP | 0 | G10_059 | 'HOBBS INTERCHANGE - MIDLAND COUNTY INTERCHANGE 230KV CKT 1' | TO->FROM | 0.87819 | 478   | 'CAPROCK REC-GRADY - CAPROCK REC-TRIANGLE 138KV CKT 1'          |
| 11SP | 0 | G10_060 | 'HOBBS INTERCHANGE - MIDLAND COUNTY INTERCHANGE 230KV CKT 1' | TO->FROM | 0.87819 | 478   | 'CAPROCK REC-GRADY - CAPROCK REC-REED 138KV CKT 1'              |
| 11SP | 0 | G10_059 | 'HOBBS INTERCHANGE - MIDLAND COUNTY INTERCHANGE 230KV CKT 1' | TO->FROM | 0.87819 | 478   | 'CAPROCK REC-GRADY - CAPROCK REC-REED 138KV CKT 1'              |
| 11SP | 0 | G10_060 | 'HOBBS INTERCHANGE 230/115KV TRANSFORMER CKT 1'              | FROM->TO | 0.20725 | 149.1 | 'CUNNINGHAM STATION - LEA COUNTY INTERCHANGE 230KV CKT 1'       |
| 11SP | 0 | G10_059 | 'HOBBS INTERCHANGE 230/115KV TRANSFORMER CKT 1'              | FROM->TO | 0.20725 | 149.1 | 'CUNNINGHAM STATION - LEA COUNTY INTERCHANGE 230KV CKT 1'       |
| 11SP | 0 | G10_060 | 'HOBBS INTERCHANGE - MIDLAND COUNTY INTERCHANGE 230KV CKT 1' | TO->FROM | 0.87819 | 478   | 'CAPROCK REC-KOCH - CAPROCK REC-REED 138KV CKT 1'               |
| 11SP | 0 | G10_059 | 'HOBBS INTERCHANGE - MIDLAND COUNTY INTERCHANGE 230KV CKT 1' | TO->FROM | 0.87819 | 478   | 'CAPROCK REC-KOCH - CAPROCK REC-REED 138KV CKT 1'               |
| 11SP | 0 | G10_060 | 'HOBBS INTERCHANGE - MIDLAND COUNTY INTERCHANGE 230KV CKT 1' | TO->FROM | 0.87819 | 478   | 'CAPROCK REC-KOCH - CAPROCK REC-VEALMOOR 138KV CKT 1'           |
| 11SP | 0 | G10_059 | 'HOBBS INTERCHANGE - MIDLAND COUNTY INTERCHANGE 230KV CKT 1' | TO->FROM | 0.87819 | 478   | 'CAPROCK REC-KOCH - CAPROCK REC-VEALMOOR 138KV CKT 1'           |
| 11SP | 0 | G10_060 | 'CAPROCK REC-PEMBROOK - G09-17T 138.00 138KV CKT 1'          | FROM->TO | 0.296   | 175.9 | 'HOBBS INTERCHANGE - MIDLAND COUNTY INTERCHANGE 230KV CKT 1'    |
| 11SP | 0 | G10_059 | 'CAPROCK REC-PEMBROOK - G09-17T 138.00 138KV CKT 1'          | FROM->TO | 0.296   | 175.9 | 'HOBBS INTERCHANGE - MIDLAND COUNTY INTERCHANGE 230KV CKT 1'    |
| 11SP | 0 | G10_060 | 'HOBBS INTERCHANGE - LEA COUNTY INTERCHANGE 230KV CKT 1'     | FROM->TO | 0.84786 | 617   | 'SPP-SWPS-K48'  |
| 11SP | 0 | G10_059 | 'HOBBS INTERCHANGE - LEA COUNTY INTERCHANGE 230KV CKT 1'     | FROM->TO | 0.84786 | 617   | 'SPP-SWPS-K48'  |
| 11SP | 0 | G10_060 | 'HOBBS INTERCHANGE - LEA COUNTY INTERCHANGE 230KV CKT 1'     | FROM->TO | 0.84786 | 617   | 'BORDEN COUNTY INTERCHANGE 230/138KV TRANSFORMER CKT 1'         |
| 11SP | 0 | G10_059 | 'HOBBS INTERCHANGE - LEA COUNTY INTERCHANGE 230KV CKT 1'     | FROM->TO | 0.84786 | 617   | 'BORDEN COUNTY INTERCHANGE 230/138KV TRANSFORMER CKT 1'         |
| 11SP | 0 | G10_060 | 'HOBBS INTERCHANGE - LEA COUNTY INTERCHANGE 230KV CKT 1'     | FROM->TO | 0.84786 | 617   | 'BORDEN COUNTY INTERCHANGE - GRASSLAND INTERCHANGE 230KV CKT 1' |
| 11SP | 0 | G10_059 | 'HOBBS INTERCHANGE - LEA COUNTY INTERCHANGE 230KV CKT 1'     | FROM->TO | 0.84786 | 617   | 'BORDEN COUNTY INTERCHANGE - GRASSLAND INTERCHANGE 230KV CKT 1' |
| 11SP | 0 | G10_060 | 'HOBBS INTERCHANGE - LEA COUNTY INTERCHANGE 230KV CKT 1'     | FROM->TO | 0.7577  | 617   | 'HOBBS INTERCHANGE 230/115KV TRANSFORMER CKT 1'                 |

|      |   |         |  |          |         |       |   |
|------|---|---------|--|----------|---------|-------|---|
| 11SP | 0 | G10_059 | 'HOBBS INTERCHANGE - LEA COUNTY INTERCHANGE 230KV CKT 1'     | FROM->TO | 0.7577  | 617   | 'HOBBS INTERCHANGE 230/115KV TRANSFORMER CKT 1'   |
| 11SP | 0 | G10_060 | 'HOBBS INTERCHANGE - MIDLAND COUNTY INTERCHANGE 230KV CKT 1' | TO->FROM | 0.81454 | 478   | 'CAPROCK REC-MCDONALD - CR-1956 4138.00 138KV CKT 1'  |
| 11SP | 0 | G10_059 | 'HOBBS INTERCHANGE - MIDLAND COUNTY INTERCHANGE 230KV CKT 1' | TO->FROM | 0.81454 | 478   | 'CAPROCK REC-MCDONALD - CR-1956 4138.00 138KV CKT 1'  |
| 11SP | 0 | G10_060 | 'HOBBS INTERCHANGE - MIDLAND COUNTY INTERCHANGE 230KV CKT 1' | TO->FROM | 0.81454 | 478   | 'CAPROCK REC-NEW SCHWARTZ - CR-1956 4138.00 138KV CKT 1'                                      |
| 11SP | 0 | G10_059 | 'HOBBS INTERCHANGE - MIDLAND COUNTY INTERCHANGE 230KV CKT 1' | TO->FROM | 0.81454 | 478   | 'CAPROCK REC-NEW SCHWARTZ - CR-1956 4138.00 138KV CKT 1'                                      |
| 11SP | 0 | G10_060 | 'HOBBS INTERCHANGE - MIDLAND COUNTY INTERCHANGE 230KV CKT 1' | TO->FROM | 0.81454 | 478   | 'CAPROCK REC-NEW SCHWARTZ - CAPROCK REC-PEMBROOK 138KV CKT 1'                                 |
| 11SP | 0 | G10_059 | 'HOBBS INTERCHANGE - MIDLAND COUNTY INTERCHANGE 230KV CKT 1' | TO->FROM | 0.81454 | 478   | 'CAPROCK REC-NEW SCHWARTZ - CAPROCK REC-PEMBROOK 138KV CKT 1'                                 |
| 11SP | 0 | G10_060 | 'HOBBS INTERCHANGE - MIDLAND COUNTY INTERCHANGE 230KV CKT 1' | TO->FROM | 0.81416 | 478   | 'CAPROCK REC-STILES - G09-17T 138.00 138KV CKT 1'   |
| 11SP | 0 | G10_059 | 'HOBBS INTERCHANGE - MIDLAND COUNTY INTERCHANGE 230KV CKT 1' | TO->FROM | 0.81416 | 478   | 'CAPROCK REC-STILES - G09-17T 138.00 138KV CKT 1'   |
| 11SP | 0 | G10_060 | 'HOBBS INTERCHANGE - LEA COUNTY INTERCHANGE 115KV CKT 1'     | FROM->TO | 0.21924 | 238.9 | 'HOBBS INTERCHANGE - LEA COUNTY INTERCHANGE 230KV CKT 1'                                      |
| 11SP | 0 | G10_059 | 'HOBBS INTERCHANGE - LEA COUNTY INTERCHANGE 115KV CKT 1'     | FROM->TO | 0.21924 | 238.9 | 'HOBBS INTERCHANGE - LEA COUNTY INTERCHANGE 230KV CKT 1'                                      |
| 11SP | 0 | G10_060 | 'HOBBS INTERCHANGE - MIDLAND COUNTY INTERCHANGE 230KV CKT 1' | TO->FROM | 0.81454 | 478   | 'CAPROCK REC-PEMBROOK - G09-17T 138.00 138KV CKT 1'   |
| 11SP | 0 | G10_059 | 'HOBBS INTERCHANGE - MIDLAND COUNTY INTERCHANGE 230KV CKT 1' | TO->FROM | 0.81454 | 478   | 'CAPROCK REC-PEMBROOK - G09-17T 138.00 138KV CKT 1'   |
| 11SP | 0 | G10_060 | 'HOBBS INTERCHANGE - LEA COUNTY INTERCHANGE 230KV CKT 1'     | FROM->TO | 0.74059 | 617   | 'CAPROCK REC-MCDONALD - CAPROCK REC-TRIANGLE 138KV CKT 1'                                     |
| 11SP | 0 | G10_059 | 'HOBBS INTERCHANGE - LEA COUNTY INTERCHANGE 230KV CKT 1'     | FROM->TO | 0.74059 | 617   | 'CAPROCK REC-MCDONALD - CAPROCK REC-TRIANGLE 138KV CKT 1'                                     |
| 11SP | 0 | G10_060 | 'HOBBS INTERCHANGE - MIDLAND COUNTY INTERCHANGE 230KV CKT 1' | TO->FROM | 0.81416 | 478   | 'CAPROCK REC-ST LAWRENCE - CAPROCK REC-STILES 138KV CKT 1'                                    |
| 11SP | 0 | G10_059 | 'HOBBS INTERCHANGE - MIDLAND COUNTY INTERCHANGE 230KV CKT 1' | TO->FROM | 0.81416 | 478   | 'CAPROCK REC-ST LAWRENCE - CAPROCK REC-STILES 138KV CKT 1'                                    |
| 11SP | 0 | G10_060 | 'CAPROCK REC-MCDONALD - CAPROCK REC-PHILLIPS 138KV CKT 1'    | TO->FROM | 0.28571 | 271   | 'HOBBS INTERCHANGE - LEA COUNTY INTERCHANGE 230KV CKT 1'                                      |
| 11SP | 0 | G10_059 | 'CAPROCK REC-MCDONALD - CAPROCK REC-PHILLIPS 138KV CKT 1'    | TO->FROM | 0.28571 | 271   | 'HOBBS INTERCHANGE - LEA COUNTY INTERCHANGE 230KV CKT 1'                                      |
| 11SP | 0 | G10_060 | 'HOBBS INTERCHANGE - MIDLAND COUNTY INTERCHANGE 230KV CKT 1' | TO->FROM | 0.79077 | 478   | 'Golden Spread REC - Mustang Interchange 230 kV Generation Bus - MUSTANG STATION 230KV CKT 1' |
| 11SP | 0 | G10_059 | 'HOBBS INTERCHANGE - MIDLAND COUNTY INTERCHANGE 230KV CKT 1' | TO->FROM | 0.79077 | 478   | 'Golden Spread REC - Mustang Interchange 230 kV Generation Bus - MUSTANG STATION 230KV CKT 1' |
| 11SP | 0 | G10_060 | 'HOBBS INTERCHANGE - MIDLAND COUNTY INTERCHANGE 230KV CKT 1' | TO->FROM | 0.79077 | 478   | 'HOBBS INTERCHANGE 230/18.0KV TRANSFORMER CKT 1'  |
| 11SP | 0 | G10_059 | 'HOBBS INTERCHANGE - MIDLAND COUNTY INTERCHANGE 230KV CKT 1' | TO->FROM | 0.79077 | 478   | 'HOBBS INTERCHANGE 230/18.0KV TRANSFORMER CKT 1'  |
| 11SP | 0 | G10_060 | 'HOBBS INTERCHANGE - MIDLAND COUNTY INTERCHANGE 230KV CKT 1' | TO->FROM | 0.81416 | 478   | 'CAPROCK REC-LANGE - CAPROCK REC-ST LAWRENCE 138KV CKT 1'                                     |

|      |   |         |  |          |         |       |  |
|------|---|---------|--|----------|---------|-------|--|
| 11SP | 0 | G10_059 | 'HOBBS INTERCHANGE - MIDLAND COUNTY INTERCHANGE 230KV CKT 1'     | TO->FROM | 0.81416 | 478   | 'CAPROCK REC-LANGE - CAPROCK REC-ST LAWRENCE 138KV CKT 1'    |
| 11SP | 0 | G10_060 | 'CAPROCK REC-MCDONALD - CAPROCK REC-PHILLIPS 138KV CKT 1'        | TO->FROM | 0.20923 | 207.9 | 'BASE CASE'  |
| 11SP | 0 | G10_059 | 'CAPROCK REC-MCDONALD - CAPROCK REC-PHILLIPS 138KV CKT 1'        | TO->FROM | 0.20923 | 207.9 | 'BASE CASE'  |
| 11SP | 0 | G10_060 | 'HOBBS INTERCHANGE - LEA COUNTY INTERCHANGE 230KV CKT 1'         | FROM->TO | 0.74059 | 617   | 'CAPROCK REC-GRADY - CAPROCK REC-TRIANGLE 138KV CKT 1'       |
| 11SP | 0 | G10_059 | 'HOBBS INTERCHANGE - LEA COUNTY INTERCHANGE 230KV CKT 1'         | FROM->TO | 0.74059 | 617   | 'CAPROCK REC-GRADY - CAPROCK REC-TRIANGLE 138KV CKT 1'       |
| 11SP | 0 | G10_060 | 'HOBBS INTERCHANGE - LEA COUNTY INTERCHANGE 230KV CKT 1'         | FROM->TO | 0.74059 | 617   | 'CAPROCK REC-GRADY - CAPROCK REC-REED 138KV CKT 1'           |
| 11SP | 0 | G10_059 | 'HOBBS INTERCHANGE - LEA COUNTY INTERCHANGE 230KV CKT 1'         | FROM->TO | 0.74059 | 617   | 'CAPROCK REC-GRADY - CAPROCK REC-REED 138KV CKT 1'           |
| 11SP | 0 | G10_060 | 'HOBBS INTERCHANGE - LEA COUNTY INTERCHANGE 230KV CKT 1'         | FROM->TO | 0.74059 | 617   | 'CAPROCK REC-KOCH - CAPROCK REC-REED 138KV CKT 1'            |
| 11SP | 0 | G10_059 | 'HOBBS INTERCHANGE - LEA COUNTY INTERCHANGE 230KV CKT 1'         | FROM->TO | 0.74059 | 617   | 'CAPROCK REC-KOCH - CAPROCK REC-REED 138KV CKT 1'            |
| 11SP | 0 | G10_060 | 'HOBBS INTERCHANGE - LEA COUNTY INTERCHANGE 230KV CKT 1'         | FROM->TO | 0.74059 | 617   | 'CAPROCK REC-KOCH - CAPROCK REC-VEALMOOR 138KV CKT 1'        |
| 11SP | 0 | G10_059 | 'HOBBS INTERCHANGE - LEA COUNTY INTERCHANGE 230KV CKT 1'         | FROM->TO | 0.74059 | 617   | 'CAPROCK REC-KOCH - CAPROCK REC-VEALMOOR 138KV CKT 1'        |
| 11SP | 0 | G10_060 | 'HOBBS INTERCHANGE - MIDLAND COUNTY INTERCHANGE 230KV CKT 1'     | TO->FROM | 0.79077 | 478   | 'BASE CASE'  |
| 11SP | 0 | G10_059 | 'HOBBS INTERCHANGE - MIDLAND COUNTY INTERCHANGE 230KV CKT 1'     | TO->FROM | 0.79077 | 478   | 'BASE CASE'  |
| 11SP | 0 | G10_060 | 'CAPROCK REC-LANGE - CAPROCK REC-ST LAWRENCE 138KV CKT 1'        | TO->FROM | 0.29502 | 175.9 | 'HOBBS INTERCHANGE - MIDLAND COUNTY INTERCHANGE 230KV CKT 1' |
| 11SP | 0 | G10_059 | 'CAPROCK REC-LANGE - CAPROCK REC-ST LAWRENCE 138KV CKT 1'        | TO->FROM | 0.29502 | 175.9 | 'HOBBS INTERCHANGE - MIDLAND COUNTY INTERCHANGE 230KV CKT 1' |
| 11SP | 0 | G10_060 | 'BORDEN COUNTY INTERCHANGE 230/138KV TRANSFORMER CKT 1'          | TO->FROM | 0.28473 | 167.2 | 'HOBBS INTERCHANGE - LEA COUNTY INTERCHANGE 230KV CKT 1'     |
| 11SP | 0 | G10_059 | 'BORDEN COUNTY INTERCHANGE 230/138KV TRANSFORMER CKT 1'          | TO->FROM | 0.28473 | 167.2 | 'HOBBS INTERCHANGE - LEA COUNTY INTERCHANGE 230KV CKT 1'     |
| 11SP | 0 | G10_060 | 'LEA COUNTY INTERCHANGE - YOAKUM COUNTY INTERCHANGE 230KV CKT 1' | FROM->TO | 0.3421  | 351   | 'MIDLAND COUNTY INTERCHANGE 230/138KV TRANSFORMER CKT 1'     |
| 11SP | 0 | G10_059 | 'LEA COUNTY INTERCHANGE - YOAKUM COUNTY INTERCHANGE 230KV CKT 1' | FROM->TO | 0.3421  | 351   | 'MIDLAND COUNTY INTERCHANGE 230/138KV TRANSFORMER CKT 1'     |
| 11SP | 0 | G10_060 | 'LEA COUNTY INTERCHANGE - YOAKUM COUNTY INTERCHANGE 230KV CKT 1' | FROM->TO | 0.3421  | 351   | 'CAPROCK REC-PHILLIPS - CAPROCK REC-TATE 138KV CKT 1'        |
| 11SP | 0 | G10_059 | 'LEA COUNTY INTERCHANGE - YOAKUM COUNTY INTERCHANGE 230KV CKT 1' | FROM->TO | 0.3421  | 351   | 'CAPROCK REC-PHILLIPS - CAPROCK REC-TATE 138KV CKT 1'        |
| 11SP | 0 | G10_060 | 'HOBBS INTERCHANGE - LEA COUNTY INTERCHANGE 230KV CKT 1'         | FROM->TO | 0.68407 | 617   | 'CAPROCK REC-MCDONALD - CR-1956 4138.00 138KV CKT 1'         |
| 11SP | 0 | G10_059 | 'HOBBS INTERCHANGE - LEA COUNTY INTERCHANGE 230KV CKT 1'         | FROM->TO | 0.68407 | 617   | 'CAPROCK REC-MCDONALD - CR-1956 4138.00 138KV CKT 1'         |
| 11SP | 0 | G10_060 | 'HOBBS INTERCHANGE - LEA COUNTY INTERCHANGE 230KV CKT 1'         | FROM->TO | 0.68407 | 617   | 'CAPROCK REC-NEW SCHWARTZ - CR-1956 4138.00 138KV CKT 1'     |
| 11SP | 0 | G10_059 | 'HOBBS INTERCHANGE - LEA COUNTY INTERCHANGE 230KV CKT 1'         | FROM->TO | 0.68407 | 617   | 'CAPROCK REC-NEW SCHWARTZ - CR-1956 4138.00 138KV CKT 1'     |

|      |   |         |  |          |         |       |  |
|------|---|---------|--|----------|---------|-------|--|
| 11SP | 0 | G10_060 | 'HOBBS INTERCHANGE - LEA COUNTY INTERCHANGE 230KV CKT 1'         | FROM->TO | 0.66297 | 617   | 'CUNNINGHAM STATION 230/20.0KV TRANSFORMER CKT 1'                  |
| 11SP | 0 | G10_059 | 'HOBBS INTERCHANGE - LEA COUNTY INTERCHANGE 230KV CKT 1'         | FROM->TO | 0.66297 | 617   | 'CUNNINGHAM STATION 230/20.0KV TRANSFORMER CKT 1'                  |
| 11SP | 0 | G10_060 | 'HOBBS INTERCHANGE - LEA COUNTY INTERCHANGE 230KV CKT 1'         | FROM->TO | 0.68407 | 617   | 'CAPROCK REC-NEW SCHWARTZ - CAPROCK REC-PEMBROOK 138KV CKT 1'      |
| 11SP | 0 | G10_059 | 'HOBBS INTERCHANGE - LEA COUNTY INTERCHANGE 230KV CKT 1'         | FROM->TO | 0.68407 | 617   | 'CAPROCK REC-NEW SCHWARTZ - CAPROCK REC-PEMBROOK 138KV CKT 1'      |
| 11SP | 0 | G10_060 | 'HOBBS INTERCHANGE - LEA COUNTY INTERCHANGE 230KV CKT 1'         | FROM->TO | 0.68374 | 617   | 'CAPROCK REC-STILES - G09-17T 138.00 138KV CKT 1'                  |
| 11SP | 0 | G10_059 | 'HOBBS INTERCHANGE - LEA COUNTY INTERCHANGE 230KV CKT 1'         | FROM->TO | 0.68374 | 617   | 'CAPROCK REC-STILES - G09-17T 138.00 138KV CKT 1'                  |
| 11SP | 0 | G10_060 | 'LEA COUNTY INTERCHANGE - YOAKUM COUNTY INTERCHANGE 230KV CKT 1' | FROM->TO | 0.3421  | 351   | 'CAPROCK REC-MCDONALD - CAPROCK REC-PHILLIPS 138KV CKT 1'          |
| 11SP | 0 | G10_059 | 'LEA COUNTY INTERCHANGE - YOAKUM COUNTY INTERCHANGE 230KV CKT 1' | FROM->TO | 0.3421  | 351   | 'CAPROCK REC-MCDONALD - CAPROCK REC-PHILLIPS 138KV CKT 1'          |
| 11SP | 0 | G10_060 | 'HOBBS INTERCHANGE - LEA COUNTY INTERCHANGE 230KV CKT 1'         | FROM->TO | 0.68407 | 617   | 'CAPROCK REC-PEMBROOK - G09-17T 138.00 138KV CKT 1'                |
| 11SP | 0 | G10_059 | 'HOBBS INTERCHANGE - LEA COUNTY INTERCHANGE 230KV CKT 1'         | FROM->TO | 0.68407 | 617   | 'CAPROCK REC-PEMBROOK - G09-17T 138.00 138KV CKT 1'                |
| 11SP | 0 | G10_060 | 'HOBBS INTERCHANGE - LEA COUNTY INTERCHANGE 230KV CKT 1'         | FROM->TO | 0.68374 | 617   | 'CAPROCK REC-ST LAWRENCE - CAPROCK REC-STILES 138KV CKT 1'         |
| 11SP | 0 | G10_059 | 'HOBBS INTERCHANGE - LEA COUNTY INTERCHANGE 230KV CKT 1'         | FROM->TO | 0.68374 | 617   | 'CAPROCK REC-ST LAWRENCE - CAPROCK REC-STILES 138KV CKT 1'         |
| 11SP | 0 | G10_060 | 'HOBBS INTERCHANGE - LEA COUNTY INTERCHANGE 230KV CKT 1'         | FROM->TO | 0.67209 | 617   | 'GAINES COUNTY INTERCHANGE - TAYLOR SWITCHING STATION 115KV CKT 1' |
| 11SP | 0 | G10_059 | 'HOBBS INTERCHANGE - LEA COUNTY INTERCHANGE 230KV CKT 1'         | FROM->TO | 0.67209 | 617   | 'GAINES COUNTY INTERCHANGE - TAYLOR SWITCHING STATION 115KV CKT 1' |
| 11SP | 0 | G10_060 | 'LEA COUNTY INTERCHANGE 230/115KV TRANSFORMER CKT 1'             | FROM->TO | 0.19261 | 164.8 | 'CUNNINGHAM STATION - LEA COUNTY INTERCHANGE 230KV CKT 1'          |
| 11SP | 0 | G10_059 | 'LEA COUNTY INTERCHANGE 230/115KV TRANSFORMER CKT 1'             | FROM->TO | 0.19261 | 164.8 | 'CUNNINGHAM STATION - LEA COUNTY INTERCHANGE 230KV CKT 1'          |
| 11SP | 0 | G10_060 | 'CAPROCK REC-PHILLIPS - CAPROCK REC-TATE 138KV CKT 1'            | TO->FROM | 0.23072 | 271   | 'LEA COUNTY INTERCHANGE - YOAKUM COUNTY INTERCHANGE 230KV CKT 1'   |
| 11SP | 0 | G10_059 | 'CAPROCK REC-PHILLIPS - CAPROCK REC-TATE 138KV CKT 1'            | TO->FROM | 0.23072 | 271   | 'LEA COUNTY INTERCHANGE - YOAKUM COUNTY INTERCHANGE 230KV CKT 1'   |
| 11SP | 0 | G10_060 | 'LEA COUNTY INTERCHANGE - YOAKUM COUNTY INTERCHANGE 230KV CKT 1' | FROM->TO | 0.34589 | 351   | 'CUNNINGHAM STATION - LEA COUNTY INTERCHANGE 230KV CKT 1'          |
| 11SP | 0 | G10_059 | 'LEA COUNTY INTERCHANGE - YOAKUM COUNTY INTERCHANGE 230KV CKT 1' | FROM->TO | 0.34589 | 351   | 'CUNNINGHAM STATION - LEA COUNTY INTERCHANGE 230KV CKT 1'          |
| 11SP | 0 | G10_060 | 'CAPROCK REC-GRADY - CAPROCK REC-TRIANGLE 138KV CKT 1'           | TO->FROM | 0.20079 | 175.8 | 'HOBBS INTERCHANGE - LEA COUNTY INTERCHANGE 230KV CKT 1'           |
| 11SP | 0 | G10_059 | 'CAPROCK REC-GRADY - CAPROCK REC-TRIANGLE 138KV CKT 1'           | TO->FROM | 0.20079 | 175.8 | 'HOBBS INTERCHANGE - LEA COUNTY INTERCHANGE 230KV CKT 1'           |
| 11SP | 0 | G10_060 | 'CAPROCK REC-PHILLIPS - CAPROCK REC-TATE 138KV CKT 1'            | TO->FROM | 0.21606 | 271   | 'AMOCO SWITCHING STATION - YOAKUM COUNTY INTERCHANGE 230KV CKT 1'  |
| 11SP | 0 | G10_059 | 'CAPROCK REC-PHILLIPS - CAPROCK REC-TATE 138KV CKT 1'            | TO->FROM | 0.21606 | 271   | 'AMOCO SWITCHING STATION - YOAKUM COUNTY INTERCHANGE 230KV CKT 1'  |
| 11SP | 0 | G10_060 | 'CAPROCK REC-PHILLIPS - CAPROCK REC-TATE 138KV CKT 1'            | TO->FROM | 0.22274 | 271   | 'CUNNINGHAM STATION - LEA COUNTY INTERCHANGE 230KV CKT 1'          |

|      |   |         |  |          |         |       |  |
|------|---|---------|--|----------|---------|-------|--|
| 11SP | 0 | G10_059 | 'CAPROCK REC-PHILLIPS - CAPROCK REC-TATE 138KV CKT 1'            | TO->FROM | 0.22274 | 271   | 'CUNNINGHAM STATION - LEA COUNTY INTERCHANGE 230KV CKT 1'        |
| 11SP | 0 | G10_060 | 'CAPROCK REC-PHILLIPS - CAPROCK REC-TATE 138KV CKT 1'            | TO->FROM | 0.21437 | 271   | 'CUNNINGHAM STATION - EDDY COUNTY INTERCHANGE 230KV CKT 1'       |
| 11SP | 0 | G10_059 | 'CAPROCK REC-PHILLIPS - CAPROCK REC-TATE 138KV CKT 1'            | TO->FROM | 0.21437 | 271   | 'CUNNINGHAM STATION - EDDY COUNTY INTERCHANGE 230KV CKT 1'       |
| 11SP | 0 | G10_060 | 'CAPROCK REC-PHILLIPS - CAPROCK REC-TATE 138KV CKT 1'            | TO->FROM | 0.21042 | 271   | 'TOLK STATION EAST - TUCO INTERCHANGE 230KV CKT 1'               |
| 11SP | 0 | G10_059 | 'CAPROCK REC-PHILLIPS - CAPROCK REC-TATE 138KV CKT 1'            | TO->FROM | 0.21042 | 271   | 'TOLK STATION EAST - TUCO INTERCHANGE 230KV CKT 1'               |
| 11SP | 0 | G10_060 | 'CAPROCK REC-PHILLIPS - CAPROCK REC-TATE 138KV CKT 1'            | TO->FROM | 0.21273 | 271   | 'SUNDOWN INTERCHANGE - WOLFFORTH INTERCHANGE 230KV CKT 1'        |
| 11SP | 0 | G10_059 | 'CAPROCK REC-PHILLIPS - CAPROCK REC-TATE 138KV CKT 1'            | TO->FROM | 0.21273 | 271   | 'SUNDOWN INTERCHANGE - WOLFFORTH INTERCHANGE 230KV CKT 1'        |
| 11SP | 0 | G10_060 | 'CAPROCK REC-PHILLIPS - CAPROCK REC-TATE 138KV CKT 1'            | TO->FROM | 0.21606 | 271   | 'AMOCO SWITCHING STATION - SUNDOWN INTERCHANGE 230KV CKT 1'      |
| 11SP | 0 | G10_059 | 'CAPROCK REC-PHILLIPS - CAPROCK REC-TATE 138KV CKT 1'            | TO->FROM | 0.21606 | 271   | 'AMOCO SWITCHING STATION - SUNDOWN INTERCHANGE 230KV CKT 1'      |
| 11SP | 0 | G10_060 | 'CAPROCK REC-PHILLIPS - CAPROCK REC-TATE 138KV CKT 1'            | TO->FROM | 0.2116  | 271   | 'CUNNINGHAM STATION - POTASH JUNCTION INTERCHANGE 230KV CKT 1'   |
| 11SP | 0 | G10_059 | 'CAPROCK REC-PHILLIPS - CAPROCK REC-TATE 138KV CKT 1'            | TO->FROM | 0.2116  | 271   | 'CUNNINGHAM STATION - POTASH JUNCTION INTERCHANGE 230KV CKT 1'   |
| 11SP | 0 | G10_060 | 'CAPROCK REC-KOCH - CAPROCK REC-REED 138KV CKT 1'                | TO->FROM | 0.20079 | 175.7 | 'HOBBS INTERCHANGE - LEA COUNTY INTERCHANGE 230KV CKT 1'         |
| 11SP | 0 | G10_059 | 'CAPROCK REC-KOCH - CAPROCK REC-REED 138KV CKT 1'                | TO->FROM | 0.20079 | 175.7 | 'HOBBS INTERCHANGE - LEA COUNTY INTERCHANGE 230KV CKT 1'         |
| 11SP | 0 | G10_060 | 'CAPROCK REC-MCDONALD - CAPROCK REC-PHILLIPS 138KV CKT 1'        | TO->FROM | 0.23072 | 271   | 'LEA COUNTY INTERCHANGE - YOAKUM COUNTY INTERCHANGE 230KV CKT 1' |
| 11SP | 0 | G10_059 | 'CAPROCK REC-MCDONALD - CAPROCK REC-PHILLIPS 138KV CKT 1'        | TO->FROM | 0.23072 | 271   | 'LEA COUNTY INTERCHANGE - YOAKUM COUNTY INTERCHANGE 230KV CKT 1' |
| 11SP | 0 | G10_060 | 'CAPROCK REC-PHILLIPS - CAPROCK REC-TATE 138KV CKT 1'            | TO->FROM | 0.20923 | 271   | 'Jones Station Bus#2 230/22.0KV TRANSFORMER CKT 1'               |
| 11SP | 0 | G10_059 | 'CAPROCK REC-PHILLIPS - CAPROCK REC-TATE 138KV CKT 1'            | TO->FROM | 0.20923 | 271   | 'Jones Station Bus#2 230/22.0KV TRANSFORMER CKT 1'               |
| 11SP | 0 | G10_060 | 'CAPROCK REC-PHILLIPS - CAPROCK REC-TATE 138KV CKT 1'            | TO->FROM | 0.20923 | 271   | 'JONES STATION 230/22.0KV TRANSFORMER CKT 1'                     |
| 11SP | 0 | G10_059 | 'CAPROCK REC-PHILLIPS - CAPROCK REC-TATE 138KV CKT 1'            | TO->FROM | 0.20923 | 271   | 'JONES STATION 230/22.0KV TRANSFORMER CKT 1'                     |
| 11SP | 0 | G10_060 | 'CAPROCK REC-PHILLIPS - CAPROCK REC-TATE 138KV CKT 1'            | TO->FROM | 0.20923 | 271   | 'Jones Station Bus#2 230/22.0KV TRANSFORMER CKT 1'               |
| 11SP | 0 | G10_059 | 'CAPROCK REC-PHILLIPS - CAPROCK REC-TATE 138KV CKT 1'            | TO->FROM | 0.20923 | 271   | 'Jones Station Bus#2 230/22.0KV TRANSFORMER CKT 1'               |
| 11SP | 0 | G10_060 | 'CAPROCK REC-KOCH - CAPROCK REC-VEALMOOR 138KV CKT 1'            | FROM->TO | 0.20079 | 175.7 | 'HOBBS INTERCHANGE - LEA COUNTY INTERCHANGE 230KV CKT 1'         |
| 11SP | 0 | G10_059 | 'CAPROCK REC-KOCH - CAPROCK REC-VEALMOOR 138KV CKT 1'            | FROM->TO | 0.20079 | 175.7 | 'HOBBS INTERCHANGE - LEA COUNTY INTERCHANGE 230KV CKT 1'         |
| 11SP | 0 | G10_060 | 'LEA COUNTY INTERCHANGE - YOAKUM COUNTY INTERCHANGE 230KV CKT 1' | FROM->TO | 0.3417  | 351   | 'BORDEN COUNTY INTERCHANGE 230/138KV TRANSFORMER CKT 1'          |
| 11SP | 0 | G10_059 | 'LEA COUNTY INTERCHANGE - YOAKUM COUNTY INTERCHANGE 230KV CKT 1' | FROM->TO | 0.3417  | 351   | 'BORDEN COUNTY INTERCHANGE 230/138KV TRANSFORMER CKT 1'          |

|      |   |         |  |          |         |       |  |
|------|---|---------|--|----------|---------|-------|--|
| 11SP | 0 | G10_060 | 'LEA COUNTY INTERCHANGE - YOAKUM COUNTY INTERCHANGE 230KV CKT 1' | FROM->TO | 0.3417  | 351   | 'SPP-SWPS-K48'   |
| 11SP | 0 | G10_059 | 'LEA COUNTY INTERCHANGE - YOAKUM COUNTY INTERCHANGE 230KV CKT 1' | FROM->TO | 0.3417  | 351   | 'SPP-SWPS-K48'   |
| 11SP | 0 | G10_060 | 'LEA COUNTY INTERCHANGE - YOAKUM COUNTY INTERCHANGE 230KV CKT 1' | FROM->TO | 0.3417  | 351   | 'BORDEN COUNTY INTERCHANGE - GRASSLAND INTERCHANGE 230KV CKT 1'    |
| 11SP | 0 | G10_059 | 'LEA COUNTY INTERCHANGE - YOAKUM COUNTY INTERCHANGE 230KV CKT 1' | FROM->TO | 0.3417  | 351   | 'BORDEN COUNTY INTERCHANGE - GRASSLAND INTERCHANGE 230KV CKT 1'    |
| 11SP | 0 | G10_060 | 'CAPROCK REC-PHILLIPS - CAPROCK REC-TATE 138KV CKT 1'            | TO->FROM | 0.20937 | 271   | 'SPP-SWPS-T14'   |
| 11SP | 0 | G10_059 | 'CAPROCK REC-PHILLIPS - CAPROCK REC-TATE 138KV CKT 1'            | TO->FROM | 0.20937 | 271   | 'SPP-SWPS-T14'   |
| 11SP | 0 | G10_060 | 'CAPROCK REC-PHILLIPS - CAPROCK REC-TATE 138KV CKT 1'            | TO->FROM | 0.21089 | 271   | 'CHAVES COUNTY INTERCHANGE - EDDY COUNTY INTERCHANGE 230KV CKT 1'  |
| 11SP | 0 | G10_059 | 'CAPROCK REC-PHILLIPS - CAPROCK REC-TATE 138KV CKT 1'            | TO->FROM | 0.21089 | 271   | 'CHAVES COUNTY INTERCHANGE - EDDY COUNTY INTERCHANGE 230KV CKT 1'  |
| 11SP | 0 | G10_060 | 'CAPROCK REC-PHILLIPS - CAPROCK REC-TATE 138KV CKT 1'            | TO->FROM | 0.2186  | 271   | 'TOLK STATION (ABBXNL844501) 345/230/13.2KV TRANSFORMER CKT 1'     |
| 11SP | 0 | G10_059 | 'CAPROCK REC-PHILLIPS - CAPROCK REC-TATE 138KV CKT 1'            | TO->FROM | 0.2186  | 271   | 'TOLK STATION (ABBXNL844501) 345/230/13.2KV TRANSFORMER CKT 1'     |
| 11SP | 0 | G10_060 | 'CAPROCK REC-PHILLIPS - CAPROCK REC-TATE 138KV CKT 1'            | TO->FROM | 0.2186  | 271   | 'CHAVESCO 345.00 - TOLK STATION 345KV CKT 1'                       |
| 11SP | 0 | G10_059 | 'CAPROCK REC-PHILLIPS - CAPROCK REC-TATE 138KV CKT 1'            | TO->FROM | 0.2186  | 271   | 'CHAVESCO 345.00 - TOLK STATION 345KV CKT 1'                       |
| 11SP | 0 | G10_060 | 'CAPROCK REC-MCDONALD - CR-1956 4138.00 138KV CKT 1'             | FROM->TO | 0.296   | 271   | 'HOBBS INTERCHANGE - MIDLAND COUNTY INTERCHANGE 230KV CKT 1'       |
| 11SP | 0 | G10_059 | 'CAPROCK REC-MCDONALD - CR-1956 4138.00 138KV CKT 1'             | FROM->TO | 0.296   | 271   | 'HOBBS INTERCHANGE - MIDLAND COUNTY INTERCHANGE 230KV CKT 1'       |
| 11SP | 0 | G10_060 | 'CAPROCK REC-PHILLIPS - CAPROCK REC-TATE 138KV CKT 1'            | TO->FROM | 0.21171 | 271   | 'TERRY COUNTY INTERCHANGE - WOLFFORTH INTERCHANGE 115KV CKT 1'     |
| 11SP | 0 | G10_059 | 'CAPROCK REC-PHILLIPS - CAPROCK REC-TATE 138KV CKT 1'            | TO->FROM | 0.21171 | 271   | 'TERRY COUNTY INTERCHANGE - WOLFFORTH INTERCHANGE 115KV CKT 1'     |
| 11SP | 0 | G10_060 | 'CAPROCK REC-PHILLIPS - CAPROCK REC-TATE 138KV CKT 1'            | TO->FROM | 0.21137 | 271   | 'GAINES COUNTY INTERCHANGE - TAYLOR SWITCHING STATION 115KV CKT 1' |
| 11SP | 0 | G10_059 | 'CAPROCK REC-PHILLIPS - CAPROCK REC-TATE 138KV CKT 1'            | TO->FROM | 0.21137 | 271   | 'GAINES COUNTY INTERCHANGE - TAYLOR SWITCHING STATION 115KV CKT 1' |
| 11SP | 0 | G10_060 | 'CAPROCK REC-PHILLIPS - CAPROCK REC-TATE 138KV CKT 1'            | TO->FROM | 0.21022 | 271   | 'WOLFFORTH INTERCHANGE - YUMA INTERCHANGE 115KV CKT 1'             |
| 11SP | 0 | G10_059 | 'CAPROCK REC-PHILLIPS - CAPROCK REC-TATE 138KV CKT 1'            | TO->FROM | 0.21022 | 271   | 'WOLFFORTH INTERCHANGE - YUMA INTERCHANGE 115KV CKT 1'             |
| 11SP | 0 | G10_060 | 'LEA COUNTY INTERCHANGE - YOAKUM COUNTY INTERCHANGE 230KV CKT 1' | FROM->TO | 0.28447 | 351   | 'CUNNINGHAM STATION - EDDY COUNTY INTERCHANGE 230KV CKT 1'         |
| 11SP | 0 | G10_059 | 'LEA COUNTY INTERCHANGE - YOAKUM COUNTY INTERCHANGE 230KV CKT 1' | FROM->TO | 0.28447 | 351   | 'CUNNINGHAM STATION - EDDY COUNTY INTERCHANGE 230KV CKT 1'         |
| 11SP | 0 | G10_060 | 'CAPROCK REC-NEW SCHWARTZ - CR-1956 4138.00 138KV CKT 1'         | TO->FROM | 0.296   | 271   | 'HOBBS INTERCHANGE - MIDLAND COUNTY INTERCHANGE 230KV CKT 1'       |
| 11SP | 0 | G10_059 | 'CAPROCK REC-NEW SCHWARTZ - CR-1956 4138.00 138KV CKT 1'         | TO->FROM | 0.296   | 271   | 'HOBBS INTERCHANGE - MIDLAND COUNTY INTERCHANGE 230KV CKT 1'       |
| 11SP | 0 | G10_060 | 'BORDEN COUNTY INTERCHANGE 230/138KV TRANSFORMER CKT 1'          | TO->FROM | 0.22974 | 167.2 | 'LEA COUNTY INTERCHANGE - YOAKUM COUNTY INTERCHANGE 230KV CKT 1'   |

|      |   |         |  |          |         |       |   |
|------|---|---------|--|----------|---------|-------|---|
| 11SP | 0 | G10_059 | 'BORDEN COUNTY INTERCHANGE 230/138KV TRANSFORMER CKT 1'          | TO->FROM | 0.22974 | 167.2 | 'LEA COUNTY INTERCHANGE - YOAKUM COUNTY INTERCHANGE 230KV CKT 1'                              |
| 11SP | 0 | G10_060 | 'CAPROCK REC-MCDONALD - CAPROCK REC-PHILLIPS 138KV CKT 1'        | TO->FROM | 0.21606 | 271   | 'AMOCO SWITCHING STATION - YOAKUM COUNTY INTERCHANGE 230KV CKT 1'                             |
| 11SP | 0 | G10_059 | 'CAPROCK REC-MCDONALD - CAPROCK REC-PHILLIPS 138KV CKT 1'        | TO->FROM | 0.21606 | 271   | 'AMOCO SWITCHING STATION - YOAKUM COUNTY INTERCHANGE 230KV CKT 1'                             |
| 11SP | 0 | G10_060 | 'CAPROCK REC-MCDONALD - CAPROCK REC-PHILLIPS 138KV CKT 1'        | TO->FROM | 0.22274 | 271   | 'CUNNINGHAM STATION - LEA COUNTY INTERCHANGE 230KV CKT 1'                                     |
| 11SP | 0 | G10_059 | 'CAPROCK REC-MCDONALD - CAPROCK REC-PHILLIPS 138KV CKT 1'        | TO->FROM | 0.22274 | 271   | 'CUNNINGHAM STATION - LEA COUNTY INTERCHANGE 230KV CKT 1'                                     |
| 11SP | 0 | G10_060 | 'CAPROCK REC-NEW SCHWARTZ - CAPROCK REC-PEMBROOK 138KV CKT 1'    | FROM->TO | 0.296   | 271   | 'HOBBS INTERCHANGE - MIDLAND COUNTY INTERCHANGE 230KV CKT 1'                                  |
| 11SP | 0 | G10_059 | 'CAPROCK REC-NEW SCHWARTZ - CAPROCK REC-PEMBROOK 138KV CKT 1'    | FROM->TO | 0.296   | 271   | 'HOBBS INTERCHANGE - MIDLAND COUNTY INTERCHANGE 230KV CKT 1'                                  |
| 11SP | 0 | G10_060 | 'LEA COUNTY INTERCHANGE - YOAKUM COUNTY INTERCHANGE 230KV CKT 1' | FROM->TO | 0.28081 | 351   | 'GAINES COUNTY INTERCHANGE - TAYLOR SWITCHING STATION 115KV CKT 1'                            |
| 11SP | 0 | G10_059 | 'LEA COUNTY INTERCHANGE - YOAKUM COUNTY INTERCHANGE 230KV CKT 1' | FROM->TO | 0.28081 | 351   | 'GAINES COUNTY INTERCHANGE - TAYLOR SWITCHING STATION 115KV CKT 1'                            |
| 11SP | 0 | G10_060 | 'LEA COUNTY INTERCHANGE - YOAKUM COUNTY INTERCHANGE 230KV CKT 1' | FROM->TO | 0.25617 | 351   | 'Golden Spread REC - Mustang Interchange 230 kV Generation Bus - MUSTANG STATION 230KV CKT 1' |
| 11SP | 0 | G10_059 | 'LEA COUNTY INTERCHANGE - YOAKUM COUNTY INTERCHANGE 230KV CKT 1' | FROM->TO | 0.25617 | 351   | 'Golden Spread REC - Mustang Interchange 230 kV Generation Bus - MUSTANG STATION 230KV CKT 1' |
| 11SP | 0 | G10_060 | 'CAPROCK REC-MCDONALD - CAPROCK REC-PHILLIPS 138KV CKT 1'        | TO->FROM | 0.21437 | 271   | 'CUNNINGHAM STATION - EDDY COUNTY INTERCHANGE 230KV CKT 1'                                    |
| 11SP | 0 | G10_059 | 'CAPROCK REC-MCDONALD - CAPROCK REC-PHILLIPS 138KV CKT 1'        | TO->FROM | 0.21437 | 271   | 'CUNNINGHAM STATION - EDDY COUNTY INTERCHANGE 230KV CKT 1'                                    |
| 11SP | 0 | G10_060 | 'LEA COUNTY INTERCHANGE - YOAKUM COUNTY INTERCHANGE 230KV CKT 1' | FROM->TO | 0.29208 | 351   | 'CAPROCK REC-MCDONALD - CAPROCK REC-TRIANGLE 138KV CKT 1'                                     |
| 11SP | 0 | G10_059 | 'LEA COUNTY INTERCHANGE - YOAKUM COUNTY INTERCHANGE 230KV CKT 1' | FROM->TO | 0.29208 | 351   | 'CAPROCK REC-MCDONALD - CAPROCK REC-TRIANGLE 138KV CKT 1'                                     |
| 11SP | 0 | G10_060 | 'LEA COUNTY INTERCHANGE - YOAKUM COUNTY INTERCHANGE 230KV CKT 1' | FROM->TO | 0.27024 | 351   | 'CUNNINGHAM STATION - POTASH JUNCTION INTERCHANGE 230KV CKT 1'                                |
| 11SP | 0 | G10_059 | 'LEA COUNTY INTERCHANGE - YOAKUM COUNTY INTERCHANGE 230KV CKT 1' | FROM->TO | 0.27024 | 351   | 'CUNNINGHAM STATION - POTASH JUNCTION INTERCHANGE 230KV CKT 1'                                |
| 11SP | 0 | G10_060 | 'CAPROCK REC-MCDONALD - CAPROCK REC-PHILLIPS 138KV CKT 1'        | TO->FROM | 0.21042 | 271   | 'TOLK STATION EAST - TUCO INTERCHANGE 230KV CKT 1'  |
| 11SP | 0 | G10_059 | 'CAPROCK REC-MCDONALD - CAPROCK REC-PHILLIPS 138KV CKT 1'        | TO->FROM | 0.21042 | 271   | 'TOLK STATION EAST - TUCO INTERCHANGE 230KV CKT 1'  |
| 11SP | 0 | G10_060 | 'BORDEN COUNTY INTERCHANGE 230/138KV TRANSFORMER CKT 1'          | TO->FROM | 0.21508 | 167.2 | 'AMOCO SWITCHING STATION - YOAKUM COUNTY INTERCHANGE 230KV CKT 1'                             |
| 11SP | 0 | G10_059 | 'BORDEN COUNTY INTERCHANGE 230/138KV TRANSFORMER CKT 1'          | TO->FROM | 0.21508 | 167.2 | 'AMOCO SWITCHING STATION - YOAKUM COUNTY INTERCHANGE 230KV CKT 1'                             |
| 11SP | 0 | G10_060 | 'CAPROCK REC-MCDONALD - CAPROCK REC-PHILLIPS 138KV CKT 1'        | TO->FROM | 0.21273 | 271   | 'SUNDOWN INTERCHANGE - WOLFFORTH INTERCHANGE 230KV CKT 1'                                     |
| 11SP | 0 | G10_059 | 'CAPROCK REC-MCDONALD - CAPROCK REC-PHILLIPS 138KV CKT 1'        | TO->FROM | 0.21273 | 271   | 'SUNDOWN INTERCHANGE - WOLFFORTH INTERCHANGE 230KV CKT 1'                                     |
| 11SP | 0 | G10_060 | 'CAPROCK REC-MCDONALD - CAPROCK REC-PHILLIPS 138KV CKT 1'        | TO->FROM | 0.21606 | 271   | 'AMOCO SWITCHING STATION - SUNDOWN INTERCHANGE 230KV CKT 1'                                   |



|      |   |         |  |          |         |       |  |
|------|---|---------|--|----------|---------|-------|--|
| 11SP | 0 | G10_059 | 'CAPROCK REC-MCDONALD - CAPROCK REC-PHILLIPS 138KV CKT 1'        | TO->FROM | 0.21606 | 271   | 'AMOCO SWITCHING STATION - SUNDOWN INTERCHANGE 230KV CKT 1'    |
| 11SP | 0 | G10_060 | 'LEA COUNTY INTERCHANGE - YOAKUM COUNTY INTERCHANGE 230KV CKT 1' | FROM->TO | 0.29208 | 351   | 'CAPROCK REC-GRADY - CAPROCK REC-TRIANGLE 138KV CKT 1'         |
| 11SP | 0 | G10_059 | 'LEA COUNTY INTERCHANGE - YOAKUM COUNTY INTERCHANGE 230KV CKT 1' | FROM->TO | 0.29208 | 351   | 'CAPROCK REC-GRADY - CAPROCK REC-TRIANGLE 138KV CKT 1'         |
| 11SP | 0 | G10_060 | 'BORDEN COUNTY INTERCHANGE 230/138KV TRANSFORMER CKT 1'          | TO->FROM | 0.22176 | 167.2 | 'CUNNINGHAM STATION - LEA COUNTY INTERCHANGE 230KV CKT 1'      |
| 11SP | 0 | G10_059 | 'BORDEN COUNTY INTERCHANGE 230/138KV TRANSFORMER CKT 1'          | TO->FROM | 0.22176 | 167.2 | 'CUNNINGHAM STATION - LEA COUNTY INTERCHANGE 230KV CKT 1'      |
| 11SP | 0 | G10_060 | 'CAPROCK REC-MCDONALD - CAPROCK REC-PHILLIPS 138KV CKT 1'        | TO->FROM | 0.2116  | 271   | 'CUNNINGHAM STATION - POTASH JUNCTION INTERCHANGE 230KV CKT 1' |
| 11SP | 0 | G10_059 | 'CAPROCK REC-MCDONALD - CAPROCK REC-PHILLIPS 138KV CKT 1'        | TO->FROM | 0.2116  | 271   | 'CUNNINGHAM STATION - POTASH JUNCTION INTERCHANGE 230KV CKT 1' |
| 11SP | 0 | G10_060 | 'LEA COUNTY INTERCHANGE - YOAKUM COUNTY INTERCHANGE 230KV CKT 1' | FROM->TO | 0.29208 | 351   | 'CAPROCK REC-GRADY - CAPROCK REC-REED 138KV CKT 1'             |
| 11SP | 0 | G10_059 | 'LEA COUNTY INTERCHANGE - YOAKUM COUNTY INTERCHANGE 230KV CKT 1' | FROM->TO | 0.29208 | 351   | 'CAPROCK REC-GRADY - CAPROCK REC-REED 138KV CKT 1'             |
| 11SP | 0 | G10_060 | 'CAPROCK REC-MCDONALD - CAPROCK REC-PHILLIPS 138KV CKT 1'        | TO->FROM | 0.20923 | 271   | 'Jones Station Bus#2 230/22.0KV TRANSFORMER CKT 1'             |
| 11SP | 0 | G10_059 | 'CAPROCK REC-MCDONALD - CAPROCK REC-PHILLIPS 138KV CKT 1'        | TO->FROM | 0.20923 | 271   | 'Jones Station Bus#2 230/22.0KV TRANSFORMER CKT 1'             |
| 11SP | 0 | G10_060 | 'CAPROCK REC-MCDONALD - CAPROCK REC-PHILLIPS 138KV CKT 1'        | TO->FROM | 0.20923 | 271   | 'JONES STATION 230/22.0KV TRANSFORMER CKT 1'                   |
| 11SP | 0 | G10_059 | 'CAPROCK REC-MCDONALD - CAPROCK REC-PHILLIPS 138KV CKT 1'        | TO->FROM | 0.20923 | 271   | 'JONES STATION 230/22.0KV TRANSFORMER CKT 1'                   |
| 11SP | 0 | G10_060 | 'CAPROCK REC-MCDONALD - CAPROCK REC-PHILLIPS 138KV CKT 1'        | TO->FROM | 0.2186  | 271   | 'TOLK STATION (ABBXNL844501) 345/230/13.2KV TRANSFORMER CKT 1' |
| 11SP | 0 | G10_059 | 'CAPROCK REC-MCDONALD - CAPROCK REC-PHILLIPS 138KV CKT 1'        | TO->FROM | 0.2186  | 271   | 'TOLK STATION (ABBXNL844501) 345/230/13.2KV TRANSFORMER CKT 1' |
| 11SP | 0 | G10_060 | 'CAPROCK REC-MCDONALD - CAPROCK REC-PHILLIPS 138KV CKT 1'        | TO->FROM | 0.2186  | 271   | 'CHAVESCO 345.00 - TOLK STATION 345KV CKT 1'                   |
| 11SP | 0 | G10_059 | 'CAPROCK REC-MCDONALD - CAPROCK REC-PHILLIPS 138KV CKT 1'        | TO->FROM | 0.2186  | 271   | 'CHAVESCO 345.00 - TOLK STATION 345KV CKT 1'                   |
| 11SP | 0 | G10_060 | 'LEA COUNTY INTERCHANGE - YOAKUM COUNTY INTERCHANGE 230KV CKT 1' | FROM->TO | 0.29208 | 351   | 'CAPROCK REC-KOCH - CAPROCK REC-REED 138KV CKT 1'              |
| 11SP | 0 | G10_059 | 'LEA COUNTY INTERCHANGE - YOAKUM COUNTY INTERCHANGE 230KV CKT 1' | FROM->TO | 0.29208 | 351   | 'CAPROCK REC-KOCH - CAPROCK REC-REED 138KV CKT 1'              |
| 11SP | 0 | G10_060 | 'CAPROCK REC-MCDONALD - CAPROCK REC-PHILLIPS 138KV CKT 1'        | TO->FROM | 0.20923 | 271   | 'Jones Station Bus#2 230/22.0KV TRANSFORMER CKT 1'             |
| 11SP | 0 | G10_059 | 'CAPROCK REC-MCDONALD - CAPROCK REC-PHILLIPS 138KV CKT 1'        | TO->FROM | 0.20923 | 271   | 'Jones Station Bus#2 230/22.0KV TRANSFORMER CKT 1'             |
| 11SP | 0 | G10_060 | 'LEA COUNTY INTERCHANGE - YOAKUM COUNTY INTERCHANGE 230KV CKT 1' | FROM->TO | 0.27303 | 351   | 'HOBBS INTERCHANGE - Higg Switch Station 115KV CKT 1'          |
| 11SP | 0 | G10_059 | 'LEA COUNTY INTERCHANGE - YOAKUM COUNTY INTERCHANGE 230KV CKT 1' | FROM->TO | 0.27303 | 351   | 'HOBBS INTERCHANGE - Higg Switch Station 115KV CKT 1'          |
| 11SP | 0 | G10_060 | 'LEA COUNTY INTERCHANGE - YOAKUM COUNTY INTERCHANGE 230KV CKT 1' | FROM->TO | 0.29208 | 351   | 'CAPROCK REC-KOCH - CAPROCK REC-VEALMOOR 138KV CKT 1'          |
| 11SP | 0 | G10_059 | 'LEA COUNTY INTERCHANGE - YOAKUM COUNTY INTERCHANGE 230KV CKT 1' | FROM->TO | 0.29208 | 351   | 'CAPROCK REC-KOCH - CAPROCK REC-VEALMOOR 138KV CKT 1'          |

|      |   |         |  |          |         |       |   |
|------|---|---------|--|----------|---------|-------|---|
| 11SP | 0 | G10_060 | 'CAPROCK REC-MCDONALD - CAPROCK REC-PHILLIPS 138KV CKT 1'        | TO->FROM | 0.21089 | 271   | 'CHAVES COUNTY INTERCHANGE - EDDY COUNTY INTERCHANGE 230KV CKT 1'                     |
| 11SP | 0 | G10_059 | 'CAPROCK REC-MCDONALD - CAPROCK REC-PHILLIPS 138KV CKT 1'        | TO->FROM | 0.21089 | 271   | 'CHAVES COUNTY INTERCHANGE - EDDY COUNTY INTERCHANGE 230KV CKT 1'                     |
| 11SP | 0 | G10_060 | 'CAPROCK REC-MCDONALD - CAPROCK REC-PHILLIPS 138KV CKT 1'        | TO->FROM | 0.20937 | 271   | 'SPP-SWPS-T14'  |
| 11SP | 0 | G10_059 | 'CAPROCK REC-MCDONALD - CAPROCK REC-PHILLIPS 138KV CKT 1'        | TO->FROM | 0.20937 | 271   | 'SPP-SWPS-T14'  |
| 11SP | 0 | G10_060 | 'LEA COUNTY INTERCHANGE - YOAKUM COUNTY INTERCHANGE 230KV CKT 1' | FROM->TO | 0.25617 | 319   | 'BASE CASE'   |
| 11SP | 0 | G10_059 | 'LEA COUNTY INTERCHANGE - YOAKUM COUNTY INTERCHANGE 230KV CKT 1' | FROM->TO | 0.25617 | 319   | 'BASE CASE'   |
| 11SP | 0 | G10_060 | 'CAPROCK REC-MCDONALD - CAPROCK REC-PHILLIPS 138KV CKT 1'        | TO->FROM | 0.21171 | 271   | 'TERRY COUNTY INTERCHANGE - WOLFFORTH INTERCHANGE 115KV CKT 1'                        |
| 11SP | 0 | G10_059 | 'CAPROCK REC-MCDONALD - CAPROCK REC-PHILLIPS 138KV CKT 1'        | TO->FROM | 0.21171 | 271   | 'TERRY COUNTY INTERCHANGE - WOLFFORTH INTERCHANGE 115KV CKT 1'                        |
| 11SP | 0 | G10_060 | 'CAPROCK REC-MCDONALD - CAPROCK REC-PHILLIPS 138KV CKT 1'        | TO->FROM | 0.21137 | 271   | 'GAINES COUNTY INTERCHANGE - TAYLOR SWITCHING STATION 115KV CKT 1'                    |
| 11SP | 0 | G10_059 | 'CAPROCK REC-MCDONALD - CAPROCK REC-PHILLIPS 138KV CKT 1'        | TO->FROM | 0.21137 | 271   | 'GAINES COUNTY INTERCHANGE - TAYLOR SWITCHING STATION 115KV CKT 1'                    |
| 11SP | 0 | G10_060 | 'CAPROCK REC-MCDONALD - CAPROCK REC-PHILLIPS 138KV CKT 1'        | TO->FROM | 0.21022 | 271   | 'WOLFFORTH INTERCHANGE - YUMA INTERCHANGE 115KV CKT 1'                                |
| 11SP | 0 | G10_059 | 'CAPROCK REC-MCDONALD - CAPROCK REC-PHILLIPS 138KV CKT 1'        | TO->FROM | 0.21022 | 271   | 'WOLFFORTH INTERCHANGE - YUMA INTERCHANGE 115KV CKT 1'                                |
| 11SP | 0 | G10_060 | 'CAPROCK REC-ST LAWRENCE - CAPROCK REC-STILES 138KV CKT 1'       | TO->FROM | 0.29502 | 270.9 | 'HOBBS INTERCHANGE - MIDLAND COUNTY INTERCHANGE 230KV CKT 1'                          |
| 11SP | 0 | G10_059 | 'CAPROCK REC-ST LAWRENCE - CAPROCK REC-STILES 138KV CKT 1'       | TO->FROM | 0.29502 | 270.9 | 'HOBBS INTERCHANGE - MIDLAND COUNTY INTERCHANGE 230KV CKT 1'                          |
| 11SP | 0 | G10_060 | 'BORDEN COUNTY INTERCHANGE 230/138KV TRANSFORMER CKT 1'          | TO->FROM | 0.21339 | 167.2 | 'CUNNINGHAM STATION - EDDY COUNTY INTERCHANGE 230KV CKT 1'                            |
| 11SP | 0 | G10_059 | 'BORDEN COUNTY INTERCHANGE 230/138KV TRANSFORMER CKT 1'          | TO->FROM | 0.21339 | 167.2 | 'CUNNINGHAM STATION - EDDY COUNTY INTERCHANGE 230KV CKT 1'                            |
| 11SP | 0 | G10_060 | 'CUNNINGHAM STATION - LEA COUNTY INTERCHANGE 230KV CKT 1'        | TO->FROM | 0.45327 | 501.3 | 'LEA COUNTY INTERCHANGE - YOAKUM COUNTY INTERCHANGE 230KV CKT 1'                      |
| 11SP | 0 | G10_059 | 'CUNNINGHAM STATION - LEA COUNTY INTERCHANGE 230KV CKT 1'        | TO->FROM | 0.45327 | 501.3 | 'LEA COUNTY INTERCHANGE - YOAKUM COUNTY INTERCHANGE 230KV CKT 1'                      |
| 11SP | 0 | G10_060 | 'BORDEN COUNTY INTERCHANGE 230/138KV TRANSFORMER CKT 1'          | TO->FROM | 0.20944 | 167.2 | 'TOLK STATION EAST - TUCO INTERCHANGE 230KV CKT 1'                                    |
| 11SP | 0 | G10_059 | 'BORDEN COUNTY INTERCHANGE 230/138KV TRANSFORMER CKT 1'          | TO->FROM | 0.20944 | 167.2 | 'TOLK STATION EAST - TUCO INTERCHANGE 230KV CKT 1'                                    |
| 11SP | 0 | G10_060 | 'BORDEN COUNTY INTERCHANGE 230/138KV TRANSFORMER CKT 1'          | TO->FROM | 0.21175 | 167.2 | 'SUNDOWN INTERCHANGE - WOLFFORTH INTERCHANGE 230KV CKT 1'                             |
| 11SP | 0 | G10_059 | 'BORDEN COUNTY INTERCHANGE 230/138KV TRANSFORMER CKT 1'          | TO->FROM | 0.21175 | 167.2 | 'SUNDOWN INTERCHANGE - WOLFFORTH INTERCHANGE 230KV CKT 1'                             |
| 11SP | 0 | G10_060 | 'LEA COUNTY INTERCHANGE - YOAKUM COUNTY INTERCHANGE 230KV CKT 1' | FROM->TO | 0.27029 | 351   | 'LEA COUNTY REC-LOVINGTON INTERCHANGE - LEA COUNTY REC-WAITS INTERCHANGE 115KV CKT 1' |
| 11SP | 0 | G10_059 | 'LEA COUNTY INTERCHANGE - YOAKUM COUNTY INTERCHANGE 230KV CKT 1' | FROM->TO | 0.27029 | 351   | 'LEA COUNTY REC-LOVINGTON INTERCHANGE - LEA COUNTY REC-WAITS INTERCHANGE 115KV CKT 1' |

|      |   |         |  |          |         |       |   |
|------|---|---------|--|----------|---------|-------|---|
| 11SP | 0 | G10_060 | 'BORDEN COUNTY INTERCHANGE 230/138KV TRANSFORMER CKT 1'          | TO->FROM | 0.20825 | 167.2 | 'CAPROCK REC-BUCHANAN - CAPROCK REC-LONE WOLF 138KV CKT 1'        |
| 11SP | 0 | G10_059 | 'BORDEN COUNTY INTERCHANGE 230/138KV TRANSFORMER CKT 1'          | TO->FROM | 0.20825 | 167.2 | 'CAPROCK REC-BUCHANAN - CAPROCK REC-LONE WOLF 138KV CKT 1'        |
| 11SP | 0 | G10_060 | 'BORDEN COUNTY INTERCHANGE 230/138KV TRANSFORMER CKT 1'          | TO->FROM | 0.21508 | 167.2 | 'AMOCO SWITCHING STATION - SUNDOWN INTERCHANGE 230KV CKT 1'       |
| 11SP | 0 | G10_059 | 'BORDEN COUNTY INTERCHANGE 230/138KV TRANSFORMER CKT 1'          | TO->FROM | 0.21508 | 167.2 | 'AMOCO SWITCHING STATION - SUNDOWN INTERCHANGE 230KV CKT 1'       |
| 11SP | 0 | G10_060 | 'LEA COUNTY INTERCHANGE - YOAKUM COUNTY INTERCHANGE 230KV CKT 1' | FROM->TO | 0.30576 | 351   | 'CHAVESCO 345.00 - TOLK STATION 345KV CKT 1'                      |
| 11SP | 0 | G10_059 | 'LEA COUNTY INTERCHANGE - YOAKUM COUNTY INTERCHANGE 230KV CKT 1' | FROM->TO | 0.30576 | 351   | 'CHAVESCO 345.00 - TOLK STATION 345KV CKT 1'                      |
| 11SP | 0 | G10_060 | 'LEA COUNTY INTERCHANGE - YOAKUM COUNTY INTERCHANGE 230KV CKT 1' | FROM->TO | 0.30576 | 351   | 'TOLK STATION (ABBXNL844501) 345/230/13.2KV TRANSFORMER CKT 1'    |
| 11SP | 0 | G10_059 | 'LEA COUNTY INTERCHANGE - YOAKUM COUNTY INTERCHANGE 230KV CKT 1' | FROM->TO | 0.30576 | 351   | 'TOLK STATION (ABBXNL844501) 345/230/13.2KV TRANSFORMER CKT 1'    |
| 11SP | 0 | G10_060 | 'BORDEN COUNTY INTERCHANGE 230/138KV TRANSFORMER CKT 1'          | TO->FROM | 0.21062 | 167.2 | 'CUNNINGHAM STATION - POTASH JUNCTION INTERCHANGE 230KV CKT 1'    |
| 11SP | 0 | G10_059 | 'BORDEN COUNTY INTERCHANGE 230/138KV TRANSFORMER CKT 1'          | TO->FROM | 0.21062 | 167.2 | 'CUNNINGHAM STATION - POTASH JUNCTION INTERCHANGE 230KV CKT 1'    |
| 11SP | 0 | G10_060 | 'BORDEN COUNTY INTERCHANGE 230/138KV TRANSFORMER CKT 1'          | TO->FROM | 0.21762 | 167.2 | 'TOLK STATION (ABBXNL844501) 345/230/13.2KV TRANSFORMER CKT 1'    |
| 11SP | 0 | G10_059 | 'BORDEN COUNTY INTERCHANGE 230/138KV TRANSFORMER CKT 1'          | TO->FROM | 0.21762 | 167.2 | 'TOLK STATION (ABBXNL844501) 345/230/13.2KV TRANSFORMER CKT 1'    |
| 11SP | 0 | G10_060 | 'BORDEN COUNTY INTERCHANGE 230/138KV TRANSFORMER CKT 1'          | TO->FROM | 0.21762 | 167.2 | 'CHAVESCO 345.00 - TOLK STATION 345KV CKT 1'                      |
| 11SP | 0 | G10_059 | 'BORDEN COUNTY INTERCHANGE 230/138KV TRANSFORMER CKT 1'          | TO->FROM | 0.21762 | 167.2 | 'CHAVESCO 345.00 - TOLK STATION 345KV CKT 1'                      |
| 11SP | 0 | G10_060 | 'BORDEN COUNTY INTERCHANGE 230/138KV TRANSFORMER CKT 1'          | TO->FROM | 0.20825 | 167.2 | 'Jones Station Bus#2 230/22.0KV TRANSFORMER CKT 1'                |
| 11SP | 0 | G10_059 | 'BORDEN COUNTY INTERCHANGE 230/138KV TRANSFORMER CKT 1'          | TO->FROM | 0.20825 | 167.2 | 'Jones Station Bus#2 230/22.0KV TRANSFORMER CKT 1'                |
| 11SP | 0 | G10_060 | 'BORDEN COUNTY INTERCHANGE 230/138KV TRANSFORMER CKT 1'          | TO->FROM | 0.20825 | 167.2 | 'JONES STATION 230/22.0KV TRANSFORMER CKT 1'                      |
| 11SP | 0 | G10_059 | 'BORDEN COUNTY INTERCHANGE 230/138KV TRANSFORMER CKT 1'          | TO->FROM | 0.20825 | 167.2 | 'JONES STATION 230/22.0KV TRANSFORMER CKT 1'                      |
| 11SP | 0 | G10_060 | 'BORDEN COUNTY INTERCHANGE 230/138KV TRANSFORMER CKT 1'          | TO->FROM | 0.20825 | 167.2 | 'Jones Station Bus#2 230/22.0KV TRANSFORMER CKT 1'                |
| 11SP | 0 | G10_059 | 'BORDEN COUNTY INTERCHANGE 230/138KV TRANSFORMER CKT 1'          | TO->FROM | 0.20825 | 167.2 | 'Jones Station Bus#2 230/22.0KV TRANSFORMER CKT 1'                |
| 11SP | 0 | G10_060 | 'BORDEN COUNTY INTERCHANGE 230/138KV TRANSFORMER CKT 1'          | TO->FROM | 0.20991 | 167.2 | 'CHAVES COUNTY INTERCHANGE - EDDY COUNTY INTERCHANGE 230KV CKT 1' |
| 11SP | 0 | G10_059 | 'BORDEN COUNTY INTERCHANGE 230/138KV TRANSFORMER CKT 1'          | TO->FROM | 0.20991 | 167.2 | 'CHAVES COUNTY INTERCHANGE - EDDY COUNTY INTERCHANGE 230KV CKT 1' |
| 11SP | 0 | G10_060 | 'BORDEN COUNTY INTERCHANGE 230/138KV TRANSFORMER CKT 1'          | TO->FROM | 0.2084  | 167.2 | 'SPP-SWPS-T14'  |
| 11SP | 0 | G10_059 | 'BORDEN COUNTY INTERCHANGE 230/138KV TRANSFORMER CKT 1'          | TO->FROM | 0.2084  | 167.2 | 'SPP-SWPS-T14'  |
| 11SP | 0 | G10_060 | 'BORDEN COUNTY INTERCHANGE 230/138KV TRANSFORMER CKT 1'          | TO->FROM | 0.21073 | 167.2 | 'TERRY COUNTY INTERCHANGE - WOLFFORTH INTERCHANGE 115KV CKT 1'    |

|      |   |         |   |          |         |       |  |
|------|---|---------|---|----------|---------|-------|--|
| 11SP | 0 | G10_059 | 'BORDEN COUNTY INTERCHANGE 230/138KV TRANSFORMER CKT 1'         | TO->FROM | 0.21073 | 167.2 | 'TERRY COUNTY INTERCHANGE - WOLFFORTH INTERCHANGE 115KV CKT 1'     |
| 11SP | 0 | G10_060 | 'BORDEN COUNTY INTERCHANGE 230/138KV TRANSFORMER CKT 1'         | TO->FROM | 0.21039 | 167.2 | 'GAINES COUNTY INTERCHANGE - TAYLOR SWITCHING STATION 115KV CKT 1' |
| 11SP | 0 | G10_059 | 'BORDEN COUNTY INTERCHANGE 230/138KV TRANSFORMER CKT 1'         | TO->FROM | 0.21039 | 167.2 | 'GAINES COUNTY INTERCHANGE - TAYLOR SWITCHING STATION 115KV CKT 1' |
| 11SP | 0 | G10_060 | 'BORDEN COUNTY INTERCHANGE 230/138KV TRANSFORMER CKT 1'         | TO->FROM | 0.20825 | 167.2 | 'BASE CASE'  |
| 11SP | 0 | G10_059 | 'BORDEN COUNTY INTERCHANGE 230/138KV TRANSFORMER CKT 1'         | TO->FROM | 0.20825 | 167.2 | 'BASE CASE'  |
| 11SP | 0 | G10_060 | 'CAPROCK REC-BUCHANAN - CAPROCK REC-LANGE 138KV CKT 1'          | TO->FROM | 0.29502 | 271   | 'HOBBS INTERCHANGE - MIDLAND COUNTY INTERCHANGE 230KV CKT 1'       |
| 11SP | 0 | G10_059 | 'CAPROCK REC-BUCHANAN - CAPROCK REC-LANGE 138KV CKT 1'          | TO->FROM | 0.29502 | 271   | 'HOBBS INTERCHANGE - MIDLAND COUNTY INTERCHANGE 230KV CKT 1'       |
| 11SP | 0 | G10_060 | 'CAPROCK REC-BUCHANAN - CAPROCK REC-RUSSEL TAP 138KV CKT 1'     | FROM->TO | 0.29502 | 271   | 'HOBBS INTERCHANGE - MIDLAND COUNTY INTERCHANGE 230KV CKT 1'       |
| 11SP | 0 | G10_059 | 'CAPROCK REC-BUCHANAN - CAPROCK REC-RUSSEL TAP 138KV CKT 1'     | FROM->TO | 0.29502 | 271   | 'HOBBS INTERCHANGE - MIDLAND COUNTY INTERCHANGE 230KV CKT 1'       |
| 11SP | 0 | G10_060 | 'CAPROCK REC-RUSSEL TAP - CAPROCK REC-VEALMOOR 138KV CKT 1'     | FROM->TO | 0.29502 | 271   | 'HOBBS INTERCHANGE - MIDLAND COUNTY INTERCHANGE 230KV CKT 1'       |
| 11SP | 0 | G10_059 | 'CAPROCK REC-RUSSEL TAP - CAPROCK REC-VEALMOOR 138KV CKT 1'     | FROM->TO | 0.29502 | 271   | 'HOBBS INTERCHANGE - MIDLAND COUNTY INTERCHANGE 230KV CKT 1'       |
| 11SP | 0 | G10_060 | 'CUNNINGHAM STATION - LEA COUNTY INTERCHANGE 230KV CKT 1'       | TO->FROM | 0.40094 | 501.3 | 'MIDLAND COUNTY INTERCHANGE 230/138KV TRANSFORMER CKT 1'           |
| 11SP | 0 | G10_059 | 'CUNNINGHAM STATION - LEA COUNTY INTERCHANGE 230KV CKT 1'       | TO->FROM | 0.40094 | 501.3 | 'MIDLAND COUNTY INTERCHANGE 230/138KV TRANSFORMER CKT 1'           |
| 11SP | 0 | G10_060 | 'JONES STATION - TUCO INTERCHANGE 230KV CKT 1'                  | FROM->TO | 0.33846 | 347   | 'HOBBS INTERCHANGE - MIDLAND COUNTY INTERCHANGE 230KV CKT 1'       |
| 11SP | 0 | G10_059 | 'JONES STATION - TUCO INTERCHANGE 230KV CKT 1'                  | FROM->TO | 0.33846 | 347   | 'HOBBS INTERCHANGE - MIDLAND COUNTY INTERCHANGE 230KV CKT 1'       |
| 11SP | 0 | G10_060 | 'LUBBOCK SOUTH INTERCHANGE - WOLFFORTH INTERCHANGE 230KV CKT 1' | FROM->TO | 0.33128 | 347.3 | 'HOBBS INTERCHANGE - MIDLAND COUNTY INTERCHANGE 230KV CKT 1'       |
| 11SP | 0 | G10_059 | 'LUBBOCK SOUTH INTERCHANGE - WOLFFORTH INTERCHANGE 230KV CKT 1' | FROM->TO | 0.33128 | 347.3 | 'HOBBS INTERCHANGE - MIDLAND COUNTY INTERCHANGE 230KV CKT 1'       |
| 11SP | 0 | G10_060 | 'CUNNINGHAM STATION - LEA COUNTY INTERCHANGE 230KV CKT 1'       | TO->FROM | 0.40094 | 501.3 | 'CAPROCK REC-PHILLIPS - CAPROCK REC-TATE 138KV CKT 1'              |
| 11SP | 0 | G10_059 | 'CUNNINGHAM STATION - LEA COUNTY INTERCHANGE 230KV CKT 1'       | TO->FROM | 0.40094 | 501.3 | 'CAPROCK REC-PHILLIPS - CAPROCK REC-TATE 138KV CKT 1'              |
| 11SP | 0 | G10_060 | 'CUNNINGHAM STATION - LEA COUNTY INTERCHANGE 230KV CKT 1'       | TO->FROM | 0.40094 | 501.3 | 'CAPROCK REC-MCDONALD - CAPROCK REC-PHILLIPS 138KV CKT 1'          |
| 11SP | 0 | G10_059 | 'CUNNINGHAM STATION - LEA COUNTY INTERCHANGE 230KV CKT 1'       | TO->FROM | 0.40094 | 501.3 | 'CAPROCK REC-MCDONALD - CAPROCK REC-PHILLIPS 138KV CKT 1'          |
| 11SP | 0 | G10_060 | 'CAPROCK REC-MCDONALD - CAPROCK REC-TRIANGLE 138KV CKT 1'       | FROM->TO | 0.20079 | 270.9 | 'HOBBS INTERCHANGE - LEA COUNTY INTERCHANGE 230KV CKT 1'           |
| 11SP | 0 | G10_059 | 'CAPROCK REC-MCDONALD - CAPROCK REC-TRIANGLE 138KV CKT 1'       | FROM->TO | 0.20079 | 270.9 | 'HOBBS INTERCHANGE - LEA COUNTY INTERCHANGE 230KV CKT 1'           |
| 11SP | 0 | G10_060 | 'CUNNINGHAM STATION - LEA COUNTY INTERCHANGE 230KV CKT 1'       | TO->FROM | 0.40057 | 501.3 | 'SPP-SWPS-K48'   |
| 11SP | 0 | G10_059 | 'CUNNINGHAM STATION - LEA COUNTY INTERCHANGE 230KV CKT 1'       | TO->FROM | 0.40057 | 501.3 | 'SPP-SWPS-K48'   |

|      |   |         |   |          |         |       |   |
|------|---|---------|---|----------|---------|-------|---|
| 11SP | 0 | G10_060 | 'CUNNINGHAM STATION - LEA COUNTY INTERCHANGE 230KV CKT 1' | TO->FROM | 0.40057 | 501.3 | 'BORDEN COUNTY INTERCHANGE 230/138KV TRANSFORMER CKT 1'           |
| 11SP | 0 | G10_059 | 'CUNNINGHAM STATION - LEA COUNTY INTERCHANGE 230KV CKT 1' | TO->FROM | 0.40057 | 501.3 | 'BORDEN COUNTY INTERCHANGE 230/138KV TRANSFORMER CKT 1'           |
| 11SP | 0 | G10_060 | 'CUNNINGHAM STATION - LEA COUNTY INTERCHANGE 230KV CKT 1' | TO->FROM | 0.40057 | 501.3 | 'BORDEN COUNTY INTERCHANGE - GRASSLAND INTERCHANGE 230KV CKT 1'   |
| 11SP | 0 | G10_059 | 'CUNNINGHAM STATION - LEA COUNTY INTERCHANGE 230KV CKT 1' | TO->FROM | 0.40057 | 501.3 | 'BORDEN COUNTY INTERCHANGE - GRASSLAND INTERCHANGE 230KV CKT 1'   |
| 11SP | 0 | G10_060 | 'CUNNINGHAM STATION - LEA COUNTY INTERCHANGE 230KV CKT 1' | TO->FROM | 0.3217  | 501.3 | 'CUNNINGHAM STATION 230/20.0KV TRANSFORMER CKT 1'                 |
| 11SP | 0 | G10_059 | 'CUNNINGHAM STATION - LEA COUNTY INTERCHANGE 230KV CKT 1' | TO->FROM | 0.3217  | 501.3 | 'CUNNINGHAM STATION 230/20.0KV TRANSFORMER CKT 1'                 |
| 11SP | 0 | G10_060 | 'CUNNINGHAM STATION - LEA COUNTY INTERCHANGE 230KV CKT 1' | TO->FROM | 0.36498 | 501.3 | 'HOBBS INTERCHANGE 230/115KV TRANSFORMER CKT 1'                   |
| 11SP | 0 | G10_059 | 'CUNNINGHAM STATION - LEA COUNTY INTERCHANGE 230KV CKT 1' | TO->FROM | 0.36498 | 501.3 | 'HOBBS INTERCHANGE 230/115KV TRANSFORMER CKT 1'                   |
| 11SP | 0 | G10_060 | 'CUNNINGHAM STATION - LEA COUNTY INTERCHANGE 230KV CKT 1' | TO->FROM | 0.35934 | 501.3 | 'LEA COUNTY INTERCHANGE 230/115KV TRANSFORMER CKT 1'              |
| 11SP | 0 | G10_059 | 'CUNNINGHAM STATION - LEA COUNTY INTERCHANGE 230KV CKT 1' | TO->FROM | 0.35934 | 501.3 | 'LEA COUNTY INTERCHANGE 230/115KV TRANSFORMER CKT 1'              |
| 11SP | 0 | G10_060 | 'CAPROCK REC-GRADY - CAPROCK REC-REED 138KV CKT 1'        | FROM->TO | 0.20079 | 270.8 | 'HOBBS INTERCHANGE - LEA COUNTY INTERCHANGE 230KV CKT 1'          |
| 11SP | 0 | G10_059 | 'CAPROCK REC-GRADY - CAPROCK REC-REED 138KV CKT 1'        | FROM->TO | 0.20079 | 270.8 | 'HOBBS INTERCHANGE - LEA COUNTY INTERCHANGE 230KV CKT 1'          |
| 11SP | 0 | G10_060 | 'CUNNINGHAM STATION - LEA COUNTY INTERCHANGE 230KV CKT 1' | TO->FROM | 0.35481 | 501.3 | 'CAPROCK REC-MCDONALD - CAPROCK REC-TRIANGLE 138KV CKT 1'         |
| 11SP | 0 | G10_059 | 'CUNNINGHAM STATION - LEA COUNTY INTERCHANGE 230KV CKT 1' | TO->FROM | 0.35481 | 501.3 | 'CAPROCK REC-MCDONALD - CAPROCK REC-TRIANGLE 138KV CKT 1'         |
| 11SP | 0 | G10_060 | 'CUNNINGHAM STATION - LEA COUNTY INTERCHANGE 230KV CKT 1' | TO->FROM | 0.33972 | 501.3 | 'AMOCO SWITCHING STATION - YOAKUM COUNTY INTERCHANGE 230KV CKT 1' |
| 11SP | 0 | G10_059 | 'CUNNINGHAM STATION - LEA COUNTY INTERCHANGE 230KV CKT 1' | TO->FROM | 0.33972 | 501.3 | 'AMOCO SWITCHING STATION - YOAKUM COUNTY INTERCHANGE 230KV CKT 1' |
| 11SP | 0 | G10_060 | 'CUNNINGHAM STATION - LEA COUNTY INTERCHANGE 230KV CKT 1' | TO->FROM | 0.35481 | 501.3 | 'CAPROCK REC-GRADY - CAPROCK REC-TRIANGLE 138KV CKT 1'            |
| 11SP | 0 | G10_059 | 'CUNNINGHAM STATION - LEA COUNTY INTERCHANGE 230KV CKT 1' | TO->FROM | 0.35481 | 501.3 | 'CAPROCK REC-GRADY - CAPROCK REC-TRIANGLE 138KV CKT 1'            |
| 11SP | 0 | G10_060 | 'CUNNINGHAM STATION - LEA COUNTY INTERCHANGE 230KV CKT 1' | TO->FROM | 0.35481 | 501.3 | 'CAPROCK REC-GRADY - CAPROCK REC-REED 138KV CKT 1'                |
| 11SP | 0 | G10_059 | 'CUNNINGHAM STATION - LEA COUNTY INTERCHANGE 230KV CKT 1' | TO->FROM | 0.35481 | 501.3 | 'CAPROCK REC-GRADY - CAPROCK REC-REED 138KV CKT 1'                |
| 11SP | 0 | G10_060 | 'CUNNINGHAM STATION - LEA COUNTY INTERCHANGE 230KV CKT 1' | TO->FROM | 0.35481 | 501.3 | 'CAPROCK REC-KOCH - CAPROCK REC-REED 138KV CKT 1'                 |
| 11SP | 0 | G10_059 | 'CUNNINGHAM STATION - LEA COUNTY INTERCHANGE 230KV CKT 1' | TO->FROM | 0.35481 | 501.3 | 'CAPROCK REC-KOCH - CAPROCK REC-REED 138KV CKT 1'                 |
| 11SP | 0 | G10_060 | 'CUNNINGHAM STATION - LEA COUNTY INTERCHANGE 230KV CKT 1' | TO->FROM | 0.35481 | 501.3 | 'CAPROCK REC-KOCH - CAPROCK REC-VEALMOOR 138KV CKT 1'             |
| 11SP | 0 | G10_059 | 'CUNNINGHAM STATION - LEA COUNTY INTERCHANGE 230KV CKT 1' | TO->FROM | 0.35481 | 501.3 | 'CAPROCK REC-KOCH - CAPROCK REC-VEALMOOR 138KV CKT 1'             |
| 11SP | 0 | G10_060 | 'CUNNINGHAM STATION - LEA COUNTY INTERCHANGE 230KV CKT 1' | TO->FROM | 0.3217  | 501.3 | 'CUNNINGHAM STATION 230/13.8KV TRANSFORMER CKT 1'                 |

|      |   |         |   |          |         |       |  |
|------|---|---------|---|----------|---------|-------|--|
| 11SP | 0 | G10_059 | 'CUNNINGHAM STATION - LEA COUNTY INTERCHANGE 230KV CKT 1' | TO->FROM | 0.3217  | 501.3 | 'CUNNINGHAM STATION 230/13.8KV TRANSFORMER CKT 1'            |
| 11SP | 0 | G10_060 | 'CUNNINGHAM STATION - LEA COUNTY INTERCHANGE 230KV CKT 1' | TO->FROM | 0.33972 | 501.3 | 'AMOCO SWITCHING STATION - SUNDOWN INTERCHANGE 230KV CKT 1'  |
| 11SP | 0 | G10_059 | 'CUNNINGHAM STATION - LEA COUNTY INTERCHANGE 230KV CKT 1' | TO->FROM | 0.33972 | 501.3 | 'AMOCO SWITCHING STATION - SUNDOWN INTERCHANGE 230KV CKT 1'  |
| 11SP | 0 | G10_060 | 'CUNNINGHAM STATION - LEA COUNTY INTERCHANGE 230KV CKT 1' | TO->FROM | 0.32459 | 501.3 | 'CUNNINGHAM STATION - PCA INTERCHANGE 115KV CKT 1'           |
| 11SP | 0 | G10_059 | 'CUNNINGHAM STATION - LEA COUNTY INTERCHANGE 230KV CKT 1' | TO->FROM | 0.32459 | 501.3 | 'CUNNINGHAM STATION - PCA INTERCHANGE 115KV CKT 1'           |
| 11SP | 0 | G10_060 | 'CUNNINGHAM STATION - LEA COUNTY INTERCHANGE 230KV CKT 1' | TO->FROM | 0.34285 | 501.3 | 'TOLK STATION WEST - YOAKUM COUNTY INTERCHANGE 230KV CKT 1'  |
| 11SP | 0 | G10_059 | 'CUNNINGHAM STATION - LEA COUNTY INTERCHANGE 230KV CKT 1' | TO->FROM | 0.34285 | 501.3 | 'TOLK STATION WEST - YOAKUM COUNTY INTERCHANGE 230KV CKT 1'  |
| 11SP | 0 | G10_060 | 'CUNNINGHAM STATION - LEA COUNTY INTERCHANGE 230KV CKT 1' | TO->FROM | 0.3217  | 477.3 | 'BASE CASE'  |
| 11SP | 0 | G10_059 | 'CUNNINGHAM STATION - LEA COUNTY INTERCHANGE 230KV CKT 1' | TO->FROM | 0.3217  | 477.3 | 'BASE CASE'  |
| 11WP | 0 | G10_060 | 'HOBBS INTERCHANGE 230/115KV TRANSFORMER CKT 1'           | FROM->TO | 0.67476 | 149.6 | 'HOBBS INTERCHANGE - LEA COUNTY INTERCHANGE 230KV CKT 1'     |
| 11WP | 0 | G10_059 | 'HOBBS INTERCHANGE 230/115KV TRANSFORMER CKT 1'           | FROM->TO | 0.67476 | 149.6 | 'HOBBS INTERCHANGE - LEA COUNTY INTERCHANGE 230KV CKT 1'     |
| 11WP | 0 | G10_060 | 'MIDLAND COUNTY INTERCHANGE 230/138KV TRANSFORMER CKT 1'  | FROM->TO | 1       | 209.9 | 'HOBBS INTERCHANGE - MIDLAND COUNTY INTERCHANGE 230KV CKT 1' |
| 11WP | 0 | G10_059 | 'MIDLAND COUNTY INTERCHANGE 230/138KV TRANSFORMER CKT 1'  | FROM->TO | 1       | 209.9 | 'HOBBS INTERCHANGE - MIDLAND COUNTY INTERCHANGE 230KV CKT 1' |
| 11WP | 0 | G10_060 | 'CAPROCK REC-PHILLIPS - CAPROCK REC-TATE 138KV CKT 1'     | TO->FROM | 1       | 271   | 'HOBBS INTERCHANGE - MIDLAND COUNTY INTERCHANGE 230KV CKT 1' |
| 11WP | 0 | G10_059 | 'CAPROCK REC-PHILLIPS - CAPROCK REC-TATE 138KV CKT 1'     | TO->FROM | 1       | 271   | 'HOBBS INTERCHANGE - MIDLAND COUNTY INTERCHANGE 230KV CKT 1' |
| 11WP | 0 | G10_060 | 'BORDEN COUNTY INTERCHANGE 230/138KV TRANSFORMER CKT 1'   | TO->FROM | 0.99876 | 167.8 | 'HOBBS INTERCHANGE - MIDLAND COUNTY INTERCHANGE 230KV CKT 1' |
| 11WP | 0 | G10_059 | 'BORDEN COUNTY INTERCHANGE 230/138KV TRANSFORMER CKT 1'   | TO->FROM | 0.99876 | 167.8 | 'HOBBS INTERCHANGE - MIDLAND COUNTY INTERCHANGE 230KV CKT 1' |
| 11WP | 0 | G10_060 | 'CAPROCK REC-MCDONALD - CAPROCK REC-PHILLIPS 138KV CKT 1' | TO->FROM | 1       | 271   | 'HOBBS INTERCHANGE - MIDLAND COUNTY INTERCHANGE 230KV CKT 1' |
| 11WP | 0 | G10_059 | 'CAPROCK REC-MCDONALD - CAPROCK REC-PHILLIPS 138KV CKT 1' | TO->FROM | 1       | 271   | 'HOBBS INTERCHANGE - MIDLAND COUNTY INTERCHANGE 230KV CKT 1' |
| 11WP | 0 | G10_060 | 'CAPROCK REC-GRADY - CAPROCK REC-TRIANGLE 138KV CKT 1'    | TO->FROM | 0.70387 | 175.9 | 'HOBBS INTERCHANGE - MIDLAND COUNTY INTERCHANGE 230KV CKT 1' |
| 11WP | 0 | G10_059 | 'CAPROCK REC-GRADY - CAPROCK REC-TRIANGLE 138KV CKT 1'    | TO->FROM | 0.70387 | 175.9 | 'HOBBS INTERCHANGE - MIDLAND COUNTY INTERCHANGE 230KV CKT 1' |
| 11WP | 0 | G10_060 | 'CAPROCK REC-KOCH - CAPROCK REC-REED 138KV CKT 1'         | TO->FROM | 0.70387 | 175.9 | 'HOBBS INTERCHANGE - MIDLAND COUNTY INTERCHANGE 230KV CKT 1' |
| 11WP | 0 | G10_059 | 'CAPROCK REC-KOCH - CAPROCK REC-REED 138KV CKT 1'         | TO->FROM | 0.70387 | 175.9 | 'HOBBS INTERCHANGE - MIDLAND COUNTY INTERCHANGE 230KV CKT 1' |
| 11WP | 0 | G10_060 | 'CAPROCK REC-KOCH - CAPROCK REC-VEALMOOR 138KV CKT 1'     | FROM->TO | 0.70387 | 175.9 | 'HOBBS INTERCHANGE - MIDLAND COUNTY INTERCHANGE 230KV CKT 1' |
| 11WP | 0 | G10_059 | 'CAPROCK REC-KOCH - CAPROCK REC-VEALMOOR 138KV CKT 1'     | FROM->TO | 0.70387 | 175.9 | 'HOBBS INTERCHANGE - MIDLAND COUNTY INTERCHANGE 230KV CKT 1' |

|      |   |         |  |          |         |       |  |
|------|---|---------|--|----------|---------|-------|--|
| 11WP | 0 | G10_060 | 'CAPROCK REC-MCDONALD - CAPROCK REC-TRIANGLE 138KV CKT 1'    | FROM->TO | 0.70387 | 271   | 'HOBBS INTERCHANGE - MIDLAND COUNTY INTERCHANGE 230KV CKT 1'     |
| 11WP | 0 | G10_059 | 'CAPROCK REC-MCDONALD - CAPROCK REC-TRIANGLE 138KV CKT 1'    | FROM->TO | 0.70387 | 271   | 'HOBBS INTERCHANGE - MIDLAND COUNTY INTERCHANGE 230KV CKT 1'     |
| 11WP | 0 | G10_060 | 'CAPROCK REC-GRADY - CAPROCK REC-REED 138KV CKT 1'           | FROM->TO | 0.70387 | 270.9 | 'HOBBS INTERCHANGE - MIDLAND COUNTY INTERCHANGE 230KV CKT 1'     |
| 11WP | 0 | G10_059 | 'CAPROCK REC-GRADY - CAPROCK REC-REED 138KV CKT 1'           | FROM->TO | 0.70387 | 270.9 | 'HOBBS INTERCHANGE - MIDLAND COUNTY INTERCHANGE 230KV CKT 1'     |
| 11WP | 0 | G10_060 | 'MIDLAND COUNTY INTERCHANGE 230/138KV TRANSFORMER CKT 1'     | FROM->TO | 0.28694 | 209.9 | 'HOBBS INTERCHANGE - LEA COUNTY INTERCHANGE 230KV CKT 1'         |
| 11WP | 0 | G10_059 | 'MIDLAND COUNTY INTERCHANGE 230/138KV TRANSFORMER CKT 1'     | FROM->TO | 0.28694 | 209.9 | 'HOBBS INTERCHANGE - LEA COUNTY INTERCHANGE 230KV CKT 1'         |
| 11WP | 0 | G10_060 | 'MIDLAND COUNTY INTERCHANGE 230/138KV TRANSFORMER CKT 1'     | FROM->TO | 0.21101 | 167.9 | 'BASE CASE'  |
| 11WP | 0 | G10_059 | 'MIDLAND COUNTY INTERCHANGE 230/138KV TRANSFORMER CKT 1'     | FROM->TO | 0.21101 | 167.9 | 'BASE CASE'  |
| 11WP | 0 | G10_060 | 'HOBBS INTERCHANGE - MIDLAND COUNTY INTERCHANGE 230KV CKT 1' | TO->FROM | 1       | 529   | 'MIDLAND COUNTY INTERCHANGE 230/138KV TRANSFORMER CKT 1'         |
| 11WP | 0 | G10_059 | 'HOBBS INTERCHANGE - MIDLAND COUNTY INTERCHANGE 230KV CKT 1' | TO->FROM | 1       | 529   | 'MIDLAND COUNTY INTERCHANGE 230/138KV TRANSFORMER CKT 1'         |
| 11WP | 0 | G10_060 | 'HOBBS INTERCHANGE 230/115KV TRANSFORMER CKT 1'              | FROM->TO | 0.20125 | 149.6 | 'CUNNINGHAM STATION - LEA COUNTY INTERCHANGE 230KV CKT 1'        |
| 11WP | 0 | G10_059 | 'HOBBS INTERCHANGE 230/115KV TRANSFORMER CKT 1'              | FROM->TO | 0.20125 | 149.6 | 'CUNNINGHAM STATION - LEA COUNTY INTERCHANGE 230KV CKT 1'        |
| 11WP | 0 | G10_060 | 'HOBBS INTERCHANGE - MIDLAND COUNTY INTERCHANGE 230KV CKT 1' | TO->FROM | 1       | 529   | 'CAPROCK REC-PHILLIPS - CAPROCK REC-TATE 138KV CKT 1'            |
| 11WP | 0 | G10_059 | 'HOBBS INTERCHANGE - MIDLAND COUNTY INTERCHANGE 230KV CKT 1' | TO->FROM | 1       | 529   | 'CAPROCK REC-PHILLIPS - CAPROCK REC-TATE 138KV CKT 1'            |
| 11WP | 0 | G10_060 | 'HOBBS INTERCHANGE - MIDLAND COUNTY INTERCHANGE 230KV CKT 1' | TO->FROM | 1       | 529   | 'CAPROCK REC-MCDONALD - CAPROCK REC-PHILLIPS 138KV CKT 1'        |
| 11WP | 0 | G10_059 | 'HOBBS INTERCHANGE - MIDLAND COUNTY INTERCHANGE 230KV CKT 1' | TO->FROM | 1       | 529   | 'CAPROCK REC-MCDONALD - CAPROCK REC-PHILLIPS 138KV CKT 1'        |
| 11WP | 0 | G10_060 | 'GRASSLAND INTERCHANGE - Jones Station Bus#2 230KV CKT 1'    | FROM->TO | 0.87267 | 360.5 | 'HOBBS INTERCHANGE - MIDLAND COUNTY INTERCHANGE 230KV CKT 1'     |
| 11WP | 0 | G10_059 | 'GRASSLAND INTERCHANGE - Jones Station Bus#2 230KV CKT 1'    | FROM->TO | 0.87267 | 360.5 | 'HOBBS INTERCHANGE - MIDLAND COUNTY INTERCHANGE 230KV CKT 1'     |
| 11WP | 0 | G10_060 | 'MIDLAND COUNTY INTERCHANGE 230/138KV TRANSFORMER CKT 1'     | FROM->TO | 0.23293 | 209.9 | 'LEA COUNTY INTERCHANGE - YOAKUM COUNTY INTERCHANGE 230KV CKT 1' |
| 11WP | 0 | G10_059 | 'MIDLAND COUNTY INTERCHANGE 230/138KV TRANSFORMER CKT 1'     | FROM->TO | 0.23293 | 209.9 | 'LEA COUNTY INTERCHANGE - YOAKUM COUNTY INTERCHANGE 230KV CKT 1' |
| 11WP | 0 | G10_060 | 'HOBBS INTERCHANGE - LEA COUNTY INTERCHANGE 230KV CKT 1'     | FROM->TO | 0.84547 | 689.3 | 'MIDLAND COUNTY INTERCHANGE 230/138KV TRANSFORMER CKT 1'         |
| 11WP | 0 | G10_059 | 'HOBBS INTERCHANGE - LEA COUNTY INTERCHANGE 230KV CKT 1'     | FROM->TO | 0.84547 | 689.3 | 'MIDLAND COUNTY INTERCHANGE 230/138KV TRANSFORMER CKT 1'         |
| 11WP | 0 | G10_060 | 'CAPROCK REC-STILES - G09-17T 138.00 138KV CKT 1'            | TO->FROM | 0.29489 | 175.9 | 'HOBBS INTERCHANGE - MIDLAND COUNTY INTERCHANGE 230KV CKT 1'     |
| 11WP | 0 | G10_059 | 'CAPROCK REC-STILES - G09-17T 138.00 138KV CKT 1'            | TO->FROM | 0.29489 | 175.9 | 'HOBBS INTERCHANGE - MIDLAND COUNTY INTERCHANGE 230KV CKT 1'     |
| 11WP | 0 | G10_060 | 'MIDLAND COUNTY INTERCHANGE 230/138KV TRANSFORMER CKT 1'     | FROM->TO | 0.22425 | 209.9 | 'CUNNINGHAM STATION - LEA COUNTY INTERCHANGE 230KV CKT 1'        |

|      |   |         |   |          |         |       |   |
|------|---|---------|---|----------|---------|-------|---|
| 11WP | 0 | G10_059 | 'MIDLAND COUNTY INTERCHANGE 230/138KV TRANSFORMER CKT 1'        | FROM->TO | 0.22425 | 209.9 | 'CUNNINGHAM STATION - LEA COUNTY INTERCHANGE 230KV CKT 1'         |
| 11WP | 0 | G10_060 | 'MIDLAND COUNTY INTERCHANGE 230/138KV TRANSFORMER CKT 1'        | FROM->TO | 0.2182  | 209.9 | 'AMOCO SWITCHING STATION - YOAKUM COUNTY INTERCHANGE 230KV CKT 1' |
| 11WP | 0 | G10_059 | 'MIDLAND COUNTY INTERCHANGE 230/138KV TRANSFORMER CKT 1'        | FROM->TO | 0.2182  | 209.9 | 'AMOCO SWITCHING STATION - YOAKUM COUNTY INTERCHANGE 230KV CKT 1' |
| 11WP | 0 | G10_060 | 'HOBBS INTERCHANGE - MIDLAND COUNTY INTERCHANGE 230KV CKT 1'    | TO->FROM | 0.99876 | 529   | 'BORDEN COUNTY INTERCHANGE 230/138KV TRANSFORMER CKT 1'           |
| 11WP | 0 | G10_059 | 'HOBBS INTERCHANGE - MIDLAND COUNTY INTERCHANGE 230KV CKT 1'    | TO->FROM | 0.99876 | 529   | 'BORDEN COUNTY INTERCHANGE 230/138KV TRANSFORMER CKT 1'           |
| 11WP | 0 | G10_060 | 'HOBBS INTERCHANGE - MIDLAND COUNTY INTERCHANGE 230KV CKT 1'    | TO->FROM | 0.99876 | 529   | 'SPP-SWPS-K48'  |
| 11WP | 0 | G10_059 | 'HOBBS INTERCHANGE - MIDLAND COUNTY INTERCHANGE 230KV CKT 1'    | TO->FROM | 0.99876 | 529   | 'SPP-SWPS-K48'  |
| 11WP | 0 | G10_060 | 'HOBBS INTERCHANGE - MIDLAND COUNTY INTERCHANGE 230KV CKT 1'    | TO->FROM | 0.99876 | 529   | 'BORDEN COUNTY INTERCHANGE - GRASSLAND INTERCHANGE 230KV CKT 1'   |
| 11WP | 0 | G10_059 | 'HOBBS INTERCHANGE - MIDLAND COUNTY INTERCHANGE 230KV CKT 1'    | TO->FROM | 0.99876 | 529   | 'BORDEN COUNTY INTERCHANGE - GRASSLAND INTERCHANGE 230KV CKT 1'   |
| 11WP | 0 | G10_060 | 'BORDEN COUNTY INTERCHANGE - GRASSLAND INTERCHANGE 230KV CKT 1' | FROM->TO | 0.99876 | 529   | 'HOBBS INTERCHANGE - MIDLAND COUNTY INTERCHANGE 230KV CKT 1'      |
| 11WP | 0 | G10_059 | 'BORDEN COUNTY INTERCHANGE - GRASSLAND INTERCHANGE 230KV CKT 1' | FROM->TO | 0.99876 | 529   | 'HOBBS INTERCHANGE - MIDLAND COUNTY INTERCHANGE 230KV CKT 1'      |
| 11WP | 0 | G10_060 | 'HOBBS INTERCHANGE - LEA COUNTY INTERCHANGE 230KV CKT 1'        | FROM->TO | 0.84547 | 689.3 | 'CAPROCK REC-PHILLIPS - CAPROCK REC-TATE 138KV CKT 1'             |
| 11WP | 0 | G10_059 | 'HOBBS INTERCHANGE - LEA COUNTY INTERCHANGE 230KV CKT 1'        | FROM->TO | 0.84547 | 689.3 | 'CAPROCK REC-PHILLIPS - CAPROCK REC-TATE 138KV CKT 1'             |
| 11WP | 0 | G10_060 | 'MIDLAND COUNTY INTERCHANGE 230/138KV TRANSFORMER CKT 1'        | FROM->TO | 0.21239 | 209.9 | 'TOLK STATION EAST - TUCO INTERCHANGE 230KV CKT 1'                |
| 11WP | 0 | G10_059 | 'MIDLAND COUNTY INTERCHANGE 230/138KV TRANSFORMER CKT 1'        | FROM->TO | 0.21239 | 209.9 | 'TOLK STATION EAST - TUCO INTERCHANGE 230KV CKT 1'                |
| 11WP | 0 | G10_060 | 'CAPROCK REC-PEMBROOK - G09-17T 138.00 138KV CKT 1'             | FROM->TO | 0.29613 | 175.9 | 'HOBBS INTERCHANGE - MIDLAND COUNTY INTERCHANGE 230KV CKT 1'      |
| 11WP | 0 | G10_059 | 'CAPROCK REC-PEMBROOK - G09-17T 138.00 138KV CKT 1'             | FROM->TO | 0.29613 | 175.9 | 'HOBBS INTERCHANGE - MIDLAND COUNTY INTERCHANGE 230KV CKT 1'      |
| 11WP | 0 | G10_060 | 'MIDLAND COUNTY INTERCHANGE 230/138KV TRANSFORMER CKT 1'        | FROM->TO | 0.21636 | 209.9 | 'CUNNINGHAM STATION - EDDY COUNTY INTERCHANGE 230KV CKT 1'        |
| 11WP | 0 | G10_059 | 'MIDLAND COUNTY INTERCHANGE 230/138KV TRANSFORMER CKT 1'        | FROM->TO | 0.21636 | 209.9 | 'CUNNINGHAM STATION - EDDY COUNTY INTERCHANGE 230KV CKT 1'        |
| 11WP | 0 | G10_060 | 'HOBBS INTERCHANGE - LEA COUNTY INTERCHANGE 230KV CKT 1'        | FROM->TO | 0.84547 | 689.3 | 'CAPROCK REC-MCDONALD - CAPROCK REC-PHILLIPS 138KV CKT 1'         |
| 11WP | 0 | G10_059 | 'HOBBS INTERCHANGE - LEA COUNTY INTERCHANGE 230KV CKT 1'        | FROM->TO | 0.84547 | 689.3 | 'CAPROCK REC-MCDONALD - CAPROCK REC-PHILLIPS 138KV CKT 1'         |
| 11WP | 0 | G10_060 | 'MIDLAND COUNTY INTERCHANGE 230/138KV TRANSFORMER CKT 1'        | FROM->TO | 0.21483 | 209.9 | 'SUNDOWN INTERCHANGE - WOLFFORTH INTERCHANGE 230KV CKT 1'         |
| 11WP | 0 | G10_059 | 'MIDLAND COUNTY INTERCHANGE 230/138KV TRANSFORMER CKT 1'        | FROM->TO | 0.21483 | 209.9 | 'SUNDOWN INTERCHANGE - WOLFFORTH INTERCHANGE 230KV CKT 1'         |
| 11WP | 0 | G10_060 | 'MIDLAND COUNTY INTERCHANGE 230/138KV TRANSFORMER CKT 1'        | FROM->TO | 0.21101 | 209.9 | 'Jones Station Bus#2 230/22.0KV TRANSFORMER CKT 1'                |
| 11WP | 0 | G10_059 | 'MIDLAND COUNTY INTERCHANGE 230/138KV TRANSFORMER CKT 1'        | FROM->TO | 0.21101 | 209.9 | 'Jones Station Bus#2 230/22.0KV TRANSFORMER CKT 1'                |



|      |   |         |  |          |         |       |  |
|------|---|---------|--|----------|---------|-------|--|
| 11WP | 0 | G10_060 | 'MIDLAND COUNTY INTERCHANGE 230/138KV TRANSFORMER CKT 1'     | FROM->TO | 0.21101 | 209.9 | 'Jones Station Bus#2 230/22.0KV TRANSFORMER CKT 1'                 |
| 11WP | 0 | G10_059 | 'MIDLAND COUNTY INTERCHANGE 230/138KV TRANSFORMER CKT 1'     | FROM->TO | 0.21101 | 209.9 | 'Jones Station Bus#2 230/22.0KV TRANSFORMER CKT 1'                 |
| 11WP | 0 | G10_060 | 'MIDLAND COUNTY INTERCHANGE 230/138KV TRANSFORMER CKT 1'     | FROM->TO | 0.21344 | 209.9 | 'CUNNINGHAM STATION - POTASH JUNCTION INTERCHANGE 230KV CKT 1'     |
| 11WP | 0 | G10_059 | 'MIDLAND COUNTY INTERCHANGE 230/138KV TRANSFORMER CKT 1'     | FROM->TO | 0.21344 | 209.9 | 'CUNNINGHAM STATION - POTASH JUNCTION INTERCHANGE 230KV CKT 1'     |
| 11WP | 0 | G10_060 | 'MIDLAND COUNTY INTERCHANGE 230/138KV TRANSFORMER CKT 1'     | FROM->TO | 0.21117 | 209.9 | 'SPP-SWPS-T14'   |
| 11WP | 0 | G10_059 | 'MIDLAND COUNTY INTERCHANGE 230/138KV TRANSFORMER CKT 1'     | FROM->TO | 0.21117 | 209.9 | 'SPP-SWPS-T14'   |
| 11WP | 0 | G10_060 | 'HOBBS INTERCHANGE - MIDLAND COUNTY INTERCHANGE 230KV CKT 1' | TO->FROM | 0.87708 | 529   | 'CAPROCK REC-MCDONALD - CAPROCK REC-TRIANGLE 138KV CKT 1'          |
| 11WP | 0 | G10_059 | 'HOBBS INTERCHANGE - MIDLAND COUNTY INTERCHANGE 230KV CKT 1' | TO->FROM | 0.87708 | 529   | 'CAPROCK REC-MCDONALD - CAPROCK REC-TRIANGLE 138KV CKT 1'          |
| 11WP | 0 | G10_060 | 'MIDLAND COUNTY INTERCHANGE 230/138KV TRANSFORMER CKT 1'     | FROM->TO | 0.21366 | 209.9 | 'TERRY COUNTY INTERCHANGE - WOLFFORTH INTERCHANGE 115KV CKT 1'     |
| 11WP | 0 | G10_059 | 'MIDLAND COUNTY INTERCHANGE 230/138KV TRANSFORMER CKT 1'     | FROM->TO | 0.21366 | 209.9 | 'TERRY COUNTY INTERCHANGE - WOLFFORTH INTERCHANGE 115KV CKT 1'     |
| 11WP | 0 | G10_060 | 'MIDLAND COUNTY INTERCHANGE 230/138KV TRANSFORMER CKT 1'     | FROM->TO | 0.2128  | 209.9 | 'CHAVES COUNTY INTERCHANGE - EDDY COUNTY INTERCHANGE 230KV CKT 1'  |
| 11WP | 0 | G10_059 | 'MIDLAND COUNTY INTERCHANGE 230/138KV TRANSFORMER CKT 1'     | FROM->TO | 0.2128  | 209.9 | 'CHAVES COUNTY INTERCHANGE - EDDY COUNTY INTERCHANGE 230KV CKT 1'  |
| 11WP | 0 | G10_060 | 'MIDLAND COUNTY INTERCHANGE 230/138KV TRANSFORMER CKT 1'     | FROM->TO | 0.21209 | 209.9 | 'WOLFFORTH INTERCHANGE - YUMA INTERCHANGE 115KV CKT 1'             |
| 11WP | 0 | G10_059 | 'MIDLAND COUNTY INTERCHANGE 230/138KV TRANSFORMER CKT 1'     | FROM->TO | 0.21209 | 209.9 | 'WOLFFORTH INTERCHANGE - YUMA INTERCHANGE 115KV CKT 1'             |
| 11WP | 0 | G10_060 | 'MIDLAND COUNTY INTERCHANGE 230/138KV TRANSFORMER CKT 1'     | FROM->TO | 0.21328 | 209.9 | 'GAINES COUNTY INTERCHANGE - TAYLOR SWITCHING STATION 115KV CKT 1' |
| 11WP | 0 | G10_059 | 'MIDLAND COUNTY INTERCHANGE 230/138KV TRANSFORMER CKT 1'     | FROM->TO | 0.21328 | 209.9 | 'GAINES COUNTY INTERCHANGE - TAYLOR SWITCHING STATION 115KV CKT 1' |
| 11WP | 0 | G10_060 | 'MIDLAND COUNTY INTERCHANGE 230/138KV TRANSFORMER CKT 1'     | FROM->TO | 0.21281 | 209.9 | 'HOBBS INTERCHANGE - Higg Switch Station 115KV CKT 1'              |
| 11WP | 0 | G10_059 | 'MIDLAND COUNTY INTERCHANGE 230/138KV TRANSFORMER CKT 1'     | FROM->TO | 0.21281 | 209.9 | 'HOBBS INTERCHANGE - Higg Switch Station 115KV CKT 1'              |
| 11WP | 0 | G10_060 | 'MIDLAND COUNTY INTERCHANGE 230/138KV TRANSFORMER CKT 1'     | FROM->TO | 0.21251 | 209.9 | 'PECOS INTERCHANGE - POTASH JUNCTION INTERCHANGE 230KV CKT 1'      |
| 11WP | 0 | G10_059 | 'MIDLAND COUNTY INTERCHANGE 230/138KV TRANSFORMER CKT 1'     | FROM->TO | 0.21251 | 209.9 | 'PECOS INTERCHANGE - POTASH JUNCTION INTERCHANGE 230KV CKT 1'      |
| 11WP | 0 | G10_060 | 'MIDLAND COUNTY INTERCHANGE 230/138KV TRANSFORMER CKT 1'     | FROM->TO | 0.2182  | 209.9 | 'AMOCO SWITCHING STATION - SUNDOWN INTERCHANGE 230KV CKT 1'        |
| 11WP | 0 | G10_059 | 'MIDLAND COUNTY INTERCHANGE 230/138KV TRANSFORMER CKT 1'     | FROM->TO | 0.2182  | 209.9 | 'AMOCO SWITCHING STATION - SUNDOWN INTERCHANGE 230KV CKT 1'        |
| 11WP | 0 | G10_060 | 'MIDLAND COUNTY INTERCHANGE 230/138KV TRANSFORMER CKT 1'     | FROM->TO | 0.21281 | 209.9 | 'SPP-SWPS-T89'   |
| 11WP | 0 | G10_059 | 'MIDLAND COUNTY INTERCHANGE 230/138KV TRANSFORMER CKT 1'     | FROM->TO | 0.21281 | 209.9 | 'SPP-SWPS-T89'   |
| 11WP | 0 | G10_060 | 'HOBBS INTERCHANGE - MIDLAND COUNTY INTERCHANGE 230KV CKT 1' | TO->FROM | 0.87708 | 529   | 'CAPROCK REC-GRADY - CAPROCK REC-TRIANGLE 138KV CKT 1'             |

|      |   |         |  |          |         |       |   |
|------|---|---------|--|----------|---------|-------|---|
| 11WP | 0 | G10_059 | 'HOBBS INTERCHANGE - MIDLAND COUNTY INTERCHANGE 230KV CKT 1' | TO->FROM | 0.87708 | 529   | 'CAPROCK REC-GRADY - CAPROCK REC-TRIANGLE 138KV CKT 1'        |
| 11WP | 0 | G10_060 | 'HOBBS INTERCHANGE - MIDLAND COUNTY INTERCHANGE 230KV CKT 1' | TO->FROM | 0.87708 | 529   | 'CAPROCK REC-GRADY - CAPROCK REC-REED 138KV CKT 1'            |
| 11WP | 0 | G10_059 | 'HOBBS INTERCHANGE - MIDLAND COUNTY INTERCHANGE 230KV CKT 1' | TO->FROM | 0.87708 | 529   | 'CAPROCK REC-GRADY - CAPROCK REC-REED 138KV CKT 1'            |
| 11WP | 0 | G10_060 | 'HOBBS INTERCHANGE - MIDLAND COUNTY INTERCHANGE 230KV CKT 1' | TO->FROM | 0.87708 | 529   | 'CAPROCK REC-KOCH - CAPROCK REC-REED 138KV CKT 1'             |
| 11WP | 0 | G10_059 | 'HOBBS INTERCHANGE - MIDLAND COUNTY INTERCHANGE 230KV CKT 1' | TO->FROM | 0.87708 | 529   | 'CAPROCK REC-KOCH - CAPROCK REC-REED 138KV CKT 1'             |
| 11WP | 0 | G10_060 | 'HOBBS INTERCHANGE - MIDLAND COUNTY INTERCHANGE 230KV CKT 1' | TO->FROM | 0.87708 | 529   | 'CAPROCK REC-KOCH - CAPROCK REC-VEALMOOR 138KV CKT 1'         |
| 11WP | 0 | G10_059 | 'HOBBS INTERCHANGE - MIDLAND COUNTY INTERCHANGE 230KV CKT 1' | TO->FROM | 0.87708 | 529   | 'CAPROCK REC-KOCH - CAPROCK REC-VEALMOOR 138KV CKT 1'         |
| 11WP | 0 | G10_060 | 'CAPROCK REC-LANGE - CAPROCK REC-ST LAWRENCE 138KV CKT 1'    | TO->FROM | 0.29489 | 176   | 'HOBBS INTERCHANGE - MIDLAND COUNTY INTERCHANGE 230KV CKT 1'  |
| 11WP | 0 | G10_059 | 'CAPROCK REC-LANGE - CAPROCK REC-ST LAWRENCE 138KV CKT 1'    | TO->FROM | 0.29489 | 176   | 'HOBBS INTERCHANGE - MIDLAND COUNTY INTERCHANGE 230KV CKT 1'  |
| 11WP | 0 | G10_060 | 'CAPROCK REC-PHILLIPS - CAPROCK REC-TATE 138KV CKT 1'        | TO->FROM | 0.28694 | 271   | 'HOBBS INTERCHANGE - LEA COUNTY INTERCHANGE 230KV CKT 1'      |
| 11WP | 0 | G10_059 | 'CAPROCK REC-PHILLIPS - CAPROCK REC-TATE 138KV CKT 1'        | TO->FROM | 0.28694 | 271   | 'HOBBS INTERCHANGE - LEA COUNTY INTERCHANGE 230KV CKT 1'      |
| 11WP | 0 | G10_060 | 'CAPROCK REC-PHILLIPS - CAPROCK REC-TATE 138KV CKT 1'        | TO->FROM | 0.21101 | 208   | 'BASE CASE'   |
| 11WP | 0 | G10_059 | 'CAPROCK REC-PHILLIPS - CAPROCK REC-TATE 138KV CKT 1'        | TO->FROM | 0.21101 | 208   | 'BASE CASE'   |
| 11WP | 0 | G10_060 | 'HOBBS INTERCHANGE - MIDLAND COUNTY INTERCHANGE 230KV CKT 1' | TO->FROM | 0.813   | 529   | 'CAPROCK REC-MCDONALD - CR-1956 4138.00 138KV CKT 1'          |
| 11WP | 0 | G10_059 | 'HOBBS INTERCHANGE - MIDLAND COUNTY INTERCHANGE 230KV CKT 1' | TO->FROM | 0.813   | 529   | 'CAPROCK REC-MCDONALD - CR-1956 4138.00 138KV CKT 1'          |
| 11WP | 0 | G10_060 | 'HOBBS INTERCHANGE - MIDLAND COUNTY INTERCHANGE 230KV CKT 1' | TO->FROM | 0.813   | 529   | 'CAPROCK REC-NEW SCHWARTZ - CR-1956 4138.00 138KV CKT 1'      |
| 11WP | 0 | G10_059 | 'HOBBS INTERCHANGE - MIDLAND COUNTY INTERCHANGE 230KV CKT 1' | TO->FROM | 0.813   | 529   | 'CAPROCK REC-NEW SCHWARTZ - CR-1956 4138.00 138KV CKT 1'      |
| 11WP | 0 | G10_060 | 'HOBBS INTERCHANGE - LEA COUNTY INTERCHANGE 230KV CKT 1'     | FROM->TO | 0.65813 | 567.5 | 'BASE CASE'   |
| 11WP | 0 | G10_059 | 'HOBBS INTERCHANGE - LEA COUNTY INTERCHANGE 230KV CKT 1'     | FROM->TO | 0.65813 | 567.5 | 'BASE CASE'   |
| 11WP | 0 | G10_060 | 'HOBBS INTERCHANGE - MIDLAND COUNTY INTERCHANGE 230KV CKT 1' | TO->FROM | 0.813   | 529   | 'CAPROCK REC-NEW SCHWARTZ - CAPROCK REC-PEMBROOK 138KV CKT 1' |
| 11WP | 0 | G10_059 | 'HOBBS INTERCHANGE - MIDLAND COUNTY INTERCHANGE 230KV CKT 1' | TO->FROM | 0.813   | 529   | 'CAPROCK REC-NEW SCHWARTZ - CAPROCK REC-PEMBROOK 138KV CKT 1' |
| 11WP | 0 | G10_060 | 'HOBBS INTERCHANGE - MIDLAND COUNTY INTERCHANGE 230KV CKT 1' | TO->FROM | 0.81253 | 529   | 'CAPROCK REC-STILES - G09-17T 138.00 138KV CKT 1'             |
| 11WP | 0 | G10_059 | 'HOBBS INTERCHANGE - MIDLAND COUNTY INTERCHANGE 230KV CKT 1' | TO->FROM | 0.81253 | 529   | 'CAPROCK REC-STILES - G09-17T 138.00 138KV CKT 1'             |
| 11WP | 0 | G10_060 | 'HOBBS INTERCHANGE - MIDLAND COUNTY INTERCHANGE 230KV CKT 1' | TO->FROM | 0.813   | 529   | 'CAPROCK REC-PEMBROOK - G09-17T 138.00 138KV CKT 1'           |
| 11WP | 0 | G10_059 | 'HOBBS INTERCHANGE - MIDLAND COUNTY INTERCHANGE 230KV CKT 1' | TO->FROM | 0.813   | 529   | 'CAPROCK REC-PEMBROOK - G09-17T 138.00 138KV CKT 1'           |

|      |   |         |  |          |         |       |   |
|------|---|---------|--|----------|---------|-------|---|
| 11WP | 0 | G10_060 | 'BORDEN COUNTY INTERCHANGE 230/138KV TRANSFORMER CKT 1'      | TO->FROM | 0.28571 | 167.8 | 'HOBBS INTERCHANGE - LEA COUNTY INTERCHANGE 230KV CKT 1'        |
| 11WP | 0 | G10_059 | 'BORDEN COUNTY INTERCHANGE 230/138KV TRANSFORMER CKT 1'      | TO->FROM | 0.28571 | 167.8 | 'HOBBS INTERCHANGE - LEA COUNTY INTERCHANGE 230KV CKT 1'        |
| 11WP | 0 | G10_060 | 'HOBBS INTERCHANGE - MIDLAND COUNTY INTERCHANGE 230KV CKT 1' | TO->FROM | 0.81253 | 529   | 'CAPROCK REC-ST LAWRENCE - CAPROCK REC-STILES 138KV CKT 1'      |
| 11WP | 0 | G10_059 | 'HOBBS INTERCHANGE - MIDLAND COUNTY INTERCHANGE 230KV CKT 1' | TO->FROM | 0.81253 | 529   | 'CAPROCK REC-ST LAWRENCE - CAPROCK REC-STILES 138KV CKT 1'      |
| 11WP | 0 | G10_060 | 'HOBBS INTERCHANGE - MIDLAND COUNTY INTERCHANGE 230KV CKT 1' | TO->FROM | 0.83958 | 529   | 'GRASSLAND INTERCHANGE - Jones Station Bus#2 230KV CKT 1'       |
| 11WP | 0 | G10_059 | 'HOBBS INTERCHANGE - MIDLAND COUNTY INTERCHANGE 230KV CKT 1' | TO->FROM | 0.83958 | 529   | 'GRASSLAND INTERCHANGE - Jones Station Bus#2 230KV CKT 1'       |
| 11WP | 0 | G10_060 | 'HOBBS INTERCHANGE - MIDLAND COUNTY INTERCHANGE 230KV CKT 1' | TO->FROM | 0.81253 | 529   | 'CAPROCK REC-LANGE - CAPROCK REC-ST LAWRENCE 138KV CKT 1'       |
| 11WP | 0 | G10_059 | 'HOBBS INTERCHANGE - MIDLAND COUNTY INTERCHANGE 230KV CKT 1' | TO->FROM | 0.81253 | 529   | 'CAPROCK REC-LANGE - CAPROCK REC-ST LAWRENCE 138KV CKT 1'       |
| 11WP | 0 | G10_060 | 'HOBBS INTERCHANGE - MIDLAND COUNTY INTERCHANGE 230KV CKT 1' | TO->FROM | 0.78899 | 529   | 'HOBBS INTERCHANGE 230/18.0KV TRANSFORMER CKT 1'                |
| 11WP | 0 | G10_059 | 'HOBBS INTERCHANGE - MIDLAND COUNTY INTERCHANGE 230KV CKT 1' | TO->FROM | 0.78899 | 529   | 'HOBBS INTERCHANGE 230/18.0KV TRANSFORMER CKT 1'                |
| 11WP | 0 | G10_060 | 'HOBBS INTERCHANGE - MIDLAND COUNTY INTERCHANGE 230KV CKT 1' | TO->FROM | 0.78899 | 526   | 'BASE CASE'   |
| 11WP | 0 | G10_059 | 'HOBBS INTERCHANGE - MIDLAND COUNTY INTERCHANGE 230KV CKT 1' | TO->FROM | 0.78899 | 526   | 'BASE CASE'   |
| 11WP | 0 | G10_060 | 'HOBBS INTERCHANGE - LEA COUNTY INTERCHANGE 230KV CKT 1'     | FROM->TO | 0.74918 | 689.3 | 'HOBBS INTERCHANGE 230/115KV TRANSFORMER CKT 1'                 |
| 11WP | 0 | G10_059 | 'HOBBS INTERCHANGE - LEA COUNTY INTERCHANGE 230KV CKT 1'     | FROM->TO | 0.74918 | 689.3 | 'HOBBS INTERCHANGE 230/115KV TRANSFORMER CKT 1'                 |
| 11WP | 0 | G10_060 | 'CAPROCK REC-MCDONALD - CAPROCK REC-PHILLIPS 138KV CKT 1'    | TO->FROM | 0.28694 | 271   | 'HOBBS INTERCHANGE - LEA COUNTY INTERCHANGE 230KV CKT 1'        |
| 11WP | 0 | G10_059 | 'CAPROCK REC-MCDONALD - CAPROCK REC-PHILLIPS 138KV CKT 1'    | TO->FROM | 0.28694 | 271   | 'HOBBS INTERCHANGE - LEA COUNTY INTERCHANGE 230KV CKT 1'        |
| 11WP | 0 | G10_060 | 'HOBBS INTERCHANGE - LEA COUNTY INTERCHANGE 230KV CKT 1'     | FROM->TO | 0.84437 | 689.3 | 'SPP-SWPS-K48'  |
| 11WP | 0 | G10_059 | 'HOBBS INTERCHANGE - LEA COUNTY INTERCHANGE 230KV CKT 1'     | FROM->TO | 0.84437 | 689.3 | 'SPP-SWPS-K48'  |
| 11WP | 0 | G10_060 | 'HOBBS INTERCHANGE - LEA COUNTY INTERCHANGE 230KV CKT 1'     | FROM->TO | 0.84437 | 689.3 | 'BORDEN COUNTY INTERCHANGE 230/138KV TRANSFORMER CKT 1'         |
| 11WP | 0 | G10_059 | 'HOBBS INTERCHANGE - LEA COUNTY INTERCHANGE 230KV CKT 1'     | FROM->TO | 0.84437 | 689.3 | 'BORDEN COUNTY INTERCHANGE 230/138KV TRANSFORMER CKT 1'         |
| 11WP | 0 | G10_060 | 'HOBBS INTERCHANGE - LEA COUNTY INTERCHANGE 230KV CKT 1'     | FROM->TO | 0.84437 | 689.3 | 'BORDEN COUNTY INTERCHANGE - GRASSLAND INTERCHANGE 230KV CKT 1' |
| 11WP | 0 | G10_059 | 'HOBBS INTERCHANGE - LEA COUNTY INTERCHANGE 230KV CKT 1'     | FROM->TO | 0.84437 | 689.3 | 'BORDEN COUNTY INTERCHANGE - GRASSLAND INTERCHANGE 230KV CKT 1' |
| 11WP | 0 | G10_060 | 'CAPROCK REC-MCDONALD - CAPROCK REC-PHILLIPS 138KV CKT 1'    | TO->FROM | 0.21101 | 208   | 'BASE CASE'   |
| 11WP | 0 | G10_059 | 'CAPROCK REC-MCDONALD - CAPROCK REC-PHILLIPS 138KV CKT 1'    | TO->FROM | 0.21101 | 208   | 'BASE CASE'   |
| 11WP | 0 | G10_060 | 'HOBBS INTERCHANGE - LEA COUNTY INTERCHANGE 230KV CKT 1'     | FROM->TO | 0.73634 | 689.3 | 'CAPROCK REC-MCDONALD - CAPROCK REC-TRIANGLE 138KV CKT 1'       |

|      |   |         |  |          |         |       |   |
|------|---|---------|--|----------|---------|-------|---|
| 11WP | 0 | G10_059 | 'HOBBS INTERCHANGE - LEA COUNTY INTERCHANGE 230KV CKT 1' | FROM->TO | 0.73634 | 689.3 | 'CAPROCK REC-MCDONALD - CAPROCK REC-TRIANGLE 138KV CKT 1'     |
| 11WP | 0 | G10_060 | 'HOBBS INTERCHANGE - LEA COUNTY INTERCHANGE 230KV CKT 1' | FROM->TO | 0.73634 | 689.3 | 'CAPROCK REC-GRADY - CAPROCK REC-TRIANGLE 138KV CKT 1'        |
| 11WP | 0 | G10_059 | 'HOBBS INTERCHANGE - LEA COUNTY INTERCHANGE 230KV CKT 1' | FROM->TO | 0.73634 | 689.3 | 'CAPROCK REC-GRADY - CAPROCK REC-TRIANGLE 138KV CKT 1'        |
| 11WP | 0 | G10_060 | 'HOBBS INTERCHANGE - LEA COUNTY INTERCHANGE 230KV CKT 1' | FROM->TO | 0.73634 | 689.3 | 'CAPROCK REC-GRADY - CAPROCK REC-REED 138KV CKT 1'            |
| 11WP | 0 | G10_059 | 'HOBBS INTERCHANGE - LEA COUNTY INTERCHANGE 230KV CKT 1' | FROM->TO | 0.73634 | 689.3 | 'CAPROCK REC-GRADY - CAPROCK REC-REED 138KV CKT 1'            |
| 11WP | 0 | G10_060 | 'HOBBS INTERCHANGE - LEA COUNTY INTERCHANGE 230KV CKT 1' | FROM->TO | 0.73634 | 689.3 | 'CAPROCK REC-KOCH - CAPROCK REC-REED 138KV CKT 1'             |
| 11WP | 0 | G10_059 | 'HOBBS INTERCHANGE - LEA COUNTY INTERCHANGE 230KV CKT 1' | FROM->TO | 0.73634 | 689.3 | 'CAPROCK REC-KOCH - CAPROCK REC-REED 138KV CKT 1'             |
| 11WP | 0 | G10_060 | 'HOBBS INTERCHANGE - LEA COUNTY INTERCHANGE 230KV CKT 1' | FROM->TO | 0.73634 | 689.3 | 'CAPROCK REC-KOCH - CAPROCK REC-VEALMOOR 138KV CKT 1'         |
| 11WP | 0 | G10_059 | 'HOBBS INTERCHANGE - LEA COUNTY INTERCHANGE 230KV CKT 1' | FROM->TO | 0.73634 | 689.3 | 'CAPROCK REC-KOCH - CAPROCK REC-VEALMOOR 138KV CKT 1'         |
| 11WP | 0 | G10_060 | 'CAPROCK REC-GRADY - CAPROCK REC-TRIANGLE 138KV CKT 1'   | TO->FROM | 0.20154 | 175.9 | 'HOBBS INTERCHANGE - LEA COUNTY INTERCHANGE 230KV CKT 1'      |
| 11WP | 0 | G10_059 | 'CAPROCK REC-GRADY - CAPROCK REC-TRIANGLE 138KV CKT 1'   | TO->FROM | 0.20154 | 175.9 | 'HOBBS INTERCHANGE - LEA COUNTY INTERCHANGE 230KV CKT 1'      |
| 11WP | 0 | G10_060 | 'HOBBS INTERCHANGE - LEA COUNTY INTERCHANGE 230KV CKT 1' | FROM->TO | 0.67945 | 689.3 | 'CAPROCK REC-MCDONALD - CR-1956 4138.00 138KV CKT 1'          |
| 11WP | 0 | G10_059 | 'HOBBS INTERCHANGE - LEA COUNTY INTERCHANGE 230KV CKT 1' | FROM->TO | 0.67945 | 689.3 | 'CAPROCK REC-MCDONALD - CR-1956 4138.00 138KV CKT 1'          |
| 11WP | 0 | G10_060 | 'HOBBS INTERCHANGE - LEA COUNTY INTERCHANGE 230KV CKT 1' | FROM->TO | 0.67945 | 689.3 | 'CAPROCK REC-NEW SCHWARTZ - CR-1956 4138.00 138KV CKT 1'      |
| 11WP | 0 | G10_059 | 'HOBBS INTERCHANGE - LEA COUNTY INTERCHANGE 230KV CKT 1' | FROM->TO | 0.67945 | 689.3 | 'CAPROCK REC-NEW SCHWARTZ - CR-1956 4138.00 138KV CKT 1'      |
| 11WP | 0 | G10_060 | 'HOBBS INTERCHANGE - LEA COUNTY INTERCHANGE 230KV CKT 1' | FROM->TO | 0.70308 | 689.3 | 'GRASSLAND INTERCHANGE - Jones Station Bus#2 230KV CKT 1'     |
| 11WP | 0 | G10_059 | 'HOBBS INTERCHANGE - LEA COUNTY INTERCHANGE 230KV CKT 1' | FROM->TO | 0.70308 | 689.3 | 'GRASSLAND INTERCHANGE - Jones Station Bus#2 230KV CKT 1'     |
| 11WP | 0 | G10_060 | 'HOBBS INTERCHANGE - LEA COUNTY INTERCHANGE 230KV CKT 1' | FROM->TO | 0.67945 | 689.3 | 'CAPROCK REC-NEW SCHWARTZ - CAPROCK REC-PEMBROOK 138KV CKT 1' |
| 11WP | 0 | G10_059 | 'HOBBS INTERCHANGE - LEA COUNTY INTERCHANGE 230KV CKT 1' | FROM->TO | 0.67945 | 689.3 | 'CAPROCK REC-NEW SCHWARTZ - CAPROCK REC-PEMBROOK 138KV CKT 1' |
| 11WP | 0 | G10_060 | 'HOBBS INTERCHANGE - LEA COUNTY INTERCHANGE 230KV CKT 1' | FROM->TO | 0.67903 | 689.3 | 'CAPROCK REC-STILES - G09-17T 138.00 138KV CKT 1'             |
| 11WP | 0 | G10_059 | 'HOBBS INTERCHANGE - LEA COUNTY INTERCHANGE 230KV CKT 1' | FROM->TO | 0.67903 | 689.3 | 'CAPROCK REC-STILES - G09-17T 138.00 138KV CKT 1'             |
| 11WP | 0 | G10_060 | 'HOBBS INTERCHANGE - LEA COUNTY INTERCHANGE 230KV CKT 1' | FROM->TO | 0.65813 | 689.3 | 'CUNNINGHAM STATION 230/20.0KV TRANSFORMER CKT 1'             |
| 11WP | 0 | G10_059 | 'HOBBS INTERCHANGE - LEA COUNTY INTERCHANGE 230KV CKT 1' | FROM->TO | 0.65813 | 689.3 | 'CUNNINGHAM STATION 230/20.0KV TRANSFORMER CKT 1'             |
| 11WP | 0 | G10_060 | 'HOBBS INTERCHANGE - LEA COUNTY INTERCHANGE 230KV CKT 1' | FROM->TO | 0.67945 | 689.3 | 'CAPROCK REC-PEMBROOK - G09-17T 138.00 138KV CKT 1'           |
| 11WP | 0 | G10_059 | 'HOBBS INTERCHANGE - LEA COUNTY INTERCHANGE 230KV CKT 1' | FROM->TO | 0.67945 | 689.3 | 'CAPROCK REC-PEMBROOK - G09-17T 138.00 138KV CKT 1'           |

|      |   |         |  |          |         |       |   |
|------|---|---------|--|----------|---------|-------|---|
| 11WP | 0 | G10_060 | 'HOBBS INTERCHANGE - LEA COUNTY INTERCHANGE 230KV CKT 1'         | FROM->TO | 0.67903 | 689.3 | 'CAPROCK REC-ST LAWRENCE - CAPROCK REC-STILES 138KV CKT 1'        |
| 11WP | 0 | G10_059 | 'HOBBS INTERCHANGE - LEA COUNTY INTERCHANGE 230KV CKT 1'         | FROM->TO | 0.67903 | 689.3 | 'CAPROCK REC-ST LAWRENCE - CAPROCK REC-STILES 138KV CKT 1'        |
| 11WP | 0 | G10_060 | 'LEA COUNTY INTERCHANGE - YOAKUM COUNTY INTERCHANGE 230KV CKT 1' | FROM->TO | 0.34791 | 360.7 | 'MIDLAND COUNTY INTERCHANGE 230/138KV TRANSFORMER CKT 1'          |
| 11WP | 0 | G10_059 | 'LEA COUNTY INTERCHANGE - YOAKUM COUNTY INTERCHANGE 230KV CKT 1' | FROM->TO | 0.34791 | 360.7 | 'MIDLAND COUNTY INTERCHANGE 230/138KV TRANSFORMER CKT 1'          |
| 11WP | 0 | G10_060 | 'LEA COUNTY INTERCHANGE - YOAKUM COUNTY INTERCHANGE 230KV CKT 1' | FROM->TO | 0.34791 | 360.7 | 'CAPROCK REC-PHILLIPS - CAPROCK REC-TATE 138KV CKT 1'             |
| 11WP | 0 | G10_059 | 'LEA COUNTY INTERCHANGE - YOAKUM COUNTY INTERCHANGE 230KV CKT 1' | FROM->TO | 0.34791 | 360.7 | 'CAPROCK REC-PHILLIPS - CAPROCK REC-TATE 138KV CKT 1'             |
| 11WP | 0 | G10_060 | 'CAPROCK REC-MCDONALD - CR-1956 4138.00 138KV CKT 1'             | FROM->TO | 0.29613 | 271   | 'HOBBS INTERCHANGE - MIDLAND COUNTY INTERCHANGE 230KV CKT 1'      |
| 11WP | 0 | G10_059 | 'CAPROCK REC-MCDONALD - CR-1956 4138.00 138KV CKT 1'             | FROM->TO | 0.29613 | 271   | 'HOBBS INTERCHANGE - MIDLAND COUNTY INTERCHANGE 230KV CKT 1'      |
| 11WP | 0 | G10_060 | 'CAPROCK REC-PHILLIPS - CAPROCK REC-TATE 138KV CKT 1'            | TO->FROM | 0.23293 | 271   | 'LEA COUNTY INTERCHANGE - YOAKUM COUNTY INTERCHANGE 230KV CKT 1'  |
| 11WP | 0 | G10_059 | 'CAPROCK REC-PHILLIPS - CAPROCK REC-TATE 138KV CKT 1'            | TO->FROM | 0.23293 | 271   | 'LEA COUNTY INTERCHANGE - YOAKUM COUNTY INTERCHANGE 230KV CKT 1'  |
| 11WP | 0 | G10_060 | 'LEA COUNTY INTERCHANGE - YOAKUM COUNTY INTERCHANGE 230KV CKT 1' | FROM->TO | 0.34791 | 360.7 | 'CAPROCK REC-MCDONALD - CAPROCK REC-PHILLIPS 138KV CKT 1'         |
| 11WP | 0 | G10_059 | 'LEA COUNTY INTERCHANGE - YOAKUM COUNTY INTERCHANGE 230KV CKT 1' | FROM->TO | 0.34791 | 360.7 | 'CAPROCK REC-MCDONALD - CAPROCK REC-PHILLIPS 138KV CKT 1'         |
| 11WP | 0 | G10_060 | 'CAPROCK REC-NEW SCHWARTZ - CR-1956 4138.00 138KV CKT 1'         | TO->FROM | 0.29613 | 271   | 'HOBBS INTERCHANGE - MIDLAND COUNTY INTERCHANGE 230KV CKT 1'      |
| 11WP | 0 | G10_059 | 'CAPROCK REC-NEW SCHWARTZ - CR-1956 4138.00 138KV CKT 1'         | TO->FROM | 0.29613 | 271   | 'HOBBS INTERCHANGE - MIDLAND COUNTY INTERCHANGE 230KV CKT 1'      |
| 11WP | 0 | G10_060 | 'CAPROCK REC-KOCH - CAPROCK REC-REED 138KV CKT 1'                | TO->FROM | 0.20154 | 175.9 | 'HOBBS INTERCHANGE - LEA COUNTY INTERCHANGE 230KV CKT 1'          |
| 11WP | 0 | G10_059 | 'CAPROCK REC-KOCH - CAPROCK REC-REED 138KV CKT 1'                | TO->FROM | 0.20154 | 175.9 | 'HOBBS INTERCHANGE - LEA COUNTY INTERCHANGE 230KV CKT 1'          |
| 11WP | 0 | G10_060 | 'CAPROCK REC-KOCH - CAPROCK REC-VEALMOOR 138KV CKT 1'            | FROM->TO | 0.20154 | 175.9 | 'HOBBS INTERCHANGE - LEA COUNTY INTERCHANGE 230KV CKT 1'          |
| 11WP | 0 | G10_059 | 'CAPROCK REC-KOCH - CAPROCK REC-VEALMOOR 138KV CKT 1'            | FROM->TO | 0.20154 | 175.9 | 'HOBBS INTERCHANGE - LEA COUNTY INTERCHANGE 230KV CKT 1'          |
| 11WP | 0 | G10_060 | 'LEA COUNTY INTERCHANGE - YOAKUM COUNTY INTERCHANGE 230KV CKT 1' | FROM->TO | 0.34914 | 360.7 | 'CUNNINGHAM STATION - LEA COUNTY INTERCHANGE 230KV CKT 1'         |
| 11WP | 0 | G10_059 | 'LEA COUNTY INTERCHANGE - YOAKUM COUNTY INTERCHANGE 230KV CKT 1' | FROM->TO | 0.34914 | 360.7 | 'CUNNINGHAM STATION - LEA COUNTY INTERCHANGE 230KV CKT 1'         |
| 11WP | 0 | G10_060 | 'BORDEN COUNTY INTERCHANGE 230/138KV TRANSFORMER CKT 1'          | TO->FROM | 0.23169 | 167.8 | 'LEA COUNTY INTERCHANGE - YOAKUM COUNTY INTERCHANGE 230KV CKT 1'  |
| 11WP | 0 | G10_059 | 'BORDEN COUNTY INTERCHANGE 230/138KV TRANSFORMER CKT 1'          | TO->FROM | 0.23169 | 167.8 | 'LEA COUNTY INTERCHANGE - YOAKUM COUNTY INTERCHANGE 230KV CKT 1'  |
| 11WP | 0 | G10_060 | 'CAPROCK REC-PHILLIPS - CAPROCK REC-TATE 138KV CKT 1'            | TO->FROM | 0.22425 | 271   | 'CUNNINGHAM STATION - LEA COUNTY INTERCHANGE 230KV CKT 1'         |
| 11WP | 0 | G10_059 | 'CAPROCK REC-PHILLIPS - CAPROCK REC-TATE 138KV CKT 1'            | TO->FROM | 0.22425 | 271   | 'CUNNINGHAM STATION - LEA COUNTY INTERCHANGE 230KV CKT 1'         |
| 11WP | 0 | G10_060 | 'CAPROCK REC-PHILLIPS - CAPROCK REC-TATE 138KV CKT 1'            | TO->FROM | 0.2182  | 271   | 'AMOCO SWITCHING STATION - YOAKUM COUNTY INTERCHANGE 230KV CKT 1' |

|      |   |         |   |          |         |       |   |
|------|---|---------|---|----------|---------|-------|---|
| 11WP | 0 | G10_059 | 'CAPROCK REC-PHILLIPS - CAPROCK REC-TATE 138KV CKT 1'         | TO->FROM | 0.2182  | 271   | 'AMOCO SWITCHING STATION - YOAKUM COUNTY INTERCHANGE 230KV CKT 1' |
| 11WP | 0 | G10_060 | 'CAPROCK REC-NEW SCHWARTZ - CAPROCK REC-PEMBROOK 138KV CKT 1' | FROM->TO | 0.29613 | 271   | 'HOBBS INTERCHANGE - MIDLAND COUNTY INTERCHANGE 230KV CKT 1'      |
| 11WP | 0 | G10_059 | 'CAPROCK REC-NEW SCHWARTZ - CAPROCK REC-PEMBROOK 138KV CKT 1' | FROM->TO | 0.29613 | 271   | 'HOBBS INTERCHANGE - MIDLAND COUNTY INTERCHANGE 230KV CKT 1'      |
| 11WP | 0 | G10_060 | 'CAPROCK REC-MCDONALD - CAPROCK REC-PHILLIPS 138KV CKT 1'     | TO->FROM | 0.23293 | 271   | 'LEA COUNTY INTERCHANGE - YOAKUM COUNTY INTERCHANGE 230KV CKT 1'  |
| 11WP | 0 | G10_059 | 'CAPROCK REC-MCDONALD - CAPROCK REC-PHILLIPS 138KV CKT 1'     | TO->FROM | 0.23293 | 271   | 'LEA COUNTY INTERCHANGE - YOAKUM COUNTY INTERCHANGE 230KV CKT 1'  |
| 11WP | 0 | G10_060 | 'BORDEN COUNTY INTERCHANGE 230/138KV TRANSFORMER CKT 1'       | TO->FROM | 0.22302 | 167.8 | 'CUNNINGHAM STATION - LEA COUNTY INTERCHANGE 230KV CKT 1'         |
| 11WP | 0 | G10_059 | 'BORDEN COUNTY INTERCHANGE 230/138KV TRANSFORMER CKT 1'       | TO->FROM | 0.22302 | 167.8 | 'CUNNINGHAM STATION - LEA COUNTY INTERCHANGE 230KV CKT 1'         |
| 11WP | 0 | G10_060 | 'CAPROCK REC-PHILLIPS - CAPROCK REC-TATE 138KV CKT 1'         | TO->FROM | 0.21636 | 271   | 'CUNNINGHAM STATION - EDDY COUNTY INTERCHANGE 230KV CKT 1'        |
| 11WP | 0 | G10_059 | 'CAPROCK REC-PHILLIPS - CAPROCK REC-TATE 138KV CKT 1'         | TO->FROM | 0.21636 | 271   | 'CUNNINGHAM STATION - EDDY COUNTY INTERCHANGE 230KV CKT 1'        |
| 11WP | 0 | G10_060 | 'CAPROCK REC-PHILLIPS - CAPROCK REC-TATE 138KV CKT 1'         | TO->FROM | 0.21239 | 271   | 'TOLK STATION EAST - TUCO INTERCHANGE 230KV CKT 1'                |
| 11WP | 0 | G10_059 | 'CAPROCK REC-PHILLIPS - CAPROCK REC-TATE 138KV CKT 1'         | TO->FROM | 0.21239 | 271   | 'TOLK STATION EAST - TUCO INTERCHANGE 230KV CKT 1'                |
| 11WP | 0 | G10_060 | 'CAPROCK REC-PHILLIPS - CAPROCK REC-TATE 138KV CKT 1'         | TO->FROM | 0.21483 | 271   | 'SUNDOWN INTERCHANGE - WOLFFORTH INTERCHANGE 230KV CKT 1'         |
| 11WP | 0 | G10_059 | 'CAPROCK REC-PHILLIPS - CAPROCK REC-TATE 138KV CKT 1'         | TO->FROM | 0.21483 | 271   | 'SUNDOWN INTERCHANGE - WOLFFORTH INTERCHANGE 230KV CKT 1'         |
| 11WP | 0 | G10_060 | 'BORDEN COUNTY INTERCHANGE 230/138KV TRANSFORMER CKT 1'       | TO->FROM | 0.21697 | 167.8 | 'AMOCO SWITCHING STATION - YOAKUM COUNTY INTERCHANGE 230KV CKT 1' |
| 11WP | 0 | G10_059 | 'BORDEN COUNTY INTERCHANGE 230/138KV TRANSFORMER CKT 1'       | TO->FROM | 0.21697 | 167.8 | 'AMOCO SWITCHING STATION - YOAKUM COUNTY INTERCHANGE 230KV CKT 1' |
| 11WP | 0 | G10_060 | 'CAPROCK REC-ST LAWRENCE - CAPROCK REC-STILES 138KV CKT 1'    | TO->FROM | 0.29489 | 270.9 | 'HOBBS INTERCHANGE - MIDLAND COUNTY INTERCHANGE 230KV CKT 1'      |
| 11WP | 0 | G10_059 | 'CAPROCK REC-ST LAWRENCE - CAPROCK REC-STILES 138KV CKT 1'    | TO->FROM | 0.29489 | 270.9 | 'HOBBS INTERCHANGE - MIDLAND COUNTY INTERCHANGE 230KV CKT 1'      |
| 11WP | 0 | G10_060 | 'CAPROCK REC-PHILLIPS - CAPROCK REC-TATE 138KV CKT 1'         | TO->FROM | 0.21344 | 271   | 'CUNNINGHAM STATION - POTASH JUNCTION INTERCHANGE 230KV CKT 1'    |
| 11WP | 0 | G10_059 | 'CAPROCK REC-PHILLIPS - CAPROCK REC-TATE 138KV CKT 1'         | TO->FROM | 0.21344 | 271   | 'CUNNINGHAM STATION - POTASH JUNCTION INTERCHANGE 230KV CKT 1'    |
| 11WP | 0 | G10_060 | 'CAPROCK REC-PHILLIPS - CAPROCK REC-TATE 138KV CKT 1'         | TO->FROM | 0.21101 | 271   | 'Jones Station Bus#2 230/22.0KV TRANSFORMER CKT 1'                |
| 11WP | 0 | G10_059 | 'CAPROCK REC-PHILLIPS - CAPROCK REC-TATE 138KV CKT 1'         | TO->FROM | 0.21101 | 271   | 'Jones Station Bus#2 230/22.0KV TRANSFORMER CKT 1'                |
| 11WP | 0 | G10_060 | 'CAPROCK REC-PHILLIPS - CAPROCK REC-TATE 138KV CKT 1'         | TO->FROM | 0.2182  | 271   | 'AMOCO SWITCHING STATION - SUNDOWN INTERCHANGE 230KV CKT 1'       |
| 11WP | 0 | G10_059 | 'CAPROCK REC-PHILLIPS - CAPROCK REC-TATE 138KV CKT 1'         | TO->FROM | 0.2182  | 271   | 'AMOCO SWITCHING STATION - SUNDOWN INTERCHANGE 230KV CKT 1'       |
| 11WP | 0 | G10_060 | 'CAPROCK REC-PHILLIPS - CAPROCK REC-TATE 138KV CKT 1'         | TO->FROM | 0.21101 | 271   | 'Jones Station Bus#2 230/22.0KV TRANSFORMER CKT 1'                |
| 11WP | 0 | G10_059 | 'CAPROCK REC-PHILLIPS - CAPROCK REC-TATE 138KV CKT 1'         | TO->FROM | 0.21101 | 271   | 'Jones Station Bus#2 230/22.0KV TRANSFORMER CKT 1'                |

|      |   |         |   |          |         |       |  |
|------|---|---------|---|----------|---------|-------|--|
| 11WP | 0 | G10_060 | 'CAPROCK REC-PHILLIPS - CAPROCK REC-TATE 138KV CKT 1'     | TO->FROM | 0.22074 | 271   | 'TOLK STATION (ABBXNL844501) 345/230/13.2KV TRANSFORMER CKT 1'     |
| 11WP | 0 | G10_059 | 'CAPROCK REC-PHILLIPS - CAPROCK REC-TATE 138KV CKT 1'     | TO->FROM | 0.22074 | 271   | 'TOLK STATION (ABBXNL844501) 345/230/13.2KV TRANSFORMER CKT 1'     |
| 11WP | 0 | G10_060 | 'CAPROCK REC-PHILLIPS - CAPROCK REC-TATE 138KV CKT 1'     | TO->FROM | 0.22074 | 271   | 'CHAVESCO 345.00 - TOLK STATION 345KV CKT 1'                       |
| 11WP | 0 | G10_059 | 'CAPROCK REC-PHILLIPS - CAPROCK REC-TATE 138KV CKT 1'     | TO->FROM | 0.22074 | 271   | 'CHAVESCO 345.00 - TOLK STATION 345KV CKT 1'                       |
| 11WP | 0 | G10_060 | 'CAPROCK REC-PHILLIPS - CAPROCK REC-TATE 138KV CKT 1'     | TO->FROM | 0.21117 | 271   | 'SPP-SWPS-T14'   |
| 11WP | 0 | G10_059 | 'CAPROCK REC-PHILLIPS - CAPROCK REC-TATE 138KV CKT 1'     | TO->FROM | 0.21117 | 271   | 'SPP-SWPS-T14'   |
| 11WP | 0 | G10_060 | 'CAPROCK REC-PHILLIPS - CAPROCK REC-TATE 138KV CKT 1'     | TO->FROM | 0.21366 | 271   | 'TERRY COUNTY INTERCHANGE - WOLFFORTH INTERCHANGE 115KV CKT 1'     |
| 11WP | 0 | G10_059 | 'CAPROCK REC-PHILLIPS - CAPROCK REC-TATE 138KV CKT 1'     | TO->FROM | 0.21366 | 271   | 'TERRY COUNTY INTERCHANGE - WOLFFORTH INTERCHANGE 115KV CKT 1'     |
| 11WP | 0 | G10_060 | 'CAPROCK REC-PHILLIPS - CAPROCK REC-TATE 138KV CKT 1'     | TO->FROM | 0.2128  | 271   | 'CHAVES COUNTY INTERCHANGE - EDDY COUNTY INTERCHANGE 230KV CKT 1'  |
| 11WP | 0 | G10_059 | 'CAPROCK REC-PHILLIPS - CAPROCK REC-TATE 138KV CKT 1'     | TO->FROM | 0.2128  | 271   | 'CHAVES COUNTY INTERCHANGE - EDDY COUNTY INTERCHANGE 230KV CKT 1'  |
| 11WP | 0 | G10_060 | 'CAPROCK REC-PHILLIPS - CAPROCK REC-TATE 138KV CKT 1'     | TO->FROM | 0.21328 | 271   | 'GAINES COUNTY INTERCHANGE - TAYLOR SWITCHING STATION 115KV CKT 1' |
| 11WP | 0 | G10_059 | 'CAPROCK REC-PHILLIPS - CAPROCK REC-TATE 138KV CKT 1'     | TO->FROM | 0.21328 | 271   | 'GAINES COUNTY INTERCHANGE - TAYLOR SWITCHING STATION 115KV CKT 1' |
| 11WP | 0 | G10_060 | 'CAPROCK REC-PHILLIPS - CAPROCK REC-TATE 138KV CKT 1'     | TO->FROM | 0.21281 | 271   | 'HOBBS INTERCHANGE - Higg Switch Station 115KV CKT 1'              |
| 11WP | 0 | G10_059 | 'CAPROCK REC-PHILLIPS - CAPROCK REC-TATE 138KV CKT 1'     | TO->FROM | 0.21281 | 271   | 'HOBBS INTERCHANGE - Higg Switch Station 115KV CKT 1'              |
| 11WP | 0 | G10_060 | 'CAPROCK REC-PHILLIPS - CAPROCK REC-TATE 138KV CKT 1'     | TO->FROM | 0.21209 | 271   | 'WOLFFORTH INTERCHANGE - YUMA INTERCHANGE 115KV CKT 1'             |
| 11WP | 0 | G10_059 | 'CAPROCK REC-PHILLIPS - CAPROCK REC-TATE 138KV CKT 1'     | TO->FROM | 0.21209 | 271   | 'WOLFFORTH INTERCHANGE - YUMA INTERCHANGE 115KV CKT 1'             |
| 11WP | 0 | G10_060 | 'HOBBS INTERCHANGE - LEA COUNTY INTERCHANGE 115KV CKT 1'  | FROM->TO | 0.22391 | 263.8 | 'HOBBS INTERCHANGE - LEA COUNTY INTERCHANGE 230KV CKT 1'           |
| 11WP | 0 | G10_059 | 'HOBBS INTERCHANGE - LEA COUNTY INTERCHANGE 115KV CKT 1'  | FROM->TO | 0.22391 | 263.8 | 'HOBBS INTERCHANGE - LEA COUNTY INTERCHANGE 230KV CKT 1'           |
| 11WP | 0 | G10_060 | 'BORDEN COUNTY INTERCHANGE 230/138KV TRANSFORMER CKT 1'   | TO->FROM | 0.21513 | 167.8 | 'CUNNINGHAM STATION - EDDY COUNTY INTERCHANGE 230KV CKT 1'         |
| 11WP | 0 | G10_059 | 'BORDEN COUNTY INTERCHANGE 230/138KV TRANSFORMER CKT 1'   | TO->FROM | 0.21513 | 167.8 | 'CUNNINGHAM STATION - EDDY COUNTY INTERCHANGE 230KV CKT 1'         |
| 11WP | 0 | G10_060 | 'BORDEN COUNTY INTERCHANGE 230/138KV TRANSFORMER CKT 1'   | TO->FROM | 0.21115 | 167.8 | 'TOLK STATION EAST - TUCO INTERCHANGE 230KV CKT 1'                 |
| 11WP | 0 | G10_059 | 'BORDEN COUNTY INTERCHANGE 230/138KV TRANSFORMER CKT 1'   | TO->FROM | 0.21115 | 167.8 | 'TOLK STATION EAST - TUCO INTERCHANGE 230KV CKT 1'                 |
| 11WP | 0 | G10_060 | 'CAPROCK REC-MCDONALD - CAPROCK REC-PHILLIPS 138KV CKT 1' | TO->FROM | 0.22425 | 271   | 'CUNNINGHAM STATION - LEA COUNTY INTERCHANGE 230KV CKT 1'          |
| 11WP | 0 | G10_059 | 'CAPROCK REC-MCDONALD - CAPROCK REC-PHILLIPS 138KV CKT 1' | TO->FROM | 0.22425 | 271   | 'CUNNINGHAM STATION - LEA COUNTY INTERCHANGE 230KV CKT 1'          |
| 11WP | 0 | G10_060 | 'BORDEN COUNTY INTERCHANGE 230/138KV TRANSFORMER CKT 1'   | TO->FROM | 0.2136  | 167.8 | 'SUNDOWN INTERCHANGE - WOLFFORTH INTERCHANGE 230KV CKT 1'          |

|      |   |         |  |          |         |       |   |
|------|---|---------|--|----------|---------|-------|---|
| 11WP | 0 | G10_059 | 'BORDEN COUNTY INTERCHANGE 230/138KV TRANSFORMER CKT 1'          | TO->FROM | 0.2136  | 167.8 | 'SUNDOWN INTERCHANGE - WOLFFORTH INTERCHANGE 230KV CKT 1'         |
| 11WP | 0 | G10_060 | 'BORDEN COUNTY INTERCHANGE 230/138KV TRANSFORMER CKT 1'          | TO->FROM | 0.21221 | 167.8 | 'CUNNINGHAM STATION - POTASH JUNCTION INTERCHANGE 230KV CKT 1'    |
| 11WP | 0 | G10_059 | 'BORDEN COUNTY INTERCHANGE 230/138KV TRANSFORMER CKT 1'          | TO->FROM | 0.21221 | 167.8 | 'CUNNINGHAM STATION - POTASH JUNCTION INTERCHANGE 230KV CKT 1'    |
| 11WP | 0 | G10_060 | 'BORDEN COUNTY INTERCHANGE 230/138KV TRANSFORMER CKT 1'          | TO->FROM | 0.20978 | 167.8 | 'CAPROCK REC-BUCHANAN - CAPROCK REC-LONE WOLF 138KV CKT 1'        |
| 11WP | 0 | G10_059 | 'BORDEN COUNTY INTERCHANGE 230/138KV TRANSFORMER CKT 1'          | TO->FROM | 0.20978 | 167.8 | 'CAPROCK REC-BUCHANAN - CAPROCK REC-LONE WOLF 138KV CKT 1'        |
| 11WP | 0 | G10_060 | 'BORDEN COUNTY INTERCHANGE 230/138KV TRANSFORMER CKT 1'          | TO->FROM | 0.21697 | 167.8 | 'AMOCO SWITCHING STATION - SUNDOWN INTERCHANGE 230KV CKT 1'       |
| 11WP | 0 | G10_059 | 'BORDEN COUNTY INTERCHANGE 230/138KV TRANSFORMER CKT 1'          | TO->FROM | 0.21697 | 167.8 | 'AMOCO SWITCHING STATION - SUNDOWN INTERCHANGE 230KV CKT 1'       |
| 11WP | 0 | G10_060 | 'BORDEN COUNTY INTERCHANGE 230/138KV TRANSFORMER CKT 1'          | TO->FROM | 0.20978 | 167.8 | 'Jones Station Bus#2 230/22.0KV TRANSFORMER CKT 1'                |
| 11WP | 0 | G10_059 | 'BORDEN COUNTY INTERCHANGE 230/138KV TRANSFORMER CKT 1'          | TO->FROM | 0.20978 | 167.8 | 'Jones Station Bus#2 230/22.0KV TRANSFORMER CKT 1'                |
| 11WP | 0 | G10_060 | 'BORDEN COUNTY INTERCHANGE 230/138KV TRANSFORMER CKT 1'          | TO->FROM | 0.20978 | 167.8 | 'Jones Station Bus#2 230/22.0KV TRANSFORMER CKT 1'                |
| 11WP | 0 | G10_059 | 'BORDEN COUNTY INTERCHANGE 230/138KV TRANSFORMER CKT 1'          | TO->FROM | 0.20978 | 167.8 | 'Jones Station Bus#2 230/22.0KV TRANSFORMER CKT 1'                |
| 11WP | 0 | G10_060 | 'CAPROCK REC-BUCHANAN - CAPROCK REC-LANGE 138KV CKT 1'           | TO->FROM | 0.29489 | 271   | 'HOBBS INTERCHANGE - MIDLAND COUNTY INTERCHANGE 230KV CKT 1'      |
| 11WP | 0 | G10_059 | 'CAPROCK REC-BUCHANAN - CAPROCK REC-LANGE 138KV CKT 1'           | TO->FROM | 0.29489 | 271   | 'HOBBS INTERCHANGE - MIDLAND COUNTY INTERCHANGE 230KV CKT 1'      |
| 11WP | 0 | G10_060 | 'CAPROCK REC-MCDONALD - CAPROCK REC-PHILLIPS 138KV CKT 1'        | TO->FROM | 0.2182  | 271   | 'AMOCO SWITCHING STATION - YOAKUM COUNTY INTERCHANGE 230KV CKT 1' |
| 11WP | 0 | G10_059 | 'CAPROCK REC-MCDONALD - CAPROCK REC-PHILLIPS 138KV CKT 1'        | TO->FROM | 0.2182  | 271   | 'AMOCO SWITCHING STATION - YOAKUM COUNTY INTERCHANGE 230KV CKT 1' |
| 11WP | 0 | G10_060 | 'BORDEN COUNTY INTERCHANGE 230/138KV TRANSFORMER CKT 1'          | TO->FROM | 0.21951 | 167.8 | 'TOLK STATION (ABBXNL844501) 345/230/13.2KV TRANSFORMER CKT 1'    |
| 11WP | 0 | G10_059 | 'BORDEN COUNTY INTERCHANGE 230/138KV TRANSFORMER CKT 1'          | TO->FROM | 0.21951 | 167.8 | 'TOLK STATION (ABBXNL844501) 345/230/13.2KV TRANSFORMER CKT 1'    |
| 11WP | 0 | G10_060 | 'BORDEN COUNTY INTERCHANGE 230/138KV TRANSFORMER CKT 1'          | TO->FROM | 0.21951 | 167.8 | 'CHAVESCO 345.00 - TOLK STATION 345KV CKT 1'                      |
| 11WP | 0 | G10_059 | 'BORDEN COUNTY INTERCHANGE 230/138KV TRANSFORMER CKT 1'          | TO->FROM | 0.21951 | 167.8 | 'CHAVESCO 345.00 - TOLK STATION 345KV CKT 1'                      |
| 11WP | 0 | G10_060 | 'LEA COUNTY INTERCHANGE - YOAKUM COUNTY INTERCHANGE 230KV CKT 1' | FROM->TO | 0.34741 | 360.7 | 'BORDEN COUNTY INTERCHANGE 230/138KV TRANSFORMER CKT 1'           |
| 11WP | 0 | G10_059 | 'LEA COUNTY INTERCHANGE - YOAKUM COUNTY INTERCHANGE 230KV CKT 1' | FROM->TO | 0.34741 | 360.7 | 'BORDEN COUNTY INTERCHANGE 230/138KV TRANSFORMER CKT 1'           |
| 11WP | 0 | G10_060 | 'LEA COUNTY INTERCHANGE - YOAKUM COUNTY INTERCHANGE 230KV CKT 1' | FROM->TO | 0.34741 | 360.7 | 'SPP-SWPS-K48'  |
| 11WP | 0 | G10_059 | 'LEA COUNTY INTERCHANGE - YOAKUM COUNTY INTERCHANGE 230KV CKT 1' | FROM->TO | 0.34741 | 360.7 | 'SPP-SWPS-K48'  |
| 11WP | 0 | G10_060 | 'LEA COUNTY INTERCHANGE - YOAKUM COUNTY INTERCHANGE 230KV CKT 1' | FROM->TO | 0.34741 | 360.7 | 'BORDEN COUNTY INTERCHANGE - GRASSLAND INTERCHANGE 230KV CKT 1'   |
| 11WP | 0 | G10_059 | 'LEA COUNTY INTERCHANGE - YOAKUM COUNTY INTERCHANGE 230KV CKT 1' | FROM->TO | 0.34741 | 360.7 | 'BORDEN COUNTY INTERCHANGE - GRASSLAND INTERCHANGE 230KV CKT 1'   |



|      |   |         |   |          |         |       |  |
|------|---|---------|---|----------|---------|-------|--|
| 11WP | 0 | G10_060 | 'BORDEN COUNTY INTERCHANGE 230/138KV TRANSFORMER CKT 1'     | TO->FROM | 0.20994 | 167.8 | 'SPP-SWPS-T14'   |
| 11WP | 0 | G10_059 | 'BORDEN COUNTY INTERCHANGE 230/138KV TRANSFORMER CKT 1'     | TO->FROM | 0.20994 | 167.8 | 'SPP-SWPS-T14'   |
| 11WP | 0 | G10_060 | 'BORDEN COUNTY INTERCHANGE 230/138KV TRANSFORMER CKT 1'     | TO->FROM | 0.21243 | 167.8 | 'TERRY COUNTY INTERCHANGE - WOLFFORTH INTERCHANGE 115KV CKT 1'     |
| 11WP | 0 | G10_059 | 'BORDEN COUNTY INTERCHANGE 230/138KV TRANSFORMER CKT 1'     | TO->FROM | 0.21243 | 167.8 | 'TERRY COUNTY INTERCHANGE - WOLFFORTH INTERCHANGE 115KV CKT 1'     |
| 11WP | 0 | G10_060 | 'BORDEN COUNTY INTERCHANGE 230/138KV TRANSFORMER CKT 1'     | TO->FROM | 0.21157 | 167.8 | 'CHAVES COUNTY INTERCHANGE - EDDY COUNTY INTERCHANGE 230KV CKT 1'  |
| 11WP | 0 | G10_059 | 'BORDEN COUNTY INTERCHANGE 230/138KV TRANSFORMER CKT 1'     | TO->FROM | 0.21157 | 167.8 | 'CHAVES COUNTY INTERCHANGE - EDDY COUNTY INTERCHANGE 230KV CKT 1'  |
| 11WP | 0 | G10_060 | 'BORDEN COUNTY INTERCHANGE 230/138KV TRANSFORMER CKT 1'     | TO->FROM | 0.21204 | 167.8 | 'GAINES COUNTY INTERCHANGE - TAYLOR SWITCHING STATION 115KV CKT 1' |
| 11WP | 0 | G10_059 | 'BORDEN COUNTY INTERCHANGE 230/138KV TRANSFORMER CKT 1'     | TO->FROM | 0.21204 | 167.8 | 'GAINES COUNTY INTERCHANGE - TAYLOR SWITCHING STATION 115KV CKT 1' |
| 11WP | 0 | G10_060 | 'BORDEN COUNTY INTERCHANGE 230/138KV TRANSFORMER CKT 1'     | TO->FROM | 0.21157 | 167.8 | 'HOBBS INTERCHANGE - Higg Switch Station 115KV CKT 1'              |
| 11WP | 0 | G10_059 | 'BORDEN COUNTY INTERCHANGE 230/138KV TRANSFORMER CKT 1'     | TO->FROM | 0.21157 | 167.8 | 'HOBBS INTERCHANGE - Higg Switch Station 115KV CKT 1'              |
| 11WP | 0 | G10_060 | 'BORDEN COUNTY INTERCHANGE 230/138KV TRANSFORMER CKT 1'     | TO->FROM | 0.20978 | 167.8 | 'BASE CASE'  |
| 11WP | 0 | G10_059 | 'BORDEN COUNTY INTERCHANGE 230/138KV TRANSFORMER CKT 1'     | TO->FROM | 0.20978 | 167.8 | 'BASE CASE'  |
| 11WP | 0 | G10_060 | 'CAPROCK REC-MCDONALD - CAPROCK REC-PHILLIPS 138KV CKT 1'   | TO->FROM | 0.21636 | 271   | 'CUNNINGHAM STATION - EDDY COUNTY INTERCHANGE 230KV CKT 1'         |
| 11WP | 0 | G10_059 | 'CAPROCK REC-MCDONALD - CAPROCK REC-PHILLIPS 138KV CKT 1'   | TO->FROM | 0.21636 | 271   | 'CUNNINGHAM STATION - EDDY COUNTY INTERCHANGE 230KV CKT 1'         |
| 11WP | 0 | G10_060 | 'CAPROCK REC-MCDONALD - CAPROCK REC-PHILLIPS 138KV CKT 1'   | TO->FROM | 0.21239 | 271   | 'TOLK STATION EAST - TUCO INTERCHANGE 230KV CKT 1'                 |
| 11WP | 0 | G10_059 | 'CAPROCK REC-MCDONALD - CAPROCK REC-PHILLIPS 138KV CKT 1'   | TO->FROM | 0.21239 | 271   | 'TOLK STATION EAST - TUCO INTERCHANGE 230KV CKT 1'                 |
| 11WP | 0 | G10_060 | 'CAPROCK REC-MCDONALD - CAPROCK REC-PHILLIPS 138KV CKT 1'   | TO->FROM | 0.21483 | 271   | 'SUNDOWN INTERCHANGE - WOLFFORTH INTERCHANGE 230KV CKT 1'          |
| 11WP | 0 | G10_059 | 'CAPROCK REC-MCDONALD - CAPROCK REC-PHILLIPS 138KV CKT 1'   | TO->FROM | 0.21483 | 271   | 'SUNDOWN INTERCHANGE - WOLFFORTH INTERCHANGE 230KV CKT 1'          |
| 11WP | 0 | G10_060 | 'CAPROCK REC-BUCHANAN - CAPROCK REC-RUSSEL TAP 138KV CKT 1' | FROM->TO | 0.29489 | 271   | 'HOBBS INTERCHANGE - MIDLAND COUNTY INTERCHANGE 230KV CKT 1'       |
| 11WP | 0 | G10_059 | 'CAPROCK REC-BUCHANAN - CAPROCK REC-RUSSEL TAP 138KV CKT 1' | FROM->TO | 0.29489 | 271   | 'HOBBS INTERCHANGE - MIDLAND COUNTY INTERCHANGE 230KV CKT 1'       |
| 11WP | 0 | G10_060 | 'CAPROCK REC-MCDONALD - CAPROCK REC-PHILLIPS 138KV CKT 1'   | TO->FROM | 0.21344 | 271   | 'CUNNINGHAM STATION - POTASH JUNCTION INTERCHANGE 230KV CKT 1'     |
| 11WP | 0 | G10_059 | 'CAPROCK REC-MCDONALD - CAPROCK REC-PHILLIPS 138KV CKT 1'   | TO->FROM | 0.21344 | 271   | 'CUNNINGHAM STATION - POTASH JUNCTION INTERCHANGE 230KV CKT 1'     |
| 11WP | 0 | G10_060 | 'CAPROCK REC-MCDONALD - CAPROCK REC-PHILLIPS 138KV CKT 1'   | TO->FROM | 0.2182  | 271   | 'AMOCO SWITCHING STATION - SUNDOWN INTERCHANGE 230KV CKT 1'        |
| 11WP | 0 | G10_059 | 'CAPROCK REC-MCDONALD - CAPROCK REC-PHILLIPS 138KV CKT 1'   | TO->FROM | 0.2182  | 271   | 'AMOCO SWITCHING STATION - SUNDOWN INTERCHANGE 230KV CKT 1'        |
| 11WP | 0 | G10_060 | 'CAPROCK REC-MCDONALD - CAPROCK REC-PHILLIPS 138KV CKT 1'   | TO->FROM | 0.22074 | 271   | 'TOLK STATION (ABBXNL844501) 345/230/13.2KV TRANSFORMER CKT 1'     |

|      |   |         |  |          |         |       |   |
|------|---|---------|--|----------|---------|-------|---|
| 11WP | 0 | G10_059 | 'CAPROCK REC-MCDONALD - CAPROCK REC-PHILLIPS 138KV CKT 1'        | TO->FROM | 0.22074 | 271   | 'TOLK STATION (ABBXNL844501) 345/230/13.2KV TRANSFORMER CKT 1'            |
| 11WP | 0 | G10_060 | 'CAPROCK REC-MCDONALD - CAPROCK REC-PHILLIPS 138KV CKT 1'        | TO->FROM | 0.22074 | 271   | 'CHAVESCO 345.00 - TOLK STATION 345KV CKT 1'                              |
| 11WP | 0 | G10_059 | 'CAPROCK REC-MCDONALD - CAPROCK REC-PHILLIPS 138KV CKT 1'        | TO->FROM | 0.22074 | 271   | 'CHAVESCO 345.00 - TOLK STATION 345KV CKT 1'                              |
| 11WP | 0 | G10_060 | 'CAPROCK REC-MCDONALD - CAPROCK REC-PHILLIPS 138KV CKT 1'        | TO->FROM | 0.21101 | 271   | 'Jones Station Bus#2 230/22.0KV TRANSFORMER CKT 1'                        |
| 11WP | 0 | G10_059 | 'CAPROCK REC-MCDONALD - CAPROCK REC-PHILLIPS 138KV CKT 1'        | TO->FROM | 0.21101 | 271   | 'Jones Station Bus#2 230/22.0KV TRANSFORMER CKT 1'                        |
| 11WP | 0 | G10_060 | 'CAPROCK REC-MCDONALD - CAPROCK REC-PHILLIPS 138KV CKT 1'        | TO->FROM | 0.21101 | 271   | 'Jones Station Bus#2 230/22.0KV TRANSFORMER CKT 1'                        |
| 11WP | 0 | G10_059 | 'CAPROCK REC-MCDONALD - CAPROCK REC-PHILLIPS 138KV CKT 1'        | TO->FROM | 0.21101 | 271   | 'Jones Station Bus#2 230/22.0KV TRANSFORMER CKT 1'                        |
| 11WP | 0 | G10_060 | 'CAPROCK REC-MCDONALD - CAPROCK REC-PHILLIPS 138KV CKT 1'        | TO->FROM | 0.21366 | 271   | 'TERRY COUNTY INTERCHANGE - WOLFFORTH INTERCHANGE 115KV CKT 1'            |
| 11WP | 0 | G10_059 | 'CAPROCK REC-MCDONALD - CAPROCK REC-PHILLIPS 138KV CKT 1'        | TO->FROM | 0.21366 | 271   | 'TERRY COUNTY INTERCHANGE - WOLFFORTH INTERCHANGE 115KV CKT 1'            |
| 11WP | 0 | G10_060 | 'CAPROCK REC-MCDONALD - CAPROCK REC-PHILLIPS 138KV CKT 1'        | TO->FROM | 0.21117 | 271   | 'SPP-SWPS-T14'  |
| 11WP | 0 | G10_059 | 'CAPROCK REC-MCDONALD - CAPROCK REC-PHILLIPS 138KV CKT 1'        | TO->FROM | 0.21117 | 271   | 'SPP-SWPS-T14'  |
| 11WP | 0 | G10_060 | 'CAPROCK REC-MCDONALD - CAPROCK REC-PHILLIPS 138KV CKT 1'        | TO->FROM | 0.2128  | 271   | 'CHAVES COUNTY INTERCHANGE - EDDY COUNTY INTERCHANGE 230KV CKT 1'         |
| 11WP | 0 | G10_059 | 'CAPROCK REC-MCDONALD - CAPROCK REC-PHILLIPS 138KV CKT 1'        | TO->FROM | 0.2128  | 271   | 'CHAVES COUNTY INTERCHANGE - EDDY COUNTY INTERCHANGE 230KV CKT 1'         |
| 11WP | 0 | G10_060 | 'CAPROCK REC-MCDONALD - CAPROCK REC-PHILLIPS 138KV CKT 1'        | TO->FROM | 0.21328 | 271   | 'GAINES COUNTY INTERCHANGE - TAYLOR SWITCHING STATION 115KV CKT 1'        |
| 11WP | 0 | G10_059 | 'CAPROCK REC-MCDONALD - CAPROCK REC-PHILLIPS 138KV CKT 1'        | TO->FROM | 0.21328 | 271   | 'GAINES COUNTY INTERCHANGE - TAYLOR SWITCHING STATION 115KV CKT 1'        |
| 11WP | 0 | G10_060 | 'CAPROCK REC-MCDONALD - CAPROCK REC-PHILLIPS 138KV CKT 1'        | TO->FROM | 0.22115 | 271   | 'EDDY COUNTY INTERCHANGE (ABB AEM30711) 345/230/13.2KV TRANSFORMER CKT 1' |
| 11WP | 0 | G10_059 | 'CAPROCK REC-MCDONALD - CAPROCK REC-PHILLIPS 138KV CKT 1'        | TO->FROM | 0.22115 | 271   | 'EDDY COUNTY INTERCHANGE (ABB AEM30711) 345/230/13.2KV TRANSFORMER CKT 1' |
| 11WP | 0 | G10_060 | 'CAPROCK REC-MCDONALD - CAPROCK REC-PHILLIPS 138KV CKT 1'        | TO->FROM | 0.22115 | 271   | 'CHAVESCO 345.00 - EDDY COUNTY INTERCHANGE 345KV CKT 1'                   |
| 11WP | 0 | G10_059 | 'CAPROCK REC-MCDONALD - CAPROCK REC-PHILLIPS 138KV CKT 1'        | TO->FROM | 0.22115 | 271   | 'CHAVESCO 345.00 - EDDY COUNTY INTERCHANGE 345KV CKT 1'                   |
| 11WP | 0 | G10_060 | 'CAPROCK REC-RUSSEL TAP - CAPROCK REC-VEALMOOR 138KV CKT 1'      | FROM->TO | 0.29489 | 271   | 'HOBBS INTERCHANGE - MIDLAND COUNTY INTERCHANGE 230KV CKT 1'              |
| 11WP | 0 | G10_059 | 'CAPROCK REC-RUSSEL TAP - CAPROCK REC-VEALMOOR 138KV CKT 1'      | FROM->TO | 0.29489 | 271   | 'HOBBS INTERCHANGE - MIDLAND COUNTY INTERCHANGE 230KV CKT 1'              |
| 11WP | 0 | G10_060 | 'LEA COUNTY INTERCHANGE - YOAKUM COUNTY INTERCHANGE 230KV CKT 1' | FROM->TO | 0.29071 | 360.7 | 'CUNNINGHAM STATION - EDDY COUNTY INTERCHANGE 230KV CKT 1'                |
| 11WP | 0 | G10_059 | 'LEA COUNTY INTERCHANGE - YOAKUM COUNTY INTERCHANGE 230KV CKT 1' | FROM->TO | 0.29071 | 360.7 | 'CUNNINGHAM STATION - EDDY COUNTY INTERCHANGE 230KV CKT 1'                |
| 11WP | 0 | G10_060 | 'LUBBOCK SOUTH INTERCHANGE - WOLFFORTH INTERCHANGE 230KV CKT 1'  | FROM->TO | 0.32632 | 358.2 | 'HOBBS INTERCHANGE - MIDLAND COUNTY INTERCHANGE 230KV CKT 1'              |

|      |   |         |  |          |         |       |  |
|------|---|---------|--|----------|---------|-------|--|
| 11WP | 0 | G10_059 | 'LUBBOCK SOUTH INTERCHANGE - WOLFFORTH INTERCHANGE 230KV CKT 1'  | FROM->TO | 0.32632 | 358.2 | 'HOBBS INTERCHANGE - MIDLAND COUNTY INTERCHANGE 230KV CKT 1'       |
| 11WP | 0 | G10_060 | 'CUNNINGHAM STATION - LEA COUNTY INTERCHANGE 230KV CKT 1'        | TO->FROM | 0.44929 | 556.2 | 'LEA COUNTY INTERCHANGE - YOAKUM COUNTY INTERCHANGE 230KV CKT 1'   |
| 11WP | 0 | G10_059 | 'CUNNINGHAM STATION - LEA COUNTY INTERCHANGE 230KV CKT 1'        | TO->FROM | 0.44929 | 556.2 | 'LEA COUNTY INTERCHANGE - YOAKUM COUNTY INTERCHANGE 230KV CKT 1'   |
| 11WP | 0 | G10_060 | 'LEA COUNTY INTERCHANGE - YOAKUM COUNTY INTERCHANGE 230KV CKT 1' | FROM->TO | 0.29744 | 360.7 | 'CAPROCK REC-MCDONALD - CAPROCK REC-TRIANGLE 138KV CKT 1'          |
| 11WP | 0 | G10_059 | 'LEA COUNTY INTERCHANGE - YOAKUM COUNTY INTERCHANGE 230KV CKT 1' | FROM->TO | 0.29744 | 360.7 | 'CAPROCK REC-MCDONALD - CAPROCK REC-TRIANGLE 138KV CKT 1'          |
| 11WP | 0 | G10_060 | 'LEA COUNTY INTERCHANGE - YOAKUM COUNTY INTERCHANGE 230KV CKT 1' | FROM->TO | 0.29744 | 360.7 | 'CAPROCK REC-GRADY - CAPROCK REC-TRIANGLE 138KV CKT 1'             |
| 11WP | 0 | G10_059 | 'LEA COUNTY INTERCHANGE - YOAKUM COUNTY INTERCHANGE 230KV CKT 1' | FROM->TO | 0.29744 | 360.7 | 'CAPROCK REC-GRADY - CAPROCK REC-TRIANGLE 138KV CKT 1'             |
| 11WP | 0 | G10_060 | 'LEA COUNTY INTERCHANGE - YOAKUM COUNTY INTERCHANGE 230KV CKT 1' | FROM->TO | 0.29744 | 360.7 | 'CAPROCK REC-GRADY - CAPROCK REC-REED 138KV CKT 1'                 |
| 11WP | 0 | G10_059 | 'LEA COUNTY INTERCHANGE - YOAKUM COUNTY INTERCHANGE 230KV CKT 1' | FROM->TO | 0.29744 | 360.7 | 'CAPROCK REC-GRADY - CAPROCK REC-REED 138KV CKT 1'                 |
| 11WP | 0 | G10_060 | 'LEA COUNTY INTERCHANGE - YOAKUM COUNTY INTERCHANGE 230KV CKT 1' | FROM->TO | 0.29744 | 360.7 | 'CAPROCK REC-KOCH - CAPROCK REC-REED 138KV CKT 1'                  |
| 11WP | 0 | G10_059 | 'LEA COUNTY INTERCHANGE - YOAKUM COUNTY INTERCHANGE 230KV CKT 1' | FROM->TO | 0.29744 | 360.7 | 'CAPROCK REC-KOCH - CAPROCK REC-REED 138KV CKT 1'                  |
| 11WP | 0 | G10_060 | 'LEA COUNTY INTERCHANGE - YOAKUM COUNTY INTERCHANGE 230KV CKT 1' | FROM->TO | 0.29744 | 360.7 | 'CAPROCK REC-KOCH - CAPROCK REC-VEALMOOR 138KV CKT 1'              |
| 11WP | 0 | G10_059 | 'LEA COUNTY INTERCHANGE - YOAKUM COUNTY INTERCHANGE 230KV CKT 1' | FROM->TO | 0.29744 | 360.7 | 'CAPROCK REC-KOCH - CAPROCK REC-VEALMOOR 138KV CKT 1'              |
| 11WP | 0 | G10_060 | 'LEA COUNTY INTERCHANGE - YOAKUM COUNTY INTERCHANGE 230KV CKT 1' | FROM->TO | 0.28731 | 360.7 | 'GAINES COUNTY INTERCHANGE - TAYLOR SWITCHING STATION 115KV CKT 1' |
| 11WP | 0 | G10_059 | 'LEA COUNTY INTERCHANGE - YOAKUM COUNTY INTERCHANGE 230KV CKT 1' | FROM->TO | 0.28731 | 360.7 | 'GAINES COUNTY INTERCHANGE - TAYLOR SWITCHING STATION 115KV CKT 1' |
| 11WP | 0 | G10_060 | 'LEA COUNTY INTERCHANGE - YOAKUM COUNTY INTERCHANGE 230KV CKT 1' | FROM->TO | 0.27568 | 360.7 | 'CUNNINGHAM STATION - POTASH JUNCTION INTERCHANGE 230KV CKT 1'     |
| 11WP | 0 | G10_059 | 'LEA COUNTY INTERCHANGE - YOAKUM COUNTY INTERCHANGE 230KV CKT 1' | FROM->TO | 0.27568 | 360.7 | 'CUNNINGHAM STATION - POTASH JUNCTION INTERCHANGE 230KV CKT 1'     |
| 11WP | 0 | G10_060 | 'LEA COUNTY INTERCHANGE - YOAKUM COUNTY INTERCHANGE 230KV CKT 1' | FROM->TO | 0.26126 | 328.6 | 'BASE CASE'  |
| 11WP | 0 | G10_059 | 'LEA COUNTY INTERCHANGE - YOAKUM COUNTY INTERCHANGE 230KV CKT 1' | FROM->TO | 0.26126 | 328.6 | 'BASE CASE'  |
| 11WP | 0 | G10_060 | 'LEA COUNTY INTERCHANGE - YOAKUM COUNTY INTERCHANGE 230KV CKT 1' | FROM->TO | 0.27913 | 360.7 | 'HOBBS INTERCHANGE - Higg Switch Station 115KV CKT 1'              |
| 11WP | 0 | G10_059 | 'LEA COUNTY INTERCHANGE - YOAKUM COUNTY INTERCHANGE 230KV CKT 1' | FROM->TO | 0.27913 | 360.7 | 'HOBBS INTERCHANGE - Higg Switch Station 115KV CKT 1'              |
| 11WP | 0 | G10_060 | 'LEA COUNTY INTERCHANGE - YOAKUM COUNTY INTERCHANGE 230KV CKT 1' | FROM->TO | 0.31271 | 360.7 | 'TOLK STATION (ABBXNL844501) 345/230/13.2KV TRANSFORMER CKT 1'     |
| 11WP | 0 | G10_059 | 'LEA COUNTY INTERCHANGE - YOAKUM COUNTY INTERCHANGE 230KV CKT 1' | FROM->TO | 0.31271 | 360.7 | 'TOLK STATION (ABBXNL844501) 345/230/13.2KV TRANSFORMER CKT 1'     |
| 11WP | 0 | G10_060 | 'LEA COUNTY INTERCHANGE - YOAKUM COUNTY INTERCHANGE 230KV CKT 1' | FROM->TO | 0.31271 | 360.7 | 'CHAVESCO 345.00 - TOLK STATION 345KV CKT 1'                       |
| 11WP | 0 | G10_059 | 'LEA COUNTY INTERCHANGE - YOAKUM COUNTY INTERCHANGE 230KV CKT 1' | FROM->TO | 0.31271 | 360.7 | 'CHAVESCO 345.00 - TOLK STATION 345KV CKT 1'                       |

|      |   |         |  |          |         |       |   |
|------|---|---------|--|----------|---------|-------|---|
| 11WP | 0 | G10_060 | 'LEA COUNTY INTERCHANGE - YOAKUM COUNTY INTERCHANGE 230KV CKT 1' | FROM->TO | 0.26126 | 360.7 | 'Golden Spread REC - Mustang Interchange 230 kV Generation Bus - MUSTANG STATION 230KV CKT 1' |
| 11WP | 0 | G10_059 | 'LEA COUNTY INTERCHANGE - YOAKUM COUNTY INTERCHANGE 230KV CKT 1' | FROM->TO | 0.26126 | 360.7 | 'Golden Spread REC - Mustang Interchange 230 kV Generation Bus - MUSTANG STATION 230KV CKT 1' |
| 11WP | 0 | G10_060 | 'LEA COUNTY INTERCHANGE - YOAKUM COUNTY INTERCHANGE 230KV CKT 1' | FROM->TO | 0.27605 | 360.7 | 'LEA COUNTY REC-LOVINGTON INTERCHANGE - LEA COUNTY REC-WAITS INTERCHANGE 115KV CKT 1'         |
| 11WP | 0 | G10_059 | 'LEA COUNTY INTERCHANGE - YOAKUM COUNTY INTERCHANGE 230KV CKT 1' | FROM->TO | 0.27605 | 360.7 | 'LEA COUNTY REC-LOVINGTON INTERCHANGE - LEA COUNTY REC-WAITS INTERCHANGE 115KV CKT 1'         |
| 11WP | 0 | G10_060 | 'CUNNINGHAM STATION - LEA COUNTY INTERCHANGE 230KV CKT 1'        | TO->FROM | 0.39504 | 556.2 | 'MIDLAND COUNTY INTERCHANGE 230/138KV TRANSFORMER CKT 1'                                      |
| 11WP | 0 | G10_059 | 'CUNNINGHAM STATION - LEA COUNTY INTERCHANGE 230KV CKT 1'        | TO->FROM | 0.39504 | 556.2 | 'MIDLAND COUNTY INTERCHANGE 230/138KV TRANSFORMER CKT 1'                                      |
| 11WP | 0 | G10_060 | 'CUNNINGHAM STATION - LEA COUNTY INTERCHANGE 230KV CKT 1'        | TO->FROM | 0.39504 | 556.2 | 'CAPROCK REC-PHILLIPS - CAPROCK REC-TATE 138KV CKT 1'   |
| 11WP | 0 | G10_059 | 'CUNNINGHAM STATION - LEA COUNTY INTERCHANGE 230KV CKT 1'        | TO->FROM | 0.39504 | 556.2 | 'CAPROCK REC-PHILLIPS - CAPROCK REC-TATE 138KV CKT 1'   |
| 11WP | 0 | G10_060 | 'CUNNINGHAM STATION - LEA COUNTY INTERCHANGE 230KV CKT 1'        | TO->FROM | 0.39504 | 556.2 | 'CAPROCK REC-MCDONALD - CAPROCK REC-PHILLIPS 138KV CKT 1'                                     |
| 11WP | 0 | G10_059 | 'CUNNINGHAM STATION - LEA COUNTY INTERCHANGE 230KV CKT 1'        | TO->FROM | 0.39504 | 556.2 | 'CAPROCK REC-MCDONALD - CAPROCK REC-PHILLIPS 138KV CKT 1'                                     |
| 11WP | 0 | G10_060 | 'CAPROCK REC-MCDONALD - CAPROCK REC-TRIANGLE 138KV CKT 1'        | FROM->TO | 0.20154 | 271   | 'HOBBS INTERCHANGE - LEA COUNTY INTERCHANGE 230KV CKT 1'                                      |
| 11WP | 0 | G10_059 | 'CAPROCK REC-MCDONALD - CAPROCK REC-TRIANGLE 138KV CKT 1'        | FROM->TO | 0.20154 | 271   | 'HOBBS INTERCHANGE - LEA COUNTY INTERCHANGE 230KV CKT 1'                                      |
| 11WP | 0 | G10_060 | 'CUNNINGHAM STATION - LEA COUNTY INTERCHANGE 230KV CKT 1'        | TO->FROM | 0.39457 | 556.2 | 'SPP-SWPS-K48'  |
| 11WP | 0 | G10_059 | 'CUNNINGHAM STATION - LEA COUNTY INTERCHANGE 230KV CKT 1'        | TO->FROM | 0.39457 | 556.2 | 'SPP-SWPS-K48'  |
| 11WP | 0 | G10_060 | 'CUNNINGHAM STATION - LEA COUNTY INTERCHANGE 230KV CKT 1'        | TO->FROM | 0.39457 | 556.2 | 'BORDEN COUNTY INTERCHANGE 230/138KV TRANSFORMER CKT 1'                                       |
| 11WP | 0 | G10_059 | 'CUNNINGHAM STATION - LEA COUNTY INTERCHANGE 230KV CKT 1'        | TO->FROM | 0.39457 | 556.2 | 'BORDEN COUNTY INTERCHANGE 230/138KV TRANSFORMER CKT 1'                                       |
| 11WP | 0 | G10_060 | 'CUNNINGHAM STATION - LEA COUNTY INTERCHANGE 230KV CKT 1'        | TO->FROM | 0.39457 | 556.2 | 'BORDEN COUNTY INTERCHANGE - GRASSLAND INTERCHANGE 230KV CKT 1'                               |
| 11WP | 0 | G10_059 | 'CUNNINGHAM STATION - LEA COUNTY INTERCHANGE 230KV CKT 1'        | TO->FROM | 0.39457 | 556.2 | 'BORDEN COUNTY INTERCHANGE - GRASSLAND INTERCHANGE 230KV CKT 1'                               |
| 11WP | 0 | G10_060 | 'CAPROCK REC-GRADY - CAPROCK REC-REED 138KV CKT 1'               | FROM->TO | 0.20154 | 270.9 | 'HOBBS INTERCHANGE - LEA COUNTY INTERCHANGE 230KV CKT 1'                                      |
| 11WP | 0 | G10_059 | 'CAPROCK REC-GRADY - CAPROCK REC-REED 138KV CKT 1'               | FROM->TO | 0.20154 | 270.9 | 'HOBBS INTERCHANGE - LEA COUNTY INTERCHANGE 230KV CKT 1'                                      |
| 11WP | 0 | G10_060 | 'CUNNINGHAM STATION - LEA COUNTY INTERCHANGE 230KV CKT 1'        | TO->FROM | 0.35671 | 556.2 | 'HOBBS INTERCHANGE 230/115KV TRANSFORMER CKT 1'   |
| 11WP | 0 | G10_059 | 'CUNNINGHAM STATION - LEA COUNTY INTERCHANGE 230KV CKT 1'        | TO->FROM | 0.35671 | 556.2 | 'HOBBS INTERCHANGE 230/115KV TRANSFORMER CKT 1'   |
| 11WP | 0 | G10_060 | 'CUNNINGHAM STATION - LEA COUNTY INTERCHANGE 230KV CKT 1'        | TO->FROM | 0.3151  | 556.2 | 'CUNNINGHAM STATION 230/20.0KV TRANSFORMER CKT 1'   |

|      |   |         |   |          |         |       |  |
|------|---|---------|---|----------|---------|-------|--|
| 11WP | 0 | G10_059 | 'CUNNINGHAM STATION - LEA COUNTY INTERCHANGE 230KV CKT 1' | TO->FROM | 0.3151  | 556.2 | 'CUNNINGHAM STATION 230/20.0KV TRANSFORMER CKT 1'                  |
| 11WP | 0 | G10_060 | 'CUNNINGHAM STATION - LEA COUNTY INTERCHANGE 230KV CKT 1' | TO->FROM | 0.35127 | 556.2 | 'LEA COUNTY INTERCHANGE 230/115KV TRANSFORMER CKT 1'               |
| 11WP | 0 | G10_059 | 'CUNNINGHAM STATION - LEA COUNTY INTERCHANGE 230KV CKT 1' | TO->FROM | 0.35127 | 556.2 | 'LEA COUNTY INTERCHANGE 230/115KV TRANSFORMER CKT 1'               |
| 11WP | 0 | G10_060 | 'CUNNINGHAM STATION - LEA COUNTY INTERCHANGE 230KV CKT 1' | TO->FROM | 0.34848 | 556.2 | 'CAPROCK REC-MCDONALD - CAPROCK REC-TRIANGLE 138KV CKT 1'          |
| 11WP | 0 | G10_059 | 'CUNNINGHAM STATION - LEA COUNTY INTERCHANGE 230KV CKT 1' | TO->FROM | 0.34848 | 556.2 | 'CAPROCK REC-MCDONALD - CAPROCK REC-TRIANGLE 138KV CKT 1'          |
| 11WP | 0 | G10_060 | 'CUNNINGHAM STATION - LEA COUNTY INTERCHANGE 230KV CKT 1' | TO->FROM | 0.34848 | 556.2 | 'CAPROCK REC-GRADY - CAPROCK REC-TRIANGLE 138KV CKT 1'             |
| 11WP | 0 | G10_059 | 'CUNNINGHAM STATION - LEA COUNTY INTERCHANGE 230KV CKT 1' | TO->FROM | 0.34848 | 556.2 | 'CAPROCK REC-GRADY - CAPROCK REC-TRIANGLE 138KV CKT 1'             |
| 11WP | 0 | G10_060 | 'CUNNINGHAM STATION - LEA COUNTY INTERCHANGE 230KV CKT 1' | TO->FROM | 0.34848 | 556.2 | 'CAPROCK REC-GRADY - CAPROCK REC-REED 138KV CKT 1'                 |
| 11WP | 0 | G10_059 | 'CUNNINGHAM STATION - LEA COUNTY INTERCHANGE 230KV CKT 1' | TO->FROM | 0.34848 | 556.2 | 'CAPROCK REC-GRADY - CAPROCK REC-REED 138KV CKT 1'                 |
| 11WP | 0 | G10_060 | 'CUNNINGHAM STATION - LEA COUNTY INTERCHANGE 230KV CKT 1' | TO->FROM | 0.34848 | 556.2 | 'CAPROCK REC-KOCH - CAPROCK REC-REED 138KV CKT 1'                  |
| 11WP | 0 | G10_059 | 'CUNNINGHAM STATION - LEA COUNTY INTERCHANGE 230KV CKT 1' | TO->FROM | 0.34848 | 556.2 | 'CAPROCK REC-KOCH - CAPROCK REC-REED 138KV CKT 1'                  |
| 11WP | 0 | G10_060 | 'CUNNINGHAM STATION - LEA COUNTY INTERCHANGE 230KV CKT 1' | TO->FROM | 0.34848 | 556.2 | 'CAPROCK REC-KOCH - CAPROCK REC-VEALMOOR 138KV CKT 1'              |
| 11WP | 0 | G10_059 | 'CUNNINGHAM STATION - LEA COUNTY INTERCHANGE 230KV CKT 1' | TO->FROM | 0.34848 | 556.2 | 'CAPROCK REC-KOCH - CAPROCK REC-VEALMOOR 138KV CKT 1'              |
| 16SP | 0 | G10_060 | 'HOBBS INTERCHANGE 230/115KV TRANSFORMER CKT 1'           | FROM->TO | 0.68984 | 148.9 | 'HOBBS INTERCHANGE - LEA COUNTY INTERCHANGE 230KV CKT 1'           |
| 16SP | 0 | G10_059 | 'HOBBS INTERCHANGE 230/115KV TRANSFORMER CKT 1'           | FROM->TO | 0.68984 | 148.9 | 'HOBBS INTERCHANGE - LEA COUNTY INTERCHANGE 230KV CKT 1'           |
| 16SP | 0 | G10_060 | 'CAPROCK REC-PHILLIPS - CAPROCK REC-TATE 138KV CKT 1'     | TO->FROM | 1       | 270.5 | 'HOBBS_INT 7345.00 (LIKE POTTER) 345/230/13.2KV TRANSFORMER CKT 1' |
| 16SP | 0 | G10_059 | 'CAPROCK REC-PHILLIPS - CAPROCK REC-TATE 138KV CKT 1'     | TO->FROM | 1       | 270.5 | 'HOBBS_INT 7345.00 (LIKE POTTER) 345/230/13.2KV TRANSFORMER CKT 1' |
| 16SP | 0 | G10_060 | 'CAPROCK REC-PHILLIPS - CAPROCK REC-TATE 138KV CKT 1'     | TO->FROM | 1       | 270.5 | 'HOBBS_INT 7345.00 - MIDLAND 7345.00 345KV CKT 1'                  |
| 16SP | 0 | G10_059 | 'CAPROCK REC-PHILLIPS - CAPROCK REC-TATE 138KV CKT 1'     | TO->FROM | 1       | 270.5 | 'HOBBS_INT 7345.00 - MIDLAND 7345.00 345KV CKT 1'                  |
| 16SP | 0 | G10_060 | 'CAPROCK REC-MCDONALD - CAPROCK REC-PHILLIPS 138KV CKT 1' | TO->FROM | 1       | 270.9 | 'HOBBS_INT 7345.00 (LIKE POTTER) 345/230/13.2KV TRANSFORMER CKT 1' |
| 16SP | 0 | G10_059 | 'CAPROCK REC-MCDONALD - CAPROCK REC-PHILLIPS 138KV CKT 1' | TO->FROM | 1       | 270.9 | 'HOBBS_INT 7345.00 (LIKE POTTER) 345/230/13.2KV TRANSFORMER CKT 1' |
| 16SP | 0 | G10_060 | 'CAPROCK REC-MCDONALD - CAPROCK REC-PHILLIPS 138KV CKT 1' | TO->FROM | 1       | 270.9 | 'HOBBS_INT 7345.00 - MIDLAND 7345.00 345KV CKT 1'                  |
| 16SP | 0 | G10_059 | 'CAPROCK REC-MCDONALD - CAPROCK REC-PHILLIPS 138KV CKT 1' | TO->FROM | 1       | 270.9 | 'HOBBS_INT 7345.00 - MIDLAND 7345.00 345KV CKT 1'                  |
| 16SP | 0 | G10_060 | 'CAPROCK REC-GRADY - CAPROCK REC-TRIANGLE 138KV CKT 1'    | TO->FROM | 0.70404 | 175.9 | 'HOBBS_INT 7345.00 - MIDLAND 7345.00 345KV CKT 1'                  |
| 16SP | 0 | G10_059 | 'CAPROCK REC-GRADY - CAPROCK REC-TRIANGLE 138KV CKT 1'    | TO->FROM | 0.70404 | 175.9 | 'HOBBS_INT 7345.00 - MIDLAND 7345.00 345KV CKT 1'                  |

|      |   |         |   |          |         |       |  |
|------|---|---------|---|----------|---------|-------|--|
| 16SP | 0 | G10_060 | 'CAPROCK REC-GRADY - CAPROCK REC-TRIANGLE 138KV CKT 1'            | TO->FROM | 0.70404 | 175.9 | 'HOBBS_INT 7345.00 (LIKE POTTER) 345/230/13.2KV TRANSFORMER CKT 1' |
| 16SP | 0 | G10_059 | 'CAPROCK REC-GRADY - CAPROCK REC-TRIANGLE 138KV CKT 1'            | TO->FROM | 0.70404 | 175.9 | 'HOBBS_INT 7345.00 (LIKE POTTER) 345/230/13.2KV TRANSFORMER CKT 1' |
| 16SP | 0 | G10_060 | 'CAPROCK REC-KOCH - CAPROCK REC-REED 138KV CKT 1'                 | TO->FROM | 0.70404 | 175.9 | 'HOBBS_INT 7345.00 - MIDLAND 7345.00 345KV CKT 1'                  |
| 16SP | 0 | G10_059 | 'CAPROCK REC-KOCH - CAPROCK REC-REED 138KV CKT 1'                 | TO->FROM | 0.70404 | 175.9 | 'HOBBS_INT 7345.00 - MIDLAND 7345.00 345KV CKT 1'                  |
| 16SP | 0 | G10_060 | 'CAPROCK REC-KOCH - CAPROCK REC-REED 138KV CKT 1'                 | TO->FROM | 0.70404 | 175.9 | 'HOBBS_INT 7345.00 (LIKE POTTER) 345/230/13.2KV TRANSFORMER CKT 1' |
| 16SP | 0 | G10_059 | 'CAPROCK REC-KOCH - CAPROCK REC-REED 138KV CKT 1'                 | TO->FROM | 0.70404 | 175.9 | 'HOBBS_INT 7345.00 (LIKE POTTER) 345/230/13.2KV TRANSFORMER CKT 1' |
| 16SP | 0 | G10_060 | 'CAPROCK REC-KOCH - CAPROCK REC-VEALMOOR 138KV CKT 1'             | FROM->TO | 0.70404 | 175.9 | 'HOBBS_INT 7345.00 (LIKE POTTER) 345/230/13.2KV TRANSFORMER CKT 1' |
| 16SP | 0 | G10_059 | 'CAPROCK REC-KOCH - CAPROCK REC-VEALMOOR 138KV CKT 1'             | FROM->TO | 0.70404 | 175.9 | 'HOBBS_INT 7345.00 (LIKE POTTER) 345/230/13.2KV TRANSFORMER CKT 1' |
| 16SP | 0 | G10_060 | 'CAPROCK REC-KOCH - CAPROCK REC-VEALMOOR 138KV CKT 1'             | FROM->TO | 0.70404 | 175.9 | 'HOBBS_INT 7345.00 - MIDLAND 7345.00 345KV CKT 1'                  |
| 16SP | 0 | G10_059 | 'CAPROCK REC-KOCH - CAPROCK REC-VEALMOOR 138KV CKT 1'             | FROM->TO | 0.70404 | 175.9 | 'HOBBS_INT 7345.00 - MIDLAND 7345.00 345KV CKT 1'                  |
| 16SP | 0 | G10_060 | 'MIDLAND 7345.00 (LIKE WICHITA) 345/138/13.8KV TRANSFORMER CKT 1' | FROM->TO | 1       | 384.9 | 'HOBBS_INT 7345.00 (LIKE POTTER) 345/230/13.2KV TRANSFORMER CKT 1' |
| 16SP | 0 | G10_059 | 'MIDLAND 7345.00 (LIKE WICHITA) 345/138/13.8KV TRANSFORMER CKT 1' | FROM->TO | 1       | 384.9 | 'HOBBS_INT 7345.00 (LIKE POTTER) 345/230/13.2KV TRANSFORMER CKT 1' |
| 16SP | 0 | G10_060 | 'MIDLAND 7345.00 (LIKE WICHITA) 345/138/13.8KV TRANSFORMER CKT 1' | FROM->TO | 1       | 384.9 | 'HOBBS_INT 7345.00 - MIDLAND 7345.00 345KV CKT 1'                  |
| 16SP | 0 | G10_059 | 'MIDLAND 7345.00 (LIKE WICHITA) 345/138/13.8KV TRANSFORMER CKT 1' | FROM->TO | 1       | 384.9 | 'HOBBS_INT 7345.00 - MIDLAND 7345.00 345KV CKT 1'                  |
| 16SP | 0 | G10_060 | 'MIDLAND 7345.00 (LIKE WICHITA) 345/138/13.8KV TRANSFORMER CKT 1' | FROM->TO | 1       | 385.2 | 'HOBBS_INT 7345.00 (LIKE POTTER) 345/230/13.2KV TRANSFORMER CKT 1' |
| 16SP | 0 | G10_059 | 'MIDLAND 7345.00 (LIKE WICHITA) 345/138/13.8KV TRANSFORMER CKT 1' | FROM->TO | 1       | 385.2 | 'HOBBS_INT 7345.00 (LIKE POTTER) 345/230/13.2KV TRANSFORMER CKT 1' |
| 16SP | 0 | G10_060 | 'MIDLAND 7345.00 (LIKE WICHITA) 345/138/13.8KV TRANSFORMER CKT 1' | FROM->TO | 1       | 385.2 | 'HOBBS_INT 7345.00 - MIDLAND 7345.00 345KV CKT 1'                  |
| 16SP | 0 | G10_059 | 'MIDLAND 7345.00 (LIKE WICHITA) 345/138/13.8KV TRANSFORMER CKT 1' | FROM->TO | 1       | 385.2 | 'HOBBS_INT 7345.00 - MIDLAND 7345.00 345KV CKT 1'                  |
| 16SP | 0 | G10_060 | 'CAPROCK REC-MCDONALD - CAPROCK REC-TRIANGLE 138KV CKT 1'         | FROM->TO | 0.70404 | 271   | 'HOBBS_INT 7345.00 - MIDLAND 7345.00 345KV CKT 1'                  |
| 16SP | 0 | G10_059 | 'CAPROCK REC-MCDONALD - CAPROCK REC-TRIANGLE 138KV CKT 1'         | FROM->TO | 0.70404 | 271   | 'HOBBS_INT 7345.00 - MIDLAND 7345.00 345KV CKT 1'                  |
| 16SP | 0 | G10_060 | 'CAPROCK REC-MCDONALD - CAPROCK REC-TRIANGLE 138KV CKT 1'         | FROM->TO | 0.70404 | 271   | 'HOBBS_INT 7345.00 (LIKE POTTER) 345/230/13.2KV TRANSFORMER CKT 1' |
| 16SP | 0 | G10_059 | 'CAPROCK REC-MCDONALD - CAPROCK REC-TRIANGLE 138KV CKT 1'         | FROM->TO | 0.70404 | 271   | 'HOBBS_INT 7345.00 (LIKE POTTER) 345/230/13.2KV TRANSFORMER CKT 1' |
| 16SP | 0 | G10_060 | 'HOBBS INTERCHANGE - LEA COUNTY INTERCHANGE 230KV CKT 1'          | FROM->TO | 0.84796 | 616.4 | 'MIDLAND 7345.00 (LIKE WICHITA) 345/138/13.8KV TRANSFORMER CKT 1'  |
| 16SP | 0 | G10_059 | 'HOBBS INTERCHANGE - LEA COUNTY INTERCHANGE 230KV CKT 1'          | FROM->TO | 0.84796 | 616.4 | 'MIDLAND 7345.00 (LIKE WICHITA) 345/138/13.8KV TRANSFORMER CKT 1'  |
| 16SP | 0 | G10_060 | 'BORDEN COUNTY INTERCHANGE 230/138KV TRANSFORMER CKT 1'           | TO->FROM | 0.50078 | 167.5 | 'HOBBS_INT 7345.00 (LIKE POTTER) 345/230/13.2KV TRANSFORMER CKT 1' |

|      |   |         |  |          |         |       |  |
|------|---|---------|--|----------|---------|-------|--|
| 16SP | 0 | G10_059 | 'BORDEN COUNTY INTERCHANGE 230/138KV TRANSFORMER CKT 1'            | TO->FROM | 0.50078 | 167.5 | 'HOBBS_INT 7345.00 (LIKE POTTER) 345/230/13.2KV TRANSFORMER CKT 1' |
| 16SP | 0 | G10_060 | 'BORDEN COUNTY INTERCHANGE 230/138KV TRANSFORMER CKT 1'            | TO->FROM | 0.50078 | 167.5 | 'HOBBS_INT 7345.00 - MIDLAND 7345.00 345KV CKT 1'                  |
| 16SP | 0 | G10_059 | 'BORDEN COUNTY INTERCHANGE 230/138KV TRANSFORMER CKT 1'            | TO->FROM | 0.50078 | 167.5 | 'HOBBS_INT 7345.00 - MIDLAND 7345.00 345KV CKT 1'                  |
| 16SP | 0 | G10_060 | 'HOBBS INTERCHANGE - LEA COUNTY INTERCHANGE 230KV CKT 1'           | FROM->TO | 0.84796 | 616.4 | 'CAPROCK REC-PHILLIPS - CAPROCK REC-TATE 138KV CKT 1'              |
| 16SP | 0 | G10_059 | 'HOBBS INTERCHANGE - LEA COUNTY INTERCHANGE 230KV CKT 1'           | FROM->TO | 0.84796 | 616.4 | 'CAPROCK REC-PHILLIPS - CAPROCK REC-TATE 138KV CKT 1'              |
| 16SP | 0 | G10_060 | 'CAPROCK REC-GRADY - CAPROCK REC-REED 138KV CKT 1'                 | FROM->TO | 0.70404 | 270.9 | 'HOBBS_INT 7345.00 (LIKE POTTER) 345/230/13.2KV TRANSFORMER CKT 1' |
| 16SP | 0 | G10_059 | 'CAPROCK REC-GRADY - CAPROCK REC-REED 138KV CKT 1'                 | FROM->TO | 0.70404 | 270.9 | 'HOBBS_INT 7345.00 (LIKE POTTER) 345/230/13.2KV TRANSFORMER CKT 1' |
| 16SP | 0 | G10_060 | 'CAPROCK REC-GRADY - CAPROCK REC-REED 138KV CKT 1'                 | FROM->TO | 0.70404 | 270.9 | 'HOBBS_INT 7345.00 - MIDLAND 7345.00 345KV CKT 1'                  |
| 16SP | 0 | G10_059 | 'CAPROCK REC-GRADY - CAPROCK REC-REED 138KV CKT 1'                 | FROM->TO | 0.70404 | 270.9 | 'HOBBS_INT 7345.00 - MIDLAND 7345.00 345KV CKT 1'                  |
| 16SP | 0 | G10_060 | 'HOBBS INTERCHANGE - LEA COUNTY INTERCHANGE 230KV CKT 1'           | FROM->TO | 0.84796 | 616.4 | 'CAPROCK REC-MCDONALD - CAPROCK REC-PHILLIPS 138KV CKT 1'          |
| 16SP | 0 | G10_059 | 'HOBBS INTERCHANGE - LEA COUNTY INTERCHANGE 230KV CKT 1'           | FROM->TO | 0.84796 | 616.4 | 'CAPROCK REC-MCDONALD - CAPROCK REC-PHILLIPS 138KV CKT 1'          |
| 16SP | 0 | G10_060 | 'CAPROCK REC-PHILLIPS - CAPROCK REC-TATE 138KV CKT 1'              | TO->FROM | 0.2791  | 270.5 | 'HOBBS INTERCHANGE - LEA COUNTY INTERCHANGE 230KV CKT 1'           |
| 16SP | 0 | G10_059 | 'CAPROCK REC-PHILLIPS - CAPROCK REC-TATE 138KV CKT 1'              | TO->FROM | 0.2791  | 270.5 | 'HOBBS INTERCHANGE - LEA COUNTY INTERCHANGE 230KV CKT 1'           |
| 16SP | 0 | G10_060 | 'BORDEN COUNTY INTERCHANGE 230/138KV TRANSFORMER CKT 2'            | TO->FROM | 0.49833 | 193   | 'HOBBS_INT 7345.00 - MIDLAND 7345.00 345KV CKT 1'                  |
| 16SP | 0 | G10_059 | 'BORDEN COUNTY INTERCHANGE 230/138KV TRANSFORMER CKT 2'            | TO->FROM | 0.49833 | 193   | 'HOBBS_INT 7345.00 - MIDLAND 7345.00 345KV CKT 1'                  |
| 16SP | 0 | G10_060 | 'BORDEN COUNTY INTERCHANGE 230/138KV TRANSFORMER CKT 2'            | TO->FROM | 0.49833 | 193   | 'HOBBS_INT 7345.00 (LIKE POTTER) 345/230/13.2KV TRANSFORMER CKT 1' |
| 16SP | 0 | G10_059 | 'BORDEN COUNTY INTERCHANGE 230/138KV TRANSFORMER CKT 2'            | TO->FROM | 0.49833 | 193   | 'HOBBS_INT 7345.00 (LIKE POTTER) 345/230/13.2KV TRANSFORMER CKT 1' |
| 16SP | 0 | G10_060 | 'HOBBS INTERCHANGE - LEA COUNTY INTERCHANGE 230KV CKT 1'           | FROM->TO | 0.68104 | 477.2 | 'BASE CASE'  |
| 16SP | 0 | G10_059 | 'HOBBS INTERCHANGE - LEA COUNTY INTERCHANGE 230KV CKT 1'           | FROM->TO | 0.68104 | 477.2 | 'BASE CASE'  |
| 16SP | 0 | G10_060 | 'HOBBS_INT 7345.00 (LIKE POTTER) 345/230/13.2KV TRANSFORMER CKT 1' | FROM->TO | 1       | 557.5 | 'MIDLAND 7345.00 (LIKE WICHITA) 345/138/13.8KV TRANSFORMER CKT 1'  |
| 16SP | 0 | G10_059 | 'HOBBS_INT 7345.00 (LIKE POTTER) 345/230/13.2KV TRANSFORMER CKT 1' | FROM->TO | 1       | 557.5 | 'MIDLAND 7345.00 (LIKE WICHITA) 345/138/13.8KV TRANSFORMER CKT 1'  |
| 16SP | 0 | G10_060 | 'HOBBS_INT 7345.00 (LIKE POTTER) 345/230/13.2KV TRANSFORMER CKT 1' | FROM->TO | 1       | 557.7 | 'MIDLAND 7345.00 (LIKE WICHITA) 345/138/13.8KV TRANSFORMER CKT 1'  |
| 16SP | 0 | G10_059 | 'HOBBS_INT 7345.00 (LIKE POTTER) 345/230/13.2KV TRANSFORMER CKT 1' | FROM->TO | 1       | 557.7 | 'MIDLAND 7345.00 (LIKE WICHITA) 345/138/13.8KV TRANSFORMER CKT 1'  |
| 16SP | 0 | G10_060 | 'HOBBS_INT 7345.00 (LIKE POTTER) 345/230/13.2KV TRANSFORMER CKT 1' | FROM->TO | 1       | 557.5 | 'CAPROCK REC-PHILLIPS - CAPROCK REC-TATE 138KV CKT 1'              |
| 16SP | 0 | G10_059 | 'HOBBS_INT 7345.00 (LIKE POTTER) 345/230/13.2KV TRANSFORMER CKT 1' | FROM->TO | 1       | 557.5 | 'CAPROCK REC-PHILLIPS - CAPROCK REC-TATE 138KV CKT 1'              |

|      |   |         |   |          |         |       |   |
|------|---|---------|---|----------|---------|-------|---|
| 16SP | 0 | G10_060 | 'HOBBS_INT 7345.00 (LIKE POTTER)<br>345/230/13.2KV TRANSFORMER CKT 1' | FROM->TO | 1       | 557.7 | 'CAPROCK REC-PHILLIPS - CAPROCK REC-TATE 138KV CKT 1'                 |
| 16SP | 0 | G10_059 | 'HOBBS_INT 7345.00 (LIKE POTTER)<br>345/230/13.2KV TRANSFORMER CKT 1' | FROM->TO | 1       | 557.7 | 'CAPROCK REC-PHILLIPS - CAPROCK REC-TATE 138KV CKT 1'                 |
| 16SP | 0 | G10_060 | 'HOBBS INTERCHANGE - LEA COUNTY<br>INTERCHANGE 115KV CKT 1'           | FROM->TO | 0.21953 | 239   | 'HOBBS INTERCHANGE - LEA COUNTY<br>INTERCHANGE 230KV CKT 1'           |
| 16SP | 0 | G10_059 | 'HOBBS INTERCHANGE - LEA COUNTY<br>INTERCHANGE 115KV CKT 1'           | FROM->TO | 0.21953 | 239   | 'HOBBS INTERCHANGE - LEA COUNTY<br>INTERCHANGE 230KV CKT 1'           |
| 16SP | 0 | G10_060 | 'HOBBS_INT 7345.00 (LIKE POTTER)<br>345/230/13.2KV TRANSFORMER CKT 1' | FROM->TO | 1       | 557.5 | 'CAPROCK REC-MCDONALD - CAPROCK REC-PHILLIPS 138KV CKT 1'             |
| 16SP | 0 | G10_059 | 'HOBBS_INT 7345.00 (LIKE POTTER)<br>345/230/13.2KV TRANSFORMER CKT 1' | FROM->TO | 1       | 557.5 | 'CAPROCK REC-MCDONALD - CAPROCK REC-PHILLIPS 138KV CKT 1'             |
| 16SP | 0 | G10_060 | 'HOBBS_INT 7345.00 (LIKE POTTER)<br>345/230/13.2KV TRANSFORMER CKT 1' | FROM->TO | 1       | 557.7 | 'CAPROCK REC-MCDONALD - CAPROCK REC-PHILLIPS 138KV CKT 1'             |
| 16SP | 0 | G10_059 | 'HOBBS_INT 7345.00 (LIKE POTTER)<br>345/230/13.2KV TRANSFORMER CKT 1' | FROM->TO | 1       | 557.7 | 'CAPROCK REC-MCDONALD - CAPROCK REC-PHILLIPS 138KV CKT 1'             |
| 16SP | 0 | G10_060 | 'LEA COUNTY INTERCHANGE - YOAKUM<br>COUNTY INTERCHANGE 230KV CKT 1'   | FROM->TO | 0.34035 | 351   | 'MIDLAND 7345.00 (LIKE WICHITA)<br>345/138/13.8KV TRANSFORMER CKT 1'  |
| 16SP | 0 | G10_059 | 'LEA COUNTY INTERCHANGE - YOAKUM<br>COUNTY INTERCHANGE 230KV CKT 1'   | FROM->TO | 0.34035 | 351   | 'MIDLAND 7345.00 (LIKE WICHITA)<br>345/138/13.8KV TRANSFORMER CKT 1'  |
| 16SP | 0 | G10_060 | 'CAPROCK REC-MCDONALD - CAPROCK REC-PHILLIPS 138KV CKT 1'             | TO->FROM | 0.2791  | 270.9 | 'HOBBS INTERCHANGE - LEA COUNTY<br>INTERCHANGE 230KV CKT 1'           |
| 16SP | 0 | G10_059 | 'CAPROCK REC-MCDONALD - CAPROCK REC-PHILLIPS 138KV CKT 1'             | TO->FROM | 0.2791  | 270.9 | 'HOBBS INTERCHANGE - LEA COUNTY<br>INTERCHANGE 230KV CKT 1'           |
| 16SP | 0 | G10_060 | 'LEA COUNTY INTERCHANGE - YOAKUM<br>COUNTY INTERCHANGE 230KV CKT 1'   | FROM->TO | 0.34035 | 351   | 'CAPROCK REC-PHILLIPS - CAPROCK REC-TATE 138KV CKT 1'                 |
| 16SP | 0 | G10_059 | 'LEA COUNTY INTERCHANGE - YOAKUM<br>COUNTY INTERCHANGE 230KV CKT 1'   | FROM->TO | 0.34035 | 351   | 'CAPROCK REC-PHILLIPS - CAPROCK REC-TATE 138KV CKT 1'                 |
| 16SP | 0 | G10_060 | 'BORDEN COUNTY INTERCHANGE -<br>GRASSLAND INTERCHANGE 230KV CKT 1'    | FROM->TO | 0.99911 | 478   | 'HOBBS_INT 7345.00 (LIKE POTTER)<br>345/230/13.2KV TRANSFORMER CKT 1' |
| 16SP | 0 | G10_059 | 'BORDEN COUNTY INTERCHANGE -<br>GRASSLAND INTERCHANGE 230KV CKT 1'    | FROM->TO | 0.99911 | 478   | 'HOBBS_INT 7345.00 (LIKE POTTER)<br>345/230/13.2KV TRANSFORMER CKT 1' |
| 16SP | 0 | G10_060 | 'BORDEN COUNTY INTERCHANGE -<br>GRASSLAND INTERCHANGE 230KV CKT 1'    | FROM->TO | 0.99911 | 478   | 'HOBBS_INT 7345.00 - MIDLAND 7345.00<br>345KV CKT 1'                  |
| 16SP | 0 | G10_059 | 'BORDEN COUNTY INTERCHANGE -<br>GRASSLAND INTERCHANGE 230KV CKT 1'    | FROM->TO | 0.99911 | 478   | 'HOBBS_INT 7345.00 - MIDLAND 7345.00<br>345KV CKT 1'                  |
| 16SP | 0 | G10_060 | 'CAPROCK REC-STILES - G09-17T 138.00<br>138KV CKT 1'                  | TO->FROM | 0.29507 | 176   | 'HOBBS_INT 7345.00 (LIKE POTTER)<br>345/230/13.2KV TRANSFORMER CKT 1' |
| 16SP | 0 | G10_059 | 'CAPROCK REC-STILES - G09-17T 138.00<br>138KV CKT 1'                  | TO->FROM | 0.29507 | 176   | 'HOBBS_INT 7345.00 (LIKE POTTER)<br>345/230/13.2KV TRANSFORMER CKT 1' |
| 16SP | 0 | G10_060 | 'CAPROCK REC-STILES - G09-17T 138.00<br>138KV CKT 1'                  | TO->FROM | 0.29507 | 176   | 'HOBBS_INT 7345.00 - MIDLAND 7345.00<br>345KV CKT 1'                  |
| 16SP | 0 | G10_059 | 'CAPROCK REC-STILES - G09-17T 138.00<br>138KV CKT 1'                  | TO->FROM | 0.29507 | 176   | 'HOBBS_INT 7345.00 - MIDLAND 7345.00<br>345KV CKT 1'                  |
| 16SP | 0 | G10_060 | 'HOBBS INTERCHANGE - LEA COUNTY<br>INTERCHANGE 230KV CKT 1'           | FROM->TO | 0.84717 | 616.4 | 'BORDEN COUNTY INTERCHANGE -<br>GRASSLAND INTERCHANGE 230KV CKT 1'    |
| 16SP | 0 | G10_059 | 'HOBBS INTERCHANGE - LEA COUNTY<br>INTERCHANGE 230KV CKT 1'           | FROM->TO | 0.84717 | 616.4 | 'BORDEN COUNTY INTERCHANGE -<br>GRASSLAND INTERCHANGE 230KV CKT 1'    |
| 16SP | 0 | G10_060 | 'HOBBS INTERCHANGE - LEA COUNTY<br>INTERCHANGE 230KV CKT 1'           | FROM->TO | 0.84717 | 616.4 | 'SPP-SWPS-K48'  |



|      |   |         |  |          |         |       |  |
|------|---|---------|--|----------|---------|-------|--|
| 16SP | 0 | G10_059 | 'HOBBS INTERCHANGE - LEA COUNTY INTERCHANGE 230KV CKT 1'         | FROM->TO | 0.84717 | 616.4 | 'SPP-SWPS-K48'   |
| 16SP | 0 | G10_060 | 'LEA COUNTY INTERCHANGE - YOAKUM COUNTY INTERCHANGE 230KV CKT 1' | FROM->TO | 0.34035 | 351   | 'CAPROCK REC-MCDONALD - CAPROCK REC-PHILLIPS 138KV CKT 1'          |
| 16SP | 0 | G10_059 | 'LEA COUNTY INTERCHANGE - YOAKUM COUNTY INTERCHANGE 230KV CKT 1' | FROM->TO | 0.34035 | 351   | 'CAPROCK REC-MCDONALD - CAPROCK REC-PHILLIPS 138KV CKT 1'          |
| 16SP | 0 | G10_060 | 'HOBBS INTERCHANGE - LEA COUNTY INTERCHANGE 230KV CKT 1'         | FROM->TO | 0.75767 | 616.4 | 'CAPROCK REC-MCDONALD - CAPROCK REC-TRIANGLE 138KV CKT 1'          |
| 16SP | 0 | G10_059 | 'HOBBS INTERCHANGE - LEA COUNTY INTERCHANGE 230KV CKT 1'         | FROM->TO | 0.75767 | 616.4 | 'CAPROCK REC-MCDONALD - CAPROCK REC-TRIANGLE 138KV CKT 1'          |
| 16SP | 0 | G10_060 | 'CAPROCK REC-PEMBROOK - G09-17T 138.00 138KV CKT 1'              | FROM->TO | 0.29596 | 176   | 'HOBBS_INT 7345.00 - MIDLAND 7345.00 345KV CKT 1'                  |
| 16SP | 0 | G10_059 | 'CAPROCK REC-PEMBROOK - G09-17T 138.00 138KV CKT 1'              | FROM->TO | 0.29596 | 176   | 'HOBBS_INT 7345.00 - MIDLAND 7345.00 345KV CKT 1'                  |
| 16SP | 0 | G10_060 | 'CAPROCK REC-PEMBROOK - G09-17T 138.00 138KV CKT 1'              | FROM->TO | 0.29596 | 176   | 'HOBBS_INT 7345.00 (LIKE POTTER) 345/230/13.2KV TRANSFORMER CKT 1' |
| 16SP | 0 | G10_059 | 'CAPROCK REC-PEMBROOK - G09-17T 138.00 138KV CKT 1'              | FROM->TO | 0.29596 | 176   | 'HOBBS_INT 7345.00 (LIKE POTTER) 345/230/13.2KV TRANSFORMER CKT 1' |
| 16SP | 0 | G10_060 | 'HOBBS INTERCHANGE - LEA COUNTY INTERCHANGE 230KV CKT 1'         | FROM->TO | 0.77947 | 616.4 | 'HOBBS INTERCHANGE 230/115KV TRANSFORMER CKT 1'                    |
| 16SP | 0 | G10_059 | 'HOBBS INTERCHANGE - LEA COUNTY INTERCHANGE 230KV CKT 1'         | FROM->TO | 0.77947 | 616.4 | 'HOBBS INTERCHANGE 230/115KV TRANSFORMER CKT 1'                    |
| 16SP | 0 | G10_060 | 'HOBBS INTERCHANGE - LEA COUNTY INTERCHANGE 230KV CKT 1'         | FROM->TO | 0.75767 | 616.4 | 'CAPROCK REC-GRADY - CAPROCK REC-TRIANGLE 138KV CKT 1'             |
| 16SP | 0 | G10_059 | 'HOBBS INTERCHANGE - LEA COUNTY INTERCHANGE 230KV CKT 1'         | FROM->TO | 0.75767 | 616.4 | 'CAPROCK REC-GRADY - CAPROCK REC-TRIANGLE 138KV CKT 1'             |
| 16SP | 0 | G10_060 | 'HOBBS INTERCHANGE - LEA COUNTY INTERCHANGE 230KV CKT 1'         | FROM->TO | 0.75767 | 616.4 | 'CAPROCK REC-GRADY - CAPROCK REC-REED 138KV CKT 1'                 |
| 16SP | 0 | G10_059 | 'HOBBS INTERCHANGE - LEA COUNTY INTERCHANGE 230KV CKT 1'         | FROM->TO | 0.75767 | 616.4 | 'CAPROCK REC-GRADY - CAPROCK REC-REED 138KV CKT 1'                 |
| 16SP | 0 | G10_060 | 'HOBBS INTERCHANGE - LEA COUNTY INTERCHANGE 230KV CKT 1'         | FROM->TO | 0.75767 | 616.4 | 'CAPROCK REC-KOCH - CAPROCK REC-REED 138KV CKT 1'                  |
| 16SP | 0 | G10_059 | 'HOBBS INTERCHANGE - LEA COUNTY INTERCHANGE 230KV CKT 1'         | FROM->TO | 0.75767 | 616.4 | 'CAPROCK REC-KOCH - CAPROCK REC-REED 138KV CKT 1'                  |
| 16SP | 0 | G10_060 | 'HOBBS INTERCHANGE - LEA COUNTY INTERCHANGE 230KV CKT 1'         | FROM->TO | 0.75767 | 616.4 | 'CAPROCK REC-KOCH - CAPROCK REC-VEALMOOR 138KV CKT 1'              |
| 16SP | 0 | G10_059 | 'HOBBS INTERCHANGE - LEA COUNTY INTERCHANGE 230KV CKT 1'         | FROM->TO | 0.75767 | 616.4 | 'CAPROCK REC-KOCH - CAPROCK REC-VEALMOOR 138KV CKT 1'              |
| 16SP | 0 | G10_060 | 'HOBBS INTERCHANGE - LEA COUNTY INTERCHANGE 230KV CKT 1'         | FROM->TO | 0.70301 | 616.4 | 'CAPROCK REC-MCDONALD - CR-1956 4138.00 138KV CKT 1'               |
| 16SP | 0 | G10_059 | 'HOBBS INTERCHANGE - LEA COUNTY INTERCHANGE 230KV CKT 1'         | FROM->TO | 0.70301 | 616.4 | 'CAPROCK REC-MCDONALD - CR-1956 4138.00 138KV CKT 1'               |
| 16SP | 0 | G10_060 | 'HOBBS INTERCHANGE - LEA COUNTY INTERCHANGE 230KV CKT 1'         | FROM->TO | 0.70301 | 616.4 | 'CAPROCK REC-NEW SCHWARTZ - CR-1956 4138.00 138KV CKT 1'           |
| 16SP | 0 | G10_059 | 'HOBBS INTERCHANGE - LEA COUNTY INTERCHANGE 230KV CKT 1'         | FROM->TO | 0.70301 | 616.4 | 'CAPROCK REC-NEW SCHWARTZ - CR-1956 4138.00 138KV CKT 1'           |
| 16SP | 0 | G10_060 | 'HOBBS INTERCHANGE 230/115KV TRANSFORMER CKT 1'                  | FROM->TO | 0.21345 | 148.9 | 'CUNNINGHAM STATION - LEA COUNTY INTERCHANGE 230KV CKT 1'          |
| 16SP | 0 | G10_059 | 'HOBBS INTERCHANGE 230/115KV TRANSFORMER CKT 1'                  | FROM->TO | 0.21345 | 148.9 | 'CUNNINGHAM STATION - LEA COUNTY INTERCHANGE 230KV CKT 1'          |

|      |   |         |   |          |         |       |   |
|------|---|---------|---|----------|---------|-------|---|
| 16SP | 0 | G10_060 | 'HOBBS_INT 7345.00 (LIKE POTTER)<br>345/230/13.2KV TRANSFORMER CKT 1' | FROM->TO | 0.99911 | 557.5 | 'BORDEN COUNTY INTERCHANGE -<br>GRASSLAND INTERCHANGE 230KV CKT 1'  |
| 16SP | 0 | G10_059 | 'HOBBS_INT 7345.00 (LIKE POTTER)<br>345/230/13.2KV TRANSFORMER CKT 1' | FROM->TO | 0.99911 | 557.5 | 'BORDEN COUNTY INTERCHANGE -<br>GRASSLAND INTERCHANGE 230KV CKT 1'  |
| 16SP | 0 | G10_060 | 'HOBBS_INT 7345.00 (LIKE POTTER)<br>345/230/13.2KV TRANSFORMER CKT 1' | FROM->TO | 0.99911 | 557.5 | 'SPP-SWPS-K48'  |
| 16SP | 0 | G10_059 | 'HOBBS_INT 7345.00 (LIKE POTTER)<br>345/230/13.2KV TRANSFORMER CKT 1' | FROM->TO | 0.99911 | 557.5 | 'SPP-SWPS-K48'  |
| 16SP | 0 | G10_060 | 'HOBBS_INT 7345.00 (LIKE POTTER)<br>345/230/13.2KV TRANSFORMER CKT 1' | FROM->TO | 0.99911 | 557.7 | 'SPP-SWPS-K48'  |
| 16SP | 0 | G10_059 | 'HOBBS_INT 7345.00 (LIKE POTTER)<br>345/230/13.2KV TRANSFORMER CKT 1' | FROM->TO | 0.99911 | 557.7 | 'SPP-SWPS-K48'  |
| 16SP | 0 | G10_060 | 'HOBBS_INT 7345.00 (LIKE POTTER)<br>345/230/13.2KV TRANSFORMER CKT 1' | FROM->TO | 0.99911 | 557.7 | 'BORDEN COUNTY INTERCHANGE -<br>GRASSLAND INTERCHANGE 230KV CKT 1'  |
| 16SP | 0 | G10_059 | 'HOBBS_INT 7345.00 (LIKE POTTER)<br>345/230/13.2KV TRANSFORMER CKT 1' | FROM->TO | 0.99911 | 557.7 | 'BORDEN COUNTY INTERCHANGE -<br>GRASSLAND INTERCHANGE 230KV CKT 1'  |
| 16SP | 0 | G10_060 | 'HOBBS INTERCHANGE - LEA COUNTY<br>INTERCHANGE 230KV CKT 1'           | FROM->TO | 0.68104 | 616.4 | 'CUNNINGHAM STATION 230/20.0KV<br>TRANSFORMER CKT 1'                |
| 16SP | 0 | G10_059 | 'HOBBS INTERCHANGE - LEA COUNTY<br>INTERCHANGE 230KV CKT 1'           | FROM->TO | 0.68104 | 616.4 | 'CUNNINGHAM STATION 230/20.0KV<br>TRANSFORMER CKT 1'                |
| 16SP | 0 | G10_060 | 'CAPROCK REC-PHILLIPS - CAPROCK REC-<br>TATE 138KV CKT 1'             | TO->FROM | 0.21391 | 270.5 | 'LEA COUNTY INTERCHANGE - YOAKUM<br>COUNTY INTERCHANGE 230KV CKT 1' |
| 16SP | 0 | G10_059 | 'CAPROCK REC-PHILLIPS - CAPROCK REC-<br>TATE 138KV CKT 1'             | TO->FROM | 0.21391 | 270.5 | 'LEA COUNTY INTERCHANGE - YOAKUM<br>COUNTY INTERCHANGE 230KV CKT 1' |
| 16SP | 0 | G10_060 | 'HOBBS INTERCHANGE - LEA COUNTY<br>INTERCHANGE 230KV CKT 1'           | FROM->TO | 0.70301 | 616.4 | 'CAPROCK REC-NEW SCHWARTZ - CAPROCK<br>REC-PEMBROOK 138KV CKT 1'    |
| 16SP | 0 | G10_059 | 'HOBBS INTERCHANGE - LEA COUNTY<br>INTERCHANGE 230KV CKT 1'           | FROM->TO | 0.70301 | 616.4 | 'CAPROCK REC-NEW SCHWARTZ - CAPROCK<br>REC-PEMBROOK 138KV CKT 1'    |
| 16SP | 0 | G10_060 | 'HOBBS INTERCHANGE - LEA COUNTY<br>INTERCHANGE 230KV CKT 1'           | FROM->TO | 0.70266 | 616.4 | 'CAPROCK REC-STILES - G09-17T 138.00<br>138KV CKT 1'                |
| 16SP | 0 | G10_059 | 'HOBBS INTERCHANGE - LEA COUNTY<br>INTERCHANGE 230KV CKT 1'           | FROM->TO | 0.70266 | 616.4 | 'CAPROCK REC-STILES - G09-17T 138.00<br>138KV CKT 1'                |
| 16SP | 0 | G10_060 | 'LEA COUNTY INTERCHANGE - YOAKUM<br>COUNTY INTERCHANGE 230KV CKT 1'   | FROM->TO | 0.35318 | 351   | 'CUNNINGHAM STATION - LEA COUNTY<br>INTERCHANGE 230KV CKT 1'        |
| 16SP | 0 | G10_059 | 'LEA COUNTY INTERCHANGE - YOAKUM<br>COUNTY INTERCHANGE 230KV CKT 1'   | FROM->TO | 0.35318 | 351   | 'CUNNINGHAM STATION - LEA COUNTY<br>INTERCHANGE 230KV CKT 1'        |
| 16SP | 0 | G10_060 | 'HOBBS INTERCHANGE - LEA COUNTY<br>INTERCHANGE 230KV CKT 1'           | FROM->TO | 0.70301 | 616.4 | 'CAPROCK REC-PEMBROOK - G09-17T 138.00<br>138KV CKT 1'              |
| 16SP | 0 | G10_059 | 'HOBBS INTERCHANGE - LEA COUNTY<br>INTERCHANGE 230KV CKT 1'           | FROM->TO | 0.70301 | 616.4 | 'CAPROCK REC-PEMBROOK - G09-17T 138.00<br>138KV CKT 1'              |
| 16SP | 0 | G10_060 | 'HOBBS INTERCHANGE - LEA COUNTY<br>INTERCHANGE 230KV CKT 1'           | FROM->TO | 0.70266 | 616.4 | 'CAPROCK REC-ST LAWRENCE - CAPROCK<br>REC-STILES 138KV CKT 1'       |
| 16SP | 0 | G10_059 | 'HOBBS INTERCHANGE - LEA COUNTY<br>INTERCHANGE 230KV CKT 1'           | FROM->TO | 0.70266 | 616.4 | 'CAPROCK REC-ST LAWRENCE - CAPROCK<br>REC-STILES 138KV CKT 1'       |
| 16SP | 0 | G10_060 | 'HOBBS_INT 7345.00 (LIKE POTTER)<br>345/230/13.2KV TRANSFORMER CKT 1' | FROM->TO | 0.89853 | 557.5 | 'CAPROCK REC-MCDONALD - CAPROCK REC-<br>TRIANGLE 138KV CKT 1'       |
| 16SP | 0 | G10_059 | 'HOBBS_INT 7345.00 (LIKE POTTER)<br>345/230/13.2KV TRANSFORMER CKT 1' | FROM->TO | 0.89853 | 557.5 | 'CAPROCK REC-MCDONALD - CAPROCK REC-<br>TRIANGLE 138KV CKT 1'       |
| 16SP | 0 | G10_060 | 'HOBBS_INT 7345.00 (LIKE POTTER)<br>345/230/13.2KV TRANSFORMER CKT 1' | FROM->TO | 0.89853 | 557.7 | 'CAPROCK REC-MCDONALD - CAPROCK REC-<br>TRIANGLE 138KV CKT 1'       |

|      |   |         |   |          |         |       |   |
|------|---|---------|---|----------|---------|-------|---|
| 16SP | 0 | G10_059 | 'HOBBS_INT 7345.00 (LIKE POTTER)<br>345/230/13.2KV TRANSFORMER CKT 1' | FROM->TO | 0.89853 | 557.7 | 'CAPROCK REC-MCDONALD - CAPROCK REC-<br>TRIANGLE 138KV CKT 1'         |
| 16SP | 0 | G10_060 | 'HOBBS INTERCHANGE - LEA COUNTY<br>INTERCHANGE 230KV CKT 1'           | FROM->TO | 0.68104 | 616.4 | 'CUNNINGHAM STATION 230/13.8KV<br>TRANSFORMER CKT 1'                  |
| 16SP | 0 | G10_059 | 'HOBBS INTERCHANGE - LEA COUNTY<br>INTERCHANGE 230KV CKT 1'           | FROM->TO | 0.68104 | 616.4 | 'CUNNINGHAM STATION 230/13.8KV<br>TRANSFORMER CKT 1'                  |
| 16SP | 0 | G10_060 | 'HOBBS INTERCHANGE - LEA COUNTY<br>INTERCHANGE 230KV CKT 1'           | FROM->TO | 0.66427 | 616.4 | 'HOBBS INTERCHANGE - LEA COUNTY<br>INTERCHANGE 115KV CKT 1'           |
| 16SP | 0 | G10_059 | 'HOBBS INTERCHANGE - LEA COUNTY<br>INTERCHANGE 230KV CKT 1'           | FROM->TO | 0.66427 | 616.4 | 'HOBBS INTERCHANGE - LEA COUNTY<br>INTERCHANGE 115KV CKT 1'           |
| 16SP | 0 | G10_060 | 'CAPROCK REC-LANGE - CAPROCK REC-ST<br>LAWRENCE 138KV CKT 1'          | TO->FROM | 0.29507 | 176   | 'HOBBS_INT 7345.00 - MIDLAND 7345.00<br>345KV CKT 1'                  |
| 16SP | 0 | G10_059 | 'CAPROCK REC-LANGE - CAPROCK REC-ST<br>LAWRENCE 138KV CKT 1'          | TO->FROM | 0.29507 | 176   | 'HOBBS_INT 7345.00 - MIDLAND 7345.00<br>345KV CKT 1'                  |
| 16SP | 0 | G10_060 | 'CAPROCK REC-LANGE - CAPROCK REC-ST<br>LAWRENCE 138KV CKT 1'          | TO->FROM | 0.29507 | 176   | 'HOBBS_INT 7345.00 (LIKE POTTER)<br>345/230/13.2KV TRANSFORMER CKT 1' |
| 16SP | 0 | G10_059 | 'CAPROCK REC-LANGE - CAPROCK REC-ST<br>LAWRENCE 138KV CKT 1'          | TO->FROM | 0.29507 | 176   | 'HOBBS_INT 7345.00 (LIKE POTTER)<br>345/230/13.2KV TRANSFORMER CKT 1' |
| 16SP | 0 | G10_060 | 'HOBBS_INT 7345.00 (LIKE POTTER)<br>345/230/13.2KV TRANSFORMER CKT 1' | FROM->TO | 0.89853 | 557.5 | 'CAPROCK REC-GRADY - CAPROCK REC-<br>TRIANGLE 138KV CKT 1'            |
| 16SP | 0 | G10_059 | 'HOBBS_INT 7345.00 (LIKE POTTER)<br>345/230/13.2KV TRANSFORMER CKT 1' | FROM->TO | 0.89853 | 557.5 | 'CAPROCK REC-GRADY - CAPROCK REC-<br>TRIANGLE 138KV CKT 1'            |
| 16SP | 0 | G10_060 | 'HOBBS_INT 7345.00 (LIKE POTTER)<br>345/230/13.2KV TRANSFORMER CKT 1' | FROM->TO | 0.89853 | 557.7 | 'CAPROCK REC-GRADY - CAPROCK REC-<br>TRIANGLE 138KV CKT 1'            |
| 16SP | 0 | G10_059 | 'HOBBS_INT 7345.00 (LIKE POTTER)<br>345/230/13.2KV TRANSFORMER CKT 1' | FROM->TO | 0.89853 | 557.7 | 'CAPROCK REC-GRADY - CAPROCK REC-<br>TRIANGLE 138KV CKT 1'            |
| 16SP | 0 | G10_060 | 'HOBBS_INT 7345.00 (LIKE POTTER)<br>345/230/13.2KV TRANSFORMER CKT 1' | FROM->TO | 0.89853 | 557.5 | 'CAPROCK REC-GRADY - CAPROCK REC-REED<br>138KV CKT 1'                 |
| 16SP | 0 | G10_059 | 'HOBBS_INT 7345.00 (LIKE POTTER)<br>345/230/13.2KV TRANSFORMER CKT 1' | FROM->TO | 0.89853 | 557.5 | 'CAPROCK REC-GRADY - CAPROCK REC-REED<br>138KV CKT 1'                 |
| 16SP | 0 | G10_060 | 'HOBBS_INT 7345.00 (LIKE POTTER)<br>345/230/13.2KV TRANSFORMER CKT 1' | FROM->TO | 0.89853 | 557.7 | 'CAPROCK REC-GRADY - CAPROCK REC-REED<br>138KV CKT 1'                 |
| 16SP | 0 | G10_059 | 'HOBBS_INT 7345.00 (LIKE POTTER)<br>345/230/13.2KV TRANSFORMER CKT 1' | FROM->TO | 0.89853 | 557.7 | 'CAPROCK REC-GRADY - CAPROCK REC-REED<br>138KV CKT 1'                 |
| 16SP | 0 | G10_060 | 'HOBBS_INT 7345.00 (LIKE POTTER)<br>345/230/13.2KV TRANSFORMER CKT 1' | FROM->TO | 0.89853 | 557.5 | 'CAPROCK REC-KOCH - CAPROCK REC-REED<br>138KV CKT 1'                  |
| 16SP | 0 | G10_059 | 'HOBBS_INT 7345.00 (LIKE POTTER)<br>345/230/13.2KV TRANSFORMER CKT 1' | FROM->TO | 0.89853 | 557.5 | 'CAPROCK REC-KOCH - CAPROCK REC-REED<br>138KV CKT 1'                  |
| 16SP | 0 | G10_060 | 'HOBBS_INT 7345.00 (LIKE POTTER)<br>345/230/13.2KV TRANSFORMER CKT 1' | FROM->TO | 0.89853 | 557.7 | 'CAPROCK REC-KOCH - CAPROCK REC-REED<br>138KV CKT 1'                  |
| 16SP | 0 | G10_059 | 'HOBBS_INT 7345.00 (LIKE POTTER)<br>345/230/13.2KV TRANSFORMER CKT 1' | FROM->TO | 0.89853 | 557.7 | 'CAPROCK REC-KOCH - CAPROCK REC-REED<br>138KV CKT 1'                  |
| 16SP | 0 | G10_060 | 'HOBBS_INT 7345.00 (LIKE POTTER)<br>345/230/13.2KV TRANSFORMER CKT 1' | FROM->TO | 0.89853 | 557.5 | 'CAPROCK REC-KOCH - CAPROCK REC-<br>VEALMOOR 138KV CKT 1'             |
| 16SP | 0 | G10_059 | 'HOBBS_INT 7345.00 (LIKE POTTER)<br>345/230/13.2KV TRANSFORMER CKT 1' | FROM->TO | 0.89853 | 557.5 | 'CAPROCK REC-KOCH - CAPROCK REC-<br>VEALMOOR 138KV CKT 1'             |
| 16SP | 0 | G10_060 | 'HOBBS_INT 7345.00 (LIKE POTTER)<br>345/230/13.2KV TRANSFORMER CKT 1' | FROM->TO | 0.89853 | 557.7 | 'CAPROCK REC-KOCH - CAPROCK REC-<br>VEALMOOR 138KV CKT 1'             |
| 16SP | 0 | G10_059 | 'HOBBS_INT 7345.00 (LIKE POTTER)<br>345/230/13.2KV TRANSFORMER CKT 1' | FROM->TO | 0.89853 | 557.7 | 'CAPROCK REC-KOCH - CAPROCK REC-<br>VEALMOOR 138KV CKT 1'             |

|      |   |         |  |          |         |       |   |
|------|---|---------|--|----------|---------|-------|---|
| 16SP | 0 | G10_060 | 'CAPROCK REC-PHILLIPS - CAPROCK REC-TATE 138KV CKT 1'              | TO->FROM | 0.19565 | 270.5 | 'AMOCO SWITCHING STATION - YOAKUM COUNTY INTERCHANGE 230KV CKT 1' |
| 16SP | 0 | G10_059 | 'CAPROCK REC-PHILLIPS - CAPROCK REC-TATE 138KV CKT 1'              | TO->FROM | 0.19565 | 270.5 | 'AMOCO SWITCHING STATION - YOAKUM COUNTY INTERCHANGE 230KV CKT 1' |
| 16SP | 0 | G10_060 | 'LEA COUNTY INTERCHANGE - YOAKUM COUNTY INTERCHANGE 230KV CKT 1'   | FROM->TO | 0.29149 | 351   | 'CUNNINGHAM STATION - EDDY COUNTY INTERCHANGE 230KV CKT 1'        |
| 16SP | 0 | G10_059 | 'LEA COUNTY INTERCHANGE - YOAKUM COUNTY INTERCHANGE 230KV CKT 1'   | FROM->TO | 0.29149 | 351   | 'CUNNINGHAM STATION - EDDY COUNTY INTERCHANGE 230KV CKT 1'        |
| 16SP | 0 | G10_060 | 'HOBBS_INT 7345.00 (LIKE POTTER) 345/230/13.2KV TRANSFORMER CKT 1' | FROM->TO | 0.83711 | 557.5 | 'CAPROCK REC-MCDONALD - CR-1956 4138.00 138KV CKT 1'              |
| 16SP | 0 | G10_059 | 'HOBBS_INT 7345.00 (LIKE POTTER) 345/230/13.2KV TRANSFORMER CKT 1' | FROM->TO | 0.83711 | 557.5 | 'CAPROCK REC-MCDONALD - CR-1956 4138.00 138KV CKT 1'              |
| 16SP | 0 | G10_060 | 'HOBBS_INT 7345.00 (LIKE POTTER) 345/230/13.2KV TRANSFORMER CKT 1' | FROM->TO | 0.83711 | 557.7 | 'CAPROCK REC-MCDONALD - CR-1956 4138.00 138KV CKT 1'              |
| 16SP | 0 | G10_059 | 'HOBBS_INT 7345.00 (LIKE POTTER) 345/230/13.2KV TRANSFORMER CKT 1' | FROM->TO | 0.83711 | 557.7 | 'CAPROCK REC-MCDONALD - CR-1956 4138.00 138KV CKT 1'              |
| 16SP | 0 | G10_060 | 'HOBBS_INT 7345.00 (LIKE POTTER) 345/230/13.2KV TRANSFORMER CKT 1' | FROM->TO | 0.83711 | 557.5 | 'CAPROCK REC-NEW SCHWARTZ - CR-1956 4138.00 138KV CKT 1'          |
| 16SP | 0 | G10_059 | 'HOBBS_INT 7345.00 (LIKE POTTER) 345/230/13.2KV TRANSFORMER CKT 1' | FROM->TO | 0.83711 | 557.5 | 'CAPROCK REC-NEW SCHWARTZ - CR-1956 4138.00 138KV CKT 1'          |
| 16SP | 0 | G10_060 | 'HOBBS_INT 7345.00 (LIKE POTTER) 345/230/13.2KV TRANSFORMER CKT 1' | FROM->TO | 0.83711 | 557.7 | 'CAPROCK REC-NEW SCHWARTZ - CR-1956 4138.00 138KV CKT 1'          |
| 16SP | 0 | G10_059 | 'HOBBS_INT 7345.00 (LIKE POTTER) 345/230/13.2KV TRANSFORMER CKT 1' | FROM->TO | 0.83711 | 557.7 | 'CAPROCK REC-NEW SCHWARTZ - CR-1956 4138.00 138KV CKT 1'          |
| 16SP | 0 | G10_060 | 'HOBBS_INT 7345.00 (LIKE POTTER) 345/230/13.2KV TRANSFORMER CKT 1' | FROM->TO | 0.83711 | 557.5 | 'CAPROCK REC-NEW SCHWARTZ - CAPROCK REC-PEMBROOK 138KV CKT 1'     |
| 16SP | 0 | G10_059 | 'HOBBS_INT 7345.00 (LIKE POTTER) 345/230/13.2KV TRANSFORMER CKT 1' | FROM->TO | 0.83711 | 557.5 | 'CAPROCK REC-NEW SCHWARTZ - CAPROCK REC-PEMBROOK 138KV CKT 1'     |
| 16SP | 0 | G10_060 | 'HOBBS_INT 7345.00 (LIKE POTTER) 345/230/13.2KV TRANSFORMER CKT 1' | FROM->TO | 0.83711 | 557.7 | 'CAPROCK REC-NEW SCHWARTZ - CAPROCK REC-PEMBROOK 138KV CKT 1'     |
| 16SP | 0 | G10_059 | 'HOBBS_INT 7345.00 (LIKE POTTER) 345/230/13.2KV TRANSFORMER CKT 1' | FROM->TO | 0.83711 | 557.7 | 'CAPROCK REC-NEW SCHWARTZ - CAPROCK REC-PEMBROOK 138KV CKT 1'     |
| 16SP | 0 | G10_060 | 'CAPROCK REC-GRADY - CAPROCK REC-TRIANGLE 138KV CKT 1'             | TO->FROM | 0.19618 | 175.9 | 'HOBBS INTERCHANGE - LEA COUNTY INTERCHANGE 230KV CKT 1'          |
| 16SP | 0 | G10_059 | 'CAPROCK REC-GRADY - CAPROCK REC-TRIANGLE 138KV CKT 1'             | TO->FROM | 0.19618 | 175.9 | 'HOBBS INTERCHANGE - LEA COUNTY INTERCHANGE 230KV CKT 1'          |
| 16SP | 0 | G10_060 | 'HOBBS_INT 7345.00 (LIKE POTTER) 345/230/13.2KV TRANSFORMER CKT 1' | FROM->TO | 0.83672 | 557.5 | 'CAPROCK REC-STILES - G09-17T 138.00 138KV CKT 1'                 |
| 16SP | 0 | G10_059 | 'HOBBS_INT 7345.00 (LIKE POTTER) 345/230/13.2KV TRANSFORMER CKT 1' | FROM->TO | 0.83672 | 557.5 | 'CAPROCK REC-STILES - G09-17T 138.00 138KV CKT 1'                 |
| 16SP | 0 | G10_060 | 'HOBBS_INT 7345.00 (LIKE POTTER) 345/230/13.2KV TRANSFORMER CKT 1' | FROM->TO | 0.83672 | 557.7 | 'CAPROCK REC-STILES - G09-17T 138.00 138KV CKT 1'                 |
| 16SP | 0 | G10_059 | 'HOBBS_INT 7345.00 (LIKE POTTER) 345/230/13.2KV TRANSFORMER CKT 1' | FROM->TO | 0.83672 | 557.7 | 'CAPROCK REC-STILES - G09-17T 138.00 138KV CKT 1'                 |
| 16SP | 0 | G10_060 | 'HOBBS_INT 7345.00 (LIKE POTTER) 345/230/13.2KV TRANSFORMER CKT 1' | FROM->TO | 0.83711 | 557.5 | 'CAPROCK REC-PEMBROOK - G09-17T 138.00 138KV CKT 1'               |
| 16SP | 0 | G10_059 | 'HOBBS_INT 7345.00 (LIKE POTTER) 345/230/13.2KV TRANSFORMER CKT 1' | FROM->TO | 0.83711 | 557.5 | 'CAPROCK REC-PEMBROOK - G09-17T 138.00 138KV CKT 1'               |
| 16SP | 0 | G10_060 | 'HOBBS_INT 7345.00 (LIKE POTTER) 345/230/13.2KV TRANSFORMER CKT 1' | FROM->TO | 0.83711 | 557.7 | 'CAPROCK REC-PEMBROOK - G09-17T 138.00 138KV CKT 1'               |

|      |   |         |   |          |         |       |   |
|------|---|---------|---|----------|---------|-------|---|
| 16SP | 0 | G10_059 | 'HOBBS_INT 7345.00 (LIKE POTTER)<br>345/230/13.2KV TRANSFORMER CKT 1' | FROM->TO | 0.83711 | 557.7 | 'CAPROCK REC-PEMBROOK - G09-17T 138.00<br>138KV CKT 1'  |
| 16SP | 0 | G10_060 | 'CAPROCK REC-PHILLIPS - CAPROCK REC-<br>TATE 138KV CKT 1'             | TO->FROM | 0.20398 | 270.5 | 'CUNNINGHAM STATION - LEA COUNTY<br>INTERCHANGE 230KV CKT 1'  |
| 16SP | 0 | G10_059 | 'CAPROCK REC-PHILLIPS - CAPROCK REC-<br>TATE 138KV CKT 1'             | TO->FROM | 0.20398 | 270.5 | 'CUNNINGHAM STATION - LEA COUNTY<br>INTERCHANGE 230KV CKT 1'  |
| 16SP | 0 | G10_060 | 'LEA COUNTY INTERCHANGE - YOAKUM<br>COUNTY INTERCHANGE 230KV CKT 1'   | FROM->TO | 0.2629  | 351   | 'Golden Spread REC - Mustang Interchange 230 kV<br>Generation Bus - MUSTANG STATION 230KV CKT<br>1' |
| 16SP | 0 | G10_059 | 'LEA COUNTY INTERCHANGE - YOAKUM<br>COUNTY INTERCHANGE 230KV CKT 1'   | FROM->TO | 0.2629  | 351   | 'Golden Spread REC - Mustang Interchange 230 kV<br>Generation Bus - MUSTANG STATION 230KV CKT<br>1' |
| 16SP | 0 | G10_060 | 'HOBBS_INT 7345.00 (LIKE POTTER)<br>345/230/13.2KV TRANSFORMER CKT 1' | FROM->TO | 0.83672 | 557.5 | 'CAPROCK REC-ST LAWRENCE - CAPROCK<br>REC-STILES 138KV CKT 1'                                       |
| 16SP | 0 | G10_059 | 'HOBBS_INT 7345.00 (LIKE POTTER)<br>345/230/13.2KV TRANSFORMER CKT 1' | FROM->TO | 0.83672 | 557.5 | 'CAPROCK REC-ST LAWRENCE - CAPROCK<br>REC-STILES 138KV CKT 1'                                       |
| 16SP | 0 | G10_060 | 'HOBBS_INT 7345.00 (LIKE POTTER)<br>345/230/13.2KV TRANSFORMER CKT 1' | FROM->TO | 0.83672 | 557.7 | 'CAPROCK REC-ST LAWRENCE - CAPROCK<br>REC-STILES 138KV CKT 1'                                       |
| 16SP | 0 | G10_059 | 'HOBBS_INT 7345.00 (LIKE POTTER)<br>345/230/13.2KV TRANSFORMER CKT 1' | FROM->TO | 0.83672 | 557.7 | 'CAPROCK REC-ST LAWRENCE - CAPROCK<br>REC-STILES 138KV CKT 1'                                       |
| 16SP | 0 | G10_060 | 'HOBBS_INT 7345.00 (LIKE POTTER)<br>345/230/13.2KV TRANSFORMER CKT 1' | FROM->TO | 0.81242 | 557.5 | 'Golden Spread REC - Mustang Interchange 230 kV<br>Generation Bus - MUSTANG STATION 230KV CKT<br>1' |
| 16SP | 0 | G10_059 | 'HOBBS_INT 7345.00 (LIKE POTTER)<br>345/230/13.2KV TRANSFORMER CKT 1' | FROM->TO | 0.81242 | 557.5 | 'Golden Spread REC - Mustang Interchange 230 kV<br>Generation Bus - MUSTANG STATION 230KV CKT<br>1' |
| 16SP | 0 | G10_060 | 'HOBBS_INT 7345.00 (LIKE POTTER)<br>345/230/13.2KV TRANSFORMER CKT 1' | FROM->TO | 0.81242 | 557.7 | 'Golden Spread REC - Mustang Interchange 230 kV<br>Generation Bus - MUSTANG STATION 230KV CKT<br>1' |
| 16SP | 0 | G10_059 | 'HOBBS_INT 7345.00 (LIKE POTTER)<br>345/230/13.2KV TRANSFORMER CKT 1' | FROM->TO | 0.81242 | 557.7 | 'Golden Spread REC - Mustang Interchange 230 kV<br>Generation Bus - MUSTANG STATION 230KV CKT<br>1' |
| 16SP | 0 | G10_060 | 'HOBBS_INT 7345.00 (LIKE POTTER)<br>345/230/13.2KV TRANSFORMER CKT 1' | FROM->TO | 0.81242 | 557.5 | 'HOBBS INTERCHANGE 230/18.0KV<br>TRANSFORMER CKT 1'   |
| 16SP | 0 | G10_059 | 'HOBBS_INT 7345.00 (LIKE POTTER)<br>345/230/13.2KV TRANSFORMER CKT 1' | FROM->TO | 0.81242 | 557.5 | 'HOBBS INTERCHANGE 230/18.0KV<br>TRANSFORMER CKT 1'   |
| 16SP | 0 | G10_060 | 'HOBBS_INT 7345.00 (LIKE POTTER)<br>345/230/13.2KV TRANSFORMER CKT 1' | FROM->TO | 0.81242 | 557.7 | 'HOBBS INTERCHANGE 230/18.0KV<br>TRANSFORMER CKT 1'   |
| 16SP | 0 | G10_059 | 'HOBBS_INT 7345.00 (LIKE POTTER)<br>345/230/13.2KV TRANSFORMER CKT 1' | FROM->TO | 0.81242 | 557.7 | 'HOBBS INTERCHANGE 230/18.0KV<br>TRANSFORMER CKT 1'   |
| 16SP | 0 | G10_060 | 'HOBBS_INT 7345.00 (LIKE POTTER)<br>345/230/13.2KV TRANSFORMER CKT 1' | FROM->TO | 0.83672 | 557.5 | 'CAPROCK REC-LANGE - CAPROCK REC-ST<br>LAWRENCE 138KV CKT 1'  |
| 16SP | 0 | G10_059 | 'HOBBS_INT 7345.00 (LIKE POTTER)<br>345/230/13.2KV TRANSFORMER CKT 1' | FROM->TO | 0.83672 | 557.5 | 'CAPROCK REC-LANGE - CAPROCK REC-ST<br>LAWRENCE 138KV CKT 1'  |
| 16SP | 0 | G10_060 | 'CAPROCK REC-PHILLIPS - CAPROCK REC-<br>TATE 138KV CKT 1'             | TO->FROM | 0.19383 | 270.5 | 'CUNNINGHAM STATION - EDDY COUNTY<br>INTERCHANGE 230KV CKT 1'                                       |
| 16SP | 0 | G10_059 | 'CAPROCK REC-PHILLIPS - CAPROCK REC-<br>TATE 138KV CKT 1'             | TO->FROM | 0.19383 | 270.5 | 'CUNNINGHAM STATION - EDDY COUNTY<br>INTERCHANGE 230KV CKT 1'                                       |
| 16SP | 0 | G10_060 | 'HOBBS_INT 7345.00 (LIKE POTTER)<br>345/230/13.2KV TRANSFORMER CKT 1' | FROM->TO | 0.83672 | 557.7 | 'CAPROCK REC-LANGE - CAPROCK REC-ST<br>LAWRENCE 138KV CKT 1'  |

|      |   |         |   |          |         |       |   |
|------|---|---------|---|----------|---------|-------|---|
| 16SP | 0 | G10_059 | 'HOBBS_INT 7345.00 (LIKE POTTER)<br>345/230/13.2KV TRANSFORMER CKT 1' | FROM->TO | 0.83672 | 557.7 | 'CAPROCK REC-LANGE - CAPROCK REC-ST<br>LAWRENCE 138KV CKT 1'        |
| 16SP | 0 | G10_060 | 'HOBBS_INT 7345.00 (LIKE POTTER)<br>345/230/13.2KV TRANSFORMER CKT 1' | FROM->TO | 0.81242 | 557.5 | 'CUNNINGHAM STATION 230/20.0KV<br>TRANSFORMER CKT 1'                |
| 16SP | 0 | G10_059 | 'HOBBS_INT 7345.00 (LIKE POTTER)<br>345/230/13.2KV TRANSFORMER CKT 1' | FROM->TO | 0.81242 | 557.5 | 'CUNNINGHAM STATION 230/20.0KV<br>TRANSFORMER CKT 1'                |
| 16SP | 0 | G10_060 | 'HOBBS_INT 7345.00 (LIKE POTTER)<br>345/230/13.2KV TRANSFORMER CKT 1' | FROM->TO | 0.81242 | 557.7 | 'CUNNINGHAM STATION 230/20.0KV<br>TRANSFORMER CKT 1'                |
| 16SP | 0 | G10_059 | 'HOBBS_INT 7345.00 (LIKE POTTER)<br>345/230/13.2KV TRANSFORMER CKT 1' | FROM->TO | 0.81242 | 557.7 | 'CUNNINGHAM STATION 230/20.0KV<br>TRANSFORMER CKT 1'                |
| 16SP | 0 | G10_060 | 'LEA COUNTY INTERCHANGE - YOAKUM<br>COUNTY INTERCHANGE 230KV CKT 1'   | FROM->TO | 0.33999 | 351   | 'BORDEN COUNTY INTERCHANGE -<br>GRASSLAND INTERCHANGE 230KV CKT 1'  |
| 16SP | 0 | G10_059 | 'LEA COUNTY INTERCHANGE - YOAKUM<br>COUNTY INTERCHANGE 230KV CKT 1'   | FROM->TO | 0.33999 | 351   | 'BORDEN COUNTY INTERCHANGE -<br>GRASSLAND INTERCHANGE 230KV CKT 1'  |
| 16SP | 0 | G10_060 | 'LEA COUNTY INTERCHANGE - YOAKUM<br>COUNTY INTERCHANGE 230KV CKT 1'   | FROM->TO | 0.33999 | 351   | 'SPP-SWPS-K48'  |
| 16SP | 0 | G10_059 | 'LEA COUNTY INTERCHANGE - YOAKUM<br>COUNTY INTERCHANGE 230KV CKT 1'   | FROM->TO | 0.33999 | 351   | 'SPP-SWPS-K48'  |
| 16SP | 0 | G10_060 | 'CAPROCK REC-PHILLIPS - CAPROCK REC-<br>TATE 138KV CKT 1'             | TO->FROM | 0.1917  | 270.5 | 'SUNDOWN INTERCHANGE - WOLFFORTH<br>INTERCHANGE 230KV CKT 1'        |
| 16SP | 0 | G10_059 | 'CAPROCK REC-PHILLIPS - CAPROCK REC-<br>TATE 138KV CKT 1'             | TO->FROM | 0.1917  | 270.5 | 'SUNDOWN INTERCHANGE - WOLFFORTH<br>INTERCHANGE 230KV CKT 1'        |
| 16SP | 0 | G10_060 | 'HOBBS_INT 7345.00 (LIKE POTTER)<br>345/230/13.2KV TRANSFORMER CKT 1' | FROM->TO | 0.81242 | 557.5 | 'BASE CASE'   |
| 16SP | 0 | G10_059 | 'HOBBS_INT 7345.00 (LIKE POTTER)<br>345/230/13.2KV TRANSFORMER CKT 1' | FROM->TO | 0.81242 | 557.5 | 'BASE CASE'   |
| 16SP | 0 | G10_060 | 'HOBBS_INT 7345.00 (LIKE POTTER)<br>345/230/13.2KV TRANSFORMER CKT 1' | FROM->TO | 0.81242 | 557.7 | 'BASE CASE'   |
| 16SP | 0 | G10_059 | 'HOBBS_INT 7345.00 (LIKE POTTER)<br>345/230/13.2KV TRANSFORMER CKT 1' | FROM->TO | 0.81242 | 557.7 | 'BASE CASE'   |
| 16SP | 0 | G10_060 | 'CAPROCK REC-MCDONALD - CAPROCK REC-<br>PHILLIPS 138KV CKT 1'         | TO->FROM | 0.21391 | 270.9 | 'LEA COUNTY INTERCHANGE - YOAKUM<br>COUNTY INTERCHANGE 230KV CKT 1' |
| 16SP | 0 | G10_059 | 'CAPROCK REC-MCDONALD - CAPROCK REC-<br>PHILLIPS 138KV CKT 1'         | TO->FROM | 0.21391 | 270.9 | 'LEA COUNTY INTERCHANGE - YOAKUM<br>COUNTY INTERCHANGE 230KV CKT 1' |
| 16SP | 0 | G10_060 | 'CAPROCK REC-PHILLIPS - CAPROCK REC-<br>TATE 138KV CKT 1'             | TO->FROM | 0.19047 | 270.5 | 'CUNNINGHAM STATION - POTASH JUNCTION<br>INTERCHANGE 230KV CKT 1'   |
| 16SP | 0 | G10_059 | 'CAPROCK REC-PHILLIPS - CAPROCK REC-<br>TATE 138KV CKT 1'             | TO->FROM | 0.19047 | 270.5 | 'CUNNINGHAM STATION - POTASH JUNCTION<br>INTERCHANGE 230KV CKT 1'   |
| 16SP | 0 | G10_060 | 'LEA COUNTY INTERCHANGE 230/115KV<br>TRANSFORMER CKT 1'               | FROM->TO | 0.19834 | 165   | 'CUNNINGHAM STATION - LEA COUNTY<br>INTERCHANGE 230KV CKT 1'        |
| 16SP | 0 | G10_059 | 'LEA COUNTY INTERCHANGE 230/115KV<br>TRANSFORMER CKT 1'               | FROM->TO | 0.19834 | 165   | 'CUNNINGHAM STATION - LEA COUNTY<br>INTERCHANGE 230KV CKT 1'        |
| 16SP | 0 | G10_060 | 'CAPROCK REC-PHILLIPS - CAPROCK REC-<br>TATE 138KV CKT 1'             | TO->FROM | 0.19565 | 270.5 | 'AMOCO SWITCHING STATION - SUNDOWN<br>INTERCHANGE 230KV CKT 1'      |
| 16SP | 0 | G10_059 | 'CAPROCK REC-PHILLIPS - CAPROCK REC-<br>TATE 138KV CKT 1'             | TO->FROM | 0.19565 | 270.5 | 'AMOCO SWITCHING STATION - SUNDOWN<br>INTERCHANGE 230KV CKT 1'      |
| 16SP | 0 | G10_060 | 'LEA COUNTY INTERCHANGE - YOAKUM<br>COUNTY INTERCHANGE 230KV CKT 1'   | FROM->TO | 0.27712 | 351   | 'CUNNINGHAM STATION - POTASH JUNCTION<br>INTERCHANGE 230KV CKT 1'   |
| 16SP | 0 | G10_059 | 'LEA COUNTY INTERCHANGE - YOAKUM<br>COUNTY INTERCHANGE 230KV CKT 1'   | FROM->TO | 0.27712 | 351   | 'CUNNINGHAM STATION - POTASH JUNCTION<br>INTERCHANGE 230KV CKT 1'   |

|      |   |         |  |          |         |       |  |
|------|---|---------|--|----------|---------|-------|--|
| 16SP | 0 | G10_060 | 'LEA COUNTY INTERCHANGE - YOAKUM COUNTY INTERCHANGE 230KV CKT 1' | FROM->TO | 0.29845 | 351   | 'CAPROCK REC-MCDONALD - CAPROCK REC-TRIANGLE 138KV CKT 1'          |
| 16SP | 0 | G10_059 | 'LEA COUNTY INTERCHANGE - YOAKUM COUNTY INTERCHANGE 230KV CKT 1' | FROM->TO | 0.29845 | 351   | 'CAPROCK REC-MCDONALD - CAPROCK REC-TRIANGLE 138KV CKT 1'          |
| 16SP | 0 | G10_060 | 'CAPROCK REC-PHILLIPS - CAPROCK REC-TATE 138KV CKT 1'            | TO->FROM | 0.19048 | 270.5 | 'TERRY COUNTY INTERCHANGE - WOLFFORTH INTERCHANGE 115KV CKT 1'     |
| 16SP | 0 | G10_059 | 'CAPROCK REC-PHILLIPS - CAPROCK REC-TATE 138KV CKT 1'            | TO->FROM | 0.19048 | 270.5 | 'TERRY COUNTY INTERCHANGE - WOLFFORTH INTERCHANGE 115KV CKT 1'     |
| 16SP | 0 | G10_060 | 'CAPROCK REC-PHILLIPS - CAPROCK REC-TATE 138KV CKT 1'            | TO->FROM | 0.19895 | 270.5 | 'TOLK STATION (ABBXNL844501) 345/230/13.2KV TRANSFORMER CKT 1'     |
| 16SP | 0 | G10_059 | 'CAPROCK REC-PHILLIPS - CAPROCK REC-TATE 138KV CKT 1'            | TO->FROM | 0.19895 | 270.5 | 'TOLK STATION (ABBXNL844501) 345/230/13.2KV TRANSFORMER CKT 1'     |
| 16SP | 0 | G10_060 | 'CAPROCK REC-PHILLIPS - CAPROCK REC-TATE 138KV CKT 1'            | TO->FROM | 0.19895 | 270.5 | 'CHAVESCO 345.00 - TOLK STATION 345KV CKT 1'                       |
| 16SP | 0 | G10_059 | 'CAPROCK REC-PHILLIPS - CAPROCK REC-TATE 138KV CKT 1'            | TO->FROM | 0.19895 | 270.5 | 'CHAVESCO 345.00 - TOLK STATION 345KV CKT 1'                       |
| 16SP | 0 | G10_060 | 'LEA COUNTY INTERCHANGE - YOAKUM COUNTY INTERCHANGE 230KV CKT 1' | FROM->TO | 0.28161 | 351   | 'JOHNSON_DRW3115.00 - TAYLOR SWITCHING STATION 115KV CKT 1'        |
| 16SP | 0 | G10_059 | 'LEA COUNTY INTERCHANGE - YOAKUM COUNTY INTERCHANGE 230KV CKT 1' | FROM->TO | 0.28161 | 351   | 'JOHNSON_DRW3115.00 - TAYLOR SWITCHING STATION 115KV CKT 1'        |
| 16SP | 0 | G10_060 | 'LEA COUNTY INTERCHANGE - YOAKUM COUNTY INTERCHANGE 230KV CKT 1' | FROM->TO | 0.29845 | 351   | 'CAPROCK REC-GRADY - CAPROCK REC-TRIANGLE 138KV CKT 1'             |
| 16SP | 0 | G10_059 | 'LEA COUNTY INTERCHANGE - YOAKUM COUNTY INTERCHANGE 230KV CKT 1' | FROM->TO | 0.29845 | 351   | 'CAPROCK REC-GRADY - CAPROCK REC-TRIANGLE 138KV CKT 1'             |
| 16SP | 0 | G10_060 | 'CAPROCK REC-KOCH - CAPROCK REC-REED 138KV CKT 1'                | TO->FROM | 0.19618 | 175.9 | 'HOBBS INTERCHANGE - LEA COUNTY INTERCHANGE 230KV CKT 1'           |
| 16SP | 0 | G10_059 | 'CAPROCK REC-KOCH - CAPROCK REC-REED 138KV CKT 1'                | TO->FROM | 0.19618 | 175.9 | 'HOBBS INTERCHANGE - LEA COUNTY INTERCHANGE 230KV CKT 1'           |
| 16SP | 0 | G10_060 | 'CAPROCK REC-KOCH - CAPROCK REC-VEALMOOR 138KV CKT 1'            | FROM->TO | 0.19618 | 175.9 | 'HOBBS INTERCHANGE - LEA COUNTY INTERCHANGE 230KV CKT 1'           |
| 16SP | 0 | G10_059 | 'CAPROCK REC-KOCH - CAPROCK REC-VEALMOOR 138KV CKT 1'            | FROM->TO | 0.19618 | 175.9 | 'HOBBS INTERCHANGE - LEA COUNTY INTERCHANGE 230KV CKT 1'           |
| 16SP | 0 | G10_060 | 'LEA COUNTY INTERCHANGE - YOAKUM COUNTY INTERCHANGE 230KV CKT 1' | FROM->TO | 0.2629  | 319   | 'BASE CASE'  |
| 16SP | 0 | G10_059 | 'LEA COUNTY INTERCHANGE - YOAKUM COUNTY INTERCHANGE 230KV CKT 1' | FROM->TO | 0.2629  | 319   | 'BASE CASE'  |
| 16SP | 0 | G10_060 | 'LEA COUNTY INTERCHANGE - YOAKUM COUNTY INTERCHANGE 230KV CKT 1' | FROM->TO | 0.29845 | 351   | 'CAPROCK REC-GRADY - CAPROCK REC-REED 138KV CKT 1'                 |
| 16SP | 0 | G10_059 | 'LEA COUNTY INTERCHANGE - YOAKUM COUNTY INTERCHANGE 230KV CKT 1' | FROM->TO | 0.29845 | 351   | 'CAPROCK REC-GRADY - CAPROCK REC-REED 138KV CKT 1'                 |
| 16SP | 0 | G10_060 | 'LEA COUNTY INTERCHANGE - YOAKUM COUNTY INTERCHANGE 230KV CKT 1' | FROM->TO | 0.29845 | 351   | 'CAPROCK REC-KOCH - CAPROCK REC-REED 138KV CKT 1'                  |
| 16SP | 0 | G10_059 | 'LEA COUNTY INTERCHANGE - YOAKUM COUNTY INTERCHANGE 230KV CKT 1' | FROM->TO | 0.29845 | 351   | 'CAPROCK REC-KOCH - CAPROCK REC-REED 138KV CKT 1'                  |
| 16SP | 0 | G10_060 | 'LEA COUNTY INTERCHANGE - YOAKUM COUNTY INTERCHANGE 230KV CKT 1' | FROM->TO | 0.29845 | 351   | 'CAPROCK REC-KOCH - CAPROCK REC-VEALMOOR 138KV CKT 1'              |
| 16SP | 0 | G10_059 | 'LEA COUNTY INTERCHANGE - YOAKUM COUNTY INTERCHANGE 230KV CKT 1' | FROM->TO | 0.29845 | 351   | 'CAPROCK REC-KOCH - CAPROCK REC-VEALMOOR 138KV CKT 1'              |
| 16SP | 0 | G10_060 | 'CAPROCK REC-MCDONALD - CR-1956 4138.00 138KV CKT 1'             | FROM->TO | 0.29596 | 270.9 | 'HOBBS_INT 7345.00 (LIKE POTTER) 345/230/13.2KV TRANSFORMER CKT 1' |

|      |   |         |  |          |         |       |   |
|------|---|---------|--|----------|---------|-------|---|
| 16SP | 0 | G10_059 | 'CAPROCK REC-MCDONALD - CR-1956<br>4138.00 138KV CKT 1'              | FROM->TO | 0.29596 | 270.9 | 'HOBBS_INT 7345.00 (LIKE POTTER)<br>345/230/13.2KV TRANSFORMER CKT 1'                       |
| 16SP | 0 | G10_060 | 'CAPROCK REC-MCDONALD - CR-1956<br>4138.00 138KV CKT 1'              | FROM->TO | 0.29596 | 270.9 | 'HOBBS_INT 7345.00 - MIDLAND 7345.00<br>345KV CKT 1'  |
| 16SP | 0 | G10_059 | 'CAPROCK REC-MCDONALD - CR-1956<br>4138.00 138KV CKT 1'              | FROM->TO | 0.29596 | 270.9 | 'HOBBS_INT 7345.00 - MIDLAND 7345.00<br>345KV CKT 1'  |
| 16SP | 0 | G10_060 | 'LEA COUNTY INTERCHANGE - YOAKUM<br>COUNTY INTERCHANGE 230KV CKT 1'  | FROM->TO | 0.27328 | 351   | 'LEA COUNTY INTERCHANGE - LEA COUNTY<br>REC-LOVINGTON INTERCHANGE 115KV CKT 1'              |
| 16SP | 0 | G10_059 | 'LEA COUNTY INTERCHANGE - YOAKUM<br>COUNTY INTERCHANGE 230KV CKT 1'  | FROM->TO | 0.27328 | 351   | 'LEA COUNTY INTERCHANGE - LEA COUNTY<br>REC-LOVINGTON INTERCHANGE 115KV CKT 1'              |
| 16SP | 0 | G10_060 | 'LEA COUNTY INTERCHANGE - YOAKUM<br>COUNTY INTERCHANGE 230KV CKT 1'  | FROM->TO | 0.2773  | 351   | 'LEA COUNTY REC-LOVINGTON INTERCHANGE -<br>LEA COUNTY REC-WAITS INTERCHANGE 115KV<br>CKT 1' |
| 16SP | 0 | G10_059 | 'LEA COUNTY INTERCHANGE - YOAKUM<br>COUNTY INTERCHANGE 230KV CKT 1'  | FROM->TO | 0.2773  | 351   | 'LEA COUNTY REC-LOVINGTON INTERCHANGE -<br>LEA COUNTY REC-WAITS INTERCHANGE 115KV<br>CKT 1' |
| 16SP | 0 | G10_060 | 'CAPROCK REC-MCDONALD - CAPROCK REC-<br>PHILLIPS 138KV CKT 1'        | TO->FROM | 0.19565 | 270.9 | 'AMOCO SWITCHING STATION - YOAKUM<br>COUNTY INTERCHANGE 230KV CKT 1'                        |
| 16SP | 0 | G10_059 | 'CAPROCK REC-MCDONALD - CAPROCK REC-<br>PHILLIPS 138KV CKT 1'        | TO->FROM | 0.19565 | 270.9 | 'AMOCO SWITCHING STATION - YOAKUM<br>COUNTY INTERCHANGE 230KV CKT 1'                        |
| 16SP | 0 | G10_060 | 'LEA COUNTY INTERCHANGE - YOAKUM<br>COUNTY INTERCHANGE 230KV CKT 1'  | FROM->TO | 0.27175 | 351   | 'CHAVES COUNTY INTERCHANGE - EDDY<br>COUNTY INTERCHANGE 230KV CKT 1'                        |
| 16SP | 0 | G10_059 | 'LEA COUNTY INTERCHANGE - YOAKUM<br>COUNTY INTERCHANGE 230KV CKT 1'  | FROM->TO | 0.27175 | 351   | 'CHAVES COUNTY INTERCHANGE - EDDY<br>COUNTY INTERCHANGE 230KV CKT 1'                        |
| 16SP | 0 | G10_060 | 'LEA COUNTY INTERCHANGE - YOAKUM<br>COUNTY INTERCHANGE 230KV CKT 1'  | FROM->TO | 0.31292 | 351   | 'CHAVESCO 345.00 - TOLK STATION 345KV<br>CKT 1'   |
| 16SP | 0 | G10_059 | 'LEA COUNTY INTERCHANGE - YOAKUM<br>COUNTY INTERCHANGE 230KV CKT 1'  | FROM->TO | 0.31292 | 351   | 'CHAVESCO 345.00 - TOLK STATION 345KV<br>CKT 1'   |
| 16SP | 0 | G10_060 | 'LEA COUNTY INTERCHANGE - YOAKUM<br>COUNTY INTERCHANGE 230KV CKT 1'  | FROM->TO | 0.31292 | 351   | 'TOLK STATION (ABBXNL844501) 345/230/13.2KV<br>TRANSFORMER CKT 1'                           |
| 16SP | 0 | G10_059 | 'LEA COUNTY INTERCHANGE - YOAKUM<br>COUNTY INTERCHANGE 230KV CKT 1'  | FROM->TO | 0.31292 | 351   | 'TOLK STATION (ABBXNL844501) 345/230/13.2KV<br>TRANSFORMER CKT 1'                           |
| 16SP | 0 | G10_060 | 'CAPROCK REC-NEW SCHWARTZ - CR-1956<br>4138.00 138KV CKT 1'          | TO->FROM | 0.29596 | 270.9 | 'HOBBS_INT 7345.00 - MIDLAND 7345.00<br>345KV CKT 1'  |
| 16SP | 0 | G10_059 | 'CAPROCK REC-NEW SCHWARTZ - CR-1956<br>4138.00 138KV CKT 1'          | TO->FROM | 0.29596 | 270.9 | 'HOBBS_INT 7345.00 - MIDLAND 7345.00<br>345KV CKT 1'  |
| 16SP | 0 | G10_060 | 'CAPROCK REC-NEW SCHWARTZ - CR-1956<br>4138.00 138KV CKT 1'          | TO->FROM | 0.29596 | 270.9 | 'HOBBS_INT 7345.00 (LIKE POTTER)<br>345/230/13.2KV TRANSFORMER CKT 1'                       |
| 16SP | 0 | G10_059 | 'CAPROCK REC-NEW SCHWARTZ - CR-1956<br>4138.00 138KV CKT 1'          | TO->FROM | 0.29596 | 270.9 | 'HOBBS_INT 7345.00 (LIKE POTTER)<br>345/230/13.2KV TRANSFORMER CKT 1'                       |
| 16SP | 0 | G10_060 | 'CAPROCK REC-MCDONALD - CAPROCK REC-<br>PHILLIPS 138KV CKT 1'        | TO->FROM | 0.20398 | 270.9 | 'CUNNINGHAM STATION - LEA COUNTY<br>INTERCHANGE 230KV CKT 1'                                |
| 16SP | 0 | G10_059 | 'CAPROCK REC-MCDONALD - CAPROCK REC-<br>PHILLIPS 138KV CKT 1'        | TO->FROM | 0.20398 | 270.9 | 'CUNNINGHAM STATION - LEA COUNTY<br>INTERCHANGE 230KV CKT 1'                                |
| 16SP | 0 | G10_060 | 'MIDLAND 7345.00 (LIKE WICHITA)<br>345/138/13.8KV TRANSFORMER CKT 1' | FROM->TO | 0.2791  | 384.9 | 'HOBBS INTERCHANGE - LEA COUNTY<br>INTERCHANGE 230KV CKT 1'                                 |
| 16SP | 0 | G10_059 | 'MIDLAND 7345.00 (LIKE WICHITA)<br>345/138/13.8KV TRANSFORMER CKT 1' | FROM->TO | 0.2791  | 384.9 | 'HOBBS INTERCHANGE - LEA COUNTY<br>INTERCHANGE 230KV CKT 1'                                 |
| 16SP | 0 | G10_060 | 'MIDLAND 7345.00 (LIKE WICHITA)<br>345/138/13.8KV TRANSFORMER CKT 1' | FROM->TO | 0.2791  | 385.2 | 'HOBBS INTERCHANGE - LEA COUNTY<br>INTERCHANGE 230KV CKT 1'                                 |



|      |   |         |  |          |         |       |   |
|------|---|---------|--|----------|---------|-------|---|
| 16SP | 0 | G10_059 | 'MIDLAND 7345.00 (LIKE WICHITA)<br>345/138/13.8KV TRANSFORMER CKT 1' | FROM->TO | 0.2791  | 385.2 | 'HOBBS INTERCHANGE - LEA COUNTY<br>INTERCHANGE 230KV CKT 1'           |
| 16SP | 0 | G10_060 | 'CAPROCK REC-MCDONALD - CAPROCK REC-<br>PHILLIPS 138KV CKT 1'        | TO->FROM | 0.19383 | 270.9 | 'CUNNINGHAM STATION - EDDY COUNTY<br>INTERCHANGE 230KV CKT 1'         |
| 16SP | 0 | G10_059 | 'CAPROCK REC-MCDONALD - CAPROCK REC-<br>PHILLIPS 138KV CKT 1'        | TO->FROM | 0.19383 | 270.9 | 'CUNNINGHAM STATION - EDDY COUNTY<br>INTERCHANGE 230KV CKT 1'         |
| 16SP | 0 | G10_060 | 'CAPROCK REC-MCDONALD - CAPROCK REC-<br>PHILLIPS 138KV CKT 1'        | TO->FROM | 0.1917  | 270.9 | 'SUNDOWN INTERCHANGE - WOLFFORTH<br>INTERCHANGE 230KV CKT 1'          |
| 16SP | 0 | G10_059 | 'CAPROCK REC-MCDONALD - CAPROCK REC-<br>PHILLIPS 138KV CKT 1'        | TO->FROM | 0.1917  | 270.9 | 'SUNDOWN INTERCHANGE - WOLFFORTH<br>INTERCHANGE 230KV CKT 1'          |
| 16SP | 0 | G10_060 | 'CAPROCK REC-MCDONALD - CAPROCK REC-<br>PHILLIPS 138KV CKT 1'        | TO->FROM | 0.19565 | 270.9 | 'AMOCO SWITCHING STATION - SUNDOWN<br>INTERCHANGE 230KV CKT 1'        |
| 16SP | 0 | G10_059 | 'CAPROCK REC-MCDONALD - CAPROCK REC-<br>PHILLIPS 138KV CKT 1'        | TO->FROM | 0.19565 | 270.9 | 'AMOCO SWITCHING STATION - SUNDOWN<br>INTERCHANGE 230KV CKT 1'        |
| 16SP | 0 | G10_060 | 'CAPROCK REC-MCDONALD - CAPROCK REC-<br>PHILLIPS 138KV CKT 1'        | TO->FROM | 0.19047 | 270.9 | 'CUNNINGHAM STATION - POTASH JUNCTION<br>INTERCHANGE 230KV CKT 1'     |
| 16SP | 0 | G10_059 | 'CAPROCK REC-MCDONALD - CAPROCK REC-<br>PHILLIPS 138KV CKT 1'        | TO->FROM | 0.19047 | 270.9 | 'CUNNINGHAM STATION - POTASH JUNCTION<br>INTERCHANGE 230KV CKT 1'     |
| 16SP | 0 | G10_060 | 'CUNNINGHAM STATION - LEA COUNTY<br>INTERCHANGE 230KV CKT 1'         | TO->FROM | 0.46305 | 499.3 | 'LEA COUNTY INTERCHANGE - YOAKUM<br>COUNTY INTERCHANGE 230KV CKT 1'   |
| 16SP | 0 | G10_059 | 'CUNNINGHAM STATION - LEA COUNTY<br>INTERCHANGE 230KV CKT 1'         | TO->FROM | 0.46305 | 499.3 | 'LEA COUNTY INTERCHANGE - YOAKUM<br>COUNTY INTERCHANGE 230KV CKT 1'   |
| 16SP | 0 | G10_060 | 'CAPROCK REC-NEW SCHWARTZ - CAPROCK<br>REC-PEMBROOK 138KV CKT 1'     | FROM->TO | 0.29596 | 271   | 'HOBBS_INT 7345.00 - MIDLAND 7345.00<br>345KV CKT 1'                  |
| 16SP | 0 | G10_059 | 'CAPROCK REC-NEW SCHWARTZ - CAPROCK<br>REC-PEMBROOK 138KV CKT 1'     | FROM->TO | 0.29596 | 271   | 'HOBBS_INT 7345.00 - MIDLAND 7345.00<br>345KV CKT 1'                  |
| 16SP | 0 | G10_060 | 'CAPROCK REC-NEW SCHWARTZ - CAPROCK<br>REC-PEMBROOK 138KV CKT 1'     | FROM->TO | 0.29596 | 271   | 'HOBBS_INT 7345.00 (LIKE POTTER)<br>345/230/13.2KV TRANSFORMER CKT 1' |
| 16SP | 0 | G10_059 | 'CAPROCK REC-NEW SCHWARTZ - CAPROCK<br>REC-PEMBROOK 138KV CKT 1'     | FROM->TO | 0.29596 | 271   | 'HOBBS_INT 7345.00 (LIKE POTTER)<br>345/230/13.2KV TRANSFORMER CKT 1' |
| 16SP | 0 | G10_060 | 'CAPROCK REC-MCDONALD - CAPROCK REC-<br>PHILLIPS 138KV CKT 1'        | TO->FROM | 0.19895 | 270.9 | 'TOLK STATION (ABBXNL844501) 345/230/13.2KV<br>TRANSFORMER CKT 1'     |
| 16SP | 0 | G10_059 | 'CAPROCK REC-MCDONALD - CAPROCK REC-<br>PHILLIPS 138KV CKT 1'        | TO->FROM | 0.19895 | 270.9 | 'TOLK STATION (ABBXNL844501) 345/230/13.2KV<br>TRANSFORMER CKT 1'     |
| 16SP | 0 | G10_060 | 'CAPROCK REC-MCDONALD - CAPROCK REC-<br>PHILLIPS 138KV CKT 1'        | TO->FROM | 0.19895 | 270.9 | 'CHAVESCO 345.00 - TOLK STATION 345KV<br>CKT 1'                       |
| 16SP | 0 | G10_059 | 'CAPROCK REC-MCDONALD - CAPROCK REC-<br>PHILLIPS 138KV CKT 1'        | TO->FROM | 0.19895 | 270.9 | 'CHAVESCO 345.00 - TOLK STATION 345KV<br>CKT 1'                       |
| 16SP | 0 | G10_060 | 'CAPROCK REC-MCDONALD - CAPROCK REC-<br>PHILLIPS 138KV CKT 1'        | TO->FROM | 0.19048 | 270.9 | 'TERRY COUNTY INTERCHANGE - WOLFFORTH<br>INTERCHANGE 115KV CKT 1'     |
| 16SP | 0 | G10_059 | 'CAPROCK REC-MCDONALD - CAPROCK REC-<br>PHILLIPS 138KV CKT 1'        | TO->FROM | 0.19048 | 270.9 | 'TERRY COUNTY INTERCHANGE - WOLFFORTH<br>INTERCHANGE 115KV CKT 1'     |
| 16SP | 0 | G10_060 | 'GRASSLAND INTERCHANGE - Jones Station<br>Bus#2 230KV CKT 1'         | FROM->TO | 0.47074 | 350.8 | 'HOBBS_INT 7345.00 - MIDLAND 7345.00<br>345KV CKT 1'                  |
| 16SP | 0 | G10_059 | 'GRASSLAND INTERCHANGE - Jones Station<br>Bus#2 230KV CKT 1'         | FROM->TO | 0.47074 | 350.8 | 'HOBBS_INT 7345.00 - MIDLAND 7345.00<br>345KV CKT 1'                  |
| 16SP | 0 | G10_060 | 'GRASSLAND INTERCHANGE - Jones Station<br>Bus#2 230KV CKT 1'         | FROM->TO | 0.47074 | 350.8 | 'HOBBS_INT 7345.00 (LIKE POTTER)<br>345/230/13.2KV TRANSFORMER CKT 1' |
| 16SP | 0 | G10_059 | 'GRASSLAND INTERCHANGE - Jones Station<br>Bus#2 230KV CKT 1'         | FROM->TO | 0.47074 | 350.8 | 'HOBBS_INT 7345.00 (LIKE POTTER)<br>345/230/13.2KV TRANSFORMER CKT 1' |

|      |   |         |   |          |         |       |  |
|------|---|---------|---|----------|---------|-------|--|
| 16SP | 0 | G10_060 | 'CAPROCK REC-ST LAWRENCE - CAPROCK REC-STILES 138KV CKT 1'      | TO->FROM | 0.29507 | 271   | 'HOBBS_INT 7345.00 - MIDLAND 7345.00 345KV CKT 1'                  |
| 16SP | 0 | G10_059 | 'CAPROCK REC-ST LAWRENCE - CAPROCK REC-STILES 138KV CKT 1'      | TO->FROM | 0.29507 | 271   | 'HOBBS_INT 7345.00 - MIDLAND 7345.00 345KV CKT 1'                  |
| 16SP | 0 | G10_060 | 'CAPROCK REC-ST LAWRENCE - CAPROCK REC-STILES 138KV CKT 1'      | TO->FROM | 0.29507 | 271   | 'HOBBS_INT 7345.00 (LIKE POTTER) 345/230/13.2KV TRANSFORMER CKT 1' |
| 16SP | 0 | G10_059 | 'CAPROCK REC-ST LAWRENCE - CAPROCK REC-STILES 138KV CKT 1'      | TO->FROM | 0.29507 | 271   | 'HOBBS_INT 7345.00 (LIKE POTTER) 345/230/13.2KV TRANSFORMER CKT 1' |
| 16SP | 0 | G10_060 | 'CAPROCK REC-BUCHANAN - CAPROCK REC-LANGE 138KV CKT 1'          | TO->FROM | 0.29507 | 271   | 'HOBBS_INT 7345.00 - MIDLAND 7345.00 345KV CKT 1'                  |
| 16SP | 0 | G10_059 | 'CAPROCK REC-BUCHANAN - CAPROCK REC-LANGE 138KV CKT 1'          | TO->FROM | 0.29507 | 271   | 'HOBBS_INT 7345.00 - MIDLAND 7345.00 345KV CKT 1'                  |
| 16SP | 0 | G10_060 | 'CAPROCK REC-BUCHANAN - CAPROCK REC-LANGE 138KV CKT 1'          | TO->FROM | 0.29507 | 271   | 'HOBBS_INT 7345.00 (LIKE POTTER) 345/230/13.2KV TRANSFORMER CKT 1' |
| 16SP | 0 | G10_059 | 'CAPROCK REC-BUCHANAN - CAPROCK REC-LANGE 138KV CKT 1'          | TO->FROM | 0.29507 | 271   | 'HOBBS_INT 7345.00 (LIKE POTTER) 345/230/13.2KV TRANSFORMER CKT 1' |
| 16SP | 0 | G10_060 | 'CUNNINGHAM STATION - LEA COUNTY INTERCHANGE 230KV CKT 1'       | TO->FROM | 0.40082 | 499.3 | 'MIDLAND 7345.00 (LIKE WICHITA) 345/138/13.8KV TRANSFORMER CKT 1'  |
| 16SP | 0 | G10_059 | 'CUNNINGHAM STATION - LEA COUNTY INTERCHANGE 230KV CKT 1'       | TO->FROM | 0.40082 | 499.3 | 'MIDLAND 7345.00 (LIKE WICHITA) 345/138/13.8KV TRANSFORMER CKT 1'  |
| 16SP | 0 | G10_060 | 'CUNNINGHAM STATION - LEA COUNTY INTERCHANGE 230KV CKT 1'       | TO->FROM | 0.40082 | 499.3 | 'CAPROCK REC-PHILLIPS - CAPROCK REC-TATE 138KV CKT 1'              |
| 16SP | 0 | G10_059 | 'CUNNINGHAM STATION - LEA COUNTY INTERCHANGE 230KV CKT 1'       | TO->FROM | 0.40082 | 499.3 | 'CAPROCK REC-PHILLIPS - CAPROCK REC-TATE 138KV CKT 1'              |
| 16SP | 0 | G10_060 | 'CAPROCK REC-BUCHANAN - CAPROCK REC-RUSSEL TAP 138KV CKT 1'     | FROM->TO | 0.29507 | 271   | 'HOBBS_INT 7345.00 (LIKE POTTER) 345/230/13.2KV TRANSFORMER CKT 1' |
| 16SP | 0 | G10_059 | 'CAPROCK REC-BUCHANAN - CAPROCK REC-RUSSEL TAP 138KV CKT 1'     | FROM->TO | 0.29507 | 271   | 'HOBBS_INT 7345.00 (LIKE POTTER) 345/230/13.2KV TRANSFORMER CKT 1' |
| 16SP | 0 | G10_060 | 'CAPROCK REC-BUCHANAN - CAPROCK REC-RUSSEL TAP 138KV CKT 1'     | FROM->TO | 0.29507 | 271   | 'HOBBS_INT 7345.00 - MIDLAND 7345.00 345KV CKT 1'                  |
| 16SP | 0 | G10_059 | 'CAPROCK REC-BUCHANAN - CAPROCK REC-RUSSEL TAP 138KV CKT 1'     | FROM->TO | 0.29507 | 271   | 'HOBBS_INT 7345.00 - MIDLAND 7345.00 345KV CKT 1'                  |
| 16SP | 0 | G10_060 | 'CUNNINGHAM STATION - LEA COUNTY INTERCHANGE 230KV CKT 1'       | TO->FROM | 0.40082 | 499.3 | 'CAPROCK REC-MCDONALD - CAPROCK REC-PHILLIPS 138KV CKT 1'          |
| 16SP | 0 | G10_059 | 'CUNNINGHAM STATION - LEA COUNTY INTERCHANGE 230KV CKT 1'       | TO->FROM | 0.40082 | 499.3 | 'CAPROCK REC-MCDONALD - CAPROCK REC-PHILLIPS 138KV CKT 1'          |
| 16SP | 0 | G10_060 | 'CAPROCK REC-RUSSEL TAP - CAPROCK REC-VEALMOOR 138KV CKT 1'     | FROM->TO | 0.29507 | 271   | 'HOBBS_INT 7345.00 - MIDLAND 7345.00 345KV CKT 1'                  |
| 16SP | 0 | G10_059 | 'CAPROCK REC-RUSSEL TAP - CAPROCK REC-VEALMOOR 138KV CKT 1'     | FROM->TO | 0.29507 | 271   | 'HOBBS_INT 7345.00 - MIDLAND 7345.00 345KV CKT 1'                  |
| 16SP | 0 | G10_060 | 'CAPROCK REC-RUSSEL TAP - CAPROCK REC-VEALMOOR 138KV CKT 1'     | FROM->TO | 0.29507 | 271   | 'HOBBS_INT 7345.00 (LIKE POTTER) 345/230/13.2KV TRANSFORMER CKT 1' |
| 16SP | 0 | G10_059 | 'CAPROCK REC-RUSSEL TAP - CAPROCK REC-VEALMOOR 138KV CKT 1'     | FROM->TO | 0.29507 | 271   | 'HOBBS_INT 7345.00 (LIKE POTTER) 345/230/13.2KV TRANSFORMER CKT 1' |
| 16SP | 0 | G10_060 | 'LUBBOCK SOUTH INTERCHANGE - WOLFFORTH INTERCHANGE 230KV CKT 1' | FROM->TO | 0.32881 | 345.8 | 'HOBBS_INT 7345.00 - MIDLAND 7345.00 345KV CKT 1'                  |
| 16SP | 0 | G10_059 | 'LUBBOCK SOUTH INTERCHANGE - WOLFFORTH INTERCHANGE 230KV CKT 1' | FROM->TO | 0.32881 | 345.8 | 'HOBBS_INT 7345.00 - MIDLAND 7345.00 345KV CKT 1'                  |
| 16SP | 0 | G10_060 | 'LUBBOCK SOUTH INTERCHANGE - WOLFFORTH INTERCHANGE 230KV CKT 1' | FROM->TO | 0.32881 | 345.8 | 'HOBBS_INT 7345.00 (LIKE POTTER) 345/230/13.2KV TRANSFORMER CKT 1' |

|      |   |         |   |          |         |       |  |
|------|---|---------|---|----------|---------|-------|--|
| 16SP | 0 | G10_059 | 'LUBBOCK SOUTH INTERCHANGE - WOLFFORTH INTERCHANGE 230KV CKT 1'   | FROM->TO | 0.32881 | 345.8 | 'HOBBS_INT 7345.00 (LIKE POTTER) 345/230/13.2KV TRANSFORMER CKT 1' |
| 16SP | 0 | G10_060 | 'JONES STATION - TUCO INTERCHANGE 230KV CKT 1'                    | FROM->TO | 0.35139 | 346.4 | 'HOBBS_INT 7345.00 (LIKE POTTER) 345/230/13.2KV TRANSFORMER CKT 1' |
| 16SP | 0 | G10_059 | 'JONES STATION - TUCO INTERCHANGE 230KV CKT 1'                    | FROM->TO | 0.35139 | 346.4 | 'HOBBS_INT 7345.00 (LIKE POTTER) 345/230/13.2KV TRANSFORMER CKT 1' |
| 16SP | 0 | G10_060 | 'JONES STATION - TUCO INTERCHANGE 230KV CKT 1'                    | FROM->TO | 0.35139 | 346.4 | 'HOBBS_INT 7345.00 - MIDLAND 7345.00 345KV CKT 1'                  |
| 16SP | 0 | G10_059 | 'JONES STATION - TUCO INTERCHANGE 230KV CKT 1'                    | FROM->TO | 0.35139 | 346.4 | 'HOBBS_INT 7345.00 - MIDLAND 7345.00 345KV CKT 1'                  |
| 16SP | 0 | G10_060 | 'CAPROCK REC-MCDONALD - CAPROCK REC-TRIANGLE 138KV CKT 1'         | FROM->TO | 0.19618 | 271   | 'HOBBS INTERCHANGE - LEA COUNTY INTERCHANGE 230KV CKT 1'           |
| 16SP | 0 | G10_059 | 'CAPROCK REC-MCDONALD - CAPROCK REC-TRIANGLE 138KV CKT 1'         | FROM->TO | 0.19618 | 271   | 'HOBBS INTERCHANGE - LEA COUNTY INTERCHANGE 230KV CKT 1'           |
| 16SP | 0 | G10_060 | 'CUNNINGHAM STATION - LEA COUNTY INTERCHANGE 230KV CKT 1'         | TO->FROM | 0.32942 | 499.3 | 'CUNNINGHAM STATION 230/20.0KV TRANSFORMER CKT 1'                  |
| 16SP | 0 | G10_059 | 'CUNNINGHAM STATION - LEA COUNTY INTERCHANGE 230KV CKT 1'         | TO->FROM | 0.32942 | 499.3 | 'CUNNINGHAM STATION 230/20.0KV TRANSFORMER CKT 1'                  |
| 16SP | 0 | G10_060 | 'MIDLAND 7345.00 (LIKE WICHITA) 345/138/13.8KV TRANSFORMER CKT 1' | FROM->TO | 0.21391 | 384.9 | 'LEA COUNTY INTERCHANGE - YOAKUM COUNTY INTERCHANGE 230KV CKT 1'   |
| 16SP | 0 | G10_059 | 'MIDLAND 7345.00 (LIKE WICHITA) 345/138/13.8KV TRANSFORMER CKT 1' | FROM->TO | 0.21391 | 384.9 | 'LEA COUNTY INTERCHANGE - YOAKUM COUNTY INTERCHANGE 230KV CKT 1'   |
| 16SP | 0 | G10_060 | 'MIDLAND 7345.00 (LIKE WICHITA) 345/138/13.8KV TRANSFORMER CKT 1' | FROM->TO | 0.21391 | 385.2 | 'LEA COUNTY INTERCHANGE - YOAKUM COUNTY INTERCHANGE 230KV CKT 1'   |
| 16SP | 0 | G10_059 | 'MIDLAND 7345.00 (LIKE WICHITA) 345/138/13.8KV TRANSFORMER CKT 1' | FROM->TO | 0.21391 | 385.2 | 'LEA COUNTY INTERCHANGE - YOAKUM COUNTY INTERCHANGE 230KV CKT 1'   |
| 16SP | 0 | G10_060 | 'CUNNINGHAM STATION - LEA COUNTY INTERCHANGE 230KV CKT 1'         | TO->FROM | 0.40048 | 499.3 | 'BORDEN COUNTY INTERCHANGE - GRASSLAND INTERCHANGE 230KV CKT 1'    |
| 16SP | 0 | G10_059 | 'CUNNINGHAM STATION - LEA COUNTY INTERCHANGE 230KV CKT 1'         | TO->FROM | 0.40048 | 499.3 | 'BORDEN COUNTY INTERCHANGE - GRASSLAND INTERCHANGE 230KV CKT 1'    |
| 16SP | 0 | G10_060 | 'CUNNINGHAM STATION - LEA COUNTY INTERCHANGE 230KV CKT 1'         | TO->FROM | 0.40048 | 499.3 | 'SPP-SWPS-K48'   |
| 16SP | 0 | G10_059 | 'CUNNINGHAM STATION - LEA COUNTY INTERCHANGE 230KV CKT 1'         | TO->FROM | 0.40048 | 499.3 | 'SPP-SWPS-K48'   |
| 16SP | 0 | G10_060 | 'CUNNINGHAM STATION - LEA COUNTY INTERCHANGE 230KV CKT 1'         | TO->FROM | 0.37452 | 499.3 | 'HOBBS INTERCHANGE 230/115KV TRANSFORMER CKT 1'                    |
| 16SP | 0 | G10_059 | 'CUNNINGHAM STATION - LEA COUNTY INTERCHANGE 230KV CKT 1'         | TO->FROM | 0.37452 | 499.3 | 'HOBBS INTERCHANGE 230/115KV TRANSFORMER CKT 1'                    |
| 16SP | 0 | G10_060 | 'MIDLAND 7345.00 (LIKE WICHITA) 345/138/13.8KV TRANSFORMER CKT 1' | FROM->TO | 0.19565 | 384.9 | 'AMOCO SWITCHING STATION - YOAKUM COUNTY INTERCHANGE 230KV CKT 1'  |
| 16SP | 0 | G10_059 | 'MIDLAND 7345.00 (LIKE WICHITA) 345/138/13.8KV TRANSFORMER CKT 1' | FROM->TO | 0.19565 | 384.9 | 'AMOCO SWITCHING STATION - YOAKUM COUNTY INTERCHANGE 230KV CKT 1'  |
| 16SP | 0 | G10_060 | 'MIDLAND 7345.00 (LIKE WICHITA) 345/138/13.8KV TRANSFORMER CKT 1' | FROM->TO | 0.19565 | 385.2 | 'AMOCO SWITCHING STATION - YOAKUM COUNTY INTERCHANGE 230KV CKT 1'  |
| 16SP | 0 | G10_059 | 'MIDLAND 7345.00 (LIKE WICHITA) 345/138/13.8KV TRANSFORMER CKT 1' | FROM->TO | 0.19565 | 385.2 | 'AMOCO SWITCHING STATION - YOAKUM COUNTY INTERCHANGE 230KV CKT 1'  |
| 16SP | 0 | G10_060 | 'MIDLAND 7345.00 (LIKE WICHITA) 345/138/13.8KV TRANSFORMER CKT 1' | FROM->TO | 0.20398 | 384.9 | 'CUNNINGHAM STATION - LEA COUNTY INTERCHANGE 230KV CKT 1'          |
| 16SP | 0 | G10_059 | 'MIDLAND 7345.00 (LIKE WICHITA) 345/138/13.8KV TRANSFORMER CKT 1' | FROM->TO | 0.20398 | 384.9 | 'CUNNINGHAM STATION - LEA COUNTY INTERCHANGE 230KV CKT 1'          |

|      |   |         |  |          |         |       |  |
|------|---|---------|--|----------|---------|-------|--|
| 16SP | 0 | G10_060 | 'MIDLAND 7345.00 (LIKE WICHITA)<br>345/138/13.8KV TRANSFORMER CKT 1' | FROM->TO | 0.20398 | 385.2 | 'CUNNINGHAM STATION - LEA COUNTY<br>INTERCHANGE 230KV CKT 1'         |
| 16SP | 0 | G10_059 | 'MIDLAND 7345.00 (LIKE WICHITA)<br>345/138/13.8KV TRANSFORMER CKT 1' | FROM->TO | 0.20398 | 385.2 | 'CUNNINGHAM STATION - LEA COUNTY<br>INTERCHANGE 230KV CKT 1'         |
| 16SP | 0 | G10_060 | 'CUNNINGHAM STATION - LEA COUNTY<br>INTERCHANGE 230KV CKT 1'         | TO->FROM | 0.34731 | 499.3 | 'AMOCO SWITCHING STATION - YOAKUM<br>COUNTY INTERCHANGE 230KV CKT 1' |
| 16SP | 0 | G10_059 | 'CUNNINGHAM STATION - LEA COUNTY<br>INTERCHANGE 230KV CKT 1'         | TO->FROM | 0.34731 | 499.3 | 'AMOCO SWITCHING STATION - YOAKUM<br>COUNTY INTERCHANGE 230KV CKT 1' |
| 16SP | 0 | G10_060 | 'CAPROCK REC-GRADY - CAPROCK REC-REED<br>138KV CKT 1'                | FROM->TO | 0.19618 | 270.9 | 'HOBBS INTERCHANGE - LEA COUNTY<br>INTERCHANGE 230KV CKT 1'          |
| 16SP | 0 | G10_059 | 'CAPROCK REC-GRADY - CAPROCK REC-REED<br>138KV CKT 1'                | FROM->TO | 0.19618 | 270.9 | 'HOBBS INTERCHANGE - LEA COUNTY<br>INTERCHANGE 230KV CKT 1'          |
| 16SP | 0 | G10_060 | 'CUNNINGHAM STATION - LEA COUNTY<br>INTERCHANGE 230KV CKT 1'         | TO->FROM | 0.36868 | 499.3 | 'LEA COUNTY INTERCHANGE 230/115KV<br>TRANSFORMER CKT 1'              |
| 16SP | 0 | G10_059 | 'CUNNINGHAM STATION - LEA COUNTY<br>INTERCHANGE 230KV CKT 1'         | TO->FROM | 0.36868 | 499.3 | 'LEA COUNTY INTERCHANGE 230/115KV<br>TRANSFORMER CKT 1'              |
| 16SP | 0 | G10_060 | 'CUNNINGHAM STATION - LEA COUNTY<br>INTERCHANGE 230KV CKT 1'         | TO->FROM | 0.36219 | 499.3 | 'CAPROCK REC-MCDONALD - CAPROCK REC-<br>TRIANGLE 138KV CKT 1'        |
| 16SP | 0 | G10_059 | 'CUNNINGHAM STATION - LEA COUNTY<br>INTERCHANGE 230KV CKT 1'         | TO->FROM | 0.36219 | 499.3 | 'CAPROCK REC-MCDONALD - CAPROCK REC-<br>TRIANGLE 138KV CKT 1'        |
| 16SP | 0 | G10_060 | 'CUNNINGHAM STATION - LEA COUNTY<br>INTERCHANGE 230KV CKT 1'         | TO->FROM | 0.32942 | 499.3 | 'CUNNINGHAM STATION 230/13.8KV<br>TRANSFORMER CKT 1'                 |
| 16SP | 0 | G10_059 | 'CUNNINGHAM STATION - LEA COUNTY<br>INTERCHANGE 230KV CKT 1'         | TO->FROM | 0.32942 | 499.3 | 'CUNNINGHAM STATION 230/13.8KV<br>TRANSFORMER CKT 1'                 |
| 16SP | 0 | G10_060 | 'CUNNINGHAM STATION - LEA COUNTY<br>INTERCHANGE 230KV CKT 1'         | TO->FROM | 0.36219 | 499.3 | 'CAPROCK REC-GRADY - CAPROCK REC-<br>TRIANGLE 138KV CKT 1'           |
| 16SP | 0 | G10_059 | 'CUNNINGHAM STATION - LEA COUNTY<br>INTERCHANGE 230KV CKT 1'         | TO->FROM | 0.36219 | 499.3 | 'CAPROCK REC-GRADY - CAPROCK REC-<br>TRIANGLE 138KV CKT 1'           |
| 16SP | 0 | G10_060 | 'CUNNINGHAM STATION - LEA COUNTY<br>INTERCHANGE 230KV CKT 1'         | TO->FROM | 0.36219 | 499.3 | 'CAPROCK REC-GRADY - CAPROCK REC-REED<br>138KV CKT 1'                |
| 16SP | 0 | G10_059 | 'CUNNINGHAM STATION - LEA COUNTY<br>INTERCHANGE 230KV CKT 1'         | TO->FROM | 0.36219 | 499.3 | 'CAPROCK REC-GRADY - CAPROCK REC-REED<br>138KV CKT 1'                |
| 16SP | 0 | G10_060 | 'CUNNINGHAM STATION - LEA COUNTY<br>INTERCHANGE 230KV CKT 1'         | TO->FROM | 0.36219 | 499.3 | 'CAPROCK REC-KOCH - CAPROCK REC-REED<br>138KV CKT 1'                 |
| 16SP | 0 | G10_059 | 'CUNNINGHAM STATION - LEA COUNTY<br>INTERCHANGE 230KV CKT 1'         | TO->FROM | 0.36219 | 499.3 | 'CAPROCK REC-KOCH - CAPROCK REC-REED<br>138KV CKT 1'                 |
| 16SP | 0 | G10_060 | 'CUNNINGHAM STATION - LEA COUNTY<br>INTERCHANGE 230KV CKT 1'         | TO->FROM | 0.36219 | 499.3 | 'CAPROCK REC-KOCH - CAPROCK REC-<br>VEALMOOR 138KV CKT 1'            |
| 16SP | 0 | G10_059 | 'CUNNINGHAM STATION - LEA COUNTY<br>INTERCHANGE 230KV CKT 1'         | TO->FROM | 0.36219 | 499.3 | 'CAPROCK REC-KOCH - CAPROCK REC-<br>VEALMOOR 138KV CKT 1'            |
| 16SP | 0 | G10_060 | 'MIDLAND 7345.00 (LIKE WICHITA)<br>345/138/13.8KV TRANSFORMER CKT 1' | FROM->TO | 0.19383 | 384.9 | 'CUNNINGHAM STATION - EDDY COUNTY<br>INTERCHANGE 230KV CKT 1'        |
| 16SP | 0 | G10_059 | 'MIDLAND 7345.00 (LIKE WICHITA)<br>345/138/13.8KV TRANSFORMER CKT 1' | FROM->TO | 0.19383 | 384.9 | 'CUNNINGHAM STATION - EDDY COUNTY<br>INTERCHANGE 230KV CKT 1'        |
| 16SP | 0 | G10_060 | 'MIDLAND 7345.00 (LIKE WICHITA)<br>345/138/13.8KV TRANSFORMER CKT 1' | FROM->TO | 0.19383 | 385.2 | 'CUNNINGHAM STATION - EDDY COUNTY<br>INTERCHANGE 230KV CKT 1'        |
| 16SP | 0 | G10_059 | 'MIDLAND 7345.00 (LIKE WICHITA)<br>345/138/13.8KV TRANSFORMER CKT 1' | FROM->TO | 0.19383 | 385.2 | 'CUNNINGHAM STATION - EDDY COUNTY<br>INTERCHANGE 230KV CKT 1'        |
| 16SP | 0 | G10_060 | 'MIDLAND 7345.00 (LIKE WICHITA)<br>345/138/13.8KV TRANSFORMER CKT 1' | FROM->TO | 0.19565 | 384.9 | 'AMOCO SWITCHING STATION - SUNDOWN<br>INTERCHANGE 230KV CKT 1'       |

|      |  |           |  |          |         |       |  |
|------|--|-----------|--|----------|---------|-------|--|
| 16SP |  | 0 G10_059 | 'MIDLAND 7345.00 (LIKE WICHITA)<br>345/138/13.8KV TRANSFORMER CKT 1' | FROM->TO | 0.19565 | 384.9 | 'AMOCO SWITCHING STATION - SUNDOWN<br>INTERCHANGE 230KV CKT 1'               |
| 16SP |  | 0 G10_060 | 'MIDLAND 7345.00 (LIKE WICHITA)<br>345/138/13.8KV TRANSFORMER CKT 1' | FROM->TO | 0.1917  | 384.9 | 'SUNDOWN INTERCHANGE - WOLFFORTH<br>INTERCHANGE 230KV CKT 1'                 |
| 16SP |  | 0 G10_059 | 'MIDLAND 7345.00 (LIKE WICHITA)<br>345/138/13.8KV TRANSFORMER CKT 1' | FROM->TO | 0.1917  | 384.9 | 'SUNDOWN INTERCHANGE - WOLFFORTH<br>INTERCHANGE 230KV CKT 1'                 |
| 16SP |  | 0 G10_060 | 'MIDLAND 7345.00 (LIKE WICHITA)<br>345/138/13.8KV TRANSFORMER CKT 1' | FROM->TO | 0.19565 | 385.2 | 'AMOCO SWITCHING STATION - SUNDOWN<br>INTERCHANGE 230KV CKT 1'               |
| 16SP |  | 0 G10_059 | 'MIDLAND 7345.00 (LIKE WICHITA)<br>345/138/13.8KV TRANSFORMER CKT 1' | FROM->TO | 0.19565 | 385.2 | 'AMOCO SWITCHING STATION - SUNDOWN<br>INTERCHANGE 230KV CKT 1'               |
| 16SP |  | 0 G10_060 | 'MIDLAND 7345.00 (LIKE WICHITA)<br>345/138/13.8KV TRANSFORMER CKT 1' | FROM->TO | 0.19895 | 384.9 | 'TOLK STATION (ABBXNL844501) 345/230/13.2KV<br>TRANSFORMER CKT 1'            |
| 16SP |  | 0 G10_059 | 'MIDLAND 7345.00 (LIKE WICHITA)<br>345/138/13.8KV TRANSFORMER CKT 1' | FROM->TO | 0.19895 | 384.9 | 'TOLK STATION (ABBXNL844501) 345/230/13.2KV<br>TRANSFORMER CKT 1'            |
| 16SP |  | 0 G10_060 | 'MIDLAND 7345.00 (LIKE WICHITA)<br>345/138/13.8KV TRANSFORMER CKT 1' | FROM->TO | 0.19895 | 384.9 | 'CHAVESCO 345.00 - TOLK STATION 345KV<br>CKT 1'                              |
| 16SP |  | 0 G10_059 | 'MIDLAND 7345.00 (LIKE WICHITA)<br>345/138/13.8KV TRANSFORMER CKT 1' | FROM->TO | 0.19895 | 384.9 | 'CHAVESCO 345.00 - TOLK STATION 345KV<br>CKT 1'                              |
| 16SP |  | 0 G10_060 | 'MIDLAND 7345.00 (LIKE WICHITA)<br>345/138/13.8KV TRANSFORMER CKT 1' | FROM->TO | 0.1917  | 385.2 | 'SUNDOWN INTERCHANGE - WOLFFORTH<br>INTERCHANGE 230KV CKT 1'                 |
| 16SP |  | 0 G10_059 | 'MIDLAND 7345.00 (LIKE WICHITA)<br>345/138/13.8KV TRANSFORMER CKT 1' | FROM->TO | 0.1917  | 385.2 | 'SUNDOWN INTERCHANGE - WOLFFORTH<br>INTERCHANGE 230KV CKT 1'                 |
| 16SP |  | 0 G10_060 | 'MIDLAND 7345.00 (LIKE WICHITA)<br>345/138/13.8KV TRANSFORMER CKT 1' | FROM->TO | 0.19895 | 385.2 | 'TOLK STATION (ABBXNL844501) 345/230/13.2KV<br>TRANSFORMER CKT 1'            |
| 16SP |  | 0 G10_059 | 'MIDLAND 7345.00 (LIKE WICHITA)<br>345/138/13.8KV TRANSFORMER CKT 1' | FROM->TO | 0.19895 | 385.2 | 'TOLK STATION (ABBXNL844501) 345/230/13.2KV<br>TRANSFORMER CKT 1'            |
| 16SP |  | 0 G10_060 | 'MIDLAND 7345.00 (LIKE WICHITA)<br>345/138/13.8KV TRANSFORMER CKT 1' | FROM->TO | 0.19895 | 385.2 | 'CHAVESCO 345.00 - TOLK STATION 345KV<br>CKT 1'                              |
| 16SP |  | 0 G10_059 | 'MIDLAND 7345.00 (LIKE WICHITA)<br>345/138/13.8KV TRANSFORMER CKT 1' | FROM->TO | 0.19895 | 385.2 | 'CHAVESCO 345.00 - TOLK STATION 345KV<br>CKT 1'                              |
| 16SP |  | 0 G10_060 | 'MIDLAND 7345.00 (LIKE WICHITA)<br>345/138/13.8KV TRANSFORMER CKT 1' | FROM->TO | 0.19047 | 384.9 | 'CUNNINGHAM STATION - POTASH JUNCTION<br>INTERCHANGE 230KV CKT 1'            |
| 16SP |  | 0 G10_059 | 'MIDLAND 7345.00 (LIKE WICHITA)<br>345/138/13.8KV TRANSFORMER CKT 1' | FROM->TO | 0.19047 | 384.9 | 'CUNNINGHAM STATION - POTASH JUNCTION<br>INTERCHANGE 230KV CKT 1'            |
| 16SP |  | 0 G10_060 | 'MIDLAND 7345.00 (LIKE WICHITA)<br>345/138/13.8KV TRANSFORMER CKT 1' | FROM->TO | 0.1993  | 384.9 | 'EDDY COUNTY INTERCHANGE (ABB AEM30711)<br>345/230/13.2KV TRANSFORMER CKT 1' |
| 16SP |  | 0 G10_059 | 'MIDLAND 7345.00 (LIKE WICHITA)<br>345/138/13.8KV TRANSFORMER CKT 1' | FROM->TO | 0.1993  | 384.9 | 'EDDY COUNTY INTERCHANGE (ABB AEM30711)<br>345/230/13.2KV TRANSFORMER CKT 1' |
| 16SP |  | 0 G10_060 | 'MIDLAND 7345.00 (LIKE WICHITA)<br>345/138/13.8KV TRANSFORMER CKT 1' | FROM->TO | 0.1993  | 384.9 | 'CHAVESCO 345.00 - EDDY COUNTY<br>INTERCHANGE 345KV CKT 1'                   |
| 16SP |  | 0 G10_059 | 'MIDLAND 7345.00 (LIKE WICHITA)<br>345/138/13.8KV TRANSFORMER CKT 1' | FROM->TO | 0.1993  | 384.9 | 'CHAVESCO 345.00 - EDDY COUNTY<br>INTERCHANGE 345KV CKT 1'                   |
| 16SP |  | 0 G10_060 | 'MIDLAND 7345.00 (LIKE WICHITA)<br>345/138/13.8KV TRANSFORMER CKT 1' | FROM->TO | 0.19047 | 385.2 | 'CUNNINGHAM STATION - POTASH JUNCTION<br>INTERCHANGE 230KV CKT 1'            |
| 16SP |  | 0 G10_059 | 'MIDLAND 7345.00 (LIKE WICHITA)<br>345/138/13.8KV TRANSFORMER CKT 1' | FROM->TO | 0.19047 | 385.2 | 'CUNNINGHAM STATION - POTASH JUNCTION<br>INTERCHANGE 230KV CKT 1'            |
| 16SP |  | 0 G10_060 | 'MIDLAND 7345.00 (LIKE WICHITA)<br>345/138/13.8KV TRANSFORMER CKT 1' | FROM->TO | 0.1993  | 385.2 | 'EDDY COUNTY INTERCHANGE (ABB AEM30711)<br>345/230/13.2KV TRANSFORMER CKT 1' |

|      |   |         |  |          |         |       |  |
|------|---|---------|--|----------|---------|-------|--|
| 16SP | 0 | G10_059 | 'MIDLAND 7345.00 (LIKE WICHITA)<br>345/138/13.8KV TRANSFORMER CKT 1' | FROM->TO | 0.1993  | 385.2 | 'EDDY COUNTY INTERCHANGE (ABB AEM30711)<br>345/230/13.2KV TRANSFORMER CKT 1' |
| 16SP | 0 | G10_060 | 'MIDLAND 7345.00 (LIKE WICHITA)<br>345/138/13.8KV TRANSFORMER CKT 1' | FROM->TO | 0.1993  | 385.2 | 'CHAVESCO 345.00 - EDDY COUNTY<br>INTERCHANGE 345KV CKT 1'                   |
| 16SP | 0 | G10_059 | 'MIDLAND 7345.00 (LIKE WICHITA)<br>345/138/13.8KV TRANSFORMER CKT 1' | FROM->TO | 0.1993  | 385.2 | 'CHAVESCO 345.00 - EDDY COUNTY<br>INTERCHANGE 345KV CKT 1'                   |
| 16SP | 0 | G10_060 | 'CUNNINGHAM STATION - LEA COUNTY<br>INTERCHANGE 230KV CKT 1'         | TO->FROM | 0.33208 | 499.3 | 'CUNNINGHAM STATION - PCA INTERCHANGE<br>115KV CKT 1'                        |
| 16SP | 0 | G10_059 | 'CUNNINGHAM STATION - LEA COUNTY<br>INTERCHANGE 230KV CKT 1'         | TO->FROM | 0.33208 | 499.3 | 'CUNNINGHAM STATION - PCA INTERCHANGE<br>115KV CKT 1'                        |
| 16SP | 0 | G10_060 | 'CUNNINGHAM STATION - LEA COUNTY<br>INTERCHANGE 230KV CKT 1'         | TO->FROM | 0.34731 | 499.3 | 'AMOCO SWITCHING STATION - SUNDOWN<br>INTERCHANGE 230KV CKT 1'               |
| 16SP | 0 | G10_059 | 'CUNNINGHAM STATION - LEA COUNTY<br>INTERCHANGE 230KV CKT 1'         | TO->FROM | 0.34731 | 499.3 | 'AMOCO SWITCHING STATION - SUNDOWN<br>INTERCHANGE 230KV CKT 1'               |
| 16SP | 0 | G10_060 | 'MIDLAND 7345.00 (LIKE WICHITA)<br>345/138/13.8KV TRANSFORMER CKT 1' | FROM->TO | 0.19048 | 384.9 | 'TERRY COUNTY INTERCHANGE - WOLFFORTH<br>INTERCHANGE 115KV CKT 1'            |
| 16SP | 0 | G10_059 | 'MIDLAND 7345.00 (LIKE WICHITA)<br>345/138/13.8KV TRANSFORMER CKT 1' | FROM->TO | 0.19048 | 384.9 | 'TERRY COUNTY INTERCHANGE - WOLFFORTH<br>INTERCHANGE 115KV CKT 1'            |
| 16SP | 0 | G10_060 | 'CUNNINGHAM STATION - LEA COUNTY<br>INTERCHANGE 230KV CKT 1'         | TO->FROM | 0.35024 | 499.3 | 'TOLK STATION WEST - YOAKUM COUNTY<br>INTERCHANGE 230KV CKT 1'               |
| 16SP | 0 | G10_059 | 'CUNNINGHAM STATION - LEA COUNTY<br>INTERCHANGE 230KV CKT 1'         | TO->FROM | 0.35024 | 499.3 | 'TOLK STATION WEST - YOAKUM COUNTY<br>INTERCHANGE 230KV CKT 1'               |
| 16SP | 0 | G10_060 | 'MIDLAND 7345.00 (LIKE WICHITA)<br>345/138/13.8KV TRANSFORMER CKT 1' | FROM->TO | 0.19048 | 385.2 | 'TERRY COUNTY INTERCHANGE - WOLFFORTH<br>INTERCHANGE 115KV CKT 1'            |
| 16SP | 0 | G10_059 | 'MIDLAND 7345.00 (LIKE WICHITA)<br>345/138/13.8KV TRANSFORMER CKT 1' | FROM->TO | 0.19048 | 385.2 | 'TERRY COUNTY INTERCHANGE - WOLFFORTH<br>INTERCHANGE 115KV CKT 1'            |
| 16SP | 0 | G10_060 | 'CUNNINGHAM STATION - LEA COUNTY<br>INTERCHANGE 230KV CKT 1'         | TO->FROM | 0.32942 | 475.2 | 'BASE CASE'  |
| 16SP | 0 | G10_059 | 'CUNNINGHAM STATION - LEA COUNTY<br>INTERCHANGE 230KV CKT 1'         | TO->FROM | 0.32942 | 475.2 | 'BASE CASE'  |
| 16SP | 0 | G10_060 | 'CUNNINGHAM STATION - LEA COUNTY<br>INTERCHANGE 230KV CKT 1'         | TO->FROM | 0.33882 | 499.3 | 'CAPROCK REC-MCDONALD - CR-1956 4138.00<br>138KV CKT 1'                      |
| 16SP | 0 | G10_059 | 'CUNNINGHAM STATION - LEA COUNTY<br>INTERCHANGE 230KV CKT 1'         | TO->FROM | 0.33882 | 499.3 | 'CAPROCK REC-MCDONALD - CR-1956 4138.00<br>138KV CKT 1'                      |
| 16WP | 0 | G10_060 | 'HOBBS INTERCHANGE 230/115KV<br>TRANSFORMER CKT 1'                   | FROM->TO | 0.68264 | 148.3 | 'HOBBS INTERCHANGE - LEA COUNTY<br>INTERCHANGE 230KV CKT 1'                  |
| 16WP | 0 | G10_059 | 'HOBBS INTERCHANGE 230/115KV<br>TRANSFORMER CKT 1'                   | FROM->TO | 0.68264 | 148.3 | 'HOBBS INTERCHANGE - LEA COUNTY<br>INTERCHANGE 230KV CKT 1'                  |
| 16WP | 0 | G10_060 | 'CAPROCK REC-PHILLIPS - CAPROCK REC-<br>TATE 138KV CKT 1'            | TO->FROM | 1       | 270.3 | 'HOBBS_INT 7345.00 - MIDLAND 7345.00<br>345KV CKT 1'                         |
| 16WP | 0 | G10_059 | 'CAPROCK REC-PHILLIPS - CAPROCK REC-<br>TATE 138KV CKT 1'            | TO->FROM | 1       | 270.3 | 'HOBBS_INT 7345.00 - MIDLAND 7345.00<br>345KV CKT 1'                         |
| 16WP | 0 | G10_060 | 'CAPROCK REC-PHILLIPS - CAPROCK REC-<br>TATE 138KV CKT 1'            | TO->FROM | 1       | 270.3 | 'HOBBS_INT 7345.00 (LIKE POTTER)<br>345/230/13.2KV TRANSFORMER CKT 1'        |
| 16WP | 0 | G10_059 | 'CAPROCK REC-PHILLIPS - CAPROCK REC-<br>TATE 138KV CKT 1'            | TO->FROM | 1       | 270.3 | 'HOBBS_INT 7345.00 (LIKE POTTER)<br>345/230/13.2KV TRANSFORMER CKT 1'        |
| 16WP | 0 | G10_060 | 'CAPROCK REC-MCDONALD - CAPROCK REC-<br>PHILLIPS 138KV CKT 1'        | TO->FROM | 1       | 270.7 | 'HOBBS_INT 7345.00 - MIDLAND 7345.00<br>345KV CKT 1'                         |
| 16WP | 0 | G10_059 | 'CAPROCK REC-MCDONALD - CAPROCK REC-<br>PHILLIPS 138KV CKT 1'        | TO->FROM | 1       | 270.7 | 'HOBBS_INT 7345.00 - MIDLAND 7345.00<br>345KV CKT 1'                         |

|      |   |         |   |          |         |       |  |
|------|---|---------|---|----------|---------|-------|--|
| 16WP | 0 | G10_060 | 'CAPROCK REC-MCDONALD - CAPROCK REC-PHILLIPS 138KV CKT 1'         | TO->FROM | 1       | 270.7 | 'HOBBS_INT 7345.00 (LIKE POTTER) 345/230/13.2KV TRANSFORMER CKT 1' |
| 16WP | 0 | G10_059 | 'CAPROCK REC-MCDONALD - CAPROCK REC-PHILLIPS 138KV CKT 1'         | TO->FROM | 1       | 270.7 | 'HOBBS_INT 7345.00 (LIKE POTTER) 345/230/13.2KV TRANSFORMER CKT 1' |
| 16WP | 0 | G10_060 | 'CAPROCK REC-GRADY - CAPROCK REC-TRIANGLE 138KV CKT 1'            | TO->FROM | 0.70393 | 176   | 'HOBBS_INT 7345.00 - MIDLAND 7345.00 345KV CKT 1'                  |
| 16WP | 0 | G10_059 | 'CAPROCK REC-GRADY - CAPROCK REC-TRIANGLE 138KV CKT 1'            | TO->FROM | 0.70393 | 176   | 'HOBBS_INT 7345.00 - MIDLAND 7345.00 345KV CKT 1'                  |
| 16WP | 0 | G10_060 | 'CAPROCK REC-GRADY - CAPROCK REC-TRIANGLE 138KV CKT 1'            | TO->FROM | 0.70393 | 176   | 'HOBBS_INT 7345.00 (LIKE POTTER) 345/230/13.2KV TRANSFORMER CKT 1' |
| 16WP | 0 | G10_059 | 'CAPROCK REC-GRADY - CAPROCK REC-TRIANGLE 138KV CKT 1'            | TO->FROM | 0.70393 | 176   | 'HOBBS_INT 7345.00 (LIKE POTTER) 345/230/13.2KV TRANSFORMER CKT 1' |
| 16WP | 0 | G10_060 | 'CAPROCK REC-KOCH - CAPROCK REC-REED 138KV CKT 1'                 | TO->FROM | 0.70393 | 176   | 'HOBBS_INT 7345.00 - MIDLAND 7345.00 345KV CKT 1'                  |
| 16WP | 0 | G10_059 | 'CAPROCK REC-KOCH - CAPROCK REC-REED 138KV CKT 1'                 | TO->FROM | 0.70393 | 176   | 'HOBBS_INT 7345.00 - MIDLAND 7345.00 345KV CKT 1'                  |
| 16WP | 0 | G10_060 | 'CAPROCK REC-KOCH - CAPROCK REC-REED 138KV CKT 1'                 | TO->FROM | 0.70393 | 176   | 'HOBBS_INT 7345.00 (LIKE POTTER) 345/230/13.2KV TRANSFORMER CKT 1' |
| 16WP | 0 | G10_059 | 'CAPROCK REC-KOCH - CAPROCK REC-REED 138KV CKT 1'                 | TO->FROM | 0.70393 | 176   | 'HOBBS_INT 7345.00 (LIKE POTTER) 345/230/13.2KV TRANSFORMER CKT 1' |
| 16WP | 0 | G10_060 | 'CAPROCK REC-KOCH - CAPROCK REC-VEALMOOR 138KV CKT 1'             | FROM->TO | 0.70393 | 176   | 'HOBBS_INT 7345.00 - MIDLAND 7345.00 345KV CKT 1'                  |
| 16WP | 0 | G10_059 | 'CAPROCK REC-KOCH - CAPROCK REC-VEALMOOR 138KV CKT 1'             | FROM->TO | 0.70393 | 176   | 'HOBBS_INT 7345.00 - MIDLAND 7345.00 345KV CKT 1'                  |
| 16WP | 0 | G10_060 | 'CAPROCK REC-KOCH - CAPROCK REC-VEALMOOR 138KV CKT 1'             | FROM->TO | 0.70393 | 176   | 'HOBBS_INT 7345.00 (LIKE POTTER) 345/230/13.2KV TRANSFORMER CKT 1' |
| 16WP | 0 | G10_059 | 'CAPROCK REC-KOCH - CAPROCK REC-VEALMOOR 138KV CKT 1'             | FROM->TO | 0.70393 | 176   | 'HOBBS_INT 7345.00 (LIKE POTTER) 345/230/13.2KV TRANSFORMER CKT 1' |
| 16WP | 0 | G10_060 | 'MIDLAND 7345.00 (LIKE WICHITA) 345/138/13.8KV TRANSFORMER CKT 1' | FROM->TO | 1       | 419.3 | 'HOBBS_INT 7345.00 - MIDLAND 7345.00 345KV CKT 1'                  |
| 16WP | 0 | G10_059 | 'MIDLAND 7345.00 (LIKE WICHITA) 345/138/13.8KV TRANSFORMER CKT 1' | FROM->TO | 1       | 419.3 | 'HOBBS_INT 7345.00 - MIDLAND 7345.00 345KV CKT 1'                  |
| 16WP | 0 | G10_060 | 'MIDLAND 7345.00 (LIKE WICHITA) 345/138/13.8KV TRANSFORMER CKT 1' | FROM->TO | 1       | 419.3 | 'HOBBS_INT 7345.00 (LIKE POTTER) 345/230/13.2KV TRANSFORMER CKT 1' |
| 16WP | 0 | G10_059 | 'MIDLAND 7345.00 (LIKE WICHITA) 345/138/13.8KV TRANSFORMER CKT 1' | FROM->TO | 1       | 419.3 | 'HOBBS_INT 7345.00 (LIKE POTTER) 345/230/13.2KV TRANSFORMER CKT 1' |
| 16WP | 0 | G10_060 | 'MIDLAND 7345.00 (LIKE WICHITA) 345/138/13.8KV TRANSFORMER CKT 1' | FROM->TO | 1       | 419.4 | 'HOBBS_INT 7345.00 - MIDLAND 7345.00 345KV CKT 1'                  |
| 16WP | 0 | G10_059 | 'MIDLAND 7345.00 (LIKE WICHITA) 345/138/13.8KV TRANSFORMER CKT 1' | FROM->TO | 1       | 419.4 | 'HOBBS_INT 7345.00 - MIDLAND 7345.00 345KV CKT 1'                  |
| 16WP | 0 | G10_060 | 'MIDLAND 7345.00 (LIKE WICHITA) 345/138/13.8KV TRANSFORMER CKT 1' | FROM->TO | 1       | 419.4 | 'HOBBS_INT 7345.00 (LIKE POTTER) 345/230/13.2KV TRANSFORMER CKT 1' |
| 16WP | 0 | G10_059 | 'MIDLAND 7345.00 (LIKE WICHITA) 345/138/13.8KV TRANSFORMER CKT 1' | FROM->TO | 1       | 419.4 | 'HOBBS_INT 7345.00 (LIKE POTTER) 345/230/13.2KV TRANSFORMER CKT 1' |
| 16WP | 0 | G10_060 | 'CAPROCK REC-MCDONALD - CAPROCK REC-TRIANGLE 138KV CKT 1'         | FROM->TO | 0.70393 | 271   | 'HOBBS_INT 7345.00 (LIKE POTTER) 345/230/13.2KV TRANSFORMER CKT 1' |
| 16WP | 0 | G10_059 | 'CAPROCK REC-MCDONALD - CAPROCK REC-TRIANGLE 138KV CKT 1'         | FROM->TO | 0.70393 | 271   | 'HOBBS_INT 7345.00 (LIKE POTTER) 345/230/13.2KV TRANSFORMER CKT 1' |
| 16WP | 0 | G10_060 | 'CAPROCK REC-MCDONALD - CAPROCK REC-TRIANGLE 138KV CKT 1'         | FROM->TO | 0.70393 | 271   | 'HOBBS_INT 7345.00 - MIDLAND 7345.00 345KV CKT 1'                  |

|      |   |         |  |          |         |       |  |
|------|---|---------|--|----------|---------|-------|--|
| 16WP | 0 | G10_059 | 'CAPROCK REC-MCDONALD - CAPROCK REC-TRIANGLE 138KV CKT 1'          | FROM->TO | 0.70393 | 271   | 'HOBBS_INT 7345.00 - MIDLAND 7345.00 345KV CKT 1'                  |
| 16WP | 0 | G10_060 | 'BORDEN COUNTY INTERCHANGE 230/138KV TRANSFORMER CKT 1'            | TO->FROM | 0.50067 | 167.8 | 'HOBBS_INT 7345.00 - MIDLAND 7345.00 345KV CKT 1'                  |
| 16WP | 0 | G10_059 | 'BORDEN COUNTY INTERCHANGE 230/138KV TRANSFORMER CKT 1'            | TO->FROM | 0.50067 | 167.8 | 'HOBBS_INT 7345.00 - MIDLAND 7345.00 345KV CKT 1'                  |
| 16WP | 0 | G10_060 | 'BORDEN COUNTY INTERCHANGE 230/138KV TRANSFORMER CKT 1'            | TO->FROM | 0.50067 | 167.8 | 'HOBBS_INT 7345.00 (LIKE POTTER) 345/230/13.2KV TRANSFORMER CKT 1' |
| 16WP | 0 | G10_059 | 'BORDEN COUNTY INTERCHANGE 230/138KV TRANSFORMER CKT 1'            | TO->FROM | 0.50067 | 167.8 | 'HOBBS_INT 7345.00 (LIKE POTTER) 345/230/13.2KV TRANSFORMER CKT 1' |
| 16WP | 0 | G10_060 | 'CAPROCK REC-GRADY - CAPROCK REC-REED 138KV CKT 1'                 | FROM->TO | 0.70393 | 271   | 'HOBBS_INT 7345.00 (LIKE POTTER) 345/230/13.2KV TRANSFORMER CKT 1' |
| 16WP | 0 | G10_059 | 'CAPROCK REC-GRADY - CAPROCK REC-REED 138KV CKT 1'                 | FROM->TO | 0.70393 | 271   | 'HOBBS_INT 7345.00 (LIKE POTTER) 345/230/13.2KV TRANSFORMER CKT 1' |
| 16WP | 0 | G10_060 | 'CAPROCK REC-GRADY - CAPROCK REC-REED 138KV CKT 1'                 | FROM->TO | 0.70393 | 271   | 'HOBBS_INT 7345.00 - MIDLAND 7345.00 345KV CKT 1'                  |
| 16WP | 0 | G10_059 | 'CAPROCK REC-GRADY - CAPROCK REC-REED 138KV CKT 1'                 | FROM->TO | 0.70393 | 271   | 'HOBBS_INT 7345.00 - MIDLAND 7345.00 345KV CKT 1'                  |
| 16WP | 0 | G10_060 | 'BORDEN COUNTY INTERCHANGE 230/138KV TRANSFORMER CKT 2'            | TO->FROM | 0.49822 | 209.9 | 'HOBBS_INT 7345.00 - MIDLAND 7345.00 345KV CKT 1'                  |
| 16WP | 0 | G10_059 | 'BORDEN COUNTY INTERCHANGE 230/138KV TRANSFORMER CKT 2'            | TO->FROM | 0.49822 | 209.9 | 'HOBBS_INT 7345.00 - MIDLAND 7345.00 345KV CKT 1'                  |
| 16WP | 0 | G10_060 | 'BORDEN COUNTY INTERCHANGE 230/138KV TRANSFORMER CKT 2'            | TO->FROM | 0.49822 | 209.9 | 'HOBBS_INT 7345.00 (LIKE POTTER) 345/230/13.2KV TRANSFORMER CKT 1' |
| 16WP | 0 | G10_059 | 'BORDEN COUNTY INTERCHANGE 230/138KV TRANSFORMER CKT 2'            | TO->FROM | 0.49822 | 209.9 | 'HOBBS_INT 7345.00 (LIKE POTTER) 345/230/13.2KV TRANSFORMER CKT 1' |
| 16WP | 0 | G10_060 | 'HOBBS_INT 7345.00 (LIKE POTTER) 345/230/13.2KV TRANSFORMER CKT 1' | FROM->TO | 1       | 556.9 | 'MIDLAND 7345.00 (LIKE WICHITA) 345/138/13.8KV TRANSFORMER CKT 1'  |
| 16WP | 0 | G10_059 | 'HOBBS_INT 7345.00 (LIKE POTTER) 345/230/13.2KV TRANSFORMER CKT 1' | FROM->TO | 1       | 556.9 | 'MIDLAND 7345.00 (LIKE WICHITA) 345/138/13.8KV TRANSFORMER CKT 1'  |
| 16WP | 0 | G10_060 | 'HOBBS_INT 7345.00 (LIKE POTTER) 345/230/13.2KV TRANSFORMER CKT 1' | FROM->TO | 1       | 557.1 | 'MIDLAND 7345.00 (LIKE WICHITA) 345/138/13.8KV TRANSFORMER CKT 1'  |
| 16WP | 0 | G10_059 | 'HOBBS_INT 7345.00 (LIKE POTTER) 345/230/13.2KV TRANSFORMER CKT 1' | FROM->TO | 1       | 557.1 | 'MIDLAND 7345.00 (LIKE WICHITA) 345/138/13.8KV TRANSFORMER CKT 1'  |
| 16WP | 0 | G10_060 | 'HOBBS INTERCHANGE 230/115KV TRANSFORMER CKT 1'                    | FROM->TO | 0.20714 | 148.3 | 'CUNNINGHAM STATION - LEA COUNTY INTERCHANGE 230KV CKT 1'          |
| 16WP | 0 | G10_059 | 'HOBBS INTERCHANGE 230/115KV TRANSFORMER CKT 1'                    | FROM->TO | 0.20714 | 148.3 | 'CUNNINGHAM STATION - LEA COUNTY INTERCHANGE 230KV CKT 1'          |
| 16WP | 0 | G10_060 | 'HOBBS_INT 7345.00 (LIKE POTTER) 345/230/13.2KV TRANSFORMER CKT 1' | FROM->TO | 1       | 556.9 | 'CAPROCK REC-PHILLIPS - CAPROCK REC-TATE 138KV CKT 1'              |
| 16WP | 0 | G10_059 | 'HOBBS_INT 7345.00 (LIKE POTTER) 345/230/13.2KV TRANSFORMER CKT 1' | FROM->TO | 1       | 556.9 | 'CAPROCK REC-PHILLIPS - CAPROCK REC-TATE 138KV CKT 1'              |
| 16WP | 0 | G10_060 | 'HOBBS_INT 7345.00 (LIKE POTTER) 345/230/13.2KV TRANSFORMER CKT 1' | FROM->TO | 1       | 557.1 | 'CAPROCK REC-PHILLIPS - CAPROCK REC-TATE 138KV CKT 1'              |
| 16WP | 0 | G10_059 | 'HOBBS_INT 7345.00 (LIKE POTTER) 345/230/13.2KV TRANSFORMER CKT 1' | FROM->TO | 1       | 557.1 | 'CAPROCK REC-PHILLIPS - CAPROCK REC-TATE 138KV CKT 1'              |
| 16WP | 0 | G10_060 | 'HOBBS_INT 7345.00 (LIKE POTTER) 345/230/13.2KV TRANSFORMER CKT 1' | FROM->TO | 1       | 556.9 | 'CAPROCK REC-MCDONALD - CAPROCK REC-PHILLIPS 138KV CKT 1'          |
| 16WP | 0 | G10_059 | 'HOBBS_INT 7345.00 (LIKE POTTER) 345/230/13.2KV TRANSFORMER CKT 1' | FROM->TO | 1       | 556.9 | 'CAPROCK REC-MCDONALD - CAPROCK REC-PHILLIPS 138KV CKT 1'          |



|      |   |         |   |          |         |       |   |
|------|---|---------|---|----------|---------|-------|---|
| 16WP | 0 | G10_060 | 'HOBBS_INT 7345.00 (LIKE POTTER)<br>345/230/13.2KV TRANSFORMER CKT 1' | FROM->TO | 1       | 557.1 | 'CAPROCK REC-MCDONALD - CAPROCK REC-PHILLIPS 138KV CKT 1'             |
| 16WP | 0 | G10_059 | 'HOBBS_INT 7345.00 (LIKE POTTER)<br>345/230/13.2KV TRANSFORMER CKT 1' | FROM->TO | 1       | 557.1 | 'CAPROCK REC-MCDONALD - CAPROCK REC-PHILLIPS 138KV CKT 1'             |
| 16WP | 0 | G10_060 | 'LEA COUNTY INTERCHANGE 230/115KV<br>TRANSFORMER CKT 1'               | FROM->TO | 0.19248 | 154.1 | 'CUNNINGHAM STATION - LEA COUNTY<br>INTERCHANGE 230KV CKT 1'          |
| 16WP | 0 | G10_059 | 'LEA COUNTY INTERCHANGE 230/115KV<br>TRANSFORMER CKT 1'               | FROM->TO | 0.19248 | 154.1 | 'CUNNINGHAM STATION - LEA COUNTY<br>INTERCHANGE 230KV CKT 1'          |
| 16WP | 0 | G10_060 | 'HOBBS INTERCHANGE - LEA COUNTY<br>INTERCHANGE 230KV CKT 1'           | FROM->TO | 0.84732 | 691.7 | 'MIDLAND 7345.00 (LIKE WICHITA)<br>345/138/13.8KV TRANSFORMER CKT 1'  |
| 16WP | 0 | G10_059 | 'HOBBS INTERCHANGE - LEA COUNTY<br>INTERCHANGE 230KV CKT 1'           | FROM->TO | 0.84732 | 691.7 | 'MIDLAND 7345.00 (LIKE WICHITA)<br>345/138/13.8KV TRANSFORMER CKT 1'  |
| 16WP | 0 | G10_060 | 'HOBBS INTERCHANGE - LEA COUNTY<br>INTERCHANGE 230KV CKT 1'           | FROM->TO | 0.84732 | 691.7 | 'CAPROCK REC-PHILLIPS - CAPROCK REC-TATE 138KV CKT 1'                 |
| 16WP | 0 | G10_059 | 'HOBBS INTERCHANGE - LEA COUNTY<br>INTERCHANGE 230KV CKT 1'           | FROM->TO | 0.84732 | 691.7 | 'CAPROCK REC-PHILLIPS - CAPROCK REC-TATE 138KV CKT 1'                 |
| 16WP | 0 | G10_060 | 'CAPROCK REC-STILES - G09-17T 138.00<br>138KV CKT 1'                  | TO->FROM | 0.29495 | 176   | 'HOBBS_INT 7345.00 - MIDLAND 7345.00<br>345KV CKT 1'                  |
| 16WP | 0 | G10_059 | 'CAPROCK REC-STILES - G09-17T 138.00<br>138KV CKT 1'                  | TO->FROM | 0.29495 | 176   | 'HOBBS_INT 7345.00 - MIDLAND 7345.00<br>345KV CKT 1'                  |
| 16WP | 0 | G10_060 | 'CAPROCK REC-STILES - G09-17T 138.00<br>138KV CKT 1'                  | TO->FROM | 0.29495 | 176   | 'HOBBS_INT 7345.00 (LIKE POTTER)<br>345/230/13.2KV TRANSFORMER CKT 1' |
| 16WP | 0 | G10_059 | 'CAPROCK REC-STILES - G09-17T 138.00<br>138KV CKT 1'                  | TO->FROM | 0.29495 | 176   | 'HOBBS_INT 7345.00 (LIKE POTTER)<br>345/230/13.2KV TRANSFORMER CKT 1' |
| 16WP | 0 | G10_060 | 'HOBBS INTERCHANGE - LEA COUNTY<br>INTERCHANGE 230KV CKT 1'           | FROM->TO | 0.84732 | 691.7 | 'CAPROCK REC-MCDONALD - CAPROCK REC-PHILLIPS 138KV CKT 1'             |
| 16WP | 0 | G10_059 | 'HOBBS INTERCHANGE - LEA COUNTY<br>INTERCHANGE 230KV CKT 1'           | FROM->TO | 0.84732 | 691.7 | 'CAPROCK REC-MCDONALD - CAPROCK REC-PHILLIPS 138KV CKT 1'             |
| 16WP | 0 | G10_060 | 'BORDEN COUNTY INTERCHANGE -<br>GRASSLAND INTERCHANGE 230KV CKT 1'    | FROM->TO | 0.99888 | 528.8 | 'HOBBS_INT 7345.00 - MIDLAND 7345.00<br>345KV CKT 1'                  |
| 16WP | 0 | G10_059 | 'BORDEN COUNTY INTERCHANGE -<br>GRASSLAND INTERCHANGE 230KV CKT 1'    | FROM->TO | 0.99888 | 528.8 | 'HOBBS_INT 7345.00 - MIDLAND 7345.00<br>345KV CKT 1'                  |
| 16WP | 0 | G10_060 | 'BORDEN COUNTY INTERCHANGE -<br>GRASSLAND INTERCHANGE 230KV CKT 1'    | FROM->TO | 0.99888 | 528.8 | 'HOBBS_INT 7345.00 (LIKE POTTER)<br>345/230/13.2KV TRANSFORMER CKT 1' |
| 16WP | 0 | G10_059 | 'BORDEN COUNTY INTERCHANGE -<br>GRASSLAND INTERCHANGE 230KV CKT 1'    | FROM->TO | 0.99888 | 528.8 | 'HOBBS_INT 7345.00 (LIKE POTTER)<br>345/230/13.2KV TRANSFORMER CKT 1' |
| 16WP | 0 | G10_060 | 'CAPROCK REC-PEMBROOK - G09-17T 138.00<br>138KV CKT 1'                | FROM->TO | 0.29607 | 176   | 'HOBBS_INT 7345.00 - MIDLAND 7345.00<br>345KV CKT 1'                  |
| 16WP | 0 | G10_059 | 'CAPROCK REC-PEMBROOK - G09-17T 138.00<br>138KV CKT 1'                | FROM->TO | 0.29607 | 176   | 'HOBBS_INT 7345.00 - MIDLAND 7345.00<br>345KV CKT 1'                  |
| 16WP | 0 | G10_060 | 'CAPROCK REC-PEMBROOK - G09-17T 138.00<br>138KV CKT 1'                | FROM->TO | 0.29607 | 176   | 'HOBBS_INT 7345.00 (LIKE POTTER)<br>345/230/13.2KV TRANSFORMER CKT 1' |
| 16WP | 0 | G10_059 | 'CAPROCK REC-PEMBROOK - G09-17T 138.00<br>138KV CKT 1'                | FROM->TO | 0.29607 | 176   | 'HOBBS_INT 7345.00 (LIKE POTTER)<br>345/230/13.2KV TRANSFORMER CKT 1' |
| 16WP | 0 | G10_060 | 'CAPROCK REC-PHILLIPS - CAPROCK REC-TATE 138KV CKT 1'                 | TO->FROM | 0.28223 | 270.3 | 'HOBBS INTERCHANGE - LEA COUNTY<br>INTERCHANGE 230KV CKT 1'           |
| 16WP | 0 | G10_059 | 'CAPROCK REC-PHILLIPS - CAPROCK REC-TATE 138KV CKT 1'                 | TO->FROM | 0.28223 | 270.3 | 'HOBBS INTERCHANGE - LEA COUNTY<br>INTERCHANGE 230KV CKT 1'           |
| 16WP | 0 | G10_060 | 'HOBBS_INT 7345.00 (LIKE POTTER)<br>345/230/13.2KV TRANSFORMER CKT 1' | FROM->TO | 0.99888 | 556.9 | 'SPP-SWPS-K48'  |

|      |   |         |   |          |         |       |   |
|------|---|---------|---|----------|---------|-------|---|
| 16WP | 0 | G10_059 | 'HOBBS_INT 7345.00 (LIKE POTTER)<br>345/230/13.2KV TRANSFORMER CKT 1' | FROM->TO | 0.99888 | 556.9 | 'SPP-SWPS-K48'  |
| 16WP | 0 | G10_060 | 'HOBBS_INT 7345.00 (LIKE POTTER)<br>345/230/13.2KV TRANSFORMER CKT 1' | FROM->TO | 0.99888 | 556.9 | 'BORDEN COUNTY INTERCHANGE -<br>GRASSLAND INTERCHANGE 230KV CKT 1'    |
| 16WP | 0 | G10_059 | 'HOBBS_INT 7345.00 (LIKE POTTER)<br>345/230/13.2KV TRANSFORMER CKT 1' | FROM->TO | 0.99888 | 556.9 | 'BORDEN COUNTY INTERCHANGE -<br>GRASSLAND INTERCHANGE 230KV CKT 1'    |
| 16WP | 0 | G10_060 | 'HOBBS_INT 7345.00 (LIKE POTTER)<br>345/230/13.2KV TRANSFORMER CKT 1' | FROM->TO | 0.99888 | 557.1 | 'SPP-SWPS-K48'  |
| 16WP | 0 | G10_059 | 'HOBBS_INT 7345.00 (LIKE POTTER)<br>345/230/13.2KV TRANSFORMER CKT 1' | FROM->TO | 0.99888 | 557.1 | 'SPP-SWPS-K48'  |
| 16WP | 0 | G10_060 | 'HOBBS_INT 7345.00 (LIKE POTTER)<br>345/230/13.2KV TRANSFORMER CKT 1' | FROM->TO | 0.99888 | 557.1 | 'BORDEN COUNTY INTERCHANGE -<br>GRASSLAND INTERCHANGE 230KV CKT 1'    |
| 16WP | 0 | G10_059 | 'HOBBS_INT 7345.00 (LIKE POTTER)<br>345/230/13.2KV TRANSFORMER CKT 1' | FROM->TO | 0.99888 | 557.1 | 'BORDEN COUNTY INTERCHANGE -<br>GRASSLAND INTERCHANGE 230KV CKT 1'    |
| 16WP | 0 | G10_060 | 'HOBBS_INT 7345.00 (LIKE POTTER)<br>345/230/13.2KV TRANSFORMER CKT 1' | FROM->TO | 0.89648 | 556.9 | 'CAPROCK REC-MCDONALD - CAPROCK REC-<br>TRIANGLE 138KV CKT 1'         |
| 16WP | 0 | G10_059 | 'HOBBS_INT 7345.00 (LIKE POTTER)<br>345/230/13.2KV TRANSFORMER CKT 1' | FROM->TO | 0.89648 | 556.9 | 'CAPROCK REC-MCDONALD - CAPROCK REC-<br>TRIANGLE 138KV CKT 1'         |
| 16WP | 0 | G10_060 | 'HOBBS_INT 7345.00 (LIKE POTTER)<br>345/230/13.2KV TRANSFORMER CKT 1' | FROM->TO | 0.89648 | 557.1 | 'CAPROCK REC-MCDONALD - CAPROCK REC-<br>TRIANGLE 138KV CKT 1'         |
| 16WP | 0 | G10_059 | 'HOBBS_INT 7345.00 (LIKE POTTER)<br>345/230/13.2KV TRANSFORMER CKT 1' | FROM->TO | 0.89648 | 557.1 | 'CAPROCK REC-MCDONALD - CAPROCK REC-<br>TRIANGLE 138KV CKT 1'         |
| 16WP | 0 | G10_060 | 'HOBBS INTERCHANGE - LEA COUNTY<br>INTERCHANGE 230KV CKT 1'           | FROM->TO | 0.67714 | 570.4 | 'BASE CASE'   |
| 16WP | 0 | G10_059 | 'HOBBS INTERCHANGE - LEA COUNTY<br>INTERCHANGE 230KV CKT 1'           | FROM->TO | 0.67714 | 570.4 | 'BASE CASE'   |
| 16WP | 0 | G10_060 | 'HOBBS_INT 7345.00 (LIKE POTTER)<br>345/230/13.2KV TRANSFORMER CKT 1' | FROM->TO | 0.89648 | 556.9 | 'CAPROCK REC-GRADY - CAPROCK REC-<br>TRIANGLE 138KV CKT 1'            |
| 16WP | 0 | G10_059 | 'HOBBS_INT 7345.00 (LIKE POTTER)<br>345/230/13.2KV TRANSFORMER CKT 1' | FROM->TO | 0.89648 | 556.9 | 'CAPROCK REC-GRADY - CAPROCK REC-<br>TRIANGLE 138KV CKT 1'            |
| 16WP | 0 | G10_060 | 'HOBBS_INT 7345.00 (LIKE POTTER)<br>345/230/13.2KV TRANSFORMER CKT 1' | FROM->TO | 0.89648 | 557.1 | 'CAPROCK REC-GRADY - CAPROCK REC-<br>TRIANGLE 138KV CKT 1'            |
| 16WP | 0 | G10_059 | 'HOBBS_INT 7345.00 (LIKE POTTER)<br>345/230/13.2KV TRANSFORMER CKT 1' | FROM->TO | 0.89648 | 557.1 | 'CAPROCK REC-GRADY - CAPROCK REC-<br>TRIANGLE 138KV CKT 1'            |
| 16WP | 0 | G10_060 | 'CAPROCK REC-LANGE - CAPROCK REC-ST<br>LAWRENCE 138KV CKT 1'          | TO->FROM | 0.29495 | 176   | 'HOBBS_INT 7345.00 - MIDLAND 7345.00<br>345KV CKT 1'                  |
| 16WP | 0 | G10_059 | 'CAPROCK REC-LANGE - CAPROCK REC-ST<br>LAWRENCE 138KV CKT 1'          | TO->FROM | 0.29495 | 176   | 'HOBBS_INT 7345.00 - MIDLAND 7345.00<br>345KV CKT 1'                  |
| 16WP | 0 | G10_060 | 'CAPROCK REC-LANGE - CAPROCK REC-ST<br>LAWRENCE 138KV CKT 1'          | TO->FROM | 0.29495 | 176   | 'HOBBS_INT 7345.00 (LIKE POTTER)<br>345/230/13.2KV TRANSFORMER CKT 1' |
| 16WP | 0 | G10_059 | 'CAPROCK REC-LANGE - CAPROCK REC-ST<br>LAWRENCE 138KV CKT 1'          | TO->FROM | 0.29495 | 176   | 'HOBBS_INT 7345.00 (LIKE POTTER)<br>345/230/13.2KV TRANSFORMER CKT 1' |
| 16WP | 0 | G10_060 | 'HOBBS_INT 7345.00 (LIKE POTTER)<br>345/230/13.2KV TRANSFORMER CKT 1' | FROM->TO | 0.89648 | 556.9 | 'CAPROCK REC-GRADY - CAPROCK REC-REED<br>138KV CKT 1'                 |
| 16WP | 0 | G10_059 | 'HOBBS_INT 7345.00 (LIKE POTTER)<br>345/230/13.2KV TRANSFORMER CKT 1' | FROM->TO | 0.89648 | 556.9 | 'CAPROCK REC-GRADY - CAPROCK REC-REED<br>138KV CKT 1'                 |
| 16WP | 0 | G10_060 | 'HOBBS_INT 7345.00 (LIKE POTTER)<br>345/230/13.2KV TRANSFORMER CKT 1' | FROM->TO | 0.89648 | 557.1 | 'CAPROCK REC-GRADY - CAPROCK REC-REED<br>138KV CKT 1'                 |
| 16WP | 0 | G10_059 | 'HOBBS_INT 7345.00 (LIKE POTTER)<br>345/230/13.2KV TRANSFORMER CKT 1' | FROM->TO | 0.89648 | 557.1 | 'CAPROCK REC-GRADY - CAPROCK REC-REED<br>138KV CKT 1'                 |

|      |   |         |   |          |         |       |  |
|------|---|---------|---|----------|---------|-------|--|
| 16WP | 0 | G10_060 | 'HOBBS_INT 7345.00 (LIKE POTTER)<br>345/230/13.2KV TRANSFORMER CKT 1' | FROM->TO | 0.89648 | 556.9 | 'CAPROCK REC-KOCH - CAPROCK REC-REED<br>138KV CKT 1'             |
| 16WP | 0 | G10_059 | 'HOBBS_INT 7345.00 (LIKE POTTER)<br>345/230/13.2KV TRANSFORMER CKT 1' | FROM->TO | 0.89648 | 556.9 | 'CAPROCK REC-KOCH - CAPROCK REC-REED<br>138KV CKT 1'             |
| 16WP | 0 | G10_060 | 'HOBBS_INT 7345.00 (LIKE POTTER)<br>345/230/13.2KV TRANSFORMER CKT 1' | FROM->TO | 0.89648 | 556.9 | 'CAPROCK REC-KOCH - CAPROCK REC-<br>VEALMOOR 138KV CKT 1'        |
| 16WP | 0 | G10_059 | 'HOBBS_INT 7345.00 (LIKE POTTER)<br>345/230/13.2KV TRANSFORMER CKT 1' | FROM->TO | 0.89648 | 556.9 | 'CAPROCK REC-KOCH - CAPROCK REC-<br>VEALMOOR 138KV CKT 1'        |
| 16WP | 0 | G10_060 | 'HOBBS_INT 7345.00 (LIKE POTTER)<br>345/230/13.2KV TRANSFORMER CKT 1' | FROM->TO | 0.89648 | 557.1 | 'CAPROCK REC-KOCH - CAPROCK REC-REED<br>138KV CKT 1'             |
| 16WP | 0 | G10_059 | 'HOBBS_INT 7345.00 (LIKE POTTER)<br>345/230/13.2KV TRANSFORMER CKT 1' | FROM->TO | 0.89648 | 557.1 | 'CAPROCK REC-KOCH - CAPROCK REC-REED<br>138KV CKT 1'             |
| 16WP | 0 | G10_060 | 'HOBBS_INT 7345.00 (LIKE POTTER)<br>345/230/13.2KV TRANSFORMER CKT 1' | FROM->TO | 0.89648 | 557.1 | 'CAPROCK REC-KOCH - CAPROCK REC-<br>VEALMOOR 138KV CKT 1'        |
| 16WP | 0 | G10_059 | 'HOBBS_INT 7345.00 (LIKE POTTER)<br>345/230/13.2KV TRANSFORMER CKT 1' | FROM->TO | 0.89648 | 557.1 | 'CAPROCK REC-KOCH - CAPROCK REC-<br>VEALMOOR 138KV CKT 1'        |
| 16WP | 0 | G10_060 | 'CAPROCK REC-PHILLIPS - CAPROCK REC-<br>TATE 138KV CKT 1'             | TO->FROM | 0.19124 | 207.1 | 'BASE CASE'  |
| 16WP | 0 | G10_059 | 'CAPROCK REC-PHILLIPS - CAPROCK REC-<br>TATE 138KV CKT 1'             | TO->FROM | 0.19124 | 207.1 | 'BASE CASE'  |
| 16WP | 0 | G10_060 | 'CAPROCK REC-MCDONALD - CAPROCK REC-<br>PHILLIPS 138KV CKT 1'         | TO->FROM | 0.28223 | 270.7 | 'HOBBS INTERCHANGE - LEA COUNTY<br>INTERCHANGE 230KV CKT 1'      |
| 16WP | 0 | G10_059 | 'CAPROCK REC-MCDONALD - CAPROCK REC-<br>PHILLIPS 138KV CKT 1'         | TO->FROM | 0.28223 | 270.7 | 'HOBBS INTERCHANGE - LEA COUNTY<br>INTERCHANGE 230KV CKT 1'      |
| 16WP | 0 | G10_060 | 'HOBBS_INT 7345.00 (LIKE POTTER)<br>345/230/13.2KV TRANSFORMER CKT 1' | FROM->TO | 0.83399 | 556.9 | 'CAPROCK REC-MCDONALD - CR-1956 4138.00<br>138KV CKT 1'          |
| 16WP | 0 | G10_059 | 'HOBBS_INT 7345.00 (LIKE POTTER)<br>345/230/13.2KV TRANSFORMER CKT 1' | FROM->TO | 0.83399 | 556.9 | 'CAPROCK REC-MCDONALD - CR-1956 4138.00<br>138KV CKT 1'          |
| 16WP | 0 | G10_060 | 'HOBBS_INT 7345.00 (LIKE POTTER)<br>345/230/13.2KV TRANSFORMER CKT 1' | FROM->TO | 0.83399 | 557.1 | 'CAPROCK REC-MCDONALD - CR-1956 4138.00<br>138KV CKT 1'          |
| 16WP | 0 | G10_059 | 'HOBBS_INT 7345.00 (LIKE POTTER)<br>345/230/13.2KV TRANSFORMER CKT 1' | FROM->TO | 0.83399 | 557.1 | 'CAPROCK REC-MCDONALD - CR-1956 4138.00<br>138KV CKT 1'          |
| 16WP | 0 | G10_060 | 'HOBBS_INT 7345.00 (LIKE POTTER)<br>345/230/13.2KV TRANSFORMER CKT 1' | FROM->TO | 0.83399 | 556.9 | 'CAPROCK REC-NEW SCHWARTZ - CR-1956<br>4138.00 138KV CKT 1'      |
| 16WP | 0 | G10_059 | 'HOBBS_INT 7345.00 (LIKE POTTER)<br>345/230/13.2KV TRANSFORMER CKT 1' | FROM->TO | 0.83399 | 556.9 | 'CAPROCK REC-NEW SCHWARTZ - CR-1956<br>4138.00 138KV CKT 1'      |
| 16WP | 0 | G10_060 | 'HOBBS_INT 7345.00 (LIKE POTTER)<br>345/230/13.2KV TRANSFORMER CKT 1' | FROM->TO | 0.83399 | 557.1 | 'CAPROCK REC-NEW SCHWARTZ - CR-1956<br>4138.00 138KV CKT 1'      |
| 16WP | 0 | G10_059 | 'HOBBS_INT 7345.00 (LIKE POTTER)<br>345/230/13.2KV TRANSFORMER CKT 1' | FROM->TO | 0.83399 | 557.1 | 'CAPROCK REC-NEW SCHWARTZ - CR-1956<br>4138.00 138KV CKT 1'      |
| 16WP | 0 | G10_060 | 'HOBBS INTERCHANGE - LEA COUNTY<br>INTERCHANGE 230KV CKT 1'           | FROM->TO | 0.77181 | 691.7 | 'HOBBS INTERCHANGE 230/115KV<br>TRANSFORMER CKT 1'               |
| 16WP | 0 | G10_059 | 'HOBBS INTERCHANGE - LEA COUNTY<br>INTERCHANGE 230KV CKT 1'           | FROM->TO | 0.77181 | 691.7 | 'HOBBS INTERCHANGE 230/115KV<br>TRANSFORMER CKT 1'               |
| 16WP | 0 | G10_060 | 'HOBBS_INT 7345.00 (LIKE POTTER)<br>345/230/13.2KV TRANSFORMER CKT 1' | FROM->TO | 0.83399 | 556.9 | 'CAPROCK REC-NEW SCHWARTZ - CAPROCK<br>REC-PEMBROOK 138KV CKT 1' |
| 16WP | 0 | G10_059 | 'HOBBS_INT 7345.00 (LIKE POTTER)<br>345/230/13.2KV TRANSFORMER CKT 1' | FROM->TO | 0.83399 | 556.9 | 'CAPROCK REC-NEW SCHWARTZ - CAPROCK<br>REC-PEMBROOK 138KV CKT 1' |
| 16WP | 0 | G10_060 | 'HOBBS_INT 7345.00 (LIKE POTTER)<br>345/230/13.2KV TRANSFORMER CKT 1' | FROM->TO | 0.83399 | 557.1 | 'CAPROCK REC-NEW SCHWARTZ - CAPROCK<br>REC-PEMBROOK 138KV CKT 1' |

|      |   |         |   |          |         |       |  |
|------|---|---------|---|----------|---------|-------|--|
| 16WP | 0 | G10_059 | 'HOBBS_INT 7345.00 (LIKE POTTER)<br>345/230/13.2KV TRANSFORMER CKT 1' | FROM->TO | 0.83399 | 557.1 | 'CAPROCK REC-NEW SCHWARTZ - CAPROCK<br>REC-PEMBROOK 138KV CKT 1' |
| 16WP | 0 | G10_060 | 'HOBBS_INT 7345.00 (LIKE POTTER)<br>345/230/13.2KV TRANSFORMER CKT 1' | FROM->TO | 0.83349 | 556.9 | 'CAPROCK REC-STILES - G09-17T 138.00<br>138KV CKT 1'             |
| 16WP | 0 | G10_059 | 'HOBBS_INT 7345.00 (LIKE POTTER)<br>345/230/13.2KV TRANSFORMER CKT 1' | FROM->TO | 0.83349 | 556.9 | 'CAPROCK REC-STILES - G09-17T 138.00<br>138KV CKT 1'             |
| 16WP | 0 | G10_060 | 'HOBBS_INT 7345.00 (LIKE POTTER)<br>345/230/13.2KV TRANSFORMER CKT 1' | FROM->TO | 0.83349 | 557.1 | 'CAPROCK REC-STILES - G09-17T 138.00<br>138KV CKT 1'             |
| 16WP | 0 | G10_059 | 'HOBBS_INT 7345.00 (LIKE POTTER)<br>345/230/13.2KV TRANSFORMER CKT 1' | FROM->TO | 0.83349 | 557.1 | 'CAPROCK REC-STILES - G09-17T 138.00<br>138KV CKT 1'             |
| 16WP | 0 | G10_060 | 'HOBBS_INT 7345.00 (LIKE POTTER)<br>345/230/13.2KV TRANSFORMER CKT 1' | FROM->TO | 0.83399 | 556.9 | 'CAPROCK REC-PEMBROOK - G09-17T 138.00<br>138KV CKT 1'           |
| 16WP | 0 | G10_059 | 'HOBBS_INT 7345.00 (LIKE POTTER)<br>345/230/13.2KV TRANSFORMER CKT 1' | FROM->TO | 0.83399 | 556.9 | 'CAPROCK REC-PEMBROOK - G09-17T 138.00<br>138KV CKT 1'           |
| 16WP | 0 | G10_060 | 'HOBBS_INT 7345.00 (LIKE POTTER)<br>345/230/13.2KV TRANSFORMER CKT 1' | FROM->TO | 0.83399 | 557.1 | 'CAPROCK REC-PEMBROOK - G09-17T 138.00<br>138KV CKT 1'           |
| 16WP | 0 | G10_059 | 'HOBBS_INT 7345.00 (LIKE POTTER)<br>345/230/13.2KV TRANSFORMER CKT 1' | FROM->TO | 0.83399 | 557.1 | 'CAPROCK REC-PEMBROOK - G09-17T 138.00<br>138KV CKT 1'           |
| 16WP | 0 | G10_060 | 'HOBBS_INT 7345.00 (LIKE POTTER)<br>345/230/13.2KV TRANSFORMER CKT 1' | FROM->TO | 0.83349 | 556.9 | 'CAPROCK REC-ST LAWRENCE - CAPROCK<br>REC-STILES 138KV CKT 1'    |
| 16WP | 0 | G10_059 | 'HOBBS_INT 7345.00 (LIKE POTTER)<br>345/230/13.2KV TRANSFORMER CKT 1' | FROM->TO | 0.83349 | 556.9 | 'CAPROCK REC-ST LAWRENCE - CAPROCK<br>REC-STILES 138KV CKT 1'    |
| 16WP | 0 | G10_060 | 'HOBBS_INT 7345.00 (LIKE POTTER)<br>345/230/13.2KV TRANSFORMER CKT 1' | FROM->TO | 0.83349 | 557.1 | 'CAPROCK REC-ST LAWRENCE - CAPROCK<br>REC-STILES 138KV CKT 1'    |
| 16WP | 0 | G10_059 | 'HOBBS_INT 7345.00 (LIKE POTTER)<br>345/230/13.2KV TRANSFORMER CKT 1' | FROM->TO | 0.83349 | 557.1 | 'CAPROCK REC-ST LAWRENCE - CAPROCK<br>REC-STILES 138KV CKT 1'    |
| 16WP | 0 | G10_060 | 'HOBBS_INT 7345.00 (LIKE POTTER)<br>345/230/13.2KV TRANSFORMER CKT 1' | FROM->TO | 0.80876 | 556.9 | 'HOBBS INTERCHANGE 230/18.0KV<br>TRANSFORMER CKT 1'              |
| 16WP | 0 | G10_059 | 'HOBBS_INT 7345.00 (LIKE POTTER)<br>345/230/13.2KV TRANSFORMER CKT 1' | FROM->TO | 0.80876 | 556.9 | 'HOBBS INTERCHANGE 230/18.0KV<br>TRANSFORMER CKT 1'              |
| 16WP | 0 | G10_060 | 'HOBBS_INT 7345.00 (LIKE POTTER)<br>345/230/13.2KV TRANSFORMER CKT 1' | FROM->TO | 0.80876 | 557.1 | 'HOBBS INTERCHANGE 230/18.0KV<br>TRANSFORMER CKT 1'              |
| 16WP | 0 | G10_059 | 'HOBBS_INT 7345.00 (LIKE POTTER)<br>345/230/13.2KV TRANSFORMER CKT 1' | FROM->TO | 0.80876 | 557.1 | 'HOBBS INTERCHANGE 230/18.0KV<br>TRANSFORMER CKT 1'              |
| 16WP | 0 | G10_060 | 'HOBBS_INT 7345.00 (LIKE POTTER)<br>345/230/13.2KV TRANSFORMER CKT 1' | FROM->TO | 0.83349 | 556.9 | 'CAPROCK REC-LANGE - CAPROCK REC-ST<br>LAWRENCE 138KV CKT 1'     |
| 16WP | 0 | G10_059 | 'HOBBS_INT 7345.00 (LIKE POTTER)<br>345/230/13.2KV TRANSFORMER CKT 1' | FROM->TO | 0.83349 | 556.9 | 'CAPROCK REC-LANGE - CAPROCK REC-ST<br>LAWRENCE 138KV CKT 1'     |
| 16WP | 0 | G10_060 | 'HOBBS_INT 7345.00 (LIKE POTTER)<br>345/230/13.2KV TRANSFORMER CKT 1' | FROM->TO | 0.83349 | 557.1 | 'CAPROCK REC-LANGE - CAPROCK REC-ST<br>LAWRENCE 138KV CKT 1'     |
| 16WP | 0 | G10_059 | 'HOBBS_INT 7345.00 (LIKE POTTER)<br>345/230/13.2KV TRANSFORMER CKT 1' | FROM->TO | 0.83349 | 557.1 | 'CAPROCK REC-LANGE - CAPROCK REC-ST<br>LAWRENCE 138KV CKT 1'     |
| 16WP | 0 | G10_060 | 'HOBBS_INT 7345.00 (LIKE POTTER)<br>345/230/13.2KV TRANSFORMER CKT 1' | FROM->TO | 0.80876 | 556.9 | 'CUNNINGHAM STATION 230/20.0KV<br>TRANSFORMER CKT 1'             |
| 16WP | 0 | G10_059 | 'HOBBS_INT 7345.00 (LIKE POTTER)<br>345/230/13.2KV TRANSFORMER CKT 1' | FROM->TO | 0.80876 | 556.9 | 'CUNNINGHAM STATION 230/20.0KV<br>TRANSFORMER CKT 1'             |
| 16WP | 0 | G10_060 | 'HOBBS_INT 7345.00 (LIKE POTTER)<br>345/230/13.2KV TRANSFORMER CKT 1' | FROM->TO | 0.80876 | 557.1 | 'CUNNINGHAM STATION 230/20.0KV<br>TRANSFORMER CKT 1'             |
| 16WP | 0 | G10_059 | 'HOBBS_INT 7345.00 (LIKE POTTER)<br>345/230/13.2KV TRANSFORMER CKT 1' | FROM->TO | 0.80876 | 557.1 | 'CUNNINGHAM STATION 230/20.0KV<br>TRANSFORMER CKT 1'             |

|      |   |         |   |          |         |       |  |
|------|---|---------|---|----------|---------|-------|--|
| 16WP | 0 | G10_060 | 'HOBBS_INT 7345.00 (LIKE POTTER)<br>345/230/13.2KV TRANSFORMER CKT 1' | FROM->TO | 0.83349 | 556.9 | 'CAPROCK REC-BUCHANAN - CAPROCK REC-<br>LANGE 138KV CKT 1'         |
| 16WP | 0 | G10_059 | 'HOBBS_INT 7345.00 (LIKE POTTER)<br>345/230/13.2KV TRANSFORMER CKT 1' | FROM->TO | 0.83349 | 556.9 | 'CAPROCK REC-BUCHANAN - CAPROCK REC-<br>LANGE 138KV CKT 1'         |
| 16WP | 0 | G10_060 | 'HOBBS_INT 7345.00 (LIKE POTTER)<br>345/230/13.2KV TRANSFORMER CKT 1' | FROM->TO | 0.83349 | 557.1 | 'CAPROCK REC-BUCHANAN - CAPROCK REC-<br>LANGE 138KV CKT 1'         |
| 16WP | 0 | G10_059 | 'HOBBS_INT 7345.00 (LIKE POTTER)<br>345/230/13.2KV TRANSFORMER CKT 1' | FROM->TO | 0.83349 | 557.1 | 'CAPROCK REC-BUCHANAN - CAPROCK REC-<br>LANGE 138KV CKT 1'         |
| 16WP | 0 | G10_060 | 'HOBBS INTERCHANGE - LEA COUNTY<br>INTERCHANGE 230KV CKT 1'           | FROM->TO | 0.84632 | 691.7 | 'BORDEN COUNTY INTERCHANGE -<br>GRASSLAND INTERCHANGE 230KV CKT 1' |
| 16WP | 0 | G10_059 | 'HOBBS INTERCHANGE - LEA COUNTY<br>INTERCHANGE 230KV CKT 1'           | FROM->TO | 0.84632 | 691.7 | 'BORDEN COUNTY INTERCHANGE -<br>GRASSLAND INTERCHANGE 230KV CKT 1' |
| 16WP | 0 | G10_060 | 'HOBBS INTERCHANGE - LEA COUNTY<br>INTERCHANGE 230KV CKT 1'           | FROM->TO | 0.84632 | 691.7 | 'SPP-SWPS-K48'   |
| 16WP | 0 | G10_059 | 'HOBBS INTERCHANGE - LEA COUNTY<br>INTERCHANGE 230KV CKT 1'           | FROM->TO | 0.84632 | 691.7 | 'SPP-SWPS-K48'   |
| 16WP | 0 | G10_060 | 'HOBBS_INT 7345.00 (LIKE POTTER)<br>345/230/13.2KV TRANSFORMER CKT 1' | FROM->TO | 0.80876 | 556.9 | 'BASE CASE'  |
| 16WP | 0 | G10_059 | 'HOBBS_INT 7345.00 (LIKE POTTER)<br>345/230/13.2KV TRANSFORMER CKT 1' | FROM->TO | 0.80876 | 556.9 | 'BASE CASE'  |
| 16WP | 0 | G10_060 | 'HOBBS_INT 7345.00 (LIKE POTTER)<br>345/230/13.2KV TRANSFORMER CKT 1' | FROM->TO | 0.80876 | 557.1 | 'BASE CASE'  |
| 16WP | 0 | G10_059 | 'HOBBS_INT 7345.00 (LIKE POTTER)<br>345/230/13.2KV TRANSFORMER CKT 1' | FROM->TO | 0.80876 | 557.1 | 'BASE CASE'  |
| 16WP | 0 | G10_060 | 'HOBBS INTERCHANGE - LEA COUNTY<br>INTERCHANGE 230KV CKT 1'           | FROM->TO | 0.7552  | 691.7 | 'CAPROCK REC-MCDONALD - CAPROCK REC-<br>TRIANGLE 138KV CKT 1'      |
| 16WP | 0 | G10_059 | 'HOBBS INTERCHANGE - LEA COUNTY<br>INTERCHANGE 230KV CKT 1'           | FROM->TO | 0.7552  | 691.7 | 'CAPROCK REC-MCDONALD - CAPROCK REC-<br>TRIANGLE 138KV CKT 1'      |
| 16WP | 0 | G10_060 | 'HOBBS INTERCHANGE - LEA COUNTY<br>INTERCHANGE 230KV CKT 1'           | FROM->TO | 0.7552  | 691.7 | 'CAPROCK REC-GRADY - CAPROCK REC-<br>TRIANGLE 138KV CKT 1'         |
| 16WP | 0 | G10_059 | 'HOBBS INTERCHANGE - LEA COUNTY<br>INTERCHANGE 230KV CKT 1'           | FROM->TO | 0.7552  | 691.7 | 'CAPROCK REC-GRADY - CAPROCK REC-<br>TRIANGLE 138KV CKT 1'         |
| 16WP | 0 | G10_060 | 'HOBBS INTERCHANGE - LEA COUNTY<br>INTERCHANGE 230KV CKT 1'           | FROM->TO | 0.7552  | 691.7 | 'CAPROCK REC-GRADY - CAPROCK REC-REED<br>138KV CKT 1'              |
| 16WP | 0 | G10_059 | 'HOBBS INTERCHANGE - LEA COUNTY<br>INTERCHANGE 230KV CKT 1'           | FROM->TO | 0.7552  | 691.7 | 'CAPROCK REC-GRADY - CAPROCK REC-REED<br>138KV CKT 1'              |
| 16WP | 0 | G10_060 | 'HOBBS INTERCHANGE - LEA COUNTY<br>INTERCHANGE 230KV CKT 1'           | FROM->TO | 0.7552  | 691.7 | 'CAPROCK REC-KOCH - CAPROCK REC-REED<br>138KV CKT 1'               |
| 16WP | 0 | G10_059 | 'HOBBS INTERCHANGE - LEA COUNTY<br>INTERCHANGE 230KV CKT 1'           | FROM->TO | 0.7552  | 691.7 | 'CAPROCK REC-KOCH - CAPROCK REC-REED<br>138KV CKT 1'               |
| 16WP | 0 | G10_060 | 'HOBBS INTERCHANGE - LEA COUNTY<br>INTERCHANGE 230KV CKT 1'           | FROM->TO | 0.7552  | 691.7 | 'CAPROCK REC-KOCH - CAPROCK REC-<br>VEALMOOR 138KV CKT 1'          |
| 16WP | 0 | G10_059 | 'HOBBS INTERCHANGE - LEA COUNTY<br>INTERCHANGE 230KV CKT 1'           | FROM->TO | 0.7552  | 691.7 | 'CAPROCK REC-KOCH - CAPROCK REC-<br>VEALMOOR 138KV CKT 1'          |
| 16WP | 0 | G10_060 | 'CAPROCK REC-MCDONALD - CAPROCK REC-<br>PHILLIPS 138KV CKT 1'         | TO->FROM | 0.19124 | 207.6 | 'BASE CASE'  |
| 16WP | 0 | G10_059 | 'CAPROCK REC-MCDONALD - CAPROCK REC-<br>PHILLIPS 138KV CKT 1'         | TO->FROM | 0.19124 | 207.6 | 'BASE CASE'  |
| 16WP | 0 | G10_060 | 'HOBBS INTERCHANGE - LEA COUNTY<br>INTERCHANGE 230KV CKT 1'           | FROM->TO | 0.69959 | 691.7 | 'CAPROCK REC-MCDONALD - CR-1956 4138.00<br>138KV CKT 1'            |

|      |   |         |  |          |         |       |   |
|------|---|---------|--|----------|---------|-------|---|
| 16WP | 0 | G10_059 | 'HOBBS INTERCHANGE - LEA COUNTY INTERCHANGE 230KV CKT 1'         | FROM->TO | 0.69959 | 691.7 | 'CAPROCK REC-MCDONALD - CR-1956 4138.00 138KV CKT 1'              |
| 16WP | 0 | G10_060 | 'HOBBS INTERCHANGE - LEA COUNTY INTERCHANGE 230KV CKT 1'         | FROM->TO | 0.69959 | 691.7 | 'CAPROCK REC-NEW SCHWARTZ - CR-1956 4138.00 138KV CKT 1'          |
| 16WP | 0 | G10_059 | 'HOBBS INTERCHANGE - LEA COUNTY INTERCHANGE 230KV CKT 1'         | FROM->TO | 0.69959 | 691.7 | 'CAPROCK REC-NEW SCHWARTZ - CR-1956 4138.00 138KV CKT 1'          |
| 16WP | 0 | G10_060 | 'LEA COUNTY INTERCHANGE - YOAKUM COUNTY INTERCHANGE 230KV CKT 1' | FROM->TO | 0.34864 | 361   | 'MIDLAND 7345.00 (LIKE WICHITA) 345/138/13.8KV TRANSFORMER CKT 1' |
| 16WP | 0 | G10_059 | 'LEA COUNTY INTERCHANGE - YOAKUM COUNTY INTERCHANGE 230KV CKT 1' | FROM->TO | 0.34864 | 361   | 'MIDLAND 7345.00 (LIKE WICHITA) 345/138/13.8KV TRANSFORMER CKT 1' |
| 16WP | 0 | G10_060 | 'HOBBS INTERCHANGE - LEA COUNTY INTERCHANGE 230KV CKT 1'         | FROM->TO | 0.67714 | 691.7 | 'CUNNINGHAM STATION 230/20.0KV TRANSFORMER CKT 1'                 |
| 16WP | 0 | G10_059 | 'HOBBS INTERCHANGE - LEA COUNTY INTERCHANGE 230KV CKT 1'         | FROM->TO | 0.67714 | 691.7 | 'CUNNINGHAM STATION 230/20.0KV TRANSFORMER CKT 1'                 |
| 16WP | 0 | G10_060 | 'HOBBS INTERCHANGE - LEA COUNTY INTERCHANGE 230KV CKT 1'         | FROM->TO | 0.69959 | 691.7 | 'CAPROCK REC-NEW SCHWARTZ - CAPROCK REC-PEMBROOK 138KV CKT 1'     |
| 16WP | 0 | G10_059 | 'HOBBS INTERCHANGE - LEA COUNTY INTERCHANGE 230KV CKT 1'         | FROM->TO | 0.69959 | 691.7 | 'CAPROCK REC-NEW SCHWARTZ - CAPROCK REC-PEMBROOK 138KV CKT 1'     |
| 16WP | 0 | G10_060 | 'HOBBS INTERCHANGE - LEA COUNTY INTERCHANGE 230KV CKT 1'         | FROM->TO | 0.69915 | 691.7 | 'CAPROCK REC-STILES - G09-17T 138.00 138KV CKT 1'                 |
| 16WP | 0 | G10_059 | 'HOBBS INTERCHANGE - LEA COUNTY INTERCHANGE 230KV CKT 1'         | FROM->TO | 0.69915 | 691.7 | 'CAPROCK REC-STILES - G09-17T 138.00 138KV CKT 1'                 |
| 16WP | 0 | G10_060 | 'HOBBS INTERCHANGE - LEA COUNTY INTERCHANGE 230KV CKT 1'         | FROM->TO | 0.69959 | 691.7 | 'CAPROCK REC-PEMBROOK - G09-17T 138.00 138KV CKT 1'               |
| 16WP | 0 | G10_059 | 'HOBBS INTERCHANGE - LEA COUNTY INTERCHANGE 230KV CKT 1'         | FROM->TO | 0.69959 | 691.7 | 'CAPROCK REC-PEMBROOK - G09-17T 138.00 138KV CKT 1'               |
| 16WP | 0 | G10_060 | 'HOBBS INTERCHANGE - LEA COUNTY INTERCHANGE 230KV CKT 1'         | FROM->TO | 0.69915 | 691.7 | 'CAPROCK REC-ST LAWRENCE - CAPROCK REC-STILES 138KV CKT 1'        |
| 16WP | 0 | G10_059 | 'HOBBS INTERCHANGE - LEA COUNTY INTERCHANGE 230KV CKT 1'         | FROM->TO | 0.69915 | 691.7 | 'CAPROCK REC-ST LAWRENCE - CAPROCK REC-STILES 138KV CKT 1'        |
| 16WP | 0 | G10_060 | 'LEA COUNTY INTERCHANGE - YOAKUM COUNTY INTERCHANGE 230KV CKT 1' | FROM->TO | 0.34864 | 361   | 'CAPROCK REC-PHILLIPS - CAPROCK REC-TATE 138KV CKT 1'             |
| 16WP | 0 | G10_059 | 'LEA COUNTY INTERCHANGE - YOAKUM COUNTY INTERCHANGE 230KV CKT 1' | FROM->TO | 0.34864 | 361   | 'CAPROCK REC-PHILLIPS - CAPROCK REC-TATE 138KV CKT 1'             |
| 16WP | 0 | G10_060 | 'HOBBS INTERCHANGE - LEA COUNTY INTERCHANGE 230KV CKT 1'         | FROM->TO | 0.69915 | 691.7 | 'CAPROCK REC-LANGE - CAPROCK REC-ST LAWRENCE 138KV CKT 1'         |
| 16WP | 0 | G10_059 | 'HOBBS INTERCHANGE - LEA COUNTY INTERCHANGE 230KV CKT 1'         | FROM->TO | 0.69915 | 691.7 | 'CAPROCK REC-LANGE - CAPROCK REC-ST LAWRENCE 138KV CKT 1'         |
| 16WP | 0 | G10_060 | 'HOBBS INTERCHANGE - LEA COUNTY INTERCHANGE 230KV CKT 1'         | FROM->TO | 0.69915 | 691.7 | 'CAPROCK REC-BUCHANAN - CAPROCK REC-LANGE 138KV CKT 1'            |
| 16WP | 0 | G10_059 | 'HOBBS INTERCHANGE - LEA COUNTY INTERCHANGE 230KV CKT 1'         | FROM->TO | 0.69915 | 691.7 | 'CAPROCK REC-BUCHANAN - CAPROCK REC-LANGE 138KV CKT 1'            |
| 16WP | 0 | G10_060 | 'CAPROCK REC-GRADY - CAPROCK REC-TRIANGLE 138KV CKT 1'           | TO->FROM | 0.19827 | 176   | 'HOBBS INTERCHANGE - LEA COUNTY INTERCHANGE 230KV CKT 1'          |
| 16WP | 0 | G10_059 | 'CAPROCK REC-GRADY - CAPROCK REC-TRIANGLE 138KV CKT 1'           | TO->FROM | 0.19827 | 176   | 'HOBBS INTERCHANGE - LEA COUNTY INTERCHANGE 230KV CKT 1'          |
| 16WP | 0 | G10_060 | 'LEA COUNTY INTERCHANGE - YOAKUM COUNTY INTERCHANGE 230KV CKT 1' | FROM->TO | 0.34864 | 361   | 'CAPROCK REC-MCDONALD - CAPROCK REC-PHILLIPS 138KV CKT 1'         |
| 16WP | 0 | G10_059 | 'LEA COUNTY INTERCHANGE - YOAKUM COUNTY INTERCHANGE 230KV CKT 1' | FROM->TO | 0.34864 | 361   | 'CAPROCK REC-MCDONALD - CAPROCK REC-PHILLIPS 138KV CKT 1'         |

|      |   |         |  |          |         |       |  |
|------|---|---------|--|----------|---------|-------|--|
| 16WP | 0 | G10_060 | 'LEA COUNTY INTERCHANGE - YOAKUM COUNTY INTERCHANGE 230KV CKT 1' | FROM->TO | 0.35797 | 361   | 'CUNNINGHAM STATION - LEA COUNTY INTERCHANGE 230KV CKT 1'          |
| 16WP | 0 | G10_059 | 'LEA COUNTY INTERCHANGE - YOAKUM COUNTY INTERCHANGE 230KV CKT 1' | FROM->TO | 0.35797 | 361   | 'CUNNINGHAM STATION - LEA COUNTY INTERCHANGE 230KV CKT 1'          |
| 16WP | 0 | G10_060 | 'CAPROCK REC-MCDONALD - CR-1956 4138.00 138KV CKT 1'             | FROM->TO | 0.29607 | 270.9 | 'HOBBS_INT 7345.00 (LIKE POTTER) 345/230/13.2KV TRANSFORMER CKT 1' |
| 16WP | 0 | G10_059 | 'CAPROCK REC-MCDONALD - CR-1956 4138.00 138KV CKT 1'             | FROM->TO | 0.29607 | 270.9 | 'HOBBS_INT 7345.00 (LIKE POTTER) 345/230/13.2KV TRANSFORMER CKT 1' |
| 16WP | 0 | G10_060 | 'CAPROCK REC-MCDONALD - CR-1956 4138.00 138KV CKT 1'             | FROM->TO | 0.29607 | 270.9 | 'HOBBS_INT 7345.00 - MIDLAND 7345.00 345KV CKT 1'                  |
| 16WP | 0 | G10_059 | 'CAPROCK REC-MCDONALD - CR-1956 4138.00 138KV CKT 1'             | FROM->TO | 0.29607 | 270.9 | 'HOBBS_INT 7345.00 - MIDLAND 7345.00 345KV CKT 1'                  |
| 16WP | 0 | G10_060 | 'CAPROCK REC-NEW SCHWARTZ - CR-1956 4138.00 138KV CKT 1'         | TO->FROM | 0.29607 | 270.9 | 'HOBBS_INT 7345.00 - MIDLAND 7345.00 345KV CKT 1'                  |
| 16WP | 0 | G10_059 | 'CAPROCK REC-NEW SCHWARTZ - CR-1956 4138.00 138KV CKT 1'         | TO->FROM | 0.29607 | 270.9 | 'HOBBS_INT 7345.00 - MIDLAND 7345.00 345KV CKT 1'                  |
| 16WP | 0 | G10_060 | 'CAPROCK REC-NEW SCHWARTZ - CR-1956 4138.00 138KV CKT 1'         | TO->FROM | 0.29607 | 270.9 | 'HOBBS_INT 7345.00 (LIKE POTTER) 345/230/13.2KV TRANSFORMER CKT 1' |
| 16WP | 0 | G10_059 | 'CAPROCK REC-NEW SCHWARTZ - CR-1956 4138.00 138KV CKT 1'         | TO->FROM | 0.29607 | 270.9 | 'HOBBS_INT 7345.00 (LIKE POTTER) 345/230/13.2KV TRANSFORMER CKT 1' |
| 16WP | 0 | G10_060 | 'CAPROCK REC-PHILLIPS - CAPROCK REC-TATE 138KV CKT 1'            | TO->FROM | 0.21824 | 270.3 | 'LEA COUNTY INTERCHANGE - YOAKUM COUNTY INTERCHANGE 230KV CKT 1'   |
| 16WP | 0 | G10_059 | 'CAPROCK REC-PHILLIPS - CAPROCK REC-TATE 138KV CKT 1'            | TO->FROM | 0.21824 | 270.3 | 'LEA COUNTY INTERCHANGE - YOAKUM COUNTY INTERCHANGE 230KV CKT 1'   |
| 16WP | 0 | G10_060 | 'HOBBS INTERCHANGE - LEA COUNTY INTERCHANGE 115KV CKT 1'         | FROM->TO | 0.22461 | 261.2 | 'HOBBS INTERCHANGE - LEA COUNTY INTERCHANGE 230KV CKT 1'           |
| 16WP | 0 | G10_059 | 'HOBBS INTERCHANGE - LEA COUNTY INTERCHANGE 115KV CKT 1'         | FROM->TO | 0.22461 | 261.2 | 'HOBBS INTERCHANGE - LEA COUNTY INTERCHANGE 230KV CKT 1'           |
| 16WP | 0 | G10_060 | 'CAPROCK REC-KOCH - CAPROCK REC-REED 138KV CKT 1'                | TO->FROM | 0.19827 | 176   | 'HOBBS INTERCHANGE - LEA COUNTY INTERCHANGE 230KV CKT 1'           |
| 16WP | 0 | G10_059 | 'CAPROCK REC-KOCH - CAPROCK REC-REED 138KV CKT 1'                | TO->FROM | 0.19827 | 176   | 'HOBBS INTERCHANGE - LEA COUNTY INTERCHANGE 230KV CKT 1'           |
| 16WP | 0 | G10_060 | 'CAPROCK REC-KOCH - CAPROCK REC-VEALMOOR 138KV CKT 1'            | FROM->TO | 0.19827 | 176   | 'HOBBS INTERCHANGE - LEA COUNTY INTERCHANGE 230KV CKT 1'           |
| 16WP | 0 | G10_059 | 'CAPROCK REC-KOCH - CAPROCK REC-VEALMOOR 138KV CKT 1'            | FROM->TO | 0.19827 | 176   | 'HOBBS INTERCHANGE - LEA COUNTY INTERCHANGE 230KV CKT 1'           |
| 16WP | 0 | G10_060 | 'GRASSLAND INTERCHANGE - Jones Station Bus#2 230KV CKT 1'        | FROM->TO | 0.47031 | 360.4 | 'HOBBS_INT 7345.00 - MIDLAND 7345.00 345KV CKT 1'                  |
| 16WP | 0 | G10_059 | 'GRASSLAND INTERCHANGE - Jones Station Bus#2 230KV CKT 1'        | FROM->TO | 0.47031 | 360.4 | 'HOBBS_INT 7345.00 - MIDLAND 7345.00 345KV CKT 1'                  |
| 16WP | 0 | G10_060 | 'GRASSLAND INTERCHANGE - Jones Station Bus#2 230KV CKT 1'        | FROM->TO | 0.47031 | 360.4 | 'HOBBS_INT 7345.00 (LIKE POTTER) 345/230/13.2KV TRANSFORMER CKT 1' |
| 16WP | 0 | G10_059 | 'GRASSLAND INTERCHANGE - Jones Station Bus#2 230KV CKT 1'        | FROM->TO | 0.47031 | 360.4 | 'HOBBS_INT 7345.00 (LIKE POTTER) 345/230/13.2KV TRANSFORMER CKT 1' |
| 16WP | 0 | G10_060 | 'CAPROCK REC-PHILLIPS - CAPROCK REC-TATE 138KV CKT 1'            | TO->FROM | 0.20727 | 270.3 | 'CUNNINGHAM STATION - LEA COUNTY INTERCHANGE 230KV CKT 1'          |
| 16WP | 0 | G10_059 | 'CAPROCK REC-PHILLIPS - CAPROCK REC-TATE 138KV CKT 1'            | TO->FROM | 0.20727 | 270.3 | 'CUNNINGHAM STATION - LEA COUNTY INTERCHANGE 230KV CKT 1'          |
| 16WP | 0 | G10_060 | 'CAPROCK REC-NEW SCHWARTZ - CAPROCK REC-PEMBROOK 138KV CKT 1'    | FROM->TO | 0.29607 | 271   | 'HOBBS_INT 7345.00 (LIKE POTTER) 345/230/13.2KV TRANSFORMER CKT 1' |

|      |   |         |  |          |         |       |  |
|------|---|---------|--|----------|---------|-------|--|
| 16WP | 0 | G10_059 | 'CAPROCK REC-NEW SCHWARTZ - CAPROCK REC-PEMBROOK 138KV CKT 1'    | FROM->TO | 0.29607 | 271   | 'HOBBS_INT 7345.00 (LIKE POTTER) 345/230/13.2KV TRANSFORMER CKT 1' |
| 16WP | 0 | G10_060 | 'CAPROCK REC-NEW SCHWARTZ - CAPROCK REC-PEMBROOK 138KV CKT 1'    | FROM->TO | 0.29607 | 271   | 'HOBBS_INT 7345.00 - MIDLAND 7345.00 345KV CKT 1'                  |
| 16WP | 0 | G10_059 | 'CAPROCK REC-NEW SCHWARTZ - CAPROCK REC-PEMBROOK 138KV CKT 1'    | FROM->TO | 0.29607 | 271   | 'HOBBS_INT 7345.00 - MIDLAND 7345.00 345KV CKT 1'                  |
| 16WP | 0 | G10_060 | 'CAPROCK REC-PHILLIPS - CAPROCK REC-TATE 138KV CKT 1'            | TO->FROM | 0.20007 | 270.3 | 'AMOCO SWITCHING STATION - YOAKUM COUNTY INTERCHANGE 230KV CKT 1'  |
| 16WP | 0 | G10_059 | 'CAPROCK REC-PHILLIPS - CAPROCK REC-TATE 138KV CKT 1'            | TO->FROM | 0.20007 | 270.3 | 'AMOCO SWITCHING STATION - YOAKUM COUNTY INTERCHANGE 230KV CKT 1'  |
| 16WP | 0 | G10_060 | 'CAPROCK REC-MCDONALD - CAPROCK REC-PHILLIPS 138KV CKT 1'        | TO->FROM | 0.21824 | 270.7 | 'LEA COUNTY INTERCHANGE - YOAKUM COUNTY INTERCHANGE 230KV CKT 1'   |
| 16WP | 0 | G10_059 | 'CAPROCK REC-MCDONALD - CAPROCK REC-PHILLIPS 138KV CKT 1'        | TO->FROM | 0.21824 | 270.7 | 'LEA COUNTY INTERCHANGE - YOAKUM COUNTY INTERCHANGE 230KV CKT 1'   |
| 16WP | 0 | G10_060 | 'CAPROCK REC-ST LAWRENCE - CAPROCK REC-STILES 138KV CKT 1'       | TO->FROM | 0.29495 | 271   | 'HOBBS_INT 7345.00 - MIDLAND 7345.00 345KV CKT 1'                  |
| 16WP | 0 | G10_059 | 'CAPROCK REC-ST LAWRENCE - CAPROCK REC-STILES 138KV CKT 1'       | TO->FROM | 0.29495 | 271   | 'HOBBS_INT 7345.00 - MIDLAND 7345.00 345KV CKT 1'                  |
| 16WP | 0 | G10_060 | 'CAPROCK REC-ST LAWRENCE - CAPROCK REC-STILES 138KV CKT 1'       | TO->FROM | 0.29495 | 271   | 'HOBBS_INT 7345.00 (LIKE POTTER) 345/230/13.2KV TRANSFORMER CKT 1' |
| 16WP | 0 | G10_059 | 'CAPROCK REC-ST LAWRENCE - CAPROCK REC-STILES 138KV CKT 1'       | TO->FROM | 0.29495 | 271   | 'HOBBS_INT 7345.00 (LIKE POTTER) 345/230/13.2KV TRANSFORMER CKT 1' |
| 16WP | 0 | G10_060 | 'CAPROCK REC-PHILLIPS - CAPROCK REC-TATE 138KV CKT 1'            | TO->FROM | 0.19781 | 270.3 | 'CUNNINGHAM STATION - EDDY COUNTY INTERCHANGE 230KV CKT 1'         |
| 16WP | 0 | G10_059 | 'CAPROCK REC-PHILLIPS - CAPROCK REC-TATE 138KV CKT 1'            | TO->FROM | 0.19781 | 270.3 | 'CUNNINGHAM STATION - EDDY COUNTY INTERCHANGE 230KV CKT 1'         |
| 16WP | 0 | G10_060 | 'LEA COUNTY INTERCHANGE - YOAKUM COUNTY INTERCHANGE 230KV CKT 1' | FROM->TO | 0.34817 | 361   | 'BORDEN COUNTY INTERCHANGE - GRASSLAND INTERCHANGE 230KV CKT 1'    |
| 16WP | 0 | G10_059 | 'LEA COUNTY INTERCHANGE - YOAKUM COUNTY INTERCHANGE 230KV CKT 1' | FROM->TO | 0.34817 | 361   | 'BORDEN COUNTY INTERCHANGE - GRASSLAND INTERCHANGE 230KV CKT 1'    |
| 16WP | 0 | G10_060 | 'LEA COUNTY INTERCHANGE - YOAKUM COUNTY INTERCHANGE 230KV CKT 1' | FROM->TO | 0.34817 | 361   | 'SPP-SWPS-K48'   |
| 16WP | 0 | G10_059 | 'LEA COUNTY INTERCHANGE - YOAKUM COUNTY INTERCHANGE 230KV CKT 1' | FROM->TO | 0.34817 | 361   | 'SPP-SWPS-K48'   |
| 16WP | 0 | G10_060 | 'CAPROCK REC-PHILLIPS - CAPROCK REC-TATE 138KV CKT 1'            | TO->FROM | 0.19248 | 270.3 | 'TOLK STATION EAST - TUCO INTERCHANGE 230KV CKT 1'                 |
| 16WP | 0 | G10_059 | 'CAPROCK REC-PHILLIPS - CAPROCK REC-TATE 138KV CKT 1'            | TO->FROM | 0.19248 | 270.3 | 'TOLK STATION EAST - TUCO INTERCHANGE 230KV CKT 1'                 |
| 16WP | 0 | G10_060 | 'CAPROCK REC-PHILLIPS - CAPROCK REC-TATE 138KV CKT 1'            | TO->FROM | 0.19422 | 270.3 | 'CUNNINGHAM STATION - POTASH JUNCTION INTERCHANGE 230KV CKT 1'     |
| 16WP | 0 | G10_059 | 'CAPROCK REC-PHILLIPS - CAPROCK REC-TATE 138KV CKT 1'            | TO->FROM | 0.19422 | 270.3 | 'CUNNINGHAM STATION - POTASH JUNCTION INTERCHANGE 230KV CKT 1'     |
| 16WP | 0 | G10_060 | 'CAPROCK REC-PHILLIPS - CAPROCK REC-TATE 138KV CKT 1'            | TO->FROM | 0.19612 | 270.3 | 'SUNDOWN INTERCHANGE - WOLFFORTH INTERCHANGE 230KV CKT 1'          |
| 16WP | 0 | G10_059 | 'CAPROCK REC-PHILLIPS - CAPROCK REC-TATE 138KV CKT 1'            | TO->FROM | 0.19612 | 270.3 | 'SUNDOWN INTERCHANGE - WOLFFORTH INTERCHANGE 230KV CKT 1'          |
| 16WP | 0 | G10_060 | 'CAPROCK REC-PHILLIPS - CAPROCK REC-TATE 138KV CKT 1'            | TO->FROM | 0.19124 | 270.3 | 'Jones Station Bus#2 230/22.0KV TRANSFORMER CKT 1'                 |
| 16WP | 0 | G10_059 | 'CAPROCK REC-PHILLIPS - CAPROCK REC-TATE 138KV CKT 1'            | TO->FROM | 0.19124 | 270.3 | 'Jones Station Bus#2 230/22.0KV TRANSFORMER CKT 1'                 |



|      |   |         |  |          |         |       |  |
|------|---|---------|--|----------|---------|-------|--|
| 16WP | 0 | G10_060 | 'CAPROCK REC-PHILLIPS - CAPROCK REC-TATE 138KV CKT 1'            | TO->FROM | 0.19124 | 270.3 | 'JONES STATION 230/22.0KV TRANSFORMER CKT 1'                       |
| 16WP | 0 | G10_059 | 'CAPROCK REC-PHILLIPS - CAPROCK REC-TATE 138KV CKT 1'            | TO->FROM | 0.19124 | 270.3 | 'JONES STATION 230/22.0KV TRANSFORMER CKT 1'                       |
| 16WP | 0 | G10_060 | 'CAPROCK REC-PHILLIPS - CAPROCK REC-TATE 138KV CKT 1'            | TO->FROM | 0.19124 | 270.3 | 'Jones Station Bus#2 230/22.0KV TRANSFORMER CKT 1'                 |
| 16WP | 0 | G10_059 | 'CAPROCK REC-PHILLIPS - CAPROCK REC-TATE 138KV CKT 1'            | TO->FROM | 0.19124 | 270.3 | 'Jones Station Bus#2 230/22.0KV TRANSFORMER CKT 1'                 |
| 16WP | 0 | G10_060 | 'CAPROCK REC-PHILLIPS - CAPROCK REC-TATE 138KV CKT 1'            | TO->FROM | 0.2032  | 270.3 | 'TOLK STATION (ABBXNL844501) 345/230/13.2KV TRANSFORMER CKT 1'     |
| 16WP | 0 | G10_059 | 'CAPROCK REC-PHILLIPS - CAPROCK REC-TATE 138KV CKT 1'            | TO->FROM | 0.2032  | 270.3 | 'TOLK STATION (ABBXNL844501) 345/230/13.2KV TRANSFORMER CKT 1'     |
| 16WP | 0 | G10_060 | 'CAPROCK REC-PHILLIPS - CAPROCK REC-TATE 138KV CKT 1'            | TO->FROM | 0.2032  | 270.3 | 'CHAVESCO 345.00 - TOLK STATION 345KV CKT 1'                       |
| 16WP | 0 | G10_059 | 'CAPROCK REC-PHILLIPS - CAPROCK REC-TATE 138KV CKT 1'            | TO->FROM | 0.2032  | 270.3 | 'CHAVESCO 345.00 - TOLK STATION 345KV CKT 1'                       |
| 16WP | 0 | G10_060 | 'CAPROCK REC-PHILLIPS - CAPROCK REC-TATE 138KV CKT 1'            | TO->FROM | 0.19143 | 270.3 | 'SPP-SWPS-T14'   |
| 16WP | 0 | G10_059 | 'CAPROCK REC-PHILLIPS - CAPROCK REC-TATE 138KV CKT 1'            | TO->FROM | 0.19143 | 270.3 | 'SPP-SWPS-T14'   |
| 16WP | 0 | G10_060 | 'CAPROCK REC-PHILLIPS - CAPROCK REC-TATE 138KV CKT 1'            | TO->FROM | 0.19445 | 270.3 | 'TERRY COUNTY INTERCHANGE - WOLFFORTH INTERCHANGE 115KV CKT 1'     |
| 16WP | 0 | G10_059 | 'CAPROCK REC-PHILLIPS - CAPROCK REC-TATE 138KV CKT 1'            | TO->FROM | 0.19445 | 270.3 | 'TERRY COUNTY INTERCHANGE - WOLFFORTH INTERCHANGE 115KV CKT 1'     |
| 16WP | 0 | G10_060 | 'CAPROCK REC-PHILLIPS - CAPROCK REC-TATE 138KV CKT 1'            | TO->FROM | 0.19345 | 270.3 | 'CHAVES COUNTY INTERCHANGE - EDDY COUNTY INTERCHANGE 230KV CKT 1'  |
| 16WP | 0 | G10_059 | 'CAPROCK REC-PHILLIPS - CAPROCK REC-TATE 138KV CKT 1'            | TO->FROM | 0.19345 | 270.3 | 'CHAVES COUNTY INTERCHANGE - EDDY COUNTY INTERCHANGE 230KV CKT 1'  |
| 16WP | 0 | G10_060 | 'CAPROCK REC-PHILLIPS - CAPROCK REC-TATE 138KV CKT 1'            | TO->FROM | 0.20007 | 270.3 | 'AMOCO SWITCHING STATION - SUNDOWN INTERCHANGE 230KV CKT 1'        |
| 16WP | 0 | G10_059 | 'CAPROCK REC-PHILLIPS - CAPROCK REC-TATE 138KV CKT 1'            | TO->FROM | 0.20007 | 270.3 | 'AMOCO SWITCHING STATION - SUNDOWN INTERCHANGE 230KV CKT 1'        |
| 16WP | 0 | G10_060 | 'CAPROCK REC-PHILLIPS - CAPROCK REC-TATE 138KV CKT 1'            | TO->FROM | 0.1934  | 270.3 | 'JOHNSON_DRW3115.00 - TAYLOR SWITCHING STATION 115KV CKT 1'        |
| 16WP | 0 | G10_059 | 'CAPROCK REC-PHILLIPS - CAPROCK REC-TATE 138KV CKT 1'            | TO->FROM | 0.1934  | 270.3 | 'JOHNSON_DRW3115.00 - TAYLOR SWITCHING STATION 115KV CKT 1'        |
| 16WP | 0 | G10_060 | 'CAPROCK REC-BUCHANAN - CAPROCK REC-LANGE 138KV CKT 1'           | TO->FROM | 0.29495 | 271   | 'HOBBS_INT 7345.00 - MIDLAND 7345.00 345KV CKT 1'                  |
| 16WP | 0 | G10_059 | 'CAPROCK REC-BUCHANAN - CAPROCK REC-LANGE 138KV CKT 1'           | TO->FROM | 0.29495 | 271   | 'HOBBS_INT 7345.00 - MIDLAND 7345.00 345KV CKT 1'                  |
| 16WP | 0 | G10_060 | 'CAPROCK REC-BUCHANAN - CAPROCK REC-LANGE 138KV CKT 1'           | TO->FROM | 0.29495 | 271   | 'HOBBS_INT 7345.00 (LIKE POTTER) 345/230/13.2KV TRANSFORMER CKT 1' |
| 16WP | 0 | G10_059 | 'CAPROCK REC-BUCHANAN - CAPROCK REC-LANGE 138KV CKT 1'           | TO->FROM | 0.29495 | 271   | 'HOBBS_INT 7345.00 (LIKE POTTER) 345/230/13.2KV TRANSFORMER CKT 1' |
| 16WP | 0 | G10_060 | 'LEA COUNTY INTERCHANGE - YOAKUM COUNTY INTERCHANGE 230KV CKT 1' | FROM->TO | 0.29976 | 361   | 'CUNNINGHAM STATION - EDDY COUNTY INTERCHANGE 230KV CKT 1'         |
| 16WP | 0 | G10_059 | 'LEA COUNTY INTERCHANGE - YOAKUM COUNTY INTERCHANGE 230KV CKT 1' | FROM->TO | 0.29976 | 361   | 'CUNNINGHAM STATION - EDDY COUNTY INTERCHANGE 230KV CKT 1'         |
| 16WP | 0 | G10_060 | 'LUBBOCK SOUTH INTERCHANGE - WOLFFORTH INTERCHANGE 230KV CKT 1'  | FROM->TO | 0.31606 | 360.3 | 'HOBBS_INT 7345.00 - MIDLAND 7345.00 345KV CKT 1'                  |

|      |   |         |  |          |         |       |  |
|------|---|---------|--|----------|---------|-------|--|
| 16WP | 0 | G10_059 | 'LUBBOCK SOUTH INTERCHANGE - WOLFFORTH INTERCHANGE 230KV CKT 1'  | FROM->TO | 0.31606 | 360.3 | 'HOBBS_INT 7345.00 - MIDLAND 7345.00 345KV CKT 1'                  |
| 16WP | 0 | G10_060 | 'LUBBOCK SOUTH INTERCHANGE - WOLFFORTH INTERCHANGE 230KV CKT 1'  | FROM->TO | 0.31606 | 360.3 | 'HOBBS_INT 7345.00 (LIKE POTTER) 345/230/13.2KV TRANSFORMER CKT 1' |
| 16WP | 0 | G10_059 | 'LUBBOCK SOUTH INTERCHANGE - WOLFFORTH INTERCHANGE 230KV CKT 1'  | FROM->TO | 0.31606 | 360.3 | 'HOBBS_INT 7345.00 (LIKE POTTER) 345/230/13.2KV TRANSFORMER CKT 1' |
| 16WP | 0 | G10_060 | 'CAPROCK REC-MCDONALD - CAPROCK REC-PHILLIPS 138KV CKT 1'        | TO->FROM | 0.20727 | 270.7 | 'CUNNINGHAM STATION - LEA COUNTY INTERCHANGE 230KV CKT 1'          |
| 16WP | 0 | G10_059 | 'CAPROCK REC-MCDONALD - CAPROCK REC-PHILLIPS 138KV CKT 1'        | TO->FROM | 0.20727 | 270.7 | 'CUNNINGHAM STATION - LEA COUNTY INTERCHANGE 230KV CKT 1'          |
| 16WP | 0 | G10_060 | 'LEA COUNTY INTERCHANGE - YOAKUM COUNTY INTERCHANGE 230KV CKT 1' | FROM->TO | 0.30589 | 361   | 'CAPROCK REC-MCDONALD - CAPROCK REC-TRIANGLE 138KV CKT 1'          |
| 16WP | 0 | G10_059 | 'LEA COUNTY INTERCHANGE - YOAKUM COUNTY INTERCHANGE 230KV CKT 1' | FROM->TO | 0.30589 | 361   | 'CAPROCK REC-MCDONALD - CAPROCK REC-TRIANGLE 138KV CKT 1'          |
| 16WP | 0 | G10_060 | 'CAPROCK REC-MCDONALD - CAPROCK REC-PHILLIPS 138KV CKT 1'        | TO->FROM | 0.20007 | 270.7 | 'AMOCO SWITCHING STATION - YOAKUM COUNTY INTERCHANGE 230KV CKT 1'  |
| 16WP | 0 | G10_059 | 'CAPROCK REC-MCDONALD - CAPROCK REC-PHILLIPS 138KV CKT 1'        | TO->FROM | 0.20007 | 270.7 | 'AMOCO SWITCHING STATION - YOAKUM COUNTY INTERCHANGE 230KV CKT 1'  |
| 16WP | 0 | G10_060 | 'LEA COUNTY INTERCHANGE - YOAKUM COUNTY INTERCHANGE 230KV CKT 1' | FROM->TO | 0.30589 | 361   | 'CAPROCK REC-GRADY - CAPROCK REC-TRIANGLE 138KV CKT 1'             |
| 16WP | 0 | G10_059 | 'LEA COUNTY INTERCHANGE - YOAKUM COUNTY INTERCHANGE 230KV CKT 1' | FROM->TO | 0.30589 | 361   | 'CAPROCK REC-GRADY - CAPROCK REC-TRIANGLE 138KV CKT 1'             |
| 16WP | 0 | G10_060 | 'CAPROCK REC-BUCHANAN - CAPROCK REC-RUSSEL TAP 138KV CKT 1'      | FROM->TO | 0.29495 | 271   | 'HOBBS_INT 7345.00 (LIKE POTTER) 345/230/13.2KV TRANSFORMER CKT 1' |
| 16WP | 0 | G10_059 | 'CAPROCK REC-BUCHANAN - CAPROCK REC-RUSSEL TAP 138KV CKT 1'      | FROM->TO | 0.29495 | 271   | 'HOBBS_INT 7345.00 (LIKE POTTER) 345/230/13.2KV TRANSFORMER CKT 1' |
| 16WP | 0 | G10_060 | 'CAPROCK REC-BUCHANAN - CAPROCK REC-RUSSEL TAP 138KV CKT 1'      | FROM->TO | 0.29495 | 271   | 'HOBBS_INT 7345.00 - MIDLAND 7345.00 345KV CKT 1'                  |
| 16WP | 0 | G10_059 | 'CAPROCK REC-BUCHANAN - CAPROCK REC-RUSSEL TAP 138KV CKT 1'      | FROM->TO | 0.29495 | 271   | 'HOBBS_INT 7345.00 - MIDLAND 7345.00 345KV CKT 1'                  |
| 16WP | 0 | G10_060 | 'LEA COUNTY INTERCHANGE - YOAKUM COUNTY INTERCHANGE 230KV CKT 1' | FROM->TO | 0.30589 | 361   | 'CAPROCK REC-GRADY - CAPROCK REC-REED 138KV CKT 1'                 |
| 16WP | 0 | G10_059 | 'LEA COUNTY INTERCHANGE - YOAKUM COUNTY INTERCHANGE 230KV CKT 1' | FROM->TO | 0.30589 | 361   | 'CAPROCK REC-GRADY - CAPROCK REC-REED 138KV CKT 1'                 |
| 16WP | 0 | G10_060 | 'LEA COUNTY INTERCHANGE - YOAKUM COUNTY INTERCHANGE 230KV CKT 1' | FROM->TO | 0.30589 | 361   | 'CAPROCK REC-KOCH - CAPROCK REC-REED 138KV CKT 1'                  |
| 16WP | 0 | G10_059 | 'LEA COUNTY INTERCHANGE - YOAKUM COUNTY INTERCHANGE 230KV CKT 1' | FROM->TO | 0.30589 | 361   | 'CAPROCK REC-KOCH - CAPROCK REC-REED 138KV CKT 1'                  |
| 16WP | 0 | G10_060 | 'LEA COUNTY INTERCHANGE - YOAKUM COUNTY INTERCHANGE 230KV CKT 1' | FROM->TO | 0.30589 | 361   | 'CAPROCK REC-KOCH - CAPROCK REC-VEALMOOR 138KV CKT 1'              |
| 16WP | 0 | G10_059 | 'LEA COUNTY INTERCHANGE - YOAKUM COUNTY INTERCHANGE 230KV CKT 1' | FROM->TO | 0.30589 | 361   | 'CAPROCK REC-KOCH - CAPROCK REC-VEALMOOR 138KV CKT 1'              |
| 16WP | 0 | G10_060 | 'LEA COUNTY INTERCHANGE - YOAKUM COUNTY INTERCHANGE 230KV CKT 1' | FROM->TO | 0.2844  | 361   | 'CUNNINGHAM STATION - POTASH JUNCTION INTERCHANGE 230KV CKT 1'     |
| 16WP | 0 | G10_059 | 'LEA COUNTY INTERCHANGE - YOAKUM COUNTY INTERCHANGE 230KV CKT 1' | FROM->TO | 0.2844  | 361   | 'CUNNINGHAM STATION - POTASH JUNCTION INTERCHANGE 230KV CKT 1'     |
| 16WP | 0 | G10_060 | 'CUNNINGHAM STATION - LEA COUNTY INTERCHANGE 230KV CKT 1'        | TO->FROM | 0.45928 | 556.7 | 'LEA COUNTY INTERCHANGE - YOAKUM COUNTY INTERCHANGE 230KV CKT 1'   |
| 16WP | 0 | G10_059 | 'CUNNINGHAM STATION - LEA COUNTY INTERCHANGE 230KV CKT 1'        | TO->FROM | 0.45928 | 556.7 | 'LEA COUNTY INTERCHANGE - YOAKUM COUNTY INTERCHANGE 230KV CKT 1'   |

|      |   |         |  |          |         |       |   |
|------|---|---------|--|----------|---------|-------|---|
| 16WP | 0 | G10_060 | 'CAPROCK REC-RUSSEL TAP - CAPROCK REC-VEALMOOR 138KV CKT 1'      | FROM->TO | 0.29495 | 271   | 'HOBBS_INT 7345.00 - MIDLAND 7345.00 345KV CKT 1'   |
| 16WP | 0 | G10_059 | 'CAPROCK REC-RUSSEL TAP - CAPROCK REC-VEALMOOR 138KV CKT 1'      | FROM->TO | 0.29495 | 271   | 'HOBBS_INT 7345.00 - MIDLAND 7345.00 345KV CKT 1'   |
| 16WP | 0 | G10_060 | 'CAPROCK REC-RUSSEL TAP - CAPROCK REC-VEALMOOR 138KV CKT 1'      | FROM->TO | 0.29495 | 271   | 'HOBBS_INT 7345.00 (LIKE POTTER) 345/230/13.2KV TRANSFORMER CKT 1'                            |
| 16WP | 0 | G10_059 | 'CAPROCK REC-RUSSEL TAP - CAPROCK REC-VEALMOOR 138KV CKT 1'      | FROM->TO | 0.29495 | 271   | 'HOBBS_INT 7345.00 (LIKE POTTER) 345/230/13.2KV TRANSFORMER CKT 1'                            |
| 16WP | 0 | G10_060 | 'LEA COUNTY INTERCHANGE - YOAKUM COUNTY INTERCHANGE 230KV CKT 1' | FROM->TO | 0.28953 | 361   | 'JOHNSON_DRW3115.00 - TAYLOR SWITCHING STATION 115KV CKT 1'                                   |
| 16WP | 0 | G10_059 | 'LEA COUNTY INTERCHANGE - YOAKUM COUNTY INTERCHANGE 230KV CKT 1' | FROM->TO | 0.28953 | 361   | 'JOHNSON_DRW3115.00 - TAYLOR SWITCHING STATION 115KV CKT 1'                                   |
| 16WP | 0 | G10_060 | 'LEA COUNTY INTERCHANGE - YOAKUM COUNTY INTERCHANGE 230KV CKT 1' | FROM->TO | 0.26967 | 329   | 'BASE CASE'   |
| 16WP | 0 | G10_059 | 'LEA COUNTY INTERCHANGE - YOAKUM COUNTY INTERCHANGE 230KV CKT 1' | FROM->TO | 0.26967 | 329   | 'BASE CASE'   |
| 16WP | 0 | G10_060 | 'CAPROCK REC-MCDONALD - CAPROCK REC-PHILLIPS 138KV CKT 1'        | TO->FROM | 0.19781 | 270.7 | 'CUNNINGHAM STATION - EDDY COUNTY INTERCHANGE 230KV CKT 1'                                    |
| 16WP | 0 | G10_059 | 'CAPROCK REC-MCDONALD - CAPROCK REC-PHILLIPS 138KV CKT 1'        | TO->FROM | 0.19781 | 270.7 | 'CUNNINGHAM STATION - EDDY COUNTY INTERCHANGE 230KV CKT 1'                                    |
| 16WP | 0 | G10_060 | 'CAPROCK REC-MCDONALD - CAPROCK REC-PHILLIPS 138KV CKT 1'        | TO->FROM | 0.19248 | 270.7 | 'TOLK STATION EAST - TUCO INTERCHANGE 230KV CKT 1'  |
| 16WP | 0 | G10_059 | 'CAPROCK REC-MCDONALD - CAPROCK REC-PHILLIPS 138KV CKT 1'        | TO->FROM | 0.19248 | 270.7 | 'TOLK STATION EAST - TUCO INTERCHANGE 230KV CKT 1'  |
| 16WP | 0 | G10_060 | 'CAPROCK REC-MCDONALD - CAPROCK REC-PHILLIPS 138KV CKT 1'        | TO->FROM | 0.19422 | 270.7 | 'CUNNINGHAM STATION - POTASH JUNCTION INTERCHANGE 230KV CKT 1'                                |
| 16WP | 0 | G10_059 | 'CAPROCK REC-MCDONALD - CAPROCK REC-PHILLIPS 138KV CKT 1'        | TO->FROM | 0.19422 | 270.7 | 'CUNNINGHAM STATION - POTASH JUNCTION INTERCHANGE 230KV CKT 1'                                |
| 16WP | 0 | G10_060 | 'LEA COUNTY INTERCHANGE - YOAKUM COUNTY INTERCHANGE 230KV CKT 1' | FROM->TO | 0.26967 | 361   | 'Golden Spread REC - Mustang Interchange 230 kV Generation Bus - MUSTANG STATION 230KV CKT 1' |
| 16WP | 0 | G10_059 | 'LEA COUNTY INTERCHANGE - YOAKUM COUNTY INTERCHANGE 230KV CKT 1' | FROM->TO | 0.26967 | 361   | 'Golden Spread REC - Mustang Interchange 230 kV Generation Bus - MUSTANG STATION 230KV CKT 1' |
| 16WP | 0 | G10_060 | 'LEA COUNTY INTERCHANGE - YOAKUM COUNTY INTERCHANGE 230KV CKT 1' | FROM->TO | 0.32233 | 361   | 'CHAVESCO 345.00 - TOLK STATION 345KV CKT 1'  |
| 16WP | 0 | G10_059 | 'LEA COUNTY INTERCHANGE - YOAKUM COUNTY INTERCHANGE 230KV CKT 1' | FROM->TO | 0.32233 | 361   | 'CHAVESCO 345.00 - TOLK STATION 345KV CKT 1'  |
| 16WP | 0 | G10_060 | 'LEA COUNTY INTERCHANGE - YOAKUM COUNTY INTERCHANGE 230KV CKT 1' | FROM->TO | 0.32233 | 361   | 'TOLK STATION (ABBXNL844501) 345/230/13.2KV TRANSFORMER CKT 1'                                |
| 16WP | 0 | G10_059 | 'LEA COUNTY INTERCHANGE - YOAKUM COUNTY INTERCHANGE 230KV CKT 1' | FROM->TO | 0.32233 | 361   | 'TOLK STATION (ABBXNL844501) 345/230/13.2KV TRANSFORMER CKT 1'                                |
| 16WP | 0 | G10_060 | 'CAPROCK REC-MCDONALD - CAPROCK REC-PHILLIPS 138KV CKT 1'        | TO->FROM | 0.2032  | 270.7 | 'TOLK STATION (ABBXNL844501) 345/230/13.2KV TRANSFORMER CKT 1'                                |
| 16WP | 0 | G10_059 | 'CAPROCK REC-MCDONALD - CAPROCK REC-PHILLIPS 138KV CKT 1'        | TO->FROM | 0.2032  | 270.7 | 'TOLK STATION (ABBXNL844501) 345/230/13.2KV TRANSFORMER CKT 1'                                |
| 16WP | 0 | G10_060 | 'CAPROCK REC-MCDONALD - CAPROCK REC-PHILLIPS 138KV CKT 1'        | TO->FROM | 0.2032  | 270.7 | 'CHAVESCO 345.00 - TOLK STATION 345KV CKT 1'  |
| 16WP | 0 | G10_059 | 'CAPROCK REC-MCDONALD - CAPROCK REC-PHILLIPS 138KV CKT 1'        | TO->FROM | 0.2032  | 270.7 | 'CHAVESCO 345.00 - TOLK STATION 345KV CKT 1'  |

|      |   |         |  |          |         |       |   |
|------|---|---------|--|----------|---------|-------|---|
| 16WP | 0 | G10_060 | 'CAPROCK REC-MCDONALD - CAPROCK REC-PHILLIPS 138KV CKT 1'        | TO->FROM | 0.19612 | 270.7 | 'SUNDOWN INTERCHANGE - WOLFFORTH INTERCHANGE 230KV CKT 1'                             |
| 16WP | 0 | G10_059 | 'CAPROCK REC-MCDONALD - CAPROCK REC-PHILLIPS 138KV CKT 1'        | TO->FROM | 0.19612 | 270.7 | 'SUNDOWN INTERCHANGE - WOLFFORTH INTERCHANGE 230KV CKT 1'                             |
| 16WP | 0 | G10_060 | 'CAPROCK REC-MCDONALD - CAPROCK REC-PHILLIPS 138KV CKT 1'        | TO->FROM | 0.19124 | 270.7 | 'Jones Station Bus#2 230/22.0KV TRANSFORMER CKT 1'                                    |
| 16WP | 0 | G10_059 | 'CAPROCK REC-MCDONALD - CAPROCK REC-PHILLIPS 138KV CKT 1'        | TO->FROM | 0.19124 | 270.7 | 'Jones Station Bus#2 230/22.0KV TRANSFORMER CKT 1'                                    |
| 16WP | 0 | G10_060 | 'CAPROCK REC-MCDONALD - CAPROCK REC-PHILLIPS 138KV CKT 1'        | TO->FROM | 0.19124 | 270.7 | 'JONES STATION 230/22.0KV TRANSFORMER CKT 1'  |
| 16WP | 0 | G10_059 | 'CAPROCK REC-MCDONALD - CAPROCK REC-PHILLIPS 138KV CKT 1'        | TO->FROM | 0.19124 | 270.7 | 'JONES STATION 230/22.0KV TRANSFORMER CKT 1'  |
| 16WP | 0 | G10_060 | 'CAPROCK REC-MCDONALD - CAPROCK REC-PHILLIPS 138KV CKT 1'        | TO->FROM | 0.19124 | 270.7 | 'Jones Station Bus#2 230/22.0KV TRANSFORMER CKT 1'                                    |
| 16WP | 0 | G10_059 | 'CAPROCK REC-MCDONALD - CAPROCK REC-PHILLIPS 138KV CKT 1'        | TO->FROM | 0.19124 | 270.7 | 'Jones Station Bus#2 230/22.0KV TRANSFORMER CKT 1'                                    |
| 16WP | 0 | G10_060 | 'CAPROCK REC-MCDONALD - CAPROCK REC-PHILLIPS 138KV CKT 1'        | TO->FROM | 0.19143 | 270.7 | 'SPP-SWPS-T14'  |
| 16WP | 0 | G10_059 | 'CAPROCK REC-MCDONALD - CAPROCK REC-PHILLIPS 138KV CKT 1'        | TO->FROM | 0.19143 | 270.7 | 'SPP-SWPS-T14'  |
| 16WP | 0 | G10_060 | 'CAPROCK REC-MCDONALD - CAPROCK REC-PHILLIPS 138KV CKT 1'        | TO->FROM | 0.20007 | 270.7 | 'AMOCO SWITCHING STATION - SUNDOWN INTERCHANGE 230KV CKT 1'                           |
| 16WP | 0 | G10_059 | 'CAPROCK REC-MCDONALD - CAPROCK REC-PHILLIPS 138KV CKT 1'        | TO->FROM | 0.20007 | 270.7 | 'AMOCO SWITCHING STATION - SUNDOWN INTERCHANGE 230KV CKT 1'                           |
| 16WP | 0 | G10_060 | 'CAPROCK REC-MCDONALD - CAPROCK REC-PHILLIPS 138KV CKT 1'        | TO->FROM | 0.20364 | 270.7 | 'EDDY COUNTY INTERCHANGE (ABB AEM30711) 345/230/13.2KV TRANSFORMER CKT 1'             |
| 16WP | 0 | G10_059 | 'CAPROCK REC-MCDONALD - CAPROCK REC-PHILLIPS 138KV CKT 1'        | TO->FROM | 0.20364 | 270.7 | 'EDDY COUNTY INTERCHANGE (ABB AEM30711) 345/230/13.2KV TRANSFORMER CKT 1'             |
| 16WP | 0 | G10_060 | 'CAPROCK REC-MCDONALD - CAPROCK REC-PHILLIPS 138KV CKT 1'        | TO->FROM | 0.19445 | 270.7 | 'TERRY COUNTY INTERCHANGE - WOLFFORTH INTERCHANGE 115KV CKT 1'                        |
| 16WP | 0 | G10_059 | 'CAPROCK REC-MCDONALD - CAPROCK REC-PHILLIPS 138KV CKT 1'        | TO->FROM | 0.19445 | 270.7 | 'TERRY COUNTY INTERCHANGE - WOLFFORTH INTERCHANGE 115KV CKT 1'                        |
| 16WP | 0 | G10_060 | 'CAPROCK REC-MCDONALD - CAPROCK REC-PHILLIPS 138KV CKT 1'        | TO->FROM | 0.20364 | 270.7 | 'CHAVESCO 345.00 - EDDY COUNTY INTERCHANGE 345KV CKT 1'                               |
| 16WP | 0 | G10_059 | 'CAPROCK REC-MCDONALD - CAPROCK REC-PHILLIPS 138KV CKT 1'        | TO->FROM | 0.20364 | 270.7 | 'CHAVESCO 345.00 - EDDY COUNTY INTERCHANGE 345KV CKT 1'                               |
| 16WP | 0 | G10_060 | 'LEA COUNTY INTERCHANGE - YOAKUM COUNTY INTERCHANGE 230KV CKT 1' | FROM->TO | 0.28084 | 361   | 'LEA COUNTY INTERCHANGE - LEA COUNTY REC-LOVINGTON INTERCHANGE 115KV CKT 1'           |
| 16WP | 0 | G10_059 | 'LEA COUNTY INTERCHANGE - YOAKUM COUNTY INTERCHANGE 230KV CKT 1' | FROM->TO | 0.28084 | 361   | 'LEA COUNTY INTERCHANGE - LEA COUNTY REC-LOVINGTON INTERCHANGE 115KV CKT 1'           |
| 16WP | 0 | G10_060 | 'LEA COUNTY INTERCHANGE - YOAKUM COUNTY INTERCHANGE 230KV CKT 1' | FROM->TO | 0.28479 | 361   | 'LEA COUNTY REC-LOVINGTON INTERCHANGE - LEA COUNTY REC-WAITS INTERCHANGE 115KV CKT 1' |
| 16WP | 0 | G10_059 | 'LEA COUNTY INTERCHANGE - YOAKUM COUNTY INTERCHANGE 230KV CKT 1' | FROM->TO | 0.28479 | 361   | 'LEA COUNTY REC-LOVINGTON INTERCHANGE - LEA COUNTY REC-WAITS INTERCHANGE 115KV CKT 1' |
| 16WP | 0 | G10_060 | 'LEA COUNTY INTERCHANGE - YOAKUM COUNTY INTERCHANGE 230KV CKT 1' | FROM->TO | 0.28073 | 361   | 'HOBBS INTERCHANGE - Higg Switch Station 115KV CKT 1'                                 |

|      |   |         |   |          |         |       |   |
|------|---|---------|---|----------|---------|-------|---|
| 16WP | 0 | G10_059 | 'LEA COUNTY INTERCHANGE - YOAKUM COUNTY INTERCHANGE 230KV CKT 1'  | FROM->TO | 0.28073 | 361   | 'HOBBS INTERCHANGE - Higg Switch Station 115KV CKT 1'             |
| 16WP | 0 | G10_060 | 'MIDLAND 7345.00 (LIKE WICHITA) 345/138/13.8KV TRANSFORMER CKT 1' | FROM->TO | 0.28223 | 419.3 | 'HOBBS INTERCHANGE - LEA COUNTY INTERCHANGE 230KV CKT 1'          |
| 16WP | 0 | G10_059 | 'MIDLAND 7345.00 (LIKE WICHITA) 345/138/13.8KV TRANSFORMER CKT 1' | FROM->TO | 0.28223 | 419.3 | 'HOBBS INTERCHANGE - LEA COUNTY INTERCHANGE 230KV CKT 1'          |
| 16WP | 0 | G10_060 | 'MIDLAND 7345.00 (LIKE WICHITA) 345/138/13.8KV TRANSFORMER CKT 1' | FROM->TO | 0.28223 | 419.4 | 'HOBBS INTERCHANGE - LEA COUNTY INTERCHANGE 230KV CKT 1'          |
| 16WP | 0 | G10_059 | 'MIDLAND 7345.00 (LIKE WICHITA) 345/138/13.8KV TRANSFORMER CKT 1' | FROM->TO | 0.28223 | 419.4 | 'HOBBS INTERCHANGE - LEA COUNTY INTERCHANGE 230KV CKT 1'          |
| 16WP | 0 | G10_060 | 'CUNNINGHAM STATION - LEA COUNTY INTERCHANGE 230KV CKT 1'         | TO->FROM | 0.39499 | 556.7 | 'MIDLAND 7345.00 (LIKE WICHITA) 345/138/13.8KV TRANSFORMER CKT 1' |
| 16WP | 0 | G10_059 | 'CUNNINGHAM STATION - LEA COUNTY INTERCHANGE 230KV CKT 1'         | TO->FROM | 0.39499 | 556.7 | 'MIDLAND 7345.00 (LIKE WICHITA) 345/138/13.8KV TRANSFORMER CKT 1' |
| 16WP | 0 | G10_060 | 'CUNNINGHAM STATION - LEA COUNTY INTERCHANGE 230KV CKT 1'         | TO->FROM | 0.39499 | 556.7 | 'CAPROCK REC-PHILLIPS - CAPROCK REC-TATE 138KV CKT 1'             |
| 16WP | 0 | G10_059 | 'CUNNINGHAM STATION - LEA COUNTY INTERCHANGE 230KV CKT 1'         | TO->FROM | 0.39499 | 556.7 | 'CAPROCK REC-PHILLIPS - CAPROCK REC-TATE 138KV CKT 1'             |
| 16WP | 0 | G10_060 | 'CUNNINGHAM STATION - LEA COUNTY INTERCHANGE 230KV CKT 1'         | TO->FROM | 0.39499 | 556.7 | 'CAPROCK REC-MCDONALD - CAPROCK REC-PHILLIPS 138KV CKT 1'         |
| 16WP | 0 | G10_059 | 'CUNNINGHAM STATION - LEA COUNTY INTERCHANGE 230KV CKT 1'         | TO->FROM | 0.39499 | 556.7 | 'CAPROCK REC-MCDONALD - CAPROCK REC-PHILLIPS 138KV CKT 1'         |
| 16WP | 0 | G10_060 | 'CAPROCK REC-MCDONALD - CAPROCK REC-TRIANGLE 138KV CKT 1'         | FROM->TO | 0.19827 | 271   | 'HOBBS INTERCHANGE - LEA COUNTY INTERCHANGE 230KV CKT 1'          |
| 16WP | 0 | G10_059 | 'CAPROCK REC-MCDONALD - CAPROCK REC-TRIANGLE 138KV CKT 1'         | FROM->TO | 0.19827 | 271   | 'HOBBS INTERCHANGE - LEA COUNTY INTERCHANGE 230KV CKT 1'          |
| 16WP | 0 | G10_060 | 'MIDLAND 7345.00 (LIKE WICHITA) 345/138/13.8KV TRANSFORMER CKT 1' | FROM->TO | 0.19124 | 335.1 | 'BASE CASE'   |
| 16WP | 0 | G10_059 | 'MIDLAND 7345.00 (LIKE WICHITA) 345/138/13.8KV TRANSFORMER CKT 1' | FROM->TO | 0.19124 | 335.1 | 'BASE CASE'   |
| 16WP | 0 | G10_060 | 'MIDLAND 7345.00 (LIKE WICHITA) 345/138/13.8KV TRANSFORMER CKT 1' | FROM->TO | 0.19124 | 335.2 | 'BASE CASE'   |
| 16WP | 0 | G10_059 | 'MIDLAND 7345.00 (LIKE WICHITA) 345/138/13.8KV TRANSFORMER CKT 1' | FROM->TO | 0.19124 | 335.2 | 'BASE CASE'   |
| 16WP | 0 | G10_060 | 'CUNNINGHAM STATION - LEA COUNTY INTERCHANGE 230KV CKT 1'         | TO->FROM | 0.39457 | 556.7 | 'BORDEN COUNTY INTERCHANGE - GRASSLAND INTERCHANGE 230KV CKT 1'   |
| 16WP | 0 | G10_059 | 'CUNNINGHAM STATION - LEA COUNTY INTERCHANGE 230KV CKT 1'         | TO->FROM | 0.39457 | 556.7 | 'BORDEN COUNTY INTERCHANGE - GRASSLAND INTERCHANGE 230KV CKT 1'   |
| 16WP | 0 | G10_060 | 'CUNNINGHAM STATION - LEA COUNTY INTERCHANGE 230KV CKT 1'         | TO->FROM | 0.39457 | 556.7 | 'SPP-SWPS-K48'  |
| 16WP | 0 | G10_059 | 'CUNNINGHAM STATION - LEA COUNTY INTERCHANGE 230KV CKT 1'         | TO->FROM | 0.39457 | 556.7 | 'SPP-SWPS-K48'  |
| 16WP | 0 | G10_060 | 'CUNNINGHAM STATION - LEA COUNTY INTERCHANGE 230KV CKT 1'         | TO->FROM | 0.32221 | 556.7 | 'CUNNINGHAM STATION 230/20.0KV TRANSFORMER CKT 1'                 |
| 16WP | 0 | G10_059 | 'CUNNINGHAM STATION - LEA COUNTY INTERCHANGE 230KV CKT 1'         | TO->FROM | 0.32221 | 556.7 | 'CUNNINGHAM STATION 230/20.0KV TRANSFORMER CKT 1'                 |
| 16WP | 0 | G10_060 | 'CUNNINGHAM STATION - LEA COUNTY INTERCHANGE 230KV CKT 1'         | TO->FROM | 0.36558 | 556.7 | 'HOBBS INTERCHANGE 230/115KV TRANSFORMER CKT 1'                   |
| 16WP | 0 | G10_059 | 'CUNNINGHAM STATION - LEA COUNTY INTERCHANGE 230KV CKT 1'         | TO->FROM | 0.36558 | 556.7 | 'HOBBS INTERCHANGE 230/115KV TRANSFORMER CKT 1'                   |

|      |   |         |   |          |         |       |  |
|------|---|---------|---|----------|---------|-------|--|
| 16WP | 0 | G10_060 | 'CAPROCK REC-GRADY - CAPROCK REC-REED<br>138KV CKT 1'         | FROM->TO | 0.19827 | 271   | 'HOBBS INTERCHANGE - LEA COUNTY<br>INTERCHANGE 230KV CKT 1'          |
| 16WP | 0 | G10_059 | 'CAPROCK REC-GRADY - CAPROCK REC-REED<br>138KV CKT 1'         | FROM->TO | 0.19827 | 271   | 'HOBBS INTERCHANGE - LEA COUNTY<br>INTERCHANGE 230KV CKT 1'          |
| 16WP | 0 | G10_060 | 'CUNNINGHAM STATION - LEA COUNTY<br>INTERCHANGE 230KV CKT 1'  | TO->FROM | 0.35993 | 556.7 | 'LEA COUNTY INTERCHANGE 230/115KV<br>TRANSFORMER CKT 1'              |
| 16WP | 0 | G10_059 | 'CUNNINGHAM STATION - LEA COUNTY<br>INTERCHANGE 230KV CKT 1'  | TO->FROM | 0.35993 | 556.7 | 'LEA COUNTY INTERCHANGE 230/115KV<br>TRANSFORMER CKT 1'              |
| 16WP | 0 | G10_060 | 'CUNNINGHAM STATION - LEA COUNTY<br>INTERCHANGE 230KV CKT 1'  | TO->FROM | 0.35559 | 556.7 | 'CAPROCK REC-MCDONALD - CAPROCK REC-<br>TRIANGLE 138KV CKT 1'        |
| 16WP | 0 | G10_059 | 'CUNNINGHAM STATION - LEA COUNTY<br>INTERCHANGE 230KV CKT 1'  | TO->FROM | 0.35559 | 556.7 | 'CAPROCK REC-MCDONALD - CAPROCK REC-<br>TRIANGLE 138KV CKT 1'        |
| 16WP | 0 | G10_060 | 'CUNNINGHAM STATION - LEA COUNTY<br>INTERCHANGE 230KV CKT 1'  | TO->FROM | 0.35559 | 556.7 | 'CAPROCK REC-GRADY - CAPROCK REC-<br>TRIANGLE 138KV CKT 1'           |
| 16WP | 0 | G10_059 | 'CUNNINGHAM STATION - LEA COUNTY<br>INTERCHANGE 230KV CKT 1'  | TO->FROM | 0.35559 | 556.7 | 'CAPROCK REC-GRADY - CAPROCK REC-<br>TRIANGLE 138KV CKT 1'           |
| 16WP | 0 | G10_060 | 'CUNNINGHAM STATION - LEA COUNTY<br>INTERCHANGE 230KV CKT 1'  | TO->FROM | 0.35559 | 556.7 | 'CAPROCK REC-GRADY - CAPROCK REC-REED<br>138KV CKT 1'                |
| 16WP | 0 | G10_059 | 'CUNNINGHAM STATION - LEA COUNTY<br>INTERCHANGE 230KV CKT 1'  | TO->FROM | 0.35559 | 556.7 | 'CAPROCK REC-GRADY - CAPROCK REC-REED<br>138KV CKT 1'                |
| 16WP | 0 | G10_060 | 'CUNNINGHAM STATION - LEA COUNTY<br>INTERCHANGE 230KV CKT 1'  | TO->FROM | 0.35559 | 556.7 | 'CAPROCK REC-KOCH - CAPROCK REC-REED<br>138KV CKT 1'                 |
| 16WP | 0 | G10_059 | 'CUNNINGHAM STATION - LEA COUNTY<br>INTERCHANGE 230KV CKT 1'  | TO->FROM | 0.35559 | 556.7 | 'CAPROCK REC-KOCH - CAPROCK REC-REED<br>138KV CKT 1'                 |
| 16WP | 0 | G10_060 | 'CUNNINGHAM STATION - LEA COUNTY<br>INTERCHANGE 230KV CKT 1'  | TO->FROM | 0.35559 | 556.7 | 'CAPROCK REC-KOCH - CAPROCK REC-<br>VEALMOOR 138KV CKT 1'            |
| 16WP | 0 | G10_059 | 'CUNNINGHAM STATION - LEA COUNTY<br>INTERCHANGE 230KV CKT 1'  | TO->FROM | 0.35559 | 556.7 | 'CAPROCK REC-KOCH - CAPROCK REC-<br>VEALMOOR 138KV CKT 1'            |
| 16WP | 0 | G10_060 | 'CUNNINGHAM STATION - LEA COUNTY<br>INTERCHANGE 230KV CKT 1'  | TO->FROM | 0.3418  | 556.7 | 'AMOCO SWITCHING STATION - YOAKUM<br>COUNTY INTERCHANGE 230KV CKT 1' |
| 16WP | 0 | G10_059 | 'CUNNINGHAM STATION - LEA COUNTY<br>INTERCHANGE 230KV CKT 1'  | TO->FROM | 0.3418  | 556.7 | 'AMOCO SWITCHING STATION - YOAKUM<br>COUNTY INTERCHANGE 230KV CKT 1' |
| 11G  | 0 | G10_060 | 'HOBBS INTERCHANGE 230/115KV<br>TRANSFORMER CKT 1'            | FROM->TO | 0.66404 | 148.3 | 'HOBBS INTERCHANGE - LEA COUNTY<br>INTERCHANGE 230KV CKT 1'          |
| 11G  | 0 | G10_059 | 'HOBBS INTERCHANGE 230/115KV<br>TRANSFORMER CKT 1'            | FROM->TO | 0.66404 | 148.3 | 'HOBBS INTERCHANGE - LEA COUNTY<br>INTERCHANGE 230KV CKT 1'          |
| 11G  | 0 | G10_060 | 'MIDLAND COUNTY INTERCHANGE 230/138KV<br>TRANSFORMER CKT 1'   | FROM->TO | 1       | 192.9 | 'HOBBS INTERCHANGE - MIDLAND COUNTY<br>INTERCHANGE 230KV CKT 1'      |
| 11G  | 0 | G10_059 | 'MIDLAND COUNTY INTERCHANGE 230/138KV<br>TRANSFORMER CKT 1'   | FROM->TO | 1       | 192.9 | 'HOBBS INTERCHANGE - MIDLAND COUNTY<br>INTERCHANGE 230KV CKT 1'      |
| 11G  | 0 | G10_060 | 'CAPROCK REC-PHILLIPS - CAPROCK REC-<br>TATE 138KV CKT 1'     | TO->FROM | 1       | 271   | 'HOBBS INTERCHANGE - MIDLAND COUNTY<br>INTERCHANGE 230KV CKT 1'      |
| 11G  | 0 | G10_059 | 'CAPROCK REC-PHILLIPS - CAPROCK REC-<br>TATE 138KV CKT 1'     | TO->FROM | 1       | 271   | 'HOBBS INTERCHANGE - MIDLAND COUNTY<br>INTERCHANGE 230KV CKT 1'      |
| 11G  | 0 | G10_060 | 'CAPROCK REC-MCDONALD - CAPROCK REC-<br>PHILLIPS 138KV CKT 1' | TO->FROM | 1       | 271   | 'HOBBS INTERCHANGE - MIDLAND COUNTY<br>INTERCHANGE 230KV CKT 1'      |
| 11G  | 0 | G10_059 | 'CAPROCK REC-MCDONALD - CAPROCK REC-<br>PHILLIPS 138KV CKT 1' | TO->FROM | 1       | 271   | 'HOBBS INTERCHANGE - MIDLAND COUNTY<br>INTERCHANGE 230KV CKT 1'      |
| 11G  | 0 | G10_060 | 'CAPROCK REC-GRADY - CAPROCK REC-<br>TRIANGLE 138KV CKT 1'    | TO->FROM | 0.70081 | 175.6 | 'HOBBS INTERCHANGE - MIDLAND COUNTY<br>INTERCHANGE 230KV CKT 1'      |

|     |   |         |  |          |         |       |  |
|-----|---|---------|--|----------|---------|-------|--|
| 11G | 0 | G10_059 | 'CAPROCK REC-GRADY - CAPROCK REC-TRIANGLE 138KV CKT 1'       | TO->FROM | 0.70081 | 175.6 | 'HOBBS INTERCHANGE - MIDLAND COUNTY INTERCHANGE 230KV CKT 1'     |
| 11G | 0 | G10_060 | 'CAPROCK REC-KOCH - CAPROCK REC-REED 138KV CKT 1'            | TO->FROM | 0.70081 | 175.5 | 'HOBBS INTERCHANGE - MIDLAND COUNTY INTERCHANGE 230KV CKT 1'     |
| 11G | 0 | G10_059 | 'CAPROCK REC-KOCH - CAPROCK REC-REED 138KV CKT 1'            | TO->FROM | 0.70081 | 175.5 | 'HOBBS INTERCHANGE - MIDLAND COUNTY INTERCHANGE 230KV CKT 1'     |
| 11G | 0 | G10_060 | 'CAPROCK REC-KOCH - CAPROCK REC-VEALMOOR 138KV CKT 1'        | FROM->TO | 0.70081 | 175.6 | 'HOBBS INTERCHANGE - MIDLAND COUNTY INTERCHANGE 230KV CKT 1'     |
| 11G | 0 | G10_059 | 'CAPROCK REC-KOCH - CAPROCK REC-VEALMOOR 138KV CKT 1'        | FROM->TO | 0.70081 | 175.6 | 'HOBBS INTERCHANGE - MIDLAND COUNTY INTERCHANGE 230KV CKT 1'     |
| 11G | 0 | G10_060 | 'MIDLAND COUNTY INTERCHANGE 230/138KV TRANSFORMER CKT 1'     | FROM->TO | 0.30843 | 192.9 | 'HOBBS INTERCHANGE - LEA COUNTY INTERCHANGE 230KV CKT 1'         |
| 11G | 0 | G10_059 | 'MIDLAND COUNTY INTERCHANGE 230/138KV TRANSFORMER CKT 1'     | FROM->TO | 0.30843 | 192.9 | 'HOBBS INTERCHANGE - LEA COUNTY INTERCHANGE 230KV CKT 1'         |
| 11G | 0 | G10_060 | 'CAPROCK REC-MCDONALD - CAPROCK REC-TRIANGLE 138KV CKT 1'    | FROM->TO | 0.70081 | 270.8 | 'HOBBS INTERCHANGE - MIDLAND COUNTY INTERCHANGE 230KV CKT 1'     |
| 11G | 0 | G10_059 | 'CAPROCK REC-MCDONALD - CAPROCK REC-TRIANGLE 138KV CKT 1'    | FROM->TO | 0.70081 | 270.8 | 'HOBBS INTERCHANGE - MIDLAND COUNTY INTERCHANGE 230KV CKT 1'     |
| 11G | 0 | G10_060 | 'BORDEN COUNTY INTERCHANGE 230/138KV TRANSFORMER CKT 1'      | TO->FROM | 0.4975  | 168   | 'HOBBS INTERCHANGE - MIDLAND COUNTY INTERCHANGE 230KV CKT 1'     |
| 11G | 0 | G10_059 | 'BORDEN COUNTY INTERCHANGE 230/138KV TRANSFORMER CKT 1'      | TO->FROM | 0.4975  | 168   | 'HOBBS INTERCHANGE - MIDLAND COUNTY INTERCHANGE 230KV CKT 1'     |
| 11G | 0 | G10_060 | 'CAPROCK REC-GRADY - CAPROCK REC-REED 138KV CKT 1'           | FROM->TO | 0.70081 | 270.7 | 'HOBBS INTERCHANGE - MIDLAND COUNTY INTERCHANGE 230KV CKT 1'     |
| 11G | 0 | G10_059 | 'CAPROCK REC-GRADY - CAPROCK REC-REED 138KV CKT 1'           | FROM->TO | 0.70081 | 270.7 | 'HOBBS INTERCHANGE - MIDLAND COUNTY INTERCHANGE 230KV CKT 1'     |
| 11G | 0 | G10_060 | 'MIDLAND COUNTY INTERCHANGE 230/138KV TRANSFORMER CKT 1'     | FROM->TO | 0.22819 | 167.9 | 'BASE CASE'  |
| 11G | 0 | G10_059 | 'MIDLAND COUNTY INTERCHANGE 230/138KV TRANSFORMER CKT 1'     | FROM->TO | 0.22819 | 167.9 | 'BASE CASE'  |
| 11G | 0 | G10_060 | 'HOBBS INTERCHANGE - MIDLAND COUNTY INTERCHANGE 230KV CKT 1' | TO->FROM | 1       | 478   | 'MIDLAND COUNTY INTERCHANGE 230/138KV TRANSFORMER CKT 1'         |
| 11G | 0 | G10_059 | 'HOBBS INTERCHANGE - MIDLAND COUNTY INTERCHANGE 230KV CKT 1' | TO->FROM | 1       | 478   | 'MIDLAND COUNTY INTERCHANGE 230/138KV TRANSFORMER CKT 1'         |
| 11G | 0 | G10_060 | 'HOBBS INTERCHANGE - MIDLAND COUNTY INTERCHANGE 230KV CKT 1' | TO->FROM | 1       | 478   | 'CAPROCK REC-PHILLIPS - CAPROCK REC-TATE 138KV CKT 1'            |
| 11G | 0 | G10_059 | 'HOBBS INTERCHANGE - MIDLAND COUNTY INTERCHANGE 230KV CKT 1' | TO->FROM | 1       | 478   | 'CAPROCK REC-PHILLIPS - CAPROCK REC-TATE 138KV CKT 1'            |
| 11G | 0 | G10_060 | 'MIDLAND COUNTY INTERCHANGE 230/138KV TRANSFORMER CKT 1'     | FROM->TO | 0.25117 | 192.9 | 'LEA COUNTY INTERCHANGE - YOAKUM COUNTY INTERCHANGE 230KV CKT 1' |
| 11G | 0 | G10_059 | 'MIDLAND COUNTY INTERCHANGE 230/138KV TRANSFORMER CKT 1'     | FROM->TO | 0.25117 | 192.9 | 'LEA COUNTY INTERCHANGE - YOAKUM COUNTY INTERCHANGE 230KV CKT 1' |
| 11G | 0 | G10_060 | 'MIDLAND COUNTY INTERCHANGE 230/138KV TRANSFORMER CKT 1'     | FROM->TO | 0.22819 | 192.9 | 'G09-17 34.500 34.5/0.69KV TRANSFORMER CKT 1'                    |
| 11G | 0 | G10_059 | 'MIDLAND COUNTY INTERCHANGE 230/138KV TRANSFORMER CKT 1'     | FROM->TO | 0.22819 | 192.9 | 'G09-17 34.500 34.5/0.69KV TRANSFORMER CKT 1'                    |
| 11G | 0 | G10_060 | 'MIDLAND COUNTY INTERCHANGE 230/138KV TRANSFORMER CKT 1'     | FROM->TO | 0.22819 | 192.9 | 'G09-17 138.00 138/34.5KV TRANSFORMER CKT 1'                     |
| 11G | 0 | G10_059 | 'MIDLAND COUNTY INTERCHANGE 230/138KV TRANSFORMER CKT 1'     | FROM->TO | 0.22819 | 192.9 | 'G09-17 138.00 138/34.5KV TRANSFORMER CKT 1'                     |

|     |   |         |  |          |         |       |   |
|-----|---|---------|--|----------|---------|-------|---|
| 11G | 0 | G10_060 | 'MIDLAND COUNTY INTERCHANGE 230/138KV TRANSFORMER CKT 1'     | FROM->TO | 0.22819 | 192.9 | 'G09-17 138.00 - G09-17T 138.00 138KV CKT 1'                      |
| 11G | 0 | G10_059 | 'MIDLAND COUNTY INTERCHANGE 230/138KV TRANSFORMER CKT 1'     | FROM->TO | 0.22819 | 192.9 | 'G09-17 138.00 - G09-17T 138.00 138KV CKT 1'                      |
| 11G | 0 | G10_060 | 'HOBBS INTERCHANGE - MIDLAND COUNTY INTERCHANGE 230KV CKT 1' | TO->FROM | 1       | 478   | 'CAPROCK REC-MCDONALD - CAPROCK REC-PHILLIPS 138KV CKT 1'         |
| 11G | 0 | G10_059 | 'HOBBS INTERCHANGE - MIDLAND COUNTY INTERCHANGE 230KV CKT 1' | TO->FROM | 1       | 478   | 'CAPROCK REC-MCDONALD - CAPROCK REC-PHILLIPS 138KV CKT 1'         |
| 11G | 0 | G10_060 | 'BORDEN COUNTY INTERCHANGE 230/138KV TRANSFORMER CKT 2'      | TO->FROM | 0.49506 | 209.3 | 'HOBBS INTERCHANGE - MIDLAND COUNTY INTERCHANGE 230KV CKT 1'      |
| 11G | 0 | G10_059 | 'BORDEN COUNTY INTERCHANGE 230/138KV TRANSFORMER CKT 2'      | TO->FROM | 0.49506 | 209.3 | 'HOBBS INTERCHANGE - MIDLAND COUNTY INTERCHANGE 230KV CKT 1'      |
| 11G | 0 | G10_060 | 'MIDLAND COUNTY INTERCHANGE 230/138KV TRANSFORMER CKT 1'     | FROM->TO | 0.23583 | 192.9 | 'AMOCO SWITCHING STATION - YOAKUM COUNTY INTERCHANGE 230KV CKT 1' |
| 11G | 0 | G10_059 | 'MIDLAND COUNTY INTERCHANGE 230/138KV TRANSFORMER CKT 1'     | FROM->TO | 0.23583 | 192.9 | 'AMOCO SWITCHING STATION - YOAKUM COUNTY INTERCHANGE 230KV CKT 1' |
| 11G | 0 | G10_060 | 'MIDLAND COUNTY INTERCHANGE 230/138KV TRANSFORMER CKT 1'     | FROM->TO | 0.22903 | 192.9 | 'TOLK STATION EAST - TUCO INTERCHANGE 230KV CKT 1'                |
| 11G | 0 | G10_059 | 'MIDLAND COUNTY INTERCHANGE 230/138KV TRANSFORMER CKT 1'     | FROM->TO | 0.22903 | 192.9 | 'TOLK STATION EAST - TUCO INTERCHANGE 230KV CKT 1'                |
| 11G | 0 | G10_060 | 'MIDLAND COUNTY INTERCHANGE 230/138KV TRANSFORMER CKT 1'     | FROM->TO | 0.22819 | 192.9 | 'GRASSLAND INTERCHANGE 230/34.5KV TRANSFORMER CKT 1'              |
| 11G | 0 | G10_059 | 'MIDLAND COUNTY INTERCHANGE 230/138KV TRANSFORMER CKT 1'     | FROM->TO | 0.22819 | 192.9 | 'GRASSLAND INTERCHANGE 230/34.5KV TRANSFORMER CKT 1'              |
| 11G | 0 | G10_060 | 'MIDLAND COUNTY INTERCHANGE 230/138KV TRANSFORMER CKT 1'     | FROM->TO | 0.23742 | 192.9 | 'TOLK STATION (ABBXNL844501) 345/230/13.2KV TRANSFORMER CKT 1'    |
| 11G | 0 | G10_059 | 'MIDLAND COUNTY INTERCHANGE 230/138KV TRANSFORMER CKT 1'     | FROM->TO | 0.23742 | 192.9 | 'TOLK STATION (ABBXNL844501) 345/230/13.2KV TRANSFORMER CKT 1'    |
| 11G | 0 | G10_060 | 'MIDLAND COUNTY INTERCHANGE 230/138KV TRANSFORMER CKT 1'     | FROM->TO | 0.23742 | 192.9 | 'CHAVESCO 345.00 - TOLK STATION 345KV CKT 1'                      |
| 11G | 0 | G10_059 | 'MIDLAND COUNTY INTERCHANGE 230/138KV TRANSFORMER CKT 1'     | FROM->TO | 0.23742 | 192.9 | 'CHAVESCO 345.00 - TOLK STATION 345KV CKT 1'                      |
| 11G | 0 | G10_060 | 'MIDLAND COUNTY INTERCHANGE 230/138KV TRANSFORMER CKT 1'     | FROM->TO | 0.23156 | 192.9 | 'SUNDOWN INTERCHANGE - WOLFFORTH INTERCHANGE 230KV CKT 1'         |
| 11G | 0 | G10_059 | 'MIDLAND COUNTY INTERCHANGE 230/138KV TRANSFORMER CKT 1'     | FROM->TO | 0.23156 | 192.9 | 'SUNDOWN INTERCHANGE - WOLFFORTH INTERCHANGE 230KV CKT 1'         |
| 11G | 0 | G10_060 | 'MIDLAND COUNTY INTERCHANGE 230/138KV TRANSFORMER CKT 1'     | FROM->TO | 0.24267 | 192.9 | 'CUNNINGHAM STATION - LEA COUNTY INTERCHANGE 230KV CKT 1'         |
| 11G | 0 | G10_059 | 'MIDLAND COUNTY INTERCHANGE 230/138KV TRANSFORMER CKT 1'     | FROM->TO | 0.24267 | 192.9 | 'CUNNINGHAM STATION - LEA COUNTY INTERCHANGE 230KV CKT 1'         |
| 11G | 0 | G10_060 | 'MIDLAND COUNTY INTERCHANGE 230/138KV TRANSFORMER CKT 1'     | FROM->TO | 0.23132 | 192.9 | 'OASIS INTERCHANGE - SAN JUAN MESA TAP 230KV CKT 1'               |
| 11G | 0 | G10_059 | 'MIDLAND COUNTY INTERCHANGE 230/138KV TRANSFORMER CKT 1'     | FROM->TO | 0.23132 | 192.9 | 'OASIS INTERCHANGE - SAN JUAN MESA TAP 230KV CKT 1'               |
| 11G | 0 | G10_060 | 'MIDLAND COUNTY INTERCHANGE 230/138KV TRANSFORMER CKT 1'     | FROM->TO | 0.22819 | 192.9 | 'Jones Station Bus#2 230/22.0KV TRANSFORMER CKT 1'                |
| 11G | 0 | G10_059 | 'MIDLAND COUNTY INTERCHANGE 230/138KV TRANSFORMER CKT 1'     | FROM->TO | 0.22819 | 192.9 | 'Jones Station Bus#2 230/22.0KV TRANSFORMER CKT 1'                |
| 11G | 0 | G10_060 | 'MIDLAND COUNTY INTERCHANGE 230/138KV TRANSFORMER CKT 1'     | FROM->TO | 0.22819 | 192.9 | 'JONES STATION 230/22.0KV TRANSFORMER CKT 1'                      |



|     |   |         |   |          |         |       |   |
|-----|---|---------|---|----------|---------|-------|---|
| 11G | 0 | G10_059 | 'MIDLAND COUNTY INTERCHANGE 230/138KV TRANSFORMER CKT 1'        | FROM->TO | 0.22819 | 192.9 | 'JONES STATION 230/22.0KV TRANSFORMER CKT 1'                    |
| 11G | 0 | G10_060 | 'MIDLAND COUNTY INTERCHANGE 230/138KV TRANSFORMER CKT 1'        | FROM->TO | 0.22835 | 192.9 | 'SPP-SWPS-T14'  |
| 11G | 0 | G10_059 | 'MIDLAND COUNTY INTERCHANGE 230/138KV TRANSFORMER CKT 1'        | FROM->TO | 0.22835 | 192.9 | 'SPP-SWPS-T14'  |
| 11G | 0 | G10_060 | 'MIDLAND COUNTY INTERCHANGE 230/138KV TRANSFORMER CKT 1'        | FROM->TO | 0.23445 | 192.9 | 'CUNNINGHAM STATION - EDDY COUNTY INTERCHANGE 230KV CKT 1'      |
| 11G | 0 | G10_059 | 'MIDLAND COUNTY INTERCHANGE 230/138KV TRANSFORMER CKT 1'        | FROM->TO | 0.23445 | 192.9 | 'CUNNINGHAM STATION - EDDY COUNTY INTERCHANGE 230KV CKT 1'      |
| 11G | 0 | G10_060 | 'MIDLAND COUNTY INTERCHANGE 230/138KV TRANSFORMER CKT 1'        | FROM->TO | 0.22918 | 192.9 | 'NEWHART 6230.00 - PLANT X STATION 230KV CKT 1'                 |
| 11G | 0 | G10_059 | 'MIDLAND COUNTY INTERCHANGE 230/138KV TRANSFORMER CKT 1'        | FROM->TO | 0.22918 | 192.9 | 'NEWHART 6230.00 - PLANT X STATION 230KV CKT 1'                 |
| 11G | 0 | G10_060 | 'MIDLAND COUNTY INTERCHANGE 230/138KV TRANSFORMER CKT 1'        | FROM->TO | 0.23101 | 192.9 | 'CUNNINGHAM STATION - POTASH JUNCTION INTERCHANGE 230KV CKT 1'  |
| 11G | 0 | G10_059 | 'MIDLAND COUNTY INTERCHANGE 230/138KV TRANSFORMER CKT 1'        | FROM->TO | 0.23101 | 192.9 | 'CUNNINGHAM STATION - POTASH JUNCTION INTERCHANGE 230KV CKT 1'  |
| 11G | 0 | G10_060 | 'HOBBS INTERCHANGE - MIDLAND COUNTY INTERCHANGE 230KV CKT 1'    | TO->FROM | 0.99256 | 478   | 'SPP-SWPS-K48'  |
| 11G | 0 | G10_059 | 'HOBBS INTERCHANGE - MIDLAND COUNTY INTERCHANGE 230KV CKT 1'    | TO->FROM | 0.99256 | 478   | 'SPP-SWPS-K48'  |
| 11G | 0 | G10_060 | 'HOBBS INTERCHANGE - MIDLAND COUNTY INTERCHANGE 230KV CKT 1'    | TO->FROM | 0.99256 | 478   | 'BORDEN COUNTY INTERCHANGE - GRASSLAND INTERCHANGE 230KV CKT 1' |
| 11G | 0 | G10_059 | 'HOBBS INTERCHANGE - MIDLAND COUNTY INTERCHANGE 230KV CKT 1'    | TO->FROM | 0.99256 | 478   | 'BORDEN COUNTY INTERCHANGE - GRASSLAND INTERCHANGE 230KV CKT 1' |
| 11G | 0 | G10_060 | 'CAPROCK REC-STILES - G09-17T 138.00 138KV CKT 1'               | TO->FROM | 0.29176 | 175.7 | 'HOBBS INTERCHANGE - MIDLAND COUNTY INTERCHANGE 230KV CKT 1'    |
| 11G | 0 | G10_059 | 'CAPROCK REC-STILES - G09-17T 138.00 138KV CKT 1'               | TO->FROM | 0.29176 | 175.7 | 'HOBBS INTERCHANGE - MIDLAND COUNTY INTERCHANGE 230KV CKT 1'    |
| 11G | 0 | G10_060 | 'HOBBS INTERCHANGE - MIDLAND COUNTY INTERCHANGE 230KV CKT 1'    | TO->FROM | 0.86879 | 478   | 'CAPROCK REC-MCDONALD - CAPROCK REC-TRIANGLE 138KV CKT 1'       |
| 11G | 0 | G10_059 | 'HOBBS INTERCHANGE - MIDLAND COUNTY INTERCHANGE 230KV CKT 1'    | TO->FROM | 0.86879 | 478   | 'CAPROCK REC-MCDONALD - CAPROCK REC-TRIANGLE 138KV CKT 1'       |
| 11G | 0 | G10_060 | 'HOBBS INTERCHANGE - MIDLAND COUNTY INTERCHANGE 230KV CKT 1'    | TO->FROM | 0.86879 | 478   | 'CAPROCK REC-GRADY - CAPROCK REC-TRIANGLE 138KV CKT 1'          |
| 11G | 0 | G10_059 | 'HOBBS INTERCHANGE - MIDLAND COUNTY INTERCHANGE 230KV CKT 1'    | TO->FROM | 0.86879 | 478   | 'CAPROCK REC-GRADY - CAPROCK REC-TRIANGLE 138KV CKT 1'          |
| 11G | 0 | G10_060 | 'HOBBS INTERCHANGE - MIDLAND COUNTY INTERCHANGE 230KV CKT 1'    | TO->FROM | 0.86879 | 478   | 'CAPROCK REC-GRADY - CAPROCK REC-REED 138KV CKT 1'              |
| 11G | 0 | G10_059 | 'HOBBS INTERCHANGE - MIDLAND COUNTY INTERCHANGE 230KV CKT 1'    | TO->FROM | 0.86879 | 478   | 'CAPROCK REC-GRADY - CAPROCK REC-REED 138KV CKT 1'              |
| 11G | 0 | G10_060 | 'BORDEN COUNTY INTERCHANGE - GRASSLAND INTERCHANGE 230KV CKT 1' | FROM->TO | 0.99256 | 529   | 'HOBBS INTERCHANGE - MIDLAND COUNTY INTERCHANGE 230KV CKT 1'    |
| 11G | 0 | G10_059 | 'BORDEN COUNTY INTERCHANGE - GRASSLAND INTERCHANGE 230KV CKT 1' | FROM->TO | 0.99256 | 529   | 'HOBBS INTERCHANGE - MIDLAND COUNTY INTERCHANGE 230KV CKT 1'    |
| 11G | 0 | G10_060 | 'HOBBS INTERCHANGE - MIDLAND COUNTY INTERCHANGE 230KV CKT 1'    | TO->FROM | 0.86879 | 478   | 'CAPROCK REC-KOCH - CAPROCK REC-REED 138KV CKT 1'               |
| 11G | 0 | G10_059 | 'HOBBS INTERCHANGE - MIDLAND COUNTY INTERCHANGE 230KV CKT 1'    | TO->FROM | 0.86879 | 478   | 'CAPROCK REC-KOCH - CAPROCK REC-REED 138KV CKT 1'               |

|     |   |         |  |          |         |       |  |
|-----|---|---------|--|----------|---------|-------|--|
| 11G | 0 | G10_060 | 'HOBBS INTERCHANGE - MIDLAND COUNTY INTERCHANGE 230KV CKT 1' | TO->FROM | 0.86879 | 478   | 'CAPROCK REC-KOCH - CAPROCK REC-VEALMOOR 138KV CKT 1'        |
| 11G | 0 | G10_059 | 'HOBBS INTERCHANGE - MIDLAND COUNTY INTERCHANGE 230KV CKT 1' | TO->FROM | 0.86879 | 478   | 'CAPROCK REC-KOCH - CAPROCK REC-VEALMOOR 138KV CKT 1'        |
| 11G | 0 | G10_060 | 'HOBBS INTERCHANGE - LEA COUNTY INTERCHANGE 230KV CKT 1'     | FROM->TO | 0.85774 | 691.4 | 'MIDLAND COUNTY INTERCHANGE 230/138KV TRANSFORMER CKT 1'     |
| 11G | 0 | G10_059 | 'HOBBS INTERCHANGE - LEA COUNTY INTERCHANGE 230KV CKT 1'     | FROM->TO | 0.85774 | 691.4 | 'MIDLAND COUNTY INTERCHANGE 230/138KV TRANSFORMER CKT 1'     |
| 11G | 0 | G10_060 | 'CAPROCK REC-LANGE - CAPROCK REC-ST LAWRENCE 138KV CKT 1'    | TO->FROM | 0.29176 | 175.8 | 'HOBBS INTERCHANGE - MIDLAND COUNTY INTERCHANGE 230KV CKT 1' |
| 11G | 0 | G10_059 | 'CAPROCK REC-LANGE - CAPROCK REC-ST LAWRENCE 138KV CKT 1'    | TO->FROM | 0.29176 | 175.8 | 'HOBBS INTERCHANGE - MIDLAND COUNTY INTERCHANGE 230KV CKT 1' |
| 11G | 0 | G10_060 | 'HOBBS INTERCHANGE - LEA COUNTY INTERCHANGE 230KV CKT 1'     | FROM->TO | 0.85774 | 691.4 | 'CAPROCK REC-PHILLIPS - CAPROCK REC-TATE 138KV CKT 1'        |
| 11G | 0 | G10_059 | 'HOBBS INTERCHANGE - LEA COUNTY INTERCHANGE 230KV CKT 1'     | FROM->TO | 0.85774 | 691.4 | 'CAPROCK REC-PHILLIPS - CAPROCK REC-TATE 138KV CKT 1'        |
| 11G | 0 | G10_060 | 'HOBBS INTERCHANGE 230/115KV TRANSFORMER CKT 1'              | FROM->TO | 0.20067 | 148.3 | 'CUNNINGHAM STATION - LEA COUNTY INTERCHANGE 230KV CKT 1'    |
| 11G | 0 | G10_059 | 'HOBBS INTERCHANGE 230/115KV TRANSFORMER CKT 1'              | FROM->TO | 0.20067 | 148.3 | 'CUNNINGHAM STATION - LEA COUNTY INTERCHANGE 230KV CKT 1'    |
| 11G | 0 | G10_060 | 'HOBBS INTERCHANGE - MIDLAND COUNTY INTERCHANGE 230KV CKT 1' | TO->FROM | 0.79751 | 478   | 'CAPROCK REC-STILES - G09-17T 138.00 138KV CKT 1'            |
| 11G | 0 | G10_059 | 'HOBBS INTERCHANGE - MIDLAND COUNTY INTERCHANGE 230KV CKT 1' | TO->FROM | 0.79751 | 478   | 'CAPROCK REC-STILES - G09-17T 138.00 138KV CKT 1'            |
| 11G | 0 | G10_060 | 'HOBBS INTERCHANGE - LEA COUNTY INTERCHANGE 230KV CKT 1'     | FROM->TO | 0.85774 | 691.4 | 'CAPROCK REC-MCDONALD - CAPROCK REC-PHILLIPS 138KV CKT 1'    |
| 11G | 0 | G10_059 | 'HOBBS INTERCHANGE - LEA COUNTY INTERCHANGE 230KV CKT 1'     | FROM->TO | 0.85774 | 691.4 | 'CAPROCK REC-MCDONALD - CAPROCK REC-PHILLIPS 138KV CKT 1'    |
| 11G | 0 | G10_060 | 'HOBBS INTERCHANGE - MIDLAND COUNTY INTERCHANGE 230KV CKT 1' | TO->FROM | 0.79751 | 478   | 'CAPROCK REC-ST LAWRENCE - CAPROCK REC-STILES 138KV CKT 1'   |
| 11G | 0 | G10_059 | 'HOBBS INTERCHANGE - MIDLAND COUNTY INTERCHANGE 230KV CKT 1' | TO->FROM | 0.79751 | 478   | 'CAPROCK REC-ST LAWRENCE - CAPROCK REC-STILES 138KV CKT 1'   |
| 11G | 0 | G10_060 | 'CAPROCK REC-PHILLIPS - CAPROCK REC-TATE 138KV CKT 1'        | TO->FROM | 0.30843 | 271   | 'HOBBS INTERCHANGE - LEA COUNTY INTERCHANGE 230KV CKT 1'     |
| 11G | 0 | G10_059 | 'CAPROCK REC-PHILLIPS - CAPROCK REC-TATE 138KV CKT 1'        | TO->FROM | 0.30843 | 271   | 'HOBBS INTERCHANGE - LEA COUNTY INTERCHANGE 230KV CKT 1'     |
| 11G | 0 | G10_060 | 'HOBBS INTERCHANGE - MIDLAND COUNTY INTERCHANGE 230KV CKT 1' | TO->FROM | 0.80051 | 478   | 'CAPROCK REC-MCDONALD - CR-1956 4138.00 138KV CKT 1'         |
| 11G | 0 | G10_059 | 'HOBBS INTERCHANGE - MIDLAND COUNTY INTERCHANGE 230KV CKT 1' | TO->FROM | 0.80051 | 478   | 'CAPROCK REC-MCDONALD - CR-1956 4138.00 138KV CKT 1'         |
| 11G | 0 | G10_060 | 'HOBBS INTERCHANGE - MIDLAND COUNTY INTERCHANGE 230KV CKT 1' | TO->FROM | 0.79751 | 478   | 'CAPROCK REC-LANGE - CAPROCK REC-ST LAWRENCE 138KV CKT 1'    |
| 11G | 0 | G10_059 | 'HOBBS INTERCHANGE - MIDLAND COUNTY INTERCHANGE 230KV CKT 1' | TO->FROM | 0.79751 | 478   | 'CAPROCK REC-LANGE - CAPROCK REC-ST LAWRENCE 138KV CKT 1'    |
| 11G | 0 | G10_060 | 'HOBBS INTERCHANGE - MIDLAND COUNTY INTERCHANGE 230KV CKT 1' | TO->FROM | 0.80051 | 478   | 'CAPROCK REC-NEW SCHWARTZ - CR-1956 4138.00 138KV CKT 1'     |
| 11G | 0 | G10_059 | 'HOBBS INTERCHANGE - MIDLAND COUNTY INTERCHANGE 230KV CKT 1' | TO->FROM | 0.80051 | 478   | 'CAPROCK REC-NEW SCHWARTZ - CR-1956 4138.00 138KV CKT 1'     |
| 11G | 0 | G10_060 | 'HOBBS INTERCHANGE - MIDLAND COUNTY INTERCHANGE 230KV CKT 1' | TO->FROM | 0.79751 | 478   | 'CAPROCK REC-BUCHANAN - CAPROCK REC-LANGE 138KV CKT 1'       |

|     |   |         |  |          |         |       |   |
|-----|---|---------|--|----------|---------|-------|---|
| 11G | 0 | G10_059 | 'HOBBS INTERCHANGE - MIDLAND COUNTY INTERCHANGE 230KV CKT 1'     | TO->FROM | 0.79751 | 478   | 'CAPROCK REC-BUCHANAN - CAPROCK REC-LANGE 138KV CKT 1'        |
| 11G | 0 | G10_060 | 'CAPROCK REC-PHILLIPS - CAPROCK REC-TATE 138KV CKT 1'            | TO->FROM | 0.22819 | 208   | 'BASE CASE'   |
| 11G | 0 | G10_059 | 'CAPROCK REC-PHILLIPS - CAPROCK REC-TATE 138KV CKT 1'            | TO->FROM | 0.22819 | 208   | 'BASE CASE'   |
| 11G | 0 | G10_060 | 'HOBBS INTERCHANGE - MIDLAND COUNTY INTERCHANGE 230KV CKT 1'     | TO->FROM | 0.79751 | 478   | 'CAPROCK REC-BUCHANAN - CAPROCK REC-RUSSEL TAP 138KV CKT 1'   |
| 11G | 0 | G10_059 | 'HOBBS INTERCHANGE - MIDLAND COUNTY INTERCHANGE 230KV CKT 1'     | TO->FROM | 0.79751 | 478   | 'CAPROCK REC-BUCHANAN - CAPROCK REC-RUSSEL TAP 138KV CKT 1'   |
| 11G | 0 | G10_060 | 'HOBBS INTERCHANGE - MIDLAND COUNTY INTERCHANGE 230KV CKT 1'     | TO->FROM | 0.77181 | 478   | 'HOBBS INTERCHANGE 230/18.0KV TRANSFORMER CKT 1'              |
| 11G | 0 | G10_059 | 'HOBBS INTERCHANGE - MIDLAND COUNTY INTERCHANGE 230KV CKT 1'     | TO->FROM | 0.77181 | 478   | 'HOBBS INTERCHANGE 230/18.0KV TRANSFORMER CKT 1'              |
| 11G | 0 | G10_060 | 'HOBBS INTERCHANGE - MIDLAND COUNTY INTERCHANGE 230KV CKT 1'     | TO->FROM | 0.79751 | 478   | 'CAPROCK REC-RUSSEL TAP - CAPROCK REC-VEALMOOR 138KV CKT 1'   |
| 11G | 0 | G10_059 | 'HOBBS INTERCHANGE - MIDLAND COUNTY INTERCHANGE 230KV CKT 1'     | TO->FROM | 0.79751 | 478   | 'CAPROCK REC-RUSSEL TAP - CAPROCK REC-VEALMOOR 138KV CKT 1'   |
| 11G | 0 | G10_060 | 'HOBBS INTERCHANGE - MIDLAND COUNTY INTERCHANGE 230KV CKT 1'     | TO->FROM | 0.80051 | 478   | 'CAPROCK REC-NEW SCHWARTZ - CAPROCK REC-PEMBROOK 138KV CKT 1' |
| 11G | 0 | G10_059 | 'HOBBS INTERCHANGE - MIDLAND COUNTY INTERCHANGE 230KV CKT 1'     | TO->FROM | 0.80051 | 478   | 'CAPROCK REC-NEW SCHWARTZ - CAPROCK REC-PEMBROOK 138KV CKT 1' |
| 11G | 0 | G10_060 | 'HOBBS INTERCHANGE - MIDLAND COUNTY INTERCHANGE 230KV CKT 1'     | TO->FROM | 0.77181 | 478   | 'BASE CASE'   |
| 11G | 0 | G10_059 | 'HOBBS INTERCHANGE - MIDLAND COUNTY INTERCHANGE 230KV CKT 1'     | TO->FROM | 0.77181 | 478   | 'BASE CASE'   |
| 11G | 0 | G10_060 | 'LEA COUNTY INTERCHANGE - YOAKUM COUNTY INTERCHANGE 230KV CKT 1' | FROM->TO | 0.34776 | 360.9 | 'MIDLAND COUNTY INTERCHANGE 230/138KV TRANSFORMER CKT 1'      |
| 11G | 0 | G10_059 | 'LEA COUNTY INTERCHANGE - YOAKUM COUNTY INTERCHANGE 230KV CKT 1' | FROM->TO | 0.34776 | 360.9 | 'MIDLAND COUNTY INTERCHANGE 230/138KV TRANSFORMER CKT 1'      |
| 11G | 0 | G10_060 | 'LEA COUNTY INTERCHANGE - YOAKUM COUNTY INTERCHANGE 230KV CKT 1' | FROM->TO | 0.34776 | 360.9 | 'CAPROCK REC-PHILLIPS - CAPROCK REC-TATE 138KV CKT 1'         |
| 11G | 0 | G10_059 | 'LEA COUNTY INTERCHANGE - YOAKUM COUNTY INTERCHANGE 230KV CKT 1' | FROM->TO | 0.34776 | 360.9 | 'CAPROCK REC-PHILLIPS - CAPROCK REC-TATE 138KV CKT 1'         |
| 11G | 0 | G10_060 | 'GRASSLAND INTERCHANGE - Jones Station Bus#2 230KV CKT 1'        | FROM->TO | 0.45204 | 361   | 'HOBBS INTERCHANGE - MIDLAND COUNTY INTERCHANGE 230KV CKT 1'  |
| 11G | 0 | G10_059 | 'GRASSLAND INTERCHANGE - Jones Station Bus#2 230KV CKT 1'        | FROM->TO | 0.45204 | 361   | 'HOBBS INTERCHANGE - MIDLAND COUNTY INTERCHANGE 230KV CKT 1'  |
| 11G | 0 | G10_060 | 'CAPROCK REC-MCDONALD - CAPROCK REC-PHILLIPS 138KV CKT 1'        | TO->FROM | 0.30843 | 271   | 'HOBBS INTERCHANGE - LEA COUNTY INTERCHANGE 230KV CKT 1'      |
| 11G | 0 | G10_059 | 'CAPROCK REC-MCDONALD - CAPROCK REC-PHILLIPS 138KV CKT 1'        | TO->FROM | 0.30843 | 271   | 'HOBBS INTERCHANGE - LEA COUNTY INTERCHANGE 230KV CKT 1'      |
| 11G | 0 | G10_060 | 'CAPROCK REC-PEMBROOK - G09-17T 138.00 138KV CKT 1'              | FROM->TO | 0.29919 | 176   | 'HOBBS INTERCHANGE - MIDLAND COUNTY INTERCHANGE 230KV CKT 1'  |
| 11G | 0 | G10_059 | 'CAPROCK REC-PEMBROOK - G09-17T 138.00 138KV CKT 1'              | FROM->TO | 0.29919 | 176   | 'HOBBS INTERCHANGE - MIDLAND COUNTY INTERCHANGE 230KV CKT 1'  |
| 11G | 0 | G10_060 | 'LEA COUNTY INTERCHANGE - YOAKUM COUNTY INTERCHANGE 230KV CKT 1' | FROM->TO | 0.34776 | 360.9 | 'CAPROCK REC-MCDONALD - CAPROCK REC-PHILLIPS 138KV CKT 1'     |
| 11G | 0 | G10_059 | 'LEA COUNTY INTERCHANGE - YOAKUM COUNTY INTERCHANGE 230KV CKT 1' | FROM->TO | 0.34776 | 360.9 | 'CAPROCK REC-MCDONALD - CAPROCK REC-PHILLIPS 138KV CKT 1'     |

|     |   |         |  |          |         |       |   |
|-----|---|---------|--|----------|---------|-------|---|
| 11G | 0 | G10_060 | 'HOBBS INTERCHANGE - LEA COUNTY INTERCHANGE 230KV CKT 1'         | FROM->TO | 0.65468 | 570   | 'BASE CASE'   |
| 11G | 0 | G10_059 | 'HOBBS INTERCHANGE - LEA COUNTY INTERCHANGE 230KV CKT 1'         | FROM->TO | 0.65468 | 570   | 'BASE CASE'   |
| 11G | 0 | G10_060 | 'HOBBS INTERCHANGE - LEA COUNTY INTERCHANGE 230KV CKT 1'         | FROM->TO | 0.85112 | 691.4 | 'BORDEN COUNTY INTERCHANGE - GRASSLAND INTERCHANGE 230KV CKT 1' |
| 11G | 0 | G10_059 | 'HOBBS INTERCHANGE - LEA COUNTY INTERCHANGE 230KV CKT 1'         | FROM->TO | 0.85112 | 691.4 | 'BORDEN COUNTY INTERCHANGE - GRASSLAND INTERCHANGE 230KV CKT 1' |
| 11G | 0 | G10_060 | 'HOBBS INTERCHANGE - LEA COUNTY INTERCHANGE 230KV CKT 1'         | FROM->TO | 0.85112 | 691.4 | 'SPP-SWPS-K48'  |
| 11G | 0 | G10_059 | 'HOBBS INTERCHANGE - LEA COUNTY INTERCHANGE 230KV CKT 1'         | FROM->TO | 0.85112 | 691.4 | 'SPP-SWPS-K48'  |
| 11G | 0 | G10_060 | 'CAPROCK REC-MCDONALD - CAPROCK REC-PHILLIPS 138KV CKT 1'        | TO->FROM | 0.22819 | 208   | 'BASE CASE'   |
| 11G | 0 | G10_059 | 'CAPROCK REC-MCDONALD - CAPROCK REC-PHILLIPS 138KV CKT 1'        | TO->FROM | 0.22819 | 208   | 'BASE CASE'   |
| 11G | 0 | G10_060 | 'CAPROCK REC-GRADY - CAPROCK REC-TRIANGLE 138KV CKT 1'           | TO->FROM | 0.21361 | 175.6 | 'HOBBS INTERCHANGE - LEA COUNTY INTERCHANGE 230KV CKT 1'        |
| 11G | 0 | G10_059 | 'CAPROCK REC-GRADY - CAPROCK REC-TRIANGLE 138KV CKT 1'           | TO->FROM | 0.21361 | 175.6 | 'HOBBS INTERCHANGE - LEA COUNTY INTERCHANGE 230KV CKT 1'        |
| 11G | 0 | G10_060 | 'HOBBS INTERCHANGE - LEA COUNTY INTERCHANGE 230KV CKT 1'         | FROM->TO | 0.74276 | 691.4 | 'HOBBS INTERCHANGE 230/115KV TRANSFORMER CKT 1'                 |
| 11G | 0 | G10_059 | 'HOBBS INTERCHANGE - LEA COUNTY INTERCHANGE 230KV CKT 1'         | FROM->TO | 0.74276 | 691.4 | 'HOBBS INTERCHANGE 230/115KV TRANSFORMER CKT 1'                 |
| 11G | 0 | G10_060 | 'HOBBS INTERCHANGE - LEA COUNTY INTERCHANGE 230KV CKT 1'         | FROM->TO | 0.74097 | 691.4 | 'CAPROCK REC-MCDONALD - CAPROCK REC-TRIANGLE 138KV CKT 1'       |
| 11G | 0 | G10_059 | 'HOBBS INTERCHANGE - LEA COUNTY INTERCHANGE 230KV CKT 1'         | FROM->TO | 0.74097 | 691.4 | 'CAPROCK REC-MCDONALD - CAPROCK REC-TRIANGLE 138KV CKT 1'       |
| 11G | 0 | G10_060 | 'HOBBS INTERCHANGE - LEA COUNTY INTERCHANGE 230KV CKT 1'         | FROM->TO | 0.74097 | 691.4 | 'CAPROCK REC-GRADY - CAPROCK REC-TRIANGLE 138KV CKT 1'          |
| 11G | 0 | G10_059 | 'HOBBS INTERCHANGE - LEA COUNTY INTERCHANGE 230KV CKT 1'         | FROM->TO | 0.74097 | 691.4 | 'CAPROCK REC-GRADY - CAPROCK REC-TRIANGLE 138KV CKT 1'          |
| 11G | 0 | G10_060 | 'CAPROCK REC-GRADY - CAPROCK REC-TRIANGLE 138KV CKT 1'           | TO->FROM | 0.19505 | 175.6 | 'CAPROCK REC-STILES - G09-17T 138.00 138KV CKT 1'               |
| 11G | 0 | G10_059 | 'CAPROCK REC-GRADY - CAPROCK REC-TRIANGLE 138KV CKT 1'           | TO->FROM | 0.19505 | 175.6 | 'CAPROCK REC-STILES - G09-17T 138.00 138KV CKT 1'               |
| 11G | 0 | G10_060 | 'LEA COUNTY INTERCHANGE - YOAKUM COUNTY INTERCHANGE 230KV CKT 1' | FROM->TO | 0.34269 | 360.9 | 'CUNNINGHAM STATION - LEA COUNTY INTERCHANGE 230KV CKT 1'       |
| 11G | 0 | G10_059 | 'LEA COUNTY INTERCHANGE - YOAKUM COUNTY INTERCHANGE 230KV CKT 1' | FROM->TO | 0.34269 | 360.9 | 'CUNNINGHAM STATION - LEA COUNTY INTERCHANGE 230KV CKT 1'       |
| 11G | 0 | G10_060 | 'LEA COUNTY INTERCHANGE - YOAKUM COUNTY INTERCHANGE 230KV CKT 1' | FROM->TO | 0.34469 | 360.9 | 'SPP-SWPS-K48'  |
| 11G | 0 | G10_059 | 'LEA COUNTY INTERCHANGE - YOAKUM COUNTY INTERCHANGE 230KV CKT 1' | FROM->TO | 0.34469 | 360.9 | 'SPP-SWPS-K48'  |
| 11G | 0 | G10_060 | 'LEA COUNTY INTERCHANGE - YOAKUM COUNTY INTERCHANGE 230KV CKT 1' | FROM->TO | 0.34469 | 360.9 | 'BORDEN COUNTY INTERCHANGE - GRASSLAND INTERCHANGE 230KV CKT 1' |
| 11G | 0 | G10_059 | 'LEA COUNTY INTERCHANGE - YOAKUM COUNTY INTERCHANGE 230KV CKT 1' | FROM->TO | 0.34469 | 360.9 | 'BORDEN COUNTY INTERCHANGE - GRASSLAND INTERCHANGE 230KV CKT 1' |
| 11G | 0 | G10_060 | 'HOBBS INTERCHANGE - LEA COUNTY INTERCHANGE 230KV CKT 1'         | FROM->TO | 0.74097 | 691.4 | 'CAPROCK REC-GRADY - CAPROCK REC-REED 138KV CKT 1'              |

|     |   |         |  |          |         |       |  |
|-----|---|---------|--|----------|---------|-------|--|
| 11G | 0 | G10_059 | 'HOBBS INTERCHANGE - LEA COUNTY INTERCHANGE 230KV CKT 1'         | FROM->TO | 0.74097 | 691.4 | 'CAPROCK REC-GRADY - CAPROCK REC-REED 138KV CKT 1'               |
| 11G | 0 | G10_060 | 'HOBBS INTERCHANGE - LEA COUNTY INTERCHANGE 230KV CKT 1'         | FROM->TO | 0.74097 | 691.4 | 'CAPROCK REC-KOCH - CAPROCK REC-REED 138KV CKT 1'                |
| 11G | 0 | G10_059 | 'HOBBS INTERCHANGE - LEA COUNTY INTERCHANGE 230KV CKT 1'         | FROM->TO | 0.74097 | 691.4 | 'CAPROCK REC-KOCH - CAPROCK REC-REED 138KV CKT 1'                |
| 11G | 0 | G10_060 | 'HOBBS INTERCHANGE - LEA COUNTY INTERCHANGE 230KV CKT 1'         | FROM->TO | 0.74097 | 691.4 | 'CAPROCK REC-KOCH - CAPROCK REC-VEALMOOR 138KV CKT 1'            |
| 11G | 0 | G10_059 | 'HOBBS INTERCHANGE - LEA COUNTY INTERCHANGE 230KV CKT 1'         | FROM->TO | 0.74097 | 691.4 | 'CAPROCK REC-KOCH - CAPROCK REC-VEALMOOR 138KV CKT 1'            |
| 11G | 0 | G10_060 | 'CAPROCK REC-KOCH - CAPROCK REC-REED 138KV CKT 1'                | TO->FROM | 0.21361 | 175.5 | 'HOBBS INTERCHANGE - LEA COUNTY INTERCHANGE 230KV CKT 1'         |
| 11G | 0 | G10_059 | 'CAPROCK REC-KOCH - CAPROCK REC-REED 138KV CKT 1'                | TO->FROM | 0.21361 | 175.5 | 'HOBBS INTERCHANGE - LEA COUNTY INTERCHANGE 230KV CKT 1'         |
| 11G | 0 | G10_060 | 'CAPROCK REC-KOCH - CAPROCK REC-VEALMOOR 138KV CKT 1'            | FROM->TO | 0.21361 | 175.6 | 'HOBBS INTERCHANGE - LEA COUNTY INTERCHANGE 230KV CKT 1'         |
| 11G | 0 | G10_059 | 'CAPROCK REC-KOCH - CAPROCK REC-VEALMOOR 138KV CKT 1'            | FROM->TO | 0.21361 | 175.6 | 'HOBBS INTERCHANGE - LEA COUNTY INTERCHANGE 230KV CKT 1'         |
| 11G | 0 | G10_060 | 'CAPROCK REC-PHILLIPS - CAPROCK REC-TATE 138KV CKT 1'            | TO->FROM | 0.25117 | 271   | 'LEA COUNTY INTERCHANGE - YOAKUM COUNTY INTERCHANGE 230KV CKT 1' |
| 11G | 0 | G10_059 | 'CAPROCK REC-PHILLIPS - CAPROCK REC-TATE 138KV CKT 1'            | TO->FROM | 0.25117 | 271   | 'LEA COUNTY INTERCHANGE - YOAKUM COUNTY INTERCHANGE 230KV CKT 1' |
| 11G | 0 | G10_060 | 'CAPROCK REC-GRADY - CAPROCK REC-TRIANGLE 138KV CKT 1'           | TO->FROM | 0.19505 | 175.6 | 'CAPROCK REC-ST LAWRENCE - CAPROCK REC-STILES 138KV CKT 1'       |
| 11G | 0 | G10_059 | 'CAPROCK REC-GRADY - CAPROCK REC-TRIANGLE 138KV CKT 1'           | TO->FROM | 0.19505 | 175.6 | 'CAPROCK REC-ST LAWRENCE - CAPROCK REC-STILES 138KV CKT 1'       |
| 11G | 0 | G10_060 | 'LEA COUNTY INTERCHANGE - YOAKUM COUNTY INTERCHANGE 230KV CKT 1' | FROM->TO | 0.29901 | 360.9 | 'CHAVESCO 345.00 - TOLK STATION 345KV CKT 1'                     |
| 11G | 0 | G10_059 | 'LEA COUNTY INTERCHANGE - YOAKUM COUNTY INTERCHANGE 230KV CKT 1' | FROM->TO | 0.29901 | 360.9 | 'CHAVESCO 345.00 - TOLK STATION 345KV CKT 1'                     |
| 11G | 0 | G10_060 | 'LEA COUNTY INTERCHANGE - YOAKUM COUNTY INTERCHANGE 230KV CKT 1' | FROM->TO | 0.29901 | 360.9 | 'TOLK STATION (ABBXNL844501) 345/230/13.2KV TRANSFORMER CKT 1'   |
| 11G | 0 | G10_059 | 'LEA COUNTY INTERCHANGE - YOAKUM COUNTY INTERCHANGE 230KV CKT 1' | FROM->TO | 0.29901 | 360.9 | 'TOLK STATION (ABBXNL844501) 345/230/13.2KV TRANSFORMER CKT 1'   |
| 11G | 0 | G10_060 | 'CAPROCK REC-GRADY - CAPROCK REC-TRIANGLE 138KV CKT 1'           | TO->FROM | 0.19949 | 175.6 | 'CAPROCK REC-MCDONALD - CR-1956 4138.00 138KV CKT 1'             |
| 11G | 0 | G10_059 | 'CAPROCK REC-GRADY - CAPROCK REC-TRIANGLE 138KV CKT 1'           | TO->FROM | 0.19949 | 175.6 | 'CAPROCK REC-MCDONALD - CR-1956 4138.00 138KV CKT 1'             |
| 11G | 0 | G10_060 | 'CAPROCK REC-GRADY - CAPROCK REC-TRIANGLE 138KV CKT 1'           | TO->FROM | 0.19949 | 175.6 | 'CAPROCK REC-NEW SCHWARTZ - CR-1956 4138.00 138KV CKT 1'         |
| 11G | 0 | G10_059 | 'CAPROCK REC-GRADY - CAPROCK REC-TRIANGLE 138KV CKT 1'           | TO->FROM | 0.19949 | 175.6 | 'CAPROCK REC-NEW SCHWARTZ - CR-1956 4138.00 138KV CKT 1'         |
| 11G | 0 | G10_060 | 'CAPROCK REC-GRADY - CAPROCK REC-TRIANGLE 138KV CKT 1'           | TO->FROM | 0.19505 | 175.6 | 'CAPROCK REC-LANGE - CAPROCK REC-ST LAWRENCE 138KV CKT 1'        |
| 11G | 0 | G10_059 | 'CAPROCK REC-GRADY - CAPROCK REC-TRIANGLE 138KV CKT 1'           | TO->FROM | 0.19505 | 175.6 | 'CAPROCK REC-LANGE - CAPROCK REC-ST LAWRENCE 138KV CKT 1'        |
| 11G | 0 | G10_060 | 'CAPROCK REC-GRADY - CAPROCK REC-TRIANGLE 138KV CKT 1'           | TO->FROM | 0.19505 | 175.6 | 'CAPROCK REC-BUCHANAN - CAPROCK REC-LANGE 138KV CKT 1'           |
| 11G | 0 | G10_059 | 'CAPROCK REC-GRADY - CAPROCK REC-TRIANGLE 138KV CKT 1'           | TO->FROM | 0.19505 | 175.6 | 'CAPROCK REC-BUCHANAN - CAPROCK REC-LANGE 138KV CKT 1'           |

|     |   |         |  |          |         |       |   |
|-----|---|---------|--|----------|---------|-------|---|
| 11G | 0 | G10_060 | 'HOBBS INTERCHANGE - LEA COUNTY INTERCHANGE 230KV CKT 1' | FROM->TO | 0.67754 | 691.4 | 'CAPROCK REC-STILES - G09-17T 138.00 138KV CKT 1'                 |
| 11G | 0 | G10_059 | 'HOBBS INTERCHANGE - LEA COUNTY INTERCHANGE 230KV CKT 1' | FROM->TO | 0.67754 | 691.4 | 'CAPROCK REC-STILES - G09-17T 138.00 138KV CKT 1'                 |
| 11G | 0 | G10_060 | 'CAPROCK REC-KOCH - CAPROCK REC-REED 138KV CKT 1'        | TO->FROM | 0.19505 | 175.5 | 'CAPROCK REC-STILES - G09-17T 138.00 138KV CKT 1'                 |
| 11G | 0 | G10_059 | 'CAPROCK REC-KOCH - CAPROCK REC-REED 138KV CKT 1'        | TO->FROM | 0.19505 | 175.5 | 'CAPROCK REC-STILES - G09-17T 138.00 138KV CKT 1'                 |
| 11G | 0 | G10_060 | 'CAPROCK REC-KOCH - CAPROCK REC-VEALMOOR 138KV CKT 1'    | FROM->TO | 0.19505 | 175.6 | 'CAPROCK REC-STILES - G09-17T 138.00 138KV CKT 1'                 |
| 11G | 0 | G10_059 | 'CAPROCK REC-KOCH - CAPROCK REC-VEALMOOR 138KV CKT 1'    | FROM->TO | 0.19505 | 175.6 | 'CAPROCK REC-STILES - G09-17T 138.00 138KV CKT 1'                 |
| 11G | 0 | G10_060 | 'CAPROCK REC-PHILLIPS - CAPROCK REC-TATE 138KV CKT 1'    | TO->FROM | 0.22819 | 271   | 'G09-17 34.500 34.5/0.69KV TRANSFORMER CKT 1'                     |
| 11G | 0 | G10_059 | 'CAPROCK REC-PHILLIPS - CAPROCK REC-TATE 138KV CKT 1'    | TO->FROM | 0.22819 | 271   | 'G09-17 34.500 34.5/0.69KV TRANSFORMER CKT 1'                     |
| 11G | 0 | G10_060 | 'CAPROCK REC-PHILLIPS - CAPROCK REC-TATE 138KV CKT 1'    | TO->FROM | 0.22819 | 271   | 'G09-17 138.00 138/34.5KV TRANSFORMER CKT 1'                      |
| 11G | 0 | G10_059 | 'CAPROCK REC-PHILLIPS - CAPROCK REC-TATE 138KV CKT 1'    | TO->FROM | 0.22819 | 271   | 'G09-17 138.00 138/34.5KV TRANSFORMER CKT 1'                      |
| 11G | 0 | G10_060 | 'CAPROCK REC-PHILLIPS - CAPROCK REC-TATE 138KV CKT 1'    | TO->FROM | 0.22819 | 271   | 'G09-17 138.00 - G09-17T 138.00 138KV CKT 1'                      |
| 11G | 0 | G10_059 | 'CAPROCK REC-PHILLIPS - CAPROCK REC-TATE 138KV CKT 1'    | TO->FROM | 0.22819 | 271   | 'G09-17 138.00 - G09-17T 138.00 138KV CKT 1'                      |
| 11G | 0 | G10_060 | 'HOBBS INTERCHANGE - LEA COUNTY INTERCHANGE 230KV CKT 1' | FROM->TO | 0.67754 | 691.4 | 'CAPROCK REC-ST LAWRENCE - CAPROCK REC-STILES 138KV CKT 1'        |
| 11G | 0 | G10_059 | 'HOBBS INTERCHANGE - LEA COUNTY INTERCHANGE 230KV CKT 1' | FROM->TO | 0.67754 | 691.4 | 'CAPROCK REC-ST LAWRENCE - CAPROCK REC-STILES 138KV CKT 1'        |
| 11G | 0 | G10_060 | 'HOBBS INTERCHANGE - LEA COUNTY INTERCHANGE 230KV CKT 1' | FROM->TO | 0.68022 | 691.4 | 'CAPROCK REC-MCDONALD - CR-1956 4138.00 138KV CKT 1'              |
| 11G | 0 | G10_059 | 'HOBBS INTERCHANGE - LEA COUNTY INTERCHANGE 230KV CKT 1' | FROM->TO | 0.68022 | 691.4 | 'CAPROCK REC-MCDONALD - CR-1956 4138.00 138KV CKT 1'              |
| 11G | 0 | G10_060 | 'CAPROCK REC-PHILLIPS - CAPROCK REC-TATE 138KV CKT 1'    | TO->FROM | 0.23583 | 271   | 'AMOCO SWITCHING STATION - YOAKUM COUNTY INTERCHANGE 230KV CKT 1' |
| 11G | 0 | G10_059 | 'CAPROCK REC-PHILLIPS - CAPROCK REC-TATE 138KV CKT 1'    | TO->FROM | 0.23583 | 271   | 'AMOCO SWITCHING STATION - YOAKUM COUNTY INTERCHANGE 230KV CKT 1' |
| 11G | 0 | G10_060 | 'HOBBS INTERCHANGE - LEA COUNTY INTERCHANGE 230KV CKT 1' | FROM->TO | 0.68022 | 691.4 | 'CAPROCK REC-NEW SCHWARTZ - CR-1956 4138.00 138KV CKT 1'          |
| 11G | 0 | G10_059 | 'HOBBS INTERCHANGE - LEA COUNTY INTERCHANGE 230KV CKT 1' | FROM->TO | 0.68022 | 691.4 | 'CAPROCK REC-NEW SCHWARTZ - CR-1956 4138.00 138KV CKT 1'          |
| 11G | 0 | G10_060 | 'HOBBS INTERCHANGE - LEA COUNTY INTERCHANGE 230KV CKT 1' | FROM->TO | 0.67754 | 691.4 | 'CAPROCK REC-LANGE - CAPROCK REC-ST LAWRENCE 138KV CKT 1'         |
| 11G | 0 | G10_059 | 'HOBBS INTERCHANGE - LEA COUNTY INTERCHANGE 230KV CKT 1' | FROM->TO | 0.67754 | 691.4 | 'CAPROCK REC-LANGE - CAPROCK REC-ST LAWRENCE 138KV CKT 1'         |
| 11G | 0 | G10_060 | 'HOBBS INTERCHANGE - LEA COUNTY INTERCHANGE 230KV CKT 1' | FROM->TO | 0.67754 | 691.4 | 'CAPROCK REC-BUCHANAN - CAPROCK REC-LANGE 138KV CKT 1'            |
| 11G | 0 | G10_059 | 'HOBBS INTERCHANGE - LEA COUNTY INTERCHANGE 230KV CKT 1' | FROM->TO | 0.67754 | 691.4 | 'CAPROCK REC-BUCHANAN - CAPROCK REC-LANGE 138KV CKT 1'            |
| 11G | 0 | G10_060 | 'HOBBS INTERCHANGE - LEA COUNTY INTERCHANGE 230KV CKT 1' | FROM->TO | 0.65468 | 691.4 | 'CUNNINGHAM STATION 230/20.0KV TRANSFORMER CKT 1'                 |

|     |   |         |  |          |         |       |  |
|-----|---|---------|--|----------|---------|-------|--|
| 11G | 0 | G10_059 | 'HOBBS INTERCHANGE - LEA COUNTY INTERCHANGE 230KV CKT 1'         | FROM->TO | 0.65468 | 691.4 | 'CUNNINGHAM STATION 230/20.0KV TRANSFORMER CKT 1'                |
| 11G | 0 | G10_060 | 'HOBBS INTERCHANGE - LEA COUNTY INTERCHANGE 230KV CKT 1'         | FROM->TO | 0.67754 | 691.4 | 'CAPROCK REC-BUCHANAN - CAPROCK REC-RUSSEL TAP 138KV CKT 1'      |
| 11G | 0 | G10_059 | 'HOBBS INTERCHANGE - LEA COUNTY INTERCHANGE 230KV CKT 1'         | FROM->TO | 0.67754 | 691.4 | 'CAPROCK REC-BUCHANAN - CAPROCK REC-RUSSEL TAP 138KV CKT 1'      |
| 11G | 0 | G10_060 | 'HOBBS INTERCHANGE - LEA COUNTY INTERCHANGE 230KV CKT 1'         | FROM->TO | 0.68022 | 691.4 | 'CAPROCK REC-NEW SCHWARTZ - CAPROCK REC-PEMBROOK 138KV CKT 1'    |
| 11G | 0 | G10_059 | 'HOBBS INTERCHANGE - LEA COUNTY INTERCHANGE 230KV CKT 1'         | FROM->TO | 0.68022 | 691.4 | 'CAPROCK REC-NEW SCHWARTZ - CAPROCK REC-PEMBROOK 138KV CKT 1'    |
| 11G | 0 | G10_060 | 'CAPROCK REC-PHILLIPS - CAPROCK REC-TATE 138KV CKT 1'            | TO->FROM | 0.23742 | 271   | 'TOLK STATION (ABBXNL844501) 345/230/13.2KV TRANSFORMER CKT 1'   |
| 11G | 0 | G10_059 | 'CAPROCK REC-PHILLIPS - CAPROCK REC-TATE 138KV CKT 1'            | TO->FROM | 0.23742 | 271   | 'TOLK STATION (ABBXNL844501) 345/230/13.2KV TRANSFORMER CKT 1'   |
| 11G | 0 | G10_060 | 'CAPROCK REC-PHILLIPS - CAPROCK REC-TATE 138KV CKT 1'            | TO->FROM | 0.23742 | 271   | 'CHAVESCO 345.00 - TOLK STATION 345KV CKT 1'                     |
| 11G | 0 | G10_059 | 'CAPROCK REC-PHILLIPS - CAPROCK REC-TATE 138KV CKT 1'            | TO->FROM | 0.23742 | 271   | 'CHAVESCO 345.00 - TOLK STATION 345KV CKT 1'                     |
| 11G | 0 | G10_060 | 'CAPROCK REC-PHILLIPS - CAPROCK REC-TATE 138KV CKT 1'            | TO->FROM | 0.24267 | 271   | 'CUNNINGHAM STATION - LEA COUNTY INTERCHANGE 230KV CKT 1'        |
| 11G | 0 | G10_059 | 'CAPROCK REC-PHILLIPS - CAPROCK REC-TATE 138KV CKT 1'            | TO->FROM | 0.24267 | 271   | 'CUNNINGHAM STATION - LEA COUNTY INTERCHANGE 230KV CKT 1'        |
| 11G | 0 | G10_060 | 'CAPROCK REC-PHILLIPS - CAPROCK REC-TATE 138KV CKT 1'            | TO->FROM | 0.22903 | 271   | 'TOLK STATION EAST - TUCO INTERCHANGE 230KV CKT 1'               |
| 11G | 0 | G10_059 | 'CAPROCK REC-PHILLIPS - CAPROCK REC-TATE 138KV CKT 1'            | TO->FROM | 0.22903 | 271   | 'TOLK STATION EAST - TUCO INTERCHANGE 230KV CKT 1'               |
| 11G | 0 | G10_060 | 'LEA COUNTY INTERCHANGE - YOAKUM COUNTY INTERCHANGE 230KV CKT 1' | FROM->TO | 0.29359 | 360.9 | 'CAPROCK REC-MCDONALD - CAPROCK REC-TRIANGLE 138KV CKT 1'        |
| 11G | 0 | G10_059 | 'LEA COUNTY INTERCHANGE - YOAKUM COUNTY INTERCHANGE 230KV CKT 1' | FROM->TO | 0.29359 | 360.9 | 'CAPROCK REC-MCDONALD - CAPROCK REC-TRIANGLE 138KV CKT 1'        |
| 11G | 0 | G10_060 | 'CAPROCK REC-KOCH - CAPROCK REC-REED 138KV CKT 1'                | TO->FROM | 0.19505 | 175.5 | 'CAPROCK REC-ST LAWRENCE - CAPROCK REC-STILES 138KV CKT 1'       |
| 11G | 0 | G10_059 | 'CAPROCK REC-KOCH - CAPROCK REC-REED 138KV CKT 1'                | TO->FROM | 0.19505 | 175.5 | 'CAPROCK REC-ST LAWRENCE - CAPROCK REC-STILES 138KV CKT 1'       |
| 11G | 0 | G10_060 | 'CAPROCK REC-KOCH - CAPROCK REC-VEALMOOR 138KV CKT 1'            | FROM->TO | 0.19505 | 175.6 | 'CAPROCK REC-ST LAWRENCE - CAPROCK REC-STILES 138KV CKT 1'       |
| 11G | 0 | G10_059 | 'CAPROCK REC-KOCH - CAPROCK REC-VEALMOOR 138KV CKT 1'            | FROM->TO | 0.19505 | 175.6 | 'CAPROCK REC-ST LAWRENCE - CAPROCK REC-STILES 138KV CKT 1'       |
| 11G | 0 | G10_060 | 'CAPROCK REC-MCDONALD - CAPROCK REC-PHILLIPS 138KV CKT 1'        | TO->FROM | 0.25117 | 271   | 'LEA COUNTY INTERCHANGE - YOAKUM COUNTY INTERCHANGE 230KV CKT 1' |
| 11G | 0 | G10_059 | 'CAPROCK REC-MCDONALD - CAPROCK REC-PHILLIPS 138KV CKT 1'        | TO->FROM | 0.25117 | 271   | 'LEA COUNTY INTERCHANGE - YOAKUM COUNTY INTERCHANGE 230KV CKT 1' |
| 11G | 0 | G10_060 | 'CAPROCK REC-GRADY - CAPROCK REC-TRIANGLE 138KV CKT 1'           | TO->FROM | 0.19505 | 175.6 | 'CAPROCK REC-BUCHANAN - CAPROCK REC-RUSSEL TAP 138KV CKT 1'      |
| 11G | 0 | G10_059 | 'CAPROCK REC-GRADY - CAPROCK REC-TRIANGLE 138KV CKT 1'           | TO->FROM | 0.19505 | 175.6 | 'CAPROCK REC-BUCHANAN - CAPROCK REC-RUSSEL TAP 138KV CKT 1'      |
| 11G | 0 | G10_060 | 'LEA COUNTY INTERCHANGE - YOAKUM COUNTY INTERCHANGE 230KV CKT 1' | FROM->TO | 0.29359 | 360.9 | 'CAPROCK REC-GRADY - CAPROCK REC-TRIANGLE 138KV CKT 1'           |
| 11G | 0 | G10_059 | 'LEA COUNTY INTERCHANGE - YOAKUM COUNTY INTERCHANGE 230KV CKT 1' | FROM->TO | 0.29359 | 360.9 | 'CAPROCK REC-GRADY - CAPROCK REC-TRIANGLE 138KV CKT 1'           |

|     |   |         |  |          |         |       |   |
|-----|---|---------|--|----------|---------|-------|---|
| 11G | 0 | G10_060 | 'CAPROCK REC-KOCH - CAPROCK REC-REED 138KV CKT 1'                | TO->FROM | 0.19949 | 175.5 | 'CAPROCK REC-MCDONALD - CR-1956 4138.00 138KV CKT 1'          |
| 11G | 0 | G10_059 | 'CAPROCK REC-KOCH - CAPROCK REC-REED 138KV CKT 1'                | TO->FROM | 0.19949 | 175.5 | 'CAPROCK REC-MCDONALD - CR-1956 4138.00 138KV CKT 1'          |
| 11G | 0 | G10_060 | 'CAPROCK REC-KOCH - CAPROCK REC-VEALMOOR 138KV CKT 1'            | FROM->TO | 0.19949 | 175.6 | 'CAPROCK REC-MCDONALD - CR-1956 4138.00 138KV CKT 1'          |
| 11G | 0 | G10_059 | 'CAPROCK REC-KOCH - CAPROCK REC-VEALMOOR 138KV CKT 1'            | FROM->TO | 0.19949 | 175.6 | 'CAPROCK REC-MCDONALD - CR-1956 4138.00 138KV CKT 1'          |
| 11G | 0 | G10_060 | 'CAPROCK REC-PHILLIPS - CAPROCK REC-TATE 138KV CKT 1'            | TO->FROM | 0.22819 | 271   | 'GRASSLAND INTERCHANGE 230/34.5KV TRANSFORMER CKT 1'          |
| 11G | 0 | G10_059 | 'CAPROCK REC-PHILLIPS - CAPROCK REC-TATE 138KV CKT 1'            | TO->FROM | 0.22819 | 271   | 'GRASSLAND INTERCHANGE 230/34.5KV TRANSFORMER CKT 1'          |
| 11G | 0 | G10_060 | 'CAPROCK REC-PHILLIPS - CAPROCK REC-TATE 138KV CKT 1'            | TO->FROM | 0.23156 | 271   | 'SUNDOWN INTERCHANGE - WOLFFORTH INTERCHANGE 230KV CKT 1'     |
| 11G | 0 | G10_059 | 'CAPROCK REC-PHILLIPS - CAPROCK REC-TATE 138KV CKT 1'            | TO->FROM | 0.23156 | 271   | 'SUNDOWN INTERCHANGE - WOLFFORTH INTERCHANGE 230KV CKT 1'     |
| 11G | 0 | G10_060 | 'CAPROCK REC-GRADY - CAPROCK REC-TRIANGLE 138KV CKT 1'           | TO->FROM | 0.19949 | 175.6 | 'CAPROCK REC-NEW SCHWARTZ - CAPROCK REC-PEMBROOK 138KV CKT 1' |
| 11G | 0 | G10_059 | 'CAPROCK REC-GRADY - CAPROCK REC-TRIANGLE 138KV CKT 1'           | TO->FROM | 0.19949 | 175.6 | 'CAPROCK REC-NEW SCHWARTZ - CAPROCK REC-PEMBROOK 138KV CKT 1' |
| 11G | 0 | G10_060 | 'CAPROCK REC-PHILLIPS - CAPROCK REC-TATE 138KV CKT 1'            | TO->FROM | 0.23132 | 271   | 'OASIS INTERCHANGE - SAN JUAN MESA TAP 230KV CKT 1'           |
| 11G | 0 | G10_059 | 'CAPROCK REC-PHILLIPS - CAPROCK REC-TATE 138KV CKT 1'            | TO->FROM | 0.23132 | 271   | 'OASIS INTERCHANGE - SAN JUAN MESA TAP 230KV CKT 1'           |
| 11G | 0 | G10_060 | 'LEA COUNTY INTERCHANGE - YOAKUM COUNTY INTERCHANGE 230KV CKT 1' | FROM->TO | 0.26872 | 360.9 | 'OASIS INTERCHANGE - SAN JUAN MESA TAP 230KV CKT 1'           |
| 11G | 0 | G10_059 | 'LEA COUNTY INTERCHANGE - YOAKUM COUNTY INTERCHANGE 230KV CKT 1' | FROM->TO | 0.26872 | 360.9 | 'OASIS INTERCHANGE - SAN JUAN MESA TAP 230KV CKT 1'           |
| 11G | 0 | G10_060 | 'LEA COUNTY INTERCHANGE - YOAKUM COUNTY INTERCHANGE 230KV CKT 1' | FROM->TO | 0.29359 | 360.9 | 'CAPROCK REC-GRADY - CAPROCK REC-REED 138KV CKT 1'            |
| 11G | 0 | G10_059 | 'LEA COUNTY INTERCHANGE - YOAKUM COUNTY INTERCHANGE 230KV CKT 1' | FROM->TO | 0.29359 | 360.9 | 'CAPROCK REC-GRADY - CAPROCK REC-REED 138KV CKT 1'            |
| 11G | 0 | G10_060 | 'CAPROCK REC-GRADY - CAPROCK REC-TRIANGLE 138KV CKT 1'           | TO->FROM | 0.19505 | 175.6 | 'CAPROCK REC-RUSSEL TAP - CAPROCK REC-VEALMOOR 138KV CKT 1'   |
| 11G | 0 | G10_059 | 'CAPROCK REC-GRADY - CAPROCK REC-TRIANGLE 138KV CKT 1'           | TO->FROM | 0.19505 | 175.6 | 'CAPROCK REC-RUSSEL TAP - CAPROCK REC-VEALMOOR 138KV CKT 1'   |
| 11G | 0 | G10_060 | 'LEA COUNTY INTERCHANGE - YOAKUM COUNTY INTERCHANGE 230KV CKT 1' | FROM->TO | 0.29359 | 360.9 | 'CAPROCK REC-KOCH - CAPROCK REC-REED 138KV CKT 1'             |
| 11G | 0 | G10_059 | 'LEA COUNTY INTERCHANGE - YOAKUM COUNTY INTERCHANGE 230KV CKT 1' | FROM->TO | 0.29359 | 360.9 | 'CAPROCK REC-KOCH - CAPROCK REC-REED 138KV CKT 1'             |
| 11G | 0 | G10_060 | 'LEA COUNTY INTERCHANGE - YOAKUM COUNTY INTERCHANGE 230KV CKT 1' | FROM->TO | 0.29359 | 360.9 | 'CAPROCK REC-KOCH - CAPROCK REC-VEALMOOR 138KV CKT 1'         |
| 11G | 0 | G10_059 | 'LEA COUNTY INTERCHANGE - YOAKUM COUNTY INTERCHANGE 230KV CKT 1' | FROM->TO | 0.29359 | 360.9 | 'CAPROCK REC-KOCH - CAPROCK REC-VEALMOOR 138KV CKT 1'         |
| 11G | 0 | G10_060 | 'CAPROCK REC-PHILLIPS - CAPROCK REC-TATE 138KV CKT 1'            | TO->FROM | 0.23445 | 271   | 'CUNNINGHAM STATION - EDDY COUNTY INTERCHANGE 230KV CKT 1'    |
| 11G | 0 | G10_059 | 'CAPROCK REC-PHILLIPS - CAPROCK REC-TATE 138KV CKT 1'            | TO->FROM | 0.23445 | 271   | 'CUNNINGHAM STATION - EDDY COUNTY INTERCHANGE 230KV CKT 1'    |
| 11G | 0 | G10_060 | 'CAPROCK REC-KOCH - CAPROCK REC-REED 138KV CKT 1'                | TO->FROM | 0.19949 | 175.5 | 'CAPROCK REC-NEW SCHWARTZ - CR-1956 4138.00 138KV CKT 1'      |



|     |   |         |  |          |         |       |  |
|-----|---|---------|--|----------|---------|-------|--|
| 11G | 0 | G10_059 | 'CAPROCK REC-KOCH - CAPROCK REC-REED 138KV CKT 1'                | TO->FROM | 0.19949 | 175.5 | 'CAPROCK REC-NEW SCHWARTZ - CR-1956 4138.00 138KV CKT 1'       |
| 11G | 0 | G10_060 | 'CAPROCK REC-KOCH - CAPROCK REC-VEALMOOR 138KV CKT 1'            | FROM->TO | 0.19949 | 175.6 | 'CAPROCK REC-NEW SCHWARTZ - CR-1956 4138.00 138KV CKT 1'       |
| 11G | 0 | G10_059 | 'CAPROCK REC-KOCH - CAPROCK REC-VEALMOOR 138KV CKT 1'            | FROM->TO | 0.19949 | 175.6 | 'CAPROCK REC-NEW SCHWARTZ - CR-1956 4138.00 138KV CKT 1'       |
| 11G | 0 | G10_060 | 'LEA COUNTY INTERCHANGE - YOAKUM COUNTY INTERCHANGE 230KV CKT 1' | FROM->TO | 0.27217 | 360.9 | 'JOHNSON_DRW3115.00 - TAYLOR SWITCHING STATION 115KV CKT 1'    |
| 11G | 0 | G10_059 | 'LEA COUNTY INTERCHANGE - YOAKUM COUNTY INTERCHANGE 230KV CKT 1' | FROM->TO | 0.27217 | 360.9 | 'JOHNSON_DRW3115.00 - TAYLOR SWITCHING STATION 115KV CKT 1'    |
| 11G | 0 | G10_060 | 'CAPROCK REC-KOCH - CAPROCK REC-REED 138KV CKT 1'                | TO->FROM | 0.19505 | 175.5 | 'CAPROCK REC-LANGE - CAPROCK REC-ST LAWRENCE 138KV CKT 1'      |
| 11G | 0 | G10_059 | 'CAPROCK REC-KOCH - CAPROCK REC-REED 138KV CKT 1'                | TO->FROM | 0.19505 | 175.5 | 'CAPROCK REC-LANGE - CAPROCK REC-ST LAWRENCE 138KV CKT 1'      |
| 11G | 0 | G10_060 | 'CAPROCK REC-PHILLIPS - CAPROCK REC-TATE 138KV CKT 1'            | TO->FROM | 0.23101 | 271   | 'CUNNINGHAM STATION - POTASH JUNCTION INTERCHANGE 230KV CKT 1' |
| 11G | 0 | G10_059 | 'CAPROCK REC-PHILLIPS - CAPROCK REC-TATE 138KV CKT 1'            | TO->FROM | 0.23101 | 271   | 'CUNNINGHAM STATION - POTASH JUNCTION INTERCHANGE 230KV CKT 1' |
| 11G | 0 | G10_060 | 'CAPROCK REC-KOCH - CAPROCK REC-VEALMOOR 138KV CKT 1'            | FROM->TO | 0.19505 | 175.6 | 'CAPROCK REC-LANGE - CAPROCK REC-ST LAWRENCE 138KV CKT 1'      |
| 11G | 0 | G10_059 | 'CAPROCK REC-KOCH - CAPROCK REC-VEALMOOR 138KV CKT 1'            | FROM->TO | 0.19505 | 175.6 | 'CAPROCK REC-LANGE - CAPROCK REC-ST LAWRENCE 138KV CKT 1'      |
| 11G | 0 | G10_060 | 'CAPROCK REC-PHILLIPS - CAPROCK REC-TATE 138KV CKT 1'            | TO->FROM | 0.22819 | 271   | 'Jones Station Bus#2 230/22.0KV TRANSFORMER CKT 1'             |
| 11G | 0 | G10_059 | 'CAPROCK REC-PHILLIPS - CAPROCK REC-TATE 138KV CKT 1'            | TO->FROM | 0.22819 | 271   | 'Jones Station Bus#2 230/22.0KV TRANSFORMER CKT 1'             |
| 11G | 0 | G10_060 | 'CAPROCK REC-PHILLIPS - CAPROCK REC-TATE 138KV CKT 1'            | TO->FROM | 0.22819 | 271   | 'JONES STATION 230/22.0KV TRANSFORMER CKT 1'                   |
| 11G | 0 | G10_059 | 'CAPROCK REC-PHILLIPS - CAPROCK REC-TATE 138KV CKT 1'            | TO->FROM | 0.22819 | 271   | 'JONES STATION 230/22.0KV TRANSFORMER CKT 1'                   |
| 11G | 0 | G10_060 | 'CAPROCK REC-PHILLIPS - CAPROCK REC-TATE 138KV CKT 1'            | TO->FROM | 0.23092 | 271   | 'TERRY COUNTY INTERCHANGE - WOLFFORTH INTERCHANGE 115KV CKT 1' |
| 11G | 0 | G10_059 | 'CAPROCK REC-PHILLIPS - CAPROCK REC-TATE 138KV CKT 1'            | TO->FROM | 0.23092 | 271   | 'TERRY COUNTY INTERCHANGE - WOLFFORTH INTERCHANGE 115KV CKT 1' |
| 11G | 0 | G10_060 | 'CAPROCK REC-PHILLIPS - CAPROCK REC-TATE 138KV CKT 1'            | TO->FROM | 0.23583 | 271   | 'AMOCO SWITCHING STATION - SUNDOWN INTERCHANGE 230KV CKT 1'    |
| 11G | 0 | G10_059 | 'CAPROCK REC-PHILLIPS - CAPROCK REC-TATE 138KV CKT 1'            | TO->FROM | 0.23583 | 271   | 'AMOCO SWITCHING STATION - SUNDOWN INTERCHANGE 230KV CKT 1'    |
| 11G | 0 | G10_060 | 'LEA COUNTY INTERCHANGE - YOAKUM COUNTY INTERCHANGE 230KV CKT 1' | FROM->TO | 0.28562 | 360.9 | 'CUNNINGHAM STATION - EDDY COUNTY INTERCHANGE 230KV CKT 1'     |
| 11G | 0 | G10_059 | 'LEA COUNTY INTERCHANGE - YOAKUM COUNTY INTERCHANGE 230KV CKT 1' | FROM->TO | 0.28562 | 360.9 | 'CUNNINGHAM STATION - EDDY COUNTY INTERCHANGE 230KV CKT 1'     |
| 11G | 0 | G10_060 | 'LEA COUNTY INTERCHANGE - YOAKUM COUNTY INTERCHANGE 230KV CKT 1' | FROM->TO | 0.25354 | 328.9 | 'BASE CASE'  |
| 11G | 0 | G10_059 | 'LEA COUNTY INTERCHANGE - YOAKUM COUNTY INTERCHANGE 230KV CKT 1' | FROM->TO | 0.25354 | 328.9 | 'BASE CASE'  |
| 11G | 0 | G10_060 | 'CAPROCK REC-GRADY - CAPROCK REC-TRIANGLE 138KV CKT 1'           | TO->FROM | 0.19949 | 175.6 | 'CAPROCK REC-PEMBROOK - G09-17T 138.00 138KV CKT 1'            |
| 11G | 0 | G10_059 | 'CAPROCK REC-GRADY - CAPROCK REC-TRIANGLE 138KV CKT 1'           | TO->FROM | 0.19949 | 175.6 | 'CAPROCK REC-PEMBROOK - G09-17T 138.00 138KV CKT 1'            |

|     |   |         |  |          |         |       |   |
|-----|---|---------|--|----------|---------|-------|---|
| 11G | 0 | G10_060 | 'BORDEN COUNTY INTERCHANGE 230/138KV TRANSFORMER CKT 1'          | TO->FROM | 0.21099 | 168   | 'BORDEN COUNTY INTERCHANGE 230/138KV TRANSFORMER CKT 2'                                       |
| 11G | 0 | G10_059 | 'BORDEN COUNTY INTERCHANGE 230/138KV TRANSFORMER CKT 1'          | TO->FROM | 0.21099 | 168   | 'BORDEN COUNTY INTERCHANGE 230/138KV TRANSFORMER CKT 2'                                       |
| 11G | 0 | G10_060 | 'CAPROCK REC-ST LAWRENCE - CAPROCK REC-STILES 138KV CKT 1'       | TO->FROM | 0.29176 | 270.8 | 'HOBBS INTERCHANGE - MIDLAND COUNTY INTERCHANGE 230KV CKT 1'                                  |
| 11G | 0 | G10_059 | 'CAPROCK REC-ST LAWRENCE - CAPROCK REC-STILES 138KV CKT 1'       | TO->FROM | 0.29176 | 270.8 | 'HOBBS INTERCHANGE - MIDLAND COUNTY INTERCHANGE 230KV CKT 1'                                  |
| 11G | 0 | G10_060 | 'CAPROCK REC-KOCH - CAPROCK REC-REED 138KV CKT 1'                | TO->FROM | 0.19505 | 175.5 | 'CAPROCK REC-BUCHANAN - CAPROCK REC-LANGE 138KV CKT 1'  |
| 11G | 0 | G10_059 | 'CAPROCK REC-KOCH - CAPROCK REC-REED 138KV CKT 1'                | TO->FROM | 0.19505 | 175.5 | 'CAPROCK REC-BUCHANAN - CAPROCK REC-LANGE 138KV CKT 1'  |
| 11G | 0 | G10_060 | 'CAPROCK REC-KOCH - CAPROCK REC-VEALMOOR 138KV CKT 1'            | FROM->TO | 0.19505 | 175.6 | 'CAPROCK REC-BUCHANAN - CAPROCK REC-LANGE 138KV CKT 1'  |
| 11G | 0 | G10_059 | 'CAPROCK REC-KOCH - CAPROCK REC-VEALMOOR 138KV CKT 1'            | FROM->TO | 0.19505 | 175.6 | 'CAPROCK REC-BUCHANAN - CAPROCK REC-LANGE 138KV CKT 1'  |
| 11G | 0 | G10_060 | 'HOBBS INTERCHANGE - LEA COUNTY INTERCHANGE 115KV CKT 1'         | FROM->TO | 0.22174 | 262.5 | 'HOBBS INTERCHANGE - LEA COUNTY INTERCHANGE 230KV CKT 1'                                      |
| 11G | 0 | G10_059 | 'HOBBS INTERCHANGE - LEA COUNTY INTERCHANGE 115KV CKT 1'         | FROM->TO | 0.22174 | 262.5 | 'HOBBS INTERCHANGE - LEA COUNTY INTERCHANGE 230KV CKT 1'                                      |
| 11G | 0 | G10_060 | 'CAPROCK REC-MCDONALD - CR-1956 4138.00 138KV CKT 1'             | FROM->TO | 0.29919 | 270.9 | 'HOBBS INTERCHANGE - MIDLAND COUNTY INTERCHANGE 230KV CKT 1'                                  |
| 11G | 0 | G10_059 | 'CAPROCK REC-MCDONALD - CR-1956 4138.00 138KV CKT 1'             | FROM->TO | 0.29919 | 270.9 | 'HOBBS INTERCHANGE - MIDLAND COUNTY INTERCHANGE 230KV CKT 1'                                  |
| 11G | 0 | G10_060 | 'LEA COUNTY INTERCHANGE - YOAKUM COUNTY INTERCHANGE 230KV CKT 1' | FROM->TO | 0.26908 | 360.9 | 'CUNNINGHAM STATION - POTASH JUNCTION INTERCHANGE 230KV CKT 1'                                |
| 11G | 0 | G10_059 | 'LEA COUNTY INTERCHANGE - YOAKUM COUNTY INTERCHANGE 230KV CKT 1' | FROM->TO | 0.26908 | 360.9 | 'CUNNINGHAM STATION - POTASH JUNCTION INTERCHANGE 230KV CKT 1'                                |
| 11G | 0 | G10_060 | 'LEA COUNTY INTERCHANGE - YOAKUM COUNTY INTERCHANGE 230KV CKT 1' | FROM->TO | 0.25354 | 360.9 | 'Golden Spread REC - Mustang Interchange 230 kV Generation Bus - MUSTANG STATION 230KV CKT 1' |
| 11G | 0 | G10_059 | 'LEA COUNTY INTERCHANGE - YOAKUM COUNTY INTERCHANGE 230KV CKT 1' | FROM->TO | 0.25354 | 360.9 | 'Golden Spread REC - Mustang Interchange 230 kV Generation Bus - MUSTANG STATION 230KV CKT 1' |
| 11G | 0 | G10_060 | 'CAPROCK REC-MCDONALD - CAPROCK REC-PHILLIPS 138KV CKT 1'        | TO->FROM | 0.22819 | 271   | 'G09-17 34.500 34.5/0.69KV TRANSFORMER CKT 1'   |
| 11G | 0 | G10_059 | 'CAPROCK REC-MCDONALD - CAPROCK REC-PHILLIPS 138KV CKT 1'        | TO->FROM | 0.22819 | 271   | 'G09-17 34.500 34.5/0.69KV TRANSFORMER CKT 1'   |
| 11G | 0 | G10_060 | 'CAPROCK REC-MCDONALD - CAPROCK REC-PHILLIPS 138KV CKT 1'        | TO->FROM | 0.22819 | 271   | 'G09-17 138.00 138/34.5KV TRANSFORMER CKT 1'  |
| 11G | 0 | G10_059 | 'CAPROCK REC-MCDONALD - CAPROCK REC-PHILLIPS 138KV CKT 1'        | TO->FROM | 0.22819 | 271   | 'G09-17 138.00 138/34.5KV TRANSFORMER CKT 1'  |
| 11G | 0 | G10_060 | 'CAPROCK REC-MCDONALD - CAPROCK REC-PHILLIPS 138KV CKT 1'        | TO->FROM | 0.22819 | 271   | 'G09-17 138.00 - G09-17T 138.00 138KV CKT 1'  |
| 11G | 0 | G10_059 | 'CAPROCK REC-MCDONALD - CAPROCK REC-PHILLIPS 138KV CKT 1'        | TO->FROM | 0.22819 | 271   | 'G09-17 138.00 - G09-17T 138.00 138KV CKT 1'  |
| 11G | 0 | G10_060 | 'CAPROCK REC-MCDONALD - CAPROCK REC-PHILLIPS 138KV CKT 1'        | TO->FROM | 0.23583 | 271   | 'AMOCO SWITCHING STATION - YOAKUM COUNTY INTERCHANGE 230KV CKT 1'                             |
| 11G | 0 | G10_059 | 'CAPROCK REC-MCDONALD - CAPROCK REC-PHILLIPS 138KV CKT 1'        | TO->FROM | 0.23583 | 271   | 'AMOCO SWITCHING STATION - YOAKUM COUNTY INTERCHANGE 230KV CKT 1'                             |

|     |   |         |   |          |         |       |   |
|-----|---|---------|---|----------|---------|-------|---|
| 11G | 0 | G10_060 | 'CAPROCK REC-NEW SCHWARTZ - CR-1956<br>4138.00 138KV CKT 1'         | TO->FROM | 0.29919 | 270.9 | 'HOBBS INTERCHANGE - MIDLAND COUNTY<br>INTERCHANGE 230KV CKT 1'                             |
| 11G | 0 | G10_059 | 'CAPROCK REC-NEW SCHWARTZ - CR-1956<br>4138.00 138KV CKT 1'         | TO->FROM | 0.29919 | 270.9 | 'HOBBS INTERCHANGE - MIDLAND COUNTY<br>INTERCHANGE 230KV CKT 1'                             |
| 11G | 0 | G10_060 | 'CAPROCK REC-KOCH - CAPROCK REC-REED<br>138KV CKT 1'                | TO->FROM | 0.19505 | 175.5 | 'CAPROCK REC-BUCHANAN - CAPROCK REC-<br>RUSSEL TAP 138KV CKT 1'                             |
| 11G | 0 | G10_059 | 'CAPROCK REC-KOCH - CAPROCK REC-REED<br>138KV CKT 1'                | TO->FROM | 0.19505 | 175.5 | 'CAPROCK REC-BUCHANAN - CAPROCK REC-<br>RUSSEL TAP 138KV CKT 1'                             |
| 11G | 0 | G10_060 | 'CAPROCK REC-KOCH - CAPROCK REC-<br>VEALMOOR 138KV CKT 1'           | FROM->TO | 0.19505 | 175.6 | 'CAPROCK REC-BUCHANAN - CAPROCK REC-<br>RUSSEL TAP 138KV CKT 1'                             |
| 11G | 0 | G10_059 | 'CAPROCK REC-KOCH - CAPROCK REC-<br>VEALMOOR 138KV CKT 1'           | FROM->TO | 0.19505 | 175.6 | 'CAPROCK REC-BUCHANAN - CAPROCK REC-<br>RUSSEL TAP 138KV CKT 1'                             |
| 11G | 0 | G10_060 | 'LEA COUNTY INTERCHANGE - YOAKUM<br>COUNTY INTERCHANGE 230KV CKT 1' | FROM->TO | 0.26394 | 360.9 | 'LEA COUNTY INTERCHANGE - LEA COUNTY<br>REC-LOVINGTON INTERCHANGE 115KV CKT 1'              |
| 11G | 0 | G10_059 | 'LEA COUNTY INTERCHANGE - YOAKUM<br>COUNTY INTERCHANGE 230KV CKT 1' | FROM->TO | 0.26394 | 360.9 | 'LEA COUNTY INTERCHANGE - LEA COUNTY<br>REC-LOVINGTON INTERCHANGE 115KV CKT 1'              |
| 11G | 0 | G10_060 | 'LEA COUNTY INTERCHANGE - YOAKUM<br>COUNTY INTERCHANGE 230KV CKT 1' | FROM->TO | 0.26775 | 360.9 | 'LEA COUNTY REC-LOVINGTON INTERCHANGE -<br>LEA COUNTY REC-WAITS INTERCHANGE 115KV<br>CKT 1' |
| 11G | 0 | G10_059 | 'LEA COUNTY INTERCHANGE - YOAKUM<br>COUNTY INTERCHANGE 230KV CKT 1' | FROM->TO | 0.26775 | 360.9 | 'LEA COUNTY REC-LOVINGTON INTERCHANGE -<br>LEA COUNTY REC-WAITS INTERCHANGE 115KV<br>CKT 1' |
| 11G | 0 | G10_060 | 'CAPROCK REC-MCDONALD - CAPROCK REC-<br>PHILLIPS 138KV CKT 1'       | TO->FROM | 0.23742 | 271   | 'TOLK STATION (ABBXNL844501) 345/230/13.2KV<br>TRANSFORMER CKT 1'                           |
| 11G | 0 | G10_059 | 'CAPROCK REC-MCDONALD - CAPROCK REC-<br>PHILLIPS 138KV CKT 1'       | TO->FROM | 0.23742 | 271   | 'TOLK STATION (ABBXNL844501) 345/230/13.2KV<br>TRANSFORMER CKT 1'                           |
| 11G | 0 | G10_060 | 'CAPROCK REC-MCDONALD - CAPROCK REC-<br>PHILLIPS 138KV CKT 1'       | TO->FROM | 0.23742 | 271   | 'CHAVESCO 345.00 - TOLK STATION 345KV<br>CKT 1'   |
| 11G | 0 | G10_059 | 'CAPROCK REC-MCDONALD - CAPROCK REC-<br>PHILLIPS 138KV CKT 1'       | TO->FROM | 0.23742 | 271   | 'CHAVESCO 345.00 - TOLK STATION 345KV<br>CKT 1'   |
| 11G | 0 | G10_060 | 'CAPROCK REC-MCDONALD - CAPROCK REC-<br>PHILLIPS 138KV CKT 1'       | TO->FROM | 0.24267 | 271   | 'CUNNINGHAM STATION - LEA COUNTY<br>INTERCHANGE 230KV CKT 1'                                |
| 11G | 0 | G10_059 | 'CAPROCK REC-MCDONALD - CAPROCK REC-<br>PHILLIPS 138KV CKT 1'       | TO->FROM | 0.24267 | 271   | 'CUNNINGHAM STATION - LEA COUNTY<br>INTERCHANGE 230KV CKT 1'                                |
| 11G | 0 | G10_060 | 'CAPROCK REC-KOCH - CAPROCK REC-REED<br>138KV CKT 1'                | TO->FROM | 0.19949 | 175.5 | 'CAPROCK REC-NEW SCHWARTZ - CAPROCK<br>REC-PEMBROOK 138KV CKT 1'                            |
| 11G | 0 | G10_059 | 'CAPROCK REC-KOCH - CAPROCK REC-REED<br>138KV CKT 1'                | TO->FROM | 0.19949 | 175.5 | 'CAPROCK REC-NEW SCHWARTZ - CAPROCK<br>REC-PEMBROOK 138KV CKT 1'                            |
| 11G | 0 | G10_060 | 'CAPROCK REC-MCDONALD - CAPROCK REC-<br>PHILLIPS 138KV CKT 1'       | TO->FROM | 0.22903 | 271   | 'TOLK STATION EAST - TUCO INTERCHANGE<br>230KV CKT 1'                                       |
| 11G | 0 | G10_059 | 'CAPROCK REC-MCDONALD - CAPROCK REC-<br>PHILLIPS 138KV CKT 1'       | TO->FROM | 0.22903 | 271   | 'TOLK STATION EAST - TUCO INTERCHANGE<br>230KV CKT 1'                                       |
| 11G | 0 | G10_060 | 'CAPROCK REC-KOCH - CAPROCK REC-<br>VEALMOOR 138KV CKT 1'           | FROM->TO | 0.19949 | 175.6 | 'CAPROCK REC-NEW SCHWARTZ - CAPROCK<br>REC-PEMBROOK 138KV CKT 1'                            |
| 11G | 0 | G10_059 | 'CAPROCK REC-KOCH - CAPROCK REC-<br>VEALMOOR 138KV CKT 1'           | FROM->TO | 0.19949 | 175.6 | 'CAPROCK REC-NEW SCHWARTZ - CAPROCK<br>REC-PEMBROOK 138KV CKT 1'                            |
| 11G | 0 | G10_060 | 'CAPROCK REC-BUCHANAN - CAPROCK REC-<br>LANGE 138KV CKT 1'          | TO->FROM | 0.29176 | 270.9 | 'HOBBS INTERCHANGE - MIDLAND COUNTY<br>INTERCHANGE 230KV CKT 1'                             |
| 11G | 0 | G10_059 | 'CAPROCK REC-BUCHANAN - CAPROCK REC-<br>LANGE 138KV CKT 1'          | TO->FROM | 0.29176 | 270.9 | 'HOBBS INTERCHANGE - MIDLAND COUNTY<br>INTERCHANGE 230KV CKT 1'                             |

|     |   |         |   |          |         |       |  |
|-----|---|---------|---|----------|---------|-------|--|
| 11G | 0 | G10_060 | 'CAPROCK REC-KOCH - CAPROCK REC-REED 138KV CKT 1'         | TO->FROM | 0.19505 | 175.5 | 'CAPROCK REC-RUSSEL TAP - CAPROCK REC-VEALMOOR 138KV CKT 1'    |
| 11G | 0 | G10_059 | 'CAPROCK REC-KOCH - CAPROCK REC-REED 138KV CKT 1'         | TO->FROM | 0.19505 | 175.5 | 'CAPROCK REC-RUSSEL TAP - CAPROCK REC-VEALMOOR 138KV CKT 1'    |
| 11G | 0 | G10_060 | 'CAPROCK REC-KOCH - CAPROCK REC-VEALMOOR 138KV CKT 1'     | FROM->TO | 0.19505 | 175.6 | 'CAPROCK REC-RUSSEL TAP - CAPROCK REC-VEALMOOR 138KV CKT 1'    |
| 11G | 0 | G10_059 | 'CAPROCK REC-KOCH - CAPROCK REC-VEALMOOR 138KV CKT 1'     | FROM->TO | 0.19505 | 175.6 | 'CAPROCK REC-RUSSEL TAP - CAPROCK REC-VEALMOOR 138KV CKT 1'    |
| 11G | 0 | G10_060 | 'CAPROCK REC-MCDONALD - CAPROCK REC-PHILLIPS 138KV CKT 1' | TO->FROM | 0.23156 | 271   | 'SUNDOWN INTERCHANGE - WOLFFORTH INTERCHANGE 230KV CKT 1'      |
| 11G | 0 | G10_059 | 'CAPROCK REC-MCDONALD - CAPROCK REC-PHILLIPS 138KV CKT 1' | TO->FROM | 0.23156 | 271   | 'SUNDOWN INTERCHANGE - WOLFFORTH INTERCHANGE 230KV CKT 1'      |
| 11G | 0 | G10_060 | 'CAPROCK REC-MCDONALD - CAPROCK REC-PHILLIPS 138KV CKT 1' | TO->FROM | 0.22819 | 271   | 'GRASSLAND INTERCHANGE 230/34.5KV TRANSFORMER CKT 1'           |
| 11G | 0 | G10_059 | 'CAPROCK REC-MCDONALD - CAPROCK REC-PHILLIPS 138KV CKT 1' | TO->FROM | 0.22819 | 271   | 'GRASSLAND INTERCHANGE 230/34.5KV TRANSFORMER CKT 1'           |
| 11G | 0 | G10_060 | 'CAPROCK REC-MCDONALD - CAPROCK REC-PHILLIPS 138KV CKT 1' | TO->FROM | 0.23132 | 271   | 'OASIS INTERCHANGE - SAN JUAN MESA TAP 230KV CKT 1'            |
| 11G | 0 | G10_059 | 'CAPROCK REC-MCDONALD - CAPROCK REC-PHILLIPS 138KV CKT 1' | TO->FROM | 0.23132 | 271   | 'OASIS INTERCHANGE - SAN JUAN MESA TAP 230KV CKT 1'            |
| 11G | 0 | G10_060 | 'CAPROCK REC-KOCH - CAPROCK REC-REED 138KV CKT 1'         | TO->FROM | 0.19949 | 175.5 | 'CAPROCK REC-PEMBROOK - G09-17T 138.00 138KV CKT 1'            |
| 11G | 0 | G10_059 | 'CAPROCK REC-KOCH - CAPROCK REC-REED 138KV CKT 1'         | TO->FROM | 0.19949 | 175.5 | 'CAPROCK REC-PEMBROOK - G09-17T 138.00 138KV CKT 1'            |
| 11G | 0 | G10_060 | 'CAPROCK REC-KOCH - CAPROCK REC-VEALMOOR 138KV CKT 1'     | FROM->TO | 0.19949 | 175.6 | 'CAPROCK REC-PEMBROOK - G09-17T 138.00 138KV CKT 1'            |
| 11G | 0 | G10_059 | 'CAPROCK REC-KOCH - CAPROCK REC-VEALMOOR 138KV CKT 1'     | FROM->TO | 0.19949 | 175.6 | 'CAPROCK REC-PEMBROOK - G09-17T 138.00 138KV CKT 1'            |
| 11G | 0 | G10_060 | 'CAPROCK REC-MCDONALD - CAPROCK REC-PHILLIPS 138KV CKT 1' | TO->FROM | 0.23445 | 271   | 'CUNNINGHAM STATION - EDDY COUNTY INTERCHANGE 230KV CKT 1'     |
| 11G | 0 | G10_059 | 'CAPROCK REC-MCDONALD - CAPROCK REC-PHILLIPS 138KV CKT 1' | TO->FROM | 0.23445 | 271   | 'CUNNINGHAM STATION - EDDY COUNTY INTERCHANGE 230KV CKT 1'     |
| 11G | 0 | G10_060 | 'CAPROCK REC-MCDONALD - CAPROCK REC-PHILLIPS 138KV CKT 1' | TO->FROM | 0.23583 | 271   | 'AMOCO SWITCHING STATION - SUNDOWN INTERCHANGE 230KV CKT 1'    |
| 11G | 0 | G10_059 | 'CAPROCK REC-MCDONALD - CAPROCK REC-PHILLIPS 138KV CKT 1' | TO->FROM | 0.23583 | 271   | 'AMOCO SWITCHING STATION - SUNDOWN INTERCHANGE 230KV CKT 1'    |
| 11G | 0 | G10_060 | 'CAPROCK REC-MCDONALD - CAPROCK REC-PHILLIPS 138KV CKT 1' | TO->FROM | 0.23101 | 271   | 'CUNNINGHAM STATION - POTASH JUNCTION INTERCHANGE 230KV CKT 1' |
| 11G | 0 | G10_059 | 'CAPROCK REC-MCDONALD - CAPROCK REC-PHILLIPS 138KV CKT 1' | TO->FROM | 0.23101 | 271   | 'CUNNINGHAM STATION - POTASH JUNCTION INTERCHANGE 230KV CKT 1' |
| 11G | 0 | G10_060 | 'CAPROCK REC-MCDONALD - CAPROCK REC-PHILLIPS 138KV CKT 1' | TO->FROM | 0.23092 | 271   | 'TERRY COUNTY INTERCHANGE - WOLFFORTH INTERCHANGE 115KV CKT 1' |
| 11G | 0 | G10_059 | 'CAPROCK REC-MCDONALD - CAPROCK REC-PHILLIPS 138KV CKT 1' | TO->FROM | 0.23092 | 271   | 'TERRY COUNTY INTERCHANGE - WOLFFORTH INTERCHANGE 115KV CKT 1' |
| 11G | 0 | G10_060 | 'CAPROCK REC-MCDONALD - CAPROCK REC-PHILLIPS 138KV CKT 1' | TO->FROM | 0.22819 | 271   | 'Jones Station Bus#2 230/22.0KV TRANSFORMER CKT 1'             |
| 11G | 0 | G10_059 | 'CAPROCK REC-MCDONALD - CAPROCK REC-PHILLIPS 138KV CKT 1' | TO->FROM | 0.22819 | 271   | 'Jones Station Bus#2 230/22.0KV TRANSFORMER CKT 1'             |
| 11G | 0 | G10_060 | 'CAPROCK REC-MCDONALD - CAPROCK REC-PHILLIPS 138KV CKT 1' | TO->FROM | 0.22819 | 271   | 'JONES STATION 230/22.0KV TRANSFORMER CKT 1'                   |

|     |   |         |   |          |         |       |  |
|-----|---|---------|---|----------|---------|-------|--|
| 11G | 0 | G10_059 | 'CAPROCK REC-MCDONALD - CAPROCK REC-PHILLIPS 138KV CKT 1'         | TO->FROM | 0.22819 | 271   | 'JONES STATION 230/22.0KV TRANSFORMER CKT 1'                     |
| 11G | 0 | G10_060 | 'CAPROCK REC-BUCHANAN - CAPROCK REC-RUSSEL TAP 138KV CKT 1'       | FROM->TO | 0.29176 | 270.9 | 'HOBBS INTERCHANGE - MIDLAND COUNTY INTERCHANGE 230KV CKT 1'     |
| 11G | 0 | G10_059 | 'CAPROCK REC-BUCHANAN - CAPROCK REC-RUSSEL TAP 138KV CKT 1'       | FROM->TO | 0.29176 | 270.9 | 'HOBBS INTERCHANGE - MIDLAND COUNTY INTERCHANGE 230KV CKT 1'     |
| 11G | 0 | G10_060 | 'CAPROCK REC-NEW SCHWARTZ - CAPROCK REC-PEMBROOK 138KV CKT 1'     | FROM->TO | 0.29919 | 271   | 'HOBBS INTERCHANGE - MIDLAND COUNTY INTERCHANGE 230KV CKT 1'     |
| 11G | 0 | G10_059 | 'CAPROCK REC-NEW SCHWARTZ - CAPROCK REC-PEMBROOK 138KV CKT 1'     | FROM->TO | 0.29919 | 271   | 'HOBBS INTERCHANGE - MIDLAND COUNTY INTERCHANGE 230KV CKT 1'     |
| 11G | 0 | G10_060 | 'CAPROCK REC-RUSSEL TAP - CAPROCK REC-VEALMOOR 138KV CKT 1'       | FROM->TO | 0.29176 | 270.9 | 'HOBBS INTERCHANGE - MIDLAND COUNTY INTERCHANGE 230KV CKT 1'     |
| 11G | 0 | G10_059 | 'CAPROCK REC-RUSSEL TAP - CAPROCK REC-VEALMOOR 138KV CKT 1'       | FROM->TO | 0.29176 | 270.9 | 'HOBBS INTERCHANGE - MIDLAND COUNTY INTERCHANGE 230KV CKT 1'     |
| 11G | 0 | G10_060 | 'AMOCO SWITCHING STATION - YOAKUM COUNTY INTERCHANGE 230KV CKT 1' | TO->FROM | 0.19368 | 360.1 | 'MIDLAND COUNTY INTERCHANGE 230/138KV TRANSFORMER CKT 1'         |
| 11G | 0 | G10_059 | 'AMOCO SWITCHING STATION - YOAKUM COUNTY INTERCHANGE 230KV CKT 1' | TO->FROM | 0.19368 | 360.1 | 'MIDLAND COUNTY INTERCHANGE 230/138KV TRANSFORMER CKT 1'         |
| 11G | 0 | G10_060 | 'AMOCO SWITCHING STATION - YOAKUM COUNTY INTERCHANGE 230KV CKT 1' | TO->FROM | 0.19368 | 360.1 | 'CAPROCK REC-PHILLIPS - CAPROCK REC-TATE 138KV CKT 1'            |
| 11G | 0 | G10_059 | 'AMOCO SWITCHING STATION - YOAKUM COUNTY INTERCHANGE 230KV CKT 1' | TO->FROM | 0.19368 | 360.1 | 'CAPROCK REC-PHILLIPS - CAPROCK REC-TATE 138KV CKT 1'            |
| 11G | 0 | G10_060 | 'AMOCO SWITCHING STATION - YOAKUM COUNTY INTERCHANGE 230KV CKT 1' | TO->FROM | 0.19368 | 360.1 | 'CAPROCK REC-MCDONALD - CAPROCK REC-PHILLIPS 138KV CKT 1'        |
| 11G | 0 | G10_059 | 'AMOCO SWITCHING STATION - YOAKUM COUNTY INTERCHANGE 230KV CKT 1' | TO->FROM | 0.19368 | 360.1 | 'CAPROCK REC-MCDONALD - CAPROCK REC-PHILLIPS 138KV CKT 1'        |
| 11G | 0 | G10_060 | 'BORDEN COUNTY INTERCHANGE 230/138KV TRANSFORMER CKT 2'           | TO->FROM | 0.2109  | 209.3 | 'BORDEN COUNTY INTERCHANGE 230/138KV TRANSFORMER CKT 1'          |
| 11G | 0 | G10_059 | 'BORDEN COUNTY INTERCHANGE 230/138KV TRANSFORMER CKT 2'           | TO->FROM | 0.2109  | 209.3 | 'BORDEN COUNTY INTERCHANGE 230/138KV TRANSFORMER CKT 1'          |
| 11G | 0 | G10_060 | 'CAPROCK REC-MCDONALD - CAPROCK REC-TRIANGLE 138KV CKT 1'         | FROM->TO | 0.21361 | 270.8 | 'HOBBS INTERCHANGE - LEA COUNTY INTERCHANGE 230KV CKT 1'         |
| 11G | 0 | G10_059 | 'CAPROCK REC-MCDONALD - CAPROCK REC-TRIANGLE 138KV CKT 1'         | FROM->TO | 0.21361 | 270.8 | 'HOBBS INTERCHANGE - LEA COUNTY INTERCHANGE 230KV CKT 1'         |
| 11G | 0 | G10_060 | 'CUNNINGHAM STATION - LEA COUNTY INTERCHANGE 230KV CKT 1'         | TO->FROM | 0.45266 | 557   | 'LEA COUNTY INTERCHANGE - YOAKUM COUNTY INTERCHANGE 230KV CKT 1' |
| 11G | 0 | G10_059 | 'CUNNINGHAM STATION - LEA COUNTY INTERCHANGE 230KV CKT 1'         | TO->FROM | 0.45266 | 557   | 'LEA COUNTY INTERCHANGE - YOAKUM COUNTY INTERCHANGE 230KV CKT 1' |
| 11G | 0 | G10_060 | 'LUBBOCK SOUTH INTERCHANGE - WOLFFORTH INTERCHANGE 230KV CKT 1'   | FROM->TO | 0.31613 | 359.1 | 'HOBBS INTERCHANGE - MIDLAND COUNTY INTERCHANGE 230KV CKT 1'     |
| 11G | 0 | G10_059 | 'LUBBOCK SOUTH INTERCHANGE - WOLFFORTH INTERCHANGE 230KV CKT 1'   | FROM->TO | 0.31613 | 359.1 | 'HOBBS INTERCHANGE - MIDLAND COUNTY INTERCHANGE 230KV CKT 1'     |
| 11G | 0 | G10_060 | 'AMOCO SWITCHING STATION - YOAKUM COUNTY INTERCHANGE 230KV CKT 1' | TO->FROM | 0.19138 | 360.1 | 'SPP-SWPS-K48'   |
| 11G | 0 | G10_059 | 'AMOCO SWITCHING STATION - YOAKUM COUNTY INTERCHANGE 230KV CKT 1' | TO->FROM | 0.19138 | 360.1 | 'SPP-SWPS-K48'   |
| 11G | 0 | G10_060 | 'AMOCO SWITCHING STATION - YOAKUM COUNTY INTERCHANGE 230KV CKT 1' | TO->FROM | 0.19138 | 360.1 | 'BORDEN COUNTY INTERCHANGE - GRASSLAND INTERCHANGE 230KV CKT 1'  |
| 11G | 0 | G10_059 | 'AMOCO SWITCHING STATION - YOAKUM COUNTY INTERCHANGE 230KV CKT 1' | TO->FROM | 0.19138 | 360.1 | 'BORDEN COUNTY INTERCHANGE - GRASSLAND INTERCHANGE 230KV CKT 1'  |

|     |   |         |   |          |         |       |   |
|-----|---|---------|---|----------|---------|-------|---|
| 11G | 0 | G10_060 | 'CAPROCK REC-MCDONALD - CAPROCK REC-TRIANGLE 138KV CKT 1' | FROM->TO | 0.19505 | 270.8 | 'CAPROCK REC-STILES - G09-17T 138.00 138KV CKT 1'             |
| 11G | 0 | G10_059 | 'CAPROCK REC-MCDONALD - CAPROCK REC-TRIANGLE 138KV CKT 1' | FROM->TO | 0.19505 | 270.8 | 'CAPROCK REC-STILES - G09-17T 138.00 138KV CKT 1'             |
| 11G | 0 | G10_060 | 'CAPROCK REC-GRADY - CAPROCK REC-REED 138KV CKT 1'        | FROM->TO | 0.21361 | 270.7 | 'HOBBS INTERCHANGE - LEA COUNTY INTERCHANGE 230KV CKT 1'      |
| 11G | 0 | G10_059 | 'CAPROCK REC-GRADY - CAPROCK REC-REED 138KV CKT 1'        | FROM->TO | 0.21361 | 270.7 | 'HOBBS INTERCHANGE - LEA COUNTY INTERCHANGE 230KV CKT 1'      |
| 11G | 0 | G10_060 | 'CAPROCK REC-MCDONALD - CAPROCK REC-TRIANGLE 138KV CKT 1' | FROM->TO | 0.19505 | 270.8 | 'CAPROCK REC-ST LAWRENCE - CAPROCK REC-STILES 138KV CKT 1'    |
| 11G | 0 | G10_059 | 'CAPROCK REC-MCDONALD - CAPROCK REC-TRIANGLE 138KV CKT 1' | FROM->TO | 0.19505 | 270.8 | 'CAPROCK REC-ST LAWRENCE - CAPROCK REC-STILES 138KV CKT 1'    |
| 11G | 0 | G10_060 | 'CAPROCK REC-MCDONALD - CAPROCK REC-TRIANGLE 138KV CKT 1' | FROM->TO | 0.19949 | 270.8 | 'CAPROCK REC-MCDONALD - CR-1956 4138.00 138KV CKT 1'          |
| 11G | 0 | G10_059 | 'CAPROCK REC-MCDONALD - CAPROCK REC-TRIANGLE 138KV CKT 1' | FROM->TO | 0.19949 | 270.8 | 'CAPROCK REC-MCDONALD - CR-1956 4138.00 138KV CKT 1'          |
| 11G | 0 | G10_060 | 'CAPROCK REC-MCDONALD - CAPROCK REC-TRIANGLE 138KV CKT 1' | FROM->TO | 0.19949 | 270.8 | 'CAPROCK REC-NEW SCHWARTZ - CR-1956 4138.00 138KV CKT 1'      |
| 11G | 0 | G10_059 | 'CAPROCK REC-MCDONALD - CAPROCK REC-TRIANGLE 138KV CKT 1' | FROM->TO | 0.19949 | 270.8 | 'CAPROCK REC-NEW SCHWARTZ - CR-1956 4138.00 138KV CKT 1'      |
| 11G | 0 | G10_060 | 'CAPROCK REC-MCDONALD - CAPROCK REC-TRIANGLE 138KV CKT 1' | FROM->TO | 0.19505 | 270.8 | 'CAPROCK REC-LANGE - CAPROCK REC-ST LAWRENCE 138KV CKT 1'     |
| 11G | 0 | G10_059 | 'CAPROCK REC-MCDONALD - CAPROCK REC-TRIANGLE 138KV CKT 1' | FROM->TO | 0.19505 | 270.8 | 'CAPROCK REC-LANGE - CAPROCK REC-ST LAWRENCE 138KV CKT 1'     |
| 11G | 0 | G10_060 | 'CAPROCK REC-MCDONALD - CAPROCK REC-TRIANGLE 138KV CKT 1' | FROM->TO | 0.19505 | 270.8 | 'CAPROCK REC-BUCHANAN - CAPROCK REC-LANGE 138KV CKT 1'        |
| 11G | 0 | G10_059 | 'CAPROCK REC-MCDONALD - CAPROCK REC-TRIANGLE 138KV CKT 1' | FROM->TO | 0.19505 | 270.8 | 'CAPROCK REC-BUCHANAN - CAPROCK REC-LANGE 138KV CKT 1'        |
| 11G | 0 | G10_060 | 'CAPROCK REC-MCDONALD - CAPROCK REC-TRIANGLE 138KV CKT 1' | FROM->TO | 0.19505 | 270.8 | 'CAPROCK REC-BUCHANAN - CAPROCK REC-RUSSEL TAP 138KV CKT 1'   |
| 11G | 0 | G10_059 | 'CAPROCK REC-MCDONALD - CAPROCK REC-TRIANGLE 138KV CKT 1' | FROM->TO | 0.19505 | 270.8 | 'CAPROCK REC-BUCHANAN - CAPROCK REC-RUSSEL TAP 138KV CKT 1'   |
| 11G | 0 | G10_060 | 'CAPROCK REC-MCDONALD - CAPROCK REC-TRIANGLE 138KV CKT 1' | FROM->TO | 0.19949 | 270.8 | 'CAPROCK REC-NEW SCHWARTZ - CAPROCK REC-PEMBROOK 138KV CKT 1' |
| 11G | 0 | G10_059 | 'CAPROCK REC-MCDONALD - CAPROCK REC-TRIANGLE 138KV CKT 1' | FROM->TO | 0.19949 | 270.8 | 'CAPROCK REC-NEW SCHWARTZ - CAPROCK REC-PEMBROOK 138KV CKT 1' |
| 11G | 0 | G10_060 | 'CAPROCK REC-GRADY - CAPROCK REC-REED 138KV CKT 1'        | FROM->TO | 0.19505 | 270.7 | 'CAPROCK REC-STILES - G09-17T 138.00 138KV CKT 1'             |
| 11G | 0 | G10_059 | 'CAPROCK REC-GRADY - CAPROCK REC-REED 138KV CKT 1'        | FROM->TO | 0.19505 | 270.7 | 'CAPROCK REC-STILES - G09-17T 138.00 138KV CKT 1'             |
| 11G | 0 | G10_060 | 'CAPROCK REC-MCDONALD - CAPROCK REC-TRIANGLE 138KV CKT 1' | FROM->TO | 0.19505 | 270.8 | 'CAPROCK REC-RUSSEL TAP - CAPROCK REC-VEALMOOR 138KV CKT 1'   |
| 11G | 0 | G10_059 | 'CAPROCK REC-MCDONALD - CAPROCK REC-TRIANGLE 138KV CKT 1' | FROM->TO | 0.19505 | 270.8 | 'CAPROCK REC-RUSSEL TAP - CAPROCK REC-VEALMOOR 138KV CKT 1'   |
| 11G | 0 | G10_060 | 'CAPROCK REC-MCDONALD - CAPROCK REC-TRIANGLE 138KV CKT 1' | FROM->TO | 0.19949 | 270.8 | 'CAPROCK REC-PEMBROOK - G09-17T 138.00 138KV CKT 1'           |
| 11G | 0 | G10_059 | 'CAPROCK REC-MCDONALD - CAPROCK REC-TRIANGLE 138KV CKT 1' | FROM->TO | 0.19949 | 270.8 | 'CAPROCK REC-PEMBROOK - G09-17T 138.00 138KV CKT 1'           |
| 11G | 0 | G10_060 | 'CAPROCK REC-GRADY - CAPROCK REC-REED 138KV CKT 1'        | FROM->TO | 0.19949 | 270.7 | 'CAPROCK REC-MCDONALD - CR-1956 4138.00 138KV CKT 1'          |

|     |   |         |  |          |         |       |  |
|-----|---|---------|--|----------|---------|-------|--|
| 11G | 0 | G10_059 | 'CAPROCK REC-GRADY - CAPROCK REC-REED<br>138KV CKT 1'        | FROM->TO | 0.19949 | 270.7 | 'CAPROCK REC-MCDONALD - CR-1956 4138.00<br>138KV CKT 1'          |
| 11G | 0 | G10_060 | 'CAPROCK REC-GRADY - CAPROCK REC-REED<br>138KV CKT 1'        | FROM->TO | 0.19505 | 270.7 | 'CAPROCK REC-ST LAWRENCE - CAPROCK<br>REC-STILES 138KV CKT 1'    |
| 11G | 0 | G10_059 | 'CAPROCK REC-GRADY - CAPROCK REC-REED<br>138KV CKT 1'        | FROM->TO | 0.19505 | 270.7 | 'CAPROCK REC-ST LAWRENCE - CAPROCK<br>REC-STILES 138KV CKT 1'    |
| 11G | 0 | G10_060 | 'CUNNINGHAM STATION - LEA COUNTY<br>INTERCHANGE 230KV CKT 1' | TO->FROM | 0.40915 | 557   | 'MIDLAND COUNTY INTERCHANGE 230/138KV<br>TRANSFORMER CKT 1'      |
| 11G | 0 | G10_059 | 'CUNNINGHAM STATION - LEA COUNTY<br>INTERCHANGE 230KV CKT 1' | TO->FROM | 0.40915 | 557   | 'MIDLAND COUNTY INTERCHANGE 230/138KV<br>TRANSFORMER CKT 1'      |
| 11G | 0 | G10_060 | 'CAPROCK REC-GRADY - CAPROCK REC-REED<br>138KV CKT 1'        | FROM->TO | 0.19949 | 270.7 | 'CAPROCK REC-NEW SCHWARTZ - CR-1956<br>4138.00 138KV CKT 1'      |
| 11G | 0 | G10_059 | 'CAPROCK REC-GRADY - CAPROCK REC-REED<br>138KV CKT 1'        | FROM->TO | 0.19949 | 270.7 | 'CAPROCK REC-NEW SCHWARTZ - CR-1956<br>4138.00 138KV CKT 1'      |
| 11G | 0 | G10_060 | 'CUNNINGHAM STATION - LEA COUNTY<br>INTERCHANGE 230KV CKT 1' | TO->FROM | 0.40915 | 557   | 'CAPROCK REC-PHILLIPS - CAPROCK REC-<br>TATE 138KV CKT 1'        |
| 11G | 0 | G10_059 | 'CUNNINGHAM STATION - LEA COUNTY<br>INTERCHANGE 230KV CKT 1' | TO->FROM | 0.40915 | 557   | 'CAPROCK REC-PHILLIPS - CAPROCK REC-<br>TATE 138KV CKT 1'        |
| 11G | 0 | G10_060 | 'CAPROCK REC-GRADY - CAPROCK REC-REED<br>138KV CKT 1'        | FROM->TO | 0.19505 | 270.7 | 'CAPROCK REC-LANGE - CAPROCK REC-ST<br>LAWRENCE 138KV CKT 1'     |
| 11G | 0 | G10_059 | 'CAPROCK REC-GRADY - CAPROCK REC-REED<br>138KV CKT 1'        | FROM->TO | 0.19505 | 270.7 | 'CAPROCK REC-LANGE - CAPROCK REC-ST<br>LAWRENCE 138KV CKT 1'     |
| 11G | 0 | G10_060 | 'CAPROCK REC-GRADY - CAPROCK REC-REED<br>138KV CKT 1'        | FROM->TO | 0.19505 | 270.7 | 'CAPROCK REC-BUCHANAN - CAPROCK REC-<br>LANGE 138KV CKT 1'       |
| 11G | 0 | G10_059 | 'CAPROCK REC-GRADY - CAPROCK REC-REED<br>138KV CKT 1'        | FROM->TO | 0.19505 | 270.7 | 'CAPROCK REC-BUCHANAN - CAPROCK REC-<br>LANGE 138KV CKT 1'       |
| 11G | 0 | G10_060 | 'CUNNINGHAM STATION - LEA COUNTY<br>INTERCHANGE 230KV CKT 1' | TO->FROM | 0.40915 | 557   | 'CAPROCK REC-MCDONALD - CAPROCK REC-<br>PHILLIPS 138KV CKT 1'    |
| 11G | 0 | G10_059 | 'CUNNINGHAM STATION - LEA COUNTY<br>INTERCHANGE 230KV CKT 1' | TO->FROM | 0.40915 | 557   | 'CAPROCK REC-MCDONALD - CAPROCK REC-<br>PHILLIPS 138KV CKT 1'    |
| 11G | 0 | G10_060 | 'CAPROCK REC-GRADY - CAPROCK REC-REED<br>138KV CKT 1'        | FROM->TO | 0.19949 | 270.7 | 'CAPROCK REC-NEW SCHWARTZ - CAPROCK<br>REC-PEMBROOK 138KV CKT 1' |
| 11G | 0 | G10_059 | 'CAPROCK REC-GRADY - CAPROCK REC-REED<br>138KV CKT 1'        | FROM->TO | 0.19949 | 270.7 | 'CAPROCK REC-NEW SCHWARTZ - CAPROCK<br>REC-PEMBROOK 138KV CKT 1' |
| 11G | 0 | G10_060 | 'CAPROCK REC-GRADY - CAPROCK REC-REED<br>138KV CKT 1'        | FROM->TO | 0.19505 | 270.7 | 'CAPROCK REC-BUCHANAN - CAPROCK REC-<br>RUSSEL TAP 138KV CKT 1'  |
| 11G | 0 | G10_059 | 'CAPROCK REC-GRADY - CAPROCK REC-REED<br>138KV CKT 1'        | FROM->TO | 0.19505 | 270.7 | 'CAPROCK REC-BUCHANAN - CAPROCK REC-<br>RUSSEL TAP 138KV CKT 1'  |
| 11G | 0 | G10_060 | 'CAPROCK REC-GRADY - CAPROCK REC-REED<br>138KV CKT 1'        | FROM->TO | 0.19505 | 270.7 | 'CAPROCK REC-RUSSEL TAP - CAPROCK REC-<br>VEALMOOR 138KV CKT 1'  |
| 11G | 0 | G10_059 | 'CAPROCK REC-GRADY - CAPROCK REC-REED<br>138KV CKT 1'        | FROM->TO | 0.19505 | 270.7 | 'CAPROCK REC-RUSSEL TAP - CAPROCK REC-<br>VEALMOOR 138KV CKT 1'  |
| 11G | 0 | G10_060 | 'CAPROCK REC-GRADY - CAPROCK REC-REED<br>138KV CKT 1'        | FROM->TO | 0.19949 | 270.7 | 'CAPROCK REC-PEMBROOK - G09-17T 138.00<br>138KV CKT 1'           |
| 11G | 0 | G10_059 | 'CAPROCK REC-GRADY - CAPROCK REC-REED<br>138KV CKT 1'        | FROM->TO | 0.19949 | 270.7 | 'CAPROCK REC-PEMBROOK - G09-17T 138.00<br>138KV CKT 1'           |
| 11G | 0 | G10_060 | 'CUNNINGHAM STATION - LEA COUNTY<br>INTERCHANGE 230KV CKT 1' | TO->FROM | 0.40632 | 557   | 'SPP-SWPS-K48'   |
| 11G | 0 | G10_059 | 'CUNNINGHAM STATION - LEA COUNTY<br>INTERCHANGE 230KV CKT 1' | TO->FROM | 0.40632 | 557   | 'SPP-SWPS-K48'   |

|      |   |         |   |          |         |       |   |
|------|---|---------|---|----------|---------|-------|---|
| 11G  | 0 | G10_060 | 'CUNNINGHAM STATION - LEA COUNTY INTERCHANGE 230KV CKT 1' | TO->FROM | 0.40632 | 557   | 'BORDEN COUNTY INTERCHANGE - GRASSLAND INTERCHANGE 230KV CKT 1' |
| 11G  | 0 | G10_059 | 'CUNNINGHAM STATION - LEA COUNTY INTERCHANGE 230KV CKT 1' | TO->FROM | 0.40632 | 557   | 'BORDEN COUNTY INTERCHANGE - GRASSLAND INTERCHANGE 230KV CKT 1' |
| 11SP | 0 | G10_061 | 'HAYS PLANT - SOUTH HAYS 115KV CKT 1'                     | TO->FROM | 0.2654  | 87.8  | 'KNOLL 230 (KNOLL T1) 230/115/11.49KV TRANSFORMER CKT 1'        |
| 11SP | 0 | G10_061 | 'HAYS PLANT - SOUTH HAYS 115KV CKT 1'                     | TO->FROM | 0.20466 | 87.8  | 'KNOLL 230 - POSTROCK6 230.00 230KV CKT 1'                      |
| 11SP | 0 | G10_061 | 'HAYS PLANT - VINE STREET 115KV CKT 1'                    | FROM->TO | 0.2654  | 88    | 'KNOLL 230 (KNOLL T1) 230/115/11.49KV TRANSFORMER CKT 1'        |
| 16SP | 0 | G10_061 | 'HAYS PLANT - SOUTH HAYS 115KV CKT 1'                     | TO->FROM | 0.27002 | 87.7  | 'KNOLL 230 (KNOLL T1) 230/115/11.49KV TRANSFORMER CKT 1'        |
| 16SP | 0 | G10_061 | 'HAYS PLANT - SOUTH HAYS 115KV CKT 1'                     | TO->FROM | 0.20773 | 87.7  | 'KNOLL 230 - POSTROCK6 230.00 230KV CKT 1'                      |
| 16SP | 0 | G10_061 | 'HAYS PLANT - VINE STREET 115KV CKT 1'                    | FROM->TO | 0.27002 | 88    | 'KNOLL 230 (KNOLL T1) 230/115/11.49KV TRANSFORMER CKT 1'        |
| 11SP | 0 | G10_062 | 'G08-79T 115.00 - G10-62 115.00 115KV CKT 1'              | TO->FROM | 0.85803 | 129.4 | 'HOLCOMB (HOLCOMB) 345/115/13.8KV TRANSFORMER CKT 1'            |
| 11SP | 0 | G10_062 | 'G08-79T 115.00 - G10-62 115.00 115KV CKT 1'              | TO->FROM | 0.99974 | 129.4 | 'CUDAHY - G09-59T 115.00 115KV CKT 1'                           |
| 11SP | 0 | G10_062 | 'CUDAHY - G09-59T 115.00 115KV CKT 1'                     | TO->FROM | 0.99974 | 129.5 | 'G08-79T 115.00 - G10-62 115.00 115KV CKT 1'                    |
| 11WP | 0 | G10_062 | 'CUDAHY - KISMET 3 115.00 115KV CKT 1'                    | FROM->TO | 0.99964 | 129.2 | 'G08-79T 115.00 - G10-62 115.00 115KV CKT 1'                    |
| 11WP | 0 | G10_062 | 'CIMARRON RIVER TAP - KISMET 3 115.00 115KV CKT 1'        | TO->FROM | 0.99964 | 129.2 | 'G08-79T 115.00 - G10-62 115.00 115KV CKT 1'                    |
| 16SP | 0 | G10_062 | 'G08-79T 115.00 - G10-62 115.00 115KV CKT 1'              | TO->FROM | 0.85744 | 129.4 | 'HOLCOMB (HOLCOMB) 345/115/13.8KV TRANSFORMER CKT 1'            |
| 16SP | 0 | G10_062 | 'G08-79T 115.00 - G10-62 115.00 115KV CKT 1'              | TO->FROM | 0.99976 | 129.4 | 'CUDAHY - G09-59T 115.00 115KV CKT 1'                           |
| 16SP | 0 | G10_062 | 'CUDAHY - G09-59T 115.00 115KV CKT 1'                     | TO->FROM | 0.99976 | 129.5 | 'G08-79T 115.00 - G10-62 115.00 115KV CKT 1'                    |
| 16WP | 0 | G10_062 | 'CUDAHY - KISMET 3 115.00 115KV CKT 1'                    | FROM->TO | 0.99967 | 129.4 | 'G08-79T 115.00 - G10-62 115.00 115KV CKT 1'                    |
| 11G  | 0 | G10_062 | 'CUDAHY - KISMET 3 115.00 115KV CKT 1'                    | FROM->TO | 0.99743 | 126.5 | 'G08-79T 115.00 - G10-62 115.00 115KV CKT 1'                    |
| 11G  | 0 | G10_062 | 'CIMARRON RIVER TAP - KISMET 3 115.00 115KV CKT 1'        | TO->FROM | 0.99743 | 126.3 | 'G08-79T 115.00 - G10-62 115.00 115KV CKT 1'                    |
| 11G  | 0 | G10_062 | 'CUDAHY - G09-59T 115.00 115KV CKT 1'                     | TO->FROM | 0.99743 | 158.3 | 'G08-79T 115.00 - G10-62 115.00 115KV CKT 1'                    |
| 11G  | 0 | G10_062 | 'G08-79T 115.00 - G10-62 115.00 115KV CKT 1'              | TO->FROM | 0.99743 | 159.3 | 'CUDAHY - G09-59T 115.00 115KV CKT 1'                           |
| 11G  | 0 | G10_062 | 'G08-79T 115.00 - JUDSON LARGE 115KV CKT 1'               | FROM->TO | 0.5923  | 158.9 | 'CUDAHY - G09-59T 115.00 115KV CKT 1'                           |
| 11G  | 0 | G10_062 | 'CIMARRON RIVER PLANT - CIMARRON RIVER TAP 115KV CKT 1'   | TO->FROM | 0.84153 | 116.6 | 'G08-79T 115.00 - G10-62 115.00 115KV CKT 1'                    |
| 11G  | 0 | G10_062 | 'CUDAHY - KISMET 3 115.00 115KV CKT 1'                    | FROM->TO | 0.29991 | 126.5 | 'G08-79T 115.00 - JUDSON LARGE 115KV CKT 1'                     |
| 11G  | 0 | G10_062 | 'G08-79T 115.00 - JUDSON LARGE 115KV CKT 1'               | FROM->TO | 0.75934 | 158.9 | 'G08-79T 115.00 - SPEARVILLE 115KV CKT 1'                       |



|      |   |         |  |          |         |       |  |
|------|---|---------|--|----------|---------|-------|--|
| 11G  | 0 | G10_062 | 'CIMARRON RIVER TAP - KISMET 3 115.00<br>115KV CKT 1'                                | TO->FROM | 0.29991 | 126.3 | 'G08-79T 115.00 - JUDSON LARGE 115KV CKT<br>1'       |
| 11SP | 2 | G10_059 | 'GRASSLAND INTERCHANGE - LYNN COUNTY<br>INTERCHANGE 115KV CKT 1'                     | FROM->TO | 0.2784  | 159.1 | 'GRASSLAND 7 345.00 - JONES 7 345.00<br>345KV CKT 1' |
| 11SP | 2 | G10_060 | 'GRASSLAND INTERCHANGE - LYNN COUNTY<br>INTERCHANGE 115KV CKT 1'                     | FROM->TO | 0.2784  | 159.1 | 'GRASSLAND 7 345.00 - JONES 7 345.00<br>345KV CKT 1' |
| 11SP | 2 | G10_059 | 'LYNN COUNTY INTERCHANGE - SOUTH<br>PLAINS REC-WOODROW INTERCHANGE 115KV<br>CKT 1'   | FROM->TO | 0.2784  | 159.4 | 'GRASSLAND 7 345.00 - JONES 7 345.00<br>345KV CKT 1' |
| 11SP | 2 | G10_060 | 'LYNN COUNTY INTERCHANGE - SOUTH<br>PLAINS REC-WOODROW INTERCHANGE 115KV<br>CKT 1'   | FROM->TO | 0.2784  | 159.4 | 'GRASSLAND 7 345.00 - JONES 7 345.00<br>345KV CKT 1' |
| 11SP | 2 | G10_059 | 'HOBBS_INT 7345.00 (HOBBS 1) 345/230/13.2KV<br>TRANSFORMER CKT 1'                    | FROM->TO | 0.99984 | 555.3 | 'BORDEN 7345.00 - GRASSLAND 7 345.00<br>345KV CKT 1' |
| 11SP | 2 | G10_060 | 'HOBBS_INT 7345.00 (HOBBS 1) 345/230/13.2KV<br>TRANSFORMER CKT 1'                    | FROM->TO | 0.99984 | 555.3 | 'BORDEN 7345.00 - GRASSLAND 7 345.00<br>345KV CKT 1' |
| 11SP | 2 | G10_059 | 'HOBBS_INT 7345.00 (HOBBS 1) 345/230/13.2KV<br>TRANSFORMER CKT 1'                    | FROM->TO | 0.99984 | 555.9 | 'BORDEN 7345.00 - GRASSLAND 7 345.00<br>345KV CKT 1' |
| 11SP | 2 | G10_060 | 'HOBBS_INT 7345.00 (HOBBS 1) 345/230/13.2KV<br>TRANSFORMER CKT 1'                    | FROM->TO | 0.99984 | 555.9 | 'BORDEN 7345.00 - GRASSLAND 7 345.00<br>345KV CKT 1' |
| 11SP | 2 | G10_059 | 'LUBBOCK SOUTH INTERCHANGE - SOUTH<br>PLAINS REC-WOODROW INTERCHANGE 115KV<br>CKT 1' | TO->FROM | 0.2784  | 157.9 | 'GRASSLAND 7 345.00 - JONES 7 345.00<br>345KV CKT 1' |
| 11SP | 2 | G10_060 | 'LUBBOCK SOUTH INTERCHANGE - SOUTH<br>PLAINS REC-WOODROW INTERCHANGE 115KV<br>CKT 1' | TO->FROM | 0.2784  | 157.9 | 'GRASSLAND 7 345.00 - JONES 7 345.00<br>345KV CKT 1' |
| 11SP | 2 | G10_059 | 'HOBBS_INT 7345.00 (HOBBS 1) 345/230/13.2KV<br>TRANSFORMER CKT 1'                    | FROM->TO | 0.79326 | 555.3 | 'BORDEN 7345.00 - MIDLAND 7345.00 345KV<br>CKT 1'    |
| 11SP | 2 | G10_060 | 'HOBBS_INT 7345.00 (HOBBS 1) 345/230/13.2KV<br>TRANSFORMER CKT 1'                    | FROM->TO | 0.79326 | 555.3 | 'BORDEN 7345.00 - MIDLAND 7345.00 345KV<br>CKT 1'    |
| 11SP | 2 | G10_059 | 'HOBBS_INT 7345.00 (HOBBS 1) 345/230/13.2KV<br>TRANSFORMER CKT 1'                    | FROM->TO | 0.79326 | 555.9 | 'BORDEN 7345.00 - MIDLAND 7345.00 345KV<br>CKT 1'    |
| 11SP | 2 | G10_060 | 'HOBBS_INT 7345.00 (HOBBS 1) 345/230/13.2KV<br>TRANSFORMER CKT 1'                    | FROM->TO | 0.79326 | 555.9 | 'BORDEN 7345.00 - MIDLAND 7345.00 345KV<br>CKT 1'    |
| 11SP | 2 | G10_059 | 'AMOCO SWITCHING STATION - YOAKUM<br>COUNTY INTERCHANGE 230KV CKT 1'                 | TO->FROM | 0.2569  | 349.7 | 'BORDEN 7345.00 - GRASSLAND 7 345.00<br>345KV CKT 1' |
| 11SP | 2 | G10_060 | 'AMOCO SWITCHING STATION - YOAKUM<br>COUNTY INTERCHANGE 230KV CKT 1'                 | TO->FROM | 0.2569  | 349.7 | 'BORDEN 7345.00 - GRASSLAND 7 345.00<br>345KV CKT 1' |
| 11SP | 2 | G10_059 | 'GRASSLAND 7 345.00 (GRASSLAND 1)<br>345/115/13.2KV TRANSFORMER CKT 1'               | FROM->TO | 0.27856 | 300   | 'GRASSLAND 7 345.00 - JONES 7 345.00<br>345KV CKT 1' |
| 11SP | 2 | G10_060 | 'GRASSLAND 7 345.00 (GRASSLAND 1)<br>345/115/13.2KV TRANSFORMER CKT 1'               | FROM->TO | 0.27856 | 300   | 'GRASSLAND 7 345.00 - JONES 7 345.00<br>345KV CKT 1' |
| 11SP | 2 | G10_059 | 'GRASSLAND 7 345.00 (GRASSLAND 1)<br>345/115/13.2KV TRANSFORMER CKT 1'               | FROM->TO | 0.27856 | 299.9 | 'GRASSLAND 7 345.00 - JONES 7 345.00<br>345KV CKT 1' |
| 11SP | 2 | G10_060 | 'GRASSLAND 7 345.00 (GRASSLAND 1)<br>345/115/13.2KV TRANSFORMER CKT 1'               | FROM->TO | 0.27856 | 299.9 | 'GRASSLAND 7 345.00 - JONES 7 345.00<br>345KV CKT 1' |
| 11SP | 2 | G10_059 | 'CAPROCK REC-PHILLIPS - CAPROCK REC-<br>TATE 138KV CKT 1'                            | TO->FROM | 0.20674 | 270   | 'BORDEN 7345.00 - MIDLAND 7345.00 345KV<br>CKT 1'    |
| 11SP | 2 | G10_060 | 'CAPROCK REC-PHILLIPS - CAPROCK REC-<br>TATE 138KV CKT 1'                            | TO->FROM | 0.20674 | 270   | 'BORDEN 7345.00 - MIDLAND 7345.00 345KV<br>CKT 1'    |

|      |   |         |   |          |         |        |  |
|------|---|---------|---|----------|---------|--------|--|
| 11SP | 2 | G10_059 | 'CAPROCK REC-MCDONALD - CAPROCK REC-PHILLIPS 138KV CKT 1'         | TO->FROM | 0.20674 | 270.5  | 'BORDEN 7345.00 - MIDLAND 7345.00 345KV CKT 1'                 |
| 11SP | 2 | G10_060 | 'CAPROCK REC-MCDONALD - CAPROCK REC-PHILLIPS 138KV CKT 1'         | TO->FROM | 0.20674 | 270.5  | 'BORDEN 7345.00 - MIDLAND 7345.00 345KV CKT 1'                 |
| 11SP | 2 | G10_059 | 'BORDEN 7345.00 345/138KV TRANSFORMER CKT 1'                      | TO->FROM | 0.20658 | 168    | 'BORDEN 7345.00 - MIDLAND 7345.00 345KV CKT 1'                 |
| 11SP | 2 | G10_060 | 'BORDEN 7345.00 345/138KV TRANSFORMER CKT 1'                      | TO->FROM | 0.20658 | 168    | 'BORDEN 7345.00 - MIDLAND 7345.00 345KV CKT 1'                 |
| 11SP | 2 | G10_059 | 'HOBBS_INT 7345.00 (HOBBS 1) 345/230/13.2KV TRANSFORMER CKT 1'    | FROM->TO | 0.72063 | 555.3  | 'GRASSLAND 7 345.00 - JONES 7 345.00 345KV CKT 1'              |
| 11SP | 2 | G10_060 | 'HOBBS_INT 7345.00 (HOBBS 1) 345/230/13.2KV TRANSFORMER CKT 1'    | FROM->TO | 0.72063 | 555.3  | 'GRASSLAND 7 345.00 - JONES 7 345.00 345KV CKT 1'              |
| 11SP | 2 | G10_059 | 'HOBBS_INT 7345.00 (HOBBS 1) 345/230/13.2KV TRANSFORMER CKT 1'    | FROM->TO | 0.72063 | 555.9  | 'GRASSLAND 7 345.00 - JONES 7 345.00 345KV CKT 1'              |
| 11SP | 2 | G10_060 | 'HOBBS_INT 7345.00 (HOBBS 1) 345/230/13.2KV TRANSFORMER CKT 1'    | FROM->TO | 0.72063 | 555.9  | 'GRASSLAND 7 345.00 - JONES 7 345.00 345KV CKT 1'              |
| 11SP | 2 | G10_059 | 'AMOCO SWITCHING STATION - YOAKUM COUNTY INTERCHANGE 230KV CKT 1' | TO->FROM | 0.19531 | 349.7  | 'BORDEN 7345.00 - MIDLAND 7345.00 345KV CKT 1'                 |
| 11SP | 2 | G10_060 | 'AMOCO SWITCHING STATION - YOAKUM COUNTY INTERCHANGE 230KV CKT 1' | TO->FROM | 0.19531 | 349.7  | 'BORDEN 7345.00 - MIDLAND 7345.00 345KV CKT 1'                 |
| 11SP | 2 | G10_059 | 'JONES STATION - TUCO INTERCHANGE 230KV CKT 1'                    | FROM->TO | 0.30858 | 346.7  | 'JONES 7 345.00 - TUCO INTERCHANGE 345KV CKT 1'                |
| 11SP | 2 | G10_060 | 'JONES STATION - TUCO INTERCHANGE 230KV CKT 1'                    | FROM->TO | 0.30858 | 346.7  | 'JONES 7 345.00 - TUCO INTERCHANGE 345KV CKT 1'                |
| 11SP | 2 | G10_059 | 'HOBBS INTERCHANGE - YOAKUM COUNTY INTERCHANGE 230KV CKT 1'       | FROM->TO | 0.38645 | 496.9  | 'BORDEN 7345.00 - GRASSLAND 7 345.00 345KV CKT 1'              |
| 11SP | 2 | G10_060 | 'HOBBS INTERCHANGE - YOAKUM COUNTY INTERCHANGE 230KV CKT 1'       | FROM->TO | 0.38645 | 496.9  | 'BORDEN 7345.00 - GRASSLAND 7 345.00 345KV CKT 1'              |
| 11SP | 2 | G10_059 | 'CUNNINGHAM STATION - HOBBS INTERCHANGE 230KV CKT 1'              | TO->FROM | 0.40303 | 501.7  | 'BORDEN 7345.00 - GRASSLAND 7 345.00 345KV CKT 1'              |
| 11SP | 2 | G10_060 | 'CUNNINGHAM STATION - HOBBS INTERCHANGE 230KV CKT 1'              | TO->FROM | 0.40303 | 501.7  | 'BORDEN 7345.00 - GRASSLAND 7 345.00 345KV CKT 1'              |
| 11SP | 2 | G10_059 | 'CUNNINGHAM STATION - EDDY COUNTY INTERCHANGE 230KV CKT 1'        | FROM->TO | 0.19467 | 351    | 'BORDEN 7345.00 - GRASSLAND 7 345.00 345KV CKT 1'              |
| 11SP | 2 | G10_060 | 'CUNNINGHAM STATION - EDDY COUNTY INTERCHANGE 230KV CKT 1'        | FROM->TO | 0.19467 | 351    | 'BORDEN 7345.00 - GRASSLAND 7 345.00 345KV CKT 1'              |
| 11SP | 2 | G10_059 | 'HOBBS_INT 7345.00 - MIDLAND 7345.00 345KV CKT 1'                 | TO->FROM | 0.99984 | 1198.3 | 'BORDEN 7345.00 - GRASSLAND 7 345.00 345KV CKT 1'              |
| 11SP | 2 | G10_060 | 'HOBBS_INT 7345.00 - MIDLAND 7345.00 345KV CKT 1'                 | TO->FROM | 0.99984 | 1198.3 | 'BORDEN 7345.00 - GRASSLAND 7 345.00 345KV CKT 1'              |
| 11SP | 2 | G10_059 | 'BORDEN 7345.00 - GRASSLAND 7 345.00 345KV CKT 1'                 | FROM->TO | 0.99984 | 1199.2 | 'HOBBS_INT 7345.00 - MIDLAND 7345.00 345KV CKT 1'              |
| 11SP | 2 | G10_060 | 'BORDEN 7345.00 - GRASSLAND 7 345.00 345KV CKT 1'                 | FROM->TO | 0.99984 | 1199.2 | 'HOBBS_INT 7345.00 - MIDLAND 7345.00 345KV CKT 1'              |
| 11SP | 2 | G10_059 | 'BORDEN 7345.00 - GRASSLAND 7 345.00 345KV CKT 1'                 | FROM->TO | 0.99984 | 1199.2 | 'HOBBS_INT 7345.00 (HOBBS 1) 345/230/13.2KV TRANSFORMER CKT 1' |
| 11SP | 2 | G10_060 | 'BORDEN 7345.00 - GRASSLAND 7 345.00 345KV CKT 1'                 | FROM->TO | 0.99984 | 1199.2 | 'HOBBS_INT 7345.00 (HOBBS 1) 345/230/13.2KV TRANSFORMER CKT 1' |
| 11SP | 2 | G10_059 | 'JONES 7 345.00 (JONES 1) 345/230/13.8KV TRANSFORMER CKT 1'       | FROM->TO | 0.45064 | 553.9  | 'JONES 7 345.00 - TUCO INTERCHANGE 345KV CKT 1'                |

|      |  |           |  |          |         |        |   |
|------|--|-----------|--|----------|---------|--------|---|
| 11SP |  | 2 G10_060 | 'JONES 7 345.00 (JONES 1) 345/230/13.8KV TRANSFORMER CKT 1'    | FROM->TO | 0.45064 | 553.9  | 'JONES 7 345.00 - TUCO INTERCHANGE 345KV CKT 1'   |
| 11SP |  | 2 G10_059 | 'JONES 7 345.00 (JONES 1) 345/230/13.8KV TRANSFORMER CKT 1'    | FROM->TO | 0.45064 | 554.3  | 'JONES 7 345.00 - TUCO INTERCHANGE 345KV CKT 1'   |
| 11SP |  | 2 G10_060 | 'JONES 7 345.00 (JONES 1) 345/230/13.8KV TRANSFORMER CKT 1'    | FROM->TO | 0.45064 | 554.3  | 'JONES 7 345.00 - TUCO INTERCHANGE 345KV CKT 1'   |
| 11SP |  | 2 G10_059 | 'BORDEN 7345.00 - MIDLAND 7345.00 345KV CKT 1'                 | TO->FROM | 0.92865 | 1199.7 | 'HOBBS_INT 7345.00 - MIDLAND 7345.00 345KV CKT 1'   |
| 11SP |  | 2 G10_060 | 'BORDEN 7345.00 - MIDLAND 7345.00 345KV CKT 1'                 | TO->FROM | 0.92865 | 1199.7 | 'HOBBS_INT 7345.00 - MIDLAND 7345.00 345KV CKT 1'   |
| 11SP |  | 2 G10_059 | 'BORDEN 7345.00 - MIDLAND 7345.00 345KV CKT 1'                 | TO->FROM | 0.92865 | 1199.7 | 'HOBBS_INT 7345.00 (HOBBS 1) 345/230/13.2KV TRANSFORMER CKT 1'                                |
| 11SP |  | 2 G10_060 | 'BORDEN 7345.00 - MIDLAND 7345.00 345KV CKT 1'                 | TO->FROM | 0.92865 | 1199.7 | 'HOBBS_INT 7345.00 (HOBBS 1) 345/230/13.2KV TRANSFORMER CKT 1'                                |
| 11SP |  | 2 G10_059 | 'AMOCO SWITCHING STATION - SUNDOWN INTERCHANGE 230KV CKT 1'    | FROM->TO | 0.2569  | 351    | 'BORDEN 7345.00 - GRASSLAND 7 345.00 345KV CKT 1'   |
| 11SP |  | 2 G10_060 | 'AMOCO SWITCHING STATION - SUNDOWN INTERCHANGE 230KV CKT 1'    | FROM->TO | 0.2569  | 351    | 'BORDEN 7345.00 - GRASSLAND 7 345.00 345KV CKT 1'   |
| 11SP |  | 2 G10_059 | 'HOBBS_INT 7345.00 (HOBBS 1) 345/230/13.2KV TRANSFORMER CKT 1' | FROM->TO | 0.49366 | 555.3  | 'JONES 7 345.00 - TUCO INTERCHANGE 345KV CKT 1'   |
| 11SP |  | 2 G10_060 | 'HOBBS_INT 7345.00 (HOBBS 1) 345/230/13.2KV TRANSFORMER CKT 1' | FROM->TO | 0.49366 | 555.3  | 'JONES 7 345.00 - TUCO INTERCHANGE 345KV CKT 1'   |
| 11SP |  | 2 G10_059 | 'HOBBS_INT 7345.00 (HOBBS 1) 345/230/13.2KV TRANSFORMER CKT 1' | FROM->TO | 0.49366 | 555.9  | 'JONES 7 345.00 - TUCO INTERCHANGE 345KV CKT 1'   |
| 11SP |  | 2 G10_060 | 'HOBBS_INT 7345.00 (HOBBS 1) 345/230/13.2KV TRANSFORMER CKT 1' | FROM->TO | 0.49366 | 555.9  | 'JONES 7 345.00 - TUCO INTERCHANGE 345KV CKT 1'   |
| 11SP |  | 2 G10_059 | 'HOBBS INTERCHANGE - YOAKUM COUNTY INTERCHANGE 230KV CKT 1'    | FROM->TO | 0.30255 | 496.9  | 'BORDEN 7345.00 - MIDLAND 7345.00 345KV CKT 1'  |
| 11SP |  | 2 G10_060 | 'HOBBS INTERCHANGE - YOAKUM COUNTY INTERCHANGE 230KV CKT 1'    | FROM->TO | 0.30255 | 496.9  | 'BORDEN 7345.00 - MIDLAND 7345.00 345KV CKT 1'  |
| 11SP |  | 2 G10_059 | 'SUNDOWN INTERCHANGE - WOLFFORTH INTERCHANGE 230KV CKT 1'      | FROM->TO | 0.21449 | 350.7  | 'BORDEN 7345.00 - GRASSLAND 7 345.00 345KV CKT 1'   |
| 11SP |  | 2 G10_060 | 'SUNDOWN INTERCHANGE - WOLFFORTH INTERCHANGE 230KV CKT 1'      | FROM->TO | 0.21449 | 350.7  | 'BORDEN 7345.00 - GRASSLAND 7 345.00 345KV CKT 1'   |
| 11SP |  | 2 G10_059 | 'HOBBS_INT 7345.00 (HOBBS 1) 345/230/13.2KV TRANSFORMER CKT 1' | FROM->TO | 0.44569 | 555.3  | 'Golden Spread REC - Mustang Interchange 230 kV Generation Bus - MUSTANG STATION 230KV CKT 1' |
| 11SP |  | 2 G10_060 | 'HOBBS_INT 7345.00 (HOBBS 1) 345/230/13.2KV TRANSFORMER CKT 1' | FROM->TO | 0.44569 | 555.3  | 'Golden Spread REC - Mustang Interchange 230 kV Generation Bus - MUSTANG STATION 230KV CKT 1' |
| 11SP |  | 2 G10_059 | 'HOBBS_INT 7345.00 (HOBBS 1) 345/230/13.2KV TRANSFORMER CKT 1' | FROM->TO | 0.44569 | 555.9  | 'Golden Spread REC - Mustang Interchange 230 kV Generation Bus - MUSTANG STATION 230KV CKT 1' |
| 11SP |  | 2 G10_060 | 'HOBBS_INT 7345.00 (HOBBS 1) 345/230/13.2KV TRANSFORMER CKT 1' | FROM->TO | 0.44569 | 555.9  | 'Golden Spread REC - Mustang Interchange 230 kV Generation Bus - MUSTANG STATION 230KV CKT 1' |
| 11SP |  | 2 G10_059 | 'HOBBS_INT 7345.00 (HOBBS 1) 345/230/13.2KV TRANSFORMER CKT 1' | FROM->TO | 0.44569 | 555.3  | 'HOBBS INTERCHANGE 230/18.0KV TRANSFORMER CKT 1'  |
| 11SP |  | 2 G10_060 | 'HOBBS_INT 7345.00 (HOBBS 1) 345/230/13.2KV TRANSFORMER CKT 1' | FROM->TO | 0.44569 | 555.3  | 'HOBBS INTERCHANGE 230/18.0KV TRANSFORMER CKT 1'  |

|      |   |         |  |          |         |        |  |
|------|---|---------|--|----------|---------|--------|--|
| 11SP | 2 | G10_059 | 'HOBBS_INT 7345.00 (HOBBS 1) 345/230/13.2KV TRANSFORMER CKT 1' | FROM->TO | 0.44569 | 555.9  | 'HOBBS INTERCHANGE 230/18.0KV TRANSFORMER CKT 1'               |
| 11SP | 2 | G10_060 | 'HOBBS_INT 7345.00 (HOBBS 1) 345/230/13.2KV TRANSFORMER CKT 1' | FROM->TO | 0.44569 | 555.9  | 'HOBBS INTERCHANGE 230/18.0KV TRANSFORMER CKT 1'               |
| 11SP | 2 | G10_059 | 'GRASSLAND 7 345.00 - JONES 7 345.00 345KV CKT 1'              | FROM->TO | 0.94731 | 1199.5 | 'HOBBS_INT 7345.00 (HOBBS 1) 345/230/13.2KV TRANSFORMER CKT 1' |
| 11SP | 2 | G10_060 | 'GRASSLAND 7 345.00 - JONES 7 345.00 345KV CKT 1'              | FROM->TO | 0.94731 | 1199.5 | 'HOBBS_INT 7345.00 (HOBBS 1) 345/230/13.2KV TRANSFORMER CKT 1' |
| 11SP | 2 | G10_059 | 'GRASSLAND 7 345.00 - JONES 7 345.00 345KV CKT 1'              | FROM->TO | 0.94731 | 1199.5 | 'HOBBS_INT 7345.00 - MIDLAND 7345.00 345KV CKT 1'              |
| 11SP | 2 | G10_060 | 'GRASSLAND 7 345.00 - JONES 7 345.00 345KV CKT 1'              | FROM->TO | 0.94731 | 1199.5 | 'HOBBS_INT 7345.00 - MIDLAND 7345.00 345KV CKT 1'              |
| 11SP | 2 | G10_059 | 'HOBBS_INT 7345.00 (HOBBS 1) 345/230/13.2KV TRANSFORMER CKT 1' | FROM->TO | 0.44569 | 555.3  | 'CUNNINGHAM STATION 230/20.0KV TRANSFORMER CKT 1'              |
| 11SP | 2 | G10_060 | 'HOBBS_INT 7345.00 (HOBBS 1) 345/230/13.2KV TRANSFORMER CKT 1' | FROM->TO | 0.44569 | 555.3  | 'CUNNINGHAM STATION 230/20.0KV TRANSFORMER CKT 1'              |
| 11SP | 2 | G10_059 | 'HOBBS_INT 7345.00 (HOBBS 1) 345/230/13.2KV TRANSFORMER CKT 1' | FROM->TO | 0.44569 | 555.9  | 'CUNNINGHAM STATION 230/20.0KV TRANSFORMER CKT 1'              |
| 11SP | 2 | G10_060 | 'HOBBS_INT 7345.00 (HOBBS 1) 345/230/13.2KV TRANSFORMER CKT 1' | FROM->TO | 0.44569 | 555.9  | 'CUNNINGHAM STATION 230/20.0KV TRANSFORMER CKT 1'              |
| 11SP | 2 | G10_058 | 'DEAF SMITH COUNTY INTERCHANGE - PLANT X STATION 230KV CKT 1'  | TO->FROM | 0.22188 | 350.7  | 'PLANT X STATION - S-RANDLCO 230.00 230KV CKT 1'               |
| 11SP | 2 | G10_059 | 'HOBBS_INT 7345.00 (HOBBS 1) 345/230/13.2KV TRANSFORMER CKT 1' | FROM->TO | 0.47568 | 555.3  | 'JONES 7 345.00 (JONES 1) 345/230/13.8KV TRANSFORMER CKT 1'    |
| 11SP | 2 | G10_060 | 'HOBBS_INT 7345.00 (HOBBS 1) 345/230/13.2KV TRANSFORMER CKT 1' | FROM->TO | 0.47568 | 555.3  | 'JONES 7 345.00 (JONES 1) 345/230/13.8KV TRANSFORMER CKT 1'    |
| 11SP | 2 | G10_059 | 'HOBBS_INT 7345.00 (HOBBS 1) 345/230/13.2KV TRANSFORMER CKT 1' | FROM->TO | 0.47568 | 555.9  | 'JONES 7 345.00 (JONES 1) 345/230/13.8KV TRANSFORMER CKT 1'    |
| 11SP | 2 | G10_060 | 'HOBBS_INT 7345.00 (HOBBS 1) 345/230/13.2KV TRANSFORMER CKT 1' | FROM->TO | 0.47568 | 555.9  | 'JONES 7 345.00 (JONES 1) 345/230/13.8KV TRANSFORMER CKT 1'    |
| 11SP | 2 | G10_059 | 'HOBBS_INT 7345.00 (HOBBS 1) 345/230/13.2KV TRANSFORMER CKT 1' | FROM->TO | 0.44569 | 555.3  | 'TOLK STATION WEST 230/24.0KV TRANSFORMER CKT 1'               |
| 11SP | 2 | G10_060 | 'HOBBS_INT 7345.00 (HOBBS 1) 345/230/13.2KV TRANSFORMER CKT 1' | FROM->TO | 0.44569 | 555.3  | 'TOLK STATION WEST 230/24.0KV TRANSFORMER CKT 1'               |
| 11SP | 2 | G10_059 | 'HOBBS_INT 7345.00 (HOBBS 1) 345/230/13.2KV TRANSFORMER CKT 1' | FROM->TO | 0.44569 | 555.9  | 'TOLK STATION WEST 230/24.0KV TRANSFORMER CKT 1'               |
| 11SP | 2 | G10_060 | 'HOBBS_INT 7345.00 (HOBBS 1) 345/230/13.2KV TRANSFORMER CKT 1' | FROM->TO | 0.44569 | 555.9  | 'TOLK STATION WEST 230/24.0KV TRANSFORMER CKT 1'               |
| 11SP | 2 | G10_059 | 'HOBBS_INT 7345.00 (HOBBS 1) 345/230/13.2KV TRANSFORMER CKT 1' | FROM->TO | 0.44569 | 555.3  | 'HOBBS INTERCHANGE 115/18.0KV TRANSFORMER CKT 1'               |
| 11SP | 2 | G10_060 | 'HOBBS_INT 7345.00 (HOBBS 1) 345/230/13.2KV TRANSFORMER CKT 1' | FROM->TO | 0.44569 | 555.3  | 'HOBBS INTERCHANGE 115/18.0KV TRANSFORMER CKT 1'               |
| 11SP | 2 | G10_059 | 'HOBBS_INT 7345.00 (HOBBS 1) 345/230/13.2KV TRANSFORMER CKT 1' | FROM->TO | 0.44569 | 555.3  | 'HOBBS INTERCHANGE 115/18.0KV TRANSFORMER CKT 1'               |
| 11SP | 2 | G10_060 | 'HOBBS_INT 7345.00 (HOBBS 1) 345/230/13.2KV TRANSFORMER CKT 1' | FROM->TO | 0.44569 | 555.3  | 'HOBBS INTERCHANGE 115/18.0KV TRANSFORMER CKT 1'               |
| 11SP | 2 | G10_059 | 'HOBBS_INT 7345.00 (HOBBS 1) 345/230/13.2KV TRANSFORMER CKT 1' | FROM->TO | 0.44569 | 555.9  | 'HOBBS INTERCHANGE 115/18.0KV TRANSFORMER CKT 1'               |
| 11SP | 2 | G10_060 | 'HOBBS_INT 7345.00 (HOBBS 1) 345/230/13.2KV TRANSFORMER CKT 1' | FROM->TO | 0.44569 | 555.9  | 'HOBBS INTERCHANGE 115/18.0KV TRANSFORMER CKT 1'               |

|      |   |         |  |          |         |       |   |
|------|---|---------|--|----------|---------|-------|---|
| 11SP | 2 | G10_059 | 'HOBBS_INT 7345.00 (HOBBS 1) 345/230/13.2KV TRANSFORMER CKT 1'                 | FROM->TO | 0.44569 | 555.9 | 'HOBBS INTERCHANGE 115/18.0KV TRANSFORMER CKT 1'  |
| 11SP | 2 | G10_060 | 'HOBBS_INT 7345.00 (HOBBS 1) 345/230/13.2KV TRANSFORMER CKT 1'                 | FROM->TO | 0.44569 | 555.9 | 'HOBBS INTERCHANGE 115/18.0KV TRANSFORMER CKT 1'  |
| 16SP | 2 | G10_059 | 'GRASSLAND INTERCHANGE - LYNN COUNTY INTERCHANGE 115KV CKT 1'                  | FROM->TO | 0.27762 | 159.2 | 'GRASSLAND 7 345.00 - JONES 7 345.00 345KV CKT 1' |
| 16SP | 2 | G10_060 | 'GRASSLAND INTERCHANGE - LYNN COUNTY INTERCHANGE 115KV CKT 1'                  | FROM->TO | 0.27762 | 159.2 | 'GRASSLAND 7 345.00 - JONES 7 345.00 345KV CKT 1' |
| 16SP | 2 | G10_059 | 'LYNN COUNTY INTERCHANGE - SOUTH PLAINS REC-WOODROW INTERCHANGE 115KV CKT 1'   | FROM->TO | 0.27762 | 159.4 | 'GRASSLAND 7 345.00 - JONES 7 345.00 345KV CKT 1' |
| 16SP | 2 | G10_060 | 'LYNN COUNTY INTERCHANGE - SOUTH PLAINS REC-WOODROW INTERCHANGE 115KV CKT 1'   | FROM->TO | 0.27762 | 159.4 | 'GRASSLAND 7 345.00 - JONES 7 345.00 345KV CKT 1' |
| 16SP | 2 | G10_059 | 'AMOCO SWITCHING STATION - YOAKUM COUNTY INTERCHANGE 230KV CKT 1'              | TO->FROM | 0.25304 | 349.9 | 'BORDEN 7345.00 - GRASSLAND 7 345.00 345KV CKT 1' |
| 16SP | 2 | G10_060 | 'AMOCO SWITCHING STATION - YOAKUM COUNTY INTERCHANGE 230KV CKT 1'              | TO->FROM | 0.25304 | 349.9 | 'BORDEN 7345.00 - GRASSLAND 7 345.00 345KV CKT 1' |
| 16SP | 2 | G10_059 | 'HOBBS_INT 7345.00 (HOBBS 1) 345/230/13.2KV TRANSFORMER CKT 1'                 | FROM->TO | 0.99986 | 555.7 | 'BORDEN 7345.00 - GRASSLAND 7 345.00 345KV CKT 1' |
| 16SP | 2 | G10_060 | 'HOBBS_INT 7345.00 (HOBBS 1) 345/230/13.2KV TRANSFORMER CKT 1'                 | FROM->TO | 0.99986 | 555.7 | 'BORDEN 7345.00 - GRASSLAND 7 345.00 345KV CKT 1' |
| 16SP | 2 | G10_059 | 'HOBBS_INT 7345.00 (HOBBS 1) 345/230/13.2KV TRANSFORMER CKT 1'                 | FROM->TO | 0.99986 | 556.5 | 'BORDEN 7345.00 - GRASSLAND 7 345.00 345KV CKT 1' |
| 16SP | 2 | G10_060 | 'HOBBS_INT 7345.00 (HOBBS 1) 345/230/13.2KV TRANSFORMER CKT 1'                 | FROM->TO | 0.99986 | 556.5 | 'BORDEN 7345.00 - GRASSLAND 7 345.00 345KV CKT 1' |
| 16SP | 2 | G10_059 | 'LUBBOCK SOUTH INTERCHANGE - SOUTH PLAINS REC-WOODROW INTERCHANGE 115KV CKT 1' | TO->FROM | 0.27762 | 157.8 | 'GRASSLAND 7 345.00 - JONES 7 345.00 345KV CKT 1' |
| 16SP | 2 | G10_060 | 'LUBBOCK SOUTH INTERCHANGE - SOUTH PLAINS REC-WOODROW INTERCHANGE 115KV CKT 1' | TO->FROM | 0.27762 | 157.8 | 'GRASSLAND 7 345.00 - JONES 7 345.00 345KV CKT 1' |
| 16SP | 2 | G10_059 | 'CAPROCK REC-PHILLIPS - CAPROCK REC-TATE 138KV CKT 1'                          | TO->FROM | 0.2164  | 269.8 | 'BORDEN 7345.00 - MIDLAND 7345.00 345KV CKT 1'    |
| 16SP | 2 | G10_060 | 'CAPROCK REC-PHILLIPS - CAPROCK REC-TATE 138KV CKT 1'                          | TO->FROM | 0.2164  | 269.8 | 'BORDEN 7345.00 - MIDLAND 7345.00 345KV CKT 1'    |
| 16SP | 2 | G10_059 | 'GRASSLAND 7 345.00 (GRASSLAND 1) 345/115/13.2KV TRANSFORMER CKT 1'            | FROM->TO | 0.27777 | 300   | 'GRASSLAND 7 345.00 - JONES 7 345.00 345KV CKT 1' |
| 16SP | 2 | G10_060 | 'GRASSLAND 7 345.00 (GRASSLAND 1) 345/115/13.2KV TRANSFORMER CKT 1'            | FROM->TO | 0.27777 | 300   | 'GRASSLAND 7 345.00 - JONES 7 345.00 345KV CKT 1' |
| 16SP | 2 | G10_059 | 'GRASSLAND 7 345.00 (GRASSLAND 1) 345/115/13.2KV TRANSFORMER CKT 1'            | FROM->TO | 0.27777 | 300   | 'GRASSLAND 7 345.00 - JONES 7 345.00 345KV CKT 1' |
| 16SP | 2 | G10_060 | 'GRASSLAND 7 345.00 (GRASSLAND 1) 345/115/13.2KV TRANSFORMER CKT 1'            | FROM->TO | 0.27777 | 300   | 'GRASSLAND 7 345.00 - JONES 7 345.00 345KV CKT 1' |
| 16SP | 2 | G10_059 | 'HOBBS_INT 7345.00 (HOBBS 1) 345/230/13.2KV TRANSFORMER CKT 1'                 | FROM->TO | 0.7836  | 555.7 | 'BORDEN 7345.00 - MIDLAND 7345.00 345KV CKT 1'    |
| 16SP | 2 | G10_060 | 'HOBBS_INT 7345.00 (HOBBS 1) 345/230/13.2KV TRANSFORMER CKT 1'                 | FROM->TO | 0.7836  | 555.7 | 'BORDEN 7345.00 - MIDLAND 7345.00 345KV CKT 1'    |
| 16SP | 2 | G10_059 | 'HOBBS_INT 7345.00 (HOBBS 1) 345/230/13.2KV TRANSFORMER CKT 1'                 | FROM->TO | 0.7836  | 556.5 | 'BORDEN 7345.00 - MIDLAND 7345.00 345KV CKT 1'    |

|      |   |         |   |          |         |       |   |
|------|---|---------|---|----------|---------|-------|---|
| 16SP | 2 | G10_060 | 'HOBBS_INT 7345.00 (HOBBS 1) 345/230/13.2KV TRANSFORMER CKT 1'    | FROM->TO | 0.7836  | 556.5 | 'BORDEN 7345.00 - MIDLAND 7345.00 345KV CKT 1'                |
| 16SP | 2 | G10_059 | 'CAPROCK REC-MCDONALD - CAPROCK REC-PHILLIPS 138KV CKT 1'         | TO->FROM | 0.2164  | 270.4 | 'BORDEN 7345.00 - MIDLAND 7345.00 345KV CKT 1'                |
| 16SP | 2 | G10_060 | 'CAPROCK REC-MCDONALD - CAPROCK REC-PHILLIPS 138KV CKT 1'         | TO->FROM | 0.2164  | 270.4 | 'BORDEN 7345.00 - MIDLAND 7345.00 345KV CKT 1'                |
| 16SP | 2 | G10_059 | 'HOBBS_INT 7345.00 (HOBBS 1) 345/230/13.2KV TRANSFORMER CKT 1'    | FROM->TO | 0.72149 | 555.7 | 'GRASSLAND 7 345.00 - JONES 7 345.00 345KV CKT 1'             |
| 16SP | 2 | G10_060 | 'HOBBS_INT 7345.00 (HOBBS 1) 345/230/13.2KV TRANSFORMER CKT 1'    | FROM->TO | 0.72149 | 555.7 | 'GRASSLAND 7 345.00 - JONES 7 345.00 345KV CKT 1'             |
| 16SP | 2 | G10_059 | 'HOBBS_INT 7345.00 (HOBBS 1) 345/230/13.2KV TRANSFORMER CKT 1'    | FROM->TO | 0.72149 | 556.5 | 'GRASSLAND 7 345.00 - JONES 7 345.00 345KV CKT 1'             |
| 16SP | 2 | G10_060 | 'HOBBS_INT 7345.00 (HOBBS 1) 345/230/13.2KV TRANSFORMER CKT 1'    | FROM->TO | 0.72149 | 556.5 | 'GRASSLAND 7 345.00 - JONES 7 345.00 345KV CKT 1'             |
| 16SP | 2 | G10_059 | 'HOBBS INTERCHANGE - YOAKUM COUNTY INTERCHANGE 230KV CKT 1'       | FROM->TO | 0.38814 | 496.9 | 'BORDEN 7345.00 - GRASSLAND 7 345.00 345KV CKT 1'             |
| 16SP | 2 | G10_060 | 'HOBBS INTERCHANGE - YOAKUM COUNTY INTERCHANGE 230KV CKT 1'       | FROM->TO | 0.38814 | 496.9 | 'BORDEN 7345.00 - GRASSLAND 7 345.00 345KV CKT 1'             |
| 16SP | 2 | G10_059 | 'CUNNINGHAM STATION - EDDY COUNTY INTERCHANGE 230KV CKT 1'        | FROM->TO | 0.19582 | 348.6 | 'BORDEN 7345.00 - GRASSLAND 7 345.00 345KV CKT 1'             |
| 16SP | 2 | G10_060 | 'CUNNINGHAM STATION - EDDY COUNTY INTERCHANGE 230KV CKT 1'        | FROM->TO | 0.19582 | 348.6 | 'BORDEN 7345.00 - GRASSLAND 7 345.00 345KV CKT 1'             |
| 16SP | 2 | G10_059 | 'JONES STATION - TUCO INTERCHANGE 230KV CKT 1'                    | FROM->TO | 0.30393 | 345.6 | 'JONES 7 345.00 - TUCO INTERCHANGE 345KV CKT 1'               |
| 16SP | 2 | G10_060 | 'JONES STATION - TUCO INTERCHANGE 230KV CKT 1'                    | FROM->TO | 0.30393 | 345.6 | 'JONES 7 345.00 - TUCO INTERCHANGE 345KV CKT 1'               |
| 16SP | 2 | G10_059 | 'MIDLAND 7345.00 (LIKE WICHITA) 345/138/13.8KV TRANSFORMER CKT 1' | FROM->TO | 0.2164  | 384.7 | 'BORDEN 7345.00 - MIDLAND 7345.00 345KV CKT 1'                |
| 16SP | 2 | G10_060 | 'MIDLAND 7345.00 (LIKE WICHITA) 345/138/13.8KV TRANSFORMER CKT 1' | FROM->TO | 0.2164  | 384.7 | 'BORDEN 7345.00 - MIDLAND 7345.00 345KV CKT 1'                |
| 16SP | 2 | G10_059 | 'MIDLAND 7345.00 (LIKE WICHITA) 345/138/13.8KV TRANSFORMER CKT 1' | FROM->TO | 0.2164  | 384.9 | 'BORDEN 7345.00 - MIDLAND 7345.00 345KV CKT 1'                |
| 16SP | 2 | G10_060 | 'MIDLAND 7345.00 (LIKE WICHITA) 345/138/13.8KV TRANSFORMER CKT 1' | FROM->TO | 0.2164  | 384.9 | 'BORDEN 7345.00 - MIDLAND 7345.00 345KV CKT 1'                |
| 16SP | 2 | G10_059 | 'CUNNINGHAM STATION - HOBBS INTERCHANGE 230KV CKT 1'              | TO->FROM | 0.40396 | 500.1 | 'BORDEN 7345.00 - GRASSLAND 7 345.00 345KV CKT 1'             |
| 16SP | 2 | G10_060 | 'CUNNINGHAM STATION - HOBBS INTERCHANGE 230KV CKT 1'              | TO->FROM | 0.40396 | 500.1 | 'BORDEN 7345.00 - GRASSLAND 7 345.00 345KV CKT 1'             |
| 16SP | 2 | G10_058 | 'NEWHART 6230.00 - PLANT X STATION 230KV CKT 1'                   | TO->FROM | 0.21883 | 350.9 | 'DEAF SMITH COUNTY INTERCHANGE - PLANT X STATION 230KV CKT 1' |
| 16SP | 2 | G10_059 | 'HOBBS INTERCHANGE - YOAKUM COUNTY INTERCHANGE 230KV CKT 1'       | FROM->TO | 0.2999  | 496.9 | 'BORDEN 7345.00 - MIDLAND 7345.00 345KV CKT 1'                |
| 16SP | 2 | G10_060 | 'HOBBS INTERCHANGE - YOAKUM COUNTY INTERCHANGE 230KV CKT 1'       | FROM->TO | 0.2999  | 496.9 | 'BORDEN 7345.00 - MIDLAND 7345.00 345KV CKT 1'                |
| 16SP | 2 | G10_059 | 'JONES 7 345.00 (JONES 1) 345/230/13.8KV TRANSFORMER CKT 1'       | FROM->TO | 0.44993 | 553.6 | 'JONES 7 345.00 - TUCO INTERCHANGE 345KV CKT 1'               |
| 16SP | 2 | G10_060 | 'JONES 7 345.00 (JONES 1) 345/230/13.8KV TRANSFORMER CKT 1'       | FROM->TO | 0.44993 | 553.6 | 'JONES 7 345.00 - TUCO INTERCHANGE 345KV CKT 1'               |
| 16SP | 2 | G10_059 | 'JONES 7 345.00 (JONES 1) 345/230/13.8KV TRANSFORMER CKT 1'       | FROM->TO | 0.44993 | 553.9 | 'JONES 7 345.00 - TUCO INTERCHANGE 345KV CKT 1'               |

|      |   |         |  |          |         |        |   |
|------|---|---------|--|----------|---------|--------|---|
| 16SP | 2 | G10_060 | 'JONES 7 345.00 (JONES 1) 345/230/13.8KV TRANSFORMER CKT 1'    | FROM->TO | 0.44993 | 553.9  | 'JONES 7 345.00 - TUCO INTERCHANGE 345KV CKT 1'   |
| 16SP | 2 | G10_059 | 'HOBBS_INT 7345.00 - MIDLAND 7345.00 345KV CKT 1'              | TO->FROM | 0.99986 | 1198.5 | 'BORDEN 7345.00 - GRASSLAND 7 345.00 345KV CKT 1'   |
| 16SP | 2 | G10_060 | 'HOBBS_INT 7345.00 - MIDLAND 7345.00 345KV CKT 1'              | TO->FROM | 0.99986 | 1198.5 | 'BORDEN 7345.00 - GRASSLAND 7 345.00 345KV CKT 1'   |
| 16SP | 2 | G10_059 | 'BORDEN 7345.00 - GRASSLAND 7 345.00 345KV CKT 1'              | FROM->TO | 0.99986 | 1199.5 | 'HOBBS_INT 7345.00 (HOBBS 1) 345/230/13.2KV TRANSFORMER CKT 1'                                |
| 16SP | 2 | G10_060 | 'BORDEN 7345.00 - GRASSLAND 7 345.00 345KV CKT 1'              | FROM->TO | 0.99986 | 1199.5 | 'HOBBS_INT 7345.00 (HOBBS 1) 345/230/13.2KV TRANSFORMER CKT 1'                                |
| 16SP | 2 | G10_059 | 'BORDEN 7345.00 - GRASSLAND 7 345.00 345KV CKT 1'              | FROM->TO | 0.99986 | 1199.5 | 'HOBBS_INT 7345.00 - MIDLAND 7345.00 345KV CKT 1'   |
| 16SP | 2 | G10_060 | 'BORDEN 7345.00 - GRASSLAND 7 345.00 345KV CKT 1'              | FROM->TO | 0.99986 | 1199.5 | 'HOBBS_INT 7345.00 - MIDLAND 7345.00 345KV CKT 1'   |
| 16SP | 2 | G10_059 | 'BORDEN 7345.00 - MIDLAND 7345.00 345KV CKT 1'                 | TO->FROM | 0.92347 | 1199.8 | 'HOBBS_INT 7345.00 (HOBBS 1) 345/230/13.2KV TRANSFORMER CKT 1'                                |
| 16SP | 2 | G10_060 | 'BORDEN 7345.00 - MIDLAND 7345.00 345KV CKT 1'                 | TO->FROM | 0.92347 | 1199.8 | 'HOBBS_INT 7345.00 (HOBBS 1) 345/230/13.2KV TRANSFORMER CKT 1'                                |
| 16SP | 2 | G10_059 | 'BORDEN 7345.00 - MIDLAND 7345.00 345KV CKT 1'                 | TO->FROM | 0.92347 | 1199.8 | 'HOBBS_INT 7345.00 - MIDLAND 7345.00 345KV CKT 1'   |
| 16SP | 2 | G10_060 | 'BORDEN 7345.00 - MIDLAND 7345.00 345KV CKT 1'                 | TO->FROM | 0.92347 | 1199.8 | 'HOBBS_INT 7345.00 - MIDLAND 7345.00 345KV CKT 1'   |
| 16SP | 2 | G10_059 | 'AMOCO SWITCHING STATION - SUNDOWN INTERCHANGE 230KV CKT 1'    | FROM->TO | 0.25304 | 350.5  | 'BORDEN 7345.00 - GRASSLAND 7 345.00 345KV CKT 1'   |
| 16SP | 2 | G10_060 | 'AMOCO SWITCHING STATION - SUNDOWN INTERCHANGE 230KV CKT 1'    | FROM->TO | 0.25304 | 350.5  | 'BORDEN 7345.00 - GRASSLAND 7 345.00 345KV CKT 1'   |
| 16SP | 2 | G10_059 | 'SUNDOWN INTERCHANGE - WOLFFORTH INTERCHANGE 230KV CKT 1'      | FROM->TO | 0.20308 | 350.3  | 'BORDEN 7345.00 - GRASSLAND 7 345.00 345KV CKT 1'   |
| 16SP | 2 | G10_060 | 'SUNDOWN INTERCHANGE - WOLFFORTH INTERCHANGE 230KV CKT 1'      | FROM->TO | 0.20308 | 350.3  | 'BORDEN 7345.00 - GRASSLAND 7 345.00 345KV CKT 1'   |
| 16SP | 2 | G10_059 | 'HOBBS_INT 7345.00 (HOBBS 1) 345/230/13.2KV TRANSFORMER CKT 1' | FROM->TO | 0.49425 | 555.7  | 'JONES 7 345.00 - TUCO INTERCHANGE 345KV CKT 1'   |
| 16SP | 2 | G10_060 | 'HOBBS_INT 7345.00 (HOBBS 1) 345/230/13.2KV TRANSFORMER CKT 1' | FROM->TO | 0.49425 | 555.7  | 'JONES 7 345.00 - TUCO INTERCHANGE 345KV CKT 1'   |
| 16SP | 2 | G10_059 | 'HOBBS_INT 7345.00 (HOBBS 1) 345/230/13.2KV TRANSFORMER CKT 1' | FROM->TO | 0.49425 | 556.5  | 'JONES 7 345.00 - TUCO INTERCHANGE 345KV CKT 1'   |
| 16SP | 2 | G10_060 | 'HOBBS_INT 7345.00 (HOBBS 1) 345/230/13.2KV TRANSFORMER CKT 1' | FROM->TO | 0.49425 | 556.5  | 'JONES 7 345.00 - TUCO INTERCHANGE 345KV CKT 1'   |
| 16SP | 2 | G10_059 | 'HOBBS_INT 7345.00 (HOBBS 1) 345/230/13.2KV TRANSFORMER CKT 1' | FROM->TO | 0.446   | 555.7  | 'Golden Spread REC - Mustang Interchange 230 kV Generation Bus - MUSTANG STATION 230KV CKT 1' |
| 16SP | 2 | G10_060 | 'HOBBS_INT 7345.00 (HOBBS 1) 345/230/13.2KV TRANSFORMER CKT 1' | FROM->TO | 0.446   | 555.7  | 'Golden Spread REC - Mustang Interchange 230 kV Generation Bus - MUSTANG STATION 230KV CKT 1' |
| 16SP | 2 | G10_059 | 'HOBBS_INT 7345.00 (HOBBS 1) 345/230/13.2KV TRANSFORMER CKT 1' | FROM->TO | 0.446   | 556.5  | 'Golden Spread REC - Mustang Interchange 230 kV Generation Bus - MUSTANG STATION 230KV CKT 1' |
| 16SP | 2 | G10_060 | 'HOBBS_INT 7345.00 (HOBBS 1) 345/230/13.2KV TRANSFORMER CKT 1' | FROM->TO | 0.446   | 556.5  | 'Golden Spread REC - Mustang Interchange 230 kV Generation Bus - MUSTANG STATION 230KV CKT 1' |

|      |   |         |  |          |         |        |  |
|------|---|---------|--|----------|---------|--------|--|
| 16SP | 2 | G10_058 | 'DEAF SMITH COUNTY INTERCHANGE - PLANT X STATION 230KV CKT 1'                  | TO->FROM | 0.2017  | 350.4  | 'NEWHART 6230.00 - PLANT X STATION 230KV CKT 1'                |
| 16SP | 2 | G10_059 | 'GRASSLAND 7 345.00 - JONES 7 345.00 345KV CKT 1'                              | FROM->TO | 0.94694 | 1199.8 | 'HOBBS_INT 7345.00 (HOBBS 1) 345/230/13.2KV TRANSFORMER CKT 1' |
| 16SP | 2 | G10_060 | 'GRASSLAND 7 345.00 - JONES 7 345.00 345KV CKT 1'                              | FROM->TO | 0.94694 | 1199.8 | 'HOBBS_INT 7345.00 (HOBBS 1) 345/230/13.2KV TRANSFORMER CKT 1' |
| 16SP | 2 | G10_059 | 'GRASSLAND 7 345.00 - JONES 7 345.00 345KV CKT 1'                              | FROM->TO | 0.94694 | 1199.8 | 'HOBBS_INT 7345.00 - MIDLAND 7345.00 345KV CKT 1'              |
| 16SP | 2 | G10_060 | 'GRASSLAND 7 345.00 - JONES 7 345.00 345KV CKT 1'                              | FROM->TO | 0.94694 | 1199.8 | 'HOBBS_INT 7345.00 - MIDLAND 7345.00 345KV CKT 1'              |
| 11WP | 2 | G10_059 | 'GRASSLAND INTERCHANGE - LYNN COUNTY INTERCHANGE 115KV CKT 1'                  | FROM->TO | 0.27859 | 176.6  | 'GRASSLAND 7 345.00 - JONES 7 345.00 345KV CKT 1'              |
| 11WP | 2 | G10_060 | 'GRASSLAND INTERCHANGE - LYNN COUNTY INTERCHANGE 115KV CKT 1'                  | FROM->TO | 0.27859 | 176.6  | 'GRASSLAND 7 345.00 - JONES 7 345.00 345KV CKT 1'              |
| 11WP | 2 | G10_059 | 'HOBBS_INT 7345.00 (HOBBS 1) 345/230/13.2KV TRANSFORMER CKT 1'                 | FROM->TO | 0.99979 | 555.2  | 'BORDEN 7345.00 - GRASSLAND 7 345.00 345KV CKT 1'              |
| 11WP | 2 | G10_060 | 'HOBBS_INT 7345.00 (HOBBS 1) 345/230/13.2KV TRANSFORMER CKT 1'                 | FROM->TO | 0.99979 | 555.2  | 'BORDEN 7345.00 - GRASSLAND 7 345.00 345KV CKT 1'              |
| 11WP | 2 | G10_059 | 'HOBBS_INT 7345.00 (HOBBS 1) 345/230/13.2KV TRANSFORMER CKT 1'                 | FROM->TO | 0.99979 | 555.5  | 'BORDEN 7345.00 - GRASSLAND 7 345.00 345KV CKT 1'              |
| 11WP | 2 | G10_060 | 'HOBBS_INT 7345.00 (HOBBS 1) 345/230/13.2KV TRANSFORMER CKT 1'                 | FROM->TO | 0.99979 | 555.5  | 'BORDEN 7345.00 - GRASSLAND 7 345.00 345KV CKT 1'              |
| 11WP | 2 | G10_059 | 'LYNN COUNTY INTERCHANGE - SOUTH PLAINS REC-WOODROW INTERCHANGE 115KV CKT 1'   | FROM->TO | 0.27859 | 176.6  | 'GRASSLAND 7 345.00 - JONES 7 345.00 345KV CKT 1'              |
| 11WP | 2 | G10_060 | 'LYNN COUNTY INTERCHANGE - SOUTH PLAINS REC-WOODROW INTERCHANGE 115KV CKT 1'   | FROM->TO | 0.27859 | 176.6  | 'GRASSLAND 7 345.00 - JONES 7 345.00 345KV CKT 1'              |
| 11WP | 2 | G10_059 | 'LUBBOCK SOUTH INTERCHANGE - SOUTH PLAINS REC-WOODROW INTERCHANGE 115KV CKT 1' | TO->FROM | 0.27859 | 175.6  | 'GRASSLAND 7 345.00 - JONES 7 345.00 345KV CKT 1'              |
| 11WP | 2 | G10_060 | 'LUBBOCK SOUTH INTERCHANGE - SOUTH PLAINS REC-WOODROW INTERCHANGE 115KV CKT 1' | TO->FROM | 0.27859 | 175.6  | 'GRASSLAND 7 345.00 - JONES 7 345.00 345KV CKT 1'              |
| 11WP | 2 | G10_059 | 'HOBBS_INT 7345.00 (HOBBS 1) 345/230/13.2KV TRANSFORMER CKT 1'                 | FROM->TO | 0.79304 | 555.2  | 'BORDEN 7345.00 - MIDLAND 7345.00 345KV CKT 1'                 |
| 11WP | 2 | G10_060 | 'HOBBS_INT 7345.00 (HOBBS 1) 345/230/13.2KV TRANSFORMER CKT 1'                 | FROM->TO | 0.79304 | 555.2  | 'BORDEN 7345.00 - MIDLAND 7345.00 345KV CKT 1'                 |
| 11WP | 2 | G10_059 | 'HOBBS_INT 7345.00 (HOBBS 1) 345/230/13.2KV TRANSFORMER CKT 1'                 | FROM->TO | 0.79304 | 555.5  | 'BORDEN 7345.00 - MIDLAND 7345.00 345KV CKT 1'                 |
| 11WP | 2 | G10_060 | 'HOBBS_INT 7345.00 (HOBBS 1) 345/230/13.2KV TRANSFORMER CKT 1'                 | FROM->TO | 0.79304 | 555.5  | 'BORDEN 7345.00 - MIDLAND 7345.00 345KV CKT 1'                 |
| 11WP | 2 | G10_059 | 'HOBBS_INT 7345.00 (HOBBS 1) 345/230/13.2KV TRANSFORMER CKT 1'                 | FROM->TO | 0.72009 | 555.2  | 'GRASSLAND 7 345.00 - JONES 7 345.00 345KV CKT 1'              |
| 11WP | 2 | G10_060 | 'HOBBS_INT 7345.00 (HOBBS 1) 345/230/13.2KV TRANSFORMER CKT 1'                 | FROM->TO | 0.72009 | 555.2  | 'GRASSLAND 7 345.00 - JONES 7 345.00 345KV CKT 1'              |
| 11WP | 2 | G10_059 | 'HOBBS_INT 7345.00 (HOBBS 1) 345/230/13.2KV TRANSFORMER CKT 1'                 | FROM->TO | 0.72009 | 555.5  | 'GRASSLAND 7 345.00 - JONES 7 345.00 345KV CKT 1'              |
| 11WP | 2 | G10_060 | 'HOBBS_INT 7345.00 (HOBBS 1) 345/230/13.2KV TRANSFORMER CKT 1'                 | FROM->TO | 0.72009 | 555.5  | 'GRASSLAND 7 345.00 - JONES 7 345.00 345KV CKT 1'              |



|      |   |         |   |          |         |        |  |
|------|---|---------|---|----------|---------|--------|--|
| 11WP | 2 | G10_059 | 'GRASSLAND 7 345.00 (GRASSLAND 1) 345/115/13.2KV TRANSFORMER CKT 1' | FROM->TO | 0.27881 | 299.9  | 'GRASSLAND 7 345.00 - JONES 7 345.00 345KV CKT 1'              |
| 11WP | 2 | G10_060 | 'GRASSLAND 7 345.00 (GRASSLAND 1) 345/115/13.2KV TRANSFORMER CKT 1' | FROM->TO | 0.27881 | 299.9  | 'GRASSLAND 7 345.00 - JONES 7 345.00 345KV CKT 1'              |
| 11WP | 2 | G10_059 | 'GRASSLAND 7 345.00 (GRASSLAND 1) 345/115/13.2KV TRANSFORMER CKT 1' | FROM->TO | 0.27881 | 299.9  | 'GRASSLAND 7 345.00 - JONES 7 345.00 345KV CKT 1'              |
| 11WP | 2 | G10_060 | 'GRASSLAND 7 345.00 (GRASSLAND 1) 345/115/13.2KV TRANSFORMER CKT 1' | FROM->TO | 0.27881 | 299.9  | 'GRASSLAND 7 345.00 - JONES 7 345.00 345KV CKT 1'              |
| 11WP | 2 | G10_059 | 'CAPROCK REC-PHILLIPS - CAPROCK REC-TATE 138KV CKT 1'               | TO->FROM | 0.20696 | 269.8  | 'BORDEN 7345.00 - MIDLAND 7345.00 345KV CKT 1'                 |
| 11WP | 2 | G10_060 | 'CAPROCK REC-PHILLIPS - CAPROCK REC-TATE 138KV CKT 1'               | TO->FROM | 0.20696 | 269.8  | 'BORDEN 7345.00 - MIDLAND 7345.00 345KV CKT 1'                 |
| 11WP | 2 | G10_059 | 'BORDEN 7345.00 345/138KV TRANSFORMER CKT 1'                        | TO->FROM | 0.20675 | 167.6  | 'BORDEN 7345.00 - MIDLAND 7345.00 345KV CKT 1'                 |
| 11WP | 2 | G10_060 | 'BORDEN 7345.00 345/138KV TRANSFORMER CKT 1'                        | TO->FROM | 0.20675 | 167.6  | 'BORDEN 7345.00 - MIDLAND 7345.00 345KV CKT 1'                 |
| 11WP | 2 | G10_059 | 'CAPROCK REC-MCDONALD - CAPROCK REC-PHILLIPS 138KV CKT 1'           | TO->FROM | 0.20696 | 270.2  | 'BORDEN 7345.00 - MIDLAND 7345.00 345KV CKT 1'                 |
| 11WP | 2 | G10_060 | 'CAPROCK REC-MCDONALD - CAPROCK REC-PHILLIPS 138KV CKT 1'           | TO->FROM | 0.20696 | 270.2  | 'BORDEN 7345.00 - MIDLAND 7345.00 345KV CKT 1'                 |
| 11WP | 2 | G10_059 | 'AMOCO SWITCHING STATION - YOAKUM COUNTY INTERCHANGE 230KV CKT 1'   | TO->FROM | 0.25716 | 358.5  | 'BORDEN 7345.00 - GRASSLAND 7 345.00 345KV CKT 1'              |
| 11WP | 2 | G10_060 | 'AMOCO SWITCHING STATION - YOAKUM COUNTY INTERCHANGE 230KV CKT 1'   | TO->FROM | 0.25716 | 358.5  | 'BORDEN 7345.00 - GRASSLAND 7 345.00 345KV CKT 1'              |
| 11WP | 2 | G10_059 | 'HOBBS INTERCHANGE - YOAKUM COUNTY INTERCHANGE 230KV CKT 1'         | FROM->TO | 0.38692 | 496.7  | 'BORDEN 7345.00 - GRASSLAND 7 345.00 345KV CKT 1'              |
| 11WP | 2 | G10_060 | 'HOBBS INTERCHANGE - YOAKUM COUNTY INTERCHANGE 230KV CKT 1'         | FROM->TO | 0.38692 | 496.7  | 'BORDEN 7345.00 - GRASSLAND 7 345.00 345KV CKT 1'              |
| 11WP | 2 | G10_059 | 'HOBBS_INT 7345.00 (HOBBS 1) 345/230/13.2KV TRANSFORMER CKT 1'      | FROM->TO | 0.49297 | 555.2  | 'JONES 7 345.00 - TUCO INTERCHANGE 345KV CKT 1'                |
| 11WP | 2 | G10_060 | 'HOBBS_INT 7345.00 (HOBBS 1) 345/230/13.2KV TRANSFORMER CKT 1'      | FROM->TO | 0.49297 | 555.2  | 'JONES 7 345.00 - TUCO INTERCHANGE 345KV CKT 1'                |
| 11WP | 2 | G10_059 | 'HOBBS_INT 7345.00 (HOBBS 1) 345/230/13.2KV TRANSFORMER CKT 1'      | FROM->TO | 0.49297 | 555.5  | 'JONES 7 345.00 - TUCO INTERCHANGE 345KV CKT 1'                |
| 11WP | 2 | G10_060 | 'HOBBS_INT 7345.00 (HOBBS 1) 345/230/13.2KV TRANSFORMER CKT 1'      | FROM->TO | 0.49297 | 555.5  | 'JONES 7 345.00 - TUCO INTERCHANGE 345KV CKT 1'                |
| 11WP | 2 | G10_059 | 'HOBBS_INT 7345.00 - MIDLAND 7345.00 345KV CKT 1'                   | TO->FROM | 0.99979 | 1198.3 | 'BORDEN 7345.00 - GRASSLAND 7 345.00 345KV CKT 1'              |
| 11WP | 2 | G10_060 | 'HOBBS_INT 7345.00 - MIDLAND 7345.00 345KV CKT 1'                   | TO->FROM | 0.99979 | 1198.3 | 'BORDEN 7345.00 - GRASSLAND 7 345.00 345KV CKT 1'              |
| 11WP | 2 | G10_059 | 'BORDEN 7345.00 - GRASSLAND 7 345.00 345KV CKT 1'                   | FROM->TO | 0.99979 | 1198.5 | 'HOBBS_INT 7345.00 - MIDLAND 7345.00 345KV CKT 1'              |
| 11WP | 2 | G10_060 | 'BORDEN 7345.00 - GRASSLAND 7 345.00 345KV CKT 1'                   | FROM->TO | 0.99979 | 1198.5 | 'HOBBS_INT 7345.00 - MIDLAND 7345.00 345KV CKT 1'              |
| 11WP | 2 | G10_059 | 'BORDEN 7345.00 - GRASSLAND 7 345.00 345KV CKT 1'                   | FROM->TO | 0.99979 | 1198.5 | 'HOBBS_INT 7345.00 (HOBBS 1) 345/230/13.2KV TRANSFORMER CKT 1' |
| 11WP | 2 | G10_060 | 'BORDEN 7345.00 - GRASSLAND 7 345.00 345KV CKT 1'                   | FROM->TO | 0.99979 | 1198.5 | 'HOBBS_INT 7345.00 (HOBBS 1) 345/230/13.2KV TRANSFORMER CKT 1' |
| 11WP | 2 | G10_059 | 'CUNNINGHAM STATION - HOBBS INTERCHANGE 230KV CKT 1'                | TO->FROM | 0.40174 | 555.6  | 'BORDEN 7345.00 - GRASSLAND 7 345.00 345KV CKT 1'              |

|      |   |         |  |          |         |        |   |
|------|---|---------|--|----------|---------|--------|---|
| 11WP | 2 | G10_060 | 'CUNNINGHAM STATION - HOBBS INTERCHANGE 230KV CKT 1'           | TO->FROM | 0.40174 | 555.6  | 'BORDEN 7345.00 - GRASSLAND 7345.00 345KV CKT 1'  |
| 11WP | 2 | G10_059 | 'HOBBS_INT 7345.00 (HOBBS 1) 345/230/13.2KV TRANSFORMER CKT 1' | FROM->TO | 0.44509 | 555.2  | 'HOBBS INTERCHANGE 230/18.0KV TRANSFORMER CKT 1'  |
| 11WP | 2 | G10_060 | 'HOBBS_INT 7345.00 (HOBBS 1) 345/230/13.2KV TRANSFORMER CKT 1' | FROM->TO | 0.44509 | 555.2  | 'HOBBS INTERCHANGE 230/18.0KV TRANSFORMER CKT 1'  |
| 11WP | 2 | G10_059 | 'HOBBS_INT 7345.00 (HOBBS 1) 345/230/13.2KV TRANSFORMER CKT 1' | FROM->TO | 0.44509 | 555.5  | 'HOBBS INTERCHANGE 230/18.0KV TRANSFORMER CKT 1'  |
| 11WP | 2 | G10_060 | 'HOBBS_INT 7345.00 (HOBBS 1) 345/230/13.2KV TRANSFORMER CKT 1' | FROM->TO | 0.44509 | 555.5  | 'HOBBS INTERCHANGE 230/18.0KV TRANSFORMER CKT 1'  |
| 11WP | 2 | G10_059 | 'JONES 7 345.00 (JONES 1) 345/230/13.8KV TRANSFORMER CKT 1'    | FROM->TO | 0.45086 | 555.3  | 'JONES 7 345.00 - TUCO INTERCHANGE 345KV CKT 1'   |
| 11WP | 2 | G10_060 | 'JONES 7 345.00 (JONES 1) 345/230/13.8KV TRANSFORMER CKT 1'    | FROM->TO | 0.45086 | 555.3  | 'JONES 7 345.00 - TUCO INTERCHANGE 345KV CKT 1'   |
| 11WP | 2 | G10_059 | 'JONES 7 345.00 (JONES 1) 345/230/13.8KV TRANSFORMER CKT 1'    | FROM->TO | 0.45086 | 555.5  | 'JONES 7 345.00 - TUCO INTERCHANGE 345KV CKT 1'   |
| 11WP | 2 | G10_060 | 'JONES 7 345.00 (JONES 1) 345/230/13.8KV TRANSFORMER CKT 1'    | FROM->TO | 0.45086 | 555.5  | 'JONES 7 345.00 - TUCO INTERCHANGE 345KV CKT 1'   |
| 11WP | 2 | G10_059 | 'BORDEN 7345.00 - MIDLAND 7345.00 345KV CKT 1'                 | TO->FROM | 0.92863 | 1199.5 | 'HOBBS_INT 7345.00 (HOBBS 1) 345/230/13.2KV TRANSFORMER CKT 1'                                |
| 11WP | 2 | G10_060 | 'BORDEN 7345.00 - MIDLAND 7345.00 345KV CKT 1'                 | TO->FROM | 0.92863 | 1199.5 | 'HOBBS_INT 7345.00 (HOBBS 1) 345/230/13.2KV TRANSFORMER CKT 1'                                |
| 11WP | 2 | G10_059 | 'BORDEN 7345.00 - MIDLAND 7345.00 345KV CKT 1'                 | TO->FROM | 0.92863 | 1199.5 | 'HOBBS_INT 7345.00 - MIDLAND 7345.00 345KV CKT 1'   |
| 11WP | 2 | G10_060 | 'BORDEN 7345.00 - MIDLAND 7345.00 345KV CKT 1'                 | TO->FROM | 0.92863 | 1199.5 | 'HOBBS_INT 7345.00 - MIDLAND 7345.00 345KV CKT 1'   |
| 11WP | 2 | G10_059 | 'HOBBS_INT 7345.00 (HOBBS 1) 345/230/13.2KV TRANSFORMER CKT 1' | FROM->TO | 0.44509 | 555.2  | 'CUNNINGHAM STATION 230/20.0KV TRANSFORMER CKT 1'   |
| 11WP | 2 | G10_060 | 'HOBBS_INT 7345.00 (HOBBS 1) 345/230/13.2KV TRANSFORMER CKT 1' | FROM->TO | 0.44509 | 555.2  | 'CUNNINGHAM STATION 230/20.0KV TRANSFORMER CKT 1'   |
| 11WP | 2 | G10_059 | 'HOBBS_INT 7345.00 (HOBBS 1) 345/230/13.2KV TRANSFORMER CKT 1' | FROM->TO | 0.44509 | 555.5  | 'CUNNINGHAM STATION 230/20.0KV TRANSFORMER CKT 1'   |
| 11WP | 2 | G10_060 | 'HOBBS_INT 7345.00 (HOBBS 1) 345/230/13.2KV TRANSFORMER CKT 1' | FROM->TO | 0.44509 | 555.5  | 'CUNNINGHAM STATION 230/20.0KV TRANSFORMER CKT 1'   |
| 11WP | 2 | G10_059 | 'HOBBS_INT 7345.00 (HOBBS 1) 345/230/13.2KV TRANSFORMER CKT 1' | FROM->TO | 0.44509 | 555.2  | 'Golden Spread REC - Mustang Interchange 230 kV Generation Bus - MUSTANG STATION 230KV CKT 1' |
| 11WP | 2 | G10_060 | 'HOBBS_INT 7345.00 (HOBBS 1) 345/230/13.2KV TRANSFORMER CKT 1' | FROM->TO | 0.44509 | 555.2  | 'Golden Spread REC - Mustang Interchange 230 kV Generation Bus - MUSTANG STATION 230KV CKT 1' |
| 11WP | 2 | G10_059 | 'HOBBS_INT 7345.00 (HOBBS 1) 345/230/13.2KV TRANSFORMER CKT 1' | FROM->TO | 0.44509 | 555.5  | 'Golden Spread REC - Mustang Interchange 230 kV Generation Bus - MUSTANG STATION 230KV CKT 1' |
| 11WP | 2 | G10_060 | 'HOBBS_INT 7345.00 (HOBBS 1) 345/230/13.2KV TRANSFORMER CKT 1' | FROM->TO | 0.44509 | 555.5  | 'Golden Spread REC - Mustang Interchange 230 kV Generation Bus - MUSTANG STATION 230KV CKT 1' |
| 11WP | 2 | G10_059 | 'HOBBS_INT 7345.00 (HOBBS 1) 345/230/13.2KV TRANSFORMER CKT 1' | FROM->TO | 0.47519 | 555.2  | 'JONES 7 345.00 (JONES 1) 345/230/13.8KV TRANSFORMER CKT 1'                                   |
| 11WP | 2 | G10_060 | 'HOBBS_INT 7345.00 (HOBBS 1) 345/230/13.2KV TRANSFORMER CKT 1' | FROM->TO | 0.47519 | 555.2  | 'JONES 7 345.00 (JONES 1) 345/230/13.8KV TRANSFORMER CKT 1'                                   |

|      |   |         |   |          |         |       |   |
|------|---|---------|---|----------|---------|-------|---|
| 11WP | 2 | G10_059 | 'HOBBS_INT 7345.00 (HOBBS 1) 345/230/13.2KV TRANSFORMER CKT 1'    | FROM->TO | 0.44509 | 555.2 | 'TOLK STATION WEST 230/24.0KV TRANSFORMER CKT 1'            |
| 11WP | 2 | G10_060 | 'HOBBS_INT 7345.00 (HOBBS 1) 345/230/13.2KV TRANSFORMER CKT 1'    | FROM->TO | 0.44509 | 555.2 | 'TOLK STATION WEST 230/24.0KV TRANSFORMER CKT 1'            |
| 11WP | 2 | G10_059 | 'HOBBS_INT 7345.00 (HOBBS 1) 345/230/13.2KV TRANSFORMER CKT 1'    | FROM->TO | 0.47519 | 555.5 | 'JONES 7 345.00 (JONES 1) 345/230/13.8KV TRANSFORMER CKT 1' |
| 11WP | 2 | G10_060 | 'HOBBS_INT 7345.00 (HOBBS 1) 345/230/13.2KV TRANSFORMER CKT 1'    | FROM->TO | 0.47519 | 555.5 | 'JONES 7 345.00 (JONES 1) 345/230/13.8KV TRANSFORMER CKT 1' |
| 11WP | 2 | G10_059 | 'HOBBS_INT 7345.00 (HOBBS 1) 345/230/13.2KV TRANSFORMER CKT 1'    | FROM->TO | 0.44509 | 555.5 | 'TOLK STATION WEST 230/24.0KV TRANSFORMER CKT 1'            |
| 11WP | 2 | G10_060 | 'HOBBS_INT 7345.00 (HOBBS 1) 345/230/13.2KV TRANSFORMER CKT 1'    | FROM->TO | 0.44509 | 555.5 | 'TOLK STATION WEST 230/24.0KV TRANSFORMER CKT 1'            |
| 11WP | 2 | G10_059 | 'AMOCO SWITCHING STATION - YOAKUM COUNTY INTERCHANGE 230KV CKT 1' | TO->FROM | 0.19553 | 358.5 | 'BORDEN 7345.00 - MIDLAND 7345.00 345KV CKT 1'              |
| 11WP | 2 | G10_060 | 'AMOCO SWITCHING STATION - YOAKUM COUNTY INTERCHANGE 230KV CKT 1' | TO->FROM | 0.19553 | 358.5 | 'BORDEN 7345.00 - MIDLAND 7345.00 345KV CKT 1'              |
| 11WP | 2 | G10_059 | 'HOBBS_INT 7345.00 (HOBBS 1) 345/230/13.2KV TRANSFORMER CKT 1'    | FROM->TO | 0.456   | 555.2 | 'LAWTON EASTSIDE - OKLAUNION 345KV CKT 1'                   |
| 11WP | 2 | G10_060 | 'HOBBS_INT 7345.00 (HOBBS 1) 345/230/13.2KV TRANSFORMER CKT 1'    | FROM->TO | 0.456   | 555.2 | 'LAWTON EASTSIDE - OKLAUNION 345KV CKT 1'                   |
| 11WP | 2 | G10_059 | 'HOBBS_INT 7345.00 (HOBBS 1) 345/230/13.2KV TRANSFORMER CKT 1'    | FROM->TO | 0.456   | 555.5 | 'LAWTON EASTSIDE - OKLAUNION 345KV CKT 1'                   |
| 11WP | 2 | G10_060 | 'HOBBS_INT 7345.00 (HOBBS 1) 345/230/13.2KV TRANSFORMER CKT 1'    | FROM->TO | 0.456   | 555.5 | 'LAWTON EASTSIDE - OKLAUNION 345KV CKT 1'                   |
| 11WP | 2 | G10_059 | 'HOBBS_INT 7345.00 (HOBBS 1) 345/230/13.2KV TRANSFORMER CKT 1'    | FROM->TO | 0.44509 | 555.2 | 'HOBBS INTERCHANGE 115/18.0KV TRANSFORMER CKT 1'            |
| 11WP | 2 | G10_060 | 'HOBBS_INT 7345.00 (HOBBS 1) 345/230/13.2KV TRANSFORMER CKT 1'    | FROM->TO | 0.44509 | 555.2 | 'HOBBS INTERCHANGE 115/18.0KV TRANSFORMER CKT 1'            |
| 11WP | 2 | G10_059 | 'HOBBS_INT 7345.00 (HOBBS 1) 345/230/13.2KV TRANSFORMER CKT 1'    | FROM->TO | 0.44509 | 555.2 | 'HOBBS INTERCHANGE 115/18.0KV TRANSFORMER CKT 1'            |
| 11WP | 2 | G10_060 | 'HOBBS_INT 7345.00 (HOBBS 1) 345/230/13.2KV TRANSFORMER CKT 1'    | FROM->TO | 0.44509 | 555.2 | 'HOBBS INTERCHANGE 115/18.0KV TRANSFORMER CKT 1'            |
| 11WP | 2 | G10_059 | 'HOBBS_INT 7345.00 (HOBBS 1) 345/230/13.2KV TRANSFORMER CKT 1'    | FROM->TO | 0.44509 | 555.5 | 'HOBBS INTERCHANGE 115/18.0KV TRANSFORMER CKT 1'            |
| 11WP | 2 | G10_060 | 'HOBBS_INT 7345.00 (HOBBS 1) 345/230/13.2KV TRANSFORMER CKT 1'    | FROM->TO | 0.44509 | 555.5 | 'HOBBS INTERCHANGE 115/18.0KV TRANSFORMER CKT 1'            |
| 11WP | 2 | G10_059 | 'HOBBS_INT 7345.00 (HOBBS 1) 345/230/13.2KV TRANSFORMER CKT 1'    | FROM->TO | 0.44509 | 555.2 | 'HOBBS INTERCHANGE 115/18.0KV TRANSFORMER CKT 1'            |
| 11WP | 2 | G10_060 | 'HOBBS_INT 7345.00 (HOBBS 1) 345/230/13.2KV TRANSFORMER CKT 1'    | FROM->TO | 0.44509 | 555.5 | 'HOBBS INTERCHANGE 115/18.0KV TRANSFORMER CKT 1'            |
| 11WP | 2 | G10_059 | 'HOBBS_INT 7345.00 (HOBBS 1) 345/230/13.2KV TRANSFORMER CKT 1'    | FROM->TO | 0.44509 | 555.2 | 'TOLK STATION EAST 230/24.0KV TRANSFORMER CKT 1'            |
| 11WP | 2 | G10_060 | 'HOBBS_INT 7345.00 (HOBBS 1) 345/230/13.2KV TRANSFORMER CKT 1'    | FROM->TO | 0.44509 | 555.2 | 'TOLK STATION EAST 230/24.0KV TRANSFORMER CKT 1'            |
| 11WP | 2 | G10_059 | 'HOBBS_INT 7345.00 (HOBBS 1) 345/230/13.2KV TRANSFORMER CKT 1'    | FROM->TO | 0.44509 | 555.5 | 'TOLK STATION EAST 230/24.0KV TRANSFORMER CKT 1'            |
| 11WP | 2 | G10_060 | 'HOBBS_INT 7345.00 (HOBBS 1) 345/230/13.2KV TRANSFORMER CKT 1'    | FROM->TO | 0.44509 | 555.5 | 'TOLK STATION EAST 230/24.0KV TRANSFORMER CKT 1'            |
| 11WP | 2 | G10_059 | 'HOBBS_INT 7345.00 (HOBBS 1) 345/230/13.2KV TRANSFORMER CKT 1'    | FROM->TO | 0.456   | 555.2 | 'G05-15T 345.00 - OKLAUNION 345KV CKT 1'                    |

|      |  |           |  |          |         |       |  |
|------|--|-----------|--|----------|---------|-------|--|
| 11WP |  | 2 G10_060 | 'HOBBS_INT 7345.00 (HOBBS 1) 345/230/13.2KV TRANSFORMER CKT 1' | FROM->TO | 0.456   | 555.2 | 'G05-15T 345.00 - OKLAUNION 345KV CKT 1'   |
| 11WP |  | 2 G10_059 | 'HOBBS_INT 7345.00 (HOBBS 1) 345/230/13.2KV TRANSFORMER CKT 1' | FROM->TO | 0.456   | 555.5 | 'G05-15T 345.00 - OKLAUNION 345KV CKT 1'   |
| 11WP |  | 2 G10_060 | 'HOBBS_INT 7345.00 (HOBBS 1) 345/230/13.2KV TRANSFORMER CKT 1' | FROM->TO | 0.456   | 555.5 | 'G05-15T 345.00 - OKLAUNION 345KV CKT 1'   |
| 11WP |  | 2 G10_059 | 'HOBBS_INT 7345.00 (HOBBS 1) 345/230/13.2KV TRANSFORMER CKT 1' | FROM->TO | 0.45604 | 555.2 | 'G05-15T 345.00 - TUCO INTERCHANGE 345KV CKT 1'  |
| 11WP |  | 2 G10_060 | 'HOBBS_INT 7345.00 (HOBBS 1) 345/230/13.2KV TRANSFORMER CKT 1' | FROM->TO | 0.45604 | 555.2 | 'G05-15T 345.00 - TUCO INTERCHANGE 345KV CKT 1'  |
| 11WP |  | 2 G10_059 | 'HOBBS_INT 7345.00 (HOBBS 1) 345/230/13.2KV TRANSFORMER CKT 1' | FROM->TO | 0.45604 | 555.5 | 'G05-15T 345.00 - TUCO INTERCHANGE 345KV CKT 1'  |
| 11WP |  | 2 G10_060 | 'HOBBS_INT 7345.00 (HOBBS 1) 345/230/13.2KV TRANSFORMER CKT 1' | FROM->TO | 0.45604 | 555.5 | 'G05-15T 345.00 - TUCO INTERCHANGE 345KV CKT 1'  |
| 11WP |  | 2 G10_059 | 'HOBBS_INT 7345.00 (HOBBS 1) 345/230/13.2KV TRANSFORMER CKT 1' | FROM->TO | 0.44509 | 555.2 | 'Golden Spread REC - Mustang Interchange 230 kV Generation Bus 230/22.0KV TRANSFORMER CKT 1' |
| 11WP |  | 2 G10_060 | 'HOBBS_INT 7345.00 (HOBBS 1) 345/230/13.2KV TRANSFORMER CKT 1' | FROM->TO | 0.44509 | 555.2 | 'Golden Spread REC - Mustang Interchange 230 kV Generation Bus 230/22.0KV TRANSFORMER CKT 1' |
| 11WP |  | 2 G10_059 | 'HOBBS_INT 7345.00 (HOBBS 1) 345/230/13.2KV TRANSFORMER CKT 1' | FROM->TO | 0.44509 | 555.5 | 'Golden Spread REC - Mustang Interchange 230 kV Generation Bus 230/22.0KV TRANSFORMER CKT 1' |
| 11WP |  | 2 G10_060 | 'HOBBS_INT 7345.00 (HOBBS 1) 345/230/13.2KV TRANSFORMER CKT 1' | FROM->TO | 0.44509 | 555.5 | 'Golden Spread REC - Mustang Interchange 230 kV Generation Bus 230/22.0KV TRANSFORMER CKT 1' |
| 11WP |  | 2 G10_059 | 'HOBBS_INT 7345.00 (HOBBS 1) 345/230/13.2KV TRANSFORMER CKT 1' | FROM->TO | 0.44509 | 555.2 | 'MUSTANG STATION N. 115/13.8KV TRANSFORMER CKT 1'  |
| 11WP |  | 2 G10_060 | 'HOBBS_INT 7345.00 (HOBBS 1) 345/230/13.2KV TRANSFORMER CKT 1' | FROM->TO | 0.44509 | 555.2 | 'MUSTANG STATION N. 115/13.8KV TRANSFORMER CKT 1'  |
| 11WP |  | 2 G10_059 | 'HOBBS_INT 7345.00 (HOBBS 1) 345/230/13.2KV TRANSFORMER CKT 1' | FROM->TO | 0.44509 | 555.2 | 'MUSTANG STATION S. 115/13.8KV TRANSFORMER CKT 1'  |
| 11WP |  | 2 G10_060 | 'HOBBS_INT 7345.00 (HOBBS 1) 345/230/13.2KV TRANSFORMER CKT 1' | FROM->TO | 0.44509 | 555.2 | 'MUSTANG STATION S. 115/13.8KV TRANSFORMER CKT 1'  |
| 11WP |  | 2 G10_059 | 'HOBBS_INT 7345.00 (HOBBS 1) 345/230/13.2KV TRANSFORMER CKT 1' | FROM->TO | 0.44509 | 555.2 | 'Golden Spread REC - Mustang Interchange 230 kV Generation Bus 230/18.0KV TRANSFORMER CKT 1' |
| 11WP |  | 2 G10_060 | 'HOBBS_INT 7345.00 (HOBBS 1) 345/230/13.2KV TRANSFORMER CKT 1' | FROM->TO | 0.44509 | 555.2 | 'Golden Spread REC - Mustang Interchange 230 kV Generation Bus 230/18.0KV TRANSFORMER CKT 1' |
| 11WP |  | 2 G10_059 | 'HOBBS_INT 7345.00 (HOBBS 1) 345/230/13.2KV TRANSFORMER CKT 1' | FROM->TO | 0.44509 | 555.5 | 'MUSTANG STATION N. 115/13.8KV TRANSFORMER CKT 1'  |
| 11WP |  | 2 G10_060 | 'HOBBS_INT 7345.00 (HOBBS 1) 345/230/13.2KV TRANSFORMER CKT 1' | FROM->TO | 0.44509 | 555.5 | 'MUSTANG STATION N. 115/13.8KV TRANSFORMER CKT 1'  |
| 11WP |  | 2 G10_059 | 'HOBBS_INT 7345.00 (HOBBS 1) 345/230/13.2KV TRANSFORMER CKT 1' | FROM->TO | 0.44509 | 555.5 | 'MUSTANG STATION S. 115/13.8KV TRANSFORMER CKT 1'  |
| 11WP |  | 2 G10_060 | 'HOBBS_INT 7345.00 (HOBBS 1) 345/230/13.2KV TRANSFORMER CKT 1' | FROM->TO | 0.44509 | 555.5 | 'MUSTANG STATION S. 115/13.8KV TRANSFORMER CKT 1'  |
| 11WP |  | 2 G10_059 | 'HOBBS_INT 7345.00 (HOBBS 1) 345/230/13.2KV TRANSFORMER CKT 1' | FROM->TO | 0.44509 | 555.5 | 'Golden Spread REC - Mustang Interchange 230 kV Generation Bus 230/18.0KV TRANSFORMER CKT 1' |

|      |   |         |  |          |         |        |  |
|------|---|---------|--|----------|---------|--------|--|
| 11WP | 2 | G10_060 | 'HOBBS_INT 7345.00 (HOBBS 1) 345/230/13.2KV TRANSFORMER CKT 1'               | FROM->TO | 0.44509 | 555.5  | 'Golden Spread REC - Mustang Interchange 230 kV Generation Bus 230/18.0KV TRANSFORMER CKT 1' |
| 11WP | 2 | G10_059 | 'HOBBS_INT 7345.00 (HOBBS 1) 345/230/13.2KV TRANSFORMER CKT 1'               | FROM->TO | 0.45735 | 555.2  | 'BORDER 7345.00 - TUCO INTERCHANGE 345KV CKT 1'  |
| 11WP | 2 | G10_060 | 'HOBBS_INT 7345.00 (HOBBS 1) 345/230/13.2KV TRANSFORMER CKT 1'               | FROM->TO | 0.45735 | 555.2  | 'BORDER 7345.00 - TUCO INTERCHANGE 345KV CKT 1'  |
| 11WP | 2 | G10_059 | 'GRASSLAND 7 345.00 - JONES 7 345.00 345KV CKT 1'                            | FROM->TO | 0.94681 | 1198.7 | 'HOBBS_INT 7345.00 (HOBBS 1) 345/230/13.2KV TRANSFORMER CKT 1'                               |
| 11WP | 2 | G10_060 | 'GRASSLAND 7 345.00 - JONES 7 345.00 345KV CKT 1'                            | FROM->TO | 0.94681 | 1198.7 | 'HOBBS_INT 7345.00 (HOBBS 1) 345/230/13.2KV TRANSFORMER CKT 1'                               |
| 11WP | 2 | G10_059 | 'GRASSLAND 7 345.00 - JONES 7 345.00 345KV CKT 1'                            | FROM->TO | 0.94681 | 1198.7 | 'HOBBS_INT 7345.00 - MIDLAND 7345.00 345KV CKT 1'  |
| 11WP | 2 | G10_060 | 'GRASSLAND 7 345.00 - JONES 7 345.00 345KV CKT 1'                            | FROM->TO | 0.94681 | 1198.7 | 'HOBBS_INT 7345.00 - MIDLAND 7345.00 345KV CKT 1'  |
| 11WP | 2 | G10_059 | 'HOBBS_INT 7345.00 (HOBBS 1) 345/230/13.2KV TRANSFORMER CKT 1'               | FROM->TO | 0.45735 | 555.5  | 'BORDER 7345.00 - TUCO INTERCHANGE 345KV CKT 1'  |
| 11WP | 2 | G10_060 | 'HOBBS_INT 7345.00 (HOBBS 1) 345/230/13.2KV TRANSFORMER CKT 1'               | FROM->TO | 0.45735 | 555.5  | 'BORDER 7345.00 - TUCO INTERCHANGE 345KV CKT 1'  |
| 11WP | 2 | G10_059 | 'HOBBS_INT 7345.00 (HOBBS 1) 345/230/13.2KV TRANSFORMER CKT 1'               | FROM->TO | 0.44509 | 555.2  | 'BASE CASE'  |
| 11WP | 2 | G10_060 | 'HOBBS_INT 7345.00 (HOBBS 1) 345/230/13.2KV TRANSFORMER CKT 1'               | FROM->TO | 0.44509 | 555.2  | 'BASE CASE'  |
| 11WP | 2 | G10_059 | 'HOBBS_INT 7345.00 (HOBBS 1) 345/230/13.2KV TRANSFORMER CKT 1'               | FROM->TO | 0.44509 | 555.5  | 'BASE CASE'  |
| 11WP | 2 | G10_060 | 'HOBBS_INT 7345.00 (HOBBS 1) 345/230/13.2KV TRANSFORMER CKT 1'               | FROM->TO | 0.44509 | 555.5  | 'BASE CASE'  |
| 16WP | 2 | G10_059 | 'GRASSLAND INTERCHANGE - LYNN COUNTY INTERCHANGE 115KV CKT 1'                | FROM->TO | 0.2778  | 176.4  | 'GRASSLAND 7 345.00 - JONES 7 345.00 345KV CKT 1'  |
| 16WP | 2 | G10_060 | 'GRASSLAND INTERCHANGE - LYNN COUNTY INTERCHANGE 115KV CKT 1'                | FROM->TO | 0.2778  | 176.4  | 'GRASSLAND 7 345.00 - JONES 7 345.00 345KV CKT 1'  |
| 16WP | 2 | G10_059 | 'HOBBS_INT 7345.00 (HOBBS 1) 345/230/13.2KV TRANSFORMER CKT 1'               | FROM->TO | 0.9998  | 554.9  | 'BORDEN 7345.00 - GRASSLAND 7 345.00 345KV CKT 1'  |
| 16WP | 2 | G10_060 | 'HOBBS_INT 7345.00 (HOBBS 1) 345/230/13.2KV TRANSFORMER CKT 1'               | FROM->TO | 0.9998  | 554.9  | 'BORDEN 7345.00 - GRASSLAND 7 345.00 345KV CKT 1'  |
| 16WP | 2 | G10_059 | 'HOBBS_INT 7345.00 (HOBBS 1) 345/230/13.2KV TRANSFORMER CKT 1'               | FROM->TO | 0.9998  | 555.3  | 'BORDEN 7345.00 - GRASSLAND 7 345.00 345KV CKT 1'  |
| 16WP | 2 | G10_060 | 'HOBBS_INT 7345.00 (HOBBS 1) 345/230/13.2KV TRANSFORMER CKT 1'               | FROM->TO | 0.9998  | 555.3  | 'BORDEN 7345.00 - GRASSLAND 7 345.00 345KV CKT 1'  |
| 16WP | 2 | G10_059 | 'LYNN COUNTY INTERCHANGE - SOUTH PLAINS REC-WOODROW INTERCHANGE 115KV CKT 1' | FROM->TO | 0.2778  | 176.8  | 'GRASSLAND 7 345.00 - JONES 7 345.00 345KV CKT 1'  |
| 16WP | 2 | G10_060 | 'LYNN COUNTY INTERCHANGE - SOUTH PLAINS REC-WOODROW INTERCHANGE 115KV CKT 1' | FROM->TO | 0.2778  | 176.8  | 'GRASSLAND 7 345.00 - JONES 7 345.00 345KV CKT 1'  |
| 16WP | 2 | G10_059 | 'HOBBS_INT 7345.00 (HOBBS 1) 345/230/13.2KV TRANSFORMER CKT 1'               | FROM->TO | 0.78336 | 554.9  | 'BORDEN 7345.00 - MIDLAND 7345.00 345KV CKT 1'   |
| 16WP | 2 | G10_060 | 'HOBBS_INT 7345.00 (HOBBS 1) 345/230/13.2KV TRANSFORMER CKT 1'               | FROM->TO | 0.78336 | 554.9  | 'BORDEN 7345.00 - MIDLAND 7345.00 345KV CKT 1'   |
| 16WP | 2 | G10_059 | 'HOBBS_INT 7345.00 (HOBBS 1) 345/230/13.2KV TRANSFORMER CKT 1'               | FROM->TO | 0.78336 | 555.3  | 'BORDEN 7345.00 - MIDLAND 7345.00 345KV CKT 1'   |

|      |   |         |  |          |         |        |   |
|------|---|---------|--|----------|---------|--------|---|
| 16WP | 2 | G10_060 | 'HOBBS_INT 7345.00 (HOBBS 1) 345/230/13.2KV TRANSFORMER CKT 1'                 | FROM->TO | 0.78336 | 555.3  | 'BORDEN 7345.00 - MIDLAND 7345.00 345KV CKT 1'    |
| 16WP | 2 | G10_059 | 'LUBBOCK SOUTH INTERCHANGE - SOUTH PLAINS REC-WOODROW INTERCHANGE 115KV CKT 1' | TO->FROM | 0.2778  | 176.1  | 'GRASSLAND 7 345.00 - JONES 7 345.00 345KV CKT 1' |
| 16WP | 2 | G10_060 | 'LUBBOCK SOUTH INTERCHANGE - SOUTH PLAINS REC-WOODROW INTERCHANGE 115KV CKT 1' | TO->FROM | 0.2778  | 176.1  | 'GRASSLAND 7 345.00 - JONES 7 345.00 345KV CKT 1' |
| 16WP | 2 | G10_059 | 'CAPROCK REC-PHILLIPS - CAPROCK REC-TATE 138KV CKT 1'                          | TO->FROM | 0.21664 | 269.8  | 'BORDEN 7345.00 - MIDLAND 7345.00 345KV CKT 1'    |
| 16WP | 2 | G10_060 | 'CAPROCK REC-PHILLIPS - CAPROCK REC-TATE 138KV CKT 1'                          | TO->FROM | 0.21664 | 269.8  | 'BORDEN 7345.00 - MIDLAND 7345.00 345KV CKT 1'    |
| 16WP | 2 | G10_059 | 'HOBBS_INT 7345.00 (HOBBS 1) 345/230/13.2KV TRANSFORMER CKT 1'                 | FROM->TO | 0.721   | 554.9  | 'GRASSLAND 7 345.00 - JONES 7 345.00 345KV CKT 1' |
| 16WP | 2 | G10_060 | 'HOBBS_INT 7345.00 (HOBBS 1) 345/230/13.2KV TRANSFORMER CKT 1'                 | FROM->TO | 0.721   | 554.9  | 'GRASSLAND 7 345.00 - JONES 7 345.00 345KV CKT 1' |
| 16WP | 2 | G10_059 | 'HOBBS_INT 7345.00 (HOBBS 1) 345/230/13.2KV TRANSFORMER CKT 1'                 | FROM->TO | 0.721   | 555.3  | 'GRASSLAND 7 345.00 - JONES 7 345.00 345KV CKT 1' |
| 16WP | 2 | G10_060 | 'HOBBS_INT 7345.00 (HOBBS 1) 345/230/13.2KV TRANSFORMER CKT 1'                 | FROM->TO | 0.721   | 555.3  | 'GRASSLAND 7 345.00 - JONES 7 345.00 345KV CKT 1' |
| 16WP | 2 | G10_059 | 'GRASSLAND 7 345.00 (GRASSLAND 1) 345/115/13.2KV TRANSFORMER CKT 1'            | FROM->TO | 0.27799 | 299.9  | 'GRASSLAND 7 345.00 - JONES 7 345.00 345KV CKT 1' |
| 16WP | 2 | G10_060 | 'GRASSLAND 7 345.00 (GRASSLAND 1) 345/115/13.2KV TRANSFORMER CKT 1'            | FROM->TO | 0.27799 | 299.9  | 'GRASSLAND 7 345.00 - JONES 7 345.00 345KV CKT 1' |
| 16WP | 2 | G10_059 | 'GRASSLAND 7 345.00 (GRASSLAND 1) 345/115/13.2KV TRANSFORMER CKT 1'            | FROM->TO | 0.27799 | 299.9  | 'GRASSLAND 7 345.00 - JONES 7 345.00 345KV CKT 1' |
| 16WP | 2 | G10_060 | 'GRASSLAND 7 345.00 (GRASSLAND 1) 345/115/13.2KV TRANSFORMER CKT 1'            | FROM->TO | 0.27799 | 299.9  | 'GRASSLAND 7 345.00 - JONES 7 345.00 345KV CKT 1' |
| 16WP | 2 | G10_059 | 'CAPROCK REC-MCDONALD - CAPROCK REC-PHILLIPS 138KV CKT 1'                      | TO->FROM | 0.21664 | 270.3  | 'BORDEN 7345.00 - MIDLAND 7345.00 345KV CKT 1'    |
| 16WP | 2 | G10_060 | 'CAPROCK REC-MCDONALD - CAPROCK REC-PHILLIPS 138KV CKT 1'                      | TO->FROM | 0.21664 | 270.3  | 'BORDEN 7345.00 - MIDLAND 7345.00 345KV CKT 1'    |
| 16WP | 2 | G10_059 | 'AMOCO SWITCHING STATION - YOAKUM COUNTY INTERCHANGE 230KV CKT 1'              | TO->FROM | 0.25399 | 359.4  | 'BORDEN 7345.00 - GRASSLAND 7 345.00 345KV CKT 1' |
| 16WP | 2 | G10_060 | 'AMOCO SWITCHING STATION - YOAKUM COUNTY INTERCHANGE 230KV CKT 1'              | TO->FROM | 0.25399 | 359.4  | 'BORDEN 7345.00 - GRASSLAND 7 345.00 345KV CKT 1' |
| 16WP | 2 | G10_059 | 'HOBBS INTERCHANGE - YOAKUM COUNTY INTERCHANGE 230KV CKT 1'                    | FROM->TO | 0.38884 | 497    | 'BORDEN 7345.00 - GRASSLAND 7 345.00 345KV CKT 1' |
| 16WP | 2 | G10_060 | 'HOBBS INTERCHANGE - YOAKUM COUNTY INTERCHANGE 230KV CKT 1'                    | FROM->TO | 0.38884 | 497    | 'BORDEN 7345.00 - GRASSLAND 7 345.00 345KV CKT 1' |
| 16WP | 2 | G10_059 | 'HOBBS_INT 7345.00 (HOBBS 1) 345/230/13.2KV TRANSFORMER CKT 1'                 | FROM->TO | 0.49344 | 554.9  | 'JONES 7 345.00 - TUCO INTERCHANGE 345KV CKT 1'   |
| 16WP | 2 | G10_060 | 'HOBBS_INT 7345.00 (HOBBS 1) 345/230/13.2KV TRANSFORMER CKT 1'                 | FROM->TO | 0.49344 | 554.9  | 'JONES 7 345.00 - TUCO INTERCHANGE 345KV CKT 1'   |
| 16WP | 2 | G10_059 | 'HOBBS_INT 7345.00 (HOBBS 1) 345/230/13.2KV TRANSFORMER CKT 1'                 | FROM->TO | 0.49344 | 555.3  | 'JONES 7 345.00 - TUCO INTERCHANGE 345KV CKT 1'   |
| 16WP | 2 | G10_060 | 'HOBBS_INT 7345.00 (HOBBS 1) 345/230/13.2KV TRANSFORMER CKT 1'                 | FROM->TO | 0.49344 | 555.3  | 'JONES 7 345.00 - TUCO INTERCHANGE 345KV CKT 1'   |
| 16WP | 2 | G10_059 | 'HOBBS_INT 7345.00 - MIDLAND 7345.00 345KV CKT 1'                              | TO->FROM | 0.9998  | 1198.1 | 'BORDEN 7345.00 - GRASSLAND 7 345.00 345KV CKT 1' |

|      |   |         |  |          |         |        |   |
|------|---|---------|--|----------|---------|--------|---|
| 16WP | 2 | G10_060 | 'HOBBS_INT 7345.00 - MIDLAND 7345.00 345KV CKT 1'              | TO->FROM | 0.9998  | 1198.1 | 'BORDEN 7345.00 - GRASSLAND 7345.00 345KV CKT 1'  |
| 16WP | 2 | G10_059 | 'BORDEN 7345.00 - GRASSLAND 7345.00 345KV CKT 1'               | FROM->TO | 0.9998  | 1199   | 'HOBBS_INT 7345.00 - MIDLAND 7345.00 345KV CKT 1'   |
| 16WP | 2 | G10_060 | 'BORDEN 7345.00 - GRASSLAND 7345.00 345KV CKT 1'               | FROM->TO | 0.9998  | 1199   | 'HOBBS_INT 7345.00 - MIDLAND 7345.00 345KV CKT 1'   |
| 16WP | 2 | G10_059 | 'BORDEN 7345.00 - GRASSLAND 7345.00 345KV CKT 1'               | FROM->TO | 0.9998  | 1199   | 'HOBBS_INT 7345.00 (HOBBS 1) 345/230/13.2KV TRANSFORMER CKT 1'                                |
| 16WP | 2 | G10_060 | 'BORDEN 7345.00 - GRASSLAND 7345.00 345KV CKT 1'               | FROM->TO | 0.9998  | 1199   | 'HOBBS_INT 7345.00 (HOBBS 1) 345/230/13.2KV TRANSFORMER CKT 1'                                |
| 16WP | 2 | G10_059 | 'CUNNINGHAM STATION - HOBBS INTERCHANGE 230KV CKT 1'           | TO->FROM | 0.40292 | 557    | 'BORDEN 7345.00 - GRASSLAND 7345.00 345KV CKT 1'  |
| 16WP | 2 | G10_060 | 'CUNNINGHAM STATION - HOBBS INTERCHANGE 230KV CKT 1'           | TO->FROM | 0.40292 | 557    | 'BORDEN 7345.00 - GRASSLAND 7345.00 345KV CKT 1'  |
| 16WP | 2 | G10_059 | 'HOBBS_INT 7345.00 (HOBBS 1) 345/230/13.2KV TRANSFORMER CKT 1' | FROM->TO | 0.44541 | 554.9  | 'HOBBS INTERCHANGE 230/18.0KV TRANSFORMER CKT 1'  |
| 16WP | 2 | G10_060 | 'HOBBS_INT 7345.00 (HOBBS 1) 345/230/13.2KV TRANSFORMER CKT 1' | FROM->TO | 0.44541 | 554.9  | 'HOBBS INTERCHANGE 230/18.0KV TRANSFORMER CKT 1'  |
| 16WP | 2 | G10_059 | 'HOBBS_INT 7345.00 (HOBBS 1) 345/230/13.2KV TRANSFORMER CKT 1' | FROM->TO | 0.44541 | 555.3  | 'HOBBS INTERCHANGE 230/18.0KV TRANSFORMER CKT 1'  |
| 16WP | 2 | G10_060 | 'HOBBS_INT 7345.00 (HOBBS 1) 345/230/13.2KV TRANSFORMER CKT 1' | FROM->TO | 0.44541 | 555.3  | 'HOBBS INTERCHANGE 230/18.0KV TRANSFORMER CKT 1'  |
| 16WP | 2 | G10_059 | 'BORDEN 7345.00 - MIDLAND 7345.00 345KV CKT 1'                 | TO->FROM | 0.92344 | 1199.6 | 'HOBBS_INT 7345.00 - MIDLAND 7345.00 345KV CKT 1'   |
| 16WP | 2 | G10_060 | 'BORDEN 7345.00 - MIDLAND 7345.00 345KV CKT 1'                 | TO->FROM | 0.92344 | 1199.6 | 'HOBBS_INT 7345.00 - MIDLAND 7345.00 345KV CKT 1'   |
| 16WP | 2 | G10_059 | 'BORDEN 7345.00 - MIDLAND 7345.00 345KV CKT 1'                 | TO->FROM | 0.92344 | 1199.6 | 'HOBBS_INT 7345.00 (HOBBS 1) 345/230/13.2KV TRANSFORMER CKT 1'                                |
| 16WP | 2 | G10_060 | 'BORDEN 7345.00 - MIDLAND 7345.00 345KV CKT 1'                 | TO->FROM | 0.92344 | 1199.6 | 'HOBBS_INT 7345.00 (HOBBS 1) 345/230/13.2KV TRANSFORMER CKT 1'                                |
| 16WP | 2 | G10_059 | 'HOBBS_INT 7345.00 (HOBBS 1) 345/230/13.2KV TRANSFORMER CKT 1' | FROM->TO | 0.44541 | 554.9  | 'CUNNINGHAM STATION 230/20.0KV TRANSFORMER CKT 1'   |
| 16WP | 2 | G10_060 | 'HOBBS_INT 7345.00 (HOBBS 1) 345/230/13.2KV TRANSFORMER CKT 1' | FROM->TO | 0.44541 | 554.9  | 'CUNNINGHAM STATION 230/20.0KV TRANSFORMER CKT 1'   |
| 16WP | 2 | G10_059 | 'HOBBS_INT 7345.00 (HOBBS 1) 345/230/13.2KV TRANSFORMER CKT 1' | FROM->TO | 0.44541 | 555.3  | 'CUNNINGHAM STATION 230/20.0KV TRANSFORMER CKT 1'   |
| 16WP | 2 | G10_060 | 'HOBBS_INT 7345.00 (HOBBS 1) 345/230/13.2KV TRANSFORMER CKT 1' | FROM->TO | 0.44541 | 555.3  | 'CUNNINGHAM STATION 230/20.0KV TRANSFORMER CKT 1'   |
| 16WP | 2 | G10_059 | 'HOBBS_INT 7345.00 (HOBBS 1) 345/230/13.2KV TRANSFORMER CKT 1' | FROM->TO | 0.44541 | 554.9  | 'Golden Spread REC - Mustang Interchange 230 kV Generation Bus - MUSTANG STATION 230KV CKT 1' |
| 16WP | 2 | G10_060 | 'HOBBS_INT 7345.00 (HOBBS 1) 345/230/13.2KV TRANSFORMER CKT 1' | FROM->TO | 0.44541 | 554.9  | 'Golden Spread REC - Mustang Interchange 230 kV Generation Bus - MUSTANG STATION 230KV CKT 1' |
| 16WP | 2 | G10_059 | 'HOBBS_INT 7345.00 (HOBBS 1) 345/230/13.2KV TRANSFORMER CKT 1' | FROM->TO | 0.44541 | 555.3  | 'Golden Spread REC - Mustang Interchange 230 kV Generation Bus - MUSTANG STATION 230KV CKT 1' |
| 16WP | 2 | G10_060 | 'HOBBS_INT 7345.00 (HOBBS 1) 345/230/13.2KV TRANSFORMER CKT 1' | FROM->TO | 0.44541 | 555.3  | 'Golden Spread REC - Mustang Interchange 230 kV Generation Bus - MUSTANG STATION 230KV CKT 1' |

|      |   |         |   |          |         |       |  |
|------|---|---------|---|----------|---------|-------|--|
| 16WP | 2 | G10_059 | 'HOBBS_INT 7345.00 (HOBBS 1) 345/230/13.2KV TRANSFORMER CKT 1'    | FROM->TO | 0.44541 | 554.9 | 'HOBBS INTERCHANGE 115/18.0KV TRANSFORMER CKT 1' |
| 16WP | 2 | G10_060 | 'HOBBS_INT 7345.00 (HOBBS 1) 345/230/13.2KV TRANSFORMER CKT 1'    | FROM->TO | 0.44541 | 554.9 | 'HOBBS INTERCHANGE 115/18.0KV TRANSFORMER CKT 1' |
| 16WP | 2 | G10_059 | 'HOBBS_INT 7345.00 (HOBBS 1) 345/230/13.2KV TRANSFORMER CKT 1'    | FROM->TO | 0.44541 | 554.9 | 'HOBBS INTERCHANGE 115/18.0KV TRANSFORMER CKT 1' |
| 16WP | 2 | G10_060 | 'HOBBS_INT 7345.00 (HOBBS 1) 345/230/13.2KV TRANSFORMER CKT 1'    | FROM->TO | 0.44541 | 554.9 | 'HOBBS INTERCHANGE 115/18.0KV TRANSFORMER CKT 1' |
| 16WP | 2 | G10_059 | 'HOBBS_INT 7345.00 (HOBBS 1) 345/230/13.2KV TRANSFORMER CKT 1'    | FROM->TO | 0.44541 | 554.9 | 'TOLK STATION WEST 230/24.0KV TRANSFORMER CKT 1' |
| 16WP | 2 | G10_060 | 'HOBBS_INT 7345.00 (HOBBS 1) 345/230/13.2KV TRANSFORMER CKT 1'    | FROM->TO | 0.44541 | 554.9 | 'TOLK STATION WEST 230/24.0KV TRANSFORMER CKT 1' |
| 16WP | 2 | G10_059 | 'HOBBS_INT 7345.00 (HOBBS 1) 345/230/13.2KV TRANSFORMER CKT 1'    | FROM->TO | 0.44541 | 555.3 | 'HOBBS INTERCHANGE 115/18.0KV TRANSFORMER CKT 1' |
| 16WP | 2 | G10_060 | 'HOBBS_INT 7345.00 (HOBBS 1) 345/230/13.2KV TRANSFORMER CKT 1'    | FROM->TO | 0.44541 | 555.3 | 'HOBBS INTERCHANGE 115/18.0KV TRANSFORMER CKT 1' |
| 16WP | 2 | G10_059 | 'HOBBS_INT 7345.00 (HOBBS 1) 345/230/13.2KV TRANSFORMER CKT 1'    | FROM->TO | 0.44541 | 555.3 | 'HOBBS INTERCHANGE 115/18.0KV TRANSFORMER CKT 1' |
| 16WP | 2 | G10_060 | 'HOBBS_INT 7345.00 (HOBBS 1) 345/230/13.2KV TRANSFORMER CKT 1'    | FROM->TO | 0.44541 | 555.3 | 'HOBBS INTERCHANGE 115/18.0KV TRANSFORMER CKT 1' |
| 16WP | 2 | G10_059 | 'HOBBS_INT 7345.00 (HOBBS 1) 345/230/13.2KV TRANSFORMER CKT 1'    | FROM->TO | 0.44541 | 555.3 | 'TOLK STATION WEST 230/24.0KV TRANSFORMER CKT 1' |
| 16WP | 2 | G10_060 | 'HOBBS_INT 7345.00 (HOBBS 1) 345/230/13.2KV TRANSFORMER CKT 1'    | FROM->TO | 0.44541 | 555.3 | 'TOLK STATION WEST 230/24.0KV TRANSFORMER CKT 1' |
| 16WP | 2 | G10_059 | 'HOBBS_INT 7345.00 (HOBBS 1) 345/230/13.2KV TRANSFORMER CKT 1'    | FROM->TO | 0.44541 | 554.9 | 'TOLK STATION EAST 230/24.0KV TRANSFORMER CKT 1' |
| 16WP | 2 | G10_060 | 'HOBBS_INT 7345.00 (HOBBS 1) 345/230/13.2KV TRANSFORMER CKT 1'    | FROM->TO | 0.44541 | 554.9 | 'TOLK STATION EAST 230/24.0KV TRANSFORMER CKT 1' |
| 16WP | 2 | G10_059 | 'HOBBS_INT 7345.00 (HOBBS 1) 345/230/13.2KV TRANSFORMER CKT 1'    | FROM->TO | 0.44541 | 555.3 | 'TOLK STATION EAST 230/24.0KV TRANSFORMER CKT 1' |
| 16WP | 2 | G10_060 | 'HOBBS_INT 7345.00 (HOBBS 1) 345/230/13.2KV TRANSFORMER CKT 1'    | FROM->TO | 0.44541 | 555.3 | 'TOLK STATION EAST 230/24.0KV TRANSFORMER CKT 1' |
| 16WP | 2 | G10_059 | 'JONES 7 345.00 (JONES 1) 345/230/13.8KV TRANSFORMER CKT 1'       | FROM->TO | 0.45049 | 552.5 | 'JONES 7 345.00 - TUCO INTERCHANGE 345KV CKT 1'  |
| 16WP | 2 | G10_060 | 'JONES 7 345.00 (JONES 1) 345/230/13.8KV TRANSFORMER CKT 1'       | FROM->TO | 0.45049 | 552.5 | 'JONES 7 345.00 - TUCO INTERCHANGE 345KV CKT 1'  |
| 16WP | 2 | G10_059 | 'HOBBS_INT 7345.00 (HOBBS 1) 345/230/13.2KV TRANSFORMER CKT 1'    | FROM->TO | 0.45503 | 554.9 | 'LAWTON EASTSIDE - OKLAUNION 345KV CKT 1'        |
| 16WP | 2 | G10_060 | 'HOBBS_INT 7345.00 (HOBBS 1) 345/230/13.2KV TRANSFORMER CKT 1'    | FROM->TO | 0.45503 | 554.9 | 'LAWTON EASTSIDE - OKLAUNION 345KV CKT 1'        |
| 16WP | 2 | G10_059 | 'JONES 7 345.00 (JONES 1) 345/230/13.8KV TRANSFORMER CKT 1'       | FROM->TO | 0.45049 | 553.1 | 'JONES 7 345.00 - TUCO INTERCHANGE 345KV CKT 1'  |
| 16WP | 2 | G10_060 | 'JONES 7 345.00 (JONES 1) 345/230/13.8KV TRANSFORMER CKT 1'       | FROM->TO | 0.45049 | 553.1 | 'JONES 7 345.00 - TUCO INTERCHANGE 345KV CKT 1'  |
| 16WP | 2 | G10_059 | 'HOBBS_INT 7345.00 (HOBBS 1) 345/230/13.2KV TRANSFORMER CKT 1'    | FROM->TO | 0.45503 | 555.3 | 'LAWTON EASTSIDE - OKLAUNION 345KV CKT 1'        |
| 16WP | 2 | G10_060 | 'HOBBS_INT 7345.00 (HOBBS 1) 345/230/13.2KV TRANSFORMER CKT 1'    | FROM->TO | 0.45503 | 555.3 | 'LAWTON EASTSIDE - OKLAUNION 345KV CKT 1'        |
| 16WP | 2 | G10_059 | 'AMOCO SWITCHING STATION - YOAKUM COUNTY INTERCHANGE 230KV CKT 1' | TO->FROM | 0.19043 | 359.4 | 'BORDEN 7345.00 - MIDLAND 7345.00 345KV CKT 1'   |



|      |   |         |   |          |         |       |  |
|------|---|---------|---|----------|---------|-------|--|
| 16WP | 2 | G10_060 | 'AMOCO SWITCHING STATION - YOAKUM COUNTY INTERCHANGE 230KV CKT 1' | TO->FROM | 0.19043 | 359.4 | 'BORDEN 7345.00 - MIDLAND 7345.00 345KV CKT 1'   |
| 16WP | 2 | G10_059 | 'HOBBS_INT 7345.00 (HOBBS 1) 345/230/13.2KV TRANSFORMER CKT 1'    | FROM->TO | 0.476   | 554.9 | 'JONES 7 345.00 (JONES 1) 345/230/13.8KV TRANSFORMER CKT 1'                                  |
| 16WP | 2 | G10_060 | 'HOBBS_INT 7345.00 (HOBBS 1) 345/230/13.2KV TRANSFORMER CKT 1'    | FROM->TO | 0.476   | 554.9 | 'JONES 7 345.00 (JONES 1) 345/230/13.8KV TRANSFORMER CKT 1'                                  |
| 16WP | 2 | G10_059 | 'HOBBS_INT 7345.00 (HOBBS 1) 345/230/13.2KV TRANSFORMER CKT 1'    | FROM->TO | 0.476   | 555.3 | 'JONES 7 345.00 (JONES 1) 345/230/13.8KV TRANSFORMER CKT 1'                                  |
| 16WP | 2 | G10_060 | 'HOBBS_INT 7345.00 (HOBBS 1) 345/230/13.2KV TRANSFORMER CKT 1'    | FROM->TO | 0.476   | 555.3 | 'JONES 7 345.00 (JONES 1) 345/230/13.8KV TRANSFORMER CKT 1'                                  |
| 16WP | 2 | G10_059 | 'HOBBS_INT 7345.00 (HOBBS 1) 345/230/13.2KV TRANSFORMER CKT 1'    | FROM->TO | 0.44541 | 554.9 | 'MADDOX STATION 115/13.8KV TRANSFORMER CKT 1'  |
| 16WP | 2 | G10_060 | 'HOBBS_INT 7345.00 (HOBBS 1) 345/230/13.2KV TRANSFORMER CKT 1'    | FROM->TO | 0.44541 | 554.9 | 'MADDOX STATION 115/13.8KV TRANSFORMER CKT 1'  |
| 16WP | 2 | G10_059 | 'HOBBS_INT 7345.00 (HOBBS 1) 345/230/13.2KV TRANSFORMER CKT 1'    | FROM->TO | 0.44541 | 555.3 | 'MADDOX STATION 115/13.8KV TRANSFORMER CKT 1'  |
| 16WP | 2 | G10_060 | 'HOBBS_INT 7345.00 (HOBBS 1) 345/230/13.2KV TRANSFORMER CKT 1'    | FROM->TO | 0.44541 | 555.3 | 'MADDOX STATION 115/13.8KV TRANSFORMER CKT 1'  |
| 16WP | 2 | G10_059 | 'HOBBS_INT 7345.00 (HOBBS 1) 345/230/13.2KV TRANSFORMER CKT 1'    | FROM->TO | 0.45503 | 554.9 | 'G05-15T 345.00 - OKLAUNION 345KV CKT 1'   |
| 16WP | 2 | G10_060 | 'HOBBS_INT 7345.00 (HOBBS 1) 345/230/13.2KV TRANSFORMER CKT 1'    | FROM->TO | 0.45503 | 554.9 | 'G05-15T 345.00 - OKLAUNION 345KV CKT 1'   |
| 16WP | 2 | G10_059 | 'HOBBS_INT 7345.00 (HOBBS 1) 345/230/13.2KV TRANSFORMER CKT 1'    | FROM->TO | 0.44541 | 554.9 | 'Golden Spread REC - Mustang Interchange 230 kV Generation Bus 230/22.0KV TRANSFORMER CKT 1' |
| 16WP | 2 | G10_060 | 'HOBBS_INT 7345.00 (HOBBS 1) 345/230/13.2KV TRANSFORMER CKT 1'    | FROM->TO | 0.44541 | 554.9 | 'Golden Spread REC - Mustang Interchange 230 kV Generation Bus 230/22.0KV TRANSFORMER CKT 1' |
| 16WP | 2 | G10_059 | 'HOBBS_INT 7345.00 (HOBBS 1) 345/230/13.2KV TRANSFORMER CKT 1'    | FROM->TO | 0.45503 | 555.3 | 'G05-15T 345.00 - OKLAUNION 345KV CKT 1'   |
| 16WP | 2 | G10_060 | 'HOBBS_INT 7345.00 (HOBBS 1) 345/230/13.2KV TRANSFORMER CKT 1'    | FROM->TO | 0.45503 | 555.3 | 'G05-15T 345.00 - OKLAUNION 345KV CKT 1'   |
| 16WP | 2 | G10_059 | 'HOBBS_INT 7345.00 (HOBBS 1) 345/230/13.2KV TRANSFORMER CKT 1'    | FROM->TO | 0.44541 | 555.3 | 'Golden Spread REC - Mustang Interchange 230 kV Generation Bus 230/22.0KV TRANSFORMER CKT 1' |
| 16WP | 2 | G10_060 | 'HOBBS_INT 7345.00 (HOBBS 1) 345/230/13.2KV TRANSFORMER CKT 1'    | FROM->TO | 0.44541 | 555.3 | 'Golden Spread REC - Mustang Interchange 230 kV Generation Bus 230/22.0KV TRANSFORMER CKT 1' |
| 16WP | 2 | G10_059 | 'HOBBS_INT 7345.00 (HOBBS 1) 345/230/13.2KV TRANSFORMER CKT 1'    | FROM->TO | 0.45507 | 554.9 | 'G05-15T 345.00 - TUCO INTERCHANGE 345KV CKT 1'  |
| 16WP | 2 | G10_060 | 'HOBBS_INT 7345.00 (HOBBS 1) 345/230/13.2KV TRANSFORMER CKT 1'    | FROM->TO | 0.45507 | 554.9 | 'G05-15T 345.00 - TUCO INTERCHANGE 345KV CKT 1'  |
| 16WP | 2 | G10_059 | 'HOBBS_INT 7345.00 (HOBBS 1) 345/230/13.2KV TRANSFORMER CKT 1'    | FROM->TO | 0.44541 | 554.9 | 'MUSTANG STATION N. 115/13.8KV TRANSFORMER CKT 1'  |
| 16WP | 2 | G10_060 | 'HOBBS_INT 7345.00 (HOBBS 1) 345/230/13.2KV TRANSFORMER CKT 1'    | FROM->TO | 0.44541 | 554.9 | 'MUSTANG STATION N. 115/13.8KV TRANSFORMER CKT 1'  |
| 16WP | 2 | G10_059 | 'HOBBS_INT 7345.00 (HOBBS 1) 345/230/13.2KV TRANSFORMER CKT 1'    | FROM->TO | 0.44541 | 554.9 | 'MUSTANG STATION S. 115/13.8KV TRANSFORMER CKT 1'  |
| 16WP | 2 | G10_060 | 'HOBBS_INT 7345.00 (HOBBS 1) 345/230/13.2KV TRANSFORMER CKT 1'    | FROM->TO | 0.44541 | 554.9 | 'MUSTANG STATION S. 115/13.8KV TRANSFORMER CKT 1'  |

|      |  |           |  |          |         |        |  |
|------|--|-----------|--|----------|---------|--------|--|
| 16WP |  | 2 G10_059 | 'HOBBS_INT 7345.00 (HOBBS 1) 345/230/13.2KV TRANSFORMER CKT 1'               | FROM->TO | 0.45507 | 555.3  | 'G05-15T 345.00 - TUCO INTERCHANGE 345KV CKT 1'  |
| 16WP |  | 2 G10_060 | 'HOBBS_INT 7345.00 (HOBBS 1) 345/230/13.2KV TRANSFORMER CKT 1'               | FROM->TO | 0.45507 | 555.3  | 'G05-15T 345.00 - TUCO INTERCHANGE 345KV CKT 1'  |
| 16WP |  | 2 G10_059 | 'HOBBS_INT 7345.00 (HOBBS 1) 345/230/13.2KV TRANSFORMER CKT 1'               | FROM->TO | 0.44541 | 555.3  | 'MUSTANG STATION N. 115/13.8KV TRANSFORMER CKT 1'  |
| 16WP |  | 2 G10_060 | 'HOBBS_INT 7345.00 (HOBBS 1) 345/230/13.2KV TRANSFORMER CKT 1'               | FROM->TO | 0.44541 | 555.3  | 'MUSTANG STATION N. 115/13.8KV TRANSFORMER CKT 1'  |
| 16WP |  | 2 G10_059 | 'HOBBS_INT 7345.00 (HOBBS 1) 345/230/13.2KV TRANSFORMER CKT 1'               | FROM->TO | 0.44541 | 555.3  | 'MUSTANG STATION S. 115/13.8KV TRANSFORMER CKT 1'  |
| 16WP |  | 2 G10_060 | 'HOBBS_INT 7345.00 (HOBBS 1) 345/230/13.2KV TRANSFORMER CKT 1'               | FROM->TO | 0.44541 | 555.3  | 'MUSTANG STATION S. 115/13.8KV TRANSFORMER CKT 1'  |
| 16WP |  | 2 G10_059 | 'HOBBS_INT 7345.00 (HOBBS 1) 345/230/13.2KV TRANSFORMER CKT 1'               | FROM->TO | 0.44541 | 554.9  | 'Golden Spread REC - Mustang Interchange 230 kV Generation Bus 230/18.0KV TRANSFORMER CKT 1' |
| 16WP |  | 2 G10_060 | 'HOBBS_INT 7345.00 (HOBBS 1) 345/230/13.2KV TRANSFORMER CKT 1'               | FROM->TO | 0.44541 | 554.9  | 'Golden Spread REC - Mustang Interchange 230 kV Generation Bus 230/18.0KV TRANSFORMER CKT 1' |
| 16WP |  | 2 G10_059 | 'HOBBS_INT 7345.00 (HOBBS 1) 345/230/13.2KV TRANSFORMER CKT 1'               | FROM->TO | 0.44541 | 555.3  | 'Golden Spread REC - Mustang Interchange 230 kV Generation Bus 230/18.0KV TRANSFORMER CKT 1' |
| 16WP |  | 2 G10_060 | 'HOBBS_INT 7345.00 (HOBBS 1) 345/230/13.2KV TRANSFORMER CKT 1'               | FROM->TO | 0.44541 | 555.3  | 'Golden Spread REC - Mustang Interchange 230 kV Generation Bus 230/18.0KV TRANSFORMER CKT 1' |
| 16WP |  | 2 G10_059 | 'GRASSLAND 7 345.00 - JONES 7 345.00 345KV CKT 1'                            | FROM->TO | 0.94658 | 1199.3 | 'HOBBS_INT 7345.00 (HOBBS 1) 345/230/13.2KV TRANSFORMER CKT 1'                               |
| 16WP |  | 2 G10_060 | 'GRASSLAND 7 345.00 - JONES 7 345.00 345KV CKT 1'                            | FROM->TO | 0.94658 | 1199.3 | 'HOBBS_INT 7345.00 (HOBBS 1) 345/230/13.2KV TRANSFORMER CKT 1'                               |
| 16WP |  | 2 G10_059 | 'GRASSLAND 7 345.00 - JONES 7 345.00 345KV CKT 1'                            | FROM->TO | 0.94658 | 1199.3 | 'HOBBS_INT 7345.00 - MIDLAND 7345.00 345KV CKT 1'  |
| 16WP |  | 2 G10_060 | 'GRASSLAND 7 345.00 - JONES 7 345.00 345KV CKT 1'                            | FROM->TO | 0.94658 | 1199.3 | 'HOBBS_INT 7345.00 - MIDLAND 7345.00 345KV CKT 1'  |
| 16WP |  | 2 G10_059 | 'HOBBS_INT 7345.00 (HOBBS 1) 345/230/13.2KV TRANSFORMER CKT 1'               | FROM->TO | 0.44541 | 554.9  | 'BASE CASE'  |
| 16WP |  | 2 G10_060 | 'HOBBS_INT 7345.00 (HOBBS 1) 345/230/13.2KV TRANSFORMER CKT 1'               | FROM->TO | 0.44541 | 554.9  | 'BASE CASE'  |
| 16WP |  | 2 G10_059 | 'HOBBS_INT 7345.00 (HOBBS 1) 345/230/13.2KV TRANSFORMER CKT 1'               | FROM->TO | 0.44541 | 555.3  | 'BASE CASE'  |
| 16WP |  | 2 G10_060 | 'HOBBS_INT 7345.00 (HOBBS 1) 345/230/13.2KV TRANSFORMER CKT 1'               | FROM->TO | 0.44541 | 555.3  | 'BASE CASE'  |
| 11SP |  | 2 G10_060 | 'GRASSLAND INTERCHANGE - LYNN COUNTY INTERCHANGE 115KV CKT 1'                | FROM->TO | 0.2784  | 159.1  | 'GRASSLAND 7 345.00 - JONES 7 345.00 345KV CKT 1'  |
| 11SP |  | 2 G10_059 | 'GRASSLAND INTERCHANGE - LYNN COUNTY INTERCHANGE 115KV CKT 1'                | FROM->TO | 0.2784  | 159.1  | 'GRASSLAND 7 345.00 - JONES 7 345.00 345KV CKT 1'  |
| 11SP |  | 2 G10_060 | 'LYNN COUNTY INTERCHANGE - SOUTH PLAINS REC-WOODROW INTERCHANGE 115KV CKT 1' | FROM->TO | 0.2784  | 159.4  | 'GRASSLAND 7 345.00 - JONES 7 345.00 345KV CKT 1'  |
| 11SP |  | 2 G10_059 | 'LYNN COUNTY INTERCHANGE - SOUTH PLAINS REC-WOODROW INTERCHANGE 115KV CKT 1' | FROM->TO | 0.2784  | 159.4  | 'GRASSLAND 7 345.00 - JONES 7 345.00 345KV CKT 1'  |

|      |   |         |  |          |         |       |   |
|------|---|---------|--|----------|---------|-------|---|
| 11SP | 2 | G10_060 | 'HOBBS_INT 7345.00 (HOBBS 1) 345/230/13.2KV TRANSFORMER CKT 1'                 | FROM->TO | 0.99984 | 555.3 | 'BORDEN 7345.00 - GRASSLAND 7 345.00 345KV CKT 1' |
| 11SP | 2 | G10_059 | 'HOBBS_INT 7345.00 (HOBBS 1) 345/230/13.2KV TRANSFORMER CKT 1'                 | FROM->TO | 0.99984 | 555.3 | 'BORDEN 7345.00 - GRASSLAND 7 345.00 345KV CKT 1' |
| 11SP | 2 | G10_060 | 'HOBBS_INT 7345.00 (HOBBS 1) 345/230/13.2KV TRANSFORMER CKT 1'                 | FROM->TO | 0.99984 | 555.9 | 'BORDEN 7345.00 - GRASSLAND 7 345.00 345KV CKT 1' |
| 11SP | 2 | G10_059 | 'HOBBS_INT 7345.00 (HOBBS 1) 345/230/13.2KV TRANSFORMER CKT 1'                 | FROM->TO | 0.99984 | 555.9 | 'BORDEN 7345.00 - GRASSLAND 7 345.00 345KV CKT 1' |
| 11SP | 2 | G10_060 | 'LUBBOCK SOUTH INTERCHANGE - SOUTH PLAINS REC-WOODROW INTERCHANGE 115KV CKT 1' | TO->FROM | 0.2784  | 157.9 | 'GRASSLAND 7 345.00 - JONES 7 345.00 345KV CKT 1' |
| 11SP | 2 | G10_059 | 'LUBBOCK SOUTH INTERCHANGE - SOUTH PLAINS REC-WOODROW INTERCHANGE 115KV CKT 1' | TO->FROM | 0.2784  | 157.9 | 'GRASSLAND 7 345.00 - JONES 7 345.00 345KV CKT 1' |
| 11SP | 2 | G10_060 | 'HOBBS_INT 7345.00 (HOBBS 1) 345/230/13.2KV TRANSFORMER CKT 1'                 | FROM->TO | 0.79326 | 555.3 | 'BORDEN 7345.00 - MIDLAND 7345.00 345KV CKT 1'    |
| 11SP | 2 | G10_059 | 'HOBBS_INT 7345.00 (HOBBS 1) 345/230/13.2KV TRANSFORMER CKT 1'                 | FROM->TO | 0.79326 | 555.3 | 'BORDEN 7345.00 - MIDLAND 7345.00 345KV CKT 1'    |
| 11SP | 2 | G10_060 | 'HOBBS_INT 7345.00 (HOBBS 1) 345/230/13.2KV TRANSFORMER CKT 1'                 | FROM->TO | 0.79326 | 555.9 | 'BORDEN 7345.00 - MIDLAND 7345.00 345KV CKT 1'    |
| 11SP | 2 | G10_059 | 'HOBBS_INT 7345.00 (HOBBS 1) 345/230/13.2KV TRANSFORMER CKT 1'                 | FROM->TO | 0.79326 | 555.9 | 'BORDEN 7345.00 - MIDLAND 7345.00 345KV CKT 1'    |
| 11SP | 2 | G10_060 | 'AMOCO SWITCHING STATION - YOAKUM COUNTY INTERCHANGE 230KV CKT 1'              | TO->FROM | 0.2569  | 349.7 | 'BORDEN 7345.00 - GRASSLAND 7 345.00 345KV CKT 1' |
| 11SP | 2 | G10_059 | 'AMOCO SWITCHING STATION - YOAKUM COUNTY INTERCHANGE 230KV CKT 1'              | TO->FROM | 0.2569  | 349.7 | 'BORDEN 7345.00 - GRASSLAND 7 345.00 345KV CKT 1' |
| 11SP | 2 | G10_060 | 'GRASSLAND 7 345.00 (GRASSLAND 1) 345/115/13.2KV TRANSFORMER CKT 1'            | FROM->TO | 0.27856 | 300   | 'GRASSLAND 7 345.00 - JONES 7 345.00 345KV CKT 1' |
| 11SP | 2 | G10_059 | 'GRASSLAND 7 345.00 (GRASSLAND 1) 345/115/13.2KV TRANSFORMER CKT 1'            | FROM->TO | 0.27856 | 300   | 'GRASSLAND 7 345.00 - JONES 7 345.00 345KV CKT 1' |
| 11SP | 2 | G10_060 | 'GRASSLAND 7 345.00 (GRASSLAND 1) 345/115/13.2KV TRANSFORMER CKT 1'            | FROM->TO | 0.27856 | 299.9 | 'GRASSLAND 7 345.00 - JONES 7 345.00 345KV CKT 1' |
| 11SP | 2 | G10_059 | 'GRASSLAND 7 345.00 (GRASSLAND 1) 345/115/13.2KV TRANSFORMER CKT 1'            | FROM->TO | 0.27856 | 299.9 | 'GRASSLAND 7 345.00 - JONES 7 345.00 345KV CKT 1' |
| 11SP | 2 | G10_060 | 'CAPROCK REC-PHILLIPS - CAPROCK REC-TATE 138KV CKT 1'                          | TO->FROM | 0.20674 | 270   | 'BORDEN 7345.00 - MIDLAND 7345.00 345KV CKT 1'    |
| 11SP | 2 | G10_059 | 'CAPROCK REC-PHILLIPS - CAPROCK REC-TATE 138KV CKT 1'                          | TO->FROM | 0.20674 | 270   | 'BORDEN 7345.00 - MIDLAND 7345.00 345KV CKT 1'    |
| 11SP | 2 | G10_060 | 'CAPROCK REC-MCDONALD - CAPROCK REC-PHILLIPS 138KV CKT 1'                      | TO->FROM | 0.20674 | 270.5 | 'BORDEN 7345.00 - MIDLAND 7345.00 345KV CKT 1'    |
| 11SP | 2 | G10_059 | 'CAPROCK REC-MCDONALD - CAPROCK REC-PHILLIPS 138KV CKT 1'                      | TO->FROM | 0.20674 | 270.5 | 'BORDEN 7345.00 - MIDLAND 7345.00 345KV CKT 1'    |
| 11SP | 2 | G10_060 | 'BORDEN 7345.00 345/138KV TRANSFORMER CKT 1'                                   | TO->FROM | 0.20658 | 168   | 'BORDEN 7345.00 - MIDLAND 7345.00 345KV CKT 1'    |
| 11SP | 2 | G10_059 | 'BORDEN 7345.00 345/138KV TRANSFORMER CKT 1'                                   | TO->FROM | 0.20658 | 168   | 'BORDEN 7345.00 - MIDLAND 7345.00 345KV CKT 1'    |
| 11SP | 2 | G10_060 | 'HOBBS_INT 7345.00 (HOBBS 1) 345/230/13.2KV TRANSFORMER CKT 1'                 | FROM->TO | 0.72063 | 555.3 | 'GRASSLAND 7 345.00 - JONES 7 345.00 345KV CKT 1' |
| 11SP | 2 | G10_059 | 'HOBBS_INT 7345.00 (HOBBS 1) 345/230/13.2KV TRANSFORMER CKT 1'                 | FROM->TO | 0.72063 | 555.3 | 'GRASSLAND 7 345.00 - JONES 7 345.00 345KV CKT 1' |

|      |   |         |   |          |         |        |  |
|------|---|---------|---|----------|---------|--------|--|
| 11SP | 2 | G10_060 | 'HOBBS_INT 7345.00 (HOBBS 1) 345/230/13.2KV TRANSFORMER CKT 1'    | FROM->TO | 0.72063 | 555.9  | 'GRASSLAND 7 345.00 - JONES 7 345.00 345KV CKT 1'              |
| 11SP | 2 | G10_059 | 'HOBBS_INT 7345.00 (HOBBS 1) 345/230/13.2KV TRANSFORMER CKT 1'    | FROM->TO | 0.72063 | 555.9  | 'GRASSLAND 7 345.00 - JONES 7 345.00 345KV CKT 1'              |
| 11SP | 2 | G10_060 | 'AMOCO SWITCHING STATION - YOAKUM COUNTY INTERCHANGE 230KV CKT 1' | TO->FROM | 0.19531 | 349.7  | 'BORDEN 7345.00 - MIDLAND 7345.00 345KV CKT 1'                 |
| 11SP | 2 | G10_059 | 'AMOCO SWITCHING STATION - YOAKUM COUNTY INTERCHANGE 230KV CKT 1' | TO->FROM | 0.19531 | 349.7  | 'BORDEN 7345.00 - MIDLAND 7345.00 345KV CKT 1'                 |
| 11SP | 2 | G10_060 | 'JONES STATION - TUCO INTERCHANGE 230KV CKT 1'                    | FROM->TO | 0.30858 | 346.7  | 'JONES 7 345.00 - TUCO INTERCHANGE 345KV CKT 1'                |
| 11SP | 2 | G10_059 | 'JONES STATION - TUCO INTERCHANGE 230KV CKT 1'                    | FROM->TO | 0.30858 | 346.7  | 'JONES 7 345.00 - TUCO INTERCHANGE 345KV CKT 1'                |
| 11SP | 2 | G10_060 | 'HOBBS INTERCHANGE - YOAKUM COUNTY INTERCHANGE 230KV CKT 1'       | FROM->TO | 0.38645 | 496.9  | 'BORDEN 7345.00 - GRASSLAND 7 345.00 345KV CKT 1'              |
| 11SP | 2 | G10_059 | 'HOBBS INTERCHANGE - YOAKUM COUNTY INTERCHANGE 230KV CKT 1'       | FROM->TO | 0.38645 | 496.9  | 'BORDEN 7345.00 - GRASSLAND 7 345.00 345KV CKT 1'              |
| 11SP | 2 | G10_060 | 'CUNNINGHAM STATION - EDDY COUNTY INTERCHANGE 230KV CKT 1'        | FROM->TO | 0.19467 | 351    | 'BORDEN 7345.00 - GRASSLAND 7 345.00 345KV CKT 1'              |
| 11SP | 2 | G10_059 | 'CUNNINGHAM STATION - EDDY COUNTY INTERCHANGE 230KV CKT 1'        | FROM->TO | 0.19467 | 351    | 'BORDEN 7345.00 - GRASSLAND 7 345.00 345KV CKT 1'              |
| 11SP | 2 | G10_060 | 'CUNNINGHAM STATION - HOBBS INTERCHANGE 230KV CKT 1'              | TO->FROM | 0.40303 | 501.7  | 'BORDEN 7345.00 - GRASSLAND 7 345.00 345KV CKT 1'              |
| 11SP | 2 | G10_059 | 'CUNNINGHAM STATION - HOBBS INTERCHANGE 230KV CKT 1'              | TO->FROM | 0.40303 | 501.7  | 'BORDEN 7345.00 - GRASSLAND 7 345.00 345KV CKT 1'              |
| 11SP | 2 | G10_060 | 'HOBBS_INT 7345.00 - MIDLAND 7345.00 345KV CKT 1'                 | TO->FROM | 0.99984 | 1198.3 | 'BORDEN 7345.00 - GRASSLAND 7 345.00 345KV CKT 1'              |
| 11SP | 2 | G10_059 | 'HOBBS_INT 7345.00 - MIDLAND 7345.00 345KV CKT 1'                 | TO->FROM | 0.99984 | 1198.3 | 'BORDEN 7345.00 - GRASSLAND 7 345.00 345KV CKT 1'              |
| 11SP | 2 | G10_060 | 'BORDEN 7345.00 - GRASSLAND 7 345.00 345KV CKT 1'                 | FROM->TO | 0.99984 | 1199.2 | 'HOBBS_INT 7345.00 - MIDLAND 7345.00 345KV CKT 1'              |
| 11SP | 2 | G10_059 | 'BORDEN 7345.00 - GRASSLAND 7 345.00 345KV CKT 1'                 | FROM->TO | 0.99984 | 1199.2 | 'HOBBS_INT 7345.00 - MIDLAND 7345.00 345KV CKT 1'              |
| 11SP | 2 | G10_060 | 'BORDEN 7345.00 - GRASSLAND 7 345.00 345KV CKT 1'                 | FROM->TO | 0.99984 | 1199.2 | 'HOBBS_INT 7345.00 (HOBBS 1) 345/230/13.2KV TRANSFORMER CKT 1' |
| 11SP | 2 | G10_059 | 'BORDEN 7345.00 - GRASSLAND 7 345.00 345KV CKT 1'                 | FROM->TO | 0.99984 | 1199.2 | 'HOBBS_INT 7345.00 (HOBBS 1) 345/230/13.2KV TRANSFORMER CKT 1' |
| 11SP | 2 | G10_060 | 'JONES 7 345.00 (JONES 1) 345/230/13.8KV TRANSFORMER CKT 1'       | FROM->TO | 0.45064 | 553.9  | 'JONES 7 345.00 - TUCO INTERCHANGE 345KV CKT 1'                |
| 11SP | 2 | G10_059 | 'JONES 7 345.00 (JONES 1) 345/230/13.8KV TRANSFORMER CKT 1'       | FROM->TO | 0.45064 | 553.9  | 'JONES 7 345.00 - TUCO INTERCHANGE 345KV CKT 1'                |
| 11SP | 2 | G10_060 | 'BORDEN 7345.00 - MIDLAND 7345.00 345KV CKT 1'                    | TO->FROM | 0.92865 | 1199.7 | 'HOBBS_INT 7345.00 - MIDLAND 7345.00 345KV CKT 1'              |
| 11SP | 2 | G10_059 | 'BORDEN 7345.00 - MIDLAND 7345.00 345KV CKT 1'                    | TO->FROM | 0.92865 | 1199.7 | 'HOBBS_INT 7345.00 - MIDLAND 7345.00 345KV CKT 1'              |
| 11SP | 2 | G10_060 | 'BORDEN 7345.00 - MIDLAND 7345.00 345KV CKT 1'                    | TO->FROM | 0.92865 | 1199.7 | 'HOBBS_INT 7345.00 (HOBBS 1) 345/230/13.2KV TRANSFORMER CKT 1' |
| 11SP | 2 | G10_059 | 'BORDEN 7345.00 - MIDLAND 7345.00 345KV CKT 1'                    | TO->FROM | 0.92865 | 1199.7 | 'HOBBS_INT 7345.00 (HOBBS 1) 345/230/13.2KV TRANSFORMER CKT 1' |
| 11SP | 2 | G10_060 | 'JONES 7 345.00 (JONES 1) 345/230/13.8KV TRANSFORMER CKT 1'       | FROM->TO | 0.45064 | 554.3  | 'JONES 7 345.00 - TUCO INTERCHANGE 345KV CKT 1'                |

|      |   |         |  |          |         |       |   |
|------|---|---------|--|----------|---------|-------|---|
| 11SP | 2 | G10_059 | 'JONES 7 345.00 (JONES 1) 345/230/13.8KV TRANSFORMER CKT 1'    | FROM->TO | 0.45064 | 554.3 | 'JONES 7 345.00 - TUCO INTERCHANGE 345KV CKT 1'   |
| 11SP | 2 | G10_060 | 'AMOCO SWITCHING STATION - SUNDOWN INTERCHANGE 230KV CKT 1'    | FROM->TO | 0.2569  | 351   | 'BORDEN 7345.00 - GRASSLAND 7 345.00 345KV CKT 1'   |
| 11SP | 2 | G10_059 | 'AMOCO SWITCHING STATION - SUNDOWN INTERCHANGE 230KV CKT 1'    | FROM->TO | 0.2569  | 351   | 'BORDEN 7345.00 - GRASSLAND 7 345.00 345KV CKT 1'   |
| 11SP | 2 | G10_060 | 'HOBBS_INT 7345.00 (HOBBS 1) 345/230/13.2KV TRANSFORMER CKT 1' | FROM->TO | 0.49366 | 555.3 | 'JONES 7 345.00 - TUCO INTERCHANGE 345KV CKT 1'   |
| 11SP | 2 | G10_059 | 'HOBBS_INT 7345.00 (HOBBS 1) 345/230/13.2KV TRANSFORMER CKT 1' | FROM->TO | 0.49366 | 555.3 | 'JONES 7 345.00 - TUCO INTERCHANGE 345KV CKT 1'   |
| 11SP | 2 | G10_060 | 'HOBBS_INT 7345.00 (HOBBS 1) 345/230/13.2KV TRANSFORMER CKT 1' | FROM->TO | 0.49366 | 555.9 | 'JONES 7 345.00 - TUCO INTERCHANGE 345KV CKT 1'   |
| 11SP | 2 | G10_059 | 'HOBBS_INT 7345.00 (HOBBS 1) 345/230/13.2KV TRANSFORMER CKT 1' | FROM->TO | 0.49366 | 555.9 | 'JONES 7 345.00 - TUCO INTERCHANGE 345KV CKT 1'   |
| 11SP | 2 | G10_060 | 'HOBBS_INT 7345.00 (HOBBS 1) 345/230/13.2KV TRANSFORMER CKT 1' | FROM->TO | 0.44569 | 555.3 | 'Golden Spread REC - Mustang Interchange 230 kV Generation Bus - MUSTANG STATION 230KV CKT 1' |
| 11SP | 2 | G10_059 | 'HOBBS_INT 7345.00 (HOBBS 1) 345/230/13.2KV TRANSFORMER CKT 1' | FROM->TO | 0.44569 | 555.3 | 'Golden Spread REC - Mustang Interchange 230 kV Generation Bus - MUSTANG STATION 230KV CKT 1' |
| 11SP | 2 | G10_060 | 'HOBBS_INT 7345.00 (HOBBS 1) 345/230/13.2KV TRANSFORMER CKT 1' | FROM->TO | 0.44569 | 555.9 | 'Golden Spread REC - Mustang Interchange 230 kV Generation Bus - MUSTANG STATION 230KV CKT 1' |
| 11SP | 2 | G10_059 | 'HOBBS_INT 7345.00 (HOBBS 1) 345/230/13.2KV TRANSFORMER CKT 1' | FROM->TO | 0.44569 | 555.9 | 'Golden Spread REC - Mustang Interchange 230 kV Generation Bus - MUSTANG STATION 230KV CKT 1' |
| 11SP | 2 | G10_060 | 'HOBBS INTERCHANGE - YOAKUM COUNTY INTERCHANGE 230KV CKT 1'    | FROM->TO | 0.30255 | 496.9 | 'BORDEN 7345.00 - MIDLAND 7345.00 345KV CKT 1'  |
| 11SP | 2 | G10_059 | 'HOBBS INTERCHANGE - YOAKUM COUNTY INTERCHANGE 230KV CKT 1'    | FROM->TO | 0.30255 | 496.9 | 'BORDEN 7345.00 - MIDLAND 7345.00 345KV CKT 1'  |
| 11SP | 2 | G10_060 | 'SUNDOWN INTERCHANGE - WOLFFORTH INTERCHANGE 230KV CKT 1'      | FROM->TO | 0.21449 | 350.7 | 'BORDEN 7345.00 - GRASSLAND 7 345.00 345KV CKT 1'   |
| 11SP | 2 | G10_059 | 'SUNDOWN INTERCHANGE - WOLFFORTH INTERCHANGE 230KV CKT 1'      | FROM->TO | 0.21449 | 350.7 | 'BORDEN 7345.00 - GRASSLAND 7 345.00 345KV CKT 1'   |
| 11SP | 2 | G10_060 | 'HOBBS_INT 7345.00 (HOBBS 1) 345/230/13.2KV TRANSFORMER CKT 1' | FROM->TO | 0.44569 | 555.3 | 'HOBBS INTERCHANGE 230/18.0KV TRANSFORMER CKT 1'  |
| 11SP | 2 | G10_059 | 'HOBBS_INT 7345.00 (HOBBS 1) 345/230/13.2KV TRANSFORMER CKT 1' | FROM->TO | 0.44569 | 555.3 | 'HOBBS INTERCHANGE 230/18.0KV TRANSFORMER CKT 1'  |
| 11SP | 2 | G10_060 | 'HOBBS_INT 7345.00 (HOBBS 1) 345/230/13.2KV TRANSFORMER CKT 1' | FROM->TO | 0.44569 | 555.9 | 'HOBBS INTERCHANGE 230/18.0KV TRANSFORMER CKT 1'  |
| 11SP | 2 | G10_059 | 'HOBBS_INT 7345.00 (HOBBS 1) 345/230/13.2KV TRANSFORMER CKT 1' | FROM->TO | 0.44569 | 555.9 | 'HOBBS INTERCHANGE 230/18.0KV TRANSFORMER CKT 1'  |
| 11SP | 2 | G10_060 | 'HOBBS_INT 7345.00 (HOBBS 1) 345/230/13.2KV TRANSFORMER CKT 1' | FROM->TO | 0.44569 | 555.3 | 'CUNNINGHAM STATION 230/20.0KV TRANSFORMER CKT 1'   |
| 11SP | 2 | G10_059 | 'HOBBS_INT 7345.00 (HOBBS 1) 345/230/13.2KV TRANSFORMER CKT 1' | FROM->TO | 0.44569 | 555.3 | 'CUNNINGHAM STATION 230/20.0KV TRANSFORMER CKT 1'   |
| 11SP | 2 | G10_060 | 'HOBBS_INT 7345.00 (HOBBS 1) 345/230/13.2KV TRANSFORMER CKT 1' | FROM->TO | 0.44569 | 555.9 | 'CUNNINGHAM STATION 230/20.0KV TRANSFORMER CKT 1'   |
| 11SP | 2 | G10_059 | 'HOBBS_INT 7345.00 (HOBBS 1) 345/230/13.2KV TRANSFORMER CKT 1' | FROM->TO | 0.44569 | 555.9 | 'CUNNINGHAM STATION 230/20.0KV TRANSFORMER CKT 1'   |



|      |   |         |  |          |         |       |   |
|------|---|---------|--|----------|---------|-------|---|
| 11SP | 2 | G10_059 | 'CUNNINGHAM STATION - HOBBS INTERCHANGE 230KV CKT 1'                           | TO->FROM | 0.32297 | 501.7 | 'BORDEN 7345.00 - MIDLAND 7345.00 345KV CKT 1'    |
| 11SP | 2 | G10_060 | 'HOBBS_INT 7345.00 (HOBBS 1) 345/230/13.2KV TRANSFORMER CKT 1'                 | FROM->TO | 0.44569 | 555.9 | 'TOLK STATION EAST 230/24.0KV TRANSFORMER CKT 1'  |
| 11SP | 2 | G10_059 | 'HOBBS_INT 7345.00 (HOBBS 1) 345/230/13.2KV TRANSFORMER CKT 1'                 | FROM->TO | 0.44569 | 555.9 | 'TOLK STATION EAST 230/24.0KV TRANSFORMER CKT 1'  |
| 11SP | 2 | G10_060 | 'HOBBS_INT 7345.00 (HOBBS 1) 345/230/13.2KV TRANSFORMER CKT 1'                 | FROM->TO | 0.45686 | 555.9 | 'LAWTON EASTSIDE - OKLAUNION 345KV CKT 1'         |
| 11SP | 2 | G10_059 | 'HOBBS_INT 7345.00 (HOBBS 1) 345/230/13.2KV TRANSFORMER CKT 1'                 | FROM->TO | 0.45686 | 555.9 | 'LAWTON EASTSIDE - OKLAUNION 345KV CKT 1'         |
| 11WP | 2 | G10_060 | 'GRASSLAND INTERCHANGE - LYNN COUNTY INTERCHANGE 115KV CKT 1'                  | FROM->TO | 0.27859 | 176.6 | 'GRASSLAND 7 345.00 - JONES 7 345.00 345KV CKT 1' |
| 11WP | 2 | G10_059 | 'GRASSLAND INTERCHANGE - LYNN COUNTY INTERCHANGE 115KV CKT 1'                  | FROM->TO | 0.27859 | 176.6 | 'GRASSLAND 7 345.00 - JONES 7 345.00 345KV CKT 1' |
| 11WP | 2 | G10_060 | 'HOBBS_INT 7345.00 (HOBBS 1) 345/230/13.2KV TRANSFORMER CKT 1'                 | FROM->TO | 0.99979 | 555.2 | 'BORDEN 7345.00 - GRASSLAND 7 345.00 345KV CKT 1' |
| 11WP | 2 | G10_059 | 'HOBBS_INT 7345.00 (HOBBS 1) 345/230/13.2KV TRANSFORMER CKT 1'                 | FROM->TO | 0.99979 | 555.2 | 'BORDEN 7345.00 - GRASSLAND 7 345.00 345KV CKT 1' |
| 11WP | 2 | G10_060 | 'HOBBS_INT 7345.00 (HOBBS 1) 345/230/13.2KV TRANSFORMER CKT 1'                 | FROM->TO | 0.99979 | 555.5 | 'BORDEN 7345.00 - GRASSLAND 7 345.00 345KV CKT 1' |
| 11WP | 2 | G10_059 | 'HOBBS_INT 7345.00 (HOBBS 1) 345/230/13.2KV TRANSFORMER CKT 1'                 | FROM->TO | 0.99979 | 555.5 | 'BORDEN 7345.00 - GRASSLAND 7 345.00 345KV CKT 1' |
| 11WP | 2 | G10_060 | 'LYNN COUNTY INTERCHANGE - SOUTH PLAINS REC-WOODROW INTERCHANGE 115KV CKT 1'   | FROM->TO | 0.27859 | 176.6 | 'GRASSLAND 7 345.00 - JONES 7 345.00 345KV CKT 1' |
| 11WP | 2 | G10_059 | 'LYNN COUNTY INTERCHANGE - SOUTH PLAINS REC-WOODROW INTERCHANGE 115KV CKT 1'   | FROM->TO | 0.27859 | 176.6 | 'GRASSLAND 7 345.00 - JONES 7 345.00 345KV CKT 1' |
| 11WP | 2 | G10_060 | 'LUBBOCK SOUTH INTERCHANGE - SOUTH PLAINS REC-WOODROW INTERCHANGE 115KV CKT 1' | TO->FROM | 0.27859 | 175.6 | 'GRASSLAND 7 345.00 - JONES 7 345.00 345KV CKT 1' |
| 11WP | 2 | G10_059 | 'LUBBOCK SOUTH INTERCHANGE - SOUTH PLAINS REC-WOODROW INTERCHANGE 115KV CKT 1' | TO->FROM | 0.27859 | 175.6 | 'GRASSLAND 7 345.00 - JONES 7 345.00 345KV CKT 1' |
| 11WP | 2 | G10_060 | 'HOBBS_INT 7345.00 (HOBBS 1) 345/230/13.2KV TRANSFORMER CKT 1'                 | FROM->TO | 0.79304 | 555.2 | 'BORDEN 7345.00 - MIDLAND 7345.00 345KV CKT 1'    |
| 11WP | 2 | G10_059 | 'HOBBS_INT 7345.00 (HOBBS 1) 345/230/13.2KV TRANSFORMER CKT 1'                 | FROM->TO | 0.79304 | 555.2 | 'BORDEN 7345.00 - MIDLAND 7345.00 345KV CKT 1'    |
| 11WP | 2 | G10_060 | 'HOBBS_INT 7345.00 (HOBBS 1) 345/230/13.2KV TRANSFORMER CKT 1'                 | FROM->TO | 0.79304 | 555.5 | 'BORDEN 7345.00 - MIDLAND 7345.00 345KV CKT 1'    |
| 11WP | 2 | G10_059 | 'HOBBS_INT 7345.00 (HOBBS 1) 345/230/13.2KV TRANSFORMER CKT 1'                 | FROM->TO | 0.79304 | 555.5 | 'BORDEN 7345.00 - MIDLAND 7345.00 345KV CKT 1'    |
| 11WP | 2 | G10_060 | 'HOBBS_INT 7345.00 (HOBBS 1) 345/230/13.2KV TRANSFORMER CKT 1'                 | FROM->TO | 0.72009 | 555.2 | 'GRASSLAND 7 345.00 - JONES 7 345.00 345KV CKT 1' |
| 11WP | 2 | G10_059 | 'HOBBS_INT 7345.00 (HOBBS 1) 345/230/13.2KV TRANSFORMER CKT 1'                 | FROM->TO | 0.72009 | 555.2 | 'GRASSLAND 7 345.00 - JONES 7 345.00 345KV CKT 1' |
| 11WP | 2 | G10_060 | 'HOBBS_INT 7345.00 (HOBBS 1) 345/230/13.2KV TRANSFORMER CKT 1'                 | FROM->TO | 0.72009 | 555.5 | 'GRASSLAND 7 345.00 - JONES 7 345.00 345KV CKT 1' |
| 11WP | 2 | G10_059 | 'HOBBS_INT 7345.00 (HOBBS 1) 345/230/13.2KV TRANSFORMER CKT 1'                 | FROM->TO | 0.72009 | 555.5 | 'GRASSLAND 7 345.00 - JONES 7 345.00 345KV CKT 1' |

|      |   |         |   |          |         |        |  |
|------|---|---------|---|----------|---------|--------|--|
| 11WP | 2 | G10_060 | 'GRASSLAND 7 345.00 (GRASSLAND 1) 345/115/13.2KV TRANSFORMER CKT 1' | FROM->TO | 0.27881 | 299.9  | 'GRASSLAND 7 345.00 - JONES 7 345.00 345KV CKT 1'              |
| 11WP | 2 | G10_059 | 'GRASSLAND 7 345.00 (GRASSLAND 1) 345/115/13.2KV TRANSFORMER CKT 1' | FROM->TO | 0.27881 | 299.9  | 'GRASSLAND 7 345.00 - JONES 7 345.00 345KV CKT 1'              |
| 11WP | 2 | G10_060 | 'GRASSLAND 7 345.00 (GRASSLAND 1) 345/115/13.2KV TRANSFORMER CKT 1' | FROM->TO | 0.27881 | 299.9  | 'GRASSLAND 7 345.00 - JONES 7 345.00 345KV CKT 1'              |
| 11WP | 2 | G10_059 | 'GRASSLAND 7 345.00 (GRASSLAND 1) 345/115/13.2KV TRANSFORMER CKT 1' | FROM->TO | 0.27881 | 299.9  | 'GRASSLAND 7 345.00 - JONES 7 345.00 345KV CKT 1'              |
| 11WP | 2 | G10_060 | 'CAPROCK REC-PHILLIPS - CAPROCK REC-TATE 138KV CKT 1'               | TO->FROM | 0.20696 | 269.8  | 'BORDEN 7345.00 - MIDLAND 7345.00 345KV CKT 1'                 |
| 11WP | 2 | G10_059 | 'CAPROCK REC-PHILLIPS - CAPROCK REC-TATE 138KV CKT 1'               | TO->FROM | 0.20696 | 269.8  | 'BORDEN 7345.00 - MIDLAND 7345.00 345KV CKT 1'                 |
| 11WP | 2 | G10_060 | 'BORDEN 7345.00 345/138KV TRANSFORMER CKT 1'                        | TO->FROM | 0.20675 | 167.6  | 'BORDEN 7345.00 - MIDLAND 7345.00 345KV CKT 1'                 |
| 11WP | 2 | G10_059 | 'BORDEN 7345.00 345/138KV TRANSFORMER CKT 1'                        | TO->FROM | 0.20675 | 167.6  | 'BORDEN 7345.00 - MIDLAND 7345.00 345KV CKT 1'                 |
| 11WP | 2 | G10_060 | 'CAPROCK REC-MCDONALD - CAPROCK REC-PHILLIPS 138KV CKT 1'           | TO->FROM | 0.20696 | 270.2  | 'BORDEN 7345.00 - MIDLAND 7345.00 345KV CKT 1'                 |
| 11WP | 2 | G10_059 | 'CAPROCK REC-MCDONALD - CAPROCK REC-PHILLIPS 138KV CKT 1'           | TO->FROM | 0.20696 | 270.2  | 'BORDEN 7345.00 - MIDLAND 7345.00 345KV CKT 1'                 |
| 11WP | 2 | G10_060 | 'AMOCO SWITCHING STATION - YOAKUM COUNTY INTERCHANGE 230KV CKT 1'   | TO->FROM | 0.25716 | 358.5  | 'BORDEN 7345.00 - GRASSLAND 7 345.00 345KV CKT 1'              |
| 11WP | 2 | G10_059 | 'AMOCO SWITCHING STATION - YOAKUM COUNTY INTERCHANGE 230KV CKT 1'   | TO->FROM | 0.25716 | 358.5  | 'BORDEN 7345.00 - GRASSLAND 7 345.00 345KV CKT 1'              |
| 11WP | 2 | G10_060 | 'HOBBS INTERCHANGE - YOAKUM COUNTY INTERCHANGE 230KV CKT 1'         | FROM->TO | 0.38692 | 496.7  | 'BORDEN 7345.00 - GRASSLAND 7 345.00 345KV CKT 1'              |
| 11WP | 2 | G10_059 | 'HOBBS INTERCHANGE - YOAKUM COUNTY INTERCHANGE 230KV CKT 1'         | FROM->TO | 0.38692 | 496.7  | 'BORDEN 7345.00 - GRASSLAND 7 345.00 345KV CKT 1'              |
| 11WP | 2 | G10_060 | 'HOBBS_INT 7345.00 (HOBBS 1) 345/230/13.2KV TRANSFORMER CKT 1'      | FROM->TO | 0.49297 | 555.2  | 'JONES 7 345.00 - TUCO INTERCHANGE 345KV CKT 1'                |
| 11WP | 2 | G10_059 | 'HOBBS_INT 7345.00 (HOBBS 1) 345/230/13.2KV TRANSFORMER CKT 1'      | FROM->TO | 0.49297 | 555.2  | 'JONES 7 345.00 - TUCO INTERCHANGE 345KV CKT 1'                |
| 11WP | 2 | G10_060 | 'HOBBS_INT 7345.00 (HOBBS 1) 345/230/13.2KV TRANSFORMER CKT 1'      | FROM->TO | 0.49297 | 555.5  | 'JONES 7 345.00 - TUCO INTERCHANGE 345KV CKT 1'                |
| 11WP | 2 | G10_059 | 'HOBBS_INT 7345.00 (HOBBS 1) 345/230/13.2KV TRANSFORMER CKT 1'      | FROM->TO | 0.49297 | 555.5  | 'JONES 7 345.00 - TUCO INTERCHANGE 345KV CKT 1'                |
| 11WP | 2 | G10_060 | 'HOBBS_INT 7345.00 - MIDLAND 7345.00 345KV CKT 1'                   | TO->FROM | 0.99979 | 1198.3 | 'BORDEN 7345.00 - GRASSLAND 7 345.00 345KV CKT 1'              |
| 11WP | 2 | G10_059 | 'HOBBS_INT 7345.00 - MIDLAND 7345.00 345KV CKT 1'                   | TO->FROM | 0.99979 | 1198.3 | 'BORDEN 7345.00 - GRASSLAND 7 345.00 345KV CKT 1'              |
| 11WP | 2 | G10_060 | 'BORDEN 7345.00 - GRASSLAND 7 345.00 345KV CKT 1'                   | FROM->TO | 0.99979 | 1198.5 | 'HOBBS_INT 7345.00 (HOBBS 1) 345/230/13.2KV TRANSFORMER CKT 1' |
| 11WP | 2 | G10_059 | 'BORDEN 7345.00 - GRASSLAND 7 345.00 345KV CKT 1'                   | FROM->TO | 0.99979 | 1198.5 | 'HOBBS_INT 7345.00 (HOBBS 1) 345/230/13.2KV TRANSFORMER CKT 1' |
| 11WP | 2 | G10_060 | 'BORDEN 7345.00 - GRASSLAND 7 345.00 345KV CKT 1'                   | FROM->TO | 0.99979 | 1198.5 | 'HOBBS_INT 7345.00 - MIDLAND 7345.00 345KV CKT 1'              |
| 11WP | 2 | G10_059 | 'BORDEN 7345.00 - GRASSLAND 7 345.00 345KV CKT 1'                   | FROM->TO | 0.99979 | 1198.5 | 'HOBBS_INT 7345.00 - MIDLAND 7345.00 345KV CKT 1'              |
| 11WP | 2 | G10_060 | 'CUNNINGHAM STATION - HOBBS INTERCHANGE 230KV CKT 1'                | TO->FROM | 0.40174 | 555.6  | 'BORDEN 7345.00 - GRASSLAND 7 345.00 345KV CKT 1'              |



|      |  |           |  |          |         |        |   |
|------|--|-----------|--|----------|---------|--------|---|
| 11WP |  | 2 G10_059 | 'CUNNINGHAM STATION - HOBBS INTERCHANGE 230KV CKT 1'           | TO->FROM | 0.40174 | 555.6  | 'BORDEN 7345.00 - GRASSLAND 7345.00 345KV CKT 1'  |
| 11WP |  | 2 G10_060 | 'HOBBS_INT 7345.00 (HOBBS 1) 345/230/13.2KV TRANSFORMER CKT 1' | FROM->TO | 0.44509 | 555.2  | 'HOBBS INTERCHANGE 230/18.0KV TRANSFORMER CKT 1'  |
| 11WP |  | 2 G10_059 | 'HOBBS_INT 7345.00 (HOBBS 1) 345/230/13.2KV TRANSFORMER CKT 1' | FROM->TO | 0.44509 | 555.2  | 'HOBBS INTERCHANGE 230/18.0KV TRANSFORMER CKT 1'  |
| 11WP |  | 2 G10_060 | 'HOBBS_INT 7345.00 (HOBBS 1) 345/230/13.2KV TRANSFORMER CKT 1' | FROM->TO | 0.44509 | 555.5  | 'HOBBS INTERCHANGE 230/18.0KV TRANSFORMER CKT 1'  |
| 11WP |  | 2 G10_059 | 'HOBBS_INT 7345.00 (HOBBS 1) 345/230/13.2KV TRANSFORMER CKT 1' | FROM->TO | 0.44509 | 555.5  | 'HOBBS INTERCHANGE 230/18.0KV TRANSFORMER CKT 1'  |
| 11WP |  | 2 G10_060 | 'JONES 7 345.00 (JONES 1) 345/230/13.8KV TRANSFORMER CKT 1'    | FROM->TO | 0.45086 | 555.3  | 'JONES 7 345.00 - TUCO INTERCHANGE 345KV CKT 1'   |
| 11WP |  | 2 G10_059 | 'JONES 7 345.00 (JONES 1) 345/230/13.8KV TRANSFORMER CKT 1'    | FROM->TO | 0.45086 | 555.3  | 'JONES 7 345.00 - TUCO INTERCHANGE 345KV CKT 1'   |
| 11WP |  | 2 G10_060 | 'JONES 7 345.00 (JONES 1) 345/230/13.8KV TRANSFORMER CKT 1'    | FROM->TO | 0.45086 | 555.5  | 'JONES 7 345.00 - TUCO INTERCHANGE 345KV CKT 1'   |
| 11WP |  | 2 G10_059 | 'JONES 7 345.00 (JONES 1) 345/230/13.8KV TRANSFORMER CKT 1'    | FROM->TO | 0.45086 | 555.5  | 'JONES 7 345.00 - TUCO INTERCHANGE 345KV CKT 1'   |
| 11WP |  | 2 G10_060 | 'BORDEN 7345.00 - MIDLAND 7345.00 345KV CKT 1'                 | TO->FROM | 0.92863 | 1199.5 | 'HOBBS_INT 7345.00 (HOBBS 1) 345/230/13.2KV TRANSFORMER CKT 1'                                |
| 11WP |  | 2 G10_059 | 'BORDEN 7345.00 - MIDLAND 7345.00 345KV CKT 1'                 | TO->FROM | 0.92863 | 1199.5 | 'HOBBS_INT 7345.00 (HOBBS 1) 345/230/13.2KV TRANSFORMER CKT 1'                                |
| 11WP |  | 2 G10_060 | 'BORDEN 7345.00 - MIDLAND 7345.00 345KV CKT 1'                 | TO->FROM | 0.92863 | 1199.5 | 'HOBBS_INT 7345.00 - MIDLAND 7345.00 345KV CKT 1'   |
| 11WP |  | 2 G10_059 | 'BORDEN 7345.00 - MIDLAND 7345.00 345KV CKT 1'                 | TO->FROM | 0.92863 | 1199.5 | 'HOBBS_INT 7345.00 - MIDLAND 7345.00 345KV CKT 1'   |
| 11WP |  | 2 G10_060 | 'HOBBS_INT 7345.00 (HOBBS 1) 345/230/13.2KV TRANSFORMER CKT 1' | FROM->TO | 0.44509 | 555.2  | 'CUNNINGHAM STATION 230/20.0KV TRANSFORMER CKT 1'   |
| 11WP |  | 2 G10_059 | 'HOBBS_INT 7345.00 (HOBBS 1) 345/230/13.2KV TRANSFORMER CKT 1' | FROM->TO | 0.44509 | 555.2  | 'CUNNINGHAM STATION 230/20.0KV TRANSFORMER CKT 1'   |
| 11WP |  | 2 G10_060 | 'HOBBS_INT 7345.00 (HOBBS 1) 345/230/13.2KV TRANSFORMER CKT 1' | FROM->TO | 0.44509 | 555.5  | 'CUNNINGHAM STATION 230/20.0KV TRANSFORMER CKT 1'   |
| 11WP |  | 2 G10_059 | 'HOBBS_INT 7345.00 (HOBBS 1) 345/230/13.2KV TRANSFORMER CKT 1' | FROM->TO | 0.44509 | 555.5  | 'CUNNINGHAM STATION 230/20.0KV TRANSFORMER CKT 1'   |
| 11WP |  | 2 G10_060 | 'HOBBS_INT 7345.00 (HOBBS 1) 345/230/13.2KV TRANSFORMER CKT 1' | FROM->TO | 0.44509 | 555.2  | 'Golden Spread REC - Mustang Interchange 230 kV Generation Bus - MUSTANG STATION 230KV CKT 1' |
| 11WP |  | 2 G10_059 | 'HOBBS_INT 7345.00 (HOBBS 1) 345/230/13.2KV TRANSFORMER CKT 1' | FROM->TO | 0.44509 | 555.2  | 'Golden Spread REC - Mustang Interchange 230 kV Generation Bus - MUSTANG STATION 230KV CKT 1' |
| 11WP |  | 2 G10_060 | 'HOBBS_INT 7345.00 (HOBBS 1) 345/230/13.2KV TRANSFORMER CKT 1' | FROM->TO | 0.44509 | 555.5  | 'Golden Spread REC - Mustang Interchange 230 kV Generation Bus - MUSTANG STATION 230KV CKT 1' |
| 11WP |  | 2 G10_059 | 'HOBBS_INT 7345.00 (HOBBS 1) 345/230/13.2KV TRANSFORMER CKT 1' | FROM->TO | 0.44509 | 555.5  | 'Golden Spread REC - Mustang Interchange 230 kV Generation Bus - MUSTANG STATION 230KV CKT 1' |
| 11WP |  | 2 G10_060 | 'HOBBS_INT 7345.00 (HOBBS 1) 345/230/13.2KV TRANSFORMER CKT 1' | FROM->TO | 0.47519 | 555.2  | 'JONES 7 345.00 (JONES 1) 345/230/13.8KV TRANSFORMER CKT 1'                                   |
| 11WP |  | 2 G10_059 | 'HOBBS_INT 7345.00 (HOBBS 1) 345/230/13.2KV TRANSFORMER CKT 1' | FROM->TO | 0.47519 | 555.2  | 'JONES 7 345.00 (JONES 1) 345/230/13.8KV TRANSFORMER CKT 1'                                   |

|      |   |         |   |          |         |       |   |
|------|---|---------|---|----------|---------|-------|---|
| 11WP | 2 | G10_060 | 'HOBBS_INT 7345.00 (HOBBS 1) 345/230/13.2KV TRANSFORMER CKT 1'    | FROM->TO | 0.44509 | 555.2 | 'TOLK STATION WEST 230/24.0KV TRANSFORMER CKT 1'            |
| 11WP | 2 | G10_059 | 'HOBBS_INT 7345.00 (HOBBS 1) 345/230/13.2KV TRANSFORMER CKT 1'    | FROM->TO | 0.44509 | 555.2 | 'TOLK STATION WEST 230/24.0KV TRANSFORMER CKT 1'            |
| 11WP | 2 | G10_060 | 'HOBBS_INT 7345.00 (HOBBS 1) 345/230/13.2KV TRANSFORMER CKT 1'    | FROM->TO | 0.47519 | 555.5 | 'JONES 7 345.00 (JONES 1) 345/230/13.8KV TRANSFORMER CKT 1' |
| 11WP | 2 | G10_059 | 'HOBBS_INT 7345.00 (HOBBS 1) 345/230/13.2KV TRANSFORMER CKT 1'    | FROM->TO | 0.47519 | 555.5 | 'JONES 7 345.00 (JONES 1) 345/230/13.8KV TRANSFORMER CKT 1' |
| 11WP | 2 | G10_060 | 'HOBBS_INT 7345.00 (HOBBS 1) 345/230/13.2KV TRANSFORMER CKT 1'    | FROM->TO | 0.44509 | 555.5 | 'TOLK STATION WEST 230/24.0KV TRANSFORMER CKT 1'            |
| 11WP | 2 | G10_059 | 'HOBBS_INT 7345.00 (HOBBS 1) 345/230/13.2KV TRANSFORMER CKT 1'    | FROM->TO | 0.44509 | 555.5 | 'TOLK STATION WEST 230/24.0KV TRANSFORMER CKT 1'            |
| 11WP | 2 | G10_060 | 'AMOCO SWITCHING STATION - YOAKUM COUNTY INTERCHANGE 230KV CKT 1' | TO->FROM | 0.19553 | 358.5 | 'BORDEN 7345.00 - MIDLAND 7345.00 345KV CKT 1'              |
| 11WP | 2 | G10_059 | 'AMOCO SWITCHING STATION - YOAKUM COUNTY INTERCHANGE 230KV CKT 1' | TO->FROM | 0.19553 | 358.5 | 'BORDEN 7345.00 - MIDLAND 7345.00 345KV CKT 1'              |
| 11WP | 2 | G10_060 | 'HOBBS_INT 7345.00 (HOBBS 1) 345/230/13.2KV TRANSFORMER CKT 1'    | FROM->TO | 0.456   | 555.2 | 'LAWTON EASTSIDE - OKLAUNION 345KV CKT 1'                   |
| 11WP | 2 | G10_059 | 'HOBBS_INT 7345.00 (HOBBS 1) 345/230/13.2KV TRANSFORMER CKT 1'    | FROM->TO | 0.456   | 555.2 | 'LAWTON EASTSIDE - OKLAUNION 345KV CKT 1'                   |
| 11WP | 2 | G10_060 | 'HOBBS_INT 7345.00 (HOBBS 1) 345/230/13.2KV TRANSFORMER CKT 1'    | FROM->TO | 0.44509 | 555.2 | 'HOBBS INTERCHANGE 115/18.0KV TRANSFORMER CKT 1'            |
| 11WP | 2 | G10_059 | 'HOBBS_INT 7345.00 (HOBBS 1) 345/230/13.2KV TRANSFORMER CKT 1'    | FROM->TO | 0.44509 | 555.2 | 'HOBBS INTERCHANGE 115/18.0KV TRANSFORMER CKT 1'            |
| 11WP | 2 | G10_060 | 'HOBBS_INT 7345.00 (HOBBS 1) 345/230/13.2KV TRANSFORMER CKT 1'    | FROM->TO | 0.44509 | 555.2 | 'HOBBS INTERCHANGE 115/18.0KV TRANSFORMER CKT 1'            |
| 11WP | 2 | G10_059 | 'HOBBS_INT 7345.00 (HOBBS 1) 345/230/13.2KV TRANSFORMER CKT 1'    | FROM->TO | 0.44509 | 555.2 | 'HOBBS INTERCHANGE 115/18.0KV TRANSFORMER CKT 1'            |
| 11WP | 2 | G10_060 | 'HOBBS_INT 7345.00 (HOBBS 1) 345/230/13.2KV TRANSFORMER CKT 1'    | FROM->TO | 0.456   | 555.5 | 'LAWTON EASTSIDE - OKLAUNION 345KV CKT 1'                   |
| 11WP | 2 | G10_059 | 'HOBBS_INT 7345.00 (HOBBS 1) 345/230/13.2KV TRANSFORMER CKT 1'    | FROM->TO | 0.456   | 555.5 | 'LAWTON EASTSIDE - OKLAUNION 345KV CKT 1'                   |
| 11WP | 2 | G10_060 | 'HOBBS_INT 7345.00 (HOBBS 1) 345/230/13.2KV TRANSFORMER CKT 1'    | FROM->TO | 0.44509 | 555.5 | 'HOBBS INTERCHANGE 115/18.0KV TRANSFORMER CKT 1'            |
| 11WP | 2 | G10_059 | 'HOBBS_INT 7345.00 (HOBBS 1) 345/230/13.2KV TRANSFORMER CKT 1'    | FROM->TO | 0.44509 | 555.5 | 'HOBBS INTERCHANGE 115/18.0KV TRANSFORMER CKT 1'            |
| 11WP | 2 | G10_060 | 'HOBBS_INT 7345.00 (HOBBS 1) 345/230/13.2KV TRANSFORMER CKT 1'    | FROM->TO | 0.44509 | 555.5 | 'HOBBS INTERCHANGE 115/18.0KV TRANSFORMER CKT 1'            |
| 11WP | 2 | G10_059 | 'HOBBS_INT 7345.00 (HOBBS 1) 345/230/13.2KV TRANSFORMER CKT 1'    | FROM->TO | 0.44509 | 555.5 | 'HOBBS INTERCHANGE 115/18.0KV TRANSFORMER CKT 1'            |
| 11WP | 2 | G10_060 | 'HOBBS_INT 7345.00 (HOBBS 1) 345/230/13.2KV TRANSFORMER CKT 1'    | FROM->TO | 0.44509 | 555.2 | 'TOLK STATION EAST 230/24.0KV TRANSFORMER CKT 1'            |
| 11WP | 2 | G10_059 | 'HOBBS_INT 7345.00 (HOBBS 1) 345/230/13.2KV TRANSFORMER CKT 1'    | FROM->TO | 0.44509 | 555.2 | 'TOLK STATION EAST 230/24.0KV TRANSFORMER CKT 1'            |
| 11WP | 2 | G10_060 | 'HOBBS_INT 7345.00 (HOBBS 1) 345/230/13.2KV TRANSFORMER CKT 1'    | FROM->TO | 0.44509 | 555.5 | 'TOLK STATION EAST 230/24.0KV TRANSFORMER CKT 1'            |
| 11WP | 2 | G10_059 | 'HOBBS_INT 7345.00 (HOBBS 1) 345/230/13.2KV TRANSFORMER CKT 1'    | FROM->TO | 0.44509 | 555.5 | 'TOLK STATION EAST 230/24.0KV TRANSFORMER CKT 1'            |
| 11WP | 2 | G10_060 | 'HOBBS_INT 7345.00 (HOBBS 1) 345/230/13.2KV TRANSFORMER CKT 1'    | FROM->TO | 0.456   | 555.2 | 'G05-15T 345.00 - OKLAUNION 345KV CKT 1'                    |

|      |   |         |  |          |         |       |  |
|------|---|---------|--|----------|---------|-------|--|
| 11WP | 2 | G10_059 | 'HOBBS_INT 7345.00 (HOBBS 1) 345/230/13.2KV TRANSFORMER CKT 1' | FROM->TO | 0.456   | 555.2 | 'G05-15T 345.00 - OKLAUNION 345KV CKT 1'   |
| 11WP | 2 | G10_060 | 'HOBBS_INT 7345.00 (HOBBS 1) 345/230/13.2KV TRANSFORMER CKT 1' | FROM->TO | 0.456   | 555.5 | 'G05-15T 345.00 - OKLAUNION 345KV CKT 1'   |
| 11WP | 2 | G10_059 | 'HOBBS_INT 7345.00 (HOBBS 1) 345/230/13.2KV TRANSFORMER CKT 1' | FROM->TO | 0.456   | 555.5 | 'G05-15T 345.00 - OKLAUNION 345KV CKT 1'   |
| 11WP | 2 | G10_060 | 'HOBBS_INT 7345.00 (HOBBS 1) 345/230/13.2KV TRANSFORMER CKT 1' | FROM->TO | 0.45604 | 555.2 | 'G05-15T 345.00 - TUCO INTERCHANGE 345KV CKT 1'  |
| 11WP | 2 | G10_059 | 'HOBBS_INT 7345.00 (HOBBS 1) 345/230/13.2KV TRANSFORMER CKT 1' | FROM->TO | 0.45604 | 555.2 | 'G05-15T 345.00 - TUCO INTERCHANGE 345KV CKT 1'  |
| 11WP | 2 | G10_060 | 'HOBBS_INT 7345.00 (HOBBS 1) 345/230/13.2KV TRANSFORMER CKT 1' | FROM->TO | 0.45604 | 555.5 | 'G05-15T 345.00 - TUCO INTERCHANGE 345KV CKT 1'  |
| 11WP | 2 | G10_059 | 'HOBBS_INT 7345.00 (HOBBS 1) 345/230/13.2KV TRANSFORMER CKT 1' | FROM->TO | 0.45604 | 555.5 | 'G05-15T 345.00 - TUCO INTERCHANGE 345KV CKT 1'  |
| 11WP | 2 | G10_060 | 'HOBBS_INT 7345.00 (HOBBS 1) 345/230/13.2KV TRANSFORMER CKT 1' | FROM->TO | 0.44509 | 555.2 | 'Golden Spread REC - Mustang Interchange 230 kV Generation Bus 230/22.0KV TRANSFORMER CKT 1' |
| 11WP | 2 | G10_059 | 'HOBBS_INT 7345.00 (HOBBS 1) 345/230/13.2KV TRANSFORMER CKT 1' | FROM->TO | 0.44509 | 555.2 | 'Golden Spread REC - Mustang Interchange 230 kV Generation Bus 230/22.0KV TRANSFORMER CKT 1' |
| 11WP | 2 | G10_060 | 'HOBBS_INT 7345.00 (HOBBS 1) 345/230/13.2KV TRANSFORMER CKT 1' | FROM->TO | 0.44509 | 555.5 | 'Golden Spread REC - Mustang Interchange 230 kV Generation Bus 230/22.0KV TRANSFORMER CKT 1' |
| 11WP | 2 | G10_059 | 'HOBBS_INT 7345.00 (HOBBS 1) 345/230/13.2KV TRANSFORMER CKT 1' | FROM->TO | 0.44509 | 555.5 | 'Golden Spread REC - Mustang Interchange 230 kV Generation Bus 230/22.0KV TRANSFORMER CKT 1' |
| 11WP | 2 | G10_060 | 'HOBBS_INT 7345.00 (HOBBS 1) 345/230/13.2KV TRANSFORMER CKT 1' | FROM->TO | 0.44509 | 555.2 | 'MUSTANG STATION N. 115/13.8KV TRANSFORMER CKT 1'  |
| 11WP | 2 | G10_059 | 'HOBBS_INT 7345.00 (HOBBS 1) 345/230/13.2KV TRANSFORMER CKT 1' | FROM->TO | 0.44509 | 555.2 | 'MUSTANG STATION N. 115/13.8KV TRANSFORMER CKT 1'  |
| 11WP | 2 | G10_060 | 'HOBBS_INT 7345.00 (HOBBS 1) 345/230/13.2KV TRANSFORMER CKT 1' | FROM->TO | 0.44509 | 555.2 | 'MUSTANG STATION S. 115/13.8KV TRANSFORMER CKT 1'  |
| 11WP | 2 | G10_059 | 'HOBBS_INT 7345.00 (HOBBS 1) 345/230/13.2KV TRANSFORMER CKT 1' | FROM->TO | 0.44509 | 555.2 | 'MUSTANG STATION S. 115/13.8KV TRANSFORMER CKT 1'  |
| 11WP | 2 | G10_060 | 'HOBBS_INT 7345.00 (HOBBS 1) 345/230/13.2KV TRANSFORMER CKT 1' | FROM->TO | 0.44509 | 555.2 | 'Golden Spread REC - Mustang Interchange 230 kV Generation Bus 230/18.0KV TRANSFORMER CKT 1' |
| 11WP | 2 | G10_059 | 'HOBBS_INT 7345.00 (HOBBS 1) 345/230/13.2KV TRANSFORMER CKT 1' | FROM->TO | 0.44509 | 555.2 | 'Golden Spread REC - Mustang Interchange 230 kV Generation Bus 230/18.0KV TRANSFORMER CKT 1' |
| 11WP | 2 | G10_060 | 'HOBBS_INT 7345.00 (HOBBS 1) 345/230/13.2KV TRANSFORMER CKT 1' | FROM->TO | 0.44509 | 555.5 | 'MUSTANG STATION N. 115/13.8KV TRANSFORMER CKT 1'  |
| 11WP | 2 | G10_059 | 'HOBBS_INT 7345.00 (HOBBS 1) 345/230/13.2KV TRANSFORMER CKT 1' | FROM->TO | 0.44509 | 555.5 | 'MUSTANG STATION N. 115/13.8KV TRANSFORMER CKT 1'  |
| 11WP | 2 | G10_060 | 'HOBBS_INT 7345.00 (HOBBS 1) 345/230/13.2KV TRANSFORMER CKT 1' | FROM->TO | 0.44509 | 555.5 | 'MUSTANG STATION S. 115/13.8KV TRANSFORMER CKT 1'  |
| 11WP | 2 | G10_059 | 'HOBBS_INT 7345.00 (HOBBS 1) 345/230/13.2KV TRANSFORMER CKT 1' | FROM->TO | 0.44509 | 555.5 | 'MUSTANG STATION S. 115/13.8KV TRANSFORMER CKT 1'  |
| 11WP | 2 | G10_060 | 'HOBBS_INT 7345.00 (HOBBS 1) 345/230/13.2KV TRANSFORMER CKT 1' | FROM->TO | 0.44509 | 555.5 | 'Golden Spread REC - Mustang Interchange 230 kV Generation Bus 230/18.0KV TRANSFORMER CKT 1' |

|      |   |         |  |          |         |        |  |
|------|---|---------|--|----------|---------|--------|--|
| 11WP | 2 | G10_059 | 'HOBBS_INT 7345.00 (HOBBS 1) 345/230/13.2KV TRANSFORMER CKT 1'               | FROM->TO | 0.44509 | 555.5  | 'Golden Spread REC - Mustang Interchange 230 kV Generation Bus 230/18.0KV TRANSFORMER CKT 1' |
| 11WP | 2 | G10_060 | 'HOBBS_INT 7345.00 (HOBBS 1) 345/230/13.2KV TRANSFORMER CKT 1'               | FROM->TO | 0.45735 | 555.2  | 'BORDER 7345.00 - TUCO INTERCHANGE 345KV CKT 1'  |
| 11WP | 2 | G10_059 | 'HOBBS_INT 7345.00 (HOBBS 1) 345/230/13.2KV TRANSFORMER CKT 1'               | FROM->TO | 0.45735 | 555.2  | 'BORDER 7345.00 - TUCO INTERCHANGE 345KV CKT 1'  |
| 11WP | 2 | G10_060 | 'GRASSLAND 7 345.00 - JONES 7 345.00 345KV CKT 1'                            | FROM->TO | 0.94681 | 1198.7 | 'HOBBS_INT 7345.00 (HOBBS 1) 345/230/13.2KV TRANSFORMER CKT 1'                               |
| 11WP | 2 | G10_059 | 'GRASSLAND 7 345.00 - JONES 7 345.00 345KV CKT 1'                            | FROM->TO | 0.94681 | 1198.7 | 'HOBBS_INT 7345.00 (HOBBS 1) 345/230/13.2KV TRANSFORMER CKT 1'                               |
| 11WP | 2 | G10_060 | 'GRASSLAND 7 345.00 - JONES 7 345.00 345KV CKT 1'                            | FROM->TO | 0.94681 | 1198.7 | 'HOBBS_INT 7345.00 - MIDLAND 7345.00 345KV CKT 1'  |
| 11WP | 2 | G10_059 | 'GRASSLAND 7 345.00 - JONES 7 345.00 345KV CKT 1'                            | FROM->TO | 0.94681 | 1198.7 | 'HOBBS_INT 7345.00 - MIDLAND 7345.00 345KV CKT 1'  |
| 11WP | 2 | G10_060 | 'HOBBS_INT 7345.00 (HOBBS 1) 345/230/13.2KV TRANSFORMER CKT 1'               | FROM->TO | 0.45735 | 555.5  | 'BORDER 7345.00 - TUCO INTERCHANGE 345KV CKT 1'  |
| 11WP | 2 | G10_059 | 'HOBBS_INT 7345.00 (HOBBS 1) 345/230/13.2KV TRANSFORMER CKT 1'               | FROM->TO | 0.45735 | 555.5  | 'BORDER 7345.00 - TUCO INTERCHANGE 345KV CKT 1'  |
| 11WP | 2 | G10_060 | 'HOBBS_INT 7345.00 (HOBBS 1) 345/230/13.2KV TRANSFORMER CKT 1'               | FROM->TO | 0.44509 | 555.2  | 'BASE CASE'  |
| 11WP | 2 | G10_059 | 'HOBBS_INT 7345.00 (HOBBS 1) 345/230/13.2KV TRANSFORMER CKT 1'               | FROM->TO | 0.44509 | 555.2  | 'BASE CASE'  |
| 11WP | 2 | G10_060 | 'HOBBS_INT 7345.00 (HOBBS 1) 345/230/13.2KV TRANSFORMER CKT 1'               | FROM->TO | 0.44509 | 555.5  | 'BASE CASE'  |
| 11WP | 2 | G10_059 | 'HOBBS_INT 7345.00 (HOBBS 1) 345/230/13.2KV TRANSFORMER CKT 1'               | FROM->TO | 0.44509 | 555.5  | 'BASE CASE'  |
| 16SP | 2 | G10_060 | 'GRASSLAND INTERCHANGE - LYNN COUNTY INTERCHANGE 115KV CKT 1'                | FROM->TO | 0.27762 | 159.2  | 'GRASSLAND 7 345.00 - JONES 7 345.00 345KV CKT 1'  |
| 16SP | 2 | G10_059 | 'GRASSLAND INTERCHANGE - LYNN COUNTY INTERCHANGE 115KV CKT 1'                | FROM->TO | 0.27762 | 159.2  | 'GRASSLAND 7 345.00 - JONES 7 345.00 345KV CKT 1'  |
| 16SP | 2 | G10_060 | 'LYNN COUNTY INTERCHANGE - SOUTH PLAINS REC-WOODROW INTERCHANGE 115KV CKT 1' | FROM->TO | 0.27762 | 159.4  | 'GRASSLAND 7 345.00 - JONES 7 345.00 345KV CKT 1'  |
| 16SP | 2 | G10_059 | 'LYNN COUNTY INTERCHANGE - SOUTH PLAINS REC-WOODROW INTERCHANGE 115KV CKT 1' | FROM->TO | 0.27762 | 159.4  | 'GRASSLAND 7 345.00 - JONES 7 345.00 345KV CKT 1'  |
| 16SP | 2 | G10_060 | 'AMOCO SWITCHING STATION - YOAKUM COUNTY INTERCHANGE 230KV CKT 1'            | TO->FROM | 0.25304 | 349.9  | 'BORDEN 7345.00 - GRASSLAND 7 345.00 345KV CKT 1'  |
| 16SP | 2 | G10_059 | 'AMOCO SWITCHING STATION - YOAKUM COUNTY INTERCHANGE 230KV CKT 1'            | TO->FROM | 0.25304 | 349.9  | 'BORDEN 7345.00 - GRASSLAND 7 345.00 345KV CKT 1'  |
| 16SP | 2 | G10_060 | 'HOBBS_INT 7345.00 (HOBBS 1) 345/230/13.2KV TRANSFORMER CKT 1'               | FROM->TO | 0.99986 | 555.7  | 'BORDEN 7345.00 - GRASSLAND 7 345.00 345KV CKT 1'  |
| 16SP | 2 | G10_059 | 'HOBBS_INT 7345.00 (HOBBS 1) 345/230/13.2KV TRANSFORMER CKT 1'               | FROM->TO | 0.99986 | 555.7  | 'BORDEN 7345.00 - GRASSLAND 7 345.00 345KV CKT 1'  |
| 16SP | 2 | G10_060 | 'HOBBS_INT 7345.00 (HOBBS 1) 345/230/13.2KV TRANSFORMER CKT 1'               | FROM->TO | 0.99986 | 556.5  | 'BORDEN 7345.00 - GRASSLAND 7 345.00 345KV CKT 1'  |
| 16SP | 2 | G10_059 | 'HOBBS_INT 7345.00 (HOBBS 1) 345/230/13.2KV TRANSFORMER CKT 1'               | FROM->TO | 0.99986 | 556.5  | 'BORDEN 7345.00 - GRASSLAND 7 345.00 345KV CKT 1'  |

|      |   |         |  |          |         |       |   |
|------|---|---------|--|----------|---------|-------|---|
| 16SP | 2 | G10_060 | 'LUBBOCK SOUTH INTERCHANGE - SOUTH PLAINS REC-WOODROW INTERCHANGE 115KV CKT 1' | TO->FROM | 0.27762 | 157.8 | 'GRASSLAND 7 345.00 - JONES 7 345.00 345KV CKT 1' |
| 16SP | 2 | G10_059 | 'LUBBOCK SOUTH INTERCHANGE - SOUTH PLAINS REC-WOODROW INTERCHANGE 115KV CKT 1' | TO->FROM | 0.27762 | 157.8 | 'GRASSLAND 7 345.00 - JONES 7 345.00 345KV CKT 1' |
| 16SP | 2 | G10_060 | 'CAPROCK REC-PHILLIPS - CAPROCK REC-TATE 138KV CKT 1'                          | TO->FROM | 0.2164  | 269.8 | 'BORDEN 7345.00 - MIDLAND 7345.00 345KV CKT 1'    |
| 16SP | 2 | G10_059 | 'CAPROCK REC-PHILLIPS - CAPROCK REC-TATE 138KV CKT 1'                          | TO->FROM | 0.2164  | 269.8 | 'BORDEN 7345.00 - MIDLAND 7345.00 345KV CKT 1'    |
| 16SP | 2 | G10_060 | 'GRASSLAND 7 345.00 (GRASSLAND 1) 345/115/13.2KV TRANSFORMER CKT 1'            | FROM->TO | 0.27777 | 300   | 'GRASSLAND 7 345.00 - JONES 7 345.00 345KV CKT 1' |
| 16SP | 2 | G10_059 | 'GRASSLAND 7 345.00 (GRASSLAND 1) 345/115/13.2KV TRANSFORMER CKT 1'            | FROM->TO | 0.27777 | 300   | 'GRASSLAND 7 345.00 - JONES 7 345.00 345KV CKT 1' |
| 16SP | 2 | G10_060 | 'GRASSLAND 7 345.00 (GRASSLAND 1) 345/115/13.2KV TRANSFORMER CKT 1'            | FROM->TO | 0.27777 | 300   | 'GRASSLAND 7 345.00 - JONES 7 345.00 345KV CKT 1' |
| 16SP | 2 | G10_059 | 'GRASSLAND 7 345.00 (GRASSLAND 1) 345/115/13.2KV TRANSFORMER CKT 1'            | FROM->TO | 0.27777 | 300   | 'GRASSLAND 7 345.00 - JONES 7 345.00 345KV CKT 1' |
| 16SP | 2 | G10_060 | 'HOBBS_INT 7345.00 (HOBBS 1) 345/230/13.2KV TRANSFORMER CKT 1'                 | FROM->TO | 0.7836  | 555.7 | 'BORDEN 7345.00 - MIDLAND 7345.00 345KV CKT 1'    |
| 16SP | 2 | G10_059 | 'HOBBS_INT 7345.00 (HOBBS 1) 345/230/13.2KV TRANSFORMER CKT 1'                 | FROM->TO | 0.7836  | 555.7 | 'BORDEN 7345.00 - MIDLAND 7345.00 345KV CKT 1'    |
| 16SP | 2 | G10_060 | 'HOBBS_INT 7345.00 (HOBBS 1) 345/230/13.2KV TRANSFORMER CKT 1'                 | FROM->TO | 0.7836  | 556.5 | 'BORDEN 7345.00 - MIDLAND 7345.00 345KV CKT 1'    |
| 16SP | 2 | G10_059 | 'HOBBS_INT 7345.00 (HOBBS 1) 345/230/13.2KV TRANSFORMER CKT 1'                 | FROM->TO | 0.7836  | 556.5 | 'BORDEN 7345.00 - MIDLAND 7345.00 345KV CKT 1'    |
| 16SP | 2 | G10_060 | 'CAPROCK REC-MCDONALD - CAPROCK REC-PHILLIPS 138KV CKT 1'                      | TO->FROM | 0.2164  | 270.4 | 'BORDEN 7345.00 - MIDLAND 7345.00 345KV CKT 1'    |
| 16SP | 2 | G10_059 | 'CAPROCK REC-MCDONALD - CAPROCK REC-PHILLIPS 138KV CKT 1'                      | TO->FROM | 0.2164  | 270.4 | 'BORDEN 7345.00 - MIDLAND 7345.00 345KV CKT 1'    |
| 16SP | 2 | G10_060 | 'HOBBS_INT 7345.00 (HOBBS 1) 345/230/13.2KV TRANSFORMER CKT 1'                 | FROM->TO | 0.72149 | 555.7 | 'GRASSLAND 7 345.00 - JONES 7 345.00 345KV CKT 1' |
| 16SP | 2 | G10_059 | 'HOBBS_INT 7345.00 (HOBBS 1) 345/230/13.2KV TRANSFORMER CKT 1'                 | FROM->TO | 0.72149 | 555.7 | 'GRASSLAND 7 345.00 - JONES 7 345.00 345KV CKT 1' |
| 16SP | 2 | G10_060 | 'HOBBS_INT 7345.00 (HOBBS 1) 345/230/13.2KV TRANSFORMER CKT 1'                 | FROM->TO | 0.72149 | 556.5 | 'GRASSLAND 7 345.00 - JONES 7 345.00 345KV CKT 1' |
| 16SP | 2 | G10_059 | 'HOBBS_INT 7345.00 (HOBBS 1) 345/230/13.2KV TRANSFORMER CKT 1'                 | FROM->TO | 0.72149 | 556.5 | 'GRASSLAND 7 345.00 - JONES 7 345.00 345KV CKT 1' |
| 16SP | 2 | G10_060 | 'HOBBS INTERCHANGE - YOAKUM COUNTY INTERCHANGE 230KV CKT 1'                    | FROM->TO | 0.38814 | 496.9 | 'BORDEN 7345.00 - GRASSLAND 7 345.00 345KV CKT 1' |
| 16SP | 2 | G10_059 | 'HOBBS INTERCHANGE - YOAKUM COUNTY INTERCHANGE 230KV CKT 1'                    | FROM->TO | 0.38814 | 496.9 | 'BORDEN 7345.00 - GRASSLAND 7 345.00 345KV CKT 1' |
| 16SP | 2 | G10_060 | 'CUNNINGHAM STATION - EDDY COUNTY INTERCHANGE 230KV CKT 1'                     | FROM->TO | 0.19582 | 348.6 | 'BORDEN 7345.00 - GRASSLAND 7 345.00 345KV CKT 1' |
| 16SP | 2 | G10_059 | 'CUNNINGHAM STATION - EDDY COUNTY INTERCHANGE 230KV CKT 1'                     | FROM->TO | 0.19582 | 348.6 | 'BORDEN 7345.00 - GRASSLAND 7 345.00 345KV CKT 1' |
| 16SP | 2 | G10_060 | 'JONES STATION - TUCO INTERCHANGE 230KV CKT 1'                                 | FROM->TO | 0.30393 | 345.6 | 'JONES 7 345.00 - TUCO INTERCHANGE 345KV CKT 1'   |
| 16SP | 2 | G10_059 | 'JONES STATION - TUCO INTERCHANGE 230KV CKT 1'                                 | FROM->TO | 0.30393 | 345.6 | 'JONES 7 345.00 - TUCO INTERCHANGE 345KV CKT 1'   |

|      |   |         |   |          |         |        |  |
|------|---|---------|---|----------|---------|--------|--|
| 16SP | 2 | G10_060 | 'CUNNINGHAM STATION - HOBBS INTERCHANGE 230KV CKT 1'              | TO->FROM | 0.40396 | 500.1  | 'BORDEN 7345.00 - GRASSLAND 7 345.00 345KV CKT 1'              |
| 16SP | 2 | G10_059 | 'CUNNINGHAM STATION - HOBBS INTERCHANGE 230KV CKT 1'              | TO->FROM | 0.40396 | 500.1  | 'BORDEN 7345.00 - GRASSLAND 7 345.00 345KV CKT 1'              |
| 16SP | 2 | G10_060 | 'MIDLAND 7345.00 (LIKE WICHITA) 345/138/13.8KV TRANSFORMER CKT 1' | FROM->TO | 0.2164  | 384.7  | 'BORDEN 7345.00 - MIDLAND 7345.00 345KV CKT 1'                 |
| 16SP | 2 | G10_059 | 'MIDLAND 7345.00 (LIKE WICHITA) 345/138/13.8KV TRANSFORMER CKT 1' | FROM->TO | 0.2164  | 384.7  | 'BORDEN 7345.00 - MIDLAND 7345.00 345KV CKT 1'                 |
| 16SP | 2 | G10_060 | 'MIDLAND 7345.00 (LIKE WICHITA) 345/138/13.8KV TRANSFORMER CKT 1' | FROM->TO | 0.2164  | 384.9  | 'BORDEN 7345.00 - MIDLAND 7345.00 345KV CKT 1'                 |
| 16SP | 2 | G10_059 | 'MIDLAND 7345.00 (LIKE WICHITA) 345/138/13.8KV TRANSFORMER CKT 1' | FROM->TO | 0.2164  | 384.9  | 'BORDEN 7345.00 - MIDLAND 7345.00 345KV CKT 1'                 |
| 16SP | 2 | G10_060 | 'HOBBS INTERCHANGE - YOAKUM COUNTY INTERCHANGE 230KV CKT 1'       | FROM->TO | 0.2999  | 496.9  | 'BORDEN 7345.00 - MIDLAND 7345.00 345KV CKT 1'                 |
| 16SP | 2 | G10_059 | 'HOBBS INTERCHANGE - YOAKUM COUNTY INTERCHANGE 230KV CKT 1'       | FROM->TO | 0.2999  | 496.9  | 'BORDEN 7345.00 - MIDLAND 7345.00 345KV CKT 1'                 |
| 16SP | 2 | G10_060 | 'HOBBS_INT 7345.00 - MIDLAND 7345.00 345KV CKT 1'                 | TO->FROM | 0.99986 | 1198.5 | 'BORDEN 7345.00 - GRASSLAND 7 345.00 345KV CKT 1'              |
| 16SP | 2 | G10_059 | 'HOBBS_INT 7345.00 - MIDLAND 7345.00 345KV CKT 1'                 | TO->FROM | 0.99986 | 1198.5 | 'BORDEN 7345.00 - GRASSLAND 7 345.00 345KV CKT 1'              |
| 16SP | 2 | G10_060 | 'BORDEN 7345.00 - GRASSLAND 7 345.00 345KV CKT 1'                 | FROM->TO | 0.99986 | 1199.5 | 'HOBBS_INT 7345.00 - MIDLAND 7345.00 345KV CKT 1'              |
| 16SP | 2 | G10_059 | 'BORDEN 7345.00 - GRASSLAND 7 345.00 345KV CKT 1'                 | FROM->TO | 0.99986 | 1199.5 | 'HOBBS_INT 7345.00 - MIDLAND 7345.00 345KV CKT 1'              |
| 16SP | 2 | G10_060 | 'BORDEN 7345.00 - GRASSLAND 7 345.00 345KV CKT 1'                 | FROM->TO | 0.99986 | 1199.5 | 'HOBBS_INT 7345.00 (HOBBS 1) 345/230/13.2KV TRANSFORMER CKT 1' |
| 16SP | 2 | G10_059 | 'BORDEN 7345.00 - GRASSLAND 7 345.00 345KV CKT 1'                 | FROM->TO | 0.99986 | 1199.5 | 'HOBBS_INT 7345.00 (HOBBS 1) 345/230/13.2KV TRANSFORMER CKT 1' |
| 16SP | 2 | G10_060 | 'JONES 7 345.00 (JONES 1) 345/230/13.8KV TRANSFORMER CKT 1'       | FROM->TO | 0.44993 | 553.6  | 'JONES 7 345.00 - TUCO INTERCHANGE 345KV CKT 1'                |
| 16SP | 2 | G10_059 | 'JONES 7 345.00 (JONES 1) 345/230/13.8KV TRANSFORMER CKT 1'       | FROM->TO | 0.44993 | 553.6  | 'JONES 7 345.00 - TUCO INTERCHANGE 345KV CKT 1'                |
| 16SP | 2 | G10_060 | 'JONES 7 345.00 (JONES 1) 345/230/13.8KV TRANSFORMER CKT 1'       | FROM->TO | 0.44993 | 553.9  | 'JONES 7 345.00 - TUCO INTERCHANGE 345KV CKT 1'                |
| 16SP | 2 | G10_059 | 'JONES 7 345.00 (JONES 1) 345/230/13.8KV TRANSFORMER CKT 1'       | FROM->TO | 0.44993 | 553.9  | 'JONES 7 345.00 - TUCO INTERCHANGE 345KV CKT 1'                |
| 16SP | 2 | G10_060 | 'BORDEN 7345.00 - MIDLAND 7345.00 345KV CKT 1'                    | TO->FROM | 0.92347 | 1199.8 | 'HOBBS_INT 7345.00 (HOBBS 1) 345/230/13.2KV TRANSFORMER CKT 1' |
| 16SP | 2 | G10_059 | 'BORDEN 7345.00 - MIDLAND 7345.00 345KV CKT 1'                    | TO->FROM | 0.92347 | 1199.8 | 'HOBBS_INT 7345.00 (HOBBS 1) 345/230/13.2KV TRANSFORMER CKT 1' |
| 16SP | 2 | G10_060 | 'BORDEN 7345.00 - MIDLAND 7345.00 345KV CKT 1'                    | TO->FROM | 0.92347 | 1199.8 | 'HOBBS_INT 7345.00 - MIDLAND 7345.00 345KV CKT 1'              |
| 16SP | 2 | G10_059 | 'BORDEN 7345.00 - MIDLAND 7345.00 345KV CKT 1'                    | TO->FROM | 0.92347 | 1199.8 | 'HOBBS_INT 7345.00 - MIDLAND 7345.00 345KV CKT 1'              |
| 16SP | 2 | G10_060 | 'AMOCO SWITCHING STATION - SUNDOWN INTERCHANGE 230KV CKT 1'       | FROM->TO | 0.25304 | 350.5  | 'BORDEN 7345.00 - GRASSLAND 7 345.00 345KV CKT 1'              |
| 16SP | 2 | G10_059 | 'AMOCO SWITCHING STATION - SUNDOWN INTERCHANGE 230KV CKT 1'       | FROM->TO | 0.25304 | 350.5  | 'BORDEN 7345.00 - GRASSLAND 7 345.00 345KV CKT 1'              |
| 16SP | 2 | G10_060 | 'HOBBS_INT 7345.00 (HOBBS 1) 345/230/13.2KV TRANSFORMER CKT 1'    | FROM->TO | 0.49425 | 555.7  | 'JONES 7 345.00 - TUCO INTERCHANGE 345KV CKT 1'                |

|      |   |         |  |          |         |        |   |
|------|---|---------|--|----------|---------|--------|---|
| 16SP | 2 | G10_059 | 'HOBBS_INT 7345.00 (HOBBS 1) 345/230/13.2KV TRANSFORMER CKT 1'               | FROM->TO | 0.49425 | 555.7  | 'JONES 7 345.00 - TUCO INTERCHANGE 345KV CKT 1'   |
| 16SP | 2 | G10_060 | 'HOBBS_INT 7345.00 (HOBBS 1) 345/230/13.2KV TRANSFORMER CKT 1'               | FROM->TO | 0.49425 | 556.5  | 'JONES 7 345.00 - TUCO INTERCHANGE 345KV CKT 1'   |
| 16SP | 2 | G10_059 | 'HOBBS_INT 7345.00 (HOBBS 1) 345/230/13.2KV TRANSFORMER CKT 1'               | FROM->TO | 0.49425 | 556.5  | 'JONES 7 345.00 - TUCO INTERCHANGE 345KV CKT 1'   |
| 16SP | 2 | G10_060 | 'SUNDOWN INTERCHANGE - WOLFFORTH INTERCHANGE 230KV CKT 1'                    | FROM->TO | 0.20308 | 350.3  | 'BORDEN 7345.00 - GRASSLAND 7 345.00 345KV CKT 1'   |
| 16SP | 2 | G10_059 | 'SUNDOWN INTERCHANGE - WOLFFORTH INTERCHANGE 230KV CKT 1'                    | FROM->TO | 0.20308 | 350.3  | 'BORDEN 7345.00 - GRASSLAND 7 345.00 345KV CKT 1'   |
| 16SP | 2 | G10_060 | 'HOBBS_INT 7345.00 (HOBBS 1) 345/230/13.2KV TRANSFORMER CKT 1'               | FROM->TO | 0.446   | 555.7  | 'Golden Spread REC - Mustang Interchange 230 kV Generation Bus - MUSTANG STATION 230KV CKT 1' |
| 16SP | 2 | G10_059 | 'HOBBS_INT 7345.00 (HOBBS 1) 345/230/13.2KV TRANSFORMER CKT 1'               | FROM->TO | 0.446   | 555.7  | 'Golden Spread REC - Mustang Interchange 230 kV Generation Bus - MUSTANG STATION 230KV CKT 1' |
| 16SP | 2 | G10_060 | 'HOBBS_INT 7345.00 (HOBBS 1) 345/230/13.2KV TRANSFORMER CKT 1'               | FROM->TO | 0.446   | 556.5  | 'Golden Spread REC - Mustang Interchange 230 kV Generation Bus - MUSTANG STATION 230KV CKT 1' |
| 16SP | 2 | G10_059 | 'HOBBS_INT 7345.00 (HOBBS 1) 345/230/13.2KV TRANSFORMER CKT 1'               | FROM->TO | 0.446   | 556.5  | 'Golden Spread REC - Mustang Interchange 230 kV Generation Bus - MUSTANG STATION 230KV CKT 1' |
| 16SP | 2 | G10_060 | 'GRASSLAND 7 345.00 - JONES 7 345.00 345KV CKT 1'                            | FROM->TO | 0.94694 | 1199.8 | 'HOBBS_INT 7345.00 (HOBBS 1) 345/230/13.2KV TRANSFORMER CKT 1'                                |
| 16SP | 2 | G10_059 | 'GRASSLAND 7 345.00 - JONES 7 345.00 345KV CKT 1'                            | FROM->TO | 0.94694 | 1199.8 | 'HOBBS_INT 7345.00 (HOBBS 1) 345/230/13.2KV TRANSFORMER CKT 1'                                |
| 16SP | 2 | G10_060 | 'GRASSLAND 7 345.00 - JONES 7 345.00 345KV CKT 1'                            | FROM->TO | 0.94694 | 1199.8 | 'HOBBS_INT 7345.00 - MIDLAND 7345.00 345KV CKT 1'   |
| 16SP | 2 | G10_059 | 'GRASSLAND 7 345.00 - JONES 7 345.00 345KV CKT 1'                            | FROM->TO | 0.94694 | 1199.8 | 'HOBBS_INT 7345.00 - MIDLAND 7345.00 345KV CKT 1'   |
| 16WP | 2 | G10_060 | 'GRASSLAND INTERCHANGE - LYNN COUNTY INTERCHANGE 115KV CKT 1'                | FROM->TO | 0.2778  | 176.4  | 'GRASSLAND 7 345.00 - JONES 7 345.00 345KV CKT 1'   |
| 16WP | 2 | G10_059 | 'GRASSLAND INTERCHANGE - LYNN COUNTY INTERCHANGE 115KV CKT 1'                | FROM->TO | 0.2778  | 176.4  | 'GRASSLAND 7 345.00 - JONES 7 345.00 345KV CKT 1'   |
| 16WP | 2 | G10_060 | 'HOBBS_INT 7345.00 (HOBBS 1) 345/230/13.2KV TRANSFORMER CKT 1'               | FROM->TO | 0.9998  | 554.9  | 'BORDEN 7345.00 - GRASSLAND 7 345.00 345KV CKT 1'   |
| 16WP | 2 | G10_059 | 'HOBBS_INT 7345.00 (HOBBS 1) 345/230/13.2KV TRANSFORMER CKT 1'               | FROM->TO | 0.9998  | 554.9  | 'BORDEN 7345.00 - GRASSLAND 7 345.00 345KV CKT 1'   |
| 16WP | 2 | G10_060 | 'HOBBS_INT 7345.00 (HOBBS 1) 345/230/13.2KV TRANSFORMER CKT 1'               | FROM->TO | 0.9998  | 555.3  | 'BORDEN 7345.00 - GRASSLAND 7 345.00 345KV CKT 1'   |
| 16WP | 2 | G10_059 | 'HOBBS_INT 7345.00 (HOBBS 1) 345/230/13.2KV TRANSFORMER CKT 1'               | FROM->TO | 0.9998  | 555.3  | 'BORDEN 7345.00 - GRASSLAND 7 345.00 345KV CKT 1'   |
| 16WP | 2 | G10_060 | 'LYNN COUNTY INTERCHANGE - SOUTH PLAINS REC-WOODROW INTERCHANGE 115KV CKT 1' | FROM->TO | 0.2778  | 176.8  | 'GRASSLAND 7 345.00 - JONES 7 345.00 345KV CKT 1'   |
| 16WP | 2 | G10_059 | 'LYNN COUNTY INTERCHANGE - SOUTH PLAINS REC-WOODROW INTERCHANGE 115KV CKT 1' | FROM->TO | 0.2778  | 176.8  | 'GRASSLAND 7 345.00 - JONES 7 345.00 345KV CKT 1'   |
| 16WP | 2 | G10_060 | 'HOBBS_INT 7345.00 (HOBBS 1) 345/230/13.2KV TRANSFORMER CKT 1'               | FROM->TO | 0.78336 | 554.9  | 'BORDEN 7345.00 - MIDLAND 7345.00 345KV CKT 1'  |

|      |   |         |  |          |         |       |   |
|------|---|---------|--|----------|---------|-------|---|
| 16WP | 2 | G10_059 | 'HOBBS_INT 7345.00 (HOBBS 1) 345/230/13.2KV TRANSFORMER CKT 1'                 | FROM->TO | 0.78336 | 554.9 | 'BORDEN 7345.00 - MIDLAND 7345.00 345KV CKT 1'    |
| 16WP | 2 | G10_060 | 'HOBBS_INT 7345.00 (HOBBS 1) 345/230/13.2KV TRANSFORMER CKT 1'                 | FROM->TO | 0.78336 | 555.3 | 'BORDEN 7345.00 - MIDLAND 7345.00 345KV CKT 1'    |
| 16WP | 2 | G10_059 | 'HOBBS_INT 7345.00 (HOBBS 1) 345/230/13.2KV TRANSFORMER CKT 1'                 | FROM->TO | 0.78336 | 555.3 | 'BORDEN 7345.00 - MIDLAND 7345.00 345KV CKT 1'    |
| 16WP | 2 | G10_060 | 'LUBBOCK SOUTH INTERCHANGE - SOUTH PLAINS REC-WOODROW INTERCHANGE 115KV CKT 1' | TO->FROM | 0.2778  | 176.1 | 'GRASSLAND 7 345.00 - JONES 7 345.00 345KV CKT 1' |
| 16WP | 2 | G10_059 | 'LUBBOCK SOUTH INTERCHANGE - SOUTH PLAINS REC-WOODROW INTERCHANGE 115KV CKT 1' | TO->FROM | 0.2778  | 176.1 | 'GRASSLAND 7 345.00 - JONES 7 345.00 345KV CKT 1' |
| 16WP | 2 | G10_060 | 'CAPROCK REC-PHILLIPS - CAPROCK REC-TATE 138KV CKT 1'                          | TO->FROM | 0.21664 | 269.8 | 'BORDEN 7345.00 - MIDLAND 7345.00 345KV CKT 1'    |
| 16WP | 2 | G10_059 | 'CAPROCK REC-PHILLIPS - CAPROCK REC-TATE 138KV CKT 1'                          | TO->FROM | 0.21664 | 269.8 | 'BORDEN 7345.00 - MIDLAND 7345.00 345KV CKT 1'    |
| 16WP | 2 | G10_060 | 'HOBBS_INT 7345.00 (HOBBS 1) 345/230/13.2KV TRANSFORMER CKT 1'                 | FROM->TO | 0.721   | 554.9 | 'GRASSLAND 7 345.00 - JONES 7 345.00 345KV CKT 1' |
| 16WP | 2 | G10_059 | 'HOBBS_INT 7345.00 (HOBBS 1) 345/230/13.2KV TRANSFORMER CKT 1'                 | FROM->TO | 0.721   | 554.9 | 'GRASSLAND 7 345.00 - JONES 7 345.00 345KV CKT 1' |
| 16WP | 2 | G10_060 | 'HOBBS_INT 7345.00 (HOBBS 1) 345/230/13.2KV TRANSFORMER CKT 1'                 | FROM->TO | 0.721   | 555.3 | 'GRASSLAND 7 345.00 - JONES 7 345.00 345KV CKT 1' |
| 16WP | 2 | G10_059 | 'HOBBS_INT 7345.00 (HOBBS 1) 345/230/13.2KV TRANSFORMER CKT 1'                 | FROM->TO | 0.721   | 555.3 | 'GRASSLAND 7 345.00 - JONES 7 345.00 345KV CKT 1' |
| 16WP | 2 | G10_060 | 'GRASSLAND 7 345.00 (GRASSLAND 1) 345/115/13.2KV TRANSFORMER CKT 1'            | FROM->TO | 0.27799 | 299.9 | 'GRASSLAND 7 345.00 - JONES 7 345.00 345KV CKT 1' |
| 16WP | 2 | G10_059 | 'GRASSLAND 7 345.00 (GRASSLAND 1) 345/115/13.2KV TRANSFORMER CKT 1'            | FROM->TO | 0.27799 | 299.9 | 'GRASSLAND 7 345.00 - JONES 7 345.00 345KV CKT 1' |
| 16WP | 2 | G10_060 | 'GRASSLAND 7 345.00 (GRASSLAND 1) 345/115/13.2KV TRANSFORMER CKT 1'            | FROM->TO | 0.27799 | 299.9 | 'GRASSLAND 7 345.00 - JONES 7 345.00 345KV CKT 1' |
| 16WP | 2 | G10_059 | 'GRASSLAND 7 345.00 (GRASSLAND 1) 345/115/13.2KV TRANSFORMER CKT 1'            | FROM->TO | 0.27799 | 299.9 | 'GRASSLAND 7 345.00 - JONES 7 345.00 345KV CKT 1' |
| 16WP | 2 | G10_060 | 'CAPROCK REC-MCDONALD - CAPROCK REC-PHILLIPS 138KV CKT 1'                      | TO->FROM | 0.21664 | 270.3 | 'BORDEN 7345.00 - MIDLAND 7345.00 345KV CKT 1'    |
| 16WP | 2 | G10_059 | 'CAPROCK REC-MCDONALD - CAPROCK REC-PHILLIPS 138KV CKT 1'                      | TO->FROM | 0.21664 | 270.3 | 'BORDEN 7345.00 - MIDLAND 7345.00 345KV CKT 1'    |
| 16WP | 2 | G10_060 | 'AMOCO SWITCHING STATION - YOAKUM COUNTY INTERCHANGE 230KV CKT 1'              | TO->FROM | 0.25399 | 359.4 | 'BORDEN 7345.00 - GRASSLAND 7 345.00 345KV CKT 1' |
| 16WP | 2 | G10_059 | 'AMOCO SWITCHING STATION - YOAKUM COUNTY INTERCHANGE 230KV CKT 1'              | TO->FROM | 0.25399 | 359.4 | 'BORDEN 7345.00 - GRASSLAND 7 345.00 345KV CKT 1' |
| 16WP | 2 | G10_060 | 'HOBBS INTERCHANGE - YOAKUM COUNTY INTERCHANGE 230KV CKT 1'                    | FROM->TO | 0.38884 | 497   | 'BORDEN 7345.00 - GRASSLAND 7 345.00 345KV CKT 1' |
| 16WP | 2 | G10_059 | 'HOBBS INTERCHANGE - YOAKUM COUNTY INTERCHANGE 230KV CKT 1'                    | FROM->TO | 0.38884 | 497   | 'BORDEN 7345.00 - GRASSLAND 7 345.00 345KV CKT 1' |
| 16WP | 2 | G10_060 | 'HOBBS_INT 7345.00 (HOBBS 1) 345/230/13.2KV TRANSFORMER CKT 1'                 | FROM->TO | 0.49344 | 554.9 | 'JONES 7 345.00 - TUCO INTERCHANGE 345KV CKT 1'   |
| 16WP | 2 | G10_059 | 'HOBBS_INT 7345.00 (HOBBS 1) 345/230/13.2KV TRANSFORMER CKT 1'                 | FROM->TO | 0.49344 | 554.9 | 'JONES 7 345.00 - TUCO INTERCHANGE 345KV CKT 1'   |
| 16WP | 2 | G10_060 | 'HOBBS_INT 7345.00 (HOBBS 1) 345/230/13.2KV TRANSFORMER CKT 1'                 | FROM->TO | 0.49344 | 555.3 | 'JONES 7 345.00 - TUCO INTERCHANGE 345KV CKT 1'   |



|      |   |         |  |          |         |        |   |
|------|---|---------|--|----------|---------|--------|---|
| 16WP | 2 | G10_059 | 'HOBBS_INT 7345.00 (HOBBS 1) 345/230/13.2KV TRANSFORMER CKT 1' | FROM->TO | 0.49344 | 555.3  | 'JONES 7 345.00 - TUCO INTERCHANGE 345KV CKT 1'   |
| 16WP | 2 | G10_060 | 'HOBBS_INT 7345.00 - MIDLAND 7345.00 345KV CKT 1'              | TO->FROM | 0.9998  | 1198.1 | 'BORDEN 7345.00 - GRASSLAND 7 345.00 345KV CKT 1'   |
| 16WP | 2 | G10_059 | 'HOBBS_INT 7345.00 - MIDLAND 7345.00 345KV CKT 1'              | TO->FROM | 0.9998  | 1198.1 | 'BORDEN 7345.00 - GRASSLAND 7 345.00 345KV CKT 1'   |
| 16WP | 2 | G10_060 | 'BORDEN 7345.00 - GRASSLAND 7 345.00 345KV CKT 1'              | FROM->TO | 0.9998  | 1199   | 'HOBBS_INT 7345.00 - MIDLAND 7345.00 345KV CKT 1'   |
| 16WP | 2 | G10_059 | 'BORDEN 7345.00 - GRASSLAND 7 345.00 345KV CKT 1'              | FROM->TO | 0.9998  | 1199   | 'HOBBS_INT 7345.00 - MIDLAND 7345.00 345KV CKT 1'   |
| 16WP | 2 | G10_060 | 'BORDEN 7345.00 - GRASSLAND 7 345.00 345KV CKT 1'              | FROM->TO | 0.9998  | 1199   | 'HOBBS_INT 7345.00 (HOBBS 1) 345/230/13.2KV TRANSFORMER CKT 1'                                |
| 16WP | 2 | G10_059 | 'BORDEN 7345.00 - GRASSLAND 7 345.00 345KV CKT 1'              | FROM->TO | 0.9998  | 1199   | 'HOBBS_INT 7345.00 (HOBBS 1) 345/230/13.2KV TRANSFORMER CKT 1'                                |
| 16WP | 2 | G10_060 | 'CUNNINGHAM STATION - HOBBS INTERCHANGE 230KV CKT 1'           | TO->FROM | 0.40292 | 557    | 'BORDEN 7345.00 - GRASSLAND 7 345.00 345KV CKT 1'   |
| 16WP | 2 | G10_059 | 'CUNNINGHAM STATION - HOBBS INTERCHANGE 230KV CKT 1'           | TO->FROM | 0.40292 | 557    | 'BORDEN 7345.00 - GRASSLAND 7 345.00 345KV CKT 1'   |
| 16WP | 2 | G10_060 | 'HOBBS_INT 7345.00 (HOBBS 1) 345/230/13.2KV TRANSFORMER CKT 1' | FROM->TO | 0.44541 | 554.9  | 'HOBBS INTERCHANGE 230/18.0KV TRANSFORMER CKT 1'  |
| 16WP | 2 | G10_059 | 'HOBBS_INT 7345.00 (HOBBS 1) 345/230/13.2KV TRANSFORMER CKT 1' | FROM->TO | 0.44541 | 554.9  | 'HOBBS INTERCHANGE 230/18.0KV TRANSFORMER CKT 1'  |
| 16WP | 2 | G10_060 | 'HOBBS_INT 7345.00 (HOBBS 1) 345/230/13.2KV TRANSFORMER CKT 1' | FROM->TO | 0.44541 | 555.3  | 'HOBBS INTERCHANGE 230/18.0KV TRANSFORMER CKT 1'  |
| 16WP | 2 | G10_059 | 'HOBBS_INT 7345.00 (HOBBS 1) 345/230/13.2KV TRANSFORMER CKT 1' | FROM->TO | 0.44541 | 555.3  | 'HOBBS INTERCHANGE 230/18.0KV TRANSFORMER CKT 1'  |
| 16WP | 2 | G10_060 | 'BORDEN 7345.00 - MIDLAND 7345.00 345KV CKT 1'                 | TO->FROM | 0.92344 | 1199.6 | 'HOBBS_INT 7345.00 (HOBBS 1) 345/230/13.2KV TRANSFORMER CKT 1'                                |
| 16WP | 2 | G10_059 | 'BORDEN 7345.00 - MIDLAND 7345.00 345KV CKT 1'                 | TO->FROM | 0.92344 | 1199.6 | 'HOBBS_INT 7345.00 (HOBBS 1) 345/230/13.2KV TRANSFORMER CKT 1'                                |
| 16WP | 2 | G10_060 | 'BORDEN 7345.00 - MIDLAND 7345.00 345KV CKT 1'                 | TO->FROM | 0.92344 | 1199.6 | 'HOBBS_INT 7345.00 - MIDLAND 7345.00 345KV CKT 1'   |
| 16WP | 2 | G10_059 | 'BORDEN 7345.00 - MIDLAND 7345.00 345KV CKT 1'                 | TO->FROM | 0.92344 | 1199.6 | 'HOBBS_INT 7345.00 - MIDLAND 7345.00 345KV CKT 1'   |
| 16WP | 2 | G10_060 | 'HOBBS_INT 7345.00 (HOBBS 1) 345/230/13.2KV TRANSFORMER CKT 1' | FROM->TO | 0.44541 | 554.9  | 'CUNNINGHAM STATION 230/20.0KV TRANSFORMER CKT 1'   |
| 16WP | 2 | G10_059 | 'HOBBS_INT 7345.00 (HOBBS 1) 345/230/13.2KV TRANSFORMER CKT 1' | FROM->TO | 0.44541 | 554.9  | 'CUNNINGHAM STATION 230/20.0KV TRANSFORMER CKT 1'   |
| 16WP | 2 | G10_060 | 'HOBBS_INT 7345.00 (HOBBS 1) 345/230/13.2KV TRANSFORMER CKT 1' | FROM->TO | 0.44541 | 555.3  | 'CUNNINGHAM STATION 230/20.0KV TRANSFORMER CKT 1'   |
| 16WP | 2 | G10_059 | 'HOBBS_INT 7345.00 (HOBBS 1) 345/230/13.2KV TRANSFORMER CKT 1' | FROM->TO | 0.44541 | 555.3  | 'CUNNINGHAM STATION 230/20.0KV TRANSFORMER CKT 1'   |
| 16WP | 2 | G10_060 | 'HOBBS_INT 7345.00 (HOBBS 1) 345/230/13.2KV TRANSFORMER CKT 1' | FROM->TO | 0.44541 | 554.9  | 'Golden Spread REC - Mustang Interchange 230 kV Generation Bus - MUSTANG STATION 230KV CKT 1' |
| 16WP | 2 | G10_059 | 'HOBBS_INT 7345.00 (HOBBS 1) 345/230/13.2KV TRANSFORMER CKT 1' | FROM->TO | 0.44541 | 554.9  | 'Golden Spread REC - Mustang Interchange 230 kV Generation Bus - MUSTANG STATION 230KV CKT 1' |
| 16WP | 2 | G10_060 | 'HOBBS_INT 7345.00 (HOBBS 1) 345/230/13.2KV TRANSFORMER CKT 1' | FROM->TO | 0.44541 | 555.3  | 'Golden Spread REC - Mustang Interchange 230 kV Generation Bus - MUSTANG STATION 230KV CKT 1' |

|      |   |         |   |          |         |       |   |
|------|---|---------|---|----------|---------|-------|---|
| 16WP | 2 | G10_059 | 'HOBBS_INT 7345.00 (HOBBS 1) 345/230/13.2KV TRANSFORMER CKT 1'    | FROM->TO | 0.44541 | 555.3 | 'Golden Spread REC - Mustang Interchange 230 kV Generation Bus - MUSTANG STATION 230KV CKT 1' |
| 16WP | 2 | G10_060 | 'HOBBS_INT 7345.00 (HOBBS 1) 345/230/13.2KV TRANSFORMER CKT 1'    | FROM->TO | 0.44541 | 554.9 | 'HOBBS INTERCHANGE 115/18.0KV TRANSFORMER CKT 1'  |
| 16WP | 2 | G10_059 | 'HOBBS_INT 7345.00 (HOBBS 1) 345/230/13.2KV TRANSFORMER CKT 1'    | FROM->TO | 0.44541 | 554.9 | 'HOBBS INTERCHANGE 115/18.0KV TRANSFORMER CKT 1'  |
| 16WP | 2 | G10_060 | 'HOBBS_INT 7345.00 (HOBBS 1) 345/230/13.2KV TRANSFORMER CKT 1'    | FROM->TO | 0.44541 | 554.9 | 'HOBBS INTERCHANGE 115/18.0KV TRANSFORMER CKT 1'  |
| 16WP | 2 | G10_059 | 'HOBBS_INT 7345.00 (HOBBS 1) 345/230/13.2KV TRANSFORMER CKT 1'    | FROM->TO | 0.44541 | 554.9 | 'HOBBS INTERCHANGE 115/18.0KV TRANSFORMER CKT 1'  |
| 16WP | 2 | G10_060 | 'HOBBS_INT 7345.00 (HOBBS 1) 345/230/13.2KV TRANSFORMER CKT 1'    | FROM->TO | 0.44541 | 554.9 | 'TOLK STATION WEST 230/24.0KV TRANSFORMER CKT 1'  |
| 16WP | 2 | G10_059 | 'HOBBS_INT 7345.00 (HOBBS 1) 345/230/13.2KV TRANSFORMER CKT 1'    | FROM->TO | 0.44541 | 554.9 | 'TOLK STATION WEST 230/24.0KV TRANSFORMER CKT 1'  |
| 16WP | 2 | G10_060 | 'HOBBS_INT 7345.00 (HOBBS 1) 345/230/13.2KV TRANSFORMER CKT 1'    | FROM->TO | 0.44541 | 555.3 | 'HOBBS INTERCHANGE 115/18.0KV TRANSFORMER CKT 1'  |
| 16WP | 2 | G10_059 | 'HOBBS_INT 7345.00 (HOBBS 1) 345/230/13.2KV TRANSFORMER CKT 1'    | FROM->TO | 0.44541 | 555.3 | 'HOBBS INTERCHANGE 115/18.0KV TRANSFORMER CKT 1'  |
| 16WP | 2 | G10_060 | 'HOBBS_INT 7345.00 (HOBBS 1) 345/230/13.2KV TRANSFORMER CKT 1'    | FROM->TO | 0.44541 | 555.3 | 'HOBBS INTERCHANGE 115/18.0KV TRANSFORMER CKT 1'  |
| 16WP | 2 | G10_059 | 'HOBBS_INT 7345.00 (HOBBS 1) 345/230/13.2KV TRANSFORMER CKT 1'    | FROM->TO | 0.44541 | 555.3 | 'HOBBS INTERCHANGE 115/18.0KV TRANSFORMER CKT 1'  |
| 16WP | 2 | G10_060 | 'HOBBS_INT 7345.00 (HOBBS 1) 345/230/13.2KV TRANSFORMER CKT 1'    | FROM->TO | 0.44541 | 555.3 | 'TOLK STATION WEST 230/24.0KV TRANSFORMER CKT 1'  |
| 16WP | 2 | G10_059 | 'HOBBS_INT 7345.00 (HOBBS 1) 345/230/13.2KV TRANSFORMER CKT 1'    | FROM->TO | 0.44541 | 555.3 | 'TOLK STATION WEST 230/24.0KV TRANSFORMER CKT 1'  |
| 16WP | 2 | G10_060 | 'HOBBS_INT 7345.00 (HOBBS 1) 345/230/13.2KV TRANSFORMER CKT 1'    | FROM->TO | 0.44541 | 554.9 | 'TOLK STATION EAST 230/24.0KV TRANSFORMER CKT 1'  |
| 16WP | 2 | G10_059 | 'HOBBS_INT 7345.00 (HOBBS 1) 345/230/13.2KV TRANSFORMER CKT 1'    | FROM->TO | 0.44541 | 554.9 | 'TOLK STATION EAST 230/24.0KV TRANSFORMER CKT 1'  |
| 16WP | 2 | G10_060 | 'HOBBS_INT 7345.00 (HOBBS 1) 345/230/13.2KV TRANSFORMER CKT 1'    | FROM->TO | 0.44541 | 555.3 | 'TOLK STATION EAST 230/24.0KV TRANSFORMER CKT 1'  |
| 16WP | 2 | G10_059 | 'HOBBS_INT 7345.00 (HOBBS 1) 345/230/13.2KV TRANSFORMER CKT 1'    | FROM->TO | 0.44541 | 555.3 | 'TOLK STATION EAST 230/24.0KV TRANSFORMER CKT 1'  |
| 16WP | 2 | G10_060 | 'JONES 7 345.00 (JONES 1) 345/230/13.8KV TRANSFORMER CKT 1'       | FROM->TO | 0.45049 | 552.5 | 'JONES 7 345.00 - TUCO INTERCHANGE 345KV CKT 1'   |
| 16WP | 2 | G10_059 | 'JONES 7 345.00 (JONES 1) 345/230/13.8KV TRANSFORMER CKT 1'       | FROM->TO | 0.45049 | 552.5 | 'JONES 7 345.00 - TUCO INTERCHANGE 345KV CKT 1'   |
| 16WP | 2 | G10_060 | 'HOBBS_INT 7345.00 (HOBBS 1) 345/230/13.2KV TRANSFORMER CKT 1'    | FROM->TO | 0.45503 | 554.9 | 'LAWTON EASTSIDE - OKLAUNION 345KV CKT 1'   |
| 16WP | 2 | G10_059 | 'HOBBS_INT 7345.00 (HOBBS 1) 345/230/13.2KV TRANSFORMER CKT 1'    | FROM->TO | 0.45503 | 554.9 | 'LAWTON EASTSIDE - OKLAUNION 345KV CKT 1'   |
| 16WP | 2 | G10_060 | 'JONES 7 345.00 (JONES 1) 345/230/13.8KV TRANSFORMER CKT 1'       | FROM->TO | 0.45049 | 553.1 | 'JONES 7 345.00 - TUCO INTERCHANGE 345KV CKT 1'   |
| 16WP | 2 | G10_059 | 'JONES 7 345.00 (JONES 1) 345/230/13.8KV TRANSFORMER CKT 1'       | FROM->TO | 0.45049 | 553.1 | 'JONES 7 345.00 - TUCO INTERCHANGE 345KV CKT 1'   |
| 16WP | 2 | G10_060 | 'AMOCO SWITCHING STATION - YOAKUM COUNTY INTERCHANGE 230KV CKT 1' | TO->FROM | 0.19043 | 359.4 | 'BORDEN 7345.00 - MIDLAND 7345.00 345KV CKT 1'  |
| 16WP | 2 | G10_059 | 'AMOCO SWITCHING STATION - YOAKUM COUNTY INTERCHANGE 230KV CKT 1' | TO->FROM | 0.19043 | 359.4 | 'BORDEN 7345.00 - MIDLAND 7345.00 345KV CKT 1'  |

|      |   |         |  |          |         |       |  |
|------|---|---------|--|----------|---------|-------|--|
| 16WP | 2 | G10_060 | 'HOBBS_INT 7345.00 (HOBBS 1) 345/230/13.2KV TRANSFORMER CKT 1' | FROM->TO | 0.45503 | 555.3 | 'LAWTON EASTSIDE - OKLAUNION 345KV CKT 1'  |
| 16WP | 2 | G10_059 | 'HOBBS_INT 7345.00 (HOBBS 1) 345/230/13.2KV TRANSFORMER CKT 1' | FROM->TO | 0.45503 | 555.3 | 'LAWTON EASTSIDE - OKLAUNION 345KV CKT 1'  |
| 16WP | 2 | G10_060 | 'HOBBS_INT 7345.00 (HOBBS 1) 345/230/13.2KV TRANSFORMER CKT 1' | FROM->TO | 0.476   | 554.9 | 'JONES 7 345.00 (JONES 1) 345/230/13.8KV TRANSFORMER CKT 1'                                  |
| 16WP | 2 | G10_059 | 'HOBBS_INT 7345.00 (HOBBS 1) 345/230/13.2KV TRANSFORMER CKT 1' | FROM->TO | 0.476   | 554.9 | 'JONES 7 345.00 (JONES 1) 345/230/13.8KV TRANSFORMER CKT 1'                                  |
| 16WP | 2 | G10_060 | 'HOBBS_INT 7345.00 (HOBBS 1) 345/230/13.2KV TRANSFORMER CKT 1' | FROM->TO | 0.476   | 555.3 | 'JONES 7 345.00 (JONES 1) 345/230/13.8KV TRANSFORMER CKT 1'                                  |
| 16WP | 2 | G10_059 | 'HOBBS_INT 7345.00 (HOBBS 1) 345/230/13.2KV TRANSFORMER CKT 1' | FROM->TO | 0.476   | 555.3 | 'JONES 7 345.00 (JONES 1) 345/230/13.8KV TRANSFORMER CKT 1'                                  |
| 16WP | 2 | G10_060 | 'HOBBS_INT 7345.00 (HOBBS 1) 345/230/13.2KV TRANSFORMER CKT 1' | FROM->TO | 0.44541 | 554.9 | 'MADDOX STATION 115/13.8KV TRANSFORMER CKT 1'  |
| 16WP | 2 | G10_059 | 'HOBBS_INT 7345.00 (HOBBS 1) 345/230/13.2KV TRANSFORMER CKT 1' | FROM->TO | 0.44541 | 554.9 | 'MADDOX STATION 115/13.8KV TRANSFORMER CKT 1'  |
| 16WP | 2 | G10_060 | 'HOBBS_INT 7345.00 (HOBBS 1) 345/230/13.2KV TRANSFORMER CKT 1' | FROM->TO | 0.44541 | 555.3 | 'MADDOX STATION 115/13.8KV TRANSFORMER CKT 1'  |
| 16WP | 2 | G10_059 | 'HOBBS_INT 7345.00 (HOBBS 1) 345/230/13.2KV TRANSFORMER CKT 1' | FROM->TO | 0.44541 | 555.3 | 'MADDOX STATION 115/13.8KV TRANSFORMER CKT 1'  |
| 16WP | 2 | G10_060 | 'HOBBS_INT 7345.00 (HOBBS 1) 345/230/13.2KV TRANSFORMER CKT 1' | FROM->TO | 0.45503 | 554.9 | 'G05-15T 345.00 - OKLAUNION 345KV CKT 1'   |
| 16WP | 2 | G10_059 | 'HOBBS_INT 7345.00 (HOBBS 1) 345/230/13.2KV TRANSFORMER CKT 1' | FROM->TO | 0.45503 | 554.9 | 'G05-15T 345.00 - OKLAUNION 345KV CKT 1'   |
| 16WP | 2 | G10_060 | 'HOBBS_INT 7345.00 (HOBBS 1) 345/230/13.2KV TRANSFORMER CKT 1' | FROM->TO | 0.44541 | 554.9 | 'Golden Spread REC - Mustang Interchange 230 kV Generation Bus 230/22.0KV TRANSFORMER CKT 1' |
| 16WP | 2 | G10_059 | 'HOBBS_INT 7345.00 (HOBBS 1) 345/230/13.2KV TRANSFORMER CKT 1' | FROM->TO | 0.44541 | 554.9 | 'Golden Spread REC - Mustang Interchange 230 kV Generation Bus 230/22.0KV TRANSFORMER CKT 1' |
| 16WP | 2 | G10_060 | 'HOBBS_INT 7345.00 (HOBBS 1) 345/230/13.2KV TRANSFORMER CKT 1' | FROM->TO | 0.45503 | 555.3 | 'G05-15T 345.00 - OKLAUNION 345KV CKT 1'   |
| 16WP | 2 | G10_059 | 'HOBBS_INT 7345.00 (HOBBS 1) 345/230/13.2KV TRANSFORMER CKT 1' | FROM->TO | 0.45503 | 555.3 | 'G05-15T 345.00 - OKLAUNION 345KV CKT 1'   |
| 16WP | 2 | G10_060 | 'HOBBS_INT 7345.00 (HOBBS 1) 345/230/13.2KV TRANSFORMER CKT 1' | FROM->TO | 0.44541 | 555.3 | 'Golden Spread REC - Mustang Interchange 230 kV Generation Bus 230/22.0KV TRANSFORMER CKT 1' |
| 16WP | 2 | G10_059 | 'HOBBS_INT 7345.00 (HOBBS 1) 345/230/13.2KV TRANSFORMER CKT 1' | FROM->TO | 0.44541 | 555.3 | 'Golden Spread REC - Mustang Interchange 230 kV Generation Bus 230/22.0KV TRANSFORMER CKT 1' |
| 16WP | 2 | G10_060 | 'HOBBS_INT 7345.00 (HOBBS 1) 345/230/13.2KV TRANSFORMER CKT 1' | FROM->TO | 0.45507 | 554.9 | 'G05-15T 345.00 - TUCO INTERCHANGE 345KV CKT 1'  |
| 16WP | 2 | G10_059 | 'HOBBS_INT 7345.00 (HOBBS 1) 345/230/13.2KV TRANSFORMER CKT 1' | FROM->TO | 0.45507 | 554.9 | 'G05-15T 345.00 - TUCO INTERCHANGE 345KV CKT 1'  |
| 16WP | 2 | G10_060 | 'HOBBS_INT 7345.00 (HOBBS 1) 345/230/13.2KV TRANSFORMER CKT 1' | FROM->TO | 0.44541 | 554.9 | 'MUSTANG STATION N. 115/13.8KV TRANSFORMER CKT 1'  |
| 16WP | 2 | G10_059 | 'HOBBS_INT 7345.00 (HOBBS 1) 345/230/13.2KV TRANSFORMER CKT 1' | FROM->TO | 0.44541 | 554.9 | 'MUSTANG STATION N. 115/13.8KV TRANSFORMER CKT 1'  |
| 16WP | 2 | G10_060 | 'HOBBS_INT 7345.00 (HOBBS 1) 345/230/13.2KV TRANSFORMER CKT 1' | FROM->TO | 0.44541 | 554.9 | 'MUSTANG STATION S. 115/13.8KV TRANSFORMER CKT 1'  |

|      |   |         |  |          |         |        |  |
|------|---|---------|--|----------|---------|--------|--|
| 16WP | 2 | G10_059 | 'HOBBS_INT 7345.00 (HOBBS 1) 345/230/13.2KV TRANSFORMER CKT 1'               | FROM->TO | 0.44541 | 554.9  | 'MUSTANG STATION S. 115/13.8KV TRANSFORMER CKT 1'  |
| 16WP | 2 | G10_060 | 'HOBBS_INT 7345.00 (HOBBS 1) 345/230/13.2KV TRANSFORMER CKT 1'               | FROM->TO | 0.45507 | 555.3  | 'G05-15T 345.00 - TUCO INTERCHANGE 345KV CKT 1'  |
| 16WP | 2 | G10_059 | 'HOBBS_INT 7345.00 (HOBBS 1) 345/230/13.2KV TRANSFORMER CKT 1'               | FROM->TO | 0.45507 | 555.3  | 'G05-15T 345.00 - TUCO INTERCHANGE 345KV CKT 1'  |
| 16WP | 2 | G10_060 | 'HOBBS_INT 7345.00 (HOBBS 1) 345/230/13.2KV TRANSFORMER CKT 1'               | FROM->TO | 0.44541 | 555.3  | 'MUSTANG STATION N. 115/13.8KV TRANSFORMER CKT 1'  |
| 16WP | 2 | G10_059 | 'HOBBS_INT 7345.00 (HOBBS 1) 345/230/13.2KV TRANSFORMER CKT 1'               | FROM->TO | 0.44541 | 555.3  | 'MUSTANG STATION N. 115/13.8KV TRANSFORMER CKT 1'  |
| 16WP | 2 | G10_060 | 'HOBBS_INT 7345.00 (HOBBS 1) 345/230/13.2KV TRANSFORMER CKT 1'               | FROM->TO | 0.44541 | 555.3  | 'MUSTANG STATION S. 115/13.8KV TRANSFORMER CKT 1'  |
| 16WP | 2 | G10_059 | 'HOBBS_INT 7345.00 (HOBBS 1) 345/230/13.2KV TRANSFORMER CKT 1'               | FROM->TO | 0.44541 | 555.3  | 'MUSTANG STATION S. 115/13.8KV TRANSFORMER CKT 1'  |
| 16WP | 2 | G10_060 | 'HOBBS_INT 7345.00 (HOBBS 1) 345/230/13.2KV TRANSFORMER CKT 1'               | FROM->TO | 0.44541 | 554.9  | 'Golden Spread REC - Mustang Interchange 230 kV Generation Bus 230/18.0KV TRANSFORMER CKT 1' |
| 16WP | 2 | G10_059 | 'HOBBS_INT 7345.00 (HOBBS 1) 345/230/13.2KV TRANSFORMER CKT 1'               | FROM->TO | 0.44541 | 554.9  | 'Golden Spread REC - Mustang Interchange 230 kV Generation Bus 230/18.0KV TRANSFORMER CKT 1' |
| 16WP | 2 | G10_060 | 'HOBBS_INT 7345.00 (HOBBS 1) 345/230/13.2KV TRANSFORMER CKT 1'               | FROM->TO | 0.44541 | 555.3  | 'Golden Spread REC - Mustang Interchange 230 kV Generation Bus 230/18.0KV TRANSFORMER CKT 1' |
| 16WP | 2 | G10_059 | 'HOBBS_INT 7345.00 (HOBBS 1) 345/230/13.2KV TRANSFORMER CKT 1'               | FROM->TO | 0.44541 | 555.3  | 'Golden Spread REC - Mustang Interchange 230 kV Generation Bus 230/18.0KV TRANSFORMER CKT 1' |
| 16WP | 2 | G10_060 | 'GRASSLAND 7 345.00 - JONES 7 345.00 345KV CKT 1'                            | FROM->TO | 0.94658 | 1199.3 | 'HOBBS_INT 7345.00 (HOBBS 1) 345/230/13.2KV TRANSFORMER CKT 1'                               |
| 16WP | 2 | G10_059 | 'GRASSLAND 7 345.00 - JONES 7 345.00 345KV CKT 1'                            | FROM->TO | 0.94658 | 1199.3 | 'HOBBS_INT 7345.00 (HOBBS 1) 345/230/13.2KV TRANSFORMER CKT 1'                               |
| 16WP | 2 | G10_060 | 'GRASSLAND 7 345.00 - JONES 7 345.00 345KV CKT 1'                            | FROM->TO | 0.94658 | 1199.3 | 'HOBBS_INT 7345.00 - MIDLAND 7345.00 345KV CKT 1'  |
| 16WP | 2 | G10_059 | 'GRASSLAND 7 345.00 - JONES 7 345.00 345KV CKT 1'                            | FROM->TO | 0.94658 | 1199.3 | 'HOBBS_INT 7345.00 - MIDLAND 7345.00 345KV CKT 1'  |
| 16WP | 2 | G10_060 | 'HOBBS_INT 7345.00 (HOBBS 1) 345/230/13.2KV TRANSFORMER CKT 1'               | FROM->TO | 0.44541 | 554.9  | 'BASE CASE'  |
| 16WP | 2 | G10_059 | 'HOBBS_INT 7345.00 (HOBBS 1) 345/230/13.2KV TRANSFORMER CKT 1'               | FROM->TO | 0.44541 | 554.9  | 'BASE CASE'  |
| 16WP | 2 | G10_060 | 'HOBBS_INT 7345.00 (HOBBS 1) 345/230/13.2KV TRANSFORMER CKT 1'               | FROM->TO | 0.44541 | 555.3  | 'BASE CASE'  |
| 16WP | 2 | G10_059 | 'HOBBS_INT 7345.00 (HOBBS 1) 345/230/13.2KV TRANSFORMER CKT 1'               | FROM->TO | 0.44541 | 555.3  | 'BASE CASE'  |
| 11G  | 2 | G10_060 | 'GRASSLAND INTERCHANGE - LYNN COUNTY INTERCHANGE 115KV CKT 1'                | FROM->TO | 0.27311 | 176.2  | 'GRASSLAND 7 345.00 - JONES 7 345.00 345KV CKT 1'  |
| 11G  | 2 | G10_059 | 'GRASSLAND INTERCHANGE - LYNN COUNTY INTERCHANGE 115KV CKT 1'                | FROM->TO | 0.27311 | 176.2  | 'GRASSLAND 7 345.00 - JONES 7 345.00 345KV CKT 1'  |
| 11G  | 2 | G10_060 | 'LYNN COUNTY INTERCHANGE - SOUTH PLAINS REC-WOODROW INTERCHANGE 115KV CKT 1' | FROM->TO | 0.27311 | 176.7  | 'GRASSLAND 7 345.00 - JONES 7 345.00 345KV CKT 1'  |

|     |   |         |  |          |         |       |   |
|-----|---|---------|--|----------|---------|-------|---|
| 11G | 2 | G10_059 | 'LYNN COUNTY INTERCHANGE - SOUTH PLAINS REC-WOODROW INTERCHANGE 115KV CKT 1'   | FROM->TO | 0.27311 | 176.7 | 'GRASSLAND 7 345.00 - JONES 7 345.00 345KV CKT 1' |
| 11G | 2 | G10_060 | 'LUBBOCK SOUTH INTERCHANGE - SOUTH PLAINS REC-WOODROW INTERCHANGE 115KV CKT 1' | TO->FROM | 0.27311 | 175.7 | 'GRASSLAND 7 345.00 - JONES 7 345.00 345KV CKT 1' |
| 11G | 2 | G10_059 | 'LUBBOCK SOUTH INTERCHANGE - SOUTH PLAINS REC-WOODROW INTERCHANGE 115KV CKT 1' | TO->FROM | 0.27311 | 175.7 | 'GRASSLAND 7 345.00 - JONES 7 345.00 345KV CKT 1' |
| 11G | 2 | G10_060 | 'GRASSLAND 7 345.00 (GRASSLAND 1) 345/115/13.2KV TRANSFORMER CKT 1'            | FROM->TO | 0.27466 | 300   | 'GRASSLAND 7 345.00 - JONES 7 345.00 345KV CKT 1' |
| 11G | 2 | G10_059 | 'GRASSLAND 7 345.00 (GRASSLAND 1) 345/115/13.2KV TRANSFORMER CKT 1'            | FROM->TO | 0.27466 | 300   | 'GRASSLAND 7 345.00 - JONES 7 345.00 345KV CKT 1' |
| 11G | 2 | G10_060 | 'GRASSLAND 7 345.00 (GRASSLAND 1) 345/115/13.2KV TRANSFORMER CKT 1'            | FROM->TO | 0.27466 | 300   | 'GRASSLAND 7 345.00 - JONES 7 345.00 345KV CKT 1' |
| 11G | 2 | G10_059 | 'GRASSLAND 7 345.00 (GRASSLAND 1) 345/115/13.2KV TRANSFORMER CKT 1'            | FROM->TO | 0.27466 | 300   | 'GRASSLAND 7 345.00 - JONES 7 345.00 345KV CKT 1' |
| 11G | 2 | G10_060 | 'HOBBS_INT 7345.00 (HOBBS 1) 345/230/13.2KV TRANSFORMER CKT 1'                 | FROM->TO | 0.99845 | 554.9 | 'BORDEN 7345.00 - GRASSLAND 7 345.00 345KV CKT 1' |
| 11G | 2 | G10_059 | 'HOBBS_INT 7345.00 (HOBBS 1) 345/230/13.2KV TRANSFORMER CKT 1'                 | FROM->TO | 0.99845 | 554.9 | 'BORDEN 7345.00 - GRASSLAND 7 345.00 345KV CKT 1' |
| 11G | 2 | G10_060 | 'HOBBS_INT 7345.00 (HOBBS 1) 345/230/13.2KV TRANSFORMER CKT 1'                 | FROM->TO | 0.99845 | 555.4 | 'BORDEN 7345.00 - GRASSLAND 7 345.00 345KV CKT 1' |
| 11G | 2 | G10_059 | 'HOBBS_INT 7345.00 (HOBBS 1) 345/230/13.2KV TRANSFORMER CKT 1'                 | FROM->TO | 0.99845 | 555.4 | 'BORDEN 7345.00 - GRASSLAND 7 345.00 345KV CKT 1' |
| 11G | 2 | G10_060 | 'HOBBS_INT 7345.00 (HOBBS 1) 345/230/13.2KV TRANSFORMER CKT 1'                 | FROM->TO | 0.78333 | 554.9 | 'BORDEN 7345.00 - MIDLAND 7345.00 345KV CKT 1'    |
| 11G | 2 | G10_059 | 'HOBBS_INT 7345.00 (HOBBS 1) 345/230/13.2KV TRANSFORMER CKT 1'                 | FROM->TO | 0.78333 | 554.9 | 'BORDEN 7345.00 - MIDLAND 7345.00 345KV CKT 1'    |
| 11G | 2 | G10_060 | 'HOBBS_INT 7345.00 (HOBBS 1) 345/230/13.2KV TRANSFORMER CKT 1'                 | FROM->TO | 0.71738 | 554.9 | 'GRASSLAND 7 345.00 - JONES 7 345.00 345KV CKT 1' |
| 11G | 2 | G10_059 | 'HOBBS_INT 7345.00 (HOBBS 1) 345/230/13.2KV TRANSFORMER CKT 1'                 | FROM->TO | 0.71738 | 554.9 | 'GRASSLAND 7 345.00 - JONES 7 345.00 345KV CKT 1' |
| 11G | 2 | G10_060 | 'HOBBS_INT 7345.00 (HOBBS 1) 345/230/13.2KV TRANSFORMER CKT 1'                 | FROM->TO | 0.78333 | 555.4 | 'BORDEN 7345.00 - MIDLAND 7345.00 345KV CKT 1'    |
| 11G | 2 | G10_059 | 'HOBBS_INT 7345.00 (HOBBS 1) 345/230/13.2KV TRANSFORMER CKT 1'                 | FROM->TO | 0.78333 | 555.4 | 'BORDEN 7345.00 - MIDLAND 7345.00 345KV CKT 1'    |
| 11G | 2 | G10_060 | 'HOBBS_INT 7345.00 (HOBBS 1) 345/230/13.2KV TRANSFORMER CKT 1'                 | FROM->TO | 0.71738 | 555.4 | 'GRASSLAND 7 345.00 - JONES 7 345.00 345KV CKT 1' |
| 11G | 2 | G10_059 | 'HOBBS_INT 7345.00 (HOBBS 1) 345/230/13.2KV TRANSFORMER CKT 1'                 | FROM->TO | 0.71738 | 555.4 | 'GRASSLAND 7 345.00 - JONES 7 345.00 345KV CKT 1' |
| 11G | 2 | G10_060 | 'JONES 7 345.00 (JONES 1) 345/230/13.8KV TRANSFORMER CKT 1'                    | FROM->TO | 0.44273 | 557   | 'JONES 7 345.00 - TUCO INTERCHANGE 345KV CKT 1'   |
| 11G | 2 | G10_059 | 'JONES 7 345.00 (JONES 1) 345/230/13.8KV TRANSFORMER CKT 1'                    | FROM->TO | 0.44273 | 557   | 'JONES 7 345.00 - TUCO INTERCHANGE 345KV CKT 1'   |
| 11G | 2 | G10_060 | 'JONES 7 345.00 (JONES 1) 345/230/13.8KV TRANSFORMER CKT 1'                    | FROM->TO | 0.44273 | 557.1 | 'JONES 7 345.00 - TUCO INTERCHANGE 345KV CKT 1'   |
| 11G | 2 | G10_059 | 'JONES 7 345.00 (JONES 1) 345/230/13.8KV TRANSFORMER CKT 1'                    | FROM->TO | 0.44273 | 557.1 | 'JONES 7 345.00 - TUCO INTERCHANGE 345KV CKT 1'   |
| 11G | 2 | G10_060 | 'AMOCO SWITCHING STATION - YOAKUM COUNTY INTERCHANGE 230KV CKT 1'              | TO->FROM | 0.25217 | 360   | 'BORDEN 7345.00 - GRASSLAND 7 345.00 345KV CKT 1' |

|     |   |         |   |          |         |        |  |
|-----|---|---------|---|----------|---------|--------|--|
| 11G | 2 | G10_059 | 'AMOCO SWITCHING STATION - YOAKUM COUNTY INTERCHANGE 230KV CKT 1' | TO->FROM | 0.25217 | 360    | 'BORDEN 7345.00 - GRASSLAND 7345.00 345KV CKT 1'               |
| 11G | 2 | G10_060 | 'CAPROCK REC-PHILLIPS - CAPROCK REC-TATE 138KV CKT 1'             | TO->FROM | 0.21667 | 269.3  | 'BORDEN 7345.00 - MIDLAND 7345.00 345KV CKT 1'                 |
| 11G | 2 | G10_059 | 'CAPROCK REC-PHILLIPS - CAPROCK REC-TATE 138KV CKT 1'             | TO->FROM | 0.21667 | 269.3  | 'BORDEN 7345.00 - MIDLAND 7345.00 345KV CKT 1'                 |
| 11G | 2 | G10_060 | 'CAPROCK REC-MCDONALD - CAPROCK REC-PHILLIPS 138KV CKT 1'         | TO->FROM | 0.21667 | 269.8  | 'BORDEN 7345.00 - MIDLAND 7345.00 345KV CKT 1'                 |
| 11G | 2 | G10_059 | 'CAPROCK REC-MCDONALD - CAPROCK REC-PHILLIPS 138KV CKT 1'         | TO->FROM | 0.21667 | 269.8  | 'BORDEN 7345.00 - MIDLAND 7345.00 345KV CKT 1'                 |
| 11G | 2 | G10_060 | 'HOBBS INTERCHANGE - YOAKUM COUNTY INTERCHANGE 230KV CKT 1'       | FROM->TO | 0.38653 | 497    | 'BORDEN 7345.00 - GRASSLAND 7345.00 345KV CKT 1'               |
| 11G | 2 | G10_059 | 'HOBBS INTERCHANGE - YOAKUM COUNTY INTERCHANGE 230KV CKT 1'       | FROM->TO | 0.38653 | 497    | 'BORDEN 7345.00 - GRASSLAND 7345.00 345KV CKT 1'               |
| 11G | 2 | G10_060 | 'GRASSLAND 7345.00 - JONES 7345.00 345KV CKT 1'                   | FROM->TO | 0.93872 | 1199.9 | 'HOBBS_INT 7345.00 (HOBBS 1) 345/230/13.2KV TRANSFORMER CKT 1' |
| 11G | 2 | G10_059 | 'GRASSLAND 7345.00 - JONES 7345.00 345KV CKT 1'                   | FROM->TO | 0.93872 | 1199.9 | 'HOBBS_INT 7345.00 (HOBBS 1) 345/230/13.2KV TRANSFORMER CKT 1' |
| 11G | 2 | G10_060 | 'GRASSLAND 7345.00 - JONES 7345.00 345KV CKT 1'                   | FROM->TO | 0.93872 | 1199.9 | 'HOBBS_INT 7345.00 - MIDLAND 7345.00 345KV CKT 1'              |
| 11G | 2 | G10_059 | 'GRASSLAND 7345.00 - JONES 7345.00 345KV CKT 1'                   | FROM->TO | 0.93872 | 1199.9 | 'HOBBS_INT 7345.00 - MIDLAND 7345.00 345KV CKT 1'              |
| 11G | 2 | G10_060 | 'TUCO INTERCHANGE (GE M1022338) 345/230/13.2KV TRANSFORMER CKT 1' | FROM->TO | 0.25634 | 558.9  | 'JONES 7345.00 - TUCO INTERCHANGE 345KV CKT 1'                 |
| 11G | 2 | G10_059 | 'TUCO INTERCHANGE (GE M1022338) 345/230/13.2KV TRANSFORMER CKT 1' | FROM->TO | 0.25634 | 558.9  | 'JONES 7345.00 - TUCO INTERCHANGE 345KV CKT 1'                 |
| 11G | 2 | G10_060 | 'TUCO INTERCHANGE (GE M1022338) 345/230/13.2KV TRANSFORMER CKT 1' | FROM->TO | 0.25634 | 559.7  | 'JONES 7345.00 - TUCO INTERCHANGE 345KV CKT 1'                 |
| 11G | 2 | G10_059 | 'TUCO INTERCHANGE (GE M1022338) 345/230/13.2KV TRANSFORMER CKT 1' | FROM->TO | 0.25634 | 559.7  | 'JONES 7345.00 - TUCO INTERCHANGE 345KV CKT 1'                 |
| 11G | 2 | G10_060 | 'HOBBS_INT 7345.00 - MIDLAND 7345.00 345KV CKT 1'                 | TO->FROM | 0.99845 | 1198.1 | 'BORDEN 7345.00 - GRASSLAND 7345.00 345KV CKT 1'               |
| 11G | 2 | G10_059 | 'HOBBS_INT 7345.00 - MIDLAND 7345.00 345KV CKT 1'                 | TO->FROM | 0.99845 | 1198.1 | 'BORDEN 7345.00 - GRASSLAND 7345.00 345KV CKT 1'               |
| 11G | 2 | G10_060 | 'BORDEN 7345.00 - GRASSLAND 7345.00 345KV CKT 1'                  | FROM->TO | 0.99845 | 1199.3 | 'HOBBS_INT 7345.00 (HOBBS 1) 345/230/13.2KV TRANSFORMER CKT 1' |
| 11G | 2 | G10_059 | 'BORDEN 7345.00 - GRASSLAND 7345.00 345KV CKT 1'                  | FROM->TO | 0.99845 | 1199.3 | 'HOBBS_INT 7345.00 (HOBBS 1) 345/230/13.2KV TRANSFORMER CKT 1' |
| 11G | 2 | G10_060 | 'BORDEN 7345.00 - GRASSLAND 7345.00 345KV CKT 1'                  | FROM->TO | 0.99845 | 1199.3 | 'HOBBS_INT 7345.00 - MIDLAND 7345.00 345KV CKT 1'              |
| 11G | 2 | G10_059 | 'BORDEN 7345.00 - GRASSLAND 7345.00 345KV CKT 1'                  | FROM->TO | 0.99845 | 1199.3 | 'HOBBS_INT 7345.00 - MIDLAND 7345.00 345KV CKT 1'              |
| 11G | 2 | G10_060 | 'LAWTON EASTSIDE - OKLAUNION 345KV CKT 1'                         | TO->FROM | 0.33751 | 1186.6 | 'BORDER 7345.00 - TUCO INTERCHANGE 345KV CKT 1'                |
| 11G | 2 | G10_059 | 'LAWTON EASTSIDE - OKLAUNION 345KV CKT 1'                         | TO->FROM | 0.33751 | 1186.6 | 'BORDER 7345.00 - TUCO INTERCHANGE 345KV CKT 1'                |
| 11G | 2 | G10_060 | 'HOBBS_INT 7345.00 (HOBBS 1) 345/230/13.2KV TRANSFORMER CKT 1'    | FROM->TO | 0.49378 | 554.9  | 'JONES 7345.00 - TUCO INTERCHANGE 345KV CKT 1'                 |
| 11G | 2 | G10_059 | 'HOBBS_INT 7345.00 (HOBBS 1) 345/230/13.2KV TRANSFORMER CKT 1'    | FROM->TO | 0.49378 | 554.9  | 'JONES 7345.00 - TUCO INTERCHANGE 345KV CKT 1'                 |

|     |   |         |   |          |         |        |  |
|-----|---|---------|---|----------|---------|--------|--|
| 11G | 2 | G10_060 | 'HOBBS_INT 7345.00 (HOBBS 1) 345/230/13.2KV TRANSFORMER CKT 1'              | FROM->TO | 0.49378 | 555.4  | 'JONES 7 345.00 - TUCO INTERCHANGE 345KV CKT 1'                |
| 11G | 2 | G10_059 | 'HOBBS_INT 7345.00 (HOBBS 1) 345/230/13.2KV TRANSFORMER CKT 1'              | FROM->TO | 0.49378 | 555.4  | 'JONES 7 345.00 - TUCO INTERCHANGE 345KV CKT 1'                |
| 11G | 2 | G10_060 | 'BORDEN 7345.00 - MIDLAND 7345.00 345KV CKT 1'                              | TO->FROM | 0.92286 | 1199.8 | 'HOBBS_INT 7345.00 (HOBBS 1) 345/230/13.2KV TRANSFORMER CKT 1' |
| 11G | 2 | G10_059 | 'BORDEN 7345.00 - MIDLAND 7345.00 345KV CKT 1'                              | TO->FROM | 0.92286 | 1199.8 | 'HOBBS_INT 7345.00 (HOBBS 1) 345/230/13.2KV TRANSFORMER CKT 1' |
| 11G | 2 | G10_060 | 'BORDEN 7345.00 - MIDLAND 7345.00 345KV CKT 1'                              | TO->FROM | 0.92286 | 1199.8 | 'HOBBS_INT 7345.00 - MIDLAND 7345.00 345KV CKT 1'              |
| 11G | 2 | G10_059 | 'BORDEN 7345.00 - MIDLAND 7345.00 345KV CKT 1'                              | TO->FROM | 0.92286 | 1199.8 | 'HOBBS_INT 7345.00 - MIDLAND 7345.00 345KV CKT 1'              |
| 11G | 2 | G10_060 | 'HOBBS INTERCHANGE - YOAKUM COUNTY INTERCHANGE 230KV CKT 1'                 | FROM->TO | 0.29875 | 497    | 'BORDEN 7345.00 - MIDLAND 7345.00 345KV CKT 1'                 |
| 11G | 2 | G10_059 | 'HOBBS INTERCHANGE - YOAKUM COUNTY INTERCHANGE 230KV CKT 1'                 | FROM->TO | 0.29875 | 497    | 'BORDEN 7345.00 - MIDLAND 7345.00 345KV CKT 1'                 |
| 11G | 2 | G10_060 | 'JONES 7 345.00 (JONES 1) 345/230/13.8KV TRANSFORMER CKT 1'                 | FROM->TO | 0.42343 | 557    | 'HOBBS_INT 7345.00 - MIDLAND 7345.00 345KV CKT 1'              |
| 11G | 2 | G10_059 | 'JONES 7 345.00 (JONES 1) 345/230/13.8KV TRANSFORMER CKT 1'                 | FROM->TO | 0.42343 | 557    | 'HOBBS_INT 7345.00 - MIDLAND 7345.00 345KV CKT 1'              |
| 11G | 2 | G10_060 | 'JONES 7 345.00 (JONES 1) 345/230/13.8KV TRANSFORMER CKT 1'                 | FROM->TO | 0.42343 | 557    | 'HOBBS_INT 7345.00 (HOBBS 1) 345/230/13.2KV TRANSFORMER CKT 1' |
| 11G | 2 | G10_059 | 'JONES 7 345.00 (JONES 1) 345/230/13.8KV TRANSFORMER CKT 1'                 | FROM->TO | 0.42343 | 557    | 'HOBBS_INT 7345.00 (HOBBS 1) 345/230/13.2KV TRANSFORMER CKT 1' |
| 11G | 2 | G10_060 | 'JONES 7 345.00 (JONES 1) 345/230/13.8KV TRANSFORMER CKT 1'                 | FROM->TO | 0.42343 | 557.1  | 'HOBBS_INT 7345.00 - MIDLAND 7345.00 345KV CKT 1'              |
| 11G | 2 | G10_059 | 'JONES 7 345.00 (JONES 1) 345/230/13.8KV TRANSFORMER CKT 1'                 | FROM->TO | 0.42343 | 557.1  | 'HOBBS_INT 7345.00 (HOBBS 1) 345/230/13.2KV TRANSFORMER CKT 1' |
| 11G | 2 | G10_060 | 'JONES 7 345.00 (JONES 1) 345/230/13.8KV TRANSFORMER CKT 1'                 | FROM->TO | 0.42343 | 557.1  | 'HOBBS_INT 7345.00 (HOBBS 1) 345/230/13.2KV TRANSFORMER CKT 1' |
| 11G | 2 | G10_060 | 'POTTER COUNTY INTERCHANGE (WAUK 90343-A) 345/230/13.2KV TRANSFORMER CKT 1' | FROM->TO | 0.21342 | 557.6  | 'BORDER 7345.00 - TUCO INTERCHANGE 345KV CKT 1'                |
| 11G | 2 | G10_059 | 'POTTER COUNTY INTERCHANGE (WAUK 90343-A) 345/230/13.2KV TRANSFORMER CKT 1' | FROM->TO | 0.21342 | 557.6  | 'BORDER 7345.00 - TUCO INTERCHANGE 345KV CKT 1'                |
| 11G | 2 | G10_060 | 'POTTER COUNTY INTERCHANGE (WAUK 90343-A) 345/230/13.2KV TRANSFORMER CKT 1' | FROM->TO | 0.21342 | 558.7  | 'BORDER 7345.00 - TUCO INTERCHANGE 345KV CKT 1'                |
| 11G | 2 | G10_059 | 'POTTER COUNTY INTERCHANGE (WAUK 90343-A) 345/230/13.2KV TRANSFORMER CKT 1' | FROM->TO | 0.21342 | 558.7  | 'BORDER 7345.00 - TUCO INTERCHANGE 345KV CKT 1'                |
| 11G | 2 | G10_060 | 'SUNDOWN INTERCHANGE - WOLFFORTH INTERCHANGE 230KV CKT 1'                   | FROM->TO | 0.20069 | 360.8  | 'BORDEN 7345.00 - GRASSLAND 7 345.00 345KV CKT 1'              |
| 11G | 2 | G10_059 | 'SUNDOWN INTERCHANGE - WOLFFORTH INTERCHANGE 230KV CKT 1'                   | FROM->TO | 0.20069 | 360.8  | 'BORDEN 7345.00 - GRASSLAND 7 345.00 345KV CKT 1'              |
| 11G | 2 | G10_060 | 'HOBBS_INT 7345.00 (HOBBS 1) 345/230/13.2KV TRANSFORMER CKT 1'              | FROM->TO | 0.47616 | 554.9  | 'JONES 7 345.00 (JONES 1) 345/230/13.8KV TRANSFORMER CKT 1'    |

|     |  |           |  |          |         |       |   |
|-----|--|-----------|--|----------|---------|-------|---|
| 11G |  | 2 G10_059 | 'HOBBS_INT 7345.00 (HOBBS 1) 345/230/13.2KV TRANSFORMER CKT 1' | FROM->TO | 0.47616 | 554.9 | 'JONES 7 345.00 (JONES 1) 345/230/13.8KV TRANSFORMER CKT 1'                                   |
| 11G |  | 2 G10_060 | 'HOBBS_INT 7345.00 (HOBBS 1) 345/230/13.2KV TRANSFORMER CKT 1' | FROM->TO | 0.47616 | 555.4 | 'JONES 7 345.00 (JONES 1) 345/230/13.8KV TRANSFORMER CKT 1'                                   |
| 11G |  | 2 G10_059 | 'HOBBS_INT 7345.00 (HOBBS 1) 345/230/13.2KV TRANSFORMER CKT 1' | FROM->TO | 0.47616 | 555.4 | 'JONES 7 345.00 (JONES 1) 345/230/13.8KV TRANSFORMER CKT 1'                                   |
| 11G |  | 2 G10_060 | 'HOBBS_INT 7345.00 (HOBBS 1) 345/230/13.2KV TRANSFORMER CKT 1' | FROM->TO | 0.44632 | 554.9 | 'HOBBS INTERCHANGE 230/18.0KV TRANSFORMER CKT 1'  |
| 11G |  | 2 G10_059 | 'HOBBS_INT 7345.00 (HOBBS 1) 345/230/13.2KV TRANSFORMER CKT 1' | FROM->TO | 0.44632 | 554.9 | 'HOBBS INTERCHANGE 230/18.0KV TRANSFORMER CKT 1'  |
| 11G |  | 2 G10_060 | 'HOBBS_INT 7345.00 (HOBBS 1) 345/230/13.2KV TRANSFORMER CKT 1' | FROM->TO | 0.44632 | 555.4 | 'HOBBS INTERCHANGE 230/18.0KV TRANSFORMER CKT 1'  |
| 11G |  | 2 G10_059 | 'HOBBS_INT 7345.00 (HOBBS 1) 345/230/13.2KV TRANSFORMER CKT 1' | FROM->TO | 0.44632 | 555.4 | 'HOBBS INTERCHANGE 230/18.0KV TRANSFORMER CKT 1'  |
| 11G |  | 2 G10_060 | 'HOBBS INTERCHANGE - YOAKUM COUNTY INTERCHANGE 230KV CKT 1'    | FROM->TO | 0.27098 | 497   | 'GRASSLAND 7 345.00 - JONES 7 345.00 345KV CKT 1'   |
| 11G |  | 2 G10_059 | 'HOBBS INTERCHANGE - YOAKUM COUNTY INTERCHANGE 230KV CKT 1'    | FROM->TO | 0.27098 | 497   | 'GRASSLAND 7 345.00 - JONES 7 345.00 345KV CKT 1'   |
| 11G |  | 2 G10_060 | 'HOBBS_INT 7345.00 (HOBBS 1) 345/230/13.2KV TRANSFORMER CKT 1' | FROM->TO | 0.44632 | 554.9 | 'CUNNINGHAM STATION 230/20.0KV TRANSFORMER CKT 1'   |
| 11G |  | 2 G10_059 | 'HOBBS_INT 7345.00 (HOBBS 1) 345/230/13.2KV TRANSFORMER CKT 1' | FROM->TO | 0.44632 | 554.9 | 'CUNNINGHAM STATION 230/20.0KV TRANSFORMER CKT 1'   |
| 11G |  | 2 G10_060 | 'HOBBS_INT 7345.00 (HOBBS 1) 345/230/13.2KV TRANSFORMER CKT 1' | FROM->TO | 0.44632 | 555.4 | 'CUNNINGHAM STATION 230/20.0KV TRANSFORMER CKT 1'   |
| 11G |  | 2 G10_059 | 'HOBBS_INT 7345.00 (HOBBS 1) 345/230/13.2KV TRANSFORMER CKT 1' | FROM->TO | 0.44632 | 555.4 | 'CUNNINGHAM STATION 230/20.0KV TRANSFORMER CKT 1'   |
| 11G |  | 2 G10_060 | 'HOBBS_INT 7345.00 (HOBBS 1) 345/230/13.2KV TRANSFORMER CKT 1' | FROM->TO | 0.45559 | 554.9 | 'LAWTON EASTSIDE - OKLAUNION 345KV CKT 1'   |
| 11G |  | 2 G10_059 | 'HOBBS_INT 7345.00 (HOBBS 1) 345/230/13.2KV TRANSFORMER CKT 1' | FROM->TO | 0.45559 | 554.9 | 'LAWTON EASTSIDE - OKLAUNION 345KV CKT 1'   |
| 11G |  | 2 G10_060 | 'HOBBS_INT 7345.00 (HOBBS 1) 345/230/13.2KV TRANSFORMER CKT 1' | FROM->TO | 0.45559 | 555.4 | 'LAWTON EASTSIDE - OKLAUNION 345KV CKT 1'   |
| 11G |  | 2 G10_059 | 'HOBBS_INT 7345.00 (HOBBS 1) 345/230/13.2KV TRANSFORMER CKT 1' | FROM->TO | 0.45559 | 555.4 | 'LAWTON EASTSIDE - OKLAUNION 345KV CKT 1'   |
| 11G |  | 2 G10_060 | 'HOBBS_INT 7345.00 (HOBBS 1) 345/230/13.2KV TRANSFORMER CKT 1' | FROM->TO | 0.44632 | 554.9 | 'Golden Spread REC - Mustang Interchange 230 kV Generation Bus - MUSTANG STATION 230KV CKT 1' |
| 11G |  | 2 G10_059 | 'HOBBS_INT 7345.00 (HOBBS 1) 345/230/13.2KV TRANSFORMER CKT 1' | FROM->TO | 0.44632 | 554.9 | 'Golden Spread REC - Mustang Interchange 230 kV Generation Bus - MUSTANG STATION 230KV CKT 1' |
| 11G |  | 2 G10_060 | 'HOBBS_INT 7345.00 (HOBBS 1) 345/230/13.2KV TRANSFORMER CKT 1' | FROM->TO | 0.44632 | 555.4 | 'Golden Spread REC - Mustang Interchange 230 kV Generation Bus - MUSTANG STATION 230KV CKT 1' |
| 11G |  | 2 G10_059 | 'HOBBS_INT 7345.00 (HOBBS 1) 345/230/13.2KV TRANSFORMER CKT 1' | FROM->TO | 0.44632 | 555.4 | 'Golden Spread REC - Mustang Interchange 230 kV Generation Bus - MUSTANG STATION 230KV CKT 1' |
| 11G |  | 2 G10_060 | 'HOBBS_INT 7345.00 (HOBBS 1) 345/230/13.2KV TRANSFORMER CKT 1' | FROM->TO | 0.44632 | 554.9 | 'G08-22 34.500 34.5/0.69KV TRANSFORMER CKT 1'   |
| 11G |  | 2 G10_059 | 'HOBBS_INT 7345.00 (HOBBS 1) 345/230/13.2KV TRANSFORMER CKT 1' | FROM->TO | 0.44632 | 554.9 | 'G08-22 34.500 34.5/0.69KV TRANSFORMER CKT 1'   |





|      |   |         |  |          |         |       |   |
|------|---|---------|--|----------|---------|-------|---|
| 11G  | 2 | G10_059 | 'HOBBS_INT 7345.00 (HOBBS 1) 345/230/13.2KV TRANSFORMER CKT 1'               | FROM->TO | 0.44632 | 555.4 | 'HOBBS INTERCHANGE 115/18.0KV TRANSFORMER CKT 1'  |
| 11G  | 2 | G10_060 | 'HOBBS_INT 7345.00 (HOBBS 1) 345/230/13.2KV TRANSFORMER CKT 1'               | FROM->TO | 0.44632 | 555.4 | 'HOBBS INTERCHANGE 115/18.0KV TRANSFORMER CKT 1'  |
| 11G  | 2 | G10_059 | 'HOBBS_INT 7345.00 (HOBBS 1) 345/230/13.2KV TRANSFORMER CKT 1'               | FROM->TO | 0.44632 | 555.4 | 'HOBBS INTERCHANGE 115/18.0KV TRANSFORMER CKT 1'  |
| 11G  | 2 | G10_060 | 'HOBBS_INT 7345.00 (HOBBS 1) 345/230/13.2KV TRANSFORMER CKT 1'               | FROM->TO | 0.44632 | 555.4 | 'TOLK STATION WEST 230/24.0KV TRANSFORMER CKT 1'  |
| 11G  | 2 | G10_059 | 'HOBBS_INT 7345.00 (HOBBS 1) 345/230/13.2KV TRANSFORMER CKT 1'               | FROM->TO | 0.44632 | 555.4 | 'TOLK STATION WEST 230/24.0KV TRANSFORMER CKT 1'  |
| 11G  | 2 | G10_060 | 'HOBBS_INT 7345.00 (HOBBS 1) 345/230/13.2KV TRANSFORMER CKT 1'               | FROM->TO | 0.45706 | 554.9 | 'BORDER 7345.00 - TUCO INTERCHANGE 345KV CKT 1'   |
| 11G  | 2 | G10_059 | 'HOBBS_INT 7345.00 (HOBBS 1) 345/230/13.2KV TRANSFORMER CKT 1'               | FROM->TO | 0.45706 | 554.9 | 'BORDER 7345.00 - TUCO INTERCHANGE 345KV CKT 1'   |
| 11G  | 2 | G10_060 | 'HOBBS_INT 7345.00 (HOBBS 1) 345/230/13.2KV TRANSFORMER CKT 1'               | FROM->TO | 0.45706 | 555.4 | 'BORDER 7345.00 - TUCO INTERCHANGE 345KV CKT 1'   |
| 11G  | 2 | G10_059 | 'HOBBS_INT 7345.00 (HOBBS 1) 345/230/13.2KV TRANSFORMER CKT 1'               | FROM->TO | 0.45706 | 555.4 | 'BORDER 7345.00 - TUCO INTERCHANGE 345KV CKT 1'   |
| 11G  | 2 | G10_060 | 'HOBBS_INT 7345.00 (HOBBS 1) 345/230/13.2KV TRANSFORMER CKT 1'               | FROM->TO | 0.44632 | 554.9 | 'MADDOX STATION 115/13.8KV TRANSFORMER CKT 1'     |
| 11G  | 2 | G10_059 | 'HOBBS_INT 7345.00 (HOBBS 1) 345/230/13.2KV TRANSFORMER CKT 1'               | FROM->TO | 0.44632 | 554.9 | 'MADDOX STATION 115/13.8KV TRANSFORMER CKT 1'     |
| 11G  | 2 | G10_060 | 'HOBBS_INT 7345.00 (HOBBS 1) 345/230/13.2KV TRANSFORMER CKT 1'               | FROM->TO | 0.45589 | 554.9 | 'G05-15T 345.00 - TUCO INTERCHANGE 345KV CKT 1'   |
| 11G  | 2 | G10_059 | 'HOBBS_INT 7345.00 (HOBBS 1) 345/230/13.2KV TRANSFORMER CKT 1'               | FROM->TO | 0.45589 | 554.9 | 'G05-15T 345.00 - TUCO INTERCHANGE 345KV CKT 1'   |
| 11G  | 2 | G10_060 | 'HOBBS_INT 7345.00 (HOBBS 1) 345/230/13.2KV TRANSFORMER CKT 1'               | FROM->TO | 0.44632 | 555.4 | 'MADDOX STATION 115/13.8KV TRANSFORMER CKT 1'     |
| 11G  | 2 | G10_059 | 'HOBBS_INT 7345.00 (HOBBS 1) 345/230/13.2KV TRANSFORMER CKT 1'               | FROM->TO | 0.44632 | 555.4 | 'MADDOX STATION 115/13.8KV TRANSFORMER CKT 1'     |
| 11G  | 2 | G10_060 | 'HOBBS_INT 7345.00 (HOBBS 1) 345/230/13.2KV TRANSFORMER CKT 1'               | FROM->TO | 0.45589 | 555.4 | 'G05-15T 345.00 - TUCO INTERCHANGE 345KV CKT 1'   |
| 11G  | 2 | G10_059 | 'HOBBS_INT 7345.00 (HOBBS 1) 345/230/13.2KV TRANSFORMER CKT 1'               | FROM->TO | 0.45589 | 555.4 | 'G05-15T 345.00 - TUCO INTERCHANGE 345KV CKT 1'   |
| 11G  | 2 | G10_060 | 'CUNNINGHAM STATION - HOBBS INTERCHANGE 230KV CKT 1'                         | TO->FROM | 0.40502 | 556.9 | 'BORDEN 7345.00 - GRASSLAND 7 345.00 345KV CKT 1' |
| 11G  | 2 | G10_059 | 'CUNNINGHAM STATION - HOBBS INTERCHANGE 230KV CKT 1'                         | TO->FROM | 0.40502 | 556.9 | 'BORDEN 7345.00 - GRASSLAND 7 345.00 345KV CKT 1' |
| 11SP | 2 | G10_060 | 'GRASSLAND INTERCHANGE - LYNN COUNTY INTERCHANGE 115KV CKT 1'                | FROM->TO | 0.2474  | 159.1 | 'GRASSLAND 7 345.00 - JONES 7 345.00 345KV CKT 1' |
| 11SP | 2 | G10_059 | 'GRASSLAND INTERCHANGE - LYNN COUNTY INTERCHANGE 115KV CKT 1'                | FROM->TO | 0.2474  | 159.1 | 'GRASSLAND 7 345.00 - JONES 7 345.00 345KV CKT 1' |
| 11SP | 2 | G10_060 | 'LYNN COUNTY INTERCHANGE - SOUTH PLAINS REC-WOODROW INTERCHANGE 115KV CKT 1' | FROM->TO | 0.2474  | 159.4 | 'GRASSLAND 7 345.00 - JONES 7 345.00 345KV CKT 1' |
| 11SP | 2 | G10_059 | 'LYNN COUNTY INTERCHANGE - SOUTH PLAINS REC-WOODROW INTERCHANGE 115KV CKT 1' | FROM->TO | 0.2474  | 159.4 | 'GRASSLAND 7 345.00 - JONES 7 345.00 345KV CKT 1' |
| 11SP | 2 | G10_060 | 'HOBBS_INT 7345.00 (HOBBS 1) 345/230/13.2KV TRANSFORMER CKT 1'               | FROM->TO | 0.99902 | 555.3 | 'BORDEN 7345.00 - GRASSLAND 7 345.00 345KV CKT 1' |

|      |   |         |  |          |         |       |   |
|------|---|---------|--|----------|---------|-------|---|
| 11SP | 2 | G10_059 | 'HOBBS_INT 7345.00 (HOBBS 1) 345/230/13.2KV TRANSFORMER CKT 1'                 | FROM->TO | 0.99902 | 555.3 | 'BORDEN 7345.00 - GRASSLAND 7 345.00 345KV CKT 1'   |
| 11SP | 2 | G10_060 | 'HOBBS_INT 7345.00 (HOBBS 1) 345/230/13.2KV TRANSFORMER CKT 1'                 | FROM->TO | 0.99902 | 555.9 | 'BORDEN 7345.00 - GRASSLAND 7 345.00 345KV CKT 1'   |
| 11SP | 2 | G10_059 | 'HOBBS_INT 7345.00 (HOBBS 1) 345/230/13.2KV TRANSFORMER CKT 1'                 | FROM->TO | 0.99902 | 555.9 | 'BORDEN 7345.00 - GRASSLAND 7 345.00 345KV CKT 1'   |
| 11SP | 2 | G10_060 | 'HOBBS_INT 7345.00 (HOBBS 1) 345/230/13.2KV TRANSFORMER CKT 1'                 | FROM->TO | 0.8166  | 555.3 | 'BORDEN 7345.00 - MIDLAND 7345.00 345KV CKT 1'  |
| 11SP | 2 | G10_059 | 'HOBBS_INT 7345.00 (HOBBS 1) 345/230/13.2KV TRANSFORMER CKT 1'                 | FROM->TO | 0.8166  | 555.3 | 'BORDEN 7345.00 - MIDLAND 7345.00 345KV CKT 1'  |
| 11SP | 2 | G10_060 | 'HOBBS_INT 7345.00 (HOBBS 1) 345/230/13.2KV TRANSFORMER CKT 1'                 | FROM->TO | 0.8166  | 555.9 | 'BORDEN 7345.00 - MIDLAND 7345.00 345KV CKT 1'  |
| 11SP | 2 | G10_059 | 'HOBBS_INT 7345.00 (HOBBS 1) 345/230/13.2KV TRANSFORMER CKT 1'                 | FROM->TO | 0.8166  | 555.9 | 'BORDEN 7345.00 - MIDLAND 7345.00 345KV CKT 1'  |
| 11SP | 2 | G10_060 | 'LUBBOCK SOUTH INTERCHANGE - SOUTH PLAINS REC-WOODROW INTERCHANGE 115KV CKT 1' | TO->FROM | 0.2474  | 157.9 | 'GRASSLAND 7 345.00 - JONES 7 345.00 345KV CKT 1'   |
| 11SP | 2 | G10_059 | 'LUBBOCK SOUTH INTERCHANGE - SOUTH PLAINS REC-WOODROW INTERCHANGE 115KV CKT 1' | TO->FROM | 0.2474  | 157.9 | 'GRASSLAND 7 345.00 - JONES 7 345.00 345KV CKT 1'   |
| 11SP | 2 | G10_060 | 'GRASSLAND 7 345.00 (GRASSLAND 1) 345/115/13.2KV TRANSFORMER CKT 1'            | FROM->TO | 0.24838 | 300   | 'GRASSLAND 7 345.00 - JONES 7 345.00 345KV CKT 1'   |
| 11SP | 2 | G10_059 | 'GRASSLAND 7 345.00 (GRASSLAND 1) 345/115/13.2KV TRANSFORMER CKT 1'            | FROM->TO | 0.24838 | 300   | 'GRASSLAND 7 345.00 - JONES 7 345.00 345KV CKT 1'   |
| 11SP | 2 | G10_060 | 'GRASSLAND 7 345.00 (GRASSLAND 1) 345/115/13.2KV TRANSFORMER CKT 1'            | FROM->TO | 0.24838 | 299.9 | 'GRASSLAND 7 345.00 - JONES 7 345.00 345KV CKT 1'   |
| 11SP | 2 | G10_059 | 'GRASSLAND 7 345.00 (GRASSLAND 1) 345/115/13.2KV TRANSFORMER CKT 1'            | FROM->TO | 0.24838 | 299.9 | 'GRASSLAND 7 345.00 - JONES 7 345.00 345KV CKT 1'   |
| 11SP | 2 | G10_060 | 'HOBBS_INT 7345.00 (HOBBS 1) 345/230/13.2KV TRANSFORMER CKT 1'                 | FROM->TO | 0.74656 | 555.3 | 'GRASSLAND 7 345.00 - JONES 7 345.00 345KV CKT 1'   |
| 11SP | 2 | G10_059 | 'HOBBS_INT 7345.00 (HOBBS 1) 345/230/13.2KV TRANSFORMER CKT 1'                 | FROM->TO | 0.74656 | 555.3 | 'GRASSLAND 7 345.00 - JONES 7 345.00 345KV CKT 1'   |
| 11SP | 2 | G10_060 | 'HOBBS_INT 7345.00 (HOBBS 1) 345/230/13.2KV TRANSFORMER CKT 1'                 | FROM->TO | 0.74656 | 555.9 | 'GRASSLAND 7 345.00 - JONES 7 345.00 345KV CKT 1'   |
| 11SP | 2 | G10_059 | 'HOBBS_INT 7345.00 (HOBBS 1) 345/230/13.2KV TRANSFORMER CKT 1'                 | FROM->TO | 0.74656 | 555.9 | 'GRASSLAND 7 345.00 - JONES 7 345.00 345KV CKT 1'   |
| 11SP | 2 | G10_060 | 'CUNNINGHAM STATION - HOBBS INTERCHANGE 230KV CKT 1'                           | TO->FROM | 0.40109 | 501.7 | 'BORDEN 7345.00 - GRASSLAND 7 345.00 345KV CKT 1'   |
| 11SP | 2 | G10_059 | 'CUNNINGHAM STATION - HOBBS INTERCHANGE 230KV CKT 1'                           | TO->FROM | 0.40109 | 501.7 | 'BORDEN 7345.00 - GRASSLAND 7 345.00 345KV CKT 1'   |
| 11SP | 2 | G10_060 | 'HOBBS_INT 7345.00 (HOBBS 1) 345/230/13.2KV TRANSFORMER CKT 1'                 | FROM->TO | 0.50898 | 555.3 | 'Golden Spread REC - Mustang Interchange 230 kV Generation Bus - MUSTANG STATION 230KV CKT 1' |
| 11SP | 2 | G10_059 | 'HOBBS_INT 7345.00 (HOBBS 1) 345/230/13.2KV TRANSFORMER CKT 1'                 | FROM->TO | 0.50898 | 555.3 | 'Golden Spread REC - Mustang Interchange 230 kV Generation Bus - MUSTANG STATION 230KV CKT 1' |
| 11SP | 2 | G10_060 | 'HOBBS_INT 7345.00 (HOBBS 1) 345/230/13.2KV TRANSFORMER CKT 1'                 | FROM->TO | 0.50898 | 555.9 | 'Golden Spread REC - Mustang Interchange 230 kV Generation Bus - MUSTANG STATION 230KV CKT 1' |

|      |   |         |  |          |         |       |   |
|------|---|---------|--|----------|---------|-------|---|
| 11SP | 2 | G10_059 | 'HOBBS_INT 7345.00 (HOBBS 1) 345/230/13.2KV TRANSFORMER CKT 1' | FROM->TO | 0.50898 | 555.9 | 'Golden Spread REC - Mustang Interchange 230 kV Generation Bus - MUSTANG STATION 230KV CKT 1' |
| 11SP | 2 | G10_060 | 'HOBBS_INT 7345.00 (HOBBS 1) 345/230/13.2KV TRANSFORMER CKT 1' | FROM->TO | 0.50898 | 555.3 | 'HOBBS INTERCHANGE 230/18.0KV TRANSFORMER CKT 1'  |
| 11SP | 2 | G10_059 | 'HOBBS_INT 7345.00 (HOBBS 1) 345/230/13.2KV TRANSFORMER CKT 1' | FROM->TO | 0.50898 | 555.3 | 'HOBBS INTERCHANGE 230/18.0KV TRANSFORMER CKT 1'  |
| 11SP | 2 | G10_060 | 'HOBBS_INT 7345.00 (HOBBS 1) 345/230/13.2KV TRANSFORMER CKT 1' | FROM->TO | 0.54759 | 555.3 | 'JONES 7 345.00 (JONES 1) 345/230/13.8KV TRANSFORMER CKT 1'                                   |
| 11SP | 2 | G10_059 | 'HOBBS_INT 7345.00 (HOBBS 1) 345/230/13.2KV TRANSFORMER CKT 1' | FROM->TO | 0.54759 | 555.3 | 'JONES 7 345.00 (JONES 1) 345/230/13.8KV TRANSFORMER CKT 1'                                   |
| 11SP | 2 | G10_060 | 'HOBBS_INT 7345.00 (HOBBS 1) 345/230/13.2KV TRANSFORMER CKT 1' | FROM->TO | 0.50898 | 555.9 | 'HOBBS INTERCHANGE 230/18.0KV TRANSFORMER CKT 1'  |
| 11SP | 2 | G10_059 | 'HOBBS_INT 7345.00 (HOBBS 1) 345/230/13.2KV TRANSFORMER CKT 1' | FROM->TO | 0.50898 | 555.9 | 'HOBBS INTERCHANGE 230/18.0KV TRANSFORMER CKT 1'  |
| 11SP | 2 | G10_060 | 'HOBBS_INT 7345.00 (HOBBS 1) 345/230/13.2KV TRANSFORMER CKT 1' | FROM->TO | 0.54759 | 555.9 | 'JONES 7 345.00 (JONES 1) 345/230/13.8KV TRANSFORMER CKT 1'                                   |
| 11SP | 2 | G10_059 | 'HOBBS_INT 7345.00 (HOBBS 1) 345/230/13.2KV TRANSFORMER CKT 1' | FROM->TO | 0.54759 | 555.9 | 'JONES 7 345.00 (JONES 1) 345/230/13.8KV TRANSFORMER CKT 1'                                   |
| 11SP | 2 | G10_060 | 'HOBBS_INT 7345.00 (HOBBS 1) 345/230/13.2KV TRANSFORMER CKT 1' | FROM->TO | 0.53963 | 555.3 | 'JONES 7 345.00 - TUCO INTERCHANGE 345KV CKT 1'   |
| 11SP | 2 | G10_059 | 'HOBBS_INT 7345.00 (HOBBS 1) 345/230/13.2KV TRANSFORMER CKT 1' | FROM->TO | 0.53963 | 555.3 | 'JONES 7 345.00 - TUCO INTERCHANGE 345KV CKT 1'   |
| 11SP | 2 | G10_060 | 'HOBBS_INT 7345.00 (HOBBS 1) 345/230/13.2KV TRANSFORMER CKT 1' | FROM->TO | 0.53963 | 555.9 | 'JONES 7 345.00 - TUCO INTERCHANGE 345KV CKT 1'   |
| 11SP | 2 | G10_059 | 'HOBBS_INT 7345.00 (HOBBS 1) 345/230/13.2KV TRANSFORMER CKT 1' | FROM->TO | 0.53963 | 555.9 | 'JONES 7 345.00 - TUCO INTERCHANGE 345KV CKT 1'   |
| 11SP | 2 | G10_060 | 'HOBBS_INT 7345.00 (HOBBS 1) 345/230/13.2KV TRANSFORMER CKT 1' | FROM->TO | 0.50898 | 555.3 | 'CUNNINGHAM STATION 230/20.0KV TRANSFORMER CKT 1'   |
| 11SP | 2 | G10_059 | 'HOBBS_INT 7345.00 (HOBBS 1) 345/230/13.2KV TRANSFORMER CKT 1' | FROM->TO | 0.50898 | 555.3 | 'CUNNINGHAM STATION 230/20.0KV TRANSFORMER CKT 1'   |
| 11SP | 2 | G10_060 | 'HOBBS_INT 7345.00 (HOBBS 1) 345/230/13.2KV TRANSFORMER CKT 1' | FROM->TO | 0.50898 | 555.9 | 'CUNNINGHAM STATION 230/20.0KV TRANSFORMER CKT 1'   |
| 11SP | 2 | G10_059 | 'HOBBS_INT 7345.00 (HOBBS 1) 345/230/13.2KV TRANSFORMER CKT 1' | FROM->TO | 0.50898 | 555.9 | 'CUNNINGHAM STATION 230/20.0KV TRANSFORMER CKT 1'   |
| 11SP | 2 | G10_060 | 'HOBBS INTERCHANGE - YOAKUM COUNTY INTERCHANGE 230KV CKT 1'    | FROM->TO | 0.34322 | 496.9 | 'BORDEN 7345.00 - GRASSLAND 7 345.00 345KV CKT 1'   |
| 11SP | 2 | G10_059 | 'HOBBS INTERCHANGE - YOAKUM COUNTY INTERCHANGE 230KV CKT 1'    | FROM->TO | 0.34322 | 496.9 | 'BORDEN 7345.00 - GRASSLAND 7 345.00 345KV CKT 1'   |
| 11SP | 2 | G10_060 | 'HOBBS_INT 7345.00 (HOBBS 1) 345/230/13.2KV TRANSFORMER CKT 1' | FROM->TO | 0.50898 | 555.3 | 'TOLK STATION WEST 230/24.0KV TRANSFORMER CKT 1'  |
| 11SP | 2 | G10_059 | 'HOBBS_INT 7345.00 (HOBBS 1) 345/230/13.2KV TRANSFORMER CKT 1' | FROM->TO | 0.50898 | 555.3 | 'TOLK STATION WEST 230/24.0KV TRANSFORMER CKT 1'  |
| 11SP | 2 | G10_060 | 'HOBBS_INT 7345.00 (HOBBS 1) 345/230/13.2KV TRANSFORMER CKT 1' | FROM->TO | 0.50898 | 555.9 | 'TOLK STATION WEST 230/24.0KV TRANSFORMER CKT 1'  |
| 11SP | 2 | G10_059 | 'HOBBS_INT 7345.00 (HOBBS 1) 345/230/13.2KV TRANSFORMER CKT 1' | FROM->TO | 0.50898 | 555.9 | 'TOLK STATION WEST 230/24.0KV TRANSFORMER CKT 1'  |
| 11SP | 2 | G10_060 | 'HOBBS_INT 7345.00 (HOBBS 1) 345/230/13.2KV TRANSFORMER CKT 1' | FROM->TO | 0.50898 | 555.3 | 'HOBBS INTERCHANGE 115/18.0KV TRANSFORMER CKT 1'  |
| 11SP | 2 | G10_059 | 'HOBBS_INT 7345.00 (HOBBS 1) 345/230/13.2KV TRANSFORMER CKT 1' | FROM->TO | 0.50898 | 555.3 | 'HOBBS INTERCHANGE 115/18.0KV TRANSFORMER CKT 1'  |



|      |   |         |  |          |         |        |  |
|------|---|---------|--|----------|---------|--------|--|
| 11SP | 2 | G10_059 | 'JONES 7 345.00 (JONES 1) 345/230/13.8KV TRANSFORMER CKT 1'    | FROM->TO | 0.51288 | 554.3  | 'HOBBS_INT 7345.00 - MIDLAND 7345.00 345KV CKT 1'  |
| 11SP | 2 | G10_060 | 'JONES 7 345.00 (JONES 1) 345/230/13.8KV TRANSFORMER CKT 1'    | FROM->TO | 0.51288 | 554.3  | 'HOBBS_INT 7345.00 (HOBBS 1) 345/230/13.2KV TRANSFORMER CKT 1'                               |
| 11SP | 2 | G10_059 | 'JONES 7 345.00 (JONES 1) 345/230/13.8KV TRANSFORMER CKT 1'    | FROM->TO | 0.51288 | 554.3  | 'HOBBS_INT 7345.00 (HOBBS 1) 345/230/13.2KV TRANSFORMER CKT 1'                               |
| 11SP | 2 | G10_060 | 'HOBBS_INT 7345.00 - MIDLAND 7345.00 345KV CKT 1'              | TO->FROM | 0.99902 | 1198.3 | 'BORDEN 7345.00 - GRASSLAND 7 345.00 345KV CKT 1'  |
| 11SP | 2 | G10_059 | 'HOBBS_INT 7345.00 - MIDLAND 7345.00 345KV CKT 1'              | TO->FROM | 0.99902 | 1198.3 | 'BORDEN 7345.00 - GRASSLAND 7 345.00 345KV CKT 1'  |
| 11SP | 2 | G10_060 | 'HOBBS_INT 7345.00 (HOBBS 1) 345/230/13.2KV TRANSFORMER CKT 1' | FROM->TO | 0.50898 | 555.9  | 'CUNNINGHAM STATION 115/13.8KV TRANSFORMER CKT 1'  |
| 11SP | 2 | G10_059 | 'HOBBS_INT 7345.00 (HOBBS 1) 345/230/13.2KV TRANSFORMER CKT 1' | FROM->TO | 0.50898 | 555.9  | 'CUNNINGHAM STATION 115/13.8KV TRANSFORMER CKT 1'  |
| 11SP | 2 | G10_060 | 'BORDEN 7345.00 - GRASSLAND 7 345.00 345KV CKT 1'              | FROM->TO | 0.99902 | 1199.2 | 'HOBBS_INT 7345.00 (HOBBS 1) 345/230/13.2KV TRANSFORMER CKT 1'                               |
| 11SP | 2 | G10_059 | 'BORDEN 7345.00 - GRASSLAND 7 345.00 345KV CKT 1'              | FROM->TO | 0.99902 | 1199.2 | 'HOBBS_INT 7345.00 (HOBBS 1) 345/230/13.2KV TRANSFORMER CKT 1'                               |
| 11SP | 2 | G10_060 | 'BORDEN 7345.00 - GRASSLAND 7 345.00 345KV CKT 1'              | FROM->TO | 0.99902 | 1199.2 | 'HOBBS_INT 7345.00 - MIDLAND 7345.00 345KV CKT 1'  |
| 11SP | 2 | G10_059 | 'BORDEN 7345.00 - GRASSLAND 7 345.00 345KV CKT 1'              | FROM->TO | 0.99902 | 1199.2 | 'HOBBS_INT 7345.00 - MIDLAND 7345.00 345KV CKT 1'  |
| 11SP | 2 | G10_060 | 'HOBBS_INT 7345.00 (HOBBS 1) 345/230/13.2KV TRANSFORMER CKT 1' | FROM->TO | 0.50898 | 555.3  | 'Golden Spread REC - Mustang Interchange 230 kV Generation Bus 230/22.0KV TRANSFORMER CKT 1' |
| 11SP | 2 | G10_059 | 'HOBBS_INT 7345.00 (HOBBS 1) 345/230/13.2KV TRANSFORMER CKT 1' | FROM->TO | 0.50898 | 555.3  | 'Golden Spread REC - Mustang Interchange 230 kV Generation Bus 230/22.0KV TRANSFORMER CKT 1' |
| 11SP | 2 | G10_060 | 'HOBBS_INT 7345.00 (HOBBS 1) 345/230/13.2KV TRANSFORMER CKT 1' | FROM->TO | 0.51608 | 555.3  | 'LUBBOCK SOUTH INTERCHANGE - WOLFFORTH INTERCHANGE 230KV CKT 1'                              |
| 11SP | 2 | G10_059 | 'HOBBS_INT 7345.00 (HOBBS 1) 345/230/13.2KV TRANSFORMER CKT 1' | FROM->TO | 0.51608 | 555.3  | 'LUBBOCK SOUTH INTERCHANGE - WOLFFORTH INTERCHANGE 230KV CKT 1'                              |
| 11SP | 2 | G10_060 | 'HOBBS_INT 7345.00 (HOBBS 1) 345/230/13.2KV TRANSFORMER CKT 1' | FROM->TO | 0.51386 | 555.3  | 'MIDLAND 7345.00 (MIDLAND 1) 345/138/13.2KV TRANSFORMER CKT 1'                               |
| 11SP | 2 | G10_059 | 'HOBBS_INT 7345.00 (HOBBS 1) 345/230/13.2KV TRANSFORMER CKT 1' | FROM->TO | 0.51386 | 555.3  | 'MIDLAND 7345.00 (MIDLAND 1) 345/138/13.2KV TRANSFORMER CKT 1'                               |
| 11SP | 2 | G10_060 | 'HOBBS_INT 7345.00 (HOBBS 1) 345/230/13.2KV TRANSFORMER CKT 1' | FROM->TO | 0.51608 | 555.9  | 'LUBBOCK SOUTH INTERCHANGE - WOLFFORTH INTERCHANGE 230KV CKT 1'                              |
| 11SP | 2 | G10_059 | 'HOBBS_INT 7345.00 (HOBBS 1) 345/230/13.2KV TRANSFORMER CKT 1' | FROM->TO | 0.51608 | 555.9  | 'LUBBOCK SOUTH INTERCHANGE - WOLFFORTH INTERCHANGE 230KV CKT 1'                              |
| 11SP | 2 | G10_060 | 'HOBBS_INT 7345.00 (HOBBS 1) 345/230/13.2KV TRANSFORMER CKT 1' | FROM->TO | 0.50898 | 555.9  | 'Golden Spread REC - Mustang Interchange 230 kV Generation Bus 230/22.0KV TRANSFORMER CKT 1' |
| 11SP | 2 | G10_059 | 'HOBBS_INT 7345.00 (HOBBS 1) 345/230/13.2KV TRANSFORMER CKT 1' | FROM->TO | 0.50898 | 555.9  | 'Golden Spread REC - Mustang Interchange 230 kV Generation Bus 230/22.0KV TRANSFORMER CKT 1' |
| 11SP | 2 | G10_060 | 'HOBBS_INT 7345.00 (HOBBS 1) 345/230/13.2KV TRANSFORMER CKT 1' | FROM->TO | 0.50898 | 555.3  | 'MUSTANG STATION N. 115/13.8KV TRANSFORMER CKT 1'  |
| 11SP | 2 | G10_059 | 'HOBBS_INT 7345.00 (HOBBS 1) 345/230/13.2KV TRANSFORMER CKT 1' | FROM->TO | 0.50898 | 555.3  | 'MUSTANG STATION N. 115/13.8KV TRANSFORMER CKT 1'  |

|      |   |         |   |          |         |        |  |
|------|---|---------|---|----------|---------|--------|--|
| 11SP | 2 | G10_060 | 'HOBBS_INT 7345.00 (HOBBS 1) 345/230/13.2KV TRANSFORMER CKT 1'  | FROM->TO | 0.50898 | 555.3  | 'MUSTANG STATION S. 115/13.8KV TRANSFORMER CKT 1'              |
| 11SP | 2 | G10_059 | 'HOBBS_INT 7345.00 (HOBBS 1) 345/230/13.2KV TRANSFORMER CKT 1'  | FROM->TO | 0.50898 | 555.3  | 'MUSTANG STATION S. 115/13.8KV TRANSFORMER CKT 1'              |
| 11SP | 2 | G10_060 | 'HOBBS_INT 7345.00 (HOBBS 1) 345/230/13.2KV TRANSFORMER CKT 1'  | FROM->TO | 0.51386 | 555.9  | 'MIDLAND 7345.00 (MIDLAND 1) 345/138/13.2KV TRANSFORMER CKT 1' |
| 11SP | 2 | G10_059 | 'HOBBS_INT 7345.00 (HOBBS 1) 345/230/13.2KV TRANSFORMER CKT 1'  | FROM->TO | 0.51386 | 555.9  | 'MIDLAND 7345.00 (MIDLAND 1) 345/138/13.2KV TRANSFORMER CKT 1' |
| 11SP | 2 | G10_060 | 'HOBBS_INT 7345.00 (HOBBS 1) 345/230/13.2KV TRANSFORMER CKT 1'  | FROM->TO | 0.50898 | 555.9  | 'MUSTANG STATION N. 115/13.8KV TRANSFORMER CKT 1'              |
| 11SP | 2 | G10_059 | 'HOBBS_INT 7345.00 (HOBBS 1) 345/230/13.2KV TRANSFORMER CKT 1'  | FROM->TO | 0.50898 | 555.9  | 'MUSTANG STATION N. 115/13.8KV TRANSFORMER CKT 1'              |
| 11SP | 2 | G10_060 | 'HOBBS_INT 7345.00 (HOBBS 1) 345/230/13.2KV TRANSFORMER CKT 1'  | FROM->TO | 0.50898 | 555.9  | 'MUSTANG STATION S. 115/13.8KV TRANSFORMER CKT 1'              |
| 11SP | 2 | G10_059 | 'HOBBS_INT 7345.00 (HOBBS 1) 345/230/13.2KV TRANSFORMER CKT 1'  | FROM->TO | 0.50898 | 555.9  | 'MUSTANG STATION S. 115/13.8KV TRANSFORMER CKT 1'              |
| 11SP | 2 | G10_060 | 'BORDEN 7345.00 - MIDLAND 7345.00 345KV CKT 1'                  | TO->FROM | 0.92827 | 1199.7 | 'HOBBS_INT 7345.00 (HOBBS 1) 345/230/13.2KV TRANSFORMER CKT 1' |
| 11SP | 2 | G10_059 | 'BORDEN 7345.00 - MIDLAND 7345.00 345KV CKT 1'                  | TO->FROM | 0.92827 | 1199.7 | 'HOBBS_INT 7345.00 (HOBBS 1) 345/230/13.2KV TRANSFORMER CKT 1' |
| 11SP | 2 | G10_060 | 'BORDEN 7345.00 - MIDLAND 7345.00 345KV CKT 1'                  | TO->FROM | 0.92827 | 1199.7 | 'HOBBS_INT 7345.00 - MIDLAND 7345.00 345KV CKT 1'              |
| 11SP | 2 | G10_059 | 'BORDEN 7345.00 - MIDLAND 7345.00 345KV CKT 1'                  | TO->FROM | 0.92827 | 1199.7 | 'HOBBS_INT 7345.00 - MIDLAND 7345.00 345KV CKT 1'              |
| 11SP | 2 | G10_060 | 'HOBBS_INT 7345.00 (HOBBS 1) 345/230/13.2KV TRANSFORMER CKT 1'  | FROM->TO | 0.50898 | 555.3  | 'BASE CASE'  |
| 11SP | 2 | G10_059 | 'HOBBS_INT 7345.00 (HOBBS 1) 345/230/13.2KV TRANSFORMER CKT 1'  | FROM->TO | 0.50898 | 555.3  | 'BASE CASE'  |
| 11SP | 2 | G10_060 | 'HOBBS_INT 7345.00 (HOBBS 1) 345/230/13.2KV TRANSFORMER CKT 1'  | FROM->TO | 0.50898 | 555.9  | 'BASE CASE'  |
| 11SP | 2 | G10_059 | 'HOBBS_INT 7345.00 (HOBBS 1) 345/230/13.2KV TRANSFORMER CKT 1'  | FROM->TO | 0.50898 | 555.9  | 'BASE CASE'  |
| 11SP | 2 | G10_060 | 'CUNNINGHAM STATION - HOBBS INTERCHANGE 230KV CKT 1'            | TO->FROM | 0.33039 | 501.7  | 'BORDEN 7345.00 - MIDLAND 7345.00 345KV CKT 1'                 |
| 11SP | 2 | G10_059 | 'CUNNINGHAM STATION - HOBBS INTERCHANGE 230KV CKT 1'            | TO->FROM | 0.33039 | 501.7  | 'BORDEN 7345.00 - MIDLAND 7345.00 345KV CKT 1'                 |
| 11SP | 2 | G10_060 | 'LUBBOCK SOUTH INTERCHANGE - WOLFFORTH INTERCHANGE 230KV CKT 1' | FROM->TO | 0.24366 | 348    | 'HOBBS_INT 7345.00 - MIDLAND 7345.00 345KV CKT 1'              |
| 11SP | 2 | G10_059 | 'LUBBOCK SOUTH INTERCHANGE - WOLFFORTH INTERCHANGE 230KV CKT 1' | FROM->TO | 0.24366 | 348    | 'HOBBS_INT 7345.00 - MIDLAND 7345.00 345KV CKT 1'              |
| 11SP | 2 | G10_060 | 'LUBBOCK SOUTH INTERCHANGE - WOLFFORTH INTERCHANGE 230KV CKT 1' | FROM->TO | 0.24366 | 348    | 'HOBBS_INT 7345.00 (HOBBS 1) 345/230/13.2KV TRANSFORMER CKT 1' |
| 11SP | 2 | G10_059 | 'LUBBOCK SOUTH INTERCHANGE - WOLFFORTH INTERCHANGE 230KV CKT 1' | FROM->TO | 0.24366 | 348    | 'HOBBS_INT 7345.00 (HOBBS 1) 345/230/13.2KV TRANSFORMER CKT 1' |
| 11SP | 2 | G10_060 | 'GRASSLAND 7 345.00 - JONES 7 345.00 345KV CKT 1'               | FROM->TO | 0.93429 | 1199.5 | 'HOBBS_INT 7345.00 (HOBBS 1) 345/230/13.2KV TRANSFORMER CKT 1' |
| 11SP | 2 | G10_059 | 'GRASSLAND 7 345.00 - JONES 7 345.00 345KV CKT 1'               | FROM->TO | 0.93429 | 1199.5 | 'HOBBS_INT 7345.00 (HOBBS 1) 345/230/13.2KV TRANSFORMER CKT 1' |
| 11SP | 2 | G10_060 | 'GRASSLAND 7 345.00 - JONES 7 345.00 345KV CKT 1'               | FROM->TO | 0.93429 | 1199.5 | 'HOBBS_INT 7345.00 - MIDLAND 7345.00 345KV CKT 1'              |

|      |   |         |  |          |         |        |  |
|------|---|---------|--|----------|---------|--------|--|
| 11SP | 2 | G10_059 | 'GRASSLAND 7 345.00 - JONES 7 345.00<br>345KV CKT 1'                                 | FROM->TO | 0.93429 | 1199.5 | 'HOBBS_INT 7345.00 - MIDLAND 7345.00<br>345KV CKT 1' |
| 11SP | 2 | G10_060 | 'JONES 7 345.00 (JONES 1) 345/230/13.8KV<br>TRANSFORMER CKT 1'                       | FROM->TO | 0.40749 | 553.9  | 'JONES 7 345.00 - TUCO INTERCHANGE<br>345KV CKT 1'   |
| 11SP | 2 | G10_059 | 'JONES 7 345.00 (JONES 1) 345/230/13.8KV<br>TRANSFORMER CKT 1'                       | FROM->TO | 0.40749 | 553.9  | 'JONES 7 345.00 - TUCO INTERCHANGE<br>345KV CKT 1'   |
| 11SP | 2 | G10_060 | 'JONES 7 345.00 (JONES 1) 345/230/13.8KV<br>TRANSFORMER CKT 1'                       | FROM->TO | 0.40749 | 554.3  | 'JONES 7 345.00 - TUCO INTERCHANGE<br>345KV CKT 1'   |
| 11SP | 2 | G10_059 | 'JONES 7 345.00 (JONES 1) 345/230/13.8KV<br>TRANSFORMER CKT 1'                       | FROM->TO | 0.40749 | 554.3  | 'JONES 7 345.00 - TUCO INTERCHANGE<br>345KV CKT 1'   |
| 11WP | 2 | G10_060 | 'HOBBS_INT 7345.00 (HOBBS 1) 345/230/13.2KV<br>TRANSFORMER CKT 1'                    | FROM->TO | 0.99876 | 555.2  | 'BORDEN 7345.00 - GRASSLAND 7 345.00<br>345KV CKT 1' |
| 11WP | 2 | G10_059 | 'HOBBS_INT 7345.00 (HOBBS 1) 345/230/13.2KV<br>TRANSFORMER CKT 1'                    | FROM->TO | 0.99876 | 555.2  | 'BORDEN 7345.00 - GRASSLAND 7 345.00<br>345KV CKT 1' |
| 11WP | 2 | G10_060 | 'HOBBS_INT 7345.00 (HOBBS 1) 345/230/13.2KV<br>TRANSFORMER CKT 1'                    | FROM->TO | 0.99876 | 555.5  | 'BORDEN 7345.00 - GRASSLAND 7 345.00<br>345KV CKT 1' |
| 11WP | 2 | G10_059 | 'HOBBS_INT 7345.00 (HOBBS 1) 345/230/13.2KV<br>TRANSFORMER CKT 1'                    | FROM->TO | 0.99876 | 555.5  | 'BORDEN 7345.00 - GRASSLAND 7 345.00<br>345KV CKT 1' |
| 11WP | 2 | G10_060 | 'GRASSLAND INTERCHANGE - LYNN COUNTY<br>INTERCHANGE 115KV CKT 1'                     | FROM->TO | 0.24951 | 176.6  | 'GRASSLAND 7 345.00 - JONES 7 345.00<br>345KV CKT 1' |
| 11WP | 2 | G10_059 | 'GRASSLAND INTERCHANGE - LYNN COUNTY<br>INTERCHANGE 115KV CKT 1'                     | FROM->TO | 0.24951 | 176.6  | 'GRASSLAND 7 345.00 - JONES 7 345.00<br>345KV CKT 1' |
| 11WP | 2 | G10_060 | 'LYNN COUNTY INTERCHANGE - SOUTH<br>PLAINS REC-WOODROW INTERCHANGE 115KV<br>CKT 1'   | FROM->TO | 0.24951 | 176.6  | 'GRASSLAND 7 345.00 - JONES 7 345.00<br>345KV CKT 1' |
| 11WP | 2 | G10_059 | 'LYNN COUNTY INTERCHANGE - SOUTH<br>PLAINS REC-WOODROW INTERCHANGE 115KV<br>CKT 1'   | FROM->TO | 0.24951 | 176.6  | 'GRASSLAND 7 345.00 - JONES 7 345.00<br>345KV CKT 1' |
| 11WP | 2 | G10_060 | 'HOBBS_INT 7345.00 (HOBBS 1) 345/230/13.2KV<br>TRANSFORMER CKT 1'                    | FROM->TO | 0.81424 | 555.2  | 'BORDEN 7345.00 - MIDLAND 7345.00 345KV<br>CKT 1'    |
| 11WP | 2 | G10_059 | 'HOBBS_INT 7345.00 (HOBBS 1) 345/230/13.2KV<br>TRANSFORMER CKT 1'                    | FROM->TO | 0.81424 | 555.2  | 'BORDEN 7345.00 - MIDLAND 7345.00 345KV<br>CKT 1'    |
| 11WP | 2 | G10_060 | 'HOBBS_INT 7345.00 (HOBBS 1) 345/230/13.2KV<br>TRANSFORMER CKT 1'                    | FROM->TO | 0.81424 | 555.5  | 'BORDEN 7345.00 - MIDLAND 7345.00 345KV<br>CKT 1'    |
| 11WP | 2 | G10_059 | 'HOBBS_INT 7345.00 (HOBBS 1) 345/230/13.2KV<br>TRANSFORMER CKT 1'                    | FROM->TO | 0.81424 | 555.5  | 'BORDEN 7345.00 - MIDLAND 7345.00 345KV<br>CKT 1'    |
| 11WP | 2 | G10_060 | 'LUBBOCK SOUTH INTERCHANGE - SOUTH<br>PLAINS REC-WOODROW INTERCHANGE 115KV<br>CKT 1' | TO->FROM | 0.24951 | 175.6  | 'GRASSLAND 7 345.00 - JONES 7 345.00<br>345KV CKT 1' |
| 11WP | 2 | G10_059 | 'LUBBOCK SOUTH INTERCHANGE - SOUTH<br>PLAINS REC-WOODROW INTERCHANGE 115KV<br>CKT 1' | TO->FROM | 0.24951 | 175.6  | 'GRASSLAND 7 345.00 - JONES 7 345.00<br>345KV CKT 1' |
| 11WP | 2 | G10_060 | 'HOBBS_INT 7345.00 (HOBBS 1) 345/230/13.2KV<br>TRANSFORMER CKT 1'                    | FROM->TO | 0.74287 | 555.2  | 'GRASSLAND 7 345.00 - JONES 7 345.00<br>345KV CKT 1' |
| 11WP | 2 | G10_059 | 'HOBBS_INT 7345.00 (HOBBS 1) 345/230/13.2KV<br>TRANSFORMER CKT 1'                    | FROM->TO | 0.74287 | 555.2  | 'GRASSLAND 7 345.00 - JONES 7 345.00<br>345KV CKT 1' |
| 11WP | 2 | G10_060 | 'HOBBS_INT 7345.00 (HOBBS 1) 345/230/13.2KV<br>TRANSFORMER CKT 1'                    | FROM->TO | 0.74287 | 555.5  | 'GRASSLAND 7 345.00 - JONES 7 345.00<br>345KV CKT 1' |
| 11WP | 2 | G10_059 | 'HOBBS_INT 7345.00 (HOBBS 1) 345/230/13.2KV<br>TRANSFORMER CKT 1'                    | FROM->TO | 0.74287 | 555.5  | 'GRASSLAND 7 345.00 - JONES 7 345.00<br>345KV CKT 1' |



|      |   |         |   |          |         |       |   |
|------|---|---------|---|----------|---------|-------|---|
| 11WP | 2 | G10_060 | 'GRASSLAND 7 345.00 (GRASSLAND 1) 345/115/13.2KV TRANSFORMER CKT 1' | FROM->TO | 0.25075 | 299.9 | 'GRASSLAND 7 345.00 - JONES 7 345.00 345KV CKT 1'   |
| 11WP | 2 | G10_059 | 'GRASSLAND 7 345.00 (GRASSLAND 1) 345/115/13.2KV TRANSFORMER CKT 1' | FROM->TO | 0.25075 | 299.9 | 'GRASSLAND 7 345.00 - JONES 7 345.00 345KV CKT 1'   |
| 11WP | 2 | G10_060 | 'GRASSLAND 7 345.00 (GRASSLAND 1) 345/115/13.2KV TRANSFORMER CKT 1' | FROM->TO | 0.25075 | 299.9 | 'GRASSLAND 7 345.00 - JONES 7 345.00 345KV CKT 1'   |
| 11WP | 2 | G10_059 | 'GRASSLAND 7 345.00 (GRASSLAND 1) 345/115/13.2KV TRANSFORMER CKT 1' | FROM->TO | 0.25075 | 299.9 | 'GRASSLAND 7 345.00 - JONES 7 345.00 345KV CKT 1'   |
| 11WP | 2 | G10_060 | 'HOBBS_INT 7345.00 (HOBBS 1) 345/230/13.2KV TRANSFORMER CKT 1'      | FROM->TO | 0.50283 | 555.2 | 'HOBBS INTERCHANGE 230/18.0KV TRANSFORMER CKT 1'  |
| 11WP | 2 | G10_059 | 'HOBBS_INT 7345.00 (HOBBS 1) 345/230/13.2KV TRANSFORMER CKT 1'      | FROM->TO | 0.50283 | 555.2 | 'HOBBS INTERCHANGE 230/18.0KV TRANSFORMER CKT 1'  |
| 11WP | 2 | G10_060 | 'HOBBS_INT 7345.00 (HOBBS 1) 345/230/13.2KV TRANSFORMER CKT 1'      | FROM->TO | 0.53466 | 555.2 | 'JONES 7 345.00 - TUCO INTERCHANGE 345KV CKT 1'   |
| 11WP | 2 | G10_059 | 'HOBBS_INT 7345.00 (HOBBS 1) 345/230/13.2KV TRANSFORMER CKT 1'      | FROM->TO | 0.53466 | 555.2 | 'JONES 7 345.00 - TUCO INTERCHANGE 345KV CKT 1'   |
| 11WP | 2 | G10_060 | 'HOBBS_INT 7345.00 (HOBBS 1) 345/230/13.2KV TRANSFORMER CKT 1'      | FROM->TO | 0.50283 | 555.5 | 'HOBBS INTERCHANGE 230/18.0KV TRANSFORMER CKT 1'  |
| 11WP | 2 | G10_059 | 'HOBBS_INT 7345.00 (HOBBS 1) 345/230/13.2KV TRANSFORMER CKT 1'      | FROM->TO | 0.50283 | 555.5 | 'HOBBS INTERCHANGE 230/18.0KV TRANSFORMER CKT 1'  |
| 11WP | 2 | G10_060 | 'HOBBS_INT 7345.00 (HOBBS 1) 345/230/13.2KV TRANSFORMER CKT 1'      | FROM->TO | 0.53466 | 555.5 | 'JONES 7 345.00 - TUCO INTERCHANGE 345KV CKT 1'   |
| 11WP | 2 | G10_059 | 'HOBBS_INT 7345.00 (HOBBS 1) 345/230/13.2KV TRANSFORMER CKT 1'      | FROM->TO | 0.53466 | 555.5 | 'JONES 7 345.00 - TUCO INTERCHANGE 345KV CKT 1'   |
| 11WP | 2 | G10_060 | 'HOBBS_INT 7345.00 (HOBBS 1) 345/230/13.2KV TRANSFORMER CKT 1'      | FROM->TO | 0.54083 | 555.2 | 'JONES 7 345.00 (JONES 1) 345/230/13.8KV TRANSFORMER CKT 1'                                   |
| 11WP | 2 | G10_059 | 'HOBBS_INT 7345.00 (HOBBS 1) 345/230/13.2KV TRANSFORMER CKT 1'      | FROM->TO | 0.54083 | 555.2 | 'JONES 7 345.00 (JONES 1) 345/230/13.8KV TRANSFORMER CKT 1'                                   |
| 11WP | 2 | G10_060 | 'HOBBS_INT 7345.00 (HOBBS 1) 345/230/13.2KV TRANSFORMER CKT 1'      | FROM->TO | 0.54083 | 555.5 | 'JONES 7 345.00 (JONES 1) 345/230/13.8KV TRANSFORMER CKT 1'                                   |
| 11WP | 2 | G10_059 | 'HOBBS_INT 7345.00 (HOBBS 1) 345/230/13.2KV TRANSFORMER CKT 1'      | FROM->TO | 0.54083 | 555.5 | 'JONES 7 345.00 (JONES 1) 345/230/13.8KV TRANSFORMER CKT 1'                                   |
| 11WP | 2 | G10_060 | 'HOBBS_INT 7345.00 (HOBBS 1) 345/230/13.2KV TRANSFORMER CKT 1'      | FROM->TO | 0.50283 | 555.2 | 'CUNNINGHAM STATION 230/20.0KV TRANSFORMER CKT 1'   |
| 11WP | 2 | G10_059 | 'HOBBS_INT 7345.00 (HOBBS 1) 345/230/13.2KV TRANSFORMER CKT 1'      | FROM->TO | 0.50283 | 555.2 | 'CUNNINGHAM STATION 230/20.0KV TRANSFORMER CKT 1'   |
| 11WP | 2 | G10_060 | 'HOBBS_INT 7345.00 (HOBBS 1) 345/230/13.2KV TRANSFORMER CKT 1'      | FROM->TO | 0.50283 | 555.5 | 'CUNNINGHAM STATION 230/20.0KV TRANSFORMER CKT 1'   |
| 11WP | 2 | G10_059 | 'HOBBS_INT 7345.00 (HOBBS 1) 345/230/13.2KV TRANSFORMER CKT 1'      | FROM->TO | 0.50283 | 555.5 | 'CUNNINGHAM STATION 230/20.0KV TRANSFORMER CKT 1'   |
| 11WP | 2 | G10_060 | 'HOBBS_INT 7345.00 (HOBBS 1) 345/230/13.2KV TRANSFORMER CKT 1'      | FROM->TO | 0.50283 | 555.2 | 'Golden Spread REC - Mustang Interchange 230 kV Generation Bus - MUSTANG STATION 230KV CKT 1' |
| 11WP | 2 | G10_059 | 'HOBBS_INT 7345.00 (HOBBS 1) 345/230/13.2KV TRANSFORMER CKT 1'      | FROM->TO | 0.50283 | 555.2 | 'Golden Spread REC - Mustang Interchange 230 kV Generation Bus - MUSTANG STATION 230KV CKT 1' |
| 11WP | 2 | G10_060 | 'HOBBS_INT 7345.00 (HOBBS 1) 345/230/13.2KV TRANSFORMER CKT 1'      | FROM->TO | 0.50283 | 555.5 | 'Golden Spread REC - Mustang Interchange 230 kV Generation Bus - MUSTANG STATION 230KV CKT 1' |



|      |   |         |  |          |         |       |  |
|------|---|---------|--|----------|---------|-------|--|
| 11WP | 2 | G10_060 | 'HOBBS_INT 7345.00 (HOBBS 1) 345/230/13.2KV TRANSFORMER CKT 1' | FROM->TO | 0.50283 | 555.5 | 'Golden Spread REC - Mustang Interchange 230 kV Generation Bus 230/22.0KV TRANSFORMER CKT 1' |
| 11WP | 2 | G10_059 | 'HOBBS_INT 7345.00 (HOBBS 1) 345/230/13.2KV TRANSFORMER CKT 1' | FROM->TO | 0.50283 | 555.5 | 'Golden Spread REC - Mustang Interchange 230 kV Generation Bus 230/22.0KV TRANSFORMER CKT 1' |
| 11WP | 2 | G10_060 | 'HOBBS_INT 7345.00 (HOBBS 1) 345/230/13.2KV TRANSFORMER CKT 1' | FROM->TO | 0.50779 | 555.2 | 'MIDLAND 7345.00 (MIDLAND 1) 345/138/13.2KV TRANSFORMER CKT 1'                               |
| 11WP | 2 | G10_059 | 'HOBBS_INT 7345.00 (HOBBS 1) 345/230/13.2KV TRANSFORMER CKT 1' | FROM->TO | 0.50779 | 555.2 | 'MIDLAND 7345.00 (MIDLAND 1) 345/138/13.2KV TRANSFORMER CKT 1'                               |
| 11WP | 2 | G10_060 | 'HOBBS_INT 7345.00 (HOBBS 1) 345/230/13.2KV TRANSFORMER CKT 1' | FROM->TO | 0.50283 | 555.2 | 'MUSTANG STATION N. 115/13.8KV TRANSFORMER CKT 1'  |
| 11WP | 2 | G10_059 | 'HOBBS_INT 7345.00 (HOBBS 1) 345/230/13.2KV TRANSFORMER CKT 1' | FROM->TO | 0.50283 | 555.2 | 'MUSTANG STATION N. 115/13.8KV TRANSFORMER CKT 1'  |
| 11WP | 2 | G10_060 | 'HOBBS_INT 7345.00 (HOBBS 1) 345/230/13.2KV TRANSFORMER CKT 1' | FROM->TO | 0.50283 | 555.2 | 'MUSTANG STATION S. 115/13.8KV TRANSFORMER CKT 1'  |
| 11WP | 2 | G10_059 | 'HOBBS_INT 7345.00 (HOBBS 1) 345/230/13.2KV TRANSFORMER CKT 1' | FROM->TO | 0.50283 | 555.2 | 'MUSTANG STATION S. 115/13.8KV TRANSFORMER CKT 1'  |
| 11WP | 2 | G10_060 | 'HOBBS_INT 7345.00 (HOBBS 1) 345/230/13.2KV TRANSFORMER CKT 1' | FROM->TO | 0.50283 | 555.2 | 'Golden Spread REC - Mustang Interchange 230 kV Generation Bus 230/18.0KV TRANSFORMER CKT 1' |
| 11WP | 2 | G10_059 | 'HOBBS_INT 7345.00 (HOBBS 1) 345/230/13.2KV TRANSFORMER CKT 1' | FROM->TO | 0.50283 | 555.2 | 'Golden Spread REC - Mustang Interchange 230 kV Generation Bus 230/18.0KV TRANSFORMER CKT 1' |
| 11WP | 2 | G10_060 | 'HOBBS_INT 7345.00 (HOBBS 1) 345/230/13.2KV TRANSFORMER CKT 1' | FROM->TO | 0.50779 | 555.5 | 'MIDLAND 7345.00 (MIDLAND 1) 345/138/13.2KV TRANSFORMER CKT 1'                               |
| 11WP | 2 | G10_059 | 'HOBBS_INT 7345.00 (HOBBS 1) 345/230/13.2KV TRANSFORMER CKT 1' | FROM->TO | 0.50779 | 555.5 | 'MIDLAND 7345.00 (MIDLAND 1) 345/138/13.2KV TRANSFORMER CKT 1'                               |
| 11WP | 2 | G10_060 | 'HOBBS_INT 7345.00 (HOBBS 1) 345/230/13.2KV TRANSFORMER CKT 1' | FROM->TO | 0.50283 | 555.5 | 'MUSTANG STATION N. 115/13.8KV TRANSFORMER CKT 1'  |
| 11WP | 2 | G10_059 | 'HOBBS_INT 7345.00 (HOBBS 1) 345/230/13.2KV TRANSFORMER CKT 1' | FROM->TO | 0.50283 | 555.5 | 'MUSTANG STATION N. 115/13.8KV TRANSFORMER CKT 1'  |
| 11WP | 2 | G10_060 | 'HOBBS_INT 7345.00 (HOBBS 1) 345/230/13.2KV TRANSFORMER CKT 1' | FROM->TO | 0.50283 | 555.5 | 'MUSTANG STATION S. 115/13.8KV TRANSFORMER CKT 1'  |
| 11WP | 2 | G10_059 | 'HOBBS_INT 7345.00 (HOBBS 1) 345/230/13.2KV TRANSFORMER CKT 1' | FROM->TO | 0.50283 | 555.5 | 'MUSTANG STATION S. 115/13.8KV TRANSFORMER CKT 1'  |
| 11WP | 2 | G10_060 | 'HOBBS_INT 7345.00 (HOBBS 1) 345/230/13.2KV TRANSFORMER CKT 1' | FROM->TO | 0.50931 | 555.2 | 'LUBBOCK SOUTH INTERCHANGE - WOLFFORTH INTERCHANGE 230KV CKT 1'                              |
| 11WP | 2 | G10_059 | 'HOBBS_INT 7345.00 (HOBBS 1) 345/230/13.2KV TRANSFORMER CKT 1' | FROM->TO | 0.50931 | 555.2 | 'LUBBOCK SOUTH INTERCHANGE - WOLFFORTH INTERCHANGE 230KV CKT 1'                              |
| 11WP | 2 | G10_060 | 'HOBBS_INT 7345.00 (HOBBS 1) 345/230/13.2KV TRANSFORMER CKT 1' | FROM->TO | 0.50283 | 555.5 | 'Golden Spread REC - Mustang Interchange 230 kV Generation Bus 230/18.0KV TRANSFORMER CKT 1' |
| 11WP | 2 | G10_059 | 'HOBBS_INT 7345.00 (HOBBS 1) 345/230/13.2KV TRANSFORMER CKT 1' | FROM->TO | 0.50283 | 555.5 | 'Golden Spread REC - Mustang Interchange 230 kV Generation Bus 230/18.0KV TRANSFORMER CKT 1' |
| 11WP | 2 | G10_060 | 'HOBBS_INT 7345.00 (HOBBS 1) 345/230/13.2KV TRANSFORMER CKT 1' | FROM->TO | 0.50931 | 555.5 | 'LUBBOCK SOUTH INTERCHANGE - WOLFFORTH INTERCHANGE 230KV CKT 1'                              |
| 11WP | 2 | G10_059 | 'HOBBS_INT 7345.00 (HOBBS 1) 345/230/13.2KV TRANSFORMER CKT 1' | FROM->TO | 0.50931 | 555.5 | 'LUBBOCK SOUTH INTERCHANGE - WOLFFORTH INTERCHANGE 230KV CKT 1'                              |

|      |   |         |  |          |         |        |  |
|------|---|---------|--|----------|---------|--------|--|
| 11WP | 2 | G10_060 | 'HOBBS_INT 7345.00 (HOBBS 1) 345/230/13.2KV TRANSFORMER CKT 1' | FROM->TO | 0.50779 | 555.2  | 'CAPROCK REC-PHILLIPS - CAPROCK REC-TATE 138KV CKT 1'          |
| 11WP | 2 | G10_059 | 'HOBBS_INT 7345.00 (HOBBS 1) 345/230/13.2KV TRANSFORMER CKT 1' | FROM->TO | 0.50779 | 555.2  | 'CAPROCK REC-PHILLIPS - CAPROCK REC-TATE 138KV CKT 1'          |
| 11WP | 2 | G10_060 | 'HOBBS_INT 7345.00 (HOBBS 1) 345/230/13.2KV TRANSFORMER CKT 1' | FROM->TO | 0.50779 | 555.5  | 'CAPROCK REC-PHILLIPS - CAPROCK REC-TATE 138KV CKT 1'          |
| 11WP | 2 | G10_059 | 'HOBBS_INT 7345.00 (HOBBS 1) 345/230/13.2KV TRANSFORMER CKT 1' | FROM->TO | 0.50779 | 555.5  | 'CAPROCK REC-PHILLIPS - CAPROCK REC-TATE 138KV CKT 1'          |
| 11WP | 2 | G10_060 | 'HOBBS_INT 7345.00 (HOBBS 1) 345/230/13.2KV TRANSFORMER CKT 1' | FROM->TO | 0.50283 | 555.2  | 'BASE CASE'  |
| 11WP | 2 | G10_059 | 'HOBBS_INT 7345.00 (HOBBS 1) 345/230/13.2KV TRANSFORMER CKT 1' | FROM->TO | 0.50283 | 555.2  | 'BASE CASE'  |
| 11WP | 2 | G10_060 | 'HOBBS_INT 7345.00 (HOBBS 1) 345/230/13.2KV TRANSFORMER CKT 1' | FROM->TO | 0.50283 | 555.5  | 'BASE CASE'  |
| 11WP | 2 | G10_059 | 'HOBBS_INT 7345.00 (HOBBS 1) 345/230/13.2KV TRANSFORMER CKT 1' | FROM->TO | 0.50283 | 555.5  | 'BASE CASE'  |
| 11WP | 2 | G10_060 | 'JONES 7 345.00 (JONES 1) 345/230/13.8KV TRANSFORMER CKT 1'    | FROM->TO | 0.50572 | 555.3  | 'HOBBS_INT 7345.00 - MIDLAND 7345.00 345KV CKT 1'              |
| 11WP | 2 | G10_059 | 'JONES 7 345.00 (JONES 1) 345/230/13.8KV TRANSFORMER CKT 1'    | FROM->TO | 0.50572 | 555.3  | 'HOBBS_INT 7345.00 - MIDLAND 7345.00 345KV CKT 1'              |
| 11WP | 2 | G10_060 | 'JONES 7 345.00 (JONES 1) 345/230/13.8KV TRANSFORMER CKT 1'    | FROM->TO | 0.50572 | 555.3  | 'HOBBS_INT 7345.00 (HOBBS 1) 345/230/13.2KV TRANSFORMER CKT 1' |
| 11WP | 2 | G10_059 | 'JONES 7 345.00 (JONES 1) 345/230/13.8KV TRANSFORMER CKT 1'    | FROM->TO | 0.50572 | 555.3  | 'HOBBS_INT 7345.00 (HOBBS 1) 345/230/13.2KV TRANSFORMER CKT 1' |
| 11WP | 2 | G10_060 | 'JONES 7 345.00 (JONES 1) 345/230/13.8KV TRANSFORMER CKT 1'    | FROM->TO | 0.50572 | 555.5  | 'HOBBS_INT 7345.00 - MIDLAND 7345.00 345KV CKT 1'              |
| 11WP | 2 | G10_059 | 'JONES 7 345.00 (JONES 1) 345/230/13.8KV TRANSFORMER CKT 1'    | FROM->TO | 0.50572 | 555.5  | 'HOBBS_INT 7345.00 - MIDLAND 7345.00 345KV CKT 1'              |
| 11WP | 2 | G10_060 | 'JONES 7 345.00 (JONES 1) 345/230/13.8KV TRANSFORMER CKT 1'    | FROM->TO | 0.50572 | 555.5  | 'HOBBS_INT 7345.00 (HOBBS 1) 345/230/13.2KV TRANSFORMER CKT 1' |
| 11WP | 2 | G10_059 | 'JONES 7 345.00 (JONES 1) 345/230/13.8KV TRANSFORMER CKT 1'    | FROM->TO | 0.50572 | 555.5  | 'HOBBS_INT 7345.00 (HOBBS 1) 345/230/13.2KV TRANSFORMER CKT 1' |
| 11WP | 2 | G10_060 | 'HOBBS_INT 7345.00 - MIDLAND 7345.00 345KV CKT 1'              | TO->FROM | 0.99876 | 1198.3 | 'BORDEN 7345.00 - GRASSLAND 7 345.00 345KV CKT 1'              |
| 11WP | 2 | G10_059 | 'HOBBS_INT 7345.00 - MIDLAND 7345.00 345KV CKT 1'              | TO->FROM | 0.99876 | 1198.3 | 'BORDEN 7345.00 - GRASSLAND 7 345.00 345KV CKT 1'              |
| 11WP | 2 | G10_060 | 'BORDEN 7345.00 - GRASSLAND 7 345.00 345KV CKT 1'              | FROM->TO | 0.99876 | 1198.5 | 'HOBBS_INT 7345.00 (HOBBS 1) 345/230/13.2KV TRANSFORMER CKT 1' |
| 11WP | 2 | G10_059 | 'BORDEN 7345.00 - GRASSLAND 7 345.00 345KV CKT 1'              | FROM->TO | 0.99876 | 1198.5 | 'HOBBS_INT 7345.00 (HOBBS 1) 345/230/13.2KV TRANSFORMER CKT 1' |
| 11WP | 2 | G10_060 | 'BORDEN 7345.00 - GRASSLAND 7 345.00 345KV CKT 1'              | FROM->TO | 0.99876 | 1198.5 | 'HOBBS_INT 7345.00 - MIDLAND 7345.00 345KV CKT 1'              |
| 11WP | 2 | G10_059 | 'BORDEN 7345.00 - GRASSLAND 7 345.00 345KV CKT 1'              | FROM->TO | 0.99876 | 1198.5 | 'HOBBS_INT 7345.00 - MIDLAND 7345.00 345KV CKT 1'              |
| 11WP | 2 | G10_060 | 'BORDEN 7345.00 - MIDLAND 7345.00 345KV CKT 1'                 | TO->FROM | 0.92815 | 1199.5 | 'HOBBS_INT 7345.00 - MIDLAND 7345.00 345KV CKT 1'              |
| 11WP | 2 | G10_059 | 'BORDEN 7345.00 - MIDLAND 7345.00 345KV CKT 1'                 | TO->FROM | 0.92815 | 1199.5 | 'HOBBS_INT 7345.00 - MIDLAND 7345.00 345KV CKT 1'              |
| 11WP | 2 | G10_060 | 'BORDEN 7345.00 - MIDLAND 7345.00 345KV CKT 1'                 | TO->FROM | 0.92815 | 1199.5 | 'HOBBS_INT 7345.00 (HOBBS 1) 345/230/13.2KV TRANSFORMER CKT 1' |

|      |  |           |  |          |         |        |   |
|------|--|-----------|--|----------|---------|--------|---|
| 11WP |  | 2 G10_059 | 'BORDEN 7345.00 - MIDLAND 7345.00 345KV<br>CKT 1'                                    | TO->FROM | 0.92815 | 1199.5 | 'HOBBS_INT 7345.00 (HOBBS 1) 345/230/13.2KV<br>TRANSFORMER CKT 1' |
| 11WP |  | 2 G10_060 | 'CUNNINGHAM STATION - HOBBS<br>INTERCHANGE 230KV CKT 1'                              | TO->FROM | 0.39513 | 555.6  | 'BORDEN 7345.00 - GRASSLAND 7 345.00<br>345KV CKT 1'              |
| 11WP |  | 2 G10_059 | 'CUNNINGHAM STATION - HOBBS<br>INTERCHANGE 230KV CKT 1'                              | TO->FROM | 0.39513 | 555.6  | 'BORDEN 7345.00 - GRASSLAND 7 345.00<br>345KV CKT 1'              |
| 11WP |  | 2 G10_060 | 'HOBBS INTERCHANGE - YOAKUM COUNTY<br>INTERCHANGE 230KV CKT 1'                       | FROM->TO | 0.34897 | 496.7  | 'BORDEN 7345.00 - GRASSLAND 7 345.00<br>345KV CKT 1'              |
| 11WP |  | 2 G10_059 | 'HOBBS INTERCHANGE - YOAKUM COUNTY<br>INTERCHANGE 230KV CKT 1'                       | FROM->TO | 0.34897 | 496.7  | 'BORDEN 7345.00 - GRASSLAND 7 345.00<br>345KV CKT 1'              |
| 11WP |  | 2 G10_060 | 'GRASSLAND 7 345.00 - JONES 7 345.00<br>345KV CKT 1'                                 | FROM->TO | 0.93324 | 1198.7 | 'HOBBS_INT 7345.00 (HOBBS 1) 345/230/13.2KV<br>TRANSFORMER CKT 1' |
| 11WP |  | 2 G10_059 | 'GRASSLAND 7 345.00 - JONES 7 345.00<br>345KV CKT 1'                                 | FROM->TO | 0.93324 | 1198.7 | 'HOBBS_INT 7345.00 (HOBBS 1) 345/230/13.2KV<br>TRANSFORMER CKT 1' |
| 11WP |  | 2 G10_060 | 'GRASSLAND 7 345.00 - JONES 7 345.00<br>345KV CKT 1'                                 | FROM->TO | 0.93324 | 1198.7 | 'HOBBS_INT 7345.00 - MIDLAND 7345.00<br>345KV CKT 1'              |
| 11WP |  | 2 G10_059 | 'GRASSLAND 7 345.00 - JONES 7 345.00<br>345KV CKT 1'                                 | FROM->TO | 0.93324 | 1198.7 | 'HOBBS_INT 7345.00 - MIDLAND 7345.00<br>345KV CKT 1'              |
| 11WP |  | 2 G10_060 | 'JONES 7 345.00 (JONES 1) 345/230/13.8KV<br>TRANSFORMER CKT 1'                       | FROM->TO | 0.41021 | 555.3  | 'JONES 7 345.00 - TUCO INTERCHANGE<br>345KV CKT 1'                |
| 11WP |  | 2 G10_059 | 'JONES 7 345.00 (JONES 1) 345/230/13.8KV<br>TRANSFORMER CKT 1'                       | FROM->TO | 0.41021 | 555.3  | 'JONES 7 345.00 - TUCO INTERCHANGE<br>345KV CKT 1'                |
| 11WP |  | 2 G10_060 | 'JONES 7 345.00 (JONES 1) 345/230/13.8KV<br>TRANSFORMER CKT 1'                       | FROM->TO | 0.41021 | 555.5  | 'JONES 7 345.00 - TUCO INTERCHANGE<br>345KV CKT 1'                |
| 11WP |  | 2 G10_059 | 'JONES 7 345.00 (JONES 1) 345/230/13.8KV<br>TRANSFORMER CKT 1'                       | FROM->TO | 0.41021 | 555.5  | 'JONES 7 345.00 - TUCO INTERCHANGE<br>345KV CKT 1'                |
| 16SP |  | 2 G10_060 | 'GRASSLAND INTERCHANGE - LYNN COUNTY<br>INTERCHANGE 115KV CKT 1'                     | FROM->TO | 0.24622 | 159.2  | 'GRASSLAND 7 345.00 - JONES 7 345.00<br>345KV CKT 1'              |
| 16SP |  | 2 G10_059 | 'GRASSLAND INTERCHANGE - LYNN COUNTY<br>INTERCHANGE 115KV CKT 1'                     | FROM->TO | 0.24622 | 159.2  | 'GRASSLAND 7 345.00 - JONES 7 345.00<br>345KV CKT 1'              |
| 16SP |  | 2 G10_060 | 'LYNN COUNTY INTERCHANGE - SOUTH<br>PLAINS REC-WOODROW INTERCHANGE 115KV<br>CKT 1'   | FROM->TO | 0.24622 | 159.4  | 'GRASSLAND 7 345.00 - JONES 7 345.00<br>345KV CKT 1'              |
| 16SP |  | 2 G10_059 | 'LYNN COUNTY INTERCHANGE - SOUTH<br>PLAINS REC-WOODROW INTERCHANGE 115KV<br>CKT 1'   | FROM->TO | 0.24622 | 159.4  | 'GRASSLAND 7 345.00 - JONES 7 345.00<br>345KV CKT 1'              |
| 16SP |  | 2 G10_060 | 'HOBBS_INT 7345.00 (HOBBS 1) 345/230/13.2KV<br>TRANSFORMER CKT 1'                    | FROM->TO | 0.99911 | 555.7  | 'BORDEN 7345.00 - GRASSLAND 7 345.00<br>345KV CKT 1'              |
| 16SP |  | 2 G10_059 | 'HOBBS_INT 7345.00 (HOBBS 1) 345/230/13.2KV<br>TRANSFORMER CKT 1'                    | FROM->TO | 0.99911 | 555.7  | 'BORDEN 7345.00 - GRASSLAND 7 345.00<br>345KV CKT 1'              |
| 16SP |  | 2 G10_060 | 'HOBBS_INT 7345.00 (HOBBS 1) 345/230/13.2KV<br>TRANSFORMER CKT 1'                    | FROM->TO | 0.99911 | 556.5  | 'BORDEN 7345.00 - GRASSLAND 7 345.00<br>345KV CKT 1'              |
| 16SP |  | 2 G10_059 | 'HOBBS_INT 7345.00 (HOBBS 1) 345/230/13.2KV<br>TRANSFORMER CKT 1'                    | FROM->TO | 0.99911 | 556.5  | 'BORDEN 7345.00 - GRASSLAND 7 345.00<br>345KV CKT 1'              |
| 16SP |  | 2 G10_060 | 'LUBBOCK SOUTH INTERCHANGE - SOUTH<br>PLAINS REC-WOODROW INTERCHANGE 115KV<br>CKT 1' | TO->FROM | 0.24622 | 157.8  | 'GRASSLAND 7 345.00 - JONES 7 345.00<br>345KV CKT 1'              |
| 16SP |  | 2 G10_059 | 'LUBBOCK SOUTH INTERCHANGE - SOUTH<br>PLAINS REC-WOODROW INTERCHANGE 115KV<br>CKT 1' | TO->FROM | 0.24622 | 157.8  | 'GRASSLAND 7 345.00 - JONES 7 345.00<br>345KV CKT 1'              |

|      |  |           |   |          |         |       |   |
|------|--|-----------|---|----------|---------|-------|---|
| 16SP |  | 2 G10_060 | 'HOBBS_INT 7345.00 (HOBBS 1) 345/230/13.2KV TRANSFORMER CKT 1'      | FROM->TO | 0.80864 | 555.7 | 'BORDEN 7345.00 - MIDLAND 7345.00 345KV CKT 1'  |
| 16SP |  | 2 G10_059 | 'HOBBS_INT 7345.00 (HOBBS 1) 345/230/13.2KV TRANSFORMER CKT 1'      | FROM->TO | 0.80864 | 555.7 | 'BORDEN 7345.00 - MIDLAND 7345.00 345KV CKT 1'  |
| 16SP |  | 2 G10_060 | 'HOBBS_INT 7345.00 (HOBBS 1) 345/230/13.2KV TRANSFORMER CKT 1'      | FROM->TO | 0.80864 | 556.5 | 'BORDEN 7345.00 - MIDLAND 7345.00 345KV CKT 1'  |
| 16SP |  | 2 G10_059 | 'HOBBS_INT 7345.00 (HOBBS 1) 345/230/13.2KV TRANSFORMER CKT 1'      | FROM->TO | 0.80864 | 556.5 | 'BORDEN 7345.00 - MIDLAND 7345.00 345KV CKT 1'  |
| 16SP |  | 2 G10_060 | 'CAPROCK REC-PHILLIPS - CAPROCK REC-TATE 138KV CKT 1'               | TO->FROM | 0.19136 | 269.8 | 'BORDEN 7345.00 - MIDLAND 7345.00 345KV CKT 1'  |
| 16SP |  | 2 G10_059 | 'CAPROCK REC-PHILLIPS - CAPROCK REC-TATE 138KV CKT 1'               | TO->FROM | 0.19136 | 269.8 | 'BORDEN 7345.00 - MIDLAND 7345.00 345KV CKT 1'  |
| 16SP |  | 2 G10_060 | 'GRASSLAND 7 345.00 (GRASSLAND 1) 345/115/13.2KV TRANSFORMER CKT 1' | FROM->TO | 0.24711 | 300   | 'GRASSLAND 7 345.00 - JONES 7 345.00 345KV CKT 1'   |
| 16SP |  | 2 G10_059 | 'GRASSLAND 7 345.00 (GRASSLAND 1) 345/115/13.2KV TRANSFORMER CKT 1' | FROM->TO | 0.24711 | 300   | 'GRASSLAND 7 345.00 - JONES 7 345.00 345KV CKT 1'   |
| 16SP |  | 2 G10_060 | 'GRASSLAND 7 345.00 (GRASSLAND 1) 345/115/13.2KV TRANSFORMER CKT 1' | FROM->TO | 0.24711 | 300   | 'GRASSLAND 7 345.00 - JONES 7 345.00 345KV CKT 1'   |
| 16SP |  | 2 G10_059 | 'GRASSLAND 7 345.00 (GRASSLAND 1) 345/115/13.2KV TRANSFORMER CKT 1' | FROM->TO | 0.24711 | 300   | 'GRASSLAND 7 345.00 - JONES 7 345.00 345KV CKT 1'   |
| 16SP |  | 2 G10_060 | 'CAPROCK REC-MCDONALD - CAPROCK REC-PHILLIPS 138KV CKT 1'           | TO->FROM | 0.19136 | 270.4 | 'BORDEN 7345.00 - MIDLAND 7345.00 345KV CKT 1'  |
| 16SP |  | 2 G10_059 | 'CAPROCK REC-MCDONALD - CAPROCK REC-PHILLIPS 138KV CKT 1'           | TO->FROM | 0.19136 | 270.4 | 'BORDEN 7345.00 - MIDLAND 7345.00 345KV CKT 1'  |
| 16SP |  | 2 G10_060 | 'HOBBS_INT 7345.00 (HOBBS 1) 345/230/13.2KV TRANSFORMER CKT 1'      | FROM->TO | 0.7483  | 555.7 | 'GRASSLAND 7 345.00 - JONES 7 345.00 345KV CKT 1'   |
| 16SP |  | 2 G10_059 | 'HOBBS_INT 7345.00 (HOBBS 1) 345/230/13.2KV TRANSFORMER CKT 1'      | FROM->TO | 0.7483  | 555.7 | 'GRASSLAND 7 345.00 - JONES 7 345.00 345KV CKT 1'   |
| 16SP |  | 2 G10_060 | 'HOBBS_INT 7345.00 (HOBBS 1) 345/230/13.2KV TRANSFORMER CKT 1'      | FROM->TO | 0.7483  | 556.5 | 'GRASSLAND 7 345.00 - JONES 7 345.00 345KV CKT 1'   |
| 16SP |  | 2 G10_059 | 'HOBBS_INT 7345.00 (HOBBS 1) 345/230/13.2KV TRANSFORMER CKT 1'      | FROM->TO | 0.7483  | 556.5 | 'GRASSLAND 7 345.00 - JONES 7 345.00 345KV CKT 1'   |
| 16SP |  | 2 G10_060 | 'HOBBS INTERCHANGE - YOAKUM COUNTY INTERCHANGE 230KV CKT 1'         | FROM->TO | 0.34149 | 496.9 | 'BORDEN 7345.00 - GRASSLAND 7 345.00 345KV CKT 1'   |
| 16SP |  | 2 G10_059 | 'HOBBS INTERCHANGE - YOAKUM COUNTY INTERCHANGE 230KV CKT 1'         | FROM->TO | 0.34149 | 496.9 | 'BORDEN 7345.00 - GRASSLAND 7 345.00 345KV CKT 1'   |
| 16SP |  | 2 G10_060 | 'CUNNINGHAM STATION - HOBBS INTERCHANGE 230KV CKT 1'                | TO->FROM | 0.40101 | 500.1 | 'BORDEN 7345.00 - GRASSLAND 7 345.00 345KV CKT 1'   |
| 16SP |  | 2 G10_059 | 'CUNNINGHAM STATION - HOBBS INTERCHANGE 230KV CKT 1'                | TO->FROM | 0.40101 | 500.1 | 'BORDEN 7345.00 - GRASSLAND 7 345.00 345KV CKT 1'   |
| 16SP |  | 2 G10_060 | 'HOBBS_INT 7345.00 (HOBBS 1) 345/230/13.2KV TRANSFORMER CKT 1'      | FROM->TO | 0.51065 | 555.7 | 'Golden Spread REC - Mustang Interchange 230 kV Generation Bus - MUSTANG STATION 230KV CKT 1' |
| 16SP |  | 2 G10_059 | 'HOBBS_INT 7345.00 (HOBBS 1) 345/230/13.2KV TRANSFORMER CKT 1'      | FROM->TO | 0.51065 | 555.7 | 'Golden Spread REC - Mustang Interchange 230 kV Generation Bus - MUSTANG STATION 230KV CKT 1' |
| 16SP |  | 2 G10_060 | 'HOBBS_INT 7345.00 (HOBBS 1) 345/230/13.2KV TRANSFORMER CKT 1'      | FROM->TO | 0.51065 | 556.5 | 'Golden Spread REC - Mustang Interchange 230 kV Generation Bus - MUSTANG STATION 230KV CKT 1' |

|      |   |         |  |          |         |       |   |
|------|---|---------|--|----------|---------|-------|---|
| 16SP | 2 | G10_059 | 'HOBBS_INT 7345.00 (HOBBS 1) 345/230/13.2KV TRANSFORMER CKT 1' | FROM->TO | 0.51065 | 556.5 | 'Golden Spread REC - Mustang Interchange 230 kV Generation Bus - MUSTANG STATION 230KV CKT 1' |
| 16SP | 2 | G10_060 | 'HOBBS_INT 7345.00 (HOBBS 1) 345/230/13.2KV TRANSFORMER CKT 1' | FROM->TO | 0.51065 | 555.7 | 'HOBBS INTERCHANGE 230/18.0KV TRANSFORMER CKT 1'  |
| 16SP | 2 | G10_059 | 'HOBBS_INT 7345.00 (HOBBS 1) 345/230/13.2KV TRANSFORMER CKT 1' | FROM->TO | 0.51065 | 555.7 | 'HOBBS INTERCHANGE 230/18.0KV TRANSFORMER CKT 1'  |
| 16SP | 2 | G10_060 | 'HOBBS_INT 7345.00 (HOBBS 1) 345/230/13.2KV TRANSFORMER CKT 1' | FROM->TO | 0.54912 | 555.7 | 'JONES 7 345.00 (JONES 1) 345/230/13.8KV TRANSFORMER CKT 1'                                   |
| 16SP | 2 | G10_059 | 'HOBBS_INT 7345.00 (HOBBS 1) 345/230/13.2KV TRANSFORMER CKT 1' | FROM->TO | 0.54912 | 555.7 | 'JONES 7 345.00 (JONES 1) 345/230/13.8KV TRANSFORMER CKT 1'                                   |
| 16SP | 2 | G10_060 | 'JONES 7 345.00 (JONES 1) 345/230/13.8KV TRANSFORMER CKT 1'    | FROM->TO | 0.51111 | 553.6 | 'HOBBS_INT 7345.00 - MIDLAND 7345.00 345KV CKT 1'   |
| 16SP | 2 | G10_059 | 'JONES 7 345.00 (JONES 1) 345/230/13.8KV TRANSFORMER CKT 1'    | FROM->TO | 0.51111 | 553.6 | 'HOBBS_INT 7345.00 - MIDLAND 7345.00 345KV CKT 1'   |
| 16SP | 2 | G10_060 | 'JONES 7 345.00 (JONES 1) 345/230/13.8KV TRANSFORMER CKT 1'    | FROM->TO | 0.51111 | 553.6 | 'HOBBS_INT 7345.00 (HOBBS 1) 345/230/13.2KV TRANSFORMER CKT 1'                                |
| 16SP | 2 | G10_059 | 'JONES 7 345.00 (JONES 1) 345/230/13.8KV TRANSFORMER CKT 1'    | FROM->TO | 0.51111 | 553.6 | 'HOBBS_INT 7345.00 (HOBBS 1) 345/230/13.2KV TRANSFORMER CKT 1'                                |
| 16SP | 2 | G10_060 | 'HOBBS_INT 7345.00 (HOBBS 1) 345/230/13.2KV TRANSFORMER CKT 1' | FROM->TO | 0.51065 | 556.5 | 'HOBBS INTERCHANGE 230/18.0KV TRANSFORMER CKT 1'  |
| 16SP | 2 | G10_059 | 'HOBBS_INT 7345.00 (HOBBS 1) 345/230/13.2KV TRANSFORMER CKT 1' | FROM->TO | 0.51065 | 556.5 | 'HOBBS INTERCHANGE 230/18.0KV TRANSFORMER CKT 1'  |
| 16SP | 2 | G10_060 | 'JONES 7 345.00 (JONES 1) 345/230/13.8KV TRANSFORMER CKT 1'    | FROM->TO | 0.51111 | 553.9 | 'HOBBS_INT 7345.00 - MIDLAND 7345.00 345KV CKT 1'   |
| 16SP | 2 | G10_059 | 'JONES 7 345.00 (JONES 1) 345/230/13.8KV TRANSFORMER CKT 1'    | FROM->TO | 0.51111 | 553.9 | 'HOBBS_INT 7345.00 - MIDLAND 7345.00 345KV CKT 1'   |
| 16SP | 2 | G10_060 | 'JONES 7 345.00 (JONES 1) 345/230/13.8KV TRANSFORMER CKT 1'    | FROM->TO | 0.51111 | 553.9 | 'HOBBS_INT 7345.00 (HOBBS 1) 345/230/13.2KV TRANSFORMER CKT 1'                                |
| 16SP | 2 | G10_059 | 'JONES 7 345.00 (JONES 1) 345/230/13.8KV TRANSFORMER CKT 1'    | FROM->TO | 0.51111 | 553.9 | 'HOBBS_INT 7345.00 (HOBBS 1) 345/230/13.2KV TRANSFORMER CKT 1'                                |
| 16SP | 2 | G10_060 | 'HOBBS_INT 7345.00 (HOBBS 1) 345/230/13.2KV TRANSFORMER CKT 1' | FROM->TO | 0.54912 | 556.5 | 'JONES 7 345.00 (JONES 1) 345/230/13.8KV TRANSFORMER CKT 1'                                   |
| 16SP | 2 | G10_059 | 'HOBBS_INT 7345.00 (HOBBS 1) 345/230/13.2KV TRANSFORMER CKT 1' | FROM->TO | 0.54912 | 556.5 | 'JONES 7 345.00 (JONES 1) 345/230/13.8KV TRANSFORMER CKT 1'                                   |
| 16SP | 2 | G10_060 | 'HOBBS_INT 7345.00 (HOBBS 1) 345/230/13.2KV TRANSFORMER CKT 1' | FROM->TO | 0.51065 | 555.7 | 'CUNNINGHAM STATION 230/20.0KV TRANSFORMER CKT 1'   |
| 16SP | 2 | G10_059 | 'HOBBS_INT 7345.00 (HOBBS 1) 345/230/13.2KV TRANSFORMER CKT 1' | FROM->TO | 0.51065 | 555.7 | 'CUNNINGHAM STATION 230/20.0KV TRANSFORMER CKT 1'   |
| 16SP | 2 | G10_060 | 'HOBBS_INT 7345.00 (HOBBS 1) 345/230/13.2KV TRANSFORMER CKT 1' | FROM->TO | 0.51065 | 556.5 | 'CUNNINGHAM STATION 230/20.0KV TRANSFORMER CKT 1'   |
| 16SP | 2 | G10_059 | 'HOBBS_INT 7345.00 (HOBBS 1) 345/230/13.2KV TRANSFORMER CKT 1' | FROM->TO | 0.51065 | 556.5 | 'CUNNINGHAM STATION 230/20.0KV TRANSFORMER CKT 1'   |
| 16SP | 2 | G10_060 | 'HOBBS_INT 7345.00 (HOBBS 1) 345/230/13.2KV TRANSFORMER CKT 1' | FROM->TO | 0.54162 | 555.7 | 'JONES 7 345.00 - TUCO INTERCHANGE 345KV CKT 1'   |
| 16SP | 2 | G10_059 | 'HOBBS_INT 7345.00 (HOBBS 1) 345/230/13.2KV TRANSFORMER CKT 1' | FROM->TO | 0.54162 | 555.7 | 'JONES 7 345.00 - TUCO INTERCHANGE 345KV CKT 1'   |
| 16SP | 2 | G10_060 | 'HOBBS_INT 7345.00 (HOBBS 1) 345/230/13.2KV TRANSFORMER CKT 1' | FROM->TO | 0.54162 | 556.5 | 'JONES 7 345.00 - TUCO INTERCHANGE 345KV CKT 1'   |
| 16SP | 2 | G10_059 | 'HOBBS_INT 7345.00 (HOBBS 1) 345/230/13.2KV TRANSFORMER CKT 1' | FROM->TO | 0.54162 | 556.5 | 'JONES 7 345.00 - TUCO INTERCHANGE 345KV CKT 1'   |





|      |   |         |  |          |         |       |  |
|------|---|---------|--|----------|---------|-------|--|
| 16SP | 2 | G10_059 | 'HOBBS_INT 7345.00 (HOBBS 1) 345/230/13.2KV TRANSFORMER CKT 1' | FROM->TO | 0.51065 | 556.5 | 'TOLK STATION EAST 230/24.0KV TRANSFORMER CKT 1'   |
| 16SP | 2 | G10_060 | 'HOBBS_INT 7345.00 (HOBBS 1) 345/230/13.2KV TRANSFORMER CKT 1' | FROM->TO | 0.51065 | 555.7 | 'MADDOX STATION 115/13.8KV TRANSFORMER CKT 1'  |
| 16SP | 2 | G10_059 | 'HOBBS_INT 7345.00 (HOBBS 1) 345/230/13.2KV TRANSFORMER CKT 1' | FROM->TO | 0.51065 | 555.7 | 'MADDOX STATION 115/13.8KV TRANSFORMER CKT 1'  |
| 16SP | 2 | G10_060 | 'HOBBS_INT 7345.00 (HOBBS 1) 345/230/13.2KV TRANSFORMER CKT 1' | FROM->TO | 0.51065 | 555.7 | 'CUNNINGHAM STATION 230/13.8KV TRANSFORMER CKT 1'  |
| 16SP | 2 | G10_059 | 'HOBBS_INT 7345.00 (HOBBS 1) 345/230/13.2KV TRANSFORMER CKT 1' | FROM->TO | 0.51065 | 555.7 | 'CUNNINGHAM STATION 230/13.8KV TRANSFORMER CKT 1'  |
| 16SP | 2 | G10_060 | 'HOBBS_INT 7345.00 (HOBBS 1) 345/230/13.2KV TRANSFORMER CKT 1' | FROM->TO | 0.51065 | 556.5 | 'MADDOX STATION 115/13.8KV TRANSFORMER CKT 1'  |
| 16SP | 2 | G10_059 | 'HOBBS_INT 7345.00 (HOBBS 1) 345/230/13.2KV TRANSFORMER CKT 1' | FROM->TO | 0.51065 | 556.5 | 'MADDOX STATION 115/13.8KV TRANSFORMER CKT 1'  |
| 16SP | 2 | G10_060 | 'HOBBS_INT 7345.00 (HOBBS 1) 345/230/13.2KV TRANSFORMER CKT 1' | FROM->TO | 0.51065 | 556.5 | 'CUNNINGHAM STATION 230/13.8KV TRANSFORMER CKT 1'  |
| 16SP | 2 | G10_059 | 'HOBBS_INT 7345.00 (HOBBS 1) 345/230/13.2KV TRANSFORMER CKT 1' | FROM->TO | 0.51065 | 556.5 | 'CUNNINGHAM STATION 230/13.8KV TRANSFORMER CKT 1'  |
| 16SP | 2 | G10_060 | 'HOBBS_INT 7345.00 (HOBBS 1) 345/230/13.2KV TRANSFORMER CKT 1' | FROM->TO | 0.51065 | 555.7 | 'CUNNINGHAM STATION 115/13.8KV TRANSFORMER CKT 1'  |
| 16SP | 2 | G10_059 | 'HOBBS_INT 7345.00 (HOBBS 1) 345/230/13.2KV TRANSFORMER CKT 1' | FROM->TO | 0.51065 | 555.7 | 'CUNNINGHAM STATION 115/13.8KV TRANSFORMER CKT 1'  |
| 16SP | 2 | G10_060 | 'HOBBS_INT 7345.00 (HOBBS 1) 345/230/13.2KV TRANSFORMER CKT 1' | FROM->TO | 0.51065 | 556.5 | 'CUNNINGHAM STATION 115/13.8KV TRANSFORMER CKT 1'  |
| 16SP | 2 | G10_059 | 'HOBBS_INT 7345.00 (HOBBS 1) 345/230/13.2KV TRANSFORMER CKT 1' | FROM->TO | 0.51065 | 556.5 | 'CUNNINGHAM STATION 115/13.8KV TRANSFORMER CKT 1'  |
| 16SP | 2 | G10_060 | 'HOBBS_INT 7345.00 (HOBBS 1) 345/230/13.2KV TRANSFORMER CKT 1' | FROM->TO | 0.51065 | 555.7 | 'Golden Spread REC - Mustang Interchange 230 kV Generation Bus 230/22.0KV TRANSFORMER CKT 1' |
| 16SP | 2 | G10_059 | 'HOBBS_INT 7345.00 (HOBBS 1) 345/230/13.2KV TRANSFORMER CKT 1' | FROM->TO | 0.51065 | 555.7 | 'Golden Spread REC - Mustang Interchange 230 kV Generation Bus 230/22.0KV TRANSFORMER CKT 1' |
| 16SP | 2 | G10_060 | 'HOBBS_INT 7345.00 (HOBBS 1) 345/230/13.2KV TRANSFORMER CKT 1' | FROM->TO | 0.51588 | 555.7 | 'MIDLAND 7345.00 (LIKE WICHITA) 345/138/13.8KV TRANSFORMER CKT 1'                            |
| 16SP | 2 | G10_059 | 'HOBBS_INT 7345.00 (HOBBS 1) 345/230/13.2KV TRANSFORMER CKT 1' | FROM->TO | 0.51588 | 555.7 | 'MIDLAND 7345.00 (LIKE WICHITA) 345/138/13.8KV TRANSFORMER CKT 1'                            |
| 16SP | 2 | G10_060 | 'HOBBS_INT 7345.00 (HOBBS 1) 345/230/13.2KV TRANSFORMER CKT 1' | FROM->TO | 0.51065 | 555.7 | 'MUSTANG STATION N. 115/13.8KV TRANSFORMER CKT 1'  |
| 16SP | 2 | G10_059 | 'HOBBS_INT 7345.00 (HOBBS 1) 345/230/13.2KV TRANSFORMER CKT 1' | FROM->TO | 0.51065 | 555.7 | 'MUSTANG STATION N. 115/13.8KV TRANSFORMER CKT 1'  |
| 16SP | 2 | G10_060 | 'HOBBS_INT 7345.00 (HOBBS 1) 345/230/13.2KV TRANSFORMER CKT 1' | FROM->TO | 0.51065 | 555.7 | 'MUSTANG STATION S. 115/13.8KV TRANSFORMER CKT 1'  |
| 16SP | 2 | G10_059 | 'HOBBS_INT 7345.00 (HOBBS 1) 345/230/13.2KV TRANSFORMER CKT 1' | FROM->TO | 0.51065 | 555.7 | 'MUSTANG STATION S. 115/13.8KV TRANSFORMER CKT 1'  |
| 16SP | 2 | G10_060 | 'HOBBS_INT 7345.00 (HOBBS 1) 345/230/13.2KV TRANSFORMER CKT 1' | FROM->TO | 0.51065 | 556.5 | 'Golden Spread REC - Mustang Interchange 230 kV Generation Bus 230/22.0KV TRANSFORMER CKT 1' |
| 16SP | 2 | G10_059 | 'HOBBS_INT 7345.00 (HOBBS 1) 345/230/13.2KV TRANSFORMER CKT 1' | FROM->TO | 0.51065 | 556.5 | 'Golden Spread REC - Mustang Interchange 230 kV Generation Bus 230/22.0KV TRANSFORMER CKT 1' |

|      |   |         |   |          |         |       |  |
|------|---|---------|---|----------|---------|-------|--|
| 16SP | 2 | G10_060 | 'HOBBS_INT 7345.00 (HOBBS 1) 345/230/13.2KV TRANSFORMER CKT 1'    | FROM->TO | 0.51588 | 556.5 | 'MIDLAND 7345.00 (LIKE WICHITA) 345/138/13.8KV TRANSFORMER CKT 1'                            |
| 16SP | 2 | G10_059 | 'HOBBS_INT 7345.00 (HOBBS 1) 345/230/13.2KV TRANSFORMER CKT 1'    | FROM->TO | 0.51588 | 556.5 | 'MIDLAND 7345.00 (LIKE WICHITA) 345/138/13.8KV TRANSFORMER CKT 1'                            |
| 16SP | 2 | G10_060 | 'HOBBS_INT 7345.00 (HOBBS 1) 345/230/13.2KV TRANSFORMER CKT 1'    | FROM->TO | 0.51065 | 555.7 | 'Golden Spread REC - Mustang Interchange 230 kV Generation Bus 230/18.0KV TRANSFORMER CKT 1' |
| 16SP | 2 | G10_059 | 'HOBBS_INT 7345.00 (HOBBS 1) 345/230/13.2KV TRANSFORMER CKT 1'    | FROM->TO | 0.51065 | 555.7 | 'Golden Spread REC - Mustang Interchange 230 kV Generation Bus 230/18.0KV TRANSFORMER CKT 1' |
| 16SP | 2 | G10_060 | 'HOBBS_INT 7345.00 (HOBBS 1) 345/230/13.2KV TRANSFORMER CKT 1'    | FROM->TO | 0.51065 | 556.5 | 'MUSTANG STATION N. 115/13.8KV TRANSFORMER CKT 1'  |
| 16SP | 2 | G10_059 | 'HOBBS_INT 7345.00 (HOBBS 1) 345/230/13.2KV TRANSFORMER CKT 1'    | FROM->TO | 0.51065 | 556.5 | 'MUSTANG STATION N. 115/13.8KV TRANSFORMER CKT 1'  |
| 16SP | 2 | G10_060 | 'HOBBS_INT 7345.00 (HOBBS 1) 345/230/13.2KV TRANSFORMER CKT 1'    | FROM->TO | 0.51065 | 556.5 | 'MUSTANG STATION S. 115/13.8KV TRANSFORMER CKT 1'  |
| 16SP | 2 | G10_059 | 'HOBBS_INT 7345.00 (HOBBS 1) 345/230/13.2KV TRANSFORMER CKT 1'    | FROM->TO | 0.51065 | 556.5 | 'MUSTANG STATION S. 115/13.8KV TRANSFORMER CKT 1'  |
| 16SP | 2 | G10_060 | 'HOBBS_INT 7345.00 (HOBBS 1) 345/230/13.2KV TRANSFORMER CKT 1'    | FROM->TO | 0.51065 | 556.5 | 'Golden Spread REC - Mustang Interchange 230 kV Generation Bus 230/18.0KV TRANSFORMER CKT 1' |
| 16SP | 2 | G10_059 | 'HOBBS_INT 7345.00 (HOBBS 1) 345/230/13.2KV TRANSFORMER CKT 1'    | FROM->TO | 0.51065 | 556.5 | 'Golden Spread REC - Mustang Interchange 230 kV Generation Bus 230/18.0KV TRANSFORMER CKT 1' |
| 16SP | 2 | G10_060 | 'MIDLAND 7345.00 (LIKE WICHITA) 345/138/13.8KV TRANSFORMER CKT 1' | FROM->TO | 0.19136 | 384.7 | 'BORDEN 7345.00 - MIDLAND 7345.00 345KV CKT 1'   |
| 16SP | 2 | G10_059 | 'MIDLAND 7345.00 (LIKE WICHITA) 345/138/13.8KV TRANSFORMER CKT 1' | FROM->TO | 0.19136 | 384.7 | 'BORDEN 7345.00 - MIDLAND 7345.00 345KV CKT 1'   |
| 16SP | 2 | G10_060 | 'MIDLAND 7345.00 (LIKE WICHITA) 345/138/13.8KV TRANSFORMER CKT 1' | FROM->TO | 0.19136 | 384.9 | 'BORDEN 7345.00 - MIDLAND 7345.00 345KV CKT 1'   |
| 16SP | 2 | G10_059 | 'MIDLAND 7345.00 (LIKE WICHITA) 345/138/13.8KV TRANSFORMER CKT 1' | FROM->TO | 0.19136 | 384.9 | 'BORDEN 7345.00 - MIDLAND 7345.00 345KV CKT 1'   |
| 16SP | 2 | G10_060 | 'HOBBS_INT 7345.00 (HOBBS 1) 345/230/13.2KV TRANSFORMER CKT 1'    | FROM->TO | 0.51065 | 555.7 | 'BASE CASE'  |
| 16SP | 2 | G10_059 | 'HOBBS_INT 7345.00 (HOBBS 1) 345/230/13.2KV TRANSFORMER CKT 1'    | FROM->TO | 0.51065 | 555.7 | 'BASE CASE'  |
| 16SP | 2 | G10_060 | 'HOBBS_INT 7345.00 (HOBBS 1) 345/230/13.2KV TRANSFORMER CKT 1'    | FROM->TO | 0.51065 | 556.5 | 'BASE CASE'  |
| 16SP | 2 | G10_059 | 'HOBBS_INT 7345.00 (HOBBS 1) 345/230/13.2KV TRANSFORMER CKT 1'    | FROM->TO | 0.51065 | 556.5 | 'BASE CASE'  |
| 16SP | 2 | G10_060 | 'CUNNINGHAM STATION - HOBBS INTERCHANGE 230KV CKT 1'              | TO->FROM | 0.32677 | 500.1 | 'BORDEN 7345.00 - MIDLAND 7345.00 345KV CKT 1'   |
| 16SP | 2 | G10_059 | 'CUNNINGHAM STATION - HOBBS INTERCHANGE 230KV CKT 1'              | TO->FROM | 0.32677 | 500.1 | 'BORDEN 7345.00 - MIDLAND 7345.00 345KV CKT 1'   |
| 16SP | 2 | G10_060 | 'JONES 7 345.00 (JONES 1) 345/230/13.8KV TRANSFORMER CKT 1'       | FROM->TO | 0.40586 | 553.6 | 'JONES 7 345.00 - TUCO INTERCHANGE 345KV CKT 1'  |
| 16SP | 2 | G10_059 | 'JONES 7 345.00 (JONES 1) 345/230/13.8KV TRANSFORMER CKT 1'       | FROM->TO | 0.40586 | 553.6 | 'JONES 7 345.00 - TUCO INTERCHANGE 345KV CKT 1'  |
| 16SP | 2 | G10_060 | 'JONES 7 345.00 (JONES 1) 345/230/13.8KV TRANSFORMER CKT 1'       | FROM->TO | 0.40586 | 553.9 | 'JONES 7 345.00 - TUCO INTERCHANGE 345KV CKT 1'  |

|      |   |         |  |          |         |       |   |
|------|---|---------|--|----------|---------|-------|---|
| 16SP | 2 | G10_059 | 'JONES 7 345.00 (JONES 1) 345/230/13.8KV TRANSFORMER CKT 1'                    | FROM->TO | 0.40586 | 553.9 | 'JONES 7 345.00 - TUCO INTERCHANGE 345KV CKT 1'   |
| 16WP | 2 | G10_060 | 'HOBBS_INT 7345.00 (HOBBS 1) 345/230/13.2KV TRANSFORMER CKT 1'                 | FROM->TO | 0.99888 | 554.9 | 'BORDEN 7345.00 - GRASSLAND 7 345.00 345KV CKT 1' |
| 16WP | 2 | G10_059 | 'HOBBS_INT 7345.00 (HOBBS 1) 345/230/13.2KV TRANSFORMER CKT 1'                 | FROM->TO | 0.99888 | 554.9 | 'BORDEN 7345.00 - GRASSLAND 7 345.00 345KV CKT 1' |
| 16WP | 2 | G10_060 | 'HOBBS_INT 7345.00 (HOBBS 1) 345/230/13.2KV TRANSFORMER CKT 1'                 | FROM->TO | 0.99888 | 555.3 | 'BORDEN 7345.00 - GRASSLAND 7 345.00 345KV CKT 1' |
| 16WP | 2 | G10_059 | 'HOBBS_INT 7345.00 (HOBBS 1) 345/230/13.2KV TRANSFORMER CKT 1'                 | FROM->TO | 0.99888 | 555.3 | 'BORDEN 7345.00 - GRASSLAND 7 345.00 345KV CKT 1' |
| 16WP | 2 | G10_060 | 'GRASSLAND INTERCHANGE - LYNN COUNTY INTERCHANGE 115KV CKT 1'                  | FROM->TO | 0.25001 | 176.4 | 'GRASSLAND 7 345.00 - JONES 7 345.00 345KV CKT 1' |
| 16WP | 2 | G10_059 | 'GRASSLAND INTERCHANGE - LYNN COUNTY INTERCHANGE 115KV CKT 1'                  | FROM->TO | 0.25001 | 176.4 | 'GRASSLAND 7 345.00 - JONES 7 345.00 345KV CKT 1' |
| 16WP | 2 | G10_060 | 'HOBBS_INT 7345.00 (HOBBS 1) 345/230/13.2KV TRANSFORMER CKT 1'                 | FROM->TO | 0.805   | 554.9 | 'BORDEN 7345.00 - MIDLAND 7345.00 345KV CKT 1'    |
| 16WP | 2 | G10_059 | 'HOBBS_INT 7345.00 (HOBBS 1) 345/230/13.2KV TRANSFORMER CKT 1'                 | FROM->TO | 0.805   | 554.9 | 'BORDEN 7345.00 - MIDLAND 7345.00 345KV CKT 1'    |
| 16WP | 2 | G10_060 | 'HOBBS_INT 7345.00 (HOBBS 1) 345/230/13.2KV TRANSFORMER CKT 1'                 | FROM->TO | 0.805   | 555.3 | 'BORDEN 7345.00 - MIDLAND 7345.00 345KV CKT 1'    |
| 16WP | 2 | G10_059 | 'HOBBS_INT 7345.00 (HOBBS 1) 345/230/13.2KV TRANSFORMER CKT 1'                 | FROM->TO | 0.805   | 555.3 | 'BORDEN 7345.00 - MIDLAND 7345.00 345KV CKT 1'    |
| 16WP | 2 | G10_060 | 'LYNN COUNTY INTERCHANGE - SOUTH PLAINS REC-WOODROW INTERCHANGE 115KV CKT 1'   | FROM->TO | 0.25001 | 176.8 | 'GRASSLAND 7 345.00 - JONES 7 345.00 345KV CKT 1' |
| 16WP | 2 | G10_059 | 'LYNN COUNTY INTERCHANGE - SOUTH PLAINS REC-WOODROW INTERCHANGE 115KV CKT 1'   | FROM->TO | 0.25001 | 176.8 | 'GRASSLAND 7 345.00 - JONES 7 345.00 345KV CKT 1' |
| 16WP | 2 | G10_060 | 'LUBBOCK SOUTH INTERCHANGE - SOUTH PLAINS REC-WOODROW INTERCHANGE 115KV CKT 1' | TO->FROM | 0.25001 | 176.1 | 'GRASSLAND 7 345.00 - JONES 7 345.00 345KV CKT 1' |
| 16WP | 2 | G10_059 | 'LUBBOCK SOUTH INTERCHANGE - SOUTH PLAINS REC-WOODROW INTERCHANGE 115KV CKT 1' | TO->FROM | 0.25001 | 176.1 | 'GRASSLAND 7 345.00 - JONES 7 345.00 345KV CKT 1' |
| 16WP | 2 | G10_060 | 'HOBBS_INT 7345.00 (HOBBS 1) 345/230/13.2KV TRANSFORMER CKT 1'                 | FROM->TO | 0.7431  | 554.9 | 'GRASSLAND 7 345.00 - JONES 7 345.00 345KV CKT 1' |
| 16WP | 2 | G10_059 | 'HOBBS_INT 7345.00 (HOBBS 1) 345/230/13.2KV TRANSFORMER CKT 1'                 | FROM->TO | 0.7431  | 554.9 | 'GRASSLAND 7 345.00 - JONES 7 345.00 345KV CKT 1' |
| 16WP | 2 | G10_060 | 'HOBBS_INT 7345.00 (HOBBS 1) 345/230/13.2KV TRANSFORMER CKT 1'                 | FROM->TO | 0.7431  | 555.3 | 'GRASSLAND 7 345.00 - JONES 7 345.00 345KV CKT 1' |
| 16WP | 2 | G10_059 | 'HOBBS_INT 7345.00 (HOBBS 1) 345/230/13.2KV TRANSFORMER CKT 1'                 | FROM->TO | 0.7431  | 555.3 | 'GRASSLAND 7 345.00 - JONES 7 345.00 345KV CKT 1' |
| 16WP | 2 | G10_060 | 'CAPROCK REC-PHILLIPS - CAPROCK REC-TATE 138KV CKT 1'                          | TO->FROM | 0.195   | 269.8 | 'BORDEN 7345.00 - MIDLAND 7345.00 345KV CKT 1'    |
| 16WP | 2 | G10_059 | 'CAPROCK REC-PHILLIPS - CAPROCK REC-TATE 138KV CKT 1'                          | TO->FROM | 0.195   | 269.8 | 'BORDEN 7345.00 - MIDLAND 7345.00 345KV CKT 1'    |
| 16WP | 2 | G10_060 | 'GRASSLAND 7 345.00 (GRASSLAND 1) 345/115/13.2KV TRANSFORMER CKT 1'            | FROM->TO | 0.25112 | 299.9 | 'GRASSLAND 7 345.00 - JONES 7 345.00 345KV CKT 1' |
| 16WP | 2 | G10_059 | 'GRASSLAND 7 345.00 (GRASSLAND 1) 345/115/13.2KV TRANSFORMER CKT 1'            | FROM->TO | 0.25112 | 299.9 | 'GRASSLAND 7 345.00 - JONES 7 345.00 345KV CKT 1' |

|      |   |         |   |          |         |       |   |
|------|---|---------|---|----------|---------|-------|---|
| 16WP | 2 | G10_060 | 'GRASSLAND 7 345.00 (GRASSLAND 1) 345/115/13.2KV TRANSFORMER CKT 1' | FROM->TO | 0.25112 | 299.9 | 'GRASSLAND 7 345.00 - JONES 7 345.00 345KV CKT 1'   |
| 16WP | 2 | G10_059 | 'GRASSLAND 7 345.00 (GRASSLAND 1) 345/115/13.2KV TRANSFORMER CKT 1' | FROM->TO | 0.25112 | 299.9 | 'GRASSLAND 7 345.00 - JONES 7 345.00 345KV CKT 1'   |
| 16WP | 2 | G10_060 | 'CAPROCK REC-MCDONALD - CAPROCK REC-PHILLIPS 138KV CKT 1'           | TO->FROM | 0.195   | 270.3 | 'BORDEN 7345.00 - MIDLAND 7345.00 345KV CKT 1'  |
| 16WP | 2 | G10_059 | 'CAPROCK REC-MCDONALD - CAPROCK REC-PHILLIPS 138KV CKT 1'           | TO->FROM | 0.195   | 270.3 | 'BORDEN 7345.00 - MIDLAND 7345.00 345KV CKT 1'  |
| 16WP | 2 | G10_060 | 'HOBBS_INT 7345.00 (HOBBS 1) 345/230/13.2KV TRANSFORMER CKT 1'      | FROM->TO | 0.53278 | 554.9 | 'JONES 7 345.00 - TUCO INTERCHANGE 345KV CKT 1'   |
| 16WP | 2 | G10_059 | 'HOBBS_INT 7345.00 (HOBBS 1) 345/230/13.2KV TRANSFORMER CKT 1'      | FROM->TO | 0.53278 | 554.9 | 'JONES 7 345.00 - TUCO INTERCHANGE 345KV CKT 1'   |
| 16WP | 2 | G10_060 | 'HOBBS_INT 7345.00 (HOBBS 1) 345/230/13.2KV TRANSFORMER CKT 1'      | FROM->TO | 0.53278 | 555.3 | 'JONES 7 345.00 - TUCO INTERCHANGE 345KV CKT 1'   |
| 16WP | 2 | G10_059 | 'HOBBS_INT 7345.00 (HOBBS 1) 345/230/13.2KV TRANSFORMER CKT 1'      | FROM->TO | 0.53278 | 555.3 | 'JONES 7 345.00 - TUCO INTERCHANGE 345KV CKT 1'   |
| 16WP | 2 | G10_060 | 'HOBBS_INT 7345.00 (HOBBS 1) 345/230/13.2KV TRANSFORMER CKT 1'      | FROM->TO | 0.5015  | 554.9 | 'HOBBS INTERCHANGE 230/18.0KV TRANSFORMER CKT 1'  |
| 16WP | 2 | G10_059 | 'HOBBS_INT 7345.00 (HOBBS 1) 345/230/13.2KV TRANSFORMER CKT 1'      | FROM->TO | 0.5015  | 554.9 | 'HOBBS INTERCHANGE 230/18.0KV TRANSFORMER CKT 1'  |
| 16WP | 2 | G10_060 | 'HOBBS_INT 7345.00 (HOBBS 1) 345/230/13.2KV TRANSFORMER CKT 1'      | FROM->TO | 0.5015  | 555.3 | 'HOBBS INTERCHANGE 230/18.0KV TRANSFORMER CKT 1'  |
| 16WP | 2 | G10_059 | 'HOBBS_INT 7345.00 (HOBBS 1) 345/230/13.2KV TRANSFORMER CKT 1'      | FROM->TO | 0.5015  | 555.3 | 'HOBBS INTERCHANGE 230/18.0KV TRANSFORMER CKT 1'  |
| 16WP | 2 | G10_060 | 'HOBBS_INT 7345.00 (HOBBS 1) 345/230/13.2KV TRANSFORMER CKT 1'      | FROM->TO | 0.5015  | 554.9 | 'CUNNINGHAM STATION 230/20.0KV TRANSFORMER CKT 1'   |
| 16WP | 2 | G10_059 | 'HOBBS_INT 7345.00 (HOBBS 1) 345/230/13.2KV TRANSFORMER CKT 1'      | FROM->TO | 0.5015  | 554.9 | 'CUNNINGHAM STATION 230/20.0KV TRANSFORMER CKT 1'   |
| 16WP | 2 | G10_060 | 'HOBBS_INT 7345.00 (HOBBS 1) 345/230/13.2KV TRANSFORMER CKT 1'      | FROM->TO | 0.5015  | 555.3 | 'CUNNINGHAM STATION 230/20.0KV TRANSFORMER CKT 1'   |
| 16WP | 2 | G10_059 | 'HOBBS_INT 7345.00 (HOBBS 1) 345/230/13.2KV TRANSFORMER CKT 1'      | FROM->TO | 0.5015  | 555.3 | 'CUNNINGHAM STATION 230/20.0KV TRANSFORMER CKT 1'   |
| 16WP | 2 | G10_060 | 'HOBBS_INT 7345.00 (HOBBS 1) 345/230/13.2KV TRANSFORMER CKT 1'      | FROM->TO | 0.54086 | 554.9 | 'JONES 7 345.00 (JONES 1) 345/230/13.8KV TRANSFORMER CKT 1'                                   |
| 16WP | 2 | G10_059 | 'HOBBS_INT 7345.00 (HOBBS 1) 345/230/13.2KV TRANSFORMER CKT 1'      | FROM->TO | 0.54086 | 554.9 | 'JONES 7 345.00 (JONES 1) 345/230/13.8KV TRANSFORMER CKT 1'                                   |
| 16WP | 2 | G10_060 | 'HOBBS_INT 7345.00 (HOBBS 1) 345/230/13.2KV TRANSFORMER CKT 1'      | FROM->TO | 0.54086 | 555.3 | 'JONES 7 345.00 (JONES 1) 345/230/13.8KV TRANSFORMER CKT 1'                                   |
| 16WP | 2 | G10_059 | 'HOBBS_INT 7345.00 (HOBBS 1) 345/230/13.2KV TRANSFORMER CKT 1'      | FROM->TO | 0.54086 | 555.3 | 'JONES 7 345.00 (JONES 1) 345/230/13.8KV TRANSFORMER CKT 1'                                   |
| 16WP | 2 | G10_060 | 'HOBBS_INT 7345.00 (HOBBS 1) 345/230/13.2KV TRANSFORMER CKT 1'      | FROM->TO | 0.5015  | 554.9 | 'Golden Spread REC - Mustang Interchange 230 kV Generation Bus - MUSTANG STATION 230KV CKT 1' |
| 16WP | 2 | G10_059 | 'HOBBS_INT 7345.00 (HOBBS 1) 345/230/13.2KV TRANSFORMER CKT 1'      | FROM->TO | 0.5015  | 554.9 | 'Golden Spread REC - Mustang Interchange 230 kV Generation Bus - MUSTANG STATION 230KV CKT 1' |
| 16WP | 2 | G10_060 | 'HOBBS_INT 7345.00 (HOBBS 1) 345/230/13.2KV TRANSFORMER CKT 1'      | FROM->TO | 0.5015  | 555.3 | 'Golden Spread REC - Mustang Interchange 230 kV Generation Bus - MUSTANG STATION 230KV CKT 1' |

|      |   |         |  |          |         |       |   |
|------|---|---------|--|----------|---------|-------|---|
| 16WP | 2 | G10_059 | 'HOBBS_INT 7345.00 (HOBBS 1) 345/230/13.2KV TRANSFORMER CKT 1' | FROM->TO | 0.5015  | 555.3 | 'Golden Spread REC - Mustang Interchange 230 kV Generation Bus - MUSTANG STATION 230KV CKT 1' |
| 16WP | 2 | G10_060 | 'HOBBS_INT 7345.00 (HOBBS 1) 345/230/13.2KV TRANSFORMER CKT 1' | FROM->TO | 0.5015  | 554.9 | 'HOBBS INTERCHANGE 115/18.0KV TRANSFORMER CKT 1'  |
| 16WP | 2 | G10_059 | 'HOBBS_INT 7345.00 (HOBBS 1) 345/230/13.2KV TRANSFORMER CKT 1' | FROM->TO | 0.5015  | 554.9 | 'HOBBS INTERCHANGE 115/18.0KV TRANSFORMER CKT 1'  |
| 16WP | 2 | G10_060 | 'HOBBS_INT 7345.00 (HOBBS 1) 345/230/13.2KV TRANSFORMER CKT 1' | FROM->TO | 0.5015  | 554.9 | 'HOBBS INTERCHANGE 115/18.0KV TRANSFORMER CKT 1'  |
| 16WP | 2 | G10_059 | 'HOBBS_INT 7345.00 (HOBBS 1) 345/230/13.2KV TRANSFORMER CKT 1' | FROM->TO | 0.5015  | 554.9 | 'HOBBS INTERCHANGE 115/18.0KV TRANSFORMER CKT 1'  |
| 16WP | 2 | G10_060 | 'HOBBS_INT 7345.00 (HOBBS 1) 345/230/13.2KV TRANSFORMER CKT 1' | FROM->TO | 0.5015  | 554.9 | 'TOLK STATION WEST 230/24.0KV TRANSFORMER CKT 1'  |
| 16WP | 2 | G10_059 | 'HOBBS_INT 7345.00 (HOBBS 1) 345/230/13.2KV TRANSFORMER CKT 1' | FROM->TO | 0.5015  | 554.9 | 'TOLK STATION WEST 230/24.0KV TRANSFORMER CKT 1'  |
| 16WP | 2 | G10_060 | 'HOBBS_INT 7345.00 (HOBBS 1) 345/230/13.2KV TRANSFORMER CKT 1' | FROM->TO | 0.5015  | 555.3 | 'HOBBS INTERCHANGE 115/18.0KV TRANSFORMER CKT 1'  |
| 16WP | 2 | G10_059 | 'HOBBS_INT 7345.00 (HOBBS 1) 345/230/13.2KV TRANSFORMER CKT 1' | FROM->TO | 0.5015  | 555.3 | 'HOBBS INTERCHANGE 115/18.0KV TRANSFORMER CKT 1'  |
| 16WP | 2 | G10_060 | 'HOBBS_INT 7345.00 (HOBBS 1) 345/230/13.2KV TRANSFORMER CKT 1' | FROM->TO | 0.5015  | 555.3 | 'HOBBS INTERCHANGE 115/18.0KV TRANSFORMER CKT 1'  |
| 16WP | 2 | G10_059 | 'HOBBS_INT 7345.00 (HOBBS 1) 345/230/13.2KV TRANSFORMER CKT 1' | FROM->TO | 0.5015  | 555.3 | 'HOBBS INTERCHANGE 115/18.0KV TRANSFORMER CKT 1'  |
| 16WP | 2 | G10_060 | 'HOBBS_INT 7345.00 (HOBBS 1) 345/230/13.2KV TRANSFORMER CKT 1' | FROM->TO | 0.5015  | 555.3 | 'TOLK STATION WEST 230/24.0KV TRANSFORMER CKT 1'  |
| 16WP | 2 | G10_059 | 'HOBBS_INT 7345.00 (HOBBS 1) 345/230/13.2KV TRANSFORMER CKT 1' | FROM->TO | 0.5015  | 555.3 | 'TOLK STATION WEST 230/24.0KV TRANSFORMER CKT 1'  |
| 16WP | 2 | G10_060 | 'HOBBS_INT 7345.00 (HOBBS 1) 345/230/13.2KV TRANSFORMER CKT 1' | FROM->TO | 0.5015  | 554.9 | 'TOLK STATION EAST 230/24.0KV TRANSFORMER CKT 1'  |
| 16WP | 2 | G10_059 | 'HOBBS_INT 7345.00 (HOBBS 1) 345/230/13.2KV TRANSFORMER CKT 1' | FROM->TO | 0.5015  | 554.9 | 'TOLK STATION EAST 230/24.0KV TRANSFORMER CKT 1'  |
| 16WP | 2 | G10_060 | 'HOBBS_INT 7345.00 (HOBBS 1) 345/230/13.2KV TRANSFORMER CKT 1' | FROM->TO | 0.5015  | 555.3 | 'TOLK STATION EAST 230/24.0KV TRANSFORMER CKT 1'  |
| 16WP | 2 | G10_059 | 'HOBBS_INT 7345.00 (HOBBS 1) 345/230/13.2KV TRANSFORMER CKT 1' | FROM->TO | 0.5015  | 555.3 | 'TOLK STATION EAST 230/24.0KV TRANSFORMER CKT 1'  |
| 16WP | 2 | G10_060 | 'HOBBS_INT 7345.00 (HOBBS 1) 345/230/13.2KV TRANSFORMER CKT 1' | FROM->TO | 0.5015  | 554.9 | 'MADDOX STATION 115/13.8KV TRANSFORMER CKT 1'   |
| 16WP | 2 | G10_059 | 'HOBBS_INT 7345.00 (HOBBS 1) 345/230/13.2KV TRANSFORMER CKT 1' | FROM->TO | 0.5015  | 554.9 | 'MADDOX STATION 115/13.8KV TRANSFORMER CKT 1'   |
| 16WP | 2 | G10_060 | 'HOBBS_INT 7345.00 (HOBBS 1) 345/230/13.2KV TRANSFORMER CKT 1' | FROM->TO | 0.5015  | 555.3 | 'MADDOX STATION 115/13.8KV TRANSFORMER CKT 1'   |
| 16WP | 2 | G10_059 | 'HOBBS_INT 7345.00 (HOBBS 1) 345/230/13.2KV TRANSFORMER CKT 1' | FROM->TO | 0.5015  | 555.3 | 'MADDOX STATION 115/13.8KV TRANSFORMER CKT 1'   |
| 16WP | 2 | G10_060 | 'HOBBS_INT 7345.00 (HOBBS 1) 345/230/13.2KV TRANSFORMER CKT 1' | FROM->TO | 0.50679 | 554.9 | 'LUBBOCK SOUTH INTERCHANGE - WOLFFORTH INTERCHANGE 230KV CKT 1'                               |
| 16WP | 2 | G10_059 | 'HOBBS_INT 7345.00 (HOBBS 1) 345/230/13.2KV TRANSFORMER CKT 1' | FROM->TO | 0.50679 | 554.9 | 'LUBBOCK SOUTH INTERCHANGE - WOLFFORTH INTERCHANGE 230KV CKT 1'                               |
| 16WP | 2 | G10_060 | 'HOBBS_INT 7345.00 (HOBBS 1) 345/230/13.2KV TRANSFORMER CKT 1' | FROM->TO | 0.5038  | 554.9 | 'LAWTON EASTSIDE - OKLAUNION 345KV CKT 1'   |
| 16WP | 2 | G10_059 | 'HOBBS_INT 7345.00 (HOBBS 1) 345/230/13.2KV TRANSFORMER CKT 1' | FROM->TO | 0.5038  | 554.9 | 'LAWTON EASTSIDE - OKLAUNION 345KV CKT 1'   |

|      |   |         |  |          |         |       |  |
|------|---|---------|--|----------|---------|-------|--|
| 16WP | 2 | G10_060 | 'HOBBS_INT 7345.00 (HOBBS 1) 345/230/13.2KV TRANSFORMER CKT 1' | FROM->TO | 0.50679 | 555.3 | 'LUBBOCK SOUTH INTERCHANGE - WOLFFORTH INTERCHANGE 230KV CKT 1'                              |
| 16WP | 2 | G10_059 | 'HOBBS_INT 7345.00 (HOBBS 1) 345/230/13.2KV TRANSFORMER CKT 1' | FROM->TO | 0.50679 | 555.3 | 'LUBBOCK SOUTH INTERCHANGE - WOLFFORTH INTERCHANGE 230KV CKT 1'                              |
| 16WP | 2 | G10_060 | 'HOBBS_INT 7345.00 (HOBBS 1) 345/230/13.2KV TRANSFORMER CKT 1' | FROM->TO | 0.5038  | 555.3 | 'LAWTON EASTSIDE - OKLAUNION 345KV CKT 1'  |
| 16WP | 2 | G10_059 | 'HOBBS_INT 7345.00 (HOBBS 1) 345/230/13.2KV TRANSFORMER CKT 1' | FROM->TO | 0.5038  | 555.3 | 'LAWTON EASTSIDE - OKLAUNION 345KV CKT 1'  |
| 16WP | 2 | G10_060 | 'HOBBS_INT 7345.00 (HOBBS 1) 345/230/13.2KV TRANSFORMER CKT 1' | FROM->TO | 0.50685 | 554.9 | 'MIDLAND 7345.00 (LIKE WICHITA) 345/138/13.8KV TRANSFORMER CKT 1'                            |
| 16WP | 2 | G10_059 | 'HOBBS_INT 7345.00 (HOBBS 1) 345/230/13.2KV TRANSFORMER CKT 1' | FROM->TO | 0.50685 | 554.9 | 'MIDLAND 7345.00 (LIKE WICHITA) 345/138/13.8KV TRANSFORMER CKT 1'                            |
| 16WP | 2 | G10_060 | 'HOBBS_INT 7345.00 (HOBBS 1) 345/230/13.2KV TRANSFORMER CKT 1' | FROM->TO | 0.5015  | 554.9 | 'Golden Spread REC - Mustang Interchange 230 kV Generation Bus 230/22.0KV TRANSFORMER CKT 1' |
| 16WP | 2 | G10_059 | 'HOBBS_INT 7345.00 (HOBBS 1) 345/230/13.2KV TRANSFORMER CKT 1' | FROM->TO | 0.5015  | 554.9 | 'Golden Spread REC - Mustang Interchange 230 kV Generation Bus 230/22.0KV TRANSFORMER CKT 1' |
| 16WP | 2 | G10_060 | 'HOBBS_INT 7345.00 (HOBBS 1) 345/230/13.2KV TRANSFORMER CKT 1' | FROM->TO | 0.50685 | 555.3 | 'MIDLAND 7345.00 (LIKE WICHITA) 345/138/13.8KV TRANSFORMER CKT 1'                            |
| 16WP | 2 | G10_059 | 'HOBBS_INT 7345.00 (HOBBS 1) 345/230/13.2KV TRANSFORMER CKT 1' | FROM->TO | 0.50685 | 555.3 | 'MIDLAND 7345.00 (LIKE WICHITA) 345/138/13.8KV TRANSFORMER CKT 1'                            |
| 16WP | 2 | G10_060 | 'HOBBS_INT 7345.00 (HOBBS 1) 345/230/13.2KV TRANSFORMER CKT 1' | FROM->TO | 0.5015  | 555.3 | 'Golden Spread REC - Mustang Interchange 230 kV Generation Bus 230/22.0KV TRANSFORMER CKT 1' |
| 16WP | 2 | G10_059 | 'HOBBS_INT 7345.00 (HOBBS 1) 345/230/13.2KV TRANSFORMER CKT 1' | FROM->TO | 0.5015  | 555.3 | 'Golden Spread REC - Mustang Interchange 230 kV Generation Bus 230/22.0KV TRANSFORMER CKT 1' |
| 16WP | 2 | G10_060 | 'HOBBS_INT 7345.00 (HOBBS 1) 345/230/13.2KV TRANSFORMER CKT 1' | FROM->TO | 0.5015  | 554.9 | 'MUSTANG STATION N. 115/13.8KV TRANSFORMER CKT 1'  |
| 16WP | 2 | G10_059 | 'HOBBS_INT 7345.00 (HOBBS 1) 345/230/13.2KV TRANSFORMER CKT 1' | FROM->TO | 0.5015  | 554.9 | 'MUSTANG STATION N. 115/13.8KV TRANSFORMER CKT 1'  |
| 16WP | 2 | G10_060 | 'HOBBS_INT 7345.00 (HOBBS 1) 345/230/13.2KV TRANSFORMER CKT 1' | FROM->TO | 0.5015  | 554.9 | 'MUSTANG STATION S. 115/13.8KV TRANSFORMER CKT 1'  |
| 16WP | 2 | G10_059 | 'HOBBS_INT 7345.00 (HOBBS 1) 345/230/13.2KV TRANSFORMER CKT 1' | FROM->TO | 0.5015  | 554.9 | 'MUSTANG STATION S. 115/13.8KV TRANSFORMER CKT 1'  |
| 16WP | 2 | G10_060 | 'HOBBS_INT 7345.00 (HOBBS 1) 345/230/13.2KV TRANSFORMER CKT 1' | FROM->TO | 0.50685 | 554.9 | 'CAPROCK REC-PHILLIPS - CAPROCK REC-TATE 138KV CKT 1'  |
| 16WP | 2 | G10_059 | 'HOBBS_INT 7345.00 (HOBBS 1) 345/230/13.2KV TRANSFORMER CKT 1' | FROM->TO | 0.50685 | 554.9 | 'CAPROCK REC-PHILLIPS - CAPROCK REC-TATE 138KV CKT 1'  |
| 16WP | 2 | G10_060 | 'HOBBS_INT 7345.00 (HOBBS 1) 345/230/13.2KV TRANSFORMER CKT 1' | FROM->TO | 0.5015  | 555.3 | 'MUSTANG STATION N. 115/13.8KV TRANSFORMER CKT 1'  |
| 16WP | 2 | G10_059 | 'HOBBS_INT 7345.00 (HOBBS 1) 345/230/13.2KV TRANSFORMER CKT 1' | FROM->TO | 0.5015  | 555.3 | 'MUSTANG STATION N. 115/13.8KV TRANSFORMER CKT 1'  |
| 16WP | 2 | G10_060 | 'HOBBS_INT 7345.00 (HOBBS 1) 345/230/13.2KV TRANSFORMER CKT 1' | FROM->TO | 0.5015  | 555.3 | 'MUSTANG STATION S. 115/13.8KV TRANSFORMER CKT 1'  |
| 16WP | 2 | G10_059 | 'HOBBS_INT 7345.00 (HOBBS 1) 345/230/13.2KV TRANSFORMER CKT 1' | FROM->TO | 0.5015  | 555.3 | 'MUSTANG STATION S. 115/13.8KV TRANSFORMER CKT 1'  |
| 16WP | 2 | G10_060 | 'HOBBS_INT 7345.00 (HOBBS 1) 345/230/13.2KV TRANSFORMER CKT 1' | FROM->TO | 0.50685 | 555.3 | 'CAPROCK REC-PHILLIPS - CAPROCK REC-TATE 138KV CKT 1'  |

|      |   |         |  |          |         |        |  |
|------|---|---------|--|----------|---------|--------|--|
| 16WP | 2 | G10_059 | 'HOBBS_INT 7345.00 (HOBBS 1) 345/230/13.2KV TRANSFORMER CKT 1' | FROM->TO | 0.50685 | 555.3  | 'CAPROCK REC-PHILLIPS - CAPROCK REC-TATE 138KV CKT 1'          |
| 16WP | 2 | G10_060 | 'HOBBS_INT 7345.00 (HOBBS 1) 345/230/13.2KV TRANSFORMER CKT 1' | FROM->TO | 0.5015  | 554.9  | 'BASE CASE'  |
| 16WP | 2 | G10_059 | 'HOBBS_INT 7345.00 (HOBBS 1) 345/230/13.2KV TRANSFORMER CKT 1' | FROM->TO | 0.5015  | 554.9  | 'BASE CASE'  |
| 16WP | 2 | G10_060 | 'HOBBS_INT 7345.00 (HOBBS 1) 345/230/13.2KV TRANSFORMER CKT 1' | FROM->TO | 0.5015  | 555.3  | 'BASE CASE'  |
| 16WP | 2 | G10_059 | 'HOBBS_INT 7345.00 (HOBBS 1) 345/230/13.2KV TRANSFORMER CKT 1' | FROM->TO | 0.5015  | 555.3  | 'BASE CASE'  |
| 16WP | 2 | G10_060 | 'HOBBS_INT 7345.00 - MIDLAND 7345.00 345KV CKT 1'              | TO->FROM | 0.99888 | 1198.1 | 'BORDEN 7345.00 - GRASSLAND 7 345.00 345KV CKT 1'              |
| 16WP | 2 | G10_059 | 'HOBBS_INT 7345.00 - MIDLAND 7345.00 345KV CKT 1'              | TO->FROM | 0.99888 | 1198.1 | 'BORDEN 7345.00 - GRASSLAND 7 345.00 345KV CKT 1'              |
| 16WP | 2 | G10_060 | 'BORDEN 7345.00 - GRASSLAND 7 345.00 345KV CKT 1'              | FROM->TO | 0.99888 | 1199   | 'HOBBS_INT 7345.00 (HOBBS 1) 345/230/13.2KV TRANSFORMER CKT 1' |
| 16WP | 2 | G10_059 | 'BORDEN 7345.00 - GRASSLAND 7 345.00 345KV CKT 1'              | FROM->TO | 0.99888 | 1199   | 'HOBBS_INT 7345.00 (HOBBS 1) 345/230/13.2KV TRANSFORMER CKT 1' |
| 16WP | 2 | G10_060 | 'BORDEN 7345.00 - GRASSLAND 7 345.00 345KV CKT 1'              | FROM->TO | 0.99888 | 1199   | 'HOBBS_INT 7345.00 - MIDLAND 7345.00 345KV CKT 1'              |
| 16WP | 2 | G10_059 | 'BORDEN 7345.00 - GRASSLAND 7 345.00 345KV CKT 1'              | FROM->TO | 0.99888 | 1199   | 'HOBBS_INT 7345.00 - MIDLAND 7345.00 345KV CKT 1'              |
| 16WP | 2 | G10_060 | 'BORDEN 7345.00 - MIDLAND 7345.00 345KV CKT 1'                 | TO->FROM | 0.92305 | 1199.6 | 'HOBBS_INT 7345.00 (HOBBS 1) 345/230/13.2KV TRANSFORMER CKT 1' |
| 16WP | 2 | G10_059 | 'BORDEN 7345.00 - MIDLAND 7345.00 345KV CKT 1'                 | TO->FROM | 0.92305 | 1199.6 | 'HOBBS_INT 7345.00 (HOBBS 1) 345/230/13.2KV TRANSFORMER CKT 1' |
| 16WP | 2 | G10_060 | 'BORDEN 7345.00 - MIDLAND 7345.00 345KV CKT 1'                 | TO->FROM | 0.92305 | 1199.6 | 'HOBBS_INT 7345.00 - MIDLAND 7345.00 345KV CKT 1'              |
| 16WP | 2 | G10_059 | 'BORDEN 7345.00 - MIDLAND 7345.00 345KV CKT 1'                 | TO->FROM | 0.92305 | 1199.6 | 'HOBBS_INT 7345.00 - MIDLAND 7345.00 345KV CKT 1'              |
| 16WP | 2 | G10_060 | 'CUNNINGHAM STATION - HOBBS INTERCHANGE 230KV CKT 1'           | TO->FROM | 0.39528 | 557    | 'BORDEN 7345.00 - GRASSLAND 7 345.00 345KV CKT 1'              |
| 16WP | 2 | G10_059 | 'CUNNINGHAM STATION - HOBBS INTERCHANGE 230KV CKT 1'           | TO->FROM | 0.39528 | 557    | 'BORDEN 7345.00 - GRASSLAND 7 345.00 345KV CKT 1'              |
| 16WP | 2 | G10_060 | 'JONES 7 345.00 (JONES 1) 345/230/13.8KV TRANSFORMER CKT 1'    | FROM->TO | 0.51163 | 552.5  | 'HOBBS_INT 7345.00 - MIDLAND 7345.00 345KV CKT 1'              |
| 16WP | 2 | G10_059 | 'JONES 7 345.00 (JONES 1) 345/230/13.8KV TRANSFORMER CKT 1'    | FROM->TO | 0.51163 | 552.5  | 'HOBBS_INT 7345.00 - MIDLAND 7345.00 345KV CKT 1'              |
| 16WP | 2 | G10_060 | 'JONES 7 345.00 (JONES 1) 345/230/13.8KV TRANSFORMER CKT 1'    | FROM->TO | 0.51163 | 552.5  | 'HOBBS_INT 7345.00 (HOBBS 1) 345/230/13.2KV TRANSFORMER CKT 1' |
| 16WP | 2 | G10_059 | 'JONES 7 345.00 (JONES 1) 345/230/13.8KV TRANSFORMER CKT 1'    | FROM->TO | 0.51163 | 552.5  | 'HOBBS_INT 7345.00 (HOBBS 1) 345/230/13.2KV TRANSFORMER CKT 1' |
| 16WP | 2 | G10_060 | 'JONES 7 345.00 (JONES 1) 345/230/13.8KV TRANSFORMER CKT 1'    | FROM->TO | 0.51163 | 553.1  | 'HOBBS_INT 7345.00 - MIDLAND 7345.00 345KV CKT 1'              |
| 16WP | 2 | G10_059 | 'JONES 7 345.00 (JONES 1) 345/230/13.8KV TRANSFORMER CKT 1'    | FROM->TO | 0.51163 | 553.1  | 'HOBBS_INT 7345.00 - MIDLAND 7345.00 345KV CKT 1'              |
| 16WP | 2 | G10_060 | 'JONES 7 345.00 (JONES 1) 345/230/13.8KV TRANSFORMER CKT 1'    | FROM->TO | 0.51163 | 553.1  | 'HOBBS_INT 7345.00 (HOBBS 1) 345/230/13.2KV TRANSFORMER CKT 1' |
| 16WP | 2 | G10_059 | 'JONES 7 345.00 (JONES 1) 345/230/13.8KV TRANSFORMER CKT 1'    | FROM->TO | 0.51163 | 553.1  | 'HOBBS_INT 7345.00 (HOBBS 1) 345/230/13.2KV TRANSFORMER CKT 1' |

|      |   |         |  |          |         |        |  |
|------|---|---------|--|----------|---------|--------|--|
| 16WP | 2 | G10_060 | 'HOBBS INTERCHANGE - YOAKUM COUNTY INTERCHANGE 230KV CKT 1'                    | FROM->TO | 0.3496  | 497    | 'BORDEN 7345.00 - GRASSLAND 7 345.00 345KV CKT 1'              |
| 16WP | 2 | G10_059 | 'HOBBS INTERCHANGE - YOAKUM COUNTY INTERCHANGE 230KV CKT 1'                    | FROM->TO | 0.3496  | 497    | 'BORDEN 7345.00 - GRASSLAND 7 345.00 345KV CKT 1'              |
| 16WP | 2 | G10_060 | 'GRASSLAND 7 345.00 - JONES 7 345.00 345KV CKT 1'                              | FROM->TO | 0.93359 | 1199.3 | 'HOBBS_INT 7345.00 (HOBBS 1) 345/230/13.2KV TRANSFORMER CKT 1' |
| 16WP | 2 | G10_059 | 'GRASSLAND 7 345.00 - JONES 7 345.00 345KV CKT 1'                              | FROM->TO | 0.93359 | 1199.3 | 'HOBBS_INT 7345.00 (HOBBS 1) 345/230/13.2KV TRANSFORMER CKT 1' |
| 16WP | 2 | G10_060 | 'GRASSLAND 7 345.00 - JONES 7 345.00 345KV CKT 1'                              | FROM->TO | 0.93359 | 1199.3 | 'HOBBS_INT 7345.00 - MIDLAND 7345.00 345KV CKT 1'              |
| 16WP | 2 | G10_059 | 'GRASSLAND 7 345.00 - JONES 7 345.00 345KV CKT 1'                              | FROM->TO | 0.93359 | 1199.3 | 'HOBBS_INT 7345.00 - MIDLAND 7345.00 345KV CKT 1'              |
| 16WP | 2 | G10_060 | 'LUBBOCK SOUTH INTERCHANGE - WOLFFORTH INTERCHANGE 230KV CKT 1'                | FROM->TO | 0.22316 | 360.4  | 'HOBBS_INT 7345.00 - MIDLAND 7345.00 345KV CKT 1'              |
| 16WP | 2 | G10_059 | 'LUBBOCK SOUTH INTERCHANGE - WOLFFORTH INTERCHANGE 230KV CKT 1'                | FROM->TO | 0.22316 | 360.4  | 'HOBBS_INT 7345.00 - MIDLAND 7345.00 345KV CKT 1'              |
| 16WP | 2 | G10_060 | 'LUBBOCK SOUTH INTERCHANGE - WOLFFORTH INTERCHANGE 230KV CKT 1'                | FROM->TO | 0.22316 | 360.4  | 'HOBBS_INT 7345.00 (HOBBS 1) 345/230/13.2KV TRANSFORMER CKT 1' |
| 16WP | 2 | G10_059 | 'LUBBOCK SOUTH INTERCHANGE - WOLFFORTH INTERCHANGE 230KV CKT 1'                | FROM->TO | 0.22316 | 360.4  | 'HOBBS_INT 7345.00 (HOBBS 1) 345/230/13.2KV TRANSFORMER CKT 1' |
| 11G  | 2 | G10_060 | 'GRASSLAND INTERCHANGE - LYNN COUNTY INTERCHANGE 115KV CKT 1'                  | FROM->TO | 0.23303 | 176.2  | 'GRASSLAND 7 345.00 - JONES 7 345.00 345KV CKT 1'              |
| 11G  | 2 | G10_059 | 'GRASSLAND INTERCHANGE - LYNN COUNTY INTERCHANGE 115KV CKT 1'                  | FROM->TO | 0.23303 | 176.2  | 'GRASSLAND 7 345.00 - JONES 7 345.00 345KV CKT 1'              |
| 11G  | 2 | G10_060 | 'LYNN COUNTY INTERCHANGE - SOUTH PLAINS REC-WOODROW INTERCHANGE 115KV CKT 1'   | FROM->TO | 0.23303 | 176.7  | 'GRASSLAND 7 345.00 - JONES 7 345.00 345KV CKT 1'              |
| 11G  | 2 | G10_059 | 'LYNN COUNTY INTERCHANGE - SOUTH PLAINS REC-WOODROW INTERCHANGE 115KV CKT 1'   | FROM->TO | 0.23303 | 176.7  | 'GRASSLAND 7 345.00 - JONES 7 345.00 345KV CKT 1'              |
| 11G  | 2 | G10_060 | 'LUBBOCK SOUTH INTERCHANGE - SOUTH PLAINS REC-WOODROW INTERCHANGE 115KV CKT 1' | TO->FROM | 0.23303 | 175.7  | 'GRASSLAND 7 345.00 - JONES 7 345.00 345KV CKT 1'              |
| 11G  | 2 | G10_059 | 'LUBBOCK SOUTH INTERCHANGE - SOUTH PLAINS REC-WOODROW INTERCHANGE 115KV CKT 1' | TO->FROM | 0.23303 | 175.7  | 'GRASSLAND 7 345.00 - JONES 7 345.00 345KV CKT 1'              |
| 11G  | 2 | G10_060 | 'HOBBS_INT 7345.00 (HOBBS 1) 345/230/13.2KV TRANSFORMER CKT 1'                 | FROM->TO | 0.99256 | 554.9  | 'BORDEN 7345.00 - GRASSLAND 7 345.00 345KV CKT 1'              |
| 11G  | 2 | G10_059 | 'HOBBS_INT 7345.00 (HOBBS 1) 345/230/13.2KV TRANSFORMER CKT 1'                 | FROM->TO | 0.99256 | 554.9  | 'BORDEN 7345.00 - GRASSLAND 7 345.00 345KV CKT 1'              |
| 11G  | 2 | G10_060 | 'HOBBS_INT 7345.00 (HOBBS 1) 345/230/13.2KV TRANSFORMER CKT 1'                 | FROM->TO | 0.99256 | 555.4  | 'BORDEN 7345.00 - GRASSLAND 7 345.00 345KV CKT 1'              |
| 11G  | 2 | G10_059 | 'HOBBS_INT 7345.00 (HOBBS 1) 345/230/13.2KV TRANSFORMER CKT 1'                 | FROM->TO | 0.99256 | 555.4  | 'BORDEN 7345.00 - GRASSLAND 7 345.00 345KV CKT 1'              |
| 11G  | 2 | G10_060 | 'GRASSLAND 7 345.00 (GRASSLAND 1) 345/115/13.2KV TRANSFORMER CKT 1'            | FROM->TO | 0.24047 | 300    | 'GRASSLAND 7 345.00 - JONES 7 345.00 345KV CKT 1'              |
| 11G  | 2 | G10_059 | 'GRASSLAND 7 345.00 (GRASSLAND 1) 345/115/13.2KV TRANSFORMER CKT 1'            | FROM->TO | 0.24047 | 300    | 'GRASSLAND 7 345.00 - JONES 7 345.00 345KV CKT 1'              |
| 11G  | 2 | G10_060 | 'GRASSLAND 7 345.00 (GRASSLAND 1) 345/115/13.2KV TRANSFORMER CKT 1'            | FROM->TO | 0.24047 | 300    | 'GRASSLAND 7 345.00 - JONES 7 345.00 345KV CKT 1'              |



|     |   |         |   |          |         |       |  |
|-----|---|---------|---|----------|---------|-------|--|
| 11G | 2 | G10_059 | 'GRASSLAND 7 345.00 (GRASSLAND 1) 345/115/13.2KV TRANSFORMER CKT 1' | FROM->TO | 0.24047 | 300   | 'GRASSLAND 7 345.00 - JONES 7 345.00 345KV CKT 1'              |
| 11G | 2 | G10_060 | 'HOBBS_INT 7345.00 (HOBBS 1) 345/230/13.2KV TRANSFORMER CKT 1'      | FROM->TO | 0.80056 | 554.9 | 'BORDEN 7345.00 - MIDLAND 7345.00 345KV CKT 1'                 |
| 11G | 2 | G10_059 | 'HOBBS_INT 7345.00 (HOBBS 1) 345/230/13.2KV TRANSFORMER CKT 1'      | FROM->TO | 0.80056 | 554.9 | 'BORDEN 7345.00 - MIDLAND 7345.00 345KV CKT 1'                 |
| 11G | 2 | G10_060 | 'HOBBS_INT 7345.00 (HOBBS 1) 345/230/13.2KV TRANSFORMER CKT 1'      | FROM->TO | 0.80056 | 555.4 | 'BORDEN 7345.00 - MIDLAND 7345.00 345KV CKT 1'                 |
| 11G | 2 | G10_059 | 'HOBBS_INT 7345.00 (HOBBS 1) 345/230/13.2KV TRANSFORMER CKT 1'      | FROM->TO | 0.80056 | 555.4 | 'BORDEN 7345.00 - MIDLAND 7345.00 345KV CKT 1'                 |
| 11G | 2 | G10_060 | 'HOBBS_INT 7345.00 (HOBBS 1) 345/230/13.2KV TRANSFORMER CKT 1'      | FROM->TO | 0.7214  | 554.9 | 'GRASSLAND 7 345.00 - JONES 7 345.00 345KV CKT 1'              |
| 11G | 2 | G10_059 | 'HOBBS_INT 7345.00 (HOBBS 1) 345/230/13.2KV TRANSFORMER CKT 1'      | FROM->TO | 0.7214  | 554.9 | 'GRASSLAND 7 345.00 - JONES 7 345.00 345KV CKT 1'              |
| 11G | 2 | G10_060 | 'HOBBS_INT 7345.00 (HOBBS 1) 345/230/13.2KV TRANSFORMER CKT 1'      | FROM->TO | 0.7214  | 555.4 | 'GRASSLAND 7 345.00 - JONES 7 345.00 345KV CKT 1'              |
| 11G | 2 | G10_059 | 'HOBBS_INT 7345.00 (HOBBS 1) 345/230/13.2KV TRANSFORMER CKT 1'      | FROM->TO | 0.7214  | 555.4 | 'GRASSLAND 7 345.00 - JONES 7 345.00 345KV CKT 1'              |
| 11G | 2 | G10_060 | 'CAPROCK REC-PHILLIPS - CAPROCK REC-TATE 138KV CKT 1'               | TO->FROM | 0.19944 | 269.3 | 'BORDEN 7345.00 - MIDLAND 7345.00 345KV CKT 1'                 |
| 11G | 2 | G10_059 | 'CAPROCK REC-PHILLIPS - CAPROCK REC-TATE 138KV CKT 1'               | TO->FROM | 0.19944 | 269.3 | 'BORDEN 7345.00 - MIDLAND 7345.00 345KV CKT 1'                 |
| 11G | 2 | G10_060 | 'JONES 7 345.00 (JONES 1) 345/230/13.8KV TRANSFORMER CKT 1'         | FROM->TO | 0.38322 | 557   | 'JONES 7 345.00 - TUCO INTERCHANGE 345KV CKT 1'                |
| 11G | 2 | G10_059 | 'JONES 7 345.00 (JONES 1) 345/230/13.8KV TRANSFORMER CKT 1'         | FROM->TO | 0.38322 | 557   | 'JONES 7 345.00 - TUCO INTERCHANGE 345KV CKT 1'                |
| 11G | 2 | G10_060 | 'JONES 7 345.00 (JONES 1) 345/230/13.8KV TRANSFORMER CKT 1'         | FROM->TO | 0.38322 | 557.1 | 'JONES 7 345.00 - TUCO INTERCHANGE 345KV CKT 1'                |
| 11G | 2 | G10_059 | 'JONES 7 345.00 (JONES 1) 345/230/13.8KV TRANSFORMER CKT 1'         | FROM->TO | 0.38322 | 557.1 | 'JONES 7 345.00 - TUCO INTERCHANGE 345KV CKT 1'                |
| 11G | 2 | G10_060 | 'CAPROCK REC-MCDONALD - CAPROCK REC-PHILLIPS 138KV CKT 1'           | TO->FROM | 0.19944 | 269.8 | 'BORDEN 7345.00 - MIDLAND 7345.00 345KV CKT 1'                 |
| 11G | 2 | G10_059 | 'CAPROCK REC-MCDONALD - CAPROCK REC-PHILLIPS 138KV CKT 1'           | TO->FROM | 0.19944 | 269.8 | 'BORDEN 7345.00 - MIDLAND 7345.00 345KV CKT 1'                 |
| 11G | 2 | G10_060 | 'AMOCO SWITCHING STATION - YOAKUM COUNTY INTERCHANGE 230KV CKT 1'   | TO->FROM | 0.19253 | 360   | 'BORDEN 7345.00 - GRASSLAND 7 345.00 345KV CKT 1'              |
| 11G | 2 | G10_059 | 'AMOCO SWITCHING STATION - YOAKUM COUNTY INTERCHANGE 230KV CKT 1'   | TO->FROM | 0.19253 | 360   | 'BORDEN 7345.00 - GRASSLAND 7 345.00 345KV CKT 1'              |
| 11G | 2 | G10_060 | 'HOBBS INTERCHANGE - YOAKUM COUNTY INTERCHANGE 230KV CKT 1'         | FROM->TO | 0.34621 | 497   | 'BORDEN 7345.00 - GRASSLAND 7 345.00 345KV CKT 1'              |
| 11G | 2 | G10_059 | 'HOBBS INTERCHANGE - YOAKUM COUNTY INTERCHANGE 230KV CKT 1'         | FROM->TO | 0.34621 | 497   | 'BORDEN 7345.00 - GRASSLAND 7 345.00 345KV CKT 1'              |
| 11G | 2 | G10_060 | 'JONES 7 345.00 (JONES 1) 345/230/13.8KV TRANSFORMER CKT 1'         | FROM->TO | 0.47508 | 557   | 'HOBBS_INT 7345.00 - MIDLAND 7345.00 345KV CKT 1'              |
| 11G | 2 | G10_059 | 'JONES 7 345.00 (JONES 1) 345/230/13.8KV TRANSFORMER CKT 1'         | FROM->TO | 0.47508 | 557   | 'HOBBS_INT 7345.00 - MIDLAND 7345.00 345KV CKT 1'              |
| 11G | 2 | G10_060 | 'JONES 7 345.00 (JONES 1) 345/230/13.8KV TRANSFORMER CKT 1'         | FROM->TO | 0.47508 | 557   | 'HOBBS_INT 7345.00 (HOBBS 1) 345/230/13.2KV TRANSFORMER CKT 1' |
| 11G | 2 | G10_059 | 'JONES 7 345.00 (JONES 1) 345/230/13.8KV TRANSFORMER CKT 1'         | FROM->TO | 0.47508 | 557   | 'HOBBS_INT 7345.00 (HOBBS 1) 345/230/13.2KV TRANSFORMER CKT 1' |

|     |   |         |  |          |         |        |  |
|-----|---|---------|--|----------|---------|--------|--|
| 11G | 2 | G10_060 | 'JONES 7 345.00 (JONES 1) 345/230/13.8KV TRANSFORMER CKT 1'    | FROM->TO | 0.47508 | 557.1  | 'HOBBS_INT 7345.00 - MIDLAND 7345.00 345KV CKT 1'              |
| 11G | 2 | G10_059 | 'JONES 7 345.00 (JONES 1) 345/230/13.8KV TRANSFORMER CKT 1'    | FROM->TO | 0.47508 | 557.1  | 'HOBBS_INT 7345.00 - MIDLAND 7345.00 345KV CKT 1'              |
| 11G | 2 | G10_060 | 'JONES 7 345.00 (JONES 1) 345/230/13.8KV TRANSFORMER CKT 1'    | FROM->TO | 0.47508 | 557.1  | 'HOBBS_INT 7345.00 (HOBBS 1) 345/230/13.2KV TRANSFORMER CKT 1' |
| 11G | 2 | G10_059 | 'JONES 7 345.00 (JONES 1) 345/230/13.8KV TRANSFORMER CKT 1'    | FROM->TO | 0.47508 | 557.1  | 'HOBBS_INT 7345.00 (HOBBS 1) 345/230/13.2KV TRANSFORMER CKT 1' |
| 11G | 2 | G10_060 | 'GRASSLAND 7 345.00 - JONES 7 345.00 345KV CKT 1'              | FROM->TO | 0.89851 | 1199.9 | 'HOBBS_INT 7345.00 (HOBBS 1) 345/230/13.2KV TRANSFORMER CKT 1' |
| 11G | 2 | G10_059 | 'GRASSLAND 7 345.00 - JONES 7 345.00 345KV CKT 1'              | FROM->TO | 0.89851 | 1199.9 | 'HOBBS_INT 7345.00 (HOBBS 1) 345/230/13.2KV TRANSFORMER CKT 1' |
| 11G | 2 | G10_060 | 'GRASSLAND 7 345.00 - JONES 7 345.00 345KV CKT 1'              | FROM->TO | 0.89851 | 1199.9 | 'HOBBS_INT 7345.00 - MIDLAND 7345.00 345KV CKT 1'              |
| 11G | 2 | G10_059 | 'GRASSLAND 7 345.00 - JONES 7 345.00 345KV CKT 1'              | FROM->TO | 0.89851 | 1199.9 | 'HOBBS_INT 7345.00 - MIDLAND 7345.00 345KV CKT 1'              |
| 11G | 2 | G10_060 | 'HOBBS_INT 7345.00 (HOBBS 1) 345/230/13.2KV TRANSFORMER CKT 1' | FROM->TO | 0.5266  | 554.9  | 'JONES 7 345.00 - TUCO INTERCHANGE 345KV CKT 1'                |
| 11G | 2 | G10_059 | 'HOBBS_INT 7345.00 (HOBBS 1) 345/230/13.2KV TRANSFORMER CKT 1' | FROM->TO | 0.5266  | 554.9  | 'JONES 7 345.00 - TUCO INTERCHANGE 345KV CKT 1'                |
| 11G | 2 | G10_060 | 'HOBBS_INT 7345.00 (HOBBS 1) 345/230/13.2KV TRANSFORMER CKT 1' | FROM->TO | 0.5266  | 555.4  | 'JONES 7 345.00 - TUCO INTERCHANGE 345KV CKT 1'                |
| 11G | 2 | G10_059 | 'HOBBS_INT 7345.00 (HOBBS 1) 345/230/13.2KV TRANSFORMER CKT 1' | FROM->TO | 0.5266  | 555.4  | 'JONES 7 345.00 - TUCO INTERCHANGE 345KV CKT 1'                |
| 11G | 2 | G10_060 | 'HOBBS_INT 7345.00 (HOBBS 1) 345/230/13.2KV TRANSFORMER CKT 1' | FROM->TO | 0.52875 | 554.9  | 'JONES 7 345.00 (JONES 1) 345/230/13.8KV TRANSFORMER CKT 1'    |
| 11G | 2 | G10_059 | 'HOBBS_INT 7345.00 (HOBBS 1) 345/230/13.2KV TRANSFORMER CKT 1' | FROM->TO | 0.52875 | 554.9  | 'JONES 7 345.00 (JONES 1) 345/230/13.8KV TRANSFORMER CKT 1'    |
| 11G | 2 | G10_060 | 'HOBBS_INT 7345.00 (HOBBS 1) 345/230/13.2KV TRANSFORMER CKT 1' | FROM->TO | 0.52875 | 555.4  | 'JONES 7 345.00 (JONES 1) 345/230/13.8KV TRANSFORMER CKT 1'    |
| 11G | 2 | G10_059 | 'HOBBS_INT 7345.00 (HOBBS 1) 345/230/13.2KV TRANSFORMER CKT 1' | FROM->TO | 0.52875 | 555.4  | 'JONES 7 345.00 (JONES 1) 345/230/13.8KV TRANSFORMER CKT 1'    |
| 11G | 2 | G10_060 | 'HOBBS_INT 7345.00 - MIDLAND 7345.00 345KV CKT 1'              | TO->FROM | 0.99256 | 1198.1 | 'BORDEN 7345.00 - GRASSLAND 7 345.00 345KV CKT 1'              |
| 11G | 2 | G10_059 | 'HOBBS_INT 7345.00 - MIDLAND 7345.00 345KV CKT 1'              | TO->FROM | 0.99256 | 1198.1 | 'BORDEN 7345.00 - GRASSLAND 7 345.00 345KV CKT 1'              |
| 11G | 2 | G10_060 | 'BORDEN 7345.00 - GRASSLAND 7 345.00 345KV CKT 1'              | FROM->TO | 0.99256 | 1199.3 | 'HOBBS_INT 7345.00 (HOBBS 1) 345/230/13.2KV TRANSFORMER CKT 1' |
| 11G | 2 | G10_059 | 'BORDEN 7345.00 - GRASSLAND 7 345.00 345KV CKT 1'              | FROM->TO | 0.99256 | 1199.3 | 'HOBBS_INT 7345.00 (HOBBS 1) 345/230/13.2KV TRANSFORMER CKT 1' |
| 11G | 2 | G10_060 | 'BORDEN 7345.00 - GRASSLAND 7 345.00 345KV CKT 1'              | FROM->TO | 0.99256 | 1199.3 | 'HOBBS_INT 7345.00 - MIDLAND 7345.00 345KV CKT 1'              |
| 11G | 2 | G10_059 | 'BORDEN 7345.00 - GRASSLAND 7 345.00 345KV CKT 1'              | FROM->TO | 0.99256 | 1199.3 | 'HOBBS_INT 7345.00 - MIDLAND 7345.00 345KV CKT 1'              |
| 11G | 2 | G10_060 | 'HOBBS_INT 7345.00 (HOBBS 1) 345/230/13.2KV TRANSFORMER CKT 1' | FROM->TO | 0.49474 | 554.9  | 'HOBBS INTERCHANGE 230/18.0KV TRANSFORMER CKT 1'               |
| 11G | 2 | G10_059 | 'HOBBS_INT 7345.00 (HOBBS 1) 345/230/13.2KV TRANSFORMER CKT 1' | FROM->TO | 0.49474 | 554.9  | 'HOBBS INTERCHANGE 230/18.0KV TRANSFORMER CKT 1'               |
| 11G | 2 | G10_060 | 'HOBBS_INT 7345.00 (HOBBS 1) 345/230/13.2KV TRANSFORMER CKT 1' | FROM->TO | 0.49474 | 555.4  | 'HOBBS INTERCHANGE 230/18.0KV TRANSFORMER CKT 1'               |

|     |   |         |  |          |         |       |   |
|-----|---|---------|--|----------|---------|-------|---|
| 11G | 2 | G10_059 | 'HOBBS_INT 7345.00 (HOBBS 1) 345/230/13.2KV TRANSFORMER CKT 1' | FROM->TO | 0.49474 | 555.4 | 'HOBBS INTERCHANGE 230/18.0KV TRANSFORMER CKT 1'  |
| 11G | 2 | G10_060 | 'HOBBS_INT 7345.00 (HOBBS 1) 345/230/13.2KV TRANSFORMER CKT 1' | FROM->TO | 0.49474 | 554.9 | 'CUNNINGHAM STATION 230/20.0KV TRANSFORMER CKT 1'   |
| 11G | 2 | G10_059 | 'HOBBS_INT 7345.00 (HOBBS 1) 345/230/13.2KV TRANSFORMER CKT 1' | FROM->TO | 0.49474 | 554.9 | 'CUNNINGHAM STATION 230/20.0KV TRANSFORMER CKT 1'   |
| 11G | 2 | G10_060 | 'HOBBS_INT 7345.00 (HOBBS 1) 345/230/13.2KV TRANSFORMER CKT 1' | FROM->TO | 0.49474 | 555.4 | 'CUNNINGHAM STATION 230/20.0KV TRANSFORMER CKT 1'   |
| 11G | 2 | G10_059 | 'HOBBS_INT 7345.00 (HOBBS 1) 345/230/13.2KV TRANSFORMER CKT 1' | FROM->TO | 0.49474 | 555.4 | 'CUNNINGHAM STATION 230/20.0KV TRANSFORMER CKT 1'   |
| 11G | 2 | G10_060 | 'HOBBS_INT 7345.00 (HOBBS 1) 345/230/13.2KV TRANSFORMER CKT 1' | FROM->TO | 0.49474 | 554.9 | 'Golden Spread REC - Mustang Interchange 230 kV Generation Bus - MUSTANG STATION 230KV CKT 1' |
| 11G | 2 | G10_059 | 'HOBBS_INT 7345.00 (HOBBS 1) 345/230/13.2KV TRANSFORMER CKT 1' | FROM->TO | 0.49474 | 554.9 | 'Golden Spread REC - Mustang Interchange 230 kV Generation Bus - MUSTANG STATION 230KV CKT 1' |
| 11G | 2 | G10_060 | 'HOBBS_INT 7345.00 (HOBBS 1) 345/230/13.2KV TRANSFORMER CKT 1' | FROM->TO | 0.49474 | 555.4 | 'Golden Spread REC - Mustang Interchange 230 kV Generation Bus - MUSTANG STATION 230KV CKT 1' |
| 11G | 2 | G10_059 | 'HOBBS_INT 7345.00 (HOBBS 1) 345/230/13.2KV TRANSFORMER CKT 1' | FROM->TO | 0.49474 | 555.4 | 'Golden Spread REC - Mustang Interchange 230 kV Generation Bus - MUSTANG STATION 230KV CKT 1' |
| 11G | 2 | G10_060 | 'HOBBS_INT 7345.00 (HOBBS 1) 345/230/13.2KV TRANSFORMER CKT 1' | FROM->TO | 0.49474 | 554.9 | 'G08-22 34.500 34.5/0.69KV TRANSFORMER CKT 1'   |
| 11G | 2 | G10_059 | 'HOBBS_INT 7345.00 (HOBBS 1) 345/230/13.2KV TRANSFORMER CKT 1' | FROM->TO | 0.49474 | 554.9 | 'G08-22 34.500 34.5/0.69KV TRANSFORMER CKT 1'   |
| 11G | 2 | G10_060 | 'HOBBS_INT 7345.00 (HOBBS 1) 345/230/13.2KV TRANSFORMER CKT 1' | FROM->TO | 0.49474 | 554.9 | 'G08-22 345.00 345/34.5KV TRANSFORMER CKT 1'  |
| 11G | 2 | G10_059 | 'HOBBS_INT 7345.00 (HOBBS 1) 345/230/13.2KV TRANSFORMER CKT 1' | FROM->TO | 0.49474 | 554.9 | 'G08-22 345.00 345/34.5KV TRANSFORMER CKT 1'  |
| 11G | 2 | G10_060 | 'HOBBS_INT 7345.00 (HOBBS 1) 345/230/13.2KV TRANSFORMER CKT 1' | FROM->TO | 0.49474 | 554.9 | 'CHAVESCO 345.00 - G08-22 345.00 345KV CKT 1'   |
| 11G | 2 | G10_059 | 'HOBBS_INT 7345.00 (HOBBS 1) 345/230/13.2KV TRANSFORMER CKT 1' | FROM->TO | 0.49474 | 554.9 | 'CHAVESCO 345.00 - G08-22 345.00 345KV CKT 1'   |
| 11G | 2 | G10_060 | 'HOBBS_INT 7345.00 (HOBBS 1) 345/230/13.2KV TRANSFORMER CKT 1' | FROM->TO | 0.49474 | 554.9 | 'TOLK STATION EAST 230/24.0KV TRANSFORMER CKT 1'  |
| 11G | 2 | G10_059 | 'HOBBS_INT 7345.00 (HOBBS 1) 345/230/13.2KV TRANSFORMER CKT 1' | FROM->TO | 0.49474 | 554.9 | 'TOLK STATION EAST 230/24.0KV TRANSFORMER CKT 1'  |
| 11G | 2 | G10_060 | 'HOBBS_INT 7345.00 (HOBBS 1) 345/230/13.2KV TRANSFORMER CKT 1' | FROM->TO | 0.49474 | 555.4 | 'G08-22 34.500 34.5/0.69KV TRANSFORMER CKT 1'   |
| 11G | 2 | G10_059 | 'HOBBS_INT 7345.00 (HOBBS 1) 345/230/13.2KV TRANSFORMER CKT 1' | FROM->TO | 0.49474 | 555.4 | 'G08-22 34.500 34.5/0.69KV TRANSFORMER CKT 1'   |
| 11G | 2 | G10_060 | 'HOBBS_INT 7345.00 (HOBBS 1) 345/230/13.2KV TRANSFORMER CKT 1' | FROM->TO | 0.49474 | 555.4 | 'G08-22 345.00 345/34.5KV TRANSFORMER CKT 1'  |
| 11G | 2 | G10_059 | 'HOBBS_INT 7345.00 (HOBBS 1) 345/230/13.2KV TRANSFORMER CKT 1' | FROM->TO | 0.49474 | 555.4 | 'G08-22 345.00 345/34.5KV TRANSFORMER CKT 1'  |
| 11G | 2 | G10_060 | 'HOBBS_INT 7345.00 (HOBBS 1) 345/230/13.2KV TRANSFORMER CKT 1' | FROM->TO | 0.49474 | 555.4 | 'CHAVESCO 345.00 - G08-22 345.00 345KV CKT 1'   |
| 11G | 2 | G10_059 | 'HOBBS_INT 7345.00 (HOBBS 1) 345/230/13.2KV TRANSFORMER CKT 1' | FROM->TO | 0.49474 | 555.4 | 'CHAVESCO 345.00 - G08-22 345.00 345KV CKT 1'   |



|      |   |         |   |          |         |        |  |
|------|---|---------|---|----------|---------|--------|--|
| 11G  | 2 | G10_059 | 'HOBBS_INT 7345.00 (HOBBS 1) 345/230/13.2KV TRANSFORMER CKT 1'    | FROM->TO | 0.49474 | 555.4  | 'MADDOX STATION 115/13.8KV TRANSFORMER CKT 1'  |
| 11G  | 2 | G10_060 | 'HOBBS_INT 7345.00 (HOBBS 1) 345/230/13.2KV TRANSFORMER CKT 1'    | FROM->TO | 0.49886 | 554.9  | 'BORDER 7345.00 - TUCO INTERCHANGE 345KV CKT 1'  |
| 11G  | 2 | G10_059 | 'HOBBS_INT 7345.00 (HOBBS 1) 345/230/13.2KV TRANSFORMER CKT 1'    | FROM->TO | 0.49886 | 554.9  | 'BORDER 7345.00 - TUCO INTERCHANGE 345KV CKT 1'  |
| 11G  | 2 | G10_060 | 'HOBBS_INT 7345.00 (HOBBS 1) 345/230/13.2KV TRANSFORMER CKT 1'    | FROM->TO | 0.49474 | 554.9  | 'Golden Spread REC - Mustang Interchange 230 kV Generation Bus 230/22.0KV TRANSFORMER CKT 1' |
| 11G  | 2 | G10_059 | 'HOBBS_INT 7345.00 (HOBBS 1) 345/230/13.2KV TRANSFORMER CKT 1'    | FROM->TO | 0.49474 | 554.9  | 'Golden Spread REC - Mustang Interchange 230 kV Generation Bus 230/22.0KV TRANSFORMER CKT 1' |
| 11G  | 2 | G10_060 | 'HOBBS_INT 7345.00 (HOBBS 1) 345/230/13.2KV TRANSFORMER CKT 1'    | FROM->TO | 0.49886 | 555.4  | 'BORDER 7345.00 - TUCO INTERCHANGE 345KV CKT 1'  |
| 11G  | 2 | G10_059 | 'HOBBS_INT 7345.00 (HOBBS 1) 345/230/13.2KV TRANSFORMER CKT 1'    | FROM->TO | 0.49886 | 555.4  | 'BORDER 7345.00 - TUCO INTERCHANGE 345KV CKT 1'  |
| 11G  | 2 | G10_060 | 'HOBBS_INT 7345.00 (HOBBS 1) 345/230/13.2KV TRANSFORMER CKT 1'    | FROM->TO | 0.49474 | 555.4  | 'Golden Spread REC - Mustang Interchange 230 kV Generation Bus 230/22.0KV TRANSFORMER CKT 1' |
| 11G  | 2 | G10_059 | 'HOBBS_INT 7345.00 (HOBBS 1) 345/230/13.2KV TRANSFORMER CKT 1'    | FROM->TO | 0.49474 | 555.4  | 'Golden Spread REC - Mustang Interchange 230 kV Generation Bus 230/22.0KV TRANSFORMER CKT 1' |
| 11G  | 2 | G10_060 | 'BORDEN 7345.00 - MIDLAND 7345.00 345KV CKT 1'                    | TO->FROM | 0.92033 | 1199.8 | 'HOBBS_INT 7345.00 (HOBBS 1) 345/230/13.2KV TRANSFORMER CKT 1'                               |
| 11G  | 2 | G10_059 | 'BORDEN 7345.00 - MIDLAND 7345.00 345KV CKT 1'                    | TO->FROM | 0.92033 | 1199.8 | 'HOBBS_INT 7345.00 (HOBBS 1) 345/230/13.2KV TRANSFORMER CKT 1'                               |
| 11G  | 2 | G10_060 | 'BORDEN 7345.00 - MIDLAND 7345.00 345KV CKT 1'                    | TO->FROM | 0.92033 | 1199.8 | 'HOBBS_INT 7345.00 - MIDLAND 7345.00 345KV CKT 1'  |
| 11G  | 2 | G10_059 | 'BORDEN 7345.00 - MIDLAND 7345.00 345KV CKT 1'                    | TO->FROM | 0.92033 | 1199.8 | 'HOBBS_INT 7345.00 - MIDLAND 7345.00 345KV CKT 1'  |
| 11G  | 2 | G10_060 | 'HOBBS_INT 7345.00 (HOBBS 1) 345/230/13.2KV TRANSFORMER CKT 1'    | FROM->TO | 0.49474 | 554.9  | 'BASE CASE'  |
| 11G  | 2 | G10_059 | 'HOBBS_INT 7345.00 (HOBBS 1) 345/230/13.2KV TRANSFORMER CKT 1'    | FROM->TO | 0.49474 | 554.9  | 'BASE CASE'  |
| 11G  | 2 | G10_060 | 'HOBBS_INT 7345.00 (HOBBS 1) 345/230/13.2KV TRANSFORMER CKT 1'    | FROM->TO | 0.49474 | 555.4  | 'BASE CASE'  |
| 11G  | 2 | G10_059 | 'HOBBS_INT 7345.00 (HOBBS 1) 345/230/13.2KV TRANSFORMER CKT 1'    | FROM->TO | 0.49474 | 555.4  | 'BASE CASE'  |
| 11G  | 2 | G10_060 | 'CUNNINGHAM STATION - HOBBS INTERCHANGE 230KV CKT 1'              | TO->FROM | 0.40679 | 556.9  | 'BORDEN 7345.00 - GRASSLAND 7 345.00 345KV CKT 1'  |
| 11G  | 2 | G10_059 | 'CUNNINGHAM STATION - HOBBS INTERCHANGE 230KV CKT 1'              | TO->FROM | 0.40679 | 556.9  | 'BORDEN 7345.00 - GRASSLAND 7 345.00 345KV CKT 1'  |
| 11SP | 3 | G10_059 | 'AMOCO SWITCHING STATION - YOAKUM COUNTY INTERCHANGE 230KV CKT 1' | TO->FROM | 0.30773 | 349    | 'BORDEN 7345.00 - GRASSLAND 7 345.00 345KV CKT 1'  |
| 11SP | 3 | G10_060 | 'AMOCO SWITCHING STATION - YOAKUM COUNTY INTERCHANGE 230KV CKT 1' | TO->FROM | 0.30773 | 349    | 'BORDEN 7345.00 - GRASSLAND 7 345.00 345KV CKT 1'  |
| 11SP | 3 | G10_059 | 'AMOCO SWITCHING STATION - YOAKUM COUNTY INTERCHANGE 230KV CKT 1' | TO->FROM | 0.26067 | 349    | 'BORDEN 7345.00 - MIDLAND 7345.00 345KV CKT 2'   |
| 11SP | 3 | G10_060 | 'AMOCO SWITCHING STATION - YOAKUM COUNTY INTERCHANGE 230KV CKT 1' | TO->FROM | 0.26067 | 349    | 'BORDEN 7345.00 - MIDLAND 7345.00 345KV CKT 2'   |

|      |   |         |   |          |         |       |   |
|------|---|---------|---|----------|---------|-------|---|
| 11SP | 3 | G10_059 | 'AMOCO SWITCHING STATION - YOAKUM COUNTY INTERCHANGE 230KV CKT 1' | TO->FROM | 0.24241 | 349   | 'GRASSLAND 7 345.00 - JONES 7 345.00 345KV CKT 1'           |
| 11SP | 3 | G10_060 | 'AMOCO SWITCHING STATION - YOAKUM COUNTY INTERCHANGE 230KV CKT 1' | TO->FROM | 0.24241 | 349   | 'GRASSLAND 7 345.00 - JONES 7 345.00 345KV CKT 1'           |
| 11SP | 3 | G10_059 | 'YOAKUM 7 345.00 (YOAKUM T3) 345/230/13.2KV TRANSFORMER CKT 1'    | FROM->TO | 0.53576 | 555.1 | 'BORDEN 7345.00 - GRASSLAND 7 345.00 345KV CKT 1'           |
| 11SP | 3 | G10_060 | 'YOAKUM 7 345.00 (YOAKUM T3) 345/230/13.2KV TRANSFORMER CKT 1'    | FROM->TO | 0.53576 | 555.1 | 'BORDEN 7345.00 - GRASSLAND 7 345.00 345KV CKT 1'           |
| 11SP | 3 | G10_059 | 'YOAKUM 7 345.00 (YOAKUM T3) 345/230/13.2KV TRANSFORMER CKT 1'    | FROM->TO | 0.53576 | 555.4 | 'BORDEN 7345.00 - GRASSLAND 7 345.00 345KV CKT 1'           |
| 11SP | 3 | G10_060 | 'YOAKUM 7 345.00 (YOAKUM T3) 345/230/13.2KV TRANSFORMER CKT 1'    | FROM->TO | 0.53576 | 555.4 | 'BORDEN 7345.00 - GRASSLAND 7 345.00 345KV CKT 1'           |
| 11SP | 3 | G10_059 | 'AMOCO SWITCHING STATION - SUNDOWN INTERCHANGE 230KV CKT 1'       | FROM->TO | 0.30773 | 351   | 'BORDEN 7345.00 - GRASSLAND 7 345.00 345KV CKT 1'           |
| 11SP | 3 | G10_060 | 'AMOCO SWITCHING STATION - SUNDOWN INTERCHANGE 230KV CKT 1'       | FROM->TO | 0.30773 | 351   | 'BORDEN 7345.00 - GRASSLAND 7 345.00 345KV CKT 1'           |
| 11SP | 3 | G10_059 | 'AMOCO SWITCHING STATION - YOAKUM COUNTY INTERCHANGE 230KV CKT 1' | TO->FROM | 0.20195 | 349   | 'TOLK STATION WEST - YOAKUM COUNTY INTERCHANGE 230KV CKT 1' |
| 11SP | 3 | G10_060 | 'AMOCO SWITCHING STATION - YOAKUM COUNTY INTERCHANGE 230KV CKT 1' | TO->FROM | 0.20195 | 349   | 'TOLK STATION WEST - YOAKUM COUNTY INTERCHANGE 230KV CKT 1' |
| 11SP | 3 | G10_059 | 'JONES STATION - TUCO INTERCHANGE 230KV CKT 1'                    | FROM->TO | 0.27505 | 346.6 | 'JONES 7 345.00 - TUCO INTERCHANGE 345KV CKT 1'             |
| 11SP | 3 | G10_060 | 'JONES STATION - TUCO INTERCHANGE 230KV CKT 1'                    | FROM->TO | 0.27505 | 346.6 | 'JONES 7 345.00 - TUCO INTERCHANGE 345KV CKT 1'             |
| 11SP | 3 | G10_059 | 'YOAKUM 7 345.00 (YOAKUM T3) 345/230/13.2KV TRANSFORMER CKT 1'    | FROM->TO | 0.4626  | 555.1 | 'BORDEN 7345.00 - MIDLAND 7345.00 345KV CKT 2'              |
| 11SP | 3 | G10_060 | 'YOAKUM 7 345.00 (YOAKUM T3) 345/230/13.2KV TRANSFORMER CKT 1'    | FROM->TO | 0.4626  | 555.1 | 'BORDEN 7345.00 - MIDLAND 7345.00 345KV CKT 2'              |
| 11SP | 3 | G10_059 | 'YOAKUM 7 345.00 (YOAKUM T3) 345/230/13.2KV TRANSFORMER CKT 1'    | FROM->TO | 0.4626  | 555.4 | 'BORDEN 7345.00 - MIDLAND 7345.00 345KV CKT 2'              |
| 11SP | 3 | G10_060 | 'YOAKUM 7 345.00 (YOAKUM T3) 345/230/13.2KV TRANSFORMER CKT 1'    | FROM->TO | 0.4626  | 555.4 | 'BORDEN 7345.00 - MIDLAND 7345.00 345KV CKT 2'              |
| 11SP | 3 | G10_059 | 'AMOCO SWITCHING STATION - SUNDOWN INTERCHANGE 230KV CKT 1'       | FROM->TO | 0.26067 | 351   | 'BORDEN 7345.00 - MIDLAND 7345.00 345KV CKT 2'              |
| 11SP | 3 | G10_060 | 'AMOCO SWITCHING STATION - SUNDOWN INTERCHANGE 230KV CKT 1'       | FROM->TO | 0.26067 | 351   | 'BORDEN 7345.00 - MIDLAND 7345.00 345KV CKT 2'              |
| 11SP | 3 | G10_059 | 'SUNDOWN INTERCHANGE - WOLFFORTH INTERCHANGE 230KV CKT 1'         | FROM->TO | 0.23228 | 350.8 | 'BORDEN 7345.00 - GRASSLAND 7 345.00 345KV CKT 1'           |
| 11SP | 3 | G10_060 | 'SUNDOWN INTERCHANGE - WOLFFORTH INTERCHANGE 230KV CKT 1'         | FROM->TO | 0.23228 | 350.8 | 'BORDEN 7345.00 - GRASSLAND 7 345.00 345KV CKT 1'           |
| 11SP | 3 | G10_058 | 'DEAF SMITH COUNTY INTERCHANGE - PLANT X STATION 230KV CKT 1'     | TO->FROM | 0.22128 | 350.7 | 'PLANT X STATION - S-RANDLCO 230.00 230KV CKT 1'            |
| 11SP | 3 | G10_059 | 'YOAKUM 7 345.00 (YOAKUM T3) 345/230/13.2KV TRANSFORMER CKT 1'    | FROM->TO | 0.43476 | 555.1 | 'GRASSLAND 7 345.00 - JONES 7 345.00 345KV CKT 1'           |
| 11SP | 3 | G10_060 | 'YOAKUM 7 345.00 (YOAKUM T3) 345/230/13.2KV TRANSFORMER CKT 1'    | FROM->TO | 0.43476 | 555.1 | 'GRASSLAND 7 345.00 - JONES 7 345.00 345KV CKT 1'           |
| 11SP | 3 | G10_059 | 'YOAKUM 7 345.00 (YOAKUM T3) 345/230/13.2KV TRANSFORMER CKT 1'    | FROM->TO | 0.43476 | 555.4 | 'GRASSLAND 7 345.00 - JONES 7 345.00 345KV CKT 1'           |
| 11SP | 3 | G10_060 | 'YOAKUM 7 345.00 (YOAKUM T3) 345/230/13.2KV TRANSFORMER CKT 1'    | FROM->TO | 0.43476 | 555.4 | 'GRASSLAND 7 345.00 - JONES 7 345.00 345KV CKT 1'           |

|      |   |         |   |          |         |       |  |
|------|---|---------|---|----------|---------|-------|--|
| 11SP | 3 | G10_059 | 'HOBBS_INT 7345.00 (HOBBS 1) 345/230/13.2KV TRANSFORMER CKT 1'    | FROM->TO | 0.46408 | 554.2 | 'BORDEN 7345.00 - GRASSLAND 7 345.00 345KV CKT 1'              |
| 11SP | 3 | G10_060 | 'HOBBS_INT 7345.00 (HOBBS 1) 345/230/13.2KV TRANSFORMER CKT 1'    | FROM->TO | 0.46408 | 554.2 | 'BORDEN 7345.00 - GRASSLAND 7 345.00 345KV CKT 1'              |
| 11SP | 3 | G10_059 | 'HOBBS_INT 7345.00 (HOBBS 1) 345/230/13.2KV TRANSFORMER CKT 1'    | FROM->TO | 0.46408 | 554.7 | 'BORDEN 7345.00 - GRASSLAND 7 345.00 345KV CKT 1'              |
| 11SP | 3 | G10_060 | 'HOBBS_INT 7345.00 (HOBBS 1) 345/230/13.2KV TRANSFORMER CKT 1'    | FROM->TO | 0.46408 | 554.7 | 'BORDEN 7345.00 - GRASSLAND 7 345.00 345KV CKT 1'              |
| 11SP | 3 | G10_059 | 'YOAKUM 7 345.00 (YOAKUM T3) 345/230/13.2KV TRANSFORMER CKT 1'    | FROM->TO | 0.47128 | 555.1 | 'HOBBS_INT 7345.00 - MIDLAND 7345.00 345KV CKT 1'              |
| 11SP | 3 | G10_060 | 'YOAKUM 7 345.00 (YOAKUM T3) 345/230/13.2KV TRANSFORMER CKT 1'    | FROM->TO | 0.47128 | 555.1 | 'HOBBS_INT 7345.00 - MIDLAND 7345.00 345KV CKT 1'              |
| 11SP | 3 | G10_059 | 'YOAKUM 7 345.00 (YOAKUM T3) 345/230/13.2KV TRANSFORMER CKT 1'    | FROM->TO | 0.47128 | 555.1 | 'HOBBS_INT 7345.00 (HOBBS 1) 345/230/13.2KV TRANSFORMER CKT 1' |
| 11SP | 3 | G10_060 | 'YOAKUM 7 345.00 (YOAKUM T3) 345/230/13.2KV TRANSFORMER CKT 1'    | FROM->TO | 0.47128 | 555.1 | 'HOBBS_INT 7345.00 (HOBBS 1) 345/230/13.2KV TRANSFORMER CKT 1' |
| 11SP | 3 | G10_059 | 'YOAKUM 7 345.00 (YOAKUM T3) 345/230/13.2KV TRANSFORMER CKT 1'    | FROM->TO | 0.47128 | 555.4 | 'HOBBS_INT 7345.00 - MIDLAND 7345.00 345KV CKT 1'              |
| 11SP | 3 | G10_060 | 'YOAKUM 7 345.00 (YOAKUM T3) 345/230/13.2KV TRANSFORMER CKT 1'    | FROM->TO | 0.47128 | 555.4 | 'HOBBS_INT 7345.00 - MIDLAND 7345.00 345KV CKT 1'              |
| 11SP | 3 | G10_059 | 'YOAKUM 7 345.00 (YOAKUM T3) 345/230/13.2KV TRANSFORMER CKT 1'    | FROM->TO | 0.47128 | 555.4 | 'HOBBS_INT 7345.00 (HOBBS 1) 345/230/13.2KV TRANSFORMER CKT 1' |
| 11SP | 3 | G10_060 | 'YOAKUM 7 345.00 (YOAKUM T3) 345/230/13.2KV TRANSFORMER CKT 1'    | FROM->TO | 0.47128 | 555.4 | 'HOBBS_INT 7345.00 (HOBBS 1) 345/230/13.2KV TRANSFORMER CKT 1' |
| 16SP | 3 | G10_059 | 'AMOCO SWITCHING STATION - YOAKUM COUNTY INTERCHANGE 230KV CKT 1' | TO->FROM | 0.30473 | 349.2 | 'BORDEN 7345.00 - GRASSLAND 7 345.00 345KV CKT 1'              |
| 16SP | 3 | G10_060 | 'AMOCO SWITCHING STATION - YOAKUM COUNTY INTERCHANGE 230KV CKT 1' | TO->FROM | 0.30473 | 349.2 | 'BORDEN 7345.00 - GRASSLAND 7 345.00 345KV CKT 1'              |
| 16SP | 3 | G10_059 | 'AMOCO SWITCHING STATION - YOAKUM COUNTY INTERCHANGE 230KV CKT 1' | TO->FROM | 0.25832 | 349.2 | 'BORDEN 7345.00 - MIDLAND 7345.00 345KV CKT 2'                 |
| 16SP | 3 | G10_060 | 'AMOCO SWITCHING STATION - YOAKUM COUNTY INTERCHANGE 230KV CKT 1' | TO->FROM | 0.25832 | 349.2 | 'BORDEN 7345.00 - MIDLAND 7345.00 345KV CKT 2'                 |
| 16SP | 3 | G10_059 | 'AMOCO SWITCHING STATION - YOAKUM COUNTY INTERCHANGE 230KV CKT 1' | TO->FROM | 0.24057 | 349.2 | 'GRASSLAND 7 345.00 - JONES 7 345.00 345KV CKT 1'              |
| 16SP | 3 | G10_060 | 'AMOCO SWITCHING STATION - YOAKUM COUNTY INTERCHANGE 230KV CKT 1' | TO->FROM | 0.24057 | 349.2 | 'GRASSLAND 7 345.00 - JONES 7 345.00 345KV CKT 1'              |
| 16SP | 3 | G10_059 | 'AMOCO SWITCHING STATION - YOAKUM COUNTY INTERCHANGE 230KV CKT 1' | TO->FROM | 0.22443 | 349.2 | 'TOLK STATION WEST - YOAKUM COUNTY INTERCHANGE 230KV CKT 1'    |
| 16SP | 3 | G10_060 | 'AMOCO SWITCHING STATION - YOAKUM COUNTY INTERCHANGE 230KV CKT 1' | TO->FROM | 0.22443 | 349.2 | 'TOLK STATION WEST - YOAKUM COUNTY INTERCHANGE 230KV CKT 1'    |
| 16SP | 3 | G10_059 | 'YOAKUM 7 345.00 (YOAKUM T3) 345/230/13.2KV TRANSFORMER CKT 1'    | FROM->TO | 0.53534 | 555.1 | 'BORDEN 7345.00 - GRASSLAND 7 345.00 345KV CKT 1'              |
| 16SP | 3 | G10_060 | 'YOAKUM 7 345.00 (YOAKUM T3) 345/230/13.2KV TRANSFORMER CKT 1'    | FROM->TO | 0.53534 | 555.1 | 'BORDEN 7345.00 - GRASSLAND 7 345.00 345KV CKT 1'              |
| 16SP | 3 | G10_059 | 'YOAKUM 7 345.00 (YOAKUM T3) 345/230/13.2KV TRANSFORMER CKT 1'    | FROM->TO | 0.53534 | 555.3 | 'BORDEN 7345.00 - GRASSLAND 7 345.00 345KV CKT 1'              |
| 16SP | 3 | G10_060 | 'YOAKUM 7 345.00 (YOAKUM T3) 345/230/13.2KV TRANSFORMER CKT 1'    | FROM->TO | 0.53534 | 555.3 | 'BORDEN 7345.00 - GRASSLAND 7 345.00 345KV CKT 1'              |
| 16SP | 3 | G10_059 | 'AMOCO SWITCHING STATION - SUNDOWN INTERCHANGE 230KV CKT 1'       | FROM->TO | 0.30473 | 350.8 | 'BORDEN 7345.00 - GRASSLAND 7 345.00 345KV CKT 1'              |

|      |   |         |  |          |         |       |  |
|------|---|---------|--|----------|---------|-------|--|
| 16SP | 3 | G10_060 | 'AMOCO SWITCHING STATION - SUNDOWN INTERCHANGE 230KV CKT 1'    | FROM->TO | 0.30473 | 350.8 | 'BORDEN 7345.00 - GRASSLAND 7345.00 345KV CKT 1'               |
| 16SP | 3 | G10_058 | 'NEWHART 6230.00 - PLANT X STATION 230KV CKT 1'                | TO->FROM | 0.22138 | 350.9 | 'DEAF SMITH COUNTY INTERCHANGE - PLANT X STATION 230KV CKT 1'  |
| 16SP | 3 | G10_059 | 'YOAKUM 7 345.00 (YOAKUM T3) 345/230/13.2KV TRANSFORMER CKT 1' | FROM->TO | 0.46252 | 555.1 | 'BORDEN 7345.00 - MIDLAND 7345.00 345KV CKT 2'                 |
| 16SP | 3 | G10_060 | 'YOAKUM 7 345.00 (YOAKUM T3) 345/230/13.2KV TRANSFORMER CKT 1' | FROM->TO | 0.46252 | 555.1 | 'BORDEN 7345.00 - MIDLAND 7345.00 345KV CKT 2'                 |
| 16SP | 3 | G10_059 | 'YOAKUM 7 345.00 (YOAKUM T3) 345/230/13.2KV TRANSFORMER CKT 1' | FROM->TO | 0.46252 | 555.3 | 'BORDEN 7345.00 - MIDLAND 7345.00 345KV CKT 2'                 |
| 16SP | 3 | G10_060 | 'YOAKUM 7 345.00 (YOAKUM T3) 345/230/13.2KV TRANSFORMER CKT 1' | FROM->TO | 0.46252 | 555.3 | 'BORDEN 7345.00 - MIDLAND 7345.00 345KV CKT 2'                 |
| 16SP | 3 | G10_059 | 'AMOCO SWITCHING STATION - SUNDOWN INTERCHANGE 230KV CKT 1'    | FROM->TO | 0.25832 | 350.8 | 'BORDEN 7345.00 - MIDLAND 7345.00 345KV CKT 2'                 |
| 16SP | 3 | G10_060 | 'AMOCO SWITCHING STATION - SUNDOWN INTERCHANGE 230KV CKT 1'    | FROM->TO | 0.25832 | 350.8 | 'BORDEN 7345.00 - MIDLAND 7345.00 345KV CKT 2'                 |
| 16SP | 3 | G10_059 | 'YOAKUM 7 345.00 (YOAKUM T3) 345/230/13.2KV TRANSFORMER CKT 1' | FROM->TO | 0.52772 | 555.1 | 'HOBBS_INT 7345.00 - MIDLAND 7345.00 345KV CKT 1'              |
| 16SP | 3 | G10_060 | 'YOAKUM 7 345.00 (YOAKUM T3) 345/230/13.2KV TRANSFORMER CKT 1' | FROM->TO | 0.52772 | 555.1 | 'HOBBS_INT 7345.00 - MIDLAND 7345.00 345KV CKT 1'              |
| 16SP | 3 | G10_059 | 'YOAKUM 7 345.00 (YOAKUM T3) 345/230/13.2KV TRANSFORMER CKT 1' | FROM->TO | 0.52772 | 555.1 | 'HOBBS_INT 7345.00 (HOBBS 1) 345/230/13.2KV TRANSFORMER CKT 1' |
| 16SP | 3 | G10_060 | 'YOAKUM 7 345.00 (YOAKUM T3) 345/230/13.2KV TRANSFORMER CKT 1' | FROM->TO | 0.52772 | 555.1 | 'HOBBS_INT 7345.00 (HOBBS 1) 345/230/13.2KV TRANSFORMER CKT 1' |
| 16SP | 3 | G10_059 | 'YOAKUM 7 345.00 (YOAKUM T3) 345/230/13.2KV TRANSFORMER CKT 1' | FROM->TO | 0.52772 | 555.3 | 'HOBBS_INT 7345.00 - MIDLAND 7345.00 345KV CKT 1'              |
| 16SP | 3 | G10_060 | 'YOAKUM 7 345.00 (YOAKUM T3) 345/230/13.2KV TRANSFORMER CKT 1' | FROM->TO | 0.52772 | 555.3 | 'HOBBS_INT 7345.00 - MIDLAND 7345.00 345KV CKT 1'              |
| 16SP | 3 | G10_059 | 'YOAKUM 7 345.00 (YOAKUM T3) 345/230/13.2KV TRANSFORMER CKT 1' | FROM->TO | 0.52772 | 555.3 | 'HOBBS_INT 7345.00 (HOBBS 1) 345/230/13.2KV TRANSFORMER CKT 1' |
| 16SP | 3 | G10_060 | 'YOAKUM 7 345.00 (YOAKUM T3) 345/230/13.2KV TRANSFORMER CKT 1' | FROM->TO | 0.52772 | 555.3 | 'HOBBS_INT 7345.00 (HOBBS 1) 345/230/13.2KV TRANSFORMER CKT 1' |
| 16SP | 3 | G10_058 | 'DEAF SMITH COUNTY INTERCHANGE - PLANT X STATION 230KV CKT 1'  | TO->FROM | 0.20369 | 350.4 | 'NEWHART 6230.00 - PLANT X STATION 230KV CKT 1'                |
| 16SP | 3 | G10_059 | 'SUNDOWN INTERCHANGE - WOLFFORTH INTERCHANGE 230KV CKT 1'      | FROM->TO | 0.22189 | 350.6 | 'BORDEN 7345.00 - GRASSLAND 7345.00 345KV CKT 1'               |
| 16SP | 3 | G10_060 | 'SUNDOWN INTERCHANGE - WOLFFORTH INTERCHANGE 230KV CKT 1'      | FROM->TO | 0.22189 | 350.6 | 'BORDEN 7345.00 - GRASSLAND 7345.00 345KV CKT 1'               |
| 16SP | 3 | G10_059 | 'JONES STATION - TUCO INTERCHANGE 230KV CKT 1'                 | FROM->TO | 0.25255 | 345.6 | 'JONES 7 345.00 - TUCO INTERCHANGE 345KV CKT 1'                |
| 16SP | 3 | G10_060 | 'JONES STATION - TUCO INTERCHANGE 230KV CKT 1'                 | FROM->TO | 0.25255 | 345.6 | 'JONES 7 345.00 - TUCO INTERCHANGE 345KV CKT 1'                |
| 16SP | 3 | G10_059 | 'YOAKUM 7 345.00 (YOAKUM T3) 345/230/13.2KV TRANSFORMER CKT 1' | FROM->TO | 0.43516 | 555.1 | 'GRASSLAND 7345.00 - JONES 7 345.00 345KV CKT 1'               |
| 16SP | 3 | G10_060 | 'YOAKUM 7 345.00 (YOAKUM T3) 345/230/13.2KV TRANSFORMER CKT 1' | FROM->TO | 0.43516 | 555.1 | 'GRASSLAND 7345.00 - JONES 7 345.00 345KV CKT 1'               |
| 16SP | 3 | G10_059 | 'YOAKUM 7 345.00 (YOAKUM T3) 345/230/13.2KV TRANSFORMER CKT 1' | FROM->TO | 0.43516 | 555.3 | 'GRASSLAND 7345.00 - JONES 7 345.00 345KV CKT 1'               |
| 16SP | 3 | G10_060 | 'YOAKUM 7 345.00 (YOAKUM T3) 345/230/13.2KV TRANSFORMER CKT 1' | FROM->TO | 0.43516 | 555.3 | 'GRASSLAND 7345.00 - JONES 7 345.00 345KV CKT 1'               |



|      |   |         |  |          |         |       |   |
|------|---|---------|--|----------|---------|-------|---|
| 16SP | 3 | G10_058 | 'NEWHART 6230.00 - PLANT X STATION 230KV<br>CKT 1'                   | TO->FROM | 0.20024 | 350.9 | 'TOLK STATION EAST - TUCO INTERCHANGE<br>230KV CKT 1'             |
| 16SP | 3 | G10_059 | 'HOBBS_INT 7345.00 (HOBBS 1) 345/230/13.2KV<br>TRANSFORMER CKT 1'    | FROM->TO | 0.50126 | 554.4 | 'MIDLAND 7345.00 - YOAKUM 7 345.00 345KV<br>CKT 1'                |
| 16SP | 3 | G10_060 | 'HOBBS_INT 7345.00 (HOBBS 1) 345/230/13.2KV<br>TRANSFORMER CKT 1'    | FROM->TO | 0.50126 | 554.4 | 'MIDLAND 7345.00 - YOAKUM 7 345.00 345KV<br>CKT 1'                |
| 16SP | 3 | G10_059 | 'HOBBS_INT 7345.00 (HOBBS 1) 345/230/13.2KV<br>TRANSFORMER CKT 1'    | FROM->TO | 0.50126 | 554.4 | 'YOAKUM 7 345.00 (YOAKUM T3)<br>345/230/13.2KV TRANSFORMER CKT 1' |
| 16SP | 3 | G10_060 | 'HOBBS_INT 7345.00 (HOBBS 1) 345/230/13.2KV<br>TRANSFORMER CKT 1'    | FROM->TO | 0.50126 | 554.4 | 'YOAKUM 7 345.00 (YOAKUM T3)<br>345/230/13.2KV TRANSFORMER CKT 1' |
| 16SP | 3 | G10_059 | 'HOBBS_INT 7345.00 (HOBBS 1) 345/230/13.2KV<br>TRANSFORMER CKT 1'    | FROM->TO | 0.50126 | 555.2 | 'MIDLAND 7345.00 - YOAKUM 7 345.00 345KV<br>CKT 1'                |
| 16SP | 3 | G10_060 | 'HOBBS_INT 7345.00 (HOBBS 1) 345/230/13.2KV<br>TRANSFORMER CKT 1'    | FROM->TO | 0.50126 | 555.2 | 'MIDLAND 7345.00 - YOAKUM 7 345.00 345KV<br>CKT 1'                |
| 16SP | 3 | G10_059 | 'HOBBS_INT 7345.00 (HOBBS 1) 345/230/13.2KV<br>TRANSFORMER CKT 1'    | FROM->TO | 0.50126 | 555.2 | 'YOAKUM 7 345.00 (YOAKUM T3)<br>345/230/13.2KV TRANSFORMER CKT 1' |
| 16SP | 3 | G10_060 | 'HOBBS_INT 7345.00 (HOBBS 1) 345/230/13.2KV<br>TRANSFORMER CKT 1'    | FROM->TO | 0.50126 | 555.2 | 'YOAKUM 7 345.00 (YOAKUM T3)<br>345/230/13.2KV TRANSFORMER CKT 1' |
| 16SP | 3 | G10_059 | 'HOBBS_INT 7345.00 (HOBBS 1) 345/230/13.2KV<br>TRANSFORMER CKT 1'    | FROM->TO | 0.46452 | 554.4 | 'BORDEN 7345.00 - GRASSLAND 7 345.00<br>345KV CKT 1'              |
| 16SP | 3 | G10_060 | 'HOBBS_INT 7345.00 (HOBBS 1) 345/230/13.2KV<br>TRANSFORMER CKT 1'    | FROM->TO | 0.46452 | 554.4 | 'BORDEN 7345.00 - GRASSLAND 7 345.00<br>345KV CKT 1'              |
| 16SP | 3 | G10_059 | 'HOBBS_INT 7345.00 (HOBBS 1) 345/230/13.2KV<br>TRANSFORMER CKT 1'    | FROM->TO | 0.46452 | 555.2 | 'BORDEN 7345.00 - GRASSLAND 7 345.00<br>345KV CKT 1'              |
| 16SP | 3 | G10_060 | 'HOBBS_INT 7345.00 (HOBBS 1) 345/230/13.2KV<br>TRANSFORMER CKT 1'    | FROM->TO | 0.46452 | 555.2 | 'BORDEN 7345.00 - GRASSLAND 7 345.00<br>345KV CKT 1'              |
| 16SP | 3 | G10_058 | 'PLANT X STATION - TOLK STATION WEST<br>230KV CKT 1'                 | TO->FROM | 0.33584 | 500.8 | 'PLANT X STATION - TOLK STATION EAST<br>230KV CKT 2'              |
| 11WP | 3 | G10_059 | 'AMOCO SWITCHING STATION - YOAKUM<br>COUNTY INTERCHANGE 230KV CKT 1' | TO->FROM | 0.30801 | 357.6 | 'BORDEN 7345.00 - GRASSLAND 7 345.00<br>345KV CKT 1'              |
| 11WP | 3 | G10_060 | 'AMOCO SWITCHING STATION - YOAKUM<br>COUNTY INTERCHANGE 230KV CKT 1' | TO->FROM | 0.30801 | 357.6 | 'BORDEN 7345.00 - GRASSLAND 7 345.00<br>345KV CKT 1'              |
| 11WP | 3 | G10_059 | 'AMOCO SWITCHING STATION - YOAKUM<br>COUNTY INTERCHANGE 230KV CKT 1' | TO->FROM | 0.26091 | 357.6 | 'BORDEN 7345.00 - MIDLAND 7345.00 345KV<br>CKT 2'                 |
| 11WP | 3 | G10_060 | 'AMOCO SWITCHING STATION - YOAKUM<br>COUNTY INTERCHANGE 230KV CKT 1' | TO->FROM | 0.26091 | 357.6 | 'BORDEN 7345.00 - MIDLAND 7345.00 345KV<br>CKT 2'                 |
| 11WP | 3 | G10_059 | 'YOAKUM 7 345.00 (YOAKUM T3)<br>345/230/13.2KV TRANSFORMER CKT 1'    | FROM->TO | 0.53593 | 554.8 | 'BORDEN 7345.00 - GRASSLAND 7 345.00<br>345KV CKT 1'              |
| 11WP | 3 | G10_060 | 'YOAKUM 7 345.00 (YOAKUM T3)<br>345/230/13.2KV TRANSFORMER CKT 1'    | FROM->TO | 0.53593 | 554.8 | 'BORDEN 7345.00 - GRASSLAND 7 345.00<br>345KV CKT 1'              |
| 11WP | 3 | G10_059 | 'YOAKUM 7 345.00 (YOAKUM T3)<br>345/230/13.2KV TRANSFORMER CKT 1'    | FROM->TO | 0.53593 | 555   | 'BORDEN 7345.00 - GRASSLAND 7 345.00<br>345KV CKT 1'              |
| 11WP | 3 | G10_060 | 'YOAKUM 7 345.00 (YOAKUM T3)<br>345/230/13.2KV TRANSFORMER CKT 1'    | FROM->TO | 0.53593 | 555   | 'BORDEN 7345.00 - GRASSLAND 7 345.00<br>345KV CKT 1'              |
| 11WP | 3 | G10_059 | 'AMOCO SWITCHING STATION - YOAKUM<br>COUNTY INTERCHANGE 230KV CKT 1' | TO->FROM | 0.24254 | 357.6 | 'GRASSLAND 7 345.00 - JONES 7 345.00<br>345KV CKT 1'              |
| 11WP | 3 | G10_060 | 'AMOCO SWITCHING STATION - YOAKUM<br>COUNTY INTERCHANGE 230KV CKT 1' | TO->FROM | 0.24254 | 357.6 | 'GRASSLAND 7 345.00 - JONES 7 345.00<br>345KV CKT 1'              |
| 11WP | 3 | G10_059 | 'YOAKUM 7 345.00 (YOAKUM T3)<br>345/230/13.2KV TRANSFORMER CKT 1'    | FROM->TO | 0.46269 | 554.8 | 'BORDEN 7345.00 - MIDLAND 7345.00 345KV<br>CKT 2'                 |



|      |   |         |   |          |         |       |  |
|------|---|---------|---|----------|---------|-------|--|
| 11WP | 3 | G10_059 | 'HOBBS_INT 7345.00 (HOBBS 1) 345/230/13.2KV TRANSFORMER CKT 1'    | FROM->TO | 0.44509 | 554.6 | 'YOAKUM 7 345.00 (YOAKUM T3) 345/230/13.2KV TRANSFORMER CKT 1' |
| 11WP | 3 | G10_060 | 'HOBBS_INT 7345.00 (HOBBS 1) 345/230/13.2KV TRANSFORMER CKT 1'    | FROM->TO | 0.44509 | 554.6 | 'YOAKUM 7 345.00 (YOAKUM T3) 345/230/13.2KV TRANSFORMER CKT 1' |
| 11WP | 3 | G10_059 | 'SUNDOWN INTERCHANGE - WOLFFORTH INTERCHANGE 230KV CKT 1'         | FROM->TO | 0.23353 | 360.8 | 'BORDEN 7345.00 - GRASSLAND 7 345.00 345KV CKT 1'              |
| 11WP | 3 | G10_060 | 'SUNDOWN INTERCHANGE - WOLFFORTH INTERCHANGE 230KV CKT 1'         | FROM->TO | 0.23353 | 360.8 | 'BORDEN 7345.00 - GRASSLAND 7 345.00 345KV CKT 1'              |
| 16WP | 3 | G10_059 | 'AMOCO SWITCHING STATION - YOAKUM COUNTY INTERCHANGE 230KV CKT 1' | TO->FROM | 0.3057  | 358.7 | 'BORDEN 7345.00 - GRASSLAND 7 345.00 345KV CKT 1'              |
| 16WP | 3 | G10_060 | 'AMOCO SWITCHING STATION - YOAKUM COUNTY INTERCHANGE 230KV CKT 1' | TO->FROM | 0.3057  | 358.7 | 'BORDEN 7345.00 - GRASSLAND 7 345.00 345KV CKT 1'              |
| 16WP | 3 | G10_059 | 'AMOCO SWITCHING STATION - YOAKUM COUNTY INTERCHANGE 230KV CKT 1' | TO->FROM | 0.25924 | 358.7 | 'BORDEN 7345.00 - MIDLAND 7345.00 345KV CKT 2'                 |
| 16WP | 3 | G10_060 | 'AMOCO SWITCHING STATION - YOAKUM COUNTY INTERCHANGE 230KV CKT 1' | TO->FROM | 0.25924 | 358.7 | 'BORDEN 7345.00 - MIDLAND 7345.00 345KV CKT 2'                 |
| 16WP | 3 | G10_059 | 'YOAKUM 7 345.00 (YOAKUM T3) 345/230/13.2KV TRANSFORMER CKT 1'    | FROM->TO | 0.5356  | 555   | 'BORDEN 7345.00 - GRASSLAND 7 345.00 345KV CKT 1'              |
| 16WP | 3 | G10_060 | 'YOAKUM 7 345.00 (YOAKUM T3) 345/230/13.2KV TRANSFORMER CKT 1'    | FROM->TO | 0.5356  | 555   | 'BORDEN 7345.00 - GRASSLAND 7 345.00 345KV CKT 1'              |
| 16WP | 3 | G10_059 | 'YOAKUM 7 345.00 (YOAKUM T3) 345/230/13.2KV TRANSFORMER CKT 1'    | FROM->TO | 0.5356  | 555.2 | 'BORDEN 7345.00 - GRASSLAND 7 345.00 345KV CKT 1'              |
| 16WP | 3 | G10_060 | 'YOAKUM 7 345.00 (YOAKUM T3) 345/230/13.2KV TRANSFORMER CKT 1'    | FROM->TO | 0.5356  | 555.2 | 'BORDEN 7345.00 - GRASSLAND 7 345.00 345KV CKT 1'              |
| 16WP | 3 | G10_059 | 'AMOCO SWITCHING STATION - YOAKUM COUNTY INTERCHANGE 230KV CKT 1' | TO->FROM | 0.24139 | 358.7 | 'GRASSLAND 7 345.00 - JONES 7 345.00 345KV CKT 1'              |
| 16WP | 3 | G10_060 | 'AMOCO SWITCHING STATION - YOAKUM COUNTY INTERCHANGE 230KV CKT 1' | TO->FROM | 0.24139 | 358.7 | 'GRASSLAND 7 345.00 - JONES 7 345.00 345KV CKT 1'              |
| 16WP | 3 | G10_059 | 'YOAKUM 7 345.00 (YOAKUM T3) 345/230/13.2KV TRANSFORMER CKT 1'    | FROM->TO | 0.52733 | 555   | 'HOBBS_INT 7345.00 - MIDLAND 7345.00 345KV CKT 1'              |
| 16WP | 3 | G10_060 | 'YOAKUM 7 345.00 (YOAKUM T3) 345/230/13.2KV TRANSFORMER CKT 1'    | FROM->TO | 0.52733 | 555   | 'HOBBS_INT 7345.00 - MIDLAND 7345.00 345KV CKT 1'              |
| 16WP | 3 | G10_059 | 'YOAKUM 7 345.00 (YOAKUM T3) 345/230/13.2KV TRANSFORMER CKT 1'    | FROM->TO | 0.52733 | 555   | 'HOBBS_INT 7345.00 (HOBBS 1) 345/230/13.2KV TRANSFORMER CKT 1' |
| 16WP | 3 | G10_060 | 'YOAKUM 7 345.00 (YOAKUM T3) 345/230/13.2KV TRANSFORMER CKT 1'    | FROM->TO | 0.52733 | 555   | 'HOBBS_INT 7345.00 (HOBBS 1) 345/230/13.2KV TRANSFORMER CKT 1' |
| 16WP | 3 | G10_059 | 'YOAKUM 7 345.00 (YOAKUM T3) 345/230/13.2KV TRANSFORMER CKT 1'    | FROM->TO | 0.52733 | 555.2 | 'HOBBS_INT 7345.00 - MIDLAND 7345.00 345KV CKT 1'              |
| 16WP | 3 | G10_060 | 'YOAKUM 7 345.00 (YOAKUM T3) 345/230/13.2KV TRANSFORMER CKT 1'    | FROM->TO | 0.52733 | 555.2 | 'HOBBS_INT 7345.00 - MIDLAND 7345.00 345KV CKT 1'              |
| 16WP | 3 | G10_059 | 'YOAKUM 7 345.00 (YOAKUM T3) 345/230/13.2KV TRANSFORMER CKT 1'    | FROM->TO | 0.52733 | 555.2 | 'HOBBS_INT 7345.00 (HOBBS 1) 345/230/13.2KV TRANSFORMER CKT 1' |
| 16WP | 3 | G10_060 | 'YOAKUM 7 345.00 (YOAKUM T3) 345/230/13.2KV TRANSFORMER CKT 1'    | FROM->TO | 0.52733 | 555.2 | 'HOBBS_INT 7345.00 (HOBBS 1) 345/230/13.2KV TRANSFORMER CKT 1' |
| 16WP | 3 | G10_059 | 'YOAKUM 7 345.00 (YOAKUM T3) 345/230/13.2KV TRANSFORMER CKT 1'    | FROM->TO | 0.46269 | 555   | 'BORDEN 7345.00 - MIDLAND 7345.00 345KV CKT 2'                 |
| 16WP | 3 | G10_060 | 'YOAKUM 7 345.00 (YOAKUM T3) 345/230/13.2KV TRANSFORMER CKT 1'    | FROM->TO | 0.46269 | 555   | 'BORDEN 7345.00 - MIDLAND 7345.00 345KV CKT 2'                 |
| 16WP | 3 | G10_059 | 'YOAKUM 7 345.00 (YOAKUM T3) 345/230/13.2KV TRANSFORMER CKT 1'    | FROM->TO | 0.46269 | 555.2 | 'BORDEN 7345.00 - MIDLAND 7345.00 345KV CKT 2'                 |

|      |   |         |  |          |         |       |   |
|------|---|---------|--|----------|---------|-------|---|
| 16WP | 3 | G10_060 | 'YOAKUM 7 345.00 (YOAKUM T3)<br>345/230/13.2KV TRANSFORMER CKT 1'    | FROM->TO | 0.46269 | 555.2 | 'BORDEN 7345.00 - MIDLAND 7345.00 345KV<br>CKT 2'                 |
| 16WP | 3 | G10_059 | 'HOBBS_INT 7345.00 (HOBBS 1) 345/230/13.2KV<br>TRANSFORMER CKT 1'    | FROM->TO | 0.50069 | 553.2 | 'MIDLAND 7345.00 - YOAKUM 7 345.00 345KV<br>CKT 1'                |
| 16WP | 3 | G10_060 | 'HOBBS_INT 7345.00 (HOBBS 1) 345/230/13.2KV<br>TRANSFORMER CKT 1'    | FROM->TO | 0.50069 | 553.2 | 'MIDLAND 7345.00 - YOAKUM 7 345.00 345KV<br>CKT 1'                |
| 16WP | 3 | G10_059 | 'HOBBS_INT 7345.00 (HOBBS 1) 345/230/13.2KV<br>TRANSFORMER CKT 1'    | FROM->TO | 0.50069 | 553.2 | 'YOAKUM 7 345.00 (YOAKUM T3)<br>345/230/13.2KV TRANSFORMER CKT 1' |
| 16WP | 3 | G10_060 | 'HOBBS_INT 7345.00 (HOBBS 1) 345/230/13.2KV<br>TRANSFORMER CKT 1'    | FROM->TO | 0.50069 | 553.2 | 'YOAKUM 7 345.00 (YOAKUM T3)<br>345/230/13.2KV TRANSFORMER CKT 1' |
| 16WP | 3 | G10_059 | 'HOBBS_INT 7345.00 (HOBBS 1) 345/230/13.2KV<br>TRANSFORMER CKT 1'    | FROM->TO | 0.50069 | 553.6 | 'MIDLAND 7345.00 - YOAKUM 7 345.00 345KV<br>CKT 1'                |
| 16WP | 3 | G10_060 | 'HOBBS_INT 7345.00 (HOBBS 1) 345/230/13.2KV<br>TRANSFORMER CKT 1'    | FROM->TO | 0.50069 | 553.6 | 'MIDLAND 7345.00 - YOAKUM 7 345.00 345KV<br>CKT 1'                |
| 16WP | 3 | G10_059 | 'HOBBS_INT 7345.00 (HOBBS 1) 345/230/13.2KV<br>TRANSFORMER CKT 1'    | FROM->TO | 0.50069 | 553.6 | 'YOAKUM 7 345.00 (YOAKUM T3)<br>345/230/13.2KV TRANSFORMER CKT 1' |
| 16WP | 3 | G10_060 | 'HOBBS_INT 7345.00 (HOBBS 1) 345/230/13.2KV<br>TRANSFORMER CKT 1'    | FROM->TO | 0.50069 | 553.6 | 'YOAKUM 7 345.00 (YOAKUM T3)<br>345/230/13.2KV TRANSFORMER CKT 1' |
| 16WP | 3 | G10_058 | 'NEWHART 6230.00 - PLANT X STATION 230KV<br>CKT 1'                   | TO->FROM | 0.22022 | 360.7 | 'DEAF SMITH COUNTY INTERCHANGE - PLANT<br>X STATION 230KV CKT 1'  |
| 16WP | 3 | G10_059 | 'AMOCO SWITCHING STATION - YOAKUM<br>COUNTY INTERCHANGE 230KV CKT 1' | TO->FROM | 0.22554 | 358.7 | 'TOLK STATION WEST - YOAKUM COUNTY<br>INTERCHANGE 230KV CKT 1'    |
| 16WP | 3 | G10_060 | 'AMOCO SWITCHING STATION - YOAKUM<br>COUNTY INTERCHANGE 230KV CKT 1' | TO->FROM | 0.22554 | 358.7 | 'TOLK STATION WEST - YOAKUM COUNTY<br>INTERCHANGE 230KV CKT 1'    |
| 16WP | 3 | G10_059 | 'HOBBS_INT 7345.00 (HOBBS 1) 345/230/13.2KV<br>TRANSFORMER CKT 1'    | FROM->TO | 0.4642  | 553.2 | 'BORDEN 7345.00 - GRASSLAND 7 345.00<br>345KV CKT 1'              |
| 16WP | 3 | G10_060 | 'HOBBS_INT 7345.00 (HOBBS 1) 345/230/13.2KV<br>TRANSFORMER CKT 1'    | FROM->TO | 0.4642  | 553.2 | 'BORDEN 7345.00 - GRASSLAND 7 345.00<br>345KV CKT 1'              |
| 16WP | 3 | G10_059 | 'HOBBS_INT 7345.00 (HOBBS 1) 345/230/13.2KV<br>TRANSFORMER CKT 1'    | FROM->TO | 0.4642  | 553.6 | 'BORDEN 7345.00 - GRASSLAND 7 345.00<br>345KV CKT 1'              |
| 16WP | 3 | G10_060 | 'HOBBS_INT 7345.00 (HOBBS 1) 345/230/13.2KV<br>TRANSFORMER CKT 1'    | FROM->TO | 0.4642  | 553.6 | 'BORDEN 7345.00 - GRASSLAND 7 345.00<br>345KV CKT 1'              |
| 16WP | 3 | G10_059 | 'YOAKUM 7 345.00 (YOAKUM T3)<br>345/230/13.2KV TRANSFORMER CKT 1'    | FROM->TO | 0.43519 | 555   | 'GRASSLAND 7 345.00 - JONES 7 345.00<br>345KV CKT 1'              |
| 16WP | 3 | G10_060 | 'YOAKUM 7 345.00 (YOAKUM T3)<br>345/230/13.2KV TRANSFORMER CKT 1'    | FROM->TO | 0.43519 | 555   | 'GRASSLAND 7 345.00 - JONES 7 345.00<br>345KV CKT 1'              |
| 16WP | 3 | G10_059 | 'YOAKUM 7 345.00 (YOAKUM T3)<br>345/230/13.2KV TRANSFORMER CKT 1'    | FROM->TO | 0.43519 | 555.2 | 'GRASSLAND 7 345.00 - JONES 7 345.00<br>345KV CKT 1'              |
| 16WP | 3 | G10_060 | 'YOAKUM 7 345.00 (YOAKUM T3)<br>345/230/13.2KV TRANSFORMER CKT 1'    | FROM->TO | 0.43519 | 555.2 | 'GRASSLAND 7 345.00 - JONES 7 345.00<br>345KV CKT 1'              |
| 16WP | 3 | G10_059 | 'AMOCO SWITCHING STATION - YOAKUM<br>COUNTY INTERCHANGE 230KV CKT 1' | TO->FROM | 0.1903  | 358.7 | 'CUNNINGHAM STATION - HOBBS<br>INTERCHANGE 230KV CKT 1'           |
| 16WP | 3 | G10_060 | 'AMOCO SWITCHING STATION - YOAKUM<br>COUNTY INTERCHANGE 230KV CKT 1' | TO->FROM | 0.1903  | 358.7 | 'CUNNINGHAM STATION - HOBBS<br>INTERCHANGE 230KV CKT 1'           |
| 16WP | 3 | G10_059 | 'AMOCO SWITCHING STATION - YOAKUM<br>COUNTY INTERCHANGE 230KV CKT 1' | TO->FROM | 0.19019 | 358.7 | 'TERRY COUNTY INTERCHANGE - WOLFFORTH<br>INTERCHANGE 115KV CKT 1' |
| 16WP | 3 | G10_060 | 'AMOCO SWITCHING STATION - YOAKUM<br>COUNTY INTERCHANGE 230KV CKT 1' | TO->FROM | 0.19019 | 358.7 | 'TERRY COUNTY INTERCHANGE - WOLFFORTH<br>INTERCHANGE 115KV CKT 1' |
| 16WP | 3 | G10_058 | 'DEAF SMITH COUNTY INTERCHANGE - PLANT<br>X STATION 230KV CKT 1'     | TO->FROM | 0.20275 | 360.9 | 'NEWHART 6230.00 - PLANT X STATION 230KV<br>CKT 1'                |

|      |   |         |   |          |         |       |   |
|------|---|---------|---|----------|---------|-------|---|
| 11SP | 3 | G10_060 | 'AMOCO SWITCHING STATION - YOAKUM COUNTY INTERCHANGE 230KV CKT 1' | TO->FROM | 0.30773 | 349   | 'BORDEN 7345.00 - GRASSLAND 7345.00 345KV CKT 1'            |
| 11SP | 3 | G10_059 | 'AMOCO SWITCHING STATION - YOAKUM COUNTY INTERCHANGE 230KV CKT 1' | TO->FROM | 0.30773 | 349   | 'BORDEN 7345.00 - GRASSLAND 7345.00 345KV CKT 1'            |
| 11SP | 3 | G10_060 | 'AMOCO SWITCHING STATION - YOAKUM COUNTY INTERCHANGE 230KV CKT 1' | TO->FROM | 0.26067 | 349   | 'BORDEN 7345.00 - MIDLAND 7345.00 345KV CKT 2'              |
| 11SP | 3 | G10_059 | 'AMOCO SWITCHING STATION - YOAKUM COUNTY INTERCHANGE 230KV CKT 1' | TO->FROM | 0.26067 | 349   | 'BORDEN 7345.00 - MIDLAND 7345.00 345KV CKT 2'              |
| 11SP | 3 | G10_060 | 'AMOCO SWITCHING STATION - YOAKUM COUNTY INTERCHANGE 230KV CKT 1' | TO->FROM | 0.24241 | 349   | 'GRASSLAND 7345.00 - JONES 7345.00 345KV CKT 1'             |
| 11SP | 3 | G10_059 | 'AMOCO SWITCHING STATION - YOAKUM COUNTY INTERCHANGE 230KV CKT 1' | TO->FROM | 0.24241 | 349   | 'GRASSLAND 7345.00 - JONES 7345.00 345KV CKT 1'             |
| 11SP | 3 | G10_060 | 'YOAKUM 7345.00 (YOAKUM T3) 345/230/13.2KV TRANSFORMER CKT 1'     | FROM->TO | 0.53576 | 555.1 | 'BORDEN 7345.00 - GRASSLAND 7345.00 345KV CKT 1'            |
| 11SP | 3 | G10_059 | 'YOAKUM 7345.00 (YOAKUM T3) 345/230/13.2KV TRANSFORMER CKT 1'     | FROM->TO | 0.53576 | 555.1 | 'BORDEN 7345.00 - GRASSLAND 7345.00 345KV CKT 1'            |
| 11SP | 3 | G10_060 | 'YOAKUM 7345.00 (YOAKUM T3) 345/230/13.2KV TRANSFORMER CKT 1'     | FROM->TO | 0.53576 | 555.4 | 'BORDEN 7345.00 - GRASSLAND 7345.00 345KV CKT 1'            |
| 11SP | 3 | G10_059 | 'YOAKUM 7345.00 (YOAKUM T3) 345/230/13.2KV TRANSFORMER CKT 1'     | FROM->TO | 0.53576 | 555.4 | 'BORDEN 7345.00 - GRASSLAND 7345.00 345KV CKT 1'            |
| 11SP | 3 | G10_060 | 'AMOCO SWITCHING STATION - SUNDOWN INTERCHANGE 230KV CKT 1'       | FROM->TO | 0.30773 | 351   | 'BORDEN 7345.00 - GRASSLAND 7345.00 345KV CKT 1'            |
| 11SP | 3 | G10_059 | 'AMOCO SWITCHING STATION - SUNDOWN INTERCHANGE 230KV CKT 1'       | FROM->TO | 0.30773 | 351   | 'BORDEN 7345.00 - GRASSLAND 7345.00 345KV CKT 1'            |
| 11SP | 3 | G10_060 | 'AMOCO SWITCHING STATION - YOAKUM COUNTY INTERCHANGE 230KV CKT 1' | TO->FROM | 0.20195 | 349   | 'TOLK STATION WEST - YOAKUM COUNTY INTERCHANGE 230KV CKT 1' |
| 11SP | 3 | G10_059 | 'AMOCO SWITCHING STATION - YOAKUM COUNTY INTERCHANGE 230KV CKT 1' | TO->FROM | 0.20195 | 349   | 'TOLK STATION WEST - YOAKUM COUNTY INTERCHANGE 230KV CKT 1' |
| 11SP | 3 | G10_060 | 'JONES STATION - TUCO INTERCHANGE 230KV CKT 1'                    | FROM->TO | 0.27505 | 346.6 | 'JONES 7345.00 - TUCO INTERCHANGE 345KV CKT 1'              |
| 11SP | 3 | G10_059 | 'JONES STATION - TUCO INTERCHANGE 230KV CKT 1'                    | FROM->TO | 0.27505 | 346.6 | 'JONES 7345.00 - TUCO INTERCHANGE 345KV CKT 1'              |
| 11SP | 3 | G10_060 | 'YOAKUM 7345.00 (YOAKUM T3) 345/230/13.2KV TRANSFORMER CKT 1'     | FROM->TO | 0.4626  | 555.1 | 'BORDEN 7345.00 - MIDLAND 7345.00 345KV CKT 2'              |
| 11SP | 3 | G10_059 | 'YOAKUM 7345.00 (YOAKUM T3) 345/230/13.2KV TRANSFORMER CKT 1'     | FROM->TO | 0.4626  | 555.1 | 'BORDEN 7345.00 - MIDLAND 7345.00 345KV CKT 2'              |
| 11SP | 3 | G10_060 | 'YOAKUM 7345.00 (YOAKUM T3) 345/230/13.2KV TRANSFORMER CKT 1'     | FROM->TO | 0.4626  | 555.4 | 'BORDEN 7345.00 - MIDLAND 7345.00 345KV CKT 2'              |
| 11SP | 3 | G10_059 | 'YOAKUM 7345.00 (YOAKUM T3) 345/230/13.2KV TRANSFORMER CKT 1'     | FROM->TO | 0.4626  | 555.4 | 'BORDEN 7345.00 - MIDLAND 7345.00 345KV CKT 2'              |
| 11SP | 3 | G10_060 | 'AMOCO SWITCHING STATION - SUNDOWN INTERCHANGE 230KV CKT 1'       | FROM->TO | 0.26067 | 351   | 'BORDEN 7345.00 - MIDLAND 7345.00 345KV CKT 2'              |
| 11SP | 3 | G10_059 | 'AMOCO SWITCHING STATION - SUNDOWN INTERCHANGE 230KV CKT 1'       | FROM->TO | 0.26067 | 351   | 'BORDEN 7345.00 - MIDLAND 7345.00 345KV CKT 2'              |
| 11SP | 3 | G10_060 | 'SUNDOWN INTERCHANGE - WOLFFORTH INTERCHANGE 230KV CKT 1'         | FROM->TO | 0.23228 | 350.8 | 'BORDEN 7345.00 - GRASSLAND 7345.00 345KV CKT 1'            |
| 11SP | 3 | G10_059 | 'SUNDOWN INTERCHANGE - WOLFFORTH INTERCHANGE 230KV CKT 1'         | FROM->TO | 0.23228 | 350.8 | 'BORDEN 7345.00 - GRASSLAND 7345.00 345KV CKT 1'            |
| 11SP | 3 | G10_060 | 'YOAKUM 7345.00 (YOAKUM T3) 345/230/13.2KV TRANSFORMER CKT 1'     | FROM->TO | 0.43476 | 555.1 | 'GRASSLAND 7345.00 - JONES 7345.00 345KV CKT 1'             |

|      |   |         |  |          |         |       |   |
|------|---|---------|--|----------|---------|-------|---|
| 11SP | 3 | G10_059 | 'YOAKUM 7 345.00 (YOAKUM T3)<br>345/230/13.2KV TRANSFORMER CKT 1'    | FROM->TO | 0.43476 | 555.1 | 'GRASSLAND 7 345.00 - JONES 7 345.00<br>345KV CKT 1'              |
| 11SP | 3 | G10_060 | 'YOAKUM 7 345.00 (YOAKUM T3)<br>345/230/13.2KV TRANSFORMER CKT 1'    | FROM->TO | 0.43476 | 555.4 | 'GRASSLAND 7 345.00 - JONES 7 345.00<br>345KV CKT 1'              |
| 11SP | 3 | G10_059 | 'YOAKUM 7 345.00 (YOAKUM T3)<br>345/230/13.2KV TRANSFORMER CKT 1'    | FROM->TO | 0.43476 | 555.4 | 'GRASSLAND 7 345.00 - JONES 7 345.00<br>345KV CKT 1'              |
| 11SP | 3 | G10_060 | 'HOBBS_INT 7345.00 (HOBBS 1) 345/230/13.2KV<br>TRANSFORMER CKT 1'    | FROM->TO | 0.46408 | 554.2 | 'BORDEN 7345.00 - GRASSLAND 7 345.00<br>345KV CKT 1'              |
| 11SP | 3 | G10_059 | 'HOBBS_INT 7345.00 (HOBBS 1) 345/230/13.2KV<br>TRANSFORMER CKT 1'    | FROM->TO | 0.46408 | 554.2 | 'BORDEN 7345.00 - GRASSLAND 7 345.00<br>345KV CKT 1'              |
| 11SP | 3 | G10_060 | 'HOBBS_INT 7345.00 (HOBBS 1) 345/230/13.2KV<br>TRANSFORMER CKT 1'    | FROM->TO | 0.46408 | 554.7 | 'BORDEN 7345.00 - GRASSLAND 7 345.00<br>345KV CKT 1'              |
| 11SP | 3 | G10_059 | 'HOBBS_INT 7345.00 (HOBBS 1) 345/230/13.2KV<br>TRANSFORMER CKT 1'    | FROM->TO | 0.46408 | 554.7 | 'BORDEN 7345.00 - GRASSLAND 7 345.00<br>345KV CKT 1'              |
| 11SP | 3 | G10_060 | 'YOAKUM 7 345.00 (YOAKUM T3)<br>345/230/13.2KV TRANSFORMER CKT 1'    | FROM->TO | 0.47128 | 555.1 | 'HOBBS_INT 7345.00 - MIDLAND 7345.00<br>345KV CKT 1'              |
| 11SP | 3 | G10_059 | 'YOAKUM 7 345.00 (YOAKUM T3)<br>345/230/13.2KV TRANSFORMER CKT 1'    | FROM->TO | 0.47128 | 555.1 | 'HOBBS_INT 7345.00 - MIDLAND 7345.00<br>345KV CKT 1'              |
| 11SP | 3 | G10_060 | 'YOAKUM 7 345.00 (YOAKUM T3)<br>345/230/13.2KV TRANSFORMER CKT 1'    | FROM->TO | 0.47128 | 555.1 | 'HOBBS_INT 7345.00 (HOBBS 1) 345/230/13.2KV<br>TRANSFORMER CKT 1' |
| 11SP | 3 | G10_059 | 'YOAKUM 7 345.00 (YOAKUM T3)<br>345/230/13.2KV TRANSFORMER CKT 1'    | FROM->TO | 0.47128 | 555.1 | 'HOBBS_INT 7345.00 (HOBBS 1) 345/230/13.2KV<br>TRANSFORMER CKT 1' |
| 11SP | 3 | G10_060 | 'YOAKUM 7 345.00 (YOAKUM T3)<br>345/230/13.2KV TRANSFORMER CKT 1'    | FROM->TO | 0.47128 | 555.4 | 'HOBBS_INT 7345.00 - MIDLAND 7345.00<br>345KV CKT 1'              |
| 11SP | 3 | G10_059 | 'YOAKUM 7 345.00 (YOAKUM T3)<br>345/230/13.2KV TRANSFORMER CKT 1'    | FROM->TO | 0.47128 | 555.4 | 'HOBBS_INT 7345.00 - MIDLAND 7345.00<br>345KV CKT 1'              |
| 11SP | 3 | G10_060 | 'YOAKUM 7 345.00 (YOAKUM T3)<br>345/230/13.2KV TRANSFORMER CKT 1'    | FROM->TO | 0.47128 | 555.4 | 'HOBBS_INT 7345.00 (HOBBS 1) 345/230/13.2KV<br>TRANSFORMER CKT 1' |
| 11SP | 3 | G10_059 | 'YOAKUM 7 345.00 (YOAKUM T3)<br>345/230/13.2KV TRANSFORMER CKT 1'    | FROM->TO | 0.47128 | 555.4 | 'HOBBS_INT 7345.00 (HOBBS 1) 345/230/13.2KV<br>TRANSFORMER CKT 1' |
| 11WP | 3 | G10_060 | 'AMOCO SWITCHING STATION - YOAKUM<br>COUNTY INTERCHANGE 230KV CKT 1' | TO->FROM | 0.30801 | 357.6 | 'BORDEN 7345.00 - GRASSLAND 7 345.00<br>345KV CKT 1'              |
| 11WP | 3 | G10_059 | 'AMOCO SWITCHING STATION - YOAKUM<br>COUNTY INTERCHANGE 230KV CKT 1' | TO->FROM | 0.30801 | 357.6 | 'BORDEN 7345.00 - GRASSLAND 7 345.00<br>345KV CKT 1'              |
| 11WP | 3 | G10_060 | 'AMOCO SWITCHING STATION - YOAKUM<br>COUNTY INTERCHANGE 230KV CKT 1' | TO->FROM | 0.26091 | 357.6 | 'BORDEN 7345.00 - MIDLAND 7345.00 345KV<br>CKT 2'                 |
| 11WP | 3 | G10_059 | 'AMOCO SWITCHING STATION - YOAKUM<br>COUNTY INTERCHANGE 230KV CKT 1' | TO->FROM | 0.26091 | 357.6 | 'BORDEN 7345.00 - MIDLAND 7345.00 345KV<br>CKT 2'                 |
| 11WP | 3 | G10_060 | 'YOAKUM 7 345.00 (YOAKUM T3)<br>345/230/13.2KV TRANSFORMER CKT 1'    | FROM->TO | 0.53593 | 554.8 | 'BORDEN 7345.00 - GRASSLAND 7 345.00<br>345KV CKT 1'              |
| 11WP | 3 | G10_059 | 'YOAKUM 7 345.00 (YOAKUM T3)<br>345/230/13.2KV TRANSFORMER CKT 1'    | FROM->TO | 0.53593 | 554.8 | 'BORDEN 7345.00 - GRASSLAND 7 345.00<br>345KV CKT 1'              |
| 11WP | 3 | G10_060 | 'YOAKUM 7 345.00 (YOAKUM T3)<br>345/230/13.2KV TRANSFORMER CKT 1'    | FROM->TO | 0.53593 | 555   | 'BORDEN 7345.00 - GRASSLAND 7 345.00<br>345KV CKT 1'              |
| 11WP | 3 | G10_059 | 'YOAKUM 7 345.00 (YOAKUM T3)<br>345/230/13.2KV TRANSFORMER CKT 1'    | FROM->TO | 0.53593 | 555   | 'BORDEN 7345.00 - GRASSLAND 7 345.00<br>345KV CKT 1'              |
| 11WP | 3 | G10_060 | 'AMOCO SWITCHING STATION - YOAKUM<br>COUNTY INTERCHANGE 230KV CKT 1' | TO->FROM | 0.24254 | 357.6 | 'GRASSLAND 7 345.00 - JONES 7 345.00<br>345KV CKT 1'              |
| 11WP | 3 | G10_059 | 'AMOCO SWITCHING STATION - YOAKUM<br>COUNTY INTERCHANGE 230KV CKT 1' | TO->FROM | 0.24254 | 357.6 | 'GRASSLAND 7 345.00 - JONES 7 345.00<br>345KV CKT 1'              |



|      |   |         |   |          |         |       |  |
|------|---|---------|---|----------|---------|-------|--|
| 11WP | 3 | G10_059 | 'HOBBS_INT 7345.00 (HOBBS 1) 345/230/13.2KV TRANSFORMER CKT 1'    | FROM->TO | 0.44509 | 554.6 | 'MIDLAND 7345.00 - YOAKUM 7 345.00 345KV CKT 1'                |
| 11WP | 3 | G10_060 | 'HOBBS_INT 7345.00 (HOBBS 1) 345/230/13.2KV TRANSFORMER CKT 1'    | FROM->TO | 0.44509 | 554.6 | 'YOAKUM 7 345.00 (YOAKUM T3) 345/230/13.2KV TRANSFORMER CKT 1' |
| 11WP | 3 | G10_059 | 'HOBBS_INT 7345.00 (HOBBS 1) 345/230/13.2KV TRANSFORMER CKT 1'    | FROM->TO | 0.44509 | 554.6 | 'YOAKUM 7 345.00 (YOAKUM T3) 345/230/13.2KV TRANSFORMER CKT 1' |
| 11WP | 3 | G10_060 | 'SUNDOWN INTERCHANGE - WOLFFORTH INTERCHANGE 230KV CKT 1'         | FROM->TO | 0.23353 | 360.8 | 'BORDEN 7345.00 - GRASSLAND 7 345.00 345KV CKT 1'              |
| 11WP | 3 | G10_059 | 'SUNDOWN INTERCHANGE - WOLFFORTH INTERCHANGE 230KV CKT 1'         | FROM->TO | 0.23353 | 360.8 | 'BORDEN 7345.00 - GRASSLAND 7 345.00 345KV CKT 1'              |
| 16SP | 3 | G10_060 | 'AMOCO SWITCHING STATION - YOAKUM COUNTY INTERCHANGE 230KV CKT 1' | TO->FROM | 0.30473 | 349.2 | 'BORDEN 7345.00 - GRASSLAND 7 345.00 345KV CKT 1'              |
| 16SP | 3 | G10_059 | 'AMOCO SWITCHING STATION - YOAKUM COUNTY INTERCHANGE 230KV CKT 1' | TO->FROM | 0.30473 | 349.2 | 'BORDEN 7345.00 - GRASSLAND 7 345.00 345KV CKT 1'              |
| 16SP | 3 | G10_060 | 'AMOCO SWITCHING STATION - YOAKUM COUNTY INTERCHANGE 230KV CKT 1' | TO->FROM | 0.25832 | 349.2 | 'BORDEN 7345.00 - MIDLAND 7345.00 345KV CKT 2'                 |
| 16SP | 3 | G10_059 | 'AMOCO SWITCHING STATION - YOAKUM COUNTY INTERCHANGE 230KV CKT 1' | TO->FROM | 0.25832 | 349.2 | 'BORDEN 7345.00 - MIDLAND 7345.00 345KV CKT 2'                 |
| 16SP | 3 | G10_060 | 'AMOCO SWITCHING STATION - YOAKUM COUNTY INTERCHANGE 230KV CKT 1' | TO->FROM | 0.24057 | 349.2 | 'GRASSLAND 7 345.00 - JONES 7 345.00 345KV CKT 1'              |
| 16SP | 3 | G10_059 | 'AMOCO SWITCHING STATION - YOAKUM COUNTY INTERCHANGE 230KV CKT 1' | TO->FROM | 0.24057 | 349.2 | 'GRASSLAND 7 345.00 - JONES 7 345.00 345KV CKT 1'              |
| 16SP | 3 | G10_060 | 'AMOCO SWITCHING STATION - YOAKUM COUNTY INTERCHANGE 230KV CKT 1' | TO->FROM | 0.22443 | 349.2 | 'TOLK STATION WEST - YOAKUM COUNTY INTERCHANGE 230KV CKT 1'    |
| 16SP | 3 | G10_059 | 'AMOCO SWITCHING STATION - YOAKUM COUNTY INTERCHANGE 230KV CKT 1' | TO->FROM | 0.22443 | 349.2 | 'TOLK STATION WEST - YOAKUM COUNTY INTERCHANGE 230KV CKT 1'    |
| 16SP | 3 | G10_060 | 'YOAKUM 7 345.00 (YOAKUM T3) 345/230/13.2KV TRANSFORMER CKT 1'    | FROM->TO | 0.53534 | 555.1 | 'BORDEN 7345.00 - GRASSLAND 7 345.00 345KV CKT 1'              |
| 16SP | 3 | G10_059 | 'YOAKUM 7 345.00 (YOAKUM T3) 345/230/13.2KV TRANSFORMER CKT 1'    | FROM->TO | 0.53534 | 555.1 | 'BORDEN 7345.00 - GRASSLAND 7 345.00 345KV CKT 1'              |
| 16SP | 3 | G10_060 | 'YOAKUM 7 345.00 (YOAKUM T3) 345/230/13.2KV TRANSFORMER CKT 1'    | FROM->TO | 0.53534 | 555.3 | 'BORDEN 7345.00 - GRASSLAND 7 345.00 345KV CKT 1'              |
| 16SP | 3 | G10_059 | 'YOAKUM 7 345.00 (YOAKUM T3) 345/230/13.2KV TRANSFORMER CKT 1'    | FROM->TO | 0.53534 | 555.3 | 'BORDEN 7345.00 - GRASSLAND 7 345.00 345KV CKT 1'              |
| 16SP | 3 | G10_060 | 'AMOCO SWITCHING STATION - SUNDOWN INTERCHANGE 230KV CKT 1'       | FROM->TO | 0.30473 | 350.8 | 'BORDEN 7345.00 - GRASSLAND 7 345.00 345KV CKT 1'              |
| 16SP | 3 | G10_059 | 'AMOCO SWITCHING STATION - SUNDOWN INTERCHANGE 230KV CKT 1'       | FROM->TO | 0.30473 | 350.8 | 'BORDEN 7345.00 - GRASSLAND 7 345.00 345KV CKT 1'              |
| 16SP | 3 | G10_060 | 'YOAKUM 7 345.00 (YOAKUM T3) 345/230/13.2KV TRANSFORMER CKT 1'    | FROM->TO | 0.46252 | 555.1 | 'BORDEN 7345.00 - MIDLAND 7345.00 345KV CKT 2'                 |
| 16SP | 3 | G10_059 | 'YOAKUM 7 345.00 (YOAKUM T3) 345/230/13.2KV TRANSFORMER CKT 1'    | FROM->TO | 0.46252 | 555.1 | 'BORDEN 7345.00 - MIDLAND 7345.00 345KV CKT 2'                 |
| 16SP | 3 | G10_060 | 'YOAKUM 7 345.00 (YOAKUM T3) 345/230/13.2KV TRANSFORMER CKT 1'    | FROM->TO | 0.46252 | 555.3 | 'BORDEN 7345.00 - MIDLAND 7345.00 345KV CKT 2'                 |
| 16SP | 3 | G10_059 | 'YOAKUM 7 345.00 (YOAKUM T3) 345/230/13.2KV TRANSFORMER CKT 1'    | FROM->TO | 0.46252 | 555.3 | 'BORDEN 7345.00 - MIDLAND 7345.00 345KV CKT 2'                 |
| 16SP | 3 | G10_060 | 'AMOCO SWITCHING STATION - SUNDOWN INTERCHANGE 230KV CKT 1'       | FROM->TO | 0.25832 | 350.8 | 'BORDEN 7345.00 - MIDLAND 7345.00 345KV CKT 2'                 |
| 16SP | 3 | G10_059 | 'AMOCO SWITCHING STATION - SUNDOWN INTERCHANGE 230KV CKT 1'       | FROM->TO | 0.25832 | 350.8 | 'BORDEN 7345.00 - MIDLAND 7345.00 345KV CKT 2'                 |



|      |   |         |   |          |         |       |   |
|------|---|---------|---|----------|---------|-------|---|
| 16SP | 3 | G10_060 | 'YOAKUM 7 345.00 (YOAKUM T3)<br>345/230/13.2KV TRANSFORMER CKT 1' | FROM->TO | 0.52772 | 555.1 | 'HOBBS_INT 7345.00 - MIDLAND 7345.00<br>345KV CKT 1'              |
| 16SP | 3 | G10_059 | 'YOAKUM 7 345.00 (YOAKUM T3)<br>345/230/13.2KV TRANSFORMER CKT 1' | FROM->TO | 0.52772 | 555.1 | 'HOBBS_INT 7345.00 - MIDLAND 7345.00<br>345KV CKT 1'              |
| 16SP | 3 | G10_060 | 'YOAKUM 7 345.00 (YOAKUM T3)<br>345/230/13.2KV TRANSFORMER CKT 1' | FROM->TO | 0.52772 | 555.1 | 'HOBBS_INT 7345.00 (HOBBS 1) 345/230/13.2KV<br>TRANSFORMER CKT 1' |
| 16SP | 3 | G10_059 | 'YOAKUM 7 345.00 (YOAKUM T3)<br>345/230/13.2KV TRANSFORMER CKT 1' | FROM->TO | 0.52772 | 555.1 | 'HOBBS_INT 7345.00 (HOBBS 1) 345/230/13.2KV<br>TRANSFORMER CKT 1' |
| 16SP | 3 | G10_060 | 'YOAKUM 7 345.00 (YOAKUM T3)<br>345/230/13.2KV TRANSFORMER CKT 1' | FROM->TO | 0.52772 | 555.3 | 'HOBBS_INT 7345.00 - MIDLAND 7345.00<br>345KV CKT 1'              |
| 16SP | 3 | G10_059 | 'YOAKUM 7 345.00 (YOAKUM T3)<br>345/230/13.2KV TRANSFORMER CKT 1' | FROM->TO | 0.52772 | 555.3 | 'HOBBS_INT 7345.00 (HOBBS 1) 345/230/13.2KV<br>TRANSFORMER CKT 1' |
| 16SP | 3 | G10_059 | 'YOAKUM 7 345.00 (YOAKUM T3)<br>345/230/13.2KV TRANSFORMER CKT 1' | FROM->TO | 0.52772 | 555.3 | 'HOBBS_INT 7345.00 (HOBBS 1) 345/230/13.2KV<br>TRANSFORMER CKT 1' |
| 16SP | 3 | G10_060 | 'SUNDOWN INTERCHANGE - WOLFFORTH<br>INTERCHANGE 230KV CKT 1'      | FROM->TO | 0.22189 | 350.6 | 'BORDEN 7345.00 - GRASSLAND 7 345.00<br>345KV CKT 1'              |
| 16SP | 3 | G10_059 | 'SUNDOWN INTERCHANGE - WOLFFORTH<br>INTERCHANGE 230KV CKT 1'      | FROM->TO | 0.22189 | 350.6 | 'BORDEN 7345.00 - GRASSLAND 7 345.00<br>345KV CKT 1'              |
| 16SP | 3 | G10_060 | 'JONES STATION - TUCO INTERCHANGE 230KV<br>CKT 1'                 | FROM->TO | 0.25255 | 345.6 | 'JONES 7 345.00 - TUCO INTERCHANGE<br>345KV CKT 1'                |
| 16SP | 3 | G10_059 | 'JONES STATION - TUCO INTERCHANGE 230KV<br>CKT 1'                 | FROM->TO | 0.25255 | 345.6 | 'JONES 7 345.00 - TUCO INTERCHANGE<br>345KV CKT 1'                |
| 16SP | 3 | G10_060 | 'YOAKUM 7 345.00 (YOAKUM T3)<br>345/230/13.2KV TRANSFORMER CKT 1' | FROM->TO | 0.43516 | 555.1 | 'GRASSLAND 7 345.00 - JONES 7 345.00<br>345KV CKT 1'              |
| 16SP | 3 | G10_059 | 'YOAKUM 7 345.00 (YOAKUM T3)<br>345/230/13.2KV TRANSFORMER CKT 1' | FROM->TO | 0.43516 | 555.1 | 'GRASSLAND 7 345.00 - JONES 7 345.00<br>345KV CKT 1'              |
| 16SP | 3 | G10_060 | 'YOAKUM 7 345.00 (YOAKUM T3)<br>345/230/13.2KV TRANSFORMER CKT 1' | FROM->TO | 0.43516 | 555.3 | 'GRASSLAND 7 345.00 - JONES 7 345.00<br>345KV CKT 1'              |
| 16SP | 3 | G10_059 | 'YOAKUM 7 345.00 (YOAKUM T3)<br>345/230/13.2KV TRANSFORMER CKT 1' | FROM->TO | 0.43516 | 555.3 | 'GRASSLAND 7 345.00 - JONES 7 345.00<br>345KV CKT 1'              |
| 16SP | 3 | G10_060 | 'HOBBS_INT 7345.00 (HOBBS 1) 345/230/13.2KV<br>TRANSFORMER CKT 1' | FROM->TO | 0.50126 | 554.4 | 'MIDLAND 7345.00 - YOAKUM 7 345.00 345KV<br>CKT 1'                |
| 16SP | 3 | G10_059 | 'HOBBS_INT 7345.00 (HOBBS 1) 345/230/13.2KV<br>TRANSFORMER CKT 1' | FROM->TO | 0.50126 | 554.4 | 'MIDLAND 7345.00 - YOAKUM 7 345.00 345KV<br>CKT 1'                |
| 16SP | 3 | G10_060 | 'HOBBS_INT 7345.00 (HOBBS 1) 345/230/13.2KV<br>TRANSFORMER CKT 1' | FROM->TO | 0.50126 | 554.4 | 'YOAKUM 7 345.00 (YOAKUM T3)<br>345/230/13.2KV TRANSFORMER CKT 1' |
| 16SP | 3 | G10_059 | 'HOBBS_INT 7345.00 (HOBBS 1) 345/230/13.2KV<br>TRANSFORMER CKT 1' | FROM->TO | 0.50126 | 554.4 | 'YOAKUM 7 345.00 (YOAKUM T3)<br>345/230/13.2KV TRANSFORMER CKT 1' |
| 16SP | 3 | G10_060 | 'HOBBS_INT 7345.00 (HOBBS 1) 345/230/13.2KV<br>TRANSFORMER CKT 1' | FROM->TO | 0.50126 | 555.2 | 'MIDLAND 7345.00 - YOAKUM 7 345.00 345KV<br>CKT 1'                |
| 16SP | 3 | G10_059 | 'HOBBS_INT 7345.00 (HOBBS 1) 345/230/13.2KV<br>TRANSFORMER CKT 1' | FROM->TO | 0.50126 | 555.2 | 'MIDLAND 7345.00 - YOAKUM 7 345.00 345KV<br>CKT 1'                |
| 16SP | 3 | G10_060 | 'HOBBS_INT 7345.00 (HOBBS 1) 345/230/13.2KV<br>TRANSFORMER CKT 1' | FROM->TO | 0.50126 | 555.2 | 'YOAKUM 7 345.00 (YOAKUM T3)<br>345/230/13.2KV TRANSFORMER CKT 1' |
| 16SP | 3 | G10_059 | 'HOBBS_INT 7345.00 (HOBBS 1) 345/230/13.2KV<br>TRANSFORMER CKT 1' | FROM->TO | 0.50126 | 555.2 | 'YOAKUM 7 345.00 (YOAKUM T3)<br>345/230/13.2KV TRANSFORMER CKT 1' |
| 16SP | 3 | G10_060 | 'HOBBS_INT 7345.00 (HOBBS 1) 345/230/13.2KV<br>TRANSFORMER CKT 1' | FROM->TO | 0.46452 | 554.4 | 'BORDEN 7345.00 - GRASSLAND 7 345.00<br>345KV CKT 1'              |

|      |   |         |   |          |         |       |  |
|------|---|---------|---|----------|---------|-------|--|
| 16SP | 3 | G10_059 | 'HOBBS_INT 7345.00 (HOBBS 1) 345/230/13.2KV TRANSFORMER CKT 1'    | FROM->TO | 0.46452 | 554.4 | 'BORDEN 7345.00 - GRASSLAND 7 345.00 345KV CKT 1'              |
| 16SP | 3 | G10_060 | 'HOBBS_INT 7345.00 (HOBBS 1) 345/230/13.2KV TRANSFORMER CKT 1'    | FROM->TO | 0.46452 | 555.2 | 'BORDEN 7345.00 - GRASSLAND 7 345.00 345KV CKT 1'              |
| 16SP | 3 | G10_059 | 'HOBBS_INT 7345.00 (HOBBS 1) 345/230/13.2KV TRANSFORMER CKT 1'    | FROM->TO | 0.46452 | 555.2 | 'BORDEN 7345.00 - GRASSLAND 7 345.00 345KV CKT 1'              |
| 16WP | 3 | G10_060 | 'AMOCO SWITCHING STATION - YOAKUM COUNTY INTERCHANGE 230KV CKT 1' | TO->FROM | 0.3057  | 358.7 | 'BORDEN 7345.00 - GRASSLAND 7 345.00 345KV CKT 1'              |
| 16WP | 3 | G10_059 | 'AMOCO SWITCHING STATION - YOAKUM COUNTY INTERCHANGE 230KV CKT 1' | TO->FROM | 0.3057  | 358.7 | 'BORDEN 7345.00 - GRASSLAND 7 345.00 345KV CKT 1'              |
| 16WP | 3 | G10_060 | 'AMOCO SWITCHING STATION - YOAKUM COUNTY INTERCHANGE 230KV CKT 1' | TO->FROM | 0.25924 | 358.7 | 'BORDEN 7345.00 - MIDLAND 7345.00 345KV CKT 2'                 |
| 16WP | 3 | G10_059 | 'AMOCO SWITCHING STATION - YOAKUM COUNTY INTERCHANGE 230KV CKT 1' | TO->FROM | 0.25924 | 358.7 | 'BORDEN 7345.00 - MIDLAND 7345.00 345KV CKT 2'                 |
| 16WP | 3 | G10_060 | 'YOAKUM 7 345.00 (YOAKUM T3) 345/230/13.2KV TRANSFORMER CKT 1'    | FROM->TO | 0.5356  | 555   | 'BORDEN 7345.00 - GRASSLAND 7 345.00 345KV CKT 1'              |
| 16WP | 3 | G10_059 | 'YOAKUM 7 345.00 (YOAKUM T3) 345/230/13.2KV TRANSFORMER CKT 1'    | FROM->TO | 0.5356  | 555   | 'BORDEN 7345.00 - GRASSLAND 7 345.00 345KV CKT 1'              |
| 16WP | 3 | G10_060 | 'YOAKUM 7 345.00 (YOAKUM T3) 345/230/13.2KV TRANSFORMER CKT 1'    | FROM->TO | 0.5356  | 555.2 | 'BORDEN 7345.00 - GRASSLAND 7 345.00 345KV CKT 1'              |
| 16WP | 3 | G10_059 | 'YOAKUM 7 345.00 (YOAKUM T3) 345/230/13.2KV TRANSFORMER CKT 1'    | FROM->TO | 0.5356  | 555.2 | 'BORDEN 7345.00 - GRASSLAND 7 345.00 345KV CKT 1'              |
| 16WP | 3 | G10_060 | 'AMOCO SWITCHING STATION - YOAKUM COUNTY INTERCHANGE 230KV CKT 1' | TO->FROM | 0.24139 | 358.7 | 'GRASSLAND 7 345.00 - JONES 7 345.00 345KV CKT 1'              |
| 16WP | 3 | G10_059 | 'AMOCO SWITCHING STATION - YOAKUM COUNTY INTERCHANGE 230KV CKT 1' | TO->FROM | 0.24139 | 358.7 | 'GRASSLAND 7 345.00 - JONES 7 345.00 345KV CKT 1'              |
| 16WP | 3 | G10_060 | 'YOAKUM 7 345.00 (YOAKUM T3) 345/230/13.2KV TRANSFORMER CKT 1'    | FROM->TO | 0.52733 | 555   | 'HOBBS_INT 7345.00 - MIDLAND 7345.00 345KV CKT 1'              |
| 16WP | 3 | G10_059 | 'YOAKUM 7 345.00 (YOAKUM T3) 345/230/13.2KV TRANSFORMER CKT 1'    | FROM->TO | 0.52733 | 555   | 'HOBBS_INT 7345.00 - MIDLAND 7345.00 345KV CKT 1'              |
| 16WP | 3 | G10_060 | 'YOAKUM 7 345.00 (YOAKUM T3) 345/230/13.2KV TRANSFORMER CKT 1'    | FROM->TO | 0.52733 | 555   | 'HOBBS_INT 7345.00 (HOBBS 1) 345/230/13.2KV TRANSFORMER CKT 1' |
| 16WP | 3 | G10_059 | 'YOAKUM 7 345.00 (YOAKUM T3) 345/230/13.2KV TRANSFORMER CKT 1'    | FROM->TO | 0.52733 | 555   | 'HOBBS_INT 7345.00 (HOBBS 1) 345/230/13.2KV TRANSFORMER CKT 1' |
| 16WP | 3 | G10_060 | 'YOAKUM 7 345.00 (YOAKUM T3) 345/230/13.2KV TRANSFORMER CKT 1'    | FROM->TO | 0.52733 | 555.2 | 'HOBBS_INT 7345.00 - MIDLAND 7345.00 345KV CKT 1'              |
| 16WP | 3 | G10_059 | 'YOAKUM 7 345.00 (YOAKUM T3) 345/230/13.2KV TRANSFORMER CKT 1'    | FROM->TO | 0.52733 | 555.2 | 'HOBBS_INT 7345.00 (HOBBS 1) 345/230/13.2KV TRANSFORMER CKT 1' |
| 16WP | 3 | G10_060 | 'YOAKUM 7 345.00 (YOAKUM T3) 345/230/13.2KV TRANSFORMER CKT 1'    | FROM->TO | 0.46269 | 555   | 'BORDEN 7345.00 - MIDLAND 7345.00 345KV CKT 2'                 |
| 16WP | 3 | G10_059 | 'YOAKUM 7 345.00 (YOAKUM T3) 345/230/13.2KV TRANSFORMER CKT 1'    | FROM->TO | 0.46269 | 555   | 'BORDEN 7345.00 - MIDLAND 7345.00 345KV CKT 2'                 |
| 16WP | 3 | G10_060 | 'YOAKUM 7 345.00 (YOAKUM T3) 345/230/13.2KV TRANSFORMER CKT 1'    | FROM->TO | 0.46269 | 555.2 | 'BORDEN 7345.00 - MIDLAND 7345.00 345KV CKT 2'                 |
| 16WP | 3 | G10_059 | 'YOAKUM 7 345.00 (YOAKUM T3) 345/230/13.2KV TRANSFORMER CKT 1'    | FROM->TO | 0.46269 | 555.2 | 'BORDEN 7345.00 - MIDLAND 7345.00 345KV CKT 2'                 |

|      |   |         |   |          |         |       |  |
|------|---|---------|---|----------|---------|-------|--|
| 16WP | 3 | G10_060 | 'HOBBS_INT 7345.00 (HOBBS 1) 345/230/13.2KV TRANSFORMER CKT 1'    | FROM->TO | 0.50069 | 553.2 | 'MIDLAND 7345.00 - YOAKUM 7 345.00 345KV CKT 1'                |
| 16WP | 3 | G10_059 | 'HOBBS_INT 7345.00 (HOBBS 1) 345/230/13.2KV TRANSFORMER CKT 1'    | FROM->TO | 0.50069 | 553.2 | 'MIDLAND 7345.00 - YOAKUM 7 345.00 345KV CKT 1'                |
| 16WP | 3 | G10_060 | 'HOBBS_INT 7345.00 (HOBBS 1) 345/230/13.2KV TRANSFORMER CKT 1'    | FROM->TO | 0.50069 | 553.2 | 'YOAKUM 7 345.00 (YOAKUM T3) 345/230/13.2KV TRANSFORMER CKT 1' |
| 16WP | 3 | G10_059 | 'HOBBS_INT 7345.00 (HOBBS 1) 345/230/13.2KV TRANSFORMER CKT 1'    | FROM->TO | 0.50069 | 553.2 | 'YOAKUM 7 345.00 (YOAKUM T3) 345/230/13.2KV TRANSFORMER CKT 1' |
| 16WP | 3 | G10_060 | 'HOBBS_INT 7345.00 (HOBBS 1) 345/230/13.2KV TRANSFORMER CKT 1'    | FROM->TO | 0.50069 | 553.6 | 'MIDLAND 7345.00 - YOAKUM 7 345.00 345KV CKT 1'                |
| 16WP | 3 | G10_059 | 'HOBBS_INT 7345.00 (HOBBS 1) 345/230/13.2KV TRANSFORMER CKT 1'    | FROM->TO | 0.50069 | 553.6 | 'MIDLAND 7345.00 - YOAKUM 7 345.00 345KV CKT 1'                |
| 16WP | 3 | G10_060 | 'HOBBS_INT 7345.00 (HOBBS 1) 345/230/13.2KV TRANSFORMER CKT 1'    | FROM->TO | 0.50069 | 553.6 | 'YOAKUM 7 345.00 (YOAKUM T3) 345/230/13.2KV TRANSFORMER CKT 1' |
| 16WP | 3 | G10_059 | 'HOBBS_INT 7345.00 (HOBBS 1) 345/230/13.2KV TRANSFORMER CKT 1'    | FROM->TO | 0.50069 | 553.6 | 'YOAKUM 7 345.00 (YOAKUM T3) 345/230/13.2KV TRANSFORMER CKT 1' |
| 16WP | 3 | G10_060 | 'AMOCO SWITCHING STATION - YOAKUM COUNTY INTERCHANGE 230KV CKT 1' | TO->FROM | 0.22554 | 358.7 | 'TOLK STATION WEST - YOAKUM COUNTY INTERCHANGE 230KV CKT 1'    |
| 16WP | 3 | G10_059 | 'AMOCO SWITCHING STATION - YOAKUM COUNTY INTERCHANGE 230KV CKT 1' | TO->FROM | 0.22554 | 358.7 | 'TOLK STATION WEST - YOAKUM COUNTY INTERCHANGE 230KV CKT 1'    |
| 16WP | 3 | G10_060 | 'HOBBS_INT 7345.00 (HOBBS 1) 345/230/13.2KV TRANSFORMER CKT 1'    | FROM->TO | 0.4642  | 553.2 | 'BORDEN 7345.00 - GRASSLAND 7 345.00 345KV CKT 1'              |
| 16WP | 3 | G10_059 | 'HOBBS_INT 7345.00 (HOBBS 1) 345/230/13.2KV TRANSFORMER CKT 1'    | FROM->TO | 0.4642  | 553.2 | 'BORDEN 7345.00 - GRASSLAND 7 345.00 345KV CKT 1'              |
| 16WP | 3 | G10_060 | 'HOBBS_INT 7345.00 (HOBBS 1) 345/230/13.2KV TRANSFORMER CKT 1'    | FROM->TO | 0.4642  | 553.6 | 'BORDEN 7345.00 - GRASSLAND 7 345.00 345KV CKT 1'              |
| 16WP | 3 | G10_059 | 'HOBBS_INT 7345.00 (HOBBS 1) 345/230/13.2KV TRANSFORMER CKT 1'    | FROM->TO | 0.4642  | 553.6 | 'BORDEN 7345.00 - GRASSLAND 7 345.00 345KV CKT 1'              |
| 16WP | 3 | G10_060 | 'YOAKUM 7 345.00 (YOAKUM T3) 345/230/13.2KV TRANSFORMER CKT 1'    | FROM->TO | 0.43519 | 555   | 'GRASSLAND 7 345.00 - JONES 7 345.00 345KV CKT 1'              |
| 16WP | 3 | G10_059 | 'YOAKUM 7 345.00 (YOAKUM T3) 345/230/13.2KV TRANSFORMER CKT 1'    | FROM->TO | 0.43519 | 555   | 'GRASSLAND 7 345.00 - JONES 7 345.00 345KV CKT 1'              |
| 16WP | 3 | G10_060 | 'YOAKUM 7 345.00 (YOAKUM T3) 345/230/13.2KV TRANSFORMER CKT 1'    | FROM->TO | 0.43519 | 555.2 | 'GRASSLAND 7 345.00 - JONES 7 345.00 345KV CKT 1'              |
| 16WP | 3 | G10_059 | 'YOAKUM 7 345.00 (YOAKUM T3) 345/230/13.2KV TRANSFORMER CKT 1'    | FROM->TO | 0.43519 | 555.2 | 'GRASSLAND 7 345.00 - JONES 7 345.00 345KV CKT 1'              |
| 16WP | 3 | G10_060 | 'AMOCO SWITCHING STATION - YOAKUM COUNTY INTERCHANGE 230KV CKT 1' | TO->FROM | 0.1903  | 358.7 | 'CUNNINGHAM STATION - HOBBS INTERCHANGE 230KV CKT 1'           |
| 16WP | 3 | G10_059 | 'AMOCO SWITCHING STATION - YOAKUM COUNTY INTERCHANGE 230KV CKT 1' | TO->FROM | 0.1903  | 358.7 | 'CUNNINGHAM STATION - HOBBS INTERCHANGE 230KV CKT 1'           |
| 16WP | 3 | G10_060 | 'AMOCO SWITCHING STATION - YOAKUM COUNTY INTERCHANGE 230KV CKT 1' | TO->FROM | 0.19019 | 358.7 | 'TERRY COUNTY INTERCHANGE - WOLFFORTH INTERCHANGE 115KV CKT 1' |
| 16WP | 3 | G10_059 | 'AMOCO SWITCHING STATION - YOAKUM COUNTY INTERCHANGE 230KV CKT 1' | TO->FROM | 0.19019 | 358.7 | 'TERRY COUNTY INTERCHANGE - WOLFFORTH INTERCHANGE 115KV CKT 1' |
| 11G  | 3 | G10_060 | 'POTTER COUNTY INTERCHANGE - S-RANDLCO 230.00 230KV CKT 1'        | TO->FROM | 0.19057 | 360.9 | 'BUSHLAND INTERCHANGE - S-RANDLCO 230.00 230KV CKT 1'          |
| 11G  | 3 | G10_059 | 'POTTER COUNTY INTERCHANGE - S-RANDLCO 230.00 230KV CKT 1'        | TO->FROM | 0.19057 | 360.9 | 'BUSHLAND INTERCHANGE - S-RANDLCO 230.00 230KV CKT 1'          |
| 11G  | 3 | G10_060 | 'AMOCO SWITCHING STATION - YOAKUM COUNTY INTERCHANGE 230KV CKT 1' | TO->FROM | 0.30374 | 359.5 | 'BORDEN 7345.00 - GRASSLAND 7 345.00 345KV CKT 1'              |

|     |   |         |   |          |         |       |  |
|-----|---|---------|---|----------|---------|-------|--|
| 11G | 3 | G10_059 | 'AMOCO SWITCHING STATION - YOAKUM COUNTY INTERCHANGE 230KV CKT 1' | TO->FROM | 0.30374 | 359.5 | 'BORDEN 7345.00 - GRASSLAND 7345.00 345KV CKT 1'               |
| 11G | 3 | G10_060 | 'AMOCO SWITCHING STATION - YOAKUM COUNTY INTERCHANGE 230KV CKT 1' | TO->FROM | 0.23844 | 359.5 | 'GRASSLAND 7345.00 - JONES 7345.00 345KV CKT 1'                |
| 11G | 3 | G10_059 | 'AMOCO SWITCHING STATION - YOAKUM COUNTY INTERCHANGE 230KV CKT 1' | TO->FROM | 0.23844 | 359.5 | 'GRASSLAND 7345.00 - JONES 7345.00 345KV CKT 1'                |
| 11G | 3 | G10_060 | 'AMOCO SWITCHING STATION - YOAKUM COUNTY INTERCHANGE 230KV CKT 1' | TO->FROM | 0.25757 | 359.5 | 'BORDEN 7345.00 - MIDLAND 7345.00 345KV CKT 2'                 |
| 11G | 3 | G10_059 | 'AMOCO SWITCHING STATION - YOAKUM COUNTY INTERCHANGE 230KV CKT 1' | TO->FROM | 0.25757 | 359.5 | 'BORDEN 7345.00 - MIDLAND 7345.00 345KV CKT 2'                 |
| 11G | 3 | G10_060 | 'YOAKUM 7345.00 (YOAKUM T3) 345/230/13.2KV TRANSFORMER CKT 1'     | FROM->TO | 0.53415 | 555.3 | 'BORDEN 7345.00 - GRASSLAND 7345.00 345KV CKT 1'               |
| 11G | 3 | G10_059 | 'YOAKUM 7345.00 (YOAKUM T3) 345/230/13.2KV TRANSFORMER CKT 1'     | FROM->TO | 0.53415 | 555.3 | 'BORDEN 7345.00 - GRASSLAND 7345.00 345KV CKT 1'               |
| 11G | 3 | G10_060 | 'YOAKUM 7345.00 (YOAKUM T3) 345/230/13.2KV TRANSFORMER CKT 1'     | FROM->TO | 0.53415 | 555.5 | 'BORDEN 7345.00 - GRASSLAND 7345.00 345KV CKT 1'               |
| 11G | 3 | G10_059 | 'YOAKUM 7345.00 (YOAKUM T3) 345/230/13.2KV TRANSFORMER CKT 1'     | FROM->TO | 0.53415 | 555.5 | 'BORDEN 7345.00 - GRASSLAND 7345.00 345KV CKT 1'               |
| 11G | 3 | G10_060 | 'YOAKUM 7345.00 (YOAKUM T3) 345/230/13.2KV TRANSFORMER CKT 1'     | FROM->TO | 0.46169 | 555.3 | 'BORDEN 7345.00 - MIDLAND 7345.00 345KV CKT 2'                 |
| 11G | 3 | G10_059 | 'YOAKUM 7345.00 (YOAKUM T3) 345/230/13.2KV TRANSFORMER CKT 1'     | FROM->TO | 0.46169 | 555.3 | 'BORDEN 7345.00 - MIDLAND 7345.00 345KV CKT 2'                 |
| 11G | 3 | G10_060 | 'YOAKUM 7345.00 (YOAKUM T3) 345/230/13.2KV TRANSFORMER CKT 1'     | FROM->TO | 0.46169 | 555.5 | 'BORDEN 7345.00 - MIDLAND 7345.00 345KV CKT 2'                 |
| 11G | 3 | G10_059 | 'YOAKUM 7345.00 (YOAKUM T3) 345/230/13.2KV TRANSFORMER CKT 1'     | FROM->TO | 0.46169 | 555.5 | 'BORDEN 7345.00 - MIDLAND 7345.00 345KV CKT 2'                 |
| 11G | 3 | G10_060 | 'AMOCO SWITCHING STATION - YOAKUM COUNTY INTERCHANGE 230KV CKT 1' | TO->FROM | 0.19353 | 359.5 | 'TOLK STATION (ABBXNL844501) 345/230/13.2KV TRANSFORMER CKT 1' |
| 11G | 3 | G10_059 | 'AMOCO SWITCHING STATION - YOAKUM COUNTY INTERCHANGE 230KV CKT 1' | TO->FROM | 0.19353 | 359.5 | 'TOLK STATION (ABBXNL844501) 345/230/13.2KV TRANSFORMER CKT 1' |
| 11G | 3 | G10_060 | 'AMOCO SWITCHING STATION - YOAKUM COUNTY INTERCHANGE 230KV CKT 1' | TO->FROM | 0.19353 | 359.5 | 'CHAVESCO 345.00 - TOLK STATION 345KV CKT 1'                   |
| 11G | 3 | G10_059 | 'AMOCO SWITCHING STATION - YOAKUM COUNTY INTERCHANGE 230KV CKT 1' | TO->FROM | 0.19353 | 359.5 | 'CHAVESCO 345.00 - TOLK STATION 345KV CKT 1'                   |
| 11G | 3 | G10_060 | 'AMOCO SWITCHING STATION - YOAKUM COUNTY INTERCHANGE 230KV CKT 1' | TO->FROM | 0.224   | 359.5 | 'TOLK STATION WEST - YOAKUM COUNTY INTERCHANGE 230KV CKT 1'    |
| 11G | 3 | G10_059 | 'AMOCO SWITCHING STATION - YOAKUM COUNTY INTERCHANGE 230KV CKT 1' | TO->FROM | 0.224   | 359.5 | 'TOLK STATION WEST - YOAKUM COUNTY INTERCHANGE 230KV CKT 1'    |
| 11G | 3 | G10_060 | 'YOAKUM 7345.00 (YOAKUM T3) 345/230/13.2KV TRANSFORMER CKT 1'     | FROM->TO | 0.43216 | 555.3 | 'GRASSLAND 7345.00 - JONES 7345.00 345KV CKT 1'                |
| 11G | 3 | G10_059 | 'YOAKUM 7345.00 (YOAKUM T3) 345/230/13.2KV TRANSFORMER CKT 1'     | FROM->TO | 0.43216 | 555.3 | 'GRASSLAND 7345.00 - JONES 7345.00 345KV CKT 1'                |
| 11G | 3 | G10_060 | 'YOAKUM 7345.00 (YOAKUM T3) 345/230/13.2KV TRANSFORMER CKT 1'     | FROM->TO | 0.43216 | 555.5 | 'GRASSLAND 7345.00 - JONES 7345.00 345KV CKT 1'                |
| 11G | 3 | G10_059 | 'YOAKUM 7345.00 (YOAKUM T3) 345/230/13.2KV TRANSFORMER CKT 1'     | FROM->TO | 0.43216 | 555.5 | 'GRASSLAND 7345.00 - JONES 7345.00 345KV CKT 1'                |
| 11G | 3 | G10_060 | 'YOAKUM 7345.00 (YOAKUM T3) 345/230/13.2KV TRANSFORMER CKT 1'     | FROM->TO | 0.5268  | 555.3 | 'HOBBS_INT 7345.00 - MIDLAND 7345.00 345KV CKT 1'              |
| 11G | 3 | G10_059 | 'YOAKUM 7345.00 (YOAKUM T3) 345/230/13.2KV TRANSFORMER CKT 1'     | FROM->TO | 0.5268  | 555.3 | 'HOBBS_INT 7345.00 - MIDLAND 7345.00 345KV CKT 1'              |

|     |   |         |   |          |         |       |   |
|-----|---|---------|---|----------|---------|-------|---|
| 11G | 3 | G10_060 | 'YOAKUM 7 345.00 (YOAKUM T3)<br>345/230/13.2KV TRANSFORMER CKT 1'               | FROM->TO | 0.5268  | 555.3 | 'HOBBS_INT 7345.00 (HOBBS 1) 345/230/13.2KV<br>TRANSFORMER CKT 1' |
| 11G | 3 | G10_059 | 'YOAKUM 7 345.00 (YOAKUM T3)<br>345/230/13.2KV TRANSFORMER CKT 1'               | FROM->TO | 0.5268  | 555.3 | 'HOBBS_INT 7345.00 (HOBBS 1) 345/230/13.2KV<br>TRANSFORMER CKT 1' |
| 11G | 3 | G10_060 | 'YOAKUM 7 345.00 (YOAKUM T3)<br>345/230/13.2KV TRANSFORMER CKT 1'               | FROM->TO | 0.5268  | 555.5 | 'HOBBS_INT 7345.00 - MIDLAND 7345.00<br>345KV CKT 1'              |
| 11G | 3 | G10_059 | 'YOAKUM 7 345.00 (YOAKUM T3)<br>345/230/13.2KV TRANSFORMER CKT 1'               | FROM->TO | 0.5268  | 555.5 | 'HOBBS_INT 7345.00 - MIDLAND 7345.00<br>345KV CKT 1'              |
| 11G | 3 | G10_060 | 'YOAKUM 7 345.00 (YOAKUM T3)<br>345/230/13.2KV TRANSFORMER CKT 1'               | FROM->TO | 0.5268  | 555.5 | 'HOBBS_INT 7345.00 (HOBBS 1) 345/230/13.2KV<br>TRANSFORMER CKT 1' |
| 11G | 3 | G10_059 | 'YOAKUM 7 345.00 (YOAKUM T3)<br>345/230/13.2KV TRANSFORMER CKT 1'               | FROM->TO | 0.5268  | 555.5 | 'HOBBS_INT 7345.00 (HOBBS 1) 345/230/13.2KV<br>TRANSFORMER CKT 1' |
| 11G | 3 | G10_060 | 'TUCO INTERCHANGE (GE M1022338)<br>345/230/13.2KV TRANSFORMER CKT 1'            | FROM->TO | 0.25112 | 558.9 | 'JONES 7 345.00 - TUCO INTERCHANGE<br>345KV CKT 1'                |
| 11G | 3 | G10_059 | 'TUCO INTERCHANGE (GE M1022338)<br>345/230/13.2KV TRANSFORMER CKT 1'            | FROM->TO | 0.25112 | 558.9 | 'JONES 7 345.00 - TUCO INTERCHANGE<br>345KV CKT 1'                |
| 11G | 3 | G10_060 | 'TUCO INTERCHANGE (GE M1022338)<br>345/230/13.2KV TRANSFORMER CKT 1'            | FROM->TO | 0.25112 | 559.7 | 'JONES 7 345.00 - TUCO INTERCHANGE<br>345KV CKT 1'                |
| 11G | 3 | G10_059 | 'TUCO INTERCHANGE (GE M1022338)<br>345/230/13.2KV TRANSFORMER CKT 1'            | FROM->TO | 0.25112 | 559.7 | 'JONES 7 345.00 - TUCO INTERCHANGE<br>345KV CKT 1'                |
| 11G | 3 | G10_060 | 'POTTER COUNTY INTERCHANGE (WAUK 90343-<br>A) 345/230/13.2KV TRANSFORMER CKT 1' | FROM->TO | 0.19334 | 557.6 | 'LAWTON EASTSIDE - OKLAUNION 345KV CKT 1'                         |
| 11G | 3 | G10_059 | 'POTTER COUNTY INTERCHANGE (WAUK 90343-<br>A) 345/230/13.2KV TRANSFORMER CKT 1' | FROM->TO | 0.19334 | 557.6 | 'LAWTON EASTSIDE - OKLAUNION 345KV CKT 1'                         |
| 11G | 3 | G10_060 | 'POTTER COUNTY INTERCHANGE (WAUK 90343-<br>A) 345/230/13.2KV TRANSFORMER CKT 1' | FROM->TO | 0.19334 | 558.7 | 'LAWTON EASTSIDE - OKLAUNION 345KV CKT 1'                         |
| 11G | 3 | G10_059 | 'POTTER COUNTY INTERCHANGE (WAUK 90343-<br>A) 345/230/13.2KV TRANSFORMER CKT 1' | FROM->TO | 0.19334 | 558.7 | 'LAWTON EASTSIDE - OKLAUNION 345KV CKT 1'                         |
| 11G | 3 | G10_060 | 'SUNDOWN INTERCHANGE - WOLFFORTH<br>INTERCHANGE 230KV CKT 1'                    | FROM->TO | 0.21947 | 360.8 | 'BORDEN 7345.00 - GRASSLAND 7 345.00<br>345KV CKT 1'              |
| 11G | 3 | G10_059 | 'SUNDOWN INTERCHANGE - WOLFFORTH<br>INTERCHANGE 230KV CKT 1'                    | FROM->TO | 0.21947 | 360.8 | 'BORDEN 7345.00 - GRASSLAND 7 345.00<br>345KV CKT 1'              |
| 11G | 3 | G10_060 | 'HOBBS_INT 7345.00 (HOBBS 1) 345/230/13.2KV<br>TRANSFORMER CKT 1'               | FROM->TO | 0.50069 | 553.3 | 'MIDLAND 7345.00 - YOAKUM 7 345.00 345KV<br>CKT 1'                |
| 11G | 3 | G10_059 | 'HOBBS_INT 7345.00 (HOBBS 1) 345/230/13.2KV<br>TRANSFORMER CKT 1'               | FROM->TO | 0.50069 | 553.3 | 'MIDLAND 7345.00 - YOAKUM 7 345.00 345KV<br>CKT 1'                |
| 11G | 3 | G10_060 | 'HOBBS_INT 7345.00 (HOBBS 1) 345/230/13.2KV<br>TRANSFORMER CKT 1'               | FROM->TO | 0.50069 | 553.3 | 'YOAKUM 7 345.00 (YOAKUM T3)<br>345/230/13.2KV TRANSFORMER CKT 1' |
| 11G | 3 | G10_059 | 'HOBBS_INT 7345.00 (HOBBS 1) 345/230/13.2KV<br>TRANSFORMER CKT 1'               | FROM->TO | 0.50069 | 553.3 | 'YOAKUM 7 345.00 (YOAKUM T3)<br>345/230/13.2KV TRANSFORMER CKT 1' |
| 11G | 3 | G10_060 | 'HOBBS_INT 7345.00 (HOBBS 1) 345/230/13.2KV<br>TRANSFORMER CKT 1'               | FROM->TO | 0.50069 | 553.8 | 'MIDLAND 7345.00 - YOAKUM 7 345.00 345KV<br>CKT 1'                |
| 11G | 3 | G10_059 | 'HOBBS_INT 7345.00 (HOBBS 1) 345/230/13.2KV<br>TRANSFORMER CKT 1'               | FROM->TO | 0.50069 | 553.8 | 'MIDLAND 7345.00 - YOAKUM 7 345.00 345KV<br>CKT 1'                |
| 11G | 3 | G10_060 | 'HOBBS_INT 7345.00 (HOBBS 1) 345/230/13.2KV<br>TRANSFORMER CKT 1'               | FROM->TO | 0.50069 | 553.8 | 'YOAKUM 7 345.00 (YOAKUM T3)<br>345/230/13.2KV TRANSFORMER CKT 1' |

|     |   |         |   |          |         |        |   |
|-----|---|---------|---|----------|---------|--------|---|
| 11G | 3 | G10_059 | 'HOBBS_INT 7345.00 (HOBBS 1) 345/230/13.2KV TRANSFORMER CKT 1'              | FROM->TO | 0.50069 | 553.8  | 'YOAKUM 7 345.00 (YOAKUM T3) 345/230/13.2KV TRANSFORMER CKT 1'    |
| 11G | 3 | G10_060 | 'DEAF SMITH COUNTY INTERCHANGE - S-RANDLCO 230.00 230KV CKT 1'              | FROM->TO | 0.19333 | 360    | 'NEWHART 6230.00 - S-RANDLCO 230.00 230KV CKT 1'                  |
| 11G | 3 | G10_059 | 'DEAF SMITH COUNTY INTERCHANGE - S-RANDLCO 230.00 230KV CKT 1'              | FROM->TO | 0.19333 | 360    | 'NEWHART 6230.00 - S-RANDLCO 230.00 230KV CKT 1'                  |
| 11G | 3 | G10_060 | 'POTTER COUNTY INTERCHANGE (WAUK 90343-A) 345/230/13.2KV TRANSFORMER CKT 1' | FROM->TO | 0.21808 | 557.6  | 'BORDER 7345.00 - TUCO INTERCHANGE 345KV CKT 1'                   |
| 11G | 3 | G10_059 | 'POTTER COUNTY INTERCHANGE (WAUK 90343-A) 345/230/13.2KV TRANSFORMER CKT 1' | FROM->TO | 0.21808 | 557.6  | 'BORDER 7345.00 - TUCO INTERCHANGE 345KV CKT 1'                   |
| 11G | 3 | G10_060 | 'POTTER COUNTY INTERCHANGE (WAUK 90343-A) 345/230/13.2KV TRANSFORMER CKT 1' | FROM->TO | 0.21808 | 558.7  | 'BORDER 7345.00 - TUCO INTERCHANGE 345KV CKT 1'                   |
| 11G | 3 | G10_059 | 'POTTER COUNTY INTERCHANGE (WAUK 90343-A) 345/230/13.2KV TRANSFORMER CKT 1' | FROM->TO | 0.21808 | 558.7  | 'BORDER 7345.00 - TUCO INTERCHANGE 345KV CKT 1'                   |
| 11G | 3 | G10_060 | 'LAWTON EASTSIDE - OKLAUNION 345KV CKT 1'                                   | TO->FROM | 0.32636 | 1186.6 | 'BORDER 7345.00 - TUCO INTERCHANGE 345KV CKT 1'                   |
| 11G | 3 | G10_059 | 'LAWTON EASTSIDE - OKLAUNION 345KV CKT 1'                                   | TO->FROM | 0.32636 | 1186.6 | 'BORDER 7345.00 - TUCO INTERCHANGE 345KV CKT 1'                   |
| 11G | 3 | G10_060 | 'HOBBS_INT 7345.00 (HOBBS 1) 345/230/13.2KV TRANSFORMER CKT 1'              | FROM->TO | 0.4643  | 553.3  | 'BORDEN 7345.00 - GRASSLAND 7 345.00 345KV CKT 1'                 |
| 11G | 3 | G10_059 | 'HOBBS_INT 7345.00 (HOBBS 1) 345/230/13.2KV TRANSFORMER CKT 1'              | FROM->TO | 0.4643  | 553.3  | 'BORDEN 7345.00 - GRASSLAND 7 345.00 345KV CKT 1'                 |
| 11G | 3 | G10_060 | 'HOBBS_INT 7345.00 (HOBBS 1) 345/230/13.2KV TRANSFORMER CKT 1'              | FROM->TO | 0.4643  | 553.8  | 'BORDEN 7345.00 - GRASSLAND 7 345.00 345KV CKT 1'                 |
| 11G | 3 | G10_059 | 'HOBBS_INT 7345.00 (HOBBS 1) 345/230/13.2KV TRANSFORMER CKT 1'              | FROM->TO | 0.4643  | 553.8  | 'BORDEN 7345.00 - GRASSLAND 7 345.00 345KV CKT 1'                 |
| 11G | 3 | G10_060 | 'TUCO INTERCHANGE (GE M1022338) 345/230/13.2KV TRANSFORMER CKT 1'           | FROM->TO | 0.19503 | 558.9  | 'TUCO INTERCHANGE (UPDATE DATA) 345/230/13.2KV TRANSFORMER CKT 2' |
| 11G | 3 | G10_059 | 'TUCO INTERCHANGE (GE M1022338) 345/230/13.2KV TRANSFORMER CKT 1'           | FROM->TO | 0.19503 | 558.9  | 'TUCO INTERCHANGE (UPDATE DATA) 345/230/13.2KV TRANSFORMER CKT 2' |
| 11G | 3 | G10_060 | 'TUCO INTERCHANGE (GE M1022338) 345/230/13.2KV TRANSFORMER CKT 1'           | FROM->TO | 0.19503 | 559.7  | 'TUCO INTERCHANGE (UPDATE DATA) 345/230/13.2KV TRANSFORMER CKT 2' |
| 11G | 3 | G10_059 | 'TUCO INTERCHANGE (GE M1022338) 345/230/13.2KV TRANSFORMER CKT 1'           | FROM->TO | 0.19503 | 559.7  | 'TUCO INTERCHANGE (UPDATE DATA) 345/230/13.2KV TRANSFORMER CKT 2' |
| 11G | 3 | G10_060 | 'LUBBOCK SOUTH INTERCHANGE - WOLFFORTH INTERCHANGE 230KV CKT 1'             | TO->FROM | 0.23941 | 359.4  | 'BORDEN 7345.00 - GRASSLAND 7 345.00 345KV CKT 1'                 |
| 11G | 3 | G10_059 | 'LUBBOCK SOUTH INTERCHANGE - WOLFFORTH INTERCHANGE 230KV CKT 1'             | TO->FROM | 0.23941 | 359.4  | 'BORDEN 7345.00 - GRASSLAND 7 345.00 345KV CKT 1'                 |
| 11G | 3 | G10_060 | 'POTTER COUNTY INTERCHANGE (WAUK 90343-A) 345/230/13.2KV TRANSFORMER CKT 1' | FROM->TO | 0.19334 | 557.6  | 'G05-15T 345.00 - OKLAUNION 345KV CKT 1'                          |
| 11G | 3 | G10_059 | 'POTTER COUNTY INTERCHANGE (WAUK 90343-A) 345/230/13.2KV TRANSFORMER CKT 1' | FROM->TO | 0.19334 | 557.6  | 'G05-15T 345.00 - OKLAUNION 345KV CKT 1'                          |
| 11G | 3 | G10_060 | 'POTTER COUNTY INTERCHANGE (WAUK 90343-A) 345/230/13.2KV TRANSFORMER CKT 1' | FROM->TO | 0.19334 | 558.7  | 'G05-15T 345.00 - OKLAUNION 345KV CKT 1'                          |

|      |   |         |   |          |         |       |  |
|------|---|---------|---|----------|---------|-------|--|
| 11G  | 3 | G10_059 | 'POTTER COUNTY INTERCHANGE (WAUK 90343-A) 345/230/13.2KV TRANSFORMER CKT 1' | FROM->TO | 0.19334 | 558.7 | 'G05-15T 345.00 - OKLAUNION 345KV CKT 1'                       |
| 11SP | 3 | G10_060 | 'AMOCO SWITCHING STATION - YOAKUM COUNTY INTERCHANGE 230KV CKT 1'           | TO->FROM | 0.23126 | 349   | 'BORDEN 7345.00 - GRASSLAND 7 345.00 345KV CKT 1'              |
| 11SP | 3 | G10_059 | 'AMOCO SWITCHING STATION - YOAKUM COUNTY INTERCHANGE 230KV CKT 1'           | TO->FROM | 0.23126 | 349   | 'BORDEN 7345.00 - GRASSLAND 7 345.00 345KV CKT 1'              |
| 11SP | 3 | G10_060 | 'AMOCO SWITCHING STATION - YOAKUM COUNTY INTERCHANGE 230KV CKT 1'           | TO->FROM | 0.19237 | 349   | 'BORDEN 7345.00 - MIDLAND 7345.00 345KV CKT 2'                 |
| 11SP | 3 | G10_059 | 'AMOCO SWITCHING STATION - YOAKUM COUNTY INTERCHANGE 230KV CKT 1'           | TO->FROM | 0.19237 | 349   | 'BORDEN 7345.00 - MIDLAND 7345.00 345KV CKT 2'                 |
| 11SP | 3 | G10_060 | 'YOAKUM 7 345.00 (YOAKUM T3) 345/230/13.2KV TRANSFORMER CKT 1'              | FROM->TO | 0.51785 | 555.1 | 'BORDEN 7345.00 - GRASSLAND 7 345.00 345KV CKT 1'              |
| 11SP | 3 | G10_059 | 'YOAKUM 7 345.00 (YOAKUM T3) 345/230/13.2KV TRANSFORMER CKT 1'              | FROM->TO | 0.51785 | 555.1 | 'BORDEN 7345.00 - GRASSLAND 7 345.00 345KV CKT 1'              |
| 11SP | 3 | G10_060 | 'YOAKUM 7 345.00 (YOAKUM T3) 345/230/13.2KV TRANSFORMER CKT 1'              | FROM->TO | 0.51785 | 555.4 | 'BORDEN 7345.00 - GRASSLAND 7 345.00 345KV CKT 1'              |
| 11SP | 3 | G10_059 | 'YOAKUM 7 345.00 (YOAKUM T3) 345/230/13.2KV TRANSFORMER CKT 1'              | FROM->TO | 0.51785 | 555.4 | 'BORDEN 7345.00 - GRASSLAND 7 345.00 345KV CKT 1'              |
| 11SP | 3 | G10_060 | 'YOAKUM 7 345.00 (YOAKUM T3) 345/230/13.2KV TRANSFORMER CKT 1'              | FROM->TO | 0.45738 | 555.1 | 'BORDEN 7345.00 - MIDLAND 7345.00 345KV CKT 2'                 |
| 11SP | 3 | G10_059 | 'YOAKUM 7 345.00 (YOAKUM T3) 345/230/13.2KV TRANSFORMER CKT 1'              | FROM->TO | 0.45738 | 555.1 | 'BORDEN 7345.00 - MIDLAND 7345.00 345KV CKT 2'                 |
| 11SP | 3 | G10_060 | 'YOAKUM 7 345.00 (YOAKUM T3) 345/230/13.2KV TRANSFORMER CKT 1'              | FROM->TO | 0.45738 | 555.4 | 'BORDEN 7345.00 - MIDLAND 7345.00 345KV CKT 2'                 |
| 11SP | 3 | G10_059 | 'YOAKUM 7 345.00 (YOAKUM T3) 345/230/13.2KV TRANSFORMER CKT 1'              | FROM->TO | 0.45738 | 555.4 | 'BORDEN 7345.00 - MIDLAND 7345.00 345KV CKT 2'                 |
| 11SP | 3 | G10_060 | 'YOAKUM 7 345.00 (YOAKUM T3) 345/230/13.2KV TRANSFORMER CKT 1'              | FROM->TO | 0.52476 | 555.1 | 'HOBBS_INT 7345.00 - MIDLAND 7345.00 345KV CKT 1'              |
| 11SP | 3 | G10_059 | 'YOAKUM 7 345.00 (YOAKUM T3) 345/230/13.2KV TRANSFORMER CKT 1'              | FROM->TO | 0.52476 | 555.1 | 'HOBBS_INT 7345.00 - MIDLAND 7345.00 345KV CKT 1'              |
| 11SP | 3 | G10_060 | 'YOAKUM 7 345.00 (YOAKUM T3) 345/230/13.2KV TRANSFORMER CKT 1'              | FROM->TO | 0.52476 | 555.1 | 'HOBBS_INT 7345.00 (HOBBS 1) 345/230/13.2KV TRANSFORMER CKT 1' |
| 11SP | 3 | G10_059 | 'YOAKUM 7 345.00 (YOAKUM T3) 345/230/13.2KV TRANSFORMER CKT 1'              | FROM->TO | 0.52476 | 555.1 | 'HOBBS_INT 7345.00 (HOBBS 1) 345/230/13.2KV TRANSFORMER CKT 1' |
| 11SP | 3 | G10_060 | 'YOAKUM 7 345.00 (YOAKUM T3) 345/230/13.2KV TRANSFORMER CKT 1'              | FROM->TO | 0.52476 | 555.4 | 'HOBBS_INT 7345.00 - MIDLAND 7345.00 345KV CKT 1'              |
| 11SP | 3 | G10_059 | 'YOAKUM 7 345.00 (YOAKUM T3) 345/230/13.2KV TRANSFORMER CKT 1'              | FROM->TO | 0.52476 | 555.4 | 'HOBBS_INT 7345.00 - MIDLAND 7345.00 345KV CKT 1'              |
| 11SP | 3 | G10_060 | 'YOAKUM 7 345.00 (YOAKUM T3) 345/230/13.2KV TRANSFORMER CKT 1'              | FROM->TO | 0.52476 | 555.4 | 'HOBBS_INT 7345.00 (HOBBS 1) 345/230/13.2KV TRANSFORMER CKT 1' |
| 11SP | 3 | G10_059 | 'YOAKUM 7 345.00 (YOAKUM T3) 345/230/13.2KV TRANSFORMER CKT 1'              | FROM->TO | 0.52476 | 555.4 | 'HOBBS_INT 7345.00 (HOBBS 1) 345/230/13.2KV TRANSFORMER CKT 1' |
| 11SP | 3 | G10_060 | 'HOBBS_INT 7345.00 (HOBBS 1) 345/230/13.2KV TRANSFORMER CKT 1'              | FROM->TO | 0.50898 | 554.2 | 'MIDLAND 7345.00 - YOAKUM 7 345.00 345KV CKT 1'                |
| 11SP | 3 | G10_059 | 'HOBBS_INT 7345.00 (HOBBS 1) 345/230/13.2KV TRANSFORMER CKT 1'              | FROM->TO | 0.50898 | 554.2 | 'MIDLAND 7345.00 - YOAKUM 7 345.00 345KV CKT 1'                |
| 11SP | 3 | G10_060 | 'HOBBS_INT 7345.00 (HOBBS 1) 345/230/13.2KV TRANSFORMER CKT 1'              | FROM->TO | 0.50898 | 554.2 | 'YOAKUM 7 345.00 (YOAKUM T3) 345/230/13.2KV TRANSFORMER CKT 1' |
| 11SP | 3 | G10_059 | 'HOBBS_INT 7345.00 (HOBBS 1) 345/230/13.2KV TRANSFORMER CKT 1'              | FROM->TO | 0.50898 | 554.2 | 'YOAKUM 7 345.00 (YOAKUM T3) 345/230/13.2KV TRANSFORMER CKT 1' |

|      |   |         |   |          |         |       |  |
|------|---|---------|---|----------|---------|-------|--|
| 11SP | 3 | G10_060 | 'HOBBS_INT 7345.00 (HOBBS 1) 345/230/13.2KV TRANSFORMER CKT 1'    | FROM->TO | 0.48117 | 554.2 | 'BORDEN 7345.00 - GRASSLAND 7 345.00 345KV CKT 1'              |
| 11SP | 3 | G10_059 | 'HOBBS_INT 7345.00 (HOBBS 1) 345/230/13.2KV TRANSFORMER CKT 1'    | FROM->TO | 0.48117 | 554.2 | 'BORDEN 7345.00 - GRASSLAND 7 345.00 345KV CKT 1'              |
| 11SP | 3 | G10_060 | 'HOBBS_INT 7345.00 (HOBBS 1) 345/230/13.2KV TRANSFORMER CKT 1'    | FROM->TO | 0.50898 | 554.7 | 'MIDLAND 7345.00 - YOAKUM 7 345.00 345KV CKT 1'                |
| 11SP | 3 | G10_059 | 'HOBBS_INT 7345.00 (HOBBS 1) 345/230/13.2KV TRANSFORMER CKT 1'    | FROM->TO | 0.50898 | 554.7 | 'MIDLAND 7345.00 - YOAKUM 7 345.00 345KV CKT 1'                |
| 11SP | 3 | G10_060 | 'HOBBS_INT 7345.00 (HOBBS 1) 345/230/13.2KV TRANSFORMER CKT 1'    | FROM->TO | 0.50898 | 554.7 | 'YOAKUM 7 345.00 (YOAKUM T3) 345/230/13.2KV TRANSFORMER CKT 1' |
| 11SP | 3 | G10_059 | 'HOBBS_INT 7345.00 (HOBBS 1) 345/230/13.2KV TRANSFORMER CKT 1'    | FROM->TO | 0.50898 | 554.7 | 'YOAKUM 7 345.00 (YOAKUM T3) 345/230/13.2KV TRANSFORMER CKT 1' |
| 11SP | 3 | G10_060 | 'HOBBS_INT 7345.00 (HOBBS 1) 345/230/13.2KV TRANSFORMER CKT 1'    | FROM->TO | 0.48117 | 554.7 | 'BORDEN 7345.00 - GRASSLAND 7 345.00 345KV CKT 1'              |
| 11SP | 3 | G10_059 | 'HOBBS_INT 7345.00 (HOBBS 1) 345/230/13.2KV TRANSFORMER CKT 1'    | FROM->TO | 0.48117 | 554.7 | 'BORDEN 7345.00 - GRASSLAND 7 345.00 345KV CKT 1'              |
| 11SP | 3 | G10_060 | 'YOAKUM 7 345.00 (YOAKUM T3) 345/230/13.2KV TRANSFORMER CKT 1'    | FROM->TO | 0.43101 | 555.1 | 'GRASSLAND 7 345.00 - JONES 7 345.00 345KV CKT 1'              |
| 11SP | 3 | G10_059 | 'YOAKUM 7 345.00 (YOAKUM T3) 345/230/13.2KV TRANSFORMER CKT 1'    | FROM->TO | 0.43101 | 555.1 | 'GRASSLAND 7 345.00 - JONES 7 345.00 345KV CKT 1'              |
| 11SP | 3 | G10_060 | 'YOAKUM 7 345.00 (YOAKUM T3) 345/230/13.2KV TRANSFORMER CKT 1'    | FROM->TO | 0.43101 | 555.4 | 'GRASSLAND 7 345.00 - JONES 7 345.00 345KV CKT 1'              |
| 11SP | 3 | G10_059 | 'YOAKUM 7 345.00 (YOAKUM T3) 345/230/13.2KV TRANSFORMER CKT 1'    | FROM->TO | 0.43101 | 555.4 | 'GRASSLAND 7 345.00 - JONES 7 345.00 345KV CKT 1'              |
| 11SP | 3 | G10_060 | 'HOBBS_INT 7345.00 (HOBBS 1) 345/230/13.2KV TRANSFORMER CKT 1'    | FROM->TO | 0.43045 | 554.2 | 'BORDEN 7345.00 - MIDLAND 7345.00 345KV CKT 2'                 |
| 11SP | 3 | G10_059 | 'HOBBS_INT 7345.00 (HOBBS 1) 345/230/13.2KV TRANSFORMER CKT 1'    | FROM->TO | 0.43045 | 554.2 | 'BORDEN 7345.00 - MIDLAND 7345.00 345KV CKT 2'                 |
| 11SP | 3 | G10_060 | 'HOBBS_INT 7345.00 (HOBBS 1) 345/230/13.2KV TRANSFORMER CKT 1'    | FROM->TO | 0.43045 | 554.7 | 'BORDEN 7345.00 - MIDLAND 7345.00 345KV CKT 2'                 |
| 11SP | 3 | G10_059 | 'HOBBS_INT 7345.00 (HOBBS 1) 345/230/13.2KV TRANSFORMER CKT 1'    | FROM->TO | 0.43045 | 554.7 | 'BORDEN 7345.00 - MIDLAND 7345.00 345KV CKT 2'                 |
| 11WP | 3 | G10_060 | 'YOAKUM 7 345.00 (YOAKUM T3) 345/230/13.2KV TRANSFORMER CKT 1'    | FROM->TO | 0.5201  | 554.8 | 'BORDEN 7345.00 - GRASSLAND 7 345.00 345KV CKT 1'              |
| 11WP | 3 | G10_059 | 'YOAKUM 7 345.00 (YOAKUM T3) 345/230/13.2KV TRANSFORMER CKT 1'    | FROM->TO | 0.5201  | 554.8 | 'BORDEN 7345.00 - GRASSLAND 7 345.00 345KV CKT 1'              |
| 11WP | 3 | G10_060 | 'YOAKUM 7 345.00 (YOAKUM T3) 345/230/13.2KV TRANSFORMER CKT 1'    | FROM->TO | 0.5201  | 555   | 'BORDEN 7345.00 - GRASSLAND 7 345.00 345KV CKT 1'              |
| 11WP | 3 | G10_059 | 'YOAKUM 7 345.00 (YOAKUM T3) 345/230/13.2KV TRANSFORMER CKT 1'    | FROM->TO | 0.5201  | 555   | 'BORDEN 7345.00 - GRASSLAND 7 345.00 345KV CKT 1'              |
| 11WP | 3 | G10_060 | 'AMOCO SWITCHING STATION - YOAKUM COUNTY INTERCHANGE 230KV CKT 1' | TO->FROM | 0.23831 | 357.6 | 'BORDEN 7345.00 - GRASSLAND 7 345.00 345KV CKT 1'              |
| 11WP | 3 | G10_059 | 'AMOCO SWITCHING STATION - YOAKUM COUNTY INTERCHANGE 230KV CKT 1' | TO->FROM | 0.23831 | 357.6 | 'BORDEN 7345.00 - GRASSLAND 7 345.00 345KV CKT 1'              |
| 11WP | 3 | G10_060 | 'YOAKUM 7 345.00 (YOAKUM T3) 345/230/13.2KV TRANSFORMER CKT 1'    | FROM->TO | 0.52014 | 554.8 | 'HOBBS_INT 7345.00 - MIDLAND 7345.00 345KV CKT 1'              |
| 11WP | 3 | G10_059 | 'YOAKUM 7 345.00 (YOAKUM T3) 345/230/13.2KV TRANSFORMER CKT 1'    | FROM->TO | 0.52014 | 554.8 | 'HOBBS_INT 7345.00 - MIDLAND 7345.00 345KV CKT 1'              |
| 11WP | 3 | G10_060 | 'YOAKUM 7 345.00 (YOAKUM T3) 345/230/13.2KV TRANSFORMER CKT 1'    | FROM->TO | 0.52014 | 554.8 | 'HOBBS_INT 7345.00 (HOBBS 1) 345/230/13.2KV TRANSFORMER CKT 1' |



|      |   |         |  |          |         |       |   |
|------|---|---------|--|----------|---------|-------|---|
| 11WP | 3 | G10_059 | 'YOAKUM 7 345.00 (YOAKUM T3)<br>345/230/13.2KV TRANSFORMER CKT 1'    | FROM->TO | 0.52014 | 554.8 | 'HOBBS_INT 7345.00 (HOBBS 1) 345/230/13.2KV<br>TRANSFORMER CKT 1' |
| 11WP | 3 | G10_060 | 'YOAKUM 7 345.00 (YOAKUM T3)<br>345/230/13.2KV TRANSFORMER CKT 1'    | FROM->TO | 0.52014 | 555   | 'HOBBS_INT 7345.00 - MIDLAND 7345.00<br>345KV CKT 1'              |
| 11WP | 3 | G10_059 | 'YOAKUM 7 345.00 (YOAKUM T3)<br>345/230/13.2KV TRANSFORMER CKT 1'    | FROM->TO | 0.52014 | 555   | 'HOBBS_INT 7345.00 - MIDLAND 7345.00<br>345KV CKT 1'              |
| 11WP | 3 | G10_060 | 'YOAKUM 7 345.00 (YOAKUM T3)<br>345/230/13.2KV TRANSFORMER CKT 1'    | FROM->TO | 0.52014 | 555   | 'HOBBS_INT 7345.00 (HOBBS 1) 345/230/13.2KV<br>TRANSFORMER CKT 1' |
| 11WP | 3 | G10_059 | 'YOAKUM 7 345.00 (YOAKUM T3)<br>345/230/13.2KV TRANSFORMER CKT 1'    | FROM->TO | 0.52014 | 555   | 'HOBBS_INT 7345.00 (HOBBS 1) 345/230/13.2KV<br>TRANSFORMER CKT 1' |
| 11WP | 3 | G10_060 | 'YOAKUM 7 345.00 (YOAKUM T3)<br>345/230/13.2KV TRANSFORMER CKT 1'    | FROM->TO | 0.45859 | 554.8 | 'BORDEN 7345.00 - MIDLAND 7345.00 345KV<br>CKT 2'                 |
| 11WP | 3 | G10_059 | 'YOAKUM 7 345.00 (YOAKUM T3)<br>345/230/13.2KV TRANSFORMER CKT 1'    | FROM->TO | 0.45859 | 554.8 | 'BORDEN 7345.00 - MIDLAND 7345.00 345KV<br>CKT 2'                 |
| 11WP | 3 | G10_060 | 'YOAKUM 7 345.00 (YOAKUM T3)<br>345/230/13.2KV TRANSFORMER CKT 1'    | FROM->TO | 0.45859 | 555   | 'BORDEN 7345.00 - MIDLAND 7345.00 345KV<br>CKT 2'                 |
| 11WP | 3 | G10_059 | 'YOAKUM 7 345.00 (YOAKUM T3)<br>345/230/13.2KV TRANSFORMER CKT 1'    | FROM->TO | 0.45859 | 555   | 'BORDEN 7345.00 - MIDLAND 7345.00 345KV<br>CKT 2'                 |
| 11WP | 3 | G10_060 | 'HOBBS_INT 7345.00 (HOBBS 1) 345/230/13.2KV<br>TRANSFORMER CKT 1'    | FROM->TO | 0.50283 | 554.4 | 'MIDLAND 7345.00 - YOAKUM 7 345.00 345KV<br>CKT 1'                |
| 11WP | 3 | G10_059 | 'HOBBS_INT 7345.00 (HOBBS 1) 345/230/13.2KV<br>TRANSFORMER CKT 1'    | FROM->TO | 0.50283 | 554.4 | 'MIDLAND 7345.00 - YOAKUM 7 345.00 345KV<br>CKT 1'                |
| 11WP | 3 | G10_060 | 'HOBBS_INT 7345.00 (HOBBS 1) 345/230/13.2KV<br>TRANSFORMER CKT 1'    | FROM->TO | 0.50283 | 554.4 | 'YOAKUM 7 345.00 (YOAKUM T3)<br>345/230/13.2KV TRANSFORMER CKT 1' |
| 11WP | 3 | G10_059 | 'HOBBS_INT 7345.00 (HOBBS 1) 345/230/13.2KV<br>TRANSFORMER CKT 1'    | FROM->TO | 0.50283 | 554.4 | 'YOAKUM 7 345.00 (YOAKUM T3)<br>345/230/13.2KV TRANSFORMER CKT 1' |
| 11WP | 3 | G10_060 | 'HOBBS_INT 7345.00 (HOBBS 1) 345/230/13.2KV<br>TRANSFORMER CKT 1'    | FROM->TO | 0.50283 | 554.6 | 'MIDLAND 7345.00 - YOAKUM 7 345.00 345KV<br>CKT 1'                |
| 11WP | 3 | G10_059 | 'HOBBS_INT 7345.00 (HOBBS 1) 345/230/13.2KV<br>TRANSFORMER CKT 1'    | FROM->TO | 0.50283 | 554.6 | 'MIDLAND 7345.00 - YOAKUM 7 345.00 345KV<br>CKT 1'                |
| 11WP | 3 | G10_060 | 'HOBBS_INT 7345.00 (HOBBS 1) 345/230/13.2KV<br>TRANSFORMER CKT 1'    | FROM->TO | 0.50283 | 554.6 | 'YOAKUM 7 345.00 (YOAKUM T3)<br>345/230/13.2KV TRANSFORMER CKT 1' |
| 11WP | 3 | G10_059 | 'HOBBS_INT 7345.00 (HOBBS 1) 345/230/13.2KV<br>TRANSFORMER CKT 1'    | FROM->TO | 0.50283 | 554.6 | 'YOAKUM 7 345.00 (YOAKUM T3)<br>345/230/13.2KV TRANSFORMER CKT 1' |
| 11WP | 3 | G10_060 | 'HOBBS_INT 7345.00 (HOBBS 1) 345/230/13.2KV<br>TRANSFORMER CKT 1'    | FROM->TO | 0.47867 | 554.4 | 'BORDEN 7345.00 - GRASSLAND 7 345.00<br>345KV CKT 1'              |
| 11WP | 3 | G10_059 | 'HOBBS_INT 7345.00 (HOBBS 1) 345/230/13.2KV<br>TRANSFORMER CKT 1'    | FROM->TO | 0.47867 | 554.4 | 'BORDEN 7345.00 - GRASSLAND 7 345.00<br>345KV CKT 1'              |
| 11WP | 3 | G10_060 | 'HOBBS_INT 7345.00 (HOBBS 1) 345/230/13.2KV<br>TRANSFORMER CKT 1'    | FROM->TO | 0.47867 | 554.6 | 'BORDEN 7345.00 - GRASSLAND 7 345.00<br>345KV CKT 1'              |
| 11WP | 3 | G10_059 | 'HOBBS_INT 7345.00 (HOBBS 1) 345/230/13.2KV<br>TRANSFORMER CKT 1'    | FROM->TO | 0.47867 | 554.6 | 'BORDEN 7345.00 - GRASSLAND 7 345.00<br>345KV CKT 1'              |
| 11WP | 3 | G10_060 | 'AMOCO SWITCHING STATION - YOAKUM<br>COUNTY INTERCHANGE 230KV CKT 1' | TO->FROM | 0.19876 | 357.6 | 'BORDEN 7345.00 - MIDLAND 7345.00 345KV<br>CKT 2'                 |
| 11WP | 3 | G10_059 | 'AMOCO SWITCHING STATION - YOAKUM<br>COUNTY INTERCHANGE 230KV CKT 1' | TO->FROM | 0.19876 | 357.6 | 'BORDEN 7345.00 - MIDLAND 7345.00 345KV<br>CKT 2'                 |
| 11WP | 3 | G10_060 | 'YOAKUM 7 345.00 (YOAKUM T3)<br>345/230/13.2KV TRANSFORMER CKT 1'    | FROM->TO | 0.43144 | 554.8 | 'GRASSLAND 7 345.00 - JONES 7 345.00<br>345KV CKT 1'              |
| 11WP | 3 | G10_059 | 'YOAKUM 7 345.00 (YOAKUM T3)<br>345/230/13.2KV TRANSFORMER CKT 1'    | FROM->TO | 0.43144 | 554.8 | 'GRASSLAND 7 345.00 - JONES 7 345.00<br>345KV CKT 1'              |

|      |   |         |  |          |         |       |   |
|------|---|---------|--|----------|---------|-------|---|
| 11WP | 3 | G10_060 | 'YOAKUM 7 345.00 (YOAKUM T3)<br>345/230/13.2KV TRANSFORMER CKT 1'    | FROM->TO | 0.43144 | 555   | 'GRASSLAND 7 345.00 - JONES 7 345.00<br>345KV CKT 1'              |
| 11WP | 3 | G10_059 | 'YOAKUM 7 345.00 (YOAKUM T3)<br>345/230/13.2KV TRANSFORMER CKT 1'    | FROM->TO | 0.43144 | 555   | 'GRASSLAND 7 345.00 - JONES 7 345.00<br>345KV CKT 1'              |
| 11WP | 3 | G10_060 | 'HOBBS_INT 7345.00 (HOBBS 1) 345/230/13.2KV<br>TRANSFORMER CKT 1'    | FROM->TO | 0.42708 | 554.4 | 'BORDEN 7345.00 - MIDLAND 7345.00 345KV<br>CKT 2'                 |
| 11WP | 3 | G10_059 | 'HOBBS_INT 7345.00 (HOBBS 1) 345/230/13.2KV<br>TRANSFORMER CKT 1'    | FROM->TO | 0.42708 | 554.4 | 'BORDEN 7345.00 - MIDLAND 7345.00 345KV<br>CKT 2'                 |
| 11WP | 3 | G10_060 | 'HOBBS_INT 7345.00 (HOBBS 1) 345/230/13.2KV<br>TRANSFORMER CKT 1'    | FROM->TO | 0.42708 | 554.6 | 'BORDEN 7345.00 - MIDLAND 7345.00 345KV<br>CKT 2'                 |
| 11WP | 3 | G10_059 | 'HOBBS_INT 7345.00 (HOBBS 1) 345/230/13.2KV<br>TRANSFORMER CKT 1'    | FROM->TO | 0.42708 | 554.6 | 'BORDEN 7345.00 - MIDLAND 7345.00 345KV<br>CKT 2'                 |
| 16SP | 3 | G10_060 | 'AMOCO SWITCHING STATION - YOAKUM<br>COUNTY INTERCHANGE 230KV CKT 1' | TO->FROM | 0.22604 | 349.2 | 'BORDEN 7345.00 - GRASSLAND 7 345.00<br>345KV CKT 1'              |
| 16SP | 3 | G10_059 | 'AMOCO SWITCHING STATION - YOAKUM<br>COUNTY INTERCHANGE 230KV CKT 1' | TO->FROM | 0.22604 | 349.2 | 'BORDEN 7345.00 - GRASSLAND 7 345.00<br>345KV CKT 1'              |
| 16SP | 3 | G10_060 | 'YOAKUM 7 345.00 (YOAKUM T3)<br>345/230/13.2KV TRANSFORMER CKT 1'    | FROM->TO | 0.5161  | 555.1 | 'BORDEN 7345.00 - GRASSLAND 7 345.00<br>345KV CKT 1'              |
| 16SP | 3 | G10_059 | 'YOAKUM 7 345.00 (YOAKUM T3)<br>345/230/13.2KV TRANSFORMER CKT 1'    | FROM->TO | 0.5161  | 555.1 | 'BORDEN 7345.00 - GRASSLAND 7 345.00<br>345KV CKT 1'              |
| 16SP | 3 | G10_060 | 'YOAKUM 7 345.00 (YOAKUM T3)<br>345/230/13.2KV TRANSFORMER CKT 1'    | FROM->TO | 0.5161  | 555.3 | 'BORDEN 7345.00 - GRASSLAND 7 345.00<br>345KV CKT 1'              |
| 16SP | 3 | G10_059 | 'YOAKUM 7 345.00 (YOAKUM T3)<br>345/230/13.2KV TRANSFORMER CKT 1'    | FROM->TO | 0.5161  | 555.3 | 'BORDEN 7345.00 - GRASSLAND 7 345.00<br>345KV CKT 1'              |
| 16SP | 3 | G10_060 | 'YOAKUM 7 345.00 (YOAKUM T3)<br>345/230/13.2KV TRANSFORMER CKT 1'    | FROM->TO | 0.57446 | 555.1 | 'HOBBS_INT 7345.00 - MIDLAND 7345.00<br>345KV CKT 1'              |
| 16SP | 3 | G10_059 | 'YOAKUM 7 345.00 (YOAKUM T3)<br>345/230/13.2KV TRANSFORMER CKT 1'    | FROM->TO | 0.57446 | 555.1 | 'HOBBS_INT 7345.00 - MIDLAND 7345.00<br>345KV CKT 1'              |
| 16SP | 3 | G10_060 | 'YOAKUM 7 345.00 (YOAKUM T3)<br>345/230/13.2KV TRANSFORMER CKT 1'    | FROM->TO | 0.57446 | 555.1 | 'HOBBS_INT 7345.00 (HOBBS 1) 345/230/13.2KV<br>TRANSFORMER CKT 1' |
| 16SP | 3 | G10_059 | 'YOAKUM 7 345.00 (YOAKUM T3)<br>345/230/13.2KV TRANSFORMER CKT 1'    | FROM->TO | 0.57446 | 555.1 | 'HOBBS_INT 7345.00 (HOBBS 1) 345/230/13.2KV<br>TRANSFORMER CKT 1' |
| 16SP | 3 | G10_060 | 'YOAKUM 7 345.00 (YOAKUM T3)<br>345/230/13.2KV TRANSFORMER CKT 1'    | FROM->TO | 0.57446 | 555.3 | 'HOBBS_INT 7345.00 - MIDLAND 7345.00<br>345KV CKT 1'              |
| 16SP | 3 | G10_059 | 'YOAKUM 7 345.00 (YOAKUM T3)<br>345/230/13.2KV TRANSFORMER CKT 1'    | FROM->TO | 0.57446 | 555.3 | 'HOBBS_INT 7345.00 - MIDLAND 7345.00<br>345KV CKT 1'              |
| 16SP | 3 | G10_060 | 'YOAKUM 7 345.00 (YOAKUM T3)<br>345/230/13.2KV TRANSFORMER CKT 1'    | FROM->TO | 0.57446 | 555.3 | 'HOBBS_INT 7345.00 (HOBBS 1) 345/230/13.2KV<br>TRANSFORMER CKT 1' |
| 16SP | 3 | G10_059 | 'YOAKUM 7 345.00 (YOAKUM T3)<br>345/230/13.2KV TRANSFORMER CKT 1'    | FROM->TO | 0.57446 | 555.3 | 'HOBBS_INT 7345.00 (HOBBS 1) 345/230/13.2KV<br>TRANSFORMER CKT 1' |
| 16SP | 3 | G10_060 | 'YOAKUM 7 345.00 (YOAKUM T3)<br>345/230/13.2KV TRANSFORMER CKT 1'    | FROM->TO | 0.45588 | 555.1 | 'BORDEN 7345.00 - MIDLAND 7345.00 345KV<br>CKT 2'                 |
| 16SP | 3 | G10_059 | 'YOAKUM 7 345.00 (YOAKUM T3)<br>345/230/13.2KV TRANSFORMER CKT 1'    | FROM->TO | 0.45588 | 555.1 | 'BORDEN 7345.00 - MIDLAND 7345.00 345KV<br>CKT 2'                 |
| 16SP | 3 | G10_060 | 'YOAKUM 7 345.00 (YOAKUM T3)<br>345/230/13.2KV TRANSFORMER CKT 1'    | FROM->TO | 0.45588 | 555.3 | 'BORDEN 7345.00 - MIDLAND 7345.00 345KV<br>CKT 2'                 |
| 16SP | 3 | G10_059 | 'YOAKUM 7 345.00 (YOAKUM T3)<br>345/230/13.2KV TRANSFORMER CKT 1'    | FROM->TO | 0.45588 | 555.3 | 'BORDEN 7345.00 - MIDLAND 7345.00 345KV<br>CKT 2'                 |
| 16SP | 3 | G10_060 | 'HOBBS_INT 7345.00 (HOBBS 1) 345/230/13.2KV<br>TRANSFORMER CKT 1'    | FROM->TO | 0.55832 | 554.4 | 'MIDLAND 7345.00 - YOAKUM 7 345.00 345KV<br>CKT 1'                |



|      |  |           |  |          |         |       |   |
|------|--|-----------|--|----------|---------|-------|---|
| 16WP |  | 3 G10_060 | 'YOAKUM 7 345.00 (YOAKUM T3)<br>345/230/13.2KV TRANSFORMER CKT 1'    | FROM->TO | 0.51931 | 555.2 | 'BORDEN 7345.00 - GRASSLAND 7 345.00<br>345KV CKT 1'              |
| 16WP |  | 3 G10_059 | 'YOAKUM 7 345.00 (YOAKUM T3)<br>345/230/13.2KV TRANSFORMER CKT 1'    | FROM->TO | 0.51931 | 555.2 | 'BORDEN 7345.00 - GRASSLAND 7 345.00<br>345KV CKT 1'              |
| 16WP |  | 3 G10_060 | 'HOBBS_INT 7345.00 (HOBBS 1) 345/230/13.2KV<br>TRANSFORMER CKT 1'    | FROM->TO | 0.54996 | 553.2 | 'MIDLAND 7345.00 - YOAKUM 7 345.00 345KV<br>CKT 1'                |
| 16WP |  | 3 G10_059 | 'HOBBS_INT 7345.00 (HOBBS 1) 345/230/13.2KV<br>TRANSFORMER CKT 1'    | FROM->TO | 0.54996 | 553.2 | 'MIDLAND 7345.00 - YOAKUM 7 345.00 345KV<br>CKT 1'                |
| 16WP |  | 3 G10_060 | 'HOBBS_INT 7345.00 (HOBBS 1) 345/230/13.2KV<br>TRANSFORMER CKT 1'    | FROM->TO | 0.54997 | 553.2 | 'YOAKUM 7 345.00 (YOAKUM T3)<br>345/230/13.2KV TRANSFORMER CKT 1' |
| 16WP |  | 3 G10_059 | 'HOBBS_INT 7345.00 (HOBBS 1) 345/230/13.2KV<br>TRANSFORMER CKT 1'    | FROM->TO | 0.54997 | 553.2 | 'YOAKUM 7 345.00 (YOAKUM T3)<br>345/230/13.2KV TRANSFORMER CKT 1' |
| 16WP |  | 3 G10_060 | 'HOBBS_INT 7345.00 (HOBBS 1) 345/230/13.2KV<br>TRANSFORMER CKT 1'    | FROM->TO | 0.54996 | 553.6 | 'MIDLAND 7345.00 - YOAKUM 7 345.00 345KV<br>CKT 1'                |
| 16WP |  | 3 G10_059 | 'HOBBS_INT 7345.00 (HOBBS 1) 345/230/13.2KV<br>TRANSFORMER CKT 1'    | FROM->TO | 0.54996 | 553.6 | 'MIDLAND 7345.00 - YOAKUM 7 345.00 345KV<br>CKT 1'                |
| 16WP |  | 3 G10_060 | 'HOBBS_INT 7345.00 (HOBBS 1) 345/230/13.2KV<br>TRANSFORMER CKT 1'    | FROM->TO | 0.54997 | 553.6 | 'YOAKUM 7 345.00 (YOAKUM T3)<br>345/230/13.2KV TRANSFORMER CKT 1' |
| 16WP |  | 3 G10_059 | 'HOBBS_INT 7345.00 (HOBBS 1) 345/230/13.2KV<br>TRANSFORMER CKT 1'    | FROM->TO | 0.54997 | 553.6 | 'YOAKUM 7 345.00 (YOAKUM T3)<br>345/230/13.2KV TRANSFORMER CKT 1' |
| 16WP |  | 3 G10_060 | 'AMOCO SWITCHING STATION - YOAKUM<br>COUNTY INTERCHANGE 230KV CKT 1' | TO->FROM | 0.23851 | 358.7 | 'BORDEN 7345.00 - GRASSLAND 7 345.00<br>345KV CKT 1'              |
| 16WP |  | 3 G10_059 | 'AMOCO SWITCHING STATION - YOAKUM<br>COUNTY INTERCHANGE 230KV CKT 1' | TO->FROM | 0.23851 | 358.7 | 'BORDEN 7345.00 - GRASSLAND 7 345.00<br>345KV CKT 1'              |
| 16WP |  | 3 G10_060 | 'YOAKUM 7 345.00 (YOAKUM T3)<br>345/230/13.2KV TRANSFORMER CKT 1'    | FROM->TO | 0.45743 | 555   | 'BORDEN 7345.00 - MIDLAND 7345.00 345KV<br>CKT 2'                 |
| 16WP |  | 3 G10_059 | 'YOAKUM 7 345.00 (YOAKUM T3)<br>345/230/13.2KV TRANSFORMER CKT 1'    | FROM->TO | 0.45743 | 555   | 'BORDEN 7345.00 - MIDLAND 7345.00 345KV<br>CKT 2'                 |
| 16WP |  | 3 G10_060 | 'YOAKUM 7 345.00 (YOAKUM T3)<br>345/230/13.2KV TRANSFORMER CKT 1'    | FROM->TO | 0.45743 | 555.2 | 'BORDEN 7345.00 - MIDLAND 7345.00 345KV<br>CKT 2'                 |
| 16WP |  | 3 G10_059 | 'YOAKUM 7 345.00 (YOAKUM T3)<br>345/230/13.2KV TRANSFORMER CKT 1'    | FROM->TO | 0.45743 | 555.2 | 'BORDEN 7345.00 - MIDLAND 7345.00 345KV<br>CKT 2'                 |
| 16WP |  | 3 G10_060 | 'HOBBS_INT 7345.00 (HOBBS 1) 345/230/13.2KV<br>TRANSFORMER CKT 1'    | FROM->TO | 0.47957 | 553.2 | 'BORDEN 7345.00 - GRASSLAND 7 345.00<br>345KV CKT 1'              |
| 16WP |  | 3 G10_059 | 'HOBBS_INT 7345.00 (HOBBS 1) 345/230/13.2KV<br>TRANSFORMER CKT 1'    | FROM->TO | 0.47957 | 553.2 | 'BORDEN 7345.00 - GRASSLAND 7 345.00<br>345KV CKT 1'              |
| 16WP |  | 3 G10_060 | 'HOBBS_INT 7345.00 (HOBBS 1) 345/230/13.2KV<br>TRANSFORMER CKT 1'    | FROM->TO | 0.47957 | 553.6 | 'BORDEN 7345.00 - GRASSLAND 7 345.00<br>345KV CKT 1'              |
| 16WP |  | 3 G10_059 | 'HOBBS_INT 7345.00 (HOBBS 1) 345/230/13.2KV<br>TRANSFORMER CKT 1'    | FROM->TO | 0.47957 | 553.6 | 'BORDEN 7345.00 - GRASSLAND 7 345.00<br>345KV CKT 1'              |
| 16WP |  | 3 G10_060 | 'AMOCO SWITCHING STATION - YOAKUM<br>COUNTY INTERCHANGE 230KV CKT 1' | TO->FROM | 0.19908 | 358.7 | 'BORDEN 7345.00 - MIDLAND 7345.00 345KV<br>CKT 2'                 |
| 16WP |  | 3 G10_059 | 'AMOCO SWITCHING STATION - YOAKUM<br>COUNTY INTERCHANGE 230KV CKT 1' | TO->FROM | 0.19908 | 358.7 | 'BORDEN 7345.00 - MIDLAND 7345.00 345KV<br>CKT 2'                 |
| 16WP |  | 3 G10_060 | 'YOAKUM 7 345.00 (YOAKUM T3)<br>345/230/13.2KV TRANSFORMER CKT 1'    | FROM->TO | 0.43096 | 555   | 'GRASSLAND 7 345.00 - JONES 7 345.00<br>345KV CKT 1'              |
| 16WP |  | 3 G10_059 | 'YOAKUM 7 345.00 (YOAKUM T3)<br>345/230/13.2KV TRANSFORMER CKT 1'    | FROM->TO | 0.43096 | 555   | 'GRASSLAND 7 345.00 - JONES 7 345.00<br>345KV CKT 1'              |
| 16WP |  | 3 G10_060 | 'YOAKUM 7 345.00 (YOAKUM T3)<br>345/230/13.2KV TRANSFORMER CKT 1'    | FROM->TO | 0.43096 | 555.2 | 'GRASSLAND 7 345.00 - JONES 7 345.00<br>345KV CKT 1'              |

|      |   |         |  |          |         |       |   |
|------|---|---------|--|----------|---------|-------|---|
| 16WP | 3 | G10_059 | 'YOAKUM 7 345.00 (YOAKUM T3)<br>345/230/13.2KV TRANSFORMER CKT 1'    | FROM->TO | 0.43096 | 555.2 | 'GRASSLAND 7 345.00 - JONES 7 345.00<br>345KV CKT 1'              |
| 16WP | 3 | G10_060 | 'HOBBS_INT 7345.00 (HOBBS 1) 345/230/13.2KV<br>TRANSFORMER CKT 1'    | FROM->TO | 0.42762 | 553.2 | 'BORDEN 7345.00 - MIDLAND 7345.00 345KV<br>CKT 2'                 |
| 16WP | 3 | G10_059 | 'HOBBS_INT 7345.00 (HOBBS 1) 345/230/13.2KV<br>TRANSFORMER CKT 1'    | FROM->TO | 0.42762 | 553.2 | 'BORDEN 7345.00 - MIDLAND 7345.00 345KV<br>CKT 2'                 |
| 16WP | 3 | G10_060 | 'HOBBS_INT 7345.00 (HOBBS 1) 345/230/13.2KV<br>TRANSFORMER CKT 1'    | FROM->TO | 0.42762 | 553.6 | 'BORDEN 7345.00 - MIDLAND 7345.00 345KV<br>CKT 2'                 |
| 16WP | 3 | G10_059 | 'HOBBS_INT 7345.00 (HOBBS 1) 345/230/13.2KV<br>TRANSFORMER CKT 1'    | FROM->TO | 0.42762 | 553.6 | 'BORDEN 7345.00 - MIDLAND 7345.00 345KV<br>CKT 2'                 |
| 11G  | 3 | G10_060 | 'AMOCO SWITCHING STATION - YOAKUM<br>COUNTY INTERCHANGE 230KV CKT 1' | TO->FROM | 0.24233 | 359.5 | 'BORDEN 7345.00 - GRASSLAND 7 345.00<br>345KV CKT 1'              |
| 11G  | 3 | G10_059 | 'AMOCO SWITCHING STATION - YOAKUM<br>COUNTY INTERCHANGE 230KV CKT 1' | TO->FROM | 0.24233 | 359.5 | 'BORDEN 7345.00 - GRASSLAND 7 345.00<br>345KV CKT 1'              |
| 11G  | 3 | G10_060 | 'YOAKUM 7 345.00 (YOAKUM T3)<br>345/230/13.2KV TRANSFORMER CKT 1'    | FROM->TO | 0.51555 | 555.3 | 'BORDEN 7345.00 - GRASSLAND 7 345.00<br>345KV CKT 1'              |
| 11G  | 3 | G10_059 | 'YOAKUM 7 345.00 (YOAKUM T3)<br>345/230/13.2KV TRANSFORMER CKT 1'    | FROM->TO | 0.51555 | 555.3 | 'BORDEN 7345.00 - GRASSLAND 7 345.00<br>345KV CKT 1'              |
| 11G  | 3 | G10_060 | 'YOAKUM 7 345.00 (YOAKUM T3)<br>345/230/13.2KV TRANSFORMER CKT 1'    | FROM->TO | 0.51555 | 555.5 | 'BORDEN 7345.00 - GRASSLAND 7 345.00<br>345KV CKT 1'              |
| 11G  | 3 | G10_059 | 'YOAKUM 7 345.00 (YOAKUM T3)<br>345/230/13.2KV TRANSFORMER CKT 1'    | FROM->TO | 0.51555 | 555.5 | 'BORDEN 7345.00 - GRASSLAND 7 345.00<br>345KV CKT 1'              |
| 11G  | 3 | G10_060 | 'AMOCO SWITCHING STATION - YOAKUM<br>COUNTY INTERCHANGE 230KV CKT 1' | TO->FROM | 0.20288 | 359.5 | 'BORDEN 7345.00 - MIDLAND 7345.00 345KV<br>CKT 2'                 |
| 11G  | 3 | G10_059 | 'AMOCO SWITCHING STATION - YOAKUM<br>COUNTY INTERCHANGE 230KV CKT 1' | TO->FROM | 0.20288 | 359.5 | 'BORDEN 7345.00 - MIDLAND 7345.00 345KV<br>CKT 2'                 |
| 11G  | 3 | G10_060 | 'YOAKUM 7 345.00 (YOAKUM T3)<br>345/230/13.2KV TRANSFORMER CKT 1'    | FROM->TO | 0.55742 | 555.3 | 'HOBBS_INT 7345.00 - MIDLAND 7345.00<br>345KV CKT 1'              |
| 11G  | 3 | G10_059 | 'YOAKUM 7 345.00 (YOAKUM T3)<br>345/230/13.2KV TRANSFORMER CKT 1'    | FROM->TO | 0.55742 | 555.3 | 'HOBBS_INT 7345.00 - MIDLAND 7345.00<br>345KV CKT 1'              |
| 11G  | 3 | G10_060 | 'YOAKUM 7 345.00 (YOAKUM T3)<br>345/230/13.2KV TRANSFORMER CKT 1'    | FROM->TO | 0.55742 | 555.3 | 'HOBBS_INT 7345.00 (HOBBS 1) 345/230/13.2KV<br>TRANSFORMER CKT 1' |
| 11G  | 3 | G10_059 | 'YOAKUM 7 345.00 (YOAKUM T3)<br>345/230/13.2KV TRANSFORMER CKT 1'    | FROM->TO | 0.55742 | 555.3 | 'HOBBS_INT 7345.00 (HOBBS 1) 345/230/13.2KV<br>TRANSFORMER CKT 1' |
| 11G  | 3 | G10_060 | 'YOAKUM 7 345.00 (YOAKUM T3)<br>345/230/13.2KV TRANSFORMER CKT 1'    | FROM->TO | 0.55742 | 555.5 | 'HOBBS_INT 7345.00 - MIDLAND 7345.00<br>345KV CKT 1'              |
| 11G  | 3 | G10_059 | 'YOAKUM 7 345.00 (YOAKUM T3)<br>345/230/13.2KV TRANSFORMER CKT 1'    | FROM->TO | 0.55742 | 555.5 | 'HOBBS_INT 7345.00 - MIDLAND 7345.00<br>345KV CKT 1'              |
| 11G  | 3 | G10_060 | 'YOAKUM 7 345.00 (YOAKUM T3)<br>345/230/13.2KV TRANSFORMER CKT 1'    | FROM->TO | 0.55742 | 555.5 | 'HOBBS_INT 7345.00 (HOBBS 1) 345/230/13.2KV<br>TRANSFORMER CKT 1' |
| 11G  | 3 | G10_059 | 'YOAKUM 7 345.00 (YOAKUM T3)<br>345/230/13.2KV TRANSFORMER CKT 1'    | FROM->TO | 0.55742 | 555.5 | 'HOBBS_INT 7345.00 (HOBBS 1) 345/230/13.2KV<br>TRANSFORMER CKT 1' |
| 11G  | 3 | G10_060 | 'YOAKUM 7 345.00 (YOAKUM T3)<br>345/230/13.2KV TRANSFORMER CKT 1'    | FROM->TO | 0.45365 | 555.3 | 'BORDEN 7345.00 - MIDLAND 7345.00 345KV<br>CKT 2'                 |
| 11G  | 3 | G10_059 | 'YOAKUM 7 345.00 (YOAKUM T3)<br>345/230/13.2KV TRANSFORMER CKT 1'    | FROM->TO | 0.45365 | 555.3 | 'BORDEN 7345.00 - MIDLAND 7345.00 345KV<br>CKT 2'                 |
| 11G  | 3 | G10_060 | 'YOAKUM 7 345.00 (YOAKUM T3)<br>345/230/13.2KV TRANSFORMER CKT 1'    | FROM->TO | 0.45365 | 555.5 | 'BORDEN 7345.00 - MIDLAND 7345.00 345KV<br>CKT 2'                 |
| 11G  | 3 | G10_059 | 'YOAKUM 7 345.00 (YOAKUM T3)<br>345/230/13.2KV TRANSFORMER CKT 1'    | FROM->TO | 0.45365 | 555.5 | 'BORDEN 7345.00 - MIDLAND 7345.00 345KV<br>CKT 2'                 |

|      |   |         |   |          |         |       |  |
|------|---|---------|---|----------|---------|-------|--|
| 11G  | 3 | G10_060 | 'HOBBS_INT 7345.00 (HOBBS 1) 345/230/13.2KV TRANSFORMER CKT 1'    | FROM->TO | 0.54021 | 553.3 | 'MIDLAND 7345.00 - YOAKUM 7 345.00 345KV CKT 1'                |
| 11G  | 3 | G10_059 | 'HOBBS_INT 7345.00 (HOBBS 1) 345/230/13.2KV TRANSFORMER CKT 1'    | FROM->TO | 0.54021 | 553.3 | 'MIDLAND 7345.00 - YOAKUM 7 345.00 345KV CKT 1'                |
| 11G  | 3 | G10_060 | 'HOBBS_INT 7345.00 (HOBBS 1) 345/230/13.2KV TRANSFORMER CKT 1'    | FROM->TO | 0.54021 | 553.3 | 'YOAKUM 7 345.00 (YOAKUM T3) 345/230/13.2KV TRANSFORMER CKT 1' |
| 11G  | 3 | G10_059 | 'HOBBS_INT 7345.00 (HOBBS 1) 345/230/13.2KV TRANSFORMER CKT 1'    | FROM->TO | 0.54021 | 553.3 | 'YOAKUM 7 345.00 (YOAKUM T3) 345/230/13.2KV TRANSFORMER CKT 1' |
| 11G  | 3 | G10_060 | 'HOBBS_INT 7345.00 (HOBBS 1) 345/230/13.2KV TRANSFORMER CKT 1'    | FROM->TO | 0.54021 | 553.8 | 'MIDLAND 7345.00 - YOAKUM 7 345.00 345KV CKT 1'                |
| 11G  | 3 | G10_059 | 'HOBBS_INT 7345.00 (HOBBS 1) 345/230/13.2KV TRANSFORMER CKT 1'    | FROM->TO | 0.54021 | 553.8 | 'MIDLAND 7345.00 - YOAKUM 7 345.00 345KV CKT 1'                |
| 11G  | 3 | G10_060 | 'HOBBS_INT 7345.00 (HOBBS 1) 345/230/13.2KV TRANSFORMER CKT 1'    | FROM->TO | 0.54021 | 553.8 | 'YOAKUM 7 345.00 (YOAKUM T3) 345/230/13.2KV TRANSFORMER CKT 1' |
| 11G  | 3 | G10_059 | 'HOBBS_INT 7345.00 (HOBBS 1) 345/230/13.2KV TRANSFORMER CKT 1'    | FROM->TO | 0.54021 | 553.8 | 'YOAKUM 7 345.00 (YOAKUM T3) 345/230/13.2KV TRANSFORMER CKT 1' |
| 11G  | 3 | G10_060 | 'YOAKUM 7 345.00 (YOAKUM T3) 345/230/13.2KV TRANSFORMER CKT 1'    | FROM->TO | 0.41723 | 555.3 | 'GRASSLAND 7 345.00 - JONES 7 345.00 345KV CKT 1'              |
| 11G  | 3 | G10_059 | 'YOAKUM 7 345.00 (YOAKUM T3) 345/230/13.2KV TRANSFORMER CKT 1'    | FROM->TO | 0.41723 | 555.3 | 'GRASSLAND 7 345.00 - JONES 7 345.00 345KV CKT 1'              |
| 11G  | 3 | G10_060 | 'YOAKUM 7 345.00 (YOAKUM T3) 345/230/13.2KV TRANSFORMER CKT 1'    | FROM->TO | 0.41723 | 555.5 | 'GRASSLAND 7 345.00 - JONES 7 345.00 345KV CKT 1'              |
| 11G  | 3 | G10_059 | 'YOAKUM 7 345.00 (YOAKUM T3) 345/230/13.2KV TRANSFORMER CKT 1'    | FROM->TO | 0.41723 | 555.5 | 'GRASSLAND 7 345.00 - JONES 7 345.00 345KV CKT 1'              |
| 11G  | 3 | G10_060 | 'HOBBS_INT 7345.00 (HOBBS 1) 345/230/13.2KV TRANSFORMER CKT 1'    | FROM->TO | 0.47701 | 553.3 | 'BORDEN 7345.00 - GRASSLAND 7 345.00 345KV CKT 1'              |
| 11G  | 3 | G10_059 | 'HOBBS_INT 7345.00 (HOBBS 1) 345/230/13.2KV TRANSFORMER CKT 1'    | FROM->TO | 0.47701 | 553.3 | 'BORDEN 7345.00 - GRASSLAND 7 345.00 345KV CKT 1'              |
| 11G  | 3 | G10_060 | 'HOBBS_INT 7345.00 (HOBBS 1) 345/230/13.2KV TRANSFORMER CKT 1'    | FROM->TO | 0.47701 | 553.8 | 'BORDEN 7345.00 - GRASSLAND 7 345.00 345KV CKT 1'              |
| 11G  | 3 | G10_059 | 'HOBBS_INT 7345.00 (HOBBS 1) 345/230/13.2KV TRANSFORMER CKT 1'    | FROM->TO | 0.47701 | 553.8 | 'BORDEN 7345.00 - GRASSLAND 7 345.00 345KV CKT 1'              |
| 11G  | 3 | G10_060 | 'HOBBS_INT 7345.00 (HOBBS 1) 345/230/13.2KV TRANSFORMER CKT 1'    | FROM->TO | 0.42503 | 553.3 | 'BORDEN 7345.00 - MIDLAND 7345.00 345KV CKT 2'                 |
| 11G  | 3 | G10_059 | 'HOBBS_INT 7345.00 (HOBBS 1) 345/230/13.2KV TRANSFORMER CKT 1'    | FROM->TO | 0.42503 | 553.3 | 'BORDEN 7345.00 - MIDLAND 7345.00 345KV CKT 2'                 |
| 11G  | 3 | G10_060 | 'HOBBS_INT 7345.00 (HOBBS 1) 345/230/13.2KV TRANSFORMER CKT 1'    | FROM->TO | 0.42503 | 553.8 | 'BORDEN 7345.00 - MIDLAND 7345.00 345KV CKT 2'                 |
| 11G  | 3 | G10_059 | 'HOBBS_INT 7345.00 (HOBBS 1) 345/230/13.2KV TRANSFORMER CKT 1'    | FROM->TO | 0.42503 | 553.8 | 'BORDEN 7345.00 - MIDLAND 7345.00 345KV CKT 2'                 |
| 11SP | 4 | G10_059 | 'AMOCO SWITCHING STATION - YOAKUM COUNTY INTERCHANGE 230KV CKT 1' | TO->FROM | 0.26093 | 348.9 | 'BORDEN 7345.00 - GRASSLAND 7 345.00 345KV CKT 1'              |
| 11SP | 4 | G10_060 | 'AMOCO SWITCHING STATION - YOAKUM COUNTY INTERCHANGE 230KV CKT 1' | TO->FROM | 0.26093 | 348.9 | 'BORDEN 7345.00 - GRASSLAND 7 345.00 345KV CKT 1'              |
| 11SP | 4 | G10_059 | 'AMOCO SWITCHING STATION - YOAKUM COUNTY INTERCHANGE 230KV CKT 1' | TO->FROM | 0.22424 | 348.9 | 'BORDEN 7345.00 - MIDLAND 7345.00 345KV CKT 2'                 |
| 11SP | 4 | G10_060 | 'AMOCO SWITCHING STATION - YOAKUM COUNTY INTERCHANGE 230KV CKT 1' | TO->FROM | 0.22424 | 348.9 | 'BORDEN 7345.00 - MIDLAND 7345.00 345KV CKT 2'                 |
| 11SP | 4 | G10_059 | 'AMOCO SWITCHING STATION - YOAKUM COUNTY INTERCHANGE 230KV CKT 1' | TO->FROM | 0.20963 | 348.9 | 'GRASSLAND 7 345.00 - JONES 7 345.00 345KV CKT 1'              |

|      |   |         |   |          |         |       |   |
|------|---|---------|---|----------|---------|-------|---|
| 11SP | 4 | G10_060 | 'AMOCO SWITCHING STATION - YOAKUM COUNTY INTERCHANGE 230KV CKT 1' | TO->FROM | 0.20963 | 348.9 | 'GRASSLAND 7 345.00 - JONES 7 345.00 345KV CKT 1' |
| 11SP | 4 | G10_059 | 'YOAKUM 7 345.00 (YOAKUM T3) 345/230/13.2KV TRANSFORMER CKT 1'    | FROM->TO | 0.46877 | 554.8 | 'BORDEN 7345.00 - GRASSLAND 7 345.00 345KV CKT 1' |
| 11SP | 4 | G10_060 | 'YOAKUM 7 345.00 (YOAKUM T3) 345/230/13.2KV TRANSFORMER CKT 1'    | FROM->TO | 0.46877 | 554.8 | 'BORDEN 7345.00 - GRASSLAND 7 345.00 345KV CKT 1' |
| 11SP | 4 | G10_059 | 'YOAKUM 7 345.00 (YOAKUM T3) 345/230/13.2KV TRANSFORMER CKT 1'    | FROM->TO | 0.46877 | 555   | 'BORDEN 7345.00 - GRASSLAND 7 345.00 345KV CKT 1' |
| 11SP | 4 | G10_060 | 'YOAKUM 7 345.00 (YOAKUM T3) 345/230/13.2KV TRANSFORMER CKT 1'    | FROM->TO | 0.46877 | 555   | 'BORDEN 7345.00 - GRASSLAND 7 345.00 345KV CKT 1' |
| 11SP | 4 | G10_059 | 'JONES STATION - TUCO INTERCHANGE 230KV CKT 1'                    | FROM->TO | 0.25618 | 346.7 | 'JONES 7 345.00 - TUCO INTERCHANGE 345KV CKT 1'   |
| 11SP | 4 | G10_060 | 'JONES STATION - TUCO INTERCHANGE 230KV CKT 1'                    | FROM->TO | 0.25618 | 346.7 | 'JONES 7 345.00 - TUCO INTERCHANGE 345KV CKT 1'   |
| 11SP | 4 | G10_059 | 'DEAF SMITH COUNTY INTERCHANGE - PLANT X STATION 230KV CKT 1'     | TO->FROM | 0.19318 | 350.7 | 'PLANT X STATION - S-RANDLCO 230.00 230KV CKT 1'  |
| 11SP | 4 | G10_058 | 'DEAF SMITH COUNTY INTERCHANGE - PLANT X STATION 230KV CKT 1'     | TO->FROM | 0.21682 | 350.7 | 'PLANT X STATION - S-RANDLCO 230.00 230KV CKT 1'  |
| 11SP | 4 | G10_060 | 'DEAF SMITH COUNTY INTERCHANGE - PLANT X STATION 230KV CKT 1'     | TO->FROM | 0.19318 | 350.7 | 'PLANT X STATION - S-RANDLCO 230.00 230KV CKT 1'  |
| 11SP | 4 | G10_059 | 'AMOCO SWITCHING STATION - SUNDOWN INTERCHANGE 230KV CKT 1'       | FROM->TO | 0.26093 | 351   | 'BORDEN 7345.00 - GRASSLAND 7 345.00 345KV CKT 1' |
| 11SP | 4 | G10_060 | 'AMOCO SWITCHING STATION - SUNDOWN INTERCHANGE 230KV CKT 1'       | FROM->TO | 0.26093 | 351   | 'BORDEN 7345.00 - GRASSLAND 7 345.00 345KV CKT 1' |
| 11SP | 4 | G10_059 | 'YOAKUM 7 345.00 (YOAKUM T3) 345/230/13.2KV TRANSFORMER CKT 1'    | FROM->TO | 0.41105 | 554.8 | 'BORDEN 7345.00 - MIDLAND 7345.00 345KV CKT 2'    |
| 11SP | 4 | G10_060 | 'YOAKUM 7 345.00 (YOAKUM T3) 345/230/13.2KV TRANSFORMER CKT 1'    | FROM->TO | 0.41105 | 554.8 | 'BORDEN 7345.00 - MIDLAND 7345.00 345KV CKT 2'    |
| 11SP | 4 | G10_059 | 'YOAKUM 7 345.00 (YOAKUM T3) 345/230/13.2KV TRANSFORMER CKT 1'    | FROM->TO | 0.41105 | 555   | 'BORDEN 7345.00 - MIDLAND 7345.00 345KV CKT 2'    |
| 11SP | 4 | G10_060 | 'YOAKUM 7 345.00 (YOAKUM T3) 345/230/13.2KV TRANSFORMER CKT 1'    | FROM->TO | 0.41105 | 555   | 'BORDEN 7345.00 - MIDLAND 7345.00 345KV CKT 2'    |
| 11SP | 4 | G10_059 | 'YOAKUM 7 345.00 (YOAKUM T3) 345/230/13.2KV TRANSFORMER CKT 1'    | FROM->TO | 0.47461 | 554.8 | 'HOBBS_INT 7345.00 - MIDLAND 7345.00 345KV CKT 1' |
| 11SP | 4 | G10_060 | 'YOAKUM 7 345.00 (YOAKUM T3) 345/230/13.2KV TRANSFORMER CKT 1'    | FROM->TO | 0.47461 | 554.8 | 'HOBBS_INT 7345.00 - MIDLAND 7345.00 345KV CKT 1' |
| 11SP | 4 | G10_059 | 'YOAKUM 7 345.00 (YOAKUM T3) 345/230/13.2KV TRANSFORMER CKT 1'    | FROM->TO | 0.47461 | 555   | 'HOBBS_INT 7345.00 - MIDLAND 7345.00 345KV CKT 1' |
| 11SP | 4 | G10_060 | 'YOAKUM 7 345.00 (YOAKUM T3) 345/230/13.2KV TRANSFORMER CKT 1'    | FROM->TO | 0.47461 | 555   | 'HOBBS_INT 7345.00 - MIDLAND 7345.00 345KV CKT 1' |
| 11SP | 4 | G10_059 | 'SUNDOWN INTERCHANGE - WOLFFORTH INTERCHANGE 230KV CKT 1'         | FROM->TO | 0.21666 | 350.8 | 'BORDEN 7345.00 - GRASSLAND 7 345.00 345KV CKT 1' |
| 11SP | 4 | G10_060 | 'SUNDOWN INTERCHANGE - WOLFFORTH INTERCHANGE 230KV CKT 1'         | FROM->TO | 0.21666 | 350.8 | 'BORDEN 7345.00 - GRASSLAND 7 345.00 345KV CKT 1' |
| 16SP | 4 | G10_059 | 'AMOCO SWITCHING STATION - YOAKUM COUNTY INTERCHANGE 230KV CKT 1' | TO->FROM | 0.25765 | 349.1 | 'BORDEN 7345.00 - GRASSLAND 7 345.00 345KV CKT 1' |
| 16SP | 4 | G10_060 | 'AMOCO SWITCHING STATION - YOAKUM COUNTY INTERCHANGE 230KV CKT 1' | TO->FROM | 0.25765 | 349.1 | 'BORDEN 7345.00 - GRASSLAND 7 345.00 345KV CKT 1' |
| 16SP | 4 | G10_059 | 'AMOCO SWITCHING STATION - YOAKUM COUNTY INTERCHANGE 230KV CKT 1' | TO->FROM | 0.2217  | 349.1 | 'BORDEN 7345.00 - MIDLAND 7345.00 345KV CKT 2'    |

|      |   |         |   |          |         |       |  |
|------|---|---------|---|----------|---------|-------|--|
| 16SP | 4 | G10_060 | 'AMOCO SWITCHING STATION - YOAKUM COUNTY INTERCHANGE 230KV CKT 1' | TO->FROM | 0.2217  | 349.1 | 'BORDEN 7345.00 - MIDLAND 7345.00 345KV CKT 2'                 |
| 16SP | 4 | G10_059 | 'AMOCO SWITCHING STATION - YOAKUM COUNTY INTERCHANGE 230KV CKT 1' | TO->FROM | 0.20757 | 349.1 | 'GRASSLAND 7 345.00 - JONES 7 345.00 345KV CKT 1'              |
| 16SP | 4 | G10_060 | 'AMOCO SWITCHING STATION - YOAKUM COUNTY INTERCHANGE 230KV CKT 1' | TO->FROM | 0.20757 | 349.1 | 'GRASSLAND 7 345.00 - JONES 7 345.00 345KV CKT 1'              |
| 16SP | 4 | G10_059 | 'AMOCO SWITCHING STATION - YOAKUM COUNTY INTERCHANGE 230KV CKT 1' | TO->FROM | 0.19262 | 349.1 | 'TOLK STATION (ABBXNL844501) 345/230/13.2KV TRANSFORMER CKT 1' |
| 16SP | 4 | G10_060 | 'AMOCO SWITCHING STATION - YOAKUM COUNTY INTERCHANGE 230KV CKT 1' | TO->FROM | 0.19262 | 349.1 | 'TOLK STATION (ABBXNL844501) 345/230/13.2KV TRANSFORMER CKT 1' |
| 16SP | 4 | G10_059 | 'AMOCO SWITCHING STATION - YOAKUM COUNTY INTERCHANGE 230KV CKT 1' | TO->FROM | 0.19262 | 349.1 | 'CHAVESCO 345.00 - TOLK STATION 345KV CKT 1'                   |
| 16SP | 4 | G10_060 | 'AMOCO SWITCHING STATION - YOAKUM COUNTY INTERCHANGE 230KV CKT 1' | TO->FROM | 0.19262 | 349.1 | 'CHAVESCO 345.00 - TOLK STATION 345KV CKT 1'                   |
| 16SP | 4 | G10_058 | 'NEWHART 6230.00 - PLANT X STATION 230KV CKT 1'                   | TO->FROM | 0.2156  | 350.9 | 'DEAF SMITH COUNTY INTERCHANGE - PLANT X STATION 230KV CKT 1'  |
| 16SP | 4 | G10_059 | 'AMOCO SWITCHING STATION - YOAKUM COUNTY INTERCHANGE 230KV CKT 1' | TO->FROM | 0.19095 | 349.1 | 'TOLK STATION WEST - YOAKUM COUNTY INTERCHANGE 230KV CKT 1'    |
| 16SP | 4 | G10_060 | 'AMOCO SWITCHING STATION - YOAKUM COUNTY INTERCHANGE 230KV CKT 1' | TO->FROM | 0.19095 | 349.1 | 'TOLK STATION WEST - YOAKUM COUNTY INTERCHANGE 230KV CKT 1'    |
| 16SP | 4 | G10_059 | 'PLANT X STATION - TOLK STATION WEST 230KV CKT 1'                 | TO->FROM | 0.1967  | 500.9 | 'PLANT X STATION - TOLK STATION EAST 230KV CKT 2'              |
| 16SP | 4 | G10_058 | 'PLANT X STATION - TOLK STATION WEST 230KV CKT 1'                 | TO->FROM | 0.31504 | 500.9 | 'PLANT X STATION - TOLK STATION EAST 230KV CKT 2'              |
| 16SP | 4 | G10_060 | 'PLANT X STATION - TOLK STATION WEST 230KV CKT 1'                 | TO->FROM | 0.1967  | 500.9 | 'PLANT X STATION - TOLK STATION EAST 230KV CKT 2'              |
| 16SP | 4 | G10_059 | 'PLANT X STATION - TOLK STATION EAST 230KV CKT 2'                 | TO->FROM | 0.19481 | 500.9 | 'PLANT X STATION - TOLK STATION WEST 230KV CKT 1'              |
| 16SP | 4 | G10_058 | 'PLANT X STATION - TOLK STATION EAST 230KV CKT 2'                 | TO->FROM | 0.31218 | 500.9 | 'PLANT X STATION - TOLK STATION WEST 230KV CKT 1'              |
| 16SP | 4 | G10_060 | 'PLANT X STATION - TOLK STATION EAST 230KV CKT 2'                 | TO->FROM | 0.19481 | 500.9 | 'PLANT X STATION - TOLK STATION WEST 230KV CKT 1'              |
| 16SP | 4 | G10_059 | 'YOAKUM 7 345.00 (YOAKUM T3) 345/230/13.2KV TRANSFORMER CKT 1'    | FROM->TO | 0.46798 | 554.1 | 'BORDEN 7345.00 - GRASSLAND 7 345.00 345KV CKT 1'              |
| 16SP | 4 | G10_060 | 'YOAKUM 7 345.00 (YOAKUM T3) 345/230/13.2KV TRANSFORMER CKT 1'    | FROM->TO | 0.46798 | 554.1 | 'BORDEN 7345.00 - GRASSLAND 7 345.00 345KV CKT 1'              |
| 16SP | 4 | G10_059 | 'YOAKUM 7 345.00 (YOAKUM T3) 345/230/13.2KV TRANSFORMER CKT 1'    | FROM->TO | 0.46798 | 554.4 | 'BORDEN 7345.00 - GRASSLAND 7 345.00 345KV CKT 1'              |
| 16SP | 4 | G10_060 | 'YOAKUM 7 345.00 (YOAKUM T3) 345/230/13.2KV TRANSFORMER CKT 1'    | FROM->TO | 0.46798 | 554.4 | 'BORDEN 7345.00 - GRASSLAND 7 345.00 345KV CKT 1'              |
| 16SP | 4 | G10_058 | 'DEAF SMITH COUNTY INTERCHANGE - PLANT X STATION 230KV CKT 1'     | TO->FROM | 0.19924 | 350.4 | 'NEWHART 6230.00 - PLANT X STATION 230KV CKT 1'                |
| 16SP | 4 | G10_059 | 'YOAKUM 7 345.00 (YOAKUM T3) 345/230/13.2KV TRANSFORMER CKT 1'    | FROM->TO | 0.53104 | 554.1 | 'HOBBS_INT 7345.00 - MIDLAND 7345.00 345KV CKT 1'              |
| 16SP | 4 | G10_060 | 'YOAKUM 7 345.00 (YOAKUM T3) 345/230/13.2KV TRANSFORMER CKT 1'    | FROM->TO | 0.53104 | 554.1 | 'HOBBS_INT 7345.00 - MIDLAND 7345.00 345KV CKT 1'              |
| 16SP | 4 | G10_059 | 'YOAKUM 7 345.00 (YOAKUM T3) 345/230/13.2KV TRANSFORMER CKT 1'    | FROM->TO | 0.53104 | 554.4 | 'HOBBS_INT 7345.00 - MIDLAND 7345.00 345KV CKT 1'              |
| 16SP | 4 | G10_060 | 'YOAKUM 7 345.00 (YOAKUM T3) 345/230/13.2KV TRANSFORMER CKT 1'    | FROM->TO | 0.53104 | 554.4 | 'HOBBS_INT 7345.00 - MIDLAND 7345.00 345KV CKT 1'              |



|      |   |         |  |          |         |       |  |
|------|---|---------|--|----------|---------|-------|--|
| 16SP | 4 | G10_058 | 'NEWHART 6230.00 - PLANT X STATION 230KV<br>CKT 1'                   | TO->FROM | 0.19255 | 350.9 | 'TOLK STATION EAST - TUCO INTERCHANGE<br>230KV CKT 1'              |
| 16SP | 4 | G10_059 | 'YOAKUM 7 345.00 (YOAKUM T3)<br>345/230/13.2KV TRANSFORMER CKT 1'    | FROM->TO | 0.41081 | 554.1 | 'BORDEN 7345.00 - MIDLAND 7345.00 345KV<br>CKT 2'                  |
| 16SP | 4 | G10_060 | 'YOAKUM 7 345.00 (YOAKUM T3)<br>345/230/13.2KV TRANSFORMER CKT 1'    | FROM->TO | 0.41081 | 554.1 | 'BORDEN 7345.00 - MIDLAND 7345.00 345KV<br>CKT 2'                  |
| 16SP | 4 | G10_059 | 'YOAKUM 7 345.00 (YOAKUM T3)<br>345/230/13.2KV TRANSFORMER CKT 1'    | FROM->TO | 0.41081 | 554.4 | 'BORDEN 7345.00 - MIDLAND 7345.00 345KV<br>CKT 2'                  |
| 16SP | 4 | G10_060 | 'YOAKUM 7 345.00 (YOAKUM T3)<br>345/230/13.2KV TRANSFORMER CKT 1'    | FROM->TO | 0.41081 | 554.4 | 'BORDEN 7345.00 - MIDLAND 7345.00 345KV<br>CKT 2'                  |
| 16SP | 4 | G10_059 | 'AMOCO SWITCHING STATION - SUNDOWN<br>INTERCHANGE 230KV CKT 1'       | FROM->TO | 0.25765 | 350.9 | 'BORDEN 7345.00 - GRASSLAND 7 345.00<br>345KV CKT 1'               |
| 16SP | 4 | G10_060 | 'AMOCO SWITCHING STATION - SUNDOWN<br>INTERCHANGE 230KV CKT 1'       | FROM->TO | 0.25765 | 350.9 | 'BORDEN 7345.00 - GRASSLAND 7 345.00<br>345KV CKT 1'               |
| 16SP | 4 | G10_059 | 'PLANT X STATION - TOLK STATION WEST<br>230KV CKT 1'                 | TO->FROM | 0.23692 | 500.9 | 'TOLK STATION EAST - TOLK STATION TAP<br>230KV CKT 1'              |
| 16SP | 4 | G10_058 | 'PLANT X STATION - TOLK STATION WEST<br>230KV CKT 1'                 | TO->FROM | 0.30356 | 500.9 | 'TOLK STATION EAST - TOLK STATION TAP<br>230KV CKT 1'              |
| 16SP | 4 | G10_060 | 'PLANT X STATION - TOLK STATION WEST<br>230KV CKT 1'                 | TO->FROM | 0.23692 | 500.9 | 'TOLK STATION EAST - TOLK STATION TAP<br>230KV CKT 1'              |
| 16SP | 4 | G10_059 | 'SUNDOWN INTERCHANGE - WOLFFORTH<br>INTERCHANGE 230KV CKT 1'         | FROM->TO | 0.20515 | 350.6 | 'BORDEN 7345.00 - GRASSLAND 7 345.00<br>345KV CKT 1'               |
| 16SP | 4 | G10_060 | 'SUNDOWN INTERCHANGE - WOLFFORTH<br>INTERCHANGE 230KV CKT 1'         | FROM->TO | 0.20515 | 350.6 | 'BORDEN 7345.00 - GRASSLAND 7 345.00<br>345KV CKT 1'               |
| 16SP | 4 | G10_058 | 'NEWHART 6230.00 - PLANT X STATION 230KV<br>CKT 1'                   | TO->FROM | 0.22099 | 350.9 | 'DEAF SMITH COUNTY INTERCHANGE - S-<br>RANDLCO 230.00 230KV CKT 1' |
| 11WP | 4 | G10_059 | 'AMOCO SWITCHING STATION - YOAKUM<br>COUNTY INTERCHANGE 230KV CKT 1' | TO->FROM | 0.26116 | 357.6 | 'BORDEN 7345.00 - GRASSLAND 7 345.00<br>345KV CKT 1'               |
| 11WP | 4 | G10_060 | 'AMOCO SWITCHING STATION - YOAKUM<br>COUNTY INTERCHANGE 230KV CKT 1' | TO->FROM | 0.26116 | 357.6 | 'BORDEN 7345.00 - GRASSLAND 7 345.00<br>345KV CKT 1'               |
| 11WP | 4 | G10_059 | 'AMOCO SWITCHING STATION - YOAKUM<br>COUNTY INTERCHANGE 230KV CKT 1' | TO->FROM | 0.22444 | 357.6 | 'BORDEN 7345.00 - MIDLAND 7345.00 345KV<br>CKT 2'                  |
| 11WP | 4 | G10_060 | 'AMOCO SWITCHING STATION - YOAKUM<br>COUNTY INTERCHANGE 230KV CKT 1' | TO->FROM | 0.22444 | 357.6 | 'BORDEN 7345.00 - MIDLAND 7345.00 345KV<br>CKT 2'                  |
| 11WP | 4 | G10_059 | 'YOAKUM 7 345.00 (YOAKUM T3)<br>345/230/13.2KV TRANSFORMER CKT 1'    | FROM->TO | 0.46887 | 554.3 | 'BORDEN 7345.00 - GRASSLAND 7 345.00<br>345KV CKT 1'               |
| 11WP | 4 | G10_060 | 'YOAKUM 7 345.00 (YOAKUM T3)<br>345/230/13.2KV TRANSFORMER CKT 1'    | FROM->TO | 0.46887 | 554.3 | 'BORDEN 7345.00 - GRASSLAND 7 345.00<br>345KV CKT 1'               |
| 11WP | 4 | G10_059 | 'YOAKUM 7 345.00 (YOAKUM T3)<br>345/230/13.2KV TRANSFORMER CKT 1'    | FROM->TO | 0.46887 | 554.6 | 'BORDEN 7345.00 - GRASSLAND 7 345.00<br>345KV CKT 1'               |
| 11WP | 4 | G10_060 | 'YOAKUM 7 345.00 (YOAKUM T3)<br>345/230/13.2KV TRANSFORMER CKT 1'    | FROM->TO | 0.46887 | 554.6 | 'BORDEN 7345.00 - GRASSLAND 7 345.00<br>345KV CKT 1'               |
| 11WP | 4 | G10_059 | 'YOAKUM 7 345.00 (YOAKUM T3)<br>345/230/13.2KV TRANSFORMER CKT 1'    | FROM->TO | 0.47416 | 554.3 | 'HOBBS_INT 7345.00 - MIDLAND 7345.00<br>345KV CKT 1'               |
| 11WP | 4 | G10_060 | 'YOAKUM 7 345.00 (YOAKUM T3)<br>345/230/13.2KV TRANSFORMER CKT 1'    | FROM->TO | 0.47416 | 554.3 | 'HOBBS_INT 7345.00 - MIDLAND 7345.00<br>345KV CKT 1'               |
| 11WP | 4 | G10_059 | 'YOAKUM 7 345.00 (YOAKUM T3)<br>345/230/13.2KV TRANSFORMER CKT 1'    | FROM->TO | 0.47416 | 554.6 | 'HOBBS_INT 7345.00 - MIDLAND 7345.00<br>345KV CKT 1'               |
| 11WP | 4 | G10_060 | 'YOAKUM 7 345.00 (YOAKUM T3)<br>345/230/13.2KV TRANSFORMER CKT 1'    | FROM->TO | 0.47416 | 554.6 | 'HOBBS_INT 7345.00 - MIDLAND 7345.00<br>345KV CKT 1'               |

|      |   |         |   |          |         |       |   |
|------|---|---------|---|----------|---------|-------|---|
| 11WP | 4 | G10_059 | 'AMOCO SWITCHING STATION - YOAKUM COUNTY INTERCHANGE 230KV CKT 1' | TO->FROM | 0.20974 | 357.6 | 'GRASSLAND 7 345.00 - JONES 7 345.00 345KV CKT 1'             |
| 11WP | 4 | G10_060 | 'AMOCO SWITCHING STATION - YOAKUM COUNTY INTERCHANGE 230KV CKT 1' | TO->FROM | 0.20974 | 357.6 | 'GRASSLAND 7 345.00 - JONES 7 345.00 345KV CKT 1'             |
| 11WP | 4 | G10_059 | 'YOAKUM 7 345.00 (YOAKUM T3) 345/230/13.2KV TRANSFORMER CKT 1'    | FROM->TO | 0.4111  | 554.3 | 'BORDEN 7345.00 - MIDLAND 7345.00 345KV CKT 2'                |
| 11WP | 4 | G10_060 | 'YOAKUM 7 345.00 (YOAKUM T3) 345/230/13.2KV TRANSFORMER CKT 1'    | FROM->TO | 0.4111  | 554.3 | 'BORDEN 7345.00 - MIDLAND 7345.00 345KV CKT 2'                |
| 11WP | 4 | G10_059 | 'YOAKUM 7 345.00 (YOAKUM T3) 345/230/13.2KV TRANSFORMER CKT 1'    | FROM->TO | 0.4111  | 554.6 | 'BORDEN 7345.00 - MIDLAND 7345.00 345KV CKT 2'                |
| 11WP | 4 | G10_060 | 'YOAKUM 7 345.00 (YOAKUM T3) 345/230/13.2KV TRANSFORMER CKT 1'    | FROM->TO | 0.4111  | 554.6 | 'BORDEN 7345.00 - MIDLAND 7345.00 345KV CKT 2'                |
| 16WP | 4 | G10_059 | 'AMOCO SWITCHING STATION - YOAKUM COUNTY INTERCHANGE 230KV CKT 1' | TO->FROM | 0.25847 | 358.7 | 'BORDEN 7345.00 - GRASSLAND 7 345.00 345KV CKT 1'             |
| 16WP | 4 | G10_060 | 'AMOCO SWITCHING STATION - YOAKUM COUNTY INTERCHANGE 230KV CKT 1' | TO->FROM | 0.25847 | 358.7 | 'BORDEN 7345.00 - GRASSLAND 7 345.00 345KV CKT 1'             |
| 16WP | 4 | G10_059 | 'AMOCO SWITCHING STATION - YOAKUM COUNTY INTERCHANGE 230KV CKT 1' | TO->FROM | 0.22248 | 358.7 | 'BORDEN 7345.00 - MIDLAND 7345.00 345KV CKT 2'                |
| 16WP | 4 | G10_060 | 'AMOCO SWITCHING STATION - YOAKUM COUNTY INTERCHANGE 230KV CKT 1' | TO->FROM | 0.22248 | 358.7 | 'BORDEN 7345.00 - MIDLAND 7345.00 345KV CKT 2'                |
| 16WP | 4 | G10_059 | 'YOAKUM 7 345.00 (YOAKUM T3) 345/230/13.2KV TRANSFORMER CKT 1'    | FROM->TO | 0.5307  | 554.5 | 'HOBBS_INT 7345.00 - MIDLAND 7345.00 345KV CKT 1'             |
| 16WP | 4 | G10_060 | 'YOAKUM 7 345.00 (YOAKUM T3) 345/230/13.2KV TRANSFORMER CKT 1'    | FROM->TO | 0.5307  | 554.5 | 'HOBBS_INT 7345.00 - MIDLAND 7345.00 345KV CKT 1'             |
| 16WP | 4 | G10_059 | 'YOAKUM 7 345.00 (YOAKUM T3) 345/230/13.2KV TRANSFORMER CKT 1'    | FROM->TO | 0.5307  | 554.7 | 'HOBBS_INT 7345.00 - MIDLAND 7345.00 345KV CKT 1'             |
| 16WP | 4 | G10_060 | 'YOAKUM 7 345.00 (YOAKUM T3) 345/230/13.2KV TRANSFORMER CKT 1'    | FROM->TO | 0.5307  | 554.7 | 'HOBBS_INT 7345.00 - MIDLAND 7345.00 345KV CKT 1'             |
| 16WP | 4 | G10_058 | 'NEWHART 6230.00 - PLANT X STATION 230KV CKT 1'                   | TO->FROM | 0.21448 | 360.7 | 'DEAF SMITH COUNTY INTERCHANGE - PLANT X STATION 230KV CKT 1' |
| 16WP | 4 | G10_059 | 'YOAKUM 7 345.00 (YOAKUM T3) 345/230/13.2KV TRANSFORMER CKT 1'    | FROM->TO | 0.46803 | 554.5 | 'BORDEN 7345.00 - GRASSLAND 7 345.00 345KV CKT 1'             |
| 16WP | 4 | G10_060 | 'YOAKUM 7 345.00 (YOAKUM T3) 345/230/13.2KV TRANSFORMER CKT 1'    | FROM->TO | 0.46803 | 554.5 | 'BORDEN 7345.00 - GRASSLAND 7 345.00 345KV CKT 1'             |
| 16WP | 4 | G10_059 | 'YOAKUM 7 345.00 (YOAKUM T3) 345/230/13.2KV TRANSFORMER CKT 1'    | FROM->TO | 0.46803 | 554.7 | 'BORDEN 7345.00 - GRASSLAND 7 345.00 345KV CKT 1'             |
| 16WP | 4 | G10_060 | 'YOAKUM 7 345.00 (YOAKUM T3) 345/230/13.2KV TRANSFORMER CKT 1'    | FROM->TO | 0.46803 | 554.7 | 'BORDEN 7345.00 - GRASSLAND 7 345.00 345KV CKT 1'             |
| 16WP | 4 | G10_059 | 'AMOCO SWITCHING STATION - YOAKUM COUNTY INTERCHANGE 230KV CKT 1' | TO->FROM | 0.20828 | 358.7 | 'GRASSLAND 7 345.00 - JONES 7 345.00 345KV CKT 1'             |
| 16WP | 4 | G10_060 | 'AMOCO SWITCHING STATION - YOAKUM COUNTY INTERCHANGE 230KV CKT 1' | TO->FROM | 0.20828 | 358.7 | 'GRASSLAND 7 345.00 - JONES 7 345.00 345KV CKT 1'             |
| 16WP | 4 | G10_059 | 'YOAKUM 7 345.00 (YOAKUM T3) 345/230/13.2KV TRANSFORMER CKT 1'    | FROM->TO | 0.41081 | 554.5 | 'BORDEN 7345.00 - MIDLAND 7345.00 345KV CKT 2'                |
| 16WP | 4 | G10_060 | 'YOAKUM 7 345.00 (YOAKUM T3) 345/230/13.2KV TRANSFORMER CKT 1'    | FROM->TO | 0.41081 | 554.5 | 'BORDEN 7345.00 - MIDLAND 7345.00 345KV CKT 2'                |
| 16WP | 4 | G10_059 | 'YOAKUM 7 345.00 (YOAKUM T3) 345/230/13.2KV TRANSFORMER CKT 1'    | FROM->TO | 0.41081 | 554.7 | 'BORDEN 7345.00 - MIDLAND 7345.00 345KV CKT 2'                |
| 16WP | 4 | G10_060 | 'YOAKUM 7 345.00 (YOAKUM T3) 345/230/13.2KV TRANSFORMER CKT 1'    | FROM->TO | 0.41081 | 554.7 | 'BORDEN 7345.00 - MIDLAND 7345.00 345KV CKT 2'                |

|      |   |         |   |          |         |       |  |
|------|---|---------|---|----------|---------|-------|--|
| 16WP | 4 | G10_058 | 'DEAF SMITH COUNTY INTERCHANGE - PLANT X STATION 230KV CKT 1'     | TO->FROM | 0.19832 | 360.9 | 'NEWHART 6230.00 - PLANT X STATION 230KV CKT 1'                |
| 16WP | 4 | G10_058 | 'NEWHART 6230.00 - PLANT X STATION 230KV CKT 1'                   | TO->FROM | 0.21996 | 360.7 | 'DEAF SMITH COUNTY INTERCHANGE - S-RANDLCO 230.00 230KV CKT 1' |
| 11SP | 4 | G10_060 | 'AMOCO SWITCHING STATION - YOAKUM COUNTY INTERCHANGE 230KV CKT 1' | TO->FROM | 0.26093 | 348.9 | 'BORDEN 7345.00 - GRASSLAND 7 345.00 345KV CKT 1'              |
| 11SP | 4 | G10_059 | 'AMOCO SWITCHING STATION - YOAKUM COUNTY INTERCHANGE 230KV CKT 1' | TO->FROM | 0.26093 | 348.9 | 'BORDEN 7345.00 - GRASSLAND 7 345.00 345KV CKT 1'              |
| 11SP | 4 | G10_060 | 'AMOCO SWITCHING STATION - YOAKUM COUNTY INTERCHANGE 230KV CKT 1' | TO->FROM | 0.22424 | 348.9 | 'BORDEN 7345.00 - MIDLAND 7345.00 345KV CKT 2'                 |
| 11SP | 4 | G10_059 | 'AMOCO SWITCHING STATION - YOAKUM COUNTY INTERCHANGE 230KV CKT 1' | TO->FROM | 0.22424 | 348.9 | 'BORDEN 7345.00 - MIDLAND 7345.00 345KV CKT 2'                 |
| 11SP | 4 | G10_060 | 'AMOCO SWITCHING STATION - YOAKUM COUNTY INTERCHANGE 230KV CKT 1' | TO->FROM | 0.20963 | 348.9 | 'GRASSLAND 7 345.00 - JONES 7 345.00 345KV CKT 1'              |
| 11SP | 4 | G10_059 | 'AMOCO SWITCHING STATION - YOAKUM COUNTY INTERCHANGE 230KV CKT 1' | TO->FROM | 0.20963 | 348.9 | 'GRASSLAND 7 345.00 - JONES 7 345.00 345KV CKT 1'              |
| 11SP | 4 | G10_060 | 'YOAKUM 7 345.00 (YOAKUM T3) 345/230/13.2KV TRANSFORMER CKT 1'    | FROM->TO | 0.46877 | 554.8 | 'BORDEN 7345.00 - GRASSLAND 7 345.00 345KV CKT 1'              |
| 11SP | 4 | G10_059 | 'YOAKUM 7 345.00 (YOAKUM T3) 345/230/13.2KV TRANSFORMER CKT 1'    | FROM->TO | 0.46877 | 554.8 | 'BORDEN 7345.00 - GRASSLAND 7 345.00 345KV CKT 1'              |
| 11SP | 4 | G10_060 | 'YOAKUM 7 345.00 (YOAKUM T3) 345/230/13.2KV TRANSFORMER CKT 1'    | FROM->TO | 0.46877 | 555   | 'BORDEN 7345.00 - GRASSLAND 7 345.00 345KV CKT 1'              |
| 11SP | 4 | G10_059 | 'YOAKUM 7 345.00 (YOAKUM T3) 345/230/13.2KV TRANSFORMER CKT 1'    | FROM->TO | 0.46877 | 555   | 'BORDEN 7345.00 - GRASSLAND 7 345.00 345KV CKT 1'              |
| 11SP | 4 | G10_060 | 'JONES STATION - TUCO INTERCHANGE 230KV CKT 1'                    | FROM->TO | 0.25618 | 346.7 | 'JONES 7 345.00 - TUCO INTERCHANGE 345KV CKT 1'                |
| 11SP | 4 | G10_059 | 'JONES STATION - TUCO INTERCHANGE 230KV CKT 1'                    | FROM->TO | 0.25618 | 346.7 | 'JONES 7 345.00 - TUCO INTERCHANGE 345KV CKT 1'                |
| 11SP | 4 | G10_060 | 'DEAF SMITH COUNTY INTERCHANGE - PLANT X STATION 230KV CKT 1'     | TO->FROM | 0.19318 | 350.7 | 'PLANT X STATION - S-RANDLCO 230.00 230KV CKT 1'               |
| 11SP | 4 | G10_059 | 'DEAF SMITH COUNTY INTERCHANGE - PLANT X STATION 230KV CKT 1'     | TO->FROM | 0.19318 | 350.7 | 'PLANT X STATION - S-RANDLCO 230.00 230KV CKT 1'               |
| 11SP | 4 | G10_060 | 'AMOCO SWITCHING STATION - SUNDOWN INTERCHANGE 230KV CKT 1'       | FROM->TO | 0.26093 | 351   | 'BORDEN 7345.00 - GRASSLAND 7 345.00 345KV CKT 1'              |
| 11SP | 4 | G10_059 | 'AMOCO SWITCHING STATION - SUNDOWN INTERCHANGE 230KV CKT 1'       | FROM->TO | 0.26093 | 351   | 'BORDEN 7345.00 - GRASSLAND 7 345.00 345KV CKT 1'              |
| 11SP | 4 | G10_060 | 'YOAKUM 7 345.00 (YOAKUM T3) 345/230/13.2KV TRANSFORMER CKT 1'    | FROM->TO | 0.41105 | 554.8 | 'BORDEN 7345.00 - MIDLAND 7345.00 345KV CKT 2'                 |
| 11SP | 4 | G10_059 | 'YOAKUM 7 345.00 (YOAKUM T3) 345/230/13.2KV TRANSFORMER CKT 1'    | FROM->TO | 0.41105 | 554.8 | 'BORDEN 7345.00 - MIDLAND 7345.00 345KV CKT 2'                 |
| 11SP | 4 | G10_060 | 'YOAKUM 7 345.00 (YOAKUM T3) 345/230/13.2KV TRANSFORMER CKT 1'    | FROM->TO | 0.41105 | 555   | 'BORDEN 7345.00 - MIDLAND 7345.00 345KV CKT 2'                 |
| 11SP | 4 | G10_059 | 'YOAKUM 7 345.00 (YOAKUM T3) 345/230/13.2KV TRANSFORMER CKT 1'    | FROM->TO | 0.41105 | 555   | 'BORDEN 7345.00 - MIDLAND 7345.00 345KV CKT 2'                 |
| 11SP | 4 | G10_060 | 'YOAKUM 7 345.00 (YOAKUM T3) 345/230/13.2KV TRANSFORMER CKT 1'    | FROM->TO | 0.47461 | 554.8 | 'HOBBS_INT 7345.00 - MIDLAND 7345.00 345KV CKT 1'              |
| 11SP | 4 | G10_059 | 'YOAKUM 7 345.00 (YOAKUM T3) 345/230/13.2KV TRANSFORMER CKT 1'    | FROM->TO | 0.47461 | 554.8 | 'HOBBS_INT 7345.00 - MIDLAND 7345.00 345KV CKT 1'              |
| 11SP | 4 | G10_060 | 'YOAKUM 7 345.00 (YOAKUM T3) 345/230/13.2KV TRANSFORMER CKT 1'    | FROM->TO | 0.47461 | 555   | 'HOBBS_INT 7345.00 - MIDLAND 7345.00 345KV CKT 1'              |

|      |   |         |  |          |         |       |  |
|------|---|---------|--|----------|---------|-------|--|
| 11SP | 4 | G10_059 | 'YOAKUM 7 345.00 (YOAKUM T3)<br>345/230/13.2KV TRANSFORMER CKT 1'    | FROM->TO | 0.47461 | 555   | 'HOBBS_INT 7345.00 - MIDLAND 7345.00<br>345KV CKT 1' |
| 11SP | 4 | G10_060 | 'SUNDOWN INTERCHANGE - WOLFFORTH<br>INTERCHANGE 230KV CKT 1'         | FROM->TO | 0.21666 | 350.8 | 'BORDEN 7345.00 - GRASSLAND 7 345.00<br>345KV CKT 1' |
| 11SP | 4 | G10_059 | 'SUNDOWN INTERCHANGE - WOLFFORTH<br>INTERCHANGE 230KV CKT 1'         | FROM->TO | 0.21666 | 350.8 | 'BORDEN 7345.00 - GRASSLAND 7 345.00<br>345KV CKT 1' |
| 11WP | 4 | G10_060 | 'AMOCO SWITCHING STATION - YOAKUM<br>COUNTY INTERCHANGE 230KV CKT 1' | TO->FROM | 0.26116 | 357.6 | 'BORDEN 7345.00 - GRASSLAND 7 345.00<br>345KV CKT 1' |
| 11WP | 4 | G10_059 | 'AMOCO SWITCHING STATION - YOAKUM<br>COUNTY INTERCHANGE 230KV CKT 1' | TO->FROM | 0.26116 | 357.6 | 'BORDEN 7345.00 - GRASSLAND 7 345.00<br>345KV CKT 1' |
| 11WP | 4 | G10_060 | 'AMOCO SWITCHING STATION - YOAKUM<br>COUNTY INTERCHANGE 230KV CKT 1' | TO->FROM | 0.22444 | 357.6 | 'BORDEN 7345.00 - MIDLAND 7345.00 345KV<br>CKT 2'    |
| 11WP | 4 | G10_059 | 'AMOCO SWITCHING STATION - YOAKUM<br>COUNTY INTERCHANGE 230KV CKT 1' | TO->FROM | 0.22444 | 357.6 | 'BORDEN 7345.00 - MIDLAND 7345.00 345KV<br>CKT 2'    |
| 11WP | 4 | G10_060 | 'YOAKUM 7 345.00 (YOAKUM T3)<br>345/230/13.2KV TRANSFORMER CKT 1'    | FROM->TO | 0.46887 | 554.3 | 'BORDEN 7345.00 - GRASSLAND 7 345.00<br>345KV CKT 1' |
| 11WP | 4 | G10_059 | 'YOAKUM 7 345.00 (YOAKUM T3)<br>345/230/13.2KV TRANSFORMER CKT 1'    | FROM->TO | 0.46887 | 554.3 | 'BORDEN 7345.00 - GRASSLAND 7 345.00<br>345KV CKT 1' |
| 11WP | 4 | G10_060 | 'YOAKUM 7 345.00 (YOAKUM T3)<br>345/230/13.2KV TRANSFORMER CKT 1'    | FROM->TO | 0.46887 | 554.6 | 'BORDEN 7345.00 - GRASSLAND 7 345.00<br>345KV CKT 1' |
| 11WP | 4 | G10_059 | 'YOAKUM 7 345.00 (YOAKUM T3)<br>345/230/13.2KV TRANSFORMER CKT 1'    | FROM->TO | 0.46887 | 554.6 | 'BORDEN 7345.00 - GRASSLAND 7 345.00<br>345KV CKT 1' |
| 11WP | 4 | G10_060 | 'YOAKUM 7 345.00 (YOAKUM T3)<br>345/230/13.2KV TRANSFORMER CKT 1'    | FROM->TO | 0.47416 | 554.3 | 'HOBBS_INT 7345.00 - MIDLAND 7345.00<br>345KV CKT 1' |
| 11WP | 4 | G10_059 | 'YOAKUM 7 345.00 (YOAKUM T3)<br>345/230/13.2KV TRANSFORMER CKT 1'    | FROM->TO | 0.47416 | 554.3 | 'HOBBS_INT 7345.00 - MIDLAND 7345.00<br>345KV CKT 1' |
| 11WP | 4 | G10_060 | 'YOAKUM 7 345.00 (YOAKUM T3)<br>345/230/13.2KV TRANSFORMER CKT 1'    | FROM->TO | 0.47416 | 554.6 | 'HOBBS_INT 7345.00 - MIDLAND 7345.00<br>345KV CKT 1' |
| 11WP | 4 | G10_059 | 'YOAKUM 7 345.00 (YOAKUM T3)<br>345/230/13.2KV TRANSFORMER CKT 1'    | FROM->TO | 0.47416 | 554.6 | 'HOBBS_INT 7345.00 - MIDLAND 7345.00<br>345KV CKT 1' |
| 11WP | 4 | G10_060 | 'AMOCO SWITCHING STATION - YOAKUM<br>COUNTY INTERCHANGE 230KV CKT 1' | TO->FROM | 0.20974 | 357.6 | 'GRASSLAND 7 345.00 - JONES 7 345.00<br>345KV CKT 1' |
| 11WP | 4 | G10_059 | 'AMOCO SWITCHING STATION - YOAKUM<br>COUNTY INTERCHANGE 230KV CKT 1' | TO->FROM | 0.20974 | 357.6 | 'GRASSLAND 7 345.00 - JONES 7 345.00<br>345KV CKT 1' |
| 11WP | 4 | G10_060 | 'YOAKUM 7 345.00 (YOAKUM T3)<br>345/230/13.2KV TRANSFORMER CKT 1'    | FROM->TO | 0.4111  | 554.3 | 'BORDEN 7345.00 - MIDLAND 7345.00 345KV<br>CKT 2'    |
| 11WP | 4 | G10_059 | 'YOAKUM 7 345.00 (YOAKUM T3)<br>345/230/13.2KV TRANSFORMER CKT 1'    | FROM->TO | 0.4111  | 554.3 | 'BORDEN 7345.00 - MIDLAND 7345.00 345KV<br>CKT 2'    |
| 11WP | 4 | G10_060 | 'YOAKUM 7 345.00 (YOAKUM T3)<br>345/230/13.2KV TRANSFORMER CKT 1'    | FROM->TO | 0.4111  | 554.6 | 'BORDEN 7345.00 - MIDLAND 7345.00 345KV<br>CKT 2'    |
| 11WP | 4 | G10_059 | 'YOAKUM 7 345.00 (YOAKUM T3)<br>345/230/13.2KV TRANSFORMER CKT 1'    | FROM->TO | 0.4111  | 554.6 | 'BORDEN 7345.00 - MIDLAND 7345.00 345KV<br>CKT 2'    |
| 16SP | 4 | G10_060 | 'AMOCO SWITCHING STATION - YOAKUM<br>COUNTY INTERCHANGE 230KV CKT 1' | TO->FROM | 0.25765 | 349.1 | 'BORDEN 7345.00 - GRASSLAND 7 345.00<br>345KV CKT 1' |
| 16SP | 4 | G10_059 | 'AMOCO SWITCHING STATION - YOAKUM<br>COUNTY INTERCHANGE 230KV CKT 1' | TO->FROM | 0.25765 | 349.1 | 'BORDEN 7345.00 - GRASSLAND 7 345.00<br>345KV CKT 1' |
| 16SP | 4 | G10_060 | 'AMOCO SWITCHING STATION - YOAKUM<br>COUNTY INTERCHANGE 230KV CKT 1' | TO->FROM | 0.2217  | 349.1 | 'BORDEN 7345.00 - MIDLAND 7345.00 345KV<br>CKT 2'    |
| 16SP | 4 | G10_059 | 'AMOCO SWITCHING STATION - YOAKUM<br>COUNTY INTERCHANGE 230KV CKT 1' | TO->FROM | 0.2217  | 349.1 | 'BORDEN 7345.00 - MIDLAND 7345.00 345KV<br>CKT 2'    |

|      |   |         |   |          |         |       |  |
|------|---|---------|---|----------|---------|-------|--|
| 16SP | 4 | G10_060 | 'AMOCO SWITCHING STATION - YOAKUM COUNTY INTERCHANGE 230KV CKT 1' | TO->FROM | 0.20757 | 349.1 | 'GRASSLAND 7 345.00 - JONES 7 345.00 345KV CKT 1'              |
| 16SP | 4 | G10_059 | 'AMOCO SWITCHING STATION - YOAKUM COUNTY INTERCHANGE 230KV CKT 1' | TO->FROM | 0.20757 | 349.1 | 'GRASSLAND 7 345.00 - JONES 7 345.00 345KV CKT 1'              |
| 16SP | 4 | G10_060 | 'AMOCO SWITCHING STATION - YOAKUM COUNTY INTERCHANGE 230KV CKT 1' | TO->FROM | 0.19262 | 349.1 | 'TOLK STATION (ABBXNL844501) 345/230/13.2KV TRANSFORMER CKT 1' |
| 16SP | 4 | G10_059 | 'AMOCO SWITCHING STATION - YOAKUM COUNTY INTERCHANGE 230KV CKT 1' | TO->FROM | 0.19262 | 349.1 | 'TOLK STATION (ABBXNL844501) 345/230/13.2KV TRANSFORMER CKT 1' |
| 16SP | 4 | G10_060 | 'AMOCO SWITCHING STATION - YOAKUM COUNTY INTERCHANGE 230KV CKT 1' | TO->FROM | 0.19262 | 349.1 | 'CHAVESCO 345.00 - TOLK STATION 345KV CKT 1'                   |
| 16SP | 4 | G10_059 | 'AMOCO SWITCHING STATION - YOAKUM COUNTY INTERCHANGE 230KV CKT 1' | TO->FROM | 0.19262 | 349.1 | 'CHAVESCO 345.00 - TOLK STATION 345KV CKT 1'                   |
| 16SP | 4 | G10_060 | 'AMOCO SWITCHING STATION - YOAKUM COUNTY INTERCHANGE 230KV CKT 1' | TO->FROM | 0.19095 | 349.1 | 'TOLK STATION WEST - YOAKUM COUNTY INTERCHANGE 230KV CKT 1'    |
| 16SP | 4 | G10_059 | 'AMOCO SWITCHING STATION - YOAKUM COUNTY INTERCHANGE 230KV CKT 1' | TO->FROM | 0.19095 | 349.1 | 'TOLK STATION WEST - YOAKUM COUNTY INTERCHANGE 230KV CKT 1'    |
| 16SP | 4 | G10_060 | 'PLANT X STATION - TOLK STATION WEST 230KV CKT 1'                 | TO->FROM | 0.1967  | 500.9 | 'PLANT X STATION - TOLK STATION EAST 230KV CKT 2'              |
| 16SP | 4 | G10_059 | 'PLANT X STATION - TOLK STATION WEST 230KV CKT 1'                 | TO->FROM | 0.1967  | 500.9 | 'PLANT X STATION - TOLK STATION EAST 230KV CKT 2'              |
| 16SP | 4 | G10_060 | 'PLANT X STATION - TOLK STATION EAST 230KV CKT 2'                 | TO->FROM | 0.19481 | 500.9 | 'PLANT X STATION - TOLK STATION WEST 230KV CKT 1'              |
| 16SP | 4 | G10_059 | 'PLANT X STATION - TOLK STATION EAST 230KV CKT 2'                 | TO->FROM | 0.19481 | 500.9 | 'PLANT X STATION - TOLK STATION WEST 230KV CKT 1'              |
| 16SP | 4 | G10_060 | 'YOAKUM 7 345.00 (YOAKUM T3) 345/230/13.2KV TRANSFORMER CKT 1'    | FROM->TO | 0.46798 | 554.1 | 'BORDEN 7345.00 - GRASSLAND 7 345.00 345KV CKT 1'              |
| 16SP | 4 | G10_059 | 'YOAKUM 7 345.00 (YOAKUM T3) 345/230/13.2KV TRANSFORMER CKT 1'    | FROM->TO | 0.46798 | 554.1 | 'BORDEN 7345.00 - GRASSLAND 7 345.00 345KV CKT 1'              |
| 16SP | 4 | G10_060 | 'YOAKUM 7 345.00 (YOAKUM T3) 345/230/13.2KV TRANSFORMER CKT 1'    | FROM->TO | 0.46798 | 554.4 | 'BORDEN 7345.00 - GRASSLAND 7 345.00 345KV CKT 1'              |
| 16SP | 4 | G10_059 | 'YOAKUM 7 345.00 (YOAKUM T3) 345/230/13.2KV TRANSFORMER CKT 1'    | FROM->TO | 0.46798 | 554.4 | 'BORDEN 7345.00 - GRASSLAND 7 345.00 345KV CKT 1'              |
| 16SP | 4 | G10_060 | 'YOAKUM 7 345.00 (YOAKUM T3) 345/230/13.2KV TRANSFORMER CKT 1'    | FROM->TO | 0.53104 | 554.1 | 'HOBBS_INT 7345.00 - MIDLAND 7345.00 345KV CKT 1'              |
| 16SP | 4 | G10_059 | 'YOAKUM 7 345.00 (YOAKUM T3) 345/230/13.2KV TRANSFORMER CKT 1'    | FROM->TO | 0.53104 | 554.1 | 'HOBBS_INT 7345.00 - MIDLAND 7345.00 345KV CKT 1'              |
| 16SP | 4 | G10_060 | 'YOAKUM 7 345.00 (YOAKUM T3) 345/230/13.2KV TRANSFORMER CKT 1'    | FROM->TO | 0.53104 | 554.4 | 'HOBBS_INT 7345.00 - MIDLAND 7345.00 345KV CKT 1'              |
| 16SP | 4 | G10_059 | 'YOAKUM 7 345.00 (YOAKUM T3) 345/230/13.2KV TRANSFORMER CKT 1'    | FROM->TO | 0.53104 | 554.4 | 'HOBBS_INT 7345.00 - MIDLAND 7345.00 345KV CKT 1'              |
| 16SP | 4 | G10_060 | 'YOAKUM 7 345.00 (YOAKUM T3) 345/230/13.2KV TRANSFORMER CKT 1'    | FROM->TO | 0.41081 | 554.1 | 'BORDEN 7345.00 - MIDLAND 7345.00 345KV CKT 2'                 |
| 16SP | 4 | G10_059 | 'YOAKUM 7 345.00 (YOAKUM T3) 345/230/13.2KV TRANSFORMER CKT 1'    | FROM->TO | 0.41081 | 554.1 | 'BORDEN 7345.00 - MIDLAND 7345.00 345KV CKT 2'                 |
| 16SP | 4 | G10_060 | 'YOAKUM 7 345.00 (YOAKUM T3) 345/230/13.2KV TRANSFORMER CKT 1'    | FROM->TO | 0.41081 | 554.4 | 'BORDEN 7345.00 - MIDLAND 7345.00 345KV CKT 2'                 |
| 16SP | 4 | G10_059 | 'YOAKUM 7 345.00 (YOAKUM T3) 345/230/13.2KV TRANSFORMER CKT 1'    | FROM->TO | 0.41081 | 554.4 | 'BORDEN 7345.00 - MIDLAND 7345.00 345KV CKT 2'                 |
| 16SP | 4 | G10_060 | 'AMOCO SWITCHING STATION - SUNDOWN INTERCHANGE 230KV CKT 1'       | FROM->TO | 0.25765 | 350.9 | 'BORDEN 7345.00 - GRASSLAND 7 345.00 345KV CKT 1'              |

|      |   |         |   |          |         |       |   |
|------|---|---------|---|----------|---------|-------|---|
| 16SP | 4 | G10_059 | 'AMOCO SWITCHING STATION - SUNDOWN INTERCHANGE 230KV CKT 1'       | FROM->TO | 0.25765 | 350.9 | 'BORDEN 7345.00 - GRASSLAND 7 345.00 345KV CKT 1'     |
| 16SP | 4 | G10_060 | 'PLANT X STATION - TOLK STATION WEST 230KV CKT 1'                 | TO->FROM | 0.23692 | 500.9 | 'TOLK STATION EAST - TOLK STATION TAP 230KV CKT 1'    |
| 16SP | 4 | G10_059 | 'PLANT X STATION - TOLK STATION WEST 230KV CKT 1'                 | TO->FROM | 0.23692 | 500.9 | 'TOLK STATION EAST - TOLK STATION TAP 230KV CKT 1'    |
| 16SP | 4 | G10_060 | 'SUNDOWN INTERCHANGE - WOLFFORTH INTERCHANGE 230KV CKT 1'         | FROM->TO | 0.20515 | 350.6 | 'BORDEN 7345.00 - GRASSLAND 7 345.00 345KV CKT 1'     |
| 16SP | 4 | G10_059 | 'SUNDOWN INTERCHANGE - WOLFFORTH INTERCHANGE 230KV CKT 1'         | FROM->TO | 0.20515 | 350.6 | 'BORDEN 7345.00 - GRASSLAND 7 345.00 345KV CKT 1'     |
| 16WP | 4 | G10_060 | 'AMOCO SWITCHING STATION - YOAKUM COUNTY INTERCHANGE 230KV CKT 1' | TO->FROM | 0.25847 | 358.7 | 'BORDEN 7345.00 - GRASSLAND 7 345.00 345KV CKT 1'     |
| 16WP | 4 | G10_059 | 'AMOCO SWITCHING STATION - YOAKUM COUNTY INTERCHANGE 230KV CKT 1' | TO->FROM | 0.25847 | 358.7 | 'BORDEN 7345.00 - GRASSLAND 7 345.00 345KV CKT 1'     |
| 16WP | 4 | G10_060 | 'AMOCO SWITCHING STATION - YOAKUM COUNTY INTERCHANGE 230KV CKT 1' | TO->FROM | 0.22248 | 358.7 | 'BORDEN 7345.00 - MIDLAND 7345.00 345KV CKT 2'        |
| 16WP | 4 | G10_059 | 'AMOCO SWITCHING STATION - YOAKUM COUNTY INTERCHANGE 230KV CKT 1' | TO->FROM | 0.22248 | 358.7 | 'BORDEN 7345.00 - MIDLAND 7345.00 345KV CKT 2'        |
| 16WP | 4 | G10_060 | 'YOAKUM 7 345.00 (YOAKUM T3) 345/230/13.2KV TRANSFORMER CKT 1'    | FROM->TO | 0.5307  | 554.5 | 'HOBBS_INT 7345.00 - MIDLAND 7345.00 345KV CKT 1'     |
| 16WP | 4 | G10_059 | 'YOAKUM 7 345.00 (YOAKUM T3) 345/230/13.2KV TRANSFORMER CKT 1'    | FROM->TO | 0.5307  | 554.5 | 'HOBBS_INT 7345.00 - MIDLAND 7345.00 345KV CKT 1'     |
| 16WP | 4 | G10_060 | 'YOAKUM 7 345.00 (YOAKUM T3) 345/230/13.2KV TRANSFORMER CKT 1'    | FROM->TO | 0.5307  | 554.7 | 'HOBBS_INT 7345.00 - MIDLAND 7345.00 345KV CKT 1'     |
| 16WP | 4 | G10_059 | 'YOAKUM 7 345.00 (YOAKUM T3) 345/230/13.2KV TRANSFORMER CKT 1'    | FROM->TO | 0.5307  | 554.7 | 'HOBBS_INT 7345.00 - MIDLAND 7345.00 345KV CKT 1'     |
| 16WP | 4 | G10_060 | 'YOAKUM 7 345.00 (YOAKUM T3) 345/230/13.2KV TRANSFORMER CKT 1'    | FROM->TO | 0.46803 | 554.5 | 'BORDEN 7345.00 - GRASSLAND 7 345.00 345KV CKT 1'     |
| 16WP | 4 | G10_059 | 'YOAKUM 7 345.00 (YOAKUM T3) 345/230/13.2KV TRANSFORMER CKT 1'    | FROM->TO | 0.46803 | 554.5 | 'BORDEN 7345.00 - GRASSLAND 7 345.00 345KV CKT 1'     |
| 16WP | 4 | G10_060 | 'YOAKUM 7 345.00 (YOAKUM T3) 345/230/13.2KV TRANSFORMER CKT 1'    | FROM->TO | 0.46803 | 554.7 | 'BORDEN 7345.00 - GRASSLAND 7 345.00 345KV CKT 1'     |
| 16WP | 4 | G10_059 | 'YOAKUM 7 345.00 (YOAKUM T3) 345/230/13.2KV TRANSFORMER CKT 1'    | FROM->TO | 0.46803 | 554.7 | 'BORDEN 7345.00 - GRASSLAND 7 345.00 345KV CKT 1'     |
| 16WP | 4 | G10_060 | 'AMOCO SWITCHING STATION - YOAKUM COUNTY INTERCHANGE 230KV CKT 1' | TO->FROM | 0.20828 | 358.7 | 'GRASSLAND 7 345.00 - JONES 7 345.00 345KV CKT 1'     |
| 16WP | 4 | G10_059 | 'AMOCO SWITCHING STATION - YOAKUM COUNTY INTERCHANGE 230KV CKT 1' | TO->FROM | 0.20828 | 358.7 | 'GRASSLAND 7 345.00 - JONES 7 345.00 345KV CKT 1'     |
| 16WP | 4 | G10_060 | 'YOAKUM 7 345.00 (YOAKUM T3) 345/230/13.2KV TRANSFORMER CKT 1'    | FROM->TO | 0.41081 | 554.5 | 'BORDEN 7345.00 - MIDLAND 7345.00 345KV CKT 2'        |
| 16WP | 4 | G10_059 | 'YOAKUM 7 345.00 (YOAKUM T3) 345/230/13.2KV TRANSFORMER CKT 1'    | FROM->TO | 0.41081 | 554.5 | 'BORDEN 7345.00 - MIDLAND 7345.00 345KV CKT 2'        |
| 16WP | 4 | G10_060 | 'YOAKUM 7 345.00 (YOAKUM T3) 345/230/13.2KV TRANSFORMER CKT 1'    | FROM->TO | 0.41081 | 554.7 | 'BORDEN 7345.00 - MIDLAND 7345.00 345KV CKT 2'        |
| 16WP | 4 | G10_059 | 'YOAKUM 7 345.00 (YOAKUM T3) 345/230/13.2KV TRANSFORMER CKT 1'    | FROM->TO | 0.41081 | 554.7 | 'BORDEN 7345.00 - MIDLAND 7345.00 345KV CKT 2'        |
| 11G  | 4 | G10_060 | 'POTTER COUNTY INTERCHANGE - S-RANDLCO 230.00 230KV CKT 1'        | TO->FROM | 0.19534 | 361   | 'BUSHLAND INTERCHANGE - S-RANDLCO 230.00 230KV CKT 1' |
| 11G  | 4 | G10_059 | 'POTTER COUNTY INTERCHANGE - S-RANDLCO 230.00 230KV CKT 1'        | TO->FROM | 0.19534 | 361   | 'BUSHLAND INTERCHANGE - S-RANDLCO 230.00 230KV CKT 1' |

|     |   |         |   |          |         |       |  |
|-----|---|---------|---|----------|---------|-------|--|
| 11G | 4 | G10_060 | 'AMOCO SWITCHING STATION - YOAKUM COUNTY INTERCHANGE 230KV CKT 1' | TO->FROM | 0.25609 | 359.7 | 'BORDEN 7345.00 - GRASSLAND 7345.00 345KV CKT 1'               |
| 11G | 4 | G10_059 | 'AMOCO SWITCHING STATION - YOAKUM COUNTY INTERCHANGE 230KV CKT 1' | TO->FROM | 0.25609 | 359.7 | 'BORDEN 7345.00 - GRASSLAND 7345.00 345KV CKT 1'               |
| 11G | 4 | G10_060 | 'AMOCO SWITCHING STATION - YOAKUM COUNTY INTERCHANGE 230KV CKT 1' | TO->FROM | 0.20508 | 359.7 | 'GRASSLAND 7345.00 - JONES 7345.00 345KV CKT 1'                |
| 11G | 4 | G10_059 | 'AMOCO SWITCHING STATION - YOAKUM COUNTY INTERCHANGE 230KV CKT 1' | TO->FROM | 0.20508 | 359.7 | 'GRASSLAND 7345.00 - JONES 7345.00 345KV CKT 1'                |
| 11G | 4 | G10_060 | 'AMOCO SWITCHING STATION - YOAKUM COUNTY INTERCHANGE 230KV CKT 1' | TO->FROM | 0.2204  | 359.7 | 'BORDEN 7345.00 - MIDLAND 7345.00 345KV CKT 2'                 |
| 11G | 4 | G10_059 | 'AMOCO SWITCHING STATION - YOAKUM COUNTY INTERCHANGE 230KV CKT 1' | TO->FROM | 0.2204  | 359.7 | 'BORDEN 7345.00 - MIDLAND 7345.00 345KV CKT 2'                 |
| 11G | 4 | G10_060 | 'PLANT X STATION - TOLK STATION WEST 230KV CKT 1'                 | TO->FROM | 0.22966 | 557   | 'TOLK STATION EAST - TOLK STATION TAP 230KV CKT 1'             |
| 11G | 4 | G10_059 | 'PLANT X STATION - TOLK STATION WEST 230KV CKT 1'                 | TO->FROM | 0.22966 | 557   | 'TOLK STATION EAST - TOLK STATION TAP 230KV CKT 1'             |
| 11G | 4 | G10_060 | 'DEAF SMITH COUNTY INTERCHANGE - S-RANDLCO 230.00 230KV CKT 1'    | FROM->TO | 0.19226 | 360   | 'NEWHART 6230.00 - PLANT X STATION 230KV CKT 1'                |
| 11G | 4 | G10_059 | 'DEAF SMITH COUNTY INTERCHANGE - S-RANDLCO 230.00 230KV CKT 1'    | FROM->TO | 0.19226 | 360   | 'NEWHART 6230.00 - PLANT X STATION 230KV CKT 1'                |
| 11G | 4 | G10_060 | 'YOAKUM 7345.00 (YOAKUM T3) 345/230/13.2KV TRANSFORMER CKT 1'     | FROM->TO | 0.46598 | 555.3 | 'BORDEN 7345.00 - GRASSLAND 7345.00 345KV CKT 1'               |
| 11G | 4 | G10_059 | 'YOAKUM 7345.00 (YOAKUM T3) 345/230/13.2KV TRANSFORMER CKT 1'     | FROM->TO | 0.46598 | 555.3 | 'BORDEN 7345.00 - GRASSLAND 7345.00 345KV CKT 1'               |
| 11G | 4 | G10_060 | 'YOAKUM 7345.00 (YOAKUM T3) 345/230/13.2KV TRANSFORMER CKT 1'     | FROM->TO | 0.46598 | 555.4 | 'BORDEN 7345.00 - GRASSLAND 7345.00 345KV CKT 1'               |
| 11G | 4 | G10_059 | 'YOAKUM 7345.00 (YOAKUM T3) 345/230/13.2KV TRANSFORMER CKT 1'     | FROM->TO | 0.46598 | 555.4 | 'BORDEN 7345.00 - GRASSLAND 7345.00 345KV CKT 1'               |
| 11G | 4 | G10_060 | 'AMOCO SWITCHING STATION - YOAKUM COUNTY INTERCHANGE 230KV CKT 1' | TO->FROM | 0.19096 | 359.7 | 'TOLK STATION (ABBXNL844501) 345/230/13.2KV TRANSFORMER CKT 1' |
| 11G | 4 | G10_059 | 'AMOCO SWITCHING STATION - YOAKUM COUNTY INTERCHANGE 230KV CKT 1' | TO->FROM | 0.19096 | 359.7 | 'TOLK STATION (ABBXNL844501) 345/230/13.2KV TRANSFORMER CKT 1' |
| 11G | 4 | G10_060 | 'AMOCO SWITCHING STATION - YOAKUM COUNTY INTERCHANGE 230KV CKT 1' | TO->FROM | 0.19096 | 359.7 | 'CHAVESCO 345.00 - TOLK STATION 345KV CKT 1'                   |
| 11G | 4 | G10_059 | 'AMOCO SWITCHING STATION - YOAKUM COUNTY INTERCHANGE 230KV CKT 1' | TO->FROM | 0.19096 | 359.7 | 'CHAVESCO 345.00 - TOLK STATION 345KV CKT 1'                   |
| 11G | 4 | G10_060 | 'YOAKUM 7345.00 (YOAKUM T3) 345/230/13.2KV TRANSFORMER CKT 1'     | FROM->TO | 0.53031 | 555.3 | 'HOBBS_INT 7345.00 - MIDLAND 7345.00 345KV CKT 1'              |
| 11G | 4 | G10_059 | 'YOAKUM 7345.00 (YOAKUM T3) 345/230/13.2KV TRANSFORMER CKT 1'     | FROM->TO | 0.53031 | 555.3 | 'HOBBS_INT 7345.00 - MIDLAND 7345.00 345KV CKT 1'              |
| 11G | 4 | G10_060 | 'YOAKUM 7345.00 (YOAKUM T3) 345/230/13.2KV TRANSFORMER CKT 1'     | FROM->TO | 0.53031 | 555.4 | 'HOBBS_INT 7345.00 - MIDLAND 7345.00 345KV CKT 1'              |
| 11G | 4 | G10_059 | 'YOAKUM 7345.00 (YOAKUM T3) 345/230/13.2KV TRANSFORMER CKT 1'     | FROM->TO | 0.53031 | 555.4 | 'HOBBS_INT 7345.00 - MIDLAND 7345.00 345KV CKT 1'              |
| 11G | 4 | G10_060 | 'DEAF SMITH COUNTY INTERCHANGE - S-RANDLCO 230.00 230KV CKT 1'    | FROM->TO | 0.19183 | 360   | 'BORDER 7345.00 - TUCO INTERCHANGE 345KV CKT 1'                |
| 11G | 4 | G10_059 | 'DEAF SMITH COUNTY INTERCHANGE - S-RANDLCO 230.00 230KV CKT 1'    | FROM->TO | 0.19183 | 360   | 'BORDER 7345.00 - TUCO INTERCHANGE 345KV CKT 1'                |
| 11G | 4 | G10_060 | 'TUCO INTERCHANGE (GE M1022338) 345/230/13.2KV TRANSFORMER CKT 1' | FROM->TO | 0.24835 | 559   | 'JONES 7345.00 - TUCO INTERCHANGE 345KV CKT 1'                 |

|     |   |         |   |          |         |       |  |
|-----|---|---------|---|----------|---------|-------|--|
| 11G | 4 | G10_059 | 'TUCO INTERCHANGE (GE M1022338)<br>345/230/13.2KV TRANSFORMER CKT 1'            | FROM->TO | 0.24835 | 559   | 'JONES 7 345.00 - TUCO INTERCHANGE<br>345KV CKT 1'   |
| 11G | 4 | G10_060 | 'TUCO INTERCHANGE (GE M1022338)<br>345/230/13.2KV TRANSFORMER CKT 1'            | FROM->TO | 0.24835 | 559.7 | 'JONES 7 345.00 - TUCO INTERCHANGE<br>345KV CKT 1'   |
| 11G | 4 | G10_059 | 'TUCO INTERCHANGE (GE M1022338)<br>345/230/13.2KV TRANSFORMER CKT 1'            | FROM->TO | 0.24835 | 559.7 | 'JONES 7 345.00 - TUCO INTERCHANGE<br>345KV CKT 1'   |
| 11G | 4 | G10_060 | 'POTTER COUNTY INTERCHANGE (WAUK 90343-<br>A) 345/230/13.2KV TRANSFORMER CKT 1' | FROM->TO | 0.19573 | 557.6 | 'LAWTON EASTSIDE - OKLAUNION 345KV CKT 1'            |
| 11G | 4 | G10_059 | 'POTTER COUNTY INTERCHANGE (WAUK 90343-<br>A) 345/230/13.2KV TRANSFORMER CKT 1' | FROM->TO | 0.19573 | 557.6 | 'LAWTON EASTSIDE - OKLAUNION 345KV CKT 1'            |
| 11G | 4 | G10_060 | 'POTTER COUNTY INTERCHANGE (WAUK 90343-<br>A) 345/230/13.2KV TRANSFORMER CKT 1' | FROM->TO | 0.19573 | 558.7 | 'LAWTON EASTSIDE - OKLAUNION 345KV CKT 1'            |
| 11G | 4 | G10_059 | 'POTTER COUNTY INTERCHANGE (WAUK 90343-<br>A) 345/230/13.2KV TRANSFORMER CKT 1' | FROM->TO | 0.19573 | 558.7 | 'LAWTON EASTSIDE - OKLAUNION 345KV CKT 1'            |
| 11G | 4 | G10_060 | 'YOAKUM 7 345.00 (YOAKUM T3)<br>345/230/13.2KV TRANSFORMER CKT 1'               | FROM->TO | 0.40923 | 555.3 | 'BORDEN 7345.00 - MIDLAND 7345.00 345KV<br>CKT 2'    |
| 11G | 4 | G10_059 | 'YOAKUM 7 345.00 (YOAKUM T3)<br>345/230/13.2KV TRANSFORMER CKT 1'               | FROM->TO | 0.40923 | 555.3 | 'BORDEN 7345.00 - MIDLAND 7345.00 345KV<br>CKT 2'    |
| 11G | 4 | G10_060 | 'YOAKUM 7 345.00 (YOAKUM T3)<br>345/230/13.2KV TRANSFORMER CKT 1'               | FROM->TO | 0.40923 | 555.4 | 'BORDEN 7345.00 - MIDLAND 7345.00 345KV<br>CKT 2'    |
| 11G | 4 | G10_059 | 'YOAKUM 7 345.00 (YOAKUM T3)<br>345/230/13.2KV TRANSFORMER CKT 1'               | FROM->TO | 0.40923 | 555.4 | 'BORDEN 7345.00 - MIDLAND 7345.00 345KV<br>CKT 2'    |
| 11G | 4 | G10_060 | 'YOAKUM 7 345.00 (YOAKUM T3)<br>345/230/13.2KV TRANSFORMER CKT 1'               | FROM->TO | 0.38534 | 555.3 | 'GRASSLAND 7 345.00 - JONES 7 345.00<br>345KV CKT 1' |
| 11G | 4 | G10_059 | 'YOAKUM 7 345.00 (YOAKUM T3)<br>345/230/13.2KV TRANSFORMER CKT 1'               | FROM->TO | 0.38534 | 555.3 | 'GRASSLAND 7 345.00 - JONES 7 345.00<br>345KV CKT 1' |
| 11G | 4 | G10_060 | 'YOAKUM 7 345.00 (YOAKUM T3)<br>345/230/13.2KV TRANSFORMER CKT 1'               | FROM->TO | 0.38534 | 555.4 | 'GRASSLAND 7 345.00 - JONES 7 345.00<br>345KV CKT 1' |
| 11G | 4 | G10_059 | 'YOAKUM 7 345.00 (YOAKUM T3)<br>345/230/13.2KV TRANSFORMER CKT 1'               | FROM->TO | 0.38534 | 555.4 | 'GRASSLAND 7 345.00 - JONES 7 345.00<br>345KV CKT 1' |
| 11G | 4 | G10_060 | 'DEAF SMITH COUNTY INTERCHANGE - S-<br>RANDLCO 230.00 230KV CKT 1'              | FROM->TO | 0.1992  | 360   | 'NEWHART 6230.00 - S-RANDLCO 230.00<br>230KV CKT 1'  |
| 11G | 4 | G10_059 | 'DEAF SMITH COUNTY INTERCHANGE - S-<br>RANDLCO 230.00 230KV CKT 1'              | FROM->TO | 0.1992  | 360   | 'NEWHART 6230.00 - S-RANDLCO 230.00<br>230KV CKT 1'  |
| 11G | 4 | G10_060 | 'POTTER COUNTY INTERCHANGE (WAUK 90343-<br>A) 345/230/13.2KV TRANSFORMER CKT 1' | FROM->TO | 0.21982 | 557.6 | 'BORDER 7345.00 - TUCO INTERCHANGE<br>345KV CKT 1'   |
| 11G | 4 | G10_059 | 'POTTER COUNTY INTERCHANGE (WAUK 90343-<br>A) 345/230/13.2KV TRANSFORMER CKT 1' | FROM->TO | 0.21982 | 557.6 | 'BORDER 7345.00 - TUCO INTERCHANGE<br>345KV CKT 1'   |
| 11G | 4 | G10_060 | 'POTTER COUNTY INTERCHANGE (WAUK 90343-<br>A) 345/230/13.2KV TRANSFORMER CKT 1' | FROM->TO | 0.21982 | 558.7 | 'BORDER 7345.00 - TUCO INTERCHANGE<br>345KV CKT 1'   |
| 11G | 4 | G10_059 | 'POTTER COUNTY INTERCHANGE (WAUK 90343-<br>A) 345/230/13.2KV TRANSFORMER CKT 1' | FROM->TO | 0.21982 | 558.7 | 'BORDER 7345.00 - TUCO INTERCHANGE<br>345KV CKT 1'   |



|      |   |         |   |          |         |        |   |
|------|---|---------|---|----------|---------|--------|---|
| 11G  | 4 | G10_060 | 'SUNDOWN INTERCHANGE - WOLFFORTH INTERCHANGE 230KV CKT 1'                   | FROM->TO | 0.20251 | 360.8  | 'BORDEN 7345.00 - GRASSLAND 7 345.00 345KV CKT 1'                 |
| 11G  | 4 | G10_059 | 'SUNDOWN INTERCHANGE - WOLFFORTH INTERCHANGE 230KV CKT 1'                   | FROM->TO | 0.20251 | 360.8  | 'BORDEN 7345.00 - GRASSLAND 7 345.00 345KV CKT 1'                 |
| 11G  | 4 | G10_060 | 'TUCO INTERCHANGE (GE M1022338) 345/230/13.2KV TRANSFORMER CKT 1'           | FROM->TO | 0.20414 | 559    | 'TUCO INTERCHANGE (UPDATE DATA) 345/230/13.2KV TRANSFORMER CKT 2' |
| 11G  | 4 | G10_059 | 'TUCO INTERCHANGE (GE M1022338) 345/230/13.2KV TRANSFORMER CKT 1'           | FROM->TO | 0.20414 | 559    | 'TUCO INTERCHANGE (UPDATE DATA) 345/230/13.2KV TRANSFORMER CKT 2' |
| 11G  | 4 | G10_060 | 'LAWTON EASTSIDE - OKLAUNION 345KV CKT 1'                                   | TO->FROM | 0.32224 | 1186.5 | 'BORDER 7345.00 - TUCO INTERCHANGE 345KV CKT 1'                   |
| 11G  | 4 | G10_059 | 'LAWTON EASTSIDE - OKLAUNION 345KV CKT 1'                                   | TO->FROM | 0.32224 | 1186.5 | 'BORDER 7345.00 - TUCO INTERCHANGE 345KV CKT 1'                   |
| 11G  | 4 | G10_060 | 'TUCO INTERCHANGE (GE M1022338) 345/230/13.2KV TRANSFORMER CKT 1'           | FROM->TO | 0.20414 | 559.7  | 'TUCO INTERCHANGE (UPDATE DATA) 345/230/13.2KV TRANSFORMER CKT 2' |
| 11G  | 4 | G10_059 | 'TUCO INTERCHANGE (GE M1022338) 345/230/13.2KV TRANSFORMER CKT 1'           | FROM->TO | 0.20414 | 559.7  | 'TUCO INTERCHANGE (UPDATE DATA) 345/230/13.2KV TRANSFORMER CKT 2' |
| 11G  | 4 | G10_060 | 'POTTER COUNTY INTERCHANGE (WAUK 90343-A) 345/230/13.2KV TRANSFORMER CKT 1' | FROM->TO | 0.19573 | 557.6  | 'G05-15T 345.00 - OKLAUNION 345KV CKT 1'                          |
| 11G  | 4 | G10_059 | 'POTTER COUNTY INTERCHANGE (WAUK 90343-A) 345/230/13.2KV TRANSFORMER CKT 1' | FROM->TO | 0.19573 | 557.6  | 'G05-15T 345.00 - OKLAUNION 345KV CKT 1'                          |
| 11G  | 4 | G10_060 | 'POTTER COUNTY INTERCHANGE (WAUK 90343-A) 345/230/13.2KV TRANSFORMER CKT 1' | FROM->TO | 0.19573 | 558.7  | 'G05-15T 345.00 - OKLAUNION 345KV CKT 1'                          |
| 11G  | 4 | G10_059 | 'POTTER COUNTY INTERCHANGE (WAUK 90343-A) 345/230/13.2KV TRANSFORMER CKT 1' | FROM->TO | 0.19573 | 558.7  | 'G05-15T 345.00 - OKLAUNION 345KV CKT 1'                          |
| 11SP | 4 | G10_060 | 'AMOCO SWITCHING STATION - YOAKUM COUNTY INTERCHANGE 230KV CKT 1'           | TO->FROM | 0.19002 | 348.9  | 'BORDEN 7345.00 - GRASSLAND 7 345.00 345KV CKT 1'                 |
| 11SP | 4 | G10_059 | 'AMOCO SWITCHING STATION - YOAKUM COUNTY INTERCHANGE 230KV CKT 1'           | TO->FROM | 0.19002 | 348.9  | 'BORDEN 7345.00 - GRASSLAND 7 345.00 345KV CKT 1'                 |
| 11SP | 4 | G10_060 | 'YOAKUM 7 345.00 (YOAKUM T3) 345/230/13.2KV TRANSFORMER CKT 1'              | FROM->TO | 0.52622 | 554.8  | 'HOBBS_INT 7345.00 - MIDLAND 7345.00 345KV CKT 1'                 |
| 11SP | 4 | G10_059 | 'YOAKUM 7 345.00 (YOAKUM T3) 345/230/13.2KV TRANSFORMER CKT 1'              | FROM->TO | 0.52622 | 554.8  | 'HOBBS_INT 7345.00 - MIDLAND 7345.00 345KV CKT 1'                 |
| 11SP | 4 | G10_060 | 'YOAKUM 7 345.00 (YOAKUM T3) 345/230/13.2KV TRANSFORMER CKT 1'              | FROM->TO | 0.52622 | 555    | 'HOBBS_INT 7345.00 - MIDLAND 7345.00 345KV CKT 1'                 |
| 11SP | 4 | G10_059 | 'YOAKUM 7 345.00 (YOAKUM T3) 345/230/13.2KV TRANSFORMER CKT 1'              | FROM->TO | 0.52622 | 555    | 'HOBBS_INT 7345.00 - MIDLAND 7345.00 345KV CKT 1'                 |
| 11SP | 4 | G10_060 | 'YOAKUM 7 345.00 (YOAKUM T3) 345/230/13.2KV TRANSFORMER CKT 1'              | FROM->TO | 0.4588  | 554.8  | 'BORDEN 7345.00 - GRASSLAND 7 345.00 345KV CKT 1'                 |
| 11SP | 4 | G10_059 | 'YOAKUM 7 345.00 (YOAKUM T3) 345/230/13.2KV TRANSFORMER CKT 1'              | FROM->TO | 0.4588  | 554.8  | 'BORDEN 7345.00 - GRASSLAND 7 345.00 345KV CKT 1'                 |
| 11SP | 4 | G10_060 | 'YOAKUM 7 345.00 (YOAKUM T3) 345/230/13.2KV TRANSFORMER CKT 1'              | FROM->TO | 0.4588  | 555    | 'BORDEN 7345.00 - GRASSLAND 7 345.00 345KV CKT 1'                 |
| 11SP | 4 | G10_059 | 'YOAKUM 7 345.00 (YOAKUM T3) 345/230/13.2KV TRANSFORMER CKT 1'              | FROM->TO | 0.4588  | 555    | 'BORDEN 7345.00 - GRASSLAND 7 345.00 345KV CKT 1'                 |
| 11SP | 4 | G10_060 | 'YOAKUM 7 345.00 (YOAKUM T3) 345/230/13.2KV TRANSFORMER CKT 1'              | FROM->TO | 0.41153 | 554.8  | 'BORDEN 7345.00 - MIDLAND 7345.00 345KV CKT 2'                    |

|      |   |         |  |          |         |       |  |
|------|---|---------|--|----------|---------|-------|--|
| 11SP | 4 | G10_059 | 'YOAKUM 7 345.00 (YOAKUM T3)<br>345/230/13.2KV TRANSFORMER CKT 1'    | FROM->TO | 0.41153 | 554.8 | 'BORDEN 7345.00 - MIDLAND 7345.00 345KV<br>CKT 2'    |
| 11SP | 4 | G10_060 | 'YOAKUM 7 345.00 (YOAKUM T3)<br>345/230/13.2KV TRANSFORMER CKT 1'    | FROM->TO | 0.41153 | 555   | 'BORDEN 7345.00 - MIDLAND 7345.00 345KV<br>CKT 2'    |
| 11SP | 4 | G10_059 | 'YOAKUM 7 345.00 (YOAKUM T3)<br>345/230/13.2KV TRANSFORMER CKT 1'    | FROM->TO | 0.41153 | 555   | 'BORDEN 7345.00 - MIDLAND 7345.00 345KV<br>CKT 2'    |
| 11WP | 4 | G10_060 | 'YOAKUM 7 345.00 (YOAKUM T3)<br>345/230/13.2KV TRANSFORMER CKT 1'    | FROM->TO | 0.52195 | 554.3 | 'HOBBS_INT 7345.00 - MIDLAND 7345.00<br>345KV CKT 1' |
| 11WP | 4 | G10_059 | 'YOAKUM 7 345.00 (YOAKUM T3)<br>345/230/13.2KV TRANSFORMER CKT 1'    | FROM->TO | 0.52195 | 554.3 | 'HOBBS_INT 7345.00 - MIDLAND 7345.00<br>345KV CKT 1' |
| 11WP | 4 | G10_060 | 'YOAKUM 7 345.00 (YOAKUM T3)<br>345/230/13.2KV TRANSFORMER CKT 1'    | FROM->TO | 0.52195 | 554.6 | 'HOBBS_INT 7345.00 - MIDLAND 7345.00<br>345KV CKT 1' |
| 11WP | 4 | G10_059 | 'YOAKUM 7 345.00 (YOAKUM T3)<br>345/230/13.2KV TRANSFORMER CKT 1'    | FROM->TO | 0.52195 | 554.6 | 'HOBBS_INT 7345.00 - MIDLAND 7345.00<br>345KV CKT 1' |
| 11WP | 4 | G10_060 | 'YOAKUM 7 345.00 (YOAKUM T3)<br>345/230/13.2KV TRANSFORMER CKT 1'    | FROM->TO | 0.45963 | 554.3 | 'BORDEN 7345.00 - GRASSLAND 7 345.00<br>345KV CKT 1' |
| 11WP | 4 | G10_059 | 'YOAKUM 7 345.00 (YOAKUM T3)<br>345/230/13.2KV TRANSFORMER CKT 1'    | FROM->TO | 0.45963 | 554.3 | 'BORDEN 7345.00 - GRASSLAND 7 345.00<br>345KV CKT 1' |
| 11WP | 4 | G10_060 | 'YOAKUM 7 345.00 (YOAKUM T3)<br>345/230/13.2KV TRANSFORMER CKT 1'    | FROM->TO | 0.45963 | 554.6 | 'BORDEN 7345.00 - GRASSLAND 7 345.00<br>345KV CKT 1' |
| 11WP | 4 | G10_059 | 'YOAKUM 7 345.00 (YOAKUM T3)<br>345/230/13.2KV TRANSFORMER CKT 1'    | FROM->TO | 0.45963 | 554.6 | 'BORDEN 7345.00 - GRASSLAND 7 345.00<br>345KV CKT 1' |
| 11WP | 4 | G10_060 | 'YOAKUM 7 345.00 (YOAKUM T3)<br>345/230/13.2KV TRANSFORMER CKT 1'    | FROM->TO | 0.4116  | 554.3 | 'BORDEN 7345.00 - MIDLAND 7345.00 345KV<br>CKT 2'    |
| 11WP | 4 | G10_059 | 'YOAKUM 7 345.00 (YOAKUM T3)<br>345/230/13.2KV TRANSFORMER CKT 1'    | FROM->TO | 0.4116  | 554.3 | 'BORDEN 7345.00 - MIDLAND 7345.00 345KV<br>CKT 2'    |
| 11WP | 4 | G10_060 | 'YOAKUM 7 345.00 (YOAKUM T3)<br>345/230/13.2KV TRANSFORMER CKT 1'    | FROM->TO | 0.4116  | 554.6 | 'BORDEN 7345.00 - MIDLAND 7345.00 345KV<br>CKT 2'    |
| 11WP | 4 | G10_059 | 'YOAKUM 7 345.00 (YOAKUM T3)<br>345/230/13.2KV TRANSFORMER CKT 1'    | FROM->TO | 0.4116  | 554.6 | 'BORDEN 7345.00 - MIDLAND 7345.00 345KV<br>CKT 2'    |
| 11WP | 4 | G10_060 | 'AMOCO SWITCHING STATION - YOAKUM<br>COUNTY INTERCHANGE 230KV CKT 1' | TO->FROM | 0.19607 | 357.6 | 'BORDEN 7345.00 - GRASSLAND 7 345.00<br>345KV CKT 1' |
| 11WP | 4 | G10_059 | 'AMOCO SWITCHING STATION - YOAKUM<br>COUNTY INTERCHANGE 230KV CKT 1' | TO->FROM | 0.19607 | 357.6 | 'BORDEN 7345.00 - GRASSLAND 7 345.00<br>345KV CKT 1' |
| 16SP | 4 | G10_060 | 'YOAKUM 7 345.00 (YOAKUM T3)<br>345/230/13.2KV TRANSFORMER CKT 1'    | FROM->TO | 0.57585 | 554.1 | 'HOBBS_INT 7345.00 - MIDLAND 7345.00<br>345KV CKT 1' |
| 16SP | 4 | G10_059 | 'YOAKUM 7 345.00 (YOAKUM T3)<br>345/230/13.2KV TRANSFORMER CKT 1'    | FROM->TO | 0.57585 | 554.1 | 'HOBBS_INT 7345.00 - MIDLAND 7345.00<br>345KV CKT 1' |
| 16SP | 4 | G10_060 | 'YOAKUM 7 345.00 (YOAKUM T3)<br>345/230/13.2KV TRANSFORMER CKT 1'    | FROM->TO | 0.57585 | 554.4 | 'HOBBS_INT 7345.00 - MIDLAND 7345.00<br>345KV CKT 1' |
| 16SP | 4 | G10_059 | 'YOAKUM 7 345.00 (YOAKUM T3)<br>345/230/13.2KV TRANSFORMER CKT 1'    | FROM->TO | 0.57585 | 554.4 | 'HOBBS_INT 7345.00 - MIDLAND 7345.00<br>345KV CKT 1' |
| 16SP | 4 | G10_060 | 'YOAKUM 7 345.00 (YOAKUM T3)<br>345/230/13.2KV TRANSFORMER CKT 1'    | FROM->TO | 0.45742 | 554.1 | 'BORDEN 7345.00 - GRASSLAND 7 345.00<br>345KV CKT 1' |
| 16SP | 4 | G10_059 | 'YOAKUM 7 345.00 (YOAKUM T3)<br>345/230/13.2KV TRANSFORMER CKT 1'    | FROM->TO | 0.45742 | 554.1 | 'BORDEN 7345.00 - GRASSLAND 7 345.00<br>345KV CKT 1' |
| 16SP | 4 | G10_060 | 'YOAKUM 7 345.00 (YOAKUM T3)<br>345/230/13.2KV TRANSFORMER CKT 1'    | FROM->TO | 0.45742 | 554.4 | 'BORDEN 7345.00 - GRASSLAND 7 345.00<br>345KV CKT 1' |
| 16SP | 4 | G10_059 | 'YOAKUM 7 345.00 (YOAKUM T3)<br>345/230/13.2KV TRANSFORMER CKT 1'    | FROM->TO | 0.45742 | 554.4 | 'BORDEN 7345.00 - GRASSLAND 7 345.00<br>345KV CKT 1' |

|      |   |         |  |          |         |       |  |
|------|---|---------|--|----------|---------|-------|--|
| 16SP | 4 | G10_060 | 'YOAKUM 7 345.00 (YOAKUM T3)<br>345/230/13.2KV TRANSFORMER CKT 1'    | FROM->TO | 0.4105  | 554.1 | 'BORDEN 7345.00 - MIDLAND 7345.00 345KV<br>CKT 2'    |
| 16SP | 4 | G10_059 | 'YOAKUM 7 345.00 (YOAKUM T3)<br>345/230/13.2KV TRANSFORMER CKT 1'    | FROM->TO | 0.4105  | 554.1 | 'BORDEN 7345.00 - MIDLAND 7345.00 345KV<br>CKT 2'    |
| 16SP | 4 | G10_060 | 'YOAKUM 7 345.00 (YOAKUM T3)<br>345/230/13.2KV TRANSFORMER CKT 1'    | FROM->TO | 0.4105  | 554.4 | 'BORDEN 7345.00 - MIDLAND 7345.00 345KV<br>CKT 2'    |
| 16SP | 4 | G10_059 | 'YOAKUM 7 345.00 (YOAKUM T3)<br>345/230/13.2KV TRANSFORMER CKT 1'    | FROM->TO | 0.4105  | 554.4 | 'BORDEN 7345.00 - MIDLAND 7345.00 345KV<br>CKT 2'    |
| 16WP | 4 | G10_060 | 'YOAKUM 7 345.00 (YOAKUM T3)<br>345/230/13.2KV TRANSFORMER CKT 1'    | FROM->TO | 0.5699  | 554.5 | 'HOBBS_INT 7345.00 - MIDLAND 7345.00<br>345KV CKT 1' |
| 16WP | 4 | G10_059 | 'YOAKUM 7 345.00 (YOAKUM T3)<br>345/230/13.2KV TRANSFORMER CKT 1'    | FROM->TO | 0.5699  | 554.5 | 'HOBBS_INT 7345.00 - MIDLAND 7345.00<br>345KV CKT 1' |
| 16WP | 4 | G10_060 | 'YOAKUM 7 345.00 (YOAKUM T3)<br>345/230/13.2KV TRANSFORMER CKT 1'    | FROM->TO | 0.5699  | 554.7 | 'HOBBS_INT 7345.00 - MIDLAND 7345.00<br>345KV CKT 1' |
| 16WP | 4 | G10_059 | 'YOAKUM 7 345.00 (YOAKUM T3)<br>345/230/13.2KV TRANSFORMER CKT 1'    | FROM->TO | 0.5699  | 554.7 | 'HOBBS_INT 7345.00 - MIDLAND 7345.00<br>345KV CKT 1' |
| 16WP | 4 | G10_060 | 'YOAKUM 7 345.00 (YOAKUM T3)<br>345/230/13.2KV TRANSFORMER CKT 1'    | FROM->TO | 0.45864 | 554.5 | 'BORDEN 7345.00 - GRASSLAND 7 345.00<br>345KV CKT 1' |
| 16WP | 4 | G10_059 | 'YOAKUM 7 345.00 (YOAKUM T3)<br>345/230/13.2KV TRANSFORMER CKT 1'    | FROM->TO | 0.45864 | 554.5 | 'BORDEN 7345.00 - GRASSLAND 7 345.00<br>345KV CKT 1' |
| 16WP | 4 | G10_060 | 'YOAKUM 7 345.00 (YOAKUM T3)<br>345/230/13.2KV TRANSFORMER CKT 1'    | FROM->TO | 0.45864 | 554.7 | 'BORDEN 7345.00 - GRASSLAND 7 345.00<br>345KV CKT 1' |
| 16WP | 4 | G10_059 | 'YOAKUM 7 345.00 (YOAKUM T3)<br>345/230/13.2KV TRANSFORMER CKT 1'    | FROM->TO | 0.45864 | 554.7 | 'BORDEN 7345.00 - GRASSLAND 7 345.00<br>345KV CKT 1' |
| 16WP | 4 | G10_060 | 'YOAKUM 7 345.00 (YOAKUM T3)<br>345/230/13.2KV TRANSFORMER CKT 1'    | FROM->TO | 0.41047 | 554.5 | 'BORDEN 7345.00 - MIDLAND 7345.00 345KV<br>CKT 2'    |
| 16WP | 4 | G10_059 | 'YOAKUM 7 345.00 (YOAKUM T3)<br>345/230/13.2KV TRANSFORMER CKT 1'    | FROM->TO | 0.41047 | 554.5 | 'BORDEN 7345.00 - MIDLAND 7345.00 345KV<br>CKT 2'    |
| 16WP | 4 | G10_060 | 'YOAKUM 7 345.00 (YOAKUM T3)<br>345/230/13.2KV TRANSFORMER CKT 1'    | FROM->TO | 0.41047 | 554.7 | 'BORDEN 7345.00 - MIDLAND 7345.00 345KV<br>CKT 2'    |
| 16WP | 4 | G10_059 | 'YOAKUM 7 345.00 (YOAKUM T3)<br>345/230/13.2KV TRANSFORMER CKT 1'    | FROM->TO | 0.41047 | 554.7 | 'BORDEN 7345.00 - MIDLAND 7345.00 345KV<br>CKT 2'    |
| 16WP | 4 | G10_060 | 'AMOCO SWITCHING STATION - YOAKUM<br>COUNTY INTERCHANGE 230KV CKT 1' | TO->FROM | 0.1961  | 358.7 | 'BORDEN 7345.00 - GRASSLAND 7 345.00<br>345KV CKT 1' |
| 16WP | 4 | G10_059 | 'AMOCO SWITCHING STATION - YOAKUM<br>COUNTY INTERCHANGE 230KV CKT 1' | TO->FROM | 0.1961  | 358.7 | 'BORDEN 7345.00 - GRASSLAND 7 345.00<br>345KV CKT 1' |
| 11G  | 4 | G10_060 | 'AMOCO SWITCHING STATION - YOAKUM<br>COUNTY INTERCHANGE 230KV CKT 1' | TO->FROM | 0.19697 | 359.7 | 'BORDEN 7345.00 - GRASSLAND 7 345.00<br>345KV CKT 1' |
| 11G  | 4 | G10_059 | 'AMOCO SWITCHING STATION - YOAKUM<br>COUNTY INTERCHANGE 230KV CKT 1' | TO->FROM | 0.19697 | 359.7 | 'BORDEN 7345.00 - GRASSLAND 7 345.00<br>345KV CKT 1' |
| 11G  | 4 | G10_060 | 'YOAKUM 7 345.00 (YOAKUM T3)<br>345/230/13.2KV TRANSFORMER CKT 1'    | FROM->TO | 0.56019 | 555.3 | 'HOBBS_INT 7345.00 - MIDLAND 7345.00<br>345KV CKT 1' |
| 11G  | 4 | G10_059 | 'YOAKUM 7 345.00 (YOAKUM T3)<br>345/230/13.2KV TRANSFORMER CKT 1'    | FROM->TO | 0.56019 | 555.3 | 'HOBBS_INT 7345.00 - MIDLAND 7345.00<br>345KV CKT 1' |
| 11G  | 4 | G10_060 | 'YOAKUM 7 345.00 (YOAKUM T3)<br>345/230/13.2KV TRANSFORMER CKT 1'    | FROM->TO | 0.56019 | 555.4 | 'HOBBS_INT 7345.00 - MIDLAND 7345.00<br>345KV CKT 1' |
| 11G  | 4 | G10_059 | 'YOAKUM 7 345.00 (YOAKUM T3)<br>345/230/13.2KV TRANSFORMER CKT 1'    | FROM->TO | 0.56019 | 555.4 | 'HOBBS_INT 7345.00 - MIDLAND 7345.00<br>345KV CKT 1' |
| 11G  | 4 | G10_060 | 'YOAKUM 7 345.00 (YOAKUM T3)<br>345/230/13.2KV TRANSFORMER CKT 1'    | FROM->TO | 0.45067 | 555.3 | 'BORDEN 7345.00 - GRASSLAND 7 345.00<br>345KV CKT 1' |

|      |   |         |  |          |         |       |  |
|------|---|---------|--|----------|---------|-------|--|
| 11G  | 4 | G10_059 | 'YOAKUM 7 345.00 (YOAKUM T3)<br>345/230/13.2KV TRANSFORMER CKT 1'                  | FROM->TO | 0.45067 | 555.3 | 'BORDEN 7345.00 - GRASSLAND 7 345.00<br>345KV CKT 1' |
| 11G  | 4 | G10_060 | 'YOAKUM 7 345.00 (YOAKUM T3)<br>345/230/13.2KV TRANSFORMER CKT 1'                  | FROM->TO | 0.45067 | 555.4 | 'BORDEN 7345.00 - GRASSLAND 7 345.00<br>345KV CKT 1' |
| 11G  | 4 | G10_059 | 'YOAKUM 7 345.00 (YOAKUM T3)<br>345/230/13.2KV TRANSFORMER CKT 1'                  | FROM->TO | 0.45067 | 555.4 | 'BORDEN 7345.00 - GRASSLAND 7 345.00<br>345KV CKT 1' |
| 11G  | 4 | G10_060 | 'YOAKUM 7 345.00 (YOAKUM T3)<br>345/230/13.2KV TRANSFORMER CKT 1'                  | FROM->TO | 0.40298 | 555.3 | 'BORDEN 7345.00 - MIDLAND 7345.00 345KV<br>CKT 2'    |
| 11G  | 4 | G10_059 | 'YOAKUM 7 345.00 (YOAKUM T3)<br>345/230/13.2KV TRANSFORMER CKT 1'                  | FROM->TO | 0.40298 | 555.3 | 'BORDEN 7345.00 - MIDLAND 7345.00 345KV<br>CKT 2'    |
| 11G  | 4 | G10_060 | 'YOAKUM 7 345.00 (YOAKUM T3)<br>345/230/13.2KV TRANSFORMER CKT 1'                  | FROM->TO | 0.40298 | 555.4 | 'BORDEN 7345.00 - MIDLAND 7345.00 345KV<br>CKT 2'    |
| 11G  | 4 | G10_059 | 'YOAKUM 7 345.00 (YOAKUM T3)<br>345/230/13.2KV TRANSFORMER CKT 1'                  | FROM->TO | 0.40298 | 555.4 | 'BORDEN 7345.00 - MIDLAND 7345.00 345KV<br>CKT 2'    |
| 11G  | 4 | G10_060 | 'YOAKUM 7 345.00 (YOAKUM T3)<br>345/230/13.2KV TRANSFORMER CKT 1'                  | FROM->TO | 0.37284 | 555.3 | 'GRASSLAND 7 345.00 - JONES 7 345.00<br>345KV CKT 1' |
| 11G  | 4 | G10_059 | 'YOAKUM 7 345.00 (YOAKUM T3)<br>345/230/13.2KV TRANSFORMER CKT 1'                  | FROM->TO | 0.37284 | 555.3 | 'GRASSLAND 7 345.00 - JONES 7 345.00<br>345KV CKT 1' |
| 11G  | 4 | G10_060 | 'YOAKUM 7 345.00 (YOAKUM T3)<br>345/230/13.2KV TRANSFORMER CKT 1'                  | FROM->TO | 0.37284 | 555.4 | 'GRASSLAND 7 345.00 - JONES 7 345.00<br>345KV CKT 1' |
| 11G  | 4 | G10_059 | 'YOAKUM 7 345.00 (YOAKUM T3)<br>345/230/13.2KV TRANSFORMER CKT 1'                  | FROM->TO | 0.37284 | 555.4 | 'GRASSLAND 7 345.00 - JONES 7 345.00<br>345KV CKT 1' |
| 16SP | 5 | G10_058 | 'PLANT X STATION - TOLK STATION WEST<br>230KV CKT 1'                               | TO->FROM | 0.29049 | 500.9 | 'PLANT X STATION - TOLK STATION EAST<br>230KV CKT 2' |
| 11SP | 5 | G10_060 | 'GRASSLAND INTERCHANGE - LYNN COUNTY<br>INTERCHANGE 115KV CKT 1'                   | FROM->TO | 0.11011 | 159.2 | 'GRASSLAND 7 345.00 - JONES 7 345.00<br>345KV CKT 1' |
| 11SP | 5 | G10_059 | 'GRASSLAND INTERCHANGE - LYNN COUNTY<br>INTERCHANGE 115KV CKT 1'                   | FROM->TO | 0.11011 | 159.2 | 'GRASSLAND 7 345.00 - JONES 7 345.00<br>345KV CKT 1' |
| 11SP | 5 | G10_060 | 'LYNN COUNTY INTERCHANGE - SOUTH<br>PLAINS REC-WOODROW INTERCHANGE 115KV<br>CKT 1' | FROM->TO | 0.11011 | 159.4 | 'GRASSLAND 7 345.00 - JONES 7 345.00<br>345KV CKT 1' |
| 11SP | 5 | G10_059 | 'LYNN COUNTY INTERCHANGE - SOUTH<br>PLAINS REC-WOODROW INTERCHANGE 115KV<br>CKT 1' | FROM->TO | 0.11011 | 159.4 | 'GRASSLAND 7 345.00 - JONES 7 345.00<br>345KV CKT 1' |
| 11WP | 5 | G10_060 | 'GRASSLAND INTERCHANGE - LYNN COUNTY<br>INTERCHANGE 115KV CKT 1'                   | FROM->TO | 0.1107  | 176.7 | 'GRASSLAND 7 345.00 - JONES 7 345.00<br>345KV CKT 1' |
| 11WP | 5 | G10_059 | 'GRASSLAND INTERCHANGE - LYNN COUNTY<br>INTERCHANGE 115KV CKT 1'                   | FROM->TO | 0.1107  | 176.7 | 'GRASSLAND 7 345.00 - JONES 7 345.00<br>345KV CKT 1' |
| 16SP | 5 | G10_060 | 'GRASSLAND INTERCHANGE - LYNN COUNTY<br>INTERCHANGE 115KV CKT 1'                   | FROM->TO | 0.10979 | 159.5 | 'GRASSLAND 7 345.00 - JONES 7 345.00<br>345KV CKT 1' |
| 16SP | 5 | G10_059 | 'GRASSLAND INTERCHANGE - LYNN COUNTY<br>INTERCHANGE 115KV CKT 1'                   | FROM->TO | 0.10979 | 159.5 | 'GRASSLAND 7 345.00 - JONES 7 345.00<br>345KV CKT 1' |
| 16SP | 5 | G10_060 | 'LYNN COUNTY INTERCHANGE - SOUTH<br>PLAINS REC-WOODROW INTERCHANGE 115KV<br>CKT 1' | FROM->TO | 0.10979 | 159.7 | 'GRASSLAND 7 345.00 - JONES 7 345.00<br>345KV CKT 1' |
| 16SP | 5 | G10_059 | 'LYNN COUNTY INTERCHANGE - SOUTH<br>PLAINS REC-WOODROW INTERCHANGE 115KV<br>CKT 1' | FROM->TO | 0.10979 | 159.7 | 'GRASSLAND 7 345.00 - JONES 7 345.00<br>345KV CKT 1' |
| 16WP | 5 | G10_060 | 'GRASSLAND INTERCHANGE - LYNN COUNTY<br>INTERCHANGE 115KV CKT 1'                   | FROM->TO | 0.11168 | 176.7 | 'GRASSLAND 7 345.00 - JONES 7 345.00<br>345KV CKT 1' |

|      |   |         |  |          |         |       |   |
|------|---|---------|--|----------|---------|-------|---|
| 16WP | 5 | G10_059 | 'GRASSLAND INTERCHANGE - LYNN COUNTY INTERCHANGE 115KV CKT 1'                  | FROM->TO | 0.11168 | 176.7 | 'GRASSLAND 7 345.00 - JONES 7 345.00 345KV CKT 1' |
| 11G  | 5 | G10_060 | 'GRASSLAND INTERCHANGE - LYNN COUNTY INTERCHANGE 115KV CKT 1'                  | FROM->TO | 0.09707 | 175.8 | 'GRASSLAND 7 345.00 - JONES 7 345.00 345KV CKT 1' |
| 11G  | 5 | G10_059 | 'GRASSLAND INTERCHANGE - LYNN COUNTY INTERCHANGE 115KV CKT 1'                  | FROM->TO | 0.09707 | 175.8 | 'GRASSLAND 7 345.00 - JONES 7 345.00 345KV CKT 1' |
| 11G  | 5 | G10_060 | 'LYNN COUNTY INTERCHANGE - SOUTH PLAINS REC-WOODROW INTERCHANGE 115KV CKT 1'   | FROM->TO | 0.09707 | 176.3 | 'GRASSLAND 7 345.00 - JONES 7 345.00 345KV CKT 1' |
| 11G  | 5 | G10_059 | 'LYNN COUNTY INTERCHANGE - SOUTH PLAINS REC-WOODROW INTERCHANGE 115KV CKT 1'   | FROM->TO | 0.09707 | 176.3 | 'GRASSLAND 7 345.00 - JONES 7 345.00 345KV CKT 1' |
| 11G  | 5 | G10_060 | 'LUBBOCK SOUTH INTERCHANGE - SOUTH PLAINS REC-WOODROW INTERCHANGE 115KV CKT 1' | TO->FROM | 0.09707 | 175   | 'GRASSLAND 7 345.00 - JONES 7 345.00 345KV CKT 1' |
| 11G  | 5 | G10_059 | 'LUBBOCK SOUTH INTERCHANGE - SOUTH PLAINS REC-WOODROW INTERCHANGE 115KV CKT 1' | TO->FROM | 0.09707 | 175   | 'GRASSLAND 7 345.00 - JONES 7 345.00 345KV CKT 1' |