
Revision History

Date	Author	Change Description
07/29/2011	SPP	Report Issued (DISIS-2011-001)
12/16/2011	SPP	Account for Withdrawn Projects, Report Re-Posted (DISIS-2011-001-1)
05/04/2012	SPP	Account for Withdrawn Projects, Report Re-Posted (DISIS-2011-001-2)
2/5/2013	SPP	Account for Withdrawn Projects, Report Re-Posted (DISIS-2011-001-3)

Executive Summary

Generation Interconnection customers have requested a Definitive Interconnection System Impact Study (DISIS) under the Generation Interconnection Procedures (GIP) in the Southwest Power Pool Open Access Transmission Tariff (OATT). The Interconnection Customers' requests have been clustered together for the following System Impact Cluster Study window which closed March 31, 2011. The customers will be referred to in this study as the DISIS-2011-001 Interconnection Customers. This System Impact Study analyzes the interconnecting of multiple generation interconnection requests associated with new generation totaling approximately 4,741.8 MW of new generation which would be located within the transmission systems of American Electric Power-West (AEPW), Kansas City Power & Light (KACP), Midwest Energy Inc. (MIDW), Missouri Public Service (MIPU), Nebraska Public Power District (NPPD), Oklahoma Gas and Electric (OKGE), Sunflower Electric Power Corporation/Mid-Kansas Electric Power LLC (SUNC)/(MKEC), Southwestern Public Service (SPS). The various generation interconnection requests have differing proposed in-service dates¹. The generation interconnection requests included in this System Impact Cluster Study are listed in Appendix A by their queue number, amount, requested interconnection service, area, requested interconnection point, proposed interconnection point, and the requested in-service date. This restudy was performed to account for withdrawals within the DISIS-2011-001 study and/or higher queued projects withdrawing.

Power flow analysis has indicated that for the power flow cases studied, 4,741.8 MW of nameplate generation may be interconnected with transmission system reinforcements within the SPP transmission system. Dynamic stability and power factor analysis has determined the need for reactive compensation in accordance with Order No. 661-A for wind farm interconnection requests and those requirements are listed for each interconnection request within the contents of this report. Dynamic stability analysis has determined that the transmission system will remain stable with the assigned Network Upgrades and necessary reactive compensation requirements.

The total estimated minimum cost for interconnecting the DISIS-2011-001 interconnection customers is \$894,367,000. These costs are shown in Appendix E and F. Interconnection Service to DISIS-2011-001 interconnection customers is also contingent upon higher queued customers paying for certain required network upgrades. **The in service date for the DISIS customers will be deferred until the construction of these network upgrades can be completed.**

These costs do not include the Interconnection Customer Interconnection Facilities as defined by the SPP Open Access Transmission Tariff (OATT). This cost does not include additional network constraints in the SPP transmission system identified and shown in Appendix H.

¹ The generation interconnection requests in-service dates will need to be deferred based on the required lead time for the Network Upgrades necessary. The Interconnection Customer's that proceed to the Facility Study will be provided a new in-service date based on the Facility Study's time for completion of the Network Upgrades necessary.

Network Constraints listed in Appendix H are in the local area of the new generation when this generation is injected throughout the SPP footprint for the Energy Resource (ERIS) Interconnection Request. Certain Interconnection Requests were also studied for Network Resource Interconnection Service (NRIS). Those constraints are also listed in Appendix H. Additional Network constraints will have to be verified with a Transmission Service Request (TSR) and associated studies. With a defined source and sink in a TSR, this list of Network Constraints will be refined and expanded to account for all Network Upgrade requirements.

The required interconnection costs listed in Appendix E and F do not include all costs associated with the deliverability of the energy to final customers. These costs are determined by separate studies if the Customer submits a Transmission Service Request through SPP's Open Access Same Time Information System (OASIS) as required by Attachment Z1 of the SPP OATT.

Table of Contents

Introduction	1
Model Development	2
Identification of Network Constraints	5
Determination of Cost Allocated Network Upgrades.....	6
Required Interconnection Facilities	7
Power Flow Analysis	7
Stability Analysis	12
Conclusion	13
Appendix.....	14
A: Generation Interconnection Requests Considered for Impact Study.....	A0
B: Prior Queued Interconnection Requests.....	B0
C: Study Groupings	C0
D: Proposed Point of Interconnection One line Diagrams	D0
E: Cost Allocation per Interconnection Request (Including Prior Queued Upgrades)	E0
F: Cost Allocation per Proposed Study Network Upgrade	F0
G: Power Flow Analysis (Constraints For Mitigation)	G0
H: Power Flow Analysis (Other Constraints Not Requiring Mitigation)	H0
I: Power Flow Analysis (Category C Contingencies)	I0
J: Reserved.....	J0
K: Reserved.....	K0

Introduction

Pursuant to the Southwest Power Pool (SPP) Open Access Transmission Tariff (OATT), SPP has conducted this Definitive Interconnection System Impact Study (DISIS) for certain generation interconnection requests in the SPP Generation Interconnection Queue. These interconnection requests have been clustered together for the following System Impact Study window which closed March 31, 2011. The customers will be referred to in this study as the DISIS-2011-001 Interconnection Customers. This System Impact Study analyzes the interconnecting of multiple generation interconnection requests associated with new generation totaling 4,741.8 MW of new generation which would be located within the transmission systems of American Electric Power-West (AEPW), Kansas City Power & Light (KACP), Midwest Energy Inc. (MIDW), Missouri Public Service (MIPU), Nebraska Public Power District (NPPD), Oklahoma Gas and Electric (OKGE), Sunflower Electric Power Corporation/Mid-Kansas Electric Power LLC (SUNC)/(MKEC), Southwestern Public Service (SPS). The various generation interconnection requests have differing proposed in-service dates². The generation interconnection requests included in this System Impact Study are listed in Appendix A by their queue number, amount, requested interconnection service, area, requested interconnection point, proposed interconnection point, and the requested in-service date. This restudy was performed to account for withdrawals within the DISIS-2011-001 study and/or higher queued projects withdrawing.

The primary objective of this Definitive Interconnection System Impact Study is to identify the system constraints associated with connecting the generation to the area transmission system. The Impact and other subsequent Interconnection Studies are designed to identify attachment facilities, Network Upgrades and other Direct Assignment Facilities needed to accept power into the grid at each specific interconnection receipt point.

² The generation interconnection requests in-service dates will need to be deferred based on the required lead time for the Network Upgrades necessary. The Interconnection Customer's that proceed to the Facility Study will be provided a new in-service date based on the competition of the Facility Study.

Model Development

Interconnection Requests Included in the Cluster

SPP has included all interconnection requests that submitted a Definitive Interconnection System Impact Study Agreement no later than March 31, 2011 and were subsequently accepted by Southwest Power Pool under the terms of the Generator Interconnection Procedures (GIP) that became effective March 30, 2010. The interconnection requests that are included in this study are listed in Appendix A.

Affected System Interconnection Requests

Also included in this Definitive Impact Study are two Affected System Studies, both located on the Southwestern Public Service Company distribution system and shares connections to the SPS transmission system. The Affected System Study Requests has been given the designations: ASGI-2011-002 (10 MW, POI is Herring 115kV), and ASGI-2011-003 (10 MW, POI is Hendricks 115kV).

Previously Queued Interconnection Requests

The previous queued requests included in this study are listed in Appendix B. In addition to the Base Case Upgrades, the previous queued requests and associated upgrades were assumed to be in-service and added to the Base Case models. These projects were dispatched as Energy Resources with equal distribution across the SPP footprint. Prior queued projects that requested Network Resource Interconnection Service (NRIS) were dispatched in an additional analysis into the balancing authority of the interconnecting transmission owner.

Development of Base Cases

Power Flow

The 2012 series Transmission Service Request (TSR) Models 2013 spring, 2013 summer and winter peak, 2018 summer and winter peak, and the 2023 summer peak scenario 0 cases were used for this study. After the cases were developed, each of the control areas' resources were then re-dispatched to account for the new generation requests using current dispatch orders.

Dynamic Stability

The 2012 series SPP Model Development Working Group (MDWG) Models 2014 winter and 2014 summer were used as starting points for this study.

Base Case Upgrades

The following facilities are part of the SPP Transmission Expansion Plan or the Balanced Portfolio or recently approved Priority Projects. These facilities, have an approved Notice to Construct (NTC), or are in construction stages and were assumed to be in-service at the time of dispatch and added to the base case models. The DISIS-2011-001 Customers have not been assigned acceleration costs for the below listed projects. The DISIS-2011-001 Customers Generation Facilities in service dates may need to be delayed until the completion of the following upgrades. If for some reason, construction

on these projects is discontinued, additional restudies will be needed to determine the interconnection needs of the DISIS customers.

- Hitchland 230/115kV area projects³:
 - Hitchland – Ochiltree 230kV Project, scheduled for 2/1/2013 in-service
- Balanced Portfolio Projects⁴:
 - Woodward – Border – TUCO 345kV project, scheduled for 5/19/2014 in-service
 - Woodward 345/138kV circuit #2 autotransformer
 - TUCO 345/138kV circuit #2 autotransformer
 - Reactors at Woodward and Border
 - Iatan– Nashua 345kV, scheduled for 6/1/2015 in-service
 - Nashua 345/161kV autotransformer
 - Muskogee– Seminole 345kV, scheduled for 12/31/2013 in-service
 - Cleveland – Sooner 345kV, scheduled for 12/31/2012 in-service
 - Tap Stillwell – Swissvale 345kV line at West Gardner, scheduled for 12/31/2012 in-service
- Priority Projects⁵:
 - Hitchland – Woodward double circuit 345kV, scheduled for 6/30/2014 in-service
 - Hitchland 345/230kV circuit #2 autotransformer
 - Woodward – Thistle double circuit 345kV, scheduled for 12/31/2014 in-service
 - Spearville – Clark double circuit 345kV, scheduled for 12/31/2014 in-service
 - Clark – Thistle double circuit 345kV, scheduled for 12/31/2014 in-service
 - Thistle – Wichita double circuit 345kV, scheduled for 12/31/2014 in-service
 - Thistle 345/138kV autotransformer, scheduled for 12/31/2014 in-service
 - Thistle – Flat Ridge 138kV, scheduled for 12/31/2014 in-service
- Various MKEC Transmission System Upgrades⁶
 - Harper – Flat Ridge 138kV rebuild, scheduled for 6/15/2013 in-service
 - Flat Ridge – Medicine Lodge 138kV rebuild, scheduled for 12/31/2013 in-service
 - Pratt – Medicine Lodge 115kV rebuild, scheduled for 6/15/2014 in-service
 - Medicine Lodge 138/115kV autotransformer replacement, scheduled for 6/1/2013 in-service
- Northwest 345/138/13.8kV circuit #3 autotransformer, scheduled for 6/1/2017 in-service⁷
- Woodward (OKGE) – Woodward (WFEC) 69kV rebuild, scheduled for 12/1/2013 in-service⁸
- Sheldon – SW7th and Pleasant Hill 115kV circuit #2 rebuild, scheduled for 5/15/2013 in-service⁹

³ SPP Regional Reliability Projects identified in 2007 STEP. As of the writing of this report, SPP Project Tracking TAGIT shows some of these project's in-service dates have been delayed from the original 2010/2011 in-service dates.

⁴ Notice to Construct (NTC) issued June 2009.

⁵ Notice to Construct (NTC) issued June 2010.

⁶ SPP Transmission Service Projects identified in SPP-2007-AG3-AFS-9.

⁷ SPP Transmission Service Project identified in SPP-2009-AG2-AFS6. Per SPP-NTC-20137.

⁸ SPP Regional Reliability Project. Per SPP-NTC-20003.

⁹ SPP Regional Reliability 2012 ITPNT Project. Per SPP-NTC-200171.

- Moundridge 138/115/13.8kV autotransformer circuit #2, scheduled for 12/1/2014 in-service¹⁰

Contingent Upgrades

The following facilities do not yet have approval. These facilities have been assigned to higher queued interconnection customers. These facilities have been included in the models for the DISIS-2011-001 study and are assumed to be in service. This list may not be all inclusive. The DISIS-2011-001 Customers at this time do not have responsibility for these facilities but may later be assigned the cost of these facilities if higher queued customers terminate their GIA or withdraw from the interconnection queue. The DISIS-2011-001 Customer Generation Facilities in service dates may need to be delayed until the completion of the following upgrades.

- Upgrades assigned to ICS-2008-001 Interconnection Customers
 - Line Traps at Amarillo South – Swisher 230kV
 - Finney-Holcomb 345kV circuit #2
- Upgrades assigned to DISIS-2009-001 Interconnection Customers:
 - Fort Dodge – North Fort Dodge – Spearville 115kV circuit #2
 - Albion – Petersburg – Neligh 115kV circuit #1 rerate (placed In-Service in 2011)
 - Fort Randall – Madison County – Kelly 230kV circuit #1 rerate (320MVA)
 - Spearville 345/115kV autotransformer circuit #1
- Upgrades assigned to DISIS-2010-001 Interconnection Customers:
 - Post Rock 345/230kV circuit #2 autotransformer
 - South Hays – Hays Plant – Vine Street 115kV circuit #1 rebuild
 - Switch 2749 – Wildorado 69kV circuit # 1 rebuild
 - Washita – Gracemont 138kV circuit #2 (placed In-Service in 2012)
- Upgrades assigned to DISIS-2010-002 Interconnection Customers:
 - Twin Church – Dixon County 230kV circuit #1 rerate (320MVA)

Potential Upgrades Not in the Base Case

Any potential upgrades that do not have a Notification to Construct (NTC) and not explicitly listed within this report have not been included in the base case. These upgrades include any identified in the SPP Extra-High Voltage (EHV) overlay plan, or any other SPP planning study other than the upgrades listed above in the previous section.

Regional Groupings

The interconnection requests listed in Appendix A were grouped together in fifteen different regional groups based on geographical and electrical impacts. These groupings are shown in Appendix C.

¹⁰ SPP Regional Reliability 2012 ITP10 Project. Per SPP-NTC-200181.

To determine interconnection impacts, fifteen different generation dispatch scenarios of the spring base case models were developed to accommodate the regional groupings.

Power Flow

For each group, the various wind generating plants were modeled at 100% nameplate of maximum generation. The other wind generating plants in each area were modeled at 80% nameplate while the wind generating plants in the other areas were modeled at 20% nameplate of maximum generation. These projects were dispatched as Energy Resources with equal distribution across the SPP footprint. Certain projects that requested Network Resource Interconnection Service were dispatched in an additional analysis into the balancing authority of the interconnecting transmission owner. This method allowed for the identification of network constraints that were common to the regional groupings that could then in turn have the mitigating upgrade cost allocated throughout the entire cluster. Other sensitivity analyses are also performed with each interconnection request modeled at 100% nameplate.

Peaking units were not dispatched in the 2013 spring model. To study peaking units' impacts, the 2013 summer and winter, 2018 summer and winter, and 2023 summer peak seasonal models were chosen and peaking units were modeled at 100% of the nameplate rating and wind generating facilities were modeled at 10% of the nameplate rating. Each interconnection request was also modeled separately at 100% nameplate for certain analyses.

Dynamic Stability

For each group, all interconnection requests were dispatched at 100% nameplate output while the other groups were dispatched at 20% output for wind requests and 100% output for thermal requests.

Identification of Network Constraints

The initial set of network constraints were found by using PTI MUST First Contingency Incremental Transfer Capability (FCITC) analysis on the entire cluster grouping dispatched at the various levels mentioned above. These constraints were then screened to determine if any of the generation interconnection requests had at least a 20% Distribution Factor (DF) upon the constraint. Constraints that measured at least a 20% DF from at least one interconnection request were considered for mitigation. Interconnection Requests that have requested Network Resource Interconnection Service (NRIS) were also studied in the NRIS analysis to determine if any constraint had at least a 3% DF. If so, these constraints were considered for mitigation.

Determination of Cost Allocated Network Upgrades

Cost Allocated Network Upgrades of wind generation interconnection requests were determined using the 2013 spring model. Cost Allocated Network Upgrades of peaking units was determined using the 2018 summer peak model. A MUST sensitivity analysis was performed to determine the Distribution Factors (DF), a distribution factor with no contingency that each generation interconnection request had on each new upgrade. The impact each generation interconnection request had on each upgrade project was weighted by the size of each request. Finally the costs due by each request for a particular project were then determined by allocating the portion of each request's impact over the impact of all affecting requests.

For example, assume that there are three Generation Interconnection requests, X, Y, and Z that are responsible for the costs of Upgrade Project '1'. Given that their respective PTFD for the project have been determined, the cost allocation for Generation Interconnection request 'X' for Upgrade Project 1 is found by the following set of steps and formulas:

- Determine an Impact Factor on a given project for all responsible GI requests:

$$\text{Request X Impact Factor on Upgrade Project 1} = \text{PTDF}(\%)(X) * \text{MW}(X) = X1$$

$$\text{Request Y Impact Factor on Upgrade Project 1} = \text{PTDF}(\%)(Y) * \text{MW}(Y) = Y1$$

$$\text{Request Z Impact Factor on Upgrade Project 1} = \text{PTDF}(\%)(Z) * \text{MW}(Z) = Z1$$

- Determine each request's Allocation of Cost for that particular project:

$$\text{Request X's Project 1 Cost Allocation (\$)} = \frac{\text{Network Upgrade Project 1 Cost(\$)} * X1}{X1 + Y1 + Z1}$$

- Repeat previous for each responsible GI request for each Project

The cost allocation of each needed Network Upgrade is determined by the size of each request and its impact on the given project. This allows for the most efficient and reasonable mechanism for sharing the costs of upgrades.

Credits for Amounts Advanced for Network Upgrades

Interconnection Customer shall be entitled to credits in accordance with Attachment Z2 of the SPP Tariff for any Network Upgrades including any tax gross-up or any other tax-related payments associated with the Network Upgrades, and not refunded to the Interconnection Customer.

Required Interconnection Facilities

The requirement to interconnect the 4,741.8 MW of generation into the existing and proposed transmission systems in the affected areas of the SPP transmission footprint consist of the necessary cost allocated shared facilities listed in Appendix F by upgrade. The interconnection requirements for the cluster total \$894,367,000. Interconnection Facilities specific to each generation interconnection request are listed in Appendix E. A preliminary one-line drawing for each generation interconnection request are listed in Appendix D.

A list of constraints that were identified and used for mitigation are listed in Appendix G. Listed within Appendix G are the ERIS constraints with greater than or equal to a 20% DF, as well as, the NRIS constraints that have a DF of 3% or greater. Other Network Constraints which are not requiring mitigation are shown in Appendix H. With a defined source and sink in a TSR, this list of Network Constraints will be refined and expanded to account for all Network Upgrade requirements.

Power Flow Analysis

Power Flow Analysis Methodology

The ACCC function of PSS/E was used to simulate single element and special (i.e., breaker-to-breaker, multi-element, etc) contingencies in portions or all of the modeled control areas of SPP, as well as, other control areas external to SPP and the resulting scenarios analyzed. NERC Category “B” and “C” contingencies were evaluated.

Power Flow Analysis

A power flow analysis was conducted for each Interconnection Customer’s facility using modified versions of the 2013 spring peak, 2013 summer and winter peak, and the 2018 summer and winter peak, and 2023 summer peak models. The output of the Interconnection Customer’s facility was offset in each model by a reduction in output of existing online SPP generation. This method allows the request to be studied as an Energy Resource (ER) Interconnection Request. Certain requests that requested Network Resource Interconnection Service (NRIS) had an additional analysis conducted for displacing resources in the interconnecting Transmission Owner’s balancing authority.

This analysis was conducted assuming that previous queued requests in the immediate area of these interconnect requests were in-service. The analysis of each Customer’s project indicates that criteria violations will occur on the AEPW, KCPL, LES, MIDW, NPPD, OKGE, SPS, SUNC, WFEC, and WERE transmission systems under system intact and contingency conditions in the peak seasons.

Cluster Group 1 (Woodward Area)

In addition to the 3,301.6 MW of previously queued generation in the area, 1,247.8 MW of new interconnection service was studied. The requests in this group cause constraints in the Thistle –

Woodward – Northwest corridors. To relieve these issues a new 345kV station, Matthewson, is needed to tie the Tatonga – Northwest and Woodring – Cimarron 345kV circuits. In addition, second 345kV circuits are need between Tatonga – Matthewson and Matthewson – Cimarron. Along with terminal equipment replacement at Tatonga to get Woodward – Tatonga – Matthewson all circuits to 3000 Amp capacity. FPL Switch – Woodward 138kV, FPL Switch – Mooreland, Glass Mountain – Mooreland, Woodward (WFEC) – Woodward (OKGE) 69kV, Woodward – Woodward EHV 138kV, and Woodward 138/69kV auto transformer will need to be mitigated for thermal overloads. For interconnection customers that requested NRIS, a number of additional upgrades may have been identified and listed in Appendices E and F.

MONTCOMMONNAME	RATEB	TC%LOADING	CONTNAME
'NORTHWEST - TATONGA7 345.00 345KV CKT 1'	1195	116.2267	'BASE CASE'
'NORTHWEST - TATONGA7 345.00 345KV CKT 1'	1195	116.5673	'DOLET HILLS - SOUTHWEST SHREVEPORT 345KV CKT 1'
'NORTHWEST - TATONGA7 345.00 345KV CKT 1'	1195	115.6669	'FLINT CREEK - SILOAM SPRINGS TAP 345KV CKT 1'
'NORTHWEST - TATONGA7 345.00 345KV CKT 1'	1195	115.57	'FLINT CREEK - SUB 383 - MONETT 345KV CKT 1'
Non-Converged Contingency	1195		'NORTHWEST - TATONGA7 345.00 345KV CKT 1'
'FPL SWITCH - WOODWARD 138KV CKT 1'	185	109.9854	'NORTHWEST - TATONGA7 345.00 345KV CKT 1'
'FPL SWITCH - WOODWARD 138KV CKT 1'	185	101.6997	'TATONGA7 345.00 - WOODWARD DISTRICT EHV 345KV CKT 1'
'FPL SWITCH - MOORELAND 138KV CKT 1'	287	124.0423	'BASE CASE'
'FPL SWITCH - MOORELAND 138KV CKT 1'	287	113.8723	'LYDIA - VALLIANT 345KV CKT 1'
'WOODWARD - WOODWARD 69KV CKT 1'	65	195.371	'FPL SWITCH - MOORELAND 138KV CKT 1'
'WOODWARD (WOODWRD2) 138/69/13.2KV TRANSFORMER CKT 1'	134	115.4395	'FPL SWITCH - MOORELAND 138KV CKT 1'
'BENTON - WICHITA 345KV CKT 1'	932	103.6989	'HOYT - JEFFREY ENERGY CENTER 345KV CKT 1'
'MATTHEWSON 345.00 - TATONGA7 345.00 345KV CKT 2'	1195	119.6078	'MATTHEWSON 345.00 - TATONGA7 345.00 345KV CKT 1'
'NORTHWEST (NORTWST2) 345/138/13.8KV TRANSFORMER CKT 1'	493	100.3722	'NORTHWEST (NORTWST3) 345/138/13.8KV TRANSFORMER CKT 1'

The Matthewson-Tatonga line will have a rating of 1792 and will not need a mitigation. The Northwest substation is having a third transformer installed in 2015. The other overloads will need to have new upgrades to be mitigated.

Cluster Group 2 (Hitchland Area)

In addition to the 2,266.7 MW of previously queued generation in the area, 913.5 MW of new interconnection service was studied. Similarly, constraints on the Northwest – Tatonga also

impacted this group which required the mitigations discussed for Group 1. Stability and power flow analysis shows that the Beaver County – Buckner 345kV upgrade will also be needed to alleviate potential voltage stability issues for the outage of the Beaver County – Woodward 345kV line and the Finney – Hitchland 345kV line. FPL Switch – Woodward 138kV, FPL Switch – Mooreland, Glass Mountain – Mooreland, and Woodward – Woodward EHV 138kV will need to be mitigated for thermal overloads for NRIS customers.

MONTCOMMONNAME	RATEB	TC%LOADING	CONTNAME
Non-Converged Contingency	1195		'NORTHWEST - TATONGA7 345.00 345KV CKT 1'
Non-Converged Contingency	1775		'TATONGA7 345.00 - WOODWARD DISTRICT EHV 345KV CKT 1'
Non-Converged Contingency	1792		'BEAVER CO 345.00 - WOODWARD DISTRICT EHV 345KV CKT 1'
Non-Converged Contingency	1052		'FINNEY SWITCHING STATION - Hitchland Interchange 345KV CKT 1'
Non-Converged Contingency	1052		'FINNEY SWITCHING STATION - HOLCOMB 345KV CKT 1'
Non-Converged Contingency	1328		'BUCKNER7 345.00 - HOLCOMB 345KV CKT 1'
Non-Converged Contingency	1328		'BUCKNER7 345.00 - SPEARVILLE 345KV CKT 1'
'FPL SWITCH - MOORELAND 138KV CKT 1'	287	104.5619	'NORTHWEST - TATONGA7 345.00 345KV CKT 1'
'FPL SWITCH - WOODWARD 138KV CKT 1'	185	127.4137	'TATONGA7 345.00 - WOODWARD DISTRICT EHV 345KV CKT 1'
'FPL SWITCH - MOORELAND 138KV CKT 1'	287	124.0423	'BASE CASE'
'WOODWARD - WOODWARD EHV 138KV CKT 1'	287	106.3325	'WOODWARD - WOODWARD EHV 138KV CKT 2'
'WOODWARD - WOODWARD EHV 138KV CKT 1'	287	111.7639	'NORTHWEST - TATONGA7 345.00 345KV CKT 1'

Cluster Group 3 (Spearville Area)

In addition to the 2,893.4 MW of previously queued generation in the area, 1,848.1 MW of new interconnection service was studied. Significant outlet constraints are identified in the area due to the amount of generation requesting interconnection. Due to voltage collapse for system intact conditions in certain scenarios, a fixed 215 MVar Static Var Compensator (SVC) at the Gen-2011-017 tap and a fixed 400Mvar SVC at Thistle 345kV was required to converge the cases. After ACCC analysis, non-converged solutions were identified and the two SVCs were replaced by the Spearville – Mullergren – Reno 345kV double circuit upgrade. The 345kV upgrades from Group 1 are also needed in addition to a Beaver County – Gray County 345kV single circuit to mitigate non-converged solutions for the loss of the Finney – Hitchland 345kV line. Stability analysis confirms the need for the second 345kV circuit between Spearville and Reno, as well as, the Beaver County – Gray County 345kV upgrade.

MONTCOMMONNAME	RATEB	TC%LOADING	CONTNAME
Non-Converged Contingency	1195		'NORTHWEST - TATONGA7 345.00 345KV CKT 1'
Non-Converged Contingency	1775		'TATONGA7 345.00 - WOODWARD DISTRICT EHV 345KV CKT 1'

Non-Converged Contingency	1052		'Hitchland Interchange - POTTER COUNTY INTERCHANGE 345KV CKT 1'
Non-Converged Contingency	1052		'FINNEY SWITCHING STATION - HOLCOMB 345KV CKT 1'
Non-Converged Contingency	1792		'THISTLE7 345.00 - WICHITA 345KV CKT 1'
Non-Converged Contingency	319		'CIRCLE - MULLERGREN 230KV CKT 1'
Non-Converged Contingency	1793		'CLARKCOUNTY7345.00 - THISTLE7 345.00 345KV CKT 1'
Non-Converged Contingency	1052		'FINNEY SWITCHING STATION - Hitchland Interchange 345KV CKT 1'
'BENTON - WICHITA 345KV CKT 1'	932	114.7705	'HUNTERS7 345.00 - WOODRING 345KV CKT 1'
'BENTON - WICHITA 345KV CKT 1'	932	112.4898	'HUNTERS7 345.00 - VIOLA 7 345.00 345KV CKT 1'
Non-Converged Contingency	1328		'BUCKNER7 345.00 - HOLCOMB 345KV CKT 1'
Non-Converged Contingency	1052		'FINNEY SWITCHING STATION - Hitchland Interchange 345KV CKT 1'

After ERIS upgrades were put in the models, NRIS analysis was performed and indicated Spearville-Mullergren 230kV line will need to be rebuilt.

MONTCOMMONNAME	RATEB	TC%LOADING	CONTNAME
'MULLERGREN - SPEARVILLE 230KV CKT 1'	355.3	103.9776	'G11-17T 345.00 - POST ROCK 345KV CKT 1'
'MULLERGREN - SPEARVILLE 230KV CKT 1'	355.3	101.576	'G11-17T 345.00 - SPEARVILLE 345KV CKT 1'

Cluster Group 4 (NW Kansas Group)

In addition to the 1,987.1 MW of previously queued generation in the area, 201.0 MW of new interconnection service was studied. The addition of the 200MW caused the need for the conversion of the Rice-Circle 230kV line and a rebuild of some 115kV lines in Midwest. These upgrades have been completed. No new constraints were found in this area.

Cluster Group 5 (Amarillo Area)

In addition to the 1,572.6 MW of previously queued generation in the area, 0.0 MW of new interconnection service was studied. No new constraints were found in this area.

Cluster Group 6 (South Texas Panhandle/New Mexico)

In addition to the 1,901.0 MW of previously queued generation in the area, 132.3 MW of new interconnection service was studied. No new constraints for mitigation were found in this area.

Cluster Group 7 (Southwestern Oklahoma)

In addition to the 1,669.0 MW of previously queued generation in the area, 0.0 MW of new interconnection service was studied. No new constraints were found in this area.

Cluster Group 8 (South Central Kansas/North Oklahoma)

In addition to the 1,831.4 MW of previously queued generation in the area, 4.5 MW of new interconnection service was studied. No new constraints for mitigation were found in this area.

Cluster Group 9/10 (Nebraska)

In addition to the 1,471.5 MW of previously queued generation in the area, 193.6 MW of new interconnection service was studied. To integrate the request located in this area, Twin Church – Hoskins 230kV will need to have work done to raise the ratings of the line. For interconnection customers that requested NRIS, a number of additional upgrades may have been identified and listed in Appendices E and F.

Cluster Group 12 (Northwest Arkansas)

In addition to the 0.0 MW of previously queued generation in the area, 0.0 MW of new interconnection service was studied. No new constraints were found in this area.

Cluster Group 13 (Northwest Missouri)

In addition to the 384.6 MW of previously queued generation in the area, 201.0 MW of new interconnection service was studied. No new constraints were found in this area.

Cluster Group 14 (South Central Oklahoma)

In addition to the 200.0 MW of previously queued generation in the area, 0.0 MW of new interconnection service was studied. No new constraints were found in this area.

Stability Analysis

The Stability Analysis was not repeated as no major transmission configuration was necessary as a result of this restudy. Previous Impact Studies for DISIS-2011-001 should be consulted for power factor requirements.

Conclusion

The minimum cost of interconnecting 4,741.8 MW of new interconnection requests included in this Definitive Interconnection System Impact Study is estimated at \$894,367,000 for the Allocated Network Upgrades and Transmission Owner Interconnection Facilities are listed in Appendix E and F. These costs do not include the cost of upgrades of other transmission facilities listed in Appendix H which are Network Constraints.

These interconnection costs do not include any cost of Network Upgrades determined to be required by short circuit analysis. These studies will be performed if the Interconnection Customer executes the appropriate Interconnection Facilities Study Agreement and provides the required data along with demonstration of Site Control and the appropriate deposit. At the time of the Interconnection Facilities Study, a better determination of the interconnection facilities may be available.

The required interconnection costs listed in Appendices E, and F, and other upgrades associated with Network Constraints do not include all costs associated with the deliverability of the energy to final customers. These costs are determined by separate studies if the Customer submits a Transmission Service Request (TSR) through SPP's Open Access Same Time Information System (OASIS) as required by Attachment Z1 of the SPP Open Access Transmission Tariff (OATT).

Appendix

A: Generation Interconnection Requests Considered for Impact Study

See next page.

A: Generation Interconnection Requests Considered for Impact Study

Request	Amount	Service	Area	Requested Point of Interconnection	Proposed Point of Interconnection	Requested In-Service Date	In Service Date Delayed Until no earlier than*
ASGI-2011-002	10.0	ER	SPS	Herring 115kV	Herring 115kV		TBD
ASGI-2011-003	10.0	ER	SPS	Hendricks 115kV	Hendricks 115kV		TBD
GEN-2010-020	20.0	ER	SPS	Roswell 69kV	Roswell 69kV	3/1/2011	12/31/2014
GEN-2010-029	450.0	ER/NR	SUNCMKEC	Spearville 345kV	Spearville 345kV	12/31/2013	12/31/2014
GEN-2010-055	4.5	ER	AEPW	Wekiwa 138kV	Wekiwa 138kV	12/31/2011	TBD
GEN-2010-056	151.0	ER/NR	MIPU	Tap Saint Joseph - Cooper 345kV	Tap Saint Joseph - Cooper 345kV	6/1/2012	TBD
GEN-2010-057	201.0	ER/NR	MIDW	Rice County 230kV	Rice County 230kV	8/1/2012	TBD
GEN-2010-058	20.0	ER	SPS	Chaves County 115kV	Chaves County 115kV	12/31/2011	12/31/2014
GEN-2011-007	250.0	ER/NR	OKGE	Tap Cimarron - Woodring (Matthewson) 345kV	Tap Cimarron - Woodring (Matthewson) 345kV	11/30/2011	12/31/2014
GEN-2011-008	600.0	ER	SUNCMKEC	Clark County 345kV	Clark County 345kV	12/1/2015	12/1/2015
GEN-2011-010	100.8	ER	OKGE	Minco 345kV	Minco 345kV	12/1/2012	TBD
GEN-2011-011	50.0	ER	KACP	Iatan 345kV	Iatan 345kV	12/31/2010	TBD
GEN-2011-012	104.5	ER/NR	SPS	Tap Moore County - Hitchland 345kV	Tap Moore County - Hitchland 345kV	12/31/2012	12/31/2014
GEN-2011-014	201.0	ER/NR	SPS	Tap Hitchland - Woodward Ckt 1 (Beaver County) 345kV	Tap Hitchland - Woodward Ckt 1 (Beaver County) 345kV	12/31/2013	12/31/2014
GEN-2011-016	200.1	ER/NR	SUNCMKEC	Spearville 345kV	Spearville 345kV	12/1/2013	12/31/2014
GEN-2011-017	299.0	ER/NR	SUNCMKEC	Tap Spearville - PostRock 345kV	Tap Spearville - PostRock (GEN-2011-017T) 345kV	12/1/2013	12/31/2014
GEN-2011-018	73.6	ER/NR	NPPD	Steele City 115kV	Steele City 115kV	12/1/2013	
GEN-2011-019	299.0	ER/NR	OKGE	Woodward 345kV	Woodward 345kV	12/31/2012	12/31/2014
GEN-2011-020	299.0	ER/NR	OKGE	Woodward 345kV	Woodward 345kV	12/31/2012	12/31/2014
GEN-2011-021	299.0	ER/NR	SPS	Tap Hitchland - Beaver 345kV	Beaver County 345kV	12/31/2012	12/31/2014
GEN-2011-022	299.0	ER/NR	SPS	Hitchland 345kV	Hitchland 345kV	12/31/2012	12/31/2014
GEN-2011-023	299.0	ER/NR	SUNCMKEC	Tap Clark - Spearville 345kV	Clark County 345kV	12/31/2012	12/31/2014
GEN-2011-024	299.0	ER/NR	OKGE	Tatonga 345kV	Tatonga 345kV	12/31/2012	12/31/2014
GEN-2011-025	82.3	ER	SPS	Tap Floyd County - Crosby County 115kV	Tap Floyd County - Crosby County 115kV	6/30/2012	12/31/2014
GEN-2011-027	120.0	ER/NR	NPPD	Tap Twin Church - Hoskins 230kV (GEN-2010-51 Tap)	Hoskins 230kV	12/31/2012	TBD
TOTAL 4,741.8							

*request dependent upon Priority Projects or Balanced Portfolio may be delayed until 12/31/2014. Other projects in service date to be determined after Facility Study.

B: Prior Queued Interconnection Requests

See next page.

B: Prior Queued Interconnection Requests

Request	Amount	Area	Requested/Proposed Point of Interconnection	Status or In-Service Date
ASGI-2010-006	150	AECI	Tap Fairfax (AECI) - Shilder (AEPW) 138kV	AECI queue Affected Study
ASGI-2010-010	42.2	SPS	Lovington 115kV	Lea County Affected Study
ASGI-2010-020	30	SPS	Tap LE-Tatum - LE-Crossroads 69kV	Lea County Affected Study
ASGI-2010-021	15	SPS	Tap LE-Saunders Tap - LE-Anderson 69kV	Lea County Affected Study
ASGI-2011-001	28.8	SPS	Lovington 115kV	Lea County Affected Study
GEN-2001-014	96	WFEC	Ft Supply 138kV	On-Line
GEN-2001-026	74	WFEC	Washita 138kV	On-Line
GEN-2001-033	180	SPS	San Juan Tap 230kV	On-Line
GEN-2001-036	80	SPS	Norton 115kV	On-Line
GEN-2001-037	102	OKGE	FPL Moreland Tap 138kV	On-Line
GEN-2001-039A	105	SUNCMKEC	Tap Greensburg - Ft Dodge (Shooting Star Tap) 115kV	On Schedule for 2012
GEN-2001-039M	99	SUNCMKEC	Central Plains Tap 115kV	On-Line
GEN-2002-004	200	WERE	Latham 345kV	On-Line at 150MW
GEN-2002-005	120	WFEC	Red Hills Tap 138kV	On-Line
GEN-2002-008	240	SPS	Hitchland 345kV	On-Line at 120MW
GEN-2002-009	80	SPS	Hansford 115kV	On-Line
GEN-2002-022	240	SPS	Bushland 230kV	On-Line
GEN-2002-023N	0.8	NPPD	Harmony 115kV	On-Line
GEN-2002-025A	150	SUNCMKEC	Spearville 230kV	On-Line
GEN-2003-004 GEN-2004-023 GEN-2005-003	151.2	WFEC	Washita 138kV	On-Line
GEN-2003-005	100	WFEC	Anadarko - Paradise (Blue Canyon) 138kV	On-Line
GEN-2003-006A	200	SUNCMKEC	Elm Creek 230kV	On-Line
GEN-2003-019	250	MIDW	Smoky Hills Tap 230kV	On-Line
GEN-2003-020	160	SPS	Martin 115kV	On-Line at 80MW
GEN-2003-021N	75	NPPD	Ainsworth Wind Tap 115kV	On-Line
GEN-2003-022	120	AEPW	Washita 138kV	On-Line
GEN-2004-005N	30	NPPD	St Francis 115kV	On Suspension
GEN-2004-014	154.5	SUNCMKEC	Spearville 230kV	On Schedule for 2012
GEN-2004-020	27	AEPW	Washita 34.5kV	On-Line
GEN-2004-023N	75	NPPD	Columbus Co 115kV	On-Line
GEN-2005-005	18	OKGE	FPL Moreland Tap 138kV	IA Pending
GEN-2005-008	120	OKGE	Woodward 138kV	On-Line
GEN-2005-012	250	SUNCMKEC	Spearville 345kV	On Schedule for 2012
GEN-2005-013	201	WERE	Tap Latham - Neosho (Caney River) 345kV	On-Line
GEN-2006-002	101	AEPW	Sweetwater 230kV	On-Line
GEN-2006-006	205.5	SUNCMKEC	Spearville 345kV	IA Pending
GEN-2006-014	300	MIPU	Tap Maryville - Midway (Nodway Co) 161kV	On Suspension
GEN-2006-018	170	SPS	TUCO Interchange 230kV	On-Line
GEN-2006-020N	42	NPPD	Bloomfield 115kV	On-Line
GEN-2006-020S	18.9	SPS	DWS Frisco 115kV	On Schedule for 3/2012
GEN-2006-021	101	SUNCMKEC	Flat Ridge Tap 138kV	On-Line
GEN-2006-022	150	SUNCMKEC	Ninnescah 115kV	On Suspension
GEN-2006-024S	19.8	WFEC	Buffalo Bear Tap 69kV	On-Line
GEN-2006-026	604	SPS	Hobbs 230kV & Hobbs 115kV	On-Line

Request	Amount	Area	Requested/Proposed Point of Interconnection	Status or In-Service Date
GEN-2006-031	75	MIDW	Knoll 115kV	On-Line
GEN-2006-032	200	MIDW	South Hays 230kV	On Suspension
GEN-2006-035	225	AEPW	Sweetwater 230kV	On-Line at 132MW
GEN-2006-037N1	75	NPPD	Broken Bow 115kV	On Suspension
GEN-2006-038N005	80	NPPD	Broken Bow 115kV	On-Line
GEN-2006-038N019	80	NPPD	Petersburg North 115kV	On-Line
GEN-2006-040	108	SUNCMKEC	Mingo 115kV	On Suspension
GEN-2006-043	99	AEPW	Sweetwater 230kV	On-Line
GEN-2006-044	370	SPS	Hitchland 345kV	On Schedule for 2012
GEN-2006-044N	40.5	OPPD	North Petersburg 115kV	On-Line
GEN-2006-045	240	SPS	Tap Potter - Plant X 230kV (South Randle County) 230kV	On Suspension
GEN-2006-046	131	OKGE	Dewey 138kV	On-Line
GEN-2006-047	240	SPS	Tap Bushland - Deaf Smith (Buffalo) 230kV	On Suspension
GEN-2007-011	135	SUNCMKEC	Syracuse 115kV	On Suspension
GEN-2007-011N08	81	NPPD	Bloomfield 115kV	On-Line
GEN-2007-015	135	WERE	Tap Kelly(WERE) - S1399(OPPD) 161kV	On Schedule 2014
GEN-2007-021	201	OKGE	Tatonga 345kV	On Schedule for 2014
GEN-2007-025	300	WERE	Viola 345kV	On Schedule for 2012
GEN-2007-032	150	WFEC	Tap Clinton Junction - Clinton 138kV	On Schedule for 2013
GEN-2007-038	200	SUNCMKEC	Spearville 345kV	On Schedule for 2015
GEN-2007-040	200	SUNCMKEC	Buckner 345kV	On Schedule for 2012
GEN-2007-043	200	OKGE	Minco 345kV	On-Line
GEN-2007-044	300	OKGE	Tatonga 345kV	On Schedule for 2014
GEN-2007-046	199.5	SPS	Hitchland 115kV	On Schedule for 2014
GEN-2007-048	400	SPS	Tap Amarillo S - Swisher 230kV	On Schedule for 2014
GEN-2007-050	170	OKGE	Woodward EHV 138kV	On-Line at 150MW
GEN-2007-052	150	WFEC	Anadarko 138kV	On-Line
GEN-2007-057	34.5	SPS	Moore County East 115kV	On Schedule for 2014
GEN-2007-062	765	OKGE	Woodward EHV 345kV	On Schedule for 2014
GEN-2008-003	101	OKGE	Woodward EHV 138kV	On-Line
GEN-2008-008	60	SPS	Graham 69kV	On Suspension
GEN-2008-009	60	SPS	San Juan Tap 230kV	On Schedule for 2014
GEN-2008-013	300	OKGE	Tap Wichita - Woodring (Hunter) 345kV	On-Line
GEN-2008-017	300	SUNCMKEC	Setab 345kV	On Schedule for 2014
GEN-2008-018	405	SPS	Finney 345kV	On Schedule for 2012
GEN-2008-019	300	OKGE	Tatonga 345kV	On Schedule for 2015
GEN-2008-021	42.0	WERE	Wolf Creek 345kV	On-Line
GEN-2008-022	300	SPS	Tap Eddy Co - Tolk (Chaves County) 345kV	On Schedule for 2015
GEN-2008-023	150	AEPW	Hobart Junction 138kV	On Schedule for 2012
GEN-2008-025	101	SUNCMKEC	Ruleton 115kV	On Schedule for 2015
GEN-2008-029	250	OKGE	Woodward EHV 138kV	On Schedule for 2014
GEN-2008-037	101	WFEC	Tap Washita - Blue Canyon Wind 138kV	On-Line
GEN-2008-044	197.8	OKGE	Tatonga 345kV	On-Line
GEN-2008-046	200	OKGE	Sunnyside 345kV	On Suspension
GEN-2008-047	300	SPS	Tap Hitchland - Woodward Ckt 1 (Beaver County) 345kV	IA Pending
GEN-2008-051	322	SPS	Potter County 345kV	On Schedule for 2012
GEN-2008-071	76.8	OKGE	Newkirk 138kV	On Suspension

Request	Amount	Area	Requested/Proposed Point of Interconnection	Status or In-Service Date
GEN-2008-079	98.9	SUNCMKEC	Tap Cudahy - Ft Dodge 115kV	On-Line
GEN-2008-086N02	200	NPPD	Tap Ft Randle - Columbus (Madison County) 230kV	On Schedule for 2014
GEN-2008-088	50.6	SPS	Vega 69kV	IA Pending
GEN-2008-092	201	MIDW	Knoll 230kV	IA Pending
GEN-2008-098	100.8	WERE	Tap Lacygne - Wolf Creek (Anderson County) 345kV	IA Pending
GEN-2008-1190	60	OPPD	S1399 161kV	On-Line
GEN-2008-123N	89.7	NPPD	Tap Guide Rock - Pauline 115kV	On Suspension
GEN-2008-124	200	SUNCMKEC	Spearville 345kV	On Schedule for 2014
GEN-2008-124T	42	SPS	TC-Keyes Texas County 69kV	IA Pending
GEN-2008-129	80	MIPU	Pleasant Hill 161kV	On-Line
GEN-2009-008	199.5	MIDW	South Hays 230kV	On Suspension
GEN-2009-016	100.8	AEPW	Falcon Road 138kV	On Suspension
GEN-2009-020	48.6	MIDW	Tap Nekoma - Bazine 69kV	On Suspension
GEN-2009-025	60	OKGE	Tap Deer Creek - Sinclair Blackwell 69kV	On Schedule for 2012
GEN-2009-040	73.8	WERE	Marshall 115kV	On Suspension
GEN-2009-067S	20	SPS	Seven Rivers 69kV	On Suspension
GEN-2009-073T	48	SPS	TC-Eva Texas County 69kV	IA Pending
GEN-2010-001	300	SPS	Tap Hitchland - Woodward Ckt 1 (Beaver County) 345kV	On Schedule for 2014 (204 MW) and 2015
GEN-2010-003	100.8	WERE	Tap Lacygne - Wolf Creek (Anderson County) 345kV	IA Pending
GEN-2010-005	300	WERE	Viola 345kV	On Schedule for 2012
GEN-2010-006	205	SPS	Jones 230kV	On-Line
GEN-2010-009	165.6	SUNCMKEC	Buckner 345kV	On-Line
GEN-2010-011	30	OKGE	Tatonga 345kV	On Line
GEN-2010-014	358.8	SPS	Hitchland 345kV	On Schedule for 2016
GEN-2010-015	200.1	SUNCMKEC	Spearville 345kV	On Schedule for 2015
GEN-2010-036	4.6	WERE	6th Street 115kV	On Schedule for 2012
GEN-2010-040	300	OKGE	Cimarron 345kV	On Schedule for 2012
GEN-2010-041	10.5	OPPD	S 1399 161kV	Facility Study
GEN-2010-045	197.8	SUNCMKEC	Buckner 345kV	IA Pending
GEN-2010-046	56	SPS	TUCO Interchange 230kV	On Schedule for 2016
GEN-2010-048	70	MIDW	Tap Beach Station - Redline 115kV	IA Pending
GEN-2010-051	200	NPPD	Tap Twin Church - Hoskins 230kV	On Schedule for 2014
Gray County Wind (Montezuma)	110	SUNCMKEC	Gray County Tap 115kV	On-Line
Llano Estacado (White Deer)	80	SPS	Llano Wind 115kV	On-Line
NPPD Distributed (Broken Bow)	8.3	NPPD	Broken Bow 115kV	On-Line
NPPD Distributed (Burwell)	3	NPPD	Ord 115kV	On-Line
NPPD Distributed (Columbus Hydro)	45	NPPD	Columbus 115kV	On-Line
NPPD Distributed (North Platte - Lexington)	54	NPPD	Multiple: Jeffrey 115kV, John_1 115kV, John_2 115kV	On-Line
NPPD Distributed (Ord)	10.8	NPPD	Ord 115kV	On-Line
NPPD Distributed (Stuart)	2.1	NPPD	Ainsworth 115kV	On-Line
SPS Distributed (Dumas 19th St)	20	SPS	Dumas 19th Street 115kV	On-Line
SPS Distributed (Etter)	20	SPS	Etter 115kV	On-Line
SPS Distributed (Hopi)	10	SPS	Hopi 115kV	On-Line
SPS Distributed (Jal)	10	SPS	S Jal 115kV	On-Line
SPS Distributed (Lea Road)	10	SPS	Lea Road 115kV	On-Line
SPS Distributed (Monument)	10	SPS	Monument 115kV	On-Line
SPS Distributed (Moore E)	25	SPS	Moore East 115kV	On-Line

Request	Amount	Area	Requested/Proposed Point of Interconnection	Status or In-Service Date
SPS Distributed (Ocotillo)	10	SPS	Ocotillo 115kV	On-Line
SPS Distributed (Sherman)	20	SPS	Sherman 115kV	On-Line
SPS Distributed (Spearman)	10	SPS	Spearman 69kV	On-Line
SPS Distributed (TC-Texas County)	20	SPS	Texas County 115kV	On-Line
TOTAL				19,478.9

C: Study Groupings

See next page

C. Study Groups

GROUP 1: WOODWARD AREA			
Request	Capacity	Area	Proposed Point of Interconnection
GEN-2001-014	96.0	WFEC	Ft Supply 138kV
GEN-2001-037	102.0	OKGE	FPL Moreland Tap 138kV
GEN-2005-005	18.0	OKGE	FPL Moreland Tap 138kV
GEN-2005-008	120.0	OKGE	Woodward 138kV
GEN-2006-024S	19.8	WFEC	Buffalo Bear Tap 69kV
GEN-2006-046	131.0	OKGE	Dewey 138kV
GEN-2007-021	201.0	OKGE	Tatonga 345kV
GEN-2007-043	200.0	OKGE	Minco 345kV
GEN-2007-044	300.0	OKGE	Tatonga 345kV
GEN-2007-050	170.0	OKGE	Woodward EHV 138kV
GEN-2007-062	765.0	OKGE	Woodward EHV 345kV
GEN-2008-003	101.0	OKGE	Woodward EHV 138kV
GEN-2008-019	300.0	OKGE	Tatonga 345kV
GEN-2008-029	250.0	OKGE	Woodward EHV 138kV
GEN-2008-044	197.8	OKGE	Tatonga 345kV
GEN-2010-011	30.0	OKGE	Tatonga 345kV
GEN-2010-040	300.0	OKGE	Cimarron 345kV
PRIOR QUEUED SUBTOTAL	3,301.6		
GEN-2011-007	250.0	OKGE	Tap Cimarron - Woodring (Matthewson) 345kV
GEN-2011-010	100.8	OKGE	Minco 345kV
GEN-2011-019	299.0	OKGE	Woodward 345kV
GEN-2011-020	299.0	OKGE	Woodward 345kV
GEN-2011-024	299.0	OKGE	Tatonga 345kV
CURRENT CLUSTER SUBTOTAL	1,247.8		
AREA TOTAL	4,549.4		

GROUP 2: HITCHLAND AREA			
Request	Capacity	Area	Proposed Point of Interconnection
GEN-2002-008	240.0	SPS	Hitchland 345kV
GEN-2002-009	80.0	SPS	Hansford 115kV
GEN-2003-020	160.0	SPS	Martin 115kV
GEN-2006-020S	18.9	SPS	DWS Frisco 115kV
GEN-2006-044	370.0	SPS	Hitchland 345kV
GEN-2007-046	199.5	SPS	Hitchland 115kV
GEN-2007-057	34.5	SPS	Moore County East 115kV
GEN-2008-047	300.0	SPS	Tap Hitchland - Woodward Ckt 1 (Beaver County) 345kV
GEN-2008-124T	42.0	SPS	TC-Keyes Texas County 69kV
GEN-2009-073T	48.0	SPS	TC-Eva Texas County 69kV
GEN-2010-001	300.0	SPS	Tap Hitchland - Woodward Ckt 1 (Beaver County) 345kV
GEN-2010-014	358.8	SPS	Hitchland 345kV
SPS Distributed (Dumas 19th St)	20.0	SPS	Dumas 19th Street 115kV
SPS Distributed (Etter)	20.0	SPS	Etter 115kV
SPS Distributed (Moore E)	25.0	SPS	Moore East 115kV
SPS Distributed (Sherman)	20.0	SPS	Sherman 115kV
SPS Distributed (Spearman)	10.0	SPS	Spearman 69kV
SPS Distributed (TC-Texas County)	20.0	SPS	Texas County 115kV
PRIOR QUEUED SUBTOTAL	2,266.7		
ASGI-2011-002	10.0	SPS	Herring 115kV
GEN-2011-012	104.5	SPS	Tap Moore County - Hitchland 345kV
GEN-2011-014	201.0	SPS	Tap Hitchland - Woodward Ckt 1 (Beaver County) 345kV
GEN-2011-021	299.0	SPS	Beaver County 345kV
GEN-2011-022	299.0	SPS	Hitchland 345kV
CURRENT CLUSTER SUBTOTAL	913.5		
AREA TOTAL	3,180.2		

GROUP 3: SPEARVILLE AREA			
Request	Capacity	Area	Proposed Point of Interconnection
GEN-2001-039A	105.0	SUNCMKEC	Tap Greensburg - Ft Dodge (Shooting Star Tap) 115kV
GEN-2002-025A	150.0	SUNCMKEC	Spearville 230kV
GEN-2004-014	154.5	SUNCMKEC	Spearville 230kV
GEN-2005-012	250.0	SUNCMKEC	Spearville 345kV
GEN-2006-006	205.5	SUNCMKEC	Spearville 345kV
GEN-2006-021	101.0	SUNCMKEC	Flat Ridge Tap 138kV
GEN-2006-022	150.0	SUNCMKEC	Ninnescah 115kV
GEN-2007-038	200.0	SUNCMKEC	Spearville 345kV
GEN-2007-040	200.0	SUNCMKEC	Buckner 345kV
GEN-2008-018	405.0	SPS	Finney 345kV
GEN-2008-079	98.9	SUNCMKEC	Tap Cudahy - Ft Dodge 115kV
GEN-2008-124	200.0	SUNCMKEC	Spearville 345kV
GEN-2010-009	165.6	SUNCMKEC	Buckner 345kV
GEN-2010-015	200.1	SUNCMKEC	Spearville 345kV
GEN-2010-045	197.8	SUNCMKEC	Buckner 345kV
Gray County Wind (Montezuma)	110.0	SUNCMKEC	Gray County Tap 115kV
PRIOR QUEUED SUBTOTAL	2,893.4		
GEN-2010-029	450.0	SUNCMKEC	Spearville 345kV
GEN-2011-008	600.0	SUNCMKEC	Clark County 345kV
GEN-2011-016	200.1	SUNCMKEC	Spearville 345kV
GEN-2011-017	299.0	SUNCMKEC	Tap Spearville - PostRock (GEN-2011-017T) 345kV
GEN-2011-023	299.0	SUNCMKEC	Clark County 345kV
CURRENT CLUSTER SUBTOTAL	1,848.1		
AREA TOTAL	4,741.5		

GROUP 4: NW KANSAS AREA			
Request	Capacity	Area	Proposed Point of Interconnection
GEN-2001-039M	99.0	SUNCMKEC	Central Plains Tap 115kV
GEN-2003-006A	200.0	SUNCMKEC	Elm Creek 230kV
GEN-2003-019	250.0	MIDW	Smoky Hills Tap 230kV
GEN-2006-031	75.0	MIDW	Knoll 115kV
GEN-2006-032	200.0	MIDW	South Hays 230kV
GEN-2006-040	108.0	SUNCMKEC	Mingo 115kV
GEN-2007-011	135.0	SUNCMKEC	Syracuse 115kV
GEN-2008-017	300.0	SUNCMKEC	Setab 345kV
GEN-2008-025	101.0	SUNCMKEC	Ruleton 115kV
GEN-2008-092	201.0	MIDW	Knoll 230kV
GEN-2009-008	199.5	MIDW	South Hays 230kV
GEN-2009-020	48.6	MIDW	Tap Nekoma - Bazine 69kV
GEN-2010-048	70.0	MIDW	Tap Beach Station - Redline 115kV
PRIOR QUEUED SUBTOTAL	1,987.1		
GEN-2010-057	201.0	MIDW	Rice County 230kV
CURRENT CLUSTER SUBTOTAL	201.0		
AREA TOTAL	2,188.1		

GROUP 5: AMARILLO AREA			
Request	Capacity	Area	Proposed Point of Interconnection
GEN-2002-022	240.0	SPS	Bushland 230kV
GEN-2006-045	240.0	SPS	Tap Potter - Plant X 230kV (South Randle County) 230kV
GEN-2006-047	240.0	SPS	Tap Bushland - Deaf Smith (Buffalo) 230kV
GEN-2007-048	400.0	SPS	Tap Amarillo S - Swisher 230kV
GEN-2008-051	322.0	SPS	Potter County 345kV
GEN-2008-088	50.6	SPS	Vega 69kV
Llano Estacado (White Deer)	80.0	SPS	Llano Wind 115kV
PRIOR QUEUED SUBTOTAL	1,572.6		
AREA TOTAL	1,572.6		

GROUP 6: S-TX PANHANDLE/NW AREA			
Request	Capacity	Area	Proposed Point of Interconnection
ASGI-2010-010	42.2	SPS	Lovington 115kV
ASGI-2010-020	30.0	SPS	Tap LE-Tatum - LE-Crossroads 69kV
ASGI-2010-021	15.0	SPS	Tap LE-Saunders Tap - LE-Anderson 69kV
ASGI-2011-001	28.8	SPS	Lovington 115kV
GEN-2001-033	180.0	SPS	San Juan Tap 230kV
GEN-2001-036	80.0	SPS	Norton 115kV
GEN-2006-018	170.0	SPS	TUCO Interchange 230kV
GEN-2006-026	604.0	SPS	Hobbs 230kV & Hobbs 115kV
GEN-2008-008	60.0	SPS	Graham 69kV
GEN-2008-009	60.0	SPS	San Juan Tap 230kV
GEN-2008-022	300.0	SPS	Tap Eddy Co - Tolk (Chaves County) 345kV
GEN-2009-067S	20.0	SPS	Seven Rivers 69kV
GEN-2010-006	205.0	SPS	Jones 230kV
GEN-2010-046	56.0	SPS	TUCO Interchange 230kV
SPS Distributed (Hopi)	10.0	SPS	Hopi 115kV
SPS Distributed (Jal)	10.0	SPS	S Jal 115kV
SPS Distributed (Lea Road)	10.0	SPS	Lea Road 115kV
SPS Distributed (Monument)	10.0	SPS	Monument 115kV
SPS Distributed (Ocotillo)	10.0	SPS	Ocotillo 115kV
PRIOR QUEUED SUBTOTAL	1,901.0		
ASGI-2011-003	10.0	SPS	Hendricks 115kV
GEN-2010-020	20.0	SPS	Roswell 69kV
GEN-2010-058	20.0	SPS	Chaves County 115kV
GEN-2011-025	82.3	SPS	Tap Floyd County - Crosby County 115kV
CURRENT CLUSTER SUBTOTAL	132.3		
AREA TOTAL	2,033.3		

GROUP 7: SW OKLAHOMA AREA			
Request	Capacity	Area	Proposed Point of Interconnection
GEN-2001-026	74.0	WFEC	Washita 138kV
GEN-2002-005	120.0	WFEC	Red Hills Tap 138kV
GEN-2003-004 GEN-2004-023 GEN-2005-003	151.2	WFEC	Washita 138kV
GEN-2003-005	100.0	WFEC	Anadarko - Paradise (Blue Canyon) 138kV
GEN-2003-022	120.0	AEPW	Washita 138kV
GEN-2004-020	27.0	AEPW	Washita 34.5kV
GEN-2006-002	101.0	AEPW	Sweetwater 230kV
GEN-2006-035	225.0	AEPW	Sweetwater 230kV
GEN-2006-043	99.0	AEPW	Sweetwater 230kV
GEN-2007-032	150.0	WFEC	Tap Clinton Junction - Clinton 138kV
GEN-2007-052	150.0	WFEC	Anadarko 138kV
GEN-2008-023	150.0	AEPW	Hobart Junction 138kV
GEN-2008-037	101.0	WFEC	Tap Washita - Blue Canyon Wind 138kV
GEN-2009-016	100.8	AEPW	Falcon Road 138kV
PRIOR QUEUED SUBTOTAL	1,669.0		
AREA TOTAL	1,669.0		

GROUP 8: N-OK/S-KS AREA			
Request	Capacity	Area	Proposed Point of Interconnection
ASGI-2010-006	150.0	AECI	Tap Fairfax (AECI) - Shilder (AEPW) 138kV
GEN-2002-004	200.0	WERE	Latham 345kV
GEN-2005-013	201.0	WERE	Tap Latham - Neosho (Caney River) 345kV
GEN-2007-025	300.0	WERE	Viola 345kV
GEN-2008-013	300.0	OKGE	Tap Wichita - Woodring (Hunter) 345kV
GEN-2008-021	42.0	WERE	Wolf Creek 345kV
GEN-2008-071	76.8	OKGE	Newkirk 138kV
GEN-2008-098	100.8	WERE	Tap Lacygne - Wolf Creek (Anderson County) 345kV
GEN-2009-025	60.0	OKGE	Tap Deer Creek - Sinclair Blackwell 69kV
GEN-2010-003	100.8	WERE	Tap Lacygne - Wolf Creek (Anderson County) 345kV
GEN-2010-005	300.0	WERE	Viola 345kV
PRIOR QUEUED SUBTOTAL	1,831.4		
GEN-2010-055	4.5	AEPW	Wekiwa 138kV
CURRENT CLUSTER SUBTOTAL	4.5		
AREA TOTAL	1,835.9		

GROUP 9/10: NEBRASKA AREA			
Request	Capacity	Area	Proposed Point of Interconnection
GEN-2002-023N	0.8	NPPD	Harmony 115kV
GEN-2003-021N	75.0	NPPD	Ainsworth Wind Tap 115kV
GEN-2004-005N	30.0	NPPD	St Francis 115kV
GEN-2004-023N	75.0	NPPD	Columbus Co 115kV
GEN-2006-020N	42.0	NPPD	Bloomfield 115kV
GEN-2006-037N1	75.0	NPPD	Broken Bow 115kV
GEN-2006-038N005	80.0	NPPD	Broken Bow 115kV
GEN-2006-038N019	80.0	NPPD	Petersburg North 115kV
GEN-2006-044N	40.5	OPPD	North Petersburg 115kV
GEN-2007-011N08	81.0	NPPD	Bloomfield 115kV
GEN-2007-015	135.0	WERE	Tap Kelly(WERE) - S1399(OPPD) 161kV
GEN-2008-086N02	200.0	NPPD	Tap Ft Randle - Columbus (Madison County) 230kV
GEN-2008-1190	60.0	OPPD	S1399 161kV
GEN-2008-123N	89.7	NPPD	Tap Guide Rock - Pauline 115kV
GEN-2009-040	73.8	WERE	Marshall 115kV
GEN-2010-041	10.5	OPPD	S 1399 161kV
GEN-2010-051	200.0	NPPD	Tap Twin Church - Hoskins 230kV
NPPD Distributed (Broken Bow)	8.3	NPPD	Broken Bow 115kV
NPPD Distributed (Burwell)	3.0	NPPD	Ord 115kV
NPPD Distributed (Columbus Hydro)	45.0	NPPD	Columbus 115kV
NPPD Distributed (North Platte - Lexington)	54.0	NPPD	Multiple: Jeffrey 115kV, John_1 115kV, John_2 115kV
NPPD Distributed (Ord)	10.8	NPPD	Ord 115kV
NPPD Distributed (Stuart)	2.1	NPPD	Ainsworth 115kV
PRIOR QUEUED SUBTOTAL	1,471.5		
GEN-2011-018	73.6	NPPD	Steele City 115kV
GEN-2011-027	120.0	NPPD	Hoskins 230kV
CURRENT CLUSTER SUBTOTAL	193.6		
AREA TOTAL	1,665.1		

GROUP 12: NW AR AREA

Request	Capacity	Area	Proposed Point of Interconnection
AREA TOTAL	0.0		

GROUP 13: NW MISSOURI AREA

Request	Capacity	Area	Proposed Point of Interconnection
GEN-2006-014	300.0	MIPU	Tap Maryville - Midway (Nodway Co) 161kV
GEN-2008-129	80.0	MIPU	Pleasant Hill 161kV
GEN-2010-036	4.6	WERE	6th Street 115kV
PRIOR QUEUED SUBTOTAL	384.6		
GEN-2010-056	151.0	MIPU	Tap Saint Joseph - Cooper 345kV
GEN-2011-011	50.0	KACP	Iatan 345kV
CURRENT CLUSTER SUBTOTAL	201.0		
AREA TOTAL	384.6		

GROUP 14: S OKLAHOMA AREA

Request	Capacity	Area	Proposed Point of Interconnection
GEN-2008-046	200.0	OKGE	Sunnyside 345kV
PRIOR QUEUED SUBTOTAL	200.0		
AREA TOTAL	200.0		

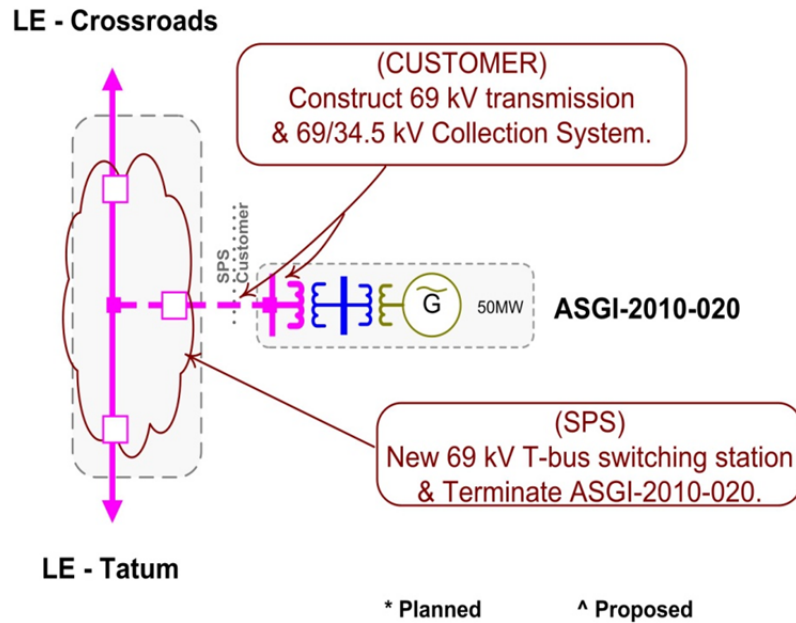
CLUSTER TOTAL (CURRENT STUDY)	4,741.8	MW
PQ TOTAL (PRIOR QUEUED)	19,478.9	MW
CLUSTER TOTAL (INCLUDING PRIOR QUEUED)	24,220.7	MW

D: Proposed Point of Interconnection One line Diagrams

Refer to most recent Facility study for each request for an updated one-line.

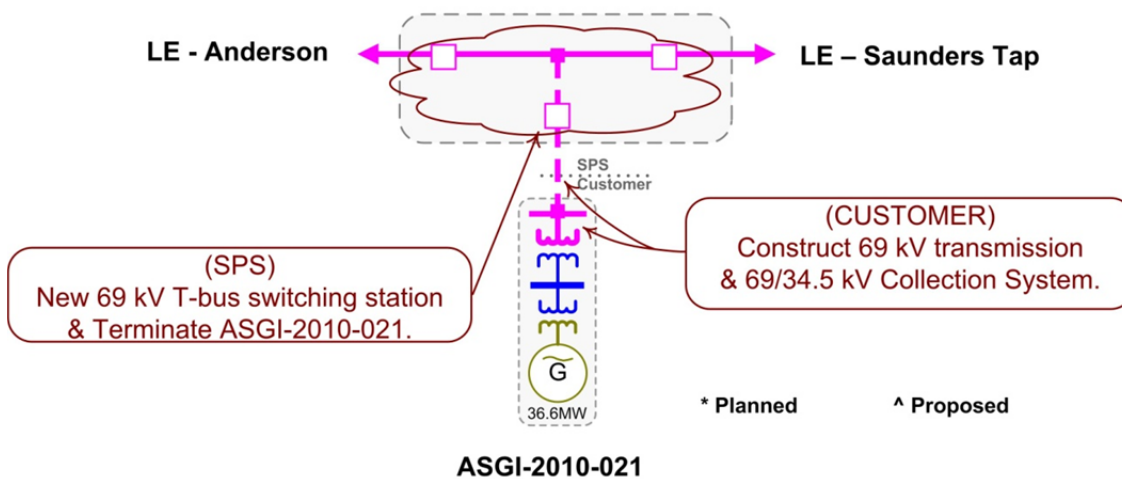
ASGI-2010-020

**New (SPS)
69 kV SWITCHING STATION**

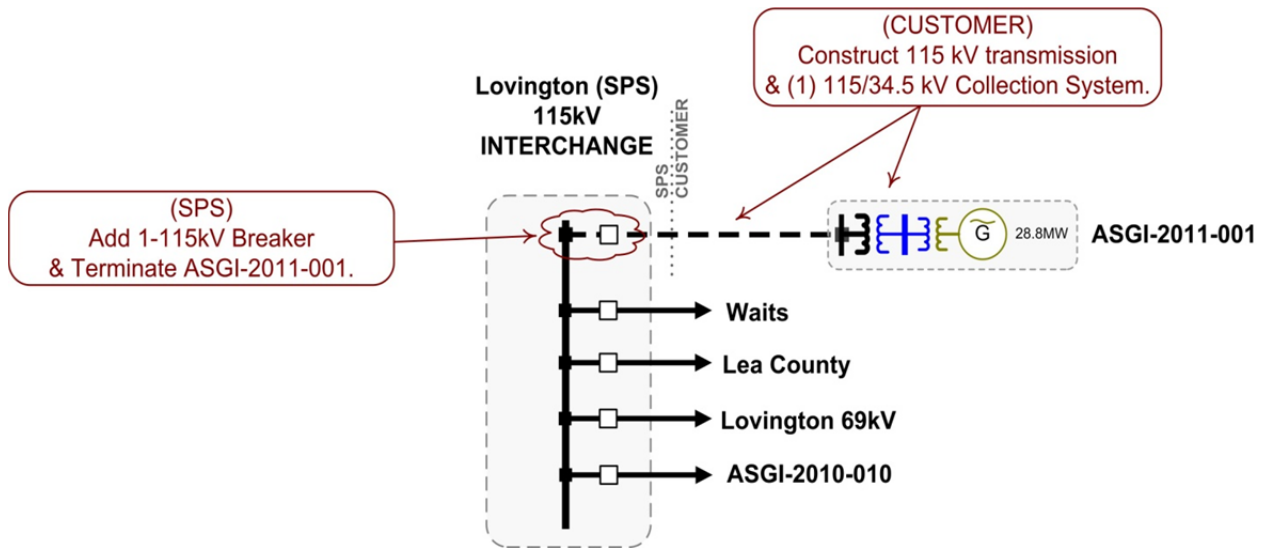


ASGI-2010-021

**New (SPS)
69 kV SWITCHING STATION**



ASGI-2011-001



E: Cost Allocation per Interconnection Request (Including Prior Queued Upgrades)

Important Note:

****WITHDRAWAL OF HIGHER QUEUED PROJECTS WILL CAUSE A RESTUDY
AND MAY RESULT IN HIGHER INTERCONNECTION COSTS****

This section shows each Generation Interconnection Request Customer, their current study impacted Network Upgrades, and the previously allocated upgrades upon which they rely to accommodate their interconnection to the transmission system.

The costs associated with the current study Network Upgrades are allocated to the Customers shown in this report.

In addition should a higher queued request, defined as one this study includes as a prior queued request, withdraw, the Network Upgrades assigned to the withdrawn request may be reallocated to the remaining requests that have an impact on the Network Upgrade under a restudy. Also, should a Interconnection Request choose to go into service prior to the operation date of any necessary Network Upgrades, the costs associated with those upgrades may be reallocated to the impacted Interconnection Request. The actual costs allocated to each Generation Interconnection Request Customer will be determined at the time of a restudy.

The required interconnection costs listed do not include all costs associated with the deliverability of the energy to final customers. These costs are determined by separate studies if the Customer submits a Transmission Service Request through SPP's Open Access Same Time Information System (OASIS) as required by Attachment Z1 of the SPP OATT. In addition, costs associated with a short circuit analysis will be allocated should the Interconnection Request Customer choose to execute a Facility Study Agreement.

Appendix E. Cost Allocation Per Request

(Including Previously Allocated Network Upgrades*)

Interconnection Request and Upgrades	Upgrade Type	Allocated Cost	Upgrade Cost
ASGI-2011-002			
ASGI 2011-002 Interconnection Costs See Online Diagram.	Current Study	\$0.00	\$0.00
	Current Study Total	\$0.00	
ASGI-2011-003			
ASGI 2011-003 Interconnection Costs See Online Diagram.	Current Study	\$0.00	\$0.00
	Current Study Total	\$0.00	
GEN-2010-020			
GEN-2010-020 Interconnection Costs See Online Diagram.	Current Study	\$906,824.00	\$906,824.00
Beaver County - Woodward 345kV CKT 1 Priority Project: Hitchland - Woodward Dbl 345kV CKT (Total Project E&C Cost Shown)	Previously Allocated		\$226,040,727.00
Cleveland - Sooner 345KV CKT 1 Balanced Portfolio: Cleveland - Sooner 345kV CKT 1 (Total Project E&C Cost Shown).	Previously Allocated		\$58,906,000.00
Hitchland - Beaver County 345kV CKT 1 Priority Project: Hitchland - Woodward Dbl 345kV CKT (Total Project E&C Cost Shown)	Previously Allocated		\$226,040,727.00
Hitchland - Woodward 345kV CKT 2 Priority Project: Hitchland - Woodward Dbl 345kV CKT (Total Project E&C Cost Shown)	Previously Allocated		\$226,040,727.00
Nichols - Harrington Mid 230kV CKT 1 Per GEN-2008-051 LOIS: Rebuild approximately 1 mile of 230kV @ 1825 amps	Previously Allocated		\$869,251.00
Nichols - Harrington West 230kV CKT 1 Per GEN-2008-051 LOIS: Rebuild approximately 1 mile of 230kV @ 1825 amps	Previously Allocated		\$869,251.00
Thistle - Flat Ridge 138kV CKT 1 Priority Project: Thistle - Flat Ridge 138kV CKT 1 (Total Project E&C Cost Shown.)	Previously Allocated		\$4,004,423.00
Thistle - Wichita 345KV Dbl CKT Priority Project: Thistle - Wichita Dbl 345kV CKT (Total Project E&C Cost Shown.)	Previously Allocated		\$166,598,000.00
Thistle - Woodward 345KV Dbl CKT Priority Project: Thistle - Woodward Dbl 345kV CKT (Total Project E&C Cost Shown)	Previously Allocated		\$212,090,000.00

* Withdrawal of higher queued projects will cause a restudy and may result in higher costs

Interconnection Request and Upgrades	Upgrade Type	Allocated Cost	Upgrade Cost
Thistle 345/138KV Transformer CKT 1 Priority Project: Thistle 345/138kV Transformer CKT 1 (Total Project E&C Cost Shown.)	Previously Allocated		\$8,627,726.00
TUCO Interchange 345/230/13.2KV Autotransformer CKT 2 Balanced Portfolio: TUCO 345/230 kV Transformer CKT 2 (Total Project E&C Cost Shown)	Previously Allocated		\$14,900,907.00
Woodward XFMR 345/138/13.8kV CKT 2 Balanced Portfolio: Woodward 345/138kV Transformer CKT 2 & 50 MVAR Reactor (Total Project E&C Cost Shown).	Previously Allocated		\$15,000,000.00
	Current Study Total	\$906,824.00	

GEN-2010-029

Beaver County - Buckner 345kV Build approximately 90 miles of 345kV from Beaver County - Gray County @ 3000 amps	Current Study	\$29,837,318.73	\$170,209,050.00
GEN-2010-029 Interconnection Costs See Online Diagram.	Current Study	\$8,000,000.00	\$8,000,000.00
Matthewson - Cimarron 345kV CKT 2 Build second 345kV circuit from Matthewson - Cimarron @ 3000 amps	Current Study	\$3,494,470.74	\$42,903,753.00
Mullergren - Reno 345kV Dbl CKT Build approximately 92 miles of new Dbl 345kV circuit from Mullergren - Reno @ 3000 amps	Current Study	\$60,901,895.96	\$210,887,465.33
Mullergren - Spearville 230kV CKT 1 NRIS only upgrade: Rebuild approximately 62 miles of 230kV line	Current Study	\$24,997,576.15	\$36,107,610.00
Spearville - Mullergren 345kV Dbl CKT Build approximately 85 miles of new Dbl 345kV circuit from Spearville - Mullergren @ 3000 amps	Current Study	\$56,696,110.57	\$196,323,921.67
Tatonga - Matthewson 345kV CKT 2 Build second 345kV circuit from Tatonga - Matthewson @ 3000 amps	Current Study	\$7,199,022.00	\$104,260,473.00
GEN-2011-017 Tap - Postrock 345kV CKT 1 Balanced Portfolio: Spearville - PostRock 345kV CKT 1 (Total Project E&C Cost Shown)	In-Service		\$84,006,000.00
Spearville - GEN-2011-017T 345kV CKT 1 Balanced Portfolio: Spearville - PostRock 345kV CKT 1 (Total Project E&C Cost Shown)	In-Service		\$84,006,000.00
Beaver County - Woodward 345kV CKT 1 Priority Project: Hitchland - Woodward Dbl 345kV CKT (Total Project E&C Cost Shown)	Previously Allocated		\$226,040,727.00
Border - Tuco Interchange 345KV CKT 1 Balanced Portfolio: Tuco - Woodward 345kV CKT 1 (Total Project E&C Cost Shown)	Previously Allocated		\$249,932,114.00
Border - Woodward 345KV CKT 1 Balanced Portfolio: Tuco - Woodward 345kV CKT 1 (Total Project E&C Cost Shown)	Previously Allocated		\$249,932,114.00

* Withdrawal of higher queued projects will cause a restudy and may result in higher costs

Interconnection Request and Upgrades	Upgrade Type	Allocated Cost	Upgrade Cost
Clark - Thistle 345KV Dbl CKT Priority Project: Spearville - Clark - Thistle Dbl 345kV CKT (Total Project E&C Cost Shown.)	Previously Allocated		\$300,194,436.00
Cleveland - Sooner 345KV CKT 1 Balanced Portfolio: Cleveland - Sooner 345kV CKT 1 (Total Project E&C Cost Shown).	Previously Allocated		\$58,906,000.00
Hitchland - Woodward 345kV CKT 2 Priority Project: Hitchland - Woodward Dbl 345kV CKT (Total Project E&C Cost Shown)	Previously Allocated		\$226,040,727.00
Hitchland 345/230kV Autotransformer CKT 2 Priority Project: Hitchland 345/230kV Autotransformer CKT 2 (Total Project E&C Cost Shown).	Previously Allocated		\$8,883,760.00
Post Rock 345/230/13.8kV Autotransformer CKT 2 DISIS-2010-001 Restudy	Previously Allocated		\$13,749,527.00
Spearville -Clark 345KV Dbl CKT Priority Project: Spearville - Clark - Thistle Dbl 345kV CKT (Total Project E&C Cost Shown.)	Previously Allocated		\$300,194,436.00
Thistle - Wichita 345KV Dbl CKT Priority Project: Thistle - Wichita Dbl 345kV CKT (Total Project E&C Cost Shown.)	Previously Allocated		\$166,598,000.00
Thistle - Woodward 345KV Dbl CKT Priority Project: Thistle - Woodward Dbl 345kV CKT (Total Project E&C Cost Shown)	Previously Allocated		\$212,090,000.00
TUCO Interchange 345/230/13.2KV Autotransformer CKT 2 Balanced Portfolio: TUCO 345/230 kV Transformer CKT 2 (Total Project E&C Cost Shown)	Previously Allocated		\$14,900,907.00
Woodward XFMR 345/138/13.8kV CKT 2 Balanced Portfolio: Woodward 345/138kV Transformer CKT 2 & 50 MVAR Reactor (Total Project E&C Cost Shown).	Previously Allocated		\$15,000,000.00
	Current Study Total	\$191,126,394.15	

GEN-2010-055

GEN-2010-055 Interconnection Costs See Online Diagram.	Current Study	\$309,300.00	\$309,300.00
	Current Study Total	\$309,300.00	

GEN-2010-056

GEN-2010-056 Interconnection Costs See Online Diagram.	Current Study	\$8,360,000.00	\$8,360,000.00
Nashua 345/161/13.8KV Autotransformer CKT 1 Balanced Portfolio: Nashua/161/13.8 Autotransformer 345kV CKT 1 (Total Project E&C Cost Shown).	Previously Allocated		\$4,000,000.00
	Current Study Total	\$8,360,000.00	

GEN-2010-057

* Withdrawal of higher queued projects will cause a restudy and may result in higher costs

Interconnection Request and Upgrades	Upgrade Type	Allocated Cost	Upgrade Cost
GEN-2010-057 Interconnection Costs See Online Diagram.	Current Study	\$859,521.00	\$859,521.00
Lyons - Wheatland 115kV Rerate circuit @ 1000 amps	Current Study	\$80,000.00	\$80,000.00
Rice County - Circle 230kV Conversion Convert from 115kV to 230kV operation	Current Study	\$9,889,234.00	\$9,889,234.00
Rice County - Lyons 115kV Rebuild circuit @ 1000 Amps	Current Study	\$6,646,800.00	\$6,646,800.00
Rice County 230/115kV transformer Install 230/115kV transformer at Rice County substation	Current Study	\$7,835,455.00	\$7,835,455.00
Wheatland - Lyons 115kV Rerate circuit @ 1000 amps	Current Study	\$76,103.00	\$76,103.00
Clark - Thistle 345KV Dbl CKT Priority Project: Spearville - Clark - Thistle Dbl 345kV CKT (Total Project E&C Cost Shown.)	Previously Allocated		\$300,194,436.00
Cleveland - Sooner 345KV CKT 1 Balanced Portfolio: Cleveland - Sooner 345kV CKT 1 (Total Project E&C Cost Shown).	Previously Allocated		\$58,906,000.00
Hitchland 345/230kV Autotransformer CKT 2 Priority Project: Hitchland 345/230kV Autotransformer CKT 2 (Total Project E&C Cost Shown).	Previously Allocated		\$8,883,760.00
Iatan - Nashua 345KV CKT 1 Balanced Portfolio: Iatan - Nashua 345kV CKT 1 (Total Project E&C Cost Shown).	Previously Allocated		\$60,800,000.00
Post Rock 345/230/13.8kV Autotransformer CKT 2 DISIS-2010-001 Restudy	Previously Allocated		\$13,749,527.00
Spearville -Clark 345KV Dbl CKT Priority Project: Spearville - Clark - Thistle Dbl 345kV CKT (Total Project E&C Cost Shown.)	Previously Allocated		\$300,194,436.00
	Current Study Total	\$25,387,113.00	

GEN-2010-058

GEN-2010-058 Interconnection Costs See Online Diagram.	Current Study	\$1,206,694.00	\$1,206,694.00
Beaver County - Woodward 345kV CKT 1 Priority Project: Hitchland - Woodward Dbl 345kV CKT (Total Project E&C Cost Shown)	Previously Allocated		\$226,040,727.00
Cleveland - Sooner 345KV CKT 1 Balanced Portfolio: Cleveland - Sooner 345kV CKT 1 (Total Project E&C Cost Shown).	Previously Allocated		\$58,906,000.00

* Withdrawal of higher queued projects will cause a restudy and may result in higher costs

Interconnection Request and Upgrades	Upgrade Type	Allocated Cost	Upgrade Cost
Hitchland - Beaver County 345kV CKT 1 Priority Project: Hitchland - Woodward Dbl 345kV CKT (Total Project E&C Cost Shown)	Previously Allocated		\$226,040,727.00
Hitchland - Woodward 345kV CKT 2 Priority Project: Hitchland - Woodward Dbl 345kV CKT (Total Project E&C Cost Shown)	Previously Allocated		\$226,040,727.00
Nichols - Harrington Mid 230kV CKT 1 Per GEN-2008-051 LOIS: Rebuild approximately 1 mile of 230kV @ 1825 amps	Previously Allocated		\$869,251.00
Nichols - Harrington West 230kV CKT 1 Per GEN-2008-051 LOIS: Rebuild approximately 1 mile of 230kV @ 1825 amps	Previously Allocated		\$869,251.00
Thistle - Flat Ridge 138kV CKT 1 Priority Project: Thistle - Flat Ridge 138kV CKT 1 (Total Project E&C Cost Shown.)	Previously Allocated		\$4,004,423.00
Thistle - Wichita 345KV Dbl CKT Priority Project: Thistle - Wichita Dbl 345kV CKT (Total Project E&C Cost Shown.)	Previously Allocated		\$166,598,000.00
Thistle - Woodward 345KV Dbl CKT Priority Project: Thistle - Woodward Dbl 345kV CKT (Total Project E&C Cost Shown)	Previously Allocated		\$212,090,000.00
Thistle 345/138KV Transformer CKT 1 Priority Project: Thistle 345/138kV Transformer CKT 1 (Total Project E&C Cost Shown.)	Previously Allocated		\$8,627,726.00
TUCO Interchange 345/230/13.2KV Autotransformer CKT 2 Balanced Portfolio: TUCO 345/230 kV Transformer CKT 2 (Total Project E&C Cost Shown)	Previously Allocated		\$14,900,907.00
Woodward XFMR 345/138/13.8kV CKT 2 Balanced Portfolio: Woodward 345/138kV Transformer CKT 2 & 50 MVAR Reactor (Total Project E&C Cost Shown).	Previously Allocated		\$15,000,000.00
	Current Study Total	\$1,206,694.00	

GEN-2011-007

GEN-2011-007 Interconnection Costs See Online Diagram.	Current Study	\$3,654,353.00	\$3,654,353.00
Matthewson - Cimarron 345kV CKT 2 Build second 345kV circuit from Matthewson - Cimarron @ 3000 amps	Current Study	\$7,199,221.99	\$42,903,753.00
Border - Tuco Interchange 345KV CKT 1 Balanced Portfolio: Tuco - Woodward 345kV CKT 1 (Total Project E&C Cost Shown)	Previously Allocated		\$249,932,114.00
Border - Woodward 345KV CKT 1 Balanced Portfolio: Tuco - Woodward 345kV CKT 1 (Total Project E&C Cost Shown)	Previously Allocated		\$249,932,114.00
Cleveland - Sooner 345KV CKT 1 Balanced Portfolio: Cleveland - Sooner 345kV CKT 1 (Total Project E&C Cost Shown).	Previously Allocated		\$58,906,000.00

* Withdrawal of higher queued projects will cause a restudy and may result in higher costs

Interconnection Request and Upgrades	Upgrade Type	Allocated Cost	Upgrade Cost
Thistle - Woodward 345KV Dbl CKT Priority Project: Thistle - Woodward Dbl 345kV CKT (Total Project E&C Cost Shown)	Previously Allocated		\$212,090,000.00
TUCO Interchange 345/230/13.2KV Autotransformer CKT 2 Balanced Portfolio: TUCO 345/230 kV Transformer CKT 2 (Total Project E&C Cost Shown)	Previously Allocated		\$14,900,907.00
	Current Study Total	\$10,853,574.99	

GEN-2011-008

Beaver County - Buckner 345kV Build approximately 90 miles of 345kV from Beaver County - Gray County @ 3000 amps	Current Study	\$29,914,395.20	\$170,209,050.00
GEN-2011-008 Interconnection Costs See Online Diagram.	Current Study	\$3,236,246.00	\$3,236,246.00
Matthewson - Cimarron 345kV CKT 2 Build second 345kV circuit from Matthewson - Cimarron @ 3000 amps	Current Study	\$4,834,946.30	\$42,903,753.00
Mullergren - Reno 345kV Dbl CKT Build approximately 92 miles of new Dbl 345kV circuit from Mullergren - Reno @ 3000 amps	Current Study	\$62,071,003.87	\$210,887,465.33
Spearville - Mullergren 345kV Dbl CKT Build approximately 85 miles of new Dbl 345kV circuit from Spearville - Mullergren @ 3000 amps	Current Study	\$57,784,481.80	\$196,323,921.67
Tatonga - Matthewson 345kV CKT 2 Build second 345kV circuit from Tatonga - Matthewson @ 3000 amps	Current Study	\$9,962,107.23	\$104,260,473.00
GEN-2011-017 Tap - Postrock 345kV CKT 1 Balanced Portfolio: Spearville - PostRock 345kV CKT 1 (Total Project E&C Cost Shown)	In-Service		\$84,006,000.00
Spearville - GEN-2011-017T 345kV CKT 1 Balanced Portfolio: Spearville - PostRock 345kV CKT 1 (Total Project E&C Cost Shown)	In-Service		\$84,006,000.00
Beaver County - Woodward 345kV CKT 1 Priority Project: Hitchland - Woodward Dbl 345kV CKT (Total Project E&C Cost Shown)	Previously Allocated		\$226,040,727.00
Border - Tuco Interchange 345KV CKT 1 Balanced Portfolio: Tuco - Woodward 345kV CKT 1 (Total Project E&C Cost Shown)	Previously Allocated		\$249,932,114.00
Border - Woodward 345KV CKT 1 Balanced Portfolio: Tuco - Woodward 345kV CKT 1 (Total Project E&C Cost Shown)	Previously Allocated		\$249,932,114.00
Clark - Thistle 345KV Dbl CKT Priority Project: Spearville - Clark - Thistle Dbl 345kV CKT (Total Project E&C Cost Shown.)	Previously Allocated		\$300,194,436.00
Cleveland - Sooner 345KV CKT 1 Balanced Portfolio: Cleveland - Sooner 345kV CKT 1 (Total Project E&C Cost Shown).	Previously Allocated		\$58,906,000.00

* Withdrawal of higher queued projects will cause a restudy and may result in higher costs

Interconnection Request and Upgrades	Upgrade Type	Allocated Cost	Upgrade Cost
Hitchland - Woodward 345kV CKT 2 Priority Project: Hitchland - Woodward Dbl 345kV CKT (Total Project E&C Cost Shown)	Previously Allocated		\$226,040,727.00
Hitchland 345/230kV Autotransformer CKT 2 Priority Project: Hitchland 345/230kV Autotransformer CKT 2 (Total Project E&C Cost Shown).	Previously Allocated		\$8,883,760.00
Post Rock 345/230/13.8kV Autotransformer CKT 2 DISIS-2010-001 Restudy	Previously Allocated		\$13,749,527.00
Thistle - Wichita 345KV Dbl CKT Priority Project: Thistle - Wichita Dbl 345kV CKT (Total Project E&C Cost Shown.)	Previously Allocated		\$166,598,000.00
Thistle - Woodward 345KV Dbl CKT Priority Project: Thistle - Woodward Dbl 345kV CKT (Total Project E&C Cost Shown)	Previously Allocated		\$212,090,000.00
TUCO Interchange 345/230/13.2KV Autotransformer CKT 2 Balanced Portfolio: TUCO 345/230 kV Transformer CKT 2 (Total Project E&C Cost Shown)	Previously Allocated		\$14,900,907.00
Woodward XFMR 345/138/13.8kV CKT 2 Balanced Portfolio: Woodward 345/138kV Transformer CKT 2 & 50 MVAR Reactor (Total Project E&C Cost Shown).	Previously Allocated		\$15,000,000.00
	Current Study Total	\$167,803,180.40	

GEN-2011-010

GEN-2011-010 Interconnection Costs See Online Diagram.	Current Study	\$3,654,353.00	\$3,654,353.00
Border - Tuco Interchange 345KV CKT 1 Balanced Portfolio: Tuco - Woodward 345kV CKT 1 (Total Project E&C Cost Shown)	Previously Allocated		\$249,932,114.00
Border - Woodward 345KV CKT 1 Balanced Portfolio: Tuco - Woodward 345kV CKT 1 (Total Project E&C Cost Shown)	Previously Allocated		\$249,932,114.00
Cleveland - Sooner 345KV CKT 1 Balanced Portfolio: Cleveland - Sooner 345kV CKT 1 (Total Project E&C Cost Shown).	Previously Allocated		\$58,906,000.00
Thistle - Woodward 345KV Dbl CKT Priority Project: Thistle - Woodward Dbl 345kV CKT (Total Project E&C Cost Shown)	Previously Allocated		\$212,090,000.00
TUCO Interchange 345/230/13.2KV Autotransformer CKT 2 Balanced Portfolio: TUCO 345/230 kV Transformer CKT 2 (Total Project E&C Cost Shown)	Previously Allocated		\$14,900,907.00
Woodward XFMR 345/138/13.8kV CKT 2 Balanced Portfolio: Woodward 345/138kV Transformer CKT 2 & 50 MVAR Reactor (Total Project E&C Cost Shown).	Previously Allocated		\$15,000,000.00
	Current Study Total	\$3,654,353.00	

GEN-2011-011

* Withdrawal of higher queued projects will cause a restudy and may result in higher costs

Interconnection Request and Upgrades	Upgrade Type	Allocated Cost	Upgrade Cost
GEN-2011-011 Interconnection Costs See Online Diagram.	Current Study	\$0.00	\$0.00
Iatan - Nashua 345KV CKT 1 Balanced Portfolio: Iatan - Nashua 345kV CKT 1 (Total Project E&C Cost Shown).	Previously Allocated		\$60,800,000.00
Nashua 345/161/13.8KV Autotransformer CKT 1 Balanced Portfolio: Nashua/161/13.8 Autotransformer 345kV CKT 1 (Total Project E&C Cost Shown).	Previously Allocated		\$4,000,000.00
	Current Study Total	\$0.00	

GEN-2011-012

Beaver County - Buckner 345kV Build approximately 90 miles of 345kV from Beaver County - Gray County @ 3000 amps	Current Study	\$5,048,537.74	\$170,209,050.00
GEN-2011-012 Interconnection Costs See Online Diagram.	Current Study	\$3,654,353.00	\$3,654,353.00
Matthewson - Cimarron 345kV CKT 2 Build second 345kV circuit from Matthewson - Cimarron @ 3000 amps	Current Study	\$673,473.12	\$42,903,753.00
Tatonga - Matthewson 345kV CKT 2 Build second 345kV circuit from Tatonga - Matthewson @ 3000 amps	Current Study	\$2,641,881.15	\$104,260,473.00
Beaver County - Woodward 345kV CKT 1 Priority Project: Hitchland - Woodward Dbl 345kV CKT (Total Project E&C Cost Shown)	Previously Allocated		\$226,040,727.00
Clark - Thistle 345KV Dbl CKT Priority Project: Spearville - Clark - Thistle Dbl 345kV CKT (Total Project E&C Cost Shown.)	Previously Allocated		\$300,194,436.00
Cleveland - Sooner 345KV CKT 1 Balanced Portfolio: Cleveland - Sooner 345kV CKT 1 (Total Project E&C Cost Shown).	Previously Allocated		\$58,906,000.00
Hitchland - Beaver County 345kV CKT 1 Priority Project: Hitchland - Woodward Dbl 345kV CKT (Total Project E&C Cost Shown)	Previously Allocated		\$226,040,727.00
Hitchland - Woodward 345kV CKT 2 Priority Project: Hitchland - Woodward Dbl 345kV CKT (Total Project E&C Cost Shown)	Previously Allocated		\$226,040,727.00
Hitchland 345/230kV Autotransformer CKT 2 Priority Project: Hitchland 345/230kV Autotransformer CKT 2 (Total Project E&C Cost Shown).	Previously Allocated		\$8,883,760.00
Spearville -Clark 345KV Dbl CKT Priority Project: Spearville - Clark - Thistle Dbl 345kV CKT (Total Project E&C Cost Shown.)	Previously Allocated		\$300,194,436.00
Thistle - Flat Ridge 138kV CKT 1 Priority Project: Thistle - Flat Ridge 138kV CKT 1 (Total Project E&C Cost Shown.)	Previously Allocated		\$4,004,423.00

* Withdrawal of higher queued projects will cause a restudy and may result in higher costs

Interconnection Request and Upgrades	Upgrade Type	Allocated Cost	Upgrade Cost
Thistle - Wichita 345KV Dbl CKT Priority Project: Thistle - Wichita Dbl 345kV CKT (Total Project E&C Cost Shown.)	Previously Allocated		\$166,598,000.00
Thistle - Woodward 345KV Dbl CKT Priority Project: Thistle - Woodward Dbl 345kV CKT (Total Project E&C Cost Shown)	Previously Allocated		\$212,090,000.00
Thistle 345/138KV Transformer CKT 1 Priority Project: Thistle 345/138kV Transformer CKT 1 (Total Project E&C Cost Shown.)	Previously Allocated		\$8,627,726.00
TUCO Interchange 345/230/13.2KV Autotransformer CKT 2 Balanced Portfolio: TUCO 345/230 kV Transformer CKT 2 (Total Project E&C Cost Shown)	Previously Allocated		\$14,900,907.00
Woodward XFMR 345/138/13.8kV CKT 2 Balanced Portfolio: Woodward 345/138kV Transformer CKT 2 & 50 MVAR Reactor (Total Project E&C Cost Shown).	Previously Allocated		\$15,000,000.00
	Current Study Total	\$12,018,245.01	

GEN-2011-014

Beaver County - Buckner 345kV Build approximately 90 miles of 345kV from Beaver County - Gray County @ 3000 amps	Current Study	\$17,779,199.77	\$170,209,050.00
FPL Switch - Woodward 138kV CKT 1 NRIS only required upgrade: Rebuild approximately 12 miles of 138kV line	Current Study	\$1,783,171.67	\$7,760,000.00
GEN-2011-014 Interconnection Costs See Online Diagram.	Current Study	\$3,954,353.00	\$3,954,353.00
Glass Mountain - Mooreland 138kV NRIS only required upgrade: Rebuild approximately 24 miles of 138kV line	Current Study	\$3,383,486.70	\$15,072,467.00
Matthewson - Cimarron 345kV CKT 2 Build second 345kV circuit from Matthewson - Cimarron @ 3000 amps	Current Study	\$1,869,203.09	\$42,903,753.00
Mooreland - FPL Switch 138kV CKT 1 NRIS only required upgrade: Rebuild approximately 0.2 miles of 138kV line	Current Study	\$188,427.93	\$820,000.00
Tatonga - Matthewson 345kV CKT 2 Build second 345kV circuit from Tatonga - Matthewson @ 3000 amps	Current Study	\$6,230,121.24	\$104,260,473.00
Woodward - Woodward 138kV CKT 1 NRIS only required upgrade: Rebuild approximately 4.4 miles of 138kV line	Current Study	\$804,033.94	\$3,000,000.00
Woodward (OKGE) - Woodward (WFEC) 69kV CKT 1 NRIS only required upgrade: Per NTC 20003	Current Study	\$281,411.88	\$1,050,000.00
Woodward 138/69/13.2kV transformer CKT 2 NRIS only required upgrade: Install 2nd 138/69/13.2kV transformer at Woodward	Current Study	\$1,072,045.25	\$4,000,000.00

* Withdrawal of higher queued projects will cause a restudy and may result in higher costs

Interconnection Request and Upgrades	Upgrade Type	Allocated Cost	Upgrade Cost
Beaver County - Woodward 345kV CKT 1 Priority Project: Hitchland - Woodward Dbl 345kV CKT (Total Project E&C Cost Shown)	Previously Allocated		\$226,040,727.00
Border - Tuco Interchange 345KV CKT 1 Balanced Portfolio: Tuco - Woodward 345kV CKT 1 (Total Project E&C Cost Shown)	Previously Allocated		\$249,932,114.00
Border - Woodward 345KV CKT 1 Balanced Portfolio: Tuco - Woodward 345kV CKT 1 (Total Project E&C Cost Shown)	Previously Allocated		\$249,932,114.00
Clark - Thistle 345KV Dbl CKT Priority Project: Spearville - Clark - Thistle Dbl 345kV CKT (Total Project E&C Cost Shown.)	Previously Allocated		\$300,194,436.00
Cleveland - Sooner 345KV CKT 1 Balanced Portfolio: Cleveland - Sooner 345kV CKT 1 (Total Project E&C Cost Shown).	Previously Allocated		\$58,906,000.00
Hitchland - Woodward 345kV CKT 2 Priority Project: Hitchland - Woodward Dbl 345kV CKT (Total Project E&C Cost Shown)	Previously Allocated		\$226,040,727.00
Spearville -Clark 345KV Dbl CKT Priority Project: Spearville - Clark - Thistle Dbl 345kV CKT (Total Project E&C Cost Shown.)	Previously Allocated		\$300,194,436.00
Thistle - Flat Ridge 138kV CKT 1 Priority Project: Thistle - Flat Ridge 138kV CKT 1 (Total Project E&C Cost Shown.)	Previously Allocated		\$4,004,423.00
Thistle - Wichita 345KV Dbl CKT Priority Project: Thistle - Wichita Dbl 345kV CKT (Total Project E&C Cost Shown.)	Previously Allocated		\$166,598,000.00
Thistle - Woodward 345KV Dbl CKT Priority Project: Thistle - Woodward Dbl 345kV CKT (Total Project E&C Cost Shown)	Previously Allocated		\$212,090,000.00
Thistle 345/138KV Transformer CKT 1 Priority Project: Thistle 345/138kV Transformer CKT 1 (Total Project E&C Cost Shown.)	Previously Allocated		\$8,627,726.00
Woodward XFMR 345/138/13.8kV CKT 2 Balanced Portfolio: Woodward 345/138kV Transformer CKT 2 & 50 MVAR Reactor (Total Project E&C Cost Shown).	Previously Allocated		\$15,000,000.00
	Current Study Total		\$37,345,454.47

GEN-2011-016

Beaver County - Buckner 345kV Build approximately 90 miles of 345kV from Beaver County - Gray County @ 3000 amps	Current Study	\$13,261,030.55	\$170,209,050.00
GEN-2011-016 Interconnection Costs See Online Diagram.	Current Study	\$8,000,000.00	\$8,000,000.00
Matthewson - Cimarron 345kV CKT 2 Build second 345kV circuit from Matthewson - Cimarron @ 3000 amps	Current Study	\$1,553,098.11	\$42,903,753.00

* Withdrawal of higher queued projects will cause a restudy and may result in higher costs

Interconnection Request and Upgrades	Upgrade Type	Allocated Cost	Upgrade Cost
Mullergren - Reno 345kV Dbl CKT Build approximately 92 miles of new Dbl 345kV circuit from Mullergren - Reno @ 3000 amps	Current Study	\$27,067,509.32	\$210,887,465.33
Mullergren - Spearville 230kV CKT 1 NRIS only upgrade: Rebuild approximately 62 miles of 230kV line	Current Study	\$11,110,033.85	\$36,107,610.00
Spearville - Mullergren 345kV Dbl CKT Build approximately 85 miles of new Dbl 345kV circuit from Spearville - Mullergren @ 3000 amps	Current Study	\$25,198,271.37	\$196,323,921.67
Tatonga - Matthewson 345kV CKT 2 Build second 345kV circuit from Tatonga - Matthewson @ 3000 amps	Current Study	\$3,199,565.33	\$104,260,473.00
GEN-2011-017 Tap - Postrock 345kV CKT 1 Balanced Portfolio: Spearville - PostRock 345kV CKT 1 (Total Project E&C Cost Shown)	In-Service		\$84,006,000.00
Spearville - GEN-2011-017T 345kV CKT 1 Balanced Portfolio: Spearville - PostRock 345kV CKT 1 (Total Project E&C Cost Shown)	In-Service		\$84,006,000.00
Beaver County - Woodward 345kV CKT 1 Priority Project: Hitchland - Woodward Dbl 345kV CKT (Total Project E&C Cost Shown)	Previously Allocated		\$226,040,727.00
Border - Tuco Interchange 345KV CKT 1 Balanced Portfolio: Tuco - Woodward 345kV CKT 1 (Total Project E&C Cost Shown)	Previously Allocated		\$249,932,114.00
Border - Woodward 345KV CKT 1 Balanced Portfolio: Tuco - Woodward 345kV CKT 1 (Total Project E&C Cost Shown)	Previously Allocated		\$249,932,114.00
Clark - Thistle 345KV Dbl CKT Priority Project: Spearville - Clark - Thistle Dbl 345kV CKT (Total Project E&C Cost Shown.)	Previously Allocated		\$300,194,436.00
Cleveland - Sooner 345KV CKT 1 Balanced Portfolio: Cleveland - Sooner 345kV CKT 1 (Total Project E&C Cost Shown).	Previously Allocated		\$58,906,000.00
Hitchland - Woodward 345kV CKT 2 Priority Project: Hitchland - Woodward Dbl 345kV CKT (Total Project E&C Cost Shown)	Previously Allocated		\$226,040,727.00
Hitchland 345/230kV Autotransformer CKT 2 Priority Project: Hitchland 345/230kV Autotransformer CKT 2 (Total Project E&C Cost Shown).	Previously Allocated		\$8,883,760.00
Post Rock 345/230/13.8kV Autotransformer CKT 2 DISIS-2010-001 Restudy	Previously Allocated		\$13,749,527.00
Spearville -Clark 345KV Dbl CKT Priority Project: Spearville - Clark - Thistle Dbl 345kV CKT (Total Project E&C Cost Shown.)	Previously Allocated		\$300,194,436.00
Thistle - Wichita 345KV Dbl CKT Priority Project: Thistle - Wichita Dbl 345kV CKT (Total Project E&C Cost Shown.)	Previously Allocated		\$166,598,000.00

* Withdrawal of higher queued projects will cause a restudy and may result in higher costs

Interconnection Request and Upgrades	Upgrade Type	Allocated Cost	Upgrade Cost
Thistle - Woodward 345KV Dbl CKT Priority Project: Thistle - Woodward Dbl 345kV CKT (Total Project E&C Cost Shown)	Previously Allocated		\$212,090,000.00
TUCO Interchange 345/230/13.2KV Autotransformer CKT 2 Balanced Portfolio: TUCO 345/230 kV Transformer CKT 2 (Total Project E&C Cost Shown)	Previously Allocated		\$14,900,907.00
Woodward XFMR 345/138/13.8kV CKT 2 Balanced Portfolio: Woodward 345/138kV Transformer CKT 2 & 50 MVAR Reactor (Total Project E&C Cost Shown).	Previously Allocated		\$15,000,000.00
	Current Study Total	\$89,389,508.53	

GEN-2011-017

Beaver County - Buckner 345kV Build approximately 90 miles of 345kV from Beaver County - Gray County @ 3000 amps	Current Study	\$17,674,293.37	\$170,209,050.00
Matthewson - Cimarron 345kV CKT 2 Build second 345kV circuit from Matthewson - Cimarron @ 3000 amps	Current Study	\$2,173,825.45	\$42,903,753.00
Mullergren - Reno 345kV Dbl CKT Build approximately 92 miles of new Dbl 345kV circuit from Mullergren - Reno @ 3000 amps	Current Study	\$29,915,005.91	\$210,887,465.33
Spearville - Mullergren 345kV Dbl CKT Build approximately 85 miles of new Dbl 345kV circuit from Spearville - Mullergren @ 3000 amps	Current Study	\$27,849,124.50	\$196,323,921.67
Tatonga - Matthewson 345kV CKT 2 Build second 345kV circuit from Tatonga - Matthewson @ 3000 amps	Current Study	\$4,234,655.90	\$104,260,473.00
GEN-2011-017 Tap - Postrock 345kV CKT 1 Balanced Portfolio: Spearville - PostRock 345kV CKT 1 (Total Project E&C Cost Shown)	In-Service		\$84,006,000.00
Beaver County - Woodward 345kV CKT 1 Priority Project: Hitchland - Woodward Dbl 345kV CKT (Total Project E&C Cost Shown)	Previously Allocated		\$226,040,727.00
Border - Tuco Interchange 345KV CKT 1 Balanced Portfolio: Tuco - Woodward 345kV CKT 1 (Total Project E&C Cost Shown)	Previously Allocated		\$249,932,114.00
Border - Woodward 345KV CKT 1 Balanced Portfolio: Tuco - Woodward 345kV CKT 1 (Total Project E&C Cost Shown)	Previously Allocated		\$249,932,114.00
Clark - Thistle 345KV Dbl CKT Priority Project: Spearville - Clark - Thistle Dbl 345kV CKT (Total Project E&C Cost Shown.)	Previously Allocated		\$300,194,436.00
Cleveland - Sooner 345KV CKT 1 Balanced Portfolio: Cleveland - Sooner 345kV CKT 1 (Total Project E&C Cost Shown).	Previously Allocated		\$58,906,000.00
Hitchland - Woodward 345kV CKT 2 Priority Project: Hitchland - Woodward Dbl 345kV CKT (Total Project E&C Cost Shown)	Previously Allocated		\$226,040,727.00

* Withdrawal of higher queued projects will cause a restudy and may result in higher costs

Interconnection Request and Upgrades	Upgrade Type	Allocated Cost	Upgrade Cost
Hitchland 345/230kV Autotransformer CKT 2 Priority Project: Hitchland 345/230kV Autotransformer CKT 2 (Total Project E&C Cost Shown).	Previously Allocated		\$8,883,760.00
Post Rock 345/230/13.8kV Autotransformer CKT 2 DISIS-2010-001 Restudy	Previously Allocated		\$13,749,527.00
Spearville -Clark 345KV Dbl CKT Priority Project: Spearville - Clark - Thistle Dbl 345kV CKT (Total Project E&C Cost Shown.)	Previously Allocated		\$300,194,436.00
Thistle - Wichita 345KV Dbl CKT Priority Project: Thistle - Wichita Dbl 345kV CKT (Total Project E&C Cost Shown.)	Previously Allocated		\$166,598,000.00
Thistle - Woodward 345KV Dbl CKT Priority Project: Thistle - Woodward Dbl 345kV CKT (Total Project E&C Cost Shown)	Previously Allocated		\$212,090,000.00
TUCO Interchange 345/230/13.2KV Autotransformer CKT 2 Balanced Portfolio: TUCO 345/230 kV Transformer CKT 2 (Total Project E&C Cost Shown)	Previously Allocated		\$14,900,907.00
Woodward XFMR 345/138/13.8kV CKT 2 Balanced Portfolio: Woodward 345/138kV Transformer CKT 2 & 50 MVAR Reactor (Total Project E&C Cost Shown).	Previously Allocated		\$15,000,000.00
	Current Study Total	\$81,846,905.13	

GEN-2011-018

GEN-2011-018 Interconnection Costs See Online Diagram.	Current Study	\$900,000.00	\$900,000.00
	Current Study Total	\$900,000.00	

GEN-2011-019

FPL Switch - Woodward 138kV CKT 1 NRIS only required upgrade: Rebuild approximately 12 miles of 138kV line	Current Study	\$1,368,920.10	\$7,760,000.00
GEN-2011-019 Interconnection Costs See Online Diagram.	Current Study	\$3,654,353.00	\$3,654,353.00
Glass Mountain - Mooreland 138kV NRIS only required upgrade: Rebuild approximately 24 miles of 138kV line	Current Study	\$2,708,839.65	\$15,072,467.00
Matthewson - Cimarron 345kV CKT 2 Build second 345kV circuit from Matthewson - Cimarron @ 3000 amps	Current Study	\$3,488,324.59	\$42,903,753.00
Mooreland - FPL Switch 138kV CKT 1 NRIS only required upgrade: Rebuild approximately 0.2 miles of 138kV line	Current Study	\$144,653.93	\$820,000.00
Tatonga - Matthewson 345kV CKT 2 Build second 345kV circuit from Tatonga - Matthewson @ 3000 amps	Current Study	\$11,958,760.75	\$104,260,473.00

* Withdrawal of higher queued projects will cause a restudy and may result in higher costs

Interconnection Request and Upgrades	Upgrade Type	Allocated Cost	Upgrade Cost
Woodward - Woodward 138kV CKT 1 NRIS only required upgrade: Rebuild approximately 4.4 miles of 138kV line	Current Study	\$499,957.79	\$3,000,000.00
Woodward (OKGE) - Woodward (WFEC) 69kV CKT 1 NRIS only required upgrade: Per NTC 20003	Current Study	\$174,985.23	\$1,050,000.00
Woodward 138/69/13.2kV transformer CKT 2 NRIS only required upgrade: Install 2nd 138/69/13.2kV transformer at Woodward	Current Study	\$666,610.39	\$4,000,000.00
Border - Tuco Interchange 345KV CKT 1 Balanced Portfolio: Tuco - Woodward 345kV CKT 1 (Total Project E&C Cost Shown)	Previously Allocated		\$249,932,114.00
Border - Woodward 345KV CKT 1 Balanced Portfolio: Tuco - Woodward 345kV CKT 1 (Total Project E&C Cost Shown)	Previously Allocated		\$249,932,114.00
Cleveland - Sooner 345KV CKT 1 Balanced Portfolio: Cleveland - Sooner 345kV CKT 1 (Total Project E&C Cost Shown).	Previously Allocated		\$58,906,000.00
Thistle - Flat Ridge 138kV CKT 1 Priority Project: Thistle - Flat Ridge 138kV CKT 1 (Total Project E&C Cost Shown.)	Previously Allocated		\$4,004,423.00
Thistle - Wichita 345KV Dbl CKT Priority Project: Thistle - Wichita Dbl 345kV CKT (Total Project E&C Cost Shown.)	Previously Allocated		\$166,598,000.00
Thistle - Woodward 345KV Dbl CKT Priority Project: Thistle - Woodward Dbl 345kV CKT (Total Project E&C Cost Shown)	Previously Allocated		\$212,090,000.00
Thistle 345/138KV Transformer CKT 1 Priority Project: Thistle 345/138kV Transformer CKT 1 (Total Project E&C Cost Shown.)	Previously Allocated		\$8,627,726.00
TUCO Interchange 345/230/13.2KV Autotransformer CKT 2 Balanced Portfolio: TUCO 345/230 kV Transformer CKT 2 (Total Project E&C Cost Shown)	Previously Allocated		\$14,900,907.00
	Current Study Total	\$24,665,405.43	

GEN-2011-020

FPL Switch - Woodward 138kV CKT 1 NRIS only required upgrade: Rebuild approximately 12 miles of 138kV line	Current Study	\$1,368,920.10	\$7,760,000.00
GEN-2011-020 Interconnection Costs See Online Diagram.	Current Study	\$3,654,353.00	\$3,654,353.00
Glass Mountain - Mooreland 138kV NRIS only required upgrade: Rebuild approximately 24 miles of 138kV line	Current Study	\$2,708,839.65	\$15,072,467.00
Matthewson - Cimarron 345kV CKT 2 Build second 345kV circuit from Matthewson - Cimarron @ 3000 amps	Current Study	\$3,488,324.59	\$42,903,753.00

* Withdrawal of higher queued projects will cause a restudy and may result in higher costs

Interconnection Request and Upgrades	Upgrade Type	Allocated Cost	Upgrade Cost
Mooreland - FPL Switch 138kV CKT 1 NRIS only required upgrade: Rebuild approximately 0.2 miles of 138kV line	Current Study	\$144,653.93	\$820,000.00
Tatonga - Matthewson 345kV CKT 2 Build second 345kV circuit from Tatonga - Matthewson @ 3000 amps	Current Study	\$11,958,760.75	\$104,260,473.00
Woodward - Woodward 138kV CKT 1 NRIS only required upgrade: Rebuild approximately 4.4 miles of 138kV line	Current Study	\$499,957.79	\$3,000,000.00
Woodward (OKGE) - Woodward (WFEC) 69kV CKT 1 NRIS only required upgrade: Per NTC 20003	Current Study	\$174,985.23	\$1,050,000.00
Woodward 138/69/13.2kV transformer CKT 2 NRIS only required upgrade: Install 2nd 138/69/13.2kV transformer at Woodward	Current Study	\$666,610.39	\$4,000,000.00
Border - Tuco Interchange 345KV CKT 1 Balanced Portfolio: Tuco - Woodward 345kV CKT 1 (Total Project E&C Cost Shown)	Previously Allocated		\$249,932,114.00
Border - Woodward 345KV CKT 1 Balanced Portfolio: Tuco - Woodward 345kV CKT 1 (Total Project E&C Cost Shown)	Previously Allocated		\$249,932,114.00
Cleveland - Sooner 345KV CKT 1 Balanced Portfolio: Cleveland - Sooner 345kV CKT 1 (Total Project E&C Cost Shown).	Previously Allocated		\$58,906,000.00
Thistle - Flat Ridge 138kV CKT 1 Priority Project: Thistle - Flat Ridge 138kV CKT 1 (Total Project E&C Cost Shown.)	Previously Allocated		\$4,004,423.00
Thistle - Wichita 345KV Dbl CKT Priority Project: Thistle - Wichita Dbl 345kV CKT (Total Project E&C Cost Shown.)	Previously Allocated		\$166,598,000.00
Thistle - Woodward 345KV Dbl CKT Priority Project: Thistle - Woodward Dbl 345kV CKT (Total Project E&C Cost Shown)	Previously Allocated		\$212,090,000.00
Thistle 345/138KV Transformer CKT 1 Priority Project: Thistle 345/138kV Transformer CKT 1 (Total Project E&C Cost Shown.)	Previously Allocated		\$8,627,726.00
TUCO Interchange 345/230/13.2KV Autotransformer CKT 2 Balanced Portfolio: TUCO 345/230 kV Transformer CKT 2 (Total Project E&C Cost Shown)	Previously Allocated		\$14,900,907.00
	Current Study Total	\$24,665,405.43	

GEN-2011-021

Beaver County - Buckner 345kV Build approximately 90 miles of 345kV from Beaver County - Gray County @ 3000 amps	Current Study	\$26,447,665.33	\$170,209,050.00
FPL Switch - Woodward 138kV CKT 1 NRIS only required upgrade: Rebuild approximately 12 miles of 138kV line	Current Study	\$2,652,578.75	\$7,760,000.00

* Withdrawal of higher queued projects will cause a restudy and may result in higher costs

Interconnection Request and Upgrades	Upgrade Type	Allocated Cost	Upgrade Cost
GEN-2011-021 Interconnection Costs See Online Diagram.	Current Study	\$3,954,353.00	\$3,954,353.00
Glass Mountain - Mooreland 138kV NRIS only required upgrade: Rebuild approximately 24 miles of 138kV line	Current Study	\$5,033,146.88	\$15,072,467.00
Matthewson - Cimarron 345kV CKT 2 Build second 345kV circuit from Matthewson - Cimarron @ 3000 amps	Current Study	\$2,780,555.84	\$42,903,753.00
Mooreland - FPL Switch 138kV CKT 1 NRIS only required upgrade: Rebuild approximately 0.2 miles of 138kV line	Current Study	\$280,298.27	\$820,000.00
Tatonga - Matthewson 345kV CKT 2 Build second 345kV circuit from Tatonga - Matthewson @ 3000 amps	Current Study	\$9,267,692.79	\$104,260,473.00
Woodward - Woodward 138kV CKT 1 NRIS only required upgrade: Rebuild approximately 4.4 miles of 138kV line	Current Study	\$1,196,050.48	\$3,000,000.00
Woodward (OKGE) - Woodward (WFEC) 69kV CKT 1 NRIS only required upgrade: Per NTC 20003	Current Study	\$418,617.67	\$1,050,000.00
Woodward 138/69/13.2kV transformer CKT 2 NRIS only required upgrade: Install 2nd 138/69/13.2kV transformer at Woodward	Current Study	\$1,594,733.98	\$4,000,000.00
Beaver County - Woodward 345kV CKT 1 Priority Project: Hitchland - Woodward Dbl 345kV CKT (Total Project E&C Cost Shown)	Previously Allocated		\$226,040,727.00
Border - Tuco Interchange 345KV CKT 1 Balanced Portfolio: Tuco - Woodward 345kV CKT 1 (Total Project E&C Cost Shown)	Previously Allocated		\$249,932,114.00
Border - Woodward 345KV CKT 1 Balanced Portfolio: Tuco - Woodward 345kV CKT 1 (Total Project E&C Cost Shown)	Previously Allocated		\$249,932,114.00
Clark - Thistle 345KV Dbl CKT Priority Project: Spearville - Clark - Thistle Dbl 345kV CKT (Total Project E&C Cost Shown.)	Previously Allocated		\$300,194,436.00
Cleveland - Sooner 345KV CKT 1 Balanced Portfolio: Cleveland - Sooner 345kV CKT 1 (Total Project E&C Cost Shown).	Previously Allocated		\$58,906,000.00
Hitchland - Woodward 345kV CKT 2 Priority Project: Hitchland - Woodward Dbl 345kV CKT (Total Project E&C Cost Shown)	Previously Allocated		\$226,040,727.00
Spearville -Clark 345KV Dbl CKT Priority Project: Spearville - Clark - Thistle Dbl 345kV CKT (Total Project E&C Cost Shown.)	Previously Allocated		\$300,194,436.00
Thistle - Flat Ridge 138kV CKT 1 Priority Project: Thistle - Flat Ridge 138kV CKT 1 (Total Project E&C Cost Shown.)	Previously Allocated		\$4,004,423.00

* Withdrawal of higher queued projects will cause a restudy and may result in higher costs

Interconnection Request and Upgrades	Upgrade Type	Allocated Cost	Upgrade Cost
Thistle - Wichita 345KV Dbl CKT Priority Project: Thistle - Wichita Dbl 345kV CKT (Total Project E&C Cost Shown.)	Previously Allocated		\$166,598,000.00
Thistle - Woodward 345KV Dbl CKT Priority Project: Thistle - Woodward Dbl 345kV CKT (Total Project E&C Cost Shown)	Previously Allocated		\$212,090,000.00
Thistle 345/138KV Transformer CKT 1 Priority Project: Thistle 345/138kV Transformer CKT 1 (Total Project E&C Cost Shown.)	Previously Allocated		\$8,627,726.00
Woodward XFMR 345/138/13.8kV CKT 2 Balanced Portfolio: Woodward 345/138kV Transformer CKT 2 & 50 MVAR Reactor (Total Project E&C Cost Shown).	Previously Allocated		\$15,000,000.00
	Current Study Total	\$53,625,692.99	

GEN-2011-022

Beaver County - Buckner 345kV Build approximately 90 miles of 345kV from Beaver County - Gray County @ 3000 amps	Current Study	\$15,339,269.04	\$170,209,050.00
GEN-2011-022 Interconnection Costs See Oneline Diagram.	Current Study	\$3,281,952.00	\$3,281,952.00
Matthewson - Cimarron 345kV CKT 2 Build second 345kV circuit from Matthewson - Cimarron @ 3000 amps	Current Study	\$2,322,882.05	\$42,903,753.00
Tatonga - Matthewson 345kV CKT 2 Build second 345kV circuit from Tatonga - Matthewson @ 3000 amps	Current Study	\$8,167,221.70	\$104,260,473.00
Beaver County - Woodward 345kV CKT 1 Priority Project: Hitchland - Woodward Dbl 345kV CKT (Total Project E&C Cost Shown)	Previously Allocated		\$226,040,727.00
Border - Tuco Interchange 345KV CKT 1 Balanced Portfolio: Tuco - Woodward 345kV CKT 1 (Total Project E&C Cost Shown)	Previously Allocated		\$249,932,114.00
Border - Woodward 345KV CKT 1 Balanced Portfolio: Tuco - Woodward 345kV CKT 1 (Total Project E&C Cost Shown)	Previously Allocated		\$249,932,114.00
Clark - Thistle 345KV Dbl CKT Priority Project: Spearville - Clark - Thistle Dbl 345kV CKT (Total Project E&C Cost Shown.)	Previously Allocated		\$300,194,436.00
Cleveland - Sooner 345KV CKT 1 Balanced Portfolio: Cleveland - Sooner 345kV CKT 1 (Total Project E&C Cost Shown).	Previously Allocated		\$58,906,000.00
Hitchland - Beaver County 345kV CKT 1 Priority Project: Hitchland - Woodward Dbl 345kV CKT (Total Project E&C Cost Shown)	Previously Allocated		\$226,040,727.00
Hitchland - Woodward 345kV CKT 2 Priority Project: Hitchland - Woodward Dbl 345kV CKT (Total Project E&C Cost Shown)	Previously Allocated		\$226,040,727.00

* Withdrawal of higher queued projects will cause a restudy and may result in higher costs

Interconnection Request and Upgrades	Upgrade Type	Allocated Cost	Upgrade Cost
Spearville -Clark 345KV Dbl CKT Priority Project: Spearville - Clark - Thistle Dbl 345kV CKT (Total Project E&C Cost Shown.)	Previously Allocated		\$300,194,436.00
Thistle - Flat Ridge 138kV CKT 1 Priority Project: Thistle - Flat Ridge 138kV CKT 1 (Total Project E&C Cost Shown.)	Previously Allocated		\$4,004,423.00
Thistle - Wichita 345KV Dbl CKT Priority Project: Thistle - Wichita Dbl 345kV CKT (Total Project E&C Cost Shown.)	Previously Allocated		\$166,598,000.00
Thistle - Woodward 345KV Dbl CKT Priority Project: Thistle - Woodward Dbl 345kV CKT (Total Project E&C Cost Shown)	Previously Allocated		\$212,090,000.00
Thistle 345/138KV Transformer CKT 1 Priority Project: Thistle 345/138kV Transformer CKT 1 (Total Project E&C Cost Shown.)	Previously Allocated		\$8,627,726.00
Woodward XFMR 345/138/13.8kV CKT 2 Balanced Portfolio: Woodward 345/138kV Transformer CKT 2 & 50 MVAR Reactor (Total Project E&C Cost Shown).	Previously Allocated		\$15,000,000.00
	Current Study Total		\$29,111,324.79

GEN-2011-023

Beaver County - Buckner 345kV Build approximately 90 miles of 345kV from Beaver County - Gray County @ 3000 amps	Current Study	\$14,907,340.27	\$170,209,050.00
GEN-2011-023 Interconnection Costs See Online Diagram.	Current Study	\$5,000,000.00	\$5,000,000.00
Matthewson - Cimarron 345kV CKT 2 Build second 345kV circuit from Matthewson - Cimarron @ 3000 amps	Current Study	\$2,409,414.91	\$42,903,753.00
Mullergren - Reno 345kV Dbl CKT Build approximately 92 miles of new Dbl 345kV circuit from Mullergren - Reno @ 3000 amps	Current Study	\$30,932,050.26	\$210,887,465.33
Spearville - Mullergren 345kV Dbl CKT Build approximately 85 miles of new Dbl 345kV circuit from Spearville - Mullergren @ 3000 amps	Current Study	\$28,795,933.43	\$196,323,921.67
Tatonga - Matthewson 345kV CKT 2 Build second 345kV circuit from Tatonga - Matthewson @ 3000 amps	Current Study	\$4,964,450.10	\$104,260,473.00
GEN-2011-017 Tap - Postrock 345kV CKT 1 Balanced Portfolio: Spearville - PostRock 345kV CKT 1 (Total Project E&C Cost Shown)	In-Service		\$84,006,000.00
Spearville - GEN-2011-017T 345kV CKT 1 Balanced Portfolio: Spearville - PostRock 345kV CKT 1 (Total Project E&C Cost Shown)	In-Service		\$84,006,000.00
Beaver County - Woodward 345kV CKT 1 Priority Project: Hitchland - Woodward Dbl 345kV CKT (Total Project E&C Cost Shown)	Previously Allocated		\$226,040,727.00

* Withdrawal of higher queued projects will cause a restudy and may result in higher costs

Interconnection Request and Upgrades	Upgrade Type	Allocated Cost	Upgrade Cost
Border - Tuco Interchange 345KV CKT 1 Balanced Portfolio: Tuco - Woodward 345kV CKT 1 (Total Project E&C Cost Shown)	Previously Allocated		\$249,932,114.00
Border - Woodward 345KV CKT 1 Balanced Portfolio: Tuco - Woodward 345kV CKT 1 (Total Project E&C Cost Shown)	Previously Allocated		\$249,932,114.00
Clark - Thistle 345KV Dbl CKT Priority Project: Spearville - Clark - Thistle Dbl 345kV CKT (Total Project E&C Cost Shown.)	Previously Allocated		\$300,194,436.00
Cleveland - Sooner 345KV CKT 1 Balanced Portfolio: Cleveland - Sooner 345kV CKT 1 (Total Project E&C Cost Shown).	Previously Allocated		\$58,906,000.00
Hitchland - Woodward 345kV CKT 2 Priority Project: Hitchland - Woodward Dbl 345kV CKT (Total Project E&C Cost Shown)	Previously Allocated		\$226,040,727.00
Hitchland 345/230kV Autotransformer CKT 2 Priority Project: Hitchland 345/230kV Autotransformer CKT 2 (Total Project E&C Cost Shown).	Previously Allocated		\$8,883,760.00
Post Rock 345/230/13.8kV Autotransformer CKT 2 DISIS-2010-001 Restudy	Previously Allocated		\$13,749,527.00
Thistle - Wichita 345KV Dbl CKT Priority Project: Thistle - Wichita Dbl 345kV CKT (Total Project E&C Cost Shown.)	Previously Allocated		\$166,598,000.00
Thistle - Woodward 345KV Dbl CKT Priority Project: Thistle - Woodward Dbl 345kV CKT (Total Project E&C Cost Shown)	Previously Allocated		\$212,090,000.00
TUCO Interchange 345/230/13.2KV Autotransformer CKT 2 Balanced Portfolio: TUCO 345/230 kV Transformer CKT 2 (Total Project E&C Cost Shown)	Previously Allocated		\$14,900,907.00
Woodward XFMR 345/138/13.8kV CKT 2 Balanced Portfolio: Woodward 345/138kV Transformer CKT 2 & 50 MVAR Reactor (Total Project E&C Cost Shown).	Previously Allocated		\$15,000,000.00
	Current Study Total		\$87,009,188.97

GEN-2011-024

FPL Switch - Woodward 138kV CKT 1 NRIS only required upgrade: Rebuild approximately 12 miles of 138kV line	Current Study	\$586,409.37	\$7,760,000.00
GEN-2011-024 Interconnection Costs See Online Diagram.	Current Study	\$3,654,353.00	\$3,654,353.00
Glass Mountain - Mooreland 138kV NRIS only required upgrade: Rebuild approximately 24 miles of 138kV line	Current Study	\$1,238,154.13	\$15,072,467.00
Matthewson - Cimarron 345kV CKT 2 Build second 345kV circuit from Matthewson - Cimarron @ 3000 amps	Current Study	\$6,616,012.24	\$42,903,753.00

* Withdrawal of higher queued projects will cause a restudy and may result in higher costs

Interconnection Request and Upgrades	Upgrade Type	Allocated Cost	Upgrade Cost
Mooreland - FPL Switch 138kV CKT 1 NRIS only required upgrade: Rebuild approximately 0.2 miles of 138kV line	Current Study	\$61,965.94	\$820,000.00
Tatonga - Matthewson 345kV CKT 2 Build second 345kV circuit from Tatonga - Matthewson @ 3000 amps	Current Study	\$24,476,234.06	\$104,260,473.00
Border - Tuco Interchange 345KV CKT 1 Balanced Portfolio: Tuco - Woodward 345kV CKT 1 (Total Project E&C Cost Shown)	Previously Allocated		\$249,932,114.00
Border - Woodward 345KV CKT 1 Balanced Portfolio: Tuco - Woodward 345kV CKT 1 (Total Project E&C Cost Shown)	Previously Allocated		\$249,932,114.00
Cleveland - Sooner 345KV CKT 1 Balanced Portfolio: Cleveland - Sooner 345kV CKT 1 (Total Project E&C Cost Shown).	Previously Allocated		\$58,906,000.00
Thistle - Flat Ridge 138kV CKT 1 Priority Project: Thistle - Flat Ridge 138kV CKT 1 (Total Project E&C Cost Shown.)	Previously Allocated		\$4,004,423.00
Thistle - Wichita 345KV Dbl CKT Priority Project: Thistle - Wichita Dbl 345kV CKT (Total Project E&C Cost Shown.)	Previously Allocated		\$166,598,000.00
Thistle - Woodward 345KV Dbl CKT Priority Project: Thistle - Woodward Dbl 345kV CKT (Total Project E&C Cost Shown)	Previously Allocated		\$212,090,000.00
Thistle 345/138KV Transformer CKT 1 Priority Project: Thistle 345/138kV Transformer CKT 1 (Total Project E&C Cost Shown.)	Previously Allocated		\$8,627,726.00
TUCO Interchange 345/230/13.2KV Autotransformer CKT 2 Balanced Portfolio: TUCO 345/230 kV Transformer CKT 2 (Total Project E&C Cost Shown)	Previously Allocated		\$14,900,907.00
	Current Study Total	\$36,633,128.74	

GEN-2011-025

GEN-2011-025 Interconnection Costs See Online Diagram.	Current Study	\$4,249,629.00	\$4,249,629.00
Beaver County - Woodward 345kV CKT 1 Priority Project: Hitchland - Woodward Dbl 345kV CKT (Total Project E&C Cost Shown)	Previously Allocated		\$226,040,727.00
Cleveland - Sooner 345KV CKT 1 Balanced Portfolio: Cleveland - Sooner 345kV CKT 1 (Total Project E&C Cost Shown).	Previously Allocated		\$58,906,000.00
Hitchland - Beaver County 345kV CKT 1 Priority Project: Hitchland - Woodward Dbl 345kV CKT (Total Project E&C Cost Shown)	Previously Allocated		\$226,040,727.00
Hitchland - Woodward 345kV CKT 2 Priority Project: Hitchland - Woodward Dbl 345kV CKT (Total Project E&C Cost Shown)	Previously Allocated		\$226,040,727.00

* Withdrawal of higher queued projects will cause a restudy and may result in higher costs

Interconnection Request and Upgrades	Upgrade Type	Allocated Cost	Upgrade Cost
Thistle - Flat Ridge 138kV CKT 1 Priority Project: Thistle - Flat Ridge 138kV CKT 1 (Total Project E&C Cost Shown.)	Previously Allocated		\$4,004,423.00
Thistle - Wichita 345KV Dbl CKT Priority Project: Thistle - Wichita Dbl 345kV CKT (Total Project E&C Cost Shown.)	Previously Allocated		\$166,598,000.00
Thistle - Woodward 345KV Dbl CKT Priority Project: Thistle - Woodward Dbl 345kV CKT (Total Project E&C Cost Shown)	Previously Allocated		\$212,090,000.00
Thistle 345/138KV Transformer CKT 1 Priority Project: Thistle 345/138kV Transformer CKT 1 (Total Project E&C Cost Shown.)	Previously Allocated		\$8,627,726.00
TUCO Interchange 345/230/13.2KV Autotransformer CKT 2 Balanced Portfolio: TUCO 345/230 kV Transformer CKT 2 (Total Project E&C Cost Shown)	Previously Allocated		\$14,900,907.00
Woodward XFMR 345/138/13.8kV CKT 2 Balanced Portfolio: Woodward 345/138kV Transformer CKT 2 & 50 MVAR Reactor (Total Project E&C Cost Shown).	Previously Allocated		\$15,000,000.00
	Current Study Total		\$4,249,629.00
GEN-2011-027			
GEN-2011-027 Interconnection Costs See Online Diagram.	Current Study	\$2,800,000.00	\$2,800,000.00
Hoskins - Dixon County - Twin Church 230kV Rerate per NPPD Facility Study	Current Study	\$500,000.00	\$500,000.00
Twin Church - Dixon County 230kV Increase conductor clearances to accommodate 320MVA facility rating	Previously Allocated		\$100,000.00
	Current Study Total		\$3,300,000.00
TOTAL CURRENT STUDY COSTS:			\$894,367,322.03

* Withdrawal of higher queued projects will cause a restudy and may result in higher costs

F: Cost Allocation per Proposed Study Network Upgrade

Important Note:

****WITHDRAWAL OF HIGHER QUEUED PROJECTS WILL CAUSE A RESTUDY
AND MAY RESULT IN HIGHER INTERCONNECTION COSTS****

This section shows each Direct Assigned Facility and Network Upgrade and the Generation Interconnection Request Customer(s) which have an impact in this study assuming all higher queued projects remain in the queue and achieve commercial operation.

The required interconnection costs listed do not include all costs associated with the deliverability of the energy to final customers. These costs are determined by separate studies if the Customer submits a Transmission Service Request through SPP's Open Access Same Time Information System (OASIS) as required by Attachment Z1 of the SPP OATT. In addition, costs associated with a short circuit analysis will be allocated should the Interconnection Request Customer choose to execute a Facility Study Agreement.

There may be additional costs allocated to each Customer. See Appendix E for more details.

Appendix F. Cost Allocation by Upgrade

ASGI 2011-002 Interconnection Costs \$0.00

See Online Diagram.

ASGI-2011-002 \$0.00

Total Allocated Costs \$0.00

ASGI 2011-003 Interconnection Costs \$0.00

See Online Diagram.

ASGI-2011-003 \$0.00

Total Allocated Costs \$0.00

Beaver County - Buckner 345kV \$170,209,050.00

Build approximately 90 miles of 345kV from Beaver County - Gray County @ 3000 amps

GEN-2010-029 \$29,837,318.73

GEN-2011-008 \$29,914,395.20

GEN-2011-012 \$5,048,537.74

GEN-2011-014 \$17,779,199.77

GEN-2011-016 \$13,261,030.55

GEN-2011-017 \$17,674,293.37

GEN-2011-021 \$26,447,665.33

GEN-2011-022 \$15,339,269.04

GEN-2011-023 \$14,907,340.27

Total Allocated Costs \$170,209,050.00

FPL Switch - Woodward 138kV CKT 1 \$7,760,000.00

NRIS only required upgrade: Rebuild approximately 12 miles of 138kV line

GEN-2011-014 \$1,783,171.67

GEN-2011-019 \$1,368,920.10

GEN-2011-020 \$1,368,920.10

GEN-2011-021 \$2,652,578.75

GEN-2011-024 \$586,409.37

Total Allocated Costs \$7,760,000.00

GEN-2010-020 Interconnection Costs \$906,824.00

See Online Diagram.

GEN-2010-020 \$906,824.00

Total Allocated Costs \$906,824.00

* Withdrawal of higher queued projects will cause a restudy and may result in higher costs

GEN-2010-029 Interconnection Costs		\$8,000,000.00
See Oonline Diagram.		
	GEN-2010-029	\$8,000,000.00
	Total Allocated Costs	\$8,000,000.00
GEN-2010-055 Interconnection Costs		\$309,300.00
See Oonline Diagram.		
	GEN-2010-055	\$309,300.00
	Total Allocated Costs	\$309,300.00
GEN-2010-056 Interconnection Costs		\$8,360,000.00
See Oonline Diagram.		
	GEN-2010-056	\$8,360,000.00
	Total Allocated Costs	\$8,360,000.00
GEN-2010-057 Interconnection Costs		\$859,521.00
See Oonline Diagram.		
	GEN-2010-057	\$859,521.00
	Total Allocated Costs	\$859,521.00
GEN-2010-058 Interconnection Costs		\$1,206,694.00
See Oonline Diagram.		
	GEN-2010-058	\$1,206,694.00
	Total Allocated Costs	\$1,206,694.00
GEN-2011-007 Interconnection Costs		\$3,654,353.00
See Oonline Diagram.		
	GEN-2011-007	\$3,654,353.00
	Total Allocated Costs	\$3,654,353.00
GEN-2011-008 Interconnection Costs		\$3,236,246.00
See Oonline Diagram.		
	GEN-2011-008	\$3,236,246.00
	Total Allocated Costs	\$3,236,246.00
GEN-2011-010 Interconnection Costs		\$3,654,353.00
See Oonline Diagram.		
	GEN-2011-010	\$3,654,353.00
	Total Allocated Costs	\$3,654,353.00

* Withdrawal of higher queued projects will cause a restudy and may result in higher costs

GEN-2011-011 Interconnection Costs**\$0.00**

See Oonline Diagram.

GEN-2011-011 \$0.00

Total Allocated Costs \$0.00**GEN-2011-012 Interconnection Costs****\$3,654,353.00**

See Oonline Diagram.

GEN-2011-012 \$3,654,353.00

Total Allocated Costs \$3,654,353.00**GEN-2011-014 Interconnection Costs****\$3,954,353.00**

See Oonline Diagram.

GEN-2011-014 \$3,954,353.00

Total Allocated Costs \$3,954,353.00**GEN-2011-016 Interconnection Costs****\$8,000,000.00**

See Oonline Diagram.

GEN-2011-016 \$8,000,000.00

Total Allocated Costs \$8,000,000.00**GEN-2011-018 Interconnection Costs****\$900,000.00**

See Oonline Diagram.

GEN-2011-018 \$900,000.00

Total Allocated Costs \$900,000.00**GEN-2011-019 Interconnection Costs****\$3,654,353.00**

See Oonline Diagram.

GEN-2011-019 \$3,654,353.00

Total Allocated Costs \$3,654,353.00**GEN-2011-020 Interconnection Costs****\$3,654,353.00**

See Oonline Diagram.

GEN-2011-020 \$3,654,353.00

Total Allocated Costs \$3,654,353.00**GEN-2011-021 Interconnection Costs****\$3,954,353.00**

See Oonline Diagram.

GEN-2011-021 \$3,954,353.00

Total Allocated Costs \$3,954,353.00

* Withdrawal of higher queued projects will cause a restudy and may result in higher costs

GEN-2011-022 Interconnection Costs **\$3,281,952.00**

See Oonline Diagram.

GEN-2011-022 \$3,281,952.00

Total Allocated Costs **\$3,281,952.00**

GEN-2011-023 Interconnection Costs **\$5,000,000.00**

See Oonline Diagram.

GEN-2011-023 \$5,000,000.00

Total Allocated Costs **\$5,000,000.00**

GEN-2011-024 Interconnection Costs **\$3,654,353.00**

See Oonline Diagram.

GEN-2011-024 \$3,654,353.00

Total Allocated Costs **\$3,654,353.00**

GEN-2011-025 Interconnection Costs **\$4,249,629.00**

See Oonline Diagram.

GEN-2011-025 \$4,249,629.00

Total Allocated Costs **\$4,249,629.00**

GEN-2011-027 Interconnection Costs **\$2,800,000.00**

See Oonline Diagram.

GEN-2011-027 \$2,800,000.00

Total Allocated Costs **\$2,800,000.00**

Glass Mountain - Mooreland 138kV **\$15,072,467.00**

NRIS only required upgrade: Rebuild approximatley 24 miles of 138kV line

GEN-2011-014 \$3,383,486.70

GEN-2011-019 \$2,708,839.65

GEN-2011-020 \$2,708,839.65

GEN-2011-021 \$5,033,146.88

GEN-2011-024 \$1,238,154.13

Total Allocated Costs **\$15,072,467.00**

Hoskins - Dixon County - Twin Church 230kV **\$500,000.00**

Rerate per NPPD Facility Study

GEN-2011-027 \$500,000.00

Total Allocated Costs **\$500,000.00**

Lyons - Wheatland 115kV **\$80,000.00**

Rerate circuit @ 1000 amps

* Withdrawal of higher queued projects will cause a restudy and may result in higher costs

GEN-2010-057 \$80,000.00

Total Allocated Costs \$80,000.00

Matthewson - Cimarron 345kV CKT 2 \$42,903,753.00

Build second 345kV circuit from Matthewson - Cimarron @ 3000 amps

GEN-2010-029 \$3,494,470.74
GEN-2011-007 \$7,199,221.99
GEN-2011-008 \$4,834,946.30
GEN-2011-012 \$673,473.12
GEN-2011-014 \$1,869,203.09
GEN-2011-016 \$1,553,098.11
GEN-2011-017 \$2,173,825.45
GEN-2011-019 \$3,488,324.59
GEN-2011-020 \$3,488,324.59
GEN-2011-021 \$2,780,555.84
GEN-2011-022 \$2,322,882.05
GEN-2011-023 \$2,409,414.91
GEN-2011-024 \$6,616,012.24

Total Allocated Costs \$42,903,753.00

Mooreland - FPL Switch 138kV CKT 1 \$820,000.00

NRIS only required upgrade: Rebuild approximately 0.2 miles of 138kV line

GEN-2011-014 \$188,427.93
GEN-2011-019 \$144,653.93
GEN-2011-020 \$144,653.93
GEN-2011-021 \$280,298.27
GEN-2011-024 \$61,965.94

Total Allocated Costs \$820,000.00

Mullergren - Reno 345kV Dbl CKT \$210,887,465.33

Build approximately 92 miles of new Dbl 345kV circuit from Mullergren - Reno @ 3000 amps

GEN-2010-029 \$60,901,895.96
GEN-2011-008 \$62,071,003.87
GEN-2011-016 \$27,067,509.32
GEN-2011-017 \$29,915,005.91
GEN-2011-023 \$30,932,050.26

Total Allocated Costs \$210,887,465.33

* Withdrawal of higher queued projects will cause a restudy and may result in higher costs

Mullergren - Spearville 230kV CKT 1 **\$36,107,610.00**

NRIS only upgrade: Rebuild approximately 62 miles of 230kV line

GEN-2010-029	\$24,997,576.15
GEN-2011-016	\$11,110,033.85

Total Allocated Costs	\$36,107,610.00
------------------------------	------------------------

Rice County - Lyons 115kV **\$6,646,800.00**

Rebuild circuit @ 1000 Amps

GEN-2010-057	\$6,646,800.00
--------------	----------------

Total Allocated Costs	\$6,646,800.00
------------------------------	-----------------------

Rice County 230/115kV transformer **\$7,835,455.00**

Install 230/115kV transformer at Rice County substation

GEN-2010-057	\$7,835,455.00
--------------	----------------

Total Allocated Costs	\$7,835,455.00
------------------------------	-----------------------

Rice County - Circle 230kV Conversion **\$9,889,234.00**

Convert from 115kV to 230kV operation

GEN-2010-057	\$9,889,234.00
--------------	----------------

Total Allocated Costs	\$9,889,234.00
------------------------------	-----------------------

Spearville - Mullergren 345kV Dbl CKT **\$196,323,921.67**

Build approximately 85 miles of new Dbl 345kV circuit from Spearville - Mullergren @ 3000 amps

GEN-2010-029	\$56,696,110.57
GEN-2011-008	\$57,784,481.80
GEN-2011-016	\$25,198,271.37
GEN-2011-017	\$27,849,124.50
GEN-2011-023	\$28,795,933.43

Total Allocated Costs	\$196,323,921.67
------------------------------	-------------------------

Tatonga - Matthewson 345kV CKT 2 **\$104,260,473.00**

Build second 345kV circuit from Tatonga - Matthewson @ 3000 amps

GEN-2010-029	\$7,199,022.00
GEN-2011-008	\$9,962,107.23
GEN-2011-012	\$2,641,881.15
GEN-2011-014	\$6,230,121.24
GEN-2011-016	\$3,199,565.33
GEN-2011-017	\$4,234,655.90
GEN-2011-019	\$11,958,760.75
GEN-2011-020	\$11,958,760.75

* Withdrawal of higher queued projects will cause a restudy and may result in higher costs

GEN-2011-021	\$9,267,692.79
GEN-2011-022	\$8,167,221.70
GEN-2011-023	\$4,964,450.10
GEN-2011-024	\$24,476,234.06
Total Allocated Costs	\$104,260,473.00

Wheatland - Lyons 115kV

\$76,103.00

Rerate circuit @ 1000 amps

GEN-2010-057	\$76,103.00
Total Allocated Costs	\$76,103.00

Woodward - Woodward 138kV CKT 1

\$3,000,000.00

NRIS only required upgrade: Rebuild approximately 4.4 miles of 138kV line

GEN-2011-014	\$804,033.94
GEN-2011-019	\$499,957.79
GEN-2011-020	\$499,957.79
GEN-2011-021	\$1,196,050.48
Total Allocated Costs	\$3,000,000.00

Woodward (OKGE) - Woodward (WFEC) 69kV CKT 1

\$1,050,000.00

NRIS only required upgrade: Per NTC 20003

GEN-2011-014	\$281,411.88
GEN-2011-019	\$174,985.23
GEN-2011-020	\$174,985.23
GEN-2011-021	\$418,617.67
Total Allocated Costs	\$1,050,000.00

Woodward 138/69/13.2kV transformer CKT 2

\$4,000,000.00

NRIS only required upgrade: Install 2nd 138/69/13.2kV transformer at Woodward

GEN-2011-014	\$1,072,045.25
GEN-2011-019	\$666,610.39
GEN-2011-020	\$666,610.39
GEN-2011-021	\$1,594,733.98
Total Allocated Costs	\$4,000,000.00

* Withdrawal of higher queued projects will cause a restudy and may result in higher costs

G: Power Flow Analysis (Constraints For Mitigation)

See next page.

EVENTTYPE	SOLUTIONTYPE	GROUP	SCENARIO	SEASON	SOURCE	DIRECTION	MONT	COMMONNAME	RATEB	TDF	TC%LOADI	CONTNAME
INVALID	FDNS	01ALL		0	13G	G10_020	'TO->FRON	'NORTHWEST - TATONGA7 345.00 345KV C	1195	0.20079	126.4871	'LAWTON EASTSIDE - OKLAUNION 345KV CKT 1'
	FDNS	01ALL		0	13G	G10_020	'TO->FRON	'NORTHWEST - TATONGA7 345.00 345KV C	1195	0.20079	119.5969	'OKLAUNION - TUCO INTERCHANGE 345KV CKT 1'
NCONV	FNSL-Blown up	01ALL		0	13G	G10_020		Non-Converged Contingency	1195	0.12944	116.2267	'NORTHWEST - TATONGA7 345.00 345KV CKT 1'
NCONV	FNSL-Blown up	01ALL		0	13G	G10_020		Non-Converged Contingency	1775	0.12944	6.701664	'TATONGA7 345.00 - WOODWARD DISTRICT EHV 345KV CKT 1'
NCONV	FNSL-Blown up	01ALL		0	13G	G10_020		Non-Converged Contingency	0	0.19271	9999	'DBL-THIS-WWR'
	FDNS	01ALL		0	13G	G10_020	'TO->FRON	'NORTHWEST - TATONGA7 345.00 345KV C	1195	0.20079	120.7076	'SPP-AEPW-32'
	FDNS	01ALL		0	13G	G10_020	'TO->FRON	'NORTHWEST - TATONGA7 345.00 345KV C	1195	0.19952	119.7743	'SPP-SWPS-01'
	FDNS	02ALL		0	13G	G10_020	'FROM->TC	'SPSSPTIESB1'	620	0.38168	174.8577	'BASE CASE'
	FDNS	02ALL		0	13G	G10_020	'FROM->TC	'SPSSPTIESC'	620	0.38168	174.8577	'BASE CASE'
NCONV	FNSL-Blown up	02ALL		0	13G	G10_020		Non-Converged Contingency	1195	0.12353	89.21449	'NORTHWEST - TATONGA7 345.00 345KV CKT 1'
NCONV	FNSL-Blown up	02ALL		0	13G	G10_020		Non-Converged Contingency	1792	0.08631	69.9815	'BEAVER CO 345.00 - WOODWARD DISTRICT EHV 345KV CKT 1'
NCONV	FNSL-Blown up	02ALL		0	13G	G10_020		Non-Converged Contingency	1052	0.13516	65.83252	'FINNEY SWITCHING STATION - Hitchland Interchange 345KV CKT 1'
NCONV	FNSL-Blown up	02ALL		0	13G	G10_020		Non-Converged Contingency	1052	0.13516	70.96961	'FINNEY SWITCHING STATION - HOLCOMB 345KV CKT 1'
NCONV	FNSL-Blown up	02ALL		0	13G	G10_020		Non-Converged Contingency	0	0.4592	9999	'SPP-SWPS-01'
NCONV	FNSL-Blown up	02ALL		0	13G	G10_020		Non-Converged Contingency	0	0.13516	9999	'SPP-SWPS-05'
NCONV	FNSL-Blown up	03ALL		0	13G	G10_020		Non-Converged Contingency	1052	0.23189	20.1711	'OKLAUNION - TUCO INTERCHANGE 345KV CKT 1'
NCONV	FNSL-Blown up	03ALL		0	13G	G10_020		Non-Converged Contingency	1195	0.12177	78.9142	'NORTHWEST - TATONGA7 345.00 345KV CKT 1'
NCONV	FNSL-Blown up	03ALL		0	13G	G10_020		Non-Converged Contingency	1775	0.12177	47.56333	'TATONGA7 345.00 - WOODWARD DISTRICT EHV 345KV CKT 1'
NCONV	FNSL-Blown up	03ALL		0	13G	G10_020		Non-Converged Contingency	1792	0.04156	49.45027	'G11-17T 345.00 - POST ROCK 345KV CKT 1'
NCONV	FNSL-Blown up	03ALL		0	13G	G10_020		Non-Converged Contingency	1792	0.03575	32.65164	'AXTELL - POST ROCK 345KV CKT 1'
NCONV	FNSL-Blown up	03ALL		0	13G	G10_020		Non-Converged Contingency	1328	0.05256	34.90823	'HOLCOMB - SETAB 345KV CKT 1'
NCONV	FNSL-Blown up	03ALL		0	13G	G10_020		Non-Converged Contingency	1328	0.04807	43.30291	'MINGO - SETAB 345KV CKT 1'
NCONV	FNSL-Blown up	03ALL		0	13G	G10_020		Non-Converged Contingency	717	0.04555	62.03905	'MINGO - RED WILLOW 345KV CKT 1'
NCONV	FNSL-Blown up	03ALL		0	13G	G10_020		Non-Converged Contingency	1328	0.06498	27.47881	'BUCKNER7 345.00 - SPEARVILLE 345KV CKT 1'
NCONV	FNSL-Blown up	03ALL		0	13G	G10_020		Non-Converged Contingency	1792	0.04156	30.84333	'G11-17T 345.00 - SPEARVILLE 345KV CKT 1'
NCONV	FNSL-Blown up	03ALL		0	13G	G10_020		Non-Converged Contingency	1051	0.03953	22.12694	'JEFFREY ENERGY CENTER - SUMMIT 345KV CKT 1'
NCONV	FNSL-Blown up	03ALL		0	13G	G10_020		Non-Converged Contingency	956	0.04944	26.72794	'EMPORIA ENERGY CENTER - WICHITA 345KV CKT 1'
NCONV	FNSL-Blown up	03ALL		0	13G	G10_020		Non-Converged Contingency	956	0.04347	62.98875	'BENTON - ROSE HILL 345KV CKT 1'
NCONV	FNSL-Blown up	03ALL		0	13G	G10_020		Non-Converged Contingency	1792	0.07774	43.40387	'THISTLE7 345.00 - WICHITA 345KV CKT 1'
NCONV	FNSL-Blown up	03ALL		0	13G	G10_020		Non-Converged Contingency	1792	0.07774	43.40387	'THISTLE7 345.00 - WICHITA 345KV CKT 2'
NCONV	FNSL-Blown up	03ALL		0	13G	G10_020		Non-Converged Contingency	956	0.03574	28.00759	'GERALD GENTLEMAN STATION - RED WILLOW 345KV CKT 1'
NCONV	FNSL-Blown up	03ALL		0	13G	G10_020		Non-Converged Contingency	0	0.15548	9999	'DBL-WICH-THI'
NCONV	FNSL-Blown up	03ALL		0	13G	G10_020		Non-Converged Contingency	0	0.17198	9999	'DBL-HTCH-BVR'
NCONV	FNSL-Blown up	03ALL		0	13G	G10_020		Non-Converged Contingency	0	0.17198	9999	'DBL-BVR-WWRD'
INVALID	FDNS		1	0	13G	G10_020	'TO->FRON	'NORTHWEST - TATONGA7 345.00 345KV C	1195	0.19978	106.3448	'LAWTON EASTSIDE - OKLAUNION 345KV CKT 1'
NCONV	FNSL-Blown up		3	0	13G	G10_020		Non-converged contingency	1792	0.04826	46.31664	'G11-17T 345.00 - POST ROCK 345KV CKT 1'
NCONV	FNSL-Blown up		3	0	13G	G10_020		Non-converged contingency	0	0.17043	9999	'DBL-WICH-THI'
	FDNS		1	0	13G	G10_020	'TO->FRON	'NORTHWEST - TATONGA7 345.00 345KV C	1195	0.19978	100.1442	'OKLAUNION - TUCO INTERCHANGE 345KV CKT 1'
	FDNS		1	0	13G	G10_020	'TO->FRON	'NORTHWEST - TATONGA7 345.00 345KV C	1195	0.20079	128.6688	'DBL-THIS-WWR'
	FDNS		1	0	13G	G10_020	'TO->FRON	'NORTHWEST - TATONGA7 345.00 345KV C	1195	0.19978	101.2439	'SPP-AEPW-32'
	FDNS		1	0	13G	G10_020	'TO->FRON	'NORTHWEST - TATONGA7 345.00 345KV C	1195	0.19851	100.2558	'SPP-SWPS-01'
	FDNS		2	0	13G	G10_020	'FROM->TC	'SPSSPTIESB1'	620	0.38498	131.41	'BASE CASE'
	FDNS		2	0	13G	G10_020	'FROM->TC	'SPSSPTIESC'	620	0.38498	131.41	'BASE CASE'
	FDNS		2	0	13G	G10_020	'TO->FRON	'NORTHWEST - TATONGA7 345.00 345KV C	1195	0.19596	101.999	'DBL-THIS-WWR'
	FDNS	02ALL	2	13G	G10_020	'FROM->TC	'SPSSPTIESB1'	620	0.34664	143.8108	'BASE CASE'	
	FDNS	02ALL	2	13G	G10_020	'FROM->TC	'SPSSPTIESC'	620	0.34664	143.8108	'BASE CASE'	
ISLAND-GE	FDNS	00NR		0	13SP	G10_029	'FROM->TC	'JUDSON LARGE 115/15.0KV TRANSFORMER	187	0.36804	111.5	'G11_020_1 345.00 - WOODWARD DISTRICT EHV 345KV CKT 1'
ISLAND-GE	FDNS	00NR		0	13SP	G10_029	'FROM->TC	'JUDSON LARGE 115/15.0KV TRANSFORMER	187	0.36804	111.5	'G11_019_1 345.00 - WOODWARD DISTRICT EHV 345KV CKT 1'
ISLAND-GE	FDNS	00NR		0	13SP	G10_029	'FROM->TC	'JUDSON LARGE 115/15.0KV TRANSFORMER	187	0.36804	112	'G11_022_1 345.00 - Hitchland Interchange 345KV CKT 1'

EVENTTYPE	SOLUTIONTYPE	GROUP	SCENARIO	SEASON	SOURCE	DIRECTION	MONT	COMMONNAME	RATEB	TDF	TC%LOADI	CONTNAME
ISLAND-GE	FDNS	00NR		0	13SP	G10_029	'FROM->T'	JUDSON LARGE 115/15.0KV TRANSFORMER	187	0.36804	119.7	'G08-25 115.00 - RULETON 115KV CKT 1'
ISLAND-GE	FDNS	00NR		0	13SP	G10_029	'FROM->T'	JUDSON LARGE 115/15.0KV TRANSFORMER	187	0.36804	119.6	'G06-40 115.00 - MINGO 115KV CKT 1'
ISLAND-GE	FDNS	00NR		0	13SP	G10_029	'FROM->T'	JUDSON LARGE 115/15.0KV TRANSFORMER	187	0.36804	121.4	'G07-11 115.00 - SYRACUSE 115KV CKT 1'
ISLAND-GE	FDNS	00NR		0	13SP	G10_029	'FROM->T'	JUDSON LARGE 115/15.0KV TRANSFORMER	187	0.36804	130.5	'G08-17 345.00 - SETAB 345KV CKT 1'
ISLAND-GE	FDNS	00NR		0	13SP	G10_029	'FROM->T'	JUDSON LARGE 115/15.0KV TRANSFORMER	187	0.36804	125.3	'G10-15 345.00 - SPEARVILLE 345KV CKT 1'
ISLAND-GE	FDNS	00NR		0	13SP	G10_029	'FROM->T'	JUDSON LARGE 115/15.0KV TRANSFORMER	187	0.36804	124.7	'G08-124 345.00 - SPEARVILLE 345KV CKT 1'
ISLAND-GE	FDNS	00NR		0	13SP	G10_029	'FROM->T'	JUDSON LARGE 115/15.0KV TRANSFORMER	187	0.36804	127.3	'G05-12 345.00 - SPEARVILLE 345KV CKT 1'
ISLAND-GE	FDNS	00NR		0	13SP	G10_029	'FROM->T'	JUDSON LARGE 115/15.0KV TRANSFORMER	187	0.36804	125.3	'G06-06 345.00 - SPEARVILLE 345KV CKT 1'
ISLAND-GE	FDNS	00NR		0	13SP	G10_029	'FROM->T'	JUDSON LARGE 115/15.0KV TRANSFORMER	187	0.36804	226.8	'G11_016_1 345.00 - SPEARVILLE 345KV CKT 1'
ISLAND-GE	FDNS	00NR		0	13SP	G10_029	'FROM->T'	JUDSON LARGE 115/15.0KV TRANSFORMER	187	0.36804	124.7	'BUCKNER7 345.00 - G07-40 345.00 345KV CKT 1'
ISLAND-GE	FDNS	00NR		0	13SP	G10_029	'FROM->T'	JUDSON LARGE 115/15.0KV TRANSFORMER	187	0.36804	122.9	'BUCKNER7 345.00 - G10-09 345.00 345KV CKT 1'
ISLAND-GE	FDNS	00NR		0	13SP	G10_029	'FROM->T'	JUDSON LARGE 115/15.0KV TRANSFORMER	187	0.36804	225.8	'BUCKNER7 345.00 - G10-45 345.00 345KV CKT 1'
ISLAND-GE	FDNS	00NR		0	13SP	G10_029	'FROM->T'	JUDSON LARGE 115/15.0KV TRANSFORMER	187	0.36804	133.8	'FLAT RIDGE WIND - FLATRDG3 138KV CKT 1'
ISLAND-GE	FDNS	00NR		0	13SP	G10_029	'FROM->T'	JUDSON LARGE 115/15.0KV TRANSFORMER	187	0.36804	134	'MRWYP16 - MRWYP26 230KV CKT 1'
ISLAND-GE	FDNS	00NR		0	13SP	G10_029	'FROM->T'	JUDSON LARGE 115/15.0KV TRANSFORMER	187	0.36804	160.9	'ELM CREEK - MRWYP16 230KV CKT 1'
ISLAND-GE	FDNS	00NR		0	13SP	G10_029	'FROM->T'	JUDSON LARGE 115/15.0KV TRANSFORMER	187	0.36804	122.5	'G06-022 115.00 - NINNES3 115.00 115KV CKT 1'
ISLAND-GE	FDNS	00NR		0	13SP	G10_029	'FROM->T'	JUDSON LARGE 115/15.0KV TRANSFORMER	187	0.36804	102.4	'ALEXANDER - PRATT 115KV CKT 1'
ISLAND-GE	FDNS	00NR		0	13SP	G10_029	'FROM->T'	JUDSON LARGE 115/15.0KV TRANSFORMER	187	0.36804	122.2	'G04_014 230.00 - SPEARVILLE 230KV CKT 1'
ISLAND-GE	FDNS	00NR		0	13SP	G10_029	'FROM->T'	JUDSON LARGE 115/15.0KV TRANSFORMER	187	0.36804	119.7	'SSTARW3 115.00 - SSTARW 3 115.00 115KV CKT 1'
ISLAND-GE	FDNS	00NR		0	13SP	G10_029	'FROM->T'	JUDSON LARGE 115/15.0KV TRANSFORMER	187	0.36804	124.4	'GRAY CO3 115.00 - GYCOTAP3 115.00 115KV CKT 1'
ISLAND-GE	FDNS	00NR		0	13SP	G10_029	'FROM->T'	JUDSON LARGE 115/15.0KV TRANSFORMER	187	0.36804	148.3	'CLARKCOUNTY7345.00 - G11-008 345.00 345KV CKT 1'
ISLAND-GE	FDNS	00NR		0	13SP	G10_029	'FROM->T'	JUDSON LARGE 115/15.0KV TRANSFORMER	187	0.36804	287.6	'CLARKCOUNTY7345.00 - G11_023_1 345.00 345KV CKT 1'
ISLAND-GE	FDNS	00NR		0	13SP	G10_029	'FROM->T'	JUDSON LARGE 115/15.0KV TRANSFORMER	187	0.36804	119	'G08-79 115.00 - G08-79T 115.00 115KV CKT 1'
ISLAND-GE	FDNS	00NR		0	13SP	G10_029	'FROM->T'	JUDSON LARGE 115/15.0KV TRANSFORMER	187	0.36804	288	'G11-17T 345.00 - G11_017_1 345.00 345KV CKT 1'
ISLAND-GE	FDNS	00NR		0	13SP	G10_029	'FROM->T'	JUDSON LARGE 115/15.0KV TRANSFORMER	187	0.36804	109.7	'TOLK STATION EAST 230/24.0KV TRANSFORMER CKT 1'
ISLAND-GE	FDNS	00NR		0	13SP	G10_029	'FROM->T'	JUDSON LARGE 115/15.0KV TRANSFORMER	187	0.36804	124.7	'SPEARVILLE 345/34.5KV TRANSFORMER CKT 1'
ISLAND-GE	FDNS	00NR		0	13SP	G10_029	'FROM->T'	JUDSON LARGE 115/15.0KV TRANSFORMER	187	0.36804	132.9	'COMANCHE COUNTY (CENTPLN3) 115/34.5/13.8KV TRANSFORMER CKT 1'
ISLAND-GE	FDNS	00NR		0	13SP	G10_029	'FROM->T'	JUDSON LARGE 115/15.0KV TRANSFORMER	187	0.36804	133.8	'FLAT RIDGE WIND (FLATRDG3) 138/34.53963/13.8KV TRANSFORMER CKT 1'
ISLAND-GE	FDNS	00NR		0	13SP	G10_029	'FROM->T'	JUDSON LARGE 115/15.0KV TRANSFORMER	187	0.36804	134	'MRWYP26 (MERDWYP2) 230/34.5/13.8KV TRANSFORMER CKT 1'
ISLAND-GE	FDNS	00NR		0	13SP	G10_029	'FROM->T'	JUDSON LARGE 115/15.0KV TRANSFORMER	187	0.36804	140.1	'MRWYP16 (MERIDWY1) 230/34.5/13.8KV TRANSFORMER CKT 1'
ISLAND-GE	FDNS	00NR		0	13SP	G10_029	'FROM->T'	JUDSON LARGE 115/15.0KV TRANSFORMER	187	0.36804	130.7	'MULLERGREN 115/13.8KV TRANSFORMER CKT 1'
ISLAND-GE	FDNS	00NR		0	13SP	G10_029	'FROM->T'	JUDSON LARGE 115/15.0KV TRANSFORMER	187	0.36804	119.6	'SSTARW 3 115.00 (SSWIND) 115/34.5/13.8KV TRANSFORMER CKT 1'
ISLAND-GE	FDNS	00NR		0	13SP	G10_029	'FROM->T'	JUDSON LARGE 115/15.0KV TRANSFORMER	187	0.36804	124.4	'GRAY CO3 115.00 (HAGGARD3) 115/34.5/13.8KV TRANSFORMER CKT 1'
ISLAND-GE	FDNS	00NR		0	13SP	G10_029	'FROM->T'	JUDSON LARGE 115/15.0KV TRANSFORMER	187	0.36804	130.5	'G08-17 345.00 345/34.5KV TRANSFORMER CKT 1'
ISLAND-GE	FDNS	00NR		0	13SP	G10_029	'FROM->T'	JUDSON LARGE 115/15.0KV TRANSFORMER	187	0.36804	124.7	'G07-40 345.00 345/34.5KV TRANSFORMER CKT 1'
ISLAND-GE	FDNS	00NR		0	13SP	G10_029	'FROM->T'	JUDSON LARGE 115/15.0KV TRANSFORMER	187	0.36804	119	'G08-79 115.00 115/34.5KV TRANSFORMER CKT 1'
ISLAND-GE	FDNS	00NR		0	13SP	G10_029	'FROM->T'	JUDSON LARGE 115/15.0KV TRANSFORMER	187	0.36804	122.9	'G10-09 345.00 345/34.5KV TRANSFORMER CKT 1'
ISLAND-GE	FDNS	00NR		0	13SP	G10_029	'FROM->T'	JUDSON LARGE 115/15.0KV TRANSFORMER	187	0.36804	118.9	'G10-15 345.00 345/34.5KV TRANSFORMER CKT 1'
ISLAND-GE	FDNS	00NR		0	13SP	G10_029	'FROM->T'	JUDSON LARGE 115/15.0KV TRANSFORMER	187	0.36804	119.6	'G10-15 345.00 345/34.5KV TRANSFORMER CKT 1'
ISLAND-GE	FDNS	00NR		0	13SP	G10_029	'FROM->T'	JUDSON LARGE 115/15.0KV TRANSFORMER	187	0.36804	119.7	'G08-25 115.00 115/34.5KV TRANSFORMER CKT 1'
ISLAND-GE	FDNS	00NR		0	13SP	G10_029	'FROM->T'	JUDSON LARGE 115/15.0KV TRANSFORMER	187	0.36804	225.8	'G10-45 345.00 345/34.5KV TRANSFORMER CKT 1'
ISLAND-GE	FDNS	00NR		0	13SP	G10_029	'FROM->T'	JUDSON LARGE 115/15.0KV TRANSFORMER	187	0.36804	122.2	'G04_014 230.00 230/34.5KV TRANSFORMER CKT 1'
ISLAND-GE	FDNS	00NR		0	13SP	G10_029	'FROM->T'	JUDSON LARGE 115/15.0KV TRANSFORMER	187	0.36804	127.2	'G05-12 345.00 345/34.5KV TRANSFORMER CKT 1'
ISLAND-GE	FDNS	00NR		0	13SP	G10_029	'FROM->T'	JUDSON LARGE 115/15.0KV TRANSFORMER	187	0.36804	125.3	'G06-06 345.00 345/34.5KV TRANSFORMER CKT 1'
ISLAND-GE	FDNS	00NR		0	13SP	G10_029	'FROM->T'	JUDSON LARGE 115/15.0KV TRANSFORMER	187	0.36804	122.5	'G06-022 115.00 115/34.5KV TRANSFORMER CKT 1'
ISLAND-GE	FDNS	00NR		0	13SP	G10_029	'FROM->T'	JUDSON LARGE 115/15.0KV TRANSFORMER	187	0.36804	119.6	'G06-40 115.00 115/34.5KV TRANSFORMER CKT 1'
ISLAND-GE	FDNS	00NR		0	13SP	G10_029	'FROM->T'	JUDSON LARGE 115/15.0KV TRANSFORMER	187	0.36804	121.4	'G07-11 115.00 115/34.5KV TRANSFORMER CKT 1'
ISLAND-GE	FDNS	00NR		0	13SP	G10_029	'FROM->T'	JUDSON LARGE 115/15.0KV TRANSFORMER	187	0.36804	124.9	'G11-008 345.00 345/34.5KV TRANSFORMER CKT 1'
ISLAND-GE	FDNS	00NR		0	13SP	G10_029	'FROM->T'	JUDSON LARGE 115/15.0KV TRANSFORMER	187	0.36804	121.8	'G11-008 345.00 345/34.5KV TRANSFORMER CKT 1'
ISLAND-GE	FDNS	00NR		0	13SP	G10_029	'FROM->T'	JUDSON LARGE 115/15.0KV TRANSFORMER	187	0.36804	121.7	'G11-008 345.00 345/34.5KV TRANSFORMER CKT 1'

EVENT	TYP	SOLUTION	TYPE	GROUP	SCENARIO	SEASON	SOURCE	DIRECTION	MONT	COMMON	NAME	RATE	B	TDF	TC%	LOAD	CONT	NAME
ISLAND-GE	FDNS			00NR		0	13SP	G10_029	'FROM->TC'	JUDSON	LARGE 115/15.0KV TRANSFORMER	187	0.36804		120.1		'G11-008 345.00 345/34.5KV TRANSFORMER CKT 1'	
ISLAND-GE	FDNS			00NR		0	13SP	G10_029	'FROM->TC'	JUDSON	LARGE 115/15.0KV TRANSFORMER	187	0.36804		287.6		'G11_023_1 345.00 345/34.5KV TRANSFORMER CKT 1'	
ISLAND-GE	FDNS			00NR		0	13SP	G10_029	'FROM->TC'	JUDSON	LARGE 115/15.0KV TRANSFORMER	187	0.36804		112		'G11_022_1 345.00 345/34.5KV TRANSFORMER CKT 1'	
ISLAND-GE	FDNS			00NR		0	13SP	G10_029	'FROM->TC'	JUDSON	LARGE 115/15.0KV TRANSFORMER	187	0.36804		111.5		'G11_020_1 345.00 345/34.5KV TRANSFORMER CKT 1'	
ISLAND-GE	FDNS			00NR		0	13SP	G10_029	'FROM->TC'	JUDSON	LARGE 115/15.0KV TRANSFORMER	187	0.36804		111.5		'G11_019_1 345.00 345/34.5KV TRANSFORMER CKT 1'	
ISLAND-GE	FDNS			00NR		0	13SP	G10_029	'FROM->TC'	JUDSON	LARGE 115/15.0KV TRANSFORMER	187	0.36804		288		'G11_017_1 345.00 345/34.5KV TRANSFORMER CKT 1'	
ISLAND-GE	FDNS			00NR		0	13SP	G10_029	'FROM->TC'	JUDSON	LARGE 115/15.0KV TRANSFORMER	187	0.36804		226.8		'G11_016_1 345.00 345/34.5KV TRANSFORMER CKT 1'	
ISLAND-GE	FDNS			00NR		0	13WP	G10_029	'FROM->TC'	JUDSON	LARGE 115/15.0KV TRANSFORMER	187	0.24395		187.6		'G11_016_1 345.00 - SPEARVILLE 345KV CKT 1'	
ISLAND-GE	FDNS			00NR		0	13WP	G10_029	'FROM->TC'	JUDSON	LARGE 115/15.0KV TRANSFORMER	187	0.24395		186.4		'BUCKNER7 345.00 - G10-45 345.00 345KV CKT 1'	
ISLAND-GE	FDNS			00NR		0	13WP	G10_029	'FROM->TC'	JUDSON	LARGE 115/15.0KV TRANSFORMER	187	0.24395		123		'ELM CREEK - MRWYP16 230KV CKT 1'	
ISLAND-GE	FDNS			00NR		0	13WP	G10_029	'FROM->TC'	JUDSON	LARGE 115/15.0KV TRANSFORMER	187	0.24395		110.7		'CLARKCOUNTY7345.00 - G11-008 345.00 345KV CKT 1'	
ISLAND-GE	FDNS			00NR		0	13WP	G10_029	'FROM->TC'	JUDSON	LARGE 115/15.0KV TRANSFORMER	187	0.24395		248.3		'CLARKCOUNTY7345.00 - G11_023_1 345.00 345KV CKT 1'	
ISLAND-GE	FDNS			00NR		0	13WP	G10_029	'FROM->TC'	JUDSON	LARGE 115/15.0KV TRANSFORMER	187	0.24395		249		'G11-17T 345.00 - G11_017_1 345.00 345KV CKT 1'	
ISLAND-GE	FDNS			00NR		0	13WP	G10_029	'FROM->TC'	JUDSON	LARGE 115/15.0KV TRANSFORMER	187	0.24395		288.1		'HOLCOMB 115/22.0KV TRANSFORMER CKT 1'	
ISLAND-GE	FDNS			00NR		0	13WP	G10_029	'FROM->TC'	JUDSON	LARGE 115/15.0KV TRANSFORMER	187	0.24395		102.6		'MRWYP16 (MERIDWY1) 230/34.5/13.8KV TRANSFORMER CKT 1'	
ISLAND-GE	FDNS			00NR		0	13WP	G10_029	'FROM->TC'	JUDSON	LARGE 115/15.0KV TRANSFORMER	187	0.24395		186.4		'G10-45 345.00 345/34.5KV TRANSFORMER CKT 1'	
ISLAND-GE	FDNS			00NR		0	13WP	G10_029	'FROM->TC'	JUDSON	LARGE 115/15.0KV TRANSFORMER	187	0.24395		248.3		'G11_023_1 345.00 345/34.5KV TRANSFORMER CKT 1'	
ISLAND-GE	FDNS			00NR		0	13WP	G10_029	'FROM->TC'	JUDSON	LARGE 115/15.0KV TRANSFORMER	187	0.24395		249		'G11_017_1 345.00 345/34.5KV TRANSFORMER CKT 1'	
ISLAND-GE	FDNS			00NR		0	13WP	G10_029	'FROM->TC'	JUDSON	LARGE 115/15.0KV TRANSFORMER	187	0.24395		187.6		'G11_016_1 345.00 345/34.5KV TRANSFORMER CKT 1'	
ISLAND-GE	FDNS			00NR		0	18WP	G10_029	'FROM->TC'	JUDSON	LARGE 115/15.0KV TRANSFORMER	187	0.36542		110.7		'G11_020_1 345.00 - WOODWARD DISTRICT EHV 345KV CKT 1'	
ISLAND-GE	FDNS			00NR		0	18WP	G10_029	'FROM->TC'	JUDSON	LARGE 115/15.0KV TRANSFORMER	187	0.36542		110.7		'G11_019_1 345.00 - WOODWARD DISTRICT EHV 345KV CKT 1'	
ISLAND-GE	FDNS			00NR		0	18WP	G10_029	'FROM->TC'	JUDSON	LARGE 115/15.0KV TRANSFORMER	187	0.36542		119.1		'G08-25 115.00 - RULETON 115KV CKT 1'	
ISLAND-GE	FDNS			00NR		0	18WP	G10_029	'FROM->TC'	JUDSON	LARGE 115/15.0KV TRANSFORMER	187	0.36542		119		'G06-40 115.00 - MINGO 115KV CKT 1'	
ISLAND-GE	FDNS			00NR		0	18WP	G10_029	'FROM->TC'	JUDSON	LARGE 115/15.0KV TRANSFORMER	187	0.36542		120.7		'G07-11 115.00 - SYRACUSE 115KV CKT 1'	
ISLAND-GE	FDNS			00NR		0	18WP	G10_029	'FROM->TC'	JUDSON	LARGE 115/15.0KV TRANSFORMER	187	0.36542		129.6		'G08-17 345.00 - SETAB 345KV CKT 1'	
ISLAND-GE	FDNS			00NR		0	18WP	G10_029	'FROM->TC'	JUDSON	LARGE 115/15.0KV TRANSFORMER	187	0.36542		124.6		'G10-15 345.00 - SPEARVILLE 345KV CKT 1'	
ISLAND-GE	FDNS			00NR		0	18WP	G10_029	'FROM->TC'	JUDSON	LARGE 115/15.0KV TRANSFORMER	187	0.36542		124		'G08-124 345.00 - SPEARVILLE 345KV CKT 1'	
ISLAND-GE	FDNS			00NR		0	18WP	G10_029	'FROM->TC'	JUDSON	LARGE 115/15.0KV TRANSFORMER	187	0.36542		126.6		'G05-12 345.00 - SPEARVILLE 345KV CKT 1'	
ISLAND-GE	FDNS			00NR		0	18WP	G10_029	'FROM->TC'	JUDSON	LARGE 115/15.0KV TRANSFORMER	187	0.36542		124.6		'G06-06 345.00 - SPEARVILLE 345KV CKT 1'	
ISLAND-GE	FDNS			00NR		0	18WP	G10_029	'FROM->TC'	JUDSON	LARGE 115/15.0KV TRANSFORMER	187	0.36542		225.8		'G11_016_1 345.00 - SPEARVILLE 345KV CKT 1'	
ISLAND-GE	FDNS			00NR		0	18WP	G10_029	'FROM->TC'	JUDSON	LARGE 115/15.0KV TRANSFORMER	187	0.36542		124		'BUCKNER7 345.00 - G07-40 345.00 345KV CKT 1'	
ISLAND-GE	FDNS			00NR		0	18WP	G10_029	'FROM->TC'	JUDSON	LARGE 115/15.0KV TRANSFORMER	187	0.36542		122.1		'BUCKNER7 345.00 - G10-09 345.00 345KV CKT 1'	
ISLAND-GE	FDNS			00NR		0	18WP	G10_029	'FROM->TC'	JUDSON	LARGE 115/15.0KV TRANSFORMER	187	0.36542		224.8		'BUCKNER7 345.00 - G10-45 345.00 345KV CKT 1'	
ISLAND-GE	FDNS			00NR		0	18WP	G10_029	'FROM->TC'	JUDSON	LARGE 115/15.0KV TRANSFORMER	187	0.36542		132.9		'FLAT RIDGE WIND - FLATRDG3 138KV CKT 1'	
ISLAND-GE	FDNS			00NR		0	18WP	G10_029	'FROM->TC'	JUDSON	LARGE 115/15.0KV TRANSFORMER	187	0.36542		133.1		'MRWYP16 - MRWYP26 230KV CKT 1'	
ISLAND-GE	FDNS			00NR		0	18WP	G10_029	'FROM->TC'	JUDSON	LARGE 115/15.0KV TRANSFORMER	187	0.36542		160.1		'ELM CREEK - MRWYP16 230KV CKT 1'	
ISLAND-GE	FDNS			00NR		0	18WP	G10_029	'FROM->TC'	JUDSON	LARGE 115/15.0KV TRANSFORMER	187	0.36542		121.8		'G06-022 115.00 - NINNESEC3 115.00 115KV CKT 1'	
ISLAND-GE	FDNS			00NR		0	18WP	G10_029	'FROM->TC'	JUDSON	LARGE 115/15.0KV TRANSFORMER	187	0.36542		101.7		'ALEXANDER - PRATT 115KV CKT 1'	
ISLAND-GE	FDNS			00NR		0	18WP	G10_029	'FROM->TC'	JUDSON	LARGE 115/15.0KV TRANSFORMER	187	0.36542		121.6		'G04_014 230.00 - SPEARVILLE 230KV CKT 1'	
ISLAND-GE	FDNS			00NR		0	18WP	G10_029	'FROM->TC'	JUDSON	LARGE 115/15.0KV TRANSFORMER	187	0.36542		118.8		'SSTARTP3 115.00 - SSTARW 3 115.00 115KV CKT 1'	
ISLAND-GE	FDNS			00NR		0	18WP	G10_029	'FROM->TC'	JUDSON	LARGE 115/15.0KV TRANSFORMER	187	0.36542		123.7		'GRAY CO3 115.00 - GYCOTAP3 115.00 115KV CKT 1'	
ISLAND-GE	FDNS			00NR		0	18WP	G10_029	'FROM->TC'	JUDSON	LARGE 115/15.0KV TRANSFORMER	187	0.36542		147.4		'CLARKCOUNTY7345.00 - G11-008 345.00 345KV CKT 1'	
ISLAND-GE	FDNS			00NR		0	18WP	G10_029	'FROM->TC'	JUDSON	LARGE 115/15.0KV TRANSFORMER	187	0.36542		286.5		'CLARKCOUNTY7345.00 - G11_023_1 345.00 345KV CKT 1'	
ISLAND-GE	FDNS			00NR		0	18WP	G10_029	'FROM->TC'	JUDSON	LARGE 115/15.0KV TRANSFORMER	187	0.36542		118.5		'G08-79 115.00 - G08-79T 115.00 115KV CKT 1'	
ISLAND-GE	FDNS			00NR		0	18WP	G10_029	'FROM->TC'	JUDSON	LARGE 115/15.0KV TRANSFORMER	187	0.36542		287.2		'G11-17T 345.00 - G11_017_1 345.00 345KV CKT 1'	
ISLAND-GE	FDNS			00NR		0	18WP	G10_029	'FROM->TC'	JUDSON	LARGE 115/15.0KV TRANSFORMER	187	0.36542		108.6		'TOLK STATION EAST 230/24.0KV TRANSFORMER CKT 1'	
ISLAND-GE	FDNS			00NR		0	18WP	G10_029	'FROM->TC'	JUDSON	LARGE 115/15.0KV TRANSFORMER	187	0.36542		124		'SPEARVILLE 345/34.5KV TRANSFORMER CKT 1'	
ISLAND-GE	FDNS			00NR		0	18WP	G10_029	'FROM->TC'	JUDSON	LARGE 115/15.0KV TRANSFORMER	187	0.36542		132.3		'COMANCHE COUNTY (CENTPLN3) 115/34.5/13.8KV TRANSFORMER CKT 1'	
ISLAND-GE	FDNS			00NR		0	18WP	G10_029	'FROM->TC'	JUDSON	LARGE 115/15.0KV TRANSFORMER	187	0.36542		132.9		'FLAT RIDGE WIND (FLATRDG3) 138/34.53963/13.8KV TRANSFORMER CKT 1'	
ISLAND-GE	FDNS			00NR		0	18WP	G10_029	'FROM->TC'	JUDSON	LARGE 115/15.0KV TRANSFORMER	187	0.36542		133.1		'MRWYP26 (MERDWP2) 230/34.5/13.8KV TRANSFORMER CKT 1'	

EVENTTYPE	SOLUTIONTYPE	GROUP	SCENARIO	SEASON	SOURCE	DIRECTION	MONTCOMMONNAME	RATEB	TDF	TC%LOADI	CONTNAME	
ISLAND-GE	FDNS	00NR		0	18WP	G10_029	'FROM->TC	JUDSON LARGE 115/15.0KV TRANSFORMER	187	0.36542	139.2	'MRWYP16 (MERIDWY1) 230/34.5/13.8KV TRANSFORMER CKT 1'
ISLAND-GE	FDNS	00NR		0	18WP	G10_029	'FROM->TC	JUDSON LARGE 115/15.0KV TRANSFORMER	187	0.36542	130.1	'MULLERGREN 115/13.8KV TRANSFORMER CKT 1'
ISLAND-GE	FDNS	00NR		0	18WP	G10_029	'FROM->TC	JUDSON LARGE 115/15.0KV TRANSFORMER	187	0.36542	119.3	'SSTARW 3 115.00 (SSWIND) 115/34.5/13.8KV TRANSFORMER CKT 1'
ISLAND-GE	FDNS	00NR		0	18WP	G10_029	'FROM->TC	JUDSON LARGE 115/15.0KV TRANSFORMER	187	0.36542	123.7	'GRAY CO3 115.00 (HAGGARD3) 115/34.5/13.8KV TRANSFORMER CKT 1'
ISLAND-GE	FDNS	00NR		0	18WP	G10_029	'FROM->TC	JUDSON LARGE 115/15.0KV TRANSFORMER	187	0.36542	129.6	'G08-17 345.00 345/34.5KV TRANSFORMER CKT 1'
ISLAND-GE	FDNS	00NR		0	18WP	G10_029	'FROM->TC	JUDSON LARGE 115/15.0KV TRANSFORMER	187	0.36542	123.9	'G07-40 345.00 345/34.5KV TRANSFORMER CKT 1'
ISLAND-GE	FDNS	00NR		0	18WP	G10_029	'FROM->TC	JUDSON LARGE 115/15.0KV TRANSFORMER	187	0.36542	118.5	'G08-79 115.00 115/34.5KV TRANSFORMER CKT 1'
ISLAND-GE	FDNS	00NR		0	18WP	G10_029	'FROM->TC	JUDSON LARGE 115/15.0KV TRANSFORMER	187	0.36542	122.1	'G10-09 345.00 345/34.5KV TRANSFORMER CKT 1'
ISLAND-GE	FDNS	00NR		0	18WP	G10_029	'FROM->TC	JUDSON LARGE 115/15.0KV TRANSFORMER	187	0.36542	118.4	'G10-15 345.00 345/34.5KV TRANSFORMER CKT 1'
ISLAND-GE	FDNS	00NR		0	18WP	G10_029	'FROM->TC	JUDSON LARGE 115/15.0KV TRANSFORMER	187	0.36542	118.8	'G10-15 345.00 345/34.5KV TRANSFORMER CKT 1'
ISLAND-GE	FDNS	00NR		0	18WP	G10_029	'FROM->TC	JUDSON LARGE 115/15.0KV TRANSFORMER	187	0.36542	119.1	'G08-25 115.00 115/34.5KV TRANSFORMER CKT 1'
ISLAND-GE	FDNS	00NR		0	18WP	G10_029	'FROM->TC	JUDSON LARGE 115/15.0KV TRANSFORMER	187	0.36542	224.8	'G10-45 345.00 345/34.5KV TRANSFORMER CKT 1'
ISLAND-GE	FDNS	00NR		0	18WP	G10_029	'FROM->TC	JUDSON LARGE 115/15.0KV TRANSFORMER	187	0.36542	121.6	'G04_014 230.00 230/34.5KV TRANSFORMER CKT 1'
ISLAND-GE	FDNS	00NR		0	18WP	G10_029	'FROM->TC	JUDSON LARGE 115/15.0KV TRANSFORMER	187	0.36542	126.6	'G05-12 345.00 345/34.5KV TRANSFORMER CKT 1'
ISLAND-GE	FDNS	00NR		0	18WP	G10_029	'FROM->TC	JUDSON LARGE 115/15.0KV TRANSFORMER	187	0.36542	124.6	'G06-06 345.00 345/34.5KV TRANSFORMER CKT 1'
ISLAND-GE	FDNS	00NR		0	18WP	G10_029	'FROM->TC	JUDSON LARGE 115/15.0KV TRANSFORMER	187	0.36542	121.8	'G06-022 115.00 115/34.5KV TRANSFORMER CKT 1'
ISLAND-GE	FDNS	00NR		0	18WP	G10_029	'FROM->TC	JUDSON LARGE 115/15.0KV TRANSFORMER	187	0.36542	119	'G06-40 115.00 115/34.5KV TRANSFORMER CKT 1'
ISLAND-GE	FDNS	00NR		0	18WP	G10_029	'FROM->TC	JUDSON LARGE 115/15.0KV TRANSFORMER	187	0.36542	120.7	'G07-11 115.00 115/34.5KV TRANSFORMER CKT 1'
ISLAND-GE	FDNS	00NR		0	18WP	G10_029	'FROM->TC	JUDSON LARGE 115/15.0KV TRANSFORMER	187	0.36542	124.1	'G11-008 345.00 345/34.5KV TRANSFORMER CKT 1'
ISLAND-GE	FDNS	00NR		0	18WP	G10_029	'FROM->TC	JUDSON LARGE 115/15.0KV TRANSFORMER	187	0.36542	121.2	'G11-008 345.00 345/34.5KV TRANSFORMER CKT 1'
ISLAND-GE	FDNS	00NR		0	18WP	G10_029	'FROM->TC	JUDSON LARGE 115/15.0KV TRANSFORMER	187	0.36542	121.1	'G11-008 345.00 345/34.5KV TRANSFORMER CKT 1'
ISLAND-GE	FDNS	00NR		0	18WP	G10_029	'FROM->TC	JUDSON LARGE 115/15.0KV TRANSFORMER	187	0.36542	119.4	'G11-008 345.00 345/34.5KV TRANSFORMER CKT 1'
ISLAND-GE	FDNS	00NR		0	18WP	G10_029	'FROM->TC	JUDSON LARGE 115/15.0KV TRANSFORMER	187	0.36542	286.5	'G11_023_1 345.00 345/34.5KV TRANSFORMER CKT 1'
ISLAND-GE	FDNS	00NR		0	18WP	G10_029	'FROM->TC	JUDSON LARGE 115/15.0KV TRANSFORMER	187	0.36542	110.7	'G11_020_1 345.00 345/34.5KV TRANSFORMER CKT 1'
ISLAND-GE	FDNS	00NR		0	18WP	G10_029	'FROM->TC	JUDSON LARGE 115/15.0KV TRANSFORMER	187	0.36542	110.7	'G11_019_1 345.00 345/34.5KV TRANSFORMER CKT 1'
ISLAND-GE	FDNS	00NR		0	18WP	G10_029	'FROM->TC	JUDSON LARGE 115/15.0KV TRANSFORMER	187	0.36542	287.2	'G11_017_1 345.00 345/34.5KV TRANSFORMER CKT 1'
ISLAND-GE	FDNS	00NR		0	18WP	G10_029	'FROM->TC	JUDSON LARGE 115/15.0KV TRANSFORMER	187	0.36542	225.8	'G11_016_1 345.00 345/34.5KV TRANSFORMER CKT 1'
NCONV	FNSL-Blown up	01ALL		0	13G	G10_029		Non-Converged Contingency	1195	0.10648	116.2267	'NORTHWEST - TATONGA7 345.00 345KV CKT 1'
NCONV	FNSL-Blown up	01ALL		0	13G	G10_029		Non-Converged Contingency	1775	0.10648	6.701664	'TATONGA7 345.00 - WOODWARD DISTRICT EHV 345KV CKT 1'
NCONV	FNSL-Blown up	02ALL		0	13G	G10_029		Non-Converged Contingency	1195	0.10057	89.21449	'NORTHWEST - TATONGA7 345.00 345KV CKT 1'
NCONV	FNSL-Blown up	03ALL		0	13G	G10_029		Non-Converged Contingency	1195	0.09088	78.9142	'NORTHWEST - TATONGA7 345.00 345KV CKT 1'
NCONV	FNSL-Blown up	03ALL		0	13G	G10_029		Non-Converged Contingency	1775	0.09088	47.56333	'TATONGA7 345.00 - WOODWARD DISTRICT EHV 345KV CKT 1'
NCONV	FNSL-Blown up	03ALL		0	13G	G10_029		Non-Converged Contingency	956	0.0892	46.23839	'HUNTERS7 345.00 - VIOLA 7 345.00 345KV CKT 1'
NCONV	FNSL-Blown up	03ALL		0	13G	G10_029		Non-Converged Contingency	1052	0.13728	73.8719	'FINNEY SWITCHING STATION - Hitchland Interchange 345KV CKT 1'
NCONV	FNSL-Blown up	03ALL		0	13G	G10_029		Non-Converged Contingency	1052	0.06782	22.06532	'Hitchland Interchange - POTTER COUNTY INTERCHANGE 345KV CKT 1'
NCONV	FNSL-Blown up	03ALL		0	13G	G10_029		Non-Converged Contingency	1052	0.13728	30.15398	'FINNEY SWITCHING STATION - HOLCOMB 345KV CKT 1'
NCONV	FNSL-Blown up	03ALL		0	13G	G10_029		Non-Converged Contingency	1792	0.16232	49.45027	'G11-17T 345.00 - POST ROCK 345KV CKT 1'
NCONV	FNSL-Blown up	03ALL		0	13G	G10_029		Non-Converged Contingency	1792	0.11043	32.65164	'AXTELL - POST ROCK 345KV CKT 1'
NCONV	FNSL-Blown up	03ALL		0	13G	G10_029		Non-Converged Contingency	319	0.04211	99.17691	'SMOKYHL6 230.00 - SUMMIT 230KV CKT 1'
NCONV	FNSL-Blown up	03ALL		0	13G	G10_029		Non-Converged Contingency	1328	0.05024	34.90823	'HOLCOMB - SETAB 345KV CKT 1'
NCONV	FNSL-Blown up	03ALL		0	13G	G10_029		Non-Converged Contingency	1328	0.20494	36.12886	'BUCKNER7 345.00 - HOLCOMB 345KV CKT 1'
NCONV	FNSL-Blown up	03ALL		0	13G	G10_029		Non-Converged Contingency	1328	0.05058	43.30291	'MINGO - SETAB 345KV CKT 1'
NCONV	FNSL-Blown up	03ALL		0	13G	G10_029		Non-Converged Contingency	717	0.05555	62.03905	'MINGO - RED WILLOW 345KV CKT 1'
NCONV	FNSL-Blown up	03ALL		0	13G	G10_029		Non-Converged Contingency	1195	0.1573	69.8401	'MULGREN7 345.00 - SPEARVILLE 345KV CKT 2'
NCONV	FNSL-Blown up	03ALL		0	13G	G10_029		Non-Converged Contingency	1792	0.16232	30.84333	'G11-17T 345.00 - SPEARVILLE 345KV CKT 1'
NCONV	FNSL-Blown up	03ALL		0	13G	G10_029		Non-Converged Contingency	1051	0.07123	22.12694	'JEFFREY ENERGY CENTER - SUMMIT 345KV CKT 1'
NCONV	FNSL-Blown up	03ALL		0	13G	G10_029		Non-Converged Contingency	956	0.04248	26.72794	'EMPORIA ENERGY CENTER - WICHITA 345KV CKT 1'
NCONV	FNSL-Blown up	03ALL		0	13G	G10_029		Non-Converged Contingency	1195	0.1573	69.83763	'MULGREN7 345.00 - RENO COUNTY 345KV CKT 2'
NCONV	FNSL-Blown up	03ALL		0	13G	G10_029		Non-Converged Contingency	956	0.11647	62.98875	'BENTON - ROSE HILL 345KV CKT 1'

EVENTTYPE	SOLUTIONTYPE	GROUP	SCENARIO	SEASON	SOURCE	DIRECTION	MONTCOMMONNAME	RATEB	TDF	TC%LOADI	CONTNAME
NCONV	FNSL-Blown up	03ALL		0	13G	G10_029	Non-Converged Contingency	1792	0.10101	43.40387	'THISTLE7 345.00 - WICHITA 345KV CKT 1'
NCONV	FNSL-Blown up	03ALL		0	13G	G10_029	Non-Converged Contingency	1792	0.10101	43.40387	'THISTLE7 345.00 - WICHITA 345KV CKT 2'
NCONV	FNSL-Blown up	03ALL		0	13G	G10_029	Non-Converged Contingency	319	0.0458	100.0148	'CIRCLE - MULLERGREN 230KV CKT 1'
NCONV	FNSL-Blown up	03ALL		0	13G	G10_029	Non-Converged Contingency	355.3	0.06665	107.7076	'MULLERGREN - SPEARVILLE 230KV CKT 1'
NCONV	FNSL-Blown up	03ALL		0	13G	G10_029	Non-Converged Contingency	1793	0.18638	52.49322	'CLARKCOUNTY7345.00 - THISTLE7 345.00 345KV CKT 1'
NCONV	FNSL-Blown up	03ALL		0	13G	G10_029	Non-Converged Contingency	1793	0.18638	52.49322	'CLARKCOUNTY7345.00 - THISTLE7 345.00 345KV CKT 2'
NCONV	FNSL-Blown up	03ALL		0	13G	G10_029	Non-Converged Contingency	956	0.06304	47.97702	'AXTELL - PAULINE 345KV CKT 1'
NCONV	FNSL-Blown up	03ALL		0	13G	G10_029	Non-Converged Contingency	956	0.04329	28.00759	'GERALD GENTLEMAN STATION - RED WILLOW 345KV CKT 1'
NCONV	FNSL-Blown up	03ALL		0	13G	G10_029	Non-Converged Contingency	956	0.05574	42.82254	'MOORE - PAULINE 345KV CKT 1'
NCONV	FNSL-Blown up	03ALL		0	13G	G10_029	Non-Converged Contingency	559	0.06782	56.24506	'POTTER COUNTY INTERCHANGE (WAUK 90343-A) 345/230/13.2KV TRANSFORMER CKT 1'
NCONV	FNSL-Blown up	03ALL		0	13G	G10_029	Non-Converged Contingency	0	0.20201	9999	'DBL-WICH-THI'
NCONV	FNSL-Blown up	03ALL		0	13G	G10_029	Non-Converged Contingency	0	0.17191	9999	'DBL-THIS-WWR'
NCONV	FNSL-Blown up	03ALL		0	13G	G10_029	Non-Converged Contingency	0	0.37276	9999	'DBL-THIS-CLR'
NCONV	FNSL-Blown up	03ALL		0	13G	G10_029	Non-Converged Contingency	0	0.37276	9999	'DBL-SPRVL-CL'
NCONV	FNSL-Blown up	03ALL		0	13G	G10_029	Non-Converged Contingency	0	0.13728	9999	'SPP-SWPS-05'
NCONV	FNSL-Blown up	03ALL		0	13G	G10_029	Non-Converged Contingency	0	0.04946	9999	'WRTOD400'
NCONV	FNSL-Blown up	03ALL		0	13G	G10_029	Non-Converged Contingency	1195	0.1573	62.79412	'GEN532652 1-JEFFREY ENERGY CENTER UNIT 2'
NCONV	FNSL-Blown up	03ALL		0	13G	G10_029	Non-Converged Contingency	1195	0.1573	62.79412	'GEN532653 1-JEFFREY ENERGY CENTER UNIT 3'
NCONV	FNSL-Blown up	03ALL		0	13G	G10_029	Non-Converged Contingency	1195	0.1573	62.79412	'GEN532751 1-WOLF CREEK GENERATING STATION UNIT 1'
NCONV	FNSL-Blown up	03NR		0	13G	G10_029	Non-Converged Contingency	1792	0.07967	51.1622	'G11-17T 345.00 - POST ROCK 345KV CKT 1'
NCONV	FNSL-Blown up	03NR		0	13G	G10_029	Non-Converged Contingency	1328	0.46027	48.00869	'BUCKNER7 345.00 - HOLCOMB 345KV CKT 1'
NCONV	FNSL-Blown up	03NR		0	13G	G10_029	Non-Converged Contingency	0	0.03937	9999	'DBL-WICH-THI'
NCONV	FNSL-Blown up	03NR		0	13G	G10_029	Non-Converged Contingency	0	0.08448	9999	'DBL-THIS-WWR'
NCONV	FNSL-Blown up	03NR		0	13G	G10_029	Non-Converged Contingency	0	0.13931	9999	'DBL-THIS-CLR'
NCONV	FNSL-Blown up	03NR		0	13G	G10_029	Non-Converged Contingency	0	0.13931	9999	'DBL-SPRVL-CL'
NCONV	FNSL-Blown up	04ALL		0	13G	G10_029	Non-Converged Contingency	319	0.05919	108.1982	'SMOKYHL6 230.00 - SUMMIT 230KV CKT 1'
NCONV	FNSL-Blown up		3	0	13G	G10_029	Non-converged contingency	1792	0.19661	46.31664	'G11-17T 345.00 - POST ROCK 345KV CKT 1'
NCONV	FNSL-Blown up		3	0	13G	G10_029	Non-converged contingency	319	0.06689	98.66855	'CIRCLE - MULLERGREN 230KV CKT 1'
NCONV	FNSL-Blown up		3	0	13G	G10_029	Non-converged contingency	0	0.27326	9999	'DBL-WICH-THI'
NCONV	FNSL-Blown up		3	0	13G	G10_029	Non-converged contingency	0	0.448	9999	'DBL-THIS-CLR'
NCONV	FNSL-Blown up		3	0	13G	G10_029	Non-converged contingency	0	0.15655	9999	'SPP-SWPS-05'
	FDNS	03ALL		2	13G	G10_029	'TO->FRON' BENTON - WICHITA 345KV CKT 1'	932	0.19084	114.7705	'HUNTERS7 345.00 - WOODRING 345KV CKT 1'
	FDNS	03ALL		2	13G	G10_029	'TO->FRON' BENTON - WICHITA 345KV CKT 1'	932	0.19084	112.4898	'HUNTERS7 345.00 - VIOLA 7 345.00 345KV CKT 1'
NCONV	FNSL-Blown up	03ALL		2	13G	G10_029	Non-Converged Contingency	1052	0.12805	65.05273	'FINNEY SWITCHING STATION - Hitchland Interchange 345KV CKT 1'
	FDNS	03ALL		2	13G	G10_029	'TO->FRON' BENTON - WICHITA 345KV CKT 1'	932	0.19084	107.8205	'VIOLA 7 345.00 - WICHITA 345KV CKT 1'
NCONV	FNSL-Blown up	00G10_055		0	13WP	G10_055	Non-Converged Contingency	0	0.21299	9999	'SPP-AEPW-19'
NCONV	FNSL-Blown up		0	0	13WP	G10_055	Non-Converged Contingency	0	0.21299	9999	'SPP-AEPW-19'
ISLAND-GE	FDNS	00NR		0	13SP	G10_056	'FROM->TC' SIBLEYPL 161.00 161/22.0KV TRANSFORM	495	0.84803	109	'G10-056 345.00 - G10-056T 345.00 345KV CKT 1'
ISLAND-GE	FDNS	00NR		0	13SP	G10_056	'FROM->TC' SIBLEYPL 161.00 161/22.0KV TRANSFORM	495	0.84803	109	'G10-056 345.00 345/34.5KV TRANSFORMER CKT 1'
ISLAND-GE	FDNS	00NR		0	13WP	G10_056	'FROM->TC' SIBLEYPL 161.00 161/22.0KV TRANSFORM	495	0.90442	109.4	'G10-056 345.00 - G10-056T 345.00 345KV CKT 1'
ISLAND-GE	FDNS	00NR		0	13WP	G10_056	'FROM->TC' SIBLEYPL 161.00 161/22.0KV TRANSFORM	495	0.90442	109.4	'G10-056 345.00 345/34.5KV TRANSFORMER CKT 1'
ISLAND-GE	FDNS	00NR		0	18SP	G10_056	'FROM->TC' SIBLEYPL 161.00 161/22.0KV TRANSFORM	495	0.3836	112.1	'G10-056 345.00 - G10-056T 345.00 345KV CKT 1'
ISLAND-GE	FDNS	00NR		0	18SP	G10_056	'FROM->TC' SIBLEYPL 161.00 161/22.0KV TRANSFORM	495	0.3836	102.3	'LAKE ROAD 161/13.8KV TRANSFORMER CKT 1'
ISLAND-GE	FDNS	00NR		0	18SP	G10_056	'FROM->TC' SIBLEYPL 161.00 161/22.0KV TRANSFORM	495	0.3836	103.4	'SOUTH HARPER 161/13.8KV TRANSFORMER CKT 1'
ISLAND-GE	FDNS	00NR		0	18SP	G10_056	'FROM->TC' SIBLEYPL 161.00 161/22.0KV TRANSFORM	495	0.3836	103.6	'SOUTH HARPER 161/13.8KV TRANSFORMER CKT 1'
ISLAND-GE	FDNS	00NR		0	18SP	G10_056	'FROM->TC' SIBLEYPL 161.00 161/22.0KV TRANSFORM	495	0.3836	103.3	'SOUTH HARPER 161/13.8KV TRANSFORMER CKT 1'
ISLAND-GE	FDNS	00NR		0	18SP	G10_056	'FROM->TC' SIBLEYPL 161.00 161/22.0KV TRANSFORM	495	0.3836	112.1	'G10-056 345.00 345/34.5KV TRANSFORMER CKT 1'
ISLAND-GE	FDNS	00NR		0	18WP	G10_056	'FROM->TC' SIBLEYPL 161.00 161/22.0KV TRANSFORM	495	0.85144	109.5	'G10-056 345.00 - G10-056T 345.00 345KV CKT 1'
ISLAND-GE	FDNS	00NR		0	18WP	G10_056	'FROM->TC' SIBLEYPL 161.00 161/22.0KV TRANSFORM	495	0.85144	109.5	'G10-056 345.00 345/34.5KV TRANSFORMER CKT 1'
NCONV	FNSL-Blown up	03ALL		0	13G	G10_056	Non-Converged Contingency	956	0.0581	46.23839	'HUNTERS7 345.00 - VIOLA 7 345.00 345KV CKT 1'
NCONV	FNSL-Blown up	03ALL		0	13G	G10_056	Non-Converged Contingency	1052	0.06338	73.8719	'FINNEY SWITCHING STATION - Hitchland Interchange 345KV CKT 1'

EVENTTYPE	SOLUTIONTYPE	GROUP	SCENARIO	SEASON	SOURCE	DIRECTION	MONTCOMMONNAME	RATEB	TDF	TC%LOADI	CONTNAME	
NCONV	FNSL-Blown up	03ALL		0	13G	G10_056		Non-Converged Contingency	1052	0.05063	22.06532	'Hitchland Interchange - POTTER COUNTY INTERCHANGE 345KV CKT 1'
NCONV	FNSL-Blown up	03ALL		0	13G	G10_056		Non-Converged Contingency	1052	0.06338	30.15398	'FINNEY SWITCHING STATION - HOLCOMB 345KV CKT 1'
NCONV	FNSL-Blown up	03ALL		0	13G	G10_056		Non-Converged Contingency	1195	0.03777	27.5107	'ROSE HILL - WOLF CREEK 345KV CKT 1'
NCONV	FNSL-Blown up	03ALL		0	13G	G10_056		Non-Converged Contingency	559	0.05063	56.24506	'POTTER COUNTY INTERCHANGE (WAUK 90343-A) 345/230/13.2KV TRANSFORMER CKT 1'
NCONV	FNSL-Blown up	03ALL		0	13G	G10_056		Non-Converged Contingency	0	0.09726	9999	'DBL-THIS-WWR'
NCONV	FNSL-Blown up	03ALL		0	13G	G10_056		Non-Converged Contingency	0	0.04161	9999	'DBL-THIS-CLR'
NCONV	FNSL-Blown up	03ALL		0	13G	G10_056		Non-Converged Contingency	0	0.04161	9999	'DBL-SPRVL-CL'
NCONV	FNSL-Blown up	03ALL		0	13G	G10_056		Non-Converged Contingency	0	0.06338	9999	'SPP-SWPS-05'
ISLAND-GE	FDNS	13NR		0	13G	G10_056	'FROM->TC'	'SIBLEYPL 161.00 161/22.0KV TRANSFORM	495	0.88081	124.5	'G06-14 161.00 - NODAWAYCO 161.00 161KV CKT 1'
ISLAND-GE	FDNS	13NR		0	13G	G10_056	'FROM->TC'	'SIBLEYPL 161.00 161/22.0KV TRANSFORM	495	0.88081	106.4	'G10-056 345.00 - G10-056T 345.00 345KV CKT 1'
ISLAND-GE	FDNS	13NR		0	13G	G10_056	'FROM->TC'	'SIBLEYPL 161.00 161/22.0KV TRANSFORM	495	0.88081	106.4	'G10-056 345.00 345/34.5KV TRANSFORMER CKT 1'
NCONV	FNSL-Blown up		3	0	13G	G10_056		Non-converged contingency	0	0.03887	9999	'DBL-THIS-CLR'
NCONV	FNSL-Blown up		3	0	13G	G10_056		Non-converged contingency	0	0.0648	9999	'SPP-SWPS-05'
NCONV	FNSL-Blown up	03ALL		2	13G	G10_056		Non-Converged Contingency	1052	0.06383	65.05273	'FINNEY SWITCHING STATION - Hitchland Interchange 345KV CKT 1'
ISLAND-GE	FDNS	00NR		0	13SP	G10_057	'FROM->TC'	'JUDSON LARGE 115/15.0KV TRANSFORMER	187	0.36804	111.5	'G11_020_1 345.00 - WOODWARD DISTRICT EHV 345KV CKT 1'
ISLAND-GE	FDNS	00NR		0	13SP	G10_057	'FROM->TC'	'JUDSON LARGE 115/15.0KV TRANSFORMER	187	0.36804	111.5	'G11_019_1 345.00 - WOODWARD DISTRICT EHV 345KV CKT 1'
ISLAND-GE	FDNS	00NR		0	13SP	G10_057	'FROM->TC'	'JUDSON LARGE 115/15.0KV TRANSFORMER	187	0.36804	112	'G11_022_1 345.00 - Hitchland Interchange 345KV CKT 1'
ISLAND-GE	FDNS	00NR		0	13SP	G10_057	'FROM->TC'	'JUDSON LARGE 115/15.0KV TRANSFORMER	187	0.36804	119.7	'G08-25 115.00 - RULETON 115KV CKT 1'
ISLAND-GE	FDNS	00NR		0	13SP	G10_057	'FROM->TC'	'JUDSON LARGE 115/15.0KV TRANSFORMER	187	0.36804	119.6	'G06-40 115.00 - MINGO 115KV CKT 1'
ISLAND-GE	FDNS	00NR		0	13SP	G10_057	'FROM->TC'	'JUDSON LARGE 115/15.0KV TRANSFORMER	187	0.36804	121.4	'G07-11 115.00 - SYRACUSE 115KV CKT 1'
ISLAND-GE	FDNS	00NR		0	13SP	G10_057	'FROM->TC'	'JUDSON LARGE 115/15.0KV TRANSFORMER	187	0.36804	130.5	'G08-17 345.00 - SETAB 345KV CKT 1'
ISLAND-GE	FDNS	00NR		0	13SP	G10_057	'FROM->TC'	'JUDSON LARGE 115/15.0KV TRANSFORMER	187	0.36804	125.3	'G10-15 345.00 - SPEARVILLE 345KV CKT 1'
ISLAND-GE	FDNS	00NR		0	13SP	G10_057	'FROM->TC'	'JUDSON LARGE 115/15.0KV TRANSFORMER	187	0.36804	124.7	'G08-124 345.00 - SPEARVILLE 345KV CKT 1'
ISLAND-GE	FDNS	00NR		0	13SP	G10_057	'FROM->TC'	'JUDSON LARGE 115/15.0KV TRANSFORMER	187	0.36804	127.3	'G05-12 345.00 - SPEARVILLE 345KV CKT 1'
ISLAND-GE	FDNS	00NR		0	13SP	G10_057	'FROM->TC'	'JUDSON LARGE 115/15.0KV TRANSFORMER	187	0.36804	125.3	'G06-06 345.00 - SPEARVILLE 345KV CKT 1'
ISLAND-GE	FDNS	00NR		0	13SP	G10_057	'FROM->TC'	'JUDSON LARGE 115/15.0KV TRANSFORMER	187	0.36804	226.8	'G11_016_1 345.00 - SPEARVILLE 345KV CKT 1'
ISLAND-GE	FDNS	00NR		0	13SP	G10_057	'FROM->TC'	'JUDSON LARGE 115/15.0KV TRANSFORMER	187	0.36804	124.7	'BUCKNER7 345.00 - G07-40 345.00 345KV CKT 1'
ISLAND-GE	FDNS	00NR		0	13SP	G10_057	'FROM->TC'	'JUDSON LARGE 115/15.0KV TRANSFORMER	187	0.36804	122.9	'BUCKNER7 345.00 - G10-09 345.00 345KV CKT 1'
ISLAND-GE	FDNS	00NR		0	13SP	G10_057	'FROM->TC'	'JUDSON LARGE 115/15.0KV TRANSFORMER	187	0.36804	225.8	'BUCKNER7 345.00 - G10-45 345.00 345KV CKT 1'
ISLAND-GE	FDNS	00NR		0	13SP	G10_057	'FROM->TC'	'JUDSON LARGE 115/15.0KV TRANSFORMER	187	0.36804	133.8	'FLAT RIDGE WIND - FLATRDG3 138KV CKT 1'
ISLAND-GE	FDNS	00NR		0	13SP	G10_057	'FROM->TC'	'JUDSON LARGE 115/15.0KV TRANSFORMER	187	0.36804	134	'MRWYP16 - MRWYP26 230KV CKT 1'
ISLAND-GE	FDNS	00NR		0	13SP	G10_057	'FROM->TC'	'JUDSON LARGE 115/15.0KV TRANSFORMER	187	0.36804	160.9	'ELM CREEK - MRWYP16 230KV CKT 1'
ISLAND-GE	FDNS	00NR		0	13SP	G10_057	'FROM->TC'	'JUDSON LARGE 115/15.0KV TRANSFORMER	187	0.36804	122.5	'G06-022 115.00 - NINNESEC3 115.00 115KV CKT 1'
ISLAND-GE	FDNS	00NR		0	13SP	G10_057	'FROM->TC'	'JUDSON LARGE 115/15.0KV TRANSFORMER	187	0.36804	102.4	'ALEXANDER - PRATT 115KV CKT 1'
ISLAND-GE	FDNS	00NR		0	13SP	G10_057	'FROM->TC'	'JUDSON LARGE 115/15.0KV TRANSFORMER	187	0.36804	122.2	'G04_014 230.00 - SPEARVILLE 230KV CKT 1'
ISLAND-GE	FDNS	00NR		0	13SP	G10_057	'FROM->TC'	'JUDSON LARGE 115/15.0KV TRANSFORMER	187	0.36804	119.7	'SSTARTP3 115.00 - SSTARW 3 115.00 115KV CKT 1'
ISLAND-GE	FDNS	00NR		0	13SP	G10_057	'FROM->TC'	'JUDSON LARGE 115/15.0KV TRANSFORMER	187	0.36804	124.4	'GRAY CO3 115.00 - GYCOTAP3 115.00 115KV CKT 1'
ISLAND-GE	FDNS	00NR		0	13SP	G10_057	'FROM->TC'	'JUDSON LARGE 115/15.0KV TRANSFORMER	187	0.36804	148.3	'CLARKCOUNTY7345.00 - G11-008 345.00 345KV CKT 1'
ISLAND-GE	FDNS	00NR		0	13SP	G10_057	'FROM->TC'	'JUDSON LARGE 115/15.0KV TRANSFORMER	187	0.36804	287.6	'CLARKCOUNTY7345.00 - G11_023_1 345.00 345KV CKT 1'
ISLAND-GE	FDNS	00NR		0	13SP	G10_057	'FROM->TC'	'JUDSON LARGE 115/15.0KV TRANSFORMER	187	0.36804	119	'G08-79 115.00 - G08-79T 115.00 115KV CKT 1'
ISLAND-GE	FDNS	00NR		0	13SP	G10_057	'FROM->TC'	'JUDSON LARGE 115/15.0KV TRANSFORMER	187	0.36804	288	'G11-17T 345.00 - G11_017_1 345.00 345KV CKT 1'
ISLAND-GE	FDNS	00NR		0	13SP	G10_057	'FROM->TC'	'JUDSON LARGE 115/15.0KV TRANSFORMER	187	0.36804	109.7	'TOLK STATION EAST 230/24.0KV TRANSFORMER CKT 1'
ISLAND-GE	FDNS	00NR		0	13SP	G10_057	'FROM->TC'	'JUDSON LARGE 115/15.0KV TRANSFORMER	187	0.36804	124.7	'SPEARVILLE 345/34.5KV TRANSFORMER CKT 1'
ISLAND-GE	FDNS	00NR		0	13SP	G10_057	'FROM->TC'	'JUDSON LARGE 115/15.0KV TRANSFORMER	187	0.36804	132.9	'COMANCHE COUNTY (CENTPLN3) 115/34.5/13.8KV TRANSFORMER CKT 1'
ISLAND-GE	FDNS	00NR		0	13SP	G10_057	'FROM->TC'	'JUDSON LARGE 115/15.0KV TRANSFORMER	187	0.36804	133.8	'FLAT RIDGE WIND (FLATRDG3) 138/34.53963/13.8KV TRANSFORMER CKT 1'
ISLAND-GE	FDNS	00NR		0	13SP	G10_057	'FROM->TC'	'JUDSON LARGE 115/15.0KV TRANSFORMER	187	0.36804	134	'MRWYP26 (MERDWP2) 230/34.5/13.8KV TRANSFORMER CKT 1'
ISLAND-GE	FDNS	00NR		0	13SP	G10_057	'FROM->TC'	'JUDSON LARGE 115/15.0KV TRANSFORMER	187	0.36804	140.1	'MRWYP16 (MERIDWY1) 230/34.5/13.8KV TRANSFORMER CKT 1'

EVENTTYPE	SOLUTIONTYPE	GROUP	SCENARIO	SEASON	SOURCE	DIRECTION	MONTCOMMONNAME	RATEB	TDF	TC%LOADI	CONTNAME	
ISLAND-GE	FDNS	00NR		0	13SP	G10_057	'FROM->TC	JUDSON LARGE 115/15.0KV TRANSFORMER	187	0.36804	130.7	'MULLERGREN 115/13.8KV TRANSFORMER CKT 1'
ISLAND-GE	FDNS	00NR		0	13SP	G10_057	'FROM->TC	JUDSON LARGE 115/15.0KV TRANSFORMER	187	0.36804	119.6	'SSTARW 3 115.00 (SSWIND) 115/34.5/13.8KV TRANSFORMER CKT 1'
ISLAND-GE	FDNS	00NR		0	13SP	G10_057	'FROM->TC	JUDSON LARGE 115/15.0KV TRANSFORMER	187	0.36804	124.4	'GRAY CO3 115.00 (HAGGARD3) 115/34.5/13.8KV TRANSFORMER CKT 1'
ISLAND-GE	FDNS	00NR		0	13SP	G10_057	'FROM->TC	JUDSON LARGE 115/15.0KV TRANSFORMER	187	0.36804	130.5	'G08-17 345.00 345/34.5KV TRANSFORMER CKT 1'
ISLAND-GE	FDNS	00NR		0	13SP	G10_057	'FROM->TC	JUDSON LARGE 115/15.0KV TRANSFORMER	187	0.36804	124.7	'G07-40 345.00 345/34.5KV TRANSFORMER CKT 1'
ISLAND-GE	FDNS	00NR		0	13SP	G10_057	'FROM->TC	JUDSON LARGE 115/15.0KV TRANSFORMER	187	0.36804	119	'G08-79 115.00 115/34.5KV TRANSFORMER CKT 1'
ISLAND-GE	FDNS	00NR		0	13SP	G10_057	'FROM->TC	JUDSON LARGE 115/15.0KV TRANSFORMER	187	0.36804	122.9	'G10-09 345.00 345/34.5KV TRANSFORMER CKT 1'
ISLAND-GE	FDNS	00NR		0	13SP	G10_057	'FROM->TC	JUDSON LARGE 115/15.0KV TRANSFORMER	187	0.36804	118.9	'G10-15 345.00 345/34.5KV TRANSFORMER CKT 1'
ISLAND-GE	FDNS	00NR		0	13SP	G10_057	'FROM->TC	JUDSON LARGE 115/15.0KV TRANSFORMER	187	0.36804	119.6	'G10-15 345.00 345/34.5KV TRANSFORMER CKT 1'
ISLAND-GE	FDNS	00NR		0	13SP	G10_057	'FROM->TC	JUDSON LARGE 115/15.0KV TRANSFORMER	187	0.36804	119.7	'G08-25 115.00 115/34.5KV TRANSFORMER CKT 1'
ISLAND-GE	FDNS	00NR		0	13SP	G10_057	'FROM->TC	JUDSON LARGE 115/15.0KV TRANSFORMER	187	0.36804	225.8	'G10-45 345.00 345/34.5KV TRANSFORMER CKT 1'
ISLAND-GE	FDNS	00NR		0	13SP	G10_057	'FROM->TC	JUDSON LARGE 115/15.0KV TRANSFORMER	187	0.36804	122.2	'G04_014 230.00 230/34.5KV TRANSFORMER CKT 1'
ISLAND-GE	FDNS	00NR		0	13SP	G10_057	'FROM->TC	JUDSON LARGE 115/15.0KV TRANSFORMER	187	0.36804	127.2	'G05-12 345.00 345/34.5KV TRANSFORMER CKT 1'
ISLAND-GE	FDNS	00NR		0	13SP	G10_057	'FROM->TC	JUDSON LARGE 115/15.0KV TRANSFORMER	187	0.36804	125.3	'G06-06 345.00 345/34.5KV TRANSFORMER CKT 1'
ISLAND-GE	FDNS	00NR		0	13SP	G10_057	'FROM->TC	JUDSON LARGE 115/15.0KV TRANSFORMER	187	0.36804	122.5	'G06-022 115.00 115/34.5KV TRANSFORMER CKT 1'
ISLAND-GE	FDNS	00NR		0	13SP	G10_057	'FROM->TC	JUDSON LARGE 115/15.0KV TRANSFORMER	187	0.36804	119.6	'G06-40 115.00 115/34.5KV TRANSFORMER CKT 1'
ISLAND-GE	FDNS	00NR		0	13SP	G10_057	'FROM->TC	JUDSON LARGE 115/15.0KV TRANSFORMER	187	0.36804	121.4	'G07-11 115.00 115/34.5KV TRANSFORMER CKT 1'
ISLAND-GE	FDNS	00NR		0	13SP	G10_057	'FROM->TC	JUDSON LARGE 115/15.0KV TRANSFORMER	187	0.36804	124.9	'G11-008 345.00 345/34.5KV TRANSFORMER CKT 1'
ISLAND-GE	FDNS	00NR		0	13SP	G10_057	'FROM->TC	JUDSON LARGE 115/15.0KV TRANSFORMER	187	0.36804	121.8	'G11-008 345.00 345/34.5KV TRANSFORMER CKT 1'
ISLAND-GE	FDNS	00NR		0	13SP	G10_057	'FROM->TC	JUDSON LARGE 115/15.0KV TRANSFORMER	187	0.36804	121.7	'G11-008 345.00 345/34.5KV TRANSFORMER CKT 1'
ISLAND-GE	FDNS	00NR		0	13SP	G10_057	'FROM->TC	JUDSON LARGE 115/15.0KV TRANSFORMER	187	0.36804	120.1	'G11-008 345.00 345/34.5KV TRANSFORMER CKT 1'
ISLAND-GE	FDNS	00NR		0	13SP	G10_057	'FROM->TC	JUDSON LARGE 115/15.0KV TRANSFORMER	187	0.36804	287.6	'G11_023_1 345.00 345/34.5KV TRANSFORMER CKT 1'
ISLAND-GE	FDNS	00NR		0	13SP	G10_057	'FROM->TC	JUDSON LARGE 115/15.0KV TRANSFORMER	187	0.36804	112	'G11_022_1 345.00 345/34.5KV TRANSFORMER CKT 1'
ISLAND-GE	FDNS	00NR		0	13SP	G10_057	'FROM->TC	JUDSON LARGE 115/15.0KV TRANSFORMER	187	0.36804	111.5	'G11_020_1 345.00 345/34.5KV TRANSFORMER CKT 1'
ISLAND-GE	FDNS	00NR		0	13SP	G10_057	'FROM->TC	JUDSON LARGE 115/15.0KV TRANSFORMER	187	0.36804	111.5	'G11_019_1 345.00 345/34.5KV TRANSFORMER CKT 1'
ISLAND-GE	FDNS	00NR		0	13SP	G10_057	'FROM->TC	JUDSON LARGE 115/15.0KV TRANSFORMER	187	0.36804	288	'G11_017_1 345.00 345/34.5KV TRANSFORMER CKT 1'
ISLAND-GE	FDNS	00NR		0	13SP	G10_057	'FROM->TC	JUDSON LARGE 115/15.0KV TRANSFORMER	187	0.36804	226.8	'G11_016_1 345.00 345/34.5KV TRANSFORMER CKT 1'
ISLAND-GE	FDNS	00NR		0	13WP	G10_057	'FROM->TC	JUDSON LARGE 115/15.0KV TRANSFORMER	187	0.24395	187.6	'G11_016_1 345.00 - SPEARVILLE 345KV CKT 1'
ISLAND-GE	FDNS	00NR		0	13WP	G10_057	'FROM->TC	JUDSON LARGE 115/15.0KV TRANSFORMER	187	0.24395	186.4	'BUCKNER7 345.00 - G10-45 345.00 345KV CKT 1'
ISLAND-GE	FDNS	00NR		0	13WP	G10_057	'FROM->TC	JUDSON LARGE 115/15.0KV TRANSFORMER	187	0.24395	123	'ELM CREEK - MRWYP16 230KV CKT 1'
ISLAND-GE	FDNS	00NR		0	13WP	G10_057	'FROM->TC	JUDSON LARGE 115/15.0KV TRANSFORMER	187	0.24395	110.7	'CLARKCOUNTY7345.00 - G11-008 345.00 345KV CKT 1'
ISLAND-GE	FDNS	00NR		0	13WP	G10_057	'FROM->TC	JUDSON LARGE 115/15.0KV TRANSFORMER	187	0.24395	248.3	'CLARKCOUNTY7345.00 - G11_023_1 345.00 345KV CKT 1'
ISLAND-GE	FDNS	00NR		0	13WP	G10_057	'FROM->TC	JUDSON LARGE 115/15.0KV TRANSFORMER	187	0.24395	249	'G11-17T 345.00 - G11_017_1 345.00 345KV CKT 1'
ISLAND-GE	FDNS	00NR		0	13WP	G10_057	'FROM->TC	JUDSON LARGE 115/15.0KV TRANSFORMER	187	0.24395	288.1	'HOLCOMB 115/22.0KV TRANSFORMER CKT 1'
ISLAND-GE	FDNS	00NR		0	13WP	G10_057	'FROM->TC	JUDSON LARGE 115/15.0KV TRANSFORMER	187	0.24395	102.6	'MRWYP16 (MERIDWY1) 230/34.5/13.8KV TRANSFORMER CKT 1'
ISLAND-GE	FDNS	00NR		0	13WP	G10_057	'FROM->TC	JUDSON LARGE 115/15.0KV TRANSFORMER	187	0.24395	186.4	'G10-45 345.00 345/34.5KV TRANSFORMER CKT 1'
ISLAND-GE	FDNS	00NR		0	13WP	G10_057	'FROM->TC	JUDSON LARGE 115/15.0KV TRANSFORMER	187	0.24395	248.3	'G11_023_1 345.00 345/34.5KV TRANSFORMER CKT 1'
ISLAND-GE	FDNS	00NR		0	13WP	G10_057	'FROM->TC	JUDSON LARGE 115/15.0KV TRANSFORMER	187	0.24395	249	'G11_017_1 345.00 345/34.5KV TRANSFORMER CKT 1'
ISLAND-GE	FDNS	00NR		0	13WP	G10_057	'FROM->TC	JUDSON LARGE 115/15.0KV TRANSFORMER	187	0.24395	187.6	'G11_016_1 345.00 345/34.5KV TRANSFORMER CKT 1'
ISLAND-GE	FDNS	00NR		0	18WP	G10_057	'FROM->TC	JUDSON LARGE 115/15.0KV TRANSFORMER	187	0.36542	110.7	'G11_020_1 345.00 - WOODWARD DISTRICT EHV 345KV CKT 1'
ISLAND-GE	FDNS	00NR		0	18WP	G10_057	'FROM->TC	JUDSON LARGE 115/15.0KV TRANSFORMER	187	0.36542	110.7	'G11_019_1 345.00 - WOODWARD DISTRICT EHV 345KV CKT 1'
ISLAND-GE	FDNS	00NR		0	18WP	G10_057	'FROM->TC	JUDSON LARGE 115/15.0KV TRANSFORMER	187	0.36542	119.1	'G08-25 115.00 - RULETON 115KV CKT 1'
ISLAND-GE	FDNS	00NR		0	18WP	G10_057	'FROM->TC	JUDSON LARGE 115/15.0KV TRANSFORMER	187	0.36542	119	'G06-40 115.00 - MINGO 115KV CKT 1'
ISLAND-GE	FDNS	00NR		0	18WP	G10_057	'FROM->TC	JUDSON LARGE 115/15.0KV TRANSFORMER	187	0.36542	120.7	'G07-11 115.00 - SYRACUSE 115KV CKT 1'
ISLAND-GE	FDNS	00NR		0	18WP	G10_057	'FROM->TC	JUDSON LARGE 115/15.0KV TRANSFORMER	187	0.36542	129.6	'G08-17 345.00 - SETAB 345KV CKT 1'
ISLAND-GE	FDNS	00NR		0	18WP	G10_057	'FROM->TC	JUDSON LARGE 115/15.0KV TRANSFORMER	187	0.36542	124.6	'G10-15 345.00 - SPEARVILLE 345KV CKT 1'
ISLAND-GE	FDNS	00NR		0	18WP	G10_057	'FROM->TC	JUDSON LARGE 115/15.0KV TRANSFORMER	187	0.36542	124	'G08-124 345.00 - SPEARVILLE 345KV CKT 1'
ISLAND-GE	FDNS	00NR		0	18WP	G10_057	'FROM->TC	JUDSON LARGE 115/15.0KV TRANSFORMER	187	0.36542	126.6	'G05-12 345.00 - SPEARVILLE 345KV CKT 1'
ISLAND-GE	FDNS	00NR		0	18WP	G10_057	'FROM->TC	JUDSON LARGE 115/15.0KV TRANSFORMER	187	0.36542	124.6	'G06-06 345.00 - SPEARVILLE 345KV CKT 1'
ISLAND-GE	FDNS	00NR		0	18WP	G10_057	'FROM->TC	JUDSON LARGE 115/15.0KV TRANSFORMER	187	0.36542	225.8	'G11_016_1 345.00 - SPEARVILLE 345KV CKT 1'
ISLAND-GE	FDNS	00NR		0	18WP	G10_057	'FROM->TC	JUDSON LARGE 115/15.0KV TRANSFORMER	187	0.36542	124	'BUCKNER7 345.00 - G07-40 345.00 345KV CKT 1'

EVENTTYPE	SOLUTIONTYPE	GROUP	SCENARIO	SEASON	SOURCE	DIRECTION	MONT	COMMONNAME	RATEB	TDF	TC%LOAD	CONTNAME
ISLAND-GE	FDNS	00NR		0	18WP	G10_057	'FROM->TC'	JUDSON LARGE 115/15.0KV TRANSFORMER	187	0.36542	122.1	'BUCKNER7 345.00 - G10-09 345.00 345KV CKT 1'
ISLAND-GE	FDNS	00NR		0	18WP	G10_057	'FROM->TC'	JUDSON LARGE 115/15.0KV TRANSFORMER	187	0.36542	224.8	'BUCKNER7 345.00 - G10-45 345.00 345KV CKT 1'
ISLAND-GE	FDNS	00NR		0	18WP	G10_057	'FROM->TC'	JUDSON LARGE 115/15.0KV TRANSFORMER	187	0.36542	132.9	'FLAT RIDGE WIND - FLATRDG3 138KV CKT 1'
ISLAND-GE	FDNS	00NR		0	18WP	G10_057	'FROM->TC'	JUDSON LARGE 115/15.0KV TRANSFORMER	187	0.36542	133.1	'MRWYP16 - MRWYP26 230KV CKT 1'
ISLAND-GE	FDNS	00NR		0	18WP	G10_057	'FROM->TC'	JUDSON LARGE 115/15.0KV TRANSFORMER	187	0.36542	160.1	'ELM CREEK - MRWYP16 230KV CKT 1'
ISLAND-GE	FDNS	00NR		0	18WP	G10_057	'FROM->TC'	JUDSON LARGE 115/15.0KV TRANSFORMER	187	0.36542	121.8	'G06-022 115.00 - NINNES3 115.00 115KV CKT 1'
ISLAND-GE	FDNS	00NR		0	18WP	G10_057	'FROM->TC'	JUDSON LARGE 115/15.0KV TRANSFORMER	187	0.36542	101.7	'ALEXANDER - PRATT 115KV CKT 1'
ISLAND-GE	FDNS	00NR		0	18WP	G10_057	'FROM->TC'	JUDSON LARGE 115/15.0KV TRANSFORMER	187	0.36542	121.6	'G04_014 230.00 - SPEARVILLE 230KV CKT 1'
ISLAND-GE	FDNS	00NR		0	18WP	G10_057	'FROM->TC'	JUDSON LARGE 115/15.0KV TRANSFORMER	187	0.36542	118.8	'SSTARTP3 115.00 - SSTARW 3 115.00 115KV CKT 1'
ISLAND-GE	FDNS	00NR		0	18WP	G10_057	'FROM->TC'	JUDSON LARGE 115/15.0KV TRANSFORMER	187	0.36542	123.7	'GRAY CO3 115.00 - GYCOTAP3 115.00 115KV CKT 1'
ISLAND-GE	FDNS	00NR		0	18WP	G10_057	'FROM->TC'	JUDSON LARGE 115/15.0KV TRANSFORMER	187	0.36542	147.4	'CLARKCOUNTY7345.00 - G11-008 345.00 345KV CKT 1'
ISLAND-GE	FDNS	00NR		0	18WP	G10_057	'FROM->TC'	JUDSON LARGE 115/15.0KV TRANSFORMER	187	0.36542	286.5	'CLARKCOUNTY7345.00 - G11_023_1 345.00 345KV CKT 1'
ISLAND-GE	FDNS	00NR		0	18WP	G10_057	'FROM->TC'	JUDSON LARGE 115/15.0KV TRANSFORMER	187	0.36542	118.5	'G08-79 115.00 - G08-79T 115.00 115KV CKT 1'
ISLAND-GE	FDNS	00NR		0	18WP	G10_057	'FROM->TC'	JUDSON LARGE 115/15.0KV TRANSFORMER	187	0.36542	287.2	'G11-17T 345.00 - G11_017_1 345.00 345KV CKT 1'
ISLAND-GE	FDNS	00NR		0	18WP	G10_057	'FROM->TC'	JUDSON LARGE 115/15.0KV TRANSFORMER	187	0.36542	108.6	'TOLK STATION EAST 230/24.0KV TRANSFORMER CKT 1'
ISLAND-GE	FDNS	00NR		0	18WP	G10_057	'FROM->TC'	JUDSON LARGE 115/15.0KV TRANSFORMER	187	0.36542	124	'SPEARVILLE 345/34.5KV TRANSFORMER CKT 1'
ISLAND-GE	FDNS	00NR		0	18WP	G10_057	'FROM->TC'	JUDSON LARGE 115/15.0KV TRANSFORMER	187	0.36542	132.3	'COMANCHE COUNTY (CENTPLN3) 115/34.5/13.8KV TRANSFORMER CKT 1'
ISLAND-GE	FDNS	00NR		0	18WP	G10_057	'FROM->TC'	JUDSON LARGE 115/15.0KV TRANSFORMER	187	0.36542	132.9	'FLAT RIDGE WIND (FLATRDG3) 138/34.53963/13.8KV TRANSFORMER CKT 1'
ISLAND-GE	FDNS	00NR		0	18WP	G10_057	'FROM->TC'	JUDSON LARGE 115/15.0KV TRANSFORMER	187	0.36542	133.1	'MRWYP26 (MERDWYP2) 230/34.5/13.8KV TRANSFORMER CKT 1'
ISLAND-GE	FDNS	00NR		0	18WP	G10_057	'FROM->TC'	JUDSON LARGE 115/15.0KV TRANSFORMER	187	0.36542	139.2	'MRWYP16 (MERIDWY1) 230/34.5/13.8KV TRANSFORMER CKT 1'
ISLAND-GE	FDNS	00NR		0	18WP	G10_057	'FROM->TC'	JUDSON LARGE 115/15.0KV TRANSFORMER	187	0.36542	130.1	'MULLERGREN 115/13.8KV TRANSFORMER CKT 1'
ISLAND-GE	FDNS	00NR		0	18WP	G10_057	'FROM->TC'	JUDSON LARGE 115/15.0KV TRANSFORMER	187	0.36542	119.3	'SSTARW 3 115.00 (SSWIND) 115/34.5/13.8KV TRANSFORMER CKT 1'
ISLAND-GE	FDNS	00NR		0	18WP	G10_057	'FROM->TC'	JUDSON LARGE 115/15.0KV TRANSFORMER	187	0.36542	123.7	'GRAY CO3 115.00 (HAGGARD3) 115/34.5/13.8KV TRANSFORMER CKT 1'
ISLAND-GE	FDNS	00NR		0	18WP	G10_057	'FROM->TC'	JUDSON LARGE 115/15.0KV TRANSFORMER	187	0.36542	129.6	'G08-17 345.00 345/34.5KV TRANSFORMER CKT 1'
ISLAND-GE	FDNS	00NR		0	18WP	G10_057	'FROM->TC'	JUDSON LARGE 115/15.0KV TRANSFORMER	187	0.36542	123.9	'G07-40 345.00 345/34.5KV TRANSFORMER CKT 1'
ISLAND-GE	FDNS	00NR		0	18WP	G10_057	'FROM->TC'	JUDSON LARGE 115/15.0KV TRANSFORMER	187	0.36542	118.5	'G08-79 115.00 115/34.5KV TRANSFORMER CKT 1'
ISLAND-GE	FDNS	00NR		0	18WP	G10_057	'FROM->TC'	JUDSON LARGE 115/15.0KV TRANSFORMER	187	0.36542	122.1	'G10-09 345.00 345/34.5KV TRANSFORMER CKT 1'
ISLAND-GE	FDNS	00NR		0	18WP	G10_057	'FROM->TC'	JUDSON LARGE 115/15.0KV TRANSFORMER	187	0.36542	118.4	'G10-15 345.00 345/34.5KV TRANSFORMER CKT 1'
ISLAND-GE	FDNS	00NR		0	18WP	G10_057	'FROM->TC'	JUDSON LARGE 115/15.0KV TRANSFORMER	187	0.36542	118.8	'G10-15 345.00 345/34.5KV TRANSFORMER CKT 1'
ISLAND-GE	FDNS	00NR		0	18WP	G10_057	'FROM->TC'	JUDSON LARGE 115/15.0KV TRANSFORMER	187	0.36542	119.1	'G08-25 115.00 115/34.5KV TRANSFORMER CKT 1'
ISLAND-GE	FDNS	00NR		0	18WP	G10_057	'FROM->TC'	JUDSON LARGE 115/15.0KV TRANSFORMER	187	0.36542	224.8	'G10-45 345.00 345/34.5KV TRANSFORMER CKT 1'
ISLAND-GE	FDNS	00NR		0	18WP	G10_057	'FROM->TC'	JUDSON LARGE 115/15.0KV TRANSFORMER	187	0.36542	121.6	'G04_014 230.00 230/34.5KV TRANSFORMER CKT 1'
ISLAND-GE	FDNS	00NR		0	18WP	G10_057	'FROM->TC'	JUDSON LARGE 115/15.0KV TRANSFORMER	187	0.36542	126.6	'G05-12 345.00 345/34.5KV TRANSFORMER CKT 1'
ISLAND-GE	FDNS	00NR		0	18WP	G10_057	'FROM->TC'	JUDSON LARGE 115/15.0KV TRANSFORMER	187	0.36542	124.6	'G06-06 345.00 345/34.5KV TRANSFORMER CKT 1'
ISLAND-GE	FDNS	00NR		0	18WP	G10_057	'FROM->TC'	JUDSON LARGE 115/15.0KV TRANSFORMER	187	0.36542	121.8	'G06-022 115.00 115/34.5KV TRANSFORMER CKT 1'
ISLAND-GE	FDNS	00NR		0	18WP	G10_057	'FROM->TC'	JUDSON LARGE 115/15.0KV TRANSFORMER	187	0.36542	119	'G06-40 115.00 115/34.5KV TRANSFORMER CKT 1'
ISLAND-GE	FDNS	00NR		0	18WP	G10_057	'FROM->TC'	JUDSON LARGE 115/15.0KV TRANSFORMER	187	0.36542	120.7	'G07-11 115.00 115/34.5KV TRANSFORMER CKT 1'
ISLAND-GE	FDNS	00NR		0	18WP	G10_057	'FROM->TC'	JUDSON LARGE 115/15.0KV TRANSFORMER	187	0.36542	124.1	'G11-008 345.00 345/34.5KV TRANSFORMER CKT 1'
ISLAND-GE	FDNS	00NR		0	18WP	G10_057	'FROM->TC'	JUDSON LARGE 115/15.0KV TRANSFORMER	187	0.36542	121.2	'G11-008 345.00 345/34.5KV TRANSFORMER CKT 1'
ISLAND-GE	FDNS	00NR		0	18WP	G10_057	'FROM->TC'	JUDSON LARGE 115/15.0KV TRANSFORMER	187	0.36542	121.1	'G11-008 345.00 345/34.5KV TRANSFORMER CKT 1'
ISLAND-GE	FDNS	00NR		0	18WP	G10_057	'FROM->TC'	JUDSON LARGE 115/15.0KV TRANSFORMER	187	0.36542	119.4	'G11-008 345.00 345/34.5KV TRANSFORMER CKT 1'
ISLAND-GE	FDNS	00NR		0	18WP	G10_057	'FROM->TC'	JUDSON LARGE 115/15.0KV TRANSFORMER	187	0.36542	286.5	'G11_023_1 345.00 345/34.5KV TRANSFORMER CKT 1'
ISLAND-GE	FDNS	00NR		0	18WP	G10_057	'FROM->TC'	JUDSON LARGE 115/15.0KV TRANSFORMER	187	0.36542	110.7	'G11_020_1 345.00 345/34.5KV TRANSFORMER CKT 1'
ISLAND-GE	FDNS	00NR		0	18WP	G10_057	'FROM->TC'	JUDSON LARGE 115/15.0KV TRANSFORMER	187	0.36542	110.7	'G11_019_1 345.00 345/34.5KV TRANSFORMER CKT 1'
ISLAND-GE	FDNS	00NR		0	18WP	G10_057	'FROM->TC'	JUDSON LARGE 115/15.0KV TRANSFORMER	187	0.36542	287.2	'G11_017_1 345.00 345/34.5KV TRANSFORMER CKT 1'
ISLAND-GE	FDNS	00NR		0	18WP	G10_057	'FROM->TC'	JUDSON LARGE 115/15.0KV TRANSFORMER	187	0.36542	225.8	'G11_016_1 345.00 345/34.5KV TRANSFORMER CKT 1'
NCONV	FNSL-Blown up	01ALL		0	13G	G10_057		Non-Converged Contingency	1195	0.05261	116.2267	'NORTHWEST - TATONGA7 345.00 345KV CKT 1'
NCONV	FNSL-Blown up	01ALL		0	13G	G10_057		Non-Converged Contingency	1775	0.05261	6.701664	'TATONGA7 345.00 - WOODWARD DISTRICT EHV 345KV CKT 1'
NCONV	FNSL-Blown up	02ALL		0	13G	G10_057		Non-Converged Contingency	1195	0.0467	89.21449	'NORTHWEST - TATONGA7 345.00 345KV CKT 1'

EVENTTYPE	SOLUTIONTYPE	GROUP	SCENARIO	SEASON	SOURCE	DIRECTION	MONT	COMMONNAME	RATEB	TDF	TC%LOADI	CONTNAME
	FDNS	03ALL		0	13G	G10_057	TO->FRON	'BENTON - WICHITA 345KV CKT 1'	932	0.19613	113.0102	'HUNTERS7 345.00 - WOODRING 345KV CKT 1'
ISLAND-GE	FDNS	03ALL		0	13G	G10_057	FROM->TC	'CIRCLE - MULLERGREN 230KV CKT 1'	319	0.19276	101	'HAYS WIND - SOUTH HAYS 230KV CKT 1'
NCONV	FNSL-Blown up	03ALL		0	13G	G10_057		Non-Converged Contingency	1195	0.05062	78.9142	'NORTHWEST - TATONGA7 345.00 345KV CKT 1'
NCONV	FNSL-Blown up	03ALL		0	13G	G10_057		Non-Converged Contingency	1775	0.05062	47.56333	'TATONGA7 345.00 - WOODWARD DISTRICT EHV 345KV CKT 1'
NCONV	FNSL-Blown up	03ALL		0	13G	G10_057		Non-Converged Contingency	956	0.10869	46.23839	'HUNTERS7 345.00 - VIOLA 7 345.00 345KV CKT 1'
NCONV	FNSL-Blown up	03ALL		0	13G	G10_057		Non-Converged Contingency	1052	0.07558	73.8719	'FINNEY SWITCHING STATION - Hitchland Interchange 345KV CKT 1'
NCONV	FNSL-Blown up	03ALL		0	13G	G10_057		Non-Converged Contingency	1052	0.05673	22.06532	'Hitchland Interchange - POTTER COUNTY INTERCHANGE 345KV CKT 1'
NCONV	FNSL-Blown up	03ALL		0	13G	G10_057		Non-Converged Contingency	1052	0.07558	30.15398	'FINNEY SWITCHING STATION - HOLCOMB 345KV CKT 1'
NCONV	FNSL-Blown up	03ALL		0	13G	G10_057		Non-Converged Contingency	1792	0.07743	32.65164	'AXTELL - POST ROCK 345KV CKT 1'
NCONV	FNSL-Blown up	03ALL		0	13G	G10_057		Non-Converged Contingency	1328	0.08228	36.12886	'BUCKNER7 345.00 - HOLCOMB 345KV CKT 1'
NCONV	FNSL-Blown up	03ALL		0	13G	G10_057		Non-Converged Contingency	1051	0.13994	22.12694	'JEFFREY ENERGY CENTER - SUMMIT 345KV CKT 1'
NCONV	FNSL-Blown up	03ALL		0	13G	G10_057		Non-Converged Contingency	956	0.12799	62.98875	'BENTON - ROSE HILL 345KV CKT 1'
NCONV	FNSL-Blown up	03ALL		0	13G	G10_057		Non-Converged Contingency	1793	0.0427	52.49322	'CLARKCOUNTY7345.00 - THISTLE7 345.00 345KV CKT 1'
NCONV	FNSL-Blown up	03ALL		0	13G	G10_057		Non-Converged Contingency	1793	0.0427	52.49322	'CLARKCOUNTY7345.00 - THISTLE7 345.00 345KV CKT 2'
NCONV	FNSL-Blown up	03ALL		0	13G	G10_057		Non-Converged Contingency	956	0.03712	47.97702	'AXTELL - PAULINE 345KV CKT 1'
NCONV	FNSL-Blown up	03ALL		0	13G	G10_057		Non-Converged Contingency	956	0.03192	42.82254	'MOORE - PAULINE 345KV CKT 1'
NCONV	FNSL-Blown up	03ALL		0	13G	G10_057		Non-Converged Contingency	559	0.05673	56.24506	'POTTER COUNTY INTERCHANGE (WAUK 90343-A) 345/230/13.2KV TRANSFORMER CKT 1'
NCONV	FNSL-Blown up	03ALL		0	13G	G10_057		Non-Converged Contingency	0	0.15137	9999	'DBL-THIS-WWR'
NCONV	FNSL-Blown up	03ALL		0	13G	G10_057		Non-Converged Contingency	0	0.08541	9999	'DBL-THIS-CLR'
NCONV	FNSL-Blown up	03ALL		0	13G	G10_057		Non-Converged Contingency	0	0.08541	9999	'DBL-SPRVL-CL'
NCONV	FNSL-Blown up	03ALL		0	13G	G10_057		Non-Converged Contingency	0	0.07558	9999	'SPP-SWPS-05'
NCONV	FNSL-Blown up	03ALL		0	13G	G10_057		Non-Converged Contingency	0	0.11379	9999	'WRTOD400'
ISLAND-GE	FDNS	03ALL		0	13G	G10_057	FROM->TC	'CIRCLE - MULLERGREN 230KV CKT 1'	319	0.19276	103.9	'G10_057 230.00 - RICE 6 230.00 230KV CKT 1'
ISLAND-GE	FDNS	03ALL		0	13G	G10_057	FROM->TC	'CIRCLE - MULLERGREN 230KV CKT 1'	319	0.19276	103.9	'G10_057 230.00 230/34.5KV TRANSFORMER CKT 1'
ISLAND-GE	FDNS		3	0	13G	G10_057	FROM->TC	'CIRCLE - MULLERGREN 230KV CKT 1'	319	0.19988	100.4	'LAWRENCE ENERGY CENTER UNIT 5 - LAWRENCE HILL 230KV CKT 1'
ISLAND-GE	FDNS		3	0	13G	G10_057	FROM->TC	'CIRCLE - MULLERGREN 230KV CKT 1'	319	0.19988	100.1	'CIRCLE - HUTCHINSON ENERGY CENTER UNIT 4 115KV CKT 1'
ISLAND-GE	FDNS		3	0	13G	G10_057	FROM->TC	'CIRCLE - MULLERGREN 230KV CKT 1'	319	0.19988	101	'FLAT RIDGE WIND - FLATRDG3 138KV CKT 1'
ISLAND-GE	FDNS		3	0	13G	G10_057	FROM->TC	'CIRCLE - MULLERGREN 230KV CKT 1'	319	0.19988	99.9	'MRWYP16 - MRWYP26 230KV CKT 1'
ISLAND-GE	FDNS		3	0	13G	G10_057	FROM->TC	'CIRCLE - MULLERGREN 230KV CKT 1'	319	0.19988	102	'ELM CREEK - MRWYP16 230KV CKT 1'
ISLAND-GE	FDNS		3	0	13G	G10_057	FROM->TC	'CIRCLE - MULLERGREN 230KV CKT 1'	319	0.19988	96.6	'TOLK STATION EAST 230/24.0KV TRANSFORMER CKT 1'
ISLAND-GE	FDNS		3	0	13G	G10_057	FROM->TC	'CIRCLE - MULLERGREN 230KV CKT 1'	319	0.19988	100.2	'JEFFREY ENERGY CENTER 345/26.0KV TRANSFORMER CKT 1'
ISLAND-GE	FDNS		3	0	13G	G10_057	FROM->TC	'CIRCLE - MULLERGREN 230KV CKT 1'	319	0.19988	100.2	'JEFFREY ENERGY CENTER 345/26.0KV TRANSFORMER CKT 1'
ISLAND-GE	FDNS		3	0	13G	G10_057	FROM->TC	'CIRCLE - MULLERGREN 230KV CKT 1'	319	0.19988	99.9	'JEFFREY ENERGY CENTER 230/26.0KV TRANSFORMER CKT 1'
ISLAND-GE	FDNS		3	0	13G	G10_057	FROM->TC	'CIRCLE - MULLERGREN 230KV CKT 1'	319	0.19988	100.4	'LAWRENCE ENERGY CENTER UNIT 5 230/24.0KV TRANSFORMER CKT 1'
ISLAND-GE	FDNS		3	0	13G	G10_057	FROM->TC	'CIRCLE - MULLERGREN 230KV CKT 1'	319	0.19988	100.1	'HUTCHINSON ENERGY CENTER UNIT 4 115/18.0KV TRANSFORMER CKT 1'
ISLAND-GE	FDNS		3	0	13G	G10_057	FROM->TC	'CIRCLE - MULLERGREN 230KV CKT 1'	319	0.19988	101	'FLAT RIDGE WIND (FLATRDG3) 138/34.53963/13.8KV TRANSFORMER CKT 1'
ISLAND-GE	FDNS		3	0	13G	G10_057	FROM->TC	'CIRCLE - MULLERGREN 230KV CKT 1'	319	0.19988	99.9	'MRWYP26 (MERDWP2) 230/34.5/13.8KV TRANSFORMER CKT 1'
ISLAND-GE	FDNS		3	0	13G	G10_057	FROM->TC	'CIRCLE - MULLERGREN 230KV CKT 1'	319	0.19988	100.5	'MRWYP16 (MERIDWY1) 230/34.5/13.8KV TRANSFORMER CKT 1'
ISLAND-GE	FDNS		3	0	13G	G10_057	FROM->TC	'CIRCLE - MULLERGREN 230KV CKT 1'	319	0.19988	100.7	'G11-008 345.00 345/34.5KV TRANSFORMER CKT 1'
ISLAND-GE	FDNS		3	0	13G	G10_057	FROM->TC	'CIRCLE - MULLERGREN 230KV CKT 1'	319	0.19988	96	'GERALD GENTLEMAN STATION 345/24.0KV TRANSFORMER CKT 1'

EVENT	TYP	SOLUTION	TYPE	GROUP	SCENARIO	SEASON	SOURCE	DIRECTION	MON	COMMON	NAME	RATE	TDF	TC%	LOAD	CONT	NAME	
ISLAND-GE	FDNS				3	0	13G	G10_057	'FROM->TO'	CIRCLE - MULLERGREEN 230KV CKT 1'		319	0.19988	96			'GERALD GENTLEMAN STATION 230/23.0KV TRANSFORMER CKT 1'	
ISLAND-GE	FDNS				3	0	13G	G10_057	'FROM->TO'	CIRCLE - MULLERGREEN 230KV CKT 1'		319	0.19988	97.2			'SUB 3458 NEB CTY 345/18.0KV TRANSFORMER CKT 1'	
ISLAND-GE	FDNS				3	0	13G	G10_057	'FROM->TO'	CIRCLE - MULLERGREEN 230KV CKT 1'		319	0.19988	97.4			'RAUN 345/22.0KV TRANSFORMER CKT 1'	
NCONV	FNSL-Blown up				3	0	13G	G10_057		Non-converged contingency		0	0.0575	9999			'DBL-THIS-CLR'	
NCONV	FNSL-Blown up				3	0	13G	G10_057		Non-converged contingency		0	0.07124	9999			'SPP-SWPS-05'	
	FDNS					2	13G	G10_057	'TO->FROM'	BENTON - WICHITA 345KV CKT 1'		932	0.19317	114.7705			'HUNTERS7 345.00 - WOODRING 345KV CKT 1'	
	FDNS					2	13G	G10_057	'TO->FROM'	BENTON - WICHITA 345KV CKT 1'		932	0.19317	112.4898			'HUNTERS7 345.00 - VIOLA 7 345.00 345KV CKT 1'	
NCONV	FNSL-Blown up					2	13G	G10_057		Non-Converged Contingency		1052	0.07916	65.05273			'FINNEY SWITCHING STATION - Hitchland Interchange 345KV CKT 1'	
	FDNS					2	13G	G10_057	'TO->FROM'	BENTON - WICHITA 345KV CKT 1'		932	0.19317	107.8205			'VIOLA 7 345.00 - WICHITA 345KV CKT 1'	
INVALID	FDNS					0	13G	G10_058	'TO->FROM'	NORTHWEST - TATONGA7 345.00 345KV C		1195	0.20075	126.4871			'LAWTON EASTSIDE - OKLAUNION 345KV CKT 1'	
	FDNS					0	13G	G10_058	'TO->FROM'	NORTHWEST - TATONGA7 345.00 345KV C		1195	0.20075	119.5969			'OKLAUNION - TUCO INTERCHANGE 345KV CKT 1'	
NCONV	FNSL-Blown up					0	13G	G10_058		Non-Converged Contingency		1195	0.12949	116.2267			'NORTHWEST - TATONGA7 345.00 345KV CKT 1'	
NCONV	FNSL-Blown up					0	13G	G10_058		Non-Converged Contingency		1775	0.12949	6.701664			'TATONGA7 345.00 - WOODWARD DISTRICT EHV 345KV CKT 1'	
NCONV	FNSL-Blown up					0	13G	G10_058		Non-Converged Contingency		0	0.19271	9999			'DBL-THIS-WWR'	
	FDNS					0	13G	G10_058	'TO->FROM'	NORTHWEST - TATONGA7 345.00 345KV C		1195	0.20075	120.7076			'SPP-AEPW-32'	
	FDNS					0	13G	G10_058	'TO->FROM'	NORTHWEST - TATONGA7 345.00 345KV C		1195	0.19949	119.7743			'SPP-SWPS-01'	
	FDNS					0	13G	G10_058	'FROM->TO'	SPSSPPTIESB1'		620	0.38153	174.8577			'BASE CASE'	
	FDNS					0	13G	G10_058	'FROM->TO'	SPSSPPTIESC'		620	0.38153	174.8577			'BASE CASE'	
NCONV	FNSL-Blown up					0	13G	G10_058		Non-Converged Contingency		1195	0.12357	89.21449			'NORTHWEST - TATONGA7 345.00 345KV CKT 1'	
NCONV	FNSL-Blown up					0	13G	G10_058		Non-Converged Contingency		1792	0.0865	69.9815			'BEAVER CO 345.00 - WOODWARD DISTRICT EHV 345KV CKT 1'	
NCONV	FNSL-Blown up					0	13G	G10_058		Non-Converged Contingency		1052	0.13527	65.83252			'FINNEY SWITCHING STATION - Hitchland Interchange 345KV CKT 1'	
NCONV	FNSL-Blown up					0	13G	G10_058		Non-Converged Contingency		1052	0.13527	70.96961			'FINNEY SWITCHING STATION - HOLCOMB 345KV CKT 1'	
NCONV	FNSL-Blown up					0	13G	G10_058		Non-Converged Contingency		0	0.45857	9999			'SPP-SWPS-01'	
NCONV	FNSL-Blown up					0	13G	G10_058		Non-Converged Contingency		0	0.13527	9999			'SPP-SWPS-05'	
NCONV	FNSL-Blown up					0	13G	G10_058		Non-Converged Contingency		1052	0.2316	20.1711			'OKLAUNION - TUCO INTERCHANGE 345KV CKT 1'	
NCONV	FNSL-Blown up					0	13G	G10_058		Non-Converged Contingency		1195	0.12181	78.9142			'NORTHWEST - TATONGA7 345.00 345KV CKT 1'	
NCONV	FNSL-Blown up					0	13G	G10_058		Non-Converged Contingency		1775	0.12181	47.56333			'TATONGA7 345.00 - WOODWARD DISTRICT EHV 345KV CKT 1'	
NCONV	FNSL-Blown up					0	13G	G10_058		Non-Converged Contingency		1792	0.04158	49.45027			'G11-17T 345.00 - POST ROCK 345KV CKT 1'	
NCONV	FNSL-Blown up					0	13G	G10_058		Non-Converged Contingency		1792	0.03576	32.65164			'AXTELL - POST ROCK 345KV CKT 1'	
NCONV	FNSL-Blown up					0	13G	G10_058		Non-Converged Contingency		1328	0.05259	34.90823			'HOLCOMB - SETAB 345KV CKT 1'	
NCONV	FNSL-Blown up					0	13G	G10_058		Non-Converged Contingency		1328	0.04809	43.30291			'MINGO - SETAB 345KV CKT 1'	
NCONV	FNSL-Blown up					0	13G	G10_058		Non-Converged Contingency		717	0.04557	62.03905			'MINGO - RED WILLOW 345KV CKT 1'	
NCONV	FNSL-Blown up					0	13G	G10_058		Non-Converged Contingency		1328	0.06506	27.47881			'BUCKNER7 345.00 - SPEARVILLE 345KV CKT 1'	
NCONV	FNSL-Blown up					0	13G	G10_058		Non-Converged Contingency		1792	0.04158	30.84333			'G11-17T 345.00 - SPEARVILLE 345KV CKT 1'	
NCONV	FNSL-Blown up					0	13G	G10_058		Non-Converged Contingency		1051	0.03954	22.12694			'JEFFREY ENERGY CENTER - SUMMIT 345KV CKT 1'	
NCONV	FNSL-Blown up					0	13G	G10_058		Non-Converged Contingency		956	0.04944	26.72794			'EMPORIA ENERGY CENTER - WICHITA 345KV CKT 1'	
NCONV	FNSL-Blown up					0	13G	G10_058		Non-Converged Contingency		956	0.04349	62.98875			'BENTON - ROSE HILL 345KV CKT 1'	
NCONV	FNSL-Blown up					0	13G	G10_058		Non-Converged Contingency		1792	0.07776	43.40387			'THISTLE7 345.00 - WICHITA 345KV CKT 1'	
NCONV	FNSL-Blown up					0	13G	G10_058		Non-Converged Contingency		1792	0.07776	43.40387			'THISTLE7 345.00 - WICHITA 345KV CKT 2'	
NCONV	FNSL-Blown up					0	13G	G10_058		Non-Converged Contingency		956	0.03576	28.00759			'GERALD GENTLEMAN STATION - RED WILLOW 345KV CKT 1'	
NCONV	FNSL-Blown up					0	13G	G10_058		Non-Converged Contingency		0	0.15552	9999			'DBL-WICH-THI'	
NCONV	FNSL-Blown up					0	13G	G10_058		Non-Converged Contingency		0	0.17235	9999			'DBL-HTCH-BVR'	
NCONV	FNSL-Blown up					0	13G	G10_058		Non-Converged Contingency		0	0.17235	9999			'DBL-BVR-WWRD'	
INVALID	FDNS					1	0	13G	G10_058	'TO->FROM'	NORTHWEST - TATONGA7 345.00 345KV C		1195	0.19974	106.3448			'LAWTON EASTSIDE - OKLAUNION 345KV CKT 1'
NCONV	FNSL-Blown up					3	0	13G	G10_058		Non-converged contingency		1792	0.04828	46.31664			'G11-17T 345.00 - POST ROCK 345KV CKT 1'
NCONV	FNSL-Blown up					3	0	13G	G10_058		Non-converged contingency		0	0.17048	9999			'DBL-WICH-THI'
	FDNS					1	0	13G	G10_058	'TO->FROM'	NORTHWEST - TATONGA7 345.00 345KV C		1195	0.19974	100.1442			'OKLAUNION - TUCO INTERCHANGE 345KV CKT 1'
	FDNS					1	0	13G	G10_058	'TO->FROM'	NORTHWEST - TATONGA7 345.00 345KV C		1195	0.20084	128.6688			'DBL-THIS-WWR'
	FDNS					1	0	13G	G10_058	'TO->FROM'	NORTHWEST - TATONGA7 345.00 345KV C		1195	0.19974	101.2439			'SPP-AEPW-32'

EVENTTYPE	SOLUTIONTYPE	GROUP	SCENARIO	SEASON	SOURCE	DIRECTION	MONT	COMMONNAME	RATEB	TDF	TC%LOADI	CONTNAME
	FDNS		1	0	13G	G10_058	'TO->FRON	'NORTHWEST - TATONGA7 345.00 345KV C	1195	0.19847	100.2558	'SPP-SWPS-01'
	FDNS		2	0	13G	G10_058	'FROM->TC	'SPSSPTIESB1'	620	0.38483	131.41	'BASE CASE'
	FDNS		2	0	13G	G10_058	'FROM->TC	'SPSSPTIESC'	620	0.38483	131.41	'BASE CASE'
	FDNS		2	0	13G	G10_058	'TO->FRON	'NORTHWEST - TATONGA7 345.00 345KV C	1195	0.19601	101.999	'DBL-THIS-WWR'
	FDNS	02ALL		2	13G	G10_058	'FROM->TC	'SPSSPTIESB1'	620	0.34647	143.8108	'BASE CASE'
	FDNS	02ALL		2	13G	G10_058	'FROM->TC	'SPSSPTIESC'	620	0.34647	143.8108	'BASE CASE'
NCONV	FNSL-Blown up	03ALL		0	13G	G11_007		Non-Converged Contingency	1052	0.03125	22.06532	'Hitchland Interchange - POTTER COUNTY INTERCHANGE 345KV CKT 1'
NCONV	FNSL-Blown up	03ALL		0	13G	G11_007		Non-Converged Contingency	956	0.04686	26.72794	'EMPORIA ENERGY CENTER - WICHITA 345KV CKT 1'
NCONV	FNSL-Blown up	03ALL		0	13G	G11_007		Non-Converged Contingency	559	0.03125	56.24506	'POTTER COUNTY INTERCHANGE (WAUK 90343-A) 345/230/13.2KV TRANSFORMER CKT 1'
	FDNS	01ALL		2	13G	G11_007	'TO->FRON	'CIMARRON - MATTHEWSON 345.00 345KV	956	0.54192	147.4653	'MATTHEWSON 345.00 - NORTHWEST 345KV CKT 1'
	FDNS	01ALL		2	13G	G11_007	'FROM->TC	'MATTHEWSON 345.00 - NORTHWEST 345K	1195	0.59637	129.8951	'CIMARRON - MATTHEWSON 345.00 345KV CKT 1'
	FDNS	01NR		2	13G	G11_007	'TO->FRON	'CIMARRON - MATTHEWSON 345.00 345KV	956	0.62323	122.0821	'MATTHEWSON 345.00 - NORTHWEST 345KV CKT 1'
	FDNS	01NR		2	13G	G11_007	'FROM->TC	'MATTHEWSON 345.00 - NORTHWEST 345K	1195	0.69377	106.9533	'CIMARRON - MATTHEWSON 345.00 345KV CKT 1'
NCONV	FNSL-Blown up	01ALL		0	13G	G11_008		Non-Converged Contingency	1195	0.11058	116.2267	'NORTHWEST - TATONGA7 345.00 345KV CKT 1'
NCONV	FNSL-Blown up	01ALL		0	13G	G11_008		Non-Converged Contingency	1775	0.11058	6.701664	'TATONGA7 345.00 - WOODWARD DISTRICT EHV 345KV CKT 1'
NCONV	FNSL-Blown up	02ALL		0	13G	G11_008		Non-Converged Contingency	1195	0.10466	89.21449	'NORTHWEST - TATONGA7 345.00 345KV CKT 1'
	FDNS	03ALL		0	13G	G11_008	'TO->FRON	'BENTON - WICHITA 345KV CKT 1'	932	0.19456	113.0102	'HUNTERS7 345.00 - WOODRING 345KV CKT 1'
NCONV	FNSL-Blown up	03ALL		0	13G	G11_008		Non-Converged Contingency	1195	0.09725	78.9142	'NORTHWEST - TATONGA7 345.00 345KV CKT 1'
NCONV	FNSL-Blown up	03ALL		0	13G	G11_008		Non-Converged Contingency	1775	0.09725	47.56333	'TATONGA7 345.00 - WOODWARD DISTRICT EHV 345KV CKT 1'
NCONV	FNSL-Blown up	03ALL		0	13G	G11_008		Non-Converged Contingency	956	0.09154	46.23839	'HUNTERS7 345.00 - VIOLA 7 345.00 345KV CKT 1'
NCONV	FNSL-Blown up	03ALL		0	13G	G11_008		Non-Converged Contingency	1052	0.10476	73.8719	'FINNEY SWITCHING STATION - Hitchland Interchange 345KV CKT 1'
NCONV	FNSL-Blown up	03ALL		0	13G	G11_008		Non-Converged Contingency	1052	0.06548	22.06532	'Hitchland Interchange - POTTER COUNTY INTERCHANGE 345KV CKT 1'
NCONV	FNSL-Blown up	03ALL		0	13G	G11_008		Non-Converged Contingency	1052	0.10476	30.15398	'FINNEY SWITCHING STATION - HOLCOMB 345KV CKT 1'
NCONV	FNSL-Blown up	03ALL		0	13G	G11_008		Non-Converged Contingency	1792	0.13352	49.45027	'G11-17T 345.00 - POST ROCK 345KV CKT 1'
NCONV	FNSL-Blown up	03ALL		0	13G	G11_008		Non-Converged Contingency	1792	0.09531	32.65164	'AXTELL - POST ROCK 345KV CKT 1'
NCONV	FNSL-Blown up	03ALL		0	13G	G11_008		Non-Converged Contingency	319	0.03242	99.17691	'SMOKYHL6 230.00 - SUMMIT 230KV CKT 1'
NCONV	FNSL-Blown up	03ALL		0	13G	G11_008		Non-Converged Contingency	1328	0.04409	34.90823	'HOLCOMB - SETAB 345KV CKT 1'
NCONV	FNSL-Blown up	03ALL		0	13G	G11_008		Non-Converged Contingency	1328	0.16678	36.12886	'BUCKNER7 345.00 - HOLCOMB 345KV CKT 1'
NCONV	FNSL-Blown up	03ALL		0	13G	G11_008		Non-Converged Contingency	1328	0.04413	43.30291	'MINGO - SETAB 345KV CKT 1'
NCONV	FNSL-Blown up	03ALL		0	13G	G11_008		Non-Converged Contingency	717	0.04867	62.03905	'MINGO - RED WILLOW 345KV CKT 1'
NCONV	FNSL-Blown up	03ALL		0	13G	G11_008		Non-Converged Contingency	1195	0.12041	69.8401	'MULGREN7 345.00 - SPEARVILLE 345KV CKT 2'
NCONV	FNSL-Blown up	03ALL		0	13G	G11_008		Non-Converged Contingency	1792	0.13352	30.84333	'G11-17T 345.00 - SPEARVILLE 345KV CKT 1'
NCONV	FNSL-Blown up	03ALL		0	13G	G11_008		Non-Converged Contingency	1051	0.06686	22.12694	'JEFFREY ENERGY CENTER - SUMMIT 345KV CKT 1'
NCONV	FNSL-Blown up	03ALL		0	13G	G11_008		Non-Converged Contingency	956	0.054	26.72794	'EMPORIA ENERGY CENTER - WICHITA 345KV CKT 1'
NCONV	FNSL-Blown up	03ALL		0	13G	G11_008		Non-Converged Contingency	1195	0.12041	69.83763	'MULGREN7 345.00 - RENO COUNTY 345KV CKT 2'
NCONV	FNSL-Blown up	03ALL		0	13G	G11_008		Non-Converged Contingency	956	0.12233	62.98875	'BENTON - ROSE HILL 345KV CKT 1'
NCONV	FNSL-Blown up	03ALL		0	13G	G11_008		Non-Converged Contingency	1792	0.13687	43.40387	'THISTLE7 345.00 - WICHITA 345KV CKT 1'
NCONV	FNSL-Blown up	03ALL		0	13G	G11_008		Non-Converged Contingency	1792	0.13687	43.40387	'THISTLE7 345.00 - WICHITA 345KV CKT 2'
NCONV	FNSL-Blown up	03ALL		0	13G	G11_008		Non-Converged Contingency	319	0.03488	100.0148	'CIRCLE - MULLERGREN 230KV CKT 1'
NCONV	FNSL-Blown up	03ALL		0	13G	G11_008		Non-Converged Contingency	355.3	0.05281	107.7076	'MULLERGREN - SPEARVILLE 230KV CKT 1'
NCONV	FNSL-Blown up	03ALL		0	13G	G11_008		Non-Converged Contingency	1793	0.24905	52.49322	'CLARKCOUNTY7345.00 - THISTLE7 345.00 345KV CKT 1'
NCONV	FNSL-Blown up	03ALL		0	13G	G11_008		Non-Converged Contingency	1793	0.24905	52.49322	'CLARKCOUNTY7345.00 - THISTLE7 345.00 345KV CKT 2'
NCONV	FNSL-Blown up	03ALL		0	13G	G11_008		Non-Converged Contingency	956	0.05436	47.97702	'AXTELL - PAULINE 345KV CKT 1'
NCONV	FNSL-Blown up	03ALL		0	13G	G11_008		Non-Converged Contingency	956	0.03795	28.00759	'GERALD GENTLEMAN STATION - RED WILLOW 345KV CKT 1'
NCONV	FNSL-Blown up	03ALL		0	13G	G11_008		Non-Converged Contingency	956	0.04805	42.82254	'MOORE - PAULINE 345KV CKT 1'
NCONV	FNSL-Blown up	03ALL		0	13G	G11_008		Non-Converged Contingency	559	0.06548	56.24506	'POTTER COUNTY INTERCHANGE (WAUK 90343-A) 345/230/13.2KV TRANSFORMER CKT 1'
NCONV	FNSL-Blown up	03ALL		0	13G	G11_008		Non-Converged Contingency	0	0.27374	9999	'DBL-WICH-THI'
NCONV	FNSL-Blown up	03ALL		0	13G	G11_008		Non-Converged Contingency	0	0.21301	9999	'DBL-THIS-WWR'

EVENTTYPE	SOLUTIONTYPE	GROUP	SCENARIO	SEASON	SOURCE	DIRECTION	MONTCOMMONNAME	RATEB	TDF	TC%LOADI	CONTNAME
NCONV	FNSL-Blown up	03ALL		0	13G	G11_008	Non-Converged Contingency	0	0.49811	9999	'DBL-THIS-CLR'
NCONV	FNSL-Blown up	03ALL		0	13G	G11_008	Non-Converged Contingency	0	0.03085	9999	'SPP-SWPS-01'
NCONV	FNSL-Blown up	03ALL		0	13G	G11_008	Non-Converged Contingency	0	0.10476	9999	'SPP-SWPS-05'
NCONV	FNSL-Blown up	03ALL		0	13G	G11_008	Non-Converged Contingency	0	0.04779	9999	'WRTOD400'
NCONV	FNSL-Blown up	03ALL		0	13G	G11_008	Non-Converged Contingency	1195	0.12041	62.79412	'GEN532652 1-JEFFREY ENERGY CENTER UNIT 2'
NCONV	FNSL-Blown up	03ALL		0	13G	G11_008	Non-Converged Contingency	1195	0.12041	62.79412	'GEN532653 1-JEFFREY ENERGY CENTER UNIT 3'
NCONV	FNSL-Blown up	03ALL		0	13G	G11_008	Non-Converged Contingency	1195	0.12041	62.79412	'GEN532751 1-WOLF CREEK GENERATING STATION UNIT 1'
NCONV	FNSL-Blown up	04ALL		0	13G	G11_008	Non-Converged Contingency	319	0.04578	108.1982	'SMOKYHL6 230.00 - SUMMIT 230KV CKT 1'
NCONV	FNSL-Blown up		3	0	13G	G11_008	Non-converged contingency	1792	0.15988	46.31664	'G11-17T 345.00 - POST ROCK 345KV CKT 1'
NCONV	FNSL-Blown up		3	0	13G	G11_008	Non-converged contingency	319	0.05125	98.66855	'CIRCLE - MULLERGREN 230KV CKT 1'
NCONV	FNSL-Blown up		3	0	13G	G11_008	Non-converged contingency	0	0.32883	9999	'DBL-WICH-THI'
NCONV	FNSL-Blown up		3	0	13G	G11_008	Non-converged contingency	0	0.5561	9999	'DBL-THIS-CLR'
NCONV	FNSL-Blown up		3	0	13G	G11_008	Non-converged contingency	0	0.12009	9999	'SPP-SWPS-05'
	FDNS		1	0	13G	G11_008	'TO->FRON'NORTHWEST - TATONGA7 345.00 345KV C	1195	0.19405	123.912	'DBL-WICH-THI'
	FDNS	03ALL		2	13G	G11_008	'TO->FRON'BENTON - WICHITA 345KV CKT 1'	932	0.19975	114.7705	'HUNTERS7 345.00 - WOODRING 345KV CKT 1'
	FDNS	03ALL		2	13G	G11_008	'TO->FRON'BENTON - WICHITA 345KV CKT 1'	932	0.19975	112.4898	'HUNTERS7 345.00 - VIOLA 7 345.00 345KV CKT 1'
NCONV	FNSL-Blown up	03ALL		2	13G	G11_008	Non-Converged Contingency	1052	0.09768	65.05273	'FINNEY SWITCHING STATION - Hitchland Interchange 345KV CKT 1'
	FDNS	03ALL		2	13G	G11_008	'TO->FRON'BENTON - WICHITA 345KV CKT 1'	932	0.19975	107.8205	'VIOLA 7 345.00 - WICHITA 345KV CKT 1'
NCONV	FNSL-Blown up	01ALL		0	13G	G11_010	Non-Converged Contingency	0	0.04358	9999	'DBL-THIS-WWR'
NCONV	FNSL-Blown up	03ALL		0	13G	G11_010	Non-Converged Contingency	956	0.04108	26.72794	'EMPORIA ENERGY CENTER - WICHITA 345KV CKT 1'
INVALID	FDNS	01ALL		0	13G	G11_012	'TO->FRON'NORTHWEST - TATONGA7 345.00 345KV C	1195	0.20044	126.4871	'LAWTON EASTSIDE - OKLAUNION 345KV CKT 1'
	FDNS	01ALL		0	13G	G11_012	'TO->FRON'NORTHWEST - TATONGA7 345.00 345KV C	1195	0.20044	119.5969	'OKLAUNION - TUCO INTERCHANGE 345KV CKT 1'
NCONV	FNSL-Blown up	01ALL		0	13G	G11_012	Non-Converged Contingency	1195	0.17493	116.2267	'NORTHWEST - TATONGA7 345.00 345KV CKT 1'
NCONV	FNSL-Blown up	01ALL		0	13G	G11_012	Non-Converged Contingency	1775	0.17493	6.701664	'TATONGA7 345.00 - WOODWARD DISTRICT EHV 345KV CKT 1'
NCONV	FNSL-Blown up	01ALL		0	13G	G11_012	Non-Converged Contingency	0	0.2022	9999	'DBL-THIS-WWR'
	FDNS	01ALL		0	13G	G11_012	'TO->FRON'NORTHWEST - TATONGA7 345.00 345KV C	1195	0.19418	127.7205	'THISTLE7 345.00 - WOODWARD DISTRICT EHV 345KV CKT 1'
	FDNS	01ALL		0	13G	G11_012	'TO->FRON'NORTHWEST - TATONGA7 345.00 345KV C	1195	0.19418	127.7205	'THISTLE7 345.00 - WOODWARD DISTRICT EHV 345KV CKT 2'
	FDNS	01ALL		0	13G	G11_012	'TO->FRON'NORTHWEST - TATONGA7 345.00 345KV C	1195	0.20873	120.1252	'FINNEY SWITCHING STATION - Hitchland Interchange 345KV CKT 1'
	FDNS	01ALL		0	13G	G11_012	'TO->FRON'NORTHWEST - TATONGA7 345.00 345KV C	1195	0.20873	121.4094	'FINNEY SWITCHING STATION - HOLCOMB 345KV CKT 1'
	FDNS	01ALL		0	13G	G11_012	'TO->FRON'NORTHWEST - TATONGA7 345.00 345KV C	1195	0.20044	120.7076	'SPP-AEPW-32'
	FDNS	01ALL		0	13G	G11_012	'TO->FRON'NORTHWEST - TATONGA7 345.00 345KV C	1195	0.20027	119.7743	'SPP-SWPS-01'
	FDNS	01ALL		0	13G	G11_012	'TO->FRON'NORTHWEST - TATONGA7 345.00 345KV C	1195	0.20873	120.1512	'SPP-SWPS-05'
	FDNS	02ALL		0	13G	G11_012	'FROM->TC'SPSSPTTIESB1'	620	0.31329	174.8577	'BASE CASE'
	FDNS	02ALL		0	13G	G11_012	'FROM->TC'SPSSPTTIESC'	620	0.31329	174.8577	'BASE CASE'
NCONV	FNSL-Blown up	02ALL		0	13G	G11_012	Non-Converged Contingency	1195	0.16902	89.21449	'NORTHWEST - TATONGA7 345.00 345KV CKT 1'
NCONV	FNSL-Blown up	02ALL		0	13G	G11_012	Non-Converged Contingency	1792	0.21967	69.9815	'BEAVER CO 345.00 - WOODWARD DISTRICT EHV 345KV CKT 1'
NCONV	FNSL-Blown up	02ALL		0	13G	G11_012	Non-Converged Contingency	1052	0.21978	65.83252	'FINNEY SWITCHING STATION - Hitchland Interchange 345KV CKT 1'
NCONV	FNSL-Blown up	02ALL		0	13G	G11_012	Non-Converged Contingency	1052	0.21978	70.96961	'FINNEY SWITCHING STATION - HOLCOMB 345KV CKT 1'
NCONV	FNSL-Blown up	02ALL		0	13G	G11_012	Non-Converged Contingency	0	0.11936	9999	'SPP-SWPS-01'
NCONV	FNSL-Blown up	02ALL		0	13G	G11_012	Non-Converged Contingency	0	0.21978	9999	'SPP-SWPS-05'
NCONV	FNSL-Blown up	03ALL		0	13G	G11_012	Non-Converged Contingency	1052	0.08008	20.1711	'OKLAUNION - TUCO INTERCHANGE 345KV CKT 1'
NCONV	FNSL-Blown up	03ALL		0	13G	G11_012	Non-Converged Contingency	1195	0.1663	78.9142	'NORTHWEST - TATONGA7 345.00 345KV CKT 1'
NCONV	FNSL-Blown up	03ALL		0	13G	G11_012	Non-Converged Contingency	1775	0.1663	47.56333	'TATONGA7 345.00 - WOODWARD DISTRICT EHV 345KV CKT 1'
NCONV	FNSL-Blown up	03ALL		0	13G	G11_012	Non-Converged Contingency	1792	0.05199	49.45027	'G11-17T 345.00 - POST ROCK 345KV CKT 1'
NCONV	FNSL-Blown up	03ALL		0	13G	G11_012	Non-Converged Contingency	1792	0.04218	32.65164	'AXTELL - POST ROCK 345KV CKT 1'
NCONV	FNSL-Blown up	03ALL		0	13G	G11_012	Non-Converged Contingency	1328	0.07599	34.90823	'HOLCOMB - SETAB 345KV CKT 1'
NCONV	FNSL-Blown up	03ALL		0	13G	G11_012	Non-Converged Contingency	1328	0.07005	43.30291	'MINGO - SETAB 345KV CKT 1'

EVENTTYPE	SOLUTIONTYPE	GROUP	SCENARIO	SEASON	SOURCE	DIRECTION	MONTCOMMONNAME	RATEB	TDF	TC%LOADI	CONTNAME	
NCONV	FNSL-Blown up	03ALL		0	13G	G11_012	Non-Converged Contingency	717	0.0651	62.03905	'MINGO - RED WILLOW 345KV CKT 1'	
NCONV	FNSL-Blown up	03ALL		0	13G	G11_012	Non-Converged Contingency	1328	0.1226	27.47881	'BUCKNER7 345.00 - SPEARVILLE 345KV CKT 1'	
NCONV	FNSL-Blown up	03ALL		0	13G	G11_012	Non-Converged Contingency	1195	0.04431	69.8401	'MULGREN7 345.00 - SPEARVILLE 345KV CKT 2'	
NCONV	FNSL-Blown up	03ALL		0	13G	G11_012	Non-Converged Contingency	1792	0.05199	30.84333	'G11-17T 345.00 - SPEARVILLE 345KV CKT 1'	
NCONV	FNSL-Blown up	03ALL		0	13G	G11_012	Non-Converged Contingency	1051	0.04503	22.12694	'JEFFREY ENERGY CENTER - SUMMIT 345KV CKT 1'	
NCONV	FNSL-Blown up	03ALL		0	13G	G11_012	Non-Converged Contingency	956	0.05075	26.72794	'EMPORIA ENERGY CENTER - WICHITA 345KV CKT 1'	
NCONV	FNSL-Blown up	03ALL		0	13G	G11_012	Non-Converged Contingency	1195	0.04431	69.83763	'MULGREN7 345.00 - RENO COUNTY 345KV CKT 2'	
NCONV	FNSL-Blown up	03ALL		0	13G	G11_012	Non-Converged Contingency	956	0.06423	62.98875	'BENTON - ROSE HILL 345KV CKT 1'	
NCONV	FNSL-Blown up	03ALL		0	13G	G11_012	Non-Converged Contingency	1792	0.09654	43.40387	'THISTLE7 345.00 - WICHITA 345KV CKT 1'	
NCONV	FNSL-Blown up	03ALL		0	13G	G11_012	Non-Converged Contingency	1792	0.09654	43.40387	'THISTLE7 345.00 - WICHITA 345KV CKT 2'	
NCONV	FNSL-Blown up	03ALL		0	13G	G11_012	Non-Converged Contingency	956	0.03449	47.97702	'AXTELL - PAULINE 345KV CKT 1'	
NCONV	FNSL-Blown up	03ALL		0	13G	G11_012	Non-Converged Contingency	956	0.05109	28.00759	'GERALD GENTLEMAN STATION - RED WILLOW 345KV CKT 1'	
NCONV	FNSL-Blown up	03ALL		0	13G	G11_012	Non-Converged Contingency	956	0.03199	42.82254	'MOORE - PAULINE 345KV CKT 1'	
NCONV	FNSL-Blown up	03ALL		0	13G	G11_012	Non-Converged Contingency	0	0.19309	9999	'DBL-WICH-THI'	
NCONV	FNSL-Blown up	03ALL		0	13G	G11_012	Non-Converged Contingency	0	0.43755	9999	'DBL-HTCH-BVR'	
NCONV	FNSL-Blown up	03ALL		0	13G	G11_012	Non-Converged Contingency	0	0.43755	9999	'DBL-BVR-WWRD'	
NCONV	FNSL-Blown up	03ALL		0	13G	G11_012	Non-Converged Contingency	0	0.03532	9999	'SPP-SWPS-01'	
NCONV	FNSL-Blown up	03ALL		0	13G	G11_012	Non-Converged Contingency	1195	0.04431	62.79412	'GEN532652 1-JEFFREY ENERGY CENTER UNIT 2'	
NCONV	FNSL-Blown up	03ALL		0	13G	G11_012	Non-Converged Contingency	1195	0.04431	62.79412	'GEN532653 1-JEFFREY ENERGY CENTER UNIT 3'	
NCONV	FNSL-Blown up	03ALL		0	13G	G11_012	Non-Converged Contingency	1195	0.04431	62.79412	'GEN532751 1-WOLF CREEK GENERATING STATION UNIT 1'	
INVALID	FDNS		1	0	13G	G11_012	'TO->FRON'	'NORTHWEST - TATONGA7 345.00 345KV C	1195	0.19942	106.3448	'LAWTON EASTSIDE - OKLAUNION 345KV CKT 1'
NCONV	FNSL-Blown up	02G11_012		0	13G	G11_012	Non-converged contingency	0	0.44094	9999	'DBL-BVR-WWRD'	
NCONV	FNSL-Blown up		3	0	13G	G11_012	Non-converged contingency	1792	0.06202	46.31664	'G11-17T 345.00 - POST ROCK 345KV CKT 1'	
NCONV	FNSL-Blown up		3	0	13G	G11_012	Non-converged contingency	0	0.21483	9999	'DBL-WICH-THI'	
	FDNS		1	0	13G	G11_012	'TO->FRON'	'NORTHWEST - TATONGA7 345.00 345KV C	1195	0.19942	100.1442	'OKLAUNION - TUCO INTERCHANGE 345KV CKT 1'
	FDNS		1	0	13G	G11_012	'TO->FRON'	'NORTHWEST - TATONGA7 345.00 345KV C	1195	0.19336	105.3204	'THISTLE7 345.00 - WOODWARD DISTRICT EHV 345KV CKT 1'
	FDNS		1	0	13G	G11_012	'TO->FRON'	'NORTHWEST - TATONGA7 345.00 345KV C	1195	0.19336	105.3204	'THISTLE7 345.00 - WOODWARD DISTRICT EHV 345KV CKT 2'
	FDNS		1	0	13G	G11_012	'TO->FRON'	'NORTHWEST - TATONGA7 345.00 345KV C	1195	0.20789	99.6	'FINNEY SWITCHING STATION - Hitchland Interchange 345KV CKT 1'
	FDNS		1	0	13G	G11_012	'TO->FRON'	'NORTHWEST - TATONGA7 345.00 345KV C	1195	0.20789	100.6584	'FINNEY SWITCHING STATION - HOLCOMB 345KV CKT 1'
	FDNS		1	0	13G	G11_012	'TO->FRON'	'NORTHWEST - TATONGA7 345.00 345KV C	1195	0.22951	123.912	'DBL-WICH-THI'
	FDNS		1	0	13G	G11_012	'TO->FRON'	'NORTHWEST - TATONGA7 345.00 345KV C	1195	0.24982	128.6688	'DBL-THIS-WWR'
	FDNS		1	0	13G	G11_012	'TO->FRON'	'NORTHWEST - TATONGA7 345.00 345KV C	1195	0.19942	101.2439	'SPP-AEPW-32'
	FDNS		1	0	13G	G11_012	'TO->FRON'	'NORTHWEST - TATONGA7 345.00 345KV C	1195	0.19926	100.2558	'SPP-SWPS-01'
	FDNS		1	0	13G	G11_012	'TO->FRON'	'NORTHWEST - TATONGA7 345.00 345KV C	1195	0.20789	99.6	'SPP-SWPS-05'
	FDNS	02G11_012		0	13G	G11_012	'FROM->TC'	'SPSSPPTIESB1'	620	0.3165	132.868	'BASE CASE'
	FDNS	02G11_012		0	13G	G11_012	'FROM->TC'	'SPSSPPTIESC'	620	0.3165	132.868	'BASE CASE'
	FDNS	02G11_012		0	13G	G11_012	'TO->FRON'	'NORTHWEST - TATONGA7 345.00 345KV C	1195	0.24494	102.5139	'DBL-THIS-WWR'
	FDNS		2	0	13G	G11_012	'FROM->TC'	'SPSSPPTIESB1'	620	0.3166	131.41	'BASE CASE'
	FDNS		2	0	13G	G11_012	'FROM->TC'	'SPSSPPTIESC'	620	0.3166	131.41	'BASE CASE'
	FDNS		2	0	13G	G11_012	'TO->FRON'	'NORTHWEST - TATONGA7 345.00 345KV C	1195	0.24499	101.999	'DBL-THIS-WWR'
	FDNS	02ALL		2	13G	G11_012	'FROM->TC'	'SPSSPPTIESB1'	620	0.26703	143.8108	'BASE CASE'
	FDNS	02ALL		2	13G	G11_012	'FROM->TC'	'SPSSPPTIESC'	620	0.26703	143.8108	'BASE CASE'
	FDNS	01ALL		0	13G	G11_014	'TO->FRON'	'NORTHWEST - TATONGA7 345.00 345KV C	1195	0.21765	116.2267	'BASE CASE'
CONT-TOD	FDNS	01ALL		0	13G	G11_014	'TO->FRON'	'NORTHWEST - TATONGA7 345.00 345KV C	1195	0.21742	116.5673	'DOLET HILLS - SOUTHWEST SHREVEPORT 345KV CKT 1'
INVALID	FDNS	01ALL		0	13G	G11_014	'TO->FRON'	'NORTHWEST - TATONGA7 345.00 345KV C	1195	0.21754	115.6669	'FLINT CREEK - SILOAM SPRINGS TAP 345KV CKT 1'
	FDNS	01ALL		0	13G	G11_014	'TO->FRON'	'NORTHWEST - TATONGA7 345.00 345KV C	1195	0.21757	115.57	'FLINT CREEK - SUB 383 - MONETT 345KV CKT 1'
	FDNS	01ALL		0	13G	G11_014	'TO->FRON'	'NORTHWEST - TATONGA7 345.00 345KV C	1195	0.21762	115.4374	'CHAMBER SPRINGS - CLARKSVILLE 345KV CKT 1'
	FDNS	01ALL		0	13G	G11_014	'TO->FRON'	'NORTHWEST - TATONGA7 345.00 345KV C	1195	0.21716	115.7317	'LYDIA - WELSH 345KV CKT 1'
	FDNS	01ALL		0	13G	G11_014	'TO->FRON'	'NORTHWEST - TATONGA7 345.00 345KV C	1195	0.21569	113.926	'LYDIA - VALLIANT 345KV CKT 1'
INVALID	FDNS	01ALL		0	13G	G11_014	'TO->FRON'	'NORTHWEST - TATONGA7 345.00 345KV C	1195	0.21765	115.0375	'EASTDC - WELSH 345KV CKT 1'
	FDNS	01ALL		0	13G	G11_014	'TO->FRON'	'NORTHWEST - TATONGA7 345.00 345KV C	1195	0.21782	115.8748	'CLARKSVILLE - MUSKOGEE 345KV CKT 1'

EVENT	TYP	SOLUTION	TYPE	GROUP	SCENARIO	SEASON	SOURCE	DIRECTION	MON	COMMON	NAME	RATE	B	TDF	TC%	LOAD	CONT	NAME
		FDNS		01ALL		0	13G	G11_014	TO->FRON	NORTHWEST - TATONGA7	345.00 345KV	0	1195	0.21503	114.5614		'REDBUD - RIVERSIDE STATION 345KV CKT 1'	
		FDNS		01ALL		0	13G	G11_014	TO->FRON	NORTHWEST - TATONGA7	345.00 345KV	0	1195	0.21843	114.3538		'DELAWARE - NORTHEAST STATION 345KV CKT 1'	
		FDNS		01ALL		0	13G	G11_014	TO->FRON	NORTHWEST - TATONGA7	345.00 345KV	0	1195	0.21836	115.1262		'DELAWARE - NEOSHO 345KV CKT 1'	
		FDNS		01ALL		0	13G	G11_014	TO->FRON	NORTHWEST - TATONGA7	345.00 345KV	0	1195	0.21678	115.1887		'PITTSBURG - VALLIANT 345KV CKT 1'	
		FDNS		01ALL		0	13G	G11_014	TO->FRON	NORTHWEST - TATONGA7	345.00 345KV	0	1195	0.21646	114.9977		'PITTSBURG - SEMINOLE 345KV CKT 1'	
		FDNS		01ALL		0	13G	G11_014	TO->FRON	NORTHWEST - TATONGA7	345.00 345KV	0	1195	0.21939	117.1441		'CLINTON AIR FORCE BASE TAP - ELK CITY 138KV CKT 1'	
		FDNS		01ALL		0	13G	G11_014	TO->FRON	NORTHWEST - TATONGA7	345.00 345KV	0	1195	0.21939	117.1061		'CLINTON AIR FORCE BASE TAP - HOBART JUNCTION 138KV CKT 1'	
INVALID		FDNS		01ALL		0	13G	G11_014	TO->FRON	NORTHWEST - TATONGA7	345.00 345KV	0	1195	0.23262	126.4871		'LAWTON EASTSIDE - OKLAUNION 345KV CKT 1'	
		FDNS		01ALL		0	13G	G11_014	TO->FRON	NORTHWEST - TATONGA7	345.00 345KV	0	1195	0.23262	119.5969		'OKLAUNION - TUCO INTERCHANGE 345KV CKT 1'	
		FDNS		01ALL		0	13G	G11_014	TO->FRON	NORTHWEST - TATONGA7	345.00 345KV	0	1195	0.22028	117.4259		'CLINTON JUNCTION - ELK CITY 138KV CKT 1'	
		FDNS		01ALL		0	13G	G11_014	TO->FRON	NORTHWEST - TATONGA7	345.00 345KV	0	1195	0.21858	117.1202		'ELK CITY - RED HILLS WIND 138KV CKT 1'	
		FDNS		01ALL		0	13G	G11_014	TO->FRON	NORTHWEST - TATONGA7	345.00 345KV	0	1195	0.21901	117.4005		'LAWTON EASTSIDE - SUNNYSIDE 345KV CKT 1'	
		FDNS		01ALL		0	13G	G11_014	TO->FRON	NORTHWEST - TATONGA7	345.00 345KV	0	1195	0.21769	115.0566		'GRACEMONT - LAWTON EASTSIDE 345KV CKT 1'	
		FDNS		01ALL		0	13G	G11_014	TO->FRON	NORTHWEST - TATONGA7	345.00 345KV	0	1195	0.2185	116.6433		'WEATHERFORD JCT. - WEATHERFORD SOUTHEAST 138KV CKT 1'	
		FDNS		01ALL		0	13G	G11_014	TO->FRON	NORTHWEST - TATONGA7	345.00 345KV	0	1195	0.22137	118.2867		'ELK CITY 230KV - SWEETWATER 230KV CKT 1'	
		FDNS		01ALL		0	13G	G11_014	TO->FRON	NORTHWEST - TATONGA7	345.00 345KV	0	1195	0.21814	116.6166		'WEATHERFORD TAP - WEATHERFORD WIND FARM 138KV CKT 1'	
		FDNS		01ALL		0	13G	G11_014	TO->FRON	NORTHWEST - TATONGA7	345.00 345KV	0	1195	0.22137	116.2317		'STATELINE INTERCHANGE - SWEETWATER 230KV CKT &1'	
		FDNS		01ALL		0	13G	G11_014	TO->FRON	NORTHWEST - TATONGA7	345.00 345KV	0	1195	0.21829	116.6239		'MCLEAN RURAL SUB - SHAMROCK 115KV CKT 1'	
INVALID		FDNS		01ALL		0	13G	G11_014	TO->FRON	NORTHWEST - TATONGA7	345.00 345KV	0	1195	0.21751	115.5255		'GRDA1 - SILOAM SPRINGS TAP 345KV CKT 1'	
		FDNS		01ALL		0	13G	G11_014	TO->FRON	NORTHWEST - TATONGA7	345.00 345KV	0	1195	0.21704	115.8593		'CLEVELAND - SOONER 345KV CKT 1'	
		FDNS		01ALL		0	13G	G11_014	TO->FRON	NORTHWEST - TATONGA7	345.00 345KV	0	1195	0.21931	116.728		'WAUKOMIS - WAUKOMIS TAP 138KV CKT 1'	
		FDNS		01ALL		0	13G	G11_014	TO->FRON	NORTHWEST - TATONGA7	345.00 345KV	0	1195	0.21931	116.7662		'HENESSEY - WAUKOMIS 138KV CKT 1'	
		FDNS		01ALL		0	13G	G11_014	TO->FRON	NORTHWEST - TATONGA7	345.00 345KV	0	1195	0.22208	116.8451		'HUNTERS7 345.00 - WOODRING 345KV CKT 1'	
		FDNS		01ALL		0	13G	G11_014	TO->FRON	NORTHWEST - TATONGA7	345.00 345KV	0	1195	0.21832	115.9888		'G11-007T 345.00 - WOODRING 345KV CKT 1'	
		FDNS		01ALL		0	13G	G11_014	TO->FRON	NORTHWEST - TATONGA7	345.00 345KV	0	1195	0.21842	116.6427		'KNOBHILL - SALINE 69KV CKT 1'	
		FDNS		01ALL		0	13G	G11_014	TO->FRON	NORTHWEST - TATONGA7	345.00 345KV	0	1195	0.21842	116.602		'HELENA TAP - SALINE 69KV CKT 1'	
		FDNS		01ALL		0	13G	G11_014	TO->FRON	NORTHWEST - TATONGA7	345.00 345KV	0	1195	0.21809	115.682		'KILDARE4 - NEWKIRK4 138KV CKT 1'	
		FDNS		01ALL		0	13G	G11_014	TO->FRON	NORTHWEST - TATONGA7	345.00 345KV	0	1195	0.21794	115.7943		'KILDARE4 - WHITE EAGLE 138KV CKT 1'	
		FDNS		01ALL		0	13G	G11_014	TO->FRON	NORTHWEST - TATONGA7	345.00 345KV	0	1195	0.21931	116.808		'DOVER SW - HENESSEY 138KV CKT 1'	
		FDNS		01ALL		0	13G	G11_014	TO->FRON	NORTHWEST - TATONGA7	345.00 345KV	0	1195	0.22124	118.5361		'CLEO CORNER - GLASS MOUNTAIN 138KV CKT 1'	
		FDNS		01ALL		0	13G	G11_014	TO->FRON	NORTHWEST - TATONGA7	345.00 345KV	0	1195	0.22213	118.6045		'CLEO CORNER - MEN TAP 138KV CKT 1'	
		FDNS		01ALL		0	13G	G11_014	TO->FRON	NORTHWEST - TATONGA7	345.00 345KV	0	1195	0.22766	119.7796		'FPL SWITCH - WOODWARD 138KV CKT 1'	
		FDNS		01ALL		0	13G	G11_014	TO->FRON	NORTHWEST - TATONGA7	345.00 345KV	0	1195	0.22203	117.5662		'DEWEY - IODINE 138KV CKT 1'	
		FDNS		01ALL		0	13G	G11_014	TO->FRON	NORTHWEST - TATONGA7	345.00 345KV	0	1195	0.22415	120.5014		'DEWEY - SOUTHARD 138KV CKT 1'	
		FDNS		01ALL		0	13G	G11_014	TO->FRON	NORTHWEST - TATONGA7	345.00 345KV	0	1195	0.22124	118.6138		'GLASS MOUNTAIN - MOORELAND 138KV CKT 1'	
		FDNS		01ALL		0	13G	G11_014	TO->FRON	NORTHWEST - TATONGA7	345.00 345KV	0	1195	0.22213	118.517		'IMO TAP - MEN TAP 138KV CKT 1'	
		FDNS		01ALL		0	13G	G11_014	TO->FRON	NORTHWEST - TATONGA7	345.00 345KV	0	1195	0.21849	117.0241		'KNOBHILL - MOORELAND 138KV CKT 1'	
		FDNS		01ALL		0	13G	G11_014	TO->FRON	NORTHWEST - TATONGA7	345.00 345KV	0	1195	0.22203	117.6239		'IODINE - WOODWARD EHV 138KV CKT 1'	
		FDNS		01ALL		0	13G	G11_014	TO->FRON	NORTHWEST - TATONGA7	345.00 345KV	0	1195	0.21769	114.0686		'GRACEMONT - MINCO 345KV CKT 1'	
		FDNS		01ALL		0	13G	G11_014	TO->FRON	NORTHWEST - TATONGA7	345.00 345KV	0	1195	0.21343	115.7007		'SOONER - SPRING CREEK 345KV CKT 1'	
		FDNS		01ALL		0	13G	G11_014	TO->FRON	NORTHWEST - TATONGA7	345.00 345KV	0	1195	0.22028	114.7058		'ROSE HILL - SOONER 345KV CKT 1'	
		FDNS		01ALL		0	13G	G11_014	TO->FRON	NORTHWEST - TATONGA7	345.00 345KV	0	1195	0.21809	115.6501		'CRESWELL - MIDLTN74 138.00 138KV CKT 1'	
		FDNS		01ALL		0	13G	G11_014	TO->FRON	NORTHWEST - TATONGA7	345.00 345KV	0	1195	0.22415	119.915		'EL RENO - ROMAN NOSE 138KV CKT 1'	
		FDNS		01ALL		0	13G	G11_014	TO->FRON	NORTHWEST - TATONGA7	345.00 345KV	0	1195	0.22415	120.1315		'ROMAN NOSE - SOUTHARD 138KV CKT 1'	
		FDNS		01ALL		0	13G	G11_014	TO->FRON	NORTHWEST - TATONGA7	345.00 345KV	0	1195	0.21765	116.6019		'GEN300003 1-THOMAS HILL UNIT 3'	
		FDNS		01ALL		0	13G	G11_014	TO->FRON	NORTHWEST - TATONGA7	345.00 345KV	0	1195	0.21765	117.4776		'GEN300006 1-NEW MADRID UNIT 1'	
		FDNS		01ALL		0	13G	G11_014	TO->FRON	NORTHWEST - TATONGA7	345.00 345KV	0	1195	0.21765	117.4701		'GEN300007 1-NEW MADRID UNIT 2'	
		FDNS		01ALL		0	13G	G11_014	TO->FRON	NORTHWEST - TATONGA7	345.00 345KV	0	1195	0.21765	116.6653		'GEN300016 1-1G1PDEL 18.000'	
		FDNS		01ALL		0	13G	G11_014	TO->FRON	NORTHWEST - TATONGA7	345.00 345KV	0	1195	0.21765	116.8791		'GEN300020 1-1CHOTCT4 16.000'	
		FDNS		01ALL		0	13G	G11_014	TO->FRON	NORTHWEST - TATONGA7	345.00 345KV	0	1195	0.21765	116.8791		'GEN300021 1-1CHOTCT5 16.000'	
		FDNS		01ALL		0	13G	G11_014	TO->FRON	NORTHWEST - TATONGA7	345.00 345KV	0	1195	0.21765	116.9041		'GEN300024 1-1CHOTST6 16.000'	
		FDNS		01ALL		0	13G	G11_014	TO->FRON	NORTHWEST - TATONGA7	345.00 345KV	0	1195	0.21765	116.904		'GEN300031 1-CHOUTEAU CTG 1'	
		FDNS		01ALL		0	13G	G11_014	TO->FRON	NORTHWEST - TATONGA7	345.00 345KV	0	1195	0.21765	116.879		'GEN300032 1-CHOUTEAU CTG 2'	

EVENTTYPE	SOLUTIONTYPE	GROUP	SCENARIO	SEASON	SOURCE	DIRECTION	MONTH	COMMONNAME	RATEB	TDF	TC%LOADI	CONTNAME			
	FDNS	01ALL		0	13G	G11_014	TO->FRON	NORTHWEST - TATONGA7	345.00	345KV	0	1195	0.21765	116.879	'GEN300033 1-CHOUTEAU STG 3'
	FDNS	01ALL		0	13G	G11_014	TO->FRON	NORTHWEST - TATONGA7	345.00	345KV	0	1195	0.21765	116.9866	'GEN301380 1-1OSAGEWIND 34.500'
	FDNS	01ALL		0	13G	G11_014	TO->FRON	NORTHWEST - TATONGA7	345.00	345KV	0	1195	0.21765	117.8887	'GEN303006 1-1BC2 U1'
	FDNS	01ALL		0	13G	G11_014	TO->FRON	NORTHWEST - TATONGA7	345.00	345KV	0	1195	0.21765	118.4007	'GEN303007 1-1BC2 U2'
	FDNS	01ALL		0	13G	G11_014	TO->FRON	NORTHWEST - TATONGA7	345.00	345KV	0	1195	0.21765	117.757	'GEN303008 1-1BC2 U3'
	FDNS	01ALL		0	13G	G11_014	TO->FRON	NORTHWEST - TATONGA7	345.00	345KV	0	1195	0.21765	116.7753	'GEN303024 1-1G3INTHB 18.000'
	FDNS	01ALL		0	13G	G11_014	TO->FRON	NORTHWEST - TATONGA7	345.00	345KV	0	1195	0.21765	116.6219	'GEN303025 1-1S3INTHB 13.800'
	FDNS	01ALL		0	13G	G11_014	TO->FRON	NORTHWEST - TATONGA7	345.00	345KV	0	1195	0.21765	116.699	'GEN303026 1-1G4INTHB 18.000'
	FDNS	01ALL		0	13G	G11_014	TO->FRON	NORTHWEST - TATONGA7	345.00	345KV	0	1195	0.21765	116.5697	'GEN303027 1-1S4INTHB 13.800'
	FDNS	01ALL		0	13G	G11_014	TO->FRON	NORTHWEST - TATONGA7	345.00	345KV	0	1195	0.21765	116.8892	'GEN318007 1-5MOROW161 161.00'
	FDNS	01ALL		0	13G	G11_014	TO->FRON	NORTHWEST - TATONGA7	345.00	345KV	0	1195	0.21765	116.9448	'GEN334030 1-FRONTIER UNIT 1'
	FDNS	01ALL		0	13G	G11_014	TO->FRON	NORTHWEST - TATONGA7	345.00	345KV	0	1195	0.21765	116.9448	'GEN334031 1-FRONTIER UNIT 2'
	FDNS	01ALL		0	13G	G11_014	TO->FRON	NORTHWEST - TATONGA7	345.00	345KV	0	1195	0.21765	116.7911	'GEN334070 1-LEWIS CREEK 1'
	FDNS	01ALL		0	13G	G11_014	TO->FRON	NORTHWEST - TATONGA7	345.00	345KV	0	1195	0.21765	116.7845	'GEN334071 1-LEWIS CREEK 2'
	FDNS	01ALL		0	13G	G11_014	TO->FRON	NORTHWEST - TATONGA7	345.00	345KV	0	1195	0.21765	116.7314	'GEN334392 1-EXXON MOBIL IPP 1'
	FDNS	01ALL		0	13G	G11_014	TO->FRON	NORTHWEST - TATONGA7	345.00	345KV	0	1195	0.21765	116.6366	'GEN334431 1-SABINE UNIT 1'
	FDNS	01ALL		0	13G	G11_014	TO->FRON	NORTHWEST - TATONGA7	345.00	345KV	0	1195	0.21765	116.6366	'GEN334432 1-SABINE UNIT 2'
	FDNS	01ALL		0	13G	G11_014	TO->FRON	NORTHWEST - TATONGA7	345.00	345KV	0	1195	0.21765	117.0944	'GEN334433 1-SABINE UNIT 3'
	FDNS	01ALL		0	13G	G11_014	TO->FRON	NORTHWEST - TATONGA7	345.00	345KV	0	1195	0.21765	117.4781	'GEN334440 1-SABINE UNIT 4'
	FDNS	01ALL		0	13G	G11_014	TO->FRON	NORTHWEST - TATONGA7	345.00	345KV	0	1195	0.21765	117.1054	'GEN334441 1-SABINE UNIT 5'
	FDNS	01ALL		0	13G	G11_014	TO->FRON	NORTHWEST - TATONGA7	345.00	345KV	0	1195	0.21765	116.6472	'GEN334456 1-CONOCO UNIT#1'
	FDNS	01ALL		0	13G	G11_014	TO->FRON	NORTHWEST - TATONGA7	345.00	345KV	0	1195	0.21765	116.6702	'GEN335201 1-NELSON UNIT 1'
	FDNS	01ALL		0	13G	G11_014	TO->FRON	NORTHWEST - TATONGA7	345.00	345KV	0	1195	0.21765	116.6224	'GEN335202 1-NELSON UNIT 2'
	FDNS	01ALL		0	13G	G11_014	TO->FRON	NORTHWEST - TATONGA7	345.00	345KV	0	1195	0.21765	116.6035	'GEN335203 1-NELSON UNIT 3'
	FDNS	01ALL		0	13G	G11_014	TO->FRON	NORTHWEST - TATONGA7	345.00	345KV	0	1195	0.21765	117.519	'GEN335204 1-NELSON UNIT 4'
	FDNS	01ALL		0	13G	G11_014	TO->FRON	NORTHWEST - TATONGA7	345.00	345KV	0	1195	0.21765	118.3984	'GEN335206 1-NELSON UNIT 6'
	FDNS	01ALL		0	13G	G11_014	TO->FRON	NORTHWEST - TATONGA7	345.00	345KV	0	1195	0.21765	116.9664	'GEN335370 1-1ACADIA_S26116.000
	FDNS	01ALL		0	13G	G11_014	TO->FRON	NORTHWEST - TATONGA7	345.00	345KV	0	1195	0.21765	116.9441	'GEN335371 1-1ACADIA_C25118.000
	FDNS	01ALL		0	13G	G11_014	TO->FRON	NORTHWEST - TATONGA7	345.00	345KV	0	1195	0.21765	116.9441	'GEN335372 1-1ACADIA_C24118.000
	FDNS	01ALL		0	13G	G11_014	TO->FRON	NORTHWEST - TATONGA7	345.00	345KV	0	1195	0.21765	116.791	'GEN335570 1-CARVILLE CTG'
	FDNS	01ALL		0	13G	G11_014	TO->FRON	NORTHWEST - TATONGA7	345.00	345KV	0	1195	0.21765	116.7912	'GEN335571 1-CARVILLE UNIT #1'
	FDNS	01ALL		0	13G	G11_014	TO->FRON	NORTHWEST - TATONGA7	345.00	345KV	0	1195	0.21765	121.4843	'GEN336153 1-WATERFORD UNIT#3'
	FDNS	01ALL		0	13G	G11_014	TO->FRON	NORTHWEST - TATONGA7	345.00	345KV	0	1195	0.21765	116.8124	'GEN336167 1-GULF OXY U1'
	FDNS	01ALL		0	13G	G11_014	TO->FRON	NORTHWEST - TATONGA7	345.00	345KV	0	1195	0.21765	116.8124	'GEN336168 1-GULF OXY U2'
	FDNS	01ALL		0	13G	G11_014	TO->FRON	NORTHWEST - TATONGA7	345.00	345KV	0	1195	0.21765	116.8124	'GEN336169 1-GULF OXY U3'
	FDNS	01ALL		0	13G	G11_014	TO->FRON	NORTHWEST - TATONGA7	345.00	345KV	0	1195	0.21765	117.2212	'GEN336170 1-GULF OXY U4'
	FDNS	01ALL		0	13G	G11_014	TO->FRON	NORTHWEST - TATONGA7	345.00	345KV	0	1195	0.21765	117.3511	'GEN336191 1-LITTLE GYPSY UNIT#3'
	FDNS	01ALL		0	13G	G11_014	TO->FRON	NORTHWEST - TATONGA7	345.00	345KV	0	1195	0.21765	116.6639	'GEN336221 1-LITTLE GYPSY UNIT#1'
	FDNS	01ALL		0	13G	G11_014	TO->FRON	NORTHWEST - TATONGA7	345.00	345KV	0	1195	0.21765	116.9005	'GEN336222 1-LITTLE GYPSY UNIT#2'
	FDNS	01ALL		0	13G	G11_014	TO->FRON	NORTHWEST - TATONGA7	345.00	345KV	0	1195	0.21765	117.3067	'GEN336251 1-NINEMILE POINT UNIT#4'
	FDNS	01ALL		0	13G	G11_014	TO->FRON	NORTHWEST - TATONGA7	345.00	345KV	0	1195	0.21765	117.6451	'GEN336252 1-NINEMILE POINT UNIT#5'
	FDNS	01ALL		0	13G	G11_014	TO->FRON	NORTHWEST - TATONGA7	345.00	345KV	0	1195	0.21765	116.5741	'GEN336446 1-MICHOUD UNIT #2'
	FDNS	01ALL		0	13G	G11_014	TO->FRON	NORTHWEST - TATONGA7	345.00	345KV	0	1195	0.21765	117.2598	'GEN336464 1-MICHOUD UNIT #3'
	FDNS	01ALL		0	13G	G11_014	TO->FRON	NORTHWEST - TATONGA7	345.00	345KV	0	1195	0.21765	117.2021	'GEN336801 1-BAXTER WILSON UNIT #1'
	FDNS	01ALL		0	13G	G11_014	TO->FRON	NORTHWEST - TATONGA7	345.00	345KV	0	1195	0.21765	117.5781	'GEN336831 1-BAXTER WILSON SES'
	FDNS	01ALL		0	13G	G11_014	TO->FRON	NORTHWEST - TATONGA7	345.00	345KV	0	1195	0.21765	116.8301	'GEN337006 1-DUKE MCADAMS G1'
	FDNS	01ALL		0	13G	G11_014	TO->FRON	NORTHWEST - TATONGA7	345.00	345KV	0	1195	0.21765	116.8301	'GEN337007 1-DUKE MCADAMS G2'
	FDNS	01ALL		0	13G	G11_014	TO->FRON	NORTHWEST - TATONGA7	345.00	345KV	0	1195	0.21765	116.8174	'GEN337008 1-DUKE MCADAMS S1'
	FDNS	01ALL		0	13G	G11_014	TO->FRON	NORTHWEST - TATONGA7	345.00	345KV	0	1195	0.21765	117.6063	'GEN337041 1-GERALD ANDRUS'
	FDNS	01ALL		0	13G	G11_014	TO->FRON	NORTHWEST - TATONGA7	345.00	345KV	0	1195	0.21765	116.744	'GEN337125 6-LS POWER BATESVILLE'
	FDNS	01ALL		0	13G	G11_014	TO->FRON	NORTHWEST - TATONGA7	345.00	345KV	0	1195	0.21765	116.8106	'GEN337421 1-OUCHITA CTG1'
	FDNS	01ALL		0	13G	G11_014	TO->FRON	NORTHWEST - TATONGA7	345.00	345KV	0	1195	0.21765	116.5895	'GEN337422 1-OUCHITA STG1'
	FDNS	01ALL		0	13G	G11_014	TO->FRON	NORTHWEST - TATONGA7	345.00	345KV	0	1195	0.21765	116.8106	'GEN337423 1-OUCHITA CTG2'
	FDNS	01ALL		0	13G	G11_014	TO->FRON	NORTHWEST - TATONGA7	345.00	345KV	0	1195	0.21765	116.5895	'GEN337424 1-OUCHITA STG2'
	FDNS	01ALL		0	13G	G11_014	TO->FRON	NORTHWEST - TATONGA7	345.00	345KV	0	1195	0.21765	116.8106	'GEN337425 1-OUCHITA CTG3'
	FDNS	01ALL		0	13G	G11_014	TO->FRON	NORTHWEST - TATONGA7	345.00	345KV	0	1195	0.21765	116.5895	'GEN337426 1-OUCHITA STG3'

EVENTTYPE	SOLUTIONTYPE	GROUP	SCENARIO	SEASON	SOURCE	DIRECTION	MONTH	COMMONNAME	RATEB	TDF	TC%LOADI	CONTNAME			
	FDNS	01ALL		0	13G	G11_014	'TO->FRON'	'NORTHWEST - TATONGA7	345.00	345KV	0	1195	0.21765	116.8836	'GEN337428 1-PERYVILLE UNIT #1'
	FDNS	01ALL		0	13G	G11_014	'TO->FRON'	'NORTHWEST - TATONGA7	345.00	345KV	0	1195	0.21765	116.8836	'GEN337430 1-PERYVILLE UNIT #3'
	FDNS	01ALL		0	13G	G11_014	'TO->FRON'	'NORTHWEST - TATONGA7	345.00	345KV	0	1195	0.21765	116.866	'GEN337432 1-PERYVILLE UNIT #5'
	FDNS	01ALL		0	13G	G11_014	'TO->FRON'	'NORTHWEST - TATONGA7	345.00	345KV	0	1195	0.21765	119.3922	'GEN337652 1-WHITE BLUFF UNIT #1'
	FDNS	01ALL		0	13G	G11_014	'TO->FRON'	'NORTHWEST - TATONGA7	345.00	345KV	0	1195	0.21765	119.5059	'GEN337653 1-WHITE BLUFF UNIT #2'
	FDNS	01ALL		0	13G	G11_014	'TO->FRON'	'NORTHWEST - TATONGA7	345.00	345KV	0	1195	0.21765	117.2463	'GEN337692 1-LAKE CATHERINE UNIT #4'
	FDNS	01ALL		0	13G	G11_014	'TO->FRON'	'NORTHWEST - TATONGA7	345.00	345KV	0	1195	0.21765	118.3823	'GEN338388 1-1PLUM PT U1 23.000'
	FDNS	01ALL		0	13G	G11_014	'TO->FRON'	'NORTHWEST - TATONGA7	345.00	345KV	0	1195	0.21765	116.6843	'GEN338500 1-MCCLELLAN UNIT #1'
	FDNS	01ALL		0	13G	G11_014	'TO->FRON'	'NORTHWEST - TATONGA7	345.00	345KV	0	1195	0.21765	119.3339	'GEN501801 1-DOLET HILLS UNIT1'
	FDNS	01ALL		0	13G	G11_014	'TO->FRON'	'NORTHWEST - TATONGA7	345.00	345KV	0	1195	0.21765	117.1989	'GEN501811 1-RODEMACHER UNIT 1'
	FDNS	01ALL		0	13G	G11_014	'TO->FRON'	'NORTHWEST - TATONGA7	345.00	345KV	0	1195	0.21765	118.2705	'GEN501812 1-RODEMACHER UNIT 2'
	FDNS	01ALL		0	13G	G11_014	'TO->FRON'	'NORTHWEST - TATONGA7	345.00	345KV	0	1195	0.21765	118.7184	'GEN501813 1-RODEMACHER UNIT 3'
	FDNS	01ALL		0	13G	G11_014	'TO->FRON'	'NORTHWEST - TATONGA7	345.00	345KV	0	1195	0.21765	117.1809	'GEN501910 1-ACADIA UNIT ST1'
	FDNS	01ALL		0	13G	G11_014	'TO->FRON'	'NORTHWEST - TATONGA7	345.00	345KV	0	1195	0.21765	116.9047	'GEN501911 1-ACADIA UNIT CT1A'
	FDNS	01ALL		0	13G	G11_014	'TO->FRON'	'NORTHWEST - TATONGA7	345.00	345KV	0	1195	0.21765	116.9047	'GEN501912 1-ACADIA UNIT CT1B'
	FDNS	01ALL		0	13G	G11_014	'TO->FRON'	'NORTHWEST - TATONGA7	345.00	345KV	0	1195	0.21765	116.8722	'GEN505432 1-SIKESTON'
	FDNS	01ALL		0	13G	G11_014	'TO->FRON'	'NORTHWEST - TATONGA7	345.00	345KV	0	1195	0.21765	116.6316	'GEN506749 1-EASTMAN GENERATION A'
	FDNS	01ALL		0	13G	G11_014	'TO->FRON'	'NORTHWEST - TATONGA7	345.00	345KV	0	1195	0.21765	116.8243	'GEN506752 1-LEBROCK GAS 1'
	FDNS	01ALL		0	13G	G11_014	'TO->FRON'	'NORTHWEST - TATONGA7	345.00	345KV	0	1195	0.21765	117.0139	'GEN509391 G1-ARSENAL HILL GENS #2 (STALL)'
	FDNS	01ALL		0	13G	G11_014	'TO->FRON'	'NORTHWEST - TATONGA7	345.00	345KV	0	1195	0.21765	117.0139	'GEN509392 G2-ARSENAL HILL GENS #3 (STALL)'
	FDNS	01ALL		0	13G	G11_014	'TO->FRON'	'NORTHWEST - TATONGA7	345.00	345KV	0	1195	0.21765	117.0066	'GEN509393 S1-ARSENAL HILL GENS #4 (STALL)'
	FDNS	01ALL		0	13G	G11_014	'TO->FRON'	'NORTHWEST - TATONGA7	345.00	345KV	0	1195	0.21765	118.2363	'GEN509394 1-FLINT CREEK'
	FDNS	01ALL		0	13G	G11_014	'TO->FRON'	'NORTHWEST - TATONGA7	345.00	345KV	0	1195	0.21765	118.9452	'GEN509403 1-PIRKEY GENERATION'
	FDNS	01ALL		0	13G	G11_014	'TO->FRON'	'NORTHWEST - TATONGA7	345.00	345KV	0	1195	0.21765	118.4209	'GEN509404 1-WELSH #1'
	FDNS	01ALL		0	13G	G11_014	'TO->FRON'	'NORTHWEST - TATONGA7	345.00	345KV	0	1195	0.21765	118.421	'GEN509405 1-WELSH #2'
	FDNS	01ALL		0	13G	G11_014	'TO->FRON'	'NORTHWEST - TATONGA7	345.00	345KV	0	1195	0.21765	118.4211	'GEN509406 1-WELSH #3'
	FDNS	01ALL		0	13G	G11_014	'TO->FRON'	'NORTHWEST - TATONGA7	345.00	345KV	0	1195	0.21765	116.6372	'GEN509408 1-WILKES #2'
	FDNS	01ALL		0	13G	G11_014	'TO->FRON'	'NORTHWEST - TATONGA7	345.00	345KV	0	1195	0.21765	118.8521	'GEN509416 1-TURK GENERATION'
	FDNS	01ALL		0	13G	G11_014	'TO->FRON'	'NORTHWEST - TATONGA7	345.00	345KV	0	1195	0.21765	116.7346	'GEN511836 1-NORTHEASTERN STATION #1'
	FDNS	01ALL		0	13G	G11_014	'TO->FRON'	'NORTHWEST - TATONGA7	345.00	345KV	0	1195	0.21765	116.8508	'GEN511837 1-NORTHEASTERN STATION # 1-1A'
	FDNS	01ALL		0	13G	G11_014	'TO->FRON'	'NORTHWEST - TATONGA7	345.00	345KV	0	1195	0.21765	116.8508	'GEN511838 1-NORTHEASTERN STATION # 1-1B'
	FDNS	01ALL		0	13G	G11_014	'TO->FRON'	'NORTHWEST - TATONGA7	345.00	345KV	0	1195	0.21765	117.042	'GEN511839 1-NORTHEASTERN STATION #2'
	FDNS	01ALL		0	13G	G11_014	'TO->FRON'	'NORTHWEST - TATONGA7	345.00	345KV	0	1195	0.21765	118.1087	'GEN511840 1-NORTHEASTERN STATION #3'
	FDNS	01ALL		0	13G	G11_014	'TO->FRON'	'NORTHWEST - TATONGA7	345.00	345KV	0	1195	0.21765	118.0686	'GEN511841 1-NORTHEASTERN STATION #4'
	FDNS	01ALL		0	13G	G11_014	'TO->FRON'	'NORTHWEST - TATONGA7	345.00	345KV	0	1195	0.21765	116.7119	'GEN511851 1-COMANCHE #1'
	FDNS	01ALL		0	13G	G11_014	'TO->FRON'	'NORTHWEST - TATONGA7	345.00	345KV	0	1195	0.21765	116.5726	'GEN511852 1-COMANCHE #2'
	FDNS	01ALL		0	13G	G11_014	'TO->FRON'	'NORTHWEST - TATONGA7	345.00	345KV	0	1195	0.21765	116.5784	'GEN511853 1-COMANCHE #3'
	FDNS	01ALL		0	13G	G11_014	'TO->FRON'	'NORTHWEST - TATONGA7	345.00	345KV	0	1195	0.21765	116.695	'GEN511938 1-OEC STEAM # 1'
	FDNS	01ALL		0	13G	G11_014	'TO->FRON'	'NORTHWEST - TATONGA7	345.00	345KV	0	1195	0.21765	116.6941	'GEN511939 1-OEC GAS # 1-1'
	FDNS	01ALL		0	13G	G11_014	'TO->FRON'	'NORTHWEST - TATONGA7	345.00	345KV	0	1195	0.21765	116.6941	'GEN511940 1-OEC GAS # 1-2'
	FDNS	01ALL		0	13G	G11_014	'TO->FRON'	'NORTHWEST - TATONGA7	345.00	345KV	0	1195	0.21765	117.1592	'GEN511941 1-OEC STEAM # 2'
	FDNS	01ALL		0	13G	G11_014	'TO->FRON'	'NORTHWEST - TATONGA7	345.00	345KV	0	1195	0.21765	116.6941	'GEN511942 1-OEC GAS # 2-1'
	FDNS	01ALL		0	13G	G11_014	'TO->FRON'	'NORTHWEST - TATONGA7	345.00	345KV	0	1195	0.21765	116.6941	'GEN511943 1-OEC GAS # 2-2'
	FDNS	01ALL		0	13G	G11_014	'TO->FRON'	'NORTHWEST - TATONGA7	345.00	345KV	0	1195	0.21765	116.7267	'GEN511953 G-COGENTRIX GAS # 1'
	FDNS	01ALL		0	13G	G11_014	'TO->FRON'	'NORTHWEST - TATONGA7	345.00	345KV	0	1195	0.21765	116.7261	'GEN511954 S-COGENTRIX STEAM # 1'
	FDNS	01ALL		0	13G	G11_014	'TO->FRON'	'NORTHWEST - TATONGA7	345.00	345KV	0	1195	0.21765	116.7466	'GEN511955 G-COGENTRIX GAS # 2'
	FDNS	01ALL		0	13G	G11_014	'TO->FRON'	'NORTHWEST - TATONGA7	345.00	345KV	0	1195	0.21765	116.7459	'GEN511956 S-COGENTRIX STEAM # 2'
	FDNS	01ALL		0	13G	G11_014	'TO->FRON'	'NORTHWEST - TATONGA7	345.00	345KV	0	1195	0.21765	116.7267	'GEN511957 G-COGENTRIX GAS # 3'
	FDNS	01ALL		0	13G	G11_014	'TO->FRON'	'NORTHWEST - TATONGA7	345.00	345KV	0	1195	0.21765	118.2793	'GEN512688 2-GRDA1 GSU2 22'
	FDNS	01ALL		0	13G	G11_014	'TO->FRON'	'NORTHWEST - TATONGA7	345.00	345KV	0	1195	0.21765	117.8742	'GEN512689 1-GRDA1 GSU1 22'
	FDNS	01ALL		0	13G	G11_014	'TO->FRON'	'NORTHWEST - TATONGA7	345.00	345KV	0	1195	0.21765	118.9974	'GEN514805 1-SOONER UNIT 1'
	FDNS	01ALL		0	13G	G11_014	'TO->FRON'	'NORTHWEST - TATONGA7	345.00	345KV	0	1195	0.21765	119.3251	'GEN514806 1-SOONER UNIT 2'
	FDNS	01ALL		0	13G	G11_014	'TO->FRON'	'NORTHWEST - TATONGA7	345.00	345KV	0	1195	0.21765	117.5721	'GEN514899 1-REDBUD1S'
	FDNS	01ALL		0	13G	G11_014	'TO->FRON'	'NORTHWEST - TATONGA7	345.00	345KV	0	1195	0.21765	117.5468	'GEN514900 1-REDBUD2S'
	FDNS	01ALL		0	13G	G11_014	'TO->FRON'	'NORTHWEST - TATONGA7	345.00	345KV	0	1195	0.21765	117.5482	'GEN514905 1-REDBUD3S'
	FDNS	01ALL		0	13G	G11_014	'TO->FRON'	'NORTHWEST - TATONGA7	345.00	345KV	0	1195	0.21765	117.7617	'GEN514910 2-REDBUD GEN'

EVENTTYPE	SOLUTIONTYPE	GROUP	SCENARIO	SEASON	SOURCE	DIRECTION	MONTH	COMMONNAME	RATEB	TDF	TC%LOADI	CONTNAME
	FDNS	01ALL		0	13G	G11_014	'TO->FRON'	'NORTHWEST - TATONGA7 345.00 345KV 0	1195	0.21765	117.7617	'GEN514911 2-REDBUD GEN'
	FDNS	01ALL		0	13G	G11_014	'TO->FRON'	'NORTHWEST - TATONGA7 345.00 345KV 0	1195	0.21765	116.9875	'GEN514912 2-REDBUD GEN'
	FDNS	01ALL		0	13G	G11_014	'TO->FRON'	'NORTHWEST - TATONGA7 345.00 345KV 0	1195	0.21765	117.4529	'GEN514940 1-REDBUD GEN'
	FDNS	01ALL		0	13G	G11_014	'TO->FRON'	'NORTHWEST - TATONGA7 345.00 345KV 0	1195	0.21765	117.7365	'GEN514942 2-REDBUD4G'
	FDNS	01ALL		0	13G	G11_014	'TO->FRON'	'NORTHWEST - TATONGA7 345.00 345KV 0	1195	0.21765	117.4976	'GEN514998 1-MCCLAIN UNIT 1'
	FDNS	01ALL		0	13G	G11_014	'TO->FRON'	'NORTHWEST - TATONGA7 345.00 345KV 0	1195	0.21765	117.5146	'GEN514999 1-MCCLAIN UNIT 2'
	FDNS	01ALL		0	13G	G11_014	'TO->FRON'	'NORTHWEST - TATONGA7 345.00 345KV 0	1195	0.21765	117.1269	'GEN515000 1-MCCLAIN UNIT 3'
	FDNS	01ALL		0	13G	G11_014	'TO->FRON'	'NORTHWEST - TATONGA7 345.00 345KV 0	1195	0.21765	118.2527	'GEN515040 1-SEMINOLE 1G'
	FDNS	01ALL		0	13G	G11_014	'TO->FRON'	'NORTHWEST - TATONGA7 345.00 345KV 0	1195	0.21765	117.8165	'GEN515041 1-SEMINOLE 2G'
	FDNS	01ALL		0	13G	G11_014	'TO->FRON'	'NORTHWEST - TATONGA7 345.00 345KV 0	1195	0.21765	118.0424	'GEN515042 1-SEMINOLE 3G'
	FDNS	01ALL		0	13G	G11_014	'TO->FRON'	'NORTHWEST - TATONGA7 345.00 345KV 0	1195	0.21765	118.8116	'GEN515223 1-MUSKOGEE 4G'
	FDNS	01ALL		0	13G	G11_014	'TO->FRON'	'NORTHWEST - TATONGA7 345.00 345KV 0	1195	0.21765	118.7723	'GEN515225 1-MUSKOGEE 5G'
	FDNS	01ALL		0	13G	G11_014	'TO->FRON'	'NORTHWEST - TATONGA7 345.00 345KV 0	1195	0.21765	119.189	'GEN515226 1-MUSKOGEE 6G'
	FDNS	01ALL		0	13G	G11_014	'TO->FRON'	'NORTHWEST - TATONGA7 345.00 345KV 0	1195	0.21765	116.966	'GEN515266 1-AES 1G'
	FDNS	01ALL		0	13G	G11_014	'TO->FRON'	'NORTHWEST - TATONGA7 345.00 345KV 0	1195	0.21765	116.966	'GEN515267 1-AES 2G'
	FDNS	01ALL		0	13G	G11_014	'TO->FRON'	'NORTHWEST - TATONGA7 345.00 345KV 0	1195	0.21765	113.9658	'GEN515365 1-CENT 21 34.500'
	FDNS	01ALL		0	13G	G11_014	'TO->FRON'	'NORTHWEST - TATONGA7 345.00 345KV 0	1195	0.21765	114.7789	'GEN515389 1-TLGAWND1 34.500'
	FDNS	01ALL		0	13G	G11_014	'TO->FRON'	'NORTHWEST - TATONGA7 345.00 345KV 0	1195	0.21765	113.0802	'GEN515393 1-OGEWND2G'
	FDNS	01ALL		0	13G	G11_014	'TO->FRON'	'NORTHWEST - TATONGA7 345.00 345KV 0	1195	0.21765	114.0431	'GEN515397 1-OUSPRT 1 34.500'
	FDNS	01ALL		0	13G	G11_014	'TO->FRON'	'NORTHWEST - TATONGA7 345.00 345KV 0	1195	0.21765	117.9563	'GEN515443 1-MNCOWND1 34.500'
	FDNS	01ALL		0	13G	G11_014	'TO->FRON'	'NORTHWEST - TATONGA7 345.00 345KV 0	1195	0.21765	111.6048	'GEN515449 1-CRSRDW11 34.500'
	FDNS	01ALL		0	13G	G11_014	'TO->FRON'	'NORTHWEST - TATONGA7 345.00 345KV 0	1195	0.21765	111.6149	'GEN515450 1-CRSRDW21 34.500'
	FDNS	01ALL		0	13G	G11_014	'TO->FRON'	'NORTHWEST - TATONGA7 345.00 345KV 0	1195	0.21765	117.7179	'GEN515606 1-CANADN11 34.500'
	FDNS	01ALL		0	13G	G11_014	'TO->FRON'	'NORTHWEST - TATONGA7 345.00 345KV 0	1195	0.21765	117.7179	'GEN515607 1-CANADN12 34.500'
	FDNS	01ALL		0	13G	G11_014	'TO->FRON'	'NORTHWEST - TATONGA7 345.00 345KV 0	1195	0.21765	114.7901	'GEN515787 1-OKLA WIND ENERGY CENTER'
	FDNS	01ALL		0	13G	G11_014	'TO->FRON'	'NORTHWEST - TATONGA7 345.00 345KV 0	1195	0.21765	117.0329	'GEN520811 1-ANADRK4'
	FDNS	01ALL		0	13G	G11_014	'TO->FRON'	'NORTHWEST - TATONGA7 345.00 345KV 0	1195	0.21765	116.733	'GEN520812 1-ANADRK5'
	FDNS	01ALL		0	13G	G11_014	'TO->FRON'	'NORTHWEST - TATONGA7 345.00 345KV 0	1195	0.21765	116.733	'GEN520813 1-ANADRK6'
	FDNS	01ALL		0	13G	G11_014	'TO->FRON'	'NORTHWEST - TATONGA7 345.00 345KV 0	1195	0.21765	114.9334	'GEN520922 1-SLEEPING BEAR'
	FDNS	01ALL		0	13G	G11_014	'TO->FRON'	'NORTHWEST - TATONGA7 345.00 345KV 0	1195	0.21765	118.6074	'GEN520947 1-HUGO1'
	FDNS	01ALL		0	13G	G11_014	'TO->FRON'	'NORTHWEST - TATONGA7 345.00 345KV 0	1195	0.21765	116.0247	'GEN520997 1-MORLND2'
	FDNS	01ALL		0	13G	G11_014	'TO->FRON'	'NORTHWEST - TATONGA7 345.00 345KV 0	1195	0.21765	115.8974	'GEN522814 1-LUBBOCK POWER & LIGHT-MACKENZIE GEN'
	FDNS	01ALL		0	13G	G11_014	'TO->FRON'	'NORTHWEST - TATONGA7 345.00 345KV 0	1195	0.21765	115.4433	'GEN523103 1-NOBLE_WND 3115.00'
	FDNS	01ALL		0	13G	G11_014	'TO->FRON'	'NORTHWEST - TATONGA7 345.00 345KV 0	1195	0.21765	115.1184	'GEN523461 1-BLACKHAWK GEN #1'
	FDNS	01ALL		0	13G	G11_014	'TO->FRON'	'NORTHWEST - TATONGA7 345.00 345KV 0	1195	0.21765	115.1182	'GEN523462 1-BLACKHAWK GEN #2'
	FDNS	01ALL		0	13G	G11_014	'TO->FRON'	'NORTHWEST - TATONGA7 345.00 345KV 0	1195	0.21765	115.8019	'GEN523815 1-LLANO ESTACADO WIND GEN'
	FDNS	01ALL		0	13G	G11_014	'TO->FRON'	'NORTHWEST - TATONGA7 345.00 345KV 0	1195	0.21765	112.9637	'GEN523971 1-HARRINGTON GEN #1 24 KV'
	FDNS	01ALL		0	13G	G11_014	'TO->FRON'	'NORTHWEST - TATONGA7 345.00 345KV 0	1195	0.21765	112.9632	'GEN523972 1-HARRINGTON GEN #2 24 KV'
	FDNS	01ALL		0	13G	G11_014	'TO->FRON'	'NORTHWEST - TATONGA7 345.00 345KV 0	1195	0.21765	112.9914	'GEN523973 1-HARRINGTON GEN #3 24 KV'
	FDNS	01ALL		0	13G	G11_014	'TO->FRON'	'NORTHWEST - TATONGA7 345.00 345KV 0	1195	0.21765	115.8366	'GEN524286 1-CLR_3 0.6900'
	FDNS	01ALL		0	13G	G11_014	'TO->FRON'	'NORTHWEST - TATONGA7 345.00 345KV 0	1195	0.21765	115.4427	'GEN524295 1-SPNSPUR_WND134.500'
	FDNS	01ALL		0	13G	G11_014	'TO->FRON'	'NORTHWEST - TATONGA7 345.00 345KV 0	1195	0.21765	115.7999	'GEN524485 1-CAPROCK WIND GEN'
	FDNS	01ALL		0	13G	G11_014	'TO->FRON'	'NORTHWEST - TATONGA7 345.00 345KV 0	1195	0.21765	115.5776	'GEN524895 1-SAN JUAN MESA WIND GEN'
	FDNS	01ALL		0	13G	G11_014	'TO->FRON'	'NORTHWEST - TATONGA7 345.00 345KV 0	1195	0.21765	114.6137	'GEN525494 1-PLANT X GEN #4 20 KV'
	FDNS	01ALL		0	13G	G11_014	'TO->FRON'	'NORTHWEST - TATONGA7 345.00 345KV 0	1195	0.21765	113.231	'GEN525561 1-TOLK GEN #1 24 KV'
	FDNS	01ALL		0	13G	G11_014	'TO->FRON'	'NORTHWEST - TATONGA7 345.00 345KV 0	1195	0.21765	111.4804	'GEN525562 1-TOLK GEN #2 24 KV'
	FDNS	01ALL		0	13G	G11_014	'TO->FRON'	'NORTHWEST - TATONGA7 345.00 345KV 0	1195	0.21765	114.1797	'GEN526331 1-JONES GEN #1 22 KV'
	FDNS	01ALL		0	13G	G11_014	'TO->FRON'	'NORTHWEST - TATONGA7 345.00 345KV 0	1195	0.21765	114.1783	'GEN526332 1-JONES GEN #2 21 KV'
	FDNS	01ALL		0	13G	G11_014	'TO->FRON'	'NORTHWEST - TATONGA7 345.00 345KV 0	1195	0.21765	114.8513	'GEN527161 1-MUSTANG GEN #1'
	FDNS	01ALL		0	13G	G11_014	'TO->FRON'	'NORTHWEST - TATONGA7 345.00 345KV 0	1195	0.21765	114.8514	'GEN527162 1-MUSTANG GEN #2'
	FDNS	01ALL		0	13G	G11_014	'TO->FRON'	'NORTHWEST - TATONGA7 345.00 345KV 0	1195	0.21765	115.5286	'GEN527163 1-MUSTANG GEN #3 22 KV'
	FDNS	01ALL		0	13G	G11_014	'TO->FRON'	'NORTHWEST - TATONGA7 345.00 345KV 0	1195	0.21765	114.5587	'GEN527882 1-CUNNINGHAM GEN #2 20 KV'
	FDNS	01ALL		0	13G	G11_014	'TO->FRON'	'NORTHWEST - TATONGA7 345.00 345KV 0	1195	0.21765	114.5366	'GEN527901 1-HOBBS PLANT #1 (CT)'
	FDNS	01ALL		0	13G	G11_014	'TO->FRON'	'NORTHWEST - TATONGA7 345.00 345KV 0	1195	0.21765	114.5483	'GEN527902 1-HOBBS PLANT #2 (CT)'
	FDNS	01ALL		0	13G	G11_014	'TO->FRON'	'NORTHWEST - TATONGA7 345.00 345KV 0	1195	0.21765	113.7242	'GEN527903 1-HOBBS PLANT #3 (ST)'

EVENTTYPE	SOLUTIONTYPE	GROUP	SCENARIO	SEASON	SOURCE	DIRECTION	MONTH	COMMONNAME	RATEB	TDF	TC%LOADI	CONTNAME
	FDNS	01ALL		0	13G	G11_014		'TO->FRON' NORTHWEST - TATONGA7 345.00 345KV 0	1195	0.21765	115.1735	'GEN528361 1-MADDOX GEN #1'
	FDNS	01ALL		0	13G	G11_014		'TO->FRON' NORTHWEST - TATONGA7 345.00 345KV 0	1195	0.21765	113.3964	'GEN531447 1-HOLCOMB GENERATOR'
	FDNS	01ALL		0	13G	G11_014		'TO->FRON' NORTHWEST - TATONGA7 345.00 345KV 0	1195	0.21765	115.7062	'GEN532651 1-JEFFREY ENERGY CENTER UNIT 1'
	FDNS	01ALL		0	13G	G11_014		'TO->FRON' NORTHWEST - TATONGA7 345.00 345KV 0	1195	0.21765	115.7025	'GEN532652 1-JEFFREY ENERGY CENTER UNIT 2'
	FDNS	01ALL		0	13G	G11_014		'TO->FRON' NORTHWEST - TATONGA7 345.00 345KV 0	1195	0.21765	115.702	'GEN532653 1-JEFFREY ENERGY CENTER UNIT 3'
	FDNS	01ALL		0	13G	G11_014		'TO->FRON' NORTHWEST - TATONGA7 345.00 345KV 0	1195	0.21765	115.9244	'GEN532722 1-EVANS ENERGY CENTER UNIT 2'
	FDNS	01ALL		0	13G	G11_014		'TO->FRON' NORTHWEST - TATONGA7 345.00 345KV 0	1195	0.21765	115.3581	'GEN539670 4-JUDSON LARGE GENERATOR'
	FDNS	01ALL		0	13G	G11_014		'TO->FRON' NORTHWEST - TATONGA7 345.00 345KV 0	1195	0.21765	115.6774	'GEN539767 1-GRAY COUNTY WIND FARM'
	FDNS	01ALL		0	13G	G11_014		'TO->FRON' NORTHWEST - TATONGA7 345.00 345KV 0	1195	0.21765	116.7769	'GEN547649 1-ASBURY UNIT #1'
	FDNS	01ALL		0	13G	G11_014		'TO->FRON' NORTHWEST - TATONGA7 345.00 345KV 0	1195	0.21765	117.0078	'GEN549893 2-SOUTHWEST 2'
	FDNS	01ALL		0	13G	G11_014		'TO->FRON' NORTHWEST - TATONGA7 345.00 345KV 0	1195	0.21765	115.5039	'GEN560105 1-G08-22 0.6900'
	FDNS	01ALL		0	13G	G11_014		'TO->FRON' NORTHWEST - TATONGA7 345.00 345KV 0	1195	0.21765	115.0492	'GEN560121 1-G08-47 0.5750'
	FDNS	01ALL		0	13G	G11_014		'TO->FRON' NORTHWEST - TATONGA7 345.00 345KV 0	1195	0.21765	115.2512	'GEN560166 1-G07-48 0.6900'
	FDNS	01ALL		0	13G	G11_014		'TO->FRON' NORTHWEST - TATONGA7 345.00 345KV 0	1195	0.21765	115.6756	'GEN560173 1-G08-17 0.5750'
	FDNS	01ALL		0	13G	G11_014		'TO->FRON' NORTHWEST - TATONGA7 345.00 345KV 0	1195	0.21765	102.676	'GEN560175 1-G07-44 0.5750'
	FDNS	01ALL		0	13G	G11_014		'TO->FRON' NORTHWEST - TATONGA7 345.00 345KV 0	1195	0.21765	115.8738	'GEN560209 1-G07-40 0.5750'
	FDNS	01ALL		0	13G	G11_014		'TO->FRON' NORTHWEST - TATONGA7 345.00 345KV 0	1195	0.21765	111.821	'GEN560221 1-G07-62-1 0.6900'
	FDNS	01ALL		0	13G	G11_014		'TO->FRON' NORTHWEST - TATONGA7 345.00 345KV 0	1195	0.21765	111.821	'GEN560222 1-G07-62-2 0.6900'
	FDNS	01ALL		0	13G	G11_014		'TO->FRON' NORTHWEST - TATONGA7 345.00 345KV 0	1195	0.21765	111.9473	'GEN560223 1-G07-62-3 0.6900'
	FDNS	01ALL		0	13G	G11_014		'TO->FRON' NORTHWEST - TATONGA7 345.00 345KV 0	1195	0.21765	111.9473	'GEN560224 1-G07-62-4 0.6900'
	FDNS	01ALL		0	13G	G11_014		'TO->FRON' NORTHWEST - TATONGA7 345.00 345KV 0	1195	0.21765	115.628	'GEN560256 1-G10-14-1 0.6900'
	FDNS	01ALL		0	13G	G11_014		'TO->FRON' NORTHWEST - TATONGA7 345.00 345KV 0	1195	0.21765	115.6145	'GEN560257 1-G10-14-2 0.6900'
	FDNS	01ALL		0	13G	G11_014		'TO->FRON' NORTHWEST - TATONGA7 345.00 345KV 0	1195	0.21765	115.3925	'GEN560279 1-G08-18 0.6900'
	FDNS	01ALL		0	13G	G11_014		'TO->FRON' NORTHWEST - TATONGA7 345.00 345KV 0	1195	0.21765	102.5408	'GEN560282 1-G08-19 0.6000'
	FDNS	01ALL		0	13G	G11_014		'TO->FRON' NORTHWEST - TATONGA7 345.00 345KV 0	1195	0.21765	115.6335	'GEN560286 1-G10-01-1WTG 0.6900
	FDNS	01ALL		0	13G	G11_014		'TO->FRON' NORTHWEST - TATONGA7 345.00 345KV 0	1195	0.21765	115.6335	'GEN560287 1-G10-01-2WTG 0.6900
	FDNS	01ALL		0	13G	G11_014		'TO->FRON' NORTHWEST - TATONGA7 345.00 345KV 0	1195	0.21765	115.8713	'GEN560329 1-G10-45 0.6900'
	FDNS	01ALL		0	13G	G11_014		'TO->FRON' NORTHWEST - TATONGA7 345.00 345KV 0	1195	0.21765	115.3101	'GEN560359 1-G08-51 0.6900'
	FDNS	01ALL		0	13G	G11_014		'TO->FRON' NORTHWEST - TATONGA7 345.00 345KV 0	1195	0.21765	115.6073	'GEN560371 1-G07-46 0.6900'
	FDNS	01ALL		0	13G	G11_014		'TO->FRON' NORTHWEST - TATONGA7 345.00 345KV 0	1195	0.21765	111.103	'GEN560429 1-G08-29 0.6400'
	FDNS	01ALL		0	13G	G11_014		'TO->FRON' NORTHWEST - TATONGA7 345.00 345KV 0	1195	0.21765	115.9043	'GEN560432 1-G08-124 0.6900'
	FDNS	01ALL		0	13G	G11_014		'TO->FRON' NORTHWEST - TATONGA7 345.00 345KV 0	1195	0.21765	115.7997	'GEN560522 1-G05-12 0.6900'
	FDNS	01ALL		0	13G	G11_014		'TO->FRON' NORTHWEST - TATONGA7 345.00 345KV 0	1195	0.21765	115.8881	'GEN560549 1-G06-06 0.6900'
	FDNS	01ALL		0	13G	G11_014		'TO->FRON' NORTHWEST - TATONGA7 345.00 345KV 0	1195	0.21765	115.8358	'GEN560585 1-G06-44-2 0.6000'
	FDNS	01ALL		0	13G	G11_014		'TO->FRON' NORTHWEST - TATONGA7 345.00 345KV 0	1195	0.21765	115.6204	'GEN560586 1-G06-44-3 0.6000'
	FDNS	01ALL		0	13G	G11_014		'TO->FRON' NORTHWEST - TATONGA7 345.00 345KV 0	1195	0.21765	115.6325	'GEN560592 1-G06-45 0.6000'
	FDNS	01ALL		0	13G	G11_014		'TO->FRON' NORTHWEST - TATONGA7 345.00 345KV 0	1195	0.21765	115.6265	'GEN560595 1-G06-47 0.6000'
	FDNS	01ALL		0	13G	G11_014		'TO->FRON' NORTHWEST - TATONGA7 345.00 345KV 0	1195	0.21765	107.1075	'GEN560648 1-G07-21 0.5750'
	FDNS	01ALL		0	13G	G11_014		'TO->FRON' NORTHWEST - TATONGA7 345.00 345KV 0	1195	0.21765	115.9042	'GEN560659 1-G07-38 0.6900'
	FDNS	01ALL		0	13G	G11_014		'TO->FRON' NORTHWEST - TATONGA7 345.00 345KV 0	1195	0.21765	118.39	'GEN560687 1-G11-007 0.5750'
	FDNS	01ALL		0	13G	G11_014		'TO->FRON' NORTHWEST - TATONGA7 345.00 345KV 0	1195	0.21765	115.8954	'GEN560693 1-G11-008-1 0.6900'
	FDNS	01ALL		0	13G	G11_014		'TO->FRON' NORTHWEST - TATONGA7 345.00 345KV 0	1195	0.21765	117.0843	'GEN560706 1-G11-010 0.6900'
	FDNS	01ALL		0	13G	G11_014		'TO->FRON' NORTHWEST - TATONGA7 345.00 345KV 0	1195	0.21765	102.609	'GEN562010 1-G11_024_3 0.6900'
	FDNS	01ALL		0	13G	G11_014		'TO->FRON' NORTHWEST - TATONGA7 345.00 345KV 0	1195	0.21765	115.7034	'GEN562014 1-G11_023_3 0.6900'
	FDNS	01ALL		0	13G	G11_014		'TO->FRON' NORTHWEST - TATONGA7 345.00 345KV 0	1195	0.21765	115.2045	'GEN562017 1-G11_022_3 0.6900'
	FDNS	01ALL		0	13G	G11_014		'TO->FRON' NORTHWEST - TATONGA7 345.00 345KV 0	1195	0.21765	115.02	'GEN562020 1-G11_021_3 0.6900'
	FDNS	01ALL		0	13G	G11_014		'TO->FRON' NORTHWEST - TATONGA7 345.00 345KV 0	1195	0.21765	109.5054	'GEN562023 1-G11_020_3 0.6900'
	FDNS	01ALL		0	13G	G11_014		'TO->FRON' NORTHWEST - TATONGA7 345.00 345KV 0	1195	0.21765	109.5054	'GEN562026 1-G11_019_3 0.6900'
	FDNS	01ALL		0	13G	G11_014		'TO->FRON' NORTHWEST - TATONGA7 345.00 345KV 0	1195	0.21765	115.7875	'GEN562032 1-G11_017_3 0.6900'
	FDNS	01ALL		0	13G	G11_014		'TO->FRON' NORTHWEST - TATONGA7 345.00 345KV 0	1195	0.21765	115.8938	'GEN562035 1-G11_016_3 0.6900'
	FDNS	01ALL		0	13G	G11_014		'TO->FRON' NORTHWEST - TATONGA7 345.00 345KV 0	1195	0.21765	115.4219	'GEN562042 1-G11_014_3 0.6900'
	FDNS	01ALL		0	13G	G11_014		'TO->FRON' NORTHWEST - TATONGA7 345.00 345KV 0	1195	0.21765	115.7344	'GEN640009 1-COOPER NUCLEAR STATION'
	FDNS	01ALL		0	13G	G11_014		'TO->FRON' NORTHWEST - TATONGA7 345.00 345KV 0	1195	0.21765	114.9851	'GEN640010 1-GERALD GENTLEMAN STATION UNIT 1'
	FDNS	01ALL		0	13G	G11_014		'TO->FRON' NORTHWEST - TATONGA7 345.00 345KV 0	1195	0.21765	115.0047	'GEN640011 2-GERALD GENTLEMAN STATION UNIT 2'
	FDNS	01ALL		0	13G	G11_014		'TO->FRON' NORTHWEST - TATONGA7 345.00 345KV 0	1195	0.21765	115.9151	'GEN641089 2-ENERGY CENTER 2'
	FDNS	01ALL		0	13G	G11_014		'TO->FRON' NORTHWEST - TATONGA7 345.00 345KV 0	1195	0.21765	115.8503	'GEN645001 1-FORT CALHOUN 1'

EVENT	TYP	SOLUTION	TYPE	GROUP	SCENARIO	SEASON	SOURCE	DIRECTION	MON	COMMON	NAME	RATE	B	TDF	TC%	LOAD	CONT	NAME
		FDNS		01ALL		0	13G	G11_014	'TO->FRON	'NORTHWEST - TATONGA7	345.00 345KV	0	1195	0.21765	115.7678		'GEN645011 1-NEBRASKA CITY 1'	
		FDNS		01ALL		0	13G	G11_014	'TO->FRON	'NORTHWEST - TATONGA7	345.00 345KV	0	1195	0.21765	115.7166		'GEN645012 2-NEBRASKA CITY 2'	
		FDNS		01ALL		0	13G	G11_014	'TO->FRON	'NORTHWEST - TATONGA7	345.00 345KV	0	1195	0.21765	115.8629		'GEN659103 1-ANTELOPE VALLEY UNIT1'	
		FDNS		01ALL		0	13G	G11_014	'TO->FRON	'NORTHWEST - TATONGA7	345.00 345KV	0	1195	0.21765	115.8629		'GEN659107 2-ANTELOPE VALLEY UNIT2'	
		FNSL		01ALL		0	13G	G11_014	'TO->FRON	'NORTHWEST - TATONGA7	345.00 345KV	0	1195	0.21809	115.6071		'NEWKIRK4 - PECKHAM TAP 138KV CKT 1'	
		FNSL		01ALL		0	13G	G11_014	'TO->FRON	'NORTHWEST - TATONGA7	345.00 345KV	0	1195	0.21809	115.6072		'MIDL TNT4 138.00 - PECKHAM TAP 138KV CKT 1'	
		FNSL		01ALL		0	13G	G11_014	'TO->FRON	'NORTHWEST - TATONGA7	345.00 345KV	0	1195	0.21785	116.9056		'NEB01WAPAB3'	
		FNSL		01ALL		0	13G	G11_014	'TO->FRON	'NORTHWEST - TATONGA7	345.00 345KV	0	1195	0.21765	120.2385		'GEN335831 1-RIVERBEND UNIT#1'	
		FNSL		01ALL		0	13G	G11_014	'TO->FRON	'NORTHWEST - TATONGA7	345.00 345KV	0	1195	0.21765	121.9627		'GEN336821 1-GRAND GULF UNIT'	
		FNSL		01ALL		0	13G	G11_014	'TO->FRON	'NORTHWEST - TATONGA7	345.00 345KV	0	1195	0.21765	120.0117		'GEN337910 1-ARKANSAS NUCLEAR ONE UNIT #1'	
		FNSL		01ALL		0	13G	G11_014	'TO->FRON	'NORTHWEST - TATONGA7	345.00 345KV	0	1195	0.21765	120.7462		'GEN337911 1-ARKANSAS NUCLEAR ONE UNIT #2'	
		FNSL		01ALL		0	13G	G11_014	'TO->FRON	'NORTHWEST - TATONGA7	345.00 345KV	0	1195	0.21765	119.0773		'GEN338143 1-INDEPENDENCE UNIT #1'	
		FNSL		01ALL		0	13G	G11_014	'TO->FRON	'NORTHWEST - TATONGA7	345.00 345KV	0	1195	0.21765	119.1295		'GEN338146 1-INDEPENDENCE UNIT #2'	
NCONV		FNSL-Blown up		01ALL		0	13G	G11_014		Non-Converged Contingency			1195	0.21765	116.2267		'NORTHWEST - TATONGA7 345.00 345KV CKT 1'	
NCONV		FNSL-Blown up		01ALL		0	13G	G11_014		Non-Converged Contingency		1775	0.21765	6.701664		'TATONGA7 345.00 - WOODWARD DISTRICT EHV 345KV CKT 1'		
NCONV		FNSL-Blown up		01ALL		0	13G	G11_014		Non-Converged Contingency		0	0.27515	9999		'DBL-THIS-WWR'		
		FDNS		01ALL		0	13G	G11_014	'TO->FRON	'NORTHWEST - TATONGA7	345.00 345KV	0	1195	0.21343	115.7034		'NORTHWEST - SPRING CREEK 345KV CKT 1'	
		FDNS		01ALL		0	13G	G11_014	'TO->FRON	'NORTHWEST - TATONGA7	345.00 345KV	0	1195	0.21153	112.6335		'CIMARRON - NORTHWEST 345KV CKT 1'	
		FDNS		01ALL		0	13G	G11_014	'TO->FRON	'NORTHWEST - TATONGA7	345.00 345KV	0	1195	0.2104	115.3763		'ARCADIA - NORTHWEST 345KV CKT 1'	
		FDNS		01ALL		0	13G	G11_014	'TO->FRON	'NORTHWEST - TATONGA7	345.00 345KV	0	1195	0.21622	115.3801		'CIMARRON - DRAPER LAKE 345KV CKT 1'	
		FDNS		01ALL		0	13G	G11_014	'TO->FRON	'NORTHWEST - TATONGA7	345.00 345KV	0	1195	0.21832	118.1393		'CIMARRON - G11-007T 345.00 345KV CKT 1'	
		FDNS		01ALL		0	13G	G11_014	'TO->FRON	'NORTHWEST - TATONGA7	345.00 345KV	0	1195	0.2168	115.3904		'ARCADIA - SEMINOLE 345KV CKT 1'	
		FDNS		01ALL		0	13G	G11_014	'TO->FRON	'NORTHWEST - TATONGA7	345.00 345KV	0	1195	0.21782	116.6613		'MORISNT4 138.00 - STILLWATER 138KV CKT 1'	
		FDNS		01ALL		0	13G	G11_014	'TO->FRON	'NORTHWEST - TATONGA7	345.00 345KV	0	1195	0.21704	115.3979		'FT SMITH - MUSKOGEE 345KV CKT 1'	
		FDNS		01ALL		0	13G	G11_014	'TO->FRON	'NORTHWEST - TATONGA7	345.00 345KV	0	1195	0.23031	122.9685		'BORDER 7345.00 - WOODWARD DISTRICT EHV 345KV CKT 1'	
		FDNS		01ALL		0	13G	G11_014	'TO->FRON	'NORTHWEST - TATONGA7	345.00 345KV	0	1195	0.21051	117.9773		'Hitchland Interchange - WOODWARD DISTRICT EHV 345KV CKT 2'	
		FDNS		01ALL		0	13G	G11_014	'TO->FRON	'NORTHWEST - TATONGA7	345.00 345KV	0	1195	0.24385	127.7205		'THISTLE7 345.00 - WOODWARD DISTRICT EHV 345KV CKT 1'	
		FDNS		01ALL		0	13G	G11_014	'TO->FRON	'NORTHWEST - TATONGA7	345.00 345KV	0	1195	0.24385	127.7205		'THISTLE7 345.00 - WOODWARD DISTRICT EHV 345KV CKT 2'	
		FDNS		01ALL		0	13G	G11_014	'TO->FRON	'NORTHWEST - TATONGA7	345.00 345KV	0	1195	0.23031	123.0547		'BORDER 7345.00 - TUCO INTERCHANGE 345KV CKT 1'	
		FDNS		01ALL		0	13G	G11_014	'TO->FRON	'NORTHWEST - TATONGA7	345.00 345KV	0	1195	0.22766	121.7445		'FPL SWITCH - MOORELAND 138KV CKT 1'	
		FDNS		01ALL		0	13G	G11_014	'TO->FRON	'NORTHWEST - TATONGA7	345.00 345KV	0	1195	0.21822	116.7382		'ARAPAH0 - HAMON BUTLER 69KV CKT 1'	
		FDNS		01ALL		0	13G	G11_014	'TO->FRON	'NORTHWEST - TATONGA7	345.00 345KV	0	1195	0.21822	116.732		'ARAPAH0 - INDUSTRIAL PARK 69KV CKT 1'	
		FDNS		01ALL		0	13G	G11_014	'TO->FRON	'NORTHWEST - TATONGA7	345.00 345KV	0	1195	0.2182	116.5994		'CANTON - OKEENE 69KV CKT 1'	
		FDNS		01ALL		0	13G	G11_014	'TO->FRON	'NORTHWEST - TATONGA7	345.00 345KV	0	1195	0.2182	116.6287		'CANTON - TALOGA 69KV CKT 1'	
		FDNS		01ALL		0	13G	G11_014	'TO->FRON	'NORTHWEST - TATONGA7	345.00 345KV	0	1195	0.22028	118.0465		'CEDARDALE - MOORELAND 138KV CKT 1'	
		FDNS		01ALL		0	13G	G11_014	'TO->FRON	'NORTHWEST - TATONGA7	345.00 345KV	0	1195	0.22028	118.0049		'CEDARDALE - OKEENE 138KV CKT 1'	
		FDNS		01ALL		0	13G	G11_014	'TO->FRON	'NORTHWEST - TATONGA7	345.00 345KV	0	1195	0.21822	116.7041		'CORDELL - INDUSTRIAL PARK 69KV CKT 1'	
		FDNS		01ALL		0	13G	G11_014	'TO->FRON	'NORTHWEST - TATONGA7	345.00 345KV	0	1195	0.22016	117.6094		'DOVER SW - OKEENE 138KV CKT 1'	
		FDNS		01ALL		0	13G	G11_014	'TO->FRON	'NORTHWEST - TATONGA7	345.00 345KV	0	1195	0.21822	116.7393		'HAMON BUTLER - PUTNAM 69KV CKT 1'	
		FDNS		01ALL		0	13G	G11_014	'TO->FRON	'NORTHWEST - TATONGA7	345.00 345KV	0	1195	0.21962	118.0085		'MOORELAND - NINE MILE 138KV CKT 1'	
		FDNS		01ALL		0	13G	G11_014	'TO->FRON	'NORTHWEST - TATONGA7	345.00 345KV	0	1195	0.21858	116.9333		'MOREWOOD SW - RED HILLS WIND 138KV CKT 1'	
		FDNS		01ALL		0	13G	G11_014	'TO->FRON	'NORTHWEST - TATONGA7	345.00 345KV	0	1195	0.21962	117.9765		'MOREWOOD SW - NINE MILE 138KV CKT 1'	
		FDNS		01ALL		0	13G	G11_014	'TO->FRON	'NORTHWEST - TATONGA7	345.00 345KV	0	1195	0.21829	116.5814		'OKEENE - WATONGA SW 69KV CKT 1'	
		FDNS		01ALL		0	13G	G11_014	'TO->FRON	'NORTHWEST - TATONGA7	345.00 345KV	0	1195	0.21822	116.7598		'PUTNAM - TALOGA 69KV CKT 1'	
		FDNS		01ALL		0	13G	G11_014	'TO->FRON	'NORTHWEST - TATONGA7	345.00 345KV	0	1195	0.2195	116.5828		'G11_012T 230.00 - HITCHLAND INTERCHANGE 230KV CKT 1'	
		FDNS		01ALL		0	13G	G11_014	'TO->FRON	'NORTHWEST - TATONGA7	345.00 345KV	0	1195	0.24183	120.1252		'FINNEY SWITCHING STATION - Hitchland Interchange 345KV CKT 1'	
		FDNS		01ALL		0	13G	G11_014	'TO->FRON	'NORTHWEST - TATONGA7	345.00 345KV	0	1195	0.22484	117.1917		'Hitchland Interchange - POTTER COUNTY INTERCHANGE 345KV CKT 1'	

EVENT	TYP	SOLUTION	TYPE	GROUP	SCENARIO	SEASON	SOURCE	DIRECTION	MON	COMMON	NAME	RATE	B	TDF	TC%	LOAD	CONT	NAME
		FDNS		01ALL		0	13G	G11_014	'TO->FRON	'NORTHWEST - TATONGA7	345.00 345KV C		1195	0.25737	118.705		'BEAVER CO 345.00 - Hitchland Interchange 345KV CKT 1'	
		FDNS		01ALL		0	13G	G11_014	'TO->FRON	'NORTHWEST - TATONGA7	345.00 345KV C		1195	0.2195	116.6679		'G11_012T 230.00 - MOORE COUNTY INTERCHANGE 230KV CKT 1'	
		FDNS		01ALL		0	13G	G11_014	'TO->FRON	'NORTHWEST - TATONGA7	345.00 345KV C		1195	0.22137	117.6227		'GRAPEVINE INTERCHANGE - STATELINE INTERCHANGE 230KV CKT 1'	
		FDNS		01ALL		0	13G	G11_014	'TO->FRON	'NORTHWEST - TATONGA7	345.00 345KV C		1195	0.21988	117.5993		'GRAPEVINE INTERCHANGE - NICHOLS STATION 230KV CKT 1'	
		FDNS		01ALL		0	13G	G11_014	'TO->FRON	'NORTHWEST - TATONGA7	345.00 345KV C		1195	0.21829	116.6814		'MCLELLAN SUB - MCLEAN RURAL SUB 115KV CKT 1'	
		FDNS		01ALL		0	13G	G11_014	'TO->FRON	'NORTHWEST - TATONGA7	345.00 345KV C		1195	0.21829	116.7016		'KIRBY SWITCHING STATION - MCLELLAN SUB 115KV CKT 1'	
		FDNS		01ALL		0	13G	G11_014	'TO->FRON	'NORTHWEST - TATONGA7	345.00 345KV C		1195	0.24183	121.4094		'FINNEY SWITCHING STATION - HOLCOMB 345KV CKT 1'	
		FDNS		01ALL		0	13G	G11_014	'TO->FRON	'NORTHWEST - TATONGA7	345.00 345KV C		1195	0.21834	116.6265		'BUFFALO 230.00 - DEAF SMITH COUNTY INTERCHANGE 230KV CKT 1'	
		FDNS		01ALL		0	13G	G11_014	'TO->FRON	'NORTHWEST - TATONGA7	345.00 345KV C		1195	0.21826	116.6928		'G07-48T 230.00 - SWISHER COUNTY INTERCHANGE 230KV CKT 1'	
		FDNS		01ALL		0	13G	G11_014	'TO->FRON	'NORTHWEST - TATONGA7	345.00 345KV C		1195	0.21847	116.794		'KNOLL 230 - SMOKYHL6 230.00 230KV CKT 1'	
		FDNS		01ALL		0	13G	G11_014	'TO->FRON	'NORTHWEST - TATONGA7	345.00 345KV C		1195	0.2217	119.434		'G11-17T 345.00 - POST ROCK 345KV CKT 1'	
		FDNS		01ALL		0	13G	G11_014	'TO->FRON	'NORTHWEST - TATONGA7	345.00 345KV C		1195	0.22066	118.0478		'AXTELL - POST ROCK 345KV CKT 1'	
		FDNS		01ALL		0	13G	G11_014	'TO->FRON	'NORTHWEST - TATONGA7	345.00 345KV C		1195	0.21847	117.2003		'SMOKYHL6 230.00 - SUMMIT 230KV CKT 1'	
		FDNS		01ALL		0	13G	G11_014	'TO->FRON	'NORTHWEST - TATONGA7	345.00 345KV C		1195	0.22184	117.826		'HOLCOMB - SETAB 345KV CKT 1'	
		FDNS		01ALL		0	13G	G11_014	'TO->FRON	'NORTHWEST - TATONGA7	345.00 345KV C		1195	0.22099	116.754		'BUCKNER7 345.00 - HOLCOMB 345KV CKT 1'	
		FDNS		01ALL		0	13G	G11_014	'TO->FRON	'NORTHWEST - TATONGA7	345.00 345KV C		1195	0.2229	118.7018		'MINGO - SETAB 345KV CKT 1'	
		FDNS		01ALL		0	13G	G11_014	'TO->FRON	'NORTHWEST - TATONGA7	345.00 345KV C		1195	0.22351	118.592		'MINGO - RED WILLOW 345KV CKT 1'	
		FDNS		01ALL		0	13G	G11_014	'TO->FRON	'NORTHWEST - TATONGA7	345.00 345KV C		1195	0.22099	117.3745		'BUCKNER7 345.00 - SPEARVILLE 345KV CKT 1'	
		FDNS		01ALL		0	13G	G11_014	'TO->FRON	'NORTHWEST - TATONGA7	345.00 345KV C		1195	0.2217	118.964		'G11-17T 345.00 - SPEARVILLE 345KV CKT 1'	
CONT-040		FDNS		01ALL		0	13G	G11_014	'TO->FRON	'NORTHWEST - TATONGA7	345.00 345KV C		1195	0.21804	117.349		'HOYT - JEFFREY ENERGY CENTER 345KV CKT 1'	
CONT-080		FDNS		01ALL		0	13G	G11_014	'TO->FRON	'NORTHWEST - TATONGA7	345.00 345KV C		1195	0.2181	117.0824		'HOYT - STRANGER CREEK 345KV CKT 1'	
		FDNS		01ALL		0	13G	G11_014	'TO->FRON	'NORTHWEST - TATONGA7	345.00 345KV C		1195	0.21837	116.6444		'EMPORIA ENERGY CENTER - SWISSVALE 345KV CKT 1'	
		FDNS		01ALL		0	13G	G11_014	'TO->FRON	'NORTHWEST - TATONGA7	345.00 345KV C		1195	0.21898	116.8456		'EMPORIA ENERGY CENTER - WICHITA 345KV CKT 1'	
		FDNS		01ALL		0	13G	G11_014	'TO->FRON	'NORTHWEST - TATONGA7	345.00 345KV C		1195	0.21851	116.9381		'SWISSVALE - WEST GARDNER 345KV CKT 1'	
		FDNS		01ALL		0	13G	G11_014	'TO->FRON	'NORTHWEST - TATONGA7	345.00 345KV C		1195	0.21944	117.1721		'CANEYRV7 345.00 - NEOSHO 345KV CKT 1'	
		FDNS		01ALL		0	13G	G11_014	'TO->FRON	'NORTHWEST - TATONGA7	345.00 345KV C		1195	0.21944	117.0531		'CANEYRV7 345.00 - LATHAMS7 345.00 345KV CKT 1'	
		FDNS		01ALL		0	13G	G11_014	'TO->FRON	'NORTHWEST - TATONGA7	345.00 345KV C		1195	0.22107	117.0533		'BENTON - ROSE HILL 345KV CKT 1'	
		FDNS		01ALL		0	13G	G11_014	'TO->FRON	'NORTHWEST - TATONGA7	345.00 345KV C		1195	0.22416	118.6613		'BENTON - WICHITA 345KV CKT 1'	
CONT-LaC		FDNS		01ALL		0	13G	G11_014	'TO->FRON	'NORTHWEST - TATONGA7	345.00 345KV C		1195	0.21787	116.8784		'LACYGNE - NEOSHO 345KV CKT 1'	
		FDNS		01ALL		0	13G	G11_014	'TO->FRON	'NORTHWEST - TATONGA7	345.00 345KV C		1195	0.21944	116.812		'LATHAMS7 345.00 - ROSE HILL 345KV CKT 1'	
		FDNS		01ALL		0	13G	G11_014	'TO->FRON	'NORTHWEST - TATONGA7	345.00 345KV C		1195	0.22208	114.7885		'VIOLA 7 345.00 - WICHITA 345KV CKT 1'	
		FDNS		01ALL		0	13G	G11_014	'TO->FRON	'NORTHWEST - TATONGA7	345.00 345KV C		1195	0.23193	123.7136		'THISTLE7 345.00 - WICHITA 345KV CKT 1'	
		FDNS		01ALL		0	13G	G11_014	'TO->FRON	'NORTHWEST - TATONGA7	345.00 345KV C		1195	0.23193	123.7136		'THISTLE7 345.00 - WICHITA 345KV CKT 2'	
		FDNS		01ALL		0	13G	G11_014	'TO->FRON	'NORTHWEST - TATONGA7	345.00 345KV C		1195	0.21818	116.9111		'ANDERSONCO 345.00 - WOLF CREEK 345KV CKT 1'	
		FDNS		01ALL		0	13G	G11_014	'TO->FRON	'NORTHWEST - TATONGA7	345.00 345KV C		1195	0.2186	116.9847		'CIRCLE - MULLERGREN 230KV CKT 1'	
		FDNS		01ALL		0	13G	G11_014	'TO->FRON	'NORTHWEST - TATONGA7	345.00 345KV C		1195	0.21886	116.8078		'CLEARWATER - GILL ENERGY CENTER WEST 138KV CKT 1'	
INVALID		FDNS		01ALL		0	13G	G11_014	'TO->FRON	'NORTHWEST - TATONGA7	345.00 345KV C		1195	0.21886	116.8716		'CLEARWATER - MILAN TAP 138KV CKT 1'	
INVALID		FDNS		01ALL		0	13G	G11_014	'TO->FRON	'NORTHWEST - TATONGA7	345.00 345KV C		1195	0.21886	117.0802		'FLATRDG3 - HARPER 138KV CKT 1'	
		FDNS		01ALL		0	13G	G11_014	'TO->FRON	'NORTHWEST - TATONGA7	345.00 345KV C		1195	0.21882	116.8683		'FLATRDG3 - THISTLE4 138.00 138KV CKT 1'	
INVALID		FDNS		01ALL		0	13G	G11_014	'TO->FRON	'NORTHWEST - TATONGA7	345.00 345KV C		1195	0.21886	116.9694		'HARPER - MILAN TAP 138KV CKT 1'	
		FDNS		01ALL		0	13G	G11_014	'TO->FRON	'NORTHWEST - TATONGA7	345.00 345KV C		1195	0.2186	117.2005		'MULLERGREN - SPEARVILLE 230KV CKT 1'	
CONT-LaC		FDNS		01ALL		0	13G	G11_014	'TO->FRON	'NORTHWEST - TATONGA7	345.00 345KV C		1195	0.21763	115.7986		'LACYGNE - WEST GARDNER 345KV CKT 1'	
CONT-LaC		FDNS		01ALL		0	13G	G11_014	'TO->FRON	'NORTHWEST - TATONGA7	345.00 345KV C		1195	0.21757	115.7987		'LACYGNE - STILLWELL 345KV CKT 1'	
		FDNS		01ALL		0	13G	G11_014	'TO->FRON	'NORTHWEST - TATONGA7	345.00 345KV C		1195	0.21818	116.9695		'ANDERSONCO 345.00 - LACYGNE 345KV CKT 1'	
		FDNS		01ALL		0	13G	G11_014	'TO->FRON	'NORTHWEST - TATONGA7	345.00 345KV C		1195	0.21757	115.5702		'BROOKLINE - SUB 383 - MONETT 345KV CKT 1'	
		FDNS		01ALL		0	13G	G11_014	'TO->FRON	'NORTHWEST - TATONGA7	345.00 345KV C		1195	0.21869	117.0679		'AXTELL - PAULINE 345KV CKT 1'	
		FDNS		01ALL		0	13G	G11_014	'TO->FRON	'NORTHWEST - TATONGA7	345.00 345KV C		1195	0.22015	116.7572		'GERALD GENTLEMAN STATION - RED WILLOW 345KV CKT 1'	

EVENT	TYP	SOLUTION	TYPE	GROUP	SCENARIO	SEASON	SOURCE	DIRECTION	MONTH	COMMON	NAME	RATE	B	TDF	TC%	LOAD	CONT	NAME
		FDNS		01ALL		0	13G	G11_014	'TO->FRON'	'NORTHWEST - TATONGA7	345.00 345KV C	1195	0.21785	116.6412			'GERALD GENTLEMAN STATION - SWEETWATER 345KV CKT 1'	
		FDNS		01ALL		0	13G	G11_014	'TO->FRON'	'NORTHWEST - TATONGA7	345.00 345KV C	1195	0.21808	116.645			'GRAND ISLAND - MCCOOL 345KV CKT 1'	
		FDNS		01ALL		0	13G	G11_014	'TO->FRON'	'NORTHWEST - TATONGA7	345.00 345KV C	1195	0.21861	116.9655			'MOORE - PAULINE 345KV CKT 1'	
		FDNS		01ALL		0	13G	G11_014	'TO->FRON'	'NORTHWEST - TATONGA7	345.00 345KV C	1195	0.21861	117.341			'GRAND ISLAND - SWEETWATER 345KV CKT 1'	
		FDNS		01ALL		0	13G	G11_014	'TO->FRON'	'NORTHWEST - TATONGA7	345.00 345KV C	1195	0.21781	116.579			'MCADAMS - WOLF CREEK 500KV CKT 1'	
		FDNS		01ALL		0	13G	G11_014	'TO->FRON'	'NORTHWEST - TATONGA7	345.00 345KV C	1195	0.21761	115.8938			'ARKANSAS NUCLEAR ONE - MABELVALE 500 500KV CKT 1'	
		FDNS		01ALL		0	13G	G11_014	'TO->FRON'	'NORTHWEST - TATONGA7	345.00 345KV C	1195	0.21761	115.8008			'ARKANSAS NUCLEAR ONE - PLEASANT HILL 500KV CKT 1'	
		FDNS		01ALL		0	13G	G11_014	'TO->FRON'	'NORTHWEST - TATONGA7	345.00 345KV C	1195	0.21774	115.6397			'KEO EHV - WEST MEMPHIS 500 500KV CKT 1'	
		FDNS		01ALL		0	13G	G11_014	'TO->FRON'	'NORTHWEST - TATONGA7	345.00 345KV C	1195	0.21772	115.7895			'DELL 500 - INDEPENDENCE 500KV CKT 1'	
		FDNS		01ALL		0	13G	G11_014	'TO->FRON'	'NORTHWEST - TATONGA7	345.00 345KV C	1195	0.21784	115.91			'7MCCREDIE 345.00 - 7MONTGMRY 345.00 345KV CKT 1'	
		FDNS		01ALL		0	13G	G11_014	'TO->FRON'	'NORTHWEST - TATONGA7	345.00 345KV C	1195	0.21785	116.9038			'STEGALL - STEGALL TY 345KV CKT 1'	
		FDNS		01ALL		0	13G	G11_014	'TO->FRON'	'NORTHWEST - TATONGA7	345.00 345KV C	1195	0.21785	116.9083			'STEGALL TY 345/230KV TRANSFORMER CKT 1'	
		FDNS		01ALL		0	13G	G11_014	'TO->FRON'	'NORTHWEST - TATONGA7	345.00 345KV C	1195	0.21782	116.5499			'7SAREPTA% 345.00 - LONGWOOD 345KV CKT 1'	
		FDNS		01ALL		0	13G	G11_014	'TO->FRON'	'NORTHWEST - TATONGA7	345.00 345KV C	1195	0.22137	118.2818			'ELK CITY 230KV (ELKCTY-6) 230/138/13.8KV TRANSFORMER CKT 1'	
		FDNS		01ALL		0	13G	G11_014	'TO->FRON'	'NORTHWEST - TATONGA7	345.00 345KV C	1195	0.21829	116.6221			'SHAMROCK (SHAMRCK1) 115/69/14.4KV TRANSFORMER CKT 1'	
		FDNS		01ALL		0	13G	G11_014	'TO->FRON'	'NORTHWEST - TATONGA7	345.00 345KV C	1195	0.21879	116.8237			'WOODWARD (WOODWRD2) 138/69/13.2KV TRANSFORMER CKT 1'	
		FDNS		01ALL		0	13G	G11_014	'TO->FRON'	'NORTHWEST - TATONGA7	345.00 345KV C	1195	0.21849	116.985			'KNOBHILL (KNOBHIL4) 138/69/13.2KV TRANSFORMER CKT 1'	
		FDNS		01ALL		0	13G	G11_014	'TO->FRON'	'NORTHWEST - TATONGA7	345.00 345KV C	1195	0.21719	115.2331			'NORTHWEST (NORTWST2) 345/138/13.8KV TRANSFORMER CKT 1'	
		FDNS		01ALL		0	13G	G11_014	'TO->FRON'	'NORTHWEST - TATONGA7	345.00 345KV C	1195	0.21723	115.4429			'NORTHWEST (NORTWST3) 345/138/13.8KV TRANSFORMER CKT 1'	
		FDNS		01ALL		0	13G	G11_014	'TO->FRON'	'NORTHWEST - TATONGA7	345.00 345KV C	1195	0.22036	115.6239			'WOODWARD DISTRICT EHV (WWDEHV) 345/138/13.8KV TRANSFORMER CKT 1'	
		FDNS		01ALL		0	13G	G11_014	'TO->FRON'	'NORTHWEST - TATONGA7	345.00 345KV C	1195	0.22035	115.5057			'WOODWARD DISTRICT EHV (WWDEHV-T2) 345/138/13.8KV TRANSFORMER CKT 2'	
		FDNS		01ALL		0	13G	G11_014	'TO->FRON'	'NORTHWEST - TATONGA7	345.00 345KV C	1195	0.22484	118.0127			'POTTER COUNTY INTERCHANGE (WAUK 90343-A) 345/230/13.2KV TRANSFORMER CKT 1'	
		FDNS		01ALL		0	13G	G11_014	'TO->FRON'	'NORTHWEST - TATONGA7	345.00 345KV C	1195	0.21882	116.8686			'THISTLE7 345.00 (THISTLE T1) 345/138/13.8KV TRANSFORMER CKT 1'	
		FDNS		01ALL		0	13G	G11_014	'TO->FRON'	'NORTHWEST - TATONGA7	345.00 345KV C	1195	0.21765	116.7916			'G08-19 345.00 345/34.5KV TRANSFORMER CKT 1'	
		FDNS		01ALL		0	13G	G11_014	'TO->FRON'	'NORTHWEST - TATONGA7	345.00 345KV C	1195	0.21765	116.7916			'G08-19 345.00 345/34.5KV TRANSFORMER CKT 2'	
		FDNS		01ALL		0	13G	G11_014	'TO->FRON'	'NORTHWEST - TATONGA7	345.00 345KV C	1195	0.21773	115.8314			'8BHAM STEEL 500.00 - WEST MEMPHIS 500 500KV CKT 1'	
		FDNS		01ALL		0	13G	G11_014	'TO->FRON'	'NORTHWEST - TATONGA7	345.00 345KV C	1195	0.21817	116.3066			'DBL-THIS-CLR'	
		FDNS		01ALL		0	13G	G11_014	'TO->FRON'	'NORTHWEST - TATONGA7	345.00 345KV C	1195	0.21566	113.9056			'SPP-AEPW-01'	
		FDNS		01ALL		0	13G	G11_014	'TO->FRON'	'NORTHWEST - TATONGA7	345.00 345KV C	1195	0.23262	120.7076			'SPP-AEPW-32'	
		FDNS		01ALL		0	13G	G11_014	'TO->FRON'	'NORTHWEST - TATONGA7	345.00 345KV C	1195	0.21751	115.5181			'GRDA-OPGD-05'	
		FDNS		01ALL		0	13G	G11_014	'TO->FRON'	'NORTHWEST - TATONGA7	345.00 345KV C	1195	0.21787	115.8949			'KCPL-MSL#03'	
		FDNS		01ALL		0	13G	G11_014	'TO->FRON'	'NORTHWEST - TATONGA7	345.00 345KV C	1195	0.21785	116.9046			'TRF-STEGALL'	
		FDNS		01ALL		0	13G	G11_014	'TO->FRON'	'NORTHWEST - TATONGA7	345.00 345KV C	1195	0.21953	116.7925			'OGE3TERM1'	
		FDNS		01ALL		0	13G	G11_014	'TO->FRON'	'NORTHWEST - TATONGA7	345.00 345KV C	1195	0.2181	115.6582			'OGE3TERM7'	
		FDNS		01ALL		0	13G	G11_014	'TO->FRON'	'NORTHWEST - TATONGA7	345.00 345KV C	1195	0.21753	115.8313			'OGE3TERM14'	
		FDNS		01ALL		0	13G	G11_014	'TO->FRON'	'NORTHWEST - TATONGA7	345.00 345KV C	1195	0.21765	116.2267			'NC1_GEN-NEBRASKA CITY 1'	
		FDNS		01ALL		0	13G	G11_014	'TO->FRON'	'NORTHWEST - TATONGA7	345.00 345KV C	1195	0.23278	119.7743			'SPP-SWPS-01'	
		FDNS		01ALL		0	13G	G11_014	'TO->FRON'	'NORTHWEST - TATONGA7	345.00 345KV C	1195	0.2215	117.9085			'SPP-SWPS-03'	
		FDNS		01ALL		0	13G	G11_014	'TO->FRON'	'NORTHWEST - TATONGA7	345.00 345KV C	1195	0.22484	117.0515			'SPP-SWPS-04'	
		FDNS		01ALL		0	13G	G11_014	'TO->FRON'	'NORTHWEST - TATONGA7	345.00 345KV C	1195	0.24183	120.1512			'SPP-SWPS-05'	
		FDNS		01ALL		0	13G	G11_014	'TO->FRON'	'NORTHWEST - TATONGA7	345.00 345KV C	1195	0.21957	116.6127			'SPP-SWPS-K31'	
		FDNS		01ALL		0	13G	G11_014	'TO->FRON'	'NORTHWEST - TATONGA7	345.00 345KV C	1195	0.21829	116.6189			'SPP-SWPS-T54'	
		FDNS		01ALL		0	13G	G11_014	'TO->FRON'	'NORTHWEST - TATONGA7	345.00 345KV C	1195	0.21886	116.9065			'SPP-MKEC-05'	
		FDNS		01ALL		0	13G	G11_014	'TO->FRON'	'NORTHWEST - TATONGA7	345.00 345KV C	1195	0.21906	117.243			'SPP-MKEC-08'	

EVENTTYPE	SOLUTIONTYPE	GROUP	SCENARIO	SEASON	SOURCE	DIRECTION	MONTCOMMONNAME	RATEB	TDF	TC%LOADI	CONTNAME	
	FDNS	01ALL		0	13G	G11_014	'TO->FRON'	'NORTHWEST - TATONGA7 345.00 345KV C	1195	0.21886	116.9114	'SPP-WEPL-03'
	FDNS	01ALL		0	13G	G11_014	'TO->FRON'	'NORTHWEST - TATONGA7 345.00 345KV C	1195	0.21886	116.8814	'SPP-WEPL-03A'
	FDNS	01ALL		0	13G	G11_014	'TO->FRON'	'NORTHWEST - TATONGA7 345.00 345KV C	1195	0.2181	115.5796	'SPP-WERE-07C'
	FDNS	01ALL		0	13G	G11_014	'TO->FRON'	'NORTHWEST - TATONGA7 345.00 345KV C	1195	0.21806	117.4027	'WRTOD400'
	FDNS	01ALL		0	13G	G11_014	'TO->FRON'	'NORTHWEST - TATONGA7 345.00 345KV C	1195	0.21757	115.5681	'A112'
	FDNS	01ALL		0	13G	G11_014	'TO->FRON'	'NORTHWEST - TATONGA7 345.00 345KV C	1195	0.21773	115.8271	'AMRN_OUTS5'
	FDNS	01ALL		0	13G	G11_014	'TO->FRON'	'NORTHWEST - TATONGA7 345.00 345KV C	1195	0.21787	115.8949	'MTGY-OVER-5'
	FDNS	02ALL		0	13G	G11_014	'FROM->TC'	'SPSSPTIESB1'	620	0.20647	174.8577	'BASE CASE'
	FDNS	02ALL		0	13G	G11_014	'FROM->TC'	'SPSSPTIESC'	620	0.20647	174.8577	'BASE CASE'
NCONV	FNSL-Blown up	02ALL		0	13G	G11_014		Non-Converged Contingency	1195	0.21174	89.21449	'NORTHWEST - TATONGA7 345.00 345KV CKT 1'
NCONV	FNSL-Blown up	02ALL		0	13G	G11_014		Non-Converged Contingency	1792	0.57292	69.9815	'BEAVER CO 345.00 - WOODWARD DISTRICT EHV 345KV CKT 1'
NCONV	FNSL-Blown up	02ALL		0	13G	G11_014		Non-Converged Contingency	1052	0.15656	65.83252	'FINNEY SWITCHING STATION - Hitchland Interchange 345KV CKT 1'
NCONV	FNSL-Blown up	02ALL		0	13G	G11_014		Non-Converged Contingency	1052	0.15656	70.96961	'FINNEY SWITCHING STATION - HOLCOMB 345KV CKT 1'
NCONV	FNSL-Blown up	02ALL		0	13G	G11_014		Non-Converged Contingency	0	0.03063	9999	'SPP-SWPS-01'
NCONV	FNSL-Blown up	02ALL		0	13G	G11_014		Non-Converged Contingency	0	0.15656	9999	'SPP-SWPS-05'
NCONV	FNSL-Blown up	03ALL		0	13G	G11_014		Non-Converged Contingency	1052	0.04538	20.1711	'OKLAUNION - TUCO INTERCHANGE 345KV CKT 1'
NCONV	FNSL-Blown up	03ALL		0	13G	G11_014		Non-Converged Contingency	1195	0.20939	78.9142	'NORTHWEST - TATONGA7 345.00 345KV CKT 1'
NCONV	FNSL-Blown up	03ALL		0	13G	G11_014		Non-Converged Contingency	1775	0.20939	47.56333	'TATONGA7 345.00 - WOODWARD DISTRICT EHV 345KV CKT 1'
NCONV	FNSL-Blown up	03ALL		0	13G	G11_014		Non-Converged Contingency	1052	0.10179	22.06532	'Hitchland Interchange - POTTER COUNTY INTERCHANGE 345KV CKT 1'
NCONV	FNSL-Blown up	03ALL		0	13G	G11_014		Non-Converged Contingency	1792	0.05154	49.45027	'G11-17T 345.00 - POST ROCK 345KV CKT 1'
NCONV	FNSL-Blown up	03ALL		0	13G	G11_014		Non-Converged Contingency	1792	0.0435	32.65164	'AXTELL - POST ROCK 345KV CKT 1'
NCONV	FNSL-Blown up	03ALL		0	13G	G11_014		Non-Converged Contingency	1328	0.06261	34.90823	'HOLCOMB - SETAB 345KV CKT 1'
NCONV	FNSL-Blown up	03ALL		0	13G	G11_014		Non-Converged Contingency	1328	0.0579	43.30291	'MINGO - SETAB 345KV CKT 1'
NCONV	FNSL-Blown up	03ALL		0	13G	G11_014		Non-Converged Contingency	717	0.05495	62.03905	'MINGO - RED WILLOW 345KV CKT 1'
NCONV	FNSL-Blown up	03ALL		0	13G	G11_014		Non-Converged Contingency	1328	0.07581	27.47881	'BUCKNER7 345.00 - SPEARVILLE 345KV CKT 1'
NCONV	FNSL-Blown up	03ALL		0	13G	G11_014		Non-Converged Contingency	1195	0.03838	69.8401	'MULGREN7 345.00 - SPEARVILLE 345KV CKT 2'
NCONV	FNSL-Blown up	03ALL		0	13G	G11_014		Non-Converged Contingency	1792	0.05154	30.84333	'G11-17T 345.00 - SPEARVILLE 345KV CKT 1'
NCONV	FNSL-Blown up	03ALL		0	13G	G11_014		Non-Converged Contingency	1051	0.04561	22.12694	'JEFFREY ENERGY CENTER - SUMMIT 345KV CKT 1'
NCONV	FNSL-Blown up	03ALL		0	13G	G11_014		Non-Converged Contingency	956	0.05568	26.72794	'EMPORIA ENERGY CENTER - WICHITA 345KV CKT 1'
NCONV	FNSL-Blown up	03ALL		0	13G	G11_014		Non-Converged Contingency	1195	0.03838	69.83763	'MULGREN7 345.00 - RENO COUNTY 345KV CKT 2'
NCONV	FNSL-Blown up	03ALL		0	13G	G11_014		Non-Converged Contingency	956	0.06947	62.98875	'BENTON - ROSE HILL 345KV CKT 1'
NCONV	FNSL-Blown up	03ALL		0	13G	G11_014		Non-Converged Contingency	1792	0.11074	43.40387	'THISTLE7 345.00 - WICHITA 345KV CKT 1'
NCONV	FNSL-Blown up	03ALL		0	13G	G11_014		Non-Converged Contingency	1792	0.11074	43.40387	'THISTLE7 345.00 - WICHITA 345KV CKT 2'
NCONV	FNSL-Blown up	03ALL		0	13G	G11_014		Non-Converged Contingency	956	0.03249	47.97702	'AXTELL - PAULINE 345KV CKT 1'
NCONV	FNSL-Blown up	03ALL		0	13G	G11_014		Non-Converged Contingency	956	0.0431	28.00759	'GERALD GENTLEMAN STATION - RED WILLOW 345KV CKT 1'
NCONV	FNSL-Blown up	03ALL		0	13G	G11_014		Non-Converged Contingency	559	0.10179	56.24506	'POTTER COUNTY INTERCHANGE (WAUK 90343-A) 345/230/13.2KV TRANSFORMER CKT 1'
NCONV	FNSL-Blown up	03ALL		0	13G	G11_014		Non-Converged Contingency	0	0.22147	9999	'DBL-WICH-THI'
NCONV	FNSL-Blown up	03ALL		0	13G	G11_014		Non-Converged Contingency	0	0.64448	9999	'DBL-BVR-WWRD'
NCONV	FNSL-Blown up	03ALL		0	13G	G11_014		Non-Converged Contingency	0	0.05442	9999	'SPP-SWPS-01'
NCONV	FNSL-Blown up	03ALL		0	13G	G11_014		Non-Converged Contingency	1195	0.03838	62.79412	'GEN532652 1-JEFFREY ENERGY CENTER UNIT 2'
NCONV	FNSL-Blown up	03ALL		0	13G	G11_014		Non-Converged Contingency	1195	0.03838	62.79412	'GEN532653 1-JEFFREY ENERGY CENTER UNIT 3'
NCONV	FNSL-Blown up	03ALL		0	13G	G11_014		Non-Converged Contingency	1195	0.03838	62.79412	'GEN532751 1-WOLF CREEK GENERATING STATION UNIT 1'
CONT-040	FDNS		1	0	13G	G11_014	'TO->FRON'	'NORTHWEST - TATONGA7 345.00 345KV C	1195	0.21709	98.3	'HOYT - JEFFREY ENERGY CENTER 345KV CKT 1'
CONT-080	FDNS		1	0	13G	G11_014	'TO->FRON'	'NORTHWEST - TATONGA7 345.00 345KV C	1195	0.21715	98.1	'HOYT - STRANGER CREEK 345KV CKT 1'
CONT-LaC	FDNS		1	0	13G	G11_014	'TO->FRON'	'NORTHWEST - TATONGA7 345.00 345KV C	1195	0.21687	98	'LACYGNE - NEOSHO 345KV CKT 1'
CONT-LaC	FDNS		1	0	13G	G11_014	'TO->FRON'	'NORTHWEST - TATONGA7 345.00 345KV C	1195	0.21668	96.9	'LACYGNE - WEST GARDNER 345KV CKT 1'
CONT-LaC	FDNS		1	0	13G	G11_014	'TO->FRON'	'NORTHWEST - TATONGA7 345.00 345KV C	1195	0.21662	96.9	'LACYGNE - STILLWELL 345KV CKT 1'
CONT-TOD	FDNS		1	0	13G	G11_014	'TO->FRON'	'NORTHWEST - TATONGA7 345.00 345KV C	1195	0.21648	97.6	'DOLET HILLS - SOUTHWEST SHREVEPORT 345KV CKT 1'
INVALID	FDNS		1	0	13G	G11_014	'TO->FRON'	'NORTHWEST - TATONGA7 345.00 345KV C	1195	0.21659	96.75201	'FLINT CREEK - SILOAM SPRINGS TAP 345KV CKT 1'

EVENTTYPE	SOLUTIONTYPE	GROUP	SCENARIO	SEASON	SOURCE	DIRECTION	MONTH	COMMONNAME	RATEB	TDF	TC%LOAD	CONTNAME	
INVALID	FDNS		1	0	13G	G11_014	TO->FRON	'NORTHWEST - TATONGA7 345.00 345KV C	1195	0.21671	96.09587	'EASTDC - WELSH 345KV CKT 1'	
INVALID	FDNS		1	0	13G	G11_014	TO->FRON	'NORTHWEST - TATONGA7 345.00 345KV C	1195	0.2316	106.3448	'LAWTON EASTSIDE - OKLAUNION 345KV CKT 1'	
INVALID	FDNS		1	0	13G	G11_014	TO->FRON	'NORTHWEST - TATONGA7 345.00 345KV C	1195	0.21656	96.6122	'GRDA1 - SILOAM SPRINGS TAP 345KV CKT 1'	
INVALID	FDNS		1	0	13G	G11_014	TO->FRON	'NORTHWEST - TATONGA7 345.00 345KV C	1195	0.21792	97.82594	'CLEARWATER - MILAN TAP 138KV CKT 1'	
INVALID	FDNS		1	0	13G	G11_014	TO->FRON	'NORTHWEST - TATONGA7 345.00 345KV C	1195	0.21792	97.99606	'FLATRDG3 - HARPER 138KV CKT 1'	
INVALID	FDNS		1	0	13G	G11_014	TO->FRON	'NORTHWEST - TATONGA7 345.00 345KV C	1195	0.21792	97.89535	'HARPER - MILAN TAP 138KV CKT 1'	
INVALID	FDNS	02G11_014		0	13G	G11_014	TO->FRON	'NORTHWEST - TATONGA7 345.00 345KV C	1195	0.22571	97.67604	'LAWTON EASTSIDE - OKLAUNION 345KV CKT 1'	
NCONV	FNSL-Blown up	02G11_014		0	13G	G11_014		Non-converged contingency		0	0.647	'DBL-BVR-WWRD'	
NCONV	FNSL-Blown up		3	0	13G	G11_014		Non-converged contingency	1792	0.06029	46.31664	'G11-17T 345.00 - POST ROCK 345KV CKT 1'	
NCONV	FNSL-Blown up		3	0	13G	G11_014		Non-converged contingency		0	0.24061	9999	'DBL-WICH-THI'
	FDNS		1	0	13G	G11_014	TO->FRON	'NORTHWEST - TATONGA7 345.00 345KV C	1195	0.21671	97.3	'BASE CASE'	
	FDNS		1	0	13G	G11_014	TO->FRON	'NORTHWEST - TATONGA7 345.00 345KV C	1195	0.21661	96.7	'FLINT CREEK - SUB 383 - MONETT 345KV CKT 1'	
	FDNS		1	0	13G	G11_014	TO->FRON	'NORTHWEST - TATONGA7 345.00 345KV C	1195	0.21666	96.5	'CHAMBER SPRINGS - CLARKSVILLE 345KV CKT 1'	
	FDNS		1	0	13G	G11_014	TO->FRON	'NORTHWEST - TATONGA7 345.00 345KV C	1195	0.21621	96.9	'LYDIA - WELSH 345KV CKT 1'	
	FDNS		1	0	13G	G11_014	TO->FRON	'NORTHWEST - TATONGA7 345.00 345KV C	1195	0.2147	95.3	'LYDIA - VALLIANT 345KV CKT 1'	
	FDNS		1	0	13G	G11_014	TO->FRON	'NORTHWEST - TATONGA7 345.00 345KV C	1195	0.21686	96.9	'CLARKSVILLE - MUSKOGEE 345KV CKT 1'	
	FDNS		1	0	13G	G11_014	TO->FRON	'NORTHWEST - TATONGA7 345.00 345KV C	1195	0.21402	96	'REDBUD - RIVERSIDE STATION 345KV CKT 1'	
	FDNS		1	0	13G	G11_014	TO->FRON	'NORTHWEST - TATONGA7 345.00 345KV C	1195	0.21744	95.5	'DELAWARE - NORTHEAST STATION 345KV CKT 1'	
	FDNS		1	0	13G	G11_014	TO->FRON	'NORTHWEST - TATONGA7 345.00 345KV C	1195	0.21737	96.3	'DELAWARE - NEOSHO 345KV CKT 1'	
	FDNS		1	0	13G	G11_014	TO->FRON	'NORTHWEST - TATONGA7 345.00 345KV C	1195	0.21675	97	'BARTLESVILLE SOUTHEAST - NORTH BARTLESVILLE 138KV CKT 1'	
	FDNS		1	0	13G	G11_014	TO->FRON	'NORTHWEST - TATONGA7 345.00 345KV C	1195	0.21675	97	'COFFEYVILLE TAP - NORTH BARTLESVILLE 138KV CKT 1'	
	FDNS		1	0	13G	G11_014	TO->FRON	'NORTHWEST - TATONGA7 345.00 345KV C	1195	0.21582	96.4	'PITTSBURG - VALLIANT 345KV CKT 1'	
	FDNS		1	0	13G	G11_014	TO->FRON	'NORTHWEST - TATONGA7 345.00 345KV C	1195	0.21548	96.3	'PITTSBURG - SEMINOLE 345KV CKT 1'	
	FDNS		1	0	13G	G11_014	TO->FRON	'NORTHWEST - TATONGA7 345.00 345KV C	1195	0.21844	98.1	'CLINTON AIR FORCE BASE TAP - ELK CITY 138KV CKT 1'	
	FDNS		1	0	13G	G11_014	TO->FRON	'NORTHWEST - TATONGA7 345.00 345KV C	1195	0.21844	98	'CLINTON AIR FORCE BASE TAP - HOBART JUNCTION 138KV CKT 1'	
	FDNS		1	0	13G	G11_014	TO->FRON	'NORTHWEST - TATONGA7 345.00 345KV C	1195	0.2316	100.1442	'OKLAUNION - TUCO INTERCHANGE 345KV CKT 1'	
	FDNS		1	0	13G	G11_014	TO->FRON	'NORTHWEST - TATONGA7 345.00 345KV C	1195	0.21933	98.3	'CLINTON JUNCTION - ELK CITY 138KV CKT 1'	
	FDNS		1	0	13G	G11_014	TO->FRON	'NORTHWEST - TATONGA7 345.00 345KV C	1195	0.21763	98	'ELK CITY - RED HILLS WIND 138KV CKT 1'	
	FDNS		1	0	13G	G11_014	TO->FRON	'NORTHWEST - TATONGA7 345.00 345KV C	1195	0.21807	98.2	'LAWTON EASTSIDE - SUNNYSIDE 345KV CKT 1'	
	FDNS		1	0	13G	G11_014	TO->FRON	'NORTHWEST - TATONGA7 345.00 345KV C	1195	0.21674	96.4	'GRACEMONT - LAWTON EASTSIDE 345KV CKT 1'	
	FDNS		1	0	13G	G11_014	TO->FRON	'NORTHWEST - TATONGA7 345.00 345KV C	1195	0.21756	97.6	'WEATHERFORD JCT. - WEATHERFORD SOUTHEAST 138KV CKT 1'	
	FDNS		1	0	13G	G11_014	TO->FRON	'NORTHWEST - TATONGA7 345.00 345KV C	1195	0.2204	99.1	'ELK CITY 230KV - SWEETWATER 230KV CKT 1'	
	FDNS		1	0	13G	G11_014	TO->FRON	'NORTHWEST - TATONGA7 345.00 345KV C	1195	0.21719	97.6	'WEATHERFORD SOUTHEAST - WEATHERFORD TAP 138KV CKT 1'	
	FDNS		1	0	13G	G11_014	TO->FRON	'NORTHWEST - TATONGA7 345.00 345KV C	1195	0.21719	97.6	'WEATHERFORD TAP - WEATHERFORD WIND FARM 138KV CKT 1'	
	FDNS		1	0	13G	G11_014	TO->FRON	'NORTHWEST - TATONGA7 345.00 345KV C	1195	0.2204	97.8	'STATELINE INTERCHANGE - SWEETWATER 230KV CKT &1'	
	FDNS		1	0	13G	G11_014	TO->FRON	'NORTHWEST - TATONGA7 345.00 345KV C	1195	0.21734	97.6	'MCLEAN RURAL SUB - SHAMROCK 115KV CKT 1'	
	FDNS		1	0	13G	G11_014	TO->FRON	'NORTHWEST - TATONGA7 345.00 345KV C	1195	0.21609	97	'CLEVELAND - SOONER 345KV CKT 1'	
	FDNS		1	0	13G	G11_014	TO->FRON	'NORTHWEST - TATONGA7 345.00 345KV C	1195	0.21837	97.6	'HENESSEY - WAUKOMIS 138KV CKT 1'	
	FDNS		1	0	13G	G11_014	TO->FRON	'NORTHWEST - TATONGA7 345.00 345KV C	1195	0.21728	97.6	'MARSHALL - WOODRING 138KV CKT 1'	
	FDNS		1	0	13G	G11_014	TO->FRON	'NORTHWEST - TATONGA7 345.00 345KV C	1195	0.22095	98.3	'HUNTERS7 345.00 - WOODRING 345KV CKT 1'	
	FDNS		1	0	13G	G11_014	TO->FRON	'NORTHWEST - TATONGA7 345.00 345KV C	1195	0.21748	97.6	'KNOBHILL - SALINE 69KV CKT 1'	
	FDNS		1	0	13G	G11_014	TO->FRON	'NORTHWEST - TATONGA7 345.00 345KV C	1195	0.21713	96.8	'KILDARE4 - NEWKIRK4 138KV CKT 1'	
	FDNS		1	0	13G	G11_014	TO->FRON	'NORTHWEST - TATONGA7 345.00 345KV C	1195	0.21699	96.9	'KILDARE4 - WHITE EAGLE 138KV CKT 1'	
	FDNS		1	0	13G	G11_014	TO->FRON	'NORTHWEST - TATONGA7 345.00 345KV C	1195	0.21837	97.6	'DOVER SW - HENESSEY 138KV CKT 1'	
	FDNS		1	0	13G	G11_014	TO->FRON	'NORTHWEST - TATONGA7 345.00 345KV C	1195	0.22029	99	'CLEO CORNER - GLASS MOUNTAIN 138KV CKT 1'	
	FDNS		1	0	13G	G11_014	TO->FRON	'NORTHWEST - TATONGA7 345.00 345KV C	1195	0.22118	99	'CLEO CORNER - MEN TAP 138KV CKT 1'	
	FDNS		1	0	13G	G11_014	TO->FRON	'NORTHWEST - TATONGA7 345.00 345KV C	1195	0.21841	97.6	'WOODWARD - WOODWARD EHV 138KV CKT 1'	
	FDNS		1	0	13G	G11_014	TO->FRON	'NORTHWEST - TATONGA7 345.00 345KV C	1195	0.22669	100.0791	'FPL SWITCH - WOODWARD 138KV CKT 1'	
	FDNS		1	0	13G	G11_014	TO->FRON	'NORTHWEST - TATONGA7 345.00 345KV C	1195	0.22107	98.4	'DEWEY - IODINE 138KV CKT 1'	
	FDNS		1	0	13G	G11_014	TO->FRON	'NORTHWEST - TATONGA7 345.00 345KV C	1195	0.22317	100.5894	'DEWEY - SOUTHARD 138KV CKT 1'	
	FDNS		1	0	13G	G11_014	TO->FRON	'NORTHWEST - TATONGA7 345.00 345KV C	1195	0.22029	99.1	'GLASS MOUNTAIN - MOORELAND 138KV CKT 1'	

EVENTTYPE	SOLUTIONTYPE	GROUP	SCENARIO	SEASON	SOURCE	DIRECTION	MONTH	COMMONNAME	RATEB	TDF	TC%LOAD	CONTNAME
	FDNS		1	0	13G	G11_014	'TO->FRON'	'NORTHWEST - TATONGA7 345.00 345KV C	1195	0.22118	99	'IMO TAP - MEN TAP 138KV CKT 1'
	FDNS		1	0	13G	G11_014	'TO->FRON'	'NORTHWEST - TATONGA7 345.00 345KV C	1195	0.21754	97.9	'KNOBHILL - MOORELAND 138KV CKT 1'
	FDNS		1	0	13G	G11_014	'TO->FRON'	'NORTHWEST - TATONGA7 345.00 345KV C	1195	0.22107	98.5	'IODINE - WOODWARD EHV 138KV CKT 1'
	FDNS		1	0	13G	G11_014	'TO->FRON'	'NORTHWEST - TATONGA7 345.00 345KV C	1195	0.21676	95.5	'GRACEMONT - MINCO 345KV CKT 1'
	FDNS		1	0	13G	G11_014	'TO->FRON'	'NORTHWEST - TATONGA7 345.00 345KV C	1195	0.21917	96.1	'ROSE HILL - SOONER 345KV CKT 1'
	FDNS		1	0	13G	G11_014	'TO->FRON'	'NORTHWEST - TATONGA7 345.00 345KV C	1195	0.21713	96.7	'CRESWELL - MIDLTNT4 138.00 138KV CKT 1'
	FDNS		1	0	13G	G11_014	'TO->FRON'	'NORTHWEST - TATONGA7 345.00 345KV C	1195	0.22317	100.1005	'EL RENO - ROMAN NOSE 138KV CKT 1'
	FDNS		1	0	13G	G11_014	'TO->FRON'	'NORTHWEST - TATONGA7 345.00 345KV C	1195	0.22317	100.2886	'ROMAN NOSE - SOUTHARD 138KV CKT 1'
	FDNS		1	0	13G	G11_014	'TO->FRON'	'NORTHWEST - TATONGA7 345.00 345KV C	1195	0.21658	97	'NORTHWEST - PANTHER 138KV CKT 1'
	FDNS		1	0	13G	G11_014	'TO->FRON'	'NORTHWEST - TATONGA7 345.00 345KV C	1195	0.20953	96.7	'ARCADIA - NORTHWEST 345KV CKT 1'
	FDNS		1	0	13G	G11_014	'TO->FRON'	'NORTHWEST - TATONGA7 345.00 345KV C	1195	0.2153	96.5	'CIMARRON - DRAPER LAKE 345KV CKT 1'
	FDNS		1	0	13G	G11_014	'TO->FRON'	'NORTHWEST - TATONGA7 345.00 345KV C	1195	0.21725	99.2	'CIMARRON - G11-007T 345.00 345KV CKT 1'
	FDNS		1	0	13G	G11_014	'TO->FRON'	'NORTHWEST - TATONGA7 345.00 345KV C	1195	0.21588	96.5	'ARCADIA - SEMINOLE 345KV CKT 1'
	FDNS		1	0	13G	G11_014	'TO->FRON'	'NORTHWEST - TATONGA7 345.00 345KV C	1195	0.21681	97.6	'MCELROY - STILLWATER 138KV CKT 1'
	FDNS		1	0	13G	G11_014	'TO->FRON'	'NORTHWEST - TATONGA7 345.00 345KV C	1195	0.21687	97.7	'MORISNT4 138.00 - STILLWATER 138KV CKT 1'
	FDNS		1	0	13G	G11_014	'TO->FRON'	'NORTHWEST - TATONGA7 345.00 345KV C	1195	0.21608	96.6	'FT SMITH - MUSKOGEE 345KV CKT 1'
	FDNS		1	0	13G	G11_014	'TO->FRON'	'NORTHWEST - TATONGA7 345.00 345KV C	1195	0.22932	102.2415	'BORDER 7345.00 - WOODWARD DISTRICT EHV 345KV CKT 1'
	FDNS		1	0	13G	G11_014	'TO->FRON'	'NORTHWEST - TATONGA7 345.00 345KV C	1195	0.21671	97.9	'Hitchland Interchange - WOODWARD DISTRICT EHV 345KV CKT 2'
	FDNS		1	0	13G	G11_014	'TO->FRON'	'NORTHWEST - TATONGA7 345.00 345KV C	1195	0.24303	105.3204	'THISTLE7 345.00 - WOODWARD DISTRICT EHV 345KV CKT 1'
	FDNS		1	0	13G	G11_014	'TO->FRON'	'NORTHWEST - TATONGA7 345.00 345KV C	1195	0.24303	105.3204	'THISTLE7 345.00 - WOODWARD DISTRICT EHV 345KV CKT 2'
	FDNS		1	0	13G	G11_014	'TO->FRON'	'NORTHWEST - TATONGA7 345.00 345KV C	1195	0.19944	97	'BEAVER CO 345.00 - WOODWARD DISTRICT EHV 345KV CKT 1'
	FDNS		1	0	13G	G11_014	'TO->FRON'	'NORTHWEST - TATONGA7 345.00 345KV C	1195	0.22932	102.2821	'BORDER 7345.00 - TUCO INTERCHANGE 345KV CKT 1'
	FDNS		1	0	13G	G11_014	'TO->FRON'	'NORTHWEST - TATONGA7 345.00 345KV C	1195	0.22095	97.6	'HUNTERS7 345.00 - VIOLA 7 345.00 345KV CKT 1'
	FDNS		1	0	13G	G11_014	'TO->FRON'	'NORTHWEST - TATONGA7 345.00 345KV C	1195	0.22669	101.5738	'FPL SWITCH - MOORELAND 138KV CKT 1'
	FDNS		1	0	13G	G11_014	'TO->FRON'	'NORTHWEST - TATONGA7 345.00 345KV C	1195	0.21727	97.6	'ARAPAHO - HAMON BUTLER 69KV CKT 1'
	FDNS		1	0	13G	G11_014	'TO->FRON'	'NORTHWEST - TATONGA7 345.00 345KV C	1195	0.21727	97.6	'ARAPAHO - INDUSTRIAL PARK 69KV CKT 1'
	FDNS-CHECK-TC-B		1	0	13G	G11_014	'TO->FRON'	'NORTHWEST - TATONGA7 345.00 345KV C	1195	0.21671	100.4	'GEN337653 1-WHITE BLUFF UNIT #2'
	FDNS		1	0	13G	G11_014	'TO->FRON'	'NORTHWEST - TATONGA7 345.00 345KV C	1195	0.21671	98.3	'GEN337692 1-LAKE CATHERINE UNIT #4'
	FDNS		1	0	13G	G11_014	'TO->FRON'	'NORTHWEST - TATONGA7 345.00 345KV C	1195	0.21671	100	'GEN338143 1-INDEPENDENCE UNIT #1'
	FDNS		1	0	13G	G11_014	'TO->FRON'	'NORTHWEST - TATONGA7 345.00 345KV C	1195	0.21671	100.0507	'GEN338146 1-INDEPENDENCE UNIT #2'
	FDNS		1	0	13G	G11_014	'TO->FRON'	'NORTHWEST - TATONGA7 345.00 345KV C	1195	0.21671	99.3	'GEN338388 1-1PLUM PT U1 23.000'
	FDNS		1	0	13G	G11_014	'TO->FRON'	'NORTHWEST - TATONGA7 345.00 345KV C	1195	0.21671	97.7	'GEN338500 1-MCCLELLAN UNIT #1'
	FDNS		1	0	13G	G11_014	'TO->FRON'	'NORTHWEST - TATONGA7 345.00 345KV C	1195	0.21671	97.6	'GEN338510 1-1S1KNWRI'
	FDNS		1	0	13G	G11_014	'TO->FRON'	'NORTHWEST - TATONGA7 345.00 345KV C	1195	0.21671	97.6	'GEN338512 1-1S2KNWRI'
	FDNS		1	0	13G	G11_014	'TO->FRON'	'NORTHWEST - TATONGA7 345.00 345KV C	1195	0.21671	97.6	'GEN338513 1-BAILEY UNIT #1'
	FDNS		1	0	13G	G11_014	'TO->FRON'	'NORTHWEST - TATONGA7 345.00 345KV C	1195	0.21671	97.6	'GEN500915 3-WESTERN KRAFT'
	FDNS		1	0	13G	G11_014	'TO->FRON'	'NORTHWEST - TATONGA7 345.00 345KV C	1195	0.21671	100.2498	'GEN501801 1-DOLET HILLS UNIT1'
	FDNS		1	0	13G	G11_014	'TO->FRON'	'NORTHWEST - TATONGA7 345.00 345KV C	1195	0.21671	98.2	'GEN501811 1-RODEMACHER UNIT 1'
	FDNS		1	0	13G	G11_014	'TO->FRON'	'NORTHWEST - TATONGA7 345.00 345KV C	1195	0.21671	99.2	'GEN501812 1-RODEMACHER UNIT 2'
	FDNS		1	0	13G	G11_014	'TO->FRON'	'NORTHWEST - TATONGA7 345.00 345KV C	1195	0.21671	99.7	'GEN501813 1-RODEMACHER UNIT 3'
	FDNS		1	0	13G	G11_014	'TO->FRON'	'NORTHWEST - TATONGA7 345.00 345KV C	1195	0.21671	98.2	'GEN501910 1-ACADIA UNIT ST1'
	FDNS		1	0	13G	G11_014	'TO->FRON'	'NORTHWEST - TATONGA7 345.00 345KV C	1195	0.21671	97.9	'GEN501911 1-ACADIA UNIT CT1A'
	FDNS		1	0	13G	G11_014	'TO->FRON'	'NORTHWEST - TATONGA7 345.00 345KV C	1195	0.21671	97.9	'GEN501912 1-ACADIA UNIT CT1B'
	FDNS		1	0	13G	G11_014	'TO->FRON'	'NORTHWEST - TATONGA7 345.00 345KV C	1195	0.21671	97.9	'GEN505432 1-SIKESTON'
	FDNS		1	0	13G	G11_014	'TO->FRON'	'NORTHWEST - TATONGA7 345.00 345KV C	1195	0.21671	97.7	'GEN506749 1-EASTMAN GENERATION A'
	FDNS		1	0	13G	G11_014	'TO->FRON'	'NORTHWEST - TATONGA7 345.00 345KV C	1195	0.21671	97.9	'GEN506752 1-LEBROCK GAS 1'
	FDNS		1	0	13G	G11_014	'TO->FRON'	'NORTHWEST - TATONGA7 345.00 345KV C	1195	0.21671	98.1	'GEN509391 G1-ARSENAL HILL GENS #2 (STALL)'
	FDNS		1	0	13G	G11_014	'TO->FRON'	'NORTHWEST - TATONGA7 345.00 345KV C	1195	0.21671	98.1	'GEN509392 G2-ARSENAL HILL GENS #3 (STALL)'
	FDNS		1	0	13G	G11_014	'TO->FRON'	'NORTHWEST - TATONGA7 345.00 345KV C	1195	0.21671	98	'GEN509393 S1-ARSENAL HILL GENS #4 (STALL)'
	FDNS		1	0	13G	G11_014	'TO->FRON'	'NORTHWEST - TATONGA7 345.00 345KV C	1195	0.21671	99.3	'GEN509394 1-FLINT CREEK'
	FDNS		1	0	13G	G11_014	'TO->FRON'	'NORTHWEST - TATONGA7 345.00 345KV C	1195	0.21671	100	'GEN509403 1-PIRKEY GENERATION'

EVENTTYPE	SOLUTIONTYPE	GROUP	SCENARIO	SEASON	SOURCE	DIRECTION	MONTH	COMMONNAME	RATEB	TDF	TC%LOADI	CONTNAME
	FDNS		1	0	13G	G11_014	TO->FRON	'NORTHWEST - TATONGA7 345.00 345KV 0	1195	0.21671	99.5	'GEN509404 1-WELSH #1'
	FDNS		1	0	13G	G11_014	TO->FRON	'NORTHWEST - TATONGA7 345.00 345KV 0	1195	0.21671	99.5	'GEN509405 1-WELSH #2'
	FDNS		1	0	13G	G11_014	TO->FRON	'NORTHWEST - TATONGA7 345.00 345KV 0	1195	0.21671	99.5	'GEN509406 1-WELSH #3'
	FDNS		1	0	13G	G11_014	TO->FRON	'NORTHWEST - TATONGA7 345.00 345KV 0	1195	0.21671	97.6	'GEN509408 1-WILKES #2'
	FDNS		1	0	13G	G11_014	TO->FRON	'NORTHWEST - TATONGA7 345.00 345KV 0	1195	0.21671	99.9	'GEN509416 1-TURK GENERATION'
	FDNS		1	0	13G	G11_014	TO->FRON	'NORTHWEST - TATONGA7 345.00 345KV 0	1195	0.21671	97.8	'GEN511836 1-NORTHEASTERN STATION #1'
	FDNS		1	0	13G	G11_014	TO->FRON	'NORTHWEST - TATONGA7 345.00 345KV 0	1195	0.21671	97.9	'GEN511837 1-NORTHEASTERN STATION # 1-1A'
	FDNS		1	0	13G	G11_014	TO->FRON	'NORTHWEST - TATONGA7 345.00 345KV 0	1195	0.21671	97.9	'GEN511838 1-NORTHEASTERN STATION # 1-1B'
	FDNS		1	0	13G	G11_014	TO->FRON	'NORTHWEST - TATONGA7 345.00 345KV 0	1195	0.21671	98	'GEN511839 1-NORTHEASTERN STATION #2'
	FDNS		1	0	13G	G11_014	TO->FRON	'NORTHWEST - TATONGA7 345.00 345KV 0	1195	0.21671	99.1	'GEN511840 1-NORTHEASTERN STATION #3'
	FDNS		1	0	13G	G11_014	TO->FRON	'NORTHWEST - TATONGA7 345.00 345KV 0	1195	0.21671	99.1	'GEN511841 1-NORTHEASTERN STATION #4'
	FDNS		1	0	13G	G11_014	TO->FRON	'NORTHWEST - TATONGA7 345.00 345KV 0	1195	0.21671	97.8	'GEN511851 1-COMANCHE #1'
	FDNS		1	0	13G	G11_014	TO->FRON	'NORTHWEST - TATONGA7 345.00 345KV 0	1195	0.21671	97.6	'GEN511852 1-COMANCHE #2'
	FDNS		1	0	13G	G11_014	TO->FRON	'NORTHWEST - TATONGA7 345.00 345KV 0	1195	0.21671	97.6	'GEN511853 1-COMANCHE #3'
	FDNS		1	0	13G	G11_014	TO->FRON	'NORTHWEST - TATONGA7 345.00 345KV 0	1195	0.21671	97.7	'GEN511938 1-OEC STEAM # 1'
	FDNS		1	0	13G	G11_014	TO->FRON	'NORTHWEST - TATONGA7 345.00 345KV 0	1195	0.21671	97.7	'GEN511939 1-OEC GAS # 1-1'
	FDNS		1	0	13G	G11_014	TO->FRON	'NORTHWEST - TATONGA7 345.00 345KV 0	1195	0.21671	97.7	'GEN511940 1-OEC GAS # 1-2'
	FDNS		1	0	13G	G11_014	TO->FRON	'NORTHWEST - TATONGA7 345.00 345KV 0	1195	0.21671	98.2	'GEN511941 1-OEC STEAM # 2'
	FDNS		1	0	13G	G11_014	TO->FRON	'NORTHWEST - TATONGA7 345.00 345KV 0	1195	0.21671	97.7	'GEN511942 1-OEC GAS # 2-1'
	FDNS		1	0	13G	G11_014	TO->FRON	'NORTHWEST - TATONGA7 345.00 345KV 0	1195	0.21671	97.7	'GEN511943 1-OEC GAS # 2-2'
	FDNS		1	0	13G	G11_014	TO->FRON	'NORTHWEST - TATONGA7 345.00 345KV 0	1195	0.21671	97.8	'GEN511953 G-COGENTRIX GAS # 1'
	FDNS		1	0	13G	G11_014	TO->FRON	'NORTHWEST - TATONGA7 345.00 345KV 0	1195	0.21671	97.8	'GEN511954 S-COGENTRIX STEAM # 1'
	FDNS		1	0	13G	G11_014	TO->FRON	'NORTHWEST - TATONGA7 345.00 345KV 0	1195	0.21671	97.8	'GEN511955 G-COGENTRIX GAS # 2'
	FDNS		1	0	13G	G11_014	TO->FRON	'NORTHWEST - TATONGA7 345.00 345KV 0	1195	0.21671	97.8	'GEN511956 S-COGENTRIX STEAM # 2'
	FDNS		1	0	13G	G11_014	TO->FRON	'NORTHWEST - TATONGA7 345.00 345KV 0	1195	0.21671	97.8	'GEN511957 G-COGENTRIX GAS # 3'
	FDNS		1	0	13G	G11_014	TO->FRON	'NORTHWEST - TATONGA7 345.00 345KV 0	1195	0.21671	99.3	'GEN512688 2-GRDA1 GSU2 22'
	FDNS		1	0	13G	G11_014	TO->FRON	'NORTHWEST - TATONGA7 345.00 345KV 0	1195	0.21671	98.9	'GEN512689 1-GRDA1 GSU1 22'
	FDNS		1	0	13G	G11_014	TO->FRON	'NORTHWEST - TATONGA7 345.00 345KV 0	1195	0.21671	99.9	'GEN514805 1-SOONER UNIT 1'
	FDNS		1	0	13G	G11_014	TO->FRON	'NORTHWEST - TATONGA7 345.00 345KV 0	1195	0.21671	100.1892	'GEN514806 1-SOONER UNIT 2'
	FDNS		1	0	13G	G11_014	TO->FRON	'NORTHWEST - TATONGA7 345.00 345KV 0	1195	0.21671	98.6	'GEN514899 1-REDBUD1S'
	FDNS		1	0	13G	G11_014	TO->FRON	'NORTHWEST - TATONGA7 345.00 345KV 0	1195	0.21671	98.5	'GEN514900 1-REDBUD2S'
	FDNS		1	0	13G	G11_014	TO->FRON	'NORTHWEST - TATONGA7 345.00 345KV 0	1195	0.21671	98.5	'GEN514905 1-REDBUD3S'
	FDNS		1	0	13G	G11_014	TO->FRON	'NORTHWEST - TATONGA7 345.00 345KV 0	1195	0.21671	98.8	'GEN514910 2-REDBUD GEN'
	FDNS		1	0	13G	G11_014	TO->FRON	'NORTHWEST - TATONGA7 345.00 345KV 0	1195	0.21671	98.8	'GEN514911 2-REDBUD GEN'
	FDNS		1	0	13G	G11_014	TO->FRON	'NORTHWEST - TATONGA7 345.00 345KV 0	1195	0.21671	98	'GEN514912 2-REDBUD GEN'
	FDNS		1	0	13G	G11_014	TO->FRON	'NORTHWEST - TATONGA7 345.00 345KV 0	1195	0.21671	98.5	'GEN514940 1-REDBUD GEN'
	FDNS		1	0	13G	G11_014	TO->FRON	'NORTHWEST - TATONGA7 345.00 345KV 0	1195	0.21671	98.7	'GEN514942 2-REDBUD4G'
	FDNS		1	0	13G	G11_014	TO->FRON	'NORTHWEST - TATONGA7 345.00 345KV 0	1195	0.21671	98.5	'GEN514998 1-MCCLAIN UNIT 1'
	FDNS		1	0	13G	G11_014	TO->FRON	'NORTHWEST - TATONGA7 345.00 345KV 0	1195	0.21671	98.5	'GEN514999 1-MCCLAIN UNIT 2'
	FDNS		1	0	13G	G11_014	TO->FRON	'NORTHWEST - TATONGA7 345.00 345KV 0	1195	0.21671	98.1	'GEN515000 1-MCCLAIN UNIT 3'
	FDNS		1	0	13G	G11_014	TO->FRON	'NORTHWEST - TATONGA7 345.00 345KV 0	1195	0.21671	98.5	'GEN515040 1-SEMINOLE 1G'
	FDNS		1	0	13G	G11_014	TO->FRON	'NORTHWEST - TATONGA7 345.00 345KV 0	1195	0.21671	98.8	'GEN515041 1-SEMINOLE 2G'
	FDNS		1	0	13G	G11_014	TO->FRON	'NORTHWEST - TATONGA7 345.00 345KV 0	1195	0.21671	99	'GEN515042 1-SEMINOLE 3G'
	FDNS		1	0	13G	G11_014	TO->FRON	'NORTHWEST - TATONGA7 345.00 345KV 0	1195	0.21671	99.7	'GEN515223 1-MUSKOGEE 4G'
	FDNS		1	0	13G	G11_014	TO->FRON	'NORTHWEST - TATONGA7 345.00 345KV 0	1195	0.21671	99.7	'GEN515225 1-MUSKOGEE 5G'
	FDNS		1	0	13G	G11_014	TO->FRON	'NORTHWEST - TATONGA7 345.00 345KV 0	1195	0.21671	100.1079	'GEN515226 1-MUSKOGEE 6G'
	FDNS		1	0	13G	G11_014	TO->FRON	'NORTHWEST - TATONGA7 345.00 345KV 0	1195	0.21671	98	'GEN515266 1-AES 1G'
	FDNS		1	0	13G	G11_014	TO->FRON	'NORTHWEST - TATONGA7 345.00 345KV 0	1195	0.21671	98	'GEN515267 1-AES 2G'
	FDNS		1	0	13G	G11_014	TO->FRON	'NORTHWEST - TATONGA7 345.00 345KV 0	1195	0.21671	95.6	'GEN515365 1-CENT 21 34.500'
	FDNS		1	0	13G	G11_014	TO->FRON	'NORTHWEST - TATONGA7 345.00 345KV 0	1195	0.21671	96.3	'GEN515389 1-TLGAWND1 34.500'
	FDNS		1	0	13G	G11_014	TO->FRON	'NORTHWEST - TATONGA7 345.00 345KV 0	1195	0.21671	95	'GEN515393 1-OGEWND2G'
	FDNS		1	0	13G	G11_014	TO->FRON	'NORTHWEST - TATONGA7 345.00 345KV 0	1195	0.21671	95.8	'GEN515397 1-OUSPRT 1 34.500'
	FDNS		1	0	13G	G11_014	TO->FRON	'NORTHWEST - TATONGA7 345.00 345KV 0	1195	0.21671	98.6	'GEN515443 1-MNCOWND1 34.500'
	FDNS		1	0	13G	G11_014	TO->FRON	'NORTHWEST - TATONGA7 345.00 345KV 0	1195	0.21671	98.4	'GEN515606 1-CANADN11 34.500'
	FDNS		1	0	13G	G11_014	TO->FRON	'NORTHWEST - TATONGA7 345.00 345KV 0	1195	0.21671	98.4	'GEN515607 1-CANADN12 34.500'
	FDNS		1	0	13G	G11_014	TO->FRON	'NORTHWEST - TATONGA7 345.00 345KV 0	1195	0.21671	96.3	'GEN515787 1-OKLA WIND ENERGY CENTER'

EVENTTYPE	SOLUTIONTYPE	GROUP	SCENARIO	SEASON	SOURCE	DIRECTION	MONTH	COMMONNAME	RATEB	TDF	TC%LOAD	CONTNAME
	FDNS		1	0	13G	G11_014	TO->FRON	'NORTHWEST - TATONGA7 345.00 345KV 0	1195	0.21671	98	'GEN520811 1-ANADRK4'
	FDNS		1	0	13G	G11_014	TO->FRON	'NORTHWEST - TATONGA7 345.00 345KV 0	1195	0.21671	97.8	'GEN520812 1-ANADRK5'
	FDNS		1	0	13G	G11_014	TO->FRON	'NORTHWEST - TATONGA7 345.00 345KV 0	1195	0.21671	97.8	'GEN520813 1-ANADRK6'
	FDNS		1	0	13G	G11_014	TO->FRON	'NORTHWEST - TATONGA7 345.00 345KV 0	1195	0.21671	96.4	'GEN520922 1-SLEEPING BEAR'
	FDNS		1	0	13G	G11_014	TO->FRON	'NORTHWEST - TATONGA7 345.00 345KV 0	1195	0.21671	99.7	'GEN520947 1-HUGO1'
	FDNS		1	0	13G	G11_014	TO->FRON	'NORTHWEST - TATONGA7 345.00 345KV 0	1195	0.21671	97	'GEN520997 1-MORLND2'
	FDNS		1	0	13G	G11_014	TO->FRON	'NORTHWEST - TATONGA7 345.00 345KV 0	1195	0.21671	97	'GEN522814 1-LUBBOCK POWER & LIGHT-MACKENZIE GEN'
	FDNS		1	0	13G	G11_014	TO->FRON	'NORTHWEST - TATONGA7 345.00 345KV 0	1195	0.21671	96.5	'GEN523103 1-NOBLE_WND 3115.00'
	FDNS		1	0	13G	G11_014	TO->FRON	'NORTHWEST - TATONGA7 345.00 345KV 0	1195	0.21671	96.2	'GEN523461 1-BLACKHAWK GEN #1'
	FDNS		1	0	13G	G11_014	TO->FRON	'NORTHWEST - TATONGA7 345.00 345KV 0	1195	0.21671	96.2	'GEN523462 1-BLACKHAWK GEN #2'
	FDNS		1	0	13G	G11_014	TO->FRON	'NORTHWEST - TATONGA7 345.00 345KV 0	1195	0.21671	96.9	'GEN523815 1-LLANO ESTACADO WIND GEN'
	FDNS		1	0	13G	G11_014	TO->FRON	'NORTHWEST - TATONGA7 345.00 345KV 0	1195	0.21671	96.9	'GEN524286 1-CLR_3 0.6900'
	FDNS		1	0	13G	G11_014	TO->FRON	'NORTHWEST - TATONGA7 345.00 345KV 0	1195	0.21671	96.5	'GEN524295 1-SPNSPUR_WND134.500'
	FDNS		1	0	13G	G11_014	TO->FRON	'NORTHWEST - TATONGA7 345.00 345KV 0	1195	0.21671	96.9	'GEN524485 1-CAPROCK WIND GEN'
	FDNS		1	0	13G	G11_014	TO->FRON	'NORTHWEST - TATONGA7 345.00 345KV 0	1195	0.21671	96.7	'GEN524895 1-SAN JUAN MESA WIND GEN'
	FDNS		1	0	13G	G11_014	TO->FRON	'NORTHWEST - TATONGA7 345.00 345KV 0	1195	0.21671	95.8	'GEN525494 1-PLANT X GEN #4 20 KV'
	FDNS		1	0	13G	G11_014	TO->FRON	'NORTHWEST - TATONGA7 345.00 345KV 0	1195	0.21671	95.3	'GEN526331 1-JONES GEN #1 22 KV'
	FDNS		1	0	13G	G11_014	TO->FRON	'NORTHWEST - TATONGA7 345.00 345KV 0	1195	0.21671	95.3	'GEN526332 1-JONES GEN #2 21 KV'
	FDNS		1	0	13G	G11_014	TO->FRON	'NORTHWEST - TATONGA7 345.00 345KV 0	1195	0.21671	96	'GEN527161 1-MUSTANG GEN #1'
	FDNS		1	0	13G	G11_014	TO->FRON	'NORTHWEST - TATONGA7 345.00 345KV 0	1195	0.21671	96	'GEN527162 1-MUSTANG GEN #2'
	FDNS		1	0	13G	G11_014	TO->FRON	'NORTHWEST - TATONGA7 345.00 345KV 0	1195	0.21671	96.6	'GEN527163 1-MUSTANG GEN #3 22 KV'
	FDNS		1	0	13G	G11_014	TO->FRON	'NORTHWEST - TATONGA7 345.00 345KV 0	1195	0.21671	95.7	'GEN527882 1-CUNNINGHAM GEN #2 20 KV'
	FDNS		1	0	13G	G11_014	TO->FRON	'NORTHWEST - TATONGA7 345.00 345KV 0	1195	0.21671	95.7	'GEN527901 1-HOBBS PLANT #1 (CT)'
	FDNS		1	0	13G	G11_014	TO->FRON	'NORTHWEST - TATONGA7 345.00 345KV 0	1195	0.21671	95.8	'GEN527902 1-HOBBS PLANT #2 (CT)'
	FDNS		1	0	13G	G11_014	TO->FRON	'NORTHWEST - TATONGA7 345.00 345KV 0	1195	0.21671	95	'GEN527903 1-HOBBS PLANT #3 (ST)'
	FDNS		1	0	13G	G11_014	TO->FRON	'NORTHWEST - TATONGA7 345.00 345KV 0	1195	0.21671	96.3	'GEN528361 1-MADDOX GEN #1'
	FDNS		1	0	13G	G11_014	TO->FRON	'NORTHWEST - TATONGA7 345.00 345KV 0	1195	0.21671	97	'GEN531495 1-CNTRLPLWG1 0.6900'
	FDNS		1	0	13G	G11_014	TO->FRON	'NORTHWEST - TATONGA7 345.00 345KV 0	1195	0.21671	96.7	'GEN532651 1-JEFFREY ENERGY CENTER UNIT 1'
	FDNS		1	0	13G	G11_014	TO->FRON	'NORTHWEST - TATONGA7 345.00 345KV 0	1195	0.21671	96.7	'GEN532652 1-JEFFREY ENERGY CENTER UNIT 2'
	FDNS		1	0	13G	G11_014	TO->FRON	'NORTHWEST - TATONGA7 345.00 345KV 0	1195	0.21671	96.7	'GEN532653 1-JEFFREY ENERGY CENTER UNIT 3'
	FDNS		1	0	13G	G11_014	TO->FRON	'NORTHWEST - TATONGA7 345.00 345KV 0	1195	0.21671	96.8	'GEN532722 1-EVANS ENERGY CENTER UNIT 2'
	FDNS		1	0	13G	G11_014	TO->FRON	'NORTHWEST - TATONGA7 345.00 345KV 0	1195	0.21671	96.6	'GEN539670 4-JUDSON LARGE GENERATOR'
	FDNS		1	0	13G	G11_014	TO->FRON	'NORTHWEST - TATONGA7 345.00 345KV 0	1195	0.21671	96.8	'GEN539767 1-GRAY COUNTY WIND FARM'
	FDNS		1	0	13G	G11_014	TO->FRON	'NORTHWEST - TATONGA7 345.00 345KV 0	1195	0.21671	97	'GEN539945 1-FLATRWDWG1 0.6900'
	FDNS		1	0	13G	G11_014	TO->FRON	'NORTHWEST - TATONGA7 345.00 345KV 0	1195	0.21671	97.8	'GEN547649 1-ASBURY UNIT #1'
	FDNS		1	0	13G	G11_014	TO->FRON	'NORTHWEST - TATONGA7 345.00 345KV 0	1195	0.21671	97.6	'GEN549890 1-SOUTHWEST 1'
	FDNS		1	0	13G	G11_014	TO->FRON	'NORTHWEST - TATONGA7 345.00 345KV 0	1195	0.21671	98	'GEN549893 2-SOUTHWEST 2'
	FDNS		1	0	13G	G11_014	TO->FRON	'NORTHWEST - TATONGA7 345.00 345KV 0	1195	0.21671	96.6	'GEN560105 1-G08-22 0.6900'
	FDNS		1	0	13G	G11_014	TO->FRON	'NORTHWEST - TATONGA7 345.00 345KV 0	1195	0.21671	96.2	'GEN560121 1-G08-47 0.5750'
	FDNS		1	0	13G	G11_014	TO->FRON	'NORTHWEST - TATONGA7 345.00 345KV 0	1195	0.21671	96.4	'GEN560166 1-G07-48 0.6900'
	FDNS		1	0	13G	G11_014	TO->FRON	'NORTHWEST - TATONGA7 345.00 345KV 0	1195	0.21671	96.8	'GEN560173 1-G08-17 0.5750'
	FDNS		1	0	13G	G11_014	TO->FRON	'NORTHWEST - TATONGA7 345.00 345KV 0	1195	0.21671	96.9	'GEN560209 1-G07-40 0.5750'
	FDNS		1	0	13G	G11_014	TO->FRON	'NORTHWEST - TATONGA7 345.00 345KV 0	1195	0.21671	97	'GEN560238 1-G10-09 0.6900'
	FDNS		1	0	13G	G11_014	TO->FRON	'NORTHWEST - TATONGA7 345.00 345KV 0	1195	0.21671	96.7	'GEN560256 1-G10-14-1 0.6900'
	FDNS		1	0	13G	G11_014	TO->FRON	'NORTHWEST - TATONGA7 345.00 345KV 0	1195	0.21671	96.7	'GEN560257 1-G10-14-2 0.6900'
	FDNS		1	0	13G	G11_014	TO->FRON	'NORTHWEST - TATONGA7 345.00 345KV 0	1195	0.21671	96.5	'GEN560279 1-G08-18 0.6900'
	FDNS		1	0	13G	G11_014	TO->FRON	'NORTHWEST - TATONGA7 345.00 345KV 0	1195	0.21671	96.7	'GEN560286 1-G10-01-1WTG 0.6900'
	FDNS		1	0	13G	G11_014	TO->FRON	'NORTHWEST - TATONGA7 345.00 345KV 0	1195	0.21671	96.7	'GEN560287 1-G10-01-2WTG 0.6900'
	FDNS		1	0	13G	G11_014	TO->FRON	'NORTHWEST - TATONGA7 345.00 345KV 0	1195	0.21671	96.9	'GEN560329 1-G10-45 0.6900'
	FDNS		1	0	13G	G11_014	TO->FRON	'NORTHWEST - TATONGA7 345.00 345KV 0	1195	0.21671	96.4	'GEN560359 1-G08-51 0.6900'
	FDNS		1	0	13G	G11_014	TO->FRON	'NORTHWEST - TATONGA7 345.00 345KV 0	1195	0.21671	96.7	'GEN560371 1-G07-46 0.6900'
	FDNS		1	0	13G	G11_014	TO->FRON	'NORTHWEST - TATONGA7 345.00 345KV 0	1195	0.21671	97	'GEN560432 1-G08-124 0.6900'
	FDNS		1	0	13G	G11_014	TO->FRON	'NORTHWEST - TATONGA7 345.00 345KV 0	1195	0.21671	96.9	'GEN560522 1-G05-12 0.6900'
	FDNS		1	0	13G	G11_014	TO->FRON	'NORTHWEST - TATONGA7 345.00 345KV 0	1195	0.21671	96.9	'GEN560549 1-G06-06 0.6900'
	FDNS		1	0	13G	G11_014	TO->FRON	'NORTHWEST - TATONGA7 345.00 345KV 0	1195	0.21671	96.9	'GEN560585 1-G06-44-2 0.6000'

EVENTTYPE	SOLUTIONTYPE	GROUP	SCENARIO	SEASON	SOURCE	DIRECTION	MONTH	COMMONNAME	RATEB	TDF	TC%LOADI	CONTNAME
	FDNS		1	0	13G	G11_014	TO->FRON	'NORTHWEST - TATONGA7 345.00 345KV C	1195	0.21671	96.7	'GEN560586 1-G06-44-3 0.6000'
	FDNS		1	0	13G	G11_014	TO->FRON	'NORTHWEST - TATONGA7 345.00 345KV C	1195	0.21671	96.7	'GEN560592 1-G06-45 0.6000'
	FDNS		1	0	13G	G11_014	TO->FRON	'NORTHWEST - TATONGA7 345.00 345KV C	1195	0.21671	96.7	'GEN560595 1-G06-47 0.6000'
	FDNS		1	0	13G	G11_014	TO->FRON	'NORTHWEST - TATONGA7 345.00 345KV C	1195	0.21671	97	'GEN560659 1-G07-38 0.6900'
	FDNS		1	0	13G	G11_014	TO->FRON	'NORTHWEST - TATONGA7 345.00 345KV C	1195	0.21671	98.9	'GEN560687 1-G11-007 0.5750'
	FDNS		1	0	13G	G11_014	TO->FRON	'NORTHWEST - TATONGA7 345.00 345KV C	1195	0.21671	96.9	'GEN560693 1-G11-008-1 0.6900'
	FDNS		1	0	13G	G11_014	TO->FRON	'NORTHWEST - TATONGA7 345.00 345KV C	1195	0.21671	97.9	'GEN560706 1-G11-010 0.6900'
	FDNS		1	0	13G	G11_014	TO->FRON	'NORTHWEST - TATONGA7 345.00 345KV C	1195	0.21671	96.8	'GEN562014 1-G11_023_3 0.6900'
	FDNS		1	0	13G	G11_014	TO->FRON	'NORTHWEST - TATONGA7 345.00 345KV C	1195	0.21671	96.3	'GEN562017 1-G11_022_3 0.6900'
	FDNS		1	0	13G	G11_014	TO->FRON	'NORTHWEST - TATONGA7 345.00 345KV C	1195	0.21671	96.2	'GEN562020 1-G11_021_3 0.6900'
	FDNS		1	0	13G	G11_014	TO->FRON	'NORTHWEST - TATONGA7 345.00 345KV C	1195	0.21671	96.9	'GEN562032 1-G11_017_3 0.6900'
	FDNS		1	0	13G	G11_014	TO->FRON	'NORTHWEST - TATONGA7 345.00 345KV C	1195	0.21671	96.9	'GEN562035 1-G11_016_3 0.6900'
	FDNS		1	0	13G	G11_014	TO->FRON	'NORTHWEST - TATONGA7 345.00 345KV C	1195	0.21671	96.5	'GEN562042 1-G11_014_3 0.6900'
	FDNS		1	0	13G	G11_014	TO->FRON	'NORTHWEST - TATONGA7 345.00 345KV C	1195	0.21671	97	'GEN562049 1-G11_012_3 0.6900'
	FDNS		1	0	13G	G11_014	TO->FRON	'NORTHWEST - TATONGA7 345.00 345KV C	1195	0.21671	96.8	'GEN640009 1-COOPER NUCLEAR STATION'
	FDNS		1	0	13G	G11_014	TO->FRON	'NORTHWEST - TATONGA7 345.00 345KV C	1195	0.21671	96.1	'GEN640010 1-GERALD GENTLEMAN STATION UNIT 1'
	FDNS		1	0	13G	G11_014	TO->FRON	'NORTHWEST - TATONGA7 345.00 345KV C	1195	0.21671	96.1	'GEN640011 2-GERALD GENTLEMAN STATION UNIT 2'
	FDNS		1	0	13G	G11_014	TO->FRON	'NORTHWEST - TATONGA7 345.00 345KV C	1195	0.21671	97	'GEN641089 2-ENERGY CENTER 2'
	FDNS		1	0	13G	G11_014	TO->FRON	'NORTHWEST - TATONGA7 345.00 345KV C	1195	0.21671	96.9	'GEN645001 1-FORT CALHOUN 1'
	FDNS		1	0	13G	G11_014	TO->FRON	'NORTHWEST - TATONGA7 345.00 345KV C	1195	0.21671	96.8	'GEN645011 1-NEBRASKA CITY 1'
	FDNS		1	0	13G	G11_014	TO->FRON	'NORTHWEST - TATONGA7 345.00 345KV C	1195	0.21671	96.8	'GEN645012 2-NEBRASKA CITY 2'
	FDNS		1	0	13G	G11_014	TO->FRON	'NORTHWEST - TATONGA7 345.00 345KV C	1195	0.21671	96.9	'GEN659103 1-ANTELOPE VALLEY UNIT1'
	FDNS		1	0	13G	G11_014	TO->FRON	'NORTHWEST - TATONGA7 345.00 345KV C	1195	0.21671	96.9	'GEN659107 2-ANTELOPE VALLEY UNIT2'
	FDNS		1	0	13G	G11_014	TO->FRON	'NORTHWEST - TATONGA7 345.00 345KV C	1195	0.21671	95.4	'GEN659118 1-LARAMIE RIVER UNIT1'
	FNSL		1	0	13G	G11_014	TO->FRON	'NORTHWEST - TATONGA7 345.00 345KV C	1195	0.21683	97.6	'STEGALL - WAYSIDE 230KV CKT 1'
	FNSL		1	0	13G	G11_014	TO->FRON	'NORTHWEST - TATONGA7 345.00 345KV C	1195	0.2169	97.9	'TRF-STEGALL'
	FNSL		1	0	13G	G11_014	TO->FRON	'NORTHWEST - TATONGA7 345.00 345KV C	1195	0.2169	97.9	'NEB01WAPAB3'
	FNSL		1	0	13G	G11_014	TO->FRON	'NORTHWEST - TATONGA7 345.00 345KV C	1195	0.21671	101.1123	'GEN335831 1-RIVERBEND UNIT#1'
	FNSL		1	0	13G	G11_014	TO->FRON	'NORTHWEST - TATONGA7 345.00 345KV C	1195	0.21671	100.8917	'GEN337910 1-ARKANSAS NUCLEAR ONE UNIT #1'
	FNSL		1	0	13G	G11_014	TO->FRON	'NORTHWEST - TATONGA7 345.00 345KV C	1195	0.21671	101.5954	'GEN337911 1-ARKANSAS NUCLEAR ONE UNIT #2'
	FDNS		1	0	13G	G11_014	TO->FRON	'NORTHWEST - TATONGA7 345.00 345KV C	1195	0.21726	97.6	'CANTON - TALOGA 69KV CKT 1'
	FDNS		1	0	13G	G11_014	TO->FRON	'NORTHWEST - TATONGA7 345.00 345KV C	1195	0.21933	98.7	'CEDARDALE - MOORELAND 138KV CKT 1'
	FDNS		1	0	13G	G11_014	TO->FRON	'NORTHWEST - TATONGA7 345.00 345KV C	1195	0.21933	98.7	'CEDARDALE - OKEENE 138KV CKT 1'
	FDNS		1	0	13G	G11_014	TO->FRON	'NORTHWEST - TATONGA7 345.00 345KV C	1195	0.21727	97.6	'CORDELL - INDUSTRIAL PARK 69KV CKT 1'
	FDNS		1	0	13G	G11_014	TO->FRON	'NORTHWEST - TATONGA7 345.00 345KV C	1195	0.21921	98.4	'DOVER SW - OKEENE 138KV CKT 1'
	FDNS		1	0	13G	G11_014	TO->FRON	'NORTHWEST - TATONGA7 345.00 345KV C	1195	0.21727	97.6	'HAMON BUTLER - PUTNAM 69KV CKT 1'
	FDNS		1	0	13G	G11_014	TO->FRON	'NORTHWEST - TATONGA7 345.00 345KV C	1195	0.21867	98.5	'MOORELAND - NINE MILE 138KV CKT 1'
	FDNS		1	0	13G	G11_014	TO->FRON	'NORTHWEST - TATONGA7 345.00 345KV C	1195	0.21763	97.8	'MOREWOOD SW - RED HILLS WIND 138KV CKT 1'
	FDNS		1	0	13G	G11_014	TO->FRON	'NORTHWEST - TATONGA7 345.00 345KV C	1195	0.21867	98.5	'MOREWOOD SW - NINE MILE 138KV CKT 1'
	FDNS		1	0	13G	G11_014	TO->FRON	'NORTHWEST - TATONGA7 345.00 345KV C	1195	0.21734	97.6	'OKEENE - WATONGA SW 69KV CKT 1'
	FDNS		1	0	13G	G11_014	TO->FRON	'NORTHWEST - TATONGA7 345.00 345KV C	1195	0.21727	97.6	'PUTNAM - TALOGA 69KV CKT 1'
	FDNS		1	0	13G	G11_014	TO->FRON	'NORTHWEST - TATONGA7 345.00 345KV C	1195	0.24099	99.6	'FINNEY SWITCHING STATION - Hitchland Interchange 345KV CKT 1'
	FDNS		1	0	13G	G11_014	TO->FRON	'NORTHWEST - TATONGA7 345.00 345KV C	1195	0.22388	97.8	'Hitchland Interchange - POTTER COUNTY INTERCHANGE 345KV CKT 1'
	FDNS		1	0	13G	G11_014	TO->FRON	'NORTHWEST - TATONGA7 345.00 345KV C	1195	0.22592	98.7	'BEAVER CO 345.00 - Hitchland Interchange 345KV CKT 1'
	FDNS		1	0	13G	G11_014	TO->FRON	'NORTHWEST - TATONGA7 345.00 345KV C	1195	0.21856	97.6	'G11_012T 230.00 - MOORE COUNTY INTERCHANGE 230KV CKT 1'
	FDNS		1	0	13G	G11_014	TO->FRON	'NORTHWEST - TATONGA7 345.00 345KV C	1195	0.2204	98.6	'GRAPEVINE INTERCHANGE - STATELINE INTERCHANGE 230KV CKT 1'
	FDNS		1	0	13G	G11_014	TO->FRON	'NORTHWEST - TATONGA7 345.00 345KV C	1195	0.21892	98.5	'GRAPEVINE INTERCHANGE - NICHOLS STATION 230KV CKT 1'
	FDNS		1	0	13G	G11_014	TO->FRON	'NORTHWEST - TATONGA7 345.00 345KV C	1195	0.21734	97.7	'MCCLELLAN SUB - MCLEAN RURAL SUB 115KV CKT 1'
	FDNS		1	0	13G	G11_014	TO->FRON	'NORTHWEST - TATONGA7 345.00 345KV C	1195	0.21734	97.7	'KIRBY SWITCHING STATION - MCCLELLAN SUB 115KV CKT 1'

EVENTTYPE	SOLUTIONTYPE	GROUP	SCENARIO	SEASON	SOURCE	DIRECTION	MONTH	COMMONNAME	RATEB	TDF	TC%LOADI	CONTNAME
	FDNS		1	0	13G	G11_014		'TO->FRON' NORTHWEST - TATONGA7 345.00 345KV C	1195	0.24099	100.6584	'FINNEY SWITCHING STATION - HOLCOMB 345KV CKT 1'
	FDNS		1	0	13G	G11_014		'TO->FRON' NORTHWEST - TATONGA7 345.00 345KV C	1195	0.21739	97.6	'BUFFALO 230.00 - DEAF SMITH COUNTY INTERCHANGE 230KV CKT 1'
	FDNS		1	0	13G	G11_014		'TO->FRON' NORTHWEST - TATONGA7 345.00 345KV C	1195	0.21731	97.6	'G07-48T 230.00 - SWISHER COUNTY INTERCHANGE 230KV CKT 1'
	FDNS		1	0	13G	G11_014		'TO->FRON' NORTHWEST - TATONGA7 345.00 345KV C	1195	0.21753	97.7	'KNOLL 230 - SMOKYHL6 230.00 230KV CKT 1'
	FDNS		1	0	13G	G11_014		'TO->FRON' NORTHWEST - TATONGA7 345.00 345KV C	1195	0.22082	99.8	'G11-17T 345.00 - POST ROCK 345KV CKT 1'
	FDNS		1	0	13G	G11_014		'TO->FRON' NORTHWEST - TATONGA7 345.00 345KV C	1195	0.21977	98.7	'AXTELL - POST ROCK 345KV CKT 1'
	FDNS		1	0	13G	G11_014		'TO->FRON' NORTHWEST - TATONGA7 345.00 345KV C	1195	0.21753	98.1	'SMOKYHL6 230.00 - SUMMIT 230KV CKT 1'
	FDNS		1	0	13G	G11_014		'TO->FRON' NORTHWEST - TATONGA7 345.00 345KV C	1195	0.22094	98.4	'HOLCOMB - SETAB 345KV CKT 1'
	FDNS		1	0	13G	G11_014		'TO->FRON' NORTHWEST - TATONGA7 345.00 345KV C	1195	0.22004	97.7	'BUCKNER7 345.00 - HOLCOMB 345KV CKT 1'
	FDNS		1	0	13G	G11_014		'TO->FRON' NORTHWEST - TATONGA7 345.00 345KV C	1195	0.22202	99.1	'MINGO - SETAB 345KV CKT 1'
	FDNS		1	0	13G	G11_014		'TO->FRON' NORTHWEST - TATONGA7 345.00 345KV C	1195	0.22265	98.9	'MINGO - RED WILLOW 345KV CKT 1'
	FDNS		1	0	13G	G11_014		'TO->FRON' NORTHWEST - TATONGA7 345.00 345KV C	1195	0.22004	98.2	'BUCKNER7 345.00 - SPEARVILLE 345KV CKT 1'
	FDNS		1	0	13G	G11_014		'TO->FRON' NORTHWEST - TATONGA7 345.00 345KV C	1195	0.22082	99.4	'G11-17T 345.00 - SPEARVILLE 345KV CKT 1'
	FDNS		1	0	13G	G11_014		'TO->FRON' NORTHWEST - TATONGA7 345.00 345KV C	1195	0.21744	97.6	'EMPORIA ENERGY CENTER - SWISSVALE 345KV CKT 1'
	FDNS		1	0	13G	G11_014		'TO->FRON' NORTHWEST - TATONGA7 345.00 345KV C	1195	0.21807	97.7	'EMPORIA ENERGY CENTER - WICHITA 345KV CKT 1'
	FDNS		1	0	13G	G11_014		'TO->FRON' NORTHWEST - TATONGA7 345.00 345KV C	1195	0.21756	97.9	'SWISSVALE - WEST GARDNER 345KV CKT 1'
	FDNS		1	0	13G	G11_014		'TO->FRON' NORTHWEST - TATONGA7 345.00 345KV C	1195	0.21851	98.1	'CANEYRV7 345.00 - NEOSHO 345KV CKT 1'
	FDNS		1	0	13G	G11_014		'TO->FRON' NORTHWEST - TATONGA7 345.00 345KV C	1195	0.21851	98	'CANEYRV7 345.00 - LATHAMS7 345.00 345KV CKT 1'
	FDNS		1	0	13G	G11_014		'TO->FRON' NORTHWEST - TATONGA7 345.00 345KV C	1195	0.2201	98	'BENTON - ROSE HILL 345KV CKT 1'
	FDNS		1	0	13G	G11_014		'TO->FRON' NORTHWEST - TATONGA7 345.00 345KV C	1195	0.2232	99.3	'BENTON - WICHITA 345KV CKT 1'
	FDNS		1	0	13G	G11_014		'TO->FRON' NORTHWEST - TATONGA7 345.00 345KV C	1195	0.21851	97.7	'LATHAMS7 345.00 - ROSE HILL 345KV CKT 1'
	FDNS		1	0	13G	G11_014		'TO->FRON' NORTHWEST - TATONGA7 345.00 345KV C	1195	0.22095	96.2	'VIOLA 7 345.00 - WICHITA 345KV CKT 1'
	FDNS		1	0	13G	G11_014		'TO->FRON' NORTHWEST - TATONGA7 345.00 345KV C	1195	0.23104	103.2292	'THISTLE7 345.00 - WICHITA 345KV CKT 1'
	FDNS		1	0	13G	G11_014		'TO->FRON' NORTHWEST - TATONGA7 345.00 345KV C	1195	0.23104	103.2292	'THISTLE7 345.00 - WICHITA 345KV CKT 2'
	FDNS		1	0	13G	G11_014		'TO->FRON' NORTHWEST - TATONGA7 345.00 345KV C	1195	0.21725	97.9	'ANDERSONCO 345.00 - WOLF CREEK 345KV CKT 1'
	FDNS		1	0	13G	G11_014		'TO->FRON' NORTHWEST - TATONGA7 345.00 345KV C	1195	0.21767	97.9	'CIRCLE - MULLERGREN 230KV CKT 1'
	FDNS		1	0	13G	G11_014		'TO->FRON' NORTHWEST - TATONGA7 345.00 345KV C	1195	0.21792	97.7	'CLEARWATER - GILL ENERGY CENTER WEST 138KV CKT 1'
	FDNS		1	0	13G	G11_014		'TO->FRON' NORTHWEST - TATONGA7 345.00 345KV C	1195	0.21688	97.5	'EVANS ENERGY CENTER NORTH - MAIZEW 4 138.00 138KV CKT 1'
	FDNS		1	0	13G	G11_014		'TO->FRON' NORTHWEST - TATONGA7 345.00 345KV C	1195	0.21688	97.5	'MAIZE - MAIZEW 4 138.00 138KV CKT 1'
	FDNS		1	0	13G	G11_014		'TO->FRON' NORTHWEST - TATONGA7 345.00 345KV C	1195	0.21788	97.7	'FLATRDG3 - THISTLE4 138.00 138KV CKT 1'
	FDNS		1	0	13G	G11_014		'TO->FRON' NORTHWEST - TATONGA7 345.00 345KV C	1195	0.21767	98.1	'MULLERGREN - SPEARVILLE 230KV CKT 1'
	FDNS		1	0	13G	G11_014		'TO->FRON' NORTHWEST - TATONGA7 345.00 345KV C	1195	0.21679	97.6	'HAWTHORN - NASHUA 345KV CKT 1'
	FDNS		1	0	13G	G11_014		'TO->FRON' NORTHWEST - TATONGA7 345.00 345KV C	1195	0.21725	97.9	'ANDERSONCO 345.00 - LACYGNE 345KV CKT 1'
	FDNS		1	0	13G	G11_014		'TO->FRON' NORTHWEST - TATONGA7 345.00 345KV C	1195	0.21661	96.7	'BROOKLINE - SUB 383 - MONETT 345KV CKT 1'
	FDNS		1	0	13G	G11_014		'TO->FRON' NORTHWEST - TATONGA7 345.00 345KV C	1195	0.21775	98	'AXTELL - PAULINE 345KV CKT 1'
	FDNS		1	0	13G	G11_014		'TO->FRON' NORTHWEST - TATONGA7 345.00 345KV C	1195	0.21691	97.6	'GERALD GENTLEMAN STATION - SWEETWATER 345KV CKT 1'
	FDNS		1	0	13G	G11_014		'TO->FRON' NORTHWEST - TATONGA7 345.00 345KV C	1195	0.21714	97.6	'GRAND ISLAND - MCCOOL 345KV CKT 1'
	FDNS		1	0	13G	G11_014		'TO->FRON' NORTHWEST - TATONGA7 345.00 345KV C	1195	0.21768	97.9	'MOORE - PAULINE 345KV CKT 1'
	FDNS		1	0	13G	G11_014		'TO->FRON' NORTHWEST - TATONGA7 345.00 345KV C	1195	0.21767	98.2	'GRAND ISLAND - SWEETWATER 345KV CKT 1'
	FDNS		1	0	13G	G11_014		'TO->FRON' NORTHWEST - TATONGA7 345.00 345KV C	1195	0.21686	97.6	'MCADAMS - WOLF CREEK 500KV CKT 1'
	FDNS		1	0	13G	G11_014		'TO->FRON' NORTHWEST - TATONGA7 345.00 345KV C	1195	0.21682	97.6	'7SAREPTA% 345.00 - ELDORADO EHV 345KV CKT 1'
	FDNS		1	0	13G	G11_014		'TO->FRON' NORTHWEST - TATONGA7 345.00 345KV C	1195	0.21682	97.6	'ELDORADO EHV 500/345KV TRANSFORMER CKT 1'
	FDNS		1	0	13G	G11_014		'TO->FRON' NORTHWEST - TATONGA7 345.00 345KV C	1195	0.21666	97	'ARKANSAS NUCLEAR ONE - MABELVALE 500 500KV CKT 1'
	FDNS		1	0	13G	G11_014		'TO->FRON' NORTHWEST - TATONGA7 345.00 345KV C	1195	0.21667	96.9	'ARKANSAS NUCLEAR ONE - PLEASANT HILL 500KV CKT 1'
	FDNS		1	0	13G	G11_014		'TO->FRON' NORTHWEST - TATONGA7 345.00 345KV C	1195	0.21667	97	'MAYFLOWER 500 - PLEASANT HILL 500KV CKT 1'
	FDNS		1	0	13G	G11_014		'TO->FRON' NORTHWEST - TATONGA7 345.00 345KV C	1195	0.2168	96.7	'KEO EHV - WEST MEMPHIS 500 500KV CKT 1'
	FDNS		1	0	13G	G11_014		'TO->FRON' NORTHWEST - TATONGA7 345.00 345KV C	1195	0.21677	96.8	'DELL 500 - INDEPENDENCE 500KV CKT 1'
	FDNS		1	0	13G	G11_014		'TO->FRON' NORTHWEST - TATONGA7 345.00 345KV C	1195	0.21689	97	'7MCCREDIE 345.00 - 7MONTGMRY 345.00 345KV CKT 1'
	FDNS		1	0	13G	G11_014		'TO->FRON' NORTHWEST - TATONGA7 345.00 345KV C	1195	0.21691	97.6	'NUNDRWD - WAYSIDE 230KV CKT 1'
	FDNS		1	0	13G	G11_014		'TO->FRON' NORTHWEST - TATONGA7 345.00 345KV C	1195	0.21688	97.6	'7SAREPTA% 345.00 - LONGWOOD 345KV CKT 1'

EVENTTYPE	SOLUTIONTYPE	GROUP	SCENARIO	SEASON	SOURCE	DIRECTION	MONTH	COMMONNAME	RATEB	TDF	TC%LOAD	CONTNAME
	FDNS		1	0	13G	G11_014	'TO->FRON	'NORTHWEST - TATONGA7 345.00 345KV C	1195	0.2204	99.1	'ELK CITY 230KV (ELKCTY-6) 230/138/13.8KV TRANSFORMER CKT 1'
	FDNS		1	0	13G	G11_014	'TO->FRON	'NORTHWEST - TATONGA7 345.00 345KV C	1195	0.21734	97.6	'SHAMROCK (SHAMRCK1) 115/69/14.4KV TRANSFORMER CKT 1'
	FDNS		1	0	13G	G11_014	'TO->FRON	'NORTHWEST - TATONGA7 345.00 345KV C	1195	0.21784	97.8	'WOODWARD (WOODWRD2) 138/69/13.2KV TRANSFORMER CKT 1'
	FDNS		1	0	13G	G11_014	'TO->FRON	'NORTHWEST - TATONGA7 345.00 345KV C	1195	0.21754	97.9	'KNOBHILL (KNOBHIL4) 138/69/13.2KV TRANSFORMER CKT 1'
	FDNS		1	0	13G	G11_014	'TO->FRON	'NORTHWEST - TATONGA7 345.00 345KV C	1195	0.21626	96.3	'NORTHWEST (NORTWST2) 345/138/13.8KV TRANSFORMER CKT 1'
	FDNS		1	0	13G	G11_014	'TO->FRON	'NORTHWEST - TATONGA7 345.00 345KV C	1195	0.21629	96.5	'NORTHWEST (NORTWST3) 345/138/13.8KV TRANSFORMER CKT 1'
	FDNS		1	0	13G	G11_014	'TO->FRON	'NORTHWEST - TATONGA7 345.00 345KV C	1195	0.21941	96.8	'WOODWARD DISTRICT EHV (WWDEHV) 345/138/13.8KV TRANSFORMER CKT 1'
	FDNS		1	0	13G	G11_014	'TO->FRON	'NORTHWEST - TATONGA7 345.00 345KV C	1195	0.2194	96.8	'WOODWARD DISTRICT EHV (WWDEHV-T2) 345/138/13.8KV TRANSFORMER CKT 2'
	FDNS		1	0	13G	G11_014	'TO->FRON	'NORTHWEST - TATONGA7 345.00 345KV C	1195	0.22388	98.6	'POTTER COUNTY INTERCHANGE (WAUK 90343-A) 345/230/13.2KV TRANSFORMER CKT 1'
	FDNS		1	0	13G	G11_014	'TO->FRON	'NORTHWEST - TATONGA7 345.00 345KV C	1195	0.21788	97.7	'THISTLE7 345.00 (THISTLE T1) 345/138/13.8KV TRANSFORMER CKT 1'
	FDNS		1	0	13G	G11_014	'TO->FRON	'NORTHWEST - TATONGA7 345.00 345KV C	1195	0.21678	96.9	'8BHAM STEEL 500.00 - WEST MEMPHIS 500 500KV CKT 1'
	FDNS		1	0	13G	G11_014	'TO->FRON	'NORTHWEST - TATONGA7 345.00 345KV C	1195	0.27877	123.912	'DBL-WICH-THI'
	FDNS		1	0	13G	G11_014	'TO->FRON	'NORTHWEST - TATONGA7 345.00 345KV C	1195	0.31974	128.6688	'DBL-THIS-WWR'
	FDNS		1	0	13G	G11_014	'TO->FRON	'NORTHWEST - TATONGA7 345.00 345KV C	1195	0.21724	96.9	'DBL-THIS-CLR'
	FDNS		1	0	13G	G11_014	'TO->FRON	'NORTHWEST - TATONGA7 345.00 345KV C	1195	0.21467	95.3	'SPP-AEPW-01'
	FDNS		1	0	13G	G11_014	'TO->FRON	'NORTHWEST - TATONGA7 345.00 345KV C	1195	0.2316	101.2439	'SPP-AEPW-32'
	FDNS		1	0	13G	G11_014	'TO->FRON	'NORTHWEST - TATONGA7 345.00 345KV C	1195	0.21656	96.6	'GRDA-OPGD-05'
	FDNS		1	0	13G	G11_014	'TO->FRON	'NORTHWEST - TATONGA7 345.00 345KV C	1195	0.21692	96.9	'KCPL-MSL#03'
	FDNS		1	0	13G	G11_014	'TO->FRON	'NORTHWEST - TATONGA7 345.00 345KV C	1195	0.21679	97.6	'KCPL-OPGD06A'
	FDNS		1	0	13G	G11_014	'TO->FRON	'NORTHWEST - TATONGA7 345.00 345KV C	1195	0.21859	97.6	'OGE3TERM1'
	FDNS		1	0	13G	G11_014	'TO->FRON	'NORTHWEST - TATONGA7 345.00 345KV C	1195	0.21714	96.7	'OGE3TERM7'
	FDNS		1	0	13G	G11_014	'TO->FRON	'NORTHWEST - TATONGA7 345.00 345KV C	1195	0.21659	96.9	'OGE3TERM14'
	FDNS		1	0	13G	G11_014	'TO->FRON	'NORTHWEST - TATONGA7 345.00 345KV C	1195	0.21671	95.5	'NC1_GEN-NEBRASKA CITY 1'
	FDNS		1	0	13G	G11_014	'TO->FRON	'NORTHWEST - TATONGA7 345.00 345KV C	1195	0.23177	100.2558	'SPP-SWPS-01'
	FDNS		1	0	13G	G11_014	'TO->FRON	'NORTHWEST - TATONGA7 345.00 345KV C	1195	0.2204	97.6	'SPP-SWPS-02A'
	FDNS		1	0	13G	G11_014	'TO->FRON	'NORTHWEST - TATONGA7 345.00 345KV C	1195	0.22053	98.8	'SPP-SWPS-03'
	FDNS		1	0	13G	G11_014	'TO->FRON	'NORTHWEST - TATONGA7 345.00 345KV C	1195	0.22388	97.7	'SPP-SWPS-04'
	FDNS		1	0	13G	G11_014	'TO->FRON	'NORTHWEST - TATONGA7 345.00 345KV C	1195	0.24099	99.6	'SPP-SWPS-05'
	FDNS		1	0	13G	G11_014	'TO->FRON	'NORTHWEST - TATONGA7 345.00 345KV C	1195	0.21734	97.6	'SPP-SWPS-T54'
	FDNS		1	0	13G	G11_014	'TO->FRON	'NORTHWEST - TATONGA7 345.00 345KV C	1195	0.21792	97.8	'SPP-MKEC-05'
	FDNS		1	0	13G	G11_014	'TO->FRON	'NORTHWEST - TATONGA7 345.00 345KV C	1195	0.21812	98.1	'SPP-MKEC-08'
	FDNS		1	0	13G	G11_014	'TO->FRON	'NORTHWEST - TATONGA7 345.00 345KV C	1195	0.21792	97.8	'SPP-WEPL-03'
	FDNS		1	0	13G	G11_014	'TO->FRON	'NORTHWEST - TATONGA7 345.00 345KV C	1195	0.21792	97.8	'SPP-WEPL-03A'
	FDNS		1	0	13G	G11_014	'TO->FRON	'NORTHWEST - TATONGA7 345.00 345KV C	1195	0.21714	96.7	'SPP-WERE-07C'
	FDNS		1	0	13G	G11_014	'TO->FRON	'NORTHWEST - TATONGA7 345.00 345KV C	1195	0.21688	97.5	'SPP-WERE-91'
	FDNS		1	0	13G	G11_014	'TO->FRON	'NORTHWEST - TATONGA7 345.00 345KV C	1195	0.21711	98.4	'WRTOD400'
	FDNS		1	0	13G	G11_014	'TO->FRON	'NORTHWEST - TATONGA7 345.00 345KV C	1195	0.21661	96.7	'AI12'
	FDNS		1	0	13G	G11_014	'TO->FRON	'NORTHWEST - TATONGA7 345.00 345KV C	1195	0.21678	96.9	'AMRN_OUTS5'
	FDNS		1	0	13G	G11_014	'TO->FRON	'NORTHWEST - TATONGA7 345.00 345KV C	1195	0.21692	96.9	'MTGY-OVER-5'
	FDNS		1	0	13G	G11_014	'TO->FRON	'NORTHWEST - TATONGA7 345.00 345KV C	1195	0.21682	97.6	'A222'
	FDNS		1	0	13G	G11_014	'TO->FRON	'NORTHWEST - TATONGA7 345.00 345KV C	1195	0.21678	97.6	'ATC_B2_8E2'
	FDNS		1	0	13G	G11_014	'TO->FRON	'NORTHWEST - TATONGA7 345.00 345KV C	1195	0.21671	97.6	'GEN300003 1-THOMAS HILL UNIT 3'
	FDNS		1	0	13G	G11_014	'TO->FRON	'NORTHWEST - TATONGA7 345.00 345KV C	1195	0.21671	98.5	'GEN300006 1-NEW MADRID UNIT 1'
	FDNS		1	0	13G	G11_014	'TO->FRON	'NORTHWEST - TATONGA7 345.00 345KV C	1195	0.21671	98.5	'GEN300007 1-NEW MADRID UNIT 2'
	FDNS		1	0	13G	G11_014	'TO->FRON	'NORTHWEST - TATONGA7 345.00 345KV C	1195	0.21671	97.7	'GEN300016 1-1G1PDEL 18.000'
	FDNS		1	0	13G	G11_014	'TO->FRON	'NORTHWEST - TATONGA7 345.00 345KV C	1195	0.21671	97.9	'GEN300020 1-1CHOTCT4 16.000'

EVENTTYPE	SOLUTIONTYPE	GROUP	SCENARIO	SEASON	SOURCE	DIRECTION	MONTH	COMMONNAME	RATEB	TDF	TC%LOADI	CONTNAME
	FDNS		1	0	13G	G11_014		'TO->FRON'NORTHWEST - TATONGA7 345.00 345KV C	1195	0.21671	97.9	'GEN300021 1-1CHOTCT5 16.000'
	FDNS		1	0	13G	G11_014		'TO->FRON'NORTHWEST - TATONGA7 345.00 345KV C	1195	0.21671	97.9	'GEN300024 1-1CHOTST6 16.000'
	FDNS		1	0	13G	G11_014		'TO->FRON'NORTHWEST - TATONGA7 345.00 345KV C	1195	0.21671	97.9	'GEN300031 1-CHOUTEAU CTG 1'
	FDNS		1	0	13G	G11_014		'TO->FRON'NORTHWEST - TATONGA7 345.00 345KV C	1195	0.21671	97.9	'GEN300032 1-CHOUTEAU CTG 2'
	FDNS		1	0	13G	G11_014		'TO->FRON'NORTHWEST - TATONGA7 345.00 345KV C	1195	0.21671	97.9	'GEN300033 1-CHOUTEAU STG 3'
	FDNS		1	0	13G	G11_014		'TO->FRON'NORTHWEST - TATONGA7 345.00 345KV C	1195	0.21671	98	'GEN301380 1-1OSAGEWIND 34.500'
	FDNS		1	0	13G	G11_014		'TO->FRON'NORTHWEST - TATONGA7 345.00 345KV C	1195	0.21671	97.6	'GEN303003 1-1BC1 U3'
	FDNS		1	0	13G	G11_014		'TO->FRON'NORTHWEST - TATONGA7 345.00 345KV C	1195	0.21671	97.6	'GEN303004 1-1BC1 U4'
	FDNS		1	0	13G	G11_014		'TO->FRON'NORTHWEST - TATONGA7 345.00 345KV C	1195	0.21671	98.9	'GEN303006 1-1BC2 U1'
	FDNS		1	0	13G	G11_014		'TO->FRON'NORTHWEST - TATONGA7 345.00 345KV C	1195	0.21671	99.4	'GEN303007 1-1BC2 U2'
	FDNS		1	0	13G	G11_014		'TO->FRON'NORTHWEST - TATONGA7 345.00 345KV C	1195	0.21671	98.7	'GEN303008 1-1BC2 U3'
	FDNS		1	0	13G	G11_014		'TO->FRON'NORTHWEST - TATONGA7 345.00 345KV C	1195	0.21671	97.8	'GEN303024 1-1G3INTHB 18.000'
	FDNS		1	0	13G	G11_014		'TO->FRON'NORTHWEST - TATONGA7 345.00 345KV C	1195	0.21671	97.7	'GEN303025 1-1S3INTHB 13.800'
	FDNS		1	0	13G	G11_014		'TO->FRON'NORTHWEST - TATONGA7 345.00 345KV C	1195	0.21671	97.7	'GEN303026 1-1G4INTHB 18.000'
	FDNS		1	0	13G	G11_014		'TO->FRON'NORTHWEST - TATONGA7 345.00 345KV C	1195	0.21671	97.6	'GEN303027 1-1S4INTHB 13.800'
	FDNS		1	0	13G	G11_014		'TO->FRON'NORTHWEST - TATONGA7 345.00 345KV C	1195	0.21671	97.9	'GEN318007 1-5MOROW161 161.00'
	FDNS		1	0	13G	G11_014		'TO->FRON'NORTHWEST - TATONGA7 345.00 345KV C	1195	0.21671	98	'GEN334030 1-FRONTIER UNIT 1'
	FDNS		1	0	13G	G11_014		'TO->FRON'NORTHWEST - TATONGA7 345.00 345KV C	1195	0.21671	98	'GEN334031 1-FRONTIER UNIT 2'
	FDNS		1	0	13G	G11_014		'TO->FRON'NORTHWEST - TATONGA7 345.00 345KV C	1195	0.21671	97.8	'GEN334070 1-LEWIS CREEK 1'
	FDNS		1	0	13G	G11_014		'TO->FRON'NORTHWEST - TATONGA7 345.00 345KV C	1195	0.21671	97.8	'GEN334071 1-LEWIS CREEK 2'
	FDNS		1	0	13G	G11_014		'TO->FRON'NORTHWEST - TATONGA7 345.00 345KV C	1195	0.21671	97.6	'GEN334335 1-TOLEDO BEND'
	FDNS		1	0	13G	G11_014		'TO->FRON'NORTHWEST - TATONGA7 345.00 345KV C	1195	0.21671	97.8	'GEN334392 1-EXXON MOBIL IPP 1'
	FDNS		1	0	13G	G11_014		'TO->FRON'NORTHWEST - TATONGA7 345.00 345KV C	1195	0.21671	97.7	'GEN334431 1-SABINE UNIT 1'
	FDNS		1	0	13G	G11_014		'TO->FRON'NORTHWEST - TATONGA7 345.00 345KV C	1195	0.21671	97.7	'GEN334432 1-SABINE UNIT 2'
	FDNS		1	0	13G	G11_014		'TO->FRON'NORTHWEST - TATONGA7 345.00 345KV C	1195	0.21671	98.1	'GEN334433 1-SABINE UNIT 3'
	FDNS		1	0	13G	G11_014		'TO->FRON'NORTHWEST - TATONGA7 345.00 345KV C	1195	0.21671	98.5	'GEN334440 1-SABINE UNIT 4'
	FDNS		1	0	13G	G11_014		'TO->FRON'NORTHWEST - TATONGA7 345.00 345KV C	1195	0.21671	98.1	'GEN334441 1-SABINE UNIT 5'
	FDNS		1	0	13G	G11_014		'TO->FRON'NORTHWEST - TATONGA7 345.00 345KV C	1195	0.21671	97.7	'GEN334456 1-CONOCO UNIT#1'
	FDNS		1	0	13G	G11_014		'TO->FRON'NORTHWEST - TATONGA7 345.00 345KV C	1195	0.21671	97.7	'GEN335201 1-NELSON UNIT 1'
	FDNS		1	0	13G	G11_014		'TO->FRON'NORTHWEST - TATONGA7 345.00 345KV C	1195	0.21671	97.7	'GEN335202 1-NELSON UNIT 2'
	FDNS		1	0	13G	G11_014		'TO->FRON'NORTHWEST - TATONGA7 345.00 345KV C	1195	0.21671	97.6	'GEN335203 1-NELSON UNIT 3'
	FDNS		1	0	13G	G11_014		'TO->FRON'NORTHWEST - TATONGA7 345.00 345KV C	1195	0.21671	98.5	'GEN335204 1-NELSON UNIT 4'
	FDNS		1	0	13G	G11_014		'TO->FRON'NORTHWEST - TATONGA7 345.00 345KV C	1195	0.21671	99.4	'GEN335206 1-NELSON UNIT 6'
	FDNS		1	0	13G	G11_014		'TO->FRON'NORTHWEST - TATONGA7 345.00 345KV C	1195	0.21671	98	'GEN335370 1-1ACADIA_S26'16.000
	FDNS		1	0	13G	G11_014		'TO->FRON'NORTHWEST - TATONGA7 345.00 345KV C	1195	0.21671	98	'GEN335371 1-1ACADIA_C25'18.000
	FDNS		1	0	13G	G11_014		'TO->FRON'NORTHWEST - TATONGA7 345.00 345KV C	1195	0.21671	98	'GEN335372 1-1ACADIA_C24'18.000
	FDNS		1	0	13G	G11_014		'TO->FRON'NORTHWEST - TATONGA7 345.00 345KV C	1195	0.21671	97.8	'GEN335570 1-CARVILLE CTG'
	FDNS		1	0	13G	G11_014		'TO->FRON'NORTHWEST - TATONGA7 345.00 345KV C	1195	0.21671	97.8	'GEN335571 1-CARVILLE UNIT #1'
	FDNS-CHECK-TC-B		1	0	13G	G11_014		'TO->FRON'NORTHWEST - TATONGA7 345.00 345KV C	1195	0.21671	102.3	'GEN336153 1-WATERFORD UNIT#3'
	FDNS		1	0	13G	G11_014		'TO->FRON'NORTHWEST - TATONGA7 345.00 345KV C	1195	0.21671	97.8	'GEN336167 1-GULF OXY U1'
	FDNS		1	0	13G	G11_014		'TO->FRON'NORTHWEST - TATONGA7 345.00 345KV C	1195	0.21671	97.8	'GEN336168 1-GULF OXY U2'
	FDNS		1	0	13G	G11_014		'TO->FRON'NORTHWEST - TATONGA7 345.00 345KV C	1195	0.21671	97.8	'GEN336169 1-GULF OXY U3'
	FDNS		1	0	13G	G11_014		'TO->FRON'NORTHWEST - TATONGA7 345.00 345KV C	1195	0.21671	98.2	'GEN336170 1-GULF OXY U4'
	FDNS		1	0	13G	G11_014		'TO->FRON'NORTHWEST - TATONGA7 345.00 345KV C	1195	0.21671	98.3	'GEN336191 1-LITTLE GYPSY UNIT#3'
	FDNS		1	0	13G	G11_014		'TO->FRON'NORTHWEST - TATONGA7 345.00 345KV C	1195	0.21671	97.7	'GEN336221 1-LITTLE GYPSY UNIT#1'
	FDNS		1	0	13G	G11_014		'TO->FRON'NORTHWEST - TATONGA7 345.00 345KV C	1195	0.21671	97.9	'GEN336222 1-LITTLE GYPSY UNIT#2'
	FDNS		1	0	13G	G11_014		'TO->FRON'NORTHWEST - TATONGA7 345.00 345KV C	1195	0.21671	98.3	'GEN336251 1-NINEMILE POINT UNIT#4'
	FDNS		1	0	13G	G11_014		'TO->FRON'NORTHWEST - TATONGA7 345.00 345KV C	1195	0.21671	98.6	'GEN336252 1-NINEMILE POINT UNIT#5'
	FDNS		1	0	13G	G11_014		'TO->FRON'NORTHWEST - TATONGA7 345.00 345KV C	1195	0.21671	97.6	'GEN336446 1-MICHOUD UNIT #2'
	FDNS		1	0	13G	G11_014		'TO->FRON'NORTHWEST - TATONGA7 345.00 345KV C	1195	0.21671	98.3	'GEN336464 1-MICHOUD UNIT #3'
	FDNS		1	0	13G	G11_014		'TO->FRON'NORTHWEST - TATONGA7 345.00 345KV C	1195	0.21671	98.2	'GEN336801 1-BAXTER WILSON UNIT #1'
	FDNS-CHECK-TC-B		1	0	13G	G11_014		'TO->FRON'NORTHWEST - TATONGA7 345.00 345KV C	1195	0.21671	102.8	'GEN336821 1-GRAND GULF UNIT'
	FDNS		1	0	13G	G11_014		'TO->FRON'NORTHWEST - TATONGA7 345.00 345KV C	1195	0.21671	98.6	'GEN336831 1-BAXTER WILSON SES'
	FDNS		1	0	13G	G11_014		'TO->FRON'NORTHWEST - TATONGA7 345.00 345KV C	1195	0.21671	97.6	'GEN336944 1-REX BROWN'
	FDNS		1	0	13G	G11_014		'TO->FRON'NORTHWEST - TATONGA7 345.00 345KV C	1195	0.21671	97.8	'GEN337006 1-DUKE MCADAMS G1'
	FDNS		1	0	13G	G11_014		'TO->FRON'NORTHWEST - TATONGA7 345.00 345KV C	1195	0.21671	97.8	'GEN337007 1-DUKE MCADAMS G2'

EVENTTYPE	SOLUTIONTYPE	GROUP	SCENARIO	SEASON	SOURCE	DIRECTION	MONTCOMMONNAME	RATEB	TDF	TC%LOADI	CONTNAME
	FDNS		1	0	13G	G11_014	'TO->FRON'NORTHWEST - TATONGA7 345.00 345KV	1195	0.21671	97.8	'GEN337008 1-DUKE MCADAMS S1'
	FDNS		1	0	13G	G11_014	'TO->FRON'NORTHWEST - TATONGA7 345.00 345KV	1195	0.21671	98.6	'GEN337041 1-GERALD ANDRUS'
	FDNS		1	0	13G	G11_014	'TO->FRON'NORTHWEST - TATONGA7 345.00 345KV	1195	0.21671	97.8	'GEN337125 6-LS POWER BATESVILLE'
	FDNS		1	0	13G	G11_014	'TO->FRON'NORTHWEST - TATONGA7 345.00 345KV	1195	0.21671	97.8	'GEN337421 1-OUCHITA CTG1'
	FDNS		1	0	13G	G11_014	'TO->FRON'NORTHWEST - TATONGA7 345.00 345KV	1195	0.21671	97.6	'GEN337422 1-OUCHITA STG1'
	FDNS		1	0	13G	G11_014	'TO->FRON'NORTHWEST - TATONGA7 345.00 345KV	1195	0.21671	97.8	'GEN337423 1-OUCHITA CTG2'
	FDNS		1	0	13G	G11_014	'TO->FRON'NORTHWEST - TATONGA7 345.00 345KV	1195	0.21671	97.6	'GEN337424 1-OUCHITA STG2'
	FDNS		1	0	13G	G11_014	'TO->FRON'NORTHWEST - TATONGA7 345.00 345KV	1195	0.21671	97.8	'GEN337425 1-OUCHITA CTG3'
	FDNS		1	0	13G	G11_014	'TO->FRON'NORTHWEST - TATONGA7 345.00 345KV	1195	0.21671	97.6	'GEN337426 1-OUCHITA STG3'
	FDNS		1	0	13G	G11_014	'TO->FRON'NORTHWEST - TATONGA7 345.00 345KV	1195	0.21671	97.9	'GEN337428 1-PERVILLE UNIT #1'
	FDNS		1	0	13G	G11_014	'TO->FRON'NORTHWEST - TATONGA7 345.00 345KV	1195	0.21671	97.9	'GEN337430 1-PERVILLE UNIT #3'
	FDNS		1	0	13G	G11_014	'TO->FRON'NORTHWEST - TATONGA7 345.00 345KV	1195	0.21671	97.9	'GEN337432 1-PERVILLE UNIT #5'
	FDNS-CHECK-TC-B		1	0	13G	G11_014	'TO->FRON'NORTHWEST - TATONGA7 345.00 345KV	1195	0.21671	100.3	'GEN337652 1-WHITE BLUFF UNIT #1'
	FDNS	02G11_014		0	13G	G11_014	'FROM->TC'SPSSPTIESB1'	620	0.20882	143.7926	'BASE CASE'
	FDNS	02G11_014		0	13G	G11_014	'FROM->TC'SPSSPTIESC'	620	0.20882	143.7926	'BASE CASE'
	FDNS	02G11_014		0	13G	G11_014	'TO->FRON'NORTHWEST - TATONGA7 345.00 345KV	1195	0.31444	110.2978	'DBL-THIS-WWR'
	FDNS		2	0	13G	G11_014	'FROM->TC'SPSSPTIESB1'	620	0.20978	131.41	'BASE CASE'
	FDNS		2	0	13G	G11_014	'FROM->TC'SPSSPTIESC'	620	0.20978	131.41	'BASE CASE'
	FDNS		2	0	13G	G11_014	'TO->FRON'NORTHWEST - TATONGA7 345.00 345KV	1195	0.3149	101.999	'DBL-THIS-WWR'
	FDNS	02ALL		2	13G	G11_014	'TO->FRON'NORTHWEST - TATONGA7 345.00 345KV	1195	0.19215	107.8825	'DBL-THIS-WWR'
	FDNS	01ALL		2	13G	G11_014	'TO->FRON'CIMARRON - MATTHEWSON 345.00 345KV	956	0.20121	147.4653	'MATTHEWSON 345.00 - NORTHWEST 345KV CKT 1'
	FDNS	01ALL		2	13G	G11_014	'FROM->TC'MATTHEWSON 345.00 - NORTHWEST 345KV	1195	0.22501	129.8951	'CIMARRON - MATTHEWSON 345.00 345KV CKT 1'
	FDNS		2	13G	G11_014	'TO->FRON'MATTHEWSON 345.00 - TATONGA7 345.00	1195	0.22373	118.6975	118.6975	'MATTHEWSON 345.00 - TATONGA7 345.00 345KV CKT 1'
	FDNS		2	13G	G11_014	'TO->FRON'MATTHEWSON 345.00 - TATONGA7 345.00	1195	0.22373	118.6975	118.6975	'MATTHEWSON 345.00 - TATONGA7 345.00 345KV CKT 2'
	FDNS		3	13G	G11_014	'TO->FRON'MATTHEWSON 345.00 - TATONGA7 345.00	1195	0.22511	119.6078	119.6078	'MATTHEWSON 345.00 - TATONGA7 345.00 345KV CKT 1'
	FDNS		3	13G	G11_014	'TO->FRON'MATTHEWSON 345.00 - TATONGA7 345.00	1195	0.22511	119.6078	119.6078	'MATTHEWSON 345.00 - TATONGA7 345.00 345KV CKT 2'
ISLAND-GE	FDNS	00NR		0	13SP	G11_016	'FROM->TC'JUDSON LARGE 115/15.0KV TRANSFORMER	187	0.36804	111.5	'G11_020_1 345.00 - WOODWARD DISTRICT EHV 345KV CKT 1'
ISLAND-GE	FDNS	00NR		0	13SP	G11_016	'FROM->TC'JUDSON LARGE 115/15.0KV TRANSFORMER	187	0.36804	111.5	'G11_019_1 345.00 - WOODWARD DISTRICT EHV 345KV CKT 1'
ISLAND-GE	FDNS	00NR		0	13SP	G11_016	'FROM->TC'JUDSON LARGE 115/15.0KV TRANSFORMER	187	0.36804	112	'G11_022_1 345.00 - Hitchland Interchange 345KV CKT 1'
ISLAND-GE	FDNS	00NR		0	13SP	G11_016	'FROM->TC'JUDSON LARGE 115/15.0KV TRANSFORMER	187	0.36804	119.7	'G08-25 115.00 - RULETON 115KV CKT 1'
ISLAND-GE	FDNS	00NR		0	13SP	G11_016	'FROM->TC'JUDSON LARGE 115/15.0KV TRANSFORMER	187	0.36804	119.6	'G06-40 115.00 - MINGO 115KV CKT 1'
ISLAND-GE	FDNS	00NR		0	13SP	G11_016	'FROM->TC'JUDSON LARGE 115/15.0KV TRANSFORMER	187	0.36804	121.4	'G07-11 115.00 - SYRACUSE 115KV CKT 1'
ISLAND-GE	FDNS	00NR		0	13SP	G11_016	'FROM->TC'JUDSON LARGE 115/15.0KV TRANSFORMER	187	0.36804	130.5	'G08-17 345.00 - SETAB 345KV CKT 1'
ISLAND-GE	FDNS	00NR		0	13SP	G11_016	'FROM->TC'JUDSON LARGE 115/15.0KV TRANSFORMER	187	0.36804	125.3	'G10-15 345.00 - SPEARVILLE 345KV CKT 1'
ISLAND-GE	FDNS	00NR		0	13SP	G11_016	'FROM->TC'JUDSON LARGE 115/15.0KV TRANSFORMER	187	0.36804	124.7	'G08-124 345.00 - SPEARVILLE 345KV CKT 1'
ISLAND-GE	FDNS	00NR		0	13SP	G11_016	'FROM->TC'JUDSON LARGE 115/15.0KV TRANSFORMER	187	0.36804	127.3	'G05-12 345.00 - SPEARVILLE 345KV CKT 1'
ISLAND-GE	FDNS	00NR		0	13SP	G11_016	'FROM->TC'JUDSON LARGE 115/15.0KV TRANSFORMER	187	0.36804	125.3	'G06-06 345.00 - SPEARVILLE 345KV CKT 1'
ISLAND-GE	FDNS	00NR		0	13SP	G11_016	'FROM->TC'JUDSON LARGE 115/15.0KV TRANSFORMER	187	0.36804	226.8	'G11_016_1 345.00 - SPEARVILLE 345KV CKT 1'
ISLAND-GE	FDNS	00NR		0	13SP	G11_016	'FROM->TC'JUDSON LARGE 115/15.0KV TRANSFORMER	187	0.36804	124.7	'BUCKNER7 345.00 - G07-40 345.00 345KV CKT 1'
ISLAND-GE	FDNS	00NR		0	13SP	G11_016	'FROM->TC'JUDSON LARGE 115/15.0KV TRANSFORMER	187	0.36804	122.9	'BUCKNER7 345.00 - G10-09 345.00 345KV CKT 1'
ISLAND-GE	FDNS	00NR		0	13SP	G11_016	'FROM->TC'JUDSON LARGE 115/15.0KV TRANSFORMER	187	0.36804	225.8	'BUCKNER7 345.00 - G10-45 345.00 345KV CKT 1'
ISLAND-GE	FDNS	00NR		0	13SP	G11_016	'FROM->TC'JUDSON LARGE 115/15.0KV TRANSFORMER	187	0.36804	133.8	'FLAT RIDGE WIND - FLATRDG3 138KV CKT 1'
ISLAND-GE	FDNS	00NR		0	13SP	G11_016	'FROM->TC'JUDSON LARGE 115/15.0KV TRANSFORMER	187	0.36804	134	'MRWYP16 - MRWYP26 230KV CKT 1'
ISLAND-GE	FDNS	00NR		0	13SP	G11_016	'FROM->TC'JUDSON LARGE 115/15.0KV TRANSFORMER	187	0.36804	160.9	'ELM CREEK - MRWYP16 230KV CKT 1'
ISLAND-GE	FDNS	00NR		0	13SP	G11_016	'FROM->TC'JUDSON LARGE 115/15.0KV TRANSFORMER	187	0.36804	122.5	'G06-022 115.00 - NINNESEC3 115.00 115KV CKT 1'
ISLAND-GE	FDNS	00NR		0	13SP	G11_016	'FROM->TC'JUDSON LARGE 115/15.0KV TRANSFORMER	187	0.36804	102.4	'ALEXANDER - PRATT 115KV CKT 1'
ISLAND-GE	FDNS	00NR		0	13SP	G11_016	'FROM->TC'JUDSON LARGE 115/15.0KV TRANSFORMER	187	0.36804	122.2	'G04_014 230.00 - SPEARVILLE 230KV CKT 1'
ISLAND-GE	FDNS	00NR		0	13SP	G11_016	'FROM->TC'JUDSON LARGE 115/15.0KV TRANSFORMER	187	0.36804	119.7	'SSTARTP3 115.00 - SSTARW 3 115.00 115KV CKT 1'
ISLAND-GE	FDNS	00NR		0	13SP	G11_016	'FROM->TC'JUDSON LARGE 115/15.0KV TRANSFORMER	187	0.36804	124.4	'GRAY CO3 115.00 - GYCOTAP3 115.00 115KV CKT 1'
ISLAND-GE	FDNS	00NR		0	13SP	G11_016	'FROM->TC'JUDSON LARGE 115/15.0KV TRANSFORMER	187	0.36804	148.3	'CLARKCOUNTY7345.00 - G11-008 345.00 345KV CKT 1'

EVENT	TYPI	SOLUTION	TYPE	GROUP	SCENARIO	SEASON	SOURCE	DIRECTION	MONT	COMMONNAME	RATEB	TDF	TC%LOAD	CONTNAME
ISLAND-GE	FDNS			00NR		0	13SP	G11_016	'FROM->TC'	JUDSON LARGE 115/15.0KV TRANSFORMER	187	0.36804	287.6	'CLARKCOUNTY7345.00 - G11_023_1 345.00 345KV CKT 1'
ISLAND-GE	FDNS			00NR		0	13SP	G11_016	'FROM->TC'	JUDSON LARGE 115/15.0KV TRANSFORMER	187	0.36804	119	'G08-79 115.00 - G08-79T 115.00 115KV CKT 1'
ISLAND-GE	FDNS			00NR		0	13SP	G11_016	'FROM->TC'	JUDSON LARGE 115/15.0KV TRANSFORMER	187	0.36804	288	'G11-17T 345.00 - G11_017_1 345.00 345KV CKT 1'
ISLAND-GE	FDNS			00NR		0	13SP	G11_016	'FROM->TC'	JUDSON LARGE 115/15.0KV TRANSFORMER	187	0.36804	109.7	'TOLK STATION EAST 230/24.0KV TRANSFORMER CKT 1'
ISLAND-GE	FDNS			00NR		0	13SP	G11_016	'FROM->TC'	JUDSON LARGE 115/15.0KV TRANSFORMER	187	0.36804	124.7	'SPEARVILLE 345/34.5KV TRANSFORMER CKT 1'
ISLAND-GE	FDNS			00NR		0	13SP	G11_016	'FROM->TC'	JUDSON LARGE 115/15.0KV TRANSFORMER	187	0.36804	132.9	'COMANCHE COUNTY (CENTPLN3) 115/34.5/13.8KV TRANSFORMER CKT 1'
ISLAND-GE	FDNS			00NR		0	13SP	G11_016	'FROM->TC'	JUDSON LARGE 115/15.0KV TRANSFORMER	187	0.36804	133.8	'FLAT RIDGE WIND (FLATRDG3) 138/34.53963/13.8KV TRANSFORMER CKT 1'
ISLAND-GE	FDNS			00NR		0	13SP	G11_016	'FROM->TC'	JUDSON LARGE 115/15.0KV TRANSFORMER	187	0.36804	134	'MRWYP26 (MERDWYP2) 230/34.5/13.8KV TRANSFORMER CKT 1'
ISLAND-GE	FDNS			00NR		0	13SP	G11_016	'FROM->TC'	JUDSON LARGE 115/15.0KV TRANSFORMER	187	0.36804	140.1	'MRWYP16 (MERIDWY1) 230/34.5/13.8KV TRANSFORMER CKT 1'
ISLAND-GE	FDNS			00NR		0	13SP	G11_016	'FROM->TC'	JUDSON LARGE 115/15.0KV TRANSFORMER	187	0.36804	130.7	'MULLERGREN 115/13.8KV TRANSFORMER CKT 1'
ISLAND-GE	FDNS			00NR		0	13SP	G11_016	'FROM->TC'	JUDSON LARGE 115/15.0KV TRANSFORMER	187	0.36804	119.6	'SSTARW 3 115.00 (SSWIND) 115/34.5/13.8KV TRANSFORMER CKT 1'
ISLAND-GE	FDNS			00NR		0	13SP	G11_016	'FROM->TC'	JUDSON LARGE 115/15.0KV TRANSFORMER	187	0.36804	124.4	'GRAY CO3 115.00 (HAGGARD3) 115/34.5/13.8KV TRANSFORMER CKT 1'
ISLAND-GE	FDNS			00NR		0	13SP	G11_016	'FROM->TC'	JUDSON LARGE 115/15.0KV TRANSFORMER	187	0.36804	130.5	'G08-17 345.00 345/34.5KV TRANSFORMER CKT 1'
ISLAND-GE	FDNS			00NR		0	13SP	G11_016	'FROM->TC'	JUDSON LARGE 115/15.0KV TRANSFORMER	187	0.36804	124.7	'G07-40 345.00 345/34.5KV TRANSFORMER CKT 1'
ISLAND-GE	FDNS			00NR		0	13SP	G11_016	'FROM->TC'	JUDSON LARGE 115/15.0KV TRANSFORMER	187	0.36804	119	'G08-79 115.00 115/34.5KV TRANSFORMER CKT 1'
ISLAND-GE	FDNS			00NR		0	13SP	G11_016	'FROM->TC'	JUDSON LARGE 115/15.0KV TRANSFORMER	187	0.36804	122.9	'G10-09 345.00 345/34.5KV TRANSFORMER CKT 1'
ISLAND-GE	FDNS			00NR		0	13SP	G11_016	'FROM->TC'	JUDSON LARGE 115/15.0KV TRANSFORMER	187	0.36804	118.9	'G10-15 345.00 345/34.5KV TRANSFORMER CKT 1'
ISLAND-GE	FDNS			00NR		0	13SP	G11_016	'FROM->TC'	JUDSON LARGE 115/15.0KV TRANSFORMER	187	0.36804	119.6	'G10-15 345.00 345/34.5KV TRANSFORMER CKT 1'
ISLAND-GE	FDNS			00NR		0	13SP	G11_016	'FROM->TC'	JUDSON LARGE 115/15.0KV TRANSFORMER	187	0.36804	119.7	'G08-25 115.00 115/34.5KV TRANSFORMER CKT 1'
ISLAND-GE	FDNS			00NR		0	13SP	G11_016	'FROM->TC'	JUDSON LARGE 115/15.0KV TRANSFORMER	187	0.36804	225.8	'G10-45 345.00 345/34.5KV TRANSFORMER CKT 1'
ISLAND-GE	FDNS			00NR		0	13SP	G11_016	'FROM->TC'	JUDSON LARGE 115/15.0KV TRANSFORMER	187	0.36804	122.2	'G04_014 230.00 230/34.5KV TRANSFORMER CKT 1'
ISLAND-GE	FDNS			00NR		0	13SP	G11_016	'FROM->TC'	JUDSON LARGE 115/15.0KV TRANSFORMER	187	0.36804	127.2	'G05-12 345.00 345/34.5KV TRANSFORMER CKT 1'
ISLAND-GE	FDNS			00NR		0	13SP	G11_016	'FROM->TC'	JUDSON LARGE 115/15.0KV TRANSFORMER	187	0.36804	125.3	'G06-06 345.00 345/34.5KV TRANSFORMER CKT 1'
ISLAND-GE	FDNS			00NR		0	13SP	G11_016	'FROM->TC'	JUDSON LARGE 115/15.0KV TRANSFORMER	187	0.36804	122.5	'G06-022 115.00 115/34.5KV TRANSFORMER CKT 1'
ISLAND-GE	FDNS			00NR		0	13SP	G11_016	'FROM->TC'	JUDSON LARGE 115/15.0KV TRANSFORMER	187	0.36804	119.6	'G06-40 115.00 115/34.5KV TRANSFORMER CKT 1'
ISLAND-GE	FDNS			00NR		0	13SP	G11_016	'FROM->TC'	JUDSON LARGE 115/15.0KV TRANSFORMER	187	0.36804	121.4	'G07-11 115.00 115/34.5KV TRANSFORMER CKT 1'
ISLAND-GE	FDNS			00NR		0	13SP	G11_016	'FROM->TC'	JUDSON LARGE 115/15.0KV TRANSFORMER	187	0.36804	124.9	'G11-008 345.00 345/34.5KV TRANSFORMER CKT 1'
ISLAND-GE	FDNS			00NR		0	13SP	G11_016	'FROM->TC'	JUDSON LARGE 115/15.0KV TRANSFORMER	187	0.36804	121.8	'G11-008 345.00 345/34.5KV TRANSFORMER CKT 1'
ISLAND-GE	FDNS			00NR		0	13SP	G11_016	'FROM->TC'	JUDSON LARGE 115/15.0KV TRANSFORMER	187	0.36804	121.7	'G11-008 345.00 345/34.5KV TRANSFORMER CKT 1'
ISLAND-GE	FDNS			00NR		0	13SP	G11_016	'FROM->TC'	JUDSON LARGE 115/15.0KV TRANSFORMER	187	0.36804	120.1	'G11-008 345.00 345/34.5KV TRANSFORMER CKT 1'
ISLAND-GE	FDNS			00NR		0	13SP	G11_016	'FROM->TC'	JUDSON LARGE 115/15.0KV TRANSFORMER	187	0.36804	287.6	'G11_023_1 345.00 345/34.5KV TRANSFORMER CKT 1'
ISLAND-GE	FDNS			00NR		0	13SP	G11_016	'FROM->TC'	JUDSON LARGE 115/15.0KV TRANSFORMER	187	0.36804	112	'G11_022_1 345.00 345/34.5KV TRANSFORMER CKT 1'
ISLAND-GE	FDNS			00NR		0	13SP	G11_016	'FROM->TC'	JUDSON LARGE 115/15.0KV TRANSFORMER	187	0.36804	111.5	'G11_020_1 345.00 345/34.5KV TRANSFORMER CKT 1'
ISLAND-GE	FDNS			00NR		0	13SP	G11_016	'FROM->TC'	JUDSON LARGE 115/15.0KV TRANSFORMER	187	0.36804	111.5	'G11_019_1 345.00 345/34.5KV TRANSFORMER CKT 1'
ISLAND-GE	FDNS			00NR		0	13SP	G11_016	'FROM->TC'	JUDSON LARGE 115/15.0KV TRANSFORMER	187	0.36804	288	'G11_017_1 345.00 345/34.5KV TRANSFORMER CKT 1'
ISLAND-GE	FDNS			00NR		0	13SP	G11_016	'FROM->TC'	JUDSON LARGE 115/15.0KV TRANSFORMER	187	0.36804	226.8	'G11_016_1 345.00 345/34.5KV TRANSFORMER CKT 1'
ISLAND-GE	FDNS			00NR		0	13WP	G11_016	'FROM->TC'	JUDSON LARGE 115/15.0KV TRANSFORMER	187	0.24395	187.6	'G11_016_1 345.00 - SPEARVILLE 345KV CKT 1'
ISLAND-GE	FDNS			00NR		0	13WP	G11_016	'FROM->TC'	JUDSON LARGE 115/15.0KV TRANSFORMER	187	0.24395	186.4	'BUCKNER7 345.00 - G10-45 345.00 345KV CKT 1'
ISLAND-GE	FDNS			00NR		0	13WP	G11_016	'FROM->TC'	JUDSON LARGE 115/15.0KV TRANSFORMER	187	0.24395	123	'ELM CREEK - MRWYP16 230KV CKT 1'
ISLAND-GE	FDNS			00NR		0	13WP	G11_016	'FROM->TC'	JUDSON LARGE 115/15.0KV TRANSFORMER	187	0.24395	110.7	'CLARKCOUNTY7345.00 - G11-008 345.00 345KV CKT 1'
ISLAND-GE	FDNS			00NR		0	13WP	G11_016	'FROM->TC'	JUDSON LARGE 115/15.0KV TRANSFORMER	187	0.24395	248.3	'CLARKCOUNTY7345.00 - G11_023_1 345.00 345KV CKT 1'
ISLAND-GE	FDNS			00NR		0	13WP	G11_016	'FROM->TC'	JUDSON LARGE 115/15.0KV TRANSFORMER	187	0.24395	249	'G11-17T 345.00 - G11_017_1 345.00 345KV CKT 1'
ISLAND-GE	FDNS			00NR		0	13WP	G11_016	'FROM->TC'	JUDSON LARGE 115/15.0KV TRANSFORMER	187	0.24395	288.1	'HOLCOMB 115/22.0KV TRANSFORMER CKT 1'
ISLAND-GE	FDNS			00NR		0	13WP	G11_016	'FROM->TC'	JUDSON LARGE 115/15.0KV TRANSFORMER	187	0.24395	102.6	'MRWYP16 (MERIDWY1) 230/34.5/13.8KV TRANSFORMER CKT 1'
ISLAND-GE	FDNS			00NR		0	13WP	G11_016	'FROM->TC'	JUDSON LARGE 115/15.0KV TRANSFORMER	187	0.24395	186.4	'G10-45 345.00 345/34.5KV TRANSFORMER CKT 1'
ISLAND-GE	FDNS			00NR		0	13WP	G11_016	'FROM->TC'	JUDSON LARGE 115/15.0KV TRANSFORMER	187	0.24395	248.3	'G11_023_1 345.00 345/34.5KV TRANSFORMER CKT 1'
ISLAND-GE	FDNS			00NR		0	13WP	G11_016	'FROM->TC'	JUDSON LARGE 115/15.0KV TRANSFORMER	187	0.24395	249	'G11_017_1 345.00 345/34.5KV TRANSFORMER CKT 1'
ISLAND-GE	FDNS			00NR		0	13WP	G11_016	'FROM->TC'	JUDSON LARGE 115/15.0KV TRANSFORMER	187	0.24395	187.6	'G11_016_1 345.00 345/34.5KV TRANSFORMER CKT 1'

EVENT	TYPE	SOLUTION	GROUP	SCENARIO	SEASON	SOURCE	DIRECTION	MONT	COMMON	RATE	TDF	TC%	LOAD	CONT	NAME
ISLAND-GE	FDNS		00NR		0	18WP	G11_016	'FROM->TC'	JUDSON LARGE 115/15.0KV TRANSFORMER	187	0.36542	110.7		'G11_020_1	345.00 - WOODWARD DISTRICT EHV 345KV CKT 1'
ISLAND-GE	FDNS		00NR		0	18WP	G11_016	'FROM->TC'	JUDSON LARGE 115/15.0KV TRANSFORMER	187	0.36542	110.7		'G11_019_1	345.00 - WOODWARD DISTRICT EHV 345KV CKT 1'
ISLAND-GE	FDNS		00NR		0	18WP	G11_016	'FROM->TC'	JUDSON LARGE 115/15.0KV TRANSFORMER	187	0.36542	119.1		'G08-25	115.00 - RULETON 115KV CKT 1'
ISLAND-GE	FDNS		00NR		0	18WP	G11_016	'FROM->TC'	JUDSON LARGE 115/15.0KV TRANSFORMER	187	0.36542	119		'G06-40	115.00 - MINGO 115KV CKT 1'
ISLAND-GE	FDNS		00NR		0	18WP	G11_016	'FROM->TC'	JUDSON LARGE 115/15.0KV TRANSFORMER	187	0.36542	120.7		'G07-11	115.00 - SYRACUSE 115KV CKT 1'
ISLAND-GE	FDNS		00NR		0	18WP	G11_016	'FROM->TC'	JUDSON LARGE 115/15.0KV TRANSFORMER	187	0.36542	129.6		'G08-17	345.00 - SETAB 345KV CKT 1'
ISLAND-GE	FDNS		00NR		0	18WP	G11_016	'FROM->TC'	JUDSON LARGE 115/15.0KV TRANSFORMER	187	0.36542	124.6		'G10-15	345.00 - SPEARVILLE 345KV CKT 1'
ISLAND-GE	FDNS		00NR		0	18WP	G11_016	'FROM->TC'	JUDSON LARGE 115/15.0KV TRANSFORMER	187	0.36542	124		'G08-124	345.00 - SPEARVILLE 345KV CKT 1'
ISLAND-GE	FDNS		00NR		0	18WP	G11_016	'FROM->TC'	JUDSON LARGE 115/15.0KV TRANSFORMER	187	0.36542	126.6		'G05-12	345.00 - SPEARVILLE 345KV CKT 1'
ISLAND-GE	FDNS		00NR		0	18WP	G11_016	'FROM->TC'	JUDSON LARGE 115/15.0KV TRANSFORMER	187	0.36542	124.6		'G06-06	345.00 - SPEARVILLE 345KV CKT 1'
ISLAND-GE	FDNS		00NR		0	18WP	G11_016	'FROM->TC'	JUDSON LARGE 115/15.0KV TRANSFORMER	187	0.36542	225.8		'G11_016_1	345.00 - SPEARVILLE 345KV CKT 1'
ISLAND-GE	FDNS		00NR		0	18WP	G11_016	'FROM->TC'	JUDSON LARGE 115/15.0KV TRANSFORMER	187	0.36542	124		'BUCKNER7	345.00 - G07-40 345.00 345KV CKT 1'
ISLAND-GE	FDNS		00NR		0	18WP	G11_016	'FROM->TC'	JUDSON LARGE 115/15.0KV TRANSFORMER	187	0.36542	122.1		'BUCKNER7	345.00 - G10-09 345.00 345KV CKT 1'
ISLAND-GE	FDNS		00NR		0	18WP	G11_016	'FROM->TC'	JUDSON LARGE 115/15.0KV TRANSFORMER	187	0.36542	224.8		'BUCKNER7	345.00 - G10-45 345.00 345KV CKT 1'
ISLAND-GE	FDNS		00NR		0	18WP	G11_016	'FROM->TC'	JUDSON LARGE 115/15.0KV TRANSFORMER	187	0.36542	132.9		'FLAT RIDGE WIND - FLATRDG3	138KV CKT 1'
ISLAND-GE	FDNS		00NR		0	18WP	G11_016	'FROM->TC'	JUDSON LARGE 115/15.0KV TRANSFORMER	187	0.36542	133.1		'MRWYP16 - MRWYP26	230KV CKT 1'
ISLAND-GE	FDNS		00NR		0	18WP	G11_016	'FROM->TC'	JUDSON LARGE 115/15.0KV TRANSFORMER	187	0.36542	160.1		'ELM CREEK - MRWYP16	230KV CKT 1'
ISLAND-GE	FDNS		00NR		0	18WP	G11_016	'FROM->TC'	JUDSON LARGE 115/15.0KV TRANSFORMER	187	0.36542	121.8		'G06-022	115.00 - NINNESCO 115.00 115KV CKT 1'
ISLAND-GE	FDNS		00NR		0	18WP	G11_016	'FROM->TC'	JUDSON LARGE 115/15.0KV TRANSFORMER	187	0.36542	101.7		'ALEXANDER - PRATT	115KV CKT 1'
ISLAND-GE	FDNS		00NR		0	18WP	G11_016	'FROM->TC'	JUDSON LARGE 115/15.0KV TRANSFORMER	187	0.36542	121.6		'G04_014	230.00 - SPEARVILLE 230KV CKT 1'
ISLAND-GE	FDNS		00NR		0	18WP	G11_016	'FROM->TC'	JUDSON LARGE 115/15.0KV TRANSFORMER	187	0.36542	118.8		'SSTARV3	115.00 - SSTARV 3 115.00 115KV CKT 1'
ISLAND-GE	FDNS		00NR		0	18WP	G11_016	'FROM->TC'	JUDSON LARGE 115/15.0KV TRANSFORMER	187	0.36542	123.7		'GRAY CO3	115.00 - GYCOTAP3 115.00 115KV CKT 1'
ISLAND-GE	FDNS		00NR		0	18WP	G11_016	'FROM->TC'	JUDSON LARGE 115/15.0KV TRANSFORMER	187	0.36542	147.4		'CLARKCOUNTY7345.00 - G11-008	345.00 345KV CKT 1'
ISLAND-GE	FDNS		00NR		0	18WP	G11_016	'FROM->TC'	JUDSON LARGE 115/15.0KV TRANSFORMER	187	0.36542	286.5		'CLARKCOUNTY7345.00 - G11_023_1	345.00 345KV CKT 1'
ISLAND-GE	FDNS		00NR		0	18WP	G11_016	'FROM->TC'	JUDSON LARGE 115/15.0KV TRANSFORMER	187	0.36542	118.5		'G08-79	115.00 - G08-79T 115.00 115KV CKT 1'
ISLAND-GE	FDNS		00NR		0	18WP	G11_016	'FROM->TC'	JUDSON LARGE 115/15.0KV TRANSFORMER	187	0.36542	287.2		'G11-17T	345.00 - G11_017_1 345.00 345KV CKT 1'
ISLAND-GE	FDNS		00NR		0	18WP	G11_016	'FROM->TC'	JUDSON LARGE 115/15.0KV TRANSFORMER	187	0.36542	108.6		'TOLK STATION EAST 230/24.0KV TRANSFORMER	CKT 1'
ISLAND-GE	FDNS		00NR		0	18WP	G11_016	'FROM->TC'	JUDSON LARGE 115/15.0KV TRANSFORMER	187	0.36542	124		'SPEARVILLE 345/34.5KV TRANSFORMER	CKT 1'
ISLAND-GE	FDNS		00NR		0	18WP	G11_016	'FROM->TC'	JUDSON LARGE 115/15.0KV TRANSFORMER	187	0.36542	132.3		'COMANCHE COUNTY (CENTPLN3) 115/34.5/13.8KV TRANSFORMER	CKT 1'
ISLAND-GE	FDNS		00NR		0	18WP	G11_016	'FROM->TC'	JUDSON LARGE 115/15.0KV TRANSFORMER	187	0.36542	132.9		'FLAT RIDGE WIND (FLATRDG3) 138/34.53963/13.8KV TRANSFORMER	CKT 1'
ISLAND-GE	FDNS		00NR		0	18WP	G11_016	'FROM->TC'	JUDSON LARGE 115/15.0KV TRANSFORMER	187	0.36542	133.1		'MRWYP26 (MERDWP2) 230/34.5/13.8KV TRANSFORMER	CKT 1'
ISLAND-GE	FDNS		00NR		0	18WP	G11_016	'FROM->TC'	JUDSON LARGE 115/15.0KV TRANSFORMER	187	0.36542	139.2		'MRWYP16 (MERIDWY1) 230/34.5/13.8KV TRANSFORMER	CKT 1'
ISLAND-GE	FDNS		00NR		0	18WP	G11_016	'FROM->TC'	JUDSON LARGE 115/15.0KV TRANSFORMER	187	0.36542	130.1		'MULLERGREN 115/13.8KV TRANSFORMER	CKT 1'
ISLAND-GE	FDNS		00NR		0	18WP	G11_016	'FROM->TC'	JUDSON LARGE 115/15.0KV TRANSFORMER	187	0.36542	119.3		'SSTARV3 115.00 (SSWIND) 115/34.5/13.8KV TRANSFORMER	CKT 1'
ISLAND-GE	FDNS		00NR		0	18WP	G11_016	'FROM->TC'	JUDSON LARGE 115/15.0KV TRANSFORMER	187	0.36542	123.7		'GRAY CO3 115.00 (HAGGARD3) 115/34.5/13.8KV TRANSFORMER	CKT 1'
ISLAND-GE	FDNS		00NR		0	18WP	G11_016	'FROM->TC'	JUDSON LARGE 115/15.0KV TRANSFORMER	187	0.36542	129.6		'G08-17	345.00 345/34.5KV TRANSFORMER CKT 1'
ISLAND-GE	FDNS		00NR		0	18WP	G11_016	'FROM->TC'	JUDSON LARGE 115/15.0KV TRANSFORMER	187	0.36542	123.9		'G07-40	345.00 345/34.5KV TRANSFORMER CKT 1'
ISLAND-GE	FDNS		00NR		0	18WP	G11_016	'FROM->TC'	JUDSON LARGE 115/15.0KV TRANSFORMER	187	0.36542	118.5		'G08-79	115.00 115/34.5KV TRANSFORMER CKT 1'
ISLAND-GE	FDNS		00NR		0	18WP	G11_016	'FROM->TC'	JUDSON LARGE 115/15.0KV TRANSFORMER	187	0.36542	122.1		'G10-09	345.00 345/34.5KV TRANSFORMER CKT 1'
ISLAND-GE	FDNS		00NR		0	18WP	G11_016	'FROM->TC'	JUDSON LARGE 115/15.0KV TRANSFORMER	187	0.36542	118.4		'G10-15	345.00 345/34.5KV TRANSFORMER CKT 1'
ISLAND-GE	FDNS		00NR		0	18WP	G11_016	'FROM->TC'	JUDSON LARGE 115/15.0KV TRANSFORMER	187	0.36542	118.8		'G10-15	345.00 345/34.5KV TRANSFORMER CKT 1'
ISLAND-GE	FDNS		00NR		0	18WP	G11_016	'FROM->TC'	JUDSON LARGE 115/15.0KV TRANSFORMER	187	0.36542	119.1		'G08-25	115.00 115/34.5KV TRANSFORMER CKT 1'
ISLAND-GE	FDNS		00NR		0	18WP	G11_016	'FROM->TC'	JUDSON LARGE 115/15.0KV TRANSFORMER	187	0.36542	224.8		'G10-45	345.00 345/34.5KV TRANSFORMER CKT 1'
ISLAND-GE	FDNS		00NR		0	18WP	G11_016	'FROM->TC'	JUDSON LARGE 115/15.0KV TRANSFORMER	187	0.36542	121.6		'G04_014	230.00 230/34.5KV TRANSFORMER CKT 1'
ISLAND-GE	FDNS		00NR		0	18WP	G11_016	'FROM->TC'	JUDSON LARGE 115/15.0KV TRANSFORMER	187	0.36542	126.6		'G05-12	345.00 345/34.5KV TRANSFORMER CKT 1'
ISLAND-GE	FDNS		00NR		0	18WP	G11_016	'FROM->TC'	JUDSON LARGE 115/15.0KV TRANSFORMER	187	0.36542	124.6		'G06-06	345.00 345/34.5KV TRANSFORMER CKT 1'
ISLAND-GE	FDNS		00NR		0	18WP	G11_016	'FROM->TC'	JUDSON LARGE 115/15.0KV TRANSFORMER	187	0.36542	121.8		'G06-022	115.00 115/34.5KV TRANSFORMER CKT 1'
ISLAND-GE	FDNS		00NR		0	18WP	G11_016	'FROM->TC'	JUDSON LARGE 115/15.0KV TRANSFORMER	187	0.36542	119		'G06-40	115.00 115/34.5KV TRANSFORMER CKT 1'

EVENTTYPE	SOLUTIONTYPE	GROUP	SCENARIO	SEASON	SOURCE	DIRECTION	MONTCOMMONNAME	RATEB	TDF	TC%LOADI	CONTNAME	
ISLAND-GE	FDNS	00NR		0	18WP	G11_016	'FROM->TC	JUDSON LARGE 115/15.0KV TRANSFORMER	187	0.36542	120.7	'G07-11 115.00 115/34.5KV TRANSFORMER CKT 1'
ISLAND-GE	FDNS	00NR		0	18WP	G11_016	'FROM->TC	JUDSON LARGE 115/15.0KV TRANSFORMER	187	0.36542	124.1	'G11-008 345.00 345/34.5KV TRANSFORMER CKT 1'
ISLAND-GE	FDNS	00NR		0	18WP	G11_016	'FROM->TC	JUDSON LARGE 115/15.0KV TRANSFORMER	187	0.36542	121.2	'G11-008 345.00 345/34.5KV TRANSFORMER CKT 1'
ISLAND-GE	FDNS	00NR		0	18WP	G11_016	'FROM->TC	JUDSON LARGE 115/15.0KV TRANSFORMER	187	0.36542	121.1	'G11-008 345.00 345/34.5KV TRANSFORMER CKT 1'
ISLAND-GE	FDNS	00NR		0	18WP	G11_016	'FROM->TC	JUDSON LARGE 115/15.0KV TRANSFORMER	187	0.36542	119.4	'G11-008 345.00 345/34.5KV TRANSFORMER CKT 1'
ISLAND-GE	FDNS	00NR		0	18WP	G11_016	'FROM->TC	JUDSON LARGE 115/15.0KV TRANSFORMER	187	0.36542	286.5	'G11_023_1 345.00 345/34.5KV TRANSFORMER CKT 1'
ISLAND-GE	FDNS	00NR		0	18WP	G11_016	'FROM->TC	JUDSON LARGE 115/15.0KV TRANSFORMER	187	0.36542	110.7	'G11_020_1 345.00 345/34.5KV TRANSFORMER CKT 1'
ISLAND-GE	FDNS	00NR		0	18WP	G11_016	'FROM->TC	JUDSON LARGE 115/15.0KV TRANSFORMER	187	0.36542	110.7	'G11_019_1 345.00 345/34.5KV TRANSFORMER CKT 1'
ISLAND-GE	FDNS	00NR		0	18WP	G11_016	'FROM->TC	JUDSON LARGE 115/15.0KV TRANSFORMER	187	0.36542	287.2	'G11_017_1 345.00 345/34.5KV TRANSFORMER CKT 1'
ISLAND-GE	FDNS	00NR		0	18WP	G11_016	'FROM->TC	JUDSON LARGE 115/15.0KV TRANSFORMER	187	0.36542	225.8	'G11_016_1 345.00 345/34.5KV TRANSFORMER CKT 1'
NCONV	FNSL-Blown up	01ALL		0	13G	G11_016		Non-Converged Contingency	1195	0.10648	116.2267	'NORTHWEST - TATONGA7 345.00 345KV CKT 1'
NCONV	FNSL-Blown up	01ALL		0	13G	G11_016		Non-Converged Contingency	1775	0.10648	6.701664	'TATONGA7 345.00 - WOODWARD DISTRICT EHV 345KV CKT 1'
NCONV	FNSL-Blown up	02ALL		0	13G	G11_016		Non-Converged Contingency	1195	0.10057	89.21449	'NORTHWEST - TATONGA7 345.00 345KV CKT 1'
NCONV	FNSL-Blown up	03ALL		0	13G	G11_016		Non-Converged Contingency	1195	0.09088	78.9142	'NORTHWEST - TATONGA7 345.00 345KV CKT 1'
NCONV	FNSL-Blown up	03ALL		0	13G	G11_016		Non-Converged Contingency	1775	0.09088	47.56333	'TATONGA7 345.00 - WOODWARD DISTRICT EHV 345KV CKT 1'
NCONV	FNSL-Blown up	03ALL		0	13G	G11_016		Non-Converged Contingency	956	0.0892	46.23839	'HUNTERS7 345.00 - VIOLA 7 345.00 345KV CKT 1'
NCONV	FNSL-Blown up	03ALL		0	13G	G11_016		Non-Converged Contingency	1052	0.13728	73.8719	'FINNEY SWITCHING STATION - Hitchland Interchange 345KV CKT 1'
NCONV	FNSL-Blown up	03ALL		0	13G	G11_016		Non-Converged Contingency	1052	0.06782	22.06532	'Hitchland Interchange - POTTER COUNTY INTERCHANGE 345KV CKT 1'
NCONV	FNSL-Blown up	03ALL		0	13G	G11_016		Non-Converged Contingency	1052	0.13728	30.15398	'FINNEY SWITCHING STATION - HOLCOMB 345KV CKT 1'
NCONV	FNSL-Blown up	03ALL		0	13G	G11_016		Non-Converged Contingency	1792	0.16232	49.45027	'G11-17T 345.00 - POST ROCK 345KV CKT 1'
NCONV	FNSL-Blown up	03ALL		0	13G	G11_016		Non-Converged Contingency	1792	0.11043	32.65164	'AXTELL - POST ROCK 345KV CKT 1'
NCONV	FNSL-Blown up	03ALL		0	13G	G11_016		Non-Converged Contingency	319	0.04211	99.17691	'SMOKYHL6 230.00 - SUMMIT 230KV CKT 1'
NCONV	FNSL-Blown up	03ALL		0	13G	G11_016		Non-Converged Contingency	1328	0.05024	34.90823	'HOLCOMB - SETAB 345KV CKT 1'
NCONV	FNSL-Blown up	03ALL		0	13G	G11_016		Non-Converged Contingency	1328	0.20494	36.12886	'BUCKNER7 345.00 - HOLCOMB 345KV CKT 1'
NCONV	FNSL-Blown up	03ALL		0	13G	G11_016		Non-Converged Contingency	1328	0.05058	43.30291	'MINGO - SETAB 345KV CKT 1'
NCONV	FNSL-Blown up	03ALL		0	13G	G11_016		Non-Converged Contingency	717	0.05555	62.03905	'MINGO - RED WILLOW 345KV CKT 1'
NCONV	FNSL-Blown up	03ALL		0	13G	G11_016		Non-Converged Contingency	1195	0.1573	69.8401	'MULGREN7 345.00 - SPEARVILLE 345KV CKT 2'
NCONV	FNSL-Blown up	03ALL		0	13G	G11_016		Non-Converged Contingency	1792	0.16232	30.84333	'G11-17T 345.00 - SPEARVILLE 345KV CKT 1'
NCONV	FNSL-Blown up	03ALL		0	13G	G11_016		Non-Converged Contingency	1051	0.07123	22.12694	'JEFFREY ENERGY CENTER - SUMMIT 345KV CKT 1'
NCONV	FNSL-Blown up	03ALL		0	13G	G11_016		Non-Converged Contingency	956	0.04248	26.72794	'EMPORIA ENERGY CENTER - WICHITA 345KV CKT 1'
NCONV	FNSL-Blown up	03ALL		0	13G	G11_016		Non-Converged Contingency	1195	0.1573	69.83763	'MULGREN7 345.00 - RENO COUNTY 345KV CKT 2'
NCONV	FNSL-Blown up	03ALL		0	13G	G11_016		Non-Converged Contingency	956	0.11647	62.98875	'BENTON - ROSE HILL 345KV CKT 1'
NCONV	FNSL-Blown up	03ALL		0	13G	G11_016		Non-Converged Contingency	1792	0.10101	43.40387	'THISTLE7 345.00 - WICHITA 345KV CKT 1'
NCONV	FNSL-Blown up	03ALL		0	13G	G11_016		Non-Converged Contingency	1792	0.10101	43.40387	'THISTLE7 345.00 - WICHITA 345KV CKT 2'
NCONV	FNSL-Blown up	03ALL		0	13G	G11_016		Non-Converged Contingency	319	0.0458	100.0148	'CIRCLE - MULLERGREN 230KV CKT 1'
NCONV	FNSL-Blown up	03ALL		0	13G	G11_016		Non-Converged Contingency	355.3	0.06665	107.7076	'MULLERGREN - SPEARVILLE 230KV CKT 1'
NCONV	FNSL-Blown up	03ALL		0	13G	G11_016		Non-Converged Contingency	1793	0.18638	52.49322	'CLARKCOUNTY7345.00 - THISTLE7 345.00 345KV CKT 1'
NCONV	FNSL-Blown up	03ALL		0	13G	G11_016		Non-Converged Contingency	1793	0.18638	52.49322	'CLARKCOUNTY7345.00 - THISTLE7 345.00 345KV CKT 2'
NCONV	FNSL-Blown up	03ALL		0	13G	G11_016		Non-Converged Contingency	956	0.06304	47.97702	'AXTELL - PAULINE 345KV CKT 1'
NCONV	FNSL-Blown up	03ALL		0	13G	G11_016		Non-Converged Contingency	956	0.04329	28.00759	'GERALD GENTLEMAN STATION - RED WILLOW 345KV CKT 1'
NCONV	FNSL-Blown up	03ALL		0	13G	G11_016		Non-Converged Contingency	956	0.05574	42.82254	'MOORE - PAULINE 345KV CKT 1'
NCONV	FNSL-Blown up	03ALL		0	13G	G11_016		Non-Converged Contingency	559	0.06782	56.24506	'POTTER COUNTY INTERCHANGE (WAUK 90343-A) 345/230/13.2KV TRANSFORMER CKT 1'
NCONV	FNSL-Blown up	03ALL		0	13G	G11_016		Non-Converged Contingency	0	0.20201	9999	'DBL-WICH-THI'
NCONV	FNSL-Blown up	03ALL		0	13G	G11_016		Non-Converged Contingency	0	0.17191	9999	'DBL-THIS-WWR'
NCONV	FNSL-Blown up	03ALL		0	13G	G11_016		Non-Converged Contingency	0	0.37276	9999	'DBL-THIS-CLR'
NCONV	FNSL-Blown up	03ALL		0	13G	G11_016		Non-Converged Contingency	0	0.37276	9999	'DBL-SPRVL-CL'
NCONV	FNSL-Blown up	03ALL		0	13G	G11_016		Non-Converged Contingency	0	0.13728	9999	'SPP-SWPS-05'
NCONV	FNSL-Blown up	03ALL		0	13G	G11_016		Non-Converged Contingency	0	0.04946	9999	'WRTOD400'
NCONV	FNSL-Blown up	03ALL		0	13G	G11_016		Non-Converged Contingency	1195	0.1573	62.79412	'GEN532652 1-JEFFREY ENERGY CENTER UNIT 2'
NCONV	FNSL-Blown up	03ALL		0	13G	G11_016		Non-Converged Contingency	1195	0.1573	62.79412	'GEN532653 1-JEFFREY ENERGY CENTER UNIT 3'

EVENTTYPE	SOLUTIONTYPE	GROUP	SCENARIO	SEASON	SOURCE	DIRECTION	MONTCOMMONNAME	RATEB	TDF	TC%LOADI	CONTNAME	
NCONV	FNSL-Blown up	03ALL		0	13G	G11_016		Non-Converged Contingency	1195	0.1573	62.79412	'GEN532751 1-WOLF CREEK GENERATING STATION UNIT 1'
NCONV	FNSL-Blown up	03NR		0	13G	G11_016		Non-Converged Contingency	1792	0.07967	51.1622	'G11-17T 345.00 - POST ROCK 345KV CKT 1'
NCONV	FNSL-Blown up	03NR		0	13G	G11_016		Non-Converged Contingency	1328	0.46027	48.00869	'BUCKNER7 345.00 - HOLCOMB 345KV CKT 1'
NCONV	FNSL-Blown up	03NR		0	13G	G11_016		Non-Converged Contingency	0	0.03937	9999	'DBL-WICH-THI'
NCONV	FNSL-Blown up	03NR		0	13G	G11_016		Non-Converged Contingency	0	0.08448	9999	'DBL-THIS-WWR'
NCONV	FNSL-Blown up	03NR		0	13G	G11_016		Non-Converged Contingency	0	0.13931	9999	'DBL-THIS-CLR'
NCONV	FNSL-Blown up	03NR		0	13G	G11_016		Non-Converged Contingency	0	0.13931	9999	'DBL-SPRVL-CL'
NCONV	FNSL-Blown up	04ALL		0	13G	G11_016		Non-Converged Contingency	319	0.05919	108.1982	'SMOKYHL6 230.00 - SUMMIT 230KV CKT 1'
NCONV	FNSL-Blown up		3	0	13G	G11_016		Non-converged contingency	1792	0.19661	46.31664	'G11-17T 345.00 - POST ROCK 345KV CKT 1'
NCONV	FNSL-Blown up		3	0	13G	G11_016		Non-converged contingency	319	0.06689	98.66855	'CIRCLE - MULLERGREN 230KV CKT 1'
NCONV	FNSL-Blown up		3	0	13G	G11_016		Non-converged contingency	0	0.27326	9999	'DBL-WICH-THI'
NCONV	FNSL-Blown up		3	0	13G	G11_016		Non-converged contingency	0	0.448	9999	'DBL-THIS-CLR'
NCONV	FNSL-Blown up		3	0	13G	G11_016		Non-converged contingency	0	0.15655	9999	'SPP-SWPS-05'
	FDNS	03ALL		2	13G	G11_016	'TO->FROM'	'BENTON - WICHITA 345KV CKT 1'	932	0.19084	114.7705	'HUNTERS7 345.00 - WOODRING 345KV CKT 1'
	FDNS	03ALL		2	13G	G11_016	'TO->FROM'	'BENTON - WICHITA 345KV CKT 1'	932	0.19084	112.4898	'HUNTERS7 345.00 - VIOLA 7 345.00 345KV CKT 1'
NCONV	FNSL-Blown up	03ALL		2	13G	G11_016		Non-Converged Contingency	1052	0.12805	65.05273	'FINNEY SWITCHING STATION - Hitchland Interchange 345KV CKT 1'
	FDNS	03ALL		2	13G	G11_016	'TO->FROM'	'BENTON - WICHITA 345KV CKT 1'	932	0.19084	107.8205	'VIOLA 7 345.00 - WICHITA 345KV CKT 1'
ISLAND-GE	FDNS	00NR		0	13SP	G11_017	'FROM->TO'	'JUDSON LARGE 115/15.0KV TRANSFORMER	187	0.36804	111.5	'G11_020_1 345.00 - WOODWARD DISTRICT EHV 345KV CKT 1'
ISLAND-GE	FDNS	00NR		0	13SP	G11_017	'FROM->TO'	'JUDSON LARGE 115/15.0KV TRANSFORMER	187	0.36804	111.5	'G11_019_1 345.00 - WOODWARD DISTRICT EHV 345KV CKT 1'
ISLAND-GE	FDNS	00NR		0	13SP	G11_017	'FROM->TO'	'JUDSON LARGE 115/15.0KV TRANSFORMER	187	0.36804	112	'G11_022_1 345.00 - Hitchland Interchange 345KV CKT 1'
ISLAND-GE	FDNS	00NR		0	13SP	G11_017	'FROM->TO'	'JUDSON LARGE 115/15.0KV TRANSFORMER	187	0.36804	119.7	'G08-25 115.00 - RULETON 115KV CKT 1'
ISLAND-GE	FDNS	00NR		0	13SP	G11_017	'FROM->TO'	'JUDSON LARGE 115/15.0KV TRANSFORMER	187	0.36804	119.6	'G06-40 115.00 - MINGO 115KV CKT 1'
ISLAND-GE	FDNS	00NR		0	13SP	G11_017	'FROM->TO'	'JUDSON LARGE 115/15.0KV TRANSFORMER	187	0.36804	121.4	'G07-11 115.00 - SYRACUSE 115KV CKT 1'
ISLAND-GE	FDNS	00NR		0	13SP	G11_017	'FROM->TO'	'JUDSON LARGE 115/15.0KV TRANSFORMER	187	0.36804	130.5	'G08-17 345.00 - SETAB 345KV CKT 1'
ISLAND-GE	FDNS	00NR		0	13SP	G11_017	'FROM->TO'	'JUDSON LARGE 115/15.0KV TRANSFORMER	187	0.36804	125.3	'G10-15 345.00 - SPEARVILLE 345KV CKT 1'
ISLAND-GE	FDNS	00NR		0	13SP	G11_017	'FROM->TO'	'JUDSON LARGE 115/15.0KV TRANSFORMER	187	0.36804	124.7	'G08-124 345.00 - SPEARVILLE 345KV CKT 1'
ISLAND-GE	FDNS	00NR		0	13SP	G11_017	'FROM->TO'	'JUDSON LARGE 115/15.0KV TRANSFORMER	187	0.36804	127.3	'G05-12 345.00 - SPEARVILLE 345KV CKT 1'
ISLAND-GE	FDNS	00NR		0	13SP	G11_017	'FROM->TO'	'JUDSON LARGE 115/15.0KV TRANSFORMER	187	0.36804	125.3	'G06-06 345.00 - SPEARVILLE 345KV CKT 1'
ISLAND-GE	FDNS	00NR		0	13SP	G11_017	'FROM->TO'	'JUDSON LARGE 115/15.0KV TRANSFORMER	187	0.36804	226.8	'G11_016_1 345.00 - SPEARVILLE 345KV CKT 1'
ISLAND-GE	FDNS	00NR		0	13SP	G11_017	'FROM->TO'	'JUDSON LARGE 115/15.0KV TRANSFORMER	187	0.36804	124.7	'BUCKNER7 345.00 - G07-40 345.00 345KV CKT 1'
ISLAND-GE	FDNS	00NR		0	13SP	G11_017	'FROM->TO'	'JUDSON LARGE 115/15.0KV TRANSFORMER	187	0.36804	122.9	'BUCKNER7 345.00 - G10-09 345.00 345KV CKT 1'
ISLAND-GE	FDNS	00NR		0	13SP	G11_017	'FROM->TO'	'JUDSON LARGE 115/15.0KV TRANSFORMER	187	0.36804	225.8	'BUCKNER7 345.00 - G10-45 345.00 345KV CKT 1'
ISLAND-GE	FDNS	00NR		0	13SP	G11_017	'FROM->TO'	'JUDSON LARGE 115/15.0KV TRANSFORMER	187	0.36804	133.8	'FLAT RIDGE WIND - FLATRDG3 138KV CKT 1'
ISLAND-GE	FDNS	00NR		0	13SP	G11_017	'FROM->TO'	'JUDSON LARGE 115/15.0KV TRANSFORMER	187	0.36804	134	'MRWYP16 - MRWYP26 230KV CKT 1'
ISLAND-GE	FDNS	00NR		0	13SP	G11_017	'FROM->TO'	'JUDSON LARGE 115/15.0KV TRANSFORMER	187	0.36804	160.9	'ELM CREEK - MRWYP16 230KV CKT 1'
ISLAND-GE	FDNS	00NR		0	13SP	G11_017	'FROM->TO'	'JUDSON LARGE 115/15.0KV TRANSFORMER	187	0.36804	122.5	'G06-022 115.00 - NINNESEC3 115.00 115KV CKT 1'
ISLAND-GE	FDNS	00NR		0	13SP	G11_017	'FROM->TO'	'JUDSON LARGE 115/15.0KV TRANSFORMER	187	0.36804	102.4	'ALEXANDER - PRATT 115KV CKT 1'
ISLAND-GE	FDNS	00NR		0	13SP	G11_017	'FROM->TO'	'JUDSON LARGE 115/15.0KV TRANSFORMER	187	0.36804	122.2	'G04_014 230.00 - SPEARVILLE 230KV CKT 1'
ISLAND-GE	FDNS	00NR		0	13SP	G11_017	'FROM->TO'	'JUDSON LARGE 115/15.0KV TRANSFORMER	187	0.36804	119.7	'SSTARTP3 115.00 - SSTARW 3 115.00 115KV CKT 1'
ISLAND-GE	FDNS	00NR		0	13SP	G11_017	'FROM->TO'	'JUDSON LARGE 115/15.0KV TRANSFORMER	187	0.36804	124.4	'GRAY CO3 115.00 - GYCOTAP3 115.00 115KV CKT 1'
ISLAND-GE	FDNS	00NR		0	13SP	G11_017	'FROM->TO'	'JUDSON LARGE 115/15.0KV TRANSFORMER	187	0.36804	148.3	'CLARKCOUNTY7345.00 - G11-008 345.00 345KV CKT 1'
ISLAND-GE	FDNS	00NR		0	13SP	G11_017	'FROM->TO'	'JUDSON LARGE 115/15.0KV TRANSFORMER	187	0.36804	287.6	'CLARKCOUNTY7345.00 - G11_023_1 345.00 345KV CKT 1'
ISLAND-GE	FDNS	00NR		0	13SP	G11_017	'FROM->TO'	'JUDSON LARGE 115/15.0KV TRANSFORMER	187	0.36804	119	'G08-79 115.00 - G08-79T 115.00 115KV CKT 1'
ISLAND-GE	FDNS	00NR		0	13SP	G11_017	'FROM->TO'	'JUDSON LARGE 115/15.0KV TRANSFORMER	187	0.36804	288	'G11-17T 345.00 - G11_017_1 345.00 345KV CKT 1'
ISLAND-GE	FDNS	00NR		0	13SP	G11_017	'FROM->TO'	'JUDSON LARGE 115/15.0KV TRANSFORMER	187	0.36804	109.7	'TOLK STATION EAST 230/24.0KV TRANSFORMER CKT 1'
ISLAND-GE	FDNS	00NR		0	13SP	G11_017	'FROM->TO'	'JUDSON LARGE 115/15.0KV TRANSFORMER	187	0.36804	124.7	'SPEARVILLE 345/34.5KV TRANSFORMER CKT 1'
ISLAND-GE	FDNS	00NR		0	13SP	G11_017	'FROM->TO'	'JUDSON LARGE 115/15.0KV TRANSFORMER	187	0.36804	132.9	'COMANCHE COUNTY (CENTPLN3) 115/34.5/13.8KV TRANSFORMER CKT 1'
ISLAND-GE	FDNS	00NR		0	13SP	G11_017	'FROM->TO'	'JUDSON LARGE 115/15.0KV TRANSFORMER	187	0.36804	133.8	'FLAT RIDGE WIND (FLATRDG3) 138/34.53963/13.8KV TRANSFORMER CKT 1'
ISLAND-GE	FDNS	00NR		0	13SP	G11_017	'FROM->TO'	'JUDSON LARGE 115/15.0KV TRANSFORMER	187	0.36804	134	'MRWYP26 (MERDWP2) 230/34.5/13.8KV TRANSFORMER CKT 1'

EVENTTYPE	SOLUTIONTYPE	GROUP	SCENARIO	SEASON	SOURCE	DIRECTION	MONTCOMMONNAME	RATEB	TDF	TC%LOADI	CONTNAME
ISLAND-GE	FDNS	00NR	0	18WP	G11_017	'FROM->T'	JUDSON LARGE 115/15.0KV TRANSFORMER	187	0.36542	225.8	'G11_016_1 345.00 - SPEARVILLE 345KV CKT 1'
ISLAND-GE	FDNS	00NR	0	18WP	G11_017	'FROM->T'	JUDSON LARGE 115/15.0KV TRANSFORMER	187	0.36542	124	'BUCKNER7 345.00 - G07-40 345.00 345KV CKT 1'
ISLAND-GE	FDNS	00NR	0	18WP	G11_017	'FROM->T'	JUDSON LARGE 115/15.0KV TRANSFORMER	187	0.36542	122.1	'BUCKNER7 345.00 - G10-09 345.00 345KV CKT 1'
ISLAND-GE	FDNS	00NR	0	18WP	G11_017	'FROM->T'	JUDSON LARGE 115/15.0KV TRANSFORMER	187	0.36542	224.8	'BUCKNER7 345.00 - G10-45 345.00 345KV CKT 1'
ISLAND-GE	FDNS	00NR	0	18WP	G11_017	'FROM->T'	JUDSON LARGE 115/15.0KV TRANSFORMER	187	0.36542	132.9	'FLAT RIDGE WIND - FLATRDG3 138KV CKT 1'
ISLAND-GE	FDNS	00NR	0	18WP	G11_017	'FROM->T'	JUDSON LARGE 115/15.0KV TRANSFORMER	187	0.36542	133.1	'MRWYP16 - MRWYP26 230KV CKT 1'
ISLAND-GE	FDNS	00NR	0	18WP	G11_017	'FROM->T'	JUDSON LARGE 115/15.0KV TRANSFORMER	187	0.36542	160.1	'ELM CREEK - MRWYP16 230KV CKT 1'
ISLAND-GE	FDNS	00NR	0	18WP	G11_017	'FROM->T'	JUDSON LARGE 115/15.0KV TRANSFORMER	187	0.36542	121.8	'G06-022 115.00 - NINNES3 115.00 115KV CKT 1'
ISLAND-GE	FDNS	00NR	0	18WP	G11_017	'FROM->T'	JUDSON LARGE 115/15.0KV TRANSFORMER	187	0.36542	101.7	'ALEXANDER - PRATT 115KV CKT 1'
ISLAND-GE	FDNS	00NR	0	18WP	G11_017	'FROM->T'	JUDSON LARGE 115/15.0KV TRANSFORMER	187	0.36542	121.6	'G04_014 230.00 - SPEARVILLE 230KV CKT 1'
ISLAND-GE	FDNS	00NR	0	18WP	G11_017	'FROM->T'	JUDSON LARGE 115/15.0KV TRANSFORMER	187	0.36542	118.8	'SSTARTP3 115.00 - SSTARW 3 115.00 115KV CKT 1'
ISLAND-GE	FDNS	00NR	0	18WP	G11_017	'FROM->T'	JUDSON LARGE 115/15.0KV TRANSFORMER	187	0.36542	123.7	'GRAY CO3 115.00 - GYCOTAP3 115.00 115KV CKT 1'
ISLAND-GE	FDNS	00NR	0	18WP	G11_017	'FROM->T'	JUDSON LARGE 115/15.0KV TRANSFORMER	187	0.36542	147.4	'CLARKCOUNTY7345.00 - G11-008 345.00 345KV CKT 1'
ISLAND-GE	FDNS	00NR	0	18WP	G11_017	'FROM->T'	JUDSON LARGE 115/15.0KV TRANSFORMER	187	0.36542	286.5	'CLARKCOUNTY7345.00 - G11_023_1 345.00 345KV CKT 1'
ISLAND-GE	FDNS	00NR	0	18WP	G11_017	'FROM->T'	JUDSON LARGE 115/15.0KV TRANSFORMER	187	0.36542	118.5	'G08-79 115.00 - G08-79T 115.00 115KV CKT 1'
ISLAND-GE	FDNS	00NR	0	18WP	G11_017	'FROM->T'	JUDSON LARGE 115/15.0KV TRANSFORMER	187	0.36542	287.2	'G11-17T 345.00 - G11_017_1 345.00 345KV CKT 1'
ISLAND-GE	FDNS	00NR	0	18WP	G11_017	'FROM->T'	JUDSON LARGE 115/15.0KV TRANSFORMER	187	0.36542	108.6	'TOLK STATION EAST 230/24.0KV TRANSFORMER CKT 1'
ISLAND-GE	FDNS	00NR	0	18WP	G11_017	'FROM->T'	JUDSON LARGE 115/15.0KV TRANSFORMER	187	0.36542	124	'SPEARVILLE 345/34.5KV TRANSFORMER CKT 1'
ISLAND-GE	FDNS	00NR	0	18WP	G11_017	'FROM->T'	JUDSON LARGE 115/15.0KV TRANSFORMER	187	0.36542	132.3	'COMANCHE COUNTY (CENTPLN3) 115/34.5/13.8KV TRANSFORMER CKT 1'
ISLAND-GE	FDNS	00NR	0	18WP	G11_017	'FROM->T'	JUDSON LARGE 115/15.0KV TRANSFORMER	187	0.36542	132.9	'FLAT RIDGE WIND (FLATRDG3) 138/34.53963/13.8KV TRANSFORMER CKT 1'
ISLAND-GE	FDNS	00NR	0	18WP	G11_017	'FROM->T'	JUDSON LARGE 115/15.0KV TRANSFORMER	187	0.36542	133.1	'MRWYP26 (MERDWYP2) 230/34.5/13.8KV TRANSFORMER CKT 1'
ISLAND-GE	FDNS	00NR	0	18WP	G11_017	'FROM->T'	JUDSON LARGE 115/15.0KV TRANSFORMER	187	0.36542	139.2	'MRWYP16 (MERIDWY1) 230/34.5/13.8KV TRANSFORMER CKT 1'
ISLAND-GE	FDNS	00NR	0	18WP	G11_017	'FROM->T'	JUDSON LARGE 115/15.0KV TRANSFORMER	187	0.36542	130.1	'MULLERGREN 115/13.8KV TRANSFORMER CKT 1'
ISLAND-GE	FDNS	00NR	0	18WP	G11_017	'FROM->T'	JUDSON LARGE 115/15.0KV TRANSFORMER	187	0.36542	119.3	'SSTARW 3 115.00 (SSWIND) 115/34.5/13.8KV TRANSFORMER CKT 1'
ISLAND-GE	FDNS	00NR	0	18WP	G11_017	'FROM->T'	JUDSON LARGE 115/15.0KV TRANSFORMER	187	0.36542	123.7	'GRAY CO3 115.00 (HAGGARD3) 115/34.5/13.8KV TRANSFORMER CKT 1'
ISLAND-GE	FDNS	00NR	0	18WP	G11_017	'FROM->T'	JUDSON LARGE 115/15.0KV TRANSFORMER	187	0.36542	129.6	'G08-17 345.00 345/34.5KV TRANSFORMER CKT 1'
ISLAND-GE	FDNS	00NR	0	18WP	G11_017	'FROM->T'	JUDSON LARGE 115/15.0KV TRANSFORMER	187	0.36542	123.9	'G07-40 345.00 345/34.5KV TRANSFORMER CKT 1'
ISLAND-GE	FDNS	00NR	0	18WP	G11_017	'FROM->T'	JUDSON LARGE 115/15.0KV TRANSFORMER	187	0.36542	118.5	'G08-79 115.00 115/34.5KV TRANSFORMER CKT 1'
ISLAND-GE	FDNS	00NR	0	18WP	G11_017	'FROM->T'	JUDSON LARGE 115/15.0KV TRANSFORMER	187	0.36542	122.1	'G10-09 345.00 345/34.5KV TRANSFORMER CKT 1'
ISLAND-GE	FDNS	00NR	0	18WP	G11_017	'FROM->T'	JUDSON LARGE 115/15.0KV TRANSFORMER	187	0.36542	118.4	'G10-15 345.00 345/34.5KV TRANSFORMER CKT 1'
ISLAND-GE	FDNS	00NR	0	18WP	G11_017	'FROM->T'	JUDSON LARGE 115/15.0KV TRANSFORMER	187	0.36542	118.8	'G10-15 345.00 345/34.5KV TRANSFORMER CKT 1'
ISLAND-GE	FDNS	00NR	0	18WP	G11_017	'FROM->T'	JUDSON LARGE 115/15.0KV TRANSFORMER	187	0.36542	119.1	'G08-25 115.00 115/34.5KV TRANSFORMER CKT 1'
ISLAND-GE	FDNS	00NR	0	18WP	G11_017	'FROM->T'	JUDSON LARGE 115/15.0KV TRANSFORMER	187	0.36542	224.8	'G10-45 345.00 345/34.5KV TRANSFORMER CKT 1'
ISLAND-GE	FDNS	00NR	0	18WP	G11_017	'FROM->T'	JUDSON LARGE 115/15.0KV TRANSFORMER	187	0.36542	121.6	'G04_014 230.00 230/34.5KV TRANSFORMER CKT 1'
ISLAND-GE	FDNS	00NR	0	18WP	G11_017	'FROM->T'	JUDSON LARGE 115/15.0KV TRANSFORMER	187	0.36542	126.6	'G05-12 345.00 345/34.5KV TRANSFORMER CKT 1'
ISLAND-GE	FDNS	00NR	0	18WP	G11_017	'FROM->T'	JUDSON LARGE 115/15.0KV TRANSFORMER	187	0.36542	124.6	'G06-06 345.00 345/34.5KV TRANSFORMER CKT 1'
ISLAND-GE	FDNS	00NR	0	18WP	G11_017	'FROM->T'	JUDSON LARGE 115/15.0KV TRANSFORMER	187	0.36542	121.8	'G06-022 115.00 115/34.5KV TRANSFORMER CKT 1'
ISLAND-GE	FDNS	00NR	0	18WP	G11_017	'FROM->T'	JUDSON LARGE 115/15.0KV TRANSFORMER	187	0.36542	119	'G06-40 115.00 115/34.5KV TRANSFORMER CKT 1'
ISLAND-GE	FDNS	00NR	0	18WP	G11_017	'FROM->T'	JUDSON LARGE 115/15.0KV TRANSFORMER	187	0.36542	120.7	'G07-11 115.00 115/34.5KV TRANSFORMER CKT 1'
ISLAND-GE	FDNS	00NR	0	18WP	G11_017	'FROM->T'	JUDSON LARGE 115/15.0KV TRANSFORMER	187	0.36542	124.1	'G11-008 345.00 345/34.5KV TRANSFORMER CKT 1'
ISLAND-GE	FDNS	00NR	0	18WP	G11_017	'FROM->T'	JUDSON LARGE 115/15.0KV TRANSFORMER	187	0.36542	121.2	'G11-008 345.00 345/34.5KV TRANSFORMER CKT 1'
ISLAND-GE	FDNS	00NR	0	18WP	G11_017	'FROM->T'	JUDSON LARGE 115/15.0KV TRANSFORMER	187	0.36542	121.1	'G11-008 345.00 345/34.5KV TRANSFORMER CKT 1'
ISLAND-GE	FDNS	00NR	0	18WP	G11_017	'FROM->T'	JUDSON LARGE 115/15.0KV TRANSFORMER	187	0.36542	119.4	'G11-008 345.00 345/34.5KV TRANSFORMER CKT 1'
ISLAND-GE	FDNS	00NR	0	18WP	G11_017	'FROM->T'	JUDSON LARGE 115/15.0KV TRANSFORMER	187	0.36542	286.5	'G11_023_1 345.00 345/34.5KV TRANSFORMER CKT 1'
ISLAND-GE	FDNS	00NR	0	18WP	G11_017	'FROM->T'	JUDSON LARGE 115/15.0KV TRANSFORMER	187	0.36542	110.7	'G11_020_1 345.00 345/34.5KV TRANSFORMER CKT 1'
ISLAND-GE	FDNS	00NR	0	18WP	G11_017	'FROM->T'	JUDSON LARGE 115/15.0KV TRANSFORMER	187	0.36542	110.7	'G11_019_1 345.00 345/34.5KV TRANSFORMER CKT 1'
ISLAND-GE	FDNS	00NR	0	18WP	G11_017	'FROM->T'	JUDSON LARGE 115/15.0KV TRANSFORMER	187	0.36542	287.2	'G11_017_1 345.00 345/34.5KV TRANSFORMER CKT 1'
ISLAND-GE	FDNS	00NR	0	18WP	G11_017	'FROM->T'	JUDSON LARGE 115/15.0KV TRANSFORMER	187	0.36542	225.8	'G11_016_1 345.00 345/34.5KV TRANSFORMER CKT 1'
NCONV	FNSL-Blown up	01ALL	0	13G	G11_017		Non-Converged Contingency	1195	0.09304	116.2267	'NORTHWEST - TATONGA7 345.00 345KV CKT 1'

EVENTTYPE	SOLUTIONTYPE	GROUP	SCENARIO	SEASON	SOURCE	DIRECTION	MONTCOMMONNAME	RATEB	TDF	TC%LOADI	CONTNAME
NCONV	FNSL-Blown up	01ALL		0	13G	G11_017	Non-Converged Contingency	1775	0.09304	6.701664	'TATONGA7 345.00 - WOODWARD DISTRICT EHV 345KV CKT 1'
NCONV	FNSL-Blown up	02ALL		0	13G	G11_017	Non-Converged Contingency	1195	0.08712	89.21449	'NORTHWEST - TATONGA7 345.00 345KV CKT 1'
NCONV	FNSL-Blown up	03ALL		0	13G	G11_017	Non-Converged Contingency	1195	0.07984	78.9142	'NORTHWEST - TATONGA7 345.00 345KV CKT 1'
NCONV	FNSL-Blown up	03ALL		0	13G	G11_017	Non-Converged Contingency	1775	0.07984	47.56333	'TATONGA7 345.00 - WOODWARD DISTRICT EHV 345KV CKT 1'
NCONV	FNSL-Blown up	03ALL		0	13G	G11_017	Non-Converged Contingency	956	0.08678	46.23839	'HUNTERS7 345.00 - VIOLA 7 345.00 345KV CKT 1'
NCONV	FNSL-Blown up	03ALL		0	13G	G11_017	Non-Converged Contingency	1052	0.12896	73.8719	'FINNEY SWITCHING STATION - Hitchland Interchange 345KV CKT 1'
NCONV	FNSL-Blown up	03ALL		0	13G	G11_017	Non-Converged Contingency	1052	0.06555	22.06532	'Hitchland Interchange - POTTER COUNTY INTERCHANGE 345KV CKT 1'
NCONV	FNSL-Blown up	03ALL		0	13G	G11_017	Non-Converged Contingency	1052	0.12896	30.15398	'FINNEY SWITCHING STATION - HOLCOMB 345KV CKT 1'
NCONV	FNSL-Blown up	03ALL		0	13G	G11_017	Non-Converged Contingency	1792	0.37456	49.45027	'G11-17T 345.00 - POST ROCK 345KV CKT 1'
NCONV	FNSL-Blown up	03ALL		0	13G	G11_017	Non-Converged Contingency	1792	0.19034	32.65164	'AXTELL - POST ROCK 345KV CKT 1'
NCONV	FNSL-Blown up	03ALL		0	13G	G11_017	Non-Converged Contingency	319	0.08472	99.17691	'SMOKYHL6 230.00 - SUMMIT 230KV CKT 1'
NCONV	FNSL-Blown up	03ALL		0	13G	G11_017	Non-Converged Contingency	1328	0.15531	36.12886	'BUCKNER7 345.00 - HOLCOMB 345KV CKT 1'
NCONV	FNSL-Blown up	03ALL		0	13G	G11_017	Non-Converged Contingency	1195	0.11837	69.8401	'MULGREN7 345.00 - SPEARVILLE 345KV CKT 2'
NCONV	FNSL-Blown up	03ALL		0	13G	G11_017	Non-Converged Contingency	1051	0.06927	22.12694	'JEFFREY ENERGY CENTER - SUMMIT 345KV CKT 1'
NCONV	FNSL-Blown up	03ALL		0	13G	G11_017	Non-Converged Contingency	1195	0.11837	69.83763	'MULGREN7 345.00 - RENO COUNTY 345KV CKT 2'
NCONV	FNSL-Blown up	03ALL		0	13G	G11_017	Non-Converged Contingency	956	0.10774	62.98875	'BENTON - ROSE HILL 345KV CKT 1'
NCONV	FNSL-Blown up	03ALL		0	13G	G11_017	Non-Converged Contingency	1792	0.07658	43.40387	'THISTLE7 345.00 - WICHITA 345KV CKT 1'
NCONV	FNSL-Blown up	03ALL		0	13G	G11_017	Non-Converged Contingency	1792	0.07658	43.40387	'THISTLE7 345.00 - WICHITA 345KV CKT 2'
NCONV	FNSL-Blown up	03ALL		0	13G	G11_017	Non-Converged Contingency	319	0.05819	100.0148	'CIRCLE - MULLERGREN 230KV CKT 1'
NCONV	FNSL-Blown up	03ALL		0	13G	G11_017	Non-Converged Contingency	1793	0.15328	52.49322	'CLARKCOUNTY7345.00 - THISTLE7 345.00 345KV CKT 1'
NCONV	FNSL-Blown up	03ALL		0	13G	G11_017	Non-Converged Contingency	1793	0.15328	52.49322	'CLARKCOUNTY7345.00 - THISTLE7 345.00 345KV CKT 2'
NCONV	FNSL-Blown up	03ALL		0	13G	G11_017	Non-Converged Contingency	956	0.09246	47.97702	'AXTELL - PAULINE 345KV CKT 1'
NCONV	FNSL-Blown up	03ALL		0	13G	G11_017	Non-Converged Contingency	956	0.07935	42.82254	'MOORE - PAULINE 345KV CKT 1'
NCONV	FNSL-Blown up	03ALL		0	13G	G11_017	Non-Converged Contingency	559	0.06555	56.24506	'POTTER COUNTY INTERCHANGE (WAUK 90343-A) 345/230/13.2KV TRANSFORMER CKT 1'
NCONV	FNSL-Blown up	03ALL		0	13G	G11_017	Non-Converged Contingency	0	0.15315	9999	'DBL-WICH-THI'
NCONV	FNSL-Blown up	03ALL		0	13G	G11_017	Non-Converged Contingency	0	0.15856	9999	'DBL-THIS-WWR'
NCONV	FNSL-Blown up	03ALL		0	13G	G11_017	Non-Converged Contingency	0	0.30655	9999	'DBL-THIS-CLR'
NCONV	FNSL-Blown up	03ALL		0	13G	G11_017	Non-Converged Contingency	0	0.30655	9999	'DBL-SPRVL-CL'
NCONV	FNSL-Blown up	03ALL		0	13G	G11_017	Non-Converged Contingency	0	0.03252	9999	'TRF-STEGALL'
NCONV	FNSL-Blown up	03ALL		0	13G	G11_017	Non-Converged Contingency	0	0.12896	9999	'SPP-SWPS-05'
NCONV	FNSL-Blown up	03ALL		0	13G	G11_017	Non-Converged Contingency	0	0.04597	9999	'WRTOD400'
NCONV	FNSL-Blown up	03ALL		0	13G	G11_017	Non-Converged Contingency	1195	0.11837	62.79412	'GEN532652 1-JEFFREY ENERGY CENTER UNIT 2'
NCONV	FNSL-Blown up	03ALL		0	13G	G11_017	Non-Converged Contingency	1195	0.11837	62.79412	'GEN532653 1-JEFFREY ENERGY CENTER UNIT 3'
NCONV	FNSL-Blown up	03ALL		0	13G	G11_017	Non-Converged Contingency	1195	0.11837	62.79412	'GEN532751 1-WOLF CREEK GENERATING STATION UNIT 1'
NCONV	FNSL-Blown up	03NR		0	13G	G11_017	Non-Converged Contingency	1792	0.28355	51.1622	'G11-17T 345.00 - POST ROCK 345KV CKT 1'
NCONV	FNSL-Blown up	03NR		0	13G	G11_017	Non-Converged Contingency	1328	0.40392	48.00869	'BUCKNER7 345.00 - HOLCOMB 345KV CKT 1'
NCONV	FNSL-Blown up	03NR		0	13G	G11_017	Non-Converged Contingency	0	0.07033	9999	'DBL-THIS-WWR'
NCONV	FNSL-Blown up	03NR		0	13G	G11_017	Non-Converged Contingency	0	0.0549	9999	'DBL-THIS-CLR'
NCONV	FNSL-Blown up	03NR		0	13G	G11_017	Non-Converged Contingency	0	0.0549	9999	'DBL-SPRVL-CL'
NCONV	FDNS	04ALL		0	13G	G11_017	'FROM->TO SMOKYHL6 230.00 - SUMMIT 230KV CKT 1'	319	0.21113	107.0756	'G11-17T 345.00 - SPEARVILLE 345KV CKT 1'
NCONV	FNSL-Blown up	04ALL		0	13G	G11_017	Non-Converged Contingency	319	0.09787	108.1982	'SMOKYHL6 230.00 - SUMMIT 230KV CKT 1'
NCONV	FNSL-Blown up	3		0	13G	G11_017	Non-converged contingency	1792	0.40048	46.31664	'G11-17T 345.00 - POST ROCK 345KV CKT 1'
NCONV	FNSL-Blown up	3		0	13G	G11_017	Non-converged contingency	319	0.0743	98.66855	'CIRCLE - MULLERGREN 230KV CKT 1'
NCONV	FNSL-Blown up	3		0	13G	G11_017	Non-converged contingency	0	0.20735	9999	'DBL-WICH-THI'
NCONV	FNSL-Blown up	3		0	13G	G11_017	Non-converged contingency	0	0.36359	9999	'DBL-THIS-CLR'
NCONV	FNSL-Blown up	3		0	13G	G11_017	Non-converged contingency	0	0.14407	9999	'SPP-SWPS-05'
NCONV	FNSL-Blown up	03ALL		2	13G	G11_017	Non-Converged Contingency	1052	0.12199	65.05273	'FINNEY SWITCHING STATION - Hitchland Interchange 345KV CKT 1'
NCONV	FNSL-Blown up	01ALL		0	13G	G11_018	Non-Converged Contingency	1195	0.03339	116.2267	'NORTHWEST - TATONGA7 345.00 345KV CKT 1'

EVENTTYPE	SOLUTIONTYPE	GROUP	SCENARIO	SEASON	SOURCE	DIRECTION	MONTCOMMONNAME	RATEB	TDF	TC%LOADI	CONTNAME	
NCONV	FNSL-Blown up	01ALL		0	13G	G11_018		Non-Converged Contingency	1775	0.03339	6.701664	'TATONGA7 345.00 - WOODWARD DISTRICT EHV 345KV CKT 1'
NCONV	FNSL-Blown up	03ALL		0	13G	G11_018		Non-Converged Contingency	956	0.0641	46.23839	'HUNTERS7 345.00 - VIOLA 7 345.00 345KV CKT 1'
NCONV	FNSL-Blown up	03ALL		0	13G	G11_018		Non-Converged Contingency	1052	0.08038	73.8719	'FINNEY SWITCHING STATION - Hitchland Interchange 345KV CKT 1'
NCONV	FNSL-Blown up	03ALL		0	13G	G11_018		Non-Converged Contingency	1052	0.05376	22.06532	'Hitchland Interchange - POTTER COUNTY INTERCHANGE 345KV CKT 1'
NCONV	FNSL-Blown up	03ALL		0	13G	G11_018		Non-Converged Contingency	1052	0.08038	30.15398	'FINNEY SWITCHING STATION - HOLCOMB 345KV CKT 1'
NCONV	FNSL-Blown up	03ALL		0	13G	G11_018		Non-Converged Contingency	956	0.04739	62.98875	'BENTON - ROSE HILL 345KV CKT 1'
NCONV	FNSL-Blown up	03ALL		0	13G	G11_018		Non-Converged Contingency	1793	0.03636	52.49322	'CLARKCOUNTY7345.00 - THISTLE7 345.00 345KV CKT 1'
NCONV	FNSL-Blown up	03ALL		0	13G	G11_018		Non-Converged Contingency	1793	0.03636	52.49322	'CLARKCOUNTY7345.00 - THISTLE7 345.00 345KV CKT 2'
NCONV	FNSL-Blown up	03ALL		0	13G	G11_018		Non-Converged Contingency	559	0.05376	56.24506	'POTTER COUNTY INTERCHANGE (WAUK 90343-A) 345/230/13.2KV TRANSFORMER CKT 1'
NCONV	FNSL-Blown up	03ALL		0	13G	G11_018		Non-Converged Contingency	0	0.10316	9999	'DBL-THIS-WWR'
NCONV	FNSL-Blown up	03ALL		0	13G	G11_018		Non-Converged Contingency	0	0.07271	9999	'DBL-THIS-CLR'
NCONV	FNSL-Blown up	03ALL		0	13G	G11_018		Non-Converged Contingency	0	0.07271	9999	'DBL-SPRVL-CL'
NCONV	FNSL-Blown up	03ALL		0	13G	G11_018		Non-Converged Contingency	0	0.08038	9999	'SPP-SWPS-05'
NCONV	FNSL-Blown up	04ALL		0	13G	G11_018		Non-Converged Contingency	319	0.09905	41.30514	'ELM CREEK - NORTHWEST MANHATTAN 230KV CKT 1'
NCONV	FNSL-Blown up		3	0	13G	G11_018		Non-converged contingency	0	0.07559	9999	'DBL-THIS-CLR'
NCONV	FNSL-Blown up		3	0	13G	G11_018		Non-converged contingency	0	0.08309	9999	'SPP-SWPS-05'
NCONV	FNSL-Blown up	03ALL		2	13G	G11_018		Non-Converged Contingency	1052	0.08014	65.05273	'FINNEY SWITCHING STATION - Hitchland Interchange 345KV CKT 1'
	FDNS	00NR		0	13SP	G11_019	'TO->FRON	'NORTHWEST - TATONGA7 345.00 345KV C	1195	0.37383	101.6989	'DBL-WICH-THI'
	FDNS	00NR		0	13WP	G11_019	'TO->FRON	'NORTHWEST - TATONGA7 345.00 345KV C	1195	0.3819	104.0593	'DBL-WICH-THI'
	FDNS	00NR		0	18WP	G11_019	'TO->FRON	'NORTHWEST - TATONGA7 345.00 345KV C	1195	0.37391	101.2301	'DBL-WICH-THI'
	FDNS	01ALL		0	13G	G11_019	'TO->FRON	'NORTHWEST - TATONGA7 345.00 345KV C	1195	0.2481	116.2267	'BASE CASE'
CONT-TOD	FDNS	01ALL		0	13G	G11_019	'TO->FRON	'NORTHWEST - TATONGA7 345.00 345KV C	1195	0.24786	116.5673	'DOLET HILLS - SOUTHWEST SHREVEPORT 345KV CKT 1'
INVALID	FDNS	01ALL		0	13G	G11_019	'TO->FRON	'NORTHWEST - TATONGA7 345.00 345KV C	1195	0.24797	115.6669	'FLINT CREEK - SILOAM SPRINGS TAP 345KV CKT 1'
	FDNS	01ALL		0	13G	G11_019	'TO->FRON	'NORTHWEST - TATONGA7 345.00 345KV C	1195	0.24797	115.57	'FLINT CREEK - SUB 383 - MONETT 345KV CKT 1'
	FDNS	01ALL		0	13G	G11_019	'TO->FRON	'NORTHWEST - TATONGA7 345.00 345KV C	1195	0.24805	115.4374	'CHAMBER SPRINGS - CLARKSVILLE 345KV CKT 1'
	FDNS	01ALL		0	13G	G11_019	'TO->FRON	'NORTHWEST - TATONGA7 345.00 345KV C	1195	0.2476	115.7317	'LYDIA - WELSH 345KV CKT 1'
	FDNS	01ALL		0	13G	G11_019	'TO->FRON	'NORTHWEST - TATONGA7 345.00 345KV C	1195	0.2461	113.926	'LYDIA - VALLIANT 345KV CKT 1'
INVALID	FDNS	01ALL		0	13G	G11_019	'TO->FRON	'NORTHWEST - TATONGA7 345.00 345KV C	1195	0.2481	115.0375	'EASTDC - WELSH 345KV CKT 1'
	FDNS	01ALL		0	13G	G11_019	'TO->FRON	'NORTHWEST - TATONGA7 345.00 345KV C	1195	0.24827	115.8748	'CLARKSVILLE - MUSKOGEE 345KV CKT 1'
	FDNS	01ALL		0	13G	G11_019	'TO->FRON	'NORTHWEST - TATONGA7 345.00 345KV C	1195	0.24529	114.5614	'REDBUD - RIVERSIDE STATION 345KV CKT 1'
	FDNS	01ALL		0	13G	G11_019	'TO->FRON	'NORTHWEST - TATONGA7 345.00 345KV C	1195	0.24878	114.3538	'DELAWARE - NORTHEAST STATION 345KV CKT 1'
	FDNS	01ALL		0	13G	G11_019	'TO->FRON	'NORTHWEST - TATONGA7 345.00 345KV C	1195	0.24871	115.1262	'DELAWARE - NEOSHO 345KV CKT 1'
	FDNS	01ALL		0	13G	G11_019	'TO->FRON	'NORTHWEST - TATONGA7 345.00 345KV C	1195	0.24719	115.1887	'PITTSBURG - VALLIANT 345KV CKT 1'
	FDNS	01ALL		0	13G	G11_019	'TO->FRON	'NORTHWEST - TATONGA7 345.00 345KV C	1195	0.24679	114.9977	'PITTSBURG - SEMINOLE 345KV CKT 1'
	FDNS	01ALL		0	13G	G11_019	'TO->FRON	'NORTHWEST - TATONGA7 345.00 345KV C	1195	0.2495	117.1441	'CLINTON AIR FORCE BASE TAP - ELK CITY 138KV CKT 1'
	FDNS	01ALL		0	13G	G11_019	'TO->FRON	'NORTHWEST - TATONGA7 345.00 345KV C	1195	0.2495	117.1061	'CLINTON AIR FORCE BASE TAP - HOBART JUNCTION 138KV CKT 1'
INVALID	FDNS	01ALL		0	13G	G11_019	'TO->FRON	'NORTHWEST - TATONGA7 345.00 345KV C	1195	0.25874	126.4871	'LAWTON EASTSIDE - OKLAUNION 345KV CKT 1'
	FDNS	01ALL		0	13G	G11_019	'TO->FRON	'NORTHWEST - TATONGA7 345.00 345KV C	1195	0.25874	119.5969	'OKLAUNION - TUCO INTERCHANGE 345KV CKT 1'
	FDNS	01ALL		0	13G	G11_019	'TO->FRON	'NORTHWEST - TATONGA7 345.00 345KV C	1195	0.24999	117.4259	'CLINTON JUNCTION - ELK CITY 138KV CKT 1'
	FDNS	01ALL		0	13G	G11_019	'TO->FRON	'NORTHWEST - TATONGA7 345.00 345KV C	1195	0.24957	117.1202	'ELK CITY - RED HILLS WIND 138KV CKT 1'
	FDNS	01ALL		0	13G	G11_019	'TO->FRON	'NORTHWEST - TATONGA7 345.00 345KV C	1195	0.24932	117.4005	'LAWTON EASTSIDE - SUNNYSIDE 345KV CKT 1'
	FDNS	01ALL		0	13G	G11_019	'TO->FRON	'NORTHWEST - TATONGA7 345.00 345KV C	1195	0.24747	115.0566	'GRACEMONT - LAWTON EASTSIDE 345KV CKT 1'
	FDNS	01ALL		0	13G	G11_019	'TO->FRON	'NORTHWEST - TATONGA7 345.00 345KV C	1195	0.24862	116.6433	'WEATHERFORD JCT. - WEATHERFORD SOUTHEAST 138KV CKT 1'
	FDNS	01ALL		0	13G	G11_019	'TO->FRON	'NORTHWEST - TATONGA7 345.00 345KV C	1195	0.24903	118.2867	'ELK CITY 230KV - SWEETWATER 230KV CKT 1'
	FDNS	01ALL		0	13G	G11_019	'TO->FRON	'NORTHWEST - TATONGA7 345.00 345KV C	1195	0.2484	116.6166	'WEATHERFORD TAP - WEATHERFORD WIND FARM 138KV CKT 1'
	FDNS	01ALL		0	13G	G11_019	'TO->FRON	'NORTHWEST - TATONGA7 345.00 345KV C	1195	0.24903	116.2317	'STATELINE INTERCHANGE - SWEETWATER 230KV CKT &1'
	FDNS	01ALL		0	13G	G11_019	'TO->FRON	'NORTHWEST - TATONGA7 345.00 345KV C	1195	0.24841	116.6239	'MCLEAN RURAL SUB - SHAMROCK 115KV CKT 1'
INVALID	FDNS	01ALL		0	13G	G11_019	'TO->FRON	'NORTHWEST - TATONGA7 345.00 345KV C	1195	0.24794	115.5255	'GRDA1 - SILOAM SPRINGS TAP 345KV CKT 1'

EVENTTYPE	SOLUTIONTYPE	GROUP	SCENARIO	SEASON	SOURCE	DIRECTION	MONTH	COMMONNAME	RATEB	TDF	TC%LOAD1	CONTNAME
FDNS	01ALL	0	13G	G11_019	'TO->FRON	'NORTHWEST - TATONGA7	345.00	345KV	1195	0.2481	116.6224	'GEN335202 1-NELSON UNIT 2'
FDNS	01ALL	0	13G	G11_019	'TO->FRON	'NORTHWEST - TATONGA7	345.00	345KV	1195	0.2481	116.6035	'GEN335203 1-NELSON UNIT 3'
FDNS	01ALL	0	13G	G11_019	'TO->FRON	'NORTHWEST - TATONGA7	345.00	345KV	1195	0.2481	117.519	'GEN335204 1-NELSON UNIT 4'
FDNS	01ALL	0	13G	G11_019	'TO->FRON	'NORTHWEST - TATONGA7	345.00	345KV	1195	0.2481	118.3984	'GEN335206 1-NELSON UNIT 6'
FDNS	01ALL	0	13G	G11_019	'TO->FRON	'NORTHWEST - TATONGA7	345.00	345KV	1195	0.2481	116.9664	'GEN335370 1-1ACADIA_S26 16.000
FDNS	01ALL	0	13G	G11_019	'TO->FRON	'NORTHWEST - TATONGA7	345.00	345KV	1195	0.2481	116.9441	'GEN335371 1-1ACADIA_C25 18.000
FDNS	01ALL	0	13G	G11_019	'TO->FRON	'NORTHWEST - TATONGA7	345.00	345KV	1195	0.2481	116.9441	'GEN335372 1-1ACADIA_C24 18.000
FDNS	01ALL	0	13G	G11_019	'TO->FRON	'NORTHWEST - TATONGA7	345.00	345KV	1195	0.2481	116.791	'GEN335570 1-CARVILLE CTG'
FDNS	01ALL	0	13G	G11_019	'TO->FRON	'NORTHWEST - TATONGA7	345.00	345KV	1195	0.2481	116.7912	'GEN335571 1-CARVILLE UNIT #1'
FDNS	01ALL	0	13G	G11_019	'TO->FRON	'NORTHWEST - TATONGA7	345.00	345KV	1195	0.2481	121.4843	'GEN336153 1-WATERFORD UNIT#3'
FDNS	01ALL	0	13G	G11_019	'TO->FRON	'NORTHWEST - TATONGA7	345.00	345KV	1195	0.2481	116.8124	'GEN336167 1-GULF OXY U1'
FDNS	01ALL	0	13G	G11_019	'TO->FRON	'NORTHWEST - TATONGA7	345.00	345KV	1195	0.2481	116.8124	'GEN336168 1-GULF OXY U2'
FDNS	01ALL	0	13G	G11_019	'TO->FRON	'NORTHWEST - TATONGA7	345.00	345KV	1195	0.2481	116.8124	'GEN336169 1-GULF OXY U3'
FDNS	01ALL	0	13G	G11_019	'TO->FRON	'NORTHWEST - TATONGA7	345.00	345KV	1195	0.2481	117.2212	'GEN336170 1-GULF OXY U4'
FDNS	01ALL	0	13G	G11_019	'TO->FRON	'NORTHWEST - TATONGA7	345.00	345KV	1195	0.2481	117.3511	'GEN336191 1-LITTLE GYPSY UNIT#3'
FDNS	01ALL	0	13G	G11_019	'TO->FRON	'NORTHWEST - TATONGA7	345.00	345KV	1195	0.2481	116.6639	'GEN336221 1-LITTLE GYPSY UNIT#1'
FDNS	01ALL	0	13G	G11_019	'TO->FRON	'NORTHWEST - TATONGA7	345.00	345KV	1195	0.2481	116.9005	'GEN336222 1-LITTLE GYPSY UNIT#2'
FDNS	01ALL	0	13G	G11_019	'TO->FRON	'NORTHWEST - TATONGA7	345.00	345KV	1195	0.2481	117.3067	'GEN336251 1-NINEMILE POINT UNIT#4'
FDNS	01ALL	0	13G	G11_019	'TO->FRON	'NORTHWEST - TATONGA7	345.00	345KV	1195	0.2481	117.6451	'GEN336252 1-NINEMILE POINT UNIT#5'
FDNS	01ALL	0	13G	G11_019	'TO->FRON	'NORTHWEST - TATONGA7	345.00	345KV	1195	0.2481	116.5741	'GEN336446 1-MICHOU D UNIT #2'
FDNS	01ALL	0	13G	G11_019	'TO->FRON	'NORTHWEST - TATONGA7	345.00	345KV	1195	0.2481	117.2598	'GEN336464 1-MICHOU D UNIT #3'
FDNS	01ALL	0	13G	G11_019	'TO->FRON	'NORTHWEST - TATONGA7	345.00	345KV	1195	0.2481	117.2021	'GEN336801 1-BAXTER WILSON UNIT #1'
FDNS	01ALL	0	13G	G11_019	'TO->FRON	'NORTHWEST - TATONGA7	345.00	345KV	1195	0.2481	117.5781	'GEN336831 1-BAXTER WILSON SES'
FDNS	01ALL	0	13G	G11_019	'TO->FRON	'NORTHWEST - TATONGA7	345.00	345KV	1195	0.2481	116.8301	'GEN337006 1-DUKE MCADAMS G1'
FDNS	01ALL	0	13G	G11_019	'TO->FRON	'NORTHWEST - TATONGA7	345.00	345KV	1195	0.2481	116.8301	'GEN337007 1-DUKE MCADAMS G2'
FDNS	01ALL	0	13G	G11_019	'TO->FRON	'NORTHWEST - TATONGA7	345.00	345KV	1195	0.2481	116.8174	'GEN337008 1-DUKE MCADAMS S1'
FDNS	01ALL	0	13G	G11_019	'TO->FRON	'NORTHWEST - TATONGA7	345.00	345KV	1195	0.2481	117.6063	'GEN337041 1-GERALD ANDRUS'
FDNS	01ALL	0	13G	G11_019	'TO->FRON	'NORTHWEST - TATONGA7	345.00	345KV	1195	0.2481	116.744	'GEN337125 6-LS POWER BATESVILLE'
FDNS	01ALL	0	13G	G11_019	'TO->FRON	'NORTHWEST - TATONGA7	345.00	345KV	1195	0.2481	116.8106	'GEN337421 1-OUCHITA CTG1'
FDNS	01ALL	0	13G	G11_019	'TO->FRON	'NORTHWEST - TATONGA7	345.00	345KV	1195	0.2481	116.5895	'GEN337422 1-OUCHITA STG1'
FDNS	01ALL	0	13G	G11_019	'TO->FRON	'NORTHWEST - TATONGA7	345.00	345KV	1195	0.2481	116.8106	'GEN337423 1-OUCHITA CTG2'
FDNS	01ALL	0	13G	G11_019	'TO->FRON	'NORTHWEST - TATONGA7	345.00	345KV	1195	0.2481	116.5895	'GEN337424 1-OUCHITA STG2'
FDNS	01ALL	0	13G	G11_019	'TO->FRON	'NORTHWEST - TATONGA7	345.00	345KV	1195	0.2481	116.8106	'GEN337425 1-OUCHITA CTG3'
FDNS	01ALL	0	13G	G11_019	'TO->FRON	'NORTHWEST - TATONGA7	345.00	345KV	1195	0.2481	116.5895	'GEN337426 1-OUCHITA STG3'
FDNS	01ALL	0	13G	G11_019	'TO->FRON	'NORTHWEST - TATONGA7	345.00	345KV	1195	0.2481	116.8836	'GEN337428 1-PERYVILLE UNIT #1'
FDNS	01ALL	0	13G	G11_019	'TO->FRON	'NORTHWEST - TATONGA7	345.00	345KV	1195	0.2481	116.8836	'GEN337430 1-PERYVILLE UNIT #3'
FDNS	01ALL	0	13G	G11_019	'TO->FRON	'NORTHWEST - TATONGA7	345.00	345KV	1195	0.2481	116.866	'GEN337432 1-PERYVILLE UNIT #5'
FDNS	01ALL	0	13G	G11_019	'TO->FRON	'NORTHWEST - TATONGA7	345.00	345KV	1195	0.2481	119.3922	'GEN337652 1-WHITE BLUFF UNIT #1'
FDNS	01ALL	0	13G	G11_019	'TO->FRON	'NORTHWEST - TATONGA7	345.00	345KV	1195	0.2481	119.5059	'GEN337653 1-WHITE BLUFF UNIT #2'
FDNS	01ALL	0	13G	G11_019	'TO->FRON	'NORTHWEST - TATONGA7	345.00	345KV	1195	0.2481	117.2463	'GEN337692 1-LAKE CATHERINE UNIT #4'
FDNS	01ALL	0	13G	G11_019	'TO->FRON	'NORTHWEST - TATONGA7	345.00	345KV	1195	0.2481	118.3823	'GEN338388 1-1PLUM PT U1 23.000'
FDNS	01ALL	0	13G	G11_019	'TO->FRON	'NORTHWEST - TATONGA7	345.00	345KV	1195	0.2481	116.6843	'GEN338500 1-MCCLELLAN UNIT #1'
FDNS	01ALL	0	13G	G11_019	'TO->FRON	'NORTHWEST - TATONGA7	345.00	345KV	1195	0.2481	119.3339	'GEN501801 1-DOLET HILLS UNIT1'
FDNS	01ALL	0	13G	G11_019	'TO->FRON	'NORTHWEST - TATONGA7	345.00	345KV	1195	0.2481	117.1989	'GEN501811 1-RODEMACHER UNIT 1'
FDNS	01ALL	0	13G	G11_019	'TO->FRON	'NORTHWEST - TATONGA7	345.00	345KV	1195	0.2481	118.2705	'GEN501812 1-RODEMACHER UNIT 2'
FDNS	01ALL	0	13G	G11_019	'TO->FRON	'NORTHWEST - TATONGA7	345.00	345KV	1195	0.2481	118.7184	'GEN501813 1-RODEMACHER UNIT 3'
FDNS	01ALL	0	13G	G11_019	'TO->FRON	'NORTHWEST - TATONGA7	345.00	345KV	1195	0.2481	117.1809	'GEN501910 1-ACADIA UNIT ST1'
FDNS	01ALL	0	13G	G11_019	'TO->FRON	'NORTHWEST - TATONGA7	345.00	345KV	1195	0.2481	116.9047	'GEN501911 1-ACADIA UNIT CT1A'
FDNS	01ALL	0	13G	G11_019	'TO->FRON	'NORTHWEST - TATONGA7	345.00	345KV	1195	0.2481	116.9047	'GEN501912 1-ACADIA UNIT CT1B'
FDNS	01ALL	0	13G	G11_019	'TO->FRON	'NORTHWEST - TATONGA7	345.00	345KV	1195	0.2481	116.8722	'GEN505432 1-SIKESTON'
FDNS	01ALL	0	13G	G11_019	'TO->FRON	'NORTHWEST - TATONGA7	345.00	345KV	1195	0.2481	116.6316	'GEN506749 1-EASTMAN GENERATION A'
FDNS	01ALL	0	13G	G11_019	'TO->FRON	'NORTHWEST - TATONGA7	345.00	345KV	1195	0.2481	116.8243	'GEN506752 1-LEBROCK GAS 1'
FDNS	01ALL	0	13G	G11_019	'TO->FRON	'NORTHWEST - TATONGA7	345.00	345KV	1195	0.2481	117.0139	'GEN509391 G1-ARSENAL HILL GENS #2 (STALL)'
FDNS	01ALL	0	13G	G11_019	'TO->FRON	'NORTHWEST - TATONGA7	345.00	345KV	1195	0.2481	117.0139	'GEN509392 G2-ARSENAL HILL GENS #3 (STALL)'
FDNS	01ALL	0	13G	G11_019	'TO->FRON	'NORTHWEST - TATONGA7	345.00	345KV	1195	0.2481	117.0066	'GEN509393 S1-ARSENAL HILL GENS #4 (STALL)'
FDNS	01ALL	0	13G	G11_019	'TO->FRON	'NORTHWEST - TATONGA7	345.00	345KV	1195	0.2481	118.2363	'GEN509394 1-FLINT CREEK'

EVENTTYPE	SOLUTIONTYPE	GROUP	SCENARIO	SEASON	SOURCE	DIRECTION	MONT	COMMONNAME	RATEB	TDF	TC%LOADI	CONTNAME
FDNS	01ALL	0	13G	G11_019	'TO->FRON'	'NORTHWEST - TATONGA7	345.00	345KV	1195	0.2481	118.9452	'GEN509403 1-PIRKEY GENERATION'
FDNS	01ALL	0	13G	G11_019	'TO->FRON'	'NORTHWEST - TATONGA7	345.00	345KV	1195	0.2481	118.4209	'GEN509404 1-WELSH #1'
FDNS	01ALL	0	13G	G11_019	'TO->FRON'	'NORTHWEST - TATONGA7	345.00	345KV	1195	0.2481	118.4211	'GEN509405 1-WELSH #2'
FDNS	01ALL	0	13G	G11_019	'TO->FRON'	'NORTHWEST - TATONGA7	345.00	345KV	1195	0.2481	118.4211	'GEN509406 1-WELSH #3'
FDNS	01ALL	0	13G	G11_019	'TO->FRON'	'NORTHWEST - TATONGA7	345.00	345KV	1195	0.2481	116.6372	'GEN509408 1-WILKES #2'
FDNS	01ALL	0	13G	G11_019	'TO->FRON'	'NORTHWEST - TATONGA7	345.00	345KV	1195	0.2481	118.8521	'GEN509416 1-TURK GENERATION'
FDNS	01ALL	0	13G	G11_019	'TO->FRON'	'NORTHWEST - TATONGA7	345.00	345KV	1195	0.2481	116.7346	'GEN511836 1-NORTHEASTERN STATION #1'
FDNS	01ALL	0	13G	G11_019	'TO->FRON'	'NORTHWEST - TATONGA7	345.00	345KV	1195	0.2481	116.8508	'GEN511837 1-NORTHEASTERN STATION # 1-1A'
FDNS	01ALL	0	13G	G11_019	'TO->FRON'	'NORTHWEST - TATONGA7	345.00	345KV	1195	0.2481	116.8508	'GEN511838 1-NORTHEASTERN STATION # 1-1B'
FDNS	01ALL	0	13G	G11_019	'TO->FRON'	'NORTHWEST - TATONGA7	345.00	345KV	1195	0.2481	117.042	'GEN511839 1-NORTHEASTERN STATION #2'
FDNS	01ALL	0	13G	G11_019	'TO->FRON'	'NORTHWEST - TATONGA7	345.00	345KV	1195	0.2481	118.1087	'GEN511840 1-NORTHEASTERN STATION #3'
FDNS	01ALL	0	13G	G11_019	'TO->FRON'	'NORTHWEST - TATONGA7	345.00	345KV	1195	0.2481	118.0686	'GEN511841 1-NORTHEASTERN STATION #4'
FDNS	01ALL	0	13G	G11_019	'TO->FRON'	'NORTHWEST - TATONGA7	345.00	345KV	1195	0.2481	116.7119	'GEN511851 1-COMANCHE #1'
FDNS	01ALL	0	13G	G11_019	'TO->FRON'	'NORTHWEST - TATONGA7	345.00	345KV	1195	0.2481	116.5726	'GEN511852 1-COMANCHE #2'
FDNS	01ALL	0	13G	G11_019	'TO->FRON'	'NORTHWEST - TATONGA7	345.00	345KV	1195	0.2481	116.5784	'GEN511853 1-COMANCHE #3'
FDNS	01ALL	0	13G	G11_019	'TO->FRON'	'NORTHWEST - TATONGA7	345.00	345KV	1195	0.2481	116.695	'GEN511938 1-OEC STEAM # 1'
FDNS	01ALL	0	13G	G11_019	'TO->FRON'	'NORTHWEST - TATONGA7	345.00	345KV	1195	0.2481	116.6941	'GEN511939 1-OEC GAS # 1-1'
FDNS	01ALL	0	13G	G11_019	'TO->FRON'	'NORTHWEST - TATONGA7	345.00	345KV	1195	0.2481	116.6941	'GEN511940 1-OEC GAS # 1-2'
FDNS	01ALL	0	13G	G11_019	'TO->FRON'	'NORTHWEST - TATONGA7	345.00	345KV	1195	0.2481	117.1592	'GEN511941 1-OEC STEAM # 2'
FDNS	01ALL	0	13G	G11_019	'TO->FRON'	'NORTHWEST - TATONGA7	345.00	345KV	1195	0.2481	116.6941	'GEN511942 1-OEC GAS # 2-1'
FDNS	01ALL	0	13G	G11_019	'TO->FRON'	'NORTHWEST - TATONGA7	345.00	345KV	1195	0.2481	116.6941	'GEN511943 1-OEC GAS # 2-2'
FDNS	01ALL	0	13G	G11_019	'TO->FRON'	'NORTHWEST - TATONGA7	345.00	345KV	1195	0.2481	116.7267	'GEN511953 G-COGENTRIX GAS # 1'
FDNS	01ALL	0	13G	G11_019	'TO->FRON'	'NORTHWEST - TATONGA7	345.00	345KV	1195	0.2481	116.7261	'GEN511954 S-COGENTRIX STEAM # 1'
FDNS	01ALL	0	13G	G11_019	'TO->FRON'	'NORTHWEST - TATONGA7	345.00	345KV	1195	0.2481	116.7466	'GEN511955 G-COGENTRIX GAS # 2'
FDNS	01ALL	0	13G	G11_019	'TO->FRON'	'NORTHWEST - TATONGA7	345.00	345KV	1195	0.2481	116.7459	'GEN511956 S-COGENTRIX STEAM # 2'
FDNS	01ALL	0	13G	G11_019	'TO->FRON'	'NORTHWEST - TATONGA7	345.00	345KV	1195	0.2481	116.7267	'GEN511957 G-COGENTRIX GAS # 3'
FDNS	01ALL	0	13G	G11_019	'TO->FRON'	'NORTHWEST - TATONGA7	345.00	345KV	1195	0.2481	118.2793	'GEN512688 2-GRDA1 GSU2 22'
FDNS	01ALL	0	13G	G11_019	'TO->FRON'	'NORTHWEST - TATONGA7	345.00	345KV	1195	0.2481	117.8742	'GEN512689 1-GRDA1 GSU1 22'
FDNS	01ALL	0	13G	G11_019	'TO->FRON'	'NORTHWEST - TATONGA7	345.00	345KV	1195	0.2481	118.9974	'GEN514805 1-SOONER UNIT 1'
FDNS	01ALL	0	13G	G11_019	'TO->FRON'	'NORTHWEST - TATONGA7	345.00	345KV	1195	0.2481	119.3251	'GEN514806 1-SOONER UNIT 2'
FDNS	01ALL	0	13G	G11_019	'TO->FRON'	'NORTHWEST - TATONGA7	345.00	345KV	1195	0.2481	117.5721	'GEN514899 1-REDBUD1S'
FDNS	01ALL	0	13G	G11_019	'TO->FRON'	'NORTHWEST - TATONGA7	345.00	345KV	1195	0.2481	117.5468	'GEN514900 1-REDBUD2S'
FDNS	01ALL	0	13G	G11_019	'TO->FRON'	'NORTHWEST - TATONGA7	345.00	345KV	1195	0.2481	117.5482	'GEN514905 1-REDBUD3S'
FDNS	01ALL	0	13G	G11_019	'TO->FRON'	'NORTHWEST - TATONGA7	345.00	345KV	1195	0.2481	117.7617	'GEN514910 2-REDBUD GEN'
FDNS	01ALL	0	13G	G11_019	'TO->FRON'	'NORTHWEST - TATONGA7	345.00	345KV	1195	0.2481	117.7617	'GEN514911 2-REDBUD GEN'
FDNS	01ALL	0	13G	G11_019	'TO->FRON'	'NORTHWEST - TATONGA7	345.00	345KV	1195	0.2481	116.9875	'GEN514912 2-REDBUD GEN'
FDNS	01ALL	0	13G	G11_019	'TO->FRON'	'NORTHWEST - TATONGA7	345.00	345KV	1195	0.2481	117.4529	'GEN514940 1-REDBUD GEN'
FDNS	01ALL	0	13G	G11_019	'TO->FRON'	'NORTHWEST - TATONGA7	345.00	345KV	1195	0.2481	117.7365	'GEN514942 2-REDBUD4G'
FDNS	01ALL	0	13G	G11_019	'TO->FRON'	'NORTHWEST - TATONGA7	345.00	345KV	1195	0.2481	117.4976	'GEN514998 1-MCCLAIN UNIT 1'
FDNS	01ALL	0	13G	G11_019	'TO->FRON'	'NORTHWEST - TATONGA7	345.00	345KV	1195	0.2481	117.5146	'GEN514999 1-MCCLAIN UNIT 2'
FDNS	01ALL	0	13G	G11_019	'TO->FRON'	'NORTHWEST - TATONGA7	345.00	345KV	1195	0.2481	117.1269	'GEN515000 1-MCCLAIN UNIT 3'
FDNS	01ALL	0	13G	G11_019	'TO->FRON'	'NORTHWEST - TATONGA7	345.00	345KV	1195	0.2481	118.2527	'GEN515040 1-SEMINOLE 1G'
FDNS	01ALL	0	13G	G11_019	'TO->FRON'	'NORTHWEST - TATONGA7	345.00	345KV	1195	0.2481	117.8165	'GEN515041 1-SEMINOLE 2G'
FDNS	01ALL	0	13G	G11_019	'TO->FRON'	'NORTHWEST - TATONGA7	345.00	345KV	1195	0.2481	118.0424	'GEN515042 1-SEMINOLE 3G'
FDNS	01ALL	0	13G	G11_019	'TO->FRON'	'NORTHWEST - TATONGA7	345.00	345KV	1195	0.2481	118.8116	'GEN515223 1-MUSKOGEE 4G'
FDNS	01ALL	0	13G	G11_019	'TO->FRON'	'NORTHWEST - TATONGA7	345.00	345KV	1195	0.2481	118.7723	'GEN515225 1-MUSKOGEE 5G'
FDNS	01ALL	0	13G	G11_019	'TO->FRON'	'NORTHWEST - TATONGA7	345.00	345KV	1195	0.2481	119.189	'GEN515226 1-MUSKOGEE 6G'
FDNS	01ALL	0	13G	G11_019	'TO->FRON'	'NORTHWEST - TATONGA7	345.00	345KV	1195	0.2481	116.966	'GEN515266 1-AES 1G'
FDNS	01ALL	0	13G	G11_019	'TO->FRON'	'NORTHWEST - TATONGA7	345.00	345KV	1195	0.2481	116.966	'GEN515267 1-AES 2G'
FDNS	01ALL	0	13G	G11_019	'TO->FRON'	'NORTHWEST - TATONGA7	345.00	345KV	1195	0.2481	113.9658	'GEN515365 1-CENT 21 34.500'
FDNS	01ALL	0	13G	G11_019	'TO->FRON'	'NORTHWEST - TATONGA7	345.00	345KV	1195	0.2481	114.7789	'GEN515389 1-TLGAWND1 34.500'
FDNS	01ALL	0	13G	G11_019	'TO->FRON'	'NORTHWEST - TATONGA7	345.00	345KV	1195	0.2481	113.0802	'GEN515393 1-OGEWND2G'
FDNS	01ALL	0	13G	G11_019	'TO->FRON'	'NORTHWEST - TATONGA7	345.00	345KV	1195	0.2481	114.0431	'GEN515397 1-OUSPRT 1 34.500'
FDNS	01ALL	0	13G	G11_019	'TO->FRON'	'NORTHWEST - TATONGA7	345.00	345KV	1195	0.2481	117.9563	'GEN515443 1-MNCOWND1 34.500'
FDNS	01ALL	0	13G	G11_019	'TO->FRON'	'NORTHWEST - TATONGA7	345.00	345KV	1195	0.2481	111.6048	'GEN515449 1-CRSRDW11 34.500'
FDNS	01ALL	0	13G	G11_019	'TO->FRON'	'NORTHWEST - TATONGA7	345.00	345KV	1195	0.2481	111.6149	'GEN515450 1-CRSRDW21 34.500'

EVENTTYPE	SOLUTIONTYPE	GROUP	SCENARIO	SEASON	SOURCE	DIRECTION	MONTH	COMMONNAME	RATEB	TDF	TC%LOAD	CONTNAME
	FDNS	01ALL		0	13G	G11_019		'TO->FRON' NORTHWEST - TATONGA7 345.00 345KV C	1195	0.2481	115.3925	'GEN560279 1-G08-18 0.6900'
	FDNS	01ALL		0	13G	G11_019		'TO->FRON' NORTHWEST - TATONGA7 345.00 345KV C	1195	0.2481	102.5408	'GEN560282 1-G08-19 0.6000'
	FDNS	01ALL		0	13G	G11_019		'TO->FRON' NORTHWEST - TATONGA7 345.00 345KV C	1195	0.2481	115.6335	'GEN560286 1-G10-01-1WTG 0.6900
	FDNS	01ALL		0	13G	G11_019		'TO->FRON' NORTHWEST - TATONGA7 345.00 345KV C	1195	0.2481	115.6335	'GEN560287 1-G10-01-2WTG 0.6900
	FDNS	01ALL		0	13G	G11_019		'TO->FRON' NORTHWEST - TATONGA7 345.00 345KV C	1195	0.2481	115.8713	'GEN560329 1-G10-45 0.6900'
	FDNS	01ALL		0	13G	G11_019		'TO->FRON' NORTHWEST - TATONGA7 345.00 345KV C	1195	0.2481	115.3101	'GEN560359 1-G08-51 0.6900'
	FDNS	01ALL		0	13G	G11_019		'TO->FRON' NORTHWEST - TATONGA7 345.00 345KV C	1195	0.2481	115.6073	'GEN560371 1-G07-46 0.6900'
	FDNS	01ALL		0	13G	G11_019		'TO->FRON' NORTHWEST - TATONGA7 345.00 345KV C	1195	0.2481	111.103	'GEN560429 1-G08-29 0.6400'
	FDNS	01ALL		0	13G	G11_019		'TO->FRON' NORTHWEST - TATONGA7 345.00 345KV C	1195	0.2481	115.9043	'GEN560432 1-G08-124 0.6900'
	FDNS	01ALL		0	13G	G11_019		'TO->FRON' NORTHWEST - TATONGA7 345.00 345KV C	1195	0.2481	115.7997	'GEN560522 1-G05-12 0.6900'
	FDNS	01ALL		0	13G	G11_019		'TO->FRON' NORTHWEST - TATONGA7 345.00 345KV C	1195	0.2481	115.8881	'GEN560549 1-G06-06 0.6900'
	FDNS	01ALL		0	13G	G11_019		'TO->FRON' NORTHWEST - TATONGA7 345.00 345KV C	1195	0.2481	115.8358	'GEN560585 1-G06-44-2 0.6000'
	FDNS	01ALL		0	13G	G11_019		'TO->FRON' NORTHWEST - TATONGA7 345.00 345KV C	1195	0.2481	115.6204	'GEN560586 1-G06-44-3 0.6000'
	FDNS	01ALL		0	13G	G11_019		'TO->FRON' NORTHWEST - TATONGA7 345.00 345KV C	1195	0.2481	115.6325	'GEN560592 1-G06-45 0.6000'
	FDNS	01ALL		0	13G	G11_019		'TO->FRON' NORTHWEST - TATONGA7 345.00 345KV C	1195	0.2481	115.6265	'GEN560595 1-G06-47 0.6000'
	FDNS	01ALL		0	13G	G11_019		'TO->FRON' NORTHWEST - TATONGA7 345.00 345KV C	1195	0.2481	107.1075	'GEN560648 1-G07-21 0.5750'
	FDNS	01ALL		0	13G	G11_019		'TO->FRON' NORTHWEST - TATONGA7 345.00 345KV C	1195	0.2481	115.9042	'GEN560659 1-G07-38 0.6900'
	FDNS	01ALL		0	13G	G11_019		'TO->FRON' NORTHWEST - TATONGA7 345.00 345KV C	1195	0.2481	118.39	'GEN560687 1-G11-007 0.5750'
	FDNS	01ALL		0	13G	G11_019		'TO->FRON' NORTHWEST - TATONGA7 345.00 345KV C	1195	0.2481	115.8954	'GEN560693 1-G11-008-1 0.6900'
	FDNS	01ALL		0	13G	G11_019		'TO->FRON' NORTHWEST - TATONGA7 345.00 345KV C	1195	0.2481	117.0843	'GEN560706 1-G11-010 0.6900'
	FDNS	01ALL		0	13G	G11_019		'TO->FRON' NORTHWEST - TATONGA7 345.00 345KV C	1195	0.2481	102.609	'GEN562010 1-G11_024_3 0.6900'
	FDNS	01ALL		0	13G	G11_019		'TO->FRON' NORTHWEST - TATONGA7 345.00 345KV C	1195	0.2481	115.7034	'GEN562014 1-G11_023_3 0.6900'
	FDNS	01ALL		0	13G	G11_019		'TO->FRON' NORTHWEST - TATONGA7 345.00 345KV C	1195	0.2481	115.2045	'GEN562017 1-G11_022_3 0.6900'
	FDNS	01ALL		0	13G	G11_019		'TO->FRON' NORTHWEST - TATONGA7 345.00 345KV C	1195	0.2481	115.02	'GEN562020 1-G11_021_3 0.6900'
	FDNS	01ALL		0	13G	G11_019		'TO->FRON' NORTHWEST - TATONGA7 345.00 345KV C	1195	0.2481	109.5054	'GEN562023 1-G11_020_3 0.6900'
	FDNS	01ALL		0	13G	G11_019		'TO->FRON' NORTHWEST - TATONGA7 345.00 345KV C	1195	0.2481	109.5054	'GEN562026 1-G11_019_3 0.6900'
	FDNS	01ALL		0	13G	G11_019		'TO->FRON' NORTHWEST - TATONGA7 345.00 345KV C	1195	0.2481	115.7875	'GEN562032 1-G11_017_3 0.6900'
	FDNS	01ALL		0	13G	G11_019		'TO->FRON' NORTHWEST - TATONGA7 345.00 345KV C	1195	0.2481	115.8938	'GEN562035 1-G11_016_3 0.6900'
	FDNS	01ALL		0	13G	G11_019		'TO->FRON' NORTHWEST - TATONGA7 345.00 345KV C	1195	0.2481	115.4219	'GEN562042 1-G11_014_3 0.6900'
	FDNS	01ALL		0	13G	G11_019		'TO->FRON' NORTHWEST - TATONGA7 345.00 345KV C	1195	0.2481	115.7344	'GEN640009 1-COOPER NUCLEAR STATION'
	FDNS	01ALL		0	13G	G11_019		'TO->FRON' NORTHWEST - TATONGA7 345.00 345KV C	1195	0.2481	114.9851	'GEN640010 1-GERALD GENTLEMAN STATION UNIT 1'
	FDNS	01ALL		0	13G	G11_019		'TO->FRON' NORTHWEST - TATONGA7 345.00 345KV C	1195	0.2481	115.0047	'GEN640011 2-GERALD GENTLEMAN STATION UNIT 2'
	FDNS	01ALL		0	13G	G11_019		'TO->FRON' NORTHWEST - TATONGA7 345.00 345KV C	1195	0.2481	115.9151	'GEN641089 2-ENERGY CENTER 2'
	FDNS	01ALL		0	13G	G11_019		'TO->FRON' NORTHWEST - TATONGA7 345.00 345KV C	1195	0.2481	115.8503	'GEN645001 1-FORT CALHOUN 1'
	FDNS	01ALL		0	13G	G11_019		'TO->FRON' NORTHWEST - TATONGA7 345.00 345KV C	1195	0.2481	115.7678	'GEN645011 1-NEBRASKA CITY 1'
	FDNS	01ALL		0	13G	G11_019		'TO->FRON' NORTHWEST - TATONGA7 345.00 345KV C	1195	0.2481	115.7166	'GEN645012 2-NEBRASKA CITY 2'
	FDNS	01ALL		0	13G	G11_019		'TO->FRON' NORTHWEST - TATONGA7 345.00 345KV C	1195	0.2481	115.8629	'GEN659103 1-ANTELOPE VALLEY UNIT1'
	FDNS	01ALL		0	13G	G11_019		'TO->FRON' NORTHWEST - TATONGA7 345.00 345KV C	1195	0.2481	115.8629	'GEN659107 2-ANTELOPE VALLEY UNIT2'
	FNSL	01ALL		0	13G	G11_019		'TO->FRON' NORTHWEST - TATONGA7 345.00 345KV C	1195	0.24851	115.6071	'NEWKIRK4 - PECKHAM TAP 138KV CKT 1'
	FNSL	01ALL		0	13G	G11_019		'TO->FRON' NORTHWEST - TATONGA7 345.00 345KV C	1195	0.24851	115.6072	'MIDLNT4 138.00 - PECKHAM TAP 138KV CKT 1'
	FNSL	01ALL		0	13G	G11_019		'TO->FRON' NORTHWEST - TATONGA7 345.00 345KV C	1195	0.24825	116.9056	'NEB01WAPAB3'
	FNSL	01ALL		0	13G	G11_019		'TO->FRON' NORTHWEST - TATONGA7 345.00 345KV C	1195	0.2481	120.2385	'GEN335831 1-RIVERBEND UNIT#1'
	FNSL	01ALL		0	13G	G11_019		'TO->FRON' NORTHWEST - TATONGA7 345.00 345KV C	1195	0.2481	121.9627	'GEN336821 1-GRAND GULF UNIT'
	FNSL	01ALL		0	13G	G11_019		'TO->FRON' NORTHWEST - TATONGA7 345.00 345KV C	1195	0.2481	120.0117	'GEN337910 1-ARKANSAS NUCLEAR ONE UNIT #1'
	FNSL	01ALL		0	13G	G11_019		'TO->FRON' NORTHWEST - TATONGA7 345.00 345KV C	1195	0.2481	120.7462	'GEN337911 1-ARKANSAS NUCLEAR ONE UNIT #2'
	FNSL	01ALL		0	13G	G11_019		'TO->FRON' NORTHWEST - TATONGA7 345.00 345KV C	1195	0.2481	119.0773	'GEN338143 1-INDEPENDENCE UNIT #1'
	FNSL	01ALL		0	13G	G11_019		'TO->FRON' NORTHWEST - TATONGA7 345.00 345KV C	1195	0.2481	119.1295	'GEN338146 1-INDEPENDENCE UNIT #2'
NCONV	FNSL-Blown up	01ALL		0	13G	G11_019		Non-Converged Contingency	1195	0.2481	116.2267	'NORTHWEST - TATONGA7 345.00 345KV CKT 1'
NCONV	FNSL-Blown up	01ALL		0	13G	G11_019		Non-Converged Contingency	1775	0.2481	6.701664	'TATONGA7 345.00 - WOODWARD DISTRICT EHV 345KV CKT 1'
NCONV	FNSL-Blown up	01ALL		0	13G	G11_019		Non-Converged Contingency	0	0.34376	9999	'DBL-THIS-WWR'
	FDNS	01ALL		0	13G	G11_019		'TO->FRON' NORTHWEST - TATONGA7 345.00 345KV C	1195	0.24336	115.7034	'NORTHWEST - SPRING CREEK 345KV CKT 1'
	FDNS	01ALL		0	13G	G11_019		'TO->FRON' NORTHWEST - TATONGA7 345.00 345KV C	1195	0.24021	112.6335	'CIMARRON - NORTHWEST 345KV CKT 1'
	FDNS	01ALL		0	13G	G11_019		'TO->FRON' NORTHWEST - TATONGA7 345.00 345KV C	1195	0.24036	115.3763	'ARCADIA - NORTHWEST 345KV CKT 1'
	FDNS	01ALL		0	13G	G11_019		'TO->FRON' NORTHWEST - TATONGA7 345.00 345KV C	1195	0.2466	115.3801	'CIMARRON - DRAPER LAKE 345KV CKT 1'
	FDNS	01ALL		0	13G	G11_019		'TO->FRON' NORTHWEST - TATONGA7 345.00 345KV C	1195	0.24879	118.1393	'CIMARRON - G11-007T 345.00 345KV CKT 1'

EVENTTYPE	SOLUTIONTYPE	GROUP	SCENARIO	SEASON	SOURCE	DIRECTION	MONTCOMMONNAME	RATEB	TDF	TC%LOADI	CONTNAME
	FDNS	01ALL		0	13G	G11_019	'TO->FRON' NORTHWEST - TATONGA7 345.00 345KV C	1195	0.24713	115.3904	'ARCADIA - SEMINOLE 345KV CKT 1'
	FDNS	01ALL		0	13G	G11_019	'TO->FRON' NORTHWEST - TATONGA7 345.00 345KV C	1195	0.24827	116.6613	'MORISNT4 138.00 - STILLWATER 138KV CKT 1'
	FDNS	01ALL		0	13G	G11_019	'TO->FRON' NORTHWEST - TATONGA7 345.00 345KV C	1195	0.24743	115.3979	'FT SMITH - MUSKOGEE 345KV CKT 1'
	FDNS	01ALL		0	13G	G11_019	'TO->FRON' NORTHWEST - TATONGA7 345.00 345KV C	1195	0.26736	122.9685	'BORDER 7345.00 - WOODWARD DISTRICT EHV 345KV CKT 1'
	FDNS	01ALL		0	13G	G11_019	'TO->FRON' NORTHWEST - TATONGA7 345.00 345KV C	1195	0.25737	117.9773	'Hitchland Interchange - WOODWARD DISTRICT EHV 345KV CKT 2'
	FDNS	01ALL		0	13G	G11_019	'TO->FRON' NORTHWEST - TATONGA7 345.00 345KV C	1195	0.28083	127.7205	'THISTLE7 345.00 - WOODWARD DISTRICT EHV 345KV CKT 1'
	FDNS	01ALL		0	13G	G11_019	'TO->FRON' NORTHWEST - TATONGA7 345.00 345KV C	1195	0.28083	127.7205	'THISTLE7 345.00 - WOODWARD DISTRICT EHV 345KV CKT 2'
	FDNS	01ALL		0	13G	G11_019	'TO->FRON' NORTHWEST - TATONGA7 345.00 345KV C	1195	0.26736	123.0547	'BORDER 7345.00 - TUCO INTERCHANGE 345KV CKT 1'
	FDNS	01ALL		0	13G	G11_019	'TO->FRON' NORTHWEST - TATONGA7 345.00 345KV C	1195	0.26009	121.7445	'FPL SWITCH - MOORELAND 138KV CKT 1'
	FDNS	01ALL		0	13G	G11_019	'TO->FRON' NORTHWEST - TATONGA7 345.00 345KV C	1195	0.24882	116.7382	'ARAPAH0 - HAMON BUTLER 69KV CKT 1'
	FDNS	01ALL		0	13G	G11_019	'TO->FRON' NORTHWEST - TATONGA7 345.00 345KV C	1195	0.24882	116.732	'ARAPAH0 - INDUSTRIAL PARK 69KV CKT 1'
	FDNS	01ALL		0	13G	G11_019	'TO->FRON' NORTHWEST - TATONGA7 345.00 345KV C	1195	0.24872	116.5994	'CANTON - OKEENE 69KV CKT 1'
	FDNS	01ALL		0	13G	G11_019	'TO->FRON' NORTHWEST - TATONGA7 345.00 345KV C	1195	0.24872	116.6287	'CANTON - TALOGA 69KV CKT 1'
	FDNS	01ALL		0	13G	G11_019	'TO->FRON' NORTHWEST - TATONGA7 345.00 345KV C	1195	0.25103	118.0465	'CEDARDALE - MOORELAND 138KV CKT 1'
	FDNS	01ALL		0	13G	G11_019	'TO->FRON' NORTHWEST - TATONGA7 345.00 345KV C	1195	0.25103	118.0049	'CEDARDALE - OKEENE 138KV CKT 1'
	FDNS	01ALL		0	13G	G11_019	'TO->FRON' NORTHWEST - TATONGA7 345.00 345KV C	1195	0.24882	116.7041	'CORDELL - INDUSTRIAL PARK 69KV CKT 1'
	FDNS	01ALL		0	13G	G11_019	'TO->FRON' NORTHWEST - TATONGA7 345.00 345KV C	1195	0.25088	117.6094	'DOVER SW - OKEENE 138KV CKT 1'
	FDNS	01ALL		0	13G	G11_019	'TO->FRON' NORTHWEST - TATONGA7 345.00 345KV C	1195	0.24882	116.7393	'HAMON BUTLER - PUTNAM 69KV CKT 1'
	FDNS	01ALL		0	13G	G11_019	'TO->FRON' NORTHWEST - TATONGA7 345.00 345KV C	1195	0.25124	118.0085	'MOORELAND - NINE MILE 138KV CKT 1'
	FDNS	01ALL		0	13G	G11_019	'TO->FRON' NORTHWEST - TATONGA7 345.00 345KV C	1195	0.24957	116.9333	'MOREWOOD SW - RED HILLS WIND 138KV CKT 1'
	FDNS	01ALL		0	13G	G11_019	'TO->FRON' NORTHWEST - TATONGA7 345.00 345KV C	1195	0.25124	117.9765	'MOREWOOD SW - NINE MILE 138KV CKT 1'
	FDNS	01ALL		0	13G	G11_019	'TO->FRON' NORTHWEST - TATONGA7 345.00 345KV C	1195	0.24883	116.5814	'OKEENE - WATONGA SW 69KV CKT 1'
	FDNS	01ALL		0	13G	G11_019	'TO->FRON' NORTHWEST - TATONGA7 345.00 345KV C	1195	0.24882	116.7598	'PUTNAM - TALOGA 69KV CKT 1'
	FDNS	01ALL		0	13G	G11_019	'TO->FRON' NORTHWEST - TATONGA7 345.00 345KV C	1195	0.24928	116.5828	'G11_012T 230.00 - HITCHLAND INTERCHANGE 230KV CKT 1'
	FDNS	01ALL		0	13G	G11_019	'TO->FRON' NORTHWEST - TATONGA7 345.00 345KV C	1195	0.25979	120.1252	'FINNEY SWITCHING STATION - Hitchland Interchange 345KV CKT 1'
	FDNS	01ALL		0	13G	G11_019	'TO->FRON' NORTHWEST - TATONGA7 345.00 345KV C	1195	0.25269	117.1917	'Hitchland Interchange - POTTER COUNTY INTERCHANGE 345KV CKT 1'
	FDNS	01ALL		0	13G	G11_019	'TO->FRON' NORTHWEST - TATONGA7 345.00 345KV C	1195	0.25737	118.705	'BEAVER CO 345.00 - Hitchland Interchange 345KV CKT 1'
	FDNS	01ALL		0	13G	G11_019	'TO->FRON' NORTHWEST - TATONGA7 345.00 345KV C	1195	0.24928	116.6679	'G11_012T 230.00 - MOORE COUNTY INTERCHANGE 230KV CKT 1'
	FDNS	01ALL		0	13G	G11_019	'TO->FRON' NORTHWEST - TATONGA7 345.00 345KV C	1195	0.24903	117.6227	'GRAPEVINE INTERCHANGE - STATELINE INTERCHANGE 230KV CKT 1'
	FDNS	01ALL		0	13G	G11_019	'TO->FRON' NORTHWEST - TATONGA7 345.00 345KV C	1195	0.24871	117.5993	'GRAPEVINE INTERCHANGE - NICHOLS STATION 230KV CKT 1'
	FDNS	01ALL		0	13G	G11_019	'TO->FRON' NORTHWEST - TATONGA7 345.00 345KV C	1195	0.24841	116.6814	'MCCLELLAN SUB - MCLEAN RURAL SUB 115KV CKT 1'
	FDNS	01ALL		0	13G	G11_019	'TO->FRON' NORTHWEST - TATONGA7 345.00 345KV C	1195	0.24841	116.7016	'KIRBY SWITCHING STATION - MCCLELLAN SUB 115KV CKT 1'
	FDNS	01ALL		0	13G	G11_019	'TO->FRON' NORTHWEST - TATONGA7 345.00 345KV C	1195	0.25979	121.4094	'FINNEY SWITCHING STATION - HOLCOMB 345KV CKT 1'
	FDNS	01ALL		0	13G	G11_019	'TO->FRON' NORTHWEST - TATONGA7 345.00 345KV C	1195	0.24854	116.6265	'BUFFALO 230.00 - DEAF SMITH COUNTY INTERCHANGE 230KV CKT 1'
	FDNS	01ALL		0	13G	G11_019	'TO->FRON' NORTHWEST - TATONGA7 345.00 345KV C	1195	0.24832	116.6928	'G07-48T 230.00 - SWISHER COUNTY INTERCHANGE 230KV CKT 1'
	FDNS	01ALL		0	13G	G11_019	'TO->FRON' NORTHWEST - TATONGA7 345.00 345KV C	1195	0.24871	116.794	'KNOLL 230 - SMOKYHL6 230.00 230KV CKT 1'
	FDNS	01ALL		0	13G	G11_019	'TO->FRON' NORTHWEST - TATONGA7 345.00 345KV C	1195	0.25182	119.434	'G11-17T 345.00 - POST ROCK 345KV CKT 1'
	FDNS	01ALL		0	13G	G11_019	'TO->FRON' NORTHWEST - TATONGA7 345.00 345KV C	1195	0.25105	118.0478	'AXTELL - POST ROCK 345KV CKT 1'
	FDNS	01ALL		0	13G	G11_019	'TO->FRON' NORTHWEST - TATONGA7 345.00 345KV C	1195	0.24871	117.2003	'SMOKYHL6 230.00 - SUMMIT 230KV CKT 1'
	FDNS	01ALL		0	13G	G11_019	'TO->FRON' NORTHWEST - TATONGA7 345.00 345KV C	1195	0.25105	117.826	'HOLCOMB - SETAB 345KV CKT 1'
	FDNS	01ALL		0	13G	G11_019	'TO->FRON' NORTHWEST - TATONGA7 345.00 345KV C	1195	0.24883	116.754	'BUCKNER7 345.00 - HOLCOMB 345KV CKT 1'
	FDNS	01ALL		0	13G	G11_019	'TO->FRON' NORTHWEST - TATONGA7 345.00 345KV C	1195	0.25187	118.7018	'MINGO - SETAB 345KV CKT 1'

EVENT	TYPE	SOLUTION	TYPE	GROUP	SCENARIO	SEASON	SOURCE	DIRECTION	MONTH	COMMON	NAME	RATE	B	TDF	TC%	LOAD	CONT	NAME
		FDNS		01ALL		0	13G	G11_019	'TO->FRON	'NORTHWEST - TATONGA	7 345.00 345KV		0	1195	0.25247	118.592	'MINGO - RED WILLOW 345KV CKT 1'	
		FDNS		01ALL		0	13G	G11_019	'TO->FRON	'NORTHWEST - TATONGA	7 345.00 345KV		0	1195	0.24883	117.3745	'BUCKNER7 345.00 - SPEARVILLE 345KV CKT 1'	
		FDNS		01ALL		0	13G	G11_019	'TO->FRON	'NORTHWEST - TATONGA	7 345.00 345KV		0	1195	0.25182	118.964	'G11-17T 345.00 - SPEARVILLE 345KV CKT 1'	
CONT-040		FDNS		01ALL		0	13G	G11_019	'TO->FRON	'NORTHWEST - TATONGA	7 345.00 345KV		0	1195	0.2485	117.349	'HOYT - JEFFREY ENERGY CENTER 345KV CKT 1'	
CONT-080		FDNS		01ALL		0	13G	G11_019	'TO->FRON	'NORTHWEST - TATONGA	7 345.00 345KV		0	1195	0.24856	117.0824	'HOYT - STRANGER CREEK 345KV CKT 1'	
		FDNS		01ALL		0	13G	G11_019	'TO->FRON	'NORTHWEST - TATONGA	7 345.00 345KV		0	1195	0.24885	116.6444	'EMPORIA ENERGY CENTER - SWISSVALE 345KV CKT 1'	
		FDNS		01ALL		0	13G	G11_019	'TO->FRON	'NORTHWEST - TATONGA	7 345.00 345KV		0	1195	0.24954	116.8456	'EMPORIA ENERGY CENTER - WICHITA 345KV CKT 1'	
		FDNS		01ALL		0	13G	G11_019	'TO->FRON	'NORTHWEST - TATONGA	7 345.00 345KV		0	1195	0.24896	116.9381	'SWISSVALE - WEST GARDNER 345KV CKT 1'	
		FDNS		01ALL		0	13G	G11_019	'TO->FRON	'NORTHWEST - TATONGA	7 345.00 345KV		0	1195	0.24995	117.1721	'CANEYRV7 345.00 - NEOSHO 345KV CKT 1'	
		FDNS		01ALL		0	13G	G11_019	'TO->FRON	'NORTHWEST - TATONGA	7 345.00 345KV		0	1195	0.24995	117.0531	'CANEYRV7 345.00 - LATHAMS7 345.00 345KV CKT 1'	
		FDNS		01ALL		0	13G	G11_019	'TO->FRON	'NORTHWEST - TATONGA	7 345.00 345KV		0	1195	0.25155	117.0533	'BENTON - ROSE HILL 345KV CKT 1'	
		FDNS		01ALL		0	13G	G11_019	'TO->FRON	'NORTHWEST - TATONGA	7 345.00 345KV		0	1195	0.25473	118.6613	'BENTON - WICHITA 345KV CKT 1'	
CONT-LaC		FDNS		01ALL		0	13G	G11_019	'TO->FRON	'NORTHWEST - TATONGA	7 345.00 345KV		0	1195	0.24822	116.8784	'LACYGNE - NEOSHO 345KV CKT 1'	
		FDNS		01ALL		0	13G	G11_019	'TO->FRON	'NORTHWEST - TATONGA	7 345.00 345KV		0	1195	0.24995	116.812	'LATHAMS7 345.00 - ROSE HILL 345KV CKT 1'	
		FDNS		01ALL		0	13G	G11_019	'TO->FRON	'NORTHWEST - TATONGA	7 345.00 345KV		0	1195	0.25228	114.7885	'VIOLA 7 345.00 - WICHITA 345KV CKT 1'	
		FDNS		01ALL		0	13G	G11_019	'TO->FRON	'NORTHWEST - TATONGA	7 345.00 345KV		0	1195	0.26321	123.7136	'THISTLE7 345.00 - WICHITA 345KV CKT 1'	
		FDNS		01ALL		0	13G	G11_019	'TO->FRON	'NORTHWEST - TATONGA	7 345.00 345KV		0	1195	0.26321	123.7136	'THISTLE7 345.00 - WICHITA 345KV CKT 2'	
		FDNS		01ALL		0	13G	G11_019	'TO->FRON	'NORTHWEST - TATONGA	7 345.00 345KV		0	1195	0.24866	116.9111	'ANDERSONCO 345.00 - WOLF CREEK 345KV CKT 1'	
		FDNS		01ALL		0	13G	G11_019	'TO->FRON	'NORTHWEST - TATONGA	7 345.00 345KV		0	1195	0.2488	116.9847	'CIRCLE - MULLERGREN 230KV CKT 1'	
		FDNS		01ALL		0	13G	G11_019	'TO->FRON	'NORTHWEST - TATONGA	7 345.00 345KV		0	1195	0.24935	116.8078	'CLEARWATER - GILL ENERGY CENTER WEST 138KV CKT 1'	
INVALID		FDNS		01ALL		0	13G	G11_019	'TO->FRON	'NORTHWEST - TATONGA	7 345.00 345KV		0	1195	0.24935	116.8716	'CLEARWATER - MILAN TAP 138KV CKT 1'	
INVALID		FDNS		01ALL		0	13G	G11_019	'TO->FRON	'NORTHWEST - TATONGA	7 345.00 345KV		0	1195	0.24935	117.0802	'FLATRDG3 - HARPER 138KV CKT 1'	
		FDNS		01ALL		0	13G	G11_019	'TO->FRON	'NORTHWEST - TATONGA	7 345.00 345KV		0	1195	0.24951	116.8683	'FLATRDG3 - THISTLE4 138.00 138KV CKT 1'	
INVALID		FDNS		01ALL		0	13G	G11_019	'TO->FRON	'NORTHWEST - TATONGA	7 345.00 345KV		0	1195	0.24935	116.9694	'HARPER - MILAN TAP 138KV CKT 1'	
		FDNS		01ALL		0	13G	G11_019	'TO->FRON	'NORTHWEST - TATONGA	7 345.00 345KV		0	1195	0.24891	117.2005	'MULLERGREN - SPEARVILLE 230KV CKT 1'	
CONT-LaC		FDNS		01ALL		0	13G	G11_019	'TO->FRON	'NORTHWEST - TATONGA	7 345.00 345KV		0	1195	0.24805	115.7986	'LACYGNE - WEST GARDNER 345KV CKT 1'	
CONT-LaC		FDNS		01ALL		0	13G	G11_019	'TO->FRON	'NORTHWEST - TATONGA	7 345.00 345KV		0	1195	0.248	115.7987	'LACYGNE - STILWELL 345KV CKT 1'	
		FDNS		01ALL		0	13G	G11_019	'TO->FRON	'NORTHWEST - TATONGA	7 345.00 345KV		0	1195	0.24866	116.9695	'ANDERSONCO 345.00 - LACYGNE 345KV CKT 1'	
		FDNS		01ALL		0	13G	G11_019	'TO->FRON	'NORTHWEST - TATONGA	7 345.00 345KV		0	1195	0.24797	115.5702	'BROOKLINE - SUB 383 - MONETT 345KV CKT 1'	
		FDNS		01ALL		0	13G	G11_019	'TO->FRON	'NORTHWEST - TATONGA	7 345.00 345KV		0	1195	0.24901	117.0679	'AXTELL - PAULINE 345KV CKT 1'	
		FDNS		01ALL		0	13G	G11_019	'TO->FRON	'NORTHWEST - TATONGA	7 345.00 345KV		0	1195	0.24996	116.7572	'GERALD GENTLEMAN STATION - RED WILLOW 345KV CKT 1'	
		FDNS		01ALL		0	13G	G11_019	'TO->FRON	'NORTHWEST - TATONGA	7 345.00 345KV		0	1195	0.24824	116.6412	'GERALD GENTLEMAN STATION - SWEETWATER 345KV CKT 1'	
		FDNS		01ALL		0	13G	G11_019	'TO->FRON	'NORTHWEST - TATONGA	7 345.00 345KV		0	1195	0.24845	116.645	'GRAND ISLAND - MCCOOL 345KV CKT 1'	
		FDNS		01ALL		0	13G	G11_019	'TO->FRON	'NORTHWEST - TATONGA	7 345.00 345KV		0	1195	0.24893	116.9655	'MOORE - PAULINE 345KV CKT 1'	
		FDNS		01ALL		0	13G	G11_019	'TO->FRON	'NORTHWEST - TATONGA	7 345.00 345KV		0	1195	0.2489	117.341	'GRAND ISLAND - SWEETWATER 345KV CKT 1'	
		FDNS		01ALL		0	13G	G11_019	'TO->FRON	'NORTHWEST - TATONGA	7 345.00 345KV		0	1195	0.24825	116.579	'MCADAMS - WOLF CREEK 500KV CKT 1'	
		FDNS		01ALL		0	13G	G11_019	'TO->FRON	'NORTHWEST - TATONGA	7 345.00 345KV		0	1195	0.24805	115.8938	'ARKANSAS NUCLEAR ONE - MABELVALE 500 500KV CKT 1'	
		FDNS		01ALL		0	13G	G11_019	'TO->FRON	'NORTHWEST - TATONGA	7 345.00 345KV		0	1195	0.24805	115.8008	'ARKANSAS NUCLEAR ONE - PLEASANT HILL 500KV CKT 1'	
		FDNS		01ALL		0	13G	G11_019	'TO->FRON	'NORTHWEST - TATONGA	7 345.00 345KV		0	1195	0.24818	115.6397	'KEO EHV - WEST MEMPHIS 500 500KV CKT 1'	
		FDNS		01ALL		0	13G	G11_019	'TO->FRON	'NORTHWEST - TATONGA	7 345.00 345KV		0	1195	0.24816	115.7895	'DELL 500 - INDEPENDENCE 500KV CKT 1'	
		FDNS		01ALL		0	13G	G11_019	'TO->FRON	'NORTHWEST - TATONGA	7 345.00 345KV		0	1195	0.24828	115.91	'7MCCREDIE 345.00 - 7MONTGMRY 345.00 345KV CKT 1'	
		FDNS		01ALL		0	13G	G11_019	'TO->FRON	'NORTHWEST - TATONGA	7 345.00 345KV		0	1195	0.24825	116.9038	'STEGALL - STEGALL TY 345KV CKT 1'	
		FDNS		01ALL		0	13G	G11_019	'TO->FRON	'NORTHWEST - TATONGA	7 345.00 345KV		0	1195	0.24825	116.9083	'STEGALL TY 345/230KV TRANSFORMER CKT 1'	
		FDNS		01ALL		0	13G	G11_019	'TO->FRON	'NORTHWEST - TATONGA	7 345.00 345KV		0	1195	0.24826	116.5499	'7SAREPTA% 345.00 - LONGWOOD 345KV CKT 1'	
		FDNS		01ALL		0	13G	G11_019	'TO->FRON	'NORTHWEST - TATONGA	7 345.00 345KV		0	1195	0.24903	118.2818	'ELK CITY 230KV (ELKCTY-6) 230/138/13.8KV TRANSFORMER CKT 1'	
		FDNS		01ALL		0	13G	G11_019	'TO->FRON	'NORTHWEST - TATONGA	7 345.00 345KV		0	1195	0.24841	116.6221	'SHAMROCK (SHAMRCK1) 115/69/14.4KV TRANSFORMER CKT 1'	
		FDNS		01ALL		0	13G	G11_019	'TO->FRON	'NORTHWEST - TATONGA	7 345.00 345KV		0	1195	0.24945	116.8237	'WOODWARD (WOODWRD2) 138/69/13.2KV TRANSFORMER CKT 1'	
		FDNS		01ALL		0	13G	G11_019	'TO->FRON	'NORTHWEST - TATONGA	7 345.00 345KV		0	1195	0.24903	116.985	'KNOBHILL (KNOBHIL4) 138/69/13.2KV TRANSFORMER CKT 1'	

EVENTTYPE	SOLUTIONTYPE	GROUP	SCENARIO	SEASON	SOURCE	DIRECTION	MONTH	COMMONNAME	RATEB	TDF	TC%LOAD	CONTRNAME
	FDNS	01NR		0	13G	G11_019		'TO->FRON'NORTHWEST - TATONGA7 345.00 345KV C	1195	0.33222	107.9589	'BORDER 7345.00 - WOODWARD DISTRICT EHV 345KV CKT 1'
	FDNS	01NR		0	13G	G11_019		'TO->FRON'NORTHWEST - TATONGA7 345.00 345KV C	1195	0.32546	103.4744	'Hitchland Interchange - WOODWARD DISTRICT EHV 345KV CKT 2'
	FDNS	01NR		0	13G	G11_019		'TO->FRON'NORTHWEST - TATONGA7 345.00 345KV C	1195	0.3512	111.4801	'THISTLE7 345.00 - WOODWARD DISTRICT EHV 345KV CKT 1'
	FDNS	01NR		0	13G	G11_019		'TO->FRON'NORTHWEST - TATONGA7 345.00 345KV C	1195	0.3512	111.4801	'THISTLE7 345.00 - WOODWARD DISTRICT EHV 345KV CKT 2'
	FDNS	01NR		0	13G	G11_019		'TO->FRON'NORTHWEST - TATONGA7 345.00 345KV C	1195	0.32546	102.5613	'BEAVER CO 345.00 - WOODWARD DISTRICT EHV 345KV CKT 1'
	FDNS	01NR		0	13G	G11_019		'TO->FRON'NORTHWEST - TATONGA7 345.00 345KV C	1195	0.31894	103.031	'GEN303025 1-1S3INTHB 13.800'
	FDNS	01NR		0	13G	G11_019		'TO->FRON'NORTHWEST - TATONGA7 345.00 345KV C	1195	0.31894	103.1023	'GEN303026 1-1G4INTHB 18.000'
	FDNS	01NR		0	13G	G11_019		'TO->FRON'NORTHWEST - TATONGA7 345.00 345KV C	1195	0.31894	102.9823	'GEN303027 1-1S4INTHB 13.800'
	FDNS	01NR		0	13G	G11_019		'TO->FRON'NORTHWEST - TATONGA7 345.00 345KV C	1195	0.31894	103.2686	'GEN318007 1-5MOROW161 161.00'
	FDNS	01NR		0	13G	G11_019		'TO->FRON'NORTHWEST - TATONGA7 345.00 345KV C	1195	0.31894	103.3268	'GEN334030 1-FRONTIER UNIT 1'
	FDNS	01NR		0	13G	G11_019		'TO->FRON'NORTHWEST - TATONGA7 345.00 345KV C	1195	0.31894	103.3268	'GEN334031 1-FRONTIER UNIT 2'
	FDNS	01NR		0	13G	G11_019		'TO->FRON'NORTHWEST - TATONGA7 345.00 345KV C	1195	0.31894	103.1894	'GEN334070 1-LEWIS CREEK 1'
	FDNS	01NR		0	13G	G11_019		'TO->FRON'NORTHWEST - TATONGA7 345.00 345KV C	1195	0.31894	103.1832	'GEN334071 1-LEWIS CREEK 2'
	FDNS	01NR		0	13G	G11_019		'TO->FRON'NORTHWEST - TATONGA7 345.00 345KV C	1195	0.31894	103.1331	'GEN334392 1-EXXON MOBIL IPP 1'
	FDNS	01NR		0	13G	G11_019		'TO->FRON'NORTHWEST - TATONGA7 345.00 345KV C	1195	0.31894	103.0451	'GEN334431 1-SABINE UNIT 1'
	FDNS	01NR		0	13G	G11_019		'TO->FRON'NORTHWEST - TATONGA7 345.00 345KV C	1195	0.31894	103.0451	'GEN334432 1-SABINE UNIT 2'
	FDNS	01NR		0	13G	G11_019		'TO->FRON'NORTHWEST - TATONGA7 345.00 345KV C	1195	0.31894	103.4631	'GEN334433 1-SABINE UNIT 3'
	FDNS	01NR		0	13G	G11_019		'TO->FRON'NORTHWEST - TATONGA7 345.00 345KV C	1195	0.31894	103.82	'GEN334440 1-SABINE UNIT 4'
	FDNS	01NR		0	13G	G11_019		'TO->FRON'NORTHWEST - TATONGA7 345.00 345KV C	1195	0.31894	103.4734	'GEN334441 1-SABINE UNIT 5'
	FDNS	01NR		0	13G	G11_019		'TO->FRON'NORTHWEST - TATONGA7 345.00 345KV C	1195	0.31894	103.0549	'GEN334456 1-CONOCO UNIT#1'
	FDNS	01NR		0	13G	G11_019		'TO->FRON'NORTHWEST - TATONGA7 345.00 345KV C	1195	0.31894	103.0758	'GEN335201 1-NELSON UNIT 1'
	FDNS	01NR		0	13G	G11_019		'TO->FRON'NORTHWEST - TATONGA7 345.00 345KV C	1195	0.31894	103.035	'GEN335202 1-NELSON UNIT 2'
	FDNS	01NR		0	13G	G11_019		'TO->FRON'NORTHWEST - TATONGA7 345.00 345KV C	1195	0.31894	103.014	'GEN335203 1-NELSON UNIT 3'
	FDNS	01NR		0	13G	G11_019		'TO->FRON'NORTHWEST - TATONGA7 345.00 345KV C	1195	0.31894	103.8565	'GEN335204 1-NELSON UNIT 4'
	FDNS	01NR		0	13G	G11_019		'TO->FRON'NORTHWEST - TATONGA7 345.00 345KV C	1195	0.31894	104.669	'GEN335206 1-NELSON UNIT 6'
	FDNS	01NR		0	13G	G11_019		'TO->FRON'NORTHWEST - TATONGA7 345.00 345KV C	1195	0.31894	103.3494	'GEN335370 1-1ACADIA_S26116.000
	FDNS	01NR		0	13G	G11_019		'TO->FRON'NORTHWEST - TATONGA7 345.00 345KV C	1195	0.31894	103.3286	'GEN335371 1-1ACADIA_C25118.000
	FDNS	01NR		0	13G	G11_019		'TO->FRON'NORTHWEST - TATONGA7 345.00 345KV C	1195	0.31894	103.3286	'GEN335372 1-1ACADIA_C24118.000
	FDNS	01NR		0	13G	G11_019		'TO->FRON'NORTHWEST - TATONGA7 345.00 345KV C	1195	0.31894	103.1852	'GEN335570 1-CARVILLE CTG'
	FDNS	01NR		0	13G	G11_019		'TO->FRON'NORTHWEST - TATONGA7 345.00 345KV C	1195	0.31894	103.1853	'GEN335571 1-CARVILLE UNIT #1'
	FDNS	01NR		0	13G	G11_019		'TO->FRON'NORTHWEST - TATONGA7 345.00 345KV C	1195	0.31894	103.205	'GEN336167 1-GULF OXY U1'
	FDNS	01NR		0	13G	G11_019		'TO->FRON'NORTHWEST - TATONGA7 345.00 345KV C	1195	0.31894	103.205	'GEN336168 1-GULF OXY U2'
	FDNS	01NR		0	13G	G11_019		'TO->FRON'NORTHWEST - TATONGA7 345.00 345KV C	1195	0.31894	103.205	'GEN336169 1-GULF OXY U3'
	FDNS	01NR		0	13G	G11_019		'TO->FRON'NORTHWEST - TATONGA7 345.00 345KV C	1195	0.31894	103.5775	'GEN336170 1-GULF OXY U4'
	FDNS	01NR		0	13G	G11_019		'TO->FRON'NORTHWEST - TATONGA7 345.00 345KV C	1195	0.31894	103.6969	'GEN336191 1-LITTLE GYPSY UNIT#3'
	FDNS	01NR		0	13G	G11_019		'TO->FRON'NORTHWEST - TATONGA7 345.00 345KV C	1195	0.31894	103.0616	'GEN336221 1-LITTLE GYPSY UNIT#1'
	FDNS	01NR		0	13G	G11_019		'TO->FRON'NORTHWEST - TATONGA7 345.00 345KV C	1195	0.31894	103.2811	'GEN336222 1-LITTLE GYPSY UNIT#2'
	FDNS	01NR		0	13G	G11_019		'TO->FRON'NORTHWEST - TATONGA7 345.00 345KV C	1195	0.31894	103.6653	'GEN336251 1-NINEMILE POINT UNIT#4'
	FDNS	01NR		0	13G	G11_019		'TO->FRON'NORTHWEST - TATONGA7 345.00 345KV C	1195	0.31894	103.9799	'GEN336252 1-NINEMILE POINT UNIT#5'
	FDNS	01NR		0	13G	G11_019		'TO->FRON'NORTHWEST - TATONGA7 345.00 345KV C	1195	0.31894	102.9884	'GEN336446 1-MICHOUD UNIT #2'
	FDNS	01NR		0	13G	G11_019		'TO->FRON'NORTHWEST - TATONGA7 345.00 345KV C	1195	0.31894	103.6216	'GEN336464 1-MICHOUD UNIT #3'
	FDNS	01NR		0	13G	G11_019		'TO->FRON'NORTHWEST - TATONGA7 345.00 345KV C	1195	0.31894	103.5674	'GEN336801 1-BAXTER WILSON UNIT #1'
	FDNS	01NR		0	13G	G11_019		'TO->FRON'NORTHWEST - TATONGA7 345.00 345KV C	1195	0.31894	103.9168	'GEN336831 1-BAXTER WILSON SES'
	FDNS	01NR		0	13G	G11_019		'TO->FRON'NORTHWEST - TATONGA7 345.00 345KV C	1195	0.31894	102.9579	'GEN336944 1-REX BROWN'
	FDNS	01NR		0	13G	G11_019		'TO->FRON'NORTHWEST - TATONGA7 345.00 345KV C	1195	0.31894	103.2138	'GEN337006 1-DUKE MCADAMS G1'
	FDNS	01NR		0	13G	G11_019		'TO->FRON'NORTHWEST - TATONGA7 345.00 345KV C	1195	0.31894	103.2138	'GEN337007 1-DUKE MCADAMS G2'
	FDNS	01NR		0	13G	G11_019		'TO->FRON'NORTHWEST - TATONGA7 345.00 345KV C	1195	0.31894	103.2022	'GEN337008 1-DUKE MCADAMS S1'
	FDNS	01NR		0	13G	G11_019		'TO->FRON'NORTHWEST - TATONGA7 345.00 345KV C	1195	0.31894	103.9408	'GEN337041 1-GERALD ANDRUS'
	FDNS	01NR		0	13G	G11_019		'TO->FRON'NORTHWEST - TATONGA7 345.00 345KV C	1195	0.31894	103.1347	'GEN337125 6-LS POWER BATESVILLE'
	FDNS	01NR		0	13G	G11_019		'TO->FRON'NORTHWEST - TATONGA7 345.00 345KV C	1195	0.31894	103.2041	'GEN337421 1-OUCHITA CTG1'
	FDNS	01NR		0	13G	G11_019		'TO->FRON'NORTHWEST - TATONGA7 345.00 345KV C	1195	0.31894	103.0031	'GEN337422 1-OUCHITA STG1'

EVENT	TYP1	SOLUTION	TYPE	GROUP	SCENARIO	SEASON	SOURCE	DIRECTION	MONTH	COMMON	NAME	RATE	B	TDF	TC%LOAD	CONTNAME
		FDNS		01NR		0	13G	G11_019	'TO->FRON'	NORTHWEST - TATONGA7	345.00 345KV C	1195	0.31963	103.148	'EMPORIA ENERGY CENTER - WICHITA 345KV CKT 1'	
		FDNS		01NR		0	13G	G11_019	'TO->FRON'	NORTHWEST - TATONGA7	345.00 345KV C	1195	0.31981	103.3381	'SWISSVALE - WEST GARDNER 345KV CKT 1'	
		FDNS		01NR		0	13G	G11_019	'TO->FRON'	NORTHWEST - TATONGA7	345.00 345KV C	1195	0.32067	103.514	'CANEYRV7 345.00 - NEOSHO 345KV CKT 1'	
		FDNS		01NR		0	13G	G11_019	'TO->FRON'	NORTHWEST - TATONGA7	345.00 345KV C	1195	0.32067	103.3972	'CANEYRV7 345.00 - LATHAMS7 345.00 345KV CKT 1'	
		FDNS		01NR		0	13G	G11_019	'TO->FRON'	NORTHWEST - TATONGA7	345.00 345KV C	1195	0.32436	103.4208	'BENTON - ROSE HILL 345KV CKT 1'	
		FDNS		01NR		0	13G	G11_019	'TO->FRON'	NORTHWEST - TATONGA7	345.00 345KV C	1195	0.32761	104.8463	'BENTON - WICHITA 345KV CKT 1'	
CONT-LaC		FDNS		01NR		0	13G	G11_019	'TO->FRON'	NORTHWEST - TATONGA7	345.00 345KV C	1195	0.3208	103.4017	'LACYGNE - NEOSHO 345KV CKT 1'	
		FDNS		01NR		0	13G	G11_019	'TO->FRON'	NORTHWEST - TATONGA7	345.00 345KV C	1195	0.32067	103.1507	'LATHAMS7 345.00 - ROSE HILL 345KV CKT 1'	
		FDNS		01NR		0	13G	G11_019	'TO->FRON'	NORTHWEST - TATONGA7	345.00 345KV C	1195	0.33119	101.6363	'VIOLA 7 345.00 - WICHITA 345KV CKT 1'	
		FDNS		01NR		0	13G	G11_019	'TO->FRON'	NORTHWEST - TATONGA7	345.00 345KV C	1195	0.33554	108.9733	'THISTLE7 345.00 - WICHITA 345KV CKT 1'	
		FDNS		01NR		0	13G	G11_019	'TO->FRON'	NORTHWEST - TATONGA7	345.00 345KV C	1195	0.33554	108.9733	'THISTLE7 345.00 - WICHITA 345KV CKT 2'	
		FDNS		01NR		0	13G	G11_019	'TO->FRON'	NORTHWEST - TATONGA7	345.00 345KV C	1195	0.31915	103.2746	'ANDERSONCO 345.00 - WOLF CREEK 345KV CKT 1'	
		FDNS		01NR		0	13G	G11_019	'TO->FRON'	NORTHWEST - TATONGA7	345.00 345KV C	1195	0.31981	103.3005	'CIRCLE - MULLERGREN 230KV CKT 1'	
		FDNS		01NR		0	13G	G11_019	'TO->FRON'	NORTHWEST - TATONGA7	345.00 345KV C	1195	0.32038	103.1527	'CLEARWATER - GILL ENERGY CENTER WEST 138KV CKT 1'	
INVALID		FDNS		01NR		0	13G	G11_019	'TO->FRON'	NORTHWEST - TATONGA7	345.00 345KV C	1195	0.32038	103.2371	'CLEARWATER - MILAN TAP 138KV CKT 1'	
		FDNS		01NR		0	13G	G11_019	'TO->FRON'	NORTHWEST - TATONGA7	345.00 345KV C	1195	0.31923	102.9475	'EVANS ENERGY CENTER NORTH - MAIZEW 4 138.00 138KV CKT 1'	
		FDNS		01NR		0	13G	G11_019	'TO->FRON'	NORTHWEST - TATONGA7	345.00 345KV C	1195	0.31923	102.9478	'MAIZE - MAIZEW 4 138.00 138KV CKT 1'	
INVALID		FDNS		01NR		0	13G	G11_019	'TO->FRON'	NORTHWEST - TATONGA7	345.00 345KV C	1195	0.32038	103.4082	'FLATRDG3 - HARPER 138KV CKT 1'	
		FDNS		01NR		0	13G	G11_019	'TO->FRON'	NORTHWEST - TATONGA7	345.00 345KV C	1195	0.32032	103.1577	'FLATRDG3 - THISTLE4 138.00 138KV CKT 1'	
INVALID		FDNS		01NR		0	13G	G11_019	'TO->FRON'	NORTHWEST - TATONGA7	345.00 345KV C	1195	0.32038	103.3078	'HARPER - MILAN TAP 138KV CKT 1'	
		FDNS		01NR		0	13G	G11_019	'TO->FRON'	NORTHWEST - TATONGA7	345.00 345KV C	1195	0.31975	103.4824	'MULLERGREN - SPEARVILLE 230KV CKT 1'	
CONT-LaC		FDNS		01NR		0	13G	G11_019	'TO->FRON'	NORTHWEST - TATONGA7	345.00 345KV C	1195	0.3191	102.2584	'LACYGNE - WEST GARDNER 345KV CKT 1'	
CONT-LaC		FDNS		01NR		0	13G	G11_019	'TO->FRON'	NORTHWEST - TATONGA7	345.00 345KV C	1195	0.319	102.2595	'LACYGNE - STILLWELL 345KV CKT 1'	
		FDNS		01NR		0	13G	G11_019	'TO->FRON'	NORTHWEST - TATONGA7	345.00 345KV C	1195	0.31915	103.3252	'ANDERSONCO 345.00 - LACYGNE 345KV CKT 1'	
		FDNS		01NR		0	13G	G11_019	'TO->FRON'	NORTHWEST - TATONGA7	345.00 345KV C	1195	0.31982	102.0781	'BROOKLINE - SUB 383 - MONETT 345KV CKT 1'	
		FDNS		01NR		0	13G	G11_019	'TO->FRON'	NORTHWEST - TATONGA7	345.00 345KV C	1195	0.31967	103.3833	'AXTELL - PAULINE 345KV CKT 1'	
		FDNS		01NR		0	13G	G11_019	'TO->FRON'	NORTHWEST - TATONGA7	345.00 345KV C	1195	0.32058	102.9896	'GERALD GENTLEMAN STATION - RED WILLOW 345KV CKT 1'	
		FDNS		01NR		0	13G	G11_019	'TO->FRON'	NORTHWEST - TATONGA7	345.00 345KV C	1195	0.31908	103.0302	'GERALD GENTLEMAN STATION - SWEETWATER 345KV CKT 1'	
		FDNS		01NR		0	13G	G11_019	'TO->FRON'	NORTHWEST - TATONGA7	345.00 345KV C	1195	0.31924	103.0208	'GRAND ISLAND - MCCOOL 345KV CKT 1'	
		FDNS		01NR		0	13G	G11_019	'TO->FRON'	NORTHWEST - TATONGA7	345.00 345KV C	1195	0.31962	103.2927	'MOORE - PAULINE 345KV CKT 1'	
		FDNS		01NR		0	13G	G11_019	'TO->FRON'	NORTHWEST - TATONGA7	345.00 345KV C	1195	0.31962	103.6424	'GRAND ISLAND - SWEETWATER 345KV CKT 1'	
		FDNS		01NR		0	13G	G11_019	'TO->FRON'	NORTHWEST - TATONGA7	345.00 345KV C	1195	0.31906	102.9901	'MCADAMS - WOLF CREEK 500KV CKT 1'	
		FDNS		01NR		0	13G	G11_019	'TO->FRON'	NORTHWEST - TATONGA7	345.00 345KV C	1195	0.31898	102.9595	'7SAREPTA% 345.00 - ELDORADO EHV 345KV CKT 1'	
		FDNS		01NR		0	13G	G11_019	'TO->FRON'	NORTHWEST - TATONGA7	345.00 345KV C	1195	0.31898	102.9589	'ELDORADO EHV 500/345KV TRANSFORMER CKT 1'	
		FDNS		01NR		0	13G	G11_019	'TO->FRON'	NORTHWEST - TATONGA7	345.00 345KV C	1195	0.31912	102.3478	'ARKANSAS NUCLEAR ONE - MABELVALE 500 500KV CKT 1'	
		FDNS		01NR		0	13G	G11_019	'TO->FRON'	NORTHWEST - TATONGA7	345.00 345KV C	1195	0.3191	102.2552	'ARKANSAS NUCLEAR ONE - PLEASANT HILL 500KV CKT 1'	
		FDNS		01NR		0	13G	G11_019	'TO->FRON'	NORTHWEST - TATONGA7	345.00 345KV C	1195	0.31908	102.3857	'MAYFLOWER 500 - PLEASANT HILL 500KV CKT 1'	
		FDNS		01NR		0	13G	G11_019	'TO->FRON'	NORTHWEST - TATONGA7	345.00 345KV C	1195	0.31921	102.0931	'KEO EHV - WEST MEMPHIS 500 500KV CKT 1'	
		FDNS		01NR		0	13G	G11_019	'TO->FRON'	NORTHWEST - TATONGA7	345.00 345KV C	1195	0.31917	102.9521	'8HOLND BTM% 500.00 - INDEPENDENCE 500KV CKT 1'	
		FDNS		01NR		0	13G	G11_019	'TO->FRON'	NORTHWEST - TATONGA7	345.00 345KV C	1195	0.31911	102.2368	'DELL 500 - INDEPENDENCE 500KV CKT 1'	
		FDNS		01NR		0	13G	G11_019	'TO->FRON'	NORTHWEST - TATONGA7	345.00 345KV C	1195	0.31923	102.3519	'7MCCREDIE 345.00 - 7MONTGMRY 345.00 345KV CKT 1'	
		FDNS		01NR		0	13G	G11_019	'TO->FRON'	NORTHWEST - TATONGA7	345.00 345KV C	1195	0.3191	103.2769	'STEGALL - STEGALL TRANSFORMER 230KV CKT 1'	
		FDNS		01NR		0	13G	G11_019	'TO->FRON'	NORTHWEST - TATONGA7	345.00 345KV C	1195	0.3191	103.2694	'STEGALL - STEGALL TY 345KV CKT 1'	
		FDNS		01NR		0	13G	G11_019	'TO->FRON'	NORTHWEST - TATONGA7	345.00 345KV C	1195	0.319	102.9624	'7SAREPTA% 345.00 - LONGWOOD 345KV CKT 1'	
		FDNS		01NR		0	13G	G11_019	'TO->FRON'	NORTHWEST - TATONGA7	345.00 345KV C	1195	0.32337	104.6104	'ELK CITY 230KV (ELKCTY-6) 230/138/13.8KV TRANSFORMER CKT 1'	
		FDNS		01NR		0	13G	G11_019	'TO->FRON'	NORTHWEST - TATONGA7	345.00 345KV C	1195	0.3197	103.0236	'SHAMROCK (SHAMRCK1) 115/69/14.4KV TRANSFORMER CKT 1'	
		FDNS		01NR		0	13G	G11_019	'TO->FRON'	NORTHWEST - TATONGA7	345.00 345KV C	1195	0.32054	103.2396	'WOODWARD (WOODWRD2) 138/69/13.2KV TRANSFORMER CKT 1'	
		FDNS		01NR		0	13G	G11_019	'TO->FRON'	NORTHWEST - TATONGA7	345.00 345KV C	1195	0.32015	103.2708	'KNOBHILL (KNOBHIL4) 138/69/13.2KV TRANSFORMER CKT 1'	

EVENTTYPE	SOLUTIONTYPE	GROUP	SCENARIO	SEASON	SOURCE	DIRECTION	MONTH	COMMONNAME	RATEB	TDF	TC%LOAD	CONTNAME
	FDNS	01NR	0	13G	G11_019	'TO->FRON		'NORTHWEST - TATONGA7 345.00 345KV C	1195	0.31823	101.7093	'NORTHWEST (NORTWST2) 345/138/13.8KV TRANSFORMER CKT 1'
	FDNS	01NR	0	13G	G11_019	'TO->FRON		'NORTHWEST - TATONGA7 345.00 345KV C	1195	0.31829	101.9159	'NORTHWEST (NORTWST3) 345/138/13.8KV TRANSFORMER CKT 1'
	FDNS	01NR	0	13G	G11_019	'TO->FRON		'NORTHWEST - TATONGA7 345.00 345KV C	1195	0.32277	102.2477	'WOODWARD DISTRICT EHV (WWDEHV) 345/138/13.8KV TRANSFORMER CKT 1'
	FDNS	01NR	0	13G	G11_019	'TO->FRON		'NORTHWEST - TATONGA7 345.00 345KV C	1195	0.32276	102.1748	'WOODWARD DISTRICT EHV (WWDEHV-T2) 345/138/13.8KV TRANSFORMER CKT 2'
	FDNS	01NR	0	13G	G11_019	'TO->FRON		'NORTHWEST - TATONGA7 345.00 345KV C	1195	0.3212	104.0456	'POTTER COUNTY INTERCHANGE (WAWK 90343-A) 345/230/13.2KV TRANSFORMER CKT 1'
	FDNS	01NR	0	13G	G11_019	'TO->FRON		'NORTHWEST - TATONGA7 345.00 345KV C	1195	0.32032	103.1578	'THISTLE7 345.00 (THISTLE T1) 345/138/13.8KV TRANSFORMER CKT 1'
	FDNS	01NR	0	13G	G11_019	'TO->FRON		'NORTHWEST - TATONGA7 345.00 345KV C	1195	0.31917	102.2747	'8BHAM STEEL 500.00 - WEST MEMPHIS 500 500KV CKT 1'
	FDNS	01NR	0	13G	G11_019	'TO->FRON		'NORTHWEST - TATONGA7 345.00 345KV C	1195	0.44523	137.1483	'DBL-THIS-WWR'
	FDNS	01NR	0	13G	G11_019	'TO->FRON		'NORTHWEST - TATONGA7 345.00 345KV C	1195	0.32026	102.3987	'DBL-THIS-CLR'
	FDNS	01NR	0	13G	G11_019	'TO->FRON		'NORTHWEST - TATONGA7 345.00 345KV C	1195	0.31924	100.6348	'SPP-AEPW-01'
	FDNS	01NR	0	13G	G11_019	'TO->FRON		'NORTHWEST - TATONGA7 345.00 345KV C	1195	0.34536	106.8971	'SPP-AEPW-32'
	FDNS	01NR	0	13G	G11_019	'TO->FRON		'NORTHWEST - TATONGA7 345.00 345KV C	1195	0.31912	101.9977	'GRDA-OPGD-05'
	FDNS	01NR	0	13G	G11_019	'TO->FRON		'NORTHWEST - TATONGA7 345.00 345KV C	1195	0.31929	102.3399	'KCPL-MSL#03'
	FDNS	01NR	0	13G	G11_019	'TO->FRON		'NORTHWEST - TATONGA7 345.00 345KV C	1195	0.31908	102.9573	'KCPL-OPGD06A'
	FDNS	01NR	0	13G	G11_019	'TO->FRON		'NORTHWEST - TATONGA7 345.00 345KV C	1195	0.3191	103.2763	'TRF-STEGALL'
	FDNS	01NR	0	13G	G11_019	'TO->FRON		'NORTHWEST - TATONGA7 345.00 345KV C	1195	0.32161	102.999	'OGE3TERM1'
	FDNS	01NR	0	13G	G11_019	'TO->FRON		'NORTHWEST - TATONGA7 345.00 345KV C	1195	0.32051	102.1472	'OGE3TERM7'
	FDNS	01NR	0	13G	G11_019	'TO->FRON		'NORTHWEST - TATONGA7 345.00 345KV C	1195	0.31877	102.2836	'OGE3TERM14'
	FDNS	01NR	0	13G	G11_019	'TO->FRON		'NORTHWEST - TATONGA7 345.00 345KV C	1195	0.31894	102.6667	'NC1_GEN-NEBRASKA CITY 1'
	FDNS	01NR	0	13G	G11_019	'TO->FRON		'NORTHWEST - TATONGA7 345.00 345KV C	1195	0.34546	105.9169	'SPP-SWPS-01'
	FDNS	01NR	0	13G	G11_019	'TO->FRON		'NORTHWEST - TATONGA7 345.00 345KV C	1195	0.32337	104.6152	'SPP-SWPS-02A'
	FDNS	01NR	0	13G	G11_019	'TO->FRON		'NORTHWEST - TATONGA7 345.00 345KV C	1195	0.32354	104.3006	'SPP-SWPS-03'
	FDNS	01NR	0	13G	G11_019	'TO->FRON		'NORTHWEST - TATONGA7 345.00 345KV C	1195	0.3212	103.1731	'SPP-SWPS-04'
	FDNS	01NR	0	13G	G11_019	'TO->FRON		'NORTHWEST - TATONGA7 345.00 345KV C	1195	0.33105	105.2576	'SPP-SWPS-05'
	FDNS	01NR	0	13G	G11_019	'TO->FRON		'NORTHWEST - TATONGA7 345.00 345KV C	1195	0.31955	102.9587	'SPP-SWPS-K31'
	FDNS	01NR	0	13G	G11_019	'TO->FRON		'NORTHWEST - TATONGA7 345.00 345KV C	1195	0.3197	103.0147	'SPP-SWPS-T54'
	FDNS	01NR	0	13G	G11_019	'TO->FRON		'NORTHWEST - TATONGA7 345.00 345KV C	1195	0.32038	103.2372	'SPP-MKEC-05'
	FDNS	01NR	0	13G	G11_019	'TO->FRON		'NORTHWEST - TATONGA7 345.00 345KV C	1195	0.32061	103.5242	'SPP-MKEC-08'
	FDNS	01NR	0	13G	G11_019	'TO->FRON		'NORTHWEST - TATONGA7 345.00 345KV C	1195	0.32038	103.2416	'SPP-WEPL-03'
	FDNS	01NR	0	13G	G11_019	'TO->FRON		'NORTHWEST - TATONGA7 345.00 345KV C	1195	0.32038	103.2412	'SPP-WEPL-03A'
	FDNS	01NR	0	13G	G11_019	'TO->FRON		'NORTHWEST - TATONGA7 345.00 345KV C	1195	0.32051	102.0792	'SPP-WERE-07C'
	FDNS	01NR	0	13G	G11_019	'TO->FRON		'NORTHWEST - TATONGA7 345.00 345KV C	1195	0.31923	102.9478	'SPP-WERE-91'
	FDNS	01NR	0	13G	G11_019	'TO->FRON		'NORTHWEST - TATONGA7 345.00 345KV C	1195	0.31942	103.7823	'WRTOD400'
	FDNS	01NR	0	13G	G11_019	'TO->FRON		'NORTHWEST - TATONGA7 345.00 345KV C	1195	0.31982	102.0771	'AI12'
	FDNS	01NR	0	13G	G11_019	'TO->FRON		'NORTHWEST - TATONGA7 345.00 345KV C	1195	0.31917	102.271	'AMRN_OUTS5'
	FDNS	01NR	0	13G	G11_019	'TO->FRON		'NORTHWEST - TATONGA7 345.00 345KV C	1195	0.31929	102.3399	'MTGY-OVER-5'
	FDNS	01NR	0	13G	G11_019	'TO->FRON		'NORTHWEST - TATONGA7 345.00 345KV C	1195	0.31898	102.9595	'A222'
	FDNS	01NR	0	13G	G11_019	'TO->FRON		'NORTHWEST - TATONGA7 345.00 345KV C	1195	0.31894	102.9781	'GEN300003 1-THOMAS HILL UNIT 3'
	FDNS	01NR	0	13G	G11_019	'TO->FRON		'NORTHWEST - TATONGA7 345.00 345KV C	1195	0.31894	103.7985	'GEN300006 1-NEW MADRID UNIT 1'
	FDNS	01NR	0	13G	G11_019	'TO->FRON		'NORTHWEST - TATONGA7 345.00 345KV C	1195	0.31894	103.7914	'GEN300007 1-NEW MADRID UNIT 2'
	FDNS	01NR	0	13G	G11_019	'TO->FRON		'NORTHWEST - TATONGA7 345.00 345KV C	1195	0.31894	103.0613	'GEN300016 1-1G1PDEL 18.000'
	FDNS	01NR	0	13G	G11_019	'TO->FRON		'NORTHWEST - TATONGA7 345.00 345KV C	1195	0.31894	103.2727	'GEN300020 1-1CHOTCT4 16.000'
	FDNS	01NR	0	13G	G11_019	'TO->FRON		'NORTHWEST - TATONGA7 345.00 345KV C	1195	0.31894	103.2728	'GEN300021 1-1CHOTCT5 16.000'
	FDNS	01NR	0	13G	G11_019	'TO->FRON		'NORTHWEST - TATONGA7 345.00 345KV C	1195	0.31894	103.2961	'GEN300024 1-1CHOTST6 16.000'
	FDNS	01NR	0	13G	G11_019	'TO->FRON		'NORTHWEST - TATONGA7 345.00 345KV C	1195	0.31894	103.2959	'GEN300031 1-CHOUTEAU CTG 1'
	FDNS	01NR	0	13G	G11_019	'TO->FRON		'NORTHWEST - TATONGA7 345.00 345KV C	1195	0.31894	103.2727	'GEN300032 1-CHOUTEAU CTG 2'
	FDNS	01NR	0	13G	G11_019	'TO->FRON		'NORTHWEST - TATONGA7 345.00 345KV C	1195	0.31894	103.2727	'GEN300033 1-CHOUTEAU STG 3'
	FDNS	01NR	0	13G	G11_019	'TO->FRON		'NORTHWEST - TATONGA7 345.00 345KV C	1195	0.31894	103.3645	'GEN301380 1-1OSAGEWIND 34.500'
	FDNS	01NR	0	13G	G11_019	'TO->FRON		'NORTHWEST - TATONGA7 345.00 345KV C	1195	0.31894	102.9594	'GEN303003 1-1BC1 U3'
	FDNS	01NR	0	13G	G11_019	'TO->FRON		'NORTHWEST - TATONGA7 345.00 345KV C	1195	0.31894	102.9594	'GEN303004 1-1BC1 U4'

EVENTTYPE	SOLUTIONTYPE	GROUP	SCENARIO	SEASON	SOURCE	DIRECTION	MONTH	COMMONNAME	RATEB	TDF	TC%LOADI	CONTNAME
	FDNS	01NR		0	13G	G11_019	TO->FRON	NORTHWEST - TATONGA7 345.00 345KV C	1195	0.31894	104.1922	'GEN303006 1-1BC2 U1'
	FDNS	01NR		0	13G	G11_019	TO->FRON	NORTHWEST - TATONGA7 345.00 345KV C	1195	0.31894	104.6648	'GEN303007 1-1BC2 U2'
	FDNS	01NR		0	13G	G11_019	TO->FRON	NORTHWEST - TATONGA7 345.00 345KV C	1195	0.31894	104.0708	'GEN303008 1-1BC2 U3'
	FDNS	01NR		0	13G	G11_019	TO->FRON	NORTHWEST - TATONGA7 345.00 345KV C	1195	0.31894	103.1666	'GEN303024 1-1G3INTHB 18.000'
NCONV	FNSL-Blown up	02ALL		0	13G	G11_019		Non-Converged Contingency	1195	0.24219	89.21449	'NORTHWEST - TATONGA7 345.00 345KV CKT 1'
NCONV	FNSL-Blown up	02ALL		0	13G	G11_019		Non-Converged Contingency	1052	0.07451	65.83252	'FINNEY SWITCHING STATION - Hitchland Interchange 345KV CKT 1'
NCONV	FNSL-Blown up	02ALL		0	13G	G11_019		Non-Converged Contingency	1052	0.07451	70.96961	'FINNEY SWITCHING STATION - HOLCOMB 345KV CKT 1'
NCONV	FNSL-Blown up	02ALL		0	13G	G11_019		Non-Converged Contingency	0	0.07451	9999	'SPP-SWPS-05'
NCONV	FNSL-Blown up	03ALL		0	13G	G11_019		Non-Converged Contingency	1052	0.03131	20.1711	'OKLAUNION - TUCO INTERCHANGE 345KV CKT 1'
NCONV	FNSL-Blown up	03ALL		0	13G	G11_019		Non-Converged Contingency	1195	0.24042	78.9142	'NORTHWEST - TATONGA7 345.00 345KV CKT 1'
NCONV	FNSL-Blown up	03ALL		0	13G	G11_019		Non-Converged Contingency	1775	0.24042	47.56333	'TATONGA7 345.00 - WOODWARD DISTRICT EHV 345KV CKT 1'
NCONV	FNSL-Blown up	03ALL		0	13G	G11_019		Non-Converged Contingency	1052	0.06496	22.06532	'Hitchland Interchange - POTTER COUNTY INTERCHANGE 345KV CKT 1'
NCONV	FNSL-Blown up	03ALL		0	13G	G11_019		Non-Converged Contingency	1792	0.04859	49.45027	'G11-17T 345.00 - POST ROCK 345KV CKT 1'
NCONV	FNSL-Blown up	03ALL		0	13G	G11_019		Non-Converged Contingency	1792	0.04324	32.65164	'AXTELL - POST ROCK 345KV CKT 1'
NCONV	FNSL-Blown up	03ALL		0	13G	G11_019		Non-Converged Contingency	1328	0.04392	34.90823	'HOLCOMB - SETAB 345KV CKT 1'
NCONV	FNSL-Blown up	03ALL		0	13G	G11_019		Non-Converged Contingency	1328	0.04075	43.30291	'MINGO - SETAB 345KV CKT 1'
NCONV	FNSL-Blown up	03ALL		0	13G	G11_019		Non-Converged Contingency	717	0.04034	62.03905	'MINGO - RED WILLOW 345KV CKT 1'
NCONV	FNSL-Blown up	03ALL		0	13G	G11_019		Non-Converged Contingency	1792	0.04859	30.84333	'G11-17T 345.00 - SPEARVILLE 345KV CKT 1'
NCONV	FNSL-Blown up	03ALL		0	13G	G11_019		Non-Converged Contingency	1051	0.04487	22.12694	'JEFFREY ENERGY CENTER - SUMMIT 345KV CKT 1'
NCONV	FNSL-Blown up	03ALL		0	13G	G11_019		Non-Converged Contingency	956	0.0602	26.72794	'EMPORIA ENERGY CENTER - WICHITA 345KV CKT 1'
NCONV	FNSL-Blown up	03ALL		0	13G	G11_019		Non-Converged Contingency	956	0.06951	62.98875	'BENTON - ROSE HILL 345KV CKT 1'
NCONV	FNSL-Blown up	03ALL		0	13G	G11_019		Non-Converged Contingency	1792	0.11995	43.40387	'THISTLE7 345.00 - WICHITA 345KV CKT 1'
NCONV	FNSL-Blown up	03ALL		0	13G	G11_019		Non-Converged Contingency	1792	0.11995	43.40387	'THISTLE7 345.00 - WICHITA 345KV CKT 2'
NCONV	FNSL-Blown up	03ALL		0	13G	G11_019		Non-Converged Contingency	956	0.03162	28.00759	'GERALD GENTLEMAN STATION - RED WILLOW 345KV CKT 1'
NCONV	FNSL-Blown up	03ALL		0	13G	G11_019		Non-Converged Contingency	559	0.06496	56.24506	'POTTER COUNTY INTERCHANGE (WAUK 90343-A) 345/230/13.2KV TRANSFORMER CKT 1'
NCONV	FNSL-Blown up	03ALL		0	13G	G11_019		Non-Converged Contingency	0	0.2399	9999	'DBL-WICH-THI'
NCONV	FNSL-Blown up	03ALL		0	13G	G11_019		Non-Converged Contingency	0	0.06609	9999	'SPP-SWPS-01'
CONT-040	FDNS		1	0	13G	G11_019	TO->FRON	NORTHWEST - TATONGA7 345.00 345KV C	1195	0.24755	98.3	'HOYT - JEFFREY ENERGY CENTER 345KV CKT 1'
CONT-080	FDNS		1	0	13G	G11_019	TO->FRON	NORTHWEST - TATONGA7 345.00 345KV C	1195	0.24761	98.1	'HOYT - STRANGER CREEK 345KV CKT 1'
CONT-LaC	FDNS		1	0	13G	G11_019	TO->FRON	NORTHWEST - TATONGA7 345.00 345KV C	1195	0.24722	98	'LACYGNE - NEOSHO 345KV CKT 1'
CONT-LaC	FDNS		1	0	13G	G11_019	TO->FRON	NORTHWEST - TATONGA7 345.00 345KV C	1195	0.24711	96.9	'LACYGNE - WEST GARDNER 345KV CKT 1'
CONT-LaC	FDNS		1	0	13G	G11_019	TO->FRON	NORTHWEST - TATONGA7 345.00 345KV C	1195	0.24705	96.9	'LACYGNE - STILWELL 345KV CKT 1'
CONT-TOD	FDNS		1	0	13G	G11_019	TO->FRON	NORTHWEST - TATONGA7 345.00 345KV C	1195	0.24693	97.6	'DOLET HILLS - SOUTHWEST SHREVEPORT 345KV CKT 1'
INVALID	FDNS		1	0	13G	G11_019	TO->FRON	NORTHWEST - TATONGA7 345.00 345KV C	1195	0.24702	96.75201	'FLINT CREEK - SILOAM SPRINGS TAP 345KV CKT 1'
INVALID	FDNS		1	0	13G	G11_019	TO->FRON	NORTHWEST - TATONGA7 345.00 345KV C	1195	0.24716	96.09587	'EASTDC - WELSH 345KV CKT 1'
INVALID	FDNS		1	0	13G	G11_019	TO->FRON	NORTHWEST - TATONGA7 345.00 345KV C	1195	0.25772	106.3448	'LAWTON EASTSIDE - OKLAUNION 345KV CKT 1'
INVALID	FDNS		1	0	13G	G11_019	TO->FRON	NORTHWEST - TATONGA7 345.00 345KV C	1195	0.24699	96.6122	'GRDA1 - SILOAM SPRINGS TAP 345KV CKT 1'
INVALID	FDNS		1	0	13G	G11_019	TO->FRON	NORTHWEST - TATONGA7 345.00 345KV C	1195	0.24841	97.82594	'CLEARWATER - MILAN TAP 138KV CKT 1'
INVALID	FDNS		1	0	13G	G11_019	TO->FRON	NORTHWEST - TATONGA7 345.00 345KV C	1195	0.24841	97.99606	'FLATRDG3 - HARPER 138KV CKT 1'
INVALID	FDNS		1	0	13G	G11_019	TO->FRON	NORTHWEST - TATONGA7 345.00 345KV C	1195	0.24841	97.89535	'HARPER - MILAN TAP 138KV CKT 1'
NCONV	FNSL-Blown up		3	0	13G	G11_019		Non-converged contingency	1792	0.05529	46.31664	'G11-17T 345.00 - POST ROCK 345KV CKT 1'
NCONV	FNSL-Blown up		3	0	13G	G11_019		Non-converged contingency	0	0.25486	9999	'DBL-WICH-THI'
	FDNS		1	0	13G	G11_019	TO->FRON	NORTHWEST - TATONGA7 345.00 345KV C	1195	0.24716	97.3	'BASE CASE'
	FDNS		1	0	13G	G11_019	TO->FRON	NORTHWEST - TATONGA7 345.00 345KV C	1195	0.24701	96.7	'FLINT CREEK - SUB 383 - MONETT 345KV CKT 1'
	FDNS		1	0	13G	G11_019	TO->FRON	NORTHWEST - TATONGA7 345.00 345KV C	1195	0.24708	96.5	'CHAMBER SPRINGS - CLARKSVILLE 345KV CKT 1'
	FDNS		1	0	13G	G11_019	TO->FRON	NORTHWEST - TATONGA7 345.00 345KV C	1195	0.24664	96.9	'LYDIA - WELSH 345KV CKT 1'
	FDNS		1	0	13G	G11_019	TO->FRON	NORTHWEST - TATONGA7 345.00 345KV C	1195	0.24511	95.3	'LYDIA - VALLIANT 345KV CKT 1'
	FDNS		1	0	13G	G11_019	TO->FRON	NORTHWEST - TATONGA7 345.00 345KV C	1195	0.24731	96.9	'CLARKSVILLE - MUSKOGEE 345KV CKT 1'
	FDNS		1	0	13G	G11_019	TO->FRON	NORTHWEST - TATONGA7 345.00 345KV C	1195	0.24429	96	'REDBUD - RIVERSIDE STATION 345KV CKT 1'
	FDNS		1	0	13G	G11_019	TO->FRON	NORTHWEST - TATONGA7 345.00 345KV C	1195	0.24778	95.5	'DELAWARE - NORTHEAST STATION 345KV CKT 1'
	FDNS		1	0	13G	G11_019	TO->FRON	NORTHWEST - TATONGA7 345.00 345KV C	1195	0.24771	96.3	'DELAWARE - NEOSHO 345KV CKT 1'

EVENTTYPE	SOLUTIONTYPE	GROUP	SCENARIO	SEASON	SOURCE	DIRECTION	MONTH	COMMONNAME	RATEB	TDF	TC%LOAD	CONTNAME
	FDNS		1	0	13G	G11_019	'TO->FRON	'NORTHWEST - TATONGA7 345.00 345KV C	1195	0.24718	97	'BARTLESVILLE SOUTHEAST - NORTH BARTLESVILLE 138KV CKT 1'
	FDNS		1	0	13G	G11_019	'TO->FRON	'NORTHWEST - TATONGA7 345.00 345KV C	1195	0.24718	97	'COFFEYVILLE TAP - NORTH BARTLESVILLE 138KV CKT 1'
	FDNS		1	0	13G	G11_019	'TO->FRON	'NORTHWEST - TATONGA7 345.00 345KV C	1195	0.24622	96.4	'PITTSBURG - VALLIANT 345KV CKT 1'
	FDNS		1	0	13G	G11_019	'TO->FRON	'NORTHWEST - TATONGA7 345.00 345KV C	1195	0.24581	96.3	'PITTSBURG - SEMINOLE 345KV CKT 1'
	FDNS		1	0	13G	G11_019	'TO->FRON	'NORTHWEST - TATONGA7 345.00 345KV C	1195	0.24854	98.1	'CLINTON AIR FORCE BASE TAP - ELK CITY 138KV CKT 1'
	FDNS		1	0	13G	G11_019	'TO->FRON	'NORTHWEST - TATONGA7 345.00 345KV C	1195	0.24854	98	'CLINTON AIR FORCE BASE TAP - HOBART JUNCTION 138KV CKT 1'
	FDNS		1	0	13G	G11_019	'TO->FRON	'NORTHWEST - TATONGA7 345.00 345KV C	1195	0.25772	100.1442	'OKLAUNION - TUCO INTERCHANGE 345KV CKT 1'
	FDNS		1	0	13G	G11_019	'TO->FRON	'NORTHWEST - TATONGA7 345.00 345KV C	1195	0.24903	98.3	'CLINTON JUNCTION - ELK CITY 138KV CKT 1'
	FDNS		1	0	13G	G11_019	'TO->FRON	'NORTHWEST - TATONGA7 345.00 345KV C	1195	0.24862	98	'ELK CITY - RED HILLS WIND 138KV CKT 1'
	FDNS		1	0	13G	G11_019	'TO->FRON	'NORTHWEST - TATONGA7 345.00 345KV C	1195	0.24838	98.2	'LAWTON EASTSIDE - SUNNYSIDE 345KV CKT 1'
	FDNS		1	0	13G	G11_019	'TO->FRON	'NORTHWEST - TATONGA7 345.00 345KV C	1195	0.24652	96.4	'GRACEMONT - LAWTON EASTSIDE 345KV CKT 1'
	FDNS		1	0	13G	G11_019	'TO->FRON	'NORTHWEST - TATONGA7 345.00 345KV C	1195	0.24768	97.6	'WEATHERFORD JCT. - WEATHERFORD SOUTHEAST 138KV CKT 1'
	FDNS		1	0	13G	G11_019	'TO->FRON	'NORTHWEST - TATONGA7 345.00 345KV C	1195	0.24806	99.1	'ELK CITY 230KV - SWEETWATER 230KV CKT 1'
	FDNS		1	0	13G	G11_019	'TO->FRON	'NORTHWEST - TATONGA7 345.00 345KV C	1195	0.24745	97.6	'WEATHERFORD SOUTHEAST - WEATHERFORD TAP 138KV CKT 1'
	FDNS		1	0	13G	G11_019	'TO->FRON	'NORTHWEST - TATONGA7 345.00 345KV C	1195	0.24745	97.6	'WEATHERFORD TAP - WEATHERFORD WIND FARM 138KV CKT 1'
	FDNS		1	0	13G	G11_019	'TO->FRON	'NORTHWEST - TATONGA7 345.00 345KV C	1195	0.24806	97.8	'STATELINE INTERCHANGE - SWEETWATER 230KV CKT & 1'
	FDNS		1	0	13G	G11_019	'TO->FRON	'NORTHWEST - TATONGA7 345.00 345KV C	1195	0.24746	97.6	'MCLEAN RURAL SUB - SHAMROCK 115KV CKT 1'
	FDNS		1	0	13G	G11_019	'TO->FRON	'NORTHWEST - TATONGA7 345.00 345KV C	1195	0.2465	97	'CLEVELAND - SOONER 345KV CKT 1'
	FDNS		1	0	13G	G11_019	'TO->FRON	'NORTHWEST - TATONGA7 345.00 345KV C	1195	0.24899	97.6	'HENESSEY - WAUKOMIS 138KV CKT 1'
	FDNS		1	0	13G	G11_019	'TO->FRON	'NORTHWEST - TATONGA7 345.00 345KV C	1195	0.24777	97.6	'MARSHALL - WOODRING 138KV CKT 1'
	FDNS		1	0	13G	G11_019	'TO->FRON	'NORTHWEST - TATONGA7 345.00 345KV C	1195	0.25114	98.3	'HUNTERS7 345.00 - WOODRING 345KV CKT 1'
	FDNS		1	0	13G	G11_019	'TO->FRON	'NORTHWEST - TATONGA7 345.00 345KV C	1195	0.24801	97.6	'KNOBHILL - SALINE 69KV CKT 1'
	FDNS		1	0	13G	G11_019	'TO->FRON	'NORTHWEST - TATONGA7 345.00 345KV C	1195	0.24754	96.8	'KILDARE4 - NEWKIRK4 138KV CKT 1'
	FDNS		1	0	13G	G11_019	'TO->FRON	'NORTHWEST - TATONGA7 345.00 345KV C	1195	0.24742	96.9	'KILDARE4 - WHITE EAGLE 138KV CKT 1'
	FDNS		1	0	13G	G11_019	'TO->FRON	'NORTHWEST - TATONGA7 345.00 345KV C	1195	0.24899	97.6	'DOVER SW - HENESSEY 138KV CKT 1'
	FDNS		1	0	13G	G11_019	'TO->FRON	'NORTHWEST - TATONGA7 345.00 345KV C	1195	0.25114	99	'CLEO CORNER - GLASS MOUNTAIN 138KV CKT 1'
	FDNS		1	0	13G	G11_019	'TO->FRON	'NORTHWEST - TATONGA7 345.00 345KV C	1195	0.25212	99	'CLEO CORNER - MEN TAP 138KV CKT 1'
	FDNS		1	0	13G	G11_019	'TO->FRON	'NORTHWEST - TATONGA7 345.00 345KV C	1195	0.24919	97.6	'WOODWARD - WOODWARD EHV 138KV CKT 1'
	FDNS		1	0	13G	G11_019	'TO->FRON	'NORTHWEST - TATONGA7 345.00 345KV C	1195	0.25912	100.0791	'FPL SWITCH - WOODWARD 138KV CKT 1'
	FDNS		1	0	13G	G11_019	'TO->FRON	'NORTHWEST - TATONGA7 345.00 345KV C	1195	0.25225	98.4	'DEWEY - IODINE 138KV CKT 1'
	FDNS		1	0	13G	G11_019	'TO->FRON	'NORTHWEST - TATONGA7 345.00 345KV C	1195	0.25449	100.5894	'DEWEY - SOUTHARD 138KV CKT 1'
	FDNS		1	0	13G	G11_019	'TO->FRON	'NORTHWEST - TATONGA7 345.00 345KV C	1195	0.25114	99.1	'GLASS MOUNTAIN - MOORELAND 138KV CKT 1'
	FDNS		1	0	13G	G11_019	'TO->FRON	'NORTHWEST - TATONGA7 345.00 345KV C	1195	0.25212	99	'IMO TAP - MEN TAP 138KV CKT 1'
	FDNS		1	0	13G	G11_019	'TO->FRON	'NORTHWEST - TATONGA7 345.00 345KV C	1195	0.24808	97.9	'KNOBHILL - MOORELAND 138KV CKT 1'
	FDNS		1	0	13G	G11_019	'TO->FRON	'NORTHWEST - TATONGA7 345.00 345KV C	1195	0.25225	98.5	'IODINE - WOODWARD EHV 138KV CKT 1'
	FDNS		1	0	13G	G11_019	'TO->FRON	'NORTHWEST - TATONGA7 345.00 345KV C	1195	0.24612	95.5	'GRACEMONT - MINCO 345KV CKT 1'
	FDNS		1	0	13G	G11_019	'TO->FRON	'NORTHWEST - TATONGA7 345.00 345KV C	1195	0.24936	96.1	'ROSE HILL - SOONER 345KV CKT 1'
	FDNS		1	0	13G	G11_019	'TO->FRON	'NORTHWEST - TATONGA7 345.00 345KV C	1195	0.24754	96.7	'CRESWELL - MIDLTNT4 138.00 138KV CKT 1'
	FDNS		1	0	13G	G11_019	'TO->FRON	'NORTHWEST - TATONGA7 345.00 345KV C	1195	0.25449	100.1005	'EL RENO - ROMAN NOSE 138KV CKT 1'
	FDNS		1	0	13G	G11_019	'TO->FRON	'NORTHWEST - TATONGA7 345.00 345KV C	1195	0.25449	100.2886	'ROMAN NOSE - SOUTHARD 138KV CKT 1'
	FDNS		1	0	13G	G11_019	'TO->FRON	'NORTHWEST - TATONGA7 345.00 345KV C	1195	0.24701	97	'NORTHWEST - PANTHER 138KV CKT 1'
	FDNS		1	0	13G	G11_019	'TO->FRON	'NORTHWEST - TATONGA7 345.00 345KV C	1195	0.2395	96.7	'ARCADIA - NORTHWEST 345KV CKT 1'
	FDNS		1	0	13G	G11_019	'TO->FRON	'NORTHWEST - TATONGA7 345.00 345KV C	1195	0.24568	96.5	'CIMARRON - DRAPER LAKE 345KV CKT 1'
	FDNS		1	0	13G	G11_019	'TO->FRON	'NORTHWEST - TATONGA7 345.00 345KV C	1195	0.24772	99.2	'CIMARRON - G11-007T 345.00 345KV CKT 1'
	FDNS		1	0	13G	G11_019	'TO->FRON	'NORTHWEST - TATONGA7 345.00 345KV C	1195	0.24621	96.5	'ARCADIA - SEMINOLE 345KV CKT 1'
	FDNS		1	0	13G	G11_019	'TO->FRON	'NORTHWEST - TATONGA7 345.00 345KV C	1195	0.24727	97.6	'MCELROY - STILLWATER 138KV CKT 1'
	FDNS		1	0	13G	G11_019	'TO->FRON	'NORTHWEST - TATONGA7 345.00 345KV C	1195	0.24733	97.7	'MORISNT4 138.00 - STILLWATER 138KV CKT 1'
	FDNS		1	0	13G	G11_019	'TO->FRON	'NORTHWEST - TATONGA7 345.00 345KV C	1195	0.24648	96.6	'FT SMITH - MUSKOGEE 345KV CKT 1'
	FDNS		1	0	13G	G11_019	'TO->FRON	'NORTHWEST - TATONGA7 345.00 345KV C	1195	0.26637	102.2415	'BORDER 7345.00 - WOODWARD DISTRICT EHV 345KV CKT 1'

EVENTTYPE	SOLUTIONTYPE	GROUP	SCENARIO	SEASON	SOURCE	DIRECTION	MONTH	COMMONNAME	RATEB	TDF	TC%LOADI	CONTNAME
	FDNS		1	0	13G	G11_019	'TO->FRON'	'NORTHWEST - TATONGA7 345.00 345KV C	1195	0.24716	97.9	'Hitchland Interchange - WOODWARD DISTRICT EHV 345KV CKT 2'
	FDNS		1	0	13G	G11_019	'TO->FRON'	'NORTHWEST - TATONGA7 345.00 345KV C	1195	0.28001	105.3204	'THISTLE7 345.00 - WOODWARD DISTRICT EHV 345KV CKT 1'
	FDNS		1	0	13G	G11_019	'TO->FRON'	'NORTHWEST - TATONGA7 345.00 345KV C	1195	0.28001	105.3204	'THISTLE7 345.00 - WOODWARD DISTRICT EHV 345KV CKT 2'
	FDNS		1	0	13G	G11_019	'TO->FRON'	'NORTHWEST - TATONGA7 345.00 345KV C	1195	0.25241	97	'BEAVER CO 345.00 - WOODWARD DISTRICT EHV 345KV CKT 1'
	FDNS		1	0	13G	G11_019	'TO->FRON'	'NORTHWEST - TATONGA7 345.00 345KV C	1195	0.26637	102.2821	'BORDER 7345.00 - TUCO INTERCHANGE 345KV CKT 1'
	FDNS		1	0	13G	G11_019	'TO->FRON'	'NORTHWEST - TATONGA7 345.00 345KV C	1195	0.25114	97.6	'HUNTERS7 345.00 - VIOLA 7 345.00 345KV CKT 1'
	FDNS		1	0	13G	G11_019	'TO->FRON'	'NORTHWEST - TATONGA7 345.00 345KV C	1195	0.25912	101.5738	'FPL SWITCH - MOORELAND 138KV CKT 1'
	FDNS		1	0	13G	G11_019	'TO->FRON'	'NORTHWEST - TATONGA7 345.00 345KV C	1195	0.24787	97.6	'ARAPAHO - HAMON BUTLER 69KV CKT 1'
	FDNS		1	0	13G	G11_019	'TO->FRON'	'NORTHWEST - TATONGA7 345.00 345KV C	1195	0.24787	97.6	'ARAPAHO - INDUSTRIAL PARK 69KV CKT 1'
	FDNS-CHECK-TC-B		1	0	13G	G11_019	'TO->FRON'	'NORTHWEST - TATONGA7 345.00 345KV C	1195	0.24716	100.4	'GEN337653 1-WHITE BLUFF UNIT #2'
	FDNS		1	0	13G	G11_019	'TO->FRON'	'NORTHWEST - TATONGA7 345.00 345KV C	1195	0.24716	98.3	'GEN337692 1-LAKE CATHERINE UNIT #4'
	FDNS		1	0	13G	G11_019	'TO->FRON'	'NORTHWEST - TATONGA7 345.00 345KV C	1195	0.24716	100	'GEN338143 1-INDEPENDENCE UNIT #1'
	FDNS		1	0	13G	G11_019	'TO->FRON'	'NORTHWEST - TATONGA7 345.00 345KV C	1195	0.24716	100.0507	'GEN338146 1-INDEPENDENCE UNIT #2'
	FDNS		1	0	13G	G11_019	'TO->FRON'	'NORTHWEST - TATONGA7 345.00 345KV C	1195	0.24716	99.3	'GEN338388 1-1PLUM PT U1 23.000'
	FDNS		1	0	13G	G11_019	'TO->FRON'	'NORTHWEST - TATONGA7 345.00 345KV C	1195	0.24716	97.7	'GEN338500 1-MCCLELLAN UNIT #1'
	FDNS		1	0	13G	G11_019	'TO->FRON'	'NORTHWEST - TATONGA7 345.00 345KV C	1195	0.24716	97.6	'GEN338510 1-1S1KNWRI'
	FDNS		1	0	13G	G11_019	'TO->FRON'	'NORTHWEST - TATONGA7 345.00 345KV C	1195	0.24716	97.6	'GEN338512 1-1S2KNWRI'
	FDNS		1	0	13G	G11_019	'TO->FRON'	'NORTHWEST - TATONGA7 345.00 345KV C	1195	0.24716	97.6	'GEN338513 1-BAILEY UNIT #1'
	FDNS		1	0	13G	G11_019	'TO->FRON'	'NORTHWEST - TATONGA7 345.00 345KV C	1195	0.24716	97.6	'GEN500915 3-WESTERN KRAFT'
	FDNS		1	0	13G	G11_019	'TO->FRON'	'NORTHWEST - TATONGA7 345.00 345KV C	1195	0.24716	100.2498	'GEN501801 1-DOLET HILLS UNIT1'
	FDNS		1	0	13G	G11_019	'TO->FRON'	'NORTHWEST - TATONGA7 345.00 345KV C	1195	0.24716	98.2	'GEN501811 1-RODEMACHER UNIT 1'
	FDNS		1	0	13G	G11_019	'TO->FRON'	'NORTHWEST - TATONGA7 345.00 345KV C	1195	0.24716	99.2	'GEN501812 1-RODEMACHER UNIT 2'
	FDNS		1	0	13G	G11_019	'TO->FRON'	'NORTHWEST - TATONGA7 345.00 345KV C	1195	0.24716	99.7	'GEN501813 1-RODEMACHER UNIT 3'
	FDNS		1	0	13G	G11_019	'TO->FRON'	'NORTHWEST - TATONGA7 345.00 345KV C	1195	0.24716	98.2	'GEN501910 1-ACADIA UNIT ST1'
	FDNS		1	0	13G	G11_019	'TO->FRON'	'NORTHWEST - TATONGA7 345.00 345KV C	1195	0.24716	97.9	'GEN501911 1-ACADIA UNIT CT1A'
	FDNS		1	0	13G	G11_019	'TO->FRON'	'NORTHWEST - TATONGA7 345.00 345KV C	1195	0.24716	97.9	'GEN501912 1-ACADIA UNIT CT1B'
	FDNS		1	0	13G	G11_019	'TO->FRON'	'NORTHWEST - TATONGA7 345.00 345KV C	1195	0.24716	97.9	'GEN505432 1-SIKESTON'
	FDNS		1	0	13G	G11_019	'TO->FRON'	'NORTHWEST - TATONGA7 345.00 345KV C	1195	0.24716	97.7	'GEN506749 1-EASTMAN GENERATION A'
	FDNS		1	0	13G	G11_019	'TO->FRON'	'NORTHWEST - TATONGA7 345.00 345KV C	1195	0.24716	97.9	'GEN506752 1-LEBROCK GAS 1'
	FDNS		1	0	13G	G11_019	'TO->FRON'	'NORTHWEST - TATONGA7 345.00 345KV C	1195	0.24716	98.1	'GEN509391 G1-ARSENAL HILL GENS #2 (STALL)'
	FDNS		1	0	13G	G11_019	'TO->FRON'	'NORTHWEST - TATONGA7 345.00 345KV C	1195	0.24716	98.1	'GEN509392 G2-ARSENAL HILL GENS #3 (STALL)'
	FDNS		1	0	13G	G11_019	'TO->FRON'	'NORTHWEST - TATONGA7 345.00 345KV C	1195	0.24716	98	'GEN509393 S1-ARSENAL HILL GENS #4 (STALL)'
	FDNS		1	0	13G	G11_019	'TO->FRON'	'NORTHWEST - TATONGA7 345.00 345KV C	1195	0.24716	99.3	'GEN509394 1-FLINT CREEK'
	FDNS		1	0	13G	G11_019	'TO->FRON'	'NORTHWEST - TATONGA7 345.00 345KV C	1195	0.24716	100	'GEN509403 1-PIRKEY GENERATION'
	FDNS		1	0	13G	G11_019	'TO->FRON'	'NORTHWEST - TATONGA7 345.00 345KV C	1195	0.24716	99.5	'GEN509404 1-WELSH #1'
	FDNS		1	0	13G	G11_019	'TO->FRON'	'NORTHWEST - TATONGA7 345.00 345KV C	1195	0.24716	99.5	'GEN509405 1-WELSH #2'
	FDNS		1	0	13G	G11_019	'TO->FRON'	'NORTHWEST - TATONGA7 345.00 345KV C	1195	0.24716	99.5	'GEN509406 1-WELSH #3'
	FDNS		1	0	13G	G11_019	'TO->FRON'	'NORTHWEST - TATONGA7 345.00 345KV C	1195	0.24716	97.6	'GEN509408 1-WILKES #2'
	FDNS		1	0	13G	G11_019	'TO->FRON'	'NORTHWEST - TATONGA7 345.00 345KV C	1195	0.24716	99.9	'GEN509416 1-TURK GENERATION'
	FDNS		1	0	13G	G11_019	'TO->FRON'	'NORTHWEST - TATONGA7 345.00 345KV C	1195	0.24716	97.8	'GEN511836 1-NORTHEASTERN STATION #1'
	FDNS		1	0	13G	G11_019	'TO->FRON'	'NORTHWEST - TATONGA7 345.00 345KV C	1195	0.24716	97.9	'GEN511837 1-NORTHEASTERN STATION # 1-1A'
	FDNS		1	0	13G	G11_019	'TO->FRON'	'NORTHWEST - TATONGA7 345.00 345KV C	1195	0.24716	97.9	'GEN511838 1-NORTHEASTERN STATION # 1-1B'
	FDNS		1	0	13G	G11_019	'TO->FRON'	'NORTHWEST - TATONGA7 345.00 345KV C	1195	0.24716	98	'GEN511839 1-NORTHEASTERN STATION #2'
	FDNS		1	0	13G	G11_019	'TO->FRON'	'NORTHWEST - TATONGA7 345.00 345KV C	1195	0.24716	99.1	'GEN511840 1-NORTHEASTERN STATION #3'
	FDNS		1	0	13G	G11_019	'TO->FRON'	'NORTHWEST - TATONGA7 345.00 345KV C	1195	0.24716	99.1	'GEN511841 1-NORTHEASTERN STATION #4'
	FDNS		1	0	13G	G11_019	'TO->FRON'	'NORTHWEST - TATONGA7 345.00 345KV C	1195	0.24716	97.8	'GEN511851 1-COMANCHE #1'
	FDNS		1	0	13G	G11_019	'TO->FRON'	'NORTHWEST - TATONGA7 345.00 345KV C	1195	0.24716	97.6	'GEN511852 1-COMANCHE #2'
	FDNS		1	0	13G	G11_019	'TO->FRON'	'NORTHWEST - TATONGA7 345.00 345KV C	1195	0.24716	97.6	'GEN511853 1-COMANCHE #3'
	FDNS		1	0	13G	G11_019	'TO->FRON'	'NORTHWEST - TATONGA7 345.00 345KV C	1195	0.24716	97.7	'GEN511938 1-OEC STEAM # 1'
	FDNS		1	0	13G	G11_019	'TO->FRON'	'NORTHWEST - TATONGA7 345.00 345KV C	1195	0.24716	97.7	'GEN511939 1-OEC GAS # 1-1'
	FDNS		1	0	13G	G11_019	'TO->FRON'	'NORTHWEST - TATONGA7 345.00 345KV C	1195	0.24716	97.7	'GEN511940 1-OEC GAS # 1-2'
	FDNS		1	0	13G	G11_019	'TO->FRON'	'NORTHWEST - TATONGA7 345.00 345KV C	1195	0.24716	98.2	'GEN511941 1-OEC STEAM # 2'

EVENT	TYP1	SOLUTION	TYPE	GROUP	SCENARIO	SEASON	SOURCE	DIRECTION	MONTH	COMMON	NAME	RATE	B	TDF	TC%	LOAD	CONT	NAME
			FDNS		1	0	13G	G11_019	TO->FRON	'NORTHWEST - TATONGA7	345.00 345KV	1195	0.24716		97.7		'GEN511942 1-OEC GAS # 2-1'	
			FDNS		1	0	13G	G11_019	TO->FRON	'NORTHWEST - TATONGA7	345.00 345KV	1195	0.24716		97.7		'GEN511943 1-OEC GAS # 2-2'	
			FDNS		1	0	13G	G11_019	TO->FRON	'NORTHWEST - TATONGA7	345.00 345KV	1195	0.24716		97.8		'GEN511953 G-COGENTRIX GAS # 1'	
			FDNS		1	0	13G	G11_019	TO->FRON	'NORTHWEST - TATONGA7	345.00 345KV	1195	0.24716		97.8		'GEN511954 S-COGENTRIX STEAM # 1'	
			FDNS		1	0	13G	G11_019	TO->FRON	'NORTHWEST - TATONGA7	345.00 345KV	1195	0.24716		97.8		'GEN511955 G-COGENTRIX GAS # 2'	
			FDNS		1	0	13G	G11_019	TO->FRON	'NORTHWEST - TATONGA7	345.00 345KV	1195	0.24716		97.8		'GEN511956 S-COGENTRIX STEAM # 2'	
			FDNS		1	0	13G	G11_019	TO->FRON	'NORTHWEST - TATONGA7	345.00 345KV	1195	0.24716		97.8		'GEN511957 G-COGENTRIX GAS # 3'	
			FDNS		1	0	13G	G11_019	TO->FRON	'NORTHWEST - TATONGA7	345.00 345KV	1195	0.24716		99.3		'GEN512688 2-GRDA1 GSU2 22'	
			FDNS		1	0	13G	G11_019	TO->FRON	'NORTHWEST - TATONGA7	345.00 345KV	1195	0.24716		98.9		'GEN512689 1-GRDA1 GSU1 22'	
			FDNS		1	0	13G	G11_019	TO->FRON	'NORTHWEST - TATONGA7	345.00 345KV	1195	0.24716		99.9		'GEN514805 1-SOONER UNIT 1'	
			FDNS		1	0	13G	G11_019	TO->FRON	'NORTHWEST - TATONGA7	345.00 345KV	1195	0.24716	100.1892			'GEN514806 1-SOONER UNIT 2'	
			FDNS		1	0	13G	G11_019	TO->FRON	'NORTHWEST - TATONGA7	345.00 345KV	1195	0.24716		98.6		'GEN514899 1-REDBUD1S'	
			FDNS		1	0	13G	G11_019	TO->FRON	'NORTHWEST - TATONGA7	345.00 345KV	1195	0.24716		98.5		'GEN514900 1-REDBUD2S'	
			FDNS		1	0	13G	G11_019	TO->FRON	'NORTHWEST - TATONGA7	345.00 345KV	1195	0.24716		98.5		'GEN514905 1-REDBUD3S'	
			FDNS		1	0	13G	G11_019	TO->FRON	'NORTHWEST - TATONGA7	345.00 345KV	1195	0.24716		98.8		'GEN514910 2-REDBUD GEN'	
			FDNS		1	0	13G	G11_019	TO->FRON	'NORTHWEST - TATONGA7	345.00 345KV	1195	0.24716		98.8		'GEN514911 2-REDBUD GEN'	
			FDNS		1	0	13G	G11_019	TO->FRON	'NORTHWEST - TATONGA7	345.00 345KV	1195	0.24716		98		'GEN514912 2-REDBUD GEN'	
			FDNS		1	0	13G	G11_019	TO->FRON	'NORTHWEST - TATONGA7	345.00 345KV	1195	0.24716		98.5		'GEN514940 1-REDBUD GEN'	
			FDNS		1	0	13G	G11_019	TO->FRON	'NORTHWEST - TATONGA7	345.00 345KV	1195	0.24716		98.7		'GEN514942 2-REDBUD4G'	
			FDNS		1	0	13G	G11_019	TO->FRON	'NORTHWEST - TATONGA7	345.00 345KV	1195	0.24716		98.5		'GEN514998 1-MCCLAIN UNIT 1'	
			FDNS		1	0	13G	G11_019	TO->FRON	'NORTHWEST - TATONGA7	345.00 345KV	1195	0.24716		98.5		'GEN514999 1-MCCLAIN UNIT 2'	
			FDNS		1	0	13G	G11_019	TO->FRON	'NORTHWEST - TATONGA7	345.00 345KV	1195	0.24716		98.1		'GEN515000 1-MCCLAIN UNIT 3'	
			FDNS		1	0	13G	G11_019	TO->FRON	'NORTHWEST - TATONGA7	345.00 345KV	1195	0.24716		98.5		'GEN515040 1-SEMINOLE 1G'	
			FDNS		1	0	13G	G11_019	TO->FRON	'NORTHWEST - TATONGA7	345.00 345KV	1195	0.24716		98.8		'GEN515041 1-SEMINOLE 2G'	
			FDNS		1	0	13G	G11_019	TO->FRON	'NORTHWEST - TATONGA7	345.00 345KV	1195	0.24716		99		'GEN515042 1-SEMINOLE 3G'	
			FDNS		1	0	13G	G11_019	TO->FRON	'NORTHWEST - TATONGA7	345.00 345KV	1195	0.24716		99.7		'GEN515223 1-MUSKOGEE 4G'	
			FDNS		1	0	13G	G11_019	TO->FRON	'NORTHWEST - TATONGA7	345.00 345KV	1195	0.24716		99.7		'GEN515225 1-MUSKOGEE 5G'	
			FDNS		1	0	13G	G11_019	TO->FRON	'NORTHWEST - TATONGA7	345.00 345KV	1195	0.24716	100.1079			'GEN515226 1-MUSKOGEE 6G'	
			FDNS		1	0	13G	G11_019	TO->FRON	'NORTHWEST - TATONGA7	345.00 345KV	1195	0.24716		98		'GEN515266 1-AES 1G'	
			FDNS		1	0	13G	G11_019	TO->FRON	'NORTHWEST - TATONGA7	345.00 345KV	1195	0.24716		98		'GEN515267 1-AES 2G'	
			FDNS		1	0	13G	G11_019	TO->FRON	'NORTHWEST - TATONGA7	345.00 345KV	1195	0.24716		95.6		'GEN515365 1-CENT 21 34.500'	
			FDNS		1	0	13G	G11_019	TO->FRON	'NORTHWEST - TATONGA7	345.00 345KV	1195	0.24716		96.3		'GEN515389 1-TLAWND1 34.500'	
			FDNS		1	0	13G	G11_019	TO->FRON	'NORTHWEST - TATONGA7	345.00 345KV	1195	0.24716		95		'GEN515393 1-OGEWND2G'	
			FDNS		1	0	13G	G11_019	TO->FRON	'NORTHWEST - TATONGA7	345.00 345KV	1195	0.24716		95.8		'GEN515397 1-OUSPRT 1 34.500'	
			FDNS		1	0	13G	G11_019	TO->FRON	'NORTHWEST - TATONGA7	345.00 345KV	1195	0.24716		98.6		'GEN515443 1-MNCOWND1 34.500'	
			FDNS		1	0	13G	G11_019	TO->FRON	'NORTHWEST - TATONGA7	345.00 345KV	1195	0.24716		98.4		'GEN515606 1-CANADN11 34.500'	
			FDNS		1	0	13G	G11_019	TO->FRON	'NORTHWEST - TATONGA7	345.00 345KV	1195	0.24716		98.4		'GEN515607 1-CANADN12 34.500'	
			FDNS		1	0	13G	G11_019	TO->FRON	'NORTHWEST - TATONGA7	345.00 345KV	1195	0.24716		96.3		'GEN515787 1-OKLA WIND ENERGY CENTER'	
			FDNS		1	0	13G	G11_019	TO->FRON	'NORTHWEST - TATONGA7	345.00 345KV	1195	0.24716		98		'GEN520811 1-ANADRK4'	
			FDNS		1	0	13G	G11_019	TO->FRON	'NORTHWEST - TATONGA7	345.00 345KV	1195	0.24716		97.8		'GEN520812 1-ANADRK5'	
			FDNS		1	0	13G	G11_019	TO->FRON	'NORTHWEST - TATONGA7	345.00 345KV	1195	0.24716		97.8		'GEN520813 1-ANADRK6'	
			FDNS		1	0	13G	G11_019	TO->FRON	'NORTHWEST - TATONGA7	345.00 345KV	1195	0.24716		96.4		'GEN520922 1-SLEEPING BEAR'	
			FDNS		1	0	13G	G11_019	TO->FRON	'NORTHWEST - TATONGA7	345.00 345KV	1195	0.24716		99.7		'GEN520947 1-HUGO1'	
			FDNS		1	0	13G	G11_019	TO->FRON	'NORTHWEST - TATONGA7	345.00 345KV	1195	0.24716		97		'GEN520997 1-MORLND2'	
			FDNS		1	0	13G	G11_019	TO->FRON	'NORTHWEST - TATONGA7	345.00 345KV	1195	0.24716		97		'GEN522814 1-LUBBOCK POWER & LIGHT-MACKENZIE GEN'	
			FDNS		1	0	13G	G11_019	TO->FRON	'NORTHWEST - TATONGA7	345.00 345KV	1195	0.24716		96.5		'GEN523103 1-NOBLE_WND 3115.00'	
			FDNS		1	0	13G	G11_019	TO->FRON	'NORTHWEST - TATONGA7	345.00 345KV	1195	0.24716		96.2		'GEN523461 1-BLACKHAWK GEN #1'	
			FDNS		1	0	13G	G11_019	TO->FRON	'NORTHWEST - TATONGA7	345.00 345KV	1195	0.24716		96.2		'GEN523462 1-BLACKHAWK GEN #2'	
			FDNS		1	0	13G	G11_019	TO->FRON	'NORTHWEST - TATONGA7	345.00 345KV	1195	0.24716		96.9		'GEN523815 1-LLANO ESTACADO WIND GEN'	
			FDNS		1	0	13G	G11_019	TO->FRON	'NORTHWEST - TATONGA7	345.00 345KV	1195	0.24716		96.9		'GEN524286 1-CLR_3 0.6900'	
			FDNS		1	0	13G	G11_019	TO->FRON	'NORTHWEST - TATONGA7	345.00 345KV	1195	0.24716		96.5		'GEN524295 1-SPNSPUR_WND134.500'	
			FDNS		1	0	13G	G11_019	TO->FRON	'NORTHWEST - TATONGA7	345.00 345KV	1195	0.24716		96.9		'GEN524485 1-CAPROCK WIND GEN'	
			FDNS		1	0	13G	G11_019	TO->FRON	'NORTHWEST - TATONGA7	345.00 345KV	1195	0.24716		96.7		'GEN524895 1-SAN JUAN MESA WIND GEN'	
			FDNS		1	0	13G	G11_019	TO->FRON	'NORTHWEST - TATONGA7	345.00 345KV	1195	0.24716		95.8		'GEN525494 1-PLANT X GEN #4 20 KV'	
			FDNS		1	0	13G	G11_019	TO->FRON	'NORTHWEST - TATONGA7	345.00 345KV	1195	0.24716		95.3		'GEN526331 1-JONES GEN #1 22 KV'	

EVENT	TYPE	SOLUTION	TYPE	GROUP	SCENARIO	SEASON	SOURCE	DIRECTION	MONTH	COMMON	NAME	RATE	B	TDF	TC%LOAD	CONT	NAME
		FDNS			1	0	13G	G11_019	'TO->FRON'	'NORTHWEST - TATONGA7	345.00 345KV 0	1195	0.24716	95.3	'GEN526332	1-JONES GEN #2 21 KV'	
		FDNS			1	0	13G	G11_019	'TO->FRON'	'NORTHWEST - TATONGA7	345.00 345KV 0	1195	0.24716	96	'GEN527161	1-MUSTANG GEN #1'	
		FDNS			1	0	13G	G11_019	'TO->FRON'	'NORTHWEST - TATONGA7	345.00 345KV 0	1195	0.24716	96	'GEN527162	1-MUSTANG GEN #2'	
		FDNS			1	0	13G	G11_019	'TO->FRON'	'NORTHWEST - TATONGA7	345.00 345KV 0	1195	0.24716	96.6	'GEN527163	1-MUSTANG GEN #3 22 KV'	
		FDNS			1	0	13G	G11_019	'TO->FRON'	'NORTHWEST - TATONGA7	345.00 345KV 0	1195	0.24716	95.7	'GEN527882	1-CUNNINGHAM GEN #2 20 KV'	
		FDNS			1	0	13G	G11_019	'TO->FRON'	'NORTHWEST - TATONGA7	345.00 345KV 0	1195	0.24716	95.7	'GEN527901	1-HOBBS PLANT #1 (CT)'	
		FDNS			1	0	13G	G11_019	'TO->FRON'	'NORTHWEST - TATONGA7	345.00 345KV 0	1195	0.24716	95.8	'GEN527902	1-HOBBS PLANT #2 (CT)'	
		FDNS			1	0	13G	G11_019	'TO->FRON'	'NORTHWEST - TATONGA7	345.00 345KV 0	1195	0.24716	95	'GEN527903	1-HOBBS PLANT #3 (ST)'	
		FDNS			1	0	13G	G11_019	'TO->FRON'	'NORTHWEST - TATONGA7	345.00 345KV 0	1195	0.24716	96.3	'GEN528361	1-MADDOX GEN #1'	
		FDNS			1	0	13G	G11_019	'TO->FRON'	'NORTHWEST - TATONGA7	345.00 345KV 0	1195	0.24716	97	'GEN531495	1-CNTRLPLWG1 0.6900'	
		FDNS			1	0	13G	G11_019	'TO->FRON'	'NORTHWEST - TATONGA7	345.00 345KV 0	1195	0.24716	96.7	'GEN532651	1-JEFFREY ENERGY CENTER UNIT 1'	
		FDNS			1	0	13G	G11_019	'TO->FRON'	'NORTHWEST - TATONGA7	345.00 345KV 0	1195	0.24716	96.7	'GEN532652	1-JEFFREY ENERGY CENTER UNIT 2'	
		FDNS			1	0	13G	G11_019	'TO->FRON'	'NORTHWEST - TATONGA7	345.00 345KV 0	1195	0.24716	96.7	'GEN532653	1-JEFFREY ENERGY CENTER UNIT 3'	
		FDNS			1	0	13G	G11_019	'TO->FRON'	'NORTHWEST - TATONGA7	345.00 345KV 0	1195	0.24716	96.8	'GEN532722	1-EVANS ENERGY CENTER UNIT 2'	
		FDNS			1	0	13G	G11_019	'TO->FRON'	'NORTHWEST - TATONGA7	345.00 345KV 0	1195	0.24716	96.6	'GEN539670	4-JUDSON LARGE GENERATOR'	
		FDNS			1	0	13G	G11_019	'TO->FRON'	'NORTHWEST - TATONGA7	345.00 345KV 0	1195	0.24716	96.8	'GEN539767	1-GRAY COUNTY WIND FARM'	
		FDNS			1	0	13G	G11_019	'TO->FRON'	'NORTHWEST - TATONGA7	345.00 345KV 0	1195	0.24716	97	'GEN539945	1-FLATRWDWG1 0.6900'	
		FDNS			1	0	13G	G11_019	'TO->FRON'	'NORTHWEST - TATONGA7	345.00 345KV 0	1195	0.24716	97.8	'GEN547649	1-ASBURY UNIT #1'	
		FDNS			1	0	13G	G11_019	'TO->FRON'	'NORTHWEST - TATONGA7	345.00 345KV 0	1195	0.24716	97.6	'GEN549890	1-SOUTHWEST 1'	
		FDNS			1	0	13G	G11_019	'TO->FRON'	'NORTHWEST - TATONGA7	345.00 345KV 0	1195	0.24716	98	'GEN549893	2-SOUTHWEST 2'	
		FDNS			1	0	13G	G11_019	'TO->FRON'	'NORTHWEST - TATONGA7	345.00 345KV 0	1195	0.24716	96.6	'GEN560105	1-G08-22 0.6900'	
		FDNS			1	0	13G	G11_019	'TO->FRON'	'NORTHWEST - TATONGA7	345.00 345KV 0	1195	0.24716	96.2	'GEN560121	1-G08-47 0.5750'	
		FDNS			1	0	13G	G11_019	'TO->FRON'	'NORTHWEST - TATONGA7	345.00 345KV 0	1195	0.24716	96.4	'GEN560166	1-G07-48 0.6900'	
		FDNS			1	0	13G	G11_019	'TO->FRON'	'NORTHWEST - TATONGA7	345.00 345KV 0	1195	0.24716	96.8	'GEN560173	1-G08-17 0.5750'	
		FDNS			1	0	13G	G11_019	'TO->FRON'	'NORTHWEST - TATONGA7	345.00 345KV 0	1195	0.24716	96.9	'GEN560209	1-G07-40 0.5750'	
		FDNS			1	0	13G	G11_019	'TO->FRON'	'NORTHWEST - TATONGA7	345.00 345KV 0	1195	0.24716	97	'GEN560238	1-G10-09 0.6900'	
		FDNS			1	0	13G	G11_019	'TO->FRON'	'NORTHWEST - TATONGA7	345.00 345KV 0	1195	0.24716	96.7	'GEN560256	1-G10-14-1 0.6900'	
		FDNS			1	0	13G	G11_019	'TO->FRON'	'NORTHWEST - TATONGA7	345.00 345KV 0	1195	0.24716	96.7	'GEN560257	1-G10-14-2 0.6900'	
		FDNS			1	0	13G	G11_019	'TO->FRON'	'NORTHWEST - TATONGA7	345.00 345KV 0	1195	0.24716	96.5	'GEN560279	1-G08-18 0.6900'	
		FDNS			1	0	13G	G11_019	'TO->FRON'	'NORTHWEST - TATONGA7	345.00 345KV 0	1195	0.24716	96.7	'GEN560286	1-G10-01-1WTG 0.6900	
		FDNS			1	0	13G	G11_019	'TO->FRON'	'NORTHWEST - TATONGA7	345.00 345KV 0	1195	0.24716	96.7	'GEN560287	1-G10-01-2WTG 0.6900	
		FDNS			1	0	13G	G11_019	'TO->FRON'	'NORTHWEST - TATONGA7	345.00 345KV 0	1195	0.24716	96.9	'GEN560329	1-G10-45 0.6900'	
		FDNS			1	0	13G	G11_019	'TO->FRON'	'NORTHWEST - TATONGA7	345.00 345KV 0	1195	0.24716	96.4	'GEN560359	1-G08-51 0.6900'	
		FDNS			1	0	13G	G11_019	'TO->FRON'	'NORTHWEST - TATONGA7	345.00 345KV 0	1195	0.24716	96.7	'GEN560371	1-G07-46 0.6900'	
		FDNS			1	0	13G	G11_019	'TO->FRON'	'NORTHWEST - TATONGA7	345.00 345KV 0	1195	0.24716	97	'GEN560432	1-G08-124 0.6900'	
		FDNS			1	0	13G	G11_019	'TO->FRON'	'NORTHWEST - TATONGA7	345.00 345KV 0	1195	0.24716	96.9	'GEN560522	1-G05-12 0.6900'	
		FDNS			1	0	13G	G11_019	'TO->FRON'	'NORTHWEST - TATONGA7	345.00 345KV 0	1195	0.24716	96.9	'GEN560549	1-G06-06 0.6900'	
		FDNS			1	0	13G	G11_019	'TO->FRON'	'NORTHWEST - TATONGA7	345.00 345KV 0	1195	0.24716	96.9	'GEN560585	1-G06-44-2 0.6000'	
		FDNS			1	0	13G	G11_019	'TO->FRON'	'NORTHWEST - TATONGA7	345.00 345KV 0	1195	0.24716	96.7	'GEN560586	1-G06-44-3 0.6000'	
		FDNS			1	0	13G	G11_019	'TO->FRON'	'NORTHWEST - TATONGA7	345.00 345KV 0	1195	0.24716	96.7	'GEN560592	1-G06-45 0.6000'	
		FDNS			1	0	13G	G11_019	'TO->FRON'	'NORTHWEST - TATONGA7	345.00 345KV 0	1195	0.24716	96.7	'GEN560595	1-G06-47 0.6000'	
		FDNS			1	0	13G	G11_019	'TO->FRON'	'NORTHWEST - TATONGA7	345.00 345KV 0	1195	0.24716	97	'GEN560659	1-G07-38 0.6900'	
		FDNS			1	0	13G	G11_019	'TO->FRON'	'NORTHWEST - TATONGA7	345.00 345KV 0	1195	0.24716	98.9	'GEN560687	1-G11-007 0.5750'	
		FDNS			1	0	13G	G11_019	'TO->FRON'	'NORTHWEST - TATONGA7	345.00 345KV 0	1195	0.24716	96.9	'GEN560693	1-G11-008-1 0.6900'	
		FDNS			1	0	13G	G11_019	'TO->FRON'	'NORTHWEST - TATONGA7	345.00 345KV 0	1195	0.24716	97.9	'GEN560706	1-G11-010 0.6900'	
		FDNS			1	0	13G	G11_019	'TO->FRON'	'NORTHWEST - TATONGA7	345.00 345KV 0	1195	0.24716	96.8	'GEN562014	1-G11_023_3 0.6900'	
		FDNS			1	0	13G	G11_019	'TO->FRON'	'NORTHWEST - TATONGA7	345.00 345KV 0	1195	0.24716	96.3	'GEN562017	1-G11_022_3 0.6900'	
		FDNS			1	0	13G	G11_019	'TO->FRON'	'NORTHWEST - TATONGA7	345.00 345KV 0	1195	0.24716	96.2	'GEN562020	1-G11_021_3 0.6900'	
		FDNS			1	0	13G	G11_019	'TO->FRON'	'NORTHWEST - TATONGA7	345.00 345KV 0	1195	0.24716	96.9	'GEN562032	1-G11_017_3 0.6900'	
		FDNS			1	0	13G	G11_019	'TO->FRON'	'NORTHWEST - TATONGA7	345.00 345KV 0	1195	0.24716	96.9	'GEN562035	1-G11_016_3 0.6900'	
		FDNS			1	0	13G	G11_019	'TO->FRON'	'NORTHWEST - TATONGA7	345.00 345KV 0	1195	0.24716	96.5	'GEN562042	1-G11_014_3 0.6900'	
		FDNS			1	0	13G	G11_019	'TO->FRON'	'NORTHWEST - TATONGA7	345.00 345KV 0	1195	0.24716	97	'GEN562049	1-G11_012_3 0.6900'	
		FDNS			1	0	13G	G11_019	'TO->FRON'	'NORTHWEST - TATONGA7	345.00 345KV 0	1195	0.24716	96.8	'GEN640009	1-COOPER NUCLEAR STATION'	
		FDNS			1	0	13G	G11_019	'TO->FRON'	'NORTHWEST - TATONGA7	345.00 345KV 0	1195	0.24716	96.1	'GEN640010	1-GERALD GENTLEMAN STATION UNIT 1'	
		FDNS			1	0	13G	G11_019	'TO->FRON'	'NORTHWEST - TATONGA7	345.00 345KV 0	1195	0.24716	96.1	'GEN640011	2-GERALD GENTLEMAN STATION UNIT 2'	
		FDNS			1	0	13G	G11_019	'TO->FRON'	'NORTHWEST - TATONGA7	345.00 345KV 0	1195	0.24716	97	'GEN641089	2-ENERGY CENTER 2'	

EVENTTYPE	SOLUTIONTYPE	GROUP	SCENARIO	SEASON	SOURCE	DIRECTION	MONTH	COMMONNAME	RATEB	TDF	TC%LOAD	CONTNAME
	FDNS		1	0	13G	G11_019	'TO->FRON'	'NORTHWEST - TATONGA7 345.00 345KV C	1195	0.24716	96.9	'GEN645001 1-FORT CALHOUN 1'
	FDNS		1	0	13G	G11_019	'TO->FRON'	'NORTHWEST - TATONGA7 345.00 345KV C	1195	0.24716	96.8	'GEN645011 1-NEBRASKA CITY 1'
	FDNS		1	0	13G	G11_019	'TO->FRON'	'NORTHWEST - TATONGA7 345.00 345KV C	1195	0.24716	96.8	'GEN645012 2-NEBRASKA CITY 2'
	FDNS		1	0	13G	G11_019	'TO->FRON'	'NORTHWEST - TATONGA7 345.00 345KV C	1195	0.24716	96.9	'GEN659103 1-ANTELOPE VALLEY UNIT1'
	FDNS		1	0	13G	G11_019	'TO->FRON'	'NORTHWEST - TATONGA7 345.00 345KV C	1195	0.24716	96.9	'GEN659107 2-ANTELOPE VALLEY UNIT2'
	FDNS		1	0	13G	G11_019	'TO->FRON'	'NORTHWEST - TATONGA7 345.00 345KV C	1195	0.24716	95.4	'GEN659118 1-LARAMIE RIVER UNIT1'
	FNSL		1	0	13G	G11_019	'TO->FRON'	'NORTHWEST - TATONGA7 345.00 345KV C	1195	0.24726	97.6	'STEGALL - WAYSIDE 230KV CKT 1'
	FNSL		1	0	13G	G11_019	'TO->FRON'	'NORTHWEST - TATONGA7 345.00 345KV C	1195	0.24731	97.9	'TRF-STEGALL'
	FNSL		1	0	13G	G11_019	'TO->FRON'	'NORTHWEST - TATONGA7 345.00 345KV C	1195	0.24731	97.9	'NEB01WAPAB3'
	FNSL		1	0	13G	G11_019	'TO->FRON'	'NORTHWEST - TATONGA7 345.00 345KV C	1195	0.24716	101.1123	'GEN335831 1-RIVERBEND UNIT#1'
	FNSL		1	0	13G	G11_019	'TO->FRON'	'NORTHWEST - TATONGA7 345.00 345KV C	1195	0.24716	100.8917	'GEN337910 1-ARKANSAS NUCLEAR ONE UNIT #1'
	FNSL		1	0	13G	G11_019	'TO->FRON'	'NORTHWEST - TATONGA7 345.00 345KV C	1195	0.24716	101.5954	'GEN337911 1-ARKANSAS NUCLEAR ONE UNIT #2'
	FDNS		1	0	13G	G11_019	'TO->FRON'	'NORTHWEST - TATONGA7 345.00 345KV C	1195	0.24777	97.6	'CANTON - TALOGA 69KV CKT 1'
	FDNS		1	0	13G	G11_019	'TO->FRON'	'NORTHWEST - TATONGA7 345.00 345KV C	1195	0.25008	98.7	'CEDARDALE - MOORELAND 138KV CKT 1'
	FDNS		1	0	13G	G11_019	'TO->FRON'	'NORTHWEST - TATONGA7 345.00 345KV C	1195	0.25008	98.7	'CEDARDALE - OKEENE 138KV CKT 1'
	FDNS		1	0	13G	G11_019	'TO->FRON'	'NORTHWEST - TATONGA7 345.00 345KV C	1195	0.24787	97.6	'CORDELL - INDUSTRIAL PARK 69KV CKT 1'
	FDNS		1	0	13G	G11_019	'TO->FRON'	'NORTHWEST - TATONGA7 345.00 345KV C	1195	0.24994	98.4	'DOVER SW - OKEENE 138KV CKT 1'
	FDNS		1	0	13G	G11_019	'TO->FRON'	'NORTHWEST - TATONGA7 345.00 345KV C	1195	0.24787	97.6	'HAMON BUTLER - PUTNAM 69KV CKT 1'
	FDNS		1	0	13G	G11_019	'TO->FRON'	'NORTHWEST - TATONGA7 345.00 345KV C	1195	0.25028	98.5	'MOORELAND - NINE MILE 138KV CKT 1'
	FDNS		1	0	13G	G11_019	'TO->FRON'	'NORTHWEST - TATONGA7 345.00 345KV C	1195	0.24862	97.8	'MOREWOOD SW - RED HILLS WIND 138KV CKT 1'
	FDNS		1	0	13G	G11_019	'TO->FRON'	'NORTHWEST - TATONGA7 345.00 345KV C	1195	0.25028	98.5	'MOREWOOD SW - NINE MILE 138KV CKT 1'
	FDNS		1	0	13G	G11_019	'TO->FRON'	'NORTHWEST - TATONGA7 345.00 345KV C	1195	0.24788	97.6	'OKEENE - WATONGA SW 69KV CKT 1'
	FDNS		1	0	13G	G11_019	'TO->FRON'	'NORTHWEST - TATONGA7 345.00 345KV C	1195	0.24787	97.6	'PUTNAM - TALOGA 69KV CKT 1'
	FDNS		1	0	13G	G11_019	'TO->FRON'	'NORTHWEST - TATONGA7 345.00 345KV C	1195	0.25895	99.6	'FINNEY SWITCHING STATION - Hitchland Interchange 345KV CKT 1'
	FDNS		1	0	13G	G11_019	'TO->FRON'	'NORTHWEST - TATONGA7 345.00 345KV C	1195	0.25174	97.8	'Hitchland Interchange - POTTER COUNTY INTERCHANGE 345KV CKT 1'
	FDNS		1	0	13G	G11_019	'TO->FRON'	'NORTHWEST - TATONGA7 345.00 345KV C	1195	0.25241	98.7	'BEAVER CO 345.00 - Hitchland Interchange 345KV CKT 1'
	FDNS		1	0	13G	G11_019	'TO->FRON'	'NORTHWEST - TATONGA7 345.00 345KV C	1195	0.24834	97.6	'G11_012T 230.00 - MOORE COUNTY INTERCHANGE 230KV CKT 1'
	FDNS		1	0	13G	G11_019	'TO->FRON'	'NORTHWEST - TATONGA7 345.00 345KV C	1195	0.24806	98.6	'GRAPEVINE INTERCHANGE - STATELINE INTERCHANGE 230KV CKT 1'
	FDNS		1	0	13G	G11_019	'TO->FRON'	'NORTHWEST - TATONGA7 345.00 345KV C	1195	0.24776	98.5	'GRAPEVINE INTERCHANGE - NICHOLS STATION 230KV CKT 1'
	FDNS		1	0	13G	G11_019	'TO->FRON'	'NORTHWEST - TATONGA7 345.00 345KV C	1195	0.24746	97.7	'MCCLELLAN SUB - MCLEAN RURAL SUB 115KV CKT 1'
	FDNS		1	0	13G	G11_019	'TO->FRON'	'NORTHWEST - TATONGA7 345.00 345KV C	1195	0.24746	97.7	'KIRBY SWITCHING STATION - MCCLELLAN SUB 115KV CKT 1'
	FDNS		1	0	13G	G11_019	'TO->FRON'	'NORTHWEST - TATONGA7 345.00 345KV C	1195	0.25895	100.6584	'FINNEY SWITCHING STATION - HOLCOMB 345KV CKT 1'
	FDNS		1	0	13G	G11_019	'TO->FRON'	'NORTHWEST - TATONGA7 345.00 345KV C	1195	0.2476	97.6	'BUFFALO 230.00 - DEAF SMITH COUNTY INTERCHANGE 230KV CKT 1'
	FDNS		1	0	13G	G11_019	'TO->FRON'	'NORTHWEST - TATONGA7 345.00 345KV C	1195	0.24737	97.6	'G07-48T 230.00 - SWISHER COUNTY INTERCHANGE 230KV CKT 1'
	FDNS		1	0	13G	G11_019	'TO->FRON'	'NORTHWEST - TATONGA7 345.00 345KV C	1195	0.24778	97.7	'KNOLL 230 - SMOKYHL6 230.00 230KV CKT 1'
	FDNS		1	0	13G	G11_019	'TO->FRON'	'NORTHWEST - TATONGA7 345.00 345KV C	1195	0.25093	99.8	'G11-17T 345.00 - POST ROCK 345KV CKT 1'
	FDNS		1	0	13G	G11_019	'TO->FRON'	'NORTHWEST - TATONGA7 345.00 345KV C	1195	0.25016	98.7	'AXTELL - POST ROCK 345KV CKT 1'
	FDNS		1	0	13G	G11_019	'TO->FRON'	'NORTHWEST - TATONGA7 345.00 345KV C	1195	0.24778	98.1	'SMOKYHL6 230.00 - SUMMIT 230KV CKT 1'
	FDNS		1	0	13G	G11_019	'TO->FRON'	'NORTHWEST - TATONGA7 345.00 345KV C	1195	0.25016	98.4	'HOLCOMB - SETAB 345KV CKT 1'
	FDNS		1	0	13G	G11_019	'TO->FRON'	'NORTHWEST - TATONGA7 345.00 345KV C	1195	0.24788	97.7	'BUCKNER7 345.00 - HOLCOMB 345KV CKT 1'
	FDNS		1	0	13G	G11_019	'TO->FRON'	'NORTHWEST - TATONGA7 345.00 345KV C	1195	0.25099	99.1	'MINGO - SETAB 345KV CKT 1'
	FDNS		1	0	13G	G11_019	'TO->FRON'	'NORTHWEST - TATONGA7 345.00 345KV C	1195	0.25161	98.9	'MINGO - RED WILLOW 345KV CKT 1'
	FDNS		1	0	13G	G11_019	'TO->FRON'	'NORTHWEST - TATONGA7 345.00 345KV C	1195	0.24788	98.2	'BUCKNER7 345.00 - SPEARVILLE 345KV CKT 1'
	FDNS		1	0	13G	G11_019	'TO->FRON'	'NORTHWEST - TATONGA7 345.00 345KV C	1195	0.25093	99.4	'G11-17T 345.00 - SPEARVILLE 345KV CKT 1'
	FDNS		1	0	13G	G11_019	'TO->FRON'	'NORTHWEST - TATONGA7 345.00 345KV C	1195	0.24792	97.6	'EMPORIA ENERGY CENTER - SWISSVALE 345KV CKT 1'
	FDNS		1	0	13G	G11_019	'TO->FRON'	'NORTHWEST - TATONGA7 345.00 345KV C	1195	0.24863	97.7	'EMPORIA ENERGY CENTER - WICHITA 345KV CKT 1'
	FDNS		1	0	13G	G11_019	'TO->FRON'	'NORTHWEST - TATONGA7 345.00 345KV C	1195	0.24801	97.9	'SWISSVALE - WEST GARDNER 345KV CKT 1'

EVENTTYPE	SOLUTIONTYPE	GROUP	SCENARIO	SEASON	SOURCE	DIRECTION	MONTCOMMONNAME	RATEB	TDF	TC%LOADI	CONTNAME	
	FDNS		1	0	13G	G11_019	'TO->FRON'	'NORTHWEST - TATONGA7 345.00 345KV C	1195	0.24901	98.1	'CANEYRV7 345.00 - NEOSHO 345KV CKT 1'
	FDNS		1	0	13G	G11_019	'TO->FRON'	'NORTHWEST - TATONGA7 345.00 345KV C	1195	0.24901	98	'CANEYRV7 345.00 - LATHAMS7 345.00 345KV CKT 1'
	FDNS		1	0	13G	G11_019	'TO->FRON'	'NORTHWEST - TATONGA7 345.00 345KV C	1195	0.25057	98	'BENTON - ROSE HILL 345KV CKT 1'
	FDNS		1	0	13G	G11_019	'TO->FRON'	'NORTHWEST - TATONGA7 345.00 345KV C	1195	0.25377	99.3	'BENTON - WICHITA 345KV CKT 1'
	FDNS		1	0	13G	G11_019	'TO->FRON'	'NORTHWEST - TATONGA7 345.00 345KV C	1195	0.24901	97.7	'LATHAMS7 345.00 - ROSE HILL 345KV CKT 1'
	FDNS		1	0	13G	G11_019	'TO->FRON'	'NORTHWEST - TATONGA7 345.00 345KV C	1195	0.25114	96.2	'VIOLA 7 345.00 - WICHITA 345KV CKT 1'
	FDNS		1	0	13G	G11_019	'TO->FRON'	'NORTHWEST - TATONGA7 345.00 345KV C	1195	0.26233	103.2292	'THISTLE7 345.00 - WICHITA 345KV CKT 1'
	FDNS		1	0	13G	G11_019	'TO->FRON'	'NORTHWEST - TATONGA7 345.00 345KV C	1195	0.26233	103.2292	'THISTLE7 345.00 - WICHITA 345KV CKT 2'
	FDNS		1	0	13G	G11_019	'TO->FRON'	'NORTHWEST - TATONGA7 345.00 345KV C	1195	0.24773	97.9	'ANDERSONCO 345.00 - WOLF CREEK 345KV CKT 1'
	FDNS		1	0	13G	G11_019	'TO->FRON'	'NORTHWEST - TATONGA7 345.00 345KV C	1195	0.24786	97.9	'CIRCLE - MULLERGREN 230KV CKT 1'
	FDNS		1	0	13G	G11_019	'TO->FRON'	'NORTHWEST - TATONGA7 345.00 345KV C	1195	0.24841	97.7	'CLEARWATER - GILL ENERGY CENTER WEST 138KV CKT 1'
	FDNS		1	0	13G	G11_019	'TO->FRON'	'NORTHWEST - TATONGA7 345.00 345KV C	1195	0.24733	97.5	'EVANS ENERGY CENTER NORTH - MAIZEW 4 138.00 138KV CKT 1'
	FDNS		1	0	13G	G11_019	'TO->FRON'	'NORTHWEST - TATONGA7 345.00 345KV C	1195	0.24733	97.5	'MAIZE - MAIZEW 4 138.00 138KV CKT 1'
	FDNS		1	0	13G	G11_019	'TO->FRON'	'NORTHWEST - TATONGA7 345.00 345KV C	1195	0.24857	97.7	'FLATRDG3 - THISTLE4 138.00 138KV CKT 1'
	FDNS		1	0	13G	G11_019	'TO->FRON'	'NORTHWEST - TATONGA7 345.00 345KV C	1195	0.24798	98.1	'MULLERGREN - SPEARVILLE 230KV CKT 1'
	FDNS		1	0	13G	G11_019	'TO->FRON'	'NORTHWEST - TATONGA7 345.00 345KV C	1195	0.24721	97.6	'HAWTHORN - NASHUA 345KV CKT 1'
	FDNS		1	0	13G	G11_019	'TO->FRON'	'NORTHWEST - TATONGA7 345.00 345KV C	1195	0.24773	97.9	'ANDERSONCO 345.00 - LACYGNE 345KV CKT 1'
	FDNS		1	0	13G	G11_019	'TO->FRON'	'NORTHWEST - TATONGA7 345.00 345KV C	1195	0.24701	96.7	'BROOKLINE - SUB 383 - MONETT 345KV CKT 1'
	FDNS		1	0	13G	G11_019	'TO->FRON'	'NORTHWEST - TATONGA7 345.00 345KV C	1195	0.24807	98	'AXTELL - PAULINE 345KV CKT 1'
	FDNS		1	0	13G	G11_019	'TO->FRON'	'NORTHWEST - TATONGA7 345.00 345KV C	1195	0.24729	97.6	'GERALD GENTLEMAN STATION - SWEETWATER 345KV CKT 1'
	FDNS		1	0	13G	G11_019	'TO->FRON'	'NORTHWEST - TATONGA7 345.00 345KV C	1195	0.24751	97.6	'GRAND ISLAND - MCCOOL 345KV CKT 1'
	FDNS		1	0	13G	G11_019	'TO->FRON'	'NORTHWEST - TATONGA7 345.00 345KV C	1195	0.248	97.9	'MOORE - PAULINE 345KV CKT 1'
	FDNS		1	0	13G	G11_019	'TO->FRON'	'NORTHWEST - TATONGA7 345.00 345KV C	1195	0.24796	98.2	'GRAND ISLAND - SWEETWATER 345KV CKT 1'
	FDNS		1	0	13G	G11_019	'TO->FRON'	'NORTHWEST - TATONGA7 345.00 345KV C	1195	0.2473	97.6	'MCADAMS - WOLF CREEK 500KV CKT 1'
	FDNS		1	0	13G	G11_019	'TO->FRON'	'NORTHWEST - TATONGA7 345.00 345KV C	1195	0.24726	97.6	'7SAREPTA% 345.00 - ELDORADO EHV 345KV CKT 1'
	FDNS		1	0	13G	G11_019	'TO->FRON'	'NORTHWEST - TATONGA7 345.00 345KV C	1195	0.24726	97.6	'ELDORADO EHV 500/345KV TRANSFORMER CKT 1'
	FDNS		1	0	13G	G11_019	'TO->FRON'	'NORTHWEST - TATONGA7 345.00 345KV C	1195	0.2471	97	'ARKANSAS NUCLEAR ONE - MABELVALE 500 500KV CKT 1'
	FDNS		1	0	13G	G11_019	'TO->FRON'	'NORTHWEST - TATONGA7 345.00 345KV C	1195	0.24711	96.9	'ARKANSAS NUCLEAR ONE - PLEASANT HILL 500KV CKT 1'
	FDNS		1	0	13G	G11_019	'TO->FRON'	'NORTHWEST - TATONGA7 345.00 345KV C	1195	0.24711	97	'MAYFLOWER 500 - PLEASANT HILL 500KV CKT 1'
	FDNS		1	0	13G	G11_019	'TO->FRON'	'NORTHWEST - TATONGA7 345.00 345KV C	1195	0.24723	96.7	'KEO EHV - WEST MEMPHIS 500 500KV CKT 1'
	FDNS		1	0	13G	G11_019	'TO->FRON'	'NORTHWEST - TATONGA7 345.00 345KV C	1195	0.24721	96.8	'DELL 500 - INDEPENDENCE 500KV CKT 1'
	FDNS		1	0	13G	G11_019	'TO->FRON'	'NORTHWEST - TATONGA7 345.00 345KV C	1195	0.24733	97	'7MCCREDIE 345.00 - 7MONTGMRY 345.00 345KV CKT 1'
	FDNS		1	0	13G	G11_019	'TO->FRON'	'NORTHWEST - TATONGA7 345.00 345KV C	1195	0.24732	97.6	'NUNDRWD - WAYSIDE 230KV CKT 1'
	FDNS		1	0	13G	G11_019	'TO->FRON'	'NORTHWEST - TATONGA7 345.00 345KV C	1195	0.24732	97.6	'7SAREPTA% 345.00 - LONGWOOD 345KV CKT 1'
	FDNS		1	0	13G	G11_019	'TO->FRON'	'NORTHWEST - TATONGA7 345.00 345KV C	1195	0.24806	99.1	'ELK CITY 230KV (ELKCTY-6) 230/138/13.8KV TRANSFORMER CKT 1'
	FDNS		1	0	13G	G11_019	'TO->FRON'	'NORTHWEST - TATONGA7 345.00 345KV C	1195	0.24746	97.6	'SHAMROCK (SHAMRCK1) 115/69/14.4KV TRANSFORMER CKT 1'
	FDNS		1	0	13G	G11_019	'TO->FRON'	'NORTHWEST - TATONGA7 345.00 345KV C	1195	0.2485	97.8	'WOODWARD (WOODWRD2) 138/69/13.2KV TRANSFORMER CKT 1'
	FDNS		1	0	13G	G11_019	'TO->FRON'	'NORTHWEST - TATONGA7 345.00 345KV C	1195	0.24808	97.9	'KNOBHILL (KNOBHIL4) 138/69/13.2KV TRANSFORMER CKT 1'
	FDNS		1	0	13G	G11_019	'TO->FRON'	'NORTHWEST - TATONGA7 345.00 345KV C	1195	0.24664	96.3	'NORTHWEST (NORTWST2) 345/138/13.8KV TRANSFORMER CKT 1'
	FDNS		1	0	13G	G11_019	'TO->FRON'	'NORTHWEST - TATONGA7 345.00 345KV C	1195	0.24668	96.5	'NORTHWEST (NORTWST3) 345/138/13.8KV TRANSFORMER CKT 1'
	FDNS		1	0	13G	G11_019	'TO->FRON'	'NORTHWEST - TATONGA7 345.00 345KV C	1195	0.25037	96.8	'WOODWARD DISTRICT EHV (WWDEHV) 345/138/13.8KV TRANSFORMER CKT 1'
	FDNS		1	0	13G	G11_019	'TO->FRON'	'NORTHWEST - TATONGA7 345.00 345KV C	1195	0.25036	96.8	'WOODWARD DISTRICT EHV (WWDEHV-T2) 345/138/13.8KV TRANSFORMER CKT 2'
	FDNS		1	0	13G	G11_019	'TO->FRON'	'NORTHWEST - TATONGA7 345.00 345KV C	1195	0.25174	98.6	'POTTER COUNTY INTERCHANGE (WAUK 90343-A) 345/230/13.2KV TRANSFORMER CKT 1'

EVENTTYPE	SOLUTIONTYPE	GROUP	SCENARIO	SEASON	SOURCE	DIRECTION	MONTH	COMMONNAME	RATEB	TDF	TC%LOAD	CONTNAME			
FDNS			1	0	13G	G11_019	'TO->FRON	'NORTHWEST - TATONGA7	345.00	345KV	0	1195	0.24857	97.7	'THISTLE7 345.00 (THISTLE T1) 345/138/13.8KV TRANSFORMER CKT 1'
FDNS			1	0	13G	G11_019	'TO->FRON	'NORTHWEST - TATONGA7	345.00	345KV	0	1195	0.24722	96.9	'8BHAM STEEL 500.00 - WEST MEMPHIS 500 500KV CKT 1'
FDNS			1	0	13G	G11_019	'TO->FRON	'NORTHWEST - TATONGA7	345.00	345KV	0	1195	0.31282	123.912	'DBL-WICH-THI'
FDNS			1	0	13G	G11_019	'TO->FRON	'NORTHWEST - TATONGA7	345.00	345KV	0	1195	0.37576	128.6688	'DBL-THIS-WWR'
FDNS			1	0	13G	G11_019	'TO->FRON	'NORTHWEST - TATONGA7	345.00	345KV	0	1195	0.24961	96.9	'DBL-THIS-CLR'
FDNS			1	0	13G	G11_019	'TO->FRON	'NORTHWEST - TATONGA7	345.00	345KV	0	1195	0.24508	95.3	'SPP-AEPW-01'
FDNS			1	0	13G	G11_019	'TO->FRON	'NORTHWEST - TATONGA7	345.00	345KV	0	1195	0.25772	101.2439	'SPP-AEPW-32'
FDNS			1	0	13G	G11_019	'TO->FRON	'NORTHWEST - TATONGA7	345.00	345KV	0	1195	0.24699	96.6	'GRDA-OPGD-05'
FDNS			1	0	13G	G11_019	'TO->FRON	'NORTHWEST - TATONGA7	345.00	345KV	0	1195	0.24736	96.9	'KCPL-MSL#03'
FDNS			1	0	13G	G11_019	'TO->FRON	'NORTHWEST - TATONGA7	345.00	345KV	0	1195	0.24721	97.6	'KCPL-OPGD06A'
FDNS			1	0	13G	G11_019	'TO->FRON	'NORTHWEST - TATONGA7	345.00	345KV	0	1195	0.24923	97.6	'OGE3TERM1'
FDNS			1	0	13G	G11_019	'TO->FRON	'NORTHWEST - TATONGA7	345.00	345KV	0	1195	0.24755	96.7	'OGE3TERM7'
FDNS			1	0	13G	G11_019	'TO->FRON	'NORTHWEST - TATONGA7	345.00	345KV	0	1195	0.247	96.9	'OGE3TERM14'
FDNS			1	0	13G	G11_019	'TO->FRON	'NORTHWEST - TATONGA7	345.00	345KV	0	1195	0.24716	95.5	'NC1_GEN-NEBRASKA CITY 1'
FDNS			1	0	13G	G11_019	'TO->FRON	'NORTHWEST - TATONGA7	345.00	345KV	0	1195	0.25805	100.2558	'SPP-SWPS-01'
FDNS			1	0	13G	G11_019	'TO->FRON	'NORTHWEST - TATONGA7	345.00	345KV	0	1195	0.24806	97.6	'SPP-SWPS-02A'
FDNS			1	0	13G	G11_019	'TO->FRON	'NORTHWEST - TATONGA7	345.00	345KV	0	1195	0.24811	98.8	'SPP-SWPS-03'
FDNS			1	0	13G	G11_019	'TO->FRON	'NORTHWEST - TATONGA7	345.00	345KV	0	1195	0.25174	97.7	'SPP-SWPS-04'
FDNS			1	0	13G	G11_019	'TO->FRON	'NORTHWEST - TATONGA7	345.00	345KV	0	1195	0.25895	99.6	'SPP-SWPS-05'
FDNS			1	0	13G	G11_019	'TO->FRON	'NORTHWEST - TATONGA7	345.00	345KV	0	1195	0.24746	97.6	'SPP-SWPS-T54'
FDNS			1	0	13G	G11_019	'TO->FRON	'NORTHWEST - TATONGA7	345.00	345KV	0	1195	0.24841	97.8	'SPP-MKEC-05'
FDNS			1	0	13G	G11_019	'TO->FRON	'NORTHWEST - TATONGA7	345.00	345KV	0	1195	0.24873	98.1	'SPP-MKEC-08'
FDNS			1	0	13G	G11_019	'TO->FRON	'NORTHWEST - TATONGA7	345.00	345KV	0	1195	0.24841	97.8	'SPP-WEPL-03'
FDNS			1	0	13G	G11_019	'TO->FRON	'NORTHWEST - TATONGA7	345.00	345KV	0	1195	0.24841	97.8	'SPP-WEPL-03A'
FDNS			1	0	13G	G11_019	'TO->FRON	'NORTHWEST - TATONGA7	345.00	345KV	0	1195	0.24755	96.7	'SPP-WERE-07C'
FDNS			1	0	13G	G11_019	'TO->FRON	'NORTHWEST - TATONGA7	345.00	345KV	0	1195	0.24733	97.5	'SPP-WERE-91'
FDNS			1	0	13G	G11_019	'TO->FRON	'NORTHWEST - TATONGA7	345.00	345KV	0	1195	0.24758	98.4	'WRTOD400'
FDNS			1	0	13G	G11_019	'TO->FRON	'NORTHWEST - TATONGA7	345.00	345KV	0	1195	0.24701	96.7	'A112'
FDNS			1	0	13G	G11_019	'TO->FRON	'NORTHWEST - TATONGA7	345.00	345KV	0	1195	0.24722	96.9	'AMRN_OUTS5'
FDNS			1	0	13G	G11_019	'TO->FRON	'NORTHWEST - TATONGA7	345.00	345KV	0	1195	0.24736	96.9	'MTGY-OVER-5'
FDNS			1	0	13G	G11_019	'TO->FRON	'NORTHWEST - TATONGA7	345.00	345KV	0	1195	0.24726	97.6	'A222'
FDNS			1	0	13G	G11_019	'TO->FRON	'NORTHWEST - TATONGA7	345.00	345KV	0	1195	0.24722	97.6	'ATC_B2_8E2'
FDNS			1	0	13G	G11_019	'TO->FRON	'NORTHWEST - TATONGA7	345.00	345KV	0	1195	0.24716	97.6	'GEN300003 1-THOMAS HILL UNIT 3'
FDNS			1	0	13G	G11_019	'TO->FRON	'NORTHWEST - TATONGA7	345.00	345KV	0	1195	0.24716	98.5	'GEN300006 1-NEW MADRID UNIT 1'
FDNS			1	0	13G	G11_019	'TO->FRON	'NORTHWEST - TATONGA7	345.00	345KV	0	1195	0.24716	98.5	'GEN300007 1-NEW MADRID UNIT 2'
FDNS			1	0	13G	G11_019	'TO->FRON	'NORTHWEST - TATONGA7	345.00	345KV	0	1195	0.24716	97.7	'GEN300016 1-1G1GPDEL 18.000'
FDNS			1	0	13G	G11_019	'TO->FRON	'NORTHWEST - TATONGA7	345.00	345KV	0	1195	0.24716	97.9	'GEN300020 1-1CHOTCT4 16.000'
FDNS			1	0	13G	G11_019	'TO->FRON	'NORTHWEST - TATONGA7	345.00	345KV	0	1195	0.24716	97.9	'GEN300021 1-1CHOTCT5 16.000'
FDNS			1	0	13G	G11_019	'TO->FRON	'NORTHWEST - TATONGA7	345.00	345KV	0	1195	0.24716	97.9	'GEN300024 1-1CHOTST6 16.000'
FDNS			1	0	13G	G11_019	'TO->FRON	'NORTHWEST - TATONGA7	345.00	345KV	0	1195	0.24716	97.9	'GEN300031 1-CHOUTEAU CTG 1'
FDNS			1	0	13G	G11_019	'TO->FRON	'NORTHWEST - TATONGA7	345.00	345KV	0	1195	0.24716	97.9	'GEN300032 1-CHOUTEAU CTG 2'
FDNS			1	0	13G	G11_019	'TO->FRON	'NORTHWEST - TATONGA7	345.00	345KV	0	1195	0.24716	97.9	'GEN300033 1-CHOUTEAU STG 3'
FDNS			1	0	13G	G11_019	'TO->FRON	'NORTHWEST - TATONGA7	345.00	345KV	0	1195	0.24716	98	'GEN301380 1-1OSAGEWIND 34.500'
FDNS			1	0	13G	G11_019	'TO->FRON	'NORTHWEST - TATONGA7	345.00	345KV	0	1195	0.24716	97.6	'GEN303003 1-1BC1 U3'
FDNS			1	0	13G	G11_019	'TO->FRON	'NORTHWEST - TATONGA7	345.00	345KV	0	1195	0.24716	97.6	'GEN303004 1-1BC1 U4'
FDNS			1	0	13G	G11_019	'TO->FRON	'NORTHWEST - TATONGA7	345.00	345KV	0	1195	0.24716	98.9	'GEN303006 1-1BC2 U1'
FDNS			1	0	13G	G11_019	'TO->FRON	'NORTHWEST - TATONGA7	345.00	345KV	0	1195	0.24716	99.4	'GEN303007 1-1BC2 U2'
FDNS			1	0	13G	G11_019	'TO->FRON	'NORTHWEST - TATONGA7	345.00	345KV	0	1195	0.24716	98.7	'GEN303008 1-1BC2 U3'
FDNS			1	0	13G	G11_019	'TO->FRON	'NORTHWEST - TATONGA7	345.00	345KV	0	1195	0.24716	97.8	'GEN303024 1-1G3INTHB 18.000'
FDNS			1	0	13G	G11_019	'TO->FRON	'NORTHWEST - TATONGA7	345.00	345KV	0	1195	0.24716	97.7	'GEN303025 1-1S3INTHB 13.800'
FDNS			1	0	13G	G11_019	'TO->FRON	'NORTHWEST - TATONGA7	345.00	345KV	0	1195	0.24716	97.7	'GEN303026 1-1G4INTHB 18.000'
FDNS			1	0	13G	G11_019	'TO->FRON	'NORTHWEST - TATONGA7	345.00	345KV	0	1195	0.24716	97.6	'GEN303027 1-1S4INTHB 13.800'
FDNS			1	0	13G	G11_019	'TO->FRON	'NORTHWEST - TATONGA7	345.00	345KV	0	1195	0.24716	97.9	'GEN318007 1-5MOROW161 161.00'
FDNS			1	0	13G	G11_019	'TO->FRON	'NORTHWEST - TATONGA7	345.00	345KV	0	1195	0.24716	98	'GEN334030 1-FRONTIER UNIT 1'
FDNS			1	0	13G	G11_019	'TO->FRON	'NORTHWEST - TATONGA7	345.00	345KV	0	1195	0.24716	98	'GEN334031 1-FRONTIER UNIT 2'

EVENTYPE	SOLUTIONTYPE	GROUP	SCENARIO	SEASON	SOURCE	DIRECTION	MONTH	COMMONNAME	RATEB	TDF	TC%LOADI	CONTNAME
	FDNS		1	0	13G	G11_019	TO->FRON	'NORTHWEST - TATONGA7 345.00 345KV 0	1195	0.24716	97.8	'GEN334070 1-LEWIS CREEK 1'
	FDNS		1	0	13G	G11_019	TO->FRON	'NORTHWEST - TATONGA7 345.00 345KV 0	1195	0.24716	97.8	'GEN334071 1-LEWIS CREEK 2'
	FDNS		1	0	13G	G11_019	TO->FRON	'NORTHWEST - TATONGA7 345.00 345KV 0	1195	0.24716	97.6	'GEN334335 1-TOLEDO BEND'
	FDNS		1	0	13G	G11_019	TO->FRON	'NORTHWEST - TATONGA7 345.00 345KV 0	1195	0.24716	97.8	'GEN334392 1-EXXON MOBIL IPP 1'
	FDNS		1	0	13G	G11_019	TO->FRON	'NORTHWEST - TATONGA7 345.00 345KV 0	1195	0.24716	97.7	'GEN334431 1-SABINE UNIT 1'
	FDNS		1	0	13G	G11_019	TO->FRON	'NORTHWEST - TATONGA7 345.00 345KV 0	1195	0.24716	97.7	'GEN334432 1-SABINE UNIT 2'
	FDNS		1	0	13G	G11_019	TO->FRON	'NORTHWEST - TATONGA7 345.00 345KV 0	1195	0.24716	98.1	'GEN334433 1-SABINE UNIT 3'
	FDNS		1	0	13G	G11_019	TO->FRON	'NORTHWEST - TATONGA7 345.00 345KV 0	1195	0.24716	98.5	'GEN334440 1-SABINE UNIT 4'
	FDNS		1	0	13G	G11_019	TO->FRON	'NORTHWEST - TATONGA7 345.00 345KV 0	1195	0.24716	98.1	'GEN334441 1-SABINE UNIT 5'
	FDNS		1	0	13G	G11_019	TO->FRON	'NORTHWEST - TATONGA7 345.00 345KV 0	1195	0.24716	97.7	'GEN334456 1-CONOCO UNIT#1'
	FDNS		1	0	13G	G11_019	TO->FRON	'NORTHWEST - TATONGA7 345.00 345KV 0	1195	0.24716	97.7	'GEN335201 1-NELSON UNIT 1'
	FDNS		1	0	13G	G11_019	TO->FRON	'NORTHWEST - TATONGA7 345.00 345KV 0	1195	0.24716	97.7	'GEN335202 1-NELSON UNIT 2'
	FDNS		1	0	13G	G11_019	TO->FRON	'NORTHWEST - TATONGA7 345.00 345KV 0	1195	0.24716	97.6	'GEN335203 1-NELSON UNIT 3'
	FDNS		1	0	13G	G11_019	TO->FRON	'NORTHWEST - TATONGA7 345.00 345KV 0	1195	0.24716	98.5	'GEN335204 1-NELSON UNIT 4'
	FDNS		1	0	13G	G11_019	TO->FRON	'NORTHWEST - TATONGA7 345.00 345KV 0	1195	0.24716	99.4	'GEN335206 1-NELSON UNIT 6'
	FDNS		1	0	13G	G11_019	TO->FRON	'NORTHWEST - TATONGA7 345.00 345KV 0	1195	0.24716	98	'GEN335370 1-1ACADIA_S26 16.000
	FDNS		1	0	13G	G11_019	TO->FRON	'NORTHWEST - TATONGA7 345.00 345KV 0	1195	0.24716	98	'GEN335371 1-1ACADIA_C25 18.000
	FDNS		1	0	13G	G11_019	TO->FRON	'NORTHWEST - TATONGA7 345.00 345KV 0	1195	0.24716	98	'GEN335372 1-1ACADIA_C24 18.000
	FDNS		1	0	13G	G11_019	TO->FRON	'NORTHWEST - TATONGA7 345.00 345KV 0	1195	0.24716	97.8	'GEN335570 1-CARVILLE CTG'
	FDNS		1	0	13G	G11_019	TO->FRON	'NORTHWEST - TATONGA7 345.00 345KV 0	1195	0.24716	97.8	'GEN335571 1-CARVILLE UNIT #1'
	FDNS-CHECK-TC-B		1	0	13G	G11_019	TO->FRON	'NORTHWEST - TATONGA7 345.00 345KV 0	1195	0.24716	102.3	'GEN336153 1-WATERFORD UNIT#3'
	FDNS		1	0	13G	G11_019	TO->FRON	'NORTHWEST - TATONGA7 345.00 345KV 0	1195	0.24716	97.8	'GEN336167 1-GULF OXY U1'
	FDNS		1	0	13G	G11_019	TO->FRON	'NORTHWEST - TATONGA7 345.00 345KV 0	1195	0.24716	97.8	'GEN336168 1-GULF OXY U2'
	FDNS		1	0	13G	G11_019	TO->FRON	'NORTHWEST - TATONGA7 345.00 345KV 0	1195	0.24716	97.8	'GEN336169 1-GULF OXY U3'
	FDNS		1	0	13G	G11_019	TO->FRON	'NORTHWEST - TATONGA7 345.00 345KV 0	1195	0.24716	98.2	'GEN336170 1-GULF OXY U4'
	FDNS		1	0	13G	G11_019	TO->FRON	'NORTHWEST - TATONGA7 345.00 345KV 0	1195	0.24716	98.3	'GEN336191 1-LITTLE GYPSY UNIT#3'
	FDNS		1	0	13G	G11_019	TO->FRON	'NORTHWEST - TATONGA7 345.00 345KV 0	1195	0.24716	97.7	'GEN336221 1-LITTLE GYPSY UNIT#1'
	FDNS		1	0	13G	G11_019	TO->FRON	'NORTHWEST - TATONGA7 345.00 345KV 0	1195	0.24716	97.9	'GEN336222 1-LITTLE GYPSY UNIT#2'
	FDNS		1	0	13G	G11_019	TO->FRON	'NORTHWEST - TATONGA7 345.00 345KV 0	1195	0.24716	98.3	'GEN336251 1-NINEMILE POINT UNIT#4'
	FDNS		1	0	13G	G11_019	TO->FRON	'NORTHWEST - TATONGA7 345.00 345KV 0	1195	0.24716	98.6	'GEN336252 1-NINEMILE POINT UNIT#5'
	FDNS		1	0	13G	G11_019	TO->FRON	'NORTHWEST - TATONGA7 345.00 345KV 0	1195	0.24716	97.6	'GEN336446 1-MICHODD UNIT #2'
	FDNS		1	0	13G	G11_019	TO->FRON	'NORTHWEST - TATONGA7 345.00 345KV 0	1195	0.24716	98.3	'GEN336464 1-MICHODD UNIT #3'
	FDNS		1	0	13G	G11_019	TO->FRON	'NORTHWEST - TATONGA7 345.00 345KV 0	1195	0.24716	98.2	'GEN336801 1-BAXTER WILSON UNIT #1'
	FDNS-CHECK-TC-B		1	0	13G	G11_019	TO->FRON	'NORTHWEST - TATONGA7 345.00 345KV 0	1195	0.24716	102.8	'GEN336821 1-GRAND GULF UNIT'
	FDNS		1	0	13G	G11_019	TO->FRON	'NORTHWEST - TATONGA7 345.00 345KV 0	1195	0.24716	98.6	'GEN336831 1-BAXTER WILSON SES'
	FDNS		1	0	13G	G11_019	TO->FRON	'NORTHWEST - TATONGA7 345.00 345KV 0	1195	0.24716	97.6	'GEN336944 1-REX BROWN'
	FDNS		1	0	13G	G11_019	TO->FRON	'NORTHWEST - TATONGA7 345.00 345KV 0	1195	0.24716	97.8	'GEN337006 1-DUKE MCADAMS G1'
	FDNS		1	0	13G	G11_019	TO->FRON	'NORTHWEST - TATONGA7 345.00 345KV 0	1195	0.24716	97.8	'GEN337007 1-DUKE MCADAMS G2'
	FDNS		1	0	13G	G11_019	TO->FRON	'NORTHWEST - TATONGA7 345.00 345KV 0	1195	0.24716	97.8	'GEN337008 1-DUKE MCADAMS S1'
	FDNS		1	0	13G	G11_019	TO->FRON	'NORTHWEST - TATONGA7 345.00 345KV 0	1195	0.24716	98.6	'GEN337041 1-GERALD ANDRUS'
	FDNS		1	0	13G	G11_019	TO->FRON	'NORTHWEST - TATONGA7 345.00 345KV 0	1195	0.24716	97.8	'GEN337125 6-LS POWER BATESVILLE'
	FDNS		1	0	13G	G11_019	TO->FRON	'NORTHWEST - TATONGA7 345.00 345KV 0	1195	0.24716	97.8	'GEN337421 1-OUCHITA CTG1'
	FDNS		1	0	13G	G11_019	TO->FRON	'NORTHWEST - TATONGA7 345.00 345KV 0	1195	0.24716	97.6	'GEN337422 1-OUCHITA STG1'
	FDNS		1	0	13G	G11_019	TO->FRON	'NORTHWEST - TATONGA7 345.00 345KV 0	1195	0.24716	97.8	'GEN337423 1-OUCHITA CTG2'
	FDNS		1	0	13G	G11_019	TO->FRON	'NORTHWEST - TATONGA7 345.00 345KV 0	1195	0.24716	97.6	'GEN337424 1-OUCHITA STG2'
	FDNS		1	0	13G	G11_019	TO->FRON	'NORTHWEST - TATONGA7 345.00 345KV 0	1195	0.24716	97.8	'GEN337425 1-OUCHITA CTG3'
	FDNS		1	0	13G	G11_019	TO->FRON	'NORTHWEST - TATONGA7 345.00 345KV 0	1195	0.24716	97.6	'GEN337426 1-OUCHITA STG3'
	FDNS		1	0	13G	G11_019	TO->FRON	'NORTHWEST - TATONGA7 345.00 345KV 0	1195	0.24716	97.9	'GEN337428 1-PERVILLE UNIT #1'
	FDNS		1	0	13G	G11_019	TO->FRON	'NORTHWEST - TATONGA7 345.00 345KV 0	1195	0.24716	97.9	'GEN337430 1-PERVILLE UNIT #3'
	FDNS		1	0	13G	G11_019	TO->FRON	'NORTHWEST - TATONGA7 345.00 345KV 0	1195	0.24716	97.9	'GEN337432 1-PERVILLE UNIT #5'
	FDNS-CHECK-TC-B		1	0	13G	G11_019	TO->FRON	'NORTHWEST - TATONGA7 345.00 345KV 0	1195	0.24716	100.3	'GEN337652 1-WHITE BLUFF UNIT #1'
	FDNS		2	0	13G	G11_019	TO->FRON	'NORTHWEST - TATONGA7 345.00 345KV 0	1195	0.37093	101.999	'DBL-THIS-WWR'
	FDNS	02ALL		2	13G	G11_019	TO->FRON	'NORTHWEST - TATONGA7 345.00 345KV 0	1195	0.23257	107.8825	'DBL-THIS-WWR'
	FDNS	01ALL		2	13G	G11_019	TO->FRON	'CIMARRON - MATTHEWSON 345.00 345KV 0	956	0.22923	147.4653	'MATTHEWSON 345.00 - NORTHWEST 345KV CKT 1'
	FDNS	01ALL		2	13G	G11_019	FROM->TD	'MATTHEWSON 345.00 - NORTHWEST 345KV 0	1195	0.25482	129.8951	'CIMARRON - MATTHEWSON 345.00 345KV CKT 1'

EVENTTYPE	SOLUTIONTYPE	GROUP	SCENARIO	SEASON	SOURCE	DIRECTION	MONTCOMMONNAME	RATEB	TDF	TC%LOADI	CONTNAME	
	FDNS	01ALL		2 13G	G11_019	'TO->FRON	'MATTHEWSON 345.00 - TATONGA7	345.0	1195	0.25548	118.6975	'MATTHEWSON 345.00 - TATONGA7 345.00 345KV CKT 1'
	FDNS	01ALL		2 13G	G11_019	'TO->FRON	'MATTHEWSON 345.00 - TATONGA7	345.0	1195	0.25548	118.6975	'MATTHEWSON 345.00 - TATONGA7 345.00 345KV CKT 2'
	FDNS	01NR		2 13G	G11_019	'TO->FRON	'MATTHEWSON 345.00 - TATONGA7	345.0	1195	0.196	104.7377	'BASE CASE'
CONT-TOD	FDNS	01NR		2 13G	G11_019	'TO->FRON	'MATTHEWSON 345.00 - TATONGA7	345.0	1195	0.19601	105.0748	'DOLET HILLS - SOUTHWEST SHREVEPORT 345KV CKT 1'
	FDNS	01NR		2 13G	G11_019	'TO->FRON	'MATTHEWSON 345.00 - TATONGA7	345.0	1195	0.19648	104.1836	'FLINT CREEK - SUB 383 - MONETT 345KV CKT 1'
	FDNS	01NR		2 13G	G11_019	'TO->FRON	'MATTHEWSON 345.00 - TATONGA7	345.0	1195	0.19641	104.0694	'CHAMBER SPRINGS - CLARKSVILLE 345KV CKT 1'
	FDNS	01NR		2 13G	G11_019	'TO->FRON	'MATTHEWSON 345.00 - TATONGA7	345.0	1195	0.19603	104.3249	'LYDIA - WELSH 345KV CKT 1'
	FDNS	01NR		2 13G	G11_019	'TO->FRON	'MATTHEWSON 345.00 - TATONGA7	345.0	1195	0.19613	102.7367	'LYDIA - VALLIANT 345KV CKT 1'
	FDNS	01NR		2 13G	G11_019	'TO->FRON	'MATTHEWSON 345.00 - TATONGA7	345.0	1195	0.19664	104.4447	'CLARKSVILLE - MUSKOGEE 345KV CKT 1'
	FDNS	01NR		2 13G	G11_019	'TO->FRON	'MATTHEWSON 345.00 - TATONGA7	345.0	1195	0.19583	103.7594	'REDBUD - RIVERSIDE STATION 345KV CKT 1'
	FDNS	01NR		2 13G	G11_019	'TO->FRON	'MATTHEWSON 345.00 - TATONGA7	345.0	1195	0.1957	104.4432	'CLEVELAND - TULSA NORTH 345KV CKT 1'
	FDNS	01NR		2 13G	G11_019	'TO->FRON	'MATTHEWSON 345.00 - TATONGA7	345.0	1195	0.19791	103.0944	'DELAWARE - NORTHEAST STATION 345KV CKT 1'
	FDNS	01NR		2 13G	G11_019	'TO->FRON	'MATTHEWSON 345.00 - TATONGA7	345.0	1195	0.19781	103.8351	'DELAWARE - NEOSHO 345KV CKT 1'
	FDNS	01NR		2 13G	G11_019	'TO->FRON	'MATTHEWSON 345.00 - TATONGA7	345.0	1195	0.19625	103.8903	'PITTSBURG - VALLIANT 345KV CKT 1'
	FDNS	01NR		2 13G	G11_019	'TO->FRON	'MATTHEWSON 345.00 - TATONGA7	345.0	1195	0.19618	103.7799	'PITTSBURG - SEMINOLE 345KV CKT 1'
	FDNS	01NR		2 13G	G11_019	'TO->FRON	'MATTHEWSON 345.00 - TATONGA7	345.0	1195	0.19672	105.0482	'HINTON - WEATHERFORD JCT. 138KV CKT 1'
	FDNS	01NR		2 13G	G11_019	'TO->FRON	'MATTHEWSON 345.00 - TATONGA7	345.0	1195	0.19719	105.5821	'CLINTON AIR FORCE BASE TAP - ELK CITY 138KV CKT 1'
	FDNS	01NR		2 13G	G11_019	'TO->FRON	'MATTHEWSON 345.00 - TATONGA7	345.0	1195	0.19719	105.5454	'CLINTON AIR FORCE BASE TAP - HOBART JUNCTION 138KV CKT 1'
	FDNS	01NR		2 13G	G11_019	'TO->FRON	'MATTHEWSON 345.00 - TATONGA7	345.0	1195	0.21052	107.8831	'OKLAUNION - TUCO INTERCHANGE 345KV CKT 1'
	FDNS	01NR		2 13G	G11_019	'TO->FRON	'MATTHEWSON 345.00 - TATONGA7	345.0	1195	0.19797	105.8291	'CLINTON JUNCTION - ELK CITY 138KV CKT 1'
	FDNS	01NR		2 13G	G11_019	'TO->FRON	'MATTHEWSON 345.00 - TATONGA7	345.0	1195	0.19675	105.4644	'ELK CITY - RED HILLS WIND 138KV CKT 1'
	FDNS	01NR		2 13G	G11_019	'TO->FRON	'MATTHEWSON 345.00 - TATONGA7	345.0	1195	0.19677	105.562	'LAWTON EASTSIDE - SUNNYSIDE 345KV CKT 1'
	FDNS	01NR		2 13G	G11_019	'TO->FRON	'MATTHEWSON 345.00 - TATONGA7	345.0	1195	0.19693	103.6511	'GRACEMONT - LAWTON EASTSIDE 345KV CKT 1'
	FDNS	01NR		2 13G	G11_019	'TO->FRON	'MATTHEWSON 345.00 - TATONGA7	345.0	1195	0.19672	105.1403	'WEATHERFORD JCT. - WEATHERFORD SOUTHEAST 138KV CKT 1'
	FDNS	01NR		2 13G	G11_019	'TO->FRON	'MATTHEWSON 345.00 - TATONGA7	345.0	1195	0.19844	106.74	'ELK CITY 230KV - SWEETWATER 230KV CKT 1'
	FDNS	01NR		2 13G	G11_019	'TO->FRON	'MATTHEWSON 345.00 - TATONGA7	345.0	1195	0.19641	105.0434	'WEATHERFORD SOUTHEAST - WEATHERFORD TAP 138KV CKT 1'
	FDNS	01NR		2 13G	G11_019	'TO->FRON	'MATTHEWSON 345.00 - TATONGA7	345.0	1195	0.19641	105.1131	'WEATHERFORD TAP - WEATHERFORD WIND FARM 138KV CKT 1'
	FDNS	01NR		2 13G	G11_019	'TO->FRON	'MATTHEWSON 345.00 - TATONGA7	345.0	1195	0.19844	104.7409	'STATELINE INTERCHANGE - SWEETWATER 230KV CKT &1'
	FDNS	01NR		2 13G	G11_019	'TO->FRON	'MATTHEWSON 345.00 - TATONGA7	345.0	1195	0.19678	105.0344	'CHILDRESS - LAKE PAULINE 138KV CKT 1'
	FDNS	01NR		2 13G	G11_019	'TO->FRON	'MATTHEWSON 345.00 - TATONGA7	345.0	1195	0.19642	105.028	'SHAMROCK - WELLINGTON 138KV CKT 1'
	FDNS	01NR		2 13G	G11_019	'TO->FRON	'MATTHEWSON 345.00 - TATONGA7	345.0	1195	0.19642	105.1213	'MCLEAN RURAL SUB - SHAMROCK 115KV CKT 1'
	FDNS	01NR		2 13G	G11_019	'TO->FRON	'MATTHEWSON 345.00 - TATONGA7	345.0	1195	0.19561	104.1991	'CLEVELAND - SOONER 345KV CKT 1'
	FDNS	01NR		2 13G	G11_019	'TO->FRON	'MATTHEWSON 345.00 - TATONGA7	345.0	1195	0.19741	105.0474	'WAUKOMIS - WAUKOMIS TAP 138KV CKT 1'
	FDNS	01NR		2 13G	G11_019	'TO->FRON	'MATTHEWSON 345.00 - TATONGA7	345.0	1195	0.19741	105.0893	'HENESSEY - WAUKOMIS 138KV CKT 1'
	FDNS	01NR		2 13G	G11_019	'TO->FRON	'MATTHEWSON 345.00 - TATONGA7	345.0	1195	0.20288	105.609	'HUNTERS7 345.00 - WOODRING 345KV CKT 1'
	FDNS	01NR		2 13G	G11_019	'TO->FRON	'MATTHEWSON 345.00 - TATONGA7	345.0	1195	0.19453	103.5739	'MATTHEWSON 345.00 - WOODRING 345KV CKT 1'
	FDNS	01NR		2 13G	G11_019	'TO->FRON	'MATTHEWSON 345.00 - TATONGA7	345.0	1195	0.19664	105.0929	'KNOBHILL - SALINE 69KV CKT 1'
	FDNS	01NR		2 13G	G11_019	'TO->FRON	'MATTHEWSON 345.00 - TATONGA7	345.0	1195	0.19664	105.0639	'HELENA TAP - SALINE 69KV CKT 1'
	FDNS	01NR		2 13G	G11_019	'TO->FRON	'MATTHEWSON 345.00 - TATONGA7	345.0	1195	0.19688	104.2414	'KILDARE4 - NEWKIRK4 138KV CKT 1'
	FDNS	01NR		2 13G	G11_019	'TO->FRON	'MATTHEWSON 345.00 - TATONGA7	345.0	1195	0.19651	104.3612	'KILDARE4 - WHITE EAGLE 138KV CKT 1'
	FDNS	01NR		2 13G	G11_019	'TO->FRON	'MATTHEWSON 345.00 - TATONGA7	345.0	1195	0.19741	105.1631	'DOVER SW - HENESSEY 138KV CKT 1'
	FDNS	01NR		2 13G	G11_019	'TO->FRON	'MATTHEWSON 345.00 - TATONGA7	345.0	1195	0.19896	106.6772	'CLEO CORNER - GLASS MOUNTAIN 138KV CKT 1'
	FDNS	01NR		2 13G	G11_019	'TO->FRON	'MATTHEWSON 345.00 - TATONGA7	345.0	1195	0.1997	106.6822	'CLEO CORNER - MEN TAP 138KV CKT 1'
	FDNS	01NR		2 13G	G11_019	'TO->FRON	'MATTHEWSON 345.00 - TATONGA7	345.0	1195	0.19734	105.1068	'WOODWARD - WOODWARD EHV 138KV CKT 1'
	FDNS	01NR		2 13G	G11_019	'TO->FRON	'MATTHEWSON 345.00 - TATONGA7	345.0	1195	0.20386	107.8535	'FPL SWITCH - WOODWARD 138KV CKT 1'
	FDNS	01NR		2 13G	G11_019	'TO->FRON	'MATTHEWSON 345.00 - TATONGA7	345.0	1195	0.19948	106.0234	'DEWEY - IODINE 138KV CKT 1'
	FDNS	01NR		2 13G	G11_019	'TO->FRON	'MATTHEWSON 345.00 - TATONGA7	345.0	1195	0.20122	108.2552	'DEWEY - SOUTHARD 138KV CKT 1'
	FDNS	01NR		2 13G	G11_019	'TO->FRON	'MATTHEWSON 345.00 - TATONGA7	345.0	1195	0.19896	106.7451	'GLASS MOUNTAIN - MOORELAND 138KV CKT 1'
	FDNS	01NR		2 13G	G11_019	'TO->FRON	'MATTHEWSON 345.00 - TATONGA7	345.0	1195	0.1997	106.6169	'IMO TAP - MEN TAP 138KV CKT 1'
	FDNS	01NR		2 13G	G11_019	'TO->FRON	'MATTHEWSON 345.00 - TATONGA7	345.0	1195	0.19669	105.4142	'KNOBHILL - MOORELAND 138KV CKT 1'

EVENTTYPE	SOLUTIONTYPE	GROUP	SCENARIO	SEASON	SOURCE	DIRECTION	MONTH	COMMONNAME	RATEB	TDF	TC%LOADI	CONTNAME
FDNS		01NR	2	13G	G11_019	TO->FRON		'MATTHEWSON 345.00 - TATONGA7 345.00	1195	0.19948	106.0777	'IODINE - WOODWARD EHV 138KV CKT 1'
FDNS		01NR	2	13G	G11_019	TO->FRON		'MATTHEWSON 345.00 - TATONGA7 345.00	1195	0.19734	102.5892	'GRACEMONT - MINCO 345KV CKT 1'
FDNS		01NR	2	13G	G11_019	TO->FRON		'MATTHEWSON 345.00 - TATONGA7 345.00	1195	0.20163	103.5942	'ROSE HILL - SOONER 345KV CKT 1'
FDNS		01NR	2	13G	G11_019	TO->FRON		'MATTHEWSON 345.00 - TATONGA7 345.00	1195	0.19688	104.2164	'CRESWELL - MIDLTNT4 138.00 138KV CKT 1'
FDNS		01NR	2	13G	G11_019	TO->FRON		'MATTHEWSON 345.00 - TATONGA7 345.00	1195	0.20122	107.7466	'EL RENO - ROMAN NOSE 138KV CKT 1'
FDNS		01NR	2	13G	G11_019	TO->FRON		'MATTHEWSON 345.00 - TATONGA7 345.00	1195	0.20122	107.9436	'ROMAN NOSE - SOUTHARD 138KV CKT 1'
FDNS		01NR	2	13G	G11_019	TO->FRON		'MATTHEWSON 345.00 - TATONGA7 345.00	1195	0.19076	104.3917	'ARCADIA - NORTHWEST 345KV CKT 1'
FDNS		01NR	2	13G	G11_019	TO->FRON		'CIMARRON - MATTHEWSON 345.00 345KV	956	0.31053	122.0821	'MATTHEWSON 345.00 - NORTHWEST 345KV CKT 1'
FDNS		01NR	2	13G	G11_019	TO->FRON		'MATTHEWSON 345.00 - TATONGA7 345.00	1195	0.19346	103.2927	'CIMARRON - DRAPER LAKE 345KV CKT 1'
FDNS		01NR	2	13G	G11_019	FROM->TO		'MATTHEWSON 345.00 - NORTHWEST 345KV	1195	0.35222	106.9533	'CIMARRON - MATTHEWSON 345.00 345KV CKT 1'
FDNS		01NR	2	13G	G11_019	TO->FRON		'MATTHEWSON 345.00 - TATONGA7 345.00	1195	0.19137	101.8941	'CIMARRON - MATTHEWSON 345.00 345KV CKT 1'
FDNS		01NR	2	13G	G11_019	TO->FRON		'MATTHEWSON 345.00 - TATONGA7 345.00	1195	0.19591	104.3516	'ARCADIA - SEMINOLE 345KV CKT 1'
FDNS		01NR	2	13G	G11_019	TO->FRON		'MATTHEWSON 345.00 - TATONGA7 345.00	1195	0.19599	105.0387	'MORISNT4 138.00 - STILLWATER 138KV CKT 1'
FDNS		01NR	2	13G	G11_019	TO->FRON		'MATTHEWSON 345.00 - TATONGA7 345.00	1195	0.19642	104.0795	'FT SMITH - MUSKOGEE 345KV CKT 1'
FDNS		01NR	2	13G	G11_019	TO->FRON		'MATTHEWSON 345.00 - TATONGA7 345.00	1195	0.20336	110.1387	'BORDER 7345.00 - WOODWARD DISTRICT EHV 345KV CKT 1'
FDNS		01NR	2	13G	G11_019	TO->FRON		'MATTHEWSON 345.00 - TATONGA7 345.00	1195	0.21411	113.721	'THISTLE7 345.00 - WOODWARD DISTRICT EHV 345KV CKT 1'
FDNS		01NR	2	13G	G11_019	TO->FRON		'MATTHEWSON 345.00 - TATONGA7 345.00	1195	0.21411	113.721	'THISTLE7 345.00 - WOODWARD DISTRICT EHV 345KV CKT 2'
FDNS		01NR	2	13G	G11_019	TO->FRON		'MATTHEWSON 345.00 - TATONGA7 345.00	1195	0.20336	110.1835	'BORDER 7345.00 - TUCO INTERCHANGE 345KV CKT 1'
FDNS		01NR	2	13G	G11_019	TO->FRON		'MATTHEWSON 345.00 - TATONGA7 345.00	1195	0.20386	109.4346	'FPL SWITCH - MOORELAND 138KV CKT 1'
FDNS		01NR	2	13G	G11_019	TO->FRON		'MATTHEWSON 345.00 - TATONGA7 345.00	1195	0.196	105.1319	'GEN334456 1-CONOCO UNIT#1'
FDNS		01NR	2	13G	G11_019	TO->FRON		'MATTHEWSON 345.00 - TATONGA7 345.00	1195	0.196	105.1532	'GEN335201 1-NELSON UNIT 1'
FDNS		01NR	2	13G	G11_019	TO->FRON		'MATTHEWSON 345.00 - TATONGA7 345.00	1195	0.196	105.112	'GEN335202 1-NELSON UNIT 2'
FDNS		01NR	2	13G	G11_019	TO->FRON		'MATTHEWSON 345.00 - TATONGA7 345.00	1195	0.196	105.0907	'GEN335203 1-NELSON UNIT 3'
FDNS		01NR	2	13G	G11_019	TO->FRON		'MATTHEWSON 345.00 - TATONGA7 345.00	1195	0.196	105.9388	'GEN335204 1-NELSON UNIT 4'
FDNS		01NR	2	13G	G11_019	TO->FRON		'MATTHEWSON 345.00 - TATONGA7 345.00	1195	0.196	106.7577	'GEN335206 1-NELSON UNIT 6'
FDNS		01NR	2	13G	G11_019	TO->FRON		'MATTHEWSON 345.00 - TATONGA7 345.00	1195	0.196	105.4279	'GEN335370 1-1ACADIA_S26I16.000
FDNS		01NR	2	13G	G11_019	TO->FRON		'MATTHEWSON 345.00 - TATONGA7 345.00	1195	0.196	105.4069	'GEN335371 1-1ACADIA_C25I18.000
FDNS		01NR	2	13G	G11_019	TO->FRON		'MATTHEWSON 345.00 - TATONGA7 345.00	1195	0.196	105.4069	'GEN335372 1-1ACADIA_C24I18.000
FDNS		01NR	2	13G	G11_019	TO->FRON		'MATTHEWSON 345.00 - TATONGA7 345.00	1195	0.196	105.2627	'GEN335570 1-CARVILLE CTG'
FDNS		01NR	2	13G	G11_019	TO->FRON		'MATTHEWSON 345.00 - TATONGA7 345.00	1195	0.196	105.2628	'GEN335571 1-CARVILLE UNIT #1'
FDNS		01NR	2	13G	G11_019	TO->FRON		'MATTHEWSON 345.00 - TATONGA7 345.00	1195	0.196	109.6008	'GEN336153 1-WATERFORD UNIT#3'
FDNS		01NR	2	13G	G11_019	TO->FRON		'MATTHEWSON 345.00 - TATONGA7 345.00	1195	0.196	105.2827	'GEN336167 1-GULF OXY U1'
FDNS		01NR	2	13G	G11_019	TO->FRON		'MATTHEWSON 345.00 - TATONGA7 345.00	1195	0.196	105.2827	'GEN336168 1-GULF OXY U2'
FDNS		01NR	2	13G	G11_019	TO->FRON		'MATTHEWSON 345.00 - TATONGA7 345.00	1195	0.196	105.2827	'GEN336169 1-GULF OXY U3'
FDNS		01NR	2	13G	G11_019	TO->FRON		'MATTHEWSON 345.00 - TATONGA7 345.00	1195	0.196	105.6591	'GEN336170 1-GULF OXY U4'
FDNS		01NR	2	13G	G11_019	TO->FRON		'MATTHEWSON 345.00 - TATONGA7 345.00	1195	0.196	105.7797	'GEN336191 1-LITTLE GYPSY UNIT#3'
FDNS		01NR	2	13G	G11_019	TO->FRON		'MATTHEWSON 345.00 - TATONGA7 345.00	1195	0.196	105.1396	'GEN336221 1-LITTLE GYPSY UNIT#1'
FDNS		01NR	2	13G	G11_019	TO->FRON		'MATTHEWSON 345.00 - TATONGA7 345.00	1195	0.196	105.3596	'GEN336222 1-LITTLE GYPSY UNIT#2'
FDNS		01NR	2	13G	G11_019	TO->FRON		'MATTHEWSON 345.00 - TATONGA7 345.00	1195	0.196	105.7478	'GEN336251 1-NINEMILE POINT UNIT#4'
FDNS		01NR	2	13G	G11_019	TO->FRON		'MATTHEWSON 345.00 - TATONGA7 345.00	1195	0.196	106.0654	'GEN336252 1-NINEMILE POINT UNIT#5'
FDNS		01NR	2	13G	G11_019	TO->FRON		'MATTHEWSON 345.00 - TATONGA7 345.00	1195	0.196	105.0657	'GEN336446 1-MICHOUD UNIT #2'
FDNS		01NR	2	13G	G11_019	TO->FRON		'MATTHEWSON 345.00 - TATONGA7 345.00	1195	0.196	105.7038	'GEN336464 1-MICHOUD UNIT #3'
FDNS		01NR	2	13G	G11_019	TO->FRON		'MATTHEWSON 345.00 - TATONGA7 345.00	1195	0.196	105.6492	'GEN336801 1-BAXTER WILSON UNIT #1'
FDNS		01NR	2	13G	G11_019	TO->FRON		'MATTHEWSON 345.00 - TATONGA7 345.00	1195	0.196	110.056	'GEN336821 1-GRAND GULF UNIT'
FDNS		01NR	2	13G	G11_019	TO->FRON		'MATTHEWSON 345.00 - TATONGA7 345.00	1195	0.196	106.0021	'GEN336831 1-BAXTER WILSON SES'
FDNS		01NR	2	13G	G11_019	TO->FRON		'MATTHEWSON 345.00 - TATONGA7 345.00	1195	0.196	105.0351	'GEN336944 1-REX BROWN'
FDNS		01NR	2	13G	G11_019	TO->FRON		'MATTHEWSON 345.00 - TATONGA7 345.00	1195	0.196	105.2933	'GEN337006 1-DUKE MCADAMS G1'
FDNS		01NR	2	13G	G11_019	TO->FRON		'MATTHEWSON 345.00 - TATONGA7 345.00	1195	0.196	105.2933	'GEN337007 1-DUKE MCADAMS G2'
FDNS		01NR	2	13G	G11_019	TO->FRON		'MATTHEWSON 345.00 - TATONGA7 345.00	1195	0.196	105.2815	'GEN337008 1-DUKE MCADAMS S1'
FDNS		01NR	2	13G	G11_019	TO->FRON		'MATTHEWSON 345.00 - TATONGA7 345.00	1195	0.196	106.0273	'GEN337041 1-GERALD ANDRUS'
FDNS		01NR	2	13G	G11_019	TO->FRON		'MATTHEWSON 345.00 - TATONGA7 345.00	1195	0.196	105.2128	'GEN337125 6-LS POWER BATESVILLE'
FDNS		01NR	2	13G	G11_019	TO->FRON		'MATTHEWSON 345.00 - TATONGA7 345.00	1195	0.196	105.2812	'GEN337421 1-OUCHITA CTG1'
FDNS		01NR	2	13G	G11_019	TO->FRON		'MATTHEWSON 345.00 - TATONGA7 345.00	1195	0.196	105.0801	'GEN337422 1-OUCHITA STG1'

EVENTTYPE	SOLUTIONTYPE	GROUP	SCENARIO	SEASON	SOURCE	DIRECTION	MONTCOMMONNAME	RATEB	TDF	TC%LOADI	CONTNAME		
	FDNS	01NR		2	13G	G11_019	'TO->FRON	'MATTHEWSON 345.00 - TATONGA7	345.0	1195	0.196	105.2812	'GEN337423 1-OUCHITA CTG2'
	FDNS	01NR		2	13G	G11_019	'TO->FRON	'MATTHEWSON 345.00 - TATONGA7	345.0	1195	0.196	105.0801	'GEN337424 1-OUCHITA STG2'
	FDNS	01NR		2	13G	G11_019	'TO->FRON	'MATTHEWSON 345.00 - TATONGA7	345.0	1195	0.196	105.2812	'GEN337425 1-OUCHITA CTG3'
	FDNS	01NR		2	13G	G11_019	'TO->FRON	'MATTHEWSON 345.00 - TATONGA7	345.0	1195	0.196	105.0801	'GEN337426 1-OUCHITA STG3'
	FDNS	01NR		2	13G	G11_019	'TO->FRON	'MATTHEWSON 345.00 - TATONGA7	345.0	1195	0.196	105.3496	'GEN337428 1-PERYVILLE UNIT #1'
	FDNS	01NR		2	13G	G11_019	'TO->FRON	'MATTHEWSON 345.00 - TATONGA7	345.0	1195	0.196	105.3496	'GEN337430 1-PERYVILLE UNIT #3'
	FDNS	01NR		2	13G	G11_019	'TO->FRON	'MATTHEWSON 345.00 - TATONGA7	345.0	1195	0.196	105.3331	'GEN337432 1-PERYVILLE UNIT #5'
	FDNS	01NR		2	13G	G11_019	'TO->FRON	'MATTHEWSON 345.00 - TATONGA7	345.0	1195	0.196	107.6736	'GEN337652 1-WHITE BLUFF UNIT #1'
	FDNS	01NR		2	13G	G11_019	'TO->FRON	'MATTHEWSON 345.00 - TATONGA7	345.0	1195	0.196	107.7777	'GEN337653 1-WHITE BLUFF UNIT #2'
	FDNS	01NR		2	13G	G11_019	'TO->FRON	'MATTHEWSON 345.00 - TATONGA7	345.0	1195	0.196	105.6907	'GEN337692 1-LAKE CATHERINE UNIT #4'
	FDNS	01NR		2	13G	G11_019	'TO->FRON	'MATTHEWSON 345.00 - TATONGA7	345.0	1195	0.196	107.3744	'GEN338143 1-INDEPENDENCE UNIT #1'
	FDNS	01NR		2	13G	G11_019	'TO->FRON	'MATTHEWSON 345.00 - TATONGA7	345.0	1195	0.196	107.4238	'GEN338146 1-INDEPENDENCE UNIT #2'
	FDNS	01NR		2	13G	G11_019	'TO->FRON	'MATTHEWSON 345.00 - TATONGA7	345.0	1195	0.196	106.731	'GEN338388 1-1PLUM PT U1 23.000'
	FDNS	01NR		2	13G	G11_019	'TO->FRON	'MATTHEWSON 345.00 - TATONGA7	345.0	1195	0.196	105.1658	'GEN338500 1-MCCLELLAN UNIT #1'
	FDNS	01NR		2	13G	G11_019	'TO->FRON	'MATTHEWSON 345.00 - TATONGA7	345.0	1195	0.196	105.0296	'GEN338510 1-1S1KNWRI'
	FDNS	01NR		2	13G	G11_019	'TO->FRON	'MATTHEWSON 345.00 - TATONGA7	345.0	1195	0.196	105.0296	'GEN338512 1-1S2KNWRI'
	FDNS	01NR		2	13G	G11_019	'TO->FRON	'MATTHEWSON 345.00 - TATONGA7	345.0	1195	0.196	105.0629	'GEN338513 1-BAILEY UNIT #1'
	FDNS	01NR		2	13G	G11_019	'TO->FRON	'MATTHEWSON 345.00 - TATONGA7	345.0	1195	0.196	105.0304	'GEN500915 3-WESTERN KRAFT'
	FDNS	01NR		2	13G	G11_019	'TO->FRON	'MATTHEWSON 345.00 - TATONGA7	345.0	1195	0.196	107.64	'GEN501801 1-DOLET HILLS UNIT1'
	FDNS	01NR		2	13G	G11_019	'TO->FRON	'MATTHEWSON 345.00 - TATONGA7	345.0	1195	0.196	105.6392	'GEN501811 1-RODEMACHER UNIT 1'
	FDNS	01NR		2	13G	G11_019	'TO->FRON	'MATTHEWSON 345.00 - TATONGA7	345.0	1195	0.196	106.6394	'GEN501812 1-RODEMACHER UNIT 2'
	FDNS	01NR		2	13G	G11_019	'TO->FRON	'MATTHEWSON 345.00 - TATONGA7	345.0	1195	0.196	107.057	'GEN501813 1-RODEMACHER UNIT 3'
	FDNS	01NR		2	13G	G11_019	'TO->FRON	'MATTHEWSON 345.00 - TATONGA7	345.0	1195	0.196	105.6228	'GEN501910 1-ACADIA UNIT ST1'
	FDNS	01NR		2	13G	G11_019	'TO->FRON	'MATTHEWSON 345.00 - TATONGA7	345.0	1195	0.196	105.3642	'GEN501911 1-ACADIA UNIT CT1A'
	FDNS	01NR		2	13G	G11_019	'TO->FRON	'MATTHEWSON 345.00 - TATONGA7	345.0	1195	0.196	105.3642	'GEN501912 1-ACADIA UNIT CT1B'
	FDNS	01NR		2	13G	G11_019	'TO->FRON	'MATTHEWSON 345.00 - TATONGA7	345.0	1195	0.196	105.3312	'GEN505432 1-SIKESTON'
	FDNS	01NR		2	13G	G11_019	'TO->FRON	'MATTHEWSON 345.00 - TATONGA7	345.0	1195	0.196	105.1313	'GEN506749 1-EASTMAN GENERATION A'
	FDNS	01NR		2	13G	G11_019	'TO->FRON	'MATTHEWSON 345.00 - TATONGA7	345.0	1195	0.196	105.3183	'GEN506752 1-LEBROCK GAS 1'
	FDNS	01NR		2	13G	G11_019	'TO->FRON	'MATTHEWSON 345.00 - TATONGA7	345.0	1195	0.196	105.4948	'GEN509391 G1-ARSENAL HILL GENS #2 (STALL)'
	FDNS	01NR		2	13G	G11_019	'TO->FRON	'MATTHEWSON 345.00 - TATONGA7	345.0	1195	0.196	105.4948	'GEN509392 G2-ARSENAL HILL GENS #3 (STALL)'
	FDNS	01NR		2	13G	G11_019	'TO->FRON	'MATTHEWSON 345.00 - TATONGA7	345.0	1195	0.196	105.4878	'GEN509393 S1-ARSENAL HILL GENS #4 (STALL)'
	FDNS	01NR		2	13G	G11_019	'TO->FRON	'MATTHEWSON 345.00 - TATONGA7	345.0	1195	0.196	106.6642	'GEN509394 1-FLINT CREEK'
	FDNS	01NR		2	13G	G11_019	'TO->FRON	'MATTHEWSON 345.00 - TATONGA7	345.0	1195	0.196	107.3633	'GEN509403 1-PIRKEY GENERATION'
	FDNS	01NR		2	13G	G11_019	'TO->FRON	'MATTHEWSON 345.00 - TATONGA7	345.0	1195	0.196	106.8606	'GEN509404 1-WELSH #1'
	FDNS	01NR		2	13G	G11_019	'TO->FRON	'MATTHEWSON 345.00 - TATONGA7	345.0	1195	0.196	106.8606	'GEN509405 1-WELSH #2'
	FDNS	01NR		2	13G	G11_019	'TO->FRON	'MATTHEWSON 345.00 - TATONGA7	345.0	1195	0.196	106.8607	'GEN509406 1-WELSH #3'
	FDNS	01NR		2	13G	G11_019	'TO->FRON	'MATTHEWSON 345.00 - TATONGA7	345.0	1195	0.196	105.0776	'GEN509408 1-WILKES #2'
	FDNS	01NR		2	13G	G11_019	'TO->FRON	'MATTHEWSON 345.00 - TATONGA7	345.0	1195	0.196	107.2787	'GEN509416 1-TURK GENERATION'
	FDNS	01NR		2	13G	G11_019	'TO->FRON	'MATTHEWSON 345.00 - TATONGA7	345.0	1195	0.196	105.2297	'GEN511836 1-NORTHEASTERN STATION #1'
	FDNS	01NR		2	13G	G11_019	'TO->FRON	'MATTHEWSON 345.00 - TATONGA7	345.0	1195	0.196	105.3423	'GEN511837 1-NORTHEASTERN STATION # 1-1A'
	FDNS	01NR		2	13G	G11_019	'TO->FRON	'MATTHEWSON 345.00 - TATONGA7	345.0	1195	0.196	105.3423	'GEN511838 1-NORTHEASTERN STATION # 1-1B'
	FDNS	01NR		2	13G	G11_019	'TO->FRON	'MATTHEWSON 345.00 - TATONGA7	345.0	1195	0.196	105.5036	'GEN511839 1-NORTHEASTERN STATION #2'
	FDNS	01NR		2	13G	G11_019	'TO->FRON	'MATTHEWSON 345.00 - TATONGA7	345.0	1195	0.196	106.5453	'GEN511840 1-NORTHEASTERN STATION #3'
	FDNS	01NR		2	13G	G11_019	'TO->FRON	'MATTHEWSON 345.00 - TATONGA7	345.0	1195	0.196	106.5068	'GEN511841 1-NORTHEASTERN STATION #4'
	FDNS	01NR		2	13G	G11_019	'TO->FRON	'MATTHEWSON 345.00 - TATONGA7	345.0	1195	0.196	105.2377	'GEN511851 1-COMANCHE #1'
	FDNS	01NR		2	13G	G11_019	'TO->FRON	'MATTHEWSON 345.00 - TATONGA7	345.0	1195	0.196	105.0969	'GEN511852 1-COMANCHE #2'
	FDNS	01NR		2	13G	G11_019	'TO->FRON	'MATTHEWSON 345.00 - TATONGA7	345.0	1195	0.196	105.1006	'GEN511853 1-COMANCHE #3'
	FDNS	01NR		2	13G	G11_019	'TO->FRON	'MATTHEWSON 345.00 - TATONGA7	345.0	1195	0.196	105.1873	'GEN511938 1-OEC STEAM # 1'
	FDNS	01NR		2	13G	G11_019	'TO->FRON	'MATTHEWSON 345.00 - TATONGA7	345.0	1195	0.196	105.1864	'GEN511939 1-OEC GAS # 1-1'
	FDNS	01NR		2	13G	G11_019	'TO->FRON	'MATTHEWSON 345.00 - TATONGA7	345.0	1195	0.196	105.1864	'GEN511940 1-OEC GAS # 1-2'
	FDNS	01NR		2	13G	G11_019	'TO->FRON	'MATTHEWSON 345.00 - TATONGA7	345.0	1195	0.196	105.6315	'GEN511941 1-OEC STEAM # 2'
	FDNS	01NR		2	13G	G11_019	'TO->FRON	'MATTHEWSON 345.00 - TATONGA7	345.0	1195	0.196	105.1864	'GEN511942 1-OEC GAS # 2-1'
	FDNS	01NR		2	13G	G11_019	'TO->FRON	'MATTHEWSON 345.00 - TATONGA7	345.0	1195	0.196	105.1864	'GEN511943 1-OEC GAS # 2-2'
	FDNS	01NR		2	13G	G11_019	'TO->FRON	'MATTHEWSON 345.00 - TATONGA7	345.0	1195	0.196	105.2147	'GEN511953 G-COGENTRIX GAS # 1'
	FDNS	01NR		2	13G	G11_019	'TO->FRON	'MATTHEWSON 345.00 - TATONGA7	345.0	1195	0.196	105.2141	'GEN511954 S-COGENTRIX STEAM # 1'
	FDNS	01NR		2	13G	G11_019	'TO->FRON	'MATTHEWSON 345.00 - TATONGA7	345.0	1195	0.196	105.2337	'GEN511955 G-COGENTRIX GAS # 2'

EVENTTYPE	SOLUTIONTYPE	GROUP	SCENARIO	SEASON	SOURCE	DIRECTION	MONTH	COMMONNAME	RATEB	TDF	TC%LOADI	CONTNAME
	FDNS	01NR	2	13G	G11_019	TO->FRON		'MATTHEWSON 345.00 - TATONGA7	345.0	1195	0.196	'GEN511956 S-COGENTRIX STEAM # 2'
	FDNS	01NR	2	13G	G11_019	TO->FRON		'MATTHEWSON 345.00 - TATONGA7	345.0	1195	0.196	'GEN511957 G-COGENTRIX GAS # 3'
	FDNS	01NR	2	13G	G11_019	TO->FRON		'MATTHEWSON 345.00 - TATONGA7	345.0	1195	0.196	'GEN512688 2-GRDA1 GSU2 22'
	FDNS	01NR	2	13G	G11_019	TO->FRON		'MATTHEWSON 345.00 - TATONGA7	345.0	1195	0.196	'GEN512689 1-GRDA1 GSU1 22'
	FDNS	01NR	2	13G	G11_019	TO->FRON		'MATTHEWSON 345.00 - TATONGA7	345.0	1195	0.196	'GEN514805 1-SOONER UNIT 1'
	FDNS	01NR	2	13G	G11_019	TO->FRON		'MATTHEWSON 345.00 - TATONGA7	345.0	1195	0.196	'GEN514806 1-SOONER UNIT 2'
	FDNS	01NR	2	13G	G11_019	TO->FRON		'MATTHEWSON 345.00 - TATONGA7	345.0	1195	0.196	'GEN514899 1-REDBUD1S'
	FDNS	01NR	2	13G	G11_019	TO->FRON		'MATTHEWSON 345.00 - TATONGA7	345.0	1195	0.196	'GEN514900 1-REDBUD2S'
	FDNS	01NR	2	13G	G11_019	TO->FRON		'MATTHEWSON 345.00 - TATONGA7	345.0	1195	0.196	'GEN514905 1-REDBUD3S'
	FDNS	01NR	2	13G	G11_019	TO->FRON		'MATTHEWSON 345.00 - TATONGA7	345.0	1195	0.196	'GEN514910 2-REDBUD GEN'
	FDNS	01NR	2	13G	G11_019	TO->FRON		'MATTHEWSON 345.00 - TATONGA7	345.0	1195	0.196	'GEN514911 2-REDBUD GEN'
	FDNS	01NR	2	13G	G11_019	TO->FRON		'MATTHEWSON 345.00 - TATONGA7	345.0	1195	0.196	'GEN514912 2-REDBUD GEN'
	FDNS	01NR	2	13G	G11_019	TO->FRON		'MATTHEWSON 345.00 - TATONGA7	345.0	1195	0.196	'GEN514940 1-REDBUD GEN'
	FDNS	01NR	2	13G	G11_019	TO->FRON		'MATTHEWSON 345.00 - TATONGA7	345.0	1195	0.196	'GEN514942 2-REDBUD4G'
	FDNS	01NR	2	13G	G11_019	TO->FRON		'MATTHEWSON 345.00 - TATONGA7	345.0	1195	0.196	'GEN514998 1-MCCLAIN UNIT 1'
	FDNS	01NR	2	13G	G11_019	TO->FRON		'MATTHEWSON 345.00 - TATONGA7	345.0	1195	0.196	'GEN514999 1-MCCLAIN UNIT 2'
	FDNS	01NR	2	13G	G11_019	TO->FRON		'MATTHEWSON 345.00 - TATONGA7	345.0	1195	0.196	'GEN515000 1-MCCLAIN UNIT 3'
	FDNS	01NR	2	13G	G11_019	TO->FRON		'MATTHEWSON 345.00 - TATONGA7	345.0	1195	0.196	'GEN515040 1-SEMINOLE 1G'
	FDNS	01NR	2	13G	G11_019	TO->FRON		'MATTHEWSON 345.00 - TATONGA7	345.0	1195	0.196	'GEN515041 1-SEMINOLE 2G'
	FDNS	01NR	2	13G	G11_019	TO->FRON		'MATTHEWSON 345.00 - TATONGA7	345.0	1195	0.196	'GEN515042 1-SEMINOLE 3G'
	FDNS	01NR	2	13G	G11_019	TO->FRON		'MATTHEWSON 345.00 - TATONGA7	345.0	1195	0.196	'GEN515223 1-MUSKOGEE 4G'
	FDNS	01NR	2	13G	G11_019	TO->FRON		'MATTHEWSON 345.00 - TATONGA7	345.0	1195	0.196	'GEN515225 1-MUSKOGEE 5G'
	FDNS	01NR	2	13G	G11_019	TO->FRON		'MATTHEWSON 345.00 - TATONGA7	345.0	1195	0.196	'GEN515226 1-MUSKOGEE 6G'
	FDNS	01NR	2	13G	G11_019	TO->FRON		'MATTHEWSON 345.00 - TATONGA7	345.0	1195	0.196	'GEN515266 1-AES 1G'
	FDNS	01NR	2	13G	G11_019	TO->FRON		'MATTHEWSON 345.00 - TATONGA7	345.0	1195	0.196	'GEN515267 1-AES 2G'
	FDNS	01NR	2	13G	G11_019	TO->FRON		'MATTHEWSON 345.00 - TATONGA7	345.0	1195	0.196	'GEN515365 1-CENT 21 34.500'
	FDNS	01NR	2	13G	G11_019	TO->FRON		'MATTHEWSON 345.00 - TATONGA7	345.0	1195	0.196	'GEN515389 1-TLGAWND1 34.500'
	FDNS	01NR	2	13G	G11_019	TO->FRON		'MATTHEWSON 345.00 - TATONGA7	345.0	1195	0.196	'GEN515393 1-OGEWND2G'
	FDNS	01NR	2	13G	G11_019	TO->FRON		'MATTHEWSON 345.00 - TATONGA7	345.0	1195	0.196	'GEN515397 1-OUSPR1 34.500'
	FDNS	01NR	2	13G	G11_019	TO->FRON		'MATTHEWSON 345.00 - TATONGA7	345.0	1195	0.196	'GEN515443 1-MNCOWND1 34.500'
	FDNS	01NR	2	13G	G11_019	TO->FRON		'MATTHEWSON 345.00 - TATONGA7	345.0	1195	0.196	'GEN515449 1-CRSRDW11 34.500'
	FDNS	01NR	2	13G	G11_019	TO->FRON		'MATTHEWSON 345.00 - TATONGA7	345.0	1195	0.196	'GEN515450 1-CRSRDW21 34.500'
	FDNS	01NR	2	13G	G11_019	TO->FRON		'MATTHEWSON 345.00 - TATONGA7	345.0	1195	0.196	'GEN515606 1-CANADN11 34.500'
	FDNS	01NR	2	13G	G11_019	TO->FRON		'MATTHEWSON 345.00 - TATONGA7	345.0	1195	0.196	'GEN515607 1-CANADN12 34.500'
	FDNS	01NR	2	13G	G11_019	TO->FRON		'MATTHEWSON 345.00 - TATONGA7	345.0	1195	0.196	'GEN515787 1-OKLA WIND ENERGY CENTER'
	FDNS	01NR	2	13G	G11_019	TO->FRON		'MATTHEWSON 345.00 - TATONGA7	345.0	1195	0.196	'GEN520811 1-ANADRK4'
	FDNS	01NR	2	13G	G11_019	TO->FRON		'MATTHEWSON 345.00 - TATONGA7	345.0	1195	0.196	'GEN520812 1-ANADRK5'
	FDNS	01NR	2	13G	G11_019	TO->FRON		'MATTHEWSON 345.00 - TATONGA7	345.0	1195	0.196	'GEN520813 1-ANADRK6'
	FDNS	01NR	2	13G	G11_019	TO->FRON		'MATTHEWSON 345.00 - TATONGA7	345.0	1195	0.196	'GEN520922 1-SLEEPING BEAR'
	FDNS	01NR	2	13G	G11_019	TO->FRON		'MATTHEWSON 345.00 - TATONGA7	345.0	1195	0.196	'GEN520947 1-HUGO1'
	FDNS	01NR	2	13G	G11_019	TO->FRON		'MATTHEWSON 345.00 - TATONGA7	345.0	1195	0.196	'GEN520997 1-MORLND2'
	FDNS	01NR	2	13G	G11_019	TO->FRON		'MATTHEWSON 345.00 - TATONGA7	345.0	1195	0.196	'GEN522814 1-LUBBOCK POWER & LIGHT-MACKENZIE GEN'
	FDNS	01NR	2	13G	G11_019	TO->FRON		'MATTHEWSON 345.00 - TATONGA7	345.0	1195	0.196	'GEN523103 1-NOBLE_WND 3115.00'
	FDNS	01NR	2	13G	G11_019	TO->FRON		'MATTHEWSON 345.00 - TATONGA7	345.0	1195	0.196	'GEN523461 1-BLACKHAWK GEN #1'
	FDNS	01NR	2	13G	G11_019	TO->FRON		'MATTHEWSON 345.00 - TATONGA7	345.0	1195	0.196	'GEN523462 1-BLACKHAWK GEN #2'
	FDNS	01NR	2	13G	G11_019	TO->FRON		'MATTHEWSON 345.00 - TATONGA7	345.0	1195	0.196	'GEN523815 1-LLANO ESTACADO WIND GEN'
	FDNS	01NR	2	13G	G11_019	TO->FRON		'MATTHEWSON 345.00 - TATONGA7	345.0	1195	0.196	'GEN523971 1-HARRINGTON GEN #1 24 KV'
	FDNS	01NR	2	13G	G11_019	TO->FRON		'MATTHEWSON 345.00 - TATONGA7	345.0	1195	0.196	'GEN523972 1-HARRINGTON GEN #2 24 KV'
	FDNS	01NR	2	13G	G11_019	TO->FRON		'MATTHEWSON 345.00 - TATONGA7	345.0	1195	0.196	'GEN523973 1-HARRINGTON GEN #3 24 KV'
	FDNS	01NR	2	13G	G11_019	TO->FRON		'MATTHEWSON 345.00 - TATONGA7	345.0	1195	0.196	'GEN524286 1-CLR_3 0.6900'
	FDNS	01NR	2	13G	G11_019	TO->FRON		'MATTHEWSON 345.00 - TATONGA7	345.0	1195	0.196	'GEN524295 1-SPNSPUR_WND134.500'
	FDNS	01NR	2	13G	G11_019	TO->FRON		'MATTHEWSON 345.00 - TATONGA7	345.0	1195	0.196	'GEN524485 1-CAPROCK WIND GEN'
	FDNS	01NR	2	13G	G11_019	TO->FRON		'MATTHEWSON 345.00 - TATONGA7	345.0	1195	0.196	'GEN524895 1-SAN JUAN MESA WIND GEN'
	FDNS	01NR	2	13G	G11_019	TO->FRON		'MATTHEWSON 345.00 - TATONGA7	345.0	1195	0.196	'GEN525494 1-PLANT X GEN #4 20 KV'
	FDNS	01NR	2	13G	G11_019	TO->FRON		'MATTHEWSON 345.00 - TATONGA7	345.0	1195	0.196	'GEN525561 1-TOLK GEN #1 24 KV'

EVENTTYPE	SOLUTIONTYPE	GROUP	SCENARIO	SEASON	SOURCE	DIRECTION	MONTH	COMMONNAME	RATEB	TDF	TC%LOADI	CONTNAME
	FDNS	01NR	2	13G	G11_019	'TO->FRON'		'MATTHEWSON 345.00 - TATONGA7	345.0	1195	0.196	103.7556'GEN562017 1-G11_022_3 0.6900'
	FDNS	01NR	2	13G	G11_019	'TO->FRON'		'MATTHEWSON 345.00 - TATONGA7	345.0	1195	0.196	103.5743'GEN562020 1-G11_021_3 0.6900'
	FDNS	01NR	2	13G	G11_019	'TO->FRON'		'MATTHEWSON 345.00 - TATONGA7	345.0	1195	0.196	104.316'GEN562032 1-G11_017_3 0.6900'
	FDNS	01NR	2	13G	G11_019	'TO->FRON'		'MATTHEWSON 345.00 - TATONGA7	345.0	1195	0.196	104.4017'GEN562035 1-G11_016_3 0.6900'
	FDNS	01NR	2	13G	G11_019	'TO->FRON'		'MATTHEWSON 345.00 - TATONGA7	345.0	1195	0.196	103.9558'GEN562042 1-G11_014_3 0.6900'
	FDNS	01NR	2	13G	G11_019	'TO->FRON'		'MATTHEWSON 345.00 - TATONGA7	345.0	1195	0.196	104.4352'GEN562049 1-G11_012_3 0.6900'
	FDNS	01NR	2	13G	G11_019	'TO->FRON'		'MATTHEWSON 345.00 - TATONGA7	345.0	1195	0.196	104.218'GEN640009 1-COOPER NUCLEAR STATION'
	FDNS	01NR	2	13G	G11_019	'TO->FRON'		'MATTHEWSON 345.00 - TATONGA7	345.0	1195	0.196	103.4876'GEN640010 1-GERALD GENTLEMAN STATION UNIT 1'
	FDNS	01NR	2	13G	G11_019	'TO->FRON'		'MATTHEWSON 345.00 - TATONGA7	345.0	1195	0.196	103.5058'GEN640011 2-GERALD GENTLEMAN STATION UNIT 2'
	FDNS	01NR	2	13G	G11_019	'TO->FRON'		'MATTHEWSON 345.00 - TATONGA7	345.0	1195	0.196	104.4293'GEN641089 2-ENERGY CENTER 2'
	FDNS	01NR	2	13G	G11_019	'TO->FRON'		'MATTHEWSON 345.00 - TATONGA7	345.0	1195	0.196	104.343'GEN645001 1-FORT CALHOUN 1'
	FDNS	01NR	2	13G	G11_019	'TO->FRON'		'MATTHEWSON 345.00 - TATONGA7	345.0	1195	0.196	104.2573'GEN645011 1-NEBRASKA CITY 1'
	FDNS	01NR	2	13G	G11_019	'TO->FRON'		'MATTHEWSON 345.00 - TATONGA7	345.0	1195	0.196	104.2069'GEN645012 2-NEBRASKA CITY 2'
	FDNS	01NR	2	13G	G11_019	'TO->FRON'		'MATTHEWSON 345.00 - TATONGA7	345.0	1195	0.196	104.3619'GEN659103 1-ANTELOPE VALLEY UNIT1'
	FDNS	01NR	2	13G	G11_019	'TO->FRON'		'MATTHEWSON 345.00 - TATONGA7	345.0	1195	0.196	104.3619'GEN659107 2-ANTELOPE VALLEY UNIT2'
	FDNS	01NR	2	13G	G11_019	'TO->FRON'		'MATTHEWSON 345.00 - TATONGA7	345.0	1195	0.196	104.4581'GEN659111 2-LELAND OLDS UNIT2'
	FDNS	01NR	2	13G	G11_019	'TO->FRON'		'MATTHEWSON 345.00 - TATONGA7	345.0	1195	0.196	102.7815'GEN659118 1-LARAMIE RIVER UNIT1'
	FNSL	01NR	2	13G	G11_019	'TO->FRON'		'MATTHEWSON 345.00 - TATONGA7	345.0	1195	0.19605	105.0462'STEGALL - WAYSIDE 230KV CKT 1'
	FNSL	01NR	2	13G	G11_019	'TO->FRON'		'MATTHEWSON 345.00 - TATONGA7	345.0	1195	0.196	133.7622'DBL-WICH-THI'
	FNSL	01NR	2	13G	G11_019	'TO->FRON'		'MATTHEWSON 345.00 - TATONGA7	345.0	1195	0.196	105.3789'NEB01WAPAB3'
	FNSL	01NR	2	13G	G11_019	'TO->FRON'		'MATTHEWSON 345.00 - TATONGA7	345.0	1195	0.196	108.4576'GEN335831 1-RIVERBEND UNIT#1'
	FNSL	01NR	2	13G	G11_019	'TO->FRON'		'MATTHEWSON 345.00 - TATONGA7	345.0	1195	0.196	108.2467'GEN337910 1-ARKANSAS NUCLEAR ONE UNIT #1'
	FNSL	01NR	2	13G	G11_019	'TO->FRON'		'MATTHEWSON 345.00 - TATONGA7	345.0	1195	0.196	108.9267'GEN337911 1-ARKANSAS NUCLEAR ONE UNIT #2'
	FDNS	01NR	2	13G	G11_019	'TO->FRON'		'MATTHEWSON 345.00 - TATONGA7	345.0	1195	0.19642	105.0662'ARAPAHO - HAMON BUTLER 69KV CKT 1'
	FDNS	01NR	2	13G	G11_019	'TO->FRON'		'MATTHEWSON 345.00 - TATONGA7	345.0	1195	0.19642	105.0643'ARAPAHO - INDUSTRIAL PARK 69KV CKT 1'
	FDNS	01NR	2	13G	G11_019	'TO->FRON'		'MATTHEWSON 345.00 - TATONGA7	345.0	1195	0.19645	105.0585'CANTON - OKEENE 69KV CKT 1'
	FDNS	01NR	2	13G	G11_019	'TO->FRON'		'MATTHEWSON 345.00 - TATONGA7	345.0	1195	0.19645	105.0846'CANTON - TALOGA 69KV CKT 1'
	FDNS	01NR	2	13G	G11_019	'TO->FRON'		'MATTHEWSON 345.00 - TATONGA7	345.0	1195	0.19815	106.3247'CEDARDALE - MOORELAND 138KV CKT 1'
	FDNS	01NR	2	13G	G11_019	'TO->FRON'		'MATTHEWSON 345.00 - TATONGA7	345.0	1195	0.19815	106.291'CEDARDALE - OKEENE 138KV CKT 1'
	FDNS	01NR	2	13G	G11_019	'TO->FRON'		'MATTHEWSON 345.00 - TATONGA7	345.0	1195	0.19642	105.0387'CORDELL - INDUSTRIAL PARK 69KV CKT 1'
	FDNS	01NR	2	13G	G11_019	'TO->FRON'		'MATTHEWSON 345.00 - TATONGA7	345.0	1195	0.19807	105.9454'DOVER SW - OKEENE 138KV CKT 1'
	FDNS	01NR	2	13G	G11_019	'TO->FRON'		'MATTHEWSON 345.00 - TATONGA7	345.0	1195	0.19642	105.0672'HAMON BUTLER - PUTNAM 69KV CKT 1'
	FDNS	01NR	2	13G	G11_019	'TO->FRON'		'MATTHEWSON 345.00 - TATONGA7	345.0	1195	0.19759	106.0889'MOORELAND - NINE MILE 138KV CKT 1'
	FDNS	01NR	2	13G	G11_019	'TO->FRON'		'MATTHEWSON 345.00 - TATONGA7	345.0	1195	0.19675	105.2846'MOREWOOD SW - RED HILLS WIND 138KV CKT 1'
	FDNS	01NR	2	13G	G11_019	'TO->FRON'		'MATTHEWSON 345.00 - TATONGA7	345.0	1195	0.19759	106.076'MOREWOOD SW - NINE MILE 138KV CKT 1'
	FDNS	01NR	2	13G	G11_019	'TO->FRON'		'MATTHEWSON 345.00 - TATONGA7	345.0	1195	0.1965	105.0297'OKEENE - WATONGA SW 69KV CKT 1'
	FDNS	01NR	2	13G	G11_019	'TO->FRON'		'MATTHEWSON 345.00 - TATONGA7	345.0	1195	0.19642	105.1119'PUTNAM - TALOGA 69KV CKT 1'
	FDNS	01NR	2	13G	G11_019	'TO->FRON'		'MATTHEWSON 345.00 - TATONGA7	345.0	1195	0.20288	107.3604'FINNEY SWITCHING STATION - Hitchland Interchange 345KV CKT 1'
	FDNS	01NR	2	13G	G11_019	'TO->FRON'		'MATTHEWSON 345.00 - TATONGA7	345.0	1195	0.19724	105.3836'Hitchland Interchange - POTTER COUNTY INTERCHANGE 345KV CKT 1'
	FDNS	01NR	2	13G	G11_019	'TO->FRON'		'MATTHEWSON 345.00 - TATONGA7	345.0	1195	0.19807	105.362'BEAVER CO 345.00 - Hitchland Interchange 345KV CKT 1'
	FDNS	01NR	2	13G	G11_019	'TO->FRON'		'MATTHEWSON 345.00 - TATONGA7	345.0	1195	0.19807	105.362'BEAVER CO 345.00 - Hitchland Interchange 345KV CKT 2'
	FDNS	01NR	2	13G	G11_019	'TO->FRON'		'MATTHEWSON 345.00 - TATONGA7	345.0	1195	0.19632	105.1046'G11_012T 230.00 - MOORE COUNTY INTERCHANGE 230KV CKT 1'
	FDNS	01NR	2	13G	G11_019	'TO->FRON'		'MATTHEWSON 345.00 - TATONGA7	345.0	1195	0.19844	106.1475'GRAPEVINE INTERCHANGE - STATELINE INTERCHANGE 230KV CKT 1'
	FDNS	01NR	2	13G	G11_019	'TO->FRON'		'MATTHEWSON 345.00 - TATONGA7	345.0	1195	0.19749	106.088'GRAPEVINE INTERCHANGE - NICHOLS STATION 230KV CKT 1'
	FDNS	01NR	2	13G	G11_019	'TO->FRON'		'MATTHEWSON 345.00 - TATONGA7	345.0	1195	0.19642	105.1759'MCCLELLAN SUB - MCLEAN RURAL SUB 115KV CKT 1'
	FDNS	01NR	2	13G	G11_019	'TO->FRON'		'MATTHEWSON 345.00 - TATONGA7	345.0	1195	0.19642	105.1953'KIRBY SWITCHING STATION - MCCLELLAN SUB 115KV CKT 1'
	FDNS	01NR	2	13G	G11_019	'TO->FRON'		'MATTHEWSON 345.00 - TATONGA7	345.0	1195	0.20288	108.5446'FINNEY SWITCHING STATION - HOLCOMB 345KV CKT 1'

EVENT	TYP	SOLUTION	TYPE	GROUP	SCENARIO	SEASON	SOURCE	DIRECTION	MON	COMMON	NAME	RATE	TDF	TC%	LOAD	CONT	NAME
		FDNS		01NR		2 13G	G11_019	'TO->FRON		'MATTHEWSON 345.00 - TATONGA7	345.0	1195	0.19607	105.0885		'BUFFALO 230.00 - DEAF SMITH COUNTY INTERCHANGE 230KV CKT 1'	
		FDNS		01NR		2 13G	G11_019	'TO->FRON		'MATTHEWSON 345.00 - TATONGA7	345.0	1195	0.1961	105.1469		'G07-48T 230.00 - SWISHER COUNTY INTERCHANGE 230KV CKT 1'	
		FDNS		01NR		2 13G	G11_019	'TO->FRON		'MATTHEWSON 345.00 - TATONGA7	345.0	1195	0.19619	105.0559		'KNOLL 230 - POSTROCK6 230.00 230KV CKT 1'	
		FDNS		01NR		2 13G	G11_019	'TO->FRON		'MATTHEWSON 345.00 - TATONGA7	345.0	1195	0.1964	105.2359		'KNOLL 230 - SMOKYHL6 230.00 230KV CKT 1'	
		FDNS		01NR		2 13G	G11_019	'TO->FRON		'MATTHEWSON 345.00 - TATONGA7	345.0	1195	0.19781	107.4356		'G11-17T 345.00 - POST ROCK 345KV CKT 1'	
		FDNS		01NR		2 13G	G11_019	'TO->FRON		'MATTHEWSON 345.00 - TATONGA7	345.0	1195	0.19723	106.2331		'AXTELL - POST ROCK 345KV CKT 1'	
		FDNS		01NR		2 13G	G11_019	'TO->FRON		'MATTHEWSON 345.00 - TATONGA7	345.0	1195	0.1964	105.6096		'SMOKYHL6 230.00 - SUMMIT 230KV CKT 1'	
		FDNS		01NR		2 13G	G11_019	'TO->FRON		'MATTHEWSON 345.00 - TATONGA7	345.0	1195	0.19751	105.9888		'HOLCOMB - SETAB 345KV CKT 1'	
		FDNS		01NR		2 13G	G11_019	'TO->FRON		'MATTHEWSON 345.00 - TATONGA7	345.0	1195	0.19682	105.2202		'BUCKNER7 345.00 - HOLCOMB 345KV CKT 1'	
		FDNS		01NR		2 13G	G11_019	'TO->FRON		'MATTHEWSON 345.00 - TATONGA7	345.0	1195	0.19793	106.7358		'MINGO - SETAB 345KV CKT 1'	
		FDNS		01NR		2 13G	G11_019	'TO->FRON		'MATTHEWSON 345.00 - TATONGA7	345.0	1195	0.19817	106.5477		'MINGO - RED WILLOW 345KV CKT 1'	
		FDNS		01NR		2 13G	G11_019	'TO->FRON		'MATTHEWSON 345.00 - TATONGA7	345.0	1195	0.19682	105.767		'BUCKNER7 345.00 - SPEARVILLE 345KV CKT 1'	
		FDNS		01NR		2 13G	G11_019	'TO->FRON		'MATTHEWSON 345.00 - TATONGA7	345.0	1195	0.19781	107.0109		'G11-17T 345.00 - SPEARVILLE 345KV CKT 1'	
CONT-040		FDNS		01NR		2 13G	G11_019	'TO->FRON		'MATTHEWSON 345.00 - TATONGA7	345.0	1195	0.19624	105.7887		'HOYT - JEFFREY ENERGY CENTER 345KV CKT 1'	
CONT-080		FDNS		01NR		2 13G	G11_019	'TO->FRON		'MATTHEWSON 345.00 - TATONGA7	345.0	1195	0.19626	105.5419		'HOYT - STRANGER CREEK 345KV CKT 1'	
		FDNS		01NR		2 13G	G11_019	'TO->FRON		'MATTHEWSON 345.00 - TATONGA7	345.0	1195	0.19628	105.1039		'EMPORIA ENERGY CENTER - SWISSVALE 345KV CKT 1'	
		FDNS		01NR		2 13G	G11_019	'TO->FRON		'MATTHEWSON 345.00 - TATONGA7	345.0	1195	0.19636	105.2067		'EMPORIA ENERGY CENTER - WICHITA 345KV CKT 1'	
		FDNS		01NR		2 13G	G11_019	'TO->FRON		'MATTHEWSON 345.00 - TATONGA7	345.0	1195	0.19648	105.408		'SWISSVALE - WEST GARDNER 345KV CKT 1'	
		FDNS		01NR		2 13G	G11_019	'TO->FRON		'MATTHEWSON 345.00 - TATONGA7	345.0	1195	0.19693	105.552		'CANEYRV7 345.00 - NEOSHO 345KV CKT 1'	
		FDNS		01NR		2 13G	G11_019	'TO->FRON		'MATTHEWSON 345.00 - TATONGA7	345.0	1195	0.19693	105.4446		'CANEYRV7 345.00 - LATHAMS7 345.00 345KV CKT 1'	
		FDNS		01NR		2 13G	G11_019	'TO->FRON		'MATTHEWSON 345.00 - TATONGA7	345.0	1195	0.19897	105.5076		'BENTON - ROSE HILL 345KV CKT 1'	
		FDNS		01NR		2 13G	G11_019	'TO->FRON		'MATTHEWSON 345.00 - TATONGA7	345.0	1195	0.20074	106.9169		'BENTON - WICHITA 345KV CKT 1'	
CONT-Lac		FDNS		01NR		2 13G	G11_019	'TO->FRON		'MATTHEWSON 345.00 - TATONGA7	345.0	1195	0.19702	105.4809		'LACYGNE - NEOSHO 345KV CKT 1'	
		FDNS		01NR		2 13G	G11_019	'TO->FRON		'MATTHEWSON 345.00 - TATONGA7	345.0	1195	0.19693	105.2158		'LATHAMS7 345.00 - ROSE HILL 345KV CKT 1'	
		FDNS		01NR		2 13G	G11_019	'TO->FRON		'MATTHEWSON 345.00 - TATONGA7	345.0	1195	0.20288	103.196		'VIOLA 7 345.00 - WICHITA 345KV CKT 1'	
		FDNS		01NR		2 13G	G11_019	'TO->FRON		'MATTHEWSON 345.00 - TATONGA7	345.0	1195	0.20539	111.2702		'THISTLE7 345.00 - WICHITA 345KV CKT 1'	
		FDNS		01NR		2 13G	G11_019	'TO->FRON		'MATTHEWSON 345.00 - TATONGA7	345.0	1195	0.20539	111.2702		'THISTLE7 345.00 - WICHITA 345KV CKT 2'	
		FDNS		01NR		2 13G	G11_019	'TO->FRON		'MATTHEWSON 345.00 - TATONGA7	345.0	1195	0.1961	105.2761		'ANDERSONCO 345.00 - WOLF CREEK 345KV CKT 1'	
		FDNS		01NR		2 13G	G11_019	'TO->FRON		'MATTHEWSON 345.00 - TATONGA7	345.0	1195	0.19649	105.4178		'CIRCLE - MULLERGREN 230KV CKT 1'	
		FDNS		01NR		2 13G	G11_019	'TO->FRON		'MATTHEWSON 345.00 - TATONGA7	345.0	1195	0.19616	105.0198		'CHISHOLM - MAIZEE 4 138.00 138KV CKT 1'	
		FDNS		01NR		2 13G	G11_019	'TO->FRON		'MATTHEWSON 345.00 - TATONGA7	345.0	1195	0.19681	105.2581		'CLEARWATER - GILL ENERGY CENTER WEST 138KV CKT 1'	
		FDNS		01NR		2 13G	G11_019	'TO->FRON		'MATTHEWSON 345.00 - TATONGA7	345.0	1195	0.19616	105.0353		'EVANS ENERGY CENTER NORTH - MAIZEW 4 138.00 138KV CKT 1'	
		FDNS		01NR		2 13G	G11_019	'TO->FRON		'MATTHEWSON 345.00 - TATONGA7	345.0	1195	0.19616	105.0355		'MAIZE - MAIZEW 4 138.00 138KV CKT 1'	
		FDNS		01NR		2 13G	G11_019	'TO->FRON		'MATTHEWSON 345.00 - TATONGA7	345.0	1195	0.19678	105.2613		'FLATRDG3 - THISTLE4 138.00 138KV CKT 1'	
		FDNS		01NR		2 13G	G11_019	'TO->FRON		'MATTHEWSON 345.00 - TATONGA7	345.0	1195	0.19646	105.6025		'MULLERGREN - SPEARVILLE 230KV CKT 1'	
CONT-Lac		FDNS		01NR		2 13G	G11_019	'TO->FRON		'MATTHEWSON 345.00 - TATONGA7	345.0	1195	0.19609	104.3429		'LACYGNE - WEST GARDNER 345KV CKT 1'	
CONT-Lac		FDNS		01NR		2 13G	G11_019	'TO->FRON		'MATTHEWSON 345.00 - TATONGA7	345.0	1195	0.19603	104.3251		'LACYGNE - STILWELL 345KV CKT 1'	
		FDNS		01NR		2 13G	G11_019	'TO->FRON		'MATTHEWSON 345.00 - TATONGA7	345.0	1195	0.19608	105.0366		'HAWTHORN - NASHUA 345KV CKT 1'	
		FDNS		01NR		2 13G	G11_019	'TO->FRON		'MATTHEWSON 345.00 - TATONGA7	345.0	1195	0.1961	105.3202		'ANDERSONCO 345.00 - LACYGNE 345KV CKT 1'	
		FDNS		01NR		2 13G	G11_019	'TO->FRON		'MATTHEWSON 345.00 - TATONGA7	345.0	1195	0.19648	104.1857		'BROOKLINE - SUB 383 - MONETT 345KV CKT 1'	
		FDNS		01NR		2 13G	G11_019	'TO->FRON		'MATTHEWSON 345.00 - TATONGA7	345.0	1195	0.19641	105.4802		'AXTELL - PAULINE 345KV CKT 1'	
		FDNS		01NR		2 13G	G11_019	'TO->FRON		'MATTHEWSON 345.00 - TATONGA7	345.0	1195	0.19692	105.0812		'GERALD GENTLEMAN STATION - RED WILLOW 345KV CKT 1'	
		FDNS		01NR		2 13G	G11_019	'TO->FRON		'MATTHEWSON 345.00 - TATONGA7	345.0	1195	0.19608	105.1309		'GERALD GENTLEMAN STATION - SWEETWATER 345KV CKT 1'	
		FDNS		01NR		2 13G	G11_019	'TO->FRON		'MATTHEWSON 345.00 - TATONGA7	345.0	1195	0.19606	105.026		'GERALD GENTLEMAN STATION - SWEETWATER 345KV CKT 2'	
		FDNS		01NR		2 13G	G11_019	'TO->FRON		'MATTHEWSON 345.00 - TATONGA7	345.0	1195	0.19616	105.1179		'GRAND ISLAND - MCCOOL 345KV CKT 1'	
		FDNS		01NR		2 13G	G11_019	'TO->FRON		'MATTHEWSON 345.00 - TATONGA7	345.0	1195	0.19638	105.3938		'MOORE - PAULINE 345KV CKT 1'	
		FDNS		01NR		2 13G	G11_019	'TO->FRON		'MATTHEWSON 345.00 - TATONGA7	345.0	1195	0.19638	105.7517		'GRAND ISLAND - SWEETWATER 345KV CKT 1'	
		FDNS		01NR		2 13G	G11_019	'TO->FRON		'MATTHEWSON 345.00 - TATONGA7	345.0	1195	0.19606	105.0756		'MCADAMS - WOLF CREEK 500KV CKT 1'	
		FDNS		01NR		2 13G	G11_019	'TO->FRON		'MATTHEWSON 345.00 - TATONGA7	345.0	1195	0.19601	105.0485		'7SAREPTA% 345.00 - ELDORADO EHV 345KV CKT 1'	
		FDNS		01NR		2 13G	G11_019	'TO->FRON		'MATTHEWSON 345.00 - TATONGA7	345.0	1195	0.19601	105.0488		'ELDORADO EHV 500/345KV TRANSFORMER CKT 1'	

EVENTTYPE	SOLUTIONTYPE	GROUP	SCENARIO	SEASON	SOURCE	DIRECTION	MONTH	COMMONNAME	RATEB	TDF	TC%LOAD	CONTNAME
	FDNS	01NR		2 13G	G11_019	'TO->FRON'		'MATTHEWSON 345.00 - TATONGA7 345.00	1195	0.1961	104.4473	'ARKANSAS NUCLEAR ONE - MABELVALE 500 500KV CKT 1'
	FDNS	01NR		2 13G	G11_019	'TO->FRON'		'MATTHEWSON 345.00 - TATONGA7 345.00	1195	0.19609	104.3575	'ARKANSAS NUCLEAR ONE - PLEASANT HILL 500KV CKT 1'
	FDNS	01NR		2 13G	G11_019	'TO->FRON'		'MATTHEWSON 345.00 - TATONGA7 345.00	1195	0.19615	104.1931	'KEO EHV - WEST MEMPHIS 500 500KV CKT 1'
	FDNS	01NR		2 13G	G11_019	'TO->FRON'		'MATTHEWSON 345.00 - TATONGA7 345.00	1195	0.19609	104.3346	'DELL 500 - INDEPENDENCE 500KV CKT 1'
	FDNS	01NR		2 13G	G11_019	'TO->FRON'		'MATTHEWSON 345.00 - TATONGA7 345.00	1195	0.19616	104.4488	'7MCCREDIE 345.00 - 7MONTGMRY 345.00 345KV CKT 1'
	FDNS	01NR		2 13G	G11_019	'TO->FRON'		'MATTHEWSON 345.00 - TATONGA7 345.00	1195	0.19608	105.3775	'STEGALL - STEGALL TRANSFORMER 230KV CKT 1'
	FDNS	01NR		2 13G	G11_019	'TO->FRON'		'MATTHEWSON 345.00 - TATONGA7 345.00	1195	0.19608	105.3699	'STEGALL - STEGALL TY 345KV CKT 1'
	FDNS	01NR		2 13G	G11_019	'TO->FRON'		'MATTHEWSON 345.00 - TATONGA7 345.00	1195	0.19602	105.0517	'7SAREPTA% 345.00 - LONGWOOD 345KV CKT 1'
	FDNS	01NR		2 13G	G11_019	'TO->FRON'		'MATTHEWSON 345.00 - TATONGA7 345.00	1195	0.19844	106.7351	'ELK CITY 230KV (ELKCTY-6) 230/138/13.8KV TRANSFORMER CKT 1'
	FDNS	01NR		2 13G	G11_019	'TO->FRON'		'MATTHEWSON 345.00 - TATONGA7 345.00	1195	0.19642	105.034	'SHAMROCK (SHAMRCK2) 138/69/14.4KV TRANSFORMER CKT 1'
	FDNS	01NR		2 13G	G11_019	'TO->FRON'		'MATTHEWSON 345.00 - TATONGA7 345.00	1195	0.19642	105.1202	'SHAMROCK (SHAMRCK1) 115/69/14.4KV TRANSFORMER CKT 1'
	FDNS	01NR		2 13G	G11_019	'TO->FRON'		'MATTHEWSON 345.00 - TATONGA7 345.00	1195	0.19626	104.2525	'WOODRING (WOODRNG2) 345/138/13.8KV TRANSFORMER CKT 1'
	FDNS	01NR		2 13G	G11_019	'TO->FRON'		'MATTHEWSON 345.00 - TATONGA7 345.00	1195	0.1969	105.346	'WOODWARD (WOODWRD2) 138/69/13.2KV TRANSFORMER CKT 1'
	FDNS	01NR		2 13G	G11_019	'TO->FRON'		'MATTHEWSON 345.00 - TATONGA7 345.00	1195	0.19669	105.3958	'KNOBHILL (KNOBHIL4) 138/69/13.2KV TRANSFORMER CKT 1'
	FDNS	01NR		2 13G	G11_019	'TO->FRON'		'MATTHEWSON 345.00 - TATONGA7 345.00	1195	0.19579	104.2644	'NORTHWEST (NORTWST2) 345/138/13.8KV TRANSFORMER CKT 1'
	FDNS	01NR		2 13G	G11_019	'TO->FRON'		'MATTHEWSON 345.00 - TATONGA7 345.00	1195	0.19581	104.3706	'NORTHWEST (NORTWST3) 345/138/13.8KV TRANSFORMER CKT 1'
	FDNS	01NR		2 13G	G11_019	'TO->FRON'		'MATTHEWSON 345.00 - TATONGA7 345.00	1195	0.1958	104.2732	'CIMARRON (CIMARON1) 345/138/13.8KV TRANSFORMER CKT 1'
	FDNS	01NR		2 13G	G11_019	'TO->FRON'		'MATTHEWSON 345.00 - TATONGA7 345.00	1195	0.1958	104.287	'CIMARRON (CIMARON2) 345/138/13.8KV TRANSFORMER CKT 1'
	FDNS	01NR		2 13G	G11_019	'TO->FRON'		'MATTHEWSON 345.00 - TATONGA7 345.00	1195	0.19814	104.3049	'WOODWARD DISTRICT EHV (WWDEHV) 345/138/13.8KV TRANSFORMER CKT 1'
	FDNS	01NR		2 13G	G11_019	'TO->FRON'		'MATTHEWSON 345.00 - TATONGA7 345.00	1195	0.19814	104.2274	'WOODWARD DISTRICT EHV (WWDEHV-T2) 345/138/13.8KV TRANSFORMER CKT 2'
	FDNS	01NR		2 13G	G11_019	'TO->FRON'		'MATTHEWSON 345.00 - TATONGA7 345.00	1195	0.19623	105.0315	'TALOGA (TALOGA) 138/69/13.8KV TRANSFORMER CKT 1'
	FDNS	01NR		2 13G	G11_019	'TO->FRON'		'MATTHEWSON 345.00 - TATONGA7 345.00	1195	0.19724	106.1666	'POTTER COUNTY INTERCHANGE (WAUK 90343-A) 345/230/13.2KV TRANSFORMER CKT 1'
	FDNS	01NR		2 13G	G11_019	'TO->FRON'		'MATTHEWSON 345.00 - TATONGA7 345.00	1195	0.19678	105.2613	'THISTLE7 345.00 (THISTLE T1) 345/138/13.8KV TRANSFORMER CKT 1'
	FDNS	01NR		2 13G	G11_019	'TO->FRON'		'MATTHEWSON 345.00 - TATONGA7 345.00	1195	0.19622	105.016	'BROOKLINE - MORGAN 345KV CKT 1'
	FDNS	01NR		2 13G	G11_019	'TO->FRON'		'MATTHEWSON 345.00 - TATONGA7 345.00	1195	0.19601	105.0234	'8DANIEL 500.00 - MCKNIGHT 500KV CKT 1'
	FDNS	01NR		2 13G	G11_019	'TO->FRON'		'MATTHEWSON 345.00 - TATONGA7 345.00	1195	0.19612	104.3728	'8BHAM STEEL 500.00 - WEST MEMPHIS 500 500KV CKT 1'
	FDNS	01NR		2 13G	G11_019	'TO->FRON'		'MATTHEWSON 345.00 - TATONGA7 345.00	1195	0.196	139.3423	'DBL-THIS-WWR'
	FDNS	01NR		2 13G	G11_019	'TO->FRON'		'MATTHEWSON 345.00 - TATONGA7 345.00	1195	0.196	104.4884	'DBL-THIS-CLR'
	FDNS	01NR		2 13G	G11_019	'TO->FRON'		'MATTHEWSON 345.00 - TATONGA7 345.00	1195	0.196	109.6422	'DBL-HTCH-BVR'
	FDNS	01NR		2 13G	G11_019	'TO->FRON'		'MATTHEWSON 345.00 - TATONGA7 345.00	1195	0.196	105.7989	'DBL-BVR-WWRD'
	FDNS	01NR		2 13G	G11_019	'TO->FRON'		'MATTHEWSON 345.00 - TATONGA7 345.00	1195	0.196	102.7282	'SPP-AEPW-01'
	FDNS	01NR		2 13G	G11_019	'TO->FRON'		'MATTHEWSON 345.00 - TATONGA7 345.00	1195	0.196	109.0513	'SPP-AEPW-32'
	FDNS	01NR		2 13G	G11_019	'TO->FRON'		'MATTHEWSON 345.00 - TATONGA7 345.00	1195	0.196	104.0902	'GRDA-OPGD-05'
	FDNS	01NR		2 13G	G11_019	'TO->FRON'		'MATTHEWSON 345.00 - TATONGA7 345.00	1195	0.196	104.4394	'KCPL-MSL#03'
	FDNS	01NR		2 13G	G11_019	'TO->FRON'		'MATTHEWSON 345.00 - TATONGA7 345.00	1195	0.196	105.0479	'KCPL-OPGD06A'
	FDNS	01NR		2 13G	G11_019	'TO->FRON'		'MATTHEWSON 345.00 - TATONGA7 345.00	1195	0.196	105.3752	'TRF-STEGALL'
	FDNS	01NR		2 13G	G11_019	'TO->FRON'		'MATTHEWSON 345.00 - TATONGA7 345.00	1195	0.196	105.0767	'OGE3TERM1'
	FDNS	01NR		2 13G	G11_019	'TO->FRON'		'MATTHEWSON 345.00 - TATONGA7 345.00	1195	0.196	104.2236	'OGE3TERM7'
	FDNS	01NR		2 13G	G11_019	'TO->FRON'		'MATTHEWSON 345.00 - TATONGA7 345.00	1195	0.196	104.7377	'NC1_GEN-NEBRASKA CITY 1'
	FDNS	01NR		2 13G	G11_019	'TO->FRON'		'MATTHEWSON 345.00 - TATONGA7 345.00	1195	0.196	108.0053	'SPP-SWPS-01'
	FDNS	01NR		2 13G	G11_019	'TO->FRON'		'MATTHEWSON 345.00 - TATONGA7 345.00	1195	0.196	106.74	'SPP-SWPS-02A'

EVENTTYPE	SOLUTIONTYPE	GROUP	SCENARIO	SEASON	SOURCE	DIRECTION	MONTH	COMMONNAME	RATEB	TDF	TC%LOADI	CONTNAME	
	FDNS	01NR	2	13G	G11_019	'TO->FRON'		'MATTHEWSON 345.00 - TATONGA7	345.0	1195	0.196	106.4161	'SPP-SWPS-03'
	FDNS	01NR	2	13G	G11_019	'TO->FRON'		'MATTHEWSON 345.00 - TATONGA7	345.0	1195	0.196	105.2641	'SPP-SWPS-04'
	FDNS	01NR	2	13G	G11_019	'TO->FRON'		'MATTHEWSON 345.00 - TATONGA7	345.0	1195	0.196	107.383	'SPP-SWPS-05'
	FDNS	01NR	2	13G	G11_019	'TO->FRON'		'MATTHEWSON 345.00 - TATONGA7	345.0	1195	0.196	105.0483	'SPP-SWPS-K31'
	FDNS	01NR	2	13G	G11_019	'TO->FRON'		'MATTHEWSON 345.00 - TATONGA7	345.0	1195	0.196	105.1134	'SPP-SWPS-T54'
	FDNS	01NR	2	13G	G11_019	'TO->FRON'		'MATTHEWSON 345.00 - TATONGA7	345.0	1195	0.196	105.3473	'SPP-MKEC-05'
	FDNS	01NR	2	13G	G11_019	'TO->FRON'		'MATTHEWSON 345.00 - TATONGA7	345.0	1195	0.196	105.6398	'SPP-MKEC-08'
	FDNS	01NR	2	13G	G11_019	'TO->FRON'		'MATTHEWSON 345.00 - TATONGA7	345.0	1195	0.196	105.357	'SPP-WEPL-03'
	FDNS	01NR	2	13G	G11_019	'TO->FRON'		'MATTHEWSON 345.00 - TATONGA7	345.0	1195	0.196	105.3496	'SPP-WEPL-03A'
	FDNS	01NR	2	13G	G11_019	'TO->FRON'		'MATTHEWSON 345.00 - TATONGA7	345.0	1195	0.196	104.1615	'SPP-WERE-07C'
	FDNS	01NR	2	13G	G11_019	'TO->FRON'		'MATTHEWSON 345.00 - TATONGA7	345.0	1195	0.196	105.0198	'SPP-WERE-90'
	FDNS	01NR	2	13G	G11_019	'TO->FRON'		'MATTHEWSON 345.00 - TATONGA7	345.0	1195	0.196	105.0355	'SPP-WERE-91'
	FDNS	01NR	2	13G	G11_019	'TO->FRON'		'MATTHEWSON 345.00 - TATONGA7	345.0	1195	0.196	105.8362	'WRTOD400'
	FDNS	01NR	2	13G	G11_019	'TO->FRON'		'MATTHEWSON 345.00 - TATONGA7	345.0	1195	0.196	104.1847	'AI12'
	FDNS	01NR	2	13G	G11_019	'TO->FRON'		'MATTHEWSON 345.00 - TATONGA7	345.0	1195	0.196	105.0204	'AI43'
	FDNS	01NR	2	13G	G11_019	'TO->FRON'		'MATTHEWSON 345.00 - TATONGA7	345.0	1195	0.196	104.3692	'AMRN_OUT55'
	FDNS	01NR	2	13G	G11_019	'TO->FRON'		'MATTHEWSON 345.00 - TATONGA7	345.0	1195	0.196	104.4395	'MTGY-OVER-5'
	FDNS	01NR	2	13G	G11_019	'TO->FRON'		'MATTHEWSON 345.00 - TATONGA7	345.0	1195	0.196	105.0485	'A222'
	FDNS	01NR	2	13G	G11_019	'TO->FRON'		'MATTHEWSON 345.00 - TATONGA7	345.0	1195	0.196	105.0341	'ATC_B2_8E2'
	FDNS	01NR	2	13G	G11_019	'TO->FRON'		'MATTHEWSON 345.00 - TATONGA7	345.0	1195	0.196	105.0742	'GEN300003 1-THOMAS HILL UNIT 3'
	FDNS	01NR	2	13G	G11_019	'TO->FRON'		'MATTHEWSON 345.00 - TATONGA7	345.0	1195	0.196	105.8903	'GEN300006 1-NEW MADRID UNIT 1'
	FDNS	01NR	2	13G	G11_019	'TO->FRON'		'MATTHEWSON 345.00 - TATONGA7	345.0	1195	0.196	105.8837	'GEN300007 1-NEW MADRID UNIT 2'
	FDNS	01NR	2	13G	G11_019	'TO->FRON'		'MATTHEWSON 345.00 - TATONGA7	345.0	1195	0.196	105.1394	'GEN300016 1-1G1PDEL 18.000'
	FDNS	01NR	2	13G	G11_019	'TO->FRON'		'MATTHEWSON 345.00 - TATONGA7	345.0	1195	0.196	105.3487	'GEN300020 1-1CHOTCT4 16.000'
	FDNS	01NR	2	13G	G11_019	'TO->FRON'		'MATTHEWSON 345.00 - TATONGA7	345.0	1195	0.196	105.3487	'GEN300021 1-1CHOTCT5 16.000'
	FDNS	01NR	2	13G	G11_019	'TO->FRON'		'MATTHEWSON 345.00 - TATONGA7	345.0	1195	0.196	105.3721	'GEN300024 1-1CHOTST6 16.000'
	FDNS	01NR	2	13G	G11_019	'TO->FRON'		'MATTHEWSON 345.00 - TATONGA7	345.0	1195	0.196	105.3719	'GEN300031 1-CHOUTEAU CTG 1'
	FDNS	01NR	2	13G	G11_019	'TO->FRON'		'MATTHEWSON 345.00 - TATONGA7	345.0	1195	0.196	105.3486	'GEN300032 1-CHOUTEAU CTG 2'
	FDNS	01NR	2	13G	G11_019	'TO->FRON'		'MATTHEWSON 345.00 - TATONGA7	345.0	1195	0.196	105.3486	'GEN300033 1-CHOUTEAU STG 3'
	FDNS	01NR	2	13G	G11_019	'TO->FRON'		'MATTHEWSON 345.00 - TATONGA7	345.0	1195	0.196	105.4749	'GEN301380 1-1OSAGEWIND 34.500'
	FDNS	01NR	2	13G	G11_019	'TO->FRON'		'MATTHEWSON 345.00 - TATONGA7	345.0	1195	0.196	105.0363	'GEN303003 1-1BC1 U3'
	FDNS	01NR	2	13G	G11_019	'TO->FRON'		'MATTHEWSON 345.00 - TATONGA7	345.0	1195	0.196	105.0363	'GEN303004 1-1BC1 U4'
	FDNS	01NR	2	13G	G11_019	'TO->FRON'		'MATTHEWSON 345.00 - TATONGA7	345.0	1195	0.196	106.2796	'GEN303006 1-1BC2 U1'
	FDNS	01NR	2	13G	G11_019	'TO->FRON'		'MATTHEWSON 345.00 - TATONGA7	345.0	1195	0.196	106.757	'GEN303007 1-1BC2 U2'
	FDNS	01NR	2	13G	G11_019	'TO->FRON'		'MATTHEWSON 345.00 - TATONGA7	345.0	1195	0.196	106.1572	'GEN303008 1-1BC2 U3'
	FDNS	01NR	2	13G	G11_019	'TO->FRON'		'MATTHEWSON 345.00 - TATONGA7	345.0	1195	0.196	105.2442	'GEN303024 1-1G3INTHB 18.000'
	FDNS	01NR	2	13G	G11_019	'TO->FRON'		'MATTHEWSON 345.00 - TATONGA7	345.0	1195	0.196	105.108	'GEN303025 1-1S3INTHB 13.800'
	FDNS	01NR	2	13G	G11_019	'TO->FRON'		'MATTHEWSON 345.00 - TATONGA7	345.0	1195	0.196	105.1799	'GEN303026 1-1G4INTHB 18.000'
	FDNS	01NR	2	13G	G11_019	'TO->FRON'		'MATTHEWSON 345.00 - TATONGA7	345.0	1195	0.196	105.0589	'GEN303027 1-1S4INTHB 13.800'
	FDNS	01NR	2	13G	G11_019	'TO->FRON'		'MATTHEWSON 345.00 - TATONGA7	345.0	1195	0.196	105.3499	'GEN318007 1-5MOROW161 161.00'
	FDNS	01NR	2	13G	G11_019	'TO->FRON'		'MATTHEWSON 345.00 - TATONGA7	345.0	1195	0.196	105.4054	'GEN334030 1-FRONTIER UNIT 1'
	FDNS	01NR	2	13G	G11_019	'TO->FRON'		'MATTHEWSON 345.00 - TATONGA7	345.0	1195	0.196	105.4054	'GEN334031 1-FRONTIER UNIT 2'
	FDNS	01NR	2	13G	G11_019	'TO->FRON'		'MATTHEWSON 345.00 - TATONGA7	345.0	1195	0.196	105.267	'GEN334070 1-LEWIS CREEK 1'
	FDNS	01NR	2	13G	G11_019	'TO->FRON'		'MATTHEWSON 345.00 - TATONGA7	345.0	1195	0.196	105.2608	'GEN334071 1-LEWIS CREEK 2'
	FDNS	01NR	2	13G	G11_019	'TO->FRON'		'MATTHEWSON 345.00 - TATONGA7	345.0	1195	0.196	105.2106	'GEN334392 1-EXXON MOBIL IPP 1'
	FDNS	01NR	2	13G	G11_019	'TO->FRON'		'MATTHEWSON 345.00 - TATONGA7	345.0	1195	0.196	105.1221	'GEN334431 1-SABINE UNIT 1'
	FDNS	01NR	2	13G	G11_019	'TO->FRON'		'MATTHEWSON 345.00 - TATONGA7	345.0	1195	0.196	105.1221	'GEN334432 1-SABINE UNIT 2'
	FDNS	01NR	2	13G	G11_019	'TO->FRON'		'MATTHEWSON 345.00 - TATONGA7	345.0	1195	0.196	105.5435	'GEN334433 1-SABINE UNIT 3'
	FDNS	01NR	2	13G	G11_019	'TO->FRON'		'MATTHEWSON 345.00 - TATONGA7	345.0	1195	0.196	105.9016	'GEN334440 1-SABINE UNIT 4'
	FDNS	01NR	2	13G	G11_019	'TO->FRON'		'MATTHEWSON 345.00 - TATONGA7	345.0	1195	0.196	105.5539	'GEN334441 1-SABINE UNIT 5'
	FDNS	01ALL	3	13G	G11_019	'TO->FRON'		'MATTHEWSON 345.00 - TATONGA7	345.0	1195	0.2571	119.6078	'MATTHEWSON 345.00 - TATONGA7 345.00 345KV CKT 1'
	FDNS	01ALL	3	13G	G11_019	'TO->FRON'		'MATTHEWSON 345.00 - TATONGA7	345.0	1195	0.2571	119.6078	'MATTHEWSON 345.00 - TATONGA7 345.00 345KV CKT 2'
	FDNS	00NR	0	13SP	G11_020	'TO->FRON'		'NORTHWEST - TATONGA7	345.00 345KV	1195	0.37383	101.6989	'DBL-WICH-THI'
	FDNS	00NR	0	13WP	G11_020	'TO->FRON'		'NORTHWEST - TATONGA7	345.00 345KV	1195	0.3819	104.0593	'DBL-WICH-THI'

EVENTTYPE	SOLUTIONTYPE	GROUP	SCENARIO	SEASON	SOURCE	DIRECTION	MONTH	COMMONNAME	RATEB	TDF	TC%LOADI	CONTNAME
	FDNS	00NR	0	18WP	G11_020	TO->FRON		NORTHWEST - TATONGA7 345.00 345KV C	1195	0.37391	101.2301	'DBL-WICH-THI'
	FDNS	01ALL	0	13G	G11_020	TO->FRON		NORTHWEST - TATONGA7 345.00 345KV C	1195	0.2481	116.2267	'BASE CASE'
CONT-TOD	FDNS	01ALL	0	13G	G11_020	TO->FRON		NORTHWEST - TATONGA7 345.00 345KV C	1195	0.24786	116.5673	'DOLET HILLS - SOUTHWEST SHREVEPORT 345KV CKT 1'
INVALID	FDNS	01ALL	0	13G	G11_020	TO->FRON		NORTHWEST - TATONGA7 345.00 345KV C	1195	0.24797	115.6669	'FLINT CREEK - SILOAM SPRINGS TAP 345KV CKT 1'
	FDNS	01ALL	0	13G	G11_020	TO->FRON		NORTHWEST - TATONGA7 345.00 345KV C	1195	0.24797	115.57	'FLINT CREEK - SUB 383 - MONETT 345KV CKT 1'
	FDNS	01ALL	0	13G	G11_020	TO->FRON		NORTHWEST - TATONGA7 345.00 345KV C	1195	0.24805	115.4374	'CHAMBER SPRINGS - CLARKSVILLE 345KV CKT 1'
	FDNS	01ALL	0	13G	G11_020	TO->FRON		NORTHWEST - TATONGA7 345.00 345KV C	1195	0.2476	115.7317	'LYDIA - WELSH 345KV CKT 1'
	FDNS	01ALL	0	13G	G11_020	TO->FRON		NORTHWEST - TATONGA7 345.00 345KV C	1195	0.2461	113.926	'LYDIA - VALLIANT 345KV CKT 1'
INVALID	FDNS	01ALL	0	13G	G11_020	TO->FRON		NORTHWEST - TATONGA7 345.00 345KV C	1195	0.2481	115.0375	'EASTDC - WELSH 345KV CKT 1'
	FDNS	01ALL	0	13G	G11_020	TO->FRON		NORTHWEST - TATONGA7 345.00 345KV C	1195	0.24827	115.8748	'CLARKSVILLE - MUSKOGEE 345KV CKT 1'
	FDNS	01ALL	0	13G	G11_020	TO->FRON		NORTHWEST - TATONGA7 345.00 345KV C	1195	0.24529	114.5614	'REDBUD - RIVERSIDE STATION 345KV CKT 1'
	FDNS	01ALL	0	13G	G11_020	TO->FRON		NORTHWEST - TATONGA7 345.00 345KV C	1195	0.24878	114.3538	'DELAWARE - NORTHEAST STATION 345KV CKT 1'
	FDNS	01ALL	0	13G	G11_020	TO->FRON		NORTHWEST - TATONGA7 345.00 345KV C	1195	0.24871	115.1262	'DELAWARE - NEOSHO 345KV CKT 1'
	FDNS	01ALL	0	13G	G11_020	TO->FRON		NORTHWEST - TATONGA7 345.00 345KV C	1195	0.24719	115.1887	'PITTSBURG - VALLIANT 345KV CKT 1'
	FDNS	01ALL	0	13G	G11_020	TO->FRON		NORTHWEST - TATONGA7 345.00 345KV C	1195	0.24679	114.9977	'PITTSBURG - SEMINOLE 345KV CKT 1'
	FDNS	01ALL	0	13G	G11_020	TO->FRON		NORTHWEST - TATONGA7 345.00 345KV C	1195	0.2495	117.1441	'CLINTON AIR FORCE BASE TAP - ELK CITY 138KV CKT 1'
	FDNS	01ALL	0	13G	G11_020	TO->FRON		NORTHWEST - TATONGA7 345.00 345KV C	1195	0.2495	117.1061	'CLINTON AIR FORCE BASE TAP - HOBART JUNCTION 138KV CKT 1'
INVALID	FDNS	01ALL	0	13G	G11_020	TO->FRON		NORTHWEST - TATONGA7 345.00 345KV C	1195	0.25874	126.4871	'LAWTON EASTSIDE - OKLAUNION 345KV CKT 1'
	FDNS	01ALL	0	13G	G11_020	TO->FRON		NORTHWEST - TATONGA7 345.00 345KV C	1195	0.25874	119.5969	'OKLAUNION - TUCO INTERCHANGE 345KV CKT 1'
	FDNS	01ALL	0	13G	G11_020	TO->FRON		NORTHWEST - TATONGA7 345.00 345KV C	1195	0.24999	117.4259	'CLINTON JUNCTION - ELK CITY 138KV CKT 1'
	FDNS	01ALL	0	13G	G11_020	TO->FRON		NORTHWEST - TATONGA7 345.00 345KV C	1195	0.24957	117.1202	'ELK CITY - RED HILLS WIND 138KV CKT 1'
	FDNS	01ALL	0	13G	G11_020	TO->FRON		NORTHWEST - TATONGA7 345.00 345KV C	1195	0.24932	117.4005	'LAWTON EASTSIDE - SUNNYSIDE 345KV CKT 1'
	FDNS	01ALL	0	13G	G11_020	TO->FRON		NORTHWEST - TATONGA7 345.00 345KV C	1195	0.24747	115.0566	'GRACEMONT - LAWTON EASTSIDE 345KV CKT 1'
	FDNS	01ALL	0	13G	G11_020	TO->FRON		NORTHWEST - TATONGA7 345.00 345KV C	1195	0.24862	116.6433	'WEATHERFORD JCT. - WEATHERFORD SOUTHEAST 138KV CKT 1'
	FDNS	01ALL	0	13G	G11_020	TO->FRON		NORTHWEST - TATONGA7 345.00 345KV C	1195	0.24903	118.2867	'ELK CITY 230KV - SWEETWATER 230KV CKT 1'
	FDNS	01ALL	0	13G	G11_020	TO->FRON		NORTHWEST - TATONGA7 345.00 345KV C	1195	0.2484	116.6166	'WEATHERFORD TAP - WEATHERFORD WIND FARM 138KV CKT 1'
	FDNS	01ALL	0	13G	G11_020	TO->FRON		NORTHWEST - TATONGA7 345.00 345KV C	1195	0.24903	116.2317	'STATELINE INTERCHANGE - SWEETWATER 230KV CKT &1'
	FDNS	01ALL	0	13G	G11_020	TO->FRON		NORTHWEST - TATONGA7 345.00 345KV C	1195	0.24841	116.6239	'MCLEAN RURAL SUB - SHAMROCK 115KV CKT 1'
INVALID	FDNS	01ALL	0	13G	G11_020	TO->FRON		NORTHWEST - TATONGA7 345.00 345KV C	1195	0.24794	115.5255	'GRDA1 - SILOAM SPRINGS TAP 345KV CKT 1'
	FDNS	01ALL	0	13G	G11_020	TO->FRON		NORTHWEST - TATONGA7 345.00 345KV C	1195	0.24745	115.8593	'CLEVELAND - SOONER 345KV CKT 1'
	FDNS	01ALL	0	13G	G11_020	TO->FRON		NORTHWEST - TATONGA7 345.00 345KV C	1195	0.24993	116.728	'WAUKOMIS - WAUKOMIS TAP 138KV CKT 1'
	FDNS	01ALL	0	13G	G11_020	TO->FRON		NORTHWEST - TATONGA7 345.00 345KV C	1195	0.24993	116.7662	'HENESSEY - WAUKOMIS 138KV CKT 1'
	FDNS	01ALL	0	13G	G11_020	TO->FRON		NORTHWEST - TATONGA7 345.00 345KV C	1195	0.25228	116.8451	'HUNTERS7 345.00 - WOODRING 345KV CKT 1'
	FDNS	01ALL	0	13G	G11_020	TO->FRON		NORTHWEST - TATONGA7 345.00 345KV C	1195	0.24879	115.9888	'G11-007T 345.00 - WOODRING 345KV CKT 1'
	FDNS	01ALL	0	13G	G11_020	TO->FRON		NORTHWEST - TATONGA7 345.00 345KV C	1195	0.24896	116.6427	'KNOBHILL - SALINE 69KV CKT 1'
	FDNS	01ALL	0	13G	G11_020	TO->FRON		NORTHWEST - TATONGA7 345.00 345KV C	1195	0.24896	116.602	'HELENA TAP - SALINE 69KV CKT 1'
	FDNS	01ALL	0	13G	G11_020	TO->FRON		NORTHWEST - TATONGA7 345.00 345KV C	1195	0.24851	115.682	'KILDARE4 - NEWKIRK4 138KV CKT 1'
	FDNS	01ALL	0	13G	G11_020	TO->FRON		NORTHWEST - TATONGA7 345.00 345KV C	1195	0.24837	115.7943	'KILDARE4 - WHITE EAGLE 138KV CKT 1'
	FDNS	01ALL	0	13G	G11_020	TO->FRON		NORTHWEST - TATONGA7 345.00 345KV C	1195	0.24993	116.808	'DOVER SW - HENESSEY 138KV CKT 1'
	FDNS	01ALL	0	13G	G11_020	TO->FRON		NORTHWEST - TATONGA7 345.00 345KV C	1195	0.25209	118.5361	'CLEO CORNER - GLASS MOUNTAIN 138KV CKT 1'
	FDNS	01ALL	0	13G	G11_020	TO->FRON		NORTHWEST - TATONGA7 345.00 345KV C	1195	0.25307	118.6045	'CLEO CORNER - MEN TAP 138KV CKT 1'
	FDNS	01ALL	0	13G	G11_020	TO->FRON		NORTHWEST - TATONGA7 345.00 345KV C	1195	0.26009	119.7796	'FPL SWITCH - WOODWARD 138KV CKT 1'
	FDNS	01ALL	0	13G	G11_020	TO->FRON		NORTHWEST - TATONGA7 345.00 345KV C	1195	0.25321	117.5662	'DEWEY - IODINE 138KV CKT 1'
	FDNS	01ALL	0	13G	G11_020	TO->FRON		NORTHWEST - TATONGA7 345.00 345KV C	1195	0.25546	120.5014	'DEWEY - SOUTHARD 138KV CKT 1'
	FDNS	01ALL	0	13G	G11_020	TO->FRON		NORTHWEST - TATONGA7 345.00 345KV C	1195	0.25209	118.6138	'GLASS MOUNTAIN - MOORELAND 138KV CKT 1'
	FDNS	01ALL	0	13G	G11_020	TO->FRON		NORTHWEST - TATONGA7 345.00 345KV C	1195	0.25307	118.517	'IMO TAP - MEN TAP 138KV CKT 1'
	FDNS	01ALL	0	13G	G11_020	TO->FRON		NORTHWEST - TATONGA7 345.00 345KV C	1195	0.24903	117.0241	'KNOBHILL - MOORELAND 138KV CKT 1'
	FDNS	01ALL	0	13G	G11_020	TO->FRON		NORTHWEST - TATONGA7 345.00 345KV C	1195	0.25321	117.6239	'IODINE - WOODWARD EHV 138KV CKT 1'
	FDNS	01ALL	0	13G	G11_020	TO->FRON		NORTHWEST - TATONGA7 345.00 345KV C	1195	0.24705	114.0686	'GRACEMONT - MINCO 345KV CKT 1'
	FDNS	01ALL	0	13G	G11_020	TO->FRON		NORTHWEST - TATONGA7 345.00 345KV C	1195	0.24336	115.7007	'SOONER - SPRING CREEK 345KV CKT 1'
	FDNS	01ALL	0	13G	G11_020	TO->FRON		NORTHWEST - TATONGA7 345.00 345KV C	1195	0.25047	114.7058	'ROSE HILL - SOONER 345KV CKT 1'
	FDNS	01ALL	0	13G	G11_020	TO->FRON		NORTHWEST - TATONGA7 345.00 345KV C	1195	0.24851	115.6501	'CRESWELL - MIDLTNT4 138.00 138KV CKT 1'
	FDNS	01ALL	0	13G	G11_020	TO->FRON		NORTHWEST - TATONGA7 345.00 345KV C	1195	0.25546	119.915	'EL RENO - ROMAN NOSE 138KV CKT 1'

EVENTTYPE	SOLUTIONTYPE	GROUP	SCENARIO	SEASON	SOURCE	DIRECTION	MONTH	COMMONNAME	RATEB	TDF	TC%LOADI	CONTNAME
	FDNS	01ALL		0	13G	G11_020		'TO->FRON'NORTHWEST - TATONGA7 345.00 345KV	1195	0.25546	120.1315	'ROMAN NOSE - SOUTHARD 138KV CKT 1'
	FDNS	01ALL		0	13G	G11_020		'TO->FRON'NORTHWEST - TATONGA7 345.00 345KV	1195	0.2481	116.6019	'GEN300003 1-THOMAS HILL UNIT 3'
	FDNS	01ALL		0	13G	G11_020		'TO->FRON'NORTHWEST - TATONGA7 345.00 345KV	1195	0.2481	117.4776	'GEN300006 1-NEW MADRID UNIT 1'
	FDNS	01ALL		0	13G	G11_020		'TO->FRON'NORTHWEST - TATONGA7 345.00 345KV	1195	0.2481	117.4701	'GEN300007 1-NEW MADRID UNIT 2'
	FDNS	01ALL		0	13G	G11_020		'TO->FRON'NORTHWEST - TATONGA7 345.00 345KV	1195	0.2481	116.6653	'GEN300016 1-1G1GPDEL 18.000'
	FDNS	01ALL		0	13G	G11_020		'TO->FRON'NORTHWEST - TATONGA7 345.00 345KV	1195	0.2481	116.8791	'GEN300020 1-1CHOTCT4 16.000'
	FDNS	01ALL		0	13G	G11_020		'TO->FRON'NORTHWEST - TATONGA7 345.00 345KV	1195	0.2481	116.8791	'GEN300021 1-1CHOTCT5 16.000'
	FDNS	01ALL		0	13G	G11_020		'TO->FRON'NORTHWEST - TATONGA7 345.00 345KV	1195	0.2481	116.9041	'GEN300024 1-1CHOTST6 16.000'
	FDNS	01ALL		0	13G	G11_020		'TO->FRON'NORTHWEST - TATONGA7 345.00 345KV	1195	0.2481	116.904	'GEN300031 1-CHOUTEAU CTG 1'
	FDNS	01ALL		0	13G	G11_020		'TO->FRON'NORTHWEST - TATONGA7 345.00 345KV	1195	0.2481	116.879	'GEN300032 1-CHOUTEAU CTG 2'
	FDNS	01ALL		0	13G	G11_020		'TO->FRON'NORTHWEST - TATONGA7 345.00 345KV	1195	0.2481	116.879	'GEN300033 1-CHOUTEAU STG 3'
	FDNS	01ALL		0	13G	G11_020		'TO->FRON'NORTHWEST - TATONGA7 345.00 345KV	1195	0.2481	116.9866	'GEN301380 1-1OSAGEWIND 34.500'
	FDNS	01ALL		0	13G	G11_020		'TO->FRON'NORTHWEST - TATONGA7 345.00 345KV	1195	0.2481	117.8887	'GEN303006 1-1BC2 U1'
	FDNS	01ALL		0	13G	G11_020		'TO->FRON'NORTHWEST - TATONGA7 345.00 345KV	1195	0.2481	118.4007	'GEN303007 1-1BC2 U2'
	FDNS	01ALL		0	13G	G11_020		'TO->FRON'NORTHWEST - TATONGA7 345.00 345KV	1195	0.2481	117.757	'GEN303008 1-1BC2 U3'
	FDNS	01ALL		0	13G	G11_020		'TO->FRON'NORTHWEST - TATONGA7 345.00 345KV	1195	0.2481	116.7753	'GEN303024 1-1G3INTHB 18.000'
	FDNS	01ALL		0	13G	G11_020		'TO->FRON'NORTHWEST - TATONGA7 345.00 345KV	1195	0.2481	116.6219	'GEN303025 1-1S3INTHB 13.800'
	FDNS	01ALL		0	13G	G11_020		'TO->FRON'NORTHWEST - TATONGA7 345.00 345KV	1195	0.2481	116.699	'GEN303026 1-1G4INTHB 18.000'
	FDNS	01ALL		0	13G	G11_020		'TO->FRON'NORTHWEST - TATONGA7 345.00 345KV	1195	0.2481	116.5697	'GEN303027 1-1S4INTHB 13.800'
	FDNS	01ALL		0	13G	G11_020		'TO->FRON'NORTHWEST - TATONGA7 345.00 345KV	1195	0.2481	116.8892	'GEN318007 1-5MOROW161 161.00'
	FDNS	01ALL		0	13G	G11_020		'TO->FRON'NORTHWEST - TATONGA7 345.00 345KV	1195	0.2481	116.9448	'GEN334030 1-FRONTIER UNIT 1'
	FDNS	01ALL		0	13G	G11_020		'TO->FRON'NORTHWEST - TATONGA7 345.00 345KV	1195	0.2481	116.9448	'GEN334031 1-FRONTIER UNIT 2'
	FDNS	01ALL		0	13G	G11_020		'TO->FRON'NORTHWEST - TATONGA7 345.00 345KV	1195	0.2481	116.7911	'GEN334070 1-LEWIS CREEK 1'
	FDNS	01ALL		0	13G	G11_020		'TO->FRON'NORTHWEST - TATONGA7 345.00 345KV	1195	0.2481	116.7845	'GEN334071 1-LEWIS CREEK 2'
	FDNS	01ALL		0	13G	G11_020		'TO->FRON'NORTHWEST - TATONGA7 345.00 345KV	1195	0.2481	116.7314	'GEN334392 1-EXXON MOBIL IPP 1'
	FDNS	01ALL		0	13G	G11_020		'TO->FRON'NORTHWEST - TATONGA7 345.00 345KV	1195	0.2481	116.6366	'GEN334431 1-SABINE UNIT 1'
	FDNS	01ALL		0	13G	G11_020		'TO->FRON'NORTHWEST - TATONGA7 345.00 345KV	1195	0.2481	116.6366	'GEN334432 1-SABINE UNIT 2'
	FDNS	01ALL		0	13G	G11_020		'TO->FRON'NORTHWEST - TATONGA7 345.00 345KV	1195	0.2481	117.0944	'GEN334433 1-SABINE UNIT 3'
	FDNS	01ALL		0	13G	G11_020		'TO->FRON'NORTHWEST - TATONGA7 345.00 345KV	1195	0.2481	117.4781	'GEN334440 1-SABINE UNIT 4'
	FDNS	01ALL		0	13G	G11_020		'TO->FRON'NORTHWEST - TATONGA7 345.00 345KV	1195	0.2481	117.1054	'GEN334441 1-SABINE UNIT 5'
	FDNS	01ALL		0	13G	G11_020		'TO->FRON'NORTHWEST - TATONGA7 345.00 345KV	1195	0.2481	116.6472	'GEN334456 1-CONOCO UNIT#1'
	FDNS	01ALL		0	13G	G11_020		'TO->FRON'NORTHWEST - TATONGA7 345.00 345KV	1195	0.2481	116.6702	'GEN335201 1-NELSON UNIT 1'
	FDNS	01ALL		0	13G	G11_020		'TO->FRON'NORTHWEST - TATONGA7 345.00 345KV	1195	0.2481	116.6224	'GEN335202 1-NELSON UNIT 2'
	FDNS	01ALL		0	13G	G11_020		'TO->FRON'NORTHWEST - TATONGA7 345.00 345KV	1195	0.2481	116.6035	'GEN335203 1-NELSON UNIT 3'
	FDNS	01ALL		0	13G	G11_020		'TO->FRON'NORTHWEST - TATONGA7 345.00 345KV	1195	0.2481	117.519	'GEN335204 1-NELSON UNIT 4'
	FDNS	01ALL		0	13G	G11_020		'TO->FRON'NORTHWEST - TATONGA7 345.00 345KV	1195	0.2481	118.3984	'GEN335206 1-NELSON UNIT 6'
	FDNS	01ALL		0	13G	G11_020		'TO->FRON'NORTHWEST - TATONGA7 345.00 345KV	1195	0.2481	116.9664	'GEN335370 1-1ACADIA_S26118.000
	FDNS	01ALL		0	13G	G11_020		'TO->FRON'NORTHWEST - TATONGA7 345.00 345KV	1195	0.2481	116.9441	'GEN335371 1-1ACADIA_C25118.000
	FDNS	01ALL		0	13G	G11_020		'TO->FRON'NORTHWEST - TATONGA7 345.00 345KV	1195	0.2481	116.9441	'GEN335372 1-1ACADIA_C24118.000
	FDNS	01ALL		0	13G	G11_020		'TO->FRON'NORTHWEST - TATONGA7 345.00 345KV	1195	0.2481	116.791	'GEN335570 1-CARVILLE CTG'
	FDNS	01ALL		0	13G	G11_020		'TO->FRON'NORTHWEST - TATONGA7 345.00 345KV	1195	0.2481	116.7912	'GEN335571 1-CARVILLE UNIT #1'
	FDNS	01ALL		0	13G	G11_020		'TO->FRON'NORTHWEST - TATONGA7 345.00 345KV	1195	0.2481	121.4843	'GEN336153 1-WATERFORD UNIT#3'
	FDNS	01ALL		0	13G	G11_020		'TO->FRON'NORTHWEST - TATONGA7 345.00 345KV	1195	0.2481	116.8124	'GEN336167 1-GULF OXY U1'
	FDNS	01ALL		0	13G	G11_020		'TO->FRON'NORTHWEST - TATONGA7 345.00 345KV	1195	0.2481	116.8124	'GEN336168 1-GULF OXY U2'
	FDNS	01ALL		0	13G	G11_020		'TO->FRON'NORTHWEST - TATONGA7 345.00 345KV	1195	0.2481	116.8124	'GEN336169 1-GULF OXY U3'
	FDNS	01ALL		0	13G	G11_020		'TO->FRON'NORTHWEST - TATONGA7 345.00 345KV	1195	0.2481	117.2212	'GEN336170 1-GULF OXY U4'
	FDNS	01ALL		0	13G	G11_020		'TO->FRON'NORTHWEST - TATONGA7 345.00 345KV	1195	0.2481	117.3511	'GEN336191 1-LITTLE GYPSY UNIT#3'
	FDNS	01ALL		0	13G	G11_020		'TO->FRON'NORTHWEST - TATONGA7 345.00 345KV	1195	0.2481	116.6639	'GEN336221 1-LITTLE GYPSY UNIT#1'
	FDNS	01ALL		0	13G	G11_020		'TO->FRON'NORTHWEST - TATONGA7 345.00 345KV	1195	0.2481	116.9005	'GEN336222 1-LITTLE GYPSY UNIT#2'
	FDNS	01ALL		0	13G	G11_020		'TO->FRON'NORTHWEST - TATONGA7 345.00 345KV	1195	0.2481	117.3067	'GEN336251 1-NINEMILE POINT UNIT#4'
	FDNS	01ALL		0	13G	G11_020		'TO->FRON'NORTHWEST - TATONGA7 345.00 345KV	1195	0.2481	117.6451	'GEN336252 1-NINEMILE POINT UNIT#5'
	FDNS	01ALL		0	13G	G11_020		'TO->FRON'NORTHWEST - TATONGA7 345.00 345KV	1195	0.2481	116.5741	'GEN336446 1-MICHOUD UNIT #2'
	FDNS	01ALL		0	13G	G11_020		'TO->FRON'NORTHWEST - TATONGA7 345.00 345KV	1195	0.2481	117.2598	'GEN336464 1-MICHOUD UNIT #3'
	FDNS	01ALL		0	13G	G11_020		'TO->FRON'NORTHWEST - TATONGA7 345.00 345KV	1195	0.2481	117.2021	'GEN336801 1-BAXTER WILSON UNIT #1'
	FDNS	01ALL		0	13G	G11_020		'TO->FRON'NORTHWEST - TATONGA7 345.00 345KV	1195	0.2481	117.5781	'GEN336831 1-BAXTER WILSON SES'
	FDNS	01ALL		0	13G	G11_020		'TO->FRON'NORTHWEST - TATONGA7 345.00 345KV	1195	0.2481	116.8301	'GEN337006 1-DUKE MCADAMS G1'

EVENTTYPE	SOLUTIONTYPE	GROUP	SCENARIO	SEASON	SOURCE	DIRECTION	MONTH	COMMONNAME	RATEB	TDF	TC%LOADI	CONTNAME				
	FDNS	01ALL		0	13G	G11_020		'TO->FRON'	'NORTHWEST - TATONGA7	345.00	345KV	0	1195	0.2481	116.8301	'GEN337007 1-DUKE MCADAMS G2'
	FDNS	01ALL		0	13G	G11_020		'TO->FRON'	'NORTHWEST - TATONGA7	345.00	345KV	0	1195	0.2481	116.8174	'GEN337008 1-DUKE MCADAMS S1'
	FDNS	01ALL		0	13G	G11_020		'TO->FRON'	'NORTHWEST - TATONGA7	345.00	345KV	0	1195	0.2481	117.6063	'GEN337041 1-GERALD ANDRUS'
	FDNS	01ALL		0	13G	G11_020		'TO->FRON'	'NORTHWEST - TATONGA7	345.00	345KV	0	1195	0.2481	116.7444	'GEN337125 6-LS POWER BATESVILLE'
	FDNS	01ALL		0	13G	G11_020		'TO->FRON'	'NORTHWEST - TATONGA7	345.00	345KV	0	1195	0.2481	116.8106	'GEN337421 1-OUCHITA CTG1'
	FDNS	01ALL		0	13G	G11_020		'TO->FRON'	'NORTHWEST - TATONGA7	345.00	345KV	0	1195	0.2481	116.5895	'GEN337422 1-OUCHITA STG1'
	FDNS	01ALL		0	13G	G11_020		'TO->FRON'	'NORTHWEST - TATONGA7	345.00	345KV	0	1195	0.2481	116.8106	'GEN337423 1-OUCHITA CTG2'
	FDNS	01ALL		0	13G	G11_020		'TO->FRON'	'NORTHWEST - TATONGA7	345.00	345KV	0	1195	0.2481	116.5895	'GEN337424 1-OUCHITA STG2'
	FDNS	01ALL		0	13G	G11_020		'TO->FRON'	'NORTHWEST - TATONGA7	345.00	345KV	0	1195	0.2481	116.8106	'GEN337425 1-OUCHITA CTG3'
	FDNS	01ALL		0	13G	G11_020		'TO->FRON'	'NORTHWEST - TATONGA7	345.00	345KV	0	1195	0.2481	116.5895	'GEN337426 1-OUCHITA STG3'
	FDNS	01ALL		0	13G	G11_020		'TO->FRON'	'NORTHWEST - TATONGA7	345.00	345KV	0	1195	0.2481	116.8836	'GEN337428 1-PERYVILLE UNIT #1'
	FDNS	01ALL		0	13G	G11_020		'TO->FRON'	'NORTHWEST - TATONGA7	345.00	345KV	0	1195	0.2481	116.8836	'GEN337430 1-PERYVILLE UNIT #3'
	FDNS	01ALL		0	13G	G11_020		'TO->FRON'	'NORTHWEST - TATONGA7	345.00	345KV	0	1195	0.2481	116.8666	'GEN337432 1-PERYVILLE UNIT #5'
	FDNS	01ALL		0	13G	G11_020		'TO->FRON'	'NORTHWEST - TATONGA7	345.00	345KV	0	1195	0.2481	119.3922	'GEN337652 1-WHITE BLUFF UNIT #1'
	FDNS	01ALL		0	13G	G11_020		'TO->FRON'	'NORTHWEST - TATONGA7	345.00	345KV	0	1195	0.2481	119.5059	'GEN337653 1-WHITE BLUFF UNIT #2'
	FDNS	01ALL		0	13G	G11_020		'TO->FRON'	'NORTHWEST - TATONGA7	345.00	345KV	0	1195	0.2481	117.2463	'GEN337692 1-LAKE CATHERINE UNIT #4'
	FDNS	01ALL		0	13G	G11_020		'TO->FRON'	'NORTHWEST - TATONGA7	345.00	345KV	0	1195	0.2481	118.3823	'GEN338388 1-1PLUM PT U1 23.000'
	FDNS	01ALL		0	13G	G11_020		'TO->FRON'	'NORTHWEST - TATONGA7	345.00	345KV	0	1195	0.2481	116.6843	'GEN338500 1-MCCLELLAN UNIT #1'
	FDNS	01ALL		0	13G	G11_020		'TO->FRON'	'NORTHWEST - TATONGA7	345.00	345KV	0	1195	0.2481	119.3339	'GEN501801 1-DOLET HILLS UNIT1'
	FDNS	01ALL		0	13G	G11_020		'TO->FRON'	'NORTHWEST - TATONGA7	345.00	345KV	0	1195	0.2481	117.1989	'GEN501811 1-RODEMACHER UNIT 1'
	FDNS	01ALL		0	13G	G11_020		'TO->FRON'	'NORTHWEST - TATONGA7	345.00	345KV	0	1195	0.2481	118.2705	'GEN501812 1-RODEMACHER UNIT 2'
	FDNS	01ALL		0	13G	G11_020		'TO->FRON'	'NORTHWEST - TATONGA7	345.00	345KV	0	1195	0.2481	118.7184	'GEN501813 1-RODEMACHER UNIT 3'
	FDNS	01ALL		0	13G	G11_020		'TO->FRON'	'NORTHWEST - TATONGA7	345.00	345KV	0	1195	0.2481	117.1809	'GEN501910 1-ACADIA UNIT ST1'
	FDNS	01ALL		0	13G	G11_020		'TO->FRON'	'NORTHWEST - TATONGA7	345.00	345KV	0	1195	0.2481	116.9047	'GEN501911 1-ACADIA UNIT CT1A'
	FDNS	01ALL		0	13G	G11_020		'TO->FRON'	'NORTHWEST - TATONGA7	345.00	345KV	0	1195	0.2481	116.9047	'GEN501912 1-ACADIA UNIT CT1B'
	FDNS	01ALL		0	13G	G11_020		'TO->FRON'	'NORTHWEST - TATONGA7	345.00	345KV	0	1195	0.2481	116.8722	'GEN505432 1-SIKESTON'
	FDNS	01ALL		0	13G	G11_020		'TO->FRON'	'NORTHWEST - TATONGA7	345.00	345KV	0	1195	0.2481	116.6316	'GEN506749 1-EASTMAN GENERATION A'
	FDNS	01ALL		0	13G	G11_020		'TO->FRON'	'NORTHWEST - TATONGA7	345.00	345KV	0	1195	0.2481	116.8243	'GEN506752 1-LEBROCK GAS 1'
	FDNS	01ALL		0	13G	G11_020		'TO->FRON'	'NORTHWEST - TATONGA7	345.00	345KV	0	1195	0.2481	117.0139	'GEN509391 G1-ARSENAL HILL GENS #2 (STALL)'
	FDNS	01ALL		0	13G	G11_020		'TO->FRON'	'NORTHWEST - TATONGA7	345.00	345KV	0	1195	0.2481	117.0139	'GEN509392 G2-ARSENAL HILL GENS #3 (STALL)'
	FDNS	01ALL		0	13G	G11_020		'TO->FRON'	'NORTHWEST - TATONGA7	345.00	345KV	0	1195	0.2481	117.0066	'GEN509393 S1-ARSENAL HILL GENS #4 (STALL)'
	FDNS	01ALL		0	13G	G11_020		'TO->FRON'	'NORTHWEST - TATONGA7	345.00	345KV	0	1195	0.2481	118.2363	'GEN509394 1-FLINT CREEK'
	FDNS	01ALL		0	13G	G11_020		'TO->FRON'	'NORTHWEST - TATONGA7	345.00	345KV	0	1195	0.2481	118.9452	'GEN509403 1-PIRKEY GENERATION'
	FDNS	01ALL		0	13G	G11_020		'TO->FRON'	'NORTHWEST - TATONGA7	345.00	345KV	0	1195	0.2481	118.4209	'GEN509404 1-WELSH #1'
	FDNS	01ALL		0	13G	G11_020		'TO->FRON'	'NORTHWEST - TATONGA7	345.00	345KV	0	1195	0.2481	118.421	'GEN509405 1-WELSH #2'
	FDNS	01ALL		0	13G	G11_020		'TO->FRON'	'NORTHWEST - TATONGA7	345.00	345KV	0	1195	0.2481	118.4211	'GEN509406 1-WELSH #3'
	FDNS	01ALL		0	13G	G11_020		'TO->FRON'	'NORTHWEST - TATONGA7	345.00	345KV	0	1195	0.2481	116.6372	'GEN509408 1-WILKES #2'
	FDNS	01ALL		0	13G	G11_020		'TO->FRON'	'NORTHWEST - TATONGA7	345.00	345KV	0	1195	0.2481	118.8521	'GEN509416 1-TURK GENERATION'
	FDNS	01ALL		0	13G	G11_020		'TO->FRON'	'NORTHWEST - TATONGA7	345.00	345KV	0	1195	0.2481	116.7346	'GEN511836 1-NORTHEASTERN STATION #1'
	FDNS	01ALL		0	13G	G11_020		'TO->FRON'	'NORTHWEST - TATONGA7	345.00	345KV	0	1195	0.2481	116.8508	'GEN511837 1-NORTHEASTERN STATION # 1-1A'
	FDNS	01ALL		0	13G	G11_020		'TO->FRON'	'NORTHWEST - TATONGA7	345.00	345KV	0	1195	0.2481	116.8508	'GEN511838 1-NORTHEASTERN STATION # 1-1B'
	FDNS	01ALL		0	13G	G11_020		'TO->FRON'	'NORTHWEST - TATONGA7	345.00	345KV	0	1195	0.2481	117.042	'GEN511839 1-NORTHEASTERN STATION #2'
	FDNS	01ALL		0	13G	G11_020		'TO->FRON'	'NORTHWEST - TATONGA7	345.00	345KV	0	1195	0.2481	118.1087	'GEN511840 1-NORTHEASTERN STATION #3'
	FDNS	01ALL		0	13G	G11_020		'TO->FRON'	'NORTHWEST - TATONGA7	345.00	345KV	0	1195	0.2481	118.0686	'GEN511841 1-NORTHEASTERN STATION #4'
	FDNS	01ALL		0	13G	G11_020		'TO->FRON'	'NORTHWEST - TATONGA7	345.00	345KV	0	1195	0.2481	116.7119	'GEN511851 1-COMANCHE #1'
	FDNS	01ALL		0	13G	G11_020		'TO->FRON'	'NORTHWEST - TATONGA7	345.00	345KV	0	1195	0.2481	116.5726	'GEN511852 1-COMANCHE #2'
	FDNS	01ALL		0	13G	G11_020		'TO->FRON'	'NORTHWEST - TATONGA7	345.00	345KV	0	1195	0.2481	116.5784	'GEN511853 1-COMANCHE #3'
	FDNS	01ALL		0	13G	G11_020		'TO->FRON'	'NORTHWEST - TATONGA7	345.00	345KV	0	1195	0.2481	116.695	'GEN511938 1-OEC STEAM # 1'
	FDNS	01ALL		0	13G	G11_020		'TO->FRON'	'NORTHWEST - TATONGA7	345.00	345KV	0	1195	0.2481	116.6941	'GEN511939 1-OEC GAS # 1-1'
	FDNS	01ALL		0	13G	G11_020		'TO->FRON'	'NORTHWEST - TATONGA7	345.00	345KV	0	1195	0.2481	116.6941	'GEN511940 1-OEC GAS # 1-2'
	FDNS	01ALL		0	13G	G11_020		'TO->FRON'	'NORTHWEST - TATONGA7	345.00	345KV	0	1195	0.2481	117.1592	'GEN511941 1-OEC STEAM # 2'
	FDNS	01ALL		0	13G	G11_020		'TO->FRON'	'NORTHWEST - TATONGA7	345.00	345KV	0	1195	0.2481	116.6941	'GEN511942 1-OEC GAS # 2-1'
	FDNS	01ALL		0	13G	G11_020		'TO->FRON'	'NORTHWEST - TATONGA7	345.00	345KV	0	1195	0.2481	116.6941	'GEN511943 1-OEC GAS # 2-2'
	FDNS	01ALL		0	13G	G11_020		'TO->FRON'	'NORTHWEST - TATONGA7	345.00	345KV	0	1195	0.2481	116.7267	'GEN511953 G-COGENTRIX GAS # 1'
	FDNS	01ALL		0	13G	G11_020		'TO->FRON'	'NORTHWEST - TATONGA7	345.00	345KV	0	1195	0.2481	116.7261	'GEN511954 S-COGENTRIX STEAM # 1'
	FDNS	01ALL		0	13G	G11_020		'TO->FRON'	'NORTHWEST - TATONGA7	345.00	345KV	0	1195	0.2481	116.7466	'GEN511955 G-COGENTRIX GAS # 2'

EVENTTYPE	SOLUTIONTYPE	GROUP	SCENARIO	SEASON	SOURCE	DIRECTION	MONTH	COMMONNAME	RATEB	TDF	TC%LOADI	CONTNAME
	FDNS	01ALL		0	13G	G11_020		'TO->FRON' NORTHWEST - TATONGA7 345.00 345KV	1195	0.2481	116.7459	'GEN511956 S-COGENTRIX STEAM # 2'
	FDNS	01ALL		0	13G	G11_020		'TO->FRON' NORTHWEST - TATONGA7 345.00 345KV	1195	0.2481	116.7267	'GEN511957 G-COGENTRIX GAS # 3'
	FDNS	01ALL		0	13G	G11_020		'TO->FRON' NORTHWEST - TATONGA7 345.00 345KV	1195	0.2481	118.2793	'GEN512688 2-GRDA1 GSU2 22'
	FDNS	01ALL		0	13G	G11_020		'TO->FRON' NORTHWEST - TATONGA7 345.00 345KV	1195	0.2481	117.8742	'GEN512689 1-GRDA1 GSU1 22'
	FDNS	01ALL		0	13G	G11_020		'TO->FRON' NORTHWEST - TATONGA7 345.00 345KV	1195	0.2481	118.9974	'GEN514805 1-SOONER UNIT 1'
	FDNS	01ALL		0	13G	G11_020		'TO->FRON' NORTHWEST - TATONGA7 345.00 345KV	1195	0.2481	119.3251	'GEN514806 1-SOONER UNIT 2'
	FDNS	01ALL		0	13G	G11_020		'TO->FRON' NORTHWEST - TATONGA7 345.00 345KV	1195	0.2481	117.5721	'GEN514899 1-REDBUD1S'
	FDNS	01ALL		0	13G	G11_020		'TO->FRON' NORTHWEST - TATONGA7 345.00 345KV	1195	0.2481	117.5468	'GEN514900 1-REDBUD2S'
	FDNS	01ALL		0	13G	G11_020		'TO->FRON' NORTHWEST - TATONGA7 345.00 345KV	1195	0.2481	117.5482	'GEN514905 1-REDBUD3S'
	FDNS	01ALL		0	13G	G11_020		'TO->FRON' NORTHWEST - TATONGA7 345.00 345KV	1195	0.2481	117.7617	'GEN514910 2-REDBUD GEN'
	FDNS	01ALL		0	13G	G11_020		'TO->FRON' NORTHWEST - TATONGA7 345.00 345KV	1195	0.2481	117.7617	'GEN514911 2-REDBUD GEN'
	FDNS	01ALL		0	13G	G11_020		'TO->FRON' NORTHWEST - TATONGA7 345.00 345KV	1195	0.2481	116.9875	'GEN514912 2-REDBUD GEN'
	FDNS	01ALL		0	13G	G11_020		'TO->FRON' NORTHWEST - TATONGA7 345.00 345KV	1195	0.2481	117.4529	'GEN514940 1-REDBUD GEN'
	FDNS	01ALL		0	13G	G11_020		'TO->FRON' NORTHWEST - TATONGA7 345.00 345KV	1195	0.2481	117.7365	'GEN514942 2-REDBUD4G'
	FDNS	01ALL		0	13G	G11_020		'TO->FRON' NORTHWEST - TATONGA7 345.00 345KV	1195	0.2481	117.4976	'GEN514998 1-MCCLAIN UNIT 1'
	FDNS	01ALL		0	13G	G11_020		'TO->FRON' NORTHWEST - TATONGA7 345.00 345KV	1195	0.2481	117.5146	'GEN514999 1-MCCLAIN UNIT 2'
	FDNS	01ALL		0	13G	G11_020		'TO->FRON' NORTHWEST - TATONGA7 345.00 345KV	1195	0.2481	117.1269	'GEN515000 1-MCCLAIN UNIT 3'
	FDNS	01ALL		0	13G	G11_020		'TO->FRON' NORTHWEST - TATONGA7 345.00 345KV	1195	0.2481	118.2527	'GEN515040 1-SEMINOLE 1G'
	FDNS	01ALL		0	13G	G11_020		'TO->FRON' NORTHWEST - TATONGA7 345.00 345KV	1195	0.2481	117.8165	'GEN515041 1-SEMINOLE 2G'
	FDNS	01ALL		0	13G	G11_020		'TO->FRON' NORTHWEST - TATONGA7 345.00 345KV	1195	0.2481	118.0424	'GEN515042 1-SEMINOLE 3G'
	FDNS	01ALL		0	13G	G11_020		'TO->FRON' NORTHWEST - TATONGA7 345.00 345KV	1195	0.2481	118.8116	'GEN515223 1-MUSKOGEE 4G'
	FDNS	01ALL		0	13G	G11_020		'TO->FRON' NORTHWEST - TATONGA7 345.00 345KV	1195	0.2481	118.7723	'GEN515225 1-MUSKOGEE 5G'
	FDNS	01ALL		0	13G	G11_020		'TO->FRON' NORTHWEST - TATONGA7 345.00 345KV	1195	0.2481	119.189	'GEN515226 1-MUSKOGEE 6G'
	FDNS	01ALL		0	13G	G11_020		'TO->FRON' NORTHWEST - TATONGA7 345.00 345KV	1195	0.2481	116.9666	'GEN515266 1-AES 1G'
	FDNS	01ALL		0	13G	G11_020		'TO->FRON' NORTHWEST - TATONGA7 345.00 345KV	1195	0.2481	116.9666	'GEN515267 1-AES 2G'
	FDNS	01ALL		0	13G	G11_020		'TO->FRON' NORTHWEST - TATONGA7 345.00 345KV	1195	0.2481	113.9658	'GEN515365 1-CENT 21 34.500'
	FDNS	01ALL		0	13G	G11_020		'TO->FRON' NORTHWEST - TATONGA7 345.00 345KV	1195	0.2481	114.7789	'GEN515389 1-TLGAWND1 34.500'
	FDNS	01ALL		0	13G	G11_020		'TO->FRON' NORTHWEST - TATONGA7 345.00 345KV	1195	0.2481	113.0802	'GEN515393 1-OGEWND2G'
	FDNS	01ALL		0	13G	G11_020		'TO->FRON' NORTHWEST - TATONGA7 345.00 345KV	1195	0.2481	114.0431	'GEN515397 1-OUSPR1 34.500'
	FDNS	01ALL		0	13G	G11_020		'TO->FRON' NORTHWEST - TATONGA7 345.00 345KV	1195	0.2481	117.9563	'GEN515443 1-MNCOWND1 34.500'
	FDNS	01ALL		0	13G	G11_020		'TO->FRON' NORTHWEST - TATONGA7 345.00 345KV	1195	0.2481	111.6048	'GEN515449 1-CRSRDW11 34.500'
	FDNS	01ALL		0	13G	G11_020		'TO->FRON' NORTHWEST - TATONGA7 345.00 345KV	1195	0.2481	111.6149	'GEN515450 1-CRSRDW21 34.500'
	FDNS	01ALL		0	13G	G11_020		'TO->FRON' NORTHWEST - TATONGA7 345.00 345KV	1195	0.2481	117.7179	'GEN515606 1-CANADN11 34.500'
	FDNS	01ALL		0	13G	G11_020		'TO->FRON' NORTHWEST - TATONGA7 345.00 345KV	1195	0.2481	117.7179	'GEN515607 1-CANADN12 34.500'
	FDNS	01ALL		0	13G	G11_020		'TO->FRON' NORTHWEST - TATONGA7 345.00 345KV	1195	0.2481	114.7901	'GEN515787 1-OKLA WIND ENERGY CENTER'
	FDNS	01ALL		0	13G	G11_020		'TO->FRON' NORTHWEST - TATONGA7 345.00 345KV	1195	0.2481	117.0329	'GEN520811 1-ANADRK4'
	FDNS	01ALL		0	13G	G11_020		'TO->FRON' NORTHWEST - TATONGA7 345.00 345KV	1195	0.2481	116.733	'GEN520812 1-ANADRK5'
	FDNS	01ALL		0	13G	G11_020		'TO->FRON' NORTHWEST - TATONGA7 345.00 345KV	1195	0.2481	116.733	'GEN520813 1-ANADRK6'
	FDNS	01ALL		0	13G	G11_020		'TO->FRON' NORTHWEST - TATONGA7 345.00 345KV	1195	0.2481	114.9334	'GEN520922 1-SLEEPING BEAR'
	FDNS	01ALL		0	13G	G11_020		'TO->FRON' NORTHWEST - TATONGA7 345.00 345KV	1195	0.2481	118.6074	'GEN520947 1-HUGO1'
	FDNS	01ALL		0	13G	G11_020		'TO->FRON' NORTHWEST - TATONGA7 345.00 345KV	1195	0.2481	116.0247	'GEN520997 1-MORLND2'
	FDNS	01ALL		0	13G	G11_020		'TO->FRON' NORTHWEST - TATONGA7 345.00 345KV	1195	0.2481	115.8974	'GEN522814 1-LUBBOCK POWER & LIGHT-MACKENZIE GEN'
	FDNS	01ALL		0	13G	G11_020		'TO->FRON' NORTHWEST - TATONGA7 345.00 345KV	1195	0.2481	115.4433	'GEN523103 1-NOBLE_WND 3115.00'
	FDNS	01ALL		0	13G	G11_020		'TO->FRON' NORTHWEST - TATONGA7 345.00 345KV	1195	0.2481	115.1184	'GEN523461 1-BLACKHAWK GEN #1'
	FDNS	01ALL		0	13G	G11_020		'TO->FRON' NORTHWEST - TATONGA7 345.00 345KV	1195	0.2481	115.1182	'GEN523462 1-BLACKHAWK GEN #2'
	FDNS	01ALL		0	13G	G11_020		'TO->FRON' NORTHWEST - TATONGA7 345.00 345KV	1195	0.2481	115.8019	'GEN523815 1-LLANO ESTACADO WIND GEN'
	FDNS	01ALL		0	13G	G11_020		'TO->FRON' NORTHWEST - TATONGA7 345.00 345KV	1195	0.2481	112.9637	'GEN523971 1-HARRINGTON GEN #1 24 KV'
	FDNS	01ALL		0	13G	G11_020		'TO->FRON' NORTHWEST - TATONGA7 345.00 345KV	1195	0.2481	112.9632	'GEN523972 1-HARRINGTON GEN #2 24 KV'
	FDNS	01ALL		0	13G	G11_020		'TO->FRON' NORTHWEST - TATONGA7 345.00 345KV	1195	0.2481	112.9914	'GEN523973 1-HARRINGTON GEN #3 24 KV'
	FDNS	01ALL		0	13G	G11_020		'TO->FRON' NORTHWEST - TATONGA7 345.00 345KV	1195	0.2481	115.8366	'GEN524286 1-CLR_3 0.6900'
	FDNS	01ALL		0	13G	G11_020		'TO->FRON' NORTHWEST - TATONGA7 345.00 345KV	1195	0.2481	115.4427	'GEN524295 1-SPNSPUR_WND134.500'
	FDNS	01ALL		0	13G	G11_020		'TO->FRON' NORTHWEST - TATONGA7 345.00 345KV	1195	0.2481	115.7999	'GEN524485 1-CAPROCK WIND GEN'
	FDNS	01ALL		0	13G	G11_020		'TO->FRON' NORTHWEST - TATONGA7 345.00 345KV	1195	0.2481	115.5776	'GEN524895 1-SAN JUAN MESA WIND GEN'
	FDNS	01ALL		0	13G	G11_020		'TO->FRON' NORTHWEST - TATONGA7 345.00 345KV	1195	0.2481	114.6137	'GEN525494 1-PLANT X GEN #4 20 KV'
	FDNS	01ALL		0	13G	G11_020		'TO->FRON' NORTHWEST - TATONGA7 345.00 345KV	1195	0.2481	113.231	'GEN525561 1-TOLK GEN #1 24 KV'

EVENTTYPE	SOLUTIONTYPE	GROUP	SCENARIO	SEASON	SOURCE	DIRECTION	MONTCOMMONNAME	RATEB	TDF	TC%LOAD	CONTNAME
	FDNS	01ALL		0	13G	G11_020	'TO->FROM' NORTHWEST - TATONGA7 345.00 345KV C	1195	0.2481	109.5054	'GEN562023 1-G11_020_3 0.6900'
	FDNS	01ALL		0	13G	G11_020	'TO->FROM' NORTHWEST - TATONGA7 345.00 345KV C	1195	0.2481	109.5054	'GEN562026 1-G11_019_3 0.6900'
	FDNS	01ALL		0	13G	G11_020	'TO->FROM' NORTHWEST - TATONGA7 345.00 345KV C	1195	0.2481	115.7875	'GEN562032 1-G11_017_3 0.6900'
	FDNS	01ALL		0	13G	G11_020	'TO->FROM' NORTHWEST - TATONGA7 345.00 345KV C	1195	0.2481	115.8938	'GEN562035 1-G11_016_3 0.6900'
	FDNS	01ALL		0	13G	G11_020	'TO->FROM' NORTHWEST - TATONGA7 345.00 345KV C	1195	0.2481	115.4219	'GEN562042 1-G11_014_3 0.6900'
	FDNS	01ALL		0	13G	G11_020	'TO->FROM' NORTHWEST - TATONGA7 345.00 345KV C	1195	0.2481	115.7344	'GEN640009 1-COOPER NUCLEAR STATION'
	FDNS	01ALL		0	13G	G11_020	'TO->FROM' NORTHWEST - TATONGA7 345.00 345KV C	1195	0.2481	114.9851	'GEN640010 1-GERALD GENTLEMAN STATION UNIT 1'
	FDNS	01ALL		0	13G	G11_020	'TO->FROM' NORTHWEST - TATONGA7 345.00 345KV C	1195	0.2481	115.0047	'GEN640011 2-GERALD GENTLEMAN STATION UNIT 2'
	FDNS	01ALL		0	13G	G11_020	'TO->FROM' NORTHWEST - TATONGA7 345.00 345KV C	1195	0.2481	115.9151	'GEN641089 2-ENERGY CENTER 2'
	FDNS	01ALL		0	13G	G11_020	'TO->FROM' NORTHWEST - TATONGA7 345.00 345KV C	1195	0.2481	115.8503	'GEN645001 1-FORT CALHOUN 1'
	FDNS	01ALL		0	13G	G11_020	'TO->FROM' NORTHWEST - TATONGA7 345.00 345KV C	1195	0.2481	115.7678	'GEN645011 1-NEBRASKA CITY 1'
	FDNS	01ALL		0	13G	G11_020	'TO->FROM' NORTHWEST - TATONGA7 345.00 345KV C	1195	0.2481	115.7166	'GEN645012 2-NEBRASKA CITY 2'
	FDNS	01ALL		0	13G	G11_020	'TO->FROM' NORTHWEST - TATONGA7 345.00 345KV C	1195	0.2481	115.8629	'GEN659103 1-ANTELOPE VALLEY UNIT1'
	FDNS	01ALL		0	13G	G11_020	'TO->FROM' NORTHWEST - TATONGA7 345.00 345KV C	1195	0.2481	115.8629	'GEN659107 2-ANTELOPE VALLEY UNIT 2'
	FNSL	01ALL		0	13G	G11_020	'TO->FROM' NORTHWEST - TATONGA7 345.00 345KV C	1195	0.24851	115.6071	'NEWKIRK4 - PECKHAM TAP 138KV CKT 1'
	FNSL	01ALL		0	13G	G11_020	'TO->FROM' NORTHWEST - TATONGA7 345.00 345KV C	1195	0.24851	115.6072	'MIDLINT4 138.00 - PECKHAM TAP 138KV CKT 1'
	FNSL	01ALL		0	13G	G11_020	'TO->FROM' NORTHWEST - TATONGA7 345.00 345KV C	1195	0.24825	116.9056	'NEB01WAPAB3'
	FNSL	01ALL		0	13G	G11_020	'TO->FROM' NORTHWEST - TATONGA7 345.00 345KV C	1195	0.2481	120.2385	'GEN335831 1-RIVERBEND UNIT#1'
	FNSL	01ALL		0	13G	G11_020	'TO->FROM' NORTHWEST - TATONGA7 345.00 345KV C	1195	0.2481	121.9627	'GEN336821 1-GRAND GULF UNIT'
	FNSL	01ALL		0	13G	G11_020	'TO->FROM' NORTHWEST - TATONGA7 345.00 345KV C	1195	0.2481	120.0117	'GEN337910 1-ARKANSAS NUCLEAR ONE UNIT #1'
	FNSL	01ALL		0	13G	G11_020	'TO->FROM' NORTHWEST - TATONGA7 345.00 345KV C	1195	0.2481	120.7462	'GEN337911 1-ARKANSAS NUCLEAR ONE UNIT #2'
	FNSL	01ALL		0	13G	G11_020	'TO->FROM' NORTHWEST - TATONGA7 345.00 345KV C	1195	0.2481	119.0773	'GEN338143 1-INDEPENDENCE UNIT #1'
	FNSL	01ALL		0	13G	G11_020	'TO->FROM' NORTHWEST - TATONGA7 345.00 345KV C	1195	0.2481	119.1295	'GEN338146 1-INDEPENDENCE UNIT #2'
NCONV	FNSL-Blown up	01ALL		0	13G	G11_020	Non-Converged Contingency	1195	0.2481	116.2267	'NORTHWEST - TATONGA7 345.00 345KV CKT 1'
NCONV	FNSL-Blown up	01ALL		0	13G	G11_020	Non-Converged Contingency	1775	0.2481	6.701664	'TATONGA7 345.00 - WOODWARD DISTRICT EHV 345KV CKT 1'
NCONV	FNSL-Blown up	01ALL		0	13G	G11_020	Non-Converged Contingency	0	0.34376	9999	'DBL-THIS-WWR'
	FDNS	01ALL		0	13G	G11_020	'TO->FROM' NORTHWEST - TATONGA7 345.00 345KV C	1195	0.24336	115.7034	'NORTHWEST - SPRING CREEK 345KV CKT 1'
	FDNS	01ALL		0	13G	G11_020	'TO->FROM' NORTHWEST - TATONGA7 345.00 345KV C	1195	0.24021	112.6335	'CIMARRON - NORTHWEST 345KV CKT 1'
	FDNS	01ALL		0	13G	G11_020	'TO->FROM' NORTHWEST - TATONGA7 345.00 345KV C	1195	0.24036	115.3763	'ARCADIA - NORTHWEST 345KV CKT 1'
	FDNS	01ALL		0	13G	G11_020	'TO->FROM' NORTHWEST - TATONGA7 345.00 345KV C	1195	0.2466	115.3801	'CIMARRON - DRAPER LAKE 345KV CKT 1'
	FDNS	01ALL		0	13G	G11_020	'TO->FROM' NORTHWEST - TATONGA7 345.00 345KV C	1195	0.24879	118.1393	'CIMARRON - G11-007T 345.00 345KV CKT 1'
	FDNS	01ALL		0	13G	G11_020	'TO->FROM' NORTHWEST - TATONGA7 345.00 345KV C	1195	0.24713	115.3904	'ARCADIA - SEMINOLE 345KV CKT 1'
	FDNS	01ALL		0	13G	G11_020	'TO->FROM' NORTHWEST - TATONGA7 345.00 345KV C	1195	0.24827	116.6613	'MORISNT4 138.00 - STILLWATER 138KV CKT 1'
	FDNS	01ALL		0	13G	G11_020	'TO->FROM' NORTHWEST - TATONGA7 345.00 345KV C	1195	0.24743	115.3979	'FT SMITH - MUSKOGEE 345KV CKT 1'
	FDNS	01ALL		0	13G	G11_020	'TO->FROM' NORTHWEST - TATONGA7 345.00 345KV C	1195	0.26736	122.9685	'BORDER 7345.00 - WOODWARD DISTRICT EHV 345KV CKT 1'
	FDNS	01ALL		0	13G	G11_020	'TO->FROM' NORTHWEST - TATONGA7 345.00 345KV C	1195	0.25737	117.9773	'Hitchland Interchange - WOODWARD DISTRICT EHV 345KV CKT 2'
	FDNS	01ALL		0	13G	G11_020	'TO->FROM' NORTHWEST - TATONGA7 345.00 345KV C	1195	0.28083	127.7205	'THISTLE7 345.00 - WOODWARD DISTRICT EHV 345KV CKT 1'
	FDNS	01ALL		0	13G	G11_020	'TO->FROM' NORTHWEST - TATONGA7 345.00 345KV C	1195	0.28083	127.7205	'THISTLE7 345.00 - WOODWARD DISTRICT EHV 345KV CKT 2'
	FDNS	01ALL		0	13G	G11_020	'TO->FROM' NORTHWEST - TATONGA7 345.00 345KV C	1195	0.26736	123.0547	'BORDER 7345.00 - TUCO INTERCHANGE 345KV CKT 1'
	FDNS	01ALL		0	13G	G11_020	'TO->FROM' NORTHWEST - TATONGA7 345.00 345KV C	1195	0.26009	121.7445	'FPL SWITCH - MOORELAND 138KV CKT 1'
	FDNS	01ALL		0	13G	G11_020	'TO->FROM' NORTHWEST - TATONGA7 345.00 345KV C	1195	0.24882	116.7382	'ARAPAHO - HAMON BUTLER 69KV CKT 1'
	FDNS	01ALL		0	13G	G11_020	'TO->FROM' NORTHWEST - TATONGA7 345.00 345KV C	1195	0.24882	116.732	'ARAPAHO - INDUSTRIAL PARK 69KV CKT 1'
	FDNS	01ALL		0	13G	G11_020	'TO->FROM' NORTHWEST - TATONGA7 345.00 345KV C	1195	0.24872	116.5994	'CANTON - OKEENE 69KV CKT 1'
	FDNS	01ALL		0	13G	G11_020	'TO->FROM' NORTHWEST - TATONGA7 345.00 345KV C	1195	0.24872	116.6287	'CANTON - TALOGA 69KV CKT 1'
	FDNS	01ALL		0	13G	G11_020	'TO->FROM' NORTHWEST - TATONGA7 345.00 345KV C	1195	0.25103	118.0465	'CEDARDALE - MOORELAND 138KV CKT 1'
	FDNS	01ALL		0	13G	G11_020	'TO->FROM' NORTHWEST - TATONGA7 345.00 345KV C	1195	0.25103	118.0049	'CEDARDALE - OKEENE 138KV CKT 1'
	FDNS	01ALL		0	13G	G11_020	'TO->FROM' NORTHWEST - TATONGA7 345.00 345KV C	1195	0.24882	116.7041	'CORDELL - INDUSTRIAL PARK 69KV CKT 1'
	FDNS	01ALL		0	13G	G11_020	'TO->FROM' NORTHWEST - TATONGA7 345.00 345KV C	1195	0.25088	117.6094	'DOVER SW - OKEENE 138KV CKT 1'
	FDNS	01ALL		0	13G	G11_020	'TO->FROM' NORTHWEST - TATONGA7 345.00 345KV C	1195	0.24882	116.7393	'HAMON BUTLER - PUTNAM 69KV CKT 1'
	FDNS	01ALL		0	13G	G11_020	'TO->FROM' NORTHWEST - TATONGA7 345.00 345KV C	1195	0.25124	118.0085	'MOORELAND - NINE MILE 138KV CKT 1'
	FDNS	01ALL		0	13G	G11_020	'TO->FROM' NORTHWEST - TATONGA7 345.00 345KV C	1195	0.24957	116.9333	'MOREWOOD SW - RED HILLS WIND 138KV CKT 1'

EVENTTYPE	SOLUTIONTYPE	GROUP	SCENARIO	SEASON	SOURCE	DIRECTION	MONTH	COMMONNAME	RATEB	TDF	TC%LOADI	CONTNAME
	FDNS	01ALL	0	13G	G11_020	TO->FRON		NORTHWEST - TATONGA7 345.00 345KV C	1195	0.25124	117.9765	'MOREWOOD SW - NINE MILE 138KV CKT 1'
	FDNS	01ALL	0	13G	G11_020	TO->FRON		NORTHWEST - TATONGA7 345.00 345KV C	1195	0.24883	116.5814	'OKEENE - WATONGA SW 69KV CKT 1'
	FDNS	01ALL	0	13G	G11_020	TO->FRON		NORTHWEST - TATONGA7 345.00 345KV C	1195	0.24882	116.7598	'PUTNAM - TALOGA 69KV CKT 1'
	FDNS	01ALL	0	13G	G11_020	TO->FRON		NORTHWEST - TATONGA7 345.00 345KV C	1195	0.24928	116.5828	'G11_012T 230.00 - HITCHLAND INTERCHANGE 230KV CKT 1'
	FDNS	01ALL	0	13G	G11_020	TO->FRON		NORTHWEST - TATONGA7 345.00 345KV C	1195	0.25979	120.1252	'FINNEY SWITCHING STATION - Hitchland Interchange 345KV CKT 1'
	FDNS	01ALL	0	13G	G11_020	TO->FRON		NORTHWEST - TATONGA7 345.00 345KV C	1195	0.25269	117.1917	'Hitchland Interchange - POTTER COUNTY INTERCHANGE 345KV CKT 1'
	FDNS	01ALL	0	13G	G11_020	TO->FRON		NORTHWEST - TATONGA7 345.00 345KV C	1195	0.25737	118.705	'BEAVER CO 345.00 - Hitchland Interchange 345KV CKT 1'
	FDNS	01ALL	0	13G	G11_020	TO->FRON		NORTHWEST - TATONGA7 345.00 345KV C	1195	0.24928	116.6679	'G11_012T 230.00 - MOORE COUNTY INTERCHANGE 230KV CKT 1'
	FDNS	01ALL	0	13G	G11_020	TO->FRON		NORTHWEST - TATONGA7 345.00 345KV C	1195	0.24903	117.6227	'GRAPEVINE INTERCHANGE - STATELINE INTERCHANGE 230KV CKT 1'
	FDNS	01ALL	0	13G	G11_020	TO->FRON		NORTHWEST - TATONGA7 345.00 345KV C	1195	0.24871	117.5993	'GRAPEVINE INTERCHANGE - NICHOLS STATION 230KV CKT 1'
	FDNS	01ALL	0	13G	G11_020	TO->FRON		NORTHWEST - TATONGA7 345.00 345KV C	1195	0.24841	116.6814	'MCCLELLAN SUB - MCLEAN RURAL SUB 115KV CKT 1'
	FDNS	01ALL	0	13G	G11_020	TO->FRON		NORTHWEST - TATONGA7 345.00 345KV C	1195	0.24841	116.7016	'KIRBY SWITCHING STATION - MCCLELLAN SUB 115KV CKT 1'
	FDNS	01ALL	0	13G	G11_020	TO->FRON		NORTHWEST - TATONGA7 345.00 345KV C	1195	0.25979	121.4094	'FINNEY SWITCHING STATION - HOLCOMB 345KV CKT 1'
	FDNS	01ALL	0	13G	G11_020	TO->FRON		NORTHWEST - TATONGA7 345.00 345KV C	1195	0.24854	116.6265	'BUFFALO 230.00 - DEAF SMITH COUNTY INTERCHANGE 230KV CKT 1'
	FDNS	01ALL	0	13G	G11_020	TO->FRON		NORTHWEST - TATONGA7 345.00 345KV C	1195	0.24832	116.6928	'G07-48T 230.00 - SWISHER COUNTY INTERCHANGE 230KV CKT 1'
	FDNS	01ALL	0	13G	G11_020	TO->FRON		NORTHWEST - TATONGA7 345.00 345KV C	1195	0.24871	116.794	'KNOLL 230 - SMOKYHL6 230.00 230KV CKT 1'
	FDNS	01ALL	0	13G	G11_020	TO->FRON		NORTHWEST - TATONGA7 345.00 345KV C	1195	0.25182	119.434	'G11-17T 345.00 - POST ROCK 345KV CKT 1'
	FDNS	01ALL	0	13G	G11_020	TO->FRON		NORTHWEST - TATONGA7 345.00 345KV C	1195	0.25105	118.0478	'AXTELL - POST ROCK 345KV CKT 1'
	FDNS	01ALL	0	13G	G11_020	TO->FRON		NORTHWEST - TATONGA7 345.00 345KV C	1195	0.24871	117.2003	'SMOKYHL6 230.00 - SUMMIT 230KV CKT 1'
	FDNS	01ALL	0	13G	G11_020	TO->FRON		NORTHWEST - TATONGA7 345.00 345KV C	1195	0.25105	117.826	'HOLCOMB - SETAB 345KV CKT 1'
	FDNS	01ALL	0	13G	G11_020	TO->FRON		NORTHWEST - TATONGA7 345.00 345KV C	1195	0.24883	116.754	'BUCKNER7 345.00 - HOLCOMB 345KV CKT 1'
	FDNS	01ALL	0	13G	G11_020	TO->FRON		NORTHWEST - TATONGA7 345.00 345KV C	1195	0.25187	118.7018	'MINGO - SETAB 345KV CKT 1'
	FDNS	01ALL	0	13G	G11_020	TO->FRON		NORTHWEST - TATONGA7 345.00 345KV C	1195	0.25247	118.592	'MINGO - RED WILLOW 345KV CKT 1'
	FDNS	01ALL	0	13G	G11_020	TO->FRON		NORTHWEST - TATONGA7 345.00 345KV C	1195	0.24883	117.3745	'BUCKNER7 345.00 - SPEARVILLE 345KV CKT 1'
	FDNS	01ALL	0	13G	G11_020	TO->FRON		NORTHWEST - TATONGA7 345.00 345KV C	1195	0.25182	118.964	'G11-17T 345.00 - SPEARVILLE 345KV CKT 1'
CONT-040	FDNS	01ALL	0	13G	G11_020	TO->FRON		NORTHWEST - TATONGA7 345.00 345KV C	1195	0.2485	117.349	'HOYT - JEFFREY ENERGY CENTER 345KV CKT 1'
CONT-080	FDNS	01ALL	0	13G	G11_020	TO->FRON		NORTHWEST - TATONGA7 345.00 345KV C	1195	0.24856	117.0824	'HOYT - STRANGER CREEK 345KV CKT 1'
	FDNS	01ALL	0	13G	G11_020	TO->FRON		NORTHWEST - TATONGA7 345.00 345KV C	1195	0.24885	116.6444	'EMPORIA ENERGY CENTER - SWISSVALE 345KV CKT 1'
	FDNS	01ALL	0	13G	G11_020	TO->FRON		NORTHWEST - TATONGA7 345.00 345KV C	1195	0.24954	116.8456	'EMPORIA ENERGY CENTER - WICHITA 345KV CKT 1'
	FDNS	01ALL	0	13G	G11_020	TO->FRON		NORTHWEST - TATONGA7 345.00 345KV C	1195	0.24896	116.9381	'SWISSVALE - WEST GARDNER 345KV CKT 1'
	FDNS	01ALL	0	13G	G11_020	TO->FRON		NORTHWEST - TATONGA7 345.00 345KV C	1195	0.24995	117.1721	'CANEYRV7 345.00 - NEOSHO 345KV CKT 1'
	FDNS	01ALL	0	13G	G11_020	TO->FRON		NORTHWEST - TATONGA7 345.00 345KV C	1195	0.24995	117.0531	'CANEYRV7 345.00 - LATHAMS7 345.00 345KV CKT 1'
	FDNS	01ALL	0	13G	G11_020	TO->FRON		NORTHWEST - TATONGA7 345.00 345KV C	1195	0.25155	117.0533	'BENTON - ROSE HILL 345KV CKT 1'
	FDNS	01ALL	0	13G	G11_020	TO->FRON		NORTHWEST - TATONGA7 345.00 345KV C	1195	0.25473	118.6613	'BENTON - WICHITA 345KV CKT 1'
CONT-LaC	FDNS	01ALL	0	13G	G11_020	TO->FRON		NORTHWEST - TATONGA7 345.00 345KV C	1195	0.24822	116.8784	'LACYGNE - NEOSHO 345KV CKT 1'
	FDNS	01ALL	0	13G	G11_020	TO->FRON		NORTHWEST - TATONGA7 345.00 345KV C	1195	0.24995	116.812	'LATHAMS7 345.00 - ROSE HILL 345KV CKT 1'
	FDNS	01ALL	0	13G	G11_020	TO->FRON		NORTHWEST - TATONGA7 345.00 345KV C	1195	0.25228	114.7885	'VIOLA 7 345.00 - WICHITA 345KV CKT 1'
	FDNS	01ALL	0	13G	G11_020	TO->FRON		NORTHWEST - TATONGA7 345.00 345KV C	1195	0.26321	123.7136	'THISTLE7 345.00 - WICHITA 345KV CKT 1'
	FDNS	01ALL	0	13G	G11_020	TO->FRON		NORTHWEST - TATONGA7 345.00 345KV C	1195	0.26321	123.7136	'THISTLE7 345.00 - WICHITA 345KV CKT 2'
	FDNS	01ALL	0	13G	G11_020	TO->FRON		NORTHWEST - TATONGA7 345.00 345KV C	1195	0.24866	116.9111	'ANDERSONCO 345.00 - WOLF CREEK 345KV CKT 1'
	FDNS	01ALL	0	13G	G11_020	TO->FRON		NORTHWEST - TATONGA7 345.00 345KV C	1195	0.2488	116.9847	'CIRCLE - MULLERGREN 230KV CKT 1'
	FDNS	01ALL	0	13G	G11_020	TO->FRON		NORTHWEST - TATONGA7 345.00 345KV C	1195	0.24935	116.8078	'CLEARWATER - GILL ENERGY CENTER WEST 138KV CKT 1'
INVALID	FDNS	01ALL	0	13G	G11_020	TO->FRON		NORTHWEST - TATONGA7 345.00 345KV C	1195	0.24935	116.8716	'CLEARWATER - MILAN TAP 138KV CKT 1'
INVALID	FDNS	01ALL	0	13G	G11_020	TO->FRON		NORTHWEST - TATONGA7 345.00 345KV C	1195	0.24935	117.0802	'FLATRDG3 - HARPER 138KV CKT 1'
	FDNS	01ALL	0	13G	G11_020	TO->FRON		NORTHWEST - TATONGA7 345.00 345KV C	1195	0.24951	116.8683	'FLATRDG3 - THISTLE4 138.00 138KV CKT 1'
INVALID	FDNS	01ALL	0	13G	G11_020	TO->FRON		NORTHWEST - TATONGA7 345.00 345KV C	1195	0.24935	116.9694	'HARPER - MILAN TAP 138KV CKT 1'

EVENTTYPE	SOLUTIONTYPE	GROUP	SCENARIO	SEASON	SOURCE	DIRECTION	MONTCOMMONNAME	RATEB	TDF	TC%LOAD	CONTNAME
	FDNS	01ALL	0	13G	G11_020	'TO->FRON	'NORTHWEST - TATONGA7 345.00 345KV C	1195	0.25907	119.7743	'SPP-SWPS-01'
	FDNS	01ALL	0	13G	G11_020	'TO->FRON	'NORTHWEST - TATONGA7 345.00 345KV C	1195	0.24908	117.9085	'SPP-SWPS-03'
	FDNS	01ALL	0	13G	G11_020	'TO->FRON	'NORTHWEST - TATONGA7 345.00 345KV C	1195	0.25269	117.0515	'SPP-SWPS-04'
	FDNS	01ALL	0	13G	G11_020	'TO->FRON	'NORTHWEST - TATONGA7 345.00 345KV C	1195	0.25979	120.1512	'SPP-SWPS-05'
	FDNS	01ALL	0	13G	G11_020	'TO->FRON	'NORTHWEST - TATONGA7 345.00 345KV C	1195	0.24932	116.6127	'SPP-SWPS-K31'
	FDNS	01ALL	0	13G	G11_020	'TO->FRON	'NORTHWEST - TATONGA7 345.00 345KV C	1195	0.24841	116.6189	'SPP-SWPS-T54'
	FDNS	01ALL	0	13G	G11_020	'TO->FRON	'NORTHWEST - TATONGA7 345.00 345KV C	1195	0.24935	116.9065	'SPP-MKEC-05'
	FDNS	01ALL	0	13G	G11_020	'TO->FRON	'NORTHWEST - TATONGA7 345.00 345KV C	1195	0.24967	117.243	'SPP-MKEC-08'
	FDNS	01ALL	0	13G	G11_020	'TO->FRON	'NORTHWEST - TATONGA7 345.00 345KV C	1195	0.24935	116.9114	'SPP-WEPL-03'
	FDNS	01ALL	0	13G	G11_020	'TO->FRON	'NORTHWEST - TATONGA7 345.00 345KV C	1195	0.24935	116.8814	'SPP-WEPL-03A'
	FDNS	01ALL	0	13G	G11_020	'TO->FRON	'NORTHWEST - TATONGA7 345.00 345KV C	1195	0.24851	115.5796	'SPP-WERE-07C'
	FDNS	01ALL	0	13G	G11_020	'TO->FRON	'NORTHWEST - TATONGA7 345.00 345KV C	1195	0.24852	117.4027	'WRTOD400'
	FDNS	01ALL	0	13G	G11_020	'TO->FRON	'NORTHWEST - TATONGA7 345.00 345KV C	1195	0.24797	115.5681	'AI12'
	FDNS	01ALL	0	13G	G11_020	'TO->FRON	'NORTHWEST - TATONGA7 345.00 345KV C	1195	0.24816	115.8271	'AMRN_OUT55'
	FDNS	01ALL	0	13G	G11_020	'TO->FRON	'NORTHWEST - TATONGA7 345.00 345KV C	1195	0.24831	115.8949	'MTGY-OVER-5'
	FDNS	01NR	0	13G	G11_020	'TO->FRON	'NORTHWEST - TATONGA7 345.00 345KV C	1195	0.31894	102.6667	'BASE CASE'
CONT-TOD	FDNS	01NR	0	13G	G11_020	'TO->FRON	'NORTHWEST - TATONGA7 345.00 345KV C	1195	0.31897	102.9861	'DOLET HILLS - SOUTHWEST SHREVEPORT 345KV CKT 1'
INVALID	FDNS	01NR	0	13G	G11_020	'TO->FRON	'NORTHWEST - TATONGA7 345.00 345KV C	1195	0.3191	102.1413	'FLINT CREEK - SILOAM SPRINGS TAP 345KV CKT 1'
	FDNS	01NR	0	13G	G11_020	'TO->FRON	'NORTHWEST - TATONGA7 345.00 345KV C	1195	0.31982	102.076	'FLINT CREEK - SUB 383 - MONETT 345KV CKT 1'
	FDNS	01NR	0	13G	G11_020	'TO->FRON	'NORTHWEST - TATONGA7 345.00 345KV C	1195	0.31968	101.9384	'CHAMBER SPRINGS - CLARKSVILLE 345KV CKT 1'
	FDNS	01NR	0	13G	G11_020	'TO->FRON	'NORTHWEST - TATONGA7 345.00 345KV C	1195	0.31901	102.2331	'LYDIA - WELSH 345KV CKT 1'
	FDNS	01NR	0	13G	G11_020	'TO->FRON	'NORTHWEST - TATONGA7 345.00 345KV C	1195	0.31924	100.6435	'LYDIA - VALLIANT 345KV CKT 1'
INVALID	FDNS	01NR	0	13G	G11_020	'TO->FRON	'NORTHWEST - TATONGA7 345.00 345KV C	1195	0.31894	101.4889	'EASTDC - WELSH 345KV CKT 1'
	FDNS	01NR	0	13G	G11_020	'TO->FRON	'NORTHWEST - TATONGA7 345.00 345KV C	1195	0.32004	102.3478	'CLARKSVILLE - MUSKOGEE 345KV CKT 1'
	FDNS	01NR	0	13G	G11_020	'TO->FRON	'NORTHWEST - TATONGA7 345.00 345KV C	1195	0.31867	101.3262	'REDBUD - RIVERSIDE STATION 345KV CKT 1'
	FDNS	01NR	0	13G	G11_020	'TO->FRON	'NORTHWEST - TATONGA7 345.00 345KV C	1195	0.32246	100.9492	'DELAWARE - NORTHEAST STATION 345KV CKT 1'
	FDNS	01NR	0	13G	G11_020	'TO->FRON	'NORTHWEST - TATONGA7 345.00 345KV C	1195	0.32227	101.7076	'DELAWARE - NEOSHO 345KV CKT 1'
	FDNS	01NR	0	13G	G11_020	'TO->FRON	'NORTHWEST - TATONGA7 345.00 345KV C	1195	0.31928	102.3807	'BARTLESVILLE SOUTHEAST - NORTH BARTLESVILLE 138KV CKT 1'
	FDNS	01NR	0	13G	G11_020	'TO->FRON	'NORTHWEST - TATONGA7 345.00 345KV C	1195	0.31928	102.3899	'COFFEYVILLE TAP - NORTH BARTLESVILLE 138KV CKT 1'
	FDNS	01NR	0	13G	G11_020	'TO->FRON	'NORTHWEST - TATONGA7 345.00 345KV C	1195	0.31942	101.7683	'PITTSBURG - VALLIANT 345KV CKT 1'
	FDNS	01NR	0	13G	G11_020	'TO->FRON	'NORTHWEST - TATONGA7 345.00 345KV C	1195	0.31938	101.6396	'PITTSBURG - SEMINOLE 345KV CKT 1'
	FDNS	01NR	0	13G	G11_020	'TO->FRON	'NORTHWEST - TATONGA7 345.00 345KV C	1195	0.32029	102.9647	'HINTON - WEATHERFORD JCT. 138KV CKT 1'
	FDNS	01NR	0	13G	G11_020	'TO->FRON	'NORTHWEST - TATONGA7 345.00 345KV C	1195	0.32109	103.4811	'CLINTON AIR FORCE BASE TAP - ELK CITY 138KV CKT 1'
	FDNS	01NR	0	13G	G11_020	'TO->FRON	'NORTHWEST - TATONGA7 345.00 345KV C	1195	0.32109	103.4454	'CLINTON AIR FORCE BASE TAP - HOBART JUNCTION 138KV CKT 1'
INVALID	FDNS	01NR	0	13G	G11_020	'TO->FRON	'NORTHWEST - TATONGA7 345.00 345KV C	1195	0.34536	112.1356	'LAWTON EASTSIDE - OKLAUNION 345KV CKT 1'
	FDNS	01NR	0	13G	G11_020	'TO->FRON	'NORTHWEST - TATONGA7 345.00 345KV C	1195	0.34536	105.7948	'OKLAUNION - TUCO INTERCHANGE 345KV CKT 1'
	FDNS	01NR	0	13G	G11_020	'TO->FRON	'NORTHWEST - TATONGA7 345.00 345KV C	1195	0.32255	103.7389	'CLINTON JUNCTION - ELK CITY 138KV CKT 1'
	FDNS	01NR	0	13G	G11_020	'TO->FRON	'NORTHWEST - TATONGA7 345.00 345KV C	1195	0.32031	103.3669	'ELK CITY - RED HILLS WIND 138KV CKT 1'
	FDNS	01NR	0	13G	G11_020	'TO->FRON	'NORTHWEST - TATONGA7 345.00 345KV C	1195	0.32053	103.6244	'LAWTON EASTSIDE - SUNNYSIDE 345KV CKT 1'
	FDNS	01NR	0	13G	G11_020	'TO->FRON	'NORTHWEST - TATONGA7 345.00 345KV C	1195	0.32097	101.7129	'GRACEMONT - LAWTON EASTSIDE 345KV CKT 1'
	FDNS	01NR	0	13G	G11_020	'TO->FRON	'NORTHWEST - TATONGA7 345.00 345KV C	1195	0.32029	103.0508	'WEATHERFORD JCT. - WEATHERFORD SOUTHEAST 138KV CKT 1'
	FDNS	01NR	0	13G	G11_020	'TO->FRON	'NORTHWEST - TATONGA7 345.00 345KV C	1195	0.32337	104.6152	'ELK CITY 230KV - SWEETWATER 230KV CKT 1'
	FDNS	01NR	0	13G	G11_020	'TO->FRON	'NORTHWEST - TATONGA7 345.00 345KV C	1195	0.31971	102.9592	'WEATHERFORD SOUTHEAST - WEATHERFORD TAP 138KV CKT 1'
	FDNS	01NR	0	13G	G11_020	'TO->FRON	'NORTHWEST - TATONGA7 345.00 345KV C	1195	0.31971	103.0298	'WEATHERFORD TAP - WEATHERFORD WIND FARM 138KV CKT 1'
	FDNS	01NR	0	13G	G11_020	'TO->FRON	'NORTHWEST - TATONGA7 345.00 345KV C	1195	0.32337	102.6677	'STATELINE INTERCHANGE - SWEETWATER 230KV CKT &1'
	FDNS	01NR	0	13G	G11_020	'TO->FRON	'NORTHWEST - TATONGA7 345.00 345KV C	1195	0.3197	103.0249	'MCLEAN RURAL SUB - SHAMROCK 115KV CKT 1'
INVALID	FDNS	01NR	0	13G	G11_020	'TO->FRON	'NORTHWEST - TATONGA7 345.00 345KV C	1195	0.3191	102.0037	'GRDA1 - SILOAM SPRINGS TAP 345KV CKT 1'
	FDNS	01NR	0	13G	G11_020	'TO->FRON	'NORTHWEST - TATONGA7 345.00 345KV C	1195	0.31858	102.3359	'CLEVELAND - SOONER 345KV CKT 1'
	FDNS	01NR	0	13G	G11_020	'TO->FRON	'NORTHWEST - TATONGA7 345.00 345KV C	1195	0.3213	102.9979	'HENESSEY - WAUKOMIS 138KV CKT 1'
	FDNS	01NR	0	13G	G11_020	'TO->FRON	'NORTHWEST - TATONGA7 345.00 345KV C	1195	0.32003	102.9567	'MARSHALL - WOODRING 138KV CKT 1'
	FDNS	01NR	0	13G	G11_020	'TO->FRON	'NORTHWEST - TATONGA7 345.00 345KV C	1195	0.33119	103.6588	'HUNTERS7 345.00 - WOODRING 345KV CKT 1'

EVENTTYPE	SOLUTIONTYPE	GROUP	SCENARIO	SEASON	SOURCE	DIRECTION	MONTCOMMONNAME	RATEB	TDF	TC%LOADI	CONTNAME
	FDNS	01NR	0	13G	G11_020	TO->FRON	'NORTHWEST - TATONGA7 345.00 345KV C	1195	0.31982	102.0781	'BROOKLINE - SUB 383 - MONETT 345KV CKT 1'
	FDNS	01NR	0	13G	G11_020	TO->FRON	'NORTHWEST - TATONGA7 345.00 345KV C	1195	0.31967	103.3833	'AXTELL - PAULINE 345KV CKT 1'
	FDNS	01NR	0	13G	G11_020	TO->FRON	'NORTHWEST - TATONGA7 345.00 345KV C	1195	0.32058	102.9896	'GERALD GENTLEMAN STATION - RED WILLOW 345KV CKT 1'
	FDNS	01NR	0	13G	G11_020	TO->FRON	'NORTHWEST - TATONGA7 345.00 345KV C	1195	0.31908	103.0302	'GERALD GENTLEMAN STATION - SWEETWATER 345KV CKT 1'
	FDNS	01NR	0	13G	G11_020	TO->FRON	'NORTHWEST - TATONGA7 345.00 345KV C	1195	0.31924	103.0208	'GRAND ISLAND - MCCOOL 345KV CKT 1'
	FDNS	01NR	0	13G	G11_020	TO->FRON	'NORTHWEST - TATONGA7 345.00 345KV C	1195	0.31962	103.2927	'MOORE - PAULINE 345KV CKT 1'
	FDNS	01NR	0	13G	G11_020	TO->FRON	'NORTHWEST - TATONGA7 345.00 345KV C	1195	0.31962	103.6424	'GRAND ISLAND - SWEETWATER 345KV CKT 1'
	FDNS	01NR	0	13G	G11_020	TO->FRON	'NORTHWEST - TATONGA7 345.00 345KV C	1195	0.31906	102.9901	'MCADAMS - WOLF CREEK 500KV CKT 1'
	FDNS	01NR	0	13G	G11_020	TO->FRON	'NORTHWEST - TATONGA7 345.00 345KV C	1195	0.31898	102.9595	'7SAREPTA% 345.00 - ELDORADO EHV 345KV CKT 1'
	FDNS	01NR	0	13G	G11_020	TO->FRON	'NORTHWEST - TATONGA7 345.00 345KV C	1195	0.31898	102.9589	'ELDORADO EHV 500/345KV TRANSFORMER CKT 1'
	FDNS	01NR	0	13G	G11_020	TO->FRON	'NORTHWEST - TATONGA7 345.00 345KV C	1195	0.31912	102.3478	'ARKANSAS NUCLEAR ONE - MABELVALE 500 500KV CKT 1'
	FDNS	01NR	0	13G	G11_020	TO->FRON	'NORTHWEST - TATONGA7 345.00 345KV C	1195	0.3191	102.2552	'ARKANSAS NUCLEAR ONE - PLEASANT HILL 500KV CKT 1'
	FDNS	01NR	0	13G	G11_020	TO->FRON	'NORTHWEST - TATONGA7 345.00 345KV C	1195	0.31908	102.3857	'MAYFLOWER 500 - PLEASANT HILL 500KV CKT 1'
	FDNS	01NR	0	13G	G11_020	TO->FRON	'NORTHWEST - TATONGA7 345.00 345KV C	1195	0.31921	102.0931	'KEO EHV - WEST MEMPHIS 500 500KV CKT 1'
	FDNS	01NR	0	13G	G11_020	TO->FRON	'NORTHWEST - TATONGA7 345.00 345KV C	1195	0.31917	102.9521	'8HOLDN BTM% 500.00 - INDEPENDENCE 500KV CKT 1'
	FDNS	01NR	0	13G	G11_020	TO->FRON	'NORTHWEST - TATONGA7 345.00 345KV C	1195	0.31911	102.2368	'DELL 500 - INDEPENDENCE 500KV CKT 1'
	FDNS	01NR	0	13G	G11_020	TO->FRON	'NORTHWEST - TATONGA7 345.00 345KV C	1195	0.31923	102.3519	'7MCCREDIE 345.00 - 7MONTGMRY 345.00 345KV CKT 1'
	FDNS	01NR	0	13G	G11_020	TO->FRON	'NORTHWEST - TATONGA7 345.00 345KV C	1195	0.3191	103.2769	'STEGALL - STEGALL TRANSFORMER 230KV CKT 1'
	FDNS	01NR	0	13G	G11_020	TO->FRON	'NORTHWEST - TATONGA7 345.00 345KV C	1195	0.3191	103.2694	'STEGALL - STEGALL TY 345KV CKT 1'
	FDNS	01NR	0	13G	G11_020	TO->FRON	'NORTHWEST - TATONGA7 345.00 345KV C	1195	0.319	102.9624	'7SAREPTA% 345.00 - LONGWOOD 345KV CKT 1'
	FDNS	01NR	0	13G	G11_020	TO->FRON	'NORTHWEST - TATONGA7 345.00 345KV C	1195	0.32337	104.6104	'ELK CITY 230KV (ELKCTY-6) 230/138/13.8KV TRANSFORMER CKT 1'
	FDNS	01NR	0	13G	G11_020	TO->FRON	'NORTHWEST - TATONGA7 345.00 345KV C	1195	0.3197	103.0236	'SHAMROCK (SHAMRCK1) 115/69/14.4KV TRANSFORMER CKT 1'
	FDNS	01NR	0	13G	G11_020	TO->FRON	'NORTHWEST - TATONGA7 345.00 345KV C	1195	0.32054	103.2396	'WOODWARD (WOODWRD2) 138/69/13.2KV TRANSFORMER CKT 1'
	FDNS	01NR	0	13G	G11_020	TO->FRON	'NORTHWEST - TATONGA7 345.00 345KV C	1195	0.32015	103.2708	'KNOBHILL (KNOBHIL4) 138/69/13.2KV TRANSFORMER CKT 1'
	FDNS	01NR	0	13G	G11_020	TO->FRON	'NORTHWEST - TATONGA7 345.00 345KV C	1195	0.31823	101.7093	'NORTHWEST (NORTWST2) 345/138/13.8KV TRANSFORMER CKT 1'
	FDNS	01NR	0	13G	G11_020	TO->FRON	'NORTHWEST - TATONGA7 345.00 345KV C	1195	0.31829	101.9159	'NORTHWEST (NORTWST3) 345/138/13.8KV TRANSFORMER CKT 1'
	FDNS	01NR	0	13G	G11_020	TO->FRON	'NORTHWEST - TATONGA7 345.00 345KV C	1195	0.32277	102.2477	'WOODWARD DISTRICT EHV (WWDEHV) 345/138/13.8KV TRANSFORMER CKT 1'
	FDNS	01NR	0	13G	G11_020	TO->FRON	'NORTHWEST - TATONGA7 345.00 345KV C	1195	0.32276	102.1748	'WOODWARD DISTRICT EHV (WWDEHV-T2) 345/138/13.8KV TRANSFORMER CKT 2'
	FDNS	01NR	0	13G	G11_020	TO->FRON	'NORTHWEST - TATONGA7 345.00 345KV C	1195	0.3212	104.0456	'POTTER COUNTY INTERCHANGE (WAUK 90343-A) 345/230/13.2KV TRANSFORMER CKT 1'
	FDNS	01NR	0	13G	G11_020	TO->FRON	'NORTHWEST - TATONGA7 345.00 345KV C	1195	0.32032	103.1578	'THISTLE7 345.00 (THISTLE T1) 345/138/13.8KV TRANSFORMER CKT 1'
	FDNS	01NR	0	13G	G11_020	TO->FRON	'NORTHWEST - TATONGA7 345.00 345KV C	1195	0.31917	102.2747	'8BBHAM STEEL 500.00 - WEST MEMPHIS 500 500KV CKT 1'
	FDNS	01NR	0	13G	G11_020	TO->FRON	'NORTHWEST - TATONGA7 345.00 345KV C	1195	0.44523	137.1483	'DBL-THIS-WWR'
	FDNS	01NR	0	13G	G11_020	TO->FRON	'NORTHWEST - TATONGA7 345.00 345KV C	1195	0.32026	102.3987	'DBL-THIS-CLR'
	FDNS	01NR	0	13G	G11_020	TO->FRON	'NORTHWEST - TATONGA7 345.00 345KV C	1195	0.31924	100.6348	'SPP-AEPW-01'
	FDNS	01NR	0	13G	G11_020	TO->FRON	'NORTHWEST - TATONGA7 345.00 345KV C	1195	0.34536	106.8971	'SPP-AEPW-32'
	FDNS	01NR	0	13G	G11_020	TO->FRON	'NORTHWEST - TATONGA7 345.00 345KV C	1195	0.31912	101.9977	'GRDA-OPGD-05'
	FDNS	01NR	0	13G	G11_020	TO->FRON	'NORTHWEST - TATONGA7 345.00 345KV C	1195	0.31929	102.3399	'KCPL-MSL#03'
	FDNS	01NR	0	13G	G11_020	TO->FRON	'NORTHWEST - TATONGA7 345.00 345KV C	1195	0.31908	102.9573	'KCPL-OPGD06A'
	FDNS	01NR	0	13G	G11_020	TO->FRON	'NORTHWEST - TATONGA7 345.00 345KV C	1195	0.3191	103.2763	'TRF-STEGALL'
	FDNS	01NR	0	13G	G11_020	TO->FRON	'NORTHWEST - TATONGA7 345.00 345KV C	1195	0.32161	102.999	'OGE3TERM1'
	FDNS	01NR	0	13G	G11_020	TO->FRON	'NORTHWEST - TATONGA7 345.00 345KV C	1195	0.32051	102.1472	'OGE3TERM7'
	FDNS	01NR	0	13G	G11_020	TO->FRON	'NORTHWEST - TATONGA7 345.00 345KV C	1195	0.31877	102.2836	'OGE3TERM14'
	FDNS	01NR	0	13G	G11_020	TO->FRON	'NORTHWEST - TATONGA7 345.00 345KV C	1195	0.31894	102.6667	'NC1_GEN-NEBRASKA CITY 1'

EVENTYPE	SOLUTIONTYPE	GROUP	SCENARIO	SEASON	SOURCE	DIRECTION	MONTH	COMMONNAME	RATEB	TDF	TC%LOADI	CONTNAME
	FDNS	01NR		0	13G	G11_020		'TO->FRON'NORTHWEST - TATONGA7 345.00 345KV	1195	0.34546	105.9169	'SPP-SWPS-01'
	FDNS	01NR		0	13G	G11_020		'TO->FRON'NORTHWEST - TATONGA7 345.00 345KV	1195	0.32337	104.6152	'SPP-SWPS-02A'
	FDNS	01NR		0	13G	G11_020		'TO->FRON'NORTHWEST - TATONGA7 345.00 345KV	1195	0.32354	104.3006	'SPP-SWPS-03'
	FDNS	01NR		0	13G	G11_020		'TO->FRON'NORTHWEST - TATONGA7 345.00 345KV	1195	0.3212	103.1731	'SPP-SWPS-04'
	FDNS	01NR		0	13G	G11_020		'TO->FRON'NORTHWEST - TATONGA7 345.00 345KV	1195	0.33105	105.2576	'SPP-SWPS-05'
	FDNS	01NR		0	13G	G11_020		'TO->FRON'NORTHWEST - TATONGA7 345.00 345KV	1195	0.31955	102.9587	'SPP-SWPS-K31'
	FDNS	01NR		0	13G	G11_020		'TO->FRON'NORTHWEST - TATONGA7 345.00 345KV	1195	0.3197	103.0147	'SPP-SWPS-T54'
	FDNS	01NR		0	13G	G11_020		'TO->FRON'NORTHWEST - TATONGA7 345.00 345KV	1195	0.32038	103.2372	'SPP-MKEC-05'
	FDNS	01NR		0	13G	G11_020		'TO->FRON'NORTHWEST - TATONGA7 345.00 345KV	1195	0.32061	103.5242	'SPP-MKEC-08'
	FDNS	01NR		0	13G	G11_020		'TO->FRON'NORTHWEST - TATONGA7 345.00 345KV	1195	0.32038	103.2416	'SPP-WEPL-03'
	FDNS	01NR		0	13G	G11_020		'TO->FRON'NORTHWEST - TATONGA7 345.00 345KV	1195	0.32038	103.2412	'SPP-WEPL-03A'
	FDNS	01NR		0	13G	G11_020		'TO->FRON'NORTHWEST - TATONGA7 345.00 345KV	1195	0.32051	102.0792	'SPP-WERE-07C'
	FDNS	01NR		0	13G	G11_020		'TO->FRON'NORTHWEST - TATONGA7 345.00 345KV	1195	0.31923	102.9478	'SPP-WERE-91'
	FDNS	01NR		0	13G	G11_020		'TO->FRON'NORTHWEST - TATONGA7 345.00 345KV	1195	0.31942	103.7823	'WRTOD400'
	FDNS	01NR		0	13G	G11_020		'TO->FRON'NORTHWEST - TATONGA7 345.00 345KV	1195	0.31982	102.0771	'A112'
	FDNS	01NR		0	13G	G11_020		'TO->FRON'NORTHWEST - TATONGA7 345.00 345KV	1195	0.31917	102.271	'AMRN_OUT55'
	FDNS	01NR		0	13G	G11_020		'TO->FRON'NORTHWEST - TATONGA7 345.00 345KV	1195	0.31929	102.3399	'MTGY-OVER-5'
	FDNS	01NR		0	13G	G11_020		'TO->FRON'NORTHWEST - TATONGA7 345.00 345KV	1195	0.31898	102.9595	'A222'
	FDNS	01NR		0	13G	G11_020		'TO->FRON'NORTHWEST - TATONGA7 345.00 345KV	1195	0.31894	102.9781	'GEN300003 1-THOMAS HILL UNIT 3'
	FDNS	01NR		0	13G	G11_020		'TO->FRON'NORTHWEST - TATONGA7 345.00 345KV	1195	0.31894	103.7985	'GEN300006 1-NEW MADRID UNIT 1'
	FDNS	01NR		0	13G	G11_020		'TO->FRON'NORTHWEST - TATONGA7 345.00 345KV	1195	0.31894	103.7914	'GEN300007 1-NEW MADRID UNIT 2'
	FDNS	01NR		0	13G	G11_020		'TO->FRON'NORTHWEST - TATONGA7 345.00 345KV	1195	0.31894	103.0613	'GEN300016 1-1G1PDEL 18.000'
	FDNS	01NR		0	13G	G11_020		'TO->FRON'NORTHWEST - TATONGA7 345.00 345KV	1195	0.31894	103.2727	'GEN300020 1-1CHOTCT4 16.000'
	FDNS	01NR		0	13G	G11_020		'TO->FRON'NORTHWEST - TATONGA7 345.00 345KV	1195	0.31894	103.2728	'GEN300021 1-1CHOTCT5 16.000'
	FDNS	01NR		0	13G	G11_020		'TO->FRON'NORTHWEST - TATONGA7 345.00 345KV	1195	0.31894	103.2961	'GEN300024 1-1CHOTST6 16.000'
	FDNS	01NR		0	13G	G11_020		'TO->FRON'NORTHWEST - TATONGA7 345.00 345KV	1195	0.31894	103.2959	'GEN300031 1-CHOUTEAU CTG 1'
	FDNS	01NR		0	13G	G11_020		'TO->FRON'NORTHWEST - TATONGA7 345.00 345KV	1195	0.31894	103.2727	'GEN300032 1-CHOUTEAU CTG 2'
	FDNS	01NR		0	13G	G11_020		'TO->FRON'NORTHWEST - TATONGA7 345.00 345KV	1195	0.31894	103.2727	'GEN300033 1-CHOUTEAU STG 3'
	FDNS	01NR		0	13G	G11_020		'TO->FRON'NORTHWEST - TATONGA7 345.00 345KV	1195	0.31894	103.3645	'GEN301380 1-1OSAGWIND 34.500'
	FDNS	01NR		0	13G	G11_020		'TO->FRON'NORTHWEST - TATONGA7 345.00 345KV	1195	0.31894	102.9594	'GEN303003 1-1BC1 U3'
	FDNS	01NR		0	13G	G11_020		'TO->FRON'NORTHWEST - TATONGA7 345.00 345KV	1195	0.31894	102.9594	'GEN303004 1-1BC1 U4'
	FDNS	01NR		0	13G	G11_020		'TO->FRON'NORTHWEST - TATONGA7 345.00 345KV	1195	0.31894	104.1922	'GEN303006 1-1BC2 U1'
	FDNS	01NR		0	13G	G11_020		'TO->FRON'NORTHWEST - TATONGA7 345.00 345KV	1195	0.31894	104.6648	'GEN303007 1-1BC2 U2'
	FDNS	01NR		0	13G	G11_020		'TO->FRON'NORTHWEST - TATONGA7 345.00 345KV	1195	0.31894	104.0708	'GEN303008 1-1BC2 U3'
	FDNS	01NR		0	13G	G11_020		'TO->FRON'NORTHWEST - TATONGA7 345.00 345KV	1195	0.31894	103.166	'GEN303024 1-1G3INTHB 18.000'
NCONV	FNSL-Blown up	02ALL		0	13G	G11_020		Non-Converged Contingency	1195	0.24219	89.21449	'NORTHWEST - TATONGA7 345.00 345KV CKT 1'
NCONV	FNSL-Blown up	02ALL		0	13G	G11_020		Non-Converged Contingency	1052	0.07451	65.83252	'FINNEY SWITCHING STATION - Hitchland Interchange 345KV CKT 1'
NCONV	FNSL-Blown up	02ALL		0	13G	G11_020		Non-Converged Contingency	1052	0.07451	70.96961	'FINNEY SWITCHING STATION - HOLCOMB 345KV CKT 1'
NCONV	FNSL-Blown up	02ALL		0	13G	G11_020		Non-Converged Contingency	0	0.07451	9999	'SPP-SWPS-05'
NCONV	FNSL-Blown up	03ALL		0	13G	G11_020		Non-Converged Contingency	1052	0.03131	20.1711	'OKLAUNION - TUCO INTERCHANGE 345KV CKT 1'
NCONV	FNSL-Blown up	03ALL		0	13G	G11_020		Non-Converged Contingency	1195	0.24042	78.9142	'NORTHWEST - TATONGA7 345.00 345KV CKT 1'
NCONV	FNSL-Blown up	03ALL		0	13G	G11_020		Non-Converged Contingency	1775	0.24042	47.56333	'TATONGA7 345.00 - WOODWARD DISTRICT EHV 345KV CKT 1'
NCONV	FNSL-Blown up	03ALL		0	13G	G11_020		Non-Converged Contingency	1052	0.06496	22.06532	'Hitchland Interchange - POTTER COUNTY INTERCHANGE 345KV CKT 1'
NCONV	FNSL-Blown up	03ALL		0	13G	G11_020		Non-Converged Contingency	1792	0.04859	49.45027	'G11-17T 345.00 - POST ROCK 345KV CKT 1'
NCONV	FNSL-Blown up	03ALL		0	13G	G11_020		Non-Converged Contingency	1792	0.04324	32.65164	'AXTELL - POST ROCK 345KV CKT 1'
NCONV	FNSL-Blown up	03ALL		0	13G	G11_020		Non-Converged Contingency	1328	0.04392	34.90823	'HOLCOMB - SETAB 345KV CKT 1'
NCONV	FNSL-Blown up	03ALL		0	13G	G11_020		Non-Converged Contingency	1328	0.04075	43.30291	'MINGO - SETAB 345KV CKT 1'
NCONV	FNSL-Blown up	03ALL		0	13G	G11_020		Non-Converged Contingency	717	0.04034	62.03905	'MINGO - RED WILLOW 345KV CKT 1'
NCONV	FNSL-Blown up	03ALL		0	13G	G11_020		Non-Converged Contingency	1792	0.04859	30.84333	'G11-17T 345.00 - SPEARVILLE 345KV CKT 1'
NCONV	FNSL-Blown up	03ALL		0	13G	G11_020		Non-Converged Contingency	1051	0.04487	22.12694	'JEFFREY ENERGY CENTER - SUMMIT 345KV CKT 1'
NCONV	FNSL-Blown up	03ALL		0	13G	G11_020		Non-Converged Contingency	956	0.0602	26.72794	'EMPORIA ENERGY CENTER - WICHITA 345KV CKT 1'
NCONV	FNSL-Blown up	03ALL		0	13G	G11_020		Non-Converged Contingency	956	0.06951	62.98875	'BENTON - ROSE HILL 345KV CKT 1'
NCONV	FNSL-Blown up	03ALL		0	13G	G11_020		Non-Converged Contingency	1792	0.11995	43.40387	'THISTLE7 345.00 - WICHITA 345KV CKT 1'

EVENTTYPE	SOLUTIONTYPE	GROUP	SCENARIO	SEASON	SOURCE	DIRECTION	MONTCOMMONNAME	RATEB	TDF	TC%LOADI	CONTNAME	
	FDNS		1	0	13G	G11_020	'TO->FRON'	'NORTHWEST - TATONGA7 345.00 345KV C	1195	0.24716	97.3	'BASE CASE'
	FDNS		1	0	13G	G11_020	'TO->FRON'	'NORTHWEST - TATONGA7 345.00 345KV C	1195	0.24701	96.7	'FLINT CREEK - SUB 383 - MONETT 345KV CKT 1'
	FDNS		1	0	13G	G11_020	'TO->FRON'	'NORTHWEST - TATONGA7 345.00 345KV C	1195	0.24708	96.5	'CHAMBER SPRINGS - CLARKSVILLE 345KV CKT 1'
	FDNS		1	0	13G	G11_020	'TO->FRON'	'NORTHWEST - TATONGA7 345.00 345KV C	1195	0.24664	96.9	'LYDIA - WELSH 345KV CKT 1'
	FDNS		1	0	13G	G11_020	'TO->FRON'	'NORTHWEST - TATONGA7 345.00 345KV C	1195	0.24511	95.3	'LYDIA - VALLIANT 345KV CKT 1'
	FDNS		1	0	13G	G11_020	'TO->FRON'	'NORTHWEST - TATONGA7 345.00 345KV C	1195	0.24731	96.9	'CLARKSVILLE - MUSKOGEE 345KV CKT 1'
	FDNS		1	0	13G	G11_020	'TO->FRON'	'NORTHWEST - TATONGA7 345.00 345KV C	1195	0.24429	96	'REDBUD - RIVERSIDE STATION 345KV CKT 1'
	FDNS		1	0	13G	G11_020	'TO->FRON'	'NORTHWEST - TATONGA7 345.00 345KV C	1195	0.24778	95.5	'DELAWARE - NORTHEAST STATION 345KV CKT 1'
	FDNS		1	0	13G	G11_020	'TO->FRON'	'NORTHWEST - TATONGA7 345.00 345KV C	1195	0.24771	96.3	'DELAWARE - NEOSHO 345KV CKT 1'
	FDNS		1	0	13G	G11_020	'TO->FRON'	'NORTHWEST - TATONGA7 345.00 345KV C	1195	0.24718	97	'BARTLESVILLE SOUTHEAST - NORTH BARTLESVILLE 138KV CKT 1'
	FDNS		1	0	13G	G11_020	'TO->FRON'	'NORTHWEST - TATONGA7 345.00 345KV C	1195	0.24718	97	'COFFEYVILLE TAP - NORTH BARTLESVILLE 138KV CKT 1'
	FDNS		1	0	13G	G11_020	'TO->FRON'	'NORTHWEST - TATONGA7 345.00 345KV C	1195	0.24622	96.4	'PITTSBURG - VALLIANT 345KV CKT 1'
	FDNS		1	0	13G	G11_020	'TO->FRON'	'NORTHWEST - TATONGA7 345.00 345KV C	1195	0.24581	96.3	'PITTSBURG - SEMINOLE 345KV CKT 1'
	FDNS		1	0	13G	G11_020	'TO->FRON'	'NORTHWEST - TATONGA7 345.00 345KV C	1195	0.24854	98.1	'CLINTON AIR FORCE BASE TAP - ELK CITY 138KV CKT 1'
	FDNS		1	0	13G	G11_020	'TO->FRON'	'NORTHWEST - TATONGA7 345.00 345KV C	1195	0.24854	98	'CLINTON AIR FORCE BASE TAP - HOBART JUNCTION 138KV CKT 1'
	FDNS		1	0	13G	G11_020	'TO->FRON'	'NORTHWEST - TATONGA7 345.00 345KV C	1195	0.25772	100.1442	'OKLAUNION - TUCO INTERCHANGE 345KV CKT 1'
	FDNS		1	0	13G	G11_020	'TO->FRON'	'NORTHWEST - TATONGA7 345.00 345KV C	1195	0.24903	98.3	'CLINTON JUNCTION - ELK CITY 138KV CKT 1'
	FDNS		1	0	13G	G11_020	'TO->FRON'	'NORTHWEST - TATONGA7 345.00 345KV C	1195	0.24862	98	'ELK CITY - RED HILLS WIND 138KV CKT 1'
	FDNS		1	0	13G	G11_020	'TO->FRON'	'NORTHWEST - TATONGA7 345.00 345KV C	1195	0.24838	98.2	'LAWTON EASTSIDE - SUNNYSIDE 345KV CKT 1'
	FDNS		1	0	13G	G11_020	'TO->FRON'	'NORTHWEST - TATONGA7 345.00 345KV C	1195	0.24652	96.4	'GRACEMONT - LAWTON EASTSIDE 345KV CKT 1'
	FDNS		1	0	13G	G11_020	'TO->FRON'	'NORTHWEST - TATONGA7 345.00 345KV C	1195	0.24768	97.6	'WEATHERFORD JCT. - WEATHERFORD SOUTHEAST 138KV CKT 1'
	FDNS		1	0	13G	G11_020	'TO->FRON'	'NORTHWEST - TATONGA7 345.00 345KV C	1195	0.24806	99.1	'ELK CITY 230KV - SWEETWATER 230KV CKT 1'
	FDNS		1	0	13G	G11_020	'TO->FRON'	'NORTHWEST - TATONGA7 345.00 345KV C	1195	0.24745	97.6	'WEATHERFORD SOUTHEAST - WEATHERFORD TAP 138KV CKT 1'
	FDNS		1	0	13G	G11_020	'TO->FRON'	'NORTHWEST - TATONGA7 345.00 345KV C	1195	0.24745	97.6	'WEATHERFORD TAP - WEATHERFORD WIND FARM 138KV CKT 1'
	FDNS		1	0	13G	G11_020	'TO->FRON'	'NORTHWEST - TATONGA7 345.00 345KV C	1195	0.24806	97.8	'STATELINE INTERCHANGE - SWEETWATER 230KV CKT &1'
	FDNS		1	0	13G	G11_020	'TO->FRON'	'NORTHWEST - TATONGA7 345.00 345KV C	1195	0.24746	97.6	'MCLEAN RURAL SUB - SHAMROCK 115KV CKT 1'
	FDNS		1	0	13G	G11_020	'TO->FRON'	'NORTHWEST - TATONGA7 345.00 345KV C	1195	0.2465	97	'CLEVELAND - SOONER 345KV CKT 1'
	FDNS		1	0	13G	G11_020	'TO->FRON'	'NORTHWEST - TATONGA7 345.00 345KV C	1195	0.24899	97.6	'HENESSEY - WAUKOMIS 138KV CKT 1'
	FDNS		1	0	13G	G11_020	'TO->FRON'	'NORTHWEST - TATONGA7 345.00 345KV C	1195	0.24777	97.6	'MARSHALL - WOODRING 138KV CKT 1'
	FDNS		1	0	13G	G11_020	'TO->FRON'	'NORTHWEST - TATONGA7 345.00 345KV C	1195	0.25114	98.3	'HUNTERS7 345.00 - WOODRING 345KV CKT 1'
	FDNS		1	0	13G	G11_020	'TO->FRON'	'NORTHWEST - TATONGA7 345.00 345KV C	1195	0.24801	97.6	'KNOBHILL - SALINE 69KV CKT 1'
	FDNS		1	0	13G	G11_020	'TO->FRON'	'NORTHWEST - TATONGA7 345.00 345KV C	1195	0.24754	96.8	'KILDARE4 - NEWKIRK4 138KV CKT 1'
	FDNS		1	0	13G	G11_020	'TO->FRON'	'NORTHWEST - TATONGA7 345.00 345KV C	1195	0.24742	96.9	'KILDARE4 - WHITE EAGLE 138KV CKT 1'
	FDNS		1	0	13G	G11_020	'TO->FRON'	'NORTHWEST - TATONGA7 345.00 345KV C	1195	0.24899	97.6	'DOVER SW - HENESSEY 138KV CKT 1'
	FDNS		1	0	13G	G11_020	'TO->FRON'	'NORTHWEST - TATONGA7 345.00 345KV C	1195	0.25114	99	'CLEO CORNER - GLASS MOUNTAIN 138KV CKT 1'
	FDNS		1	0	13G	G11_020	'TO->FRON'	'NORTHWEST - TATONGA7 345.00 345KV C	1195	0.25212	99	'CLEO CORNER - MEN TAP 138KV CKT 1'
	FDNS		1	0	13G	G11_020	'TO->FRON'	'NORTHWEST - TATONGA7 345.00 345KV C	1195	0.24919	97.6	'WOODWARD - WOODWARD EHV 138KV CKT 1'
	FDNS		1	0	13G	G11_020	'TO->FRON'	'NORTHWEST - TATONGA7 345.00 345KV C	1195	0.25912	100.0791	'FPL SWITCH - WOODWARD 138KV CKT 1'
	FDNS		1	0	13G	G11_020	'TO->FRON'	'NORTHWEST - TATONGA7 345.00 345KV C	1195	0.25225	98.4	'DEWEY - IODINE 138KV CKT 1'
	FDNS		1	0	13G	G11_020	'TO->FRON'	'NORTHWEST - TATONGA7 345.00 345KV C	1195	0.25449	100.5894	'DEWEY - SOUTHARD 138KV CKT 1'
	FDNS		1	0	13G	G11_020	'TO->FRON'	'NORTHWEST - TATONGA7 345.00 345KV C	1195	0.25114	99.1	'GLASS MOUNTAIN - MOORELAND 138KV CKT 1'
	FDNS		1	0	13G	G11_020	'TO->FRON'	'NORTHWEST - TATONGA7 345.00 345KV C	1195	0.25212	99	'IMO TAP - MEN TAP 138KV CKT 1'
	FDNS		1	0	13G	G11_020	'TO->FRON'	'NORTHWEST - TATONGA7 345.00 345KV C	1195	0.24808	97.9	'KNOBHILL - MOORELAND 138KV CKT 1'
	FDNS		1	0	13G	G11_020	'TO->FRON'	'NORTHWEST - TATONGA7 345.00 345KV C	1195	0.25225	98.5	'IODINE - WOODWARD EHV 138KV CKT 1'
	FDNS		1	0	13G	G11_020	'TO->FRON'	'NORTHWEST - TATONGA7 345.00 345KV C	1195	0.24612	95.5	'GRACEMONT - MINCO 345KV CKT 1'
	FDNS		1	0	13G	G11_020	'TO->FRON'	'NORTHWEST - TATONGA7 345.00 345KV C	1195	0.24936	96.1	'ROSE HILL - SOONER 345KV CKT 1'
	FDNS		1	0	13G	G11_020	'TO->FRON'	'NORTHWEST - TATONGA7 345.00 345KV C	1195	0.24754	96.7	'CRESWELL - MIDLTNT4 138.00 138KV CKT 1'
	FDNS		1	0	13G	G11_020	'TO->FRON'	'NORTHWEST - TATONGA7 345.00 345KV C	1195	0.25449	100.1005	'EL RENO - ROMAN NOSE 138KV CKT 1'
	FDNS		1	0	13G	G11_020	'TO->FRON'	'NORTHWEST - TATONGA7 345.00 345KV C	1195	0.25449	100.2886	'ROMAN NOSE - SOUTHARD 138KV CKT 1'
	FDNS		1	0	13G	G11_020	'TO->FRON'	'NORTHWEST - TATONGA7 345.00 345KV C	1195	0.24701	97	'NORTHWEST - PANTHER 138KV CKT 1'
	FDNS		1	0	13G	G11_020	'TO->FRON'	'NORTHWEST - TATONGA7 345.00 345KV C	1195	0.2395	96.7	'ARCADIA - NORTHWEST 345KV CKT 1'

EVENTTYPE	SOLUTIONTYPE	GROUP	SCENARIO	SEASON	SOURCE	DIRECTION	MONT	COMMONNAME	RATEB	TDF	TC%LOAD	CONTNAME
FDNS			1	0	13G	G11_020	TO->FRON	NORTHWEST - TATONGA7	345.00 345KV	1195	0.24716	'GEN523462 1-BLACKHAWK GEN #2'
FDNS			1	0	13G	G11_020	TO->FRON	NORTHWEST - TATONGA7	345.00 345KV	1195	0.24716	'GEN523815 1-LLANO ESTACADO WIND GEN'
FDNS			1	0	13G	G11_020	TO->FRON	NORTHWEST - TATONGA7	345.00 345KV	1195	0.24716	'GEN524286 1-CLR_3 0.6900'
FDNS			1	0	13G	G11_020	TO->FRON	NORTHWEST - TATONGA7	345.00 345KV	1195	0.24716	'GEN524295 1-SPNSPUR_WND134.500'
FDNS			1	0	13G	G11_020	TO->FRON	NORTHWEST - TATONGA7	345.00 345KV	1195	0.24716	'GEN524485 1-CAPROCK WIND GEN'
FDNS			1	0	13G	G11_020	TO->FRON	NORTHWEST - TATONGA7	345.00 345KV	1195	0.24716	'GEN524895 1-SAN JUAN MESA WIND GEN'
FDNS			1	0	13G	G11_020	TO->FRON	NORTHWEST - TATONGA7	345.00 345KV	1195	0.24716	'GEN525494 1-PLANT X GEN #4 20 KV'
FDNS			1	0	13G	G11_020	TO->FRON	NORTHWEST - TATONGA7	345.00 345KV	1195	0.24716	'GEN526331 1-JONES GEN #1 22 KV'
FDNS			1	0	13G	G11_020	TO->FRON	NORTHWEST - TATONGA7	345.00 345KV	1195	0.24716	'GEN526332 1-JONES GEN #2 21 KV'
FDNS			1	0	13G	G11_020	TO->FRON	NORTHWEST - TATONGA7	345.00 345KV	1195	0.24716	'GEN527161 1-MUSTANG GEN #1'
FDNS			1	0	13G	G11_020	TO->FRON	NORTHWEST - TATONGA7	345.00 345KV	1195	0.24716	'GEN527162 1-MUSTANG GEN #2'
FDNS			1	0	13G	G11_020	TO->FRON	NORTHWEST - TATONGA7	345.00 345KV	1195	0.24716	'GEN527163 1-MUSTANG GEN #3 22 KV'
FDNS			1	0	13G	G11_020	TO->FRON	NORTHWEST - TATONGA7	345.00 345KV	1195	0.24716	'GEN527882 1-CUNNINGHAM GEN #2 20 KV'
FDNS			1	0	13G	G11_020	TO->FRON	NORTHWEST - TATONGA7	345.00 345KV	1195	0.24716	'GEN527901 1-HOBBS PLANT #1 (CT)'
FDNS			1	0	13G	G11_020	TO->FRON	NORTHWEST - TATONGA7	345.00 345KV	1195	0.24716	'GEN527902 1-HOBBS PLANT #2 (CT)'
FDNS			1	0	13G	G11_020	TO->FRON	NORTHWEST - TATONGA7	345.00 345KV	1195	0.24716	'GEN527903 1-HOBBS PLANT #3 (ST)'
FDNS			1	0	13G	G11_020	TO->FRON	NORTHWEST - TATONGA7	345.00 345KV	1195	0.24716	'GEN528361 1-MADDOX GEN #1'
FDNS			1	0	13G	G11_020	TO->FRON	NORTHWEST - TATONGA7	345.00 345KV	1195	0.24716	'GEN531495 1-CNTRLPLWG1 0.6900'
FDNS			1	0	13G	G11_020	TO->FRON	NORTHWEST - TATONGA7	345.00 345KV	1195	0.24716	'GEN532651 1-JEFFREY ENERGY CENTER UNIT 1'
FDNS			1	0	13G	G11_020	TO->FRON	NORTHWEST - TATONGA7	345.00 345KV	1195	0.24716	'GEN532652 1-JEFFREY ENERGY CENTER UNIT 2'
FDNS			1	0	13G	G11_020	TO->FRON	NORTHWEST - TATONGA7	345.00 345KV	1195	0.24716	'GEN532653 1-JEFFREY ENERGY CENTER UNIT 3'
FDNS			1	0	13G	G11_020	TO->FRON	NORTHWEST - TATONGA7	345.00 345KV	1195	0.24716	'GEN532722 1-EVANS ENERGY CENTER UNIT 2'
FDNS			1	0	13G	G11_020	TO->FRON	NORTHWEST - TATONGA7	345.00 345KV	1195	0.24716	'GEN539670 4-JUDSON LARGE GENERATOR'
FDNS			1	0	13G	G11_020	TO->FRON	NORTHWEST - TATONGA7	345.00 345KV	1195	0.24716	'GEN539767 1-GRAY COUNTY WIND FARM'
FDNS			1	0	13G	G11_020	TO->FRON	NORTHWEST - TATONGA7	345.00 345KV	1195	0.24716	'GEN539945 1-FLATRWDWG1 0.6900'
FDNS			1	0	13G	G11_020	TO->FRON	NORTHWEST - TATONGA7	345.00 345KV	1195	0.24716	'GEN547649 1-ASBURY UNIT #1'
FDNS			1	0	13G	G11_020	TO->FRON	NORTHWEST - TATONGA7	345.00 345KV	1195	0.24716	'GEN549890 1-SOUTHWEST 1'
FDNS			1	0	13G	G11_020	TO->FRON	NORTHWEST - TATONGA7	345.00 345KV	1195	0.24716	'GEN549893 2-SOUTHWEST 2'
FDNS			1	0	13G	G11_020	TO->FRON	NORTHWEST - TATONGA7	345.00 345KV	1195	0.24716	'GEN560105 1-G08-22 0.6900'
FDNS			1	0	13G	G11_020	TO->FRON	NORTHWEST - TATONGA7	345.00 345KV	1195	0.24716	'GEN560121 1-G08-47 0.5750'
FDNS			1	0	13G	G11_020	TO->FRON	NORTHWEST - TATONGA7	345.00 345KV	1195	0.24716	'GEN560166 1-G07-48 0.6900'
FDNS			1	0	13G	G11_020	TO->FRON	NORTHWEST - TATONGA7	345.00 345KV	1195	0.24716	'GEN560173 1-G08-17 0.5750'
FDNS			1	0	13G	G11_020	TO->FRON	NORTHWEST - TATONGA7	345.00 345KV	1195	0.24716	'GEN560209 1-G07-40 0.5750'
FDNS			1	0	13G	G11_020	TO->FRON	NORTHWEST - TATONGA7	345.00 345KV	1195	0.24716	'GEN560238 1-G10-09 0.6900'
FDNS			1	0	13G	G11_020	TO->FRON	NORTHWEST - TATONGA7	345.00 345KV	1195	0.24716	'GEN560256 1-G10-14-1 0.6900'
FDNS			1	0	13G	G11_020	TO->FRON	NORTHWEST - TATONGA7	345.00 345KV	1195	0.24716	'GEN560257 1-G10-14-2 0.6900'
FDNS			1	0	13G	G11_020	TO->FRON	NORTHWEST - TATONGA7	345.00 345KV	1195	0.24716	'GEN560279 1-G08-18 0.6900'
FDNS			1	0	13G	G11_020	TO->FRON	NORTHWEST - TATONGA7	345.00 345KV	1195	0.24716	'GEN560286 1-G10-01-1WTG 0.6900'
FDNS			1	0	13G	G11_020	TO->FRON	NORTHWEST - TATONGA7	345.00 345KV	1195	0.24716	'GEN560287 1-G10-01-2WTG 0.6900'
FDNS			1	0	13G	G11_020	TO->FRON	NORTHWEST - TATONGA7	345.00 345KV	1195	0.24716	'GEN560329 1-G10-45 0.6900'
FDNS			1	0	13G	G11_020	TO->FRON	NORTHWEST - TATONGA7	345.00 345KV	1195	0.24716	'GEN560359 1-G08-51 0.6900'
FDNS			1	0	13G	G11_020	TO->FRON	NORTHWEST - TATONGA7	345.00 345KV	1195	0.24716	'GEN560371 1-G07-46 0.6900'
FDNS			1	0	13G	G11_020	TO->FRON	NORTHWEST - TATONGA7	345.00 345KV	1195	0.24716	'GEN560432 1-G08-124 0.6900'
FDNS			1	0	13G	G11_020	TO->FRON	NORTHWEST - TATONGA7	345.00 345KV	1195	0.24716	'GEN560522 1-G05-12 0.6900'
FDNS			1	0	13G	G11_020	TO->FRON	NORTHWEST - TATONGA7	345.00 345KV	1195	0.24716	'GEN560549 1-G06-06 0.6900'
FDNS			1	0	13G	G11_020	TO->FRON	NORTHWEST - TATONGA7	345.00 345KV	1195	0.24716	'GEN560585 1-G06-44-2 0.6000'
FDNS			1	0	13G	G11_020	TO->FRON	NORTHWEST - TATONGA7	345.00 345KV	1195	0.24716	'GEN560586 1-G06-44-3 0.6000'
FDNS			1	0	13G	G11_020	TO->FRON	NORTHWEST - TATONGA7	345.00 345KV	1195	0.24716	'GEN560592 1-G06-45 0.6000'
FDNS			1	0	13G	G11_020	TO->FRON	NORTHWEST - TATONGA7	345.00 345KV	1195	0.24716	'GEN560595 1-G06-47 0.6000'
FDNS			1	0	13G	G11_020	TO->FRON	NORTHWEST - TATONGA7	345.00 345KV	1195	0.24716	'GEN560659 1-G07-38 0.6900'
FDNS			1	0	13G	G11_020	TO->FRON	NORTHWEST - TATONGA7	345.00 345KV	1195	0.24716	'GEN560687 1-G11-007 0.5750'
FDNS			1	0	13G	G11_020	TO->FRON	NORTHWEST - TATONGA7	345.00 345KV	1195	0.24716	'GEN560693 1-G11-008-1 0.6900'
FDNS			1	0	13G	G11_020	TO->FRON	NORTHWEST - TATONGA7	345.00 345KV	1195	0.24716	'GEN560706 1-G11-010 0.6900'
FDNS			1	0	13G	G11_020	TO->FRON	NORTHWEST - TATONGA7	345.00 345KV	1195	0.24716	'GEN562014 1-G11_023_3 0.6900'
FDNS			1	0	13G	G11_020	TO->FRON	NORTHWEST - TATONGA7	345.00 345KV	1195	0.24716	'GEN562017 1-G11_022_3 0.6900'
FDNS			1	0	13G	G11_020	TO->FRON	NORTHWEST - TATONGA7	345.00 345KV	1195	0.24716	'GEN562020 1-G11_021_3 0.6900'

EVENTTYPE	SOLUTIONTYPE	GROUP	SCENARIO	SEASON	SOURCE	DIRECTION	MONTH	COMMONNAME	RATEB	TDF	TC%LOADI	CONTNAME
	FDNS		1	0	13G	G11_020		'TO->FRON' NORTHWEST - TATONGA7 345.00 345KV	1195	0.24716	96.9	'GEN562032 1-G11_017_3 0.6900'
	FDNS		1	0	13G	G11_020		'TO->FRON' NORTHWEST - TATONGA7 345.00 345KV	1195	0.24716	96.9	'GEN562035 1-G11_016_3 0.6900'
	FDNS		1	0	13G	G11_020		'TO->FRON' NORTHWEST - TATONGA7 345.00 345KV	1195	0.24716	96.5	'GEN562042 1-G11_014_3 0.6900'
	FDNS		1	0	13G	G11_020		'TO->FRON' NORTHWEST - TATONGA7 345.00 345KV	1195	0.24716	97	'GEN562049 1-G11_012_3 0.6900'
	FDNS		1	0	13G	G11_020		'TO->FRON' NORTHWEST - TATONGA7 345.00 345KV	1195	0.24716	96.8	'GEN640009 1-COOPER NUCLEAR STATION'
	FDNS		1	0	13G	G11_020		'TO->FRON' NORTHWEST - TATONGA7 345.00 345KV	1195	0.24716	96.1	'GEN640010 1-GERALD GENTLEMAN STATION UNIT 1'
	FDNS		1	0	13G	G11_020		'TO->FRON' NORTHWEST - TATONGA7 345.00 345KV	1195	0.24716	96.1	'GEN640011 2-GERALD GENTLEMAN STATION UNIT 2'
	FDNS		1	0	13G	G11_020		'TO->FRON' NORTHWEST - TATONGA7 345.00 345KV	1195	0.24716	97	'GEN641089 2-ENERGY CENTER 2'
	FDNS		1	0	13G	G11_020		'TO->FRON' NORTHWEST - TATONGA7 345.00 345KV	1195	0.24716	96.9	'GEN645001 1-FORT CALHOUN 1'
	FDNS		1	0	13G	G11_020		'TO->FRON' NORTHWEST - TATONGA7 345.00 345KV	1195	0.24716	96.8	'GEN645011 1-NEBRASKA CITY 1'
	FDNS		1	0	13G	G11_020		'TO->FRON' NORTHWEST - TATONGA7 345.00 345KV	1195	0.24716	96.8	'GEN645012 2-NEBRASKA CITY 2'
	FDNS		1	0	13G	G11_020		'TO->FRON' NORTHWEST - TATONGA7 345.00 345KV	1195	0.24716	96.9	'GEN659103 1-ANTELOPE VALLEY UNIT1'
	FDNS		1	0	13G	G11_020		'TO->FRON' NORTHWEST - TATONGA7 345.00 345KV	1195	0.24716	96.9	'GEN659107 2-ANTELOPE VALLEY UNIT2'
	FDNS		1	0	13G	G11_020		'TO->FRON' NORTHWEST - TATONGA7 345.00 345KV	1195	0.24716	95.4	'GEN659118 1-LARAMIE RIVER UNIT1'
	FNSL		1	0	13G	G11_020		'TO->FRON' NORTHWEST - TATONGA7 345.00 345KV	1195	0.24726	97.6	'STEGALL - WAYSIDE 230KV CKT 1'
	FNSL		1	0	13G	G11_020		'TO->FRON' NORTHWEST - TATONGA7 345.00 345KV	1195	0.24731	97.9	'TRF-STEGALL'
	FNSL		1	0	13G	G11_020		'TO->FRON' NORTHWEST - TATONGA7 345.00 345KV	1195	0.24731	97.9	'NEB01WAPAB3'
	FNSL		1	0	13G	G11_020		'TO->FRON' NORTHWEST - TATONGA7 345.00 345KV	1195	0.24716	101.1123	'GEN335831 1-RIVERBEND UNIT#1'
	FNSL		1	0	13G	G11_020		'TO->FRON' NORTHWEST - TATONGA7 345.00 345KV	1195	0.24716	100.8917	'GEN337910 1-ARKANSAS NUCLEAR ONE UNIT #1'
	FNSL		1	0	13G	G11_020		'TO->FRON' NORTHWEST - TATONGA7 345.00 345KV	1195	0.24716	101.5954	'GEN337911 1-ARKANSAS NUCLEAR ONE UNIT #2'
	FDNS		1	0	13G	G11_020		'TO->FRON' NORTHWEST - TATONGA7 345.00 345KV	1195	0.24777	97.6	'CANTON - TALOGA 69KV CKT 1'
	FDNS		1	0	13G	G11_020		'TO->FRON' NORTHWEST - TATONGA7 345.00 345KV	1195	0.25008	98.7	'CEDARDALE - MOORELAND 138KV CKT 1'
	FDNS		1	0	13G	G11_020		'TO->FRON' NORTHWEST - TATONGA7 345.00 345KV	1195	0.25008	98.7	'CEDARDALE - OKEENE 138KV CKT 1'
	FDNS		1	0	13G	G11_020		'TO->FRON' NORTHWEST - TATONGA7 345.00 345KV	1195	0.24787	97.6	'CORDELL - INDUSTRIAL PARK 69KV CKT 1'
	FDNS		1	0	13G	G11_020		'TO->FRON' NORTHWEST - TATONGA7 345.00 345KV	1195	0.24994	98.4	'DOVER SW - OKEENE 138KV CKT 1'
	FDNS		1	0	13G	G11_020		'TO->FRON' NORTHWEST - TATONGA7 345.00 345KV	1195	0.24787	97.6	'HAMON BUTLER - PUTNAM 69KV CKT 1'
	FDNS		1	0	13G	G11_020		'TO->FRON' NORTHWEST - TATONGA7 345.00 345KV	1195	0.25028	98.5	'MOORELAND - NINE MILE 138KV CKT 1'
	FDNS		1	0	13G	G11_020		'TO->FRON' NORTHWEST - TATONGA7 345.00 345KV	1195	0.24862	97.8	'MOREWOOD SW - RED HILLS WIND 138KV CKT 1'
	FDNS		1	0	13G	G11_020		'TO->FRON' NORTHWEST - TATONGA7 345.00 345KV	1195	0.25028	98.5	'MOREWOOD SW - NINE MILE 138KV CKT 1'
	FDNS		1	0	13G	G11_020		'TO->FRON' NORTHWEST - TATONGA7 345.00 345KV	1195	0.24788	97.6	'OKEENE - WATONGA SW 69KV CKT 1'
	FDNS		1	0	13G	G11_020		'TO->FRON' NORTHWEST - TATONGA7 345.00 345KV	1195	0.24787	97.6	'PUTNAM - TALOGA 69KV CKT 1'
	FDNS		1	0	13G	G11_020		'TO->FRON' NORTHWEST - TATONGA7 345.00 345KV	1195	0.25895	99.6	'FINNEY SWITCHING STATION - Hitchland Interchange 345KV CKT 1'
	FDNS		1	0	13G	G11_020		'TO->FRON' NORTHWEST - TATONGA7 345.00 345KV	1195	0.25174	97.8	'Hitchland Interchange - POTTER COUNTY INTERCHANGE 345KV CKT 1'
	FDNS		1	0	13G	G11_020		'TO->FRON' NORTHWEST - TATONGA7 345.00 345KV	1195	0.25241	98.7	'BEAVER CO 345.00 - Hitchland Interchange 345KV CKT 1'
	FDNS		1	0	13G	G11_020		'TO->FRON' NORTHWEST - TATONGA7 345.00 345KV	1195	0.24834	97.6	'G11_012T 230.00 - MOORE COUNTY INTERCHANGE 230KV CKT 1'
	FDNS		1	0	13G	G11_020		'TO->FRON' NORTHWEST - TATONGA7 345.00 345KV	1195	0.24806	98.6	'GRAPEVINE INTERCHANGE - STATELINE INTERCHANGE 230KV CKT 1'
	FDNS		1	0	13G	G11_020		'TO->FRON' NORTHWEST - TATONGA7 345.00 345KV	1195	0.24776	98.5	'GRAPEVINE INTERCHANGE - NICHOLS STATION 230KV CKT 1'
	FDNS		1	0	13G	G11_020		'TO->FRON' NORTHWEST - TATONGA7 345.00 345KV	1195	0.24746	97.7	'MCCLELLAN SUB - MCLEAN RURAL SUB 115KV CKT 1'
	FDNS		1	0	13G	G11_020		'TO->FRON' NORTHWEST - TATONGA7 345.00 345KV	1195	0.24746	97.7	'KIRBY SWITCHING STATION - MCCLELLAN SUB 115KV CKT 1'
	FDNS		1	0	13G	G11_020		'TO->FRON' NORTHWEST - TATONGA7 345.00 345KV	1195	0.25895	100.6584	'FINNEY SWITCHING STATION - HOLCOMB 345KV CKT 1'
	FDNS		1	0	13G	G11_020		'TO->FRON' NORTHWEST - TATONGA7 345.00 345KV	1195	0.2476	97.6	'BUFFALO 230.00 - DEAF SMITH COUNTY INTERCHANGE 230KV CKT 1'
	FDNS		1	0	13G	G11_020		'TO->FRON' NORTHWEST - TATONGA7 345.00 345KV	1195	0.24737	97.6	'G07-48T 230.00 - SWISHER COUNTY INTERCHANGE 230KV CKT 1'
	FDNS		1	0	13G	G11_020		'TO->FRON' NORTHWEST - TATONGA7 345.00 345KV	1195	0.24778	97.7	'KNOLL 230 - SMOKYHL6 230.00 230KV CKT 1'
	FDNS		1	0	13G	G11_020		'TO->FRON' NORTHWEST - TATONGA7 345.00 345KV	1195	0.25093	99.8	'G11-17T 345.00 - POST ROCK 345KV CKT 1'
	FDNS		1	0	13G	G11_020		'TO->FRON' NORTHWEST - TATONGA7 345.00 345KV	1195	0.25016	98.7	'AXTELL - POST ROCK 345KV CKT 1'
	FDNS		1	0	13G	G11_020		'TO->FRON' NORTHWEST - TATONGA7 345.00 345KV	1195	0.24778	98.1	'SMOKYHL6 230.00 - SUMMIT 230KV CKT 1'
	FDNS		1	0	13G	G11_020		'TO->FRON' NORTHWEST - TATONGA7 345.00 345KV	1195	0.25016	98.4	'HOLCOMB - SETAB 345KV CKT 1'

EVENTTYPE	SOLUTIONTYPE	GROUP	SCENARIO	SEASON	SOURCE	DIRECTION	MONTH	COMMONNAME	RATEB	TDF	TC%LOAD	CONTNAME
	FDNS		1	0	13G	G11_020		'TO->FRON' NORTHWEST - TATONGA7 345.00 345KV C	1195	0.24788	97.7	'BUCKNER7 345.00 - HOLCOMB 345KV CKT 1'
	FDNS		1	0	13G	G11_020		'TO->FRON' NORTHWEST - TATONGA7 345.00 345KV C	1195	0.25099	99.1	'MINGO - SETAB 345KV CKT 1'
	FDNS		1	0	13G	G11_020		'TO->FRON' NORTHWEST - TATONGA7 345.00 345KV C	1195	0.25161	98.9	'MINGO - RED WILLOW 345KV CKT 1'
	FDNS		1	0	13G	G11_020		'TO->FRON' NORTHWEST - TATONGA7 345.00 345KV C	1195	0.24788	98.2	'BUCKNER7 345.00 - SPEARVILLE 345KV CKT 1'
	FDNS		1	0	13G	G11_020		'TO->FRON' NORTHWEST - TATONGA7 345.00 345KV C	1195	0.25093	99.4	'G11-17T 345.00 - SPEARVILLE 345KV CKT 1'
	FDNS		1	0	13G	G11_020		'TO->FRON' NORTHWEST - TATONGA7 345.00 345KV C	1195	0.24792	97.6	'EMPORIA ENERGY CENTER - SWISSVALE 345KV CKT 1'
	FDNS		1	0	13G	G11_020		'TO->FRON' NORTHWEST - TATONGA7 345.00 345KV C	1195	0.24863	97.7	'EMPORIA ENERGY CENTER - WICHITA 345KV CKT 1'
	FDNS		1	0	13G	G11_020		'TO->FRON' NORTHWEST - TATONGA7 345.00 345KV C	1195	0.24801	97.9	'SWISSVALE - WEST GARDNER 345KV CKT 1'
	FDNS		1	0	13G	G11_020		'TO->FRON' NORTHWEST - TATONGA7 345.00 345KV C	1195	0.24901	98.1	'CANEYRV7 345.00 - NEOSHO 345KV CKT 1'
	FDNS		1	0	13G	G11_020		'TO->FRON' NORTHWEST - TATONGA7 345.00 345KV C	1195	0.24901	98	'CANEYRV7 345.00 - LATHAMS7 345.00 345KV CKT 1'
	FDNS		1	0	13G	G11_020		'TO->FRON' NORTHWEST - TATONGA7 345.00 345KV C	1195	0.25057	98	'BENTON - ROSE HILL 345KV CKT 1'
	FDNS		1	0	13G	G11_020		'TO->FRON' NORTHWEST - TATONGA7 345.00 345KV C	1195	0.25377	99.3	'BENTON - WICHITA 345KV CKT 1'
	FDNS		1	0	13G	G11_020		'TO->FRON' NORTHWEST - TATONGA7 345.00 345KV C	1195	0.24901	97.7	'LATHAMS7 345.00 - ROSE HILL 345KV CKT 1'
	FDNS		1	0	13G	G11_020		'TO->FRON' NORTHWEST - TATONGA7 345.00 345KV C	1195	0.25114	96.2	'VIOLA 7 345.00 - WICHITA 345KV CKT 1'
	FDNS		1	0	13G	G11_020		'TO->FRON' NORTHWEST - TATONGA7 345.00 345KV C	1195	0.26233	103.2292	'THISTLE7 345.00 - WICHITA 345KV CKT 1'
	FDNS		1	0	13G	G11_020		'TO->FRON' NORTHWEST - TATONGA7 345.00 345KV C	1195	0.26233	103.2292	'THISTLE7 345.00 - WICHITA 345KV CKT 2'
	FDNS		1	0	13G	G11_020		'TO->FRON' NORTHWEST - TATONGA7 345.00 345KV C	1195	0.24773	97.9	'ANDERSONCO 345.00 - WOLF CREEK 345KV CKT 1'
	FDNS		1	0	13G	G11_020		'TO->FRON' NORTHWEST - TATONGA7 345.00 345KV C	1195	0.24786	97.9	'CIRCLE - MULLERGREN 230KV CKT 1'
	FDNS		1	0	13G	G11_020		'TO->FRON' NORTHWEST - TATONGA7 345.00 345KV C	1195	0.24841	97.7	'CLEARWATER - GILL ENERGY CENTER WEST 138KV CKT 1'
	FDNS		1	0	13G	G11_020		'TO->FRON' NORTHWEST - TATONGA7 345.00 345KV C	1195	0.24733	97.5	'EVANS ENERGY CENTER NORTH - MAIZEW 4 138.00 138KV CKT 1'
	FDNS		1	0	13G	G11_020		'TO->FRON' NORTHWEST - TATONGA7 345.00 345KV C	1195	0.24733	97.5	'MAIZE - MAIZEW 4 138.00 138KV CKT 1'
	FDNS		1	0	13G	G11_020		'TO->FRON' NORTHWEST - TATONGA7 345.00 345KV C	1195	0.24857	97.7	'FLATRDG3 - THISTLE4 138.00 138KV CKT 1'
	FDNS		1	0	13G	G11_020		'TO->FRON' NORTHWEST - TATONGA7 345.00 345KV C	1195	0.24798	98.1	'MULLERGREN - SPEARVILLE 230KV CKT 1'
	FDNS		1	0	13G	G11_020		'TO->FRON' NORTHWEST - TATONGA7 345.00 345KV C	1195	0.24721	97.6	'HAWTHORN - NASHUA 345KV CKT 1'
	FDNS		1	0	13G	G11_020		'TO->FRON' NORTHWEST - TATONGA7 345.00 345KV C	1195	0.24773	97.9	'ANDERSONCO 345.00 - LACYGNE 345KV CKT 1'
	FDNS		1	0	13G	G11_020		'TO->FRON' NORTHWEST - TATONGA7 345.00 345KV C	1195	0.24701	96.7	'BROOKLINE - SUB 383 - MONETT 345KV CKT 1'
	FDNS		1	0	13G	G11_020		'TO->FRON' NORTHWEST - TATONGA7 345.00 345KV C	1195	0.24807	98	'AXTELL - PAULINE 345KV CKT 1'
	FDNS		1	0	13G	G11_020		'TO->FRON' NORTHWEST - TATONGA7 345.00 345KV C	1195	0.24729	97.6	'GERALD GENTLEMAN STATION - SWEETWATER 345KV CKT 1'
	FDNS		1	0	13G	G11_020		'TO->FRON' NORTHWEST - TATONGA7 345.00 345KV C	1195	0.24751	97.6	'GRAND ISLAND - MCCOOL 345KV CKT 1'
	FDNS		1	0	13G	G11_020		'TO->FRON' NORTHWEST - TATONGA7 345.00 345KV C	1195	0.248	97.9	'MOORE - PAULINE 345KV CKT 1'
	FDNS		1	0	13G	G11_020		'TO->FRON' NORTHWEST - TATONGA7 345.00 345KV C	1195	0.24796	98.2	'GRAND ISLAND - SWEETWATER 345KV CKT 1'
	FDNS		1	0	13G	G11_020		'TO->FRON' NORTHWEST - TATONGA7 345.00 345KV C	1195	0.2473	97.6	'MCADAMS - WOLF CREEK 500KV CKT 1'
	FDNS		1	0	13G	G11_020		'TO->FRON' NORTHWEST - TATONGA7 345.00 345KV C	1195	0.24726	97.6	'7SAREPTA% 345.00 - ELDORADO EHV 345KV CKT 1'
	FDNS		1	0	13G	G11_020		'TO->FRON' NORTHWEST - TATONGA7 345.00 345KV C	1195	0.24726	97.6	'ELDORADO EHV 500/345KV TRANSFORMER CKT 1'
	FDNS		1	0	13G	G11_020		'TO->FRON' NORTHWEST - TATONGA7 345.00 345KV C	1195	0.2471	97	'ARKANSAS NUCLEAR ONE - MABELVALE 500 500KV CKT 1'
	FDNS		1	0	13G	G11_020		'TO->FRON' NORTHWEST - TATONGA7 345.00 345KV C	1195	0.24711	96.9	'ARKANSAS NUCLEAR ONE - PLEASANT HILL 500KV CKT 1'
	FDNS		1	0	13G	G11_020		'TO->FRON' NORTHWEST - TATONGA7 345.00 345KV C	1195	0.24711	97	'MAYFLOWER 500 - PLEASANT HILL 500KV CKT 1'
	FDNS		1	0	13G	G11_020		'TO->FRON' NORTHWEST - TATONGA7 345.00 345KV C	1195	0.24723	96.7	'KEO EHV - WEST MEMPHIS 500 500KV CKT 1'
	FDNS		1	0	13G	G11_020		'TO->FRON' NORTHWEST - TATONGA7 345.00 345KV C	1195	0.24721	96.8	'DELL 500 - INDEPENDENCE 500KV CKT 1'
	FDNS		1	0	13G	G11_020		'TO->FRON' NORTHWEST - TATONGA7 345.00 345KV C	1195	0.24733	97	'7MCCREDIE 345.00 - 7MONTGMRY 345.00 345KV CKT 1'
	FDNS		1	0	13G	G11_020		'TO->FRON' NORTHWEST - TATONGA7 345.00 345KV C	1195	0.24732	97.6	'NUNDRWD - WAYSIDE 230KV CKT 1'
	FDNS		1	0	13G	G11_020		'TO->FRON' NORTHWEST - TATONGA7 345.00 345KV C	1195	0.24732	97.6	'7SAREPTA% 345.00 - LONGWOOD 345KV CKT 1'
	FDNS		1	0	13G	G11_020		'TO->FRON' NORTHWEST - TATONGA7 345.00 345KV C	1195	0.24806	99.1	'ELK CITY 230KV (ELKCTY-6) 230/138/13.8KV TRANSFORMER CKT 1'
	FDNS		1	0	13G	G11_020		'TO->FRON' NORTHWEST - TATONGA7 345.00 345KV C	1195	0.24746	97.6	'SHAMROCK (SHAMRCK1) 115/69/14.4KV TRANSFORMER CKT 1'
	FDNS		1	0	13G	G11_020		'TO->FRON' NORTHWEST - TATONGA7 345.00 345KV C	1195	0.2485	97.8	'WOODWARD (WOODWRD2) 138/69/13.2KV TRANSFORMER CKT 1'
	FDNS		1	0	13G	G11_020		'TO->FRON' NORTHWEST - TATONGA7 345.00 345KV C	1195	0.24808	97.9	'KNOBHILL (KNOBHIL4) 138/69/13.2KV TRANSFORMER CKT 1'
	FDNS		1	0	13G	G11_020		'TO->FRON' NORTHWEST - TATONGA7 345.00 345KV C	1195	0.24664	96.3	'NORTHWEST (NORTWST2) 345/138/13.8KV TRANSFORMER CKT 1'

EVENTTYPE	SOLUTIONTYPE	GROUP	SCENARIO	SEASON	SOURCE	DIRECTION	MONTH	COMMONNAME	RATEB	TDF	TC%LOAD	CONTNAME
	FDNS		1	0	13G	G11_020	'TO->FRON	'NORTHWEST - TATONGA7 345.00 345KV C	1195	0.24668	96.5	'NORTHWEST (NORTWST3) 345/138/13.8KV TRANSFORMER CKT 1'
	FDNS		1	0	13G	G11_020	'TO->FRON	'NORTHWEST - TATONGA7 345.00 345KV C	1195	0.25037	96.8	'WOODWARD DISTRICT EHV (WWDEHV) 345/138/13.8KV TRANSFORMER CKT 1'
	FDNS		1	0	13G	G11_020	'TO->FRON	'NORTHWEST - TATONGA7 345.00 345KV C	1195	0.25036	96.8	'WOODWARD DISTRICT EHV (WWDEHV-T2) 345/138/13.8KV TRANSFORMER CKT 2'
	FDNS		1	0	13G	G11_020	'TO->FRON	'NORTHWEST - TATONGA7 345.00 345KV C	1195	0.25174	98.6	'POTTER COUNTY INTERCHANGE (WAWK 90343-A) 345/230/13.2KV TRANSFORMER CKT 1'
	FDNS		1	0	13G	G11_020	'TO->FRON	'NORTHWEST - TATONGA7 345.00 345KV C	1195	0.24857	97.7	'THISTLE7 345.00 (THISTLE T1) 345/138/13.8KV TRANSFORMER CKT 1'
	FDNS		1	0	13G	G11_020	'TO->FRON	'NORTHWEST - TATONGA7 345.00 345KV C	1195	0.24722	96.9	'8BHAM STEEL 500.00 - WEST MEMPHIS 500 500KV CKT 1'
	FDNS		1	0	13G	G11_020	'TO->FRON	'NORTHWEST - TATONGA7 345.00 345KV C	1195	0.31282	123.912	'DBL-WICH-THI'
	FDNS		1	0	13G	G11_020	'TO->FRON	'NORTHWEST - TATONGA7 345.00 345KV C	1195	0.37576	128.6688	'DBL-THIS-WWR'
	FDNS		1	0	13G	G11_020	'TO->FRON	'NORTHWEST - TATONGA7 345.00 345KV C	1195	0.24961	96.9	'DBL-THIS-CLR'
	FDNS		1	0	13G	G11_020	'TO->FRON	'NORTHWEST - TATONGA7 345.00 345KV C	1195	0.24508	95.3	'SPP-AEPW-01'
	FDNS		1	0	13G	G11_020	'TO->FRON	'NORTHWEST - TATONGA7 345.00 345KV C	1195	0.25772	101.2439	'SPP-AEPW-32'
	FDNS		1	0	13G	G11_020	'TO->FRON	'NORTHWEST - TATONGA7 345.00 345KV C	1195	0.24699	96.6	'GRDA-OPGD-05'
	FDNS		1	0	13G	G11_020	'TO->FRON	'NORTHWEST - TATONGA7 345.00 345KV C	1195	0.24736	96.9	'KCPL-MSL#03'
	FDNS		1	0	13G	G11_020	'TO->FRON	'NORTHWEST - TATONGA7 345.00 345KV C	1195	0.24721	97.6	'KCPL-OPGD06A'
	FDNS		1	0	13G	G11_020	'TO->FRON	'NORTHWEST - TATONGA7 345.00 345KV C	1195	0.24923	97.6	'OGE3TERM1'
	FDNS		1	0	13G	G11_020	'TO->FRON	'NORTHWEST - TATONGA7 345.00 345KV C	1195	0.24755	96.7	'OGE3TERM7'
	FDNS		1	0	13G	G11_020	'TO->FRON	'NORTHWEST - TATONGA7 345.00 345KV C	1195	0.247	96.9	'OGE3TERM14'
	FDNS		1	0	13G	G11_020	'TO->FRON	'NORTHWEST - TATONGA7 345.00 345KV C	1195	0.24716	95.5	'NC1_GEN-NEBRASKA CITY 1'
	FDNS		1	0	13G	G11_020	'TO->FRON	'NORTHWEST - TATONGA7 345.00 345KV C	1195	0.25805	100.2558	'SPP-SWPS-01'
	FDNS		1	0	13G	G11_020	'TO->FRON	'NORTHWEST - TATONGA7 345.00 345KV C	1195	0.24806	97.6	'SPP-SWPS-02A'
	FDNS		1	0	13G	G11_020	'TO->FRON	'NORTHWEST - TATONGA7 345.00 345KV C	1195	0.24811	98.8	'SPP-SWPS-03'
	FDNS		1	0	13G	G11_020	'TO->FRON	'NORTHWEST - TATONGA7 345.00 345KV C	1195	0.25174	97.7	'SPP-SWPS-04'
	FDNS		1	0	13G	G11_020	'TO->FRON	'NORTHWEST - TATONGA7 345.00 345KV C	1195	0.25895	99.6	'SPP-SWPS-05'
	FDNS		1	0	13G	G11_020	'TO->FRON	'NORTHWEST - TATONGA7 345.00 345KV C	1195	0.24746	97.6	'SPP-SWPS-T54'
	FDNS		1	0	13G	G11_020	'TO->FRON	'NORTHWEST - TATONGA7 345.00 345KV C	1195	0.24841	97.8	'SPP-MKEC-05'
	FDNS		1	0	13G	G11_020	'TO->FRON	'NORTHWEST - TATONGA7 345.00 345KV C	1195	0.24873	98.1	'SPP-MKEC-08'
	FDNS		1	0	13G	G11_020	'TO->FRON	'NORTHWEST - TATONGA7 345.00 345KV C	1195	0.24841	97.8	'SPP-WEPL-03'
	FDNS		1	0	13G	G11_020	'TO->FRON	'NORTHWEST - TATONGA7 345.00 345KV C	1195	0.24841	97.8	'SPP-WEPL-03A'
	FDNS		1	0	13G	G11_020	'TO->FRON	'NORTHWEST - TATONGA7 345.00 345KV C	1195	0.24755	96.7	'SPP-WERE-07C'
	FDNS		1	0	13G	G11_020	'TO->FRON	'NORTHWEST - TATONGA7 345.00 345KV C	1195	0.24733	97.5	'SPP-WERE-91'
	FDNS		1	0	13G	G11_020	'TO->FRON	'NORTHWEST - TATONGA7 345.00 345KV C	1195	0.24758	98.4	'WRTOD400'
	FDNS		1	0	13G	G11_020	'TO->FRON	'NORTHWEST - TATONGA7 345.00 345KV C	1195	0.24701	96.7	'A112'
	FDNS		1	0	13G	G11_020	'TO->FRON	'NORTHWEST - TATONGA7 345.00 345KV C	1195	0.24722	96.9	'AMRN_OUT55'
	FDNS		1	0	13G	G11_020	'TO->FRON	'NORTHWEST - TATONGA7 345.00 345KV C	1195	0.24736	96.9	'MTGY-OVER-5'
	FDNS		1	0	13G	G11_020	'TO->FRON	'NORTHWEST - TATONGA7 345.00 345KV C	1195	0.24726	97.6	'A222'
	FDNS		1	0	13G	G11_020	'TO->FRON	'NORTHWEST - TATONGA7 345.00 345KV C	1195	0.24722	97.6	'ATC_B2_8E2'
	FDNS		1	0	13G	G11_020	'TO->FRON	'NORTHWEST - TATONGA7 345.00 345KV C	1195	0.24716	97.6	'GEN300003 1-THOMAS HILL UNIT 3'
	FDNS		1	0	13G	G11_020	'TO->FRON	'NORTHWEST - TATONGA7 345.00 345KV C	1195	0.24716	98.5	'GEN300006 1-NEW MADRID UNIT 1'
	FDNS		1	0	13G	G11_020	'TO->FRON	'NORTHWEST - TATONGA7 345.00 345KV C	1195	0.24716	98.5	'GEN300007 1-NEW MADRID UNIT 2'
	FDNS		1	0	13G	G11_020	'TO->FRON	'NORTHWEST - TATONGA7 345.00 345KV C	1195	0.24716	97.7	'GEN300016 1-1G1GPDEL 18.000'
	FDNS		1	0	13G	G11_020	'TO->FRON	'NORTHWEST - TATONGA7 345.00 345KV C	1195	0.24716	97.9	'GEN300020 1-1CHOTCT4 16.000'
	FDNS		1	0	13G	G11_020	'TO->FRON	'NORTHWEST - TATONGA7 345.00 345KV C	1195	0.24716	97.9	'GEN300021 1-1CHOTCT5 16.000'
	FDNS		1	0	13G	G11_020	'TO->FRON	'NORTHWEST - TATONGA7 345.00 345KV C	1195	0.24716	97.9	'GEN300024 1-1CHOTST6 16.000'
	FDNS		1	0	13G	G11_020	'TO->FRON	'NORTHWEST - TATONGA7 345.00 345KV C	1195	0.24716	97.9	'GEN300031 1-CHOUTEAU CTG 1'
	FDNS		1	0	13G	G11_020	'TO->FRON	'NORTHWEST - TATONGA7 345.00 345KV C	1195	0.24716	97.9	'GEN300032 1-CHOUTEAU CTG 2'
	FDNS		1	0	13G	G11_020	'TO->FRON	'NORTHWEST - TATONGA7 345.00 345KV C	1195	0.24716	97.9	'GEN300033 1-CHOUTEAU STG 3'
	FDNS		1	0	13G	G11_020	'TO->FRON	'NORTHWEST - TATONGA7 345.00 345KV C	1195	0.24716	98	'GEN301380 1-1OSAGEWIND 34.500'
	FDNS		1	0	13G	G11_020	'TO->FRON	'NORTHWEST - TATONGA7 345.00 345KV C	1195	0.24716	97.6	'GEN303003 1-1BC1 U3'
	FDNS		1	0	13G	G11_020	'TO->FRON	'NORTHWEST - TATONGA7 345.00 345KV C	1195	0.24716	97.6	'GEN303004 1-1BC1 U4'
	FDNS		1	0	13G	G11_020	'TO->FRON	'NORTHWEST - TATONGA7 345.00 345KV C	1195	0.24716	98.9	'GEN303006 1-1BC2 U1'
	FDNS		1	0	13G	G11_020	'TO->FRON	'NORTHWEST - TATONGA7 345.00 345KV C	1195	0.24716	99.4	'GEN303007 1-1BC2 U2'

EVENTTYPE	SOLUTIONTYPE	GROUP	SCENARIO	SEASON	SOURCE	DIRECTION	MONTCOMMONNAME	RATEB	TDF	TC%LOADI	CONTNAME	
	FDNS	01NR	2	13G	G11_020	TO->FRON	'MATTHEWSON 345.00 - TATONGA7	345.0	1195	0.19734	105.1068	'WOODWARD - WOODWARD EHV 138KV CKT 1'
	FDNS	01NR	2	13G	G11_020	TO->FRON	'MATTHEWSON 345.00 - TATONGA7	345.0	1195	0.20386	107.8535	'FPL SWITCH - WOODWARD 138KV CKT 1'
	FDNS	01NR	2	13G	G11_020	TO->FRON	'MATTHEWSON 345.00 - TATONGA7	345.0	1195	0.19948	106.0234	'DEWEY - IODINE 138KV CKT 1'
	FDNS	01NR	2	13G	G11_020	TO->FRON	'MATTHEWSON 345.00 - TATONGA7	345.0	1195	0.20122	108.2552	'DEWEY - SOUTHARD 138KV CKT 1'
	FDNS	01NR	2	13G	G11_020	TO->FRON	'MATTHEWSON 345.00 - TATONGA7	345.0	1195	0.19896	106.7451	'GLASS MOUNTAIN - MOORELAND 138KV CKT 1'
	FDNS	01NR	2	13G	G11_020	TO->FRON	'MATTHEWSON 345.00 - TATONGA7	345.0	1195	0.19997	106.6169	'IMO TAP - MEN TAP 138KV CKT 1'
	FDNS	01NR	2	13G	G11_020	TO->FRON	'MATTHEWSON 345.00 - TATONGA7	345.0	1195	0.19669	105.4142	'KNOBHILL - MOORELAND 138KV CKT 1'
	FDNS	01NR	2	13G	G11_020	TO->FRON	'MATTHEWSON 345.00 - TATONGA7	345.0	1195	0.19948	106.0777	'IODINE - WOODWARD EHV 138KV CKT 1'
	FDNS	01NR	2	13G	G11_020	TO->FRON	'MATTHEWSON 345.00 - TATONGA7	345.0	1195	0.19734	102.5892	'GRACEMONT - MINCO 345KV CKT 1'
	FDNS	01NR	2	13G	G11_020	TO->FRON	'MATTHEWSON 345.00 - TATONGA7	345.0	1195	0.20163	103.5942	'ROSE HILL - SOONER 345KV CKT 1'
	FDNS	01NR	2	13G	G11_020	TO->FRON	'MATTHEWSON 345.00 - TATONGA7	345.0	1195	0.19688	104.2164	'CRESWELL - MIDLTNT4 138.00 138KV CKT 1'
	FDNS	01NR	2	13G	G11_020	TO->FRON	'MATTHEWSON 345.00 - TATONGA7	345.0	1195	0.20122	107.7466	'EL RENO - ROMAN NOSE 138KV CKT 1'
	FDNS	01NR	2	13G	G11_020	TO->FRON	'MATTHEWSON 345.00 - TATONGA7	345.0	1195	0.20122	107.9436	'ROMAN NOSE - SOUTHARD 138KV CKT 1'
	FDNS	01NR	2	13G	G11_020	TO->FRON	'MATTHEWSON 345.00 - TATONGA7	345.0	1195	0.19076	104.3917	'ARCADIA - NORTHWEST 345KV CKT 1'
	FDNS	01NR	2	13G	G11_020	TO->FRON	'CIMARRON - MATTHEWSON 345.00 345KV	956	0.31053	122.0821	'MATTHEWSON 345.00 - NORTHWEST 345KV CKT 1'	
	FDNS	01NR	2	13G	G11_020	TO->FRON	'MATTHEWSON 345.00 - TATONGA7	345.0	1195	0.19346	103.2927	'CIMARRON - DRAPER LAKE 345KV CKT 1'
	FDNS	01NR	2	13G	G11_020	FROM->TO	'MATTHEWSON 345.00 - NORTHWEST 345KV	1195	0.35222	106.9533	'CIMARRON - MATTHEWSON 345.00 345KV CKT 1'	
	FDNS	01NR	2	13G	G11_020	TO->FRON	'MATTHEWSON 345.00 - TATONGA7	345.0	1195	0.19137	101.8941	'CIMARRON - MATTHEWSON 345.00 345KV CKT 1'
	FDNS	01NR	2	13G	G11_020	TO->FRON	'MATTHEWSON 345.00 - TATONGA7	345.0	1195	0.19591	104.3516	'ARCADIA - SEMINOLE 345KV CKT 1'
	FDNS	01NR	2	13G	G11_020	TO->FRON	'MATTHEWSON 345.00 - TATONGA7	345.0	1195	0.19599	105.0387	'MORISNT4 138.00 - STILLWATER 138KV CKT 1'
	FDNS	01NR	2	13G	G11_020	TO->FRON	'MATTHEWSON 345.00 - TATONGA7	345.0	1195	0.19642	104.0795	'FT SMITH - MUSKOGEE 345KV CKT 1'
	FDNS	01NR	2	13G	G11_020	TO->FRON	'MATTHEWSON 345.00 - TATONGA7	345.0	1195	0.20336	110.1387	'BORDER 7345.00 - WOODWARD DISTRICT EHV 345KV CKT 1'
	FDNS	01NR	2	13G	G11_020	TO->FRON	'MATTHEWSON 345.00 - TATONGA7	345.0	1195	0.21411	113.721	'THISTLE7 345.00 - WOODWARD DISTRICT EHV 345KV CKT 1'
	FDNS	01NR	2	13G	G11_020	TO->FRON	'MATTHEWSON 345.00 - TATONGA7	345.0	1195	0.21411	113.721	'THISTLE7 345.00 - WOODWARD DISTRICT EHV 345KV CKT 2'
	FDNS	01NR	2	13G	G11_020	TO->FRON	'MATTHEWSON 345.00 - TATONGA7	345.0	1195	0.20336	110.1835	'BORDER 7345.00 - TUCO INTERCHANGE 345KV CKT 1'
	FDNS	01NR	2	13G	G11_020	TO->FRON	'MATTHEWSON 345.00 - TATONGA7	345.0	1195	0.20386	109.4346	'FPL SWITCH - MOORELAND 138KV CKT 1'
	FDNS	01NR	2	13G	G11_020	TO->FRON	'MATTHEWSON 345.00 - TATONGA7	345.0	1195	0.196	105.1319	'GEN334456 1-CONOCO UNIT#1'
	FDNS	01NR	2	13G	G11_020	TO->FRON	'MATTHEWSON 345.00 - TATONGA7	345.0	1195	0.196	105.1532	'GEN335201 1-NELSON UNIT 1'
	FDNS	01NR	2	13G	G11_020	TO->FRON	'MATTHEWSON 345.00 - TATONGA7	345.0	1195	0.196	105.112	'GEN335202 1-NELSON UNIT 2'
	FDNS	01NR	2	13G	G11_020	TO->FRON	'MATTHEWSON 345.00 - TATONGA7	345.0	1195	0.196	105.0907	'GEN335203 1-NELSON UNIT 3'
	FDNS	01NR	2	13G	G11_020	TO->FRON	'MATTHEWSON 345.00 - TATONGA7	345.0	1195	0.196	105.9388	'GEN335204 1-NELSON UNIT 4'
	FDNS	01NR	2	13G	G11_020	TO->FRON	'MATTHEWSON 345.00 - TATONGA7	345.0	1195	0.196	106.7577	'GEN335206 1-NELSON UNIT 6'
	FDNS	01NR	2	13G	G11_020	TO->FRON	'MATTHEWSON 345.00 - TATONGA7	345.0	1195	0.196	105.4279	'GEN335370 1-1ACADIA_S26116.000
	FDNS	01NR	2	13G	G11_020	TO->FRON	'MATTHEWSON 345.00 - TATONGA7	345.0	1195	0.196	105.4069	'GEN335371 1-1ACADIA_C25118.000
	FDNS	01NR	2	13G	G11_020	TO->FRON	'MATTHEWSON 345.00 - TATONGA7	345.0	1195	0.196	105.4069	'GEN335372 1-1ACADIA_C24118.000
	FDNS	01NR	2	13G	G11_020	TO->FRON	'MATTHEWSON 345.00 - TATONGA7	345.0	1195	0.196	105.2627	'GEN335570 1-CARVILLE CTG'
	FDNS	01NR	2	13G	G11_020	TO->FRON	'MATTHEWSON 345.00 - TATONGA7	345.0	1195	0.196	105.2628	'GEN335571 1-CARVILLE UNIT #1'
	FDNS	01NR	2	13G	G11_020	TO->FRON	'MATTHEWSON 345.00 - TATONGA7	345.0	1195	0.196	109.6008	'GEN336153 1-WATERFORD UNIT#3'
	FDNS	01NR	2	13G	G11_020	TO->FRON	'MATTHEWSON 345.00 - TATONGA7	345.0	1195	0.196	105.2827	'GEN336167 1-GULF OXY U1'
	FDNS	01NR	2	13G	G11_020	TO->FRON	'MATTHEWSON 345.00 - TATONGA7	345.0	1195	0.196	105.2827	'GEN336168 1-GULF OXY U2'
	FDNS	01NR	2	13G	G11_020	TO->FRON	'MATTHEWSON 345.00 - TATONGA7	345.0	1195	0.196	105.2827	'GEN336169 1-GULF OXY U3'
	FDNS	01NR	2	13G	G11_020	TO->FRON	'MATTHEWSON 345.00 - TATONGA7	345.0	1195	0.196	105.6591	'GEN336170 1-GULF OXY U4'
	FDNS	01NR	2	13G	G11_020	TO->FRON	'MATTHEWSON 345.00 - TATONGA7	345.0	1195	0.196	105.7797	'GEN336191 1-LITTLE GYPSY UNIT#3'
	FDNS	01NR	2	13G	G11_020	TO->FRON	'MATTHEWSON 345.00 - TATONGA7	345.0	1195	0.196	105.1396	'GEN336221 1-LITTLE GYPSY UNIT#1'
	FDNS	01NR	2	13G	G11_020	TO->FRON	'MATTHEWSON 345.00 - TATONGA7	345.0	1195	0.196	105.3596	'GEN336222 1-LITTLE GYPSY UNIT#2'
	FDNS	01NR	2	13G	G11_020	TO->FRON	'MATTHEWSON 345.00 - TATONGA7	345.0	1195	0.196	105.7478	'GEN336251 1-NINEMILE POINT UNIT#4'
	FDNS	01NR	2	13G	G11_020	TO->FRON	'MATTHEWSON 345.00 - TATONGA7	345.0	1195	0.196	106.0654	'GEN336252 1-NINEMILE POINT UNIT#5'
	FDNS	01NR	2	13G	G11_020	TO->FRON	'MATTHEWSON 345.00 - TATONGA7	345.0	1195	0.196	105.0657	'GEN336446 1-MICHOUD UNIT #2'
	FDNS	01NR	2	13G	G11_020	TO->FRON	'MATTHEWSON 345.00 - TATONGA7	345.0	1195	0.196	105.7038	'GEN336464 1-MICHOUD UNIT #3'
	FDNS	01NR	2	13G	G11_020	TO->FRON	'MATTHEWSON 345.00 - TATONGA7	345.0	1195	0.196	105.6492	'GEN336801 1-BAXTER WILSON UNIT #1'
	FDNS	01NR	2	13G	G11_020	TO->FRON	'MATTHEWSON 345.00 - TATONGA7	345.0	1195	0.196	110.056	'GEN336821 1-GRAND GULF UNIT'
	FDNS	01NR	2	13G	G11_020	TO->FRON	'MATTHEWSON 345.00 - TATONGA7	345.0	1195	0.196	106.0021	'GEN336831 1-BAXTER WILSON SES'
	FDNS	01NR	2	13G	G11_020	TO->FRON	'MATTHEWSON 345.00 - TATONGA7	345.0	1195	0.196	105.0351	'GEN336944 1-REX BROWN'

EVENTTYPE	SOLUTIONTYPE	GROUP	SCENARIO	SEASON	SOURCE	DIRECTION	MONTH	COMMONNAME	RATEB	TDF	TC%LOAD1	CONTNAME
	FDNS	01NR	2	13G	G11_020	'TO->FRON		'MATTHEWSON 345.00 - TATONGA7	345.0	1195	0.196	'GEN511940 1-OEC GAS # 1-2'
	FDNS	01NR	2	13G	G11_020	'TO->FRON		'MATTHEWSON 345.00 - TATONGA7	345.0	1195	0.196	'GEN511941 1-OEC STEAM # 2'
	FDNS	01NR	2	13G	G11_020	'TO->FRON		'MATTHEWSON 345.00 - TATONGA7	345.0	1195	0.196	'GEN511942 1-OEC GAS # 2-1'
	FDNS	01NR	2	13G	G11_020	'TO->FRON		'MATTHEWSON 345.00 - TATONGA7	345.0	1195	0.196	'GEN511943 1-OEC GAS # 2-2'
	FDNS	01NR	2	13G	G11_020	'TO->FRON		'MATTHEWSON 345.00 - TATONGA7	345.0	1195	0.196	'GEN511953 G-COGENTRIX GAS # 1'
	FDNS	01NR	2	13G	G11_020	'TO->FRON		'MATTHEWSON 345.00 - TATONGA7	345.0	1195	0.196	'GEN511954 S-COGENTRIX STEAM # 1'
	FDNS	01NR	2	13G	G11_020	'TO->FRON		'MATTHEWSON 345.00 - TATONGA7	345.0	1195	0.196	'GEN511955 G-COGENTRIX GAS # 2'
	FDNS	01NR	2	13G	G11_020	'TO->FRON		'MATTHEWSON 345.00 - TATONGA7	345.0	1195	0.196	'GEN511956 S-COGENTRIX STEAM # 2'
	FDNS	01NR	2	13G	G11_020	'TO->FRON		'MATTHEWSON 345.00 - TATONGA7	345.0	1195	0.196	'GEN511957 G-COGENTRIX GAS # 3'
	FDNS	01NR	2	13G	G11_020	'TO->FRON		'MATTHEWSON 345.00 - TATONGA7	345.0	1195	0.196	'GEN512688 2-GRDA1 GSU2 22'
	FDNS	01NR	2	13G	G11_020	'TO->FRON		'MATTHEWSON 345.00 - TATONGA7	345.0	1195	0.196	'GEN512689 1-GRDA1 GSU1 22'
	FDNS	01NR	2	13G	G11_020	'TO->FRON		'MATTHEWSON 345.00 - TATONGA7	345.0	1195	0.196	'GEN514805 1-SOONER UNIT 1'
	FDNS	01NR	2	13G	G11_020	'TO->FRON		'MATTHEWSON 345.00 - TATONGA7	345.0	1195	0.196	'GEN514806 1-SOONER UNIT 2'
	FDNS	01NR	2	13G	G11_020	'TO->FRON		'MATTHEWSON 345.00 - TATONGA7	345.0	1195	0.196	'GEN514899 1-REDBUD1S'
	FDNS	01NR	2	13G	G11_020	'TO->FRON		'MATTHEWSON 345.00 - TATONGA7	345.0	1195	0.196	'GEN514900 1-REDBUD2S'
	FDNS	01NR	2	13G	G11_020	'TO->FRON		'MATTHEWSON 345.00 - TATONGA7	345.0	1195	0.196	'GEN514905 1-REDBUD3S'
	FDNS	01NR	2	13G	G11_020	'TO->FRON		'MATTHEWSON 345.00 - TATONGA7	345.0	1195	0.196	'GEN514910 2-REDBUD GEN'
	FDNS	01NR	2	13G	G11_020	'TO->FRON		'MATTHEWSON 345.00 - TATONGA7	345.0	1195	0.196	'GEN514911 2-REDBUD GEN'
	FDNS	01NR	2	13G	G11_020	'TO->FRON		'MATTHEWSON 345.00 - TATONGA7	345.0	1195	0.196	'GEN514912 2-REDBUD GEN'
	FDNS	01NR	2	13G	G11_020	'TO->FRON		'MATTHEWSON 345.00 - TATONGA7	345.0	1195	0.196	'GEN514940 1-REDBUD GEN'
	FDNS	01NR	2	13G	G11_020	'TO->FRON		'MATTHEWSON 345.00 - TATONGA7	345.0	1195	0.196	'GEN514942 2-REDBUD4G'
	FDNS	01NR	2	13G	G11_020	'TO->FRON		'MATTHEWSON 345.00 - TATONGA7	345.0	1195	0.196	'GEN514998 1-MCLLAIN UNIT 1'
	FDNS	01NR	2	13G	G11_020	'TO->FRON		'MATTHEWSON 345.00 - TATONGA7	345.0	1195	0.196	'GEN514999 1-MCLLAIN UNIT 2'
	FDNS	01NR	2	13G	G11_020	'TO->FRON		'MATTHEWSON 345.00 - TATONGA7	345.0	1195	0.196	'GEN515000 1-MCLLAIN UNIT 3'
	FDNS	01NR	2	13G	G11_020	'TO->FRON		'MATTHEWSON 345.00 - TATONGA7	345.0	1195	0.196	'GEN515040 1-SEMINOLE 1G'
	FDNS	01NR	2	13G	G11_020	'TO->FRON		'MATTHEWSON 345.00 - TATONGA7	345.0	1195	0.196	'GEN515041 1-SEMINOLE 2G'
	FDNS	01NR	2	13G	G11_020	'TO->FRON		'MATTHEWSON 345.00 - TATONGA7	345.0	1195	0.196	'GEN515042 1-SEMINOLE 3G'
	FDNS	01NR	2	13G	G11_020	'TO->FRON		'MATTHEWSON 345.00 - TATONGA7	345.0	1195	0.196	'GEN515223 1-MUSKOGEE 4G'
	FDNS	01NR	2	13G	G11_020	'TO->FRON		'MATTHEWSON 345.00 - TATONGA7	345.0	1195	0.196	'GEN515225 1-MUSKOGEE 5G'
	FDNS	01NR	2	13G	G11_020	'TO->FRON		'MATTHEWSON 345.00 - TATONGA7	345.0	1195	0.196	'GEN515226 1-MUSKOGEE 6G'
	FDNS	01NR	2	13G	G11_020	'TO->FRON		'MATTHEWSON 345.00 - TATONGA7	345.0	1195	0.196	'GEN515266 1-AES 1G'
	FDNS	01NR	2	13G	G11_020	'TO->FRON		'MATTHEWSON 345.00 - TATONGA7	345.0	1195	0.196	'GEN515267 1-AES 2G'
	FDNS	01NR	2	13G	G11_020	'TO->FRON		'MATTHEWSON 345.00 - TATONGA7	345.0	1195	0.196	'GEN515365 1-CENT 21 34.500'
	FDNS	01NR	2	13G	G11_020	'TO->FRON		'MATTHEWSON 345.00 - TATONGA7	345.0	1195	0.196	'GEN515389 1-TLGAWND1 34.500'
	FDNS	01NR	2	13G	G11_020	'TO->FRON		'MATTHEWSON 345.00 - TATONGA7	345.0	1195	0.196	'GEN515393 1-OGEWND2G'
	FDNS	01NR	2	13G	G11_020	'TO->FRON		'MATTHEWSON 345.00 - TATONGA7	345.0	1195	0.196	'GEN515397 1-OUSPRT 1 34.500'
	FDNS	01NR	2	13G	G11_020	'TO->FRON		'MATTHEWSON 345.00 - TATONGA7	345.0	1195	0.196	'GEN515443 1-MNCOWND1 34.500'
	FDNS	01NR	2	13G	G11_020	'TO->FRON		'MATTHEWSON 345.00 - TATONGA7	345.0	1195	0.196	'GEN515449 1-CRSRDW11 34.500'
	FDNS	01NR	2	13G	G11_020	'TO->FRON		'MATTHEWSON 345.00 - TATONGA7	345.0	1195	0.196	'GEN515450 1-CRSRDW21 34.500'
	FDNS	01NR	2	13G	G11_020	'TO->FRON		'MATTHEWSON 345.00 - TATONGA7	345.0	1195	0.196	'GEN515606 1-CANADN11 34.500'
	FDNS	01NR	2	13G	G11_020	'TO->FRON		'MATTHEWSON 345.00 - TATONGA7	345.0	1195	0.196	'GEN515607 1-CANADN12 34.500'
	FDNS	01NR	2	13G	G11_020	'TO->FRON		'MATTHEWSON 345.00 - TATONGA7	345.0	1195	0.196	'GEN515787 1-OKLA WIND ENERGY CENTER'
	FDNS	01NR	2	13G	G11_020	'TO->FRON		'MATTHEWSON 345.00 - TATONGA7	345.0	1195	0.196	'GEN520811 1-ANADRK4'
	FDNS	01NR	2	13G	G11_020	'TO->FRON		'MATTHEWSON 345.00 - TATONGA7	345.0	1195	0.196	'GEN520812 1-ANADRK5'
	FDNS	01NR	2	13G	G11_020	'TO->FRON		'MATTHEWSON 345.00 - TATONGA7	345.0	1195	0.196	'GEN520813 1-ANADRK6'
	FDNS	01NR	2	13G	G11_020	'TO->FRON		'MATTHEWSON 345.00 - TATONGA7	345.0	1195	0.196	'GEN520922 1-SLEEPING BEAR'
	FDNS	01NR	2	13G	G11_020	'TO->FRON		'MATTHEWSON 345.00 - TATONGA7	345.0	1195	0.196	'GEN520947 1-HUGO1'
	FDNS	01NR	2	13G	G11_020	'TO->FRON		'MATTHEWSON 345.00 - TATONGA7	345.0	1195	0.196	'GEN520997 1-MORLND2'
	FDNS	01NR	2	13G	G11_020	'TO->FRON		'MATTHEWSON 345.00 - TATONGA7	345.0	1195	0.196	'GEN522814 1-LUBBOCK POWER & LIGHT-MACKENZIE GEN'
	FDNS	01NR	2	13G	G11_020	'TO->FRON		'MATTHEWSON 345.00 - TATONGA7	345.0	1195	0.196	'GEN523103 1-NOBLE_WND 3115.00'
	FDNS	01NR	2	13G	G11_020	'TO->FRON		'MATTHEWSON 345.00 - TATONGA7	345.0	1195	0.196	'GEN523461 1-BLACKHAWK GEN #1'
	FDNS	01NR	2	13G	G11_020	'TO->FRON		'MATTHEWSON 345.00 - TATONGA7	345.0	1195	0.196	'GEN523462 1-BLACKHAWK GEN #2'
	FDNS	01NR	2	13G	G11_020	'TO->FRON		'MATTHEWSON 345.00 - TATONGA7	345.0	1195	0.196	'GEN523815 1-LLANO ESTACADO WIND GEN'
	FDNS	01NR	2	13G	G11_020	'TO->FRON		'MATTHEWSON 345.00 - TATONGA7	345.0	1195	0.196	'GEN523971 1-HARRINGTON GEN #1 24 KV'
	FDNS	01NR	2	13G	G11_020	'TO->FRON		'MATTHEWSON 345.00 - TATONGA7	345.0	1195	0.196	'GEN523972 1-HARRINGTON GEN #2 24 KV'

EVENTTYPE	SOLUTIONTYPE	GROUP	SCENARIO	SEASON	SOURCE	DIRECTION	MONTH	COMMONNAME	RATEB	TDF	TC%LOADI	CONTNAME
	FDNS	01ALL		3	13G	G11_020	'TO->FRON	'MATTHEWSON 345.00 - TATONGA7 345.00	1195	0.2571	119.6078	'MATTHEWSON 345.00 - TATONGA7 345.00 345KV CKT 1'
	FDNS	01ALL		3	13G	G11_020	'TO->FRON	'MATTHEWSON 345.00 - TATONGA7 345.00	1195	0.2571	119.6078	'MATTHEWSON 345.00 - TATONGA7 345.00 345KV CKT 2'
	FDNS	01ALL		0	13G	G11_021	'TO->FRON	'NORTHWEST - TATONGA7 345.00 345KV C	1195	0.21765	116.2267	'BASE CASE'
CONT-TOD	FDNS	01ALL		0	13G	G11_021	'TO->FRON	'NORTHWEST - TATONGA7 345.00 345KV C	1195	0.21742	116.5673	'DOLET HILLS - SOUTHWEST SHREVEPORT 345KV CKT 1'
INVALID	FDNS	01ALL		0	13G	G11_021	'TO->FRON	'NORTHWEST - TATONGA7 345.00 345KV C	1195	0.21754	115.6669	'FLINT CREEK - SILOAM SPRINGS TAP 345KV CKT 1'
	FDNS	01ALL		0	13G	G11_021	'TO->FRON	'NORTHWEST - TATONGA7 345.00 345KV C	1195	0.21757	115.57	'FLINT CREEK - SUB 383 - MONETT 345KV CKT 1'
	FDNS	01ALL		0	13G	G11_021	'TO->FRON	'NORTHWEST - TATONGA7 345.00 345KV C	1195	0.21762	115.4374	'CHAMBER SPRINGS - CLARKSVILLE 345KV CKT 1'
	FDNS	01ALL		0	13G	G11_021	'TO->FRON	'NORTHWEST - TATONGA7 345.00 345KV C	1195	0.21716	115.7317	'LYDIA - WELSH 345KV CKT 1'
	FDNS	01ALL		0	13G	G11_021	'TO->FRON	'NORTHWEST - TATONGA7 345.00 345KV C	1195	0.21569	113.926	'LYDIA - VALLIANT 345KV CKT 1'
INVALID	FDNS	01ALL		0	13G	G11_021	'TO->FRON	'NORTHWEST - TATONGA7 345.00 345KV C	1195	0.21765	115.0375	'EASTDC - WELSH 345KV CKT 1'
	FDNS	01ALL		0	13G	G11_021	'TO->FRON	'NORTHWEST - TATONGA7 345.00 345KV C	1195	0.21782	115.8748	'CLARKSVILLE - MUSKOGEE 345KV CKT 1'
	FDNS	01ALL		0	13G	G11_021	'TO->FRON	'NORTHWEST - TATONGA7 345.00 345KV C	1195	0.21503	114.5614	'REDBUD - RIVERSIDE STATION 345KV CKT 1'
	FDNS	01ALL		0	13G	G11_021	'TO->FRON	'NORTHWEST - TATONGA7 345.00 345KV C	1195	0.21843	114.3538	'DELAWARE - NORTHEAST STATION 345KV CKT 1'
	FDNS	01ALL		0	13G	G11_021	'TO->FRON	'NORTHWEST - TATONGA7 345.00 345KV C	1195	0.21836	115.1262	'DELAWARE - NEOSHO 345KV CKT 1'
	FDNS	01ALL		0	13G	G11_021	'TO->FRON	'NORTHWEST - TATONGA7 345.00 345KV C	1195	0.21678	115.1887	'PITTSBURG - VALLIANT 345KV CKT 1'
	FDNS	01ALL		0	13G	G11_021	'TO->FRON	'NORTHWEST - TATONGA7 345.00 345KV C	1195	0.21646	114.9977	'PITTSBURG - SEMINOLE 345KV CKT 1'
	FDNS	01ALL		0	13G	G11_021	'TO->FRON	'NORTHWEST - TATONGA7 345.00 345KV C	1195	0.21939	117.1441	'CLINTON AIR FORCE BASE TAP - ELK CITY 138KV CKT 1'
	FDNS	01ALL		0	13G	G11_021	'TO->FRON	'NORTHWEST - TATONGA7 345.00 345KV C	1195	0.21939	117.1061	'CLINTON AIR FORCE BASE TAP - HOBART JUNCTION 138KV CKT 1'
INVALID	FDNS	01ALL		0	13G	G11_021	'TO->FRON	'NORTHWEST - TATONGA7 345.00 345KV C	1195	0.23262	126.4871	'LAWTON EASTSIDE - OKLAUNION 345KV CKT 1'
	FDNS	01ALL		0	13G	G11_021	'TO->FRON	'NORTHWEST - TATONGA7 345.00 345KV C	1195	0.23262	119.5969	'OKLAUNION - TUCO INTERCHANGE 345KV CKT 1'
	FDNS	01ALL		0	13G	G11_021	'TO->FRON	'NORTHWEST - TATONGA7 345.00 345KV C	1195	0.22028	117.4259	'CLINTON JUNCTION - ELK CITY 138KV CKT 1'
	FDNS	01ALL		0	13G	G11_021	'TO->FRON	'NORTHWEST - TATONGA7 345.00 345KV C	1195	0.21858	117.1202	'ELK CITY - RED HILLS WIND 138KV CKT 1'
	FDNS	01ALL		0	13G	G11_021	'TO->FRON	'NORTHWEST - TATONGA7 345.00 345KV C	1195	0.21901	117.4005	'LAWTON EASTSIDE - SUNNYSIDE 345KV CKT 1'
	FDNS	01ALL		0	13G	G11_021	'TO->FRON	'NORTHWEST - TATONGA7 345.00 345KV C	1195	0.21769	115.0566	'GRACEMONT - LAWTON EASTSIDE 345KV CKT 1'
	FDNS	01ALL		0	13G	G11_021	'TO->FRON	'NORTHWEST - TATONGA7 345.00 345KV C	1195	0.2185	116.6433	'WEATHERFORD JCT. - WEATHERFORD SOUTHEAST 138KV CKT 1'
	FDNS	01ALL		0	13G	G11_021	'TO->FRON	'NORTHWEST - TATONGA7 345.00 345KV C	1195	0.22137	118.2867	'ELK CITY 230KV - SWEETWATER 230KV CKT 1'
	FDNS	01ALL		0	13G	G11_021	'TO->FRON	'NORTHWEST - TATONGA7 345.00 345KV C	1195	0.21814	116.6166	'WEATHERFORD TAP - WEATHERFORD WIND FARM 138KV CKT 1'
	FDNS	01ALL		0	13G	G11_021	'TO->FRON	'NORTHWEST - TATONGA7 345.00 345KV C	1195	0.22137	116.2317	'STATALINE INTERCHANGE - SWEETWATER 230KV CKT &1'
	FDNS	01ALL		0	13G	G11_021	'TO->FRON	'NORTHWEST - TATONGA7 345.00 345KV C	1195	0.21829	116.6239	'MCLEAN RURAL SUB - SHAMROCK 115KV CKT 1'
INVALID	FDNS	01ALL		0	13G	G11_021	'TO->FRON	'NORTHWEST - TATONGA7 345.00 345KV C	1195	0.21751	115.5255	'GRDA1 - SILOAM SPRINGS TAP 345KV CKT 1'
	FDNS	01ALL		0	13G	G11_021	'TO->FRON	'NORTHWEST - TATONGA7 345.00 345KV C	1195	0.21704	115.8593	'CLEVELAND - SOONER 345KV CKT 1'
	FDNS	01ALL		0	13G	G11_021	'TO->FRON	'NORTHWEST - TATONGA7 345.00 345KV C	1195	0.21931	116.728	'WAUKOMIS - WAUKOMIS TAP 138KV CKT 1'
	FDNS	01ALL		0	13G	G11_021	'TO->FRON	'NORTHWEST - TATONGA7 345.00 345KV C	1195	0.21931	116.7662	'HENESSEY - WAUKOMIS 138KV CKT 1'
	FDNS	01ALL		0	13G	G11_021	'TO->FRON	'NORTHWEST - TATONGA7 345.00 345KV C	1195	0.22208	116.8451	'HUNTERS7 345.00 - WOODRING 345KV CKT 1'
	FDNS	01ALL		0	13G	G11_021	'TO->FRON	'NORTHWEST - TATONGA7 345.00 345KV C	1195	0.21832	115.9888	'G11-007T 345.00 - WOODRING 345KV CKT 1'
	FDNS	01ALL		0	13G	G11_021	'TO->FRON	'NORTHWEST - TATONGA7 345.00 345KV C	1195	0.21842	116.6427	'KNOBHILL - SALINE 69KV CKT 1'
	FDNS	01ALL		0	13G	G11_021	'TO->FRON	'NORTHWEST - TATONGA7 345.00 345KV C	1195	0.21842	116.602	'HELENA TAP - SALINE 69KV CKT 1'
	FDNS	01ALL		0	13G	G11_021	'TO->FRON	'NORTHWEST - TATONGA7 345.00 345KV C	1195	0.21809	115.682	'KILDARE4 - NEWKIRK4 138KV CKT 1'
	FDNS	01ALL		0	13G	G11_021	'TO->FRON	'NORTHWEST - TATONGA7 345.00 345KV C	1195	0.21794	115.7943	'KILDARE4 - WHITE EAGLE 138KV CKT 1'
	FDNS	01ALL		0	13G	G11_021	'TO->FRON	'NORTHWEST - TATONGA7 345.00 345KV C	1195	0.21931	116.808	'DOVER SW - HENESSEY 138KV CKT 1'
	FDNS	01ALL		0	13G	G11_021	'TO->FRON	'NORTHWEST - TATONGA7 345.00 345KV C	1195	0.22124	118.5361	'CLEO CORNER - GLASS MOUNTAIN 138KV CKT 1'
	FDNS	01ALL		0	13G	G11_021	'TO->FRON	'NORTHWEST - TATONGA7 345.00 345KV C	1195	0.22213	118.6045	'CLEO CORNER - MEN TAP 138KV CKT 1'
	FDNS	01ALL		0	13G	G11_021	'TO->FRON	'NORTHWEST - TATONGA7 345.00 345KV C	1195	0.22766	119.7796	'FPL SWITCH - WOODWARD 138KV CKT 1'
	FDNS	01ALL		0	13G	G11_021	'TO->FRON	'NORTHWEST - TATONGA7 345.00 345KV C	1195	0.22203	117.5662	'DEWEY - IODINE 138KV CKT 1'
	FDNS	01ALL		0	13G	G11_021	'TO->FRON	'NORTHWEST - TATONGA7 345.00 345KV C	1195	0.22415	120.5014	'DEWEY - SOUTHARD 138KV CKT 1'
	FDNS	01ALL		0	13G	G11_021	'TO->FRON	'NORTHWEST - TATONGA7 345.00 345KV C	1195	0.22124	118.6138	'GLASS MOUNTAIN - MOORELAND 138KV CKT 1'
	FDNS	01ALL		0	13G	G11_021	'TO->FRON	'NORTHWEST - TATONGA7 345.00 345KV C	1195	0.22213	118.517	'IMO TAP - MEN TAP 138KV CKT 1'
	FDNS	01ALL		0	13G	G11_021	'TO->FRON	'NORTHWEST - TATONGA7 345.00 345KV C	1195	0.21849	117.0241	'KNOBHILL - MOORELAND 138KV CKT 1'
	FDNS	01ALL		0	13G	G11_021	'TO->FRON	'NORTHWEST - TATONGA7 345.00 345KV C	1195	0.22203	117.6239	'IODINE - WOODWARD EHV 138KV CKT 1'
	FDNS	01ALL		0	13G	G11_021	'TO->FRON	'NORTHWEST - TATONGA7 345.00 345KV C	1195	0.21769	114.0686	'GRACEMONT - MINCO 345KV CKT 1'
	FDNS	01ALL		0	13G	G11_021	'TO->FRON	'NORTHWEST - TATONGA7 345.00 345KV C	1195	0.21343	115.7007	'SOONER - SPRING CREEK 345KV CKT 1'

EVENTTYPE	SOLUTIONTYPE	GROUP	SCENARIO	SEASON	SOURCE	DIRECTION	MONTH	COMMONNAME	RATEB	TDF	TC%LOADI	CONTNAME
	FDNS	01ALL		0	13G	G11_021	'TO->FRON'	'NORTHWEST - TATONGA7 345.00 345KV C	1195	0.21822	116.7393	'HAMON BUTLER - PUTNAM 69KV CKT 1'
	FDNS	01ALL		0	13G	G11_021	'TO->FRON'	'NORTHWEST - TATONGA7 345.00 345KV C	1195	0.21962	118.0085	'MOORELAND - NINE MILE 138KV CKT 1'
	FDNS	01ALL		0	13G	G11_021	'TO->FRON'	'NORTHWEST - TATONGA7 345.00 345KV C	1195	0.21858	116.9333	'MOREWOOD SW - RED HILLS WIND 138KV CKT 1'
	FDNS	01ALL		0	13G	G11_021	'TO->FRON'	'NORTHWEST - TATONGA7 345.00 345KV C	1195	0.21962	117.9765	'MOREWOOD SW - NINE MILE 138KV CKT 1'
	FDNS	01ALL		0	13G	G11_021	'TO->FRON'	'NORTHWEST - TATONGA7 345.00 345KV C	1195	0.21829	116.5814	'OKEENE - WATONGA SW 69KV CKT 1'
	FDNS	01ALL		0	13G	G11_021	'TO->FRON'	'NORTHWEST - TATONGA7 345.00 345KV C	1195	0.21822	116.7598	'PUTNAM - TALOGA 69KV CKT 1'
	FDNS	01ALL		0	13G	G11_021	'TO->FRON'	'NORTHWEST - TATONGA7 345.00 345KV C	1195	0.2195	116.5828	'G11_012T 230.00 - HITCHLAND INTERCHANGE 230KV CKT 1'
	FDNS	01ALL		0	13G	G11_021	'TO->FRON'	'NORTHWEST - TATONGA7 345.00 345KV C	1195	0.24183	120.1252	'FINNEY SWITCHING STATION - Hitchland Interchange 345KV CKT 1'
	FDNS	01ALL		0	13G	G11_021	'TO->FRON'	'NORTHWEST - TATONGA7 345.00 345KV C	1195	0.22484	117.1917	'Hitchland Interchange - POTTER COUNTY INTERCHANGE 345KV CKT 1'
	FDNS	01ALL		0	13G	G11_021	'TO->FRON'	'NORTHWEST - TATONGA7 345.00 345KV C	1195	0.25737	118.705	'BEAVER CO 345.00 - Hitchland Interchange 345KV CKT 1'
	FDNS	01ALL		0	13G	G11_021	'TO->FRON'	'NORTHWEST - TATONGA7 345.00 345KV C	1195	0.2195	116.6679	'G11_012T 230.00 - MOORE COUNTY INTERCHANGE 230KV CKT 1'
	FDNS	01ALL		0	13G	G11_021	'TO->FRON'	'NORTHWEST - TATONGA7 345.00 345KV C	1195	0.22137	117.6227	'GRAPEVINE INTERCHANGE - STATELINE INTERCHANGE 230KV CKT 1'
	FDNS	01ALL		0	13G	G11_021	'TO->FRON'	'NORTHWEST - TATONGA7 345.00 345KV C	1195	0.21988	117.5993	'GRAPEVINE INTERCHANGE - NICHOLS STATION 230KV CKT 1'
	FDNS	01ALL		0	13G	G11_021	'TO->FRON'	'NORTHWEST - TATONGA7 345.00 345KV C	1195	0.21829	116.6814	'MCCLELLAN SUB - MCLEAN RURAL SUB 115KV CKT 1'
	FDNS	01ALL		0	13G	G11_021	'TO->FRON'	'NORTHWEST - TATONGA7 345.00 345KV C	1195	0.21829	116.7016	'KIRBY SWITCHING STATION - MCCLELLAN SUB 115KV CKT 1'
	FDNS	01ALL		0	13G	G11_021	'TO->FRON'	'NORTHWEST - TATONGA7 345.00 345KV C	1195	0.24183	121.4094	'FINNEY SWITCHING STATION - HOLCOMB 345KV CKT 1'
	FDNS	01ALL		0	13G	G11_021	'TO->FRON'	'NORTHWEST - TATONGA7 345.00 345KV C	1195	0.21834	116.6265	'BUFFALO 230.00 - DEAF SMITH COUNTY INTERCHANGE 230KV CKT 1'
	FDNS	01ALL		0	13G	G11_021	'TO->FRON'	'NORTHWEST - TATONGA7 345.00 345KV C	1195	0.21826	116.6928	'G07-48T 230.00 - SWISHER COUNTY INTERCHANGE 230KV CKT 1'
	FDNS	01ALL		0	13G	G11_021	'TO->FRON'	'NORTHWEST - TATONGA7 345.00 345KV C	1195	0.21847	116.794	'KNOLL 230 - SMOKYHL6 230.00 230KV CKT 1'
	FDNS	01ALL		0	13G	G11_021	'TO->FRON'	'NORTHWEST - TATONGA7 345.00 345KV C	1195	0.2217	119.434	'G11-17T 345.00 - POST ROCK 345KV CKT 1'
	FDNS	01ALL		0	13G	G11_021	'TO->FRON'	'NORTHWEST - TATONGA7 345.00 345KV C	1195	0.22066	118.0478	'AXTELL - POST ROCK 345KV CKT 1'
	FDNS	01ALL		0	13G	G11_021	'TO->FRON'	'NORTHWEST - TATONGA7 345.00 345KV C	1195	0.21847	117.2003	'SMOKYHL6 230.00 - SUMMIT 230KV CKT 1'
	FDNS	01ALL		0	13G	G11_021	'TO->FRON'	'NORTHWEST - TATONGA7 345.00 345KV C	1195	0.22184	117.826	'HOLCOMB - SETAB 345KV CKT 1'
	FDNS	01ALL		0	13G	G11_021	'TO->FRON'	'NORTHWEST - TATONGA7 345.00 345KV C	1195	0.22099	116.754	'BUCKNER7 345.00 - HOLCOMB 345KV CKT 1'
	FDNS	01ALL		0	13G	G11_021	'TO->FRON'	'NORTHWEST - TATONGA7 345.00 345KV C	1195	0.2229	118.7018	'MINGO - SETAB 345KV CKT 1'
	FDNS	01ALL		0	13G	G11_021	'TO->FRON'	'NORTHWEST - TATONGA7 345.00 345KV C	1195	0.22351	118.592	'MINGO - RED WILLOW 345KV CKT 1'
	FDNS	01ALL		0	13G	G11_021	'TO->FRON'	'NORTHWEST - TATONGA7 345.00 345KV C	1195	0.22099	117.3745	'BUCKNER7 345.00 - SPEARVILLE 345KV CKT 1'
	FDNS	01ALL		0	13G	G11_021	'TO->FRON'	'NORTHWEST - TATONGA7 345.00 345KV C	1195	0.2217	118.964	'G11-17T 345.00 - SPEARVILLE 345KV CKT 1'
CONT-040	FDNS	01ALL		0	13G	G11_021	'TO->FRON'	'NORTHWEST - TATONGA7 345.00 345KV C	1195	0.21804	117.349	'HOYT - JEFFREY ENERGY CENTER 345KV CKT 1'
CONT-080	FDNS	01ALL		0	13G	G11_021	'TO->FRON'	'NORTHWEST - TATONGA7 345.00 345KV C	1195	0.2181	117.0824	'HOYT - STRANGER CREEK 345KV CKT 1'
	FDNS	01ALL		0	13G	G11_021	'TO->FRON'	'NORTHWEST - TATONGA7 345.00 345KV C	1195	0.21837	116.6444	'EMPORIA ENERGY CENTER - SWISSVALE 345KV CKT 1'
	FDNS	01ALL		0	13G	G11_021	'TO->FRON'	'NORTHWEST - TATONGA7 345.00 345KV C	1195	0.21898	116.8456	'EMPORIA ENERGY CENTER - WICHITA 345KV CKT 1'
	FDNS	01ALL		0	13G	G11_021	'TO->FRON'	'NORTHWEST - TATONGA7 345.00 345KV C	1195	0.21851	116.9381	'SWISSVALE - WEST GARDNER 345KV CKT 1'
	FDNS	01ALL		0	13G	G11_021	'TO->FRON'	'NORTHWEST - TATONGA7 345.00 345KV C	1195	0.21944	117.1721	'CANEYRV7 345.00 - NEOSHO 345KV CKT 1'
	FDNS	01ALL		0	13G	G11_021	'TO->FRON'	'NORTHWEST - TATONGA7 345.00 345KV C	1195	0.21944	117.0531	'CANEYRV7 345.00 - LATHAMS7 345.00 345KV CKT 1'
	FDNS	01ALL		0	13G	G11_021	'TO->FRON'	'NORTHWEST - TATONGA7 345.00 345KV C	1195	0.22107	117.0533	'BENTON - ROSE HILL 345KV CKT 1'
	FDNS	01ALL		0	13G	G11_021	'TO->FRON'	'NORTHWEST - TATONGA7 345.00 345KV C	1195	0.22416	118.6613	'BENTON - WICHITA 345KV CKT 1'
CONT-LaC	FDNS	01ALL		0	13G	G11_021	'TO->FRON'	'NORTHWEST - TATONGA7 345.00 345KV C	1195	0.21787	116.8784	'LACYGNE - NEOSHO 345KV CKT 1'
	FDNS	01ALL		0	13G	G11_021	'TO->FRON'	'NORTHWEST - TATONGA7 345.00 345KV C	1195	0.21944	116.812	'LATHAMS7 345.00 - ROSE HILL 345KV CKT 1'
	FDNS	01ALL		0	13G	G11_021	'TO->FRON'	'NORTHWEST - TATONGA7 345.00 345KV C	1195	0.22208	114.7885	'VIOLA 7 345.00 - WICHITA 345KV CKT 1'
	FDNS	01ALL		0	13G	G11_021	'TO->FRON'	'NORTHWEST - TATONGA7 345.00 345KV C	1195	0.23193	123.7136	'THISTLE7 345.00 - WICHITA 345KV CKT 1'
	FDNS	01ALL		0	13G	G11_021	'TO->FRON'	'NORTHWEST - TATONGA7 345.00 345KV C	1195	0.23193	123.7136	'THISTLE7 345.00 - WICHITA 345KV CKT 2'
	FDNS	01ALL		0	13G	G11_021	'TO->FRON'	'NORTHWEST - TATONGA7 345.00 345KV C	1195	0.21818	116.9111	'ANDERSONCO 345.00 - WOLF CREEK 345KV CKT 1'
	FDNS	01ALL		0	13G	G11_021	'TO->FRON'	'NORTHWEST - TATONGA7 345.00 345KV C	1195	0.2186	116.9847	'CIRCLE - MULLERGREN 230KV CKT 1'
	FDNS	01ALL		0	13G	G11_021	'TO->FRON'	'NORTHWEST - TATONGA7 345.00 345KV C	1195	0.21886	116.8078	'CLEARWATER - GILL ENERGY CENTER WEST 138KV CKT 1'
INVALID	FDNS	01ALL		0	13G	G11_021	'TO->FRON'	'NORTHWEST - TATONGA7 345.00 345KV C	1195	0.21886	116.8716	'CLEARWATER - MILAN TAP 138KV CKT 1'

EVENTTYPE	SOLUTIONTYPE	GROUP	SCENARIO	SEASON	SOURCE	DIRECTION	MONTCOMMONNAME	RATEB	TDF	TC%LOADI	CONTNAME	
	FDNS	01ALL		0	13G	G11_021	'TO->FRON	'NORTHWEST - TATONGA7 345.00 345KV C	1195	0.2181	115.6582	'OGE3TERM7'
	FDNS	01ALL		0	13G	G11_021	'TO->FRON	'NORTHWEST - TATONGA7 345.00 345KV C	1195	0.21753	115.8313	'OGE3TERM14'
	FDNS	01ALL		0	13G	G11_021	'TO->FRON	'NORTHWEST - TATONGA7 345.00 345KV C	1195	0.21765	116.2267	'NC1_GEN-NEBRASKA CITY 1'
	FDNS	01ALL		0	13G	G11_021	'TO->FRON	'NORTHWEST - TATONGA7 345.00 345KV C	1195	0.23278	119.7743	'SPP-SWPS-01'
	FDNS	01ALL		0	13G	G11_021	'TO->FRON	'NORTHWEST - TATONGA7 345.00 345KV C	1195	0.2215	117.9085	'SPP-SWPS-03'
	FDNS	01ALL		0	13G	G11_021	'TO->FRON	'NORTHWEST - TATONGA7 345.00 345KV C	1195	0.22484	117.0515	'SPP-SWPS-04'
	FDNS	01ALL		0	13G	G11_021	'TO->FRON	'NORTHWEST - TATONGA7 345.00 345KV C	1195	0.24183	120.1512	'SPP-SWPS-05'
	FDNS	01ALL		0	13G	G11_021	'TO->FRON	'NORTHWEST - TATONGA7 345.00 345KV C	1195	0.21957	116.6127	'SPP-SWPS-K31'
	FDNS	01ALL		0	13G	G11_021	'TO->FRON	'NORTHWEST - TATONGA7 345.00 345KV C	1195	0.21829	116.6189	'SPP-SWPS-T54'
	FDNS	01ALL		0	13G	G11_021	'TO->FRON	'NORTHWEST - TATONGA7 345.00 345KV C	1195	0.21886	116.9065	'SPP-MKEC-05'
	FDNS	01ALL		0	13G	G11_021	'TO->FRON	'NORTHWEST - TATONGA7 345.00 345KV C	1195	0.21906	117.243	'SPP-MKEC-08'
	FDNS	01ALL		0	13G	G11_021	'TO->FRON	'NORTHWEST - TATONGA7 345.00 345KV C	1195	0.21886	116.9114	'SPP-WEPL-03'
	FDNS	01ALL		0	13G	G11_021	'TO->FRON	'NORTHWEST - TATONGA7 345.00 345KV C	1195	0.21886	116.8814	'SPP-WEPL-03A'
	FDNS	01ALL		0	13G	G11_021	'TO->FRON	'NORTHWEST - TATONGA7 345.00 345KV C	1195	0.2181	115.5796	'SPP-WERE-07C'
	FDNS	01ALL		0	13G	G11_021	'TO->FRON	'NORTHWEST - TATONGA7 345.00 345KV C	1195	0.21806	117.4027	'WRTOD400'
	FDNS	01ALL		0	13G	G11_021	'TO->FRON	'NORTHWEST - TATONGA7 345.00 345KV C	1195	0.21757	115.5681	'AI12'
	FDNS	01ALL		0	13G	G11_021	'TO->FRON	'NORTHWEST - TATONGA7 345.00 345KV C	1195	0.21773	115.8271	'AMRN_OUT55'
	FDNS	01ALL		0	13G	G11_021	'TO->FRON	'NORTHWEST - TATONGA7 345.00 345KV C	1195	0.21787	115.8949	'MTGY-OVER-5'
	FDNS	02ALL		0	13G	G11_021	'FROM->TC'	'SPSSPTIESB1'	620	0.20647	174.8577	'BASE CASE'
	FDNS	02ALL		0	13G	G11_021	'FROM->TC'	'SPSSPTIESC'	620	0.20647	174.8577	'BASE CASE'
NCONV	FNSL-Blown up	02ALL		0	13G	G11_021		Non-Converged Contingency	1195	0.21174	89.21449	'NORTHWEST - TATONGA7 345.00 345KV CKT 1'
NCONV	FNSL-Blown up	02ALL		0	13G	G11_021		Non-Converged Contingency	1792	0.57292	69.9815	'BEAVER CO 345.00 - WOODWARD DISTRICT EHV 345KV CKT 1'
NCONV	FNSL-Blown up	02ALL		0	13G	G11_021		Non-Converged Contingency	1052	0.15656	65.83252	'FINNEY SWITCHING STATION - Hitchland Interchange 345KV CKT 1'
NCONV	FNSL-Blown up	02ALL		0	13G	G11_021		Non-Converged Contingency	1052	0.15656	70.96961	'FINNEY SWITCHING STATION - HOLCOMB 345KV CKT 1'
NCONV	FNSL-Blown up	02ALL		0	13G	G11_021		Non-Converged Contingency	0	0.03063	9999	'SPP-SWPS-01'
NCONV	FNSL-Blown up	02ALL		0	13G	G11_021		Non-Converged Contingency	0	0.15656	9999	'SPP-SWPS-05'
NCONV	FNSL-Blown up	03ALL		0	13G	G11_021		Non-Converged Contingency	1052	0.04538	20.1711	'OKLAUNION - TUCO INTERCHANGE 345KV CKT 1'
NCONV	FNSL-Blown up	03ALL		0	13G	G11_021		Non-Converged Contingency	1195	0.20939	78.9142	'NORTHWEST - TATONGA7 345.00 345KV CKT 1'
NCONV	FNSL-Blown up	03ALL		0	13G	G11_021		Non-Converged Contingency	1775	0.20939	47.56333	'TATONGA7 345.00 - WOODWARD DISTRICT EHV 345KV CKT 1'
NCONV	FNSL-Blown up	03ALL		0	13G	G11_021		Non-Converged Contingency	1052	0.10179	22.06532	'Hitchland Interchange - POTTER COUNTY INTERCHANGE 345KV CKT 1'
NCONV	FNSL-Blown up	03ALL		0	13G	G11_021		Non-Converged Contingency	1792	0.05154	49.45027	'G11-17T 345.00 - POST ROCK 345KV CKT 1'
NCONV	FNSL-Blown up	03ALL		0	13G	G11_021		Non-Converged Contingency	1792	0.0435	32.65164	'AXTELL - POST ROCK 345KV CKT 1'
NCONV	FNSL-Blown up	03ALL		0	13G	G11_021		Non-Converged Contingency	1328	0.06261	34.90823	'HOLCOMB - SETAB 345KV CKT 1'
NCONV	FNSL-Blown up	03ALL		0	13G	G11_021		Non-Converged Contingency	1328	0.0579	43.30291	'MINGO - SETAB 345KV CKT 1'
NCONV	FNSL-Blown up	03ALL		0	13G	G11_021		Non-Converged Contingency	717	0.05495	62.03905	'MINGO - RED WILLOW 345KV CKT 1'
NCONV	FNSL-Blown up	03ALL		0	13G	G11_021		Non-Converged Contingency	1328	0.07581	27.47881	'BUCKNER7 345.00 - SPEARVILLE 345KV CKT 1'
NCONV	FNSL-Blown up	03ALL		0	13G	G11_021		Non-Converged Contingency	1195	0.03838	69.8401	'MULGREN7 345.00 - SPEARVILLE 345KV CKT 2'
NCONV	FNSL-Blown up	03ALL		0	13G	G11_021		Non-Converged Contingency	1792	0.05154	30.84333	'G11-17T 345.00 - SPEARVILLE 345KV CKT 1'
NCONV	FNSL-Blown up	03ALL		0	13G	G11_021		Non-Converged Contingency	1051	0.04561	22.12694	'JEFFREY ENERGY CENTER - SUMMIT 345KV CKT 1'
NCONV	FNSL-Blown up	03ALL		0	13G	G11_021		Non-Converged Contingency	956	0.05568	26.72794	'EMPORIA ENERGY CENTER - WICHITA 345KV CKT 1'
NCONV	FNSL-Blown up	03ALL		0	13G	G11_021		Non-Converged Contingency	1195	0.03838	69.83763	'MULGREN7 345.00 - RENO COUNTY 345KV CKT 2'
NCONV	FNSL-Blown up	03ALL		0	13G	G11_021		Non-Converged Contingency	956	0.06947	62.98875	'BENTON - ROSE HILL 345KV CKT 1'
NCONV	FNSL-Blown up	03ALL		0	13G	G11_021		Non-Converged Contingency	1792	0.11074	43.40387	'THISTLE7 345.00 - WICHITA 345KV CKT 1'
NCONV	FNSL-Blown up	03ALL		0	13G	G11_021		Non-Converged Contingency	1792	0.11074	43.40387	'THISTLE7 345.00 - WICHITA 345KV CKT 2'
NCONV	FNSL-Blown up	03ALL		0	13G	G11_021		Non-Converged Contingency	956	0.03249	47.97702	'AXTELL - PAULINE 345KV CKT 1'
NCONV	FNSL-Blown up	03ALL		0	13G	G11_021		Non-Converged Contingency	956	0.0431	28.00759	'GERALD GENTLEMAN STATION - RED WILLOW 345KV CKT 1'
NCONV	FNSL-Blown up	03ALL		0	13G	G11_021		Non-Converged Contingency	559	0.10179	56.24506	'POTTER COUNTY INTERCHANGE (WAUK 90343-A) 345/230/13.2KV TRANSFORMER CKT 1'
NCONV	FNSL-Blown up	03ALL		0	13G	G11_021		Non-Converged Contingency	0	0.22147	9999	'DBL-WICH-THI'
NCONV	FNSL-Blown up	03ALL		0	13G	G11_021		Non-Converged Contingency	0	0.64448	9999	'DBL-BVR-WWRD'
NCONV	FNSL-Blown up	03ALL		0	13G	G11_021		Non-Converged Contingency	0	0.05442	9999	'SPP-SWPS-01'

EVENTTYPE	SOLUTIONTYPE	GROUP	SCENARIO	SEASON	SOURCE	DIRECTION	MONTCOMMONNAME	RATEB	TDF	TC%LOADI	CONTNAME	
NCONV	FNSL-Blown up	03ALL		0	13G	G11_021		Non-Converged Contingency	1195	0.03838	62.79412	'GEN532652 1-JEFFREY ENERGY CENTER UNIT 2'
NCONV	FNSL-Blown up	03ALL		0	13G	G11_021		Non-Converged Contingency	1195	0.03838	62.79412	'GEN532653 1-JEFFREY ENERGY CENTER UNIT 3'
NCONV	FNSL-Blown up	03ALL		0	13G	G11_021		Non-Converged Contingency	1195	0.03838	62.79412	'GEN532751 1-WOLF CREEK GENERATING STATION UNIT 1'
CONT-040	FDNS		1	0	13G	G11_021	'TO->FRON	'NORTHWEST - TATONGA7 345.00 345KV CT	1195	0.21709	98.3	'HOYT - JEFFREY ENERGY CENTER 345KV CKT 1'
CONT-080	FDNS		1	0	13G	G11_021	'TO->FRON	'NORTHWEST - TATONGA7 345.00 345KV CT	1195	0.21715	98.1	'HOYT - STRANGER CREEK 345KV CKT 1'
CONT-LaC	FDNS		1	0	13G	G11_021	'TO->FRON	'NORTHWEST - TATONGA7 345.00 345KV CT	1195	0.21687	98	'LACYGNE - NEOSHO 345KV CKT 1'
CONT-LaC	FDNS		1	0	13G	G11_021	'TO->FRON	'NORTHWEST - TATONGA7 345.00 345KV CT	1195	0.21668	96.9	'LACYGNE - WEST GARDNER 345KV CKT 1'
CONT-LaC	FDNS		1	0	13G	G11_021	'TO->FRON	'NORTHWEST - TATONGA7 345.00 345KV CT	1195	0.21662	96.9	'LACYGNE - STILWELL 345KV CKT 1'
CONT-TOD	FDNS		1	0	13G	G11_021	'TO->FRON	'NORTHWEST - TATONGA7 345.00 345KV CT	1195	0.21648	97.6	'DOLET HILLS - SOUTHWEST SHREVEPORT 345KV CKT 1'
INVALID	FDNS		1	0	13G	G11_021	'TO->FRON	'NORTHWEST - TATONGA7 345.00 345KV CT	1195	0.21659	96.75201	'FLINT CREEK - SILOAM SPRINGS TAP 345KV CKT 1'
INVALID	FDNS		1	0	13G	G11_021	'TO->FRON	'NORTHWEST - TATONGA7 345.00 345KV CT	1195	0.21671	96.09587	'EASTDC - WELSH 345KV CKT 1'
INVALID	FDNS		1	0	13G	G11_021	'TO->FRON	'NORTHWEST - TATONGA7 345.00 345KV CT	1195	0.2316	106.3448	'LAWTON EASTSIDE - OKLAUNION 345KV CKT 1'
INVALID	FDNS		1	0	13G	G11_021	'TO->FRON	'NORTHWEST - TATONGA7 345.00 345KV CT	1195	0.21656	96.6122	'GRDA1 - SILOAM SPRINGS TAP 345KV CKT 1'
INVALID	FDNS		1	0	13G	G11_021	'TO->FRON	'NORTHWEST - TATONGA7 345.00 345KV CT	1195	0.21792	97.82594	'CLEARWATER - MILAN TAP 138KV CKT 1'
INVALID	FDNS		1	0	13G	G11_021	'TO->FRON	'NORTHWEST - TATONGA7 345.00 345KV CT	1195	0.21792	97.99606	'FLATRDRG3 - HARPER 138KV CKT 1'
INVALID	FDNS		1	0	13G	G11_021	'TO->FRON	'NORTHWEST - TATONGA7 345.00 345KV CT	1195	0.21792	97.89535	'HARPER - MILAN TAP 138KV CKT 1'
INVALID	FDNS	02G11_021		0	13G	G11_021	'TO->FRON	'NORTHWEST - TATONGA7 345.00 345KV CT	1195	0.22571	97.67604	'LAWTON EASTSIDE - OKLAUNION 345KV CKT 1'
NCONV	FNSL-Blown up	02G11_021		0	13G	G11_021		Non-converged contingency	0	0.647	9999	'DBL-BVR-WWRD'
NCONV	FNSL-Blown up		3	0	13G	G11_021		Non-converged contingency	1792	0.06029	46.31664	'G11-17T 345.00 - POST ROCK 345KV CKT 1'
NCONV	FNSL-Blown up		3	0	13G	G11_021		Non-converged contingency	0	0.24061	9999	'DBL-WICH-THI'
	FDNS		1	0	13G	G11_021	'TO->FRON	'NORTHWEST - TATONGA7 345.00 345KV CT	1195	0.21671	97.3	'BASE CASE'
	FDNS		1	0	13G	G11_021	'TO->FRON	'NORTHWEST - TATONGA7 345.00 345KV CT	1195	0.21661	96.7	'FLINT CREEK - SUB 383 - MONETT 345KV CKT 1'
	FDNS		1	0	13G	G11_021	'TO->FRON	'NORTHWEST - TATONGA7 345.00 345KV CT	1195	0.21666	96.5	'CHAMBER SPRINGS - CLARKSVILLE 345KV CKT 1'
	FDNS		1	0	13G	G11_021	'TO->FRON	'NORTHWEST - TATONGA7 345.00 345KV CT	1195	0.21621	96.9	'LYDIA - WELSH 345KV CKT 1'
	FDNS		1	0	13G	G11_021	'TO->FRON	'NORTHWEST - TATONGA7 345.00 345KV CT	1195	0.2147	95.3	'LYDIA - VALLIANT 345KV CKT 1'
	FDNS		1	0	13G	G11_021	'TO->FRON	'NORTHWEST - TATONGA7 345.00 345KV CT	1195	0.21686	96.9	'CLARKSVILLE - MUSKOGEE 345KV CKT 1'
	FDNS		1	0	13G	G11_021	'TO->FRON	'NORTHWEST - TATONGA7 345.00 345KV CT	1195	0.21402	96	'REDBUD - RIVERSIDE STATION 345KV CKT 1'
	FDNS		1	0	13G	G11_021	'TO->FRON	'NORTHWEST - TATONGA7 345.00 345KV CT	1195	0.21744	95.5	'DELAWARE - NORTHEAST STATION 345KV CKT 1'
	FDNS		1	0	13G	G11_021	'TO->FRON	'NORTHWEST - TATONGA7 345.00 345KV CT	1195	0.21737	96.3	'DELAWARE - NEOSHO 345KV CKT 1'
	FDNS		1	0	13G	G11_021	'TO->FRON	'NORTHWEST - TATONGA7 345.00 345KV CT	1195	0.21675	97	'BARTLESVILLE SOUTHEAST - NORTH BARTLESVILLE 138KV CKT 1'
	FDNS		1	0	13G	G11_021	'TO->FRON	'NORTHWEST - TATONGA7 345.00 345KV CT	1195	0.21675	97	'COFFEYVILLE TAP - NORTH BARTLESVILLE 138KV CKT 1'
	FDNS		1	0	13G	G11_021	'TO->FRON	'NORTHWEST - TATONGA7 345.00 345KV CT	1195	0.21582	96.4	'PITTSBURG - VALLIANT 345KV CKT 1'
	FDNS		1	0	13G	G11_021	'TO->FRON	'NORTHWEST - TATONGA7 345.00 345KV CT	1195	0.21548	96.3	'PITTSBURG - SEMINOLE 345KV CKT 1'
	FDNS		1	0	13G	G11_021	'TO->FRON	'NORTHWEST - TATONGA7 345.00 345KV CT	1195	0.21844	98.1	'CLINTON AIR FORCE BASE TAP - ELK CITY 138KV CKT 1'
	FDNS		1	0	13G	G11_021	'TO->FRON	'NORTHWEST - TATONGA7 345.00 345KV CT	1195	0.21844	98	'CLINTON AIR FORCE BASE TAP - HOBART JUNCTION 138KV CKT 1'
	FDNS		1	0	13G	G11_021	'TO->FRON	'NORTHWEST - TATONGA7 345.00 345KV CT	1195	0.2316	100.1442	'OKLAUNION - TUCO INTERCHANGE 345KV CKT 1'
	FDNS		1	0	13G	G11_021	'TO->FRON	'NORTHWEST - TATONGA7 345.00 345KV CT	1195	0.21933	98.3	'CLINTON JUNCTION - ELK CITY 138KV CKT 1'
	FDNS		1	0	13G	G11_021	'TO->FRON	'NORTHWEST - TATONGA7 345.00 345KV CT	1195	0.21763	98	'ELK CITY - RED HILLS WIND 138KV CKT 1'
	FDNS		1	0	13G	G11_021	'TO->FRON	'NORTHWEST - TATONGA7 345.00 345KV CT	1195	0.21807	98.2	'LAWTON EASTSIDE - SUNNYSIDE 345KV CKT 1'
	FDNS		1	0	13G	G11_021	'TO->FRON	'NORTHWEST - TATONGA7 345.00 345KV CT	1195	0.21674	96.4	'GRACEMONT - LAWTON EASTSIDE 345KV CKT 1'
	FDNS		1	0	13G	G11_021	'TO->FRON	'NORTHWEST - TATONGA7 345.00 345KV CT	1195	0.21756	97.6	'WEATHERFORD JCT. - WEATHERFORD SOUTHEAST 138KV CKT 1'
	FDNS		1	0	13G	G11_021	'TO->FRON	'NORTHWEST - TATONGA7 345.00 345KV CT	1195	0.2204	99.1	'ELK CITY 230KV - SWEETWATER 230KV CKT 1'
	FDNS		1	0	13G	G11_021	'TO->FRON	'NORTHWEST - TATONGA7 345.00 345KV CT	1195	0.21719	97.6	'WEATHERFORD SOUTHEAST - WEATHERFORD TAP 138KV CKT 1'
	FDNS		1	0	13G	G11_021	'TO->FRON	'NORTHWEST - TATONGA7 345.00 345KV CT	1195	0.21719	97.6	'WEATHERFORD TAP - WEATHERFORD WIND FARM 138KV CKT 1'
	FDNS		1	0	13G	G11_021	'TO->FRON	'NORTHWEST - TATONGA7 345.00 345KV CT	1195	0.2204	97.8	'STATELINE INTERCHANGE - SWEETWATER 230KV CKT &1'
	FDNS		1	0	13G	G11_021	'TO->FRON	'NORTHWEST - TATONGA7 345.00 345KV CT	1195	0.21734	97.6	'MCLEAN RURAL SUB - SHAMROCK 115KV CKT 1'
	FDNS		1	0	13G	G11_021	'TO->FRON	'NORTHWEST - TATONGA7 345.00 345KV CT	1195	0.21609	97	'CLEVELAND - SOONER 345KV CKT 1'
	FDNS		1	0	13G	G11_021	'TO->FRON	'NORTHWEST - TATONGA7 345.00 345KV CT	1195	0.21837	97.6	'HENESSEY - WAUKOMIS 138KV CKT 1'
	FDNS		1	0	13G	G11_021	'TO->FRON	'NORTHWEST - TATONGA7 345.00 345KV CT	1195	0.21728	97.6	'MARSHALL - WOODRING 138KV CKT 1'
	FDNS		1	0	13G	G11_021	'TO->FRON	'NORTHWEST - TATONGA7 345.00 345KV CT	1195	0.22095	98.3	'HUNTERS7 345.00 - WOODRING 345KV CKT 1'

EVENTTYPE	SOLUTIONTYPE	GROUP	SCENARIO	SEASON	SOURCE	DIRECTION	MONTCOMMONNAME	RATEB	TDF	TC%LOADI	CONTNAME		
	FDNS		1	0	13G	G11_021	'TO->FRON'	'NORTHWEST - TATONGA7	345.00 345KV C	1195	0.21748	97.6	'KNOBHILL - SALINE 69KV CKT 1'
	FDNS		1	0	13G	G11_021	'TO->FRON'	'NORTHWEST - TATONGA7	345.00 345KV C	1195	0.21713	96.8	'KILDARE4 - NEWKIRK4 138KV CKT 1'
	FDNS		1	0	13G	G11_021	'TO->FRON'	'NORTHWEST - TATONGA7	345.00 345KV C	1195	0.21699	96.9	'KILDARE4 - WHITE EAGLE 138KV CKT 1'
	FDNS		1	0	13G	G11_021	'TO->FRON'	'NORTHWEST - TATONGA7	345.00 345KV C	1195	0.21837	97.6	'DOVER SW - HENESSEY 138KV CKT 1'
	FDNS		1	0	13G	G11_021	'TO->FRON'	'NORTHWEST - TATONGA7	345.00 345KV C	1195	0.22029	99	'CLEO CORNER - GLASS MOUNTAIN 138KV CKT 1'
	FDNS		1	0	13G	G11_021	'TO->FRON'	'NORTHWEST - TATONGA7	345.00 345KV C	1195	0.22118	99	'CLEO CORNER - MEN TAP 138KV CKT 1'
	FDNS		1	0	13G	G11_021	'TO->FRON'	'NORTHWEST - TATONGA7	345.00 345KV C	1195	0.21841	97.6	'WOODWARD - WOODWARD EHV 138KV CKT 1'
	FDNS		1	0	13G	G11_021	'TO->FRON'	'NORTHWEST - TATONGA7	345.00 345KV C	1195	0.22669	100.0791	'FPL SWITCH - WOODWARD 138KV CKT 1'
	FDNS		1	0	13G	G11_021	'TO->FRON'	'NORTHWEST - TATONGA7	345.00 345KV C	1195	0.22107	98.4	'DEWEY - IODINE 138KV CKT 1'
	FDNS		1	0	13G	G11_021	'TO->FRON'	'NORTHWEST - TATONGA7	345.00 345KV C	1195	0.22317	100.5894	'DEWEY - SOUTHARD 138KV CKT 1'
	FDNS		1	0	13G	G11_021	'TO->FRON'	'NORTHWEST - TATONGA7	345.00 345KV C	1195	0.22029	99.1	'GLASS MOUNTAIN - MOORELAND 138KV CKT 1'
	FDNS		1	0	13G	G11_021	'TO->FRON'	'NORTHWEST - TATONGA7	345.00 345KV C	1195	0.22118	99	'IMO TAP - MEN TAP 138KV CKT 1'
	FDNS		1	0	13G	G11_021	'TO->FRON'	'NORTHWEST - TATONGA7	345.00 345KV C	1195	0.21754	97.9	'KNOBHILL - MOORELAND 138KV CKT 1'
	FDNS		1	0	13G	G11_021	'TO->FRON'	'NORTHWEST - TATONGA7	345.00 345KV C	1195	0.22107	98.5	'IODINE - WOODWARD EHV 138KV CKT 1'
	FDNS		1	0	13G	G11_021	'TO->FRON'	'NORTHWEST - TATONGA7	345.00 345KV C	1195	0.21676	95.5	'GRACEMONT - MINCO 345KV CKT 1'
	FDNS		1	0	13G	G11_021	'TO->FRON'	'NORTHWEST - TATONGA7	345.00 345KV C	1195	0.21917	96.1	'ROSE HILL - SOONER 345KV CKT 1'
	FDNS		1	0	13G	G11_021	'TO->FRON'	'NORTHWEST - TATONGA7	345.00 345KV C	1195	0.21713	96.7	'CRESWELL - MIDLTNT4 138.00 138KV CKT 1'
	FDNS		1	0	13G	G11_021	'TO->FRON'	'NORTHWEST - TATONGA7	345.00 345KV C	1195	0.22317	100.1005	'EL RENO - ROMAN NOSE 138KV CKT 1'
	FDNS		1	0	13G	G11_021	'TO->FRON'	'NORTHWEST - TATONGA7	345.00 345KV C	1195	0.22317	100.2886	'ROMAN NOSE - SOUTHARD 138KV CKT 1'
	FDNS		1	0	13G	G11_021	'TO->FRON'	'NORTHWEST - TATONGA7	345.00 345KV C	1195	0.21658	97	'NORTHWEST - PANTHER 138KV CKT 1'
	FDNS		1	0	13G	G11_021	'TO->FRON'	'NORTHWEST - TATONGA7	345.00 345KV C	1195	0.20953	96.7	'ARCADIA - NORTHWEST 345KV CKT 1'
	FDNS		1	0	13G	G11_021	'TO->FRON'	'NORTHWEST - TATONGA7	345.00 345KV C	1195	0.2153	96.5	'CIMARRON - DRAPER LAKE 345KV CKT 1'
	FDNS		1	0	13G	G11_021	'TO->FRON'	'NORTHWEST - TATONGA7	345.00 345KV C	1195	0.21725	99.2	'CIMARRON - G11-007T 345.00 345KV CKT 1'
	FDNS		1	0	13G	G11_021	'TO->FRON'	'NORTHWEST - TATONGA7	345.00 345KV C	1195	0.21588	96.5	'ARCADIA - SEMINOLE 345KV CKT 1'
	FDNS		1	0	13G	G11_021	'TO->FRON'	'NORTHWEST - TATONGA7	345.00 345KV C	1195	0.21681	97.6	'MCELROY - STILLWATER 138KV CKT 1'
	FDNS		1	0	13G	G11_021	'TO->FRON'	'NORTHWEST - TATONGA7	345.00 345KV C	1195	0.21687	97.7	'MORISNT4 138.00 - STILLWATER 138KV CKT 1'
	FDNS		1	0	13G	G11_021	'TO->FRON'	'NORTHWEST - TATONGA7	345.00 345KV C	1195	0.21608	96.6	'FT SMITH - MUSKOGEE 345KV CKT 1'
	FDNS		1	0	13G	G11_021	'TO->FRON'	'NORTHWEST - TATONGA7	345.00 345KV C	1195	0.22932	102.2415	'BORDER 7345.00 - WOODWARD DISTRICT EHV 345KV CKT 1'
	FDNS		1	0	13G	G11_021	'TO->FRON'	'NORTHWEST - TATONGA7	345.00 345KV C	1195	0.21671	97.9	'Hitchland Interchange - WOODWARD DISTRICT EHV 345KV CKT 2'
	FDNS		1	0	13G	G11_021	'TO->FRON'	'NORTHWEST - TATONGA7	345.00 345KV C	1195	0.24303	105.3204	'THISTLE7 345.00 - WOODWARD DISTRICT EHV 345KV CKT 1'
	FDNS		1	0	13G	G11_021	'TO->FRON'	'NORTHWEST - TATONGA7	345.00 345KV C	1195	0.24303	105.3204	'THISTLE7 345.00 - WOODWARD DISTRICT EHV 345KV CKT 2'
	FDNS		1	0	13G	G11_021	'TO->FRON'	'NORTHWEST - TATONGA7	345.00 345KV C	1195	0.19944	97	'BEAVER CO 345.00 - WOODWARD DISTRICT EHV 345KV CKT 1'
	FDNS		1	0	13G	G11_021	'TO->FRON'	'NORTHWEST - TATONGA7	345.00 345KV C	1195	0.22932	102.2821	'BORDER 7345.00 - TUCO INTERCHANGE 345KV CKT 1'
	FDNS		1	0	13G	G11_021	'TO->FRON'	'NORTHWEST - TATONGA7	345.00 345KV C	1195	0.22095	97.6	'HUNTERS7 345.00 - VIOLA 7 345.00 345KV CKT 1'
	FDNS		1	0	13G	G11_021	'TO->FRON'	'NORTHWEST - TATONGA7	345.00 345KV C	1195	0.22669	101.5738	'FPL SWITCH - MOORELAND 138KV CKT 1'
	FDNS		1	0	13G	G11_021	'TO->FRON'	'NORTHWEST - TATONGA7	345.00 345KV C	1195	0.21727	97.6	'ARAPAHO - HAMON BUTLER 69KV CKT 1'
	FDNS		1	0	13G	G11_021	'TO->FRON'	'NORTHWEST - TATONGA7	345.00 345KV C	1195	0.21727	97.6	'ARAPAHO - INDUSTRIAL PARK 69KV CKT 1'
	FDNS-CHECK-TC-B		1	0	13G	G11_021	'TO->FRON'	'NORTHWEST - TATONGA7	345.00 345KV C	1195	0.21671	100.4	'GEN337653 1-WHITE BLUFF UNIT #2'
	FDNS		1	0	13G	G11_021	'TO->FRON'	'NORTHWEST - TATONGA7	345.00 345KV C	1195	0.21671	98.3	'GEN337692 1-LAKE CATHERINE UNIT #4'
	FDNS		1	0	13G	G11_021	'TO->FRON'	'NORTHWEST - TATONGA7	345.00 345KV C	1195	0.21671	100	'GEN338143 1-INDEPENDENCE UNIT #1'
	FDNS		1	0	13G	G11_021	'TO->FRON'	'NORTHWEST - TATONGA7	345.00 345KV C	1195	0.21671	100.0507	'GEN338146 1-INDEPENDENCE UNIT #2'
	FDNS		1	0	13G	G11_021	'TO->FRON'	'NORTHWEST - TATONGA7	345.00 345KV C	1195	0.21671	99.3	'GEN338388 1-1PLUM PT U1 23.000'
	FDNS		1	0	13G	G11_021	'TO->FRON'	'NORTHWEST - TATONGA7	345.00 345KV C	1195	0.21671	97.7	'GEN338500 1-MCCLELLAN UNIT #1'
	FDNS		1	0	13G	G11_021	'TO->FRON'	'NORTHWEST - TATONGA7	345.00 345KV C	1195	0.21671	97.6	'GEN338510 1-1S1KNWRI'
	FDNS		1	0	13G	G11_021	'TO->FRON'	'NORTHWEST - TATONGA7	345.00 345KV C	1195	0.21671	97.6	'GEN338512 1-1S2KNWRI'
	FDNS		1	0	13G	G11_021	'TO->FRON'	'NORTHWEST - TATONGA7	345.00 345KV C	1195	0.21671	97.6	'GEN338513 1-BAILEY UNIT #1'
	FDNS		1	0	13G	G11_021	'TO->FRON'	'NORTHWEST - TATONGA7	345.00 345KV C	1195	0.21671	97.6	'GEN500915 3-WESTERN KRAFT'
	FDNS		1	0	13G	G11_021	'TO->FRON'	'NORTHWEST - TATONGA7	345.00 345KV C	1195	0.21671	100.2498	'GEN501801 1-DOLET HILLS UNIT1'
	FDNS		1	0	13G	G11_021	'TO->FRON'	'NORTHWEST - TATONGA7	345.00 345KV C	1195	0.21671	98.2	'GEN501811 1-RODEMACHER UNIT 1'
	FDNS		1	0	13G	G11_021	'TO->FRON'	'NORTHWEST - TATONGA7	345.00 345KV C	1195	0.21671	99.2	'GEN501812 1-RODEMACHER UNIT 2'
	FDNS		1	0	13G	G11_021	'TO->FRON'	'NORTHWEST - TATONGA7	345.00 345KV C	1195	0.21671	99.7	'GEN501813 1-RODEMACHER UNIT 3'

EVENTTYPE	SOLUTIONTYPE	GROUP	SCENARIO	SEASON	SOURCE	DIRECTION	MONTH	COMMONNAME	RATEB	TDF	TC%LOADI	CONTNAME
	FDNS		1	0	13G	G11_021	TO->FRON	'NORTHWEST - TATONGA7 345.00 345KV	1195	0.21671	98.2	'GEN501910 1-ACADIA UNIT ST1'
	FDNS		1	0	13G	G11_021	TO->FRON	'NORTHWEST - TATONGA7 345.00 345KV	1195	0.21671	97.9	'GEN501911 1-ACADIA UNIT CT1A'
	FDNS		1	0	13G	G11_021	TO->FRON	'NORTHWEST - TATONGA7 345.00 345KV	1195	0.21671	97.9	'GEN501912 1-ACADIA UNIT CT1B'
	FDNS		1	0	13G	G11_021	TO->FRON	'NORTHWEST - TATONGA7 345.00 345KV	1195	0.21671	97.9	'GEN505432 1-SIKESTON'
	FDNS		1	0	13G	G11_021	TO->FRON	'NORTHWEST - TATONGA7 345.00 345KV	1195	0.21671	97.7	'GEN506749 1-EASTMAN GENERATION A'
	FDNS		1	0	13G	G11_021	TO->FRON	'NORTHWEST - TATONGA7 345.00 345KV	1195	0.21671	97.9	'GEN506752 1-LEBROCK GAS 1'
	FDNS		1	0	13G	G11_021	TO->FRON	'NORTHWEST - TATONGA7 345.00 345KV	1195	0.21671	98.1	'GEN509391 G1-ARSENAL HILL GENS #2 (STALL)'
	FDNS		1	0	13G	G11_021	TO->FRON	'NORTHWEST - TATONGA7 345.00 345KV	1195	0.21671	98.1	'GEN509392 G2-ARSENAL HILL GENS #3 (STALL)'
	FDNS		1	0	13G	G11_021	TO->FRON	'NORTHWEST - TATONGA7 345.00 345KV	1195	0.21671	98	'GEN509393 S1-ARSENAL HILL GENS #4 (STALL)'
	FDNS		1	0	13G	G11_021	TO->FRON	'NORTHWEST - TATONGA7 345.00 345KV	1195	0.21671	99.3	'GEN509394 1-FLINT CREEK'
	FDNS		1	0	13G	G11_021	TO->FRON	'NORTHWEST - TATONGA7 345.00 345KV	1195	0.21671	100	'GEN509403 1-PIRKEY GENERATION'
	FDNS		1	0	13G	G11_021	TO->FRON	'NORTHWEST - TATONGA7 345.00 345KV	1195	0.21671	99.5	'GEN509404 1-WELSH #1'
	FDNS		1	0	13G	G11_021	TO->FRON	'NORTHWEST - TATONGA7 345.00 345KV	1195	0.21671	99.5	'GEN509405 1-WELSH #2'
	FDNS		1	0	13G	G11_021	TO->FRON	'NORTHWEST - TATONGA7 345.00 345KV	1195	0.21671	99.5	'GEN509406 1-WELSH #3'
	FDNS		1	0	13G	G11_021	TO->FRON	'NORTHWEST - TATONGA7 345.00 345KV	1195	0.21671	97.6	'GEN509408 1-WILKES #2'
	FDNS		1	0	13G	G11_021	TO->FRON	'NORTHWEST - TATONGA7 345.00 345KV	1195	0.21671	99.9	'GEN509416 1-TURK GENERATION'
	FDNS		1	0	13G	G11_021	TO->FRON	'NORTHWEST - TATONGA7 345.00 345KV	1195	0.21671	97.8	'GEN511836 1-NORTHEASTERN STATION #1'
	FDNS		1	0	13G	G11_021	TO->FRON	'NORTHWEST - TATONGA7 345.00 345KV	1195	0.21671	97.9	'GEN511837 1-NORTHEASTERN STATION # 1-1A'
	FDNS		1	0	13G	G11_021	TO->FRON	'NORTHWEST - TATONGA7 345.00 345KV	1195	0.21671	97.9	'GEN511838 1-NORTHEASTERN STATION # 1-1B'
	FDNS		1	0	13G	G11_021	TO->FRON	'NORTHWEST - TATONGA7 345.00 345KV	1195	0.21671	98	'GEN511839 1-NORTHEASTERN STATION #2'
	FDNS		1	0	13G	G11_021	TO->FRON	'NORTHWEST - TATONGA7 345.00 345KV	1195	0.21671	99.1	'GEN511840 1-NORTHEASTERN STATION #3'
	FDNS		1	0	13G	G11_021	TO->FRON	'NORTHWEST - TATONGA7 345.00 345KV	1195	0.21671	99.1	'GEN511841 1-NORTHEASTERN STATION #4'
	FDNS		1	0	13G	G11_021	TO->FRON	'NORTHWEST - TATONGA7 345.00 345KV	1195	0.21671	97.8	'GEN511851 1-COMANCHE #1'
	FDNS		1	0	13G	G11_021	TO->FRON	'NORTHWEST - TATONGA7 345.00 345KV	1195	0.21671	97.6	'GEN511852 1-COMANCHE #2'
	FDNS		1	0	13G	G11_021	TO->FRON	'NORTHWEST - TATONGA7 345.00 345KV	1195	0.21671	97.6	'GEN511853 1-COMANCHE #3'
	FDNS		1	0	13G	G11_021	TO->FRON	'NORTHWEST - TATONGA7 345.00 345KV	1195	0.21671	97.7	'GEN511938 1-OEC STEAM # 1'
	FDNS		1	0	13G	G11_021	TO->FRON	'NORTHWEST - TATONGA7 345.00 345KV	1195	0.21671	97.7	'GEN511939 1-OEC GAS # 1-1'
	FDNS		1	0	13G	G11_021	TO->FRON	'NORTHWEST - TATONGA7 345.00 345KV	1195	0.21671	97.7	'GEN511940 1-OEC GAS # 1-2'
	FDNS		1	0	13G	G11_021	TO->FRON	'NORTHWEST - TATONGA7 345.00 345KV	1195	0.21671	98.2	'GEN511941 1-OEC STEAM # 2'
	FDNS		1	0	13G	G11_021	TO->FRON	'NORTHWEST - TATONGA7 345.00 345KV	1195	0.21671	97.7	'GEN511942 1-OEC GAS # 2-1'
	FDNS		1	0	13G	G11_021	TO->FRON	'NORTHWEST - TATONGA7 345.00 345KV	1195	0.21671	97.7	'GEN511943 1-OEC GAS # 2-2'
	FDNS		1	0	13G	G11_021	TO->FRON	'NORTHWEST - TATONGA7 345.00 345KV	1195	0.21671	97.8	'GEN511953 G-COGENTRIX GAS # 1'
	FDNS		1	0	13G	G11_021	TO->FRON	'NORTHWEST - TATONGA7 345.00 345KV	1195	0.21671	97.8	'GEN511954 S-COGENTRIX STEAM # 1'
	FDNS		1	0	13G	G11_021	TO->FRON	'NORTHWEST - TATONGA7 345.00 345KV	1195	0.21671	97.8	'GEN511955 G-COGENTRIX GAS # 2'
	FDNS		1	0	13G	G11_021	TO->FRON	'NORTHWEST - TATONGA7 345.00 345KV	1195	0.21671	97.8	'GEN511956 S-COGENTRIX STEAM # 2'
	FDNS		1	0	13G	G11_021	TO->FRON	'NORTHWEST - TATONGA7 345.00 345KV	1195	0.21671	97.8	'GEN511957 G-COGENTRIX GAS # 3'
	FDNS		1	0	13G	G11_021	TO->FRON	'NORTHWEST - TATONGA7 345.00 345KV	1195	0.21671	99.3	'GEN512688 2-GRDA1 GSU2 22'
	FDNS		1	0	13G	G11_021	TO->FRON	'NORTHWEST - TATONGA7 345.00 345KV	1195	0.21671	98.9	'GEN512689 1-GRDA1 GSU1 22'
	FDNS		1	0	13G	G11_021	TO->FRON	'NORTHWEST - TATONGA7 345.00 345KV	1195	0.21671	99.9	'GEN514805 1-SOONER UNIT 1'
	FDNS		1	0	13G	G11_021	TO->FRON	'NORTHWEST - TATONGA7 345.00 345KV	1195	0.21671	100.1892	'GEN514806 1-SOONER UNIT 2'
	FDNS		1	0	13G	G11_021	TO->FRON	'NORTHWEST - TATONGA7 345.00 345KV	1195	0.21671	98.6	'GEN514899 1-REDBUD1S'
	FDNS		1	0	13G	G11_021	TO->FRON	'NORTHWEST - TATONGA7 345.00 345KV	1195	0.21671	98.5	'GEN514900 1-REDBUD2S'
	FDNS		1	0	13G	G11_021	TO->FRON	'NORTHWEST - TATONGA7 345.00 345KV	1195	0.21671	98.5	'GEN514905 1-REDBUD3S'
	FDNS		1	0	13G	G11_021	TO->FRON	'NORTHWEST - TATONGA7 345.00 345KV	1195	0.21671	98.8	'GEN514910 2-REDBUD GEN'
	FDNS		1	0	13G	G11_021	TO->FRON	'NORTHWEST - TATONGA7 345.00 345KV	1195	0.21671	98.8	'GEN514911 2-REDBUD GEN'
	FDNS		1	0	13G	G11_021	TO->FRON	'NORTHWEST - TATONGA7 345.00 345KV	1195	0.21671	98	'GEN514912 2-REDBUD GEN'
	FDNS		1	0	13G	G11_021	TO->FRON	'NORTHWEST - TATONGA7 345.00 345KV	1195	0.21671	98.5	'GEN514940 1-REDBUD GEN'
	FDNS		1	0	13G	G11_021	TO->FRON	'NORTHWEST - TATONGA7 345.00 345KV	1195	0.21671	98.7	'GEN514942 2-REDBUD4G'
	FDNS		1	0	13G	G11_021	TO->FRON	'NORTHWEST - TATONGA7 345.00 345KV	1195	0.21671	98.5	'GEN514998 1-MCCLAIN UNIT 1'
	FDNS		1	0	13G	G11_021	TO->FRON	'NORTHWEST - TATONGA7 345.00 345KV	1195	0.21671	98.5	'GEN514999 1-MCCLAIN UNIT 2'
	FDNS		1	0	13G	G11_021	TO->FRON	'NORTHWEST - TATONGA7 345.00 345KV	1195	0.21671	98.1	'GEN515000 1-MCCLAIN UNIT 3'
	FDNS		1	0	13G	G11_021	TO->FRON	'NORTHWEST - TATONGA7 345.00 345KV	1195	0.21671	98.5	'GEN515040 1-SEMINOLE 1G'
	FDNS		1	0	13G	G11_021	TO->FRON	'NORTHWEST - TATONGA7 345.00 345KV	1195	0.21671	98.8	'GEN515041 1-SEMINOLE 2G'
	FDNS		1	0	13G	G11_021	TO->FRON	'NORTHWEST - TATONGA7 345.00 345KV	1195	0.21671	99	'GEN515042 1-SEMINOLE 3G'
	FDNS		1	0	13G	G11_021	TO->FRON	'NORTHWEST - TATONGA7 345.00 345KV	1195	0.21671	99.7	'GEN515223 1-MUSKOGEE 4G'
	FDNS		1	0	13G	G11_021	TO->FRON	'NORTHWEST - TATONGA7 345.00 345KV	1195	0.21671	99.7	'GEN515225 1-MUSKOGEE 5G'

EVENTTYPE	SOLUTIONTYPE	GROUP	SCENARIO	SEASON	SOURCE	DIRECTION	MONTH	COMMONNAME	RATEB	TDF	TC%LOADI	CONTNAME
	FDNS		1	0	13G	G11_021		'TO->FROM NORTHWEST - TATONGA7 345.00 345KV C	1195	0.21671	96.7	'GEN560257 1-G10-14-2 0.6900'
	FDNS		1	0	13G	G11_021		'TO->FROM NORTHWEST - TATONGA7 345.00 345KV C	1195	0.21671	96.5	'GEN560279 1-G08-18 0.6900'
	FDNS		1	0	13G	G11_021		'TO->FROM NORTHWEST - TATONGA7 345.00 345KV C	1195	0.21671	96.7	'GEN560286 1-G10-01-1WTG 0.6900
	FDNS		1	0	13G	G11_021		'TO->FROM NORTHWEST - TATONGA7 345.00 345KV C	1195	0.21671	96.7	'GEN560287 1-G10-01-2WTG 0.6900
	FDNS		1	0	13G	G11_021		'TO->FROM NORTHWEST - TATONGA7 345.00 345KV C	1195	0.21671	96.9	'GEN560329 1-G10-45 0.6900'
	FDNS		1	0	13G	G11_021		'TO->FROM NORTHWEST - TATONGA7 345.00 345KV C	1195	0.21671	96.4	'GEN560359 1-G08-51 0.6900'
	FDNS		1	0	13G	G11_021		'TO->FROM NORTHWEST - TATONGA7 345.00 345KV C	1195	0.21671	96.7	'GEN560371 1-G07-46 0.6900'
	FDNS		1	0	13G	G11_021		'TO->FROM NORTHWEST - TATONGA7 345.00 345KV C	1195	0.21671	97	'GEN560432 1-G08-124 0.6900'
	FDNS		1	0	13G	G11_021		'TO->FROM NORTHWEST - TATONGA7 345.00 345KV C	1195	0.21671	96.9	'GEN560522 1-G05-12 0.6900'
	FDNS		1	0	13G	G11_021		'TO->FROM NORTHWEST - TATONGA7 345.00 345KV C	1195	0.21671	96.9	'GEN560549 1-G06-06 0.6900'
	FDNS		1	0	13G	G11_021		'TO->FROM NORTHWEST - TATONGA7 345.00 345KV C	1195	0.21671	96.9	'GEN560585 1-G06-44-2 0.6000'
	FDNS		1	0	13G	G11_021		'TO->FROM NORTHWEST - TATONGA7 345.00 345KV C	1195	0.21671	96.7	'GEN560586 1-G06-44-3 0.6000'
	FDNS		1	0	13G	G11_021		'TO->FROM NORTHWEST - TATONGA7 345.00 345KV C	1195	0.21671	96.7	'GEN560592 1-G06-45 0.6000'
	FDNS		1	0	13G	G11_021		'TO->FROM NORTHWEST - TATONGA7 345.00 345KV C	1195	0.21671	96.7	'GEN560595 1-G06-47 0.6000'
	FDNS		1	0	13G	G11_021		'TO->FROM NORTHWEST - TATONGA7 345.00 345KV C	1195	0.21671	97	'GEN560659 1-G07-38 0.6900'
	FDNS		1	0	13G	G11_021		'TO->FROM NORTHWEST - TATONGA7 345.00 345KV C	1195	0.21671	98.9	'GEN560687 1-G11-007 0.5750'
	FDNS		1	0	13G	G11_021		'TO->FROM NORTHWEST - TATONGA7 345.00 345KV C	1195	0.21671	96.9	'GEN560693 1-G11-008-1 0.6900'
	FDNS		1	0	13G	G11_021		'TO->FROM NORTHWEST - TATONGA7 345.00 345KV C	1195	0.21671	97.9	'GEN560706 1-G11-010 0.6900'
	FDNS		1	0	13G	G11_021		'TO->FROM NORTHWEST - TATONGA7 345.00 345KV C	1195	0.21671	96.8	'GEN562014 1-G11_023_3 0.6900'
	FDNS		1	0	13G	G11_021		'TO->FROM NORTHWEST - TATONGA7 345.00 345KV C	1195	0.21671	96.3	'GEN562017 1-G11_022_3 0.6900'
	FDNS		1	0	13G	G11_021		'TO->FROM NORTHWEST - TATONGA7 345.00 345KV C	1195	0.21671	96.2	'GEN562020 1-G11_021_3 0.6900'
	FDNS		1	0	13G	G11_021		'TO->FROM NORTHWEST - TATONGA7 345.00 345KV C	1195	0.21671	96.9	'GEN562032 1-G11_017_3 0.6900'
	FDNS		1	0	13G	G11_021		'TO->FROM NORTHWEST - TATONGA7 345.00 345KV C	1195	0.21671	96.9	'GEN562035 1-G11_016_3 0.6900'
	FDNS		1	0	13G	G11_021		'TO->FROM NORTHWEST - TATONGA7 345.00 345KV C	1195	0.21671	96.5	'GEN562042 1-G11_014_3 0.6900'
	FDNS		1	0	13G	G11_021		'TO->FROM NORTHWEST - TATONGA7 345.00 345KV C	1195	0.21671	97	'GEN562049 1-G11_012_3 0.6900'
	FDNS		1	0	13G	G11_021		'TO->FROM NORTHWEST - TATONGA7 345.00 345KV C	1195	0.21671	96.8	'GEN640009 1-COOPER NUCLEAR STATION'
	FDNS		1	0	13G	G11_021		'TO->FROM NORTHWEST - TATONGA7 345.00 345KV C	1195	0.21671	96.1	'GEN640010 1-GERALD GENTLEMAN STATION UNIT 1'
	FDNS		1	0	13G	G11_021		'TO->FROM NORTHWEST - TATONGA7 345.00 345KV C	1195	0.21671	96.1	'GEN640011 2-GERALD GENTLEMAN STATION UNIT 2'
	FDNS		1	0	13G	G11_021		'TO->FROM NORTHWEST - TATONGA7 345.00 345KV C	1195	0.21671	97	'GEN641089 2-ENERGY CENTER 2'
	FDNS		1	0	13G	G11_021		'TO->FROM NORTHWEST - TATONGA7 345.00 345KV C	1195	0.21671	96.9	'GEN645001 1-FORT CALHOUN 1'
	FDNS		1	0	13G	G11_021		'TO->FROM NORTHWEST - TATONGA7 345.00 345KV C	1195	0.21671	96.8	'GEN645011 1-NEBRASKA CITY 1'
	FDNS		1	0	13G	G11_021		'TO->FROM NORTHWEST - TATONGA7 345.00 345KV C	1195	0.21671	96.8	'GEN645012 2-NEBRASKA CITY 2'
	FDNS		1	0	13G	G11_021		'TO->FROM NORTHWEST - TATONGA7 345.00 345KV C	1195	0.21671	96.9	'GEN659103 1-ANTELOPE VALLEY UNIT1'
	FDNS		1	0	13G	G11_021		'TO->FROM NORTHWEST - TATONGA7 345.00 345KV C	1195	0.21671	96.9	'GEN659107 2-ANTELOPE VALLEY UNIT2'
	FDNS		1	0	13G	G11_021		'TO->FROM NORTHWEST - TATONGA7 345.00 345KV C	1195	0.21671	95.4	'GEN659118 1-LARAMIE RIVER UNIT1'
	FNSL		1	0	13G	G11_021		'TO->FROM NORTHWEST - TATONGA7 345.00 345KV C	1195	0.21683	97.6	'STEGALL - WAYSIDE 230KV CKT 1'
	FNSL		1	0	13G	G11_021		'TO->FROM NORTHWEST - TATONGA7 345.00 345KV C	1195	0.2169	97.9	'TRF-STEGALL'
	FNSL		1	0	13G	G11_021		'TO->FROM NORTHWEST - TATONGA7 345.00 345KV C	1195	0.2169	97.9	'NEB01WAPAB3'
	FNSL		1	0	13G	G11_021		'TO->FROM NORTHWEST - TATONGA7 345.00 345KV C	1195	0.21671	101.1123	'GEN335831 1-RIVERBEND UNIT#1'
	FNSL		1	0	13G	G11_021		'TO->FROM NORTHWEST - TATONGA7 345.00 345KV C	1195	0.21671	100.8917	'GEN337910 1-ARKANSAS NUCLEAR ONE UNIT #1'
	FNSL		1	0	13G	G11_021		'TO->FROM NORTHWEST - TATONGA7 345.00 345KV C	1195	0.21671	101.5954	'GEN337911 1-ARKANSAS NUCLEAR ONE UNIT #2'
	FDNS		1	0	13G	G11_021		'TO->FROM NORTHWEST - TATONGA7 345.00 345KV C	1195	0.21726	97.6	'CANTON - TALOGA 69KV CKT 1'
	FDNS		1	0	13G	G11_021		'TO->FROM NORTHWEST - TATONGA7 345.00 345KV C	1195	0.21933	98.7	'CEDARDALE - MOORELAND 138KV CKT 1'
	FDNS		1	0	13G	G11_021		'TO->FROM NORTHWEST - TATONGA7 345.00 345KV C	1195	0.21933	98.7	'CEDARDALE - OKEENE 138KV CKT 1'
	FDNS		1	0	13G	G11_021		'TO->FROM NORTHWEST - TATONGA7 345.00 345KV C	1195	0.21727	97.6	'CORDELL - INDUSTRIAL PARK 69KV CKT 1'
	FDNS		1	0	13G	G11_021		'TO->FROM NORTHWEST - TATONGA7 345.00 345KV C	1195	0.21921	98.4	'DOVER SW - OKEENE 138KV CKT 1'
	FDNS		1	0	13G	G11_021		'TO->FROM NORTHWEST - TATONGA7 345.00 345KV C	1195	0.21727	97.6	'HAMON BUTLER - PUTNAM 69KV CKT 1'
	FDNS		1	0	13G	G11_021		'TO->FROM NORTHWEST - TATONGA7 345.00 345KV C	1195	0.21867	98.5	'MOORELAND - NINE MILE 138KV CKT 1'
	FDNS		1	0	13G	G11_021		'TO->FROM NORTHWEST - TATONGA7 345.00 345KV C	1195	0.21763	97.8	'MOREWOOD SW - RED HILLS WIND 138KV CKT 1'
	FDNS		1	0	13G	G11_021		'TO->FROM NORTHWEST - TATONGA7 345.00 345KV C	1195	0.21867	98.5	'MOREWOOD SW - NINE MILE 138KV CKT 1'
	FDNS		1	0	13G	G11_021		'TO->FROM NORTHWEST - TATONGA7 345.00 345KV C	1195	0.21734	97.6	'OKEENE - WATONGA SW 69KV CKT 1'
	FDNS		1	0	13G	G11_021		'TO->FROM NORTHWEST - TATONGA7 345.00 345KV C	1195	0.21727	97.6	'PUTNAM - TALOGA 69KV CKT 1'
	FDNS		1	0	13G	G11_021		'TO->FROM NORTHWEST - TATONGA7 345.00 345KV C	1195	0.24099	99.6	'FINNEY SWITCHING STATION - Hitchland Interchange 345KV CKT 1'
	FDNS		1	0	13G	G11_021		'TO->FROM NORTHWEST - TATONGA7 345.00 345KV C	1195	0.22388	97.8	'Hitchland Interchange - POTTER COUNTY INTERCHANGE 345KV CKT 1'

EVENTTYPE	SOLUTIONTYPE	GROUP	SCENARIO	SEASON	SOURCE	DIRECTION	MONTCOMMONNAME	RATEB	TDF	TC%LOADI	CONTNAME
	FDNS		1	0	13G	G11_021	'TO->FRON' NORTHWEST - TATONGA7 345.00 345KV C	1195	0.22592	98.7	'BEAVER CO 345.00 - Hitchland Interchange 345KV CKT 1'
	FDNS		1	0	13G	G11_021	'TO->FRON' NORTHWEST - TATONGA7 345.00 345KV C	1195	0.21856	97.6	'G11_012T 230.00 - MOORE COUNTY INTERCHANGE 230KV CKT 1'
	FDNS		1	0	13G	G11_021	'TO->FRON' NORTHWEST - TATONGA7 345.00 345KV C	1195	0.2204	98.6	'GRAPEVINE INTERCHANGE - STATELINE INTERCHANGE 230KV CKT 1'
	FDNS		1	0	13G	G11_021	'TO->FRON' NORTHWEST - TATONGA7 345.00 345KV C	1195	0.21892	98.5	'GRAPEVINE INTERCHANGE - NICHOLS STATION 230KV CKT 1'
	FDNS		1	0	13G	G11_021	'TO->FRON' NORTHWEST - TATONGA7 345.00 345KV C	1195	0.21734	97.7	'MCCLLELLAN SUB - MCLEAN RURAL SUB 115KV CKT 1'
	FDNS		1	0	13G	G11_021	'TO->FRON' NORTHWEST - TATONGA7 345.00 345KV C	1195	0.21734	97.7	'KIRBY SWITCHING STATION - MCCLLELLAN SUB 115KV CKT 1'
	FDNS		1	0	13G	G11_021	'TO->FRON' NORTHWEST - TATONGA7 345.00 345KV C	1195	0.24099	100.6584	'FINNEY SWITCHING STATION - HOLCOMB 345KV CKT 1'
	FDNS		1	0	13G	G11_021	'TO->FRON' NORTHWEST - TATONGA7 345.00 345KV C	1195	0.21739	97.6	'BUFFALO 230.00 - DEAF SMITH COUNTY INTERCHANGE 230KV CKT 1'
	FDNS		1	0	13G	G11_021	'TO->FRON' NORTHWEST - TATONGA7 345.00 345KV C	1195	0.21731	97.6	'G07-48T 230.00 - SWISHER COUNTY INTERCHANGE 230KV CKT 1'
	FDNS		1	0	13G	G11_021	'TO->FRON' NORTHWEST - TATONGA7 345.00 345KV C	1195	0.21753	97.7	'KNOLL 230 - SMOKYHL6 230.00 230KV CKT 1'
	FDNS		1	0	13G	G11_021	'TO->FRON' NORTHWEST - TATONGA7 345.00 345KV C	1195	0.22082	99.8	'G11-17T 345.00 - POST ROCK 345KV CKT 1'
	FDNS		1	0	13G	G11_021	'TO->FRON' NORTHWEST - TATONGA7 345.00 345KV C	1195	0.21977	98.7	'AXTELL - POST ROCK 345KV CKT 1'
	FDNS		1	0	13G	G11_021	'TO->FRON' NORTHWEST - TATONGA7 345.00 345KV C	1195	0.21753	98.1	'SMOKYHL6 230.00 - SUMMIT 230KV CKT 1'
	FDNS		1	0	13G	G11_021	'TO->FRON' NORTHWEST - TATONGA7 345.00 345KV C	1195	0.22094	98.4	'HOLCOMB - SETAB 345KV CKT 1'
	FDNS		1	0	13G	G11_021	'TO->FRON' NORTHWEST - TATONGA7 345.00 345KV C	1195	0.22004	97.7	'BUCKNER7 345.00 - HOLCOMB 345KV CKT 1'
	FDNS		1	0	13G	G11_021	'TO->FRON' NORTHWEST - TATONGA7 345.00 345KV C	1195	0.22202	99.1	'MINGO - SETAB 345KV CKT 1'
	FDNS		1	0	13G	G11_021	'TO->FRON' NORTHWEST - TATONGA7 345.00 345KV C	1195	0.22265	98.9	'MINGO - RED WILLOW 345KV CKT 1'
	FDNS		1	0	13G	G11_021	'TO->FRON' NORTHWEST - TATONGA7 345.00 345KV C	1195	0.22004	98.2	'BUCKNER7 345.00 - SPEARVILLE 345KV CKT 1'
	FDNS		1	0	13G	G11_021	'TO->FRON' NORTHWEST - TATONGA7 345.00 345KV C	1195	0.22082	99.4	'G11-17T 345.00 - SPEARVILLE 345KV CKT 1'
	FDNS		1	0	13G	G11_021	'TO->FRON' NORTHWEST - TATONGA7 345.00 345KV C	1195	0.21744	97.6	'EMPORIA ENERGY CENTER - SWISSVALE 345KV CKT 1'
	FDNS		1	0	13G	G11_021	'TO->FRON' NORTHWEST - TATONGA7 345.00 345KV C	1195	0.21807	97.7	'EMPORIA ENERGY CENTER - WICHITA 345KV CKT 1'
	FDNS		1	0	13G	G11_021	'TO->FRON' NORTHWEST - TATONGA7 345.00 345KV C	1195	0.21756	97.9	'SWISSVALE - WEST GARDNER 345KV CKT 1'
	FDNS		1	0	13G	G11_021	'TO->FRON' NORTHWEST - TATONGA7 345.00 345KV C	1195	0.21851	98.1	'CANEYRV7 345.00 - NEOSHO 345KV CKT 1'
	FDNS		1	0	13G	G11_021	'TO->FRON' NORTHWEST - TATONGA7 345.00 345KV C	1195	0.21851	98	'CANEYRV7 345.00 - LATHAMS7 345.00 345KV CKT 1'
	FDNS		1	0	13G	G11_021	'TO->FRON' NORTHWEST - TATONGA7 345.00 345KV C	1195	0.2201	98	'BENTON - ROSE HILL 345KV CKT 1'
	FDNS		1	0	13G	G11_021	'TO->FRON' NORTHWEST - TATONGA7 345.00 345KV C	1195	0.2232	99.3	'BENTON - WICHITA 345KV CKT 1'
	FDNS		1	0	13G	G11_021	'TO->FRON' NORTHWEST - TATONGA7 345.00 345KV C	1195	0.21851	97.7	'LATHAMS7 345.00 - ROSE HILL 345KV CKT 1'
	FDNS		1	0	13G	G11_021	'TO->FRON' NORTHWEST - TATONGA7 345.00 345KV C	1195	0.22095	96.2	'VIOLA 7 345.00 - WICHITA 345KV CKT 1'
	FDNS		1	0	13G	G11_021	'TO->FRON' NORTHWEST - TATONGA7 345.00 345KV C	1195	0.23104	103.2292	'THISTLE7 345.00 - WICHITA 345KV CKT 1'
	FDNS		1	0	13G	G11_021	'TO->FRON' NORTHWEST - TATONGA7 345.00 345KV C	1195	0.23104	103.2292	'THISTLE7 345.00 - WICHITA 345KV CKT 2'
	FDNS		1	0	13G	G11_021	'TO->FRON' NORTHWEST - TATONGA7 345.00 345KV C	1195	0.21725	97.9	'ANDERSONCO 345.00 - WOLF CREEK 345KV CKT 1'
	FDNS		1	0	13G	G11_021	'TO->FRON' NORTHWEST - TATONGA7 345.00 345KV C	1195	0.21767	97.9	'CIRCLE - MULLERGREN 230KV CKT 1'
	FDNS		1	0	13G	G11_021	'TO->FRON' NORTHWEST - TATONGA7 345.00 345KV C	1195	0.21792	97.7	'CLEARWATER - GILL ENERGY CENTER WEST 138KV CKT 1'
	FDNS		1	0	13G	G11_021	'TO->FRON' NORTHWEST - TATONGA7 345.00 345KV C	1195	0.21688	97.5	'EVANS ENERGY CENTER NORTH - MAIZEW 4 138.00 138KV CKT 1'
	FDNS		1	0	13G	G11_021	'TO->FRON' NORTHWEST - TATONGA7 345.00 345KV C	1195	0.21688	97.5	'MAIZE - MAIZEW 4 138.00 138KV CKT 1'
	FDNS		1	0	13G	G11_021	'TO->FRON' NORTHWEST - TATONGA7 345.00 345KV C	1195	0.21788	97.7	'FLATRDG3 - THISTLE4 138.00 138KV CKT 1'
	FDNS		1	0	13G	G11_021	'TO->FRON' NORTHWEST - TATONGA7 345.00 345KV C	1195	0.21767	98.1	'MULLERGREN - SPEARVILLE 230KV CKT 1'
	FDNS		1	0	13G	G11_021	'TO->FRON' NORTHWEST - TATONGA7 345.00 345KV C	1195	0.21679	97.6	'HAWTHORN - NASHUA 345KV CKT 1'
	FDNS		1	0	13G	G11_021	'TO->FRON' NORTHWEST - TATONGA7 345.00 345KV C	1195	0.21725	97.9	'ANDERSONCO 345.00 - LACYGNE 345KV CKT 1'
	FDNS		1	0	13G	G11_021	'TO->FRON' NORTHWEST - TATONGA7 345.00 345KV C	1195	0.21661	96.7	'BROOKLINE - SUB 383 - MONETT 345KV CKT 1'
	FDNS		1	0	13G	G11_021	'TO->FRON' NORTHWEST - TATONGA7 345.00 345KV C	1195	0.21775	98	'AXTELL - PAULINE 345KV CKT 1'
	FDNS		1	0	13G	G11_021	'TO->FRON' NORTHWEST - TATONGA7 345.00 345KV C	1195	0.21691	97.6	'GERALD GENTLEMAN STATION - SWEETWATER 345KV CKT 1'
	FDNS		1	0	13G	G11_021	'TO->FRON' NORTHWEST - TATONGA7 345.00 345KV C	1195	0.21714	97.6	'GRAND ISLAND - MCCOOL 345KV CKT 1'
	FDNS		1	0	13G	G11_021	'TO->FRON' NORTHWEST - TATONGA7 345.00 345KV C	1195	0.21768	97.9	'MOORE - PAULINE 345KV CKT 1'
	FDNS		1	0	13G	G11_021	'TO->FRON' NORTHWEST - TATONGA7 345.00 345KV C	1195	0.21767	98.2	'GRAND ISLAND - SWEETWATER 345KV CKT 1'
	FDNS		1	0	13G	G11_021	'TO->FRON' NORTHWEST - TATONGA7 345.00 345KV C	1195	0.21686	97.6	'MCADAMS - WOLF CREEK 500KV CKT 1'
	FDNS		1	0	13G	G11_021	'TO->FRON' NORTHWEST - TATONGA7 345.00 345KV C	1195	0.21682	97.6	'7SAREPTA% 345.00 - ELDORADO EHV 345KV CKT 1'

EVENTTYPE	SOLUTIONTYPE	GROUP	SCENARIO	SEASON	SOURCE	DIRECTION	MONTH	COMMONNAME	RATEB	TDF	TC%LOADI	CONTNAME
	FDNS		1	0	13G	G11_021	'TO->FRON	'NORTHWEST - TATONGA7 345.00 345KV	1195	0.21682	97.6	'ELDORADO EHV 500/345KV TRANSFORMER CKT 1'
	FDNS		1	0	13G	G11_021	'TO->FRON	'NORTHWEST - TATONGA7 345.00 345KV	1195	0.21666	97	'ARKANSAS NUCLEAR ONE - MABELVALE 500 500KV CKT 1'
	FDNS		1	0	13G	G11_021	'TO->FRON	'NORTHWEST - TATONGA7 345.00 345KV	1195	0.21667	96.9	'ARKANSAS NUCLEAR ONE - PLEASANT HILL 500KV CKT 1'
	FDNS		1	0	13G	G11_021	'TO->FRON	'NORTHWEST - TATONGA7 345.00 345KV	1195	0.21667	97	'MAYFLOWER 500 - PLEASANT HILL 500KV CKT 1'
	FDNS		1	0	13G	G11_021	'TO->FRON	'NORTHWEST - TATONGA7 345.00 345KV	1195	0.21668	96.7	'KEO EHV - WEST MEMPHIS 500 500KV CKT 1'
	FDNS		1	0	13G	G11_021	'TO->FRON	'NORTHWEST - TATONGA7 345.00 345KV	1195	0.21677	96.8	'DELL 500 - INDEPENDENCE 500KV CKT 1'
	FDNS		1	0	13G	G11_021	'TO->FRON	'NORTHWEST - TATONGA7 345.00 345KV	1195	0.21689	97	'7MCCREDIE 345.00 - 7MONTGMRY 345.00 345KV CKT 1'
	FDNS		1	0	13G	G11_021	'TO->FRON	'NORTHWEST - TATONGA7 345.00 345KV	1195	0.21691	97.6	'NUNDRWD - WAYSIDE 230KV CKT 1'
	FDNS		1	0	13G	G11_021	'TO->FRON	'NORTHWEST - TATONGA7 345.00 345KV	1195	0.21688	97.6	'7SAREPTA% 345.00 - LONGWOOD 345KV CKT 1'
	FDNS		1	0	13G	G11_021	'TO->FRON	'NORTHWEST - TATONGA7 345.00 345KV	1195	0.2204	99.1	'ELK CITY 230KV (ELKCTY-6) 230/138/13.8KV TRANSFORMER CKT 1'
	FDNS		1	0	13G	G11_021	'TO->FRON	'NORTHWEST - TATONGA7 345.00 345KV	1195	0.21734	97.6	'SHAMROCK (SHAMRCK1) 115/69/14.4KV TRANSFORMER CKT 1'
	FDNS		1	0	13G	G11_021	'TO->FRON	'NORTHWEST - TATONGA7 345.00 345KV	1195	0.21784	97.8	'WOODWARD (WOODWRD2) 138/69/13.2KV TRANSFORMER CKT 1'
	FDNS		1	0	13G	G11_021	'TO->FRON	'NORTHWEST - TATONGA7 345.00 345KV	1195	0.21754	97.9	'KNOBHILL (KNOBHIL4) 138/69/13.2KV TRANSFORMER CKT 1'
	FDNS		1	0	13G	G11_021	'TO->FRON	'NORTHWEST - TATONGA7 345.00 345KV	1195	0.21626	96.3	'NORTHWEST (NORTWST2) 345/138/13.8KV TRANSFORMER CKT 1'
	FDNS		1	0	13G	G11_021	'TO->FRON	'NORTHWEST - TATONGA7 345.00 345KV	1195	0.21629	96.5	'NORTHWEST (NORTWST3) 345/138/13.8KV TRANSFORMER CKT 1'
	FDNS		1	0	13G	G11_021	'TO->FRON	'NORTHWEST - TATONGA7 345.00 345KV	1195	0.21941	96.8	'WOODWARD DISTRICT EHV (WWDEHV) 345/138/13.8KV TRANSFORMER CKT 1'
	FDNS		1	0	13G	G11_021	'TO->FRON	'NORTHWEST - TATONGA7 345.00 345KV	1195	0.2194	96.8	'WOODWARD DISTRICT EHV (WWDEHV-T2) 345/138/13.8KV TRANSFORMER CKT 2'
	FDNS		1	0	13G	G11_021	'TO->FRON	'NORTHWEST - TATONGA7 345.00 345KV	1195	0.22388	98.6	'POTTER COUNTY INTERCHANGE (WAUK 90343-A) 345/230/13.2KV TRANSFORMER CKT 1'
	FDNS		1	0	13G	G11_021	'TO->FRON	'NORTHWEST - TATONGA7 345.00 345KV	1195	0.21788	97.7	'THISTLE7 345.00 (THISTLE T1) 345/138/13.8KV TRANSFORMER CKT 1'
	FDNS		1	0	13G	G11_021	'TO->FRON	'NORTHWEST - TATONGA7 345.00 345KV	1195	0.21678	96.9	'8BHAM STEEL 500.00 - WEST MEMPHIS 500 500KV CKT 1'
	FDNS		1	0	13G	G11_021	'TO->FRON	'NORTHWEST - TATONGA7 345.00 345KV	1195	0.27877	123.912	'DBL-WICH-THI'
	FDNS		1	0	13G	G11_021	'TO->FRON	'NORTHWEST - TATONGA7 345.00 345KV	1195	0.31974	128.6688	'DBL-THIS-WWR'
	FDNS		1	0	13G	G11_021	'TO->FRON	'NORTHWEST - TATONGA7 345.00 345KV	1195	0.21724	96.9	'DBL-THIS-CLR'
	FDNS		1	0	13G	G11_021	'TO->FRON	'NORTHWEST - TATONGA7 345.00 345KV	1195	0.21467	95.3	'SPP-AEPW-01'
	FDNS		1	0	13G	G11_021	'TO->FRON	'NORTHWEST - TATONGA7 345.00 345KV	1195	0.2316	101.2439	'SPP-AEPW-32'
	FDNS		1	0	13G	G11_021	'TO->FRON	'NORTHWEST - TATONGA7 345.00 345KV	1195	0.21656	96.6	'GRDA-OPGD-05'
	FDNS		1	0	13G	G11_021	'TO->FRON	'NORTHWEST - TATONGA7 345.00 345KV	1195	0.21692	96.9	'KCPL-MSL#03'
	FDNS		1	0	13G	G11_021	'TO->FRON	'NORTHWEST - TATONGA7 345.00 345KV	1195	0.21679	97.6	'KCPL-OPGD06A'
	FDNS		1	0	13G	G11_021	'TO->FRON	'NORTHWEST - TATONGA7 345.00 345KV	1195	0.21859	97.6	'OGE3TERM1'
	FDNS		1	0	13G	G11_021	'TO->FRON	'NORTHWEST - TATONGA7 345.00 345KV	1195	0.21714	96.7	'OGE3TERM7'
	FDNS		1	0	13G	G11_021	'TO->FRON	'NORTHWEST - TATONGA7 345.00 345KV	1195	0.21659	96.9	'OGE3TERM14'
	FDNS		1	0	13G	G11_021	'TO->FRON	'NORTHWEST - TATONGA7 345.00 345KV	1195	0.21671	95.5	'NC1_GEN-NEBRASKA CITY 1'
	FDNS		1	0	13G	G11_021	'TO->FRON	'NORTHWEST - TATONGA7 345.00 345KV	1195	0.23177	100.2558	'SPP-SWPS-01'
	FDNS		1	0	13G	G11_021	'TO->FRON	'NORTHWEST - TATONGA7 345.00 345KV	1195	0.2204	97.6	'SPP-SWPS-02A'
	FDNS		1	0	13G	G11_021	'TO->FRON	'NORTHWEST - TATONGA7 345.00 345KV	1195	0.22053	98.8	'SPP-SWPS-03'
	FDNS		1	0	13G	G11_021	'TO->FRON	'NORTHWEST - TATONGA7 345.00 345KV	1195	0.22388	97.7	'SPP-SWPS-04'
	FDNS		1	0	13G	G11_021	'TO->FRON	'NORTHWEST - TATONGA7 345.00 345KV	1195	0.24099	99.6	'SPP-SWPS-05'
	FDNS		1	0	13G	G11_021	'TO->FRON	'NORTHWEST - TATONGA7 345.00 345KV	1195	0.21734	97.6	'SPP-SWPS-T54'
	FDNS		1	0	13G	G11_021	'TO->FRON	'NORTHWEST - TATONGA7 345.00 345KV	1195	0.21792	97.8	'SPP-MKEC-05'
	FDNS		1	0	13G	G11_021	'TO->FRON	'NORTHWEST - TATONGA7 345.00 345KV	1195	0.21812	98.1	'SPP-MKEC-08'
	FDNS		1	0	13G	G11_021	'TO->FRON	'NORTHWEST - TATONGA7 345.00 345KV	1195	0.21792	97.8	'SPP-WEPL-03'
	FDNS		1	0	13G	G11_021	'TO->FRON	'NORTHWEST - TATONGA7 345.00 345KV	1195	0.21792	97.8	'SPP-WEPL-03A'
	FDNS		1	0	13G	G11_021	'TO->FRON	'NORTHWEST - TATONGA7 345.00 345KV	1195	0.21714	96.7	'SPP-WERE-07C'
	FDNS		1	0	13G	G11_021	'TO->FRON	'NORTHWEST - TATONGA7 345.00 345KV	1195	0.21688	97.5	'SPP-WERE-91'
	FDNS		1	0	13G	G11_021	'TO->FRON	'NORTHWEST - TATONGA7 345.00 345KV	1195	0.21711	98.4	'WRTOD400'

EVENTTYPE	SOLUTIONTYPE	GROUP	SCENARIO	SEASON	SOURCE	DIRECTION	MONTH	COMMONNAME	RATEB	TDF	TC%LOAD	CONTNAME
	FDNS		1	0	13G	G11_021	'TO->FRON'	'NORTHWEST - TATONGA7 345.00 345KV 0	1195	0.21661	96.7	'AI12'
	FDNS		1	0	13G	G11_021	'TO->FRON'	'NORTHWEST - TATONGA7 345.00 345KV 0	1195	0.21678	96.9	'AMRN_OUTS5'
	FDNS		1	0	13G	G11_021	'TO->FRON'	'NORTHWEST - TATONGA7 345.00 345KV 0	1195	0.21692	96.9	'MTGY-OVER-5'
	FDNS		1	0	13G	G11_021	'TO->FRON'	'NORTHWEST - TATONGA7 345.00 345KV 0	1195	0.21682	97.6	'A222'
	FDNS		1	0	13G	G11_021	'TO->FRON'	'NORTHWEST - TATONGA7 345.00 345KV 0	1195	0.21678	97.6	'ATC_B2_8E2'
	FDNS		1	0	13G	G11_021	'TO->FRON'	'NORTHWEST - TATONGA7 345.00 345KV 0	1195	0.21671	97.6	'GEN300003 1-THOMAS HILL UNIT 3'
	FDNS		1	0	13G	G11_021	'TO->FRON'	'NORTHWEST - TATONGA7 345.00 345KV 0	1195	0.21671	98.5	'GEN300006 1-NEW MADRID UNIT 1'
	FDNS		1	0	13G	G11_021	'TO->FRON'	'NORTHWEST - TATONGA7 345.00 345KV 0	1195	0.21671	98.5	'GEN300007 1-NEW MADRID UNIT 2'
	FDNS		1	0	13G	G11_021	'TO->FRON'	'NORTHWEST - TATONGA7 345.00 345KV 0	1195	0.21671	97.7	'GEN300016 1-1G1PDEL 18.000'
	FDNS		1	0	13G	G11_021	'TO->FRON'	'NORTHWEST - TATONGA7 345.00 345KV 0	1195	0.21671	97.9	'GEN300020 1-1CHOTCT4 16.000'
	FDNS		1	0	13G	G11_021	'TO->FRON'	'NORTHWEST - TATONGA7 345.00 345KV 0	1195	0.21671	97.9	'GEN300021 1-1CHOTCT5 16.000'
	FDNS		1	0	13G	G11_021	'TO->FRON'	'NORTHWEST - TATONGA7 345.00 345KV 0	1195	0.21671	97.9	'GEN300024 1-1CHOTST6 16.000'
	FDNS		1	0	13G	G11_021	'TO->FRON'	'NORTHWEST - TATONGA7 345.00 345KV 0	1195	0.21671	97.9	'GEN300031 1-CHOUTEAU CTG 1'
	FDNS		1	0	13G	G11_021	'TO->FRON'	'NORTHWEST - TATONGA7 345.00 345KV 0	1195	0.21671	97.9	'GEN300032 1-CHOUTEAU CTG 2'
	FDNS		1	0	13G	G11_021	'TO->FRON'	'NORTHWEST - TATONGA7 345.00 345KV 0	1195	0.21671	97.9	'GEN300033 1-CHOUTEAU STG 3'
	FDNS		1	0	13G	G11_021	'TO->FRON'	'NORTHWEST - TATONGA7 345.00 345KV 0	1195	0.21671	98	'GEN301380 1-1OSAGEWIND 34.500'
	FDNS		1	0	13G	G11_021	'TO->FRON'	'NORTHWEST - TATONGA7 345.00 345KV 0	1195	0.21671	97.6	'GEN303003 1-1BC1 U3'
	FDNS		1	0	13G	G11_021	'TO->FRON'	'NORTHWEST - TATONGA7 345.00 345KV 0	1195	0.21671	97.6	'GEN303004 1-1BC1 U4'
	FDNS		1	0	13G	G11_021	'TO->FRON'	'NORTHWEST - TATONGA7 345.00 345KV 0	1195	0.21671	98.9	'GEN303006 1-1BC2 U1'
	FDNS		1	0	13G	G11_021	'TO->FRON'	'NORTHWEST - TATONGA7 345.00 345KV 0	1195	0.21671	99.4	'GEN303007 1-1BC2 U2'
	FDNS		1	0	13G	G11_021	'TO->FRON'	'NORTHWEST - TATONGA7 345.00 345KV 0	1195	0.21671	98.7	'GEN303008 1-1BC2 U3'
	FDNS		1	0	13G	G11_021	'TO->FRON'	'NORTHWEST - TATONGA7 345.00 345KV 0	1195	0.21671	97.8	'GEN303024 1-1G3INTHB 18.000'
	FDNS		1	0	13G	G11_021	'TO->FRON'	'NORTHWEST - TATONGA7 345.00 345KV 0	1195	0.21671	97.7	'GEN303025 1-1S3INTHB 13.800'
	FDNS		1	0	13G	G11_021	'TO->FRON'	'NORTHWEST - TATONGA7 345.00 345KV 0	1195	0.21671	97.7	'GEN303026 1-1G4INTHB 18.000'
	FDNS		1	0	13G	G11_021	'TO->FRON'	'NORTHWEST - TATONGA7 345.00 345KV 0	1195	0.21671	97.6	'GEN303027 1-1S4INTHB 13.800'
	FDNS		1	0	13G	G11_021	'TO->FRON'	'NORTHWEST - TATONGA7 345.00 345KV 0	1195	0.21671	97.9	'GEN318007 1-5MOROW161 161.000'
	FDNS		1	0	13G	G11_021	'TO->FRON'	'NORTHWEST - TATONGA7 345.00 345KV 0	1195	0.21671	98	'GEN334030 1-FRONTIER UNIT 1'
	FDNS		1	0	13G	G11_021	'TO->FRON'	'NORTHWEST - TATONGA7 345.00 345KV 0	1195	0.21671	98	'GEN334031 1-FRONTIER UNIT 2'
	FDNS		1	0	13G	G11_021	'TO->FRON'	'NORTHWEST - TATONGA7 345.00 345KV 0	1195	0.21671	97.8	'GEN334070 1-LEWIS CREEK 1'
	FDNS		1	0	13G	G11_021	'TO->FRON'	'NORTHWEST - TATONGA7 345.00 345KV 0	1195	0.21671	97.8	'GEN334071 1-LEWIS CREEK 2'
	FDNS		1	0	13G	G11_021	'TO->FRON'	'NORTHWEST - TATONGA7 345.00 345KV 0	1195	0.21671	97.6	'GEN334335 1-TOLEDO BEND'
	FDNS		1	0	13G	G11_021	'TO->FRON'	'NORTHWEST - TATONGA7 345.00 345KV 0	1195	0.21671	97.8	'GEN334392 1-EXXON MOBIL IPP 1'
	FDNS		1	0	13G	G11_021	'TO->FRON'	'NORTHWEST - TATONGA7 345.00 345KV 0	1195	0.21671	97.7	'GEN334431 1-SABINE UNIT 1'
	FDNS		1	0	13G	G11_021	'TO->FRON'	'NORTHWEST - TATONGA7 345.00 345KV 0	1195	0.21671	97.7	'GEN334432 1-SABINE UNIT 2'
	FDNS		1	0	13G	G11_021	'TO->FRON'	'NORTHWEST - TATONGA7 345.00 345KV 0	1195	0.21671	98.1	'GEN334433 1-SABINE UNIT 3'
	FDNS		1	0	13G	G11_021	'TO->FRON'	'NORTHWEST - TATONGA7 345.00 345KV 0	1195	0.21671	98.5	'GEN334440 1-SABINE UNIT 4'
	FDNS		1	0	13G	G11_021	'TO->FRON'	'NORTHWEST - TATONGA7 345.00 345KV 0	1195	0.21671	98.1	'GEN334441 1-SABINE UNIT 5'
	FDNS		1	0	13G	G11_021	'TO->FRON'	'NORTHWEST - TATONGA7 345.00 345KV 0	1195	0.21671	97.7	'GEN334456 1-CONOCO UNIT#1'
	FDNS		1	0	13G	G11_021	'TO->FRON'	'NORTHWEST - TATONGA7 345.00 345KV 0	1195	0.21671	97.7	'GEN335201 1-NELSON UNIT 1'
	FDNS		1	0	13G	G11_021	'TO->FRON'	'NORTHWEST - TATONGA7 345.00 345KV 0	1195	0.21671	97.7	'GEN335202 1-NELSON UNIT 2'
	FDNS		1	0	13G	G11_021	'TO->FRON'	'NORTHWEST - TATONGA7 345.00 345KV 0	1195	0.21671	97.6	'GEN335203 1-NELSON UNIT 3'
	FDNS		1	0	13G	G11_021	'TO->FRON'	'NORTHWEST - TATONGA7 345.00 345KV 0	1195	0.21671	98.5	'GEN335204 1-NELSON UNIT 4'
	FDNS		1	0	13G	G11_021	'TO->FRON'	'NORTHWEST - TATONGA7 345.00 345KV 0	1195	0.21671	99.4	'GEN335206 1-NELSON UNIT 6'
	FDNS		1	0	13G	G11_021	'TO->FRON'	'NORTHWEST - TATONGA7 345.00 345KV 0	1195	0.21671	98	'GEN335370 1-1ACADIA_S26/16.000
	FDNS		1	0	13G	G11_021	'TO->FRON'	'NORTHWEST - TATONGA7 345.00 345KV 0	1195	0.21671	98	'GEN335371 1-1ACADIA_C25/18.000
	FDNS		1	0	13G	G11_021	'TO->FRON'	'NORTHWEST - TATONGA7 345.00 345KV 0	1195	0.21671	98	'GEN335372 1-1ACADIA_C24/18.000
	FDNS		1	0	13G	G11_021	'TO->FRON'	'NORTHWEST - TATONGA7 345.00 345KV 0	1195	0.21671	97.8	'GEN335570 1-CARVILLE CTG'
	FDNS		1	0	13G	G11_021	'TO->FRON'	'NORTHWEST - TATONGA7 345.00 345KV 0	1195	0.21671	97.8	'GEN335571 1-CARVILLE UNIT #1'
	FDNS-CHECK-TC-B		1	0	13G	G11_021	'TO->FRON'	'NORTHWEST - TATONGA7 345.00 345KV 0	1195	0.21671	102.3	'GEN336153 1-WATERFORD UNIT#3'
	FDNS		1	0	13G	G11_021	'TO->FRON'	'NORTHWEST - TATONGA7 345.00 345KV 0	1195	0.21671	97.8	'GEN336167 1-GULF OXY U1'
	FDNS		1	0	13G	G11_021	'TO->FRON'	'NORTHWEST - TATONGA7 345.00 345KV 0	1195	0.21671	97.8	'GEN336168 1-GULF OXY U2'
	FDNS		1	0	13G	G11_021	'TO->FRON'	'NORTHWEST - TATONGA7 345.00 345KV 0	1195	0.21671	97.8	'GEN336169 1-GULF OXY U3'
	FDNS		1	0	13G	G11_021	'TO->FRON'	'NORTHWEST - TATONGA7 345.00 345KV 0	1195	0.21671	98.2	'GEN336170 1-GULF OXY U4'
	FDNS		1	0	13G	G11_021	'TO->FRON'	'NORTHWEST - TATONGA7 345.00 345KV 0	1195	0.21671	98.3	'GEN336191 1-LITTLE GYPSY UNIT#3'
	FDNS		1	0	13G	G11_021	'TO->FRON'	'NORTHWEST - TATONGA7 345.00 345KV 0	1195	0.21671	97.7	'GEN336221 1-LITTLE GYPSY UNIT#1'
	FDNS		1	0	13G	G11_021	'TO->FRON'	'NORTHWEST - TATONGA7 345.00 345KV 0	1195	0.21671	97.9	'GEN336222 1-LITTLE GYPSY UNIT#2'

EVENTTYPE	SOLUTIONTYPE	GROUP	SCENARIO	SEASON	SOURCE	DIRECTION	MONTH	COMMONNAME	RATEB	TDF	TC%LOADI	CONTNAME
	FDNS	01ALL	0	13G	G11_022	'TO->FRON'		'NORTHWEST - TATONGA7 345.00 345KV 0'	1195	0.19283	120.1315	'ROMAN NOSE - SOUTHARD 138KV CKT 1'
NCONV	FNSL-Blown up	01ALL	0	13G	G11_022			Non-Converged Contingency	1195	0.18721	116.2267	'NORTHWEST - TATONGA7 345.00 345KV CKT 1'
NCONV	FNSL-Blown up	01ALL	0	13G	G11_022			Non-Converged Contingency	1775	0.18721	6.701664	'TATONGA7 345.00 - WOODWARD DISTRICT EHV 345KV CKT 1'
NCONV	FNSL-Blown up	01ALL	0	13G	G11_022			Non-Converged Contingency	0	0.20653	9999	'DBL-THIS-WWR'
	FDNS	01ALL	0	13G	G11_022	'TO->FRON'		'NORTHWEST - TATONGA7 345.00 345KV 0'	1195	0.19327	122.9685	'BORDER 7345.00 - WOODWARD DISTRICT EHV 345KV CKT 1'
	FDNS	01ALL	0	13G	G11_022	'TO->FRON'		'NORTHWEST - TATONGA7 345.00 345KV 0'	1195	0.20687	127.7205	'THISTLE7 345.00 - WOODWARD DISTRICT EHV 345KV CKT 1'
	FDNS	01ALL	0	13G	G11_022	'TO->FRON'		'NORTHWEST - TATONGA7 345.00 345KV 0'	1195	0.20687	127.7205	'THISTLE7 345.00 - WOODWARD DISTRICT EHV 345KV CKT 2'
	FDNS	01ALL	0	13G	G11_022	'TO->FRON'		'NORTHWEST - TATONGA7 345.00 345KV 0'	1195	0.19327	123.0547	'BORDER 7345.00 - TUCO INTERCHANGE 345KV CKT 1'
	FDNS	01ALL	0	13G	G11_022	'TO->FRON'		'NORTHWEST - TATONGA7 345.00 345KV 0'	1195	0.19523	121.7445	'FPL SWITCH - MOORELAND 138KV CKT 1'
	FDNS	01ALL	0	13G	G11_022	'TO->FRON'		'NORTHWEST - TATONGA7 345.00 345KV 0'	1195	0.22387	120.1252	'FINNEY SWITCHING STATION - Hitchland Interchange 345KV CKT 1'
	FDNS	01ALL	0	13G	G11_022	'TO->FRON'		'NORTHWEST - TATONGA7 345.00 345KV 0'	1195	0.19698	117.1917	'Hitchland Interchange - POTTER COUNTY INTERCHANGE 345KV CKT 1'
	FDNS	01ALL	0	13G	G11_022	'TO->FRON'		'NORTHWEST - TATONGA7 345.00 345KV 0'	1195	0.19371	117.6227	'GRAPEVINE INTERCHANGE - STATELINE INTERCHANGE 230KV CKT 1'
	FDNS	01ALL	0	13G	G11_022	'TO->FRON'		'NORTHWEST - TATONGA7 345.00 345KV 0'	1195	0.19104	117.5993	'GRAPEVINE INTERCHANGE - NICHOLS STATION 230KV CKT 1'
	FDNS	01ALL	0	13G	G11_022	'TO->FRON'		'NORTHWEST - TATONGA7 345.00 345KV 0'	1195	0.22387	121.4094	'FINNEY SWITCHING STATION - HOLCOMB 345KV CKT 1'
	FDNS	01ALL	0	13G	G11_022	'TO->FRON'		'NORTHWEST - TATONGA7 345.00 345KV 0'	1195	0.19159	119.434	'G11-17T 345.00 - POST ROCK 345KV CKT 1'
	FDNS	01ALL	0	13G	G11_022	'TO->FRON'		'NORTHWEST - TATONGA7 345.00 345KV 0'	1195	0.19028	118.0478	'AXTELL - POST ROCK 345KV CKT 1'
	FDNS	01ALL	0	13G	G11_022	'TO->FRON'		'NORTHWEST - TATONGA7 345.00 345KV 0'	1195	0.19262	117.826	'HOLCOMB - SETAB 345KV CKT 1'
	FDNS	01ALL	0	13G	G11_022	'TO->FRON'		'NORTHWEST - TATONGA7 345.00 345KV 0'	1195	0.19314	116.754	'BUCKNER7 345.00 - HOLCOMB 345KV CKT 1'
	FDNS	01ALL	0	13G	G11_022	'TO->FRON'		'NORTHWEST - TATONGA7 345.00 345KV 0'	1195	0.19394	118.7018	'MINGO - SETAB 345KV CKT 1'
	FDNS	01ALL	0	13G	G11_022	'TO->FRON'		'NORTHWEST - TATONGA7 345.00 345KV 0'	1195	0.19455	118.592	'MINGO - RED WILLOW 345KV CKT 1'
	FDNS	01ALL	0	13G	G11_022	'TO->FRON'		'NORTHWEST - TATONGA7 345.00 345KV 0'	1195	0.19314	117.3745	'BUCKNER7 345.00 - SPEARVILLE 345KV CKT 1'
	FDNS	01ALL	0	13G	G11_022	'TO->FRON'		'NORTHWEST - TATONGA7 345.00 345KV 0'	1195	0.19159	118.964	'G11-17T 345.00 - SPEARVILLE 345KV CKT 1'
	FDNS	01ALL	0	13G	G11_022	'TO->FRON'		'NORTHWEST - TATONGA7 345.00 345KV 0'	1195	0.1906	117.0533	'BENTON - ROSE HILL 345KV CKT 1'
	FDNS	01ALL	0	13G	G11_022	'TO->FRON'		'NORTHWEST - TATONGA7 345.00 345KV 0'	1195	0.19358	118.6613	'BENTON - WICHITA 345KV CKT 1'
	FDNS	01ALL	0	13G	G11_022	'TO->FRON'		'NORTHWEST - TATONGA7 345.00 345KV 0'	1195	0.19189	114.7885	'VIOLA 7 345.00 - WICHITA 345KV CKT 1'
	FDNS	01ALL	0	13G	G11_022	'TO->FRON'		'NORTHWEST - TATONGA7 345.00 345KV 0'	1195	0.20065	123.7136	'THISTLE7 345.00 - WICHITA 345KV CKT 1'
	FDNS	01ALL	0	13G	G11_022	'TO->FRON'		'NORTHWEST - TATONGA7 345.00 345KV 0'	1195	0.20065	123.7136	'THISTLE7 345.00 - WICHITA 345KV CKT 2'
	FDNS	01ALL	0	13G	G11_022	'TO->FRON'		'NORTHWEST - TATONGA7 345.00 345KV 0'	1195	0.19034	116.7572	'GERALD GENTLEMAN STATION - RED WILLOW 345KV CKT 1'
	FDNS	01ALL	0	13G	G11_022	'TO->FRON'		'NORTHWEST - TATONGA7 345.00 345KV 0'	1195	0.19371	118.2818	'ELK CITY 230KV (ELKCTY-6) 230/138/13.8KV TRANSFORMER CKT 1'
	FDNS	01ALL	0	13G	G11_022	'TO->FRON'		'NORTHWEST - TATONGA7 345.00 345KV 0'	1195	0.19698	118.0127	'POTTER COUNTY INTERCHANGE (WAUK 90343-A) 345/230/13.2KV TRANSFORMER CKT 1'
	FDNS	01ALL	0	13G	G11_022	'TO->FRON'		'NORTHWEST - TATONGA7 345.00 345KV 0'	1195	0.20649	120.7076	'SPP-AEPW-32'
	FDNS	01ALL	0	13G	G11_022	'TO->FRON'		'NORTHWEST - TATONGA7 345.00 345KV 0'	1195	0.20649	119.7743	'SPP-SWPS-01'
	FDNS	01ALL	0	13G	G11_022	'TO->FRON'		'NORTHWEST - TATONGA7 345.00 345KV 0'	1195	0.19391	117.9085	'SPP-SWPS-03'
	FDNS	01ALL	0	13G	G11_022	'TO->FRON'		'NORTHWEST - TATONGA7 345.00 345KV 0'	1195	0.19698	117.0515	'SPP-SWPS-04'
	FDNS	01ALL	0	13G	G11_022	'TO->FRON'		'NORTHWEST - TATONGA7 345.00 345KV 0'	1195	0.22387	120.1512	'SPP-SWPS-05'
	FDNS	02ALL	0	13G	G11_022	'FROM->TD'		'SPSSPTIESB1'	620	0.30671	174.8577	'BASE CASE'
	FDNS	02ALL	0	13G	G11_022	'FROM->TD'		'SPSSPTIESC'	620	0.30671	174.8577	'BASE CASE'
NCONV	FNSL-Blown up	02ALL	0	13G	G11_022			Non-Converged Contingency	1195	0.18129	89.21449	'NORTHWEST - TATONGA7 345.00 345KV CKT 1'
NCONV	FNSL-Blown up	02ALL	0	13G	G11_022			Non-Converged Contingency	1792	0.24808	69.9815	'BEAVER CO 345.00 - WOODWARD DISTRICT EHV 345KV CKT 1'
NCONV	FNSL-Blown up	02ALL	0	13G	G11_022			Non-Converged Contingency	1052	0.23862	65.83252	'FINNEY SWITCHING STATION - Hitchland Interchange 345KV CKT 1'
NCONV	FNSL-Blown up	02ALL	0	13G	G11_022			Non-Converged Contingency	1052	0.23862	70.96961	'FINNEY SWITCHING STATION - HOLCOMB 345KV CKT 1'
NCONV	FNSL-Blown up	02ALL	0	13G	G11_022			Non-Converged Contingency	0	0.07075	9999	'SPP-SWPS-01'
NCONV	FNSL-Blown up	02ALL	0	13G	G11_022			Non-Converged Contingency	0	0.23862	9999	'SPP-SWPS-05'

EVENTTYPE	SOLUTIONTYPE	GROUP	SCENARIO	SEASON	SOURCE	DIRECTION	MONTCOMMONNAME	RATEB	TDF	TC%LOADI	CONTNAME
NCONV	FNSL-Blown up	03ALL		0	13G	G11_022	Non-Converged Contingency	1052	0.05944	20.1711	'OKLAUNION - TUCO INTERCHANGE 345KV CKT 1'
NCONV	FNSL-Blown up	03ALL		0	13G	G11_022	Non-Converged Contingency	1195	0.17835	78.9142	'NORTHWEST - TATONGA7 345.00 345KV CKT 1'
NCONV	FNSL-Blown up	03ALL		0	13G	G11_022	Non-Converged Contingency	1775	0.17835	47.56333	'TATONGA7 345.00 - WOODWARD DISTRICT EHV 345KV CKT 1'
NCONV	FNSL-Blown up	03ALL		0	13G	G11_022	Non-Converged Contingency	956	0.03045	46.23839	'HUNTERS7 345.00 - VIOLA 7 345.00 345KV CKT 1'
NCONV	FNSL-Blown up	03ALL		0	13G	G11_022	Non-Converged Contingency	1052	0.13862	22.06532	'Hitchland Interchange - POTTER COUNTY INTERCHANGE 345KV CKT 1'
NCONV	FNSL-Blown up	03ALL		0	13G	G11_022	Non-Converged Contingency	1792	0.0545	49.45027	'G11-17T 345.00 - POST ROCK 345KV CKT 1'
NCONV	FNSL-Blown up	03ALL		0	13G	G11_022	Non-Converged Contingency	1792	0.04375	32.65164	'AXTELL - POST ROCK 345KV CKT 1'
NCONV	FNSL-Blown up	03ALL		0	13G	G11_022	Non-Converged Contingency	1328	0.08131	34.90823	'HOLCOMB - SETAB 345KV CKT 1'
NCONV	FNSL-Blown up	03ALL		0	13G	G11_022	Non-Converged Contingency	1328	0.07505	43.30291	'MINGO - SETAB 345KV CKT 1'
NCONV	FNSL-Blown up	03ALL		0	13G	G11_022	Non-Converged Contingency	717	0.06956	62.03905	'MINGO - RED WILLOW 345KV CKT 1'
NCONV	FNSL-Blown up	03ALL		0	13G	G11_022	Non-Converged Contingency	1328	0.13533	27.47881	'BUCKNER7 345.00 - SPEARVILLE 345KV CKT 1'
NCONV	FNSL-Blown up	03ALL		0	13G	G11_022	Non-Converged Contingency	1195	0.04792	69.8401	'MULGREN7 345.00 - SPEARVILLE 345KV CKT 2'
NCONV	FNSL-Blown up	03ALL		0	13G	G11_022	Non-Converged Contingency	1792	0.0545	30.84333	'G11-17T 345.00 - SPEARVILLE 345KV CKT 1'
NCONV	FNSL-Blown up	03ALL		0	13G	G11_022	Non-Converged Contingency	1051	0.04636	22.12694	'JEFFREY ENERGY CENTER - SUMMIT 345KV CKT 1'
NCONV	FNSL-Blown up	03ALL		0	13G	G11_022	Non-Converged Contingency	956	0.05116	26.72794	'EMPORIA ENERGY CENTER - WICHITA 345KV CKT 1'
NCONV	FNSL-Blown up	03ALL		0	13G	G11_022	Non-Converged Contingency	1195	0.04792	69.83763	'MULGREN7 345.00 - RENO COUNTY 345KV CKT 2'
NCONV	FNSL-Blown up	03ALL		0	13G	G11_022	Non-Converged Contingency	956	0.06943	62.98875	'BENTON - ROSE HILL 345KV CKT 1'
NCONV	FNSL-Blown up	03ALL		0	13G	G11_022	Non-Converged Contingency	1792	0.10152	43.40387	'THISTLE7 345.00 - WICHITA 345KV CKT 1'
NCONV	FNSL-Blown up	03ALL		0	13G	G11_022	Non-Converged Contingency	1792	0.10152	43.40387	'THISTLE7 345.00 - WICHITA 345KV CKT 2'
NCONV	FNSL-Blown up	03ALL		0	13G	G11_022	Non-Converged Contingency	956	0.03631	47.97702	'AXTELL - PAULINE 345KV CKT 1'
NCONV	FNSL-Blown up	03ALL		0	13G	G11_022	Non-Converged Contingency	956	0.05459	28.00759	'GERALD GENTLEMAN STATION - RED WILLOW 345KV CKT 1'
NCONV	FNSL-Blown up	03ALL		0	13G	G11_022	Non-Converged Contingency	956	0.03373	42.82254	'MOORE - PAULINE 345KV CKT 1'
NCONV	FNSL-Blown up	03ALL		0	13G	G11_022	Non-Converged Contingency	559	0.13862	56.24506	'POTTER COUNTY INTERCHANGE (WAUK 90343-A) 345/230/13.2KV TRANSFORMER CKT 1'
NCONV	FNSL-Blown up	03ALL		0	13G	G11_022	Non-Converged Contingency	0	0.20305	9999	'DBL-WICH-THI'
NCONV	FNSL-Blown up	03ALL		0	13G	G11_022	Non-Converged Contingency	0	0.4941	9999	'DBL-HTCH-BVR'
NCONV	FNSL-Blown up	03ALL		0	13G	G11_022	Non-Converged Contingency	0	0.4941	9999	'DBL-BVR-WWRD'
NCONV	FNSL-Blown up	03ALL		0	13G	G11_022	Non-Converged Contingency	0	0.04276	9999	'SPP-SWPS-01'
NCONV	FNSL-Blown up	03ALL		0	13G	G11_022	Non-Converged Contingency	1195	0.04792	62.79412	'GEN532652 1-JEFFREY ENERGY CENTER UNIT 2'
NCONV	FNSL-Blown up	03ALL		0	13G	G11_022	Non-Converged Contingency	1195	0.04792	62.79412	'GEN532653 1-JEFFREY ENERGY CENTER UNIT 3'
NCONV	FNSL-Blown up	03ALL		0	13G	G11_022	Non-Converged Contingency	1195	0.04792	62.79412	'GEN532751 1-WOLF CREEK GENERATING STATION UNIT 1'
INVALID	FDNS		1	0	13G	G11_022	'TO->FRON'	1195	0.20548	106.3448	'LAWTON EASTSIDE - OKLAUNION 345KV CKT 1'
INVALID	FDNS	02G11_022		0	13G	G11_022	'TO->FRON'	1195	0.19951	98.16161	'LAWTON EASTSIDE - OKLAUNION 345KV CKT 1'
NCONV	FNSL-Blown up	02G11_022		0	13G	G11_022	Non-converged contingency	0	0.49724	9999	'DBL-BVR-WWRD'
NCONV	FNSL-Blown up		3	0	13G	G11_022	Non-converged contingency	1792	0.0653	46.31664	'G11-17T 345.00 - POST ROCK 345KV CKT 1'
NCONV	FNSL-Blown up		3	0	13G	G11_022	Non-converged contingency	0	0.22637	9999	'DBL-WICH-THI'
NCONV	FNSL-Blown up		3	0	13G	G11_022	Non-converged contingency	0	0.03074	9999	'DBL-THIS-CLR'
	FDNS		1	0	13G	G11_022	'TO->FRON'	1195	0.20548	100.1442	'OKLAUNION - TUCO INTERCHANGE 345KV CKT 1'
	FDNS		1	0	13G	G11_022	'TO->FRON'	1195	0.19274	99.1	'ELK CITY 230KV - SWEETWATER 230KV CKT 1'
	FDNS		1	0	13G	G11_022	'TO->FRON'	1195	0.19274	97.8	'STATELINE INTERCHANGE - SWEETWATER 230KV CKT & 1'
	FDNS		1	0	13G	G11_022	'TO->FRON'	1195	0.19076	98.3	'HUNTERS7 345.00 - WOODRING 345KV CKT 1'
	FDNS		1	0	13G	G11_022	'TO->FRON'	1195	0.19023	99	'CLEO CORNER - MEN TAP 138KV CKT 1'
	FDNS		1	0	13G	G11_022	'TO->FRON'	1195	0.19425	100.0791	'FPL SWITCH - WOODWARD 138KV CKT 1'
	FDNS		1	0	13G	G11_022	'TO->FRON'	1195	0.19185	100.5894	'DEWEY - SOUTHARD 138KV CKT 1'
	FDNS		1	0	13G	G11_022	'TO->FRON'	1195	0.19023	99	'IMO TAP - MEN TAP 138KV CKT 1'
	FDNS		1	0	13G	G11_022	'TO->FRON'	1195	0.19185	100.1005	'EL RENO - ROMAN NOSE 138KV CKT 1'
	FDNS		1	0	13G	G11_022	'TO->FRON'	1195	0.19185	100.2886	'ROMAN NOSE - SOUTHARD 138KV CKT 1'
	FDNS		1	0	13G	G11_022	'TO->FRON'	1195	0.19228	102.2415	'BORDER 7345.00 - WOODWARD DISTRICT EHV 345KV CKT 1'
	FDNS		1	0	13G	G11_022	'TO->FRON'	1195	0.20605	105.3204	'THISTLE7 345.00 - WOODWARD DISTRICT EHV 345KV CKT 1'

EVENTTYPE	SOLUTIONTYPE	GROUP	SCENARIO	SEASON	SOURCE	DIRECTION	MONTCOMMONNAME	RATEB	TDF	TC%LOADI	CONTNAME
	FDNS		1	0	13G	G11_022	'TO->FRON' NORTHWEST - TATONGA7 345.00 345KV C	1195	0.20605	105.3204	'THISTLE7 345.00 - WOODWARD DISTRICT EHV 345KV CKT 2'
	FDNS		1	0	13G	G11_022	'TO->FRON' NORTHWEST - TATONGA7 345.00 345KV C	1195	0.19228	102.2821	'BORDER 7345.00 - TUCO INTERCHANGE 345KV CKT 1'
	FDNS		1	0	13G	G11_022	'TO->FRON' NORTHWEST - TATONGA7 345.00 345KV C	1195	0.19076	97.6	'HUNTERS7 345.00 - VIOLA 7 345.00 345KV CKT 1'
	FDNS		1	0	13G	G11_022	'TO->FRON' NORTHWEST - TATONGA7 345.00 345KV C	1195	0.19425	101.5738	'FPL SWITCH - MOORELAND 138KV CKT 1'
	FDNS		1	0	13G	G11_022	'TO->FRON' NORTHWEST - TATONGA7 345.00 345KV C	1195	0.22303	99.6	'FINNEY SWITCHING STATION - Hitchland Interchange 345KV CKT 1'
	FDNS		1	0	13G	G11_022	'TO->FRON' NORTHWEST - TATONGA7 345.00 345KV C	1195	0.19602	97.8	'Hitchland Interchange - POTTER COUNTY INTERCHANGE 345KV CKT 1'
	FDNS		1	0	13G	G11_022	'TO->FRON' NORTHWEST - TATONGA7 345.00 345KV C	1195	0.19274	98.6	'GRAPEVINE INTERCHANGE - STATELINE INTERCHANGE 230KV CKT 1'
	FDNS		1	0	13G	G11_022	'TO->FRON' NORTHWEST - TATONGA7 345.00 345KV C	1195	0.19008	98.5	'GRAPEVINE INTERCHANGE - NICHOLS STATION 230KV CKT 1'
	FDNS		1	0	13G	G11_022	'TO->FRON' NORTHWEST - TATONGA7 345.00 345KV C	1195	0.22303	100.6584	'FINNEY SWITCHING STATION - HOLCOMB 345KV CKT 1'
	FDNS		1	0	13G	G11_022	'TO->FRON' NORTHWEST - TATONGA7 345.00 345KV C	1195	0.1907	99.8	'G11-17T 345.00 - POST ROCK 345KV CKT 1'
	FDNS		1	0	13G	G11_022	'TO->FRON' NORTHWEST - TATONGA7 345.00 345KV C	1195	0.19173	98.4	'HOLCOMB - SETAB 345KV CKT 1'
	FDNS		1	0	13G	G11_022	'TO->FRON' NORTHWEST - TATONGA7 345.00 345KV C	1195	0.19219	97.7	'BUCKNER7 345.00 - HOLCOMB 345KV CKT 1'
	FDNS		1	0	13G	G11_022	'TO->FRON' NORTHWEST - TATONGA7 345.00 345KV C	1195	0.19306	99.1	'MINGO - SETAB 345KV CKT 1'
	FDNS		1	0	13G	G11_022	'TO->FRON' NORTHWEST - TATONGA7 345.00 345KV C	1195	0.19369	98.9	'MINGO - RED WILLOW 345KV CKT 1'
	FDNS		1	0	13G	G11_022	'TO->FRON' NORTHWEST - TATONGA7 345.00 345KV C	1195	0.19219	98.2	'BUCKNER7 345.00 - SPEARVILLE 345KV CKT 1'
	FDNS		1	0	13G	G11_022	'TO->FRON' NORTHWEST - TATONGA7 345.00 345KV C	1195	0.1907	99.4	'G11-17T 345.00 - SPEARVILLE 345KV CKT 1'
	FDNS		1	0	13G	G11_022	'TO->FRON' NORTHWEST - TATONGA7 345.00 345KV C	1195	0.19262	99.3	'BENTON - WICHITA 345KV CKT 1'
	FDNS		1	0	13G	G11_022	'TO->FRON' NORTHWEST - TATONGA7 345.00 345KV C	1195	0.19076	96.2	'VIOLA 7 345.00 - WICHITA 345KV CKT 1'
	FDNS		1	0	13G	G11_022	'TO->FRON' NORTHWEST - TATONGA7 345.00 345KV C	1195	0.19976	103.2292	'THISTLE7 345.00 - WICHITA 345KV CKT 1'
	FDNS		1	0	13G	G11_022	'TO->FRON' NORTHWEST - TATONGA7 345.00 345KV C	1195	0.19976	103.2292	'THISTLE7 345.00 - WICHITA 345KV CKT 2'
	FDNS		1	0	13G	G11_022	'TO->FRON' NORTHWEST - TATONGA7 345.00 345KV C	1195	0.19274	99.1	'ELK CITY 230KV (ELKCTY-6) 230/138/13.8KV TRANSFORMER CKT 1'
	FDNS		1	0	13G	G11_022	'TO->FRON' NORTHWEST - TATONGA7 345.00 345KV C	1195	0.19602	98.6	'POTTER COUNTY INTERCHANGE (WAUK 90343-A) 345/230/13.2KV TRANSFORMER CKT 1'
	FDNS		1	0	13G	G11_022	'TO->FRON' NORTHWEST - TATONGA7 345.00 345KV C	1195	0.24471	123.912	'DBL-WICH-THI'
	FDNS		1	0	13G	G11_022	'TO->FRON' NORTHWEST - TATONGA7 345.00 345KV C	1195	0.26371	128.6688	'DBL-THIS-WWR'
	FDNS		1	0	13G	G11_022	'TO->FRON' NORTHWEST - TATONGA7 345.00 345KV C	1195	0.20548	101.2439	'SPP-AEPW-32'
	FDNS		1	0	13G	G11_022	'TO->FRON' NORTHWEST - TATONGA7 345.00 345KV C	1195	0.20548	100.2558	'SPP-SWPS-01'
	FDNS		1	0	13G	G11_022	'TO->FRON' NORTHWEST - TATONGA7 345.00 345KV C	1195	0.19274	97.6	'SPP-SWPS-02A'
	FDNS		1	0	13G	G11_022	'TO->FRON' NORTHWEST - TATONGA7 345.00 345KV C	1195	0.19295	98.8	'SPP-SWPS-03'
	FDNS		1	0	13G	G11_022	'TO->FRON' NORTHWEST - TATONGA7 345.00 345KV C	1195	0.19602	97.7	'SPP-SWPS-04'
	FDNS		1	0	13G	G11_022	'TO->FRON' NORTHWEST - TATONGA7 345.00 345KV C	1195	0.22303	99.6	'SPP-SWPS-05'
	FDNS	02G11_022		0	13G	G11_022	'FROM->TC' SPSSPTIESB1'	620	0.30874	149.6515	'BASE CASE'
	FDNS	02G11_022		0	13G	G11_022	'FROM->TC' SPSSPTIESC'	620	0.30874	149.6515	'BASE CASE'
	FDNS	02G11_022		0	13G	G11_022	'TO->FRON' NORTHWEST - TATONGA7 345.00 345KV C	1195	0.25831	110.5642	'DBL-THIS-WWR'
	FDNS	02G11_022		0	13G	G11_022	'FROM->TC' FINNEY SWITCHING STATION - HOLCOMB 3	1052	0.51207	96.2	'DBL-HTCH-BVR'
	FDNS		2	0	13G	G11_022	'FROM->TC' SPSSPTIESB1'	620	0.31001	131.41	'BASE CASE'
	FDNS		2	0	13G	G11_022	'FROM->TC' SPSSPTIESC'	620	0.31001	131.41	'BASE CASE'
	FDNS		2	0	13G	G11_022	'TO->FRON' NORTHWEST - TATONGA7 345.00 345KV C	1195	0.25888	101.999	'DBL-THIS-WWR'
	FDNS	02ALL		2	13G	G11_022	'FROM->TC' SPSSPTIESB1'	620	0.25777	143.8108	'BASE CASE'
	FDNS	02ALL		2	13G	G11_022	'FROM->TC' SPSSPTIESC'	620	0.25777	143.8108	'BASE CASE'
	FDNS	01ALL		2	13G	G11_022	'FROM->TC' MATTHEWSON 345.00 - NORTHWEST 345K	1195	0.1952	129.8951	'CIMARRON - MATTHEWSON 345.00 345KV CKT 1'
	FDNS	01ALL		2	13G	G11_022	'TO->FRON' MATTHEWSON 345.00 - TATONGA7 345.0	1195	0.19199	118.6975	'MATTHEWSON 345.00 - TATONGA7 345.00 345KV CKT 1'
	FDNS	01ALL		2	13G	G11_022	'TO->FRON' MATTHEWSON 345.00 - TATONGA7 345.0	1195	0.19199	118.6975	'MATTHEWSON 345.00 - TATONGA7 345.00 345KV CKT 2'
	FDNS	01ALL		3	13G	G11_022	'TO->FRON' MATTHEWSON 345.00 - TATONGA7 345.0	1195	0.19312	119.6078	'MATTHEWSON 345.00 - TATONGA7 345.00 345KV CKT 1'
	FDNS	01ALL		3	13G	G11_022	'TO->FRON' MATTHEWSON 345.00 - TATONGA7 345.0	1195	0.19312	119.6078	'MATTHEWSON 345.00 - TATONGA7 345.00 345KV CKT 2'

EVENT	TYP	SOLUTION	TYPE	GROUP	SCENARIO	SEASON	SOURCE	DIRECTION	MON	COMMON	NAME	RATEB	TDF	TC%	LOADI	CONT	NAME
ISLAND-GE		FDNS		00NR		0	13SP	G11_023	'FROM->TC'	JUDSON	LARGE 115/15.0KV TRANSFORMER	187	0.36804	111.5		'G11_020_1	345.00 - WOODWARD DISTRICT EHV 345KV CKT 1'
ISLAND-GE		FDNS		00NR		0	13SP	G11_023	'FROM->TC'	JUDSON	LARGE 115/15.0KV TRANSFORMER	187	0.36804	111.5		'G11_019_1	345.00 - WOODWARD DISTRICT EHV 345KV CKT 1'
ISLAND-GE		FDNS		00NR		0	13SP	G11_023	'FROM->TC'	JUDSON	LARGE 115/15.0KV TRANSFORMER	187	0.36804	112		'G11_022_1	345.00 - Hitchland Interchange 345KV CKT 1'
ISLAND-GE		FDNS		00NR		0	13SP	G11_023	'FROM->TC'	JUDSON	LARGE 115/15.0KV TRANSFORMER	187	0.36804	119.7		'G08-25	115.00 - RULETON 115KV CKT 1'
ISLAND-GE		FDNS		00NR		0	13SP	G11_023	'FROM->TC'	JUDSON	LARGE 115/15.0KV TRANSFORMER	187	0.36804	119.6		'G06-40	115.00 - MINGO 115KV CKT 1'
ISLAND-GE		FDNS		00NR		0	13SP	G11_023	'FROM->TC'	JUDSON	LARGE 115/15.0KV TRANSFORMER	187	0.36804	121.4		'G07-11	115.00 - SYRACUSE 115KV CKT 1'
ISLAND-GE		FDNS		00NR		0	13SP	G11_023	'FROM->TC'	JUDSON	LARGE 115/15.0KV TRANSFORMER	187	0.36804	130.5		'G08-17	345.00 - SETAB 345KV CKT 1'
ISLAND-GE		FDNS		00NR		0	13SP	G11_023	'FROM->TC'	JUDSON	LARGE 115/15.0KV TRANSFORMER	187	0.36804	125.3		'G10-15	345.00 - SPEARVILLE 345KV CKT 1'
ISLAND-GE		FDNS		00NR		0	13SP	G11_023	'FROM->TC'	JUDSON	LARGE 115/15.0KV TRANSFORMER	187	0.36804	124.7		'G08-124	345.00 - SPEARVILLE 345KV CKT 1'
ISLAND-GE		FDNS		00NR		0	13SP	G11_023	'FROM->TC'	JUDSON	LARGE 115/15.0KV TRANSFORMER	187	0.36804	127.3		'G05-12	345.00 - SPEARVILLE 345KV CKT 1'
ISLAND-GE		FDNS		00NR		0	13SP	G11_023	'FROM->TC'	JUDSON	LARGE 115/15.0KV TRANSFORMER	187	0.36804	125.3		'G06-06	345.00 - SPEARVILLE 345KV CKT 1'
ISLAND-GE		FDNS		00NR		0	13SP	G11_023	'FROM->TC'	JUDSON	LARGE 115/15.0KV TRANSFORMER	187	0.36804	226.8		'G11_016_1	345.00 - SPEARVILLE 345KV CKT 1'
ISLAND-GE		FDNS		00NR		0	13SP	G11_023	'FROM->TC'	JUDSON	LARGE 115/15.0KV TRANSFORMER	187	0.36804	124.7		'BUCKNER7	345.00 - G07-40 345.00 345KV CKT 1'
ISLAND-GE		FDNS		00NR		0	13SP	G11_023	'FROM->TC'	JUDSON	LARGE 115/15.0KV TRANSFORMER	187	0.36804	122.9		'BUCKNER7	345.00 - G10-09 345.00 345KV CKT 1'
ISLAND-GE		FDNS		00NR		0	13SP	G11_023	'FROM->TC'	JUDSON	LARGE 115/15.0KV TRANSFORMER	187	0.36804	225.8		'BUCKNER7	345.00 - G10-45 345.00 345KV CKT 1'
ISLAND-GE		FDNS		00NR		0	13SP	G11_023	'FROM->TC'	JUDSON	LARGE 115/15.0KV TRANSFORMER	187	0.36804	133.8		'FLAT RIDGE WIND - FLATRDG3	138KV CKT 1'
ISLAND-GE		FDNS		00NR		0	13SP	G11_023	'FROM->TC'	JUDSON	LARGE 115/15.0KV TRANSFORMER	187	0.36804	134		'MRWYP16 - MRWYP26	230KV CKT 1'
ISLAND-GE		FDNS		00NR		0	13SP	G11_023	'FROM->TC'	JUDSON	LARGE 115/15.0KV TRANSFORMER	187	0.36804	160.9		'ELM CREEK - MRWYP16	230KV CKT 1'
ISLAND-GE		FDNS		00NR		0	13SP	G11_023	'FROM->TC'	JUDSON	LARGE 115/15.0KV TRANSFORMER	187	0.36804	122.5		'G06-022	115.00 - NINNESCA 115.00 115KV CKT 1'
ISLAND-GE		FDNS		00NR		0	13SP	G11_023	'FROM->TC'	JUDSON	LARGE 115/15.0KV TRANSFORMER	187	0.36804	102.4		'ALEXANDER - PRATT	115KV CKT 1'
ISLAND-GE		FDNS		00NR		0	13SP	G11_023	'FROM->TC'	JUDSON	LARGE 115/15.0KV TRANSFORMER	187	0.36804	122.2		'G04_014	230.00 - SPEARVILLE 230KV CKT 1'
ISLAND-GE		FDNS		00NR		0	13SP	G11_023	'FROM->TC'	JUDSON	LARGE 115/15.0KV TRANSFORMER	187	0.36804	119.7		'SSTARTP3	115.00 - SSTARW 3 115.00 115KV CKT 1'
ISLAND-GE		FDNS		00NR		0	13SP	G11_023	'FROM->TC'	JUDSON	LARGE 115/15.0KV TRANSFORMER	187	0.36804	124.4		'GRAY CO3	115.00 - GYCOTAP3 115.00 115KV CKT 1'
ISLAND-GE		FDNS		00NR		0	13SP	G11_023	'FROM->TC'	JUDSON	LARGE 115/15.0KV TRANSFORMER	187	0.36804	148.3		'CLARKCOUNTY7345.00 - G11-008	345.00 345KV CKT 1'
ISLAND-GE		FDNS		00NR		0	13SP	G11_023	'FROM->TC'	JUDSON	LARGE 115/15.0KV TRANSFORMER	187	0.36804	287.6		'CLARKCOUNTY7345.00 - G11_023_1	345.00 345KV CKT 1'
ISLAND-GE		FDNS		00NR		0	13SP	G11_023	'FROM->TC'	JUDSON	LARGE 115/15.0KV TRANSFORMER	187	0.36804	119		'G08-79	115.00 - G08-79T 115.00 115KV CKT 1'
ISLAND-GE		FDNS		00NR		0	13SP	G11_023	'FROM->TC'	JUDSON	LARGE 115/15.0KV TRANSFORMER	187	0.36804	288		'G11-17T	345.00 - G11_017_1 345.00 345KV CKT 1'
ISLAND-GE		FDNS		00NR		0	13SP	G11_023	'FROM->TC'	JUDSON	LARGE 115/15.0KV TRANSFORMER	187	0.36804	109.7		'TOLK STATION EAST	230/24.0KV TRANSFORMER CKT 1'
ISLAND-GE		FDNS		00NR		0	13SP	G11_023	'FROM->TC'	JUDSON	LARGE 115/15.0KV TRANSFORMER	187	0.36804	124.7		'SPEARVILLE 345/34.5KV TRANSFORMER	CKT 1'
ISLAND-GE		FDNS		00NR		0	13SP	G11_023	'FROM->TC'	JUDSON	LARGE 115/15.0KV TRANSFORMER	187	0.36804	132.9		'COMANCHE COUNTY (CENTPLN3)	115/34.5/13.8KV TRANSFORMER CKT 1'
ISLAND-GE		FDNS		00NR		0	13SP	G11_023	'FROM->TC'	JUDSON	LARGE 115/15.0KV TRANSFORMER	187	0.36804	133.8		'FLAT RIDGE WIND (FLATRDG3)	138/34.53963/13.8KV TRANSFORMER CKT 1'
ISLAND-GE		FDNS		00NR		0	13SP	G11_023	'FROM->TC'	JUDSON	LARGE 115/15.0KV TRANSFORMER	187	0.36804	134		'MRWYP26 (MERDWYP2)	230/34.5/13.8KV TRANSFORMER CKT 1'
ISLAND-GE		FDNS		00NR		0	13SP	G11_023	'FROM->TC'	JUDSON	LARGE 115/15.0KV TRANSFORMER	187	0.36804	140.1		'MRWYP16 (MERIDWY1)	230/34.5/13.8KV TRANSFORMER CKT 1'
ISLAND-GE		FDNS		00NR		0	13SP	G11_023	'FROM->TC'	JUDSON	LARGE 115/15.0KV TRANSFORMER	187	0.36804	130.7		'MULLERGREN	115/13.8KV TRANSFORMER CKT 1'
ISLAND-GE		FDNS		00NR		0	13SP	G11_023	'FROM->TC'	JUDSON	LARGE 115/15.0KV TRANSFORMER	187	0.36804	119.6		'SSTARW 3	115.00 (SSWIND) 115/34.5/13.8KV TRANSFORMER CKT 1'
ISLAND-GE		FDNS		00NR		0	13SP	G11_023	'FROM->TC'	JUDSON	LARGE 115/15.0KV TRANSFORMER	187	0.36804	124.4		'GRAY CO3	115.00 (HAGGARD3) 115/34.5/13.8KV TRANSFORMER CKT 1'
ISLAND-GE		FDNS		00NR		0	13SP	G11_023	'FROM->TC'	JUDSON	LARGE 115/15.0KV TRANSFORMER	187	0.36804	130.5		'G08-17	345.00 345/34.5KV TRANSFORMER CKT 1'
ISLAND-GE		FDNS		00NR		0	13SP	G11_023	'FROM->TC'	JUDSON	LARGE 115/15.0KV TRANSFORMER	187	0.36804	124.7		'G07-40	345.00 345/34.5KV TRANSFORMER CKT 1'
ISLAND-GE		FDNS		00NR		0	13SP	G11_023	'FROM->TC'	JUDSON	LARGE 115/15.0KV TRANSFORMER	187	0.36804	119		'G08-79	115.00 115/34.5KV TRANSFORMER CKT 1'
ISLAND-GE		FDNS		00NR		0	13SP	G11_023	'FROM->TC'	JUDSON	LARGE 115/15.0KV TRANSFORMER	187	0.36804	122.9		'G10-09	345.00 345/34.5KV TRANSFORMER CKT 1'
ISLAND-GE		FDNS		00NR		0	13SP	G11_023	'FROM->TC'	JUDSON	LARGE 115/15.0KV TRANSFORMER	187	0.36804	118.9		'G10-15	345.00 345/34.5KV TRANSFORMER CKT 1'
ISLAND-GE		FDNS		00NR		0	13SP	G11_023	'FROM->TC'	JUDSON	LARGE 115/15.0KV TRANSFORMER	187	0.36804	119.6		'G10-15	345.00 345/34.5KV TRANSFORMER CKT 1'
ISLAND-GE		FDNS		00NR		0	13SP	G11_023	'FROM->TC'	JUDSON	LARGE 115/15.0KV TRANSFORMER	187	0.36804	119.7		'G08-25	115.00 115/34.5KV TRANSFORMER CKT 1'
ISLAND-GE		FDNS		00NR		0	13SP	G11_023	'FROM->TC'	JUDSON	LARGE 115/15.0KV TRANSFORMER	187	0.36804	225.8		'G10-45	345.00 345/34.5KV TRANSFORMER CKT 1'
ISLAND-GE		FDNS		00NR		0	13SP	G11_023	'FROM->TC'	JUDSON	LARGE 115/15.0KV TRANSFORMER	187	0.36804	122.2		'G04_014	230.00 230/34.5KV TRANSFORMER CKT 1'
ISLAND-GE		FDNS		00NR		0	13SP	G11_023	'FROM->TC'	JUDSON	LARGE 115/15.0KV TRANSFORMER	187	0.36804	127.2		'G05-12	345.00 345/34.5KV TRANSFORMER CKT 1'
ISLAND-GE		FDNS		00NR		0	13SP	G11_023	'FROM->TC'	JUDSON	LARGE 115/15.0KV TRANSFORMER	187	0.36804	125.3		'G06-06	345.00 345/34.5KV TRANSFORMER CKT 1'
ISLAND-GE		FDNS		00NR		0	13SP	G11_023	'FROM->TC'	JUDSON	LARGE 115/15.0KV TRANSFORMER	187	0.36804	122.5		'G06-022	115.00 115/34.5KV TRANSFORMER CKT 1'

EVENTTYPE	SOLUTIONTYPE	GROUP	SCENARIO	SEASON	SOURCE	DIRECTION	MONTCOMMONNAME	RATEB	TDF	TC%LOADI	CONTNAME
ISLAND-GE	FDNS	00NR	0	18WP	G11_023	'FROM->TC'	'JUDSON LARGE 115/15.0KV TRANSFORMER	187	0.36542	132.3	'COMANCHE COUNTY (CENTPLN3) 115/34.5/13.8KV TRANSFORMER CKT 1'
ISLAND-GE	FDNS	00NR	0	18WP	G11_023	'FROM->TC'	'JUDSON LARGE 115/15.0KV TRANSFORMER	187	0.36542	132.9	'FLAT RIDGE WIND (FLATRDG3) 138/34.53963/13.8KV TRANSFORMER CKT 1'
ISLAND-GE	FDNS	00NR	0	18WP	G11_023	'FROM->TC'	'JUDSON LARGE 115/15.0KV TRANSFORMER	187	0.36542	133.1	'MRWYP26 (MERDWYP2) 230/34.5/13.8KV TRANSFORMER CKT 1'
ISLAND-GE	FDNS	00NR	0	18WP	G11_023	'FROM->TC'	'JUDSON LARGE 115/15.0KV TRANSFORMER	187	0.36542	139.2	'MRWYP16 (MERIDWY1) 230/34.5/13.8KV TRANSFORMER CKT 1'
ISLAND-GE	FDNS	00NR	0	18WP	G11_023	'FROM->TC'	'JUDSON LARGE 115/15.0KV TRANSFORMER	187	0.36542	130.1	'MULLERGREN 115/13.8KV TRANSFORMER CKT 1'
ISLAND-GE	FDNS	00NR	0	18WP	G11_023	'FROM->TC'	'JUDSON LARGE 115/15.0KV TRANSFORMER	187	0.36542	119.3	'SSTARW 3 115.00 (SSWIND) 115/34.5/13.8KV TRANSFORMER CKT 1'
ISLAND-GE	FDNS	00NR	0	18WP	G11_023	'FROM->TC'	'JUDSON LARGE 115/15.0KV TRANSFORMER	187	0.36542	123.7	'GRAY CO3 115.00 (HAGGARD3) 115/34.5/13.8KV TRANSFORMER CKT 1'
ISLAND-GE	FDNS	00NR	0	18WP	G11_023	'FROM->TC'	'JUDSON LARGE 115/15.0KV TRANSFORMER	187	0.36542	129.6	'G08-17 345.00 345/34.5KV TRANSFORMER CKT 1'
ISLAND-GE	FDNS	00NR	0	18WP	G11_023	'FROM->TC'	'JUDSON LARGE 115/15.0KV TRANSFORMER	187	0.36542	123.9	'G07-40 345.00 345/34.5KV TRANSFORMER CKT 1'
ISLAND-GE	FDNS	00NR	0	18WP	G11_023	'FROM->TC'	'JUDSON LARGE 115/15.0KV TRANSFORMER	187	0.36542	118.5	'G08-79 115.00 115/34.5KV TRANSFORMER CKT 1'
ISLAND-GE	FDNS	00NR	0	18WP	G11_023	'FROM->TC'	'JUDSON LARGE 115/15.0KV TRANSFORMER	187	0.36542	122.1	'G10-09 345.00 345/34.5KV TRANSFORMER CKT 1'
ISLAND-GE	FDNS	00NR	0	18WP	G11_023	'FROM->TC'	'JUDSON LARGE 115/15.0KV TRANSFORMER	187	0.36542	118.4	'G10-15 345.00 345/34.5KV TRANSFORMER CKT 1'
ISLAND-GE	FDNS	00NR	0	18WP	G11_023	'FROM->TC'	'JUDSON LARGE 115/15.0KV TRANSFORMER	187	0.36542	118.8	'G10-15 345.00 345/34.5KV TRANSFORMER CKT 1'
ISLAND-GE	FDNS	00NR	0	18WP	G11_023	'FROM->TC'	'JUDSON LARGE 115/15.0KV TRANSFORMER	187	0.36542	119.1	'G08-25 115.00 115/34.5KV TRANSFORMER CKT 1'
ISLAND-GE	FDNS	00NR	0	18WP	G11_023	'FROM->TC'	'JUDSON LARGE 115/15.0KV TRANSFORMER	187	0.36542	224.8	'G10-45 345.00 345/34.5KV TRANSFORMER CKT 1'
ISLAND-GE	FDNS	00NR	0	18WP	G11_023	'FROM->TC'	'JUDSON LARGE 115/15.0KV TRANSFORMER	187	0.36542	121.6	'G04_014 230.00 230/34.5KV TRANSFORMER CKT 1'
ISLAND-GE	FDNS	00NR	0	18WP	G11_023	'FROM->TC'	'JUDSON LARGE 115/15.0KV TRANSFORMER	187	0.36542	126.6	'G05-12 345.00 345/34.5KV TRANSFORMER CKT 1'
ISLAND-GE	FDNS	00NR	0	18WP	G11_023	'FROM->TC'	'JUDSON LARGE 115/15.0KV TRANSFORMER	187	0.36542	124.6	'G06-06 345.00 345/34.5KV TRANSFORMER CKT 1'
ISLAND-GE	FDNS	00NR	0	18WP	G11_023	'FROM->TC'	'JUDSON LARGE 115/15.0KV TRANSFORMER	187	0.36542	121.8	'G06-022 115.00 115/34.5KV TRANSFORMER CKT 1'
ISLAND-GE	FDNS	00NR	0	18WP	G11_023	'FROM->TC'	'JUDSON LARGE 115/15.0KV TRANSFORMER	187	0.36542	119	'G06-40 115.00 115/34.5KV TRANSFORMER CKT 1'
ISLAND-GE	FDNS	00NR	0	18WP	G11_023	'FROM->TC'	'JUDSON LARGE 115/15.0KV TRANSFORMER	187	0.36542	120.7	'G07-11 115.00 115/34.5KV TRANSFORMER CKT 1'
ISLAND-GE	FDNS	00NR	0	18WP	G11_023	'FROM->TC'	'JUDSON LARGE 115/15.0KV TRANSFORMER	187	0.36542	124.1	'G11-008 345.00 345/34.5KV TRANSFORMER CKT 1'
ISLAND-GE	FDNS	00NR	0	18WP	G11_023	'FROM->TC'	'JUDSON LARGE 115/15.0KV TRANSFORMER	187	0.36542	121.2	'G11-008 345.00 345/34.5KV TRANSFORMER CKT 1'
ISLAND-GE	FDNS	00NR	0	18WP	G11_023	'FROM->TC'	'JUDSON LARGE 115/15.0KV TRANSFORMER	187	0.36542	121.1	'G11-008 345.00 345/34.5KV TRANSFORMER CKT 1'
ISLAND-GE	FDNS	00NR	0	18WP	G11_023	'FROM->TC'	'JUDSON LARGE 115/15.0KV TRANSFORMER	187	0.36542	119.4	'G11-008 345.00 345/34.5KV TRANSFORMER CKT 1'
ISLAND-GE	FDNS	00NR	0	18WP	G11_023	'FROM->TC'	'JUDSON LARGE 115/15.0KV TRANSFORMER	187	0.36542	286.5	'G11_023_1 345.00 345/34.5KV TRANSFORMER CKT 1'
ISLAND-GE	FDNS	00NR	0	18WP	G11_023	'FROM->TC'	'JUDSON LARGE 115/15.0KV TRANSFORMER	187	0.36542	110.7	'G11_020_1 345.00 345/34.5KV TRANSFORMER CKT 1'
ISLAND-GE	FDNS	00NR	0	18WP	G11_023	'FROM->TC'	'JUDSON LARGE 115/15.0KV TRANSFORMER	187	0.36542	110.7	'G11_019_1 345.00 345/34.5KV TRANSFORMER CKT 1'
ISLAND-GE	FDNS	00NR	0	18WP	G11_023	'FROM->TC'	'JUDSON LARGE 115/15.0KV TRANSFORMER	187	0.36542	287.2	'G11_017_1 345.00 345/34.5KV TRANSFORMER CKT 1'
ISLAND-GE	FDNS	00NR	0	18WP	G11_023	'FROM->TC'	'JUDSON LARGE 115/15.0KV TRANSFORMER	187	0.36542	225.8	'G11_016_1 345.00 345/34.5KV TRANSFORMER CKT 1'
NCONV	FNSL-Blown up	01ALL	0	13G	G11_023		Non-Converged Contingency	1195	0.11058	116.2267	'NORTHWEST - TATONGA7 345.00 345KV CKT 1'
NCONV	FNSL-Blown up	01ALL	0	13G	G11_023		Non-Converged Contingency	1775	0.11058	6.701664	'TATONGA7 345.00 - WOODWARD DISTRICT EHV 345KV CKT 1'
NCONV	FNSL-Blown up	02ALL	0	13G	G11_023		Non-Converged Contingency	1195	0.10466	89.21449	'NORTHWEST - TATONGA7 345.00 345KV CKT 1'
	FDNS	03ALL	0	13G	G11_023	'TO->FROM'	'BENTON - WICHITA 345KV CKT 1'	932	0.19456	113.0102	'HUNTERS7 345.00 - WOODRING 345KV CKT 1'
NCONV	FNSL-Blown up	03ALL	0	13G	G11_023		Non-Converged Contingency	1195	0.09725	78.9142	'NORTHWEST - TATONGA7 345.00 345KV CKT 1'
NCONV	FNSL-Blown up	03ALL	0	13G	G11_023		Non-Converged Contingency	1775	0.09725	47.56333	'TATONGA7 345.00 - WOODWARD DISTRICT EHV 345KV CKT 1'
NCONV	FNSL-Blown up	03ALL	0	13G	G11_023		Non-Converged Contingency	956	0.09154	46.23839	'HUNTERS7 345.00 - VIOLA 7 345.00 345KV CKT 1'
NCONV	FNSL-Blown up	03ALL	0	13G	G11_023		Non-Converged Contingency	1052	0.10476	73.8719	'FINNEY SWITCHING STATION - Hitchland Interchange 345KV CKT 1'
NCONV	FNSL-Blown up	03ALL	0	13G	G11_023		Non-Converged Contingency	1052	0.06548	22.06532	'Hitchland Interchange - POTTER COUNTY INTERCHANGE 345KV CKT 1'
NCONV	FNSL-Blown up	03ALL	0	13G	G11_023		Non-Converged Contingency	1052	0.10476	30.15398	'FINNEY SWITCHING STATION - HOLCOMB 345KV CKT 1'
NCONV	FNSL-Blown up	03ALL	0	13G	G11_023		Non-Converged Contingency	1792	0.13352	49.45027	'G11-17T 345.00 - POST ROCK 345KV CKT 1'
NCONV	FNSL-Blown up	03ALL	0	13G	G11_023		Non-Converged Contingency	1792	0.09531	32.65164	'AXTELL - POST ROCK 345KV CKT 1'
NCONV	FNSL-Blown up	03ALL	0	13G	G11_023		Non-Converged Contingency	319	0.03242	99.17691	'SMOKYHL6 230.00 - SUMMIT 230KV CKT 1'
NCONV	FNSL-Blown up	03ALL	0	13G	G11_023		Non-Converged Contingency	1328	0.04409	34.90823	'HOLCOMB - SETAB 345KV CKT 1'
NCONV	FNSL-Blown up	03ALL	0	13G	G11_023		Non-Converged Contingency	1328	0.16678	36.12886	'BUCKNER7 345.00 - HOLCOMB 345KV CKT 1'
NCONV	FNSL-Blown up	03ALL	0	13G	G11_023		Non-Converged Contingency	1328	0.04413	43.30291	'MINGO - SETAB 345KV CKT 1'

EVENTTYPE	SOLUTIONTYPE	GROUP	SCENARIO	SEASON	SOURCE	DIRECTION	MONTCOMMONNAME	RATEB	TDF	TC%LOADI	CONTNAME
NCONV	FNSL-Blown up	03ALL		0	13G	G11_023	Non-Converged Contingency	717	0.04867	62.03905	'MINGO - RED WILLOW 345KV CKT 1'
NCONV	FNSL-Blown up	03ALL		0	13G	G11_023	Non-Converged Contingency	1195	0.12041	69.8401	'MULGREN7 345.00 - SPEARVILLE 345KV CKT 2'
NCONV	FNSL-Blown up	03ALL		0	13G	G11_023	Non-Converged Contingency	1792	0.13352	30.84333	'G11-17T 345.00 - SPEARVILLE 345KV CKT 1'
NCONV	FNSL-Blown up	03ALL		0	13G	G11_023	Non-Converged Contingency	1051	0.06686	22.12694	'JEFFREY ENERGY CENTER - SUMMIT 345KV CKT 1'
NCONV	FNSL-Blown up	03ALL		0	13G	G11_023	Non-Converged Contingency	956	0.054	26.72794	'EMPORIA ENERGY CENTER - WICHITA 345KV CKT 1'
NCONV	FNSL-Blown up	03ALL		0	13G	G11_023	Non-Converged Contingency	1195	0.12041	69.83763	'MULGREN7 345.00 - RENO COUNTY 345KV CKT 2'
NCONV	FNSL-Blown up	03ALL		0	13G	G11_023	Non-Converged Contingency	956	0.12233	62.98875	'BENTON - ROSE HILL 345KV CKT 1'
NCONV	FNSL-Blown up	03ALL		0	13G	G11_023	Non-Converged Contingency	1792	0.13687	43.40387	'THISTLE7 345.00 - WICHITA 345KV CKT 1'
NCONV	FNSL-Blown up	03ALL		0	13G	G11_023	Non-Converged Contingency	1792	0.13687	43.40387	'THISTLE7 345.00 - WICHITA 345KV CKT 2'
NCONV	FNSL-Blown up	03ALL		0	13G	G11_023	Non-Converged Contingency	319	0.03488	100.0148	'CIRCLE - MULLERGREN 230KV CKT 1'
NCONV	FNSL-Blown up	03ALL		0	13G	G11_023	Non-Converged Contingency	355.3	0.05281	107.7076	'MULLERGREN - SPEARVILLE 230KV CKT 1'
NCONV	FNSL-Blown up	03ALL		0	13G	G11_023	Non-Converged Contingency	1793	0.24905	52.49322	'CLARKCOUNTY7345.00 - THISTLE7 345.00 345KV CKT 1'
NCONV	FNSL-Blown up	03ALL		0	13G	G11_023	Non-Converged Contingency	1793	0.24905	52.49322	'CLARKCOUNTY7345.00 - THISTLE7 345.00 345KV CKT 2'
NCONV	FNSL-Blown up	03ALL		0	13G	G11_023	Non-Converged Contingency	956	0.05436	47.97702	'AXTELL - PAULINE 345KV CKT 1'
NCONV	FNSL-Blown up	03ALL		0	13G	G11_023	Non-Converged Contingency	956	0.03795	28.00759	'GERALD GENTLEMAN STATION - RED WILLOW 345KV CKT 1'
NCONV	FNSL-Blown up	03ALL		0	13G	G11_023	Non-Converged Contingency	956	0.04805	42.82254	'MOORE - PAULINE 345KV CKT 1'
NCONV	FNSL-Blown up	03ALL		0	13G	G11_023	Non-Converged Contingency	559	0.06548	56.24506	'POTTER COUNTY INTERCHANGE (WAUK 90343-A) 345/230/13.2KV TRANSFORMER CKT 1'
NCONV	FNSL-Blown up	03ALL		0	13G	G11_023	Non-Converged Contingency	0	0.27374	9999	'DBL-WICH-THI'
NCONV	FNSL-Blown up	03ALL		0	13G	G11_023	Non-Converged Contingency	0	0.21301	9999	'DBL-THIS-WWR'
NCONV	FNSL-Blown up	03ALL		0	13G	G11_023	Non-Converged Contingency	0	0.49811	9999	'DBL-THIS-CLR'
NCONV	FNSL-Blown up	03ALL		0	13G	G11_023	Non-Converged Contingency	0	0.03085	9999	'SPP-SWPS-01'
NCONV	FNSL-Blown up	03ALL		0	13G	G11_023	Non-Converged Contingency	0	0.10476	9999	'SPP-SWPS-05'
NCONV	FNSL-Blown up	03ALL		0	13G	G11_023	Non-Converged Contingency	0	0.04779	9999	'WRTOD400'
NCONV	FNSL-Blown up	03ALL		0	13G	G11_023	Non-Converged Contingency	1195	0.12041	62.79412	'GEN532652 1-JEFFREY ENERGY CENTER UNIT 2'
NCONV	FNSL-Blown up	03ALL		0	13G	G11_023	Non-Converged Contingency	1195	0.12041	62.79412	'GEN532653 1-JEFFREY ENERGY CENTER UNIT 3'
NCONV	FNSL-Blown up	03ALL		0	13G	G11_023	Non-Converged Contingency	1195	0.12041	62.79412	'GEN532751 1-WOLF CREEK GENERATING STATION UNIT 1'
NCONV	FNSL-Blown up	03NR		0	13G	G11_023	Non-Converged Contingency	1792	0.04294	51.16222	'G11-17T 345.00 - POST ROCK 345KV CKT 1'
NCONV	FNSL-Blown up	03NR		0	13G	G11_023	Non-Converged Contingency	1328	0.41575	48.00869	'BUCKNER7 345.00 - HOLCOMB 345KV CKT 1'
NCONV	FNSL-Blown up	03NR		0	13G	G11_023	Non-Converged Contingency	0	0.09493	9999	'DBL-WICH-THI'
NCONV	FNSL-Blown up	03NR		0	13G	G11_023	Non-Converged Contingency	0	0.12483	9999	'DBL-THIS-WWR'
NCONV	FNSL-Blown up	03NR		0	13G	G11_023	Non-Converged Contingency	0	0.24741	9999	'DBL-THIS-CLR'
NCONV	FNSL-Blown up	04ALL		0	13G	G11_023	Non-Converged Contingency	319	0.04578	108.1982	'SMOKYHL6 230.00 - SUMMIT 230KV CKT 1'
NCONV	FNSL-Blown up		3	0	13G	G11_023	Non-converged contingency	1792	0.15988	46.31664	'G11-17T 345.00 - POST ROCK 345KV CKT 1'
NCONV	FNSL-Blown up		3	0	13G	G11_023	Non-converged contingency	319	0.05125	98.66855	'CIRCLE - MULLERGREN 230KV CKT 1'
NCONV	FNSL-Blown up		3	0	13G	G11_023	Non-converged contingency	0	0.32883	9999	'DBL-WICH-THI'
NCONV	FNSL-Blown up		3	0	13G	G11_023	Non-converged contingency	0	0.5561	9999	'DBL-THIS-CLR'
NCONV	FNSL-Blown up		3	0	13G	G11_023	Non-converged contingency	0	0.12009	9999	'SPP-SWPS-05'
	FDNS		1	0	13G	G11_023	'TO->FROM' NORTHWEST - TATONGA7 345.00 345KV C	1195	0.19405	123.912	'DBL-WICH-THI'
	FDNS	03ALL		2	13G	G11_023	'TO->FROM' BENTON - WICHITA 345KV CKT 1'	932	0.19975	114.7705	'HUNTERS7 345.00 - WOODRING 345KV CKT 1'
	FDNS	03ALL		2	13G	G11_023	'TO->FROM' BENTON - WICHITA 345KV CKT 1'	932	0.19975	112.4898	'HUNTERS7 345.00 - VIOLA 7 345.00 345KV CKT 1'
NCONV	FNSL-Blown up	03ALL		2	13G	G11_023	Non-Converged Contingency	1052	0.09768	65.05273	'FINNEY SWITCHING STATION - Hitchland Interchange 345KV CKT 1'
	FDNS	03ALL		2	13G	G11_023	'TO->FROM' BENTON - WICHITA 345KV CKT 1'	932	0.19975	107.8205	'VIOLA 7 345.00 - WICHITA 345KV CKT 1'
	FDNS	00G11_024		0	18SP	G11_024	'TO->FROM' NORTHWEST - TATONGA7 345.00 345KV C	1195	1	126.5288	'TATONGA7 345.00 - WOODWARD DISTRICT EHV 345KV CKT 1'
NCONV	FNSL-Blown up	00G11_024		0	18WP	G11_024	Non-Converged Contingency	1775	0.50205	28.2151	'TATONGA7 345.00 - WOODWARD DISTRICT EHV 345KV CKT 1'
	FDNS	00NR		0	13SP	G11_024	'TO->FROM' NORTHWEST - TATONGA7 345.00 345KV C	1195	0.60934	101.6989	'DBL-WICH-THI'
	FDNS	00NR		0	13WP	G11_024	'TO->FROM' NORTHWEST - TATONGA7 345.00 345KV C	1195	0.61353	104.0593	'DBL-WICH-THI'
	FDNS	00NR		0	18WP	G11_024	'TO->FROM' NORTHWEST - TATONGA7 345.00 345KV C	1195	0.60942	101.2301	'DBL-WICH-THI'
	FDNS	01ALL		0	13G	G11_024	'TO->FROM' NORTHWEST - TATONGA7 345.00 345KV C	1195	0.50339	116.2267	'BASE CASE'
CONT-TOD	FDNS	01ALL		0	13G	G11_024	'TO->FROM' NORTHWEST - TATONGA7 345.00 345KV C	1195	0.50313	116.5673	'DOLET HILLS - SOUTHWEST SHREVEPORT 345KV CKT 1'
INVALID	FDNS	01ALL		0	13G	G11_024	'TO->FROM' NORTHWEST - TATONGA7 345.00 345KV C	1195	0.50318	115.6669	'FLINT CREEK - SILOAM SPRINGS TAP 345KV CKT 1'

EVENTTYPE	SOLUTIONTYPE	GROUP	SCENARIO	SEASON	SOURCE	DIRECTION	MONTH	COMMONNAME	RATEB	TDF	TC%LOADI	CONTNAME
	FDNS	01ALL		0	13G	G11_024	TO->FRON	'NORTHWEST - TATONGA7 345.00 345KV C	1195	0.503	115.57	'FLINT CREEK - SUB 383 - MONETT 345KV CKT 1'
	FDNS	01ALL		0	13G	G11_024	TO->FRON	'NORTHWEST - TATONGA7 345.00 345KV C	1195	0.50318	115.4374	'CHAMBER SPRINGS - CLARKSVILLE 345KV CKT 1'
	FDNS	01ALL		0	13G	G11_024	TO->FRON	'NORTHWEST - TATONGA7 345.00 345KV C	1195	0.50281	115.7317	'LYDIA - WELSH 345KV CKT 1'
	FDNS	01ALL		0	13G	G11_024	TO->FRON	'NORTHWEST - TATONGA7 345.00 345KV C	1195	0.50107	113.926	'LYDIA - VALLIANT 345KV CKT 1'
INVALID	FDNS	01ALL		0	13G	G11_024	TO->FRON	'NORTHWEST - TATONGA7 345.00 345KV C	1195	0.50339	115.0375	'EASTDC - WELSH 345KV CKT 1'
	FDNS	01ALL		0	13G	G11_024	TO->FRON	'NORTHWEST - TATONGA7 345.00 345KV C	1195	0.50347	115.8748	'CLARKSVILLE - MUSKOGEE 345KV CKT 1'
	FDNS	01ALL		0	13G	G11_024	TO->FRON	'NORTHWEST - TATONGA7 345.00 345KV C	1195	0.499	114.5614	'REDBUD - RIVERSIDE STATION 345KV CKT 1'
	FDNS	01ALL		0	13G	G11_024	TO->FRON	'NORTHWEST - TATONGA7 345.00 345KV C	1195	0.50298	114.3538	'DELAWARE - NORTHEAST STATION 345KV CKT 1'
	FDNS	01ALL		0	13G	G11_024	TO->FRON	'NORTHWEST - TATONGA7 345.00 345KV C	1195	0.50297	115.1262	'DELAWARE - NEOSHO 345KV CKT 1'
	FDNS	01ALL		0	13G	G11_024	TO->FRON	'NORTHWEST - TATONGA7 345.00 345KV C	1195	0.5023	115.1887	'PITTSBURG - VALLIANT 345KV CKT 1'
	FDNS	01ALL		0	13G	G11_024	TO->FRON	'NORTHWEST - TATONGA7 345.00 345KV C	1195	0.50154	114.9977	'PITTSBURG - SEMINOLE 345KV CKT 1'
	FDNS	01ALL		0	13G	G11_024	TO->FRON	'NORTHWEST - TATONGA7 345.00 345KV C	1195	0.50392	117.1441	'CLINTON AIR FORCE BASE TAP - ELK CITY 138KV CKT 1'
	FDNS	01ALL		0	13G	G11_024	TO->FRON	'NORTHWEST - TATONGA7 345.00 345KV C	1195	0.50392	117.1061	'CLINTON AIR FORCE BASE TAP - HOBART JUNCTION 138KV CKT 1'
INVALID	FDNS	01ALL		0	13G	G11_024	TO->FRON	'NORTHWEST - TATONGA7 345.00 345KV C	1195	0.50332	126.4871	'LAWTON EASTSIDE - OKLAUNION 345KV CKT 1'
	FDNS	01ALL		0	13G	G11_024	TO->FRON	'NORTHWEST - TATONGA7 345.00 345KV C	1195	0.50332	119.5969	'OKLAUNION - TUCO INTERCHANGE 345KV CKT 1'
	FDNS	01ALL		0	13G	G11_024	TO->FRON	'NORTHWEST - TATONGA7 345.00 345KV C	1195	0.50371	117.4259	'CLINTON JUNCTION - ELK CITY 138KV CKT 1'
	FDNS	01ALL		0	13G	G11_024	TO->FRON	'NORTHWEST - TATONGA7 345.00 345KV C	1195	0.50429	117.1202	'ELK CITY - RED HILLS WIND 138KV CKT 1'
	FDNS	01ALL		0	13G	G11_024	TO->FRON	'NORTHWEST - TATONGA7 345.00 345KV C	1195	0.50441	117.4005	'LAWTON EASTSIDE - SUNNYSIDE 345KV CKT 1'
	FDNS	01ALL		0	13G	G11_024	TO->FRON	'NORTHWEST - TATONGA7 345.00 345KV C	1195	0.5009	115.0566	'GRACEMONT - LAWTON EASTSIDE 345KV CKT 1'
	FDNS	01ALL		0	13G	G11_024	TO->FRON	'NORTHWEST - TATONGA7 345.00 345KV C	1195	0.50328	116.6433	'WEATHERFORD JCT. - WEATHERFORD SOUTHEAST 138KV CKT 1'
	FDNS	01ALL		0	13G	G11_024	TO->FRON	'NORTHWEST - TATONGA7 345.00 345KV C	1195	0.50246	118.2867	'ELK CITY 230KV - SWEETWATER 230KV CKT 1'
	FDNS	01ALL		0	13G	G11_024	TO->FRON	'NORTHWEST - TATONGA7 345.00 345KV C	1195	0.50333	116.6166	'WEATHERFORD TAP - WEATHERFORD WIND FARM 138KV CKT 1'
	FDNS	01ALL		0	13G	G11_024	TO->FRON	'NORTHWEST - TATONGA7 345.00 345KV C	1195	0.50246	116.2317	'STATELINE INTERCHANGE - SWEETWATER 230KV CKT &1'
	FDNS	01ALL		0	13G	G11_024	TO->FRON	'NORTHWEST - TATONGA7 345.00 345KV C	1195	0.50338	116.6239	'MCLEAN RURAL SUB - SHAMROCK 115KV CKT 1'
INVALID	FDNS	01ALL		0	13G	G11_024	TO->FRON	'NORTHWEST - TATONGA7 345.00 345KV C	1195	0.50315	115.5255	'GRDA1 - SILOAM SPRINGS TAP 345KV CKT 1'
	FDNS	01ALL		0	13G	G11_024	TO->FRON	'NORTHWEST - TATONGA7 345.00 345KV C	1195	0.5027	115.8593	'CLEVELAND - SOONER 345KV CKT 1'
	FDNS	01ALL		0	13G	G11_024	TO->FRON	'NORTHWEST - TATONGA7 345.00 345KV C	1195	0.50442	116.728	'WAUKOMIS - WAUKOMIS TAP 138KV CKT 1'
	FDNS	01ALL		0	13G	G11_024	TO->FRON	'NORTHWEST - TATONGA7 345.00 345KV C	1195	0.50442	116.7662	'HENESSEY - WAUKOMIS 138KV CKT 1'
	FDNS	01ALL		0	13G	G11_024	TO->FRON	'NORTHWEST - TATONGA7 345.00 345KV C	1195	0.50166	116.8451	'HUNTERS7 345.00 - WOODRING 345KV CKT 1'
	FDNS	01ALL		0	13G	G11_024	TO->FRON	'NORTHWEST - TATONGA7 345.00 345KV C	1195	0.49969	115.9888	'G11-007T 345.00 - WOODRING 345KV CKT 1'
	FDNS	01ALL		0	13G	G11_024	TO->FRON	'NORTHWEST - TATONGA7 345.00 345KV C	1195	0.50384	116.6427	'KNOBHILL - SALINE 69KV CKT 1'
	FDNS	01ALL		0	13G	G11_024	TO->FRON	'NORTHWEST - TATONGA7 345.00 345KV C	1195	0.50384	116.602	'HELENA TAP - SALINE 69KV CKT 1'
	FDNS	01ALL		0	13G	G11_024	TO->FRON	'NORTHWEST - TATONGA7 345.00 345KV C	1195	0.50332	115.682	'KILDARE4 - NEWKIRK4 138KV CKT 1'
	FDNS	01ALL		0	13G	G11_024	TO->FRON	'NORTHWEST - TATONGA7 345.00 345KV C	1195	0.50339	115.7943	'KILDARE4 - WHITE EAGLE 138KV CKT 1'
	FDNS	01ALL		0	13G	G11_024	TO->FRON	'NORTHWEST - TATONGA7 345.00 345KV C	1195	0.50442	116.808	'DOVER SW - HENESSEY 138KV CKT 1'
	FDNS	01ALL		0	13G	G11_024	TO->FRON	'NORTHWEST - TATONGA7 345.00 345KV C	1195	0.50546	118.5361	'CLEO CORNER - GLASS MOUNTAIN 138KV CKT 1'
	FDNS	01ALL		0	13G	G11_024	TO->FRON	'NORTHWEST - TATONGA7 345.00 345KV C	1195	0.50598	118.6045	'CLEO CORNER - MEN TAP 138KV CKT 1'
	FDNS	01ALL		0	13G	G11_024	TO->FRON	'NORTHWEST - TATONGA7 345.00 345KV C	1195	0.50985	119.7796	'FPL SWITCH - WOODWARD 138KV CKT 1'
	FDNS	01ALL		0	13G	G11_024	TO->FRON	'NORTHWEST - TATONGA7 345.00 345KV C	1195	0.50593	117.5662	'DEWEY - IODINE 138KV CKT 1'
	FDNS	01ALL		0	13G	G11_024	TO->FRON	'NORTHWEST - TATONGA7 345.00 345KV C	1195	0.50661	120.5014	'DEWEY - SOUTHARD 138KV CKT 1'
	FDNS	01ALL		0	13G	G11_024	TO->FRON	'NORTHWEST - TATONGA7 345.00 345KV C	1195	0.50546	118.6138	'GLASS MOUNTAIN - MOORELAND 138KV CKT 1'
	FDNS	01ALL		0	13G	G11_024	TO->FRON	'NORTHWEST - TATONGA7 345.00 345KV C	1195	0.50598	118.517	'IMO TAP - MEN TAP 138KV CKT 1'
	FDNS	01ALL		0	13G	G11_024	TO->FRON	'NORTHWEST - TATONGA7 345.00 345KV C	1195	0.50387	117.0241	'KNOBHILL - MOORELAND 138KV CKT 1'
	FDNS	01ALL		0	13G	G11_024	TO->FRON	'NORTHWEST - TATONGA7 345.00 345KV C	1195	0.50593	117.6239	'IODINE - WOODWARD EHV 138KV CKT 1'
	FDNS	01ALL		0	13G	G11_024	TO->FRON	'NORTHWEST - TATONGA7 345.00 345KV C	1195	0.49919	114.0686	'GRACEMONT - MINCO 345KV CKT 1'
	FDNS	01ALL		0	13G	G11_024	TO->FRON	'NORTHWEST - TATONGA7 345.00 345KV C	1195	0.49133	115.7007	'SOONER - SPRING CREEK 345KV CKT 1'
	FDNS	01ALL		0	13G	G11_024	TO->FRON	'NORTHWEST - TATONGA7 345.00 345KV C	1195	0.50145	114.7058	'ROSE HILL - SOONER 345KV CKT 1'
	FDNS	01ALL		0	13G	G11_024	TO->FRON	'NORTHWEST - TATONGA7 345.00 345KV C	1195	0.50332	115.6501	'CRESWELL - MIDLTNT4 138.00 138KV CKT 1'
	FDNS	01ALL		0	13G	G11_024	TO->FRON	'NORTHWEST - TATONGA7 345.00 345KV C	1195	0.50661	119.915	'EL RENO - ROMAN NOSE 138KV CKT 1'
	FDNS	01ALL		0	13G	G11_024	TO->FRON	'NORTHWEST - TATONGA7 345.00 345KV C	1195	0.50661	120.1315	'ROMAN NOSE - SOUTHARD 138KV CKT 1'
	FDNS	01ALL		0	13G	G11_024	TO->FRON	'NORTHWEST - TATONGA7 345.00 345KV C	1195	0.50339	116.6019	'GEN300003 1-THOMAS HILL UNIT 3'
	FDNS	01ALL		0	13G	G11_024	TO->FRON	'NORTHWEST - TATONGA7 345.00 345KV C	1195	0.50339	117.4776	'GEN300006 1-NEW MADRID UNIT 1'
	FDNS	01ALL		0	13G	G11_024	TO->FRON	'NORTHWEST - TATONGA7 345.00 345KV C	1195	0.50339	117.4701	'GEN300007 1-NEW MADRID UNIT 2'

EVENTTYPE	SOLUTIONTYPE	GROUP	SCENARIO	SEASON	SOURCE	DIRECTION	MONTH	COMMONNAME	RATEB	TDF	TC%LOADI	CONTNAME	
	FDNS	01ALL		0	13G	G11_024	TO->FRON	NORTHWEST - TATONGA7	345.00 345KV	1195	0.50339	116.6653	'GEN300016 1-1G1GPDEL 18.000'
	FDNS	01ALL		0	13G	G11_024	TO->FRON	NORTHWEST - TATONGA7	345.00 345KV	1195	0.50339	116.8791	'GEN300020 1-1CHOTCT4 16.000'
	FDNS	01ALL		0	13G	G11_024	TO->FRON	NORTHWEST - TATONGA7	345.00 345KV	1195	0.50339	116.8791	'GEN300021 1-1CHOTCT5 16.000'
	FDNS	01ALL		0	13G	G11_024	TO->FRON	NORTHWEST - TATONGA7	345.00 345KV	1195	0.50339	116.9041	'GEN300024 1-1CHOTST6 16.000'
	FDNS	01ALL		0	13G	G11_024	TO->FRON	NORTHWEST - TATONGA7	345.00 345KV	1195	0.50339	116.904	'GEN300031 1-CHOUTEAU CTG 1'
	FDNS	01ALL		0	13G	G11_024	TO->FRON	NORTHWEST - TATONGA7	345.00 345KV	1195	0.50339	116.879	'GEN300032 1-CHOUTEAU CTG 2'
	FDNS	01ALL		0	13G	G11_024	TO->FRON	NORTHWEST - TATONGA7	345.00 345KV	1195	0.50339	116.879	'GEN300033 1-CHOUTEAU STG 3'
	FDNS	01ALL		0	13G	G11_024	TO->FRON	NORTHWEST - TATONGA7	345.00 345KV	1195	0.50339	116.9866	'GEN301380 1-1OSAGEWIND 34.500'
	FDNS	01ALL		0	13G	G11_024	TO->FRON	NORTHWEST - TATONGA7	345.00 345KV	1195	0.50339	117.8887	'GEN303006 1-1BC2 U1'
	FDNS	01ALL		0	13G	G11_024	TO->FRON	NORTHWEST - TATONGA7	345.00 345KV	1195	0.50339	118.4007	'GEN303007 1-1BC2 U2'
	FDNS	01ALL		0	13G	G11_024	TO->FRON	NORTHWEST - TATONGA7	345.00 345KV	1195	0.50339	117.757	'GEN303008 1-1BC2 U3'
	FDNS	01ALL		0	13G	G11_024	TO->FRON	NORTHWEST - TATONGA7	345.00 345KV	1195	0.50339	116.7753	'GEN303024 1-1G3INTHB 18.000'
	FDNS	01ALL		0	13G	G11_024	TO->FRON	NORTHWEST - TATONGA7	345.00 345KV	1195	0.50339	116.6219	'GEN303025 1-1S3INTHB 13.800'
	FDNS	01ALL		0	13G	G11_024	TO->FRON	NORTHWEST - TATONGA7	345.00 345KV	1195	0.50339	116.699	'GEN303026 1-1G4INTHB 18.000'
	FDNS	01ALL		0	13G	G11_024	TO->FRON	NORTHWEST - TATONGA7	345.00 345KV	1195	0.50339	116.5697	'GEN303027 1-1S4INTHB 13.800'
	FDNS	01ALL		0	13G	G11_024	TO->FRON	NORTHWEST - TATONGA7	345.00 345KV	1195	0.50339	116.8892	'GEN318007 1-5MOROW161 161.00'
	FDNS	01ALL		0	13G	G11_024	TO->FRON	NORTHWEST - TATONGA7	345.00 345KV	1195	0.50339	116.9448	'GEN334030 1-FRONTIER UNIT 1'
	FDNS	01ALL		0	13G	G11_024	TO->FRON	NORTHWEST - TATONGA7	345.00 345KV	1195	0.50339	116.9448	'GEN334031 1-FRONTIER UNIT 2'
	FDNS	01ALL		0	13G	G11_024	TO->FRON	NORTHWEST - TATONGA7	345.00 345KV	1195	0.50339	116.7911	'GEN334070 1-LEWIS CREEK 1'
	FDNS	01ALL		0	13G	G11_024	TO->FRON	NORTHWEST - TATONGA7	345.00 345KV	1195	0.50339	116.7845	'GEN334071 1-LEWIS CREEK 2'
	FDNS	01ALL		0	13G	G11_024	TO->FRON	NORTHWEST - TATONGA7	345.00 345KV	1195	0.50339	116.7314	'GEN334392 1-EXXON MOBIL IPP 1'
	FDNS	01ALL		0	13G	G11_024	TO->FRON	NORTHWEST - TATONGA7	345.00 345KV	1195	0.50339	116.6366	'GEN334431 1-SABINE UNIT 1'
	FDNS	01ALL		0	13G	G11_024	TO->FRON	NORTHWEST - TATONGA7	345.00 345KV	1195	0.50339	116.6366	'GEN334432 1-SABINE UNIT 2'
	FDNS	01ALL		0	13G	G11_024	TO->FRON	NORTHWEST - TATONGA7	345.00 345KV	1195	0.50339	117.0944	'GEN334433 1-SABINE UNIT 3'
	FDNS	01ALL		0	13G	G11_024	TO->FRON	NORTHWEST - TATONGA7	345.00 345KV	1195	0.50339	117.4781	'GEN334440 1-SABINE UNIT 4'
	FDNS	01ALL		0	13G	G11_024	TO->FRON	NORTHWEST - TATONGA7	345.00 345KV	1195	0.50339	117.1054	'GEN334441 1-SABINE UNIT 5'
	FDNS	01ALL		0	13G	G11_024	TO->FRON	NORTHWEST - TATONGA7	345.00 345KV	1195	0.50339	116.6472	'GEN334456 1-CONOCO UNIT#1'
	FDNS	01ALL		0	13G	G11_024	TO->FRON	NORTHWEST - TATONGA7	345.00 345KV	1195	0.50339	116.6702	'GEN335201 1-NELSON UNIT 1'
	FDNS	01ALL		0	13G	G11_024	TO->FRON	NORTHWEST - TATONGA7	345.00 345KV	1195	0.50339	116.6224	'GEN335202 1-NELSON UNIT 2'
	FDNS	01ALL		0	13G	G11_024	TO->FRON	NORTHWEST - TATONGA7	345.00 345KV	1195	0.50339	116.6035	'GEN335203 1-NELSON UNIT 3'
	FDNS	01ALL		0	13G	G11_024	TO->FRON	NORTHWEST - TATONGA7	345.00 345KV	1195	0.50339	117.519	'GEN335204 1-NELSON UNIT 4'
	FDNS	01ALL		0	13G	G11_024	TO->FRON	NORTHWEST - TATONGA7	345.00 345KV	1195	0.50339	118.3984	'GEN335206 1-NELSON UNIT 6'
	FDNS	01ALL		0	13G	G11_024	TO->FRON	NORTHWEST - TATONGA7	345.00 345KV	1195	0.50339	116.9664	'GEN335370 1-1ACADIA_S26 18.000
	FDNS	01ALL		0	13G	G11_024	TO->FRON	NORTHWEST - TATONGA7	345.00 345KV	1195	0.50339	116.9441	'GEN335371 1-1ACADIA_C25 18.000
	FDNS	01ALL		0	13G	G11_024	TO->FRON	NORTHWEST - TATONGA7	345.00 345KV	1195	0.50339	116.9441	'GEN335372 1-1ACADIA_C24 18.000
	FDNS	01ALL		0	13G	G11_024	TO->FRON	NORTHWEST - TATONGA7	345.00 345KV	1195	0.50339	116.791	'GEN335570 1-CARVILLE CTG'
	FDNS	01ALL		0	13G	G11_024	TO->FRON	NORTHWEST - TATONGA7	345.00 345KV	1195	0.50339	116.7912	'GEN335571 1-CARVILLE UNIT #1'
	FDNS	01ALL		0	13G	G11_024	TO->FRON	NORTHWEST - TATONGA7	345.00 345KV	1195	0.50339	121.4843	'GEN336153 1-WATERFORD UNIT#3'
	FDNS	01ALL		0	13G	G11_024	TO->FRON	NORTHWEST - TATONGA7	345.00 345KV	1195	0.50339	116.8124	'GEN336167 1-GULF OXY U1'
	FDNS	01ALL		0	13G	G11_024	TO->FRON	NORTHWEST - TATONGA7	345.00 345KV	1195	0.50339	116.8124	'GEN336168 1-GULF OXY U2'
	FDNS	01ALL		0	13G	G11_024	TO->FRON	NORTHWEST - TATONGA7	345.00 345KV	1195	0.50339	116.8124	'GEN336169 1-GULF OXY U3'
	FDNS	01ALL		0	13G	G11_024	TO->FRON	NORTHWEST - TATONGA7	345.00 345KV	1195	0.50339	117.2212	'GEN336170 1-GULF OXY U4'
	FDNS	01ALL		0	13G	G11_024	TO->FRON	NORTHWEST - TATONGA7	345.00 345KV	1195	0.50339	117.3511	'GEN336191 1-LITTLE GYPSY UNIT#3'
	FDNS	01ALL		0	13G	G11_024	TO->FRON	NORTHWEST - TATONGA7	345.00 345KV	1195	0.50339	116.6639	'GEN336221 1-LITTLE GYPSY UNIT#1'
	FDNS	01ALL		0	13G	G11_024	TO->FRON	NORTHWEST - TATONGA7	345.00 345KV	1195	0.50339	116.9005	'GEN336222 1-LITTLE GYPSY UNIT#2'
	FDNS	01ALL		0	13G	G11_024	TO->FRON	NORTHWEST - TATONGA7	345.00 345KV	1195	0.50339	117.3067	'GEN336251 1-NINEMILE POINT UNIT#4'
	FDNS	01ALL		0	13G	G11_024	TO->FRON	NORTHWEST - TATONGA7	345.00 345KV	1195	0.50339	117.6451	'GEN336252 1-NINEMILE POINT UNIT#5'
	FDNS	01ALL		0	13G	G11_024	TO->FRON	NORTHWEST - TATONGA7	345.00 345KV	1195	0.50339	116.5741	'GEN336446 1-MICHOUD UNIT #2'
	FDNS	01ALL		0	13G	G11_024	TO->FRON	NORTHWEST - TATONGA7	345.00 345KV	1195	0.50339	117.2598	'GEN336464 1-MICHOUD UNIT #3'
	FDNS	01ALL		0	13G	G11_024	TO->FRON	NORTHWEST - TATONGA7	345.00 345KV	1195	0.50339	117.2021	'GEN336801 1-BAXTER WILSON UNIT #1'
	FDNS	01ALL		0	13G	G11_024	TO->FRON	NORTHWEST - TATONGA7	345.00 345KV	1195	0.50339	117.5781	'GEN336831 1-BAXTER WILSON SES'
	FDNS	01ALL		0	13G	G11_024	TO->FRON	NORTHWEST - TATONGA7	345.00 345KV	1195	0.50339	116.8301	'GEN337006 1-DUKE MCADAMS G1'
	FDNS	01ALL		0	13G	G11_024	TO->FRON	NORTHWEST - TATONGA7	345.00 345KV	1195	0.50339	116.8301	'GEN337007 1-DUKE MCADAMS G2'
	FDNS	01ALL		0	13G	G11_024	TO->FRON	NORTHWEST - TATONGA7	345.00 345KV	1195	0.50339	116.8174	'GEN337008 1-DUKE MCADAMS S1'
	FDNS	01ALL		0	13G	G11_024	TO->FRON	NORTHWEST - TATONGA7	345.00 345KV	1195	0.50339	117.6063	'GEN337041 1-GERALD ANDRUS'
	FDNS	01ALL		0	13G	G11_024	TO->FRON	NORTHWEST - TATONGA7	345.00 345KV	1195	0.50339	116.744	'GEN337125 6-LS POWER BATESVILLE'

EVENTTYPE	SOLUTIONTYPE	GROUP	SCENARIO	SEASON	SOURCE	DIRECTION	MONTH	COMMONNAME	RATEB	TDF	TC%LOADI	CONTNAME
	FDNS	01ALL		0	13G	G11_024	TO->FRON	'NORTHWEST - TATONGA7 345.00 345KV 0	1195	0.50339	116.8106	'GEN337421 1-OUCHITA CTG1'
	FDNS	01ALL		0	13G	G11_024	TO->FRON	'NORTHWEST - TATONGA7 345.00 345KV 0	1195	0.50339	116.5895	'GEN337422 1-OUCHITA STG1'
	FDNS	01ALL		0	13G	G11_024	TO->FRON	'NORTHWEST - TATONGA7 345.00 345KV 0	1195	0.50339	116.8106	'GEN337423 1-OUCHITA CTG2'
	FDNS	01ALL		0	13G	G11_024	TO->FRON	'NORTHWEST - TATONGA7 345.00 345KV 0	1195	0.50339	116.5895	'GEN337424 1-OUCHITA STG2'
	FDNS	01ALL		0	13G	G11_024	TO->FRON	'NORTHWEST - TATONGA7 345.00 345KV 0	1195	0.50339	116.8106	'GEN337425 1-OUCHITA CTG3'
	FDNS	01ALL		0	13G	G11_024	TO->FRON	'NORTHWEST - TATONGA7 345.00 345KV 0	1195	0.50339	116.5895	'GEN337426 1-OUCHITA STG3'
	FDNS	01ALL		0	13G	G11_024	TO->FRON	'NORTHWEST - TATONGA7 345.00 345KV 0	1195	0.50339	116.8836	'GEN337428 1-PERYVILLE UNIT #1'
	FDNS	01ALL		0	13G	G11_024	TO->FRON	'NORTHWEST - TATONGA7 345.00 345KV 0	1195	0.50339	116.8836	'GEN337430 1-PERYVILLE UNIT #3'
	FDNS	01ALL		0	13G	G11_024	TO->FRON	'NORTHWEST - TATONGA7 345.00 345KV 0	1195	0.50339	116.866	'GEN337432 1-PERYVILLE UNIT #5'
	FDNS	01ALL		0	13G	G11_024	TO->FRON	'NORTHWEST - TATONGA7 345.00 345KV 0	1195	0.50339	119.3922	'GEN337652 1-WHITE BLUFF UNIT #1'
	FDNS	01ALL		0	13G	G11_024	TO->FRON	'NORTHWEST - TATONGA7 345.00 345KV 0	1195	0.50339	119.5059	'GEN337653 1-WHITE BLUFF UNIT #2'
	FDNS	01ALL		0	13G	G11_024	TO->FRON	'NORTHWEST - TATONGA7 345.00 345KV 0	1195	0.50339	117.2463	'GEN337692 1-LAKE CATHERINE UNIT #4'
	FDNS	01ALL		0	13G	G11_024	TO->FRON	'NORTHWEST - TATONGA7 345.00 345KV 0	1195	0.50339	118.3823	'GEN338388 1-PLUM PT U1 23.000'
	FDNS	01ALL		0	13G	G11_024	TO->FRON	'NORTHWEST - TATONGA7 345.00 345KV 0	1195	0.50339	116.6843	'GEN338500 1-MCCLELLAN UNIT #1'
	FDNS	01ALL		0	13G	G11_024	TO->FRON	'NORTHWEST - TATONGA7 345.00 345KV 0	1195	0.50339	119.3339	'GEN501801 1-DOLET HILLS UNIT1'
	FDNS	01ALL		0	13G	G11_024	TO->FRON	'NORTHWEST - TATONGA7 345.00 345KV 0	1195	0.50339	117.1989	'GEN501811 1-RODEMACHER UNIT 1'
	FDNS	01ALL		0	13G	G11_024	TO->FRON	'NORTHWEST - TATONGA7 345.00 345KV 0	1195	0.50339	118.2705	'GEN501812 1-RODEMACHER UNIT 2'
	FDNS	01ALL		0	13G	G11_024	TO->FRON	'NORTHWEST - TATONGA7 345.00 345KV 0	1195	0.50339	118.7184	'GEN501813 1-RODEMACHER UNIT 3'
	FDNS	01ALL		0	13G	G11_024	TO->FRON	'NORTHWEST - TATONGA7 345.00 345KV 0	1195	0.50339	117.1809	'GEN501910 1-ACADIA UNIT ST1'
	FDNS	01ALL		0	13G	G11_024	TO->FRON	'NORTHWEST - TATONGA7 345.00 345KV 0	1195	0.50339	116.9047	'GEN501911 1-ACADIA UNIT CT1A'
	FDNS	01ALL		0	13G	G11_024	TO->FRON	'NORTHWEST - TATONGA7 345.00 345KV 0	1195	0.50339	116.9047	'GEN501912 1-ACADIA UNIT CT1B'
	FDNS	01ALL		0	13G	G11_024	TO->FRON	'NORTHWEST - TATONGA7 345.00 345KV 0	1195	0.50339	116.8722	'GEN505432 1-SIKESTON'
	FDNS	01ALL		0	13G	G11_024	TO->FRON	'NORTHWEST - TATONGA7 345.00 345KV 0	1195	0.50339	116.6316	'GEN506749 1-EASTMAN GENERATION A'
	FDNS	01ALL		0	13G	G11_024	TO->FRON	'NORTHWEST - TATONGA7 345.00 345KV 0	1195	0.50339	116.8243	'GEN506752 1-LEBROCK GAS 1'
	FDNS	01ALL		0	13G	G11_024	TO->FRON	'NORTHWEST - TATONGA7 345.00 345KV 0	1195	0.50339	117.0139	'GEN509391 G1-ARSENAL HILL GENS #2 (STALL)'
	FDNS	01ALL		0	13G	G11_024	TO->FRON	'NORTHWEST - TATONGA7 345.00 345KV 0	1195	0.50339	117.0139	'GEN509392 G2-ARSENAL HILL GENS #3 (STALL)'
	FDNS	01ALL		0	13G	G11_024	TO->FRON	'NORTHWEST - TATONGA7 345.00 345KV 0	1195	0.50339	117.0066	'GEN509393 S1-ARSENAL HILL GENS #4 (STALL)'
	FDNS	01ALL		0	13G	G11_024	TO->FRON	'NORTHWEST - TATONGA7 345.00 345KV 0	1195	0.50339	118.2363	'GEN509394 1-FLINT CREEK'
	FDNS	01ALL		0	13G	G11_024	TO->FRON	'NORTHWEST - TATONGA7 345.00 345KV 0	1195	0.50339	118.9452	'GEN509403 1-PIRKEY GENERATION'
	FDNS	01ALL		0	13G	G11_024	TO->FRON	'NORTHWEST - TATONGA7 345.00 345KV 0	1195	0.50339	118.4209	'GEN509404 1-WELSH #1'
	FDNS	01ALL		0	13G	G11_024	TO->FRON	'NORTHWEST - TATONGA7 345.00 345KV 0	1195	0.50339	118.421	'GEN509405 1-WELSH #2'
	FDNS	01ALL		0	13G	G11_024	TO->FRON	'NORTHWEST - TATONGA7 345.00 345KV 0	1195	0.50339	118.4211	'GEN509406 1-WELSH #3'
	FDNS	01ALL		0	13G	G11_024	TO->FRON	'NORTHWEST - TATONGA7 345.00 345KV 0	1195	0.50339	116.6372	'GEN509408 1-WILKES #2'
	FDNS	01ALL		0	13G	G11_024	TO->FRON	'NORTHWEST - TATONGA7 345.00 345KV 0	1195	0.50339	118.8521	'GEN509416 1-TURK GENERATION'
	FDNS	01ALL		0	13G	G11_024	TO->FRON	'NORTHWEST - TATONGA7 345.00 345KV 0	1195	0.50339	116.7346	'GEN511836 1-NORTHEASTERN STATION #1'
	FDNS	01ALL		0	13G	G11_024	TO->FRON	'NORTHWEST - TATONGA7 345.00 345KV 0	1195	0.50339	116.8508	'GEN511837 1-NORTHEASTERN STATION # 1-1A'
	FDNS	01ALL		0	13G	G11_024	TO->FRON	'NORTHWEST - TATONGA7 345.00 345KV 0	1195	0.50339	116.8508	'GEN511838 1-NORTHEASTERN STATION # 1-1B'
	FDNS	01ALL		0	13G	G11_024	TO->FRON	'NORTHWEST - TATONGA7 345.00 345KV 0	1195	0.50339	117.042	'GEN511839 1-NORTHEASTERN STATION #2'
	FDNS	01ALL		0	13G	G11_024	TO->FRON	'NORTHWEST - TATONGA7 345.00 345KV 0	1195	0.50339	118.1087	'GEN511840 1-NORTHEASTERN STATION #3'
	FDNS	01ALL		0	13G	G11_024	TO->FRON	'NORTHWEST - TATONGA7 345.00 345KV 0	1195	0.50339	118.0686	'GEN511841 1-NORTHEASTERN STATION #4'
	FDNS	01ALL		0	13G	G11_024	TO->FRON	'NORTHWEST - TATONGA7 345.00 345KV 0	1195	0.50339	116.7119	'GEN511851 1-COMANCHE #1'
	FDNS	01ALL		0	13G	G11_024	TO->FRON	'NORTHWEST - TATONGA7 345.00 345KV 0	1195	0.50339	116.5726	'GEN511852 1-COMANCHE #2'
	FDNS	01ALL		0	13G	G11_024	TO->FRON	'NORTHWEST - TATONGA7 345.00 345KV 0	1195	0.50339	116.5784	'GEN511853 1-COMANCHE #3'
	FDNS	01ALL		0	13G	G11_024	TO->FRON	'NORTHWEST - TATONGA7 345.00 345KV 0	1195	0.50339	116.695	'GEN511938 1-OEC STEAM # 1'
	FDNS	01ALL		0	13G	G11_024	TO->FRON	'NORTHWEST - TATONGA7 345.00 345KV 0	1195	0.50339	116.6941	'GEN511939 1-OEC GAS # 1-1'
	FDNS	01ALL		0	13G	G11_024	TO->FRON	'NORTHWEST - TATONGA7 345.00 345KV 0	1195	0.50339	116.6941	'GEN511940 1-OEC GAS # 1-2'
	FDNS	01ALL		0	13G	G11_024	TO->FRON	'NORTHWEST - TATONGA7 345.00 345KV 0	1195	0.50339	117.1592	'GEN511941 1-OEC STEAM # 2'
	FDNS	01ALL		0	13G	G11_024	TO->FRON	'NORTHWEST - TATONGA7 345.00 345KV 0	1195	0.50339	116.6941	'GEN511942 1-OEC GAS # 2-1'
	FDNS	01ALL		0	13G	G11_024	TO->FRON	'NORTHWEST - TATONGA7 345.00 345KV 0	1195	0.50339	116.6941	'GEN511943 1-OEC GAS # 2-2'
	FDNS	01ALL		0	13G	G11_024	TO->FRON	'NORTHWEST - TATONGA7 345.00 345KV 0	1195	0.50339	116.7267	'GEN511953 G-COGENTRIX GAS # 1'
	FDNS	01ALL		0	13G	G11_024	TO->FRON	'NORTHWEST - TATONGA7 345.00 345KV 0	1195	0.50339	116.7261	'GEN511954 S-COGENTRIX STEAM # 1'
	FDNS	01ALL		0	13G	G11_024	TO->FRON	'NORTHWEST - TATONGA7 345.00 345KV 0	1195	0.50339	116.7466	'GEN511955 G-COGENTRIX GAS # 2'
	FDNS	01ALL		0	13G	G11_024	TO->FRON	'NORTHWEST - TATONGA7 345.00 345KV 0	1195	0.50339	116.7459	'GEN511956 S-COGENTRIX STEAM # 2'
	FDNS	01ALL		0	13G	G11_024	TO->FRON	'NORTHWEST - TATONGA7 345.00 345KV 0	1195	0.50339	116.7267	'GEN511957 G-COGENTRIX GAS # 3'
	FDNS	01ALL		0	13G	G11_024	TO->FRON	'NORTHWEST - TATONGA7 345.00 345KV 0	1195	0.50339	118.2793	'GEN512688 2-GRDA1 GSU2 22'
	FDNS	01ALL		0	13G	G11_024	TO->FRON	'NORTHWEST - TATONGA7 345.00 345KV 0	1195	0.50339	117.8742	'GEN512689 1-GRDA1 GSU1 22'

EVENTTYPE	SOLUTIONTYPE	GROUP	SCENARIO	SEASON	SOURCE	DIRECTION	MONTH	COMMONNAME	RATEB	TDF	TC%LOADI	CONTNAME				
	FDNS	01ALL		0	13G	G11_024		'TO->FRON'	'NORTHWEST - TATONGA7	345.00	345KV	0	1195	0.50339	118.9974	'GEN514805 1-SOONER UNIT 1'
	FDNS	01ALL		0	13G	G11_024		'TO->FRON'	'NORTHWEST - TATONGA7	345.00	345KV	0	1195	0.50339	119.3251	'GEN514806 1-SOONER UNIT 2'
	FDNS	01ALL		0	13G	G11_024		'TO->FRON'	'NORTHWEST - TATONGA7	345.00	345KV	0	1195	0.50339	117.5721	'GEN514899 1-REDBUD1S'
	FDNS	01ALL		0	13G	G11_024		'TO->FRON'	'NORTHWEST - TATONGA7	345.00	345KV	0	1195	0.50339	117.5468	'GEN514900 1-REDBUD2S'
	FDNS	01ALL		0	13G	G11_024		'TO->FRON'	'NORTHWEST - TATONGA7	345.00	345KV	0	1195	0.50339	117.5482	'GEN514905 1-REDBUD3S'
	FDNS	01ALL		0	13G	G11_024		'TO->FRON'	'NORTHWEST - TATONGA7	345.00	345KV	0	1195	0.50339	117.7617	'GEN514910 2-REDBUD GEN'
	FDNS	01ALL		0	13G	G11_024		'TO->FRON'	'NORTHWEST - TATONGA7	345.00	345KV	0	1195	0.50339	117.7617	'GEN514911 2-REDBUD GEN'
	FDNS	01ALL		0	13G	G11_024		'TO->FRON'	'NORTHWEST - TATONGA7	345.00	345KV	0	1195	0.50339	116.9875	'GEN514912 2-REDBUD GEN'
	FDNS	01ALL		0	13G	G11_024		'TO->FRON'	'NORTHWEST - TATONGA7	345.00	345KV	0	1195	0.50339	117.4529	'GEN514940 1-REDBUD GEN'
	FDNS	01ALL		0	13G	G11_024		'TO->FRON'	'NORTHWEST - TATONGA7	345.00	345KV	0	1195	0.50339	117.7365	'GEN514942 2-REDBUD4G'
	FDNS	01ALL		0	13G	G11_024		'TO->FRON'	'NORTHWEST - TATONGA7	345.00	345KV	0	1195	0.50339	117.4976	'GEN514998 1-MCCLAIN UNIT 1'
	FDNS	01ALL		0	13G	G11_024		'TO->FRON'	'NORTHWEST - TATONGA7	345.00	345KV	0	1195	0.50339	117.5146	'GEN514999 1-MCCLAIN UNIT 2'
	FDNS	01ALL		0	13G	G11_024		'TO->FRON'	'NORTHWEST - TATONGA7	345.00	345KV	0	1195	0.50339	117.1269	'GEN515000 1-MCCLAIN UNIT 3'
	FDNS	01ALL		0	13G	G11_024		'TO->FRON'	'NORTHWEST - TATONGA7	345.00	345KV	0	1195	0.50339	118.2527	'GEN515040 1-SEMINOLE 1G'
	FDNS	01ALL		0	13G	G11_024		'TO->FRON'	'NORTHWEST - TATONGA7	345.00	345KV	0	1195	0.50339	117.8165	'GEN515041 1-SEMINOLE 2G'
	FDNS	01ALL		0	13G	G11_024		'TO->FRON'	'NORTHWEST - TATONGA7	345.00	345KV	0	1195	0.50339	118.0424	'GEN515042 1-SEMINOLE 3G'
	FDNS	01ALL		0	13G	G11_024		'TO->FRON'	'NORTHWEST - TATONGA7	345.00	345KV	0	1195	0.50339	118.8116	'GEN515223 1-MUSKOGEE 4G'
	FDNS	01ALL		0	13G	G11_024		'TO->FRON'	'NORTHWEST - TATONGA7	345.00	345KV	0	1195	0.50339	118.7723	'GEN515225 1-MUSKOGEE 5G'
	FDNS	01ALL		0	13G	G11_024		'TO->FRON'	'NORTHWEST - TATONGA7	345.00	345KV	0	1195	0.50339	119.189	'GEN515226 1-MUSKOGEE 6G'
	FDNS	01ALL		0	13G	G11_024		'TO->FRON'	'NORTHWEST - TATONGA7	345.00	345KV	0	1195	0.50339	116.966	'GEN515266 1-AES 1G'
	FDNS	01ALL		0	13G	G11_024		'TO->FRON'	'NORTHWEST - TATONGA7	345.00	345KV	0	1195	0.50339	116.966	'GEN515267 1-AES 2G'
	FDNS	01ALL		0	13G	G11_024		'TO->FRON'	'NORTHWEST - TATONGA7	345.00	345KV	0	1195	0.50339	113.9658	'GEN515365 1-CENT 21 34.500'
	FDNS	01ALL		0	13G	G11_024		'TO->FRON'	'NORTHWEST - TATONGA7	345.00	345KV	0	1195	0.50339	114.7789	'GEN515389 1-TLGAWND1 34.500'
	FDNS	01ALL		0	13G	G11_024		'TO->FRON'	'NORTHWEST - TATONGA7	345.00	345KV	0	1195	0.50339	113.0802	'GEN515393 1-OGEWND2G'
	FDNS	01ALL		0	13G	G11_024		'TO->FRON'	'NORTHWEST - TATONGA7	345.00	345KV	0	1195	0.50339	114.0431	'GEN515397 1-OSPR1 34.500'
	FDNS	01ALL		0	13G	G11_024		'TO->FRON'	'NORTHWEST - TATONGA7	345.00	345KV	0	1195	0.50339	117.9563	'GEN515443 1-MNCOWND1 34.500'
	FDNS	01ALL		0	13G	G11_024		'TO->FRON'	'NORTHWEST - TATONGA7	345.00	345KV	0	1195	0.50339	111.6048	'GEN515449 1-CRSRDW11 34.500'
	FDNS	01ALL		0	13G	G11_024		'TO->FRON'	'NORTHWEST - TATONGA7	345.00	345KV	0	1195	0.50339	111.6149	'GEN515450 1-CRSRDW21 34.500'
	FDNS	01ALL		0	13G	G11_024		'TO->FRON'	'NORTHWEST - TATONGA7	345.00	345KV	0	1195	0.50339	117.7179	'GEN515606 1-CANADN11 34.500'
	FDNS	01ALL		0	13G	G11_024		'TO->FRON'	'NORTHWEST - TATONGA7	345.00	345KV	0	1195	0.50339	117.7179	'GEN515607 1-CANADN12 34.500'
	FDNS	01ALL		0	13G	G11_024		'TO->FRON'	'NORTHWEST - TATONGA7	345.00	345KV	0	1195	0.50339	114.7901	'GEN515787 1-OKLA WIND ENERGY CENTER'
	FDNS	01ALL		0	13G	G11_024		'TO->FRON'	'NORTHWEST - TATONGA7	345.00	345KV	0	1195	0.50339	117.0329	'GEN520811 1-ANADRK4'
	FDNS	01ALL		0	13G	G11_024		'TO->FRON'	'NORTHWEST - TATONGA7	345.00	345KV	0	1195	0.50339	116.733	'GEN520812 1-ANADRK5'
	FDNS	01ALL		0	13G	G11_024		'TO->FRON'	'NORTHWEST - TATONGA7	345.00	345KV	0	1195	0.50339	116.733	'GEN520813 1-ANADRK6'
	FDNS	01ALL		0	13G	G11_024		'TO->FRON'	'NORTHWEST - TATONGA7	345.00	345KV	0	1195	0.50339	114.9334	'GEN520922 1-SLEEPING BEAR'
	FDNS	01ALL		0	13G	G11_024		'TO->FRON'	'NORTHWEST - TATONGA7	345.00	345KV	0	1195	0.50339	118.6074	'GEN520947 1-HUGO1'
	FDNS	01ALL		0	13G	G11_024		'TO->FRON'	'NORTHWEST - TATONGA7	345.00	345KV	0	1195	0.50339	116.0247	'GEN520997 1-MORLND2'
	FDNS	01ALL		0	13G	G11_024		'TO->FRON'	'NORTHWEST - TATONGA7	345.00	345KV	0	1195	0.50339	115.8974	'GEN522814 1-LUBBOCK POWER & LIGHT-MACKENZIE GEN'
	FDNS	01ALL		0	13G	G11_024		'TO->FRON'	'NORTHWEST - TATONGA7	345.00	345KV	0	1195	0.50339	115.4433	'GEN523103 1-NOBLE_WND 3115.00'
	FDNS	01ALL		0	13G	G11_024		'TO->FRON'	'NORTHWEST - TATONGA7	345.00	345KV	0	1195	0.50339	115.1184	'GEN523461 1-BLACKHAWK GEN #1'
	FDNS	01ALL		0	13G	G11_024		'TO->FRON'	'NORTHWEST - TATONGA7	345.00	345KV	0	1195	0.50339	115.1182	'GEN523462 1-BLACKHAWK GEN #2'
	FDNS	01ALL		0	13G	G11_024		'TO->FRON'	'NORTHWEST - TATONGA7	345.00	345KV	0	1195	0.50339	115.8019	'GEN523815 1-LLANO ESTACADO WIND GEN'
	FDNS	01ALL		0	13G	G11_024		'TO->FRON'	'NORTHWEST - TATONGA7	345.00	345KV	0	1195	0.50339	112.9637	'GEN523971 1-HARRINGTON GEN #1 24 KV'
	FDNS	01ALL		0	13G	G11_024		'TO->FRON'	'NORTHWEST - TATONGA7	345.00	345KV	0	1195	0.50339	112.9632	'GEN523972 1-HARRINGTON GEN #2 24 KV'
	FDNS	01ALL		0	13G	G11_024		'TO->FRON'	'NORTHWEST - TATONGA7	345.00	345KV	0	1195	0.50339	112.9914	'GEN523973 1-HARRINGTON GEN #3 24 KV'
	FDNS	01ALL		0	13G	G11_024		'TO->FRON'	'NORTHWEST - TATONGA7	345.00	345KV	0	1195	0.50339	115.8366	'GEN524286 1-CLR_3 0.6900'
	FDNS	01ALL		0	13G	G11_024		'TO->FRON'	'NORTHWEST - TATONGA7	345.00	345KV	0	1195	0.50339	115.4427	'GEN524295 1-SPNSPUR_WND134.500'
	FDNS	01ALL		0	13G	G11_024		'TO->FRON'	'NORTHWEST - TATONGA7	345.00	345KV	0	1195	0.50339	115.7999	'GEN524485 1-CAPROCK WIND GEN'
	FDNS	01ALL		0	13G	G11_024		'TO->FRON'	'NORTHWEST - TATONGA7	345.00	345KV	0	1195	0.50339	115.5776	'GEN524895 1-SAN JUAN MESA WIND GEN'
	FDNS	01ALL		0	13G	G11_024		'TO->FRON'	'NORTHWEST - TATONGA7	345.00	345KV	0	1195	0.50339	114.6137	'GEN525494 1-PLANT X GEN #4 20 KV'
	FDNS	01ALL		0	13G	G11_024		'TO->FRON'	'NORTHWEST - TATONGA7	345.00	345KV	0	1195	0.50339	113.231	'GEN525561 1-TOLK GEN #1 24 KV'
	FDNS	01ALL		0	13G	G11_024		'TO->FRON'	'NORTHWEST - TATONGA7	345.00	345KV	0	1195	0.50339	111.4804	'GEN525562 1-TOLK GEN #2 24 KV'
	FDNS	01ALL		0	13G	G11_024		'TO->FRON'	'NORTHWEST - TATONGA7	345.00	345KV	0	1195	0.50339	114.1797	'GEN526331 1-JONES GEN #1 22 KV'
	FDNS	01ALL		0	13G	G11_024		'TO->FRON'	'NORTHWEST - TATONGA7	345.00	345KV	0	1195	0.50339	114.1783	'GEN526332 1-JONES GEN #2 21 KV'
	FDNS	01ALL		0	13G	G11_024		'TO->FRON'	'NORTHWEST - TATONGA7	345.00	345KV	0	1195	0.50339	114.8513	'GEN527161 1-MUSTANG GEN #1'

EVENT	TYP	SOLUTION	TYPE	GROUP	SCENARIO	SEASON	SOURCE	DIRECTION	MON	COMMON	NAME	RATE	B	TDF	TC%	LOAD	CONT	NAME
		FDNS		01ALL		0	13G	G11_024	TO->FRON	NORTHWEST - TATONGA	7 345.00 345KV	0	1195	0.50339	114.8514		'GEN527162 1-MUSTANG GEN #2'	
		FDNS		01ALL		0	13G	G11_024	TO->FRON	NORTHWEST - TATONGA	7 345.00 345KV	0	1195	0.50339	115.5286		'GEN527163 1-MUSTANG GEN #3 22 KV'	
		FDNS		01ALL		0	13G	G11_024	TO->FRON	NORTHWEST - TATONGA	7 345.00 345KV	0	1195	0.50339	114.5587		'GEN527882 1-CUNNINGHAM GEN #2 20 KV'	
		FDNS		01ALL		0	13G	G11_024	TO->FRON	NORTHWEST - TATONGA	7 345.00 345KV	0	1195	0.50339	114.5366		'GEN527901 1-HOBBS PLANT #1 (CT)'	
		FDNS		01ALL		0	13G	G11_024	TO->FRON	NORTHWEST - TATONGA	7 345.00 345KV	0	1195	0.50339	114.5483		'GEN527902 1-HOBBS PLANT #2 (CT)'	
		FDNS		01ALL		0	13G	G11_024	TO->FRON	NORTHWEST - TATONGA	7 345.00 345KV	0	1195	0.50339	113.7242		'GEN527903 1-HOBBS PLANT #3 (ST)'	
		FDNS		01ALL		0	13G	G11_024	TO->FRON	NORTHWEST - TATONGA	7 345.00 345KV	0	1195	0.50339	115.1735		'GEN528361 1-MADDOX GEN #1'	
		FDNS		01ALL		0	13G	G11_024	TO->FRON	NORTHWEST - TATONGA	7 345.00 345KV	0	1195	0.50339	113.3964		'GEN531447 1-HOLCOMB GENERATOR'	
		FDNS		01ALL		0	13G	G11_024	TO->FRON	NORTHWEST - TATONGA	7 345.00 345KV	0	1195	0.50339	115.7062		'GEN532651 1-JEFFREY ENERGY CENTER UNIT 1'	
		FDNS		01ALL		0	13G	G11_024	TO->FRON	NORTHWEST - TATONGA	7 345.00 345KV	0	1195	0.50339	115.7025		'GEN532652 1-JEFFREY ENERGY CENTER UNIT 2'	
		FDNS		01ALL		0	13G	G11_024	TO->FRON	NORTHWEST - TATONGA	7 345.00 345KV	0	1195	0.50339	115.702		'GEN532653 1-JEFFREY ENERGY CENTER UNIT 3'	
		FDNS		01ALL		0	13G	G11_024	TO->FRON	NORTHWEST - TATONGA	7 345.00 345KV	0	1195	0.50339	115.9244		'GEN532722 1-EVANS ENERGY CENTER UNIT 2'	
		FDNS		01ALL		0	13G	G11_024	TO->FRON	NORTHWEST - TATONGA	7 345.00 345KV	0	1195	0.50339	115.3581		'GEN539670 4-JUDSON LARGE GENERATOR'	
		FDNS		01ALL		0	13G	G11_024	TO->FRON	NORTHWEST - TATONGA	7 345.00 345KV	0	1195	0.50339	115.6774		'GEN539767 1-GRAY COUNTY WIND FARM'	
		FDNS		01ALL		0	13G	G11_024	TO->FRON	NORTHWEST - TATONGA	7 345.00 345KV	0	1195	0.50339	116.7769		'GEN547649 1-ASBURY UNIT #1'	
		FDNS		01ALL		0	13G	G11_024	TO->FRON	NORTHWEST - TATONGA	7 345.00 345KV	0	1195	0.50339	117.0078		'GEN549893 2-SOUTHWEST 2'	
		FDNS		01ALL		0	13G	G11_024	TO->FRON	NORTHWEST - TATONGA	7 345.00 345KV	0	1195	0.50339	115.5039		'GEN560105 1-G08-22 0.6900'	
		FDNS		01ALL		0	13G	G11_024	TO->FRON	NORTHWEST - TATONGA	7 345.00 345KV	0	1195	0.50339	115.0492		'GEN560121 1-G08-47 0.5750'	
		FDNS		01ALL		0	13G	G11_024	TO->FRON	NORTHWEST - TATONGA	7 345.00 345KV	0	1195	0.50339	115.2512		'GEN560166 1-G07-48 0.6900'	
		FDNS		01ALL		0	13G	G11_024	TO->FRON	NORTHWEST - TATONGA	7 345.00 345KV	0	1195	0.50339	115.6756		'GEN560173 1-G08-17 0.5750'	
		FDNS		01ALL		0	13G	G11_024	TO->FRON	NORTHWEST - TATONGA	7 345.00 345KV	0	1195	0.50339	102.676		'GEN560175 1-G07-44 0.5750'	
		FDNS		01ALL		0	13G	G11_024	TO->FRON	NORTHWEST - TATONGA	7 345.00 345KV	0	1195	0.50339	115.8738		'GEN560209 1-G07-40 0.5750'	
		FDNS		01ALL		0	13G	G11_024	TO->FRON	NORTHWEST - TATONGA	7 345.00 345KV	0	1195	0.50339	111.821		'GEN560221 1-G07-62-1 0.6900'	
		FDNS		01ALL		0	13G	G11_024	TO->FRON	NORTHWEST - TATONGA	7 345.00 345KV	0	1195	0.50339	111.821		'GEN560222 1-G07-62-2 0.6900'	
		FDNS		01ALL		0	13G	G11_024	TO->FRON	NORTHWEST - TATONGA	7 345.00 345KV	0	1195	0.50339	111.9473		'GEN560223 1-G07-62-3 0.6900'	
		FDNS		01ALL		0	13G	G11_024	TO->FRON	NORTHWEST - TATONGA	7 345.00 345KV	0	1195	0.50339	111.9473		'GEN560224 1-G07-62-4 0.6900'	
		FDNS		01ALL		0	13G	G11_024	TO->FRON	NORTHWEST - TATONGA	7 345.00 345KV	0	1195	0.50339	115.628		'GEN560256 1-G10-14-1 0.6900'	
		FDNS		01ALL		0	13G	G11_024	TO->FRON	NORTHWEST - TATONGA	7 345.00 345KV	0	1195	0.50339	115.6145		'GEN560257 1-G10-14-2 0.6900'	
		FDNS		01ALL		0	13G	G11_024	TO->FRON	NORTHWEST - TATONGA	7 345.00 345KV	0	1195	0.50339	115.3925		'GEN560279 1-G08-18 0.6900'	
		FDNS		01ALL		0	13G	G11_024	TO->FRON	NORTHWEST - TATONGA	7 345.00 345KV	0	1195	0.50339	102.5408		'GEN560282 1-G08-19 0.6000'	
		FDNS		01ALL		0	13G	G11_024	TO->FRON	NORTHWEST - TATONGA	7 345.00 345KV	0	1195	0.50339	115.6335		'GEN560286 1-G10-01-1WTG 0.6900'	
		FDNS		01ALL		0	13G	G11_024	TO->FRON	NORTHWEST - TATONGA	7 345.00 345KV	0	1195	0.50339	115.6335		'GEN560287 1-G10-01-2WTG 0.6900'	
		FDNS		01ALL		0	13G	G11_024	TO->FRON	NORTHWEST - TATONGA	7 345.00 345KV	0	1195	0.50339	115.8713		'GEN560329 1-G10-45 0.6900'	
		FDNS		01ALL		0	13G	G11_024	TO->FRON	NORTHWEST - TATONGA	7 345.00 345KV	0	1195	0.50339	115.3101		'GEN560359 1-G08-51 0.6900'	
		FDNS		01ALL		0	13G	G11_024	TO->FRON	NORTHWEST - TATONGA	7 345.00 345KV	0	1195	0.50339	115.6073		'GEN560371 1-G07-46 0.6900'	
		FDNS		01ALL		0	13G	G11_024	TO->FRON	NORTHWEST - TATONGA	7 345.00 345KV	0	1195	0.50339	111.103		'GEN560429 1-G08-29 0.6400'	
		FDNS		01ALL		0	13G	G11_024	TO->FRON	NORTHWEST - TATONGA	7 345.00 345KV	0	1195	0.50339	115.9043		'GEN560432 1-G08-124 0.6900'	
		FDNS		01ALL		0	13G	G11_024	TO->FRON	NORTHWEST - TATONGA	7 345.00 345KV	0	1195	0.50339	115.7997		'GEN560522 1-G05-12 0.6900'	
		FDNS		01ALL		0	13G	G11_024	TO->FRON	NORTHWEST - TATONGA	7 345.00 345KV	0	1195	0.50339	115.8881		'GEN560549 1-G06-06 0.6900'	
		FDNS		01ALL		0	13G	G11_024	TO->FRON	NORTHWEST - TATONGA	7 345.00 345KV	0	1195	0.50339	115.8358		'GEN560585 1-G06-44-2 0.6000'	
		FDNS		01ALL		0	13G	G11_024	TO->FRON	NORTHWEST - TATONGA	7 345.00 345KV	0	1195	0.50339	115.6204		'GEN560586 1-G06-44-3 0.6000'	
		FDNS		01ALL		0	13G	G11_024	TO->FRON	NORTHWEST - TATONGA	7 345.00 345KV	0	1195	0.50339	115.6325		'GEN560592 1-G06-45 0.6000'	
		FDNS		01ALL		0	13G	G11_024	TO->FRON	NORTHWEST - TATONGA	7 345.00 345KV	0	1195	0.50339	115.6265		'GEN560595 1-G06-47 0.6000'	
		FDNS		01ALL		0	13G	G11_024	TO->FRON	NORTHWEST - TATONGA	7 345.00 345KV	0	1195	0.50339	107.1075		'GEN560648 1-G07-21 0.5750'	
		FDNS		01ALL		0	13G	G11_024	TO->FRON	NORTHWEST - TATONGA	7 345.00 345KV	0	1195	0.50339	115.9042		'GEN560659 1-G07-38 0.6900'	
		FDNS		01ALL		0	13G	G11_024	TO->FRON	NORTHWEST - TATONGA	7 345.00 345KV	0	1195	0.50339	118.39		'GEN560687 1-G11-007 0.5750'	
		FDNS		01ALL		0	13G	G11_024	TO->FRON	NORTHWEST - TATONGA	7 345.00 345KV	0	1195	0.50339	115.8954		'GEN560693 1-G11-008-1 0.6900'	
		FDNS		01ALL		0	13G	G11_024	TO->FRON	NORTHWEST - TATONGA	7 345.00 345KV	0	1195	0.50339	117.0843		'GEN560706 1-G11-010 0.6900'	
		FDNS		01ALL		0	13G	G11_024	TO->FRON	NORTHWEST - TATONGA	7 345.00 345KV	0	1195	0.50339	102.609		'GEN562010 1-G11_024_3 0.6900'	
		FDNS		01ALL		0	13G	G11_024	TO->FRON	NORTHWEST - TATONGA	7 345.00 345KV	0	1195	0.50339	115.7034		'GEN562014 1-G11_023_3 0.6900'	
		FDNS		01ALL		0	13G	G11_024	TO->FRON	NORTHWEST - TATONGA	7 345.00 345KV	0	1195	0.50339	115.2045		'GEN562017 1-G11_022_3 0.6900'	
		FDNS		01ALL		0	13G	G11_024	TO->FRON	NORTHWEST - TATONGA	7 345.00 345KV	0	1195	0.50339	115.02		'GEN562020 1-G11_021_3 0.6900'	
		FDNS		01ALL		0	13G	G11_024	TO->FRON	NORTHWEST - TATONGA	7 345.00 345KV	0	1195	0.50339	109.5054		'GEN562023 1-G11_020_3 0.6900'	
		FDNS		01ALL		0	13G	G11_024	TO->FRON	NORTHWEST - TATONGA	7 345.00 345KV	0	1195	0.50339	109.5054		'GEN562026 1-G11_019_3 0.6900'	
		FDNS		01ALL		0	13G	G11_024	TO->FRON	NORTHWEST - TATONGA	7 345.00 345KV	0	1195	0.50339	115.7875		'GEN562032 1-G11_017_3 0.6900'	
		FDNS		01ALL		0	13G	G11_024	TO->FRON	NORTHWEST - TATONGA	7 345.00 345KV	0	1195	0.50339	115.8938		'GEN562035 1-G11_016_3 0.6900'	

EVENT	TYP	SOLUTION	TYPE	GROUP	SCENARIO	SEASON	SOURCE	DIRECTION	MON	COMMON	NAME	RATE	B	TDF	TC%	LOAD	CONT	NAME
		FDNS		01ALL		0	13G	G11_024	'TO->FRON	'NORTHWEST - TATONGA7	345.00 345KV C	1195	0.50339	115.4219	'GEN562042 1-G11_014_3 0.6900'			
		FDNS		01ALL		0	13G	G11_024	'TO->FRON	'NORTHWEST - TATONGA7	345.00 345KV C	1195	0.50339	115.7344	'GEN640009 1-COOPER NUCLEAR STATION'			
		FDNS		01ALL		0	13G	G11_024	'TO->FRON	'NORTHWEST - TATONGA7	345.00 345KV C	1195	0.50339	114.9851	'GEN640010 1-GERALD GENTLEMAN STATION UNIT 1'			
		FDNS		01ALL		0	13G	G11_024	'TO->FRON	'NORTHWEST - TATONGA7	345.00 345KV C	1195	0.50339	115.0047	'GEN640011 2-GERALD GENTLEMAN STATION UNIT 2'			
		FDNS		01ALL		0	13G	G11_024	'TO->FRON	'NORTHWEST - TATONGA7	345.00 345KV C	1195	0.50339	115.9151	'GEN641089 2-ENERGY CENTER 2'			
		FDNS		01ALL		0	13G	G11_024	'TO->FRON	'NORTHWEST - TATONGA7	345.00 345KV C	1195	0.50339	115.8503	'GEN645001 1-FORT CALHOUN 1'			
		FDNS		01ALL		0	13G	G11_024	'TO->FRON	'NORTHWEST - TATONGA7	345.00 345KV C	1195	0.50339	115.7678	'GEN645011 1-NEBRASKA CITY 1'			
		FDNS		01ALL		0	13G	G11_024	'TO->FRON	'NORTHWEST - TATONGA7	345.00 345KV C	1195	0.50339	115.7166	'GEN645012 2-NEBRASKA CITY 2'			
		FDNS		01ALL		0	13G	G11_024	'TO->FRON	'NORTHWEST - TATONGA7	345.00 345KV C	1195	0.50339	115.8629	'GEN659103 1-ANTELOPE VALLEY UNIT1'			
		FDNS		01ALL		0	13G	G11_024	'TO->FRON	'NORTHWEST - TATONGA7	345.00 345KV C	1195	0.50339	115.8629	'GEN659107 2-ANTELOPE VALLEY UNIT2'			
		FNSL		01ALL		0	13G	G11_024	'TO->FRON	'NORTHWEST - TATONGA7	345.00 345KV C	1195	0.50332	115.6071	'NEWKIRK4 - PECKHAM TAP 138KV CKT 1'			
		FNSL		01ALL		0	13G	G11_024	'TO->FRON	'NORTHWEST - TATONGA7	345.00 345KV C	1195	0.50332	115.6072	'MIDLNT4 138.00 - PECKHAM TAP 138KV CKT 1'			
		FNSL		01ALL		0	13G	G11_024	'TO->FRON	'NORTHWEST - TATONGA7	345.00 345KV C	1195	0.5035	116.9056	'NEB01WAPAB3'			
		FNSL		01ALL		0	13G	G11_024	'TO->FRON	'NORTHWEST - TATONGA7	345.00 345KV C	1195	0.50339	120.2385	'GEN335831 1-RIVERBEND UNIT#1'			
		FNSL		01ALL		0	13G	G11_024	'TO->FRON	'NORTHWEST - TATONGA7	345.00 345KV C	1195	0.50339	121.9627	'GEN336821 1-GRAND GULF UNIT'			
		FNSL		01ALL		0	13G	G11_024	'TO->FRON	'NORTHWEST - TATONGA7	345.00 345KV C	1195	0.50339	120.0117	'GEN337910 1-ARKANSAS NUCLEAR ONE UNIT #1'			
		FNSL		01ALL		0	13G	G11_024	'TO->FRON	'NORTHWEST - TATONGA7	345.00 345KV C	1195	0.50339	120.7462	'GEN337911 1-ARKANSAS NUCLEAR ONE UNIT #2'			
		FNSL		01ALL		0	13G	G11_024	'TO->FRON	'NORTHWEST - TATONGA7	345.00 345KV C	1195	0.50339	119.0773	'GEN338143 1-INDEPENDENCE UNIT #1'			
		FNSL		01ALL		0	13G	G11_024	'TO->FRON	'NORTHWEST - TATONGA7	345.00 345KV C	1195	0.50339	119.1295	'GEN338146 1-INDEPENDENCE UNIT #2'			
NCONV		FNSL-Blown up		01ALL		0	13G	G11_024		Non-Converged Contingency		1195	0.50339	116.2267	'NORTHWEST - TATONGA7 345.00 345KV CKT 1'			
NCONV		FNSL-Blown up		01ALL		0	13G	G11_024		Non-Converged Contingency		0	0.22168	9999	'DBL-THIS-WWR'			
		FDNS		01ALL		0	13G	G11_024	'TO->FRON	'NORTHWEST - TATONGA7	345.00 345KV C	1195	0.49133	115.7034	'NORTHWEST - SPRING CREEK 345KV CKT 1'			
		FDNS		01ALL		0	13G	G11_024	'TO->FRON	'NORTHWEST - TATONGA7	345.00 345KV C	1195	0.48285	112.6335	'CIMARRON - NORTHWEST 345KV CKT 1'			
		FDNS		01ALL		0	13G	G11_024	'TO->FRON	'NORTHWEST - TATONGA7	345.00 345KV C	1195	0.49185	115.3763	'ARCADIA - NORTHWEST 345KV CKT 1'			
		FDNS		01ALL		0	13G	G11_024	'TO->FRON	'NORTHWEST - TATONGA7	345.00 345KV C	1195	0.50151	115.3801	'CIMARRON - DRAPER LAKE 345KV CKT 1'			
		FDNS		01ALL		0	13G	G11_024	'TO->FRON	'NORTHWEST - TATONGA7	345.00 345KV C	1195	0.49969	118.1393	'CIMARRON - G11-007T 345.00 345KV CKT 1'			
		FDNS		01ALL		0	13G	G11_024	'TO->FRON	'NORTHWEST - TATONGA7	345.00 345KV C	1195	0.50177	115.3904	'ARCADIA - SEMINOLE 345KV CKT 1'			
		FDNS		01ALL		0	13G	G11_024	'TO->FRON	'NORTHWEST - TATONGA7	345.00 345KV C	1195	0.50344	116.6613	'MORISNT4 138.00 - STILLWATER 138KV CKT 1'			
		FDNS		01ALL		0	13G	G11_024	'TO->FRON	'NORTHWEST - TATONGA7	345.00 345KV C	1195	0.5025	115.3979	'FT SMITH - MUSKOGEE 345KV CKT 1'			
		FDNS		01ALL		0	13G	G11_024	'TO->FRON	'NORTHWEST - TATONGA7	345.00 345KV C	1195	0.51736	122.9685	'BORDER 7345.00 - WOODWARD DISTRICT EHV 345KV CKT 1'			
		FDNS		01ALL		0	13G	G11_024	'TO->FRON	'NORTHWEST - TATONGA7	345.00 345KV C	1195	0.51022	117.9773	'Hitchland Interchange - WOODWARD DISTRICT EHV 345KV CKT 2'			
		FDNS		01ALL		0	13G	G11_024	'TO->FRON	'NORTHWEST - TATONGA7	345.00 345KV C	1195	0.5245	127.7205	'THISTLE7 345.00 - WOODWARD DISTRICT EHV 345KV CKT 1'			
		FDNS		01ALL		0	13G	G11_024	'TO->FRON	'NORTHWEST - TATONGA7	345.00 345KV C	1195	0.5245	127.7205	'THISTLE7 345.00 - WOODWARD DISTRICT EHV 345KV CKT 2'			
		FDNS		01ALL		0	13G	G11_024	'TO->FRON	'NORTHWEST - TATONGA7	345.00 345KV C	1195	0.51736	123.0547	'BORDER 7345.00 - TUCO INTERCHANGE 345KV CKT 1'			
		FDNS		01ALL		0	13G	G11_024	'TO->FRON	'NORTHWEST - TATONGA7	345.00 345KV C	1195	0.50985	121.7445	'FPL SWITCH - MOORELAND 138KV CKT 1'			
		FDNS		01ALL		0	13G	G11_024	'TO->FRON	'NORTHWEST - TATONGA7	345.00 345KV C	1195	0.50379	116.7382	'ARAPAHO - HAMON BUTLER 69KV CKT 1'			
		FDNS		01ALL		0	13G	G11_024	'TO->FRON	'NORTHWEST - TATONGA7	345.00 345KV C	1195	0.50379	116.732	'ARAPAHO - INDUSTRIAL PARK 69KV CKT 1'			
		FDNS		01ALL		0	13G	G11_024	'TO->FRON	'NORTHWEST - TATONGA7	345.00 345KV C	1195	0.50371	116.5994	'CANTON - OKEENE 69KV CKT 1'			
		FDNS		01ALL		0	13G	G11_024	'TO->FRON	'NORTHWEST - TATONGA7	345.00 345KV C	1195	0.50371	116.6287	'CANTON - TALOGA 69KV CKT 1'			
		FDNS		01ALL		0	13G	G11_024	'TO->FRON	'NORTHWEST - TATONGA7	345.00 345KV C	1195	0.50485	118.0465	'CEDARDALE - MOORELAND 138KV CKT 1'			
		FDNS		01ALL		0	13G	G11_024	'TO->FRON	'NORTHWEST - TATONGA7	345.00 345KV C	1195	0.50485	118.0049	'CEDARDALE - OKEENE 138KV CKT 1'			
		FDNS		01ALL		0	13G	G11_024	'TO->FRON	'NORTHWEST - TATONGA7	345.00 345KV C	1195	0.50379	116.7041	'CORDELL - INDUSTRIAL PARK 69KV CKT 1'			
		FDNS		01ALL		0	13G	G11_024	'TO->FRON	'NORTHWEST - TATONGA7	345.00 345KV C	1195	0.50481	117.6094	'DOVER SW - OKEENE 138KV CKT 1'			
		FDNS		01ALL		0	13G	G11_024	'TO->FRON	'NORTHWEST - TATONGA7	345.00 345KV C	1195	0.50379	116.7393	'HAMON BUTLER - PUTNAM 69KV CKT 1'			
		FDNS		01ALL		0	13G	G11_024	'TO->FRON	'NORTHWEST - TATONGA7	345.00 345KV C	1195	0.50531	118.0085	'MOORELAND - NINE MILE 138KV CKT 1'			
		FDNS		01ALL		0	13G	G11_024	'TO->FRON	'NORTHWEST - TATONGA7	345.00 345KV C	1195	0.50429	116.9333	'MOREWOOD SW - RED HILLS WIND 138KV CKT 1'			
		FDNS		01ALL		0	13G	G11_024	'TO->FRON	'NORTHWEST - TATONGA7	345.00 345KV C	1195	0.50531	117.9765	'MOREWOOD SW - NINE MILE 138KV CKT 1'			
		FDNS		01ALL		0	13G	G11_024	'TO->FRON	'NORTHWEST - TATONGA7	345.00 345KV C	1195	0.50373	116.5814	'OKEENE - WATONGA SW 69KV CKT 1'			
		FDNS		01ALL		0	13G	G11_024	'TO->FRON	'NORTHWEST - TATONGA7	345.00 345KV C	1195	0.50379	116.7598	'PUTNAM - TALOGA 69KV CKT 1'			
		FDNS		01ALL		0	13G	G11_024	'TO->FRON	'NORTHWEST - TATONGA7	345.00 345KV C	1195	0.50433	116.5828	'G11_012T 230.00 - HITCHLAND INTERCHANGE 230KV CKT 1'			

EVENT	TYP	SOLUTION	TYPE	GROUP	SCENARIO	SEASON	SOURCE	DIRECTION	MONTH	COMMON	NAME	RATE	TDF	TC%	LOAD	CONT	NAME
		FDNS		01ALL		0	13G	G11_024	'TO->FRON	'NORTHWEST - TATONGA7	345.00 345KV C	1195	0.51093	120.1252			'FINNEY SWITCHING STATION - Hitchland Interchange 345KV CKT 1'
		FDNS		01ALL		0	13G	G11_024	'TO->FRON	'NORTHWEST - TATONGA7	345.00 345KV C	1195	0.50704	117.1917			'Hitchland Interchange - POTTER COUNTY INTERCHANGE 345KV CKT 1'
		FDNS		01ALL		0	13G	G11_024	'TO->FRON	'NORTHWEST - TATONGA7	345.00 345KV C	1195	0.51022	118.705			'BEAVER CO 345.00 - Hitchland Interchange 345KV CKT 1'
		FDNS		01ALL		0	13G	G11_024	'TO->FRON	'NORTHWEST - TATONGA7	345.00 345KV C	1195	0.50433	116.6679			'G11_012T 230.00 - MOORE COUNTY INTERCHANGE 230KV CKT 1'
		FDNS		01ALL		0	13G	G11_024	'TO->FRON	'NORTHWEST - TATONGA7	345.00 345KV C	1195	0.50246	117.6227			'GRAPEVINE INTERCHANGE - STATELINE INTERCHANGE 230KV CKT 1'
		FDNS		01ALL		0	13G	G11_024	'TO->FRON	'NORTHWEST - TATONGA7	345.00 345KV C	1195	0.50288	117.5993			'GRAPEVINE INTERCHANGE - NICHOLS STATION 230KV CKT 1'
		FDNS		01ALL		0	13G	G11_024	'TO->FRON	'NORTHWEST - TATONGA7	345.00 345KV C	1195	0.50338	116.6814			'MCCELLELLAN SUB - MCLEAN RURAL SUB 115KV CKT 1'
		FDNS		01ALL		0	13G	G11_024	'TO->FRON	'NORTHWEST - TATONGA7	345.00 345KV C	1195	0.50338	116.7016			'KIRBY SWITCHING STATION - MCCELLELLAN SUB 115KV CKT 1'
		FDNS		01ALL		0	13G	G11_024	'TO->FRON	'NORTHWEST - TATONGA7	345.00 345KV C	1195	0.51093	121.4094			'FINNEY SWITCHING STATION - HOLCOMB 345KV CKT 1'
		FDNS		01ALL		0	13G	G11_024	'TO->FRON	'NORTHWEST - TATONGA7	345.00 345KV C	1195	0.50378	116.6265			'BUFFALO 230.00 - DEAF SMITH COUNTY INTERCHANGE 230KV CKT 1'
		FDNS		01ALL		0	13G	G11_024	'TO->FRON	'NORTHWEST - TATONGA7	345.00 345KV C	1195	0.50353	116.6928			'G07-48T 230.00 - SWISHER COUNTY INTERCHANGE 230KV CKT 1'
		FDNS		01ALL		0	13G	G11_024	'TO->FRON	'NORTHWEST - TATONGA7	345.00 345KV C	1195	0.50375	116.794			'KNOLL 230 - SMOKYHL6 230.00 230KV CKT 1'
		FDNS		01ALL		0	13G	G11_024	'TO->FRON	'NORTHWEST - TATONGA7	345.00 345KV C	1195	0.50603	119.434			'G11-17T 345.00 - POST ROCK 345KV CKT 1'
		FDNS		01ALL		0	13G	G11_024	'TO->FRON	'NORTHWEST - TATONGA7	345.00 345KV C	1195	0.50564	118.0478			'AXTELL - POST ROCK 345KV CKT 1'
		FDNS		01ALL		0	13G	G11_024	'TO->FRON	'NORTHWEST - TATONGA7	345.00 345KV C	1195	0.50375	117.2003			'SMOKYHL6 230.00 - SUMMIT 230KV CKT 1'
		FDNS		01ALL		0	13G	G11_024	'TO->FRON	'NORTHWEST - TATONGA7	345.00 345KV C	1195	0.50545	117.826			'HOLCOMB - SETAB 345KV CKT 1'
		FDNS		01ALL		0	13G	G11_024	'TO->FRON	'NORTHWEST - TATONGA7	345.00 345KV C	1195	0.50361	116.754			'BUCKNER7 345.00 - HOLCOMB 345KV CKT 1'
		FDNS		01ALL		0	13G	G11_024	'TO->FRON	'NORTHWEST - TATONGA7	345.00 345KV C	1195	0.50602	118.7018			'MINGO - SETAB 345KV CKT 1'
		FDNS		01ALL		0	13G	G11_024	'TO->FRON	'NORTHWEST - TATONGA7	345.00 345KV C	1195	0.50649	118.592			'MINGO - RED WILLOW 345KV CKT 1'
		FDNS		01ALL		0	13G	G11_024	'TO->FRON	'NORTHWEST - TATONGA7	345.00 345KV C	1195	0.50361	117.3745			'BUCKNER7 345.00 - SPEARVILLE 345KV CKT 1'
		FDNS		01ALL		0	13G	G11_024	'TO->FRON	'NORTHWEST - TATONGA7	345.00 345KV C	1195	0.50603	118.964			'G11-17T 345.00 - SPEARVILLE 345KV CKT 1'
CONT-040		FDNS		01ALL		0	13G	G11_024	'TO->FRON	'NORTHWEST - TATONGA7	345.00 345KV C	1195	0.50366	117.349			'HOYT - JEFFREY ENERGY CENTER 345KV CKT 1'
CONT-080		FDNS		01ALL		0	13G	G11_024	'TO->FRON	'NORTHWEST - TATONGA7	345.00 345KV C	1195	0.5037	117.0824			'HOYT - STRANGER CREEK 345KV CKT 1'
		FDNS		01ALL		0	13G	G11_024	'TO->FRON	'NORTHWEST - TATONGA7	345.00 345KV C	1195	0.504	116.6444			'EMPORIA ENERGY CENTER - SWISSVALE 345KV CKT 1'
		FDNS		01ALL		0	13G	G11_024	'TO->FRON	'NORTHWEST - TATONGA7	345.00 345KV C	1195	0.50465	116.8456			'EMPORIA ENERGY CENTER - WICHITA 345KV CKT 1'
		FDNS		01ALL		0	13G	G11_024	'TO->FRON	'NORTHWEST - TATONGA7	345.00 345KV C	1195	0.50399	116.9381			'SWISSVALE - WEST GARDNER 345KV CKT 1'
		FDNS		01ALL		0	13G	G11_024	'TO->FRON	'NORTHWEST - TATONGA7	345.00 345KV C	1195	0.50479	117.1721			'CANEYRV7 345.00 - NEOSHO 345KV CKT 1'
		FDNS		01ALL		0	13G	G11_024	'TO->FRON	'NORTHWEST - TATONGA7	345.00 345KV C	1195	0.50479	117.0531			'CANEYRV7 345.00 - LATHAM7 345.00 345KV CKT 1'
		FDNS		01ALL		0	13G	G11_024	'TO->FRON	'NORTHWEST - TATONGA7	345.00 345KV C	1195	0.50494	117.0533			'BENTON - ROSE HILL 345KV CKT 1'
		FDNS		01ALL		0	13G	G11_024	'TO->FRON	'NORTHWEST - TATONGA7	345.00 345KV C	1195	0.50711	118.6613			'BENTON - WICHITA 345KV CKT 1'
CONT-LaC		FDNS		01ALL		0	13G	G11_024	'TO->FRON	'NORTHWEST - TATONGA7	345.00 345KV C	1195	0.50293	116.8784			'LACYGNE - NEOSHO 345KV CKT 1'
		FDNS		01ALL		0	13G	G11_024	'TO->FRON	'NORTHWEST - TATONGA7	345.00 345KV C	1195	0.50479	116.812			'LATHAM7 345.00 - ROSE HILL 345KV CKT 1'
		FDNS		01ALL		0	13G	G11_024	'TO->FRON	'NORTHWEST - TATONGA7	345.00 345KV C	1195	0.50166	114.7885			'VIOLA 7 345.00 - WICHITA 345KV CKT 1'
		FDNS		01ALL		0	13G	G11_024	'TO->FRON	'NORTHWEST - TATONGA7	345.00 345KV C	1195	0.51246	123.7136			'THISTLE7 345.00 - WICHITA 345KV CKT 1'
		FDNS		01ALL		0	13G	G11_024	'TO->FRON	'NORTHWEST - TATONGA7	345.00 345KV C	1195	0.51246	123.7136			'THISTLE7 345.00 - WICHITA 345KV CKT 2'
		FDNS		01ALL		0	13G	G11_024	'TO->FRON	'NORTHWEST - TATONGA7	345.00 345KV C	1195	0.50391	116.9111			'ANDERSONCO 345.00 - WOLF CREEK 345KV CKT 1'
		FDNS		01ALL		0	13G	G11_024	'TO->FRON	'NORTHWEST - TATONGA7	345.00 345KV C	1195	0.50377	116.9847			'CIRCLE - MULLERGREN 230KV CKT 1'
		FDNS		01ALL		0	13G	G11_024	'TO->FRON	'NORTHWEST - TATONGA7	345.00 345KV C	1195	0.50412	116.8078			'CLEARWATER - GILL ENERGY CENTER WEST 138KV CKT 1'
		FDNS		01ALL		0	13G	G11_024	'TO->FRON	'NORTHWEST - TATONGA7	345.00 345KV C	1195	0.50412	116.8716			'CLEARWATER - MILAN TAP 138KV CKT 1'
INVALID		FDNS		01ALL		0	13G	G11_024	'TO->FRON	'NORTHWEST - TATONGA7	345.00 345KV C	1195	0.50412	117.0802			'FLATRDG3 - HARPER 138KV CKT 1'
		FDNS		01ALL		0	13G	G11_024	'TO->FRON	'NORTHWEST - TATONGA7	345.00 345KV C	1195	0.50431	116.8683			'FLATRDG3 - THISTLE4 138.00 138KV CKT 1'
INVALID		FDNS		01ALL		0	13G	G11_024	'TO->FRON	'NORTHWEST - TATONGA7	345.00 345KV C	1195	0.50412	116.9694			'HARPER - MILAN TAP 138KV CKT 1'
		FDNS		01ALL		0	13G	G11_024	'TO->FRON	'NORTHWEST - TATONGA7	345.00 345KV C	1195	0.50392	117.2005			'MULLERGREN - SPEARVILLE 230KV CKT 1'
CONT-LaC		FDNS		01ALL		0	13G	G11_024	'TO->FRON	'NORTHWEST - TATONGA7	345.00 345KV C	1195	0.50329	115.7986			'LACYGNE - WEST GARDNER 345KV CKT 1'
CONT-LaC		FDNS		01ALL		0	13G	G11_024	'TO->FRON	'NORTHWEST - TATONGA7	345.00 345KV C	1195	0.50326	115.7987			'LACYGNE - STILWELL 345KV CKT 1'
		FDNS		01ALL		0	13G	G11_024	'TO->FRON	'NORTHWEST - TATONGA7	345.00 345KV C	1195	0.50391	116.9695			'ANDERSONCO 345.00 - LACYGNE 345KV CKT 1'
		FDNS		01ALL		0	13G	G11_024	'TO->FRON	'NORTHWEST - TATONGA7	345.00 345KV C	1195	0.503	115.5702			'BROOKLINE - SUB 383 - MONETT 345KV CKT 1'

EVENTTYPE	SOLUTIONTYPE	GROUP	SCENARIO	SEASON	SOURCE	DIRECTION	MONT	COMMONNAME	RATEB	TDF	TC%LOADI	CONTNAME
	FDNS	01ALL		0	13G	G11_024	'TO->FRON	'NORTHWEST - TATONGA7 345.00 345KV C	1195	0.50406	117.0679	'AXTELL - PAULINE 345KV CKT 1'
	FDNS	01ALL		0	13G	G11_024	'TO->FRON	'NORTHWEST - TATONGA7 345.00 345KV C	1195	0.50471	116.7572	'GERALD GENTLEMAN STATION - RED WILLOW 345KV CKT 1'
	FDNS	01ALL		0	13G	G11_024	'TO->FRON	'NORTHWEST - TATONGA7 345.00 345KV C	1195	0.50348	116.6412	'GERALD GENTLEMAN STATION - SWEETWATER 345KV CKT 1'
	FDNS	01ALL		0	13G	G11_024	'TO->FRON	'NORTHWEST - TATONGA7 345.00 345KV C	1195	0.50365	116.645	'GRAND ISLAND - MCCOOL 345KV CKT 1'
	FDNS	01ALL		0	13G	G11_024	'TO->FRON	'NORTHWEST - TATONGA7 345.00 345KV C	1195	0.504	116.9655	'MOORE - PAULINE 345KV CKT 1'
	FDNS	01ALL		0	13G	G11_024	'TO->FRON	'NORTHWEST - TATONGA7 345.00 345KV C	1195	0.50396	117.341	'GRAND ISLAND - SWEETWATER 345KV CKT 1'
	FDNS	01ALL		0	13G	G11_024	'TO->FRON	'NORTHWEST - TATONGA7 345.00 345KV C	1195	0.5035	116.579	'MCADAMS - WOLF CREEK 500KV CKT 1'
	FDNS	01ALL		0	13G	G11_024	'TO->FRON	'NORTHWEST - TATONGA7 345.00 345KV C	1195	0.50331	115.8938	'ARKANSAS NUCLEAR ONE - MABELVALE 500 500KV CKT 1'
	FDNS	01ALL		0	13G	G11_024	'TO->FRON	'NORTHWEST - TATONGA7 345.00 345KV C	1195	0.50332	115.8008	'ARKANSAS NUCLEAR ONE - PLEASANT HILL 500KV CKT 1'
	FDNS	01ALL		0	13G	G11_024	'TO->FRON	'NORTHWEST - TATONGA7 345.00 345KV C	1195	0.5034	115.6397	'KEO EHV - WEST MEMPHIS 500 500KV CKT 1'
	FDNS	01ALL		0	13G	G11_024	'TO->FRON	'NORTHWEST - TATONGA7 345.00 345KV C	1195	0.5034	115.7895	'DELL 500 - INDEPENDENCE 500KV CKT 1'
	FDNS	01ALL		0	13G	G11_024	'TO->FRON	'NORTHWEST - TATONGA7 345.00 345KV C	1195	0.50349	115.91	'7MCCREDIE 345.00 - 7MONTGMRY 345.00 345KV CKT 1'
	FDNS	01ALL		0	13G	G11_024	'TO->FRON	'NORTHWEST - TATONGA7 345.00 345KV C	1195	0.5035	116.9038	'STEGALL - STEGALL TY 345KV CKT 1'
	FDNS	01ALL		0	13G	G11_024	'TO->FRON	'NORTHWEST - TATONGA7 345.00 345KV C	1195	0.5035	116.9083	'STEGALL TY 345/230KV TRANSFORMER CKT 1'
	FDNS	01ALL		0	13G	G11_024	'TO->FRON	'NORTHWEST - TATONGA7 345.00 345KV C	1195	0.50347	116.5499	'7SAREPTA% 345.00 - LONGWOOD 345KV CKT 1'
	FDNS	01ALL		0	13G	G11_024	'TO->FRON	'NORTHWEST - TATONGA7 345.00 345KV C	1195	0.50246	118.2818	'ELK CITY 230KV (ELKCTY-6) 230/138/13.8KV TRANSFORMER CKT 1'
	FDNS	01ALL		0	13G	G11_024	'TO->FRON	'NORTHWEST - TATONGA7 345.00 345KV C	1195	0.50338	116.6221	'SHAMROCK (SHAMRCK1) 115/69/14.4KV TRANSFORMER CKT 1'
	FDNS	01ALL		0	13G	G11_024	'TO->FRON	'NORTHWEST - TATONGA7 345.00 345KV C	1195	0.50411	116.8237	'WOODWARD (WOODWRD2) 138/69/13.2KV TRANSFORMER CKT 1'
	FDNS	01ALL		0	13G	G11_024	'TO->FRON	'NORTHWEST - TATONGA7 345.00 345KV C	1195	0.50387	116.985	'KNOBHILL (KNOBHIL4) 138/69/13.2KV TRANSFORMER CKT 1'
	FDNS	01ALL		0	13G	G11_024	'TO->FRON	'NORTHWEST - TATONGA7 345.00 345KV C	1195	0.50234	115.2331	'NORTHWEST (NORTWST2) 345/138/13.8KV TRANSFORMER CKT 1'
	FDNS	01ALL		0	13G	G11_024	'TO->FRON	'NORTHWEST - TATONGA7 345.00 345KV C	1195	0.50243	115.4429	'NORTHWEST (NORTWST3) 345/138/13.8KV TRANSFORMER CKT 1'
	FDNS	01ALL		0	13G	G11_024	'TO->FRON	'NORTHWEST - TATONGA7 345.00 345KV C	1195	0.50509	115.6239	'WOODWARD DISTRICT EHV (WWDEHV) 345/138/13.8KV TRANSFORMER CKT 1'
	FDNS	01ALL		0	13G	G11_024	'TO->FRON	'NORTHWEST - TATONGA7 345.00 345KV C	1195	0.50508	115.5057	'WOODWARD DISTRICT EHV (WWDEHV-T2) 345/138/13.8KV TRANSFORMER CKT 2'
	FDNS	01ALL		0	13G	G11_024	'TO->FRON	'NORTHWEST - TATONGA7 345.00 345KV C	1195	0.50704	118.0127	'POTTER COUNTY INTERCHANGE (WAUK 90343-A) 345/230/13.2KV TRANSFORMER CKT 1'
	FDNS	01ALL		0	13G	G11_024	'TO->FRON	'NORTHWEST - TATONGA7 345.00 345KV C	1195	0.50431	116.8686	'THISTLE7 345.00 (THISTLE T1) 345/138/13.8KV TRANSFORMER CKT 1'
	FDNS	01ALL		0	13G	G11_024	'TO->FRON	'NORTHWEST - TATONGA7 345.00 345KV C	1195	0.50339	116.7916	'G08-19 345.00 345/34.5KV TRANSFORMER CKT 1'
	FDNS	01ALL		0	13G	G11_024	'TO->FRON	'NORTHWEST - TATONGA7 345.00 345KV C	1195	0.50339	116.7916	'G08-19 345.00 345/34.5KV TRANSFORMER CKT 2'
	FDNS	01ALL		0	13G	G11_024	'TO->FRON	'NORTHWEST - TATONGA7 345.00 345KV C	1195	0.5034	115.8314	'8BHAM STEEL 500.00 - WEST MEMPHIS 500 500KV CKT 1'
	FDNS	01ALL		0	13G	G11_024	'TO->FRON	'NORTHWEST - TATONGA7 345.00 345KV C	1195	0.5054	116.3066	'DBL-THIS-CLR'
	FDNS	01ALL		0	13G	G11_024	'TO->FRON	'NORTHWEST - TATONGA7 345.00 345KV C	1195	0.50104	113.9056	'SPP-AEPW-01'
	FDNS	01ALL		0	13G	G11_024	'TO->FRON	'NORTHWEST - TATONGA7 345.00 345KV C	1195	0.50332	120.7076	'SPP-AEPW-32'
	FDNS	01ALL		0	13G	G11_024	'TO->FRON	'NORTHWEST - TATONGA7 345.00 345KV C	1195	0.50314	115.5181	'GRDA-OPGD-05'
	FDNS	01ALL		0	13G	G11_024	'TO->FRON	'NORTHWEST - TATONGA7 345.00 345KV C	1195	0.50351	115.8949	'KCPL-MSL#03'
	FDNS	01ALL		0	13G	G11_024	'TO->FRON	'NORTHWEST - TATONGA7 345.00 345KV C	1195	0.5035	116.9046	'TRF-STEGALL'
	FDNS	01ALL		0	13G	G11_024	'TO->FRON	'NORTHWEST - TATONGA7 345.00 345KV C	1195	0.50452	116.7925	'OGE3TERM1'
	FDNS	01ALL		0	13G	G11_024	'TO->FRON	'NORTHWEST - TATONGA7 345.00 345KV C	1195	0.50332	115.6582	'OGE3TERM7'
	FDNS	01ALL		0	13G	G11_024	'TO->FRON	'NORTHWEST - TATONGA7 345.00 345KV C	1195	0.50299	115.8313	'OGE3TERM14'
	FDNS	01ALL		0	13G	G11_024	'TO->FRON	'NORTHWEST - TATONGA7 345.00 345KV C	1195	0.50339	116.2267	'NC1_GEN-NEBRASKA CITY 1'
	FDNS	01ALL		0	13G	G11_024	'TO->FRON	'NORTHWEST - TATONGA7 345.00 345KV C	1195	0.50361	119.7743	'SPP-SWPS-01'
	FDNS	01ALL		0	13G	G11_024	'TO->FRON	'NORTHWEST - TATONGA7 345.00 345KV C	1195	0.50244	117.9085	'SPP-SWPS-03'
	FDNS	01ALL		0	13G	G11_024	'TO->FRON	'NORTHWEST - TATONGA7 345.00 345KV C	1195	0.50704	117.0515	'SPP-SWPS-04'
	FDNS	01ALL		0	13G	G11_024	'TO->FRON	'NORTHWEST - TATONGA7 345.00 345KV C	1195	0.51093	120.1512	'SPP-SWPS-05'
	FDNS	01ALL		0	13G	G11_024	'TO->FRON	'NORTHWEST - TATONGA7 345.00 345KV C	1195	0.50436	116.6127	'SPP-SWPS-K31'

EVENTTYPE	SOLUTIONTYPE	GROUP	SCENARIO	SEASON	SOURCE	DIRECTION	MONTH	COMMONNAME	RATEB	TDF	TC%LOADI	CONTNAME
	FDNS	01ALL	0	13G	G11_024	TO->FRON		NORTHWEST - TATONGA7 345.00 345KV C	1195	0.50338	116.6189	'SPP-SWPS-T54'
	FDNS	01ALL	0	13G	G11_024	TO->FRON		NORTHWEST - TATONGA7 345.00 345KV C	1195	0.50412	116.9065	'SPP-MKEC-05'
	FDNS	01ALL	0	13G	G11_024	TO->FRON		NORTHWEST - TATONGA7 345.00 345KV C	1195	0.50437	117.243	'SPP-MKEC-08'
	FDNS	01ALL	0	13G	G11_024	TO->FRON		NORTHWEST - TATONGA7 345.00 345KV C	1195	0.50412	116.9114	'SPP-WEPL-03'
	FDNS	01ALL	0	13G	G11_024	TO->FRON		NORTHWEST - TATONGA7 345.00 345KV C	1195	0.50412	116.8814	'SPP-WEPL-03A'
	FDNS	01ALL	0	13G	G11_024	TO->FRON		NORTHWEST - TATONGA7 345.00 345KV C	1195	0.50332	115.5796	'SPP-WERE-07C'
	FDNS	01ALL	0	13G	G11_024	TO->FRON		NORTHWEST - TATONGA7 345.00 345KV C	1195	0.50368	117.4027	'WRTOD400'
	FDNS	01ALL	0	13G	G11_024	TO->FRON		NORTHWEST - TATONGA7 345.00 345KV C	1195	0.503	115.5681	'A112'
	FDNS	01ALL	0	13G	G11_024	TO->FRON		NORTHWEST - TATONGA7 345.00 345KV C	1195	0.5034	115.8271	'AMRN_OUTS5'
	FDNS	01ALL	0	13G	G11_024	TO->FRON		NORTHWEST - TATONGA7 345.00 345KV C	1195	0.50351	115.8949	'MTGY-OVER-5'
	FDNS	01NR	0	13G	G11_024	TO->FRON		NORTHWEST - TATONGA7 345.00 345KV C	1195	0.57423	102.6667	'BASE CASE'
CONT-TOD	FDNS	01NR	0	13G	G11_024	TO->FRON		NORTHWEST - TATONGA7 345.00 345KV C	1195	0.57424	102.9861	'DOLET HILLS - SOUTHWEST SHREVEPORT 345KV CKT 1'
INVALID	FDNS	01NR	0	13G	G11_024	TO->FRON		NORTHWEST - TATONGA7 345.00 345KV C	1195	0.57432	102.1413	'FLINT CREEK - SILOAM SPRINGS TAP 345KV CKT 1'
	FDNS	01NR	0	13G	G11_024	TO->FRON		NORTHWEST - TATONGA7 345.00 345KV C	1195	0.57484	102.076	'FLINT CREEK - SUB 383 - MONETT 345KV CKT 1'
	FDNS	01NR	0	13G	G11_024	TO->FRON		NORTHWEST - TATONGA7 345.00 345KV C	1195	0.57482	101.9384	'CHAMBER SPRINGS - CLARKSVILLE 345KV CKT 1'
	FDNS	01NR	0	13G	G11_024	TO->FRON		NORTHWEST - TATONGA7 345.00 345KV C	1195	0.57423	102.2331	'LYDIA - WELSH 345KV CKT 1'
	FDNS	01NR	0	13G	G11_024	TO->FRON		NORTHWEST - TATONGA7 345.00 345KV C	1195	0.57421	100.6435	'LYDIA - VALLIANT 345KV CKT 1'
INVALID	FDNS	01NR	0	13G	G11_024	TO->FRON		NORTHWEST - TATONGA7 345.00 345KV C	1195	0.57423	101.4889	'EASTDC - WELSH 345KV CKT 1'
	FDNS	01NR	0	13G	G11_024	TO->FRON		NORTHWEST - TATONGA7 345.00 345KV C	1195	0.57524	102.3478	'CLARKSVILLE - MUSKOGEE 345KV CKT 1'
	FDNS	01NR	0	13G	G11_024	TO->FRON		NORTHWEST - TATONGA7 345.00 345KV C	1195	0.57238	101.3262	'REDBUD - RIVERSIDE STATION 345KV CKT 1'
	FDNS	01NR	0	13G	G11_024	TO->FRON		NORTHWEST - TATONGA7 345.00 345KV C	1195	0.57666	100.9492	'DELAWARE - NORTHEAST STATION 345KV CKT 1'
	FDNS	01NR	0	13G	G11_024	TO->FRON		NORTHWEST - TATONGA7 345.00 345KV C	1195	0.57653	101.7076	'DELAWARE - NEOSHO 345KV CKT 1'
	FDNS	01NR	0	13G	G11_024	TO->FRON		NORTHWEST - TATONGA7 345.00 345KV C	1195	0.57446	102.3807	'BARTLESVILLE SOUTHEAST - NORTH BARTLESVILLE 138KV CKT 1'
	FDNS	01NR	0	13G	G11_024	TO->FRON		NORTHWEST - TATONGA7 345.00 345KV C	1195	0.57446	102.3899	'COFFEYVILLE TAP - NORTH BARTLESVILLE 138KV CKT 1'
	FDNS	01NR	0	13G	G11_024	TO->FRON		NORTHWEST - TATONGA7 345.00 345KV C	1195	0.57453	101.7683	'PITTSBURG - VALLIANT 345KV CKT 1'
	FDNS	01NR	0	13G	G11_024	TO->FRON		NORTHWEST - TATONGA7 345.00 345KV C	1195	0.57414	101.6396	'PITTSBURG - SEMINOLE 345KV CKT 1'
	FDNS	01NR	0	13G	G11_024	TO->FRON		NORTHWEST - TATONGA7 345.00 345KV C	1195	0.57494	102.9647	'HINTON - WEATHERFORD JCT. 138KV CKT 1'
	FDNS	01NR	0	13G	G11_024	TO->FRON		NORTHWEST - TATONGA7 345.00 345KV C	1195	0.57552	103.4811	'CLINTON AIR FORCE BASE TAP - ELK CITY 138KV CKT 1'
	FDNS	01NR	0	13G	G11_024	TO->FRON		NORTHWEST - TATONGA7 345.00 345KV C	1195	0.57552	103.4454	'CLINTON AIR FORCE BASE TAP - HOBART JUNCTION 138KV CKT 1'
INVALID	FDNS	01NR	0	13G	G11_024	TO->FRON		NORTHWEST - TATONGA7 345.00 345KV C	1195	0.58994	112.1356	'LAWTON EASTSIDE - OKLAUNION 345KV CKT 1'
	FDNS	01NR	0	13G	G11_024	TO->FRON		NORTHWEST - TATONGA7 345.00 345KV C	1195	0.58994	105.7948	'OKLAUNION - TUCO INTERCHANGE 345KV CKT 1'
	FDNS	01NR	0	13G	G11_024	TO->FRON		NORTHWEST - TATONGA7 345.00 345KV C	1195	0.57627	103.7389	'CLINTON JUNCTION - ELK CITY 138KV CKT 1'
	FDNS	01NR	0	13G	G11_024	TO->FRON		NORTHWEST - TATONGA7 345.00 345KV C	1195	0.57503	103.3669	'ELK CITY - RED HILLS WIND 138KV CKT 1'
	FDNS	01NR	0	13G	G11_024	TO->FRON		NORTHWEST - TATONGA7 345.00 345KV C	1195	0.57562	103.6244	'LAWTON EASTSIDE - SUNNYSIDE 345KV CKT 1'
	FDNS	01NR	0	13G	G11_024	TO->FRON		NORTHWEST - TATONGA7 345.00 345KV C	1195	0.5744	101.7129	'GRACEMONT - LAWTON EASTSIDE 345KV CKT 1'
	FDNS	01NR	0	13G	G11_024	TO->FRON		NORTHWEST - TATONGA7 345.00 345KV C	1195	0.57494	103.0508	'WEATHERFORD JCT. - WEATHERFORD SOUTHEAST 138KV CKT 1'
	FDNS	01NR	0	13G	G11_024	TO->FRON		NORTHWEST - TATONGA7 345.00 345KV C	1195	0.57681	104.6152	'ELK CITY 230KV - SWEETWATER 230KV CKT 1'
	FDNS	01NR	0	13G	G11_024	TO->FRON		NORTHWEST - TATONGA7 345.00 345KV C	1195	0.57464	102.9592	'WEATHERFORD SOUTHEAST - WEATHERFORD TAP 138KV CKT 1'
	FDNS	01NR	0	13G	G11_024	TO->FRON		NORTHWEST - TATONGA7 345.00 345KV C	1195	0.57464	103.0298	'WEATHERFORD TAP - WEATHERFORD WIND FARM 138KV CKT 1'
	FDNS	01NR	0	13G	G11_024	TO->FRON		NORTHWEST - TATONGA7 345.00 345KV C	1195	0.57681	102.6677	'STATELINE INTERCHANGE - SWEETWATER 230KV CKT &1'
	FDNS	01NR	0	13G	G11_024	TO->FRON		NORTHWEST - TATONGA7 345.00 345KV C	1195	0.57468	103.0249	'MCLEAN RURAL SUB - SHAMROCK 115KV CKT 1'
INVALID	FDNS	01NR	0	13G	G11_024	TO->FRON		NORTHWEST - TATONGA7 345.00 345KV C	1195	0.57431	102.0037	'GRDA1 - SILOAM SPRINGS TAP 345KV CKT 1'
	FDNS	01NR	0	13G	G11_024	TO->FRON		NORTHWEST - TATONGA7 345.00 345KV C	1195	0.57383	102.3359	'CLEVELAND - SOONER 345KV CKT 1'
	FDNS	01NR	0	13G	G11_024	TO->FRON		NORTHWEST - TATONGA7 345.00 345KV C	1195	0.5758	102.9979	'HENESSEY - WAUKOMIS 138KV CKT 1'
	FDNS	01NR	0	13G	G11_024	TO->FRON		NORTHWEST - TATONGA7 345.00 345KV C	1195	0.57473	102.9567	'MARSHALL - WOODRING 138KV CKT 1'
	FDNS	01NR	0	13G	G11_024	TO->FRON		NORTHWEST - TATONGA7 345.00 345KV C	1195	0.58057	103.6588	'HUNTERS7 345.00 - WOODRING 345KV CKT 1'
	FDNS	01NR	0	13G	G11_024	TO->FRON		NORTHWEST - TATONGA7 345.00 345KV C	1195	0.57494	102.9921	'KNOBHILL - SALINE 69KV CKT 1'
	FDNS	01NR	0	13G	G11_024	TO->FRON		NORTHWEST - TATONGA7 345.00 345KV C	1195	0.57494	102.9647	'HELENA TAP - SALINE 69KV CKT 1'
	FDNS	01NR	0	13G	G11_024	TO->FRON		NORTHWEST - TATONGA7 345.00 345KV C	1195	0.57473	102.9538	'COTTONWOOD CREEK - MARSHALL 138KV CKT 1'
	FDNS	01NR	0	13G	G11_024	TO->FRON		NORTHWEST - TATONGA7 345.00 345KV C	1195	0.57531	102.1698	'KILDARE4 - NEWKIRK4 138KV CKT 1'
	FDNS	01NR	0	13G	G11_024	TO->FRON		NORTHWEST - TATONGA7 345.00 345KV C	1195	0.57488	102.2693	'KILDARE4 - WHITE EAGLE 138KV CKT 1'

EVENTTYPE	SOLUTIONTYPE	GROUP	SCENARIO	SEASON	SOURCE	DIRECTION	MONTH	COMMONNAME	RATEB	TDF	TC%LOADI	CONTNAME
	FDNS	01NR	0	13G	G11_024	'TO->FRON	'NORTHWEST - TATONGA7	345.00 345KV C	1195	0.5758	103.0655	'DOVER SW - HENESSEY 138KV CKT 1'
	FDNS	01NR	0	13G	G11_024	'TO->FRON	'NORTHWEST - TATONGA7	345.00 345KV C	1195	0.57749	104.5114	'CLEO CORNER - GLASS MOUNTAIN 138KV CKT 1'
	FDNS	01NR	0	13G	G11_024	'TO->FRON	'NORTHWEST - TATONGA7	345.00 345KV C	1195	0.5783	104.5239	'CLEO CORNER - MEN TAP 138KV CKT 1'
	FDNS	01NR	0	13G	G11_024	'TO->FRON	'NORTHWEST - TATONGA7	345.00 345KV C	1195	0.57568	103.0159	'WOODWARD - WOODWARD EHV 138KV CKT 1'
	FDNS	01NR	0	13G	G11_024	'TO->FRON	'NORTHWEST - TATONGA7	345.00 345KV C	1195	0.58276	105.722	'FPL SWITCH - WOODWARD 138KV CKT 1'
	FDNS	01NR	0	13G	G11_024	'TO->FRON	'NORTHWEST - TATONGA7	345.00 345KV C	1195	0.57793	103.9078	'DEWEY - IODINE 138KV CKT 1'
	FDNS	01NR	0	13G	G11_024	'TO->FRON	'NORTHWEST - TATONGA7	345.00 345KV C	1195	0.57967	106.1246	'DEWEY - SOUTHARD 138KV CKT 1'
	FDNS	01NR	0	13G	G11_024	'TO->FRON	'NORTHWEST - TATONGA7	345.00 345KV C	1195	0.57749	104.575	'GLASS MOUNTAIN - MOORELAND 138KV CKT 1'
	FDNS	01NR	0	13G	G11_024	'TO->FRON	'NORTHWEST - TATONGA7	345.00 345KV C	1195	0.5783	104.4625	'IMO TAP - MEN TAP 138KV CKT 1'
	FDNS	01NR	0	13G	G11_024	'TO->FRON	'NORTHWEST - TATONGA7	345.00 345KV C	1195	0.57499	103.2881	'KNOBHILL - MOORELAND 138KV CKT 1'
	FDNS	01NR	0	13G	G11_024	'TO->FRON	'NORTHWEST - TATONGA7	345.00 345KV C	1195	0.57793	103.96	'IODINE - WOODWARD EHV 138KV CKT 1'
	FDNS	01NR	0	13G	G11_024	'TO->FRON	'NORTHWEST - TATONGA7	345.00 345KV C	1195	0.57419	100.8412	'GRACEMONT - MINCO 345KV CKT 1'
	FDNS	01NR	0	13G	G11_024	'TO->FRON	'NORTHWEST - TATONGA7	345.00 345KV C	1195	0.56276	102.5592	'SOONER - SPRING CREEK 345KV CKT 1'
	FDNS	01NR	0	13G	G11_024	'TO->FRON	'NORTHWEST - TATONGA7	345.00 345KV C	1195	0.58026	101.5328	'ROSE HILL - SOONER 345KV CKT 1'
	FDNS	01NR	0	13G	G11_024	'TO->FRON	'NORTHWEST - TATONGA7	345.00 345KV C	1195	0.57531	102.1448	'CRESWELL - MIDLTNT4 138.00 138KV CKT 1'
	FDNS	01NR	0	13G	G11_024	'TO->FRON	'NORTHWEST - TATONGA7	345.00 345KV C	1195	0.57967	105.6252	'EL RENO - ROMAN NOSE 138KV CKT 1'
	FDNS	01NR	0	13G	G11_024	'TO->FRON	'NORTHWEST - TATONGA7	345.00 345KV C	1195	0.57967	105.8184	'ROMAN NOSE - SOUTHARD 138KV CKT 1'
	FDNS	01NR	0	13G	G11_024	'TO->FRON	'NORTHWEST - TATONGA7	345.00 345KV C	1195	0.57386	102.3773	'NORTHWEST - PANTHER 138KV CKT 1'
	FDNS	01NR	0	13G	G11_024	'TO->FRON	'NORTHWEST - TATONGA7	345.00 345KV C	1195	0.56276	102.5566	'NORTHWEST - SPRING CREEK 345KV CKT 1'
	FDNS	01NR	0	13G	G11_024	'TO->FRON	'NORTHWEST - TATONGA7	345.00 345KV C	1195	0.55642	101.8321	'ARCADIA - NORTHWEST 345KV CKT 1'
	FDNS	01NR	0	13G	G11_024	'TO->FRON	'NORTHWEST - TATONGA7	345.00 345KV C	1195	0.5716	101.8422	'CIMARRON - DRAPER LAKE 345KV CKT 1'
	FDNS	01NR	0	13G	G11_024	'TO->FRON	'NORTHWEST - TATONGA7	345.00 345KV C	1195	0.57272	104.7856	'CIMARRON - G11-007T 345.00 345KV CKT 1'
	FDNS	01NR	0	13G	G11_024	'TO->FRON	'NORTHWEST - TATONGA7	345.00 345KV C	1195	0.5732	101.8824	'ARCADIA - SEMINOLE 345KV CKT 1'
	FDNS	01NR	0	13G	G11_024	'TO->FRON	'NORTHWEST - TATONGA7	345.00 345KV C	1195	0.57407	102.9743	'MCELROY - STILLWATER 138KV CKT 1'
	FDNS	01NR	0	13G	G11_024	'TO->FRON	'NORTHWEST - TATONGA7	345.00 345KV C	1195	0.57409	103.0673	'MORISNT4 138.00 - STILLWATER 138KV CKT 1'
	FDNS	01NR	0	13G	G11_024	'TO->FRON	'NORTHWEST - TATONGA7	345.00 345KV C	1195	0.57478	101.964	'FT SMITH - MUSKOGEE 345KV CKT 1'
	FDNS	01NR	0	13G	G11_024	'TO->FRON	'NORTHWEST - TATONGA7	345.00 345KV C	1195	0.58222	107.9589	'BORDER 7345.00 - WOODWARD DISTRICT EHV 345KV CKT 1'
	FDNS	01NR	0	13G	G11_024	'TO->FRON	'NORTHWEST - TATONGA7	345.00 345KV C	1195	0.5783	103.4744	'Hitchland Interchange - WOODWARD DISTRICT EHV 345KV CKT 2'
	FDNS	01NR	0	13G	G11_024	'TO->FRON	'NORTHWEST - TATONGA7	345.00 345KV C	1195	0.59487	111.4801	'THISTLE7 345.00 - WOODWARD DISTRICT EHV 345KV CKT 1'
	FDNS	01NR	0	13G	G11_024	'TO->FRON	'NORTHWEST - TATONGA7	345.00 345KV C	1195	0.59487	111.4801	'THISTLE7 345.00 - WOODWARD DISTRICT EHV 345KV CKT 2'
	FDNS	01NR	0	13G	G11_024	'TO->FRON	'NORTHWEST - TATONGA7	345.00 345KV C	1195	0.5783	102.5613	'BEAVER CO 345.00 - WOODWARD DISTRICT EHV 345KV CKT 1'
	FDNS	01NR	0	13G	G11_024	'TO->FRON	'NORTHWEST - TATONGA7	345.00 345KV C	1195	0.57423	103.031	'GEN303025 1-1S3INTHB 13.800'
	FDNS	01NR	0	13G	G11_024	'TO->FRON	'NORTHWEST - TATONGA7	345.00 345KV C	1195	0.57423	103.1023	'GEN303026 1-1G4INTHB 18.000'
	FDNS	01NR	0	13G	G11_024	'TO->FRON	'NORTHWEST - TATONGA7	345.00 345KV C	1195	0.57423	102.9823	'GEN303027 1-1S4INTHB 13.800'
	FDNS	01NR	0	13G	G11_024	'TO->FRON	'NORTHWEST - TATONGA7	345.00 345KV C	1195	0.57423	103.2686	'GEN318007 1-5MOROW161 161.00'
	FDNS	01NR	0	13G	G11_024	'TO->FRON	'NORTHWEST - TATONGA7	345.00 345KV C	1195	0.57423	103.3268	'GEN334030 1-FRONTIER UNIT 1'
	FDNS	01NR	0	13G	G11_024	'TO->FRON	'NORTHWEST - TATONGA7	345.00 345KV C	1195	0.57423	103.3268	'GEN334031 1-FRONTIER UNIT 2'
	FDNS	01NR	0	13G	G11_024	'TO->FRON	'NORTHWEST - TATONGA7	345.00 345KV C	1195	0.57423	103.1894	'GEN334070 1-LEWIS CREEK 1'
	FDNS	01NR	0	13G	G11_024	'TO->FRON	'NORTHWEST - TATONGA7	345.00 345KV C	1195	0.57423	103.1832	'GEN334071 1-LEWIS CREEK 2'
	FDNS	01NR	0	13G	G11_024	'TO->FRON	'NORTHWEST - TATONGA7	345.00 345KV C	1195	0.57423	103.1331	'GEN334392 1-EXXON MOBIL IPP 1'
	FDNS	01NR	0	13G	G11_024	'TO->FRON	'NORTHWEST - TATONGA7	345.00 345KV C	1195	0.57423	103.0451	'GEN334431 1-SABINE UNIT 1'
	FDNS	01NR	0	13G	G11_024	'TO->FRON	'NORTHWEST - TATONGA7	345.00 345KV C	1195	0.57423	103.0451	'GEN334432 1-SABINE UNIT 2'
	FDNS	01NR	0	13G	G11_024	'TO->FRON	'NORTHWEST - TATONGA7	345.00 345KV C	1195	0.57423	103.4631	'GEN334433 1-SABINE UNIT 3'
	FDNS	01NR	0	13G	G11_024	'TO->FRON	'NORTHWEST - TATONGA7	345.00 345KV C	1195	0.57423	103.82	'GEN334440 1-SABINE UNIT 4'
	FDNS	01NR	0	13G	G11_024	'TO->FRON	'NORTHWEST - TATONGA7	345.00 345KV C	1195	0.57423	103.4734	'GEN334441 1-SABINE UNIT 5'
	FDNS	01NR	0	13G	G11_024	'TO->FRON	'NORTHWEST - TATONGA7	345.00 345KV C	1195	0.57423	103.0549	'GEN334456 1-CONOCO UNIT#1'
	FDNS	01NR	0	13G	G11_024	'TO->FRON	'NORTHWEST - TATONGA7	345.00 345KV C	1195	0.57423	103.0758	'GEN335201 1-NELSON UNIT 1'
	FDNS	01NR	0	13G	G11_024	'TO->FRON	'NORTHWEST - TATONGA7	345.00 345KV C	1195	0.57423	103.035	'GEN335202 1-NELSON UNIT 2'
	FDNS	01NR	0	13G	G11_024	'TO->FRON	'NORTHWEST - TATONGA7	345.00 345KV C	1195	0.57423	103.014	'GEN335203 1-NELSON UNIT 3'
	FDNS	01NR	0	13G	G11_024	'TO->FRON	'NORTHWEST - TATONGA7	345.00 345KV C	1195	0.57423	103.8565	'GEN335204 1-NELSON UNIT 4'
	FDNS	01NR	0	13G	G11_024	'TO->FRON	'NORTHWEST - TATONGA7	345.00 345KV C	1195	0.57423	104.669	'GEN335206 1-NELSON UNIT 6'

EVENTTYPE	SOLUTIONTYPE	GROUP	SCENARIO	SEASON	SOURCE	DIRECTION	MONTH	COMMONNAME	RATEB	TDF	TC%LOADI	CONTNAME
	FDNS	01NR	0	13G	G11_024	TO->FRON		NORTHWEST - TATONGA7	345.00	1195	0.57423	'GEN335370 1-1ACADIA_S26116.000
	FDNS	01NR	0	13G	G11_024	TO->FRON		NORTHWEST - TATONGA7	345.00	1195	0.57423	'GEN335371 1-1ACADIA_C25118.000
	FDNS	01NR	0	13G	G11_024	TO->FRON		NORTHWEST - TATONGA7	345.00	1195	0.57423	'GEN335372 1-1ACADIA_C24118.000
	FDNS	01NR	0	13G	G11_024	TO->FRON		NORTHWEST - TATONGA7	345.00	1195	0.57423	'GEN335570 1-CARVILLE CTG'
	FDNS	01NR	0	13G	G11_024	TO->FRON		NORTHWEST - TATONGA7	345.00	1195	0.57423	'GEN335571 1-CARVILLE UNIT #1'
	FDNS	01NR	0	13G	G11_024	TO->FRON		NORTHWEST - TATONGA7	345.00	1195	0.57423	'GEN336167 1-GULF OXY U1'
	FDNS	01NR	0	13G	G11_024	TO->FRON		NORTHWEST - TATONGA7	345.00	1195	0.57423	'GEN336168 1-GULF OXY U2'
	FDNS	01NR	0	13G	G11_024	TO->FRON		NORTHWEST - TATONGA7	345.00	1195	0.57423	'GEN336169 1-GULF OXY U3'
	FDNS	01NR	0	13G	G11_024	TO->FRON		NORTHWEST - TATONGA7	345.00	1195	0.57423	'GEN336170 1-GULF OXY U4'
	FDNS	01NR	0	13G	G11_024	TO->FRON		NORTHWEST - TATONGA7	345.00	1195	0.57423	'GEN336191 1-LITTLE GYPSY UNIT#3'
	FDNS	01NR	0	13G	G11_024	TO->FRON		NORTHWEST - TATONGA7	345.00	1195	0.57423	'GEN336221 1-LITTLE GYPSY UNIT#1'
	FDNS	01NR	0	13G	G11_024	TO->FRON		NORTHWEST - TATONGA7	345.00	1195	0.57423	'GEN336222 1-LITTLE GYPSY UNIT#2'
	FDNS	01NR	0	13G	G11_024	TO->FRON		NORTHWEST - TATONGA7	345.00	1195	0.57423	'GEN336251 1-NINEMILE POINT UNIT#4'
	FDNS	01NR	0	13G	G11_024	TO->FRON		NORTHWEST - TATONGA7	345.00	1195	0.57423	'GEN336252 1-NINEMILE POINT UNIT#5'
	FDNS	01NR	0	13G	G11_024	TO->FRON		NORTHWEST - TATONGA7	345.00	1195	0.57423	'GEN336446 1-MICHOUD UNIT #2'
	FDNS	01NR	0	13G	G11_024	TO->FRON		NORTHWEST - TATONGA7	345.00	1195	0.57423	'GEN336464 1-MICHOUD UNIT #3'
	FDNS	01NR	0	13G	G11_024	TO->FRON		NORTHWEST - TATONGA7	345.00	1195	0.57423	'GEN336801 1-BAXTER WILSON UNIT #1'
	FDNS	01NR	0	13G	G11_024	TO->FRON		NORTHWEST - TATONGA7	345.00	1195	0.57423	'GEN336831 1-BAXTER WILSON SES'
	FDNS	01NR	0	13G	G11_024	TO->FRON		NORTHWEST - TATONGA7	345.00	1195	0.57423	'GEN336944 1-REX BROWN'
	FDNS	01NR	0	13G	G11_024	TO->FRON		NORTHWEST - TATONGA7	345.00	1195	0.57423	'GEN337006 1-DUKE MCADAMS G1'
	FDNS	01NR	0	13G	G11_024	TO->FRON		NORTHWEST - TATONGA7	345.00	1195	0.57423	'GEN337007 1-DUKE MCADAMS G2'
	FDNS	01NR	0	13G	G11_024	TO->FRON		NORTHWEST - TATONGA7	345.00	1195	0.57423	'GEN337008 1-DUKE MCADAMS S1'
	FDNS	01NR	0	13G	G11_024	TO->FRON		NORTHWEST - TATONGA7	345.00	1195	0.57423	'GEN337041 1-GERALD ANDRUS'
	FDNS	01NR	0	13G	G11_024	TO->FRON		NORTHWEST - TATONGA7	345.00	1195	0.57423	'GEN337125 6-LS POWER BATESVILLE'
	FDNS	01NR	0	13G	G11_024	TO->FRON		NORTHWEST - TATONGA7	345.00	1195	0.57423	'GEN337421 1-OUCHITA CTG1'
	FDNS	01NR	0	13G	G11_024	TO->FRON		NORTHWEST - TATONGA7	345.00	1195	0.57423	'GEN337422 1-OUCHITA STG1'
	FDNS	01NR	0	13G	G11_024	TO->FRON		NORTHWEST - TATONGA7	345.00	1195	0.57423	'GEN337423 1-OUCHITA CTG2'
	FDNS	01NR	0	13G	G11_024	TO->FRON		NORTHWEST - TATONGA7	345.00	1195	0.57423	'GEN337424 1-OUCHITA STG2'
	FDNS	01NR	0	13G	G11_024	TO->FRON		NORTHWEST - TATONGA7	345.00	1195	0.57423	'GEN337425 1-OUCHITA CTG3'
	FDNS	01NR	0	13G	G11_024	TO->FRON		NORTHWEST - TATONGA7	345.00	1195	0.57423	'GEN337426 1-OUCHITA STG3'
	FDNS	01NR	0	13G	G11_024	TO->FRON		NORTHWEST - TATONGA7	345.00	1195	0.57423	'GEN337428 1-PERVILLE UNIT #1'
	FDNS	01NR	0	13G	G11_024	TO->FRON		NORTHWEST - TATONGA7	345.00	1195	0.57423	'GEN337430 1-PERVILLE UNIT #3'
	FDNS	01NR	0	13G	G11_024	TO->FRON		NORTHWEST - TATONGA7	345.00	1195	0.57423	'GEN337432 1-PERVILLE UNIT #5'
	FDNS	01NR	0	13G	G11_024	TO->FRON		NORTHWEST - TATONGA7	345.00	1195	0.57423	'GEN337692 1-LAKE CATHERINE UNIT #4'
	FDNS	01NR	0	13G	G11_024	TO->FRON		NORTHWEST - TATONGA7	345.00	1195	0.57423	'GEN338143 1-INDEPENDENCE UNIT #1'
	FDNS	01NR	0	13G	G11_024	TO->FRON		NORTHWEST - TATONGA7	345.00	1195	0.57423	'GEN338146 1-INDEPENDENCE UNIT #2'
	FDNS	01NR	0	13G	G11_024	TO->FRON		NORTHWEST - TATONGA7	345.00	1195	0.57423	'GEN338388 1-1PLUM PT U1 23.000'
	FDNS	01NR	0	13G	G11_024	TO->FRON		NORTHWEST - TATONGA7	345.00	1195	0.57423	'GEN338500 1-MCCLELLAN UNIT #1'
	FDNS	01NR	0	13G	G11_024	TO->FRON		NORTHWEST - TATONGA7	345.00	1195	0.57423	'GEN338510 1-1S1KNWRI'
	FDNS	01NR	0	13G	G11_024	TO->FRON		NORTHWEST - TATONGA7	345.00	1195	0.57423	'GEN338512 1-1S2KNWRI'
	FDNS	01NR	0	13G	G11_024	TO->FRON		NORTHWEST - TATONGA7	345.00	1195	0.57423	'GEN338513 1-BAILEY UNIT #1'
	FDNS	01NR	0	13G	G11_024	TO->FRON		NORTHWEST - TATONGA7	345.00	1195	0.57423	'GEN500915 3-WESTERN KRAFT'
	FDNS	01NR	0	13G	G11_024	TO->FRON		NORTHWEST - TATONGA7	345.00	1195	0.57423	'GEN501801 1-DOLET HILLS UNIT1'
	FDNS	01NR	0	13G	G11_024	TO->FRON		NORTHWEST - TATONGA7	345.00	1195	0.57423	'GEN501811 1-RODEMACHER UNIT 1'
	FDNS	01NR	0	13G	G11_024	TO->FRON		NORTHWEST - TATONGA7	345.00	1195	0.57423	'GEN501812 1-RODEMACHER UNIT 2'
	FDNS	01NR	0	13G	G11_024	TO->FRON		NORTHWEST - TATONGA7	345.00	1195	0.57423	'GEN501813 1-RODEMACHER UNIT 3'
	FDNS	01NR	0	13G	G11_024	TO->FRON		NORTHWEST - TATONGA7	345.00	1195	0.57423	'GEN501910 1-ACADIA UNIT ST1'
	FDNS	01NR	0	13G	G11_024	TO->FRON		NORTHWEST - TATONGA7	345.00	1195	0.57423	'GEN501911 1-ACADIA UNIT CT1A'
	FDNS	01NR	0	13G	G11_024	TO->FRON		NORTHWEST - TATONGA7	345.00	1195	0.57423	'GEN501912 1-ACADIA UNIT CT1B'
	FDNS	01NR	0	13G	G11_024	TO->FRON		NORTHWEST - TATONGA7	345.00	1195	0.57423	'GEN505432 1-SIKESTON'
	FDNS	01NR	0	13G	G11_024	TO->FRON		NORTHWEST - TATONGA7	345.00	1195	0.57423	'GEN506749 1-EASTMAN GENERATION A'
	FDNS	01NR	0	13G	G11_024	TO->FRON		NORTHWEST - TATONGA7	345.00	1195	0.57423	'GEN506752 1-LEBROCK GAS 1'
	FDNS	01NR	0	13G	G11_024	TO->FRON		NORTHWEST - TATONGA7	345.00	1195	0.57423	'GEN509391 G1-ARSENAL HILL GENS #2 (STALL)'
	FDNS	01NR	0	13G	G11_024	TO->FRON		NORTHWEST - TATONGA7	345.00	1195	0.57423	'GEN509392 G2-ARSENAL HILL GENS #3 (STALL)'
	FDNS	01NR	0	13G	G11_024	TO->FRON		NORTHWEST - TATONGA7	345.00	1195	0.57423	'GEN509393 S1-ARSENAL HILL GENS #4 (STALL)'
	FDNS	01NR	0	13G	G11_024	TO->FRON		NORTHWEST - TATONGA7	345.00	1195	0.57423	'GEN509394 1-FLINT CREEK'

EVENTTYPE	SOLUTIONTYPE	GROUP	SCENARIO	SEASON	SOURCE	DIRECTION	MONTH	COMMONNAME	RATEB	TDF	TC%LOADI	CONTNAME
	FDNS	01NR		0	13G	G11_024	'TO->FRON	'NORTHWEST - TATONGA7 345.00 345KV C	1195	0.57423	105.2774	'GEN509403 1-PIRKEY GENERATION'
	FDNS	01NR		0	13G	G11_024	'TO->FRON	'NORTHWEST - TATONGA7 345.00 345KV C	1195	0.57423	104.7775	'GEN509404 1-WELSH #1'
	FDNS	01NR		0	13G	G11_024	'TO->FRON	'NORTHWEST - TATONGA7 345.00 345KV C	1195	0.57423	104.7775	'GEN509405 1-WELSH #2'
	FDNS	01NR		0	13G	G11_024	'TO->FRON	'NORTHWEST - TATONGA7 345.00 345KV C	1195	0.57423	104.7776	'GEN509406 1-WELSH #3'
	FDNS	01NR		0	13G	G11_024	'TO->FRON	'NORTHWEST - TATONGA7 345.00 345KV C	1195	0.57423	103.0058	'GEN509408 1-WILKES #2'
	FDNS	01NR		0	13G	G11_024	'TO->FRON	'NORTHWEST - TATONGA7 345.00 345KV C	1195	0.57423	105.1947	'GEN509416 1-TURK GENERATION'
	FDNS	01NR		0	13G	G11_024	'TO->FRON	'NORTHWEST - TATONGA7 345.00 345KV C	1195	0.57423	103.1533	'GEN511836 1-NORTHEASTERN STATION #1'
	FDNS	01NR		0	13G	G11_024	'TO->FRON	'NORTHWEST - TATONGA7 345.00 345KV C	1195	0.57423	103.2652	'GEN511837 1-NORTHEASTERN STATION # 1-1A'
	FDNS	01NR		0	13G	G11_024	'TO->FRON	'NORTHWEST - TATONGA7 345.00 345KV C	1195	0.57423	103.2652	'GEN511838 1-NORTHEASTERN STATION # 1-1B'
	FDNS	01NR		0	13G	G11_024	'TO->FRON	'NORTHWEST - TATONGA7 345.00 345KV C	1195	0.57423	103.4243	'GEN511839 1-NORTHEASTERN STATION #2'
	FDNS	01NR		0	13G	G11_024	'TO->FRON	'NORTHWEST - TATONGA7 345.00 345KV C	1195	0.57423	104.4657	'GEN511840 1-NORTHEASTERN STATION #3'
	FDNS	01NR		0	13G	G11_024	'TO->FRON	'NORTHWEST - TATONGA7 345.00 345KV C	1195	0.57423	104.4273	'GEN511841 1-NORTHEASTERN STATION #4'
	FDNS	01NR		0	13G	G11_024	'TO->FRON	'NORTHWEST - TATONGA7 345.00 345KV C	1195	0.57423	103.1406	'GEN511851 1-COMANCHE #1'
	FDNS	01NR		0	13G	G11_024	'TO->FRON	'NORTHWEST - TATONGA7 345.00 345KV C	1195	0.57423	103.0063	'GEN511852 1-COMANCHE #2'
	FDNS	01NR		0	13G	G11_024	'TO->FRON	'NORTHWEST - TATONGA7 345.00 345KV C	1195	0.57423	103.0109	'GEN511853 1-COMANCHE #3'
	FDNS	01NR		0	13G	G11_024	'TO->FRON	'NORTHWEST - TATONGA7 345.00 345KV C	1195	0.57423	103.1178	'GEN511938 1-OEC STEAM # 1'
	FDNS	01NR		0	13G	G11_024	'TO->FRON	'NORTHWEST - TATONGA7 345.00 345KV C	1195	0.57423	103.1169	'GEN511939 1-OEC GAS # 1-1'
	FDNS	01NR		0	13G	G11_024	'TO->FRON	'NORTHWEST - TATONGA7 345.00 345KV C	1195	0.57423	103.1169	'GEN511940 1-OEC GAS # 1-2'
	FDNS	01NR		0	13G	G11_024	'TO->FRON	'NORTHWEST - TATONGA7 345.00 345KV C	1195	0.57423	103.5666	'GEN511941 1-OEC STEAM # 2'
	FDNS	01NR		0	13G	G11_024	'TO->FRON	'NORTHWEST - TATONGA7 345.00 345KV C	1195	0.57423	103.1169	'GEN511942 1-OEC GAS # 2-1'
	FDNS	01NR		0	13G	G11_024	'TO->FRON	'NORTHWEST - TATONGA7 345.00 345KV C	1195	0.57423	103.1169	'GEN511943 1-OEC GAS # 2-2'
	FDNS	01NR		0	13G	G11_024	'TO->FRON	'NORTHWEST - TATONGA7 345.00 345KV C	1195	0.57423	103.1497	'GEN511953 G-COGENTRIX GAS # 1'
	FDNS	01NR		0	13G	G11_024	'TO->FRON	'NORTHWEST - TATONGA7 345.00 345KV C	1195	0.57423	103.149	'GEN511954 S-COGENTRIX STEAM # 1'
	FDNS	01NR		0	13G	G11_024	'TO->FRON	'NORTHWEST - TATONGA7 345.00 345KV C	1195	0.57423	103.1689	'GEN511955 G-COGENTRIX GAS # 2'
	FDNS	01NR		0	13G	G11_024	'TO->FRON	'NORTHWEST - TATONGA7 345.00 345KV C	1195	0.57423	103.1683	'GEN511956 S-COGENTRIX STEAM # 2'
	FDNS	01NR		0	13G	G11_024	'TO->FRON	'NORTHWEST - TATONGA7 345.00 345KV C	1195	0.57423	103.1497	'GEN511957 G-COGENTRIX GAS # 3'
	FDNS	01NR		0	13G	G11_024	'TO->FRON	'NORTHWEST - TATONGA7 345.00 345KV C	1195	0.57423	104.6259	'GEN512688 2-GRDA1 GSU2 22'
	FDNS	01NR		0	13G	G11_024	'TO->FRON	'NORTHWEST - TATONGA7 345.00 345KV C	1195	0.57423	104.2393	'GEN512689 1-GRDA1 GSU1 22'
	FDNS	01NR		0	13G	G11_024	'TO->FRON	'NORTHWEST - TATONGA7 345.00 345KV C	1195	0.57423	105.1243	'GEN514805 1-SOONER UNIT 1'
	FDNS	01NR		0	13G	G11_024	'TO->FRON	'NORTHWEST - TATONGA7 345.00 345KV C	1195	0.57423	105.4048	'GEN514806 1-SOONER UNIT 2'
	FDNS	01NR		0	13G	G11_024	'TO->FRON	'NORTHWEST - TATONGA7 345.00 345KV C	1195	0.57423	103.8921	'GEN514899 1-REDBUD1S'
	FDNS	01NR		0	13G	G11_024	'TO->FRON	'NORTHWEST - TATONGA7 345.00 345KV C	1195	0.57423	103.869	'GEN514900 1-REDBUD2S'
	FDNS	01NR		0	13G	G11_024	'TO->FRON	'NORTHWEST - TATONGA7 345.00 345KV C	1195	0.57423	103.8702	'GEN514905 1-REDBUD3S'
	FDNS	01NR		0	13G	G11_024	'TO->FRON	'NORTHWEST - TATONGA7 345.00 345KV C	1195	0.57423	104.0642	'GEN514910 2-REDBUD GEN'
	FDNS	01NR		0	13G	G11_024	'TO->FRON	'NORTHWEST - TATONGA7 345.00 345KV C	1195	0.57423	104.0643	'GEN514911 2-REDBUD GEN'
	FDNS	01NR		0	13G	G11_024	'TO->FRON	'NORTHWEST - TATONGA7 345.00 345KV C	1195	0.57423	103.3561	'GEN514912 2-REDBUD GEN'
	FDNS	01NR		0	13G	G11_024	'TO->FRON	'NORTHWEST - TATONGA7 345.00 345KV C	1195	0.57423	103.7834	'GEN514940 1-REDBUD GEN'
	FDNS	01NR		0	13G	G11_024	'TO->FRON	'NORTHWEST - TATONGA7 345.00 345KV C	1195	0.57423	104.0417	'GEN514942 2-REDBUD4G'
	FDNS	01NR		0	13G	G11_024	'TO->FRON	'NORTHWEST - TATONGA7 345.00 345KV C	1195	0.57423	103.809	'GEN514998 1-MCCLAIN UNIT 1'
	FDNS	01NR		0	13G	G11_024	'TO->FRON	'NORTHWEST - TATONGA7 345.00 345KV C	1195	0.57423	103.8246	'GEN514999 1-MCCLAIN UNIT 2'
	FDNS	01NR		0	13G	G11_024	'TO->FRON	'NORTHWEST - TATONGA7 345.00 345KV C	1195	0.57423	103.4741	'GEN515000 1-MCCLAIN UNIT 3'
	FDNS	01NR		0	13G	G11_024	'TO->FRON	'NORTHWEST - TATONGA7 345.00 345KV C	1195	0.57423	104.0365	'GEN515040 1-SEMINOLE 1G'
	FDNS	01NR		0	13G	G11_024	'TO->FRON	'NORTHWEST - TATONGA7 345.00 345KV C	1195	0.57423	104.1072	'GEN515041 1-SEMINOLE 2G'
	FDNS	01NR		0	13G	G11_024	'TO->FRON	'NORTHWEST - TATONGA7 345.00 345KV C	1195	0.57423	104.3119	'GEN515042 1-SEMINOLE 3G'
	FDNS	01NR		0	13G	G11_024	'TO->FRON	'NORTHWEST - TATONGA7 345.00 345KV C	1195	0.57423	104.9829	'GEN515223 1-MUSKOGEE 4G'
	FDNS	01NR		0	13G	G11_024	'TO->FRON	'NORTHWEST - TATONGA7 345.00 345KV C	1195	0.57423	104.9476	'GEN515225 1-MUSKOGEE 5G'
	FDNS	01NR		0	13G	G11_024	'TO->FRON	'NORTHWEST - TATONGA7 345.00 345KV C	1195	0.57423	105.3213	'GEN515226 1-MUSKOGEE 6G'
	FDNS	01NR		0	13G	G11_024	'TO->FRON	'NORTHWEST - TATONGA7 345.00 345KV C	1195	0.57423	103.3253	'GEN515266 1-AES 1G'
	FDNS	01NR		0	13G	G11_024	'TO->FRON	'NORTHWEST - TATONGA7 345.00 345KV C	1195	0.57423	103.3253	'GEN515267 1-AES 2G'
	FDNS	01NR		0	13G	G11_024	'TO->FRON	'NORTHWEST - TATONGA7 345.00 345KV C	1195	0.57423	101.0042	'GEN515365 1-CENT 21 34.500'
	FDNS	01NR		0	13G	G11_024	'TO->FRON	'NORTHWEST - TATONGA7 345.00 345KV C	1195	0.57423	101.6293	'GEN515389 1-TLGAWND1 34.500'
	FDNS	01NR		0	13G	G11_024	'TO->FRON	'NORTHWEST - TATONGA7 345.00 345KV C	1195	0.57423	100.3863	'GEN515393 1-OGEWIND2G'
	FDNS	01NR		0	13G	G11_024	'TO->FRON	'NORTHWEST - TATONGA7 345.00 345KV C	1195	0.57423	101.1136	'GEN515397 1-OUSPRT 1 34.500'
	FDNS	01NR		0	13G	G11_024	'TO->FRON	'NORTHWEST - TATONGA7 345.00 345KV C	1195	0.57423	103.972	'GEN515443 1-MNCOWND1 34.500'
	FDNS	01NR		0	13G	G11_024	'TO->FRON	'NORTHWEST - TATONGA7 345.00 345KV C	1195	0.57423	104.0796	'GEN515606 1-CANADN11 34.500'
	FDNS	01NR		0	13G	G11_024	'TO->FRON	'NORTHWEST - TATONGA7 345.00 345KV C	1195	0.57423	104.0796	'GEN515607 1-CANADN12 34.500'

EVENTTYPE	SOLUTIONTYPE	GROUP	SCENARIO	SEASON	SOURCE	DIRECTION	MONTH	COMMONNAME	RATEB	TDF	TC%LOADI	CONTNAME
	FDNS	01NR		0	13G	G11_024		'TO->FRON' NORTHWEST - TATONGA7 345.00 345KV	1195	0.57423	102.278	'GEN560585 1-G06-44-2 0.6000'
	FDNS	01NR		0	13G	G11_024		'TO->FRON' NORTHWEST - TATONGA7 345.00 345KV	1195	0.57423	102.0994	'GEN560586 1-G06-44-3 0.6000'
	FDNS	01NR		0	13G	G11_024		'TO->FRON' NORTHWEST - TATONGA7 345.00 345KV	1195	0.57423	102.1147	'GEN560592 1-G06-45 0.6000'
	FDNS	01NR		0	13G	G11_024		'TO->FRON' NORTHWEST - TATONGA7 345.00 345KV	1195	0.57423	102.1087	'GEN560595 1-G06-47 0.6000'
	FDNS	01NR		0	13G	G11_024		'TO->FRON' NORTHWEST - TATONGA7 345.00 345KV	1195	0.57423	102.3427	'GEN560659 1-G07-38 0.6900'
	FDNS	01NR		0	13G	G11_024		'TO->FRON' NORTHWEST - TATONGA7 345.00 345KV	1195	0.57423	104.6962	'GEN560687 1-G11-007 0.5750'
	FDNS	01NR		0	13G	G11_024		'TO->FRON' NORTHWEST - TATONGA7 345.00 345KV	1195	0.57423	102.3302	'GEN560693 1-G11-008-1 0.6900'
	FDNS	01NR		0	13G	G11_024		'TO->FRON' NORTHWEST - TATONGA7 345.00 345KV	1195	0.57423	103.3256	'GEN560706 1-G11-010 0.6900'
	FDNS	01NR		0	13G	G11_024		'TO->FRON' NORTHWEST - TATONGA7 345.00 345KV	1195	0.57423	102.1515	'GEN562014 1-G11_023_3 0.6900'
	FDNS	01NR		0	13G	G11_024		'TO->FRON' NORTHWEST - TATONGA7 345.00 345KV	1195	0.57423	101.7103	'GEN562017 1-G11_022_3 0.6900'
	FDNS	01NR		0	13G	G11_024		'TO->FRON' NORTHWEST - TATONGA7 345.00 345KV	1195	0.57423	101.5424	'GEN562020 1-G11_021_3 0.6900'
	FDNS	01NR		0	13G	G11_024		'TO->FRON' NORTHWEST - TATONGA7 345.00 345KV	1195	0.57423	102.2422	'GEN562032 1-G11_017_3 0.6900'
	FDNS	01NR		0	13G	G11_024		'TO->FRON' NORTHWEST - TATONGA7 345.00 345KV	1195	0.57423	102.3322	'GEN562035 1-G11_016_3 0.6900'
	FDNS	01NR		0	13G	G11_024		'TO->FRON' NORTHWEST - TATONGA7 345.00 345KV	1195	0.57423	101.9031	'GEN562042 1-G11_014_3 0.6900'
	FDNS	01NR		0	13G	G11_024		'TO->FRON' NORTHWEST - TATONGA7 345.00 345KV	1195	0.57423	102.3702	'GEN562049 1-G11_012_3 0.6900'
	FDNS	01NR		0	13G	G11_024		'TO->FRON' NORTHWEST - TATONGA7 345.00 345KV	1195	0.57423	102.0975	'GEN640009 1-COOPER NUCLEAR STATION'
	FDNS	01NR		0	13G	G11_024		'TO->FRON' NORTHWEST - TATONGA7 345.00 345KV	1195	0.57423	101.4173	'GEN640010 1-GERALD GENTLEMAN STATION UNIT 1'
	FDNS	01NR		0	13G	G11_024		'TO->FRON' NORTHWEST - TATONGA7 345.00 345KV	1195	0.57423	101.4363	'GEN640011 2-GERALD GENTLEMAN STATION UNIT 2'
	FDNS	01NR		0	13G	G11_024		'TO->FRON' NORTHWEST - TATONGA7 345.00 345KV	1195	0.57423	102.3522	'GEN641089 2-ENERGY CENTER 2'
	FDNS	01NR		0	13G	G11_024		'TO->FRON' NORTHWEST - TATONGA7 345.00 345KV	1195	0.57423	102.2441	'GEN645001 1-FORT CALHOUN 1'
	FDNS	01NR		0	13G	G11_024		'TO->FRON' NORTHWEST - TATONGA7 345.00 345KV	1195	0.57423	102.149	'GEN645011 1-NEBRASKA CITY 1'
	FDNS	01NR		0	13G	G11_024		'TO->FRON' NORTHWEST - TATONGA7 345.00 345KV	1195	0.57423	102.0963	'GEN645012 2-NEBRASKA CITY 2'
	FDNS	01NR		0	13G	G11_024		'TO->FRON' NORTHWEST - TATONGA7 345.00 345KV	1195	0.57423	102.267	'GEN659103 1-ANTELOPE VALLEY UNIT1'
	FDNS	01NR		0	13G	G11_024		'TO->FRON' NORTHWEST - TATONGA7 345.00 345KV	1195	0.57423	102.267	'GEN659107 2-ANTELOPE VALLEY UNIT2'
	FDNS	01NR		0	13G	G11_024		'TO->FRON' NORTHWEST - TATONGA7 345.00 345KV	1195	0.57423	102.3686	'GEN659111 2-LELAND OLDS UNIT2'
	FDNS	01NR		0	13G	G11_024		'TO->FRON' NORTHWEST - TATONGA7 345.00 345KV	1195	0.57423	100.7086	'GEN659118 1-LARAMIE RIVER UNIT1'
	FNSL	01NR		0	13G	G11_024		'TO->FRON' NORTHWEST - TATONGA7 345.00 345KV	1195	0.5743	102.9521	'STEGALL - WAYSIDE 230KV CKT 1'
	FNSL	01NR		0	13G	G11_024		'TO->FRON' NORTHWEST - TATONGA7 345.00 345KV	1195	0.61989	131.0768	'DBL-WICH-THI'
	FNSL	01NR		0	13G	G11_024		'TO->FRON' NORTHWEST - TATONGA7 345.00 345KV	1195	0.57434	103.2803	'NEB01WAPAB3'
	FNSL	01NR		0	13G	G11_024		'TO->FRON' NORTHWEST - TATONGA7 345.00 345KV	1195	0.57423	106.3556	'GEN335831 1-RIVERBEND UNIT#1'
	FNSL	01NR		0	13G	G11_024		'TO->FRON' NORTHWEST - TATONGA7 345.00 345KV	1195	0.57423	106.163	'GEN337910 1-ARKANSAS NUCLEAR ONE UNIT #1'
	FNSL	01NR		0	13G	G11_024		'TO->FRON' NORTHWEST - TATONGA7 345.00 345KV	1195	0.57423	106.843	'GEN337911 1-ARKANSAS NUCLEAR ONE UNIT #2'
	FDNS	01NR		0	13G	G11_024		'TO->FRON' NORTHWEST - TATONGA7 345.00 345KV	1195	0.58222	108.0073	'BORDER 7345.00 - TUCO INTERCHANGE 345KV CKT 1'
	FDNS	01NR		0	13G	G11_024		'TO->FRON' NORTHWEST - TATONGA7 345.00 345KV	1195	0.58057	102.993	'HUNTERS7 345.00 - VIOLA 7 345.00 345KV CKT 1'
	FDNS	01NR		0	13G	G11_024		'TO->FRON' NORTHWEST - TATONGA7 345.00 345KV	1195	0.58276	107.2674	'FPL SWITCH - MOORELAND 138KV CKT 1'
	FDNS	01NR		0	13G	G11_024		'TO->FRON' NORTHWEST - TATONGA7 345.00 345KV	1195	0.57469	102.9995	'ARAPAHO - HAMON BUTLER 69KV CKT 1'
	FDNS	01NR		0	13G	G11_024		'TO->FRON' NORTHWEST - TATONGA7 345.00 345KV	1195	0.57469	102.998	'ARAPAHO - INDUSTRIAL PARK 69KV CKT 1'
	FDNS	01NR		0	13G	G11_024		'TO->FRON' NORTHWEST - TATONGA7 345.00 345KV	1195	0.57472	102.9569	'CANTON - OKEENE 69KV CKT 1'
	FDNS	01NR		0	13G	G11_024		'TO->FRON' NORTHWEST - TATONGA7 345.00 345KV	1195	0.57472	102.9815	'CANTON - TALOGA 69KV CKT 1'
	FDNS	01NR		0	13G	G11_024		'TO->FRON' NORTHWEST - TATONGA7 345.00 345KV	1195	0.57656	104.1716	'CEDARDALE - MOORELAND 138KV CKT 1'
	FDNS	01NR		0	13G	G11_024		'TO->FRON' NORTHWEST - TATONGA7 345.00 345KV	1195	0.57656	104.1403	'CEDARDALE - OKEENE 138KV CKT 1'
	FDNS	01NR		0	13G	G11_024		'TO->FRON' NORTHWEST - TATONGA7 345.00 345KV	1195	0.57469	102.9728	'CORDELL - INDUSTRIAL PARK 69KV CKT 1'
	FDNS	01NR		0	13G	G11_024		'TO->FRON' NORTHWEST - TATONGA7 345.00 345KV	1195	0.5765	103.801	'DOVER SW - OKEENE 138KV CKT 1'
	FDNS	01NR		0	13G	G11_024		'TO->FRON' NORTHWEST - TATONGA7 345.00 345KV	1195	0.57469	103.0001	'HAMON BUTLER - PUTNAM 69KV CKT 1'
	FDNS	01NR		0	13G	G11_024		'TO->FRON' NORTHWEST - TATONGA7 345.00 345KV	1195	0.57593	103.9837	'MOORELAND - NINE MILE 138KV CKT 1'
	FDNS	01NR		0	13G	G11_024		'TO->FRON' NORTHWEST - TATONGA7 345.00 345KV	1195	0.57503	103.1904	'MOREWOOD SW - RED HILLS WIND 138KV CKT 1'
	FDNS	01NR		0	13G	G11_024		'TO->FRON' NORTHWEST - TATONGA7 345.00 345KV	1195	0.57593	103.9628	'MOREWOOD SW - NINE MILE 138KV CKT 1'
	FDNS	01NR		0	13G	G11_024		'TO->FRON' NORTHWEST - TATONGA7 345.00 345KV	1195	0.57476	102.9633	'OKEENE - WATONGA SW 69KV CKT 1'
	FDNS	01NR		0	13G	G11_024		'TO->FRON' NORTHWEST - TATONGA7 345.00 345KV	1195	0.57469	103.0051	'PUTNAM - TALOGA 69KV CKT 1'
	FDNS	01NR		0	13G	G11_024		'TO->FRON' NORTHWEST - TATONGA7 345.00 345KV	1195	0.58219	105.2347	'FINNEY SWITCHING STATION - Hitchland Interchange 345KV CKT 1'
	FDNS	01NR		0	13G	G11_024		'TO->FRON' NORTHWEST - TATONGA7 345.00 345KV	1195	0.57554	103.2995	'Hitchland Interchange - POTTER COUNTY INTERCHANGE 345KV CKT 1'
	FDNS	01NR		0	13G	G11_024		'TO->FRON' NORTHWEST - TATONGA7 345.00 345KV	1195	0.5783	104.2264	'BEAVER CO 345.00 - Hitchland Interchange 345KV CKT 1'

EVENTTYPE	SOLUTIONTYPE	GROUP	SCENARIO	SEASON	SOURCE	DIRECTION	MONT	COMMONNAME	RATEB	TDF	TC%	LOADI	CONTNAME
	FDNS	01NR		0	13G	G11_024	'TO->FROM'	'NORTHWEST - TATONGA7 345.00 345KV C'	1195	0.57457	103.01		'G11_012T 230.00 - MOORE COUNTY INTERCHANGE 230KV CKT 1'
	FDNS	01NR		0	13G	G11_024	'TO->FROM'	'NORTHWEST - TATONGA7 345.00 345KV C'	1195	0.57681	104.0362		'GRAPEVINE INTERCHANGE - STATELINE INTERCHANGE 230KV CKT 1'
	FDNS	01NR		0	13G	G11_024	'TO->FROM'	'NORTHWEST - TATONGA7 345.00 345KV C'	1195	0.5758	103.9732		'GRAPEVINE INTERCHANGE - NICHOLS STATION 230KV CKT 1'
	FDNS	01NR		0	13G	G11_024	'TO->FROM'	'NORTHWEST - TATONGA7 345.00 345KV C'	1195	0.57468	103.0779		'MCCELLELLAN SUB - MCLEAN RURAL SUB 115KV CKT 1'
	FDNS	01NR		0	13G	G11_024	'TO->FROM'	'NORTHWEST - TATONGA7 345.00 345KV C'	1195	0.57468	103.0968		'KIRBY SWITCHING STATION - MCCELLELLAN SUB 115KV CKT 1'
	FDNS	01NR		0	13G	G11_024	'TO->FROM'	'NORTHWEST - TATONGA7 345.00 345KV C'	1195	0.58219	106.3735		'FINNEY SWITCHING STATION - HOLCOMB 345KV CKT 1'
	FDNS	01NR		0	13G	G11_024	'TO->FROM'	'NORTHWEST - TATONGA7 345.00 345KV C'	1195	0.57431	102.9894		'BUFFALO 230.00 - DEAF SMITH COUNTY INTERCHANGE 230KV CKT 1'
	FDNS	01NR		0	13G	G11_024	'TO->FROM'	'NORTHWEST - TATONGA7 345.00 345KV C'	1195	0.57434	103.0468		'G07-48T 230.00 - SWISHER COUNTY INTERCHANGE 230KV CKT 1'
	FDNS	01NR		0	13G	G11_024	'TO->FROM'	'NORTHWEST - TATONGA7 345.00 345KV C'	1195	0.57469	103.1322		'KNOLL 230 - SMOKYHL6 230.00 230KV CKT 1'
	FDNS	01NR		0	13G	G11_024	'TO->FROM'	'NORTHWEST - TATONGA7 345.00 345KV C'	1195	0.57636	105.2859		'G11-17T 345.00 - POST ROCK 345KV CKT 1'
	FDNS	01NR		0	13G	G11_024	'TO->FROM'	'NORTHWEST - TATONGA7 345.00 345KV C'	1195	0.57572	104.128		'AXTELL - POST ROCK 345KV CKT 1'
	FDNS	01NR		0	13G	G11_024	'TO->FROM'	'NORTHWEST - TATONGA7 345.00 345KV C'	1195	0.57469	103.4857		'SMOKYHL6 230.00 - SUMMIT 230KV CKT 1'
	FDNS	01NR		0	13G	G11_024	'TO->FROM'	'NORTHWEST - TATONGA7 345.00 345KV C'	1195	0.576	103.8709		'HOLCOMB - SETAB 345KV CKT 1'
	FDNS	01NR		0	13G	G11_024	'TO->FROM'	'NORTHWEST - TATONGA7 345.00 345KV C'	1195	0.57516	103.112		'BUCKNER7 345.00 - HOLCOMB 345KV CKT 1'
	FDNS	01NR		0	13G	G11_024	'TO->FROM'	'NORTHWEST - TATONGA7 345.00 345KV C'	1195	0.57651	104.6021		'MINGO - SETAB 345KV CKT 1'
	FDNS	01NR		0	13G	G11_024	'TO->FROM'	'NORTHWEST - TATONGA7 345.00 345KV C'	1195	0.5768	104.4243		'MINGO - RED WILLOW 345KV CKT 1'
	FDNS	01NR		0	13G	G11_024	'TO->FROM'	'NORTHWEST - TATONGA7 345.00 345KV C'	1195	0.57516	103.637		'BUCKNER7 345.00 - SPEARVILLE 345KV CKT 1'
	FDNS	01NR		0	13G	G11_024	'TO->FROM'	'NORTHWEST - TATONGA7 345.00 345KV C'	1195	0.57636	104.8625		'G11-17T 345.00 - SPEARVILLE 345KV CKT 1'
CONT-040	FDNS	01NR		0	13G	G11_024	'TO->FROM'	'NORTHWEST - TATONGA7 345.00 345KV C'	1195	0.57455	103.7334		'HOYT - JEFFREY ENERGY CENTER 345KV CKT 1'
CONT-080	FDNS	01NR		0	13G	G11_024	'TO->FROM'	'NORTHWEST - TATONGA7 345.00 345KV C'	1195	0.57458	103.4764		'HOYT - STRANGER CREEK 345KV CKT 1'
	FDNS	01NR		0	13G	G11_024	'TO->FROM'	'NORTHWEST - TATONGA7 345.00 345KV C'	1195	0.5746	103.0342		'EMPORIA ENERGY CENTER - SWISSVALE 345KV CKT 1'
	FDNS	01NR		0	13G	G11_024	'TO->FROM'	'NORTHWEST - TATONGA7 345.00 345KV C'	1195	0.57474	103.148		'EMPORIA ENERGY CENTER - WICHITA 345KV CKT 1'
	FDNS	01NR		0	13G	G11_024	'TO->FROM'	'NORTHWEST - TATONGA7 345.00 345KV C'	1195	0.57484	103.3381		'SWISSVALE - WEST GARDNER 345KV CKT 1'
	FDNS	01NR		0	13G	G11_024	'TO->FROM'	'NORTHWEST - TATONGA7 345.00 345KV C'	1195	0.57552	103.514		'CANEYRV7 345.00 - NEOSHO 345KV CKT 1'
	FDNS	01NR		0	13G	G11_024	'TO->FROM'	'NORTHWEST - TATONGA7 345.00 345KV C'	1195	0.57552	103.3972		'CANEYRV7 345.00 - LATHAMS7 345.00 345KV CKT 1'
	FDNS	01NR		0	13G	G11_024	'TO->FROM'	'NORTHWEST - TATONGA7 345.00 345KV C'	1195	0.57776	103.4208		'BENTON - ROSE HILL 345KV CKT 1'
	FDNS	01NR		0	13G	G11_024	'TO->FROM'	'NORTHWEST - TATONGA7 345.00 345KV C'	1195	0.57998	104.8463		'BENTON - WICHITA 345KV CKT 1'
CONT-LaC	FDNS	01NR		0	13G	G11_024	'TO->FROM'	'NORTHWEST - TATONGA7 345.00 345KV C'	1195	0.57551	103.4017		'LACYGNE - NEOSHO 345KV CKT 1'
	FDNS	01NR		0	13G	G11_024	'TO->FROM'	'NORTHWEST - TATONGA7 345.00 345KV C'	1195	0.57552	103.1507		'LATHAMS7 345.00 - ROSE HILL 345KV CKT 1'
	FDNS	01NR		0	13G	G11_024	'TO->FROM'	'NORTHWEST - TATONGA7 345.00 345KV C'	1195	0.58057	101.6363		'VIOLA 7 345.00 - WICHITA 345KV CKT 1'
	FDNS	01NR		0	13G	G11_024	'TO->FROM'	'NORTHWEST - TATONGA7 345.00 345KV C'	1195	0.58478	108.9733		'THISTLE7 345.00 - WICHITA 345KV CKT 1'
	FDNS	01NR		0	13G	G11_024	'TO->FROM'	'NORTHWEST - TATONGA7 345.00 345KV C'	1195	0.58478	108.9733		'THISTLE7 345.00 - WICHITA 345KV CKT 2'
	FDNS	01NR		0	13G	G11_024	'TO->FROM'	'NORTHWEST - TATONGA7 345.00 345KV C'	1195	0.5744	103.2746		'ANDERSONCO 345.00 - WOLF CREEK 345KV CKT 1'
	FDNS	01NR		0	13G	G11_024	'TO->FROM'	'NORTHWEST - TATONGA7 345.00 345KV C'	1195	0.57479	103.3005		'CIRCLE - MULLERGREN 230KV CKT 1'
	FDNS	01NR		0	13G	G11_024	'TO->FROM'	'NORTHWEST - TATONGA7 345.00 345KV C'	1195	0.57515	103.1527		'CLEARWATER - GILL ENERGY CENTER WEST 138KV CKT 1'
INVALID	FDNS	01NR		0	13G	G11_024	'TO->FROM'	'NORTHWEST - TATONGA7 345.00 345KV C'	1195	0.57515	103.2371		'CLEARWATER - MILAN TAP 138KV CKT 1'
	FDNS	01NR		0	13G	G11_024	'TO->FROM'	'NORTHWEST - TATONGA7 345.00 345KV C'	1195	0.57443	102.9475		'EVANS ENERGY CENTER NORTH - MAIZEW 4 138.00 138KV CKT 1'
	FDNS	01NR		0	13G	G11_024	'TO->FROM'	'NORTHWEST - TATONGA7 345.00 345KV C'	1195	0.57443	102.9478		'MAIZE - MAIZEW 4 138.00 138KV CKT 1'
INVALID	FDNS	01NR		0	13G	G11_024	'TO->FROM'	'NORTHWEST - TATONGA7 345.00 345KV C'	1195	0.57515	103.4082		'FLATRDG3 - HARPER 138KV CKT 1'
	FDNS	01NR		0	13G	G11_024	'TO->FROM'	'NORTHWEST - TATONGA7 345.00 345KV C'	1195	0.57512	103.1577		'FLATRDG3 - THISTLE4 138.00 138KV CKT 1'
INVALID	FDNS	01NR		0	13G	G11_024	'TO->FROM'	'NORTHWEST - TATONGA7 345.00 345KV C'	1195	0.57515	103.3078		'HARPER - MILAN TAP 138KV CKT 1'
	FDNS	01NR		0	13G	G11_024	'TO->FROM'	'NORTHWEST - TATONGA7 345.00 345KV C'	1195	0.57476	103.4824		'MULLERGREN - SPEARVILLE 230KV CKT 1'
CONT-LaC	FDNS	01NR		0	13G	G11_024	'TO->FROM'	'NORTHWEST - TATONGA7 345.00 345KV C'	1195	0.57433	102.2584		'LACYGNE - WEST GARDNER 345KV CKT 1'
CONT-LaC	FDNS	01NR		0	13G	G11_024	'TO->FROM'	'NORTHWEST - TATONGA7 345.00 345KV C'	1195	0.57426	102.2595		'LACYGNE - STILWELL 345KV CKT 1'
	FDNS	01NR		0	13G	G11_024	'TO->FROM'	'NORTHWEST - TATONGA7 345.00 345KV C'	1195	0.5744	103.3252		'ANDERSONCO 345.00 - LACYGNE 345KV CKT 1'
	FDNS	01NR		0	13G	G11_024	'TO->FROM'	'NORTHWEST - TATONGA7 345.00 345KV C'	1195	0.57484	102.0781		'BROOKLINE - SUB 383 - MONETT 345KV CKT 1'
	FDNS	01NR		0	13G	G11_024	'TO->FROM'	'NORTHWEST - TATONGA7 345.00 345KV C'	1195	0.57472	103.3833		'AXTELL - PAULINE 345KV CKT 1'
	FDNS	01NR		0	13G	G11_024	'TO->FROM'	'NORTHWEST - TATONGA7 345.00 345KV C'	1195	0.57533	102.9896		'GERALD GENTLEMAN STATION - RED WILLOW 345KV CKT 1'

EVENTTYPE	SOLUTIONTYPE	GROUP	SCENARIO	SEASON	SOURCE	DIRECTION	MONTH	COMMONNAME	RATEB	TDF	TC%LOADI	CONTNAME
	FDNS	01NR		0	13G	G11_024		'TO->FRON' NORTHWEST - TATONGA7 345.00 345KV C	1195	0.57433	103.0302	'GERALD GENTLEMAN STATION - SWEETWATER 345KV CKT 1'
	FDNS	01NR		0	13G	G11_024		'TO->FRON' NORTHWEST - TATONGA7 345.00 345KV C	1195	0.57443	103.0208	'GRAND ISLAND - MCCOOL 345KV CKT 1'
	FDNS	01NR		0	13G	G11_024		'TO->FRON' NORTHWEST - TATONGA7 345.00 345KV C	1195	0.57469	103.2927	'MOORE - PAULINE 345KV CKT 1'
	FDNS	01NR		0	13G	G11_024		'TO->FRON' NORTHWEST - TATONGA7 345.00 345KV C	1195	0.57469	103.6424	'GRAND ISLAND - SWEETWATER 345KV CKT 1'
	FDNS	01NR		0	13G	G11_024		'TO->FRON' NORTHWEST - TATONGA7 345.00 345KV C	1195	0.57431	102.9901	'MCADAMS - WOLF CREEK 500KV CKT 1'
	FDNS	01NR		0	13G	G11_024		'TO->FRON' NORTHWEST - TATONGA7 345.00 345KV C	1195	0.57422	102.9595	'7SAREPTA% 345.00 - ELDORADO EHV 345KV CKT 1'
	FDNS	01NR		0	13G	G11_024		'TO->FRON' NORTHWEST - TATONGA7 345.00 345KV C	1195	0.57422	102.9589	'ELDORADO EHV 500/345KV TRANSFORMER CKT 1'
	FDNS	01NR		0	13G	G11_024		'TO->FRON' NORTHWEST - TATONGA7 345.00 345KV C	1195	0.57438	102.3478	'ARKANSAS NUCLEAR ONE - MABELVALE 500 500KV CKT 1'
	FDNS	01NR		0	13G	G11_024		'TO->FRON' NORTHWEST - TATONGA7 345.00 345KV C	1195	0.57436	102.2552	'ARKANSAS NUCLEAR ONE - PLEASANT HILL 500KV CKT 1'
	FDNS	01NR		0	13G	G11_024		'TO->FRON' NORTHWEST - TATONGA7 345.00 345KV C	1195	0.57435	102.3857	'MAYFLOWER 500 - PLEASANT HILL 500KV CKT 1'
	FDNS	01NR		0	13G	G11_024		'TO->FRON' NORTHWEST - TATONGA7 345.00 345KV C	1195	0.57443	102.0931	'KEO EHV - WEST MEMPHIS 500 500KV CKT 1'
	FDNS	01NR		0	13G	G11_024		'TO->FRON' NORTHWEST - TATONGA7 345.00 345KV C	1195	0.57441	102.9521	'8HOLND BTM% 500.00 - INDEPENDENCE 500KV CKT 1'
	FDNS	01NR		0	13G	G11_024		'TO->FRON' NORTHWEST - TATONGA7 345.00 345KV C	1195	0.57436	102.2368	'DELL 500 - INDEPENDENCE 500KV CKT 1'
	FDNS	01NR		0	13G	G11_024		'TO->FRON' NORTHWEST - TATONGA7 345.00 345KV C	1195	0.57444	102.3519	'7MCCREDIE 345.00 - 7MONTGMRY 345.00 345KV CKT 1'
	FDNS	01NR		0	13G	G11_024		'TO->FRON' NORTHWEST - TATONGA7 345.00 345KV C	1195	0.57434	103.2769	'STEGALL - STEGALL TRANSFORMER 230KV CKT 1'
	FDNS	01NR		0	13G	G11_024		'TO->FRON' NORTHWEST - TATONGA7 345.00 345KV C	1195	0.57434	103.2694	'STEGALL - STEGALL TY 345KV CKT 1'
	FDNS	01NR		0	13G	G11_024		'TO->FRON' NORTHWEST - TATONGA7 345.00 345KV C	1195	0.57421	102.9624	'7SAREPTA% 345.00 - LONGWOOD 345KV CKT 1'
	FDNS	01NR		0	13G	G11_024		'TO->FRON' NORTHWEST - TATONGA7 345.00 345KV C	1195	0.57681	104.6104	'ELK CITY 230KV (ELKCTY-6) 230/138/13.8KV TRANSFORMER CKT 1'
	FDNS	01NR		0	13G	G11_024		'TO->FRON' NORTHWEST - TATONGA7 345.00 345KV C	1195	0.57468	103.0236	'SHAMROCK (SHAMRCK1) 115/69/14.4KV TRANSFORMER CKT 1'
	FDNS	01NR		0	13G	G11_024		'TO->FRON' NORTHWEST - TATONGA7 345.00 345KV C	1195	0.5752	103.2396	'WOODWARD (WOODWRD2) 138/69/13.2KV TRANSFORMER CKT 1'
	FDNS	01NR		0	13G	G11_024		'TO->FRON' NORTHWEST - TATONGA7 345.00 345KV C	1195	0.57499	103.2708	'KNOBHILL (KNOBHIL4) 138/69/13.2KV TRANSFORMER CKT 1'
	FDNS	01NR		0	13G	G11_024		'TO->FRON' NORTHWEST - TATONGA7 345.00 345KV C	1195	0.57299	101.7093	'NORTHWEST (NORTWST2) 345/138/13.8KV TRANSFORMER CKT 1'
	FDNS	01NR		0	13G	G11_024		'TO->FRON' NORTHWEST - TATONGA7 345.00 345KV C	1195	0.5731	101.9159	'NORTHWEST (NORTWST3) 345/138/13.8KV TRANSFORMER CKT 1'
	FDNS	01NR		0	13G	G11_024		'TO->FRON' NORTHWEST - TATONGA7 345.00 345KV C	1195	0.57654	102.2477	'WOODWARD DISTRICT EHV (WWDEHV) 345/138/13.8KV TRANSFORMER CKT 1'
	FDNS	01NR		0	13G	G11_024		'TO->FRON' NORTHWEST - TATONGA7 345.00 345KV C	1195	0.57653	102.1748	'WOODWARD DISTRICT EHV (WWDEHV-T2) 345/138/13.8KV TRANSFORMER CKT 2'
	FDNS	01NR		0	13G	G11_024		'TO->FRON' NORTHWEST - TATONGA7 345.00 345KV C	1195	0.57554	104.0456	'POTTER COUNTY INTERCHANGE (WAUK 90343-A) 345/230/13.2KV TRANSFORMER CKT 1'
	FDNS	01NR		0	13G	G11_024		'TO->FRON' NORTHWEST - TATONGA7 345.00 345KV C	1195	0.57512	103.1578	'THISTLE7 345.00 (THISTLE T1) 345/138/13.8KV TRANSFORMER CKT 1'
	FDNS	01NR		0	13G	G11_024		'TO->FRON' NORTHWEST - TATONGA7 345.00 345KV C	1195	0.5744	102.2747	'8BHAM STEEL 500.00 - WEST MEMPHIS 500 500KV CKT 1'
	FDNS	01NR		0	13G	G11_024		'TO->FRON' NORTHWEST - TATONGA7 345.00 345KV C	1195	0.65502	137.1483	'DBL-THIS-WWR'
	FDNS	01NR		0	13G	G11_024		'TO->FRON' NORTHWEST - TATONGA7 345.00 345KV C	1195	0.57512	102.3987	'DBL-THIS-CLR'
	FDNS	01NR		0	13G	G11_024		'TO->FRON' NORTHWEST - TATONGA7 345.00 345KV C	1195	0.57421	100.6348	'SPP-AEPW-01'
	FDNS	01NR		0	13G	G11_024		'TO->FRON' NORTHWEST - TATONGA7 345.00 345KV C	1195	0.58994	106.8971	'SPP-AEPW-32'
	FDNS	01NR		0	13G	G11_024		'TO->FRON' NORTHWEST - TATONGA7 345.00 345KV C	1195	0.57432	101.9977	'GRDA-OPGD-05'
	FDNS	01NR		0	13G	G11_024		'TO->FRON' NORTHWEST - TATONGA7 345.00 345KV C	1195	0.57448	102.3399	'KCPL-MSL#03'
	FDNS	01NR		0	13G	G11_024		'TO->FRON' NORTHWEST - TATONGA7 345.00 345KV C	1195	0.57433	102.9573	'KCPL-OPGD06A'
	FDNS	01NR		0	13G	G11_024		'TO->FRON' NORTHWEST - TATONGA7 345.00 345KV C	1195	0.57434	103.2763	'TRF-STEGALL'
	FDNS	01NR		0	13G	G11_024		'TO->FRON' NORTHWEST - TATONGA7 345.00 345KV C	1195	0.57596	102.999	'OGE3TERM1'
	FDNS	01NR		0	13G	G11_024		'TO->FRON' NORTHWEST - TATONGA7 345.00 345KV C	1195	0.57532	102.1472	'OGE3TERM7'
	FDNS	01NR		0	13G	G11_024		'TO->FRON' NORTHWEST - TATONGA7 345.00 345KV C	1195	0.57382	102.2836	'OGE3TERM14'
	FDNS	01NR		0	13G	G11_024		'TO->FRON' NORTHWEST - TATONGA7 345.00 345KV C	1195	0.57423	102.6667	'NC1_GEN-NEBRASKA CITY 1'
	FDNS	01NR		0	13G	G11_024		'TO->FRON' NORTHWEST - TATONGA7 345.00 345KV C	1195	0.59001	105.9169	'SPP-SWPS-01'
	FDNS	01NR		0	13G	G11_024		'TO->FRON' NORTHWEST - TATONGA7 345.00 345KV C	1195	0.57681	104.6152	'SPP-SWPS-02A'
	FDNS	01NR		0	13G	G11_024		'TO->FRON' NORTHWEST - TATONGA7 345.00 345KV C	1195	0.5769	104.3006	'SPP-SWPS-03'
	FDNS	01NR		0	13G	G11_024		'TO->FRON' NORTHWEST - TATONGA7 345.00 345KV C	1195	0.57554	103.1731	'SPP-SWPS-04'

EVENT	TYP	SOLUTION	TYPE	GROUP	SCENARIO	SEASON	SOURCE	DIRECTION	MON	COMMON	NAME	RATE	B	TDF	TC%	LOAD	CONT	NAME
		FDNS		01NR		0	13G	G11_024	TO->FRON	NORTHWEST - TATONGA7	345.00 345KV	0	1195	0.58219	105.2576		'SPP-SWPS-05'	
		FDNS		01NR		0	13G	G11_024	TO->FRON	NORTHWEST - TATONGA7	345.00 345KV	0	1195	0.57458	102.9587		'SPP-SWPS-K31'	
		FDNS		01NR		0	13G	G11_024	TO->FRON	NORTHWEST - TATONGA7	345.00 345KV	0	1195	0.57468	103.0147		'SPP-SWPS-T54'	
		FDNS		01NR		0	13G	G11_024	TO->FRON	NORTHWEST - TATONGA7	345.00 345KV	0	1195	0.57515	103.2372		'SPP-MKEC-05'	
		FDNS		01NR		0	13G	G11_024	TO->FRON	NORTHWEST - TATONGA7	345.00 345KV	0	1195	0.57531	103.5242		'SPP-MKEC-08'	
		FDNS		01NR		0	13G	G11_024	TO->FRON	NORTHWEST - TATONGA7	345.00 345KV	0	1195	0.57515	103.2416		'SPP-WEPL-03'	
		FDNS		01NR		0	13G	G11_024	TO->FRON	NORTHWEST - TATONGA7	345.00 345KV	0	1195	0.57515	103.2412		'SPP-WEPL-03A'	
		FDNS		01NR		0	13G	G11_024	TO->FRON	NORTHWEST - TATONGA7	345.00 345KV	0	1195	0.57532	102.0792		'SPP-WERE-07C'	
		FDNS		01NR		0	13G	G11_024	TO->FRON	NORTHWEST - TATONGA7	345.00 345KV	0	1195	0.57443	102.9478		'SPP-WERE-91'	
		FDNS		01NR		0	13G	G11_024	TO->FRON	NORTHWEST - TATONGA7	345.00 345KV	0	1195	0.57457	103.7823		'WRTOD400'	
		FDNS		01NR		0	13G	G11_024	TO->FRON	NORTHWEST - TATONGA7	345.00 345KV	0	1195	0.57484	102.0771		'AI12'	
		FDNS		01NR		0	13G	G11_024	TO->FRON	NORTHWEST - TATONGA7	345.00 345KV	0	1195	0.5744	102.271		'AMRN_OUTSS'	
		FDNS		01NR		0	13G	G11_024	TO->FRON	NORTHWEST - TATONGA7	345.00 345KV	0	1195	0.57448	102.3399		'MTGY-OVER-5'	
		FDNS		01NR		0	13G	G11_024	TO->FRON	NORTHWEST - TATONGA7	345.00 345KV	0	1195	0.57422	102.9595		'A222'	
		FDNS		01NR		0	13G	G11_024	TO->FRON	NORTHWEST - TATONGA7	345.00 345KV	0	1195	0.57423	102.9781		'GEN300003 1-THOMAS HILL UNIT 3'	
		FDNS		01NR		0	13G	G11_024	TO->FRON	NORTHWEST - TATONGA7	345.00 345KV	0	1195	0.57423	103.7985		'GEN300006 1-NEW MADRID UNIT 1'	
		FDNS		01NR		0	13G	G11_024	TO->FRON	NORTHWEST - TATONGA7	345.00 345KV	0	1195	0.57423	103.7914		'GEN300007 1-NEW MADRID UNIT 2'	
		FDNS		01NR		0	13G	G11_024	TO->FRON	NORTHWEST - TATONGA7	345.00 345KV	0	1195	0.57423	103.0613		'GEN300016 1-1G1GPDEL 18.000'	
		FDNS		01NR		0	13G	G11_024	TO->FRON	NORTHWEST - TATONGA7	345.00 345KV	0	1195	0.57423	103.2727		'GEN300020 1-1CHOTCT4 16.000'	
		FDNS		01NR		0	13G	G11_024	TO->FRON	NORTHWEST - TATONGA7	345.00 345KV	0	1195	0.57423	103.2728		'GEN300021 1-1CHOTCT5 16.000'	
		FDNS		01NR		0	13G	G11_024	TO->FRON	NORTHWEST - TATONGA7	345.00 345KV	0	1195	0.57423	103.2961		'GEN300024 1-1CHOTST6 16.000'	
		FDNS		01NR		0	13G	G11_024	TO->FRON	NORTHWEST - TATONGA7	345.00 345KV	0	1195	0.57423	103.2959		'GEN300031 1-CHOUTEAU CTG 1'	
		FDNS		01NR		0	13G	G11_024	TO->FRON	NORTHWEST - TATONGA7	345.00 345KV	0	1195	0.57423	103.2727		'GEN300032 1-CHOUTEAU CTG 2'	
		FDNS		01NR		0	13G	G11_024	TO->FRON	NORTHWEST - TATONGA7	345.00 345KV	0	1195	0.57423	103.2727		'GEN300033 1-CHOUTEAU STG 3'	
		FDNS		01NR		0	13G	G11_024	TO->FRON	NORTHWEST - TATONGA7	345.00 345KV	0	1195	0.57423	103.3645		'GEN301380 1-1OSAGEWIND 34.500'	
		FDNS		01NR		0	13G	G11_024	TO->FRON	NORTHWEST - TATONGA7	345.00 345KV	0	1195	0.57423	102.9594		'GEN303003 1-1BC1 U3'	
		FDNS		01NR		0	13G	G11_024	TO->FRON	NORTHWEST - TATONGA7	345.00 345KV	0	1195	0.57423	102.9594		'GEN303004 1-1BC1 U4'	
		FDNS		01NR		0	13G	G11_024	TO->FRON	NORTHWEST - TATONGA7	345.00 345KV	0	1195	0.57423	104.1922		'GEN303006 1-1BC2 U1'	
		FDNS		01NR		0	13G	G11_024	TO->FRON	NORTHWEST - TATONGA7	345.00 345KV	0	1195	0.57423	104.6648		'GEN303007 1-1BC2 U2'	
		FDNS		01NR		0	13G	G11_024	TO->FRON	NORTHWEST - TATONGA7	345.00 345KV	0	1195	0.57423	104.0708		'GEN303008 1-1BC2 U3'	
		FDNS		01NR		0	13G	G11_024	TO->FRON	NORTHWEST - TATONGA7	345.00 345KV	0	1195	0.57423	103.166		'GEN303024 1-1G3INTHB 18.000'	
NCONV		FNSL-Blown up		02ALL		0	13G	G11_024		Non-Converged Contingency			1195	0.49748	89.21449		'NORTHWEST - TATONGA7 345.00 345KV CKT 1'	
NCONV		FNSL-Blown up		02ALL		0	13G	G11_024		Non-Converged Contingency		1052	0.04726	65.83252			'FINNEY SWITCHING STATION - Hitchland Interchange 345KV CKT 1'	
NCONV		FNSL-Blown up		02ALL		0	13G	G11_024		Non-Converged Contingency		1052	0.04726	70.96961			'FINNEY SWITCHING STATION - HOLCOMB 345KV CKT 1'	
NCONV		FNSL-Blown up		02ALL		0	13G	G11_024		Non-Converged Contingency		0	0.04726	9999			'SPP-SWPS-05'	
NCONV		FNSL-Blown up		03ALL		0	13G	G11_024		Non-Converged Contingency		1195	0.49656	78.9142			'NORTHWEST - TATONGA7 345.00 345KV CKT 1'	
NCONV		FNSL-Blown up		03ALL		0	13G	G11_024		Non-Converged Contingency		1052	0.05167	22.06532			'Hitchland Interchange - POTTER COUNTY INTERCHANGE 345KV CKT 1'	
NCONV		FNSL-Blown up		03ALL		0	13G	G11_024		Non-Converged Contingency		1792	0.03509	49.45027			'G11-17T 345.00 - POST ROCK 345KV CKT 1'	
NCONV		FNSL-Blown up		03ALL		0	13G	G11_024		Non-Converged Contingency		1792	0.03318	32.65164			'AXTELL - POST ROCK 345KV CKT 1'	
NCONV		FNSL-Blown up		03ALL		0	13G	G11_024		Non-Converged Contingency		1328	0.0308	34.90823			'HOLCOMB - SETAB 345KV CKT 1'	
NCONV		FNSL-Blown up		03ALL		0	13G	G11_024		Non-Converged Contingency		1792	0.03509	30.84333			'G11-17T 345.00 - SPEARVILLE 345KV CKT 1'	
NCONV		FNSL-Blown up		03ALL		0	13G	G11_024		Non-Converged Contingency		1051	0.03697	22.12694			'JEFFREY ENERGY CENTER - SUMMIT 345KV CKT 1'	
NCONV		FNSL-Blown up		03ALL		0	13G	G11_024		Non-Converged Contingency		956	0.05277	26.72794			'EMPORIA ENERGY CENTER - WICHITA 345KV CKT 1'	
NCONV		FNSL-Blown up		03ALL		0	13G	G11_024		Non-Converged Contingency		1792	0.07129	43.40387			'THISTLE7 345.00 - WICHITA 345KV CKT 1'	
NCONV		FNSL-Blown up		03ALL		0	13G	G11_024		Non-Converged Contingency		1792	0.07129	43.40387			'THISTLE7 345.00 - WICHITA 345KV CKT 2'	
NCONV		FNSL-Blown up		03ALL		0	13G	G11_024		Non-Converged Contingency		559	0.05167	56.24506			'POTTER COUNTY INTERCHANGE (WAUK 90343-A) 345/230/13.2KV TRANSFORMER CKT 1'	
NCONV		FNSL-Blown up		03ALL		0	13G	G11_024		Non-Converged Contingency		0	0.14258	9999			'DBL-WICH-THI'	
NCONV		FNSL-Blown up		03ALL		0	13G	G11_024		Non-Converged Contingency		0	0.0363	9999			'SPP-SWPS-01'	
CONT-040	FDNS			01G11_024		0	13G	G11_024	TO->FRON	NORTHWEST - TATONGA7	345.00 345KV	0	1195	0.50294	109.7711		'HOYT - JEFFREY ENERGY CENTER 345KV CKT 1'	
CONT-040	FDNS		1			0	13G	G11_024	TO->FRON	NORTHWEST - TATONGA7	345.00 345KV	0	1195	0.50271	98.3		'HOYT - JEFFREY ENERGY CENTER 345KV CKT 1'	
CONT-080	FDNS			01G11_024		0	13G	G11_024	TO->FRON	NORTHWEST - TATONGA7	345.00 345KV	0	1195	0.50298	109.5116		'HOYT - STRANGER CREEK 345KV CKT 1'	
CONT-080	FDNS		1			0	13G	G11_024	TO->FRON	NORTHWEST - TATONGA7	345.00 345KV	0	1195	0.50276	98.1		'HOYT - STRANGER CREEK 345KV CKT 1'	
CONT-LaC	FDNS			01G11_024		0	13G	G11_024	TO->FRON	NORTHWEST - TATONGA7	345.00 345KV	0	1195	0.50217	109.3913		'LACYGNE - NEOSHO 345KV CKT 1'	

EVENTTYPE	SOLUTIONTYPE	GROUP	SCENARIO	SEASON	SOURCE	DIRECTION	MONTCOMMONNAME	RATEB	TDF	TC%LOADI	CONTNAME	
CONT-LaC	FDNS		1	0	13G	G11_024	'TO->FRON'	'NORTHWEST - TATONGA7 345.00 345KV C	1195	0.50193	98	'LACYGNE - NEOSHO 345KV CKT 1'
CONT-LaC	FDNS	01G11_024		0	13G	G11_024	'TO->FRON'	'NORTHWEST - TATONGA7 345.00 345KV C	1195	0.50257	108.2796	'LACYGNE - WEST GARDNER 345KV CKT 1'
CONT-LaC	FDNS		1	0	13G	G11_024	'TO->FRON'	'NORTHWEST - TATONGA7 345.00 345KV C	1195	0.50234	96.9	'LACYGNE - WEST GARDNER 345KV CKT 1'
CONT-LaC	FDNS	01G11_024		0	13G	G11_024	'TO->FRON'	'NORTHWEST - TATONGA7 345.00 345KV C	1195	0.50254	108.2778	'LACYGNE - STILWELL 345KV CKT 1'
CONT-LaC	FDNS		1	0	13G	G11_024	'TO->FRON'	'NORTHWEST - TATONGA7 345.00 345KV C	1195	0.50232	96.9	'LACYGNE - STILWELL 345KV CKT 1'
CONT-TOD	FDNS	01G11_024		0	13G	G11_024	'TO->FRON'	'NORTHWEST - TATONGA7 345.00 345KV C	1195	0.50242	109.0152	'DOLET HILLS - SOUTHWEST SHREVEPORT 345KV CKT 1'
CONT-TOD	FDNS		1	0	13G	G11_024	'TO->FRON'	'NORTHWEST - TATONGA7 345.00 345KV C	1195	0.5022	97.6	'DOLET HILLS - SOUTHWEST SHREVEPORT 345KV CKT 1'
INVALID	FDNS	01G11_024		0	13G	G11_024	'TO->FRON'	'NORTHWEST - TATONGA7 345.00 345KV C	1195	0.50246	108.1564	'FLINT CREEK - SILOAM SPRINGS TAP 345KV CKT 1'
INVALID	FDNS	01G11_024		0	13G	G11_024	'TO->FRON'	'NORTHWEST - TATONGA7 345.00 345KV C	1195	0.50267	107.5109	'EASTDC - WELSH 345KV CKT 1'
INVALID	FDNS	01G11_024		0	13G	G11_024	'TO->FRON'	'NORTHWEST - TATONGA7 345.00 345KV C	1195	0.50254	118.1599	'LAWTON EASTSIDE - OKLAUNION 345KV CKT 1'
INVALID	FDNS	01G11_024		0	13G	G11_024	'TO->FRON'	'NORTHWEST - TATONGA7 345.00 345KV C	1195	0.50243	108.0184	'GRDA1 - SILOAM SPRINGS TAP 345KV CKT 1'
INVALID	FDNS	01G11_024		0	13G	G11_024	'TO->FRON'	'NORTHWEST - TATONGA7 345.00 345KV C	1195	0.50341	109.2701	'CLEARWATER - MILAN TAP 138KV CKT 1'
INVALID	FDNS	01G11_024		0	13G	G11_024	'TO->FRON'	'NORTHWEST - TATONGA7 345.00 345KV C	1195	0.50341	109.4431	'FLATRDG3 - HARPER 138KV CKT 1'
INVALID	FDNS	01G11_024		0	13G	G11_024	'TO->FRON'	'NORTHWEST - TATONGA7 345.00 345KV C	1195	0.50341	109.3422	'HARPER - MILAN TAP 138KV CKT 1'
INVALID	FDNS		1	0	13G	G11_024	'TO->FRON'	'NORTHWEST - TATONGA7 345.00 345KV C	1195	0.50224	96.75201	'FLINT CREEK - SILOAM SPRINGS TAP 345KV CKT 1'
INVALID	FDNS		1	0	13G	G11_024	'TO->FRON'	'NORTHWEST - TATONGA7 345.00 345KV C	1195	0.50245	96.09587	'EASTDC - WELSH 345KV CKT 1'
INVALID	FDNS		1	0	13G	G11_024	'TO->FRON'	'NORTHWEST - TATONGA7 345.00 345KV C	1195	0.50231	106.3448	'LAWTON EASTSIDE - OKLAUNION 345KV CKT 1'
INVALID	FDNS		1	0	13G	G11_024	'TO->FRON'	'NORTHWEST - TATONGA7 345.00 345KV C	1195	0.5022	96.6122	'GRDA1 - SILOAM SPRINGS TAP 345KV CKT 1'
INVALID	FDNS		1	0	13G	G11_024	'TO->FRON'	'NORTHWEST - TATONGA7 345.00 345KV C	1195	0.50319	97.82594	'CLEARWATER - MILAN TAP 138KV CKT 1'
INVALID	FDNS		1	0	13G	G11_024	'TO->FRON'	'NORTHWEST - TATONGA7 345.00 345KV C	1195	0.50319	97.99606	'FLATRDG3 - HARPER 138KV CKT 1'
INVALID	FDNS		1	0	13G	G11_024	'TO->FRON'	'NORTHWEST - TATONGA7 345.00 345KV C	1195	0.50319	97.89535	'HARPER - MILAN TAP 138KV CKT 1'
NCONV	FNSL-Blown up	01G11_024		0	13G	G11_024		Non-converged contingency	1195	0.50267	108.6911	'NORTHWEST - TATONGA7 345.00 345KV CKT 1'
NCONV	FNSL-Blown up	01G11_024		0	13G	G11_024		Non-converged contingency	1775	0.49733	8.702708	'TATONGA7 345.00 - WOODWARD DISTRICT EHV 345KV CKT 1'
NCONV	FNSL-Blown up		3	0	13G	G11_024		Non-converged contingency	1792	0.03886	46.31664	'G11-17T 345.00 - POST ROCK 345KV CKT 1'
NCONV	FNSL-Blown up		3	0	13G	G11_024		Non-converged contingency	0	0.15156	9999	'DBL-WICH-THI'
	FDNS	01G11_024		0	13G	G11_024	'TO->FRON'	'NORTHWEST - TATONGA7 345.00 345KV C	1195	0.50267	108.6911	'BASE CASE'
	FDNS	01G11_024		0	13G	G11_024	'TO->FRON'	'NORTHWEST - TATONGA7 345.00 345KV C	1195	0.50227	108.0803	'FLINT CREEK - SUB 383 - MONETT 345KV CKT 1'
	FDNS	01G11_024		0	13G	G11_024	'TO->FRON'	'NORTHWEST - TATONGA7 345.00 345KV C	1195	0.50245	107.9435	'CHAMBER SPRINGS - CLARKSVILLE 345KV CKT 1'
	FDNS	01G11_024		0	13G	G11_024	'TO->FRON'	'NORTHWEST - TATONGA7 345.00 345KV C	1195	0.50209	108.2498	'LYDIA - WELSH 345KV CKT 1'
	FDNS	01G11_024		0	13G	G11_024	'TO->FRON'	'NORTHWEST - TATONGA7 345.00 345KV C	1195	0.50032	106.6221	'LYDIA - VALLIANT 345KV CKT 1'
	FDNS	01G11_024		0	13G	G11_024	'TO->FRON'	'NORTHWEST - TATONGA7 345.00 345KV C	1195	0.50274	108.353	'CLARKSVILLE - MUSKOGEE 345KV CKT 1'
	FDNS	01G11_024		0	13G	G11_024	'TO->FRON'	'NORTHWEST - TATONGA7 345.00 345KV C	1195	0.49823	107.2941	'REDBUD - RIVERSIDE STATION 345KV CKT 1'
	FDNS	01G11_024		0	13G	G11_024	'TO->FRON'	'NORTHWEST - TATONGA7 345.00 345KV C	1195	0.50223	106.9086	'DELAWARE - NORTHEAST STATION 345KV CKT 1'
	FDNS	01G11_024		0	13G	G11_024	'TO->FRON'	'NORTHWEST - TATONGA7 345.00 345KV C	1195	0.50221	107.6719	'DELAWARE - NEOSHO 345KV CKT 1'
	FDNS	01G11_024		0	13G	G11_024	'TO->FRON'	'NORTHWEST - TATONGA7 345.00 345KV C	1195	0.50259	108.4005	'BARTLESVILLE SOUTHEAST - NORTH BARTLESVILLE 138KV CKT 1'
	FDNS	01G11_024		0	13G	G11_024	'TO->FRON'	'NORTHWEST - TATONGA7 345.00 345KV C	1195	0.50259	108.4097	'COFFEYVILLE TAP - NORTH BARTLESVILLE 138KV CKT 1'
	FDNS	01G11_024		0	13G	G11_024	'TO->FRON'	'NORTHWEST - TATONGA7 345.00 345KV C	1195	0.50156	107.7654	'PITTSBURG - VALLIANT 345KV CKT 1'
	FDNS	01G11_024		0	13G	G11_024	'TO->FRON'	'NORTHWEST - TATONGA7 345.00 345KV C	1195	0.50079	107.6334	'PITTSBURG - SEMINOLE 345KV CKT 1'
	FDNS	01G11_024		0	13G	G11_024	'TO->FRON'	'NORTHWEST - TATONGA7 345.00 345KV C	1195	0.5032	109.481	'CLINTON AIR FORCE BASE TAP - ELK CITY 138KV CKT 1'
	FDNS	01G11_024		0	13G	G11_024	'TO->FRON'	'NORTHWEST - TATONGA7 345.00 345KV C	1195	0.5032	109.445	'CLINTON AIR FORCE BASE TAP - HOBART JUNCTION 138KV CKT 1'
	FDNS	01G11_024		0	13G	G11_024	'TO->FRON'	'NORTHWEST - TATONGA7 345.00 345KV C	1195	0.50254	111.7263	'OKLAUNION - TUCO INTERCHANGE 345KV CKT 1'
	FDNS	01G11_024		0	13G	G11_024	'TO->FRON'	'NORTHWEST - TATONGA7 345.00 345KV C	1195	0.50298	109.7146	'CLINTON JUNCTION - ELK CITY 138KV CKT 1'
	FDNS	01G11_024		0	13G	G11_024	'TO->FRON'	'NORTHWEST - TATONGA7 345.00 345KV C	1195	0.50357	109.3581	'ELK CITY - RED HILLS WIND 138KV CKT 1'
	FDNS	01G11_024		0	13G	G11_024	'TO->FRON'	'NORTHWEST - TATONGA7 345.00 345KV C	1195	0.50369	109.6508	'LAWTON EASTSIDE - SUNNYSIDE 345KV CKT 1'
	FDNS	01G11_024		0	13G	G11_024	'TO->FRON'	'NORTHWEST - TATONGA7 345.00 345KV C	1195	0.50017	107.729	'GRACEMONT - LAWTON EASTSIDE 345KV CKT 1'
	FDNS	01G11_024		0	13G	G11_024	'TO->FRON'	'NORTHWEST - TATONGA7 345.00 345KV C	1195	0.50256	109.0573	'WEATHERFORD JCT. - WEATHERFORD SOUTHEAST 138KV CKT 1'
	FDNS	01G11_024		0	13G	G11_024	'TO->FRON'	'NORTHWEST - TATONGA7 345.00 345KV C	1195	0.50173	110.698	'ELK CITY 230KV - SWEETWATER 230KV CKT 1'
	FDNS	01G11_024		0	13G	G11_024	'TO->FRON'	'NORTHWEST - TATONGA7 345.00 345KV C	1195	0.50261	109.0382	'WEATHERFORD TAP - WEATHERFORD WIND FARM 138KV CKT 1'
	FDNS	01G11_024		0	13G	G11_024	'TO->FRON'	'NORTHWEST - TATONGA7 345.00 345KV C	1195	0.50173	108.6911	'STATELINE INTERCHANGE - SWEETWATER 230KV CKT &1'
	FDNS	01G11_024		0	13G	G11_024	'TO->FRON'	'NORTHWEST - TATONGA7 345.00 345KV C	1195	0.50266	109.0519	'MCLEAN RURAL SUB - SHAMROCK 115KV CKT 1'
	FDNS	01G11_024		0	13G	G11_024	'TO->FRON'	'NORTHWEST - TATONGA7 345.00 345KV C	1195	0.50198	108.3605	'CLEVELAND - SOONER 345KV CKT 1'

EVENTTYPE	SOLUTIONTYPE	GROUP	SCENARIO	SEASON	SOURCE	DIRECTION	MONTH	COMMONNAME	RATEB	TDF	TC%LOAD	CONTNAME
	FDNS	01G11_024		0	13G	G11_024	TO->FRON	'NORTHWEST - TATONGA7 345.00 345KV C	1195	0.50371	109.021	'HENESSEY - WAUKOMIS 138KV CKT 1'
	FDNS	01G11_024		0	13G	G11_024	TO->FRON	'NORTHWEST - TATONGA7 345.00 345KV C	1195	0.5008	109.5916	'HUNTERS7 345.00 - WOODRING 345KV CKT 1'
	FDNS	01G11_024		0	13G	G11_024	TO->FRON	'NORTHWEST - TATONGA7 345.00 345KV C	1195	0.50312	109.01	'KNOBHILL - SALINE 69KV CKT 1'
	FDNS	01G11_024		0	13G	G11_024	TO->FRON	'NORTHWEST - TATONGA7 345.00 345KV C	1195	0.50259	108.1753	'KILDARE4 - NEWKIRK4 138KV CKT 1'
	FDNS	01G11_024		0	13G	G11_024	TO->FRON	'NORTHWEST - TATONGA7 345.00 345KV C	1195	0.50267	108.2825	'KILDARE4 - WHITE EAGLE 138KV CKT 1'
	FDNS	01G11_024		0	13G	G11_024	TO->FRON	'NORTHWEST - TATONGA7 345.00 345KV C	1195	0.50371	109.0885	'DOVER SW - HENESSEY 138KV CKT 1'
	FDNS	01G11_024		0	13G	G11_024	TO->FRON	'NORTHWEST - TATONGA7 345.00 345KV C	1195	0.50474	110.5402	'CLEO CORNER - GLASS MOUNTAIN 138KV CKT 1'
	FDNS	01G11_024		0	13G	G11_024	TO->FRON	'NORTHWEST - TATONGA7 345.00 345KV C	1195	0.50526	110.5475	'CLEO CORNER - MEN TAP 138KV CKT 1'
	FDNS	01G11_024		0	13G	G11_024	TO->FRON	'NORTHWEST - TATONGA7 345.00 345KV C	1195	0.50376	109.0509	'WOODWARD - WOODWARD EHV 138KV CKT 1'
	FDNS	01G11_024		0	13G	G11_024	TO->FRON	'NORTHWEST - TATONGA7 345.00 345KV C	1195	0.50911	111.8324	'FPL SWITCH - WOODWARD 138KV CKT 1'
	FDNS	01G11_024		0	13G	G11_024	TO->FRON	'NORTHWEST - TATONGA7 345.00 345KV C	1195	0.5052	109.9474	'DEWEY - IODINE 138KV CKT 1'
	FDNS	01G11_024		0	13G	G11_024	TO->FRON	'NORTHWEST - TATONGA7 345.00 345KV C	1195	0.50587	112.1684	'DEWEY - SOUTHARD 138KV CKT 1'
	FDNS	01G11_024		0	13G	G11_024	TO->FRON	'NORTHWEST - TATONGA7 345.00 345KV C	1195	0.50474	110.6048	'GLASS MOUNTAIN - MOORELAND 138KV CKT 1'
	FDNS	01G11_024		0	13G	G11_024	TO->FRON	'NORTHWEST - TATONGA7 345.00 345KV C	1195	0.50526	110.4852	'IMO TAP - MEN TAP 138KV CKT 1'
	FDNS	01G11_024		0	13G	G11_024	TO->FRON	'NORTHWEST - TATONGA7 345.00 345KV C	1195	0.50315	109.3184	'KNOBHILL - MOORELAND 138KV CKT 1'
	FDNS	01G11_024		0	13G	G11_024	TO->FRON	'NORTHWEST - TATONGA7 345.00 345KV C	1195	0.5052	110.0002	'IODINE - WOODWARD EHV 138KV CKT 1'
	FDNS	01G11_024		0	13G	G11_024	TO->FRON	'NORTHWEST - TATONGA7 345.00 345KV C	1195	0.49848	106.8391	'GRACEMONT - MINCO 345KV CKT 1'
	FDNS	01G11_024		0	13G	G11_024	TO->FRON	'NORTHWEST - TATONGA7 345.00 345KV C	1195	0.49053	108.5231	'SOONER - SPRING CREEK 345KV CKT 1'
	FDNS	01G11_024		0	13G	G11_024	TO->FRON	'NORTHWEST - TATONGA7 345.00 345KV C	1195	0.50061	107.4085	'ROSE HILL - SOONER 345KV CKT 1'
	FDNS	01G11_024		0	13G	G11_024	TO->FRON	'NORTHWEST - TATONGA7 345.00 345KV C	1195	0.50259	108.1508	'CRESWELL - MIDLTNT4 138.00 138KV CKT 1'
	FDNS	01G11_024		0	13G	G11_024	TO->FRON	'NORTHWEST - TATONGA7 345.00 345KV C	1195	0.50587	111.6619	'EL RENO - ROMAN NOSE 138KV CKT 1'
	FDNS	01G11_024		0	13G	G11_024	TO->FRON	'NORTHWEST - TATONGA7 345.00 345KV C	1195	0.50587	111.8579	'ROMAN NOSE - SOUTHARD 138KV CKT 1'
	FDNS	01G11_024		0	13G	G11_024	TO->FRON	'NORTHWEST - TATONGA7 345.00 345KV C	1195	0.50233	108.3973	'NORTHWEST - PANTHER 138KV CKT 1'
	FDNS	01G11_024		0	13G	G11_024	TO->FRON	'NORTHWEST - TATONGA7 345.00 345KV C	1195	0.49053	108.5209	'NORTHWEST - SPRING CREEK 345KV CKT 1'
	FDNS	01G11_024		0	13G	G11_024	TO->FRON	'NORTHWEST - TATONGA7 345.00 345KV C	1195	0.48217	104.694	'CIMARRON - NORTHWEST 345KV CKT 1'
	FDNS	01G11_024		0	13G	G11_024	TO->FRON	'NORTHWEST - TATONGA7 345.00 345KV C	1195	0.49119	107.962	'ARCADIA - NORTHWEST 345KV CKT 1'
	FDNS	01G11_024		0	13G	G11_024	TO->FRON	'NORTHWEST - TATONGA7 345.00 345KV C	1195	0.50081	107.9003	'CIMARRON - DRAPER LAKE 345KV CKT 1'
	FDNS	01G11_024		0	13G	G11_024	TO->FRON	'NORTHWEST - TATONGA7 345.00 345KV C	1195	0.49888	110.5346	'CIMARRON - G11-007T 345.00 345KV CKT 1'
	FDNS	01G11_024		0	13G	G11_024	TO->FRON	'NORTHWEST - TATONGA7 345.00 345KV C	1195	0.50107	107.8782	'ARCADIA - SEMINOLE 345KV CKT 1'
	FDNS	01G11_024		0	13G	G11_024	TO->FRON	'NORTHWEST - TATONGA7 345.00 345KV C	1195	0.50267	109.007	'MCELROY - STILLWATER 138KV CKT 1'
	FDNS	01G11_024		0	13G	G11_024	TO->FRON	'NORTHWEST - TATONGA7 345.00 345KV C	1195	0.50272	109.1016	'MORISNT4 138.00 - STILLWATER 138KV CKT 1'
	FDNS	01G11_024		0	13G	G11_024	TO->FRON	'NORTHWEST - TATONGA7 345.00 345KV C	1195	0.50177	107.9598	'FT SMITH - MUSKOGEE 345KV CKT 1'
	FDNS	01G11_024		0	13G	G11_024	TO->FRON	'NORTHWEST - TATONGA7 345.00 345KV C	1195	0.51661	114.1205	'BORDER 7345.00 - WOODWARD DISTRICT EHV 345KV CKT 1'
	FDNS	01G11_024		0	13G	G11_024	TO->FRON	'NORTHWEST - TATONGA7 345.00 345KV C	1195	0.52386	117.7401	'THISTLE7 345.00 - WOODWARD DISTRICT EHV 345KV CKT 1'
	FDNS	01G11_024		0	13G	G11_024	TO->FRON	'NORTHWEST - TATONGA7 345.00 345KV C	1195	0.52386	117.7401	'THISTLE7 345.00 - WOODWARD DISTRICT EHV 345KV CKT 2'
	FDNS	01G11_024		0	13G	G11_024	TO->FRON	'NORTHWEST - TATONGA7 345.00 345KV C	1195	0.50267	109.3035	'GEN300032 1-CHOUTEAU CTG 2'
	FDNS	01G11_024		0	13G	G11_024	TO->FRON	'NORTHWEST - TATONGA7 345.00 345KV C	1195	0.50267	109.3035	'GEN300033 1-CHOUTEAU STG 3'
	FDNS	01G11_024		0	13G	G11_024	TO->FRON	'NORTHWEST - TATONGA7 345.00 345KV C	1195	0.50267	109.3981	'GEN301380 1-1OSAGEWIND 34.500'
	FDNS	01G11_024		0	13G	G11_024	TO->FRON	'NORTHWEST - TATONGA7 345.00 345KV C	1195	0.50267	108.9866	'GEN303003 1-1BC1 U3'
	FDNS	01G11_024		0	13G	G11_024	TO->FRON	'NORTHWEST - TATONGA7 345.00 345KV C	1195	0.50267	108.9866	'GEN303004 1-1BC1 U4'
	FDNS	01G11_024		0	13G	G11_024	TO->FRON	'NORTHWEST - TATONGA7 345.00 345KV C	1195	0.50267	110.2465	'GEN303006 1-1BC2 U1'
	FDNS	01G11_024		0	13G	G11_024	TO->FRON	'NORTHWEST - TATONGA7 345.00 345KV C	1195	0.50267	110.7275	'GEN303007 1-1BC2 U2'
	FDNS	01G11_024		0	13G	G11_024	TO->FRON	'NORTHWEST - TATONGA7 345.00 345KV C	1195	0.50267	110.1229	'GEN303008 1-1BC2 U3'
	FDNS	01G11_024		0	13G	G11_024	TO->FRON	'NORTHWEST - TATONGA7 345.00 345KV C	1195	0.50267	109.1967	'GEN303024 1-1G3INTHB 18.000'
	FDNS	01G11_024		0	13G	G11_024	TO->FRON	'NORTHWEST - TATONGA7 345.00 345KV C	1195	0.50267	109.0592	'GEN303025 1-1S3INTHB 13.800'
	FDNS	01G11_024		0	13G	G11_024	TO->FRON	'NORTHWEST - TATONGA7 345.00 345KV C	1195	0.50267	109.1318	'GEN303026 1-1G4INTHB 18.000'
	FDNS	01G11_024		0	13G	G11_024	TO->FRON	'NORTHWEST - TATONGA7 345.00 345KV C	1195	0.50267	109.0096	'GEN303027 1-1S4INTHB 13.800'
	FDNS	01G11_024		0	13G	G11_024	TO->FRON	'NORTHWEST - TATONGA7 345.00 345KV C	1195	0.50267	109.3043	'GEN318007 1-5MOROW161 161.00'
	FDNS	01G11_024		0	13G	G11_024	TO->FRON	'NORTHWEST - TATONGA7 345.00 345KV C	1195	0.50267	109.3595	'GEN334030 1-FRONTIER UNIT 1'
	FDNS	01G11_024		0	13G	G11_024	TO->FRON	'NORTHWEST - TATONGA7 345.00 345KV C	1195	0.50267	109.3595	'GEN334031 1-FRONTIER UNIT 2'
	FDNS	01G11_024		0	13G	G11_024	TO->FRON	'NORTHWEST - TATONGA7 345.00 345KV C	1195	0.50267	109.2199	'GEN334070 1-LEWIS CREEK 1'
	FDNS	01G11_024		0	13G	G11_024	TO->FRON	'NORTHWEST - TATONGA7 345.00 345KV C	1195	0.50267	109.2136	'GEN334071 1-LEWIS CREEK 2'
	FDNS	01G11_024		0	13G	G11_024	TO->FRON	'NORTHWEST - TATONGA7 345.00 345KV C	1195	0.50267	109.1628	'GEN334392 1-EXXON MOBIL IPP 1'

EVENTTYPE	SOLUTIONTYPE	GROUP	SCENARIO	SEASON	SOURCE	DIRECTION	MONT	COMMONNAME	RATEB	TDF	TC%LOADI	CONTNAME
	FDNS	01G11_024		0	13G	G11_024	TO->FRON	NORTHWEST - TATONGA7	345.00 345KV 0	1195	0.50267	109.0734 'GEN334431 1-SABINE UNIT 1'
	FDNS	01G11_024		0	13G	G11_024	TO->FRON	NORTHWEST - TATONGA7	345.00 345KV 0	1195	0.50267	109.0734 'GEN334432 1-SABINE UNIT 2'
	FDNS	01G11_024		0	13G	G11_024	TO->FRON	NORTHWEST - TATONGA7	345.00 345KV 0	1195	0.50267	109.5005 'GEN334433 1-SABINE UNIT 3'
	FDNS	01G11_024		0	13G	G11_024	TO->FRON	NORTHWEST - TATONGA7	345.00 345KV 0	1195	0.50267	109.8641 'GEN334440 1-SABINE UNIT 4'
	FDNS	01G11_024		0	13G	G11_024	TO->FRON	NORTHWEST - TATONGA7	345.00 345KV 0	1195	0.50267	109.5109 'GEN334441 1-SABINE UNIT 5'
	FDNS	01G11_024		0	13G	G11_024	TO->FRON	NORTHWEST - TATONGA7	345.00 345KV 0	1195	0.50267	109.0834 'GEN334456 1-CONOCO UNIT#1'
	FDNS	01G11_024		0	13G	G11_024	TO->FRON	NORTHWEST - TATONGA7	345.00 345KV 0	1195	0.50267	109.1048 'GEN335201 1-NELSON UNIT 1'
	FDNS	01G11_024		0	13G	G11_024	TO->FRON	NORTHWEST - TATONGA7	345.00 345KV 0	1195	0.50267	109.0628 'GEN335202 1-NELSON UNIT 2'
	FDNS	01G11_024		0	13G	G11_024	TO->FRON	NORTHWEST - TATONGA7	345.00 345KV 0	1195	0.50267	109.0417 'GEN335203 1-NELSON UNIT 3'
	FDNS	01G11_024		0	13G	G11_024	TO->FRON	NORTHWEST - TATONGA7	345.00 345KV 0	1195	0.50267	109.9015 'GEN335204 1-NELSON UNIT 4'
	FDNS	01G11_024		0	13G	G11_024	TO->FRON	NORTHWEST - TATONGA7	345.00 345KV 0	1195	0.50267	110.7304 'GEN335206 1-NELSON UNIT 6'
	FDNS	01G11_024		0	13G	G11_024	TO->FRON	NORTHWEST - TATONGA7	345.00 345KV 0	1195	0.50267	109.3844 'GEN335370 1-1ACADIA_S26 16.000
	FDNS	01G11_024		0	13G	G11_024	TO->FRON	NORTHWEST - TATONGA7	345.00 345KV 0	1195	0.50267	109.3636 'GEN335371 1-1ACADIA_C25 18.000
	FDNS	01G11_024		0	13G	G11_024	TO->FRON	NORTHWEST - TATONGA7	345.00 345KV 0	1195	0.50267	109.3636 'GEN335372 1-1ACADIA_C24 18.000
	FDNS	01G11_024		0	13G	G11_024	TO->FRON	NORTHWEST - TATONGA7	345.00 345KV 0	1195	0.50267	109.2179 'GEN335570 1-CARVILLE CTG'
	FDNS	01G11_024		0	13G	G11_024	TO->FRON	NORTHWEST - TATONGA7	345.00 345KV 0	1195	0.50267	109.2181 'GEN335571 1-CARVILLE UNIT #1'
	FDNS	01G11_024		0	13G	G11_024	TO->FRON	NORTHWEST - TATONGA7	345.00 345KV 0	1195	0.50267	113.6266 'GEN336153 1-WATERFORD UNIT#3'
	FDNS	01G11_024		0	13G	G11_024	TO->FRON	NORTHWEST - TATONGA7	345.00 345KV 0	1195	0.50267	109.2381 'GEN336167 1-GULF OXY U1'
	FDNS	01G11_024		0	13G	G11_024	TO->FRON	NORTHWEST - TATONGA7	345.00 345KV 0	1195	0.50267	109.2381 'GEN336168 1-GULF OXY U2'
	FDNS	01G11_024		0	13G	G11_024	TO->FRON	NORTHWEST - TATONGA7	345.00 345KV 0	1195	0.50267	109.2381 'GEN336169 1-GULF OXY U3'
	FDNS	01G11_024		0	13G	G11_024	TO->FRON	NORTHWEST - TATONGA7	345.00 345KV 0	1195	0.50267	109.6184 'GEN336170 1-GULF OXY U4'
	FDNS	01G11_024		0	13G	G11_024	TO->FRON	NORTHWEST - TATONGA7	345.00 345KV 0	1195	0.50267	109.7402 'GEN336191 1-LITTLE GYPSY UNIT#3'
	FDNS	01G11_024		0	13G	G11_024	TO->FRON	NORTHWEST - TATONGA7	345.00 345KV 0	1195	0.50267	109.0909 'GEN336221 1-LITTLE GYPSY UNIT#1'
	FDNS	01G11_024		0	13G	G11_024	TO->FRON	NORTHWEST - TATONGA7	345.00 345KV 0	1195	0.50267	109.3163 'GEN336222 1-LITTLE GYPSY UNIT#2'
	FDNS	01G11_024		0	13G	G11_024	TO->FRON	NORTHWEST - TATONGA7	345.00 345KV 0	1195	0.50267	109.7068 'GEN336251 1-NINEMILE POINT UNIT#4'
	FDNS	01G11_024		0	13G	G11_024	TO->FRON	NORTHWEST - TATONGA7	345.00 345KV 0	1195	0.50267	110.0288 'GEN336252 1-NINEMILE POINT UNIT#5'
	FDNS	01G11_024		0	13G	G11_024	TO->FRON	NORTHWEST - TATONGA7	345.00 345KV 0	1195	0.50267	109.0159 'GEN336446 1-MICHOUD UNIT #2'
	FDNS	01G11_024		0	13G	G11_024	TO->FRON	NORTHWEST - TATONGA7	345.00 345KV 0	1195	0.50267	109.6624 'GEN336464 1-MICHOUD UNIT #3'
	FDNS	01G11_024		0	13G	G11_024	TO->FRON	NORTHWEST - TATONGA7	345.00 345KV 0	1195	0.50267	109.6074 'GEN336801 1-BAXTER WILSON UNIT #1'
	FDNS	01G11_024		0	13G	G11_024	TO->FRON	NORTHWEST - TATONGA7	345.00 345KV 0	1195	0.50267	114.0905 'GEN336821 1-GRAND GULF UNIT'
	FDNS	01G11_024		0	13G	G11_024	TO->FRON	NORTHWEST - TATONGA7	345.00 345KV 0	1195	0.50267	109.9649 'GEN336831 1-BAXTER WILSON SES'
	FDNS	01G11_024		0	13G	G11_024	TO->FRON	NORTHWEST - TATONGA7	345.00 345KV 0	1195	0.50267	108.985 'GEN336944 1-REX BROWN'
	FDNS	01G11_024		0	13G	G11_024	TO->FRON	NORTHWEST - TATONGA7	345.00 345KV 0	1195	0.50267	109.2486 'GEN337006 1-DUKE MCADAMS G1'
	FDNS	01G11_024		0	13G	G11_024	TO->FRON	NORTHWEST - TATONGA7	345.00 345KV 0	1195	0.50267	109.2486 'GEN337007 1-DUKE MCADAMS G2'
	FDNS	01G11_024		0	13G	G11_024	TO->FRON	NORTHWEST - TATONGA7	345.00 345KV 0	1195	0.50267	109.2366 'GEN337008 1-DUKE MCADAMS S1'
	FDNS	01G11_024		0	13G	G11_024	TO->FRON	NORTHWEST - TATONGA7	345.00 345KV 0	1195	0.50267	109.99 'GEN337041 1-GERALD ANDRUS'
	FDNS	01G11_024		0	13G	G11_024	TO->FRON	NORTHWEST - TATONGA7	345.00 345KV 0	1195	0.50267	109.1677 'GEN337125 6-LS POWER BATESVILLE'
	FDNS	01G11_024		0	13G	G11_024	TO->FRON	NORTHWEST - TATONGA7	345.00 345KV 0	1195	0.50267	109.2369 'GEN337421 1-OUCHITA CTG1'
	FDNS	01G11_024		0	13G	G11_024	TO->FRON	NORTHWEST - TATONGA7	345.00 345KV 0	1195	0.50267	109.0307 'GEN337422 1-OUCHITA STG1'
	FDNS	01G11_024		0	13G	G11_024	TO->FRON	NORTHWEST - TATONGA7	345.00 345KV 0	1195	0.50267	109.2369 'GEN337423 1-OUCHITA CTG2'
	FDNS	01G11_024		0	13G	G11_024	TO->FRON	NORTHWEST - TATONGA7	345.00 345KV 0	1195	0.50267	109.0307 'GEN337424 1-OUCHITA STG2'
	FDNS	01G11_024		0	13G	G11_024	TO->FRON	NORTHWEST - TATONGA7	345.00 345KV 0	1195	0.50267	109.2369 'GEN337425 1-OUCHITA CTG3'
	FDNS	01G11_024		0	13G	G11_024	TO->FRON	NORTHWEST - TATONGA7	345.00 345KV 0	1195	0.50267	109.0307 'GEN337426 1-OUCHITA STG3'
	FDNS	01G11_024		0	13G	G11_024	TO->FRON	NORTHWEST - TATONGA7	345.00 345KV 0	1195	0.50267	109.3059 'GEN337428 1-PERVILLE UNIT #1'
	FDNS	01G11_024		0	13G	G11_024	TO->FRON	NORTHWEST - TATONGA7	345.00 345KV 0	1195	0.50267	109.3059 'GEN337430 1-PERVILLE UNIT #3'
	FDNS	01G11_024		0	13G	G11_024	TO->FRON	NORTHWEST - TATONGA7	345.00 345KV 0	1195	0.50267	109.2893 'GEN337432 1-PERVILLE UNIT #5'
	FDNS	01G11_024		0	13G	G11_024	TO->FRON	NORTHWEST - TATONGA7	345.00 345KV 0	1195	0.50267	111.6606 'GEN337652 1-WHITE BLUFF UNIT #1'
	FDNS	01G11_024		0	13G	G11_024	TO->FRON	NORTHWEST - TATONGA7	345.00 345KV 0	1195	0.50267	111.7674 'GEN337653 1-WHITE BLUFF UNIT #2'
	FDNS	01G11_024		0	13G	G11_024	TO->FRON	NORTHWEST - TATONGA7	345.00 345KV 0	1195	0.50267	109.6509 'GEN337692 1-LAKE CATHERINE UNIT #4'
	FDNS	01G11_024		0	13G	G11_024	TO->FRON	NORTHWEST - TATONGA7	345.00 345KV 0	1195	0.50267	112.2516 'GEN337910 1-ARKANSAS NUCLEAR ONE UNIT #1'
	FDNS	01G11_024		0	13G	G11_024	TO->FRON	NORTHWEST - TATONGA7	345.00 345KV 0	1195	0.50267	112.9495 'GEN337911 1-ARKANSAS NUCLEAR ONE UNIT #2'
	FDNS	01G11_024		0	13G	G11_024	TO->FRON	NORTHWEST - TATONGA7	345.00 345KV 0	1195	0.50267	111.3514 'GEN338143 1-INDEPENDENCE UNIT #1'
	FDNS	01G11_024		0	13G	G11_024	TO->FRON	NORTHWEST - TATONGA7	345.00 345KV 0	1195	0.50267	111.4024 'GEN338146 1-INDEPENDENCE UNIT #2'
	FDNS	01G11_024		0	13G	G11_024	TO->FRON	NORTHWEST - TATONGA7	345.00 345KV 0	1195	0.50267	110.6971 'GEN338388 1-1PLUM PT U1 23.000'
	FDNS	01G11_024		0	13G	G11_024	TO->FRON	NORTHWEST - TATONGA7	345.00 345KV 0	1195	0.50267	109.1178 'GEN338500 1-MCCLELLAN UNIT #1'
	FDNS	01G11_024		0	13G	G11_024	TO->FRON	NORTHWEST - TATONGA7	345.00 345KV 0	1195	0.50267	108.9804 'GEN338510 1-1S1KNWRI'

EVENTTYPE	SOLUTIONTYPE	GROUP	SCENARIO	SEASON	SOURCE	DIRECTION	MONTCOMMONNAME	RATEB	TDF	TC%LOADI	CONTNAME
	FDNS	01G11_024	0	13G	G11_024	'TO->FRON	'NORTHWEST - TATONGA7 345.00 345KV	1195	0.50267	108.9804	'GEN338512 1-1S2KNWRI'
	FDNS	01G11_024	0	13G	G11_024	'TO->FRON	'NORTHWEST - TATONGA7 345.00 345KV	1195	0.50267	109.0133	'GEN338513 1-BAILEY UNIT #1'
	FDNS	01G11_024	0	13G	G11_024	'TO->FRON	'NORTHWEST - TATONGA7 345.00 345KV	1195	0.50267	108.9821	'GEN500915 3-WESTERN KRAFT'
	FDNS	01G11_024	0	13G	G11_024	'TO->FRON	'NORTHWEST - TATONGA7 345.00 345KV	1195	0.50267	111.6251	'GEN501801 1-DOLET HILLS UNIT1'
	FDNS	01G11_024	0	13G	G11_024	'TO->FRON	'NORTHWEST - TATONGA7 345.00 345KV	1195	0.50267	109.5978	'GEN501811 1-RODEMACHER UNIT 1'
	FDNS	01G11_024	0	13G	G11_024	'TO->FRON	'NORTHWEST - TATONGA7 345.00 345KV	1195	0.50267	110.6106	'GEN501812 1-RODEMACHER UNIT 2'
	FDNS	01G11_024	0	13G	G11_024	'TO->FRON	'NORTHWEST - TATONGA7 345.00 345KV	1195	0.50267	111.0327	'GEN501813 1-RODEMACHER UNIT 3'
	FDNS	01G11_024	0	13G	G11_024	'TO->FRON	'NORTHWEST - TATONGA7 345.00 345KV	1195	0.50267	109.582	'GEN501910 1-ACADIA UNIT ST1'
	FDNS	01G11_024	0	13G	G11_024	'TO->FRON	'NORTHWEST - TATONGA7 345.00 345KV	1195	0.50267	109.3212	'GEN501911 1-ACADIA UNIT CT1A'
	FDNS	01G11_024	0	13G	G11_024	'TO->FRON	'NORTHWEST - TATONGA7 345.00 345KV	1195	0.50267	109.3212	'GEN501912 1-ACADIA UNIT CT1B'
	FDNS	01G11_024	0	13G	G11_024	'TO->FRON	'NORTHWEST - TATONGA7 345.00 345KV	1195	0.50267	109.2844	'GEN505432 1-SIKESTON'
	FDNS	01G11_024	0	13G	G11_024	'TO->FRON	'NORTHWEST - TATONGA7 345.00 345KV	1195	0.50267	109.0811	'GEN506749 1-EASTMAN GENERATION A'
	FDNS	01G11_024	0	13G	G11_024	'TO->FRON	'NORTHWEST - TATONGA7 345.00 345KV	1195	0.50267	109.2691	'GEN506752 1-LEBROCK GAS 1'
	FDNS	01G11_024	0	13G	G11_024	'TO->FRON	'NORTHWEST - TATONGA7 345.00 345KV	1195	0.50267	109.4465	'GEN509391 G1-ARSENAL HILL GENS #2 (STALL)'
	FDNS	01G11_024	0	13G	G11_024	'TO->FRON	'NORTHWEST - TATONGA7 345.00 345KV	1195	0.50267	109.4465	'GEN509392 G2-ARSENAL HILL GENS #3 (STALL)'
	FDNS	01G11_024	0	13G	G11_024	'TO->FRON	'NORTHWEST - TATONGA7 345.00 345KV	1195	0.50267	109.4395	'GEN509393 S1-ARSENAL HILL GENS #4 (STALL)'
	FDNS	01G11_024	0	13G	G11_024	'TO->FRON	'NORTHWEST - TATONGA7 345.00 345KV	1195	0.50267	110.6306	'GEN509394 1-FLINT CREEK'
	FDNS	01G11_024	0	13G	G11_024	'TO->FRON	'NORTHWEST - TATONGA7 345.00 345KV	1195	0.50267	111.3299	'GEN509403 1-PIRKEY GENERATION'
	FDNS	01G11_024	0	13G	G11_024	'TO->FRON	'NORTHWEST - TATONGA7 345.00 345KV	1195	0.50267	110.8233	'GEN509404 1-WELSH #1'
	FDNS	01G11_024	0	13G	G11_024	'TO->FRON	'NORTHWEST - TATONGA7 345.00 345KV	1195	0.50267	110.8234	'GEN509405 1-WELSH #2'
	FDNS	01G11_024	0	13G	G11_024	'TO->FRON	'NORTHWEST - TATONGA7 345.00 345KV	1195	0.50267	110.8235	'GEN509406 1-WELSH #3'
	FDNS	01G11_024	0	13G	G11_024	'TO->FRON	'NORTHWEST - TATONGA7 345.00 345KV	1195	0.50267	109.0393	'GEN509408 1-WILKES #2'
	FDNS	01G11_024	0	13G	G11_024	'TO->FRON	'NORTHWEST - TATONGA7 345.00 345KV	1195	0.50267	111.2446	'GEN509416 1-TURK GENERATION'
	FDNS	01G11_024	0	13G	G11_024	'TO->FRON	'NORTHWEST - TATONGA7 345.00 345KV	1195	0.50267	109.18	'GEN511836 1-NORTHEASTERN STATION #1'
	FDNS	01G11_024	0	13G	G11_024	'TO->FRON	'NORTHWEST - TATONGA7 345.00 345KV	1195	0.50267	109.2932	'GEN511837 1-NORTHEASTERN STATION # 1-1A'
	FDNS	01G11_024	0	13G	G11_024	'TO->FRON	'NORTHWEST - TATONGA7 345.00 345KV	1195	0.50267	109.2932	'GEN511838 1-NORTHEASTERN STATION # 1-1B'
	FDNS	01G11_024	0	13G	G11_024	'TO->FRON	'NORTHWEST - TATONGA7 345.00 345KV	1195	0.50267	109.4591	'GEN511839 1-NORTHEASTERN STATION #2'
	FDNS	01G11_024	0	13G	G11_024	'TO->FRON	'NORTHWEST - TATONGA7 345.00 345KV	1195	0.50267	110.5095	'GEN511840 1-NORTHEASTERN STATION #3'
	FDNS	01G11_024	0	13G	G11_024	'TO->FRON	'NORTHWEST - TATONGA7 345.00 345KV	1195	0.50267	110.4707	'GEN511841 1-NORTHEASTERN STATION #4'
	FDNS	01G11_024	0	13G	G11_024	'TO->FRON	'NORTHWEST - TATONGA7 345.00 345KV	1195	0.50267	109.1668	'GEN511851 1-COMANCHE #1'
	FDNS	01G11_024	0	13G	G11_024	'TO->FRON	'NORTHWEST - TATONGA7 345.00 345KV	1195	0.50267	109.0326	'GEN511852 1-COMANCHE #2'
	FDNS	01G11_024	0	13G	G11_024	'TO->FRON	'NORTHWEST - TATONGA7 345.00 345KV	1195	0.50267	109.038	'GEN511853 1-COMANCHE #3'
	FDNS	01G11_024	0	13G	G11_024	'TO->FRON	'NORTHWEST - TATONGA7 345.00 345KV	1195	0.50267	109.1435	'GEN511938 1-OEC STEAM # 1'
	FDNS	01G11_024	0	13G	G11_024	'TO->FRON	'NORTHWEST - TATONGA7 345.00 345KV	1195	0.50267	109.1426	'GEN511939 1-OEC GAS # 1-1'
	FDNS	01G11_024	0	13G	G11_024	'TO->FRON	'NORTHWEST - TATONGA7 345.00 345KV	1195	0.50267	109.1426	'GEN511940 1-OEC GAS # 1-2'
	FDNS	01G11_024	0	13G	G11_024	'TO->FRON	'NORTHWEST - TATONGA7 345.00 345KV	1195	0.50267	109.5961	'GEN511941 1-OEC STEAM # 2'
	FDNS	01G11_024	0	13G	G11_024	'TO->FRON	'NORTHWEST - TATONGA7 345.00 345KV	1195	0.50267	109.1426	'GEN511942 1-OEC GAS # 2-1'
	FDNS	01G11_024	0	13G	G11_024	'TO->FRON	'NORTHWEST - TATONGA7 345.00 345KV	1195	0.50267	109.1426	'GEN511943 1-OEC GAS # 2-2'
	FDNS	01G11_024	0	13G	G11_024	'TO->FRON	'NORTHWEST - TATONGA7 345.00 345KV	1195	0.50267	109.1754	'GEN511953 G-COGENTRIX GAS # 1'
	FDNS	01G11_024	0	13G	G11_024	'TO->FRON	'NORTHWEST - TATONGA7 345.00 345KV	1195	0.50267	109.1748	'GEN511954 S-COGENTRIX STEAM # 1'
	FDNS	01G11_024	0	13G	G11_024	'TO->FRON	'NORTHWEST - TATONGA7 345.00 345KV	1195	0.50267	109.1948	'GEN511955 G-COGENTRIX GAS # 2'
	FDNS	01G11_024	0	13G	G11_024	'TO->FRON	'NORTHWEST - TATONGA7 345.00 345KV	1195	0.50267	109.1942	'GEN511956 S-COGENTRIX STEAM # 2'
	FDNS	01G11_024	0	13G	G11_024	'TO->FRON	'NORTHWEST - TATONGA7 345.00 345KV	1195	0.50267	109.1754	'GEN511957 G-COGENTRIX GAS # 3'
	FDNS	01G11_024	0	13G	G11_024	'TO->FRON	'NORTHWEST - TATONGA7 345.00 345KV	1195	0.50267	110.6639	'GEN512688 2-GRDA1 GSU2 22'
	FDNS	01G11_024	0	13G	G11_024	'TO->FRON	'NORTHWEST - TATONGA7 345.00 345KV	1195	0.50267	110.2745	'GEN512689 1-GRDA1 GSU1 22'
	FDNS	01G11_024	0	13G	G11_024	'TO->FRON	'NORTHWEST - TATONGA7 345.00 345KV	1195	0.50267	111.2974	'GEN514805 1-SOONER UNIT 1'
	FDNS	01G11_024	0	13G	G11_024	'TO->FRON	'NORTHWEST - TATONGA7 345.00 345KV	1195	0.50267	111.5948	'GEN514806 1-SOONER UNIT 2'
	FDNS	01G11_024	0	13G	G11_024	'TO->FRON	'NORTHWEST - TATONGA7 345.00 345KV	1195	0.50267	109.9851	'GEN514899 1-REDBUD1S'
	FDNS	01G11_024	0	13G	G11_024	'TO->FRON	'NORTHWEST - TATONGA7 345.00 345KV	1195	0.50267	109.9607	'GEN514900 1-REDBUD2S'
	FDNS	01G11_024	0	13G	G11_024	'TO->FRON	'NORTHWEST - TATONGA7 345.00 345KV	1195	0.50267	109.9621	'GEN514905 1-REDBUD3S'
	FDNS	01G11_024	0	13G	G11_024	'TO->FRON	'NORTHWEST - TATONGA7 345.00 345KV	1195	0.50267	110.1671	'GEN514910 2-REDBUD GEN'
	FDNS	01G11_024	0	13G	G11_024	'TO->FRON	'NORTHWEST - TATONGA7 345.00 345KV	1195	0.50267	110.1672	'GEN514911 2-REDBUD GEN'
	FDNS	01G11_024	0	13G	G11_024	'TO->FRON	'NORTHWEST - TATONGA7 345.00 345KV	1195	0.50267	109.4186	'GEN514912 2-REDBUD GEN'
	FDNS	01G11_024	0	13G	G11_024	'TO->FRON	'NORTHWEST - TATONGA7 345.00 345KV	1195	0.50267	109.8704	'GEN514940 1-REDBUD GEN'
	FDNS	01G11_024	0	13G	G11_024	'TO->FRON	'NORTHWEST - TATONGA7 345.00 345KV	1195	0.50267	110.1429	'GEN514942 2-REDBUD4G'
	FDNS	01G11_024	0	13G	G11_024	'TO->FRON	'NORTHWEST - TATONGA7 345.00 345KV	1195	0.50267	109.8972	'GEN514998 1-MCCLAIN UNIT 1'

EVENTTYPE	SOLUTIONTYPE	GROUP	SCENARIO	SEASON	SOURCE	DIRECTION	MONTH	COMMONNAME	RATEB	TDF	TC%LOADI	CONTNAME
	FDNS	01G11_024	0	13G	G11_024	'TO->FRON		'NORTHWEST - TATONGA7 345.00 345KV C	1195	0.50267	109.9137	'GEN514999 1-MCCLAIN UNIT 2'
	FDNS	01G11_024	0	13G	G11_024	'TO->FRON		'NORTHWEST - TATONGA7 345.00 345KV C	1195	0.50267	109.5431	'GEN515000 1-MCCLAIN UNIT 3'
	FDNS	01G11_024	0	13G	G11_024	'TO->FRON		'NORTHWEST - TATONGA7 345.00 345KV C	1195	0.50267	110.0673	'GEN515040 1-SEMINOLE 1G'
	FDNS	01G11_024	0	13G	G11_024	'TO->FRON		'NORTHWEST - TATONGA7 345.00 345KV C	1195	0.50267	110.2122	'GEN515041 1-SEMINOLE 2G'
	FDNS	01G11_024	0	13G	G11_024	'TO->FRON		'NORTHWEST - TATONGA7 345.00 345KV C	1195	0.50267	110.4286	'GEN515042 1-SEMINOLE 3G'
	FDNS	01G11_024	0	13G	G11_024	'TO->FRON		'NORTHWEST - TATONGA7 345.00 345KV C	1195	0.50267	111.145	'GEN515223 1-MUSKOGEE 4G'
	FDNS	01G11_024	0	13G	G11_024	'TO->FRON		'NORTHWEST - TATONGA7 345.00 345KV C	1195	0.50267	111.1074	'GEN515225 1-MUSKOGEE 5G'
	FDNS	01G11_024	0	13G	G11_024	'TO->FRON		'NORTHWEST - TATONGA7 345.00 345KV C	1195	0.50267	111.5037	'GEN515226 1-MUSKOGEE 6G'
	FDNS	01G11_024	0	13G	G11_024	'TO->FRON		'NORTHWEST - TATONGA7 345.00 345KV C	1195	0.50267	109.3873	'GEN515266 1-AES 1G'
	FDNS	01G11_024	0	13G	G11_024	'TO->FRON		'NORTHWEST - TATONGA7 345.00 345KV C	1195	0.50267	109.3873	'GEN515267 1-AES 2G'
	FDNS	01G11_024	0	13G	G11_024	'TO->FRON		'NORTHWEST - TATONGA7 345.00 345KV C	1195	0.50267	107.012	'GEN515365 1-CENT 21 34.500'
	FDNS	01G11_024	0	13G	G11_024	'TO->FRON		'NORTHWEST - TATONGA7 345.00 345KV C	1195	0.50267	107.6242	'GEN515389 1-TLGAWND1 34.500'
	FDNS	01G11_024	0	13G	G11_024	'TO->FRON		'NORTHWEST - TATONGA7 345.00 345KV C	1195	0.50267	106.3851	'GEN515393 1-OGEWND2G'
	FDNS	01G11_024	0	13G	G11_024	'TO->FRON		'NORTHWEST - TATONGA7 345.00 345KV C	1195	0.50267	107.1194	'GEN515397 1-OSPRT 1 34.500'
	FDNS	01G11_024	0	13G	G11_024	'TO->FRON		'NORTHWEST - TATONGA7 345.00 345KV C	1195	0.50267	110.0091	'GEN515443 1-MNCOWND1 34.500'
	FDNS	01G11_024	0	13G	G11_024	'TO->FRON		'NORTHWEST - TATONGA7 345.00 345KV C	1195	0.50267	104.2724	'GEN515449 1-CRSRDW11 34.500'
	FDNS	01G11_024	0	13G	G11_024	'TO->FRON		'NORTHWEST - TATONGA7 345.00 345KV C	1195	0.50267	104.2789	'GEN515450 1-CRSRDW21 34.500'
	FDNS	01G11_024	0	13G	G11_024	'TO->FRON		'NORTHWEST - TATONGA7 345.00 345KV C	1195	0.50267	109.8394	'GEN515606 1-CANADN11 34.500'
	FDNS	01G11_024	0	13G	G11_024	'TO->FRON		'NORTHWEST - TATONGA7 345.00 345KV C	1195	0.50267	109.8394	'GEN515607 1-CANADN12 34.500'
	FDNS	01G11_024	0	13G	G11_024	'TO->FRON		'NORTHWEST - TATONGA7 345.00 345KV C	1195	0.50267	107.665	'GEN515787 1-OKLA WIND ENERGY CENTER'
	FDNS	01G11_024	0	13G	G11_024	'TO->FRON		'NORTHWEST - TATONGA7 345.00 345KV C	1195	0.50267	109.3922	'GEN520811 1-ANADRK4'
	FDNS	01G11_024	0	13G	G11_024	'TO->FRON		'NORTHWEST - TATONGA7 345.00 345KV C	1195	0.50267	109.1907	'GEN520812 1-ANADRK5'
	FDNS	01G11_024	0	13G	G11_024	'TO->FRON		'NORTHWEST - TATONGA7 345.00 345KV C	1195	0.50267	109.1907	'GEN520813 1-ANADRK6'
	FDNS	01G11_024	0	13G	G11_024	'TO->FRON		'NORTHWEST - TATONGA7 345.00 345KV C	1195	0.50267	107.739	'GEN520922 1-SLEEPING BEAR'
	FDNS	01G11_024	0	13G	G11_024	'TO->FRON		'NORTHWEST - TATONGA7 345.00 345KV C	1195	0.50267	111.0358	'GEN520947 1-HUGO1'
	FDNS	01G11_024	0	13G	G11_024	'TO->FRON		'NORTHWEST - TATONGA7 345.00 345KV C	1195	0.50267	108.4273	'GEN520997 1-MORLND2'
	FDNS	01G11_024	0	13G	G11_024	'TO->FRON		'NORTHWEST - TATONGA7 345.00 345KV C	1195	0.50267	108.3623	'GEN522814 1-LUBBOCK POWER & LIGHT-MACKENZIE GEN'
	FDNS	01G11_024	0	13G	G11_024	'TO->FRON		'NORTHWEST - TATONGA7 345.00 345KV C	1195	0.50267	107.9317	'GEN523103 1-NOBLE_WND 3115.00'
	FDNS	01G11_024	0	13G	G11_024	'TO->FRON		'NORTHWEST - TATONGA7 345.00 345KV C	1195	0.50267	107.6177	'GEN523461 1-BLACKHAWK GEN #1'
	FDNS	01G11_024	0	13G	G11_024	'TO->FRON		'NORTHWEST - TATONGA7 345.00 345KV C	1195	0.50267	107.6177	'GEN523462 1-BLACKHAWK GEN #2'
	FDNS	01G11_024	0	13G	G11_024	'TO->FRON		'NORTHWEST - TATONGA7 345.00 345KV C	1195	0.50267	108.2974	'GEN523815 1-LLANO ESTACADO WIND GEN'
	FDNS	01G11_024	0	13G	G11_024	'TO->FRON		'NORTHWEST - TATONGA7 345.00 345KV C	1195	0.50267	105.5061	'GEN523971 1-HARRINGTON GEN #1 24 KV'
	FDNS	01G11_024	0	13G	G11_024	'TO->FRON		'NORTHWEST - TATONGA7 345.00 345KV C	1195	0.50267	105.5057	'GEN523972 1-HARRINGTON GEN #2 24 KV'
	FDNS	01G11_024	0	13G	G11_024	'TO->FRON		'NORTHWEST - TATONGA7 345.00 345KV C	1195	0.50267	105.5333	'GEN523973 1-HARRINGTON GEN #3 24 KV'
	FDNS	01G11_024	0	13G	G11_024	'TO->FRON		'NORTHWEST - TATONGA7 345.00 345KV C	1195	0.50267	108.3279	'GEN524286 1-CLR_3 0.6900'
	FDNS	01G11_024	0	13G	G11_024	'TO->FRON		'NORTHWEST - TATONGA7 345.00 345KV C	1195	0.50267	107.9321	'GEN524295 1-SPNSPUR_WND134.500'
	FDNS	01G11_024	0	13G	G11_024	'TO->FRON		'NORTHWEST - TATONGA7 345.00 345KV C	1195	0.50267	108.2811	'GEN524485 1-CAPROCK WIND GEN'
	FDNS	01G11_024	0	13G	G11_024	'TO->FRON		'NORTHWEST - TATONGA7 345.00 345KV C	1195	0.50267	108.0831	'GEN524895 1-SAN JUAN MESA WIND GEN'
	FDNS	01G11_024	0	13G	G11_024	'TO->FRON		'NORTHWEST - TATONGA7 345.00 345KV C	1195	0.50267	107.1259	'GEN525494 1-PLANT X GEN #4 20 KV'
	FDNS	01G11_024	0	13G	G11_024	'TO->FRON		'NORTHWEST - TATONGA7 345.00 345KV C	1195	0.50267	105.8215	'GEN525561 1-TOLK GEN #1 24 KV'
	FDNS	01G11_024	0	13G	G11_024	'TO->FRON		'NORTHWEST - TATONGA7 345.00 345KV C	1195	0.50267	104.0435	'GEN525562 1-TOLK GEN #2 24 KV'
	FDNS	01G11_024	0	13G	G11_024	'TO->FRON		'NORTHWEST - TATONGA7 345.00 345KV C	1195	0.50267	106.6972	'GEN526331 1-JONES GEN #1 22 KV'
	FDNS	01G11_024	0	13G	G11_024	'TO->FRON		'NORTHWEST - TATONGA7 345.00 345KV C	1195	0.50267	106.6959	'GEN526332 1-JONES GEN #2 21 KV'
	FDNS	01G11_024	0	13G	G11_024	'TO->FRON		'NORTHWEST - TATONGA7 345.00 345KV C	1195	0.50267	107.3594	'GEN527161 1-MUSTANG GEN #1'
	FDNS	01G11_024	0	13G	G11_024	'TO->FRON		'NORTHWEST - TATONGA7 345.00 345KV C	1195	0.50267	107.3594	'GEN527162 1-MUSTANG GEN #2'
	FDNS	01G11_024	0	13G	G11_024	'TO->FRON		'NORTHWEST - TATONGA7 345.00 345KV C	1195	0.50267	108.0166	'GEN527163 1-MUSTANG GEN #3 22 KV'
	FDNS	01G11_024	0	13G	G11_024	'TO->FRON		'NORTHWEST - TATONGA7 345.00 345KV C	1195	0.50267	107.0744	'GEN527882 1-CUNNINGHAM GEN #2 20 KV'
	FDNS	01G11_024	0	13G	G11_024	'TO->FRON		'NORTHWEST - TATONGA7 345.00 345KV C	1195	0.50267	107.1045	'GEN527901 1-HOBBS PLANT #1 (CT)'
	FDNS	01G11_024	0	13G	G11_024	'TO->FRON		'NORTHWEST - TATONGA7 345.00 345KV C	1195	0.50267	107.1156	'GEN527902 1-HOBBS PLANT #2 (CT)'
	FDNS	01G11_024	0	13G	G11_024	'TO->FRON		'NORTHWEST - TATONGA7 345.00 345KV C	1195	0.50267	106.336	'GEN527903 1-HOBBS PLANT #3 (ST)'
	FDNS	01G11_024	0	13G	G11_024	'TO->FRON		'NORTHWEST - TATONGA7 345.00 345KV C	1195	0.50267	107.6724	'GEN528361 1-MADDOX GEN #1'
	FDNS	01G11_024	0	13G	G11_024	'TO->FRON		'NORTHWEST - TATONGA7 345.00 345KV C	1195	0.50267	105.9349	'GEN531447 1-HOLCOMB GENERATOR'
	FDNS	01G11_024	0	13G	G11_024	'TO->FRON		'NORTHWEST - TATONGA7 345.00 345KV C	1195	0.50267	108.392	'GEN531495 1-CNTRPLWG1 0.6900'
	FDNS	01G11_024	0	13G	G11_024	'TO->FRON		'NORTHWEST - TATONGA7 345.00 345KV C	1195	0.50267	108.0834	'GEN532651 1-JEFFREY ENERGY CENTER UNIT 1'
	FDNS	01G11_024	0	13G	G11_024	'TO->FRON		'NORTHWEST - TATONGA7 345.00 345KV C	1195	0.50267	108.0817	'GEN532652 1-JEFFREY ENERGY CENTER UNIT 2'

EVENTTYPE	SOLUTIONTYPE	GROUP	SCENARIO	SEASON	SOURCE	DIRECTION	MONTH	COMMONNAME	RATEB	TDF	TC%LOADI	CONTNAME
FDNS	FDNS	01G11_024	0	13G	G11_024	TO->FRON		NORTHWEST - TATONGA7 345.00 345KV	1195	0.50267	108.0815	'GEN532653 1-JEFFREY ENERGY CENTER UNIT 3'
FDNS	FDNS	01G11_024	0	13G	G11_024	TO->FRON		NORTHWEST - TATONGA7 345.00 345KV	1195	0.50267	108.2454	'GEN532722 1-EVANS ENERGY CENTER UNIT 2'
FDNS	FDNS	01G11_024	0	13G	G11_024	TO->FRON		NORTHWEST - TATONGA7 345.00 345KV	1195	0.50267	107.9441	'GEN539670 4-JUDSON LARGE GENERATOR'
FDNS	FDNS	01G11_024	0	13G	G11_024	TO->FRON		NORTHWEST - TATONGA7 345.00 345KV	1195	0.50267	108.169	'GEN539767 1-GRAY COUNTY WIND FARM'
FDNS	FDNS	01G11_024	0	13G	G11_024	TO->FRON		NORTHWEST - TATONGA7 345.00 345KV	1195	0.50267	108.3937	'GEN539945 1-FLATRWDWG1 0.6900'
FDNS	FDNS	01G11_024	0	13G	G11_024	TO->FRON		NORTHWEST - TATONGA7 345.00 345KV	1195	0.50267	109.2084	'GEN547649 1-ASBURY UNIT #1'
FDNS	FDNS	01G11_024	0	13G	G11_024	TO->FRON		NORTHWEST - TATONGA7 345.00 345KV	1195	0.50267	108.9825	'GEN549890 1-SOUTHWEST 1'
FDNS	FDNS	01G11_024	0	13G	G11_024	TO->FRON		NORTHWEST - TATONGA7 345.00 345KV	1195	0.50267	109.4294	'GEN549893 2-SOUTHWEST 2'
FDNS	FDNS	01G11_024	0	13G	G11_024	TO->FRON		NORTHWEST - TATONGA7 345.00 345KV	1195	0.50267	108.0137	'GEN560105 1-G08-22 0.6900'
FDNS	FDNS	01G11_024	0	13G	G11_024	TO->FRON		NORTHWEST - TATONGA7 345.00 345KV	1195	0.50267	107.592	'GEN560121 1-G08-47 0.5750'
FDNS	FDNS	01G11_024	0	13G	G11_024	TO->FRON		NORTHWEST - TATONGA7 345.00 345KV	1195	0.50267	107.774	'GEN560166 1-G07-48 0.6900'
FDNS	FDNS	01G11_024	0	13G	G11_024	TO->FRON		NORTHWEST - TATONGA7 345.00 345KV	1195	0.50267	108.1661	'GEN560173 1-G08-17 0.5750'
FDNS	FDNS	01G11_024	0	13G	G11_024	TO->FRON		NORTHWEST - TATONGA7 345.00 345KV	1195	0.50267	95.5	'GEN560175 1-G07-44 0.5750'
FDNS	FDNS	01G11_024	0	13G	G11_024	TO->FRON		NORTHWEST - TATONGA7 345.00 345KV	1195	0.50267	108.3384	'GEN560209 1-G07-40 0.5750'
FDNS	FDNS	01G11_024	0	13G	G11_024	TO->FRON		NORTHWEST - TATONGA7 345.00 345KV	1195	0.50267	105.3916	'GEN560221 1-G07-62-1 0.6900'
FDNS	FDNS	01G11_024	0	13G	G11_024	TO->FRON		NORTHWEST - TATONGA7 345.00 345KV	1195	0.50267	105.3916	'GEN560222 1-G07-62-2 0.6900'
FDNS	FDNS	01G11_024	0	13G	G11_024	TO->FRON		NORTHWEST - TATONGA7 345.00 345KV	1195	0.50267	105.4632	'GEN560223 1-G07-62-3 0.6900'
FDNS	FDNS	01G11_024	0	13G	G11_024	TO->FRON		NORTHWEST - TATONGA7 345.00 345KV	1195	0.50267	105.4632	'GEN560224 1-G07-62-4 0.6900'
FDNS	FDNS	01G11_024	0	13G	G11_024	TO->FRON		NORTHWEST - TATONGA7 345.00 345KV	1195	0.50267	108.3885	'GEN560238 1-G10-09 0.6900'
FDNS	FDNS	01G11_024	0	13G	G11_024	TO->FRON		NORTHWEST - TATONGA7 345.00 345KV	1195	0.50267	108.121	'GEN560256 1-G10-14-1 0.6900'
FDNS	FDNS	01G11_024	0	13G	G11_024	TO->FRON		NORTHWEST - TATONGA7 345.00 345KV	1195	0.50267	108.1086	'GEN560257 1-G10-14-2 0.6900'
FDNS	FDNS	01G11_024	0	13G	G11_024	TO->FRON		NORTHWEST - TATONGA7 345.00 345KV	1195	0.50267	107.8991	'GEN560279 1-G08-18 0.6900'
FDNS	FDNS	01G11_024	0	13G	G11_024	TO->FRON		NORTHWEST - TATONGA7 345.00 345KV	1195	0.50267	95.5	'GEN560282 1-G08-19 0.6000'
FDNS	FDNS	01G11_024	0	13G	G11_024	TO->FRON		NORTHWEST - TATONGA7 345.00 345KV	1195	0.50267	108.1292	'GEN560286 1-G10-01-1WTG 0.6900'
FDNS	FDNS	01G11_024	0	13G	G11_024	TO->FRON		NORTHWEST - TATONGA7 345.00 345KV	1195	0.50267	108.1292	'GEN560287 1-G10-01-2WTG 0.6900'
FDNS	FDNS	01G11_024	0	13G	G11_024	TO->FRON		NORTHWEST - TATONGA7 345.00 345KV	1195	0.50267	108.3358	'GEN560329 1-G10-45 0.6900'
FDNS	FDNS	01G11_024	0	13G	G11_024	TO->FRON		NORTHWEST - TATONGA7 345.00 345KV	1195	0.50267	107.8299	'GEN560359 1-G08-51 0.6900'
FDNS	FDNS	01G11_024	0	13G	G11_024	TO->FRON		NORTHWEST - TATONGA7 345.00 345KV	1195	0.50267	108.1085	'GEN560371 1-G07-46 0.6900'
FDNS	FDNS	01G11_024	0	13G	G11_024	TO->FRON		NORTHWEST - TATONGA7 345.00 345KV	1195	0.50267	104.8755	'GEN560429 1-G08-29 0.6400'
FDNS	FDNS	01G11_024	0	13G	G11_024	TO->FRON		NORTHWEST - TATONGA7 345.00 345KV	1195	0.50267	108.3671	'GEN560432 1-G08-124 0.6900'
FDNS	FDNS	01G11_024	0	13G	G11_024	TO->FRON		NORTHWEST - TATONGA7 345.00 345KV	1195	0.50267	108.2862	'GEN560522 1-G05-12 0.6900'
FDNS	FDNS	01G11_024	0	13G	G11_024	TO->FRON		NORTHWEST - TATONGA7 345.00 345KV	1195	0.50267	108.3509	'GEN560549 1-G06-06 0.6900'
FDNS	FDNS	01G11_024	0	13G	G11_024	TO->FRON		NORTHWEST - TATONGA7 345.00 345KV	1195	0.50267	108.3013	'GEN560585 1-G06-44-2 0.6000'
FDNS	FDNS	01G11_024	0	13G	G11_024	TO->FRON		NORTHWEST - TATONGA7 345.00 345KV	1195	0.50267	108.1188	'GEN560586 1-G06-44-3 0.6000'
FDNS	FDNS	01G11_024	0	13G	G11_024	TO->FRON		NORTHWEST - TATONGA7 345.00 345KV	1195	0.50267	108.1336	'GEN560592 1-G06-45 0.6000'
FDNS	FDNS	01G11_024	0	13G	G11_024	TO->FRON		NORTHWEST - TATONGA7 345.00 345KV	1195	0.50267	108.1276	'GEN560595 1-G06-47 0.6000'
FDNS	FDNS	01G11_024	0	13G	G11_024	TO->FRON		NORTHWEST - TATONGA7 345.00 345KV	1195	0.50267	99.8	'GEN560648 1-G07-21 0.5750'
FDNS	FDNS	01G11_024	0	13G	G11_024	TO->FRON		NORTHWEST - TATONGA7 345.00 345KV	1195	0.50267	108.367	'GEN560659 1-G07-38 0.6900'
FDNS	FDNS	01G11_024	0	13G	G11_024	TO->FRON		NORTHWEST - TATONGA7 345.00 345KV	1195	0.50267	110.3397	'GEN560687 1-G11-007 0.5750'
FDNS	FDNS	01G11_024	0	13G	G11_024	TO->FRON		NORTHWEST - TATONGA7 345.00 345KV	1195	0.50267	108.3548	'GEN560693 1-G11-008-1 0.6900'
FDNS	FDNS	01G11_024	0	13G	G11_024	TO->FRON		NORTHWEST - TATONGA7 345.00 345KV	1195	0.50267	109.3549	'GEN560706 1-G11-010 0.6900'
FDNS	FDNS	01G11_024	0	13G	G11_024	TO->FRON		NORTHWEST - TATONGA7 345.00 345KV	1195	0.50267	95.5	'GEN562010 1-G11_024_3 0.6900'
FDNS	FDNS	01G11_024	0	13G	G11_024	TO->FRON		NORTHWEST - TATONGA7 345.00 345KV	1195	0.50267	108.1741	'GEN562014 1-G11_023_3 0.6900'
FDNS	FDNS	01G11_024	0	13G	G11_024	TO->FRON		NORTHWEST - TATONGA7 345.00 345KV	1195	0.50267	107.7242	'GEN562017 1-G11_022_3 0.6900'
FDNS	FDNS	01G11_024	0	13G	G11_024	TO->FRON		NORTHWEST - TATONGA7 345.00 345KV	1195	0.50267	107.5574	'GEN562020 1-G11_021_3 0.6900'
FDNS	FDNS	01G11_024	0	13G	G11_024	TO->FRON		NORTHWEST - TATONGA7 345.00 345KV	1195	0.50267	103.5493	'GEN562023 1-G11_020_3 0.6900'
FDNS	FDNS	01G11_024	0	13G	G11_024	TO->FRON		NORTHWEST - TATONGA7 345.00 345KV	1195	0.50267	103.5493	'GEN562026 1-G11_019_3 0.6900'
FDNS	FDNS	01G11_024	0	13G	G11_024	TO->FRON		NORTHWEST - TATONGA7 345.00 345KV	1195	0.50267	108.2612	'GEN562032 1-G11_017_3 0.6900'
FDNS	FDNS	01G11_024	0	13G	G11_024	TO->FRON		NORTHWEST - TATONGA7 345.00 345KV	1195	0.50267	108.3566	'GEN562035 1-G11_016_3 0.6900'
FDNS	FDNS	01G11_024	0	13G	G11_024	TO->FRON		NORTHWEST - TATONGA7 345.00 345KV	1195	0.50267	107.9227	'GEN562042 1-G11_014_3 0.6900'
FDNS	FDNS	01G11_024	0	13G	G11_024	TO->FRON		NORTHWEST - TATONGA7 345.00 345KV	1195	0.50267	108.3935	'GEN562049 1-G11_012_3 0.6900'
FDNS	FDNS	01G11_024	0	13G	G11_024	TO->FRON		NORTHWEST - TATONGA7 345.00 345KV	1195	0.50267	108.147	'GEN640009 1-COOPER NUCLEAR STATION'
FDNS	FDNS	01G11_024	0	13G	G11_024	TO->FRON		NORTHWEST - TATONGA7 345.00 345KV	1195	0.50267	107.4489	'GEN640010 1-GERALD GENTLEMAN STATION UNIT 1'
FDNS	FDNS	01G11_024	0	13G	G11_024	TO->FRON		NORTHWEST - TATONGA7 345.00 345KV	1195	0.50267	107.4674	'GEN640011 2-GERALD GENTLEMAN STATION UNIT 2'
FDNS	FDNS	01G11_024	0	13G	G11_024	TO->FRON		NORTHWEST - TATONGA7 345.00 345KV	1195	0.50267	108.379	'GEN641089 2-ENERGY CENTER 2'
FDNS	FDNS	01G11_024	0	13G	G11_024	TO->FRON		NORTHWEST - TATONGA7 345.00 345KV	1195	0.50267	108.2838	'GEN645001 1-FORT CALHOUN 1'

EVENTTYPE	SOLUTIONTYPE	GROUP	SCENARIO	SEASON	SOURCE	DIRECTION	MONTH	COMMONNAME	RATEB	TDF	TC%LOADI	CONTNAME
	FDNS	01G11_024		0	13G	G11_024		'TO->FRON' NORTHWEST - TATONGA7 345.00 345KV C	1195	0.50267	108.1955	'GEN645011 1-NEBRASKA CITY 1'
	FDNS	01G11_024		0	13G	G11_024		'TO->FRON' NORTHWEST - TATONGA7 345.00 345KV C	1195	0.50267	108.1422	'GEN645012 2-NEBRASKA CITY 2'
	FDNS	01G11_024		0	13G	G11_024		'TO->FRON' NORTHWEST - TATONGA7 345.00 345KV C	1195	0.50267	108.3047	'GEN659103 1-ANTELOPE VALLEY UNIT1'
	FDNS	01G11_024		0	13G	G11_024		'TO->FRON' NORTHWEST - TATONGA7 345.00 345KV C	1195	0.50267	108.3047	'GEN659107 2-ANTELOPE VALLEY UNIT2'
	FDNS	01G11_024		0	13G	G11_024		'TO->FRON' NORTHWEST - TATONGA7 345.00 345KV C	1195	0.50267	108.4036	'GEN659111 2-LELAND OLDS UNIT2'
	FNSL	01G11_024		0	13G	G11_024		'TO->FRON' NORTHWEST - TATONGA7 345.00 345KV C	1195	0.50278	109.3155	'TRF-STEGALL'
	FNSL	01G11_024		0	13G	G11_024		'TO->FRON' NORTHWEST - TATONGA7 345.00 345KV C	1195	0.50278	109.3157	'NEB01WAPAB3'
	FNSL	01G11_024		0	13G	G11_024		'TO->FRON' NORTHWEST - TATONGA7 345.00 345KV C	1195	0.50267	112.4572	'GEN335831 1-RIVERBEND UNIT#1'
	FDNS	01G11_024		0	13G	G11_024		'TO->FRON' NORTHWEST - TATONGA7 345.00 345KV C	1195	0.51661	114.1718	'BORDER 7345.00 - TUCO INTERCHANGE 345KV CKT 1'
	FDNS	01G11_024		0	13G	G11_024		'TO->FRON' NORTHWEST - TATONGA7 345.00 345KV C	1195	0.50911	113.4053	'FPL SWITCH - MOORELAND 138KV CKT 1'
	FDNS	01G11_024		0	13G	G11_024		'TO->FRON' NORTHWEST - TATONGA7 345.00 345KV C	1195	0.50307	109.0297	'ARAPAHO - HAMON BUTLER 69KV CKT 1'
	FDNS	01G11_024		0	13G	G11_024		'TO->FRON' NORTHWEST - TATONGA7 345.00 345KV C	1195	0.50307	109.0281	'ARAPAHO - INDUSTRIAL PARK 69KV CKT 1'
	FDNS	01G11_024		0	13G	G11_024		'TO->FRON' NORTHWEST - TATONGA7 345.00 345KV C	1195	0.50299	109.0091	'CANTON - TALOGA 69KV CKT 1'
	FDNS	01G11_024		0	13G	G11_024		'TO->FRON' NORTHWEST - TATONGA7 345.00 345KV C	1195	0.50413	110.2027	'CEDARDALE - MOORELAND 138KV CKT 1'
	FDNS	01G11_024		0	13G	G11_024		'TO->FRON' NORTHWEST - TATONGA7 345.00 345KV C	1195	0.50413	110.1707	'CEDARDALE - OKEENE 138KV CKT 1'
	FDNS	01G11_024		0	13G	G11_024		'TO->FRON' NORTHWEST - TATONGA7 345.00 345KV C	1195	0.50307	109.0027	'CORDELL - INDUSTRIAL PARK 69KV CKT 1'
	FDNS	01G11_024		0	13G	G11_024		'TO->FRON' NORTHWEST - TATONGA7 345.00 345KV C	1195	0.50409	109.8265	'DOVER SW - OKEENE 138KV CKT 1'
	FDNS	01G11_024		0	13G	G11_024		'TO->FRON' NORTHWEST - TATONGA7 345.00 345KV C	1195	0.50307	109.0304	'HAMON BUTLER - PUTNAM 69KV CKT 1'
	FDNS	01G11_024		0	13G	G11_024		'TO->FRON' NORTHWEST - TATONGA7 345.00 345KV C	1195	0.50458	110.0905	'MOORELAND - NINE MILE 138KV CKT 1'
	FDNS	01G11_024		0	13G	G11_024		'TO->FRON' NORTHWEST - TATONGA7 345.00 345KV C	1195	0.50357	109.189	'MOREWOOD SW - RED HILLS WIND 138KV CKT 1'
	FDNS	01G11_024		0	13G	G11_024		'TO->FRON' NORTHWEST - TATONGA7 345.00 345KV C	1195	0.50458	110.0773	'MOREWOOD SW - NINE MILE 138KV CKT 1'
	FDNS	01G11_024		0	13G	G11_024		'TO->FRON' NORTHWEST - TATONGA7 345.00 345KV C	1195	0.50301	108.9895	'OKEENE - WATONGA SW 69KV CKT 1'
	FDNS	01G11_024		0	13G	G11_024		'TO->FRON' NORTHWEST - TATONGA7 345.00 345KV C	1195	0.50307	109.0483	'PUTNAM - TALOGA 69KV CKT 1'
	FDNS	01G11_024		0	13G	G11_024		'TO->FRON' NORTHWEST - TATONGA7 345.00 345KV C	1195	0.51029	111.3727	'FINNEY SWITCHING STATION - Hitchland Interchange 345KV CKT 1'
	FDNS	01G11_024		0	13G	G11_024		'TO->FRON' NORTHWEST - TATONGA7 345.00 345KV C	1195	0.50631	109.3455	'Hitchland Interchange - POTTER COUNTY INTERCHANGE 345KV CKT 1'
	FDNS	01G11_024		0	13G	G11_024		'TO->FRON' NORTHWEST - TATONGA7 345.00 345KV C	1195	0.50654	109.3327	'BEAVER CO 345.00 - Hitchland Interchange 345KV CKT 1'
	FDNS	01G11_024		0	13G	G11_024		'TO->FRON' NORTHWEST - TATONGA7 345.00 345KV C	1195	0.50654	109.3327	'BEAVER CO 345.00 - Hitchland Interchange 345KV CKT 2'
	FDNS	01G11_024		0	13G	G11_024		'TO->FRON' NORTHWEST - TATONGA7 345.00 345KV C	1195	0.50361	109.0425	'G11_012T 230.00 - MOORE COUNTY INTERCHANGE 230KV CKT 1'
	FDNS	01G11_024		0	13G	G11_024		'TO->FRON' NORTHWEST - TATONGA7 345.00 345KV C	1195	0.50173	110.1085	'GRAPEVINE INTERCHANGE - STATELINE INTERCHANGE 230KV CKT 1'
	FDNS	01G11_024		0	13G	G11_024		'TO->FRON' NORTHWEST - TATONGA7 345.00 345KV C	1195	0.50215	110.0221	'GRAPEVINE INTERCHANGE - NICHOLS STATION 230KV CKT 1'
	FDNS	01G11_024		0	13G	G11_024		'TO->FRON' NORTHWEST - TATONGA7 345.00 345KV C	1195	0.50266	109.1051	'MCCLELLAN SUB - MCLEAN RURAL SUB 115KV CKT 1'
	FDNS	01G11_024		0	13G	G11_024		'TO->FRON' NORTHWEST - TATONGA7 345.00 345KV C	1195	0.50266	109.1241	'KIRBY SWITCHING STATION - MCCLELLAN SUB 115KV CKT 1'
	FDNS	01G11_024		0	13G	G11_024		'TO->FRON' NORTHWEST - TATONGA7 345.00 345KV C	1195	0.51029	112.536	'FINNEY SWITCHING STATION - HOLCOMB 345KV CKT 1'
	FDNS	01G11_024		0	13G	G11_024		'TO->FRON' NORTHWEST - TATONGA7 345.00 345KV C	1195	0.50306	109.024	'BUFFALO 230.00 - DEAF SMITH COUNTY INTERCHANGE 230KV CKT 1'
	FDNS	01G11_024		0	13G	G11_024		'TO->FRON' NORTHWEST - TATONGA7 345.00 345KV C	1195	0.50281	109.0801	'G07-48T 230.00 - SWISHER COUNTY INTERCHANGE 230KV CKT 1'
	FDNS	01G11_024		0	13G	G11_024		'TO->FRON' NORTHWEST - TATONGA7 345.00 345KV C	1195	0.50303	109.1621	'KNOLL 230 - SMOKYHL6 230.00 230KV CKT 1'
	FDNS	01G11_024		0	13G	G11_024		'TO->FRON' NORTHWEST - TATONGA7 345.00 345KV C	1195	0.50535	111.3758	'G11-17T 345.00 - POST ROCK 345KV CKT 1'
	FDNS	01G11_024		0	13G	G11_024		'TO->FRON' NORTHWEST - TATONGA7 345.00 345KV C	1195	0.50495	110.2065	'AXTELL - POST ROCK 345KV CKT 1'
	FDNS	01G11_024		0	13G	G11_024		'TO->FRON' NORTHWEST - TATONGA7 345.00 345KV C	1195	0.50303	109.5183	'SMOKYHL6 230.00 - SUMMIT 230KV CKT 1'
	FDNS	01G11_024		0	13G	G11_024		'TO->FRON' NORTHWEST - TATONGA7 345.00 345KV C	1195	0.50477	109.9431	'HOLCOMB - SETAB 345KV CKT 1'
	FDNS	01G11_024		0	13G	G11_024		'TO->FRON' NORTHWEST - TATONGA7 345.00 345KV C	1195	0.50289	109.1373	'BUCKNER7 345.00 - HOLCOMB 345KV CKT 1'
	FDNS	01G11_024		0	13G	G11_024		'TO->FRON' NORTHWEST - TATONGA7 345.00 345KV C	1195	0.50534	110.693	'MINGO - SETAB 345KV CKT 1'
	FDNS	01G11_024		0	13G	G11_024		'TO->FRON' NORTHWEST - TATONGA7 345.00 345KV C	1195	0.50582	110.5259	'MINGO - RED WILLOW 345KV CKT 1'
	FDNS	01G11_024		0	13G	G11_024		'TO->FRON' NORTHWEST - TATONGA7 345.00 345KV C	1195	0.50289	109.6748	'BUCKNER7 345.00 - SPEARVILLE 345KV CKT 1'
	FDNS	01G11_024		0	13G	G11_024		'TO->FRON' NORTHWEST - TATONGA7 345.00 345KV C	1195	0.50535	110.9545	'G11-17T 345.00 - SPEARVILLE 345KV CKT 1'
	FDNS	01G11_024		0	13G	G11_024		'TO->FRON' NORTHWEST - TATONGA7 345.00 345KV C	1195	0.50328	109.0679	'EMPORIA ENERGY CENTER - SWISSVALE 345KV CKT 1'

EVENTTYPE	SOLUTIONTYPE	GROUP	SCENARIO	SEASON	SOURCE	DIRECTION	MONTH	COMMONNAME	RATEB	TDF	TC%LOADI	CONTNAME
	FDNS	01G11_024		0	13G	G11_024		'TO->FRON'NORTHWEST - TATONGA7 345.00 345KV C	1195	0.50396	109.1946	'EMPORIA ENERGY CENTER - WICHITA 345KV CKT 1'
	FDNS	01G11_024		0	13G	G11_024		'TO->FRON'NORTHWEST - TATONGA7 345.00 345KV C	1195	0.50327	109.3673	'SWISSVALE - WEST GARDNER 345KV CKT 1'
	FDNS	01G11_024		0	13G	G11_024		'TO->FRON'NORTHWEST - TATONGA7 345.00 345KV C	1195	0.50408	109.5469	'CANEYRV7 345.00 - NEOSHO 345KV CKT 1'
	FDNS	01G11_024		0	13G	G11_024		'TO->FRON'NORTHWEST - TATONGA7 345.00 345KV C	1195	0.50408	109.4303	'CANEYRV7 345.00 - LATHAMS7 345.00 345KV CKT 1'
	FDNS	01G11_024		0	13G	G11_024		'TO->FRON'NORTHWEST - TATONGA7 345.00 345KV C	1195	0.5042	109.4162	'BENTON - ROSE HILL 345KV CKT 1'
	FDNS	01G11_024		0	13G	G11_024		'TO->FRON'NORTHWEST - TATONGA7 345.00 345KV C	1195	0.50638	110.854	'BENTON - WICHITA 345KV CKT 1'
	FDNS	01G11_024		0	13G	G11_024		'TO->FRON'NORTHWEST - TATONGA7 345.00 345KV C	1195	0.50408	109.1826	'LATHAMS7 345.00 - ROSE HILL 345KV CKT 1'
	FDNS	01G11_024		0	13G	G11_024		'TO->FRON'NORTHWEST - TATONGA7 345.00 345KV C	1195	0.5008	107.5603	'VIOLA 7 345.00 - WICHITA 345KV CKT 1'
	FDNS	01G11_024		0	13G	G11_024		'TO->FRON'NORTHWEST - TATONGA7 345.00 345KV C	1195	0.51177	115.0773	'THISTLE7 345.00 - WICHITA 345KV CKT 1'
	FDNS	01G11_024		0	13G	G11_024		'TO->FRON'NORTHWEST - TATONGA7 345.00 345KV C	1195	0.51177	115.0773	'THISTLE7 345.00 - WICHITA 345KV CKT 2'
	FDNS	01G11_024		0	13G	G11_024		'TO->FRON'NORTHWEST - TATONGA7 345.00 345KV C	1195	0.50321	109.3153	'ANDERSONCO 345.00 - WOLF CREEK 345KV CKT 1'
	FDNS	01G11_024		0	13G	G11_024		'TO->FRON'NORTHWEST - TATONGA7 345.00 345KV C	1195	0.50306	109.335	'CIRCLE - MULLERGREN 230KV CKT 1'
	FDNS	01G11_024		0	13G	G11_024		'TO->FRON'NORTHWEST - TATONGA7 345.00 345KV C	1195	0.50341	109.1848	'CLEARWATER - GILL ENERGY CENTER WEST 138KV CKT 1'
	FDNS	01G11_024		0	13G	G11_024		'TO->FRON'NORTHWEST - TATONGA7 345.00 345KV C	1195	0.50275	108.9745	'MAIZE - MAIZEW 4 138.00 138KV CKT 1'
	FDNS	01G11_024		0	13G	G11_024		'TO->FRON'NORTHWEST - TATONGA7 345.00 345KV C	1195	0.5036	109.1949	'FLATRDG3 - THISTLE4 138.00 138KV CKT 1'
	FDNS	01G11_024		0	13G	G11_024		'TO->FRON'NORTHWEST - TATONGA7 345.00 345KV C	1195	0.50321	109.5234	'MULLERGREN - SPEARVILLE 230KV CKT 1'
	FDNS	01G11_024		0	13G	G11_024		'TO->FRON'NORTHWEST - TATONGA7 345.00 345KV C	1195	0.50321	109.3663	'ANDERSONCO 345.00 - LACYGNE 345KV CKT 1'
	FDNS	01G11_024		0	13G	G11_024		'TO->FRON'NORTHWEST - TATONGA7 345.00 345KV C	1195	0.50227	108.0822	'BROOKLINE - SUB 383 - MONETT 345KV CKT 1'
	FDNS	01G11_024		0	13G	G11_024		'TO->FRON'NORTHWEST - TATONGA7 345.00 345KV C	1195	0.50335	109.425	'AXTELL - PAULINE 345KV CKT 1'
	FDNS	01G11_024		0	13G	G11_024		'TO->FRON'NORTHWEST - TATONGA7 345.00 345KV C	1195	0.50402	109.0457	'GERALD GENTLEMAN STATION - RED WILLOW 345KV CKT 1'
	FDNS	01G11_024		0	13G	G11_024		'TO->FRON'NORTHWEST - TATONGA7 345.00 345KV C	1195	0.50276	109.0639	'GERALD GENTLEMAN STATION - SWEETWATER 345KV CKT 1'
	FDNS	01G11_024		0	13G	G11_024		'TO->FRON'NORTHWEST - TATONGA7 345.00 345KV C	1195	0.50293	109.052	'GRAND ISLAND - MCCOOL 345KV CKT 1'
	FDNS	01G11_024		0	13G	G11_024		'TO->FRON'NORTHWEST - TATONGA7 345.00 345KV C	1195	0.50329	109.3337	'MOORE - PAULINE 345KV CKT 1'
	FDNS	01G11_024		0	13G	G11_024		'TO->FRON'NORTHWEST - TATONGA7 345.00 345KV C	1195	0.50325	109.6882	'GRAND ISLAND - SWEETWATER 345KV CKT 1'
	FDNS	01G11_024		0	13G	G11_024		'TO->FRON'NORTHWEST - TATONGA7 345.00 345KV C	1195	0.50278	109.0178	'MCADAMS - WOLF CREEK 500KV CKT 1'
	FDNS	01G11_024		0	13G	G11_024		'TO->FRON'NORTHWEST - TATONGA7 345.00 345KV C	1195	0.50273	108.9889	'7SAREPTA% 345.00 - ELDORADO EHV 345KV CKT 1'
	FDNS	01G11_024		0	13G	G11_024		'TO->FRON'NORTHWEST - TATONGA7 345.00 345KV C	1195	0.50273	108.9884	'ELDORADO EHV 500/345KV TRANSFORMER CKT 1'
	FDNS	01G11_024		0	13G	G11_024		'TO->FRON'NORTHWEST - TATONGA7 345.00 345KV C	1195	0.50259	108.3683	'ARKANSAS NUCLEAR ONE - MABELVALE 500 500KV CKT 1'
	FDNS	01G11_024		0	13G	G11_024		'TO->FRON'NORTHWEST - TATONGA7 345.00 345KV C	1195	0.5026	108.276	'ARKANSAS NUCLEAR ONE - PLEASANT HILL 500KV CKT 1'
	FDNS	01G11_024		0	13G	G11_024		'TO->FRON'NORTHWEST - TATONGA7 345.00 345KV C	1195	0.50261	108.4071	'MAYFLOWER 500 - PLEASANT HILL 500KV CKT 1'
	FDNS	01G11_024		0	13G	G11_024		'TO->FRON'NORTHWEST - TATONGA7 345.00 345KV C	1195	0.50268	108.1122	'KEO EHV - WEST MEMPHIS 500 500KV CKT 1'
	FDNS	01G11_024		0	13G	G11_024		'TO->FRON'NORTHWEST - TATONGA7 345.00 345KV C	1195	0.50269	108.2583	'DELL 500 - INDEPENDENCE 500KV CKT 1'
	FDNS	01G11_024		0	13G	G11_024		'TO->FRON'NORTHWEST - TATONGA7 345.00 345KV C	1195	0.50277	108.3741	'7MCCREDIE 345.00 - 7MONTGMRY 345.00 345KV CKT 1'
	FDNS	01G11_024		0	13G	G11_024		'TO->FRON'NORTHWEST - TATONGA7 345.00 345KV C	1195	0.50278	109.0522	'NUNDRWD - WAYSIDE 230KV CKT 1'
	FDNS	01G11_024		0	13G	G11_024		'TO->FRON'NORTHWEST - TATONGA7 345.00 345KV C	1195	0.50278	109.314	'STEGALL - STEGALL TY 345KV CKT 1'
	FDNS	01G11_024		0	13G	G11_024		'TO->FRON'NORTHWEST - TATONGA7 345.00 345KV C	1195	0.50276	108.9923	'7SAREPTA% 345.00 - LONGWOOD 345KV CKT 1'
	FDNS	01G11_024		0	13G	G11_024		'TO->FRON'NORTHWEST - TATONGA7 345.00 345KV C	1195	0.50173	110.6934	'ELK CITY 230KV (ELKCTY-6) 230/138/13.8KV TRANSFORMER CKT 1'
	FDNS	01G11_024		0	13G	G11_024		'TO->FRON'NORTHWEST - TATONGA7 345.00 345KV C	1195	0.50266	109.0507	'SHAMROCK (SHAMRCK1) 115/69/14.4KV TRANSFORMER CKT 1'
	FDNS	01G11_024		0	13G	G11_024		'TO->FRON'NORTHWEST - TATONGA7 345.00 345KV C	1195	0.50339	109.2728	'WOODWARD (WOODWRD2) 138/69/13.2KV TRANSFORMER CKT 1'
	FDNS	01G11_024		0	13G	G11_024		'TO->FRON'NORTHWEST - TATONGA7 345.00 345KV C	1195	0.50315	109.3042	'KNOBHILL (KNOBHIL4) 138/69/13.2KV TRANSFORMER CKT 1'
	FDNS	01G11_024		0	13G	G11_024		'TO->FRON'NORTHWEST - TATONGA7 345.00 345KV C	1195	0.50163	107.722	'NORTHWEST (NORTWST2) 345/138/13.8KV TRANSFORMER CKT 1'
	FDNS	01G11_024		0	13G	G11_024		'TO->FRON'NORTHWEST - TATONGA7 345.00 345KV C	1195	0.50171	107.9324	'NORTHWEST (NORTWST3) 345/138/13.8KV TRANSFORMER CKT 1'
	FDNS	01G11_024		0	13G	G11_024		'TO->FRON'NORTHWEST - TATONGA7 345.00 345KV C	1195	0.50436	108.273	'WOODWARD DISTRICT EHV (WWDEHV) 345/138/13.8KV TRANSFORMER CKT 1'
	FDNS	01G11_024		0	13G	G11_024		'TO->FRON'NORTHWEST - TATONGA7 345.00 345KV C	1195	0.50436	108.1926	'WOODWARD DISTRICT EHV (WWDEHV-T2) 345/138/13.8KV TRANSFORMER CKT 2'

EVENT	TYP	SOLUTION	TYPE	GROUP	SCENARIO	SEASON	SOURCE	DIRECTION	MONTH	COMMON	NAME	RATE	TDF	TC%	LOAD	CONT	NAME		
		FDNS		01G11_024		0	13G	G11_024		TO->FRON	'NORTHWEST - TATONGA7	345.00	345KV	0	1195	0.50631	110.1125	'POTTER COUNTY INTERCHANGE (WAUK 90343-A) 345/230/13.2KV TRANSFORMER CKT 1'	
		FDNS		01G11_024		0	13G	G11_024		TO->FRON	'NORTHWEST - TATONGA7	345.00	345KV	0	1195	0.50366	109.195	'THISTLE7 345.00 (THISTLE T1) 345/138/13.8KV TRANSFORMER CKT 1'	
		FDNS		01G11_024		0	13G	G11_024		TO->FRON	'NORTHWEST - TATONGA7	345.00	345KV	0	1195	0.50267	108.8043	'G08-19 345.00 345/34.5KV TRANSFORMER CKT 1'	
		FDNS		01G11_024		0	13G	G11_024		TO->FRON	'NORTHWEST - TATONGA7	345.00	345KV	0	1195	0.50267	108.8043	'G08-19 345.00 345/34.5KV TRANSFORMER CKT 2'	
		FDNS		01G11_024		0	13G	G11_024		TO->FRON	'NORTHWEST - TATONGA7	345.00	345KV	0	1195	0.50268	108.2953	'8BHAM STEEL 500.00 - WEST MEMPHIS 500 500KV CKT 1'	
		FDNS		01G11_024		0	13G	G11_024		TO->FRON	'NORTHWEST - TATONGA7	345.00	345KV	0	1195	0.54208	137.7872	'DBL-WICH-THI'	
		FDNS		01G11_024		0	13G	G11_024		TO->FRON	'NORTHWEST - TATONGA7	345.00	345KV	0	1195	0.58563	145.0341	'DBL-THIS-WWR'	
		FDNS		01G11_024		0	13G	G11_024		TO->FRON	'NORTHWEST - TATONGA7	345.00	345KV	0	1195	0.50469	108.4816	'DBL-THIS-CLR'	
		FDNS		01G11_024		0	13G	G11_024		TO->FRON	'NORTHWEST - TATONGA7	345.00	345KV	0	1195	0.53236	113.9506	'DBL-HTCH-BVR'	
		FDNS		01G11_024		0	13G	G11_024		TO->FRON	'NORTHWEST - TATONGA7	345.00	345KV	0	1195	0.53236	110.2397	'DBL-BVR-WWRD'	
		FDNS		01G11_024		0	13G	G11_024		TO->FRON	'NORTHWEST - TATONGA7	345.00	345KV	0	1195	0.50028	106.6108	'SPP-AEPW-01'	
		FDNS		01G11_024		0	13G	G11_024		TO->FRON	'NORTHWEST - TATONGA7	345.00	345KV	0	1195	0.50254	112.8359	'SPP-AEPW-32'	
		FDNS		01G11_024		0	13G	G11_024		TO->FRON	'NORTHWEST - TATONGA7	345.00	345KV	0	1195	0.50242	108.0121	'GRDA-OPGD-05'	
		FDNS		01G11_024		0	13G	G11_024		TO->FRON	'NORTHWEST - TATONGA7	345.00	345KV	0	1195	0.50279	108.3608	'KCPL-MSL#03'	
		FDNS		01G11_024		0	13G	G11_024		TO->FRON	'NORTHWEST - TATONGA7	345.00	345KV	0	1195	0.50269	108.9826	'KCPL-OPGD06A'	
		FDNS		01G11_024		0	13G	G11_024		TO->FRON	'NORTHWEST - TATONGA7	345.00	345KV	0	1195	0.50381	109.0209	'OGE3TERM1'	
		FDNS		01G11_024		0	13G	G11_024		TO->FRON	'NORTHWEST - TATONGA7	345.00	345KV	0	1195	0.50259	108.1522	'OGE3TERM7'	
		FDNS		01G11_024		0	13G	G11_024		TO->FRON	'NORTHWEST - TATONGA7	345.00	345KV	0	1195	0.50228	108.3014	'OGE3TERM14'	
		FDNS		01G11_024		0	13G	G11_024		TO->FRON	'NORTHWEST - TATONGA7	345.00	345KV	0	1195	0.50267	108.6911	'NC1_GEN-NEBRASKA CITY 1'	
		FDNS		01G11_024		0	13G	G11_024		TO->FRON	'NORTHWEST - TATONGA7	345.00	345KV	0	1195	0.50283	111.855	'SPP-SWPS-01'	
		FDNS		01G11_024		0	13G	G11_024		TO->FRON	'NORTHWEST - TATONGA7	345.00	345KV	0	1195	0.50173	110.698	'SPP-SWPS-02A'	
		FDNS		01G11_024		0	13G	G11_024		TO->FRON	'NORTHWEST - TATONGA7	345.00	345KV	0	1195	0.50171	110.3595	'SPP-SWPS-03'	
		FDNS		01G11_024		0	13G	G11_024		TO->FRON	'NORTHWEST - TATONGA7	345.00	345KV	0	1195	0.50631	109.2247	'SPP-SWPS-04'	
		FDNS		01G11_024		0	13G	G11_024		TO->FRON	'NORTHWEST - TATONGA7	345.00	345KV	0	1195	0.51029	111.3956	'SPP-SWPS-05'	
		FDNS		01G11_024		0	13G	G11_024		TO->FRON	'NORTHWEST - TATONGA7	345.00	345KV	0	1195	0.50364	108.995	'SPP-SWPS-K31'	
		FDNS		01G11_024		0	13G	G11_024		TO->FRON	'NORTHWEST - TATONGA7	345.00	345KV	0	1195	0.50266	109.043	'SPP-SWPS-T54'	
		FDNS		01G11_024		0	13G	G11_024		TO->FRON	'NORTHWEST - TATONGA7	345.00	345KV	0	1195	0.50341	109.2706	'SPP-MKEC-05'	
		FDNS		01G11_024		0	13G	G11_024		TO->FRON	'NORTHWEST - TATONGA7	345.00	345KV	0	1195	0.50365	109.5624	'SPP-MKEC-08'	
		FDNS		01G11_024		0	13G	G11_024		TO->FRON	'NORTHWEST - TATONGA7	345.00	345KV	0	1195	0.50341	109.2832	'SPP-WEPL-03'	
		FDNS		01G11_024		0	13G	G11_024		TO->FRON	'NORTHWEST - TATONGA7	345.00	345KV	0	1195	0.50341	109.2741	'SPP-WEPL-03A'	
		FDNS		01G11_024		0	13G	G11_024		TO->FRON	'NORTHWEST - TATONGA7	345.00	345KV	0	1195	0.50259	108.0844	'SPP-WERE-07C'	
		FDNS		01G11_024		0	13G	G11_024		TO->FRON	'NORTHWEST - TATONGA7	345.00	345KV	0	1195	0.50275	108.9745	'SPP-WERE-91'	
		FDNS		01G11_024		0	13G	G11_024		TO->FRON	'NORTHWEST - TATONGA7	345.00	345KV	0	1195	0.50296	109.8208	'WRTOD400'	
		FDNS		01G11_024		0	13G	G11_024		TO->FRON	'NORTHWEST - TATONGA7	345.00	345KV	0	1195	0.50227	108.0812	'A112'	
		FDNS		01G11_024		0	13G	G11_024		TO->FRON	'NORTHWEST - TATONGA7	345.00	345KV	0	1195	0.50268	108.2916	'AMRN_OUTS5'	
		FDNS		01G11_024		0	13G	G11_024		TO->FRON	'NORTHWEST - TATONGA7	345.00	345KV	0	1195	0.50279	108.3609	'MTGY-OVER-5'	
		FDNS		01G11_024		0	13G	G11_024		TO->FRON	'NORTHWEST - TATONGA7	345.00	345KV	0	1195	0.50273	108.9889	'A222'	
		FDNS		01G11_024		0	13G	G11_024		TO->FRON	'NORTHWEST - TATONGA7	345.00	345KV	0	1195	0.50267	109.0181	'GEN300003 1-THOMAS HILL UNIT 3'	
		FDNS		01G11_024		0	13G	G11_024		TO->FRON	'NORTHWEST - TATONGA7	345.00	345KV	0	1195	0.50267	109.8492	'GEN300006 1-NEW MADRID UNIT 1'	
		FDNS		01G11_024		0	13G	G11_024		TO->FRON	'NORTHWEST - TATONGA7	345.00	345KV	0	1195	0.50267	109.842	'GEN300007 1-NEW MADRID UNIT 2'	
		FDNS		01G11_024		0	13G	G11_024		TO->FRON	'NORTHWEST - TATONGA7	345.00	345KV	0	1195	0.50267	109.0932	'GEN300016 1-1G1PDEL 18.000'	
		FDNS		01G11_024		0	13G	G11_024		TO->FRON	'NORTHWEST - TATONGA7	345.00	345KV	0	1195	0.50267	109.3036	'GEN300020 1-1CHOTCT4 16.000'	
		FDNS		01G11_024		0	13G	G11_024		TO->FRON	'NORTHWEST - TATONGA7	345.00	345KV	0	1195	0.50267	109.3036	'GEN300021 1-1CHOTCT5 16.000'	
		FDNS		01G11_024		0	13G	G11_024		TO->FRON	'NORTHWEST - TATONGA7	345.00	345KV	0	1195	0.50267	109.3272	'GEN300024 1-1CHOTST6 16.000'	
		FDNS		01G11_024		0	13G	G11_024		TO->FRON	'NORTHWEST - TATONGA7	345.00	345KV	0	1195	0.50267	109.3271	'GEN300031 1-CHOUTEAU CTG 1'	
		FDNS				1	0	13G	G11_024		TO->FRON	'NORTHWEST - TATONGA7	345.00	345KV	0	1195	0.50245	97.3	'BASE CASE'
		FDNS				1	0	13G	G11_024		TO->FRON	'NORTHWEST - TATONGA7	345.00	345KV	0	1195	0.50204	96.7	'FLINT CREEK - SUB 383 - MONETT 345KV CKT 1'
		FDNS				1	0	13G	G11_024		TO->FRON	'NORTHWEST - TATONGA7	345.00	345KV	0	1195	0.50222	96.5	'CHAMBER SPRINGS - CLARKSVILLE 345KV CKT 1'
		FDNS				1	0	13G	G11_024		TO->FRON	'NORTHWEST - TATONGA7	345.00	345KV	0	1195	0.50186	96.9	'LYDIA - WELSH 345KV CKT 1'
		FDNS				1	0	13G	G11_024		TO->FRON	'NORTHWEST - TATONGA7	345.00	345KV	0	1195	0.50008	95.3	'LYDIA - VALLIANT 345KV CKT 1'
		FDNS				1	0	13G	G11_024		TO->FRON	'NORTHWEST - TATONGA7	345.00	345KV	0	1195	0.50251	96.9	'CLARKSVILLE - MUSKOGEE 345KV CKT 1'
		FDNS				1	0	13G	G11_024		TO->FRON	'NORTHWEST - TATONGA7	345.00	345KV	0	1195	0.49799	96	'REDBUD - RIVERSIDE STATION 345KV CKT 1'
		FDNS				1	0	13G	G11_024		TO->FRON	'NORTHWEST - TATONGA7	345.00	345KV	0	1195	0.50198	95.5	'DELAWARE - NORTHEAST STATION 345KV CKT 1'
		FDNS				1	0	13G	G11_024		TO->FRON	'NORTHWEST - TATONGA7	345.00	345KV	0	1195	0.50197	96.3	'DELAWARE - NEOSHO 345KV CKT 1'

EVENTTYPE	SOLUTIONTYPE	GROUP	SCENARIO	SEASON	SOURCE	DIRECTION	MONTH	COMMONNAME	RATEB	TDF	TC%LOADI	CONTNAME
	FDNS		1	0	13G	G11_024	'TO->FRON'	'NORTHWEST - TATONGA7 345.00 345KV C	1195	0.50237	97	'BARTLESVILLE SOUTHEAST - NORTH BARTLESVILLE 138KV CKT 1'
	FDNS		1	0	13G	G11_024	'TO->FRON'	'NORTHWEST - TATONGA7 345.00 345KV C	1195	0.50237	97	'COFFEYVILLE TAP - NORTH BARTLESVILLE 138KV CKT 1'
	FDNS		1	0	13G	G11_024	'TO->FRON'	'NORTHWEST - TATONGA7 345.00 345KV C	1195	0.50133	96.4	'PITTSBURG - VALLIANT 345KV CKT 1'
	FDNS		1	0	13G	G11_024	'TO->FRON'	'NORTHWEST - TATONGA7 345.00 345KV C	1195	0.50056	96.3	'PITTSBURG - SEMINOLE 345KV CKT 1'
	FDNS		1	0	13G	G11_024	'TO->FRON'	'NORTHWEST - TATONGA7 345.00 345KV C	1195	0.50297	98.1	'CLINTON AIR FORCE BASE TAP - ELK CITY 138KV CKT 1'
	FDNS		1	0	13G	G11_024	'TO->FRON'	'NORTHWEST - TATONGA7 345.00 345KV C	1195	0.50297	98	'CLINTON AIR FORCE BASE TAP - HOBART JUNCTION 138KV CKT 1'
	FDNS		1	0	13G	G11_024	'TO->FRON'	'NORTHWEST - TATONGA7 345.00 345KV C	1195	0.50231	100.1442	'OKLAUNION - TUCCO INTERCHANGE 345KV CKT 1'
	FDNS		1	0	13G	G11_024	'TO->FRON'	'NORTHWEST - TATONGA7 345.00 345KV C	1195	0.50275	98.3	'CLINTON JUNCTION - ELK CITY 138KV CKT 1'
	FDNS		1	0	13G	G11_024	'TO->FRON'	'NORTHWEST - TATONGA7 345.00 345KV C	1195	0.50334	98	'ELK CITY - RED HILLS WIND 138KV CKT 1'
	FDNS		1	0	13G	G11_024	'TO->FRON'	'NORTHWEST - TATONGA7 345.00 345KV C	1195	0.50346	98.2	'LAWTON EASTSIDE - SUNNYSIDE 345KV CKT 1'
	FDNS		1	0	13G	G11_024	'TO->FRON'	'NORTHWEST - TATONGA7 345.00 345KV C	1195	0.49994	96.4	'GRACEMONT - LAWTON EASTSIDE 345KV CKT 1'
	FDNS		1	0	13G	G11_024	'TO->FRON'	'NORTHWEST - TATONGA7 345.00 345KV C	1195	0.50233	97.6	'WEATHERFORD JCT. - WEATHERFORD SOUTHEAST 138KV CKT 1'
	FDNS		1	0	13G	G11_024	'TO->FRON'	'NORTHWEST - TATONGA7 345.00 345KV C	1195	0.5015	99.1	'ELK CITY 230KV - SWEETWATER 230KV CKT 1'
	FDNS		1	0	13G	G11_024	'TO->FRON'	'NORTHWEST - TATONGA7 345.00 345KV C	1195	0.50238	97.6	'WEATHERFORD SOUTHEAST - WEATHERFORD TAP 138KV CKT 1'
	FDNS		1	0	13G	G11_024	'TO->FRON'	'NORTHWEST - TATONGA7 345.00 345KV C	1195	0.50238	97.6	'WEATHERFORD TAP - WEATHERFORD WIND FARM 138KV CKT 1'
	FDNS		1	0	13G	G11_024	'TO->FRON'	'NORTHWEST - TATONGA7 345.00 345KV C	1195	0.5015	97.8	'STATELINE INTERCHANGE - SWEETWATER 230KV CKT &1'
	FDNS		1	0	13G	G11_024	'TO->FRON'	'NORTHWEST - TATONGA7 345.00 345KV C	1195	0.50244	97.6	'MCLEAN RURAL SUB - SHAMROCK 115KV CKT 1'
	FDNS		1	0	13G	G11_024	'TO->FRON'	'NORTHWEST - TATONGA7 345.00 345KV C	1195	0.50175	97	'CLEVELAND - SOONER 345KV CKT 1'
	FDNS		1	0	13G	G11_024	'TO->FRON'	'NORTHWEST - TATONGA7 345.00 345KV C	1195	0.50348	97.6	'HENESSEY - WAUKOMIS 138KV CKT 1'
	FDNS		1	0	13G	G11_024	'TO->FRON'	'NORTHWEST - TATONGA7 345.00 345KV C	1195	0.50247	97.6	'MARSHALL - WOODRING 138KV CKT 1'
	FDNS		1	0	13G	G11_024	'TO->FRON'	'NORTHWEST - TATONGA7 345.00 345KV C	1195	0.50052	98.3	'HUNTERS7 345.00 - WOODRING 345KV CKT 1'
	FDNS		1	0	13G	G11_024	'TO->FRON'	'NORTHWEST - TATONGA7 345.00 345KV C	1195	0.50289	97.6	'KNOBHILL - SALINE 69KV CKT 1'
	FDNS		1	0	13G	G11_024	'TO->FRON'	'NORTHWEST - TATONGA7 345.00 345KV C	1195	0.50235	96.8	'KILDARE4 - NEWKIRK4 138KV CKT 1'
	FDNS		1	0	13G	G11_024	'TO->FRON'	'NORTHWEST - TATONGA7 345.00 345KV C	1195	0.50244	96.9	'KILDARE4 - WHITE EAGLE 138KV CKT 1'
	FDNS		1	0	13G	G11_024	'TO->FRON'	'NORTHWEST - TATONGA7 345.00 345KV C	1195	0.50348	97.6	'DOVER SW - HENESSEY 138KV CKT 1'
	FDNS		1	0	13G	G11_024	'TO->FRON'	'NORTHWEST - TATONGA7 345.00 345KV C	1195	0.50451	99	'CLEO CORNER - GLASS MOUNTAIN 138KV CKT 1'
	FDNS		1	0	13G	G11_024	'TO->FRON'	'NORTHWEST - TATONGA7 345.00 345KV C	1195	0.50503	99	'CLEO CORNER - MEN TAP 138KV CKT 1'
	FDNS		1	0	13G	G11_024	'TO->FRON'	'NORTHWEST - TATONGA7 345.00 345KV C	1195	0.50354	97.6	'WOODWARD - WOODWARD EHV 138KV CKT 1'
	FDNS		1	0	13G	G11_024	'TO->FRON'	'NORTHWEST - TATONGA7 345.00 345KV C	1195	0.50888	100.0791	'FPL SWITCH - WOODWARD 138KV CKT 1'
	FDNS		1	0	13G	G11_024	'TO->FRON'	'NORTHWEST - TATONGA7 345.00 345KV C	1195	0.50497	98.4	'DEWEY - IODINE 138KV CKT 1'
	FDNS		1	0	13G	G11_024	'TO->FRON'	'NORTHWEST - TATONGA7 345.00 345KV C	1195	0.50564	100.5894	'DEWEY - SOUTHARD 138KV CKT 1'
	FDNS		1	0	13G	G11_024	'TO->FRON'	'NORTHWEST - TATONGA7 345.00 345KV C	1195	0.50451	99.1	'GLASS MOUNTAIN - MOORELAND 138KV CKT 1'
	FDNS		1	0	13G	G11_024	'TO->FRON'	'NORTHWEST - TATONGA7 345.00 345KV C	1195	0.50503	99	'IMO TAP - MEN TAP 138KV CKT 1'
	FDNS		1	0	13G	G11_024	'TO->FRON'	'NORTHWEST - TATONGA7 345.00 345KV C	1195	0.50292	97.9	'KNOBHILL - MOORELAND 138KV CKT 1'
	FDNS		1	0	13G	G11_024	'TO->FRON'	'NORTHWEST - TATONGA7 345.00 345KV C	1195	0.50497	98.5	'IODINE - WOODWARD EHV 138KV CKT 1'
	FDNS		1	0	13G	G11_024	'TO->FRON'	'NORTHWEST - TATONGA7 345.00 345KV C	1195	0.49826	95.5	'GRACEMONT - MINCO 345KV CKT 1'
	FDNS		1	0	13G	G11_024	'TO->FRON'	'NORTHWEST - TATONGA7 345.00 345KV C	1195	0.50034	96.1	'ROSE HILL - SOONER 345KV CKT 1'
	FDNS		1	0	13G	G11_024	'TO->FRON'	'NORTHWEST - TATONGA7 345.00 345KV C	1195	0.50235	96.7	'CRESWELL - MIDLTNT4 138.00 138KV CKT 1'
	FDNS		1	0	13G	G11_024	'TO->FRON'	'NORTHWEST - TATONGA7 345.00 345KV C	1195	0.50564	100.1005	'EL RENO - ROMAN NOSE 138KV CKT 1'
	FDNS		1	0	13G	G11_024	'TO->FRON'	'NORTHWEST - TATONGA7 345.00 345KV C	1195	0.50564	100.2886	'ROMAN NOSE - SOUTHARD 138KV CKT 1'
	FDNS		1	0	13G	G11_024	'TO->FRON'	'NORTHWEST - TATONGA7 345.00 345KV C	1195	0.50211	97	'NORTHWEST - PANTHER 138KV CKT 1'
	FDNS		1	0	13G	G11_024	'TO->FRON'	'NORTHWEST - TATONGA7 345.00 345KV C	1195	0.49099	96.7	'ARCADIA - NORTHWEST 345KV CKT 1'
	FDNS		1	0	13G	G11_024	'TO->FRON'	'NORTHWEST - TATONGA7 345.00 345KV C	1195	0.5006	96.5	'CIMARRON - DRAPER LAKE 345KV CKT 1'
	FDNS		1	0	13G	G11_024	'TO->FRON'	'NORTHWEST - TATONGA7 345.00 345KV C	1195	0.49862	99.2	'CIMARRON - G11-007T 345.00 345KV CKT 1'
	FDNS		1	0	13G	G11_024	'TO->FRON'	'NORTHWEST - TATONGA7 345.00 345KV C	1195	0.50085	96.5	'ARCADIA - SEMINOLE 345KV CKT 1'
	FDNS		1	0	13G	G11_024	'TO->FRON'	'NORTHWEST - TATONGA7 345.00 345KV C	1195	0.50245	97.6	'MCELROY - STILLWATER 138KV CKT 1'
	FDNS		1	0	13G	G11_024	'TO->FRON'	'NORTHWEST - TATONGA7 345.00 345KV C	1195	0.5025	97.7	'MORISNT4 138.00 - STILLWATER 138KV CKT 1'
	FDNS		1	0	13G	G11_024	'TO->FRON'	'NORTHWEST - TATONGA7 345.00 345KV C	1195	0.50154	96.6	'FT SMITH - MUSKOGEE 345KV CKT 1'
	FDNS		1	0	13G	G11_024	'TO->FRON'	'NORTHWEST - TATONGA7 345.00 345KV C	1195	0.51636	102.2415	'BORDER 7345.00 - WOODWARD DISTRICT EHV 345KV CKT 1'

EVENT	TYPI	SOLUTION	TYPE	GROUP	SCENARIO	SEASON	SOURCE	DIRECTION	MONTH	COMMON	NAME	RATEB	TDF	TC%	LOADI	CONTNAME
		FDNS			1	0	13G	G11_024	'TO->FRON	'NORTHWEST - TATONGA7	345.00 345KV 0	1195	0.50245	97.9		'Hitchland Interchange - WOODWARD DISTRICT EHV 345KV CKT 2'
		FDNS			1	0	13G	G11_024	'TO->FRON	'NORTHWEST - TATONGA7	345.00 345KV 0	1195	0.52367	105.3204		'THISTLE7 345.00 - WOODWARD DISTRICT EHV 345KV CKT 1'
		FDNS			1	0	13G	G11_024	'TO->FRON	'NORTHWEST - TATONGA7	345.00 345KV 0	1195	0.52367	105.3204		'THISTLE7 345.00 - WOODWARD DISTRICT EHV 345KV CKT 2'
		FDNS			1	0	13G	G11_024	'TO->FRON	'NORTHWEST - TATONGA7	345.00 345KV 0	1195	0.50631	97		'BEAVER CO 345.00 - WOODWARD DISTRICT EHV 345KV CKT 1'
		FDNS			1	0	13G	G11_024	'TO->FRON	'NORTHWEST - TATONGA7	345.00 345KV 0	1195	0.51636	102.2821		'BORDER 7345.00 - TUCO INTERCHANGE 345KV CKT 1'
		FDNS			1	0	13G	G11_024	'TO->FRON	'NORTHWEST - TATONGA7	345.00 345KV 0	1195	0.50052	97.6		'HUNTERS7 345.00 - VIOLA 7 345.00 345KV CKT 1'
		FDNS			1	0	13G	G11_024	'TO->FRON	'NORTHWEST - TATONGA7	345.00 345KV 0	1195	0.50888	101.5738		'FPL SWITCH - MOORELAND 138KV CKT 1'
		FDNS			1	0	13G	G11_024	'TO->FRON	'NORTHWEST - TATONGA7	345.00 345KV 0	1195	0.50285	97.6		'ARAPAHO - HAMON BUTLER 69KV CKT 1'
		FDNS			1	0	13G	G11_024	'TO->FRON	'NORTHWEST - TATONGA7	345.00 345KV 0	1195	0.50285	97.6		'ARAPAHO - INDUSTRIAL PARK 69KV CKT 1'
		FDNS-CHECK-TC-B			1	0	13G	G11_024	'TO->FRON	'NORTHWEST - TATONGA7	345.00 345KV 0	1195	0.50245	100.4		'GEN337653 1-WHITE BLUFF UNIT #2'
		FDNS			1	0	13G	G11_024	'TO->FRON	'NORTHWEST - TATONGA7	345.00 345KV 0	1195	0.50245	98.3		'GEN337692 1-LAKE CATHERINE UNIT #4'
		FDNS			1	0	13G	G11_024	'TO->FRON	'NORTHWEST - TATONGA7	345.00 345KV 0	1195	0.50245	100		'GEN338143 1-INDEPENDENCE UNIT #1'
		FDNS			1	0	13G	G11_024	'TO->FRON	'NORTHWEST - TATONGA7	345.00 345KV 0	1195	0.50245	100.0507		'GEN338146 1-INDEPENDENCE UNIT #2'
		FDNS			1	0	13G	G11_024	'TO->FRON	'NORTHWEST - TATONGA7	345.00 345KV 0	1195	0.50245	99.3		'GEN338388 1-1PLUM PT U1 23.000'
		FDNS			1	0	13G	G11_024	'TO->FRON	'NORTHWEST - TATONGA7	345.00 345KV 0	1195	0.50245	97.7		'GEN338500 1-MCCLELLAN UNIT #1'
		FDNS			1	0	13G	G11_024	'TO->FRON	'NORTHWEST - TATONGA7	345.00 345KV 0	1195	0.50245	97.6		'GEN338510 1-1S1KNWRI'
		FDNS			1	0	13G	G11_024	'TO->FRON	'NORTHWEST - TATONGA7	345.00 345KV 0	1195	0.50245	97.6		'GEN338512 1-1S2KNWRI'
		FDNS			1	0	13G	G11_024	'TO->FRON	'NORTHWEST - TATONGA7	345.00 345KV 0	1195	0.50245	97.6		'GEN338513 1-BAILEY UNIT #1'
		FDNS			1	0	13G	G11_024	'TO->FRON	'NORTHWEST - TATONGA7	345.00 345KV 0	1195	0.50245	97.6		'GEN500915 3-WESTERN KRAFT'
		FDNS			1	0	13G	G11_024	'TO->FRON	'NORTHWEST - TATONGA7	345.00 345KV 0	1195	0.50245	100.2498		'GEN501801 1-DOLET HILLS UNIT1'
		FDNS			1	0	13G	G11_024	'TO->FRON	'NORTHWEST - TATONGA7	345.00 345KV 0	1195	0.50245	98.2		'GEN501811 1-RODEMACHER UNIT 1'
		FDNS			1	0	13G	G11_024	'TO->FRON	'NORTHWEST - TATONGA7	345.00 345KV 0	1195	0.50245	99.2		'GEN501812 1-RODEMACHER UNIT 2'
		FDNS			1	0	13G	G11_024	'TO->FRON	'NORTHWEST - TATONGA7	345.00 345KV 0	1195	0.50245	99.7		'GEN501813 1-RODEMACHER UNIT 3'
		FDNS			1	0	13G	G11_024	'TO->FRON	'NORTHWEST - TATONGA7	345.00 345KV 0	1195	0.50245	98.2		'GEN501910 1-ACADIA UNIT ST1'
		FDNS			1	0	13G	G11_024	'TO->FRON	'NORTHWEST - TATONGA7	345.00 345KV 0	1195	0.50245	97.9		'GEN501911 1-ACADIA UNIT CT1A'
		FDNS			1	0	13G	G11_024	'TO->FRON	'NORTHWEST - TATONGA7	345.00 345KV 0	1195	0.50245	97.9		'GEN501912 1-ACADIA UNIT CT1B'
		FDNS			1	0	13G	G11_024	'TO->FRON	'NORTHWEST - TATONGA7	345.00 345KV 0	1195	0.50245	97.9		'GEN505432 1-SIKESTON'
		FDNS			1	0	13G	G11_024	'TO->FRON	'NORTHWEST - TATONGA7	345.00 345KV 0	1195	0.50245	97.7		'GEN506749 1-EASTMAN GENERATION A'
		FDNS			1	0	13G	G11_024	'TO->FRON	'NORTHWEST - TATONGA7	345.00 345KV 0	1195	0.50245	97.9		'GEN506752 1-LEBROCK GAS 1'
		FDNS			1	0	13G	G11_024	'TO->FRON	'NORTHWEST - TATONGA7	345.00 345KV 0	1195	0.50245	98.1		'GEN509391 G1-ARSENAL HILL GENS #2 (STALL)'
		FDNS			1	0	13G	G11_024	'TO->FRON	'NORTHWEST - TATONGA7	345.00 345KV 0	1195	0.50245	98.1		'GEN509392 G2-ARSENAL HILL GENS #3 (STALL)'
		FDNS			1	0	13G	G11_024	'TO->FRON	'NORTHWEST - TATONGA7	345.00 345KV 0	1195	0.50245	98		'GEN509393 S1-ARSENAL HILL GENS #4 (STALL)'
		FDNS			1	0	13G	G11_024	'TO->FRON	'NORTHWEST - TATONGA7	345.00 345KV 0	1195	0.50245	99.3		'GEN509394 1-FLINT CREEK'
		FDNS			1	0	13G	G11_024	'TO->FRON	'NORTHWEST - TATONGA7	345.00 345KV 0	1195	0.50245	100		'GEN509403 1-PIRKEY GENERATION'
		FDNS			1	0	13G	G11_024	'TO->FRON	'NORTHWEST - TATONGA7	345.00 345KV 0	1195	0.50245	99.5		'GEN509404 1-WELSH #1'
		FDNS			1	0	13G	G11_024	'TO->FRON	'NORTHWEST - TATONGA7	345.00 345KV 0	1195	0.50245	99.5		'GEN509405 1-WELSH #2'
		FDNS			1	0	13G	G11_024	'TO->FRON	'NORTHWEST - TATONGA7	345.00 345KV 0	1195	0.50245	99.5		'GEN509406 1-WELSH #3'
		FDNS			1	0	13G	G11_024	'TO->FRON	'NORTHWEST - TATONGA7	345.00 345KV 0	1195	0.50245	97.6		'GEN509408 1-WILKES #2'
		FDNS			1	0	13G	G11_024	'TO->FRON	'NORTHWEST - TATONGA7	345.00 345KV 0	1195	0.50245	99.9		'GEN509416 1-TURK GENERATION'
		FDNS			1	0	13G	G11_024	'TO->FRON	'NORTHWEST - TATONGA7	345.00 345KV 0	1195	0.50245	97.8		'GEN511836 1-NORTHEASTERN STATION #1'
		FDNS			1	0	13G	G11_024	'TO->FRON	'NORTHWEST - TATONGA7	345.00 345KV 0	1195	0.50245	97.9		'GEN511837 1-NORTHEASTERN STATION # 1-1A'
		FDNS			1	0	13G	G11_024	'TO->FRON	'NORTHWEST - TATONGA7	345.00 345KV 0	1195	0.50245	97.9		'GEN511838 1-NORTHEASTERN STATION # 1-1B'
		FDNS			1	0	13G	G11_024	'TO->FRON	'NORTHWEST - TATONGA7	345.00 345KV 0	1195	0.50245	98		'GEN511839 1-NORTHEASTERN STATION #2'
		FDNS			1	0	13G	G11_024	'TO->FRON	'NORTHWEST - TATONGA7	345.00 345KV 0	1195	0.50245	99.1		'GEN511840 1-NORTHEASTERN STATION #3'
		FDNS			1	0	13G	G11_024	'TO->FRON	'NORTHWEST - TATONGA7	345.00 345KV 0	1195	0.50245	99.1		'GEN511841 1-NORTHEASTERN STATION #4'
		FDNS			1	0	13G	G11_024	'TO->FRON	'NORTHWEST - TATONGA7	345.00 345KV 0	1195	0.50245	97.8		'GEN511851 1-COMANCHE #1'
		FDNS			1	0	13G	G11_024	'TO->FRON	'NORTHWEST - TATONGA7	345.00 345KV 0	1195	0.50245	97.6		'GEN511852 1-COMANCHE #2'
		FDNS			1	0	13G	G11_024	'TO->FRON	'NORTHWEST - TATONGA7	345.00 345KV 0	1195	0.50245	97.6		'GEN511853 1-COMANCHE #3'
		FDNS			1	0	13G	G11_024	'TO->FRON	'NORTHWEST - TATONGA7	345.00 345KV 0	1195	0.50245	97.7		'GEN511938 1-OEC STEAM # 1'
		FDNS			1	0	13G	G11_024	'TO->FRON	'NORTHWEST - TATONGA7	345.00 345KV 0	1195	0.50245	97.7		'GEN511939 1-OEC GAS # 1-1'
		FDNS			1	0	13G	G11_024	'TO->FRON	'NORTHWEST - TATONGA7	345.00 345KV 0	1195	0.50245	97.7		'GEN511940 1-OEC GAS # 1-2'
		FDNS			1	0	13G	G11_024	'TO->FRON	'NORTHWEST - TATONGA7	345.00 345KV 0	1195	0.50245	98.2		'GEN511941 1-OEC STEAM # 2'

EVENT	TYP1	SOLUTION	TYPE	GROUP	SCENARIO	SEASON	SOURCE	DIRECTION	MONTH	COMMON	NAME	RATE	B	TDF	TC%	LOAD	CONT	NAME
		FDNS			1	0	13G	G11_024	TO->FRON	NORTHWEST - TATONGA7	345.00 345KV	0	1195	0.50245	97.7		'GEN511942 1-OEC GAS # 2-1'	
		FDNS			1	0	13G	G11_024	TO->FRON	NORTHWEST - TATONGA7	345.00 345KV	0	1195	0.50245	97.7		'GEN511943 1-OEC GAS # 2-2'	
		FDNS			1	0	13G	G11_024	TO->FRON	NORTHWEST - TATONGA7	345.00 345KV	0	1195	0.50245	97.8		'GEN511953 G-COGENTRIX GAS # 1'	
		FDNS			1	0	13G	G11_024	TO->FRON	NORTHWEST - TATONGA7	345.00 345KV	0	1195	0.50245	97.8		'GEN511954 S-COGENTRIX STEAM # 1'	
		FDNS			1	0	13G	G11_024	TO->FRON	NORTHWEST - TATONGA7	345.00 345KV	0	1195	0.50245	97.8		'GEN511955 G-COGENTRIX GAS # 2'	
		FDNS			1	0	13G	G11_024	TO->FRON	NORTHWEST - TATONGA7	345.00 345KV	0	1195	0.50245	97.8		'GEN511956 S-COGENTRIX STEAM # 2'	
		FDNS			1	0	13G	G11_024	TO->FRON	NORTHWEST - TATONGA7	345.00 345KV	0	1195	0.50245	97.8		'GEN511957 G-COGENTRIX GAS # 3'	
		FDNS			1	0	13G	G11_024	TO->FRON	NORTHWEST - TATONGA7	345.00 345KV	0	1195	0.50245	99.3		'GEN512688 2-GRDA1 GSU2 22'	
		FDNS			1	0	13G	G11_024	TO->FRON	NORTHWEST - TATONGA7	345.00 345KV	0	1195	0.50245	98.9		'GEN512689 1-GRDA1 GSU1 22'	
		FDNS			1	0	13G	G11_024	TO->FRON	NORTHWEST - TATONGA7	345.00 345KV	0	1195	0.50245	99.9		'GEN514805 1-SOONER UNIT 1'	
		FDNS			1	0	13G	G11_024	TO->FRON	NORTHWEST - TATONGA7	345.00 345KV	0	1195	0.50245	100.1892		'GEN514806 1-SOONER UNIT 2'	
		FDNS			1	0	13G	G11_024	TO->FRON	NORTHWEST - TATONGA7	345.00 345KV	0	1195	0.50245	98.6		'GEN514899 1-REDBUD1S'	
		FDNS			1	0	13G	G11_024	TO->FRON	NORTHWEST - TATONGA7	345.00 345KV	0	1195	0.50245	98.5		'GEN514900 1-REDBUD2S'	
		FDNS			1	0	13G	G11_024	TO->FRON	NORTHWEST - TATONGA7	345.00 345KV	0	1195	0.50245	98.5		'GEN514905 1-REDBUD3S'	
		FDNS			1	0	13G	G11_024	TO->FRON	NORTHWEST - TATONGA7	345.00 345KV	0	1195	0.50245	98.8		'GEN514910 2-REDBUD GEN'	
		FDNS			1	0	13G	G11_024	TO->FRON	NORTHWEST - TATONGA7	345.00 345KV	0	1195	0.50245	98.8		'GEN514911 2-REDBUD GEN'	
		FDNS			1	0	13G	G11_024	TO->FRON	NORTHWEST - TATONGA7	345.00 345KV	0	1195	0.50245	98		'GEN514912 2-REDBUD GEN'	
		FDNS			1	0	13G	G11_024	TO->FRON	NORTHWEST - TATONGA7	345.00 345KV	0	1195	0.50245	98.5		'GEN514940 1-REDBUD GEN'	
		FDNS			1	0	13G	G11_024	TO->FRON	NORTHWEST - TATONGA7	345.00 345KV	0	1195	0.50245	98.7		'GEN514942 2-REDBUD4G'	
		FDNS			1	0	13G	G11_024	TO->FRON	NORTHWEST - TATONGA7	345.00 345KV	0	1195	0.50245	98.5		'GEN514998 1-MCCLAIN UNIT 1'	
		FDNS			1	0	13G	G11_024	TO->FRON	NORTHWEST - TATONGA7	345.00 345KV	0	1195	0.50245	98.5		'GEN514999 1-MCCLAIN UNIT 2'	
		FDNS			1	0	13G	G11_024	TO->FRON	NORTHWEST - TATONGA7	345.00 345KV	0	1195	0.50245	98.1		'GEN515000 1-MCCLAIN UNIT 3'	
		FDNS			1	0	13G	G11_024	TO->FRON	NORTHWEST - TATONGA7	345.00 345KV	0	1195	0.50245	98.5		'GEN515040 1-SEMINOLE 1G'	
		FDNS			1	0	13G	G11_024	TO->FRON	NORTHWEST - TATONGA7	345.00 345KV	0	1195	0.50245	98.8		'GEN515041 1-SEMINOLE 2G'	
		FDNS			1	0	13G	G11_024	TO->FRON	NORTHWEST - TATONGA7	345.00 345KV	0	1195	0.50245	99		'GEN515042 1-SEMINOLE 3G'	
		FDNS			1	0	13G	G11_024	TO->FRON	NORTHWEST - TATONGA7	345.00 345KV	0	1195	0.50245	99.7		'GEN515223 1-MUSKOGEE 4G'	
		FDNS			1	0	13G	G11_024	TO->FRON	NORTHWEST - TATONGA7	345.00 345KV	0	1195	0.50245	99.7		'GEN515225 1-MUSKOGEE 5G'	
		FDNS			1	0	13G	G11_024	TO->FRON	NORTHWEST - TATONGA7	345.00 345KV	0	1195	0.50245	100.1079		'GEN515226 1-MUSKOGEE 6G'	
		FDNS			1	0	13G	G11_024	TO->FRON	NORTHWEST - TATONGA7	345.00 345KV	0	1195	0.50245	98		'GEN515266 1-AES 1G'	
		FDNS			1	0	13G	G11_024	TO->FRON	NORTHWEST - TATONGA7	345.00 345KV	0	1195	0.50245	98		'GEN515267 1-AES 2G'	
		FDNS			1	0	13G	G11_024	TO->FRON	NORTHWEST - TATONGA7	345.00 345KV	0	1195	0.50245	95.6		'GEN515365 1-CENT 21 34.500'	
		FDNS			1	0	13G	G11_024	TO->FRON	NORTHWEST - TATONGA7	345.00 345KV	0	1195	0.50245	96.3		'GEN515389 1-TLGAWND1 34.500'	
		FDNS			1	0	13G	G11_024	TO->FRON	NORTHWEST - TATONGA7	345.00 345KV	0	1195	0.50245	95		'GEN515393 1-OGEWND2G'	
		FDNS			1	0	13G	G11_024	TO->FRON	NORTHWEST - TATONGA7	345.00 345KV	0	1195	0.50245	95.8		'GEN515397 1-OUSPRT 1 34.500'	
		FDNS			1	0	13G	G11_024	TO->FRON	NORTHWEST - TATONGA7	345.00 345KV	0	1195	0.50245	98.6		'GEN515443 1-MNCOWND1 34.500'	
		FDNS			1	0	13G	G11_024	TO->FRON	NORTHWEST - TATONGA7	345.00 345KV	0	1195	0.50245	98.4		'GEN515606 1-CANADN11 34.500'	
		FDNS			1	0	13G	G11_024	TO->FRON	NORTHWEST - TATONGA7	345.00 345KV	0	1195	0.50245	98.4		'GEN515607 1-CANADN12 34.500'	
		FDNS			1	0	13G	G11_024	TO->FRON	NORTHWEST - TATONGA7	345.00 345KV	0	1195	0.50245	96.3		'GEN515787 1-OKLA WIND ENERGY CENTER'	
		FDNS			1	0	13G	G11_024	TO->FRON	NORTHWEST - TATONGA7	345.00 345KV	0	1195	0.50245	98		'GEN520811 1-ANADRK4'	
		FDNS			1	0	13G	G11_024	TO->FRON	NORTHWEST - TATONGA7	345.00 345KV	0	1195	0.50245	97.8		'GEN520812 1-ANADRK5'	
		FDNS			1	0	13G	G11_024	TO->FRON	NORTHWEST - TATONGA7	345.00 345KV	0	1195	0.50245	97.8		'GEN520813 1-ANADRK6'	
		FDNS			1	0	13G	G11_024	TO->FRON	NORTHWEST - TATONGA7	345.00 345KV	0	1195	0.50245	96.4		'GEN520922 1-SLEEPING BEAR'	
		FDNS			1	0	13G	G11_024	TO->FRON	NORTHWEST - TATONGA7	345.00 345KV	0	1195	0.50245	99.7		'GEN520947 1-HUGO1'	
		FDNS			1	0	13G	G11_024	TO->FRON	NORTHWEST - TATONGA7	345.00 345KV	0	1195	0.50245	97		'GEN520997 1-MORLND2'	
		FDNS			1	0	13G	G11_024	TO->FRON	NORTHWEST - TATONGA7	345.00 345KV	0	1195	0.50245	97		'GEN522814 1-LUBBOCK POWER & LIGHT-MACKENZIE GEN'	
		FDNS			1	0	13G	G11_024	TO->FRON	NORTHWEST - TATONGA7	345.00 345KV	0	1195	0.50245	96.5		'GEN523103 1-NOBLE_WND 3115.00'	
		FDNS			1	0	13G	G11_024	TO->FRON	NORTHWEST - TATONGA7	345.00 345KV	0	1195	0.50245	96.2		'GEN523461 1-BLACKHAWK GEN #1'	
		FDNS			1	0	13G	G11_024	TO->FRON	NORTHWEST - TATONGA7	345.00 345KV	0	1195	0.50245	96.2		'GEN523462 1-BLACKHAWK GEN #2'	
		FDNS			1	0	13G	G11_024	TO->FRON	NORTHWEST - TATONGA7	345.00 345KV	0	1195	0.50245	96.9		'GEN523815 1-LLANO ESTACADO WIND GEN'	
		FDNS			1	0	13G	G11_024	TO->FRON	NORTHWEST - TATONGA7	345.00 345KV	0	1195	0.50245	96.9		'GEN524286 1-CLR_3 0.6900'	
		FDNS			1	0	13G	G11_024	TO->FRON	NORTHWEST - TATONGA7	345.00 345KV	0	1195	0.50245	96.5		'GEN524295 1-SPNSPUR_WND134.500'	
		FDNS			1	0	13G	G11_024	TO->FRON	NORTHWEST - TATONGA7	345.00 345KV	0	1195	0.50245	96.9		'GEN524485 1-CAPROCK WIND GEN'	
		FDNS			1	0	13G	G11_024	TO->FRON	NORTHWEST - TATONGA7	345.00 345KV	0	1195	0.50245	96.7		'GEN524895 1-SAN JUAN MESA WIND GEN'	
		FDNS			1	0	13G	G11_024	TO->FRON	NORTHWEST - TATONGA7	345.00 345KV	0	1195	0.50245	95.8		'GEN525494 1-PLANT X GEN #4 20 KV'	
		FDNS			1	0	13G	G11_024	TO->FRON	NORTHWEST - TATONGA7	345.00 345KV	0	1195	0.50245	95.3		'GEN526331 1-JONES GEN #1 22 KV'	

EVENTTYPE	SOLUTIONTYPE	GROUP	SCENARIO	SEASON	SOURCE	DIRECTION	MONTH	COMMONNAME	RATEB	TDF	TC%LOAD	CONTNAME
	FDNS		1	0	13G	G11_024		'TO->FRON' NORTHWEST - TATONGA7 345.00 345KV 0	1195	0.50245	95.3	'GEN526332 1-JONES GEN #2 21 KV'
	FDNS		1	0	13G	G11_024		'TO->FRON' NORTHWEST - TATONGA7 345.00 345KV 0	1195	0.50245	96	'GEN527161 1-MUSTANG GEN #1'
	FDNS		1	0	13G	G11_024		'TO->FRON' NORTHWEST - TATONGA7 345.00 345KV 0	1195	0.50245	96	'GEN527162 1-MUSTANG GEN #2'
	FDNS		1	0	13G	G11_024		'TO->FRON' NORTHWEST - TATONGA7 345.00 345KV 0	1195	0.50245	96.6	'GEN527163 1-MUSTANG GEN #3 22 KV'
	FDNS		1	0	13G	G11_024		'TO->FRON' NORTHWEST - TATONGA7 345.00 345KV 0	1195	0.50245	95.7	'GEN527882 1-CUNNINGHAM GEN #2 20 KV'
	FDNS		1	0	13G	G11_024		'TO->FRON' NORTHWEST - TATONGA7 345.00 345KV 0	1195	0.50245	95.7	'GEN527901 1-HOBBS PLANT #1 (CT)'
	FDNS		1	0	13G	G11_024		'TO->FRON' NORTHWEST - TATONGA7 345.00 345KV 0	1195	0.50245	95.8	'GEN527902 1-HOBBS PLANT #2 (CT)'
	FDNS		1	0	13G	G11_024		'TO->FRON' NORTHWEST - TATONGA7 345.00 345KV 0	1195	0.50245	95	'GEN527903 1-HOBBS PLANT #3 (ST)'
	FDNS		1	0	13G	G11_024		'TO->FRON' NORTHWEST - TATONGA7 345.00 345KV 0	1195	0.50245	96.3	'GEN528361 1-MADDOX GEN #1'
	FDNS		1	0	13G	G11_024		'TO->FRON' NORTHWEST - TATONGA7 345.00 345KV 0	1195	0.50245	97	'GEN531495 1-CNTRLPLWG1 0.6900'
	FDNS		1	0	13G	G11_024		'TO->FRON' NORTHWEST - TATONGA7 345.00 345KV 0	1195	0.50245	96.7	'GEN532651 1-JEFFREY ENERGY CENTER UNIT 1'
	FDNS		1	0	13G	G11_024		'TO->FRON' NORTHWEST - TATONGA7 345.00 345KV 0	1195	0.50245	96.7	'GEN532652 1-JEFFREY ENERGY CENTER UNIT 2'
	FDNS		1	0	13G	G11_024		'TO->FRON' NORTHWEST - TATONGA7 345.00 345KV 0	1195	0.50245	96.7	'GEN532653 1-JEFFREY ENERGY CENTER UNIT 3'
	FDNS		1	0	13G	G11_024		'TO->FRON' NORTHWEST - TATONGA7 345.00 345KV 0	1195	0.50245	96.8	'GEN532722 1-EVANS ENERGY CENTER UNIT 2'
	FDNS		1	0	13G	G11_024		'TO->FRON' NORTHWEST - TATONGA7 345.00 345KV 0	1195	0.50245	96.6	'GEN539670 4-JUDSON LARGE GENERATOR'
	FDNS		1	0	13G	G11_024		'TO->FRON' NORTHWEST - TATONGA7 345.00 345KV 0	1195	0.50245	96.8	'GEN539767 1-GRAY COUNTY WIND FARM'
	FDNS		1	0	13G	G11_024		'TO->FRON' NORTHWEST - TATONGA7 345.00 345KV 0	1195	0.50245	97	'GEN539945 1-FLATRWDWG1 0.6900'
	FDNS		1	0	13G	G11_024		'TO->FRON' NORTHWEST - TATONGA7 345.00 345KV 0	1195	0.50245	97.8	'GEN547649 1-ASBURY UNIT #1'
	FDNS		1	0	13G	G11_024		'TO->FRON' NORTHWEST - TATONGA7 345.00 345KV 0	1195	0.50245	97.6	'GEN549890 1-SOUTHWEST 1'
	FDNS		1	0	13G	G11_024		'TO->FRON' NORTHWEST - TATONGA7 345.00 345KV 0	1195	0.50245	98	'GEN549893 2-SOUTHWEST 2'
	FDNS		1	0	13G	G11_024		'TO->FRON' NORTHWEST - TATONGA7 345.00 345KV 0	1195	0.50245	96.6	'GEN560105 1-G08-22 0.6900'
	FDNS		1	0	13G	G11_024		'TO->FRON' NORTHWEST - TATONGA7 345.00 345KV 0	1195	0.50245	96.2	'GEN560121 1-G08-47 0.5750'
	FDNS		1	0	13G	G11_024		'TO->FRON' NORTHWEST - TATONGA7 345.00 345KV 0	1195	0.50245	96.4	'GEN560166 1-G07-48 0.6900'
	FDNS		1	0	13G	G11_024		'TO->FRON' NORTHWEST - TATONGA7 345.00 345KV 0	1195	0.50245	96.8	'GEN560173 1-G08-17 0.5750'
	FDNS		1	0	13G	G11_024		'TO->FRON' NORTHWEST - TATONGA7 345.00 345KV 0	1195	0.50245	96.9	'GEN560209 1-G07-40 0.5750'
	FDNS		1	0	13G	G11_024		'TO->FRON' NORTHWEST - TATONGA7 345.00 345KV 0	1195	0.50245	97	'GEN560238 1-G10-09 0.6900'
	FDNS		1	0	13G	G11_024		'TO->FRON' NORTHWEST - TATONGA7 345.00 345KV 0	1195	0.50245	96.7	'GEN560256 1-G10-14-1 0.6900'
	FDNS		1	0	13G	G11_024		'TO->FRON' NORTHWEST - TATONGA7 345.00 345KV 0	1195	0.50245	96.7	'GEN560257 1-G10-14-2 0.6900'
	FDNS		1	0	13G	G11_024		'TO->FRON' NORTHWEST - TATONGA7 345.00 345KV 0	1195	0.50245	96.5	'GEN560279 1-G08-18 0.6900'
	FDNS		1	0	13G	G11_024		'TO->FRON' NORTHWEST - TATONGA7 345.00 345KV 0	1195	0.50245	96.7	'GEN560286 1-G10-01-1WTG 0.6900
	FDNS		1	0	13G	G11_024		'TO->FRON' NORTHWEST - TATONGA7 345.00 345KV 0	1195	0.50245	96.7	'GEN560287 1-G10-01-2WTG 0.6900
	FDNS		1	0	13G	G11_024		'TO->FRON' NORTHWEST - TATONGA7 345.00 345KV 0	1195	0.50245	96.9	'GEN560329 1-G10-45 0.6900'
	FDNS		1	0	13G	G11_024		'TO->FRON' NORTHWEST - TATONGA7 345.00 345KV 0	1195	0.50245	96.4	'GEN560359 1-G08-51 0.6900'
	FDNS		1	0	13G	G11_024		'TO->FRON' NORTHWEST - TATONGA7 345.00 345KV 0	1195	0.50245	96.7	'GEN560371 1-G07-46 0.6900'
	FDNS		1	0	13G	G11_024		'TO->FRON' NORTHWEST - TATONGA7 345.00 345KV 0	1195	0.50245	97	'GEN560432 1-G08-124 0.6900'
	FDNS		1	0	13G	G11_024		'TO->FRON' NORTHWEST - TATONGA7 345.00 345KV 0	1195	0.50245	96.9	'GEN560522 1-G05-12 0.6900'
	FDNS		1	0	13G	G11_024		'TO->FRON' NORTHWEST - TATONGA7 345.00 345KV 0	1195	0.50245	96.9	'GEN560549 1-G06-06 0.6900'
	FDNS		1	0	13G	G11_024		'TO->FRON' NORTHWEST - TATONGA7 345.00 345KV 0	1195	0.50245	96.9	'GEN560585 1-G06-44-2 0.6000'
	FDNS		1	0	13G	G11_024		'TO->FRON' NORTHWEST - TATONGA7 345.00 345KV 0	1195	0.50245	96.7	'GEN560586 1-G06-44-3 0.6000'
	FDNS		1	0	13G	G11_024		'TO->FRON' NORTHWEST - TATONGA7 345.00 345KV 0	1195	0.50245	96.7	'GEN560592 1-G06-45 0.6000'
	FDNS		1	0	13G	G11_024		'TO->FRON' NORTHWEST - TATONGA7 345.00 345KV 0	1195	0.50245	96.7	'GEN560595 1-G06-47 0.6000'
	FDNS		1	0	13G	G11_024		'TO->FRON' NORTHWEST - TATONGA7 345.00 345KV 0	1195	0.50245	97	'GEN560659 1-G07-38 0.6900'
	FDNS		1	0	13G	G11_024		'TO->FRON' NORTHWEST - TATONGA7 345.00 345KV 0	1195	0.50245	98.9	'GEN560687 1-G11-007 0.5750'
	FDNS		1	0	13G	G11_024		'TO->FRON' NORTHWEST - TATONGA7 345.00 345KV 0	1195	0.50245	96.9	'GEN560693 1-G11-008-1 0.6900'
	FDNS		1	0	13G	G11_024		'TO->FRON' NORTHWEST - TATONGA7 345.00 345KV 0	1195	0.50245	97.9	'GEN560706 1-G11-010 0.6900'
	FDNS		1	0	13G	G11_024		'TO->FRON' NORTHWEST - TATONGA7 345.00 345KV 0	1195	0.50245	96.8	'GEN562014 1-G11_023_3 0.6900'
	FDNS		1	0	13G	G11_024		'TO->FRON' NORTHWEST - TATONGA7 345.00 345KV 0	1195	0.50245	96.3	'GEN562017 1-G11_022_3 0.6900'
	FDNS		1	0	13G	G11_024		'TO->FRON' NORTHWEST - TATONGA7 345.00 345KV 0	1195	0.50245	96.2	'GEN562020 1-G11_021_3 0.6900'
	FDNS		1	0	13G	G11_024		'TO->FRON' NORTHWEST - TATONGA7 345.00 345KV 0	1195	0.50245	96.9	'GEN562032 1-G11_017_3 0.6900'
	FDNS		1	0	13G	G11_024		'TO->FRON' NORTHWEST - TATONGA7 345.00 345KV 0	1195	0.50245	96.9	'GEN562035 1-G11_016_3 0.6900'
	FDNS		1	0	13G	G11_024		'TO->FRON' NORTHWEST - TATONGA7 345.00 345KV 0	1195	0.50245	96.5	'GEN562042 1-G11_014_3 0.6900'
	FDNS		1	0	13G	G11_024		'TO->FRON' NORTHWEST - TATONGA7 345.00 345KV 0	1195	0.50245	97	'GEN562049 1-G11_012_3 0.6900'
	FDNS		1	0	13G	G11_024		'TO->FRON' NORTHWEST - TATONGA7 345.00 345KV 0	1195	0.50245	96.8	'GEN640009 1-COOPER NUCLEAR STATION'
	FDNS		1	0	13G	G11_024		'TO->FRON' NORTHWEST - TATONGA7 345.00 345KV 0	1195	0.50245	96.1	'GEN640010 1-GERALD GENTLEMAN STATION UNIT 1'
	FDNS		1	0	13G	G11_024		'TO->FRON' NORTHWEST - TATONGA7 345.00 345KV 0	1195	0.50245	96.1	'GEN640011 2-GERALD GENTLEMAN STATION UNIT 2'
	FDNS		1	0	13G	G11_024		'TO->FRON' NORTHWEST - TATONGA7 345.00 345KV 0	1195	0.50245	97	'GEN641089 2-ENERGY CENTER 2'

EVENTTYPE	SOLUTIONTYPE	GROUP	SCENARIO	SEASON	SOURCE	DIRECTION	MONTH	COMMONNAME	RATEB	TDF	TC%LOAD	CONTNAME
	FDNS		1	0	13G	G11_024	TO->FRON	'NORTHWEST - TATONGA7 345.00 345KV C	1195	0.50245	96.9	'GEN645001 1-FORT CALHOUN 1'
	FDNS		1	0	13G	G11_024	TO->FRON	'NORTHWEST - TATONGA7 345.00 345KV C	1195	0.50245	96.8	'GEN645011 1-NEBRASKA CITY 1'
	FDNS		1	0	13G	G11_024	TO->FRON	'NORTHWEST - TATONGA7 345.00 345KV C	1195	0.50245	96.8	'GEN645012 2-NEBRASKA CITY 2'
	FDNS		1	0	13G	G11_024	TO->FRON	'NORTHWEST - TATONGA7 345.00 345KV C	1195	0.50245	96.9	'GEN659103 1-ANTELOPE VALLEY UNIT1'
	FDNS		1	0	13G	G11_024	TO->FRON	'NORTHWEST - TATONGA7 345.00 345KV C	1195	0.50245	96.9	'GEN659107 2-ANTELOPE VALLEY UNIT2'
	FDNS		1	0	13G	G11_024	TO->FRON	'NORTHWEST - TATONGA7 345.00 345KV C	1195	0.50245	95.4	'GEN659118 1-LARAMIE RIVER UNIT1'
	FNSL		1	0	13G	G11_024	TO->FRON	'NORTHWEST - TATONGA7 345.00 345KV C	1195	0.50252	97.6	'STEGALL - WAYSIDE 230KV CKT 1'
	FNSL		1	0	13G	G11_024	TO->FRON	'NORTHWEST - TATONGA7 345.00 345KV C	1195	0.50255	97.9	'TRF-STEGALL'
	FNSL		1	0	13G	G11_024	TO->FRON	'NORTHWEST - TATONGA7 345.00 345KV C	1195	0.50255	97.9	'NEB01WAPAB3'
	FNSL		1	0	13G	G11_024	TO->FRON	'NORTHWEST - TATONGA7 345.00 345KV C	1195	0.50245	101.1123	'GEN335831 1-RIVERBEND UNIT#1'
	FNSL		1	0	13G	G11_024	TO->FRON	'NORTHWEST - TATONGA7 345.00 345KV C	1195	0.50245	100.8917	'GEN337910 1-ARKANSAS NUCLEAR ONE UNIT #1'
	FNSL		1	0	13G	G11_024	TO->FRON	'NORTHWEST - TATONGA7 345.00 345KV C	1195	0.50245	101.5954	'GEN337911 1-ARKANSAS NUCLEAR ONE UNIT #2'
	FDNS		1	0	13G	G11_024	TO->FRON	'NORTHWEST - TATONGA7 345.00 345KV C	1195	0.50277	97.6	'CANTON - TALOGA 69KV CKT 1'
	FDNS		1	0	13G	G11_024	TO->FRON	'NORTHWEST - TATONGA7 345.00 345KV C	1195	0.5039	98.7	'CEDARDALE - MOORELAND 138KV CKT 1'
	FDNS		1	0	13G	G11_024	TO->FRON	'NORTHWEST - TATONGA7 345.00 345KV C	1195	0.5039	98.7	'CEDARDALE - OKEENE 138KV CKT 1'
	FDNS		1	0	13G	G11_024	TO->FRON	'NORTHWEST - TATONGA7 345.00 345KV C	1195	0.50285	97.6	'CORDELL - INDUSTRIAL PARK 69KV CKT 1'
	FDNS		1	0	13G	G11_024	TO->FRON	'NORTHWEST - TATONGA7 345.00 345KV C	1195	0.50387	98.4	'DOVER SW - OKEENE 138KV CKT 1'
	FDNS		1	0	13G	G11_024	TO->FRON	'NORTHWEST - TATONGA7 345.00 345KV C	1195	0.50285	97.6	'HAMON BUTLER - PUTNAM 69KV CKT 1'
	FDNS		1	0	13G	G11_024	TO->FRON	'NORTHWEST - TATONGA7 345.00 345KV C	1195	0.50436	98.5	'MOORELAND - NINE MILE 138KV CKT 1'
	FDNS		1	0	13G	G11_024	TO->FRON	'NORTHWEST - TATONGA7 345.00 345KV C	1195	0.50334	97.8	'MOREWOOD SW - RED HILLS WIND 138KV CKT 1'
	FDNS		1	0	13G	G11_024	TO->FRON	'NORTHWEST - TATONGA7 345.00 345KV C	1195	0.50436	98.5	'MOREWOOD SW - NINE MILE 138KV CKT 1'
	FDNS		1	0	13G	G11_024	TO->FRON	'NORTHWEST - TATONGA7 345.00 345KV C	1195	0.50278	97.6	'OKEENE - WATONGA SW 69KV CKT 1'
	FDNS		1	0	13G	G11_024	TO->FRON	'NORTHWEST - TATONGA7 345.00 345KV C	1195	0.50285	97.6	'PUTNAM - TALOGA 69KV CKT 1'
	FDNS		1	0	13G	G11_024	TO->FRON	'NORTHWEST - TATONGA7 345.00 345KV C	1195	0.51009	99.6	'FINNEY SWITCHING STATION - Hitchland Interchange 345KV CKT 1'
	FDNS		1	0	13G	G11_024	TO->FRON	'NORTHWEST - TATONGA7 345.00 345KV C	1195	0.50608	97.8	'Hitchland Interchange - POTTER COUNTY INTERCHANGE 345KV CKT 1'
	FDNS		1	0	13G	G11_024	TO->FRON	'NORTHWEST - TATONGA7 345.00 345KV C	1195	0.50631	98.7	'BEAVER CO 345.00 - Hitchland Interchange 345KV CKT 1'
	FDNS		1	0	13G	G11_024	TO->FRON	'NORTHWEST - TATONGA7 345.00 345KV C	1195	0.50338	97.6	'G11_012T 230.00 - MOORE COUNTY INTERCHANGE 230KV CKT 1'
	FDNS		1	0	13G	G11_024	TO->FRON	'NORTHWEST - TATONGA7 345.00 345KV C	1195	0.5015	98.6	'GRAPEVINE INTERCHANGE - STATELINE INTERCHANGE 230KV CKT 1'
	FDNS		1	0	13G	G11_024	TO->FRON	'NORTHWEST - TATONGA7 345.00 345KV C	1195	0.50192	98.5	'GRAPEVINE INTERCHANGE - NICHOLS STATION 230KV CKT 1'
	FDNS		1	0	13G	G11_024	TO->FRON	'NORTHWEST - TATONGA7 345.00 345KV C	1195	0.50244	97.7	'MCCLELLAN SUB - MCLEAN RURAL SUB 115KV CKT 1'
	FDNS		1	0	13G	G11_024	TO->FRON	'NORTHWEST - TATONGA7 345.00 345KV C	1195	0.50244	97.7	'KIRBY SWITCHING STATION - MCCLELLAN SUB 115KV CKT 1'
	FDNS		1	0	13G	G11_024	TO->FRON	'NORTHWEST - TATONGA7 345.00 345KV C	1195	0.51009	100.6584	'FINNEY SWITCHING STATION - HOLCOMB 345KV CKT 1'
	FDNS		1	0	13G	G11_024	TO->FRON	'NORTHWEST - TATONGA7 345.00 345KV C	1195	0.50283	97.6	'BUFFALO 230.00 - DEAF SMITH COUNTY INTERCHANGE 230KV CKT 1'
	FDNS		1	0	13G	G11_024	TO->FRON	'NORTHWEST - TATONGA7 345.00 345KV C	1195	0.50259	97.6	'G07-48T 230.00 - SWISHER COUNTY INTERCHANGE 230KV CKT 1'
	FDNS		1	0	13G	G11_024	TO->FRON	'NORTHWEST - TATONGA7 345.00 345KV C	1195	0.50281	97.7	'KNOLL 230 - SMOKYHL6 230.00 230KV CKT 1'
	FDNS		1	0	13G	G11_024	TO->FRON	'NORTHWEST - TATONGA7 345.00 345KV C	1195	0.50514	99.8	'G11-17T 345.00 - POST ROCK 345KV CKT 1'
	FDNS		1	0	13G	G11_024	TO->FRON	'NORTHWEST - TATONGA7 345.00 345KV C	1195	0.50474	98.7	'AXTELL - POST ROCK 345KV CKT 1'
	FDNS		1	0	13G	G11_024	TO->FRON	'NORTHWEST - TATONGA7 345.00 345KV C	1195	0.50281	98.1	'SMOKYHL6 230.00 - SUMMIT 230KV CKT 1'
	FDNS		1	0	13G	G11_024	TO->FRON	'NORTHWEST - TATONGA7 345.00 345KV C	1195	0.50455	98.4	'HOLCOMB - SETAB 345KV CKT 1'
	FDNS		1	0	13G	G11_024	TO->FRON	'NORTHWEST - TATONGA7 345.00 345KV C	1195	0.50266	97.7	'BUCKNER7 345.00 - HOLCOMB 345KV CKT 1'
	FDNS		1	0	13G	G11_024	TO->FRON	'NORTHWEST - TATONGA7 345.00 345KV C	1195	0.50514	99.1	'MINGO - SETAB 345KV CKT 1'
	FDNS		1	0	13G	G11_024	TO->FRON	'NORTHWEST - TATONGA7 345.00 345KV C	1195	0.50562	98.9	'MINGO - RED WILLOW 345KV CKT 1'
	FDNS		1	0	13G	G11_024	TO->FRON	'NORTHWEST - TATONGA7 345.00 345KV C	1195	0.50266	98.2	'BUCKNER7 345.00 - SPEARVILLE 345KV CKT 1'
	FDNS		1	0	13G	G11_024	TO->FRON	'NORTHWEST - TATONGA7 345.00 345KV C	1195	0.50514	99.4	'G11-17T 345.00 - SPEARVILLE 345KV CKT 1'
	FDNS		1	0	13G	G11_024	TO->FRON	'NORTHWEST - TATONGA7 345.00 345KV C	1195	0.50306	97.6	'EMPORIA ENERGY CENTER - SWISSVALE 345KV CKT 1'
	FDNS		1	0	13G	G11_024	TO->FRON	'NORTHWEST - TATONGA7 345.00 345KV C	1195	0.50374	97.7	'EMPORIA ENERGY CENTER - WICHITA 345KV CKT 1'
	FDNS		1	0	13G	G11_024	TO->FRON	'NORTHWEST - TATONGA7 345.00 345KV C	1195	0.50304	97.9	'SWISSVALE - WEST GARDNER 345KV CKT 1'

EVENTTYPE	SOLUTIONTYPE	GROUP	SCENARIO	SEASON	SOURCE	DIRECTION	MONTH	COMMONNAME	RATEB	TDF	TC%LOAD	CONTNAME
	FDNS		1	0	13G	G11_024	'TO->FRON	'NORTHWEST - TATONGA7 345.00 345KV C	1195	0.50385	98.1	'CANEYRV7 345.00 - NEOSHO 345KV CKT 1'
	FDNS		1	0	13G	G11_024	'TO->FRON	'NORTHWEST - TATONGA7 345.00 345KV C	1195	0.50385	98	'CANEYRV7 345.00 - LATHAMS7 345.00 345KV CKT 1'
	FDNS		1	0	13G	G11_024	'TO->FRON	'NORTHWEST - TATONGA7 345.00 345KV C	1195	0.50397	98	'BENTON - ROSE HILL 345KV CKT 1'
	FDNS		1	0	13G	G11_024	'TO->FRON	'NORTHWEST - TATONGA7 345.00 345KV C	1195	0.50615	99.3	'BENTON - WICHITA 345KV CKT 1'
	FDNS		1	0	13G	G11_024	'TO->FRON	'NORTHWEST - TATONGA7 345.00 345KV C	1195	0.50385	97.7	'LATHAMS7 345.00 - ROSE HILL 345KV CKT 1'
	FDNS		1	0	13G	G11_024	'TO->FRON	'NORTHWEST - TATONGA7 345.00 345KV C	1195	0.50052	96.2	'VIOLA 7 345.00 - WICHITA 345KV CKT 1'
	FDNS		1	0	13G	G11_024	'TO->FRON	'NORTHWEST - TATONGA7 345.00 345KV C	1195	0.51157	103.2292	'THISTLE7 345.00 - WICHITA 345KV CKT 1'
	FDNS		1	0	13G	G11_024	'TO->FRON	'NORTHWEST - TATONGA7 345.00 345KV C	1195	0.51157	103.2292	'THISTLE7 345.00 - WICHITA 345KV CKT 2'
	FDNS		1	0	13G	G11_024	'TO->FRON	'NORTHWEST - TATONGA7 345.00 345KV C	1195	0.50298	97.9	'ANDERSONCO 345.00 - WOLF CREEK 345KV CKT 1'
	FDNS		1	0	13G	G11_024	'TO->FRON	'NORTHWEST - TATONGA7 345.00 345KV C	1195	0.50284	97.9	'CIRCLE - MULLERGREN 230KV CKT 1'
	FDNS		1	0	13G	G11_024	'TO->FRON	'NORTHWEST - TATONGA7 345.00 345KV C	1195	0.50319	97.7	'CLEARWATER - GILL ENERGY CENTER WEST 138KV CKT 1'
	FDNS		1	0	13G	G11_024	'TO->FRON	'NORTHWEST - TATONGA7 345.00 345KV C	1195	0.50252	97.5	'EVANS ENERGY CENTER NORTH - MAIZEW 4 138.00 138KV CKT 1'
	FDNS		1	0	13G	G11_024	'TO->FRON	'NORTHWEST - TATONGA7 345.00 345KV C	1195	0.50252	97.5	'MAIZE - MAIZEW 4 138.00 138KV CKT 1'
	FDNS		1	0	13G	G11_024	'TO->FRON	'NORTHWEST - TATONGA7 345.00 345KV C	1195	0.50337	97.7	'FLATRDG3 - THISTLE4 138.00 138KV CKT 1'
	FDNS		1	0	13G	G11_024	'TO->FRON	'NORTHWEST - TATONGA7 345.00 345KV C	1195	0.50299	98.1	'MULLERGREN - SPEARVILLE 230KV CKT 1'
	FDNS		1	0	13G	G11_024	'TO->FRON	'NORTHWEST - TATONGA7 345.00 345KV C	1195	0.50246	97.6	'HAWTHORN - NASHUA 345KV CKT 1'
	FDNS		1	0	13G	G11_024	'TO->FRON	'NORTHWEST - TATONGA7 345.00 345KV C	1195	0.50298	97.9	'ANDERSONCO 345.00 - LACYGNE 345KV CKT 1'
	FDNS		1	0	13G	G11_024	'TO->FRON	'NORTHWEST - TATONGA7 345.00 345KV C	1195	0.50204	96.7	'BROOKLINE - SUB 383 - MONETT 345KV CKT 1'
	FDNS		1	0	13G	G11_024	'TO->FRON	'NORTHWEST - TATONGA7 345.00 345KV C	1195	0.50313	98	'AXTELL - PAULINE 345KV CKT 1'
	FDNS		1	0	13G	G11_024	'TO->FRON	'NORTHWEST - TATONGA7 345.00 345KV C	1195	0.50254	97.6	'GERALD GENTLEMAN STATION - SWEETWATER 345KV CKT 1'
	FDNS		1	0	13G	G11_024	'TO->FRON	'NORTHWEST - TATONGA7 345.00 345KV C	1195	0.50271	97.6	'GRAND ISLAND - MCCOOL 345KV CKT 1'
	FDNS		1	0	13G	G11_024	'TO->FRON	'NORTHWEST - TATONGA7 345.00 345KV C	1195	0.50307	97.9	'MOORE - PAULINE 345KV CKT 1'
	FDNS		1	0	13G	G11_024	'TO->FRON	'NORTHWEST - TATONGA7 345.00 345KV C	1195	0.50302	98.2	'GRAND ISLAND - SWEETWATER 345KV CKT 1'
	FDNS		1	0	13G	G11_024	'TO->FRON	'NORTHWEST - TATONGA7 345.00 345KV C	1195	0.50255	97.6	'MCADAMS - WOLF CREEK 500KV CKT 1'
	FDNS		1	0	13G	G11_024	'TO->FRON	'NORTHWEST - TATONGA7 345.00 345KV C	1195	0.50251	97.6	'7SAREPTA% 345.00 - ELDORADO EHV 345KV CKT 1'
	FDNS		1	0	13G	G11_024	'TO->FRON	'NORTHWEST - TATONGA7 345.00 345KV C	1195	0.50251	97.6	'ELDORADO EHV 500/345KV TRANSFORMER CKT 1'
	FDNS		1	0	13G	G11_024	'TO->FRON	'NORTHWEST - TATONGA7 345.00 345KV C	1195	0.50237	97	'ARKANSAS NUCLEAR ONE - MABELVALE 500 500KV CKT 1'
	FDNS		1	0	13G	G11_024	'TO->FRON	'NORTHWEST - TATONGA7 345.00 345KV C	1195	0.50237	96.9	'ARKANSAS NUCLEAR ONE - PLEASANT HILL 500KV CKT 1'
	FDNS		1	0	13G	G11_024	'TO->FRON	'NORTHWEST - TATONGA7 345.00 345KV C	1195	0.50238	97	'MAYFLOWER 500 - PLEASANT HILL 500KV CKT 1'
	FDNS		1	0	13G	G11_024	'TO->FRON	'NORTHWEST - TATONGA7 345.00 345KV C	1195	0.50245	96.7	'KEO EHV - WEST MEMPHIS 500 500KV CKT 1'
	FDNS		1	0	13G	G11_024	'TO->FRON	'NORTHWEST - TATONGA7 345.00 345KV C	1195	0.50246	96.8	'DELL 500 - INDEPENDENCE 500KV CKT 1'
	FDNS		1	0	13G	G11_024	'TO->FRON	'NORTHWEST - TATONGA7 345.00 345KV C	1195	0.50254	97	'7MCCREDIE 345.00 - 7MONTGMRY 345.00 345KV CKT 1'
	FDNS		1	0	13G	G11_024	'TO->FRON	'NORTHWEST - TATONGA7 345.00 345KV C	1195	0.50256	97.6	'NUNDRWD - WAYSIDE 230KV CKT 1'
	FDNS		1	0	13G	G11_024	'TO->FRON	'NORTHWEST - TATONGA7 345.00 345KV C	1195	0.50253	97.6	'7SAREPTA% 345.00 - LONGWOOD 345KV CKT 1'
	FDNS		1	0	13G	G11_024	'TO->FRON	'NORTHWEST - TATONGA7 345.00 345KV C	1195	0.5015	99.1	'ELK CITY 230KV (ELKCTY-6) 230/138/13.8KV TRANSFORMER CKT 1'
	FDNS		1	0	13G	G11_024	'TO->FRON	'NORTHWEST - TATONGA7 345.00 345KV C	1195	0.50244	97.6	'SHAMROCK (SHAMRCK1) 115/69/14.4KV TRANSFORMER CKT 1'
	FDNS		1	0	13G	G11_024	'TO->FRON	'NORTHWEST - TATONGA7 345.00 345KV C	1195	0.50316	97.8	'WOODWARD (WOODWRD2) 138/69/13.2KV TRANSFORMER CKT 1'
	FDNS		1	0	13G	G11_024	'TO->FRON	'NORTHWEST - TATONGA7 345.00 345KV C	1195	0.50292	97.9	'KNOBHILL (KNOBHIL4) 138/69/13.2KV TRANSFORMER CKT 1'
	FDNS		1	0	13G	G11_024	'TO->FRON	'NORTHWEST - TATONGA7 345.00 345KV C	1195	0.5014	96.3	'NORTHWEST (NORTWST2) 345/138/13.8KV TRANSFORMER CKT 1'
	FDNS		1	0	13G	G11_024	'TO->FRON	'NORTHWEST - TATONGA7 345.00 345KV C	1195	0.50149	96.5	'NORTHWEST (NORTWST3) 345/138/13.8KV TRANSFORMER CKT 1'
	FDNS		1	0	13G	G11_024	'TO->FRON	'NORTHWEST - TATONGA7 345.00 345KV C	1195	0.50413	96.8	'WOODWARD DISTRICT EHV (WWDEHV) 345/138/13.8KV TRANSFORMER CKT 1'
	FDNS		1	0	13G	G11_024	'TO->FRON	'NORTHWEST - TATONGA7 345.00 345KV C	1195	0.50413	96.8	'WOODWARD DISTRICT EHV (WWDEHV-T2) 345/138/13.8KV TRANSFORMER CKT 2'
	FDNS		1	0	13G	G11_024	'TO->FRON	'NORTHWEST - TATONGA7 345.00 345KV C	1195	0.50608	98.6	'POTTER COUNTY INTERCHANGE (WAUK 90343-A) 345/230/13.2KV TRANSFORMER CKT 1'

EVENTTYPE	SOLUTIONTYPE	GROUP	SCENARIO	SEASON	SOURCE	DIRECTION	MONTH	COMMONNAME	RATEB	TDF	TC%LOAD	CONTNAME
	FDNS		1	0	13G	G11_024	'TO->FRON'	'NORTHWEST - TATONGA7 345.00 345KV 0	1195	0.50337	97.7	'THISTLE7 345.00 (THISTLE T1) 345/138/13.8KV TRANSFORMER CKT 1'
	FDNS		1	0	13G	G11_024	'TO->FRON'	'NORTHWEST - TATONGA7 345.00 345KV 0	1195	0.50245	96.9	'8BHAM STEEL 500.00 - WEST MEMPHIS 500 500KV CKT 1'
	FDNS		1	0	13G	G11_024	'TO->FRON'	'NORTHWEST - TATONGA7 345.00 345KV 0	1195	0.54193	123.912	'DBL-WICH-THI'
	FDNS		1	0	13G	G11_024	'TO->FRON'	'NORTHWEST - TATONGA7 345.00 345KV 0	1195	0.58554	128.6688	'DBL-THIS-WWR'
	FDNS		1	0	13G	G11_024	'TO->FRON'	'NORTHWEST - TATONGA7 345.00 345KV 0	1195	0.50447	96.9	'DBL-THIS-CLR'
	FDNS		1	0	13G	G11_024	'TO->FRON'	'NORTHWEST - TATONGA7 345.00 345KV 0	1195	0.50004	95.3	'SPP-AEPW-01'
	FDNS		1	0	13G	G11_024	'TO->FRON'	'NORTHWEST - TATONGA7 345.00 345KV 0	1195	0.50231	101.2439	'SPP-AEPW-32'
	FDNS		1	0	13G	G11_024	'TO->FRON'	'NORTHWEST - TATONGA7 345.00 345KV 0	1195	0.50219	96.6	'GRDA-OPGD-05'
	FDNS		1	0	13G	G11_024	'TO->FRON'	'NORTHWEST - TATONGA7 345.00 345KV 0	1195	0.50256	96.9	'KCPL-MSL#03'
	FDNS		1	0	13G	G11_024	'TO->FRON'	'NORTHWEST - TATONGA7 345.00 345KV 0	1195	0.50246	97.6	'KCPL-OPGD06A'
	FDNS		1	0	13G	G11_024	'TO->FRON'	'NORTHWEST - TATONGA7 345.00 345KV 0	1195	0.50358	97.6	'OGE3TERM1'
	FDNS		1	0	13G	G11_024	'TO->FRON'	'NORTHWEST - TATONGA7 345.00 345KV 0	1195	0.50236	96.7	'OGE3TERM7'
	FDNS		1	0	13G	G11_024	'TO->FRON'	'NORTHWEST - TATONGA7 345.00 345KV 0	1195	0.50205	96.9	'OGE3TERM14'
	FDNS		1	0	13G	G11_024	'TO->FRON'	'NORTHWEST - TATONGA7 345.00 345KV 0	1195	0.50245	95.5	'NC1_GEN-NEBRASKA CITY 1'
	FDNS		1	0	13G	G11_024	'TO->FRON'	'NORTHWEST - TATONGA7 345.00 345KV 0	1195	0.5026	100.2558	'SPP-SWPS-01'
	FDNS		1	0	13G	G11_024	'TO->FRON'	'NORTHWEST - TATONGA7 345.00 345KV 0	1195	0.5015	97.6	'SPP-SWPS-02A'
	FDNS		1	0	13G	G11_024	'TO->FRON'	'NORTHWEST - TATONGA7 345.00 345KV 0	1195	0.50148	98.8	'SPP-SWPS-03'
	FDNS		1	0	13G	G11_024	'TO->FRON'	'NORTHWEST - TATONGA7 345.00 345KV 0	1195	0.50608	97.7	'SPP-SWPS-04'
	FDNS		1	0	13G	G11_024	'TO->FRON'	'NORTHWEST - TATONGA7 345.00 345KV 0	1195	0.51009	99.6	'SPP-SWPS-05'
	FDNS		1	0	13G	G11_024	'TO->FRON'	'NORTHWEST - TATONGA7 345.00 345KV 0	1195	0.50244	97.6	'SPP-SWPS-T54'
	FDNS		1	0	13G	G11_024	'TO->FRON'	'NORTHWEST - TATONGA7 345.00 345KV 0	1195	0.50319	97.8	'SPP-MKEC-05'
	FDNS		1	0	13G	G11_024	'TO->FRON'	'NORTHWEST - TATONGA7 345.00 345KV 0	1195	0.50343	98.1	'SPP-MKEC-08'
	FDNS		1	0	13G	G11_024	'TO->FRON'	'NORTHWEST - TATONGA7 345.00 345KV 0	1195	0.50319	97.8	'SPP-WEPL-03'
	FDNS		1	0	13G	G11_024	'TO->FRON'	'NORTHWEST - TATONGA7 345.00 345KV 0	1195	0.50319	97.8	'SPP-WEPL-03A'
	FDNS		1	0	13G	G11_024	'TO->FRON'	'NORTHWEST - TATONGA7 345.00 345KV 0	1195	0.50236	96.7	'SPP-WERE-07C'
	FDNS		1	0	13G	G11_024	'TO->FRON'	'NORTHWEST - TATONGA7 345.00 345KV 0	1195	0.50252	97.5	'SPP-WERE-91'
	FDNS		1	0	13G	G11_024	'TO->FRON'	'NORTHWEST - TATONGA7 345.00 345KV 0	1195	0.50273	98.4	'WRTOD400'
	FDNS		1	0	13G	G11_024	'TO->FRON'	'NORTHWEST - TATONGA7 345.00 345KV 0	1195	0.50204	96.7	'A112'
	FDNS		1	0	13G	G11_024	'TO->FRON'	'NORTHWEST - TATONGA7 345.00 345KV 0	1195	0.50245	96.9	'AMRN_OUTS5'
	FDNS		1	0	13G	G11_024	'TO->FRON'	'NORTHWEST - TATONGA7 345.00 345KV 0	1195	0.50256	96.9	'MTGY-OVER-5'
	FDNS		1	0	13G	G11_024	'TO->FRON'	'NORTHWEST - TATONGA7 345.00 345KV 0	1195	0.50251	97.6	'A222'
	FDNS		1	0	13G	G11_024	'TO->FRON'	'NORTHWEST - TATONGA7 345.00 345KV 0	1195	0.50248	97.6	'ATC_B2_8E2'
	FDNS		1	0	13G	G11_024	'TO->FRON'	'NORTHWEST - TATONGA7 345.00 345KV 0	1195	0.50245	97.6	'GEN300003 1-THOMAS HILL UNIT 3'
	FDNS		1	0	13G	G11_024	'TO->FRON'	'NORTHWEST - TATONGA7 345.00 345KV 0	1195	0.50245	98.5	'GEN300006 1-NEW MADRID UNIT 1'
	FDNS		1	0	13G	G11_024	'TO->FRON'	'NORTHWEST - TATONGA7 345.00 345KV 0	1195	0.50245	98.5	'GEN300007 1-NEW MADRID UNIT 2'
	FDNS		1	0	13G	G11_024	'TO->FRON'	'NORTHWEST - TATONGA7 345.00 345KV 0	1195	0.50245	97.7	'GEN300016 1-1G1GPDEL 18.000'
	FDNS		1	0	13G	G11_024	'TO->FRON'	'NORTHWEST - TATONGA7 345.00 345KV 0	1195	0.50245	97.9	'GEN300020 1-1CHOTCT4 16.000'
	FDNS		1	0	13G	G11_024	'TO->FRON'	'NORTHWEST - TATONGA7 345.00 345KV 0	1195	0.50245	97.9	'GEN300021 1-1CHOTCT5 16.000'
	FDNS		1	0	13G	G11_024	'TO->FRON'	'NORTHWEST - TATONGA7 345.00 345KV 0	1195	0.50245	97.9	'GEN300024 1-1CHOTST6 16.000'
	FDNS		1	0	13G	G11_024	'TO->FRON'	'NORTHWEST - TATONGA7 345.00 345KV 0	1195	0.50245	97.9	'GEN300031 1-CHOUTEAU CTG 1'
	FDNS		1	0	13G	G11_024	'TO->FRON'	'NORTHWEST - TATONGA7 345.00 345KV 0	1195	0.50245	97.9	'GEN300032 1-CHOUTEAU CTG 2'
	FDNS		1	0	13G	G11_024	'TO->FRON'	'NORTHWEST - TATONGA7 345.00 345KV 0	1195	0.50245	97.9	'GEN300033 1-CHOUTEAU STG 3'
	FDNS		1	0	13G	G11_024	'TO->FRON'	'NORTHWEST - TATONGA7 345.00 345KV 0	1195	0.50245	98	'GEN301380 1-1OSAGEWIND 34.500'
	FDNS		1	0	13G	G11_024	'TO->FRON'	'NORTHWEST - TATONGA7 345.00 345KV 0	1195	0.50245	97.6	'GEN303003 1-1BC1 U3'
	FDNS		1	0	13G	G11_024	'TO->FRON'	'NORTHWEST - TATONGA7 345.00 345KV 0	1195	0.50245	97.6	'GEN303004 1-1BC1 U4'
	FDNS		1	0	13G	G11_024	'TO->FRON'	'NORTHWEST - TATONGA7 345.00 345KV 0	1195	0.50245	98.9	'GEN303006 1-1BC2 U1'
	FDNS		1	0	13G	G11_024	'TO->FRON'	'NORTHWEST - TATONGA7 345.00 345KV 0	1195	0.50245	99.4	'GEN303007 1-1BC2 U2'
	FDNS		1	0	13G	G11_024	'TO->FRON'	'NORTHWEST - TATONGA7 345.00 345KV 0	1195	0.50245	98.7	'GEN303008 1-1BC2 U3'
	FDNS		1	0	13G	G11_024	'TO->FRON'	'NORTHWEST - TATONGA7 345.00 345KV 0	1195	0.50245	97.8	'GEN303024 1-1G3INTHB 18.000'
	FDNS		1	0	13G	G11_024	'TO->FRON'	'NORTHWEST - TATONGA7 345.00 345KV 0	1195	0.50245	97.7	'GEN303025 1-1S3INTHB 13.800'
	FDNS		1	0	13G	G11_024	'TO->FRON'	'NORTHWEST - TATONGA7 345.00 345KV 0	1195	0.50245	97.7	'GEN303026 1-1G4INTHB 18.000'
	FDNS		1	0	13G	G11_024	'TO->FRON'	'NORTHWEST - TATONGA7 345.00 345KV 0	1195	0.50245	97.6	'GEN303027 1-1S4INTHB 13.800'
	FDNS		1	0	13G	G11_024	'TO->FRON'	'NORTHWEST - TATONGA7 345.00 345KV 0	1195	0.50245	97.9	'GEN318007 1-5MOROW161 161.00'
	FDNS		1	0	13G	G11_024	'TO->FRON'	'NORTHWEST - TATONGA7 345.00 345KV 0	1195	0.50245	98	'GEN334030 1-FRONTIER UNIT 1'
	FDNS		1	0	13G	G11_024	'TO->FRON'	'NORTHWEST - TATONGA7 345.00 345KV 0	1195	0.50245	98	'GEN334031 1-FRONTIER UNIT 2'

EVENTTYPE	SOLUTIONTYPE	GROUP	SCENARIO	SEASON	SOURCE	DIRECTION	MONTH	COMMONNAME	RATEB	TDF	TC%LOADI	CONTNAME
	FDNS		1	0	13G	G11_024	TO->FRON	'NORTHWEST - TATONGA7 345.00 345KV	1195	0.50245	97.8	'GEN334070 1-LEWIS CREEK 1'
	FDNS		1	0	13G	G11_024	TO->FRON	'NORTHWEST - TATONGA7 345.00 345KV	1195	0.50245	97.8	'GEN334071 1-LEWIS CREEK 2'
	FDNS		1	0	13G	G11_024	TO->FRON	'NORTHWEST - TATONGA7 345.00 345KV	1195	0.50245	97.6	'GEN334335 1-TOLEDO BEND'
	FDNS		1	0	13G	G11_024	TO->FRON	'NORTHWEST - TATONGA7 345.00 345KV	1195	0.50245	97.8	'GEN334392 1-EXXON MOBIL IPP 1'
	FDNS		1	0	13G	G11_024	TO->FRON	'NORTHWEST - TATONGA7 345.00 345KV	1195	0.50245	97.7	'GEN334431 1-SABINE UNIT 1'
	FDNS		1	0	13G	G11_024	TO->FRON	'NORTHWEST - TATONGA7 345.00 345KV	1195	0.50245	97.7	'GEN334432 1-SABINE UNIT 2'
	FDNS		1	0	13G	G11_024	TO->FRON	'NORTHWEST - TATONGA7 345.00 345KV	1195	0.50245	98.1	'GEN334433 1-SABINE UNIT 3'
	FDNS		1	0	13G	G11_024	TO->FRON	'NORTHWEST - TATONGA7 345.00 345KV	1195	0.50245	98.5	'GEN334440 1-SABINE UNIT 4'
	FDNS		1	0	13G	G11_024	TO->FRON	'NORTHWEST - TATONGA7 345.00 345KV	1195	0.50245	98.1	'GEN334441 1-SABINE UNIT 5'
	FDNS		1	0	13G	G11_024	TO->FRON	'NORTHWEST - TATONGA7 345.00 345KV	1195	0.50245	97.7	'GEN334456 1-CONOCO UNIT#1'
	FDNS		1	0	13G	G11_024	TO->FRON	'NORTHWEST - TATONGA7 345.00 345KV	1195	0.50245	97.7	'GEN335201 1-NELSON UNIT 1'
	FDNS		1	0	13G	G11_024	TO->FRON	'NORTHWEST - TATONGA7 345.00 345KV	1195	0.50245	97.7	'GEN335202 1-NELSON UNIT 2'
	FDNS		1	0	13G	G11_024	TO->FRON	'NORTHWEST - TATONGA7 345.00 345KV	1195	0.50245	97.6	'GEN335203 1-NELSON UNIT 3'
	FDNS		1	0	13G	G11_024	TO->FRON	'NORTHWEST - TATONGA7 345.00 345KV	1195	0.50245	98.5	'GEN335204 1-NELSON UNIT 4'
	FDNS		1	0	13G	G11_024	TO->FRON	'NORTHWEST - TATONGA7 345.00 345KV	1195	0.50245	99.4	'GEN335206 1-NELSON UNIT 6'
	FDNS		1	0	13G	G11_024	TO->FRON	'NORTHWEST - TATONGA7 345.00 345KV	1195	0.50245	98	'GEN335370 1-1ACADIA_S26 16.000
	FDNS		1	0	13G	G11_024	TO->FRON	'NORTHWEST - TATONGA7 345.00 345KV	1195	0.50245	98	'GEN335371 1-1ACADIA_C25 18.000
	FDNS		1	0	13G	G11_024	TO->FRON	'NORTHWEST - TATONGA7 345.00 345KV	1195	0.50245	98	'GEN335372 1-1ACADIA_C24 18.000
	FDNS		1	0	13G	G11_024	TO->FRON	'NORTHWEST - TATONGA7 345.00 345KV	1195	0.50245	97.8	'GEN335570 1-CARVILLE CTG'
	FDNS		1	0	13G	G11_024	TO->FRON	'NORTHWEST - TATONGA7 345.00 345KV	1195	0.50245	97.8	'GEN335571 1-CARVILLE UNIT #1'
	FDNS-CHECK-TC-B		1	0	13G	G11_024	TO->FRON	'NORTHWEST - TATONGA7 345.00 345KV	1195	0.50245	102.3	'GEN336153 1-WATERFORD UNIT#3'
	FDNS		1	0	13G	G11_024	TO->FRON	'NORTHWEST - TATONGA7 345.00 345KV	1195	0.50245	97.8	'GEN336167 1-GULF OXY U1'
	FDNS		1	0	13G	G11_024	TO->FRON	'NORTHWEST - TATONGA7 345.00 345KV	1195	0.50245	97.8	'GEN336168 1-GULF OXY U2'
	FDNS		1	0	13G	G11_024	TO->FRON	'NORTHWEST - TATONGA7 345.00 345KV	1195	0.50245	97.8	'GEN336169 1-GULF OXY U3'
	FDNS		1	0	13G	G11_024	TO->FRON	'NORTHWEST - TATONGA7 345.00 345KV	1195	0.50245	98.2	'GEN336170 1-GULF OXY U4'
	FDNS		1	0	13G	G11_024	TO->FRON	'NORTHWEST - TATONGA7 345.00 345KV	1195	0.50245	98.3	'GEN336191 1-LITTLE GYPSY UNIT#3'
	FDNS		1	0	13G	G11_024	TO->FRON	'NORTHWEST - TATONGA7 345.00 345KV	1195	0.50245	97.7	'GEN336221 1-LITTLE GYPSY UNIT#1'
	FDNS		1	0	13G	G11_024	TO->FRON	'NORTHWEST - TATONGA7 345.00 345KV	1195	0.50245	97.9	'GEN336222 1-LITTLE GYPSY UNIT#2'
	FDNS		1	0	13G	G11_024	TO->FRON	'NORTHWEST - TATONGA7 345.00 345KV	1195	0.50245	98.3	'GEN336251 1-NINEMILE POINT UNIT#4'
	FDNS		1	0	13G	G11_024	TO->FRON	'NORTHWEST - TATONGA7 345.00 345KV	1195	0.50245	98.6	'GEN336252 1-NINEMILE POINT UNIT#5'
	FDNS		1	0	13G	G11_024	TO->FRON	'NORTHWEST - TATONGA7 345.00 345KV	1195	0.50245	97.6	'GEN336446 1-MICHLOUD UNIT #2'
	FDNS		1	0	13G	G11_024	TO->FRON	'NORTHWEST - TATONGA7 345.00 345KV	1195	0.50245	98.3	'GEN336464 1-MICHLOUD UNIT #3'
	FDNS		1	0	13G	G11_024	TO->FRON	'NORTHWEST - TATONGA7 345.00 345KV	1195	0.50245	98.2	'GEN336801 1-BAXTER WILSON UNIT #1'
	FDNS-CHECK-TC-B		1	0	13G	G11_024	TO->FRON	'NORTHWEST - TATONGA7 345.00 345KV	1195	0.50245	102.8	'GEN336821 1-GRAND GULF UNIT'
	FDNS		1	0	13G	G11_024	TO->FRON	'NORTHWEST - TATONGA7 345.00 345KV	1195	0.50245	98.6	'GEN336831 1-BAXTER WILSON SES'
	FDNS		1	0	13G	G11_024	TO->FRON	'NORTHWEST - TATONGA7 345.00 345KV	1195	0.50245	97.6	'GEN336944 1-REX BROWN'
	FDNS		1	0	13G	G11_024	TO->FRON	'NORTHWEST - TATONGA7 345.00 345KV	1195	0.50245	97.8	'GEN337006 1-DUKE MCADAMS G1'
	FDNS		1	0	13G	G11_024	TO->FRON	'NORTHWEST - TATONGA7 345.00 345KV	1195	0.50245	97.8	'GEN337007 1-DUKE MCADAMS G2'
	FDNS		1	0	13G	G11_024	TO->FRON	'NORTHWEST - TATONGA7 345.00 345KV	1195	0.50245	97.8	'GEN337008 1-DUKE MCADAMS S1'
	FDNS		1	0	13G	G11_024	TO->FRON	'NORTHWEST - TATONGA7 345.00 345KV	1195	0.50245	98.6	'GEN337041 1-GERALD ANDRUS'
	FDNS		1	0	13G	G11_024	TO->FRON	'NORTHWEST - TATONGA7 345.00 345KV	1195	0.50245	97.8	'GEN337125 6-LS POWER BATESVILLE'
	FDNS		1	0	13G	G11_024	TO->FRON	'NORTHWEST - TATONGA7 345.00 345KV	1195	0.50245	97.8	'GEN337421 1-OUCHITA CTG1'
	FDNS		1	0	13G	G11_024	TO->FRON	'NORTHWEST - TATONGA7 345.00 345KV	1195	0.50245	97.6	'GEN337422 1-OUCHITA STG1'
	FDNS		1	0	13G	G11_024	TO->FRON	'NORTHWEST - TATONGA7 345.00 345KV	1195	0.50245	97.8	'GEN337423 1-OUCHITA CTG2'
	FDNS		1	0	13G	G11_024	TO->FRON	'NORTHWEST - TATONGA7 345.00 345KV	1195	0.50245	97.6	'GEN337424 1-OUCHITA STG2'
	FDNS		1	0	13G	G11_024	TO->FRON	'NORTHWEST - TATONGA7 345.00 345KV	1195	0.50245	97.8	'GEN337425 1-OUCHITA CTG3'
	FDNS		1	0	13G	G11_024	TO->FRON	'NORTHWEST - TATONGA7 345.00 345KV	1195	0.50245	97.6	'GEN337426 1-OUCHITA STG3'
	FDNS		1	0	13G	G11_024	TO->FRON	'NORTHWEST - TATONGA7 345.00 345KV	1195	0.50245	97.9	'GEN337428 1-PERYVILLE UNIT #1'
	FDNS		1	0	13G	G11_024	TO->FRON	'NORTHWEST - TATONGA7 345.00 345KV	1195	0.50245	97.9	'GEN337430 1-PERYVILLE UNIT #3'
	FDNS		1	0	13G	G11_024	TO->FRON	'NORTHWEST - TATONGA7 345.00 345KV	1195	0.50245	97.9	'GEN337432 1-PERYVILLE UNIT #5'
	FDNS-CHECK-TC-B		1	0	13G	G11_024	TO->FRON	'NORTHWEST - TATONGA7 345.00 345KV	1195	0.50245	100.3	'GEN337652 1-WHITE BLUFF UNIT #1'
	FDNS		2	0	13G	G11_024	TO->FRON	'NORTHWEST - TATONGA7 345.00 345KV	1195	0.58071	101.999	'DBL-THIS-WWR'
	FDNS	02ALL		2	13G	G11_024	TO->FRON	'NORTHWEST - TATONGA7 345.00 345KV	1195	0.49104	107.8825	'DBL-THIS-WWR'
	FDNS	01ALL		2	13G	G11_024	TO->FRON	'CIMARRON - MATTHEWSON 345.00 345KV	956	0.42017	147.4653	'MATTHEWSON 345.00 - NORTHWEST 345KV CKT 1'
	FDNS	01ALL		2	13G	G11_024	FROM->TD	'MATTHEWSON 345.00 - NORTHWEST 345KV	1195	0.46338	129.8951	'CIMARRON - MATTHEWSON 345.00 345KV CKT 1'

EVENT	TYPI	SOLUTION	TYPE	GROUP	SCENARIO	SEASON	SOURCE	DIRECTION	MON	COMMON	NAME	RATEB	TDF	TC%LOAD	CONTNAME
	FDNS	01ALL		2	13G	G11_024	'TO->FRON	'MATTHEWSON 345.00 - TATONGA7	345.0	1195	0.52318	118.6975	'MATTHEWSON 345.00 - TATONGA7 345.00 345KV CKT 1'		
	FDNS	01ALL		2	13G	G11_024	'TO->FRON	'MATTHEWSON 345.00 - TATONGA7	345.0	1195	0.52318	118.6975	'MATTHEWSON 345.00 - TATONGA7 345.00 345KV CKT 2'		
CONT-TOD	FDNS	01NR		2	13G	G11_024	'TO->FRON	'MATTHEWSON 345.00 - TATONGA7	345.0	1195	0.3574	104.7377	'BASE CASE'		
	FDNS	01NR		2	13G	G11_024	'TO->FRON	'MATTHEWSON 345.00 - TATONGA7	345.0	1195	0.3574	105.0748	'DOLET HILLS - SOUTHWEST SHREVEPORT 345KV CKT 1'		
	FDNS	01NR		2	13G	G11_024	'TO->FRON	'MATTHEWSON 345.00 - TATONGA7	345.0	1195	0.3577	104.1836	'FLINT CREEK - SUB 383 - MONETT 345KV CKT 1'		
	FDNS	01NR		2	13G	G11_024	'TO->FRON	'MATTHEWSON 345.00 - TATONGA7	345.0	1195	0.35771	104.0694	'CHAMBER SPRINGS - CLARKSVILLE 345KV CKT 1'		
	FDNS	01NR		2	13G	G11_024	'TO->FRON	'MATTHEWSON 345.00 - TATONGA7	345.0	1195	0.35738	104.3249	'LYDIA - WELSH 345KV CKT 1'		
	FDNS	01NR		2	13G	G11_024	'TO->FRON	'MATTHEWSON 345.00 - TATONGA7	345.0	1195	0.3573	102.7367	'LYDIA - VALLIANT 345KV CKT 1'		
	FDNS	01NR		2	13G	G11_024	'TO->FRON	'MATTHEWSON 345.00 - TATONGA7	345.0	1195	0.35798	104.4447	'CLARKSVILLE - MUSKOGEE 345KV CKT 1'		
	FDNS	01NR		2	13G	G11_024	'TO->FRON	'MATTHEWSON 345.00 - TATONGA7	345.0	1195	0.35651	103.7594	'REDBUD - RIVERSIDE STATION 345KV CKT 1'		
	FDNS	01NR		2	13G	G11_024	'TO->FRON	'MATTHEWSON 345.00 - TATONGA7	345.0	1195	0.35702	104.4432	'CLEVELAND - TULSA NORTH 345KV CKT 1'		
	FDNS	01NR		2	13G	G11_024	'TO->FRON	'MATTHEWSON 345.00 - TATONGA7	345.0	1195	0.35858	103.0944	'DELAWARE - NORTHEAST STATION 345KV CKT 1'		
	FDNS	01NR		2	13G	G11_024	'TO->FRON	'MATTHEWSON 345.00 - TATONGA7	345.0	1195	0.35851	103.8351	'DELAWARE - NEOSHO 345KV CKT 1'		
	FDNS	01NR		2	13G	G11_024	'TO->FRON	'MATTHEWSON 345.00 - TATONGA7	345.0	1195	0.35753	103.8903	'PITTSBURG - VALLIANT 345KV CKT 1'		
	FDNS	01NR		2	13G	G11_024	'TO->FRON	'MATTHEWSON 345.00 - TATONGA7	345.0	1195	0.35723	103.7799	'PITTSBURG - SEMINOLE 345KV CKT 1'		
	FDNS	01NR		2	13G	G11_024	'TO->FRON	'MATTHEWSON 345.00 - TATONGA7	345.0	1195	0.35765	105.0482	'HINTON - WEATHERFORD JCT. 138KV CKT 1'		
	FDNS	01NR		2	13G	G11_024	'TO->FRON	'MATTHEWSON 345.00 - TATONGA7	345.0	1195	0.35792	105.5821	'CLINTON AIR FORCE BASE TAP - ELK CITY 138KV CKT 1'		
	FDNS	01NR		2	13G	G11_024	'TO->FRON	'MATTHEWSON 345.00 - TATONGA7	345.0	1195	0.35792	105.5454	'CLINTON AIR FORCE BASE TAP - HOBART JUNCTION 138KV CKT 1'		
	FDNS	01NR		2	13G	G11_024	'TO->FRON	'MATTHEWSON 345.00 - TATONGA7	345.0	1195	0.36363	107.8831	'OKLAUNION - TUCO INTERCHANGE 345KV CKT 1'		
	FDNS	01NR		2	13G	G11_024	'TO->FRON	'MATTHEWSON 345.00 - TATONGA7	345.0	1195	0.35817	105.8291	'CLINTON JUNCTION - ELK CITY 138KV CKT 1'		
	FDNS	01NR		2	13G	G11_024	'TO->FRON	'MATTHEWSON 345.00 - TATONGA7	345.0	1195	0.35772	105.4644	'ELK CITY - RED HILLS WIND 138KV CKT 1'		
	FDNS	01NR		2	13G	G11_024	'TO->FRON	'MATTHEWSON 345.00 - TATONGA7	345.0	1195	0.35808	105.562	'LAWTON EASTSIDE - SUNNYSIDE 345KV CKT 1'		
	FDNS	01NR		2	13G	G11_024	'TO->FRON	'MATTHEWSON 345.00 - TATONGA7	345.0	1195	0.35667	103.6511	'GRACEMONT - LAWTON EASTSIDE 345KV CKT 1'		
	FDNS	01NR		2	13G	G11_024	'TO->FRON	'MATTHEWSON 345.00 - TATONGA7	345.0	1195	0.35765	105.1403	'WEATHERFORD JCT. - WEATHERFORD SOUTHEAST 138KV CKT 1'		
	FDNS	01NR		2	13G	G11_024	'TO->FRON	'MATTHEWSON 345.00 - TATONGA7	345.0	1195	0.3584	106.74	'ELK CITY 230KV - SWEETWATER 230KV CKT 1'		
	FDNS	01NR		2	13G	G11_024	'TO->FRON	'MATTHEWSON 345.00 - TATONGA7	345.0	1195	0.35754	105.0434	'WEATHERFORD SOUTHEAST - WEATHERFORD TAP 138KV CKT 1'		
	FDNS	01NR		2	13G	G11_024	'TO->FRON	'MATTHEWSON 345.00 - TATONGA7	345.0	1195	0.35754	105.1131	'WEATHERFORD TAP - WEATHERFORD WIND FARM 138KV CKT 1'		
	FDNS	01NR		2	13G	G11_024	'TO->FRON	'MATTHEWSON 345.00 - TATONGA7	345.0	1195	0.3584	104.7409	'STATELINE INTERCHANGE - SWEETWATER 230KV CKT &1'		
	FDNS	01NR		2	13G	G11_024	'TO->FRON	'MATTHEWSON 345.00 - TATONGA7	345.0	1195	0.35773	105.0344	'CHILDRESS - LAKE PAULINE 138KV CKT 1'		
	FDNS	01NR		2	13G	G11_024	'TO->FRON	'MATTHEWSON 345.00 - TATONGA7	345.0	1195	0.35758	105.028	'SHAMROCK - WELLINGTON 138KV CKT 1'		
	FDNS	01NR		2	13G	G11_024	'TO->FRON	'MATTHEWSON 345.00 - TATONGA7	345.0	1195	0.35758	105.1213	'MCLEAN RURAL SUB - SHAMROCK 115KV CKT 1'		
	FDNS	01NR		2	13G	G11_024	'TO->FRON	'MATTHEWSON 345.00 - TATONGA7	345.0	1195	0.35692	104.1991	'CLEVELAND - SOONER 345KV CKT 1'		
	FDNS	01NR		2	13G	G11_024	'TO->FRON	'MATTHEWSON 345.00 - TATONGA7	345.0	1195	0.35807	105.0474	'WAUKOMIS - WAUKOMIS TAP 138KV CKT 1'		
	FDNS	01NR		2	13G	G11_024	'TO->FRON	'MATTHEWSON 345.00 - TATONGA7	345.0	1195	0.35807	105.0893	'HENESSEY - WAUKOMIS 138KV CKT 1'		
	FDNS	01NR		2	13G	G11_024	'TO->FRON	'MATTHEWSON 345.00 - TATONGA7	345.0	1195	0.35816	105.609	'HUNTERS7 345.00 - WOODRING 345KV CKT 1'		
	FDNS	01NR		2	13G	G11_024	'TO->FRON	'MATTHEWSON 345.00 - TATONGA7	345.0	1195	0.34701	103.5739	'MATTHEWSON 345.00 - WOODRING 345KV CKT 1'		
	FDNS	01NR		2	13G	G11_024	'TO->FRON	'MATTHEWSON 345.00 - TATONGA7	345.0	1195	0.3577	105.0929	'KNOBHILL - SALINE 69KV CKT 1'		
	FDNS	01NR		2	13G	G11_024	'TO->FRON	'MATTHEWSON 345.00 - TATONGA7	345.0	1195	0.3577	105.0639	'HELENA TAP - SALINE 69KV CKT 1'		
	FDNS	01NR		2	13G	G11_024	'TO->FRON	'MATTHEWSON 345.00 - TATONGA7	345.0	1195	0.35792	104.2414	'KILDARE4 - NEWKIRK4 138KV CKT 1'		
	FDNS	01NR		2	13G	G11_024	'TO->FRON	'MATTHEWSON 345.00 - TATONGA7	345.0	1195	0.35772	104.3612	'KILDARE4 - WHITE EAGLE 138KV CKT 1'		
	FDNS	01NR		2	13G	G11_024	'TO->FRON	'MATTHEWSON 345.00 - TATONGA7	345.0	1195	0.35807	105.1631	'DOVER SW - HENESSEY 138KV CKT 1'		
	FDNS	01NR		2	13G	G11_024	'TO->FRON	'MATTHEWSON 345.00 - TATONGA7	345.0	1195	0.35875	106.6772	'CLEO CORNER - GLASS MOUNTAIN 138KV CKT 1'		
	FDNS	01NR		2	13G	G11_024	'TO->FRON	'MATTHEWSON 345.00 - TATONGA7	345.0	1195	0.35909	106.6822	'CLEO CORNER - MEN TAP 138KV CKT 1'		
	FDNS	01NR		2	13G	G11_024	'TO->FRON	'MATTHEWSON 345.00 - TATONGA7	345.0	1195	0.35799	105.1068	'WOODWARD - WOODWARD EHV 138KV CKT 1'		
	FDNS	01NR		2	13G	G11_024	'TO->FRON	'MATTHEWSON 345.00 - TATONGA7	345.0	1195	0.36082	107.8535	'FPL SWITCH - WOODWARD 138KV CKT 1'		
	FDNS	01NR		2	13G	G11_024	'TO->FRON	'MATTHEWSON 345.00 - TATONGA7	345.0	1195	0.35886	106.0234	'DEWEY - IODINE 138KV CKT 1'		
	FDNS	01NR		2	13G	G11_024	'TO->FRON	'MATTHEWSON 345.00 - TATONGA7	345.0	1195	0.35947	108.2552	'DEWEY - SOUTHARD 138KV CKT 1'		
	FDNS	01NR		2	13G	G11_024	'TO->FRON	'MATTHEWSON 345.00 - TATONGA7	345.0	1195	0.35875	106.7451	'GLASS MOUNTAIN - MOORELAND 138KV CKT 1'		
	FDNS	01NR		2	13G	G11_024	'TO->FRON	'MATTHEWSON 345.00 - TATONGA7	345.0	1195	0.35909	106.6169	'IMO TAP - MEN TAP 138KV CKT 1'		
	FDNS	01NR		2	13G	G11_024	'TO->FRON	'MATTHEWSON 345.00 - TATONGA7	345.0	1195	0.35772	105.4142	'KNOBHILL - MOORELAND 138KV CKT 1'		

EVENTTYPE	SOLUTIONTYPE	GROUP	SCENARIO	SEASON	SOURCE	DIRECTION	MONTH	COMMONNAME	RATEB	TDF	TC%LOAD	CONTNAME	
	FDNS	01NR		2	13G	G11_024		'TO->FRON'	'MATTHEWSON 345.00 - TATONGA7 345.00'	1195	0.35886	106.0777	'IODINE - WOODWARD EHV 138KV CKT 1'
	FDNS	01NR		2	13G	G11_024		'TO->FRON'	'MATTHEWSON 345.00 - TATONGA7 345.00'	1195	0.35584	102.5892	'GRACEMONT - MINCO 345KV CKT 1'
	FDNS	01NR		2	13G	G11_024		'TO->FRON'	'MATTHEWSON 345.00 - TATONGA7 345.00'	1195	0.35982	103.5942	'ROSE HILL - SOONER 345KV CKT 1'
	FDNS	01NR		2	13G	G11_024		'TO->FRON'	'MATTHEWSON 345.00 - TATONGA7 345.00'	1195	0.35792	104.2164	'CRESWELL - MIDLTNT4 138.00 138KV CKT 1'
	FDNS	01NR		2	13G	G11_024		'TO->FRON'	'MATTHEWSON 345.00 - TATONGA7 345.00'	1195	0.35947	107.7466	'EL RENO - ROMAN NOSE 138KV CKT 1'
	FDNS	01NR		2	13G	G11_024		'TO->FRON'	'MATTHEWSON 345.00 - TATONGA7 345.00'	1195	0.35947	107.9436	'ROMAN NOSE - SOUTHARD 138KV CKT 1'
	FDNS	01NR		2	13G	G11_024		'TO->FRON'	'MATTHEWSON 345.00 - TATONGA7 345.00'	1195	0.35103	104.3917	'ARCADIA - NORTHWEST 345KV CKT 1'
	FDNS	01NR		2	13G	G11_024		'TO->FRON'	'CIMARRON - MATTHEWSON 345.00 345KV'	956	0.50148	122.0821	'MATTHEWSON 345.00 - NORTHWEST 345KV CKT 1'
	FDNS	01NR		2	13G	G11_024		'TO->FRON'	'MATTHEWSON 345.00 - TATONGA7 345.00'	1195	0.35412	103.2927	'CIMARRON - DRAPER LAKE 345KV CKT 1'
	FDNS	01NR		2	13G	G11_024		'FROM->TO'	'MATTHEWSON 345.00 - NORTHWEST 345KV'	1195	0.56078	106.9533	'CIMARRON - MATTHEWSON 345.00 345KV CKT 1'
	FDNS	01NR		2	13G	G11_024		'TO->FRON'	'MATTHEWSON 345.00 - TATONGA7 345.00'	1195	0.34942	101.8941	'CIMARRON - MATTHEWSON 345.00 345KV CKT 1'
	FDNS	01NR		2	13G	G11_024		'TO->FRON'	'MATTHEWSON 345.00 - TATONGA7 345.00'	1195	0.35717	104.3516	'ARCADIA - SEMINOLE 345KV CKT 1'
	FDNS	01NR		2	13G	G11_024		'TO->FRON'	'MATTHEWSON 345.00 - TATONGA7 345.00'	1195	0.35735	105.0387	'MORISNT4 138.00 - STILLWATER 138KV CKT 1'
	FDNS	01NR		2	13G	G11_024		'TO->FRON'	'MATTHEWSON 345.00 - TATONGA7 345.00'	1195	0.35767	104.0795	'FT SMITH - MUSKOGEE 345KV CKT 1'
	FDNS	01NR		2	13G	G11_024		'TO->FRON'	'MATTHEWSON 345.00 - TATONGA7 345.00'	1195	0.36063	110.1387	'BORDER 7345.00 - WOODWARD DISTRICT EHV 345KV CKT 1'
	FDNS	01NR		2	13G	G11_024		'TO->FRON'	'MATTHEWSON 345.00 - TATONGA7 345.00'	1195	0.36627	113.721	'THISTLE7 345.00 - WOODWARD DISTRICT EHV 345KV CKT 1'
	FDNS	01NR		2	13G	G11_024		'TO->FRON'	'MATTHEWSON 345.00 - TATONGA7 345.00'	1195	0.36627	113.721	'THISTLE7 345.00 - WOODWARD DISTRICT EHV 345KV CKT 2'
	FDNS	01NR		2	13G	G11_024		'TO->FRON'	'MATTHEWSON 345.00 - TATONGA7 345.00'	1195	0.36063	110.1835	'BORDER 7345.00 - TUCO INTERCHANGE 345KV CKT 1'
	FDNS	01NR		2	13G	G11_024		'TO->FRON'	'MATTHEWSON 345.00 - TATONGA7 345.00'	1195	0.36082	109.4346	'FPL SWITCH - MOORELAND 138KV CKT 1'
	FDNS	01NR		2	13G	G11_024		'TO->FRON'	'MATTHEWSON 345.00 - TATONGA7 345.00'	1195	0.3574	105.1319	'GEN334456 1-CONOCO UNIT#1'
	FDNS	01NR		2	13G	G11_024		'TO->FRON'	'MATTHEWSON 345.00 - TATONGA7 345.00'	1195	0.3574	105.1532	'GEN335201 1-NELSON UNIT 1'
	FDNS	01NR		2	13G	G11_024		'TO->FRON'	'MATTHEWSON 345.00 - TATONGA7 345.00'	1195	0.3574	105.112	'GEN335202 1-NELSON UNIT 2'
	FDNS	01NR		2	13G	G11_024		'TO->FRON'	'MATTHEWSON 345.00 - TATONGA7 345.00'	1195	0.3574	105.0907	'GEN335203 1-NELSON UNIT 3'
	FDNS	01NR		2	13G	G11_024		'TO->FRON'	'MATTHEWSON 345.00 - TATONGA7 345.00'	1195	0.3574	105.9388	'GEN335204 1-NELSON UNIT 4'
	FDNS	01NR		2	13G	G11_024		'TO->FRON'	'MATTHEWSON 345.00 - TATONGA7 345.00'	1195	0.3574	106.7577	'GEN335206 1-NELSON UNIT 6'
	FDNS	01NR		2	13G	G11_024		'TO->FRON'	'MATTHEWSON 345.00 - TATONGA7 345.00'	1195	0.3574	105.4279	'GEN335370 1-1ACADIA_S26116.000
	FDNS	01NR		2	13G	G11_024		'TO->FRON'	'MATTHEWSON 345.00 - TATONGA7 345.00'	1195	0.3574	105.4069	'GEN335371 1-1ACADIA_C25118.000
	FDNS	01NR		2	13G	G11_024		'TO->FRON'	'MATTHEWSON 345.00 - TATONGA7 345.00'	1195	0.3574	105.4069	'GEN335372 1-1ACADIA_C24118.000
	FDNS	01NR		2	13G	G11_024		'TO->FRON'	'MATTHEWSON 345.00 - TATONGA7 345.00'	1195	0.3574	105.2627	'GEN335570 1-CARVILLE CTG'
	FDNS	01NR		2	13G	G11_024		'TO->FRON'	'MATTHEWSON 345.00 - TATONGA7 345.00'	1195	0.3574	105.2628	'GEN335571 1-CARVILLE UNIT #1'
	FDNS	01NR		2	13G	G11_024		'TO->FRON'	'MATTHEWSON 345.00 - TATONGA7 345.00'	1195	0.3574	109.6008	'GEN336153 1-WATERFORD UNIT#3'
	FDNS	01NR		2	13G	G11_024		'TO->FRON'	'MATTHEWSON 345.00 - TATONGA7 345.00'	1195	0.3574	105.2827	'GEN336167 1-GULF OXY U1'
	FDNS	01NR		2	13G	G11_024		'TO->FRON'	'MATTHEWSON 345.00 - TATONGA7 345.00'	1195	0.3574	105.2827	'GEN336168 1-GULF OXY U2'
	FDNS	01NR		2	13G	G11_024		'TO->FRON'	'MATTHEWSON 345.00 - TATONGA7 345.00'	1195	0.3574	105.2827	'GEN336169 1-GULF OXY U3'
	FDNS	01NR		2	13G	G11_024		'TO->FRON'	'MATTHEWSON 345.00 - TATONGA7 345.00'	1195	0.3574	105.6591	'GEN336170 1-GULF OXY U4'
	FDNS	01NR		2	13G	G11_024		'TO->FRON'	'MATTHEWSON 345.00 - TATONGA7 345.00'	1195	0.3574	105.7797	'GEN336191 1-LITTLE GYPSY UNIT#3'
	FDNS	01NR		2	13G	G11_024		'TO->FRON'	'MATTHEWSON 345.00 - TATONGA7 345.00'	1195	0.3574	105.1396	'GEN336221 1-LITTLE GYPSY UNIT#1'
	FDNS	01NR		2	13G	G11_024		'TO->FRON'	'MATTHEWSON 345.00 - TATONGA7 345.00'	1195	0.3574	105.3596	'GEN336222 1-LITTLE GYPSY UNIT#2'
	FDNS	01NR		2	13G	G11_024		'TO->FRON'	'MATTHEWSON 345.00 - TATONGA7 345.00'	1195	0.3574	105.7478	'GEN336251 1-NINEMILE POINT UNIT#4'
	FDNS	01NR		2	13G	G11_024		'TO->FRON'	'MATTHEWSON 345.00 - TATONGA7 345.00'	1195	0.3574	106.0654	'GEN336252 1-NINEMILE POINT UNIT#5'
	FDNS	01NR		2	13G	G11_024		'TO->FRON'	'MATTHEWSON 345.00 - TATONGA7 345.00'	1195	0.3574	105.0657	'GEN336446 1-MICHOUD UNIT #2'
	FDNS	01NR		2	13G	G11_024		'TO->FRON'	'MATTHEWSON 345.00 - TATONGA7 345.00'	1195	0.3574	105.7038	'GEN336464 1-MICHOUD UNIT #3'
	FDNS	01NR		2	13G	G11_024		'TO->FRON'	'MATTHEWSON 345.00 - TATONGA7 345.00'	1195	0.3574	105.6492	'GEN336801 1-BAXTER WILSON UNIT #1'
	FDNS	01NR		2	13G	G11_024		'TO->FRON'	'MATTHEWSON 345.00 - TATONGA7 345.00'	1195	0.3574	110.056	'GEN336821 1-GRAND GULF UNIT'
	FDNS	01NR		2	13G	G11_024		'TO->FRON'	'MATTHEWSON 345.00 - TATONGA7 345.00'	1195	0.3574	106.0021	'GEN336831 1-BAXTER WILSON SES'
	FDNS	01NR		2	13G	G11_024		'TO->FRON'	'MATTHEWSON 345.00 - TATONGA7 345.00'	1195	0.3574	105.0351	'GEN336944 1-REX BROWN'
	FDNS	01NR		2	13G	G11_024		'TO->FRON'	'MATTHEWSON 345.00 - TATONGA7 345.00'	1195	0.3574	105.2933	'GEN337006 1-DUKE MCADAMS G1'
	FDNS	01NR		2	13G	G11_024		'TO->FRON'	'MATTHEWSON 345.00 - TATONGA7 345.00'	1195	0.3574	105.2933	'GEN337007 1-DUKE MCADAMS G2'
	FDNS	01NR		2	13G	G11_024		'TO->FRON'	'MATTHEWSON 345.00 - TATONGA7 345.00'	1195	0.3574	105.2815	'GEN337008 1-DUKE MCADAMS S1'
	FDNS	01NR		2	13G	G11_024		'TO->FRON'	'MATTHEWSON 345.00 - TATONGA7 345.00'	1195	0.3574	106.0273	'GEN337041 1-GERALD ANDRUS'
	FDNS	01NR		2	13G	G11_024		'TO->FRON'	'MATTHEWSON 345.00 - TATONGA7 345.00'	1195	0.3574	105.2128	'GEN337125 6-LS POWER BATESVILLE'
	FDNS	01NR		2	13G	G11_024		'TO->FRON'	'MATTHEWSON 345.00 - TATONGA7 345.00'	1195	0.3574	105.2812	'GEN337421 1-OUCHITA CTG1'
	FDNS	01NR		2	13G	G11_024		'TO->FRON'	'MATTHEWSON 345.00 - TATONGA7 345.00'	1195	0.3574	105.0801	'GEN337422 1-OUCHITA STG1'

EVENTTYPE	SOLUTIONTYPE	GROUP	SCENARIO	SEASON	SOURCE	DIRECTION	MONTH	COMMONNAME	RATEB	TDF	TC%LOADI	CONTNAME	
	FDNS	01NR	2	13G	G11_024	'TO->FRON'		'MATTHEWSON 345.00 - TATONGA7	345.0	1195	0.3574	105.2812	'GEN337423 1-OUCHITA CTG2'
	FDNS	01NR	2	13G	G11_024	'TO->FRON'		'MATTHEWSON 345.00 - TATONGA7	345.0	1195	0.3574	105.0801	'GEN337424 1-OUCHITA STG2'
	FDNS	01NR	2	13G	G11_024	'TO->FRON'		'MATTHEWSON 345.00 - TATONGA7	345.0	1195	0.3574	105.2812	'GEN337425 1-OUCHITA CTG3'
	FDNS	01NR	2	13G	G11_024	'TO->FRON'		'MATTHEWSON 345.00 - TATONGA7	345.0	1195	0.3574	105.0801	'GEN337426 1-OUCHITA STG3'
	FDNS	01NR	2	13G	G11_024	'TO->FRON'		'MATTHEWSON 345.00 - TATONGA7	345.0	1195	0.3574	105.3496	'GEN337428 1-PERYVILLE UNIT #1'
	FDNS	01NR	2	13G	G11_024	'TO->FRON'		'MATTHEWSON 345.00 - TATONGA7	345.0	1195	0.3574	105.3496	'GEN337430 1-PERYVILLE UNIT #3'
	FDNS	01NR	2	13G	G11_024	'TO->FRON'		'MATTHEWSON 345.00 - TATONGA7	345.0	1195	0.3574	105.3331	'GEN337432 1-PERYVILLE UNIT #5'
	FDNS	01NR	2	13G	G11_024	'TO->FRON'		'MATTHEWSON 345.00 - TATONGA7	345.0	1195	0.3574	107.6736	'GEN337652 1-WHITE BLUFF UNIT #1'
	FDNS	01NR	2	13G	G11_024	'TO->FRON'		'MATTHEWSON 345.00 - TATONGA7	345.0	1195	0.3574	107.7777	'GEN337653 1-WHITE BLUFF UNIT #2'
	FDNS	01NR	2	13G	G11_024	'TO->FRON'		'MATTHEWSON 345.00 - TATONGA7	345.0	1195	0.3574	105.6907	'GEN337692 1-LAKE CATHERINE UNIT #4'
	FDNS	01NR	2	13G	G11_024	'TO->FRON'		'MATTHEWSON 345.00 - TATONGA7	345.0	1195	0.3574	107.3744	'GEN338143 1-INDEPENDENCE UNIT #1'
	FDNS	01NR	2	13G	G11_024	'TO->FRON'		'MATTHEWSON 345.00 - TATONGA7	345.0	1195	0.3574	107.4238	'GEN338146 1-INDEPENDENCE UNIT #2'
	FDNS	01NR	2	13G	G11_024	'TO->FRON'		'MATTHEWSON 345.00 - TATONGA7	345.0	1195	0.3574	106.731	'GEN338388 1-1PLUM PT U1 23.000'
	FDNS	01NR	2	13G	G11_024	'TO->FRON'		'MATTHEWSON 345.00 - TATONGA7	345.0	1195	0.3574	105.1658	'GEN338500 1-MCCLELLAN UNIT #1'
	FDNS	01NR	2	13G	G11_024	'TO->FRON'		'MATTHEWSON 345.00 - TATONGA7	345.0	1195	0.3574	105.0296	'GEN338510 1-1S1KNWRI'
	FDNS	01NR	2	13G	G11_024	'TO->FRON'		'MATTHEWSON 345.00 - TATONGA7	345.0	1195	0.3574	105.0296	'GEN338512 1-1S2KNWRI'
	FDNS	01NR	2	13G	G11_024	'TO->FRON'		'MATTHEWSON 345.00 - TATONGA7	345.0	1195	0.3574	105.0629	'GEN338513 1-BAILEY UNIT #1'
	FDNS	01NR	2	13G	G11_024	'TO->FRON'		'MATTHEWSON 345.00 - TATONGA7	345.0	1195	0.3574	105.0304	'GEN500915 3-WESTERN KRAFT'
	FDNS	01NR	2	13G	G11_024	'TO->FRON'		'MATTHEWSON 345.00 - TATONGA7	345.0	1195	0.3574	107.64	'GEN501801 1-DOLET HILLS UNIT1'
	FDNS	01NR	2	13G	G11_024	'TO->FRON'		'MATTHEWSON 345.00 - TATONGA7	345.0	1195	0.3574	105.6392	'GEN501811 1-RODEMACHER UNIT 1'
	FDNS	01NR	2	13G	G11_024	'TO->FRON'		'MATTHEWSON 345.00 - TATONGA7	345.0	1195	0.3574	106.6394	'GEN501812 1-RODEMACHER UNIT 2'
	FDNS	01NR	2	13G	G11_024	'TO->FRON'		'MATTHEWSON 345.00 - TATONGA7	345.0	1195	0.3574	107.057	'GEN501813 1-RODEMACHER UNIT 3'
	FDNS	01NR	2	13G	G11_024	'TO->FRON'		'MATTHEWSON 345.00 - TATONGA7	345.0	1195	0.3574	105.6228	'GEN501910 1-ACADIA UNIT ST1'
	FDNS	01NR	2	13G	G11_024	'TO->FRON'		'MATTHEWSON 345.00 - TATONGA7	345.0	1195	0.3574	105.3642	'GEN501911 1-ACADIA UNIT CT1A'
	FDNS	01NR	2	13G	G11_024	'TO->FRON'		'MATTHEWSON 345.00 - TATONGA7	345.0	1195	0.3574	105.3642	'GEN501912 1-ACADIA UNIT CT1B'
	FDNS	01NR	2	13G	G11_024	'TO->FRON'		'MATTHEWSON 345.00 - TATONGA7	345.0	1195	0.3574	105.3312	'GEN505432 1-SIKESTON'
	FDNS	01NR	2	13G	G11_024	'TO->FRON'		'MATTHEWSON 345.00 - TATONGA7	345.0	1195	0.3574	105.1313	'GEN506749 1-EASTMAN GENERATION A'
	FDNS	01NR	2	13G	G11_024	'TO->FRON'		'MATTHEWSON 345.00 - TATONGA7	345.0	1195	0.3574	105.3183	'GEN506752 1-LEBROCK GAS 1'
	FDNS	01NR	2	13G	G11_024	'TO->FRON'		'MATTHEWSON 345.00 - TATONGA7	345.0	1195	0.3574	105.4948	'GEN509391 G1-ARSENAL HILL GENS #2 (STALL)'
	FDNS	01NR	2	13G	G11_024	'TO->FRON'		'MATTHEWSON 345.00 - TATONGA7	345.0	1195	0.3574	105.4948	'GEN509392 G2-ARSENAL HILL GENS #3 (STALL)'
	FDNS	01NR	2	13G	G11_024	'TO->FRON'		'MATTHEWSON 345.00 - TATONGA7	345.0	1195	0.3574	105.4878	'GEN509393 S1-ARSENAL HILL GENS #4 (STALL)'
	FDNS	01NR	2	13G	G11_024	'TO->FRON'		'MATTHEWSON 345.00 - TATONGA7	345.0	1195	0.3574	106.6642	'GEN509394 1-FLINT CREEK'
	FDNS	01NR	2	13G	G11_024	'TO->FRON'		'MATTHEWSON 345.00 - TATONGA7	345.0	1195	0.3574	107.3633	'GEN509403 1-PIRKEY GENERATION'
	FDNS	01NR	2	13G	G11_024	'TO->FRON'		'MATTHEWSON 345.00 - TATONGA7	345.0	1195	0.3574	106.8606	'GEN509404 1-WELSH #1'
	FDNS	01NR	2	13G	G11_024	'TO->FRON'		'MATTHEWSON 345.00 - TATONGA7	345.0	1195	0.3574	106.8606	'GEN509405 1-WELSH #2'
	FDNS	01NR	2	13G	G11_024	'TO->FRON'		'MATTHEWSON 345.00 - TATONGA7	345.0	1195	0.3574	106.8607	'GEN509406 1-WELSH #3'
	FDNS	01NR	2	13G	G11_024	'TO->FRON'		'MATTHEWSON 345.00 - TATONGA7	345.0	1195	0.3574	105.0776	'GEN509408 1-WILKES #2'
	FDNS	01NR	2	13G	G11_024	'TO->FRON'		'MATTHEWSON 345.00 - TATONGA7	345.0	1195	0.3574	107.2787	'GEN509416 1-TURK GENERATION'
	FDNS	01NR	2	13G	G11_024	'TO->FRON'		'MATTHEWSON 345.00 - TATONGA7	345.0	1195	0.3574	105.2297	'GEN511836 1-NORTHEASTERN STATION #1'
	FDNS	01NR	2	13G	G11_024	'TO->FRON'		'MATTHEWSON 345.00 - TATONGA7	345.0	1195	0.3574	105.3423	'GEN511837 1-NORTHEASTERN STATION # 1-1A'
	FDNS	01NR	2	13G	G11_024	'TO->FRON'		'MATTHEWSON 345.00 - TATONGA7	345.0	1195	0.3574	105.3423	'GEN511838 1-NORTHEASTERN STATION # 1-1B'
	FDNS	01NR	2	13G	G11_024	'TO->FRON'		'MATTHEWSON 345.00 - TATONGA7	345.0	1195	0.3574	105.5036	'GEN511839 1-NORTHEASTERN STATION #2'
	FDNS	01NR	2	13G	G11_024	'TO->FRON'		'MATTHEWSON 345.00 - TATONGA7	345.0	1195	0.3574	106.5453	'GEN511840 1-NORTHEASTERN STATION #3'
	FDNS	01NR	2	13G	G11_024	'TO->FRON'		'MATTHEWSON 345.00 - TATONGA7	345.0	1195	0.3574	106.5068	'GEN511841 1-NORTHEASTERN STATION #4'
	FDNS	01NR	2	13G	G11_024	'TO->FRON'		'MATTHEWSON 345.00 - TATONGA7	345.0	1195	0.3574	105.2377	'GEN511851 1-COMANCHE #1'
	FDNS	01NR	2	13G	G11_024	'TO->FRON'		'MATTHEWSON 345.00 - TATONGA7	345.0	1195	0.3574	105.0969	'GEN511852 1-COMANCHE #2'
	FDNS	01NR	2	13G	G11_024	'TO->FRON'		'MATTHEWSON 345.00 - TATONGA7	345.0	1195	0.3574	105.1006	'GEN511853 1-COMANCHE #3'
	FDNS	01NR	2	13G	G11_024	'TO->FRON'		'MATTHEWSON 345.00 - TATONGA7	345.0	1195	0.3574	105.1873	'GEN511938 1-OEC STEAM # 1'
	FDNS	01NR	2	13G	G11_024	'TO->FRON'		'MATTHEWSON 345.00 - TATONGA7	345.0	1195	0.3574	105.1864	'GEN511939 1-OEC GAS # 1-1'
	FDNS	01NR	2	13G	G11_024	'TO->FRON'		'MATTHEWSON 345.00 - TATONGA7	345.0	1195	0.3574	105.1864	'GEN511940 1-OEC GAS # 1-2'
	FDNS	01NR	2	13G	G11_024	'TO->FRON'		'MATTHEWSON 345.00 - TATONGA7	345.0	1195	0.3574	105.6315	'GEN511941 1-OEC STEAM # 2'
	FDNS	01NR	2	13G	G11_024	'TO->FRON'		'MATTHEWSON 345.00 - TATONGA7	345.0	1195	0.3574	105.1864	'GEN511942 1-OEC GAS # 2-1'
	FDNS	01NR	2	13G	G11_024	'TO->FRON'		'MATTHEWSON 345.00 - TATONGA7	345.0	1195	0.3574	105.1864	'GEN511943 1-OEC GAS # 2-2'
	FDNS	01NR	2	13G	G11_024	'TO->FRON'		'MATTHEWSON 345.00 - TATONGA7	345.0	1195	0.3574	105.2147	'GEN511953 G-COGENTRIX GAS # 1'
	FDNS	01NR	2	13G	G11_024	'TO->FRON'		'MATTHEWSON 345.00 - TATONGA7	345.0	1195	0.3574	105.2141	'GEN511954 S-COGENTRIX STEAM # 1'
	FDNS	01NR	2	13G	G11_024	'TO->FRON'		'MATTHEWSON 345.00 - TATONGA7	345.0	1195	0.3574	105.2337	'GEN511955 G-COGENTRIX GAS # 2'

EVENTTYPE	SOLUTIONTYPE	GROUP	SCENARIO	SEASON	SOURCE	DIRECTION	MONTCOMMONNAME	RATEB	TDF	TC%LOADI	CONTNAME	
	FDNS	01NR	2	13G	G11_024	'TO->FRON'	'MATTHEWSON 345.00 - TATONGA7	345.0	1195	0.3574	105.233	'GEN511956 S-COGENTRIX STEAM # 2'
	FDNS	01NR	2	13G	G11_024	'TO->FRON'	'MATTHEWSON 345.00 - TATONGA7	345.0	1195	0.3574	105.2147	'GEN511957 G-COGENTRIX GAS # 3'
	FDNS	01NR	2	13G	G11_024	'TO->FRON'	'MATTHEWSON 345.00 - TATONGA7	345.0	1195	0.3574	106.7068	'GEN512688 2-GRDA1 GSU2 22'
	FDNS	01NR	2	13G	G11_024	'TO->FRON'	'MATTHEWSON 345.00 - TATONGA7	345.0	1195	0.3574	106.3168	'GEN512689 1-GRDA1 GSU1 22'
	FDNS	01NR	2	13G	G11_024	'TO->FRON'	'MATTHEWSON 345.00 - TATONGA7	345.0	1195	0.3574	107.3542	'GEN514805 1-SOONER UNIT 1'
	FDNS	01NR	2	13G	G11_024	'TO->FRON'	'MATTHEWSON 345.00 - TATONGA7	345.0	1195	0.3574	107.6249	'GEN514806 1-SOONER UNIT 2'
	FDNS	01NR	2	13G	G11_024	'TO->FRON'	'MATTHEWSON 345.00 - TATONGA7	345.0	1195	0.3574	105.8508	'GEN514899 1-REDBUD1S'
	FDNS	01NR	2	13G	G11_024	'TO->FRON'	'MATTHEWSON 345.00 - TATONGA7	345.0	1195	0.3574	105.8299	'GEN514900 1-REDBUD2S'
	FDNS	01NR	2	13G	G11_024	'TO->FRON'	'MATTHEWSON 345.00 - TATONGA7	345.0	1195	0.3574	105.831	'GEN514905 1-REDBUD3S'
	FDNS	01NR	2	13G	G11_024	'TO->FRON'	'MATTHEWSON 345.00 - TATONGA7	345.0	1195	0.3574	106.0068	'GEN514910 2-REDBUD GEN'
	FDNS	01NR	2	13G	G11_024	'TO->FRON'	'MATTHEWSON 345.00 - TATONGA7	345.0	1195	0.3574	106.0068	'GEN514911 2-REDBUD GEN'
	FDNS	01NR	2	13G	G11_024	'TO->FRON'	'MATTHEWSON 345.00 - TATONGA7	345.0	1195	0.3574	105.3649	'GEN514912 2-REDBUD GEN'
	FDNS	01NR	2	13G	G11_024	'TO->FRON'	'MATTHEWSON 345.00 - TATONGA7	345.0	1195	0.3574	105.7523	'GEN514940 1-REDBUD GEN'
	FDNS	01NR	2	13G	G11_024	'TO->FRON'	'MATTHEWSON 345.00 - TATONGA7	345.0	1195	0.3574	105.9861	'GEN514942 2-REDBUD4G'
	FDNS	01NR	2	13G	G11_024	'TO->FRON'	'MATTHEWSON 345.00 - TATONGA7	345.0	1195	0.3574	105.8784	'GEN514998 1-MCCLAIN UNIT 1'
	FDNS	01NR	2	13G	G11_024	'TO->FRON'	'MATTHEWSON 345.00 - TATONGA7	345.0	1195	0.3574	105.894	'GEN514999 1-MCCLAIN UNIT 2'
	FDNS	01NR	2	13G	G11_024	'TO->FRON'	'MATTHEWSON 345.00 - TATONGA7	345.0	1195	0.3574	105.5445	'GEN515000 1-MCCLAIN UNIT 3'
	FDNS	01NR	2	13G	G11_024	'TO->FRON'	'MATTHEWSON 345.00 - TATONGA7	345.0	1195	0.3574	106.0924	'GEN515040 1-SEMINOLE 1G'
	FDNS	01NR	2	13G	G11_024	'TO->FRON'	'MATTHEWSON 345.00 - TATONGA7	345.0	1195	0.3574	106.1696	'GEN515041 1-SEMINOLE 2G'
	FDNS	01NR	2	13G	G11_024	'TO->FRON'	'MATTHEWSON 345.00 - TATONGA7	345.0	1195	0.3574	106.3726	'GEN515042 1-SEMINOLE 3G'
	FDNS	01NR	2	13G	G11_024	'TO->FRON'	'MATTHEWSON 345.00 - TATONGA7	345.0	1195	0.3574	107.0353	'GEN515223 1-MUSKOGEE 4G'
	FDNS	01NR	2	13G	G11_024	'TO->FRON'	'MATTHEWSON 345.00 - TATONGA7	345.0	1195	0.3574	107.0003	'GEN515225 1-MUSKOGEE 5G'
	FDNS	01NR	2	13G	G11_024	'TO->FRON'	'MATTHEWSON 345.00 - TATONGA7	345.0	1195	0.3574	107.3709	'GEN515226 1-MUSKOGEE 6G'
	FDNS	01NR	2	13G	G11_024	'TO->FRON'	'MATTHEWSON 345.00 - TATONGA7	345.0	1195	0.3574	105.3982	'GEN515266 1-AES 1G'
	FDNS	01NR	2	13G	G11_024	'TO->FRON'	'MATTHEWSON 345.00 - TATONGA7	345.0	1195	0.3574	105.3982	'GEN515267 1-AES 2G'
	FDNS	01NR	2	13G	G11_024	'TO->FRON'	'MATTHEWSON 345.00 - TATONGA7	345.0	1195	0.3574	103.0352	'GEN515365 1-CENT 21 34.500'
	FDNS	01NR	2	13G	G11_024	'TO->FRON'	'MATTHEWSON 345.00 - TATONGA7	345.0	1195	0.3574	103.6793	'GEN515389 1-TLGAWND1 34.500'
	FDNS	01NR	2	13G	G11_024	'TO->FRON'	'MATTHEWSON 345.00 - TATONGA7	345.0	1195	0.3574	102.3917	'GEN515393 1-OGEWND2G'
	FDNS	01NR	2	13G	G11_024	'TO->FRON'	'MATTHEWSON 345.00 - TATONGA7	345.0	1195	0.3574	103.146	'GEN515397 1-OUSPR1 34.500'
	FDNS	01NR	2	13G	G11_024	'TO->FRON'	'MATTHEWSON 345.00 - TATONGA7	345.0	1195	0.3574	106.1419	'GEN515443 1-MNCOWND1 34.500'
	FDNS	01NR	2	13G	G11_024	'TO->FRON'	'MATTHEWSON 345.00 - TATONGA7	345.0	1195	0.3574	101.1097	'GEN515449 1-CRSRDW11 34.500'
	FDNS	01NR	2	13G	G11_024	'TO->FRON'	'MATTHEWSON 345.00 - TATONGA7	345.0	1195	0.3574	101.1112	'GEN515450 1-CRSRDW21 34.500'
	FDNS	01NR	2	13G	G11_024	'TO->FRON'	'MATTHEWSON 345.00 - TATONGA7	345.0	1195	0.3574	106.2715	'GEN515606 1-CANADN11 34.500'
	FDNS	01NR	2	13G	G11_024	'TO->FRON'	'MATTHEWSON 345.00 - TATONGA7	345.0	1195	0.3574	106.2715	'GEN515607 1-CANADN12 34.500'
	FDNS	01NR	2	13G	G11_024	'TO->FRON'	'MATTHEWSON 345.00 - TATONGA7	345.0	1195	0.3574	103.7152	'GEN515787 1-OKLA WIND ENERGY CENTER'
	FDNS	01NR	2	13G	G11_024	'TO->FRON'	'MATTHEWSON 345.00 - TATONGA7	345.0	1195	0.3574	105.4575	'GEN520811 1-ANADRK4'
	FDNS	01NR	2	13G	G11_024	'TO->FRON'	'MATTHEWSON 345.00 - TATONGA7	345.0	1195	0.3574	105.2583	'GEN520812 1-ANADRK5'
	FDNS	01NR	2	13G	G11_024	'TO->FRON'	'MATTHEWSON 345.00 - TATONGA7	345.0	1195	0.3574	105.2582	'GEN520813 1-ANADRK6'
	FDNS	01NR	2	13G	G11_024	'TO->FRON'	'MATTHEWSON 345.00 - TATONGA7	345.0	1195	0.3574	103.7855	'GEN520922 1-SLEEPING BEAR'
	FDNS	01NR	2	13G	G11_024	'TO->FRON'	'MATTHEWSON 345.00 - TATONGA7	345.0	1195	0.3574	107.08	'GEN520947 1-HUGO1'
	FDNS	01NR	2	13G	G11_024	'TO->FRON'	'MATTHEWSON 345.00 - TATONGA7	345.0	1195	0.3574	104.4396	'GEN520997 1-MORLND2'
	FDNS	01NR	2	13G	G11_024	'TO->FRON'	'MATTHEWSON 345.00 - TATONGA7	345.0	1195	0.3574	104.418	'GEN522814 1-LUBBOCK POWER & LIGHT-MACKENZIE GEN'
	FDNS	01NR	2	13G	G11_024	'TO->FRON'	'MATTHEWSON 345.00 - TATONGA7	345.0	1195	0.3574	103.9571	'GEN523103 1-NOBLE_WND 3115.00'
	FDNS	01NR	2	13G	G11_024	'TO->FRON'	'MATTHEWSON 345.00 - TATONGA7	345.0	1195	0.3574	103.643	'GEN523461 1-BLACKHAWK GEN #1'
	FDNS	01NR	2	13G	G11_024	'TO->FRON'	'MATTHEWSON 345.00 - TATONGA7	345.0	1195	0.3574	103.6429	'GEN523462 1-BLACKHAWK GEN #2'
	FDNS	01NR	2	13G	G11_024	'TO->FRON'	'MATTHEWSON 345.00 - TATONGA7	345.0	1195	0.3574	104.3198	'GEN523815 1-LLANO ESTACADO WIND GEN'
	FDNS	01NR	2	13G	G11_024	'TO->FRON'	'MATTHEWSON 345.00 - TATONGA7	345.0	1195	0.3574	101.4801	'GEN523971 1-HARRINGTON GEN #1 24 KV'
	FDNS	01NR	2	13G	G11_024	'TO->FRON'	'MATTHEWSON 345.00 - TATONGA7	345.0	1195	0.3574	101.4797	'GEN523972 1-HARRINGTON GEN #2 24 KV'
	FDNS	01NR	2	13G	G11_024	'TO->FRON'	'MATTHEWSON 345.00 - TATONGA7	345.0	1195	0.3574	101.508	'GEN523973 1-HARRINGTON GEN #3 24 KV'
	FDNS	01NR	2	13G	G11_024	'TO->FRON'	'MATTHEWSON 345.00 - TATONGA7	345.0	1195	0.3574	104.3542	'GEN524286 1-CLR_3 0.6900'
	FDNS	01NR	2	13G	G11_024	'TO->FRON'	'MATTHEWSON 345.00 - TATONGA7	345.0	1195	0.3574	103.9645	'GEN524295 1-SPNSPUR_WND134.500'
	FDNS	01NR	2	13G	G11_024	'TO->FRON'	'MATTHEWSON 345.00 - TATONGA7	345.0	1195	0.3574	104.3226	'GEN524485 1-CAPROCK WIND GEN'
	FDNS	01NR	2	13G	G11_024	'TO->FRON'	'MATTHEWSON 345.00 - TATONGA7	345.0	1195	0.3574	104.1213	'GEN524895 1-SAN JUAN MESA WIND GEN'
	FDNS	01NR	2	13G	G11_024	'TO->FRON'	'MATTHEWSON 345.00 - TATONGA7	345.0	1195	0.3574	103.1385	'GEN525494 1-PLANT X GEN #4 20 KV'
	FDNS	01NR	2	13G	G11_024	'TO->FRON'	'MATTHEWSON 345.00 - TATONGA7	345.0	1195	0.3574	101.8089	'GEN525561 1-TOLK GEN #1 24 KV'

EVENT	TYP	SOLUTION	TYPE	GROUP	SCENARIO	SEASON	SOURCE	DIRECTION	MONT	COMMONNAME	RATEB	TDF	TC%LOAD	CONTNAME
FDNS		01NR		2	13G	G11_024	'TO->FRON'	'MATTHEWSON	345.00 - TATONGA7	345.0	1195	0.3574	100	'GEN525562 1-TOLK GEN #2 24 KV'
FDNS		01NR		2	13G	G11_024	'TO->FRON'	'MATTHEWSON	345.00 - TATONGA7	345.0	1195	0.3574	102.6981	'GEN526331 1-JONES GEN #1 22 KV'
FDNS		01NR		2	13G	G11_024	'TO->FRON'	'MATTHEWSON	345.00 - TATONGA7	345.0	1195	0.3574	102.6967	'GEN526332 1-JONES GEN #2 21 KV'
FDNS		01NR		2	13G	G11_024	'TO->FRON'	'MATTHEWSON	345.00 - TATONGA7	345.0	1195	0.3574	103.3781	'GEN527161 1-MUSTANG GEN #1'
FDNS		01NR		2	13G	G11_024	'TO->FRON'	'MATTHEWSON	345.00 - TATONGA7	345.0	1195	0.3574	103.3782	'GEN527162 1-MUSTANG GEN #2'
FDNS		01NR		2	13G	G11_024	'TO->FRON'	'MATTHEWSON	345.00 - TATONGA7	345.0	1195	0.3574	104.0504	'GEN527163 1-MUSTANG GEN #3 22 KV'
FDNS		01NR		2	13G	G11_024	'TO->FRON'	'MATTHEWSON	345.00 - TATONGA7	345.0	1195	0.3574	103.086	'GEN527882 1-CUNNINGHAM GEN #2 20 KV'
FDNS		01NR		2	13G	G11_024	'TO->FRON'	'MATTHEWSON	345.00 - TATONGA7	345.0	1195	0.3574	103.1243	'GEN527901 1-HOBBS PLANT #1 (CT)'
FDNS		01NR		2	13G	G11_024	'TO->FRON'	'MATTHEWSON	345.00 - TATONGA7	345.0	1195	0.3574	103.1356	'GEN527902 1-HOBBS PLANT #2 (CT)'
FDNS		01NR		2	13G	G11_024	'TO->FRON'	'MATTHEWSON	345.00 - TATONGA7	345.0	1195	0.3574	102.3405	'GEN527903 1-HOBBS PLANT #3 (ST)'
FDNS		01NR		2	13G	G11_024	'TO->FRON'	'MATTHEWSON	345.00 - TATONGA7	345.0	1195	0.3574	103.6983	'GEN528361 1-MADDOX GEN #1'
FDNS		01NR		2	13G	G11_024	'TO->FRON'	'MATTHEWSON	345.00 - TATONGA7	345.0	1195	0.3574	101.9316	'GEN531447 1-HOLCOMB GENERATOR'
FDNS		01NR		2	13G	G11_024	'TO->FRON'	'MATTHEWSON	345.00 - TATONGA7	345.0	1195	0.3574	104.4393	'GEN531495 1-CNTRLPLWG1 0.6900'
FDNS		01NR		2	13G	G11_024	'TO->FRON'	'MATTHEWSON	345.00 - TATONGA7	345.0	1195	0.3574	104.1881	'GEN532651 1-JEFFREY ENERGY CENTER UNIT 1'
FDNS		01NR		2	13G	G11_024	'TO->FRON'	'MATTHEWSON	345.00 - TATONGA7	345.0	1195	0.3574	104.1875	'GEN532652 1-JEFFREY ENERGY CENTER UNIT 2'
FDNS		01NR		2	13G	G11_024	'TO->FRON'	'MATTHEWSON	345.00 - TATONGA7	345.0	1195	0.3574	104.1872	'GEN532653 1-JEFFREY ENERGY CENTER UNIT 3'
FDNS		01NR		2	13G	G11_024	'TO->FRON'	'MATTHEWSON	345.00 - TATONGA7	345.0	1195	0.3574	104.3526	'GEN532722 1-EVANS ENERGY CENTER UNIT 2'
FDNS		01NR		2	13G	G11_024	'TO->FRON'	'MATTHEWSON	345.00 - TATONGA7	345.0	1195	0.3574	105.1651	'GEN532751 1-WOLF CREEK GENERATING STATION UNIT 1'
FDNS		01NR		2	13G	G11_024	'TO->FRON'	'MATTHEWSON	345.00 - TATONGA7	345.0	1195	0.3574	104.0219	'GEN539670 4-JUDSON LARGE GENERATOR'
FDNS		01NR		2	13G	G11_024	'TO->FRON'	'MATTHEWSON	345.00 - TATONGA7	345.0	1195	0.3574	104.2146	'GEN539767 1-GRAY COUNTY WIND FARM'
FDNS		01NR		2	13G	G11_024	'TO->FRON'	'MATTHEWSON	345.00 - TATONGA7	345.0	1195	0.3574	104.4391	'GEN539945 1-FLATRWDWG1 0.6900'
FDNS		01NR		2	13G	G11_024	'TO->FRON'	'MATTHEWSON	345.00 - TATONGA7	345.0	1195	0.3574	105.2648	'GEN547649 1-ASBURY UNIT #1'
FDNS		01NR		2	13G	G11_024	'TO->FRON'	'MATTHEWSON	345.00 - TATONGA7	345.0	1195	0.3574	105.0335	'GEN549890 1-SOUTHWEST 1'
FDNS		01NR		2	13G	G11_024	'TO->FRON'	'MATTHEWSON	345.00 - TATONGA7	345.0	1195	0.3574	105.4788	'GEN549893 2-SOUTHWEST 2'
FDNS		01NR		2	13G	G11_024	'TO->FRON'	'MATTHEWSON	345.00 - TATONGA7	345.0	1195	0.3574	104.0506	'GEN560105 1-G08-22 0.6900'
FDNS		01NR		2	13G	G11_024	'TO->FRON'	'MATTHEWSON	345.00 - TATONGA7	345.0	1195	0.3574	103.6067	'GEN560121 1-G08-47 0.5750'
FDNS		01NR		2	13G	G11_024	'TO->FRON'	'MATTHEWSON	345.00 - TATONGA7	345.0	1195	0.3574	103.8066	'GEN560166 1-G07-48 0.6900'
FDNS		01NR		2	13G	G11_024	'TO->FRON'	'MATTHEWSON	345.00 - TATONGA7	345.0	1195	0.3574	104.2056	'GEN560173 1-G08-17 0.5750'
FDNS		01NR		2	13G	G11_024	'TO->FRON'	'MATTHEWSON	345.00 - TATONGA7	345.0	1195	0.3574	104.3822	'GEN560209 1-G07-40 0.5750'
FDNS		01NR		2	13G	G11_024	'TO->FRON'	'MATTHEWSON	345.00 - TATONGA7	345.0	1195	0.3574	101.3806	'GEN560221 1-G07-62-1 0.6900'
FDNS		01NR		2	13G	G11_024	'TO->FRON'	'MATTHEWSON	345.00 - TATONGA7	345.0	1195	0.3574	101.3806	'GEN560222 1-G07-62-2 0.6900'
FDNS		01NR		2	13G	G11_024	'TO->FRON'	'MATTHEWSON	345.00 - TATONGA7	345.0	1195	0.3574	101.4656	'GEN560223 1-G07-62-3 0.6900'
FDNS		01NR		2	13G	G11_024	'TO->FRON'	'MATTHEWSON	345.00 - TATONGA7	345.0	1195	0.3574	101.4656	'GEN560224 1-G07-62-4 0.6900'
FDNS		01NR		2	13G	G11_024	'TO->FRON'	'MATTHEWSON	345.00 - TATONGA7	345.0	1195	0.3574	104.4332	'GEN560238 1-G10-09 0.6900'
FDNS		01NR		2	13G	G11_024	'TO->FRON'	'MATTHEWSON	345.00 - TATONGA7	345.0	1195	0.3574	104.173	'GEN560256 1-G10-14-1 0.6900'
FDNS		01NR		2	13G	G11_024	'TO->FRON'	'MATTHEWSON	345.00 - TATONGA7	345.0	1195	0.3574	104.1606	'GEN560257 1-G10-14-2 0.6900'
FDNS		01NR		2	13G	G11_024	'TO->FRON'	'MATTHEWSON	345.00 - TATONGA7	345.0	1195	0.3574	103.939	'GEN560279 1-G08-18 0.6900'
FDNS		01NR		2	13G	G11_024	'TO->FRON'	'MATTHEWSON	345.00 - TATONGA7	345.0	1195	0.3574	104.1806	'GEN560286 1-G10-01-1WTG 0.6900
FDNS		01NR		2	13G	G11_024	'TO->FRON'	'MATTHEWSON	345.00 - TATONGA7	345.0	1195	0.3574	104.1806	'GEN560287 1-G10-01-2WTG 0.6900
FDNS		01NR		2	13G	G11_024	'TO->FRON'	'MATTHEWSON	345.00 - TATONGA7	345.0	1195	0.3574	104.3795	'GEN560329 1-G10-45 0.6900'
FDNS		01NR		2	13G	G11_024	'TO->FRON'	'MATTHEWSON	345.00 - TATONGA7	345.0	1195	0.3574	103.8636	'GEN560359 1-G08-51 0.6900'
FDNS		01NR		2	13G	G11_024	'TO->FRON'	'MATTHEWSON	345.00 - TATONGA7	345.0	1195	0.3574	104.1464	'GEN560371 1-G07-46 0.6900'
FDNS		01NR		2	13G	G11_024	'TO->FRON'	'MATTHEWSON	345.00 - TATONGA7	345.0	1195	0.3574	100.8674	'GEN560429 1-G08-29 0.6400'
FDNS		01NR		2	13G	G11_024	'TO->FRON'	'MATTHEWSON	345.00 - TATONGA7	345.0	1195	0.3574	104.4124	'GEN560432 1-G08-124 0.6900'
FDNS		01NR		2	13G	G11_024	'TO->FRON'	'MATTHEWSON	345.00 - TATONGA7	345.0	1195	0.3574	104.3302	'GEN560522 1-G05-12 0.6900'
FDNS		01NR		2	13G	G11_024	'TO->FRON'	'MATTHEWSON	345.00 - TATONGA7	345.0	1195	0.3574	104.3959	'GEN560549 1-G06-06 0.6900'
FDNS		01NR		2	13G	G11_024	'TO->FRON'	'MATTHEWSON	345.00 - TATONGA7	345.0	1195	0.3574	104.3398	'GEN560585 1-G06-44-2 0.6000'
FDNS		01NR		2	13G	G11_024	'TO->FRON'	'MATTHEWSON	345.00 - TATONGA7	345.0	1195	0.3574	104.1693	'GEN560586 1-G06-44-3 0.6000'
FDNS		01NR		2	13G	G11_024	'TO->FRON'	'MATTHEWSON	345.00 - TATONGA7	345.0	1195	0.3574	104.1726	'GEN560592 1-G06-45 0.6000'
FDNS		01NR		2	13G	G11_024	'TO->FRON'	'MATTHEWSON	345.00 - TATONGA7	345.0	1195	0.3574	104.1666	'GEN560595 1-G06-47 0.6000'
FDNS		01NR		2	13G	G11_024	'TO->FRON'	'MATTHEWSON	345.00 - TATONGA7	345.0	1195	0.3574	104.4123	'GEN560659 1-G07-38 0.6900'
FDNS		01NR		2	13G	G11_024	'TO->FRON'	'MATTHEWSON	345.00 - TATONGA7	345.0	1195	0.3574	107.8545	'GEN560687 1-G11-007 0.5750'
FDNS		01NR		2	13G	G11_024	'TO->FRON'	'MATTHEWSON	345.00 - TATONGA7	345.0	1195	0.3574	104.3997	'GEN560693 1-G11-008-1 0.6900'
FDNS		01NR		2	13G	G11_024	'TO->FRON'	'MATTHEWSON	345.00 - TATONGA7	345.0	1195	0.3574	105.4506	'GEN560706 1-G11-010 0.6900'
FDNS		01NR		2	13G	G11_024	'TO->FRON'	'MATTHEWSON	345.00 - TATONGA7	345.0	1195	0.3574	104.2192	'GEN562014 1-G11_023_3 0.6900'

EVENTTYPE	SOLUTIONTYPE	GROUP	SCENARIO	SEASON	SOURCE	DIRECTION	MONTCOMMONNAME	RATEB	TDF	TC%LOADI	CONTNAME	
	FDNS	01NR	2	13G	G11_024	'TO->FRON'	'MATTHEWSON 345.00 - TATONGA7	345.0	1195	0.3574	103.7556	'GEN562017 1-G11_022_3 0.6900'
	FDNS	01NR	2	13G	G11_024	'TO->FRON'	'MATTHEWSON 345.00 - TATONGA7	345.0	1195	0.3574	103.5743	'GEN562020 1-G11_021_3 0.6900'
	FDNS	01NR	2	13G	G11_024	'TO->FRON'	'MATTHEWSON 345.00 - TATONGA7	345.0	1195	0.3574	104.316	'GEN562032 1-G11_017_3 0.6900'
	FDNS	01NR	2	13G	G11_024	'TO->FRON'	'MATTHEWSON 345.00 - TATONGA7	345.0	1195	0.3574	104.4017	'GEN562035 1-G11_016_3 0.6900'
	FDNS	01NR	2	13G	G11_024	'TO->FRON'	'MATTHEWSON 345.00 - TATONGA7	345.0	1195	0.3574	103.9558	'GEN562042 1-G11_014_3 0.6900'
	FDNS	01NR	2	13G	G11_024	'TO->FRON'	'MATTHEWSON 345.00 - TATONGA7	345.0	1195	0.3574	104.4352	'GEN562049 1-G11_012_3 0.6900'
	FDNS	01NR	2	13G	G11_024	'TO->FRON'	'MATTHEWSON 345.00 - TATONGA7	345.0	1195	0.3574	104.218	'GEN640009 1-COOPER NUCLEAR STATION'
	FDNS	01NR	2	13G	G11_024	'TO->FRON'	'MATTHEWSON 345.00 - TATONGA7	345.0	1195	0.3574	103.4876	'GEN640010 1-GERALD GENTLEMAN STATION UNIT 1'
	FDNS	01NR	2	13G	G11_024	'TO->FRON'	'MATTHEWSON 345.00 - TATONGA7	345.0	1195	0.3574	103.5058	'GEN640011 2-GERALD GENTLEMAN STATION UNIT 2'
	FDNS	01NR	2	13G	G11_024	'TO->FRON'	'MATTHEWSON 345.00 - TATONGA7	345.0	1195	0.3574	104.4293	'GEN641089 2-ENERGY CENTER 2'
	FDNS	01NR	2	13G	G11_024	'TO->FRON'	'MATTHEWSON 345.00 - TATONGA7	345.0	1195	0.3574	104.343	'GEN645001 1-FORT CALHOUN 1'
	FDNS	01NR	2	13G	G11_024	'TO->FRON'	'MATTHEWSON 345.00 - TATONGA7	345.0	1195	0.3574	104.2573	'GEN645011 1-NEBRASKA CITY 1'
	FDNS	01NR	2	13G	G11_024	'TO->FRON'	'MATTHEWSON 345.00 - TATONGA7	345.0	1195	0.3574	104.2069	'GEN645012 2-NEBRASKA CITY 2'
	FDNS	01NR	2	13G	G11_024	'TO->FRON'	'MATTHEWSON 345.00 - TATONGA7	345.0	1195	0.3574	104.3619	'GEN659103 1-ANTELOPE VALLEY UNIT1'
	FDNS	01NR	2	13G	G11_024	'TO->FRON'	'MATTHEWSON 345.00 - TATONGA7	345.0	1195	0.3574	104.3619	'GEN659107 2-ANTELOPE VALLEY UNIT2'
	FDNS	01NR	2	13G	G11_024	'TO->FRON'	'MATTHEWSON 345.00 - TATONGA7	345.0	1195	0.3574	104.4581	'GEN659111 2-LELAND OLDS UNIT2'
	FDNS	01NR	2	13G	G11_024	'TO->FRON'	'MATTHEWSON 345.00 - TATONGA7	345.0	1195	0.3574	102.7815	'GEN659118 1-LARAMIE RIVER UNIT1'
	FNSL	01NR	2	13G	G11_024	'TO->FRON'	'MATTHEWSON 345.00 - TATONGA7	345.0	1195	0.35743	105.0462	'STEGALL - WAYSIDE 230KV CKT 1'
	FNSL	01NR	2	13G	G11_024	'TO->FRON'	'MATTHEWSON 345.00 - TATONGA7	345.0	1195	0.3574	133.7622	'DBL-WICH-THI'
	FNSL	01NR	2	13G	G11_024	'TO->FRON'	'MATTHEWSON 345.00 - TATONGA7	345.0	1195	0.3574	105.3789	'NEB01WAPAB3'
	FNSL	01NR	2	13G	G11_024	'TO->FRON'	'MATTHEWSON 345.00 - TATONGA7	345.0	1195	0.3574	108.4576	'GEN335831 1-RIVERBEND UNIT#1'
	FNSL	01NR	2	13G	G11_024	'TO->FRON'	'MATTHEWSON 345.00 - TATONGA7	345.0	1195	0.3574	108.2467	'GEN337910 1-ARKANSAS NUCLEAR ONE UNIT #1'
	FNSL	01NR	2	13G	G11_024	'TO->FRON'	'MATTHEWSON 345.00 - TATONGA7	345.0	1195	0.3574	108.9267	'GEN337911 1-ARKANSAS NUCLEAR ONE UNIT #2'
	FDNS	01NR	2	13G	G11_024	'TO->FRON'	'MATTHEWSON 345.00 - TATONGA7	345.0	1195	0.35759	105.0662	'ARAPAHO - HAMON BUTLER 69KV CKT 1'
	FDNS	01NR	2	13G	G11_024	'TO->FRON'	'MATTHEWSON 345.00 - TATONGA7	345.0	1195	0.35759	105.0643	'ARAPAHO - INDUSTRIAL PARK 69KV CKT 1'
	FDNS	01NR	2	13G	G11_024	'TO->FRON'	'MATTHEWSON 345.00 - TATONGA7	345.0	1195	0.3576	105.0585	'CANTON - OKEENE 69KV CKT 1'
	FDNS	01NR	2	13G	G11_024	'TO->FRON'	'MATTHEWSON 345.00 - TATONGA7	345.0	1195	0.3576	105.0846	'CANTON - TALOGA 69KV CKT 1'
	FDNS	01NR	2	13G	G11_024	'TO->FRON'	'MATTHEWSON 345.00 - TATONGA7	345.0	1195	0.35834	106.3247	'CEDARDALE - MOORELAND 138KV CKT 1'
	FDNS	01NR	2	13G	G11_024	'TO->FRON'	'MATTHEWSON 345.00 - TATONGA7	345.0	1195	0.35834	106.291	'CEDARDALE - OKEENE 138KV CKT 1'
	FDNS	01NR	2	13G	G11_024	'TO->FRON'	'MATTHEWSON 345.00 - TATONGA7	345.0	1195	0.35759	105.0387	'CORDELL - INDUSTRIAL PARK 69KV CKT 1'
	FDNS	01NR	2	13G	G11_024	'TO->FRON'	'MATTHEWSON 345.00 - TATONGA7	345.0	1195	0.35833	105.9454	'DOVER SW - OKEENE 138KV CKT 1'
	FDNS	01NR	2	13G	G11_024	'TO->FRON'	'MATTHEWSON 345.00 - TATONGA7	345.0	1195	0.35759	105.0672	'HAMON BUTLER - PUTNAM 69KV CKT 1'
	FDNS	01NR	2	13G	G11_024	'TO->FRON'	'MATTHEWSON 345.00 - TATONGA7	345.0	1195	0.35808	106.0889	'MOORELAND - NINE MILE 138KV CKT 1'
	FDNS	01NR	2	13G	G11_024	'TO->FRON'	'MATTHEWSON 345.00 - TATONGA7	345.0	1195	0.35772	105.2846	'MOREWOOD SW - RED HILLS WIND 138KV CKT 1'
	FDNS	01NR	2	13G	G11_024	'TO->FRON'	'MATTHEWSON 345.00 - TATONGA7	345.0	1195	0.35808	106.076	'MOREWOOD SW - NINE MILE 138KV CKT 1'
	FDNS	01NR	2	13G	G11_024	'TO->FRON'	'MATTHEWSON 345.00 - TATONGA7	345.0	1195	0.35761	105.0297	'OKEENE - WATONGA SW 69KV CKT 1'
	FDNS	01NR	2	13G	G11_024	'TO->FRON'	'MATTHEWSON 345.00 - TATONGA7	345.0	1195	0.35759	105.1119	'PUTNAM - TALOGA 69KV CKT 1'
	FDNS	01NR	2	13G	G11_024	'TO->FRON'	'MATTHEWSON 345.00 - TATONGA7	345.0	1195	0.36098	107.3604	'FINNEY SWITCHING STATION - Hitchland Interchange 345KV CKT 1'
	FDNS	01NR	2	13G	G11_024	'TO->FRON'	'MATTHEWSON 345.00 - TATONGA7	345.0	1195	0.35791	105.3836	'Hitchland Interchange - POTTER COUNTY INTERCHANGE 345KV CKT 1'
	FDNS	01NR	2	13G	G11_024	'TO->FRON'	'MATTHEWSON 345.00 - TATONGA7	345.0	1195	0.35838	105.362	'BEAVER CO 345.00 - Hitchland Interchange 345KV CKT 1'
	FDNS	01NR	2	13G	G11_024	'TO->FRON'	'MATTHEWSON 345.00 - TATONGA7	345.0	1195	0.35838	105.362	'BEAVER CO 345.00 - Hitchland Interchange 345KV CKT 2'
	FDNS	01NR	2	13G	G11_024	'TO->FRON'	'MATTHEWSON 345.00 - TATONGA7	345.0	1195	0.35754	105.1046	'G11_012T 230.00 - MOORE COUNTY INTERCHANGE 230KV CKT 1'
	FDNS	01NR	2	13G	G11_024	'TO->FRON'	'MATTHEWSON 345.00 - TATONGA7	345.0	1195	0.3584	106.1475	'GRAPEVINE INTERCHANGE - STATELINE INTERCHANGE 230KV CKT 1'
	FDNS	01NR	2	13G	G11_024	'TO->FRON'	'MATTHEWSON 345.00 - TATONGA7	345.0	1195	0.35801	106.088	'GRAPEVINE INTERCHANGE - NICHOLS STATION 230KV CKT 1'
	FDNS	01NR	2	13G	G11_024	'TO->FRON'	'MATTHEWSON 345.00 - TATONGA7	345.0	1195	0.35758	105.1759	'MCCELLELLAN SUB - MCLEAN RURAL SUB 115KV CKT 1'
	FDNS	01NR	2	13G	G11_024	'TO->FRON'	'MATTHEWSON 345.00 - TATONGA7	345.0	1195	0.35758	105.1953	'KIRBY SWITCHING STATION - MCCELLELLAN SUB 115KV CKT 1'
	FDNS	01NR	2	13G	G11_024	'TO->FRON'	'MATTHEWSON 345.00 - TATONGA7	345.0	1195	0.36098	108.5446	'FINNEY SWITCHING STATION - HOLCOMB 345KV CKT 1'

EVENT	TYP	SOLUTION	TYPE	GROUP	SCENARIO	SEASON	SOURCE	DIRECTION	MONT	COMMON	NAME	RATEB	TDF	TC%L	LOADI	CONTNAME
		FDNS		01NR		2 13G	G11_024	'TO->FRON'	'MATTHEWSON	345.00 - TATONGA7	345.0	1195	0.35743	105.0885		'BUFFALO 230.00 - DEAF SMITH COUNTY INTERCHANGE 230KV CKT 1'
		FDNS		01NR		2 13G	G11_024	'TO->FRON'	'MATTHEWSON	345.00 - TATONGA7	345.0	1195	0.35744	105.1469		'G07-48T 230.00 - SWISHER COUNTY INTERCHANGE 230KV CKT 1'
		FDNS		01NR		2 13G	G11_024	'TO->FRON'	'MATTHEWSON	345.00 - TATONGA7	345.0	1195	0.35749	105.0559		'KNOLL 230 - POSTROCK6 230.00 230KV CKT 1'
		FDNS		01NR		2 13G	G11_024	'TO->FRON'	'MATTHEWSON	345.00 - TATONGA7	345.0	1195	0.3576	105.2359		'KNOLL 230 - SMOKYHL6 230.00 230KV CKT 1'
		FDNS		01NR		2 13G	G11_024	'TO->FRON'	'MATTHEWSON	345.00 - TATONGA7	345.0	1195	0.35838	107.4356		'G11-17T 345.00 - POST ROCK 345KV CKT 1'
		FDNS		01NR		2 13G	G11_024	'TO->FRON'	'MATTHEWSON	345.00 - TATONGA7	345.0	1195	0.35811	106.2331		'AXTELL - POST ROCK 345KV CKT 1'
		FDNS		01NR		2 13G	G11_024	'TO->FRON'	'MATTHEWSON	345.00 - TATONGA7	345.0	1195	0.3576	105.6096		'SMOKYHL6 230.00 - SUMMIT 230KV CKT 1'
		FDNS		01NR		2 13G	G11_024	'TO->FRON'	'MATTHEWSON	345.00 - TATONGA7	345.0	1195	0.35822	105.9888		'HOLCOMB - SETAB 345KV CKT 1'
		FDNS		01NR		2 13G	G11_024	'TO->FRON'	'MATTHEWSON	345.00 - TATONGA7	345.0	1195	0.35781	105.2202		'BUCKNER7 345.00 - HOLCOMB 345KV CKT 1'
		FDNS		01NR		2 13G	G11_024	'TO->FRON'	'MATTHEWSON	345.00 - TATONGA7	345.0	1195	0.35845	106.7358		'MINGO - SETAB 345KV CKT 1'
		FDNS		01NR		2 13G	G11_024	'TO->FRON'	'MATTHEWSON	345.00 - TATONGA7	345.0	1195	0.35859	106.5477		'MINGO - RED WILLOW 345KV CKT 1'
		FDNS		01NR		2 13G	G11_024	'TO->FRON'	'MATTHEWSON	345.00 - TATONGA7	345.0	1195	0.35781	105.767		'BUCKNER7 345.00 - SPEARVILLE 345KV CKT 1'
		FDNS		01NR		2 13G	G11_024	'TO->FRON'	'MATTHEWSON	345.00 - TATONGA7	345.0	1195	0.35838	107.0109		'G11-17T 345.00 - SPEARVILLE 345KV CKT 1'
CONT-040		FDNS		01NR		2 13G	G11_024	'TO->FRON'	'MATTHEWSON	345.00 - TATONGA7	345.0	1195	0.35756	105.7887		'HOYT - JEFFREY ENERGY CENTER 345KV CKT 1'
CONT-080		FDNS		01NR		2 13G	G11_024	'TO->FRON'	'MATTHEWSON	345.00 - TATONGA7	345.0	1195	0.35757	105.5419		'HOYT - STRANGER CREEK 345KV CKT 1'
		FDNS		01NR		2 13G	G11_024	'TO->FRON'	'MATTHEWSON	345.00 - TATONGA7	345.0	1195	0.35758	105.1039		'EMPORIA ENERGY CENTER - SWISSVALE 345KV CKT 1'
		FDNS		01NR		2 13G	G11_024	'TO->FRON'	'MATTHEWSON	345.00 - TATONGA7	345.0	1195	0.35766	105.2067		'EMPORIA ENERGY CENTER - WICHITA 345KV CKT 1'
		FDNS		01NR		2 13G	G11_024	'TO->FRON'	'MATTHEWSON	345.00 - TATONGA7	345.0	1195	0.3577	105.408		'SWISSVALE - WEST GARDNER 345KV CKT 1'
		FDNS		01NR		2 13G	G11_024	'TO->FRON'	'MATTHEWSON	345.00 - TATONGA7	345.0	1195	0.35805	105.552		'CANEYRV7 345.00 - NEOSHO 345KV CKT 1'
		FDNS		01NR		2 13G	G11_024	'TO->FRON'	'MATTHEWSON	345.00 - TATONGA7	345.0	1195	0.35805	105.4446		'CANEYRV7 345.00 - LATHAMS7 345.00 345KV CKT 1'
		FDNS		01NR		2 13G	G11_024	'TO->FRON'	'MATTHEWSON	345.00 - TATONGA7	345.0	1195	0.35902	105.5076		'BENTON - ROSE HILL 345KV CKT 1'
		FDNS		01NR		2 13G	G11_024	'TO->FRON'	'MATTHEWSON	345.00 - TATONGA7	345.0	1195	0.3601	106.9169		'BENTON - WICHITA 345KV CKT 1'
CONT-Lac		FDNS		01NR		2 13G	G11_024	'TO->FRON'	'MATTHEWSON	345.00 - TATONGA7	345.0	1195	0.35802	105.4809		'LACYGNE - NEOSHO 345KV CKT 1'
		FDNS		01NR		2 13G	G11_024	'TO->FRON'	'MATTHEWSON	345.00 - TATONGA7	345.0	1195	0.35805	105.2158		'LATHAMS7 345.00 - ROSE HILL 345KV CKT 1'
		FDNS		01NR		2 13G	G11_024	'TO->FRON'	'MATTHEWSON	345.00 - TATONGA7	345.0	1195	0.35816	103.196		'VIOLA 7 345.00 - WICHITA 345KV CKT 1'
		FDNS		01NR		2 13G	G11_024	'TO->FRON'	'MATTHEWSON	345.00 - TATONGA7	345.0	1195	0.3619	111.2702		'THISTLE7 345.00 - WICHITA 345KV CKT 1'
		FDNS		01NR		2 13G	G11_024	'TO->FRON'	'MATTHEWSON	345.00 - TATONGA7	345.0	1195	0.3619	111.2702		'THISTLE7 345.00 - WICHITA 345KV CKT 2'
		FDNS		01NR		2 13G	G11_024	'TO->FRON'	'MATTHEWSON	345.00 - TATONGA7	345.0	1195	0.35748	105.2761		'ANDERSONCO 345.00 - WOLF CREEK 345KV CKT 1'
		FDNS		01NR		2 13G	G11_024	'TO->FRON'	'MATTHEWSON	345.00 - TATONGA7	345.0	1195	0.35764	105.4178		'CIRCLE - MULLERGREN 230KV CKT 1'
		FDNS		01NR		2 13G	G11_024	'TO->FRON'	'MATTHEWSON	345.00 - TATONGA7	345.0	1195	0.35749	105.0198		'CHISHOLM - MAIZEE 4 138.00 138KV CKT 1'
		FDNS		01NR		2 13G	G11_024	'TO->FRON'	'MATTHEWSON	345.00 - TATONGA7	345.0	1195	0.35781	105.2581		'CLEARWATER - GILL ENERGY CENTER WEST 138KV CKT 1'
		FDNS		01NR		2 13G	G11_024	'TO->FRON'	'MATTHEWSON	345.00 - TATONGA7	345.0	1195	0.35749	105.0353		'EVANS ENERGY CENTER NORTH - MAIZEW 4 138.00 138KV CKT 1'
		FDNS		01NR		2 13G	G11_024	'TO->FRON'	'MATTHEWSON	345.00 - TATONGA7	345.0	1195	0.35749	105.0355		'MAIZE - MAIZEW 4 138.00 138KV CKT 1'
		FDNS		01NR		2 13G	G11_024	'TO->FRON'	'MATTHEWSON	345.00 - TATONGA7	345.0	1195	0.3578	105.2613		'FLATRDG3 - THISTLE4 138.00 138KV CKT 1'
		FDNS		01NR		2 13G	G11_024	'TO->FRON'	'MATTHEWSON	345.00 - TATONGA7	345.0	1195	0.35764	105.6025		'MULLERGREN - SPEARVILLE 230KV CKT 1'
CONT-Lac		FDNS		01NR		2 13G	G11_024	'TO->FRON'	'MATTHEWSON	345.00 - TATONGA7	345.0	1195	0.35745	104.3429		'LACYGNE - WEST GARDNER 345KV CKT 1'
CONT-Lac		FDNS		01NR		2 13G	G11_024	'TO->FRON'	'MATTHEWSON	345.00 - TATONGA7	345.0	1195	0.35741	104.3251		'LACYGNE - STILWELL 345KV CKT 1'
		FDNS		01NR		2 13G	G11_024	'TO->FRON'	'MATTHEWSON	345.00 - TATONGA7	345.0	1195	0.35745	105.0366		'HAWTHORN - NASHUA 345KV CKT 1'
		FDNS		01NR		2 13G	G11_024	'TO->FRON'	'MATTHEWSON	345.00 - TATONGA7	345.0	1195	0.35748	105.3202		'ANDERSONCO 345.00 - LACYGNE 345KV CKT 1'
		FDNS		01NR		2 13G	G11_024	'TO->FRON'	'MATTHEWSON	345.00 - TATONGA7	345.0	1195	0.3577	104.1857		'BROOKLINE - SUB 383 - MONETT 345KV CKT 1'
		FDNS		01NR		2 13G	G11_024	'TO->FRON'	'MATTHEWSON	345.00 - TATONGA7	345.0	1195	0.35763	105.4802		'AXTELL - PAULINE 345KV CKT 1'
		FDNS		01NR		2 13G	G11_024	'TO->FRON'	'MATTHEWSON	345.00 - TATONGA7	345.0	1195	0.35791	105.0812		'GERALD GENTLEMAN STATION - RED WILLOW 345KV CKT 1'
		FDNS		01NR		2 13G	G11_024	'TO->FRON'	'MATTHEWSON	345.00 - TATONGA7	345.0	1195	0.35745	105.1309		'GERALD GENTLEMAN STATION - SWEETWATER 345KV CKT 1'
		FDNS		01NR		2 13G	G11_024	'TO->FRON'	'MATTHEWSON	345.00 - TATONGA7	345.0	1195	0.35743	105.026		'GERALD GENTLEMAN STATION - SWEETWATER 345KV CKT 2'
		FDNS		01NR		2 13G	G11_024	'TO->FRON'	'MATTHEWSON	345.00 - TATONGA7	345.0	1195	0.35749	105.1179		'GRAND ISLAND - MCCOOL 345KV CKT 1'
		FDNS		01NR		2 13G	G11_024	'TO->FRON'	'MATTHEWSON	345.00 - TATONGA7	345.0	1195	0.35762	105.3938		'MOORE - PAULINE 345KV CKT 1'
		FDNS		01NR		2 13G	G11_024	'TO->FRON'	'MATTHEWSON	345.00 - TATONGA7	345.0	1195	0.35762	105.7517		'GRAND ISLAND - SWEETWATER 345KV CKT 1'
		FDNS		01NR		2 13G	G11_024	'TO->FRON'	'MATTHEWSON	345.00 - TATONGA7	345.0	1195	0.35744	105.0756		'MCADAMS - WOLF CREEK 500KV CKT 1'
		FDNS		01NR		2 13G	G11_024	'TO->FRON'	'MATTHEWSON	345.00 - TATONGA7	345.0	1195	0.35738	105.0485		'7SAREPTA% 345.00 - ELDORADO EHV 345KV CKT 1'
		FDNS		01NR		2 13G	G11_024	'TO->FRON'	'MATTHEWSON	345.00 - TATONGA7	345.0	1195	0.35738	105.0488		'ELDORADO EHV 500/345KV TRANSFORMER CKT 1'

EVENTTYPE	SOLUTIONTYPE	GROUP	SCENARIO	SEASON	SOURCE	DIRECTION	MONTH	COMMONNAME	RATEB	TDF	TC%LOAD	CONTNAME
	FDNS	01NR		2	13G	G11_024		'TO->FRON'MATTHEWSON 345.00 - TATONGA7 345.0	1195	0.35748	104.4473	'ARKANSAS NUCLEAR ONE - MABELVALE 500 500KV CKT 1'
	FDNS	01NR		2	13G	G11_024		'TO->FRON'MATTHEWSON 345.00 - TATONGA7 345.0	1195	0.35747	104.3575	'ARKANSAS NUCLEAR ONE - PLEASANT HILL 500KV CKT 1'
	FDNS	01NR		2	13G	G11_024		'TO->FRON'MATTHEWSON 345.00 - TATONGA7 345.0	1195	0.35751	104.1931	'KEO EHV - WEST MEMPHIS 500 500KV CKT 1'
	FDNS	01NR		2	13G	G11_024		'TO->FRON'MATTHEWSON 345.00 - TATONGA7 345.0	1195	0.35747	104.3346	'DELL 500 - INDEPENDENCE 500KV CKT 1'
	FDNS	01NR		2	13G	G11_024		'TO->FRON'MATTHEWSON 345.00 - TATONGA7 345.0	1195	0.35751	104.4488	'7MCCREDIE 345.00 - 7MONTGMRY 345.00 345KV CKT 1'
	FDNS	01NR		2	13G	G11_024		'TO->FRON'MATTHEWSON 345.00 - TATONGA7 345.0	1195	0.35745	105.3775	'STEGALL - STEGALL TRANSFORMER 230KV CKT 1'
	FDNS	01NR		2	13G	G11_024		'TO->FRON'MATTHEWSON 345.00 - TATONGA7 345.0	1195	0.35745	105.3699	'STEGALL - STEGALL TY 345KV CKT 1'
	FDNS	01NR		2	13G	G11_024		'TO->FRON'MATTHEWSON 345.00 - TATONGA7 345.0	1195	0.35737	105.0517	'7SAREPTA% 345.00 - LONGWOOD 345KV CKT 1'
	FDNS	01NR		2	13G	G11_024		'TO->FRON'MATTHEWSON 345.00 - TATONGA7 345.0	1195	0.3584	106.7351	'ELK CITY 230KV (ELKCTY-6) 230/138/13.8KV TRANSFORMER CKT 1'
	FDNS	01NR		2	13G	G11_024		'TO->FRON'MATTHEWSON 345.00 - TATONGA7 345.0	1195	0.35758	105.034	'SHAMROCK (SHAMRCK2) 138/69/14.4KV TRANSFORMER CKT 1'
	FDNS	01NR		2	13G	G11_024		'TO->FRON'MATTHEWSON 345.00 - TATONGA7 345.0	1195	0.35758	105.1202	'SHAMROCK (SHAMRCK1) 115/69/14.4KV TRANSFORMER CKT 1'
	FDNS	01NR		2	13G	G11_024		'TO->FRON'MATTHEWSON 345.00 - TATONGA7 345.0	1195	0.35677	104.2525	'WOODRING (WOODRNG2) 345/138/13.8KV TRANSFORMER CKT 1'
	FDNS	01NR		2	13G	G11_024		'TO->FRON'MATTHEWSON 345.00 - TATONGA7 345.0	1195	0.35779	105.346	'WOODWARD (WOODWRD2) 138/69/13.2KV TRANSFORMER CKT 1'
	FDNS	01NR		2	13G	G11_024		'TO->FRON'MATTHEWSON 345.00 - TATONGA7 345.0	1195	0.35772	105.3958	'KNOBHILL (KNOBHIL4) 138/69/13.2KV TRANSFORMER CKT 1'
	FDNS	01NR		2	13G	G11_024		'TO->FRON'MATTHEWSON 345.00 - TATONGA7 345.0	1195	0.35708	104.2644	'NORTHWEST (NORTWST2) 345/138/13.8KV TRANSFORMER CKT 1'
	FDNS	01NR		2	13G	G11_024		'TO->FRON'MATTHEWSON 345.00 - TATONGA7 345.0	1195	0.35711	104.3706	'NORTHWEST (NORTWST3) 345/138/13.8KV TRANSFORMER CKT 1'
	FDNS	01NR		2	13G	G11_024		'TO->FRON'MATTHEWSON 345.00 - TATONGA7 345.0	1195	0.35697	104.2732	'CIMARRON (CIMARON1) 345/138/13.8KV TRANSFORMER CKT 1'
	FDNS	01NR		2	13G	G11_024		'TO->FRON'MATTHEWSON 345.00 - TATONGA7 345.0	1195	0.35698	104.287	'CIMARRON (CIMARON2) 345/138/13.8KV TRANSFORMER CKT 1'
	FDNS	01NR		2	13G	G11_024		'TO->FRON'MATTHEWSON 345.00 - TATONGA7 345.0	1195	0.35833	104.3049	'WOODWARD DISTRICT EHV (WWDEHV) 345/138/13.8KV TRANSFORMER CKT 1'
	FDNS	01NR		2	13G	G11_024		'TO->FRON'MATTHEWSON 345.00 - TATONGA7 345.0	1195	0.35832	104.2274	'WOODWARD DISTRICT EHV (WWDEHV-T2) 345/138/13.8KV TRANSFORMER CKT 2'
	FDNS	01NR		2	13G	G11_024		'TO->FRON'MATTHEWSON 345.00 - TATONGA7 345.0	1195	0.35751	105.0315	'TALOGA (TALOGA) 138/69/13.8KV TRANSFORMER CKT 1'
	FDNS	01NR		2	13G	G11_024		'TO->FRON'MATTHEWSON 345.00 - TATONGA7 345.0	1195	0.35791	106.1666	'POTTER COUNTY INTERCHANGE (WAUK 90343-A) 345/230/13.2KV TRANSFORMER CKT 1'
	FDNS	01NR		2	13G	G11_024		'TO->FRON'MATTHEWSON 345.00 - TATONGA7 345.0	1195	0.3578	105.2613	'THISTLE7 345.00 (THISTLE T1) 345/138/13.8KV TRANSFORMER CKT 1'
	FDNS	01NR		2	13G	G11_024		'TO->FRON'MATTHEWSON 345.00 - TATONGA7 345.0	1195	0.35755	105.016	'BROOKLINE - MORGAN 345KV CKT 1'
	FDNS	01NR		2	13G	G11_024		'TO->FRON'MATTHEWSON 345.00 - TATONGA7 345.0	1195	0.35741	105.0234	'8DANIEL 500.00 - MCKNIGHT 500KV CKT 1'
	FDNS	01NR		2	13G	G11_024		'TO->FRON'MATTHEWSON 345.00 - TATONGA7 345.0	1195	0.35749	104.3728	'8BHAM STEEL 500.00 - WEST MEMPHIS 500 500KV CKT 1'
	FDNS	01NR		2	13G	G11_024		'TO->FRON'MATTHEWSON 345.00 - TATONGA7 345.0	1195	0.3574	139.3423	'DBL-THIS-WWR'
	FDNS	01NR		2	13G	G11_024		'TO->FRON'MATTHEWSON 345.00 - TATONGA7 345.0	1195	0.3574	104.4884	'DBL-THIS-CLR'
	FDNS	01NR		2	13G	G11_024		'TO->FRON'MATTHEWSON 345.00 - TATONGA7 345.0	1195	0.3574	109.6422	'DBL-HTCH-BVR'
	FDNS	01NR		2	13G	G11_024		'TO->FRON'MATTHEWSON 345.00 - TATONGA7 345.0	1195	0.3574	105.7989	'DBL-BVR-WWRD'
	FDNS	01NR		2	13G	G11_024		'TO->FRON'MATTHEWSON 345.00 - TATONGA7 345.0	1195	0.3574	102.7282	'SPP-AEPW-01'
	FDNS	01NR		2	13G	G11_024		'TO->FRON'MATTHEWSON 345.00 - TATONGA7 345.0	1195	0.3574	109.0513	'SPP-AEPW-32'
	FDNS	01NR		2	13G	G11_024		'TO->FRON'MATTHEWSON 345.00 - TATONGA7 345.0	1195	0.3574	104.0902	'GRDA-OPGD-05'
	FDNS	01NR		2	13G	G11_024		'TO->FRON'MATTHEWSON 345.00 - TATONGA7 345.0	1195	0.3574	104.4394	'KCPL-MSL#03'
	FDNS	01NR		2	13G	G11_024		'TO->FRON'MATTHEWSON 345.00 - TATONGA7 345.0	1195	0.3574	105.0479	'KCPL-OPGD06A'
	FDNS	01NR		2	13G	G11_024		'TO->FRON'MATTHEWSON 345.00 - TATONGA7 345.0	1195	0.3574	105.3752	'TRF-STEGALL'
	FDNS	01NR		2	13G	G11_024		'TO->FRON'MATTHEWSON 345.00 - TATONGA7 345.0	1195	0.3574	105.0767	'OGE3TERM1'
	FDNS	01NR		2	13G	G11_024		'TO->FRON'MATTHEWSON 345.00 - TATONGA7 345.0	1195	0.3574	104.2236	'OGE3TERM7'
	FDNS	01NR		2	13G	G11_024		'TO->FRON'MATTHEWSON 345.00 - TATONGA7 345.0	1195	0.3574	104.7377	'NC1_GEN-NEBRASKA CITY 1'
	FDNS	01NR		2	13G	G11_024		'TO->FRON'MATTHEWSON 345.00 - TATONGA7 345.0	1195	0.3574	108.0053	'SPP-SWPS-01'
	FDNS	01NR		2	13G	G11_024		'TO->FRON'MATTHEWSON 345.00 - TATONGA7 345.0	1195	0.3574	106.74	'SPP-SWPS-02A'

EVENTTYPE	SOLUTIONTYPE	GROUP	SCENARIO	SEASON	SOURCE	DIRECTION	MONTCOMMONNAME	RATEB	TDF	TC%LOADI	CONTNAME
	FDNS	01NR	2	13G	G11_024	'TO->FRON'	'MATTHEWSON 345.00 - TATONGA7	345.0	1195	0.3574	'SPP-SWPS-03'
	FDNS	01NR	2	13G	G11_024	'TO->FRON'	'MATTHEWSON 345.00 - TATONGA7	345.0	1195	0.3574	'SPP-SWPS-04'
	FDNS	01NR	2	13G	G11_024	'TO->FRON'	'MATTHEWSON 345.00 - TATONGA7	345.0	1195	0.3574	'SPP-SWPS-05'
	FDNS	01NR	2	13G	G11_024	'TO->FRON'	'MATTHEWSON 345.00 - TATONGA7	345.0	1195	0.3574	'SPP-SWPS-K31'
	FDNS	01NR	2	13G	G11_024	'TO->FRON'	'MATTHEWSON 345.00 - TATONGA7	345.0	1195	0.3574	'SPP-SWPS-T54'
	FDNS	01NR	2	13G	G11_024	'TO->FRON'	'MATTHEWSON 345.00 - TATONGA7	345.0	1195	0.3574	'SPP-MKEC-05'
	FDNS	01NR	2	13G	G11_024	'TO->FRON'	'MATTHEWSON 345.00 - TATONGA7	345.0	1195	0.3574	'SPP-MKEC-08'
	FDNS	01NR	2	13G	G11_024	'TO->FRON'	'MATTHEWSON 345.00 - TATONGA7	345.0	1195	0.3574	'SPP-WEPL-03'
	FDNS	01NR	2	13G	G11_024	'TO->FRON'	'MATTHEWSON 345.00 - TATONGA7	345.0	1195	0.3574	'SPP-WEPL-03A'
	FDNS	01NR	2	13G	G11_024	'TO->FRON'	'MATTHEWSON 345.00 - TATONGA7	345.0	1195	0.3574	'SPP-WEPL-07C'
	FDNS	01NR	2	13G	G11_024	'TO->FRON'	'MATTHEWSON 345.00 - TATONGA7	345.0	1195	0.3574	'SPP-WEPL-90'
	FDNS	01NR	2	13G	G11_024	'TO->FRON'	'MATTHEWSON 345.00 - TATONGA7	345.0	1195	0.3574	'SPP-WEPL-91'
	FDNS	01NR	2	13G	G11_024	'TO->FRON'	'MATTHEWSON 345.00 - TATONGA7	345.0	1195	0.3574	'WRTOD400'
	FDNS	01NR	2	13G	G11_024	'TO->FRON'	'MATTHEWSON 345.00 - TATONGA7	345.0	1195	0.3574	'AI12'
	FDNS	01NR	2	13G	G11_024	'TO->FRON'	'MATTHEWSON 345.00 - TATONGA7	345.0	1195	0.3574	'AI43'
	FDNS	01NR	2	13G	G11_024	'TO->FRON'	'MATTHEWSON 345.00 - TATONGA7	345.0	1195	0.3574	'AMRN_OUT55'
	FDNS	01NR	2	13G	G11_024	'TO->FRON'	'MATTHEWSON 345.00 - TATONGA7	345.0	1195	0.3574	'MTGY-OVER-5'
	FDNS	01NR	2	13G	G11_024	'TO->FRON'	'MATTHEWSON 345.00 - TATONGA7	345.0	1195	0.3574	'A222'
	FDNS	01NR	2	13G	G11_024	'TO->FRON'	'MATTHEWSON 345.00 - TATONGA7	345.0	1195	0.3574	'ATC_B2_8E2'
	FDNS	01NR	2	13G	G11_024	'TO->FRON'	'MATTHEWSON 345.00 - TATONGA7	345.0	1195	0.3574	'GEN300003 1-THOMAS HILL UNIT 3'
	FDNS	01NR	2	13G	G11_024	'TO->FRON'	'MATTHEWSON 345.00 - TATONGA7	345.0	1195	0.3574	'GEN300006 1-NEW MADRID UNIT 1'
	FDNS	01NR	2	13G	G11_024	'TO->FRON'	'MATTHEWSON 345.00 - TATONGA7	345.0	1195	0.3574	'GEN300007 1-NEW MADRID UNIT 2'
	FDNS	01NR	2	13G	G11_024	'TO->FRON'	'MATTHEWSON 345.00 - TATONGA7	345.0	1195	0.3574	'GEN300016 1-1G1PDEL 18.000'
	FDNS	01NR	2	13G	G11_024	'TO->FRON'	'MATTHEWSON 345.00 - TATONGA7	345.0	1195	0.3574	'GEN300020 1-1CHOTCT4 16.000'
	FDNS	01NR	2	13G	G11_024	'TO->FRON'	'MATTHEWSON 345.00 - TATONGA7	345.0	1195	0.3574	'GEN300021 1-1CHOTCT5 16.000'
	FDNS	01NR	2	13G	G11_024	'TO->FRON'	'MATTHEWSON 345.00 - TATONGA7	345.0	1195	0.3574	'GEN300024 1-1CHOTST6 16.000'
	FDNS	01NR	2	13G	G11_024	'TO->FRON'	'MATTHEWSON 345.00 - TATONGA7	345.0	1195	0.3574	'GEN300031 1-CHOUTEAU CTG 1'
	FDNS	01NR	2	13G	G11_024	'TO->FRON'	'MATTHEWSON 345.00 - TATONGA7	345.0	1195	0.3574	'GEN300032 1-CHOUTEAU CTG 2'
	FDNS	01NR	2	13G	G11_024	'TO->FRON'	'MATTHEWSON 345.00 - TATONGA7	345.0	1195	0.3574	'GEN300033 1-CHOUTEAU STG 3'
	FDNS	01NR	2	13G	G11_024	'TO->FRON'	'MATTHEWSON 345.00 - TATONGA7	345.0	1195	0.3574	'GEN301380 1-1OSAGEWIND 34.500'
	FDNS	01NR	2	13G	G11_024	'TO->FRON'	'MATTHEWSON 345.00 - TATONGA7	345.0	1195	0.3574	'GEN303003 1-1BC1 U3'
	FDNS	01NR	2	13G	G11_024	'TO->FRON'	'MATTHEWSON 345.00 - TATONGA7	345.0	1195	0.3574	'GEN303004 1-1BC1 U4'
	FDNS	01NR	2	13G	G11_024	'TO->FRON'	'MATTHEWSON 345.00 - TATONGA7	345.0	1195	0.3574	'GEN303006 1-1BC2 U1'
	FDNS	01NR	2	13G	G11_024	'TO->FRON'	'MATTHEWSON 345.00 - TATONGA7	345.0	1195	0.3574	'GEN303007 1-1BC2 U2'
	FDNS	01NR	2	13G	G11_024	'TO->FRON'	'MATTHEWSON 345.00 - TATONGA7	345.0	1195	0.3574	'GEN303008 1-1BC2 U3'
	FDNS	01NR	2	13G	G11_024	'TO->FRON'	'MATTHEWSON 345.00 - TATONGA7	345.0	1195	0.3574	'GEN303024 1-1G3INTHB 18.000'
	FDNS	01NR	2	13G	G11_024	'TO->FRON'	'MATTHEWSON 345.00 - TATONGA7	345.0	1195	0.3574	'GEN303025 1-1S3INTHB 13.800'
	FDNS	01NR	2	13G	G11_024	'TO->FRON'	'MATTHEWSON 345.00 - TATONGA7	345.0	1195	0.3574	'GEN303026 1-1G4INTHB 18.000'
	FDNS	01NR	2	13G	G11_024	'TO->FRON'	'MATTHEWSON 345.00 - TATONGA7	345.0	1195	0.3574	'GEN303027 1-1S4INTHB 13.800'
	FDNS	01NR	2	13G	G11_024	'TO->FRON'	'MATTHEWSON 345.00 - TATONGA7	345.0	1195	0.3574	'GEN318007 1-5MOROW161 161.00'
	FDNS	01NR	2	13G	G11_024	'TO->FRON'	'MATTHEWSON 345.00 - TATONGA7	345.0	1195	0.3574	'GEN334030 1-FRONTIER UNIT 1'
	FDNS	01NR	2	13G	G11_024	'TO->FRON'	'MATTHEWSON 345.00 - TATONGA7	345.0	1195	0.3574	'GEN334031 1-FRONTIER UNIT 2'
	FDNS	01NR	2	13G	G11_024	'TO->FRON'	'MATTHEWSON 345.00 - TATONGA7	345.0	1195	0.3574	'GEN334070 1-LEWIS CREEK 1'
	FDNS	01NR	2	13G	G11_024	'TO->FRON'	'MATTHEWSON 345.00 - TATONGA7	345.0	1195	0.3574	'GEN334071 1-LEWIS CREEK 2'
	FDNS	01NR	2	13G	G11_024	'TO->FRON'	'MATTHEWSON 345.00 - TATONGA7	345.0	1195	0.3574	'GEN334392 1-EXXON MOBIL IPP 1'
	FDNS	01NR	2	13G	G11_024	'TO->FRON'	'MATTHEWSON 345.00 - TATONGA7	345.0	1195	0.3574	'GEN334431 1-SABINE UNIT 1'
	FDNS	01NR	2	13G	G11_024	'TO->FRON'	'MATTHEWSON 345.00 - TATONGA7	345.0	1195	0.3574	'GEN334432 1-SABINE UNIT 2'
	FDNS	01NR	2	13G	G11_024	'TO->FRON'	'MATTHEWSON 345.00 - TATONGA7	345.0	1195	0.3574	'GEN334433 1-SABINE UNIT 3'
	FDNS	01NR	2	13G	G11_024	'TO->FRON'	'MATTHEWSON 345.00 - TATONGA7	345.0	1195	0.3574	'GEN334440 1-SABINE UNIT 4'
	FDNS	01NR	2	13G	G11_024	'TO->FRON'	'MATTHEWSON 345.00 - TATONGA7	345.0	1195	0.3574	'GEN334441 1-SABINE UNIT 5'
	FDNS	01ALL	3	13G	G11_024	'TO->FRON'	'MATTHEWSON 345.00 - TATONGA7	345.0	1195	0.52622	'MATTHEWSON 345.00 - TATONGA7 345.00 345KV CKT 1'
	FDNS	01ALL	3	13G	G11_024	'TO->FRON'	'MATTHEWSON 345.00 - TATONGA7	345.0	1195	0.52622	'MATTHEWSON 345.00 - TATONGA7 345.00 345KV CKT 2'
INVALID	FDNS	01ALL	0	13G	G11_025	'TO->FRON'	'NORTHWEST - TATONGA7	345.00 345KV	1195	0.20512	'LAWTON EASTSIDE - OKLAUNION 345KV CKT 1'
	FDNS	01ALL	0	13G	G11_025	'TO->FRON'	'NORTHWEST - TATONGA7	345.00 345KV	1195	0.20512	'OKLAUNION - TUCO INTERCHANGE 345KV CKT 1'

EVENTTYPE	SOLUTIONTYPE	GROUP	SCENARIO	SEASON	SOURCE	DIRECTION	MONTCOMMONNAME	RATEB	TDF	TC%LOADI	CONTNAME
NCONV	FNSL-Blown up	01ALL		0	13G	G11_025	Non-Converged Contingency	1195	0.12404	116.2267	'NORTHWEST - TATONGA7 345.00 345KV CKT 1'
NCONV	FNSL-Blown up	01ALL		0	13G	G11_025	Non-Converged Contingency	1775	0.12404	6.701664	'TATONGA7 345.00 - WOODWARD DISTRICT EHV 345KV CKT 1'
NCONV	FNSL-Blown up	01ALL		0	13G	G11_025	Non-Converged Contingency	0	0.1928	9999	'DBL-THIS-WWR'
	FDNS	01ALL		0	13G	G11_025	'TO->FROM' NORTHWEST - TATONGA7 345.00 345KV C	1195	0.20512	120.7076	'SPP-AEPW-32'
	FDNS	01ALL		0	13G	G11_025	'TO->FROM' NORTHWEST - TATONGA7 345.00 345KV C	1195	0.20363	119.7743	'SPP-SWPS-01'
	FDNS	02ALL		0	13G	G11_025	'FROM->TO' SPSSPTIESB1'	620	0.39822	174.8577	'BASE CASE'
	FDNS	02ALL		0	13G	G11_025	'FROM->TO' SPSSPTIESC'	620	0.39822	174.8577	'BASE CASE'
NCONV	FNSL-Blown up	02ALL		0	13G	G11_025	Non-Converged Contingency	1195	0.11813	89.21449	'NORTHWEST - TATONGA7 345.00 345KV CKT 1'
NCONV	FNSL-Blown up	02ALL		0	13G	G11_025	Non-Converged Contingency	1792	0.0652	69.9815	'BEAVER CO 345.00 - WOODWARD DISTRICT EHV 345KV CKT 1'
NCONV	FNSL-Blown up	02ALL		0	13G	G11_025	Non-Converged Contingency	1052	0.12233	65.83252	'FINNEY SWITCHING STATION - Hitchland Interchange 345KV CKT 1'
NCONV	FNSL-Blown up	02ALL		0	13G	G11_025	Non-Converged Contingency	1052	0.12233	70.96961	'FINNEY SWITCHING STATION - HOLCOMB 345KV CKT 1'
NCONV	FNSL-Blown up	02ALL		0	13G	G11_025	Non-Converged Contingency	0	0.52961	9999	'SPP-SWPS-01'
NCONV	FNSL-Blown up	02ALL		0	13G	G11_025	Non-Converged Contingency	0	0.12233	9999	'SPP-SWPS-05'
NCONV	FNSL-Blown up	03ALL		0	13G	G11_025	Non-Converged Contingency	1052	0.26409	20.1711	'OKLAUNION - TUCO INTERCHANGE 345KV CKT 1'
NCONV	FNSL-Blown up	03ALL		0	13G	G11_025	Non-Converged Contingency	1195	0.1165	78.9142	'NORTHWEST - TATONGA7 345.00 345KV CKT 1'
NCONV	FNSL-Blown up	03ALL		0	13G	G11_025	Non-Converged Contingency	1775	0.1165	47.56333	'TATONGA7 345.00 - WOODWARD DISTRICT EHV 345KV CKT 1'
NCONV	FNSL-Blown up	03ALL		0	13G	G11_025	Non-Converged Contingency	1792	0.04011	49.45027	'G11-17T 345.00 - POST ROCK 345KV CKT 1'
NCONV	FNSL-Blown up	03ALL		0	13G	G11_025	Non-Converged Contingency	1792	0.03487	32.65164	'AXTELL - POST ROCK 345KV CKT 1'
NCONV	FNSL-Blown up	03ALL		0	13G	G11_025	Non-Converged Contingency	1328	0.04908	34.90823	'HOLCOMB - SETAB 345KV CKT 1'
NCONV	FNSL-Blown up	03ALL		0	13G	G11_025	Non-Converged Contingency	1328	0.0448	43.30291	'MINGO - SETAB 345KV CKT 1'
NCONV	FNSL-Blown up	03ALL		0	13G	G11_025	Non-Converged Contingency	717	0.04265	62.03905	'MINGO - RED WILLOW 345KV CKT 1'
NCONV	FNSL-Blown up	03ALL		0	13G	G11_025	Non-Converged Contingency	1328	0.05618	27.47881	'BUCKNER7 345.00 - SPEARVILLE 345KV CKT 1'
NCONV	FNSL-Blown up	03ALL		0	13G	G11_025	Non-Converged Contingency	1792	0.04011	30.84333	'G11-17T 345.00 - SPEARVILLE 345KV CKT 1'
NCONV	FNSL-Blown up	03ALL		0	13G	G11_025	Non-Converged Contingency	1051	0.03877	22.12694	'JEFFREY ENERGY CENTER - SUMMIT 345KV CKT 1'
NCONV	FNSL-Blown up	03ALL		0	13G	G11_025	Non-Converged Contingency	956	0.04932	26.72794	'EMPORIA ENERGY CENTER - WICHITA 345KV CKT 1'
NCONV	FNSL-Blown up	03ALL		0	13G	G11_025	Non-Converged Contingency	956	0.04072	62.98875	'BENTON - ROSE HILL 345KV CKT 1'
NCONV	FNSL-Blown up	03ALL		0	13G	G11_025	Non-Converged Contingency	1792	0.07544	43.40387	'THISTLE7 345.00 - WICHITA 345KV CKT 1'
NCONV	FNSL-Blown up	03ALL		0	13G	G11_025	Non-Converged Contingency	1792	0.07544	43.40387	'THISTLE7 345.00 - WICHITA 345KV CKT 2'
NCONV	FNSL-Blown up	03ALL		0	13G	G11_025	Non-Converged Contingency	956	0.03347	28.00759	'GERALD GENTLEMAN STATION - RED WILLOW 345KV CKT 1'
NCONV	FNSL-Blown up	03ALL		0	13G	G11_025	Non-Converged Contingency	0	0.15088	9999	'DBL-WICH-THI'
NCONV	FNSL-Blown up	03ALL		0	13G	G11_025	Non-Converged Contingency	0	0.12992	9999	'DBL-HTCH-BVR'
NCONV	FNSL-Blown up	03ALL		0	13G	G11_025	Non-Converged Contingency	0	0.12992	9999	'DBL-BVR-WWRD'
INVALID	FDNS		1	0	13G	G11_025	'TO->FROM' NORTHWEST - TATONGA7 345.00 345KV C	1195	0.2041	106.3448	'LAWTON EASTSIDE - OKLAUNION 345KV CKT 1'
NCONV	FNSL-Blown up		3	0	13G	G11_025	Non-converged contingency	1792	0.04633	46.31664	'G11-17T 345.00 - POST ROCK 345KV CKT 1'
NCONV	FNSL-Blown up		3	0	13G	G11_025	Non-converged contingency	0	0.16486	9999	'DBL-WICH-THI'
	FDNS		1	0	13G	G11_025	'TO->FROM' NORTHWEST - TATONGA7 345.00 345KV C	1195	0.2041	100.1442	'OKLAUNION - TUCO INTERCHANGE 345KV CKT 1'
	FDNS		1	0	13G	G11_025	'TO->FROM' NORTHWEST - TATONGA7 345.00 345KV C	1195	0.19543	128.6688	'DBL-THIS-WWR'
	FDNS		1	0	13G	G11_025	'TO->FROM' NORTHWEST - TATONGA7 345.00 345KV C	1195	0.2041	101.2439	'SPP-AEPW-32'
	FDNS		1	0	13G	G11_025	'TO->FROM' NORTHWEST - TATONGA7 345.00 345KV C	1195	0.20262	100.2558	'SPP-SWPS-01'
	FDNS		2	0	13G	G11_025	'FROM->TO' SPSSPTIESB1'	620	0.40152	131.41	'BASE CASE'
	FDNS		2	0	13G	G11_025	'FROM->TO' SPSSPTIESC'	620	0.40152	131.41	'BASE CASE'
	FDNS		2	0	13G	G11_025	'TO->FROM' NORTHWEST - TATONGA7 345.00 345KV C	1195	0.1906	101.999	'DBL-THIS-WWR'
	FDNS	02ALL		2	13G	G11_025	'FROM->TO' SPSSPTIESB1'	620	0.36475	143.8108	'BASE CASE'
	FDNS	02ALL		2	13G	G11_025	'FROM->TO' SPSSPTIESC'	620	0.36475	143.8108	'BASE CASE'
NCONV	FNSL-Blown up	03ALL		0	13G	G11_027	Non-Converged Contingency	956	0.05261	46.23839	'HUNTERS7 345.00 - VIOLA 7 345.00 345KV CKT 1'
NCONV	FNSL-Blown up	03ALL		0	13G	G11_027	Non-Converged Contingency	1052	0.07918	73.8719	'FINNEY SWITCHING STATION - Hitchland Interchange 345KV CKT 1'
NCONV	FNSL-Blown up	03ALL		0	13G	G11_027	Non-Converged Contingency	1052	0.05261	22.06532	'Hitchland Interchange - POTTER COUNTY INTERCHANGE 345KV CKT 1'
NCONV	FNSL-Blown up	03ALL		0	13G	G11_027	Non-Converged Contingency	1052	0.07918	30.15398	'FINNEY SWITCHING STATION - HOLCOMB 345KV CKT 1'
NCONV	FNSL-Blown up	03ALL		0	13G	G11_027	Non-Converged Contingency	956	0.03227	62.98875	'BENTON - ROSE HILL 345KV CKT 1'

EVENTTYPE	SOLUTIONTYPE	GROUP	SCENARIO	SEASON	SOURCE	DIRECTION	MONTCOMMONNAME	RATEB	TDF	TC%LOADI	CONTNAME	
NCONV	FNSL-Blown up	03ALL		0	13G	G11_027	Non-Converged Contingency	1793	0.03476	52.49322	'CLARKCOUNTY7345.00 - THISTLE7 345.00 345KV CKT 1'	
NCONV	FNSL-Blown up	03ALL		0	13G	G11_027	Non-Converged Contingency	1793	0.03476	52.49322	'CLARKCOUNTY7345.00 - THISTLE7 345.00 345KV CKT 2'	
NCONV	FNSL-Blown up	03ALL		0	13G	G11_027	Non-Converged Contingency	956	0.04076	19.9313	'AXTELL - SWEETWATER 345KV CKT 1'	
NCONV	FNSL-Blown up	03ALL		0	13G	G11_027	Non-Converged Contingency	559	0.05261	56.24506	'POTTER COUNTY INTERCHANGE (WAUK 90343-A) 345/230/13.2KV TRANSFORMER CKT 1'	
NCONV	FNSL-Blown up	03ALL		0	13G	G11_027	Non-Converged Contingency	0	0.09166	9999	'DBL-THIS-WWR'	
NCONV	FNSL-Blown up	03ALL		0	13G	G11_027	Non-Converged Contingency	0	0.06952	9999	'DBL-THIS-CLR'	
NCONV	FNSL-Blown up	03ALL		0	13G	G11_027	Non-Converged Contingency	0	0.06952	9999	'DBL-SPRVL-CL'	
NCONV	FNSL-Blown up	03ALL		0	13G	G11_027	Non-Converged Contingency	0	0.07918	9999	'SPP-SWPS-05'	
NCONV	FNSL-Blown up		3	0	13G	G11_027	Non-converged contingency	0	0.07489	9999	'DBL-THIS-CLR'	
NCONV	FNSL-Blown up		3	0	13G	G11_027	Non-converged contingency	0	0.08246	9999	'SPP-SWPS-05'	
NCONV	FNSL-Blown up	03ALL		2	13G	G11_027	Non-Converged Contingency	1052	0.07863	65.05273	'FINNEY SWITCHING STATION - Hitchland Interchange 345KV CKT 1'	
NCONV			0	0	13WP	G11_056A	'STEGALL - STEGALL TRANSFORMER 230KV C	480	0.03131	39.12037	'BASE CASE'	
NCONV			0	0	13WP	G11_056A	'STEGALL TY 345/230KV TRANSFORMER CKT	480	0.03131	40.29395	'BASE CASE'	
NCONV			0	0	13WP	G11_056B	'STEGALL - STEGALL TRANSFORMER 230KV C	480	0.03029	39.12037	'BASE CASE'	
NCONV			0	0	13WP	G11_056B	'STEGALL TY 345/230KV TRANSFORMER CKT	480	0.03029	40.29395	'BASE CASE'	
EVENTTYPE	SOLUTIONTYPE	GROUP	SCENARIO	SEASON	SOURCE	DIRECTION	MONTCOMMONNAME	RATEB	TDF	TC%LOADI	CONTNAME	
NCONV	FNSL-Blown up	03G11_023		0	13G	G11_023	'DBL-THIS-CLR'		0	0.48752	9999	'BASE CASE'

H: Power Flow Analysis (Other Constraints Not Requiring Mitigation)

Available upon request

I: Power Flow Analysis (Category “C” Contingencies)

See Next Page

EVENTTYPE	SOLUTIONTYPE	GROUP	SCENARIO	SEASON	SOURCE	DIRECTION	MONITORED ELEMENT	RATEB (MVA)	TDF	TC%LOADI		CONTINGENCY
										NG	(%MVA)	
FDNS		0	1	18SP	G10_055	'FROM->TO'	'36TH & LEWIS - 52ND & DELAWARE TAP 138KV CKT 1'	278	0.07454	119.1785	'SPP-AEPW-D2'	
FDNS	00G10_055		1	18SP	G10_055	'FROM->TO'	'36TH & LEWIS - 52ND & DELAWARE TAP 138KV CKT 1'	278	0.07454	119.1785	'SPP-AEPW-D2'	
FDNS		0	1	23SP	G10_055	'FROM->TO'	'36TH & LEWIS - 52ND & DELAWARE TAP 138KV CKT 1'	278	0.07378	134.8463	'SPP-AEPW-D2'	
FDNS	00G10_055		1	23SP	G10_055	'FROM->TO'	'36TH & LEWIS - 52ND & DELAWARE TAP 138KV CKT 1'	278	0.07378	134.8463	'SPP-AEPW-D2'	
FDNS		0	1	23SP	G10_055	'TO->FROM'	'36TH & LEWIS - TULSA POWER STATION 138KV CKT 1'	424	0.07378	101.5315	'SPP-AEPW-D2'	
FDNS	00G10_055		1	23SP	G10_055	'TO->FROM'	'36TH & LEWIS - TULSA POWER STATION 138KV CKT 1'	424	0.07378	101.5315	'SPP-AEPW-D2'	
FDNS		0	1	18SP	G10_055	'FROM->TO'	'52ND & DELAWARE TAP - TULSA SOUTHEAST 138KV CKT 1'	278	0.07454	101.7619	'SPP-AEPW-D2'	
FDNS	00G10_055		1	18SP	G10_055	'FROM->TO'	'52ND & DELAWARE TAP - TULSA SOUTHEAST 138KV CKT 1'	278	0.07454	101.7619	'SPP-AEPW-D2'	
FDNS		0	1	23SP	G10_055	'FROM->TO'	'52ND & DELAWARE TAP - TULSA SOUTHEAST 138KV CKT 1'	278	0.07378	117.5223	'SPP-AEPW-D2'	
FDNS	00G10_055		1	23SP	G10_055	'FROM->TO'	'52ND & DELAWARE TAP - TULSA SOUTHEAST 138KV CKT 1'	278	0.07378	117.5223	'SPP-AEPW-D2'	
FDNS	00NR		1	13SP	G10_057	'TO->FROM'	'AUBURN ROAD - JEFFREY ENERGY CENTER 230KV CKT 1'	565	0.0407	116.0123	'HOYT - JEFFREY ENERGY CENTER 345KV CKT 1 & JEFFREY ENERGY CENTER - MORRIS COUNTY 345KV CKT 1'	
FDNS	00NR		1	13WP	G10_057	'TO->FROM'	'AUBURN ROAD - JEFFREY ENERGY CENTER 230KV CKT 1'	565	0.04017	121.7991	'HOYT - JEFFREY ENERGY CENTER 345KV CKT 1 & JEFFREY ENERGY CENTER - MORRIS COUNTY 345KV CKT 1'	
FDNS	00NR		1	18WP	G10_057	'TO->FROM'	'AUBURN ROAD - JEFFREY ENERGY CENTER 230KV CKT 1'	565	0.04021	125.6551	'HOYT - JEFFREY ENERGY CENTER 345KV CKT 1 & JEFFREY ENERGY CENTER - MORRIS COUNTY 345KV CKT 1'	
FDNS		0	1	13SP	G10_057	'TO->FROM'	'AUBURN ROAD - JEFFREY ENERGY CENTER 230KV CKT 1'	565	0.05979	125.7001	'HOYT - JEFFREY ENERGY CENTER 345KV CKT 1 & JEFFREY ENERGY CENTER - MORRIS COUNTY 345KV CKT 1'	
FDNS	00G10_057		1	13SP	G10_057	'TO->FROM'	'AUBURN ROAD - JEFFREY ENERGY CENTER 230KV CKT 1'	565	0.05996	126.8573	'HOYT - JEFFREY ENERGY CENTER 345KV CKT 1 & JEFFREY ENERGY CENTER - MORRIS COUNTY 345KV CKT 1'	
FDNS	00G10_057		1	13WP	G10_057	'TO->FROM'	'AUBURN ROAD - JEFFREY ENERGY CENTER 230KV CKT 1'	565	0.05579	132.4226	'HOYT - JEFFREY ENERGY CENTER 345KV CKT 1 & JEFFREY ENERGY CENTER - MORRIS COUNTY 345KV CKT 1'	
FDNS		0	1	13WP	G10_057	'TO->FROM'	'AUBURN ROAD - JEFFREY ENERGY CENTER 230KV CKT 1'	565	0.05558	133.2717	'HOYT - JEFFREY ENERGY CENTER 345KV CKT 1 & JEFFREY ENERGY CENTER - MORRIS COUNTY 345KV CKT 1'	
FDNS	00G10_057		1	18WP	G10_057	'TO->FROM'	'AUBURN ROAD - JEFFREY ENERGY CENTER 230KV CKT 1'	565	0.05845	135.6402	'HOYT - JEFFREY ENERGY CENTER 345KV CKT 1 & JEFFREY ENERGY CENTER - MORRIS COUNTY 345KV CKT 1'	
FDNS	04G10_057		1	13G	G10_057	'TO->FROM'	'AUBURN ROAD - JEFFREY ENERGY CENTER 230KV CKT 1'	565	0.05186	136.6595	'HOYT - JEFFREY ENERGY CENTER 345KV CKT 1 & JEFFREY ENERGY CENTER - MORRIS COUNTY 345KV CKT 1'	
FDNS	04NR		1	13G	G10_057	'TO->FROM'	'AUBURN ROAD - JEFFREY ENERGY CENTER 230KV CKT 1'	565	0.03931	136.673	'HOYT - JEFFREY ENERGY CENTER 345KV CKT 1 & JEFFREY ENERGY CENTER - MORRIS COUNTY 345KV CKT 1'	
FDNS	00NR		1	13SP	G10_057	'FROM->TO'	'AUBURN ROAD - SWISSVALE 230KV CKT 1'	319	0.03013	114.9416	'HOYT - JEFFREY ENERGY CENTER 345KV CKT 1 & JEFFREY ENERGY CENTER - MORRIS COUNTY 345KV CKT 1'	
FDNS		0	1	13SP	G10_057	'FROM->TO'	'AUBURN ROAD - SWISSVALE 230KV CKT 1'	319	0.04244	126.6023	'HOYT - JEFFREY ENERGY CENTER 345KV CKT 1 & JEFFREY ENERGY CENTER - MORRIS COUNTY 345KV CKT 1'	
FDNS	00G10_057		1	13SP	G10_057	'FROM->TO'	'AUBURN ROAD - SWISSVALE 230KV CKT 1'	319	0.04255	128.0866	'HOYT - JEFFREY ENERGY CENTER 345KV CKT 1 & JEFFREY ENERGY CENTER - MORRIS COUNTY 345KV CKT 1'	
FDNS	00G10_057		1	13WP	G10_057	'FROM->TO'	'AUBURN ROAD - SWISSVALE 230KV CKT 1'	319	0.03984	136.8689	'HOYT - JEFFREY ENERGY CENTER 345KV CKT 1 & JEFFREY ENERGY CENTER - MORRIS COUNTY 345KV CKT 1'	
FDNS	00G10_057		1	18WP	G10_057	'FROM->TO'	'AUBURN ROAD - SWISSVALE 230KV CKT 1'	319	0.04167	137.25	'HOYT - JEFFREY ENERGY CENTER 345KV CKT 1 & JEFFREY ENERGY CENTER - MORRIS COUNTY 345KV CKT 1'	
FDNS		0	1	13WP	G10_057	'FROM->TO'	'AUBURN ROAD - SWISSVALE 230KV CKT 1'	319	0.0397	138.1267	'HOYT - JEFFREY ENERGY CENTER 345KV CKT 1 & JEFFREY ENERGY CENTER - MORRIS COUNTY 345KV CKT 1'	
FDNS	04G10_057		1	13G	G10_057	'FROM->TO'	'AUBURN ROAD - SWISSVALE 230KV CKT 1'	319	0.03906	138.7214	'HOYT - JEFFREY ENERGY CENTER 345KV CKT 1 & JEFFREY ENERGY CENTER - MORRIS COUNTY 345KV CKT 1'	
FDNS	09NR		1	13G	G11_018	'FROM->TO'	'AUBURN ROAD - SWISSVALE 230KV CKT 1'	319	0.03068	127.5651	'HOYT - JEFFREY ENERGY CENTER 345KV CKT 1 & JEFFREY ENERGY CENTER - MORRIS COUNTY 345KV CKT 1'	
FDNS		0	1	18SP	G10_020	'TO->FROM'	'BAILEY COUNTY REC-EARTH INTERCHANGE - PLANT X STATION 115KV CKT 1'	160	0.03513	106.3403	'DEAF SMITH COUNTY INTERCHANGE - PLANT X STATION 230KV CKT 1 & BUFFALO 230.00 - DEAF SMITH COUNTY	
FDNS	00G10_020		1	18SP	G10_020	'TO->FROM'	'BAILEY COUNTY REC-EARTH INTERCHANGE - PLANT X STATION 115KV CKT 1'	160	0.03513	106.3403	'DEAF SMITH COUNTY INTERCHANGE - PLANT X STATION 230KV CKT 1 & BUFFALO 230.00 - DEAF SMITH COUNTY	
FDNS		0	1	18SP	G10_058	'TO->FROM'	'BAILEY COUNTY REC-EARTH INTERCHANGE - PLANT X STATION 115KV CKT 1'	160	0.03498	106.3403	'DEAF SMITH COUNTY INTERCHANGE - PLANT X STATION 230KV CKT 1 & BUFFALO 230.00 - DEAF SMITH COUNTY	
FDNS	00G10_058		1	18SP	G10_058	'TO->FROM'	'BAILEY COUNTY REC-EARTH INTERCHANGE - PLANT X STATION 115KV CKT 1'	160	0.03498	106.3403	'DEAF SMITH COUNTY INTERCHANGE - PLANT X STATION 230KV CKT 1 & BUFFALO 230.00 - DEAF SMITH COUNTY	
FDNS	00G11_025		1	18SP	G11_025	'TO->FROM'	'BAILEY COUNTY REC-EARTH INTERCHANGE - PLANT X STATION 115KV CKT 1'	160	0.03829	100.9052	'DEAF SMITH COUNTY INTERCHANGE - PLANT X STATION 230KV CKT 1 & NEWHART 230 - PLANT X STATION 230KV CKT 1'	
FDNS	03G10_029		1	13G	G10_029	'TO->FROM'	'BENTON - WICHITA 345KV CKT 1'	932	0.14625	102.8765	'GEN532751 1-WOLF CREEK GENERATING STATION UNIT 1'	
FDNS	03G11_008		1	13G	G11_008	'TO->FROM'	'BENTON - WICHITA 345KV CKT 1'	932	0.15585	100.2377	'GEN532751 1-WOLF CREEK GENERATING STATION UNIT 1'	
FDNS	03G11_016		1	13G	G11_016	'TO->FROM'	'BENTON - WICHITA 345KV CKT 1'	932	0.14626	102.6213	'GEN532751 1-WOLF CREEK GENERATING STATION UNIT 1'	
FDNS	03G11_023		1	13G	G11_023	'TO->FROM'	'BENTON - WICHITA 345KV CKT 1'	932	0.15594	100.2884	'GEN532751 1-WOLF CREEK GENERATING STATION UNIT 1'	
NCONV	FNSL-Blown up		0	1	13SP	G10_056	'BKR-CPR-3310'	0	0.0882	9999	'BASE CASE'	
NCONV	FNSL-Blown up		0	1	13WP	G10_056	'BKR-CPR-3310'	0	0.08305	9999	'BASE CASE'	

EVENTTYPE	SOLUTIONTYPE	GROUP	SCENARIO	SEASON	SOURCE	DIRECTION	MONITORED ELEMENT	RATEB (MVA)	TDF	TC%LOADI NG		CONTINGENCY
											(%MVA)	
NCONV	FNSL-Blown up		0	1	18WP		G10_056	'BKR-CPR-3310'	0	0.08585	9999	'BASE CASE'
NCONV	FNSL-Blown up		0	1	23SP		G10_056	'BKR-CPR-3310'	0	0.09377	9999	'BASE CASE'
NCONV	FNSL-Blown up	00G10_056		1	13SP		G10_056	'BKR-CPR-3310'	0	0.08809	9999	'BASE CASE'
NCONV	FNSL-Blown up	00G10_056		1	13WP		G10_056	'BKR-CPR-3310'	0	0.08291	9999	'BASE CASE'
NCONV	FNSL-Blown up	00G10_056		1	18WP		G10_056	'BKR-CPR-3310'	0	0.08571	9999	'BASE CASE'
NCONV	FNSL-Blown up	00G10_056		1	23SP		G10_056	'BKR-CPR-3310'	0	0.09371	9999	'BASE CASE'
NCONV	FNSL-Blown up	00NR		1	13SP		G10_056	'BKR-CPR-3310'	0	0.06962	9999	'BASE CASE'
NCONV	FNSL-Blown up	00NR		1	13WP		G10_056	'BKR-CPR-3310'	0	0.06537	9999	'BASE CASE'
NCONV	FNSL-Blown up	00NR		1	18SP		G10_056	'BKR-CPR-3310'	0	0.06931	9999	'BASE CASE'
NCONV	FNSL-Blown up	00NR		1	18WP		G10_056	'BKR-CPR-3310'	0	0.06968	9999	'BASE CASE'
NCONV	FNSL-Blown up	13G10_056		1	13G		G10_056	'BKR-CPR-3310'	0	0.08186	9999	'BASE CASE'
NCONV	FNSL-Blown up		0	1	13SP		G11_011	'BKR-CPR-3310'	0	0.03398	9999	'BASE CASE'
NCONV	FNSL-Blown up		0	1	13WP		G11_011	'BKR-CPR-3310'	0	0.03153	9999	'BASE CASE'
NCONV	FNSL-Blown up		0	1	18WP		G11_011	'BKR-CPR-3310'	0	0.03169	9999	'BASE CASE'
NCONV	FNSL-Blown up		0	1	23SP		G11_011	'BKR-CPR-3310'	0	0.0391	9999	'BASE CASE'
NCONV	FNSL-Blown up	00G11_011		1	13SP		G11_011	'BKR-CPR-3310'	0	0.03398	9999	'BASE CASE'
NCONV	FNSL-Blown up	00G11_011		1	13WP		G11_011	'BKR-CPR-3310'	0	0.03153	9999	'BASE CASE'
NCONV	FNSL-Blown up	00G11_011		1	18WP		G11_011	'BKR-CPR-3310'	0	0.03169	9999	'BASE CASE'
NCONV	FNSL-Blown up	00G11_011		1	23SP		G11_011	'BKR-CPR-3310'	0	0.0391	9999	'BASE CASE'
NCONV	FNSL-Blown up	13G11_011		1	13G		G11_011	'BKR-CPR-3310'	0	0.03054	9999	'BASE CASE'
NCONV	FNSL-Blown up		0	1	18SP		G11_056A	'BKR-GGS-3304'	0	0.10522	9999	'BASE CASE'
NCONV	FNSL-Blown up		0	1	18WP		G11_056A	'BKR-GGS-3304'	0	0.10326	9999	'BASE CASE'
NCONV	FNSL-Blown up		0	1	23SP		G11_056A	'BKR-GGS-3304'	0	0.10964	9999	'BASE CASE'
NCONV	FNSL-Blown up		0	1	18SP		G11_056B	'BKR-GGS-3304'	0	0.09764	9999	'BASE CASE'
NCONV	FNSL-Blown up		0	1	18WP		G11_056B	'BKR-GGS-3304'	0	0.09569	9999	'BASE CASE'
NCONV	FNSL-Blown up		0	1	23SP		G11_056B	'BKR-GGS-3304'	0	0.10179	9999	'BASE CASE'
NCONV	FNSL-Blown up	00G11_019		1	18WP		G11_019	'BORDER 7345.00 - WOODWARD DISTRICT EHV 345KV CKT 1 &G07-62 345.00 - WOODWARD DISTRICT EHV 345KV CKT 1'	0	0.08569	9999	'BASE CASE'
NCONV	FNSL-Blown up	00G11_020		1	18WP		G11_020	'BORDER 7345.00 - WOODWARD DISTRICT EHV 345KV CKT 1 &G07-62 345.00 - WOODWARD DISTRICT EHV 345KV CKT 1'	0	0.08569	9999	'BASE CASE'
	FDNS	02G11_012		1	13G		G11_012	'BUCKNER7 345.00 - SPEARVILLE 345KV CKT 1'	1328	0.40127	107.3755	'BEAVER CO 345.00 - WOODWARD DISTRICT EHV 345KV CKT 1 &BEAVER CO 345.00 - WOODWARD DISTRICT EHV 345KV CKT 2'
	FDNS	02NR		1	13G		G11_012	'BUCKNER7 345.00 - SPEARVILLE 345KV CKT 1'	1328	0.18411	111.453	'Hitchland Interchange - WOODWARD DISTRICT EHV 345KV CKT 2 &BEAVER CO 345.00 - WOODWARD DISTRICT EHV 345KV CKT 1'
	FDNS	02NR		1	13G		G11_014	'BUCKNER7 345.00 - SPEARVILLE 345KV CKT 1'	1328	0.30317	111.453	'Hitchland Interchange - WOODWARD DISTRICT EHV 345KV CKT 2 &BEAVER CO 345.00 - WOODWARD DISTRICT EHV 345KV CKT 1'
	FDNS	02NR		1	13G		G11_021	'BUCKNER7 345.00 - SPEARVILLE 345KV CKT 1'	1328	0.30317	111.453	'Hitchland Interchange - WOODWARD DISTRICT EHV 345KV CKT 2 &BEAVER CO 345.00 - WOODWARD DISTRICT EHV 345KV CKT 1'
	FDNS	02NR		1	13G		G11_022	'BUCKNER7 345.00 - SPEARVILLE 345KV CKT 1'	1328	0.22909	111.453	'Hitchland Interchange - WOODWARD DISTRICT EHV 345KV CKT 2 &BEAVER CO 345.00 - WOODWARD DISTRICT EHV 345KV CKT 1'
	FDNS	02NR		1	13G		G11_012	'CANYON EAST SUB - CANYON WEST SUB 115KV CKT 1'	96	0.05178	106.2181	'DEAF SMITH COUNTY INTERCHANGE - PLANT X STATION 230KV CKT 1 &BUFFALO 230.00 - DEAF SMITH COUNTY INTERCHANGE 230KV CKT 1'
	FDNS	00NR		1	23SP		G11_012	'CANYON EAST SUB - CANYON WEST SUB 115KV CKT 1'	96	0.04125	124.768	'DEAF SMITH COUNTY INTERCHANGE - PLANT X STATION 230KV CKT 1 &BUFFALO 230.00 - DEAF SMITH COUNTY INTERCHANGE 230KV CKT 1'
	FDNS	02NR		1	13G		G11_014	'CANYON EAST SUB - CANYON WEST SUB 115KV CKT 1'	96	0.04236	106.2181	'DEAF SMITH COUNTY INTERCHANGE - PLANT X STATION 230KV CKT 1 &BUFFALO 230.00 - DEAF SMITH COUNTY INTERCHANGE 230KV CKT 1'
	FDNS	00NR		1	23SP		G11_014	'CANYON EAST SUB - CANYON WEST SUB 115KV CKT 1'	96	0.03235	124.768	'DEAF SMITH COUNTY INTERCHANGE - PLANT X STATION 230KV CKT 1 &BUFFALO 230.00 - DEAF SMITH COUNTY INTERCHANGE 230KV CKT 1'
	FDNS	02NR		1	13G		G11_021	'CANYON EAST SUB - CANYON WEST SUB 115KV CKT 1'	96	0.04236	106.2181	'DEAF SMITH COUNTY INTERCHANGE - PLANT X STATION 230KV CKT 1 &BUFFALO 230.00 - DEAF SMITH COUNTY INTERCHANGE 230KV CKT 1'

EVENTTYPE	SOLUTIONTYPE	GROUP	SCENARIO	SEASON	SOURCE	DIRECTION	MONITORED ELEMENT	RATEB (MVA)	TDF	TC%LOADING (%MVA)	CONTINGENCY
	FDNS	00NR		1 23SP	G11_021	'FROM->TO'	'CANYON EAST SUB - CANYON WEST SUB 115KV CKT 1'	96	0.03235	124.768	'DEAF SMITH COUNTY INTERCHANGE - PLANT X STATION 230KV CKT 1 & BUFFALO 230.00 - DEAF SMITH COUNTY INTERCHANGE 230KV CKT 1'
	FDNS	02NR		1 13G	G11_022	'FROM->TO'	'CANYON EAST SUB - CANYON WEST SUB 115KV CKT 1'	96	0.0469	106.2181	'DEAF SMITH COUNTY INTERCHANGE - PLANT X STATION 230KV CKT 1 & BUFFALO 230.00 - DEAF SMITH COUNTY INTERCHANGE 230KV CKT 1'
	FDNS	00NR		1 23SP	G11_022	'FROM->TO'	'CANYON EAST SUB - CANYON WEST SUB 115KV CKT 1'	96	0.03666	124.768	'DEAF SMITH COUNTY INTERCHANGE - PLANT X STATION 230KV CKT 1 & BUFFALO 230.00 - DEAF SMITH COUNTY INTERCHANGE 230KV CKT 1'
	FDNS	02NR		1 13G	G11_012	'TO->FROM'	'CANYON EAST SUB - OSAGE SWITCHING STATION 115KV CKT 1'	96	0.05178	119.0541	'DEAF SMITH COUNTY INTERCHANGE - PLANT X STATION 230KV CKT 1 & BUFFALO 230.00 - DEAF SMITH COUNTY INTERCHANGE 230KV CKT 1'
	FDNS	02NR		1 13G	G11_014	'TO->FROM'	'CANYON EAST SUB - OSAGE SWITCHING STATION 115KV CKT 1'	96	0.04236	119.0541	'DEAF SMITH COUNTY INTERCHANGE - PLANT X STATION 230KV CKT 1 & BUFFALO 230.00 - DEAF SMITH COUNTY INTERCHANGE 230KV CKT 1'
	FDNS	02NR		1 13G	G11_021	'TO->FROM'	'CANYON EAST SUB - OSAGE SWITCHING STATION 115KV CKT 1'	96	0.04236	119.0541	'DEAF SMITH COUNTY INTERCHANGE - PLANT X STATION 230KV CKT 1 & BUFFALO 230.00 - DEAF SMITH COUNTY INTERCHANGE 230KV CKT 1'
	FDNS	02NR		1 13G	G11_022	'TO->FROM'	'CANYON EAST SUB - OSAGE SWITCHING STATION 115KV CKT 1'	96	0.0469	119.0541	'DEAF SMITH COUNTY INTERCHANGE - PLANT X STATION 230KV CKT 1 & BUFFALO 230.00 - DEAF SMITH COUNTY INTERCHANGE 230KV CKT 1'
	FDNS	00NR		1 18SP	G11_012	'TO->FROM'	'CANYON EAST SUB - RANDALL COUNTY INTERCHANGE 115KV CKT 1'	96	0.04656	115.5207	'DEAF SMITH COUNTY INTERCHANGE - PLANT X STATION 230KV CKT 1 & BUFFALO 230.00 - DEAF SMITH COUNTY INTERCHANGE 230KV CKT 1'
	FDNS	00NR		1 23SP	G11_012	'TO->FROM'	'CANYON EAST SUB - RANDALL COUNTY INTERCHANGE 115KV CKT 1'	96	0.04125	147.8443	'DEAF SMITH COUNTY INTERCHANGE - PLANT X STATION 230KV CKT 1 & BUFFALO 230.00 - DEAF SMITH COUNTY INTERCHANGE 230KV CKT 1'
	FDNS	00NR		1 18SP	G11_014	'TO->FROM'	'CANYON EAST SUB - RANDALL COUNTY INTERCHANGE 115KV CKT 1'	96	0.03824	115.5207	'DEAF SMITH COUNTY INTERCHANGE - PLANT X STATION 230KV CKT 1 & BUFFALO 230.00 - DEAF SMITH COUNTY INTERCHANGE 230KV CKT 1'
	FDNS	00NR		1 23SP	G11_014	'TO->FROM'	'CANYON EAST SUB - RANDALL COUNTY INTERCHANGE 115KV CKT 1'	96	0.03235	147.8443	'DEAF SMITH COUNTY INTERCHANGE - PLANT X STATION 230KV CKT 1 & BUFFALO 230.00 - DEAF SMITH COUNTY INTERCHANGE 230KV CKT 1'
	FDNS	00NR		1 18SP	G11_021	'TO->FROM'	'CANYON EAST SUB - RANDALL COUNTY INTERCHANGE 115KV CKT 1'	96	0.03824	115.5207	'DEAF SMITH COUNTY INTERCHANGE - PLANT X STATION 230KV CKT 1 & BUFFALO 230.00 - DEAF SMITH COUNTY INTERCHANGE 230KV CKT 1'
	FDNS	00NR		1 23SP	G11_021	'TO->FROM'	'CANYON EAST SUB - RANDALL COUNTY INTERCHANGE 115KV CKT 1'	96	0.03235	147.8443	'DEAF SMITH COUNTY INTERCHANGE - PLANT X STATION 230KV CKT 1 & BUFFALO 230.00 - DEAF SMITH COUNTY INTERCHANGE 230KV CKT 1'
	FDNS	00NR		1 18SP	G11_022	'TO->FROM'	'CANYON EAST SUB - RANDALL COUNTY INTERCHANGE 115KV CKT 1'	96	0.04219	115.5207	'DEAF SMITH COUNTY INTERCHANGE - PLANT X STATION 230KV CKT 1 & BUFFALO 230.00 - DEAF SMITH COUNTY INTERCHANGE 230KV CKT 1'
	FDNS	00NR		1 23SP	G11_022	'TO->FROM'	'CANYON EAST SUB - RANDALL COUNTY INTERCHANGE 115KV CKT 1'	96	0.03666	147.8443	'DEAF SMITH COUNTY INTERCHANGE - PLANT X STATION 230KV CKT 1 & BUFFALO 230.00 - DEAF SMITH COUNTY INTERCHANGE 230KV CKT 1'
NCONV	FNSL-Singular jacobian or 0.0 voltage	00NR		1 13SP	G11_012		'CARLISLE INTERCHANGE - LUBBOCK POWER & LIGHT-MILWAUKEE 230KV CKT 1 & CARLISLE INTERCHANGE - TUCO INTERCHANGE 230KV CKT 1'	0	0.05281	9999	'BASE CASE'
NCONV	FNSL-Singular jacobian or 0.0 voltage	00NR		1 18SP	G11_012		'CARLISLE INTERCHANGE - LUBBOCK POWER & LIGHT-MILWAUKEE 230KV CKT 1 & CARLISLE INTERCHANGE - TUCO INTERCHANGE 230KV CKT 1'	0	0.05314	9999	'BASE CASE'
NCONV	FNSL-Blown up	00NR		1 18WP	G11_012		'CARLISLE INTERCHANGE - LUBBOCK POWER & LIGHT-MILWAUKEE 230KV CKT 1 & CARLISLE INTERCHANGE - TUCO INTERCHANGE 230KV CKT 1'	0	0.05404	9999	'BASE CASE'
NCONV	FNSL-Singular jacobian or 0.0 voltage	00NR		1 23SP	G11_012		'CARLISLE INTERCHANGE - LUBBOCK POWER & LIGHT-MILWAUKEE 230KV CKT 1 & CARLISLE INTERCHANGE - TUCO INTERCHANGE 230KV CKT 1'	0	0.03929	9999	'BASE CASE'
NCONV	FNSL-Singular jacobian or 0.0 voltage	00NR		1 13SP	G11_014		'CARLISLE INTERCHANGE - LUBBOCK POWER & LIGHT-MILWAUKEE 230KV CKT 1 & CARLISLE INTERCHANGE - TUCO INTERCHANGE 230KV CKT 1'	0	0.05507	9999	'BASE CASE'

EVENTTYPE	SOLUTIONTYPE	GROUP	SCENARIO	SEASON	SOURCE	DIRECTION	MONITORED ELEMENT	RATEB (MVA)	TDF	TC%LOADING (%MVA)	CONTINGENCY
NCONV	FNSL-Singular jacobian or 0.0 voltage	00NR		1 18SP	G11_014		'CARLISLE INTERCHANGE - LUBBOCK POWER & LIGHT-MILWAUKEE 230KV CKT 1 &CARLISLE INTERCHANGE - TUCO INTERCHANGE 230KV CKT 1'	0	0.05679	9999	'BASE CASE'
NCONV	FNSL-Blown up	00NR		1 18WP	G11_014		'CARLISLE INTERCHANGE - LUBBOCK POWER & LIGHT-MILWAUKEE 230KV CKT 1 &CARLISLE INTERCHANGE - TUCO INTERCHANGE 230KV CKT 1'	0	0.05776	9999	'BASE CASE'
NCONV	FNSL-Singular jacobian or 0.0 voltage	00NR		1 23SP	G11_014		'CARLISLE INTERCHANGE - LUBBOCK POWER & LIGHT-MILWAUKEE 230KV CKT 1 &CARLISLE INTERCHANGE - TUCO INTERCHANGE 230KV CKT 1'	0	0.04097	9999	'BASE CASE'
NCONV	FNSL-Singular jacobian or 0.0 voltage	00NR		1 13SP	G11_021		'CARLISLE INTERCHANGE - LUBBOCK POWER & LIGHT-MILWAUKEE 230KV CKT 1 &CARLISLE INTERCHANGE - TUCO INTERCHANGE 230KV CKT 1'	0	0.05507	9999	'BASE CASE'
NCONV	FNSL-Singular jacobian or 0.0 voltage	00NR		1 18SP	G11_021		'CARLISLE INTERCHANGE - LUBBOCK POWER & LIGHT-MILWAUKEE 230KV CKT 1 &CARLISLE INTERCHANGE - TUCO INTERCHANGE 230KV CKT 1'	0	0.05679	9999	'BASE CASE'
NCONV	FNSL-Blown up	00NR		1 18WP	G11_021		'CARLISLE INTERCHANGE - LUBBOCK POWER & LIGHT-MILWAUKEE 230KV CKT 1 &CARLISLE INTERCHANGE - TUCO INTERCHANGE 230KV CKT 1'	0	0.05776	9999	'BASE CASE'
NCONV	FNSL-Singular jacobian or 0.0 voltage	00NR		1 23SP	G11_021		'CARLISLE INTERCHANGE - LUBBOCK POWER & LIGHT-MILWAUKEE 230KV CKT 1 &CARLISLE INTERCHANGE - TUCO INTERCHANGE 230KV CKT 1'	0	0.04097	9999	'BASE CASE'
NCONV	FNSL-Singular jacobian or 0.0 voltage	00NR		1 13SP	G11_022		'CARLISLE INTERCHANGE - LUBBOCK POWER & LIGHT-MILWAUKEE 230KV CKT 1 &CARLISLE INTERCHANGE - TUCO INTERCHANGE 230KV CKT 1'	0	0.05498	9999	'BASE CASE'
NCONV	FNSL-Singular jacobian or 0.0 voltage	00NR		1 18SP	G11_022		'CARLISLE INTERCHANGE - LUBBOCK POWER & LIGHT-MILWAUKEE 230KV CKT 1 &CARLISLE INTERCHANGE - TUCO INTERCHANGE 230KV CKT 1'	0	0.055	9999	'BASE CASE'
NCONV	FNSL-Blown up	00NR		1 18WP	G11_022		'CARLISLE INTERCHANGE - LUBBOCK POWER & LIGHT-MILWAUKEE 230KV CKT 1 &CARLISLE INTERCHANGE - TUCO INTERCHANGE 230KV CKT 1'	0	0.05591	9999	'BASE CASE'
NCONV	FNSL-Singular jacobian or 0.0 voltage	00NR		1 23SP	G11_022		'CARLISLE INTERCHANGE - LUBBOCK POWER & LIGHT-MILWAUKEE 230KV CKT 1 &CARLISLE INTERCHANGE - TUCO INTERCHANGE 230KV CKT 1'	0	0.04013	9999	'BASE CASE'
	FDNS	00NR		1 23SP	G11_012	'TO->FROM'	'CARLISLE INTERCHANGE - SOUTH PLAINS REC-ERSKINE 115KV CKT 1'	160	0.06097	100.5078	'CARLISLE INTERCHANGE - TUCO INTERCHANGE 230KV CKT 1 &JONES STATION - TUCO INTERCHANGE 230KV CKT 1'
	FDNS	00NR		1 23SP	G11_014	'TO->FROM'	'CARLISLE INTERCHANGE - SOUTH PLAINS REC-ERSKINE 115KV CKT 1'	160	0.06584	100.5078	'CARLISLE INTERCHANGE - TUCO INTERCHANGE 230KV CKT 1 &JONES STATION - TUCO INTERCHANGE 230KV CKT 1'
	FDNS	00NR		1 23SP	G11_021	'TO->FROM'	'CARLISLE INTERCHANGE - SOUTH PLAINS REC-ERSKINE 115KV CKT 1'	160	0.06584	100.5078	'CARLISLE INTERCHANGE - TUCO INTERCHANGE 230KV CKT 1 &JONES STATION - TUCO INTERCHANGE 230KV CKT 1'
	FDNS	00NR		1 23SP	G11_022	'TO->FROM'	'CARLISLE INTERCHANGE - SOUTH PLAINS REC-ERSKINE 115KV CKT 1'	160	0.06342	100.5078	'CARLISLE INTERCHANGE - TUCO INTERCHANGE 230KV CKT 1 &JONES STATION - TUCO INTERCHANGE 230KV CKT 1'
NCONV	FNSL-Blown up	0		1 18WP	ASGI_2011_003		'CHAN/TASCOS6230.00 - POTTER COUNTY INTERCHANGE 230KV CKT 1 &POTTER COUNTY INTERCHANGE - S-RANDLCO 230.00 230KV CKT 1'	0	0.1202	9999	'BASE CASE'
NCONV	FNSL-Blown up	00ASGI_11_003		1 18WP	ASGI_2011_003		'CHAN/TASCOS6230.00 - POTTER COUNTY INTERCHANGE 230KV CKT 1 &POTTER COUNTY INTERCHANGE - S-RANDLCO 230.00 230KV CKT 1'	0	0.1202	9999	'BASE CASE'
NCONV	FNSL-Blown up	0		1 18WP	G10_020		'CHAN/TASCOS6230.00 - POTTER COUNTY INTERCHANGE 230KV CKT 1 &POTTER COUNTY INTERCHANGE - S-RANDLCO 230.00 230KV CKT 1'	0	0.13157	9999	'BASE CASE'
NCONV	FNSL-Blown up	00G10_020		1 18WP	G10_020		'CHAN/TASCOS6230.00 - POTTER COUNTY INTERCHANGE 230KV CKT 1 &POTTER COUNTY INTERCHANGE - S-RANDLCO 230.00 230KV CKT 1'	0	0.13156	9999	'BASE CASE'
NCONV	FNSL-Blown up	0		1 18WP	G10_058		'CHAN/TASCOS6230.00 - POTTER COUNTY INTERCHANGE 230KV CKT 1 &POTTER COUNTY INTERCHANGE - S-RANDLCO 230.00 230KV CKT 1'	0	0.13158	9999	'BASE CASE'

EVENTTYPE	SOLUTIONTYPE	GROUP	SCENARIO	SEASON	SOURCE	DIRECTION	MONITORED ELEMENT	RATEB		TC%LOADI		CONTINGENCY
								(MVA)	TDF	NG	(%MVA)	
NCONV	FNSL-Blown up	0		1 18WP	G11_025		'CHAN/TASCOS6230.00 - POTTER COUNTY INTERCHANGE 230KV CKT 1 & POTTER COUNTY INTERCHANGE - S-RANDLCO 230.00 230KV CKT 1'	0	0.12183	9999	'BASE CASE'	
	FDNS	00NR		1 13WP	G11_007	'FROM->TO'	'CIMARRON - CZECH HALL 138KV CKT 1'	382	0.0467	100.2558	'DBLCCT3'	
	FDNS	00NR		1 13WP	G11_019	'FROM->TO'	'CIMARRON - CZECH HALL 138KV CKT 1'	382	0.03508	100.2558	'DBLCCT3'	
	FDNS	00NR		1 13WP	G11_020	'FROM->TO'	'CIMARRON - CZECH HALL 138KV CKT 1'	382	0.03508	100.2558	'DBLCCT3'	
	FDNS	00NR		1 13WP	G11_024	'FROM->TO'	'CIMARRON - CZECH HALL 138KV CKT 1'	382	0.04217	100.2558	'DBLCCT3'	
	FDNS	00NR		1 13SP	G11_007	'FROM->TO'	'CIMARRON - HAYMAKER 138KV CKT 1'	375	0.0572	101.1057	'CIMARRONR'	
	FDNS	00NR		1 18WP	G11_007	'FROM->TO'	'CIMARRON - HAYMAKER 138KV CKT 1'	375	0.05735	101.3061	'CIMARRONR'	
	FDNS	00NR		1 18SP	G11_007	'FROM->TO'	'CIMARRON - HAYMAKER 138KV CKT 1'	308	0.07559	109.172	'CIMARRONR'	
	FDNS	00NR		1 23SP	G11_007	'FROM->TO'	'CIMARRON - HAYMAKER 138KV CKT 1'	308	0.07082	110.8174	'CIMARRONR'	
	FDNS	00NR		1 13WP	G11_007	'FROM->TO'	'CIMARRON - HAYMAKER 138KV CKT 1'	375	0.0617	111.8496	'CIMARRONR'	
	FDNS	01G11_007		1 13G	G11_007	'FROM->TO'	'CIMARRON - HAYMAKER 138KV CKT 1'	308	0.05402	123.0583	'CIMARRONR'	
	FDNS	01NR		1 13G	G11_007	'FROM->TO'	'CIMARRON - HAYMAKER 138KV CKT 1'	308	0.0708	127.6452	'CIMARRONR'	
	FDNS	01G11_010		1 13G	G11_010	'FROM->TO'	'CIMARRON - HAYMAKER 138KV CKT 1'	308	0.08288	121.4803	'CIMARRONR'	
	FDNS	00NR		1 13SP	G11_019	'FROM->TO'	'CIMARRON - HAYMAKER 138KV CKT 1'	375	0.03655	101.1057	'CIMARRONR'	
	FDNS	00NR		1 18WP	G11_019	'FROM->TO'	'CIMARRON - HAYMAKER 138KV CKT 1'	375	0.03764	101.3061	'CIMARRONR'	
	FDNS	00NR		1 18SP	G11_019	'FROM->TO'	'CIMARRON - HAYMAKER 138KV CKT 1'	308	0.05584	109.172	'CIMARRONR'	
	FDNS	00NR		1 23SP	G11_019	'FROM->TO'	'CIMARRON - HAYMAKER 138KV CKT 1'	308	0.05925	110.8174	'CIMARRONR'	
	FDNS	00NR		1 13WP	G11_019	'FROM->TO'	'CIMARRON - HAYMAKER 138KV CKT 1'	375	0.03949	111.8496	'CIMARRONR'	
	FDNS	01NR		1 13G	G11_019	'FROM->TO'	'CIMARRON - HAYMAKER 138KV CKT 1'	308	0.05061	127.6452	'CIMARRONR'	
	FDNS	00NR		1 13SP	G11_020	'FROM->TO'	'CIMARRON - HAYMAKER 138KV CKT 1'	375	0.03655	101.1057	'CIMARRONR'	
	FDNS	00NR		1 18WP	G11_020	'FROM->TO'	'CIMARRON - HAYMAKER 138KV CKT 1'	375	0.03764	101.3061	'CIMARRONR'	
	FDNS	00NR		1 18SP	G11_020	'FROM->TO'	'CIMARRON - HAYMAKER 138KV CKT 1'	308	0.05584	109.172	'CIMARRONR'	
	FDNS	00NR		1 23SP	G11_020	'FROM->TO'	'CIMARRON - HAYMAKER 138KV CKT 1'	308	0.05925	110.8174	'CIMARRONR'	
	FDNS	00NR		1 13WP	G11_020	'FROM->TO'	'CIMARRON - HAYMAKER 138KV CKT 1'	375	0.03949	111.8496	'CIMARRONR'	
	FDNS	01G11_020		1 13G	G11_020	'FROM->TO'	'CIMARRON - HAYMAKER 138KV CKT 1'	308	0.03389	124.2602	'CIMARRONR'	
	FDNS	01NR		1 13G	G11_020	'FROM->TO'	'CIMARRON - HAYMAKER 138KV CKT 1'	308	0.05061	127.6452	'CIMARRONR'	
	FDNS	00NR		1 13SP	G11_024	'FROM->TO'	'CIMARRON - HAYMAKER 138KV CKT 1'	375	0.04916	101.1057	'CIMARRONR'	
	FDNS	00NR		1 18WP	G11_024	'FROM->TO'	'CIMARRON - HAYMAKER 138KV CKT 1'	375	0.04968	101.3061	'CIMARRONR'	
	FDNS	00NR		1 18SP	G11_024	'FROM->TO'	'CIMARRON - HAYMAKER 138KV CKT 1'	308	0.0679	109.172	'CIMARRONR'	
	FDNS	00NR		1 23SP	G11_024	'FROM->TO'	'CIMARRON - HAYMAKER 138KV CKT 1'	308	0.06616	110.8174	'CIMARRONR'	
	FDNS	00NR		1 13WP	G11_024	'FROM->TO'	'CIMARRON - HAYMAKER 138KV CKT 1'	375	0.05306	111.8496	'CIMARRONR'	
	FDNS	01G11_024		1 13G	G11_024	'FROM->TO'	'CIMARRON - HAYMAKER 138KV CKT 1'	308	0.04621	125.6644	'CIMARRONR'	
	FDNS	01NR		1 13G	G11_024	'FROM->TO'	'CIMARRON - HAYMAKER 138KV CKT 1'	308	0.06294	127.6452	'CIMARRONR'	
	FDNS	03G10_029		1 13G	G10_029	'TO->FROM'	'CIMARRON - MATTHEWSON 345.00 345KV CKT 1 & CIMARRON - MATTHEWSON 345.00 345KV CKT 2'	956	0.13852	118.5224	'MATTHEWSON 345.00 - NORTHWEST 345KV CKT 1 & CIMARRON - MATTHEWSON 345.00 345KV CKT 2'	
	FDNS	00NR		1 18SP	G11_007	'TO->FROM'	'CIMARRON - MATTHEWSON 345.00 345KV CKT 1'	956	0.63577	101.7809	'MATTHEWSON 345.00 - NORTHWEST 345KV CKT 1 & CIMARRON - MATTHEWSON 345.00 345KV CKT 2'	
	FDNS	00NR		1 18WP	G11_007	'TO->FROM'	'CIMARRON - MATTHEWSON 345.00 345KV CKT 1'	956	0.60273	126.7227	'MATTHEWSON 345.00 - NORTHWEST 345KV CKT 1 & CIMARRON - MATTHEWSON 345.00 345KV CKT 2'	
	FDNS	01G11_007		1 13G	G11_007	'TO->FROM'	'CIMARRON - MATTHEWSON 345.00 345KV CKT 1'	956	0.53838	129.1203	'MATTHEWSON 345.00 - NORTHWEST 345KV CKT 1 & CIMARRON - MATTHEWSON 345.00 345KV CKT 2'	
	FDNS	00NR		1 13WP	G11_007	'TO->FROM'	'CIMARRON - MATTHEWSON 345.00 345KV CKT 1'	956	0.59862	131.5264	'MATTHEWSON 345.00 - NORTHWEST 345KV CKT 1 & CIMARRON - MATTHEWSON 345.00 345KV CKT 2'	
	FDNS	00NR		1 13SP	G11_007	'TO->FROM'	'CIMARRON - MATTHEWSON 345.00 345KV CKT 1'	956	0.60031	131.5549	'MATTHEWSON 345.00 - NORTHWEST 345KV CKT 1 & CIMARRON - MATTHEWSON 345.00 345KV CKT 2'	
	FDNS	01NR		1 13G	G11_007	'TO->FROM'	'CIMARRON - MATTHEWSON 345.00 345KV CKT 1'	956	0.62139	133.9679	'MATTHEWSON 345.00 - NORTHWEST 345KV CKT 1 & CIMARRON - MATTHEWSON 345.00 345KV CKT 2'	
	FDNS	03G11_008		1 13G	G11_008	'TO->FROM'	'CIMARRON - MATTHEWSON 345.00 345KV CKT 1'	956	0.14343	116.1712	'MATTHEWSON 345.00 - NORTHWEST 345KV CKT 1 & CIMARRON - MATTHEWSON 345.00 345KV CKT 2'	
	FDNS	00NR		1 18SP	G11_012	'TO->FROM'	'CIMARRON - MATTHEWSON 345.00 345KV CKT 1'	956	0.06221	101.7809	'MATTHEWSON 345.00 - NORTHWEST 345KV CKT 1 & CIMARRON - MATTHEWSON 345.00 345KV CKT 2'	
	FDNS	02G11_012		1 13G	G11_012	'TO->FROM'	'CIMARRON - MATTHEWSON 345.00 345KV CKT 1'	956	0.14001	105.7442	'MATTHEWSON 345.00 - NORTHWEST 345KV CKT 1 & CIMARRON - MATTHEWSON 345.00 345KV CKT 2'	
	FDNS	02NR		1 13G	G11_012	'TO->FROM'	'CIMARRON - MATTHEWSON 345.00 345KV CKT 1'	956	0.06015	107.0354	'MATTHEWSON 345.00 - NORTHWEST 345KV CKT 1 & CIMARRON - MATTHEWSON 345.00 345KV CKT 2'	
	FDNS	00NR		1 18WP	G11_012	'TO->FROM'	'CIMARRON - MATTHEWSON 345.00 345KV CKT 1'	956	0.06163	126.7227	'MATTHEWSON 345.00 - NORTHWEST 345KV CKT 1 & CIMARRON - MATTHEWSON 345.00 345KV CKT 2'	
	FDNS	00NR		1 13WP	G11_012	'TO->FROM'	'CIMARRON - MATTHEWSON 345.00 345KV CKT 1'	956	0.07725	131.5264	'MATTHEWSON 345.00 - NORTHWEST 345KV CKT 1 & CIMARRON - MATTHEWSON 345.00 345KV CKT 2'	

EVENTTYPE	SOLUTIONTYPE	GROUP	SCENARIO	SEASON	SOURCE	DIRECTION	MONITORED ELEMENT	RATEB (MVA)	TDF	TC%LOADING (%MVA)	CONTINGENCY
	FDNS	00NR		1 13SP	G11_022	'TO->FROM'	'CIMARRON - MATTHEWSON 345.00 345KV CKT 1'	956	0.10693	131.5549	'MATTHEWSON 345.00 - NORTHWEST 345KV CKT 1 & CIMARRON - MATTHEWSON 345.00 345KV CKT 2'
	FDNS	03G11_023		1 13G	G11_023	'TO->FROM'	'CIMARRON - MATTHEWSON 345.00 345KV CKT 1'	956	0.14351	116.0138	'MATTHEWSON 345.00 - NORTHWEST 345KV CKT 1 & CIMARRON - MATTHEWSON 345.00 345KV CKT 2'
	FDNS	00NR		1 18SP	G11_024	'TO->FROM'	'CIMARRON - MATTHEWSON 345.00 345KV CKT 1'	956	0.50731	101.7809	'MATTHEWSON 345.00 - NORTHWEST 345KV CKT 1 & CIMARRON - MATTHEWSON 345.00 345KV CKT 2'
	FDNS	00G11_024		1 18WP	G11_024	'TO->FROM'	'CIMARRON - MATTHEWSON 345.00 345KV CKT 1'	956	0.40902	108.3348	'MATTHEWSON 345.00 - NORTHWEST 345KV CKT 1 & CIMARRON - MATTHEWSON 345.00 345KV CKT 2'
	FNSL	00G11_024		1 13SP	G11_024	'TO->FROM'	'CIMARRON - MATTHEWSON 345.00 345KV CKT 1'	956	0.41599	109.9372	'MATTHEWSON 345.00 - NORTHWEST 345KV CKT 1 & CIMARRON - MATTHEWSON 345.00 345KV CKT 2'
	FDNS	00G11_024		1 13WP	G11_024	'TO->FROM'	'CIMARRON - MATTHEWSON 345.00 345KV CKT 1'	956	0.39392	110.4092	'MATTHEWSON 345.00 - NORTHWEST 345KV CKT 1 & CIMARRON - MATTHEWSON 345.00 345KV CKT 2'
	FDNS	00NR		1 18WP	G11_024	'TO->FROM'	'CIMARRON - MATTHEWSON 345.00 345KV CKT 1'	956	0.47434	126.7227	'MATTHEWSON 345.00 - NORTHWEST 345KV CKT 1 & CIMARRON - MATTHEWSON 345.00 345KV CKT 2'
	FDNS	00NR		1 13WP	G11_024	'TO->FROM'	'CIMARRON - MATTHEWSON 345.00 345KV CKT 1'	956	0.46972	131.5264	'MATTHEWSON 345.00 - NORTHWEST 345KV CKT 1 & CIMARRON - MATTHEWSON 345.00 345KV CKT 2'
	FDNS	00NR		1 13SP	G11_024	'TO->FROM'	'CIMARRON - MATTHEWSON 345.00 345KV CKT 1'	956	0.46792	131.5549	'MATTHEWSON 345.00 - NORTHWEST 345KV CKT 1 & CIMARRON - MATTHEWSON 345.00 345KV CKT 2'
	FDNS	01NR		1 13G	G11_024	'TO->FROM'	'CIMARRON - MATTHEWSON 345.00 345KV CKT 1'	956	0.49736	133.9679	'MATTHEWSON 345.00 - NORTHWEST 345KV CKT 1 & CIMARRON - MATTHEWSON 345.00 345KV CKT 2'
	FDNS	01G11_024		1 13G	G11_024	'TO->FROM'	'CIMARRON - MATTHEWSON 345.00 345KV CKT 1'	956	0.4146	137.0004	'MATTHEWSON 345.00 - NORTHWEST 345KV CKT 1 & CIMARRON - MATTHEWSON 345.00 345KV CKT 2'
	FDNS	03G10_029		1 13G	G10_029	'TO->FROM'	'CIMARRON - MATTHEWSON 345.00 345KV CKT 2'	956	0.13852	118.5224	'MATTHEWSON 345.00 - NORTHWEST 345KV CKT 1 & CIMARRON - MATTHEWSON 345.00 345KV CKT 1'
	FDNS	00NR		1 18SP	G11_007	'TO->FROM'	'CIMARRON - MATTHEWSON 345.00 345KV CKT 2'	956	0.63577	101.7809	'MATTHEWSON 345.00 - NORTHWEST 345KV CKT 1 & CIMARRON - MATTHEWSON 345.00 345KV CKT 1'
	FDNS	00NR		1 18WP	G11_007	'TO->FROM'	'CIMARRON - MATTHEWSON 345.00 345KV CKT 2'	956	0.60273	126.7227	'MATTHEWSON 345.00 - NORTHWEST 345KV CKT 1 & CIMARRON - MATTHEWSON 345.00 345KV CKT 1'
	FDNS	01G11_007		1 13G	G11_007	'TO->FROM'	'CIMARRON - MATTHEWSON 345.00 345KV CKT 2'	956	0.53838	129.1204	'MATTHEWSON 345.00 - NORTHWEST 345KV CKT 1 & CIMARRON - MATTHEWSON 345.00 345KV CKT 1'
	FDNS	00NR		1 13WP	G11_007	'TO->FROM'	'CIMARRON - MATTHEWSON 345.00 345KV CKT 2'	956	0.59862	131.5264	'MATTHEWSON 345.00 - NORTHWEST 345KV CKT 1 & CIMARRON - MATTHEWSON 345.00 345KV CKT 1'
	FDNS	00NR		1 13SP	G11_007	'TO->FROM'	'CIMARRON - MATTHEWSON 345.00 345KV CKT 2'	956	0.60031	131.5549	'MATTHEWSON 345.00 - NORTHWEST 345KV CKT 1 & CIMARRON - MATTHEWSON 345.00 345KV CKT 1'
	FDNS	01NR		1 13G	G11_007	'TO->FROM'	'CIMARRON - MATTHEWSON 345.00 345KV CKT 2'	956	0.62139	133.9679	'MATTHEWSON 345.00 - NORTHWEST 345KV CKT 1 & CIMARRON - MATTHEWSON 345.00 345KV CKT 1'
	FDNS	03G11_008		1 13G	G11_008	'TO->FROM'	'CIMARRON - MATTHEWSON 345.00 345KV CKT 2'	956	0.14343	116.1712	'MATTHEWSON 345.00 - NORTHWEST 345KV CKT 1 & CIMARRON - MATTHEWSON 345.00 345KV CKT 1'
	FDNS	00NR		1 18SP	G11_012	'TO->FROM'	'CIMARRON - MATTHEWSON 345.00 345KV CKT 2'	956	0.06221	101.7809	'MATTHEWSON 345.00 - NORTHWEST 345KV CKT 1 & CIMARRON - MATTHEWSON 345.00 345KV CKT 1'
	FDNS	02G11_012		1 13G	G11_012	'TO->FROM'	'CIMARRON - MATTHEWSON 345.00 345KV CKT 2'	956	0.14001	105.7442	'MATTHEWSON 345.00 - NORTHWEST 345KV CKT 1 & CIMARRON - MATTHEWSON 345.00 345KV CKT 1'
	FDNS	02NR		1 13G	G11_012	'TO->FROM'	'CIMARRON - MATTHEWSON 345.00 345KV CKT 2'	956	0.06015	107.0354	'MATTHEWSON 345.00 - NORTHWEST 345KV CKT 1 & CIMARRON - MATTHEWSON 345.00 345KV CKT 1'
	FDNS	00NR		1 18WP	G11_012	'TO->FROM'	'CIMARRON - MATTHEWSON 345.00 345KV CKT 2'	956	0.06163	126.7227	'MATTHEWSON 345.00 - NORTHWEST 345KV CKT 1 & CIMARRON - MATTHEWSON 345.00 345KV CKT 1'
	FDNS	00NR		1 13WP	G11_012	'TO->FROM'	'CIMARRON - MATTHEWSON 345.00 345KV CKT 2'	956	0.07725	131.5264	'MATTHEWSON 345.00 - NORTHWEST 345KV CKT 1 & CIMARRON - MATTHEWSON 345.00 345KV CKT 1'
	FDNS	00NR		1 13SP	G11_012	'TO->FROM'	'CIMARRON - MATTHEWSON 345.00 345KV CKT 2'	956	0.08205	131.5549	'MATTHEWSON 345.00 - NORTHWEST 345KV CKT 1 & CIMARRON - MATTHEWSON 345.00 345KV CKT 1'
	FDNS	00NR		1 18SP	G11_014	'TO->FROM'	'CIMARRON - MATTHEWSON 345.00 345KV CKT 2'	956	0.10753	101.7809	'MATTHEWSON 345.00 - NORTHWEST 345KV CKT 1 & CIMARRON - MATTHEWSON 345.00 345KV CKT 1'
	FDNS	02NR		1 13G	G11_014	'TO->FROM'	'CIMARRON - MATTHEWSON 345.00 345KV CKT 2'	956	0.09604	107.0354	'MATTHEWSON 345.00 - NORTHWEST 345KV CKT 1 & CIMARRON - MATTHEWSON 345.00 345KV CKT 1'
	FDNS	02G11_014		1 13G	G11_014	'TO->FROM'	'CIMARRON - MATTHEWSON 345.00 345KV CKT 2'	956	0.18049	109.2547	'MATTHEWSON 345.00 - NORTHWEST 345KV CKT 1 & CIMARRON - MATTHEWSON 345.00 345KV CKT 1'
	FDNS	00NR		1 18WP	G11_014	'TO->FROM'	'CIMARRON - MATTHEWSON 345.00 345KV CKT 2'	956	0.10257	126.7227	'MATTHEWSON 345.00 - NORTHWEST 345KV CKT 1 & CIMARRON - MATTHEWSON 345.00 345KV CKT 1'
	FDNS	00NR		1 13WP	G11_014	'TO->FROM'	'CIMARRON - MATTHEWSON 345.00 345KV CKT 2'	956	0.08801	131.5264	'MATTHEWSON 345.00 - NORTHWEST 345KV CKT 1 & CIMARRON - MATTHEWSON 345.00 345KV CKT 1'
	FDNS	00NR		1 13SP	G11_014	'TO->FROM'	'CIMARRON - MATTHEWSON 345.00 345KV CKT 2'	956	0.09651	131.5549	'MATTHEWSON 345.00 - NORTHWEST 345KV CKT 1 & CIMARRON - MATTHEWSON 345.00 345KV CKT 1'

EVENTTYPE	SOLUTIONTYPE	GROUP	SCENARIO	SEASON	SOURCE	DIRECTION	MONITORED ELEMENT	RATEB (MVA)	TDF	TC%LOADING (%MVA)	CONTINGENCY
	FDNS	00NR		1 13WP	G11_024	'TO->FROM'	'CIMARRON - MATTHEWSON 345.00 345KV CKT 2'	956	0.46972	131.5264	'MATTHEWSON 345.00 - NORTHWEST 345KV CKT 1 & CIMARRON - MATTHEWSON 345.00 345KV CKT 1'
	FDNS	00NR		1 13SP	G11_024	'TO->FROM'	'CIMARRON - MATTHEWSON 345.00 345KV CKT 2'	956	0.46792	131.5549	'MATTHEWSON 345.00 - NORTHWEST 345KV CKT 1 & CIMARRON - MATTHEWSON 345.00 345KV CKT 1'
	FDNS	01NR		1 13G	G11_024	'TO->FROM'	'CIMARRON - MATTHEWSON 345.00 345KV CKT 2'	956	0.49736	133.9679	'MATTHEWSON 345.00 - NORTHWEST 345KV CKT 1 & CIMARRON - MATTHEWSON 345.00 345KV CKT 1'
	FDNS	01G11_024		1 13G	G11_024	'TO->FROM'	'CIMARRON - MATTHEWSON 345.00 345KV CKT 2'	956	0.4146	137.0004	'MATTHEWSON 345.00 - NORTHWEST 345KV CKT 1 & CIMARRON - MATTHEWSON 345.00 345KV CKT 1'
NCONV	FNSL-Blown up	00G11_008		1 13SP	G11_008		'CLARKCOUNTY7345.00 - G10-53 345.00 345KV CKT 1 & CLARKCOUNTY7345.00 - G11-008 345.00 345KV CKT 1'	0	1	9999	'BASE CASE'
NCONV	FNSL-Blown up	00G11_008		1 18SP	G11_008		'CLARKCOUNTY7345.00 - G10-53 345.00 345KV CKT 1 & CLARKCOUNTY7345.00 - G11-008 345.00 345KV CKT 1'	0	1	9999	'BASE CASE'
NCONV	FNSL-Blown up	00G11_008		1 18WP	G11_008		'CLARKCOUNTY7345.00 - G10-53 345.00 345KV CKT 1 & CLARKCOUNTY7345.00 - G11-008 345.00 345KV CKT 1'	0	1	9999	'BASE CASE'
NCONV	FNSL-Blown up	00G11_008		1 13SP	G11_008		'CLARKCOUNTY7345.00 - G11-008 345.00 345KV CKT 1 & CLARKCOUNTY7345.00 - G11_023_1 345.00 345KV CKT 1'	0	1	9999	'BASE CASE'
NCONV	FNSL-Blown up	00G11_008		1 13WP	G11_008		'CLARKCOUNTY7345.00 - G11-008 345.00 345KV CKT 1 & CLARKCOUNTY7345.00 - G11_023_1 345.00 345KV CKT 1'	0	1	9999	'BASE CASE'
NCONV	FNSL-Blown up	00G11_008		1 18SP	G11_008		'CLARKCOUNTY7345.00 - G11-008 345.00 345KV CKT 1 & CLARKCOUNTY7345.00 - G11_023_1 345.00 345KV CKT 1'	0	1	9999	'BASE CASE'
NCONV	FNSL-Blown up	00G11_008		1 18WP	G11_008		'CLARKCOUNTY7345.00 - G11-008 345.00 345KV CKT 1 & CLARKCOUNTY7345.00 - G11_023_1 345.00 345KV CKT 1'	0	1	9999	'BASE CASE'
NCONV	FNSL-Blown up	00G11_008		1 23SP	G11_008		'CLARKCOUNTY7345.00 - G11-008 345.00 345KV CKT 1 & CLARKCOUNTY7345.00 - G11_023_1 345.00 345KV CKT 1'	0	1	9999	'BASE CASE'
NCONV	FNSL-Blown up	03G11_008		1 13G	G11_008		'CLARKCOUNTY7345.00 - G11-008 345.00 345KV CKT 1 & CLARKCOUNTY7345.00 - G11_023_1 345.00 345KV CKT 1'	0	1	9999	'BASE CASE'
NCONV	FNSL-Blown up	00G11_023		1 13SP	G11_023		'CLARKCOUNTY7345.00 - G11-008 345.00 345KV CKT 1 & CLARKCOUNTY7345.00 - G11_023_1 345.00 345KV CKT 1'	0	1	9999	'BASE CASE'
NCONV	FNSL-Blown up	00G11_023		1 13WP	G11_023		'CLARKCOUNTY7345.00 - G11-008 345.00 345KV CKT 1 & CLARKCOUNTY7345.00 - G11_023_1 345.00 345KV CKT 1'	0	1	9999	'BASE CASE'
NCONV	FNSL-Blown up	00G11_023		1 18SP	G11_023		'CLARKCOUNTY7345.00 - G11-008 345.00 345KV CKT 1 & CLARKCOUNTY7345.00 - G11_023_1 345.00 345KV CKT 1'	0	1	9999	'BASE CASE'
NCONV	FNSL-Blown up	00G11_023		1 18WP	G11_023		'CLARKCOUNTY7345.00 - G11-008 345.00 345KV CKT 1 & CLARKCOUNTY7345.00 - G11_023_1 345.00 345KV CKT 1'	0	1	9999	'BASE CASE'
NCONV	FNSL-Blown up	00G11_023		1 23SP	G11_023		'CLARKCOUNTY7345.00 - G11-008 345.00 345KV CKT 1 & CLARKCOUNTY7345.00 - G11_023_1 345.00 345KV CKT 1'	0	1	9999	'BASE CASE'
NCONV	FNSL-Blown up	03G11_023		1 13G	G11_023		'CLARKCOUNTY7345.00 - G11-008 345.00 345KV CKT 1 & CLARKCOUNTY7345.00 - G11_023_1 345.00 345KV CKT 1'	0	1	9999	'BASE CASE'
NCONV	FNSL-Blown up	03NR		1 13G	G11_023		'CLARKCOUNTY7345.00 - G11-008 345.00 345KV CKT 1 & CLARKCOUNTY7345.00 - G11_023_1 345.00 345KV CKT 1'	0	1	9999	'BASE CASE'
NCONV	FNSL-Blown up	03G10_029		1 13G	G10_029		'CLARKCOUNTY7345.00 - SPEARVILLE 345KV CKT 1 & CLARKCOUNTY7345.00 - G11-008 345.00 345KV CKT 1'	0	0.1468	9999	'BASE CASE'
NCONV	FNSL-Blown up	03NR		1 13G	G10_029		'CLARKCOUNTY7345.00 - SPEARVILLE 345KV CKT 1 & CLARKCOUNTY7345.00 - G11-008 345.00 345KV CKT 1'	0	0.04517	9999	'BASE CASE'
NCONV	FNSL-Blown up	00G11_008		1 18WP	G11_008		'CLARKCOUNTY7345.00 - SPEARVILLE 345KV CKT 1 & CLARKCOUNTY7345.00 - G11-008 345.00 345KV CKT 1'	0	1.28056	9999	'BASE CASE'
NCONV	FNSL-Blown up	03NR		1 13G	G11_016		'CLARKCOUNTY7345.00 - SPEARVILLE 345KV CKT 1 & CLARKCOUNTY7345.00 - G11-008 345.00 345KV CKT 1'	0	0.04517	9999	'BASE CASE'

EVENTTYPE	SOLUTIONTYPE	GROUP	SCENARIO	SEASON	SOURCE	DIRECTION	MONITORED ELEMENT	RATEB (MVA)	TDF	TC%LOADING (%MVA)	CONTINGENCY
NCONV	FNSL-Blown up	00G11_023		1 18WP	G11_023		'CLARKCOUNTY7345.00 - SPEARVILLE 345KV CKT 1 &CLARKCOUNTY7345.00 - G11-008 345.00 345KV CKT 1'	0	0.28056	9999	'BASE CASE'
NCONV	FNSL-Blown up	03G10_029		1 13G	G10_029		'CLARKCOUNTY7345.00 - SPEARVILLE 345KV CKT 2 &CLARKCOUNTY7345.00 - G11-008 345.00 345KV CKT 1'	0	0.1468	9999	'BASE CASE'
NCONV	FNSL-Blown up	03NR		1 13G	G10_029		'CLARKCOUNTY7345.00 - SPEARVILLE 345KV CKT 2 &CLARKCOUNTY7345.00 - G11-008 345.00 345KV CKT 1'	0	0.04517	9999	'BASE CASE'
NCONV	FNSL-Blown up	00G11_008		1 18WP	G11_008		'CLARKCOUNTY7345.00 - SPEARVILLE 345KV CKT 2 &CLARKCOUNTY7345.00 - G11-008 345.00 345KV CKT 1'	0	1.28056	9999	'BASE CASE'
NCONV	FNSL-Blown up	03NR		1 13G	G11_016		'CLARKCOUNTY7345.00 - SPEARVILLE 345KV CKT 2 &CLARKCOUNTY7345.00 - G11-008 345.00 345KV CKT 1'	0	0.04517	9999	'BASE CASE'
NCONV	FNSL-Blown up	00G11_023		1 18WP	G11_023		'CLARKCOUNTY7345.00 - SPEARVILLE 345KV CKT 2 &CLARKCOUNTY7345.00 - G11-008 345.00 345KV CKT 1'	0	0.28056	9999	'BASE CASE'
NCONV	FNSL-Blown up	03G10_029		1 13G	G10_029		'CLARKCOUNTY7345.00 - THISTLE7 345.00 345KV CKT 1 &CLARKCOUNTY7345.00 - G11-008 345.00 345KV CKT 1'	0	0.1468	9999	'BASE CASE'
NCONV	FNSL-Blown up	03NR		1 13G	G10_029		'CLARKCOUNTY7345.00 - THISTLE7 345.00 345KV CKT 1 &CLARKCOUNTY7345.00 - G11-008 345.00 345KV CKT 1'	0	0.04517	9999	'BASE CASE'
NCONV	FNSL-Blown up	00G11_008		1 13WP	G11_008		'CLARKCOUNTY7345.00 - THISTLE7 345.00 345KV CKT 1 &CLARKCOUNTY7345.00 - G11-008 345.00 345KV CKT 1'	0	1.22023	9999	'BASE CASE'
NCONV	FNSL-Blown up	00G11_008		1 18SP	G11_008		'CLARKCOUNTY7345.00 - THISTLE7 345.00 345KV CKT 1 &CLARKCOUNTY7345.00 - G11-008 345.00 345KV CKT 1'	0	1.22037	9999	'BASE CASE'
NCONV	FNSL-Blown up	00G11_008		1 23SP	G11_008		'CLARKCOUNTY7345.00 - THISTLE7 345.00 345KV CKT 1 &CLARKCOUNTY7345.00 - G11-008 345.00 345KV CKT 1'	0	1.22076	9999	'BASE CASE'
NCONV	FNSL-Blown up	03NR		1 13G	G11_016		'CLARKCOUNTY7345.00 - THISTLE7 345.00 345KV CKT 1 &CLARKCOUNTY7345.00 - G11-008 345.00 345KV CKT 1'	0	0.04517	9999	'BASE CASE'
NCONV	FNSL-Blown up	00G11_023		1 13WP	G11_023		'CLARKCOUNTY7345.00 - THISTLE7 345.00 345KV CKT 1 &CLARKCOUNTY7345.00 - G11-008 345.00 345KV CKT 1'	0	0.22023	9999	'BASE CASE'
NCONV	FNSL-Blown up	00G11_023		1 18SP	G11_023		'CLARKCOUNTY7345.00 - THISTLE7 345.00 345KV CKT 1 &CLARKCOUNTY7345.00 - G11-008 345.00 345KV CKT 1'	0	0.22037	9999	'BASE CASE'
NCONV	FNSL-Blown up	00G11_023		1 23SP	G11_023		'CLARKCOUNTY7345.00 - THISTLE7 345.00 345KV CKT 1 &CLARKCOUNTY7345.00 - G11-008 345.00 345KV CKT 1'	0	0.22076	9999	'BASE CASE'
NCONV	FNSL-Blown up	03NR		1 13G	G11_023		'CLARKCOUNTY7345.00 - THISTLE7 345.00 345KV CKT 1 &CLARKCOUNTY7345.00 - G11-008 345.00 345KV CKT 1'	0	0.1179	9999	'BASE CASE'
NCONV	FNSL-Blown up	03G10_029		1 13G	G10_029		'CLARKCOUNTY7345.00 - THISTLE7 345.00 345KV CKT 2 &CLARKCOUNTY7345.00 - G11-008 345.00 345KV CKT 1'	0	0.1468	9999	'BASE CASE'
NCONV	FNSL-Blown up	03NR		1 13G	G10_029		'CLARKCOUNTY7345.00 - THISTLE7 345.00 345KV CKT 2 &CLARKCOUNTY7345.00 - G11-008 345.00 345KV CKT 1'	0	0.04517	9999	'BASE CASE'
NCONV	FNSL-Blown up	00G11_008		1 13WP	G11_008		'CLARKCOUNTY7345.00 - THISTLE7 345.00 345KV CKT 2 &CLARKCOUNTY7345.00 - G11-008 345.00 345KV CKT 1'	0	1.22023	9999	'BASE CASE'
NCONV	FNSL-Blown up	00G11_008		1 18SP	G11_008		'CLARKCOUNTY7345.00 - THISTLE7 345.00 345KV CKT 2 &CLARKCOUNTY7345.00 - G11-008 345.00 345KV CKT 1'	0	1.22037	9999	'BASE CASE'
NCONV	FNSL-Blown up	00G11_008		1 23SP	G11_008		'CLARKCOUNTY7345.00 - THISTLE7 345.00 345KV CKT 2 &CLARKCOUNTY7345.00 - G11-008 345.00 345KV CKT 1'	0	1.22076	9999	'BASE CASE'
NCONV	FNSL-Blown up	03NR		1 13G	G11_016		'CLARKCOUNTY7345.00 - THISTLE7 345.00 345KV CKT 2 &CLARKCOUNTY7345.00 - G11-008 345.00 345KV CKT 1'	0	0.04517	9999	'BASE CASE'
NCONV	FNSL-Blown up	00G11_023		1 13WP	G11_023		'CLARKCOUNTY7345.00 - THISTLE7 345.00 345KV CKT 2 &CLARKCOUNTY7345.00 - G11-008 345.00 345KV CKT 1'	0	0.22023	9999	'BASE CASE'
NCONV	FNSL-Blown up	00G11_023		1 18SP	G11_023		'CLARKCOUNTY7345.00 - THISTLE7 345.00 345KV CKT 2 &CLARKCOUNTY7345.00 - G11-008 345.00 345KV CKT 1'	0	0.22037	9999	'BASE CASE'
NCONV	FNSL-Blown up	00G11_023		1 23SP	G11_023		'CLARKCOUNTY7345.00 - THISTLE7 345.00 345KV CKT 2 &CLARKCOUNTY7345.00 - G11-008 345.00 345KV CKT 1'	0	0.22076	9999	'BASE CASE'
NCONV	FNSL-Blown up	03NR		1 13G	G11_023		'CLARKCOUNTY7345.00 - THISTLE7 345.00 345KV CKT 2 &CLARKCOUNTY7345.00 - G11-008 345.00 345KV CKT 1'	0	0.1179	9999	'BASE CASE'
	FDNS	00G11_008		1 13SP	G11_008	'TO->FROM'	'CLEARWATER - MILAN TAP 138KV CKT 1'	110	0.04012	102.3652	'THISTLE7 345.00 - WICHITA 345KV CKT 1 & THISTLE7 345.00 - WICHITA 345KV CKT 2'
	FDNS	03G11_008		1 13G	G11_008	'TO->FROM'	'CLEARWATER - MILAN TAP 138KV CKT 1'	110	0.03211	140.6944	'THISTLE7 345.00 - WICHITA 345KV CKT 1 & THISTLE7 345.00 - WICHITA 345KV CKT 2'
	FDNS	00G11_014		1 13WP	G11_014	'TO->FROM'	'CLEARWATER - MILAN TAP 138KV CKT 1'	110	0.03061	100.2362	'THISTLE7 345.00 - WICHITA 345KV CKT 1 & THISTLE7 345.00 - WICHITA 345KV CKT 2'
	FDNS	00G11_014		1 13SP	G11_014	'TO->FROM'	'CLEARWATER - MILAN TAP 138KV CKT 1'	110	0.03015	102.6452	'THISTLE7 345.00 - WICHITA 345KV CKT 1 & THISTLE7 345.00 - WICHITA 345KV CKT 2'
	FDNS	00G11_019		1 18WP	G11_019	'TO->FROM'	'CLEARWATER - MILAN TAP 138KV CKT 1'	110	0.03242	103.2479	'THISTLE7 345.00 - WICHITA 345KV CKT 1 & THISTLE7 345.00 - WICHITA 345KV CKT 2'

EVENTTYPE	SOLUTIONTYPE	GROUP	SCENARIO	SEASON	SOURCE	DIRECTION	MONITORED ELEMENT	RATEB (MVA)	TDF	TC%LOADING (%MVA)	CONTINGENCY
	FDNS	00G11_019		1 13WP	G11_019	'TO->FROM'	'CLEARWATER - MILAN TAP 138KV CKT 1'	110	0.03133	103.4739	'THISTLE7 345.00 - WICHITA 345KV CKT 1 & THISTLE7 345.00 - WICHITA 345KV CKT 2'
	FDNS	00G11_019		1 13SP	G11_019	'TO->FROM'	'CLEARWATER - MILAN TAP 138KV CKT 1'	110	0.03087	105.4814	'THISTLE7 345.00 - WICHITA 345KV CKT 1 & THISTLE7 345.00 - WICHITA 345KV CKT 2'
	FDNS	00NR		1 18SP	G11_019	'TO->FROM'	'CLEARWATER - MILAN TAP 138KV CKT 1'	110	0.03583	120.7905	'THISTLE7 345.00 - WICHITA 345KV CKT 1 & THISTLE7 345.00 - WICHITA 345KV CKT 2'
	FDNS	00NR		1 18WP	G11_019	'TO->FROM'	'CLEARWATER - MILAN TAP 138KV CKT 1'	110	0.03724	148.192	'THISTLE7 345.00 - WICHITA 345KV CKT 1 & THISTLE7 345.00 - WICHITA 345KV CKT 2'
	FDNS	00NR		1 13SP	G11_019	'TO->FROM'	'CLEARWATER - MILAN TAP 138KV CKT 1'	110	0.03617	151.8393	'THISTLE7 345.00 - WICHITA 345KV CKT 1 & THISTLE7 345.00 - WICHITA 345KV CKT 2'
	FDNS	00NR		1 13WP	G11_019	'TO->FROM'	'CLEARWATER - MILAN TAP 138KV CKT 1'	110	0.03696	152.247	'THISTLE7 345.00 - WICHITA 345KV CKT 1 & THISTLE7 345.00 - WICHITA 345KV CKT 2'
	FDNS	00G11_020		1 18WP	G11_020	'TO->FROM'	'CLEARWATER - MILAN TAP 138KV CKT 1'	110	0.03242	103.2479	'THISTLE7 345.00 - WICHITA 345KV CKT 1 & THISTLE7 345.00 - WICHITA 345KV CKT 2'
	FDNS	00G11_020		1 13WP	G11_020	'TO->FROM'	'CLEARWATER - MILAN TAP 138KV CKT 1'	110	0.03133	103.4739	'THISTLE7 345.00 - WICHITA 345KV CKT 1 & THISTLE7 345.00 - WICHITA 345KV CKT 2'
	FDNS	00G11_020		1 13SP	G11_020	'TO->FROM'	'CLEARWATER - MILAN TAP 138KV CKT 1'	110	0.03087	105.4814	'THISTLE7 345.00 - WICHITA 345KV CKT 1 & THISTLE7 345.00 - WICHITA 345KV CKT 2'
	FDNS	00NR		1 18SP	G11_020	'TO->FROM'	'CLEARWATER - MILAN TAP 138KV CKT 1'	110	0.03583	120.7905	'THISTLE7 345.00 - WICHITA 345KV CKT 1 & THISTLE7 345.00 - WICHITA 345KV CKT 2'
	FDNS	00NR		1 18WP	G11_020	'TO->FROM'	'CLEARWATER - MILAN TAP 138KV CKT 1'	110	0.03724	148.192	'THISTLE7 345.00 - WICHITA 345KV CKT 1 & THISTLE7 345.00 - WICHITA 345KV CKT 2'
	FDNS	00NR		1 13SP	G11_020	'TO->FROM'	'CLEARWATER - MILAN TAP 138KV CKT 1'	110	0.03617	151.8393	'THISTLE7 345.00 - WICHITA 345KV CKT 1 & THISTLE7 345.00 - WICHITA 345KV CKT 2'
	FDNS	00NR		1 13WP	G11_020	'TO->FROM'	'CLEARWATER - MILAN TAP 138KV CKT 1'	110	0.03696	152.247	'THISTLE7 345.00 - WICHITA 345KV CKT 1 & THISTLE7 345.00 - WICHITA 345KV CKT 2'
	FDNS	00G11_021		1 13WP	G11_021	'TO->FROM'	'CLEARWATER - MILAN TAP 138KV CKT 1'	110	0.03061	100.2362	'THISTLE7 345.00 - WICHITA 345KV CKT 1 & THISTLE7 345.00 - WICHITA 345KV CKT 2'
	FDNS	00G11_021		1 13SP	G11_021	'TO->FROM'	'CLEARWATER - MILAN TAP 138KV CKT 1'	110	0.03015	102.6452	'THISTLE7 345.00 - WICHITA 345KV CKT 1 & THISTLE7 345.00 - WICHITA 345KV CKT 2'
	FDNS	00G11_022		1 13WP	G11_022	'TO->FROM'	'CLEARWATER - MILAN TAP 138KV CKT 1'	110	0.03116	105.7678	'THISTLE7 345.00 - WICHITA 345KV CKT 1 & THISTLE7 345.00 - WICHITA 345KV CKT 2'
	FDNS	00G11_022		1 13SP	G11_022	'TO->FROM'	'CLEARWATER - MILAN TAP 138KV CKT 1'	110	0.03071	107.7773	'THISTLE7 345.00 - WICHITA 345KV CKT 1 & THISTLE7 345.00 - WICHITA 345KV CKT 2'
	FDNS	00G11_023		1 13SP	G11_023	'TO->FROM'	'CLEARWATER - MILAN TAP 138KV CKT 1'	110	0.04012	102.3652	'THISTLE7 345.00 - WICHITA 345KV CKT 1 & THISTLE7 345.00 - WICHITA 345KV CKT 2'
	FDNS	03G11_023		1 13G	G11_023	'TO->FROM'	'CLEARWATER - MILAN TAP 138KV CKT 1'	110	0.03212	138.8951	'THISTLE7 345.00 - WICHITA 345KV CKT 1 & THISTLE7 345.00 - WICHITA 345KV CKT 2'
	FDNS	01NR		1 13G	G11_019	'TO->FROM'	'CLEO CORNER - GLASS MOUNTAIN 138KV CKT 1'	153	0.04327	104.0229	'MATTHEWSON 345.00 - TATONGA7 345.00 345KV CKT 1 & MATTHEWSON 345.00 - TATONGA7 345.00 345KV CKT 2'
	FDNS	01NR		1 13G	G11_020	'TO->FROM'	'CLEO CORNER - GLASS MOUNTAIN 138KV CKT 1'	153	0.04327	104.0229	'MATTHEWSON 345.00 - TATONGA7 345.00 345KV CKT 1 & MATTHEWSON 345.00 - TATONGA7 345.00 345KV CKT 2'
	FDNS	01G11_020		1 13G	G11_020	'TO->FROM'	'CLEO CORNER - GLASS MOUNTAIN 138KV CKT 1'	153	0.03275	104.7216	'MATTHEWSON 345.00 - TATONGA7 345.00 345KV CKT 1 & MATTHEWSON 345.00 - TATONGA7 345.00 345KV CKT 2'
	FDNS	01NR		1 13G	G11_024	'TO->FROM'	'CLEO CORNER - GLASS MOUNTAIN 138KV CKT 1'	153	0.04327	104.0229	'MATTHEWSON 345.00 - TATONGA7 345.00 345KV CKT 1 & MATTHEWSON 345.00 - TATONGA7 345.00 345KV CKT 2'
	FDNS		0	1 18SP	G10_020	'FROM->TO'	'CURRY COUNTY INTERCHANGE - DEAF SMITH REC-#20 115KV CKT 1'	96	0.05283	100.3311	'DEAF SMITH COUNTY INTERCHANGE - PLANT X STATION 230KV CKT 1 & BUFFALO 230.00 - DEAF SMITH COUNTY INTERCHANGE 230KV CKT 1'
	FDNS	00G10_020		1 18SP	G10_020	'FROM->TO'	'CURRY COUNTY INTERCHANGE - DEAF SMITH REC-#20 115KV CKT 1'	96	0.05283	100.3311	'DEAF SMITH COUNTY INTERCHANGE - PLANT X STATION 230KV CKT 1 & BUFFALO 230.00 - DEAF SMITH COUNTY INTERCHANGE 230KV CKT 1'
	FDNS		0	1 23SP	G10_020	'FROM->TO'	'CURRY COUNTY INTERCHANGE - DEAF SMITH REC-#20 115KV CKT 1'	96	0.04682	105.6715	'DEAF SMITH COUNTY INTERCHANGE - PLANT X STATION 230KV CKT 1 & BUFFALO 230.00 - DEAF SMITH COUNTY INTERCHANGE 230KV CKT 1'
	FDNS	00G10_020		1 23SP	G10_020	'FROM->TO'	'CURRY COUNTY INTERCHANGE - DEAF SMITH REC-#20 115KV CKT 1'	96	0.04682	105.6715	'DEAF SMITH COUNTY INTERCHANGE - PLANT X STATION 230KV CKT 1 & BUFFALO 230.00 - DEAF SMITH COUNTY INTERCHANGE 230KV CKT 1'

EVENTTYPE	SOLUTIONTYPE	GROUP	SCENARIO	SEASON	SOURCE	DIRECTION	MONITORED ELEMENT	RATEB (MVA)	TDF	TC%LOADING (%MVA)	CONTINGENCY
	FDNS	0	1	18SP	G10_058	'FROM->TO'	'CURRY COUNTY INTERCHANGE - DEAF SMITH REC-#20 115KV CKT 1'	96	0.05396	100.3311	'DEAF SMITH COUNTY INTERCHANGE - PLANT X STATION 230KV CKT 1 & BUFFALO 230.00 - DEAF SMITH COUNTY INTERCHANGE 230KV CKT 1'
	FDNS	00G10_058	1	18SP	G10_058	'FROM->TO'	'CURRY COUNTY INTERCHANGE - DEAF SMITH REC-#20 115KV CKT 1'	96	0.05396	100.3311	'DEAF SMITH COUNTY INTERCHANGE - PLANT X STATION 230KV CKT 1 & BUFFALO 230.00 - DEAF SMITH COUNTY INTERCHANGE 230KV CKT 1'
	FDNS	0	1	23SP	G10_058	'FROM->TO'	'CURRY COUNTY INTERCHANGE - DEAF SMITH REC-#20 115KV CKT 1'	96	0.04804	105.6715	'DEAF SMITH COUNTY INTERCHANGE - PLANT X STATION 230KV CKT 1 & BUFFALO 230.00 - DEAF SMITH COUNTY INTERCHANGE 230KV CKT 1'
	FDNS	00G10_058	1	23SP	G10_058	'FROM->TO'	'CURRY COUNTY INTERCHANGE - DEAF SMITH REC-#20 115KV CKT 1'	96	0.04804	105.6715	'DEAF SMITH COUNTY INTERCHANGE - PLANT X STATION 230KV CKT 1 & BUFFALO 230.00 - DEAF SMITH COUNTY INTERCHANGE 230KV CKT 1'
	FDNS	00NR	1	18SP	G11_007	'TO->FROM'	'DIVISION AVE - HAYMAKER 138KV CKT 1'	308	0.07559	100.6066	'CIMARRON'
	FDNS	00NR	1	23SP	G11_007	'TO->FROM'	'DIVISION AVE - HAYMAKER 138KV CKT 1'	308	0.07082	100.6582	'CIMARRON'
	FDNS	00NR	1	13WP	G11_007	'TO->FROM'	'DIVISION AVE - HAYMAKER 138KV CKT 1'	375	0.0617	107.2829	'CIMARRON'
	FDNS	01G11_007	1	13G	G11_007	'TO->FROM'	'DIVISION AVE - HAYMAKER 138KV CKT 1'	308	0.05402	117.8378	'CIMARRON'
	FDNS	01NR	1	13G	G11_007	'TO->FROM'	'DIVISION AVE - HAYMAKER 138KV CKT 1'	308	0.0708	122.4165	'CIMARRON'
	FDNS	01G11_010	1	13G	G11_010	'TO->FROM'	'DIVISION AVE - HAYMAKER 138KV CKT 1'	308	0.08288	116.2624	'CIMARRON'
	FDNS	00NR	1	18SP	G11_019	'TO->FROM'	'DIVISION AVE - HAYMAKER 138KV CKT 1'	308	0.05584	100.6066	'CIMARRON'
	FDNS	00NR	1	23SP	G11_019	'TO->FROM'	'DIVISION AVE - HAYMAKER 138KV CKT 1'	308	0.05925	100.6582	'CIMARRON'
	FDNS	00NR	1	13WP	G11_019	'TO->FROM'	'DIVISION AVE - HAYMAKER 138KV CKT 1'	375	0.03949	107.2829	'CIMARRON'
	FDNS	01NR	1	13G	G11_019	'TO->FROM'	'DIVISION AVE - HAYMAKER 138KV CKT 1'	308	0.05061	122.4165	'CIMARRON'
	FDNS	00NR	1	18SP	G11_020	'TO->FROM'	'DIVISION AVE - HAYMAKER 138KV CKT 1'	308	0.05584	100.6066	'CIMARRON'
	FDNS	00NR	1	23SP	G11_020	'TO->FROM'	'DIVISION AVE - HAYMAKER 138KV CKT 1'	308	0.05925	100.6582	'CIMARRON'
	FDNS	00NR	1	13WP	G11_020	'TO->FROM'	'DIVISION AVE - HAYMAKER 138KV CKT 1'	375	0.03949	107.2829	'CIMARRON'
	FDNS	01G11_020	1	13G	G11_020	'TO->FROM'	'DIVISION AVE - HAYMAKER 138KV CKT 1'	308	0.03389	119.0365	'CIMARRON'
	FDNS	01NR	1	13G	G11_020	'TO->FROM'	'DIVISION AVE - HAYMAKER 138KV CKT 1'	308	0.05061	122.4165	'CIMARRON'
	FDNS	00NR	1	18SP	G11_024	'TO->FROM'	'DIVISION AVE - HAYMAKER 138KV CKT 1'	308	0.0679	100.6066	'CIMARRON'
	FDNS	00NR	1	23SP	G11_024	'TO->FROM'	'DIVISION AVE - HAYMAKER 138KV CKT 1'	308	0.06616	100.6582	'CIMARRON'
	FDNS	00NR	1	13WP	G11_024	'TO->FROM'	'DIVISION AVE - HAYMAKER 138KV CKT 1'	375	0.05306	107.2829	'CIMARRON'
	FDNS	01G11_024	1	13G	G11_024	'TO->FROM'	'DIVISION AVE - HAYMAKER 138KV CKT 1'	308	0.04621	120.435	'CIMARRON'
	FDNS	01NR	1	13G	G11_024	'TO->FROM'	'DIVISION AVE - HAYMAKER 138KV CKT 1'	308	0.06294	122.4165	'CIMARRON'
	FDNS	00NR	1	23SP	G11_007	'FROM->TO'	'DIVISION AVE - LAKESIDE 138KV CKT 1'	308	0.03286	101	'BUS21'
	FDNS	00NR	1	23SP	G11_024	'FROM->TO'	'DIVISION AVE - LAKESIDE 138KV CKT 1'	308	0.03087	101	'BUS21'
	FDNS	01G11_007	1	13G	G11_007	'FROM->TO'	'DIVISION AVE - MUSTANG 138KV CKT 1'	287	0.04804	104.7429	'CIMARRON'
	FDNS	01NR	1	13G	G11_007	'FROM->TO'	'DIVISION AVE - MUSTANG 138KV CKT 1'	287	0.05931	107.9869	'CIMARRON'
	FDNS	00NR	1	13WP	G11_007	'FROM->TO'	'DIVISION AVE - MUSTANG 138KV CKT 1'	287	0.04545	130.0938	'CIMARRON'
	FDNS	00NR	1	18WP	G11_007	'FROM->TO'	'DIVISION AVE - MUSTANG 138KV CKT 1'	287	0.04713	133.7781	'CIMARRON'
	FDNS	00NR	1	13SP	G11_007	'FROM->TO'	'DIVISION AVE - MUSTANG 138KV CKT 1'	287	0.04711	134.2181	'CIMARRON'
	FDNS	01G11_010	1	13G	G11_010	'FROM->TO'	'DIVISION AVE - MUSTANG 138KV CKT 1'	287	0.05386	103.1564	'CIMARRON'
	FDNS	01NR	1	13G	G11_019	'FROM->TO'	'DIVISION AVE - MUSTANG 138KV CKT 1'	287	0.03612	107.9869	'CIMARRON'
	FDNS	01NR	1	13G	G11_020	'FROM->TO'	'DIVISION AVE - MUSTANG 138KV CKT 1'	287	0.03612	107.9869	'CIMARRON'
	FDNS	00G11_024	1	13WP	G11_024	'FROM->TO'	'DIVISION AVE - MUSTANG 138KV CKT 1'	287	0.0359	102.8713	'CIMARRON'
	FNSL	00G11_024	1	13SP	G11_024	'FROM->TO'	'DIVISION AVE - MUSTANG 138KV CKT 1'	287	0.03872	104.2554	'CIMARRON'
	FDNS	00G11_024	1	18WP	G11_024	'FROM->TO'	'DIVISION AVE - MUSTANG 138KV CKT 1'	287	0.03841	106.6928	'CIMARRON'
	FDNS	01G11_024	1	13G	G11_024	'FROM->TO'	'DIVISION AVE - MUSTANG 138KV CKT 1'	287	0.03907	106.8321	'CIMARRON'
	FDNS	01NR	1	13G	G11_024	'FROM->TO'	'DIVISION AVE - MUSTANG 138KV CKT 1'	287	0.05028	107.9869	'CIMARRON'
	FDNS	00NR	1	13WP	G11_024	'FROM->TO'	'DIVISION AVE - MUSTANG 138KV CKT 1'	287	0.03599	130.0938	'CIMARRON'
	FDNS	00NR	1	18WP	G11_024	'FROM->TO'	'DIVISION AVE - MUSTANG 138KV CKT 1'	287	0.03737	133.7781	'CIMARRON'
	FDNS	00NR	1	13SP	G11_024	'FROM->TO'	'DIVISION AVE - MUSTANG 138KV CKT 1'	287	0.03694	134.2181	'CIMARRON'
	FDNS	0	1	18SP	G11_011	'TO->FROM'	'EAST MANHATTAN - JEFFREY ENERGY CENTER 230KV CKT 1'	446	0.04004	115.4791	'JEFFREY ENERGY CENTER - MORRIS COUNTY 345KV CKT 1 & JEFFREY ENERGY CENTER - SUMMIT 345KV CKT 1'
	FDNS	00G11_011	1	18SP	G11_011	'TO->FROM'	'EAST MANHATTAN - JEFFREY ENERGY CENTER 230KV CKT 1'	446	0.04004	115.4791	'JEFFREY ENERGY CENTER - MORRIS COUNTY 345KV CKT 1 & JEFFREY ENERGY CENTER - SUMMIT 345KV CKT 1'
	FDNS	0	1	23SP	G11_011	'TO->FROM'	'EAST MANHATTAN - JEFFREY ENERGY CENTER 230KV CKT 1'	446	0.04036	119.4355	'JEFFREY ENERGY CENTER - MORRIS COUNTY 345KV CKT 1 & JEFFREY ENERGY CENTER - SUMMIT 345KV CKT 1'
	FDNS	00G11_011	1	23SP	G11_011	'TO->FROM'	'EAST MANHATTAN - JEFFREY ENERGY CENTER 230KV CKT 1'	446	0.04036	119.4355	'JEFFREY ENERGY CENTER - MORRIS COUNTY 345KV CKT 1 & JEFFREY ENERGY CENTER - SUMMIT 345KV CKT 1'
	FDNS	00ASGI_11_002	1	23SP	ASGI_2011_002	'FROM->TO'	'EAST PLANT INTERCHANGE - MANHATTAN SUB 115KV CKT 1'	154	0.04054	100	'Harrington Station Mid Bus - RANDALL COUNTY INTERCHANGE 230KV CKT 1 & AMARILLO SOUTH INTERCHANGE - RANDALL COUNTY INTERCHANGE 230KV C'

EVENTTYPE	SOLUTIONTYPE	GROUP	SCENARIO	SEASON	SOURCE	DIRECTION	MONITORED ELEMENT	RATEB (MVA)	TDF	TC%LOADING (%MVA)	CONTINGENCY
	FDNS	00NR		1 23SP	G11_012	'FROM->TO'	'EAST PLANT INTERCHANGE - MANHATTAN SUB 115KV CKT 1'	154	0.03939	106.6197	'Harrington Station Mid Bus - RANDALL COUNTY INTERCHANGE 230KV CKT 1 & AMARILLO SOUTH INTERCHANGE - RANDALL COUNTY INTERCHANGE 230KV C'
	FDNS	00NR		1 23SP	G11_022	'FROM->TO'	'EAST PLANT INTERCHANGE - MANHATTAN SUB 115KV CKT 1'	154	0.03348	106.6197	'Harrington Station Mid Bus - RANDALL COUNTY INTERCHANGE 230KV CKT 1 & AMARILLO SOUTH INTERCHANGE - RANDALL COUNTY INTERCHANGE 230KV C'
	FDNS	01NR		1 13G	G11_019	'TO->FROM'	'EL RENO - ROMAN NOSE 138KV CKT 1'	153	0.05173	116.5109	'MATTHEWSON 345.00 - TATONGA7 345.00 345KV CKT 1 & MATTHEWSON 345.00 - TATONGA7 345.00 345KV CKT 2'
	FDNS	01NR		1 13G	G11_020	'TO->FROM'	'EL RENO - ROMAN NOSE 138KV CKT 1'	153	0.05173	116.5109	'MATTHEWSON 345.00 - TATONGA7 345.00 345KV CKT 1 & MATTHEWSON 345.00 - TATONGA7 345.00 345KV CKT 2'
	FDNS	01G11_020		1 13G	G11_020	'TO->FROM'	'EL RENO - ROMAN NOSE 138KV CKT 1'	153	0.03921	117.7781	'MATTHEWSON 345.00 - TATONGA7 345.00 345KV CKT 1 & MATTHEWSON 345.00 - TATONGA7 345.00 345KV CKT 2'
	FDNS	01NR		1 13G	G11_024	'TO->FROM'	'EL RENO - ROMAN NOSE 138KV CKT 1'	153	0.05173	116.5109	'MATTHEWSON 345.00 - TATONGA7 345.00 345KV CKT 1 & MATTHEWSON 345.00 - TATONGA7 345.00 345KV CKT 2'
	FDNS	02G11_012		1 13G	G11_012	'FROM->TO'	'ELK CITY 230KV (ELKCTY-6) 230/138/13.8KV TRANSFORMER CKT 1'	287	0.06332	100	'LAWTON EASTSIDE - OKLAUNION 345KV CKT 1 & GRACEMONT - LAWTON EASTSIDE 345KV CKT 1'
	FDNS	02G11_012		1 13G	G11_012	'FROM->TO'	'ELK CITY 230KV (ELKCTY-6) 230/138/13.8KV TRANSFORMER CKT 1'	287	0.10478	105.5084	'BEAVER CO 345.00 - Hitchland Interchange 345KV CKT 1 & BEAVER CO 345.00 - Hitchland Interchange 345KV CKT 2'
	FDNS	02G11_012		1 13G	G11_012	'FROM->TO'	'ELK CITY 230KV (ELKCTY-6) 230/138/13.8KV TRANSFORMER CKT 1'	287	0.10478	106.7408	'BEAVER CO 345.00 - Hitchland Interchange 345KV CKT 1 & BEAVER CO 345.00 - Hitchland Interchange 345KV CKT 2'
	FDNS	02G11_012		1 13G	G11_012	'FROM->TO'	'ELK CITY 230KV (ELKCTY-6) 230/138/13.8KV TRANSFORMER CKT 1'	287	0.08384	113.0385	'BEAVER CO 345.00 - WOODWARD DISTRICT EHV 345KV CKT 1 & BEAVER CO 345.00 - WOODWARD DISTRICT EHV 345KV CKT 2'
	FDNS	02G11_012		1 13G	G11_012	'FROM->TO'	'ELK CITY 230KV (ELKCTY-6) 230/138/13.8KV TRANSFORMER CKT 1'	287	0.08384	114.9728	'BEAVER CO 345.00 - WOODWARD DISTRICT EHV 345KV CKT 1 & BEAVER CO 345.00 - WOODWARD DISTRICT EHV 345KV CKT 2'
	FDNS	02G11_022		1 13G	G11_022	'FROM->TO'	'ELK CITY 230KV (ELKCTY-6) 230/138/13.8KV TRANSFORMER CKT 1'	287	0.05765	100.2625	'FINNEY SWITCHING STATION - Hitchland Interchange 345KV CKT 1 & BEAVER CO 345.00 - Hitchland Interchange 345KV CKT 2'
	FDNS	02G11_022		1 13G	G11_022	'FROM->TO'	'ELK CITY 230KV (ELKCTY-6) 230/138/13.8KV TRANSFORMER CKT 1'	287	0.05765	100.2625	'FINNEY SWITCHING STATION - Hitchland Interchange 345KV CKT 1 & BEAVER CO 345.00 - Hitchland Interchange 345KV CKT 2'
	FDNS	02G11_022		1 13G	G11_022	'FROM->TO'	'ELK CITY 230KV (ELKCTY-6) 230/138/13.8KV TRANSFORMER CKT 1'	287	0.04613	100.337	'TATONGA7 345.00 - WOODWARD DISTRICT EHV 345KV CKT 1 & BEAVER CO 345.00 - WOODWARD DISTRICT EHV 345KV CKT 2'
	FDNS	02G11_022		1 13G	G11_022	'FROM->TO'	'ELK CITY 230KV (ELKCTY-6) 230/138/13.8KV TRANSFORMER CKT 1'	287	0.04613	100.337	'TATONGA7 345.00 - WOODWARD DISTRICT EHV 345KV CKT 1 & BEAVER CO 345.00 - WOODWARD DISTRICT EHV 345KV CKT 2'
	FDNS	02G11_022		1 13G	G11_022	'FROM->TO'	'ELK CITY 230KV (ELKCTY-6) 230/138/13.8KV TRANSFORMER CKT 1'	287	0.03866	100.6769	'OKLAUNION - TUCO INTERCHANGE 345KV CKT 1 & BORDER 7345.00 - TUCO INTERCHANGE 345KV CKT 1'
	FDNS	02G11_022		1 13G	G11_022	'FROM->TO'	'ELK CITY 230KV (ELKCTY-6) 230/138/13.8KV TRANSFORMER CKT 1'	287	0.03863	102.3671	'LAWTON EASTSIDE - OKLAUNION 345KV CKT 1 & LAWTON EASTSIDE - SUNNYSIDE 345KV CKT 1'
	FDNS	02G11_022		1 13G	G11_022	'FROM->TO'	'ELK CITY 230KV (ELKCTY-6) 230/138/13.8KV TRANSFORMER CKT 1'	287	0.03863	103.3355	'LAWTON EASTSIDE - OKLAUNION 345KV CKT 1 & LAWTON EASTSIDE - SUNNYSIDE 345KV CKT 1'
	FDNS	02G11_022		1 13G	G11_022	'FROM->TO'	'ELK CITY 230KV (ELKCTY-6) 230/138/13.8KV TRANSFORMER CKT 1'	287	0.03953	103.886	'LAWTON EASTSIDE - OKLAUNION 345KV CKT 1 & GRACEMONT - LAWTON EASTSIDE 345KV CKT 1'
	FDNS	02G11_022		1 13G	G11_022	'FROM->TO'	'ELK CITY 230KV (ELKCTY-6) 230/138/13.8KV TRANSFORMER CKT 1'	287	0.03953	104.9984	'LAWTON EASTSIDE - OKLAUNION 345KV CKT 1 & GRACEMONT - LAWTON EASTSIDE 345KV CKT 1'
	FDNS	02G11_022		1 13G	G11_022	'FROM->TO'	'ELK CITY 230KV (ELKCTY-6) 230/138/13.8KV TRANSFORMER CKT 1'	287	0.08975	114.6161	'BEAVER CO 345.00 - Hitchland Interchange 345KV CKT 1 & BEAVER CO 345.00 - Hitchland Interchange 345KV CKT 2'
	FDNS	02G11_022		1 13G	G11_022	'FROM->TO'	'ELK CITY 230KV (ELKCTY-6) 230/138/13.8KV TRANSFORMER CKT 1'	287	0.08975	116.7423	'BEAVER CO 345.00 - Hitchland Interchange 345KV CKT 1 & BEAVER CO 345.00 - Hitchland Interchange 345KV CKT 2'

EVENTTYPE	SOLUTIONTYPE	GROUP	SCENARIO	SEASON	SOURCE	DIRECTION	MONITORED ELEMENT	RATEB (MVA)	TDF	TC%LOADING (%MVA)	CONTINGENCY
	FDNS	02G11_022		1 13G	G11_022	'FROM->TO'	'FINNEY SWITCHING STATION - HOLCOMB 345KV CKT 1'	1052	0.53656	100.5313	'BEAVER CO 345.00 - Hitchland Interchange 345KV CKT 1 & BEAVER CO 345.00 - Hitchland Interchange 345KV CKT 2'
	FDNS	03G11_008		1 13G	G11_008	'FROM->TO'	'FLATRDG3 - HARPER 138KV CKT 1'	95.6	0.03211	189.6921	'THISTLE7 345.00 - WICHITA 345KV CKT 1 & THISTLE7 345.00 - WICHITA 345KV CKT 2'
	FDNS	03G11_023		1 13G	G11_023	'FROM->TO'	'FLATRDG3 - HARPER 138KV CKT 1'	95.6	0.03212	187.4232	'THISTLE7 345.00 - WICHITA 345KV CKT 1 & THISTLE7 345.00 - WICHITA 345KV CKT 2'
NCONV	FNSL-Blown up	00G11_016		1 13SP	G11_016		'G05-12 345.00 - SPEARVILLE 345KV CKT 1 & G11_016_1 345.00 - SPEARVILLE 345KV CKT 1'	0	1	9999	'BASE CASE'
NCONV	FNSL-Blown up	03NR		1 13G	G11_016		'G06-06 345.00 - SPEARVILLE 345KV CKT 1 & G11_016_1 345.00 - SPEARVILLE 345KV CKT 1'	0	1	9999	'BASE CASE'
NCONV	FNSL-Blown up	03NR		1 13G	G11_016		'G08-124 345.00 - SPEARVILLE 345KV CKT 1 & G11_016_1 345.00 - SPEARVILLE 345KV CKT 1'	0	1	9999	'BASE CASE'
NCONV	FNSL-Blown up	03NR		1 13G	G11_016		'G10-15 345.00 - SPEARVILLE 345KV CKT 1 & G11_016_1 345.00 - SPEARVILLE 345KV CKT 1'	0	1	9999	'BASE CASE'
NCONV	FNSL-Blown up	00G11_022		1 13SP	G11_022		'GEN531447 1-HOLCOMB GENERATOR'	1792	0.12145	12.84496	'BASE CASE'
	FDNS	02G11_022		1 13G	G11_022	'TO->FROM'	'GRAPEVINE INTERCHANGE - NICHOLS STATION 230KV CKT 1'	351	0.08071	100.8974	'BEAVER CO 345.00 - Hitchland Interchange 345KV CKT 1 & BEAVER CO 345.00 - Hitchland Interchange 345KV CKT 2'
	FDNS	00NR		1 23SP	G11_012	'TO->FROM'	'HAPPY INTERCHANGE - PALO DURO SUB 115KV CKT 1'	96	0.05779	100	'OKLAUNION - TUCO INTERCHANGE 345KV CKT 1 & BORDER 7345.00 - TUCO INTERCHANGE 345KV CKT 1'
	FDNS	02NR		1 13G	G11_012	'TO->FROM'	'HAPPY INTERCHANGE - PALO DURO SUB 115KV CKT 1'	96	0.03192	105.6277	'Hitchland Interchange - WOODWARD DISTRICT EHV 345KV CKT 2 & BEAVER CO 345.00 - WOODWARD DISTRICT EHV 345KV CKT 1'
	FDNS	02NR		1 13G	G11_012	'TO->FROM'	'HAPPY INTERCHANGE - PALO DURO SUB 115KV CKT 1'	96	0.03983	107.1745	'AMARILLO SOUTH INTERCHANGE - G07-48T 230.00 230KV CKT 1 & G07-48T 230.00 - SWISHER COUNTY INTERCHANGE 230KV CKT 1'
	FDNS	02NR		1 13G	G11_012	'TO->FROM'	'HAPPY INTERCHANGE - PALO DURO SUB 115KV CKT 1'	96	0.03667	113.8107	'SWISHER COUNTY INTERCHANGE - TUCO INTERCHANGE 230KV CKT 1 & G07-48T 230.00 - SWISHER COUNTY INTERCHANGE 230KV CKT 1'
	FDNS	00NR		1 23SP	G11_014	'TO->FROM'	'HAPPY INTERCHANGE - PALO DURO SUB 115KV CKT 1'	96	0.05808	100	'OKLAUNION - TUCO INTERCHANGE 345KV CKT 1 & BORDER 7345.00 - TUCO INTERCHANGE 345KV CKT 1'
	FDNS	00NR		1 23SP	G11_021	'TO->FROM'	'HAPPY INTERCHANGE - PALO DURO SUB 115KV CKT 1'	96	0.05808	100	'OKLAUNION - TUCO INTERCHANGE 345KV CKT 1 & BORDER 7345.00 - TUCO INTERCHANGE 345KV CKT 1'
	FDNS	00NR		1 23SP	G11_022	'TO->FROM'	'HAPPY INTERCHANGE - PALO DURO SUB 115KV CKT 1'	96	0.05778	100	'OKLAUNION - TUCO INTERCHANGE 345KV CKT 1 & BORDER 7345.00 - TUCO INTERCHANGE 345KV CKT 1'
	FDNS	02NR		1 13G	G11_022	'TO->FROM'	'HAPPY INTERCHANGE - PALO DURO SUB 115KV CKT 1'	96	0.03171	107.1745	'AMARILLO SOUTH INTERCHANGE - G07-48T 230.00 230KV CKT 1 & G07-48T 230.00 - SWISHER COUNTY INTERCHANGE 230KV CKT 1'
	FDNS	02NR		1 13G	G11_022	'TO->FROM'	'HAPPY INTERCHANGE - PALO DURO SUB 115KV CKT 1'	96	0.03032	113.8107	'SWISHER COUNTY INTERCHANGE - TUCO INTERCHANGE 230KV CKT 1 & G07-48T 230.00 - SWISHER COUNTY INTERCHANGE 230KV CKT 1'
	FDNS	00G10_029		1 18SP	G10_029	'FROM->TO'	'HARPER - MILAN TAP 138KV CKT 1'	95.6	0.03076	108.5325	'THISTLE7 345.00 - WICHITA 345KV CKT 1 & THISTLE7 345.00 - WICHITA 345KV CKT 2'
	FDNS	00G11_008		1 18WP	G11_008	'FROM->TO'	'HARPER - MILAN TAP 138KV CKT 1'	95.6	0.04038	121.4159	'THISTLE7 345.00 - WICHITA 345KV CKT 1 & THISTLE7 345.00 - WICHITA 345KV CKT 2'
	FDNS	00G11_008		1 13WP	G11_008	'FROM->TO'	'HARPER - MILAN TAP 138KV CKT 1'	95.6	0.0406	123.0926	'THISTLE7 345.00 - WICHITA 345KV CKT 1 & THISTLE7 345.00 - WICHITA 345KV CKT 2'
	FDNS	00G11_008		1 13SP	G11_008	'FROM->TO'	'HARPER - MILAN TAP 138KV CKT 1'	95.6	0.04012	126.6072	'THISTLE7 345.00 - WICHITA 345KV CKT 1 & THISTLE7 345.00 - WICHITA 345KV CKT 2'
	FDNS	03G11_008		1 13G	G11_008	'FROM->TO'	'HARPER - MILAN TAP 138KV CKT 1'	95.6	0.03211	168.3327	'THISTLE7 345.00 - WICHITA 345KV CKT 1 & THISTLE7 345.00 - WICHITA 345KV CKT 2'
	FDNS	00G11_014		1 13WP	G11_014	'FROM->TO'	'HARPER - MILAN TAP 138KV CKT 1'	95.6	0.03061	123.819	'THISTLE7 345.00 - WICHITA 345KV CKT 1 & THISTLE7 345.00 - WICHITA 345KV CKT 2'
	FDNS	00G11_014		1 13SP	G11_014	'FROM->TO'	'HARPER - MILAN TAP 138KV CKT 1'	95.6	0.03015	126.9758	'THISTLE7 345.00 - WICHITA 345KV CKT 1 & THISTLE7 345.00 - WICHITA 345KV CKT 2'
	FDNS	00G11_016		1 18SP	G11_016	'FROM->TO'	'HARPER - MILAN TAP 138KV CKT 1'	95.6	0.03076	108.5325	'THISTLE7 345.00 - WICHITA 345KV CKT 1 & THISTLE7 345.00 - WICHITA 345KV CKT 2'
	FDNS	00G11_019		1 13WP	G11_019	'FROM->TO'	'HARPER - MILAN TAP 138KV CKT 1'	95.6	0.03133	127.515	'THISTLE7 345.00 - WICHITA 345KV CKT 1 & THISTLE7 345.00 - WICHITA 345KV CKT 2'
	FDNS	00G11_019		1 18WP	G11_019	'FROM->TO'	'HARPER - MILAN TAP 138KV CKT 1'	95.6	0.03242	127.6383	'THISTLE7 345.00 - WICHITA 345KV CKT 1 & THISTLE7 345.00 - WICHITA 345KV CKT 2'

EVENTTYPE	SOLUTIONTYPE	GROUP	SCENARIO	SEASON	SOURCE	DIRECTION	MONITORED ELEMENT	RATEB (MVA)	TDF	TC%LOADING (%MVA)	CONTINGENCY
	FDNS	00G11_019		1 13SP	G11_019	'FROM->TO'	'HARPER - MILAN TAP 138KV CKT 1'	95.6	0.03087	130.1886	'THISTLE7 345.00 - WICHITA 345KV CKT 1 & THISTLE7 345.00 - WICHITA 345KV CKT 2'
	FDNS	00NR		1 18SP	G11_019	'FROM->TO'	'HARPER - MILAN TAP 138KV CKT 1'	95.6	0.03583	151.2446	'THISTLE7 345.00 - WICHITA 345KV CKT 1 & THISTLE7 345.00 - WICHITA 345KV CKT 2'
	FDNS	00NR		1 18WP	G11_019	'FROM->TO'	'HARPER - MILAN TAP 138KV CKT 1'	95.6	0.03724	179.3486	'THISTLE7 345.00 - WICHITA 345KV CKT 1 & THISTLE7 345.00 - WICHITA 345KV CKT 2'
	FDNS	00NR		1 13SP	G11_019	'FROM->TO'	'HARPER - MILAN TAP 138KV CKT 1'	95.6	0.03617	183.5065	'THISTLE7 345.00 - WICHITA 345KV CKT 1 & THISTLE7 345.00 - WICHITA 345KV CKT 2'
	FDNS	00NR		1 13WP	G11_019	'FROM->TO'	'HARPER - MILAN TAP 138KV CKT 1'	95.6	0.03696	183.5803	'THISTLE7 345.00 - WICHITA 345KV CKT 1 & THISTLE7 345.00 - WICHITA 345KV CKT 2'
	FDNS	00G11_020		1 13WP	G11_020	'FROM->TO'	'HARPER - MILAN TAP 138KV CKT 1'	95.6	0.03133	127.515	'THISTLE7 345.00 - WICHITA 345KV CKT 1 & THISTLE7 345.00 - WICHITA 345KV CKT 2'
	FDNS	00G11_020		1 18WP	G11_020	'FROM->TO'	'HARPER - MILAN TAP 138KV CKT 1'	95.6	0.03242	127.6383	'THISTLE7 345.00 - WICHITA 345KV CKT 1 & THISTLE7 345.00 - WICHITA 345KV CKT 2'
	FDNS	00G11_020		1 13SP	G11_020	'FROM->TO'	'HARPER - MILAN TAP 138KV CKT 1'	95.6	0.03087	130.1886	'THISTLE7 345.00 - WICHITA 345KV CKT 1 & THISTLE7 345.00 - WICHITA 345KV CKT 2'
	FDNS	00NR		1 18SP	G11_020	'FROM->TO'	'HARPER - MILAN TAP 138KV CKT 1'	95.6	0.03583	151.2446	'THISTLE7 345.00 - WICHITA 345KV CKT 1 & THISTLE7 345.00 - WICHITA 345KV CKT 2'
	FDNS	00NR		1 18WP	G11_020	'FROM->TO'	'HARPER - MILAN TAP 138KV CKT 1'	95.6	0.03724	179.3486	'THISTLE7 345.00 - WICHITA 345KV CKT 1 & THISTLE7 345.00 - WICHITA 345KV CKT 2'
	FDNS	00NR		1 13SP	G11_020	'FROM->TO'	'HARPER - MILAN TAP 138KV CKT 1'	95.6	0.03617	183.5065	'THISTLE7 345.00 - WICHITA 345KV CKT 1 & THISTLE7 345.00 - WICHITA 345KV CKT 2'
	FDNS	00NR		1 13WP	G11_020	'FROM->TO'	'HARPER - MILAN TAP 138KV CKT 1'	95.6	0.03696	183.5803	'THISTLE7 345.00 - WICHITA 345KV CKT 1 & THISTLE7 345.00 - WICHITA 345KV CKT 2'
	FDNS	00G11_021		1 13WP	G11_021	'FROM->TO'	'HARPER - MILAN TAP 138KV CKT 1'	95.6	0.03061	123.819	'THISTLE7 345.00 - WICHITA 345KV CKT 1 & THISTLE7 345.00 - WICHITA 345KV CKT 2'
	FDNS	00G11_021		1 13SP	G11_021	'FROM->TO'	'HARPER - MILAN TAP 138KV CKT 1'	95.6	0.03015	126.9758	'THISTLE7 345.00 - WICHITA 345KV CKT 1 & THISTLE7 345.00 - WICHITA 345KV CKT 2'
	FDNS	00G11_022		1 13WP	G11_022	'FROM->TO'	'HARPER - MILAN TAP 138KV CKT 1'	95.6	0.03116	130.1823	'THISTLE7 345.00 - WICHITA 345KV CKT 1 & THISTLE7 345.00 - WICHITA 345KV CKT 2'
	FDNS	00G11_022		1 13SP	G11_022	'FROM->TO'	'HARPER - MILAN TAP 138KV CKT 1'	95.6	0.03071	132.8644	'THISTLE7 345.00 - WICHITA 345KV CKT 1 & THISTLE7 345.00 - WICHITA 345KV CKT 2'
	FDNS	00G11_023		1 18WP	G11_023	'FROM->TO'	'HARPER - MILAN TAP 138KV CKT 1'	95.6	0.04038	121.4159	'THISTLE7 345.00 - WICHITA 345KV CKT 1 & THISTLE7 345.00 - WICHITA 345KV CKT 2'
	FDNS	00G11_023		1 13WP	G11_023	'FROM->TO'	'HARPER - MILAN TAP 138KV CKT 1'	95.6	0.0406	123.0926	'THISTLE7 345.00 - WICHITA 345KV CKT 1 & THISTLE7 345.00 - WICHITA 345KV CKT 2'
	FDNS	00G11_023		1 13SP	G11_023	'FROM->TO'	'HARPER - MILAN TAP 138KV CKT 1'	95.6	0.04012	126.6072	'THISTLE7 345.00 - WICHITA 345KV CKT 1 & THISTLE7 345.00 - WICHITA 345KV CKT 2'
	FDNS	03G11_023		1 13G	G11_023	'FROM->TO'	'HARPER - MILAN TAP 138KV CKT 1'	95.6	0.03212	166.5071	'THISTLE7 345.00 - WICHITA 345KV CKT 1 & THISTLE7 345.00 - WICHITA 345KV CKT 2'
	FDNS	00NR		1 18SP	G11_012	'FROM->TO'	'Harrington Station Mid Bus - RANDALL COUNTY INTERCHANGE 230KV CKT 1'	351	0.04168	106.9668	'HARRINGTON STATION - Harrington Station Mid Bus 230KV CKT 1 & Harrington Station Mid Bus - NICHOLS STATION 230KV CKT 2'
	FDNS	00NR		1 18SP	G11_012	'FROM->TO'	'Harrington Station Mid Bus - RANDALL COUNTY INTERCHANGE 230KV CKT 1'	351	0.05089	128.3484	'HARRINGTON STATION - NICHOLS STATION 230KV CKT 1 & Harrington Station Mid Bus - NICHOLS STATION 230KV CKT 2'
	FDNS	00NR		1 18SP	G11_022	'FROM->TO'	'Harrington Station Mid Bus - RANDALL COUNTY INTERCHANGE 230KV CKT 1'	351	0.03296	106.9668	'HARRINGTON STATION - Harrington Station Mid Bus 230KV CKT 1 & Harrington Station Mid Bus - NICHOLS STATION 230KV CKT 2'
	FDNS	00NR		1 18SP	G11_022	'FROM->TO'	'Harrington Station Mid Bus - RANDALL COUNTY INTERCHANGE 230KV CKT 1'	351	0.03966	128.3484	'HARRINGTON STATION - NICHOLS STATION 230KV CKT 1 & Harrington Station Mid Bus - NICHOLS STATION 230KV CKT 2'
NCONV	FNSL-Blown up	03NR		1 13G	G11_017		'HAYS WIND - SOUTH HAYS 230KV CKT 1 & MULLEREGREN - SOUTH HAYS 230KV CKT 1'	0	0.07832	9999	'BASE CASE'
NCONV	FNSL-Blown up	00G11_008		1 13SP	G11_008		'HITCHLAND INTERCHANGE - OCHILTREE 230KV CKT 1 & G11_012T 230.00 - HITCHLAND INTERCHANGE 230KV CKT 1'	0	0.03525	9999	'BASE CASE'
NCONV	FNSL-Blown up	00G11_023		1 13SP	G11_023		'HITCHLAND INTERCHANGE - OCHILTREE 230KV CKT 1 & G11_012T 230.00 - HITCHLAND INTERCHANGE 230KV CKT 1'	0	0.03525	9999	'BASE CASE'

EVENTTYPE	SOLUTIONTYPE	GROUP	SCENARIO	SEASON	SOURCE	DIRECTION	MONITORED ELEMENT	RATEB (MVA)	TDF	TC%LOADING (%MVA)	CONTINGENCY
	FDNS	00G10_029		1 23SP	G10_029	'TO->FROM'	'HOYT - JEFFREY ENERGY CENTER 345KV CKT 1'	1076	0.04939	101.4844	'AUBURN ROAD - JEFFREY ENERGY CENTER 230KV CKT 1 & EAST MANHATTAN - JEFFREY ENERGY CENTER 230KV CKT 1'
	FDNS	00G10_029		1 18SP	G10_029	'TO->FROM'	'HOYT - JEFFREY ENERGY CENTER 345KV CKT 1'	1076	0.05052	102.7177	'AUBURN ROAD - JEFFREY ENERGY CENTER 230KV CKT 1 & EAST MANHATTAN - JEFFREY ENERGY CENTER 230KV CKT 1'
	FDNS	0		1 23SP	G10_057	'TO->FROM'	'HOYT - JEFFREY ENERGY CENTER 345KV CKT 1'	1076	0.03418	105.4995	'JEFFREY ENERGY CENTER - MORRIS COUNTY 345KV CKT 1 & JEFFREY ENERGY CENTER - SUMMIT 345KV CKT 1'
	FDNS	00G10_057		1 23SP	G10_057	'TO->FROM'	'HOYT - JEFFREY ENERGY CENTER 345KV CKT 1'	1076	0.0341	106.1459	'JEFFREY ENERGY CENTER - MORRIS COUNTY 345KV CKT 1 & JEFFREY ENERGY CENTER - SUMMIT 345KV CKT 1'
	FDNS	0		1 18SP	G10_057	'TO->FROM'	'HOYT - JEFFREY ENERGY CENTER 345KV CKT 1'	1076	0.03367	106.4367	'JEFFREY ENERGY CENTER - MORRIS COUNTY 345KV CKT 1 & JEFFREY ENERGY CENTER - SUMMIT 345KV CKT 1'
	FDNS	00NR		1 23SP	G10_057	'TO->FROM'	'HOYT - JEFFREY ENERGY CENTER 345KV CKT 1'	1076	0.05794	106.7664	'AUBURN ROAD - JEFFREY ENERGY CENTER 230KV CKT 1 & EAST MANHATTAN - JEFFREY ENERGY CENTER 230KV CKT 1'
	FDNS	00G10_057		1 18SP	G10_057	'TO->FROM'	'HOYT - JEFFREY ENERGY CENTER 345KV CKT 1'	1076	0.03361	107.2406	'JEFFREY ENERGY CENTER - MORRIS COUNTY 345KV CKT 1 & JEFFREY ENERGY CENTER - SUMMIT 345KV CKT 1'
	FDNS	00NR		1 18SP	G10_057	'TO->FROM'	'HOYT - JEFFREY ENERGY CENTER 345KV CKT 1'	1076	0.05624	107.5853	'AUBURN ROAD - JEFFREY ENERGY CENTER 230KV CKT 1 & EAST MANHATTAN - JEFFREY ENERGY CENTER 230KV CKT 1'
	FDNS	00G11_016		1 23SP	G11_016	'TO->FROM'	'HOYT - JEFFREY ENERGY CENTER 345KV CKT 1'	1076	0.04939	101.4844	'AUBURN ROAD - JEFFREY ENERGY CENTER 230KV CKT 1 & EAST MANHATTAN - JEFFREY ENERGY CENTER 230KV CKT 1'
	FDNS	00G11_016		1 18SP	G11_016	'TO->FROM'	'HOYT - JEFFREY ENERGY CENTER 345KV CKT 1'	1076	0.05052	102.7177	'AUBURN ROAD - JEFFREY ENERGY CENTER 230KV CKT 1 & EAST MANHATTAN - JEFFREY ENERGY CENTER 230KV CKT 1'
NCONV	FNSL-Blown up	0		1 18SP	G10_029		'HOYT - JEFFREY ENERGY CENTER 345KV CKT 1 & JEFFREY ENERGY CENTER - MORRIS COUNTY 345KV CKT 1'	0	0.04351	9999	'BASE CASE'
NCONV	FNSL-Blown up	0		1 23SP	G10_029		'HOYT - JEFFREY ENERGY CENTER 345KV CKT 1 & JEFFREY ENERGY CENTER - MORRIS COUNTY 345KV CKT 1'	0	0.04302	9999	'BASE CASE'
NCONV	FNSL-Blown up	00G10_029		1 18SP	G10_029		'HOYT - JEFFREY ENERGY CENTER 345KV CKT 1 & JEFFREY ENERGY CENTER - MORRIS COUNTY 345KV CKT 1'	0	0.0426	9999	'BASE CASE'
NCONV	FNSL-Blown up	00G10_029		1 23SP	G10_029		'HOYT - JEFFREY ENERGY CENTER 345KV CKT 1 & JEFFREY ENERGY CENTER - MORRIS COUNTY 345KV CKT 1'	0	0.0424	9999	'BASE CASE'
NCONV	FNSL-Blown up	0		1 18SP	G10_057		'HOYT - JEFFREY ENERGY CENTER 345KV CKT 1 & JEFFREY ENERGY CENTER - MORRIS COUNTY 345KV CKT 1'	0	0.09661	9999	'BASE CASE'
NCONV	FNSL-Blown up	0		1 23SP	G10_057		'HOYT - JEFFREY ENERGY CENTER 345KV CKT 1 & JEFFREY ENERGY CENTER - MORRIS COUNTY 345KV CKT 1'	0	0.09673	9999	'BASE CASE'
NCONV	FNSL-Blown up	00NR		1 18SP	G10_057		'HOYT - JEFFREY ENERGY CENTER 345KV CKT 1 & JEFFREY ENERGY CENTER - MORRIS COUNTY 345KV CKT 1'	0	0.05806	9999	'BASE CASE'
NCONV	FNSL-Blown up	0		1 18SP	G11_008		'HOYT - JEFFREY ENERGY CENTER 345KV CKT 1 & JEFFREY ENERGY CENTER - MORRIS COUNTY 345KV CKT 1'	0	0.03797	9999	'BASE CASE'
NCONV	FNSL-Blown up	0		1 23SP	G11_008		'HOYT - JEFFREY ENERGY CENTER 345KV CKT 1 & JEFFREY ENERGY CENTER - MORRIS COUNTY 345KV CKT 1'	0	0.03731	9999	'BASE CASE'
NCONV	FNSL-Blown up	00G11_008		1 18SP	G11_008		'HOYT - JEFFREY ENERGY CENTER 345KV CKT 1 & JEFFREY ENERGY CENTER - MORRIS COUNTY 345KV CKT 1'	0	0.03745	9999	'BASE CASE'
NCONV	FNSL-Blown up	00G11_008		1 23SP	G11_008		'HOYT - JEFFREY ENERGY CENTER 345KV CKT 1 & JEFFREY ENERGY CENTER - MORRIS COUNTY 345KV CKT 1'	0	0.03702	9999	'BASE CASE'
NCONV	FNSL-Blown up	0		1 18SP	G11_016		'HOYT - JEFFREY ENERGY CENTER 345KV CKT 1 & JEFFREY ENERGY CENTER - MORRIS COUNTY 345KV CKT 1'	0	0.04351	9999	'BASE CASE'
NCONV	FNSL-Blown up	0		1 23SP	G11_016		'HOYT - JEFFREY ENERGY CENTER 345KV CKT 1 & JEFFREY ENERGY CENTER - MORRIS COUNTY 345KV CKT 1'	0	0.04302	9999	'BASE CASE'
NCONV	FNSL-Blown up	00G11_016		1 18SP	G11_016		'HOYT - JEFFREY ENERGY CENTER 345KV CKT 1 & JEFFREY ENERGY CENTER - MORRIS COUNTY 345KV CKT 1'	0	0.0426	9999	'BASE CASE'
NCONV	FNSL-Blown up	00G11_016		1 23SP	G11_016		'HOYT - JEFFREY ENERGY CENTER 345KV CKT 1 & JEFFREY ENERGY CENTER - MORRIS COUNTY 345KV CKT 1'	0	0.0424	9999	'BASE CASE'
NCONV	FNSL-Blown up	0		1 18SP	G11_017		'HOYT - JEFFREY ENERGY CENTER 345KV CKT 1 & JEFFREY ENERGY CENTER - MORRIS COUNTY 345KV CKT 1'	0	0.04289	9999	'BASE CASE'
NCONV	FNSL-Blown up	0		1 23SP	G11_017		'HOYT - JEFFREY ENERGY CENTER 345KV CKT 1 & JEFFREY ENERGY CENTER - MORRIS COUNTY 345KV CKT 1'	0	0.04274	9999	'BASE CASE'
NCONV	FNSL-Blown up	00G11_017		1 23SP	G11_017		'HOYT - JEFFREY ENERGY CENTER 345KV CKT 1 & JEFFREY ENERGY CENTER - MORRIS COUNTY 345KV CKT 1'	0	0.04267	9999	'BASE CASE'

EVENTTYPE	SOLUTIONTYPE	GROUP	SCENARIO	SEASON	SOURCE	DIRECTION	MONITORED ELEMENT	RATEB (MVA)	TDF	TC%LOADING (%MVA)	CONTINGENCY
NCONV	FNSL-Blown up		0	1 18SP	G11_023		'HOYT - JEFFREY ENERGY CENTER 345KV CKT 1 &JEFFREY ENERGY CENTER - MORRIS COUNTY 345KV CKT 1'	0	0.03797	9999	'BASE CASE'
NCONV	FNSL-Blown up		0	1 23SP	G11_023		'HOYT - JEFFREY ENERGY CENTER 345KV CKT 1 &JEFFREY ENERGY CENTER - MORRIS COUNTY 345KV CKT 1'	0	0.03731	9999	'BASE CASE'
NCONV	FNSL-Blown up	00G11_023		1 18SP	G11_023		'HOYT - JEFFREY ENERGY CENTER 345KV CKT 1 &JEFFREY ENERGY CENTER - MORRIS COUNTY 345KV CKT 1'	0	0.03745	9999	'BASE CASE'
NCONV	FNSL-Blown up	00G11_023		1 23SP	G11_023		'HOYT - JEFFREY ENERGY CENTER 345KV CKT 1 &JEFFREY ENERGY CENTER - MORRIS COUNTY 345KV CKT 1'	0	0.03702	9999	'BASE CASE'
	FDNS	00NR		1 23SP	G11_012	'FROM->TO'	'INDIANA SUB - SOUTH PLAINS REC-ERSKINE 115KV CKT 1'	160	0.06097	110.1979	'CARLISLE INTERCHANGE - TUCO INTERCHANGE 230KV CKT 1 &JONES STATION - TUCO INTERCHANGE 230KV CKT 1'
	FDNS	00NR		1 23SP	G11_014	'FROM->TO'	'INDIANA SUB - SOUTH PLAINS REC-ERSKINE 115KV CKT 1'	160	0.06584	110.1979	'CARLISLE INTERCHANGE - TUCO INTERCHANGE 230KV CKT 1 &JONES STATION - TUCO INTERCHANGE 230KV CKT 1'
	FDNS	00NR		1 23SP	G11_021	'FROM->TO'	'INDIANA SUB - SOUTH PLAINS REC-ERSKINE 115KV CKT 1'	160	0.06584	110.1979	'CARLISLE INTERCHANGE - TUCO INTERCHANGE 230KV CKT 1 &JONES STATION - TUCO INTERCHANGE 230KV CKT 1'
	FDNS	00NR		1 23SP	G11_022	'FROM->TO'	'INDIANA SUB - SOUTH PLAINS REC-ERSKINE 115KV CKT 1'	160	0.06342	110.1979	'CARLISLE INTERCHANGE - TUCO INTERCHANGE 230KV CKT 1 &JONES STATION - TUCO INTERCHANGE 230KV CKT 1'
	FDNS	00NR		1 18WP	G11_012	'TO->FROM'	'INDIANA SUB - STANTON SUB 115KV CKT 1'	177	0.0966	100.5005	'CARLISLE INTERCHANGE - TUCO INTERCHANGE 230KV CKT 1 &JONES STATION - TUCO INTERCHANGE 230KV CKT 1'
	FDNS	00NR		1 18SP	G11_012	'TO->FROM'	'INDIANA SUB - STANTON SUB 115KV CKT 1'	160	0.06845	101.8432	'TOLK STATION EAST - TUCO INTERCHANGE 230KV CKT 1 &CARLISLE INTERCHANGE - TUCO INTERCHANGE 230KV CKT 1'
	FDNS	00NR		1 18SP	G11_012	'TO->FROM'	'INDIANA SUB - STANTON SUB 115KV CKT 1'	160	0.06008	101.8563	'ANTELOPE 1 - TUCO INTERCHANGE 230KV CKT 1 &CARLISLE INTERCHANGE - TUCO INTERCHANGE 230KV CKT 1'
	FDNS	00NR		1 18SP	G11_012	'TO->FROM'	'INDIANA SUB - STANTON SUB 115KV CKT 1'	160	0.06008	105.7847	'CARLISLE INTERCHANGE - TUCO INTERCHANGE 230KV CKT 1 &G10-46 230.00 - TUCO INTERCHANGE 230KV CKT 1'
	FDNS	00NR		1 18SP	G11_012	'TO->FROM'	'INDIANA SUB - STANTON SUB 115KV CKT 1'	160	0.05806	107.2894	'SWISHER COUNTY INTERCHANGE - TUCO INTERCHANGE 230KV CKT 1 &CARLISLE INTERCHANGE - TUCO INTERCHANGE 230KV CKT 1'
	FDNS	00NR		1 23SP	G11_012	'TO->FROM'	'INDIANA SUB - STANTON SUB 115KV CKT 1'	160	0.03525	108.7276	'JONES STATION - LUBBOCK SOUTH INTERCHANGE 230KV CKT 1 &JONES STATION - Jones Station Bus#2 230KV CKT 1'
	FDNS	00NR		1 18SP	G11_012	'TO->FROM'	'INDIANA SUB - STANTON SUB 115KV CKT 1'	160	0.09851	110.1036	'CARLISLE INTERCHANGE - TUCO INTERCHANGE 230KV CKT 1 &JONES STATION - TUCO INTERCHANGE 230KV CKT 1'
	FDNS	00NR		1 13SP	G11_012	'TO->FROM'	'INDIANA SUB - STANTON SUB 115KV CKT 1'	177	0.0933	118.0352	'CARLISLE INTERCHANGE - TUCO INTERCHANGE 230KV CKT 1 &JONES STATION - TUCO INTERCHANGE 230KV CKT 1'
	FDNS	00NR		1 23SP	G11_012	'TO->FROM'	'INDIANA SUB - STANTON SUB 115KV CKT 1'	160	0.03971	132.372	'ANTELOPE 1 - TUCO INTERCHANGE 230KV CKT 1 &CARLISLE INTERCHANGE - TUCO INTERCHANGE 230KV CKT 1'
	FDNS	00NR		1 23SP	G11_012	'TO->FROM'	'INDIANA SUB - STANTON SUB 115KV CKT 1'	160	0.0426	133.4359	'TOLK STATION EAST - TUCO INTERCHANGE 230KV CKT 1 &CARLISLE INTERCHANGE - TUCO INTERCHANGE 230KV CKT 1'
	FDNS	00NR		1 23SP	G11_012	'TO->FROM'	'INDIANA SUB - STANTON SUB 115KV CKT 1'	160	0.03971	134.5435	'CARLISLE INTERCHANGE - TUCO INTERCHANGE 230KV CKT 1 &G10-46 230.00 - TUCO INTERCHANGE 230KV CKT 1'
	FDNS	00NR		1 23SP	G11_012	'TO->FROM'	'INDIANA SUB - STANTON SUB 115KV CKT 1'	160	0.03829	135.175	'SWISHER COUNTY INTERCHANGE - TUCO INTERCHANGE 230KV CKT 1 &CARLISLE INTERCHANGE - TUCO INTERCHANGE 230KV CKT 1'
	FDNS	00NR		1 23SP	G11_012	'TO->FROM'	'INDIANA SUB - STANTON SUB 115KV CKT 1'	160	0.06097	146.0438	'CARLISLE INTERCHANGE - TUCO INTERCHANGE 230KV CKT 1 &JONES STATION - TUCO INTERCHANGE 230KV CKT 1'
	FDNS	00NR		1 18WP	G11_014	'TO->FROM'	'INDIANA SUB - STANTON SUB 115KV CKT 1'	177	0.10645	100.5005	'CARLISLE INTERCHANGE - TUCO INTERCHANGE 230KV CKT 1 &JONES STATION - TUCO INTERCHANGE 230KV CKT 1'

EVENTTYPE	SOLUTIONTYPE	GROUP	SCENARIO	SEASON	SOURCE	DIRECTION	MONITORED ELEMENT	RATEB (MVA)	TDF	TC%LOADING (%MVA)	CONTINGENCY
	FDNS	00NR		1 18SP	G11_014	'TO->FROM'	'INDIANA SUB - STANTON SUB 115KV CKT 1'	160	0.077	101.8432	'TOLK STATION EAST - TUCO INTERCHANGE 230KV CKT 1 &CARLISLE INTERCHANGE - TUCO INTERCHANGE 230KV CKT 1'
	FDNS	00NR		1 18SP	G11_014	'TO->FROM'	'INDIANA SUB - STANTON SUB 115KV CKT 1'	160	0.06664	101.8563	'ANTELOPE 1 - TUCO INTERCHANGE 230KV CKT 1 &CARLISLE INTERCHANGE - TUCO INTERCHANGE 230KV CKT 1'
	FDNS	00NR		1 18SP	G11_014	'TO->FROM'	'INDIANA SUB - STANTON SUB 115KV CKT 1'	160	0.06664	105.7847	'CARLISLE INTERCHANGE - TUCO INTERCHANGE 230KV CKT 1 &G10-46 230.00 - TUCO INTERCHANGE 230KV CKT 1'
	FDNS	00NR		1 18SP	G11_014	'TO->FROM'	'INDIANA SUB - STANTON SUB 115KV CKT 1'	160	0.06631	107.2894	'SWISHER COUNTY INTERCHANGE - TUCO INTERCHANGE 230KV CKT 1 &CARLISLE INTERCHANGE - TUCO INTERCHANGE 230KV CKT 1'
	FDNS	00NR		1 23SP	G11_014	'TO->FROM'	'INDIANA SUB - STANTON SUB 115KV CKT 1'	160	0.03908	108.7276	'JONES STATION - LUBBOCK SOUTH INTERCHANGE 230KV CKT 1 &JONES STATION - Jones Station Bus#2 230KV CKT 1'
	FDNS	00NR		1 18SP	G11_014	'TO->FROM'	'INDIANA SUB - STANTON SUB 115KV CKT 1'	160	0.10819	110.1036	'CARLISLE INTERCHANGE - TUCO INTERCHANGE 230KV CKT 1 &JONES STATION - TUCO INTERCHANGE 230KV CKT 1'
	FDNS	00NR		1 13SP	G11_014	'TO->FROM'	'INDIANA SUB - STANTON SUB 115KV CKT 1'	177	0.09926	118.0352	'CARLISLE INTERCHANGE - TUCO INTERCHANGE 230KV CKT 1 &JONES STATION - TUCO INTERCHANGE 230KV CKT 1'
	FDNS	00NR		1 23SP	G11_014	'TO->FROM'	'INDIANA SUB - STANTON SUB 115KV CKT 1'	160	0.0434	132.372	'ANTELOPE 1 - TUCO INTERCHANGE 230KV CKT 1 &CARLISLE INTERCHANGE - TUCO INTERCHANGE 230KV CKT 1'
	FDNS	00NR		1 23SP	G11_014	'TO->FROM'	'INDIANA SUB - STANTON SUB 115KV CKT 1'	160	0.04716	133.4359	'TOLK STATION EAST - TUCO INTERCHANGE 230KV CKT 1 &CARLISLE INTERCHANGE - TUCO INTERCHANGE 230KV CKT 1'
	FDNS	00NR		1 23SP	G11_014	'TO->FROM'	'INDIANA SUB - STANTON SUB 115KV CKT 1'	160	0.0434	134.5435	'CARLISLE INTERCHANGE - TUCO INTERCHANGE 230KV CKT 1 &G10-46 230.00 - TUCO INTERCHANGE 230KV CKT 1'
	FDNS	00NR		1 23SP	G11_014	'TO->FROM'	'INDIANA SUB - STANTON SUB 115KV CKT 1'	160	0.04282	135.175	'SWISHER COUNTY INTERCHANGE - TUCO INTERCHANGE 230KV CKT 1 &CARLISLE INTERCHANGE - TUCO INTERCHANGE 230KV CKT 1'
	FDNS	00NR		1 23SP	G11_014	'TO->FROM'	'INDIANA SUB - STANTON SUB 115KV CKT 1'	160	0.06584	146.0438	'CARLISLE INTERCHANGE - TUCO INTERCHANGE 230KV CKT 1 &JONES STATION - TUCO INTERCHANGE 230KV CKT 1'
	FDNS	00NR		1 18WP	G11_021	'TO->FROM'	'INDIANA SUB - STANTON SUB 115KV CKT 1'	177	0.10645	100.5005	'CARLISLE INTERCHANGE - TUCO INTERCHANGE 230KV CKT 1 &JONES STATION - TUCO INTERCHANGE 230KV CKT 1'
	FDNS	00NR		1 18SP	G11_021	'TO->FROM'	'INDIANA SUB - STANTON SUB 115KV CKT 1'	160	0.077	101.8432	'TOLK STATION EAST - TUCO INTERCHANGE 230KV CKT 1 &CARLISLE INTERCHANGE - TUCO INTERCHANGE 230KV CKT 1'
	FDNS	00NR		1 18SP	G11_021	'TO->FROM'	'INDIANA SUB - STANTON SUB 115KV CKT 1'	160	0.06664	101.8563	'ANTELOPE 1 - TUCO INTERCHANGE 230KV CKT 1 &CARLISLE INTERCHANGE - TUCO INTERCHANGE 230KV CKT 1'
	FDNS	00NR		1 18SP	G11_021	'TO->FROM'	'INDIANA SUB - STANTON SUB 115KV CKT 1'	160	0.06664	105.7847	'CARLISLE INTERCHANGE - TUCO INTERCHANGE 230KV CKT 1 &G10-46 230.00 - TUCO INTERCHANGE 230KV CKT 1'
	FDNS	00NR		1 18SP	G11_021	'TO->FROM'	'INDIANA SUB - STANTON SUB 115KV CKT 1'	160	0.06631	107.2894	'SWISHER COUNTY INTERCHANGE - TUCO INTERCHANGE 230KV CKT 1 &CARLISLE INTERCHANGE - TUCO INTERCHANGE 230KV CKT 1'
	FDNS	00NR		1 23SP	G11_021	'TO->FROM'	'INDIANA SUB - STANTON SUB 115KV CKT 1'	160	0.03908	108.7276	'JONES STATION - LUBBOCK SOUTH INTERCHANGE 230KV CKT 1 &JONES STATION - Jones Station Bus#2 230KV CKT 1'
	FDNS	00NR		1 18SP	G11_021	'TO->FROM'	'INDIANA SUB - STANTON SUB 115KV CKT 1'	160	0.10819	110.1036	'CARLISLE INTERCHANGE - TUCO INTERCHANGE 230KV CKT 1 &JONES STATION - TUCO INTERCHANGE 230KV CKT 1'
	FDNS	00NR		1 13SP	G11_021	'TO->FROM'	'INDIANA SUB - STANTON SUB 115KV CKT 1'	177	0.09926	118.0352	'CARLISLE INTERCHANGE - TUCO INTERCHANGE 230KV CKT 1 &JONES STATION - TUCO INTERCHANGE 230KV CKT 1'

EVENTTYPE	SOLUTIONTYPE	GROUP	SCENARIO	SEASON	SOURCE	DIRECTION	MONITORED ELEMENT	RATEB (MVA)	TDF	TC%LOADING (%MVA)	CONTINGENCY
	FDNS	00NR		1 23SP	G11_021	'TO->FROM'	'INDIANA SUB - STANTON SUB 115KV CKT 1'	160	0.0434	132.372	'ANTELOPE 1 - TUCO INTERCHANGE 230KV CKT 1 & CARLISLE INTERCHANGE - TUCO INTERCHANGE 230KV CKT 1'
	FDNS	00NR		1 23SP	G11_021	'TO->FROM'	'INDIANA SUB - STANTON SUB 115KV CKT 1'	160	0.04716	133.4359	'TOLK STATION EAST - TUCO INTERCHANGE 230KV CKT 1 & CARLISLE INTERCHANGE - TUCO INTERCHANGE 230KV CKT 1'
	FDNS	00NR		1 23SP	G11_021	'TO->FROM'	'INDIANA SUB - STANTON SUB 115KV CKT 1'	160	0.0434	134.5435	'CARLISLE INTERCHANGE - TUCO INTERCHANGE 230KV CKT 1 & G10-46 230.00 - TUCO INTERCHANGE 230KV CKT 1'
	FDNS	00NR		1 23SP	G11_021	'TO->FROM'	'INDIANA SUB - STANTON SUB 115KV CKT 1'	160	0.04282	135.175	'SWISHER COUNTY INTERCHANGE - TUCO INTERCHANGE 230KV CKT 1 & CARLISLE INTERCHANGE - TUCO INTERCHANGE 230KV CKT 1'
	FDNS	00NR		1 23SP	G11_021	'TO->FROM'	'INDIANA SUB - STANTON SUB 115KV CKT 1'	160	0.06584	146.0438	'CARLISLE INTERCHANGE - TUCO INTERCHANGE 230KV CKT 1 & JONES STATION - TUCO INTERCHANGE 230KV CKT 1'
	FDNS	00NR		1 18WP	G11_022	'TO->FROM'	'INDIANA SUB - STANTON SUB 115KV CKT 1'	177	0.10155	100.5005	'CARLISLE INTERCHANGE - TUCO INTERCHANGE 230KV CKT 1 & JONES STATION - TUCO INTERCHANGE 230KV CKT 1'
	FDNS	00NR		1 18SP	G11_022	'TO->FROM'	'INDIANA SUB - STANTON SUB 115KV CKT 1'	160	0.07282	101.8432	'TOLK STATION EAST - TUCO INTERCHANGE 230KV CKT 1 & CARLISLE INTERCHANGE - TUCO INTERCHANGE 230KV CKT 1'
	FDNS	00NR		1 18SP	G11_022	'TO->FROM'	'INDIANA SUB - STANTON SUB 115KV CKT 1'	160	0.06343	101.8563	'ANTELOPE 1 - TUCO INTERCHANGE 230KV CKT 1 & CARLISLE INTERCHANGE - TUCO INTERCHANGE 230KV CKT 1'
	FDNS	00NR		1 18SP	G11_022	'TO->FROM'	'INDIANA SUB - STANTON SUB 115KV CKT 1'	160	0.06343	105.7847	'CARLISLE INTERCHANGE - TUCO INTERCHANGE 230KV CKT 1 & G10-46 230.00 - TUCO INTERCHANGE 230KV CKT 1'
	FDNS	00NR		1 18SP	G11_022	'TO->FROM'	'INDIANA SUB - STANTON SUB 115KV CKT 1'	160	0.06228	107.2894	'SWISHER COUNTY INTERCHANGE - TUCO INTERCHANGE 230KV CKT 1 & CARLISLE INTERCHANGE - TUCO INTERCHANGE 230KV CKT 1'
	FDNS	00NR		1 23SP	G11_022	'TO->FROM'	'INDIANA SUB - STANTON SUB 115KV CKT 1'	160	0.03717	108.7276	'JONES STATION - LUBBOCK SOUTH INTERCHANGE 230KV CKT 1 & JONES STATION - Jones Station Bus#2 230KV CKT 1'
	FDNS	00NR		1 18SP	G11_022	'TO->FROM'	'INDIANA SUB - STANTON SUB 115KV CKT 1'	160	0.10346	110.1036	'CARLISLE INTERCHANGE - TUCO INTERCHANGE 230KV CKT 1 & JONES STATION - TUCO INTERCHANGE 230KV CKT 1'
	FDNS	00NR		1 13SP	G11_022	'TO->FROM'	'INDIANA SUB - STANTON SUB 115KV CKT 1'	177	0.09903	118.0352	'CARLISLE INTERCHANGE - TUCO INTERCHANGE 230KV CKT 1 & JONES STATION - TUCO INTERCHANGE 230KV CKT 1'
	FDNS	00NR		1 23SP	G11_022	'TO->FROM'	'INDIANA SUB - STANTON SUB 115KV CKT 1'	160	0.04156	132.372	'ANTELOPE 1 - TUCO INTERCHANGE 230KV CKT 1 & CARLISLE INTERCHANGE - TUCO INTERCHANGE 230KV CKT 1'
	FDNS	00NR		1 23SP	G11_022	'TO->FROM'	'INDIANA SUB - STANTON SUB 115KV CKT 1'	160	0.04489	133.4359	'TOLK STATION EAST - TUCO INTERCHANGE 230KV CKT 1 & CARLISLE INTERCHANGE - TUCO INTERCHANGE 230KV CKT 1'
	FDNS	00NR		1 23SP	G11_022	'TO->FROM'	'INDIANA SUB - STANTON SUB 115KV CKT 1'	160	0.04156	134.5435	'CARLISLE INTERCHANGE - TUCO INTERCHANGE 230KV CKT 1 & G10-46 230.00 - TUCO INTERCHANGE 230KV CKT 1'
	FDNS	00NR		1 23SP	G11_022	'TO->FROM'	'INDIANA SUB - STANTON SUB 115KV CKT 1'	160	0.04057	135.175	'SWISHER COUNTY INTERCHANGE - TUCO INTERCHANGE 230KV CKT 1 & CARLISLE INTERCHANGE - TUCO INTERCHANGE 230KV CKT 1'
	FDNS	00NR		1 23SP	G11_022	'TO->FROM'	'INDIANA SUB - STANTON SUB 115KV CKT 1'	160	0.06342	146.0438	'CARLISLE INTERCHANGE - TUCO INTERCHANGE 230KV CKT 1 & JONES STATION - TUCO INTERCHANGE 230KV CKT 1'
	FDNS	00ASGI_11_003		1 23SP	ASGI_2011_003	'FROM->TO'	'Jones Station Bus#2 - LUBBOCK SOUTH INTERCHANGE 230KV CKT 2'	351	0.09588	107.9303	'JONES STATION - TUCO INTERCHANGE 230KV CKT 1 & JONES STATION - LUBBOCK SOUTH INTERCHANGE 230KV CKT 1'
	FDNS		0	1 23SP	ASGI_2011_003	'FROM->TO'	'Jones Station Bus#2 - LUBBOCK SOUTH INTERCHANGE 230KV CKT 2'	351	0.09588	108.4371	'JONES STATION - TUCO INTERCHANGE 230KV CKT 1 & JONES STATION - LUBBOCK SOUTH INTERCHANGE 230KV CKT 1'

EVENTTYPE	SOLUTIONTYPE	GROUP	SCENARIO	SEASON	SOURCE	DIRECTION	MONITORED ELEMENT	RATEB (MVA)	TDF	TC%LOADING (%MVA)	CONTINGENCY
	FDNS		0	1 18SP	ASGI_2011_003	'FROM->TO'	'Jones Station Bus#2 - LUBBOCK SOUTH INTERCHANGE 230KV CKT 2'	351	0.0946	111.861	'JONES STATION - TUCO INTERCHANGE 230KV CKT 1 & JONES STATION - LUBBOCK SOUTH INTERCHANGE 230KV CKT 1'
	FDNS	00ASGI_11_003		1 18SP	ASGI_2011_003	'FROM->TO'	'Jones Station Bus#2 - LUBBOCK SOUTH INTERCHANGE 230KV CKT 2'	351	0.0946	112.0484	'JONES STATION - TUCO INTERCHANGE 230KV CKT 1 & JONES STATION - LUBBOCK SOUTH INTERCHANGE 230KV CKT 1'
	FDNS		0	1 23SP	G11_025	'FROM->TO'	'Jones Station Bus#2 - LUBBOCK SOUTH INTERCHANGE 230KV CKT 2'	351	0.06853	108.4371	'JONES STATION - TUCO INTERCHANGE 230KV CKT 1 & JONES STATION - LUBBOCK SOUTH INTERCHANGE 230KV CKT 1'
	FDNS	00G11_025		1 23SP	G11_025	'FROM->TO'	'Jones Station Bus#2 - LUBBOCK SOUTH INTERCHANGE 230KV CKT 2'	351	0.06852	109.1578	'JONES STATION - TUCO INTERCHANGE 230KV CKT 1 & JONES STATION - LUBBOCK SOUTH INTERCHANGE 230KV CKT 1'
	FDNS		0	1 18SP	G11_025	'FROM->TO'	'Jones Station Bus#2 - LUBBOCK SOUTH INTERCHANGE 230KV CKT 2'	351	0.06729	111.861	'JONES STATION - TUCO INTERCHANGE 230KV CKT 1 & JONES STATION - LUBBOCK SOUTH INTERCHANGE 230KV CKT 1'
	FDNS	00G11_025		1 18SP	G11_025	'FROM->TO'	'Jones Station Bus#2 - LUBBOCK SOUTH INTERCHANGE 230KV CKT 2'	351	0.06728	113.2424	'JONES STATION - TUCO INTERCHANGE 230KV CKT 1 & JONES STATION - LUBBOCK SOUTH INTERCHANGE 230KV CKT 1'
NCONV	FNSL-Blown up		0	1 23SP	G10_056		'KCPL-C3'	0	0.44527	9999	'BASE CASE'
NCONV	FNSL-Blown up	00G10_056		1 13SP	G10_056		'KCPL-C3'	0	0.43229	9999	'BASE CASE'
NCONV	FNSL-Blown up		0	1 23SP	G11_011		'KCPL-C3'	0	0.65382	9999	'BASE CASE'
NCONV	FNSL-Blown up	00G11_011		1 23SP	G11_011		'KCPL-C3'	0	0.65382	9999	'BASE CASE'
NCONV	FNSL-Blown up		0	1 23SP	G11_018		'KCPL-C3'	0	0.11427	9999	'BASE CASE'
NCONV	FNSL-Blown up	00G11_018		1 18SP	G11_018		'KCPL-C3'	0	0.1219	9999	'BASE CASE'
NCONV	FNSL-Blown up		0	1 23SP	G11_027		'KCPL-C3'	0	0.16892	9999	'BASE CASE'
NCONV	FNSL-Blown up	00G11_027		1 13SP	G11_027		'KCPL-C3'	0	0.15834	9999	'BASE CASE'
NCONV	FNSL-Blown up	00G11_027		1 18SP	G11_027		'KCPL-C3'	0	0.18117	9999	'BASE CASE'
NCONV	FNSL-Blown up	00G11_027		1 23SP	G11_027		'KCPL-C3'	0	0.1689	9999	'BASE CASE'
NCONV	FNSL-Blown up		0	1 23SP	G11_056A		'KCPL-C3'	0	0.11991	9999	'BASE CASE'
NCONV	FNSL-Blown up		0	1 23SP	G11_056B		'KCPL-C3'	0	0.12031	9999	'BASE CASE'
NCONV	FNSL-Blown up	03G10_029		1 13G	G10_029		'KNOLL 230 - POSTROCK6 230.00 230KV CKT 1 & G08-92 230.00 - KNOLL 230 230KV CKT 1'	0	0.0374	9999	'BASE CASE'
NCONV	FNSL-Blown up	04G10_057		1 13G	G10_057		'KNOLL 230 - POSTROCK6 230.00 230KV CKT 1 & G08-92 230.00 - KNOLL 230 230KV CKT 1'	0	0.04004	9999	'BASE CASE'
NCONV	FNSL-Blown up	04NR		1 13G	G10_057		'KNOLL 230 - POSTROCK6 230.00 230KV CKT 1 & G08-92 230.00 - KNOLL 230 230KV CKT 1'	0	0.06277	9999	'BASE CASE'
NCONV	FNSL-Blown up	03NR		1 13G	G11_017		'KNOLL 230 - POSTROCK6 230.00 230KV CKT 1 & G08-92 230.00 - KNOLL 230 230KV CKT 1'	0	0.0759	9999	'BASE CASE'
NCONV	FNSL-Blown up	03NR		1 13G	G11_017		'KNOLL 230 - SMOKYHL6 230.00 230KV CKT 1 & G08-92 230.00 - KNOLL 230 230KV CKT 1'	0	0.04714	9999	'BASE CASE'
NCONV	FNSL-Blown up	03G10_029		1 13G	G10_029		'KNOLL 230 - SMOKYHL6 230.00 230KV CKT 1 & SMKYP1 6 230.00 - SMOKYHL6 230.00 230KV CKT 1'	0	0.03074	9999	'BASE CASE'
NCONV	FNSL-Blown up		0	1 13WP	G10_057		'KNOLL 230 - SMOKYHL6 230.00 230KV CKT 1 & SMKYP1 6 230.00 - SMOKYHL6 230.00 230KV CKT 1'	0	0.04074	9999	'BASE CASE'
NCONV	FNSL-Blown up		0	1 18WP	G10_057		'KNOLL 230 - SMOKYHL6 230.00 230KV CKT 1 & SMKYP1 6 230.00 - SMOKYHL6 230.00 230KV CKT 1'	0	0.03081	9999	'BASE CASE'
NCONV	FNSL-Blown up	00G10_057		1 13SP	G10_057		'KNOLL 230 - SMOKYHL6 230.00 230KV CKT 1 & SMKYP1 6 230.00 - SMOKYHL6 230.00 230KV CKT 1'	0	0.03091	9999	'BASE CASE'
NCONV	FNSL-Blown up	00G10_057		1 18WP	G10_057		'KNOLL 230 - SMOKYHL6 230.00 230KV CKT 1 & SMKYP1 6 230.00 - SMOKYHL6 230.00 230KV CKT 1'	0	0.03081	9999	'BASE CASE'
NCONV	FNSL-Blown up	03G11_016		1 13G	G11_016		'KNOLL 230 - SMOKYHL6 230.00 230KV CKT 1 & SMKYP1 6 230.00 - SMOKYHL6 230.00 230KV CKT 1'	0	0.03075	9999	'BASE CASE'
NCONV	FNSL-Blown up	00G11_017		1 13SP	G11_017		'KNOLL 230 - SMOKYHL6 230.00 230KV CKT 1 & SMKYP1 6 230.00 - SMOKYHL6 230.00 230KV CKT 1'	0	0.07421	9999	'BASE CASE'
NCONV	FNSL-Blown up	00G11_017		1 18WP	G11_017		'KNOLL 230 - SMOKYHL6 230.00 230KV CKT 1 & SMKYP1 6 230.00 - SMOKYHL6 230.00 230KV CKT 1'	0	0.07456	9999	'BASE CASE'
NCONV	FNSL-Blown up	00NR		1 13SP	G11_017		'KNOLL 230 - SMOKYHL6 230.00 230KV CKT 1 & SMKYP1 6 230.00 - SMOKYHL6 230.00 230KV CKT 1'	0	0.04807	9999	'BASE CASE'
NCONV	FNSL-Blown up	00NR		1 18WP	G11_017		'KNOLL 230 - SMOKYHL6 230.00 230KV CKT 1 & SMKYP1 6 230.00 - SMOKYHL6 230.00 230KV CKT 1'	0	0.04726	9999	'BASE CASE'
NCONV	FNSL-Blown up		0	1 13SP	G10_029		'KNOLL 230 - SMOKYHL6 230.00 230KV CKT 1 & SMOKYHL6 230.00 - SUMMIT 230KV CKT 1'	0	0.0597	9999	'BASE CASE'

EVENTTYPE	SOLUTIONTYPE	GROUP	SCENARIO	SEASON	SOURCE	DIRECTION	MONITORED ELEMENT	RATEB (MVA)	TDF	TC%LOADI NG (%MVA)		CONTINGENCY
NCONV	FNSL-Blown up	00G10_029		1	13SP	G10_029	'KNOLL 230 - SMOKYHL6 230.00 230KV CKT 1 & SMOKYHL6 230.00 - SUMMIT 230KV CKT 1'	0	0.05944	9999	'BASE CASE'	
NCONV	FNSL-Blown up	00G10_029		1	13WP	G10_029	'KNOLL 230 - SMOKYHL6 230.00 230KV CKT 1 & SMOKYHL6 230.00 - SUMMIT 230KV CKT 1'	0	0.05907	9999	'BASE CASE'	
NCONV	FNSL-Blown up	00G10_029		1	18WP	G10_029	'KNOLL 230 - SMOKYHL6 230.00 230KV CKT 1 & SMOKYHL6 230.00 - SUMMIT 230KV CKT 1'	0	0.06025	9999	'BASE CASE'	
NCONV	FNSL-Blown up	03G10_029		1	13G	G10_029	'KNOLL 230 - SMOKYHL6 230.00 230KV CKT 1 & SMOKYHL6 230.00 - SUMMIT 230KV CKT 1'	0	0.06148	9999	'BASE CASE'	
NCONV	FNSL-Blown up	0		1	13SP	G11_008	'KNOLL 230 - SMOKYHL6 230.00 230KV CKT 1 & SMOKYHL6 230.00 - SUMMIT 230KV CKT 1'	0	0.04649	9999	'BASE CASE'	
NCONV	FNSL-Blown up	00G11_008		1	13SP	G11_008	'KNOLL 230 - SMOKYHL6 230.00 230KV CKT 1 & SMOKYHL6 230.00 - SUMMIT 230KV CKT 1'	0	0.04633	9999	'BASE CASE'	
NCONV	FNSL-Blown up	00G11_008		1	13WP	G11_008	'KNOLL 230 - SMOKYHL6 230.00 230KV CKT 1 & SMOKYHL6 230.00 - SUMMIT 230KV CKT 1'	0	0.04574	9999	'BASE CASE'	
NCONV	FNSL-Blown up	02G11_012		1	13G	G11_012	'KNOLL 230 - SMOKYHL6 230.00 230KV CKT 1 & SMOKYHL6 230.00 - SUMMIT 230KV CKT 1'	0	0.03003	9999	'BASE CASE'	
NCONV	FNSL-Blown up	00G11_014		1	18WP	G11_014	'KNOLL 230 - SMOKYHL6 230.00 230KV CKT 1 & SMOKYHL6 230.00 - SUMMIT 230KV CKT 1'	0	0.03016	9999	'BASE CASE'	
NCONV	FNSL-Blown up	0		1	13SP	G11_016	'KNOLL 230 - SMOKYHL6 230.00 230KV CKT 1 & SMOKYHL6 230.00 - SUMMIT 230KV CKT 1'	0	0.0597	9999	'BASE CASE'	
NCONV	FNSL-Blown up	00G11_016		1	13SP	G11_016	'KNOLL 230 - SMOKYHL6 230.00 230KV CKT 1 & SMOKYHL6 230.00 - SUMMIT 230KV CKT 1'	0	0.05944	9999	'BASE CASE'	
NCONV	FNSL-Blown up	00G11_016		1	13WP	G11_016	'KNOLL 230 - SMOKYHL6 230.00 230KV CKT 1 & SMOKYHL6 230.00 - SUMMIT 230KV CKT 1'	0	0.05907	9999	'BASE CASE'	
NCONV	FNSL-Blown up	00G11_016		1	18WP	G11_016	'KNOLL 230 - SMOKYHL6 230.00 230KV CKT 1 & SMOKYHL6 230.00 - SUMMIT 230KV CKT 1'	0	0.06025	9999	'BASE CASE'	
NCONV	FNSL-Blown up	03G11_016		1	13G	G11_016	'KNOLL 230 - SMOKYHL6 230.00 230KV CKT 1 & SMOKYHL6 230.00 - SUMMIT 230KV CKT 1'	0	0.0615	9999	'BASE CASE'	
NCONV	FNSL-Blown up	0		1	13SP	G11_017	'KNOLL 230 - SMOKYHL6 230.00 230KV CKT 1 & SMOKYHL6 230.00 - SUMMIT 230KV CKT 1'	0	0.14847	9999	'BASE CASE'	
NCONV	FNSL-Blown up	00G11_017		1	13SP	G11_017	'KNOLL 230 - SMOKYHL6 230.00 230KV CKT 1 & SMOKYHL6 230.00 - SUMMIT 230KV CKT 1'	0	0.14843	9999	'BASE CASE'	
NCONV	FNSL-Blown up	00G11_017		1	18WP	G11_017	'KNOLL 230 - SMOKYHL6 230.00 230KV CKT 1 & SMOKYHL6 230.00 - SUMMIT 230KV CKT 1'	0	0.14912	9999	'BASE CASE'	
NCONV	FNSL-Blown up	00NR		1	13SP	G11_017	'KNOLL 230 - SMOKYHL6 230.00 230KV CKT 1 & SMOKYHL6 230.00 - SUMMIT 230KV CKT 1'	0	0.09614	9999	'BASE CASE'	
NCONV	FNSL-Blown up	00NR		1	13WP	G11_017	'KNOLL 230 - SMOKYHL6 230.00 230KV CKT 1 & SMOKYHL6 230.00 - SUMMIT 230KV CKT 1'	0	0.0969	9999	'BASE CASE'	
NCONV	FNSL-Blown up	03G11_017		1	13G	G11_017	'KNOLL 230 - SMOKYHL6 230.00 230KV CKT 1 & SMOKYHL6 230.00 - SUMMIT 230KV CKT 1'	0	0.15179	9999	'BASE CASE'	
NCONV	FNSL-Blown up	03NR		1	13G	G11_017	'KNOLL 230 - SMOKYHL6 230.00 230KV CKT 1 & SMOKYHL6 230.00 - SUMMIT 230KV CKT 1'	0	0.09428	9999	'BASE CASE'	
NCONV	FNSL-Blown up	00G11_021		1	18WP	G11_021	'KNOLL 230 - SMOKYHL6 230.00 230KV CKT 1 & SMOKYHL6 230.00 - SUMMIT 230KV CKT 1'	0	0.03016	9999	'BASE CASE'	
NCONV	FNSL-Blown up	02G11_022		1	13G	G11_022	'KNOLL 230 - SMOKYHL6 230.00 230KV CKT 1 & SMOKYHL6 230.00 - SUMMIT 230KV CKT 1'	0	0.03213	9999	'BASE CASE'	
NCONV	FNSL-Blown up	0		1	13SP	G11_023	'KNOLL 230 - SMOKYHL6 230.00 230KV CKT 1 & SMOKYHL6 230.00 - SUMMIT 230KV CKT 1'	0	0.04649	9999	'BASE CASE'	
NCONV	FNSL-Blown up	00G11_023		1	13SP	G11_023	'KNOLL 230 - SMOKYHL6 230.00 230KV CKT 1 & SMOKYHL6 230.00 - SUMMIT 230KV CKT 1'	0	0.04633	9999	'BASE CASE'	
NCONV	FNSL-Blown up	00G11_023		1	13WP	G11_023	'KNOLL 230 - SMOKYHL6 230.00 230KV CKT 1 & SMOKYHL6 230.00 - SUMMIT 230KV CKT 1'	0	0.04574	9999	'BASE CASE'	
NCONV	FNSL-Blown up	03G11_023		1	13G	G11_023	'KNOLL 230 - SMOKYHL6 230.00 230KV CKT 1 & SMOKYHL6 230.00 - SUMMIT 230KV CKT 1'	0	0.04765	9999	'BASE CASE'	
NCONV	FNSL-Blown up	0		1	13SP	G11_056A	'KNOLL 230 - SMOKYHL6 230.00 230KV CKT 1 & SMOKYHL6 230.00 - SUMMIT 230KV CKT 1'	0	0.06754	9999	'BASE CASE'	
NCONV	FNSL-Blown up	0		1	13SP	G11_056B	'KNOLL 230 - SMOKYHL6 230.00 230KV CKT 1 & SMOKYHL6 230.00 - SUMMIT 230KV CKT 1'	0	0.06762	9999	'BASE CASE'	
FDNS		02NR		1	13G	G11_012	'FROM->TO' 'LAWEASOKLUNI'	425	0.12849	106.5	'BASE CASE'	
FDNS		02NR		1	13G	G11_014	'FROM->TO' 'LAWEASOKLUNI'	425	0.17028	106.5	'BASE CASE'	
FDNS		02NR		1	13G	G11_021	'FROM->TO' 'LAWEASOKLUNI'	425	0.17028	106.5	'BASE CASE'	
FDNS		02NR		1	13G	G11_022	'FROM->TO' 'LAWEASOKLUNI'	425	0.14988	106.5	'BASE CASE'	

EVENTTYPE	SOLUTIONTYPE	GROUP	SCENARIO	SEASON	SOURCE	DIRECTION	MONITORED ELEMENT	RATEB (MVA)	TDF	TC%LOADING (%MVA)	CONTINGENCY
FDNS	13NR		1	13G	G10_056	'TO->FROM'	'MARYVILLE - NODAWAYCO 161.00 161KV CKT 1'	227	0.03557	104.0236	'KCPL-C3'
FDNS	13G10_056		1	13G	G10_056	'TO->FROM'	'MARYVILLE - NODAWAYCO 161.00 161KV CKT 1'	227	0.03764	104.1374	'KCPL-C3'
FDNS	13G10_056		1	13G	G10_056	'TO->FROM'	'MARYVILLE - NODAWAYCO 161.00 161KV CKT 1'	227	0.03077	104.1628	'KCPLB-6'
FDNS	13G10_056		1	13G	G10_056	'TO->FROM'	'MARYVILLE - NODAWAYCO 161.00 161KV CKT 1'	227	0.03077	104.6337	'KCPL-C2'
FDNS	13G11_011		1	13G	G11_011	'TO->FROM'	'MARYVILLE - NODAWAYCO 161.00 161KV CKT 1'	227	0.03501	100.7899	'IATAN - STRANGER CREEK 345KV CKT 1 & IATAN - NASHUA 345KV CKT 1'
FDNS	13G11_011		1	13G	G11_011	'TO->FROM'	'MARYVILLE - NODAWAYCO 161.00 161KV CKT 1'	227	0.03724	104.5863	'KCPLB-6'
FDNS	13G11_011		1	13G	G11_011	'TO->FROM'	'MARYVILLE - NODAWAYCO 161.00 161KV CKT 1'	227	0.04869	104.7017	'KCPL-C3'
FDNS	13G11_011		1	13G	G11_011	'TO->FROM'	'MARYVILLE - NODAWAYCO 161.00 161KV CKT 1'	227	0.03724	105.0572	'KCPL-C2'
FDNS	13G11_011		1	13G	G11_011	'TO->FROM'	'MARYVILLE - NODAWAYCO 161.00 161KV CKT 1'	227	0.03143	105.4496	'BKR-C-3322-2'
FDNS	03G10_029		1	13G	G10_029	'FROM->TO'	'MATTHEWSON 345.00 - NORTHWEST 345KV CKT 1'	1195	0.15027	100.519	'CIMARRON - MATTHEWSON 345.00 345KV CKT 1 & CIMARRON - MATTHEWSON 345.00 345KV CKT 2'
FDNS	00NR		1	18WP	G11_007	'FROM->TO'	'MATTHEWSON 345.00 - NORTHWEST 345KV CKT 1'	1195	0.67705	109.5775	'CIMARRON - MATTHEWSON 345.00 345KV CKT 1 & CIMARRON - MATTHEWSON 345.00 345KV CKT 2'
FDNS	00NR		1	13WP	G11_007	'FROM->TO'	'MATTHEWSON 345.00 - NORTHWEST 345KV CKT 1'	1195	0.67202	112.6049	'CIMARRON - MATTHEWSON 345.00 345KV CKT 1 & CIMARRON - MATTHEWSON 345.00 345KV CKT 2'
FDNS	01G11_007		1	13G	G11_007	'FROM->TO'	'MATTHEWSON 345.00 - NORTHWEST 345KV CKT 1'	1195	0.59271	112.6784	'CIMARRON - MATTHEWSON 345.00 345KV CKT 1 & CIMARRON - MATTHEWSON 345.00 345KV CKT 2'
FDNS	00NR		1	13SP	G11_007	'FROM->TO'	'MATTHEWSON 345.00 - NORTHWEST 345KV CKT 1'	1195	0.67461	113.3799	'CIMARRON - MATTHEWSON 345.00 345KV CKT 1 & CIMARRON - MATTHEWSON 345.00 345KV CKT 2'
FDNS	01NR		1	13G	G11_007	'FROM->TO'	'MATTHEWSON 345.00 - NORTHWEST 345KV CKT 1'	1195	0.69203	117.5023	'CIMARRON - MATTHEWSON 345.00 345KV CKT 1 & CIMARRON - MATTHEWSON 345.00 345KV CKT 2'
FDNS	00NR		1	18WP	G11_012	'FROM->TO'	'MATTHEWSON 345.00 - NORTHWEST 345KV CKT 1'	1195	0.06025	109.5775	'CIMARRON - MATTHEWSON 345.00 345KV CKT 1 & CIMARRON - MATTHEWSON 345.00 345KV CKT 2'
FDNS	00NR		1	13WP	G11_012	'FROM->TO'	'MATTHEWSON 345.00 - NORTHWEST 345KV CKT 1'	1195	0.07734	112.6049	'CIMARRON - MATTHEWSON 345.00 345KV CKT 1 & CIMARRON - MATTHEWSON 345.00 345KV CKT 2'
FDNS	00NR		1	13SP	G11_012	'FROM->TO'	'MATTHEWSON 345.00 - NORTHWEST 345KV CKT 1'	1195	0.08196	113.3799	'CIMARRON - MATTHEWSON 345.00 345KV CKT 1 & CIMARRON - MATTHEWSON 345.00 345KV CKT 2'
FDNS	00NR		1	18WP	G11_014	'FROM->TO'	'MATTHEWSON 345.00 - NORTHWEST 345KV CKT 1'	1195	0.10078	109.5775	'CIMARRON - MATTHEWSON 345.00 345KV CKT 1 & CIMARRON - MATTHEWSON 345.00 345KV CKT 2'
FDNS	00NR		1	13WP	G11_014	'FROM->TO'	'MATTHEWSON 345.00 - NORTHWEST 345KV CKT 1'	1195	0.08623	112.6049	'CIMARRON - MATTHEWSON 345.00 345KV CKT 1 & CIMARRON - MATTHEWSON 345.00 345KV CKT 2'
FDNS	00NR		1	13SP	G11_014	'FROM->TO'	'MATTHEWSON 345.00 - NORTHWEST 345KV CKT 1'	1195	0.09432	113.3799	'CIMARRON - MATTHEWSON 345.00 345KV CKT 1 & CIMARRON - MATTHEWSON 345.00 345KV CKT 2'
FDNS	03G11_016		1	13G	G11_016	'FROM->TO'	'MATTHEWSON 345.00 - NORTHWEST 345KV CKT 1'	1195	0.15025	100.2821	'CIMARRON - MATTHEWSON 345.00 345KV CKT 1 & CIMARRON - MATTHEWSON 345.00 345KV CKT 2'
FDNS	00NR		1	18WP	G11_019	'FROM->TO'	'MATTHEWSON 345.00 - NORTHWEST 345KV CKT 1'	1195	0.31585	109.5775	'CIMARRON - MATTHEWSON 345.00 345KV CKT 1 & CIMARRON - MATTHEWSON 345.00 345KV CKT 2'
FDNS	00NR		1	13WP	G11_019	'FROM->TO'	'MATTHEWSON 345.00 - NORTHWEST 345KV CKT 1'	1195	0.30911	112.6049	'CIMARRON - MATTHEWSON 345.00 345KV CKT 1 & CIMARRON - MATTHEWSON 345.00 345KV CKT 2'
FDNS	00NR		1	13SP	G11_019	'FROM->TO'	'MATTHEWSON 345.00 - NORTHWEST 345KV CKT 1'	1195	0.30236	113.3799	'CIMARRON - MATTHEWSON 345.00 345KV CKT 1 & CIMARRON - MATTHEWSON 345.00 345KV CKT 2'
FDNS	01NR		1	13G	G11_019	'FROM->TO'	'MATTHEWSON 345.00 - NORTHWEST 345KV CKT 1'	1195	0.34342	117.5023	'CIMARRON - MATTHEWSON 345.00 345KV CKT 1 & CIMARRON - MATTHEWSON 345.00 345KV CKT 2'
FDNS	00NR		1	18WP	G11_020	'FROM->TO'	'MATTHEWSON 345.00 - NORTHWEST 345KV CKT 1'	1195	0.31585	109.5775	'CIMARRON - MATTHEWSON 345.00 345KV CKT 1 & CIMARRON - MATTHEWSON 345.00 345KV CKT 2'
FDNS	00NR		1	13WP	G11_020	'FROM->TO'	'MATTHEWSON 345.00 - NORTHWEST 345KV CKT 1'	1195	0.30911	112.6049	'CIMARRON - MATTHEWSON 345.00 345KV CKT 1 & CIMARRON - MATTHEWSON 345.00 345KV CKT 2'
FDNS	00NR		1	13SP	G11_020	'FROM->TO'	'MATTHEWSON 345.00 - NORTHWEST 345KV CKT 1'	1195	0.30236	113.3799	'CIMARRON - MATTHEWSON 345.00 345KV CKT 1 & CIMARRON - MATTHEWSON 345.00 345KV CKT 2'
FDNS	01G11_020		1	13G	G11_020	'FROM->TO'	'MATTHEWSON 345.00 - NORTHWEST 345KV CKT 1'	1195	0.24428	114.5513	'CIMARRON - MATTHEWSON 345.00 345KV CKT 1 & CIMARRON - MATTHEWSON 345.00 345KV CKT 2'
FDNS	01NR		1	13G	G11_020	'FROM->TO'	'MATTHEWSON 345.00 - NORTHWEST 345KV CKT 1'	1195	0.34342	117.5023	'CIMARRON - MATTHEWSON 345.00 345KV CKT 1 & CIMARRON - MATTHEWSON 345.00 345KV CKT 2'
FDNS	00NR		1	18WP	G11_021	'FROM->TO'	'MATTHEWSON 345.00 - NORTHWEST 345KV CKT 1'	1195	0.10078	109.5775	'CIMARRON - MATTHEWSON 345.00 345KV CKT 1 & CIMARRON - MATTHEWSON 345.00 345KV CKT 2'
FDNS	00NR		1	13WP	G11_021	'FROM->TO'	'MATTHEWSON 345.00 - NORTHWEST 345KV CKT 1'	1195	0.08623	112.6049	'CIMARRON - MATTHEWSON 345.00 345KV CKT 1 & CIMARRON - MATTHEWSON 345.00 345KV CKT 2'
FDNS	00NR		1	13SP	G11_021	'FROM->TO'	'MATTHEWSON 345.00 - NORTHWEST 345KV CKT 1'	1195	0.09432	113.3799	'CIMARRON - MATTHEWSON 345.00 345KV CKT 1 & CIMARRON - MATTHEWSON 345.00 345KV CKT 2'
FDNS	00NR		1	18WP	G11_022	'FROM->TO'	'MATTHEWSON 345.00 - NORTHWEST 345KV CKT 1'	1195	0.07942	109.5775	'CIMARRON - MATTHEWSON 345.00 345KV CKT 1 & CIMARRON - MATTHEWSON 345.00 345KV CKT 2'

EVENTTYPE	SOLUTIONTYPE	GROUP	SCENARIO	SEASON	SOURCE	DIRECTION	MONITORED ELEMENT	RATEB (MVA)	TDF	TC%LOADING (%MVA)	CONTINGENCY
	FDNS	00NR		1 13WP	G11_022	'FROM->TO'	'MATTHEWSON 345.00 - NORTHWEST 345KV CKT 1'	1195	0.09894	112.6049	'CIMARRON - MATTHEWSON 345.00 345KV CKT 1 & CIMARRON - MATTHEWSON 345.00 345KV CKT 2'
	FDNS	00NR		1 13SP	G11_022	'FROM->TO'	'MATTHEWSON 345.00 - NORTHWEST 345KV CKT 1'	1195	0.10676	113.3799	'CIMARRON - MATTHEWSON 345.00 345KV CKT 1 & CIMARRON - MATTHEWSON 345.00 345KV CKT 2'
	FDNS	00NR		1 18WP	G11_024	'FROM->TO'	'MATTHEWSON 345.00 - NORTHWEST 345KV CKT 1'	1195	0.53641	109.5775	'CIMARRON - MATTHEWSON 345.00 345KV CKT 1 & CIMARRON - MATTHEWSON 345.00 345KV CKT 2'
	FDNS	00NR		1 13WP	G11_024	'FROM->TO'	'MATTHEWSON 345.00 - NORTHWEST 345KV CKT 1'	1195	0.53072	112.6049	'CIMARRON - MATTHEWSON 345.00 345KV CKT 1 & CIMARRON - MATTHEWSON 345.00 345KV CKT 2'
	FDNS	00NR		1 13SP	G11_024	'FROM->TO'	'MATTHEWSON 345.00 - NORTHWEST 345KV CKT 1'	1195	0.52967	113.3799	'CIMARRON - MATTHEWSON 345.00 345KV CKT 1 & CIMARRON - MATTHEWSON 345.00 345KV CKT 2'
	FDNS	01NR		1 13G	G11_024	'FROM->TO'	'MATTHEWSON 345.00 - NORTHWEST 345KV CKT 1'	1195	0.55629	117.5023	'CIMARRON - MATTHEWSON 345.00 345KV CKT 1 & CIMARRON - MATTHEWSON 345.00 345KV CKT 2'
	FDNS	01G11_024		1 13G	G11_024	'FROM->TO'	'MATTHEWSON 345.00 - NORTHWEST 345KV CKT 1'	1195	0.45723	119.6438	'MATTHEWSON 345.00 - TATONGA7 345.00 345KV CKT 2 & G11-007 345.00 - MATTHEWSON 345.00 345KV CKT 1'
	FDNS	01NR		1 13G	G11_019	'TO->FROM'	'MATTHEWSON 345.00 - TATONGA7 345.00 345KV CKT 1'	1195	0.31123	100.6883	'MATTHEWSON 345.00 - TATONGA7 345.00 345KV CKT 2 & G11-007 345.00 - MATTHEWSON 345.00 345KV CKT 1'
	FDNS	01G11_020		1 13G	G11_020	'TO->FROM'	'MATTHEWSON 345.00 - TATONGA7 345.00 345KV CKT 1'	1195	0.24017	100.4041	'MATTHEWSON 345.00 - TATONGA7 345.00 345KV CKT 2 & G11-007 345.00 - MATTHEWSON 345.00 345KV CKT 1'
	FDNS	01NR		1 13G	G11_020	'TO->FROM'	'MATTHEWSON 345.00 - TATONGA7 345.00 345KV CKT 1'	1195	0.31123	100.6883	'MATTHEWSON 345.00 - TATONGA7 345.00 345KV CKT 2 & G11-007 345.00 - MATTHEWSON 345.00 345KV CKT 1'
	FDNS	01NR		1 13G	G11_024	'TO->FROM'	'MATTHEWSON 345.00 - TATONGA7 345.00 345KV CKT 1'	1195	0.58642	100.6883	'MATTHEWSON 345.00 - TATONGA7 345.00 345KV CKT 2 & G11-007 345.00 - MATTHEWSON 345.00 345KV CKT 1'
	FDNS	01G11_024		1 13G	G11_024	'TO->FROM'	'MATTHEWSON 345.00 - TATONGA7 345.00 345KV CKT 1'	1195	0.50525	103.4361	'MATTHEWSON 345.00 - NORTHWEST 345KV CKT 1 & MATTHEWSON 345.00 - TATONGA7 345.00 345KV CKT 2'
	FDNS	01G11_024		1 13G	G11_024	'TO->FROM'	'MATTHEWSON 345.00 - TATONGA7 345.00 345KV CKT 1'	1195	0.51256	105.204	'CIMARRON - MATTHEWSON 345.00 345KV CKT 1 & MATTHEWSON 345.00 - TATONGA7 345.00 345KV CKT 2'
	FDNS	01G11_024		1 13G	G11_024	'TO->FROM'	'MATTHEWSON 345.00 - TATONGA7 345.00 345KV CKT 1'	1195	0.51256	105.204	'CIMARRON - MATTHEWSON 345.00 345KV CKT 2 & MATTHEWSON 345.00 - TATONGA7 345.00 345KV CKT 2'
	FDNS	01G11_024		1 13G	G11_024	'TO->FROM'	'MATTHEWSON 345.00 - TATONGA7 345.00 345KV CKT 1'	1195	0.50205	105.6531	'MATTHEWSON 345.00 - WOODRING 345KV CKT 1 & MATTHEWSON 345.00 - TATONGA7 345.00 345KV CKT 2'
	FDNS	01G11_024		1 13G	G11_024	'TO->FROM'	'MATTHEWSON 345.00 - TATONGA7 345.00 345KV CKT 1'	1195	0.51559	106.9712	'MATTHEWSON 345.00 - TATONGA7 345.00 345KV CKT 2 & G11-007 345.00 - MATTHEWSON 345.00 345KV CKT 1'
	FDNS	00G11_024		1 18SP	G11_024	'TO->FROM'	'MATTHEWSON 345.00 - TATONGA7 345.00 345KV CKT 1'	1195	1	115.2397	'TATONGA7 345.00 - WOODWARD DISTRICT EHV 345KV CKT 1 & MATTHEWSON 345.00 - TATONGA7 345.00 345KV CKT 2'
	FDNS	01G11_024		1 13G	G11_024	'TO->FROM'	'MATTHEWSON 345.00 - TATONGA7 345.00 345KV CKT 1'	1195	1	116.094	'TATONGA7 345.00 - WOODWARD DISTRICT EHV 345KV CKT 1 & MATTHEWSON 345.00 - TATONGA7 345.00 345KV CKT 2'
	FNSL	00G11_024		1 13SP	G11_024	'TO->FROM'	'MATTHEWSON 345.00 - TATONGA7 345.00 345KV CKT 1'	1195	1	116.2144	'TATONGA7 345.00 - WOODWARD DISTRICT EHV 345KV CKT 1 & MATTHEWSON 345.00 - TATONGA7 345.00 345KV CKT 2'
	FDNS	00G11_024		1 18WP	G11_024	'TO->FROM'	'MATTHEWSON 345.00 - TATONGA7 345.00 345KV CKT 1'	1195	1	116.4109	'TATONGA7 345.00 - WOODWARD DISTRICT EHV 345KV CKT 1 & MATTHEWSON 345.00 - TATONGA7 345.00 345KV CKT 2'
	FDNS	00G11_024		1 13WP	G11_024	'TO->FROM'	'MATTHEWSON 345.00 - TATONGA7 345.00 345KV CKT 1'	1195	1	116.4603	'TATONGA7 345.00 - WOODWARD DISTRICT EHV 345KV CKT 1 & MATTHEWSON 345.00 - TATONGA7 345.00 345KV CKT 2'
	FDNS	01NR		1 13G	G11_019	'TO->FROM'	'MATTHEWSON 345.00 - TATONGA7 345.00 345KV CKT 2'	1195	0.31123	100.6883	'MATTHEWSON 345.00 - TATONGA7 345.00 345KV CKT 1 & G11-007 345.00 - MATTHEWSON 345.00 345KV CKT 1'
	FDNS	01G11_020		1 13G	G11_020	'TO->FROM'	'MATTHEWSON 345.00 - TATONGA7 345.00 345KV CKT 2'	1195	0.24017	100.4041	'MATTHEWSON 345.00 - TATONGA7 345.00 345KV CKT 1 & G11-007 345.00 - MATTHEWSON 345.00 345KV CKT 1'
	FDNS	01NR		1 13G	G11_020	'TO->FROM'	'MATTHEWSON 345.00 - TATONGA7 345.00 345KV CKT 2'	1195	0.31123	100.6883	'MATTHEWSON 345.00 - TATONGA7 345.00 345KV CKT 1 & G11-007 345.00 - MATTHEWSON 345.00 345KV CKT 1'
	FDNS	01NR		1 13G	G11_024	'TO->FROM'	'MATTHEWSON 345.00 - TATONGA7 345.00 345KV CKT 2'	1195	0.58642	100.6883	'MATTHEWSON 345.00 - TATONGA7 345.00 345KV CKT 1 & G11-007 345.00 - MATTHEWSON 345.00 345KV CKT 1'
	FDNS	01G11_024		1 13G	G11_024	'TO->FROM'	'MATTHEWSON 345.00 - TATONGA7 345.00 345KV CKT 2'	1195	0.50525	103.4361	'MATTHEWSON 345.00 - NORTHWEST 345KV CKT 1 & MATTHEWSON 345.00 - TATONGA7 345.00 345KV CKT 1'

EVENTTYPE	SOLUTIONTYPE	GROUP	SCENARIO	SEASON	SOURCE	DIRECTION	MONITORED ELEMENT	RATEB (MVA)	TDF	TC%LOADING (%MVA)	CONTINGENCY
	FDNS	01G11_024		1 13G	G11_024	'TO->FROM'	'MATTHEWSON 345.00 - TATONGA7 345.00 345KV CKT 2'	1195	0.51256	105.204	'CIMARRON - MATTHEWSON 345.00 345KV CKT 1 &MATTHEWSON 345.00 - TATONGA7 345.00 345KV CKT 1'
	FDNS	01G11_024		1 13G	G11_024	'TO->FROM'	'MATTHEWSON 345.00 - TATONGA7 345.00 345KV CKT 2'	1195	0.51256	105.204	'CIMARRON - MATTHEWSON 345.00 345KV CKT 2 &MATTHEWSON 345.00 - TATONGA7 345.00 345KV CKT 1'
	FDNS	01G11_024		1 13G	G11_024	'TO->FROM'	'MATTHEWSON 345.00 - TATONGA7 345.00 345KV CKT 2'	1195	0.50205	105.6531	'MATTHEWSON 345.00 - WOODRING 345KV CKT 1 &MATTHEWSON 345.00 - TATONGA7 345.00 345KV CKT 1'
	FDNS	01G11_024		1 13G	G11_024	'TO->FROM'	'MATTHEWSON 345.00 - TATONGA7 345.00 345KV CKT 2'	1195	0.51559	106.9712	'MATTHEWSON 345.00 - TATONGA7 345.00 345KV CKT 1 &G11-007 345.00 - MATTHEWSON 345.00 345KV CKT 1'
	FDNS	00G11_024		1 18SP	G11_024	'TO->FROM'	'MATTHEWSON 345.00 - TATONGA7 345.00 345KV CKT 2'	1195	1	115.2397	'TATONGA7 345.00 - WOODWARD DISTRICT EHV 345KV CKT 1 &MATTHEWSON 345.00 - TATONGA7 345.00 345KV CKT 1'
	FDNS	01G11_024		1 13G	G11_024	'TO->FROM'	'MATTHEWSON 345.00 - TATONGA7 345.00 345KV CKT 2'	1195	1	116.094	'TATONGA7 345.00 - WOODWARD DISTRICT EHV 345KV CKT 1 &MATTHEWSON 345.00 - TATONGA7 345.00 345KV CKT 1'
	FNSL	00G11_024		1 13SP	G11_024	'TO->FROM'	'MATTHEWSON 345.00 - TATONGA7 345.00 345KV CKT 2'	1195	1	116.2144	'TATONGA7 345.00 - WOODWARD DISTRICT EHV 345KV CKT 1 &MATTHEWSON 345.00 - TATONGA7 345.00 345KV CKT 1'
	FDNS	00G11_024		1 18WP	G11_024	'TO->FROM'	'MATTHEWSON 345.00 - TATONGA7 345.00 345KV CKT 2'	1195	1	116.4109	'TATONGA7 345.00 - WOODWARD DISTRICT EHV 345KV CKT 1 &MATTHEWSON 345.00 - TATONGA7 345.00 345KV CKT 1'
	FDNS	00G11_024		1 13WP	G11_024	'TO->FROM'	'MATTHEWSON 345.00 - TATONGA7 345.00 345KV CKT 2'	1195	1	116.4603	'TATONGA7 345.00 - WOODWARD DISTRICT EHV 345KV CKT 1 &MATTHEWSON 345.00 - TATONGA7 345.00 345KV CKT 1'
	FDNS	03NR		1 13G	G11_023	'FROM->TO'	'MEDILOGEXFR'	65	0.03538	104.6	'BASE CASE'
NCONV	FNSL-Blown up	03G10_029		1 13G	G10_029		'MIDW-CATD01B'	0	0.07481	9999	'BASE CASE'
NCONV	FNSL-Blown up	03G11_008		1 13G	G11_008		'MIDW-CATD01B'	0	0.05836	9999	'BASE CASE'
NCONV	FNSL-Blown up	03G11_017		1 13G	G11_017		'MIDW-CATD01B'	0	0.20321	9999	'BASE CASE'
NCONV	FNSL-Blown up	00NR		1 18SP	G10_029		'MIDW-CATD02B'	0	0.05165	9999	'BASE CASE'
NCONV	FNSL-Blown up	00NR		1 18SP	G11_016		'MIDW-CATD02B'	0	0.05165	9999	'BASE CASE'
NCONV	FNSL-Blown up	0		1 18SP	G11_017		'MIDW-CATD02B'	0	0.1409	9999	'BASE CASE'
NCONV	FNSL-Blown up	0		1 23SP	G11_017		'MIDW-CATD02B'	0	0.06425	9999	'BASE CASE'
NCONV	FNSL-Blown up	00NR		1 18SP	G11_017		'MIDW-CATD02B'	0	0.19522	9999	'BASE CASE'
NCONV	FNSL-Blown up	03G11_017		1 13G	G11_017		'MIDW-CATD02B'	0	0.14026	9999	'BASE CASE'
NCONV	FNSL-Blown up	03NR		1 13G	G11_017		'MIDW-CATD02B'	0	0.15976	9999	'BASE CASE'
NCONV	FNSL-Blown up	00NR		1 18SP	G11_023		'MIDW-CATD02B'	0	0.04719	9999	'BASE CASE'
NCONV	FNSL-Blown up	0		1 18SP	G11_027		'MIDW-CATD02B'	0	0.04119	9999	'BASE CASE'
NCONV	FNSL-Blown up	0		1 23SP	G11_027		'MIDW-CATD02B'	0	0.04141	9999	'BASE CASE'
NCONV	FNSL-Blown up	09G11_027		1 13G	G11_027		'MIDW-CATD02B'	0	0.04482	9999	'BASE CASE'
NCONV	FNSL-Blown up	0		1 18SP	G11_056A		'MIDW-CATD02B'	0	0.07032	9999	'BASE CASE'
NCONV	FNSL-Blown up	0		1 23SP	G11_056A		'MIDW-CATD02B'	0	0.06662	9999	'BASE CASE'
NCONV	FNSL-Blown up	0		1 18SP	G11_056B		'MIDW-CATD02B'	0	0.0708	9999	'BASE CASE'
NCONV	FNSL-Blown up	0		1 23SP	G11_056B		'MIDW-CATD02B'	0	0.06706	9999	'BASE CASE'
NCONV	FNSL-Blown up	00ASGI_11_003		1 13WP	ASGI_2011_003		'MOORE COUNTY INTERCHANGE - POTTER COUNTY INTERCHANGE 230KV CKT 1 &G11_012T 230.00 - MOORE COUNTY INTERCHANGE 230KV CKT 1'	0	0.13068	9999	'BASE CASE'
	FDNS	00G10_029		1 13WP	G10_029	'FROM->TO'	'MOUNDRIDGE (MOUND10X) 138/115/13.8KV TRANSFORMER CKT 1'	110	0.03762	118.3962	'RENO COUNTY - SUMMIT 345KV CKT 1 &RENO COUNTY - WICHITA 345KV CKT 1'
	FDNS	00G10_029		1 13WP	G10_029	'FROM->TO'	'MOUNDRIDGE (MOUND10X) 138/115/13.8KV TRANSFORMER CKT 1'	110	0.03762	118.6941	'RENO COUNTY - SUMMIT 345KV CKT 1 &RENO COUNTY - WICHITA 345KV CKT 1'
	FDNS	00G10_029		1 13WP	G10_029	'FROM->TO'	'MOUNDRIDGE (MOUND10X) 138/115/13.8KV TRANSFORMER CKT 1'	110	0.034	127.317	'RENO COUNTY - WICHITA 345KV CKT 1 &THISTLE7 345.00 - WICHITA 345KV CKT 1'
	FDNS	00G10_029		1 13WP	G10_029	'FROM->TO'	'MOUNDRIDGE (MOUND10X) 138/115/13.8KV TRANSFORMER CKT 1'	110	0.034	127.317	'RENO COUNTY - WICHITA 345KV CKT 1 &THISTLE7 345.00 - WICHITA 345KV CKT 2'
	FDNS	00G10_029		1 13WP	G10_029	'FROM->TO'	'MOUNDRIDGE (MOUND10X) 138/115/13.8KV TRANSFORMER CKT 1'	110	0.034	127.7887	'RENO COUNTY - WICHITA 345KV CKT 1 &THISTLE7 345.00 - WICHITA 345KV CKT 1'
	FDNS	00G10_029		1 13WP	G10_029	'FROM->TO'	'MOUNDRIDGE (MOUND10X) 138/115/13.8KV TRANSFORMER CKT 1'	110	0.034	127.7887	'RENO COUNTY - WICHITA 345KV CKT 1 &THISTLE7 345.00 - WICHITA 345KV CKT 2'
	FDNS	03G10_029		1 13G	G10_029	'FROM->TO'	'MOUNDRIDGE (MOUND10X) 138/115/13.8KV TRANSFORMER CKT 1'	110	0.03029	138.7432	'EMPORIA ENERGY CENTER - WICHITA 345KV CKT 1 &RENO COUNTY - WICHITA 345KV CKT 1'

EVENTTYPE	SOLUTIONTYPE	GROUP	SCENARIO	SEASON	SOURCE	DIRECTION	MONITORED ELEMENT	RATEB (MVA)	TDF	TC%LOADING (%MVA)	CONTINGENCY
	FDNS	03G11_017		1 13G	G11_017	'FROM->TO'	'MOUNDRIDGE (MOUND10X) 138/115/13.8KV TRANSFORMER CKT 1'	110	0.03795	156.0638	'RENO COUNTY - WICHITA 345KV CKT 1 & THISTLE7 345.00 - WICHITA 345KV CKT 1'
	FDNS	03G11_017		1 13G	G11_017	'FROM->TO'	'MOUNDRIDGE (MOUND10X) 138/115/13.8KV TRANSFORMER CKT 1'	110	0.03795	156.0638	'RENO COUNTY - WICHITA 345KV CKT 1 & THISTLE7 345.00 - WICHITA 345KV CKT 2'
	FDNS	03G10_029		1 13G	G10_029	'TO->FROM'	'MULLERGREN - SPEARVILLE 230KV CKT 1'	355.3	0.0739	100	'CLARKCOUNTY7345.00 - THISTLE7 345.00 345KV CKT 1 & CLARKCOUNTY7345.00 - THISTLE7 345.00 345KV CKT 2'
	FDNS	03G10_029		1 13G	G10_029	'TO->FROM'	'MULLERGREN - SPEARVILLE 230KV CKT 1'	355.3	0.11913	102.9691	'BUCKNER7 345.00 - SPEARVILLE 345KV CKT 1 & G11-17T 345.00 - SPEARVILLE 345KV CKT 1'
	FDNS	03G10_029		1 13G	G10_029	'TO->FROM'	'MULLERGREN - SPEARVILLE 230KV CKT 1'	355.3	0.07681	104.683	'MULGREN7 345.00 - RENO COUNTY 345KV CKT 1 & MULGREN7 345.00 - RENO COUNTY 345KV CKT 2'
	FDNS	03G10_029		1 13G	G10_029	'TO->FROM'	'MULLERGREN - SPEARVILLE 230KV CKT 1'	355.3	0.07681	104.8055	'MULGREN7 345.00 - SPEARVILLE 345KV CKT 1 & MULGREN7 345.00 - SPEARVILLE 345KV CKT 2'
	FDNS	03G10_029		1 13G	G10_029	'TO->FROM'	'MULLERGREN - SPEARVILLE 230KV CKT 1'	355.3	0.09072	105.4999	'MULGREN7 345.00 - SPEARVILLE 345KV CKT 1 & G11-17T 345.00 - SPEARVILLE 345KV CKT 1'
	FDNS	03G10_029		1 13G	G10_029	'TO->FROM'	'MULLERGREN - SPEARVILLE 230KV CKT 1'	355.3	0.09072	105.4999	'MULGREN7 345.00 - SPEARVILLE 345KV CKT 2 & G11-17T 345.00 - SPEARVILLE 345KV CKT 1'
	FDNS	03G10_029		1 13G	G10_029	'TO->FROM'	'MULLERGREN - SPEARVILLE 230KV CKT 1'	355.3	0.08244	111.1352	'G11-17T 345.00 - POST ROCK 345KV CKT 1 & G11-17T 345.00 - G11_017_1 345.00 345KV CKT 1'
	FDNS	03G10_029		1 13G	G10_029	'TO->FROM'	'MULLERGREN - SPEARVILLE 230KV CKT 1'	355.3	0.08244	111.1424	'G11-17T 345.00 - POST ROCK 345KV CKT 1 & G11-17T 345.00 - SPEARVILLE 345KV CKT 1'
	FDNS	03G10_029		1 13G	G10_029	'TO->FROM'	'MULLERGREN - SPEARVILLE 230KV CKT 1'	355.3	0.08244	111.1684	'G11-17T 345.00 - SPEARVILLE 345KV CKT 1 & G11-17T 345.00 - G11_017_1 345.00 345KV CKT 1'
	FDNS	03G11_008		1 13G	G11_008	'TO->FROM'	'MULLERGREN - SPEARVILLE 230KV CKT 1'	355.3	0.06688	104.3348	'G11-17T 345.00 - POST ROCK 345KV CKT 1 & G11-17T 345.00 - G11_017_1 345.00 345KV CKT 1'
	FDNS	03G11_008		1 13G	G11_008	'TO->FROM'	'MULLERGREN - SPEARVILLE 230KV CKT 1'	355.3	0.06688	104.3397	'G11-17T 345.00 - POST ROCK 345KV CKT 1 & G11-17T 345.00 - SPEARVILLE 345KV CKT 1'
	FDNS	03G11_008		1 13G	G11_008	'TO->FROM'	'MULLERGREN - SPEARVILLE 230KV CKT 1'	355.3	0.06688	104.3493	'G11-17T 345.00 - SPEARVILLE 345KV CKT 1 & G11-17T 345.00 - G11_017_1 345.00 345KV CKT 1'
	FDNS	03G11_016		1 13G	G11_016	'TO->FROM'	'MULLERGREN - SPEARVILLE 230KV CKT 1'	355.3	0.11915	101.4109	'BUCKNER7 345.00 - SPEARVILLE 345KV CKT 1 & G11-17T 345.00 - SPEARVILLE 345KV CKT 1'
	FDNS	03G11_016		1 13G	G11_016	'TO->FROM'	'MULLERGREN - SPEARVILLE 230KV CKT 1'	355.3	0.09073	104.6272	'MULGREN7 345.00 - SPEARVILLE 345KV CKT 1 & G11-17T 345.00 - SPEARVILLE 345KV CKT 1'
	FDNS	03G11_016		1 13G	G11_016	'TO->FROM'	'MULLERGREN - SPEARVILLE 230KV CKT 1'	355.3	0.09073	104.6272	'MULGREN7 345.00 - SPEARVILLE 345KV CKT 2 & G11-17T 345.00 - SPEARVILLE 345KV CKT 1'
	FDNS	03G11_016		1 13G	G11_016	'TO->FROM'	'MULLERGREN - SPEARVILLE 230KV CKT 1'	355.3	0.07682	104.722	'MULGREN7 345.00 - RENO COUNTY 345KV CKT 1 & MULGREN7 345.00 - RENO COUNTY 345KV CKT 2'
	FDNS	03G11_016		1 13G	G11_016	'TO->FROM'	'MULLERGREN - SPEARVILLE 230KV CKT 1'	355.3	0.07682	105.1473	'MULGREN7 345.00 - SPEARVILLE 345KV CKT 1 & MULGREN7 345.00 - SPEARVILLE 345KV CKT 2'
	FDNS	03G11_016		1 13G	G11_016	'TO->FROM'	'MULLERGREN - SPEARVILLE 230KV CKT 1'	355.3	0.08246	109.9397	'G11-17T 345.00 - POST ROCK 345KV CKT 1 & G11-17T 345.00 - G11_017_1 345.00 345KV CKT 1'
	FDNS	03G11_016		1 13G	G11_016	'TO->FROM'	'MULLERGREN - SPEARVILLE 230KV CKT 1'	355.3	0.08246	109.9452	'G11-17T 345.00 - POST ROCK 345KV CKT 1 & G11-17T 345.00 - SPEARVILLE 345KV CKT 1'
	FDNS	03G11_016		1 13G	G11_016	'TO->FROM'	'MULLERGREN - SPEARVILLE 230KV CKT 1'	355.3	0.08246	109.9551	'G11-17T 345.00 - SPEARVILLE 345KV CKT 1 & G11-17T 345.00 - G11_017_1 345.00 345KV CKT 1'
	FDNS	03G11_017		1 13G	G11_017	'TO->FROM'	'MULLERGREN - SPEARVILLE 230KV CKT 1'	355.3	0.08263	101.6002	'G11-17T 345.00 - POST ROCK 345KV CKT 1 & G11-17T 345.00 - G11_017_1 345.00 345KV CKT 1'
	FDNS	03G11_017		1 13G	G11_017	'TO->FROM'	'MULLERGREN - SPEARVILLE 230KV CKT 1'	355.3	0.08263	101.6049	'G11-17T 345.00 - POST ROCK 345KV CKT 1 & G11-17T 345.00 - SPEARVILLE 345KV CKT 1'
	FDNS	03G11_023		1 13G	G11_023	'TO->FROM'	'MULLERGREN - SPEARVILLE 230KV CKT 1'	355.3	0.06692	100.9795	'G11-17T 345.00 - POST ROCK 345KV CKT 1 & G11-17T 345.00 - G11_017_1 345.00 345KV CKT 1'
	FDNS	03G11_023		1 13G	G11_023	'TO->FROM'	'MULLERGREN - SPEARVILLE 230KV CKT 1'	355.3	0.06692	100.9877	'G11-17T 345.00 - SPEARVILLE 345KV CKT 1 & G11-17T 345.00 - G11_017_1 345.00 345KV CKT 1'
	FDNS	03G11_023		1 13G	G11_023	'TO->FROM'	'MULLERGREN - SPEARVILLE 230KV CKT 1'	355.3	0.06692	100.9879	'G11-17T 345.00 - POST ROCK 345KV CKT 1 & G11-17T 345.00 - SPEARVILLE 345KV CKT 1'
	FDNS	00NR		1 13SP	G10_056	'FROM->TO'	'NASHUA (NASH 11) 345/161/13.8KV TRANSFORMER CKT 11'	660	0.2302	100.1131	'KCPLB-6'
	FDNS	00NR		1 13SP	G10_056	'FROM->TO'	'NASHUA (NASH 11) 345/161/13.8KV TRANSFORMER CKT 11'	660	0.2302	100.2641	'KCPL-C2'
	FDNS		0	1 18SP	G10_056	'FROM->TO'	'NASHUA (NASH 11) 345/161/13.8KV TRANSFORMER CKT 11'	660	0.15501	100.4742	'KCPL-C2'
	FDNS	00NR		1 13SP	G10_056	'FROM->TO'	'NASHUA (NASH 11) 345/161/13.8KV TRANSFORMER CKT 11'	660	0.2302	100.8081	'KCPL-C2'

EVENTTYPE	SOLUTIONTYPE	GROUP	SCENARIO	SEASON	SOURCE	DIRECTION	MONITORED ELEMENT	RATEB (MVA)	TDF	TC%LOADI NG (%MVA)	CONTINGENCY
	FDNS		0	1 18SP	G10_056	'FROM->TO'	'NASHUA (NASH 11) 345/161/13.8KV TRANSFORMER CKT 11'	660	0.15501	101.3558	'KCPLB-6'
	FDNS		0	1 23SP	G10_056	'FROM->TO'	'NASHUA (NASH 11) 345/161/13.8KV TRANSFORMER CKT 11'	660	0.15197	101.6103	'KCPLB-6'
	FDNS		0	1 18SP	G10_056	'FROM->TO'	'NASHUA (NASH 11) 345/161/13.8KV TRANSFORMER CKT 11'	660	0.15501	102.0696	'KCPL-C2'
	FDNS		0	1 23SP	G10_056	'FROM->TO'	'NASHUA (NASH 11) 345/161/13.8KV TRANSFORMER CKT 11'	660	0.15197	102.3095	'KCPL-C2'
	FDNS	00G10_056		1 18SP	G10_056	'FROM->TO'	'NASHUA (NASH 11) 345/161/13.8KV TRANSFORMER CKT 11'	660	0.15499	102.872	'KCPLB-6'
	FDNS		0	1 23SP	G10_056	'FROM->TO'	'NASHUA (NASH 11) 345/161/13.8KV TRANSFORMER CKT 11'	660	0.15197	103.2468	'KCPLB-6'
	FDNS	00G10_056		1 18SP	G10_056	'FROM->TO'	'NASHUA (NASH 11) 345/161/13.8KV TRANSFORMER CKT 11'	660	0.15499	103.5822	'KCPL-C2'
	FDNS		0	1 23SP	G10_056	'FROM->TO'	'NASHUA (NASH 11) 345/161/13.8KV TRANSFORMER CKT 11'	660	0.15197	103.9584	'KCPL-C2'
	FDNS	00G10_056		1 18SP	G10_056	'FROM->TO'	'NASHUA (NASH 11) 345/161/13.8KV TRANSFORMER CKT 11'	660	0.15499	104.4517	'KCPLB-6'
	FDNS	00G10_056		1 23SP	G10_056	'FROM->TO'	'NASHUA (NASH 11) 345/161/13.8KV TRANSFORMER CKT 11'	660	0.15195	104.5218	'KCPLB-6'
	FDNS	00G10_056		1 18SP	G10_056	'FROM->TO'	'NASHUA (NASH 11) 345/161/13.8KV TRANSFORMER CKT 11'	660	0.15499	105.1693	'KCPL-C2'
	FDNS	00G10_056		1 23SP	G10_056	'FROM->TO'	'NASHUA (NASH 11) 345/161/13.8KV TRANSFORMER CKT 11'	660	0.15195	105.2221	'KCPL-C2'
	FDNS	00G10_056		1 23SP	G10_056	'FROM->TO'	'NASHUA (NASH 11) 345/161/13.8KV TRANSFORMER CKT 11'	660	0.15195	106.1576	'KCPLB-6'
	FDNS	00NR		1 23SP	G10_056	'FROM->TO'	'NASHUA (NASH 11) 345/161/13.8KV TRANSFORMER CKT 11'	660	0.19818	106.1725	'KCPLB-6'
	FDNS	00G10_056		1 23SP	G10_056	'FROM->TO'	'NASHUA (NASH 11) 345/161/13.8KV TRANSFORMER CKT 11'	660	0.15195	106.8669	'KCPL-C2'
	FDNS	00NR		1 23SP	G10_056	'FROM->TO'	'NASHUA (NASH 11) 345/161/13.8KV TRANSFORMER CKT 11'	660	0.19818	106.8742	'KCPL-C2'
	FDNS	00NR		1 18SP	G10_056	'FROM->TO'	'NASHUA (NASH 11) 345/161/13.8KV TRANSFORMER CKT 11'	660	0.20232	107.5541	'KCPLB-6'
	FDNS	00NR		1 23SP	G10_056	'FROM->TO'	'NASHUA (NASH 11) 345/161/13.8KV TRANSFORMER CKT 11'	660	0.19818	107.9438	'KCPLB-6'
	FDNS	00NR		1 18SP	G10_056	'FROM->TO'	'NASHUA (NASH 11) 345/161/13.8KV TRANSFORMER CKT 11'	660	0.20232	108.2551	'KCPL-C2'
	FDNS	00NR		1 23SP	G10_056	'FROM->TO'	'NASHUA (NASH 11) 345/161/13.8KV TRANSFORMER CKT 11'	660	0.19818	108.657	'KCPL-C2'
	FDNS	00NR		1 18SP	G10_056	'FROM->TO'	'NASHUA (NASH 11) 345/161/13.8KV TRANSFORMER CKT 11'	660	0.20232	109.3964	'KCPLB-6'
	FDNS	00NR		1 18SP	G10_056	'FROM->TO'	'NASHUA (NASH 11) 345/161/13.8KV TRANSFORMER CKT 11'	660	0.20232	110.1094	'KCPL-C2'
	FDNS		0	1 18SP	G11_011	'FROM->TO'	'NASHUA (NASH 11) 345/161/13.8KV TRANSFORMER CKT 11'	660	0.28392	100.4742	'KCPL-C2'
	FDNS	00G11_011		1 18SP	G11_011	'FROM->TO'	'NASHUA (NASH 11) 345/161/13.8KV TRANSFORMER CKT 11'	660	0.28392	100.4742	'KCPL-C2'
	FDNS		0	1 18SP	G11_011	'FROM->TO'	'NASHUA (NASH 11) 345/161/13.8KV TRANSFORMER CKT 11'	660	0.28392	101.3558	'KCPLB-6'
	FDNS	00G11_011		1 18SP	G11_011	'FROM->TO'	'NASHUA (NASH 11) 345/161/13.8KV TRANSFORMER CKT 11'	660	0.28392	101.3558	'KCPLB-6'
	FDNS		0	1 23SP	G11_011	'FROM->TO'	'NASHUA (NASH 11) 345/161/13.8KV TRANSFORMER CKT 11'	660	0.28197	101.6103	'KCPLB-6'
	FDNS	00G11_011		1 23SP	G11_011	'FROM->TO'	'NASHUA (NASH 11) 345/161/13.8KV TRANSFORMER CKT 11'	660	0.28197	101.6103	'KCPLB-6'
	FDNS		0	1 18SP	G11_011	'FROM->TO'	'NASHUA (NASH 11) 345/161/13.8KV TRANSFORMER CKT 11'	660	0.28392	102.0696	'KCPL-C2'
	FDNS	00G11_011		1 18SP	G11_011	'FROM->TO'	'NASHUA (NASH 11) 345/161/13.8KV TRANSFORMER CKT 11'	660	0.28392	102.0696	'KCPL-C2'
	FDNS		0	1 23SP	G11_011	'FROM->TO'	'NASHUA (NASH 11) 345/161/13.8KV TRANSFORMER CKT 11'	660	0.28197	102.3095	'KCPL-C2'

EVENTTYPE	SOLUTIONTYPE	GROUP	SCENARIO	SEASON	SOURCE	DIRECTION	MONITORED ELEMENT	RATEB (MVA)	TDF	TC%LOADI NG (%MVA)	CONTINGENCY
	FDNS	00G11_011		1 23SP	G11_011	'FROM->TO'	'NASHUA (NASH 11) 345/161/13.8KV TRANSFORMER CKT 11'	660	0.28197	102.3095	'KCPL-C2'
	FDNS		0	1 23SP	G11_011	'FROM->TO'	'NASHUA (NASH 11) 345/161/13.8KV TRANSFORMER CKT 11'	660	0.28197	103.2468	'KCPLB-6'
	FDNS	00G11_011		1 23SP	G11_011	'FROM->TO'	'NASHUA (NASH 11) 345/161/13.8KV TRANSFORMER CKT 11'	660	0.28197	103.2468	'KCPLB-6'
	FDNS		0	1 23SP	G11_011	'FROM->TO'	'NASHUA (NASH 11) 345/161/13.8KV TRANSFORMER CKT 11'	660	0.28197	103.9584	'KCPL-C2'
	FDNS	00G11_011		1 23SP	G11_011	'FROM->TO'	'NASHUA (NASH 11) 345/161/13.8KV TRANSFORMER CKT 11'	660	0.28197	103.9584	'KCPL-C2'
	FDNS	00G11_018		1 18SP	G11_018	'FROM->TO'	'NASHUA (NASH 11) 345/161/13.8KV TRANSFORMER CKT 11'	660	0.04895	100.3533	'KCPLB-6'
	FDNS		0	1 18SP	G11_018	'FROM->TO'	'NASHUA (NASH 11) 345/161/13.8KV TRANSFORMER CKT 11'	660	0.04897	100.4742	'KCPL-C2'
	FDNS	00G11_018		1 18SP	G11_018	'FROM->TO'	'NASHUA (NASH 11) 345/161/13.8KV TRANSFORMER CKT 11'	660	0.04895	101.0612	'KCPL-C2'
	FDNS		0	1 18SP	G11_018	'FROM->TO'	'NASHUA (NASH 11) 345/161/13.8KV TRANSFORMER CKT 11'	660	0.04897	101.3558	'KCPLB-6'
	FDNS		0	1 23SP	G11_018	'FROM->TO'	'NASHUA (NASH 11) 345/161/13.8KV TRANSFORMER CKT 11'	660	0.04575	101.6103	'KCPLB-6'
	FDNS	00G11_018		1 18SP	G11_018	'FROM->TO'	'NASHUA (NASH 11) 345/161/13.8KV TRANSFORMER CKT 11'	660	0.04895	101.9461	'KCPLB-6'
	FDNS	00G11_018		1 23SP	G11_018	'FROM->TO'	'NASHUA (NASH 11) 345/161/13.8KV TRANSFORMER CKT 11'	660	0.04575	102.0505	'KCPLB-6'
	FDNS		0	1 18SP	G11_018	'FROM->TO'	'NASHUA (NASH 11) 345/161/13.8KV TRANSFORMER CKT 11'	660	0.04897	102.0696	'KCPL-C2'
	FDNS		0	1 23SP	G11_018	'FROM->TO'	'NASHUA (NASH 11) 345/161/13.8KV TRANSFORMER CKT 11'	660	0.04575	102.3095	'KCPL-C2'
	FDNS	00G11_018		1 18SP	G11_018	'FROM->TO'	'NASHUA (NASH 11) 345/161/13.8KV TRANSFORMER CKT 11'	660	0.04895	102.6639	'KCPL-C2'
	FDNS	00G11_018		1 23SP	G11_018	'FROM->TO'	'NASHUA (NASH 11) 345/161/13.8KV TRANSFORMER CKT 11'	660	0.04575	102.7511	'KCPL-C2'
	FDNS		0	1 23SP	G11_018	'FROM->TO'	'NASHUA (NASH 11) 345/161/13.8KV TRANSFORMER CKT 11'	660	0.04575	103.2468	'KCPLB-6'
	FDNS	00G11_018		1 23SP	G11_018	'FROM->TO'	'NASHUA (NASH 11) 345/161/13.8KV TRANSFORMER CKT 11'	660	0.04575	103.696	'KCPLB-6'
	FDNS		0	1 23SP	G11_018	'FROM->TO'	'NASHUA (NASH 11) 345/161/13.8KV TRANSFORMER CKT 11'	660	0.04575	103.9584	'KCPL-C2'
	FDNS	00G11_018		1 23SP	G11_018	'FROM->TO'	'NASHUA (NASH 11) 345/161/13.8KV TRANSFORMER CKT 11'	660	0.04575	104.4063	'KCPL-C2'
	FDNS		0	1 18SP	G11_027	'FROM->TO'	'NASHUA (NASH 11) 345/161/13.8KV TRANSFORMER CKT 11'	660	0.06172	100.4742	'KCPL-C2'
	FDNS	00G11_027		1 18SP	G11_027	'FROM->TO'	'NASHUA (NASH 11) 345/161/13.8KV TRANSFORMER CKT 11'	660	0.06168	100.9338	'KCPLB-6'
	FDNS		0	1 18SP	G11_027	'FROM->TO'	'NASHUA (NASH 11) 345/161/13.8KV TRANSFORMER CKT 11'	660	0.06172	101.3558	'KCPLB-6'
	FDNS		0	1 23SP	G11_027	'FROM->TO'	'NASHUA (NASH 11) 345/161/13.8KV TRANSFORMER CKT 11'	660	0.05699	101.6103	'KCPLB-6'
	FDNS	00G11_027		1 18SP	G11_027	'FROM->TO'	'NASHUA (NASH 11) 345/161/13.8KV TRANSFORMER CKT 11'	660	0.06168	101.6417	'KCPL-C2'
	FDNS		0	1 18SP	G11_027	'FROM->TO'	'NASHUA (NASH 11) 345/161/13.8KV TRANSFORMER CKT 11'	660	0.06172	102.0696	'KCPL-C2'
	FDNS		0	1 23SP	G11_027	'FROM->TO'	'NASHUA (NASH 11) 345/161/13.8KV TRANSFORMER CKT 11'	660	0.05699	102.3095	'KCPL-C2'
	FDNS	00G11_027		1 23SP	G11_027	'FROM->TO'	'NASHUA (NASH 11) 345/161/13.8KV TRANSFORMER CKT 11'	660	0.05699	102.529	'KCPLB-6'
	FDNS	00G11_027		1 18SP	G11_027	'FROM->TO'	'NASHUA (NASH 11) 345/161/13.8KV TRANSFORMER CKT 11'	660	0.06168	102.5332	'KCPLB-6'
	FDNS	00G11_027		1 23SP	G11_027	'FROM->TO'	'NASHUA (NASH 11) 345/161/13.8KV TRANSFORMER CKT 11'	660	0.05699	103.2294	'KCPL-C2'
	FDNS		0	1 23SP	G11_027	'FROM->TO'	'NASHUA (NASH 11) 345/161/13.8KV TRANSFORMER CKT 11'	660	0.05699	103.2468	'KCPLB-6'

EVENTTYPE	SOLUTIONTYPE	GROUP	SCENARIO	SEASON	SOURCE	DIRECTION	MONITORED ELEMENT	RATEB (MVA)	TDF	TC%LOAD/NG (%MVA)	CONTINGENCY
	FDNS	00G11_027		1 18SP	G11_027	'FROM->TO'	'NASHUA (NASH 11) 345/161/13.8KV TRANSFORMER CKT 11'	660	0.06168	103.251	'KCPL-C2'
	FDNS		0	1 23SP	G11_027	'FROM->TO'	'NASHUA (NASH 11) 345/161/13.8KV TRANSFORMER CKT 11'	660	0.05699	103.9584	'KCPL-C2'
	FDNS	00G11_027		1 23SP	G11_027	'FROM->TO'	'NASHUA (NASH 11) 345/161/13.8KV TRANSFORMER CKT 11'	660	0.05699	104.1841	'KCPLB-6'
	FDNS	00G11_027		1 23SP	G11_027	'FROM->TO'	'NASHUA (NASH 11) 345/161/13.8KV TRANSFORMER CKT 11'	660	0.05699	104.8943	'KCPL-C2'
	FDNS		0	1 18SP	G11_056A	'FROM->TO'	'NASHUA (NASH 11) 345/161/13.8KV TRANSFORMER CKT 11'	660	0.04599	100.4742	'KCPL-C2'
	FDNS		0	1 18SP	G11_056A	'FROM->TO'	'NASHUA (NASH 11) 345/161/13.8KV TRANSFORMER CKT 11'	660	0.04599	101.3558	'KCPLB-6'
	FDNS		0	1 23SP	G11_056A	'FROM->TO'	'NASHUA (NASH 11) 345/161/13.8KV TRANSFORMER CKT 11'	660	0.04335	101.6103	'KCPLB-6'
	FDNS		0	1 18SP	G11_056A	'FROM->TO'	'NASHUA (NASH 11) 345/161/13.8KV TRANSFORMER CKT 11'	660	0.04599	102.0696	'KCPL-C2'
	FDNS		0	1 23SP	G11_056A	'FROM->TO'	'NASHUA (NASH 11) 345/161/13.8KV TRANSFORMER CKT 11'	660	0.04335	102.3095	'KCPL-C2'
	FDNS		0	1 23SP	G11_056A	'FROM->TO'	'NASHUA (NASH 11) 345/161/13.8KV TRANSFORMER CKT 11'	660	0.04335	103.2468	'KCPLB-6'
	FDNS		0	1 23SP	G11_056A	'FROM->TO'	'NASHUA (NASH 11) 345/161/13.8KV TRANSFORMER CKT 11'	660	0.04335	103.9584	'KCPL-C2'
	FDNS		0	1 18SP	G11_056B	'FROM->TO'	'NASHUA (NASH 11) 345/161/13.8KV TRANSFORMER CKT 11'	660	0.04617	100.4742	'KCPL-C2'
	FDNS		0	1 18SP	G11_056B	'FROM->TO'	'NASHUA (NASH 11) 345/161/13.8KV TRANSFORMER CKT 11'	660	0.04617	101.3558	'KCPLB-6'
	FDNS		0	1 23SP	G11_056B	'FROM->TO'	'NASHUA (NASH 11) 345/161/13.8KV TRANSFORMER CKT 11'	660	0.04348	101.6103	'KCPLB-6'
	FDNS		0	1 18SP	G11_056B	'FROM->TO'	'NASHUA (NASH 11) 345/161/13.8KV TRANSFORMER CKT 11'	660	0.04617	102.0696	'KCPL-C2'
	FDNS		0	1 23SP	G11_056B	'FROM->TO'	'NASHUA (NASH 11) 345/161/13.8KV TRANSFORMER CKT 11'	660	0.04348	102.3095	'KCPL-C2'
	FDNS		0	1 23SP	G11_056B	'FROM->TO'	'NASHUA (NASH 11) 345/161/13.8KV TRANSFORMER CKT 11'	660	0.04348	103.2468	'KCPLB-6'
	FDNS		0	1 23SP	G11_056B	'FROM->TO'	'NASHUA (NASH 11) 345/161/13.8KV TRANSFORMER CKT 11'	660	0.04348	103.9584	'KCPL-C2'
	FDNS	01NR		1 13G	G11_007	'FROM->TO'	'NORTHWEST (NORTHWEST2) 345/138/13.8KV TRANSFORMER CKT 1'	493	0.06218	100.2894	'NOWST383'
	FDNS	01G11_007		1 13G	G11_007	'FROM->TO'	'NORTHWEST (NORTHWEST2) 345/138/13.8KV TRANSFORMER CKT 1'	493	0.04257	100.8238	'NOWST303'
	FDNS	01NR		1 13G	G11_007	'FROM->TO'	'NORTHWEST (NORTHWEST2) 345/138/13.8KV TRANSFORMER CKT 1'	493	0.04991	101.6708	'NOWST303'
	FDNS	01G11_007		1 13G	G11_007	'FROM->TO'	'NORTHWEST (NORTHWEST2) 345/138/13.8KV TRANSFORMER CKT 1'	493	0.07835	101.8171	'NOWST382'
	FDNS	00NR		1 13WP	G11_007	'FROM->TO'	'NORTHWEST (NORTHWEST2) 345/138/13.8KV TRANSFORMER CKT 1'	493	0.04485	103.2806	'NOWST103-13'
	FDNS	00NR		1 13WP	G11_007	'FROM->TO'	'NORTHWEST (NORTHWEST2) 345/138/13.8KV TRANSFORMER CKT 1'	493	0.05527	103.5059	'NOWST383'
	FDNS	01G11_007		1 13G	G11_007	'FROM->TO'	'NORTHWEST (NORTHWEST2) 345/138/13.8KV TRANSFORMER CKT 1'	493	0.07835	103.5253	'NOWST382'
	FDNS	01NR		1 13G	G11_007	'FROM->TO'	'NORTHWEST (NORTHWEST2) 345/138/13.8KV TRANSFORMER CKT 1'	493	0.10696	104.973	'NOWST382'
	FDNS	00NR		1 13WP	G11_007	'FROM->TO'	'NORTHWEST (NORTHWEST2) 345/138/13.8KV TRANSFORMER CKT 1'	493	0.04485	105.6167	'NOWST103-13'
	FDNS	00NR		1 13WP	G11_007	'FROM->TO'	'NORTHWEST (NORTHWEST2) 345/138/13.8KV TRANSFORMER CKT 1'	493	0.05527	105.665	'NOWST383'
	FDNS	01NR		1 13G	G11_007	'FROM->TO'	'NORTHWEST (NORTHWEST2) 345/138/13.8KV TRANSFORMER CKT 1'	493	0.10696	106.612	'NOWST382'
	FDNS	00NR		1 13WP	G11_007	'FROM->TO'	'NORTHWEST (NORTHWEST2) 345/138/13.8KV TRANSFORMER CKT 1'	493	0.09859	109.1666	'NOWST382'
	FDNS	00NR		1 13WP	G11_007	'FROM->TO'	'NORTHWEST (NORTHWEST2) 345/138/13.8KV TRANSFORMER CKT 1'	493	0.04048	109.9123	'NOWST303'

EVENTTYPE	SOLUTIONTYPE	GROUP	SCENARIO	SEASON	SOURCE	DIRECTION	MONITORED ELEMENT	RATEB (MVA)	TDF	TC%LOADI NG (%MVA)	CONTINGENCY
	FDNS	00NR		1 13WP	G11_007	'FROM->TO'	'NORTHWEST (NORTWST2) 345/138/13.8KV TRANSFORMER CKT 1'	493	0.09859	111.3597	'NOWST382'
	FDNS	00NR		1 13WP	G11_007	'FROM->TO'	'NORTHWEST (NORTWST2) 345/138/13.8KV TRANSFORMER CKT 1'	493	0.04048	112.4027	'NOWST303'
	FDNS	01G11_010		1 13G	G11_010	'FROM->TO'	'NORTHWEST (NORTWST2) 345/138/13.8KV TRANSFORMER CKT 1'	493	0.04	101.5157	'NOWST382'
	FDNS	01G11_010		1 13G	G11_010	'FROM->TO'	'NORTHWEST (NORTWST2) 345/138/13.8KV TRANSFORMER CKT 1'	493	0.04	103.2215	'NOWST382'
	FDNS	01NR		1 13G	G11_019	'FROM->TO'	'NORTHWEST (NORTWST2) 345/138/13.8KV TRANSFORMER CKT 1'	493	0.06671	104.973	'NOWST382'
	FDNS	01NR		1 13G	G11_019	'FROM->TO'	'NORTHWEST (NORTWST2) 345/138/13.8KV TRANSFORMER CKT 1'	493	0.06671	106.612	'NOWST382'
	FDNS	00NR		1 13WP	G11_019	'FROM->TO'	'NORTHWEST (NORTWST2) 345/138/13.8KV TRANSFORMER CKT 1'	493	0.05562	109.1666	'NOWST382'
	FDNS	00NR		1 13WP	G11_019	'FROM->TO'	'NORTHWEST (NORTWST2) 345/138/13.8KV TRANSFORMER CKT 1'	493	0.05562	111.3597	'NOWST382'
	FDNS	01G11_020		1 13G	G11_020	'FROM->TO'	'NORTHWEST (NORTWST2) 345/138/13.8KV TRANSFORMER CKT 1'	493	0.03821	102.2904	'NOWST382'
	FDNS	01G11_020		1 13G	G11_020	'FROM->TO'	'NORTHWEST (NORTWST2) 345/138/13.8KV TRANSFORMER CKT 1'	493	0.03821	103.9124	'NOWST382'
	FDNS	01NR		1 13G	G11_020	'FROM->TO'	'NORTHWEST (NORTWST2) 345/138/13.8KV TRANSFORMER CKT 1'	493	0.06671	104.973	'NOWST382'
	FDNS	01NR		1 13G	G11_020	'FROM->TO'	'NORTHWEST (NORTWST2) 345/138/13.8KV TRANSFORMER CKT 1'	493	0.06671	106.612	'NOWST382'
	FDNS	00NR		1 13WP	G11_020	'FROM->TO'	'NORTHWEST (NORTWST2) 345/138/13.8KV TRANSFORMER CKT 1'	493	0.05562	109.1666	'NOWST382'
	FDNS	00NR		1 13WP	G11_020	'FROM->TO'	'NORTHWEST (NORTWST2) 345/138/13.8KV TRANSFORMER CKT 1'	493	0.05562	111.3597	'NOWST382'
	FDNS	01NR		1 13G	G11_024	'FROM->TO'	'NORTHWEST (NORTWST2) 345/138/13.8KV TRANSFORMER CKT 1'	493	0.04958	100.2894	'NOWST383'
	FDNS	01G11_024		1 13G	G11_024	'FROM->TO'	'NORTHWEST (NORTWST2) 345/138/13.8KV TRANSFORMER CKT 1'	493	0.0326	101.6193	'NOWST303'
	FDNS	00G11_024		1 13WP	G11_024	'FROM->TO'	'NORTHWEST (NORTWST2) 345/138/13.8KV TRANSFORMER CKT 1'	493	0.0301	101.6378	'NOWST303'
	FDNS	01NR		1 13G	G11_024	'FROM->TO'	'NORTHWEST (NORTWST2) 345/138/13.8KV TRANSFORMER CKT 1'	493	0.03989	101.6708	'NOWST303'
	FDNS	00NR		1 13WP	G11_024	'FROM->TO'	'NORTHWEST (NORTWST2) 345/138/13.8KV TRANSFORMER CKT 1'	493	0.03431	103.2806	'NOWST103-13'
	FDNS	00NR		1 13WP	G11_024	'FROM->TO'	'NORTHWEST (NORTWST2) 345/138/13.8KV TRANSFORMER CKT 1'	493	0.04187	103.5059	'NOWST383'
	FDNS	00G11_024		1 13WP	G11_024	'FROM->TO'	'NORTHWEST (NORTWST2) 345/138/13.8KV TRANSFORMER CKT 1'	493	0.0301	103.5279	'NOWST303'
	FDNS	01G11_024		1 13G	G11_024	'FROM->TO'	'NORTHWEST (NORTWST2) 345/138/13.8KV TRANSFORMER CKT 1'	493	0.06277	103.6752	'NOWST382'
	FDNS	01NR		1 13G	G11_024	'FROM->TO'	'NORTHWEST (NORTWST2) 345/138/13.8KV TRANSFORMER CKT 1'	493	0.09129	104.973	'NOWST382'
	FDNS	01G11_024		1 13G	G11_024	'FROM->TO'	'NORTHWEST (NORTWST2) 345/138/13.8KV TRANSFORMER CKT 1'	493	0.06277	105.1975	'NOWST382'
	FDNS	00NR		1 13WP	G11_024	'FROM->TO'	'NORTHWEST (NORTWST2) 345/138/13.8KV TRANSFORMER CKT 1'	493	0.03431	105.6167	'NOWST103-13'
	FDNS	00NR		1 13WP	G11_024	'FROM->TO'	'NORTHWEST (NORTWST2) 345/138/13.8KV TRANSFORMER CKT 1'	493	0.04187	105.665	'NOWST383'
	FDNS	01NR		1 13G	G11_024	'FROM->TO'	'NORTHWEST (NORTWST2) 345/138/13.8KV TRANSFORMER CKT 1'	493	0.09129	106.612	'NOWST382'
	FDNS	00NR		1 13WP	G11_024	'FROM->TO'	'NORTHWEST (NORTWST2) 345/138/13.8KV TRANSFORMER CKT 1'	493	0.08186	109.1666	'NOWST382'
	FDNS	00NR		1 13WP	G11_024	'FROM->TO'	'NORTHWEST (NORTWST2) 345/138/13.8KV TRANSFORMER CKT 1'	493	0.08186	111.3597	'NOWST382'
	FDNS	00NR		1 13WP	G11_007	'FROM->TO'	'NORTHWEST (NORTWST3) 345/138/13.8KV TRANSFORMER CKT 1'	493	0.03923	100.9328	'NOWST302'
	FDNS	00NR		1 13WP	G11_007	'FROM->TO'	'NORTHWEST (NORTWST3) 345/138/13.8KV TRANSFORMER CKT 1'	493	0.03923	103.0556	'NOWST302'

EVENTTYPE	SOLUTIONTYPE	GROUP	SCENARIO	SEASON	SOURCE	DIRECTION	MONITORED ELEMENT	RATEB (MVA)	TDF	TC%LOADING (%MVA)	CONTINGENCY
	FDNS	02NR		1 13G	G11_012	'TO->FROM'	'PALO DURO SUB - RANDALL COUNTY INTERCHANGE 115KV CKT 1'	96	0.03954	100	'AMARILLO SOUTH INTERCHANGE - NICHOLS STATION 230KV CKT 1 &AMARILLO SOUTH INTERCHANGE - G07-48T 230.00 230KV CKT 1'
	FDNS	00NR		1 23SP	G11_012	'TO->FROM'	'PALO DURO SUB - RANDALL COUNTY INTERCHANGE 115KV CKT 1'	96	0.05779	104.823	'OKLAUNION - TUCO INTERCHANGE 345KV CKT 1 &BORDER 7345.00 - TUCO INTERCHANGE 345KV CKT 1'
	FDNS	02NR		1 13G	G11_012	'TO->FROM'	'PALO DURO SUB - RANDALL COUNTY INTERCHANGE 115KV CKT 1'	96	0.03192	108.5074	'Hitchland Interchange - WOODWARD DISTRICT EHV 345KV CKT 2 &BEAVER CO 345.00 - WOODWARD DISTRICT EHV 345KV CKT 1'
	FDNS	02NR		1 13G	G11_012	'TO->FROM'	'PALO DURO SUB - RANDALL COUNTY INTERCHANGE 115KV CKT 1'	96	0.03983	110.0348	'AMARILLO SOUTH INTERCHANGE - G07-48T 230.00 230KV CKT 1 &G07-48T 230.00 - SWISHER COUNTY INTERCHANGE 230KV CKT 1'
	FDNS	02NR		1 13G	G11_012	'TO->FROM'	'PALO DURO SUB - RANDALL COUNTY INTERCHANGE 115KV CKT 1'	96	0.03667	116.6004	'SWISHER COUNTY INTERCHANGE - TUCO INTERCHANGE 230KV CKT 1 &G07-48T 230.00 - SWISHER COUNTY INTERCHANGE 230KV CKT 1'
	FDNS	00NR		1 23SP	G11_014	'TO->FROM'	'PALO DURO SUB - RANDALL COUNTY INTERCHANGE 115KV CKT 1'	96	0.05808	104.823	'OKLAUNION - TUCO INTERCHANGE 345KV CKT 1 &BORDER 7345.00 - TUCO INTERCHANGE 345KV CKT 1'
	FDNS	00NR		1 23SP	G11_021	'TO->FROM'	'PALO DURO SUB - RANDALL COUNTY INTERCHANGE 115KV CKT 1'	96	0.05808	104.823	'OKLAUNION - TUCO INTERCHANGE 345KV CKT 1 &BORDER 7345.00 - TUCO INTERCHANGE 345KV CKT 1'
	FDNS	02NR		1 13G	G11_022	'TO->FROM'	'PALO DURO SUB - RANDALL COUNTY INTERCHANGE 115KV CKT 1'	96	0.03145	100	'AMARILLO SOUTH INTERCHANGE - NICHOLS STATION 230KV CKT 1 &AMARILLO SOUTH INTERCHANGE - G07-48T 230.00 230KV CKT 1'
	FDNS	00NR		1 23SP	G11_022	'TO->FROM'	'PALO DURO SUB - RANDALL COUNTY INTERCHANGE 115KV CKT 1'	96	0.05778	104.823	'OKLAUNION - TUCO INTERCHANGE 345KV CKT 1 &BORDER 7345.00 - TUCO INTERCHANGE 345KV CKT 1'
	FDNS	02NR		1 13G	G11_022	'TO->FROM'	'PALO DURO SUB - RANDALL COUNTY INTERCHANGE 115KV CKT 1'	96	0.03171	110.0348	'AMARILLO SOUTH INTERCHANGE - G07-48T 230.00 230KV CKT 1 &G07-48T 230.00 - SWISHER COUNTY INTERCHANGE 230KV CKT 1'
	FDNS	02NR		1 13G	G11_022	'TO->FROM'	'PALO DURO SUB - RANDALL COUNTY INTERCHANGE 115KV CKT 1'	96	0.03032	116.6004	'SWISHER COUNTY INTERCHANGE - TUCO INTERCHANGE 230KV CKT 1 &G07-48T 230.00 - SWISHER COUNTY INTERCHANGE 230KV CKT 1'
	FDNS	06G10_020		1 13G	G10_020	'FROM->TO'	'PLANT X STATION (WH ALM20171) 230/115/13.2KV TRANSFORMER CKT 1'	239	0.05929	100.3194	'LAMB COUNTY INTERCHANGE - TOLK STATION WEST 230KV CKT 1 &TOLK STATION WEST - YOAKUM COUNTY INTERCHANGE 230KV CKT 1'
	FDNS	06G10_020		1 13G	G10_020	'FROM->TO'	'PLANT X STATION (WH ALM20171) 230/115/13.2KV TRANSFORMER CKT 1'	239	0.05929	100.3659	'LAMB COUNTY INTERCHANGE - TOLK STATION WEST 230KV CKT 1 &TOLK STATION WEST - YOAKUM COUNTY INTERCHANGE 230KV CKT 1'
	FDNS	06G10_058		1 13G	G10_058	'FROM->TO'	'PLANT X STATION (WH ALM20171) 230/115/13.2KV TRANSFORMER CKT 1'	239	0.06036	100.3223	'LAMB COUNTY INTERCHANGE - TOLK STATION WEST 230KV CKT 1 &TOLK STATION WEST - YOAKUM COUNTY INTERCHANGE 230KV CKT 1'
	FDNS	06G10_058		1 13G	G10_058	'FROM->TO'	'PLANT X STATION (WH ALM20171) 230/115/13.2KV TRANSFORMER CKT 1'	239	0.06036	100.3688	'LAMB COUNTY INTERCHANGE - TOLK STATION WEST 230KV CKT 1 &TOLK STATION WEST - YOAKUM COUNTY INTERCHANGE 230KV CKT 1'
NCONV	FNSL-Blown up	04G10_057		1 13G	G10_057		'POSTROCK6 230.00 - SOUTH HAYS 230KV CKT 1 &G09-08 230.00 - SOUTH HAYS 230KV CKT 1'	0	0.07156	9999	'BASE CASE'
NCONV	FNSL-Blown up	04NR		1 13G	G10_057		'POSTROCK6 230.00 - SOUTH HAYS 230KV CKT 1 &G09-08 230.00 - SOUTH HAYS 230KV CKT 1'	0	0.06247	9999	'BASE CASE'
NCONV	FNSL-Blown up	03G11_017		1 13G	G11_017		'POSTROCK6 230.00 - SOUTH HAYS 230KV CKT 1 &G09-08 230.00 - SOUTH HAYS 230KV CKT 1'	0	0.07013	9999	'BASE CASE'
NCONV	FNSL-Blown up	03NR		1 13G	G11_017		'POSTROCK6 230.00 - SOUTH HAYS 230KV CKT 1 &G09-08 230.00 - SOUTH HAYS 230KV CKT 1'	0	0.07988	9999	'BASE CASE'
NCONV	FNSL-Blown up	04G10_057		1 13G	G10_057		'POSTROCK6 230.00 - SOUTH HAYS 230KV CKT 1 &HAYS WIND - SOUTH HAYS 230KV CKT 1'	0	0.07156	9999	'BASE CASE'
NCONV	FNSL-Blown up	04NR		1 13G	G10_057		'POSTROCK6 230.00 - SOUTH HAYS 230KV CKT 1 &HAYS WIND - SOUTH HAYS 230KV CKT 1'	0	0.06247	9999	'BASE CASE'
	FDNS	01NR		1 13G	G11_019	'TO->FROM'	'ROMAN NOSE - SOUTHARD 138KV CKT 1'	153	0.05173	121.2944	'MATTHEWSON 345.00 - TATONGA7 345.00 345KV CKT 1 &MATTHEWSON 345.00 - TATONGA7 345.00 345KV CKT 2'
	FDNS	01NR		1 13G	G11_020	'TO->FROM'	'ROMAN NOSE - SOUTHARD 138KV CKT 1'	153	0.05173	121.2944	'MATTHEWSON 345.00 - TATONGA7 345.00 345KV CKT 1 &MATTHEWSON 345.00 - TATONGA7 345.00 345KV CKT 2'
	FDNS	01G11_020		1 13G	G11_020	'TO->FROM'	'ROMAN NOSE - SOUTHARD 138KV CKT 1'	153	0.03921	122.5738	'MATTHEWSON 345.00 - TATONGA7 345.00 345KV CKT 1 &MATTHEWSON 345.00 - TATONGA7 345.00 345KV CKT 2'

EVENTTYPE	SOLUTIONTYPE	GROUP	SCENARIO	SEASON	SOURCE	DIRECTION	MONITORED ELEMENT	RATEB (MVA)	TDF	TC%LOADING (%MVA)	CONTINGENCY
	FDNS	01NR		1 13G	G11_024	'TO->FROM'	'ROMAN NOSE - SOUTHARD 138KV CKT 1'	153	0.05173	121.2944	'MATTHEWSON 345.00 - TATONGA7 345.00 345KV CKT 1 &MATTHEWSON 345.00 - TATONGA7 345.00 345KV CKT 2'
NCONV	FNSL-Blown up	00G11_008		1 18WP	G11_008		'ROSE HILL - WOLF CREEK 345KV CKT 1 &ANDERSONCO 345.00 - WOLF CREEK 345KV CKT 1'	0	0.03072	9999	'BASE CASE'
NCONV	FNSL-Blown up	00G11_023		1 18WP	G11_023		'ROSE HILL - WOLF CREEK 345KV CKT 1 &ANDERSONCO 345.00 - WOLF CREEK 345KV CKT 1'	0	0.03072	9999	'BASE CASE'
	FDNS	00NR		1 23SP	G11_007	'FROM->TO'	'SEMINOLE 138/20.9KV TRANSFORMER CKT 1'	898	0.04574	9999	'SONR181'
	FDNS	00NR		1 23SP	G11_007	'FROM->TO'	'SEMINOLE 138/20.9KV TRANSFORMER CKT 1'	898	0.04574	9999	'SONR38'
	FDNS	00NR		1 23SP	G11_007	'FROM->TO'	'SEMINOLE 138/20.9KV TRANSFORMER CKT 1'	898	0.04574	9999	'SONR392'
	FDNS	00NR		1 23SP	G11_019	'FROM->TO'	'SEMINOLE 138/20.9KV TRANSFORMER CKT 1'	898	0.04574	9999	'SONR181'
	FDNS	00NR		1 23SP	G11_019	'FROM->TO'	'SEMINOLE 138/20.9KV TRANSFORMER CKT 1'	898	0.04574	9999	'SONR38'
	FDNS	00NR		1 23SP	G11_019	'FROM->TO'	'SEMINOLE 138/20.9KV TRANSFORMER CKT 1'	898	0.04574	9999	'SONR392'
	FDNS	00NR		1 23SP	G11_020	'FROM->TO'	'SEMINOLE 138/20.9KV TRANSFORMER CKT 1'	898	0.04574	9999	'SONR181'
	FDNS	00NR		1 23SP	G11_020	'FROM->TO'	'SEMINOLE 138/20.9KV TRANSFORMER CKT 1'	898	0.04574	9999	'SONR38'
	FDNS	00NR		1 23SP	G11_020	'FROM->TO'	'SEMINOLE 138/20.9KV TRANSFORMER CKT 1'	898	0.04574	9999	'SONR392'
	FDNS	00NR		1 23SP	G11_024	'FROM->TO'	'SEMINOLE 138/20.9KV TRANSFORMER CKT 1'	898	0.04574	9999	'SONR181'
	FDNS	00NR		1 23SP	G11_024	'FROM->TO'	'SEMINOLE 138/20.9KV TRANSFORMER CKT 1'	898	0.04574	9999	'SONR38'
	FDNS	00NR		1 23SP	G11_024	'FROM->TO'	'SEMINOLE 138/20.9KV TRANSFORMER CKT 1'	898	0.04574	9999	'SONR392'
NCONV	FNSL-Blown up	03G10_029		1 13G	G10_029		'SMKYP1 6 230.00 - SMOKYHL6 230.00 230KV CKT 1 &SMOKYHL6 230.00 - SUMMIT 230KV CKT 1'	0	0.03074	9999	'BASE CASE'
NCONV	FNSL-Blown up	03G11_016		1 13G	G11_016		'SMKYP1 6 230.00 - SMOKYHL6 230.00 230KV CKT 1 &SMOKYHL6 230.00 - SUMMIT 230KV CKT 1'	0	0.03075	9999	'BASE CASE'
NCONV	FNSL-Blown up	00G11_017		1 13SP	G11_017		'SMKYP1 6 230.00 - SMOKYHL6 230.00 230KV CKT 1 &SMOKYHL6 230.00 - SUMMIT 230KV CKT 1'	0	0.07421	9999	'BASE CASE'
NCONV	FNSL-Blown up	00G11_017		1 18WP	G11_017		'SMKYP1 6 230.00 - SMOKYHL6 230.00 230KV CKT 1 &SMOKYHL6 230.00 - SUMMIT 230KV CKT 1'	0	0.07456	9999	'BASE CASE'
NCONV	FNSL-Blown up	00NR		1 13SP	G11_017		'SMKYP1 6 230.00 - SMOKYHL6 230.00 230KV CKT 1 &SMOKYHL6 230.00 - SUMMIT 230KV CKT 1'	0	0.04807	9999	'BASE CASE'
NCONV	FNSL-Blown up	00NR		1 18WP	G11_017		'SMKYP1 6 230.00 - SMOKYHL6 230.00 230KV CKT 1 &SMOKYHL6 230.00 - SUMMIT 230KV CKT 1'	0	0.04726	9999	'BASE CASE'
NCONV	FNSL-Blown up	03NR		1 13G	G11_017		'SMKYP1 6 230.00 - SMOKYHL6 230.00 230KV CKT 1 &SMOKYHL6 230.00 - SUMMIT 230KV CKT 1'	0	0.04714	9999	'BASE CASE'
NCONV	FNSL-Blown up		0	1 13SP	G10_055		'SPP-AEPW-D4'	0	0.16003	9999	'BASE CASE'
NCONV	FNSL-Blown up	00G10_055		1 13SP	G10_055		'SPP-AEPW-D4'	0	0.16003	9999	'BASE CASE'
	FDNS	02G11_012		1 13G	G11_012	'FROM->TO'	'SPSSPPTIESB1'	620	0.26407	107.6226	'BASE CASE'
	FDNS	02G11_014		1 13G	G11_014	'FROM->TO'	'SPSSPPTIESB1'	620	0.11757	114.2189	'BASE CASE'
	FDNS	02G11_021		1 13G	G11_021	'FROM->TO'	'SPSSPPTIESB1'	620	0.11757	114.2189	'BASE CASE'
	FDNS	02G11_022		1 13G	G11_022	'FROM->TO'	'SPSSPPTIESB1'	620	0.25328	120.9681	'BASE CASE'
	FDNS	02G11_012		1 13G	G11_012	'FROM->TO'	'SPSSPPTIESC'	620	0.26407	107.6226	'BASE CASE'
	FDNS	02G11_014		1 13G	G11_014	'FROM->TO'	'SPSSPPTIESC'	620	0.11757	114.2189	'BASE CASE'
	FDNS	02G11_021		1 13G	G11_021	'FROM->TO'	'SPSSPPTIESC'	620	0.11757	114.2189	'BASE CASE'
	FDNS	02G11_022		1 13G	G11_022	'FROM->TO'	'SPSSPPTIESC'	620	0.25328	120.9681	'BASE CASE'

J: Reserved

K: Reserved