



***Facility Study  
For  
Generation Interconnection  
Request  
GEN-2006-044N02  
GEN-2008-123N  
GEN-2010-010***

***SPP Generation  
Interconnection  
Studies***

**March 2011**

## **Summary**

Nebraska Public Power District (NPPD) performed the following Study at the request of the Southwest Power Pool (SPP) for Generation Interconnection request Gen-2006-044N02, GEN-2008-123N, and GEN-2010-010. The request for interconnection was placed with SPP in accordance SPP's Open Access Transmission Tariff, which covers new generation interconnections on SPP's transmission system.

Pursuant to the tariff, NPPD was asked to perform a detailed Facility Study of the generation interconnection request to satisfy the Facility Study Agreement executed by the requesting customers and SPP.

## **Interconnection Customer Interconnection Facilities**

Each Interconnection Customer will be responsible for its 115kV (GEN-2008-123N and GEN-2010-010) or 230kV (GEN-2006-044N02) transmission facilities from its point of interconnection to its 115/34.5kV (GEN-2008-123N and GEN-2010-010) or 230/34.5kV (GEN-2006-044N02) substation that will contain its step down transformers and wind turbine collector feeders. In addition, each Customer will be responsible for reactive power compensation equipment to maintain 95% lagging (providing vars) and 95% leading (absorbing vars) power factor at the point of interconnection.

## **Transmission Owner Interconnection Facilities, Non Shared Network Upgrades, and Shared Network Upgrades**

The interconnection customers were studied within the DISIS-2010-001 Impact Study. The Interconnection Customers are responsible for the costs shown on the next page. If a customer is not assigned the entire cost of a particular upgrade, that upgrade is considered a "shared upgrade". If equally queued interconnection customers withdraw from the queue, suspend or terminate their GIA, restudies will have to be conducted to determine the Interconnection Customers' allocation of shared network upgrades.

## **Contingent Upgrades**

The following network upgrades have been assigned to higher queued interconnection customers in DISIS-2009-001. If higher queued customers withdraw for the queue, suspend, or terminate their GIA, restudies will need to be performed to determine the Interconnection Customers' allocation of these upgrades.

- Neligh – Petersburg 115kV line rework - \$900,000
- Petersburg – Madison 115kV line - \$22,400,000
- Belden – Bloomfield 115kV line - \$23,200,000
- Fort Randall – Kelley 230kV line rework - \$2,900,000
- Madison County 230kV Substation - \$6,400,000

### **Affected System Facilities**

Three possible Western Area Power Administration (WAPA) Affected System Facilities were identified in the Facility Study. The Facilities are the Utica Jct – Yankton Jct 115kV line, the Utica Jct – Gavins Point 115kV line, and the Spirit Mound – Manning 115kV line. SPP will contact WAPA to determine what mitigation is required for each of the Affected System Facilities.

# Cost Allocation Per Request - DIS-2010-001

Interconnection Request and Upgrades	Upgrade Type	Allocated Costs	E + C Costs
<b>GEN-2006-044N02</b>			
Madison County 230kV Substation See Online Diagram.	Current Study	\$1,800,000.00	\$3,600,000
Albion 115kV Circuit Switcher CS1112 See Short Circuit Analysis in NPPD Generation Interconnection Facility Study dated December 2010	Current Study	\$100,000.00	\$200,000
Madison County Tap 230/115/13.8kV Transformer CKT 1 Install 230/115/13.8kV Transformer and Associated 230kV ring bus and 115kv ring bus at New Madison County Tap.	Current Study	\$9,550,000.00	\$19,100,000
Norfolk - Madison County Tap 115kV CKT 1 Build approximately 20 miles of 115kV between Norfolk and new tap on Petersburg - Madison 115kV CKT 1.	Current Study	\$9,400,000.00	\$18,800,000
	<b>Current Study Total</b>	<b>\$20,850,000.00</b>	
<b>GEN-2008-123N</b>			
GEN-2008-123N Interconnection Costs See Online Diagram. Includes 115kV breakers at Guide Rock.	Current Study	\$6,200,000.00	\$6,200,000
	<b>Current Study Total</b>	<b>\$6,200,000.00</b>	
<b>GEN-2010-010</b>			
Madison County 230kV Substation See Online Diagram.	Current Study	\$1,800,000.00	\$3,600,000
Albion 115kV Circuit Switcher CS1112 See Short Circuit Analysis in NPPD Generation Interconnection Facility Study dated December 2010	Current Study	\$100,000.00	\$200,000
Madison County Tap 230/115/13.8kV Transformer CKT 1 Install 230/115/13.8kV Transformer and Associated 230kV ring bus and 115kv ring bus at New Madison County Tap.	Current Study	\$9,550,000.00	\$19,100,000
Norfolk - Madison County Tap 115kV CKT 1 Build approximately 20 miles of 115kV between Norfolk and new tap on Petersburg - Madison 115kV CKT 1.	Current Study	\$9,400,000.00	\$18,800,000
	<b>Current Study Total</b>	<b>\$20,850,000.00</b>	

\* Current Study Requests' Costs of Previously Allocated Network Upgrades will be determined by a restudy, if necessary.

**DISIS-2010-001  
GENERATION INTERCONNECTION  
FACILITY STUDY**

**SPP GEN-2006-044N02    100.8 MW Wind Generation Facility at Madison Co. 230-115 kV**  
**SPP GEN-2010-010        100.5 MW Wind Generation Facility at Madison Co. 230-115 kV**  
**SPP GEN-2008-123N      89.7 MW Wind Generation Facility at Rosemont 115 kV**

**DECEMBER 2010**

**PREPARED FOR:  
SOUTHWEST POWER POOL**

**PREPARED BY:  
NEBRASKA PUBLIC POWER DISTRICT OPERATIONS  
TRANSMISSION ASSET PLANNING  
T&D ASSET MANAGEMENT  
T&D ENGINEERING**



**Nebraska Public Power District**

*"Always there when you need us"*



# Table of Contents

EXECUTIVE SUMMARY	
1.0	INTRODUCTION ..... 1
2.0	STUDY SCOPE..... 2
2.1	Overview..... 2
2.2	Loadflow Analysis ..... 3
2.3	Short Circuit Analysis..... 7
2.4	Regional Flowgate Impact Analysis ..... 7
2.5	Detailed Cost Estimates and Project Schedule ..... 7
3.0	MODEL DEVELOPMENT ..... 8
4.0	STUDY CRITERIA..... 10
5.0	LOADFLOW ANALYSIS ..... 11
5.1	Phase 1 Results (System-wide N-1 Screening)..... 11
5.2	Phase 2 Results (System-wide Multiple Element Screening)..... 21
5.3	Phase 3 Results (Local Area Full Accredited Generation Capacity N-1 & N-2 Contingency Analysis)..... 30
5.3.1	Phase 3 – N-1 Contingency Analysis Results..... 30
5.3.2	Phase 3 – Multiple Element Contingency Analysis Results..... 34
5.3.3	Phase 3 – Independent N-2 Contingency Analysis Results ..... 37
5.3.4	Phase 3 – Powerflow One-line Diagrams ..... 41
5.4	Phase 4 Results (System-wide N-1 Screening with Transfers) ..... 67
6.0	SHORT CIRCUIT ANALYSIS..... 71
6.1	Model Development..... 71
6.2	Study Methodology..... 77
6.3	Results..... 77
6.4	Conclusions..... 78
6.5	Detailed Short Circuit Analysis Results ..... 80
7.0	REGIONAL FLOWGATE IMPACT ANALYSIS ..... 88
7.1	Overview..... 88
7.2	Results..... 89

8.0 DETAILED COST ESTIMATES AND PROJECT SCHEDULE .....91

APPENDIX A: LOADFLOW ANALYSIS PHASE 1 – N-1 ACCC SCREENING

APPENDIX B: LOADFLOW ANALYSIS PHASE 2 – MULTIPLE ELEMENT ACCC SCREENING

APPENDIX C: LOADFLOW ANALYSIS PHASE 3 – MAX GEN ACCC SCREENING

APPENDIX D: LOADFLOW ANALYSIS PHASE 4 – N-1 ACCC SCREENING W/ TRANSFERS

APPENDIX E: DETAILED DFCALC RESULTS



## Executive Summary

The *NPPD DISIS-2010-001 Facility Study* was performed to document the reliability impacts of three new wind generation facilities interconnected to the NPPD transmission system. These three wind generation projects have developed through the SPP Definitive Interconnection System Impact Study process and have advanced to the facility study stage. SPP has requested that NPPD perform the Facility Study associated with the three generation interconnection projects listed below:

<u>Project</u>	<u>MW</u>	<u>Point-of-Interconnection</u>	<u>Cluster</u>
GEN-2006-044N02	100.8	New Madison Co. Sub on Ft. Randall-Kelly 230 kV	9
GEN-2008-123N	89.7	New Rosemont Sub on Pauline-Guide Rock 115kV	15
GEN-2010-010	<u>100.5</u>	New Madison Co. Sub on Ft. Randall-Kelly 230 kV	9
	291.0		

This facility study provides the transmission interconnection plan to accommodate the interconnection of the three wind generation projects. This study report was performed to assess the future system state in accordance with NERC TPL standards and NPPD's Facility Connection Requirements Document. This facility study was performed in multiple phases to address a wide range of operating conditions to adequately assess the future system state with the proposed wind generation interconnection projects and associated transmission. SPP evaluated these three wind generation interconnection projects as two separate clusters in the DISIS-2010-001 system impact study and developed a list of transmission projects required to interconnect these generation facilities to the NPPD transmission system at the requested points of interconnection. The required transmission network upgrade projects identified in the DISIS-2010-001 system impact study are listed below:

- New 27-mile Madison County – Norfolk 115 kV line
- Madison County 230-115 kV Substation Expansion – Addition of 230/115 kV transformer and interconnection to the proposed Petersburg North – Madison 115 kV line (DISIS-2009-001 Network Upgrade Project).

The DISIS-2010-001 facility study was conducted assuming all DISIS-2009-001 generation and associated transmission projects move forward and are constructed. If any changes are made to the DISIS-2009-001 generation and associated transmission projects, then the DISIS-2010-001 transmission plan would need re-evaluated. Modifications to the DISIS-2009-001 generation and transmission projects could potentially affect the transmission interconnection costs assigned to the DISIS-2010-001 customers.

The DISIS-2010-001 Facility Study includes a loadflow analysis, short circuit analysis, and regional flowgate impact analysis.

The loadflow analysis documents the steady-state performance of the network following the wind generation facility additions and the associated transmission facility upgrades. The loadflow analysis was split into four phases.

Phase 1 of the loadflow analysis was a system intact and N-1 contingency analysis of the expected system state following the wind generation & transmission additions performed in accordance with NERC Standards TPL-001 and TPL-002. The results of the Phase 1 portion of the loadflow analysis revealed two facilities (Gavins Point – Yankton Junction 115 kV and Yankton Junction – Utica Junction 115 kV) outside of the NPPD system that would need further coordination with external entities. The Phase 1 analysis also identified three facilities on the NPPD system that would need mitigation. The Kelly – Madison County 230 kV line was flagged as loaded above the 192 MVA facility rating for several N-1 contingencies. The facility rating for this line is scheduled to be increased to 320 MVA due to the DISIS-2009-001 projects. The upgrade of Kelly – Madison County 230 kV to 320 MVA would be required of the DISIS-2010-001 projects if the DISIS-2009-001 projects do not move forward. The Petersburg North – Petersburg – Albion 115 kV lines were flagged as loaded above the facility rating for several N-1 contingencies. This facility is limited by the 336 ACSR conductor and would need rebuilt to accommodate the increased loading due to the new wind generation facilities.

Phase 2 of the loadflow analysis involved a comprehensive multiple element contingency analysis of the Nebraska transmission system. The results of the Phase 2 contingency analysis revealed no additional facility overloads or voltage violations that would require mitigation due to TPL-003 and TPL-004 contingencies.

Phase 3 of the loadflow analysis evaluated the local area transmission capacity with respect to delivering the fully accredited generating capability out of the area at Spring load levels. The Phase 3 loadflow analysis was performed to evaluate the system state for the worst-case N-1, stuck breaker, and N-2 contingencies in the area of the wind projects. The results of the Phase 3 portion of the loadflow analysis revealed three facilities (Gavins Point – Yankton Junction 115 kV, Spirit Mound – Manning 115 kV and Yankton Junction – Utica Junction 115 kV) outside of the NPPD system that would need further coordination with external entities (WAPA). The Kelly – Madison County 230 kV line was flagged as loaded of the facility rating for several contingencies. The facility rating for this line is scheduled to be increased to 320 MVA due to the DISIS-2009-001 projects. Based on the Phase 3 results, a list of 23 transmission facilities was developed that would need prior outage generation limits established in the north central area (GEN-2006-044N02 & GEN-2010-010) to ensure system operating limits are maintained for the potential loss of the next worst-case transmission facility. Also, a list of 6 transmission facilities was developed that would need prior outage generation limits established in the south central area (GEN-2008-123) to ensure system operating limits are maintained.

Phase 4 of the loadflow analysis evaluated the transmission system with respect to worst-case west-to-east transfer conditions across Nebraska. The Phase 4 analysis was performed to evaluate worst-case N-1 contingencies under these highly stressed transfer conditions. The results of the Phase 4 portion of the loadflow analysis revealed two

facilities (Gavins Point – Yankton Junction 115 kV and Yankton Junction – Utica Junction 115 kV) outside of the NPPD system that would need further coordination with external entities. The Phase 4 results also identified three facilities on the NPPD system that may require further mitigation. The Canaday – Elm Creek 115 kV and Canaday – Lexington 115 kV lines were found to load above 110% of the facility rating for loss of the Crooked Creek – Riverdale 230 kV line. The North Platte – Stockville 115 kV line was found to load above 110% of the facility rating for loss of the GGS – Red Willow 345 kV line. The post-contingency voltages at Beverly 115 kV and Red Willow 345 kV were also below criteria for the GGS – Red Willow 345 kV line outage. Both of these limitations for the GGS – Red Willow 345 kV contingency are associated with the WNE\_WKS PTDF flowgate and mitigation may be required to address the impact of the wind generation facilities on this constraint.

The short circuit analysis was performed to evaluate the fault interrupting capability of existing devices in the area and protection coordination issues following the interconnection of the proposed wind generation additions. The results of this analysis showed that Albion CS1112 would be a required network upgrade for interconnection of the new generation facilities and associated transmission. The protection coordination issues associated with L-1171B and L-1172 require additional 115 kV breakers at Guide Rock following the addition of the new generation at the proposed Rosemont 115 kV substation.

The regional flowgate impact analysis was performed to determine if flows on any defined flowgates in Nebraska would be significantly affected by the wind generation facilities. Overall, the results showed that four PTDF flowgates, COOPER\_S, GRIS\_LNC, FTCAL\_S and WNE\_WKS, were significantly impacted by the wind projects. Two OTDF flowgates, the Council Bluffs – River Bend 161 kV FLO Cooper – St. Joe 345 kV and Kelly – Tecumseh Hill 161 kV FLO Cooper – St. Joe 345 kV flowgates were significantly impacted by the wind projects. Regional flowgate impacts due to the wind projects will be further addressed in the delivery study following a request for transmission service.

Overall, the *NPPD DISIS-2010-001 Facility Study* documents the performance of the network following the addition of the three wind generation interconnection projects and associated transmission. The Facility Study has documented the transmission plan required for interconnection to the NPPD transmission system and the details are listed on the following page.

### **DISIS-2010-001 Generation Interconnection Plan**

- GEN-2006-044N02 Interconnection Facilities – Madison County 230 kV substation expansion to accommodate new 230 kV interconnection. **\$ 2.8 Million**
- GEN-2008-123 Interconnection Facilities – Rosemont 115 kV substation addition on Pauline – Guide Rock 115 kV line to accommodate new 115 kV interconnection. **\$ 3.9 Million**
- GEN-2010-10 Interconnection Facilities – Madison County 115 kV substation expansion to accommodate new 115 kV interconnection. **\$ 0.8 Million**
- Madison County 230/115 kV Transformer & interconnection with Petersburg North – Madison 115 kV line (DISIS-2009-001 Network Upgrade) – New 336 MVA 230/115 kV transformer, substation additions, and interconnection tie line facilities to tie into the proposed Petersburg North to Madison 115 kV transmission line. **\$ 19.1 Million**
- Madison County – Norfolk 115 kV Line – New 27-mile 115 kV line from Madison County to Norfolk and associated substation expansions. **\$ 18.8 Million**
- Petersburg North – Petersburg – Albion 115 kV Line Rebuild – Rebuild 12.2 miles of transmission line from Petersburg North – Albion 115 kV to address N-1 contingency loading issues identified in DISIS-2010-001 Facility Study. **\$ 5.9 Million**
- Albion 115 kV Circuit Switcher – Replace Albion CS1112 due to short circuit capability issues identified in DISIS-2010-001 Facility Study. **\$ 0.2 Million**
- Guide Rock 115 kV Breaker Additions – Add 115 kV breakers at Guide Rock due to protection coordination issues following the addition of Rosemont 115 kV substation as identified in DISIS-2010-001 Facility Study. **\$ 2.3 Million**

**Total Interconnection & Network Upgrades: **\$53.8 Million****

## 1.0 Introduction

In October 2010, NPPD was notified that three generation interconnection requests in the SPP generation interconnection queue had advanced to the facility study stage. Each of the three generation interconnection requests were evaluated by SPP in the Definitive Interconnection System Impact Study (DISIS-2010-001) as clusters in Group 9 and Group 15. The three generation interconnection requests are listed below:

<u>Project</u>	<u>MW</u>	<u>Point-of-Interconnection</u>	<u>Cluster</u>
GEN-2006-044N02	100.8	New Madison Co. Sub on Ft. Randall-Kelly 230 kV	9
GEN-2008-123N	89.7	New Rosemont Sub on Pauline-Guide Rock 115kV	15
GEN-2010-010	<u>100.5</u> 291.0	New Madison Co. Sub on Ft. Randall-Kelly 230 kV	9

SPP entered into a facility study agreement with each of the three generation interconnection customers and subsequently requested that NPPD perform the Facility Study for each request. In response to the SPP request, NPPD has performed a Facility Study for all of the generation interconnection requests which included a detailed loadflow analysis, short circuit analysis and regional flowgate impact analysis. The Facility Study also includes detailed cost estimates and estimated project schedules for the interconnection and network upgrades identified in the System Impact Study and Facility Study. A list of interconnection and network upgrades identified in the System Impact Study as required for these three generation interconnection projects is below:

- GEN-2006-044N02 Interconnection Facilities – Madison County 230-115 kV substation expansion to accommodate new 230 kV interconnection.
- GEN-2010-010 Interconnection Facilities – Madison County 230-115 kV substation expansion to accommodate new 115 kV interconnection.
- GEN-2008-123N Interconnection Facilities – Development of new Rosemont 115 kV substation to accommodate new 115 kV interconnection on Pauline – Guide Rock 115 kV line.
- Madison County 230-115 kV Substation Expansion – Addition of 230/115 kV transformer and interconnection to the proposed Petersburg North – Madison 115 kV line (DISIS-2009-001 Network Upgrade Project).
- Madison County - Norfolk 115 kV Line – New 27-mile 115 kV line from Madison County 115 kV to Norfolk 115 kV and associated substation additions.

## 2.0 Study Scope

### 2.1 Overview

This Facilities Study will evaluate three proposed wind generator interconnection projects on the NPPD transmission system. This study will evaluate three generator interconnection requests in the SPP Generator Interconnection Queue which were studied in the SPP Definitive Interconnection System Impact Study, SPP DISIS-2010-001, and progressed to the facilities study stage. The three GI projects on the NPPD transmission system included in the DISIS-2010-001 study are as follows:

<u>Project</u>	<u>MW</u>	<u>Point-of-Interconnection</u>	<u>Cluster</u>
GEN-2006-044N02	100.8	New Madison Co. Sub on Ft. Randall-Kelly 230 kV	9
GEN-2008-123N	89.7	New Rosemont Sub on Pauline-Guide Rock 115kV	15
GEN-2010-010	<u>100.5</u> 291.0	New Madison Co. Sub on Ft. Randall-Kelly 230 kV	9

This Facilities Study will focus on the three projects requesting interconnection to the NPPD transmission system. The SPP DISIS-2010-001 study did identify several transmission upgrades that would be required to interconnect the three proposed generation facilities. These transmission upgrades were required to mitigate impacts of the proposed generation projects on the existing transmission system as identified in the DISIS-2010-001 study. These transmission upgrades are listed below:

- New Madison County 230/115 kV Transformer
- New Madison County 115 kV Substation
- Interconnection of proposed Petersburg North – Madison 115 kV line at Madison County 115 kV substation. Petersburg North – Madison is an identified network upgrade in the DISIS-2009-001 Facility Study.
- New 27 Mile 115 kV line from Madison County to Norfolk

The DISIS-2010-001 facility study will be performed assuming that all of the Nebraska area generation facilities and associated transmission upgrades identified in the DISIS-2009-001 facility study are developed. Any modifications to the DISIS-2009-001 generation facilities, interconnection facilities, and/or network upgrades could require modification of the DISIS-2010-001 facility study.

The facilities study will assess the new system state with the proposed wind facilities and associated transmission upgrades. The facilities study will also identify any additional transmission issues that would require mitigation to meet mandatory NERC reliability standards following the addition of the new generation facilities and associated transmission projects. The Facilities Study will include the following study phases:

1. Loadflow Analysis
2. Short Circuit Analysis
3. Regional Flowgate Impact Analysis

The loadflow analysis will be an assessment of the transmission system following the addition of the proposed generation requests and associated transmission projects. The loadflow analysis will evaluate the transmission system for compliance with NERC Reliability Standards and identify any thermal and voltage issues that would require mitigation. The short circuit analysis will evaluate the impacts of the wind facilities and associated transmission on existing fault currents in the area and determine if the capability of existing fault interrupting devices are adequate. A regional flowgate impact analysis will also be included to identify any regional flowgates impacted by the proposed generator interconnections.

The intent of the facilities study is to perform a detailed assessment of the proposed generation interconnection facilities and associated transmission and validate adherence to system reliability criteria. This study will be performed in accordance with NERC Reliability Standards and the criteria set forth under those standards. This facilities study will document the required transmission facility interconnection plan for the three proposed generation interconnection facilities and be performed in accordance with the methodologies described in NPPD's Facility Connection Requirements Document.

## **2.2 Loadflow Analysis**

NPPD Transmission Planning will perform a loadflow analysis to screen the steady state performance of the network following the addition of the wind facilities and associated transmission. The powerflow models used for the loadflow analysis will be 2010 Series SPP MDWG models (Build 1). These models will represent system conditions close to the expected in-service date of the proposed wind projects and will adequately represent a variety of worst-case seasonal conditions. The powerflow models utilized for the analysis will be:

- 2010 Spring Peak Load Case
- 2016 Spring Light Load Case
- 2016 Summer 100% Peak Load Case
- 2016 Winter 100% Peak Load Case

The base SPP MDWG powerflow models will be updated with planned transmission facility additions in the 2010 – 2016 timeframe and other system changes consistent with

the latest SPP / MAPP Regional Plan. Specifically, Whelan Energy Center Unit #2 and associated transmission will be added to the 2010 Spring Peak case due to the relative proximity to one of the proposed wind projects.

The loadflow study will be split into three phases:

Phase 1 : System-wide Single Contingency N-1 Analysis

Phase 2 : System-wide Multiple Element Contingency N-2 Analysis

Phase 3 : Local Area Full Accredited Generation Capacity N-1 & N-2 Contingency Analysis

Phase 4 : System-wide Single Contingency N-1 Analysis under heavy transfer conditions.

PHASE 1: This Phase is considered a comprehensive single contingency analysis of the entire Nebraska subregion. Every single element rated from 115 kV – 345 kV in the NPPD, OPPD, LES, MEC and WAPA areas will be outaged and monitored through activity ACCC. The results of the contingency screening will be assessed and documented. Phase 1 will also further investigate all critical contingencies identified from the ACCC contingency screening. Phase 1 will be utilized to document the performance characteristics of the system in accordance with NERC Reliability Standards, TPL-001 and TPL-002.

PHASE 2: This Phase is considered a comprehensive multiple element contingency analysis of the entire Nebraska region. Multiple element contingencies rated from 115 kV – 345 kV will be outaged and monitored through activity ACCC. The multiple element contingencies consist of stuck breaker contingencies and double circuit tower contingencies identified by Nebraska transmission owners and utilized during MRO and SPP screening processes. The results of the contingency screening will be assessed and documented. Phase 2 will also further investigate all critical contingencies identified from the ACCC contingency screening comparison. Phase 2 will be utilized to document the performance characteristics of the system in accordance with NERC Reliability Standards, TPL-003 and TPL-004.

PHASE 3: This Phase will evaluate the impacts of worst case N-1 single contingency and independent N-2 double contingency conditions for the local area transmission outlet paths associated with the wind projects. The 2010 Series 2010 Spring Peak load case will be utilized to show the impacts of the worst case local area contingencies. All of the local area generation including the wind additions will be redispatched off-system. The purpose of this Phase will be to document sufficient generator outlet transmission capacity for the new wind generators concurrent with the existing approved accredited generation in the area.

This Phase will be used to evaluate the Nebraska area transmission capacity with respect to delivering the fully accredited generating capability out of the local area resources for load levels at and above 70% of peak. The Spring Peak Load case is approximately 60%



of summer peak for the Nebraska region. To stress the generation outlet capacity, the maximum accredited generation is modeled in the north central area and exported into the surrounding MAPP & SPP regions. For this phase of the analysis, the generation will be dispatched in clusters similar to the system impact study. The following maximum accredited net generation levels will be modeled in each cluster area:

North Central Cluster

GEN-2006-044N02 (Madison.Co)	=	100.8 MW
GEN-2010-010 (Madison.Co)	=	100.5 MW
GEN-2006-037N1 (Broken Bow)	=	75.0 MW
GEN-2006-044N (Petersburg.N)	=	40.5 MW
GEN-2007-011N06 (Petersburg.N)	=	75.0 MW
GEN-2007-011N09 (Bloomfield)	=	75.0 MW
GEN-2008-086N02 (Madison.Co)	=	200.0 MW
Petersburg Wind	=	80.0 MW
Broken Bow Wind	=	80.0 MW
Bloomfield Crofton Hills Wind	=	42.0 MW
Bloomfield Elkhorn Ridge Wind	=	81.0 MW
Ainsworth Wind	=	75.0 MW
Broken Bow #1-6	=	8.3 MW
Burwell #2-5	=	3.0 MW
Ord #1-5	=	10.8 MW
Stuart #1	=	2.1 MW
Spencer #1	=	1.8 MW
Monroe #1-3	=	2.7 MW
Gavins Point #1-3	=	102.0 MW
Ft. Randall #1-6	=	360.0 MW
Spirit Mound #1-2	=	104.0 MW
Columbus Hydro #1-3	=	45.0 MW
Columbus ADM Co-Gen #1	=	75.0 MW

<u>South Central Cluster</u>		
GEN-2008-123N (Rosemont)	=	89.7 MW
Hebron #1	=	52.0 MW
Beatrice Power Station #1	=	80.0 MW
Beatrice Power Station #2	=	80.0 MW
Beatrice Power Station #3	=	90.0 MW
Whelan Energy Center Unit # 2	=	220.0 MW
Whelan Energy Center Unit # 1	=	82.0 MW
Don Henry Gas Turbine	=	20.0 MW
North Denver Unit # 4	=	16.0 MW
North Denver Unit # 5	=	25.0 MW
Platte Generating Station Unit # 1	=	100.0 MW
Burdick Steam Units 1-3	=	93.0 MW
Burdick GT – 2	=	40.0 MW
Burdick GT – 3	=	40.0 MW
Burdick GT – 4	=	15.0 MW
Deshler Units #1-4	=	2.3 MW
Belleville Units #4-8	=	13.9 MW
Fairbury Units #2-3	=	15.3 MW
Red Cloud Units #1-5	=	4.0 MW
Canaday	=	119.0 MW

All of the incremental generation adjustments were made to external Nebraska resources to effect these schedules. Additional non-firm schedules into the MAPP and SPP regions made up the transfers. This type of operational mode is highly unlikely, but was utilized to demonstrate the transmission capacity available to deliver the fully accredited generation out of the Nebraska area under emergency conditions.

This Phase will include one-line powerflow plots showing flows and voltages in the area for system intact and N-1 conditions. This Phase will also evaluate critical stuck breaker outages, double circuit transmission line outages and independent N-2 contingencies which could be affected by the wind projects. Powerflow plots will be included and any required operating limitations will be documented.

PHASE 4: This Phase is considered a comprehensive single contingency analysis of the entire Nebraska subregion under transfer conditions. This Phase will assess the performance of the NPPD transmission system under heavy west-to-east transfer conditions. Transfer cases will be established to evaluate west-to-east transfer limits with the wind generation interconnection projects at maximum output levels. Every single element rated from 115 kV – 345 kV in the NPPD, OPPD, LES, MEC and WAPA areas will be outaged and monitored through activity ACCC. The results of the contingency screening will be assessed and documented. Phase 1 will also further investigate all critical contingencies identified from the ACCC contingency screening. Phase 1 will be utilized to document the performance characteristics of the system in accordance with NERC Reliability Standards, TPL-001 and TPL-002.

## **2.3 Short Circuit Analysis**

The purpose of the Short Circuit Analysis will be to evaluate the three proposed generation interconnection projects and associated transmission on the existing substation equipment fault duty ratings in the area. The substations to be evaluated are those electrically close to the interconnection points (Rosemont 115 kV Sub and Madison County 230 kV Sub) of the wind projects.

The Short Circuit Analysis will include short circuit calculations, an evaluation of the adequacy of existing circuit breaker interrupting ratings and an evaluation of the adequacy of the fault withstand capability of other substation equipment located at the monitored substations. The Short Circuit Analysis will be performed by NPPD Engineering Protection & Control personnel.

## **2.4 Regional Flowgate Impact Analysis**

A Regional Flowgate Impact Analysis (DF Analysis) will be performed to assess the impacts of the three wind projects on Nebraska flowgates. Distribution Factor (PTDF and OTDF) calculations will be performed to examine the incremental impacts of the wind projects on currently defined constrained interfaces in the Nebraska area transmission system. The results of the DF screening will flag any impacts on Nebraska area flowgates for delivery of the wind projects outside of the Nebraska subregion. Any constrained interfaces identified as being impacted by greater than the allowable thresholds will be noted.

## **2.5 Detailed Cost Estimates & Project Schedule**

NPPD Engineering, Asset Management, and Project Management departments will review the transmission upgrades identified in the SPP DISIS-2010-001 study. Detailed cost estimates and project schedules will be developed by these groups to implement the proposed transmission upgrades using standard NPPD construction and procurement practices. If any additional transmission upgrades are identified in this facility study, a detailed cost estimate and project schedule for these additional upgrades will also be developed and provided as required.

### 3.0 Model Development

This study was conducted using Rev 30.3.3 of Power Technology Inc.'s (PTI's) Power System Simulator (PSS/E) software package and the following SPP MDWG 2010 series build 1 powerflow models:

2010 Spring Peak Load Case  
2016 Spring Light Load Case  
2016 Summer 100% Peak Load Case  
2016 Winter 100% Peak Load Case

The powerflow models were updated based on previously approved generation interconnection projects in the area. The following generation interconnection projects were included in the base powerflow models:

Petersburg Wind	=	80.0 MW
Broken Bow Wind	=	80.0 MW
Bloomfield Crofton Hills Wind	=	42.0 MW
Bloomfield Elkhorn Ridge Wind	=	81.0 MW
Ainsworth Wind	=	75.0 MW
Gavins Point #1-3	=	92.0 MW
Ft. Randall #1-6	=	347.0 MW
Columbus Hydro #1-3	=	45.0 MW
Columbus ADM Co-Gen #1	=	75.0 MW
Whelan Energy Center #2	=	220.0 MW

The previously approved generation resources listed above were dispatched at 100% and other generation resources in the same balancing authority (BA) were reduced to account for the increased generation. The three new generation interconnection projects listed below were then added to the models and dispatched at 100%. The total output (291 MW) from the new generation interconnection projects was dispatched off-system to all other balancing authorities within the SPP footprint on a pro rata basis.

GEN-2006-044N02 (Madison.Co)	=	100.8 MW
GEN-2010-010 (Madison.Co)	=	100.5 MW
GEN-2008-123N (Rosemont)	=	89.7 MW

A few additional transmission upgrades were incorporated into the study models as coordinated by the responsible transmission owners in the regional planning processes. These upgrades are listed below:

- NPPD Canaday 230/115 kV Transformer Replacement
- City of Grand Island 115 kV Facility Ratings Modifications
- NPPD Bloomfield – Gavins Point 115 kV Upgrade to 159 MVA
- WAPA Utica Junction – Yankton Junction 115 kV Upgrade to 120 MVA

## Wind Generation Models

Each of the new wind generation interconnection projects were modeled with a +/- 0.95 power factor range with voltage control capability at the designated point-of-interconnection. Some of the new projects may have a larger reactive power range available, but the reactive capability of each generation interconnection project was limited to +/- 0.95 power factor to be conservative in this study.

## Base Transmission Upgrades

The SPP definitive generation interconnection study (DISIS-2010-001) identified several significant transmission additions that were required to accommodate the interconnection of the wind generation interconnection projects on the NPPD system. These transmission upgrade projects were modeled as base transmission upgrades in this facility study. The impedance characteristics and facility ratings modeled for these projects in this facility study are documented below:

### Madison County - Norfolk 115 kV (27 miles)

R: 0.01974

X: 0.13952

B: 0.02199

RateA: 240 MVA (Normal)

RateB: 240 MVA (Long-term Emergency)

RateC: 264 MVA (Short-term Emergency)

### Madison County 230/115 kV

R<sub>1-2</sub>: 0.00050

X<sub>1-2</sub>: 0.02980

RateA: 336 MVA (Normal)

RateB: 336 MVA (Long-term Emergency)

RateC: 399 MVA (Short-term Emergency)

### Madison County – Petersburg North 115 kV (20 miles) DISIS-2009-001 Project

R: 0.01462

X: 0.10335

B: 0.01629

RateA: 240 MVA (Normal)

RateB: 240 MVA (Long-term Emergency)

RateC: 264 MVA (Short-term Emergency)

### Madison County – Madison 115 kV (15 miles) DISIS-2009-001 Project

R: 0.01096

X: 0.07751

B: 0.01221

RateA: 240 MVA (Normal)

RateB: 240 MVA (Long-term Emergency)

RateC: 264 MVA (Short-term Emergency)

## 4.0 Study Criteria

### Facility Loading Criteria

Overloads of equipment are defined as greater than 100% of the normal continuous rating (Rate A). A short-term emergency rating (Rate C) may be utilized for a period of less than 30 minutes during which the facility must be returned to normal operating limits. This emergency rating is defined as 110% for transmission line equipment and 125% for transformers.

### Voltage Criteria

Normal steady-state voltage levels are defined as 0.95 to 1.05 pu. Emergency steady-state voltage levels are defined as 0.90 – 1.10 pu and may be utilized for less than 30 minutes.

## 5.0 Loadflow Analysis

### 5.1 Phase 1 Results (System-wide N-1 Screening)

PSS/E activity ACCC was used as a screening tool on each of the base cases to identify those contingencies which deserve closer study. ACCC analyzed the system by sequentially taking each transmission element greater than 100kV in the NPPD, OPPD, LES, MEC, and WAPA control areas out of service. Transmission facilities in the NPPD, OPPD, LES, MEC, and WAPA control areas were then monitored for violations of loading or bus voltage criteria. The results of the contingency analysis are shown in the ACCC summaries included in Appendix A. Contingencies which resulted in facility loadings or bus voltages outside of acceptable limits will be discussed in the summary of each case. The Phase 1 ACCC analysis is performed to assess the performance of the transmission system following the addition of the wind generation interconnection projects according to TPL-001 and TPL-002 standards.

Phase 1 analysis further addressed contingencies flagged in the screened ACCC run with additional AC powerflow analysis as required. In the NPPD area, there are loadflow solution issues associated with voltage regulation bandwidths. Consequently, most of the capacitors and reactors are modeled as fixed mode switched shunts, which must be manually switched to achieve optimal voltage profiles.

Powerflow activities VCHK and RATE were used to identify voltage and loading issues in the NPPD, OPPD, LES, WAPA, and MEC control areas for the full AC solution contingency runs. Activity VCHK produced a listing of those buses whose voltage magnitude was greater than 1.10 PU, followed by a listing of buses whose voltage was less than 0.90 PU. Activity RATE reported any branch whose current loading, including line charging and line connected shunt components, exceeded the specified percentage of RATE A.

#### Phase 1 – 2010 Spring Peak

##### *System Intact Results (TPL-001):*

One transmission facility was found to be loaded above its normal facility rating under system intact conditions. The Madison County – Kelly 230 kV line was loaded to 115.1% of the 192 MVA normal rating. Without the three new wind projects, the Madison County – Kelly 230 kV line was loaded to 97.0% of the 192 MVA rating.

*N-1 Contingency Results (TPL-002):*

Sixteen overloaded transmission facilities were discovered in the monitored study areas in the N-1 ACCC analysis of the 2010 Spring Peak case with the wind facility additions and reported in the table. The full ACCC results are summarized in Appendix A. The post-contingency facility overloads that were discovered are summarized in Table 1 below.

**Table 1. 2010 Spring Peak: N-1 Facility Overloads**

From Bus	From Bus Name	To Bus	To Bus Name	CKT	CONTINGENCY	RATING	%
640133	COLMBUS4 230.00	643000	MADISONCNTY4230.00	1	SINGLE 411	192	135.2
640133	COLMBUS4 230.00	643000	MADISONCNTY4230.00	1	SINGLE 436	192	130.3
640133	COLMBUS4 230.00	643000	MADISONCNTY4230.00	1	SINGLE 446	192	128.4
640133	COLMBUS4 230.00	643000	MADISONCNTY4230.00	1	SINGLE 225	192	128.2
640133	COLMBUS4 230.00	643000	MADISONCNTY4230.00	1	SINGLE 773	192	123.2
640133	COLMBUS4 230.00	643000	MADISONCNTY4230.00	1	SINGLE 491	192	123.1
640133	COLMBUS4 230.00	643000	MADISONCNTY4230.00	1	SINGLE 224	192	121.7
640133	COLMBUS4 230.00	643000	MADISONCNTY4230.00	1	SINGLE 774	192	121.7
640133	COLMBUS4 230.00	643000	MADISONCNTY4230.00	1	SINGLE 320	192	121.5
640133	COLMBUS4 230.00	643000	MADISONCNTY4230.00	1	SINGLE 310*	192	120.9
640183	GENTLMN3 345.00	640184	GENTLMN4 230.00	2	TRF-GENTLMN	336	109.0
652511	GAVINS 7 115.00	660006	YKNTJCT7 115.00	1	SINGLE 775	120	107.4
652511	GAVINS 7 115.00	660006	YKNTJCT7 115.00	1	SINGLE 814	120	107.4
652511	GAVINS 7 115.00	660006	YKNTJCT7 115.00	1	SINGLE 793	120	101.0
659105	LELANDO3 345.00	659201	LELND1TY 345.00	1	SINGLE 865	250	120.5
659106	LELANDO4 230.00	659201	LELND1TY 345.00	1	SINGLE 865	250	120.5

*\*Only the top ten contingency overloads were summarized in Table 1.*

The Madison County – Kelly 230 kV line was overloaded for a number of N-1 contingencies. The facility rating for the Madison County – Kelly 230 kV line would need to be increased to accommodate the interconnection of the wind projects.

The Gentleman 345/230 kV transformer was overloaded for loss of the parallel Gentleman 345/230 kV transformer. In the 2010 Spring Peak case, the GGS Unit #2 is modeled offline due to a planned maintenance outage. This constraint is a known limitation and the dispatch of GGS Unit #1 can be adjusted within 30 minutes to reduce the loading on this transformer to within normal limits. The overload does not exceed the 30-minute emergency rating of 420 MVA.

The Gavins Point – Utica Junction 115 kV line was found to load above its 120 MVA rating for a number of N-1 contingencies. The Gavins Point – Utica Junction 115 kV line is just north of Gavins Point in South Dakota. The high post-contingency loading on this line warrants additional evaluation and coordination with the transmission planner (WAPA UGP) for this facility.



The Leland Olds 345/230 kV transformer was found to load above its 250 MVA rating for loss of the parallel 345/230 kV transformer. The post-contingency loading of this facility would need further review and coordination by the facility owner (BEPC) and the transmission planner (WAPA UGP) for this facility.

There were eleven bus voltage violations identified in the monitored study areas in the N-1 ACCC screening analysis. The post-contingency bus voltage violations that were discovered are summarized in Appendix A. Only one contingency (SINGLE 336: Firth – Sheldon 115 kV) was found the NPPD area. The bus voltage violation is a modeling issue and can easily be addressed by adjusting the 115/69 kV transformer taps at the Sterling 115 kV substation. The remaining ten bus voltage violation issues would need to be coordinated with external entities for further review.

### Phase 1 – 2016 Summer Peak

#### *System Intact Results (TPL-001):*

One transmission facility was found to be loaded above its normal facility rating under system intact conditions. The Madison County – Kelly 230 kV line was loaded to 127.8% of the 192 MVA normal rating. Without the three new wind projects, the Madison County – Kelly 230 kV line was loaded to 126.9% of the 192 MVA rating.

#### *N-1 Contingency Results (TPL-002):*

Forty overloaded transmission facilities were discovered in the monitored study areas in the N-1 ACCC analysis of the 2016 Summer Peak case with the wind generation additions and reported in the table. The full ACCC results are summarized in Appendix A. Four of the facility overloads were on the NPPD transmission system. The post-contingency facility overloads that were discovered are summarized in Table 2 below.

**Table 2. 2016 Summer Peak: N-1 Facility Overloads**

From Bus	From Bus Name	To Bus	To Bus Name	CKT	CONTINGENCY	RATING	%
640054	ALBION 7 115.00	640318	PETRSBG7 115.00	1	SINGLE 314	137	106.7
640054	ALBION 7 115.00	640318	PETRSBG7 115.00	1	SINGLE 414	137	101.5
640318	PETRSBG7 115.00	640444	PETERSBRG.N7115.00	1	SINGLE 314	137	109.6
640318	PETRSBG7 115.00	640444	PETERSBRG.N7115.00	1	SINGLE 414	137	104.6
640318	PETRSBG7 115.00	640444	PETERSBRG.N7115.00	1	SINGLE 442	137	102.7
640133	COLMBUS4 230.00	643000	MADISONCNTY4230.00	1	SINGLE 455	192	148.5
640133	COLMBUS4 230.00	643000	MADISONCNTY4230.00	1	SINGLE 232	192	147.7
640133	COLMBUS4 230.00	643000	MADISONCNTY4230.00	1	SINGLE 419	192	147.1
640133	COLMBUS4 230.00	643000	MADISONCNTY4230.00	1	SINGLE 444	192	142.1
640133	COLMBUS4 230.00	643000	MADISONCNTY4230.00	1	SINGLE 777*	192	139.7
603023	MALLARD7 115.00	659190	NDPRAIRWND 7115.00	1	SINGLE 892	120	117.1
603023	MALLARD7 115.00	659190	NDPRAIRWND 7115.00	1	SINGLE 897	120	100.7
603023	MALLARD7 115.00	659190	NDPRAIRWND 7115.00	1	SINGLE 921	120	100.7
652405	FTPECK 4 230.00	652406	FTPECK 7 115.00	1	SINGLE 657	67	144.7
652426	BISMARK4 230.00	652427	BISMARK7 115.00	1	SINGLE 681	100	116
652426	BISMARK4 230.00	652427	BISMARK7 115.00	2	SINGLE 680	100	111.4
652442	GARRISN7 115.00	652449	MAX 7 115.00	1	SINGLE 892	120	103.6
652476	EAGLEBT7 115.00	652520	OAHE 7 115.00	1	SINGLE 758	60	105.7
652481	MIDLAND7 115.00	652491	IRVSIMM7 115.00	1	SINGLE 758	77	139
652481	MIDLAND7 115.00	652487	PHILIP 7 115.00	1	SINGLE 758	77	103.6
652481	MIDLAND7 115.00	652491	IRVSIMM7 115.00	1	SINGLE 756	77	103.5
652481	MIDLAND7 115.00	652491	IRVSIMM7 115.00	1	SINGLE 755	77	103.4
652482	MISSION7 115.00	652495	WITTEN 7 115.00	1	SINGLE 788	80	159.1
652486	PHILIP 4 230.00	652487	PHILIP 7 115.00	1	SINGLE 750	100	115.3
652486	PHILIP 4 230.00	652488	PHILTAP4 230.00	1	SINGLE 750	100	112.1
652486	PHILIP 4 230.00	652487	PHILIP 7 115.00	1	SINGLE 747	100	101.7
652487	PHILIP 7 115.00	652492	WALL 7 115.00	1	SINGLE 750	77	105.3
652488	PHILTAP4 230.00	652519	OAHE 4 230.00	1	SINGLE 856	240	114.3
652488	PHILTAP4 230.00	652519	OAHE 4 230.00	1	TRF-STEGALL	240	114.3
652491	IRVSIMM7 115.00	652520	OAHE 7 115.00	1	SINGLE 821	120	104
652512	GROTON 7 115.00	652533	BRISTOL7 115.00	1	SINGLE 834	60	108.9
652515	HURON 7 115.00	660009	BTAP WP7 115.00	1	SINGLE 815	80	116.5
652515	HURON 7 115.00	660009	BTAP WP7 115.00	1	SINGLE 807	80	101.7
652519	OAHE 4 230.00	652520	OAHE 7 115.00	1	SINGLE 758	107	117.4
652520	OAHE 7 115.00	652600	ASH TAP 115.00	1	SINGLE 763	120	104.6
652626	UTICAJC7 115.00	660007	MENNOJT7 115.00	1	SINGLE 978	60	119.2
659105	LELANDO3 345.00	659201	LELND1TY 345.00	1	SINGLE 891	250	176.1
659105	LELANDO3 345.00	659201	LELND1TY 345.00	1	SINGLE 884	250	106.6
659105	LELANDO3 345.00	659202	LELND2TY 345.00	1	SINGLE 884	500	101.1
659106	LELANDO4 230.00	659201	LELND1TY 345.00	1	SINGLE 891	250	176.1

\*Only the top five contingency overloads were summarized in Table 2.

Three contingencies were found which could potentially result in the overload of the Petersburg North – Petersburg 115 kV or Petersburg – Albion 115 kV line sections. These N-1 contingencies are Kelly – Madison County 230 kV, Petersburg North – Neligh 115 kV, and North Loup – Loup City 115 kV. These N-1 contingencies and post-contingency loading issues are all local area generation outlet issues for the wind projects interconnected at the Petersburg North 115 kV and Madison County 230-115 kV substations. Additional mitigation would be required to accommodate the new wind generation interconnections at Madison County due to this constraint.

The Kelly – Madison County 230 kV line was found to load above the normal rating for several N-1 contingencies. The worst-case loading condition that was discovered was 148.5% for loss of the Petersburg North – Petersburg 115 kV line. The facility rating for the Madison County – Kelly 230 kV line would need to be increased to accommodate the interconnection of the wind projects.

There were thirty additional facility overloads discovered during the ACCC analysis of the 2016 Summer Peak model with the wind generation additions. The thirty facility overloads are all located in the WAPA area and this would require further coordination with WAPA to determine if any mitigation is required of the proposed wind generation facility additions.

There were 70 bus voltage violations identified in the monitored study areas in the N-1 ACCC screening analysis of the 2016 Summer Peak model with the wind additions. The post-contingency bus voltage violations that were discovered are summarized in Appendix A. Only two contingencies and three subsequent bus voltage violations were located in the NPPD area. The Firth – Sheldon 115 kV and Firth – Sterling 115 kV contingencies were flagged for post-contingency voltage violations at Firth 115 kV and Sterling 115 kV in the NPPD area. These bus voltage violations are a PSS/E modeling issue and can easily be addressed by adjusting the 115/69 kV transformer taps at the Sterling 115 kV substation. The remaining sixty-seven bus voltage violation issues are outside of the NPPD system and would need to be coordinated with external entities (WAPA) for further review.

#### Phase 1 – 2016 Winter Peak

##### *System Intact Results (TPL-001):*

One transmission facility was found to be loaded above its normal facility rating under system intact conditions. The Madison County – Kelly 230 kV line was loaded to 116.1% of the 192 MVA normal rating. Without the three new wind projects, the Madison County – Kelly 230 kV line was loaded to 110.3% of the 192 MVA rating.

##### *N-1 Contingency Results (TPL-002):*

Thirty-eight overloaded transmission facilities were discovered in the monitored study areas in the N-1 ACCC analysis of the 2016 Winter Peak case with the wind generation

additions and reported in the table. The full ACCC results are summarized in Appendix A. Only one of the facility overloads were on the NPPD transmission system. The post-contingency facility overloads that were discovered are summarized in Table 3 below.

**Table 3. 2016 Winter Peak: N-1 Facility Overloads**

From Bus	From Bus Name	To Bus	To Bus Name	CKT	CONTINGENCY	RATING	%
640133	COLMBUS4 230.00	643000	MADISONCNTY4230.00	1	SINGLE 419	192	137.2
640133	COLMBUS4 230.00	643000	MADISONCNTY4230.00	1	SINGLE 444	192	132.3
640133	COLMBUS4 230.00	643000	MADISONCNTY4230.00	1	SINGLE 455	192	129.5
640133	COLMBUS4 230.00	643000	MADISONCNTY4230.00	1	SINGLE 232	192	129.2
640133	COLMBUS4 230.00	643000	MADISONCNTY4230.00	1	SINGLE 797*	192	126.2
603023	MALLARD7 115.00	659190	NDPRAIRWND 7115.00	1	SINGLE 892	120	141.3
603023	MALLARD7 115.00	659190	NDPRAIRWND 7115.00	1	SINGLE 897	120	117.7
603023	MALLARD7 115.00	659190	NDPRAIRWND 7115.00	1	SINGLE 921	120	117.7
603023	MALLARD7 115.00	659190	NDPRAIRWND 7115.00	1	SINGLE 8	120	114
603023	MALLARD7 115.00	659190	NDPRAIRWND 7115.00	1	SINGLE 710*	120	110.8
652442	GARRISN7 115.00	652449	MAX 7 115.00	1	SINGLE 892	120	113.4
652449	MAX 7 115.00	659190	NDPRAIRWND 7115.00	1	SINGLE 892	120	106.3
652476	EAGLEBT7 115.00	652520	OAHE 7 115.00	1	SINGLE 751	60	113.9
652476	EAGLEBT7 115.00	652520	OAHE 7 115.00	1	SINGLE 758	60	107.8
652476	EAGLEBT7 115.00	652520	OAHE 7 115.00	1	SINGLE 856	60	107.6
652476	EAGLEBT7 115.00	652520	OAHE 7 115.00	1	SINGLE 942	60	107.6
652476	EAGLEBT7 115.00	652520	OAHE 7 115.00	1	TRF-STEGALL	60	107.6
652476	EAGLEBT7 115.00	652520	OAHE 7 115.00	1	SINGLE 487*	60	102.8
652481	MIDLAND7 115.00	652491	IRVSIMM7 115.00	1	SINGLE 758	77	127.3
652481	MIDLAND7 115.00	652491	IRVSIMM7 115.00	1	SINGLE 756	77	101.2
652481	MIDLAND7 115.00	652491	IRVSIMM7 115.00	1	SINGLE 755	77	101.1
652482	MISSION7 115.00	652495	WITTEN 7 115.00	1	SINGLE 788	80	149.7
652486	PHILIP 4 230.00	652487	PHILIP 7 115.00	1	SINGLE 750	100	103.6
652488	PHILTAP4 230.00	652519	OAHE 4 230.00	1	SINGLE 856	240	112.2
652488	PHILTAP4 230.00	652519	OAHE 4 230.00	1	SINGLE 942	240	112.2
652488	PHILTAP4 230.00	652519	OAHE 4 230.00	1	TRF-STEGALL	240	112.2
652515	HURON 7 115.00	660009	BTAP WP7 115.00	1	SINGLE 815	80	114.2
652515	HURON 7 115.00	660009	BTAP WP7 115.00	1	SINGLE 805	80	103.5
652515	HURON 7 115.00	660009	BTAP WP7 115.00	1	SINGLE 924	80	103.5
659105	LELANDO3 345.00	659201	LELND1TY 345.00	1	SINGLE 891	250	210.1
659105	LELANDO3 345.00	659202	LELND2TY 345.00	1	SINGLE 890	500	117.1
659105	LELANDO3 345.00	659201	LELND1TY 345.00	1	SINGLE 889	250	101.8
659106	LELANDO4 230.00	659108	LOGAN 4 230.00	1	SINGLE 636	319	100.8
659106	LELANDO4 230.00	659108	LOGAN 4 230.00	1	SINGLE 933	319	100.3
659108	LOGAN 4 230.00	659143	BLAISDELL 4230.00	1	SINGLE 636	239	102.5
659108	LOGAN 4 230.00	659143	BLAISDELL 4230.00	1	SINGLE 933	239	101.7
659182	CHAR.CK7 115.00	659184	R.RIDER7 115.00	1	SINGLE 636	120	101.1
659182	CHAR.CK7 115.00	659184	R.RIDER7 115.00	1	SINGLE 933	120	100.6

\*Only the top five contingency overloads reported in Table 3.

The Kelly – Madison County 230 kV line was found to load above the normal rating for several N-1 contingencies. The worst-case loading condition that was discovered was 137.2% for loss of the Madison County – Madison 115 kV line. The facility rating for the Madison County – Kelly 230 kV line would need to be increased to accommodate the interconnection of the wind projects.

There were thirty-three additional facility overloads discovered during the ACCC analysis of the 2016 Winter Peak model with the wind generation additions. The thirty-three facility overloads are located in the WAPA area and this would require further coordination with WAPA to determine if any mitigation is required of the proposed wind generation facility additions.

There were 288 bus voltage violations identified in the monitored study areas in the N-1 ACCC screening analysis of the 2016 Winter Peak model with the wind additions. The post-contingency bus voltage violations that were discovered are summarized in Appendix A. Only two contingencies and three subsequent bus voltage violations were located in the NPPD area. The Firth – Sheldon 115 kV and Firth – Sterling 115 kV contingencies were flagged for post-contingency voltage violations at Firth 115 kV and Sterling 115 kV in the NPPD area. These bus voltage violations are a PSS/E modeling issue and can easily be addressed by adjusting the 115/69 kV transformer taps at the Sterling 115 kV substation. The remaining 285 bus voltage violation issues are outside of the NPPD system and would need to be coordinated with external entities (WAPA) for further review.

#### Phase 1 – 2016 Spring Light Load

##### *System Intact Results (TPL-001):*

One transmission facility was found to be loaded above its normal facility rating under system intact conditions. The Madison County – Kelly 230 kV line was loaded to 121.1% of the 192 MVA normal rating. Without the three new wind projects, the Madison County – Kelly 230 kV line was loaded to 97.8% of the 192 MVA rating.

##### *N-1 Contingency Results (TPL-002):*

Forty-seven overloaded transmission facilities were discovered in the monitored study areas in the N-1 ACCC analysis of the 2016 Spring Light Load case with the wind generation additions and reported in the table. The full ACCC results are summarized in Appendix A. Only two of the facility overloads were on the NPPD transmission system. The post-contingency facility overloads that were discovered are summarized in Table 4 below.

**Table 4. 2016 Spring Light Load: N-1 Facility Overloads**

From Bus	From Bus Name	To Bus	To Bus Name	CKT	CONTINGENCY	RATING	%
640133	COLMBUS4 230.00	643000	MADISONCNTY4230.00	1	SINGLE 419	192	139.5
640133	COLMBUS4 230.00	643000	MADISONCNTY4230.00	1	SINGLE 444	192	135.7
640133	COLMBUS4 230.00	643000	MADISONCNTY4230.00	1	SINGLE 455	192	132.3
640133	COLMBUS4 230.00	643000	MADISONCNTY4230.00	1	SINGLE 232	192	132.2
640133	COLMBUS4 230.00	643000	MADISONCNTY4230.00	1	SINGLE 797*	192	130.4
652511	GAVINS 7 115.00	660006	YKNTJCT7 115.00	1	SINGLE 799	120	122
652511	GAVINS 7 115.00	660006	YKNTJCT7 115.00	1	SINGLE 839	120	122
652511	GAVINS 7 115.00	660006	YKNTJCT7 115.00	1	SINGLE 817	120	114.3
652511	GAVINS 7 115.00	660006	YKNTJCT7 115.00	1	SINGLE 770	120	108.5
652511	GAVINS 7 115.00	660006	YKNTJCT7 115.00	1	SINGLE 797	120	106.1
652626	UTICAJC7 115.00	660006	YKNTJCT7 115.00	1	SINGLE 797	120	102.5
603023	MALLARD7 115.00	659190	NDPRAIRWND 7115.00	1	SINGLE 892	120	125.4
603023	MALLARD7 115.00	659190	NDPRAIRWND 7115.00	1	SINGLE 897	120	102.5
603023	MALLARD7 115.00	659190	NDPRAIRWND 7115.00	1	SINGLE 921	120	102.5
652626	UTICAJC7 115.00	660007	MENNOJT7 115.00	1	SINGLE 978	60	110.9
652405	FTPECK 4 230.00	652406	FTPECK 7 115.00	1	SINGLE 657	67	144.3
652441	GARRISN4 230.00	652442	GARRISN7 115.00	1	SINGLE 892	133	141.5
652441	GARRISN4 230.00	652442	GARRISN7 115.00	1	SINGLE 884	133	129.3
652441	GARRISN4 230.00	652442	GARRISN7 115.00	1	SINGLE 706	133	118.4
652441	GARRISN4 230.00	652442	GARRISN7 115.00	1	SINGLE 684	133	116.7
652441	GARRISN4 230.00	652442	GARRISN7 115.00	1	SINGLE 897*	133	116.3
652476	EAGLEBT7 115.00	652520	OAHE 7 115.00	1	SINGLE 758	60	103.9
652481	MIDLAND7 115.00	652491	IRVSIMM7 115.00	1	SINGLE 758	77	117.7
652488	PHILTAP4 230.00	652519	OAHE 4 230.00	1	SINGLE 942	240	102
652488	PHILTAP4 230.00	652519	OAHE 4 230.00	1	SINGLE 856	240	101.9
652488	PHILTAP4 230.00	652519	OAHE 4 230.00	1	TRF-STEGALL	240	101.9
652515	HURON 7 115.00	660009	BTAP WP7 115.00	1	SINGLE 815	80	102.6
652519	OAHE 4 230.00	652520	OAHE 7 115.00	1	SINGLE 758	107	107.9
659105	LELANDO3 345.00	659201	LELND1TY 345.00	1	SINGLE 891	250	229.8
659105	LELANDO3 345.00	659201	LELND1TY 345.00	1	SINGLE 895	250	229.8
659105	LELANDO3 345.00	659201	LELND1TY 345.00	1	SINGLE 884	250	129.9
659105	LELANDO3 345.00	659202	LELND2TY 345.00	1	SINGLE 890	500	127.9
659105	LELANDO3 345.00	659201	LELND1TY 345.00	1	SINGLE 889	250	107.5
659105	LELANDO3 345.00	659201	LELND1TY 345.00	1	SINGLE 923*	250	106.9
659105	LELANDO3 345.00	659202	LELND2TY 345.00	1	SINGLE 894	500	127.9
659105	LELANDO3 345.00	659202	LELND2TY 345.00	1	SINGLE 884	500	123.2
659105	LELANDO3 345.00	659202	LELND2TY 345.00	1	SINGLE 889	500	102.1
659105	LELANDO3 345.00	659202	LELND2TY 345.00	1	SINGLE 923	500	101.5
659106	LELANDO4 230.00	659108	LOGAN 4 230.00	1	SINGLE 884	319	108.5
659106	LELANDO4 230.00	659108	LOGAN 4 230.00	1	SINGLE 636	319	104.1
659106	LELANDO4 230.00	659108	LOGAN 4 230.00	1	SINGLE 933	319	103.7
659108	LOGAN 4 230.00	659143	BLAISDELL 4230.00	1	SINGLE 884	239	102
659108	LOGAN 4 230.00	659143	BLAISDELL 4230.00	1	SINGLE 636	239	101.9
659108	LOGAN 4 230.00	659143	BLAISDELL 4230.00	1	SINGLE 933	239	101.3
659182	CHAR.CK7 115.00	659184	R.RIDER7 115.00	1	SINGLE 636	120	101.7
659182	CHAR.CK7 115.00	659184	R.RIDER7 115.00	1	SINGLE 933	120	101.2

\*Only the top five contingency overloads reported in Table 4.

The Kelly – Madison County 230 kV line was found to load above the normal rating for several N-1 contingencies. The worst-case loading condition that was discovered was

139.5% for loss of the Madison County – Madison 115 kV line. The facility rating for the Madison County – Kelly 230 kV line would need to be increased to accommodate the interconnection of the wind projects.

The remaining facility overloads discovered during the ACCC analysis are on the WAPA system and would require further coordination with WAPA to determine if any mitigation is required of the proposed wind generation facility additions. Two of the facility overloads are in relatively close proximity of the wind generation interconnection projects and would require further detailed investigation. The Gavins Point – Yankton Junction 115 kV and Yankton Junction – Utica Junction 115 kV lines were found to load over the posted facility ratings. Gavins Point – Yankton 115 kV is one of several worst-case N-1 contingencies for these particular facilities. More coordination with WAPA will be required to determine how to address these issues.

There were 212 bus voltage violations identified in the monitored study areas in the N-1 ACCC screening analysis. Only one contingency and subsequent bus voltage violation was located in the NPPD area. The Firth – Sterling 115 kV contingency was flagged for post-contingency voltage violations at Sterling 115 kV in the NPPD area. These bus voltage violations are a PSS/E modeling issue and can easily be addressed by adjusting the 115/69 kV transformer taps at the Sterling 115 kV substation. The remaining 233 bus voltage violation issues are outside of the NPPD system and would need to be coordinated with external entities (MEC and WAPA) for further review.

### **Phase 1 Results Summary**

Overall, there were five transmission facility overloads discovered in the Phase 1 screening that were in the immediate vicinity of the proposed generation interconnection projects. Two of the five transmission facility overloads were found on an external system and would need further coordination and investigation with the affected party (WAPA). These external system transmission facility overloads are listed below:

- Gavins Point – Yankton Junction 115 kV
- Yankton Junction – Utica Junction 115 kV

Three of the five transmission facility overloads were found on the NPPD transmission system and would need mitigation in order to maintain compliance with NERC TPL standards. These facility overloads are summarized below:

Kelly – Madison County 230 kV: This facility loaded to above the 192 MVA facility rating for several N-1 contingencies. This facility would need to be upgraded to 320 MVA to accommodate new wind generation facilities and proposed interconnections on this line. The upgrade of this line to 320 MVA is currently included in the DISIS-2009-001 facility study.

Petersburg North – Petersburg – Albion 115 kV: These two facilities loaded to above the 137 MVA normal facility rating for loss of the Kelly – Madison County 230 kV line,

North Loup – Loup City 115 kV, and Petersburg North – Neligh 115 kV lines. This facility is limited by the 336 ACSR conductor and would need re-conducted to accommodate the increased loading due to the new wind generation facilities.



## 5.2 Phase 2 Results (System-wide Multiple Element Screening)

PSS/E activity ACCC was used as a screening tool on each of the base cases to identify those multiple element contingencies which deserve closer study. ACCC analyzed the system by sequentially taking select multiple element contingencies in the Nebraska area out-of-service. Transmission facilities in the NPPD, OPPD, LES, WAPA and MEC control areas were then monitored for violations of loading or bus voltage criteria. The results of the Phase 2 contingency analysis are shown in the ACCC summary printouts included in Appendix B. The Phase 2 ACCC analysis is performed to assess the performance of the transmission system following the addition of the wind generation interconnection projects according to TPL-003 and TPL-004 standards.

### Phase 2 – 2010 Spring Peak

#### *Category C Results (TPL-003):*

There were seven facility overloads discovered in the Category C ACCC analysis of the 2010 Spring Peak case with the wind generation interconnection facilities and reported in the table. Only one of the facility overloads was within the NPPD area. The post-contingency facility overloads that were discovered are summarized in Table 5 below.

**Table 5. 2010 Spring Peak: Category C Facility Overloads**

From Bus	From Bus Name	To Bus	To Bus Name	CKT	CONTINGENCY	RATING	%
640133	COLMBUS4 230.00	643000	MADISONCNTY4230.00	1	BKR-GGS-2216	192	120.3
640133	COLMBUS4 230.00	643000	MADISONCNTY4230.00	1	BKR-CPR-3310	192	119.5
640133	COLMBUS4 230.00	643000	MADISONCNTY4230.00	1	BKR-GRI-2212	192	119.4
640133	COLMBUS4 230.00	643000	MADISONCNTY4230.00	1	BKR-GRI-2210	192	119.3
640133	COLMBUS4 230.00	643000	MADISONCNTY4230.00	1	BKR-KEY-3310*	192	117.3
640183	GENTLMN3 345.00	640184	GENTLMN4 230.00	2	BKR-GGS-3304	336	109

*\*Only the top five contingency overloads reported in Table 5.*

The Kelly – Madison County 230 kV line was found to load above the normal rating for several Category C contingencies. The worst-case loading condition that was discovered was 120.3% for a stuck breaker contingency at GGS. The facility rating for the Madison County – Kelly 230 kV line would need to be increased to accommodate the interconnection of the wind projects.

The Gentleman 345/230 kV transformer was overloaded for loss of the parallel Gentleman 345/230 kV transformer and GGS Unit #2 GSU for a stuck breaker outage. This constraint is a known limitation and the dispatch of GGS Unit #1 can be adjusted

within 30 minutes to reduce the loading on this transformer to within normal limits. The overload does not exceed the 30-minute emergency rating of 420 MVA.

There were no post-contingency voltage violations discovered in the Category C multiple element ACCC analysis of the 2010 Spring Peak case.

*Category D Results (TPL-004):*

There were sixteen facility overloads discovered in the Category D ACCC analysis of the 2010 Spring Peak case with the wind generation interconnection facilities and reported in the table. The post-contingency facility overloads that were discovered are summarized in Table 6 below.

**Table 6. 2010 Spring Peak: Category D Facility Overloads**

From Bus	From Bus Name	To Bus	To Bus Name	CKT	CONTINGENCY	RATING	%
640133	COLMBUS4 230.00	643000	MADISONCNTY4230.00	1	OPPD CATD 12	192	125.7
640133	COLMBUS4 230.00	643000	MADISONCNTY4230.00	1	OPPD_CIP1	192	122.7
640133	COLMBUS4 230.00	643000	MADISONCNTY4230.00	1	OPPD_CIP11	192	122.6
640133	COLMBUS4 230.00	643000	MADISONCNTY4230.00	1	OPPD_CIP28	192	122.5
640133	COLMBUS4 230.00	643000	MADISONCNTY4230.00	1	CSPT-SK-SO*	192	120.3
640068	B.SPRGS7 115.00	640091	BRULE 7 115.00	1	CSPT-SK-SO	120	123.4
640068	B.SPRGS7 115.00	640246	JULSTAP7 115.00	1	CSPT-SK-SO	120	104.4
640091	BRULE 7 115.00	659132	OGALALA7 115.00	1	CSPT-SK-SO	120	121.9
640246	JULSTAP7 115.00	652300	CHAPPEL7 115.00	1	CSPT-SK-SO	120	122.3
652300	CHAPPEL7 115.00	659238	COLTON 7 115.00	1	CSPT-SK-SO	120	125.7
652572	SIDNEY 7 115.00	659136	SIDNEY*4 230.00	1	CSPT-SK-SO	112	139.1
652572	SIDNEY 7 115.00	659238	COLTON 7 115.00	1	CSPT-SK-SO	120	126.7
652573	STEGALL4 230.00	659206	STGXFMR4 230.00	1	CSPT-SK-SO	400	108.9
659134	SIDNEY 4 230.00	659136	SIDNEY*4 230.00	1	CSPT-SK-SO	112	141.9
659135	STEGALL3 345.00	659207	STEGALTY 345.00	1	CSPT-SK-SO	400	109.5
659206	STGXFMR4 230.00	659207	STEGALTY 345.00	1	CSPT-SK-SO	400	105.7

\*Only the top five contingency overloads reported in Table 6.

The Kelly – Madison County 230 kV line was found to load above the normal rating for several Category D contingencies. The worst-case loading condition that was discovered was 125.7% for a contingency in the OPPD system. The facility rating for the Madison County – Kelly 230 kV line would need to be increased to accommodate the interconnection of the wind projects.

There were several facility overloads identified for the CSPT-SK-SO (Sidney – Keystone 345 kV & Sidney – Ogallala 230 kV) contingency. This contingency would require generation reductions at LRS and DC tie limitations in western NE/SD.

There was a single bus voltage violation discovered in the Category D ACCC analysis of the 2010 Spring Peak case. The Wayside 230 kV bus voltage was found below criteria for the CSPT-SK-SO (Sidney – Keystone 345 kV & Sidney – Ogallala 230 kV) contingency.

Phase 2 – 2016 Summer Peak

*Category C Results (TPL-003):*

There were five facility overloads discovered in the Category C ACCC analysis of the 2016 Summer Peak case with the wind generation interconnection facilities are reported in the table. There were no bus voltage violations discovered in the Category C ACCC analysis of the 2016 Summer Peak case. The post-contingency facility overloads that were discovered are summarized in Table 7 below.

**Table 7. 2016 Summer Peak: Category C Facility Overloads**

From Bus	From Bus Name	To Bus	To Bus Name	CKT	CONTINGENCY	RATING	%
640133	COLMBUS4 230.00	643000	MADISONCNTY4230.00	1	TWR-SCH-CM	192	133.6
640133	COLMBUS4 230.00	643000	MADISONCNTY4230.00	1	BKR-GGS-2216	192	132.4
640133	COLMBUS4 230.00	643000	MADISONCNTY4230.00	1	BKR-SW-3308	192	130.2
640133	COLMBUS4 230.00	643000	MADISONCNTY4230.00	1	BKR-SW-3306	192	130.1
640133	COLMBUS4 230.00	643000	MADISONCNTY4230.00	1	BKR-103ROKBY*	192	129.9

*\*Only the top five contingency overloads reported in Table 7.*

The Kelly – Madison County 230 kV line was found to load above the normal rating for several Category C contingencies. The worst-case loading condition that was discovered was 133.6% for a double circuit contingency in the NPPD system. The facility rating for the Madison County – Kelly 230 kV line would need to be increased to accommodate the interconnection of the wind projects.

*Category D Results (TPL-004):*

There were nineteen facility overloads discovered in the Category D ACCC analysis of the 2016 Summer Peak case with the wind generation interconnection facilities and reported in the table. There were also no bus voltage violations discovered in the

Category D ACCC analysis of the 2016 Summer Peak case. The post-contingency facility overloads that were discovered are summarized in Table 8 below.

**Table 8. 2016 Summer Peak: Category D Facility Overloads**

From Bus	From Bus Name	To Bus	To Bus Name	CKT	CONTINGENCY	RATING	%
640133	COLMBUS4 230.00	643000	MADISONCNTY4230.00	1	OPPD CATD 12	192	139.9
640133	COLMBUS4 230.00	643000	MADISONCNTY4230.00	1	GEN-GGS-ALL	192	137.2
640133	COLMBUS4 230.00	643000	MADISONCNTY4230.00	1	OPPD_CIP1	192	135.9
640133	COLMBUS4 230.00	643000	MADISONCNTY4230.00	1	OPPD_CIP11	192	135.9
640133	COLMBUS4 230.00	643000	MADISONCNTY4230.00	1	OPPD_CIP28*	192	135.8
640139	COOPER 3 345.00	645458	S3458 3 345.00	1	OPPD CATD 10	1195	104.7
640139	COOPER 3 345.00	645458	S3458 3 345.00	1	OPPD_CIP5	1195	104.7
640246	JULSTAP7 115.00	652300	CHAPPEL7 115.00	1	CSPT-SK-SO	120	120.3
640318	PETRSEB7 115.00	640444	PETERSBRG.N7115.00	1	GEN-GGS-ALL	137	101.1
646201	S1201 5 161.00	646206	S1206 5 161.00	1	OPPD_CIP21	221	102.9
646201	S1201 5 161.00	646206	S1206 5 161.00	1	OPPD_CIP21	221	102.9
646227	S1227 5 161.00	646231	S1231 5 161.00	1	OPPD_CIP14	335	101
652300	CHAPPEL7 115.00	659238	COLTON 7 115.00	1	CSPT-SK-SO	120	128.2
652572	SIDNEY 7 115.00	659136	SIDNEY*4 230.00	1	CSPT-SK-SO	112	143.5
652572	SIDNEY 7 115.00	659238	COLTON 7 115.00	1	CSPT-SK-SO	120	131.1
652573	STEGALL4 230.00	659206	STGXFMR4 230.00	1	CSPT-SK-SO	400	104.3
659134	SIDNEY 4 230.00	659136	SIDNEY*4 230.00	1	CSPT-SK-SO	112	147
659135	STEGALL3 345.00	659207	STEGALTY 345.00	1	CSPT-SK-SO	400	105.6
659206	STGXFMR4 230.00	659207	STEGALTY 345.00	1	CSPT-SK-SO	400	103.5

*\*Only the top five contingency overloads reported in Table 8.*

The Kelly – Madison County 230 kV line was found to load above the normal rating for several Category D contingencies. The worst-case loading condition that was discovered was 139.9% for a contingency in the OPPD system. The facility rating for the Madison County – Kelly 230 kV line would need to be increased to accommodate the interconnection of the wind projects.

One contingency (Loss of all GGS generation) was found which could potentially result in the overload of the Petersburg North – Petersburg 115 kV line sections. The facility rating for the Petersburg North – Petersburg 115 kV line would need to be increased to accommodate the interconnection of the wind projects.

Phase 2 – 2016 Winter Peak

*Category C Results (TPL-003):*

There were six facility overloads discovered in the Category C ACCC analysis of the 2016 Winter Peak case with the wind generation interconnection facilities and reported in the table. The post-contingency facility overloads that were discovered are summarized in Table 9 below.

**Table 9. 2016 Winter Peak: Category C Facility Overloads**

From Bus	From Bus Name	To Bus	To Bus Name	CKT	CONTINGENCY	RATING	%
640133	COLMBUS4 230.00	643000	MADISONCNTY4230.00	1	BKR-GRI-2212	192	124.6
640133	COLMBUS4 230.00	643000	MADISONCNTY4230.00	1	BKR-GRI-2210	192	124.5
640133	COLMBUS4 230.00	643000	MADISONCNTY4230.00	1	BKR-GGS-3304	192	121.3
640133	COLMBUS4 230.00	643000	MADISONCNTY4230.00	1	BKR-CPR-3310	192	121.1
640133	COLMBUS4 230.00	643000	MADISONCNTY4230.00	1	BKR-GGS-2216*	192	120.9
652476	EAGLEBT7 115.00	652520	OAHE 7 115.00	1	BKR-WAY-186	60	103.1

*\*Only the top five contingency overloads reported in Table 9.*

The Kelly – Madison County 230 kV line was found to load above the normal rating for several Category C contingencies. The worst-case loading condition that was discovered was 124.6% for a double circuit contingency in the NPPD system. The facility rating for the Madison County – Kelly 230 kV line would need to be increased to accommodate the interconnection of the wind projects.

The Eagle – Oahe 115 kV line was found to overload above its normal rating for a stuck breaker contingency at Wayside. This overload is in the WAPA system and would need further coordination with Western.

There were also no bus voltage violations discovered in the Category C ACCC analysis of the 2016 Winter Peak case.

*Category D Results (TPL-004):*

There were fifteen facility overloads discovered in the Category D ACCC analysis of the 2016 Winter Peak case with the wind generation interconnection facilities and reported in the table. The post-contingency facility overloads that were discovered are summarized in Table 10 below.

**Table 10. 2016 Winter Peak: Category D Facility Overloads**

From Bus	From Bus Name	To Bus	To Bus Name	CKT	CONTINGENCY	RATING	%
640133	COLMBUS4 230.00	643000	MADISONCNTY4230.00	1	OPPD_CATD 12	192	128.6
640133	COLMBUS4 230.00	643000	MADISONCNTY4230.00	1	GEN-GGS-ALL	192	126.2
640133	COLMBUS4 230.00	643000	MADISONCNTY4230.00	1	OPPD_CIP1	192	124.4
640133	COLMBUS4 230.00	643000	MADISONCNTY4230.00	1	OPPD_CIP11	192	124
640133	COLMBUS4 230.00	643000	MADISONCNTY4230.00	1	OPPD_CIP28*	192	123.8
640139	COOPER 3 345.00	645458	S3458 3 345.00	1	OPPD_CATD 10	1195	104.8
640139	COOPER 3 345.00	645458	S3458 3 345.00	1	OPPD_CIP5	1195	104.8
640246	JULSTAP7 115.00	652300	CHAPPEL7 115.00	1	CSPT-SK-SO	120	109.1
652300	CHAPPEL7 115.00	659238	COLTON 7 115.00	1	CSPT-SK-SO	120	113.4
652572	SIDNEY 7 115.00	659136	SIDNEY*4 230.00	1	CSPT-SK-SO	112	127.7
652572	SIDNEY 7 115.00	659238	COLTON 7 115.00	1	CSPT-SK-SO	120	114.9
652573	STEGALL4 230.00	659206	STGXFMR4 230.00	1	CSPT-SK-SO	400	111.6
659134	SIDNEY 4 230.00	659136	SIDNEY*4 230.00	1	CSPT-SK-SO	112	129.1
659135	STEGALL3 345.00	659207	STEGALTY 345.00	1	CSPT-SK-SO	400	112.2
659206	STGXFMR4 230.00	659207	STEGALTY 345.00	1	CSPT-SK-SO	400	108.6

*\*Only the top five contingency overloads reported in Table 10.*

The Kelly – Madison County 230 kV line was found to load above the normal rating for several Category D contingencies. The worst-case loading condition that was discovered was 128.6% for a contingency in the OPPD system. The facility rating for the Madison County – Kelly 230 kV line would need to be increased to accommodate the interconnection of the wind projects.

The Cooper – S3458 345 kV line was found to load above the normal rating for two Category D contingencies in the OPPD system.

There were several facility overloads identified for the CSPT-SK-SO (Sidney – Keystone 345 kV & Sidney – Ogallala 230 kV) contingency. This contingency would require generation reductions at LRS and DC tie limitations in western NE/SD.

There were four bus voltage violations discovered in the Category D ACCC analysis of the 2016 Winter Peak case. The Wayside 230 kV, Rapid City 230-115 kV and Rushmore 115 kV bus voltages were found below criteria for the CSPT-SK-SO (Sidney – Keystone 345 kV & Sidney – Ogallala 230 kV) contingency. This contingency would require generation reductions at LRS and DC tie limitations in western NE/SD.

Phase 2 – 2016 Spring Light Load

*Category C Results (TPL-003):*

There were two facility overloads discovered in the Category C ACCC analysis of the 2016 Spring Light Load case with the wind generation interconnection facilities and reported in the table. The post-contingency facility overloads that were discovered are summarized in Table 11 below.

**Table 11. 2016 Spring Light Load: Category C Facility Overloads**

From Bus	From Bus Name	To Bus	To Bus Name	CKT	CONTINGENCY	RATING	%
640133	COLMBUS4 230.00	643000	MADISONCNTY4230.00	1	BKR-GGS-3304	192	124
640133	COLMBUS4 230.00	643000	MADISONCNTY4230.00	1	BKR-GRI-2210	192	123.4
640133	COLMBUS4 230.00	643000	MADISONCNTY4230.00	1	BKR-GRI-2212	192	123.4
640133	COLMBUS4 230.00	643000	MADISONCNTY4230.00	1	BKR-CPR-3310	192	123.1
640133	COLMBUS4 230.00	643000	MADISONCNTY4230.00	1	BKR-KEY-3310*	192	123
640296	NORFK.N7 115.00	640298	NORFOLK7 115.00	1	TWR-SCH-NH	120	103.5

*\*Only the top five contingency overloads reported in Table 11.*

The Kelly – Madison County 230 kV line was found to load above the normal rating for several Category C contingencies. The worst-case loading condition that was discovered was 124.0% for a stuck breaker contingency at GGS. The facility rating for the Madison County – Kelly 230 kV line would need to be increased to accommodate the interconnection of the wind projects.

The North Norfolk – Norfolk 115 kV line was found to overload above the normal rating for a double circuit outage (Shell Creek – Hoskins 345 kV & Norfolk – Hoskins 115 kV). Additional mitigation may be required of the wind generation facilities to accommodate the interconnection.

There were also no bus voltage violations discovered in the Category C ACCC analysis of the 2016 Spring Light Load case.

*Category D Results (TPL-004):*

There were sixteen facility overloads discovered in the Category D ACCC analysis of the 2016 Spring Light Load case with the wind generation interconnection facilities and reported in the table. The post-contingency facility overloads that were discovered are summarized in Table 12 below.

**Table 12. 2016 Spring Light Load: Category D Facility Overloads**

From Bus	From Bus Name	To Bus	To Bus Name	CKT	CONTINGENCY	RATING	%
640133	COLMBUS4 230.00	643000	MADISONCNTY4230.00	1	CSPT-GS1-GS2	192	124.3
640133	COLMBUS4 230.00	643000	MADISONCNTY4230.00	1	OPPD CATD 12	192	124.2
640133	COLMBUS4 230.00	643000	MADISONCNTY4230.00	1	GEN-EC-ALL	192	124
640133	COLMBUS4 230.00	643000	MADISONCNTY4230.00	1	OPPD_CIP1*	192	123.8
640068	B.SPRGS7 115.00	640091	BRULE 7 115.00	1	CSPT-SK-SO	120	134.4
640068	B.SPRGS7 115.00	640246	JULSTAP7 115.00	1	CSPT-SK-SO	120	110.3
640091	BRULE 7 115.00	659132	OGALALA7 115.00	1	CSPT-SK-SO	120	133.3
640133	COLMBUS4 230.00	643000	MADISONCNTY4230.00	1	CSPT-SK-SO	192	126
640246	JULSTAP7 115.00	652300	CHAPPEL7 115.00	1	CSPT-SK-SO	120	127.1
652300	CHAPPEL7 115.00	659238	COLTON 7 115.00	1	CSPT-SK-SO	120	129.8
652572	SIDNEY 7 115.00	659136	SIDNEY*4 230.00	1	CSPT-SK-SO	112	143
652572	SIDNEY 7 115.00	659238	COLTON 7 115.00	1	CSPT-SK-SO	120	130.7
652573	STEGALL4 230.00	659206	STGXFMR4 230.00	1	CSPT-SK-SO	400	109.2
659134	SIDNEY 4 230.00	659136	SIDNEY*4 230.00	1	CSPT-SK-SO	112	146.3
659135	STEGALL3 345.00	659207	STEGALTY 345.00	1	CSPT-SK-SO	400	109.5
659206	STGXFMR4 230.00	659207	STEGALTY 345.00	1	CSPT-SK-SO	400	104.8

*\*Only the top five contingency overloads reported in Table 12.*

The Kelly – Madison County 230 kV line was found to load above the normal rating for several Category D contingencies. The worst-case loading condition that was discovered was 126.0% for the CSPT-SK-SO (Sidney – Keystone 345 kV & Sidney – Ogallala 230 kV) contingency. The facility rating for the Madison County – Kelly 230 kV line would need to be increased to accommodate the interconnection of the wind projects.

There were several facility overloads identified for the CSPT-SK-SO (Sidney – Keystone 345 kV & Sidney – Ogallala 230 kV) contingency. This contingency would require generation reductions at LRS and DC tie limitations in western NE/SD.

There were twelve bus voltage violations discovered in the Category D ACCC analysis of the 2016 Spring Light Load case. The bus voltage violations were found in the Wayside / New Underwood / Rapid City area below criteria for the CSPT-SK-SO (Sidney – Keystone 345 kV & Sidney – Ogallala 230 kV) contingency.

**Phase 2 Results Summary**

Overall, there were three transmission facility overloads discovered in the Phase 2 screening that were in the immediate vicinity of the proposed generation interconnection projects. All three transmission facility overloads (Kelly – Madison County 230 kV, Petersburg North – Petersburg 115 kV & Norfolk – North Norfolk 115 kV) were found on



the NPPD transmission system and in the immediate vicinity of the wind generation interconnection projects. The Kelly – Madison County 230 kV facility overload was found for both Category C and Category D contingencies in all cases. The Petersburg North – Petersburg 115 kV facility overload was found only for a Category D disturbance (Loss of both GGS units). The Norfolk – North Norfolk 115 kV facility overload was found for a Category C contingency.

## **5.3 Phase 3 Results (Local Area Full Accredited Generation Capacity N-1 & N-2 Contingency Analysis)**

### **5.3.1 Phase 3 – N-1 Contingency Screening Analysis Results**

PSS/E activity ACCC was used as a screening tool on the maximum generation powerflow model to identify those contingencies which deserve closer study. It should be noted that the powerflow models utilized in this phase of the loadflow study represent extreme worst-case generation outlet conditions. The powerflow models represent a highly unlikely maximum simultaneous generation dispatch scenario of generation facilities in the area. In order to evaluate the new generation interconnection requests, separate clusters were dispatched to evaluate worst-case generation outlet conditions for each new request. North-central NE and south-central NE clusters were established to evaluate the new requests. ACCC was utilized to analyze the system by sequentially taking contingencies in the NPPD, LES, OPPD, WAPA, and MEC areas out-of-service and monitoring facilities in the NPPD, LES, OPPD, WAPA and MEC areas for violations of loading or bus voltage criteria. The results of the contingency analysis are shown in the ACCC summary printouts included in Appendix C.

#### Phase 3 – 2010 Spring Peak – North Central Cluster (N-1)

##### *System Intact Results (TPL-001):*

Two transmission facilities were found to be loaded above its normal facility rating under system intact conditions. The Gavins Point – Yankton Junction 115 kV line in the WAPA system was loaded to 104.2% of the 120 MVA normal rating. The high loading on the Gavins Point – Yankton Junction 115 kV line will need to be coordinated with WAPA due to relatively close proximity of the overloaded line to the proposed wind interconnection projects. The Madison County – Kelly 230 kV line was loaded to 118.8% of the 192 MVA normal rating. The facility rating for the Madison County – Kelly 230 kV line would need to be increased to accommodate the interconnection of the wind projects.

##### *N-1 Contingency Results (TPL-002):*

Six overloaded transmission facilities were discovered in the monitored study areas in the N-1 ACCC analysis of the 2010 Spring Peak North Central Cluster Maximum Generation case with the wind facility additions. The full ACCC results are summarized in Appendix C. The post-contingency facility overloads that were discovered are summarized in Table 13 below.

**Table 13. 2010 Spring Peak (north central cluster max gen): N-1 Facility Overloads**

From Bus	From Bus Name	To Bus	To Bus Name	CKT	CONTINGENCY	RATING	%
640133	COLMBUS4 230.00	643000	MADISONCNTY4230.00	1	SINGLE 410	192	139.5
640133	COLMBUS4 230.00	643000	MADISONCNTY4230.00	1	SINGLE 435	192	134.7
640133	COLMBUS4 230.00	643000	MADISONCNTY4230.00	1	SINGLE 444	192	130.2
640133	COLMBUS4 230.00	643000	MADISONCNTY4230.00	1	SINGLE 225	192	130
640133	COLMBUS4 230.00	643000	MADISONCNTY4230.00	1	SINGLE 771*	192	127.1
640287	N.PLATT7 115.00	640365	STOCKVL7 115.00	1	SINGLE 346	137	107.7
652511	GAVINS 7 115.00	660006	YKNTJCT7 115.00	1	SINGLE 791	120	148
652511	GAVINS 7 115.00	660006	YKNTJCT7 115.00	1	SINGLE 744	120	142.3
652511	GAVINS 7 115.00	660006	YKNTJCT7 115.00	1	SINGLE 745	120	130.2
652511	GAVINS 7 115.00	660006	YKNTJCT7 115.00	1	SINGLE 369	120	122.1
652511	GAVINS 7 115.00	660006	YKNTJCT7 115.00	1	SINGLE 255*	120	120.1
652517	MANNING7 115.00	659121	SPIRITM7 115.00	1	SINGLE 774	120	102.2
652626	UTICAJC7 115.00	660006	YKNTJCT7 115.00	1	SINGLE 791	120	126.6
652626	UTICAJC7 115.00	660006	YKNTJCT7 115.00	1	SINGLE 744	120	122
652626	UTICAJC7 115.00	660006	YKNTJCT7 115.00	1	SINGLE 771	120	120.2
652626	UTICAJC7 115.00	660006	YKNTJCT7 115.00	1	SINGLE 745	120	112.1
652626	UTICAJC7 115.00	660006	YKNTJCT7 115.00	1	SINGLE 369*	120	105.2
659105	LELANDO3 345.00	659201	LELND1TY 345.00	1	SINGLE 863	250	136.9
659105	LELANDO3 345.00	659201	LELND1TY 345.00	1	SINGLE 867	250	136.9

*\*Only the top five contingency overloads reported in Table 13.*

The Kelly – Madison County 230 kV line was found to load above the normal rating for several N-1 contingencies. The worst-case loading condition that was discovered was 139.5% for the loss of the Madison County – Madison 115 kV line. The facility rating for the Madison County – Kelly 230 kV line would need to be increased to accommodate the interconnection of the wind projects.

The North Platte – Stockville 115 kV line was overloaded for loss of the GGS – Red Willow 345 kV line. This contingency / monitored element pair are the limiting elements associated with the WNE\_WKS PTFD flowgate. The post-contingency loading on the North Platte – Stockville 115 kV line is less than the 30-minute short-term emergency rating of 151 MVA.

The Gavins Point – Yankton Junction 115 kV line was found to load above its 120 MVA rating for a number of N-1 contingencies. The Gavins Point – Yankton Junction 115 kV line is just north of Gavins Point in South Dakota. The high post-contingency loading on this line warrants additional evaluation and coordination with the transmission planner (WAPA UGP) for this facility.

The Spirit Mound – Manning 115 kV line was found to load above its 120 MVA rating for a N-1 contingency. The Spirit Mound – Manning 115 kV line is just north of Gavins

Point in South Dakota. The high post-contingency loading on this line warrants additional evaluation and coordination with the transmission planner (WAPA UGP) for this facility.

The Utica Junction – Yankton Junction 115 kV line was found to load above its 120 MVA rating for a number of N-1 contingencies. The Utica Junction – Yankton Junction 115 kV line is just north of Gavins Point in South Dakota. The high post-contingency loading on this line warrants additional evaluation and coordination with the transmission planner (WAPA UGP) for this facility.

The Leland Olds 345/230 kV transformer was found to load above its 250 MVA rating for loss of the parallel 345/230 kV transformer. The post-contingency loading of this facility would need further review and coordination by the transmission planner (WAPA UGP) for this facility.

There were eleven bus voltage violations identified in the monitored study areas in the N-1 ACCC screening analysis. The post-contingency bus voltage violations that were discovered are summarized in Appendix C. Only one contingency (SINGLE 336: Firth – Sheldon 115 kV) was found the NPPD area. The bus voltage violation is a modeling issue and can easily be addressed by adjusting the 115/69 kV transformer taps at the Sterling 115 kV substation. The remaining bus voltage violation issues would need to be coordinated with external entities for further review.

### Phase 3 – 2010 Spring Peak – South Central Cluster (N-1)

#### *System Intact Results (TPL-001):*

There were no transmission facility overloads or bus voltages outside of limits under system intact or base case conditions for the 2010 Spring Peak – South Central Cluster Maximum Generation model.

#### *N-1 Contingency Results (TPL-002):*

Eight overloaded transmission facilities were discovered in the monitored study areas in the N-1 ACCC analysis of the 2010 Spring Peak South Central Cluster Maximum Generation case with the wind facility additions. The full ACCC results are summarized in Appendix C. The post-contingency facility overloads that were discovered are summarized in Table 14 below.

**Table 14. 2010 Spring Peak (south central cluster max gen): N-1 Facility Overloads**

From Bus	From Bus Name	To Bus	To Bus Name	CKT	CONTINGENCY	RATING	%
640183	GENTLMN3 345.00	640184	GENTLMN4 230.00	2	TRF-GENTLMN	336	110.1
640278	SHELDON7 115.00	650230	2&N 7 115.00	1	TRF-MOORE	139	110
640201	GR ISLD7 115.00	642071	SUB-D 7 115.00	1	SINGLE 363	137	111.2
640201	GR ISLD7 115.00	642071	SUB-D 7 115.00	1	SINGLE 483	137	103.1
642066	SUB-H G 115.00	642072	SUB-E 7 115.00	1	SINGLE 362	177	102.5
642066	SUB-H G 115.00	642072	SUB-E 7 115.00	1	SINGLE 485	177	100.6
659105	LELANDO3 345.00	659201	LELND1TY 345.00	1	SINGLE 862	250	120.3
659105	LELANDO3 345.00	659201	LELND1TY 345.00	1	SINGLE 866	250	120.3

The Gentleman 345/230 kV transformer was overloaded for loss of the parallel Gentleman 345/230 kV transformer. In the 2010 Spring Peak case, the GGS Unit #2 is modeled offline due to a planned maintenance outage. This constraint is a known limitation and the dispatch of GGS Unit #1 can be adjusted within 30 minutes to reduce the loading on this transformer to within normal limits. The overload does not exceed the 30-minute emergency rating of 420 MVA.

The Sheldon – 2<sup>nd</sup> & N 115 kV line was overloaded to 110% of its normal rating for loss of the Moore 345/115 kV transformer. The Sheldon – 20<sup>th</sup> & Pioneers 115 kV line out-of-service in the 2010 Spring model due to a rebuild project. The loading issue on Sheldon – 2<sup>nd</sup> & N 115 kV is mitigated when the Sheldon – 20<sup>th</sup> & Pioneers 115 kV line returned to service.

The Grand Island – Sub D 115 kV and Sub H – Sub E 115 kV lines are overloaded for several contingencies in the Grand Island 115 kV system. This is known generation export limitation in the Grand Island area under light load conditions.

The Leland Olds 345/230 kV transformer was found to load above its 250 MVA rating for loss of the parallel 345/230 kV transformer. The post-contingency loading of this facility would need further review and coordination by the facility owner (BEPC) and the transmission planner (WAPA UGP) for this facility.

Phase 3 – Powerflow One-Line Diagrams (N-1)

Several powerflow one-line diagrams are provided to show system flows and voltages in the area for several worst-case system intact and N-1 contingency conditions. The 2010 Spring Peak Maximum Generation cases were utilized for this analysis. The worst-case system conditions that are provided via powerflow one-line diagrams are listed below.

#### North Central Cluster

1. System Intact
2. Loss of Petersburg North – Neligh 115 kV
3. Loss of Petersburg North – Madison County 115 kV
4. Loss of Petersburg North – Petersburg 115 kV
5. Loss of Bloomfield – Creighton 115 kV
6. Loss of Bloomfield – Gavins Point 115 kV
7. Loss of Bloomfield – Belden 115 kV
8. Loss of Spirit Mound – Manning 115 Kv
9. Loss of Gavins Point – Yankton Junction 115 kV
10. Loss of Madison County – Ft. Randall 230 kV
11. Loss of Madison County – Kelly 230 kV
12. Loss of Madison County – Madison 115 kV
13. Loss of Madison County – Norfolk 115 kV
14. Loss of Broken Bow – Callaway 115 kV
15. Loss of Broken Bow – Crooked Creek 115 kV
16. Loss of Broken Bow – Loup City 115 kV
17. Loss of Crooked Creek – Riverdale 230 kV

#### South Central Cluster

1. System Intact
2. Loss of Pauline – Rosemont 115 kV
3. Loss of Rosemont – Guide Rock 115 kV
4. Loss of Pauline 345/115 kV
5. Loss of North Hebron – Fairbury 115 kV
6. Loss of North Hebron – Carleton Junction 115 kV

The powerflow one-line diagrams for the Phase 3 2010 Spring Peak Maximum Generation models are in Section 5.3.4.

### **5.3.2 Phase 3 – Multiple Element Contingency Analysis Results**

This phase of the analysis evaluated all worst-case stuck breaker and double circuit contingencies in the local areas with the wind facility additions. PSS/E activity ACCC was used as a screening tool on each of the maximum generation base cases with the additions to identify those contingencies which deserve closer study. ACCC analyzed the system by sequentially taking stuck breaker and double circuit contingencies in the areas near the wind generation additions and monitoring facilities in the NPPD, OPPD, LES, MEC, and WAPA areas for violations of loading or bus voltage criteria. The results of the contingency analysis are shown in the ACCC summary printouts included in Appendix C.

The stuck breaker and double circuit contingencies that were evaluated in this analysis are listed below.

North Central Cluster

Stuck PCB at Petersburg North 115 kV  
Stuck PCB at Albion 115 kV  
Stuck PCB at Genoa 115 kV  
Stuck PCB at Spalding 115 kV  
Stuck PCB at North Loup 115 kV  
Stuck PCB at Neligh 115 kV  
Stuck PCB at Creighton 115 kV  
Stuck PCB 1104 at Bloomfield 115 kV  
Stuck PCB 1102 at Bloomfield 115 kV  
Stuck PCB at Gavins Point 115 kV  
Stuck PCB at Kelly 230 kV  
Stuck PCB at Broken Bow 115 kV  
Stuck PCB at Callaway 115 kV  
Stuck PCB at Maxwell 115 kV  
Stuck PCB at Loup City 115 kV  
Stuck PCB at Crooked Creek 230 kV  
DOUBLE CIRCUIT: KELLY-SHELL CREEK 230 KV & COLUMBUS-CRESTON 115 KV  
DOUBLE CIRCUIT: SHELL CREEK-HOSKINS 345 KV & COLUMBUS-CRESTON 115 KV  
DOUBLE CIRCUIT: SHELL CREEK-HOSKINS 345 KV & CRESTON-MADISON 115 KV  
DOUBLE CIRCUIT: SHELL CREEK-HOSKINS 345 KV & MADISON-NORFOLK 115 KV  
DOUBLE CIRCUIT: SHELL CREEK-HOSKINS 345 KV & NORFOLK-HOSKINS 115 KV

South Central Cluster

Stuck PCB at Hastings NPPD 115 kV  
Stuck PCB at Hastings City 115 kV  
Stuck PCB at Bypass 115 kV  
Stuck PCB at Geneva 115 kV  
Stuck PCB at Pauline 115 kV  
Stuck PCB at Pauline 345 kV  
Stuck PCB at North Hastings 115 kV  
Stuck PCB at Grand Island 230 kV (GI-Hastings 230 kV & GI-Riverdale 230 kV)  
Stuck PCB at Grand Island 230 kV (GI-Hastings 230 kV & GI 230/115 kV T5)  
Stuck PCB at Hebron 115 kV  
Double Circuit: Axtell–Pauline 345 kV & Hast.NPPD–Pauline 115 kV ckt 1  
Double Circuit: Hast.NPPD–Pauline 115kV ckt 2 & Pauline–Rosemont 115kV  
Double Circuit: Pauline–Moore 345kV & Pauline–Rosemont 115kV

Phase 3 – 2010 Spring Peak – North Central Cluster (Stuck PCB / Double Circuit)

There were thirty stuck breaker contingency overloads identified in the monitored study areas during the ACCC runs of the 2010 Spring Peak Maximum Generation North Central Cluster case with the proposed wind facilities. The post-contingency overloads are summarized in Appendix C. These contingency overloads are summarized in Table 15 below:

**Table 15. 2010 Spring Peak (north central max gen): Multiple Element Facility Overloads**

From Bus	From Bus Name	To Bus	To Bus Name	CKT	CONTINGENCY	RATING	%
640133	COLMBUS4 230.00	643000	MADISONCNTY4230.00	1	ALBION	192	129.7
640133	COLMBUS4 230.00	643000	MADISONCNTY4230.00	1	GENOA	192	126.1
640133	COLMBUS4 230.00	643000	MADISONCNTY4230.00	1	NELIGH	192	123.8
640133	COLMBUS4 230.00	643000	MADISONCNTY4230.00	1	BKR-CC-2208	192	121.6
640133	COLMBUS4 230.00	643000	MADISONCNTY4230.00	1	BKR-CC-2202	192	121
640133	COLMBUS4 230.00	643000	MADISONCNTY4230.00	1	MAXWELL	192	118.1
640133	COLMBUS4 230.00	643000	MADISONCNTY4230.00	1	SPALDING	192	117.7
640133	COLMBUS4 230.00	643000	MADISONCNTY4230.00	1	BROKENBOWL	192	117.2
640133	COLMBUS4 230.00	643000	MADISONCNTY4230.00	1	NLOUP	192	117.1
640133	COLMBUS4 230.00	643000	MADISONCNTY4230.00	1	BLOOMFLD1	192	116.9
640133	COLMBUS4 230.00	643000	MADISONCNTY4230.00	1	LOUPCITY	192	116.7
640133	COLMBUS4 230.00	643000	MADISONCNTY4230.00	1	GAVINS	192	116.3
640133	COLMBUS4 230.00	643000	MADISONCNTY4230.00	1	BLOOMFLD2	192	113.9
640133	COLMBUS4 230.00	643000	MADISONCNTY4230.00	1	TWR-SCH-CM	192	107.1
640133	COLMBUS4 230.00	643000	MADISONCNTY4230.00	1	TWR-KSC-CC	192	106.4
640133	COLMBUS4 230.00	643000	MADISONCNTY4230.00	1	TWR-SCH-NH	192	105.5
640133	COLMBUS4 230.00	643000	MADISONCNTY4230.00	1	TWR-SCH-MN	192	105
640133	COLMBUS4 230.00	643000	MADISONCNTY4230.00	1	TWR-SCH-CC	192	103.7
652511	GAVINS 7 115.00	660006	YKNTJCT7 115.00	1	CREIGHTON	120	116.4
652511	GAVINS 7 115.00	660006	YKNTJCT7 115.00	1	NELIGH	120	110.3
652511	GAVINS 7 115.00	660006	YKNTJCT7 115.00	1	ALBION	120	107
652511	GAVINS 7 115.00	660006	YKNTJCT7 115.00	1	GENOA	120	105.7
652511	GAVINS 7 115.00	660006	YKNTJCT7 115.00	1	LOUPCITY	120	103
652511	GAVINS 7 115.00	660006	YKNTJCT7 115.00	1	BROKENBOWL	120	102.9
652511	GAVINS 7 115.00	660006	YKNTJCT7 115.00	1	KELLY	120	102
652511	GAVINS 7 115.00	660006	YKNTJCT7 115.00	1	TWR-SCH-CM	120	101.8
652511	GAVINS 7 115.00	660006	YKNTJCT7 115.00	1	TWR-SCH-CC	120	101.4
652511	GAVINS 7 115.00	660006	YKNTJCT7 115.00	1	TWR-SCH-NH	120	100.4
652626	UTICAJC7 115.00	660006	YKNTJCT7 115.00	1	CREIGHTON	120	100.4

*\*Only the top five contingency overloads reported in Table 15.*

The Kelly – Madison County 230 kV line was found to load above the normal rating for several multiple element contingencies. The worst-case loading condition that was discovered was 129.7% for the loss of the Albion 115 kV bus. The facility rating for the Madison County – Kelly 230 kV line would need to be increased to accommodate the interconnection of the wind projects.

The Gavins Point – Yankton Junction 115 kV line was found to load above its 120 MVA rating for a number of multiple element contingencies. The Gavins Point – Yankton Junction 115 kV line is just north of Gavins Point in South Dakota. The high post-contingency loading on this line warrants additional evaluation and coordination with the transmission planner (WAPA UGP) for this facility.



The Utica Junction – Yankton Junction 115 kV line was found to load above its 120 MVA rating for a multiple element contingency. The Utica Junction – Yankton Junction 115 kV line is just north of Gavins Point in South Dakota. The high post-contingency loading on this line warrants additional evaluation and coordination with the transmission planner (WAPA UGP) for this facility.

There were no bus voltage violations identified in the monitored study areas in the ACCC screening of the 2010 Spring Peak Maximum Generation North Central Cluster case with the proposed wind facilities.

#### Phase 3 – 2010 Spring Peak – South Central Cluster (Stuck PCB / Double Circuit)

There were no transmission facility overloads or bus voltages outside of limits for the multiple element contingencies evaluated using the 2010 Spring Peak – South Central Cluster Maximum Generation model.

### **5.3.3 Phase 3 – Independent N-2 Contingency Analysis Results**

This phase of the analysis evaluated all independent N-2 contingencies in the areas with the wind facility additions. PSS/E activity ACCC was used as a screening tool on the 2010 Spring Peak Maximum Generation powerflow models with the wind facility additions to identify those contingencies which deserve closer study. ACCC analyzed the system by sequentially taking out all independent N-2 contingencies in the cluster areas and monitoring facilities in the NPPD, OPPD, LES, WAPA, and MEC areas for violations of loading or bus voltage criteria. A total of 1770 independent N-2 contingencies were evaluated in the analysis of the north central cluster and 276 independent N-2 contingencies in the analysis of the south central cluster. The results of the contingency analysis are shown in the ACCC summary printouts included in Appendix C.

#### Phase 3 – 2010 Spring Peak – North Central Cluster (Independent N-2)

There were a number of overloaded transmission facilities discovered in the monitored study areas in the independent N-2 ACCC analysis of the 2010 Spring Peak North Central Cluster case with the wind facility additions. The worst-case facility overloads identified in the ACCC analysis are summarized in Table 16 below. Prior outage generation restrictions would be required to ensure the transmission system is able to be operated reliability when certain transmission lines are taken out-of-service. The wind project curtailments will be subject to “first on, last off” curtailment priorities and operating guides will need to be developed to ensure the transmission system is operated in accordance with mandatory reliability standards. Based on a review of the N-2

contingencies that were flagged in the ACCC analysis, the following list was prepared of transmission facilities that would need detailed prior outage review or operating guides established. These transmission facilities were found to be part of an N-2 contingency pairing that resulted in a facility overload on the NPPD transmission system.

Limiting Prior Outage Facilities

1. Petersburg North – Madison County 115 kV
2. Petersburg North – Petersburg 115 kV
3. Petersburg North – Neligh 115 kV
4. Petersburg – Albion 115 kV
5. Albion – Genoa 115 kV
6. Creighton – Neligh 115 kV
7. Bloomfield – Creighton 115 kV
8. Bloomfield – Gavins Point 115 kV
9. Bloomfield – Belden 115 kV
10. Belden – Twin Church 115 kV
11. Belden – Hoskins 115 kV
12. Gavins Point – Yankton Junction 115 kV
13. Yankton Junction – Utica Junction 115 kV
14. Spirit Mound – Manning 115 kV
15. Broken Bow – Callaway 115 kV
16. Broken Bow – Loup City 115 kV
17. Broken Bow – Crooked Creek 115 kV
18. Crooked Creek 230/115 kV
19. Callaway – Maxwell 115 kV
20. Kelly – Madison County 230 kV
21. Hoskins – Norfolk 115 kV
22. Madison County – Norfolk 115 kV
23. Madison County – Madison 115 kV

There were a number of other N-2 contingencies that would result in facility overloads on the WAPA transmission system. The limiting facility overloads on the WAPA system are included in Table 16 below and highlighted in blue. These facility overloads and potential prior outage limitations would need to be coordinated with WAPA.

There were no bus voltage violations identified in the monitored study areas in the Phase 3 Independent N-2 ACCC screening analysis of the 2010 Spring Peak Maximum Generation North Central Cluster model.

**Table 16. 2010 Spring Peak (north central max gen): Independent N-2 Facility Overloads**

From Bus	From Bus Name	To Bus	To Bus Name	CKT	CONTINGENCY	RATING	%		
640054	ALBION 7	115.00	640318	PETRSBG7	115.00	1	DOUBLE 1602	137	137.2
640054	ALBION 7	115.00	640181	GENOA 7	115.00	1	DOUBLE 1602	113	119.6
640072	BATTLCR7	115.00	640115	CO.LINE7	115.00	1	DOUBLE 1635	120	102
640072	BATTLCR7	115.00	640115	CO.LINE7	115.00	1	DOUBLE 324	120	101.6
640080	BELDEN 7	115.00	640387	TWIN CH7	115.00	1	DOUBLE 540	99	123.2
640080	BELDEN 7	115.00	640387	TWIN CH7	115.00	1	DOUBLE 1756	99	121.1
640080	BELDEN 7	115.00	640387	TWIN CH7	115.00	1	DOUBLE 637	99	105.8
640080	BELDEN 7	115.00	640387	TWIN CH7	115.00	1	DOUBLE 544	99	102.8
640080	BELDEN 7	115.00	640387	TWIN CH7	115.00	1	DOUBLE 1330	99	102.1
640080	BELDEN 7	115.00	640387	TWIN CH7	115.00	1	DOUBLE 1763	99	100.9
640080	BELDEN 7	115.00	640212	HARTGTN7	115.00	1	DOUBLE 1756	120	113.7
640080	BELDEN 7	115.00	640212	HARTGTN7	115.00	1	DOUBLE 439	120	105.6
640080	BELDEN 7	115.00	640228	HOSKINS7	115.00	1	DOUBLE 589	113	107.1
640084	BLMFLD 7	115.00	652511	GAVINS 7	115.00	1	DOUBLE 396	159	114.9
640084	BLMFLD 7	115.00	652511	GAVINS 7	115.00	1	DOUBLE 414	159	106.7
640084	BLMFLD 7	115.00	640149	CREITON7	115.00	1	DOUBLE 397	159	114.3
640089	BROKENB7	115.00	640259	LOUPCTY7	115.00	1	DOUBLE 690	120	115.3
640089	BROKENB7	115.00	640259	LOUPCTY7	115.00	1	DOUBLE 737	120	115.3
640089	BROKENB7	115.00	640259	LOUPCTY7	115.00	1	DOUBLE 697	120	109.5
640089	BROKENB7	115.00	640259	LOUPCTY7	115.00	1	DOUBLE 829	120	109.5
640089	BROKENB7	115.00	640098	CALAWAY7	115.00	1	DOUBLE 691	120	115.2
640089	BROKENB7	115.00	640098	CALAWAY7	115.00	1	DOUBLE 781	120	115.2
640098	CALAWAY7	115.00	640267	MAXWELS7	115.00	1	DOUBLE 691	120	109.6
640098	CALAWAY7	115.00	640267	MAXWELS7	115.00	1	DOUBLE 781	120	109.6
640115	CO.LINE7	115.00	640293	NELIGH 7	115.00	1	DOUBLE 1635	120	102.5
640115	CO.LINE7	115.00	640293	NELIGH 7	115.00	1	DOUBLE 324	120	102.1
640133	COLUMBUS4	230.00	643000	MADISONCNTY4230.00		1	DOUBLE 1500**	320	105.4
640149	CREITON7	115.00	640293	NELIGH 7	115.00	1	DOUBLE 397	143	117.9
640212	HARTGTN7	115.00	652511	GAVINS 7	115.00	1	DOUBLE 1756	120	125.5
640212	HARTGTN7	115.00	652511	GAVINS 7	115.00	1	DOUBLE 439	120	117.4
640263	MADISON7	115.00	640298	NORFOLK7	115.00	1	DOUBLE 1257	120	116.2
640293	NELIGH 7	115.00	640444	PETERSBRG.N7	115.00	1	DOUBLE 1635	137	138.5
640293	NELIGH 7	115.00	640444	PETERSBRG.N7	115.00	1	DOUBLE 324	137	137.7
640293	NELIGH 7	115.00	640444	PETERSBRG.N7	115.00	1	DOUBLE 270	137	103.6
640296	NORFK.N7	115.00	640298	NORFOLK7	115.00	1	DOUBLE 1247	120	123.8
640318	PETRSBG7	115.00	640444	PETERSBRG.N7	115.00	1	DOUBLE 1602	137	138.1
652502	BERSFRD7	115.00	652517	MANNING7	115.00	1	DOUBLE 1387	120	110.1
652502	BERSFRD7	115.00	652517	MANNING7	115.00	1	DOUBLE 490	120	107.2
652502	BERSFRD7	115.00	652517	MANNING7	115.00	1	DOUBLE 637	120	102.7
652502	BERSFRD7	115.00	652517	MANNING7	115.00	1	DOUBLE 589	120	102
652502	BERSFRD7	115.00	652517	MANNING7	115.00	1	DOUBLE 540*	120	100.3
652511	GAVINS 7	115.00	660006	YKNTJCT7	115.00	1	DOUBLE 1388	120	176
652511	GAVINS 7	115.00	660006	YKNTJCT7	115.00	1	DOUBLE 491	120	169.5
652511	GAVINS 7	115.00	660006	YKNTJCT7	115.00	1	DOUBLE 590	120	169
652511	GAVINS 7	115.00	660006	YKNTJCT7	115.00	1	DOUBLE 638	120	166.1
652511	GAVINS 7	115.00	660006	YKNTJCT7	115.00	1	DOUBLE 541*	120	161.6
652517	MANNING7	115.00	659121	SPIRITM7	115.00	1	DOUBLE 1387	120	120.9
652517	MANNING7	115.00	659121	SPIRITM7	115.00	1	DOUBLE 490	120	118.1
652517	MANNING7	115.00	659121	SPIRITM7	115.00	1	DOUBLE 637	120	113.6
652517	MANNING7	115.00	659121	SPIRITM7	115.00	1	DOUBLE 589	120	112.9
652517	MANNING7	115.00	659121	SPIRITM7	115.00	1	DOUBLE 1330*	120	111.2
652626	UTICAJC7	115.00	660006	YKNTJCT7	115.00	1	DOUBLE 1738	120	153.6
652626	UTICAJC7	115.00	660006	YKNTJCT7	115.00	1	DOUBLE 1388	120	149
652626	UTICAJC7	115.00	660006	YKNTJCT7	115.00	1	DOUBLE 491	120	143.8
652626	UTICAJC7	115.00	660006	YKNTJCT7	115.00	1	DOUBLE 590	120	143.7
652626	UTICAJC7	115.00	660006	YKNTJCT7	115.00	1	DOUBLE 638*	120	140.6
652626	UTICAJC7	115.00	660007	MENNOJT7	115.00	1	DOUBLE 1761	60	102.3

\*Only the top five contingency overloads reported in Table 16.

\*\*Assumes 192 MVA facility rating increased to 320 MVA on Kelly – Madison County 320 kV line.

Phase 3 – 2010 Spring Peak – South Central Cluster (Independent N-2)

There were a number of overloaded transmission facilities discovered in the monitored study areas in the independent N-2 ACCC analysis of the 2010 Spring Peak South Central Cluster case with the wind facility addition. The worst-case facility overloads identified in the ACCC analysis are summarized in Table 17 below. Prior outage generation restrictions would be required to ensure the transmission system is able to be operated reliability when certain transmission lines are taken out-of-service. The wind project curtailments will be subject to “first on, last off” curtailment priorities and operating guides will need to be developed to ensure the transmission system is operated in accordance with mandatory reliability standards. Based on a review of the N-2 contingencies that were flagged in the ACCC analysis, the following list was prepared of transmission facilities that would need detailed prior outage review or operating guides established. These transmission facilities were found to be part of an N-2 contingency pairing that resulted in a facility overload on the NPPD transmission system.

Limiting Prior Outage Facilities

1. Pauline – Rosemont 115 kV
2. North Hebron – Carleton Junction 115 kV
3. North Hebron – Fairbury 115 kV
4. Fairbury – Harbine 115 kV
5. North Hastings – Bypass 115 kV
6. Pauline 345/115 kV Transformer

There was an additional N-2 contingency that would result in facility overload on the Hastings transmission system. The limiting facility overload on the Hastings system is included in Table 17 below and highlighted in blue.

There were no bus voltage violations identified in the monitored study areas in the Phase 3 Independent N-2 ACCC screening analysis of the 2010 Spring Peak Maximum Generation South Central Cluster model.

**Table 17. 2010 Spring Peak (south central max gen): Independent N-2 Facility Overloads**

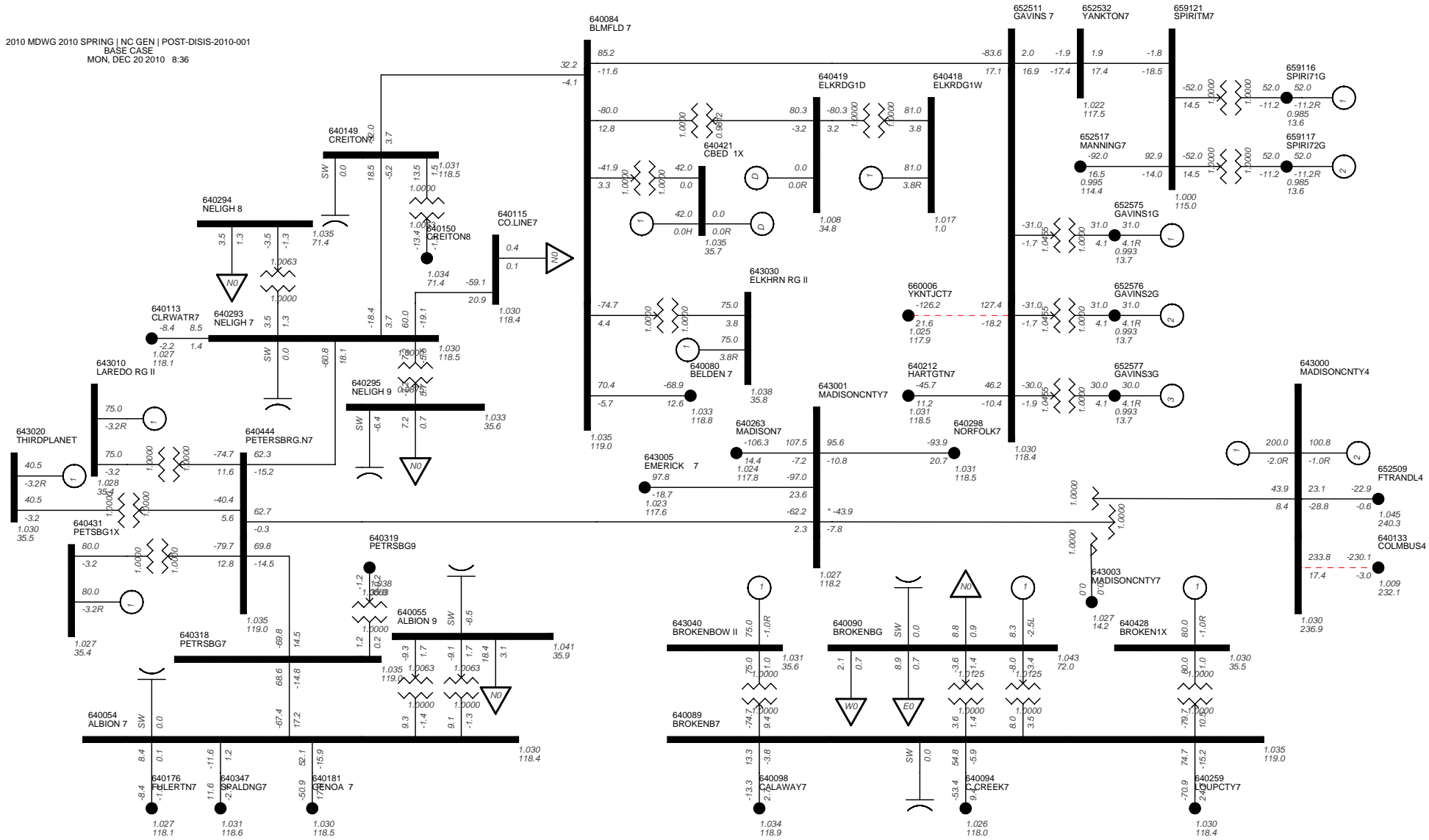
From Bus	From Bus Name	To Bus	To Bus Name	CKT	CONTINGENCY	RATING	%
640169	FAIRBRY7 115.00	640208	HARBINE7 115.00	1	DOUBLE 62	99	113.6
640313	PAULINE7 115.00	643050	ROSEMONT 7115.00	1	DOUBLE 47	120	104.7
640313	PAULINE7 115.00	643050	ROSEMONT 7115.00	1	DOUBLE 46	120	103.9
640214	HASTING4 230.00	641088	HASTCTY7 115.00	1	DOUBLE 256	187	111.9
640215	HASTING7 115.00	641087	EGYCNT7 115.00	1	DOUBLE 273	240	103.4

## **Section 5.3.4**

### **Phase 3 – Powerflow One-Line Diagrams**



2010 MDWG 2010 SPRING | NC GEN | POST-DISIS-2010-001  
 BASE CASE  
 MON, DEC 20 2010 8:36



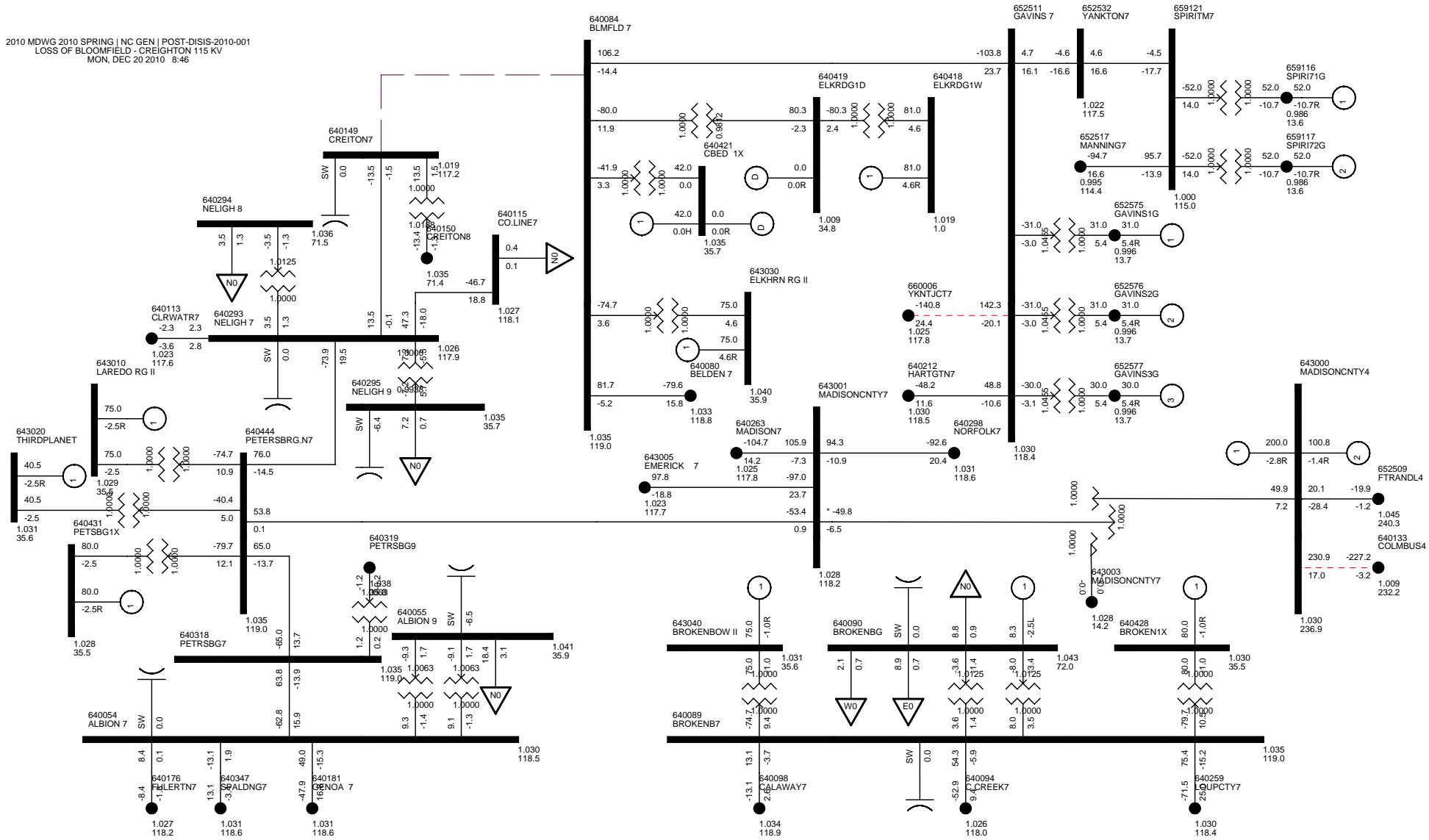








2010 MDWG 2010 SPRING | NC GEN | POST-DISIS-2010-001  
LOSS OF BLOOMFIELD - CREIGHTON 115 KV  
MON, DEC 20 2010 8:46









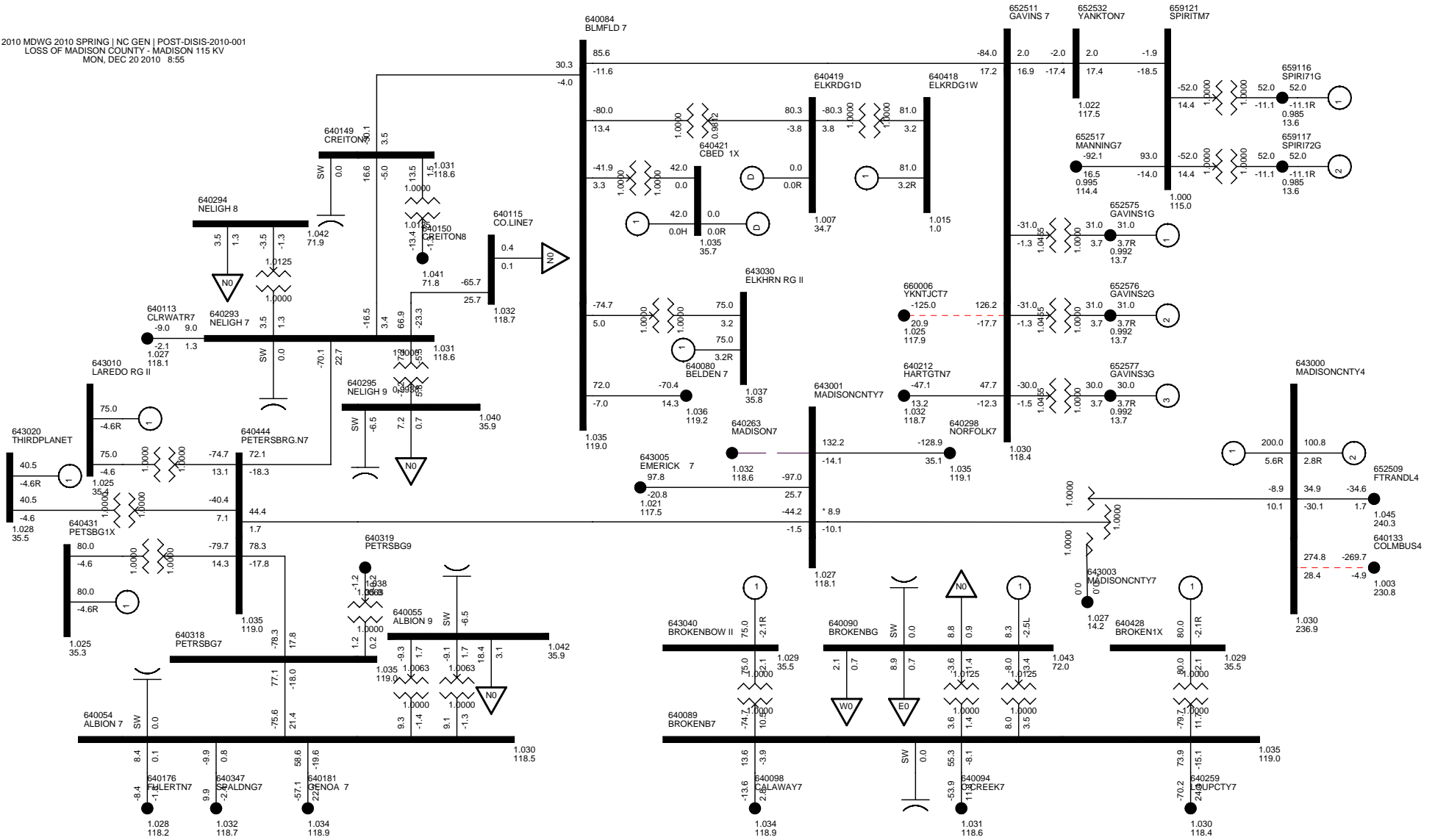








2010 MDWG 2010 SPRING | NC GEN | POST-DISIS-2010-001  
 LOSS OF MADISON COUNTY - MADISON 115 KV  
 MON, DEC 20 2010 8:55



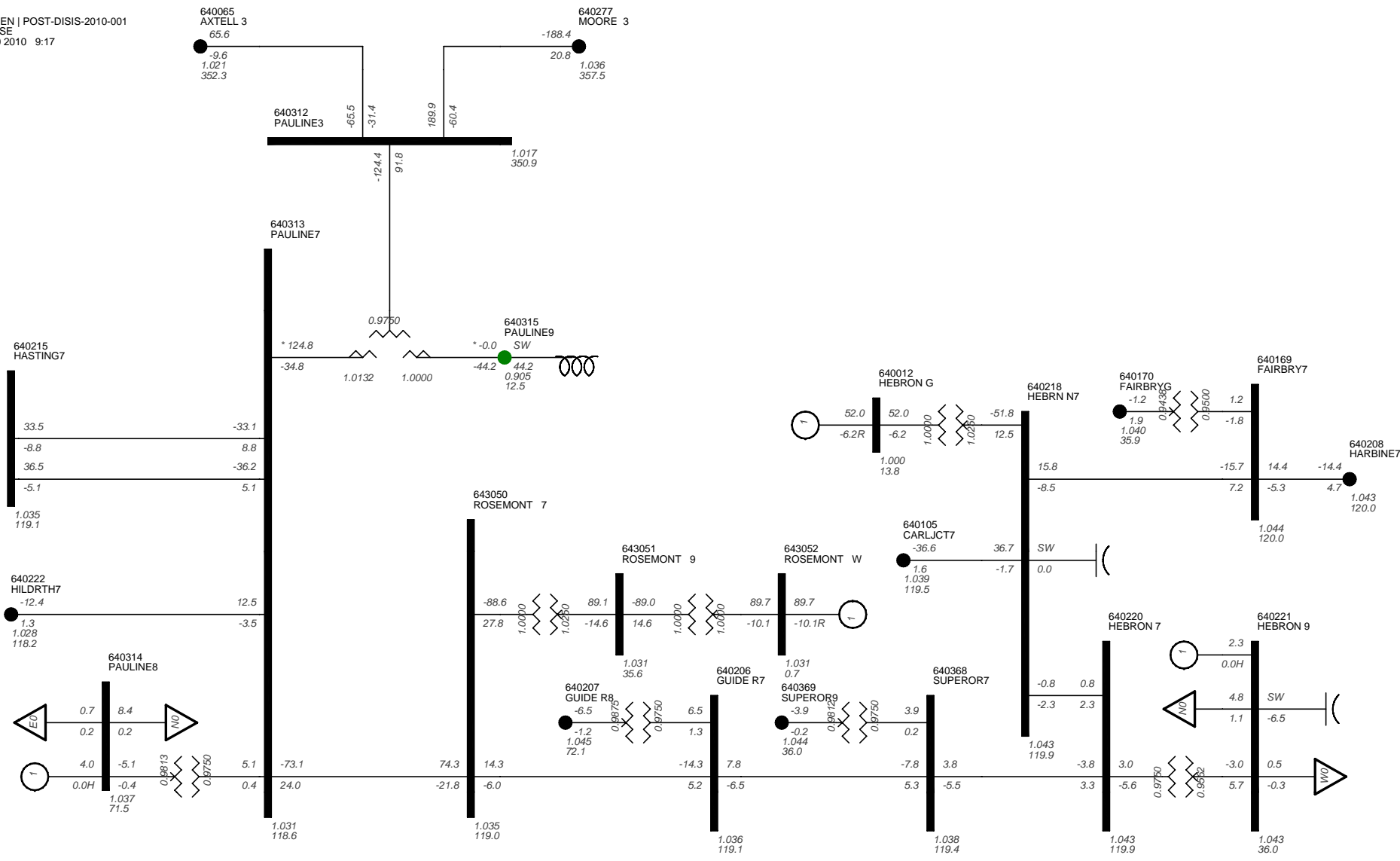






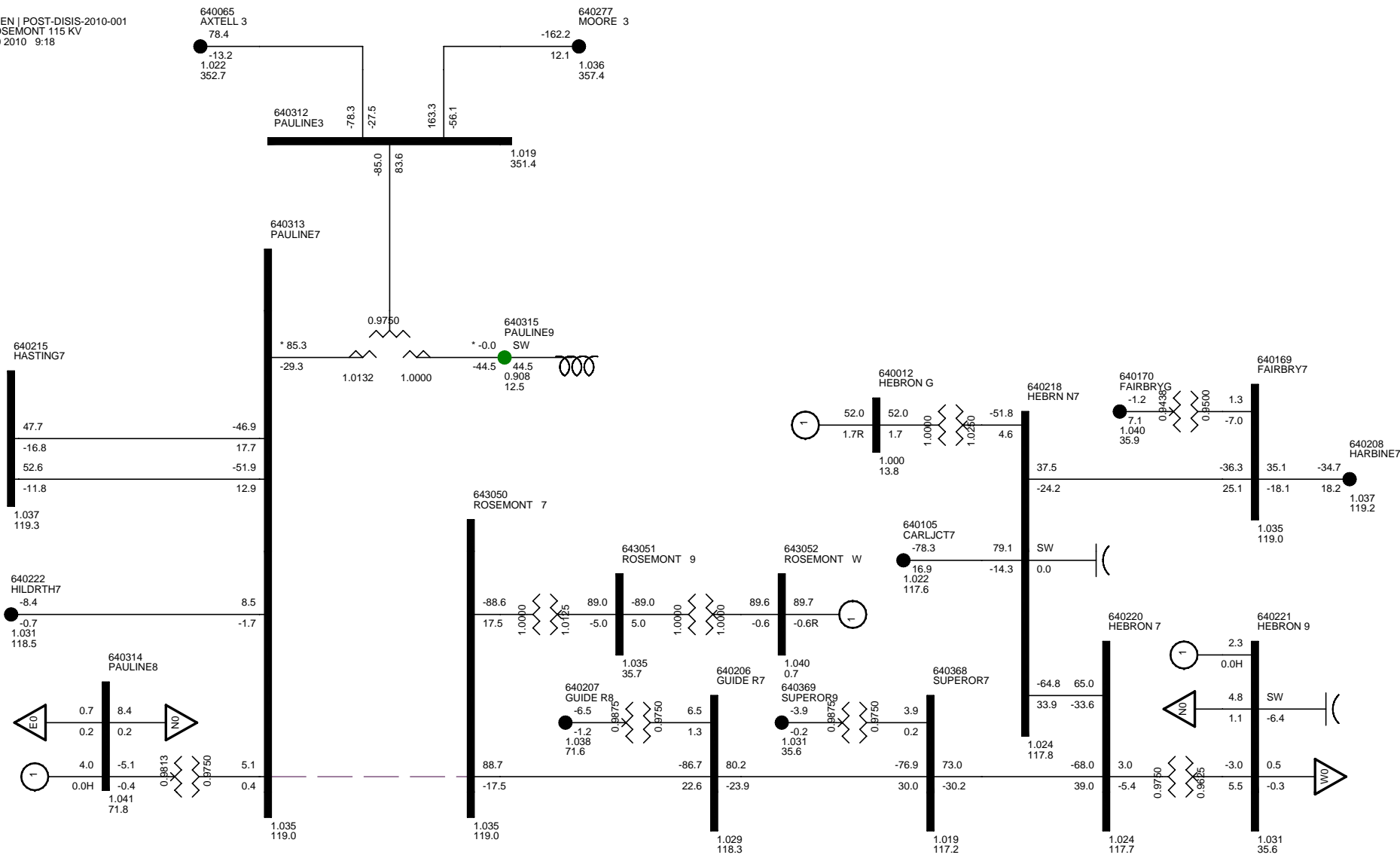




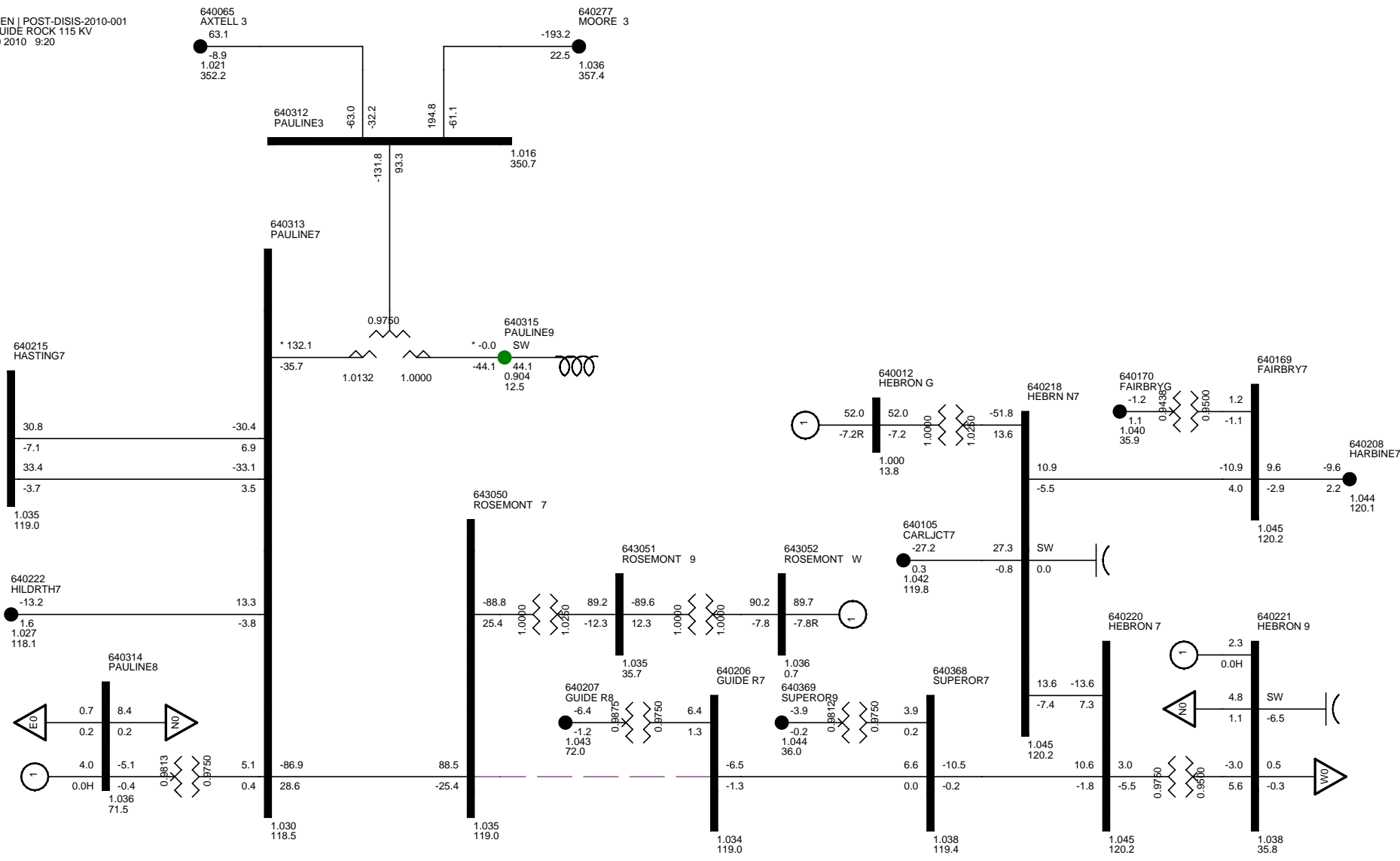




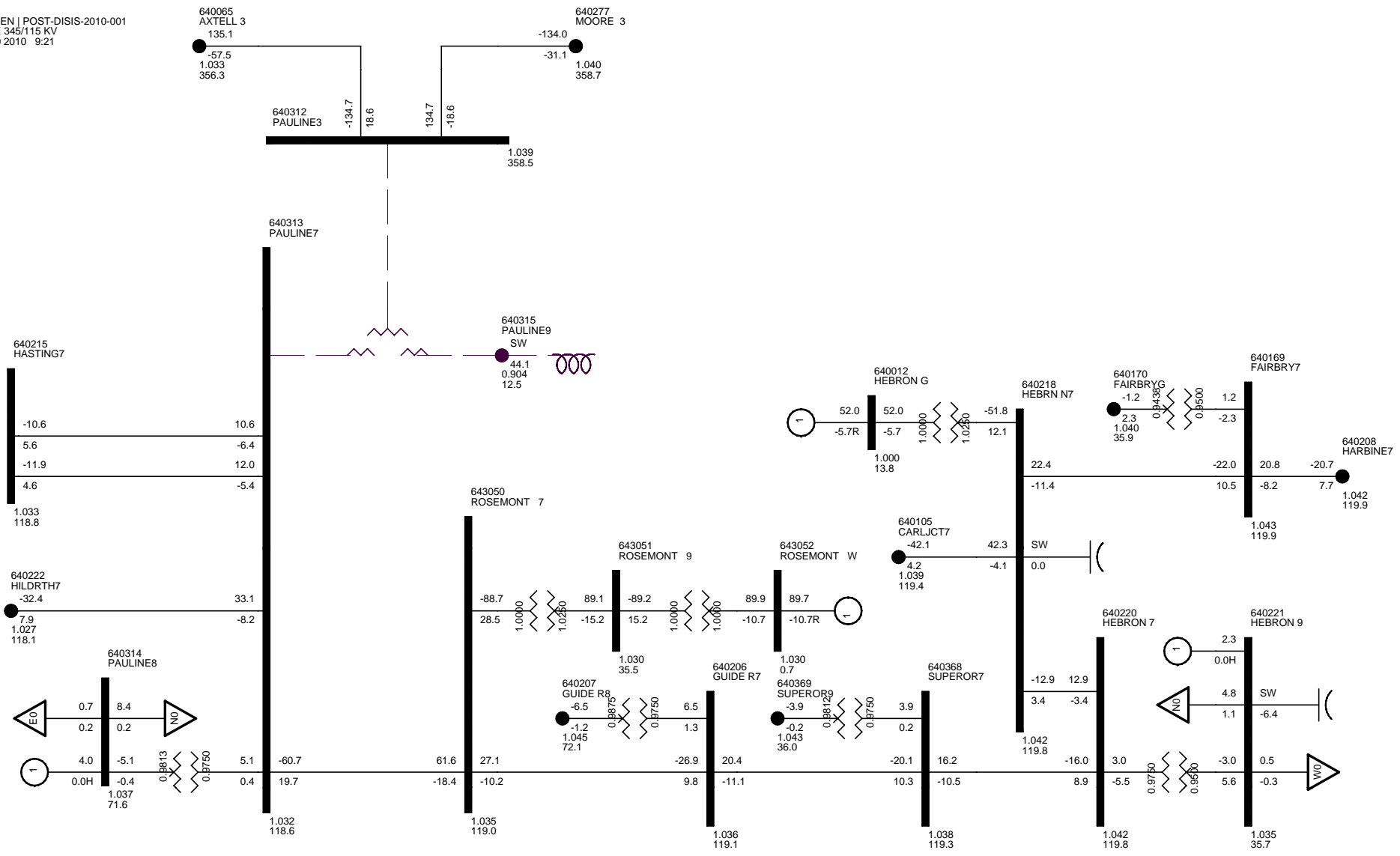
2010 MDWG 2010 SPRING | SC GEN | POST-DISIS-2010-001  
 LOSS OF PAULINE - ROSEMONT 115 KV  
 MON, DEC 20 2010 9:18



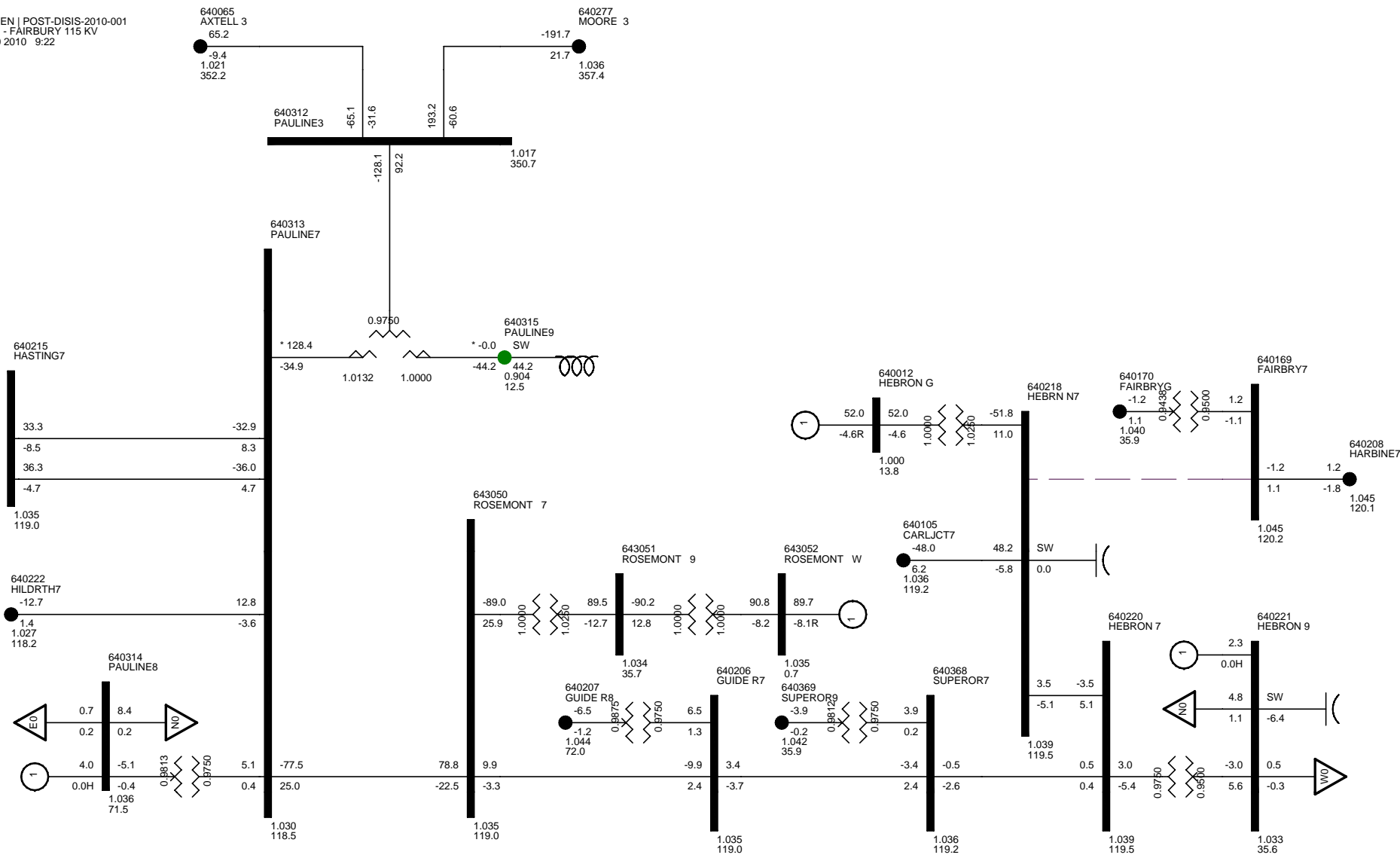
2010 MDWG 2010 SPRING | SC GEN | POST-DISIS-2010-001  
 LOSS OF ROSEMONT - GUIDE ROCK 115 KV  
 MON, DEC 20 2010 9:20



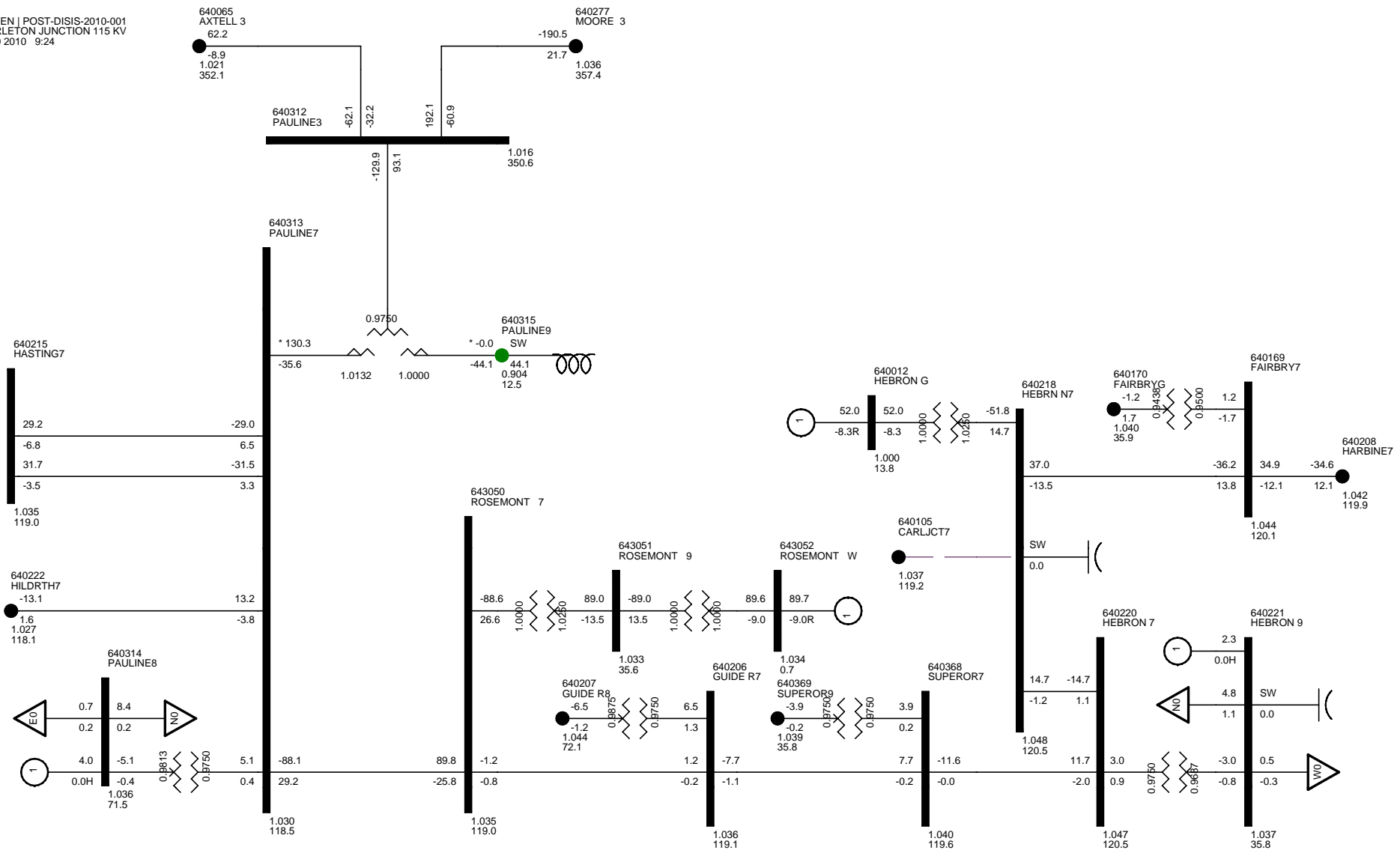
2010 MDWG 2010 SPRING | SC GEN | POST-DISIS-2010-001  
 LOSS OF PAULINE 345/115 KV  
 MON, DEC 20 2010 9:21



2010 MDWG 2010 SPRING | SC GEN | POST-DISIS-2010-001  
 LOSS OF HEBRON NORTH - FAIRBURY 115 KV  
 MON, DEC 20 2010 9:22



2010 MDWG 2010 SPRING | SC GEN | POST-DISIS-2010-001  
 LOSS OF HEBRON NORTH - CARLETON JUNCTION 115 KV  
 MON, DEC 20 2010 9:24



## 5.4 Phase 4 Results (System-wide N-1 Screening w/ transfer conditions)

The Phase 4 ACCC analysis is performed to assess the performance of the transmission system under stressed heavy transfer conditions following the addition of the wind generation interconnection projects according to TPL-001 and TPL-002 standards. This phase utilized the 2010 Spring Peak case as the base system topology. The proposed wind generation interconnection projects (291 MW total) and associated transmission upgrades were added to the case. The new wind generation was exported off-system to other modeling areas in SPP on a pro rata basis. Generation and DC tie schedules in western Nebraska were then increased to stress the existing flowgates (GGS & WNE\_WKS) in western Nebraska to existing transfer limits. PSS/E activity ACCC was then used as a screening tool on the base case to identify those contingencies which deserve closer study. ACCC analyzed the system by sequentially taking each transmission element greater than 100kV in the NPPD, OPD, LES, MEC, and WAPA control areas out of service. Transmission facilities in the NPPD, OPD, LES, MEC, and WAPA control areas were then monitored for violations of loading or bus voltage criteria. The results of the contingency analysis are shown in the ACCC summaries included in Appendix D. Contingencies which resulted in facility loadings or bus voltages outside of acceptable limits will be discussed in the summary of each case.

### *System Intact Results (TPL-001):*

One transmission facility was found to be loaded above its normal facility rating under system intact conditions. The Madison County – Kelly 230 kV line was loaded to 106.7% of the 192 MVA rating. The facility rating for the Madison County – Kelly 230 kV line would need to be increased to accommodate the interconnection of the wind projects.

### *N-1 Contingency Results (TPL-002):*

Twenty-two overloaded transmission facilities were discovered in the monitored study areas in the N-1 ACCC analysis of the 2010 Spring Peak case with transfers and the wind facility additions and reported in the table. The full ACCC results are summarized in Appendix D. The post-contingency facility overloads that were discovered are summarized in Table 18 below.

**Table 18. 2010 Spring Peak (w/ transfers): N-1 Facility Overloads**

From Bus	From Bus Name	To Bus	To Bus Name	CKT	CONTINGENCY	RATING	%
640089	BROKENB7 115.00	640259	LOUPCTY7 115.00	1	SINGLE 3	120	103.6
640103	CANADAY7 115.00	640161	ELMCRK_7 115.00	1	SINGLE 3	80	101
640374	SWEET W3 345.00	652571	GR ISLD3 345.00	1	SINGLE 3	717	105.5
640103	CANADAY7 115.00	640256	LXNGTN 7 115.00	1	SINGLE 270	80	114.2
640256	LXNGTN 7 115.00	640331	RIVERDL7 115.00	1	SINGLE 270	80	100.6
640103	CANADAY7 115.00	640161	ELMCRK_7 115.00	1	SINGLE 270	80	110.3
640161	ELMCRK_7 115.00	640250	KEARNEY7 115.00	1	SINGLE 270	80	105
640133	COLMBUS4 230.00	643000	MADISONCNTY4230.00	1	SINGLE 411	192	127.8
640133	COLMBUS4 230.00	643000	MADISONCNTY4230.00	1	SINGLE 436	192	123.9
640133	COLMBUS4 230.00	643000	MADISONCNTY4230.00	1	SINGLE 305	192	120
640133	COLMBUS4 230.00	643000	MADISONCNTY4230.00	1	SINGLE 491	192	117.6
640133	COLMBUS4 230.00	643000	MADISONCNTY4230.00	1	SINGLE 304*	192	117.2
640287	N.PLATT7 115.00	640365	STOCKVL7 115.00	1	SINGLE 346	137	122.4
640326	REDWILO7 115.00	640365	STOCKVL7 115.00	1	SINGLE 346	137	107.3
640302	OGALALA4 230.00	659134	SIDNEY 4 230.00	1	SINGLE 402	320	119.4
652511	GAVINS 7 115.00	660006	YKNTJCT7 115.00	1	SINGLE 775	120	110.9
652511	GAVINS 7 115.00	660006	YKNTJCT7 115.00	1	SINGLE 814	120	110.8
652511	GAVINS 7 115.00	660006	YKNTJCT7 115.00	1	SINGLE 793	120	104.4
652626	UTICAJC7 115.00	660006	YKNTJCT7 115.00	1	SINGLE 773	120	105.9
652626	UTICAJC7 115.00	660006	YKNTJCT7 115.00	1	SINGLE 775	120	100.4
652626	UTICAJC7 115.00	660006	YKNTJCT7 115.00	1	SINGLE 814	120	100.4
659105	LELANDO3 345.00	659201	LELND1TY 345.00	1	SINGLE 865	250	138.3
659105	LELANDO3 345.00	659201	LELND1TY 345.00	1	SINGLE 869	250	138.3

*\*Only the top five contingency overloads reported in Table 17.*

The Broken Bow – Loup City 115 kV, Canaday – Elm Creek 115 kV, and Sweetwater – Grand Island 345 kV lines were loaded above the normal facility ratings for loss of the Red Willow – Mingo 345 kV line. There are prior outage limits associated with the GGS stability flowgate for this contingency that would consequently relieve the loading on these facilities. The new wind generation may be required to reduce its output to mitigate the loading on these facilities for this contingency.

The Canaday – Lexington – Riverdale 115 kV and Canaday – Elm Creek – Kearney 115 kV lines were overloaded for loss of the Crooked Creek – Riverdale 230 kV line. The loading on the Canaday – Lexington 115 kV and Canaday – Elm Creek 115 kV lines exceed 110% of the facility rating for loss of the Crooked Creek – Riverdale 230 kV line. Terminal upgrades and/or conductor clearance corrections would be required to increase the facility ratings on these transmission facilities. The Canaday – Lexington 115 kV line is planned to be upgraded by December 2013.

The Kelly – Madison County 230 kV line was found to load above the normal rating for several N-1 contingencies. The worst-case loading condition that was discovered was 127.8% for loss of the Madison County – Madison 115 kV line. The facility rating for the Madison County – Kelly 230 kV line would need to be increased to accommodate the interconnection of the wind projects.

The North Platte – Stockville 115 kV line was overloaded for loss of the GGS – Red Willow 345 kV line. This contingency / monitored element pair are the limiting elements associated with the WNE\_WKS PTDF flowgate. The post-contingency loading on the North Platte – Stockville 115 kV line is above 110% of the facility rating. The Axtell – Post Rock – Spearville 345 kV line will help mitigate congestion associated with the WNE\_WKS PTDF flowgate. The Axtell – Post Rock – Spearville 345 kV line is scheduled to be in-service by June 2013.

The Ogallala – Sidney 230 kV line was overloaded for loss of the Sidney – Keystone 345 kV line. In this case, the Sidney DC tie is scheduled at 200 MW west to east. Loss of the Sidney – Keystone 345 kV line under these transfer conditions would result in the trip of the Sidney DC tie and automatically mitigate the Ogallala – Sidney 230 kV line overload that was discovered.

The Gavins Point – Yankton Junction 115 kV line was found to load above its 120 MVA rating for a number of N-1 contingencies. The Gavins Point – Yankton Junction 115 kV line is just north of Gavins Point in South Dakota. The high post-contingency loading on this line warrants additional evaluation and coordination with the transmission planner (WAPA UGP) for this facility.

The Utica Junction – Yankton Junction 115 kV line was found to load above its 120 MVA rating for a number of N-1 contingencies. The Utica Junction – Yankton Junction 115 kV line is just north of Gavins Point in South Dakota. The high post-contingency loading on this line warrants additional evaluation and coordination with the transmission planner (WAPA UGP) for this facility.

The Leland Olds 345/230 kV transformer was found to load above its 250 MVA rating for loss of the parallel 345/230 kV transformer. The post-contingency loading of this facility would need further review and coordination by the transmission planner (WAPA UGP) for this facility.

There were seventy-seven bus voltage violations identified in the monitored study areas in the N-1 ACCC screening analysis. The post-contingency bus voltage violations that were discovered are summarized in Appendix D. Five contingencies were found the NPPD area. The first contingency (Sheldon – Firth 115 kV) is a modeling issue and can easily be addressed by adjusting the 115/69 kV transformer taps at the Sterling 115 kV substation. The second contingency (Sidney – Keystone 345 kV) would be mitigated by the post-contingency tripping of the Sidney DC tie due to its remedial action scheme. The third contingency (Stegall 345/230 kV transformer) would be mitigated by the post-contingency



tripping of both the Stegall and Rapid City DC ties. The fourth contingency (Red Willow – Mingo 345 kV) would be mitigated by reducing flows across the GGS interface to the posted post-contingency limits. The fifth contingency (GGS – Red Willow 345 kV) would also be mitigated by reducing flows across the GGS interface to the posted post-contingency limits. The loadflow results for Red Willow – Mingo 345 kV and GGS – Red Willow 345 kV contingencies demonstrate that the WNE\_WKS interface is well above its reliability limit and these levels of transfers can not be sustained without additional transmission upgrades. The Axtell – Spearville 345 kV line would help mitigate the issues with the Red Willow – Mingo 345 kV and GGS – Red Willow 345 kV contingencies, however, additional studies would be required to evaluate the system state following this addition. The remaining bus voltage violation issues were outside of the NPPD system and would need to be coordinated with external entities for further review.

#### **Phase 4 Results Summary**

Overall, there were three transmission facility overloads discovered in the Phase 4 screening that were in the immediate vicinity of the proposed generation interconnection projects. Two of the three transmission facility overloads were found on an external system and would need further coordination and investigation with the affected party (WAPA). These external system transmission facility overloads are listed below:

- Gavins Point – Yankton Junction 115 kV
- Yankton Junction – Utica Junction 115 kV

One of the three transmission facility overloads were found on the NPPD transmission system. These facility overloads are summarized below:

Kelly – Madison County 230 kV: This facility loaded to above the 192 MVA facility rating for several N-1 contingencies. This facility would need to be upgraded to 320 MVA to accommodate new wind generation facilities and proposed interconnections on this line. The upgrade of this line to 320 MVA is currently included in the DISIS-2009-001 facility study.

It should also be noted that the additional wind generation interconnections in Nebraska continue to have an adverse impact on the WNE\_WKS flowgate. Increased generation on the north end of this constraint will continue to increase congestion and number of hours in curtailment. The Axtell – Post Rock – Spearville 345 kV line will help mitigate the issues associated with the WNE\_WKS flowgate, but additional studies are required to determine the relief this project will provide.

## 6.0 Short Circuit Analysis

### 6.1 Model Development

#### Computer Programs

The Aspen One-liner software program (V10.12 September 2008) was utilized to perform short circuit simulations and studies on the transmission system. The data files (transmission lines/transformer/generator constants) for the Aspen Oneliner program are updated by NPPD numerous times per year as transmission system changes and additions occur across Nebraska. The short circuit data information (system equivalent impedances) for transmission system interconnections to non-Nebraska utilities was updated in 2005. The Aspen One-liner software program calculates the symmetrical (alternating current component) short circuit currents in physical amps or per unit values. If asymmetrical currents (alternating current component plus direct current component) are required, these values have to be separately calculated and based on the X/R ratio at the fault location and the protective device operating time.

Due to the numerous short circuit models being performed for future conditions, the Aspen Oneliner software is configured to calculate short circuit magnitudes based on all generator source voltages being at 1.0 per unit (Flat conditions). The Aspen Oneliner short circuit program has the ability to solve a load flow (generator voltages not set at 1.0 per unit) prior to performing short circuit calculations; however this option will not be utilized due to the time requirements to convert data from the load flow software (PSS/E) to Aspen Oneliner. The program is configured to utilize the generator sub transient impedance ( $X''_d$ ) for short circuit calculations. This is standard for conducting short circuit studies on the transmission system. When conducting short circuit studies for buses where generators are directly connected, the generator transient impedance ( $X'_d$ ) is typically utilized.

The Aspen Oneliner short circuit program does not have a specific induction generator module to model the wind generation transient short circuit current contributions for short circuits on the transmission system. Turbine, distribution transformer, and step up transformer data have not been provided by the developers to date. To model the induction generator short circuit contributions, the Vestas V90 induction generator constants have been converted by Vestas to equivalent synchronous generator constants for the Bloomfield 80MW wind farm. An equivalent synchronous generator was used in the modeling of future wind farms. Equivalent transformers to those installed at Bloomfield (80MW wind farm) will be used to simulate symmetrical fault contributions from these various new wind farm additions unless specific transformer information is currently available.

One new 115kV line was identified as being a necessary system addition due to the additional wind farm generation. Line routing, length, and design have not been completed and thus have been estimated based on NPPD minimum line construction standards.

### **Base System Model Additions**

The 2010 base short circuit data file was updated with several additions to create a model for the DISIS-2010-001 short circuit study. These additions included the additions used in the DISIS-2009-001 short circuit study, planned work (NPPD and other) through 2012 that may have an effect on interrupting capabilities of equipment near the proposed wind farm locations, and the additions requested for the DISIS-2010-001 study. Below is the list of additions included in this short circuit study.

#### *1. DISIS-2009-001 base system model additions*

- a. The addition of a 115/34.5 kV 30/50/56 MVA transformer at the Bloomfield 115 kV Substation with 40MW of Vestas V90 wind generation modeled as synchronous generators with 3.16MVA turbine step up transformers. The VAR control system details are estimated based on the Ainsworth wind farm design. The grounding transformer details are estimated based on the Elkhorn Ridge wind farm. This is the future Crofton Hills Wind Farm. This wind farm is modeled the same as the 2009 study.
- b. The addition of a 115/34.5 kV 57/76/95 MVA transformer at Petersburg 115kV Substation (impedances modeled after Elkhorn Ridge Main GSU) with 80MW of Vestas V90 wind generation modeled as synchronous generators (lumped equivalent impedance of Elkhorn Ridge collector system). This is the future Laredo Ridge Wind Farm. The Laredo Ridge Wind Farm is being commissioned and the base model has been updated with newer information than the 2009 study.
- c. The addition of a 115/34.5 kV 57/76/95 MVA transformer 9 miles from the Broken Bow 115kV Substation (impedances modeled after Elkhorn Ridge Main GSU) with 80MW of Vestas V90 wind generation modeled as (lumped equivalent impedance of Elkhorn Ridge collector system). This is connected to the Broken Bow 115kV bus by 9 miles of H Frame, 477 ACSR with 7/16 EHS neutral. This wind farm is modeled the same as the 2009 study. The new 115 kV line has been updated to an 8.75 mile line in the base model.

- d. The addition of a 115/34.5kV Delta/Wye 50/67/84 MVA transformer at Petersburg 115kV Substation (impedances from proposed Laredo Ridge Wind II) with 75MW of Vestas V90 wind generation modeled as synchronous generators with 87.5MVA turbine step up transformers (impedances from proposed Laredo Ridge Wind II) connected through a collector equivalent impedance to the 50/67/84MVA transformer. This is the future Laredo Ridge Wind II Farm (GEN-2007-011N06). This wind farm is modeled the same as the 2009 study.
- e. The addition of a 115/34.5kV Wye/Delta/Wye 27/36/45 MVA transformer at Petersburg 115kV Substation (impedances modeled after Elkhorn Ridge Main GSU and scaled to 10% at 27MVA) with 40MW of Vestas V90 wind generation modeled as synchronous generators (impedance estimated as 200% of impedance of Elkhorn Ridge collector system). This is the future White Horse Wind Farm (GEN-2006-044N). This wind farm is modeled the same as the 2009 study.
- f. The addition of a 115/34.5 kV 57/76/95 MVA transformer at Bloomfield 115kV Substation (impedances modeled after Elkhorn Ridge Main GSU) with 75MW of Vestas V90 wind generation modeled as synchronous generators (lumped equivalent impedance of Elkhorn Ridge collector system less two turbines). This is the future GEN-2007-011N09 Wind Farm. This wind farm is modeled the same as the 2009 study.
- g. The addition of a 115/34.5 kV 57/76/95 MVA transformer at Broken Bow 115kV Substation (impedances modeled after Elkhorn Ridge Main GSU) with 75MW of Vestas V90 wind generation modeled as synchronous generators (lumped equivalent impedance of Elkhorn Ridge collector system less two turbines). This is the GEN-2006-037N1 Wind Farm. This wind farm is modeled the same as the 2009 study.
- h. The addition of 35 miles of 115kV line connecting Petersburg North and Madison substations. This line was modeled as H frame, 477 ACSR, with 7/16 EHS neutral. This addition for the 2009 study is modified for the 2010 study. This new 115 kV line will connect Petersburg North to a new Madison County substation to Madison. See 2010 study additions.
- i. The addition of 45 miles of 115kV line connecting Bloomfield and Belden substations. This line was modeled as H frame, 477 ACSR, with 7/16 EHS neutral. This line is modeled the same as the 2009 study.

- j. The addition of a new 230kV substation on the Kelly – Ft. Randall existing line (L-2301). This was modeled at 28.95 miles from Kelly, 99.15 miles from Ft. Randall (at the approximate intersection of the future Petersburg North – Madison line). These lines and substation are modeled the same as the 2009 study.
- k. The addition of a 230/34.5kV 140/233MVA 9.5% impedance transformer at the new 230kV substation on the Kelly – Ft. Randall line with 200MW of wind generation modeled as synchronous generators (lumped equivalent impedance of Elkorn Ridge collector system scaled by 250%). This is the GEN-2008-086N02 Wind Farm. This wind farm is modeled the same as the 2009 study.
- l. The addition of a 230/34.5kV 30/56MVA transformer at Columbus West 230kV Substation. This transformer is in-service and is included in the base model.
- m. The addition of a 115/34.5kV 15/28MVA transformer at Spalding 115kV Substation. The scheduled in-service for this transformer is June 2012. This transformer is model the same as the 2009 study.
- n. The addition of a 115/34.5kV 30/56MVA transformer at North Norfolk 115kV Substation. This transformer is in-service and is included in the base model.
- o. The addition ADM Cogen Unit #1. This unit is in-service and is included in the base model.
- p. The addition of a 230/115 kV 180/300/336 MVA transformer at North Platte 230 kV Substation. This will replace the existing 100/167/187 MVA T-9 transformer at North Platte. This transformer is in-service and is included in the base model.
- q. The addition of a 230/115kV 180/300/336 MVA transformer at Canaday 230kV Substation. This will replace the existing 100/167/187 MVA T-1 transformer. This transformer is in-service and is included in the base model.
- r. The addition of 136 miles of 345kV line from Axtell 345kV substation to Post Rock 345kV substation in Kansas. This line has newer estimate in the base model.

## 2. Planned Work additions

- a. The addition of 220 MW Whelen 2 Power Plant (Hastings). This plant is scheduled to go online first quarter of 2011.

- b. The rebuild of 115kV transmission line L1159A (Energy Control Center – Hastings). This line is scheduled to be rebuilt in 2011 with 954 ACSR & 3/8 EHS.
- c. New 115kV transmission line L1369 (St. Libory – GI Sub F) is scheduled to go in-service in 2012.
- d. The rebuild of 115 kV transmission line L1063A (GI Sub F – GI Sub C). This line is scheduled to be rebuilt in 2012.

3. DISIS-2010-001 additions and planned work

- a. The addition of a 230/34.5 kV 70/92/115 MVA transformer at the Madison County 230 kV Substation (impedances modeled after Columbus West 230/34.5 kV 30/56 MVA scaled to a 70 MVA base) with 100.8MW of GE xle wind generation modeled as synchronous generators (lumped equivalent impedance of Elkhorn Ridge generation scaled by 126%) This is the future GEN-2006-044N02.
- b. The addition of a 230/115 kV 180/300/336 MVA transformer at Madison County 230 kV substation. This transformer is modeled like the North Platte T9 transformer.
- c. The addition of a 115/34.5 kV 72/69/120 MVA transformer at new Madison County 115 kV substation (impedances modeled after Elkhorn Ridge Main GSU scaled to a 72 MVA base) with 100.5 MW of wind generation modeled as synchronous generators (lumped equivalent impedance of Elkhorn Ridge generation scaled by 126%). This is the future GEN-2010-010.
- d. The addition of tapping the DISIS-2009-001 Madison to Petersburg North 115 kV line with the new Madison County 115 kV Substation. The Madison to Madison County line is estimated to be 12 miles. The Petersburg North to Madison County line is estimated to be 23 miles. Both lines are modeled as H Frame, 477 ACSR with 7/16 EHS neutral.
- e. The addition of 27 miles of 115 kV line connecting the Madison County and Norfolk 115 kV substations. This line was modeled as H frame, T2-477 ACSR, with 7/16 EHS neutral.
- f. The addition of a Rosemont 115 kV substation located on the Pauline to Guide Rock 115 kV line. This substation is located 8.25 miles from Pauline and 12.74 miles from Guide Rock.

- g. The addition of a 115/34.5 kV 61/80/100 MVA transformer at new Rosemont 115 kV substation (impedances modeled after Elkhorn Ridge Main GSU scaled to 8.5% at 61 MVA) with 89.7 MW of wind generation modeled as synchronous generators (lumped equivalent impedance of Elkhorn Ridge generation scaled by 112%). This is the future GEN-2008-123N.

The Aspen One-liner data file for this configuration is “NPPD 2010 June 21 DISIS-2010-001.olr”. Other system additions necessary for the transmission of power due to the addition of these wind farms may be identified and have not been included in this short circuit study.

## **6.2 Study Methodology**

The interrupting rating of protective devices (breakers, circuit switchers, fuses, etc) is being reviewed at selected buses where the additional wind facilities and lines may have a significant affect on the available short circuit currents. The Aspen One-liner software program is being utilized to determine the maximum short circuit current magnitudes.

This short circuit study will evaluate the adequacy of the individual protective device interrupting ratings for NPPD transmission and tap substations adjacent to the new wind facilities and lines and corresponding remote buses.

For single breaker/single bus configurations, the maximum bus short circuit current (three phase fault or single line to ground fault) will be utilized to evaluate whether the existing protective device interrupting rating is adequate. If the breaker is over 75% of the interrupting rating, a more detail fault study will be performed to individually review the specific fault current through the breaker/fuse in question.

An equivalent symmetrical rating will be calculated for Oil Circuit breakers manufactured prior to 1971 that have only an asymmetrical interrupting rating. For asymmetrical rated breakers, the interrupting rating is based on the number of faults the breaker is subjected to over a 15 minute period. Reference C37.07-1969 for the derating factors used on breakers with an asymmetrical rating in the interrupting study.

The breaker interrupting ratings will be evaluated for future system configuration with all known future changes through 2012 in-service and the DISIS-2009-001 study additions, and future system configuration with all known future changes with the DISIS-2009-001 study additions plus estimations of the studied wind farms and lines in-service for comparison.

The accuracy of the short circuit study for future conditions will have a possible error factor due to utilizing estimated line constants/lengths as well as estimated transformer/generator impedance values. Utilizing flat case short circuit study without solving a load flow case with the generators voltages at 1.0 per unit also introduces an additional error factor. To accommodate for these errors all protective devices within 90% of their interrupting rating will be identified. It is recommended that all breakers/fuses within 95% of the nameplate interrupting rating be replaced unless otherwise noted.

## **6.3 Results**

The interrupting rating for over 200 protective devices was reviewed in seventeen (17) substations which NPPD owns protective devices in. The Aspen One-liner short circuit software was utilized to determine the maximum short circuit currents for the future case without the studied wind farms and lines, and with the studied wind farms and lines. For a complete list of future additions that were put in-service for analysis, see 6.1 “Base System Model Additions”. Table 19 lists the devices that were identified to be above



95% of their interruption rating in the DISIS-2009-001 study. These devices were addressed in the previous study and will not be addressed as part of this study. Table 20 lists all devices that were found to be above 95% of their interrupting rating, and the effective change in duty due to the wind farms, and lines to support the wind farms being added to the system.

**Table 19. Facilities above 95% of rating in DISIS-2009-001**

<u>Substation</u>	<u>Device Number</u>	<u>Circuit</u>	<u>% of Rating</u>	<u>Δ</u>
Battle Creek	619-D	Bus PT fuse	113%	1%
Hartington	T-2 Fuse	604-D2	106%	0%
Hoskins	North Bus Fuse	329-D	156%	-2%
Hoskins	T-5 Fuse	322-D	156%	-2%
Hoskins	South Bus Fuse	315-D	156%	-2%
Belden	PCB1112	T1 Primary	100%	1%
Creighton	607-D2	L-66393 fuse	97%	0%

**Table 20. Facilities above 95% of rating in DISIS-2010-001**

<u>Substation</u>	<u>Device Number</u>	<u>Circuit</u>	<u>% of Rating</u>	<u>Δ</u>
Albion	CS1112	T2 Primary	99%	4%
Guide Rock	CS1110	T1 Primary	104%	5%

For more details on the specific breakers that were reviewed, please refer to section 6.5 which contains the details of the short circuit analysis.

The short circuit analysis also evaluated the potential protection schemes associated with each proposed new generation interconnection location. This analysis was performed to ensure adequate protective devices and schemes could be employed on the transmission system after the addition of the new generation projects. Based on this analysis, the adding breakers at Guide Rock would be required following the addition of new generation at Rosemont 115 kV. Line 1172 has a 50 cycle zone 2 timer for ground distance at Superior looking to Guide Rock. This slow timer setting is necessary to coordinate with Guide Rock protection when it is radially feed from Superior. New breakers and relays at Guide Rock would fix this coordination problem and is required due to generation being added one sub away. The relay/communication scheme from Rosemont to Pauline and Rosemont to Guide Rock would need to be changed. The addition of DTT capability due to the ring configuration at Rosemont would need to be considered.

## 6.4 Conclusions

The Short Circuit Analysis found two interrupting devices (not including the devices

identified in the DISIS-2009-001 study) where the available short circuit current will be above or near the interrupting rating as listed in Table 20. The replacement of the Guide Rock CS1110 device should not be charged to the transmission system changes required to serve the new wind farms since it has already been identified as part of the Whelan #2 short circuit study. The Albion CS1112 would be a required network upgrade for the interconnection of the new generation facilities and associated transmission. Replacement of this device will be included in the interconnection plan for the proposed wind projects. The addition of breakers at Guide Rock would also be a required network upgrade due to the new generation at Rosemont. Protection coordination issues require additional breakers be added at Guide Rock to properly coordinate the protective relays on L-1171B & L-1172.

## 6.5 Detailed Short Circuit Analysis Results

### SPP Wind Farm

#### Analysis

Models: SPP Wind Farm \ NPPD 2010 June 21 DISIS-2010-001.olr, NPPD 2010 June 21 as of 11-23-10.olr

This document evaluates the regional area interrupting device ratings due to:

- The additions of the DISIS-2009-001 changes
- New 230kV Madison County substation on Kelly - Ft. Randall line (Near Pet. N. to Madison line bisection)
- New 100.8 MW wind farm at new Madison County 230kV substation - GEN-2006-044N02
- New 115kV Madison County substation
- New 230/115kV auto transformer at the new Madison County substation
- New 100.5 MW wind farm at new Madison County 115kV substation - GEN-2010-010
- New DISIS-2009-001 115kV line from Petersburg North to Madison will be tapped at the new Madison County 115kV substation
- New 115kV transmission line connection the new Madison County substation to Norfolk substation
- New 115kV Rosemont substation
- New 89.7 MW wind farm at new Rosemont substation

Planning area will need to provide updated load capabilities that are required in the regional area so the lines and subs area can review equipment load ratings and the protection area can review CT and breaker load ratings as needed.

Current interrupting capabilities were verified for substations 2 buses out, or where fault currents rose by more than 10% due to the installation of the system upgrades.

- NOTES
- faults taken on the bus unless interrupting rating is found to be close to or below the bus fault value
  - Issues or possible issues in red
  - unknown loading capacity requirements in green
  - Not owned by NPPD

	Fault % of Rating	Δ	System Today	Δ	Pre 2010 Study	SPP Upgrades	Interrupting Rating	Derate Value	Data Interrupt	CT Ratio Set	Required Load Capacity	CT Sec Current	CT Max Available	Amp Rating	Speed	Reclose	Year	PO Cont	Interrupting Device
Albion to Spalding PCB1104	30%	25%	4733	4%	5699	5937	19982	80%	5000 Asym	160	160?	37	1200/5	1200	3	1	1962	613	GE FK-115-5000
Fullerton to Petersburg PCB1106 to Petersburg PCB1108 to Genoa	27%	25%	4733	4%	5699	5937	22000		22kA	160	160?	37	1200/5	1200	3		1971	N70-11	GE FK-121-22000-2
PCB1116 CS1110 - Loup CS1112 - Loup	15%	25%	4733	4%	5699	5937	40000		40kA	100	20	59	1200/5 no T1	2000	3		1972	E71-19	GE FK-121-22000-2
CS1114 CS1114-D2	57%	25%	4733	4%	5699	5937	10500		10.5kA	60	60?	109	1200/5	1200	5	3	1971	N70-16	S&C2030 S&C Mark III S&C Mark IV
PCB302 - Loup PCB306 - Loup PCB308 - Loup PCB310 - Loup PCB312 - Loup PCB316 -	33%	6%	6165	1%	6514	6557	20007	80%	1500 Asym	120	120?	55	1200/5	1200	5	3	1998		ABB 121 PMI 40-20
	21%	6%	6165	1%	6514	6557	31500		31.5kA 500 Asym	120	120?	55		1200	8		1998		Siemens SPS2-38-31.5-1200
	86%	6%	6165	1%	6514	6557	7623	91%	31.5kA Asym	120	120?	55		600	8		1998		GE FK-339-345-500-3
	21%	6%	6165	1%	6514	6557	31500		31.5kA	120	100	55		1200			2008		Siemens SPS2-38-31.5-1200
	16%	6%	6165	1%	6514	6557	40000		40kA	120	100	55		1200			2003		Siemens SPS2-38-40-2
	33%	6%	6165	1%	6514	6557	20007	80%	1500	100	100?	66	1200/5	1200	5	3		439-B	McGraw Edison

Loup 304 (fuse)								Asym										CF-37-34.5-1500		
- Loup 314-D - Loup 317-D - Loup 318-D - Loup 321-D - Loup 115-D - Loup 117-D - Loup	37%	6%	6165	1%	6514	6557	17500	17.5kA										SMD-1A		
	66%	6%	6165	1%	6514	6557	10000	10kA										SMD-20		
	66%	6%	6165	1%	6514	6557	10000	10kA										SMD-20		
	55%	6%	6165	1%	6514	6557	12000	12kA										LBU-11		
	66%	6%	6165	1%	6514	6557	10000	10kA										SMD-20		
	30%	3%	4096	1%	4166	4205	14000	14kA										SMD-20		
	27%	2%	3673	1%	3729	3758	14000	14kA										SMD-20		
<b>Battle Creek</b>																				
CS1110	79%	6%	5947	3%	6114	6321	8000	8kA				1200						197 7	S&C Mark V	
PCB602	19%	2%	3741	1%	3775	3802	20000	20kA	80	80	48	1200/5	1200	5	3		80-20	198 0	McGraw Edison CG-48-72.5-20	
PCB604	19%	2%	3741	1%	3775	3802	20000	20kA	80	80	48	1200/5	1200	5	3		80-20	198 0	McGraw Edison CG-48-72.5-20	
619-D	113%	2%	3741	1%	3775	3802	3350												SMD-50	
<b>Belden - building may not be large enough for another panel</b>																				
PCB1104	31%	18%	5775	1%	6794	6841	22091	88%	3500	Asym	120	?	57	600/5	1200	5	1	195 2	580	GE FK-439-115-3500-3
PCB1106 (WAPA)	17%	18%	5775	1%	6794	6841	40000		40kA	120	?	57	1200/5	1200	3	1		200 2		Mitsubishi 100-SFMT-40HE
PCB1108	31%	18%	5775	1%	6794	6841	22000		22kA	120	?	57	1200/5 600/5	1200	3	1		196 9	738	ITE 115-KM-5000-12B
PCB1112 T1 Pri	100%	18%	5775	1%	6794	6841	6853	91%	1500	Asym	80		86	1200/5	800	5	0	195 7	923	GE FK-439-115-1500-3
PCB602	10%	7%	3675	0%	3923	3929	40000		40kA	120		33	2000/5	2000	3	3		200 7		Siemens SPS2-72.5-40-20
PCB606	10%	7%	3675	0%	3923	3929	40000		40kA	120		33	1200/5	2000	5	3		200 4		ABB 72-PM-40-20
PCB608	17%	7%	3675	0%	3923	3929	23000		23kA	80		49	1200/5	1200	3	3		199 5	95-34	Siemens SPS-72.5-23-1
PCB610	10%	7%	3675	0%	3923	3929	40000		40kA	120		33	2000/5	2000	3	1		200 7		Siemens SPS2-72.5-40-2
CS614	98%	7%	3675	0%	3923	3929	4000		4000					1200		0		196 7		S & C CS-10
614-D	45%	7%	3675	0%	3923	3929	8750													SMD-1A
619-D	45%	7%	3675	0%	3923	3929	8750													SMD-1A
627-D	45%	7%	3675	0%	3923	3929	8750													SMD-1A
115-D	28%	1%	3855	0%	3900	3910	14000													SMD-20
<b>Bloomfie ld</b>																				
PCB1102	20%	57%	5099	0%	7962	7991	40000		40kA	160	160?	50	2000/5	2000	3	1		200 7		Mitsubishi 100-SFMT-40HE
PCB1104	20%	57%	5099	0%	7962	7991	40000		40kA	160	160?	50	2000/5	2000	3	1		200 7		Mitsubishi 100-SFMT-40HE
PCB1120	38%	57%	5099	0%	7962	7991	20835	83%	5000	Asym	240	160?	33	1200/5	1200	3	0	196 7	963	GE FK-115-5000-2
CS1110		57%																200		S&C
T1 Pri	20%	10%	5099	0%	7962	7991	40000		40kA	120		67		1200	6	0		2		2030
PCB610	15%	10%	2531	0%	2778	2780	19036	91%	2500	Asym	60		46	1200/5	1200	5	1	196 7	963	PENN CF-48-69-2500
PCB602	16%	10%	2531	0%	2778	2780	17384	83%	2500	Asym	60		46	1200/5	1200	5	3	196 7	963	PENN CF-48-69-2500



Hartington

PCB162	13%	7%	4994	0%	5300	5319	40000	40kA	160	?	33	2000/5	2000	3	2008	Mitsubishi 100-SFMT-40HE-1
PCB262	13%	7%	4994	0%	5300	5319	40000	40kA	160	?	33	2000/5	2000	3	2008	Mitsubishi 100-SFMT-40HE-1
CS362	21%	7%	4994	0%	5300	5319	25000	25kA	120		44				2007	S & C 2030
PCB602	15%	2%	3457	1%	3543	3523	23000	23kA	120		29	1200/5 800/5 and 1200/5	1200	3	1995	Siemens SPS-72.5-23-1
PCB606 619-D	9%	2%	3458	1%	3543	3523	40000	40kA	120		29	1200/5	2000	3	2009	AREVA DT1-72.5 F1 FK
604-D2 - Cedar Knox PPD	41%	3%	3457	0%	3543	3552	8750								08-32	SMD-1A
115-D	106%	3%	3457	0%	3543	3552	3350	3.35kA								SMD-50
	25%	3%	3457	0%	3543	3552	14000									SMD-20

Hoskins

PCB3302	23%	5%	8915	2%	9178	9395	40000	40kA	320	?	29	2000/5, 1600/5	3000	2	2007	ABB 362-PMI-40-30
PCB3308	23%	5%	8915	2%	9178	9395	40000	40kA	320	?	29	2000/5, 1600/5	3000	2	2007	ABB 362-PMI-40-30
PCB3310	23%	5%	8915	2%	9178	9395	40000	40kA	320	?	29	2000/5, 1600/5	3000	2	2007	ABB 362-PMI-40-30
PCB3312	23%	5%	8915	2%	9178	9395	40000	40kA	320	?	29	2000/5, 1600/5	3000	2	2007	ABB 362-PMI-40-30
PCB2202	30%	4%	9215	2%	9375	9555	31500	31.5kA	160	?	60	2000/5	1600	3	1973	McGraw Edison RHE-84-242-31.5
PCB2210	24%	4%	9215	2%	9375	9555	40000	40kA	240	?	40	2000/5	3000	2	2007	Mitsubishi 200-SFMT-40HF
PCB2212	24%	4%	9215	2%	9375	9555	40000	40kA 20kA/4k A secondary	240	?	40	2000/5	3000	2	2007	Mitsubishi 200-SFMT-40HF
SW2218	48%	4%	9215	2%	9375	9555	20000		80		119				1997	S & C 2030
PCB1102	48%	11%	17289	19%	1617	19195	40000	40kA	240	?	80	2000/5	2000	3	2008	E12170 45000881 Mitsubishi 100SFMT-40HE-1
PCB1104	48%	11%	17289	19%	1617	19195	40000	40kA	240	?	80	2000/5	2000	3	2009	46000007 Mitsubishi 100SFMT-40HE-1
PCB1106	48%	11%	17289	19%	1617	19195	40000	40kA	240	?	80	2000/5	2000	3	2008	45000912 Mitsubishi 100SFMT-40HE-1
PCB1108	48%	11%	17289	19%	1617	19195	40000	40kA	240	?	80	2000/5	2000	3	2009	46000007 Mitsubishi 100SFMT-40HE-1
PCB1110	48%	11%	17289	19%	1617	19195	40000	40kA	240	?	80	2000/5	2000	3	2009	46000007 Mitsubishi 100SFMT-40HE-1
PCB1112	48%	11%	17289	19%	1617	19195	40000	40kA	240	?	80	2000/5	2000	3	2009	45000912 Mitsubishi 100SFMT-40HE-1
PCB1118	48%	11%	17289	19%	1617	19195	40000	40kA	400	?	48	2000/5	2000	3	2009	45000912 Mitsubishi 100SFMT-40HE-1
PCB1120	48%	11%	17289	19%	1617	19195	40000	40kA	240	?	80	2000/5	2000	3	2007	07-38 100SFMT-40HE Mitsubishi 46000007
PCB1122	48%	11%	17289	19%	1617	19195	40000	40kA	240	?	80	2000/5	2000	3	2009	45000912 Mitsubishi 100SFMT-40HE-1
PCB302	39%	3%	15170	2%	1580	15558	40000	40kA	240		65	1200/5, 800/5	1200	3	2006	45000539 Siemens SPS-72.5-40-2
PCB304	39%	3%	15170	2%	1580	15558	40000	40kA	240		65	1200/5, 800/5	1200	3	2006	45000557 Siemens SPS-72.5-40-2
PCB320	39%	3%	15170	2%	1580	15558	40000	40kA				1200/5, 800/5	1200	3	2006	45000539 Siemens SPS-72.5-40-2
PCB322	30%	1%	9524	0%	9560	9600	31500	31.5kA	320		30	2000/5	2000	3	1999	58635 ABB 72-PM-31-20

PCB324	30%	1%	9524	0%	9560	9600	31500	31.5kA	100	96	2000/5	2000	3	199	58635	ABB 72-PM-31-20				
PCB326	30%	1%	9524	0%	9560	9600	31500	31.5kA	100	96	2000/5	2000	3	199	58635	ABB 72-PM-31-20				
PCB328	30%	1%	9524	0%	9560	9600	31500	31.5kA			2000/5	2000	3	199	58635	ABB 72-PM-31-20				
PCB330	30%	1%	9524	0%	9560	9600	31500	31.5kA			2000/5	2000	3	199	58635	ABB 72-PM-31-20				
PCB332	30%	1%	9524	0%	9560	9600	31500	31.5kA			2000/5	2000	3	199	58635	ABB 72-PM-31-20				
ACB102	60%	1%	16833	1%	1690	17025	28555	91% Asym				2000	5	197	78-36	Westinghouse DHP				
SW104	68%	1%	16833	1%	1690	17025	25000	25kA			1200/5	2000	3	200	04-35	ABB RMAG				
SW106	68%	1%	16833	1%	1690	17025	25000	25kA			1200/5	2000	3	200	04-35	ABB RMAG				
329-D	156%	3%	15170	2%	1580	15558	10000	10kA						200		SMD-20				
322-D	156%	3%	15170	2%	1580	15558	10000	10kA						200		SMD-20				
315-D	156%	3%	15170	2%	1580	15558	10000	10kA						200		SMD-20				
<b>Kelly</b>																				
PCB2202 to Wind Farm	58%	13%	10204	5%	1096	11481	19957	80% Asym	10,000	160	240?	72	1200/5	1600	3	1	195	104A	FP RHE -84-230-100000	
PCB2204 to Columbus East	29%	13%	10204	5%	1096	11481	40000		40kA	160	120?	72	2000/5	2000	3		198	88-12	GE HVB-242-400000-1	
PCB2206 to Columbus West	58%	13%	10204	5%	1096	11481	19957	80% Asym	10,000	160	240?	72	1200/5	1600	3	1	196	691A	PENN RHE-84-230-10000	
PCB2208 to Shell Creek	29%	13%	10204	5%	1096	11481	40000		40kA	240	240?	48	2000/5	2000	3		200		ABB 242-PMR-40-20	
CS2210	57%	13%	10204	5%	1096	11481	20000		20kA	120		96		1200			200		S & C 2030	
PCB102	88%	1%	24347	0%	2449	24546	28000		28kA	320		77	2000/5	2000	5		199	350923	GE VB1-13.8-750-2000	
<b>Madison - building may not be large enough for another panel</b>																				
CS1110	38%	61%	5910	29%	7394	9527	25000		25kA/4kA Secondary	40		238		1200			199		S & C 2030	
PCB302	11%	7%	3970	3%	4130	4244	40000		40kA	120		35	1200/5, 800/5	1200	3		200	45000529	Siemens SPS2-72.5-40-2	
115-D	25%	3%	3434	1%	3493	3528	14000		14kA								5	17	SMD-20	
319-D	42%	7%	3970	3%	4130	4244	10000		10kA										SMD-20	
<b>Madison County</b>	<b>New substation - equipment will be rated high enough (40kA)</b>						8950	230kV Bus												
						15168	115kV Bus													
<b>Neligh</b>																				
PCB1102 to Tilden	44%	16%	5748	3%	6447	6667	15024	86%	3500 Asym	120	120?	56	600/5	1200	5	1	195	580	GE FK-439-115-3500-3	
PCB1104 to Clearwater	42%	16%	5748	3%	6447	6667	15991	91%	3500 Asym	120	120?	56	600/5	1200	5	1	195	580	GE FK-439-115-3500-3	
PCB1106 to Petersburg North	62%	28%	5748	1%	4066	4123	6650	88%	1500 Asym	120	120?	34	600/5	800	5	1	195	278	GE FK-439-115-1500-3	
PCB1108 to Creighton	17%	16%	5748	3%	6447	6667	40000		40kA	160	160?	42	2000/5	2000	3		200		Mistubishi 100-SFMT-40HE	
PCB1110	32%	16%	5748	3%	6447	6667	20835	83%	5000 Asym	60		111	1200/5	1200	3	0	197	N70-3	Westinghouse 1150-GM-5000	
T1 Pri									40kA	100		67	1200/5	2000			200		ABB 121 PMI 40-	
PCB1116	17%	16%	5748	3%	6447	6667	40000		40kA	100		67	1200/5	2000			200			

CS1112		%														7		20	
T2 Pri	27%	16	5748	3%	6447	6667	25000	25kA	80	83		1200				198	352599	S&C	
CS1114	167%	16	5748	3%	6447	6667	4000	4kA				1200				197	62891	S&C II	
1114-D2	63%	16	5748	3%	6447	6667	10500	10.5kA								197			
PCB602	17%	4%	3811	1%	3947	3978	23000	23kA	120	33	1200/5	1200	3			199	95-34	SMD-2B	
PCB604	10%	4%	3811	1%	3947	3978	40000	40kA	120	33	1200/5, 800/5	2000	3			5		Siemens SPS-72.5-23-1	
619-D	45%	4%	3811	1%	3947	3978	8750	8.75kA								200		Siemens SPS2-72.5-40-2	
PCB302	11%	2%	4489	0%	4595	4597	40000	40kA	80	57	1200/5, 800/5	2000	3	3		1		SMD-1A	
PCB304	11%	2%	4489	0%	4595	4597	40000	40kA	80	57	1200/5, 800/5	2000	3	3		9	08-32	Areva DT1-72.4-F1FK	
PCB306	11%	2%	4489	0%	4595	4597	40000	40kA	80	57	1200/5, 800/5	2000	3	3		200	08-32	Areva DT1-72.4-F1FK	
PCB310	11%	2%	4489	0%	4595	4597	40000	40kA	120	38	1200/5	2000	3	1		9	08-32	Areva DT1-72.4-F1FK	
CS314	57%	2%	4489	0%	4595	4597	8000	8kA				1200				197		S&C IV	
308-D (fuse to T-3 - Elkorn RPPD)	46%	2%	4489	0%	4595	4597	10000	10kA								201		SMD-20	
314-D	46%	2%	4489	0%	4595	4597	10000	10kA								0		SMD-20	
319-D	46%	2%	4489	0%	4595	4597	10000	10kA								197		SMD-20	
327-D																4		SMD-20	
AMI	46%	2%	4489	0%	4595	4597	10000	10kA										SMD-20	
<b>Norfolk</b>																			
PCB1102	89%	23	11174	17	1175	13776	15499	3500	Asym	240	?	57	1200/5	1200	5	1	195	409	Westinghouse GM-5A
PCB1104	63%	23	11174	17	1175	13776	22000	22kA	240	?	57	2000/5	1600	3		196		ITE 115-KM-10000-16B	
PCB1106	69%	23	11174	17	1175	13776	20000	20kA	160	?	86	1200/5	1200	3		197	76-36	Allis Chalmers BZO-121-20-7	
PCB1114	69%	23	11174	17	1175	13776	20000	20kA	160		86	1200/5	1200	3		197	76-36	Allis Chalmers BZO-121-20-7	
PCB1116	66%	23	11174	17	1175	13776	20835	5000	Asym	160		1200/5	1200	3	0	196	320	GE FK-115-5000	
PCB1118	34%	23	11174	17	1175	13776	40000	40kA	160		86	1200/5	2000	3		200	99-40	ABB 121-PMI-40-20	
PCB1120	34%	23	11174	17	1175	13776	40000	40kA	160		86	1200/5	2000	3		0	99-40	ABB 121-PMI-40-20	
PCB302	36%	6%	13640	4%	1387	14420	40000	40kA	120	120	1200/5, 800/5	1200	3			200		Siemens SPS2-72.5-40-2	
PCB304	66%	6%	13640	4%	1387	14420	22000	22kA	240	60	2000/5	1200	5			197	73-45	GE FKA-38-22000-6	
PCB306	63%	6%	13640	4%	1387	14420	23000	23kA	120	120	1200/5	1200	3			199	E12831	Siemens SPS-72.5-23-1	
PCB310	63%	6%	13640	4%	1387	14420	23000	23kA	160	90	1200/5	1200	3			199	E12831	Siemens SPS-72.5-23-1	
PCB312	63%	6%	13640	4%	1387	14420	23000	23kA	120	120	1200/5	1200	3			199	E12831	Siemens SPS-72.5-23-1	
PCB314	63%	6%	13640	4%	1387	14420	23000	23kA	240	60	1200/5	1200	3			3	369400	Siemens SP-38-23-3	
PCB316	66%	6%	13640	4%	1387	14420	22000	22kA	240	60	2000/5	1200	5			197	73-45	GE FKA-38-22000-6	
PCB320	72%	6%	13640	4%	1387	14420	19994	1500	Asym	120	120	1200/5	1200	5	3	0	N70-6	Westinghouse 345-GS-1500	
PCB322	63%	6%	13640	4%	1387	14420	22844	1500	Asym	240	60	1200/5	1200	5	0	197	E71-20	Westinghouse 345-GS-1500	
318-D	82%	6%	13640	4%	1387	14420	17500	17.5kA										SMD-1A	





PCB3304	19%	5%	7073	1%	7316	7425	40000		40kA	400	?	19	2000/5	2000	2	5 199 5 199	40000 GE HVB-362- 400010 GE HVB-362- 40000		
PCB3310	19%	5%	7073	1%	7316	7425	40000		40kA	320	?	23	2000/5	2000	2	5 199	ABB HPL 362T31B2		
PCB3330	15%	5%	7073	1%	7316	7425	50000		50kA	320	?	23	2000/5	3000	2	5	94-30		
115-D	34%	1%	16734	0%	1685 6 1685	16925	50000		50kA								278977(81 -5)	McGraw Edison WESTINGHOUSE	
119-D	21%	1%	16734	0%	6	16925	80000		80kA									CLE-PT	
619-D	57%	2%	4914	1%	4971	5018	8750		8.75kA									SMD-1A	
117-D	30%	0%	4233	0%	4243	4250	14000		14kA									SMD-20	
<b>Petersburg North</b>																			
PCB1104	23%	75%	5228	14%	8033	9137	40000		40kA	120	?	76	2000/5	2000	3	201 0 201		AREVA DT1-123 F1 FK	
PCB1108	23%	75%	5228	14%	8033	9137	40000		40kA	160	?	57	2000/5	2000	3	0 201	CX05139	AREVA DT1-123 F1 FK	
PCB1114	23%	75%	5228	14%	8033	9137	40000		40kA	80		114	2000/5	2000	3	0 201		ABB 121-PMI-40- 20	
PCB1128	23%	75%	5228	14%	8033	9137	40000		40kA	160	?	57	2000/5	2000	3	0 201	CX05275	AREVA DT1-123 F1 FK	
<b>Rosemont</b>	New substation - equipment will be rated high enough (40kA)										7332								
<b>Superior</b>																			
PCB1102	16%	3%	3087	2%	3123	3190	20000		20kA	160	?	20	1200/5	1200	3	198 6 198	86-12	SEIMENS BZO- 121-20-7	
PCB1104	16%	3%	3087	2%	3123	3190	20000		20kA	160	?	20	1200/5	1200	3	6 195	86-12	SEIMENS BZO- 121-20-7	
PCB302	54%	1%	4062	0%	4097	4104	7615	91%	Asym 500	40		103	600/5	600	8	3 1	837	GE FK-339-34.5- 500-3	
PCB304	54%	1%	4062	0%	4097	4104	7615	91%	Asym 500	40		103	600/5	600	8	3 1	837	GE FK-339-34.5- 500-3	
PCB306	54%	1%	4062	0%	4097	4104	7615	91%	Asym 500	100		41	600/5	600	8	3 1	837	GE FK-339-34.5- 500-3	
PCB308	54%	1%	4062	0%	4097	4104	7615	91%	Asym 500	80		51	600/5	600	8	3 1	837	GE FK-339-34.5- 500-3	
PCB310	54%	1%	4062	0%	4097	4104	7615	91%	Asym 500	80		51	600/5	600	8	3 1	837	GE FK-339-34.5- 500-3	
CS314	103%	1%	4062	0%	4097	4104	4000		4kA									S&C II-1	
CS316	51%	1%	4062	0%	4097	4104	8000		8kA									S&C IV-1	
318-D2 South Central PPD	41%	1%	4062	0%	4097	4104	10000		10kA									S&C SMD-20	
314-D	41%	1%	4062	0%	4097	4104	10000		10kA									S&C SMD-20	
316-D	41%	1%	4062	0%	4097	4104	10000		10kA									S&C SMD-20	

## **7.0 Regional Flowgate Impact Analysis**

### **7.1 Overview**

Power Transfer Distribution Factors (PTDF)s and Outage Transfer Distribution Factors (OTDF)s were calculated for all flowgates in the Nebraska area utilizing the DFCALC IPLAN program. MAPP DRS criteria were utilized to determine if a defined flowgate was significantly affected by the addition of the wind facilities and potential deliveries. If a PTDF flowgate was impacted by greater than 5.0% and 1 MW or an OTDF flowgate was impacted by greater than 3.0% and 1 MW, the flowgate was considered significantly affected by the addition and mitigation may be required for firm transmission service if AFC is unavailable. The 2010 Spring Peak cases were utilized as the base case models for this analysis. A GEN-to-GEN dispatch was evaluated for each of the wind facilities.

For the GEN-to-GEN evaluation, the incremental generation associated with the new wind generation facilities was dispatched to all other online generation in all other SPP areas. Dispatching the units in this manner best shows the overall impact of dispatching the wind facilities to the entire SPP footprint. The dispatch utilized in the DF analysis was the same dispatch that was utilized in the loadflow analysis portion of the study.

## 7.2 Results

Utilizing the DFCALC IPLAN routine, PTDF and OTDF calculations were performed on each of the generation re-dispatch cases. Table 21 below summarizes the DF results (%) for each flowgate in the Nebraska area. The full DF outputs are contained in Appendix E.

Overall, the results were fairly consistent for each of the five generation interconnection projects. Four PTDF flowgates, COOPER\_S, GRIS\_LNC, FTCAL\_S and WNE\_WKS, were significantly impacted by each of the wind projects. COOPER\_S was the highest impacted flowgate at over 30% DF for each of the wind projects. FTCAL\_S and WNE\_WKS were both impacted at roughly 10% DF for each of the wind projects in Madison County. WNE\_WKS was impacted at roughly 13% DF for the wind project near Rosemont. GRIS\_LNC was impacted by roughly 50% DF for only the Rosemont wind project. The Council Bluffs – River Bend 161 kV FLO Cooper – St. Joe 345 kV and Kelly – Tecumseh Hill 161 kV FLO Cooper – St. Joe 345 kV OTDF flowgates were impacted by roughly 3% by each of the wind projects. Regional flowgate impacts due to the wind projects will be further addressed in the Delivery study. This DF analysis evaluates the impacts on regional flowgates to understand the potential impacts of these future resources on known regional constraints. Ultimately, the transmission service or delivery study will evaluate the final impacts of any deliveries from the wind projects on the regional flowgates. The delivery study will determine if sufficient AFC is available or if any mitigation is required on the regional flowgates due to the impact of the wind projects.

**Table 21. DFCALC Results**

Type	Interface	2010 Spring Peak		
		100.5 MW GEN-2010-010	100.8 MW GEN-2006-044N02	89.7 MW GEN-2008-123N
		GEN-to-GEN (MW)	GEN-to-GEN (MW)	GEN-to-GEN (MW)
PTDF	COOPER_S	<b>34.1%</b> ( <b>34.3 MW</b> )	<b>33.9%</b> ( <b>34.2 MW</b> )	<b>35.1%</b> ( <b>31.5 MW</b> )
	FTCAL_S	<b>14.5%</b> ( <b>14.5 MW</b> )	<b>9.6%</b> ( <b>9.7 MW</b> )	-1.4%
	GGS	0.8%	0.7%	-2.4%
	GRIS_LNC	-2.2%	-5.2%	<b>50.2%</b> ( <b>45.0 MW</b> )
	WNE_WKS	<b>9.3%</b> ( <b>9.4 MW</b> )	<b>9.7%</b> ( <b>9.7 MW</b> )	<b>12.9%</b> ( <b>11.6 MW</b> )
OTDF	S1226TEKAMAH	-7.6%	-4.9%	-0.3%
	RIVERBEND	<b>3.3%</b> ( <b>3.4 MW</b> )	<b>3.3%</b> ( <b>3.3 MW</b> )	<b>3.2%</b> ( <b>2.9 MW</b> )
	KELLYTECH	<b>3.6%</b> ( <b>3.6 MW</b> )	<b>3.6%</b> ( <b>3.6 MW</b> )	<b>3.7%</b> ( <b>3.3 MW</b> )
	TEKRNS3451RN	-1.9%	-1.7%	0.3%

\* Significant Impacts greater than 5% PTDF or 3% OTDF and greater than 1 MW are highlighted in **BOLD**.

## 8.0 Detailed Cost Estimates & Project Schedule

NPPD's Engineering, Asset Management, and Project Management groups have reviewed the list of interconnection facilities and network upgrades that are required for interconnection of the three wind generation projects. Detailed cost estimates have been prepared for each of the interconnection facilities and network upgrades that were identified in the SPP DISIS-2010-001 system impact study and this facility study. It should be noted that the costs associated with any radial transmission facilities required to connect remote generation interconnection facilities to the designated point-of-interconnection to the NPPD transmission system are NOT included in these estimates. The project costs and schedule associated with any radial transmission facilities will be developed during the development of the generation interconnection agreement with the interconnection customer. The prepared cost estimates are budgetary level estimates (+75%/-25%) and assume implementation of standard NPPD construction and procurement practices. The cost estimates for the interconnection facilities and network upgrades are below:

- GEN-2006-044N02 Interconnection Facilities – Madison County 230 kV substation expansion to accommodate new 230 kV interconnection. **\$ 2.8 Million**
- GEN-2008-123 Interconnection Facilities – Rosemont 115 kV substation addition on Pauline – Guide Rock 115 kV line to accommodate new 115 kV interconnection. **\$ 3.9 Million**
- GEN-2010-10 Interconnection Facilities – Madison County 115 kV substation expansion to accommodate new 115 kV interconnection. **\$ 0.8 Million**
- Madison County 230/115 kV Transformer & interconnection with Petersburg North – Madison 115 kV line (DISIS-2009-001 Network Upgrade) – New 336 MVA 230/115 kV transformer, substation additions, and interconnection tie line facilities to tie into the proposed Petersburg North to Madison 115 kV transmission line. **\$ 19.1 Million**
- Madison County – Norfolk 115 kV Line – New 27-mile 115 kV line from Madison County to Norfolk and associated substation expansions. **\$ 18.8 Million**
- Petersburg North – Petersburg – Albion 115 kV Line Rebuild – Rebuild 12.2 miles of transmission line from Petersburg North – Albion 115 kV to address N-1 contingency loading issues identified in DISIS-2010-001 Facility Study. **\$ 5.9 Million**
- Albion 115 kV Circuit Switcher – Replace Albion CS1112 due to short circuit capability issues identified in DISIS-2010-001 Facility Study. **\$ 0.2 Million**

- Guide Rock 115 kV Breaker Additions – Add 115 kV breakers at Guide Rock due to protection coordination issues following the addition of Rosemont 115 kV substation as identified in DISIS-2010-001 Facility Study. **\$ 2.3 Million**

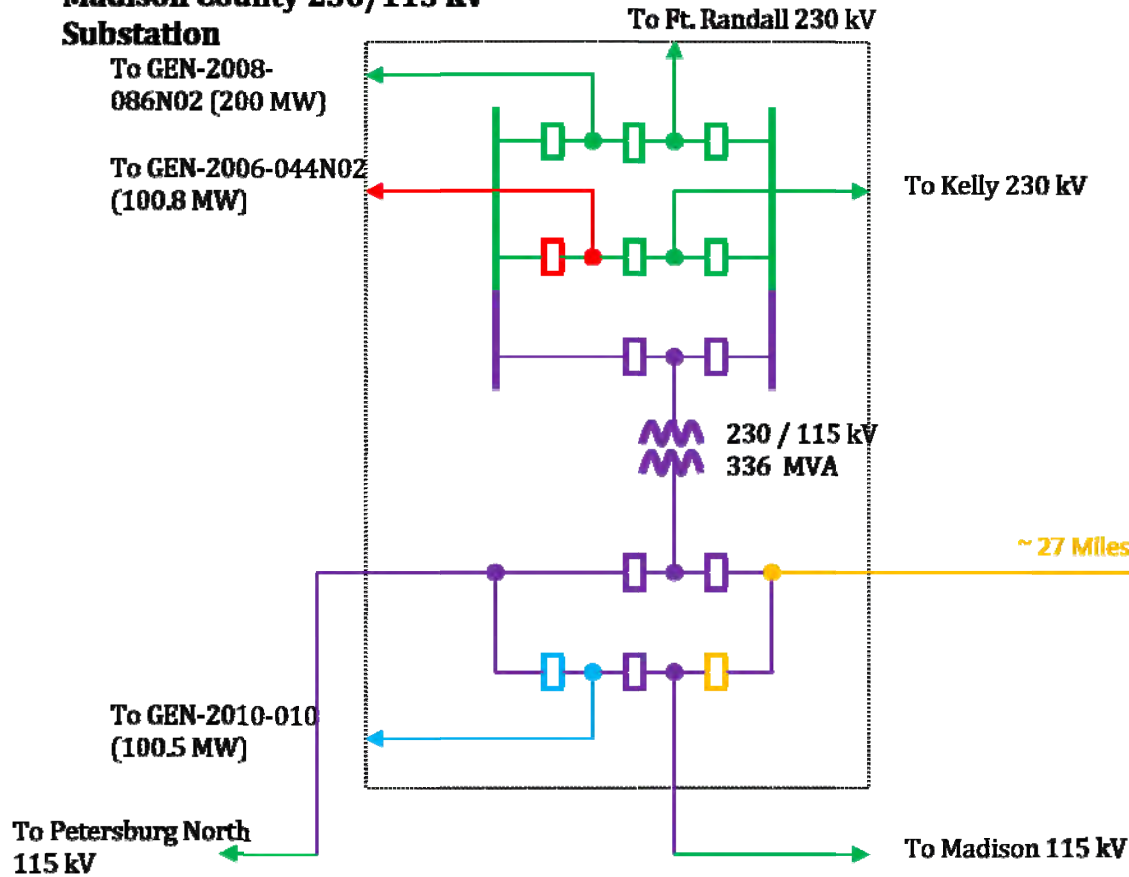
**Total Interconnection & Network Upgrades: \$53.8 Million**

Proposed one-line diagrams of the interconnection and network upgrades are on the following pages. NPPD will work with the wind generation facility projects to develop project schedules for the interconnection facilities and network upgrade projects listed above during the development of the generation interconnection agreement. Typical implementation schedules for new transmission lines ( $\geq 115$  kV) are roughly 4 years to accommodate the public routing process and construction schedules. Substation additions require less land acquisition and typically can be implemented in less time or approximately 2-3 years. Project schedule details will be further discussed in the development of the generator interconnection agreement (GIA) and the milestones associated with the generation interconnection projects.

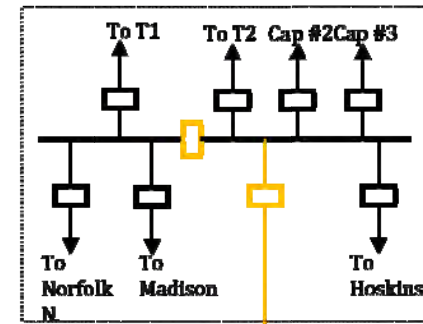
It should be noted that the projects listed above do not include any third party facilities (Yankton Junction – Utica Junction 115 kV & Gavins Point – Yankton Junction 115 kV) that were identified as overloaded in the facility study. SPP will need to coordinate the results of this facility study with these external entities to determine the appropriate mitigations and necessary transmission upgrades. Detailed costs and project schedules would then be developed by SPP and the external entity and communicated to the wind generation interconnection customers.

It should also be noted that the interconnection plan for the DISIS-2010-001 generation projects are dependent on the transmission upgrades/additions that are required as part of the DISIS-2009-001 interconnection plan. If there are any modifications to the DISIS-2009-001 generation or transmission projects, then the interconnection plan for the DISIS-2010-001 projects could be affected. This issue would need to be re-studied and evaluated if for any reason any of the DISIS-2009-001 generation or transmission projects do not move forward.

### Madison County 230/115 kV Substation



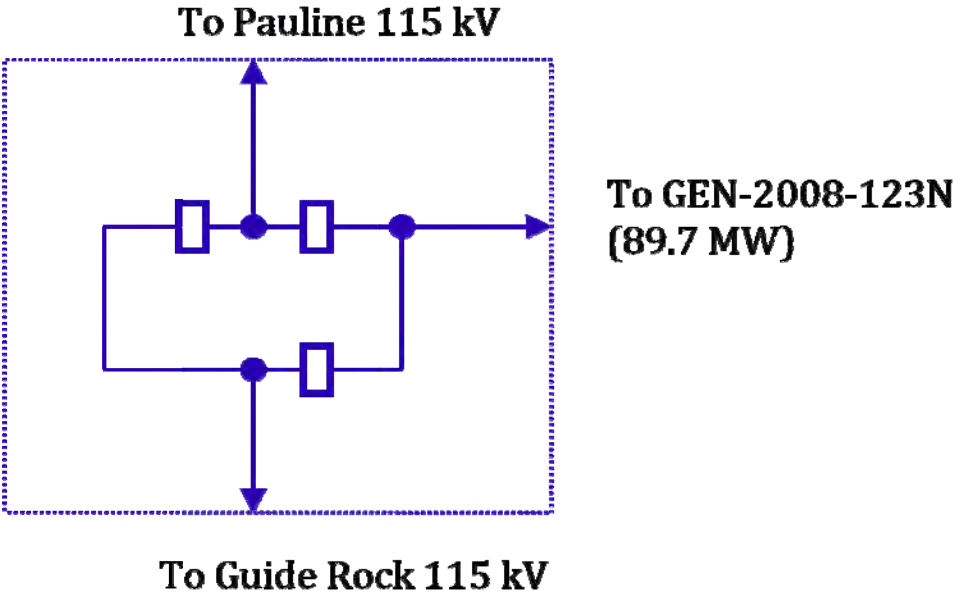
### Norfolk 115 kV Substation



- Upgrades previously allocated to DISIS-2009-001 customers. \$9.3 Million for Madison County 230 kV sub & line upgrades. \$22.3 Million for Petersburg North – Madison 115 kV line.
- GEN-2010-010 Interconnection Facility
- GEN-2006-044N02 Interconnection Facility
- Network Upgrade: Madison County 230/115 kV Transformer, 115 kV ring substation addition, and tie lines to DISIS-2009-001 Petersburg North – Madison 115 kV line
- Network Upgrade: Madison County – Norfolk 115 kV line and substation modifications at Norfolk.



**Rosemont 115 kV Substation**



● GEN-2008-123N Interconnection Facility

# **APPENDIX A**

## **LOADFLOW ANALYSIS – PHASE 1**

### **SYSTEM INTACT & N-1 ACCC SCREENING RESULTS**

**(TPL-001 & TPL-002)**

ACCC OVERLOAD REPORT: MONITORED BRANCHES AND INTERFACES LOADED ABOVE 100.0 % OF RATING SET A  
 CONTINGENCY CASE LOADING NOT CHECKED UNLESS IT DIFFERS FROM ITS BASE CASE LOADING BY 1.0 MVA (MW FOR INTERFACES)  
 ACCC VOLTAGE REPORT: VOLTAGE BAND CHECK IN CONTINGENCY CASES SKIPPED FOR ANY BUS WITHIN 0.01000 OF ITS BASE CASE VOLTAGE MAGNITUDE

AC CONTINGENCY RESULTS FILE: C:\u1\ddbetz\spp-facilities-study\DISIS-2010-001\lf\acc\10G-post.acc  
 DISTRIBUTION FACTOR FILE: C:\u1\ddbetz\spp-facilities-study\DISIS-2010-001\lf\acc\10G-post.dfx  
 SUBSYSTEM DESCRIPTION FILE: C:\u1\ddbetz\spp-facilities-study\DISIS-2010-001\lf\acc\MRO.sub  
 MONITORED ELEMENT FILE: C:\u1\ddbetz\spp-facilities-study\DISIS-2010-001\lf\acc\Nebraska.mon  
 CONTINGENCY DESCRIPTION FILE: C:\u1\ddbetz\spp-facilities-study\DISIS-2010-001\lf\acc\Nebraska.con

Solution engine: Fixed slope decoupled Newton-Raphson (FDNS)  
 Solution options  
 Tap adjustment: Stepping  
 Area interchange control: Disable  
 Phase shift adjustment: Enable  
 Dc tap adjustment: Enable  
 Switch shunt adjustment: Lock all  
 Non diverge: Disable  
 Mismatch tolerance (MW ): 1.5  
 Dispatch mode: Disable

<----- MULTI-SECTION LINE ----->	<----- MONITORED BRANCH ----->	CONTINGENCY	RATING	FLOW	%
640133 COLMBUS4	230.00 643000*MADISONCNTY4230.00 1 BASE CASE	192.0	227.6	115.1	
640133 COLMBUS4	230.00 643000*MADISONCNTY4230.00 1 SINGLE 2	192.0	225.8	114.2	
640133*COLMBUS4	230.00 643000 MADISONCNTY4230.00 1 SINGLE 3	192.0	218.9	112.7	
640133 COLMBUS4	230.00 643000*MADISONCNTY4230.00 1 SINGLE 4	192.0	224.8	113.7	
640133 COLMBUS4	230.00 643000*MADISONCNTY4230.00 1 SINGLE 10	192.0	229.9	116.2	
640133 COLMBUS4	230.00 643000*MADISONCNTY4230.00 1 SINGLE 13	192.0	224.1	113.3	
640133 COLMBUS4	230.00 643000*MADISONCNTY4230.00 1 SINGLE 14	192.0	230.2	116.4	
640133 COLMBUS4	230.00 643000*MADISONCNTY4230.00 1 SINGLE 24	192.0	225.2	113.9	
640133 COLMBUS4	230.00 643000*MADISONCNTY4230.00 1 SINGLE 26	192.0	222.5	112.5	
640133 COLMBUS4	230.00 643000*MADISONCNTY4230.00 1 SINGLE 27	192.0	223.3	112.9	
640133 COLMBUS4	230.00 643000*MADISONCNTY4230.00 1 SINGLE 36	192.0	224.4	113.5	
640133 COLMBUS4	230.00 643000*MADISONCNTY4230.00 1 SINGLE 38	192.0	230.3	116.5	
640133 COLMBUS4	230.00 643000*MADISONCNTY4230.00 1 SINGLE 39	192.0	225.7	114.1	
640133 COLMBUS4	230.00 643000*MADISONCNTY4230.00 1 SINGLE 40	192.0	221.9	112.2	
640133 COLMBUS4	230.00 643000*MADISONCNTY4230.00 1 SINGLE 41	192.0	218.0	110.2	
640133 COLMBUS4	230.00 643000*MADISONCNTY4230.00 1 SINGLE 45	192.0	226.4	114.5	
640133 COLMBUS4	230.00 643000*MADISONCNTY4230.00 1 SINGLE 55	192.0	229.1	115.9	
640133 COLMBUS4	230.00 643000*MADISONCNTY4230.00 1 SINGLE 120	192.0	225.1	113.8	
640133 COLMBUS4	230.00 643000*MADISONCNTY4230.00 1 SINGLE 128	192.0	228.7	115.6	
640133 COLMBUS4	230.00 643000*MADISONCNTY4230.00 1 SINGLE 150	192.0	226.3	114.4	
640133 COLMBUS4	230.00 643000*MADISONCNTY4230.00 1 SINGLE 221	192.0	224.9	113.7	
640133 COLMBUS4	230.00 643000*MADISONCNTY4230.00 1 SINGLE 224	192.0	240.6	121.7	
640133 COLMBUS4	230.00 643000*MADISONCNTY4230.00 1 SINGLE 225	192.0	253.5	128.2	
640133 COLMBUS4	230.00 643000*MADISONCNTY4230.00 1 SINGLE 229	192.0	225.2	113.9	
640133 COLMBUS4	230.00 643000*MADISONCNTY4230.00 1 SINGLE 230	192.0	225.0	113.8	

640133 COLMBUS4	230.00	643000*	MADISONCNTY4230.00	1	SINGLE	243	192.0	231.6	117.1
640133 COLMBUS4	230.00	643000*	MADISONCNTY4230.00	1	SINGLE	244	192.0	231.2	116.9
640133 COLMBUS4	230.00	643000*	MADISONCNTY4230.00	1	SINGLE	250	192.0	229.2	115.9
640133 COLMBUS4	230.00	643000*	MADISONCNTY4230.00	1	SINGLE	251	192.0	228.6	115.6
640133 COLMBUS4	230.00	643000*	MADISONCNTY4230.00	1	SINGLE	252	192.0	229.5	116.0
640133 COLMBUS4	230.00	643000*	MADISONCNTY4230.00	1	SINGLE	255	192.0	230.0	116.3
640133 COLMBUS4	230.00	643000*	MADISONCNTY4230.00	1	SINGLE	258	192.0	225.1	113.8
640133 COLMBUS4	230.00	643000*	MADISONCNTY4230.00	1	SINGLE	259	192.0	230.1	116.3
640133 COLMBUS4	230.00	643000*	MADISONCNTY4230.00	1	SINGLE	263	192.0	229.6	116.1
640133 COLMBUS4	230.00	643000*	MADISONCNTY4230.00	1	SINGLE	265	192.0	224.3	113.4
640133 COLMBUS4	230.00	643000*	MADISONCNTY4230.00	1	SINGLE	267	192.0	229.6	116.1
640133 COLMBUS4	230.00	643000*	MADISONCNTY4230.00	1	SINGLE	269	192.0	228.7	115.6
640133 COLMBUS4	230.00	643000*	MADISONCNTY4230.00	1	SINGLE	270	192.0	229.1	115.9
640133 COLMBUS4	230.00	643000*	MADISONCNTY4230.00	1	SINGLE	281	192.0	228.6	115.6
640133 COLMBUS4	230.00	643000*	MADISONCNTY4230.00	1	SINGLE	284	192.0	226.0	114.3
640133 COLMBUS4	230.00	643000*	MADISONCNTY4230.00	1	SINGLE	290	192.0	231.6	117.1
640133 COLMBUS4	230.00	643000*	MADISONCNTY4230.00	1	SINGLE	297	192.0	226.4	114.5
640133*COLMBUS4	230.00	643000	MADISONCNTY4230.00	1	SINGLE	299	192.0	225.6	116.5
640133 COLMBUS4	230.00	643000*	MADISONCNTY4230.00	1	SINGLE	300	192.0	217.8	110.2
640133 COLMBUS4	230.00	643000*	MADISONCNTY4230.00	1	SINGLE	301	192.0	217.8	110.1
640133 COLMBUS4	230.00	643000*	MADISONCNTY4230.00	1	SINGLE	303	192.0	226.1	114.3
640133 COLMBUS4	230.00	643000*	MADISONCNTY4230.00	1	SINGLE	304	192.0	230.8	116.7
640133 COLMBUS4	230.00	643000*	MADISONCNTY4230.00	1	SINGLE	305	192.0	236.0	119.3
640133*COLMBUS4	230.00	643000	MADISONCNTY4230.00	1	SINGLE	306	192.0	197.5	101.7
640133 COLMBUS4	230.00	643000*	MADISONCNTY4230.00	1	SINGLE	308	192.0	220.0	111.2
640133 COLMBUS4	230.00	643000*	MADISONCNTY4230.00	1	SINGLE	309	192.0	234.9	118.8
640133 COLMBUS4	230.00	643000*	MADISONCNTY4230.00	1	SINGLE	310	192.0	239.0	120.9
640133 COLMBUS4	230.00	643000*	MADISONCNTY4230.00	1	SINGLE	311	192.0	223.5	113.0
640133 COLMBUS4	230.00	643000*	MADISONCNTY4230.00	1	SINGLE	319	192.0	226.4	114.5
640133 COLMBUS4	230.00	643000*	MADISONCNTY4230.00	1	SINGLE	320	192.0	240.3	121.5
640133 COLMBUS4	230.00	643000*	MADISONCNTY4230.00	1	SINGLE	330	192.0	225.3	113.9
640133 COLMBUS4	230.00	643000*	MADISONCNTY4230.00	1	SINGLE	337	192.0	225.8	114.2
640133 COLMBUS4	230.00	643000*	MADISONCNTY4230.00	1	SINGLE	345	192.0	230.3	116.5
640133 COLMBUS4	230.00	643000*	MADISONCNTY4230.00	1	SINGLE	346	192.0	225.5	114.0
640133 COLMBUS4	230.00	643000*	MADISONCNTY4230.00	1	SINGLE	347	192.0	229.3	115.9
640133 COLMBUS4	230.00	643000*	MADISONCNTY4230.00	1	SINGLE	348	192.0	228.9	115.7
640133 COLMBUS4	230.00	643000*	MADISONCNTY4230.00	1	SINGLE	353	192.0	226.1	114.3
640133 COLMBUS4	230.00	643000*	MADISONCNTY4230.00	1	SINGLE	354	192.0	226.5	114.6
640133 COLMBUS4	230.00	643000*	MADISONCNTY4230.00	1	SINGLE	361	192.0	229.0	115.8
640133 COLMBUS4	230.00	643000*	MADISONCNTY4230.00	1	SINGLE	381	192.0	221.9	112.2
640133 COLMBUS4	230.00	643000*	MADISONCNTY4230.00	1	SINGLE	382	192.0	197.9	100.1
640133 COLMBUS4	230.00	643000*	MADISONCNTY4230.00	1	SINGLE	383	192.0	231.6	117.1
640133 COLMBUS4	230.00	643000*	MADISONCNTY4230.00	1	SINGLE	385	192.0	231.3	117.0
640133 COLMBUS4	230.00	643000*	MADISONCNTY4230.00	1	SINGLE	386	192.0	233.6	118.1
640133 COLMBUS4	230.00	643000*	MADISONCNTY4230.00	1	SINGLE	387	192.0	229.5	116.1
640133 COLMBUS4	230.00	643000*	MADISONCNTY4230.00	1	SINGLE	402	192.0	231.6	117.1
640133 COLMBUS4	230.00	643000*	MADISONCNTY4230.00	1	SINGLE	406	192.0	222.9	112.7
640133 COLMBUS4	230.00	643000*	MADISONCNTY4230.00	1	SINGLE	407	192.0	229.8	116.2

640133 COLMBUS4	230.00	643000*	MADISONCNTY4230.00	1	SINGLE 410	192.0	234.8	118.7
640133 COLMBUS4	230.00	643000*	MADISONCNTY4230.00	1	SINGLE 411	192.0	267.3	135.2
640133 COLMBUS4	230.00	643000*	MADISONCNTY4230.00	1	SINGLE 419	192.0	226.3	114.4
640133 COLMBUS4	230.00	643000*	MADISONCNTY4230.00	1	SINGLE 422	192.0	229.6	116.1
640133 COLMBUS4	230.00	643000*	MADISONCNTY4230.00	1	SINGLE 425	192.0	225.6	114.1
640133 COLMBUS4	230.00	643000*	MADISONCNTY4230.00	1	SINGLE 434	192.0	237.7	120.2
640133 COLMBUS4	230.00	643000*	MADISONCNTY4230.00	1	SINGLE 435	192.0	229.6	116.1
640133 COLMBUS4	230.00	643000*	MADISONCNTY4230.00	1	SINGLE 436	192.0	257.7	130.3
640133 COLMBUS4	230.00	643000*	MADISONCNTY4230.00	1	SINGLE 446	192.0	253.9	128.4
640133*COLMBUS4	230.00	643000	MADISONCNTY4230.00	1	SINGLE 455	192.0	197.5	101.7
640133 COLMBUS4	230.00	643000*	MADISONCNTY4230.00	1	SINGLE 459	192.0	229.4	116.0
640133 COLMBUS4	230.00	643000*	MADISONCNTY4230.00	1	SINGLE 463	192.0	230.3	116.5
640133 COLMBUS4	230.00	643000*	MADISONCNTY4230.00	1	SINGLE 466	192.0	226.2	114.4
640133 COLMBUS4	230.00	643000*	MADISONCNTY4230.00	1	SINGLE 473	192.0	220.1	111.3
640133 COLMBUS4	230.00	643000*	MADISONCNTY4230.00	1	SINGLE 474	192.0	221.3	111.9
640133 COLMBUS4	230.00	643000*	MADISONCNTY4230.00	1	SINGLE 476	192.0	208.3	105.3
640133 COLMBUS4	230.00	643000*	MADISONCNTY4230.00	1	SINGLE 491	192.0	243.4	123.1
640133 COLMBUS4	230.00	643000*	MADISONCNTY4230.00	1	SINGLE 497	192.0	226.4	114.5
640133 COLMBUS4	230.00	643000*	MADISONCNTY4230.00	1	SINGLE 499	192.0	226.4	114.5
640133 COLMBUS4	230.00	643000*	MADISONCNTY4230.00	1	SINGLE 500	192.0	225.5	114.0
640133 COLMBUS4	230.00	643000*	MADISONCNTY4230.00	1	SINGLE 502	192.0	226.4	114.5
640133 COLMBUS4	230.00	643000*	MADISONCNTY4230.00	1	SINGLE 503	192.0	231.2	116.9
640133 COLMBUS4	230.00	643000*	MADISONCNTY4230.00	1	SINGLE 626	192.0	231.7	117.2
640133 COLMBUS4	230.00	643000*	MADISONCNTY4230.00	1	SINGLE 627	192.0	233.2	117.9
640133 COLMBUS4	230.00	643000*	MADISONCNTY4230.00	1	SINGLE 630	192.0	229.1	115.9
640133 COLMBUS4	230.00	643000*	MADISONCNTY4230.00	1	SINGLE 702	192.0	228.6	115.6
640133 COLMBUS4	230.00	643000*	MADISONCNTY4230.00	1	SINGLE 703	192.0	228.6	115.6
640133 COLMBUS4	230.00	643000*	MADISONCNTY4230.00	1	SINGLE 705	192.0	226.3	114.5
640133 COLMBUS4	230.00	643000*	MADISONCNTY4230.00	1	SINGLE 712	192.0	229.0	115.8
640133 COLMBUS4	230.00	643000*	MADISONCNTY4230.00	1	SINGLE 713	192.0	229.1	115.9
640133 COLMBUS4	230.00	643000*	MADISONCNTY4230.00	1	SINGLE 726	192.0	229.0	115.8
640133 COLMBUS4	230.00	643000*	MADISONCNTY4230.00	1	SINGLE 728	192.0	232.0	117.3
640133 COLMBUS4	230.00	643000*	MADISONCNTY4230.00	1	SINGLE 734	192.0	229.3	116.0
640133 COLMBUS4	230.00	643000*	MADISONCNTY4230.00	1	SINGLE 744	192.0	230.0	116.3
640133 COLMBUS4	230.00	643000*	MADISONCNTY4230.00	1	SINGLE 745	192.0	229.4	116.0
640133 COLMBUS4	230.00	643000*	MADISONCNTY4230.00	1	SINGLE 746	192.0	229.4	116.0
640133 COLMBUS4	230.00	643000*	MADISONCNTY4230.00	1	SINGLE 753	192.0	230.3	116.4
640133 COLMBUS4	230.00	643000*	MADISONCNTY4230.00	1	SINGLE 756	192.0	228.8	115.7
640133 COLMBUS4	230.00	643000*	MADISONCNTY4230.00	1	SINGLE 757	192.0	228.8	115.7
640133 COLMBUS4	230.00	643000*	MADISONCNTY4230.00	1	SINGLE 763	192.0	221.5	112.0
640133 COLMBUS4	230.00	643000*	MADISONCNTY4230.00	1	SINGLE 764	192.0	224.7	113.6
640133 COLMBUS4	230.00	643000*	MADISONCNTY4230.00	1	SINGLE 765	192.0	228.9	115.7
640133 COLMBUS4	230.00	643000*	MADISONCNTY4230.00	1	SINGLE 773	192.0	243.6	123.2
640133 COLMBUS4	230.00	643000*	MADISONCNTY4230.00	1	SINGLE 774	192.0	240.7	121.7
640133 COLMBUS4	230.00	643000*	MADISONCNTY4230.00	1	SINGLE 775	192.0	230.4	116.5
652511*GAVINS 7	115.00	660006	YKNTJCT7	115.00	1 SINGLE 775	120.0	132.7	107.4
640133 COLMBUS4	230.00	643000*	MADISONCNTY4230.00	1	SINGLE 776	192.0	226.5	114.5
640133 COLMBUS4	230.00	643000*	MADISONCNTY4230.00	1	SINGLE 784	192.0	228.6	115.6

640133	COLMBUS4	230.00	643000*	MADISONCNTY4230.00	1	SINGLE	785	192.0	229.6	116.1	
640133	COLMBUS4	230.00	643000*	MADISONCNTY4230.00	1	SINGLE	786	192.0	229.2	115.9	
640133	COLMBUS4	230.00	643000*	MADISONCNTY4230.00	1	SINGLE	787	192.0	229.3	115.9	
640133	COLMBUS4	230.00	643000*	MADISONCNTY4230.00	1	SINGLE	788	192.0	225.8	114.2	
640133	COLMBUS4	230.00	643000*	MADISONCNTY4230.00	1	SINGLE	793	192.0	229.9	116.2	
652511*	GAVINS 7	115.00	660006	YKNTJCT7	115.00	1	SINGLE	793	120.0	124.8	101.0
640133	COLMBUS4	230.00	643000*	MADISONCNTY4230.00	1	SINGLE	801	192.0	228.9	115.7	
640133	COLMBUS4	230.00	643000*	MADISONCNTY4230.00	1	SINGLE	802	192.0	228.8	115.7	
640133	COLMBUS4	230.00	643000*	MADISONCNTY4230.00	1	SINGLE	803	192.0	228.8	115.7	
640133	COLMBUS4	230.00	643000*	MADISONCNTY4230.00	1	SINGLE	805	192.0	233.1	117.9	
640133	COLMBUS4	230.00	643000*	MADISONCNTY4230.00	1	SINGLE	810	192.0	228.7	115.6	
640133	COLMBUS4	230.00	643000*	MADISONCNTY4230.00	1	SINGLE	811	192.0	229.1	115.9	
640133	COLMBUS4	230.00	643000*	MADISONCNTY4230.00	1	SINGLE	814	192.0	230.4	116.5	
652511*	GAVINS 7	115.00	660006	YKNTJCT7	115.00	1	SINGLE	814	120.0	132.7	107.4
640133	COLMBUS4	230.00	643000*	MADISONCNTY4230.00	1	SINGLE	815	192.0	232.2	117.4	
640133	COLMBUS4	230.00	643000*	MADISONCNTY4230.00	1	SINGLE	823	192.0	226.4	114.5	
640133	COLMBUS4	230.00	643000*	MADISONCNTY4230.00	1	SINGLE	826	192.0	229.2	115.9	
640133	COLMBUS4	230.00	643000*	MADISONCNTY4230.00	1	SINGLE	831	192.0	214.2	108.3	
640133	COLMBUS4	230.00	643000*	MADISONCNTY4230.00	1	SINGLE	832	192.0	229.0	115.8	
640133	COLMBUS4	230.00	643000*	MADISONCNTY4230.00	1	SINGLE	843	192.0	228.6	115.6	
640133	COLMBUS4	230.00	643000*	MADISONCNTY4230.00	1	SINGLE	858	192.0	225.8	114.2	
640133	COLMBUS4	230.00	643000*	MADISONCNTY4230.00	1	SINGLE	862	192.0	228.6	115.6	
659105	LELANDO3	345.00	659201*	LELND1TY	345.00	1	SINGLE	865	250.0	301.2	120.5
659106	LELANDO4	230.00	659201*	LELND1TY	345.00	1	SINGLE	865	250.0	301.2	120.5
659105	LELANDO3	345.00	659201*	LELND1TY	345.00	1	SINGLE	869	250.0	301.2	120.5
659106	LELANDO4	230.00	659201*	LELND1TY	345.00	1	SINGLE	869	250.0	301.2	120.5
640133	COLMBUS4	230.00	643000*	MADISONCNTY4230.00	1	SINGLE	873	192.0	225.8	114.2	
640133	COLMBUS4	230.00	643000*	MADISONCNTY4230.00	1	SINGLE	878	192.0	228.8	115.7	
640133	COLMBUS4	230.00	643000*	MADISONCNTY4230.00	1	SINGLE	879	192.0	225.5	114.0	
640133	COLMBUS4	230.00	643000*	MADISONCNTY4230.00	1	SINGLE	882	192.0	229.0	115.8	
640133	COLMBUS4	230.00	643000*	MADISONCNTY4230.00	1	SINGLE	909	192.0	225.8	114.2	
640133	COLMBUS4	230.00	643000*	MADISONCNTY4230.00	1	SINGLE	910	192.0	214.2	108.3	
640133	COLMBUS4	230.00	643000*	MADISONCNTY4230.00	1	SINGLE	920	192.0	228.6	115.6	
640133	COLMBUS4	230.00	643000*	MADISONCNTY4230.00	1	SINGLE	921	192.0	228.6	115.6	
640133	COLMBUS4	230.00	643000*	MADISONCNTY4230.00	1	SINGLE	926	192.0	228.6	115.6	
640133	COLMBUS4	230.00	643000*	MADISONCNTY4230.00	1	SINGLE	933	192.0	229.0	115.8	
640133	COLMBUS4	230.00	643000*	MADISONCNTY4230.00	1	SINGLE	936	192.0	230.3	116.5	
640133	COLMBUS4	230.00	643000*	MADISONCNTY4230.00	1	SINGLE	938	192.0	232.0	117.3	
640133	COLMBUS4	230.00	643000*	MADISONCNTY4230.00	1	SINGLE	942	192.0	232.2	117.4	
640133	COLMBUS4	230.00	643000*	MADISONCNTY4230.00	1	GEN-COOPER		192.0	237.2	120.0	
640133	COLMBUS4	230.00	643000*	MADISONCNTY4230.00	1	GEN-GGS-1		192.0	238.0	120.3	
640133	COLMBUS4	230.00	643000*	MADISONCNTY4230.00	1	GEN-SS-1		192.0	229.0	115.8	
640133	COLMBUS4	230.00	643000*	MADISONCNTY4230.00	1	GEN-SS-2		192.0	229.2	115.9	
640133	COLMBUS4	230.00	643000*	MADISONCNTY4230.00	1	GEN-PLATTE		192.0	230.3	116.5	
640133	COLMBUS4	230.00	643000*	MADISONCNTY4230.00	1	GEN-WEC1		192.0	229.8	116.2	
640133	COLMBUS4	230.00	643000*	MADISONCNTY4230.00	1	GEN-COLCOG		192.0	233.2	117.9	
640133	COLMBUS4	230.00	643000*	MADISONCNTY4230.00	1	GEN-WEC2		192.0	234.0	118.3	
640133	COLMBUS4	230.00	643000*	MADISONCNTY4230.00	1	GEN-AWEF		192.0	223.2	112.8	

640133	COLMBUS4	230.00	643000*	MADISONCNTY4230.00	1	GEN-E-RIDGE	192.0	221.2	111.9	
640133	COLMBUS4	230.00	643000*	MADISONCNTY4230.00	1	LN-FAIRPORT	192.0	225.3	113.9	
640133	COLMBUS4	230.00	643000*	MADISONCNTY4230.00	1	LN-RUSHVILLE	192.0	226.1	114.3	
640133	COLMBUS4	230.00	643000*	MADISONCNTY4230.00	1	LN-1267	192.0	225.4	114.0	
640133	COLMBUS4	230.00	643000*	MADISONCNTY4230.00	1	LN-1163	192.0	232.1	117.4	
640133	COLMBUS4	230.00	643000*	MADISONCNTY4230.00	1	LN-1169	192.0	229.5	116.0	
640133	COLMBUS4	230.00	643000*	MADISONCNTY4230.00	1	LN-1152	192.0	225.9	114.2	
640133	COLMBUS4	230.00	643000*	MADISONCNTY4230.00	1	LN-N-BEND	192.0	225.6	114.1	
640133	COLMBUS4	230.00	643000*	MADISONCNTY4230.00	1	LN-1161	192.0	228.6	115.6	
640133	COLMBUS4	230.00	643000*	MADISONCNTY4230.00	1	LN-1168	192.0	229.4	116.0	
640183	GENTLMN3	345.00	640184*	GENTLMN4	230.00	2	TRF-GENTLMN	336.0	366.2	109.0
640133	COLMBUS4	230.00	643000*	MADISONCNTY4230.00	1	TRF-HOSKINS	192.0	230.4	116.5	
640133	COLMBUS4	230.00	643000*	MADISONCNTY4230.00	1	TRF-VHILL	192.0	225.9	114.2	
640133	COLMBUS4	230.00	643000*	MADISONCNTY4230.00	1	TRF-KELLY	192.0	220.0	111.2	
640133	COLMBUS4	230.00	643000*	MADISONCNTY4230.00	1	TRF-STEGALL	192.0	214.2	108.3	
640133	COLMBUS4	230.00	643000*	MADISONCNTY4230.00	1	FCS_GEN	192.0	230.5	116.6	
640133	COLMBUS4	230.00	643000*	MADISONCNTY4230.00	1	NC1_GEN	192.0	234.8	118.7	
640133	COLMBUS4	230.00	643000*	MADISONCNTY4230.00	1	NC2_GEN	192.0	236.5	119.6	

## MONITORED VOLTAGE REPORT:

SYSTEM	CONTINGENCY	<----- B U S ----->	V-CONT	V-INIT	V-MAX	V-MIN			
'NEBR	'	RANGE SINGLE 187	636672	GALESBR5	161.00	0.86376	1.01187	1.10000	0.90000
'NEBR	'	RANGE SINGLE 335	640171	FIRTH 7	115.00	0.89609	1.02595	1.10000	0.90000
'NEBR	'	RANGE SINGLE 630	652411	MI CTYE4	230.00	1.15054	1.03000	1.10000	0.90000
'NEBR	'	RANGE SINGLE 630	652412	MI CTYE7	115.00	1.13664	1.02380	1.10000	0.90000
'NEBR	'	RANGE SINGLE 630	659263	LTLMISS7	115.00	1.10586	1.02613	1.10000	0.90000
'NEBR	'	RANGE SINGLE 630	659265	LTLMISS4	230.00	1.10608	1.02811	1.10000	0.90000
'NEBR	'	RANGE SINGLE 630	661004	BAKER 4	230.00	1.11059	1.02696	1.10000	0.90000
'NEBR	'	RANGE SINGLE 913	659216	AVSDC5TY	345.00	0.88418	1.02077	1.10000	0.90000
'NEBR	'	RANGE SINGLE 916	659219	AVSDC8TY	345.00	1.10627	1.04722	1.10000	0.90000
'NEBR	'	RANGE SINGLE 917	659222	AVSD11TY	345.00	0.89819	1.00000	1.10000	0.90000
'NEBR	'	RANGE SINGLE 942	659271	RCDC EAST	4230.00	1.10820	1.02640	1.10000	0.90000

## CONTINGENCY LEGEND:

LABEL	EVENTS
SINGLE 1	: OPEN LINE FROM BUS 300039 [7FAIRPT 345.00] TO BUS 541199 [ST JOE 3 345.00] CKT 1
SINGLE 2	: OPEN LINE FROM BUS 300039 [7FAIRPT 345.00] TO BUS 640139 [COOPER 3 345.00] CKT 1
SINGLE 3	: OPEN LINE FROM BUS 531451 [MINGO 7 345.00] TO BUS 640325 [REDWILO3 345.00] CKT 1
SINGLE 4	: OPEN LINE FROM BUS 541199 [ST JOE 3 345.00] TO BUS 640139 [COOPER 3 345.00] CKT 1
SINGLE 5	: OPEN LINE FROM BUS 603023 [MALLARD7 115.00] TO BUS 652452 [RUGBY 7 115.00] CKT 1
SINGLE 6	: OPEN LINE FROM BUS 603023 [MALLARD7 115.00] TO BUS 659155 [LOGAN 7 115.00] CKT 1
SINGLE 7	: OPEN LINE FROM BUS 603023 [MALLARD7 115.00] TO BUS 659166 [DUNNING7 115.00] CKT 1
SINGLE 8	: OPEN LINE FROM BUS 603023 [MALLARD7 115.00] TO BUS 659190 [NDPRAIRWND 7115.00] CKT 1
SINGLE 9	: OPEN LINE FROM BUS 631069 [ANTA TP5 161.00] TO BUS 652560 [CRESTON5 161.00] CKT 1
SINGLE 10	: OPEN LINE FROM BUS 631069 [ANTA TP5 161.00] TO BUS 652603 [EXIRA 5 161.00] CKT 1
SINGLE 11	: OPEN LINE FROM BUS 635000 [CBLUFFS3 345.00] TO BUS 635013 [PONYCKA3 345.00] CKT 1
SINGLE 12	: OPEN LINE FROM BUS 635000 [CBLUFFS3 345.00] TO BUS 635013 [PONYCKA3 345.00] CKT 2
SINGLE 13	: OPEN LINE FROM BUS 635000 [CBLUFFS3 345.00] TO BUS 635600 [GRIMES 3 345.00] CKT 1

SINGLE 14 : OPEN LINE FROM BUS 635000 [CBLUFFS3 345.00] TO BUS 645456 [S3456 3 345.00] CKT 1  
SINGLE 15 : OPEN LINE FROM BUS 635001 [CBLUFFS5 161.00] TO BUS 635011 [INDNCRK5 161.00] CKT 1  
SINGLE 16 : OPEN LINE FROM BUS 635001 [CBLUFFS5 161.00] TO BUS 635012 [QUICK 5 161.00] CKT 1  
SINGLE 17 : OPEN LINE FROM BUS 635001 [CBLUFFS5 161.00] TO BUS 635030 [RIVRBND5 161.00] CKT 1  
SINGLE 18 : OPEN LINE FROM BUS 635001 [CBLUFFS5 161.00] TO BUS 646206 [S1206 5 161.00] CKT 1  
SINGLE 19 : OPEN LINE FROM BUS 635003 [SUB701 5 161.00] TO BUS 635005 [SUB702 5 161.00] CKT 1  
SINGLE 20 : OPEN LINE FROM BUS 635003 [SUB701 5 161.00] TO BUS 646211 [S1211 5 161.00] CKT 1  
SINGLE 21 : OPEN LINE FROM BUS 635005 [SUB702 5 161.00] TO BUS 635010 [MANAWA 5 161.00] CKT 1  
SINGLE 22 : OPEN LINE FROM BUS 635010 [MANAWA 5 161.00] TO BUS 635011 [INDNCRK5 161.00] CKT 1  
SINGLE 23 : OPEN LINE FROM BUS 635012 [QUICK 5 161.00] TO BUS 635039 [AVOCA 5 161.00] CKT 1  
SINGLE 24 : OPEN LINE FROM BUS 635013 [PONYCKA3 345.00] TO BUS 635100 [RLHILLS3 345.00] CKT 1  
SINGLE 25 : OPEN LINE FROM BUS 635017 [ATCHSNT3 345.00] TO BUS 635018 [ATCHSN 3 345.00] CKT 1  
SINGLE 26 : OPEN LINE FROM BUS 635017 [ATCHSNT3 345.00] TO BUS 635630 [BOONVIL3 345.00] CKT 1  
SINGLE 27 : OPEN LINE FROM BUS 635017 [ATCHSNT3 345.00] TO BUS 640139 [COOPER 3 345.00] CKT 1  
SINGLE 28 : OPEN LINE FROM BUS 635030 [RIVRBND5 161.00] TO BUS 635031 [BUNGE 5 161.00] CKT 1  
SINGLE 29 : OPEN LINE FROM BUS 635031 [BUNGE 5 161.00] TO BUS 635032 [HASTING5 161.00] CKT 1  
SINGLE 30 : OPEN LINE FROM BUS 635032 [HASTING5 161.00] TO BUS 635034 [CLRNDA 5 161.00] CKT 1  
SINGLE 31 : OPEN LINE FROM BUS 635034 [CLRNDA 5 161.00] TO BUS 635038 [BROOKST5 161.00] CKT 1  
SINGLE 32 : OPEN LINE FROM BUS 635037 [BROOKS 5 161.00] TO BUS 635038 [BROOKST5 161.00] CKT 1  
SINGLE 33 : OPEN LINE FROM BUS 635038 [BROOKST5 161.00] TO BUS 652560 [CRESTON5 161.00] CKT 1  
SINGLE 34 : OPEN LINE FROM BUS 635039 [AVOCA 5 161.00] TO BUS 635041 [WALNUT 5 161.00] CKT 1  
SINGLE 35 : OPEN LINE FROM BUS 635041 [WALNUT 5 161.00] TO BUS 638050 [ATLANTC5 161.00] CKT 1  
SINGLE 36 : OPEN LINE FROM BUS 635100 [RLHILLS3 345.00] TO BUS 635635 [MADISON3 345.00] CKT 1  
SINGLE 37 : OPEN LINE FROM BUS 635200 [RAUN 3 345.00] TO BUS 635201 [RAUN 5 161.00] CKT 2  
SINGLE 38 : OPEN LINE FROM BUS 635200 [RAUN 3 345.00] TO BUS 636010 [LEHIGH 3 345.00] CKT 1  
SINGLE 39 : OPEN LINE FROM BUS 635200 [RAUN 3 345.00] TO BUS 640226 [HOSKINS3 345.00] CKT 1  
SINGLE 40 : OPEN LINE FROM BUS 635200 [RAUN 3 345.00] TO BUS 645451 [S3451 3 345.00] CKT 1  
SINGLE 41 : OPEN LINE FROM BUS 635200 [RAUN 3 345.00] TO BUS 652564 [SIOUXCY3 345.00] CKT 1  
SINGLE 42 : OPEN LINE FROM BUS 635201 [RAUN 5 161.00] TO BUS 635202 [NEAL 4 5 161.00] CKT 1  
SINGLE 43 : OPEN LINE FROM BUS 635201 [RAUN 5 161.00] TO BUS 635203 [NEAL N 5 161.00] CKT 1  
SINGLE 44 : OPEN LINE FROM BUS 635201 [RAUN 5 161.00] TO BUS 635203 [NEAL N 5 161.00] CKT 2  
SINGLE 45 : OPEN LINE FROM BUS 635201 [RAUN 5 161.00] TO BUS 635220 [INTCHG 5 161.00] CKT 1  
SINGLE 46 : OPEN LINE FROM BUS 635201 [RAUN 5 161.00] TO BUS 635225 [MORNSD 5 161.00] CKT 1  
SINGLE 47 : OPEN LINE FROM BUS 635201 [RAUN 5 161.00] TO BUS 640377 [TEKAMAH5 161.00] CKT 1  
SINGLE 48 : OPEN LINE FROM BUS 635202 [NEAL 4 5 161.00] TO BUS 635300 [MONONA 5 161.00] CKT 1  
SINGLE 49 : OPEN LINE FROM BUS 635203 [NEAL N 5 161.00] TO BUS 635235 [SALIX 5 161.00] CKT 1  
SINGLE 50 : OPEN LINE FROM BUS 635220 [INTCHG 5 161.00] TO BUS 635221 [KELLOGG5 161.00] CKT 1  
SINGLE 51 : OPEN LINE FROM BUS 635221 [KELLOGG5 161.00] TO BUS 635226 [LEEDS 5 161.00] CKT 1  
SINGLE 52 : OPEN LINE FROM BUS 635223 [PLYMOTH5 161.00] TO BUS 635225 [MORNSD 5 161.00] CKT 1  
SINGLE 53 : OPEN LINE FROM BUS 635223 [PLYMOTH5 161.00] TO BUS 635226 [LEEDS 5 161.00] CKT 1  
SINGLE 54 : OPEN LINE FROM BUS 635223 [PLYMOTH5 161.00] TO BUS 635260 [LEMARST5 161.00] CKT 1  
SINGLE 55 : OPEN LINE FROM BUS 635223 [PLYMOTH5 161.00] TO BUS 652566 [SIOUXCY5 161.00] CKT 1  
SINGLE 56 : OPEN LINE FROM BUS 635260 [LEMARST5 161.00] TO BUS 635261 [LEMARS 5 161.00] CKT 1  
SINGLE 57 : OPEN LINE FROM BUS 635260 [LEMARST5 161.00] TO BUS 635360 [LIT SX 5 161.00] CKT 1  
SINGLE 58 : OPEN LINE FROM BUS 635280 [BVISTA 5 161.00] TO BUS 635340 [SAC 5 161.00] CKT 1  
SINGLE 59 : OPEN LINE FROM BUS 635280 [BVISTA 5 161.00] TO BUS 637570 [WISDOM 5 161.00] CKT 1  
SINGLE 60 : OPEN LINE FROM BUS 635300 [MONONA 5 161.00] TO BUS 635310 [VICTORY5 161.00] CKT 1  
SINGLE 61 : OPEN LINE FROM BUS 635310 [VICTORY5 161.00] TO BUS 635320 [CARROLL5 161.00] CKT 1



SINGLE 62 : OPEN LINE FROM BUS 635320 [CARROLL5 161.00] TO BUS 637283 [DRAGER 5 161.00] CKT 1  
SINGLE 63 : OPEN LINE FROM BUS 635340 [SAC 5 161.00] TO BUS 635350 [CLIPPER5 161.00] CKT 1  
SINGLE 64 : OPEN LINE FROM BUS 635340 [SAC 5 161.00] TO BUS 636029 [POCHNTC5 161.00] CKT 1  
SINGLE 65 : OPEN LINE FROM BUS 635350 [CLIPPER5 161.00] TO BUS 635360 [LIT SX 5 161.00] CKT 1  
SINGLE 66 : OPEN LINE FROM BUS 635600 [GRIMES 3 345.00] TO BUS 635630 [BOONVIL3 345.00] CKT 1  
SINGLE 67 : OPEN LINE FROM BUS 635600 [GRIMES 3 345.00] TO BUS 635700 [SYCAMOR3 345.00] CKT 1  
SINGLE 68 : OPEN LINE FROM BUS 635600 [GRIMES 3 345.00] TO BUS 635700 [SYCAMOR3 345.00] CKT 2  
SINGLE 69 : OPEN LINE FROM BUS 635600 [GRIMES 3 345.00] TO BUS 636010 [LEHIGH 3 345.00] CKT 1  
SINGLE 70 : OPEN LINE FROM BUS 635601 [GRIMES 5 161.00] TO BUS 635602 [142ST 5 161.00] CKT 1  
SINGLE 71 : OPEN LINE FROM BUS 635601 [GRIMES 5 161.00] TO BUS 635605 [GRNGRTP5 161.00] CKT 1  
SINGLE 72 : OPEN LINE FROM BUS 635601 [GRIMES 5 161.00] TO BUS 635608 [LINWELD5 161.00] CKT 1  
SINGLE 73 : OPEN LINE FROM BUS 635602 [142ST 5 161.00] TO BUS 635603 [ALICERD5 161.00] CKT 1  
SINGLE 74 : OPEN LINE FROM BUS 635603 [ALICERD5 161.00] TO BUS 635604 [88TH 5 161.00] CKT 1  
SINGLE 75 : OPEN LINE FROM BUS 635604 [88TH 5 161.00] TO BUS 635610 [ASHAWA5 161.00] CKT 1  
SINGLE 76 : OPEN LINE FROM BUS 635605 [GRNGRTP5 161.00] TO BUS 635606 [GRANGER5 161.00] CKT 1  
SINGLE 77 : OPEN LINE FROM BUS 635605 [GRNGRTP5 161.00] TO BUS 635614 [100 54 5 161.00] CKT 1  
SINGLE 78 : OPEN LINE FROM BUS 635606 [GRANGER5 161.00] TO BUS 635607 [BITRSWT5 161.00] CKT 1  
SINGLE 79 : OPEN LINE FROM BUS 635607 [BITRSWT5 161.00] TO BUS 635710 [NEANKNY5 161.00] CKT 1  
SINGLE 80 : OPEN LINE FROM BUS 635610 [ASHAWA5 161.00] TO BUS 635612 [60TH ST5 161.00] CKT 1  
SINGLE 81 : OPEN LINE FROM BUS 635610 [ASHAWA5 161.00] TO BUS 635616 [109CLK 5 161.00] CKT 1  
SINGLE 82 : OPEN LINE FROM BUS 635610 [ASHAWA5 161.00] TO BUS 635654 [ARMYPOS5 161.00] CKT 1  
SINGLE 83 : OPEN LINE FROM BUS 635610 [ASHAWA5 161.00] TO BUS 635662 [WABASH 5 161.00] CKT 1  
SINGLE 84 : OPEN LINE FROM BUS 635612 [60TH ST5 161.00] TO BUS 635613 [WGRAND5 161.00] CKT 1  
SINGLE 85 : OPEN LINE FROM BUS 635613 [WGRAND5 161.00] TO BUS 635631 [BOONVIL5 161.00] CKT 1  
SINGLE 86 : OPEN LINE FROM BUS 635614 [100 54 5 161.00] TO BUS 635615 [100DUG 5 161.00] CKT 1  
SINGLE 87 : OPEN LINE FROM BUS 635614 [100 54 5 161.00] TO BUS 635701 [SYCAMOR5 161.00] CKT 1  
SINGLE 88 : OPEN LINE FROM BUS 635615 [100DUG 5 161.00] TO BUS 635616 [109CLK 5 161.00] CKT 1  
SINGLE 89 : OPEN LINE FROM BUS 635630 [BOONVIL3 345.00] TO BUS 635635 [MADISON3 345.00] CKT 1  
SINGLE 90 : OPEN LINE FROM BUS 635631 [BOONVIL5 161.00] TO BUS 635632 [EARLHAM5 161.00] CKT 1  
SINGLE 91 : OPEN LINE FROM BUS 635631 [BOONVIL5 161.00] TO BUS 635641 [NORWLK5 161.00] CKT 1  
SINGLE 92 : OPEN LINE FROM BUS 635632 [EARLHAM5 161.00] TO BUS 635633 [ADAIRWF5 161.00] CKT 1  
SINGLE 93 : OPEN LINE FROM BUS 635633 [ADAIRWF5 161.00] TO BUS 638050 [ATLANTC5 161.00] CKT 1  
SINGLE 94 : OPEN LINE FROM BUS 635635 [MADISON3 345.00] TO BUS 635640 [NORWLK3 345.00] CKT 1  
SINGLE 95 : OPEN LINE FROM BUS 635640 [NORWLK3 345.00] TO BUS 635641 [NORWLK5 161.00] CKT 1  
SINGLE 96 : OPEN LINE FROM BUS 635640 [NORWLK3 345.00] TO BUS 635650 [SE POLK3 345.00] CKT 1  
SINGLE 97 : OPEN LINE FROM BUS 635641 [NORWLK5 161.00] TO BUS 635653 [GRENFLD5 161.00] CKT 1  
SINGLE 98 : OPEN LINE FROM BUS 635650 [SE POLK3 345.00] TO BUS 635651 [SEPOLK 5 161.00] CKT 1  
SINGLE 99 : OPEN LINE FROM BUS 635650 [SE POLK3 345.00] TO BUS 635690 [GDMEC 345.00] CKT 1  
SINGLE 100 : OPEN LINE FROM BUS 635651 [SEPOLK 5 161.00] TO BUS 635653 [GRENFLD5 161.00] CKT 1  
SINGLE 101 : OPEN LINE FROM BUS 635651 [SEPOLK 5 161.00] TO BUS 635660 [EASTRLK5 161.00] CKT 1  
SINGLE 102 : OPEN LINE FROM BUS 635651 [SEPOLK 5 161.00] TO BUS 635670 [DMOINES5 161.00] CKT 1  
SINGLE 103 : OPEN LINE FROM BUS 635651 [SEPOLK 5 161.00] TO BUS 635670 [DMOINES5 161.00] CKT 2  
SINGLE 104 : OPEN LINE FROM BUS 635653 [GRENFLD5 161.00] TO BUS 635654 [ARMYPOS5 161.00] CKT 1  
SINGLE 105 : OPEN LINE FROM BUS 635660 [EASTRLK5 161.00] TO BUS 635661 [GLOWAT 5 161.00] CKT 1  
SINGLE 106 : OPEN LINE FROM BUS 635661 [GLOWAT 5 161.00] TO BUS 635662 [WABASH 5 161.00] CKT 1  
SINGLE 107 : OPEN LINE FROM BUS 635662 [WABASH 5 161.00] TO BUS 635664 [MLKING 5 161.00] CKT 1  
SINGLE 108 : OPEN LINE FROM BUS 635664 [MLKING 5 161.00] TO BUS 635665 [FORVER 5 161.00] CKT 1  
SINGLE 109 : OPEN LINE FROM BUS 635665 [FORVER 5 161.00] TO BUS 635701 [SYCAMOR5 161.00] CKT 1

SINGLE 110 : OPEN LINE FROM BUS 635670 [DMOINES5 161.00] TO BUS 635672 [METRO E5 161.00] CKT 1  
SINGLE 111 : OPEN LINE FROM BUS 635672 [METRO E5 161.00] TO BUS 635673 [ALTONA 5 161.00] CKT 1  
SINGLE 112 : OPEN LINE FROM BUS 635673 [ALTONA 5 161.00] TO BUS 635681 [BONDRNT5 161.00] CKT 1  
SINGLE 113 : OPEN LINE FROM BUS 635680 [BONDRNT3 345.00] TO BUS 635690 [GDMEC 345.00] CKT 1  
SINGLE 114 : OPEN LINE FROM BUS 635680 [BONDRNT3 345.00] TO BUS 635700 [SYCAMOR3 345.00] CKT 1  
SINGLE 115 : OPEN LINE FROM BUS 635680 [BONDRNT3 345.00] TO BUS 635730 [MNTZUMA3 345.00] CKT 1  
SINGLE 116 : OPEN LINE FROM BUS 635681 [BONDRNT5 161.00] TO BUS 635701 [SYCAMOR5 161.00] CKT 1  
SINGLE 117 : OPEN LINE FROM BUS 635701 [SYCAMOR5 161.00] TO BUS 635705 [ANKENY 5 161.00] CKT 1  
SINGLE 118 : OPEN LINE FROM BUS 635705 [ANKENY 5 161.00] TO BUS 635710 [NEANKNY5 161.00] CKT 1  
SINGLE 119 : OPEN LINE FROM BUS 635730 [MNTZUMA3 345.00] TO BUS 636400 [HILLS 3 345.00] CKT 1  
SINGLE 120 : OPEN LINE FROM BUS 636000 [WEBSTER3 345.00] TO BUS 636010 [LEHIGH 3 345.00] CKT 1  
SINGLE 121 : OPEN LINE FROM BUS 636001 [WEBSTER5 161.00] TO BUS 636020 [FT.DODG5 161.00] CKT 1  
SINGLE 122 : OPEN LINE FROM BUS 636001 [WEBSTER5 161.00] TO BUS 636025 [HAYES 5 161.00] CKT 1  
SINGLE 123 : OPEN LINE FROM BUS 636001 [WEBSTER5 161.00] TO BUS 636050 [WRIGHT 5 161.00] CKT 1  
SINGLE 124 : OPEN LINE FROM BUS 636001 [WEBSTER5 161.00] TO BUS 637353 [HOPE 5 161.00] CKT 1  
SINGLE 125 : OPEN LINE FROM BUS 636020 [FT.DODG5 161.00] TO BUS 636023 [TATELYL5 161.00] CKT 1  
SINGLE 126 : OPEN LINE FROM BUS 636023 [TATELYL5 161.00] TO BUS 636025 [HAYES 5 161.00] CKT 1  
SINGLE 127 : OPEN LINE FROM BUS 636025 [HAYES 5 161.00] TO BUS 636030 [POMEROY5 161.00] CKT 1  
SINGLE 128 : OPEN LINE FROM BUS 636029 [POCHNTC5 161.00] TO BUS 636030 [POMEROY5 161.00] CKT 1  
SINGLE 129 : OPEN LINE FROM BUS 636050 [WRIGHT 5 161.00] TO BUS 636235 [WALL LK5 161.00] CKT 1  
SINGLE 130 : OPEN LINE FROM BUS 636200 [BLKHAWK5 161.00] TO BUS 636202 [MIDPORT5 161.00] CKT 1  
SINGLE 131 : OPEN LINE FROM BUS 636200 [BLKHAWK5 161.00] TO BUS 636205 [DRFNDRY5 161.00] CKT 1  
SINGLE 132 : OPEN LINE FROM BUS 636200 [BLKHAWK5 161.00] TO BUS 636225 [UNIONTP5 161.00] CKT 1  
SINGLE 133 : OPEN LINE FROM BUS 636200 [BLKHAWK5 161.00] TO BUS 637087 [PLAINFD5 161.00] CKT 1  
SINGLE 134 : OPEN LINE FROM BUS 636202 [MIDPORT5 161.00] TO BUS 636203 [LUNDQST5 161.00] CKT 1  
SINGLE 135 : OPEN LINE FROM BUS 636203 [LUNDQST5 161.00] TO BUS 636204 [DR NE 5 161.00] CKT 1  
SINGLE 136 : OPEN LINE FROM BUS 636203 [LUNDQST5 161.00] TO BUS 636206 [DRCOMP 5 161.00] CKT 1  
SINGLE 137 : OPEN LINE FROM BUS 636204 [DR NE 5 161.00] TO BUS 636210 [WASHBRN5 161.00] CKT 1  
SINGLE 138 : OPEN LINE FROM BUS 636205 [DRFNDRY5 161.00] TO BUS 636206 [DRCOMP 5 161.00] CKT 1  
SINGLE 139 : OPEN LINE FROM BUS 636205 [DRFNDRY5 161.00] TO BUS 636207 [WTWEST 5 161.00] CKT 1  
SINGLE 140 : OPEN LINE FROM BUS 636207 [WTWEST 5 161.00] TO BUS 636208 [DR ENG 5 161.00] CKT 1  
SINGLE 141 : OPEN LINE FROM BUS 636208 [DR ENG 5 161.00] TO BUS 636220 [EL FARM5 161.00] CKT 1  
SINGLE 142 : OPEN LINE FROM BUS 636208 [DR ENG 5 161.00] TO BUS 638040 [CFUINDP5 161.00] CKT 1  
SINGLE 143 : OPEN LINE FROM BUS 636210 [WASHBRN5 161.00] TO BUS 636220 [EL FARM5 161.00] CKT 1  
SINGLE 144 : OPEN LINE FROM BUS 636225 [UNIONTP5 161.00] TO BUS 636240 [BUTLER 5 161.00] CKT 1  
SINGLE 145 : OPEN LINE FROM BUS 636225 [UNIONTP5 161.00] TO BUS 638030 [UNIONCF5 161.00] CKT 1  
SINGLE 146 : OPEN LINE FROM BUS 636230 [FRANKLN5 161.00] TO BUS 636235 [WALL LK5 161.00] CKT 1  
SINGLE 147 : OPEN LINE FROM BUS 636230 [FRANKLN5 161.00] TO BUS 636240 [BUTLER 5 161.00] CKT 1  
SINGLE 148 : OPEN LINE FROM BUS 636230 [FRANKLN5 161.00] TO BUS 637191 [HAMPTON5 161.00] CKT 1  
SINGLE 149 : OPEN LINE FROM BUS 636300 [FLOYD 5 161.00] TO BUS 637087 [PLAINFD5 161.00] CKT 1  
SINGLE 150 : OPEN LINE FROM BUS 636400 [HILLS 3 345.00] TO BUS 636420 [TIFFIN 3 345.00] CKT 1  
SINGLE 151 : OPEN LINE FROM BUS 636400 [HILLS 3 345.00] TO BUS 636630 [SUB 92 3 345.00] CKT 1  
SINGLE 152 : OPEN LINE FROM BUS 636400 [HILLS 3 345.00] TO BUS 636645 [SUB T 3 345.00] CKT 1  
SINGLE 153 : OPEN LINE FROM BUS 636401 [HILLS 5 161.00] TO BUS 636403 [SB EIC 5 161.00] CKT 1  
SINGLE 154 : OPEN LINE FROM BUS 636401 [HILLS 5 161.00] TO BUS 636423 [SB HCIC5 161.00] CKT 1  
SINGLE 155 : OPEN LINE FROM BUS 636401 [HILLS 5 161.00] TO BUS 636678 [SB 89 5 161.00] CKT 1  
SINGLE 156 : OPEN LINE FROM BUS 636403 [SB EIC 5 161.00] TO BUS 636404 [SB YIC 5 161.00] CKT 1  
SINGLE 157 : OPEN LINE FROM BUS 636404 [SB YIC 5 161.00] TO BUS 636405 [SB GIC 5 161.00] CKT 1

SINGLE 158 : OPEN LINE FROM BUS 636405 [SB GIC 5 161.00] TO BUS 636410 [SB PIC 5 161.00] CKT 1  
SINGLE 159 : OPEN LINE FROM BUS 636410 [SB PIC 5 161.00] TO BUS 636415 [SB UIC 5 161.00] CKT 1  
SINGLE 160 : OPEN LINE FROM BUS 636410 [SB PIC 5 161.00] TO BUS 636422 [CRLRIDG5 161.00] CKT 1  
SINGLE 161 : OPEN LINE FROM BUS 636415 [SB UIC 5 161.00] TO BUS 636425 [SB JIC 5 161.00] CKT 1  
SINGLE 162 : OPEN LINE FROM BUS 636420 [TIFFIN 3 345.00] TO BUS 636421 [TIFFIN 5 161.00] CKT 1  
SINGLE 163 : OPEN LINE FROM BUS 636421 [TIFFIN 5 161.00] TO BUS 636422 [CRLRIDG5 161.00] CKT 1  
SINGLE 164 : OPEN LINE FROM BUS 636423 [SB HCIC5 161.00] TO BUS 636425 [SB JIC 5 161.00] CKT 1  
SINGLE 165 : OPEN LINE FROM BUS 636600 [SB 39 3 345.00] TO BUS 636601 [SB 39 5 161.00] CKT 1  
SINGLE 166 : OPEN LINE FROM BUS 636600 [SB 39 3 345.00] TO BUS 636605 [MECCORD3 345.00] CKT 1  
SINGLE 167 : OPEN LINE FROM BUS 636600 [SB 39 3 345.00] TO BUS 636635 [OAKGROV3 345.00] CKT 1  
SINGLE 168 : OPEN LINE FROM BUS 636601 [SB 39 5 161.00] TO BUS 636656 [SB 47 5 161.00] CKT 1  
SINGLE 169 : OPEN LINE FROM BUS 636601 [SB 39 5 161.00] TO BUS 636660 [SB 31T 5 161.00] CKT 1  
SINGLE 170 : OPEN LINE FROM BUS 636601 [SB 39 5 161.00] TO BUS 636668 [SB 43 5 161.00] CKT 1  
SINGLE 171 : OPEN LINE FROM BUS 636610 [SUB 91 3 345.00] TO BUS 636611 [SB 91 5 161.00] CKT 1  
SINGLE 172 : OPEN LINE FROM BUS 636610 [SUB 91 3 345.00] TO BUS 636615 [SB 56 3 345.00] CKT 1  
SINGLE 173 : OPEN LINE FROM BUS 636611 [SB 91 5 161.00] TO BUS 636687 [SBHYC5 161.00] CKT 1  
SINGLE 174 : OPEN LINE FROM BUS 636611 [SB 91 5 161.00] TO BUS 636690 [UTICA R5 161.00] CKT 1  
SINGLE 175 : OPEN LINE FROM BUS 636615 [SB 56 3 345.00] TO BUS 636620 [WALCOTT3 345.00] CKT 1  
SINGLE 176 : OPEN LINE FROM BUS 636616 [SB 56 5 161.00] TO BUS 636626 [IPSCO 5 161.00] CKT 1  
SINGLE 177 : OPEN LINE FROM BUS 636616 [SB 56 5 161.00] TO BUS 636675 [SB 85 5 161.00] CKT 1  
SINGLE 178 : OPEN LINE FROM BUS 636616 [SB 56 5 161.00] TO BUS 636678 [SB 89 5 161.00] CKT 1  
SINGLE 179 : OPEN LINE FROM BUS 636616 [SB 56 5 161.00] TO BUS 636680 [SB 78 5 161.00] CKT 1  
SINGLE 180 : OPEN LINE FROM BUS 636620 [WALCOTT3 345.00] TO BUS 636625 [IPSCO 3 345.00] CKT 1  
SINGLE 181 : OPEN LINE FROM BUS 636620 [WALCOTT3 345.00] TO BUS 636630 [SUB 92 3 345.00] CKT 1  
SINGLE 182 : OPEN LINE FROM BUS 636630 [SUB 92 3 345.00] TO BUS 636640 [LOUISA 3 345.00] CKT 1  
SINGLE 183 : OPEN LINE FROM BUS 636635 [OAKGROV3 345.00] TO BUS 636636 [OAKGROV5 161.00] CKT 1  
SINGLE 184 : OPEN LINE FROM BUS 636635 [OAKGROV3 345.00] TO BUS 636640 [LOUISA 3 345.00] CKT 1  
SINGLE 185 : OPEN LINE FROM BUS 636636 [OAKGROV5 161.00] TO BUS 636670 [SB 18 5 161.00] CKT 1  
SINGLE 186 : OPEN LINE FROM BUS 636636 [OAKGROV5 161.00] TO BUS 636670 [SB 18 5 161.00] CKT 2  
SINGLE 187 : OPEN LINE FROM BUS 636636 [OAKGROV5 161.00] TO BUS 636672 [GALESBR5 161.00] CKT 1  
SINGLE 188 : OPEN LINE FROM BUS 636640 [LOUISA 3 345.00] TO BUS 636645 [SUB T 3 345.00] CKT 1  
SINGLE 189 : OPEN LINE FROM BUS 636650 [SB A 5 161.00] TO BUS 636657 [SB 48 5 161.00] CKT 1  
SINGLE 190 : OPEN LINE FROM BUS 636650 [SB A 5 161.00] TO BUS 636692 [SB 70 5 161.00] CKT 1  
SINGLE 191 : OPEN LINE FROM BUS 636656 [SB 47 5 161.00] TO BUS 636657 [SB 48 5 161.00] CKT 1  
SINGLE 192 : OPEN LINE FROM BUS 636660 [SB 31T 5 161.00] TO BUS 636661 [SB 31 5 161.00] CKT 1  
SINGLE 193 : OPEN LINE FROM BUS 636660 [SB 31T 5 161.00] TO BUS 636662 [SB 28 5 161.00] CKT 1  
SINGLE 194 : OPEN LINE FROM BUS 636662 [SB 28 5 161.00] TO BUS 636665 [SB 17 5 161.00] CKT 1  
SINGLE 195 : OPEN LINE FROM BUS 636665 [SB 17 5 161.00] TO BUS 636667 [SB 49 5 161.00] CKT 1  
SINGLE 196 : OPEN LINE FROM BUS 636668 [SB 43 5 161.00] TO BUS 636670 [SB 18 5 161.00] CKT 1  
SINGLE 197 : OPEN LINE FROM BUS 636670 [SB 18 5 161.00] TO BUS 636673 [SB 112 5 161.00] CKT 1  
SINGLE 198 : OPEN LINE FROM BUS 636670 [SB 18 5 161.00] TO BUS 636675 [SB 85 5 161.00] CKT 1  
SINGLE 199 : OPEN LINE FROM BUS 636675 [SB 85 5 161.00] TO BUS 636676 [SB 52 5 161.00] CKT 1  
SINGLE 200 : OPEN LINE FROM BUS 636675 [SB 85 5 161.00] TO BUS 636677 [SB 53 5 161.00] CKT 1  
SINGLE 201 : OPEN LINE FROM BUS 636680 [SB 78 5 161.00] TO BUS 636681 [58TAP 5 161.00] CKT 1  
SINGLE 202 : OPEN LINE FROM BUS 636681 [58TAP 5 161.00] TO BUS 636682 [SB 58 5 161.00] CKT 1  
SINGLE 203 : OPEN LINE FROM BUS 636681 [58TAP 5 161.00] TO BUS 636685 [SB 74 5 161.00] CKT 1  
SINGLE 204 : OPEN LINE FROM BUS 636682 [SB 58 5 161.00] TO BUS 636683 [SB 76 5 161.00] CKT 1  
SINGLE 205 : OPEN LINE FROM BUS 636683 [SB 76 5 161.00] TO BUS 636685 [SB 74 5 161.00] CKT 1

SINGLE 206 : OPEN LINE FROM BUS 636685 [SB 74 5 161.00] TO BUS 636686 [SUB 77 5 161.00] CKT 1  
SINGLE 207 : OPEN LINE FROM BUS 636685 [SB 74 5 161.00] TO BUS 636690 [UTICA R5 161.00] CKT 1  
SINGLE 208 : OPEN LINE FROM BUS 636686 [SUB 77 5 161.00] TO BUS 636687 [SBHYC5 161.00] CKT 1  
SINGLE 209 : OPEN LINE FROM BUS 636690 [UTICA R5 161.00] TO BUS 636691 [SB 71 5 161.00] CKT 1  
SINGLE 210 : OPEN LINE FROM BUS 636691 [SB 71 5 161.00] TO BUS 636693 [SB 88 5 161.00] CKT 1  
SINGLE 211 : OPEN LINE FROM BUS 636692 [SB 70 5 161.00] TO BUS 636693 [SB 88 5 161.00] CKT 1  
SINGLE 212 : OPEN LINE FROM BUS 637191 [HAMPTON5 161.00] TO BUS 637201 [SHEFFLD5 161.00] CKT 1  
SINGLE 213 : OPEN LINE FROM BUS 637353 [HOPE 5 161.00] TO BUS 637423 [BURT 5 161.00] CKT 1  
SINGLE 214 : OPEN LINE FROM BUS 637423 [BURT 5 161.00] TO BUS 637527 [OSGOOD 5 161.00] CKT 1  
SINGLE 215 : OPEN LINE FROM BUS 637527 [OSGOOD 5 161.00] TO BUS 637570 [WISDOM 5 161.00] CKT 1  
SINGLE 216 : OPEN LINE FROM BUS 637570 [WISDOM 5 161.00] TO BUS 652563 [SPENCER5 161.00] CKT 1  
SINGLE 217 : OPEN LINE FROM BUS 638000 [AMES 5 161.00] TO BUS 638010 [STANGE 5 161.00] CKT 1  
SINGLE 218 : OPEN LINE FROM BUS 638030 [UNIONCF5 161.00] TO BUS 638040 [CFUINDP5 161.00] CKT 1  
SINGLE 220 : OPEN LINE FROM BUS 640050 [AINSWND7 115.00] TO BUS 640096 [CALAMS 7 115.00] CKT 1  
SINGLE 221 : OPEN LINE FROM BUS 640051 [AINSWRT7 115.00] TO BUS 640367 [STUART 7 115.00] CKT 1  
SINGLE 222 : OPEN LINE FROM BUS 640051 [AINSWRT7 115.00] TO BUS 640392 [VALENTN7 115.00] CKT 1  
SINGLE 223 : OPEN LINE FROM BUS 640054 [ALBION 7 115.00] TO BUS 640176 [FULERTN7 115.00] CKT 1  
SINGLE 224 : OPEN LINE FROM BUS 640054 [ALBION 7 115.00] TO BUS 640181 [GENOA 7 115.00] CKT 1  
SINGLE 225 : OPEN LINE FROM BUS 640054 [ALBION 7 115.00] TO BUS 640318 [PETRSBG7 115.00] CKT 1  
SINGLE 226 : OPEN LINE FROM BUS 640054 [ALBION 7 115.00] TO BUS 640347 [SPALDNG7 115.00] CKT 1  
SINGLE 227 : OPEN LINE FROM BUS 640056 [ALDA 7 115.00] TO BUS 640323 [RAVENNA7 115.00] CKT 1  
SINGLE 228 : OPEN LINE FROM BUS 640056 [ALDA 7 115.00] TO BUS 642068 [SUB-A 7 115.00] CKT 1  
SINGLE 229 : OPEN LINE FROM BUS 640058 [ATKINSN7 115.00] TO BUS 640165 [EMMET 7 115.00] CKT 1  
SINGLE 230 : OPEN LINE FROM BUS 640058 [ATKINSN7 115.00] TO BUS 640367 [STUART 7 115.00] CKT 1  
SINGLE 231 : OPEN LINE FROM BUS 640063 [AURORA\_7 115.00] TO BUS 640201 [GR ISLD7 115.00] CKT 1  
SINGLE 232 : OPEN LINE FROM BUS 640063 [AURORA\_7 115.00] TO BUS 640411 [YORK 7 115.00] CKT 1  
SINGLE 233 : OPEN LINE FROM BUS 640065 [AXTELL 3 345.00] TO BUS 640312 [PAULINE3 345.00] CKT 1  
SINGLE 234 : OPEN LINE FROM BUS 640065 [AXTELL 3 345.00] TO BUS 640374 [SWEET W3 345.00] CKT 1  
SINGLE 235 : OPEN LINE FROM BUS 640066 [AXTELL 7 115.00] TO BUS 640224 [HOLDREG7 115.00] CKT 1  
SINGLE 236 : OPEN LINE FROM BUS 640066 [AXTELL 7 115.00] TO BUS 640250 [KEARNEY7 115.00] CKT 1  
SINGLE 237 : OPEN LINE FROM BUS 640066 [AXTELL 7 115.00] TO BUS 640275 [MINDEN 7 115.00] CKT 1  
SINGLE 238 : OPEN LINE FROM BUS 640068 [B.SPRGS7 115.00] TO BUS 640086 [BLUECK 7 115.00] CKT 1  
SINGLE 239 : OPEN LINE FROM BUS 640068 [B.SPRGS7 115.00] TO BUS 640091 [BRULE 7 115.00] CKT 1  
SINGLE 240 : OPEN LINE FROM BUS 640068 [B.SPRGS7 115.00] TO BUS 640246 [JULSTAP7 115.00] CKT 1  
SINGLE 241 : OPEN LINE FROM BUS 640070 [BANCRAFT7 115.00] TO BUS 640163 [EMERSON7 115.00] CKT 1  
SINGLE 242 : OPEN LINE FROM BUS 640070 [BANCRAFT7 115.00] TO BUS 640300 [OAKLAND7 115.00] CKT 1  
SINGLE 243 : OPEN LINE FROM BUS 640072 [BATTLCR7 115.00] TO BUS 640115 [CO.LINE7 115.00] CKT 1  
SINGLE 244 : OPEN LINE FROM BUS 640072 [BATTLCR7 115.00] TO BUS 640296 [NORFK.N7 115.00] CKT 1  
SINGLE 245 : OPEN LINE FROM BUS 640074 [BEAT. S7 115.00] TO BUS 640076 [BEATRCE7 115.00] CKT 1  
SINGLE 246 : OPEN LINE FROM BUS 640076 [BEATRCE7 115.00] TO BUS 640088 [BPS SUB7 115.00] CKT 1  
SINGLE 247 : OPEN LINE FROM BUS 640076 [BEATRCE7 115.00] TO BUS 640088 [BPS SUB7 115.00] CKT 2  
SINGLE 248 : OPEN LINE FROM BUS 640076 [BEATRCE7 115.00] TO BUS 640208 [HARBINE7 115.00] CKT 1  
SINGLE 249 : OPEN LINE FROM BUS 640076 [BEATRCE7 115.00] TO BUS 640361 [STEINER7 115.00] CKT 1  
SINGLE 250 : OPEN LINE FROM BUS 640078 [BEEMER 7 115.00] TO BUS 640357 [STANTON7 115.00] CKT 1  
SINGLE 251 : OPEN LINE FROM BUS 640078 [BEEMER 7 115.00] TO BUS 640400 [W.POINT7 115.00] CKT 1  
SINGLE 252 : OPEN LINE FROM BUS 640080 [BELDEN 7 115.00] TO BUS 640084 [BLMFLD 7 115.00] CKT 1  
SINGLE 253 : OPEN LINE FROM BUS 640080 [BELDEN 7 115.00] TO BUS 640212 [HARTGTN7 115.00] CKT 1  
SINGLE 254 : OPEN LINE FROM BUS 640080 [BELDEN 7 115.00] TO BUS 640228 [HOSKINS7 115.00] CKT 1

SINGLE 255 : OPEN LINE FROM BUS 640080 [BELDEN 7 115.00] TO BUS 640387 [TWIN CH7 115.00] CKT 1  
SINGLE 256 : OPEN LINE FROM BUS 640082 [BEVERLY7 115.00] TO BUS 640167 [ENDERS 7 115.00] CKT 1  
SINGLE 257 : OPEN LINE FROM BUS 640082 [BEVERLY7 115.00] TO BUS 640326 [REDWILO7 115.00] CKT 1  
SINGLE 258 : OPEN LINE FROM BUS 640084 [BLMFLD 7 115.00] TO BUS 640149 [CREITON7 115.00] CKT 1  
SINGLE 259 : OPEN LINE FROM BUS 640084 [BLMFLD 7 115.00] TO BUS 652511 [GAVINS 7 115.00] CKT 1  
SINGLE 260 : OPEN LINE FROM BUS 640086 [BLUECK 7 115.00] TO BUS 659193 [W.HORSE7 115.00] CKT 1  
SINGLE 261 : OPEN LINE FROM BUS 640088 [BPS SUB7 115.00] TO BUS 640111 [CLATONA7 115.00] CKT 1  
SINGLE 262 : OPEN LINE FROM BUS 640088 [BPS SUB7 115.00] TO BUS 640278 [SHELDON7 115.00] CKT 1  
SINGLE 263 : OPEN LINE FROM BUS 640089 [BROKENB7 115.00] TO BUS 640094 [C.CREEK7 115.00] CKT 1  
SINGLE 264 : OPEN LINE FROM BUS 640089 [BROKENB7 115.00] TO BUS 640098 [CALAWAY7 115.00] CKT 1  
SINGLE 265 : OPEN LINE FROM BUS 640089 [BROKENB7 115.00] TO BUS 640259 [LOUPCTY7 115.00] CKT 1  
SINGLE 266 : OPEN LINE FROM BUS 640091 [BRULE 7 115.00] TO BUS 659132 [OGALALA7 115.00] CKT 1  
SINGLE 267 : OPEN LINE FROM BUS 640093 [C.CREEK4 230.00] TO BUS 640094 [C.CREEK7 115.00] CKT 1  
SINGLE 268 : OPEN LINE FROM BUS 640093 [C.CREEK4 230.00] TO BUS 640102 [CANADAY4 230.00] CKT 1  
SINGLE 269 : OPEN LINE FROM BUS 640093 [C.CREEK4 230.00] TO BUS 640286 [N.PLATT4 230.00] CKT 1  
SINGLE 270 : OPEN LINE FROM BUS 640093 [C.CREEK4 230.00] TO BUS 640330 [RIVERDL4 230.00] CKT 1  
SINGLE 271 : OPEN LINE FROM BUS 640096 [CALAMS 7 115.00] TO BUS 640381 [THEDFRD7 115.00] CKT 1  
SINGLE 272 : OPEN LINE FROM BUS 640098 [CALAWAY7 115.00] TO BUS 640267 [MAXWELS7 115.00] CKT 1  
SINGLE 273 : OPEN LINE FROM BUS 640100 [CAMBRIG7 115.00] TO BUS 640194 [GOSPER 7 115.00] CKT 1  
SINGLE 274 : OPEN LINE FROM BUS 640100 [CAMBRIG7 115.00] TO BUS 640269 [MCCOOK 7 115.00] CKT 1  
SINGLE 275 : OPEN LINE FROM BUS 640103 [CANADAY7 115.00] TO BUS 640161 [ELMCRK\_7 115.00] CKT 1  
SINGLE 276 : OPEN LINE FROM BUS 640103 [CANADAY7 115.00] TO BUS 640242 [JOHN.2 7 115.00] CKT 1  
SINGLE 277 : OPEN LINE FROM BUS 640103 [CANADAY7 115.00] TO BUS 640242 [JOHN.2 7 115.00] CKT 2  
SINGLE 278 : OPEN LINE FROM BUS 640103 [CANADAY7 115.00] TO BUS 640256 [LXNGTN 7 115.00] CKT 1  
SINGLE 279 : OPEN LINE FROM BUS 640105 [CARLJCT7 115.00] TO BUS 640178 [GENEVA 7 115.00] CKT 1  
SINGLE 280 : OPEN LINE FROM BUS 640105 [CARLJCT7 115.00] TO BUS 640218 [HEBRN N7 115.00] CKT 1  
SINGLE 281 : OPEN LINE FROM BUS 640107 [CENCITY7 115.00] TO BUS 640201 [GR ISLD7 115.00] CKT 1  
SINGLE 282 : OPEN LINE FROM BUS 640107 [CENCITY7 115.00] TO BUS 640345 [SILVRCK7 115.00] CKT 1  
SINGLE 283 : OPEN LINE FROM BUS 640109 [CHADRON7 115.00] TO BUS 640147 [CRAWFRD7 115.00] CKT 1  
SINGLE 284 : OPEN LINE FROM BUS 640109 [CHADRON7 115.00] TO BUS 640334 [RUSHVIL7 115.00] CKT 1  
SINGLE 285 : OPEN LINE FROM BUS 640109 [CHADRON7 115.00] TO BUS 640405 [WAYSIDE7 115.00] CKT 1  
SINGLE 286 : OPEN LINE FROM BUS 640109 [CHADRON7 115.00] TO BUS 652311 [DUNLAP 7 115.00] CKT 1  
SINGLE 287 : OPEN LINE FROM BUS 640111 [CLATONA7 115.00] TO BUS 640278 [SHELDON7 115.00] CKT 1  
SINGLE 288 : OPEN LINE FROM BUS 640113 [CLRWATR7 115.00] TO BUS 640293 [NELIGH 7 115.00] CKT 1  
SINGLE 289 : OPEN LINE FROM BUS 640113 [CLRWATR7 115.00] TO BUS 640305 [ONEILL 7 115.00] CKT 1  
SINGLE 290 : OPEN LINE FROM BUS 640115 [CO.LINE7 115.00] TO BUS 640293 [NELIGH 7 115.00] CKT 1  
SINGLE 291 : OPEN LINE FROM BUS 640117 [CODY 7 115.00] TO BUS 640394 [VALTN.W7 115.00] CKT 1  
SINGLE 292 : OPEN LINE FROM BUS 640119 [COL.COG7 115.00] TO BUS 640122 [COL.DRY7 115.00] CKT 1  
SINGLE 293 : OPEN LINE FROM BUS 640119 [COL.COG7 115.00] TO BUS 640122 [COL.DRY7 115.00] CKT 2  
SINGLE 294 : OPEN LINE FROM BUS 640119 [COL.COG7 115.00] TO BUS 640124 [COL.SE 7 115.00] CKT 1  
SINGLE 295 : OPEN LINE FROM BUS 640119 [COL.COG7 115.00] TO BUS 640127 [COLMB.E7 115.00] CKT 1  
SINGLE 296 : OPEN LINE FROM BUS 640124 [COL.SE 7 115.00] TO BUS 640136 [COLMBUS7 115.00] CKT 1  
SINGLE 297 : OPEN LINE FROM BUS 640124 [COL.SE 7 115.00] TO BUS 640328 [RISNGCY7 115.00] CKT 1  
SINGLE 298 : OPEN LINE FROM BUS 640125 [COLMB.E3 345.00] TO BUS 640342 [SHELCKR3 345.00] CKT 1  
SINGLE 299 : OPEN LINE FROM BUS 640125 [COLMB.E3 345.00] TO BUS 650114 [NW68HOLDRG3 345.00] CKT 1  
SINGLE 300 : OPEN LINE FROM BUS 640126 [E.COL. 4 230.00] TO BUS 640127 [COLMB.E7 115.00] CKT 1  
SINGLE 301 : OPEN LINE FROM BUS 640126 [E.COL. 4 230.00] TO BUS 640133 [COLMBUS4 230.00] CKT 1  
SINGLE 302 : OPEN LINE FROM BUS 640127 [COLMB.E7 115.00] TO BUS 640136 [COLMBUS7 115.00] CKT 1

SINGLE 303 : OPEN LINE FROM BUS 640127 [COLMB.E7 115.00] TO BUS 640157 [DAVIDCY7 115.00] CKT 1  
SINGLE 304 : OPEN LINE FROM BUS 640131 [COLMB.W4 230.00] TO BUS 640133 [COLMBUS4 230.00] CKT 1  
SINGLE 305 : OPEN LINE FROM BUS 640131 [COLMB.W4 230.00] TO BUS 640200 [GR ISLD4 230.00] CKT 1  
SINGLE 306 : OPEN LINE FROM BUS 640133 [COLMBUS4 230.00] TO BUS 640343 [SHELCRK4 230.00] CKT 1  
SINGLE 307 : OPEN LINE FROM BUS 640133 [COLMBUS4 230.00] TO BUS 643000 [MADISONCNTY4230.00] CKT 1  
SINGLE 308 : OPEN LINE FROM BUS 640134 [KELLY 7 115.00] TO BUS 640136 [COLMBUS7 115.00] CKT 1  
SINGLE 309 : OPEN LINE FROM BUS 640136 [COLMBUS7 115.00] TO BUS 640151 [CRESTON7 115.00] CKT 1  
SINGLE 310 : OPEN LINE FROM BUS 640136 [COLMBUS7 115.00] TO BUS 640181 [GENOA 7 115.00] CKT 1  
SINGLE 311 : OPEN LINE FROM BUS 640136 [COLMBUS7 115.00] TO BUS 640336 [SCHUYLR7 115.00] CKT 1  
SINGLE 312 : OPEN LINE FROM BUS 640136 [COLMBUS7 115.00] TO BUS 640345 [SILVRCK7 115.00] CKT 1  
SINGLE 313 : OPEN LINE FROM BUS 640139 [COOPER 3 345.00] TO BUS 640277 [MOORE 3 345.00] CKT 1  
SINGLE 314 : OPEN LINE FROM BUS 640139 [COOPER 3 345.00] TO BUS 645458 [S3458 3 345.00] CKT 1  
SINGLE 315 : OPEN LINE FROM BUS 640140 [COOPER 5 161.00] TO BUS 646280 [S1280 5 161.00] CKT 1  
SINGLE 316 : OPEN LINE FROM BUS 640144 [COZAD 7 115.00] TO BUS 640196 [GOTHNBG7 115.00] CKT 1  
SINGLE 317 : OPEN LINE FROM BUS 640144 [COZAD 7 115.00] TO BUS 640407 [WESTMIN7 115.00] CKT 1  
SINGLE 318 : OPEN LINE FROM BUS 640147 [CRAWFRD7 115.00] TO BUS 640397 [VICTRYH7 115.00] CKT 1  
SINGLE 319 : OPEN LINE FROM BUS 640149 [CREITON7 115.00] TO BUS 640293 [NELIGH 7 115.00] CKT 1  
SINGLE 320 : OPEN LINE FROM BUS 640151 [CRESTON7 115.00] TO BUS 640263 [MADISON7 115.00] CKT 1  
SINGLE 321 : OPEN LINE FROM BUS 640153 [CRETE\_\_7 115.00] TO BUS 640174 [FRIEND 7 115.00] CKT 1  
SINGLE 322 : OPEN LINE FROM BUS 640153 [CRETE\_\_7 115.00] TO BUS 640278 [SHELDON7 115.00] CKT 1  
SINGLE 323 : OPEN LINE FROM BUS 640155 [DAVEY 7 115.00] TO BUS 640402 [WAHOO 7 115.00] CKT 1  
SINGLE 324 : OPEN LINE FROM BUS 640155 [DAVEY 7 115.00] TO BUS 650269 [70&BLUFF 7 115.00] CKT 1  
SINGLE 325 : OPEN LINE FROM BUS 640157 [DAVIDCY7 115.00] TO BUS 640402 [WAHOO 7 115.00] CKT 1  
SINGLE 326 : OPEN LINE FROM BUS 640159 [DONIPH7 115.00] TO BUS 640282 [N.HAST 7 115.00] CKT 1  
SINGLE 327 : OPEN LINE FROM BUS 640159 [DONIPH7 115.00] TO BUS 642071 [SUB-D 7 115.00] CKT 1  
SINGLE 328 : OPEN LINE FROM BUS 640161 [ELMCRK\_7 115.00] TO BUS 640250 [KEARNEY7 115.00] CKT 1  
SINGLE 329 : OPEN LINE FROM BUS 640163 [EMERSON7 115.00] TO BUS 640387 [TWIN CH7 115.00] CKT 1  
SINGLE 330 : OPEN LINE FROM BUS 640165 [EMMET 7 115.00] TO BUS 640305 [ONEILL 7 115.00] CKT 1  
SINGLE 331 : OPEN LINE FROM BUS 640167 [ENDERS 7 115.00] TO BUS 659130 [GRANTNB7 115.00] CKT 1  
SINGLE 332 : OPEN LINE FROM BUS 640167 [ENDERS 7 115.00] TO BUS 659244 [ATHEY 7 115.00] CKT 1  
SINGLE 333 : OPEN LINE FROM BUS 640169 [FAIRBRY7 115.00] TO BUS 640208 [HARBINE7 115.00] CKT 1  
SINGLE 334 : OPEN LINE FROM BUS 640169 [FAIRBRY7 115.00] TO BUS 640218 [HEBRN N7 115.00] CKT 1  
SINGLE 335 : OPEN LINE FROM BUS 640171 [FIRTH 7 115.00] TO BUS 640278 [SHELDON7 115.00] CKT 1  
SINGLE 336 : OPEN LINE FROM BUS 640171 [FIRTH 7 115.00] TO BUS 640362 [STERLNG7 115.00] CKT 1  
SINGLE 337 : OPEN LINE FROM BUS 640173 [FREMONT7 115.00] TO BUS 640281 [N.BEND 7 115.00] CKT 1  
SINGLE 338 : OPEN LINE FROM BUS 640173 [FREMONT7 115.00] TO BUS 640409 [WINSLOW7 115.00] CKT 1  
SINGLE 339 : OPEN LINE FROM BUS 640173 [FREMONT7 115.00] TO BUS 647976 [S976 8 69.000] CKT 1  
SINGLE 340 : OPEN LINE FROM BUS 640173 [FREMONT7 115.00] TO BUS 647976 [S976 8 69.000] CKT 4  
SINGLE 341 : OPEN LINE FROM BUS 640174 [FRIEND 7 115.00] TO BUS 640178 [GENEVA 7 115.00] CKT 1  
SINGLE 342 : OPEN LINE FROM BUS 640178 [GENEVA 7 115.00] TO BUS 640272 [MCCOOL 7 115.00] CKT 1  
SINGLE 343 : OPEN LINE FROM BUS 640178 [GENEVA 7 115.00] TO BUS 640372 [SUTTON 7 115.00] CKT 1  
SINGLE 344 : OPEN LINE FROM BUS 640183 [GENTLMN3 345.00] TO BUS 640184 [GENTLMN4 230.00] CKT 2  
SINGLE 345 : OPEN LINE FROM BUS 640183 [GENTLMN3 345.00] TO BUS 640252 [KEYSTON3 345.00] CKT 1  
SINGLE 346 : OPEN LINE FROM BUS 640183 [GENTLMN3 345.00] TO BUS 640325 [REDWILO3 345.00] CKT 1  
SINGLE 347 : OPEN LINE FROM BUS 640183 [GENTLMN3 345.00] TO BUS 640374 [SWEET W3 345.00] CKT 1  
SINGLE 348 : OPEN LINE FROM BUS 640183 [GENTLMN3 345.00] TO BUS 640374 [SWEET W3 345.00] CKT 2  
SINGLE 349 : OPEN LINE FROM BUS 640184 [GENTLMN4 230.00] TO BUS 640286 [N.PLATT4 230.00] CKT 1  
SINGLE 350 : OPEN LINE FROM BUS 640184 [GENTLMN4 230.00] TO BUS 640286 [N.PLATT4 230.00] CKT 2

SINGLE 351 : OPEN LINE FROM BUS 640184 [GENTLMN4 230.00] TO BUS 640286 [N.PLATT4 230.00] CKT 3  
SINGLE 352 : OPEN LINE FROM BUS 640184 [GENTLMN4 230.00] TO BUS 640302 [OGALALA4 230.00] CKT 1  
SINGLE 353 : OPEN LINE FROM BUS 640192 [GORDON 7 115.00] TO BUS 640334 [RUSHVIL7 115.00] CKT 1  
SINGLE 354 : OPEN LINE FROM BUS 640192 [GORDON 7 115.00] TO BUS 659152 [SHAN-SD7 115.00] CKT 1  
SINGLE 355 : OPEN LINE FROM BUS 640194 [GOSPER 7 115.00] TO BUS 640242 [JOHN.2 7 115.00] CKT 1  
SINGLE 356 : OPEN LINE FROM BUS 640196 [GOTHNBG7 115.00] TO BUS 640238 [JEFFREY7 115.00] CKT 1  
SINGLE 357 : OPEN LINE FROM BUS 640200 [GR ISLD4 230.00] TO BUS 640201 [GR ISLD7 115.00] CKT 2  
SINGLE 358 : OPEN LINE FROM BUS 640200 [GR ISLD4 230.00] TO BUS 640214 [HASTING4 230.00] CKT 1  
SINGLE 359 : OPEN LINE FROM BUS 640200 [GR ISLD4 230.00] TO BUS 640330 [RIVERDL4 230.00] CKT 1  
SINGLE 360 : OPEN LINE FROM BUS 640200 [GR ISLD4 230.00] TO BUS 652571 [GR ISLD3 345.00] CKT 3  
SINGLE 361 : OPEN LINE FROM BUS 640201 [GR ISLD7 115.00] TO BUS 640353 [ST.LIB 7 115.00] CKT 1  
SINGLE 362 : OPEN LINE FROM BUS 640201 [GR ISLD7 115.00] TO BUS 642071 [SUB-D 7 115.00] CKT 1  
SINGLE 363 : OPEN LINE FROM BUS 640201 [GR ISLD7 115.00] TO BUS 642072 [SUB-E 7 115.00] CKT 1  
SINGLE 364 : OPEN LINE FROM BUS 640206 [GUIDE R7 115.00] TO BUS 640368 [SUPEROR7 115.00] CKT 1  
SINGLE 365 : OPEN LINE FROM BUS 640206 [GUIDE R7 115.00] TO BUS 643050 [ROSEMONT 7115.00] CKT 1  
SINGLE 366 : OPEN LINE FROM BUS 640208 [HARBINE7 115.00] TO BUS 640426 [STEELEC7 115.00] CKT 1  
SINGLE 367 : OPEN LINE FROM BUS 640210 [HARMONY7 115.00] TO BUS 640351 [ST.FRANC 115.00] CKT 1  
SINGLE 368 : OPEN LINE FROM BUS 640210 [HARMONY7 115.00] TO BUS 640392 [VALENTN7 115.00] CKT 1  
SINGLE 369 : OPEN LINE FROM BUS 640212 [HARTGTN7 115.00] TO BUS 652511 [GAVINS 7 115.00] CKT 1  
SINGLE 370 : OPEN LINE FROM BUS 640214 [HASTING4 230.00] TO BUS 641088 [HASTCTY7 115.00] CKT 1  
SINGLE 371 : OPEN LINE FROM BUS 640215 [HASTING7 115.00] TO BUS 640313 [PAULINE7 115.00] CKT 1  
SINGLE 372 : OPEN LINE FROM BUS 640215 [HASTING7 115.00] TO BUS 640313 [PAULINE7 115.00] CKT 2  
SINGLE 373 : OPEN LINE FROM BUS 640215 [HASTING7 115.00] TO BUS 641087 [EGYCNTR7 115.00] CKT 1  
SINGLE 374 : OPEN LINE FROM BUS 640215 [HASTING7 115.00] TO BUS 641088 [HASTCTY7 115.00] CKT 1  
SINGLE 375 : OPEN LINE FROM BUS 640218 [HEBRN N7 115.00] TO BUS 640220 [HEBRON 7 115.00] CKT 1  
SINGLE 376 : OPEN LINE FROM BUS 640220 [HEBRON 7 115.00] TO BUS 640368 [SUPEROR7 115.00] CKT 1  
SINGLE 377 : OPEN LINE FROM BUS 640222 [HILDRTH7 115.00] TO BUS 640224 [HOLDREG7 115.00] CKT 1  
SINGLE 378 : OPEN LINE FROM BUS 640222 [HILDRTH7 115.00] TO BUS 640313 [PAULINE7 115.00] CKT 1  
SINGLE 379 : OPEN LINE FROM BUS 640224 [HOLDREG7 115.00] TO BUS 640242 [JOHN.2 7 115.00] CKT 1  
SINGLE 380 : OPEN LINE FROM BUS 640224 [HOLDREG7 115.00] TO BUS 640310 [ORLEANS7 115.00] CKT 1  
SINGLE 381 : OPEN LINE FROM BUS 640226 [HOSKINS3 345.00] TO BUS 640227 [HOSKINS4 230.00] CKT 1  
SINGLE 382 : OPEN LINE FROM BUS 640226 [HOSKINS3 345.00] TO BUS 640342 [SHELCKR3 345.00] CKT 1  
SINGLE 383 : OPEN LINE FROM BUS 640227 [HOSKINS4 230.00] TO BUS 640228 [HOSKINS7 115.00] CKT 1  
SINGLE 384 : OPEN LINE FROM BUS 640227 [HOSKINS4 230.00] TO BUS 640386 [TWIN CH4 230.00] CKT 1  
SINGLE 385 : OPEN LINE FROM BUS 640228 [HOSKINS7 115.00] TO BUS 640296 [NORFK.N7 115.00] CKT 1  
SINGLE 386 : OPEN LINE FROM BUS 640228 [HOSKINS7 115.00] TO BUS 640298 [NORFOLK7 115.00] CKT 1  
SINGLE 387 : OPEN LINE FROM BUS 640228 [HOSKINS7 115.00] TO BUS 640363 [STNTN.N7 115.00] CKT 1  
SINGLE 388 : OPEN LINE FROM BUS 640234 [HUMBOLT5 161.00] TO BUS 640235 [HUMBOLT7 115.00] CKT 1  
SINGLE 389 : OPEN LINE FROM BUS 640234 [HUMBOLT5 161.00] TO BUS 646280 [S1280 5 161.00] CKT 1  
SINGLE 390 : OPEN LINE FROM BUS 640235 [HUMBOLT7 115.00] TO BUS 640361 [STEINER7 115.00] CKT 1  
SINGLE 391 : OPEN LINE FROM BUS 640238 [JEFFREY7 115.00] TO BUS 640240 [JOHN.1 7 115.00] CKT 1  
SINGLE 392 : OPEN LINE FROM BUS 640238 [JEFFREY7 115.00] TO BUS 640287 [N.PLATT7 115.00] CKT 1  
SINGLE 393 : OPEN LINE FROM BUS 640240 [JOHN.1 7 115.00] TO BUS 640244 [JOHN.LK7 115.00] CKT 1  
SINGLE 394 : OPEN LINE FROM BUS 640242 [JOHN.2 7 115.00] TO BUS 640244 [JOHN.LK7 115.00] CKT 1  
SINGLE 395 : OPEN LINE FROM BUS 640242 [JOHN.2 7 115.00] TO BUS 640407 [WESTMIN7 115.00] CKT 1  
SINGLE 396 : OPEN LINE FROM BUS 640246 [JULSTAP7 115.00] TO BUS 652300 [CHAPPEL7 115.00] CKT 1  
SINGLE 397 : OPEN LINE FROM BUS 640246 [JULSTAP7 115.00] TO BUS 652302 [JULESBG7 115.00] CKT 1  
SINGLE 398 : OPEN LINE FROM BUS 640248 [KEAR.NE7 115.00] TO BUS 640250 [KEARNEY7 115.00] CKT 1

SINGLE 399 : OPEN LINE FROM BUS 640248 [KEAR.NE7 115.00] TO BUS 640331 [RIVERDL7 115.00] CKT 1  
SINGLE 400 : OPEN LINE FROM BUS 640250 [KEARNEY7 115.00] TO BUS 640261 [LOWELL 7 115.00] CKT 1  
SINGLE 401 : OPEN LINE FROM BUS 640250 [KEARNEY7 115.00] TO BUS 640383 [TOWER 7 115.00] CKT 1  
SINGLE 402 : OPEN LINE FROM BUS 640252 [KEYSTON3 345.00] TO BUS 659133 [SIDNEY 3 345.00] CKT 1  
SINGLE 403 : OPEN LINE FROM BUS 640253 [KEYSTON7 115.00] TO BUS 640255 [KINGSLY7 115.00] CKT 1  
SINGLE 404 : OPEN LINE FROM BUS 640253 [KEYSTON7 115.00] TO BUS 659132 [OGALALA7 115.00] CKT 1  
SINGLE 405 : OPEN LINE FROM BUS 640256 [LXNGTN 7 115.00] TO BUS 640331 [RIVERDL7 115.00] CKT 1  
SINGLE 406 : OPEN LINE FROM BUS 640259 [LOUPCTY7 115.00] TO BUS 640284 [N.LOUP 7 115.00] CKT 1  
SINGLE 407 : OPEN LINE FROM BUS 640259 [LOUPCTY7 115.00] TO BUS 640353 [ST.LIB 7 115.00] CKT 1  
SINGLE 408 : OPEN LINE FROM BUS 640261 [LOWELL 7 115.00] TO BUS 640275 [MINDEN 7 115.00] CKT 1  
SINGLE 409 : OPEN LINE FROM BUS 640261 [LOWELL 7 115.00] TO BUS 640321 [PROSSER7 115.00] CKT 1  
SINGLE 410 : OPEN LINE FROM BUS 640263 [MADISON7 115.00] TO BUS 640298 [NORFOLK7 115.00] CKT 1  
SINGLE 411 : OPEN LINE FROM BUS 640263 [MADISON7 115.00] TO BUS 643001 [MADISONCNTY7115.00] CKT 1  
SINGLE 412 : OPEN LINE FROM BUS 640265 [MALONEY7 115.00] TO BUS 640287 [N.PLATT7 115.00] CKT 1  
SINGLE 413 : OPEN LINE FROM BUS 640265 [MALONEY7 115.00] TO BUS 640370 [SUTHLND7 115.00] CKT 1  
SINGLE 414 : OPEN LINE FROM BUS 640267 [MAXWELS7 115.00] TO BUS 640287 [N.PLATT7 115.00] CKT 1  
SINGLE 415 : OPEN LINE FROM BUS 640267 [MAXWELS7 115.00] TO BUS 640381 [THEDFRD7 115.00] CKT 1  
SINGLE 416 : OPEN LINE FROM BUS 640269 [MCCOOK 7 115.00] TO BUS 640326 [REDWILO7 115.00] CKT 1  
SINGLE 417 : OPEN LINE FROM BUS 640269 [MCCOOK 7 115.00] TO BUS 640326 [REDWILO7 115.00] CKT 2  
SINGLE 418 : OPEN LINE FROM BUS 640271 [MCCOOL 3 345.00] TO BUS 640277 [MOORE 3 345.00] CKT 1  
SINGLE 419 : OPEN LINE FROM BUS 640271 [MCCOOL 3 345.00] TO BUS 652571 [GR ISLD3 345.00] CKT 1  
SINGLE 420 : OPEN LINE FROM BUS 640272 [MCCOOL 7 115.00] TO BUS 640413 [YORK SW7 115.00] CKT 1  
SINGLE 421 : OPEN LINE FROM BUS 640277 [MOORE 3 345.00] TO BUS 640312 [PAULINE3 345.00] CKT 1  
SINGLE 422 : OPEN LINE FROM BUS 640277 [MOORE 3 345.00] TO BUS 650114 [NW68HOLDRG3 345.00] CKT 1  
SINGLE 423 : OPEN LINE FROM BUS 640277 [MOORE 3 345.00] TO BUS 650189 [103&ROKEBY3 345.00] CKT 1  
SINGLE 424 : OPEN LINE FROM BUS 640278 [SHELDON7 115.00] TO BUS 650230 [2&N 7 115.00] CKT 1  
SINGLE 425 : OPEN LINE FROM BUS 640281 [N.BEND 7 115.00] TO BUS 640336 [SCHUYLR7 115.00] CKT 1  
SINGLE 426 : OPEN LINE FROM BUS 640281 [N.BEND 7 115.00] TO BUS 648400 [N.BD A9 13.800] CKT 1  
SINGLE 427 : OPEN LINE FROM BUS 640281 [N.BEND 7 115.00] TO BUS 648401 [N.BD B9 13.800] CKT 1  
SINGLE 428 : OPEN LINE FROM BUS 640282 [N.HAST 7 115.00] TO BUS 640321 [PROSSER7 115.00] CKT 1  
SINGLE 429 : OPEN LINE FROM BUS 640282 [N.HAST 7 115.00] TO BUS 641082 [BYPASS 7 115.00] CKT 1  
SINGLE 430 : OPEN LINE FROM BUS 640284 [N.LOUP 7 115.00] TO BUS 640308 [ORD 7 115.00] CKT 1  
SINGLE 431 : OPEN LINE FROM BUS 640284 [N.LOUP 7 115.00] TO BUS 640347 [SPALDNG7 115.00] CKT 1  
SINGLE 432 : OPEN LINE FROM BUS 640286 [N.PLATT4 230.00] TO BUS 640287 [N.PLATT7 115.00] CKT 2  
SINGLE 433 : OPEN LINE FROM BUS 640287 [N.PLATT7 115.00] TO BUS 640365 [STOCKVL7 115.00] CKT 1  
SINGLE 434 : OPEN LINE FROM BUS 640293 [NELIGH 7 115.00] TO BUS 640444 [PETERSBRG.N7115.00] CKT 1  
SINGLE 435 : OPEN LINE FROM BUS 640296 [NORFK.N7 115.00] TO BUS 640298 [NORFOLK7 115.00] CKT 1  
SINGLE 436 : OPEN LINE FROM BUS 640298 [NORFOLK7 115.00] TO BUS 643001 [MADISONCNTY7115.00] CKT 1  
SINGLE 437 : OPEN LINE FROM BUS 640300 [OAKLAND7 115.00] TO BUS 640378 [TEKAMAH7 115.00] CKT 1  
SINGLE 438 : OPEN LINE FROM BUS 640300 [OAKLAND7 115.00] TO BUS 640400 [W.POINT7 115.00] CKT 1  
SINGLE 439 : OPEN LINE FROM BUS 640300 [OAKLAND7 115.00] TO BUS 640409 [WINSLOW7 115.00] CKT 1  
SINGLE 440 : OPEN LINE FROM BUS 640302 [OGALALA4 230.00] TO BUS 659132 [OGALALA7 115.00] CKT 1  
SINGLE 441 : OPEN LINE FROM BUS 640302 [OGALALA4 230.00] TO BUS 659134 [SIDNEY 4 230.00] CKT 1  
SINGLE 442 : OPEN LINE FROM BUS 640305 [ONEILL 7 115.00] TO BUS 640349 [SPENCER7 115.00] CKT 1  
SINGLE 443 : OPEN LINE FROM BUS 640313 [PAULINE7 115.00] TO BUS 643050 [ROSEMONT 7115.00] CKT 1  
SINGLE 444 : OPEN LINE FROM BUS 640316 [PAWNEEL7 115.00] TO BUS 640340 [SEWARD 7 115.00] CKT 1  
SINGLE 445 : OPEN LINE FROM BUS 640316 [PAWNEEL7 115.00] TO BUS 650214 [NW68HOLDRG7 115.00] CKT 1  
SINGLE 446 : OPEN LINE FROM BUS 640318 [PETRSBG7 115.00] TO BUS 640444 [PETERSBRG.N7115.00] CKT 1



SINGLE 447 : OPEN LINE FROM BUS 640323 [RAVENNA7 115.00] TO BUS 640331 [RIVERDL7 115.00] CKT 1  
SINGLE 448 : OPEN LINE FROM BUS 640326 [REDWILO7 115.00] TO BUS 640365 [STOCKVL7 115.00] CKT 1  
SINGLE 449 : OPEN LINE FROM BUS 640328 [RISNGCY7 115.00] TO BUS 640340 [SEWARD 7 115.00] CKT 1  
SINGLE 450 : OPEN LINE FROM BUS 640330 [RIVERDL4 230.00] TO BUS 640331 [RIVERDL7 115.00] CKT 1  
SINGLE 451 : OPEN LINE FROM BUS 640331 [RIVERDL7 115.00] TO BUS 640383 [TOWER 7 115.00] CKT 1  
SINGLE 452 : OPEN LINE FROM BUS 640338 [SCOTBLF7 115.00] TO BUS 640397 [VICTRYH7 115.00] CKT 1  
SINGLE 453 : OPEN LINE FROM BUS 640338 [SCOTBLF7 115.00] TO BUS 659242 [GERINGT7 115.00] CKT 1  
SINGLE 454 : OPEN LINE FROM BUS 640340 [SEWARD 7 115.00] TO BUS 640375 [TAMORA 7 115.00] CKT 1  
SINGLE 455 : OPEN LINE FROM BUS 640342 [SHELCKR3 345.00] TO BUS 640343 [SHELCKR4 230.00] CKT 1  
SINGLE 456 : OPEN LINE FROM BUS 640349 [SPENCER7 115.00] TO BUS 652510 [FTRANDL7 115.00] CKT 1  
SINGLE 457 : OPEN LINE FROM BUS 640351 [ST.FRANC 115.00] TO BUS 652482 [MISSION7 115.00] CKT 1  
SINGLE 458 : OPEN LINE FROM BUS 640353 [ST.LIB 7 115.00] TO BUS 640355 [ST.PAUL7 115.00] CKT 1  
SINGLE 459 : OPEN LINE FROM BUS 640357 [STANTON7 115.00] TO BUS 640363 [STNTN.N7 115.00] CKT 1  
SINGLE 460 : OPEN LINE FROM BUS 640362 [STERLNG7 115.00] TO BUS 647974 [S974 8 69.000] CKT 1  
SINGLE 461 : OPEN LINE FROM BUS 640370 [SUTHLND7 115.00] TO BUS 659186 [PAXTON 7 115.00] CKT 1  
SINGLE 462 : OPEN LINE FROM BUS 640372 [SUTTON 7 115.00] TO BUS 641087 [EGYCNTR7 115.00] CKT 1  
SINGLE 463 : OPEN LINE FROM BUS 640374 [SWEET W3 345.00] TO BUS 652571 [GR ISLD3 345.00] CKT 1  
SINGLE 464 : OPEN LINE FROM BUS 640375 [TAMORA 7 115.00] TO BUS 640411 [YORK 7 115.00] CKT 1  
SINGLE 465 : OPEN LINE FROM BUS 640377 [TEKAMAH5 161.00] TO BUS 640378 [TEKAMAH7 115.00] CKT 1  
SINGLE 466 : OPEN LINE FROM BUS 640377 [TEKAMAH5 161.00] TO BUS 646226 [S1226 5 161.00] CKT 1  
SINGLE 467 : OPEN LINE FROM BUS 640386 [TWIN CH4 230.00] TO BUS 640387 [TWIN CH7 115.00] CKT 1  
SINGLE 468 : OPEN LINE FROM BUS 640386 [TWIN CH4 230.00] TO BUS 640387 [TWIN CH7 115.00] CKT 2  
SINGLE 469 : OPEN LINE FROM BUS 640386 [TWIN CH4 230.00] TO BUS 652565 [SIOUXCY4 230.00] CKT 1  
SINGLE 470 : OPEN LINE FROM BUS 640392 [VALENTN7 115.00] TO BUS 640394 [VALTN.W7 115.00] CKT 1  
SINGLE 472 : OPEN LINE FROM BUS 640402 [WAHOO 7 115.00] TO BUS 648402 [WAHOO 29 13.800] CKT 1  
SINGLE 473 : OPEN LINE FROM BUS 640404 [WAYSIDE4 230.00] TO BUS 652484 [NUNDRWD4 230.00] CKT 1  
SINGLE 474 : OPEN LINE FROM BUS 640404 [WAYSIDE4 230.00] TO BUS 652573 [STEGALL4 230.00] CKT 1  
SINGLE 475 : OPEN LINE FROM BUS 640411 [YORK 7 115.00] TO BUS 640413 [YORK SW7 115.00] CKT 1  
SINGLE 476 : OPEN LINE FROM BUS 640444 [PETERSBRG.N7115.00] TO BUS 643001 [MADISONCNTY7115.00] CKT 1  
SINGLE 477 : OPEN LINE FROM BUS 641082 [BYPASS 7 115.00] TO BUS 641084 [DENVER 7 115.00] CKT 1  
SINGLE 478 : OPEN LINE FROM BUS 641082 [BYPASS 7 115.00] TO BUS 641085 [E7THST 7 115.00] CKT 1  
SINGLE 479 : OPEN LINE FROM BUS 641083 [D.HENRY7 115.00] TO BUS 641084 [DENVER 7 115.00] CKT 1  
SINGLE 480 : OPEN LINE FROM BUS 641083 [D.HENRY7 115.00] TO BUS 641090 [S. 281 7 115.00] CKT 1  
SINGLE 481 : OPEN LINE FROM BUS 641085 [E7THST 7 115.00] TO BUS 641088 [HASTCTY7 115.00] CKT 1  
SINGLE 482 : OPEN LINE FROM BUS 641087 [EGYCNTR7 115.00] TO BUS 641088 [HASTCTY7 115.00] CKT 1  
SINGLE 483 : OPEN LINE FROM BUS 641087 [EGYCNTR7 115.00] TO BUS 641090 [S. 281 7 115.00] CKT 1  
SINGLE 484 : OPEN LINE FROM BUS 642066 [SUB-H G 115.00] TO BUS 642071 [SUB-D 7 115.00] CKT 1  
SINGLE 485 : OPEN LINE FROM BUS 642066 [SUB-H G 115.00] TO BUS 642072 [SUB-E 7 115.00] CKT 1  
SINGLE 486 : OPEN LINE FROM BUS 642068 [SUB-A 7 115.00] TO BUS 642069 [SUB-B 7 115.00] CKT 1  
SINGLE 487 : OPEN LINE FROM BUS 642068 [SUB-A 7 115.00] TO BUS 642071 [SUB-D 7 115.00] CKT 1  
SINGLE 488 : OPEN LINE FROM BUS 642069 [SUB-B 7 115.00] TO BUS 642073 [SUB-F 7 115.00] CKT 1  
SINGLE 489 : OPEN LINE FROM BUS 642070 [SUB-C 7 115.00] TO BUS 642072 [SUB-E 7 115.00] CKT 1  
SINGLE 490 : OPEN LINE FROM BUS 642070 [SUB-C 7 115.00] TO BUS 642073 [SUB-F 7 115.00] CKT 1  
SINGLE 491 : OPEN LINE FROM BUS 643000 [MADISONCNTY4230.00] TO BUS 652509 [FTRANDL4 230.00] CKT 1  
SINGLE 492 : OPEN LINE FROM BUS 643001 [MADISONCNTY7115.00] TO BUS 643005 [EMERICK 7115.00] CKT 1  
SINGLE 493 : OPEN LINE FROM BUS 645100 [FC1A 5 161.00] TO BUS 646251 [S1251 5 161.00] CKT 1  
SINGLE 494 : OPEN LINE FROM BUS 645451 [S3451 3 345.00] TO BUS 645454 [S3454 3 345.00] CKT 1  
SINGLE 495 : OPEN LINE FROM BUS 645451 [S3451 3 345.00] TO BUS 645459 [S3459 3 345.00] CKT 1

SINGLE 496 : OPEN LINE FROM BUS 645454 [S3454 3 345.00] TO BUS 645455 [S3455 3 345.00] CKT 1  
SINGLE 497 : OPEN LINE FROM BUS 645454 [S3454 3 345.00] TO BUS 650185 [WAGENER 3 345.00] CKT 1  
SINGLE 498 : OPEN LINE FROM BUS 645455 [S3455 3 345.00] TO BUS 645456 [S3456 3 345.00] CKT 1  
SINGLE 499 : OPEN LINE FROM BUS 645455 [S3455 3 345.00] TO BUS 645740 [S3740 3 345.00] CKT 1  
SINGLE 500 : OPEN LINE FROM BUS 645456 [S3456 3 345.00] TO BUS 645458 [S3458 3 345.00] CKT 1  
SINGLE 501 : OPEN LINE FROM BUS 645456 [S3456 3 345.00] TO BUS 645459 [S3459 3 345.00] CKT 1  
SINGLE 502 : OPEN LINE FROM BUS 645458 [S3458 3 345.00] TO BUS 645740 [S3740 3 345.00] CKT 1  
SINGLE 503 : OPEN LINE FROM BUS 645458 [S3458 3 345.00] TO BUS 650189 [103&ROKEBY3 345.00] CKT 1  
SINGLE 504 : OPEN LINE FROM BUS 646201 [S1201 5 161.00] TO BUS 646206 [S1206 5 161.00] CKT 1  
SINGLE 505 : OPEN LINE FROM BUS 646201 [S1201 5 161.00] TO BUS 646220 [S1220 5 161.00] CKT 1  
SINGLE 506 : OPEN LINE FROM BUS 646201 [S1201 5 161.00] TO BUS 646229 [S1229 5 161.00] CKT 1  
SINGLE 507 : OPEN LINE FROM BUS 646201 [S1201 5 161.00] TO BUS 646286 [S1286 5 161.00] CKT 1  
SINGLE 508 : OPEN LINE FROM BUS 646206 [S1206 5 161.00] TO BUS 646216 [S1216 5 161.00] CKT 1  
SINGLE 509 : OPEN LINE FROM BUS 646206 [S1206 5 161.00] TO BUS 646232 [S1232 5 161.00] CKT 1  
SINGLE 510 : OPEN LINE FROM BUS 646206 [S1206 5 161.00] TO BUS 646244 [S1244 5 161.00] CKT 1  
SINGLE 511 : OPEN LINE FROM BUS 646209 [S1209 5 161.00] TO BUS 646231 [S1231 5 161.00] CKT 1  
SINGLE 512 : OPEN LINE FROM BUS 646209 [S1209 5 161.00] TO BUS 646231 [S1231 5 161.00] CKT 2  
SINGLE 513 : OPEN LINE FROM BUS 646209 [S1209 5 161.00] TO BUS 646250 [S1250 5 161.00] CKT 1  
SINGLE 514 : OPEN LINE FROM BUS 646209 [S1209 5 161.00] TO BUS 646250 [S1250 5 161.00] CKT 2  
SINGLE 515 : OPEN LINE FROM BUS 646209 [S1209 5 161.00] TO BUS 646252 [S1252 5 161.00] CKT 1  
SINGLE 516 : OPEN LINE FROM BUS 646210 [S1210 5 161.00] TO BUS 646217 [S1217 5 161.00] CKT 1  
SINGLE 517 : OPEN LINE FROM BUS 646210 [S1210 5 161.00] TO BUS 646222 [S1222 5 161.00] CKT 1  
SINGLE 518 : OPEN LINE FROM BUS 646211 [S1211 5 161.00] TO BUS 646220 [S1220 5 161.00] CKT 1  
SINGLE 519 : OPEN LINE FROM BUS 646211 [S1211 5 161.00] TO BUS 646250 [S1250 5 161.00] CKT 1  
SINGLE 520 : OPEN LINE FROM BUS 646211 [S1211 5 161.00] TO BUS 646250 [S1250 5 161.00] CKT 2  
SINGLE 521 : OPEN LINE FROM BUS 646211 [S1211 5 161.00] TO BUS 646299 [S1299 5 161.00] CKT 1  
SINGLE 522 : OPEN LINE FROM BUS 646214 [S1214 5 161.00] TO BUS 646287 [S1287 5 161.00] CKT 1  
SINGLE 523 : OPEN LINE FROM BUS 646214 [S1214 5 161.00] TO BUS 650169 [70&BLUFF 5 161.00] CKT 1  
SINGLE 524 : OPEN LINE FROM BUS 646216 [S1216 5 161.00] TO BUS 646217 [S1217 5 161.00] CKT 1  
SINGLE 525 : OPEN LINE FROM BUS 646217 [S1217 5 161.00] TO BUS 646227 [S1227 5 161.00] CKT 1  
SINGLE 526 : OPEN LINE FROM BUS 646221 [S1221 5 161.00] TO BUS 646231 [S1231 5 161.00] CKT 1  
SINGLE 527 : OPEN LINE FROM BUS 646221 [S1221 5 161.00] TO BUS 646255 [S1255 5 161.00] CKT 1  
SINGLE 528 : OPEN LINE FROM BUS 646222 [S1222 5 161.00] TO BUS 646229 [S1229 5 161.00] CKT 1  
SINGLE 529 : OPEN LINE FROM BUS 646226 [S1226 5 161.00] TO BUS 646237 [S1237 5 161.00] CKT 1  
SINGLE 530 : OPEN LINE FROM BUS 646226 [S1226 5 161.00] TO BUS 646252 [S1252 5 161.00] CKT 1  
SINGLE 531 : OPEN LINE FROM BUS 646226 [S1226 5 161.00] TO BUS 646298 [S1298 5 161.00] CKT 1  
SINGLE 532 : OPEN LINE FROM BUS 646226 [S1226 5 161.00] TO BUS 646298 [S1298 5 161.00] CKT 2  
SINGLE 533 : OPEN LINE FROM BUS 646227 [S1227 5 161.00] TO BUS 646231 [S1231 5 161.00] CKT 1  
SINGLE 534 : OPEN LINE FROM BUS 646231 [S1231 5 161.00] TO BUS 646235 [S1235 5 161.00] CKT 1  
SINGLE 535 : OPEN LINE FROM BUS 646232 [S1232 5 161.00] TO BUS 646278 [S1278 5 161.00] CKT 1  
SINGLE 536 : OPEN LINE FROM BUS 646233 [S1233 5 161.00] TO BUS 646234 [S1234 5 161.00] CKT 1  
SINGLE 537 : OPEN LINE FROM BUS 646233 [S1233 5 161.00] TO BUS 646255 [S1255 5 161.00] CKT 1  
SINGLE 538 : OPEN LINE FROM BUS 646234 [S1234 5 161.00] TO BUS 646235 [S1235 5 161.00] CKT 1  
SINGLE 539 : OPEN LINE FROM BUS 646235 [S1235 5 161.00] TO BUS 646236 [S1236 5 161.00] CKT 1  
SINGLE 540 : OPEN LINE FROM BUS 646235 [S1235 5 161.00] TO BUS 646253 [S1253 5 161.00] CKT 1  
SINGLE 541 : OPEN LINE FROM BUS 646236 [S1236 5 161.00] TO BUS 646345 [S1345 5 161.00] CKT 1  
SINGLE 542 : OPEN LINE FROM BUS 646237 [S1237 5 161.00] TO BUS 646253 [S1253 5 161.00] CKT 1  
SINGLE 543 : OPEN LINE FROM BUS 646237 [S1237 5 161.00] TO BUS 646345 [S1345 5 161.00] CKT 1

SINGLE 544 : OPEN LINE FROM BUS 646244 [S1244 5 161.00] TO BUS 646258 [S1258 5 161.00] CKT 1  
SINGLE 545 : OPEN LINE FROM BUS 646249 [S1249 5 161.00] TO BUS 646254 [S1254 5 161.00] CKT 1  
SINGLE 546 : OPEN LINE FROM BUS 646249 [S1249 5 161.00] TO BUS 646256 [S1256 5 161.00] CKT 1  
SINGLE 547 : OPEN LINE FROM BUS 646250 [S1250 5 161.00] TO BUS 646297 [S1297 5 161.00] CKT 1  
SINGLE 548 : OPEN LINE FROM BUS 646251 [S1251 5 161.00] TO BUS 646297 [S1297 5 161.00] CKT 1  
SINGLE 549 : OPEN LINE FROM BUS 646251 [S1251 5 161.00] TO BUS 646298 [S1298 5 161.00] CKT 1  
SINGLE 550 : OPEN LINE FROM BUS 646251 [S1251 5 161.00] TO BUS 646305 [S1305 5 161.00] CKT 1  
SINGLE 551 : OPEN LINE FROM BUS 646253 [S1253 5 161.00] TO BUS 646256 [S1256 5 161.00] CKT 1  
SINGLE 552 : OPEN LINE FROM BUS 646254 [S1254 5 161.00] TO BUS 646281 [S1281 5 161.00] CKT 1  
SINGLE 553 : OPEN LINE FROM BUS 646255 [S1255 5 161.00] TO BUS 646259 [S1259 5 161.00] CKT 1  
SINGLE 554 : OPEN LINE FROM BUS 646258 [S1258 5 161.00] TO BUS 646263 [S1263 5 161.00] CKT 1  
SINGLE 555 : OPEN LINE FROM BUS 646259 [S1259 5 161.00] TO BUS 646278 [S1278 5 161.00] CKT 1  
SINGLE 556 : OPEN LINE FROM BUS 646259 [S1259 5 161.00] TO BUS 646281 [S1281 5 161.00] CKT 1  
SINGLE 557 : OPEN LINE FROM BUS 646263 [S1263 5 161.00] TO BUS 646280 [S1280 5 161.00] CKT 1  
SINGLE 558 : OPEN LINE FROM BUS 646281 [S1281 5 161.00] TO BUS 646287 [S1287 5 161.00] CKT 1  
SINGLE 559 : OPEN LINE FROM BUS 646286 [S1286 5 161.00] TO BUS 646299 [S1299 5 161.00] CKT 1  
SINGLE 560 : OPEN LINE FROM BUS 646298 [S1298 5 161.00] TO BUS 646305 [S1305 5 161.00] CKT 1  
SINGLE 561 : OPEN LINE FROM BUS 650114 [NW68HOLDRG3 345.00] TO BUS 650185 [WAGENER 3 345.00] CKT 1  
SINGLE 562 : OPEN LINE FROM BUS 650185 [WAGENER 3 345.00] TO BUS 650189 [103&ROKEBY3 345.00] CKT 1  
SINGLE 563 : OPEN LINE FROM BUS 650205 [4&MORTON 7 115.00] TO BUS 650212 [NW5&BENTON7 115.00] CKT 1  
SINGLE 564 : OPEN LINE FROM BUS 650205 [4&MORTON 7 115.00] TO BUS 650215 [19&ALVO 7 115.00] CKT 1  
SINGLE 565 : OPEN LINE FROM BUS 650208 [W LINCOLN 7 115.00] TO BUS 650212 [NW5&BENTON7 115.00] CKT 1  
SINGLE 566 : OPEN LINE FROM BUS 650208 [W LINCOLN 7 115.00] TO BUS 650230 [2&N 7 115.00] CKT 1  
SINGLE 567 : OPEN LINE FROM BUS 650214 [NW68HOLDRG7 115.00] TO BUS 650216 [SW27&F 7 115.00] CKT 1  
SINGLE 568 : OPEN LINE FROM BUS 650214 [NW68HOLDRG7 115.00] TO BUS 650226 [NW12&ARBOR7 115.00] CKT 1  
SINGLE 569 : OPEN LINE FROM BUS 650214 [NW68HOLDRG7 115.00] TO BUS 650290 [ROKEBY 7 115.00] CKT 1  
SINGLE 570 : OPEN LINE FROM BUS 650215 [19&ALVO 7 115.00] TO BUS 650226 [NW12&ARBOR7 115.00] CKT 1  
SINGLE 571 : OPEN LINE FROM BUS 650215 [19&ALVO 7 115.00] TO BUS 650228 [27FLETCHER7 115.00] CKT 1  
SINGLE 572 : OPEN LINE FROM BUS 650215 [19&ALVO 7 115.00] TO BUS 650261 [56&I80 7 115.00] CKT 1  
SINGLE 573 : OPEN LINE FROM BUS 650216 [SW27&F 7 115.00] TO BUS 650230 [2&N 7 115.00] CKT 1  
SINGLE 574 : OPEN LINE FROM BUS 650217 [8&N 7 115.00] TO BUS 650219 [17&HOLDRGE7 115.00] CKT 1  
SINGLE 575 : OPEN LINE FROM BUS 650217 [8&N 7 115.00] TO BUS 650230 [2&N 7 115.00] CKT 1  
SINGLE 576 : OPEN LINE FROM BUS 650218 [3&VANDORN 7 115.00] TO BUS 650230 [2&N 7 115.00] CKT 1  
SINGLE 577 : OPEN LINE FROM BUS 650218 [3&VANDORN 7 115.00] TO BUS 650238 [20PIONEERS7 115.00] CKT 1  
SINGLE 578 : OPEN LINE FROM BUS 650219 [17&HOLDRGE7 115.00] TO BUS 650240 [29LEIGHTON7 115.00] CKT 1  
SINGLE 579 : OPEN LINE FROM BUS 650228 [27FLETCHER7 115.00] TO BUS 650233 [33SUPERIOR7 115.00] CKT 1  
SINGLE 580 : OPEN LINE FROM BUS 650229 [27&PLR 7 115.00] TO BUS 650250 [40&ROKEBY 7 115.00] CKT 1  
SINGLE 581 : OPEN LINE FROM BUS 650229 [27&PLR 7 115.00] TO BUS 650290 [ROKEBY 7 115.00] CKT 1  
SINGLE 582 : OPEN LINE FROM BUS 650233 [33SUPERIOR7 115.00] TO BUS 650240 [29LEIGHTON7 115.00] CKT 1  
SINGLE 583 : OPEN LINE FROM BUS 650233 [33SUPERIOR7 115.00] TO BUS 650259 [59CRNHUSKR7 115.00] CKT 1  
SINGLE 584 : OPEN LINE FROM BUS 650238 [20PIONEERS7 115.00] TO BUS 650251 [30&A SOUTH7 115.00] CKT 1  
SINGLE 585 : OPEN LINE FROM BUS 650238 [20PIONEERS7 115.00] TO BUS 650258 [40&GERTIE 7 115.00] CKT 1  
SINGLE 586 : OPEN LINE FROM BUS 650238 [20PIONEERS7 115.00] TO BUS 650270 [70&CALVERT7 115.00] CKT 1  
SINGLE 587 : OPEN LINE FROM BUS 650238 [20PIONEERS7 115.00] TO BUS 650290 [ROKEBY 7 115.00] CKT 1  
SINGLE 588 : OPEN LINE FROM BUS 650240 [29LEIGHTON7 115.00] TO BUS 650252 [30&A NORTH7 115.00] CKT 1  
SINGLE 589 : OPEN LINE FROM BUS 650250 [40&ROKEBY 7 115.00] TO BUS 650255 [56&PLR 7 115.00] CKT 1  
SINGLE 590 : OPEN LINE FROM BUS 650255 [56&PLR 7 115.00] TO BUS 650274 [91&HWY2 7 115.00] CKT 1  
SINGLE 591 : OPEN LINE FROM BUS 650256 [56&EVERETT7 115.00] TO BUS 650257 [56&ELK TAP7 115.00] CKT 1

SINGLE 592 : OPEN LINE FROM BUS 650256 [56&EVERETT7 115.00] TO BUS 650260 [56&Q 7 115.00] CKT 1  
SINGLE 593 : OPEN LINE FROM BUS 650257 [56&ELK TAP7 115.00] TO BUS 650258 [40&GERTIE 7 115.00] CKT 1  
SINGLE 594 : OPEN LINE FROM BUS 650257 [56&ELK TAP7 115.00] TO BUS 650270 [70&CALVERT7 115.00] CKT 1  
SINGLE 595 : OPEN LINE FROM BUS 650259 [59CRNHUSKR7 115.00] TO BUS 650262 [57&GARLAND7 115.00] CKT 1  
SINGLE 596 : OPEN LINE FROM BUS 650260 [56&Q 7 115.00] TO BUS 650262 [57&GARLAND7 115.00] CKT 1  
SINGLE 597 : OPEN LINE FROM BUS 650261 [56&I80 7 115.00] TO BUS 650269 [70&BLUFF 7 115.00] CKT 1  
SINGLE 598 : OPEN LINE FROM BUS 650262 [57&GARLAND7 115.00] TO BUS 650267 [84LEIGHTON7 115.00] CKT 1  
SINGLE 599 : OPEN LINE FROM BUS 650267 [84LEIGHTON7 115.00] TO BUS 650272 [91&A 7 115.00] CKT 1  
SINGLE 600 : OPEN LINE FROM BUS 650267 [84LEIGHTON7 115.00] TO BUS 650273 [93&O 7 115.00] CKT 1  
SINGLE 601 : OPEN LINE FROM BUS 650267 [84LEIGHTON7 115.00] TO BUS 650284 [84FLETCHER7 115.00] CKT 1  
SINGLE 602 : OPEN LINE FROM BUS 650267 [84LEIGHTON7 115.00] TO BUS 650285 [WAGENER 7 115.00] CKT 1  
SINGLE 603 : OPEN LINE FROM BUS 650269 [70&BLUFF 7 115.00] TO BUS 650275 [84&BLUFF 7 115.00] CKT 1  
SINGLE 604 : OPEN LINE FROM BUS 650270 [70&CALVERT7 115.00] TO BUS 650271 [81&OCHENEY7 115.00] CKT 1  
SINGLE 605 : OPEN LINE FROM BUS 650270 [70&CALVERT7 115.00] TO BUS 650272 [91&A 7 115.00] CKT 1  
SINGLE 606 : OPEN LINE FROM BUS 650270 [70&CALVERT7 115.00] TO BUS 650273 [93&O 7 115.00] CKT 1  
SINGLE 607 : OPEN LINE FROM BUS 650271 [81&OCHENEY7 115.00] TO BUS 650274 [91&HWY2 7 115.00] CKT 1  
SINGLE 608 : OPEN LINE FROM BUS 650271 [81&OCHENEY7 115.00] TO BUS 650285 [WAGENER 7 115.00] CKT 1  
SINGLE 609 : OPEN LINE FROM BUS 650275 [84&BLUFF 7 115.00] TO BUS 650283 [WAVERLY 7 115.00] CKT 1  
SINGLE 610 : OPEN LINE FROM BUS 650275 [84&BLUFF 7 115.00] TO BUS 650284 [84FLETCHER7 115.00] CKT 1  
SINGLE 611 : OPEN LINE FROM BUS 650283 [WAVERLY 7 115.00] TO BUS 650285 [WAGENER 7 115.00] CKT 1  
SINGLE 612 : OPEN LINE FROM BUS 652243 [FAITH 7 115.00] TO BUS 652476 [EAGLEBT7 115.00] CKT 1  
SINGLE 613 : OPEN LINE FROM BUS 652243 [FAITH 7 115.00] TO BUS 652480 [MAURINE7 115.00] CKT 1  
SINGLE 614 : OPEN LINE FROM BUS 652283 [ROLLA 7 115.00] TO BUS 652299 [AGATE 7 115.00] CKT 1  
SINGLE 615 : OPEN LINE FROM BUS 652294 [IVANHOE7 115.00] TO BUS 652538 [WHITE 7 115.00] CKT 1  
SINGLE 616 : OPEN LINE FROM BUS 652296 [WARD 4 230.00] TO BUS 652426 [BISMARK4 230.00] CKT 1  
SINGLE 617 : OPEN LINE FROM BUS 652296 [WARD 4 230.00] TO BUS 659297 [BIS WARD 7115.00] CKT 1  
SINGLE 618 : OPEN LINE FROM BUS 652299 [AGATE 7 115.00] TO BUS 652447 [LEEDS 7 115.00] CKT 1  
SINGLE 619 : OPEN LINE FROM BUS 652300 [CHAPPEL7 115.00] TO BUS 659238 [COLTON 7 115.00] CKT 1  
SINGLE 620 : OPEN LINE FROM BUS 652302 [JULESBG7 115.00] TO BUS 659240 [INTERST7 115.00] CKT 1  
SINGLE 621 : OPEN LINE FROM BUS 652311 [DUNLAP 7 115.00] TO BUS 659236 [BOXBUTE7 115.00] CKT 1  
SINGLE 622 : OPEN LINE FROM BUS 652312 [MORRILL7 115.00] TO BUS 659197 [SNAKECK7 115.00] CKT 1  
SINGLE 623 : OPEN LINE FROM BUS 652312 [MORRILL7 115.00] TO BUS 659242 [GERINGT7 115.00] CKT 1  
SINGLE 624 : OPEN LINE FROM BUS 652397 [VFODNES7 115.00] TO BUS 659258 [SXF HARSBRG7115.00] CKT 1  
SINGLE 625 : OPEN LINE FROM BUS 652397 [VFODNES7 115.00] TO BUS 659259 [SXF CHANCLR7115.00] CKT 1  
SINGLE 626 : OPEN LINE FROM BUS 652398 [VFODNES4 230.00] TO BUS 652523 [SIOUXFL4 230.00] CKT 1  
SINGLE 627 : OPEN LINE FROM BUS 652398 [VFODNES4 230.00] TO BUS 652526 [UTICAJC4 230.00] CKT 1  
SINGLE 628 : OPEN LINE FROM BUS 652401 [CIRCLE 7 115.00] TO BUS 652404 [DAWSONC7 115.00] CKT 1  
SINGLE 629 : OPEN LINE FROM BUS 652401 [CIRCLE 7 115.00] TO BUS 652409 [WOLFPT 7 115.00] CKT 1  
SINGLE 630 : OPEN LINE FROM BUS 652402 [MI CTYW4 230.00] TO BUS 652450 [MT WEST4 230.00] CKT 1  
SINGLE 631 : OPEN LINE FROM BUS 652403 [DAWSONC4 230.00] TO BUS 652405 [FTPECK 4 230.00] CKT 1  
SINGLE 632 : OPEN LINE FROM BUS 652403 [DAWSONC4 230.00] TO BUS 652411 [MI CTYE4 230.00] CKT 1  
SINGLE 633 : OPEN LINE FROM BUS 652403 [DAWSONC4 230.00] TO BUS 652413 [MEDORA 4 230.00] CKT 1  
SINGLE 634 : OPEN LINE FROM BUS 652404 [DAWSONC7 115.00] TO BUS 652407 [FALLON 7 115.00] CKT 1  
SINGLE 635 : OPEN LINE FROM BUS 652405 [FTPECK 4 230.00] TO BUS 652406 [FTPECK 7 115.00] CKT 1  
SINGLE 636 : OPEN LINE FROM BUS 652406 [FTPECK 7 115.00] TO BUS 652409 [WOLFPT 7 115.00] CKT 1  
SINGLE 637 : OPEN LINE FROM BUS 652406 [FTPECK 7 115.00] TO BUS 652409 [WOLFPT 7 115.00] CKT 2  
SINGLE 638 : OPEN LINE FROM BUS 652407 [FALLON 7 115.00] TO BUS 652412 [MI CTYE7 115.00] CKT 1  
SINGLE 639 : OPEN LINE FROM BUS 652408 [WATFORD7 115.00] TO BUS 659182 [CHAR.CK7 115.00] CKT 1

SINGLE 640 : OPEN LINE FROM BUS 652408 [WATFORD7 115.00] TO BUS 659189 [INDNHLS7 115.00] CKT 1  
SINGLE 641 : OPEN LINE FROM BUS 652409 [WOLFP7 115.00] TO BUS 661075 [POPLAR 7 115.00] CKT 1  
SINGLE 642 : OPEN LINE FROM BUS 652411 [MI CTYE4 230.00] TO BUS 661004 [BAKER 4 230.00] CKT 1  
SINGLE 643 : OPEN LINE FROM BUS 652413 [MEDORA 4 230.00] TO BUS 652425 [BELFELD4 230.00] CKT 1  
SINGLE 644 : OPEN LINE FROM BUS 652416 [DEVAUL 7 115.00] TO BUS 652420 [NSALEM 7 115.00] CKT 1  
SINGLE 645 : OPEN LINE FROM BUS 652417 [DICKNSN4 230.00] TO BUS 652425 [BELFELD4 230.00] CKT 1  
SINGLE 646 : OPEN LINE FROM BUS 652419 [KILDEER7 115.00] TO BUS 652422 [HALIDAY7 115.00] CKT 1  
SINGLE 647 : OPEN LINE FROM BUS 652419 [KILDEER7 115.00] TO BUS 659182 [CHAR.CK7 115.00] CKT 1  
SINGLE 648 : OPEN LINE FROM BUS 652420 [NSALEM 7 115.00] TO BUS 659109 [BASIN 7 115.00] CKT 1  
SINGLE 649 : OPEN LINE FROM BUS 652420 [NSALEM 7 115.00] TO BUS 659305 [NWMANDANMGS7115.00] CKT 1  
SINGLE 650 : OPEN LINE FROM BUS 652421 [WILISTN7 115.00] TO BUS 652651 [FAIRVIEW 7 115.00] CKT 1  
SINGLE 651 : OPEN LINE FROM BUS 652421 [WILISTN7 115.00] TO BUS 659189 [INDNHLS7 115.00] CKT 1  
SINGLE 652 : OPEN LINE FROM BUS 652421 [WILISTN7 115.00] TO BUS 661012 [CLBRTSN7 115.00] CKT 1  
SINGLE 653 : OPEN LINE FROM BUS 652423 [BARLOW 7 115.00] TO BUS 652428 [CARNGTN7 115.00] CKT 1  
SINGLE 654 : OPEN LINE FROM BUS 652423 [BARLOW 7 115.00] TO BUS 652431 [DEVILSL7 115.00] CKT 1  
SINGLE 655 : OPEN LINE FROM BUS 652424 [BELFELD3 345.00] TO BUS 659183 [CHAR.CK3 345.00] CKT 1  
SINGLE 656 : OPEN LINE FROM BUS 652425 [BELFELD4 230.00] TO BUS 659266 [RHAME 4 230.00] CKT 1  
SINGLE 657 : OPEN LINE FROM BUS 652426 [BISMAR4 230.00] TO BUS 652427 [BISMAR7 115.00] CKT 1  
SINGLE 658 : OPEN LINE FROM BUS 652426 [BISMAR4 230.00] TO BUS 652427 [BISMAR7 115.00] CKT 2  
SINGLE 659 : OPEN LINE FROM BUS 652426 [BISMAR4 230.00] TO BUS 652444 [JAMESTN4 230.00] CKT 1  
SINGLE 660 : OPEN LINE FROM BUS 652426 [BISMAR4 230.00] TO BUS 652456 [WASHBRN4 230.00] CKT 1  
SINGLE 661 : OPEN LINE FROM BUS 652426 [BISMAR4 230.00] TO BUS 652466 [HILKEN 4 230.00] CKT 1  
SINGLE 662 : OPEN LINE FROM BUS 652426 [BISMAR4 230.00] TO BUS 661028 [WEBER 4 230.00] CKT 1  
SINGLE 663 : OPEN LINE FROM BUS 652426 [BISMAR4 230.00] TO BUS 661038 [GLENHAM4 230.00] CKT 1  
SINGLE 664 : OPEN LINE FROM BUS 652427 [BISMAR7 115.00] TO BUS 659282 [BIS EA CEPC7115.00] CKT 1  
SINGLE 665 : OPEN LINE FROM BUS 652428 [CARNGTN7 115.00] TO BUS 652445 [JAMESTN7 115.00] CKT 1  
SINGLE 666 : OPEN LINE FROM BUS 652430 [EGF IND7 115.00] TO BUS 652443 [GRNDFKS7 115.00] CKT 1  
SINGLE 667 : OPEN LINE FROM BUS 652430 [EGF IND7 115.00] TO BUS 657707 [CALEDON7 115.00] CKT 1  
SINGLE 668 : OPEN LINE FROM BUS 652431 [DEVILSL7 115.00] TO BUS 652448 [LAKOTA 7 115.00] CKT 1  
SINGLE 669 : OPEN LINE FROM BUS 652431 [DEVILSL7 115.00] TO BUS 652465 [PENN 7 115.00] CKT 1  
SINGLE 670 : OPEN LINE FROM BUS 652432 [EDGELEY7 115.00] TO BUS 652445 [JAMESTN7 115.00] CKT 1  
SINGLE 671 : OPEN LINE FROM BUS 652432 [EDGELEY7 115.00] TO BUS 652534 [ORDWAY 7 115.00] CKT 1  
SINGLE 672 : OPEN LINE FROM BUS 652432 [EDGELEY7 115.00] TO BUS 659280 [POMONA 7 115.00] CKT 1  
SINGLE 673 : OPEN LINE FROM BUS 652435 [FARGO 4 230.00] TO BUS 652444 [JAMESTN4 230.00] CKT 1  
SINGLE 674 : OPEN LINE FROM BUS 652435 [FARGO 4 230.00] TO BUS 652444 [JAMESTN4 230.00] CKT 2  
SINGLE 675 : OPEN LINE FROM BUS 652435 [FARGO 4 230.00] TO BUS 652553 [MOORHED4 230.00] CKT 1  
SINGLE 676 : OPEN LINE FROM BUS 652436 [FARGO 7 115.00] TO BUS 657707 [CALEDON7 115.00] CKT 1  
SINGLE 677 : OPEN LINE FROM BUS 652436 [FARGO 7 115.00] TO BUS 658080 [MPSBROOK 115.00] CKT 1  
SINGLE 678 : OPEN LINE FROM BUS 652437 [GRNDFKS4 230.00] TO BUS 657759 [PICKERT4 230.00] CKT 1  
SINGLE 679 : OPEN LINE FROM BUS 652438 [FORMAN 7 115.00] TO BUS 652522 [SUMMIT-7 115.00] CKT 1  
SINGLE 680 : OPEN LINE FROM BUS 652438 [FORMAN 7 115.00] TO BUS 652638 [ENDERLIN 7 115.00] CKT 1  
SINGLE 681 : OPEN LINE FROM BUS 652438 [FORMAN 7 115.00] TO BUS 659172 [LUDDENPS19 7115.00] CKT 1  
SINGLE 682 : OPEN LINE FROM BUS 652441 [GARRISN4 230.00] TO BUS 652442 [GARRISN7 115.00] CKT 1  
SINGLE 683 : OPEN LINE FROM BUS 652441 [GARRISN4 230.00] TO BUS 652444 [JAMESTN4 230.00] CKT 1  
SINGLE 684 : OPEN LINE FROM BUS 652441 [GARRISN4 230.00] TO BUS 652466 [HILKEN 4 230.00] CKT 1  
SINGLE 685 : OPEN LINE FROM BUS 652441 [GARRISN4 230.00] TO BUS 659106 [LELANDO4 230.00] CKT 1  
SINGLE 686 : OPEN LINE FROM BUS 652442 [GARRISN7 115.00] TO BUS 652449 [MAX 7 115.00] CKT 1  
SINGLE 687 : OPEN LINE FROM BUS 652442 [GARRISN7 115.00] TO BUS 659113 [VOLTAIR7 115.00] CKT 1

SINGLE 688 : OPEN LINE FROM BUS 652444 [JAMESTN4 230.00] TO BUS 657759 [PICKERT4 230.00] CKT 1  
SINGLE 689 : OPEN LINE FROM BUS 652444 [JAMESTN4 230.00] TO BUS 661028 [WEBER 4 230.00] CKT 1  
SINGLE 690 : OPEN LINE FROM BUS 652445 [JAMESTN7 115.00] TO BUS 652454 [VALLEYC7 115.00] CKT 1  
SINGLE 691 : OPEN LINE FROM BUS 652446 [PLEASANT LK7115.00] TO BUS 652447 [LEEDS 7 115.00] CKT 1  
SINGLE 692 : OPEN LINE FROM BUS 652446 [PLEASANT LK7115.00] TO BUS 652452 [RUGBY 7 115.00] CKT 1  
SINGLE 693 : OPEN LINE FROM BUS 652447 [LEEDS 7 115.00] TO BUS 652465 [PENN 7 115.00] CKT 1  
SINGLE 694 : OPEN LINE FROM BUS 652449 [MAX 7 115.00] TO BUS 659190 [NDPRAIRWND 7115.00] CKT 1  
SINGLE 695 : OPEN LINE FROM BUS 652451 [RICHLND7 115.00] TO BUS 652651 [FAIRVIEW 7 115.00] CKT 1  
SINGLE 696 : OPEN LINE FROM BUS 652451 [RICHLND7 115.00] TO BUS 659180 [KOCH 7 115.00] CKT 1  
SINGLE 697 : OPEN LINE FROM BUS 652452 [RUGBY 7 115.00] TO BUS 652453 [TOWNER 7 115.00] CKT 1  
SINGLE 698 : OPEN LINE FROM BUS 652453 [TOWNER 7 115.00] TO BUS 652455 [BOTTNO 7 115.00] CKT 1  
SINGLE 699 : OPEN LINE FROM BUS 652453 [TOWNER 7 115.00] TO BUS 652464 [DENBIGH TAP7115.00] CKT 1  
SINGLE 700 : OPEN LINE FROM BUS 652454 [VALLEYC7 115.00] TO BUS 652638 [ENDERLIN 7 115.00] CKT 1  
SINGLE 701 : OPEN LINE FROM BUS 652456 [WASHBRN4 230.00] TO BUS 659106 [LELANDO4 230.00] CKT 1  
SINGLE 702 : OPEN LINE FROM BUS 652463 [WH SWAN7 115.00] TO BUS 652510 [FTRANDL7 115.00] CKT 1  
SINGLE 703 : OPEN LINE FROM BUS 652463 [WH SWAN7 115.00] TO BUS 652525 [TYNDALL7 115.00] CKT 1  
SINGLE 704 : OPEN LINE FROM BUS 652464 [DENBIGH TAP7115.00] TO BUS 659113 [VOLTAIR7 115.00] CKT 1  
SINGLE 705 : OPEN LINE FROM BUS 652466 [HILKEN 4 230.00] TO BUS 659284 [ECKLUND4 230.00] CKT 1  
SINGLE 706 : OPEN LINE FROM BUS 652470 [BISON 4 230.00] TO BUS 652497 [MAURINE4 230.00] CKT 1  
SINGLE 707 : OPEN LINE FROM BUS 652470 [BISON 4 230.00] TO BUS 661047 [HETINGR4 230.00] CKT 1  
SINGLE 708 : OPEN LINE FROM BUS 652473 [ELKCRK 7 115.00] TO BUS 652483 [NEWELL 7 115.00] CKT 1  
SINGLE 709 : OPEN LINE FROM BUS 652473 [ELKCRK 7 115.00] TO BUS 652490 [RAPIDCY7 115.00] CKT 1  
SINGLE 710 : OPEN LINE FROM BUS 652474 [AURORA 7 115.00] TO BUS 652504 [BROOKNG7 115.00] CKT 1  
SINGLE 711 : OPEN LINE FROM BUS 652474 [AURORA 7 115.00] TO BUS 652505 [FLANDRU7 115.00] CKT 1  
SINGLE 712 : OPEN LINE FROM BUS 652475 [BONESTL7 115.00] TO BUS 652478 [GREGORY7 115.00] CKT 1  
SINGLE 713 : OPEN LINE FROM BUS 652475 [BONESTL7 115.00] TO BUS 652510 [FTRANDL7 115.00] CKT 1  
SINGLE 714 : OPEN LINE FROM BUS 652476 [EAGLEBT7 115.00] TO BUS 652520 [OAHE 7 115.00] CKT 1  
SINGLE 715 : OPEN LINE FROM BUS 652477 [ELSWRTH7 115.00] TO BUS 652485 [NUNDRWD7 115.00] CKT 1  
SINGLE 716 : OPEN LINE FROM BUS 652477 [ELSWRTH7 115.00] TO BUS 652490 [RAPIDCY7 115.00] CKT 1  
SINGLE 717 : OPEN LINE FROM BUS 652478 [GREGORY7 115.00] TO BUS 652494 [WINNER 7 115.00] CKT 1  
SINGLE 718 : OPEN LINE FROM BUS 652479 [MARTIN 7 115.00] TO BUS 652487 [PHILIP 7 115.00] CKT 1  
SINGLE 719 : OPEN LINE FROM BUS 652479 [MARTIN 7 115.00] TO BUS 659152 [SHAN-SD7 115.00] CKT 1  
SINGLE 720 : OPEN LINE FROM BUS 652479 [MARTIN 7 115.00] TO BUS 659153 [VETALTP7 115.00] CKT 1  
SINGLE 721 : OPEN LINE FROM BUS 652480 [MAURINE7 115.00] TO BUS 652483 [NEWELL 7 115.00] CKT 1  
SINGLE 722 : OPEN LINE FROM BUS 652481 [MIDLAND7 115.00] TO BUS 652487 [PHILIP 7 115.00] CKT 1  
SINGLE 723 : OPEN LINE FROM BUS 652481 [MIDLAND7 115.00] TO BUS 652491 [IRVSIMM7 115.00] CKT 1  
SINGLE 724 : OPEN LINE FROM BUS 652482 [MISSION7 115.00] TO BUS 652495 [WITTEN 7 115.00] CKT 1  
SINGLE 725 : OPEN LINE FROM BUS 652482 [MISSION7 115.00] TO BUS 659153 [VETALTP7 115.00] CKT 1  
SINGLE 726 : OPEN LINE FROM BUS 652484 [NUNDRWD4 230.00] TO BUS 652488 [PHILTAP4 230.00] CKT 1  
SINGLE 727 : OPEN LINE FROM BUS 652484 [NUNDRWD4 230.00] TO BUS 652497 [MAURINE4 230.00] CKT 1  
SINGLE 728 : OPEN LINE FROM BUS 652484 [NUNDRWD4 230.00] TO BUS 659271 [RCDC EAST 4230.00] CKT 1  
SINGLE 729 : OPEN LINE FROM BUS 652485 [NUNDRWD7 115.00] TO BUS 652493 [WICKSVL7 115.00] CKT 1  
SINGLE 730 : OPEN LINE FROM BUS 652485 [NUNDRWD7 115.00] TO BUS 652496 [RUSHMRE7 115.00] CKT 1  
SINGLE 731 : OPEN LINE FROM BUS 652486 [PHILIP 4 230.00] TO BUS 652487 [PHILIP 7 115.00] CKT 1  
SINGLE 732 : OPEN LINE FROM BUS 652486 [PHILIP 4 230.00] TO BUS 652488 [PHILTAP4 230.00] CKT 1  
SINGLE 733 : OPEN LINE FROM BUS 652487 [PHILIP 7 115.00] TO BUS 652492 [WALL 7 115.00] CKT 1  
SINGLE 734 : OPEN LINE FROM BUS 652488 [PHILTAP4 230.00] TO BUS 652519 [OAHE 4 230.00] CKT 1  
SINGLE 735 : OPEN LINE FROM BUS 652489 [PIERRE 7 115.00] TO BUS 652491 [IRVSIMM7 115.00] CKT 1

SINGLE 736 : OPEN LINE FROM BUS 652489 [PIERRE 7 115.00] TO BUS 652600 [ASH TAP 115.00] CKT 1  
SINGLE 737 : OPEN LINE FROM BUS 652489 [PIERRE 7 115.00] TO BUS 652602 [EVANS ST 115.00] CKT 1  
SINGLE 738 : OPEN LINE FROM BUS 652490 [RAPIDCY7 115.00] TO BUS 652496 [RUSHMRE7 115.00] CKT 1  
SINGLE 739 : OPEN LINE FROM BUS 652491 [IRVSIMM7 115.00] TO BUS 652520 [OAHE 7 115.00] CKT 1  
SINGLE 740 : OPEN LINE FROM BUS 652492 [WALL 7 115.00] TO BUS 652493 [WICKSVL7 115.00] CKT 1  
SINGLE 741 : OPEN LINE FROM BUS 652494 [WINNER 7 115.00] TO BUS 652495 [WITTEN 7 115.00] CKT 1  
SINGLE 742 : OPEN LINE FROM BUS 652500 [ARLNGTN7 115.00] TO BUS 652504 [BROOKNG7 115.00] CKT 1  
SINGLE 743 : OPEN LINE FROM BUS 652500 [ARLNGTN7 115.00] TO BUS 652531 [WATERTN7 115.00] CKT 1  
SINGLE 744 : OPEN LINE FROM BUS 652501 [ARMOUR 7 115.00] TO BUS 652510 [FTRANDL7 115.00] CKT 1  
SINGLE 745 : OPEN LINE FROM BUS 652501 [ARMOUR 7 115.00] TO BUS 652518 [MTVERN 7 115.00] CKT 1  
SINGLE 746 : OPEN LINE FROM BUS 652502 [BERSFRD7 115.00] TO BUS 652517 [MANNING7 115.00] CKT 1  
SINGLE 747 : OPEN LINE FROM BUS 652502 [BERSFRD7 115.00] TO BUS 652524 [SIOUXFL7 115.00] CKT 1  
SINGLE 748 : OPEN LINE FROM BUS 652503 [BLAIR 4 230.00] TO BUS 652530 [WATERTN4 230.00] CKT 1  
SINGLE 749 : OPEN LINE FROM BUS 652503 [BLAIR 4 230.00] TO BUS 652550 [GRANITF4 230.00] CKT 1  
SINGLE 750 : OPEN LINE FROM BUS 652504 [BROOKNG7 115.00] TO BUS 652531 [WATERTN7 115.00] CKT 1  
SINGLE 751 : OPEN LINE FROM BUS 652504 [BROOKNG7 115.00] TO BUS 652538 [WHITE 7 115.00] CKT 1  
SINGLE 752 : OPEN LINE FROM BUS 652505 [FLANDRU7 115.00] TO BUS 652524 [SIOUXFL7 115.00] CKT 1  
SINGLE 753 : OPEN LINE FROM BUS 652506 [FTTHOMP3 345.00] TO BUS 652571 [GR ISLD3 345.00] CKT 1  
SINGLE 754 : OPEN LINE FROM BUS 652506 [FTTHOMP3 345.00] TO BUS 659105 [LELANDO3 345.00] CKT 1  
SINGLE 755 : OPEN LINE FROM BUS 652507 [FTTHOMP4 230.00] TO BUS 652509 [FTRANDL4 230.00] CKT 1  
SINGLE 756 : OPEN LINE FROM BUS 652507 [FTTHOMP4 230.00] TO BUS 652514 [HURON 4 230.00] CKT 1  
SINGLE 757 : OPEN LINE FROM BUS 652507 [FTTHOMP4 230.00] TO BUS 652514 [HURON 4 230.00] CKT 2  
SINGLE 758 : OPEN LINE FROM BUS 652507 [FTTHOMP4 230.00] TO BUS 652516 [LAKPLAT4 230.00] CKT 1  
SINGLE 759 : OPEN LINE FROM BUS 652507 [FTTHOMP4 230.00] TO BUS 652519 [OAHE 4 230.00] CKT 1  
SINGLE 760 : OPEN LINE FROM BUS 652507 [FTTHOMP4 230.00] TO BUS 652519 [OAHE 4 230.00] CKT 2  
SINGLE 761 : OPEN LINE FROM BUS 652507 [FTTHOMP4 230.00] TO BUS 652519 [OAHE 4 230.00] CKT 3  
SINGLE 762 : OPEN LINE FROM BUS 652507 [FTTHOMP4 230.00] TO BUS 652519 [OAHE 4 230.00] CKT 4  
SINGLE 763 : OPEN LINE FROM BUS 652507 [FTTHOMP4 230.00] TO BUS 652540 [BIGBND14 230.00] CKT 1  
SINGLE 764 : OPEN LINE FROM BUS 652507 [FTTHOMP4 230.00] TO BUS 652541 [BIGBND24 230.00] CKT 1  
SINGLE 765 : OPEN LINE FROM BUS 652507 [FTTHOMP4 230.00] TO BUS 652606 [LETCHER4 230.00] CKT 1  
SINGLE 766 : OPEN LINE FROM BUS 652507 [FTTHOMP4 230.00] TO BUS 652607 [WESSINGTON 4230.00] CKT 1  
SINGLE 767 : OPEN LINE FROM BUS 652508 [S3 7 115.00] TO BUS 652551 [GRANITF7 115.00] CKT 1  
SINGLE 768 : OPEN LINE FROM BUS 652508 [S3 7 115.00] TO BUS 652552 [MARS ER7 115.00] CKT 1  
SINGLE 769 : OPEN LINE FROM BUS 652508 [S3 7 115.00] TO BUS 658072 [ERIE RD7 115.00] CKT 1  
SINGLE 770 : OPEN LINE FROM BUS 652509 [FTRANDL4 230.00] TO BUS 652510 [FTRANDL7 115.00] CKT 1  
SINGLE 771 : OPEN LINE FROM BUS 652509 [FTRANDL4 230.00] TO BUS 652510 [FTRANDL7 115.00] CKT 2  
SINGLE 772 : OPEN LINE FROM BUS 652509 [FTRANDL4 230.00] TO BUS 652516 [LAKPLAT4 230.00] CKT 1  
SINGLE 773 : OPEN LINE FROM BUS 652509 [FTRANDL4 230.00] TO BUS 652526 [UTICAJC4 230.00] CKT 1  
SINGLE 774 : OPEN LINE FROM BUS 652509 [FTRANDL4 230.00] TO BUS 652565 [SIOUXCY4 230.00] CKT 1  
SINGLE 775 : OPEN LINE FROM BUS 652511 [GAVINS 7 115.00] TO BUS 652532 [YANKTON7 115.00] CKT 1  
SINGLE 776 : OPEN LINE FROM BUS 652511 [GAVINS 7 115.00] TO BUS 660006 [YKNTJCT7 115.00] CKT 1  
SINGLE 777 : OPEN LINE FROM BUS 652512 [GROTON 7 115.00] TO BUS 652533 [BRISTOL7 115.00] CKT 1  
SINGLE 778 : OPEN LINE FROM BUS 652512 [GROTON 7 115.00] TO BUS 652534 [ORDWAY 7 115.00] CKT 1  
SINGLE 779 : OPEN LINE FROM BUS 652512 [GROTON 7 115.00] TO BUS 652535 [REDFELD7 115.00] CKT 1  
SINGLE 780 : OPEN LINE FROM BUS 652512 [GROTON 7 115.00] TO BUS 659174 [GRTKEYPS20 7115.00] CKT 1  
SINGLE 781 : OPEN LINE FROM BUS 652512 [GROTON 7 115.00] TO BUS 659203 [GROTONTY 345.00] CKT 1  
SINGLE 782 : OPEN LINE FROM BUS 652512 [GROTON 7 115.00] TO BUS 659275 [GROTONB7 115.00] CKT 1  
SINGLE 783 : OPEN LINE FROM BUS 652512 [GROTON 7 115.00] TO BUS 660001 [ABDNSBT7 115.00] CKT 1

SINGLE 784 : OPEN LINE FROM BUS 652513 [HANLON 4 230.00] TO BUS 652523 [SIOUXFL4 230.00] CKT 1  
SINGLE 785 : OPEN LINE FROM BUS 652513 [HANLON 4 230.00] TO BUS 659122 [STORLA 4 230.00] CKT 1  
SINGLE 786 : OPEN LINE FROM BUS 652514 [HURON 4 230.00] TO BUS 652530 [WATERTN4 230.00] CKT 2  
SINGLE 787 : OPEN LINE FROM BUS 652514 [HURON 4 230.00] TO BUS 652614 [CARPENTER 4 230.00] CKT 1  
SINGLE 788 : OPEN LINE FROM BUS 652514 [HURON 4 230.00] TO BUS 659205 [BRDLAND4 230.00] CKT 1  
SINGLE 789 : OPEN LINE FROM BUS 652515 [HURON 7 115.00] TO BUS 652528 [WOONSKT7 115.00] CKT 1  
SINGLE 790 : OPEN LINE FROM BUS 652515 [HURON 7 115.00] TO BUS 652535 [REDFELD7 115.00] CKT 1  
SINGLE 791 : OPEN LINE FROM BUS 652515 [HURON 7 115.00] TO BUS 660003 [HURONWP7 115.00] CKT 1  
SINGLE 792 : OPEN LINE FROM BUS 652515 [HURON 7 115.00] TO BUS 660009 [BTAP WP7 115.00] CKT 1  
SINGLE 793 : OPEN LINE FROM BUS 652517 [MANNING7 115.00] TO BUS 659121 [SPIRITM7 115.00] CKT 1  
SINGLE 794 : OPEN LINE FROM BUS 652518 [MTVERN 7 115.00] TO BUS 659123 [STORLA 7 115.00] CKT 1  
SINGLE 795 : OPEN LINE FROM BUS 652519 [OAHE 4 230.00] TO BUS 652520 [OAHE 7 115.00] CKT 1  
SINGLE 796 : OPEN LINE FROM BUS 652519 [OAHE 4 230.00] TO BUS 652521 [SULLYBT4 230.00] CKT 1  
SINGLE 797 : OPEN LINE FROM BUS 652520 [OAHE 7 115.00] TO BUS 652600 [ASH TAP 115.00] CKT 1  
SINGLE 798 : OPEN LINE FROM BUS 652521 [SULLYBT4 230.00] TO BUS 652527 [WHITLOK4 230.00] CKT 1  
SINGLE 799 : OPEN LINE FROM BUS 652522 [SUMMIT-7 115.00] TO BUS 652531 [WATERTN7 115.00] CKT 1  
SINGLE 800 : OPEN LINE FROM BUS 652522 [SUMMIT-7 115.00] TO BUS 652533 [BRISTOL7 115.00] CKT 1  
SINGLE 801 : OPEN LINE FROM BUS 652523 [SIOUXFL4 230.00] TO BUS 652578 [PAHOJA 4 230.00] CKT 1  
SINGLE 802 : OPEN LINE FROM BUS 652523 [SIOUXFL4 230.00] TO BUS 652606 [LETCHER4 230.00] CKT 1  
SINGLE 803 : OPEN LINE FROM BUS 652524 [SIOUXFL7 115.00] TO BUS 659250 [SXF WBRANDN7115.00] CKT 1  
SINGLE 804 : OPEN LINE FROM BUS 652525 [TYNDALL7 115.00] TO BUS 660006 [YKNTJCT7 115.00] CKT 1  
SINGLE 805 : OPEN LINE FROM BUS 652526 [UTICAJC4 230.00] TO BUS 652536 [RASMUSN4 230.00] CKT 1  
SINGLE 806 : OPEN LINE FROM BUS 652527 [WHITLOK4 230.00] TO BUS 661038 [GLENHAM4 230.00] CKT 1  
SINGLE 807 : OPEN LINE FROM BUS 652528 [WOONSKT7 115.00] TO BUS 659123 [STORLA 7 115.00] CKT 1  
SINGLE 808 : OPEN LINE FROM BUS 652529 [WATERTN3 345.00] TO BUS 652537 [WHITE 3 345.00] CKT 1  
SINGLE 809 : OPEN LINE FROM BUS 652529 [WATERTN3 345.00] TO BUS 659160 [GROTON 3 345.00] CKT 1  
SINGLE 810 : OPEN LINE FROM BUS 652530 [WATERTN4 230.00] TO BUS 652550 [GRANITF4 230.00] CKT 1  
SINGLE 811 : OPEN LINE FROM BUS 652530 [WATERTN4 230.00] TO BUS 652614 [CARPENTER 4 230.00] CKT 1  
SINGLE 812 : OPEN LINE FROM BUS 652531 [WATERTN7 115.00] TO BUS 658088 [WTREAST7 115.00] CKT 1  
SINGLE 813 : OPEN LINE FROM BUS 652531 [WATERTN7 115.00] TO BUS 658094 [WTRPELI7 115.00] CKT 1  
SINGLE 814 : OPEN LINE FROM BUS 652532 [YANKTON7 115.00] TO BUS 659121 [SPIRITM7 115.00] CKT 1  
SINGLE 815 : OPEN LINE FROM BUS 652536 [RASMUSN4 230.00] TO BUS 652565 [SIOUXCY4 230.00] CKT 1  
SINGLE 816 : OPEN LINE FROM BUS 652550 [GRANITF4 230.00] TO BUS 652554 [MORRIS 4 230.00] CKT 1  
SINGLE 817 : OPEN LINE FROM BUS 652553 [MOORHED4 230.00] TO BUS 652554 [MORRIS 4 230.00] CKT 1  
SINGLE 818 : OPEN LINE FROM BUS 652553 [MOORHED4 230.00] TO BUS 652587 [MOORHED7 115.00] CKT 1  
SINGLE 819 : OPEN LINE FROM BUS 652553 [MOORHED4 230.00] TO BUS 652587 [MOORHED7 115.00] CKT 2  
SINGLE 820 : OPEN LINE FROM BUS 652554 [MORRIS 4 230.00] TO BUS 652555 [MORRIS 7 115.00] CKT 1  
SINGLE 821 : OPEN LINE FROM BUS 652561 [DENISON5 161.00] TO BUS 652567 [DENISON4 230.00] CKT 1  
SINGLE 822 : OPEN LINE FROM BUS 652561 [DENISON5 161.00] TO BUS 652603 [EXIRA 5 161.00] CKT 1  
SINGLE 823 : OPEN LINE FROM BUS 652562 [EAGLE 4 230.00] TO BUS 652565 [SIOUXCY4 230.00] CKT 1  
SINGLE 824 : OPEN LINE FROM BUS 652562 [EAGLE 4 230.00] TO BUS 652578 [PAHOJA 4 230.00] CKT 1  
SINGLE 825 : OPEN LINE FROM BUS 652563 [SPENCER5 161.00] TO BUS 652566 [SIOUXCY5 161.00] CKT 1  
SINGLE 826 : OPEN LINE FROM BUS 652565 [SIOUXCY4 230.00] TO BUS 652567 [DENISON4 230.00] CKT 1  
SINGLE 827 : OPEN LINE FROM BUS 652570 [ALIANCE7 115.00] TO BUS 659197 [SNAKECK7 115.00] CKT 1  
SINGLE 828 : OPEN LINE FROM BUS 652570 [ALIANCE7 115.00] TO BUS 659236 [BOXBUTE7 115.00] CKT 1  
SINGLE 829 : OPEN LINE FROM BUS 652572 [SIDNEY 7 115.00] TO BUS 659136 [SIDNEY\*4 230.00] CKT 1  
SINGLE 830 : OPEN LINE FROM BUS 652572 [SIDNEY 7 115.00] TO BUS 659238 [COLTON 7 115.00] CKT 1  
SINGLE 831 : OPEN LINE FROM BUS 652573 [STEGALL4 230.00] TO BUS 659206 [STGXFMR4 230.00] CKT 1



SINGLE 832 : OPEN LINE FROM BUS 652578 [PAHOJA 4 230.00] TO BUS 652588 [CLEVELD4 230.00] CKT 1  
SINGLE 833 : OPEN LINE FROM BUS 652584 [SIDNEYW4 230.00] TO BUS 652585 [NB WEST4 230.00] CKT 1  
SINGLE 834 : OPEN LINE FROM BUS 652584 [SIDNEYW4 230.00] TO BUS 659170 [STEGALDC 230.00] CKT 1  
SINGLE 835 : OPEN LINE FROM BUS 652585 [NB WEST4 230.00] TO BUS 659170 [STEGALDC 230.00] CKT 1  
SINGLE 836 : OPEN LINE FROM BUS 652587 [MOORHED7 115.00] TO BUS 658086 [MPSNE 7 115.00] CKT 1  
SINGLE 837 : OPEN LINE FROM BUS 652600 [ASH TAP 115.00] TO BUS 652601 [ASH ST 7 115.00] CKT 1  
SINGLE 838 : OPEN LINE FROM BUS 652601 [ASH ST 7 115.00] TO BUS 652602 [EVANS ST 115.00] CKT 1  
SINGLE 839 : OPEN LINE FROM BUS 652607 [WESSINGTON 4230.00] TO BUS 659122 [STORLA 4 230.00] CKT 1  
SINGLE 840 : OPEN LINE FROM BUS 652609 [LETCHER7 115.00] TO BUS 659198 [LETCHR PS227115.00] CKT 1  
SINGLE 841 : OPEN LINE FROM BUS 652626 [UTICAJC7 115.00] TO BUS 659292 [KEYSTN PS237115.00] CKT 1  
SINGLE 842 : OPEN LINE FROM BUS 652626 [UTICAJC7 115.00] TO BUS 660006 [YKNTJCT7 115.00] CKT 1  
SINGLE 843 : OPEN LINE FROM BUS 652626 [UTICAJC7 115.00] TO BUS 660007 [MENNOJT7 115.00] CKT 1  
SINGLE 844 : OPEN LINE FROM BUS 658068 [MARSHAL7 115.00] TO BUS 658070 [MMU 7ST7 115.00] CKT 1  
SINGLE 845 : OPEN LINE FROM BUS 658068 [MARSHAL7 115.00] TO BUS 658078 [SOUTH E7 115.00] CKT 1  
SINGLE 846 : OPEN LINE FROM BUS 658070 [MMU 7ST7 115.00] TO BUS 658072 [ERIE RD7 115.00] CKT 1  
SINGLE 847 : OPEN LINE FROM BUS 658072 [ERIE RD7 115.00] TO BUS 658074 [SARATOG7 115.00] CKT 1  
SINGLE 848 : OPEN LINE FROM BUS 658074 [SARATOG7 115.00] TO BUS 658076 [MMU SW 7 115.00] CKT 1  
SINGLE 849 : OPEN LINE FROM BUS 658076 [MMU SW 7 115.00] TO BUS 658078 [SOUTH E7 115.00] CKT 1  
SINGLE 850 : OPEN LINE FROM BUS 658080 [MPSBROOK 115.00] TO BUS 658082 [MPSSE 7 115.00] CKT 1  
SINGLE 851 : OPEN LINE FROM BUS 658082 [MPSSE 7 115.00] TO BUS 658084 [MPSCENT7 115.00] CKT 1  
SINGLE 852 : OPEN LINE FROM BUS 658084 [MPSCENT7 115.00] TO BUS 658086 [MPSNE 7 115.00] CKT 1  
SINGLE 853 : OPEN LINE FROM BUS 658088 [WTREAST7 115.00] TO BUS 658090 [WTRTNPP 115.00] CKT 1  
SINGLE 854 : OPEN LINE FROM BUS 658090 [WTRTNPP 115.00] TO BUS 658092 [WTRWEST7 115.00] CKT 1  
SINGLE 855 : OPEN LINE FROM BUS 658092 [WTRWEST7 115.00] TO BUS 658094 [WTRPELI7 115.00] CKT 1  
SINGLE 856 : OPEN LINE FROM BUS 659101 [ANTELOP3 345.00] TO BUS 659105 [LELANDO3 345.00] CKT 1  
SINGLE 857 : OPEN LINE FROM BUS 659101 [ANTELOP3 345.00] TO BUS 659105 [LELANDO3 345.00] CKT 2  
SINGLE 858 : OPEN LINE FROM BUS 659101 [ANTELOP3 345.00] TO BUS 659120 [BRDLAND3 345.00] CKT 1  
SINGLE 859 : OPEN LINE FROM BUS 659101 [ANTELOP3 345.00] TO BUS 659183 [CHAR.CK3 345.00] CKT 1  
SINGLE 862 : OPEN LINE FROM BUS 659101 [ANTELOP3 345.00] TO BUS 659230 [DGCX3 T 345.00] CKT 1  
SINGLE 863 : OPEN LINE FROM BUS 659105 [LELANDO3 345.00] TO BUS 659160 [GROTON 3 345.00] CKT 1  
SINGLE 864 : OPEN LINE FROM BUS 659105 [LELANDO3 345.00] TO BUS 659201 [LELND1TY 345.00] CKT 1  
SINGLE 865 : OPEN LINE FROM BUS 659105 [LELANDO3 345.00] TO BUS 659202 [LELND2TY 345.00] CKT 1  
SINGLE 866 : OPEN LINE FROM BUS 659106 [LELANDO4 230.00] TO BUS 659108 [LOGAN 4 230.00] CKT 1  
SINGLE 867 : OPEN LINE FROM BUS 659106 [LELANDO4 230.00] TO BUS 659200 [BASIN TY 230.00] CKT 1  
SINGLE 868 : OPEN LINE FROM BUS 659106 [LELANDO4 230.00] TO BUS 659201 [LELND1TY 345.00] CKT 1  
SINGLE 869 : OPEN LINE FROM BUS 659106 [LELANDO4 230.00] TO BUS 659202 [LELND2TY 345.00] CKT 1  
SINGLE 870 : OPEN LINE FROM BUS 659108 [LOGAN 4 230.00] TO BUS 659208 [LOGAN TY 230.00] CKT 1  
SINGLE 871 : OPEN LINE FROM BUS 659108 [LOGAN 4 230.00] TO BUS 661084 [TIOGA4 4 230.00] CKT 1  
SINGLE 872 : OPEN LINE FROM BUS 659109 [BASIN 7 115.00] TO BUS 659200 [BASIN TY 230.00] CKT 1  
SINGLE 873 : OPEN LINE FROM BUS 659120 [BRDLAND3 345.00] TO BUS 659204 [BRDLNDTY 345.00] CKT 1  
SINGLE 874 : OPEN LINE FROM BUS 659122 [STORLA 4 230.00] TO BUS 659123 [STORLA 7 115.00] CKT 1  
SINGLE 875 : OPEN LINE FROM BUS 659130 [GRANTNB7 115.00] TO BUS 659132 [OGALALA7 115.00] CKT 1  
SINGLE 876 : OPEN LINE FROM BUS 659130 [GRANTNB7 115.00] TO BUS 659132 [OGALALA7 115.00] CKT 2  
SINGLE 877 : OPEN LINE FROM BUS 659130 [GRANTNB7 115.00] TO BUS 659188 [SPCREEK7 115.00] CKT 1  
SINGLE 878 : OPEN LINE FROM BUS 659131 [LARAMIE3 345.00] TO BUS 659133 [SIDNEY 3 345.00] CKT 1  
SINGLE 879 : OPEN LINE FROM BUS 659131 [LARAMIE3 345.00] TO BUS 659135 [STEGALL3 345.00] CKT 1  
SINGLE 880 : OPEN LINE FROM BUS 659132 [OGALALA7 115.00] TO BUS 659187 [ROSCOE 7 115.00] CKT 1  
SINGLE 881 : OPEN LINE FROM BUS 659132 [OGALALA7 115.00] TO BUS 659246 [MCONGHY7 115.00] CKT 1

SINGLE 882 : OPEN LINE FROM BUS 659133 [SIDNEY 3 345.00] TO BUS 659135 [STEGALL3 345.00] CKT 1  
SINGLE 883 : OPEN LINE FROM BUS 659133 [SIDNEY 3 345.00] TO BUS 659209 [SIDNEYTY 345.00] CKT 1  
SINGLE 884 : OPEN LINE FROM BUS 659134 [SIDNEY 4 230.00] TO BUS 659136 [SIDNEY\*4 230.00] CKT 1  
SINGLE 885 : OPEN LINE FROM BUS 659134 [SIDNEY 4 230.00] TO BUS 659210 [SIDXFMR4 230.00] CKT 1  
SINGLE 887 : OPEN LINE FROM BUS 659138 [NESET 4 230.00] TO BUS 659139 [NESET 7 115.00] CKT 1  
SINGLE 888 : OPEN LINE FROM BUS 659138 [NESET 4 230.00] TO BUS 661084 [TIOGA4 4 230.00] CKT 1  
SINGLE 889 : OPEN LINE FROM BUS 659154 [LAMAR 7 115.00] TO BUS 659188 [SPCREEK7 115.00] CKT 1  
SINGLE 890 : OPEN LINE FROM BUS 659154 [LAMAR 7 115.00] TO BUS 659195 [CRETE 7 115.00] CKT 1  
SINGLE 891 : OPEN LINE FROM BUS 659155 [LOGAN 7 115.00] TO BUS 659208 [LOGAN TY 230.00] CKT 1  
SINGLE 892 : OPEN LINE FROM BUS 659155 [LOGAN 7 115.00] TO BUS 659261 [BTHOLD 7 115.00] CKT 1  
SINGLE 893 : OPEN LINE FROM BUS 659160 [GROTON 3 345.00] TO BUS 659203 [GROTONTY 345.00] CKT 1  
SINGLE 894 : OPEN LINE FROM BUS 659162 [REDWLCK7 115.00] TO BUS 659163 [BLKWDC7 115.00] CKT 1  
SINGLE 895 : OPEN LINE FROM BUS 659162 [REDWLCK7 115.00] TO BUS 659243 [ELSIE 7 115.00] CKT 1  
SINGLE 896 : OPEN LINE FROM BUS 659180 [KOCH 7 115.00] TO BUS 659191 [SQUAWGP7 115.00] CKT 1  
SINGLE 897 : OPEN LINE FROM BUS 659181 [BICNTNL7 115.00] TO BUS 659184 [R.RIDER7 115.00] CKT 1  
SINGLE 898 : OPEN LINE FROM BUS 659181 [BICNTNL7 115.00] TO BUS 659191 [SQUAWGP7 115.00] CKT 1  
SINGLE 899 : OPEN LINE FROM BUS 659182 [CHAR.CK7 115.00] TO BUS 659184 [R.RIDER7 115.00] CKT 1  
SINGLE 900 : OPEN LINE FROM BUS 659182 [CHAR.CK7 115.00] TO BUS 659211 [CHARCKTY 345.00] CKT 1  
SINGLE 901 : OPEN LINE FROM BUS 659183 [CHAR.CK3 345.00] TO BUS 659211 [CHARCKTY 345.00] CKT 1  
SINGLE 902 : OPEN LINE FROM BUS 659185 [ELSIETP7 115.00] TO BUS 659186 [PAXTON 7 115.00] CKT 1  
SINGLE 903 : OPEN LINE FROM BUS 659185 [ELSIETP7 115.00] TO BUS 659187 [ROSCOE 7 115.00] CKT 1  
SINGLE 904 : OPEN LINE FROM BUS 659185 [ELSIETP7 115.00] TO BUS 659243 [ELSIE 7 115.00] CKT 1  
SINGLE 905 : OPEN LINE FROM BUS 659192 [LYNN 7 115.00] TO BUS 659197 [SNAKECK7 115.00] CKT 1  
SINGLE 906 : OPEN LINE FROM BUS 659192 [LYNN 7 115.00] TO BUS 659239 [COVALT 7 115.00] CKT 1  
SINGLE 907 : OPEN LINE FROM BUS 659193 [W.HORSE7 115.00] TO BUS 659239 [COVALT 7 115.00] CKT 1  
SINGLE 908 : OPEN LINE FROM BUS 659195 [CRETE 7 115.00] TO BUS 659245 [CRETEHE7 115.00] CKT 1  
SINGLE 909 : OPEN LINE FROM BUS 659204 [BRDLNDTY 345.00] TO BUS 659205 [BRDLAND4 230.00] CKT 1  
SINGLE 910 : OPEN LINE FROM BUS 659206 [STGXFMR4 230.00] TO BUS 659207 [STEGALTY 345.00] CKT 1  
SINGLE 911 : OPEN LINE FROM BUS 659209 [SIDNEYTY 345.00] TO BUS 659210 [SIDXFMR4 230.00] CKT 1  
SINGLE 912 : OPEN LINE FROM BUS 659212 [AVSDC1TY 345.00] TO BUS 659213 [AVSDC2TY 345.00] CKT 1  
SINGLE 913 : OPEN LINE FROM BUS 659212 [AVSDC1TY 345.00] TO BUS 659216 [AVSDC5TY 345.00] CKT 1  
SINGLE 914 : OPEN LINE FROM BUS 659213 [AVSDC2TY 345.00] TO BUS 659217 [AVSDC6TY 345.00] CKT 1  
SINGLE 915 : OPEN LINE FROM BUS 659216 [AVSDC5TY 345.00] TO BUS 659217 [AVSDC6TY 345.00] CKT 1  
SINGLE 916 : OPEN LINE FROM BUS 659218 [AVSDC7TY 345.00] TO BUS 659219 [AVSDC8TY 345.00] CKT 1  
SINGLE 917 : OPEN LINE FROM BUS 659218 [AVSDC7TY 345.00] TO BUS 659222 [AVSD11TY 345.00] CKT 1  
SINGLE 918 : OPEN LINE FROM BUS 659219 [AVSDC8TY 345.00] TO BUS 659223 [AVSD12TY 345.00] CKT 1  
SINGLE 919 : OPEN LINE FROM BUS 659222 [AVSD11TY 345.00] TO BUS 659223 [AVSD12TY 345.00] CKT 1  
SINGLE 920 : OPEN LINE FROM BUS 659230 [DGCX3 T 345.00] TO BUS 659231 [DGCX3 4 230.00] CKT 1  
SINGLE 921 : OPEN LINE FROM BUS 659231 [DGCX3 4 230.00] TO BUS 659233 [DGCX4 T 230.00] CKT 1  
SINGLE 922 : OPEN LINE FROM BUS 659236 [BOXBUTE7 115.00] TO BUS 659237 [HEMINGF7 115.00] CKT 1  
SINGLE 923 : OPEN LINE FROM BUS 659244 [ATHEY 7 115.00] TO BUS 659245 [CRETEHE7 115.00] CKT 1  
SINGLE 924 : OPEN LINE FROM BUS 659246 [MCONGHY7 115.00] TO BUS 659247 [ARTHUR 7 115.00] CKT 1  
SINGLE 925 : OPEN LINE FROM BUS 659247 [ARTHUR 7 115.00] TO BUS 659248 [HYANNIS7 115.00] CKT 1  
SINGLE 926 : OPEN LINE FROM BUS 659250 [SXF WBRANDN7115.00] TO BUS 659251 [SXF CORSON 7115.00] CKT 1  
SINGLE 927 : OPEN LINE FROM BUS 659251 [SXF CORSON 7115.00] TO BUS 659252 [SXF BRANDON7115.00] CKT 1  
SINGLE 928 : OPEN LINE FROM BUS 659252 [SXF BRANDON7115.00] TO BUS 659253 [SXF ROWENA 7115.00] CKT 1  
SINGLE 929 : OPEN LINE FROM BUS 659253 [SXF ROWENA 7115.00] TO BUS 659254 [SXF SPLT RK7115.00] CKT 1  
SINGLE 930 : OPEN LINE FROM BUS 659255 [SXF 6 MI RD7115.00] TO BUS 659256 [SXF 57TH ST7115.00] CKT 1

SINGLE 931 : OPEN LINE FROM BUS 659256 [SXF 57TH ST7115.00] TO BUS 659257 [SXF SHINDLR7115.00] CKT 1  
SINGLE 932 : OPEN LINE FROM BUS 659257 [SXF SHINDLR7115.00] TO BUS 659258 [SXF HARSBRG7115.00] CKT 1  
SINGLE 933 : OPEN LINE FROM BUS 659263 [LTLMISS7 115.00] TO BUS 659265 [LTLMISS4 230.00] CKT 1  
SINGLE 934 : OPEN LINE FROM BUS 659265 [LTLMISS4 230.00] TO BUS 659266 [RHAME 4 230.00] CKT 1  
SINGLE 935 : OPEN LINE FROM BUS 659265 [LTLMISS4 230.00] TO BUS 661004 [BAKER 4 230.00] CKT 1  
SINGLE 936 : OPEN LINE FROM BUS 659266 [RHAME 4 230.00] TO BUS 659267 [RHAME 7 115.00] CKT 1  
SINGLE 937 : OPEN LINE FROM BUS 659266 [RHAME 4 230.00] TO BUS 661010 [BOWMAN 4 230.00] CKT 1  
SINGLE 938 : OPEN LINE FROM BUS 659268 [RCDC EDUMMY4230.00] TO BUS 659271 [RCDC EAST 4230.00] CKT 1  
SINGLE 939 : OPEN LINE FROM BUS 659269 [CLBRTSONGEN7115.00] TO BUS 661012 [CLBRTSN7 115.00] CKT 1  
SINGLE 940 : OPEN LINE FROM BUS 659297 [BIS WARD 7115.00] TO BUS 659298 [BIS NORTH267115.00] CKT 1  
SINGLE 941 : OPEN LINE FROM BUS 659298 [BIS NORTH267115.00] TO BUS 659299 [BIS GVPINES7115.00] CKT 1  
SINGLE 942 : OPEN LINE FROM BUS 659303 [RCDC WEST 4230.00] TO BUS 659304 [RCDC SWING G230.00] CKT 1  
SINGLE 943 : OPEN LINE FROM BUS 660000 [ABDNJCT7 115.00] TO BUS 660001 [ABDNSBT7 115.00] CKT 1  
SINGLE 944 : OPEN LINE FROM BUS 660001 [ABDNSBT7 115.00] TO BUS 660002 [REDFLD 7 115.00] CKT 1  
SINGLE 945 : OPEN LINE FROM BUS 660002 [REDFLD 7 115.00] TO BUS 660009 [BTAP WP7 115.00] CKT 1  
SINGLE 946 : OPEN LINE FROM BUS 660003 [HURONWP7 115.00] TO BUS 660008 [MITCLNW7 115.00] CKT 1  
SINGLE 947 : OPEN LINE FROM BUS 660003 [HURONWP7 115.00] TO BUS 660009 [BTAP WP7 115.00] CKT 1  
SINGLE 948 : OPEN LINE FROM BUS 660004 [MITCHEL7 115.00] TO BUS 660005 [TRIPP 7 115.00] CKT 1  
SINGLE 949 : OPEN LINE FROM BUS 660004 [MITCHEL7 115.00] TO BUS 660008 [MITCLNW7 115.00] CKT 1  
SINGLE 950 : OPEN LINE FROM BUS 660005 [TRIPP 7 115.00] TO BUS 660007 [MENNOJT7 115.00] CKT 1  
SINGLE 951 : OPEN LINE FROM BUS 661010 [BOWMAN 4 230.00] TO BUS 661047 [HETINGR4 230.00] CKT 1  
SINGLE 952 : OPEN LINE FROM BUS 661012 [CLBRTSN7 115.00] TO BUS 661075 [POPLAR 7 115.00] CKT 1  
GEN-COOPER : TRIP LINE FROM BUS 640139 [COOPER 3 345.00] TO BUS 640009 [COOPER1G 22.000] CKT 1  
GEN-GGS-1 : TRIP LINE FROM BUS 640184 [GENTLMN4 230.00] TO BUS 640010 [GENTLM1G 23.000] CKT 1  
GEN-GGS-2 : TRIP LINE FROM BUS 640183 [GENTLMN3 345.00] TO BUS 640011 [GENTLM2G 24.000] CKT 1  
GEN-SS-1 : TRIP LINE FROM BUS 640278 [SHELDON7 115.00] TO BUS 640019 [SHELDN1G 13.800] CKT 1  
GEN-SS-2 : TRIP LINE FROM BUS 640278 [SHELDON7 115.00] TO BUS 640020 [SHELDN2G 13.800] CKT 1  
GEN-PLATTE : TRIP LINE FROM BUS 642071 [SUB-D 7 115.00] TO BUS 642067 [PLATTE1G 13.800] CKT 1  
GEN-WEC1 : TRIP LINE FROM BUS 641087 [EGYCNTR7 115.00] TO BUS 641086 [EGY CTRG 13.800] CKT 1  
GEN-COLCOG : TRIP LINE FROM BUS 640119 [COL.COG7 115.00] TO BUS 640028 [COLCOG1G 13.800] CKT 1  
GEN-WEC2 : TRIP LINE FROM BUS 641087 [EGYCNTR7 115.00] TO BUS 641089 [EGYCTR2G 18.000] CKT 1  
GEN-AWEF : TRIP LINE FROM BUS 640050 [AINSWND7 115.00] TO BUS 640025 [AINSWDDG 34.500] CKT 1  
GEN-E-RIDGE : TRIP LINE FROM BUS 640084 [BLMFLD 7 115.00] TO BUS 640419 [ELKRDG1D 34.500] CKT 1  
LN-FAIRPORT : TRIP LINE FROM BUS 300039 [7FAIRPT 345.00] TO BUS 640139 [COOPER 3 345.00] CKT 1  
TRIP LINE FROM BUS 300039 [7FAIRPT 345.00] TO BUS 541199 [ST JOE 3 345.00] CKT 1  
TRIP LINE FROM BUS 300039 [7FAIRPT 345.00] TO BUS 300076 [5FAIRPT 161.00] CKT 3  
LN-1091 : TRIP LINE FROM BUS 640392 [VALENTN7 115.00] TO BUS 640210 [HARMONY7 115.00] CKT 1  
TRIP LINE FROM BUS 640210 [HARMONY7 115.00] TO BUS 640351 [ST.FRANC 115.00] CKT 1  
TRIP LINE FROM BUS 640351 [ST.FRANC 115.00] TO BUS 652482 [MISSION7 115.00] CKT 1  
LN-RUSHVILLE: TRIP LINE FROM BUS 640334 [RUSHVIL7 115.00] TO BUS 640109 [CHADRON7 115.00] CKT 1  
TRIP LINE FROM BUS 640334 [RUSHVIL7 115.00] TO BUS 640192 [GORDON 7 115.00] CKT 1  
LN-MALONEY : TRIP LINE FROM BUS 640287 [N.PLATT7 115.00] TO BUS 640265 [MALONEY7 115.00] CKT 1  
TRIP LINE FROM BUS 640266 [MALONEY9 34.500] TO BUS 640265 [MALONEY7 115.00] CKT 1  
LN-STOCKVILL: TRIP LINE FROM BUS 640287 [N.PLATT7 115.00] TO BUS 640365 [STOCKVL7 115.00] CKT 1  
TRIP LINE FROM BUS 640366 [STOCKVL8 69.000] TO BUS 640365 [STOCKVL7 115.00] CKT 1  
LN-1133 : TRIP LINE FROM BUS 640100 [CAMBRIG7 115.00] TO BUS 640269 [MCCOOK 7 115.00] CKT 1  
TRIP LINE FROM BUS 640100 [CAMBRIG7 115.00] TO BUS 640194 [GOSPER 7 115.00] CKT 1  
TRIP LINE FROM BUS 640242 [JOHN.2 7 115.00] TO BUS 640194 [GOSPER 7 115.00] CKT 1

LN-1147 : TRIP LINE FROM BUS 640244 [JOHN.LK7 115.00] TO BUS 640242 [JOHN.2 7 115.00] CKT 1  
TRIP LINE FROM BUS 640244 [JOHN.LK7 115.00] TO BUS 640240 [JOHN.1 7 115.00] CKT 1

LN-1142 : TRIP LINE FROM BUS 640196 [GOTHNBG7 115.00] TO BUS 640238 [JEFFREY7 115.00] CKT 1  
TRIP LINE FROM BUS 640196 [GOTHNBG7 115.00] TO BUS 640144 [COZAD 7 115.00] CKT 1

LN-1242 : TRIP LINE FROM BUS 640407 [WESTMIN7 115.00] TO BUS 640242 [JOHN.2 7 115.00] CKT 1  
TRIP LINE FROM BUS 640407 [WESTMIN7 115.00] TO BUS 640144 [COZAD 7 115.00] CKT 1

LN-1090 : TRIP LINE FROM BUS 640096 [CALAMS 7 115.00] TO BUS 640050 [AINSWND7 115.00] CKT 1  
TRIP LINE FROM BUS 640096 [CALAMS 7 115.00] TO BUS 640381 [THEDFRD7 115.00] CKT 1

LN-1267 : TRIP LINE FROM BUS 640367 [STUART 7 115.00] TO BUS 640051 [AINSWRT7 115.00] CKT 1  
TRIP LINE FROM BUS 640367 [STUART 7 115.00] TO BUS 640058 [ATKINSN7 115.00] CKT 1  
TRIP LINE FROM BUS 640165 [EMMET 7 115.00] TO BUS 640058 [ATKINSN7 115.00] CKT 1  
TRIP LINE FROM BUS 640165 [EMMET 7 115.00] TO BUS 640305 [ONEILL 7 115.00] CKT 1

LN-1164 : TRIP LINE FROM BUS 640113 [CLRWATR7 115.00] TO BUS 640305 [ONEILL 7 115.00] CKT 1  
TRIP LINE FROM BUS 640113 [CLRWATR7 115.00] TO BUS 640293 [NELIGH 7 115.00] CKT 1

LN-1163 : TRIP LINE FROM BUS 640115 [CO.LINE7 115.00] TO BUS 640293 [NELIGH 7 115.00] CKT 1  
TRIP LINE FROM BUS 640115 [CO.LINE7 115.00] TO BUS 640072 [BATTLCR7 115.00] CKT 1  
TRIP LINE FROM BUS 640296 [NORFK.N7 115.00] TO BUS 640072 [BATTLCR7 115.00] CKT 1

LN-1169 : TRIP LINE FROM BUS 640353 [ST.LIB 7 115.00] TO BUS 640201 [GR ISLD7 115.00] CKT 1  
TRIP LINE FROM BUS 640353 [ST.LIB 7 115.00] TO BUS 640259 [LOUPCTY7 115.00] CKT 1  
TRIP LINE FROM BUS 640353 [ST.LIB 7 115.00] TO BUS 640355 [ST.PAUL7 115.00] CKT 1

LN-1143 : TRIP LINE FROM BUS 640161 [ELMCRK\_7 115.00] TO BUS 640103 [CANADAY7 115.00] CKT 1  
TRIP LINE FROM BUS 640161 [ELMCRK\_7 115.00] TO BUS 640250 [KEARNEY7 115.00] CKT 1

LN-1094 : TRIP LINE FROM BUS 640248 [KEAR.NE7 115.00] TO BUS 640331 [RIVERDL7 115.00] CKT 1  
TRIP LINE FROM BUS 640248 [KEAR.NE7 115.00] TO BUS 640250 [KEARNEY7 115.00] CKT 1

LN-1173 : TRIP LINE FROM BUS 640220 [HEBRON 7 115.00] TO BUS 640368 [SUPEROR7 115.00] CKT 1  
TRIP LINE FROM BUS 640220 [HEBRON 7 115.00] TO BUS 640218 [HEBRN N7 115.00] CKT 1

LN-1175B : TRIP LINE FROM BUS 640169 [FAIRBRY7 115.00] TO BUS 640208 [HARBINE7 115.00] CKT 1  
TRIP LINE FROM BUS 640169 [FAIRBRY7 115.00] TO BUS 640170 [FAIRBRYG 34.500] CKT 1

LN-1176 : TRIP LINE FROM BUS 640361 [STEINER7 115.00] TO BUS 640076 [BEATRCE7 115.00] CKT 1  
TRIP LINE FROM BUS 640361 [STEINER7 115.00] TO BUS 640235 [HUMBOLT7 115.00] CKT 1

LN-CLATONIA : TRIP LINE FROM BUS 640111 [CLATONA7 115.00] TO BUS 640088 [BPS SUB7 115.00] CKT 1  
TRIP LINE FROM BUS 640111 [CLATONA7 115.00] TO BUS 640278 [SHELDON7 115.00] CKT 1

LN-FIRTH : TRIP LINE FROM BUS 640171 [FIRTH 7 115.00] TO BUS 640362 [STERLNG7 115.00] CKT 1  
TRIP LINE FROM BUS 640171 [FIRTH 7 115.00] TO BUS 640278 [SHELDON7 115.00] CKT 1  
TRIP LINE FROM BUS 640362 [STERLNG7 115.00] TO BUS 647974 [S974 8 69.000] CKT 1

LN-FRIEND : TRIP LINE FROM BUS 640174 [FRIEND 7 115.00] TO BUS 640153 [CRETE\_\_7 115.00] CKT 1  
TRIP LINE FROM BUS 640174 [FRIEND 7 115.00] TO BUS 640178 [GENEVA 7 115.00] CKT 1

LN-1155 : TRIP LINE FROM BUS 640375 [TAMORA 7 115.00] TO BUS 640411 [YORK 7 115.00] CKT 1  
TRIP LINE FROM BUS 640375 [TAMORA 7 115.00] TO BUS 640340 [SEWARD 7 115.00] CKT 1

LN-1156 : TRIP LINE FROM BUS 640316 [PAWNEEL7 115.00] TO BUS 650214 [NW68HOLDRG7 115.00] CKT 1  
TRIP LINE FROM BUS 640316 [PAWNEEL7 115.00] TO BUS 640340 [SEWARD 7 115.00] CKT 1

LN-1181 : TRIP LINE FROM BUS 640155 [DAVEY 7 115.00] TO BUS 650269 [70&BLUFF 7 115.00] CKT 1  
TRIP LINE FROM BUS 640155 [DAVEY 7 115.00] TO BUS 640402 [WAHOO 7 115.00] CKT 1

LN-1152 : TRIP LINE FROM BUS 640157 [DAVIDCY7 115.00] TO BUS 640127 [COLMB.E7 115.00] CKT 1  
TRIP LINE FROM BUS 640157 [DAVIDCY7 115.00] TO BUS 640402 [WAHOO 7 115.00] CKT 1

LN-S-CREEK : TRIP LINE FROM BUS 640345 [SILVRCK7 115.00] TO BUS 640107 [CENCITY7 115.00] CKT 1  
TRIP LINE FROM BUS 640345 [SILVRCK7 115.00] TO BUS 640136 [COLMBUS7 115.00] CKT 1

LN-N-BEND : TRIP LINE FROM BUS 640281 [N.BEND 7 115.00] TO BUS 640336 [SCHUYLR7 115.00] CKT 1

TRIP LINE FROM BUS 640281 [N.BEND 7 115.00] TO BUS 640173 [FREMONT7 115.00] CKT 1  
LN-1160 : TRIP LINE FROM BUS 640409 [WINSLOW7 115.00] TO BUS 640300 [OAKLAND7 115.00] CKT 1  
TRIP LINE FROM BUS 640409 [WINSLOW7 115.00] TO BUS 640173 [FREMONT7 115.00] CKT 1  
LN-1161 : TRIP LINE FROM BUS 640400 [W.POINT7 115.00] TO BUS 640300 [OAKLAND7 115.00] CKT 1  
TRIP LINE FROM BUS 640400 [W.POINT7 115.00] TO BUS 640078 [BEEMER 7 115.00] CKT 1  
LN-1168 : TRIP LINE FROM BUS 640357 [STANTON7 115.00] TO BUS 640363 [STNTN.N7 115.00] CKT 1  
TRIP LINE FROM BUS 640357 [STANTON7 115.00] TO BUS 640078 [BEEMER 7 115.00] CKT 1  
LN-1193 : TRIP LINE FROM BUS 640070 [BANCRFT7 115.00] TO BUS 640300 [OAKLAND7 115.00] CKT 1  
TRIP LINE FROM BUS 640070 [BANCRFT7 115.00] TO BUS 640163 [EMERSON7 115.00] CKT 1  
LN-DONIPHAN : TRIP LINE FROM BUS 640159 [DONIPHN7 115.00] TO BUS 642071 [SUB-D 7 115.00] CKT 1  
TRIP LINE FROM BUS 640159 [DONIPHN7 115.00] TO BUS 640282 [N.HAST 7 115.00] CKT 1  
LN-HILDRETH : TRIP LINE FROM BUS 640222 [HILDRTH7 115.00] TO BUS 640224 [HOLDREG7 115.00] CKT 1  
TRIP LINE FROM BUS 640222 [HILDRTH7 115.00] TO BUS 640313 [PAULINE7 115.00] CKT 1  
LN-CRAWFORD : TRIP LINE FROM BUS 640147 [CRAWFRD7 115.00] TO BUS 640109 [CHADRON7 115.00] CKT 1  
TRIP LINE FROM BUS 640147 [CRAWFRD7 115.00] TO BUS 640397 [VICTRYH7 115.00] CKT 1  
LN-CALLAWAY : TRIP LINE FROM BUS 640098 [CALAWAY7 115.00] TO BUS 640089 [BROKENB7 115.00] CKT 1  
TRIP LINE FROM BUS 640098 [CALAWAY7 115.00] TO BUS 640099 [CALAWAY8 69.000] CKT 1  
LN-PROSSER : TRIP LINE FROM BUS 640321 [PROSSER7 115.00] TO BUS 640322 [PROSSER9 34.500] CKT 1  
TRIP LINE FROM BUS 640321 [PROSSER7 115.00] TO BUS 640261 [LOWELL 7 115.00] CKT 1  
LN-WAPA1 : TRIP LINE FROM BUS 652311 [DUNLAP 7 115.00] TO BUS 640109 [CHADRON7 115.00] CKT 1  
TRIP LINE FROM BUS 652311 [DUNLAP 7 115.00] TO BUS 659236 [BOXBUTE7 115.00] CKT 1  
LN-WAPA2 : TRIP LINE FROM BUS 659236 [BOXBUTE7 115.00] TO BUS 659237 [HEMINGF7 115.00] CKT 1  
TRIP LINE FROM BUS 659236 [BOXBUTE7 115.00] TO BUS 652570 [ALIANCE7 115.00] CKT 1  
TRIP LINE FROM BUS 652570 [ALIANCE7 115.00] TO BUS 659197 [SNAKECK7 115.00] CKT 1  
LN-WAPA3 : TRIP LINE FROM BUS 652312 [MORRILL7 115.00] TO BUS 659197 [SNAKECK7 115.00] CKT 1  
TRIP LINE FROM BUS 652312 [MORRILL7 115.00] TO BUS 659242 [GERINGT7 115.00] CKT 1  
TRIP LINE FROM BUS 659242 [GERINGT7 115.00] TO BUS 640338 [SCOTBLF7 115.00] CKT 1  
LN-WAPA4 : TRIP LINE FROM BUS 659238 [COLTON 7 115.00] TO BUS 652572 [SIDNEY 7 115.00] CKT 1  
TRIP LINE FROM BUS 659238 [COLTON 7 115.00] TO BUS 652300 [CHAPPEL7 115.00] CKT 1  
TRIP LINE FROM BUS 640246 [JULSTAP7 115.00] TO BUS 652300 [CHAPPEL7 115.00] CKT 1  
TRIP LINE FROM BUS 640246 [JULSTAP7 115.00] TO BUS 640068 [B.SPRGS7 115.00] CKT 1  
LN-WAPA5 : TRIP LINE FROM BUS 640091 [BRULE 7 115.00] TO BUS 640068 [B.SPRGS7 115.00] CKT 1  
TRIP LINE FROM BUS 640091 [BRULE 7 115.00] TO BUS 659132 [OGALALA7 115.00] CKT 1  
LN-WAPA6 : TRIP LINE FROM BUS 640349 [SPENCER7 115.00] TO BUS 652510 [FTRANDL7 115.00] CKT 1  
TRIP LINE FROM BUS 640349 [SPENCER7 115.00] TO BUS 640305 [ONEILL 7 115.00] CKT 1  
LN-TSGT1 : TRIP LINE FROM BUS 659192 [LYNN 7 115.00] TO BUS 659197 [SNAKECK7 115.00] CKT 1  
TRIP LINE FROM BUS 659192 [LYNN 7 115.00] TO BUS 659239 [COVALT 7 115.00] CKT 1  
TRIP LINE FROM BUS 659239 [COVALT 7 115.00] TO BUS 659193 [W.HORSE7 115.00] CKT 1  
LN-TSGT2 : TRIP LINE FROM BUS 640086 [BLUECK 7 115.00] TO BUS 659193 [W.HORSE7 115.00] CKT 1  
TRIP LINE FROM BUS 640086 [BLUECK 7 115.00] TO BUS 640068 [B.SPRGS7 115.00] CKT 1  
LN-TSGT3 : TRIP LINE FROM BUS 659188 [SPCREEK7 115.00] TO BUS 659154 [LAMAR 7 115.00] CKT 1  
TRIP LINE FROM BUS 659188 [SPCREEK7 115.00] TO BUS 659130 [GRANTNB7 115.00] CKT 1  
LN-TSGT4 : TRIP LINE FROM BUS 659195 [CRETE 7 115.00] TO BUS 659154 [LAMAR 7 115.00] CKT 1  
TRIP LINE FROM BUS 659195 [CRETE 7 115.00] TO BUS 659245 [CRETEHE7 115.00] CKT 1  
TRIP LINE FROM BUS 659244 [ATHEY 7 115.00] TO BUS 659245 [CRETEHE7 115.00] CKT 1  
TRIP LINE FROM BUS 659244 [ATHEY 7 115.00] TO BUS 640167 [ENDERS 7 115.00] CKT 1  
LN-TSGT5 : TRIP LINE FROM BUS 659187 [ROSCOE 7 115.00] TO BUS 659132 [OGALALA7 115.00] CKT 1  
TRIP LINE FROM BUS 659187 [ROSCOE 7 115.00] TO BUS 659185 [ELSIETP7 115.00] CKT 1

LN-TSGT6 : TRIP LINE FROM BUS 659186 [PAXTON 7 115.00] TO BUS 640370 [SUTHLND7 115.00] CKT 1  
TRIP LINE FROM BUS 659186 [PAXTON 7 115.00] TO BUS 659185 [ELSIETP7 115.00] CKT 1  
TRF-AXTELL : TRIP LINE FROM BUS 640065 [AXTELL 3 345.00] TO BUS 640066 [AXTELL 7 115.00] TO BUS 640067 [AXTELL 9 13.800] CKT 1  
TRF-COOPER : TRIP LINE FROM BUS 640139 [COOPER 3 345.00] TO BUS 640140 [COOPER 5 161.00] TO BUS 640142 [COOPER 9 13.800] CKT 1  
TRF-GENTLMN : TRIP LINE FROM BUS 640183 [GENTLMN3 345.00] TO BUS 640184 [GENTLMN4 230.00] TO BUS 640185 [G.GENT19 13.800] CKT 1  
TRF-GRIS-T2 : TRIP LINE FROM BUS 640200 [GR ISLD4 230.00] TO BUS 640201 [GR ISLD7 115.00] TO BUS 640203 [G.I.T219 13.800] CKT 1  
TRF-HOSKINS : TRIP LINE FROM BUS 640226 [HOSKINS3 345.00] TO BUS 640228 [HOSKINS7 115.00] TO BUS 640231 [HOSKNS19 13.800] CKT 1  
TRF-KEYSTONE: TRIP LINE FROM BUS 640252 [KEYSTON3 345.00] TO BUS 640253 [KEYSTON7 115.00] TO BUS 640254 [KEYSTON9 13.800] CKT 1  
TRF-MCCOOL : TRIP LINE FROM BUS 640271 [MCCOOL 3 345.00] TO BUS 640272 [MCCOOL 7 115.00] TO BUS 640274 [MCCOOL19 13.800] CKT 1  
TRF-NP-T8 : TRIP LINE FROM BUS 640286 [N.PLATT4 230.00] TO BUS 640287 [N.PLATT7 115.00] TO BUS 640290 [N.PT8 9 13.800] CKT 1  
TRF-PAULINE : TRIP LINE FROM BUS 640312 [PAULINE3 345.00] TO BUS 640313 [PAULINE7 115.00] TO BUS 640315 [PAULINE9 13.800] CKT 1  
TRF-REDWILO : TRIP LINE FROM BUS 640325 [REDWILO3 345.00] TO BUS 640326 [REDWILO7 115.00] TO BUS 640327 [REDWILO9 13.800] CKT 1  
TRF-MOORE : TRIP LINE FROM BUS 640277 [MOORE 3 345.00] TO BUS 640278 [SHELDON7 115.00] TO BUS 640280 [MOORE 9 13.800] CKT 1  
TRF-VHILL : TRIP LINE FROM BUS 640396 [VICTRYH4 230.00] TO BUS 640397 [VICTRYH7 115.00] TO BUS 640399 [VICTR10G 13.800] CKT 1  
TRF-WAYSIDE : TRIP LINE FROM BUS 640404 [WAYSIDE4 230.00] TO BUS 640405 [WAYSIDE7 115.00] TO BUS 640406 [WAYSIDE9 13.800] CKT 1  
TRIP LINE FROM BUS 640405 [WAYSIDE7 115.00] TO BUS 640109 [CHADRON7 115.00] CKT 1  
TRF-KELLY : TRIP LINE FROM BUS 640133 [COLMBUS4 230.00] TO BUS 640134 [KELLY 7 115.00] TO BUS 640135 [COLMBS19 13.200] CKT 1  
TRIP LINE FROM BUS 640134 [KELLY 7 115.00] TO BUS 640136 [COLMBUS7 115.00] CKT 1  
TRF-GRIS-T3 : TRIP LINE FROM BUS 652571 [GR ISLD3 345.00] TO BUS 640200 [GR ISLD4 230.00] TO BUS 652314 [GR ISL19 13.800] CKT 1  
TRF-GRIS-T4 : TRIP LINE FROM BUS 652571 [GR ISLD3 345.00] TO BUS 640200 [GR ISLD4 230.00] TO BUS 652316 [GR ISL29 13.800] CKT 2  
TRF-STEGALL : TRIP LINE FROM BUS 659207 [STEGALTY 345.00] TO BUS 659206 [STGXFMR4 230.00] CKT 1  
TRIP LINE FROM BUS 659207 [STEGALTY 345.00] TO BUS 659167 [STEGALLM 13.800] CKT 1  
TRIP LINE FROM BUS 659207 [STEGALTY 345.00] TO BUS 659135 [STEGALL3 345.00] CKT 1  
TRIP LINE FROM BUS 659206 [STGXFMR4 230.00] TO BUS 652573 [STEGALL4 230.00] CKT 1  
TRF-SIDNEY1 : TRIP LINE FROM BUS 659209 [SIDNEYTY 345.00] TO BUS 659210 [SIDXFMR4 230.00] CKT 1  
TRIP LINE FROM BUS 659209 [SIDNEYTY 345.00] TO BUS 659168 [SIDNEY M 13.800] CKT 1  
TRIP LINE FROM BUS 659209 [SIDNEYTY 345.00] TO BUS 659133 [SIDNEY 3 345.00] CKT 1  
TRIP LINE FROM BUS 659210 [SIDXFMR4 230.00] TO BUS 659134 [SIDNEY 4 230.00] CKT 1  
TRF-SIDNEY2 : TRIP LINE FROM BUS 659136 [SIDNEY\*4 230.00] TO BUS 659134 [SIDNEY 4 230.00] CKT 1  
TRIP LINE FROM BUS 659136 [SIDNEY\*4 230.00] TO BUS 652572 [SIDNEY 7 115.00] CKT 1  
TRIP LINE FROM BUS 659136 [SIDNEY\*4 230.00] TO BUS 659137 [SIDNEY 8 13.800] CKT 1  
S993 GEN OFF: DECREASE BUS 647993 [S993 8 69.000] GENERATION BY 5.4 MW  
NCU GEN OFF : DECREASE BUS 647401 [NCU903 8 69.000] GENERATION BY 5.8 MW  
S3454T1 AUTO: OPEN BRANCH FROM BUS 645454 [S3454 3 345.00] TO BUS 646254 [S1254 5 161.00] TO BUS 648254 [S1254T19 13.800] CKT 1  
OPEN LINE FROM BUS 646254 [S1254 5 161.00] TO BUS 646281 [S1281 5 161.00] CKT 1  
OPEN LINE FROM BUS 646254 [S1254 5 161.00] TO BUS 646249 [S1249 5 161.00] CKT 1  
S1206T1 BSCL: OPEN BRANCH FROM BUS 646206 [S1206 5 161.00] TO BUS 647906 [S906 S 8 69.000] TO BUS 648206 [S1206T19 13.800] CKT 1  
CLOSE BRANCH FROM BUS 647006 [S906 N 8 69.000] TO BUS 647906 [S906 S 8 69.000] CKT 1  
S1206T2 BSCL: OPEN BRANCH FROM BUS 646206 [S1206 5 161.00] TO BUS 647006 [S906 N 8 69.000] TO BUS 648306 [S1206T29 13.800] CKT 1  
CLOSE BRANCH FROM BUS 647006 [S906 N 8 69.000] TO BUS 647906 [S906 S 8 69.000] CKT 1  
S1210T7 AUTO: OPEN LINE FROM BUS 646210 [S1210 5 161.00] TO BUS 646217 [S1217 5 161.00] CKT 1  
OPEN LINE FROM BUS 646210 [S1210 5 161.00] TO BUS 646222 [S1222 5 161.00] CKT 1  
OPEN LINE FROM BUS 646210 [S1210 5 161.00] TO BUS 647910 [S910 8 69.000] TO BUS 648210 [S1210T79 13.800] CKT 1  
S1217T1 AUTO: OPEN BRANCH FROM BUS 646217 [S1217 5 161.00] TO BUS 647917 [S917 8 69.000] TO BUS 648217 [S1217T19 13.800] CKT 1  
OPEN LINE FROM BUS 646217 [S1217 5 161.00] TO BUS 646227 [S1227 5 161.00] CKT 1  
OPEN LINE FROM BUS 646217 [S1217 5 161.00] TO BUS 646210 [S1210 5 161.00] CKT 1  
OPEN LINE FROM BUS 646217 [S1217 5 161.00] TO BUS 646216 [S1216 5 161.00] CKT 1  
S1221T9 AUTO: OPEN LINE FROM BUS 646221 [S1221 5 161.00] TO BUS 646231 [S1231 5 161.00] CKT 1

OPEN LINE FROM BUS 646221 [S1221 5 161.00] TO BUS 646255 [S1255 5 161.00] CKT 1  
 OPEN LINE FROM BUS 646221 [S1221 5 161.00] TO BUS 647921 [S921 8 69.000] TO BUS 648221 [S1221T99 13.800] CKT 1  
 S1263T1 AUTO: OPEN BRANCH FROM BUS 646263 [S1263 5 161.00] TO BUS 647111 [W BROCK8 69.000] TO BUS 648263 [S1263T19 13.800] CKT 1  
 OPEN LINE FROM BUS 647111 [W BROCK8 69.000] TO BUS 647963 [S963 8 69.000] CKT 1  
 OPEN LINE FROM BUS 647111 [W BROCK8 69.000] TO BUS 647967 [S967 8 69.000] CKT 1  
 1252TARP : OPEN LINE FROM BUS 646252 [S1252 5 161.00] TO BUS 646209 [S1209 5 161.00] CKT 1  
 OPEN LINE FROM BUS 646252 [S1252 5 161.00] TO BUS 646226 [S1226 5 161.00] CKT 1  
 1211-50-HS4 : OPEN BRANCH FROM BUS 646211 [S1211 5 161.00] TO BUS 646250 [S1250 5 161.00] CKT 2  
 OPEN LINE FROM BUS 645127 [S1211HS9 13.800] TO BUS 646211 [S1211 5 161.00] CKT 1  
 1297TARP : OPEN LINE FROM BUS 646297 [S1297 5 161.00] TO BUS 646250 [S1250 5 161.00] CKT 1  
 OPEN LINE FROM BUS 646297 [S1297 5 161.00] TO BUS 646251 [S1251 5 161.00] CKT 1  
 1281LINBUS : OPEN LINE FROM BUS 646281 [S1281 5 161.00] TO BUS 646287 [S1287 5 161.00] CKT 1  
 OPEN LINE FROM BUS 646281 [S1281 5 161.00] TO BUS 646254 [S1254 5 161.00] CKT 1  
 OPEN LINE FROM BUS 646281 [S1281 5 161.00] TO BUS 646259 [S1259 5 161.00] CKT 1  
 S979TAP : OPEN LINE FROM BUS 647979 [S979 8 69.000] TO BUS 647079 [979TP 8 69.000] CKT 1  
 OPEN LINE FROM BUS 647079 [979TP 8 69.000] TO BUS 647900 [S900 8 69.000] CKT 1  
 OPEN LINE FROM BUS 647079 [979TP 8 69.000] TO BUS 647006 [S906 N 8 69.000] CKT 1  
 901-JCT-910 : OPEN LINE FROM BUS 647105 [JCT205 8 69.000] TO BUS 647901 [S901 8 69.000] CKT 1  
 OPEN LINE FROM BUS 647105 [JCT205 8 69.000] TO BUS 647910 [S910 8 69.000] CKT 1  
 S937NOBKR : OPEN LINE FROM BUS 647937 [S937 8 69.000] TO BUS 647902 [S902 8 69.000] CKT 1  
 OPEN LINE FROM BUS 647937 [S937 8 69.000] TO BUS 647909 [S909 8 69.000] CKT 1  
 906S15-25-94: OPEN LINE FROM BUS 647016 [915TP3 8 69.000] TO BUS 647107 [SAC623 8 69.000] CKT 1  
 OPEN LINE FROM BUS 647016 [915TP3 8 69.000] TO BUS 647906 [S906 S 8 69.000] CKT 1  
 OPEN LINE FROM BUS 647016 [915TP3 8 69.000] TO BUS 647915 [S915T2 8 69.000] CKT 1  
 OPEN LINE FROM BUS 647107 [SAC623 8 69.000] TO BUS 647109 [SAC SO 8 69.000] CKT 1  
 OPEN LINE FROM BUS 647107 [SAC623 8 69.000] TO BUS 647994 [S994 8 69.000] CKT 1  
 906N15-25-94: OPEN LINE FROM BUS 647017 [915TP9 8 69.000] TO BUS 647108 [SAC629 8 69.000] CKT 1  
 OPEN LINE FROM BUS 647017 [915TP9 8 69.000] TO BUS 647006 [S906 N 8 69.000] CKT 1  
 OPEN LINE FROM BUS 647017 [915TP9 8 69.000] TO BUS 647015 [S915T1 8 69.000] CKT 1  
 OPEN LINE FROM BUS 647108 [SAC629 8 69.000] TO BUS 647110 [SAC NO 8 69.000] CKT 1  
 OPEN LINE FROM BUS 647108 [SAC629 8 69.000] TO BUS 647994 [S994 8 69.000] CKT 1  
 S938LINBUS : OPEN LINE FROM BUS 647938 [S938 8 69.000] TO BUS 647995 [S995 8 69.000] CKT 1  
 OPEN LINE FROM BUS 647938 [S938 8 69.000] TO BUS 647006 [S906 N 8 69.000] CKT 1  
 OPEN LINE FROM BUS 647938 [S938 8 69.000] TO BUS 647906 [S906 S 8 69.000] CKT 1  
 S973NOBKR : OPEN LINE FROM BUS 647973 [S973 8 69.000] TO BUS 640143 [CORNFLD8 69.000] CKT 1  
 OPEN LINE FROM BUS 647973 [S973 8 69.000] TO BUS 647963 [S963 8 69.000] CKT 1  
 AUBNOBKR : OPEN LINE FROM BUS 647101 [AUBRNT 8 69.000] TO BUS 647963 [S963 8 69.000] CKT 1  
 OPEN LINE FROM BUS 647101 [AUBRNT 8 69.000] TO BUS 647975 [S975 8 69.000] CKT 1  
 OPEN LINE FROM BUS 647101 [AUBRNT 8 69.000] TO BUS 640062 [AUBURN 8 69.000] CKT 1  
 S964-S993 : OPEN LINE FROM BUS 647964 [S964 8 69.000] TO BUS 647975 [S975 8 69.000] CKT 1  
 OPEN LINE FROM BUS 647964 [S964 8 69.000] TO BUS 647112 [MGLN TP8 69.000] CKT 1  
 OPEN LINE FROM BUS 647112 [MGLN TP8 69.000] TO BUS 647113 [MAGELLN8 69.000] CKT 1  
 OPEN LINE FROM BUS 647112 [MGLN TP8 69.000] TO BUS 647993 [S993 8 69.000] CKT 1  
 S968LINBUS : OPEN LINE FROM BUS 647968 [S968 8 69.000] TO BUS 647969 [S969 8 69.000] CKT 1  
 OPEN LINE FROM BUS 647968 [S968 8 69.000] TO BUS 647400 [TECUMSH8 69.000] CKT 1  
 OPEN LINE FROM BUS 647968 [S968 8 69.000] TO BUS 647967 [S967 8 69.000] CKT 1  
 ENRONTAP : OPEN LINE FROM BUS 647102 [HYDCAP 8 69.000] TO BUS 647103 [ENRON 8 69.000] CKT 1  
 OPEN LINE FROM BUS 647102 [HYDCAP 8 69.000] TO BUS 647970 [S970 8 69.000] CKT 1

OPEN LINE FROM BUS 647102 [HYDCAP 8 69.000] TO BUS 647974 [S974 8 69.000] CKT 1  
S982-90-71 : OPEN LINE FROM BUS 647090 [990TP 8 69.000] TO BUS 647971 [S971 8 69.000] CKT 1  
OPEN LINE FROM BUS 647090 [990TP 8 69.000] TO BUS 647982 [S982 8 69.000] CKT 1  
OPEN LINE FROM BUS 647090 [990TP 8 69.000] TO BUS 647990 [S990 8 69.000] CKT 1  
S976-FRE-D-E: OPEN BRANCH FROM BUS 647976 [S976 8 69.000] TO BUS 647424 [FREM D 8 69.000] CKT 1  
OPEN BRANCH FROM BUS 647424 [FREM D 8 69.000] TO BUS 647425 [FREM E 8 69.000] CKT 1  
S979BUS : OPEN LINE FROM BUS 647979 [S979 8 69.000] TO BUS 647079 [979TP 8 69.000] CKT 1  
S991TAP : OPEN LINE FROM BUS 647091 [991TP 8 69.000] TO BUS 647427 [FREM G 8 69.000] CKT 1  
OPEN LINE FROM BUS 647091 [991TP 8 69.000] TO BUS 647984 [S984 8 69.000] CKT 1  
OPEN LINE FROM BUS 647091 [991TP 8 69.000] TO BUS 647991 [S991 8 69.000] CKT 1  
S962-KM-S971: OPEN LINE FROM BUS 647114 [KIN MTP8 69.000] TO BUS 647115 [KIN MOR8 69.000] CKT 1  
OPEN LINE FROM BUS 647114 [KIN MTP8 69.000] TO BUS 647962 [S962 8 69.000] CKT 1  
OPEN LINE FROM BUS 647114 [KIN MTP8 69.000] TO BUS 647971 [S971 8 69.000] CKT 1  
FCS\_GEN : REMOVE MACHINE 1 FROM BUS 645001 [FT CAL1G 22.000]  
NC1\_GEN : REMOVE MACHINE 1 FROM BUS 645011 [NEBCTY1G 18.000]  
NC2\_GEN : REMOVE MACHINE 2 FROM BUS 645012 [NEBCTY2G 23.000]  
FRE8\_GEN : REMOVE MACHINE 8 FROM BUS 647418 [FREM 8G 13.800]  
ELKCITY\_GEN : REMOVE MACHINE 1 FROM BUS 647937 [S937 8 69.000]  
ELKCTY3\_GEN : REDUCE BUS 647937 [S937 8 69.000] GENERATION BY 3 MW  
GEN-SVGS4 : TRIP LINE FROM BUS 650004 [TBGS 4G 13.800] TO BUS 650275 [84&BLUFF 7 115.00] CKT 1  
GEN-ROKBY2 : TRIP LINE FROM BUS 650092 [ROKEBY 2G 13.800] TO BUS 650290 [ROKEBY 7 115.00] CKT 1  
TRF-NW68HOL : TRIP LINE FROM BUS 650214 [NW68HOLDRG7 115.00] TO BUS 650114 [NW68HOLDRG3 345.00] TO BUS 650314 [NW68HOL1 9 13.800] CKT 1  
TRF-70&BLUF : TRIP LINE FROM BUS 650269 [70&BLUFF 7 115.00] TO BUS 650169 [70&BLUFF 5 161.00] TO BUS 650369 [70&BLUFF 9 13.800] CKT 1  
TRF-WAGNR1 : TRIP LINE FROM BUS 650285 [WAGENER 7 115.00] TO BUS 650185 [WAGENER 3 345.00] TO BUS 650385 [WAGENER1 9 13.800] CKT 1  
TRF-WAGNR2 : TRIP LINE FROM BUS 650285 [WAGENER 7 115.00] TO BUS 650185 [WAGENER 3 345.00] TO BUS 650485 [WAGENER2 9 13.800] CKT 2



ACCC OVERLOAD REPORT: MONITORED BRANCHES AND INTERFACES LOADED ABOVE 100.0 % OF RATING SET A  
 CONTINGENCY CASE LOADING NOT CHECKED UNLESS IT DIFFERS FROM ITS BASE CASE LOADING BY 1.0 MVA (MW FOR INTERFACES)  
 ACCC VOLTAGE REPORT: VOLTAGE BAND CHECK IN CONTINGENCY CASES SKIPPED FOR ANY BUS WITHIN 0.01000 OF ITS BASE CASE VOLTAGE MAGNITUDE

AC CONTINGENCY RESULTS FILE: C:\u1\ddbetz\spp-facilities-study\DISIS-2010-001\lf\acc\16S-post.acc  
 DISTRIBUTION FACTOR FILE: C:\u1\ddbetz\spp-facilities-study\DISIS-2010-001\lf\acc\16S-post.dfx  
 SUBSYSTEM DESCRIPTION FILE: C:\u1\ddbetz\spp-facilities-study\DISIS-2010-001\lf\acc\MRO.sub  
 MONITORED ELEMENT FILE: C:\u1\ddbetz\spp-facilities-study\DISIS-2010-001\lf\acc\Nebraska.mon  
 CONTINGENCY DESCRIPTION FILE: C:\u1\ddbetz\spp-facilities-study\DISIS-2010-001\lf\acc\Nebraska.con

Solution engine: Fixed slope decoupled Newton-Raphson (FDNS)  
 Solution options  
 Tap adjustment: Stepping  
 Area interchange control: Disable  
 Phase shift adjustment: Enable  
 Dc tap adjustment: Enable  
 Switch shunt adjustment: Lock all  
 Non diverge: Disable  
 Mismatch tolerance (MW ): 1.5  
 Dispatch mode: Disable

<----- MULTI-SECTION LINE ----->	<----- MONITORED BRANCH ----->	CONTINGENCY	RATING	FLOW	%
640133 COLMBUS4	230.00 643000*MADISONCNTY4230.00 1 BASE CASE	192.0	252.8	127.8	
640133 COLMBUS4	230.00 643000*MADISONCNTY4230.00 1 SINGLE 2	192.0	251.5	127.2	
640133 COLMBUS4	230.00 643000*MADISONCNTY4230.00 1 SINGLE 3	192.0	250.5	126.7	
640133 COLMBUS4	230.00 643000*MADISONCNTY4230.00 1 SINGLE 4	192.0	251.7	127.3	
640133 COLMBUS4	230.00 643000*MADISONCNTY4230.00 1 SINGLE 6	192.0	251.3	127.1	
640133 COLMBUS4	230.00 643000*MADISONCNTY4230.00 1 SINGLE 12	192.0	255.6	129.2	
640133 COLMBUS4	230.00 643000*MADISONCNTY4230.00 1 SINGLE 16	192.0	250.6	126.7	
640133 COLMBUS4	230.00 643000*MADISONCNTY4230.00 1 SINGLE 17	192.0	249.6	126.2	
640133 COLMBUS4	230.00 643000*MADISONCNTY4230.00 1 SINGLE 18	192.0	255.0	128.9	
640133 COLMBUS4	230.00 643000*MADISONCNTY4230.00 1 SINGLE 20	192.0	251.4	127.1	
640133 COLMBUS4	230.00 643000*MADISONCNTY4230.00 1 SINGLE 27	192.0	251.5	127.2	
640133 COLMBUS4	230.00 643000*MADISONCNTY4230.00 1 SINGLE 31	192.0	247.6	125.2	
640133 COLMBUS4	230.00 643000*MADISONCNTY4230.00 1 SINGLE 32	192.0	248.0	125.4	
640133 COLMBUS4	230.00 643000*MADISONCNTY4230.00 1 SINGLE 41	192.0	250.1	126.5	
640133 COLMBUS4	230.00 643000*MADISONCNTY4230.00 1 SINGLE 43	192.0	256.3	129.6	
640133 COLMBUS4	230.00 643000*MADISONCNTY4230.00 1 SINGLE 44	192.0	254.9	128.9	
640133 COLMBUS4	230.00 643000*MADISONCNTY4230.00 1 SINGLE 45	192.0	254.0	128.4	
640133 COLMBUS4	230.00 643000*MADISONCNTY4230.00 1 SINGLE 46	192.0	244.1	123.4	
640133 COLMBUS4	230.00 643000*MADISONCNTY4230.00 1 SINGLE 50	192.0	250.7	126.8	
640133 COLMBUS4	230.00 643000*MADISONCNTY4230.00 1 SINGLE 51	192.0	251.7	127.3	
640133 COLMBUS4	230.00 643000*MADISONCNTY4230.00 1 SINGLE 55	192.0	251.2	127.0	
640133 COLMBUS4	230.00 643000*MADISONCNTY4230.00 1 SINGLE 60	192.0	254.2	128.6	
640133 COLMBUS4	230.00 643000*MADISONCNTY4230.00 1 SINGLE 127	192.0	250.2	126.5	
640133 COLMBUS4	230.00 643000*MADISONCNTY4230.00 1 SINGLE 157	192.0	251.5	127.2	
640133 COLMBUS4	230.00 643000*MADISONCNTY4230.00 1 SINGLE 228	192.0	250.2	126.5	

640133	COLMBUS4	230.00	643000*	MADISONCNTY4230.00	1	SINGLE	230	192.0	254.5	128.7	
640133	COLMBUS4	230.00	643000*	MADISONCNTY4230.00	1	SINGLE	231	192.0	259.2	131.1	
640133	COLMBUS4	230.00	643000*	MADISONCNTY4230.00	1	SINGLE	232	192.0	292.2	147.7	
640133	COLMBUS4	230.00	643000*	MADISONCNTY4230.00	1	SINGLE	233	192.0	259.5	131.2	
640133	COLMBUS4	230.00	643000*	MADISONCNTY4230.00	1	SINGLE	236	192.0	251.2	127.0	
640133	COLMBUS4	230.00	643000*	MADISONCNTY4230.00	1	SINGLE	237	192.0	250.7	126.8	
640133	COLMBUS4	230.00	643000*	MADISONCNTY4230.00	1	SINGLE	250	192.0	255.3	129.1	
640133	COLMBUS4	230.00	643000*	MADISONCNTY4230.00	1	SINGLE	257	192.0	254.3	128.6	
640133	COLMBUS4	230.00	643000*	MADISONCNTY4230.00	1	SINGLE	259	192.0	254.5	128.7	
640133	COLMBUS4	230.00	643000*	MADISONCNTY4230.00	1	SINGLE	262	192.0	254.7	128.8	
640133	COLMBUS4	230.00	643000*	MADISONCNTY4230.00	1	SINGLE	265	192.0	247.5	125.1	
640133	COLMBUS4	230.00	643000*	MADISONCNTY4230.00	1	SINGLE	266	192.0	254.6	128.7	
640133	COLMBUS4	230.00	643000*	MADISONCNTY4230.00	1	SINGLE	272	192.0	249.7	126.2	
640133	COLMBUS4	230.00	643000*	MADISONCNTY4230.00	1	SINGLE	276	192.0	254.4	128.6	
640133	COLMBUS4	230.00	643000*	MADISONCNTY4230.00	1	SINGLE	277	192.0	254.3	128.6	
640133	COLMBUS4	230.00	643000*	MADISONCNTY4230.00	1	SINGLE	288	192.0	254.4	128.6	
640133	COLMBUS4	230.00	643000*	MADISONCNTY4230.00	1	SINGLE	291	192.0	251.5	127.2	
640133	COLMBUS4	230.00	643000*	MADISONCNTY4230.00	1	SINGLE	297	192.0	255.6	129.2	
640133	COLMBUS4	230.00	643000*	MADISONCNTY4230.00	1	SINGLE	304	192.0	250.8	126.8	
640133	COLMBUS4	230.00	643000*	MADISONCNTY4230.00	1	SINGLE	305	192.0	251.3	127.1	
640133	COLMBUS4	230.00	643000*	MADISONCNTY4230.00	1	SINGLE	306	192.0	251.3	127.1	
640133	COLMBUS4	230.00	643000*	MADISONCNTY4230.00	1	SINGLE	307	192.0	241.7	122.2	
640133	COLMBUS4	230.00	643000*	MADISONCNTY4230.00	1	SINGLE	308	192.0	241.6	122.2	
640133	COLMBUS4	230.00	643000*	MADISONCNTY4230.00	1	SINGLE	310	192.0	251.2	127.0	
640133	COLMBUS4	230.00	643000*	MADISONCNTY4230.00	1	SINGLE	311	192.0	250.0	126.4	
640133	COLMBUS4	230.00	643000*	MADISONCNTY4230.00	1	SINGLE	312	192.0	255.5	129.2	
640133	COLMBUS4	230.00	643000*	MADISONCNTY4230.00	1	SINGLE	313	192.0	233.4	118.0	
640054	ALBION 7	115.00	640318*	PETR SBG7	115.00	1	SINGLE	314	137.0	151.3	106.7
640318	PETR SBG7	115.00	640444*	PETERSBRG.N7	115.00	1	SINGLE	314	137.0	155.4	109.6
640133	COLMBUS4	230.00	643000*	MADISONCNTY4230.00	1	SINGLE	315	192.0	242.3	122.5	
640133	COLMBUS4	230.00	643000*	MADISONCNTY4230.00	1	SINGLE	316	192.0	262.2	132.6	
640133	COLMBUS4	230.00	643000*	MADISONCNTY4230.00	1	SINGLE	318	192.0	248.7	125.7	
640133	COLMBUS4	230.00	643000*	MADISONCNTY4230.00	1	SINGLE	319	192.0	251.7	127.3	
640133	COLMBUS4	230.00	643000*	MADISONCNTY4230.00	1	SINGLE	320	192.0	255.1	129.0	
640133	COLMBUS4	230.00	643000*	MADISONCNTY4230.00	1	SINGLE	326	192.0	251.2	127.0	
640133	COLMBUS4	230.00	643000*	MADISONCNTY4230.00	1	SINGLE	327	192.0	268.6	135.8	
640133	COLMBUS4	230.00	643000*	MADISONCNTY4230.00	1	SINGLE	354	192.0	255.3	129.1	
640133	COLMBUS4	230.00	643000*	MADISONCNTY4230.00	1	SINGLE	355	192.0	254.8	128.8	
640133	COLMBUS4	230.00	643000*	MADISONCNTY4230.00	1	SINGLE	360	192.0	251.7	127.3	
640133	COLMBUS4	230.00	643000*	MADISONCNTY4230.00	1	SINGLE	388	192.0	246.2	124.5	
640133	COLMBUS4	230.00	643000*	MADISONCNTY4230.00	1	SINGLE	389	192.0	246.1	124.4	
640133	COLMBUS4	230.00	643000*	MADISONCNTY4230.00	1	SINGLE	390	192.0	254.4	128.7	
640133	COLMBUS4	230.00	643000*	MADISONCNTY4230.00	1	SINGLE	393	192.0	256.2	129.6	
640133	COLMBUS4	230.00	643000*	MADISONCNTY4230.00	1	SINGLE	394	192.0	255.5	129.2	
640133	COLMBUS4	230.00	643000*	MADISONCNTY4230.00	1	SINGLE	410	192.0	256.1	129.5	
640302	*OGALALA4	230.00	659132	OGALALA7	115.00	1	SINGLE	412	187.0	187.1	100.0
640054	ALBION 7	115.00	640318*	PETR SBG7	115.00	1	SINGLE	414	137.0	143.9	101.5
640133	COLMBUS4	230.00	643000*	MADISONCNTY4230.00	1	SINGLE	414	192.0	245.8	124.3	

640318	PETRSBG7	115.00	640444*PETERSBRG.N7115.00	1	SINGLE 414	137.0	148.3	104.6
640133	COLMBUS4	230.00	643000*MADISONCNTY4230.00	1	SINGLE 418	192.0	259.3	131.1
640133	COLMBUS4	230.00	643000*MADISONCNTY4230.00	1	SINGLE 419	192.0	291.0	147.1
640133	COLMBUS4	230.00	643000*MADISONCNTY4230.00	1	SINGLE 422	192.0	251.0	126.9
640133	COLMBUS4	230.00	643000*MADISONCNTY4230.00	1	SINGLE 423	192.0	251.2	127.0
640133	COLMBUS4	230.00	643000*MADISONCNTY4230.00	1	SINGLE 427	192.0	250.8	126.8
640133	COLMBUS4	230.00	643000*MADISONCNTY4230.00	1	SINGLE 430	192.0	254.4	128.6
640133	COLMBUS4	230.00	643000*MADISONCNTY4230.00	1	SINGLE 434	192.0	251.4	127.1
640133	COLMBUS4	230.00	643000*MADISONCNTY4230.00	1	SINGLE 439	192.0	254.3	128.6
640133	COLMBUS4	230.00	643000*MADISONCNTY4230.00	1	SINGLE 440	192.0	255.0	128.9
640133	COLMBUS4	230.00	643000*MADISONCNTY4230.00	1	SINGLE 442	192.0	262.5	132.7
640318	PETRSBG7	115.00	640444*PETERSBRG.N7115.00	1	SINGLE 442	137.0	145.7	102.7
640133	COLMBUS4	230.00	643000*MADISONCNTY4230.00	1	SINGLE 443	192.0	255.2	129.1
640133	COLMBUS4	230.00	643000*MADISONCNTY4230.00	1	SINGLE 444	192.0	281.0	142.1
640133	COLMBUS4	230.00	643000*MADISONCNTY4230.00	1	SINGLE 451	192.0	254.1	128.5
640133	COLMBUS4	230.00	643000*MADISONCNTY4230.00	1	SINGLE 455	192.0	293.6	148.5
640133	COLMBUS4	230.00	643000*MADISONCNTY4230.00	1	SINGLE 464	192.0	233.5	118.1
640133	COLMBUS4	230.00	643000*MADISONCNTY4230.00	1	SINGLE 470	192.0	254.7	128.8
640133	COLMBUS4	230.00	643000*MADISONCNTY4230.00	1	SINGLE 475	192.0	256.1	129.5
640133	COLMBUS4	230.00	643000*MADISONCNTY4230.00	1	SINGLE 487	192.0	248.1	125.5
640133	COLMBUS4	230.00	643000*MADISONCNTY4230.00	1	SINGLE 488	192.0	247.6	125.2
640133	COLMBUS4	230.00	643000*MADISONCNTY4230.00	1	SINGLE 491	192.0	255.1	129.0
640133	COLMBUS4	230.00	643000*MADISONCNTY4230.00	1	SINGLE 492	192.0	253.9	128.4
640133	COLMBUS4	230.00	643000*MADISONCNTY4230.00	1	SINGLE 508	192.0	228.2	115.4
640133	COLMBUS4	230.00	643000*MADISONCNTY4230.00	1	SINGLE 509	192.0	220.0	111.2
640133	COLMBUS4	230.00	643000*MADISONCNTY4230.00	1	SINGLE 516	192.0	250.6	126.7
640133	COLMBUS4	230.00	643000*MADISONCNTY4230.00	1	SINGLE 517	192.0	250.3	126.6
640133	COLMBUS4	230.00	643000*MADISONCNTY4230.00	1	SINGLE 519	192.0	251.7	127.3
640133	COLMBUS4	230.00	643000*MADISONCNTY4230.00	1	SINGLE 520	192.0	257.4	130.1
640133	COLMBUS4	230.00	643000*MADISONCNTY4230.00	1	SINGLE 652	192.0	256.8	129.8
640133	COLMBUS4	230.00	643000*MADISONCNTY4230.00	1	SINGLE 656	192.0	255.0	129.0
652405*FTPECK 4	230.00	652406 FTPECK 7	115.00	1	SINGLE 657	67.0	97.0	144.7
640133	COLMBUS4	230.00	643000*MADISONCNTY4230.00	1	SINGLE 658	192.0	254.7	128.8
640133	COLMBUS4	230.00	643000*MADISONCNTY4230.00	1	SINGLE 679	192.0	254.8	128.9
652426*BISMARK4	230.00	652427 BISMARK7	115.00	2	SINGLE 680	100.0	111.4	111.4
652426*BISMARK4	230.00	652427 BISMARK7	115.00	1	SINGLE 681	100.0	116.0	116.0
640133	COLMBUS4	230.00	643000*MADISONCNTY4230.00	1	SINGLE 686	192.0	253.8	128.3
640133	COLMBUS4	230.00	643000*MADISONCNTY4230.00	1	SINGLE 725	192.0	254.7	128.8
640133	COLMBUS4	230.00	643000*MADISONCNTY4230.00	1	SINGLE 726	192.0	254.6	128.8
640133	COLMBUS4	230.00	643000*MADISONCNTY4230.00	1	SINGLE 729	192.0	249.7	126.3
640133	COLMBUS4	230.00	643000*MADISONCNTY4230.00	1	SINGLE 736	192.0	253.8	128.3
640133	COLMBUS4	230.00	643000*MADISONCNTY4230.00	1	SINGLE 737	192.0	254.0	128.4
640133	COLMBUS4	230.00	643000*MADISONCNTY4230.00	1	SINGLE 741	192.0	251.5	127.2
652486 PHILIP 4	230.00	652487*PHILIP 7	115.00	1	SINGLE 747	100.0	101.7	101.7
640133	COLMBUS4	230.00	643000*MADISONCNTY4230.00	1	SINGLE 748	192.0	253.8	128.3
640133	COLMBUS4	230.00	643000*MADISONCNTY4230.00	1	SINGLE 750	192.0	255.5	129.2
652486*PHILIP 4	230.00	652487 PHILIP 7	115.00	1	SINGLE 750	100.0	115.3	115.3
652486*PHILIP 4	230.00	652488 PHILTAP4	230.00	1	SINGLE 750	100.0	115.3	112.1

652487 PHILIP 7	115.00	652492*WALL 7	115.00	1	SINGLE 750	77.0	78.0	105.3	
640133 COLMBUS4	230.00	643000*MADISONCNTY4230.00	1	SINGLE 752	192.0	255.5	129.2		
652481 MIDLAND7	115.00	652491*IRVSIMM7	115.00	1	SINGLE 755	77.0	79.7	103.4	
652481 MIDLAND7	115.00	652491*IRVSIMM7	115.00	1	SINGLE 756	77.0	79.8	103.5	
640133 COLMBUS4	230.00	643000*MADISONCNTY4230.00	1	SINGLE 758	192.0	256.4	129.7		
652476 EAGLEBT7	115.00	652520*OAHE 7	115.00	1	SINGLE 758	60.0	63.4	105.7	
652481*MIDLAND7	115.00	652487 PHILIP 7	115.00	1	SINGLE 758	77.0	73.9	103.6	
652481 MIDLAND7	115.00	652491*IRVSIMM7	115.00	1	SINGLE 758	77.0	105.6	139.0	
652519*OAHE 4	230.00	652520 OAHE 7	115.00	1	SINGLE 758	107.0	125.7	117.4	
652520 OAHE 7	115.00	652600*ASH TAP	115.00	1	SINGLE 763	120.0	126.0	104.6	
640133 COLMBUS4	230.00	643000*MADISONCNTY4230.00	1	SINGLE 765	192.0	250.4	126.6		
640133 COLMBUS4	230.00	643000*MADISONCNTY4230.00	1	SINGLE 768	192.0	254.5	128.7		
640133 COLMBUS4	230.00	643000*MADISONCNTY4230.00	1	SINGLE 777	192.0	276.2	139.7		
640133 COLMBUS4	230.00	643000*MADISONCNTY4230.00	1	SINGLE 778	192.0	250.8	126.8		
640133 COLMBUS4	230.00	643000*MADISONCNTY4230.00	1	SINGLE 779	192.0	244.6	123.7		
640133 COLMBUS4	230.00	643000*MADISONCNTY4230.00	1	SINGLE 780	192.0	253.9	128.4		
640133 COLMBUS4	230.00	643000*MADISONCNTY4230.00	1	SINGLE 781	192.0	253.9	128.4		
640133 COLMBUS4	230.00	643000*MADISONCNTY4230.00	1	SINGLE 782	192.0	244.2	123.5		
640133 COLMBUS4	230.00	643000*MADISONCNTY4230.00	1	SINGLE 787	192.0	241.3	122.0		
640133 COLMBUS4	230.00	643000*MADISONCNTY4230.00	1	SINGLE 788	192.0	254.7	128.8		
652482 MISSION7	115.00	652495*WITTEN 7	115.00	1	SINGLE 788	80.0	124.2	159.1	
640133 COLMBUS4	230.00	643000*MADISONCNTY4230.00	1	SINGLE 789	192.0	254.6	128.7		
640133 COLMBUS4	230.00	643000*MADISONCNTY4230.00	1	SINGLE 796	192.0	245.7	124.2		
640133 COLMBUS4	230.00	643000*MADISONCNTY4230.00	1	SINGLE 797	192.0	272.2	137.6		
640133 COLMBUS4	230.00	643000*MADISONCNTY4230.00	1	SINGLE 798	192.0	267.5	135.3		
640133 COLMBUS4	230.00	643000*MADISONCNTY4230.00	1	SINGLE 799	192.0	255.2	129.0		
640133 COLMBUS4	230.00	643000*MADISONCNTY4230.00	1	SINGLE 806	192.0	250.6	126.7		
652515*HURON 7	115.00	660009 BTAP WP7	115.00	1	SINGLE 807	80.0	82.4	101.7	
640133 COLMBUS4	230.00	643000*MADISONCNTY4230.00	1	SINGLE 808	192.0	253.8	128.3		
640133 COLMBUS4	230.00	643000*MADISONCNTY4230.00	1	SINGLE 809	192.0	254.6	128.7		
640133 COLMBUS4	230.00	643000*MADISONCNTY4230.00	1	SINGLE 810	192.0	254.9	128.9		
640133 COLMBUS4	230.00	643000*MADISONCNTY4230.00	1	SINGLE 811	192.0	255.0	129.0		
652515 HURON 7	115.00	660009*BTAP WP7	115.00	1	SINGLE 815	80.0	94.7	116.5	
640133 COLMBUS4	230.00	643000*MADISONCNTY4230.00	1	SINGLE 817	192.0	254.4	128.7		
640133 COLMBUS4	230.00	643000*MADISONCNTY4230.00	1	SINGLE 818	192.0	250.7	126.8		
652491*IRVSIMM7	115.00	652520 OAHE 7	115.00	1	SINGLE 821	120.0	124.7	104.0	
640133 COLMBUS4	230.00	643000*MADISONCNTY4230.00	1	SINGLE 822	192.0	251.5	127.2		
640133 COLMBUS4	230.00	643000*MADISONCNTY4230.00	1	SINGLE 826	192.0	255.1	129.0		
640133 COLMBUS4	230.00	643000*MADISONCNTY4230.00	1	SINGLE 827	192.0	254.5	128.7		
640133 COLMBUS4	230.00	643000*MADISONCNTY4230.00	1	SINGLE 828	192.0	255.7	129.3		
640133 COLMBUS4	230.00	643000*MADISONCNTY4230.00	1	SINGLE 830	192.0	258.5	130.7		
640133 COLMBUS4	230.00	643000*MADISONCNTY4230.00	1	SINGLE 833	192.0	253.9	128.4		
652512*GROTON 7	115.00	652533 BRISTOL7	115.00	1	SINGLE 834	60.0	66.7	108.9	
640133 COLMBUS4	230.00	643000*MADISONCNTY4230.00	1	SINGLE 836	192.0	254.9	128.9		
640133 COLMBUS4	230.00	643000*MADISONCNTY4230.00	1	SINGLE 839	192.0	255.2	129.0		
640133 COLMBUS4	230.00	643000*MADISONCNTY4230.00	1	SINGLE 840	192.0	257.2	130.1		
640133 COLMBUS4	230.00	643000*MADISONCNTY4230.00	1	SINGLE 849	192.0	254.3	128.6		
640133 COLMBUS4	230.00	643000*MADISONCNTY4230.00	1	SINGLE 851	192.0	255.3	129.1		

640133 COLMBUS4	230.00	643000*	MADISONCNTY4230.00	1	SINGLE	852	192.0	251.5	127.2	
640133 COLMBUS4	230.00	643000*	MADISONCNTY4230.00	1	SINGLE	856	192.0	239.2	120.9	
652488*PHILTAP4	230.00	652519	OAHE 4	230.00	1	SINGLE	856	240.0	275.9	114.3
640133 COLMBUS4	230.00	643000*	MADISONCNTY4230.00	1	SINGLE	857	192.0	254.3	128.6	
640133 COLMBUS4	230.00	643000*	MADISONCNTY4230.00	1	SINGLE	868	192.0	254.1	128.5	
659105 LELANDO3	345.00	659201*	LELND1TY	345.00	1	SINGLE	884	250.0	266.4	106.6
659105*LELANDO3	345.00	659202	LELND2TY	345.00	1	SINGLE	884	500.0	505.5	101.1
659106 LELANDO4	230.00	659201*	LELND1TY	345.00	1	SINGLE	884	250.0	266.4	106.6
659106 LELANDO4	230.00	659202*	LELND2TY	345.00	1	SINGLE	884	500.0	504.6	100.9
640133 COLMBUS4	230.00	643000*	MADISONCNTY4230.00	1	SINGLE	885	192.0	254.1	128.5	
640133 COLMBUS4	230.00	643000*	MADISONCNTY4230.00	1	SINGLE	886	192.0	254.5	128.7	
659105 LELANDO3	345.00	659201*	LELND1TY	345.00	1	SINGLE	891	250.0	440.2	176.1
659106 LELANDO4	230.00	659201*	LELND1TY	345.00	1	SINGLE	891	250.0	440.2	176.1
603023*MALLARD7	115.00	659190	NDPRAIRWND	7115.00	1	SINGLE	892	120.0	136.8	117.1
652442 GARRISN7	115.00	652449*	MAX 7	115.00	1	SINGLE	892	120.0	124.8	103.6
659105 LELANDO3	345.00	659201*	LELND1TY	345.00	1	SINGLE	895	250.0	440.2	176.1
659106 LELANDO4	230.00	659201*	LELND1TY	345.00	1	SINGLE	895	250.0	440.2	176.1
603023*MALLARD7	115.00	659190	NDPRAIRWND	7115.00	1	SINGLE	897	120.0	118.5	100.7
640133 COLMBUS4	230.00	643000*	MADISONCNTY4230.00	1	SINGLE	899	192.0	250.4	126.6	
640133 COLMBUS4	230.00	643000*	MADISONCNTY4230.00	1	SINGLE	900	192.0	250.4	126.6	
640133 COLMBUS4	230.00	643000*	MADISONCNTY4230.00	1	SINGLE	906	192.0	253.9	128.4	
640133 COLMBUS4	230.00	643000*	MADISONCNTY4230.00	1	SINGLE	907	192.0	250.7	126.8	
640133 COLMBUS4	230.00	643000*	MADISONCNTY4230.00	1	SINGLE	910	192.0	254.0	128.5	
640133 COLMBUS4	230.00	643000*	MADISONCNTY4230.00	1	SINGLE	917	192.0	255.3	129.1	
603023*MALLARD7	115.00	659190	NDPRAIRWND	7115.00	1	SINGLE	921	120.0	118.5	100.7
640133 COLMBUS4	230.00	643000*	MADISONCNTY4230.00	1	SINGLE	923	192.0	254.2	128.6	
640133 COLMBUS4	230.00	643000*	MADISONCNTY4230.00	1	SINGLE	941	192.0	250.4	126.6	
640133 COLMBUS4	230.00	643000*	MADISONCNTY4230.00	1	SINGLE	958	192.0	255.3	129.1	
640133 COLMBUS4	230.00	643000*	MADISONCNTY4230.00	1	SINGLE	959	192.0	254.8	128.9	
640133 COLMBUS4	230.00	643000*	MADISONCNTY4230.00	1	SINGLE	960	192.0	254.1	128.5	
640133 COLMBUS4	230.00	643000*	MADISONCNTY4230.00	1	SINGLE	965	192.0	254.2	128.5	
640133 COLMBUS4	230.00	643000*	MADISONCNTY4230.00	1	SINGLE	968	192.0	255.3	129.1	
640133 COLMBUS4	230.00	643000*	MADISONCNTY4230.00	1	SINGLE	974	192.0	255.6	129.3	
652626 UTICAJC7	115.00	660007*	MENNOJT7	115.00	1	SINGLE	978	60.0	71.6	119.2
640133 COLMBUS4	230.00	643000*	MADISONCNTY4230.00	1	GEN-SS-1		192.0	254.6	128.7	
640133 COLMBUS4	230.00	643000*	MADISONCNTY4230.00	1	GEN-SS-2		192.0	254.1	128.5	
640133 COLMBUS4	230.00	643000*	MADISONCNTY4230.00	1	GEN-PLATTE		192.0	255.7	129.3	
640133 COLMBUS4	230.00	643000*	MADISONCNTY4230.00	1	GEN-WEC1		192.0	254.9	128.9	
640133 COLMBUS4	230.00	643000*	MADISONCNTY4230.00	1	GEN-COLCOG		192.0	257.7	130.3	
640133 COLMBUS4	230.00	643000*	MADISONCNTY4230.00	1	GEN-WEC2		192.0	258.8	130.8	
640133 COLMBUS4	230.00	643000*	MADISONCNTY4230.00	1	GEN-AWEF		192.0	248.5	125.7	
640133 COLMBUS4	230.00	643000*	MADISONCNTY4230.00	1	GEN-E-RIDGE		192.0	246.4	124.6	
640133 COLMBUS4	230.00	643000*	MADISONCNTY4230.00	1	LN-FAIRPORT		192.0	250.7	126.8	
640133 COLMBUS4	230.00	643000*	MADISONCNTY4230.00	1	LN-1091		192.0	253.8	128.4	
640133 COLMBUS4	230.00	643000*	MADISONCNTY4230.00	1	LN-RUSHVILLE		192.0	251.7	127.3	
640133 COLMBUS4	230.00	643000*	MADISONCNTY4230.00	1	LN-1163		192.0	258.6	130.7	
640133 COLMBUS4	230.00	643000*	MADISONCNTY4230.00	1	LN-1152		192.0	250.9	126.9	
640133 COLMBUS4	230.00	643000*	MADISONCNTY4230.00	1	LN-N-BEND		192.0	251.5	127.2	

640133 COLMBUS4	230.00	643000*	MADISONCNTY4230.00	1	LN-1168	192.0	254.6	128.8	
640133 COLMBUS4	230.00	643000*	MADISONCNTY4230.00	1	TRF-HOSKINS	192.0	247.8	125.3	
640133 COLMBUS4	230.00	643000*	MADISONCNTY4230.00	1	TRF-VHILL	192.0	250.7	126.8	
640133 COLMBUS4	230.00	643000*	MADISONCNTY4230.00	1	TRF-KELLY	192.0	242.3	122.5	
640133 COLMBUS4	230.00	643000*	MADISONCNTY4230.00	1	TRF-STEGALL	192.0	239.2	120.9	
652488*PHILTAP4	230.00	652519	OAHE 4	230.00	1	TRF-STEGALL	240.0	275.9	114.3
640133 COLMBUS4	230.00	643000*	MADISONCNTY4230.00	1	NO5_GEN	192.0	254.0	128.5	
640133 COLMBUS4	230.00	643000*	MADISONCNTY4230.00	1	CASS_CO1_GEN	192.0	254.0	128.4	
640133 COLMBUS4	230.00	643000*	MADISONCNTY4230.00	1	CASS_CO2_GEN	192.0	253.9	128.4	
640133 COLMBUS4	230.00	643000*	MADISONCNTY4230.00	1	GEN-ROKBY2	192.0	254.3	128.6	

## MONITORED VOLTAGE REPORT:

SYSTEM	CONTINGENCY	<----- B U S ----->	V-CONT	V-INIT	V-MAX	V-MIN	
'NEBR	RANGE SINGLE 342	640171 FIRTH 7	115.00	0.83038	1.02005	1.10000	0.90000
'NEBR	RANGE SINGLE 342	640362 STERLNG7	115.00	0.83716	1.00970	1.10000	0.90000
'NEBR	RANGE SINGLE 343	640362 STERLNG7	115.00	0.89159	1.00970	1.10000	0.90000
'NEBR	RANGE SINGLE 656	652401 CIRCLE 7	115.00	1.14154	1.01565	1.10000	0.90000
'NEBR	RANGE SINGLE 656	652403 DAWSONC4	230.00	1.20475	1.02817	1.10000	0.90000
'NEBR	RANGE SINGLE 656	652404 DAWSONC7	115.00	1.19406	1.02142	1.10000	0.90000
'NEBR	RANGE SINGLE 656	652405 FTPECK 4	230.00	1.11296	1.04500	1.10000	0.90000
'NEBR	RANGE SINGLE 656	652407 FALLON 7	115.00	1.21351	0.99667	1.10000	0.90000
'NEBR	RANGE SINGLE 656	652411 MI CTYE4	230.00	1.31494	1.02091	1.10000	0.90000
'NEBR	RANGE SINGLE 656	652412 MI CTYE7	115.00	1.28605	1.00596	1.10000	0.90000
'NEBR	RANGE SINGLE 656	652413 MEDORA 4	230.00	1.14960	1.01658	1.10000	0.90000
'NEBR	RANGE SINGLE 656	652417 DICKNSN4	230.00	1.11210	1.01020	1.10000	0.90000
'NEBR	RANGE SINGLE 656	652425 BELFELD4	230.00	1.12993	1.01189	1.10000	0.90000
'NEBR	RANGE SINGLE 656	652470 BISON 4	230.00	1.13839	1.01547	1.10000	0.90000
'NEBR	RANGE SINGLE 656	652480 MAURINE7	115.00	1.10753	1.01673	1.10000	0.90000
'NEBR	RANGE SINGLE 656	652497 MAURINE4	230.00	1.12015	1.02213	1.10000	0.90000
'NEBR	RANGE SINGLE 656	659263 LTLMISS7	115.00	1.21781	1.01175	1.10000	0.90000
'NEBR	RANGE SINGLE 656	659265 LTLMISS4	230.00	1.21610	1.01444	1.10000	0.90000
'NEBR	RANGE SINGLE 656	659266 RHAME 4	230.00	1.18339	1.00607	1.10000	0.90000
'NEBR	RANGE SINGLE 656	659267 RHAME 7	115.00	1.13337	0.95581	1.10000	0.90000
'NEBR	RANGE SINGLE 656	661004 BAKER 4	230.00	1.23000	1.01507	1.10000	0.90000
'NEBR	RANGE SINGLE 656	661010 BOWMAN 4	230.00	1.17138	1.00537	1.10000	0.90000
'NEBR	RANGE SINGLE 656	661047 HETINGR4	230.00	1.15488	1.01149	1.10000	0.90000
'NEBR	RANGE SINGLE 658	652401 CIRCLE 7	115.00	1.10549	1.01565	1.10000	0.90000
'NEBR	RANGE SINGLE 658	652403 DAWSONC4	230.00	1.14152	1.02817	1.10000	0.90000
'NEBR	RANGE SINGLE 658	652404 DAWSONC7	115.00	1.15618	1.02142	1.10000	0.90000
'NEBR	RANGE SINGLE 658	652407 FALLON 7	115.00	1.22876	0.99667	1.10000	0.90000
'NEBR	RANGE SINGLE 658	652411 MI CTYE4	230.00	1.46453	1.02091	1.10000	0.90000
'NEBR	RANGE SINGLE 658	652412 MI CTYE7	115.00	1.40167	1.00596	1.10000	0.90000
'NEBR	RANGE SINGLE 658	652413 MEDORA 4	230.00	1.13215	1.01658	1.10000	0.90000
'NEBR	RANGE SINGLE 658	652417 DICKNSN4	230.00	1.10983	1.01020	1.10000	0.90000
'NEBR	RANGE SINGLE 658	652425 BELFELD4	230.00	1.12649	1.01189	1.10000	0.90000
'NEBR	RANGE SINGLE 658	652470 BISON 4	230.00	1.15945	1.01547	1.10000	0.90000
'NEBR	RANGE SINGLE 658	652480 MAURINE7	115.00	1.12079	1.01673	1.10000	0.90000
'NEBR	RANGE SINGLE 658	652497 MAURINE4	230.00	1.13544	1.02213	1.10000	0.90000

'NEBR	'	RANGE SINGLE 658	659263 LTLMISS7	115.00	1.27343	1.01175	1.10000	0.90000
'NEBR	'	RANGE SINGLE 658	659265 LTLMISS4	230.00	1.27068	1.01444	1.10000	0.90000
'NEBR	'	RANGE SINGLE 658	659266 RHAME 4	230.00	1.22145	1.00607	1.10000	0.90000
'NEBR	'	RANGE SINGLE 658	659267 RHAME 7	115.00	1.17127	0.95581	1.10000	0.90000
'NEBR	'	RANGE SINGLE 658	659271 RCDC EAST	4230.00	1.10564	1.03731	1.10000	0.90000
'NEBR	'	RANGE SINGLE 658	661004 BAKER 4	230.00	1.29484	1.01507	1.10000	0.90000
'NEBR	'	RANGE SINGLE 658	661010 BOWMAN 4	230.00	1.20530	1.00537	1.10000	0.90000
'NEBR	'	RANGE SINGLE 658	661047 HETINGR4	230.00	1.18104	1.01149	1.10000	0.90000
'NEBR	'	RANGE SINGLE 679	652401 CIRCLE 7	115.00	1.10010	1.01565	1.10000	0.90000
'NEBR	'	RANGE SINGLE 679	652403 DAWSONC4	230.00	1.15537	1.02817	1.10000	0.90000
'NEBR	'	RANGE SINGLE 679	652404 DAWSONC7	115.00	1.14784	1.02142	1.10000	0.90000
'NEBR	'	RANGE SINGLE 679	652407 FALLON 7	115.00	1.16475	0.99667	1.10000	0.90000
'NEBR	'	RANGE SINGLE 679	652411 MI CTYE4	230.00	1.26799	1.02091	1.10000	0.90000
'NEBR	'	RANGE SINGLE 679	652412 MI CTYE7	115.00	1.23705	1.00596	1.10000	0.90000
'NEBR	'	RANGE SINGLE 679	652470 BISON 4	230.00	1.11232	1.01547	1.10000	0.90000
'NEBR	'	RANGE SINGLE 679	659263 LTLMISS7	115.00	1.19471	1.01175	1.10000	0.90000
'NEBR	'	RANGE SINGLE 679	659265 LTLMISS4	230.00	1.19345	1.01444	1.10000	0.90000
'NEBR	'	RANGE SINGLE 679	659266 RHAME 4	230.00	1.16929	1.00607	1.10000	0.90000
'NEBR	'	RANGE SINGLE 679	659267 RHAME 7	115.00	1.11931	0.95581	1.10000	0.90000
'NEBR	'	RANGE SINGLE 679	661004 BAKER 4	230.00	1.20209	1.01507	1.10000	0.90000
'NEBR	'	RANGE SINGLE 679	661010 BOWMAN 4	230.00	1.15304	1.00537	1.10000	0.90000
'NEBR	'	RANGE SINGLE 679	661047 HETINGR4	230.00	1.12990	1.01149	1.10000	0.90000
'NEBR	'	RANGE SINGLE 729	652467 WITTEN 4	230.00	0.88224	1.02382	1.10000	0.90000
'NEBR	'	RANGE SINGLE 799	652502 BERSFRD7	115.00	0.89696	0.97842	1.10000	0.90000
'NEBR	'	RANGE SINGLE 799	652517 MANNING7	115.00	0.87984	0.98916	1.10000	0.90000
'NEBR	'	RANGE SINGLE 799	652532 YANKTON7	115.00	0.87693	1.01907	1.10000	0.90000
'NEBR	'	RANGE SINGLE 799	659121 SPIRITM7	115.00	0.87614	0.99271	1.10000	0.90000
'NEBR	'	RANGE SINGLE 839	652502 BERSFRD7	115.00	0.89298	0.97842	1.10000	0.90000
'NEBR	'	RANGE SINGLE 839	652517 MANNING7	115.00	0.87407	0.98916	1.10000	0.90000
'NEBR	'	RANGE SINGLE 839	659121 SPIRITM7	115.00	0.86991	0.99271	1.10000	0.90000
'NEBR	'	RANGE SINGLE 868	660007 MENNOJT7	115.00	0.89879	1.00999	1.10000	0.90000
'NEBR	'	RANGE SINGLE 927	659191 SQUAWGP7	115.00	1.10478	1.02179	1.10000	0.90000
'NEBR	'	RANGE SINGLE 945	659216 AVSDC5TY	345.00	0.88407	1.02077	1.10000	0.90000
'NEBR	'	RANGE SINGLE 948	659219 AVSDC8TY	345.00	1.10624	1.04722	1.10000	0.90000
'NEBR	'	RANGE SINGLE 949	659222 AVSD11TY	345.00	0.89801	1.00000	1.10000	0.90000
'NEBR	'	RANGE SINGLE 974	659271 RCDC EAST	4230.00	1.10288	1.03731	1.10000	0.90000

## CONTINGENCY LEGEND:

## LABEL      EVENTS

SINGLE 1 : OPEN LINE FROM BUS 300039 [7FAIRPT 345.00] TO BUS 541199 [ST JOE 3 345.00] CKT 1  
SINGLE 2 : OPEN LINE FROM BUS 300039 [7FAIRPT 345.00] TO BUS 640139 [COOPER 3 345.00] CKT 1  
SINGLE 3 : OPEN LINE FROM BUS 530583 [WOLF 7 345.00] TO BUS 640065 [AXTELL 3 345.00] CKT 1  
SINGLE 4 : OPEN LINE FROM BUS 531451 [MINGO 7 345.00] TO BUS 640325 [REDWILO3 345.00] CKT 1  
SINGLE 5 : OPEN LINE FROM BUS 533332 [KNOB HL3 115.00] TO BUS 640426 [STEELEC7 115.00] CKT 1  
SINGLE 6 : OPEN LINE FROM BUS 541199 [ST JOE 3 345.00] TO BUS 640139 [COOPER 3 345.00] CKT 1  
SINGLE 7 : OPEN LINE FROM BUS 603023 [MALLARD7 115.00] TO BUS 652452 [RUGBY 7 115.00] CKT 1  
SINGLE 8 : OPEN LINE FROM BUS 603023 [MALLARD7 115.00] TO BUS 659155 [LOGAN 7 115.00] CKT 1  
SINGLE 9 : OPEN LINE FROM BUS 603023 [MALLARD7 115.00] TO BUS 659166 [DUNNING7 115.00] CKT 1

SINGLE 10 : OPEN LINE FROM BUS 603023 [MALLARD7 115.00] TO BUS 659190 [NDPRAIRWND 7115.00] CKT 1  
SINGLE 11 : OPEN LINE FROM BUS 631069 [ANTA TP5 161.00] TO BUS 652560 [CRESTON5 161.00] CKT 1  
SINGLE 12 : OPEN LINE FROM BUS 631069 [ANTA TP5 161.00] TO BUS 652603 [EXIRA 5 161.00] CKT 1  
SINGLE 13 : OPEN LINE FROM BUS 635000 [CBLUFFS3 345.00] TO BUS 635013 [PONYCKA3 345.00] CKT 1  
SINGLE 14 : OPEN LINE FROM BUS 635000 [CBLUFFS3 345.00] TO BUS 635013 [PONYCKA3 345.00] CKT 2  
SINGLE 15 : OPEN LINE FROM BUS 635000 [CBLUFFS3 345.00] TO BUS 635015 [PONYCKB3 345.00] CKT 1  
SINGLE 16 : OPEN LINE FROM BUS 635000 [CBLUFFS3 345.00] TO BUS 635100 [RLHILLS3 345.00] CKT 1  
SINGLE 17 : OPEN LINE FROM BUS 635000 [CBLUFFS3 345.00] TO BUS 635600 [GRIMES 3 345.00] CKT 1  
SINGLE 18 : OPEN LINE FROM BUS 635000 [CBLUFFS3 345.00] TO BUS 645456 [S3456 3 345.00] CKT 1  
SINGLE 19 : OPEN LINE FROM BUS 635001 [CBLUFFS5 161.00] TO BUS 635011 [INDNCRK5 161.00] CKT 1  
SINGLE 20 : OPEN LINE FROM BUS 635001 [CBLUFFS5 161.00] TO BUS 635012 [QUICK 5 161.00] CKT 1  
SINGLE 21 : OPEN LINE FROM BUS 635001 [CBLUFFS5 161.00] TO BUS 635030 [RIVRBND5 161.00] CKT 1  
SINGLE 22 : OPEN LINE FROM BUS 635001 [CBLUFFS5 161.00] TO BUS 646206 [S1206 5 161.00] CKT 1  
SINGLE 23 : OPEN LINE FROM BUS 635003 [SUB701 5 161.00] TO BUS 635005 [SUB702 5 161.00] CKT 1  
SINGLE 24 : OPEN LINE FROM BUS 635003 [SUB701 5 161.00] TO BUS 646211 [S1211 5 161.00] CKT 1  
SINGLE 25 : OPEN LINE FROM BUS 635005 [SUB702 5 161.00] TO BUS 635010 [MANAWA 5 161.00] CKT 1  
SINGLE 26 : OPEN LINE FROM BUS 635010 [MANAWA 5 161.00] TO BUS 635011 [INDNCRK5 161.00] CKT 1  
SINGLE 27 : OPEN LINE FROM BUS 635012 [QUICK 5 161.00] TO BUS 635039 [AVOCA 5 161.00] CKT 1  
SINGLE 28 : OPEN LINE FROM BUS 635013 [PONYCKA3 345.00] TO BUS 635015 [PONYCKB3 345.00] CKT 1  
SINGLE 29 : OPEN LINE FROM BUS 635013 [PONYCKA3 345.00] TO BUS 635015 [PONYCKB3 345.00] CKT 2  
SINGLE 30 : OPEN LINE FROM BUS 635017 [ATCHSNT3 345.00] TO BUS 635018 [ATCHSN 3 345.00] CKT 1  
SINGLE 31 : OPEN LINE FROM BUS 635017 [ATCHSNT3 345.00] TO BUS 635630 [BOONVIL3 345.00] CKT 1  
SINGLE 32 : OPEN LINE FROM BUS 635017 [ATCHSNT3 345.00] TO BUS 640139 [COOPER 3 345.00] CKT 1  
SINGLE 33 : OPEN LINE FROM BUS 635030 [RIVRBND5 161.00] TO BUS 635031 [BUNGE 5 161.00] CKT 1  
SINGLE 34 : OPEN LINE FROM BUS 635031 [BUNGE 5 161.00] TO BUS 635032 [HASTING5 161.00] CKT 1  
SINGLE 35 : OPEN LINE FROM BUS 635032 [HASTING5 161.00] TO BUS 635034 [CLRNDA 5 161.00] CKT 1  
SINGLE 36 : OPEN LINE FROM BUS 635034 [CLRNDA 5 161.00] TO BUS 635038 [BROOKST5 161.00] CKT 1  
SINGLE 37 : OPEN LINE FROM BUS 635037 [BROOKS 5 161.00] TO BUS 635038 [BROOKST5 161.00] CKT 1  
SINGLE 38 : OPEN LINE FROM BUS 635038 [BROOKST5 161.00] TO BUS 652560 [CRESTON5 161.00] CKT 1  
SINGLE 39 : OPEN LINE FROM BUS 635039 [AVOCA 5 161.00] TO BUS 635041 [WALNUT 5 161.00] CKT 1  
SINGLE 40 : OPEN LINE FROM BUS 635041 [WALNUT 5 161.00] TO BUS 638050 [ATLANTC5 161.00] CKT 1  
SINGLE 41 : OPEN LINE FROM BUS 635100 [RLHILLS3 345.00] TO BUS 635635 [MADISON3 345.00] CKT 1  
SINGLE 42 : OPEN LINE FROM BUS 635200 [RAUN 3 345.00] TO BUS 635201 [RAUN 5 161.00] CKT 2  
SINGLE 43 : OPEN LINE FROM BUS 635200 [RAUN 3 345.00] TO BUS 636010 [LEHIGH 3 345.00] CKT 1  
SINGLE 44 : OPEN LINE FROM BUS 635200 [RAUN 3 345.00] TO BUS 640226 [HOSKINS3 345.00] CKT 1  
SINGLE 45 : OPEN LINE FROM BUS 635200 [RAUN 3 345.00] TO BUS 645451 [S3451 3 345.00] CKT 1  
SINGLE 46 : OPEN LINE FROM BUS 635200 [RAUN 3 345.00] TO BUS 652564 [SIOUXCY3 345.00] CKT 1  
SINGLE 47 : OPEN LINE FROM BUS 635201 [RAUN 5 161.00] TO BUS 635202 [NEAL 4 5 161.00] CKT 1  
SINGLE 48 : OPEN LINE FROM BUS 635201 [RAUN 5 161.00] TO BUS 635203 [NEAL N 5 161.00] CKT 1  
SINGLE 49 : OPEN LINE FROM BUS 635201 [RAUN 5 161.00] TO BUS 635203 [NEAL N 5 161.00] CKT 2  
SINGLE 50 : OPEN LINE FROM BUS 635201 [RAUN 5 161.00] TO BUS 635220 [INTCHG 5 161.00] CKT 1  
SINGLE 51 : OPEN LINE FROM BUS 635201 [RAUN 5 161.00] TO BUS 635225 [MORNSD 5 161.00] CKT 1  
SINGLE 52 : OPEN LINE FROM BUS 635201 [RAUN 5 161.00] TO BUS 640377 [TEKAMAH5 161.00] CKT 1  
SINGLE 53 : OPEN LINE FROM BUS 635202 [NEAL 4 5 161.00] TO BUS 635300 [MONONA 5 161.00] CKT 1  
SINGLE 54 : OPEN LINE FROM BUS 635203 [NEAL N 5 161.00] TO BUS 635235 [SALIX 5 161.00] CKT 1  
SINGLE 55 : OPEN LINE FROM BUS 635220 [INTCHG 5 161.00] TO BUS 635221 [KELLOGG5 161.00] CKT 1  
SINGLE 56 : OPEN LINE FROM BUS 635221 [KELLOGG5 161.00] TO BUS 635226 [LEEDS 5 161.00] CKT 1  
SINGLE 57 : OPEN LINE FROM BUS 635223 [PLYMOTH5 161.00] TO BUS 635225 [MORNSD 5 161.00] CKT 1



SINGLE 58 : OPEN LINE FROM BUS 635223 [PLYMOTH5 161.00] TO BUS 635226 [LEEDS 5 161.00] CKT 1  
SINGLE 59 : OPEN LINE FROM BUS 635223 [PLYMOTH5 161.00] TO BUS 635260 [LEMARST5 161.00] CKT 1  
SINGLE 60 : OPEN LINE FROM BUS 635223 [PLYMOTH5 161.00] TO BUS 652566 [SIOUXCY5 161.00] CKT 1  
SINGLE 61 : OPEN LINE FROM BUS 635260 [LEMARST5 161.00] TO BUS 635261 [LEMARS 5 161.00] CKT 1  
SINGLE 62 : OPEN LINE FROM BUS 635260 [LEMARST5 161.00] TO BUS 635360 [LIT SX 5 161.00] CKT 1  
SINGLE 63 : OPEN LINE FROM BUS 635280 [BVISTA 5 161.00] TO BUS 635340 [SAC 5 161.00] CKT 1  
SINGLE 64 : OPEN LINE FROM BUS 635280 [BVISTA 5 161.00] TO BUS 637570 [WISDOM 5 161.00] CKT 1  
SINGLE 65 : OPEN LINE FROM BUS 635300 [MONONA 5 161.00] TO BUS 635310 [VICTORY5 161.00] CKT 1  
SINGLE 66 : OPEN LINE FROM BUS 635310 [VICTORY5 161.00] TO BUS 635320 [CARROLL5 161.00] CKT 1  
SINGLE 67 : OPEN LINE FROM BUS 635320 [CARROLL5 161.00] TO BUS 637283 [DRAGER 5 161.00] CKT 1  
SINGLE 68 : OPEN LINE FROM BUS 635340 [SAC 5 161.00] TO BUS 635350 [CLIPPER5 161.00] CKT 1  
SINGLE 69 : OPEN LINE FROM BUS 635340 [SAC 5 161.00] TO BUS 636029 [POCHNTC5 161.00] CKT 1  
SINGLE 70 : OPEN LINE FROM BUS 635350 [CLIPPER5 161.00] TO BUS 635360 [LIT SX 5 161.00] CKT 1  
SINGLE 71 : OPEN LINE FROM BUS 635600 [GRIMES 3 345.00] TO BUS 635630 [BOONVIL3 345.00] CKT 1  
SINGLE 72 : OPEN LINE FROM BUS 635600 [GRIMES 3 345.00] TO BUS 635700 [SYCAMOR3 345.00] CKT 1  
SINGLE 73 : OPEN LINE FROM BUS 635600 [GRIMES 3 345.00] TO BUS 635700 [SYCAMOR3 345.00] CKT 2  
SINGLE 74 : OPEN LINE FROM BUS 635600 [GRIMES 3 345.00] TO BUS 636010 [LEHIGH 3 345.00] CKT 1  
SINGLE 75 : OPEN LINE FROM BUS 635601 [GRIMES 5 161.00] TO BUS 635602 [142ST 5 161.00] CKT 1  
SINGLE 76 : OPEN LINE FROM BUS 635601 [GRIMES 5 161.00] TO BUS 635605 [GRNGRTP5 161.00] CKT 1  
SINGLE 77 : OPEN LINE FROM BUS 635601 [GRIMES 5 161.00] TO BUS 635608 [LINWELD5 161.00] CKT 1  
SINGLE 78 : OPEN LINE FROM BUS 635602 [142ST 5 161.00] TO BUS 635603 [ALICERD5 161.00] CKT 1  
SINGLE 79 : OPEN LINE FROM BUS 635603 [ALICERD5 161.00] TO BUS 635604 [88TH 5 161.00] CKT 1  
SINGLE 80 : OPEN LINE FROM BUS 635604 [88TH 5 161.00] TO BUS 635610 [ASHAWA5 161.00] CKT 1  
SINGLE 81 : OPEN LINE FROM BUS 635605 [GRNGRTP5 161.00] TO BUS 635606 [GRANGER5 161.00] CKT 1  
SINGLE 82 : OPEN LINE FROM BUS 635605 [GRNGRTP5 161.00] TO BUS 635614 [100 54 5 161.00] CKT 1  
SINGLE 83 : OPEN LINE FROM BUS 635606 [GRANGER5 161.00] TO BUS 635607 [BITRSWT5 161.00] CKT 1  
SINGLE 84 : OPEN LINE FROM BUS 635607 [BITRSWT5 161.00] TO BUS 635710 [NEANKNY5 161.00] CKT 1  
SINGLE 85 : OPEN LINE FROM BUS 635610 [ASHAWA5 161.00] TO BUS 635612 [60TH ST5 161.00] CKT 1  
SINGLE 86 : OPEN LINE FROM BUS 635610 [ASHAWA5 161.00] TO BUS 635616 [109CLK 5 161.00] CKT 1  
SINGLE 87 : OPEN LINE FROM BUS 635610 [ASHAWA5 161.00] TO BUS 635654 [ARMYPOS5 161.00] CKT 1  
SINGLE 88 : OPEN LINE FROM BUS 635610 [ASHAWA5 161.00] TO BUS 635662 [WABASH 5 161.00] CKT 1  
SINGLE 89 : OPEN LINE FROM BUS 635612 [60TH ST5 161.00] TO BUS 635613 [WGRAND5 161.00] CKT 1  
SINGLE 90 : OPEN LINE FROM BUS 635613 [WGRAND5 161.00] TO BUS 635631 [BOONVIL5 161.00] CKT 1  
SINGLE 91 : OPEN LINE FROM BUS 635614 [100 54 5 161.00] TO BUS 635615 [100DUG 5 161.00] CKT 1  
SINGLE 92 : OPEN LINE FROM BUS 635614 [100 54 5 161.00] TO BUS 635701 [SYCAMOR5 161.00] CKT 1  
SINGLE 93 : OPEN LINE FROM BUS 635615 [100DUG 5 161.00] TO BUS 635616 [109CLK 5 161.00] CKT 1  
SINGLE 94 : OPEN LINE FROM BUS 635630 [BOONVIL3 345.00] TO BUS 635635 [MADISON3 345.00] CKT 1  
SINGLE 95 : OPEN LINE FROM BUS 635631 [BOONVIL5 161.00] TO BUS 635632 [EARLHAM5 161.00] CKT 1  
SINGLE 96 : OPEN LINE FROM BUS 635631 [BOONVIL5 161.00] TO BUS 635641 [NORWLK5 161.00] CKT 1  
SINGLE 97 : OPEN LINE FROM BUS 635632 [EARLHAM5 161.00] TO BUS 635633 [ADAIRWF5 161.00] CKT 1  
SINGLE 98 : OPEN LINE FROM BUS 635633 [ADAIRWF5 161.00] TO BUS 638050 [ATLANTC5 161.00] CKT 1  
SINGLE 99 : OPEN LINE FROM BUS 635635 [MADISON3 345.00] TO BUS 635640 [NORWLK3 345.00] CKT 1  
SINGLE 100 : OPEN LINE FROM BUS 635640 [NORWLK3 345.00] TO BUS 635641 [NORWLK5 161.00] CKT 1  
SINGLE 101 : OPEN LINE FROM BUS 635640 [NORWLK3 345.00] TO BUS 635650 [SE POLK3 345.00] CKT 1  
SINGLE 102 : OPEN LINE FROM BUS 635641 [NORWLK5 161.00] TO BUS 635653 [GRENFLD5 161.00] CKT 1  
SINGLE 103 : OPEN LINE FROM BUS 635650 [SE POLK3 345.00] TO BUS 635651 [SEPOLK 5 161.00] CKT 1  
SINGLE 104 : OPEN LINE FROM BUS 635650 [SE POLK3 345.00] TO BUS 635690 [GDMEC 345.00] CKT 1  
SINGLE 105 : OPEN LINE FROM BUS 635651 [SEPOLK 5 161.00] TO BUS 635653 [GRENFLD5 161.00] CKT 1

SINGLE 106 : OPEN LINE FROM BUS 635651 [SEPOLK 5 161.00] TO BUS 635660 [EASTRLK5 161.00] CKT 1  
SINGLE 107 : OPEN LINE FROM BUS 635651 [SEPOLK 5 161.00] TO BUS 635670 [DMOINES5 161.00] CKT 1  
SINGLE 108 : OPEN LINE FROM BUS 635651 [SEPOLK 5 161.00] TO BUS 635670 [DMOINES5 161.00] CKT 2  
SINGLE 109 : OPEN LINE FROM BUS 635653 [GRENFLD5 161.00] TO BUS 635654 [ARMYPOS5 161.00] CKT 1  
SINGLE 110 : OPEN LINE FROM BUS 635660 [EASTRLK5 161.00] TO BUS 635661 [GLOWAT 5 161.00] CKT 1  
SINGLE 111 : OPEN LINE FROM BUS 635661 [GLOWAT 5 161.00] TO BUS 635662 [WABASH 5 161.00] CKT 1  
SINGLE 112 : OPEN LINE FROM BUS 635662 [WABASH 5 161.00] TO BUS 635664 [MLKING 5 161.00] CKT 1  
SINGLE 113 : OPEN LINE FROM BUS 635664 [MLKING 5 161.00] TO BUS 635665 [FORVER 5 161.00] CKT 1  
SINGLE 114 : OPEN LINE FROM BUS 635665 [FORVER 5 161.00] TO BUS 635701 [SYCAMOR5 161.00] CKT 1  
SINGLE 115 : OPEN LINE FROM BUS 635670 [DMOINES5 161.00] TO BUS 635672 [METRO E5 161.00] CKT 1  
SINGLE 116 : OPEN LINE FROM BUS 635672 [METRO E5 161.00] TO BUS 635673 [ALTONA 5 161.00] CKT 1  
SINGLE 117 : OPEN LINE FROM BUS 635673 [ALTONA 5 161.00] TO BUS 635681 [BONDRNT5 161.00] CKT 1  
SINGLE 118 : OPEN LINE FROM BUS 635680 [BONDRNT3 345.00] TO BUS 635690 [GDMEC 345.00] CKT 1  
SINGLE 119 : OPEN LINE FROM BUS 635680 [BONDRNT3 345.00] TO BUS 635700 [SYCAMOR3 345.00] CKT 1  
SINGLE 120 : OPEN LINE FROM BUS 635680 [BONDRNT3 345.00] TO BUS 635730 [MNTZUMA3 345.00] CKT 1  
SINGLE 121 : OPEN LINE FROM BUS 635681 [BONDRNT5 161.00] TO BUS 635701 [SYCAMOR5 161.00] CKT 1  
SINGLE 122 : OPEN LINE FROM BUS 635701 [SYCAMOR5 161.00] TO BUS 635703 [DELOWARE5 161.00] CKT 1  
SINGLE 123 : OPEN LINE FROM BUS 635703 [DELOWARE5 161.00] TO BUS 635705 [ANKENY 5 161.00] CKT 1  
SINGLE 124 : OPEN LINE FROM BUS 635705 [ANKENY 5 161.00] TO BUS 635710 [NEANKNY5 161.00] CKT 1  
SINGLE 125 : OPEN LINE FROM BUS 635710 [NEANKNY5 161.00] TO BUS 638010 [STANGE 5 161.00] CKT 1  
SINGLE 126 : OPEN LINE FROM BUS 635730 [MNTZUMA3 345.00] TO BUS 636400 [HILLS 3 345.00] CKT 1  
SINGLE 127 : OPEN LINE FROM BUS 636000 [WEBSTER3 345.00] TO BUS 636010 [LEHIGH 3 345.00] CKT 1  
SINGLE 128 : OPEN LINE FROM BUS 636001 [WEBSTER5 161.00] TO BUS 636020 [FT.DODG5 161.00] CKT 1  
SINGLE 129 : OPEN LINE FROM BUS 636001 [WEBSTER5 161.00] TO BUS 636025 [HAYES 5 161.00] CKT 1  
SINGLE 130 : OPEN LINE FROM BUS 636001 [WEBSTER5 161.00] TO BUS 636050 [WRIGHT 5 161.00] CKT 1  
SINGLE 131 : OPEN LINE FROM BUS 636001 [WEBSTER5 161.00] TO BUS 637353 [HOPE 5 161.00] CKT 1  
SINGLE 132 : OPEN LINE FROM BUS 636020 [FT.DODG5 161.00] TO BUS 636023 [TATELYL5 161.00] CKT 1  
SINGLE 133 : OPEN LINE FROM BUS 636023 [TATELYL5 161.00] TO BUS 636025 [HAYES 5 161.00] CKT 1  
SINGLE 134 : OPEN LINE FROM BUS 636025 [HAYES 5 161.00] TO BUS 636030 [POMEROY5 161.00] CKT 1  
SINGLE 135 : OPEN LINE FROM BUS 636029 [POCHNTC5 161.00] TO BUS 636030 [POMEROY5 161.00] CKT 1  
SINGLE 136 : OPEN LINE FROM BUS 636050 [WRIGHT 5 161.00] TO BUS 636235 [WALL LK5 161.00] CKT 1  
SINGLE 137 : OPEN LINE FROM BUS 636200 [BLKHAWK5 161.00] TO BUS 636202 [MIDPORT5 161.00] CKT 1  
SINGLE 138 : OPEN LINE FROM BUS 636200 [BLKHAWK5 161.00] TO BUS 636205 [DRFNDRY5 161.00] CKT 1  
SINGLE 139 : OPEN LINE FROM BUS 636200 [BLKHAWK5 161.00] TO BUS 636225 [UNIONTP5 161.00] CKT 1  
SINGLE 140 : OPEN LINE FROM BUS 636200 [BLKHAWK5 161.00] TO BUS 637087 [PLAINFD5 161.00] CKT 1  
SINGLE 141 : OPEN LINE FROM BUS 636202 [MIDPORT5 161.00] TO BUS 636203 [LUNDQST5 161.00] CKT 1  
SINGLE 142 : OPEN LINE FROM BUS 636203 [LUNDQST5 161.00] TO BUS 636204 [DR NE 5 161.00] CKT 1  
SINGLE 143 : OPEN LINE FROM BUS 636203 [LUNDQST5 161.00] TO BUS 636206 [DRCOMP 5 161.00] CKT 1  
SINGLE 144 : OPEN LINE FROM BUS 636204 [DR NE 5 161.00] TO BUS 636210 [WASHBRN5 161.00] CKT 1  
SINGLE 145 : OPEN LINE FROM BUS 636205 [DRFNDRY5 161.00] TO BUS 636206 [DRCOMP 5 161.00] CKT 1  
SINGLE 146 : OPEN LINE FROM BUS 636205 [DRFNDRY5 161.00] TO BUS 636207 [WTWEST 5 161.00] CKT 1  
SINGLE 147 : OPEN LINE FROM BUS 636207 [WTWEST 5 161.00] TO BUS 636208 [DR ENG 5 161.00] CKT 1  
SINGLE 148 : OPEN LINE FROM BUS 636208 [DR ENG 5 161.00] TO BUS 636220 [EL FARM5 161.00] CKT 1  
SINGLE 149 : OPEN LINE FROM BUS 636208 [DR ENG 5 161.00] TO BUS 638040 [CFUINDP5 161.00] CKT 1  
SINGLE 150 : OPEN LINE FROM BUS 636210 [WASHBRN5 161.00] TO BUS 636220 [EL FARM5 161.00] CKT 1  
SINGLE 151 : OPEN LINE FROM BUS 636225 [UNIONTP5 161.00] TO BUS 636240 [BUTLER 5 161.00] CKT 1  
SINGLE 152 : OPEN LINE FROM BUS 636225 [UNIONTP5 161.00] TO BUS 638030 [UNIONCF5 161.00] CKT 1  
SINGLE 153 : OPEN LINE FROM BUS 636230 [FRANKLN5 161.00] TO BUS 636235 [WALL LK5 161.00] CKT 1

SINGLE 154 : OPEN LINE FROM BUS 636230 [FRANKLN5 161.00] TO BUS 636240 [BUTLER 5 161.00] CKT 1  
SINGLE 155 : OPEN LINE FROM BUS 636230 [FRANKLN5 161.00] TO BUS 637191 [HAMPTON5 161.00] CKT 1  
SINGLE 156 : OPEN LINE FROM BUS 636300 [FLOYD 5 161.00] TO BUS 637087 [PLAINFD5 161.00] CKT 1  
SINGLE 157 : OPEN LINE FROM BUS 636400 [HILLS 3 345.00] TO BUS 636420 [TIFFIN 3 345.00] CKT 1  
SINGLE 158 : OPEN LINE FROM BUS 636400 [HILLS 3 345.00] TO BUS 636630 [SUB 92 3 345.00] CKT 1  
SINGLE 159 : OPEN LINE FROM BUS 636400 [HILLS 3 345.00] TO BUS 636645 [SUB T 3 345.00] CKT 1  
SINGLE 160 : OPEN LINE FROM BUS 636401 [HILLS 5 161.00] TO BUS 636403 [SB EIC 5 161.00] CKT 1  
SINGLE 161 : OPEN LINE FROM BUS 636401 [HILLS 5 161.00] TO BUS 636423 [SB HCIC5 161.00] CKT 1  
SINGLE 162 : OPEN LINE FROM BUS 636401 [HILLS 5 161.00] TO BUS 636678 [SB 89 5 161.00] CKT 1  
SINGLE 163 : OPEN LINE FROM BUS 636403 [SB EIC 5 161.00] TO BUS 636404 [SB YIC 5 161.00] CKT 1  
SINGLE 164 : OPEN LINE FROM BUS 636404 [SB YIC 5 161.00] TO BUS 636405 [SB GIC 5 161.00] CKT 1  
SINGLE 165 : OPEN LINE FROM BUS 636405 [SB GIC 5 161.00] TO BUS 636410 [SB PIC 5 161.00] CKT 1  
SINGLE 166 : OPEN LINE FROM BUS 636410 [SB PIC 5 161.00] TO BUS 636415 [SB UIC 5 161.00] CKT 1  
SINGLE 167 : OPEN LINE FROM BUS 636410 [SB PIC 5 161.00] TO BUS 636422 [CRLRIDG5 161.00] CKT 1  
SINGLE 168 : OPEN LINE FROM BUS 636415 [SB UIC 5 161.00] TO BUS 636425 [SB JIC 5 161.00] CKT 1  
SINGLE 169 : OPEN LINE FROM BUS 636420 [TIFFIN 3 345.00] TO BUS 636421 [TIFFIN 5 161.00] CKT 1  
SINGLE 170 : OPEN LINE FROM BUS 636421 [TIFFIN 5 161.00] TO BUS 636422 [CRLRIDG5 161.00] CKT 1  
SINGLE 171 : OPEN LINE FROM BUS 636423 [SB HCIC5 161.00] TO BUS 636425 [SB JIC 5 161.00] CKT 1  
SINGLE 172 : OPEN LINE FROM BUS 636600 [SB 39 3 345.00] TO BUS 636601 [SB 39 5 161.00] CKT 1  
SINGLE 173 : OPEN LINE FROM BUS 636600 [SB 39 3 345.00] TO BUS 636605 [MECCORD3 345.00] CKT 1  
SINGLE 174 : OPEN LINE FROM BUS 636600 [SB 39 3 345.00] TO BUS 636635 [OAKGROV3 345.00] CKT 1  
SINGLE 175 : OPEN LINE FROM BUS 636601 [SB 39 5 161.00] TO BUS 636656 [SB 47 5 161.00] CKT 1  
SINGLE 176 : OPEN LINE FROM BUS 636601 [SB 39 5 161.00] TO BUS 636660 [SB 31T 5 161.00] CKT 1  
SINGLE 177 : OPEN LINE FROM BUS 636601 [SB 39 5 161.00] TO BUS 636668 [SB 43 5 161.00] CKT 1  
SINGLE 178 : OPEN LINE FROM BUS 636610 [SUB 91 3 345.00] TO BUS 636611 [SB 91 5 161.00] CKT 1  
SINGLE 179 : OPEN LINE FROM BUS 636610 [SUB 91 3 345.00] TO BUS 636615 [SB 56 3 345.00] CKT 1  
SINGLE 180 : OPEN LINE FROM BUS 636611 [SB 91 5 161.00] TO BUS 636687 [SBHYC5 161.00] CKT 1  
SINGLE 181 : OPEN LINE FROM BUS 636611 [SB 91 5 161.00] TO BUS 636690 [UTICA R5 161.00] CKT 1  
SINGLE 182 : OPEN LINE FROM BUS 636615 [SB 56 3 345.00] TO BUS 636620 [WALCOTT3 345.00] CKT 1  
SINGLE 183 : OPEN LINE FROM BUS 636616 [SB 56 5 161.00] TO BUS 636626 [IPSCO 5 161.00] CKT 1  
SINGLE 184 : OPEN LINE FROM BUS 636616 [SB 56 5 161.00] TO BUS 636675 [SB 85 5 161.00] CKT 1  
SINGLE 185 : OPEN LINE FROM BUS 636616 [SB 56 5 161.00] TO BUS 636678 [SB 89 5 161.00] CKT 1  
SINGLE 186 : OPEN LINE FROM BUS 636616 [SB 56 5 161.00] TO BUS 636680 [SB 78 5 161.00] CKT 1  
SINGLE 187 : OPEN LINE FROM BUS 636620 [WALCOTT3 345.00] TO BUS 636625 [IPSCO 3 345.00] CKT 1  
SINGLE 188 : OPEN LINE FROM BUS 636620 [WALCOTT3 345.00] TO BUS 636630 [SUB 92 3 345.00] CKT 1  
SINGLE 189 : OPEN LINE FROM BUS 636630 [SUB 92 3 345.00] TO BUS 636640 [LOUISA 3 345.00] CKT 1  
SINGLE 190 : OPEN LINE FROM BUS 636635 [OAKGROV3 345.00] TO BUS 636636 [OAKGROV5 161.00] CKT 1  
SINGLE 191 : OPEN LINE FROM BUS 636635 [OAKGROV3 345.00] TO BUS 636640 [LOUISA 3 345.00] CKT 1  
SINGLE 192 : OPEN LINE FROM BUS 636636 [OAKGROV5 161.00] TO BUS 636670 [SB 18 5 161.00] CKT 1  
SINGLE 193 : OPEN LINE FROM BUS 636636 [OAKGROV5 161.00] TO BUS 636670 [SB 18 5 161.00] CKT 2  
SINGLE 194 : OPEN LINE FROM BUS 636636 [OAKGROV5 161.00] TO BUS 636672 [GALESBR5 161.00] CKT 1  
SINGLE 195 : OPEN LINE FROM BUS 636640 [LOUISA 3 345.00] TO BUS 636645 [SUB T 3 345.00] CKT 1  
SINGLE 196 : OPEN LINE FROM BUS 636650 [SB A 5 161.00] TO BUS 636657 [SB 48 5 161.00] CKT 1  
SINGLE 197 : OPEN LINE FROM BUS 636650 [SB A 5 161.00] TO BUS 636692 [SB 70 5 161.00] CKT 1  
SINGLE 198 : OPEN LINE FROM BUS 636656 [SB 47 5 161.00] TO BUS 636657 [SB 48 5 161.00] CKT 1  
SINGLE 199 : OPEN LINE FROM BUS 636660 [SB 31T 5 161.00] TO BUS 636661 [SB 31 5 161.00] CKT 1  
SINGLE 200 : OPEN LINE FROM BUS 636660 [SB 31T 5 161.00] TO BUS 636662 [SB 28 5 161.00] CKT 1  
SINGLE 201 : OPEN LINE FROM BUS 636662 [SB 28 5 161.00] TO BUS 636665 [SB 17 5 161.00] CKT 1

SINGLE 202 : OPEN LINE FROM BUS 636665 [SB 17 5 161.00] TO BUS 636667 [SB 49 5 161.00] CKT 1  
SINGLE 203 : OPEN LINE FROM BUS 636668 [SB 43 5 161.00] TO BUS 636670 [SB 18 5 161.00] CKT 1  
SINGLE 204 : OPEN LINE FROM BUS 636670 [SB 18 5 161.00] TO BUS 636673 [SB 112 5 161.00] CKT 1  
SINGLE 205 : OPEN LINE FROM BUS 636670 [SB 18 5 161.00] TO BUS 636675 [SB 85 5 161.00] CKT 1  
SINGLE 206 : OPEN LINE FROM BUS 636675 [SB 85 5 161.00] TO BUS 636676 [SB 52 5 161.00] CKT 1  
SINGLE 207 : OPEN LINE FROM BUS 636675 [SB 85 5 161.00] TO BUS 636677 [SB 53 5 161.00] CKT 1  
SINGLE 208 : OPEN LINE FROM BUS 636680 [SB 78 5 161.00] TO BUS 636681 [58TAP 5 161.00] CKT 1  
SINGLE 209 : OPEN LINE FROM BUS 636681 [58TAP 5 161.00] TO BUS 636682 [SB 58 5 161.00] CKT 1  
SINGLE 210 : OPEN LINE FROM BUS 636681 [58TAP 5 161.00] TO BUS 636685 [SB 74 5 161.00] CKT 1  
SINGLE 211 : OPEN LINE FROM BUS 636682 [SB 58 5 161.00] TO BUS 636683 [SB 76 5 161.00] CKT 1  
SINGLE 212 : OPEN LINE FROM BUS 636683 [SB 76 5 161.00] TO BUS 636685 [SB 74 5 161.00] CKT 1  
SINGLE 213 : OPEN LINE FROM BUS 636685 [SB 74 5 161.00] TO BUS 636686 [SUB 77 5 161.00] CKT 1  
SINGLE 214 : OPEN LINE FROM BUS 636685 [SB 74 5 161.00] TO BUS 636690 [UTICA R5 161.00] CKT 1  
SINGLE 215 : OPEN LINE FROM BUS 636686 [SUB 77 5 161.00] TO BUS 636687 [SBHYC5 161.00] CKT 1  
SINGLE 216 : OPEN LINE FROM BUS 636690 [UTICA R5 161.00] TO BUS 636691 [SB 71 5 161.00] CKT 1  
SINGLE 217 : OPEN LINE FROM BUS 636691 [SB 71 5 161.00] TO BUS 636693 [SB 88 5 161.00] CKT 1  
SINGLE 218 : OPEN LINE FROM BUS 636692 [SB 70 5 161.00] TO BUS 636693 [SB 88 5 161.00] CKT 1  
SINGLE 219 : OPEN LINE FROM BUS 637191 [HAMPTON5 161.00] TO BUS 637201 [SHEFFLD5 161.00] CKT 1  
SINGLE 220 : OPEN LINE FROM BUS 637353 [HOPE 5 161.00] TO BUS 637423 [BURT 5 161.00] CKT 1  
SINGLE 221 : OPEN LINE FROM BUS 637423 [BURT 5 161.00] TO BUS 637527 [OSGOOD 5 161.00] CKT 1  
SINGLE 222 : OPEN LINE FROM BUS 637527 [OSGOOD 5 161.00] TO BUS 637570 [WISDOM 5 161.00] CKT 1  
SINGLE 223 : OPEN LINE FROM BUS 637570 [WISDOM 5 161.00] TO BUS 652563 [SPENCER5 161.00] CKT 1  
SINGLE 224 : OPEN LINE FROM BUS 638000 [AMES 5 161.00] TO BUS 638010 [STANGE 5 161.00] CKT 1  
SINGLE 225 : OPEN LINE FROM BUS 638030 [UNIONCF5 161.00] TO BUS 638040 [CFUINDP5 161.00] CKT 1  
SINGLE 227 : OPEN LINE FROM BUS 640050 [AINSWND7 115.00] TO BUS 640096 [CALAMS 7 115.00] CKT 1  
SINGLE 228 : OPEN LINE FROM BUS 640051 [AINSWRT7 115.00] TO BUS 640367 [STUART 7 115.00] CKT 1  
SINGLE 229 : OPEN LINE FROM BUS 640051 [AINSWRT7 115.00] TO BUS 640392 [VALENTN7 115.00] CKT 1  
SINGLE 230 : OPEN LINE FROM BUS 640054 [ALBION 7 115.00] TO BUS 640176 [FULERTN7 115.00] CKT 1  
SINGLE 231 : OPEN LINE FROM BUS 640054 [ALBION 7 115.00] TO BUS 640181 [GENOA 7 115.00] CKT 1  
SINGLE 232 : OPEN LINE FROM BUS 640054 [ALBION 7 115.00] TO BUS 640318 [PETRSBG7 115.00] CKT 1  
SINGLE 233 : OPEN LINE FROM BUS 640054 [ALBION 7 115.00] TO BUS 640347 [SPALDNG7 115.00] CKT 1  
SINGLE 234 : OPEN LINE FROM BUS 640056 [ALDA 7 115.00] TO BUS 640323 [RAVENNA7 115.00] CKT 1  
SINGLE 235 : OPEN LINE FROM BUS 640056 [ALDA 7 115.00] TO BUS 642068 [SUB-A 7 115.00] CKT 1  
SINGLE 236 : OPEN LINE FROM BUS 640058 [ATKINSN7 115.00] TO BUS 640165 [EMMET 7 115.00] CKT 1  
SINGLE 237 : OPEN LINE FROM BUS 640058 [ATKINSN7 115.00] TO BUS 640367 [STUART 7 115.00] CKT 1  
SINGLE 238 : OPEN LINE FROM BUS 640063 [AURORA\_7 115.00] TO BUS 640201 [GR ISLD7 115.00] CKT 1  
SINGLE 239 : OPEN LINE FROM BUS 640063 [AURORA\_7 115.00] TO BUS 640411 [YORK 7 115.00] CKT 1  
SINGLE 240 : OPEN LINE FROM BUS 640065 [AXTELL 3 345.00] TO BUS 640312 [PAULINE3 345.00] CKT 1  
SINGLE 241 : OPEN LINE FROM BUS 640065 [AXTELL 3 345.00] TO BUS 640374 [SWEET W3 345.00] CKT 1  
SINGLE 242 : OPEN LINE FROM BUS 640066 [AXTELL 7 115.00] TO BUS 640224 [HOLDREG7 115.00] CKT 1  
SINGLE 243 : OPEN LINE FROM BUS 640066 [AXTELL 7 115.00] TO BUS 640250 [KEARNEY7 115.00] CKT 1  
SINGLE 244 : OPEN LINE FROM BUS 640066 [AXTELL 7 115.00] TO BUS 640275 [MINDEN 7 115.00] CKT 1  
SINGLE 245 : OPEN LINE FROM BUS 640068 [B.SPRGS7 115.00] TO BUS 640086 [BLUECK 7 115.00] CKT 1  
SINGLE 246 : OPEN LINE FROM BUS 640068 [B.SPRGS7 115.00] TO BUS 640091 [BRULE 7 115.00] CKT 1  
SINGLE 247 : OPEN LINE FROM BUS 640068 [B.SPRGS7 115.00] TO BUS 640246 [JULSTAP7 115.00] CKT 1  
SINGLE 248 : OPEN LINE FROM BUS 640070 [BANCRFT7 115.00] TO BUS 640163 [EMERSON7 115.00] CKT 1  
SINGLE 249 : OPEN LINE FROM BUS 640070 [BANCRFT7 115.00] TO BUS 640300 [OAKLAND7 115.00] CKT 1  
SINGLE 250 : OPEN LINE FROM BUS 640072 [BATTLER7 115.00] TO BUS 640115 [CO.LINE7 115.00] CKT 1

SINGLE 251 : OPEN LINE FROM BUS 640072 [BATTLER7 115.00] TO BUS 640296 [NORFK.N7 115.00] CKT 1  
SINGLE 252 : OPEN LINE FROM BUS 640074 [BEAT. S7 115.00] TO BUS 640076 [BEATRCE7 115.00] CKT 1  
SINGLE 253 : OPEN LINE FROM BUS 640076 [BEATRCE7 115.00] TO BUS 640088 [BPS SUB7 115.00] CKT 1  
SINGLE 254 : OPEN LINE FROM BUS 640076 [BEATRCE7 115.00] TO BUS 640088 [BPS SUB7 115.00] CKT 2  
SINGLE 255 : OPEN LINE FROM BUS 640076 [BEATRCE7 115.00] TO BUS 640208 [HARBINE7 115.00] CKT 1  
SINGLE 256 : OPEN LINE FROM BUS 640076 [BEATRCE7 115.00] TO BUS 640361 [STEINER7 115.00] CKT 1  
SINGLE 257 : OPEN LINE FROM BUS 640078 [BEEMER 7 115.00] TO BUS 640357 [STANTON7 115.00] CKT 1  
SINGLE 258 : OPEN LINE FROM BUS 640078 [BEEMER 7 115.00] TO BUS 640400 [W.POINT7 115.00] CKT 1  
SINGLE 259 : OPEN LINE FROM BUS 640080 [BELDEN 7 115.00] TO BUS 640084 [BLMFLD 7 115.00] CKT 1  
SINGLE 260 : OPEN LINE FROM BUS 640080 [BELDEN 7 115.00] TO BUS 640212 [HARTGTN7 115.00] CKT 1  
SINGLE 261 : OPEN LINE FROM BUS 640080 [BELDEN 7 115.00] TO BUS 640228 [HOSKINS7 115.00] CKT 1  
SINGLE 262 : OPEN LINE FROM BUS 640080 [BELDEN 7 115.00] TO BUS 640387 [TWIN CH7 115.00] CKT 1  
SINGLE 263 : OPEN LINE FROM BUS 640082 [BEVERLY7 115.00] TO BUS 640167 [ENDERS 7 115.00] CKT 1  
SINGLE 264 : OPEN LINE FROM BUS 640082 [BEVERLY7 115.00] TO BUS 640326 [REDWILO7 115.00] CKT 1  
SINGLE 265 : OPEN LINE FROM BUS 640084 [BLMFLD 7 115.00] TO BUS 640149 [CREITON7 115.00] CKT 1  
SINGLE 266 : OPEN LINE FROM BUS 640084 [BLMFLD 7 115.00] TO BUS 652511 [GAVINS 7 115.00] CKT 1  
SINGLE 267 : OPEN LINE FROM BUS 640086 [BLUECK 7 115.00] TO BUS 659193 [W.HORSE7 115.00] CKT 1  
SINGLE 268 : OPEN LINE FROM BUS 640088 [BPS SUB7 115.00] TO BUS 640111 [CLATONA7 115.00] CKT 1  
SINGLE 269 : OPEN LINE FROM BUS 640088 [BPS SUB7 115.00] TO BUS 640278 [SHELDON7 115.00] CKT 1  
SINGLE 270 : OPEN LINE FROM BUS 640089 [BROKENB7 115.00] TO BUS 640094 [C.CREEK7 115.00] CKT 1  
SINGLE 271 : OPEN LINE FROM BUS 640089 [BROKENB7 115.00] TO BUS 640098 [CALAWAY7 115.00] CKT 1  
SINGLE 272 : OPEN LINE FROM BUS 640089 [BROKENB7 115.00] TO BUS 640259 [LOUPCTY7 115.00] CKT 1  
SINGLE 273 : OPEN LINE FROM BUS 640091 [BRULE 7 115.00] TO BUS 659132 [OGALALA7 115.00] CKT 1  
SINGLE 274 : OPEN LINE FROM BUS 640093 [C.CREEK4 230.00] TO BUS 640094 [C.CREEK7 115.00] CKT 1  
SINGLE 275 : OPEN LINE FROM BUS 640093 [C.CREEK4 230.00] TO BUS 640102 [CANADAY4 230.00] CKT 1  
SINGLE 276 : OPEN LINE FROM BUS 640093 [C.CREEK4 230.00] TO BUS 640286 [N.PLATT4 230.00] CKT 1  
SINGLE 277 : OPEN LINE FROM BUS 640093 [C.CREEK4 230.00] TO BUS 640330 [RIVERDL4 230.00] CKT 1  
SINGLE 278 : OPEN LINE FROM BUS 640096 [CALAMS 7 115.00] TO BUS 640381 [THEDFRD7 115.00] CKT 1  
SINGLE 279 : OPEN LINE FROM BUS 640098 [CALAWAY7 115.00] TO BUS 640267 [MAXWELS7 115.00] CKT 1  
SINGLE 280 : OPEN LINE FROM BUS 640100 [CAMBRIG7 115.00] TO BUS 640194 [GOSPER 7 115.00] CKT 1  
SINGLE 281 : OPEN LINE FROM BUS 640100 [CAMBRIG7 115.00] TO BUS 640269 [MCCOOK 7 115.00] CKT 1  
SINGLE 282 : OPEN LINE FROM BUS 640103 [CANADAY7 115.00] TO BUS 640161 [ELMCRK\_7 115.00] CKT 1  
SINGLE 283 : OPEN LINE FROM BUS 640103 [CANADAY7 115.00] TO BUS 640242 [JOHN.2 7 115.00] CKT 1  
SINGLE 284 : OPEN LINE FROM BUS 640103 [CANADAY7 115.00] TO BUS 640242 [JOHN.2 7 115.00] CKT 2  
SINGLE 285 : OPEN LINE FROM BUS 640103 [CANADAY7 115.00] TO BUS 640256 [LXNGTN 7 115.00] CKT 1  
SINGLE 286 : OPEN LINE FROM BUS 640105 [CARLJCT7 115.00] TO BUS 640178 [GENEVA 7 115.00] CKT 1  
SINGLE 287 : OPEN LINE FROM BUS 640105 [CARLJCT7 115.00] TO BUS 640218 [HEBRN N7 115.00] CKT 1  
SINGLE 288 : OPEN LINE FROM BUS 640107 [CENCITY7 115.00] TO BUS 640201 [GR ISLD7 115.00] CKT 1  
SINGLE 289 : OPEN LINE FROM BUS 640107 [CENCITY7 115.00] TO BUS 640436 [CLARKS 7 115.00] CKT 1  
SINGLE 290 : OPEN LINE FROM BUS 640109 [CHADRON7 115.00] TO BUS 640147 [CRAWFRD7 115.00] CKT 1  
SINGLE 291 : OPEN LINE FROM BUS 640109 [CHADRON7 115.00] TO BUS 640334 [RUSHVIL7 115.00] CKT 1  
SINGLE 292 : OPEN LINE FROM BUS 640109 [CHADRON7 115.00] TO BUS 640405 [WAYSIDE7 115.00] CKT 1  
SINGLE 293 : OPEN LINE FROM BUS 640109 [CHADRON7 115.00] TO BUS 652311 [DUNLAP 7 115.00] CKT 1  
SINGLE 294 : OPEN LINE FROM BUS 640111 [CLATONA7 115.00] TO BUS 640278 [SHELDON7 115.00] CKT 1  
SINGLE 295 : OPEN LINE FROM BUS 640113 [CLRWATR7 115.00] TO BUS 640293 [NELIGH 7 115.00] CKT 1  
SINGLE 296 : OPEN LINE FROM BUS 640113 [CLRWATR7 115.00] TO BUS 640305 [ONEILL 7 115.00] CKT 1  
SINGLE 297 : OPEN LINE FROM BUS 640115 [CO.LINE7 115.00] TO BUS 640293 [NELIGH 7 115.00] CKT 1  
SINGLE 298 : OPEN LINE FROM BUS 640117 [CODY 7 115.00] TO BUS 640394 [VALTN.W7 115.00] CKT 1

SINGLE 299 : OPEN LINE FROM BUS 640119 [COL.COG7 115.00] TO BUS 640122 [COL.DRY7 115.00] CKT 1  
SINGLE 300 : OPEN LINE FROM BUS 640119 [COL.COG7 115.00] TO BUS 640122 [COL.DRY7 115.00] CKT 2  
SINGLE 301 : OPEN LINE FROM BUS 640119 [COL.COG7 115.00] TO BUS 640124 [COL.SE 7 115.00] CKT 1  
SINGLE 302 : OPEN LINE FROM BUS 640119 [COL.COG7 115.00] TO BUS 640127 [COLMB.E7 115.00] CKT 1  
SINGLE 303 : OPEN LINE FROM BUS 640124 [COL.SE 7 115.00] TO BUS 640136 [COLMBUS7 115.00] CKT 1  
SINGLE 304 : OPEN LINE FROM BUS 640124 [COL.SE 7 115.00] TO BUS 640328 [RISNGCY7 115.00] CKT 1  
SINGLE 305 : OPEN LINE FROM BUS 640125 [COLMB.E3 345.00] TO BUS 640342 [SHELCKR3 345.00] CKT 1  
SINGLE 306 : OPEN LINE FROM BUS 640125 [COLMB.E3 345.00] TO BUS 650114 [NW68HOLDRG3 345.00] CKT 1  
SINGLE 307 : OPEN LINE FROM BUS 640126 [E.COL. 4 230.00] TO BUS 640127 [COLMB.E7 115.00] CKT 1  
SINGLE 308 : OPEN LINE FROM BUS 640126 [E.COL. 4 230.00] TO BUS 640133 [COLMBUS4 230.00] CKT 1  
SINGLE 309 : OPEN LINE FROM BUS 640127 [COLMB.E7 115.00] TO BUS 640136 [COLMBUS7 115.00] CKT 1  
SINGLE 310 : OPEN LINE FROM BUS 640127 [COLMB.E7 115.00] TO BUS 640157 [DAVIDCY7 115.00] CKT 1  
SINGLE 311 : OPEN LINE FROM BUS 640131 [COLMB.W4 230.00] TO BUS 640133 [COLMBUS4 230.00] CKT 1  
SINGLE 312 : OPEN LINE FROM BUS 640131 [COLMB.W4 230.00] TO BUS 640200 [GR ISLD4 230.00] CKT 1  
SINGLE 313 : OPEN LINE FROM BUS 640133 [COLMBUS4 230.00] TO BUS 640343 [SHELCKR4 230.00] CKT 1  
SINGLE 314 : OPEN LINE FROM BUS 640133 [COLMBUS4 230.00] TO BUS 643000 [MADISONCNTY4230.00] CKT 1  
SINGLE 315 : OPEN LINE FROM BUS 640134 [KELLY 7 115.00] TO BUS 640136 [COLMBUS7 115.00] CKT 1  
SINGLE 316 : OPEN LINE FROM BUS 640136 [COLMBUS7 115.00] TO BUS 640151 [CRESTON7 115.00] CKT 1  
SINGLE 317 : OPEN LINE FROM BUS 640136 [COLMBUS7 115.00] TO BUS 640181 [GENOA 7 115.00] CKT 1  
SINGLE 318 : OPEN LINE FROM BUS 640136 [COLMBUS7 115.00] TO BUS 640336 [SCHUYLR7 115.00] CKT 1  
SINGLE 319 : OPEN LINE FROM BUS 640136 [COLMBUS7 115.00] TO BUS 640345 [SILVRCK7 115.00] CKT 1  
SINGLE 320 : OPEN LINE FROM BUS 640139 [COOPER 3 345.00] TO BUS 640277 [MOORE 3 345.00] CKT 1  
SINGLE 321 : OPEN LINE FROM BUS 640139 [COOPER 3 345.00] TO BUS 645458 [S3458 3 345.00] CKT 1  
SINGLE 322 : OPEN LINE FROM BUS 640140 [COOPER 5 161.00] TO BUS 646280 [S1280 5 161.00] CKT 1  
SINGLE 323 : OPEN LINE FROM BUS 640144 [COZAD 7 115.00] TO BUS 640196 [GOTHNBG7 115.00] CKT 1  
SINGLE 324 : OPEN LINE FROM BUS 640144 [COZAD 7 115.00] TO BUS 640407 [WESTMIN7 115.00] CKT 1  
SINGLE 325 : OPEN LINE FROM BUS 640147 [CRAWFRD7 115.00] TO BUS 640397 [VICTRYH7 115.00] CKT 1  
SINGLE 326 : OPEN LINE FROM BUS 640149 [CREITON7 115.00] TO BUS 640293 [NELIGH 7 115.00] CKT 1  
SINGLE 327 : OPEN LINE FROM BUS 640151 [CRESTON7 115.00] TO BUS 640263 [MADISON7 115.00] CKT 1  
SINGLE 328 : OPEN LINE FROM BUS 640153 [CRETE\_\_7 115.00] TO BUS 640174 [FRIEND 7 115.00] CKT 1  
SINGLE 329 : OPEN LINE FROM BUS 640153 [CRETE\_\_7 115.00] TO BUS 640278 [SHELDON7 115.00] CKT 1  
SINGLE 330 : OPEN LINE FROM BUS 640155 [DAVEY 7 115.00] TO BUS 640402 [WAHOO 7 115.00] CKT 1  
SINGLE 331 : OPEN LINE FROM BUS 640155 [DAVEY 7 115.00] TO BUS 650269 [70&BLUFF 7 115.00] CKT 1  
SINGLE 332 : OPEN LINE FROM BUS 640157 [DAVIDCY7 115.00] TO BUS 640402 [WAHOO 7 115.00] CKT 1  
SINGLE 333 : OPEN LINE FROM BUS 640159 [DONIPH7 115.00] TO BUS 640282 [N.HAST 7 115.00] CKT 1  
SINGLE 334 : OPEN LINE FROM BUS 640159 [DONIPH7 115.00] TO BUS 642071 [SUB-D 7 115.00] CKT 1  
SINGLE 335 : OPEN LINE FROM BUS 640161 [ELMCRK\_7 115.00] TO BUS 640250 [KEARNEY7 115.00] CKT 1  
SINGLE 336 : OPEN LINE FROM BUS 640163 [EMERSON7 115.00] TO BUS 640387 [TWIN CH7 115.00] CKT 1  
SINGLE 337 : OPEN LINE FROM BUS 640165 [EMMET 7 115.00] TO BUS 640305 [ONEILL 7 115.00] CKT 1  
SINGLE 338 : OPEN LINE FROM BUS 640167 [ENDERS 7 115.00] TO BUS 659130 [GRANTNB7 115.00] CKT 1  
SINGLE 339 : OPEN LINE FROM BUS 640167 [ENDERS 7 115.00] TO BUS 659244 [ATHEY 7 115.00] CKT 1  
SINGLE 340 : OPEN LINE FROM BUS 640169 [FAIRBRY7 115.00] TO BUS 640208 [HARBINE7 115.00] CKT 1  
SINGLE 341 : OPEN LINE FROM BUS 640169 [FAIRBRY7 115.00] TO BUS 640218 [HEBRN N7 115.00] CKT 1  
SINGLE 342 : OPEN LINE FROM BUS 640171 [FIRTH 7 115.00] TO BUS 640278 [SHELDON7 115.00] CKT 1  
SINGLE 343 : OPEN LINE FROM BUS 640171 [FIRTH 7 115.00] TO BUS 640362 [STERLNG7 115.00] CKT 1  
SINGLE 344 : OPEN LINE FROM BUS 640173 [FREMONT7 115.00] TO BUS 640281 [N.BEND 7 115.00] CKT 1  
SINGLE 345 : OPEN LINE FROM BUS 640173 [FREMONT7 115.00] TO BUS 640409 [WINSLOW7 115.00] CKT 1  
SINGLE 346 : OPEN LINE FROM BUS 640173 [FREMONT7 115.00] TO BUS 647976 [S976 8 69.000] CKT 1

SINGLE 347 : OPEN LINE FROM BUS 640173 [FREMONT7 115.00] TO BUS 647976 [S976 8 69.000] CKT 4  
SINGLE 348 : OPEN LINE FROM BUS 640174 [FRIEND 7 115.00] TO BUS 640178 [GENEVA 7 115.00] CKT 1  
SINGLE 349 : OPEN LINE FROM BUS 640178 [GENEVA 7 115.00] TO BUS 640272 [MCCOOL 7 115.00] CKT 1  
SINGLE 350 : OPEN LINE FROM BUS 640178 [GENEVA 7 115.00] TO BUS 640372 [SUTTON 7 115.00] CKT 1  
SINGLE 351 : OPEN LINE FROM BUS 640183 [GENTLMN3 345.00] TO BUS 640184 [GENTLMN4 230.00] CKT 2  
SINGLE 352 : OPEN LINE FROM BUS 640183 [GENTLMN3 345.00] TO BUS 640252 [KEYSTON3 345.00] CKT 1  
SINGLE 353 : OPEN LINE FROM BUS 640183 [GENTLMN3 345.00] TO BUS 640325 [REDWILO3 345.00] CKT 1  
SINGLE 354 : OPEN LINE FROM BUS 640183 [GENTLMN3 345.00] TO BUS 640374 [SWEET W3 345.00] CKT 1  
SINGLE 355 : OPEN LINE FROM BUS 640183 [GENTLMN3 345.00] TO BUS 640374 [SWEET W3 345.00] CKT 2  
SINGLE 356 : OPEN LINE FROM BUS 640184 [GENTLMN4 230.00] TO BUS 640286 [N.PLATT4 230.00] CKT 1  
SINGLE 357 : OPEN LINE FROM BUS 640184 [GENTLMN4 230.00] TO BUS 640286 [N.PLATT4 230.00] CKT 2  
SINGLE 358 : OPEN LINE FROM BUS 640184 [GENTLMN4 230.00] TO BUS 640286 [N.PLATT4 230.00] CKT 3  
SINGLE 359 : OPEN LINE FROM BUS 640184 [GENTLMN4 230.00] TO BUS 640302 [OGALALA4 230.00] CKT 1  
SINGLE 360 : OPEN LINE FROM BUS 640192 [GORDON 7 115.00] TO BUS 640334 [RUSHVIL7 115.00] CKT 1  
SINGLE 361 : OPEN LINE FROM BUS 640192 [GORDON 7 115.00] TO BUS 659152 [SHAN-SD7 115.00] CKT 1  
SINGLE 362 : OPEN LINE FROM BUS 640194 [GOSPER 7 115.00] TO BUS 640242 [JOHN.2 7 115.00] CKT 1  
SINGLE 363 : OPEN LINE FROM BUS 640196 [GOTHNBG7 115.00] TO BUS 640238 [JEFFREY7 115.00] CKT 1  
SINGLE 364 : OPEN LINE FROM BUS 640200 [GR ISLD4 230.00] TO BUS 640201 [GR ISLD7 115.00] CKT 2  
SINGLE 365 : OPEN LINE FROM BUS 640200 [GR ISLD4 230.00] TO BUS 640214 [HASTING4 230.00] CKT 1  
SINGLE 366 : OPEN LINE FROM BUS 640200 [GR ISLD4 230.00] TO BUS 640330 [RIVERDL4 230.00] CKT 1  
SINGLE 367 : OPEN LINE FROM BUS 640200 [GR ISLD4 230.00] TO BUS 652571 [GR ISLD3 345.00] CKT 3  
SINGLE 368 : OPEN LINE FROM BUS 640201 [GR ISLD7 115.00] TO BUS 640353 [ST.LIB 7 115.00] CKT 1  
SINGLE 369 : OPEN LINE FROM BUS 640201 [GR ISLD7 115.00] TO BUS 642071 [SUB-D 7 115.00] CKT 1  
SINGLE 370 : OPEN LINE FROM BUS 640201 [GR ISLD7 115.00] TO BUS 642072 [SUB-E 7 115.00] CKT 1  
SINGLE 371 : OPEN LINE FROM BUS 640206 [GUIDE R7 115.00] TO BUS 640368 [SUPEROR7 115.00] CKT 1  
SINGLE 372 : OPEN LINE FROM BUS 640206 [GUIDE R7 115.00] TO BUS 643050 [ROSEMONT 7115.00] CKT 1  
SINGLE 373 : OPEN LINE FROM BUS 640208 [HARBINE7 115.00] TO BUS 640426 [STEELEC7 115.00] CKT 1  
SINGLE 374 : OPEN LINE FROM BUS 640210 [HARMONY7 115.00] TO BUS 640351 [ST.FRANC 115.00] CKT 1  
SINGLE 375 : OPEN LINE FROM BUS 640210 [HARMONY7 115.00] TO BUS 640392 [VALENTN7 115.00] CKT 1  
SINGLE 376 : OPEN LINE FROM BUS 640212 [HARTGTN7 115.00] TO BUS 652511 [GAVINS 7 115.00] CKT 1  
SINGLE 377 : OPEN LINE FROM BUS 640214 [HASTING4 230.00] TO BUS 641088 [HASTCTY7 115.00] CKT 1  
SINGLE 378 : OPEN LINE FROM BUS 640215 [HASTING7 115.00] TO BUS 640313 [PAULINE7 115.00] CKT 1  
SINGLE 379 : OPEN LINE FROM BUS 640215 [HASTING7 115.00] TO BUS 640313 [PAULINE7 115.00] CKT 2  
SINGLE 380 : OPEN LINE FROM BUS 640215 [HASTING7 115.00] TO BUS 641087 [EGYCNTR7 115.00] CKT 1  
SINGLE 381 : OPEN LINE FROM BUS 640215 [HASTING7 115.00] TO BUS 641088 [HASTCTY7 115.00] CKT 1  
SINGLE 382 : OPEN LINE FROM BUS 640218 [HEBRN N7 115.00] TO BUS 640220 [HEBRON 7 115.00] CKT 1  
SINGLE 383 : OPEN LINE FROM BUS 640220 [HEBRON 7 115.00] TO BUS 640368 [SUPEROR7 115.00] CKT 1  
SINGLE 384 : OPEN LINE FROM BUS 640222 [HILDRTH7 115.00] TO BUS 640224 [HOLDREG7 115.00] CKT 1  
SINGLE 385 : OPEN LINE FROM BUS 640222 [HILDRTH7 115.00] TO BUS 640313 [PAULINE7 115.00] CKT 1  
SINGLE 386 : OPEN LINE FROM BUS 640224 [HOLDREG7 115.00] TO BUS 640242 [JOHN.2 7 115.00] CKT 1  
SINGLE 387 : OPEN LINE FROM BUS 640224 [HOLDREG7 115.00] TO BUS 640310 [ORLEANS7 115.00] CKT 1  
SINGLE 388 : OPEN LINE FROM BUS 640226 [HOSKINS3 345.00] TO BUS 640227 [HOSKINS4 230.00] CKT 1  
SINGLE 389 : OPEN LINE FROM BUS 640226 [HOSKINS3 345.00] TO BUS 640342 [SHELCKR3 345.00] CKT 1  
SINGLE 390 : OPEN LINE FROM BUS 640227 [HOSKINS4 230.00] TO BUS 640228 [HOSKINS7 115.00] CKT 1  
SINGLE 391 : OPEN LINE FROM BUS 640227 [HOSKINS4 230.00] TO BUS 640386 [TWIN CH4 230.00] CKT 1  
SINGLE 392 : OPEN LINE FROM BUS 640228 [HOSKINS7 115.00] TO BUS 640296 [NORFK.N7 115.00] CKT 1  
SINGLE 393 : OPEN LINE FROM BUS 640228 [HOSKINS7 115.00] TO BUS 640298 [NORFOLK7 115.00] CKT 1  
SINGLE 394 : OPEN LINE FROM BUS 640228 [HOSKINS7 115.00] TO BUS 640363 [STNTN.N7 115.00] CKT 1

SINGLE 395 : OPEN LINE FROM BUS 640234 [HUMBOLT5 161.00] TO BUS 640235 [HUMBOLT7 115.00] CKT 1  
SINGLE 396 : OPEN LINE FROM BUS 640234 [HUMBOLT5 161.00] TO BUS 646280 [S1280 5 161.00] CKT 1  
SINGLE 397 : OPEN LINE FROM BUS 640234 [HUMBOLT5 161.00] TO BUS 646399 [S1399 5 161.00] CKT 1  
SINGLE 398 : OPEN LINE FROM BUS 640235 [HUMBOLT7 115.00] TO BUS 640361 [STEINER7 115.00] CKT 1  
SINGLE 399 : OPEN LINE FROM BUS 640238 [JEFFREY7 115.00] TO BUS 640240 [JOHN.1 7 115.00] CKT 1  
SINGLE 400 : OPEN LINE FROM BUS 640238 [JEFFREY7 115.00] TO BUS 640287 [N.PLATT7 115.00] CKT 1  
SINGLE 401 : OPEN LINE FROM BUS 640240 [JOHN.1 7 115.00] TO BUS 640244 [JOHN.LK7 115.00] CKT 1  
SINGLE 402 : OPEN LINE FROM BUS 640242 [JOHN.2 7 115.00] TO BUS 640244 [JOHN.LK7 115.00] CKT 1  
SINGLE 403 : OPEN LINE FROM BUS 640242 [JOHN.2 7 115.00] TO BUS 640407 [WESTMIN7 115.00] CKT 1  
SINGLE 404 : OPEN LINE FROM BUS 640246 [JULSTAP7 115.00] TO BUS 652300 [CHAPPEL7 115.00] CKT 1  
SINGLE 405 : OPEN LINE FROM BUS 640246 [JULSTAP7 115.00] TO BUS 652302 [JULESBG7 115.00] CKT 1  
SINGLE 406 : OPEN LINE FROM BUS 640248 [KEAR.NE7 115.00] TO BUS 640250 [KEARNEY7 115.00] CKT 1  
SINGLE 407 : OPEN LINE FROM BUS 640248 [KEAR.NE7 115.00] TO BUS 640331 [RIVERDL7 115.00] CKT 1  
SINGLE 408 : OPEN LINE FROM BUS 640250 [KEARNEY7 115.00] TO BUS 640261 [LOWELL 7 115.00] CKT 1  
SINGLE 409 : OPEN LINE FROM BUS 640250 [KEARNEY7 115.00] TO BUS 640383 [TOWER 7 115.00] CKT 1  
SINGLE 410 : OPEN LINE FROM BUS 640252 [KEYSTON3 345.00] TO BUS 659133 [SIDNEY 3 345.00] CKT 1  
SINGLE 411 : OPEN LINE FROM BUS 640253 [KEYSTON7 115.00] TO BUS 640255 [KINGSLY7 115.00] CKT 1  
SINGLE 412 : OPEN LINE FROM BUS 640253 [KEYSTON7 115.00] TO BUS 659132 [OGALALA7 115.00] CKT 1  
SINGLE 413 : OPEN LINE FROM BUS 640256 [LXNGTN 7 115.00] TO BUS 640331 [RIVERDL7 115.00] CKT 1  
SINGLE 414 : OPEN LINE FROM BUS 640259 [LOUPCTY7 115.00] TO BUS 640284 [N.LOUP 7 115.00] CKT 1  
SINGLE 415 : OPEN LINE FROM BUS 640259 [LOUPCTY7 115.00] TO BUS 640353 [ST.LIB 7 115.00] CKT 1  
SINGLE 416 : OPEN LINE FROM BUS 640261 [LOWELL 7 115.00] TO BUS 640275 [MINDEN 7 115.00] CKT 1  
SINGLE 417 : OPEN LINE FROM BUS 640261 [LOWELL 7 115.00] TO BUS 640321 [PROSSER7 115.00] CKT 1  
SINGLE 418 : OPEN LINE FROM BUS 640263 [MADISON7 115.00] TO BUS 640298 [NORFOLK7 115.00] CKT 1  
SINGLE 419 : OPEN LINE FROM BUS 640263 [MADISON7 115.00] TO BUS 643001 [MADISONCNTY7 115.00] CKT 1  
SINGLE 420 : OPEN LINE FROM BUS 640265 [MALONEY7 115.00] TO BUS 640287 [N.PLATT7 115.00] CKT 1  
SINGLE 421 : OPEN LINE FROM BUS 640265 [MALONEY7 115.00] TO BUS 640370 [SUTHLND7 115.00] CKT 1  
SINGLE 422 : OPEN LINE FROM BUS 640267 [MAXWELS7 115.00] TO BUS 640287 [N.PLATT7 115.00] CKT 1  
SINGLE 423 : OPEN LINE FROM BUS 640267 [MAXWELS7 115.00] TO BUS 640359 [STAPLTN7 115.00] CKT 1  
SINGLE 424 : OPEN LINE FROM BUS 640269 [MCCOOK 7 115.00] TO BUS 640326 [REDWILO7 115.00] CKT 1  
SINGLE 425 : OPEN LINE FROM BUS 640269 [MCCOOK 7 115.00] TO BUS 640326 [REDWILO7 115.00] CKT 2  
SINGLE 426 : OPEN LINE FROM BUS 640271 [MCCOOL 3 345.00] TO BUS 640277 [MOORE 3 345.00] CKT 1  
SINGLE 427 : OPEN LINE FROM BUS 640271 [MCCOOL 3 345.00] TO BUS 652571 [GR ISLD3 345.00] CKT 1  
SINGLE 428 : OPEN LINE FROM BUS 640272 [MCCOOL 7 115.00] TO BUS 640413 [YORK SW7 115.00] CKT 1  
SINGLE 429 : OPEN LINE FROM BUS 640277 [MOORE 3 345.00] TO BUS 640312 [PAULINE3 345.00] CKT 1  
SINGLE 430 : OPEN LINE FROM BUS 640277 [MOORE 3 345.00] TO BUS 650114 [NW68HOLDRG3 345.00] CKT 1  
SINGLE 431 : OPEN LINE FROM BUS 640277 [MOORE 3 345.00] TO BUS 650189 [103&ROKEBY3 345.00] CKT 1  
SINGLE 432 : OPEN LINE FROM BUS 640278 [SHELDON7 115.00] TO BUS 650242 [FOLSM&PHIL7 115.00] CKT 1  
SINGLE 433 : OPEN LINE FROM BUS 640278 [SHELDON7 115.00] TO BUS 650242 [FOLSM&PHIL7 115.00] CKT 2  
SINGLE 434 : OPEN LINE FROM BUS 640281 [N.BEND 7 115.00] TO BUS 640336 [SCHUYLR7 115.00] CKT 1  
SINGLE 435 : OPEN LINE FROM BUS 640281 [N.BEND 7 115.00] TO BUS 648400 [N.BD A9 13.800] CKT 1  
SINGLE 436 : OPEN LINE FROM BUS 640281 [N.BEND 7 115.00] TO BUS 648401 [N.BD B9 13.800] CKT 1  
SINGLE 437 : OPEN LINE FROM BUS 640282 [N.HAST 7 115.00] TO BUS 640321 [PROSSER7 115.00] CKT 1  
SINGLE 438 : OPEN LINE FROM BUS 640282 [N.HAST 7 115.00] TO BUS 641082 [BYPASS 7 115.00] CKT 1  
SINGLE 439 : OPEN LINE FROM BUS 640284 [N.LOUP 7 115.00] TO BUS 640308 [ORD 7 115.00] CKT 1  
SINGLE 440 : OPEN LINE FROM BUS 640284 [N.LOUP 7 115.00] TO BUS 640347 [SPALDNG7 115.00] CKT 1  
SINGLE 441 : OPEN LINE FROM BUS 640287 [N.PLATT7 115.00] TO BUS 640365 [STOCKVL7 115.00] CKT 1  
SINGLE 442 : OPEN LINE FROM BUS 640293 [NELIGH 7 115.00] TO BUS 640444 [PETERSBRG.N7 115.00] CKT 1



SINGLE 443 : OPEN LINE FROM BUS 640296 [NORFK.N7 115.00] TO BUS 640298 [NORFOLK7 115.00] CKT 1  
SINGLE 444 : OPEN LINE FROM BUS 640298 [NORFOLK7 115.00] TO BUS 643001 [MADISONCNTY7115.00] CKT 1  
SINGLE 445 : OPEN LINE FROM BUS 640300 [OAKLAND7 115.00] TO BUS 640378 [TEKAMAH7 115.00] CKT 1  
SINGLE 446 : OPEN LINE FROM BUS 640300 [OAKLAND7 115.00] TO BUS 640400 [W.POINT7 115.00] CKT 1  
SINGLE 447 : OPEN LINE FROM BUS 640300 [OAKLAND7 115.00] TO BUS 640409 [WINSLOW7 115.00] CKT 1  
SINGLE 448 : OPEN LINE FROM BUS 640302 [OGALALA4 230.00] TO BUS 659132 [OGALALA7 115.00] CKT 1  
SINGLE 449 : OPEN LINE FROM BUS 640302 [OGALALA4 230.00] TO BUS 659134 [SIDNEY 4 230.00] CKT 1  
SINGLE 450 : OPEN LINE FROM BUS 640305 [ONEILL 7 115.00] TO BUS 640349 [SPENCER7 115.00] CKT 1  
SINGLE 451 : OPEN LINE FROM BUS 640305 [ONEILL 7 115.00] TO BUS 640441 [STUARTS7 115.00] CKT 1  
SINGLE 452 : OPEN LINE FROM BUS 640313 [PAULINE7 115.00] TO BUS 643050 [ROSEMONT 7115.00] CKT 1  
SINGLE 453 : OPEN LINE FROM BUS 640316 [PAWNEEL7 115.00] TO BUS 640340 [SEWARD 7 115.00] CKT 1  
SINGLE 454 : OPEN LINE FROM BUS 640316 [PAWNEEL7 115.00] TO BUS 650214 [NW68HOLDRG7 115.00] CKT 1  
SINGLE 455 : OPEN LINE FROM BUS 640318 [PETERSBG7 115.00] TO BUS 640444 [PETERSBRG.N7115.00] CKT 1  
SINGLE 456 : OPEN LINE FROM BUS 640323 [RAVENNA7 115.00] TO BUS 640331 [RIVERDL7 115.00] CKT 1  
SINGLE 457 : OPEN LINE FROM BUS 640326 [REDWILO7 115.00] TO BUS 640365 [STOCKVL7 115.00] CKT 1  
SINGLE 458 : OPEN LINE FROM BUS 640328 [RISNGCY7 115.00] TO BUS 640340 [SEWARD 7 115.00] CKT 1  
SINGLE 459 : OPEN LINE FROM BUS 640330 [RIVERDL4 230.00] TO BUS 640331 [RIVERDL7 115.00] CKT 1  
SINGLE 460 : OPEN LINE FROM BUS 640331 [RIVERDL7 115.00] TO BUS 640383 [TOWER 7 115.00] CKT 1  
SINGLE 461 : OPEN LINE FROM BUS 640338 [SCOTBLF7 115.00] TO BUS 640397 [VICTRYH7 115.00] CKT 1  
SINGLE 462 : OPEN LINE FROM BUS 640338 [SCOTBLF7 115.00] TO BUS 659242 [GERINGT7 115.00] CKT 1  
SINGLE 463 : OPEN LINE FROM BUS 640340 [SEWARD 7 115.00] TO BUS 640375 [TAMORA 7 115.00] CKT 1  
SINGLE 464 : OPEN LINE FROM BUS 640342 [SHELCRK3 345.00] TO BUS 640343 [SHELCRK4 230.00] CKT 1  
SINGLE 465 : OPEN LINE FROM BUS 640345 [SILVRCK7 115.00] TO BUS 640436 [CLARKS 7 115.00] CKT 1  
SINGLE 466 : OPEN LINE FROM BUS 640349 [SPENCER7 115.00] TO BUS 652510 [FTRANDL7 115.00] CKT 1  
SINGLE 467 : OPEN LINE FROM BUS 640351 [ST.FRANC 115.00] TO BUS 652482 [MISSION7 115.00] CKT 1  
SINGLE 468 : OPEN LINE FROM BUS 640353 [ST.LIB 7 115.00] TO BUS 640355 [ST.PAUL7 115.00] CKT 1  
SINGLE 469 : OPEN LINE FROM BUS 640353 [ST.LIB 7 115.00] TO BUS 642073 [SUB-F 7 115.00] CKT 1  
SINGLE 470 : OPEN LINE FROM BUS 640357 [STANTON7 115.00] TO BUS 640363 [STNTN.N7 115.00] CKT 1  
SINGLE 471 : OPEN LINE FROM BUS 640359 [STAPLTN7 115.00] TO BUS 640381 [THEDFRD7 115.00] CKT 1  
SINGLE 472 : OPEN LINE FROM BUS 640362 [STERLNG7 115.00] TO BUS 647974 [S974 8 69.000] CKT 1  
SINGLE 473 : OPEN LINE FROM BUS 640370 [SUTHLND7 115.00] TO BUS 659186 [PAXTON 7 115.00] CKT 1  
SINGLE 474 : OPEN LINE FROM BUS 640372 [SUTTON 7 115.00] TO BUS 641087 [EGYCNTR7 115.00] CKT 1  
SINGLE 475 : OPEN LINE FROM BUS 640374 [SWEET W3 345.00] TO BUS 652571 [GR ISLD3 345.00] CKT 1  
SINGLE 476 : OPEN LINE FROM BUS 640375 [TAMORA 7 115.00] TO BUS 640411 [YORK 7 115.00] CKT 1  
SINGLE 477 : OPEN LINE FROM BUS 640377 [TEKAMAH5 161.00] TO BUS 640378 [TEKAMAH7 115.00] CKT 1  
SINGLE 478 : OPEN LINE FROM BUS 640377 [TEKAMAH5 161.00] TO BUS 646226 [S1226 5 161.00] CKT 1  
SINGLE 479 : OPEN LINE FROM BUS 640386 [TWIN CH4 230.00] TO BUS 640387 [TWIN CH7 115.00] CKT 1  
SINGLE 480 : OPEN LINE FROM BUS 640386 [TWIN CH4 230.00] TO BUS 640387 [TWIN CH7 115.00] CKT 2  
SINGLE 481 : OPEN LINE FROM BUS 640386 [TWIN CH4 230.00] TO BUS 652565 [SIOUXCY4 230.00] CKT 1  
SINGLE 482 : OPEN LINE FROM BUS 640387 [TWIN CH7 115.00] TO BUS 640424 [SOUTHSC7 115.00] CKT 1  
SINGLE 483 : OPEN LINE FROM BUS 640387 [TWIN CH7 115.00] TO BUS 640424 [SOUTHSC7 115.00] CKT 2  
SINGLE 484 : OPEN LINE FROM BUS 640392 [VALENTN7 115.00] TO BUS 640394 [VALTN.W7 115.00] CKT 1  
SINGLE 486 : OPEN LINE FROM BUS 640402 [WAHOO 7 115.00] TO BUS 648402 [WAHOO 29 13.800] CKT 1  
SINGLE 487 : OPEN LINE FROM BUS 640404 [WAYSIDE4 230.00] TO BUS 652484 [NUNDRWD4 230.00] CKT 1  
SINGLE 488 : OPEN LINE FROM BUS 640404 [WAYSIDE4 230.00] TO BUS 652573 [STEGALL4 230.00] CKT 1  
SINGLE 489 : OPEN LINE FROM BUS 640411 [YORK 7 115.00] TO BUS 640413 [YORK SW7 115.00] CKT 1  
SINGLE 490 : OPEN LINE FROM BUS 640434 [CEN.C.N7 115.00] TO BUS 640436 [CLARKS 7 115.00] CKT 1  
SINGLE 491 : OPEN LINE FROM BUS 640437 [ERICSON7 115.00] TO BUS 640444 [PETERSBRG.N7115.00] CKT 1

SINGLE 492 : OPEN LINE FROM BUS 640444 [PETERSBRG.N7115.00] TO BUS 643001 [MADISONCNTY7115.00] CKT 1  
SINGLE 493 : OPEN LINE FROM BUS 641082 [BYPASS 7 115.00] TO BUS 641084 [DENVER 7 115.00] CKT 1  
SINGLE 494 : OPEN LINE FROM BUS 641082 [BYPASS 7 115.00] TO BUS 641085 [E7THST 7 115.00] CKT 1  
SINGLE 495 : OPEN LINE FROM BUS 641083 [D.HENRY7 115.00] TO BUS 641084 [DENVER 7 115.00] CKT 1  
SINGLE 496 : OPEN LINE FROM BUS 641083 [D.HENRY7 115.00] TO BUS 641090 [S. 281 7 115.00] CKT 1  
SINGLE 497 : OPEN LINE FROM BUS 641085 [E7THST 7 115.00] TO BUS 641088 [HASTCTY7 115.00] CKT 1  
SINGLE 498 : OPEN LINE FROM BUS 641087 [EGYCNTR7 115.00] TO BUS 641088 [HASTCTY7 115.00] CKT 1  
SINGLE 499 : OPEN LINE FROM BUS 641087 [EGYCNTR7 115.00] TO BUS 641090 [S. 281 7 115.00] CKT 1  
SINGLE 500 : OPEN LINE FROM BUS 642066 [SUB-H G 115.00] TO BUS 642071 [SUB-D 7 115.00] CKT 1  
SINGLE 501 : OPEN LINE FROM BUS 642066 [SUB-H G 115.00] TO BUS 642072 [SUB-E 7 115.00] CKT 1  
SINGLE 502 : OPEN LINE FROM BUS 642068 [SUB-A 7 115.00] TO BUS 642069 [SUB-B 7 115.00] CKT 1  
SINGLE 503 : OPEN LINE FROM BUS 642068 [SUB-A 7 115.00] TO BUS 642076 [SUB-I 7 115.00] CKT 1  
SINGLE 504 : OPEN LINE FROM BUS 642069 [SUB-B 7 115.00] TO BUS 642073 [SUB-F 7 115.00] CKT 1  
SINGLE 505 : OPEN LINE FROM BUS 642070 [SUB-C 7 115.00] TO BUS 642072 [SUB-E 7 115.00] CKT 1  
SINGLE 506 : OPEN LINE FROM BUS 642070 [SUB-C 7 115.00] TO BUS 642073 [SUB-F 7 115.00] CKT 1  
SINGLE 507 : OPEN LINE FROM BUS 642071 [SUB-D 7 115.00] TO BUS 642076 [SUB-I 7 115.00] CKT 1  
SINGLE 508 : OPEN LINE FROM BUS 643000 [MADISONCNTY4230.00] TO BUS 652509 [FTRANDL4 230.00] CKT 1  
SINGLE 509 : OPEN LINE FROM BUS 643001 [MADISONCNTY7115.00] TO BUS 643005 [EMERICK 7115.00] CKT 1  
SINGLE 510 : OPEN LINE FROM BUS 645100 [FC1A 5 161.00] TO BUS 646251 [S1251 5 161.00] CKT 1  
SINGLE 511 : OPEN LINE FROM BUS 645451 [S3451 3 345.00] TO BUS 645454 [S3454 3 345.00] CKT 1  
SINGLE 512 : OPEN LINE FROM BUS 645451 [S3451 3 345.00] TO BUS 645459 [S3459 3 345.00] CKT 1  
SINGLE 513 : OPEN LINE FROM BUS 645454 [S3454 3 345.00] TO BUS 645455 [S3455 3 345.00] CKT 1  
SINGLE 514 : OPEN LINE FROM BUS 645454 [S3454 3 345.00] TO BUS 650185 [WAGENER 3 345.00] CKT 1  
SINGLE 515 : OPEN LINE FROM BUS 645455 [S3455 3 345.00] TO BUS 645456 [S3456 3 345.00] CKT 1  
SINGLE 516 : OPEN LINE FROM BUS 645455 [S3455 3 345.00] TO BUS 645740 [S3740 3 345.00] CKT 1  
SINGLE 517 : OPEN LINE FROM BUS 645456 [S3456 3 345.00] TO BUS 645458 [S3458 3 345.00] CKT 1  
SINGLE 518 : OPEN LINE FROM BUS 645456 [S3456 3 345.00] TO BUS 645459 [S3459 3 345.00] CKT 1  
SINGLE 519 : OPEN LINE FROM BUS 645458 [S3458 3 345.00] TO BUS 645740 [S3740 3 345.00] CKT 1  
SINGLE 520 : OPEN LINE FROM BUS 645458 [S3458 3 345.00] TO BUS 650189 [103&ROKEBY3 345.00] CKT 1  
SINGLE 521 : OPEN LINE FROM BUS 646201 [S1201 5 161.00] TO BUS 646206 [S1206 5 161.00] CKT 1  
SINGLE 522 : OPEN LINE FROM BUS 646201 [S1201 5 161.00] TO BUS 646220 [S1220 5 161.00] CKT 1  
SINGLE 523 : OPEN LINE FROM BUS 646201 [S1201 5 161.00] TO BUS 646229 [S1229 5 161.00] CKT 1  
SINGLE 524 : OPEN LINE FROM BUS 646201 [S1201 5 161.00] TO BUS 646286 [S1286 5 161.00] CKT 1  
SINGLE 525 : OPEN LINE FROM BUS 646206 [S1206 5 161.00] TO BUS 646216 [S1216 5 161.00] CKT 1  
SINGLE 526 : OPEN LINE FROM BUS 646206 [S1206 5 161.00] TO BUS 646232 [S1232 5 161.00] CKT 1  
SINGLE 527 : OPEN LINE FROM BUS 646206 [S1206 5 161.00] TO BUS 646244 [S1244 5 161.00] CKT 1  
SINGLE 528 : OPEN LINE FROM BUS 646209 [S1209 5 161.00] TO BUS 646231 [S1231 5 161.00] CKT 1  
SINGLE 529 : OPEN LINE FROM BUS 646209 [S1209 5 161.00] TO BUS 646231 [S1231 5 161.00] CKT 2  
SINGLE 530 : OPEN LINE FROM BUS 646209 [S1209 5 161.00] TO BUS 646250 [S1250 5 161.00] CKT 1  
SINGLE 531 : OPEN LINE FROM BUS 646209 [S1209 5 161.00] TO BUS 646250 [S1250 5 161.00] CKT 2  
SINGLE 532 : OPEN LINE FROM BUS 646209 [S1209 5 161.00] TO BUS 646252 [S1252 5 161.00] CKT 1  
SINGLE 533 : OPEN LINE FROM BUS 646210 [S1210 5 161.00] TO BUS 646217 [S1217 5 161.00] CKT 1  
SINGLE 534 : OPEN LINE FROM BUS 646210 [S1210 5 161.00] TO BUS 646222 [S1222 5 161.00] CKT 1  
SINGLE 535 : OPEN LINE FROM BUS 646211 [S1211 5 161.00] TO BUS 646220 [S1220 5 161.00] CKT 1  
SINGLE 536 : OPEN LINE FROM BUS 646211 [S1211 5 161.00] TO BUS 646250 [S1250 5 161.00] CKT 1  
SINGLE 537 : OPEN LINE FROM BUS 646211 [S1211 5 161.00] TO BUS 646250 [S1250 5 161.00] CKT 2  
SINGLE 538 : OPEN LINE FROM BUS 646211 [S1211 5 161.00] TO BUS 646299 [S1299 5 161.00] CKT 1  
SINGLE 539 : OPEN LINE FROM BUS 646214 [S1214 5 161.00] TO BUS 646287 [S1287 5 161.00] CKT 1

SINGLE 540 : OPEN LINE FROM BUS 646214 [S1214 5 161.00] TO BUS 650169 [70&BLUFF 5 161.00] CKT 1  
SINGLE 541 : OPEN LINE FROM BUS 646216 [S1216 5 161.00] TO BUS 646217 [S1217 5 161.00] CKT 1  
SINGLE 542 : OPEN LINE FROM BUS 646217 [S1217 5 161.00] TO BUS 646227 [S1227 5 161.00] CKT 1  
SINGLE 543 : OPEN LINE FROM BUS 646221 [S1221 5 161.00] TO BUS 646231 [S1231 5 161.00] CKT 1  
SINGLE 544 : OPEN LINE FROM BUS 646221 [S1221 5 161.00] TO BUS 646255 [S1255 5 161.00] CKT 1  
SINGLE 545 : OPEN LINE FROM BUS 646222 [S1222 5 161.00] TO BUS 646229 [S1229 5 161.00] CKT 1  
SINGLE 546 : OPEN LINE FROM BUS 646226 [S1226 5 161.00] TO BUS 646237 [S1237 5 161.00] CKT 1  
SINGLE 547 : OPEN LINE FROM BUS 646226 [S1226 5 161.00] TO BUS 646252 [S1252 5 161.00] CKT 1  
SINGLE 548 : OPEN LINE FROM BUS 646226 [S1226 5 161.00] TO BUS 646298 [S1298 5 161.00] CKT 1  
SINGLE 549 : OPEN LINE FROM BUS 646226 [S1226 5 161.00] TO BUS 646298 [S1298 5 161.00] CKT 2  
SINGLE 550 : OPEN LINE FROM BUS 646227 [S1227 5 161.00] TO BUS 646231 [S1231 5 161.00] CKT 1  
SINGLE 551 : OPEN LINE FROM BUS 646231 [S1231 5 161.00] TO BUS 646235 [S1235 5 161.00] CKT 1  
SINGLE 552 : OPEN LINE FROM BUS 646232 [S1232 5 161.00] TO BUS 646278 [S1278 5 161.00] CKT 1  
SINGLE 553 : OPEN LINE FROM BUS 646233 [S1233 5 161.00] TO BUS 646234 [S1234 5 161.00] CKT 1  
SINGLE 554 : OPEN LINE FROM BUS 646233 [S1233 5 161.00] TO BUS 646255 [S1255 5 161.00] CKT 1  
SINGLE 555 : OPEN LINE FROM BUS 646234 [S1234 5 161.00] TO BUS 646235 [S1235 5 161.00] CKT 1  
SINGLE 556 : OPEN LINE FROM BUS 646235 [S1235 5 161.00] TO BUS 646236 [S1236 5 161.00] CKT 1  
SINGLE 557 : OPEN LINE FROM BUS 646235 [S1235 5 161.00] TO BUS 646253 [S1253 5 161.00] CKT 1  
SINGLE 558 : OPEN LINE FROM BUS 646236 [S1236 5 161.00] TO BUS 646345 [S1345 5 161.00] CKT 1  
SINGLE 559 : OPEN LINE FROM BUS 646237 [S1237 5 161.00] TO BUS 646253 [S1253 5 161.00] CKT 1  
SINGLE 560 : OPEN LINE FROM BUS 646237 [S1237 5 161.00] TO BUS 646345 [S1345 5 161.00] CKT 1  
SINGLE 561 : OPEN LINE FROM BUS 646244 [S1244 5 161.00] TO BUS 646258 [S1258 5 161.00] CKT 1  
SINGLE 562 : OPEN LINE FROM BUS 646249 [S1249 5 161.00] TO BUS 646254 [S1254 5 161.00] CKT 1  
SINGLE 563 : OPEN LINE FROM BUS 646249 [S1249 5 161.00] TO BUS 646256 [S1256 5 161.00] CKT 1  
SINGLE 564 : OPEN LINE FROM BUS 646250 [S1250 5 161.00] TO BUS 646297 [S1297 5 161.00] CKT 1  
SINGLE 565 : OPEN LINE FROM BUS 646251 [S1251 5 161.00] TO BUS 646297 [S1297 5 161.00] CKT 1  
SINGLE 566 : OPEN LINE FROM BUS 646251 [S1251 5 161.00] TO BUS 646298 [S1298 5 161.00] CKT 1  
SINGLE 567 : OPEN LINE FROM BUS 646251 [S1251 5 161.00] TO BUS 646341 [S1341 5 161.00] CKT 1  
SINGLE 568 : OPEN LINE FROM BUS 646253 [S1253 5 161.00] TO BUS 646256 [S1256 5 161.00] CKT 1  
SINGLE 569 : OPEN LINE FROM BUS 646254 [S1254 5 161.00] TO BUS 646281 [S1281 5 161.00] CKT 1  
SINGLE 570 : OPEN LINE FROM BUS 646255 [S1255 5 161.00] TO BUS 646259 [S1259 5 161.00] CKT 1  
SINGLE 571 : OPEN LINE FROM BUS 646258 [S1258 5 161.00] TO BUS 646263 [S1263 5 161.00] CKT 1  
SINGLE 572 : OPEN LINE FROM BUS 646259 [S1259 5 161.00] TO BUS 646278 [S1278 5 161.00] CKT 1  
SINGLE 573 : OPEN LINE FROM BUS 646259 [S1259 5 161.00] TO BUS 646281 [S1281 5 161.00] CKT 1  
SINGLE 574 : OPEN LINE FROM BUS 646263 [S1263 5 161.00] TO BUS 646280 [S1280 5 161.00] CKT 1  
SINGLE 575 : OPEN LINE FROM BUS 646281 [S1281 5 161.00] TO BUS 646287 [S1287 5 161.00] CKT 1  
SINGLE 576 : OPEN LINE FROM BUS 646286 [S1286 5 161.00] TO BUS 646299 [S1299 5 161.00] CKT 1  
SINGLE 577 : OPEN LINE FROM BUS 646298 [S1298 5 161.00] TO BUS 646305 [S1305 5 161.00] CKT 1  
SINGLE 578 : OPEN LINE FROM BUS 646305 [S1305 5 161.00] TO BUS 646341 [S1341 5 161.00] CKT 1  
SINGLE 579 : OPEN LINE FROM BUS 650114 [NW68HOLDRG3 345.00] TO BUS 650185 [WAGENER 3 345.00] CKT 1  
SINGLE 580 : OPEN LINE FROM BUS 650185 [WAGENER 3 345.00] TO BUS 650189 [103&ROKEBY3 345.00] CKT 1  
SINGLE 581 : OPEN LINE FROM BUS 650205 [4&MORTON 7 115.00] TO BUS 650212 [NW5&BENTON7 115.00] CKT 1  
SINGLE 582 : OPEN LINE FROM BUS 650205 [4&MORTON 7 115.00] TO BUS 650215 [19&ALVO 7 115.00] CKT 1  
SINGLE 583 : OPEN LINE FROM BUS 650208 [W LINCOLN 7 115.00] TO BUS 650212 [NW5&BENTON7 115.00] CKT 1  
SINGLE 584 : OPEN LINE FROM BUS 650208 [W LINCOLN 7 115.00] TO BUS 650230 [2&N 7 115.00] CKT 1  
SINGLE 585 : OPEN LINE FROM BUS 650210 [SW56&K 7 115.00] TO BUS 650214 [NW68HOLDRG7 115.00] CKT 1  
SINGLE 586 : OPEN LINE FROM BUS 650210 [SW56&K 7 115.00] TO BUS 650216 [SW27&F 7 115.00] CKT 1  
SINGLE 587 : OPEN LINE FROM BUS 650214 [NW68HOLDRG7 115.00] TO BUS 650226 [NW12&ARBOR7 115.00] CKT 1

SINGLE 588 : OPEN LINE FROM BUS 650214 [NW68HOLDRG7 115.00] TO BUS 650290 [ROKEBY 7 115.00] CKT 1  
SINGLE 589 : OPEN LINE FROM BUS 650215 [19&ALVO 7 115.00] TO BUS 650226 [NW12&ARBOR7 115.00] CKT 1  
SINGLE 590 : OPEN LINE FROM BUS 650215 [19&ALVO 7 115.00] TO BUS 650228 [27FLETCHER7 115.00] CKT 1  
SINGLE 591 : OPEN LINE FROM BUS 650215 [19&ALVO 7 115.00] TO BUS 650261 [56&I80 7 115.00] CKT 1  
SINGLE 592 : OPEN LINE FROM BUS 650216 [SW27&F 7 115.00] TO BUS 650230 [2&N 7 115.00] CKT 1  
SINGLE 593 : OPEN LINE FROM BUS 650217 [8&N 7 115.00] TO BUS 650219 [17&HOLDRGE7 115.00] CKT 1  
SINGLE 594 : OPEN LINE FROM BUS 650217 [8&N 7 115.00] TO BUS 650230 [2&N 7 115.00] CKT 1  
SINGLE 595 : OPEN LINE FROM BUS 650218 [3&VANDORN 7 115.00] TO BUS 650230 [2&N 7 115.00] CKT 1  
SINGLE 596 : OPEN LINE FROM BUS 650218 [3&VANDORN 7 115.00] TO BUS 650238 [20PIONEERS7 115.00] CKT 1  
SINGLE 597 : OPEN LINE FROM BUS 650219 [17&HOLDRGE7 115.00] TO BUS 650240 [29LEIGHTON7 115.00] CKT 1  
SINGLE 598 : OPEN LINE FROM BUS 650228 [27FLETCHER7 115.00] TO BUS 650233 [33SUPERIOR7 115.00] CKT 1  
SINGLE 599 : OPEN LINE FROM BUS 650229 [27&PLR 7 115.00] TO BUS 650250 [40&ROKEBY 7 115.00] CKT 1  
SINGLE 600 : OPEN LINE FROM BUS 650229 [27&PLR 7 115.00] TO BUS 650290 [ROKEBY 7 115.00] CKT 1  
SINGLE 601 : OPEN LINE FROM BUS 650230 [2&N 7 115.00] TO BUS 650238 [20PIONEERS7 115.00] CKT 1  
SINGLE 602 : OPEN LINE FROM BUS 650233 [33SUPERIOR7 115.00] TO BUS 650240 [29LEIGHTON7 115.00] CKT 1  
SINGLE 603 : OPEN LINE FROM BUS 650233 [33SUPERIOR7 115.00] TO BUS 650259 [59CRNHUSKR7 115.00] CKT 1  
SINGLE 604 : OPEN LINE FROM BUS 650238 [20PIONEERS7 115.00] TO BUS 650242 [FOLSM&PHIL7 115.00] CKT 1  
SINGLE 605 : OPEN LINE FROM BUS 650238 [20PIONEERS7 115.00] TO BUS 650251 [30&A SOUTH7 115.00] CKT 1  
SINGLE 606 : OPEN LINE FROM BUS 650238 [20PIONEERS7 115.00] TO BUS 650258 [40&GERTIE 7 115.00] CKT 1  
SINGLE 607 : OPEN LINE FROM BUS 650238 [20PIONEERS7 115.00] TO BUS 650270 [70&CALVERT7 115.00] CKT 1  
SINGLE 608 : OPEN LINE FROM BUS 650240 [29LEIGHTON7 115.00] TO BUS 650252 [30&A NORTH7 115.00] CKT 1  
SINGLE 609 : OPEN LINE FROM BUS 650242 [FOLSM&PHIL7 115.00] TO BUS 650290 [ROKEBY 7 115.00] CKT 1  
SINGLE 610 : OPEN LINE FROM BUS 650250 [40&ROKEBY 7 115.00] TO BUS 650255 [56&PLR 7 115.00] CKT 1  
SINGLE 611 : OPEN LINE FROM BUS 650255 [56&PLR 7 115.00] TO BUS 650274 [91&HWY2 7 115.00] CKT 1  
SINGLE 612 : OPEN LINE FROM BUS 650256 [56&EVERETT7 115.00] TO BUS 650257 [56&ELK TAP7 115.00] CKT 1  
SINGLE 613 : OPEN LINE FROM BUS 650256 [56&EVERETT7 115.00] TO BUS 650260 [56&Q 7 115.00] CKT 1  
SINGLE 614 : OPEN LINE FROM BUS 650257 [56&ELK TAP7 115.00] TO BUS 650258 [40&GERTIE 7 115.00] CKT 1  
SINGLE 615 : OPEN LINE FROM BUS 650257 [56&ELK TAP7 115.00] TO BUS 650270 [70&CALVERT7 115.00] CKT 1  
SINGLE 616 : OPEN LINE FROM BUS 650259 [59CRNHUSKR7 115.00] TO BUS 650262 [57&GARLAND7 115.00] CKT 1  
SINGLE 617 : OPEN LINE FROM BUS 650260 [56&Q 7 115.00] TO BUS 650262 [57&GARLAND7 115.00] CKT 1  
SINGLE 618 : OPEN LINE FROM BUS 650261 [56&I80 7 115.00] TO BUS 650269 [70&BLUFF 7 115.00] CKT 1  
SINGLE 619 : OPEN LINE FROM BUS 650262 [57&GARLAND7 115.00] TO BUS 650267 [84LEIGHTON7 115.00] CKT 1  
SINGLE 620 : OPEN LINE FROM BUS 650267 [84LEIGHTON7 115.00] TO BUS 650272 [91&A 7 115.00] CKT 1  
SINGLE 621 : OPEN LINE FROM BUS 650267 [84LEIGHTON7 115.00] TO BUS 650273 [93&O 7 115.00] CKT 1  
SINGLE 622 : OPEN LINE FROM BUS 650267 [84LEIGHTON7 115.00] TO BUS 650284 [84FLETCHER7 115.00] CKT 1  
SINGLE 623 : OPEN LINE FROM BUS 650267 [84LEIGHTON7 115.00] TO BUS 650285 [WAGENER 7 115.00] CKT 1  
SINGLE 624 : OPEN LINE FROM BUS 650269 [70&BLUFF 7 115.00] TO BUS 650275 [84&BLUFF 7 115.00] CKT 1  
SINGLE 625 : OPEN LINE FROM BUS 650270 [70&CALVERT7 115.00] TO BUS 650271 [81&OCHENEY7 115.00] CKT 1  
SINGLE 626 : OPEN LINE FROM BUS 650270 [70&CALVERT7 115.00] TO BUS 650272 [91&A 7 115.00] CKT 1  
SINGLE 627 : OPEN LINE FROM BUS 650270 [70&CALVERT7 115.00] TO BUS 650273 [93&O 7 115.00] CKT 1  
SINGLE 628 : OPEN LINE FROM BUS 650271 [81&OCHENEY7 115.00] TO BUS 650274 [91&HWY2 7 115.00] CKT 1  
SINGLE 629 : OPEN LINE FROM BUS 650271 [81&OCHENEY7 115.00] TO BUS 650285 [WAGENER 7 115.00] CKT 1  
SINGLE 630 : OPEN LINE FROM BUS 650275 [84&BLUFF 7 115.00] TO BUS 650283 [WAVERLY 7 115.00] CKT 1  
SINGLE 631 : OPEN LINE FROM BUS 650275 [84&BLUFF 7 115.00] TO BUS 650284 [84FLETCHER7 115.00] CKT 1  
SINGLE 632 : OPEN LINE FROM BUS 650280 [120&ALVO 7 115.00] TO BUS 650283 [WAVERLY 7 115.00] CKT 1  
SINGLE 633 : OPEN LINE FROM BUS 650280 [120&ALVO 7 115.00] TO BUS 650285 [WAGENER 7 115.00] CKT 1  
SINGLE 635 : OPEN LINE FROM BUS 652216 [WATFORD4 230.00] TO BUS 652408 [WATFORD7 115.00] CKT 1  
SINGLE 636 : OPEN LINE FROM BUS 652216 [WATFORD4 230.00] TO BUS 659302 [CHAR.CK4 230.00] CKT 1

SINGLE 637 : OPEN LINE FROM BUS 652243 [FAITH 7 115.00] TO BUS 652476 [EAGLEBT7 115.00] CKT 1  
SINGLE 638 : OPEN LINE FROM BUS 652243 [FAITH 7 115.00] TO BUS 652480 [MAURINE7 115.00] CKT 1  
SINGLE 639 : OPEN LINE FROM BUS 652283 [ROLLA 7 115.00] TO BUS 652299 [AGATE 7 115.00] CKT 1  
SINGLE 640 : OPEN LINE FROM BUS 652294 [IVANHOE7 115.00] TO BUS 652538 [WHITE 7 115.00] CKT 1  
SINGLE 641 : OPEN LINE FROM BUS 652296 [WARD 4 230.00] TO BUS 652426 [BISMARK4 230.00] CKT 1  
SINGLE 642 : OPEN LINE FROM BUS 652296 [WARD 4 230.00] TO BUS 659297 [BIS WARD 7115.00] CKT 1  
SINGLE 643 : OPEN LINE FROM BUS 652299 [AGATE 7 115.00] TO BUS 652447 [LEEDS 7 115.00] CKT 1  
SINGLE 644 : OPEN LINE FROM BUS 652300 [CHAPPEL7 115.00] TO BUS 659238 [COLTON 7 115.00] CKT 1  
SINGLE 645 : OPEN LINE FROM BUS 652302 [JULESBG7 115.00] TO BUS 659240 [INTERST7 115.00] CKT 1  
SINGLE 646 : OPEN LINE FROM BUS 652311 [DUNLAP 7 115.00] TO BUS 659236 [BOXBUTE7 115.00] CKT 1  
SINGLE 647 : OPEN LINE FROM BUS 652312 [MORRILL7 115.00] TO BUS 659197 [SNAKECK7 115.00] CKT 1  
SINGLE 648 : OPEN LINE FROM BUS 652312 [MORRILL7 115.00] TO BUS 659242 [GERINGT7 115.00] CKT 1  
SINGLE 649 : OPEN LINE FROM BUS 652397 [VFODNES7 115.00] TO BUS 659258 [SXF HARSBRG7115.00] CKT 1  
SINGLE 650 : OPEN LINE FROM BUS 652397 [VFODNES7 115.00] TO BUS 659259 [SXF CHANCLR7115.00] CKT 1  
SINGLE 651 : OPEN LINE FROM BUS 652398 [VFODNES4 230.00] TO BUS 652523 [SIOUXFL4 230.00] CKT 1  
SINGLE 652 : OPEN LINE FROM BUS 652398 [VFODNES4 230.00] TO BUS 652526 [UTICAJC4 230.00] CKT 1  
SINGLE 653 : OPEN LINE FROM BUS 652400 [WILISTN4 230.00] TO BUS 661084 [TIOGA4 4 230.00] CKT 1  
SINGLE 654 : OPEN LINE FROM BUS 652401 [CIRCLE 7 115.00] TO BUS 652404 [DAWSONC7 115.00] CKT 1  
SINGLE 655 : OPEN LINE FROM BUS 652401 [CIRCLE 7 115.00] TO BUS 652409 [WOLFPT 7 115.00] CKT 1  
SINGLE 656 : OPEN LINE FROM BUS 652402 [MI CTYW4 230.00] TO BUS 652450 [MT WEST4 230.00] CKT 1  
SINGLE 657 : OPEN LINE FROM BUS 652403 [DAWSONC4 230.00] TO BUS 652405 [FTPECK 4 230.00] CKT 1  
SINGLE 658 : OPEN LINE FROM BUS 652403 [DAWSONC4 230.00] TO BUS 652411 [MI CTYE4 230.00] CKT 1  
SINGLE 659 : OPEN LINE FROM BUS 652403 [DAWSONC4 230.00] TO BUS 652413 [MEDORA 4 230.00] CKT 1  
SINGLE 660 : OPEN LINE FROM BUS 652404 [DAWSONC7 115.00] TO BUS 652407 [FALLON 7 115.00] CKT 1  
SINGLE 661 : OPEN LINE FROM BUS 652405 [FTPECK 4 230.00] TO BUS 652406 [FTPECK 7 115.00] CKT 1  
SINGLE 662 : OPEN LINE FROM BUS 652406 [FTPECK 7 115.00] TO BUS 652409 [WOLFPT 7 115.00] CKT 1  
SINGLE 663 : OPEN LINE FROM BUS 652406 [FTPECK 7 115.00] TO BUS 652409 [WOLFPT 7 115.00] CKT 2  
SINGLE 664 : OPEN LINE FROM BUS 652407 [FALLON 7 115.00] TO BUS 652412 [MI CTYE7 115.00] CKT 1  
SINGLE 665 : OPEN LINE FROM BUS 652409 [WOLFPT 7 115.00] TO BUS 661075 [POPLAR 7 115.00] CKT 1  
SINGLE 666 : OPEN LINE FROM BUS 652411 [MI CTYE4 230.00] TO BUS 661004 [BAKER 4 230.00] CKT 1  
SINGLE 667 : OPEN LINE FROM BUS 652413 [MEDORA 4 230.00] TO BUS 652425 [BELFELD4 230.00] CKT 1  
SINGLE 668 : OPEN LINE FROM BUS 652416 [DEVAUL 7 115.00] TO BUS 652420 [NSALEM 7 115.00] CKT 1  
SINGLE 669 : OPEN LINE FROM BUS 652417 [DICKNSN4 230.00] TO BUS 652425 [BELFELD4 230.00] CKT 1  
SINGLE 670 : OPEN LINE FROM BUS 652419 [KILDEER7 115.00] TO BUS 652422 [HALIDAY7 115.00] CKT 1  
SINGLE 671 : OPEN LINE FROM BUS 652419 [KILDEER7 115.00] TO BUS 659182 [CHAR.CK7 115.00] CKT 1  
SINGLE 672 : OPEN LINE FROM BUS 652420 [NSALEM 7 115.00] TO BUS 659109 [BASIN 7 115.00] CKT 1  
SINGLE 673 : OPEN LINE FROM BUS 652420 [NSALEM 7 115.00] TO BUS 659305 [NWMANDANMGS7115.00] CKT 1  
SINGLE 674 : OPEN LINE FROM BUS 652421 [WILISTN7 115.00] TO BUS 652651 [FAIRVIEW 7 115.00] CKT 1  
SINGLE 675 : OPEN LINE FROM BUS 652421 [WILISTN7 115.00] TO BUS 661012 [CLBRTSN7 115.00] CKT 1  
SINGLE 676 : OPEN LINE FROM BUS 652423 [BARLOW 7 115.00] TO BUS 652428 [CARNGTN7 115.00] CKT 1  
SINGLE 677 : OPEN LINE FROM BUS 652423 [BARLOW 7 115.00] TO BUS 652431 [DEVILSL7 115.00] CKT 1  
SINGLE 678 : OPEN LINE FROM BUS 652424 [BELFELD3 345.00] TO BUS 659183 [CHAR.CK3 345.00] CKT 1  
SINGLE 679 : OPEN LINE FROM BUS 652425 [BELFELD4 230.00] TO BUS 659266 [RHAME 4 230.00] CKT 1  
SINGLE 680 : OPEN LINE FROM BUS 652426 [BISMARK4 230.00] TO BUS 652427 [BISMARK7 115.00] CKT 1  
SINGLE 681 : OPEN LINE FROM BUS 652426 [BISMARK4 230.00] TO BUS 652427 [BISMARK7 115.00] CKT 2  
SINGLE 682 : OPEN LINE FROM BUS 652426 [BISMARK4 230.00] TO BUS 652444 [JAMESTN4 230.00] CKT 1  
SINGLE 683 : OPEN LINE FROM BUS 652426 [BISMARK4 230.00] TO BUS 652456 [WASHBRN4 230.00] CKT 1  
SINGLE 684 : OPEN LINE FROM BUS 652426 [BISMARK4 230.00] TO BUS 652466 [HILKEN 4 230.00] CKT 1

SINGLE 685 : OPEN LINE FROM BUS 652426 [BISMAR4 230.00] TO BUS 661028 [WEBER 4 230.00] CKT 1  
SINGLE 686 : OPEN LINE FROM BUS 652426 [BISMAR4 230.00] TO BUS 661038 [GLENHAM4 230.00] CKT 1  
SINGLE 687 : OPEN LINE FROM BUS 652427 [BISMAR7 115.00] TO BUS 659282 [BIS EA CEPC7115.00] CKT 1  
SINGLE 688 : OPEN LINE FROM BUS 652428 [CARNGTN7 115.00] TO BUS 652445 [JAMESTN7 115.00] CKT 1  
SINGLE 689 : OPEN LINE FROM BUS 652430 [EGF IND7 115.00] TO BUS 652443 [GRNDFKS7 115.00] CKT 1  
SINGLE 690 : OPEN LINE FROM BUS 652430 [EGF IND7 115.00] TO BUS 657707 [CALEDON7 115.00] CKT 1  
SINGLE 691 : OPEN LINE FROM BUS 652431 [DEVILSL7 115.00] TO BUS 652448 [LAKOTA 7 115.00] CKT 1  
SINGLE 692 : OPEN LINE FROM BUS 652431 [DEVILSL7 115.00] TO BUS 652465 [PENN 7 115.00] CKT 1  
SINGLE 693 : OPEN LINE FROM BUS 652432 [EDGELEY7 115.00] TO BUS 652445 [JAMESTN7 115.00] CKT 1  
SINGLE 694 : OPEN LINE FROM BUS 652432 [EDGELEY7 115.00] TO BUS 652534 [ORDWAY 7 115.00] CKT 1  
SINGLE 695 : OPEN LINE FROM BUS 652432 [EDGELEY7 115.00] TO BUS 659280 [POMONA 7 115.00] CKT 1  
SINGLE 696 : OPEN LINE FROM BUS 652435 [FARGO 4 230.00] TO BUS 652444 [JAMESTN4 230.00] CKT 1  
SINGLE 697 : OPEN LINE FROM BUS 652435 [FARGO 4 230.00] TO BUS 652444 [JAMESTN4 230.00] CKT 2  
SINGLE 698 : OPEN LINE FROM BUS 652435 [FARGO 4 230.00] TO BUS 652553 [MOORHED4 230.00] CKT 1  
SINGLE 699 : OPEN LINE FROM BUS 652436 [FARGO 7 115.00] TO BUS 657707 [CALEDON7 115.00] CKT 1  
SINGLE 700 : OPEN LINE FROM BUS 652436 [FARGO 7 115.00] TO BUS 658080 [MPSBROOK 115.00] CKT 1  
SINGLE 701 : OPEN LINE FROM BUS 652437 [GRNDFKS4 230.00] TO BUS 657759 [PICKERT4 230.00] CKT 1  
SINGLE 702 : OPEN LINE FROM BUS 652438 [FORMAN 7 115.00] TO BUS 652522 [SUMMIT-7 115.00] CKT 1  
SINGLE 703 : OPEN LINE FROM BUS 652438 [FORMAN 7 115.00] TO BUS 652638 [ENDERLIN 7 115.00] CKT 1  
SINGLE 704 : OPEN LINE FROM BUS 652438 [FORMAN 7 115.00] TO BUS 659172 [LUDDENPS19 7115.00] CKT 1  
SINGLE 705 : OPEN LINE FROM BUS 652441 [GARRISN4 230.00] TO BUS 652442 [GARRISN7 115.00] CKT 1  
SINGLE 706 : OPEN LINE FROM BUS 652441 [GARRISN4 230.00] TO BUS 652444 [JAMESTN4 230.00] CKT 1  
SINGLE 707 : OPEN LINE FROM BUS 652441 [GARRISN4 230.00] TO BUS 652466 [HILKEN 4 230.00] CKT 1  
SINGLE 708 : OPEN LINE FROM BUS 652441 [GARRISN4 230.00] TO BUS 659106 [LELANDO4 230.00] CKT 1  
SINGLE 709 : OPEN LINE FROM BUS 652442 [GARRISN7 115.00] TO BUS 652449 [MAX 7 115.00] CKT 1  
SINGLE 710 : OPEN LINE FROM BUS 652442 [GARRISN7 115.00] TO BUS 659113 [VOLTAIR7 115.00] CKT 1  
SINGLE 711 : OPEN LINE FROM BUS 652444 [JAMESTN4 230.00] TO BUS 657759 [PICKERT4 230.00] CKT 1  
SINGLE 712 : OPEN LINE FROM BUS 652444 [JAMESTN4 230.00] TO BUS 661028 [WEBER 4 230.00] CKT 1  
SINGLE 713 : OPEN LINE FROM BUS 652445 [JAMESTN7 115.00] TO BUS 652454 [VALLEYC7 115.00] CKT 1  
SINGLE 714 : OPEN LINE FROM BUS 652446 [PLEASANT LK7115.00] TO BUS 652447 [LEEDS 7 115.00] CKT 1  
SINGLE 715 : OPEN LINE FROM BUS 652446 [PLEASANT LK7115.00] TO BUS 652452 [RUGBY 7 115.00] CKT 1  
SINGLE 716 : OPEN LINE FROM BUS 652447 [LEEDS 7 115.00] TO BUS 652465 [PENN 7 115.00] CKT 1  
SINGLE 717 : OPEN LINE FROM BUS 652449 [MAX 7 115.00] TO BUS 659190 [NDPRAIRWND 7115.00] CKT 1  
SINGLE 718 : OPEN LINE FROM BUS 652451 [RICHLND7 115.00] TO BUS 652651 [FAIRVIEW 7 115.00] CKT 1  
SINGLE 719 : OPEN LINE FROM BUS 652451 [RICHLND7 115.00] TO BUS 659180 [KOCH 7 115.00] CKT 1  
SINGLE 720 : OPEN LINE FROM BUS 652452 [RUGBY 7 115.00] TO BUS 652453 [TOWNER 7 115.00] CKT 1  
SINGLE 721 : OPEN LINE FROM BUS 652453 [TOWNER 7 115.00] TO BUS 652455 [BOTTN0 7 115.00] CKT 1  
SINGLE 722 : OPEN LINE FROM BUS 652453 [TOWNER 7 115.00] TO BUS 652464 [DENBIGH TAP7115.00] CKT 1  
SINGLE 723 : OPEN LINE FROM BUS 652454 [VALLEYC7 115.00] TO BUS 652638 [ENDERLIN 7 115.00] CKT 1  
SINGLE 724 : OPEN LINE FROM BUS 652456 [WASHBRN4 230.00] TO BUS 659106 [LELANDO4 230.00] CKT 1  
SINGLE 725 : OPEN LINE FROM BUS 652463 [WH SWAN7 115.00] TO BUS 652510 [FTRANDL7 115.00] CKT 1  
SINGLE 726 : OPEN LINE FROM BUS 652463 [WH SWAN7 115.00] TO BUS 652525 [TYNDALL7 115.00] CKT 1  
SINGLE 727 : OPEN LINE FROM BUS 652464 [DENBIGH TAP7115.00] TO BUS 659113 [VOLTAIR7 115.00] CKT 1  
SINGLE 728 : OPEN LINE FROM BUS 652466 [HILKEN 4 230.00] TO BUS 659284 [ECKLUND4 230.00] CKT 1  
SINGLE 729 : OPEN LINE FROM BUS 652467 [WITTEN 4 230.00] TO BUS 652541 [BIGBND24 230.00] CKT 1  
SINGLE 730 : OPEN LINE FROM BUS 652470 [BISON 4 230.00] TO BUS 652497 [MAURINE4 230.00] CKT 1  
SINGLE 731 : OPEN LINE FROM BUS 652470 [BISON 4 230.00] TO BUS 661047 [HETINGR4 230.00] CKT 1  
SINGLE 732 : OPEN LINE FROM BUS 652473 [ELKCRK 7 115.00] TO BUS 652483 [NEWELL 7 115.00] CKT 1

SINGLE 733 : OPEN LINE FROM BUS 652473 [ELKCRK 7 115.00] TO BUS 652490 [RAPIDCY7 115.00] CKT 1  
SINGLE 734 : OPEN LINE FROM BUS 652474 [AURORA 7 115.00] TO BUS 652504 [BROOKNG7 115.00] CKT 1  
SINGLE 735 : OPEN LINE FROM BUS 652474 [AURORA 7 115.00] TO BUS 652505 [FLANDRU7 115.00] CKT 1  
SINGLE 736 : OPEN LINE FROM BUS 652475 [BONESTL7 115.00] TO BUS 652478 [GREGORY7 115.00] CKT 1  
SINGLE 737 : OPEN LINE FROM BUS 652475 [BONESTL7 115.00] TO BUS 652510 [FTRANDL7 115.00] CKT 1  
SINGLE 738 : OPEN LINE FROM BUS 652476 [EAGLEBT7 115.00] TO BUS 652520 [OAHE 7 115.00] CKT 1  
SINGLE 739 : OPEN LINE FROM BUS 652477 [ELSWRTH7 115.00] TO BUS 652485 [NUNDRWD7 115.00] CKT 1  
SINGLE 740 : OPEN LINE FROM BUS 652477 [ELSWRTH7 115.00] TO BUS 652490 [RAPIDCY7 115.00] CKT 1  
SINGLE 741 : OPEN LINE FROM BUS 652478 [GREGORY7 115.00] TO BUS 652494 [WINNER 7 115.00] CKT 1  
SINGLE 742 : OPEN LINE FROM BUS 652479 [MARTIN 7 115.00] TO BUS 652487 [PHILIP 7 115.00] CKT 1  
SINGLE 743 : OPEN LINE FROM BUS 652479 [MARTIN 7 115.00] TO BUS 659152 [SHAN-SD7 115.00] CKT 1  
SINGLE 744 : OPEN LINE FROM BUS 652479 [MARTIN 7 115.00] TO BUS 659153 [VETALTP7 115.00] CKT 1  
SINGLE 745 : OPEN LINE FROM BUS 652480 [MAURINE7 115.00] TO BUS 652483 [NEWELL 7 115.00] CKT 1  
SINGLE 746 : OPEN LINE FROM BUS 652481 [MIDLAND7 115.00] TO BUS 652487 [PHILIP 7 115.00] CKT 1  
SINGLE 747 : OPEN LINE FROM BUS 652481 [MIDLAND7 115.00] TO BUS 652491 [IRVSIMM7 115.00] CKT 1  
SINGLE 748 : OPEN LINE FROM BUS 652482 [MISSION7 115.00] TO BUS 652495 [WITTEN 7 115.00] CKT 1  
SINGLE 749 : OPEN LINE FROM BUS 652482 [MISSION7 115.00] TO BUS 659153 [VETALTP7 115.00] CKT 1  
SINGLE 750 : OPEN LINE FROM BUS 652484 [NUNDRWD4 230.00] TO BUS 652488 [PHILTAP4 230.00] CKT 1  
SINGLE 751 : OPEN LINE FROM BUS 652484 [NUNDRWD4 230.00] TO BUS 652497 [MAURINE4 230.00] CKT 1  
SINGLE 752 : OPEN LINE FROM BUS 652484 [NUNDRWD4 230.00] TO BUS 659271 [RCDC EAST 4230.00] CKT 1  
SINGLE 753 : OPEN LINE FROM BUS 652485 [NUNDRWD7 115.00] TO BUS 652493 [WICKSVL7 115.00] CKT 1  
SINGLE 754 : OPEN LINE FROM BUS 652485 [NUNDRWD7 115.00] TO BUS 652496 [RUSHMRE7 115.00] CKT 1  
SINGLE 755 : OPEN LINE FROM BUS 652486 [PHILIP 4 230.00] TO BUS 652487 [PHILIP 7 115.00] CKT 1  
SINGLE 756 : OPEN LINE FROM BUS 652486 [PHILIP 4 230.00] TO BUS 652488 [PHILTAP4 230.00] CKT 1  
SINGLE 757 : OPEN LINE FROM BUS 652487 [PHILIP 7 115.00] TO BUS 652492 [WALL 7 115.00] CKT 1  
SINGLE 758 : OPEN LINE FROM BUS 652488 [PHILTAP4 230.00] TO BUS 652519 [OAHE 4 230.00] CKT 1  
SINGLE 759 : OPEN LINE FROM BUS 652489 [PIERRE 7 115.00] TO BUS 652491 [IRVSIMM7 115.00] CKT 1  
SINGLE 760 : OPEN LINE FROM BUS 652489 [PIERRE 7 115.00] TO BUS 652600 [ASH TAP 115.00] CKT 1  
SINGLE 761 : OPEN LINE FROM BUS 652489 [PIERRE 7 115.00] TO BUS 652602 [EVANS ST 115.00] CKT 1  
SINGLE 762 : OPEN LINE FROM BUS 652490 [RAPIDCY7 115.00] TO BUS 652496 [RUSHMRE7 115.00] CKT 1  
SINGLE 763 : OPEN LINE FROM BUS 652491 [IRVSIMM7 115.00] TO BUS 652520 [OAHE 7 115.00] CKT 1  
SINGLE 764 : OPEN LINE FROM BUS 652492 [WALL 7 115.00] TO BUS 652493 [WICKSVL7 115.00] CKT 1  
SINGLE 765 : OPEN LINE FROM BUS 652494 [WINNER 7 115.00] TO BUS 652495 [WITTEN 7 115.00] CKT 1  
SINGLE 766 : OPEN LINE FROM BUS 652500 [ARLNGTN7 115.00] TO BUS 652504 [BROOKNG7 115.00] CKT 1  
SINGLE 767 : OPEN LINE FROM BUS 652500 [ARLNGTN7 115.00] TO BUS 652531 [WATERTN7 115.00] CKT 1  
SINGLE 768 : OPEN LINE FROM BUS 652501 [ARMOUR 7 115.00] TO BUS 652510 [FTRANDL7 115.00] CKT 1  
SINGLE 769 : OPEN LINE FROM BUS 652501 [ARMOUR 7 115.00] TO BUS 652518 [MTVERN 7 115.00] CKT 1  
SINGLE 770 : OPEN LINE FROM BUS 652502 [BERSFRD7 115.00] TO BUS 652517 [MANNING7 115.00] CKT 1  
SINGLE 771 : OPEN LINE FROM BUS 652502 [BERSFRD7 115.00] TO BUS 652524 [SIOUXFL7 115.00] CKT 1  
SINGLE 772 : OPEN LINE FROM BUS 652503 [BLAIR 4 230.00] TO BUS 652530 [WATERTN4 230.00] CKT 1  
SINGLE 773 : OPEN LINE FROM BUS 652503 [BLAIR 4 230.00] TO BUS 652550 [GRANITF4 230.00] CKT 1  
SINGLE 774 : OPEN LINE FROM BUS 652504 [BROOKNG7 115.00] TO BUS 652531 [WATERTN7 115.00] CKT 1  
SINGLE 775 : OPEN LINE FROM BUS 652504 [BROOKNG7 115.00] TO BUS 652538 [WHITE 7 115.00] CKT 1  
SINGLE 776 : OPEN LINE FROM BUS 652505 [FLANDRU7 115.00] TO BUS 652524 [SIOUXFL7 115.00] CKT 1  
SINGLE 777 : OPEN LINE FROM BUS 652506 [FTTHOMP3 345.00] TO BUS 652571 [GR ISLD3 345.00] CKT 1  
SINGLE 778 : OPEN LINE FROM BUS 652506 [FTTHOMP3 345.00] TO BUS 659156 [SELBY 3345.00] CKT 1  
SINGLE 779 : OPEN LINE FROM BUS 652507 [FTTHOMP4 230.00] TO BUS 652509 [FTRANDL4 230.00] CKT 1  
SINGLE 780 : OPEN LINE FROM BUS 652507 [FTTHOMP4 230.00] TO BUS 652514 [HURON 4 230.00] CKT 1

SINGLE 781 : OPEN LINE FROM BUS 652507 [FTTHOMP4 230.00] TO BUS 652514 [HURON 4 230.00] CKT 2  
SINGLE 782 : OPEN LINE FROM BUS 652507 [FTTHOMP4 230.00] TO BUS 652516 [LAKPLAT4 230.00] CKT 1  
SINGLE 783 : OPEN LINE FROM BUS 652507 [FTTHOMP4 230.00] TO BUS 652519 [OAHE 4 230.00] CKT 1  
SINGLE 784 : OPEN LINE FROM BUS 652507 [FTTHOMP4 230.00] TO BUS 652519 [OAHE 4 230.00] CKT 2  
SINGLE 785 : OPEN LINE FROM BUS 652507 [FTTHOMP4 230.00] TO BUS 652519 [OAHE 4 230.00] CKT 3  
SINGLE 786 : OPEN LINE FROM BUS 652507 [FTTHOMP4 230.00] TO BUS 652519 [OAHE 4 230.00] CKT 4  
SINGLE 787 : OPEN LINE FROM BUS 652507 [FTTHOMP4 230.00] TO BUS 652540 [BIGBND14 230.00] CKT 1  
SINGLE 788 : OPEN LINE FROM BUS 652507 [FTTHOMP4 230.00] TO BUS 652541 [BIGBND24 230.00] CKT 1  
SINGLE 789 : OPEN LINE FROM BUS 652507 [FTTHOMP4 230.00] TO BUS 652606 [LETCHER4 230.00] CKT 1  
SINGLE 790 : OPEN LINE FROM BUS 652507 [FTTHOMP4 230.00] TO BUS 652607 [WESSINGTON 4230.00] CKT 1  
SINGLE 791 : OPEN LINE FROM BUS 652508 [S3 7 115.00] TO BUS 652551 [GRANITF7 115.00] CKT 1  
SINGLE 792 : OPEN LINE FROM BUS 652508 [S3 7 115.00] TO BUS 652552 [MARS ER7 115.00] CKT 1  
SINGLE 793 : OPEN LINE FROM BUS 652508 [S3 7 115.00] TO BUS 658072 [ERIE RD7 115.00] CKT 1  
SINGLE 794 : OPEN LINE FROM BUS 652509 [FTRANDL4 230.00] TO BUS 652510 [FTRANDL7 115.00] CKT 1  
SINGLE 795 : OPEN LINE FROM BUS 652509 [FTRANDL4 230.00] TO BUS 652510 [FTRANDL7 115.00] CKT 2  
SINGLE 796 : OPEN LINE FROM BUS 652509 [FTRANDL4 230.00] TO BUS 652516 [LAKPLAT4 230.00] CKT 1  
SINGLE 797 : OPEN LINE FROM BUS 652509 [FTRANDL4 230.00] TO BUS 652526 [UTICAJC4 230.00] CKT 1  
SINGLE 798 : OPEN LINE FROM BUS 652509 [FTRANDL4 230.00] TO BUS 652565 [SIOUXCY4 230.00] CKT 1  
SINGLE 799 : OPEN LINE FROM BUS 652511 [GAVINS 7 115.00] TO BUS 652532 [YANKTON7 115.00] CKT 1  
SINGLE 800 : OPEN LINE FROM BUS 652511 [GAVINS 7 115.00] TO BUS 660006 [YKNTJCT7 115.00] CKT 1  
SINGLE 801 : OPEN LINE FROM BUS 652512 [GROTON 7 115.00] TO BUS 652533 [BRISTOL7 115.00] CKT 1  
SINGLE 802 : OPEN LINE FROM BUS 652512 [GROTON 7 115.00] TO BUS 652534 [ORDWAY 7 115.00] CKT 1  
SINGLE 803 : OPEN LINE FROM BUS 652512 [GROTON 7 115.00] TO BUS 652535 [REDFELD7 115.00] CKT 1  
SINGLE 804 : OPEN LINE FROM BUS 652512 [GROTON 7 115.00] TO BUS 659174 [GRTKEYPS20 7115.00] CKT 1  
SINGLE 805 : OPEN LINE FROM BUS 652512 [GROTON 7 115.00] TO BUS 659203 [GROTONTY 345.00] CKT 1  
SINGLE 806 : OPEN LINE FROM BUS 652512 [GROTON 7 115.00] TO BUS 659275 [GROTONB7 115.00] CKT 1  
SINGLE 807 : OPEN LINE FROM BUS 652512 [GROTON 7 115.00] TO BUS 660001 [ABDNSBT7 115.00] CKT 1  
SINGLE 808 : OPEN LINE FROM BUS 652513 [HANLON 4 230.00] TO BUS 652523 [SIOUXFL4 230.00] CKT 1  
SINGLE 809 : OPEN LINE FROM BUS 652513 [HANLON 4 230.00] TO BUS 659122 [STORLA 4 230.00] CKT 1  
SINGLE 810 : OPEN LINE FROM BUS 652514 [HURON 4 230.00] TO BUS 652530 [WATERTN4 230.00] CKT 2  
SINGLE 811 : OPEN LINE FROM BUS 652514 [HURON 4 230.00] TO BUS 652614 [CARPENTER 4 230.00] CKT 1  
SINGLE 812 : OPEN LINE FROM BUS 652514 [HURON 4 230.00] TO BUS 659205 [BRDLAND4 230.00] CKT 1  
SINGLE 813 : OPEN LINE FROM BUS 652515 [HURON 7 115.00] TO BUS 652528 [WOONSKT7 115.00] CKT 1  
SINGLE 814 : OPEN LINE FROM BUS 652515 [HURON 7 115.00] TO BUS 652535 [REDFELD7 115.00] CKT 1  
SINGLE 815 : OPEN LINE FROM BUS 652515 [HURON 7 115.00] TO BUS 660003 [HURONWP7 115.00] CKT 1  
SINGLE 816 : OPEN LINE FROM BUS 652515 [HURON 7 115.00] TO BUS 660009 [BTAP WP7 115.00] CKT 1  
SINGLE 817 : OPEN LINE FROM BUS 652517 [MANNING7 115.00] TO BUS 659121 [SPIRITM7 115.00] CKT 1  
SINGLE 818 : OPEN LINE FROM BUS 652518 [MTVERN 7 115.00] TO BUS 659123 [STORLA 7 115.00] CKT 1  
SINGLE 819 : OPEN LINE FROM BUS 652519 [OAHE 4 230.00] TO BUS 652520 [OAHE 7 115.00] CKT 1  
SINGLE 820 : OPEN LINE FROM BUS 652519 [OAHE 4 230.00] TO BUS 652521 [SULLYBT4 230.00] CKT 1  
SINGLE 821 : OPEN LINE FROM BUS 652520 [OAHE 7 115.00] TO BUS 652600 [ASH TAP 115.00] CKT 1  
SINGLE 822 : OPEN LINE FROM BUS 652520 [OAHE 7 115.00] TO BUS 659295 [SDPRAIRWND 7115.00] CKT 1  
SINGLE 823 : OPEN LINE FROM BUS 652521 [SULLYBT4 230.00] TO BUS 652527 [WHITLOK4 230.00] CKT 1  
SINGLE 824 : OPEN LINE FROM BUS 652522 [SUMMIT-7 115.00] TO BUS 652531 [WATERTN7 115.00] CKT 1  
SINGLE 825 : OPEN LINE FROM BUS 652522 [SUMMIT-7 115.00] TO BUS 652533 [BRISTOL7 115.00] CKT 1  
SINGLE 826 : OPEN LINE FROM BUS 652523 [SIOUXFL4 230.00] TO BUS 652578 [PAHOJA 4 230.00] CKT 1  
SINGLE 827 : OPEN LINE FROM BUS 652523 [SIOUXFL4 230.00] TO BUS 652606 [LETCHER4 230.00] CKT 1  
SINGLE 828 : OPEN LINE FROM BUS 652524 [SIOUXFL7 115.00] TO BUS 659250 [SXF WBRANDN7115.00] CKT 1



SINGLE 829 : OPEN LINE FROM BUS 652525 [TYNDALL7 115.00] TO BUS 660006 [YKNTJCT7 115.00] CKT 1  
SINGLE 830 : OPEN LINE FROM BUS 652526 [UTICAJC4 230.00] TO BUS 652536 [RASMUSN4 230.00] CKT 1  
SINGLE 831 : OPEN LINE FROM BUS 652527 [WHITLOK4 230.00] TO BUS 659157 [SELBY 4230.00] CKT 1  
SINGLE 832 : OPEN LINE FROM BUS 652528 [WOONSKT7 115.00] TO BUS 659123 [STORLA 7 115.00] CKT 1  
SINGLE 833 : OPEN LINE FROM BUS 652529 [WATERTN3 345.00] TO BUS 652537 [WHITE 3 345.00] CKT 1  
SINGLE 834 : OPEN LINE FROM BUS 652529 [WATERTN3 345.00] TO BUS 659160 [GROTON 3 345.00] CKT 1  
SINGLE 835 : OPEN LINE FROM BUS 652530 [WATERTN4 230.00] TO BUS 652550 [GRANITF4 230.00] CKT 1  
SINGLE 836 : OPEN LINE FROM BUS 652530 [WATERTN4 230.00] TO BUS 652614 [CARPENTER 4 230.00] CKT 1  
SINGLE 837 : OPEN LINE FROM BUS 652531 [WATERTN7 115.00] TO BUS 658088 [WTREAST7 115.00] CKT 1  
SINGLE 838 : OPEN LINE FROM BUS 652531 [WATERTN7 115.00] TO BUS 658094 [WTRPELI7 115.00] CKT 1  
SINGLE 839 : OPEN LINE FROM BUS 652532 [YANKTON7 115.00] TO BUS 659121 [SPIRITM7 115.00] CKT 1  
SINGLE 840 : OPEN LINE FROM BUS 652536 [RASMUSN4 230.00] TO BUS 652565 [SIOUXCY4 230.00] CKT 1  
SINGLE 841 : OPEN LINE FROM BUS 652550 [GRANITF4 230.00] TO BUS 652554 [MORRIS 4 230.00] CKT 1  
SINGLE 842 : OPEN LINE FROM BUS 652553 [MOORHED4 230.00] TO BUS 652554 [MORRIS 4 230.00] CKT 1  
SINGLE 843 : OPEN LINE FROM BUS 652553 [MOORHED4 230.00] TO BUS 652587 [MOORHED7 115.00] CKT 1  
SINGLE 844 : OPEN LINE FROM BUS 652553 [MOORHED4 230.00] TO BUS 652587 [MOORHED7 115.00] CKT 2  
SINGLE 845 : OPEN LINE FROM BUS 652554 [MORRIS 4 230.00] TO BUS 652555 [MORRIS 7 115.00] CKT 1  
SINGLE 846 : OPEN LINE FROM BUS 652561 [DENISON5 161.00] TO BUS 652567 [DENISON4 230.00] CKT 1  
SINGLE 847 : OPEN LINE FROM BUS 652561 [DENISON5 161.00] TO BUS 652603 [EXIRA 5 161.00] CKT 1  
SINGLE 848 : OPEN LINE FROM BUS 652562 [EAGLE 4 230.00] TO BUS 652565 [SIOUXCY4 230.00] CKT 1  
SINGLE 849 : OPEN LINE FROM BUS 652562 [EAGLE 4 230.00] TO BUS 652578 [PAHOJA 4 230.00] CKT 1  
SINGLE 850 : OPEN LINE FROM BUS 652563 [SPENCER5 161.00] TO BUS 652566 [SIOUXCY5 161.00] CKT 1  
SINGLE 851 : OPEN LINE FROM BUS 652565 [SIOUXCY4 230.00] TO BUS 652567 [DENISON4 230.00] CKT 1  
SINGLE 852 : OPEN LINE FROM BUS 652570 [ALIANCE7 115.00] TO BUS 659197 [SNAKECK7 115.00] CKT 1  
SINGLE 853 : OPEN LINE FROM BUS 652570 [ALIANCE7 115.00] TO BUS 659236 [BOXBUTE7 115.00] CKT 1  
SINGLE 854 : OPEN LINE FROM BUS 652572 [SIDNEY 7 115.00] TO BUS 659136 [SIDNEY\*4 230.00] CKT 1  
SINGLE 855 : OPEN LINE FROM BUS 652572 [SIDNEY 7 115.00] TO BUS 659238 [COLTON 7 115.00] CKT 1  
SINGLE 856 : OPEN LINE FROM BUS 652573 [STEGALL4 230.00] TO BUS 659206 [STGXFMR4 230.00] CKT 1  
SINGLE 857 : OPEN LINE FROM BUS 652578 [PAHOJA 4 230.00] TO BUS 652588 [CLEVELD4 230.00] CKT 1  
SINGLE 858 : OPEN LINE FROM BUS 652584 [SIDNEYW4 230.00] TO BUS 652585 [NB WEST4 230.00] CKT 1  
SINGLE 859 : OPEN LINE FROM BUS 652584 [SIDNEYW4 230.00] TO BUS 659170 [STEGALDC 230.00] CKT 1  
SINGLE 860 : OPEN LINE FROM BUS 652585 [NB WEST4 230.00] TO BUS 659170 [STEGALDC 230.00] CKT 1  
SINGLE 861 : OPEN LINE FROM BUS 652587 [MOORHED7 115.00] TO BUS 658086 [MPSNE 7 115.00] CKT 1  
SINGLE 862 : OPEN LINE FROM BUS 652600 [ASH TAP 115.00] TO BUS 652601 [ASH ST 7 115.00] CKT 1  
SINGLE 863 : OPEN LINE FROM BUS 652601 [ASH ST 7 115.00] TO BUS 652602 [EVANS ST 115.00] CKT 1  
SINGLE 864 : OPEN LINE FROM BUS 652607 [WESSINGTON 4230.00] TO BUS 659122 [STORLA 4 230.00] CKT 1  
SINGLE 865 : OPEN LINE FROM BUS 652609 [LETCHER7 115.00] TO BUS 659198 [LETCHR PS227115.00] CKT 1  
SINGLE 866 : OPEN LINE FROM BUS 652626 [UTICAJC7 115.00] TO BUS 659292 [KEYSTN PS237115.00] CKT 1  
SINGLE 867 : OPEN LINE FROM BUS 652626 [UTICAJC7 115.00] TO BUS 660006 [YKNTJCT7 115.00] CKT 1  
SINGLE 868 : OPEN LINE FROM BUS 652626 [UTICAJC7 115.00] TO BUS 660007 [MENNOJT7 115.00] CKT 1  
SINGLE 869 : OPEN LINE FROM BUS 658068 [MARSHAL7 115.00] TO BUS 658070 [MMU 7ST7 115.00] CKT 1  
SINGLE 870 : OPEN LINE FROM BUS 658068 [MARSHAL7 115.00] TO BUS 658078 [SOUTH E7 115.00] CKT 1  
SINGLE 871 : OPEN LINE FROM BUS 658070 [MMU 7ST7 115.00] TO BUS 658072 [ERIE RD7 115.00] CKT 1  
SINGLE 872 : OPEN LINE FROM BUS 658072 [ERIE RD7 115.00] TO BUS 658074 [SARATOG7 115.00] CKT 1  
SINGLE 873 : OPEN LINE FROM BUS 658074 [SARATOG7 115.00] TO BUS 658076 [MMU SW 7 115.00] CKT 1  
SINGLE 874 : OPEN LINE FROM BUS 658076 [MMU SW 7 115.00] TO BUS 658078 [SOUTH E7 115.00] CKT 1  
SINGLE 875 : OPEN LINE FROM BUS 658080 [MPSBROOK 115.00] TO BUS 658082 [MPSSE 7 115.00] CKT 1  
SINGLE 876 : OPEN LINE FROM BUS 658082 [MPSSE 7 115.00] TO BUS 658084 [MPSCENT7 115.00] CKT 1

SINGLE 877 : OPEN LINE FROM BUS 658084 [MPSCENT7 115.00] TO BUS 658086 [MPSNE 7 115.00] CKT 1  
SINGLE 878 : OPEN LINE FROM BUS 658088 [WTREAST7 115.00] TO BUS 658090 [WTRTNPP 115.00] CKT 1  
SINGLE 879 : OPEN LINE FROM BUS 658090 [WTRTNPP 115.00] TO BUS 658092 [WTRWEST7 115.00] CKT 1  
SINGLE 880 : OPEN LINE FROM BUS 658092 [WTRWEST7 115.00] TO BUS 658094 [WTRPEL17 115.00] CKT 1  
SINGLE 881 : OPEN LINE FROM BUS 659101 [ANTELOP3 345.00] TO BUS 659105 [LELANDO3 345.00] CKT 1  
SINGLE 882 : OPEN LINE FROM BUS 659101 [ANTELOP3 345.00] TO BUS 659105 [LELANDO3 345.00] CKT 2  
SINGLE 883 : OPEN LINE FROM BUS 659101 [ANTELOP3 345.00] TO BUS 659156 [SELBY 3345.00] CKT 1  
SINGLE 884 : OPEN LINE FROM BUS 659101 [ANTELOP3 345.00] TO BUS 659183 [CHAR.CK3 345.00] CKT 1  
SINGLE 885 : OPEN LINE FROM BUS 659101 [ANTELOP3 345.00] TO BUS 659212 [AVSDC1TY 345.00] CKT 1  
SINGLE 886 : OPEN LINE FROM BUS 659101 [ANTELOP3 345.00] TO BUS 659218 [AVSDC7TY 345.00] CKT 1  
SINGLE 887 : OPEN LINE FROM BUS 659101 [ANTELOP3 345.00] TO BUS 659230 [DGCX3 T 345.00] CKT 1  
SINGLE 888 : OPEN LINE FROM BUS 659105 [LELANDO3 345.00] TO BUS 659156 [SELBY 3345.00] CKT 1  
SINGLE 889 : OPEN LINE FROM BUS 659105 [LELANDO3 345.00] TO BUS 659160 [GROTON 3 345.00] CKT 1  
SINGLE 890 : OPEN LINE FROM BUS 659105 [LELANDO3 345.00] TO BUS 659201 [LELND1TY 345.00] CKT 1  
SINGLE 891 : OPEN LINE FROM BUS 659105 [LELANDO3 345.00] TO BUS 659202 [LELND2TY 345.00] CKT 1  
SINGLE 892 : OPEN LINE FROM BUS 659106 [LELANDO4 230.00] TO BUS 659108 [LOGAN 4 230.00] CKT 1  
SINGLE 893 : OPEN LINE FROM BUS 659106 [LELANDO4 230.00] TO BUS 659200 [BASIN TY 230.00] CKT 1  
SINGLE 894 : OPEN LINE FROM BUS 659106 [LELANDO4 230.00] TO BUS 659201 [LELND1TY 345.00] CKT 1  
SINGLE 895 : OPEN LINE FROM BUS 659106 [LELANDO4 230.00] TO BUS 659202 [LELND2TY 345.00] CKT 1  
SINGLE 896 : OPEN LINE FROM BUS 659108 [LOGAN 4 230.00] TO BUS 659143 [BLAISDELL 4230.00] CKT 1  
SINGLE 897 : OPEN LINE FROM BUS 659108 [LOGAN 4 230.00] TO BUS 659208 [LOGAN TY 230.00] CKT 1  
SINGLE 898 : OPEN LINE FROM BUS 659109 [BASIN 7 115.00] TO BUS 659200 [BASIN TY 230.00] CKT 1  
SINGLE 899 : OPEN LINE FROM BUS 659120 [BRDLAND3 345.00] TO BUS 659156 [SELBY 3345.00] CKT 1  
SINGLE 900 : OPEN LINE FROM BUS 659120 [BRDLAND3 345.00] TO BUS 659204 [BRDLNDTY 345.00] CKT 1  
SINGLE 901 : OPEN LINE FROM BUS 659122 [STORLA 4 230.00] TO BUS 659123 [STORLA 7 115.00] CKT 1  
SINGLE 902 : OPEN LINE FROM BUS 659122 [STORLA 4 230.00] TO BUS 659205 [BRDLAND4 230.00] CKT 1  
SINGLE 903 : OPEN LINE FROM BUS 659130 [GRANTNB7 115.00] TO BUS 659132 [OGALALA7 115.00] CKT 1  
SINGLE 904 : OPEN LINE FROM BUS 659130 [GRANTNB7 115.00] TO BUS 659132 [OGALALA7 115.00] CKT 2  
SINGLE 905 : OPEN LINE FROM BUS 659130 [GRANTNB7 115.00] TO BUS 659188 [SPCREEK7 115.00] CKT 1  
SINGLE 906 : OPEN LINE FROM BUS 659131 [LARAMIE3 345.00] TO BUS 659133 [SIDNEY 3 345.00] CKT 1  
SINGLE 907 : OPEN LINE FROM BUS 659131 [LARAMIE3 345.00] TO BUS 659135 [STEGALL3 345.00] CKT 1  
SINGLE 908 : OPEN LINE FROM BUS 659132 [OGALALA7 115.00] TO BUS 659187 [ROSCOE 7 115.00] CKT 1  
SINGLE 909 : OPEN LINE FROM BUS 659132 [OGALALA7 115.00] TO BUS 659246 [MCONGHY7 115.00] CKT 1  
SINGLE 910 : OPEN LINE FROM BUS 659133 [SIDNEY 3 345.00] TO BUS 659135 [STEGALL3 345.00] CKT 1  
SINGLE 911 : OPEN LINE FROM BUS 659133 [SIDNEY 3 345.00] TO BUS 659209 [SIDNEYTY 345.00] CKT 1  
SINGLE 912 : OPEN LINE FROM BUS 659134 [SIDNEY 4 230.00] TO BUS 659136 [SIDNEY\*4 230.00] CKT 1  
SINGLE 913 : OPEN LINE FROM BUS 659134 [SIDNEY 4 230.00] TO BUS 659210 [SIDXFMR4 230.00] CKT 1  
SINGLE 915 : OPEN LINE FROM BUS 659138 [NESET 4 230.00] TO BUS 659139 [NESET 7 115.00] CKT 1  
SINGLE 916 : OPEN LINE FROM BUS 659138 [NESET 4 230.00] TO BUS 661084 [TIOGA4 4 230.00] CKT 1  
SINGLE 917 : OPEN LINE FROM BUS 659143 [BLAISDELL 4230.00] TO BUS 659144 [BLAISDELL 7115.00] CKT 1  
SINGLE 918 : OPEN LINE FROM BUS 659143 [BLAISDELL 4230.00] TO BUS 661084 [TIOGA4 4 230.00] CKT 1  
SINGLE 919 : OPEN LINE FROM BUS 659154 [LAMAR 7 115.00] TO BUS 659188 [SPCREEK7 115.00] CKT 1  
SINGLE 920 : OPEN LINE FROM BUS 659154 [LAMAR 7 115.00] TO BUS 659195 [CRETE 7 115.00] CKT 1  
SINGLE 921 : OPEN LINE FROM BUS 659155 [LOGAN 7 115.00] TO BUS 659208 [LOGAN TY 230.00] CKT 1  
SINGLE 922 : OPEN LINE FROM BUS 659155 [LOGAN 7 115.00] TO BUS 659261 [BTHOLD 7 115.00] CKT 1  
SINGLE 923 : OPEN LINE FROM BUS 659157 [SELBY 4230.00] TO BUS 661038 [GLENHAM4 230.00] CKT 1  
SINGLE 924 : OPEN LINE FROM BUS 659160 [GROTON 3 345.00] TO BUS 659203 [GROTONTY 345.00] CKT 1  
SINGLE 925 : OPEN LINE FROM BUS 659162 [REDWLCK7 115.00] TO BUS 659163 [BLKWDC7 115.00] CKT 1

SINGLE 926 : OPEN LINE FROM BUS 659162 [REDWLCK7 115.00] TO BUS 659243 [ELSIE 7 115.00] CKT 1  
SINGLE 927 : OPEN LINE FROM BUS 659180 [KOCH 7 115.00] TO BUS 659191 [SQUAWGP7 115.00] CKT 1  
SINGLE 928 : OPEN LINE FROM BUS 659181 [BICNTNL7 115.00] TO BUS 659184 [R.RIDER7 115.00] CKT 1  
SINGLE 929 : OPEN LINE FROM BUS 659181 [BICNTNL7 115.00] TO BUS 659191 [SQUAWGP7 115.00] CKT 1  
SINGLE 930 : OPEN LINE FROM BUS 659182 [CHAR.CK7 115.00] TO BUS 659184 [R.RIDER7 115.00] CKT 1  
SINGLE 931 : OPEN LINE FROM BUS 659182 [CHAR.CK7 115.00] TO BUS 659211 [CHARCKTY 345.00] CKT 1  
SINGLE 932 : OPEN LINE FROM BUS 659183 [CHAR.CK3 345.00] TO BUS 659211 [CHARCKTY 345.00] CKT 1  
SINGLE 934 : OPEN LINE FROM BUS 659185 [ELSIETP7 115.00] TO BUS 659186 [PAXTON 7 115.00] CKT 1  
SINGLE 935 : OPEN LINE FROM BUS 659185 [ELSIETP7 115.00] TO BUS 659187 [ROSCOE 7 115.00] CKT 1  
SINGLE 936 : OPEN LINE FROM BUS 659185 [ELSIETP7 115.00] TO BUS 659243 [ELSIE 7 115.00] CKT 1  
SINGLE 937 : OPEN LINE FROM BUS 659192 [LYNN 7 115.00] TO BUS 659197 [SNAKECK7 115.00] CKT 1  
SINGLE 938 : OPEN LINE FROM BUS 659192 [LYNN 7 115.00] TO BUS 659239 [COVALT 7 115.00] CKT 1  
SINGLE 939 : OPEN LINE FROM BUS 659193 [W.HORSE7 115.00] TO BUS 659239 [COVALT 7 115.00] CKT 1  
SINGLE 940 : OPEN LINE FROM BUS 659195 [CRETE 7 115.00] TO BUS 659245 [CRETEHE7 115.00] CKT 1  
SINGLE 941 : OPEN LINE FROM BUS 659204 [BRDLNDTY 345.00] TO BUS 659205 [BRDLAND4 230.00] CKT 1  
SINGLE 943 : OPEN LINE FROM BUS 659209 [SIDNEYTY 345.00] TO BUS 659210 [SIDXFMR4 230.00] CKT 1  
SINGLE 944 : OPEN LINE FROM BUS 659212 [AVSDC1TY 345.00] TO BUS 659213 [AVSDC2TY 345.00] CKT 1  
SINGLE 945 : OPEN LINE FROM BUS 659212 [AVSDC1TY 345.00] TO BUS 659216 [AVSDC5TY 345.00] CKT 1  
SINGLE 946 : OPEN LINE FROM BUS 659213 [AVSDC2TY 345.00] TO BUS 659217 [AVSDC6TY 345.00] CKT 1  
SINGLE 947 : OPEN LINE FROM BUS 659216 [AVSDC5TY 345.00] TO BUS 659217 [AVSDC6TY 345.00] CKT 1  
SINGLE 948 : OPEN LINE FROM BUS 659218 [AVSDC7TY 345.00] TO BUS 659219 [AVSDC8TY 345.00] CKT 1  
SINGLE 949 : OPEN LINE FROM BUS 659218 [AVSDC7TY 345.00] TO BUS 659222 [AVSD11TY 345.00] CKT 1  
SINGLE 950 : OPEN LINE FROM BUS 659219 [AVSDC8TY 345.00] TO BUS 659223 [AVSD12TY 345.00] CKT 1  
SINGLE 951 : OPEN LINE FROM BUS 659222 [AVSD11TY 345.00] TO BUS 659223 [AVSD12TY 345.00] CKT 1  
SINGLE 952 : OPEN LINE FROM BUS 659230 [DGCX3 T 345.00] TO BUS 659231 [DGCX3 4 230.00] CKT 1  
SINGLE 953 : OPEN LINE FROM BUS 659231 [DGCX3 4 230.00] TO BUS 659233 [DGCX4 T 230.00] CKT 1  
SINGLE 954 : OPEN LINE FROM BUS 659236 [BOXBUTE7 115.00] TO BUS 659237 [HEMINGF7 115.00] CKT 1  
SINGLE 955 : OPEN LINE FROM BUS 659244 [ATHEY 7 115.00] TO BUS 659245 [CRETEHE7 115.00] CKT 1  
SINGLE 956 : OPEN LINE FROM BUS 659246 [MCONGHY7 115.00] TO BUS 659247 [ARTHUR 7 115.00] CKT 1  
SINGLE 957 : OPEN LINE FROM BUS 659247 [ARTHUR 7 115.00] TO BUS 659248 [HYANNIS7 115.00] CKT 1  
SINGLE 958 : OPEN LINE FROM BUS 659250 [SXF WBRANDN7115.00] TO BUS 659251 [SXF CORSON 7115.00] CKT 1  
SINGLE 959 : OPEN LINE FROM BUS 659251 [SXF CORSON 7115.00] TO BUS 659252 [SXF BRANDON7115.00] CKT 1  
SINGLE 960 : OPEN LINE FROM BUS 659252 [SXF BRANDON7115.00] TO BUS 659253 [SXF ROWENA 7115.00] CKT 1  
SINGLE 961 : OPEN LINE FROM BUS 659253 [SXF ROWENA 7115.00] TO BUS 659254 [SXF SPLT RK7115.00] CKT 1  
SINGLE 962 : OPEN LINE FROM BUS 659255 [SXF 6 MI RD7115.00] TO BUS 659256 [SXF 57TH ST7115.00] CKT 1  
SINGLE 963 : OPEN LINE FROM BUS 659256 [SXF 57TH ST7115.00] TO BUS 659257 [SXF SHINDLR7115.00] CKT 1  
SINGLE 964 : OPEN LINE FROM BUS 659257 [SXF SHINDLR7115.00] TO BUS 659258 [SXF HARSBRG7115.00] CKT 1  
SINGLE 965 : OPEN LINE FROM BUS 659263 [LTLMISS7 115.00] TO BUS 659265 [LTLMISS4 230.00] CKT 1  
SINGLE 966 : OPEN LINE FROM BUS 659265 [LTLMISS4 230.00] TO BUS 659266 [RHAME 4 230.00] CKT 1  
SINGLE 967 : OPEN LINE FROM BUS 659265 [LTLMISS4 230.00] TO BUS 661004 [BAKER 4 230.00] CKT 1  
SINGLE 968 : OPEN LINE FROM BUS 659266 [RHAME 4 230.00] TO BUS 659267 [RHAME 7 115.00] CKT 1  
SINGLE 969 : OPEN LINE FROM BUS 659266 [RHAME 4 230.00] TO BUS 661010 [BOWMAN 4 230.00] CKT 1  
SINGLE 971 : OPEN LINE FROM BUS 659269 [CLBRSONGEN7115.00] TO BUS 661012 [CLBRSTN7 115.00] CKT 1  
SINGLE 972 : OPEN LINE FROM BUS 659297 [BIS WARD 7115.00] TO BUS 659298 [BIS NORTH267115.00] CKT 1  
SINGLE 973 : OPEN LINE FROM BUS 659298 [BIS NORTH267115.00] TO BUS 659299 [BIS GVPINES7115.00] CKT 1  
SINGLE 974 : OPEN LINE FROM BUS 659303 [RCDC WEST 4230.00] TO BUS 659304 [RCDC SWING G230.00] CKT 1  
SINGLE 975 : OPEN LINE FROM BUS 660000 [ABDNJCT7 115.00] TO BUS 660001 [ABDNSBT7 115.00] CKT 1  
SINGLE 976 : OPEN LINE FROM BUS 660001 [ABDNSBT7 115.00] TO BUS 660002 [REDFLD 7 115.00] CKT 1

SINGLE 977 : OPEN LINE FROM BUS 660002 [REDFLD 7 115.00] TO BUS 660009 [BTAP WP7 115.00] CKT 1  
SINGLE 978 : OPEN LINE FROM BUS 660003 [HURONWP7 115.00] TO BUS 660008 [MITCLNW7 115.00] CKT 1  
SINGLE 979 : OPEN LINE FROM BUS 660003 [HURONWP7 115.00] TO BUS 660009 [BTAP WP7 115.00] CKT 1  
SINGLE 980 : OPEN LINE FROM BUS 660004 [MITCHEL7 115.00] TO BUS 660005 [TRIPP 7 115.00] CKT 1  
SINGLE 981 : OPEN LINE FROM BUS 660004 [MITCHEL7 115.00] TO BUS 660008 [MITCLNW7 115.00] CKT 1  
SINGLE 982 : OPEN LINE FROM BUS 660005 [TRIPP 7 115.00] TO BUS 660007 [MENNOJT7 115.00] CKT 1  
SINGLE 983 : OPEN LINE FROM BUS 661010 [BOWMAN 4 230.00] TO BUS 661047 [HETINGR4 230.00] CKT 1  
SINGLE 984 : OPEN LINE FROM BUS 661012 [CLBRTSN7 115.00] TO BUS 661075 [POPLAR 7 115.00] CKT 1  
GEN-SS-1 : TRIP LINE FROM BUS 640278 [SHELDON7 115.00] TO BUS 640019 [SHELDN1G 13.800] CKT 1  
GEN-SS-2 : TRIP LINE FROM BUS 640278 [SHELDON7 115.00] TO BUS 640020 [SHELDN2G 13.800] CKT 1  
GEN-PLATTE : TRIP LINE FROM BUS 642071 [SUB-D 7 115.00] TO BUS 642067 [PLATTE1G 13.800] CKT 1  
GEN-WEC1 : TRIP LINE FROM BUS 641087 [EGYCNTR7 115.00] TO BUS 641086 [EGY CTRG 13.800] CKT 1  
GEN-COLCOG : TRIP LINE FROM BUS 640119 [COL.COG7 115.00] TO BUS 640028 [COLCOG1G 13.800] CKT 1  
GEN-WEC2 : TRIP LINE FROM BUS 641087 [EGYCNTR7 115.00] TO BUS 641089 [EGYCTR2G 22.000] CKT 1  
GEN-AWEF : TRIP LINE FROM BUS 640050 [AINSWND7 115.00] TO BUS 640025 [AINSWDDG 34.500] CKT 1  
GEN-E-RIDGE : TRIP LINE FROM BUS 640084 [BLMFLD 7 115.00] TO BUS 640419 [ELKRDG1D 34.500] CKT 1  
LN-FAIRPORT : TRIP LINE FROM BUS 300039 [7FAIRPT 345.00] TO BUS 640139 [COOPER 3 345.00] CKT 1  
TRIP LINE FROM BUS 300039 [7FAIRPT 345.00] TO BUS 541199 [ST JOE 3 345.00] CKT 1  
TRIP LINE FROM BUS 300039 [7FAIRPT 345.00] TO BUS 300076 [5FAIRPT 161.00] CKT 3  
LN-1091 : TRIP LINE FROM BUS 640392 [VALENTN7 115.00] TO BUS 640210 [HARMONY7 115.00] CKT 1  
TRIP LINE FROM BUS 640210 [HARMONY7 115.00] TO BUS 640351 [ST.FRANC 115.00] CKT 1  
TRIP LINE FROM BUS 640351 [ST.FRANC 115.00] TO BUS 652482 [MISSION7 115.00] CKT 1  
LN-RUSHVILLE: TRIP LINE FROM BUS 640334 [RUSHVIL7 115.00] TO BUS 640109 [CHADRON7 115.00] CKT 1  
TRIP LINE FROM BUS 640334 [RUSHVIL7 115.00] TO BUS 640192 [GORDON 7 115.00] CKT 1  
LN-MALONEY : TRIP LINE FROM BUS 640287 [N.PLATT7 115.00] TO BUS 640265 [MALONEY7 115.00] CKT 1  
TRIP LINE FROM BUS 640266 [MALONEY9 34.500] TO BUS 640265 [MALONEY7 115.00] CKT 1  
LN-STOCKVILL: TRIP LINE FROM BUS 640287 [N.PLATT7 115.00] TO BUS 640365 [STOCKVL7 115.00] CKT 1  
TRIP LINE FROM BUS 640366 [STOCKVL8 69.000] TO BUS 640365 [STOCKVL7 115.00] CKT 1  
LN-1133 : TRIP LINE FROM BUS 640100 [CAMBRIG7 115.00] TO BUS 640269 [MCCOOK 7 115.00] CKT 1  
TRIP LINE FROM BUS 640100 [CAMBRIG7 115.00] TO BUS 640194 [GOSPER 7 115.00] CKT 1  
TRIP LINE FROM BUS 640242 [JOHN.2 7 115.00] TO BUS 640194 [GOSPER 7 115.00] CKT 1  
LN-1147 : TRIP LINE FROM BUS 640244 [JOHN.LK7 115.00] TO BUS 640242 [JOHN.2 7 115.00] CKT 1  
TRIP LINE FROM BUS 640244 [JOHN.LK7 115.00] TO BUS 640240 [JOHN.1 7 115.00] CKT 1  
LN-1142 : TRIP LINE FROM BUS 640196 [GOTHNBG7 115.00] TO BUS 640238 [JEFFREY7 115.00] CKT 1  
TRIP LINE FROM BUS 640196 [GOTHNBG7 115.00] TO BUS 640144 [COZAD 7 115.00] CKT 1  
LN-1242 : TRIP LINE FROM BUS 640407 [WESTMIN7 115.00] TO BUS 640242 [JOHN.2 7 115.00] CKT 1  
TRIP LINE FROM BUS 640407 [WESTMIN7 115.00] TO BUS 640144 [COZAD 7 115.00] CKT 1  
LN-1090 : TRIP LINE FROM BUS 640096 [CALAMS 7 115.00] TO BUS 640050 [AINSWND7 115.00] CKT 1  
TRIP LINE FROM BUS 640096 [CALAMS 7 115.00] TO BUS 640381 [THEDFRD7 115.00] CKT 1  
LN-1267 : TRIP LINE FROM BUS 640367 [STUART 7 115.00] TO BUS 640051 [AINSWRT7 115.00] CKT 1  
TRIP LINE FROM BUS 640367 [STUART 7 115.00] TO BUS 640058 [ATKINSN7 115.00] CKT 1  
TRIP LINE FROM BUS 640165 [EMMET 7 115.00] TO BUS 640058 [ATKINSN7 115.00] CKT 1  
TRIP LINE FROM BUS 640165 [EMMET 7 115.00] TO BUS 640305 [ONEILL 7 115.00] CKT 1  
LN-1164 : TRIP LINE FROM BUS 640113 [CLRWATR7 115.00] TO BUS 640305 [ONEILL 7 115.00] CKT 1  
TRIP LINE FROM BUS 640113 [CLRWATR7 115.00] TO BUS 640293 [NELIGH 7 115.00] CKT 1  
LN-1163 : TRIP LINE FROM BUS 640115 [CO.LINE7 115.00] TO BUS 640293 [NELIGH 7 115.00] CKT 1  
TRIP LINE FROM BUS 640115 [CO.LINE7 115.00] TO BUS 640072 [BATTLCR7 115.00] CKT 1  
TRIP LINE FROM BUS 640296 [NORFK.N7 115.00] TO BUS 640072 [BATTLCR7 115.00] CKT 1

LN-1169 : TRIP LINE FROM BUS 640353 [ST.LIB 7 115.00] TO BUS 640201 [GR ISLD7 115.00] CKT 1  
TRIP LINE FROM BUS 640353 [ST.LIB 7 115.00] TO BUS 640259 [LOUPCTY7 115.00] CKT 1  
TRIP LINE FROM BUS 640353 [ST.LIB 7 115.00] TO BUS 640355 [ST.PAUL7 115.00] CKT 1

LN-1143 : TRIP LINE FROM BUS 640161 [ELMCRK\_7 115.00] TO BUS 640103 [CANADAY7 115.00] CKT 1  
TRIP LINE FROM BUS 640161 [ELMCRK\_7 115.00] TO BUS 640250 [KEARNEY7 115.00] CKT 1

LN-1094 : TRIP LINE FROM BUS 640248 [KEAR.NE7 115.00] TO BUS 640331 [RIVERDL7 115.00] CKT 1  
TRIP LINE FROM BUS 640248 [KEAR.NE7 115.00] TO BUS 640250 [KEARNEY7 115.00] CKT 1

LN-1173 : TRIP LINE FROM BUS 640220 [HEBRON 7 115.00] TO BUS 640368 [SUPEROR7 115.00] CKT 1  
TRIP LINE FROM BUS 640220 [HEBRON 7 115.00] TO BUS 640218 [HEBRN N7 115.00] CKT 1

LN-1175B : TRIP LINE FROM BUS 640169 [FAIRBRY7 115.00] TO BUS 640208 [HARBINE7 115.00] CKT 1  
TRIP LINE FROM BUS 640169 [FAIRBRY7 115.00] TO BUS 640170 [FAIRBRYG 34.500] CKT 1

LN-1176 : TRIP LINE FROM BUS 640361 [STEINER7 115.00] TO BUS 640076 [BEATRCE7 115.00] CKT 1  
TRIP LINE FROM BUS 640361 [STEINER7 115.00] TO BUS 640235 [HUMBOLT7 115.00] CKT 1

LN-CLATONIA : TRIP LINE FROM BUS 640111 [CLATONA7 115.00] TO BUS 640088 [BPS SUB7 115.00] CKT 1  
TRIP LINE FROM BUS 640111 [CLATONA7 115.00] TO BUS 640278 [SHELDON7 115.00] CKT 1

LN-FIRTH : TRIP LINE FROM BUS 640171 [FIRTH 7 115.00] TO BUS 640362 [STERLNG7 115.00] CKT 1  
TRIP LINE FROM BUS 640171 [FIRTH 7 115.00] TO BUS 640278 [SHELDON7 115.00] CKT 1  
TRIP LINE FROM BUS 640362 [STERLNG7 115.00] TO BUS 647974 [S974 8 69.000] CKT 1

LN-FRIEND : TRIP LINE FROM BUS 640174 [FRIEND 7 115.00] TO BUS 640153 [CRETE\_\_7 115.00] CKT 1  
TRIP LINE FROM BUS 640174 [FRIEND 7 115.00] TO BUS 640178 [GENEVA 7 115.00] CKT 1

LN-1155 : TRIP LINE FROM BUS 640375 [TAMORA 7 115.00] TO BUS 640411 [YORK 7 115.00] CKT 1  
TRIP LINE FROM BUS 640375 [TAMORA 7 115.00] TO BUS 640340 [SEWARD 7 115.00] CKT 1

LN-1156 : TRIP LINE FROM BUS 640316 [PAWNEEL7 115.00] TO BUS 650214 [NW68HOLDRG7 115.00] CKT 1  
TRIP LINE FROM BUS 640316 [PAWNEEL7 115.00] TO BUS 640340 [SEWARD 7 115.00] CKT 1

LN-1181 : TRIP LINE FROM BUS 640155 [DAVEY 7 115.00] TO BUS 650269 [70&BLUFF 7 115.00] CKT 1  
TRIP LINE FROM BUS 640155 [DAVEY 7 115.00] TO BUS 640402 [WAHOO 7 115.00] CKT 1

LN-1152 : TRIP LINE FROM BUS 640157 [DAVIDCY7 115.00] TO BUS 640127 [COLMB.E7 115.00] CKT 1  
TRIP LINE FROM BUS 640157 [DAVIDCY7 115.00] TO BUS 640402 [WAHOO 7 115.00] CKT 1

LN-N-BEND : TRIP LINE FROM BUS 640281 [N.BEND 7 115.00] TO BUS 640336 [SCHUYLR7 115.00] CKT 1  
TRIP LINE FROM BUS 640281 [N.BEND 7 115.00] TO BUS 640173 [FREMONT7 115.00] CKT 1

LN-1160 : TRIP LINE FROM BUS 640409 [WINSLOW7 115.00] TO BUS 640300 [OAKLAND7 115.00] CKT 1  
TRIP LINE FROM BUS 640409 [WINSLOW7 115.00] TO BUS 640173 [FREMONT7 115.00] CKT 1

LN-1161 : TRIP LINE FROM BUS 640400 [W.POINT7 115.00] TO BUS 640300 [OAKLAND7 115.00] CKT 1  
TRIP LINE FROM BUS 640400 [W.POINT7 115.00] TO BUS 640078 [BEEMER 7 115.00] CKT 1

LN-1168 : TRIP LINE FROM BUS 640357 [STANTON7 115.00] TO BUS 640363 [STNTN.N7 115.00] CKT 1  
TRIP LINE FROM BUS 640357 [STANTON7 115.00] TO BUS 640078 [BEEMER 7 115.00] CKT 1

LN-1193 : TRIP LINE FROM BUS 640070 [BANCRFT7 115.00] TO BUS 640300 [OAKLAND7 115.00] CKT 1  
TRIP LINE FROM BUS 640070 [BANCRFT7 115.00] TO BUS 640163 [EMERSON7 115.00] CKT 1

LN-DONIPHAN : TRIP LINE FROM BUS 640159 [DONIPHN7 115.00] TO BUS 642071 [SUB-D 7 115.00] CKT 1  
TRIP LINE FROM BUS 640159 [DONIPHN7 115.00] TO BUS 640282 [N.HAST 7 115.00] CKT 1

LN-HILDRETH : TRIP LINE FROM BUS 640222 [HILDRTH7 115.00] TO BUS 640224 [HOLDREG7 115.00] CKT 1  
TRIP LINE FROM BUS 640222 [HILDRTH7 115.00] TO BUS 640313 [PAULINE7 115.00] CKT 1

LN-CRAWFORD : TRIP LINE FROM BUS 640147 [CRAWFRD7 115.00] TO BUS 640109 [CHADRON7 115.00] CKT 1  
TRIP LINE FROM BUS 640147 [CRAWFRD7 115.00] TO BUS 640397 [VICTRYH7 115.00] CKT 1

LN-CALLAWAY : TRIP LINE FROM BUS 640098 [CALAWAY7 115.00] TO BUS 640089 [BROKENB7 115.00] CKT 1  
TRIP LINE FROM BUS 640098 [CALAWAY7 115.00] TO BUS 640099 [CALAWAY8 69.000] CKT 1

LN-PROSSER : TRIP LINE FROM BUS 640321 [PROSSER7 115.00] TO BUS 640322 [PROSSER9 34.500] CKT 1  
TRIP LINE FROM BUS 640321 [PROSSER7 115.00] TO BUS 640261 [LOWELL 7 115.00] CKT 1

LN-WAPA1 : TRIP LINE FROM BUS 652311 [DUNLAP 7 115.00] TO BUS 640109 [CHADRON7 115.00] CKT 1  
TRIP LINE FROM BUS 652311 [DUNLAP 7 115.00] TO BUS 659236 [BOXBUTE7 115.00] CKT 1

LN-WAPA2 : TRIP LINE FROM BUS 659236 [BOXBUTE7 115.00] TO BUS 659237 [HEMINGF7 115.00] CKT 1  
TRIP LINE FROM BUS 659236 [BOXBUTE7 115.00] TO BUS 652570 [ALIANCE7 115.00] CKT 1  
TRIP LINE FROM BUS 652570 [ALIANCE7 115.00] TO BUS 659197 [SNAKECK7 115.00] CKT 1

LN-WAPA3 : TRIP LINE FROM BUS 652312 [MORRILL7 115.00] TO BUS 659197 [SNAKECK7 115.00] CKT 1  
TRIP LINE FROM BUS 652312 [MORRILL7 115.00] TO BUS 659242 [GERINGT7 115.00] CKT 1  
TRIP LINE FROM BUS 659242 [GERINGT7 115.00] TO BUS 640338 [SCOTBLF7 115.00] CKT 1

LN-WAPA4 : TRIP LINE FROM BUS 659238 [COLTON 7 115.00] TO BUS 652572 [SIDNEY 7 115.00] CKT 1  
TRIP LINE FROM BUS 659238 [COLTON 7 115.00] TO BUS 652300 [CHAPPEL7 115.00] CKT 1  
TRIP LINE FROM BUS 640246 [JULSTAP7 115.00] TO BUS 652300 [CHAPPEL7 115.00] CKT 1  
TRIP LINE FROM BUS 640246 [JULSTAP7 115.00] TO BUS 640068 [B.SPRGS7 115.00] CKT 1

LN-WAPA5 : TRIP LINE FROM BUS 640091 [BRULE 7 115.00] TO BUS 640068 [B.SPRGS7 115.00] CKT 1  
TRIP LINE FROM BUS 640091 [BRULE 7 115.00] TO BUS 659132 [OGALALA7 115.00] CKT 1

LN-WAPA6 : TRIP LINE FROM BUS 640349 [SPENCER7 115.00] TO BUS 652510 [FTRANDL7 115.00] CKT 1  
TRIP LINE FROM BUS 640349 [SPENCER7 115.00] TO BUS 640305 [ONEILL 7 115.00] CKT 1

LN-TSGT1 : TRIP LINE FROM BUS 659192 [LYNN 7 115.00] TO BUS 659197 [SNAKECK7 115.00] CKT 1  
TRIP LINE FROM BUS 659192 [LYNN 7 115.00] TO BUS 659239 [COVALT 7 115.00] CKT 1  
TRIP LINE FROM BUS 659239 [COVALT 7 115.00] TO BUS 659193 [W.HORSE7 115.00] CKT 1

LN-TSGT2 : TRIP LINE FROM BUS 640086 [BLUECK 7 115.00] TO BUS 659193 [W.HORSE7 115.00] CKT 1  
TRIP LINE FROM BUS 640086 [BLUECK 7 115.00] TO BUS 640068 [B.SPRGS7 115.00] CKT 1

LN-TSGT3 : TRIP LINE FROM BUS 659188 [SPCREEK7 115.00] TO BUS 659154 [LAMAR 7 115.00] CKT 1  
TRIP LINE FROM BUS 659188 [SPCREEK7 115.00] TO BUS 659130 [GRANTNB7 115.00] CKT 1

LN-TSGT4 : TRIP LINE FROM BUS 659195 [CRETE 7 115.00] TO BUS 659154 [LAMAR 7 115.00] CKT 1  
TRIP LINE FROM BUS 659195 [CRETE 7 115.00] TO BUS 659245 [CRETEHE7 115.00] CKT 1  
TRIP LINE FROM BUS 659244 [ATHEY 7 115.00] TO BUS 659245 [CRETEHE7 115.00] CKT 1  
TRIP LINE FROM BUS 659244 [ATHEY 7 115.00] TO BUS 640167 [ENDERS 7 115.00] CKT 1

LN-TSGT5 : TRIP LINE FROM BUS 659187 [ROSCOE 7 115.00] TO BUS 659132 [OGALALA7 115.00] CKT 1  
TRIP LINE FROM BUS 659187 [ROSCOE 7 115.00] TO BUS 659185 [ELSIETP7 115.00] CKT 1

LN-TSGT6 : TRIP LINE FROM BUS 659186 [PAXTON 7 115.00] TO BUS 640370 [SUTHLND7 115.00] CKT 1  
TRIP LINE FROM BUS 659186 [PAXTON 7 115.00] TO BUS 659185 [ELSIETP7 115.00] CKT 1

TRF-AXTELL : TRIP LINE FROM BUS 640065 [AXTELL 3 345.00] TO BUS 640066 [AXTELL 7 115.00] TO BUS 640067 [AXTELL 9 13.800] CKT 1

TRF-COOPER : TRIP LINE FROM BUS 640139 [COOPER 3 345.00] TO BUS 640140 [COOPER 5 161.00] TO BUS 640142 [COOPER 9 13.800] CKT 1

TRF-GENTLMN : TRIP LINE FROM BUS 640183 [GENTLMN3 345.00] TO BUS 640184 [GENTLMN4 230.00] TO BUS 640185 [G.GENT19 13.800] CKT 1

TRF-GRIS-T2 : TRIP LINE FROM BUS 640200 [GR ISLD4 230.00] TO BUS 640201 [GR ISLD7 115.00] TO BUS 640203 [G.I.T219 13.800] CKT 1

TRF-HOSKINS : TRIP LINE FROM BUS 640226 [HOSKINS3 345.00] TO BUS 640228 [HOSKINS7 115.00] TO BUS 640231 [HOSKNS19 13.800] CKT 1

TRF-KEYSTONE: TRIP LINE FROM BUS 640252 [KEYSTON3 345.00] TO BUS 640253 [KEYSTON7 115.00] TO BUS 640254 [KEYSTON9 13.800] CKT 1

TRF-MCCOOL : TRIP LINE FROM BUS 640271 [MCCOOL 3 345.00] TO BUS 640272 [MCCOOL 7 115.00] TO BUS 640274 [MCCOOL19 13.800] CKT 1

TRF-NP-T8 : TRIP LINE FROM BUS 640286 [N.PLATT4 230.00] TO BUS 640287 [N.PLATT7 115.00] TO BUS 640290 [N.PT8 9 13.800] CKT 1

TRF-NP-T9 : TRIP LINE FROM BUS 640286 [N.PLATT4 230.00] TO BUS 640287 [N.PLATT7 115.00] TO BUS 640291 [N.PT9 9 13.800] CKT 2

TRF-PAULINE : TRIP LINE FROM BUS 640312 [PAULINE3 345.00] TO BUS 640313 [PAULINE7 115.00] TO BUS 640315 [PAULINE9 13.800] CKT 1

TRF-REDWILO : TRIP LINE FROM BUS 640325 [REDWILO3 345.00] TO BUS 640326 [REDWILO7 115.00] TO BUS 640327 [REDWILO9 13.800] CKT 1

TRF-MOORE : TRIP LINE FROM BUS 640277 [MOORE 3 345.00] TO BUS 640278 [SHELDON7 115.00] TO BUS 640280 [MOORE 9 13.800] CKT 1

TRF-VHILL : TRIP LINE FROM BUS 640396 [VICTRYH4 230.00] TO BUS 640397 [VICTRYH7 115.00] TO BUS 640399 [VICTR10G 13.800] CKT 1

TRF-WAYSIDE : TRIP LINE FROM BUS 640404 [WAYSIDE4 230.00] TO BUS 640405 [WAYSIDE7 115.00] TO BUS 640406 [WAYSIDE9 13.800] CKT 1  
TRIP LINE FROM BUS 640405 [WAYSIDE7 115.00] TO BUS 640109 [CHADRON7 115.00] CKT 1

TRF-KELLY : TRIP LINE FROM BUS 640133 [COLMBUS4 230.00] TO BUS 640134 [KELLY 7 115.00] TO BUS 640135 [COLMBS19 13.200] CKT 1  
TRIP LINE FROM BUS 640134 [KELLY 7 115.00] TO BUS 640136 [COLMBUS7 115.00] CKT 1

TRF-GRIS-T3 : TRIP LINE FROM BUS 652571 [GR ISLD3 345.00] TO BUS 640200 [GR ISLD4 230.00] TO BUS 652314 [GR ISL19 13.800] CKT 1  
TRF-GRIS-T4 : TRIP LINE FROM BUS 652571 [GR ISLD3 345.00] TO BUS 640200 [GR ISLD4 230.00] TO BUS 652316 [GR ISL29 13.800] CKT 2  
TRF-STEGALL : TRIP LINE FROM BUS 659207 [STEGALTY 345.00] TO BUS 659206 [STGXFMR4 230.00] CKT 1  
TRIP LINE FROM BUS 659207 [STEGALTY 345.00] TO BUS 659167 [STEGALLM 13.800] CKT 1  
TRIP LINE FROM BUS 659207 [STEGALTY 345.00] TO BUS 659135 [STEGALL3 345.00] CKT 1  
TRIP LINE FROM BUS 659206 [STGXFMR4 230.00] TO BUS 652573 [STEGALL4 230.00] CKT 1  
TRF-SIDNEY1 : TRIP LINE FROM BUS 659209 [SIDNEYTY 345.00] TO BUS 659210 [SIDXFMR4 230.00] CKT 1  
TRIP LINE FROM BUS 659209 [SIDNEYTY 345.00] TO BUS 659168 [SIDNEY M 13.800] CKT 1  
TRIP LINE FROM BUS 659209 [SIDNEYTY 345.00] TO BUS 659133 [SIDNEY 3 345.00] CKT 1  
TRIP LINE FROM BUS 659210 [SIDXFMR4 230.00] TO BUS 659134 [SIDNEY 4 230.00] CKT 1  
TRF-SIDNEY2 : TRIP LINE FROM BUS 659136 [SIDNEY\*4 230.00] TO BUS 659134 [SIDNEY 4 230.00] CKT 1  
TRIP LINE FROM BUS 659136 [SIDNEY\*4 230.00] TO BUS 652572 [SIDNEY 7 115.00] CKT 1  
TRIP LINE FROM BUS 659136 [SIDNEY\*4 230.00] TO BUS 659137 [SIDNEY 8 13.800] CKT 1  
S993 GEN OFF: DECREASE BUS 647993 [S993 8 69.000] GENERATION BY 5.4 MW  
NCU GEN OFF : DECREASE BUS 647401 [NCU903 8 69.000] GENERATION BY 5.8 MW  
S3454T1 AUTO: OPEN BRANCH FROM BUS 645454 [S3454 3 345.00] TO BUS 646254 [S1254 5 161.00] TO BUS 648254 [S1254T19 13.800] CKT 1  
OPEN LINE FROM BUS 646254 [S1254 5 161.00] TO BUS 646281 [S1281 5 161.00] CKT 1  
OPEN LINE FROM BUS 646254 [S1254 5 161.00] TO BUS 646249 [S1249 5 161.00] CKT 1  
S1206T1 BSCL: OPEN BRANCH FROM BUS 646206 [S1206 5 161.00] TO BUS 647906 [S906 S 8 69.000] TO BUS 648206 [S1206T19 13.800] CKT 1  
CLOSE BRANCH FROM BUS 647006 [S906 N 8 69.000] TO BUS 647906 [S906 S 8 69.000] CKT 1  
S1206T2 BSCL: OPEN BRANCH FROM BUS 646206 [S1206 5 161.00] TO BUS 647006 [S906 N 8 69.000] TO BUS 648306 [S1206T29 13.800] CKT 1  
CLOSE BRANCH FROM BUS 647006 [S906 N 8 69.000] TO BUS 647906 [S906 S 8 69.000] CKT 1  
S1210T7 AUTO: OPEN LINE FROM BUS 646210 [S1210 5 161.00] TO BUS 646217 [S1217 5 161.00] CKT 1  
OPEN LINE FROM BUS 646210 [S1210 5 161.00] TO BUS 646222 [S1222 5 161.00] CKT 1  
OPEN LINE FROM BUS 646210 [S1210 5 161.00] TO BUS 647910 [S910 8 69.000] TO BUS 648210 [S1210T79 13.800] CKT 1  
S1217T1 AUTO: OPEN BRANCH FROM BUS 646217 [S1217 5 161.00] TO BUS 647917 [S917 8 69.000] TO BUS 648217 [S1217T19 13.800] CKT 1  
OPEN LINE FROM BUS 646217 [S1217 5 161.00] TO BUS 646227 [S1227 5 161.00] CKT 1  
OPEN LINE FROM BUS 646217 [S1217 5 161.00] TO BUS 646210 [S1210 5 161.00] CKT 1  
OPEN LINE FROM BUS 646217 [S1217 5 161.00] TO BUS 646216 [S1216 5 161.00] CKT 1  
S1221T9 AUTO: OPEN LINE FROM BUS 646221 [S1221 5 161.00] TO BUS 646231 [S1231 5 161.00] CKT 1  
OPEN LINE FROM BUS 646221 [S1221 5 161.00] TO BUS 646255 [S1255 5 161.00] CKT 1  
OPEN LINE FROM BUS 646221 [S1221 5 161.00] TO BUS 647921 [S921 8 69.000] TO BUS 648221 [S1221T99 13.800] CKT 1  
S1263T1 AUTO: OPEN BRANCH FROM BUS 646263 [S1263 5 161.00] TO BUS 647111 [W BROCK8 69.000] TO BUS 648263 [S1263T19 13.800] CKT 1  
OPEN LINE FROM BUS 647111 [W BROCK8 69.000] TO BUS 647963 [S963 8 69.000] CKT 1  
OPEN LINE FROM BUS 647111 [W BROCK8 69.000] TO BUS 647967 [S967 8 69.000] CKT 1  
1252TARP : OPEN LINE FROM BUS 646252 [S1252 5 161.00] TO BUS 646209 [S1209 5 161.00] CKT 1  
OPEN LINE FROM BUS 646252 [S1252 5 161.00] TO BUS 646226 [S1226 5 161.00] CKT 1  
1211-50-HS4 : OPEN BRANCH FROM BUS 646211 [S1211 5 161.00] TO BUS 646250 [S1250 5 161.00] CKT 2  
OPEN LINE FROM BUS 645127 [S1211HS9 13.800] TO BUS 646211 [S1211 5 161.00] CKT 1  
1297TARP : OPEN LINE FROM BUS 646297 [S1297 5 161.00] TO BUS 646250 [S1250 5 161.00] CKT 1  
OPEN LINE FROM BUS 646297 [S1297 5 161.00] TO BUS 646251 [S1251 5 161.00] CKT 1  
1281LINBUS : OPEN LINE FROM BUS 646281 [S1281 5 161.00] TO BUS 646287 [S1287 5 161.00] CKT 1  
OPEN LINE FROM BUS 646281 [S1281 5 161.00] TO BUS 646254 [S1254 5 161.00] CKT 1  
OPEN LINE FROM BUS 646281 [S1281 5 161.00] TO BUS 646259 [S1259 5 161.00] CKT 1  
S979TAP : OPEN LINE FROM BUS 647979 [S979 8 69.000] TO BUS 647079 [979TP 8 69.000] CKT 1  
OPEN LINE FROM BUS 647079 [979TP 8 69.000] TO BUS 647900 [S900 8 69.000] CKT 1  
OPEN LINE FROM BUS 647079 [979TP 8 69.000] TO BUS 647006 [S906 N 8 69.000] CKT 1  
901-JCT-910 : OPEN LINE FROM BUS 647105 [JCT205 8 69.000] TO BUS 647901 [S901 8 69.000] CKT 1

OPEN LINE FROM BUS 647105 [JCT205 8 69.000] TO BUS 647910 [S910 8 69.000] CKT 1  
 S937NOBKR : OPEN LINE FROM BUS 647937 [S937 8 69.000] TO BUS 647902 [S902 8 69.000] CKT 1  
 OPEN LINE FROM BUS 647937 [S937 8 69.000] TO BUS 647909 [S909 8 69.000] CKT 1  
 906S15-25-94: OPEN LINE FROM BUS 647016 [915TP3 8 69.000] TO BUS 647107 [SAC623 8 69.000] CKT 1  
 OPEN LINE FROM BUS 647016 [915TP3 8 69.000] TO BUS 647906 [S906 S 8 69.000] CKT 1  
 OPEN LINE FROM BUS 647016 [915TP3 8 69.000] TO BUS 647915 [S915T2 8 69.000] CKT 1  
 OPEN LINE FROM BUS 647107 [SAC623 8 69.000] TO BUS 647109 [SAC SO 8 69.000] CKT 1  
 OPEN LINE FROM BUS 647107 [SAC623 8 69.000] TO BUS 647994 [S994 8 69.000] CKT 1  
 906N15-25-94: OPEN LINE FROM BUS 647017 [915TP9 8 69.000] TO BUS 647108 [SAC629 8 69.000] CKT 1  
 OPEN LINE FROM BUS 647017 [915TP9 8 69.000] TO BUS 647006 [S906 N 8 69.000] CKT 1  
 OPEN LINE FROM BUS 647017 [915TP9 8 69.000] TO BUS 647015 [S915T1 8 69.000] CKT 1  
 OPEN LINE FROM BUS 647108 [SAC629 8 69.000] TO BUS 647110 [SAC NO 8 69.000] CKT 1  
 OPEN LINE FROM BUS 647108 [SAC629 8 69.000] TO BUS 647994 [S994 8 69.000] CKT 1  
 S938LINBUS : OPEN LINE FROM BUS 647938 [S938 8 69.000] TO BUS 647995 [S995 8 69.000] CKT 1  
 OPEN LINE FROM BUS 647938 [S938 8 69.000] TO BUS 647006 [S906 N 8 69.000] CKT 1  
 OPEN LINE FROM BUS 647938 [S938 8 69.000] TO BUS 647906 [S906 S 8 69.000] CKT 1  
 S973NOBKR : OPEN LINE FROM BUS 647973 [S973 8 69.000] TO BUS 640143 [CORNFLD8 69.000] CKT 1  
 OPEN LINE FROM BUS 647973 [S973 8 69.000] TO BUS 647963 [S963 8 69.000] CKT 1  
 AUBNOBKR : OPEN LINE FROM BUS 647101 [AUBRNT 8 69.000] TO BUS 647963 [S963 8 69.000] CKT 1  
 OPEN LINE FROM BUS 647101 [AUBRNT 8 69.000] TO BUS 647975 [S975 8 69.000] CKT 1  
 OPEN LINE FROM BUS 647101 [AUBRNT 8 69.000] TO BUS 640062 [AUBURN 8 69.000] CKT 1  
 S964-S993 : OPEN LINE FROM BUS 647964 [S964 8 69.000] TO BUS 647975 [S975 8 69.000] CKT 1  
 OPEN LINE FROM BUS 647964 [S964 8 69.000] TO BUS 647112 [MGLN TP8 69.000] CKT 1  
 OPEN LINE FROM BUS 647112 [MGLN TP8 69.000] TO BUS 647113 [MAGELLN8 69.000] CKT 1  
 OPEN LINE FROM BUS 647112 [MGLN TP8 69.000] TO BUS 647993 [S993 8 69.000] CKT 1  
 S968LINBUS : OPEN LINE FROM BUS 647968 [S968 8 69.000] TO BUS 647969 [S969 8 69.000] CKT 1  
 OPEN LINE FROM BUS 647968 [S968 8 69.000] TO BUS 647400 [TECUMSH8 69.000] CKT 1  
 OPEN LINE FROM BUS 647968 [S968 8 69.000] TO BUS 647967 [S967 8 69.000] CKT 1  
 ENRONTAP : OPEN LINE FROM BUS 647102 [HYDCAP 8 69.000] TO BUS 647103 [ENRON 8 69.000] CKT 1  
 OPEN LINE FROM BUS 647102 [HYDCAP 8 69.000] TO BUS 647970 [S970 8 69.000] CKT 1  
 OPEN LINE FROM BUS 647102 [HYDCAP 8 69.000] TO BUS 647974 [S974 8 69.000] CKT 1  
 S982-90-71 : OPEN LINE FROM BUS 647090 [990TP 8 69.000] TO BUS 647971 [S971 8 69.000] CKT 1  
 OPEN LINE FROM BUS 647090 [990TP 8 69.000] TO BUS 647982 [S982 8 69.000] CKT 1  
 OPEN LINE FROM BUS 647090 [990TP 8 69.000] TO BUS 647990 [S990 8 69.000] CKT 1  
 S976-FRE-D-E: OPEN BRANCH FROM BUS 647976 [S976 8 69.000] TO BUS 647424 [FREM D 8 69.000] CKT 1  
 OPEN BRANCH FROM BUS 647424 [FREM D 8 69.000] TO BUS 647425 [FREM E 8 69.000] CKT 1  
 S979BUS : OPEN LINE FROM BUS 647979 [S979 8 69.000] TO BUS 647079 [979TP 8 69.000] CKT 1  
 S991TAP : OPEN LINE FROM BUS 647091 [991TP 8 69.000] TO BUS 647427 [FREM G 8 69.000] CKT 1  
 OPEN LINE FROM BUS 647091 [991TP 8 69.000] TO BUS 647984 [S984 8 69.000] CKT 1  
 OPEN LINE FROM BUS 647091 [991TP 8 69.000] TO BUS 647991 [S991 8 69.000] CKT 1  
 S962-KM-S971: OPEN LINE FROM BUS 647114 [KIN MTP8 69.000] TO BUS 647115 [KIN MOR8 69.000] CKT 1  
 OPEN LINE FROM BUS 647114 [KIN MTP8 69.000] TO BUS 647962 [S962 8 69.000] CKT 1  
 OPEN LINE FROM BUS 647114 [KIN MTP8 69.000] TO BUS 647971 [S971 8 69.000] CKT 1  
 NO1\_GEN : REMOVE MACHINE 1 FROM BUS 645021 [N OMA 1G 13.800]  
 NO2\_GEN : REMOVE MACHINE 2 FROM BUS 645022 [N OMA 2G 13.800]  
 NO3\_GEN : REMOVE MACHINE 3 FROM BUS 645023 [N OMA 3G 13.800]  
 NO4\_GEN : REMOVE MACHINE 4 FROM BUS 645024 [N OMA 4G 15.000]  
 NO5\_GEN : REMOVE MACHINE 5 FROM BUS 645025 [N OMA 5G 20.000]



SARPY3\_GEN : REMOVE MACHINE 3 FROM BUS 645033 [SARPY 3G 13.800]  
SARPY4\_GEN : REMOVE MACHINE 4 FROM BUS 645034 [SARPY 4G 13.800]  
SARPY5\_GEN : REMOVE MACHINE 5 FROM BUS 645035 [SARPY 5G 13.800]  
CASS\_CO1\_GEN: REMOVE MACHINE 1 FROM BUS 645041 [CASS 1G 15.000]  
CASS\_CO2\_GEN: REMOVE MACHINE 2 FROM BUS 645042 [CASS 2G 15.000]  
FRE6\_GEN : REMOVE MACHINE 6 FROM BUS 647416 [FREM 6G 13.800]  
FRE7\_GEN : REMOVE MACHINE 7 FROM BUS 647417 [FREM 7G 13.800]  
FRE8\_GEN : REMOVE MACHINE 8 FROM BUS 647418 [FREM 8G 13.800]  
ELKCITY\_GEN : REMOVE MACHINE 1 FROM BUS 647937 [S937 8 69.000]  
ELKCTY3\_GEN : REDUCE BUS 647937 [S937 8 69.000] GENERATION BY 3 MW  
GEN-SVGS4 : TRIP LINE FROM BUS 650004 [TBGS 4G 13.800] TO BUS 650275 [84&BLUFF 7 115.00] CKT 1  
GEN-ROKBY2 : TRIP LINE FROM BUS 650092 [ROKEBY 2G 13.800] TO BUS 650290 [ROKEBY 7 115.00] CKT 1  
TRF-NW68HOL : TRIP LINE FROM BUS 650214 [NW68HOLDRG7 115.00] TO BUS 650114 [NW68HOLDRG3 345.00] TO BUS 650314 [NW68HOL1 9 13.800] CKT 1  
TRF-70&BLUF : TRIP LINE FROM BUS 650269 [70&BLUFF 7 115.00] TO BUS 650169 [70&BLUFF 5 161.00] TO BUS 650369 [70&BLUFF 9 13.800] CKT 1  
TRF-WAGNR1 : TRIP LINE FROM BUS 650285 [WAGENER 7 115.00] TO BUS 650185 [WAGENER 3 345.00] TO BUS 650385 [WAGENER1 9 13.800] CKT 1  
TRF-WAGNR2 : TRIP LINE FROM BUS 650285 [WAGENER 7 115.00] TO BUS 650185 [WAGENER 3 345.00] TO BUS 650485 [WAGENER2 9 13.800] CKT 2

ACCC OVERLOAD REPORT: MONITORED BRANCHES AND INTERFACES LOADED ABOVE 100.0 % OF RATING SET A  
 CONTINGENCY CASE LOADING NOT CHECKED UNLESS IT DIFFERS FROM ITS BASE CASE LOADING BY 1.0 MVA (MW FOR INTERFACES)  
 ACCC VOLTAGE REPORT: VOLTAGE BAND CHECK IN CONTINGENCY CASES SKIPPED FOR ANY BUS WITHIN 0.01000 OF ITS BASE CASE VOLTAGE MAGNITUDE

AC CONTINGENCY RESULTS FILE: C:\u1\ddbetz\spp-facilities-study\DISIS-2010-001\lf\acc\16W-post.acc  
 DISTRIBUTION FACTOR FILE: C:\u1\ddbetz\spp-facilities-study\DISIS-2010-001\lf\acc\16W-post.dfx  
 SUBSYSTEM DESCRIPTION FILE: C:\u1\ddbetz\spp-facilities-study\DISIS-2010-001\lf\acc\MRO.sub  
 MONITORED ELEMENT FILE: C:\u1\ddbetz\spp-facilities-study\DISIS-2010-001\lf\acc\Nebraska.mon  
 CONTINGENCY DESCRIPTION FILE: C:\u1\ddbetz\spp-facilities-study\DISIS-2010-001\lf\acc\Nebraska.con

Solution engine: Fixed slope decoupled Newton-Raphson (FDNS)

Solution options

Tap adjustment: Stepping

Area interchange control: Disable

Phase shift adjustment: Enable

Dc tap adjustment: Enable

Switch shunt adjustment: Lock all

Non diverge: Disable

Mismatch tolerance (MW ): 1.5

Dispatch mode: Disable

<----- MULTI-SECTION LINE ----->	<----- MONITORED BRANCH ----->	CONTINGENCY	RATING	FLOW	%
640133 COLMBUS4	230.00 643000*MADISONCNTY4230.00 1 BASE CASE	192.0	229.6	116.1	
652554*MORRIS 4	230.00 652555 MORRIS 7 115.00 1 BASE CASE	27.0	100.1	370.9	
640133 COLMBUS4	230.00 643000*MADISONCNTY4230.00 1 SINGLE 2	192.0	228.6	115.6	
640133 COLMBUS4	230.00 643000*MADISONCNTY4230.00 1 SINGLE 3	192.0	227.3	114.9	
640133 COLMBUS4	230.00 643000*MADISONCNTY4230.00 1 SINGLE 4	192.0	228.4	115.5	
640133 COLMBUS4	230.00 643000*MADISONCNTY4230.00 1 SINGLE 6	192.0	228.5	115.5	
603023*MALLARD7	115.00 659190 NDPRAIRWND 7115.00 1 SINGLE 8	120.0	132.8	114.0	
640133 COLMBUS4	230.00 643000*MADISONCNTY4230.00 1 SINGLE 9	192.0	230.7	116.6	
640133 COLMBUS4	230.00 643000*MADISONCNTY4230.00 1 SINGLE 12	192.0	232.2	117.4	
640133 COLMBUS4	230.00 643000*MADISONCNTY4230.00 1 SINGLE 16	192.0	227.1	114.8	
640133 COLMBUS4	230.00 643000*MADISONCNTY4230.00 1 SINGLE 17	192.0	225.9	114.2	
640133 COLMBUS4	230.00 643000*MADISONCNTY4230.00 1 SINGLE 18	192.0	231.5	117.1	
640133 COLMBUS4	230.00 643000*MADISONCNTY4230.00 1 SINGLE 20	192.0	228.5	115.6	
640133 COLMBUS4	230.00 643000*MADISONCNTY4230.00 1 SINGLE 31	192.0	223.1	112.8	
640133 COLMBUS4	230.00 643000*MADISONCNTY4230.00 1 SINGLE 32	192.0	224.0	113.3	
640133 COLMBUS4	230.00 643000*MADISONCNTY4230.00 1 SINGLE 41	192.0	226.3	114.4	
640133 COLMBUS4	230.00 643000*MADISONCNTY4230.00 1 SINGLE 43	192.0	232.6	117.6	
640133 COLMBUS4	230.00 643000*MADISONCNTY4230.00 1 SINGLE 45	192.0	224.9	113.7	
640133 COLMBUS4	230.00 643000*MADISONCNTY4230.00 1 SINGLE 46	192.0	219.9	111.2	
640133 COLMBUS4	230.00 643000*MADISONCNTY4230.00 1 SINGLE 50	192.0	228.4	115.5	
640133 COLMBUS4	230.00 643000*MADISONCNTY4230.00 1 SINGLE 60	192.0	231.2	116.9	
640133 COLMBUS4	230.00 643000*MADISONCNTY4230.00 1 SINGLE 71	192.0	228.6	115.6	
640133 COLMBUS4	230.00 643000*MADISONCNTY4230.00 1 SINGLE 127	192.0	227.3	114.9	
640133 COLMBUS4	230.00 643000*MADISONCNTY4230.00 1 SINGLE 135	192.0	230.7	116.7	
640133 COLMBUS4	230.00 643000*MADISONCNTY4230.00 1 SINGLE 157	192.0	228.5	115.5	

640133	COLMBUS4	230.00	643000*	MADISONCNTY4230.00	1	SINGLE	227	192.0	228.2	115.4
640133	COLMBUS4	230.00	643000*	MADISONCNTY4230.00	1	SINGLE	228	192.0	225.5	114.0
640133	COLMBUS4	230.00	643000*	MADISONCNTY4230.00	1	SINGLE	230	192.0	230.9	116.7
640133	COLMBUS4	230.00	643000*	MADISONCNTY4230.00	1	SINGLE	231	192.0	242.3	122.5
640133	COLMBUS4	230.00	643000*	MADISONCNTY4230.00	1	SINGLE	232	192.0	255.5	129.2
640133	COLMBUS4	230.00	643000*	MADISONCNTY4230.00	1	SINGLE	236	192.0	226.1	114.3
640133	COLMBUS4	230.00	643000*	MADISONCNTY4230.00	1	SINGLE	237	192.0	225.8	114.2
640133	COLMBUS4	230.00	643000*	MADISONCNTY4230.00	1	SINGLE	250	192.0	232.9	117.8
640133	COLMBUS4	230.00	643000*	MADISONCNTY4230.00	1	SINGLE	251	192.0	232.3	117.5
640133	COLMBUS4	230.00	643000*	MADISONCNTY4230.00	1	SINGLE	257	192.0	231.6	117.1
640133	COLMBUS4	230.00	643000*	MADISONCNTY4230.00	1	SINGLE	259	192.0	231.5	117.1
640133	COLMBUS4	230.00	643000*	MADISONCNTY4230.00	1	SINGLE	262	192.0	231.6	117.1
640133	COLMBUS4	230.00	643000*	MADISONCNTY4230.00	1	SINGLE	265	192.0	227.0	114.8
640133	COLMBUS4	230.00	643000*	MADISONCNTY4230.00	1	SINGLE	266	192.0	232.3	117.4
640133	COLMBUS4	230.00	643000*	MADISONCNTY4230.00	1	SINGLE	270	192.0	231.0	116.8
640133	COLMBUS4	230.00	643000*	MADISONCNTY4230.00	1	SINGLE	272	192.0	225.8	114.2
640133	COLMBUS4	230.00	643000*	MADISONCNTY4230.00	1	SINGLE	274	192.0	231.0	116.8
640133	COLMBUS4	230.00	643000*	MADISONCNTY4230.00	1	SINGLE	276	192.0	231.5	117.1
640133	COLMBUS4	230.00	643000*	MADISONCNTY4230.00	1	SINGLE	277	192.0	231.9	117.2
640133	COLMBUS4	230.00	643000*	MADISONCNTY4230.00	1	SINGLE	278	192.0	228.2	115.4
640133	COLMBUS4	230.00	643000*	MADISONCNTY4230.00	1	SINGLE	288	192.0	231.4	117.0
640133	COLMBUS4	230.00	643000*	MADISONCNTY4230.00	1	SINGLE	289	192.0	230.9	116.8
640133	COLMBUS4	230.00	643000*	MADISONCNTY4230.00	1	SINGLE	291	192.0	227.7	115.1
640133	COLMBUS4	230.00	643000*	MADISONCNTY4230.00	1	SINGLE	297	192.0	233.0	117.8
640133	COLMBUS4	230.00	643000*	MADISONCNTY4230.00	1	SINGLE	304	192.0	228.4	115.5
640133	COLMBUS4	230.00	643000*	MADISONCNTY4230.00	1	SINGLE	306	192.0	234.4	118.5
640133	COLMBUS4	230.00	643000*	MADISONCNTY4230.00	1	SINGLE	307	192.0	217.6	110.1
640133	COLMBUS4	230.00	643000*	MADISONCNTY4230.00	1	SINGLE	308	192.0	217.6	110.0
640133	COLMBUS4	230.00	643000*	MADISONCNTY4230.00	1	SINGLE	310	192.0	228.3	115.4
640133	COLMBUS4	230.00	643000*	MADISONCNTY4230.00	1	SINGLE	311	192.0	237.5	120.1
640133	COLMBUS4	230.00	643000*	MADISONCNTY4230.00	1	SINGLE	312	192.0	246.2	124.5
640133	COLMBUS4	230.00	643000*	MADISONCNTY4230.00	1	SINGLE	313	192.0	205.7	104.0
640133	COLMBUS4	230.00	643000*	MADISONCNTY4230.00	1	SINGLE	315	192.0	218.3	110.4
640133	COLMBUS4	230.00	643000*	MADISONCNTY4230.00	1	SINGLE	316	192.0	237.3	120.0
640133	COLMBUS4	230.00	643000*	MADISONCNTY4230.00	1	SINGLE	317	192.0	237.9	120.3
640133	COLMBUS4	230.00	643000*	MADISONCNTY4230.00	1	SINGLE	318	192.0	224.2	113.4
640133	COLMBUS4	230.00	643000*	MADISONCNTY4230.00	1	SINGLE	320	192.0	231.9	117.3
640133	COLMBUS4	230.00	643000*	MADISONCNTY4230.00	1	SINGLE	327	192.0	244.0	123.4
640133	COLMBUS4	230.00	643000*	MADISONCNTY4230.00	1	SINGLE	331	192.0	230.8	116.7
640133	COLMBUS4	230.00	643000*	MADISONCNTY4230.00	1	SINGLE	337	192.0	226.3	114.4
640133	COLMBUS4	230.00	643000*	MADISONCNTY4230.00	1	SINGLE	344	192.0	227.8	115.2
640133	COLMBUS4	230.00	643000*	MADISONCNTY4230.00	1	SINGLE	352	192.0	231.1	116.9
640133	COLMBUS4	230.00	643000*	MADISONCNTY4230.00	1	SINGLE	354	192.0	232.9	117.8
640133	COLMBUS4	230.00	643000*	MADISONCNTY4230.00	1	SINGLE	355	192.0	232.1	117.3
640133	COLMBUS4	230.00	643000*	MADISONCNTY4230.00	1	SINGLE	360	192.0	228.0	115.3
640133	COLMBUS4	230.00	643000*	MADISONCNTY4230.00	1	SINGLE	361	192.0	228.6	115.6
640133	COLMBUS4	230.00	643000*	MADISONCNTY4230.00	1	SINGLE	388	192.0	222.2	112.3
640133	COLMBUS4	230.00	643000*	MADISONCNTY4230.00	1	SINGLE	389	192.0	201.6	101.9

640133	COLMBUS4	230.00	643000*	MADISONCNTY4230.00	1	SINGLE	390	192.0	231.9	117.3	
640133	COLMBUS4	230.00	643000*	MADISONCNTY4230.00	1	SINGLE	392	192.0	231.9	117.2	
640133	COLMBUS4	230.00	643000*	MADISONCNTY4230.00	1	SINGLE	393	192.0	234.3	118.5	
640133	COLMBUS4	230.00	643000*	MADISONCNTY4230.00	1	SINGLE	394	192.0	232.4	117.5	
640133	COLMBUS4	230.00	643000*	MADISONCNTY4230.00	1	SINGLE	410	192.0	232.5	117.6	
640133	COLMBUS4	230.00	643000*	MADISONCNTY4230.00	1	SINGLE	414	192.0	222.4	112.5	
640133	COLMBUS4	230.00	643000*	MADISONCNTY4230.00	1	SINGLE	415	192.0	231.8	117.2	
640133	COLMBUS4	230.00	643000*	MADISONCNTY4230.00	1	SINGLE	418	192.0	237.5	120.1	
640133	COLMBUS4	230.00	643000*	MADISONCNTY4230.00	1	SINGLE	419	192.0	271.4	137.2	
640133	COLMBUS4	230.00	643000*	MADISONCNTY4230.00	1	SINGLE	422	192.0	228.3	115.4	
640133	COLMBUS4	230.00	643000*	MADISONCNTY4230.00	1	SINGLE	423	192.0	227.2	114.9	
640133	COLMBUS4	230.00	643000*	MADISONCNTY4230.00	1	SINGLE	426	192.0	227.9	115.3	
640133	COLMBUS4	230.00	643000*	MADISONCNTY4230.00	1	SINGLE	427	192.0	227.3	114.9	
640133	COLMBUS4	230.00	643000*	MADISONCNTY4230.00	1	SINGLE	430	192.0	232.2	117.4	
640133	COLMBUS4	230.00	643000*	MADISONCNTY4230.00	1	SINGLE	434	192.0	227.5	115.0	
640133	COLMBUS4	230.00	643000*	MADISONCNTY4230.00	1	SINGLE	439	192.0	230.7	116.7	
640133	COLMBUS4	230.00	643000*	MADISONCNTY4230.00	1	SINGLE	440	192.0	228.2	115.4	
640133	COLMBUS4	230.00	643000*	MADISONCNTY4230.00	1	SINGLE	442	192.0	241.0	121.9	
640133	COLMBUS4	230.00	643000*	MADISONCNTY4230.00	1	SINGLE	443	192.0	231.6	117.1	
640133	COLMBUS4	230.00	643000*	MADISONCNTY4230.00	1	SINGLE	444	192.0	261.7	132.3	
640133	COLMBUS4	230.00	643000*	MADISONCNTY4230.00	1	SINGLE	451	192.0	231.0	116.8	
640133	COLMBUS4	230.00	643000*	MADISONCNTY4230.00	1	SINGLE	455	192.0	256.2	129.5	
640133	COLMBUS4	230.00	643000*	MADISONCNTY4230.00	1	SINGLE	464	192.0	205.8	104.0	
640133	COLMBUS4	230.00	643000*	MADISONCNTY4230.00	1	SINGLE	470	192.0	231.8	117.2	
640133	COLMBUS4	230.00	643000*	MADISONCNTY4230.00	1	SINGLE	471	192.0	227.5	115.0	
640133	COLMBUS4	230.00	643000*	MADISONCNTY4230.00	1	SINGLE	475	192.0	234.8	118.7	
640133	COLMBUS4	230.00	643000*	MADISONCNTY4230.00	1	SINGLE	477	192.0	228.6	115.6	
640133	COLMBUS4	230.00	643000*	MADISONCNTY4230.00	1	SINGLE	478	192.0	227.9	115.2	
640133	COLMBUS4	230.00	643000*	MADISONCNTY4230.00	1	SINGLE	487	192.0	221.5	112.0	
652476	EAGLEBT7	115.00	652520*	OAHE 7	115.00	1	SINGLE	487	60.0	62.5	102.8
640133	COLMBUS4	230.00	643000*	MADISONCNTY4230.00	1	SINGLE	488	192.0	222.7	112.6	
640133	COLMBUS4	230.00	643000*	MADISONCNTY4230.00	1	SINGLE	491	192.0	231.9	117.3	
640133	COLMBUS4	230.00	643000*	MADISONCNTY4230.00	1	SINGLE	492	192.0	218.3	110.4	
640133	COLMBUS4	230.00	643000*	MADISONCNTY4230.00	1	SINGLE	508	192.0	225.2	113.9	
640133	COLMBUS4	230.00	643000*	MADISONCNTY4230.00	1	SINGLE	514	192.0	227.9	115.3	
640133	COLMBUS4	230.00	643000*	MADISONCNTY4230.00	1	SINGLE	516	192.0	228.0	115.3	
640133	COLMBUS4	230.00	643000*	MADISONCNTY4230.00	1	SINGLE	517	192.0	226.9	114.7	
640133	COLMBUS4	230.00	643000*	MADISONCNTY4230.00	1	SINGLE	519	192.0	228.0	115.3	
640133	COLMBUS4	230.00	643000*	MADISONCNTY4230.00	1	SINGLE	520	192.0	233.8	118.2	
603023*	MALLARD7	115.00	659190	NDPRAIRWND	7115.00	1	SINGLE	634	120.0	124.4	107.0
603023*	MALLARD7	115.00	659190	NDPRAIRWND	7115.00	1	SINGLE	636	120.0	126.8	109.6
659106	LELANDO4	230.00	659108*	LOGAN 4	230.00	1	SINGLE	636	319.0	305.2	100.8
659108*	LOGAN 4	230.00	659143	BLAISDELL	4230.00	1	SINGLE	636	239.0	232.6	102.5
659182	CHAR.CK7	115.00	659184*	R.RIDER7	115.00	1	SINGLE	636	120.0	115.9	101.1
640133	COLMBUS4	230.00	643000*	MADISONCNTY4230.00	1	SINGLE	649	192.0	230.6	116.6	
640133	COLMBUS4	230.00	643000*	MADISONCNTY4230.00	1	SINGLE	652	192.0	234.2	118.4	
640133	COLMBUS4	230.00	643000*	MADISONCNTY4230.00	1	SINGLE	656	192.0	232.1	117.4	
640133	COLMBUS4	230.00	643000*	MADISONCNTY4230.00	1	SINGLE	658	192.0	231.8	117.2	

640133 COLMBUS4	230.00	643000*	MADISONCNTY4230.00	1	SINGLE	669	192.0	231.5	117.1
640133 COLMBUS4	230.00	643000*	MADISONCNTY4230.00	1	SINGLE	678	192.0	231.8	117.2
640133 COLMBUS4	230.00	643000*	MADISONCNTY4230.00	1	SINGLE	679	192.0	231.8	117.2
603023*MALLARD7	115.00	659190	NDPRAIRWND 7115.00	1	SINGLE	684	120.0	120.5	102.3
640133 COLMBUS4	230.00	643000*	MADISONCNTY4230.00	1	SINGLE	686	192.0	230.9	116.7
640133 COLMBUS4	230.00	643000*	MADISONCNTY4230.00	1	SINGLE	691	192.0	230.8	116.7
652554*MORRIS 4	230.00	652555	MORRIS 7 115.00	1	SINGLE	698	27.0	104.4	386.6
652554*MORRIS 4	230.00	652555	MORRIS 7 115.00	1	SINGLE	701	27.0	101.9	377.3
603023*MALLARD7	115.00	659190	NDPRAIRWND 7115.00	1	SINGLE	706	120.0	121.1	102.8
603023*MALLARD7	115.00	659190	NDPRAIRWND 7115.00	1	SINGLE	707	120.0	119.0	101.0
603023 MALLARD7	115.00	659190*	NDPRAIRWND 7115.00	1	SINGLE	710	120.0	132.2	110.8
652554*MORRIS 4	230.00	652555	MORRIS 7 115.00	1	SINGLE	711	27.0	102.5	379.8
640133 COLMBUS4	230.00	643000*	MADISONCNTY4230.00	1	SINGLE	725	192.0	231.5	117.1
640133 COLMBUS4	230.00	643000*	MADISONCNTY4230.00	1	SINGLE	726	192.0	231.5	117.1
640133 COLMBUS4	230.00	643000*	MADISONCNTY4230.00	1	SINGLE	728	192.0	228.5	115.5
640133 COLMBUS4	230.00	643000*	MADISONCNTY4230.00	1	SINGLE	729	192.0	226.7	114.6
640133 COLMBUS4	230.00	643000*	MADISONCNTY4230.00	1	SINGLE	730	192.0	231.8	117.2
640133 COLMBUS4	230.00	643000*	MADISONCNTY4230.00	1	SINGLE	731	192.0	231.7	117.2
640133 COLMBUS4	230.00	643000*	MADISONCNTY4230.00	1	SINGLE	737	192.0	230.8	116.7
640133 COLMBUS4	230.00	643000*	MADISONCNTY4230.00	1	SINGLE	741	192.0	228.1	115.3
640133 COLMBUS4	230.00	643000*	MADISONCNTY4230.00	1	SINGLE	750	192.0	234.4	118.5
652476 EAGLEBT7	115.00	652520*	OAHE 7 115.00	1	SINGLE	750	60.0	62.7	101.9
652486 PHILIP 4	230.00	652487*	PHILIP 7 115.00	1	SINGLE	750	100.0	103.6	103.6
640133 COLMBUS4	230.00	643000*	MADISONCNTY4230.00	1	SINGLE	751	192.0	231.3	116.9
652476 EAGLEBT7	115.00	652520*	OAHE 7 115.00	1	SINGLE	751	60.0	70.4	113.9
640133 COLMBUS4	230.00	643000*	MADISONCNTY4230.00	1	SINGLE	752	192.0	232.3	117.5
652481 MIDLAND7	115.00	652491*	IRVSIMM7 115.00	1	SINGLE	755	77.0	78.7	101.1
652481 MIDLAND7	115.00	652491*	IRVSIMM7 115.00	1	SINGLE	756	77.0	78.7	101.2
640133 COLMBUS4	230.00	643000*	MADISONCNTY4230.00	1	SINGLE	758	192.0	235.4	119.0
652476 EAGLEBT7	115.00	652520*	OAHE 7 115.00	1	SINGLE	758	60.0	66.2	107.8
652481 MIDLAND7	115.00	652491*	IRVSIMM7 115.00	1	SINGLE	758	77.0	100.0	127.3
640133 COLMBUS4	230.00	643000*	MADISONCNTY4230.00	1	SINGLE	765	192.0	226.9	114.7
640133 COLMBUS4	230.00	643000*	MADISONCNTY4230.00	1	SINGLE	768	192.0	231.8	117.2
640133 COLMBUS4	230.00	643000*	MADISONCNTY4230.00	1	SINGLE	770	192.0	230.8	116.7
652554*MORRIS 4	230.00	652555	MORRIS 7 115.00	1	SINGLE	772	27.0	98.7	365.7
640133 COLMBUS4	230.00	643000*	MADISONCNTY4230.00	1	SINGLE	777	192.0	242.3	122.5
640133 COLMBUS4	230.00	643000*	MADISONCNTY4230.00	1	SINGLE	778	192.0	228.4	115.5
640133 COLMBUS4	230.00	643000*	MADISONCNTY4230.00	1	SINGLE	779	192.0	221.7	112.1
640133 COLMBUS4	230.00	643000*	MADISONCNTY4230.00	1	SINGLE	780	192.0	231.1	116.9
640133 COLMBUS4	230.00	643000*	MADISONCNTY4230.00	1	SINGLE	781	192.0	231.1	116.9
640133 COLMBUS4	230.00	643000*	MADISONCNTY4230.00	1	SINGLE	782	192.0	221.5	112.0
640133 COLMBUS4	230.00	643000*	MADISONCNTY4230.00	1	SINGLE	787	192.0	217.9	110.2
652554*MORRIS 4	230.00	652555	MORRIS 7 115.00	1	SINGLE	787	27.0	98.9	366.5
640133 COLMBUS4	230.00	643000*	MADISONCNTY4230.00	1	SINGLE	788	192.0	231.7	117.2
652482 MISSION7	115.00	652495*	WITTEN 7 115.00	1	SINGLE	788	80.0	115.6	149.7
640133 COLMBUS4	230.00	643000*	MADISONCNTY4230.00	1	SINGLE	789	192.0	231.5	117.1
640133 COLMBUS4	230.00	643000*	MADISONCNTY4230.00	1	SINGLE	796	192.0	222.6	112.5
640133 COLMBUS4	230.00	643000*	MADISONCNTY4230.00	1	SINGLE	797	192.0	249.6	126.2

640133 COLMBUS4	230.00	643000*	MADISONCNTY4230.00	1	SINGLE	798	192.0	244.3	123.6	
640133 COLMBUS4	230.00	643000*	MADISONCNTY4230.00	1	SINGLE	799	192.0	231.9	117.3	
652515*HURON 7	115.00	660009	BTAP WP7	115.00	1	SINGLE	805	80.0	83.7	103.5
640133 COLMBUS4	230.00	643000*	MADISONCNTY4230.00	1	SINGLE	809	192.0	231.5	117.0	
640133 COLMBUS4	230.00	643000*	MADISONCNTY4230.00	1	SINGLE	810	192.0	232.2	117.4	
652554*MORRIS 4	230.00	652555	MORRIS 7	115.00	1	SINGLE	810	27.0	98.9	366.4
640133 COLMBUS4	230.00	643000*	MADISONCNTY4230.00	1	SINGLE	811	192.0	232.3	117.5	
652554*MORRIS 4	230.00	652555	MORRIS 7	115.00	1	SINGLE	811	27.0	98.9	366.2
652515 HURON 7	115.00	660009*	BTAP WP7	115.00	1	SINGLE	815	80.0	92.8	114.2
640133 COLMBUS4	230.00	643000*	MADISONCNTY4230.00	1	SINGLE	817	192.0	231.3	116.9	
640133 COLMBUS4	230.00	643000*	MADISONCNTY4230.00	1	SINGLE	818	192.0	227.6	115.1	
640133 COLMBUS4	230.00	643000*	MADISONCNTY4230.00	1	SINGLE	822	192.0	227.3	115.0	
640133 COLMBUS4	230.00	643000*	MADISONCNTY4230.00	1	SINGLE	826	192.0	231.6	117.1	
640133 COLMBUS4	230.00	643000*	MADISONCNTY4230.00	1	SINGLE	827	192.0	231.4	117.0	
640133 COLMBUS4	230.00	643000*	MADISONCNTY4230.00	1	SINGLE	828	192.0	232.5	117.6	
640133 COLMBUS4	230.00	643000*	MADISONCNTY4230.00	1	SINGLE	830	192.0	235.0	118.8	
640133 COLMBUS4	230.00	643000*	MADISONCNTY4230.00	1	SINGLE	833	192.0	230.9	116.8	
652554*MORRIS 4	230.00	652555	MORRIS 7	115.00	1	SINGLE	835	27.0	99.1	367.0
640133 COLMBUS4	230.00	643000*	MADISONCNTY4230.00	1	SINGLE	836	192.0	232.1	117.4	
652554*MORRIS 4	230.00	652555	MORRIS 7	115.00	1	SINGLE	836	27.0	99.0	366.5
640133 COLMBUS4	230.00	643000*	MADISONCNTY4230.00	1	SINGLE	839	192.0	231.9	117.3	
640133 COLMBUS4	230.00	643000*	MADISONCNTY4230.00	1	SINGLE	840	192.0	233.8	118.2	
652554*MORRIS 4	230.00	652555	MORRIS 7	115.00	1	SINGLE	841	27.0	98.2	363.7
652554*MORRIS 4	230.00	652555	MORRIS 7	115.00	1	SINGLE	842	27.0	119.2	441.6
640133 COLMBUS4	230.00	643000*	MADISONCNTY4230.00	1	SINGLE	849	192.0	230.8	116.7	
640133 COLMBUS4	230.00	643000*	MADISONCNTY4230.00	1	SINGLE	851	192.0	231.5	117.0	
640133 COLMBUS4	230.00	643000*	MADISONCNTY4230.00	1	SINGLE	852	192.0	228.6	115.6	
640133 COLMBUS4	230.00	643000*	MADISONCNTY4230.00	1	SINGLE	856	192.0	214.2	108.3	
652476 EAGLEBT7	115.00	652520*	OAHE 7	115.00	1	SINGLE	856	60.0	65.4	107.6
652488*PHILTAP4	230.00	652519	OAHE 4	230.00	1	SINGLE	856	240.0	271.1	112.2
640133 COLMBUS4	230.00	643000*	MADISONCNTY4230.00	1	SINGLE	857	192.0	231.2	116.9	
640133 COLMBUS4	230.00	643000*	MADISONCNTY4230.00	1	SINGLE	868	192.0	230.8	116.7	
640133 COLMBUS4	230.00	643000*	MADISONCNTY4230.00	1	SINGLE	885	192.0	231.0	116.8	
640133 COLMBUS4	230.00	643000*	MADISONCNTY4230.00	1	SINGLE	886	192.0	231.5	117.0	
640133 COLMBUS4	230.00	643000*	MADISONCNTY4230.00	1	SINGLE	887	192.0	230.6	116.6	
652554*MORRIS 4	230.00	652555	MORRIS 7	115.00	1	SINGLE	889	27.0	98.4	364.4
659105 LELANDO3	345.00	659201*	LELND1TY	345.00	1	SINGLE	889	250.0	254.4	101.8
659106 LELANDO4	230.00	659201*	LELND1TY	345.00	1	SINGLE	889	250.0	254.4	101.8
659105*LELANDO3	345.00	659202	LELND2TY	345.00	1	SINGLE	890	500.0	585.4	117.1
659106 LELANDO4	230.00	659202*	LELND2TY	345.00	1	SINGLE	890	500.0	583.6	116.7
659105 LELANDO3	345.00	659201*	LELND1TY	345.00	1	SINGLE	891	250.0	525.2	210.1
659106 LELANDO4	230.00	659201*	LELND1TY	345.00	1	SINGLE	891	250.0	525.2	210.1
603023*MALLARD7	115.00	659190	NDPRAIRWND	7115.00	1	SINGLE	892	120.0	161.3	141.3
652442 GARRISN7	115.00	652449*	MAX 7	115.00	1	SINGLE	892	120.0	135.4	113.4
652449*MAX 7	115.00	659190	NDPRAIRWND	7115.00	1	SINGLE	892	120.0	126.9	106.3
659105*LELANDO3	345.00	659202	LELND2TY	345.00	1	SINGLE	894	500.0	585.4	117.1
659106 LELANDO4	230.00	659202*	LELND2TY	345.00	1	SINGLE	894	500.0	583.6	116.7
659105 LELANDO3	345.00	659201*	LELND1TY	345.00	1	SINGLE	895	250.0	525.2	210.1

659106 LELANDO4	230.00	659201*LELND1TY	345.00	1	SINGLE	895	250.0	525.2	210.1
640133 COLMBUS4	230.00	643000*MADISONCNTY	4230.00	1	SINGLE	896	192.0	231.6	117.1
603023*MALLARD7	115.00	659190 NDPRAIRWND	7115.00	1	SINGLE	897	120.0	137.3	117.7
640133 COLMBUS4	230.00	643000*MADISONCNTY	4230.00	1	SINGLE	899	192.0	227.5	115.0
640133 COLMBUS4	230.00	643000*MADISONCNTY	4230.00	1	SINGLE	900	192.0	227.5	115.0
640133 COLMBUS4	230.00	643000*MADISONCNTY	4230.00	1	SINGLE	906	192.0	230.6	116.6
640133 COLMBUS4	230.00	643000*MADISONCNTY	4230.00	1	SINGLE	907	192.0	227.6	115.1
640133 COLMBUS4	230.00	643000*MADISONCNTY	4230.00	1	SINGLE	917	192.0	233.0	117.8
603023*MALLARD7	115.00	659190 NDPRAIRWND	7115.00	1	SINGLE	921	120.0	137.3	117.7
640133 COLMBUS4	230.00	643000*MADISONCNTY	4230.00	1	SINGLE	923	192.0	231.2	116.9
652515*HURON 7	115.00	660009 BTAP WP7	115.00	1	SINGLE	924	80.0	83.7	103.5
603023*MALLARD7	115.00	659190 NDPRAIRWND	7115.00	1	SINGLE	933	120.0	126.4	109.1
659106 LELANDO4	230.00	659108*LOGAN 4	230.00	1	SINGLE	933	319.0	305.1	100.3
659108*LOGAN 4	230.00	659143 BLAISDELL	4230.00	1	SINGLE	933	239.0	231.8	101.7
659182*CHAR.CK7	115.00	659184 R.RIDER7	115.00	1	SINGLE	933	120.0	121.2	100.6
640133 COLMBUS4	230.00	643000*MADISONCNTY	4230.00	1	SINGLE	941	192.0	227.5	115.0
640133 COLMBUS4	230.00	643000*MADISONCNTY	4230.00	1	SINGLE	942	192.0	214.2	108.3
652476 EAGLEBT7	115.00	652520*OAHE 7	115.00	1	SINGLE	942	60.0	65.4	107.6
652488*PHILTAP4	230.00	652519 OAHE 4	230.00	1	SINGLE	942	240.0	271.3	112.2
640133 COLMBUS4	230.00	643000*MADISONCNTY	4230.00	1	SINGLE	952	192.0	230.6	116.6
640133 COLMBUS4	230.00	643000*MADISONCNTY	4230.00	1	SINGLE	953	192.0	230.6	116.6
640133 COLMBUS4	230.00	643000*MADISONCNTY	4230.00	1	SINGLE	958	192.0	232.1	117.4
640133 COLMBUS4	230.00	643000*MADISONCNTY	4230.00	1	SINGLE	959	192.0	231.6	117.1
640133 COLMBUS4	230.00	643000*MADISONCNTY	4230.00	1	SINGLE	960	192.0	231.0	116.8
640133 COLMBUS4	230.00	643000*MADISONCNTY	4230.00	1	SINGLE	965	192.0	231.2	116.9
640133 COLMBUS4	230.00	643000*MADISONCNTY	4230.00	1	SINGLE	968	192.0	232.5	117.6
640133 COLMBUS4	230.00	643000*MADISONCNTY	4230.00	1	SINGLE	970	192.0	232.3	117.5
640133 COLMBUS4	230.00	643000*MADISONCNTY	4230.00	1	SINGLE	974	192.0	232.6	117.6
640133 COLMBUS4	230.00	643000*MADISONCNTY	4230.00	1	SINGLE	983	192.0	232.0	117.3
640133 COLMBUS4	230.00	643000*MADISONCNTY	4230.00	1	GEN-COOPER		192.0	238.9	120.8
652554*MORRIS 4	230.00	652555 MORRIS 7	115.00	1	GEN-COOPER		27.0	98.7	365.5
640133 COLMBUS4	230.00	643000*MADISONCNTY	4230.00	1	GEN-GGS-1		192.0	239.1	120.9
652554*MORRIS 4	230.00	652555 MORRIS 7	115.00	1	GEN-GGS-1		27.0	98.7	365.4
640133 COLMBUS4	230.00	643000*MADISONCNTY	4230.00	1	GEN-GGS-2		192.0	239.7	121.2
652554*MORRIS 4	230.00	652555 MORRIS 7	115.00	1	GEN-GGS-2		27.0	98.6	365.4
640133 COLMBUS4	230.00	643000*MADISONCNTY	4230.00	1	GEN-SS-1		192.0	231.3	116.9
640133 COLMBUS4	230.00	643000*MADISONCNTY	4230.00	1	GEN-SS-2		192.0	231.0	116.8
640133 COLMBUS4	230.00	643000*MADISONCNTY	4230.00	1	GEN-PLATTE		192.0	232.2	117.4
640133 COLMBUS4	230.00	643000*MADISONCNTY	4230.00	1	GEN-WEC1		192.0	231.8	117.2
640133 COLMBUS4	230.00	643000*MADISONCNTY	4230.00	1	GEN-COLCOG		192.0	235.0	118.8
640133 COLMBUS4	230.00	643000*MADISONCNTY	4230.00	1	GEN-WEC2		192.0	235.9	119.3
640133 COLMBUS4	230.00	643000*MADISONCNTY	4230.00	1	GEN-AWEF		192.0	225.4	114.0
640133 COLMBUS4	230.00	643000*MADISONCNTY	4230.00	1	GEN-E-RIDGE		192.0	223.1	112.8
640133 COLMBUS4	230.00	643000*MADISONCNTY	4230.00	1	LN-FAIRPORT		192.0	227.8	115.2
640133 COLMBUS4	230.00	643000*MADISONCNTY	4230.00	1	LN-RUSHVILLE		192.0	228.1	115.3
640133 COLMBUS4	230.00	643000*MADISONCNTY	4230.00	1	LN-1090		192.0	228.2	115.4
640133 COLMBUS4	230.00	643000*MADISONCNTY	4230.00	1	LN-1267		192.0	226.4	114.5
640133 COLMBUS4	230.00	643000*MADISONCNTY	4230.00	1	LN-1164		192.0	230.7	116.6

640133	COLMBUS4	230.00	643000*	MADISONCNTY4230.00	1	LN-1163	192.0	233.6	118.1	
640133	COLMBUS4	230.00	643000*	MADISONCNTY4230.00	1	LN-1169	192.0	231.3	117.0	
640133	COLMBUS4	230.00	643000*	MADISONCNTY4230.00	1	LN-1152	192.0	227.9	115.2	
640133	COLMBUS4	230.00	643000*	MADISONCNTY4230.00	1	LN-N-BEND	192.0	227.6	115.1	
640133	COLMBUS4	230.00	643000*	MADISONCNTY4230.00	1	LN-1168	192.0	231.8	117.2	
640133	COLMBUS4	230.00	643000*	MADISONCNTY4230.00	1	TRF-HOSKINS	192.0	225.2	113.9	
640133	COLMBUS4	230.00	643000*	MADISONCNTY4230.00	1	TRF-VHILL	192.0	227.5	115.1	
640133	COLMBUS4	230.00	643000*	MADISONCNTY4230.00	1	TRF-KELLY	192.0	218.3	110.4	
640133	COLMBUS4	230.00	643000*	MADISONCNTY4230.00	1	TRF-STEGALL	192.0	214.2	108.3	
652476	EAGLEBT7	115.00	652520*	OAHE 7	115.00	1	TRF-STEGALL	60.0	65.4	107.6
652488	*PHILTAP4	230.00	652519	OAHE 4	230.00	1	TRF-STEGALL	240.0	271.1	112.2
640133	COLMBUS4	230.00	643000*	MADISONCNTY4230.00	1	FCS_GEN	192.0	232.8	117.7	
652554	*MORRIS 4	230.00	652555	MORRIS 7	115.00	1	FCS_GEN	27.0	98.7	365.7
640133	COLMBUS4	230.00	643000*	MADISONCNTY4230.00	1	NC1_GEN	192.0	238.0	120.4	
652554	*MORRIS 4	230.00	652555	MORRIS 7	115.00	1	NC1_GEN	27.0	98.8	365.8
640133	COLMBUS4	230.00	643000*	MADISONCNTY4230.00	1	NC2_GEN	192.0	238.6	120.6	
652554	*MORRIS 4	230.00	652555	MORRIS 7	115.00	1	NC2_GEN	27.0	98.7	365.4
640133	COLMBUS4	230.00	643000*	MADISONCNTY4230.00	1	NO5_GEN	192.0	230.9	116.7	

## MONITORED VOLTAGE REPORT:

SYSTEM	CONTINGENCY	<----- B U S ----->	V-CONT	V-INIT	V-MAX	V-MIN			
'NEBR	'	RANGE SINGLE 194	636672	GALESBR5	161.00	1.10088	1.05923	1.10000	0.90000
'NEBR	'	RANGE SINGLE 342	640171	FIRTH 7	115.00	0.80884	1.01675	1.10000	0.90000
'NEBR	'	RANGE SINGLE 342	640362	STERLNG7	115.00	0.81860	1.00840	1.10000	0.90000
'NEBR	'	RANGE SINGLE 343	640362	STERLNG7	115.00	0.89682	1.00840	1.10000	0.90000
'NEBR	'	RANGE SINGLE 634	659144	BLAISDELL	7115.00	0.89804	0.94142	1.10000	0.90000
'NEBR	'	RANGE SINGLE 636	659144	BLAISDELL	7115.00	0.88244	0.94142	1.10000	0.90000
'NEBR	'	RANGE SINGLE 656	652401	CIRCLE 7	115.00	1.18974	1.01386	1.10000	0.90000
'NEBR	'	RANGE SINGLE 656	652403	DAWSONC4	230.00	1.25091	1.03166	1.10000	0.90000
'NEBR	'	RANGE SINGLE 656	652404	DAWSONC7	115.00	1.24408	1.02664	1.10000	0.90000
'NEBR	'	RANGE SINGLE 656	652405	FTPECK 4	230.00	1.16498	1.04500	1.10000	0.90000
'NEBR	'	RANGE SINGLE 656	652406	FTPECK 7	115.00	1.12714	1.03961	1.10000	0.90000
'NEBR	'	RANGE SINGLE 656	652407	FALLON 7	115.00	1.26910	1.01076	1.10000	0.90000
'NEBR	'	RANGE SINGLE 656	652409	WOLFPT 7	115.00	1.12881	1.03036	1.10000	0.90000
'NEBR	'	RANGE SINGLE 656	652411	MI CTYE4	230.00	1.36270	1.03000	1.10000	0.90000
'NEBR	'	RANGE SINGLE 656	652412	MI CTYE7	115.00	1.33980	1.02177	1.10000	0.90000
'NEBR	'	RANGE SINGLE 656	652413	MEDORA 4	230.00	1.17924	1.01584	1.10000	0.90000
'NEBR	'	RANGE SINGLE 656	652417	DICKNSN4	230.00	1.13415	1.00979	1.10000	0.90000
'NEBR	'	RANGE SINGLE 656	652425	BELFELD4	230.00	1.15491	1.01095	1.10000	0.90000
'NEBR	'	RANGE SINGLE 656	652470	BISON 4	230.00	1.15732	1.00599	1.10000	0.90000
'NEBR	'	RANGE SINGLE 656	652480	MAURINE7	115.00	1.11515	1.00216	1.10000	0.90000
'NEBR	'	RANGE SINGLE 656	652497	MAURINE4	230.00	1.13114	1.00943	1.10000	0.90000
'NEBR	'	RANGE SINGLE 656	659263	LTLMISS7	115.00	1.25603	1.01320	1.10000	0.90000
'NEBR	'	RANGE SINGLE 656	659265	LTLMISS4	230.00	1.25400	1.01637	1.10000	0.90000
'NEBR	'	RANGE SINGLE 656	659266	RHAME 4	230.00	1.21707	1.00590	1.10000	0.90000
'NEBR	'	RANGE SINGLE 656	659267	RHAME 7	115.00	1.16606	0.95453	1.10000	0.90000
'NEBR	'	RANGE SINGLE 656	659271	RCDC EAST	4230.00	1.10493	1.02998	1.10000	0.90000
'NEBR	'	RANGE SINGLE 656	661004	BAKER 4	230.00	1.27042	1.01865	1.10000	0.90000



'NEBR	'	RANGE SINGLE	656	661010 BOWMAN 4	230.00	1.20306	1.00377	1.10000	0.90000
'NEBR	'	RANGE SINGLE	656	661047 HETINGR4	230.00	1.18349	1.00876	1.10000	0.90000
'NEBR	'	RANGE SINGLE	658	652401 CIRCLE 7	115.00	1.11608	1.01386	1.10000	0.90000
'NEBR	'	RANGE SINGLE	658	652403 DAWSONC4	230.00	1.16035	1.03166	1.10000	0.90000
'NEBR	'	RANGE SINGLE	658	652404 DAWSONC7	115.00	1.17954	1.02664	1.10000	0.90000
'NEBR	'	RANGE SINGLE	658	652407 FALLON 7	115.00	1.26051	1.01076	1.10000	0.90000
'NEBR	'	RANGE SINGLE	658	652411 MI CTYE4	230.00	1.48915	1.03000	1.10000	0.90000
'NEBR	'	RANGE SINGLE	658	652412 MI CTYE7	115.00	1.43301	1.02177	1.10000	0.90000
'NEBR	'	RANGE SINGLE	658	652413 MEDORA 4	230.00	1.14598	1.01584	1.10000	0.90000
'NEBR	'	RANGE SINGLE	658	652417 DICKNSN4	230.00	1.12155	1.00979	1.10000	0.90000
'NEBR	'	RANGE SINGLE	658	652425 BELFELD4	230.00	1.13920	1.01095	1.10000	0.90000
'NEBR	'	RANGE SINGLE	658	652470 BISON 4	230.00	1.16784	1.00599	1.10000	0.90000
'NEBR	'	RANGE SINGLE	658	652480 MAURINE7	115.00	1.12097	1.00216	1.10000	0.90000
'NEBR	'	RANGE SINGLE	658	652497 MAURINE4	230.00	1.13822	1.00943	1.10000	0.90000
'NEBR	'	RANGE SINGLE	658	659263 LTLMISS7	115.00	1.29392	1.01320	1.10000	0.90000
'NEBR	'	RANGE SINGLE	658	659265 LTLMISS4	230.00	1.29118	1.01637	1.10000	0.90000
'NEBR	'	RANGE SINGLE	658	659266 RHAME 4	230.00	1.23964	1.00590	1.10000	0.90000
'NEBR	'	RANGE SINGLE	658	659267 RHAME 7	115.00	1.18853	0.95453	1.10000	0.90000
'NEBR	'	RANGE SINGLE	658	659271 RCDC EAST	4230.00	1.10830	1.02998	1.10000	0.90000
'NEBR	'	RANGE SINGLE	658	661004 BAKER 4	230.00	1.31681	1.01865	1.10000	0.90000
'NEBR	'	RANGE SINGLE	658	661010 BOWMAN 4	230.00	1.22250	1.00377	1.10000	0.90000
'NEBR	'	RANGE SINGLE	658	661047 HETINGR4	230.00	1.19725	1.00876	1.10000	0.90000
'NEBR	'	RANGE SINGLE	667	659267 RHAME 7	115.00	0.89901	0.95453	1.10000	0.90000
'NEBR	'	RANGE SINGLE	669	652243 FAITH 7	115.00	1.14554	0.99250	1.10000	0.90000
'NEBR	'	RANGE SINGLE	669	652401 CIRCLE 7	115.00	1.41416	1.01386	1.10000	0.90000
'NEBR	'	RANGE SINGLE	669	652403 DAWSONC4	230.00	1.47524	1.03166	1.10000	0.90000
'NEBR	'	RANGE SINGLE	669	652404 DAWSONC7	115.00	1.45983	1.02664	1.10000	0.90000
'NEBR	'	RANGE SINGLE	669	652405 FTPECK 4	230.00	1.39843	1.04500	1.10000	0.90000
'NEBR	'	RANGE SINGLE	669	652406 FTPECK 7	115.00	1.34866	1.03961	1.10000	0.90000
'NEBR	'	RANGE SINGLE	669	652407 FALLON 7	115.00	1.49447	1.01076	1.10000	0.90000
'NEBR	'	RANGE SINGLE	669	652409 WOLFPT 7	115.00	1.33382	1.03036	1.10000	0.90000
'NEBR	'	RANGE SINGLE	669	652411 MI CTYE4	230.00	1.59973	1.03000	1.10000	0.90000
'NEBR	'	RANGE SINGLE	669	652412 MI CTYE7	115.00	1.57489	1.02177	1.10000	0.90000
'NEBR	'	RANGE SINGLE	669	652413 MEDORA 4	230.00	1.39641	1.01584	1.10000	0.90000
'NEBR	'	RANGE SINGLE	669	652421 WILISTN7	115.00	1.12745	0.99765	1.10000	0.90000
'NEBR	'	RANGE SINGLE	669	652424 BELFELD3	345.00	1.10095	1.00525	1.10000	0.90000
'NEBR	'	RANGE SINGLE	669	652425 BELFELD4	230.00	1.36803	1.01095	1.10000	0.90000
'NEBR	'	RANGE SINGLE	669	652451 RICHLND7	115.00	1.21637	0.98315	1.10000	0.90000
'NEBR	'	RANGE SINGLE	669	652470 BISON 4	230.00	1.26374	1.00599	1.10000	0.90000
'NEBR	'	RANGE SINGLE	669	652473 ELKCRK 7	115.00	1.13030	0.98742	1.10000	0.90000
'NEBR	'	RANGE SINGLE	669	652477 ELSWRTH7	115.00	1.11899	0.98764	1.10000	0.90000
'NEBR	'	RANGE SINGLE	669	652480 MAURINE7	115.00	1.18544	1.00216	1.10000	0.90000
'NEBR	'	RANGE SINGLE	669	652483 NEWELL 7	115.00	1.14689	0.98917	1.10000	0.90000
'NEBR	'	RANGE SINGLE	669	652484 NUNDRWD4	230.00	1.13575	1.01884	1.10000	0.90000
'NEBR	'	RANGE SINGLE	669	652485 NUNDRWD7	115.00	1.11824	0.99435	1.10000	0.90000
'NEBR	'	RANGE SINGLE	669	652490 RAPIDCY7	115.00	1.12454	0.98768	1.10000	0.90000
'NEBR	'	RANGE SINGLE	669	652493 WICKSVL7	115.00	1.10792	0.99640	1.10000	0.90000
'NEBR	'	RANGE SINGLE	669	652496 RUSHMRE7	115.00	1.11923	0.98510	1.10000	0.90000

'NEBR	'	RANGE SINGLE	669	652497 MAURINE4	230.00	1.21065	1.00943	1.10000	0.90000
'NEBR	'	RANGE SINGLE	669	652651 FAIRVIEW 7	115.00	1.18926	0.98424	1.10000	0.90000
'NEBR	'	RANGE SINGLE	669	659180 KOCH 7	115.00	1.19594	0.98384	1.10000	0.90000
'NEBR	'	RANGE SINGLE	669	659181 BICNTNL7	115.00	1.15767	0.98918	1.10000	0.90000
'NEBR	'	RANGE SINGLE	669	659184 R.RIDER7	115.00	1.11780	0.99285	1.10000	0.90000
'NEBR	'	RANGE SINGLE	669	659191 SQUAWGP7	115.00	1.18811	0.99171	1.10000	0.90000
'NEBR	'	RANGE SINGLE	669	659263 LTLMISS7	115.00	1.46408	1.01320	1.10000	0.90000
'NEBR	'	RANGE SINGLE	669	659265 LTLMISS4	230.00	1.45837	1.01637	1.10000	0.90000
'NEBR	'	RANGE SINGLE	669	659266 RHAME 4	230.00	1.40899	1.00590	1.10000	0.90000
'NEBR	'	RANGE SINGLE	669	659267 RHAME 7	115.00	1.35659	0.95453	1.10000	0.90000
'NEBR	'	RANGE SINGLE	669	659269 CLBRTSONGEN7	115.00	1.19250	1.00377	1.10000	0.90000
'NEBR	'	RANGE SINGLE	669	659271 RCDC EAST	4230.00	1.14934	1.02998	1.10000	0.90000
'NEBR	'	RANGE SINGLE	669	661004 BAKER 4	230.00	1.48063	1.01865	1.10000	0.90000
'NEBR	'	RANGE SINGLE	669	661010 BOWMAN 4	230.00	1.37322	1.00377	1.10000	0.90000
'NEBR	'	RANGE SINGLE	669	661012 CLBRTSN7	115.00	1.19264	1.00246	1.10000	0.90000
'NEBR	'	RANGE SINGLE	669	661047 HETINGR4	230.00	1.31340	1.00876	1.10000	0.90000
'NEBR	'	RANGE SINGLE	669	661075 POPLAR 7	115.00	1.26607	1.01375	1.10000	0.90000
'NEBR	'	RANGE SINGLE	678	652401 CIRCLE 7	115.00	1.20801	1.01386	1.10000	0.90000
'NEBR	'	RANGE SINGLE	678	652403 DAWSONC4	230.00	1.27392	1.03166	1.10000	0.90000
'NEBR	'	RANGE SINGLE	678	652404 DAWSONC7	115.00	1.26278	1.02664	1.10000	0.90000
'NEBR	'	RANGE SINGLE	678	652405 FTPECK 4	230.00	1.18687	1.04500	1.10000	0.90000
'NEBR	'	RANGE SINGLE	678	652406 FTPECK 7	115.00	1.14545	1.03961	1.10000	0.90000
'NEBR	'	RANGE SINGLE	678	652407 FALLON 7	115.00	1.28992	1.01076	1.10000	0.90000
'NEBR	'	RANGE SINGLE	678	652409 WOLFPT 7	115.00	1.14425	1.03036	1.10000	0.90000
'NEBR	'	RANGE SINGLE	678	652411 MI CTYE4	230.00	1.38761	1.03000	1.10000	0.90000
'NEBR	'	RANGE SINGLE	678	652412 MI CTYE7	115.00	1.36367	1.02177	1.10000	0.90000
'NEBR	'	RANGE SINGLE	678	652413 MEDORA 4	230.00	1.20972	1.01584	1.10000	0.90000
'NEBR	'	RANGE SINGLE	678	652417 DICKNSN4	230.00	1.15683	1.00979	1.10000	0.90000
'NEBR	'	RANGE SINGLE	678	652424 BELFELD3	345.00	1.18698	1.00525	1.10000	0.90000
'NEBR	'	RANGE SINGLE	678	652425 BELFELD4	230.00	1.18698	1.01095	1.10000	0.90000
'NEBR	'	RANGE SINGLE	678	652470 BISON 4	230.00	1.16261	1.00599	1.10000	0.90000
'NEBR	'	RANGE SINGLE	678	652480 MAURINE7	115.00	1.11176	1.00216	1.10000	0.90000
'NEBR	'	RANGE SINGLE	678	652497 MAURINE4	230.00	1.13013	1.00943	1.10000	0.90000
'NEBR	'	RANGE SINGLE	678	659263 LTLMISS7	115.00	1.28014	1.01320	1.10000	0.90000
'NEBR	'	RANGE SINGLE	678	659265 LTLMISS4	230.00	1.27765	1.01637	1.10000	0.90000
'NEBR	'	RANGE SINGLE	678	659266 RHAME 4	230.00	1.24013	1.00590	1.10000	0.90000
'NEBR	'	RANGE SINGLE	678	659267 RHAME 7	115.00	1.18902	0.95453	1.10000	0.90000
'NEBR	'	RANGE SINGLE	678	661004 BAKER 4	230.00	1.29416	1.01865	1.10000	0.90000
'NEBR	'	RANGE SINGLE	678	661010 BOWMAN 4	230.00	1.22213	1.00377	1.10000	0.90000
'NEBR	'	RANGE SINGLE	678	661047 HETINGR4	230.00	1.19556	1.00876	1.10000	0.90000
'NEBR	'	RANGE SINGLE	678	661075 POPLAR 7	115.00	1.10557	1.01375	1.10000	0.90000
'NEBR	'	RANGE SINGLE	679	652401 CIRCLE 7	115.00	1.11070	1.01386	1.10000	0.90000
'NEBR	'	RANGE SINGLE	679	652403 DAWSONC4	230.00	1.17363	1.03166	1.10000	0.90000
'NEBR	'	RANGE SINGLE	679	652404 DAWSONC7	115.00	1.17068	1.02664	1.10000	0.90000
'NEBR	'	RANGE SINGLE	679	652407 FALLON 7	115.00	1.19414	1.01076	1.10000	0.90000
'NEBR	'	RANGE SINGLE	679	652411 MI CTYE4	230.00	1.29082	1.03000	1.10000	0.90000
'NEBR	'	RANGE SINGLE	679	652412 MI CTYE7	115.00	1.26582	1.02177	1.10000	0.90000
'NEBR	'	RANGE SINGLE	679	652413 MEDORA 4	230.00	1.10475	1.01584	1.10000	0.90000

'NEBR	'	RANGE SINGLE 679	652470 BISON 4	230.00	1.11359	1.00599	1.10000	0.90000
'NEBR	'	RANGE SINGLE 679	659263 LTLMISS7	115.00	1.21382	1.01320	1.10000	0.90000
'NEBR	'	RANGE SINGLE 679	659265 LTLMISS4	230.00	1.21260	1.01637	1.10000	0.90000
'NEBR	'	RANGE SINGLE 679	659266 RHAME 4	230.00	1.18561	1.00590	1.10000	0.90000
'NEBR	'	RANGE SINGLE 679	659267 RHAME 7	115.00	1.13470	0.95453	1.10000	0.90000
'NEBR	'	RANGE SINGLE 679	661004 BAKER 4	230.00	1.22293	1.01865	1.10000	0.90000
'NEBR	'	RANGE SINGLE 679	661010 BOWMAN 4	230.00	1.16684	1.00377	1.10000	0.90000
'NEBR	'	RANGE SINGLE 679	661047 HETINGR4	230.00	1.14060	1.00876	1.10000	0.90000
'NEBR	'	RANGE SINGLE 729	652467 WITTEN 4	230.00	0.86720	1.02007	1.10000	0.90000
'NEBR	'	RANGE SINGLE 729	652494 WINNER 7	115.00	0.89339	1.01700	1.10000	0.90000
'NEBR	'	RANGE SINGLE 729	652495 WITTEN 7	115.00	0.88557	1.02431	1.10000	0.90000
'NEBR	'	RANGE SINGLE 730	652401 CIRCLE 7	115.00	1.20879	1.01386	1.10000	0.90000
'NEBR	'	RANGE SINGLE 730	652403 DAWSONC4	230.00	1.26983	1.03166	1.10000	0.90000
'NEBR	'	RANGE SINGLE 730	652404 DAWSONC7	115.00	1.26238	1.02664	1.10000	0.90000
'NEBR	'	RANGE SINGLE 730	652405 FTPECK 4	230.00	1.18507	1.04500	1.10000	0.90000
'NEBR	'	RANGE SINGLE 730	652406 FTPECK 7	115.00	1.14593	1.03961	1.10000	0.90000
'NEBR	'	RANGE SINGLE 730	652407 FALLON 7	115.00	1.28993	1.01076	1.10000	0.90000
'NEBR	'	RANGE SINGLE 730	652409 WOLFPT 7	115.00	1.14622	1.03036	1.10000	0.90000
'NEBR	'	RANGE SINGLE 730	652411 MI CTYE4	230.00	1.38909	1.03000	1.10000	0.90000
'NEBR	'	RANGE SINGLE 730	652412 MI CTYE7	115.00	1.36457	1.02177	1.10000	0.90000
'NEBR	'	RANGE SINGLE 730	652413 MEDORA 4	230.00	1.19143	1.01584	1.10000	0.90000
'NEBR	'	RANGE SINGLE 730	652417 DICKNSN4	230.00	1.14138	1.00979	1.10000	0.90000
'NEBR	'	RANGE SINGLE 730	652425 BELFELD4	230.00	1.16513	1.01095	1.10000	0.90000
'NEBR	'	RANGE SINGLE 730	652451 RICHLND7	115.00	1.10406	0.98315	1.10000	0.90000
'NEBR	'	RANGE SINGLE 730	652470 BISON 4	230.00	1.24101	1.00599	1.10000	0.90000
'NEBR	'	RANGE SINGLE 730	659263 LTLMISS7	115.00	1.29025	1.01320	1.10000	0.90000
'NEBR	'	RANGE SINGLE 730	659265 LTLMISS4	230.00	1.28757	1.01637	1.10000	0.90000
'NEBR	'	RANGE SINGLE 730	659266 RHAME 4	230.00	1.25223	1.00590	1.10000	0.90000
'NEBR	'	RANGE SINGLE 730	659267 RHAME 7	115.00	1.20106	0.95453	1.10000	0.90000
'NEBR	'	RANGE SINGLE 730	661004 BAKER 4	230.00	1.30250	1.01865	1.10000	0.90000
'NEBR	'	RANGE SINGLE 730	661010 BOWMAN 4	230.00	1.24774	1.00377	1.10000	0.90000
'NEBR	'	RANGE SINGLE 730	661047 HETINGR4	230.00	1.24440	1.00876	1.10000	0.90000
'NEBR	'	RANGE SINGLE 730	661075 POPLAR 7	115.00	1.11013	1.01375	1.10000	0.90000
'NEBR	'	RANGE SINGLE 731	652401 CIRCLE 7	115.00	1.25208	1.01386	1.10000	0.90000
'NEBR	'	RANGE SINGLE 731	652403 DAWSONC4	230.00	1.31164	1.03166	1.10000	0.90000
'NEBR	'	RANGE SINGLE 731	652404 DAWSONC7	115.00	1.30376	1.02664	1.10000	0.90000
'NEBR	'	RANGE SINGLE 731	652405 FTPECK 4	230.00	1.22958	1.04500	1.10000	0.90000
'NEBR	'	RANGE SINGLE 731	652406 FTPECK 7	115.00	1.18857	1.03961	1.10000	0.90000
'NEBR	'	RANGE SINGLE 731	652407 FALLON 7	115.00	1.33371	1.01076	1.10000	0.90000
'NEBR	'	RANGE SINGLE 731	652409 WOLFPT 7	115.00	1.18561	1.03036	1.10000	0.90000
'NEBR	'	RANGE SINGLE 731	652411 MI CTYE4	230.00	1.43584	1.03000	1.10000	0.90000
'NEBR	'	RANGE SINGLE 731	652412 MI CTYE7	115.00	1.41094	1.02177	1.10000	0.90000
'NEBR	'	RANGE SINGLE 731	652413 MEDORA 4	230.00	1.22508	1.01584	1.10000	0.90000
'NEBR	'	RANGE SINGLE 731	652417 DICKNSN4	230.00	1.16891	1.00979	1.10000	0.90000
'NEBR	'	RANGE SINGLE 731	652425 BELFELD4	230.00	1.19594	1.01095	1.10000	0.90000
'NEBR	'	RANGE SINGLE 731	652451 RICHLND7	115.00	1.12816	0.98315	1.10000	0.90000
'NEBR	'	RANGE SINGLE 731	652651 FAIRVIEW 7	115.00	1.10978	0.98424	1.10000	0.90000
'NEBR	'	RANGE SINGLE 731	659180 KOCH 7	115.00	1.11575	0.98384	1.10000	0.90000

'NEBR	'	RANGE SINGLE 731	659191 SQUAWGP7	115.00	1.11376	0.99171	1.10000	0.90000
'NEBR	'	RANGE SINGLE 731	659263 LTLMISS7	115.00	1.33423	1.01320	1.10000	0.90000
'NEBR	'	RANGE SINGLE 731	659265 LTLMISS4	230.00	1.33075	1.01637	1.10000	0.90000
'NEBR	'	RANGE SINGLE 731	659266 RHAME 4	230.00	1.29368	1.00590	1.10000	0.90000
'NEBR	'	RANGE SINGLE 731	659267 RHAME 7	115.00	1.24225	0.95453	1.10000	0.90000
'NEBR	'	RANGE SINGLE 731	661004 BAKER 4	230.00	1.34634	1.01865	1.10000	0.90000
'NEBR	'	RANGE SINGLE 731	661010 BOWMAN 4	230.00	1.28936	1.00377	1.10000	0.90000
'NEBR	'	RANGE SINGLE 731	661047 HETINGR4	230.00	1.28567	1.00876	1.10000	0.90000
'NEBR	'	RANGE SINGLE 731	661075 POPLAR 7	115.00	1.14266	1.01375	1.10000	0.90000
'NEBR	'	RANGE SINGLE 750	652401 CIRCLE 7	115.00	1.16363	1.01386	1.10000	0.90000
'NEBR	'	RANGE SINGLE 750	652403 DAWSONC4	230.00	1.22580	1.03166	1.10000	0.90000
'NEBR	'	RANGE SINGLE 750	652404 DAWSONC7	115.00	1.21923	1.02664	1.10000	0.90000
'NEBR	'	RANGE SINGLE 750	652405 FTPECK 4	230.00	1.13792	1.04500	1.10000	0.90000
'NEBR	'	RANGE SINGLE 750	652406 FTPECK 7	115.00	1.10126	1.03961	1.10000	0.90000
'NEBR	'	RANGE SINGLE 750	652407 FALLON 7	115.00	1.24289	1.01076	1.10000	0.90000
'NEBR	'	RANGE SINGLE 750	652409 WOLFPT 7	115.00	1.10511	1.03036	1.10000	0.90000
'NEBR	'	RANGE SINGLE 750	652411 MI CTYE4	230.00	1.33503	1.03000	1.10000	0.90000
'NEBR	'	RANGE SINGLE 750	652412 MI CTYE7	115.00	1.31223	1.02177	1.10000	0.90000
'NEBR	'	RANGE SINGLE 750	652413 MEDORA 4	230.00	1.15897	1.01584	1.10000	0.90000
'NEBR	'	RANGE SINGLE 750	652417 DICKNSN4	230.00	1.11748	1.00979	1.10000	0.90000
'NEBR	'	RANGE SINGLE 750	652425 BELFELD4	230.00	1.13636	1.01095	1.10000	0.90000
'NEBR	'	RANGE SINGLE 750	652470 BISON 4	230.00	1.13548	1.00599	1.10000	0.90000
'NEBR	'	RANGE SINGLE 750	652497 MAURINE4	230.00	1.10910	1.00943	1.10000	0.90000
'NEBR	'	RANGE SINGLE 750	659263 LTLMISS7	115.00	1.23066	1.01320	1.10000	0.90000
'NEBR	'	RANGE SINGLE 750	659265 LTLMISS4	230.00	1.22911	1.01637	1.10000	0.90000
'NEBR	'	RANGE SINGLE 750	659266 RHAME 4	230.00	1.19339	1.00590	1.10000	0.90000
'NEBR	'	RANGE SINGLE 750	659267 RHAME 7	115.00	1.14246	0.95453	1.10000	0.90000
'NEBR	'	RANGE SINGLE 750	661004 BAKER 4	230.00	1.24501	1.01865	1.10000	0.90000
'NEBR	'	RANGE SINGLE 750	661010 BOWMAN 4	230.00	1.17981	1.00377	1.10000	0.90000
'NEBR	'	RANGE SINGLE 750	661047 HETINGR4	230.00	1.16111	1.00876	1.10000	0.90000
'NEBR	'	RANGE SINGLE 751	652401 CIRCLE 7	115.00	1.18481	1.01386	1.10000	0.90000
'NEBR	'	RANGE SINGLE 751	652403 DAWSONC4	230.00	1.24625	1.03166	1.10000	0.90000
'NEBR	'	RANGE SINGLE 751	652404 DAWSONC7	115.00	1.23930	1.02664	1.10000	0.90000
'NEBR	'	RANGE SINGLE 751	652405 FTPECK 4	230.00	1.16003	1.04500	1.10000	0.90000
'NEBR	'	RANGE SINGLE 751	652406 FTPECK 7	115.00	1.12233	1.03961	1.10000	0.90000
'NEBR	'	RANGE SINGLE 751	652407 FALLON 7	115.00	1.26466	1.01076	1.10000	0.90000
'NEBR	'	RANGE SINGLE 751	652409 WOLFPT 7	115.00	1.12454	1.03036	1.10000	0.90000
'NEBR	'	RANGE SINGLE 751	652411 MI CTYE4	230.00	1.35975	1.03000	1.10000	0.90000
'NEBR	'	RANGE SINGLE 751	652412 MI CTYE7	115.00	1.33624	1.02177	1.10000	0.90000
'NEBR	'	RANGE SINGLE 751	652413 MEDORA 4	230.00	1.17413	1.01584	1.10000	0.90000
'NEBR	'	RANGE SINGLE 751	652417 DICKNSN4	230.00	1.12877	1.00979	1.10000	0.90000
'NEBR	'	RANGE SINGLE 751	652425 BELFELD4	230.00	1.14982	1.01095	1.10000	0.90000
'NEBR	'	RANGE SINGLE 751	652470 BISON 4	230.00	1.17945	1.00599	1.10000	0.90000
'NEBR	'	RANGE SINGLE 751	652480 MAURINE7	115.00	1.12754	1.00216	1.10000	0.90000
'NEBR	'	RANGE SINGLE 751	652497 MAURINE4	230.00	1.16104	1.00943	1.10000	0.90000
'NEBR	'	RANGE SINGLE 751	659263 LTLMISS7	115.00	1.25730	1.01320	1.10000	0.90000
'NEBR	'	RANGE SINGLE 751	659265 LTLMISS4	230.00	1.25525	1.01637	1.10000	0.90000
'NEBR	'	RANGE SINGLE 751	659266 RHAME 4	230.00	1.21951	1.00590	1.10000	0.90000

'NEBR	'	RANGE SINGLE 751	659267 RHAME 7	115.00	1.16850	0.95453	1.10000	0.90000
'NEBR	'	RANGE SINGLE 751	659271 RCDC EAST	4230.00	1.10605	1.02998	1.10000	0.90000
'NEBR	'	RANGE SINGLE 751	661004 BAKER 4	230.00	1.27082	1.01865	1.10000	0.90000
'NEBR	'	RANGE SINGLE 751	661010 BOWMAN 4	230.00	1.20950	1.00377	1.10000	0.90000
'NEBR	'	RANGE SINGLE 751	661047 HETINGR4	230.00	1.19668	1.00876	1.10000	0.90000
'NEBR	'	RANGE SINGLE 758	652401 CIRCLE 7	115.00	1.15885	1.01386	1.10000	0.90000
'NEBR	'	RANGE SINGLE 758	652403 DAWSONC4	230.00	1.22227	1.03166	1.10000	0.90000
'NEBR	'	RANGE SINGLE 758	652404 DAWSONC7	115.00	1.21551	1.02664	1.10000	0.90000
'NEBR	'	RANGE SINGLE 758	652405 FTPECK 4	230.00	1.13323	1.04500	1.10000	0.90000
'NEBR	'	RANGE SINGLE 758	652407 FALLON 7	115.00	1.23938	1.01076	1.10000	0.90000
'NEBR	'	RANGE SINGLE 758	652411 MI CTYE4	230.00	1.33233	1.03000	1.10000	0.90000
'NEBR	'	RANGE SINGLE 758	652412 MI CTYE7	115.00	1.30927	1.02177	1.10000	0.90000
'NEBR	'	RANGE SINGLE 758	652413 MEDORA 4	230.00	1.15627	1.01584	1.10000	0.90000
'NEBR	'	RANGE SINGLE 758	652417 DICKNSN4	230.00	1.11520	1.00979	1.10000	0.90000
'NEBR	'	RANGE SINGLE 758	652425 BELFELD4	230.00	1.13398	1.01095	1.10000	0.90000
'NEBR	'	RANGE SINGLE 758	652470 BISON 4	230.00	1.14386	1.00599	1.10000	0.90000
'NEBR	'	RANGE SINGLE 758	652480 MAURINE7	115.00	1.10104	1.00216	1.10000	0.90000
'NEBR	'	RANGE SINGLE 758	652497 MAURINE4	230.00	1.12100	1.00943	1.10000	0.90000
'NEBR	'	RANGE SINGLE 758	659263 LTLMISS7	115.00	1.23020	1.01320	1.10000	0.90000
'NEBR	'	RANGE SINGLE 758	659265 LTLMISS4	230.00	1.22866	1.01637	1.10000	0.90000
'NEBR	'	RANGE SINGLE 758	659266 RHAME 4	230.00	1.19362	1.00590	1.10000	0.90000
'NEBR	'	RANGE SINGLE 758	659267 RHAME 7	115.00	1.14269	0.95453	1.10000	0.90000
'NEBR	'	RANGE SINGLE 758	661004 BAKER 4	230.00	1.24411	1.01865	1.10000	0.90000
'NEBR	'	RANGE SINGLE 758	661010 BOWMAN 4	230.00	1.18167	1.00377	1.10000	0.90000
'NEBR	'	RANGE SINGLE 758	661047 HETINGR4	230.00	1.16579	1.00876	1.10000	0.90000
'NEBR	'	RANGE SINGLE 802	652534 ORDWAY 7	115.00	0.87867	1.00307	1.10000	0.90000
'NEBR	'	RANGE SINGLE 896	652401 CIRCLE 7	115.00	1.11889	1.01386	1.10000	0.90000
'NEBR	'	RANGE SINGLE 896	652403 DAWSONC4	230.00	1.18779	1.03166	1.10000	0.90000
'NEBR	'	RANGE SINGLE 896	652404 DAWSONC7	115.00	1.18149	1.02664	1.10000	0.90000
'NEBR	'	RANGE SINGLE 896	652407 FALLON 7	115.00	1.20445	1.01076	1.10000	0.90000
'NEBR	'	RANGE SINGLE 896	652411 MI CTYE4	230.00	1.29623	1.03000	1.10000	0.90000
'NEBR	'	RANGE SINGLE 896	652412 MI CTYE7	115.00	1.27385	1.02177	1.10000	0.90000
'NEBR	'	RANGE SINGLE 896	652413 MEDORA 4	230.00	1.13084	1.01584	1.10000	0.90000
'NEBR	'	RANGE SINGLE 896	652425 BELFELD4	230.00	1.11199	1.01095	1.10000	0.90000
'NEBR	'	RANGE SINGLE 896	652470 BISON 4	230.00	1.11599	1.00599	1.10000	0.90000
'NEBR	'	RANGE SINGLE 896	659263 LTLMISS7	115.00	1.19811	1.01320	1.10000	0.90000
'NEBR	'	RANGE SINGLE 896	659265 LTLMISS4	230.00	1.19721	1.01637	1.10000	0.90000
'NEBR	'	RANGE SINGLE 896	659266 RHAME 4	230.00	1.16415	1.00590	1.10000	0.90000
'NEBR	'	RANGE SINGLE 896	659267 RHAME 7	115.00	1.11329	0.95453	1.10000	0.90000
'NEBR	'	RANGE SINGLE 896	661004 BAKER 4	230.00	1.21182	1.01865	1.10000	0.90000
'NEBR	'	RANGE SINGLE 896	661010 BOWMAN 4	230.00	1.15222	1.00377	1.10000	0.90000
'NEBR	'	RANGE SINGLE 896	661047 HETINGR4	230.00	1.13723	1.00876	1.10000	0.90000
'NEBR	'	RANGE SINGLE 918	659144 BLAISDELL	7115.00	0.87200	0.94142	1.10000	0.90000
'NEBR	'	RANGE SINGLE 933	659144 BLAISDELL	7115.00	0.89212	0.94142	1.10000	0.90000
'NEBR	'	RANGE SINGLE 945	659216 AVSDC5TY	345.00	0.88407	1.02077	1.10000	0.90000
'NEBR	'	RANGE SINGLE 948	659219 AVSDC8TY	345.00	1.10624	1.04722	1.10000	0.90000
'NEBR	'	RANGE SINGLE 949	659222 AVSD11TY	345.00	0.89801	1.00000	1.10000	0.90000
'NEBR	'	RANGE SINGLE 983	652401 CIRCLE 7	115.00	1.21532	1.01386	1.10000	0.90000

'NEBR	'	RANGE SINGLE 983	652403 DAWSONC4	230.00	1.27579	1.03166	1.10000	0.90000
'NEBR	'	RANGE SINGLE 983	652404 DAWSONC7	115.00	1.26879	1.02664	1.10000	0.90000
'NEBR	'	RANGE SINGLE 983	652405 FTPECK 4	230.00	1.19145	1.04500	1.10000	0.90000
'NEBR	'	RANGE SINGLE 983	652406 FTPECK 7	115.00	1.15214	1.03961	1.10000	0.90000
'NEBR	'	RANGE SINGLE 983	652407 FALLON 7	115.00	1.29662	1.01076	1.10000	0.90000
'NEBR	'	RANGE SINGLE 983	652409 WOLFPT 7	115.00	1.15185	1.03036	1.10000	0.90000
'NEBR	'	RANGE SINGLE 983	652411 MI CTYE4	230.00	1.39579	1.03000	1.10000	0.90000
'NEBR	'	RANGE SINGLE 983	652412 MI CTYE7	115.00	1.37143	1.02177	1.10000	0.90000
'NEBR	'	RANGE SINGLE 983	652413 MEDORA 4	230.00	1.19493	1.01584	1.10000	0.90000
'NEBR	'	RANGE SINGLE 983	652417 DICKNSN4	230.00	1.14220	1.00979	1.10000	0.90000
'NEBR	'	RANGE SINGLE 983	652425 BELFELD4	230.00	1.16790	1.01095	1.10000	0.90000
'NEBR	'	RANGE SINGLE 983	652451 RICHLND7	115.00	1.10853	0.98315	1.10000	0.90000
'NEBR	'	RANGE SINGLE 983	652470 BISON 4	230.00	1.11066	1.00599	1.10000	0.90000
'NEBR	'	RANGE SINGLE 983	652497 MAURINE4	230.00	1.10138	1.00943	1.10000	0.90000
'NEBR	'	RANGE SINGLE 983	659263 LTLMISS7	115.00	1.29610	1.01320	1.10000	0.90000
'NEBR	'	RANGE SINGLE 983	659265 LTLMISS4	230.00	1.29332	1.01637	1.10000	0.90000
'NEBR	'	RANGE SINGLE 983	659266 RHAME 4	230.00	1.25757	1.00590	1.10000	0.90000
'NEBR	'	RANGE SINGLE 983	659267 RHAME 7	115.00	1.20637	0.95453	1.10000	0.90000
'NEBR	'	RANGE SINGLE 983	661004 BAKER 4	230.00	1.30846	1.01865	1.10000	0.90000
'NEBR	'	RANGE SINGLE 983	661010 BOWMAN 4	230.00	1.25308	1.00377	1.10000	0.90000
'NEBR	'	RANGE SINGLE 983	661047 HETINGR4	230.00	1.12094	1.00876	1.10000	0.90000
'NEBR	'	RANGE SINGLE 983	661075 POPLAR 7	115.00	1.11445	1.01375	1.10000	0.90000

## CONTINGENCY LEGEND:

## LABEL      EVENTS

SINGLE 1 : OPEN LINE FROM BUS 300039 [7FAIRPT 345.00] TO BUS 541199 [ST JOE 3 345.00] CKT 1  
SINGLE 2 : OPEN LINE FROM BUS 300039 [7FAIRPT 345.00] TO BUS 640139 [COOPER 3 345.00] CKT 1  
SINGLE 3 : OPEN LINE FROM BUS 530583 [WOLF 7 345.00] TO BUS 640065 [AXTELL 3 345.00] CKT 1  
SINGLE 4 : OPEN LINE FROM BUS 531451 [MINGO 7 345.00] TO BUS 640325 [REDWILO3 345.00] CKT 1  
SINGLE 5 : OPEN LINE FROM BUS 533332 [KNOB HL3 115.00] TO BUS 640426 [STEELEC7 115.00] CKT 1  
SINGLE 6 : OPEN LINE FROM BUS 541199 [ST JOE 3 345.00] TO BUS 640139 [COOPER 3 345.00] CKT 1  
SINGLE 7 : OPEN LINE FROM BUS 603023 [MALLARD7 115.00] TO BUS 652452 [RUGBY 7 115.00] CKT 1  
SINGLE 8 : OPEN LINE FROM BUS 603023 [MALLARD7 115.00] TO BUS 659155 [LOGAN 7 115.00] CKT 1  
SINGLE 9 : OPEN LINE FROM BUS 603023 [MALLARD7 115.00] TO BUS 659166 [DUNNING7 115.00] CKT 1  
SINGLE 10 : OPEN LINE FROM BUS 603023 [MALLARD7 115.00] TO BUS 659190 [NDPRAIRWND 7115.00] CKT 1  
SINGLE 11 : OPEN LINE FROM BUS 631069 [ANTA TP5 161.00] TO BUS 652560 [CRESTON5 161.00] CKT 1  
SINGLE 12 : OPEN LINE FROM BUS 631069 [ANTA TP5 161.00] TO BUS 652603 [EXIRA 5 161.00] CKT 1  
SINGLE 13 : OPEN LINE FROM BUS 635000 [CBLUFFS3 345.00] TO BUS 635013 [PONYCKA3 345.00] CKT 1  
SINGLE 14 : OPEN LINE FROM BUS 635000 [CBLUFFS3 345.00] TO BUS 635013 [PONYCKA3 345.00] CKT 2  
SINGLE 15 : OPEN LINE FROM BUS 635000 [CBLUFFS3 345.00] TO BUS 635015 [PONYCKB3 345.00] CKT 1  
SINGLE 16 : OPEN LINE FROM BUS 635000 [CBLUFFS3 345.00] TO BUS 635100 [RLHILLS3 345.00] CKT 1  
SINGLE 17 : OPEN LINE FROM BUS 635000 [CBLUFFS3 345.00] TO BUS 635600 [GRIMES 3 345.00] CKT 1  
SINGLE 18 : OPEN LINE FROM BUS 635000 [CBLUFFS3 345.00] TO BUS 645456 [S3456 3 345.00] CKT 1  
SINGLE 19 : OPEN LINE FROM BUS 635001 [CBLUFFS5 161.00] TO BUS 635011 [INDNCRK5 161.00] CKT 1  
SINGLE 20 : OPEN LINE FROM BUS 635001 [CBLUFFS5 161.00] TO BUS 635012 [QUICK 5 161.00] CKT 1  
SINGLE 21 : OPEN LINE FROM BUS 635001 [CBLUFFS5 161.00] TO BUS 635030 [RIVRBND5 161.00] CKT 1  
SINGLE 22 : OPEN LINE FROM BUS 635001 [CBLUFFS5 161.00] TO BUS 646206 [S1206 5 161.00] CKT 1  
SINGLE 23 : OPEN LINE FROM BUS 635003 [SUB701 5 161.00] TO BUS 635005 [SUB702 5 161.00] CKT 1

SINGLE 24 : OPEN LINE FROM BUS 635003 [SUB701 5 161.00] TO BUS 646211 [S1211 5 161.00] CKT 1  
SINGLE 25 : OPEN LINE FROM BUS 635005 [SUB702 5 161.00] TO BUS 635010 [MANAWA 5 161.00] CKT 1  
SINGLE 26 : OPEN LINE FROM BUS 635010 [MANAWA 5 161.00] TO BUS 635011 [INDNCRK5 161.00] CKT 1  
SINGLE 27 : OPEN LINE FROM BUS 635012 [QUICK 5 161.00] TO BUS 635039 [AVOCA 5 161.00] CKT 1  
SINGLE 28 : OPEN LINE FROM BUS 635013 [PONYCKA3 345.00] TO BUS 635015 [PONYCKB3 345.00] CKT 1  
SINGLE 29 : OPEN LINE FROM BUS 635013 [PONYCKA3 345.00] TO BUS 635015 [PONYCKB3 345.00] CKT 2  
SINGLE 30 : OPEN LINE FROM BUS 635017 [ATCHSNT3 345.00] TO BUS 635018 [ATCHSN 3 345.00] CKT 1  
SINGLE 31 : OPEN LINE FROM BUS 635017 [ATCHSNT3 345.00] TO BUS 635630 [BOONVIL3 345.00] CKT 1  
SINGLE 32 : OPEN LINE FROM BUS 635017 [ATCHSNT3 345.00] TO BUS 640139 [COOPER 3 345.00] CKT 1  
SINGLE 33 : OPEN LINE FROM BUS 635030 [RIVRBND5 161.00] TO BUS 635031 [BUNGE 5 161.00] CKT 1  
SINGLE 34 : OPEN LINE FROM BUS 635031 [BUNGE 5 161.00] TO BUS 635032 [HASTING5 161.00] CKT 1  
SINGLE 35 : OPEN LINE FROM BUS 635032 [HASTING5 161.00] TO BUS 635034 [CLRNDA 5 161.00] CKT 1  
SINGLE 36 : OPEN LINE FROM BUS 635034 [CLRNDA 5 161.00] TO BUS 635038 [BROOKST5 161.00] CKT 1  
SINGLE 37 : OPEN LINE FROM BUS 635037 [BROOKS 5 161.00] TO BUS 635038 [BROOKST5 161.00] CKT 1  
SINGLE 38 : OPEN LINE FROM BUS 635038 [BROOKST5 161.00] TO BUS 652560 [CRESTON5 161.00] CKT 1  
SINGLE 39 : OPEN LINE FROM BUS 635039 [AVOCA 5 161.00] TO BUS 635041 [WALNUT 5 161.00] CKT 1  
SINGLE 40 : OPEN LINE FROM BUS 635041 [WALNUT 5 161.00] TO BUS 638050 [ATLANTC5 161.00] CKT 1  
SINGLE 41 : OPEN LINE FROM BUS 635100 [RLHILLS3 345.00] TO BUS 635635 [MADISON3 345.00] CKT 1  
SINGLE 42 : OPEN LINE FROM BUS 635200 [RAUN 3 345.00] TO BUS 635201 [RAUN 5 161.00] CKT 2  
SINGLE 43 : OPEN LINE FROM BUS 635200 [RAUN 3 345.00] TO BUS 636010 [LEHIGH 3 345.00] CKT 1  
SINGLE 44 : OPEN LINE FROM BUS 635200 [RAUN 3 345.00] TO BUS 640226 [HOSKINS3 345.00] CKT 1  
SINGLE 45 : OPEN LINE FROM BUS 635200 [RAUN 3 345.00] TO BUS 645451 [S3451 3 345.00] CKT 1  
SINGLE 46 : OPEN LINE FROM BUS 635200 [RAUN 3 345.00] TO BUS 652564 [SIOUXCY3 345.00] CKT 1  
SINGLE 47 : OPEN LINE FROM BUS 635201 [RAUN 5 161.00] TO BUS 635202 [NEAL 4 5 161.00] CKT 1  
SINGLE 48 : OPEN LINE FROM BUS 635201 [RAUN 5 161.00] TO BUS 635203 [NEAL N 5 161.00] CKT 1  
SINGLE 49 : OPEN LINE FROM BUS 635201 [RAUN 5 161.00] TO BUS 635203 [NEAL N 5 161.00] CKT 2  
SINGLE 50 : OPEN LINE FROM BUS 635201 [RAUN 5 161.00] TO BUS 635220 [INTCHG 5 161.00] CKT 1  
SINGLE 51 : OPEN LINE FROM BUS 635201 [RAUN 5 161.00] TO BUS 635225 [MORNSD 5 161.00] CKT 1  
SINGLE 52 : OPEN LINE FROM BUS 635201 [RAUN 5 161.00] TO BUS 640377 [TEKAMAH5 161.00] CKT 1  
SINGLE 53 : OPEN LINE FROM BUS 635202 [NEAL 4 5 161.00] TO BUS 635300 [MONONA 5 161.00] CKT 1  
SINGLE 54 : OPEN LINE FROM BUS 635203 [NEAL N 5 161.00] TO BUS 635235 [SALIX 5 161.00] CKT 1  
SINGLE 55 : OPEN LINE FROM BUS 635220 [INTCHG 5 161.00] TO BUS 635221 [KELLOGG5 161.00] CKT 1  
SINGLE 56 : OPEN LINE FROM BUS 635221 [KELLOGG5 161.00] TO BUS 635226 [LEEDS 5 161.00] CKT 1  
SINGLE 57 : OPEN LINE FROM BUS 635223 [PLYMOTH5 161.00] TO BUS 635225 [MORNSD 5 161.00] CKT 1  
SINGLE 58 : OPEN LINE FROM BUS 635223 [PLYMOTH5 161.00] TO BUS 635226 [LEEDS 5 161.00] CKT 1  
SINGLE 59 : OPEN LINE FROM BUS 635223 [PLYMOTH5 161.00] TO BUS 635260 [LEMARST5 161.00] CKT 1  
SINGLE 60 : OPEN LINE FROM BUS 635223 [PLYMOTH5 161.00] TO BUS 652566 [SIOUXCY5 161.00] CKT 1  
SINGLE 61 : OPEN LINE FROM BUS 635260 [LEMARST5 161.00] TO BUS 635261 [LEMARS 5 161.00] CKT 1  
SINGLE 62 : OPEN LINE FROM BUS 635260 [LEMARST5 161.00] TO BUS 635360 [LIT SX 5 161.00] CKT 1  
SINGLE 63 : OPEN LINE FROM BUS 635280 [BVISTA 5 161.00] TO BUS 635340 [SAC 5 161.00] CKT 1  
SINGLE 64 : OPEN LINE FROM BUS 635280 [BVISTA 5 161.00] TO BUS 637570 [WISDOM 5 161.00] CKT 1  
SINGLE 65 : OPEN LINE FROM BUS 635300 [MONONA 5 161.00] TO BUS 635310 [VICTORY5 161.00] CKT 1  
SINGLE 66 : OPEN LINE FROM BUS 635310 [VICTORY5 161.00] TO BUS 635320 [CARROLL5 161.00] CKT 1  
SINGLE 67 : OPEN LINE FROM BUS 635320 [CARROLL5 161.00] TO BUS 637283 [DRAGER 5 161.00] CKT 1  
SINGLE 68 : OPEN LINE FROM BUS 635340 [SAC 5 161.00] TO BUS 635350 [CLIPPER5 161.00] CKT 1  
SINGLE 69 : OPEN LINE FROM BUS 635340 [SAC 5 161.00] TO BUS 636029 [POCHNTC5 161.00] CKT 1  
SINGLE 70 : OPEN LINE FROM BUS 635350 [CLIPPER5 161.00] TO BUS 635360 [LIT SX 5 161.00] CKT 1  
SINGLE 71 : OPEN LINE FROM BUS 635600 [GRIMES 3 345.00] TO BUS 635630 [BOONVIL3 345.00] CKT 1

SINGLE 72 : OPEN LINE FROM BUS 635600 [GRIMES 3 345.00] TO BUS 635700 [SYCAMOR3 345.00] CKT 1  
SINGLE 73 : OPEN LINE FROM BUS 635600 [GRIMES 3 345.00] TO BUS 635700 [SYCAMOR3 345.00] CKT 2  
SINGLE 74 : OPEN LINE FROM BUS 635600 [GRIMES 3 345.00] TO BUS 636010 [LEHIGH 3 345.00] CKT 1  
SINGLE 75 : OPEN LINE FROM BUS 635601 [GRIMES 5 161.00] TO BUS 635602 [142ST 5 161.00] CKT 1  
SINGLE 76 : OPEN LINE FROM BUS 635601 [GRIMES 5 161.00] TO BUS 635605 [GRNGRTP5 161.00] CKT 1  
SINGLE 77 : OPEN LINE FROM BUS 635601 [GRIMES 5 161.00] TO BUS 635608 [LINWELD5 161.00] CKT 1  
SINGLE 78 : OPEN LINE FROM BUS 635602 [142ST 5 161.00] TO BUS 635603 [ALICERD5 161.00] CKT 1  
SINGLE 79 : OPEN LINE FROM BUS 635603 [ALICERD5 161.00] TO BUS 635604 [88TH 5 161.00] CKT 1  
SINGLE 80 : OPEN LINE FROM BUS 635604 [88TH 5 161.00] TO BUS 635610 [ASHAWA5 161.00] CKT 1  
SINGLE 81 : OPEN LINE FROM BUS 635605 [GRNGRTP5 161.00] TO BUS 635606 [GRANGER5 161.00] CKT 1  
SINGLE 82 : OPEN LINE FROM BUS 635605 [GRNGRTP5 161.00] TO BUS 635614 [100 54 5 161.00] CKT 1  
SINGLE 83 : OPEN LINE FROM BUS 635606 [GRANGER5 161.00] TO BUS 635607 [BITRSWT5 161.00] CKT 1  
SINGLE 84 : OPEN LINE FROM BUS 635607 [BITRSWT5 161.00] TO BUS 635710 [NEANKNY5 161.00] CKT 1  
SINGLE 85 : OPEN LINE FROM BUS 635610 [ASHAWA5 161.00] TO BUS 635612 [60TH ST5 161.00] CKT 1  
SINGLE 86 : OPEN LINE FROM BUS 635610 [ASHAWA5 161.00] TO BUS 635616 [109CLK 5 161.00] CKT 1  
SINGLE 87 : OPEN LINE FROM BUS 635610 [ASHAWA5 161.00] TO BUS 635654 [ARMYPOS5 161.00] CKT 1  
SINGLE 88 : OPEN LINE FROM BUS 635610 [ASHAWA5 161.00] TO BUS 635662 [WABASH 5 161.00] CKT 1  
SINGLE 89 : OPEN LINE FROM BUS 635612 [60TH ST5 161.00] TO BUS 635613 [WGRAND5 161.00] CKT 1  
SINGLE 90 : OPEN LINE FROM BUS 635613 [WGRAND5 161.00] TO BUS 635631 [BOONVIL5 161.00] CKT 1  
SINGLE 91 : OPEN LINE FROM BUS 635614 [100 54 5 161.00] TO BUS 635615 [100DUG 5 161.00] CKT 1  
SINGLE 92 : OPEN LINE FROM BUS 635614 [100 54 5 161.00] TO BUS 635701 [SYCAMOR5 161.00] CKT 1  
SINGLE 93 : OPEN LINE FROM BUS 635615 [100DUG 5 161.00] TO BUS 635616 [109CLK 5 161.00] CKT 1  
SINGLE 94 : OPEN LINE FROM BUS 635630 [BOONVIL3 345.00] TO BUS 635635 [MADISON3 345.00] CKT 1  
SINGLE 95 : OPEN LINE FROM BUS 635631 [BOONVIL5 161.00] TO BUS 635632 [EARLHAM5 161.00] CKT 1  
SINGLE 96 : OPEN LINE FROM BUS 635631 [BOONVIL5 161.00] TO BUS 635641 [NORWLK5 161.00] CKT 1  
SINGLE 97 : OPEN LINE FROM BUS 635632 [EARLHAM5 161.00] TO BUS 635633 [ADAIRWF5 161.00] CKT 1  
SINGLE 98 : OPEN LINE FROM BUS 635633 [ADAIRWF5 161.00] TO BUS 638050 [ATLANTC5 161.00] CKT 1  
SINGLE 99 : OPEN LINE FROM BUS 635635 [MADISON3 345.00] TO BUS 635640 [NORWLK3 345.00] CKT 1  
SINGLE 100 : OPEN LINE FROM BUS 635640 [NORWLK3 345.00] TO BUS 635641 [NORWLK5 161.00] CKT 1  
SINGLE 101 : OPEN LINE FROM BUS 635640 [NORWLK3 345.00] TO BUS 635650 [SE POLK3 345.00] CKT 1  
SINGLE 102 : OPEN LINE FROM BUS 635641 [NORWLK5 161.00] TO BUS 635653 [GRENFLD5 161.00] CKT 1  
SINGLE 103 : OPEN LINE FROM BUS 635650 [SE POLK3 345.00] TO BUS 635651 [SEPOLK 5 161.00] CKT 1  
SINGLE 104 : OPEN LINE FROM BUS 635650 [SE POLK3 345.00] TO BUS 635690 [GDMEC 345.00] CKT 1  
SINGLE 105 : OPEN LINE FROM BUS 635651 [SEPOLK 5 161.00] TO BUS 635653 [GRENFLD5 161.00] CKT 1  
SINGLE 106 : OPEN LINE FROM BUS 635651 [SEPOLK 5 161.00] TO BUS 635660 [EASTRLK5 161.00] CKT 1  
SINGLE 107 : OPEN LINE FROM BUS 635651 [SEPOLK 5 161.00] TO BUS 635670 [DMOINES5 161.00] CKT 1  
SINGLE 108 : OPEN LINE FROM BUS 635651 [SEPOLK 5 161.00] TO BUS 635670 [DMOINES5 161.00] CKT 2  
SINGLE 109 : OPEN LINE FROM BUS 635653 [GRENFLD5 161.00] TO BUS 635654 [ARMYPOS5 161.00] CKT 1  
SINGLE 110 : OPEN LINE FROM BUS 635660 [EASTRLK5 161.00] TO BUS 635661 [GLOWAT 5 161.00] CKT 1  
SINGLE 111 : OPEN LINE FROM BUS 635661 [GLOWAT 5 161.00] TO BUS 635662 [WABASH 5 161.00] CKT 1  
SINGLE 112 : OPEN LINE FROM BUS 635662 [WABASH 5 161.00] TO BUS 635664 [MLKING 5 161.00] CKT 1  
SINGLE 113 : OPEN LINE FROM BUS 635664 [MLKING 5 161.00] TO BUS 635665 [FORVER 5 161.00] CKT 1  
SINGLE 114 : OPEN LINE FROM BUS 635665 [FORVER 5 161.00] TO BUS 635701 [SYCAMOR5 161.00] CKT 1  
SINGLE 115 : OPEN LINE FROM BUS 635670 [DMOINES5 161.00] TO BUS 635672 [METRO E5 161.00] CKT 1  
SINGLE 116 : OPEN LINE FROM BUS 635672 [METRO E5 161.00] TO BUS 635673 [ALTONA 5 161.00] CKT 1  
SINGLE 117 : OPEN LINE FROM BUS 635673 [ALTONA 5 161.00] TO BUS 635681 [BONDRNT5 161.00] CKT 1  
SINGLE 118 : OPEN LINE FROM BUS 635680 [BONDRNT3 345.00] TO BUS 635690 [GDMEC 345.00] CKT 1  
SINGLE 119 : OPEN LINE FROM BUS 635680 [BONDRNT3 345.00] TO BUS 635700 [SYCAMOR3 345.00] CKT 1



SINGLE 120 : OPEN LINE FROM BUS 635680 [BONDRNT3 345.00] TO BUS 635730 [MNTZUMA3 345.00] CKT 1  
SINGLE 121 : OPEN LINE FROM BUS 635681 [BONDRNT5 161.00] TO BUS 635701 [SYCAMOR5 161.00] CKT 1  
SINGLE 122 : OPEN LINE FROM BUS 635701 [SYCAMOR5 161.00] TO BUS 635703 [DELWARE5 161.00] CKT 1  
SINGLE 123 : OPEN LINE FROM BUS 635703 [DELWARE5 161.00] TO BUS 635705 [ANKENY 5 161.00] CKT 1  
SINGLE 124 : OPEN LINE FROM BUS 635705 [ANKENY 5 161.00] TO BUS 635710 [NEANKNY5 161.00] CKT 1  
SINGLE 125 : OPEN LINE FROM BUS 635710 [NEANKNY5 161.00] TO BUS 638010 [STANGE 5 161.00] CKT 1  
SINGLE 126 : OPEN LINE FROM BUS 635730 [MNTZUMA3 345.00] TO BUS 636400 [HILLS 3 345.00] CKT 1  
SINGLE 127 : OPEN LINE FROM BUS 636000 [WEBSTER3 345.00] TO BUS 636010 [LEHIGH 3 345.00] CKT 1  
SINGLE 128 : OPEN LINE FROM BUS 636001 [WEBSTER5 161.00] TO BUS 636020 [FT.DODG5 161.00] CKT 1  
SINGLE 129 : OPEN LINE FROM BUS 636001 [WEBSTER5 161.00] TO BUS 636025 [HAYES 5 161.00] CKT 1  
SINGLE 130 : OPEN LINE FROM BUS 636001 [WEBSTER5 161.00] TO BUS 636050 [WRIGHT 5 161.00] CKT 1  
SINGLE 131 : OPEN LINE FROM BUS 636001 [WEBSTER5 161.00] TO BUS 637353 [HOPE 5 161.00] CKT 1  
SINGLE 132 : OPEN LINE FROM BUS 636020 [FT.DODG5 161.00] TO BUS 636023 [TATELYL5 161.00] CKT 1  
SINGLE 133 : OPEN LINE FROM BUS 636023 [TATELYL5 161.00] TO BUS 636025 [HAYES 5 161.00] CKT 1  
SINGLE 134 : OPEN LINE FROM BUS 636025 [HAYES 5 161.00] TO BUS 636030 [POMEROY5 161.00] CKT 1  
SINGLE 135 : OPEN LINE FROM BUS 636029 [POCHNTC5 161.00] TO BUS 636030 [POMEROY5 161.00] CKT 1  
SINGLE 136 : OPEN LINE FROM BUS 636050 [WRIGHT 5 161.00] TO BUS 636235 [WALL LK5 161.00] CKT 1  
SINGLE 137 : OPEN LINE FROM BUS 636200 [BLKHAWK5 161.00] TO BUS 636202 [MIDPORT5 161.00] CKT 1  
SINGLE 138 : OPEN LINE FROM BUS 636200 [BLKHAWK5 161.00] TO BUS 636205 [DRFNDRY5 161.00] CKT 1  
SINGLE 139 : OPEN LINE FROM BUS 636200 [BLKHAWK5 161.00] TO BUS 636225 [UNIONTP5 161.00] CKT 1  
SINGLE 140 : OPEN LINE FROM BUS 636200 [BLKHAWK5 161.00] TO BUS 637087 [PLAINFD5 161.00] CKT 1  
SINGLE 141 : OPEN LINE FROM BUS 636202 [MIDPORT5 161.00] TO BUS 636203 [LUNDQST5 161.00] CKT 1  
SINGLE 142 : OPEN LINE FROM BUS 636203 [LUNDQST5 161.00] TO BUS 636204 [DR NE 5 161.00] CKT 1  
SINGLE 143 : OPEN LINE FROM BUS 636203 [LUNDQST5 161.00] TO BUS 636206 [DRCOMP 5 161.00] CKT 1  
SINGLE 144 : OPEN LINE FROM BUS 636204 [DR NE 5 161.00] TO BUS 636210 [WASHBRN5 161.00] CKT 1  
SINGLE 145 : OPEN LINE FROM BUS 636205 [DRFNDRY5 161.00] TO BUS 636206 [DRCOMP 5 161.00] CKT 1  
SINGLE 146 : OPEN LINE FROM BUS 636205 [DRFNDRY5 161.00] TO BUS 636207 [WTWEST 5 161.00] CKT 1  
SINGLE 147 : OPEN LINE FROM BUS 636207 [WTWEST 5 161.00] TO BUS 636208 [DR ENG 5 161.00] CKT 1  
SINGLE 148 : OPEN LINE FROM BUS 636208 [DR ENG 5 161.00] TO BUS 636220 [EL FARM5 161.00] CKT 1  
SINGLE 149 : OPEN LINE FROM BUS 636208 [DR ENG 5 161.00] TO BUS 638040 [CFUINDP5 161.00] CKT 1  
SINGLE 150 : OPEN LINE FROM BUS 636210 [WASHBRN5 161.00] TO BUS 636220 [EL FARM5 161.00] CKT 1  
SINGLE 151 : OPEN LINE FROM BUS 636225 [UNIONTP5 161.00] TO BUS 636240 [BUTLER 5 161.00] CKT 1  
SINGLE 152 : OPEN LINE FROM BUS 636225 [UNIONTP5 161.00] TO BUS 638030 [UNIONCF5 161.00] CKT 1  
SINGLE 153 : OPEN LINE FROM BUS 636230 [FRANKLN5 161.00] TO BUS 636235 [WALL LK5 161.00] CKT 1  
SINGLE 154 : OPEN LINE FROM BUS 636230 [FRANKLN5 161.00] TO BUS 636240 [BUTLER 5 161.00] CKT 1  
SINGLE 155 : OPEN LINE FROM BUS 636230 [FRANKLN5 161.00] TO BUS 637191 [HAMPTON5 161.00] CKT 1  
SINGLE 156 : OPEN LINE FROM BUS 636300 [FLOYD 5 161.00] TO BUS 637087 [PLAINFD5 161.00] CKT 1  
SINGLE 157 : OPEN LINE FROM BUS 636400 [HILLS 3 345.00] TO BUS 636420 [TIFFIN 3 345.00] CKT 1  
SINGLE 158 : OPEN LINE FROM BUS 636400 [HILLS 3 345.00] TO BUS 636630 [SUB 92 3 345.00] CKT 1  
SINGLE 159 : OPEN LINE FROM BUS 636400 [HILLS 3 345.00] TO BUS 636645 [SUB T 3 345.00] CKT 1  
SINGLE 160 : OPEN LINE FROM BUS 636401 [HILLS 5 161.00] TO BUS 636403 [SB EIC 5 161.00] CKT 1  
SINGLE 161 : OPEN LINE FROM BUS 636401 [HILLS 5 161.00] TO BUS 636423 [SB HCIC5 161.00] CKT 1  
SINGLE 162 : OPEN LINE FROM BUS 636401 [HILLS 5 161.00] TO BUS 636678 [SB 89 5 161.00] CKT 1  
SINGLE 163 : OPEN LINE FROM BUS 636403 [SB EIC 5 161.00] TO BUS 636404 [SB YIC 5 161.00] CKT 1  
SINGLE 164 : OPEN LINE FROM BUS 636404 [SB YIC 5 161.00] TO BUS 636405 [SB GIC 5 161.00] CKT 1  
SINGLE 165 : OPEN LINE FROM BUS 636405 [SB GIC 5 161.00] TO BUS 636410 [SB PIC 5 161.00] CKT 1  
SINGLE 166 : OPEN LINE FROM BUS 636410 [SB PIC 5 161.00] TO BUS 636415 [SB UIC 5 161.00] CKT 1  
SINGLE 167 : OPEN LINE FROM BUS 636410 [SB PIC 5 161.00] TO BUS 636422 [CRLRIDG5 161.00] CKT 1

SINGLE 168 : OPEN LINE FROM BUS 636415 [SB UIC 5 161.00] TO BUS 636425 [SB JIC 5 161.00] CKT 1  
SINGLE 169 : OPEN LINE FROM BUS 636420 [TIFFIN 3 345.00] TO BUS 636421 [TIFFIN 5 161.00] CKT 1  
SINGLE 170 : OPEN LINE FROM BUS 636421 [TIFFIN 5 161.00] TO BUS 636422 [CRLRIDG5 161.00] CKT 1  
SINGLE 171 : OPEN LINE FROM BUS 636423 [SB HCIC5 161.00] TO BUS 636425 [SB JIC 5 161.00] CKT 1  
SINGLE 172 : OPEN LINE FROM BUS 636600 [SB 39 3 345.00] TO BUS 636601 [SB 39 5 161.00] CKT 1  
SINGLE 173 : OPEN LINE FROM BUS 636600 [SB 39 3 345.00] TO BUS 636605 [MECCORD3 345.00] CKT 1  
SINGLE 174 : OPEN LINE FROM BUS 636600 [SB 39 3 345.00] TO BUS 636635 [OAKGROV3 345.00] CKT 1  
SINGLE 175 : OPEN LINE FROM BUS 636601 [SB 39 5 161.00] TO BUS 636656 [SB 47 5 161.00] CKT 1  
SINGLE 176 : OPEN LINE FROM BUS 636601 [SB 39 5 161.00] TO BUS 636660 [SB 31T 5 161.00] CKT 1  
SINGLE 177 : OPEN LINE FROM BUS 636601 [SB 39 5 161.00] TO BUS 636668 [SB 43 5 161.00] CKT 1  
SINGLE 178 : OPEN LINE FROM BUS 636610 [SUB 91 3 345.00] TO BUS 636611 [SB 91 5 161.00] CKT 1  
SINGLE 179 : OPEN LINE FROM BUS 636610 [SUB 91 3 345.00] TO BUS 636615 [SB 56 3 345.00] CKT 1  
SINGLE 180 : OPEN LINE FROM BUS 636611 [SB 91 5 161.00] TO BUS 636687 [SBHYC5 161.00] CKT 1  
SINGLE 181 : OPEN LINE FROM BUS 636611 [SB 91 5 161.00] TO BUS 636690 [UTICA R5 161.00] CKT 1  
SINGLE 182 : OPEN LINE FROM BUS 636615 [SB 56 3 345.00] TO BUS 636620 [WALCOTT3 345.00] CKT 1  
SINGLE 183 : OPEN LINE FROM BUS 636616 [SB 56 5 161.00] TO BUS 636626 [IPSCO 5 161.00] CKT 1  
SINGLE 184 : OPEN LINE FROM BUS 636616 [SB 56 5 161.00] TO BUS 636675 [SB 85 5 161.00] CKT 1  
SINGLE 185 : OPEN LINE FROM BUS 636616 [SB 56 5 161.00] TO BUS 636678 [SB 89 5 161.00] CKT 1  
SINGLE 186 : OPEN LINE FROM BUS 636616 [SB 56 5 161.00] TO BUS 636680 [SB 78 5 161.00] CKT 1  
SINGLE 187 : OPEN LINE FROM BUS 636620 [WALCOTT3 345.00] TO BUS 636625 [IPSCO 3 345.00] CKT 1  
SINGLE 188 : OPEN LINE FROM BUS 636620 [WALCOTT3 345.00] TO BUS 636630 [SUB 92 3 345.00] CKT 1  
SINGLE 189 : OPEN LINE FROM BUS 636630 [SUB 92 3 345.00] TO BUS 636640 [LOUISA 3 345.00] CKT 1  
SINGLE 190 : OPEN LINE FROM BUS 636635 [OAKGROV3 345.00] TO BUS 636636 [OAKGROV5 161.00] CKT 1  
SINGLE 191 : OPEN LINE FROM BUS 636635 [OAKGROV3 345.00] TO BUS 636640 [LOUISA 3 345.00] CKT 1  
SINGLE 192 : OPEN LINE FROM BUS 636636 [OAKGROV5 161.00] TO BUS 636670 [SB 18 5 161.00] CKT 1  
SINGLE 193 : OPEN LINE FROM BUS 636636 [OAKGROV5 161.00] TO BUS 636670 [SB 18 5 161.00] CKT 2  
SINGLE 194 : OPEN LINE FROM BUS 636636 [OAKGROV5 161.00] TO BUS 636672 [GALESBR5 161.00] CKT 1  
SINGLE 195 : OPEN LINE FROM BUS 636640 [LOUISA 3 345.00] TO BUS 636645 [SUB T 3 345.00] CKT 1  
SINGLE 196 : OPEN LINE FROM BUS 636650 [SB A 5 161.00] TO BUS 636657 [SB 48 5 161.00] CKT 1  
SINGLE 197 : OPEN LINE FROM BUS 636650 [SB A 5 161.00] TO BUS 636692 [SB 70 5 161.00] CKT 1  
SINGLE 198 : OPEN LINE FROM BUS 636656 [SB 47 5 161.00] TO BUS 636657 [SB 48 5 161.00] CKT 1  
SINGLE 199 : OPEN LINE FROM BUS 636660 [SB 31T 5 161.00] TO BUS 636661 [SB 31 5 161.00] CKT 1  
SINGLE 200 : OPEN LINE FROM BUS 636660 [SB 31T 5 161.00] TO BUS 636662 [SB 28 5 161.00] CKT 1  
SINGLE 201 : OPEN LINE FROM BUS 636662 [SB 28 5 161.00] TO BUS 636665 [SB 17 5 161.00] CKT 1  
SINGLE 202 : OPEN LINE FROM BUS 636665 [SB 17 5 161.00] TO BUS 636667 [SB 49 5 161.00] CKT 1  
SINGLE 203 : OPEN LINE FROM BUS 636668 [SB 43 5 161.00] TO BUS 636670 [SB 18 5 161.00] CKT 1  
SINGLE 204 : OPEN LINE FROM BUS 636670 [SB 18 5 161.00] TO BUS 636673 [SB 112 5 161.00] CKT 1  
SINGLE 205 : OPEN LINE FROM BUS 636670 [SB 18 5 161.00] TO BUS 636675 [SB 85 5 161.00] CKT 1  
SINGLE 206 : OPEN LINE FROM BUS 636675 [SB 85 5 161.00] TO BUS 636676 [SB 52 5 161.00] CKT 1  
SINGLE 207 : OPEN LINE FROM BUS 636675 [SB 85 5 161.00] TO BUS 636677 [SB 53 5 161.00] CKT 1  
SINGLE 208 : OPEN LINE FROM BUS 636680 [SB 78 5 161.00] TO BUS 636681 [58TAP 5 161.00] CKT 1  
SINGLE 209 : OPEN LINE FROM BUS 636681 [58TAP 5 161.00] TO BUS 636682 [SB 58 5 161.00] CKT 1  
SINGLE 210 : OPEN LINE FROM BUS 636681 [58TAP 5 161.00] TO BUS 636685 [SB 74 5 161.00] CKT 1  
SINGLE 211 : OPEN LINE FROM BUS 636682 [SB 58 5 161.00] TO BUS 636683 [SB 76 5 161.00] CKT 1  
SINGLE 212 : OPEN LINE FROM BUS 636683 [SB 76 5 161.00] TO BUS 636685 [SB 74 5 161.00] CKT 1  
SINGLE 213 : OPEN LINE FROM BUS 636685 [SB 74 5 161.00] TO BUS 636686 [SUB 77 5 161.00] CKT 1  
SINGLE 214 : OPEN LINE FROM BUS 636685 [SB 74 5 161.00] TO BUS 636690 [UTICA R5 161.00] CKT 1  
SINGLE 215 : OPEN LINE FROM BUS 636686 [SUB 77 5 161.00] TO BUS 636687 [SBHYC5 161.00] CKT 1

SINGLE 216 : OPEN LINE FROM BUS 636690 [UTICA R5 161.00] TO BUS 636691 [SB 71 5 161.00] CKT 1  
SINGLE 217 : OPEN LINE FROM BUS 636691 [SB 71 5 161.00] TO BUS 636693 [SB 88 5 161.00] CKT 1  
SINGLE 218 : OPEN LINE FROM BUS 636692 [SB 70 5 161.00] TO BUS 636693 [SB 88 5 161.00] CKT 1  
SINGLE 219 : OPEN LINE FROM BUS 637191 [HAMPTON5 161.00] TO BUS 637201 [SHEFFLD5 161.00] CKT 1  
SINGLE 220 : OPEN LINE FROM BUS 637353 [HOPE 5 161.00] TO BUS 637423 [BURT 5 161.00] CKT 1  
SINGLE 221 : OPEN LINE FROM BUS 637423 [BURT 5 161.00] TO BUS 637527 [OSGOOD 5 161.00] CKT 1  
SINGLE 222 : OPEN LINE FROM BUS 637527 [OSGOOD 5 161.00] TO BUS 637570 [WISDOM 5 161.00] CKT 1  
SINGLE 223 : OPEN LINE FROM BUS 637570 [WISDOM 5 161.00] TO BUS 652563 [SPENCER5 161.00] CKT 1  
SINGLE 224 : OPEN LINE FROM BUS 638000 [AMES 5 161.00] TO BUS 638010 [STANGE 5 161.00] CKT 1  
SINGLE 225 : OPEN LINE FROM BUS 638030 [UNIONCF5 161.00] TO BUS 638040 [CFUINDP5 161.00] CKT 1  
SINGLE 227 : OPEN LINE FROM BUS 640050 [AINSWND7 115.00] TO BUS 640096 [CALAMS 7 115.00] CKT 1  
SINGLE 228 : OPEN LINE FROM BUS 640051 [AINSWRT7 115.00] TO BUS 640367 [STUART 7 115.00] CKT 1  
SINGLE 229 : OPEN LINE FROM BUS 640051 [AINSWRT7 115.00] TO BUS 640392 [VALENTN7 115.00] CKT 1  
SINGLE 230 : OPEN LINE FROM BUS 640054 [ALBION 7 115.00] TO BUS 640176 [FULERTN7 115.00] CKT 1  
SINGLE 231 : OPEN LINE FROM BUS 640054 [ALBION 7 115.00] TO BUS 640181 [GENOA 7 115.00] CKT 1  
SINGLE 232 : OPEN LINE FROM BUS 640054 [ALBION 7 115.00] TO BUS 640318 [PETRSBG7 115.00] CKT 1  
SINGLE 233 : OPEN LINE FROM BUS 640054 [ALBION 7 115.00] TO BUS 640347 [SPALDNG7 115.00] CKT 1  
SINGLE 234 : OPEN LINE FROM BUS 640056 [ALDA 7 115.00] TO BUS 640323 [RAVENNA7 115.00] CKT 1  
SINGLE 235 : OPEN LINE FROM BUS 640056 [ALDA 7 115.00] TO BUS 642068 [SUB-A 7 115.00] CKT 1  
SINGLE 236 : OPEN LINE FROM BUS 640058 [ATKINSN7 115.00] TO BUS 640165 [EMMET 7 115.00] CKT 1  
SINGLE 237 : OPEN LINE FROM BUS 640058 [ATKINSN7 115.00] TO BUS 640367 [STUART 7 115.00] CKT 1  
SINGLE 238 : OPEN LINE FROM BUS 640063 [AURORA\_7 115.00] TO BUS 640201 [GR ISLD7 115.00] CKT 1  
SINGLE 239 : OPEN LINE FROM BUS 640063 [AURORA\_7 115.00] TO BUS 640411 [YORK 7 115.00] CKT 1  
SINGLE 240 : OPEN LINE FROM BUS 640065 [AXTELL 3 345.00] TO BUS 640312 [PAULINE3 345.00] CKT 1  
SINGLE 241 : OPEN LINE FROM BUS 640065 [AXTELL 3 345.00] TO BUS 640374 [SWEET W3 345.00] CKT 1  
SINGLE 242 : OPEN LINE FROM BUS 640066 [AXTELL 7 115.00] TO BUS 640224 [HOLDREG7 115.00] CKT 1  
SINGLE 243 : OPEN LINE FROM BUS 640066 [AXTELL 7 115.00] TO BUS 640250 [KEARNEY7 115.00] CKT 1  
SINGLE 244 : OPEN LINE FROM BUS 640066 [AXTELL 7 115.00] TO BUS 640275 [MINDEN 7 115.00] CKT 1  
SINGLE 245 : OPEN LINE FROM BUS 640068 [B.SPRGS7 115.00] TO BUS 640086 [BLUECK 7 115.00] CKT 1  
SINGLE 246 : OPEN LINE FROM BUS 640068 [B.SPRGS7 115.00] TO BUS 640091 [BRULE 7 115.00] CKT 1  
SINGLE 247 : OPEN LINE FROM BUS 640068 [B.SPRGS7 115.00] TO BUS 640246 [JULSTAP7 115.00] CKT 1  
SINGLE 248 : OPEN LINE FROM BUS 640070 [BANCRAFT7 115.00] TO BUS 640163 [EMERSON7 115.00] CKT 1  
SINGLE 249 : OPEN LINE FROM BUS 640070 [BANCRAFT7 115.00] TO BUS 640300 [OAKLAND7 115.00] CKT 1  
SINGLE 250 : OPEN LINE FROM BUS 640072 [BATTLER7 115.00] TO BUS 640115 [CO.LINE7 115.00] CKT 1  
SINGLE 251 : OPEN LINE FROM BUS 640072 [BATTLER7 115.00] TO BUS 640296 [NORFK.N7 115.00] CKT 1  
SINGLE 252 : OPEN LINE FROM BUS 640074 [BEAT. S7 115.00] TO BUS 640076 [BEATRCE7 115.00] CKT 1  
SINGLE 253 : OPEN LINE FROM BUS 640076 [BEATRCE7 115.00] TO BUS 640088 [BPS SUB7 115.00] CKT 1  
SINGLE 254 : OPEN LINE FROM BUS 640076 [BEATRCE7 115.00] TO BUS 640088 [BPS SUB7 115.00] CKT 2  
SINGLE 255 : OPEN LINE FROM BUS 640076 [BEATRCE7 115.00] TO BUS 640208 [HARBINE7 115.00] CKT 1  
SINGLE 256 : OPEN LINE FROM BUS 640076 [BEATRCE7 115.00] TO BUS 640361 [STEINER7 115.00] CKT 1  
SINGLE 257 : OPEN LINE FROM BUS 640078 [BEEMER 7 115.00] TO BUS 640357 [STANTON7 115.00] CKT 1  
SINGLE 258 : OPEN LINE FROM BUS 640078 [BEEMER 7 115.00] TO BUS 640400 [W.POINT7 115.00] CKT 1  
SINGLE 259 : OPEN LINE FROM BUS 640080 [BELDEN 7 115.00] TO BUS 640084 [BLMFLD 7 115.00] CKT 1  
SINGLE 260 : OPEN LINE FROM BUS 640080 [BELDEN 7 115.00] TO BUS 640212 [HARTGTN7 115.00] CKT 1  
SINGLE 261 : OPEN LINE FROM BUS 640080 [BELDEN 7 115.00] TO BUS 640228 [HOSKINS7 115.00] CKT 1  
SINGLE 262 : OPEN LINE FROM BUS 640080 [BELDEN 7 115.00] TO BUS 640387 [TWIN CH7 115.00] CKT 1  
SINGLE 263 : OPEN LINE FROM BUS 640082 [BEVERLY7 115.00] TO BUS 640167 [ENDERS 7 115.00] CKT 1  
SINGLE 264 : OPEN LINE FROM BUS 640082 [BEVERLY7 115.00] TO BUS 640326 [REDWILO7 115.00] CKT 1

SINGLE 265 : OPEN LINE FROM BUS 640084 [BLMFLD 7 115.00] TO BUS 640149 [CREITON7 115.00] CKT 1  
SINGLE 266 : OPEN LINE FROM BUS 640084 [BLMFLD 7 115.00] TO BUS 652511 [GAVINS 7 115.00] CKT 1  
SINGLE 267 : OPEN LINE FROM BUS 640086 [BLUECK 7 115.00] TO BUS 659193 [W.HORSE7 115.00] CKT 1  
SINGLE 268 : OPEN LINE FROM BUS 640088 [BPS SUB7 115.00] TO BUS 640111 [CLATONA7 115.00] CKT 1  
SINGLE 269 : OPEN LINE FROM BUS 640088 [BPS SUB7 115.00] TO BUS 640278 [SHELDON7 115.00] CKT 1  
SINGLE 270 : OPEN LINE FROM BUS 640089 [BROKENB7 115.00] TO BUS 640094 [C.CREEK7 115.00] CKT 1  
SINGLE 271 : OPEN LINE FROM BUS 640089 [BROKENB7 115.00] TO BUS 640098 [CALAWAY7 115.00] CKT 1  
SINGLE 272 : OPEN LINE FROM BUS 640089 [BROKENB7 115.00] TO BUS 640259 [LOUPCTY7 115.00] CKT 1  
SINGLE 273 : OPEN LINE FROM BUS 640091 [BRULE 7 115.00] TO BUS 659132 [OGALALA7 115.00] CKT 1  
SINGLE 274 : OPEN LINE FROM BUS 640093 [C.CREEK4 230.00] TO BUS 640094 [C.CREEK7 115.00] CKT 1  
SINGLE 275 : OPEN LINE FROM BUS 640093 [C.CREEK4 230.00] TO BUS 640102 [CANADAY4 230.00] CKT 1  
SINGLE 276 : OPEN LINE FROM BUS 640093 [C.CREEK4 230.00] TO BUS 640286 [N.PLATT4 230.00] CKT 1  
SINGLE 277 : OPEN LINE FROM BUS 640093 [C.CREEK4 230.00] TO BUS 640330 [RIVERDL4 230.00] CKT 1  
SINGLE 278 : OPEN LINE FROM BUS 640096 [CALAMS 7 115.00] TO BUS 640381 [THEDFRD7 115.00] CKT 1  
SINGLE 279 : OPEN LINE FROM BUS 640098 [CALAWAY7 115.00] TO BUS 640267 [MAXWELS7 115.00] CKT 1  
SINGLE 280 : OPEN LINE FROM BUS 640100 [CAMBRIG7 115.00] TO BUS 640194 [GOSPER 7 115.00] CKT 1  
SINGLE 281 : OPEN LINE FROM BUS 640100 [CAMBRIG7 115.00] TO BUS 640269 [MCCOOK 7 115.00] CKT 1  
SINGLE 282 : OPEN LINE FROM BUS 640103 [CANADAY7 115.00] TO BUS 640161 [ELMCRK\_7 115.00] CKT 1  
SINGLE 283 : OPEN LINE FROM BUS 640103 [CANADAY7 115.00] TO BUS 640242 [JOHN.2 7 115.00] CKT 1  
SINGLE 284 : OPEN LINE FROM BUS 640103 [CANADAY7 115.00] TO BUS 640242 [JOHN.2 7 115.00] CKT 2  
SINGLE 285 : OPEN LINE FROM BUS 640103 [CANADAY7 115.00] TO BUS 640256 [LXNGTN 7 115.00] CKT 1  
SINGLE 286 : OPEN LINE FROM BUS 640105 [CARLJCT7 115.00] TO BUS 640178 [GENEVA 7 115.00] CKT 1  
SINGLE 287 : OPEN LINE FROM BUS 640105 [CARLJCT7 115.00] TO BUS 640218 [HEBRN N7 115.00] CKT 1  
SINGLE 288 : OPEN LINE FROM BUS 640107 [CENCITY7 115.00] TO BUS 640201 [GR ISLD7 115.00] CKT 1  
SINGLE 289 : OPEN LINE FROM BUS 640107 [CENCITY7 115.00] TO BUS 640436 [CLARKS 7 115.00] CKT 1  
SINGLE 290 : OPEN LINE FROM BUS 640109 [CHADRON7 115.00] TO BUS 640147 [CRAWFRD7 115.00] CKT 1  
SINGLE 291 : OPEN LINE FROM BUS 640109 [CHADRON7 115.00] TO BUS 640334 [RUSHVIL7 115.00] CKT 1  
SINGLE 292 : OPEN LINE FROM BUS 640109 [CHADRON7 115.00] TO BUS 640405 [WAYSIDE7 115.00] CKT 1  
SINGLE 293 : OPEN LINE FROM BUS 640109 [CHADRON7 115.00] TO BUS 652311 [DUNLAP 7 115.00] CKT 1  
SINGLE 294 : OPEN LINE FROM BUS 640111 [CLATONA7 115.00] TO BUS 640278 [SHELDON7 115.00] CKT 1  
SINGLE 295 : OPEN LINE FROM BUS 640113 [CLRWATR7 115.00] TO BUS 640293 [NELIGH 7 115.00] CKT 1  
SINGLE 296 : OPEN LINE FROM BUS 640113 [CLRWATR7 115.00] TO BUS 640305 [ONEILL 7 115.00] CKT 1  
SINGLE 297 : OPEN LINE FROM BUS 640115 [CO.LINE7 115.00] TO BUS 640293 [NELIGH 7 115.00] CKT 1  
SINGLE 298 : OPEN LINE FROM BUS 640117 [CODY 7 115.00] TO BUS 640394 [VALTN.W7 115.00] CKT 1  
SINGLE 299 : OPEN LINE FROM BUS 640119 [COL.COG7 115.00] TO BUS 640122 [COL.DRY7 115.00] CKT 1  
SINGLE 300 : OPEN LINE FROM BUS 640119 [COL.COG7 115.00] TO BUS 640122 [COL.DRY7 115.00] CKT 2  
SINGLE 301 : OPEN LINE FROM BUS 640119 [COL.COG7 115.00] TO BUS 640124 [COL.SE 7 115.00] CKT 1  
SINGLE 302 : OPEN LINE FROM BUS 640119 [COL.COG7 115.00] TO BUS 640127 [COLMB.E7 115.00] CKT 1  
SINGLE 303 : OPEN LINE FROM BUS 640124 [COL.SE 7 115.00] TO BUS 640136 [COLMBUS7 115.00] CKT 1  
SINGLE 304 : OPEN LINE FROM BUS 640124 [COL.SE 7 115.00] TO BUS 640328 [RISNGCY7 115.00] CKT 1  
SINGLE 305 : OPEN LINE FROM BUS 640125 [COLMB.E3 345.00] TO BUS 640342 [SHELCKR3 345.00] CKT 1  
SINGLE 306 : OPEN LINE FROM BUS 640125 [COLMB.E3 345.00] TO BUS 650114 [NW68HOLDRG3 345.00] CKT 1  
SINGLE 307 : OPEN LINE FROM BUS 640126 [E.COL. 4 230.00] TO BUS 640127 [COLMB.E7 115.00] CKT 1  
SINGLE 308 : OPEN LINE FROM BUS 640126 [E.COL. 4 230.00] TO BUS 640133 [COLMBUS4 230.00] CKT 1  
SINGLE 309 : OPEN LINE FROM BUS 640127 [COLMB.E7 115.00] TO BUS 640136 [COLMBUS7 115.00] CKT 1  
SINGLE 310 : OPEN LINE FROM BUS 640127 [COLMB.E7 115.00] TO BUS 640157 [DAVIDCY7 115.00] CKT 1  
SINGLE 311 : OPEN LINE FROM BUS 640131 [COLMB.W4 230.00] TO BUS 640133 [COLMBUS4 230.00] CKT 1  
SINGLE 312 : OPEN LINE FROM BUS 640131 [COLMB.W4 230.00] TO BUS 640200 [GR ISLD4 230.00] CKT 1

SINGLE 313 : OPEN LINE FROM BUS 640133 [COLMBUS4 230.00] TO BUS 640343 [SHELCKR4 230.00] CKT 1  
SINGLE 314 : OPEN LINE FROM BUS 640133 [COLMBUS4 230.00] TO BUS 643000 [MADISONCNTY4230.00] CKT 1  
SINGLE 315 : OPEN LINE FROM BUS 640134 [KELLY 7 115.00] TO BUS 640136 [COLMBUS7 115.00] CKT 1  
SINGLE 316 : OPEN LINE FROM BUS 640136 [COLMBUS7 115.00] TO BUS 640151 [CRESTON7 115.00] CKT 1  
SINGLE 317 : OPEN LINE FROM BUS 640136 [COLMBUS7 115.00] TO BUS 640181 [GENOA 7 115.00] CKT 1  
SINGLE 318 : OPEN LINE FROM BUS 640136 [COLMBUS7 115.00] TO BUS 640336 [SCHUYLR7 115.00] CKT 1  
SINGLE 319 : OPEN LINE FROM BUS 640136 [COLMBUS7 115.00] TO BUS 640345 [SILVRCK7 115.00] CKT 1  
SINGLE 320 : OPEN LINE FROM BUS 640139 [COOPER 3 345.00] TO BUS 640277 [MOORE 3 345.00] CKT 1  
SINGLE 321 : OPEN LINE FROM BUS 640139 [COOPER 3 345.00] TO BUS 645458 [S3458 3 345.00] CKT 1  
SINGLE 322 : OPEN LINE FROM BUS 640140 [COOPER 5 161.00] TO BUS 646280 [S1280 5 161.00] CKT 1  
SINGLE 323 : OPEN LINE FROM BUS 640144 [COZAD 7 115.00] TO BUS 640196 [GOTHNBG7 115.00] CKT 1  
SINGLE 324 : OPEN LINE FROM BUS 640144 [COZAD 7 115.00] TO BUS 640407 [WESTMIN7 115.00] CKT 1  
SINGLE 325 : OPEN LINE FROM BUS 640147 [CRAWFRD7 115.00] TO BUS 640397 [VICTRYH7 115.00] CKT 1  
SINGLE 326 : OPEN LINE FROM BUS 640149 [CREITON7 115.00] TO BUS 640293 [NELIGH 7 115.00] CKT 1  
SINGLE 327 : OPEN LINE FROM BUS 640151 [CRESTON7 115.00] TO BUS 640263 [MADISON7 115.00] CKT 1  
SINGLE 328 : OPEN LINE FROM BUS 640153 [CRETE\_\_7 115.00] TO BUS 640174 [FRIEND 7 115.00] CKT 1  
SINGLE 329 : OPEN LINE FROM BUS 640153 [CRETE\_\_7 115.00] TO BUS 640278 [SHELDON7 115.00] CKT 1  
SINGLE 330 : OPEN LINE FROM BUS 640155 [DAVEY 7 115.00] TO BUS 640402 [WAHOO 7 115.00] CKT 1  
SINGLE 331 : OPEN LINE FROM BUS 640155 [DAVEY 7 115.00] TO BUS 650269 [70&BLUFF 7 115.00] CKT 1  
SINGLE 332 : OPEN LINE FROM BUS 640157 [DAVIDCY7 115.00] TO BUS 640402 [WAHOO 7 115.00] CKT 1  
SINGLE 333 : OPEN LINE FROM BUS 640159 [DONIPH7 115.00] TO BUS 640282 [N.HAST 7 115.00] CKT 1  
SINGLE 334 : OPEN LINE FROM BUS 640159 [DONIPH7 115.00] TO BUS 642071 [SUB-D 7 115.00] CKT 1  
SINGLE 335 : OPEN LINE FROM BUS 640161 [ELMCRK\_7 115.00] TO BUS 640250 [KEARNEY7 115.00] CKT 1  
SINGLE 336 : OPEN LINE FROM BUS 640163 [EMERSON7 115.00] TO BUS 640387 [TWIN CH7 115.00] CKT 1  
SINGLE 337 : OPEN LINE FROM BUS 640165 [EMMET 7 115.00] TO BUS 640305 [ONEILL 7 115.00] CKT 1  
SINGLE 338 : OPEN LINE FROM BUS 640167 [ENDERS 7 115.00] TO BUS 659130 [GRANTNB7 115.00] CKT 1  
SINGLE 339 : OPEN LINE FROM BUS 640167 [ENDERS 7 115.00] TO BUS 659244 [ATHEY 7 115.00] CKT 1  
SINGLE 340 : OPEN LINE FROM BUS 640169 [FAIRBRY7 115.00] TO BUS 640208 [HARBINE7 115.00] CKT 1  
SINGLE 341 : OPEN LINE FROM BUS 640169 [FAIRBRY7 115.00] TO BUS 640218 [HEBRN N7 115.00] CKT 1  
SINGLE 342 : OPEN LINE FROM BUS 640171 [FIRTH 7 115.00] TO BUS 640278 [SHELDON7 115.00] CKT 1  
SINGLE 343 : OPEN LINE FROM BUS 640171 [FIRTH 7 115.00] TO BUS 640362 [STERLNG7 115.00] CKT 1  
SINGLE 344 : OPEN LINE FROM BUS 640173 [FREMONT7 115.00] TO BUS 640281 [N.BEND 7 115.00] CKT 1  
SINGLE 345 : OPEN LINE FROM BUS 640173 [FREMONT7 115.00] TO BUS 640409 [WINSLOW7 115.00] CKT 1  
SINGLE 346 : OPEN LINE FROM BUS 640173 [FREMONT7 115.00] TO BUS 647976 [S976 8 69.000] CKT 1  
SINGLE 347 : OPEN LINE FROM BUS 640173 [FREMONT7 115.00] TO BUS 647976 [S976 8 69.000] CKT 4  
SINGLE 348 : OPEN LINE FROM BUS 640174 [FRIEND 7 115.00] TO BUS 640178 [GENEVA 7 115.00] CKT 1  
SINGLE 349 : OPEN LINE FROM BUS 640178 [GENEVA 7 115.00] TO BUS 640272 [MCCOOL 7 115.00] CKT 1  
SINGLE 350 : OPEN LINE FROM BUS 640178 [GENEVA 7 115.00] TO BUS 640372 [SUTTON 7 115.00] CKT 1  
SINGLE 351 : OPEN LINE FROM BUS 640183 [GENTLMN3 345.00] TO BUS 640184 [GENTLMN4 230.00] CKT 2  
SINGLE 352 : OPEN LINE FROM BUS 640183 [GENTLMN3 345.00] TO BUS 640252 [KEYSTON3 345.00] CKT 1  
SINGLE 353 : OPEN LINE FROM BUS 640183 [GENTLMN3 345.00] TO BUS 640325 [REDWILO3 345.00] CKT 1  
SINGLE 354 : OPEN LINE FROM BUS 640183 [GENTLMN3 345.00] TO BUS 640374 [SWEET W3 345.00] CKT 1  
SINGLE 355 : OPEN LINE FROM BUS 640183 [GENTLMN3 345.00] TO BUS 640374 [SWEET W3 345.00] CKT 2  
SINGLE 356 : OPEN LINE FROM BUS 640184 [GENTLMN4 230.00] TO BUS 640286 [N.PLATT4 230.00] CKT 1  
SINGLE 357 : OPEN LINE FROM BUS 640184 [GENTLMN4 230.00] TO BUS 640286 [N.PLATT4 230.00] CKT 2  
SINGLE 358 : OPEN LINE FROM BUS 640184 [GENTLMN4 230.00] TO BUS 640286 [N.PLATT4 230.00] CKT 3  
SINGLE 359 : OPEN LINE FROM BUS 640184 [GENTLMN4 230.00] TO BUS 640302 [OGALALA4 230.00] CKT 1  
SINGLE 360 : OPEN LINE FROM BUS 640192 [GORDON 7 115.00] TO BUS 640334 [RUSHVIL7 115.00] CKT 1

SINGLE 361 : OPEN LINE FROM BUS 640192 [GORDON 7 115.00] TO BUS 659152 [SHAN-SD7 115.00] CKT 1  
SINGLE 362 : OPEN LINE FROM BUS 640194 [GOSPER 7 115.00] TO BUS 640242 [JOHN.2 7 115.00] CKT 1  
SINGLE 363 : OPEN LINE FROM BUS 640196 [GOTHNBG7 115.00] TO BUS 640238 [JEFFREY7 115.00] CKT 1  
SINGLE 364 : OPEN LINE FROM BUS 640200 [GR ISLD4 230.00] TO BUS 640201 [GR ISLD7 115.00] CKT 2  
SINGLE 365 : OPEN LINE FROM BUS 640200 [GR ISLD4 230.00] TO BUS 640214 [HASTING4 230.00] CKT 1  
SINGLE 366 : OPEN LINE FROM BUS 640200 [GR ISLD4 230.00] TO BUS 640330 [RIVERDL4 230.00] CKT 1  
SINGLE 367 : OPEN LINE FROM BUS 640200 [GR ISLD4 230.00] TO BUS 652571 [GR ISLD3 345.00] CKT 3  
SINGLE 368 : OPEN LINE FROM BUS 640201 [GR ISLD7 115.00] TO BUS 640353 [ST.LIB 7 115.00] CKT 1  
SINGLE 369 : OPEN LINE FROM BUS 640201 [GR ISLD7 115.00] TO BUS 642071 [SUB-D 7 115.00] CKT 1  
SINGLE 370 : OPEN LINE FROM BUS 640201 [GR ISLD7 115.00] TO BUS 642072 [SUB-E 7 115.00] CKT 1  
SINGLE 371 : OPEN LINE FROM BUS 640206 [GUIDE R7 115.00] TO BUS 640368 [SUPEROR7 115.00] CKT 1  
SINGLE 372 : OPEN LINE FROM BUS 640206 [GUIDE R7 115.00] TO BUS 643050 [ROSEMONT 7115.00] CKT 1  
SINGLE 373 : OPEN LINE FROM BUS 640208 [HARBINE7 115.00] TO BUS 640426 [STEELEC7 115.00] CKT 1  
SINGLE 374 : OPEN LINE FROM BUS 640210 [HARMONY7 115.00] TO BUS 640351 [ST.FRANC 115.00] CKT 1  
SINGLE 375 : OPEN LINE FROM BUS 640210 [HARMONY7 115.00] TO BUS 640392 [VALENTN7 115.00] CKT 1  
SINGLE 376 : OPEN LINE FROM BUS 640212 [HARTGTN7 115.00] TO BUS 652511 [GAVINS 7 115.00] CKT 1  
SINGLE 377 : OPEN LINE FROM BUS 640214 [HASTING4 230.00] TO BUS 641088 [HASTCTY7 115.00] CKT 1  
SINGLE 378 : OPEN LINE FROM BUS 640215 [HASTING7 115.00] TO BUS 640313 [PAULINE7 115.00] CKT 1  
SINGLE 379 : OPEN LINE FROM BUS 640215 [HASTING7 115.00] TO BUS 640313 [PAULINE7 115.00] CKT 2  
SINGLE 380 : OPEN LINE FROM BUS 640215 [HASTING7 115.00] TO BUS 641087 [EGYCNTR7 115.00] CKT 1  
SINGLE 381 : OPEN LINE FROM BUS 640215 [HASTING7 115.00] TO BUS 641088 [HASTCTY7 115.00] CKT 1  
SINGLE 382 : OPEN LINE FROM BUS 640218 [HEBRN N7 115.00] TO BUS 640220 [HEBRON 7 115.00] CKT 1  
SINGLE 383 : OPEN LINE FROM BUS 640220 [HEBRON 7 115.00] TO BUS 640368 [SUPEROR7 115.00] CKT 1  
SINGLE 384 : OPEN LINE FROM BUS 640222 [HILDRTH7 115.00] TO BUS 640224 [HOLDREG7 115.00] CKT 1  
SINGLE 385 : OPEN LINE FROM BUS 640222 [HILDRTH7 115.00] TO BUS 640313 [PAULINE7 115.00] CKT 1  
SINGLE 386 : OPEN LINE FROM BUS 640224 [HOLDREG7 115.00] TO BUS 640242 [JOHN.2 7 115.00] CKT 1  
SINGLE 387 : OPEN LINE FROM BUS 640224 [HOLDREG7 115.00] TO BUS 640310 [ORLEANS7 115.00] CKT 1  
SINGLE 388 : OPEN LINE FROM BUS 640226 [HOSKINS3 345.00] TO BUS 640227 [HOSKINS4 230.00] CKT 1  
SINGLE 389 : OPEN LINE FROM BUS 640226 [HOSKINS3 345.00] TO BUS 640342 [SHELCKR3 345.00] CKT 1  
SINGLE 390 : OPEN LINE FROM BUS 640227 [HOSKINS4 230.00] TO BUS 640228 [HOSKINS7 115.00] CKT 1  
SINGLE 391 : OPEN LINE FROM BUS 640227 [HOSKINS4 230.00] TO BUS 640386 [TWIN CH4 230.00] CKT 1  
SINGLE 392 : OPEN LINE FROM BUS 640228 [HOSKINS7 115.00] TO BUS 640296 [NORFK.N7 115.00] CKT 1  
SINGLE 393 : OPEN LINE FROM BUS 640228 [HOSKINS7 115.00] TO BUS 640298 [NORFOLK7 115.00] CKT 1  
SINGLE 394 : OPEN LINE FROM BUS 640228 [HOSKINS7 115.00] TO BUS 640363 [STNTN.N7 115.00] CKT 1  
SINGLE 395 : OPEN LINE FROM BUS 640234 [HUMBOLT5 161.00] TO BUS 640235 [HUMBOLT7 115.00] CKT 1  
SINGLE 396 : OPEN LINE FROM BUS 640234 [HUMBOLT5 161.00] TO BUS 646280 [S1280 5 161.00] CKT 1  
SINGLE 397 : OPEN LINE FROM BUS 640234 [HUMBOLT5 161.00] TO BUS 646399 [S1399 5 161.00] CKT 1  
SINGLE 398 : OPEN LINE FROM BUS 640235 [HUMBOLT7 115.00] TO BUS 640361 [STEINER7 115.00] CKT 1  
SINGLE 399 : OPEN LINE FROM BUS 640238 [JEFFREY7 115.00] TO BUS 640240 [JOHN.1 7 115.00] CKT 1  
SINGLE 400 : OPEN LINE FROM BUS 640238 [JEFFREY7 115.00] TO BUS 640287 [N.PLATT7 115.00] CKT 1  
SINGLE 401 : OPEN LINE FROM BUS 640240 [JOHN.1 7 115.00] TO BUS 640244 [JOHN.LK7 115.00] CKT 1  
SINGLE 402 : OPEN LINE FROM BUS 640242 [JOHN.2 7 115.00] TO BUS 640244 [JOHN.LK7 115.00] CKT 1  
SINGLE 403 : OPEN LINE FROM BUS 640242 [JOHN.2 7 115.00] TO BUS 640407 [WESTMIN7 115.00] CKT 1  
SINGLE 404 : OPEN LINE FROM BUS 640246 [JULSTAP7 115.00] TO BUS 652300 [CHAPPEL7 115.00] CKT 1  
SINGLE 405 : OPEN LINE FROM BUS 640246 [JULSTAP7 115.00] TO BUS 652302 [JULESBG7 115.00] CKT 1  
SINGLE 406 : OPEN LINE FROM BUS 640248 [KEAR.NE7 115.00] TO BUS 640250 [KEARNEY7 115.00] CKT 1  
SINGLE 407 : OPEN LINE FROM BUS 640248 [KEAR.NE7 115.00] TO BUS 640331 [RIVERDL7 115.00] CKT 1  
SINGLE 408 : OPEN LINE FROM BUS 640250 [KEARNEY7 115.00] TO BUS 640261 [LOWELL 7 115.00] CKT 1

SINGLE 409 : OPEN LINE FROM BUS 640250 [KEARNEY7 115.00] TO BUS 640383 [TOWER 7 115.00] CKT 1  
SINGLE 410 : OPEN LINE FROM BUS 640252 [KEYSTON3 345.00] TO BUS 659133 [SIDNEY 3 345.00] CKT 1  
SINGLE 411 : OPEN LINE FROM BUS 640253 [KEYSTON7 115.00] TO BUS 640255 [KINGSLY7 115.00] CKT 1  
SINGLE 412 : OPEN LINE FROM BUS 640253 [KEYSTON7 115.00] TO BUS 659132 [OGALALA7 115.00] CKT 1  
SINGLE 413 : OPEN LINE FROM BUS 640256 [LXNGTN 7 115.00] TO BUS 640331 [RIVERDL7 115.00] CKT 1  
SINGLE 414 : OPEN LINE FROM BUS 640259 [LOUPCTY7 115.00] TO BUS 640284 [N.LOUP 7 115.00] CKT 1  
SINGLE 415 : OPEN LINE FROM BUS 640259 [LOUPCTY7 115.00] TO BUS 640353 [ST.LIB 7 115.00] CKT 1  
SINGLE 416 : OPEN LINE FROM BUS 640261 [LOWELL 7 115.00] TO BUS 640275 [MINDEN 7 115.00] CKT 1  
SINGLE 417 : OPEN LINE FROM BUS 640261 [LOWELL 7 115.00] TO BUS 640321 [PROSSER7 115.00] CKT 1  
SINGLE 418 : OPEN LINE FROM BUS 640263 [MADISON7 115.00] TO BUS 640298 [NORFOLK7 115.00] CKT 1  
SINGLE 419 : OPEN LINE FROM BUS 640263 [MADISON7 115.00] TO BUS 643001 [MADISONCNTY7115.00] CKT 1  
SINGLE 420 : OPEN LINE FROM BUS 640265 [MALONEY7 115.00] TO BUS 640287 [N.PLATT7 115.00] CKT 1  
SINGLE 421 : OPEN LINE FROM BUS 640265 [MALONEY7 115.00] TO BUS 640370 [SUTHLND7 115.00] CKT 1  
SINGLE 422 : OPEN LINE FROM BUS 640267 [MAXWELS7 115.00] TO BUS 640287 [N.PLATT7 115.00] CKT 1  
SINGLE 423 : OPEN LINE FROM BUS 640267 [MAXWELS7 115.00] TO BUS 640359 [STAPLTN7 115.00] CKT 1  
SINGLE 424 : OPEN LINE FROM BUS 640269 [MCCOOK 7 115.00] TO BUS 640326 [REDWILO7 115.00] CKT 1  
SINGLE 425 : OPEN LINE FROM BUS 640269 [MCCOOK 7 115.00] TO BUS 640326 [REDWILO7 115.00] CKT 2  
SINGLE 426 : OPEN LINE FROM BUS 640271 [MCCOOL 3 345.00] TO BUS 640277 [MOORE 3 345.00] CKT 1  
SINGLE 427 : OPEN LINE FROM BUS 640271 [MCCOOL 3 345.00] TO BUS 652571 [GR ISLD3 345.00] CKT 1  
SINGLE 428 : OPEN LINE FROM BUS 640272 [MCCOOL 7 115.00] TO BUS 640413 [YORK SW7 115.00] CKT 1  
SINGLE 429 : OPEN LINE FROM BUS 640277 [MOORE 3 345.00] TO BUS 640312 [PAULINE3 345.00] CKT 1  
SINGLE 430 : OPEN LINE FROM BUS 640277 [MOORE 3 345.00] TO BUS 650114 [NW68HOLDRG3 345.00] CKT 1  
SINGLE 431 : OPEN LINE FROM BUS 640277 [MOORE 3 345.00] TO BUS 650189 [103&ROKEBY3 345.00] CKT 1  
SINGLE 432 : OPEN LINE FROM BUS 640278 [SHELDON7 115.00] TO BUS 650242 [FOLSM&PHIL7 115.00] CKT 1  
SINGLE 433 : OPEN LINE FROM BUS 640278 [SHELDON7 115.00] TO BUS 650242 [FOLSM&PHIL7 115.00] CKT 2  
SINGLE 434 : OPEN LINE FROM BUS 640281 [N.BEND 7 115.00] TO BUS 640336 [SCHUYLR7 115.00] CKT 1  
SINGLE 435 : OPEN LINE FROM BUS 640281 [N.BEND 7 115.00] TO BUS 648400 [N.BD A9 13.800] CKT 1  
SINGLE 436 : OPEN LINE FROM BUS 640281 [N.BEND 7 115.00] TO BUS 648401 [N.BD B9 13.800] CKT 1  
SINGLE 437 : OPEN LINE FROM BUS 640282 [N.HAST 7 115.00] TO BUS 640321 [PROSSER7 115.00] CKT 1  
SINGLE 438 : OPEN LINE FROM BUS 640282 [N.HAST 7 115.00] TO BUS 641082 [BYPASS 7 115.00] CKT 1  
SINGLE 439 : OPEN LINE FROM BUS 640284 [N.LOUP 7 115.00] TO BUS 640308 [ORD 7 115.00] CKT 1  
SINGLE 440 : OPEN LINE FROM BUS 640284 [N.LOUP 7 115.00] TO BUS 640347 [SPALDNG7 115.00] CKT 1  
SINGLE 441 : OPEN LINE FROM BUS 640287 [N.PLATT7 115.00] TO BUS 640365 [STOCKVL7 115.00] CKT 1  
SINGLE 442 : OPEN LINE FROM BUS 640293 [NELIGH 7 115.00] TO BUS 640444 [PETERSBRG.N7115.00] CKT 1  
SINGLE 443 : OPEN LINE FROM BUS 640296 [NORFK.N7 115.00] TO BUS 640298 [NORFOLK7 115.00] CKT 1  
SINGLE 444 : OPEN LINE FROM BUS 640298 [NORFOLK7 115.00] TO BUS 643001 [MADISONCNTY7115.00] CKT 1  
SINGLE 445 : OPEN LINE FROM BUS 640300 [OAKLAND7 115.00] TO BUS 640378 [TEKAMAH7 115.00] CKT 1  
SINGLE 446 : OPEN LINE FROM BUS 640300 [OAKLAND7 115.00] TO BUS 640400 [W.POINT7 115.00] CKT 1  
SINGLE 447 : OPEN LINE FROM BUS 640300 [OAKLAND7 115.00] TO BUS 640409 [WINSLOW7 115.00] CKT 1  
SINGLE 448 : OPEN LINE FROM BUS 640302 [OGALALA4 230.00] TO BUS 659132 [OGALALA7 115.00] CKT 1  
SINGLE 449 : OPEN LINE FROM BUS 640302 [OGALALA4 230.00] TO BUS 659134 [SIDNEY 4 230.00] CKT 1  
SINGLE 450 : OPEN LINE FROM BUS 640305 [ONEILL 7 115.00] TO BUS 640349 [SPENCER7 115.00] CKT 1  
SINGLE 451 : OPEN LINE FROM BUS 640305 [ONEILL 7 115.00] TO BUS 640441 [STUARTS7 115.00] CKT 1  
SINGLE 452 : OPEN LINE FROM BUS 640313 [PAULINE7 115.00] TO BUS 643050 [ROSEMONT 7115.00] CKT 1  
SINGLE 453 : OPEN LINE FROM BUS 640316 [PAWNEEL7 115.00] TO BUS 640340 [SEWARD 7 115.00] CKT 1  
SINGLE 454 : OPEN LINE FROM BUS 640316 [PAWNEEL7 115.00] TO BUS 650214 [NW68HOLDRG7 115.00] CKT 1  
SINGLE 455 : OPEN LINE FROM BUS 640318 [PETRSBG7 115.00] TO BUS 640444 [PETERSBRG.N7115.00] CKT 1  
SINGLE 456 : OPEN LINE FROM BUS 640323 [RAVENNA7 115.00] TO BUS 640331 [RIVERDL7 115.00] CKT 1

SINGLE 457 : OPEN LINE FROM BUS 640326 [REDWILO7 115.00] TO BUS 640365 [STOCKVL7 115.00] CKT 1  
SINGLE 458 : OPEN LINE FROM BUS 640328 [RISNGCY7 115.00] TO BUS 640340 [SEWARD 7 115.00] CKT 1  
SINGLE 459 : OPEN LINE FROM BUS 640330 [RIVERDL4 230.00] TO BUS 640331 [RIVERDL7 115.00] CKT 1  
SINGLE 460 : OPEN LINE FROM BUS 640331 [RIVERDL7 115.00] TO BUS 640383 [TOWER 7 115.00] CKT 1  
SINGLE 461 : OPEN LINE FROM BUS 640338 [SCOTBLF7 115.00] TO BUS 640397 [VICTRYH7 115.00] CKT 1  
SINGLE 462 : OPEN LINE FROM BUS 640338 [SCOTBLF7 115.00] TO BUS 659242 [GERINGT7 115.00] CKT 1  
SINGLE 463 : OPEN LINE FROM BUS 640340 [SEWARD 7 115.00] TO BUS 640375 [TAMORA 7 115.00] CKT 1  
SINGLE 464 : OPEN LINE FROM BUS 640342 [SHELCKR3 345.00] TO BUS 640343 [SHELCKR4 230.00] CKT 1  
SINGLE 465 : OPEN LINE FROM BUS 640345 [SILVRCK7 115.00] TO BUS 640436 [CLARKS 7 115.00] CKT 1  
SINGLE 466 : OPEN LINE FROM BUS 640349 [SPENCER7 115.00] TO BUS 652510 [FTRANDL7 115.00] CKT 1  
SINGLE 467 : OPEN LINE FROM BUS 640351 [ST.FRANC 115.00] TO BUS 652482 [MISSION7 115.00] CKT 1  
SINGLE 468 : OPEN LINE FROM BUS 640353 [ST.LIB 7 115.00] TO BUS 640355 [ST.PAUL7 115.00] CKT 1  
SINGLE 469 : OPEN LINE FROM BUS 640353 [ST.LIB 7 115.00] TO BUS 642073 [SUB-F 7 115.00] CKT 1  
SINGLE 470 : OPEN LINE FROM BUS 640357 [STANTON7 115.00] TO BUS 640363 [STNTN.N7 115.00] CKT 1  
SINGLE 471 : OPEN LINE FROM BUS 640359 [STAPLTN7 115.00] TO BUS 640381 [THEDFRD7 115.00] CKT 1  
SINGLE 472 : OPEN LINE FROM BUS 640362 [STERLNG7 115.00] TO BUS 647974 [S974 8 69.000] CKT 1  
SINGLE 473 : OPEN LINE FROM BUS 640370 [SUTHLND7 115.00] TO BUS 659186 [PAXTON 7 115.00] CKT 1  
SINGLE 474 : OPEN LINE FROM BUS 640372 [SUTTON 7 115.00] TO BUS 641087 [EGYCNTR7 115.00] CKT 1  
SINGLE 475 : OPEN LINE FROM BUS 640374 [SWEET W3 345.00] TO BUS 652571 [GR ISLD3 345.00] CKT 1  
SINGLE 476 : OPEN LINE FROM BUS 640375 [TAMORA 7 115.00] TO BUS 640411 [YORK 7 115.00] CKT 1  
SINGLE 477 : OPEN LINE FROM BUS 640377 [TEKAMAH5 161.00] TO BUS 640378 [TEKAMAH7 115.00] CKT 1  
SINGLE 478 : OPEN LINE FROM BUS 640377 [TEKAMAH5 161.00] TO BUS 646226 [S1226 5 161.00] CKT 1  
SINGLE 479 : OPEN LINE FROM BUS 640386 [TWIN CH4 230.00] TO BUS 640387 [TWIN CH7 115.00] CKT 1  
SINGLE 480 : OPEN LINE FROM BUS 640386 [TWIN CH4 230.00] TO BUS 640387 [TWIN CH7 115.00] CKT 2  
SINGLE 481 : OPEN LINE FROM BUS 640386 [TWIN CH4 230.00] TO BUS 652565 [SIOUXCY4 230.00] CKT 1  
SINGLE 482 : OPEN LINE FROM BUS 640387 [TWIN CH7 115.00] TO BUS 640424 [SOUTHSC7 115.00] CKT 1  
SINGLE 483 : OPEN LINE FROM BUS 640387 [TWIN CH7 115.00] TO BUS 640424 [SOUTHSC7 115.00] CKT 2  
SINGLE 484 : OPEN LINE FROM BUS 640392 [VALENTN7 115.00] TO BUS 640394 [VALTN.W7 115.00] CKT 1  
SINGLE 486 : OPEN LINE FROM BUS 640402 [WAHOO 7 115.00] TO BUS 648402 [WAHOO 29 13.800] CKT 1  
SINGLE 487 : OPEN LINE FROM BUS 640404 [WAYSIDE4 230.00] TO BUS 652484 [NUNDRWD4 230.00] CKT 1  
SINGLE 488 : OPEN LINE FROM BUS 640404 [WAYSIDE4 230.00] TO BUS 652573 [STEGALL4 230.00] CKT 1  
SINGLE 489 : OPEN LINE FROM BUS 640411 [YORK 7 115.00] TO BUS 640413 [YORK SW7 115.00] CKT 1  
SINGLE 490 : OPEN LINE FROM BUS 640434 [CEN.C.N7 115.00] TO BUS 640436 [CLARKS 7 115.00] CKT 1  
SINGLE 491 : OPEN LINE FROM BUS 640437 [ERICSON7 115.00] TO BUS 640444 [PETERSBRG.N7115.00] CKT 1  
SINGLE 492 : OPEN LINE FROM BUS 640444 [PETERSBRG.N7115.00] TO BUS 643001 [MADISONCNTY7115.00] CKT 1  
SINGLE 493 : OPEN LINE FROM BUS 641082 [BYPASS 7 115.00] TO BUS 641084 [DENVER 7 115.00] CKT 1  
SINGLE 494 : OPEN LINE FROM BUS 641082 [BYPASS 7 115.00] TO BUS 641085 [E7THST 7 115.00] CKT 1  
SINGLE 495 : OPEN LINE FROM BUS 641083 [D.HENRY7 115.00] TO BUS 641084 [DENVER 7 115.00] CKT 1  
SINGLE 496 : OPEN LINE FROM BUS 641083 [D.HENRY7 115.00] TO BUS 641090 [S. 281 7 115.00] CKT 1  
SINGLE 497 : OPEN LINE FROM BUS 641085 [E7THST 7 115.00] TO BUS 641088 [HASTCTY7 115.00] CKT 1  
SINGLE 498 : OPEN LINE FROM BUS 641087 [EGYCNTR7 115.00] TO BUS 641088 [HASTCTY7 115.00] CKT 1  
SINGLE 499 : OPEN LINE FROM BUS 641087 [EGYCNTR7 115.00] TO BUS 641090 [S. 281 7 115.00] CKT 1  
SINGLE 500 : OPEN LINE FROM BUS 642066 [SUB-H G 115.00] TO BUS 642071 [SUB-D 7 115.00] CKT 1  
SINGLE 501 : OPEN LINE FROM BUS 642066 [SUB-H G 115.00] TO BUS 642072 [SUB-E 7 115.00] CKT 1  
SINGLE 502 : OPEN LINE FROM BUS 642068 [SUB-A 7 115.00] TO BUS 642069 [SUB-B 7 115.00] CKT 1  
SINGLE 503 : OPEN LINE FROM BUS 642068 [SUB-A 7 115.00] TO BUS 642076 [SUB-I 7 115.00] CKT 1  
SINGLE 504 : OPEN LINE FROM BUS 642069 [SUB-B 7 115.00] TO BUS 642073 [SUB-F 7 115.00] CKT 1  
SINGLE 505 : OPEN LINE FROM BUS 642070 [SUB-C 7 115.00] TO BUS 642072 [SUB-E 7 115.00] CKT 1



SINGLE 506 : OPEN LINE FROM BUS 642070 [SUB-C 7 115.00] TO BUS 642073 [SUB-F 7 115.00] CKT 1  
SINGLE 507 : OPEN LINE FROM BUS 642071 [SUB-D 7 115.00] TO BUS 642076 [SUB-I 7 115.00] CKT 1  
SINGLE 508 : OPEN LINE FROM BUS 643000 [MADISONCNTY4230.00] TO BUS 652509 [FTRANDL4 230.00] CKT 1  
SINGLE 509 : OPEN LINE FROM BUS 643001 [MADISONCNTY7115.00] TO BUS 643005 [EMERICK 7115.00] CKT 1  
SINGLE 510 : OPEN LINE FROM BUS 645100 [FC1A 5 161.00] TO BUS 646251 [S1251 5 161.00] CKT 1  
SINGLE 511 : OPEN LINE FROM BUS 645451 [S3451 3 345.00] TO BUS 645454 [S3454 3 345.00] CKT 1  
SINGLE 512 : OPEN LINE FROM BUS 645451 [S3451 3 345.00] TO BUS 645459 [S3459 3 345.00] CKT 1  
SINGLE 513 : OPEN LINE FROM BUS 645454 [S3454 3 345.00] TO BUS 645455 [S3455 3 345.00] CKT 1  
SINGLE 514 : OPEN LINE FROM BUS 645454 [S3454 3 345.00] TO BUS 650185 [WAGENER 3 345.00] CKT 1  
SINGLE 515 : OPEN LINE FROM BUS 645455 [S3455 3 345.00] TO BUS 645456 [S3456 3 345.00] CKT 1  
SINGLE 516 : OPEN LINE FROM BUS 645455 [S3455 3 345.00] TO BUS 645740 [S3740 3 345.00] CKT 1  
SINGLE 517 : OPEN LINE FROM BUS 645456 [S3456 3 345.00] TO BUS 645458 [S3458 3 345.00] CKT 1  
SINGLE 518 : OPEN LINE FROM BUS 645456 [S3456 3 345.00] TO BUS 645459 [S3459 3 345.00] CKT 1  
SINGLE 519 : OPEN LINE FROM BUS 645458 [S3458 3 345.00] TO BUS 645740 [S3740 3 345.00] CKT 1  
SINGLE 520 : OPEN LINE FROM BUS 645458 [S3458 3 345.00] TO BUS 650189 [103&ROKEBY3 345.00] CKT 1  
SINGLE 521 : OPEN LINE FROM BUS 646201 [S1201 5 161.00] TO BUS 646206 [S1206 5 161.00] CKT 1  
SINGLE 522 : OPEN LINE FROM BUS 646201 [S1201 5 161.00] TO BUS 646220 [S1220 5 161.00] CKT 1  
SINGLE 523 : OPEN LINE FROM BUS 646201 [S1201 5 161.00] TO BUS 646229 [S1229 5 161.00] CKT 1  
SINGLE 524 : OPEN LINE FROM BUS 646201 [S1201 5 161.00] TO BUS 646286 [S1286 5 161.00] CKT 1  
SINGLE 525 : OPEN LINE FROM BUS 646206 [S1206 5 161.00] TO BUS 646216 [S1216 5 161.00] CKT 1  
SINGLE 526 : OPEN LINE FROM BUS 646206 [S1206 5 161.00] TO BUS 646232 [S1232 5 161.00] CKT 1  
SINGLE 527 : OPEN LINE FROM BUS 646206 [S1206 5 161.00] TO BUS 646244 [S1244 5 161.00] CKT 1  
SINGLE 528 : OPEN LINE FROM BUS 646209 [S1209 5 161.00] TO BUS 646231 [S1231 5 161.00] CKT 1  
SINGLE 529 : OPEN LINE FROM BUS 646209 [S1209 5 161.00] TO BUS 646231 [S1231 5 161.00] CKT 2  
SINGLE 530 : OPEN LINE FROM BUS 646209 [S1209 5 161.00] TO BUS 646250 [S1250 5 161.00] CKT 1  
SINGLE 531 : OPEN LINE FROM BUS 646209 [S1209 5 161.00] TO BUS 646250 [S1250 5 161.00] CKT 2  
SINGLE 532 : OPEN LINE FROM BUS 646209 [S1209 5 161.00] TO BUS 646252 [S1252 5 161.00] CKT 1  
SINGLE 533 : OPEN LINE FROM BUS 646210 [S1210 5 161.00] TO BUS 646217 [S1217 5 161.00] CKT 1  
SINGLE 534 : OPEN LINE FROM BUS 646210 [S1210 5 161.00] TO BUS 646222 [S1222 5 161.00] CKT 1  
SINGLE 535 : OPEN LINE FROM BUS 646211 [S1211 5 161.00] TO BUS 646220 [S1220 5 161.00] CKT 1  
SINGLE 536 : OPEN LINE FROM BUS 646211 [S1211 5 161.00] TO BUS 646250 [S1250 5 161.00] CKT 1  
SINGLE 537 : OPEN LINE FROM BUS 646211 [S1211 5 161.00] TO BUS 646250 [S1250 5 161.00] CKT 2  
SINGLE 538 : OPEN LINE FROM BUS 646211 [S1211 5 161.00] TO BUS 646299 [S1299 5 161.00] CKT 1  
SINGLE 539 : OPEN LINE FROM BUS 646214 [S1214 5 161.00] TO BUS 646287 [S1287 5 161.00] CKT 1  
SINGLE 540 : OPEN LINE FROM BUS 646214 [S1214 5 161.00] TO BUS 650169 [70&BLUFF 5 161.00] CKT 1  
SINGLE 541 : OPEN LINE FROM BUS 646216 [S1216 5 161.00] TO BUS 646217 [S1217 5 161.00] CKT 1  
SINGLE 542 : OPEN LINE FROM BUS 646217 [S1217 5 161.00] TO BUS 646227 [S1227 5 161.00] CKT 1  
SINGLE 543 : OPEN LINE FROM BUS 646221 [S1221 5 161.00] TO BUS 646231 [S1231 5 161.00] CKT 1  
SINGLE 544 : OPEN LINE FROM BUS 646221 [S1221 5 161.00] TO BUS 646255 [S1255 5 161.00] CKT 1  
SINGLE 545 : OPEN LINE FROM BUS 646222 [S1222 5 161.00] TO BUS 646229 [S1229 5 161.00] CKT 1  
SINGLE 546 : OPEN LINE FROM BUS 646226 [S1226 5 161.00] TO BUS 646237 [S1237 5 161.00] CKT 1  
SINGLE 547 : OPEN LINE FROM BUS 646226 [S1226 5 161.00] TO BUS 646252 [S1252 5 161.00] CKT 1  
SINGLE 548 : OPEN LINE FROM BUS 646226 [S1226 5 161.00] TO BUS 646298 [S1298 5 161.00] CKT 1  
SINGLE 549 : OPEN LINE FROM BUS 646226 [S1226 5 161.00] TO BUS 646298 [S1298 5 161.00] CKT 2  
SINGLE 550 : OPEN LINE FROM BUS 646227 [S1227 5 161.00] TO BUS 646231 [S1231 5 161.00] CKT 1  
SINGLE 551 : OPEN LINE FROM BUS 646231 [S1231 5 161.00] TO BUS 646235 [S1235 5 161.00] CKT 1  
SINGLE 552 : OPEN LINE FROM BUS 646232 [S1232 5 161.00] TO BUS 646278 [S1278 5 161.00] CKT 1  
SINGLE 553 : OPEN LINE FROM BUS 646233 [S1233 5 161.00] TO BUS 646234 [S1234 5 161.00] CKT 1

SINGLE 554 : OPEN LINE FROM BUS 646233 [S1233 5 161.00] TO BUS 646255 [S1255 5 161.00] CKT 1  
SINGLE 555 : OPEN LINE FROM BUS 646234 [S1234 5 161.00] TO BUS 646235 [S1235 5 161.00] CKT 1  
SINGLE 556 : OPEN LINE FROM BUS 646235 [S1235 5 161.00] TO BUS 646236 [S1236 5 161.00] CKT 1  
SINGLE 557 : OPEN LINE FROM BUS 646235 [S1235 5 161.00] TO BUS 646253 [S1253 5 161.00] CKT 1  
SINGLE 558 : OPEN LINE FROM BUS 646236 [S1236 5 161.00] TO BUS 646345 [S1345 5 161.00] CKT 1  
SINGLE 559 : OPEN LINE FROM BUS 646237 [S1237 5 161.00] TO BUS 646253 [S1253 5 161.00] CKT 1  
SINGLE 560 : OPEN LINE FROM BUS 646237 [S1237 5 161.00] TO BUS 646345 [S1345 5 161.00] CKT 1  
SINGLE 561 : OPEN LINE FROM BUS 646244 [S1244 5 161.00] TO BUS 646258 [S1258 5 161.00] CKT 1  
SINGLE 562 : OPEN LINE FROM BUS 646249 [S1249 5 161.00] TO BUS 646254 [S1254 5 161.00] CKT 1  
SINGLE 563 : OPEN LINE FROM BUS 646249 [S1249 5 161.00] TO BUS 646256 [S1256 5 161.00] CKT 1  
SINGLE 564 : OPEN LINE FROM BUS 646250 [S1250 5 161.00] TO BUS 646297 [S1297 5 161.00] CKT 1  
SINGLE 565 : OPEN LINE FROM BUS 646251 [S1251 5 161.00] TO BUS 646297 [S1297 5 161.00] CKT 1  
SINGLE 566 : OPEN LINE FROM BUS 646251 [S1251 5 161.00] TO BUS 646298 [S1298 5 161.00] CKT 1  
SINGLE 567 : OPEN LINE FROM BUS 646251 [S1251 5 161.00] TO BUS 646341 [S1341 5 161.00] CKT 1  
SINGLE 568 : OPEN LINE FROM BUS 646253 [S1253 5 161.00] TO BUS 646256 [S1256 5 161.00] CKT 1  
SINGLE 569 : OPEN LINE FROM BUS 646254 [S1254 5 161.00] TO BUS 646281 [S1281 5 161.00] CKT 1  
SINGLE 570 : OPEN LINE FROM BUS 646255 [S1255 5 161.00] TO BUS 646259 [S1259 5 161.00] CKT 1  
SINGLE 571 : OPEN LINE FROM BUS 646258 [S1258 5 161.00] TO BUS 646263 [S1263 5 161.00] CKT 1  
SINGLE 572 : OPEN LINE FROM BUS 646259 [S1259 5 161.00] TO BUS 646278 [S1278 5 161.00] CKT 1  
SINGLE 573 : OPEN LINE FROM BUS 646259 [S1259 5 161.00] TO BUS 646281 [S1281 5 161.00] CKT 1  
SINGLE 574 : OPEN LINE FROM BUS 646263 [S1263 5 161.00] TO BUS 646280 [S1280 5 161.00] CKT 1  
SINGLE 575 : OPEN LINE FROM BUS 646281 [S1281 5 161.00] TO BUS 646287 [S1287 5 161.00] CKT 1  
SINGLE 576 : OPEN LINE FROM BUS 646286 [S1286 5 161.00] TO BUS 646299 [S1299 5 161.00] CKT 1  
SINGLE 577 : OPEN LINE FROM BUS 646298 [S1298 5 161.00] TO BUS 646305 [S1305 5 161.00] CKT 1  
SINGLE 578 : OPEN LINE FROM BUS 646305 [S1305 5 161.00] TO BUS 646341 [S1341 5 161.00] CKT 1  
SINGLE 579 : OPEN LINE FROM BUS 650114 [NW68HOLDRG3 345.00] TO BUS 650185 [WAGENER 3 345.00] CKT 1  
SINGLE 580 : OPEN LINE FROM BUS 650185 [WAGENER 3 345.00] TO BUS 650189 [103&ROKEBY3 345.00] CKT 1  
SINGLE 581 : OPEN LINE FROM BUS 650205 [4&MORTON 7 115.00] TO BUS 650212 [NW5&BENTON7 115.00] CKT 1  
SINGLE 582 : OPEN LINE FROM BUS 650205 [4&MORTON 7 115.00] TO BUS 650215 [19&ALVO 7 115.00] CKT 1  
SINGLE 583 : OPEN LINE FROM BUS 650208 [W LINCOLN 7 115.00] TO BUS 650212 [NW5&BENTON7 115.00] CKT 1  
SINGLE 584 : OPEN LINE FROM BUS 650208 [W LINCOLN 7 115.00] TO BUS 650230 [2&N 7 115.00] CKT 1  
SINGLE 585 : OPEN LINE FROM BUS 650210 [SW56&K 7 115.00] TO BUS 650214 [NW68HOLDRG7 115.00] CKT 1  
SINGLE 586 : OPEN LINE FROM BUS 650210 [SW56&K 7 115.00] TO BUS 650216 [SW27&F 7 115.00] CKT 1  
SINGLE 587 : OPEN LINE FROM BUS 650214 [NW68HOLDRG7 115.00] TO BUS 650226 [NW12&ARBOR7 115.00] CKT 1  
SINGLE 588 : OPEN LINE FROM BUS 650214 [NW68HOLDRG7 115.00] TO BUS 650290 [ROKEBY 7 115.00] CKT 1  
SINGLE 589 : OPEN LINE FROM BUS 650215 [19&ALVO 7 115.00] TO BUS 650226 [NW12&ARBOR7 115.00] CKT 1  
SINGLE 590 : OPEN LINE FROM BUS 650215 [19&ALVO 7 115.00] TO BUS 650228 [27FLETCHER7 115.00] CKT 1  
SINGLE 591 : OPEN LINE FROM BUS 650215 [19&ALVO 7 115.00] TO BUS 650261 [56&I80 7 115.00] CKT 1  
SINGLE 592 : OPEN LINE FROM BUS 650216 [SW27&F 7 115.00] TO BUS 650230 [2&N 7 115.00] CKT 1  
SINGLE 593 : OPEN LINE FROM BUS 650217 [8&N 7 115.00] TO BUS 650219 [17&HOLDRGE7 115.00] CKT 1  
SINGLE 594 : OPEN LINE FROM BUS 650217 [8&N 7 115.00] TO BUS 650230 [2&N 7 115.00] CKT 1  
SINGLE 595 : OPEN LINE FROM BUS 650218 [3&VANDORN 7 115.00] TO BUS 650230 [2&N 7 115.00] CKT 1  
SINGLE 596 : OPEN LINE FROM BUS 650218 [3&VANDORN 7 115.00] TO BUS 650238 [20PIONEERS7 115.00] CKT 1  
SINGLE 597 : OPEN LINE FROM BUS 650219 [17&HOLDRGE7 115.00] TO BUS 650240 [29LEIGHTON7 115.00] CKT 1  
SINGLE 598 : OPEN LINE FROM BUS 650228 [27FLETCHER7 115.00] TO BUS 650233 [33SUPERIOR7 115.00] CKT 1  
SINGLE 599 : OPEN LINE FROM BUS 650229 [27&PLR 7 115.00] TO BUS 650250 [40&ROKEBY 7 115.00] CKT 1  
SINGLE 600 : OPEN LINE FROM BUS 650229 [27&PLR 7 115.00] TO BUS 650290 [ROKEBY 7 115.00] CKT 1  
SINGLE 601 : OPEN LINE FROM BUS 650230 [2&N 7 115.00] TO BUS 650238 [20PIONEERS7 115.00] CKT 1

SINGLE 602 : OPEN LINE FROM BUS 650233 [33SUPERIOR7 115.00] TO BUS 650240 [29LEIGHTON7 115.00] CKT 1  
SINGLE 603 : OPEN LINE FROM BUS 650233 [33SUPERIOR7 115.00] TO BUS 650259 [59CRNHUSKR7 115.00] CKT 1  
SINGLE 604 : OPEN LINE FROM BUS 650238 [20PIONEERS7 115.00] TO BUS 650242 [FOLSM&PHIL7 115.00] CKT 1  
SINGLE 605 : OPEN LINE FROM BUS 650238 [20PIONEERS7 115.00] TO BUS 650251 [30&A SOUTH7 115.00] CKT 1  
SINGLE 606 : OPEN LINE FROM BUS 650238 [20PIONEERS7 115.00] TO BUS 650258 [40&GERTIE 7 115.00] CKT 1  
SINGLE 607 : OPEN LINE FROM BUS 650238 [20PIONEERS7 115.00] TO BUS 650270 [70&CALVERT7 115.00] CKT 1  
SINGLE 608 : OPEN LINE FROM BUS 650240 [29LEIGHTON7 115.00] TO BUS 650252 [30&A NORTH7 115.00] CKT 1  
SINGLE 609 : OPEN LINE FROM BUS 650242 [FOLSM&PHIL7 115.00] TO BUS 650290 [ROKEBY 7 115.00] CKT 1  
SINGLE 610 : OPEN LINE FROM BUS 650250 [40&ROKEBY 7 115.00] TO BUS 650255 [56&PLR 7 115.00] CKT 1  
SINGLE 611 : OPEN LINE FROM BUS 650255 [56&PLR 7 115.00] TO BUS 650274 [91&HWY2 7 115.00] CKT 1  
SINGLE 612 : OPEN LINE FROM BUS 650256 [56&EVERETT7 115.00] TO BUS 650257 [56&ELK TAP7 115.00] CKT 1  
SINGLE 613 : OPEN LINE FROM BUS 650256 [56&EVERETT7 115.00] TO BUS 650260 [56&Q 7 115.00] CKT 1  
SINGLE 614 : OPEN LINE FROM BUS 650257 [56&ELK TAP7 115.00] TO BUS 650258 [40&GERTIE 7 115.00] CKT 1  
SINGLE 615 : OPEN LINE FROM BUS 650257 [56&ELK TAP7 115.00] TO BUS 650270 [70&CALVERT7 115.00] CKT 1  
SINGLE 616 : OPEN LINE FROM BUS 650259 [59CRNHUSKR7 115.00] TO BUS 650262 [57&GARLAND7 115.00] CKT 1  
SINGLE 617 : OPEN LINE FROM BUS 650260 [56&Q 7 115.00] TO BUS 650262 [57&GARLAND7 115.00] CKT 1  
SINGLE 618 : OPEN LINE FROM BUS 650261 [56&I80 7 115.00] TO BUS 650269 [70&BLUFF 7 115.00] CKT 1  
SINGLE 619 : OPEN LINE FROM BUS 650262 [57&GARLAND7 115.00] TO BUS 650267 [84LEIGHTON7 115.00] CKT 1  
SINGLE 620 : OPEN LINE FROM BUS 650267 [84LEIGHTON7 115.00] TO BUS 650272 [91&A 7 115.00] CKT 1  
SINGLE 621 : OPEN LINE FROM BUS 650267 [84LEIGHTON7 115.00] TO BUS 650273 [93&O 7 115.00] CKT 1  
SINGLE 622 : OPEN LINE FROM BUS 650267 [84LEIGHTON7 115.00] TO BUS 650284 [84FLETCHER7 115.00] CKT 1  
SINGLE 623 : OPEN LINE FROM BUS 650267 [84LEIGHTON7 115.00] TO BUS 650285 [WAGENER 7 115.00] CKT 1  
SINGLE 624 : OPEN LINE FROM BUS 650269 [70&BLUFF 7 115.00] TO BUS 650275 [84&BLUFF 7 115.00] CKT 1  
SINGLE 625 : OPEN LINE FROM BUS 650270 [70&CALVERT7 115.00] TO BUS 650271 [81&OCHENEY7 115.00] CKT 1  
SINGLE 626 : OPEN LINE FROM BUS 650270 [70&CALVERT7 115.00] TO BUS 650272 [91&A 7 115.00] CKT 1  
SINGLE 627 : OPEN LINE FROM BUS 650270 [70&CALVERT7 115.00] TO BUS 650273 [93&O 7 115.00] CKT 1  
SINGLE 628 : OPEN LINE FROM BUS 650271 [81&OCHENEY7 115.00] TO BUS 650274 [91&HWY2 7 115.00] CKT 1  
SINGLE 629 : OPEN LINE FROM BUS 650271 [81&OCHENEY7 115.00] TO BUS 650285 [WAGENER 7 115.00] CKT 1  
SINGLE 630 : OPEN LINE FROM BUS 650275 [84&BLUFF 7 115.00] TO BUS 650283 [WAVERLY 7 115.00] CKT 1  
SINGLE 631 : OPEN LINE FROM BUS 650275 [84&BLUFF 7 115.00] TO BUS 650284 [84FLETCHER7 115.00] CKT 1  
SINGLE 632 : OPEN LINE FROM BUS 650280 [120&ALVO 7 115.00] TO BUS 650283 [WAVERLY 7 115.00] CKT 1  
SINGLE 633 : OPEN LINE FROM BUS 650280 [120&ALVO 7 115.00] TO BUS 650285 [WAGENER 7 115.00] CKT 1  
SINGLE 634 : OPEN LINE FROM BUS 652216 [WATFORD4 230.00] TO BUS 652400 [WILISTN4 230.00] CKT 1  
SINGLE 635 : OPEN LINE FROM BUS 652216 [WATFORD4 230.00] TO BUS 652408 [WATFORD7 115.00] CKT 1  
SINGLE 636 : OPEN LINE FROM BUS 652216 [WATFORD4 230.00] TO BUS 659302 [CHAR.CK4 230.00] CKT 1  
SINGLE 637 : OPEN LINE FROM BUS 652243 [FAITH 7 115.00] TO BUS 652476 [EAGLEBT7 115.00] CKT 1  
SINGLE 638 : OPEN LINE FROM BUS 652243 [FAITH 7 115.00] TO BUS 652480 [MAURINE7 115.00] CKT 1  
SINGLE 639 : OPEN LINE FROM BUS 652283 [ROLLA 7 115.00] TO BUS 652299 [AGATE 7 115.00] CKT 1  
SINGLE 640 : OPEN LINE FROM BUS 652294 [IVANHOE7 115.00] TO BUS 652538 [WHITE 7 115.00] CKT 1  
SINGLE 641 : OPEN LINE FROM BUS 652296 [WARD 4 230.00] TO BUS 652426 [BISMARK4 230.00] CKT 1  
SINGLE 642 : OPEN LINE FROM BUS 652296 [WARD 4 230.00] TO BUS 659297 [BIS WARD 7115.00] CKT 1  
SINGLE 643 : OPEN LINE FROM BUS 652299 [AGATE 7 115.00] TO BUS 652447 [LEEDS 7 115.00] CKT 1  
SINGLE 644 : OPEN LINE FROM BUS 652300 [CHAPPEL7 115.00] TO BUS 659238 [COLTON 7 115.00] CKT 1  
SINGLE 645 : OPEN LINE FROM BUS 652302 [JULESBG7 115.00] TO BUS 659240 [INTERST7 115.00] CKT 1  
SINGLE 646 : OPEN LINE FROM BUS 652311 [DUNLAP 7 115.00] TO BUS 659236 [BOXBUTE7 115.00] CKT 1  
SINGLE 647 : OPEN LINE FROM BUS 652312 [MORRILL7 115.00] TO BUS 659197 [SNAKECK7 115.00] CKT 1  
SINGLE 648 : OPEN LINE FROM BUS 652312 [MORRILL7 115.00] TO BUS 659242 [GERINGT7 115.00] CKT 1  
SINGLE 649 : OPEN LINE FROM BUS 652397 [VFODNES7 115.00] TO BUS 659258 [SXF HARSBRG7115.00] CKT 1

SINGLE 650 : OPEN LINE FROM BUS 652397 [VFODNES7 115.00] TO BUS 659259 [SXF CHANCLR7115.00] CKT 1  
SINGLE 651 : OPEN LINE FROM BUS 652398 [VFODNES4 230.00] TO BUS 652523 [SIOUXFL4 230.00] CKT 1  
SINGLE 652 : OPEN LINE FROM BUS 652398 [VFODNES4 230.00] TO BUS 652526 [UTICAJC4 230.00] CKT 1  
SINGLE 653 : OPEN LINE FROM BUS 652400 [WILISTN4 230.00] TO BUS 661084 [TIOGA4 4 230.00] CKT 1  
SINGLE 654 : OPEN LINE FROM BUS 652401 [CIRCLE 7 115.00] TO BUS 652404 [DAWSONC7 115.00] CKT 1  
SINGLE 655 : OPEN LINE FROM BUS 652401 [CIRCLE 7 115.00] TO BUS 652409 [WOLFPT 7 115.00] CKT 1  
SINGLE 656 : OPEN LINE FROM BUS 652402 [MI CTYW4 230.00] TO BUS 652450 [MT WEST4 230.00] CKT 1  
SINGLE 658 : OPEN LINE FROM BUS 652403 [DAWSONC4 230.00] TO BUS 652411 [MI CTYE4 230.00] CKT 1  
SINGLE 659 : OPEN LINE FROM BUS 652403 [DAWSONC4 230.00] TO BUS 652413 [MEDORA 4 230.00] CKT 1  
SINGLE 660 : OPEN LINE FROM BUS 652404 [DAWSONC7 115.00] TO BUS 652407 [FALLON 7 115.00] CKT 1  
SINGLE 661 : OPEN LINE FROM BUS 652405 [FTPECK 4 230.00] TO BUS 652406 [FTPECK 7 115.00] CKT 1  
SINGLE 662 : OPEN LINE FROM BUS 652406 [FTPECK 7 115.00] TO BUS 652409 [WOLFPT 7 115.00] CKT 1  
SINGLE 663 : OPEN LINE FROM BUS 652406 [FTPECK 7 115.00] TO BUS 652409 [WOLFPT 7 115.00] CKT 2  
SINGLE 664 : OPEN LINE FROM BUS 652407 [FALLON 7 115.00] TO BUS 652412 [MI CTYE7 115.00] CKT 1  
SINGLE 665 : OPEN LINE FROM BUS 652409 [WOLFPT 7 115.00] TO BUS 661075 [POPLAR 7 115.00] CKT 1  
SINGLE 666 : OPEN LINE FROM BUS 652411 [MI CTYE4 230.00] TO BUS 661004 [BAKER 4 230.00] CKT 1  
SINGLE 667 : OPEN LINE FROM BUS 652413 [MEDORA 4 230.00] TO BUS 652425 [BELFELD4 230.00] CKT 1  
SINGLE 668 : OPEN LINE FROM BUS 652416 [DEVAUL 7 115.00] TO BUS 652420 [NSALEM 7 115.00] CKT 1  
SINGLE 669 : OPEN LINE FROM BUS 652417 [DICKNSN4 230.00] TO BUS 652425 [BELFELD4 230.00] CKT 1  
SINGLE 670 : OPEN LINE FROM BUS 652419 [KILDEER7 115.00] TO BUS 652422 [HALIDAY7 115.00] CKT 1  
SINGLE 671 : OPEN LINE FROM BUS 652419 [KILDEER7 115.00] TO BUS 659182 [CHAR.CK7 115.00] CKT 1  
SINGLE 672 : OPEN LINE FROM BUS 652420 [NSALEM 7 115.00] TO BUS 659109 [BASIN 7 115.00] CKT 1  
SINGLE 673 : OPEN LINE FROM BUS 652420 [NSALEM 7 115.00] TO BUS 659305 [NWMANDANMGS7115.00] CKT 1  
SINGLE 674 : OPEN LINE FROM BUS 652421 [WILISTN7 115.00] TO BUS 652651 [FAIRVIEW 7 115.00] CKT 1  
SINGLE 675 : OPEN LINE FROM BUS 652421 [WILISTN7 115.00] TO BUS 661012 [CLBRTSN7 115.00] CKT 1  
SINGLE 676 : OPEN LINE FROM BUS 652423 [BARLOW 7 115.00] TO BUS 652428 [CARNGTN7 115.00] CKT 1  
SINGLE 677 : OPEN LINE FROM BUS 652423 [BARLOW 7 115.00] TO BUS 652431 [DEVILSL7 115.00] CKT 1  
SINGLE 678 : OPEN LINE FROM BUS 652424 [BELFELD3 345.00] TO BUS 659183 [CHAR.CK3 345.00] CKT 1  
SINGLE 679 : OPEN LINE FROM BUS 652425 [BELFELD4 230.00] TO BUS 659266 [RHAME 4 230.00] CKT 1  
SINGLE 680 : OPEN LINE FROM BUS 652426 [BISMARCK4 230.00] TO BUS 652427 [BISMARCK7 115.00] CKT 1  
SINGLE 681 : OPEN LINE FROM BUS 652426 [BISMARCK4 230.00] TO BUS 652427 [BISMARCK7 115.00] CKT 2  
SINGLE 682 : OPEN LINE FROM BUS 652426 [BISMARCK4 230.00] TO BUS 652444 [JAMESTN4 230.00] CKT 1  
SINGLE 683 : OPEN LINE FROM BUS 652426 [BISMARCK4 230.00] TO BUS 652456 [WASHBRN4 230.00] CKT 1  
SINGLE 684 : OPEN LINE FROM BUS 652426 [BISMARCK4 230.00] TO BUS 652466 [HILKEN 4 230.00] CKT 1  
SINGLE 685 : OPEN LINE FROM BUS 652426 [BISMARCK4 230.00] TO BUS 661028 [WEBER 4 230.00] CKT 1  
SINGLE 686 : OPEN LINE FROM BUS 652426 [BISMARCK4 230.00] TO BUS 661038 [GLENHAM4 230.00] CKT 1  
SINGLE 687 : OPEN LINE FROM BUS 652427 [BISMARCK7 115.00] TO BUS 659282 [BIS EA CEPC7115.00] CKT 1  
SINGLE 688 : OPEN LINE FROM BUS 652428 [CARNGTN7 115.00] TO BUS 652445 [JAMESTN7 115.00] CKT 1  
SINGLE 689 : OPEN LINE FROM BUS 652430 [EGF IND7 115.00] TO BUS 652443 [GRNDFKS7 115.00] CKT 1  
SINGLE 690 : OPEN LINE FROM BUS 652430 [EGF IND7 115.00] TO BUS 657707 [CALEDON7 115.00] CKT 1  
SINGLE 691 : OPEN LINE FROM BUS 652431 [DEVILSL7 115.00] TO BUS 652448 [LAKOTA 7 115.00] CKT 1  
SINGLE 692 : OPEN LINE FROM BUS 652431 [DEVILSL7 115.00] TO BUS 652465 [PENN 7 115.00] CKT 1  
SINGLE 693 : OPEN LINE FROM BUS 652432 [EDGELEY7 115.00] TO BUS 652445 [JAMESTN7 115.00] CKT 1  
SINGLE 694 : OPEN LINE FROM BUS 652432 [EDGELEY7 115.00] TO BUS 652534 [ORDWAY 7 115.00] CKT 1  
SINGLE 695 : OPEN LINE FROM BUS 652432 [EDGELEY7 115.00] TO BUS 659280 [POMONA 7 115.00] CKT 1  
SINGLE 696 : OPEN LINE FROM BUS 652435 [FARGO 4 230.00] TO BUS 652444 [JAMESTN4 230.00] CKT 1  
SINGLE 697 : OPEN LINE FROM BUS 652435 [FARGO 4 230.00] TO BUS 652444 [JAMESTN4 230.00] CKT 2  
SINGLE 698 : OPEN LINE FROM BUS 652435 [FARGO 4 230.00] TO BUS 652553 [MOORHED4 230.00] CKT 1

SINGLE 699 : OPEN LINE FROM BUS 652436 [FARGO 7 115.00] TO BUS 657707 [CALEDON7 115.00] CKT 1  
SINGLE 700 : OPEN LINE FROM BUS 652436 [FARGO 7 115.00] TO BUS 658080 [MPSBROOK 115.00] CKT 1  
SINGLE 701 : OPEN LINE FROM BUS 652437 [GRNDFKS4 230.00] TO BUS 657759 [PICKERT4 230.00] CKT 1  
SINGLE 702 : OPEN LINE FROM BUS 652438 [FORMAN 7 115.00] TO BUS 652522 [SUMMIT-7 115.00] CKT 1  
SINGLE 703 : OPEN LINE FROM BUS 652438 [FORMAN 7 115.00] TO BUS 652638 [ENDERLIN 7 115.00] CKT 1  
SINGLE 704 : OPEN LINE FROM BUS 652438 [FORMAN 7 115.00] TO BUS 659172 [LUDDENPS19 7115.00] CKT 1  
SINGLE 705 : OPEN LINE FROM BUS 652441 [GARRISN4 230.00] TO BUS 652442 [GARRISN7 115.00] CKT 1  
SINGLE 706 : OPEN LINE FROM BUS 652441 [GARRISN4 230.00] TO BUS 652444 [JAMESTN4 230.00] CKT 1  
SINGLE 707 : OPEN LINE FROM BUS 652441 [GARRISN4 230.00] TO BUS 652466 [HILKEN 4 230.00] CKT 1  
SINGLE 708 : OPEN LINE FROM BUS 652441 [GARRISN4 230.00] TO BUS 659106 [LELANDO4 230.00] CKT 1  
SINGLE 709 : OPEN LINE FROM BUS 652442 [GARRISN7 115.00] TO BUS 652449 [MAX 7 115.00] CKT 1  
SINGLE 710 : OPEN LINE FROM BUS 652442 [GARRISN7 115.00] TO BUS 659113 [VOLTAIR7 115.00] CKT 1  
SINGLE 711 : OPEN LINE FROM BUS 652444 [JAMESTN4 230.00] TO BUS 657759 [PICKERT4 230.00] CKT 1  
SINGLE 712 : OPEN LINE FROM BUS 652444 [JAMESTN4 230.00] TO BUS 661028 [WEBER 4 230.00] CKT 1  
SINGLE 713 : OPEN LINE FROM BUS 652445 [JAMESTN7 115.00] TO BUS 652454 [VALLEYC7 115.00] CKT 1  
SINGLE 714 : OPEN LINE FROM BUS 652446 [PLEASANT LK7115.00] TO BUS 652447 [LEEDS 7 115.00] CKT 1  
SINGLE 715 : OPEN LINE FROM BUS 652446 [PLEASANT LK7115.00] TO BUS 652452 [RUGBY 7 115.00] CKT 1  
SINGLE 716 : OPEN LINE FROM BUS 652447 [LEEDS 7 115.00] TO BUS 652465 [PENN 7 115.00] CKT 1  
SINGLE 717 : OPEN LINE FROM BUS 652449 [MAX 7 115.00] TO BUS 659190 [NDPRAIRWND 7115.00] CKT 1  
SINGLE 718 : OPEN LINE FROM BUS 652451 [RICHLND7 115.00] TO BUS 652651 [FAIRVIEW 7 115.00] CKT 1  
SINGLE 719 : OPEN LINE FROM BUS 652451 [RICHLND7 115.00] TO BUS 659180 [KOCH 7 115.00] CKT 1  
SINGLE 720 : OPEN LINE FROM BUS 652452 [RUGBY 7 115.00] TO BUS 652453 [TOWNER 7 115.00] CKT 1  
SINGLE 721 : OPEN LINE FROM BUS 652453 [TOWNER 7 115.00] TO BUS 652455 [BOTTN0 7 115.00] CKT 1  
SINGLE 722 : OPEN LINE FROM BUS 652453 [TOWNER 7 115.00] TO BUS 652464 [DENBIGH TAP7115.00] CKT 1  
SINGLE 723 : OPEN LINE FROM BUS 652454 [VALLEYC7 115.00] TO BUS 652638 [ENDERLIN 7 115.00] CKT 1  
SINGLE 724 : OPEN LINE FROM BUS 652456 [WASHBRN4 230.00] TO BUS 659106 [LELANDO4 230.00] CKT 1  
SINGLE 725 : OPEN LINE FROM BUS 652463 [WH SWAN7 115.00] TO BUS 652510 [FTRANDL7 115.00] CKT 1  
SINGLE 726 : OPEN LINE FROM BUS 652463 [WH SWAN7 115.00] TO BUS 652525 [TYNDALL7 115.00] CKT 1  
SINGLE 727 : OPEN LINE FROM BUS 652464 [DENBIGH TAP7115.00] TO BUS 659113 [VOLTAIR7 115.00] CKT 1  
SINGLE 728 : OPEN LINE FROM BUS 652466 [HILKEN 4 230.00] TO BUS 659284 [ECKLUND4 230.00] CKT 1  
SINGLE 729 : OPEN LINE FROM BUS 652467 [WITTEN 4 230.00] TO BUS 652541 [BIGBND24 230.00] CKT 1  
SINGLE 730 : OPEN LINE FROM BUS 652470 [BISON 4 230.00] TO BUS 652497 [MAURINE4 230.00] CKT 1  
SINGLE 731 : OPEN LINE FROM BUS 652470 [BISON 4 230.00] TO BUS 661047 [HETINGR4 230.00] CKT 1  
SINGLE 732 : OPEN LINE FROM BUS 652473 [ELKCRK 7 115.00] TO BUS 652483 [NEWELL 7 115.00] CKT 1  
SINGLE 733 : OPEN LINE FROM BUS 652473 [ELKCRK 7 115.00] TO BUS 652490 [RAPIDCY7 115.00] CKT 1  
SINGLE 734 : OPEN LINE FROM BUS 652474 [AURORA 7 115.00] TO BUS 652504 [BROOKNG7 115.00] CKT 1  
SINGLE 735 : OPEN LINE FROM BUS 652474 [AURORA 7 115.00] TO BUS 652505 [FLANDRU7 115.00] CKT 1  
SINGLE 736 : OPEN LINE FROM BUS 652475 [BONESTL7 115.00] TO BUS 652478 [GREGORY7 115.00] CKT 1  
SINGLE 737 : OPEN LINE FROM BUS 652475 [BONESTL7 115.00] TO BUS 652510 [FTRANDL7 115.00] CKT 1  
SINGLE 738 : OPEN LINE FROM BUS 652476 [EAGLEBT7 115.00] TO BUS 652520 [OAHE 7 115.00] CKT 1  
SINGLE 739 : OPEN LINE FROM BUS 652477 [ELSWRTH7 115.00] TO BUS 652485 [NUNDRWD7 115.00] CKT 1  
SINGLE 740 : OPEN LINE FROM BUS 652477 [ELSWRTH7 115.00] TO BUS 652490 [RAPIDCY7 115.00] CKT 1  
SINGLE 741 : OPEN LINE FROM BUS 652478 [GREGORY7 115.00] TO BUS 652494 [WINNER 7 115.00] CKT 1  
SINGLE 742 : OPEN LINE FROM BUS 652479 [MARTIN 7 115.00] TO BUS 652487 [PHILIP 7 115.00] CKT 1  
SINGLE 743 : OPEN LINE FROM BUS 652479 [MARTIN 7 115.00] TO BUS 659152 [SHAN-SD7 115.00] CKT 1  
SINGLE 744 : OPEN LINE FROM BUS 652479 [MARTIN 7 115.00] TO BUS 659153 [VETALTP7 115.00] CKT 1  
SINGLE 745 : OPEN LINE FROM BUS 652480 [MAURINE7 115.00] TO BUS 652483 [NEWELL 7 115.00] CKT 1  
SINGLE 746 : OPEN LINE FROM BUS 652481 [MIDLAND7 115.00] TO BUS 652487 [PHILIP 7 115.00] CKT 1

SINGLE 747 : OPEN LINE FROM BUS 652481 [MIDLAND7 115.00] TO BUS 652491 [IRVSIMM7 115.00] CKT 1  
SINGLE 748 : OPEN LINE FROM BUS 652482 [MISSION7 115.00] TO BUS 652495 [WITTEN 7 115.00] CKT 1  
SINGLE 749 : OPEN LINE FROM BUS 652482 [MISSION7 115.00] TO BUS 659153 [VETALTP7 115.00] CKT 1  
SINGLE 750 : OPEN LINE FROM BUS 652484 [NUNDRWD4 230.00] TO BUS 652488 [PHILTAP4 230.00] CKT 1  
SINGLE 751 : OPEN LINE FROM BUS 652484 [NUNDRWD4 230.00] TO BUS 652497 [MAURINE4 230.00] CKT 1  
SINGLE 752 : OPEN LINE FROM BUS 652484 [NUNDRWD4 230.00] TO BUS 659271 [RCDC EAST 4230.00] CKT 1  
SINGLE 753 : OPEN LINE FROM BUS 652485 [NUNDRWD7 115.00] TO BUS 652493 [WICKSVL7 115.00] CKT 1  
SINGLE 754 : OPEN LINE FROM BUS 652485 [NUNDRWD7 115.00] TO BUS 652496 [RUSHMRE7 115.00] CKT 1  
SINGLE 755 : OPEN LINE FROM BUS 652486 [PHILIP 4 230.00] TO BUS 652487 [PHILIP 7 115.00] CKT 1  
SINGLE 756 : OPEN LINE FROM BUS 652486 [PHILIP 4 230.00] TO BUS 652488 [PHILTAP4 230.00] CKT 1  
SINGLE 757 : OPEN LINE FROM BUS 652487 [PHILIP 7 115.00] TO BUS 652492 [WALL 7 115.00] CKT 1  
SINGLE 758 : OPEN LINE FROM BUS 652488 [PHILTAP4 230.00] TO BUS 652519 [OAHE 4 230.00] CKT 1  
SINGLE 759 : OPEN LINE FROM BUS 652489 [PIERRE 7 115.00] TO BUS 652491 [IRVSIMM7 115.00] CKT 1  
SINGLE 760 : OPEN LINE FROM BUS 652489 [PIERRE 7 115.00] TO BUS 652600 [ASH TAP 115.00] CKT 1  
SINGLE 761 : OPEN LINE FROM BUS 652489 [PIERRE 7 115.00] TO BUS 652602 [EVANS ST 115.00] CKT 1  
SINGLE 762 : OPEN LINE FROM BUS 652490 [RAPIDCY7 115.00] TO BUS 652496 [RUSHMRE7 115.00] CKT 1  
SINGLE 763 : OPEN LINE FROM BUS 652491 [IRVSIMM7 115.00] TO BUS 652520 [OAHE 7 115.00] CKT 1  
SINGLE 764 : OPEN LINE FROM BUS 652492 [WALL 7 115.00] TO BUS 652493 [WICKSVL7 115.00] CKT 1  
SINGLE 765 : OPEN LINE FROM BUS 652494 [WINNER 7 115.00] TO BUS 652495 [WITTEN 7 115.00] CKT 1  
SINGLE 766 : OPEN LINE FROM BUS 652500 [ARLNGTN7 115.00] TO BUS 652504 [BROOKNG7 115.00] CKT 1  
SINGLE 767 : OPEN LINE FROM BUS 652500 [ARLNGTN7 115.00] TO BUS 652531 [WATERTN7 115.00] CKT 1  
SINGLE 768 : OPEN LINE FROM BUS 652501 [ARMOUR 7 115.00] TO BUS 652510 [FTRANDL7 115.00] CKT 1  
SINGLE 769 : OPEN LINE FROM BUS 652501 [ARMOUR 7 115.00] TO BUS 652518 [MTVERN 7 115.00] CKT 1  
SINGLE 770 : OPEN LINE FROM BUS 652502 [BERSFRD7 115.00] TO BUS 652517 [MANNING7 115.00] CKT 1  
SINGLE 771 : OPEN LINE FROM BUS 652502 [BERSFRD7 115.00] TO BUS 652524 [SIOUXFL7 115.00] CKT 1  
SINGLE 772 : OPEN LINE FROM BUS 652503 [BLAIR 4 230.00] TO BUS 652530 [WATERTN4 230.00] CKT 1  
SINGLE 773 : OPEN LINE FROM BUS 652503 [BLAIR 4 230.00] TO BUS 652550 [GRANITF4 230.00] CKT 1  
SINGLE 774 : OPEN LINE FROM BUS 652504 [BROOKNG7 115.00] TO BUS 652531 [WATERTN7 115.00] CKT 1  
SINGLE 775 : OPEN LINE FROM BUS 652504 [BROOKNG7 115.00] TO BUS 652538 [WHITE 7 115.00] CKT 1  
SINGLE 776 : OPEN LINE FROM BUS 652505 [FLANDRU7 115.00] TO BUS 652524 [SIOUXFL7 115.00] CKT 1  
SINGLE 777 : OPEN LINE FROM BUS 652506 [FTTHOMP3 345.00] TO BUS 652571 [GR ISLD3 345.00] CKT 1  
SINGLE 778 : OPEN LINE FROM BUS 652506 [FTTHOMP3 345.00] TO BUS 659156 [SELBY 3345.00] CKT 1  
SINGLE 779 : OPEN LINE FROM BUS 652507 [FTTHOMP4 230.00] TO BUS 652509 [FTRANDL4 230.00] CKT 1  
SINGLE 780 : OPEN LINE FROM BUS 652507 [FTTHOMP4 230.00] TO BUS 652514 [HURON 4 230.00] CKT 1  
SINGLE 781 : OPEN LINE FROM BUS 652507 [FTTHOMP4 230.00] TO BUS 652514 [HURON 4 230.00] CKT 2  
SINGLE 782 : OPEN LINE FROM BUS 652507 [FTTHOMP4 230.00] TO BUS 652516 [LAKPLAT4 230.00] CKT 1  
SINGLE 783 : OPEN LINE FROM BUS 652507 [FTTHOMP4 230.00] TO BUS 652519 [OAHE 4 230.00] CKT 1  
SINGLE 784 : OPEN LINE FROM BUS 652507 [FTTHOMP4 230.00] TO BUS 652519 [OAHE 4 230.00] CKT 2  
SINGLE 785 : OPEN LINE FROM BUS 652507 [FTTHOMP4 230.00] TO BUS 652519 [OAHE 4 230.00] CKT 3  
SINGLE 786 : OPEN LINE FROM BUS 652507 [FTTHOMP4 230.00] TO BUS 652519 [OAHE 4 230.00] CKT 4  
SINGLE 787 : OPEN LINE FROM BUS 652507 [FTTHOMP4 230.00] TO BUS 652540 [BIGBND14 230.00] CKT 1  
SINGLE 788 : OPEN LINE FROM BUS 652507 [FTTHOMP4 230.00] TO BUS 652541 [BIGBND24 230.00] CKT 1  
SINGLE 789 : OPEN LINE FROM BUS 652507 [FTTHOMP4 230.00] TO BUS 652606 [LETCHER4 230.00] CKT 1  
SINGLE 790 : OPEN LINE FROM BUS 652507 [FTTHOMP4 230.00] TO BUS 652607 [WESSINGTON 4230.00] CKT 1  
SINGLE 791 : OPEN LINE FROM BUS 652508 [S3 7 115.00] TO BUS 652551 [GRANITF7 115.00] CKT 1  
SINGLE 792 : OPEN LINE FROM BUS 652508 [S3 7 115.00] TO BUS 652552 [MARS ER7 115.00] CKT 1  
SINGLE 793 : OPEN LINE FROM BUS 652508 [S3 7 115.00] TO BUS 658072 [ERIE RD7 115.00] CKT 1  
SINGLE 794 : OPEN LINE FROM BUS 652509 [FTRANDL4 230.00] TO BUS 652510 [FTRANDL7 115.00] CKT 1

SINGLE 795 : OPEN LINE FROM BUS 652509 [FTRANDL4 230.00] TO BUS 652510 [FTRANDL7 115.00] CKT 2  
SINGLE 796 : OPEN LINE FROM BUS 652509 [FTRANDL4 230.00] TO BUS 652516 [LAKPLAT4 230.00] CKT 1  
SINGLE 797 : OPEN LINE FROM BUS 652509 [FTRANDL4 230.00] TO BUS 652526 [UTICAJC4 230.00] CKT 1  
SINGLE 798 : OPEN LINE FROM BUS 652509 [FTRANDL4 230.00] TO BUS 652565 [SIOUXCY4 230.00] CKT 1  
SINGLE 799 : OPEN LINE FROM BUS 652511 [GAVINS 7 115.00] TO BUS 652532 [YANKTON7 115.00] CKT 1  
SINGLE 800 : OPEN LINE FROM BUS 652511 [GAVINS 7 115.00] TO BUS 660006 [YKNTJCT7 115.00] CKT 1  
SINGLE 801 : OPEN LINE FROM BUS 652512 [GROTON 7 115.00] TO BUS 652533 [BRISTOL7 115.00] CKT 1  
SINGLE 802 : OPEN LINE FROM BUS 652512 [GROTON 7 115.00] TO BUS 652534 [ORDWAY 7 115.00] CKT 1  
SINGLE 803 : OPEN LINE FROM BUS 652512 [GROTON 7 115.00] TO BUS 652535 [REDFELD7 115.00] CKT 1  
SINGLE 804 : OPEN LINE FROM BUS 652512 [GROTON 7 115.00] TO BUS 659174 [GRTKEYPS20 7115.00] CKT 1  
SINGLE 805 : OPEN LINE FROM BUS 652512 [GROTON 7 115.00] TO BUS 659203 [GROTONTY 345.00] CKT 1  
SINGLE 806 : OPEN LINE FROM BUS 652512 [GROTON 7 115.00] TO BUS 659275 [GROTONB7 115.00] CKT 1  
SINGLE 807 : OPEN LINE FROM BUS 652512 [GROTON 7 115.00] TO BUS 660001 [ABDNSBT7 115.00] CKT 1  
SINGLE 808 : OPEN LINE FROM BUS 652513 [HANLON 4 230.00] TO BUS 652523 [SIOUXFL4 230.00] CKT 1  
SINGLE 809 : OPEN LINE FROM BUS 652513 [HANLON 4 230.00] TO BUS 659122 [STORLA 4 230.00] CKT 1  
SINGLE 810 : OPEN LINE FROM BUS 652514 [HURON 4 230.00] TO BUS 652530 [WATERTN4 230.00] CKT 2  
SINGLE 811 : OPEN LINE FROM BUS 652514 [HURON 4 230.00] TO BUS 652614 [CARPENTER 4 230.00] CKT 1  
SINGLE 812 : OPEN LINE FROM BUS 652514 [HURON 4 230.00] TO BUS 659205 [BRDLAND4 230.00] CKT 1  
SINGLE 813 : OPEN LINE FROM BUS 652515 [HURON 7 115.00] TO BUS 652528 [WOONSKT7 115.00] CKT 1  
SINGLE 814 : OPEN LINE FROM BUS 652515 [HURON 7 115.00] TO BUS 652535 [REDFELD7 115.00] CKT 1  
SINGLE 815 : OPEN LINE FROM BUS 652515 [HURON 7 115.00] TO BUS 660003 [HURONWP7 115.00] CKT 1  
SINGLE 816 : OPEN LINE FROM BUS 652515 [HURON 7 115.00] TO BUS 660009 [BTAP WP7 115.00] CKT 1  
SINGLE 817 : OPEN LINE FROM BUS 652517 [MANNING7 115.00] TO BUS 659121 [SPIRITM7 115.00] CKT 1  
SINGLE 818 : OPEN LINE FROM BUS 652518 [MTVERN 7 115.00] TO BUS 659123 [STORLA 7 115.00] CKT 1  
SINGLE 819 : OPEN LINE FROM BUS 652519 [OAHE 4 230.00] TO BUS 652520 [OAHE 7 115.00] CKT 1  
SINGLE 820 : OPEN LINE FROM BUS 652519 [OAHE 4 230.00] TO BUS 652521 [SULLYBT4 230.00] CKT 1  
SINGLE 821 : OPEN LINE FROM BUS 652520 [OAHE 7 115.00] TO BUS 652600 [ASH TAP 115.00] CKT 1  
SINGLE 822 : OPEN LINE FROM BUS 652520 [OAHE 7 115.00] TO BUS 659295 [SDPRAIRWND 7115.00] CKT 1  
SINGLE 823 : OPEN LINE FROM BUS 652521 [SULLYBT4 230.00] TO BUS 652527 [WHITLOK4 230.00] CKT 1  
SINGLE 824 : OPEN LINE FROM BUS 652522 [SUMMIT-7 115.00] TO BUS 652531 [WATERTN7 115.00] CKT 1  
SINGLE 825 : OPEN LINE FROM BUS 652522 [SUMMIT-7 115.00] TO BUS 652533 [BRISTOL7 115.00] CKT 1  
SINGLE 826 : OPEN LINE FROM BUS 652523 [SIOUXFL4 230.00] TO BUS 652578 [PAHOJA 4 230.00] CKT 1  
SINGLE 827 : OPEN LINE FROM BUS 652523 [SIOUXFL4 230.00] TO BUS 652606 [LETCHER4 230.00] CKT 1  
SINGLE 828 : OPEN LINE FROM BUS 652524 [SIOUXFL7 115.00] TO BUS 659250 [SXF WBRANDN7115.00] CKT 1  
SINGLE 829 : OPEN LINE FROM BUS 652525 [TYNDALL7 115.00] TO BUS 660006 [YKNTJCT7 115.00] CKT 1  
SINGLE 830 : OPEN LINE FROM BUS 652526 [UTICAJC4 230.00] TO BUS 652536 [RASMUSN4 230.00] CKT 1  
SINGLE 831 : OPEN LINE FROM BUS 652527 [WHITLOK4 230.00] TO BUS 659157 [SELBY 4230.00] CKT 1  
SINGLE 832 : OPEN LINE FROM BUS 652528 [WOONSKT7 115.00] TO BUS 659123 [STORLA 7 115.00] CKT 1  
SINGLE 833 : OPEN LINE FROM BUS 652529 [WATERTN3 345.00] TO BUS 652537 [WHITE 3 345.00] CKT 1  
SINGLE 834 : OPEN LINE FROM BUS 652529 [WATERTN3 345.00] TO BUS 659160 [GROTON 3 345.00] CKT 1  
SINGLE 835 : OPEN LINE FROM BUS 652530 [WATERTN4 230.00] TO BUS 652550 [GRANITF4 230.00] CKT 1  
SINGLE 836 : OPEN LINE FROM BUS 652530 [WATERTN4 230.00] TO BUS 652614 [CARPENTER 4 230.00] CKT 1  
SINGLE 837 : OPEN LINE FROM BUS 652531 [WATERTN7 115.00] TO BUS 658088 [WTREAST7 115.00] CKT 1  
SINGLE 838 : OPEN LINE FROM BUS 652531 [WATERTN7 115.00] TO BUS 658094 [WTRPELI7 115.00] CKT 1  
SINGLE 839 : OPEN LINE FROM BUS 652532 [YANKTON7 115.00] TO BUS 659121 [SPIRITM7 115.00] CKT 1  
SINGLE 840 : OPEN LINE FROM BUS 652536 [RASMUSN4 230.00] TO BUS 652565 [SIOUXCY4 230.00] CKT 1  
SINGLE 841 : OPEN LINE FROM BUS 652550 [GRANITF4 230.00] TO BUS 652554 [MORRIS 4 230.00] CKT 1  
SINGLE 842 : OPEN LINE FROM BUS 652553 [MOORHED4 230.00] TO BUS 652554 [MORRIS 4 230.00] CKT 1

SINGLE 843 : OPEN LINE FROM BUS 652553 [MOORHED4 230.00] TO BUS 652587 [MOORHED7 115.00] CKT 1  
SINGLE 844 : OPEN LINE FROM BUS 652553 [MOORHED4 230.00] TO BUS 652587 [MOORHED7 115.00] CKT 2  
SINGLE 845 : OPEN LINE FROM BUS 652554 [MORRIS 4 230.00] TO BUS 652555 [MORRIS 7 115.00] CKT 1  
SINGLE 846 : OPEN LINE FROM BUS 652561 [DENISON5 161.00] TO BUS 652567 [DENISON4 230.00] CKT 1  
SINGLE 847 : OPEN LINE FROM BUS 652561 [DENISON5 161.00] TO BUS 652603 [EXIRA 5 161.00] CKT 1  
SINGLE 848 : OPEN LINE FROM BUS 652562 [EAGLE 4 230.00] TO BUS 652565 [SIOUXCY4 230.00] CKT 1  
SINGLE 849 : OPEN LINE FROM BUS 652562 [EAGLE 4 230.00] TO BUS 652578 [PAHOJA 4 230.00] CKT 1  
SINGLE 850 : OPEN LINE FROM BUS 652563 [SPENCER5 161.00] TO BUS 652566 [SIOUXCY5 161.00] CKT 1  
SINGLE 851 : OPEN LINE FROM BUS 652565 [SIOUXCY4 230.00] TO BUS 652567 [DENISON4 230.00] CKT 1  
SINGLE 852 : OPEN LINE FROM BUS 652570 [ALIANCE7 115.00] TO BUS 659197 [SNAKECK7 115.00] CKT 1  
SINGLE 853 : OPEN LINE FROM BUS 652570 [ALIANCE7 115.00] TO BUS 659236 [BOXBUTE7 115.00] CKT 1  
SINGLE 854 : OPEN LINE FROM BUS 652572 [SIDNEY 7 115.00] TO BUS 659136 [SIDNEY\*4 230.00] CKT 1  
SINGLE 855 : OPEN LINE FROM BUS 652572 [SIDNEY 7 115.00] TO BUS 659238 [COLTON 7 115.00] CKT 1  
SINGLE 856 : OPEN LINE FROM BUS 652573 [STEGALL4 230.00] TO BUS 659206 [STGXFMR4 230.00] CKT 1  
SINGLE 857 : OPEN LINE FROM BUS 652578 [PAHOJA 4 230.00] TO BUS 652588 [CLEVELD4 230.00] CKT 1  
SINGLE 858 : OPEN LINE FROM BUS 652584 [SIDNEYW4 230.00] TO BUS 652585 [NB WEST4 230.00] CKT 1  
SINGLE 859 : OPEN LINE FROM BUS 652584 [SIDNEYW4 230.00] TO BUS 659170 [STEGALDC 230.00] CKT 1  
SINGLE 860 : OPEN LINE FROM BUS 652585 [NB WEST4 230.00] TO BUS 659170 [STEGALDC 230.00] CKT 1  
SINGLE 861 : OPEN LINE FROM BUS 652587 [MOORHED7 115.00] TO BUS 658086 [MPSNE 7 115.00] CKT 1  
SINGLE 862 : OPEN LINE FROM BUS 652600 [ASH TAP 115.00] TO BUS 652601 [ASH ST 7 115.00] CKT 1  
SINGLE 863 : OPEN LINE FROM BUS 652601 [ASH ST 7 115.00] TO BUS 652602 [EVANS ST 115.00] CKT 1  
SINGLE 864 : OPEN LINE FROM BUS 652607 [WESSINGTON 4230.00] TO BUS 659122 [STORLA 4 230.00] CKT 1  
SINGLE 865 : OPEN LINE FROM BUS 652609 [LETCHER7 115.00] TO BUS 659198 [LETCHR PS227115.00] CKT 1  
SINGLE 866 : OPEN LINE FROM BUS 652626 [UTICAJC7 115.00] TO BUS 659292 [KEYSTN PS237115.00] CKT 1  
SINGLE 867 : OPEN LINE FROM BUS 652626 [UTICAJC7 115.00] TO BUS 660006 [YKNTJCT7 115.00] CKT 1  
SINGLE 868 : OPEN LINE FROM BUS 652626 [UTICAJC7 115.00] TO BUS 660007 [MENNOJT7 115.00] CKT 1  
SINGLE 869 : OPEN LINE FROM BUS 658068 [MARSHAL7 115.00] TO BUS 658070 [MMU 7ST7 115.00] CKT 1  
SINGLE 870 : OPEN LINE FROM BUS 658068 [MARSHAL7 115.00] TO BUS 658078 [SOUTH E7 115.00] CKT 1  
SINGLE 871 : OPEN LINE FROM BUS 658070 [MMU 7ST7 115.00] TO BUS 658072 [ERIE RD7 115.00] CKT 1  
SINGLE 872 : OPEN LINE FROM BUS 658072 [ERIE RD7 115.00] TO BUS 658074 [SARATOG7 115.00] CKT 1  
SINGLE 873 : OPEN LINE FROM BUS 658074 [SARATOG7 115.00] TO BUS 658076 [MMU SW 7 115.00] CKT 1  
SINGLE 874 : OPEN LINE FROM BUS 658076 [MMU SW 7 115.00] TO BUS 658078 [SOUTH E7 115.00] CKT 1  
SINGLE 875 : OPEN LINE FROM BUS 658080 [MPSBROOK 115.00] TO BUS 658082 [MPSSE 7 115.00] CKT 1  
SINGLE 876 : OPEN LINE FROM BUS 658082 [MPSSE 7 115.00] TO BUS 658084 [MPSCENT7 115.00] CKT 1  
SINGLE 877 : OPEN LINE FROM BUS 658084 [MPSCENT7 115.00] TO BUS 658086 [MPSNE 7 115.00] CKT 1  
SINGLE 878 : OPEN LINE FROM BUS 658088 [WTREAST7 115.00] TO BUS 658090 [WTRTNPP 115.00] CKT 1  
SINGLE 879 : OPEN LINE FROM BUS 658090 [WTRTNPP 115.00] TO BUS 658092 [WTRWEST7 115.00] CKT 1  
SINGLE 880 : OPEN LINE FROM BUS 658092 [WTRWEST7 115.00] TO BUS 658094 [WTRPEL17 115.00] CKT 1  
SINGLE 881 : OPEN LINE FROM BUS 659101 [ANTELOP3 345.00] TO BUS 659105 [LELANDO3 345.00] CKT 1  
SINGLE 882 : OPEN LINE FROM BUS 659101 [ANTELOP3 345.00] TO BUS 659105 [LELANDO3 345.00] CKT 2  
SINGLE 883 : OPEN LINE FROM BUS 659101 [ANTELOP3 345.00] TO BUS 659156 [SELBY 3345.00] CKT 1  
SINGLE 885 : OPEN LINE FROM BUS 659101 [ANTELOP3 345.00] TO BUS 659212 [AVSDC1TY 345.00] CKT 1  
SINGLE 886 : OPEN LINE FROM BUS 659101 [ANTELOP3 345.00] TO BUS 659218 [AVSDC7TY 345.00] CKT 1  
SINGLE 887 : OPEN LINE FROM BUS 659101 [ANTELOP3 345.00] TO BUS 659230 [DGCX3 T 345.00] CKT 1  
SINGLE 888 : OPEN LINE FROM BUS 659105 [LELANDO3 345.00] TO BUS 659156 [SELBY 3345.00] CKT 1  
SINGLE 889 : OPEN LINE FROM BUS 659105 [LELANDO3 345.00] TO BUS 659160 [GROTON 3 345.00] CKT 1  
SINGLE 890 : OPEN LINE FROM BUS 659105 [LELANDO3 345.00] TO BUS 659201 [LELND1TY 345.00] CKT 1  
SINGLE 891 : OPEN LINE FROM BUS 659105 [LELANDO3 345.00] TO BUS 659202 [LELND2TY 345.00] CKT 1



SINGLE 892 : OPEN LINE FROM BUS 659106 [LELANDO4 230.00] TO BUS 659108 [LOGAN 4 230.00] CKT 1  
SINGLE 893 : OPEN LINE FROM BUS 659106 [LELANDO4 230.00] TO BUS 659200 [BASIN TY 230.00] CKT 1  
SINGLE 894 : OPEN LINE FROM BUS 659106 [LELANDO4 230.00] TO BUS 659201 [LELND1TY 345.00] CKT 1  
SINGLE 895 : OPEN LINE FROM BUS 659106 [LELANDO4 230.00] TO BUS 659202 [LELND2TY 345.00] CKT 1  
SINGLE 896 : OPEN LINE FROM BUS 659108 [LOGAN 4 230.00] TO BUS 659143 [BLAISDELL 4230.00] CKT 1  
SINGLE 897 : OPEN LINE FROM BUS 659108 [LOGAN 4 230.00] TO BUS 659208 [LOGAN TY 230.00] CKT 1  
SINGLE 898 : OPEN LINE FROM BUS 659109 [BASIN 7 115.00] TO BUS 659200 [BASIN TY 230.00] CKT 1  
SINGLE 899 : OPEN LINE FROM BUS 659120 [BRDLAND3 345.00] TO BUS 659156 [SELBY 3345.00] CKT 1  
SINGLE 900 : OPEN LINE FROM BUS 659120 [BRDLAND3 345.00] TO BUS 659204 [BRDLNDTY 345.00] CKT 1  
SINGLE 901 : OPEN LINE FROM BUS 659122 [STORLA 4 230.00] TO BUS 659123 [STORLA 7 115.00] CKT 1  
SINGLE 902 : OPEN LINE FROM BUS 659122 [STORLA 4 230.00] TO BUS 659205 [BRDLAND4 230.00] CKT 1  
SINGLE 903 : OPEN LINE FROM BUS 659130 [GRANTNB7 115.00] TO BUS 659132 [OGALALA7 115.00] CKT 1  
SINGLE 904 : OPEN LINE FROM BUS 659130 [GRANTNB7 115.00] TO BUS 659132 [OGALALA7 115.00] CKT 2  
SINGLE 905 : OPEN LINE FROM BUS 659130 [GRANTNB7 115.00] TO BUS 659188 [SPCREEK7 115.00] CKT 1  
SINGLE 906 : OPEN LINE FROM BUS 659131 [LARAMIE3 345.00] TO BUS 659133 [SIDNEY 3 345.00] CKT 1  
SINGLE 907 : OPEN LINE FROM BUS 659131 [LARAMIE3 345.00] TO BUS 659135 [STEGALL3 345.00] CKT 1  
SINGLE 908 : OPEN LINE FROM BUS 659132 [OGALALA7 115.00] TO BUS 659187 [ROSCOE 7 115.00] CKT 1  
SINGLE 909 : OPEN LINE FROM BUS 659132 [OGALALA7 115.00] TO BUS 659246 [MCONGHY7 115.00] CKT 1  
SINGLE 910 : OPEN LINE FROM BUS 659133 [SIDNEY 3 345.00] TO BUS 659135 [STEGALL3 345.00] CKT 1  
SINGLE 911 : OPEN LINE FROM BUS 659133 [SIDNEY 3 345.00] TO BUS 659209 [SIDNEYTY 345.00] CKT 1  
SINGLE 912 : OPEN LINE FROM BUS 659134 [SIDNEY 4 230.00] TO BUS 659136 [SIDNEY\*4 230.00] CKT 1  
SINGLE 913 : OPEN LINE FROM BUS 659134 [SIDNEY 4 230.00] TO BUS 659210 [SIDXFMR4 230.00] CKT 1  
SINGLE 915 : OPEN LINE FROM BUS 659138 [NESET 4 230.00] TO BUS 659139 [NESET 7 115.00] CKT 1  
SINGLE 916 : OPEN LINE FROM BUS 659138 [NESET 4 230.00] TO BUS 661084 [TIOGA4 4 230.00] CKT 1  
SINGLE 917 : OPEN LINE FROM BUS 659143 [BLAISDELL 4230.00] TO BUS 659144 [BLAISDELL 7115.00] CKT 1  
SINGLE 918 : OPEN LINE FROM BUS 659143 [BLAISDELL 4230.00] TO BUS 661084 [TIOGA4 4 230.00] CKT 1  
SINGLE 919 : OPEN LINE FROM BUS 659154 [LAMAR 7 115.00] TO BUS 659188 [SPCREEK7 115.00] CKT 1  
SINGLE 920 : OPEN LINE FROM BUS 659154 [LAMAR 7 115.00] TO BUS 659195 [CRETE 7 115.00] CKT 1  
SINGLE 921 : OPEN LINE FROM BUS 659155 [LOGAN 7 115.00] TO BUS 659208 [LOGAN TY 230.00] CKT 1  
SINGLE 922 : OPEN LINE FROM BUS 659155 [LOGAN 7 115.00] TO BUS 659261 [BTHOLD 7 115.00] CKT 1  
SINGLE 923 : OPEN LINE FROM BUS 659157 [SELBY 4230.00] TO BUS 661038 [GLENHAM4 230.00] CKT 1  
SINGLE 924 : OPEN LINE FROM BUS 659160 [GROTON 3 345.00] TO BUS 659203 [GROTONTY 345.00] CKT 1  
SINGLE 925 : OPEN LINE FROM BUS 659162 [REDWLCK7 115.00] TO BUS 659163 [BLKWDC7 115.00] CKT 1  
SINGLE 926 : OPEN LINE FROM BUS 659162 [REDWLCK7 115.00] TO BUS 659243 [ELSIE 7 115.00] CKT 1  
SINGLE 927 : OPEN LINE FROM BUS 659180 [KOCH 7 115.00] TO BUS 659191 [SQUAWGP7 115.00] CKT 1  
SINGLE 928 : OPEN LINE FROM BUS 659181 [BICNTNL7 115.00] TO BUS 659184 [R.RIDER7 115.00] CKT 1  
SINGLE 929 : OPEN LINE FROM BUS 659181 [BICNTNL7 115.00] TO BUS 659191 [SQUAWGP7 115.00] CKT 1  
SINGLE 930 : OPEN LINE FROM BUS 659182 [CHAR.CK7 115.00] TO BUS 659184 [R.RIDER7 115.00] CKT 1  
SINGLE 931 : OPEN LINE FROM BUS 659182 [CHAR.CK7 115.00] TO BUS 659211 [CHARCKTY 345.00] CKT 1  
SINGLE 932 : OPEN LINE FROM BUS 659183 [CHAR.CK3 345.00] TO BUS 659211 [CHARCKTY 345.00] CKT 1  
SINGLE 933 : OPEN LINE FROM BUS 659183 [CHAR.CK3 345.00] TO BUS 659302 [CHAR.CK4 230.00] CKT 1  
SINGLE 934 : OPEN LINE FROM BUS 659185 [ELSIETP7 115.00] TO BUS 659186 [PAXTON 7 115.00] CKT 1  
SINGLE 935 : OPEN LINE FROM BUS 659185 [ELSIETP7 115.00] TO BUS 659187 [ROSCOE 7 115.00] CKT 1  
SINGLE 936 : OPEN LINE FROM BUS 659185 [ELSIETP7 115.00] TO BUS 659243 [ELSIE 7 115.00] CKT 1  
SINGLE 937 : OPEN LINE FROM BUS 659192 [LYNN 7 115.00] TO BUS 659197 [SNAKECK7 115.00] CKT 1  
SINGLE 938 : OPEN LINE FROM BUS 659192 [LYNN 7 115.00] TO BUS 659239 [COVALT 7 115.00] CKT 1  
SINGLE 939 : OPEN LINE FROM BUS 659193 [W.HORSE7 115.00] TO BUS 659239 [COVALT 7 115.00] CKT 1  
SINGLE 940 : OPEN LINE FROM BUS 659195 [CRETE 7 115.00] TO BUS 659245 [CRETEHE7 115.00] CKT 1

SINGLE 941 : OPEN LINE FROM BUS 659204 [BRDLNDTY 345.00] TO BUS 659205 [BRDLAND4 230.00] CKT 1  
SINGLE 942 : OPEN LINE FROM BUS 659206 [STGXFMR4 230.00] TO BUS 659207 [STEGALTY 345.00] CKT 1  
SINGLE 943 : OPEN LINE FROM BUS 659209 [SIDNEYTY 345.00] TO BUS 659210 [SIDXFMR4 230.00] CKT 1  
SINGLE 944 : OPEN LINE FROM BUS 659212 [AVSDC1TY 345.00] TO BUS 659213 [AVSDC2TY 345.00] CKT 1  
SINGLE 945 : OPEN LINE FROM BUS 659212 [AVSDC1TY 345.00] TO BUS 659216 [AVSDC5TY 345.00] CKT 1  
SINGLE 946 : OPEN LINE FROM BUS 659213 [AVSDC2TY 345.00] TO BUS 659217 [AVSDC6TY 345.00] CKT 1  
SINGLE 947 : OPEN LINE FROM BUS 659216 [AVSDC5TY 345.00] TO BUS 659217 [AVSDC6TY 345.00] CKT 1  
SINGLE 948 : OPEN LINE FROM BUS 659218 [AVSDC7TY 345.00] TO BUS 659219 [AVSDC8TY 345.00] CKT 1  
SINGLE 949 : OPEN LINE FROM BUS 659218 [AVSDC7TY 345.00] TO BUS 659222 [AVSD11TY 345.00] CKT 1  
SINGLE 950 : OPEN LINE FROM BUS 659219 [AVSDC8TY 345.00] TO BUS 659223 [AVSD12TY 345.00] CKT 1  
SINGLE 951 : OPEN LINE FROM BUS 659222 [AVSD11TY 345.00] TO BUS 659223 [AVSD12TY 345.00] CKT 1  
SINGLE 952 : OPEN LINE FROM BUS 659230 [DGCX3 T 345.00] TO BUS 659231 [DGCX3 4 230.00] CKT 1  
SINGLE 953 : OPEN LINE FROM BUS 659231 [DGCX3 4 230.00] TO BUS 659233 [DGCX4 T 230.00] CKT 1  
SINGLE 954 : OPEN LINE FROM BUS 659236 [BOXBUTE7 115.00] TO BUS 659237 [HEMINGF7 115.00] CKT 1  
SINGLE 955 : OPEN LINE FROM BUS 659244 [ATHEY 7 115.00] TO BUS 659245 [CRETEHE7 115.00] CKT 1  
SINGLE 956 : OPEN LINE FROM BUS 659246 [MCONGHY7 115.00] TO BUS 659247 [ARTHUR 7 115.00] CKT 1  
SINGLE 957 : OPEN LINE FROM BUS 659247 [ARTHUR 7 115.00] TO BUS 659248 [HYANNIS7 115.00] CKT 1  
SINGLE 958 : OPEN LINE FROM BUS 659250 [SXF WBRANDN7115.00] TO BUS 659251 [SXF CORSON 7115.00] CKT 1  
SINGLE 959 : OPEN LINE FROM BUS 659251 [SXF CORSON 7115.00] TO BUS 659252 [SXF BRANDON7115.00] CKT 1  
SINGLE 960 : OPEN LINE FROM BUS 659252 [SXF BRANDON7115.00] TO BUS 659253 [SXF ROWENA 7115.00] CKT 1  
SINGLE 961 : OPEN LINE FROM BUS 659253 [SXF ROWENA 7115.00] TO BUS 659254 [SXF SPLT RK7115.00] CKT 1  
SINGLE 962 : OPEN LINE FROM BUS 659255 [SXF 6 MI RD7115.00] TO BUS 659256 [SXF 57TH ST7115.00] CKT 1  
SINGLE 963 : OPEN LINE FROM BUS 659256 [SXF 57TH ST7115.00] TO BUS 659257 [SXF SHINDLR7115.00] CKT 1  
SINGLE 964 : OPEN LINE FROM BUS 659257 [SXF SHINDLR7115.00] TO BUS 659258 [SXF HARSBRG7115.00] CKT 1  
SINGLE 965 : OPEN LINE FROM BUS 659263 [LTLMISS7 115.00] TO BUS 659265 [LTLMISS4 230.00] CKT 1  
SINGLE 966 : OPEN LINE FROM BUS 659265 [LTLMISS4 230.00] TO BUS 659266 [RHAME 4 230.00] CKT 1  
SINGLE 967 : OPEN LINE FROM BUS 659265 [LTLMISS4 230.00] TO BUS 661004 [BAKER 4 230.00] CKT 1  
SINGLE 968 : OPEN LINE FROM BUS 659266 [RHAME 4 230.00] TO BUS 659267 [RHAME 7 115.00] CKT 1  
SINGLE 969 : OPEN LINE FROM BUS 659266 [RHAME 4 230.00] TO BUS 661010 [BOWMAN 4 230.00] CKT 1  
SINGLE 970 : OPEN LINE FROM BUS 659268 [RCDC EDUMMY4230.00] TO BUS 659271 [RCDC EAST 4230.00] CKT 1  
SINGLE 971 : OPEN LINE FROM BUS 659269 [CLBRITSONGEN7115.00] TO BUS 661012 [CLBRITSN7 115.00] CKT 1  
SINGLE 972 : OPEN LINE FROM BUS 659297 [BIS WARD 7115.00] TO BUS 659298 [BIS NORTH267115.00] CKT 1  
SINGLE 973 : OPEN LINE FROM BUS 659298 [BIS NORTH267115.00] TO BUS 659299 [BIS GVPINES7115.00] CKT 1  
SINGLE 974 : OPEN LINE FROM BUS 659303 [RCDC WEST 4230.00] TO BUS 659304 [RCDC SWING G230.00] CKT 1  
SINGLE 975 : OPEN LINE FROM BUS 660000 [ABDNJCT7 115.00] TO BUS 660001 [ABDNSBT7 115.00] CKT 1  
SINGLE 976 : OPEN LINE FROM BUS 660001 [ABDNSBT7 115.00] TO BUS 660002 [REDFLD 7 115.00] CKT 1  
SINGLE 977 : OPEN LINE FROM BUS 660002 [REDFLD 7 115.00] TO BUS 660009 [BTAP WP7 115.00] CKT 1  
SINGLE 978 : OPEN LINE FROM BUS 660003 [HURONWP7 115.00] TO BUS 660008 [MITCLNW7 115.00] CKT 1  
SINGLE 979 : OPEN LINE FROM BUS 660003 [HURONWP7 115.00] TO BUS 660009 [BTAP WP7 115.00] CKT 1  
SINGLE 980 : OPEN LINE FROM BUS 660004 [MITCHEL7 115.00] TO BUS 660005 [TRIPP 7 115.00] CKT 1  
SINGLE 981 : OPEN LINE FROM BUS 660004 [MITCHEL7 115.00] TO BUS 660008 [MITCLNW7 115.00] CKT 1  
SINGLE 982 : OPEN LINE FROM BUS 660005 [TRIPP 7 115.00] TO BUS 660007 [MENNOJT7 115.00] CKT 1  
SINGLE 983 : OPEN LINE FROM BUS 661010 [BOWMAN 4 230.00] TO BUS 661047 [HETINGR4 230.00] CKT 1  
SINGLE 984 : OPEN LINE FROM BUS 661012 [CLBRITSN7 115.00] TO BUS 661075 [POPLAR 7 115.00] CKT 1  
GEN-COOPER : TRIP LINE FROM BUS 640139 [COOPER 3 345.00] TO BUS 640009 [COOPER1G 22.000] CKT 1  
GEN-GGS-1 : TRIP LINE FROM BUS 640184 [GENTLMN4 230.00] TO BUS 640010 [GENTLM1G 23.000] CKT 1  
GEN-GGS-2 : TRIP LINE FROM BUS 640183 [GENTLMN3 345.00] TO BUS 640011 [GENTLM2G 24.000] CKT 1  
GEN-SS-1 : TRIP LINE FROM BUS 640278 [SHELDON7 115.00] TO BUS 640019 [SHELDN1G 13.800] CKT 1

GEN-SS-2 : TRIP LINE FROM BUS 640278 [SHELDON7 115.00] TO BUS 640020 [SHELDN2G 13.800] CKT 1  
GEN-PLATTE : TRIP LINE FROM BUS 642071 [SUB-D 7 115.00] TO BUS 642067 [PLATTE1G 13.800] CKT 1  
GEN-WEC1 : TRIP LINE FROM BUS 641087 [EGYCNTR7 115.00] TO BUS 641086 [EGY CTRG 13.800] CKT 1  
GEN-COLCOG : TRIP LINE FROM BUS 640119 [COL.COG7 115.00] TO BUS 640028 [COLCOG1G 13.800] CKT 1  
GEN-WEC2 : TRIP LINE FROM BUS 641087 [EGYCNTR7 115.00] TO BUS 641089 [EGYCTR2G 22.000] CKT 1  
GEN-AWEF : TRIP LINE FROM BUS 640050 [AINSWND7 115.00] TO BUS 640025 [AINSWDDG 34.500] CKT 1  
GEN-E-RIDGE : TRIP LINE FROM BUS 640084 [BLMFLD 7 115.00] TO BUS 640419 [ELKRDG1D 34.500] CKT 1  
LN-FAIRPORT : TRIP LINE FROM BUS 300039 [7FAIRPT 345.00] TO BUS 640139 [COOPER 3 345.00] CKT 1  
TRIP LINE FROM BUS 300039 [7FAIRPT 345.00] TO BUS 541199 [ST JOE 3 345.00] CKT 1  
TRIP LINE FROM BUS 300039 [7FAIRPT 345.00] TO BUS 300076 [5FAIRPT 161.00] CKT 3  
LN-1091 : TRIP LINE FROM BUS 640392 [VALENTN7 115.00] TO BUS 640210 [HARMONY7 115.00] CKT 1  
TRIP LINE FROM BUS 640210 [HARMONY7 115.00] TO BUS 640351 [ST.FRANC 115.00] CKT 1  
TRIP LINE FROM BUS 640351 [ST.FRANC 115.00] TO BUS 652482 [MISSION7 115.00] CKT 1  
LN-RUSHVILLE: TRIP LINE FROM BUS 640334 [RUSHVIL7 115.00] TO BUS 640109 [CHADRON7 115.00] CKT 1  
TRIP LINE FROM BUS 640334 [RUSHVIL7 115.00] TO BUS 640192 [GORDON 7 115.00] CKT 1  
LN-MALONEY : TRIP LINE FROM BUS 640287 [N.PLATT7 115.00] TO BUS 640265 [MALONEY7 115.00] CKT 1  
TRIP LINE FROM BUS 640266 [MALONEY9 34.500] TO BUS 640265 [MALONEY7 115.00] CKT 1  
LN-STOCKVILL: TRIP LINE FROM BUS 640287 [N.PLATT7 115.00] TO BUS 640365 [STOCKVL7 115.00] CKT 1  
TRIP LINE FROM BUS 640366 [STOCKVL8 69.000] TO BUS 640365 [STOCKVL7 115.00] CKT 1  
LN-1133 : TRIP LINE FROM BUS 640100 [CAMBRIG7 115.00] TO BUS 640269 [MCCOOK 7 115.00] CKT 1  
TRIP LINE FROM BUS 640100 [CAMBRIG7 115.00] TO BUS 640194 [GOSPER 7 115.00] CKT 1  
TRIP LINE FROM BUS 640242 [JOHN.2 7 115.00] TO BUS 640194 [GOSPER 7 115.00] CKT 1  
LN-1147 : TRIP LINE FROM BUS 640244 [JOHN.LK7 115.00] TO BUS 640242 [JOHN.2 7 115.00] CKT 1  
TRIP LINE FROM BUS 640244 [JOHN.LK7 115.00] TO BUS 640240 [JOHN.1 7 115.00] CKT 1  
LN-1142 : TRIP LINE FROM BUS 640196 [GOTHNBG7 115.00] TO BUS 640238 [JEFFREY7 115.00] CKT 1  
TRIP LINE FROM BUS 640196 [GOTHNBG7 115.00] TO BUS 640144 [COZAD 7 115.00] CKT 1  
LN-1242 : TRIP LINE FROM BUS 640407 [WESTMIN7 115.00] TO BUS 640242 [JOHN.2 7 115.00] CKT 1  
TRIP LINE FROM BUS 640407 [WESTMIN7 115.00] TO BUS 640144 [COZAD 7 115.00] CKT 1  
LN-1090 : TRIP LINE FROM BUS 640096 [CALAMS 7 115.00] TO BUS 640050 [AINSWND7 115.00] CKT 1  
TRIP LINE FROM BUS 640096 [CALAMS 7 115.00] TO BUS 640381 [THEDFRD7 115.00] CKT 1  
LN-1267 : TRIP LINE FROM BUS 640367 [STUART 7 115.00] TO BUS 640051 [AINSWRT7 115.00] CKT 1  
TRIP LINE FROM BUS 640367 [STUART 7 115.00] TO BUS 640058 [ATKINSN7 115.00] CKT 1  
TRIP LINE FROM BUS 640165 [EMMET 7 115.00] TO BUS 640058 [ATKINSN7 115.00] CKT 1  
TRIP LINE FROM BUS 640165 [EMMET 7 115.00] TO BUS 640305 [ONEILL 7 115.00] CKT 1  
LN-1164 : TRIP LINE FROM BUS 640113 [CLRWATR7 115.00] TO BUS 640305 [ONEILL 7 115.00] CKT 1  
TRIP LINE FROM BUS 640113 [CLRWATR7 115.00] TO BUS 640293 [NELIGH 7 115.00] CKT 1  
LN-1163 : TRIP LINE FROM BUS 640115 [CO.LINE7 115.00] TO BUS 640293 [NELIGH 7 115.00] CKT 1  
TRIP LINE FROM BUS 640115 [CO.LINE7 115.00] TO BUS 640072 [BATTLCR7 115.00] CKT 1  
TRIP LINE FROM BUS 640296 [NORFK.N7 115.00] TO BUS 640072 [BATTLCR7 115.00] CKT 1  
LN-1169 : TRIP LINE FROM BUS 640353 [ST.LIB 7 115.00] TO BUS 640201 [GR ISLD7 115.00] CKT 1  
TRIP LINE FROM BUS 640353 [ST.LIB 7 115.00] TO BUS 640259 [LOUPCTY7 115.00] CKT 1  
TRIP LINE FROM BUS 640353 [ST.LIB 7 115.00] TO BUS 640355 [ST.PAUL7 115.00] CKT 1  
LN-1143 : TRIP LINE FROM BUS 640161 [ELMCRK\_7 115.00] TO BUS 640103 [CANADAY7 115.00] CKT 1  
TRIP LINE FROM BUS 640161 [ELMCRK\_7 115.00] TO BUS 640250 [KEARNEY7 115.00] CKT 1  
LN-1094 : TRIP LINE FROM BUS 640248 [KEAR.NE7 115.00] TO BUS 640331 [RIVERDL7 115.00] CKT 1  
TRIP LINE FROM BUS 640248 [KEAR.NE7 115.00] TO BUS 640250 [KEARNEY7 115.00] CKT 1  
LN-1173 : TRIP LINE FROM BUS 640220 [HEBRON 7 115.00] TO BUS 640368 [SUPEROR7 115.00] CKT 1  
TRIP LINE FROM BUS 640220 [HEBRON 7 115.00] TO BUS 640218 [HEBRN N7 115.00] CKT 1

LN-1175B : TRIP LINE FROM BUS 640169 [FAIRBRY7 115.00] TO BUS 640208 [HARBINE7 115.00] CKT 1  
TRIP LINE FROM BUS 640169 [FAIRBRY7 115.00] TO BUS 640170 [FAIRBRYG 34.500] CKT 1

LN-1176 : TRIP LINE FROM BUS 640361 [STEINER7 115.00] TO BUS 640076 [BEATRCE7 115.00] CKT 1  
TRIP LINE FROM BUS 640361 [STEINER7 115.00] TO BUS 640235 [HUMBOLT7 115.00] CKT 1

LN-CLATONIA : TRIP LINE FROM BUS 640111 [CLATONA7 115.00] TO BUS 640088 [BPS SUB7 115.00] CKT 1  
TRIP LINE FROM BUS 640111 [CLATONA7 115.00] TO BUS 640278 [SHELDON7 115.00] CKT 1

LN-FIRTH : TRIP LINE FROM BUS 640171 [FIRTH 7 115.00] TO BUS 640362 [STERLNG7 115.00] CKT 1  
TRIP LINE FROM BUS 640171 [FIRTH 7 115.00] TO BUS 640278 [SHELDON7 115.00] CKT 1  
TRIP LINE FROM BUS 640362 [STERLNG7 115.00] TO BUS 647974 [S974 8 69.000] CKT 1

LN-FRIEND : TRIP LINE FROM BUS 640174 [FRIEND 7 115.00] TO BUS 640153 [CRETE\_\_7 115.00] CKT 1  
TRIP LINE FROM BUS 640174 [FRIEND 7 115.00] TO BUS 640178 [GENEVA 7 115.00] CKT 1

LN-1155 : TRIP LINE FROM BUS 640375 [TAMORA 7 115.00] TO BUS 640411 [YORK 7 115.00] CKT 1  
TRIP LINE FROM BUS 640375 [TAMORA 7 115.00] TO BUS 640340 [SEWARD 7 115.00] CKT 1

LN-1156 : TRIP LINE FROM BUS 640316 [PAWNEEL7 115.00] TO BUS 650214 [NW68HOLDRG7 115.00] CKT 1  
TRIP LINE FROM BUS 640316 [PAWNEEL7 115.00] TO BUS 640340 [SEWARD 7 115.00] CKT 1

LN-1181 : TRIP LINE FROM BUS 640155 [DAVEY 7 115.00] TO BUS 650269 [70&BLUFF 7 115.00] CKT 1  
TRIP LINE FROM BUS 640155 [DAVEY 7 115.00] TO BUS 640402 [WAHOO 7 115.00] CKT 1

LN-1152 : TRIP LINE FROM BUS 640157 [DAVIDCY7 115.00] TO BUS 640127 [COLMB.E7 115.00] CKT 1  
TRIP LINE FROM BUS 640157 [DAVIDCY7 115.00] TO BUS 640402 [WAHOO 7 115.00] CKT 1

LN-N-BEND : TRIP LINE FROM BUS 640281 [N.BEND 7 115.00] TO BUS 640336 [SCHUYLR7 115.00] CKT 1  
TRIP LINE FROM BUS 640281 [N.BEND 7 115.00] TO BUS 640173 [FREMONT7 115.00] CKT 1

LN-1160 : TRIP LINE FROM BUS 640409 [WINSLOW7 115.00] TO BUS 640300 [OAKLAND7 115.00] CKT 1  
TRIP LINE FROM BUS 640409 [WINSLOW7 115.00] TO BUS 640173 [FREMONT7 115.00] CKT 1

LN-1161 : TRIP LINE FROM BUS 640400 [W.POINT7 115.00] TO BUS 640300 [OAKLAND7 115.00] CKT 1  
TRIP LINE FROM BUS 640400 [W.POINT7 115.00] TO BUS 640078 [BEEMER 7 115.00] CKT 1

LN-1168 : TRIP LINE FROM BUS 640357 [STANTON7 115.00] TO BUS 640363 [STNTN.N7 115.00] CKT 1  
TRIP LINE FROM BUS 640357 [STANTON7 115.00] TO BUS 640078 [BEEMER 7 115.00] CKT 1

LN-1193 : TRIP LINE FROM BUS 640070 [BANCRAFT7 115.00] TO BUS 640300 [OAKLAND7 115.00] CKT 1  
TRIP LINE FROM BUS 640070 [BANCRAFT7 115.00] TO BUS 640163 [EMERSON7 115.00] CKT 1

LN-DONIPHAN : TRIP LINE FROM BUS 640159 [DONIPHN7 115.00] TO BUS 642071 [SUB-D 7 115.00] CKT 1  
TRIP LINE FROM BUS 640159 [DONIPHN7 115.00] TO BUS 640282 [N.HAST 7 115.00] CKT 1

LN-HILDRETH : TRIP LINE FROM BUS 640222 [HILDRTH7 115.00] TO BUS 640224 [HOLDREG7 115.00] CKT 1  
TRIP LINE FROM BUS 640222 [HILDRTH7 115.00] TO BUS 640313 [PAULINE7 115.00] CKT 1

LN-CRAWFORD : TRIP LINE FROM BUS 640147 [CRAWFRD7 115.00] TO BUS 640109 [CHADRON7 115.00] CKT 1  
TRIP LINE FROM BUS 640147 [CRAWFRD7 115.00] TO BUS 640397 [VICTRYH7 115.00] CKT 1

LN-CALLAWAY : TRIP LINE FROM BUS 640098 [CALAWAY7 115.00] TO BUS 640089 [BROKENB7 115.00] CKT 1  
TRIP LINE FROM BUS 640098 [CALAWAY7 115.00] TO BUS 640099 [CALAWAY8 69.000] CKT 1

LN-PROSSER : TRIP LINE FROM BUS 640321 [PROSSER7 115.00] TO BUS 640322 [PROSSER9 34.500] CKT 1  
TRIP LINE FROM BUS 640321 [PROSSER7 115.00] TO BUS 640261 [LOWELL 7 115.00] CKT 1

LN-WAPA1 : TRIP LINE FROM BUS 652311 [DUNLAP 7 115.00] TO BUS 640109 [CHADRON7 115.00] CKT 1  
TRIP LINE FROM BUS 652311 [DUNLAP 7 115.00] TO BUS 659236 [BOXBUTE7 115.00] CKT 1

LN-WAPA2 : TRIP LINE FROM BUS 659236 [BOXBUTE7 115.00] TO BUS 659237 [HEMINGF7 115.00] CKT 1  
TRIP LINE FROM BUS 659236 [BOXBUTE7 115.00] TO BUS 652570 [ALIANCE7 115.00] CKT 1  
TRIP LINE FROM BUS 652570 [ALIANCE7 115.00] TO BUS 659197 [SNAKECK7 115.00] CKT 1

LN-WAPA3 : TRIP LINE FROM BUS 652312 [MORRILL7 115.00] TO BUS 659197 [SNAKECK7 115.00] CKT 1  
TRIP LINE FROM BUS 652312 [MORRILL7 115.00] TO BUS 659242 [GERINGT7 115.00] CKT 1  
TRIP LINE FROM BUS 659242 [GERINGT7 115.00] TO BUS 640338 [SCOTBLF7 115.00] CKT 1

LN-WAPA4 : TRIP LINE FROM BUS 659238 [COLTON 7 115.00] TO BUS 652572 [SIDNEY 7 115.00] CKT 1

TRIP LINE FROM BUS 659238 [COLTON 7 115.00] TO BUS 652300 [CHAPPEL7 115.00] CKT 1  
 TRIP LINE FROM BUS 640246 [JULSTAP7 115.00] TO BUS 652300 [CHAPPEL7 115.00] CKT 1  
 TRIP LINE FROM BUS 640246 [JULSTAP7 115.00] TO BUS 640068 [B.SPRGS7 115.00] CKT 1  
 LN-WAPA5 : TRIP LINE FROM BUS 640091 [BRULE 7 115.00] TO BUS 640068 [B.SPRGS7 115.00] CKT 1  
 TRIP LINE FROM BUS 640091 [BRULE 7 115.00] TO BUS 659132 [OGALALA7 115.00] CKT 1  
 LN-WAPA6 : TRIP LINE FROM BUS 640349 [SPENCER7 115.00] TO BUS 652510 [FTRANDL7 115.00] CKT 1  
 TRIP LINE FROM BUS 640349 [SPENCER7 115.00] TO BUS 640305 [ONEILL 7 115.00] CKT 1  
 LN-TSGT1 : TRIP LINE FROM BUS 659192 [LYNN 7 115.00] TO BUS 659197 [SNAKECK7 115.00] CKT 1  
 TRIP LINE FROM BUS 659192 [LYNN 7 115.00] TO BUS 659239 [COVALT 7 115.00] CKT 1  
 TRIP LINE FROM BUS 659239 [COVALT 7 115.00] TO BUS 659193 [W.HORSE7 115.00] CKT 1  
 LN-TSGT2 : TRIP LINE FROM BUS 640086 [BLUECK 7 115.00] TO BUS 659193 [W.HORSE7 115.00] CKT 1  
 TRIP LINE FROM BUS 640086 [BLUECK 7 115.00] TO BUS 640068 [B.SPRGS7 115.00] CKT 1  
 LN-TSGT3 : TRIP LINE FROM BUS 659188 [SPCREEK7 115.00] TO BUS 659154 [LAMAR 7 115.00] CKT 1  
 TRIP LINE FROM BUS 659188 [SPCREEK7 115.00] TO BUS 659130 [GRANTNB7 115.00] CKT 1  
 LN-TSGT4 : TRIP LINE FROM BUS 659195 [CRETE 7 115.00] TO BUS 659154 [LAMAR 7 115.00] CKT 1  
 TRIP LINE FROM BUS 659195 [CRETE 7 115.00] TO BUS 659245 [CRETEHE7 115.00] CKT 1  
 TRIP LINE FROM BUS 659244 [ATHEY 7 115.00] TO BUS 659245 [CRETEHE7 115.00] CKT 1  
 TRIP LINE FROM BUS 659244 [ATHEY 7 115.00] TO BUS 640167 [ENDERS 7 115.00] CKT 1  
 LN-TSGT5 : TRIP LINE FROM BUS 659187 [ROSCOE 7 115.00] TO BUS 659132 [OGALALA7 115.00] CKT 1  
 TRIP LINE FROM BUS 659187 [ROSCOE 7 115.00] TO BUS 659185 [ELSIETP7 115.00] CKT 1  
 LN-TSGT6 : TRIP LINE FROM BUS 659186 [PAXTON 7 115.00] TO BUS 640370 [SUTHLND7 115.00] CKT 1  
 TRIP LINE FROM BUS 659186 [PAXTON 7 115.00] TO BUS 659185 [ELSIETP7 115.00] CKT 1  
 TRF-AXTELL : TRIP LINE FROM BUS 640065 [AXTELL 3 345.00] TO BUS 640066 [AXTELL 7 115.00] TO BUS 640067 [AXTELL 9 13.800] CKT 1  
 TRF-COOPER : TRIP LINE FROM BUS 640139 [COOPER 3 345.00] TO BUS 640140 [COOPER 5 161.00] TO BUS 640142 [COOPER 9 13.800] CKT 1  
 TRF-GENTLMN : TRIP LINE FROM BUS 640183 [GENTLMN3 345.00] TO BUS 640184 [GENTLMN4 230.00] TO BUS 640185 [G.GENT19 13.800] CKT 1  
 TRF-GRIS-T2 : TRIP LINE FROM BUS 640200 [GR ISLD4 230.00] TO BUS 640201 [GR ISLD7 115.00] TO BUS 640203 [G.I.T219 13.800] CKT 1  
 TRF-HOSKINS : TRIP LINE FROM BUS 640226 [HOSKINS3 345.00] TO BUS 640228 [HOSKINS7 115.00] TO BUS 640231 [HOSKNS19 13.800] CKT 1  
 TRF-KEYSTONE: TRIP LINE FROM BUS 640252 [KEYSTON3 345.00] TO BUS 640253 [KEYSTON7 115.00] TO BUS 640254 [KEYSTON9 13.800] CKT 1  
 TRF-MCCOOL : TRIP LINE FROM BUS 640271 [MCCOOL 3 345.00] TO BUS 640272 [MCCOOL 7 115.00] TO BUS 640274 [MCCOOL19 13.800] CKT 1  
 TRF-NP-T8 : TRIP LINE FROM BUS 640286 [N.PLATT4 230.00] TO BUS 640287 [N.PLATT7 115.00] TO BUS 640290 [N.PT8 9 13.800] CKT 1  
 TRF-NP-T9 : TRIP LINE FROM BUS 640286 [N.PLATT4 230.00] TO BUS 640287 [N.PLATT7 115.00] TO BUS 640291 [N.PT9 9 13.800] CKT 2  
 TRF-PAULINE : TRIP LINE FROM BUS 640312 [PAULINE3 345.00] TO BUS 640313 [PAULINE7 115.00] TO BUS 640315 [PAULINE9 13.800] CKT 1  
 TRF-REDWILO : TRIP LINE FROM BUS 640325 [REDWILO3 345.00] TO BUS 640326 [REDWILO7 115.00] TO BUS 640327 [REDWILO9 13.800] CKT 1  
 TRF-MOORE : TRIP LINE FROM BUS 640277 [MOORE 3 345.00] TO BUS 640278 [SHELDON7 115.00] TO BUS 640280 [MOORE 9 13.800] CKT 1  
 TRF-VHILL : TRIP LINE FROM BUS 640396 [VICTRYH4 230.00] TO BUS 640397 [VICTRYH7 115.00] TO BUS 640399 [VICTR10G 13.800] CKT 1  
 TRF-WAYSIDE : TRIP LINE FROM BUS 640404 [WAYSIDE4 230.00] TO BUS 640405 [WAYSIDE7 115.00] TO BUS 640406 [WAYSIDE9 13.800] CKT 1  
 TRIP LINE FROM BUS 640405 [WAYSIDE7 115.00] TO BUS 640109 [CHADRON7 115.00] CKT 1  
 TRF-KELLY : TRIP LINE FROM BUS 640133 [COLMBUS4 230.00] TO BUS 640134 [KELLY 7 115.00] TO BUS 640135 [COLMBS19 13.200] CKT 1  
 TRIP LINE FROM BUS 640134 [KELLY 7 115.00] TO BUS 640136 [COLMBUS7 115.00] CKT 1  
 TRF-GRIS-T3 : TRIP LINE FROM BUS 652571 [GR ISLD3 345.00] TO BUS 640200 [GR ISLD4 230.00] TO BUS 652314 [GR ISL19 13.800] CKT 1  
 TRF-GRIS-T4 : TRIP LINE FROM BUS 652571 [GR ISLD3 345.00] TO BUS 640200 [GR ISLD4 230.00] TO BUS 652316 [GR ISL29 13.800] CKT 2  
 TRF-STEGALL : TRIP LINE FROM BUS 659207 [STEGALTY 345.00] TO BUS 659206 [STGXFMR4 230.00] CKT 1  
 TRIP LINE FROM BUS 659207 [STEGALTY 345.00] TO BUS 659167 [STEGALLM 13.800] CKT 1  
 TRIP LINE FROM BUS 659207 [STEGALTY 345.00] TO BUS 659135 [STEGALL3 345.00] CKT 1  
 TRIP LINE FROM BUS 659206 [STGXFMR4 230.00] TO BUS 652573 [STEGALL4 230.00] CKT 1  
 TRF-SIDNEY1 : TRIP LINE FROM BUS 659209 [SIDNEYTY 345.00] TO BUS 659210 [SIDXFMR4 230.00] CKT 1  
 TRIP LINE FROM BUS 659209 [SIDNEYTY 345.00] TO BUS 659168 [SIDNEY M 13.800] CKT 1  
 TRIP LINE FROM BUS 659209 [SIDNEYTY 345.00] TO BUS 659133 [SIDNEY 3 345.00] CKT 1

TRIP LINE FROM BUS 659210 [SIDXFMR4 230.00] TO BUS 659134 [SIDNEY 4 230.00] CKT 1  
TRF-SIDNEY2 : TRIP LINE FROM BUS 659136 [SIDNEY\*4 230.00] TO BUS 659134 [SIDNEY 4 230.00] CKT 1  
TRIP LINE FROM BUS 659136 [SIDNEY\*4 230.00] TO BUS 652572 [SIDNEY 7 115.00] CKT 1  
TRIP LINE FROM BUS 659136 [SIDNEY\*4 230.00] TO BUS 659137 [SIDNEY 8 13.800] CKT 1  
S993 GEN OFF: DECREASE BUS 647993 [S993 8 69.000] GENERATION BY 5.4 MW  
NCU GEN OFF : DECREASE BUS 647401 [NCU903 8 69.000] GENERATION BY 5.8 MW  
S3454T1 AUTO: OPEN BRANCH FROM BUS 645454 [S3454 3 345.00] TO BUS 646254 [S1254 5 161.00] TO BUS 648254 [S1254T19 13.800] CKT 1  
OPEN LINE FROM BUS 646254 [S1254 5 161.00] TO BUS 646281 [S1281 5 161.00] CKT 1  
OPEN LINE FROM BUS 646254 [S1254 5 161.00] TO BUS 646249 [S1249 5 161.00] CKT 1  
S1206T1 BSCL: OPEN BRANCH FROM BUS 646206 [S1206 5 161.00] TO BUS 647906 [S906 S 8 69.000] TO BUS 648206 [S1206T19 13.800] CKT 1  
CLOSE BRANCH FROM BUS 647006 [S906 N 8 69.000] TO BUS 647906 [S906 S 8 69.000] CKT 1  
S1206T2 BSCL: OPEN BRANCH FROM BUS 646206 [S1206 5 161.00] TO BUS 647006 [S906 N 8 69.000] TO BUS 648306 [S1206T29 13.800] CKT 1  
CLOSE BRANCH FROM BUS 647006 [S906 N 8 69.000] TO BUS 647906 [S906 S 8 69.000] CKT 1  
S1210T7 AUTO: OPEN LINE FROM BUS 646210 [S1210 5 161.00] TO BUS 646217 [S1217 5 161.00] CKT 1  
OPEN LINE FROM BUS 646210 [S1210 5 161.00] TO BUS 646222 [S1222 5 161.00] CKT 1  
OPEN LINE FROM BUS 646210 [S1210 5 161.00] TO BUS 647910 [S910 8 69.000] TO BUS 648210 [S1210T79 13.800] CKT 1  
S1217T1 AUTO: OPEN BRANCH FROM BUS 646217 [S1217 5 161.00] TO BUS 647917 [S917 8 69.000] TO BUS 648217 [S1217T19 13.800] CKT 1  
OPEN LINE FROM BUS 646217 [S1217 5 161.00] TO BUS 646227 [S1227 5 161.00] CKT 1  
OPEN LINE FROM BUS 646217 [S1217 5 161.00] TO BUS 646210 [S1210 5 161.00] CKT 1  
OPEN LINE FROM BUS 646217 [S1217 5 161.00] TO BUS 646216 [S1216 5 161.00] CKT 1  
S1221T9 AUTO: OPEN LINE FROM BUS 646221 [S1221 5 161.00] TO BUS 646231 [S1231 5 161.00] CKT 1  
OPEN LINE FROM BUS 646221 [S1221 5 161.00] TO BUS 646255 [S1255 5 161.00] CKT 1  
OPEN LINE FROM BUS 646221 [S1221 5 161.00] TO BUS 647921 [S921 8 69.000] TO BUS 648221 [S1221T99 13.800] CKT 1  
S1263T1 AUTO: OPEN BRANCH FROM BUS 646263 [S1263 5 161.00] TO BUS 647111 [W BROCK8 69.000] TO BUS 648263 [S1263T19 13.800] CKT 1  
OPEN LINE FROM BUS 647111 [W BROCK8 69.000] TO BUS 647963 [S963 8 69.000] CKT 1  
OPEN LINE FROM BUS 647111 [W BROCK8 69.000] TO BUS 647967 [S967 8 69.000] CKT 1  
1252TARP : OPEN LINE FROM BUS 646252 [S1252 5 161.00] TO BUS 646209 [S1209 5 161.00] CKT 1  
OPEN LINE FROM BUS 646252 [S1252 5 161.00] TO BUS 646226 [S1226 5 161.00] CKT 1  
1211-50-HS4 : OPEN BRANCH FROM BUS 646211 [S1211 5 161.00] TO BUS 646250 [S1250 5 161.00] CKT 2  
OPEN LINE FROM BUS 645127 [S1211HS9 13.800] TO BUS 646211 [S1211 5 161.00] CKT 1  
1297TARP : OPEN LINE FROM BUS 646297 [S1297 5 161.00] TO BUS 646250 [S1250 5 161.00] CKT 1  
OPEN LINE FROM BUS 646297 [S1297 5 161.00] TO BUS 646251 [S1251 5 161.00] CKT 1  
1281LINBUS : OPEN LINE FROM BUS 646281 [S1281 5 161.00] TO BUS 646287 [S1287 5 161.00] CKT 1  
OPEN LINE FROM BUS 646281 [S1281 5 161.00] TO BUS 646254 [S1254 5 161.00] CKT 1  
OPEN LINE FROM BUS 646281 [S1281 5 161.00] TO BUS 646259 [S1259 5 161.00] CKT 1  
S979TAP : OPEN LINE FROM BUS 647979 [S979 8 69.000] TO BUS 647079 [979TP 8 69.000] CKT 1  
OPEN LINE FROM BUS 647079 [979TP 8 69.000] TO BUS 647900 [S900 8 69.000] CKT 1  
OPEN LINE FROM BUS 647079 [979TP 8 69.000] TO BUS 647006 [S906 N 8 69.000] CKT 1  
901-JCT-910 : OPEN LINE FROM BUS 647105 [JCT205 8 69.000] TO BUS 647901 [S901 8 69.000] CKT 1  
OPEN LINE FROM BUS 647105 [JCT205 8 69.000] TO BUS 647910 [S910 8 69.000] CKT 1  
S937NOBKR : OPEN LINE FROM BUS 647937 [S937 8 69.000] TO BUS 647902 [S902 8 69.000] CKT 1  
OPEN LINE FROM BUS 647937 [S937 8 69.000] TO BUS 647909 [S909 8 69.000] CKT 1  
906S15-25-94: OPEN LINE FROM BUS 647016 [915TP3 8 69.000] TO BUS 647107 [SAC623 8 69.000] CKT 1  
OPEN LINE FROM BUS 647016 [915TP3 8 69.000] TO BUS 647906 [S906 S 8 69.000] CKT 1  
OPEN LINE FROM BUS 647016 [915TP3 8 69.000] TO BUS 647915 [S915T2 8 69.000] CKT 1  
OPEN LINE FROM BUS 647107 [SAC623 8 69.000] TO BUS 647109 [SAC SO 8 69.000] CKT 1  
OPEN LINE FROM BUS 647107 [SAC623 8 69.000] TO BUS 647994 [S994 8 69.000] CKT 1  
906N15-25-94: OPEN LINE FROM BUS 647017 [915TP9 8 69.000] TO BUS 647108 [SAC629 8 69.000] CKT 1

OPEN LINE FROM BUS 647017 [915TP9 8 69.000] TO BUS 647006 [S906 N 8 69.000] CKT 1  
 OPEN LINE FROM BUS 647017 [915TP9 8 69.000] TO BUS 647015 [S915T1 8 69.000] CKT 1  
 OPEN LINE FROM BUS 647108 [SAC629 8 69.000] TO BUS 647110 [SAC NO 8 69.000] CKT 1  
 OPEN LINE FROM BUS 647108 [SAC629 8 69.000] TO BUS 647994 [S994 8 69.000] CKT 1  
 S938LINBUS : OPEN LINE FROM BUS 647938 [S938 8 69.000] TO BUS 647995 [S995 8 69.000] CKT 1  
 OPEN LINE FROM BUS 647938 [S938 8 69.000] TO BUS 647006 [S906 N 8 69.000] CKT 1  
 OPEN LINE FROM BUS 647938 [S938 8 69.000] TO BUS 647906 [S906 S 8 69.000] CKT 1  
 S973NOBKR : OPEN LINE FROM BUS 647973 [S973 8 69.000] TO BUS 640143 [CORNFLD8 69.000] CKT 1  
 OPEN LINE FROM BUS 647973 [S973 8 69.000] TO BUS 647963 [S963 8 69.000] CKT 1  
 AUBNOBKR : OPEN LINE FROM BUS 647101 [AUBRNT 8 69.000] TO BUS 647963 [S963 8 69.000] CKT 1  
 OPEN LINE FROM BUS 647101 [AUBRNT 8 69.000] TO BUS 647975 [S975 8 69.000] CKT 1  
 OPEN LINE FROM BUS 647101 [AUBRNT 8 69.000] TO BUS 640062 [AUBURN 8 69.000] CKT 1  
 S964-S993 : OPEN LINE FROM BUS 647964 [S964 8 69.000] TO BUS 647975 [S975 8 69.000] CKT 1  
 OPEN LINE FROM BUS 647964 [S964 8 69.000] TO BUS 647112 [MGLN TP8 69.000] CKT 1  
 OPEN LINE FROM BUS 647112 [MGLN TP8 69.000] TO BUS 647113 [MAGELLN8 69.000] CKT 1  
 OPEN LINE FROM BUS 647112 [MGLN TP8 69.000] TO BUS 647993 [S993 8 69.000] CKT 1  
 S968LINBUS : OPEN LINE FROM BUS 647968 [S968 8 69.000] TO BUS 647969 [S969 8 69.000] CKT 1  
 OPEN LINE FROM BUS 647968 [S968 8 69.000] TO BUS 647400 [TECUMSH8 69.000] CKT 1  
 OPEN LINE FROM BUS 647968 [S968 8 69.000] TO BUS 647967 [S967 8 69.000] CKT 1  
 ENRONTAP : OPEN LINE FROM BUS 647102 [HYDCAP 8 69.000] TO BUS 647103 [ENRON 8 69.000] CKT 1  
 OPEN LINE FROM BUS 647102 [HYDCAP 8 69.000] TO BUS 647970 [S970 8 69.000] CKT 1  
 OPEN LINE FROM BUS 647102 [HYDCAP 8 69.000] TO BUS 647974 [S974 8 69.000] CKT 1  
 S982-90-71 : OPEN LINE FROM BUS 647090 [990TP 8 69.000] TO BUS 647971 [S971 8 69.000] CKT 1  
 OPEN LINE FROM BUS 647090 [990TP 8 69.000] TO BUS 647982 [S982 8 69.000] CKT 1  
 OPEN LINE FROM BUS 647090 [990TP 8 69.000] TO BUS 647990 [S990 8 69.000] CKT 1  
 S976-FRE-D-E: OPEN BRANCH FROM BUS 647976 [S976 8 69.000] TO BUS 647424 [FREM D 8 69.000] CKT 1  
 OPEN BRANCH FROM BUS 647424 [FREM D 8 69.000] TO BUS 647425 [FREM E 8 69.000] CKT 1  
 S979BUS : OPEN LINE FROM BUS 647979 [S979 8 69.000] TO BUS 647079 [979TP 8 69.000] CKT 1  
 S991TAP : OPEN LINE FROM BUS 647091 [991TP 8 69.000] TO BUS 647427 [FREM G 8 69.000] CKT 1  
 OPEN LINE FROM BUS 647091 [991TP 8 69.000] TO BUS 647984 [S984 8 69.000] CKT 1  
 OPEN LINE FROM BUS 647091 [991TP 8 69.000] TO BUS 647991 [S991 8 69.000] CKT 1  
 S962-KM-S971: OPEN LINE FROM BUS 647114 [KIN MTP8 69.000] TO BUS 647115 [KIN MOR8 69.000] CKT 1  
 OPEN LINE FROM BUS 647114 [KIN MTP8 69.000] TO BUS 647962 [S962 8 69.000] CKT 1  
 OPEN LINE FROM BUS 647114 [KIN MTP8 69.000] TO BUS 647971 [S971 8 69.000] CKT 1  
 FCS\_GEN : REMOVE MACHINE 1 FROM BUS 645001 [FT CAL1G 22.000]  
 NC1\_GEN : REMOVE MACHINE 1 FROM BUS 645011 [NEBCTY1G 18.000]  
 NC2\_GEN : REMOVE MACHINE 2 FROM BUS 645012 [NEBCTY2G 23.000]  
 NO3\_GEN : REMOVE MACHINE 3 FROM BUS 645023 [N OMA 3G 13.800]  
 NO4\_GEN : REMOVE MACHINE 4 FROM BUS 645024 [N OMA 4G 15.000]  
 NO5\_GEN : REMOVE MACHINE 5 FROM BUS 645025 [N OMA 5G 20.000]  
 FRE8\_GEN : REMOVE MACHINE 8 FROM BUS 647418 [FREM 8G 13.800]  
 ELKCITY\_GEN : REMOVE MACHINE 1 FROM BUS 647937 [S937 8 69.000]  
 ELKCTY3\_GEN : REDUCE BUS 647937 [S937 8 69.000] GENERATION BY 3 MW  
 GEN-SVGS4 : TRIP LINE FROM BUS 650004 [TBGS 4G 13.800] TO BUS 650275 [84&BLUFF 7 115.00] CKT 1  
 GEN-ROKBY2 : TRIP LINE FROM BUS 650092 [ROKEBY 2G 13.800] TO BUS 650290 [ROKEBY 7 115.00] CKT 1  
 TRF-NW68HOL : TRIP LINE FROM BUS 650214 [NW68HOLDRG7 115.00] TO BUS 650114 [NW68HOLDRG3 345.00] TO BUS 650314 [NW68HOL1 9 13.800] CKT 1  
 TRF-70&BLUF : TRIP LINE FROM BUS 650269 [70&BLUFF 7 115.00] TO BUS 650169 [70&BLUFF 5 161.00] TO BUS 650369 [70&BLUFF 9 13.800] CKT 1  
 TRF-WAGNR1 : TRIP LINE FROM BUS 650285 [WAGENER 7 115.00] TO BUS 650185 [WAGENER 3 345.00] TO BUS 650385 [WAGENER1 9 13.800] CKT 1

TRF-WAGNR2 : TRIP LINE FROM BUS 650285 [WAGENER 7 115.00] TO BUS 650185 [WAGENER 3 345.00] TO BUS 650485 [WAGENER2 9 13.800] CKT 2



ACCC OVERLOAD REPORT: MONITORED BRANCHES AND INTERFACES LOADED ABOVE 100.0 % OF RATING SET A  
 CONTINGENCY CASE LOADING NOT CHECKED UNLESS IT DIFFERS FROM ITS BASE CASE LOADING BY 1.0 MVA (MW FOR INTERFACES)  
 ACCC VOLTAGE REPORT: VOLTAGE BAND CHECK IN CONTINGENCY CASES SKIPPED FOR ANY BUS WITHIN 0.01000 OF ITS BASE CASE VOLTAGE MAGNITUDE

AC CONTINGENCY RESULTS FILE: C:\u1\ddbetz\spp-facilities-study\DISIS-2010-001\lf\acc\16L-post.acc  
 DISTRIBUTION FACTOR FILE: C:\u1\ddbetz\spp-facilities-study\DISIS-2010-001\lf\acc\16L-post.dfx  
 SUBSYSTEM DESCRIPTION FILE: C:\u1\ddbetz\spp-facilities-study\DISIS-2010-001\lf\acc\MRO.sub  
 MONITORED ELEMENT FILE: C:\u1\ddbetz\spp-facilities-study\DISIS-2010-001\lf\acc\Nebraska.mon  
 CONTINGENCY DESCRIPTION FILE: C:\u1\ddbetz\spp-facilities-study\DISIS-2010-001\lf\acc\Nebraska.con

Solution engine: Fixed slope decoupled Newton-Raphson (FDNS)  
 Solution options  
 Tap adjustment: Stepping  
 Area interchange control: Disable  
 Phase shift adjustment: Enable  
 Dc tap adjustment: Enable  
 Switch shunt adjustment: Lock all  
 Non diverge: Disable  
 Mismatch tolerance (MW ): 1.5  
 Dispatch mode: Disable

<----- MULTI-SECTION LINE ----->	<----- MONITORED BRANCH ----->	CONTINGENCY	RATING	FLOW	%
640133*COLMBUS4	230.00 643000 MADISONCNTY4230.00 1 BASE CASE	192.0	235.2	121.1	
652554*MORRIS 4	230.00 652555 MORRIS 7 115.00 1 BASE CASE	27.0	100.7	372.9	
640133*COLMBUS4	230.00 643000 MADISONCNTY4230.00 1 SINGLE 3	192.0	233.0	120.0	
652441*GARRISN4	230.00 652442 GARRISN7 115.00 1 SINGLE 8	133.0	150.8	113.4	
640133*COLMBUS4	230.00 643000 MADISONCNTY4230.00 1 SINGLE 9	192.0	236.2	121.7	
640133*COLMBUS4	230.00 643000 MADISONCNTY4230.00 1 SINGLE 12	192.0	237.9	122.5	
640133*COLMBUS4	230.00 643000 MADISONCNTY4230.00 1 SINGLE 16	192.0	232.4	119.7	
640133*COLMBUS4	230.00 643000 MADISONCNTY4230.00 1 SINGLE 17	192.0	231.3	119.1	
640133*COLMBUS4	230.00 643000 MADISONCNTY4230.00 1 SINGLE 18	192.0	237.1	122.1	
640133*COLMBUS4	230.00 643000 MADISONCNTY4230.00 1 SINGLE 20	192.0	234.0	120.5	
640133*COLMBUS4	230.00 643000 MADISONCNTY4230.00 1 SINGLE 27	192.0	234.1	120.5	
640133*COLMBUS4	230.00 643000 MADISONCNTY4230.00 1 SINGLE 31	192.0	229.9	118.4	
640133*COLMBUS4	230.00 643000 MADISONCNTY4230.00 1 SINGLE 32	192.0	230.8	118.9	
640133*COLMBUS4	230.00 643000 MADISONCNTY4230.00 1 SINGLE 41	192.0	231.6	119.3	
640133*COLMBUS4	230.00 643000 MADISONCNTY4230.00 1 SINGLE 43	192.0	238.5	122.8	
640133*COLMBUS4	230.00 643000 MADISONCNTY4230.00 1 SINGLE 44	192.0	233.4	121.3	
640133*COLMBUS4	230.00 643000 MADISONCNTY4230.00 1 SINGLE 45	192.0	230.5	118.7	
640133*COLMBUS4	230.00 643000 MADISONCNTY4230.00 1 SINGLE 46	192.0	225.0	115.8	
640133*COLMBUS4	230.00 643000 MADISONCNTY4230.00 1 SINGLE 50	192.0	233.9	120.5	
640133*COLMBUS4	230.00 643000 MADISONCNTY4230.00 1 SINGLE 60	192.0	236.8	121.9	
640133*COLMBUS4	230.00 643000 MADISONCNTY4230.00 1 SINGLE 127	192.0	232.8	119.9	
640133*COLMBUS4	230.00 643000 MADISONCNTY4230.00 1 SINGLE 135	192.0	236.3	121.7	
640133*COLMBUS4	230.00 643000 MADISONCNTY4230.00 1 SINGLE 157	192.0	234.1	120.5	
640133*COLMBUS4	230.00 643000 MADISONCNTY4230.00 1 SINGLE 228	192.0	232.7	119.8	
640133*COLMBUS4	230.00 643000 MADISONCNTY4230.00 1 SINGLE 231	192.0	249.0	128.2	

640133*COLMBUS4	230.00	643000	MADISONCNTY4230.00	1	SINGLE	232	192.0	256.7	132.2
640133*COLMBUS4	230.00	643000	MADISONCNTY4230.00	1	SINGLE	236	192.0	232.9	119.9
640133*COLMBUS4	230.00	643000	MADISONCNTY4230.00	1	SINGLE	237	192.0	232.8	119.9
640133*COLMBUS4	230.00	643000	MADISONCNTY4230.00	1	SINGLE	250	192.0	239.0	123.1
640133*COLMBUS4	230.00	643000	MADISONCNTY4230.00	1	SINGLE	251	192.0	238.8	123.0
640133*COLMBUS4	230.00	643000	MADISONCNTY4230.00	1	SINGLE	257	192.0	236.4	121.8
640133*COLMBUS4	230.00	643000	MADISONCNTY4230.00	1	SINGLE	259	192.0	237.0	122.0
640133*COLMBUS4	230.00	643000	MADISONCNTY4230.00	1	SINGLE	262	192.0	237.6	122.4
640133*COLMBUS4	230.00	643000	MADISONCNTY4230.00	1	SINGLE	265	192.0	233.5	120.2
640133*COLMBUS4	230.00	643000	MADISONCNTY4230.00	1	SINGLE	266	192.0	238.0	122.7
640133*COLMBUS4	230.00	643000	MADISONCNTY4230.00	1	SINGLE	270	192.0	237.3	122.2
640133*COLMBUS4	230.00	643000	MADISONCNTY4230.00	1	SINGLE	272	192.0	232.7	119.8
640133*COLMBUS4	230.00	643000	MADISONCNTY4230.00	1	SINGLE	274	192.0	237.3	122.2
640133*COLMBUS4	230.00	643000	MADISONCNTY4230.00	1	SINGLE	277	192.0	236.3	121.7
640133*COLMBUS4	230.00	643000	MADISONCNTY4230.00	1	SINGLE	291	192.0	233.8	120.4
640133*COLMBUS4	230.00	643000	MADISONCNTY4230.00	1	SINGLE	297	192.0	239.0	123.1
640133*COLMBUS4	230.00	643000	MADISONCNTY4230.00	1	SINGLE	306	192.0	233.2	121.4
640133*COLMBUS4	230.00	643000	MADISONCNTY4230.00	1	SINGLE	307	192.0	226.4	116.5
640133*COLMBUS4	230.00	643000	MADISONCNTY4230.00	1	SINGLE	308	192.0	226.4	116.5
640133*COLMBUS4	230.00	643000	MADISONCNTY4230.00	1	SINGLE	310	192.0	234.2	120.6
640133*COLMBUS4	230.00	643000	MADISONCNTY4230.00	1	SINGLE	311	192.0	236.5	122.2
640133*COLMBUS4	230.00	643000	MADISONCNTY4230.00	1	SINGLE	312	192.0	238.3	123.4
640133*COLMBUS4	230.00	643000	MADISONCNTY4230.00	1	SINGLE	313	192.0	205.2	106.0
640133*COLMBUS4	230.00	643000	MADISONCNTY4230.00	1	SINGLE	315	192.0	228.8	117.7
640133*COLMBUS4	230.00	643000	MADISONCNTY4230.00	1	SINGLE	316	192.0	245.5	126.5
640133*COLMBUS4	230.00	643000	MADISONCNTY4230.00	1	SINGLE	317	192.0	248.1	127.7
640133*COLMBUS4	230.00	643000	MADISONCNTY4230.00	1	SINGLE	318	192.0	232.3	119.6
640133*COLMBUS4	230.00	643000	MADISONCNTY4230.00	1	SINGLE	327	192.0	247.0	127.2
640133*COLMBUS4	230.00	643000	MADISONCNTY4230.00	1	SINGLE	337	192.0	232.9	119.9
640133*COLMBUS4	230.00	643000	MADISONCNTY4230.00	1	SINGLE	344	192.0	233.6	120.3
640133*COLMBUS4	230.00	643000	MADISONCNTY4230.00	1	SINGLE	352	192.0	237.4	122.2
640133*COLMBUS4	230.00	643000	MADISONCNTY4230.00	1	SINGLE	354	192.0	236.6	121.9
640133*COLMBUS4	230.00	643000	MADISONCNTY4230.00	1	SINGLE	355	192.0	236.2	121.7
640133*COLMBUS4	230.00	643000	MADISONCNTY4230.00	1	SINGLE	360	192.0	233.9	120.4
640133*COLMBUS4	230.00	643000	MADISONCNTY4230.00	1	SINGLE	388	192.0	230.0	118.4
640133*COLMBUS4	230.00	643000	MADISONCNTY4230.00	1	SINGLE	389	192.0	210.2	108.0
640133*COLMBUS4	230.00	643000	MADISONCNTY4230.00	1	SINGLE	390	192.0	240.1	123.7
640133*COLMBUS4	230.00	643000	MADISONCNTY4230.00	1	SINGLE	392	192.0	240.5	123.9
640133*COLMBUS4	230.00	643000	MADISONCNTY4230.00	1	SINGLE	393	192.0	242.9	125.1
640133*COLMBUS4	230.00	643000	MADISONCNTY4230.00	1	SINGLE	394	192.0	236.9	122.0
640133*COLMBUS4	230.00	643000	MADISONCNTY4230.00	1	SINGLE	410	192.0	238.7	122.9
640133*COLMBUS4	230.00	643000	MADISONCNTY4230.00	1	SINGLE	414	192.0	233.0	120.0
640133*COLMBUS4	230.00	643000	MADISONCNTY4230.00	1	SINGLE	415	192.0	238.2	122.7
640133*COLMBUS4	230.00	643000	MADISONCNTY4230.00	1	SINGLE	418	192.0	242.5	124.9
640133*COLMBUS4	230.00	643000	MADISONCNTY4230.00	1	SINGLE	419	192.0	270.5	139.5
640133*COLMBUS4	230.00	643000	MADISONCNTY4230.00	1	SINGLE	422	192.0	236.8	121.9
640133*COLMBUS4	230.00	643000	MADISONCNTY4230.00	1	SINGLE	426	192.0	233.8	120.6
640133*COLMBUS4	230.00	643000	MADISONCNTY4230.00	1	SINGLE	427	192.0	233.5	120.4

640133*COLMBUS4	230.00	643000	MADISONCNTY4230.00	1	SINGLE	434	192.0	233.5	120.3	
640133*COLMBUS4	230.00	643000	MADISONCNTY4230.00	1	SINGLE	442	192.0	244.4	125.9	
640133*COLMBUS4	230.00	643000	MADISONCNTY4230.00	1	SINGLE	443	192.0	237.3	122.2	
640133*COLMBUS4	230.00	643000	MADISONCNTY4230.00	1	SINGLE	444	192.0	263.2	135.7	
640133*COLMBUS4	230.00	643000	MADISONCNTY4230.00	1	SINGLE	451	192.0	236.5	121.8	
640133*COLMBUS4	230.00	643000	MADISONCNTY4230.00	1	SINGLE	455	192.0	256.8	132.3	
640133*COLMBUS4	230.00	643000	MADISONCNTY4230.00	1	SINGLE	464	192.0	205.2	106.0	
640133*COLMBUS4	230.00	643000	MADISONCNTY4230.00	1	SINGLE	470	192.0	236.5	121.8	
640133*COLMBUS4	230.00	643000	MADISONCNTY4230.00	1	SINGLE	475	192.0	237.0	122.2	
640133*COLMBUS4	230.00	643000	MADISONCNTY4230.00	1	SINGLE	478	192.0	234.1	120.5	
640133*COLMBUS4	230.00	643000	MADISONCNTY4230.00	1	SINGLE	487	192.0	227.1	117.0	
640133*COLMBUS4	230.00	643000	MADISONCNTY4230.00	1	SINGLE	488	192.0	229.1	118.0	
640133*COLMBUS4	230.00	643000	MADISONCNTY4230.00	1	SINGLE	491	192.0	237.4	122.3	
640133*COLMBUS4	230.00	643000	MADISONCNTY4230.00	1	SINGLE	492	192.0	215.6	111.1	
640133*COLMBUS4	230.00	643000	MADISONCNTY4230.00	1	SINGLE	508	192.0	251.6	129.6	
640133*COLMBUS4	230.00	643000	MADISONCNTY4230.00	1	SINGLE	509	192.0	203.4	104.6	
652441*GARRISN4	230.00	652442	GARRISN7	115.00	1	SINGLE	634	133.0	135.8	102.1
659105 LELANDO3	345.00	659201*	LELND1TY	345.00	1	SINGLE	634	250.0	256.1	102.4
659106 LELANDO4	230.00	659201*	LELND1TY	345.00	1	SINGLE	634	250.0	256.1	102.4
652441*GARRISN4	230.00	652442	GARRISN7	115.00	1	SINGLE	636	133.0	138.2	103.9
659105 LELANDO3	345.00	659201*	LELND1TY	345.00	1	SINGLE	636	250.0	260.8	104.3
659106 LELANDO4	230.00	659108*	LOGAN 4	230.00	1	SINGLE	636	319.0	314.8	104.1
659106 LELANDO4	230.00	659201*	LELND1TY	345.00	1	SINGLE	636	250.0	260.8	104.3
659108*LOGAN 4	230.00	659143	BLAISDELL	4230.00	1	SINGLE	636	239.0	230.9	101.9
659182 CHAR.CK7	115.00	659184*	R.RIDER7	115.00	1	SINGLE	636	120.0	116.5	101.7
640133*COLMBUS4	230.00	643000	MADISONCNTY4230.00	1	SINGLE	651	192.0	237.5	122.3	
640133*COLMBUS4	230.00	643000	MADISONCNTY4230.00	1	SINGLE	652	192.0	241.3	124.3	
640133*COLMBUS4	230.00	643000	MADISONCNTY4230.00	1	SINGLE	656	192.0	237.6	122.4	
640133*COLMBUS4	230.00	643000	MADISONCNTY4230.00	1	SINGLE	657	192.0	237.4	122.2	
652405*FTPECK 4	230.00	652406	FTPECK 7	115.00	1	SINGLE	657	67.0	96.7	144.3
640133*COLMBUS4	230.00	643000	MADISONCNTY4230.00	1	SINGLE	658	192.0	237.4	122.3	
640133*COLMBUS4	230.00	643000	MADISONCNTY4230.00	1	SINGLE	679	192.0	237.3	122.2	
652441*GARRISN4	230.00	652442	GARRISN7	115.00	1	SINGLE	684	133.0	155.2	116.7
640133*COLMBUS4	230.00	643000	MADISONCNTY4230.00	1	SINGLE	686	192.0	236.5	121.8	
659105 LELANDO3	345.00	659201*	LELND1TY	345.00	1	SINGLE	686	250.0	258.3	103.3
659106 LELANDO4	230.00	659201*	LELND1TY	345.00	1	SINGLE	686	250.0	258.3	103.3
640133*COLMBUS4	230.00	643000	MADISONCNTY4230.00	1	SINGLE	691	192.0	236.4	121.7	
652554*MORRIS 4	230.00	652555	MORRIS 7	115.00	1	SINGLE	698	27.0	106.3	393.6
652441*GARRISN4	230.00	652442	GARRISN7	115.00	1	SINGLE	701	133.0	133.5	100.4
652554*MORRIS 4	230.00	652555	MORRIS 7	115.00	1	SINGLE	701	27.0	102.3	379.1
652441*GARRISN4	230.00	652442	GARRISN7	115.00	1	SINGLE	706	133.0	157.4	118.4
652441*GARRISN4	230.00	652442	GARRISN7	115.00	1	SINGLE	707	133.0	147.6	111.0
652441*GARRISN4	230.00	652442	GARRISN7	115.00	1	SINGLE	711	133.0	136.1	102.3
652554*MORRIS 4	230.00	652555	MORRIS 7	115.00	1	SINGLE	711	27.0	103.0	381.5
640133*COLMBUS4	230.00	643000	MADISONCNTY4230.00	1	SINGLE	725	192.0	236.5	121.8	
640133*COLMBUS4	230.00	643000	MADISONCNTY4230.00	1	SINGLE	726	192.0	236.5	121.8	
640133*COLMBUS4	230.00	643000	MADISONCNTY4230.00	1	SINGLE	728	192.0	234.1	120.5	
640133*COLMBUS4	230.00	643000	MADISONCNTY4230.00	1	SINGLE	729	192.0	233.4	120.2	

640133*COLMBUS4	230.00	643000	MADISONCNTY4230.00	1	SINGLE	730	192.0	237.3	122.3		
640133*COLMBUS4	230.00	643000	MADISONCNTY4230.00	1	SINGLE	731	192.0	237.3	122.2		
640133*COLMBUS4	230.00	643000	MADISONCNTY4230.00	1	SINGLE	736	192.0	236.8	122.0		
640133*COLMBUS4	230.00	643000	MADISONCNTY4230.00	1	SINGLE	737	192.0	237.0	122.1		
640133*COLMBUS4	230.00	643000	MADISONCNTY4230.00	1	SINGLE	752	192.0	237.9	122.5		
640133*COLMBUS4	230.00	643000	MADISONCNTY4230.00	1	SINGLE	758	192.0	241.0	124.1		
652476 EAGLEBT7	115.00	652520*OAHE	7	115.00	1	SINGLE	758	60.0	64.1	103.9	
652481 MIDLAND7	115.00	652491*IRVSIMM7	115.00	1	SINGLE	758	77.0	92.9	117.7		
652519 OAHE	4	230.00	652520*OAHE	7	115.00	1	SINGLE	758	107.0	115.5	107.9
640133*COLMBUS4	230.00	643000	MADISONCNTY4230.00	1	SINGLE	765	192.0	233.3	120.1		
640133*COLMBUS4	230.00	643000	MADISONCNTY4230.00	1	SINGLE	768	192.0	238.3	122.7		
640133*COLMBUS4	230.00	643000	MADISONCNTY4230.00	1	SINGLE	769	192.0	237.1	122.1		
640133*COLMBUS4	230.00	643000	MADISONCNTY4230.00	1	SINGLE	770	192.0	237.1	122.1		
652511 GAVINS	7	115.00	660006*YKNTJCT7	115.00	1	SINGLE	770	120.0	132.7	108.5	
652554*MORRIS	4	230.00	652555 MORRIS	7	115.00	1	SINGLE	772	27.0	99.3	367.7
640133*COLMBUS4	230.00	643000	MADISONCNTY4230.00	1	SINGLE	777	192.0	243.2	125.5		
640133*COLMBUS4	230.00	643000	MADISONCNTY4230.00	1	SINGLE	778	192.0	234.2	120.5		
640133*COLMBUS4	230.00	643000	MADISONCNTY4230.00	1	SINGLE	779	192.0	233.2	120.1		
640133*COLMBUS4	230.00	643000	MADISONCNTY4230.00	1	SINGLE	780	192.0	236.5	121.8		
640133*COLMBUS4	230.00	643000	MADISONCNTY4230.00	1	SINGLE	781	192.0	236.5	121.8		
640133*COLMBUS4	230.00	643000	MADISONCNTY4230.00	1	SINGLE	782	192.0	232.8	119.8		
640133*COLMBUS4	230.00	643000	MADISONCNTY4230.00	1	SINGLE	787	192.0	223.6	115.1		
652554*MORRIS	4	230.00	652555 MORRIS	7	115.00	1	SINGLE	787	27.0	99.5	368.5
640133*COLMBUS4	230.00	643000	MADISONCNTY4230.00	1	SINGLE	788	192.0	236.6	121.8		
640133*COLMBUS4	230.00	643000	MADISONCNTY4230.00	1	SINGLE	789	192.0	236.8	122.0		
640133*COLMBUS4	230.00	643000	MADISONCNTY4230.00	1	SINGLE	796	192.0	233.7	120.4		
640133*COLMBUS4	230.00	643000	MADISONCNTY4230.00	1	SINGLE	797	192.0	253.1	130.4		
652511 GAVINS	7	115.00	660006*YKNTJCT7	115.00	1	SINGLE	797	120.0	129.5	106.1	
652626 UTICAJC7	115.00	660006*YKNTJCT7	115.00	1	SINGLE	797	120.0	125.1	102.5		
640133*COLMBUS4	230.00	643000	MADISONCNTY4230.00	1	SINGLE	798	192.0	248.9	128.3		
640133*COLMBUS4	230.00	643000	MADISONCNTY4230.00	1	SINGLE	799	192.0	238.0	122.7		
652511*GAVINS	7	115.00	660006 YKNTJCT7	115.00	1	SINGLE	799	120.0	150.8	122.0	
640133*COLMBUS4	230.00	643000	MADISONCNTY4230.00	1	SINGLE	800	192.0	234.1	120.6		
640133*COLMBUS4	230.00	643000	MADISONCNTY4230.00	1	SINGLE	809	192.0	236.8	122.0		
640133*COLMBUS4	230.00	643000	MADISONCNTY4230.00	1	SINGLE	810	192.0	237.6	122.4		
652554*MORRIS	4	230.00	652555 MORRIS	7	115.00	1	SINGLE	810	27.0	99.6	368.7
640133*COLMBUS4	230.00	643000	MADISONCNTY4230.00	1	SINGLE	811	192.0	237.7	122.5		
652554*MORRIS	4	230.00	652555 MORRIS	7	115.00	1	SINGLE	811	27.0	99.5	368.4
652515 HURON	7	115.00	660009*BTAP WP7	115.00	1	SINGLE	815	80.0	83.4	102.6	
640133*COLMBUS4	230.00	643000	MADISONCNTY4230.00	1	SINGLE	817	192.0	237.5	122.4		
652511 GAVINS	7	115.00	660006*YKNTJCT7	115.00	1	SINGLE	817	120.0	139.8	114.3	
640133*COLMBUS4	230.00	643000	MADISONCNTY4230.00	1	SINGLE	822	192.0	232.9	119.9		
640133*COLMBUS4	230.00	643000	MADISONCNTY4230.00	1	SINGLE	826	192.0	236.7	121.9		
640133*COLMBUS4	230.00	643000	MADISONCNTY4230.00	1	SINGLE	827	192.0	236.7	121.9		
640133*COLMBUS4	230.00	643000	MADISONCNTY4230.00	1	SINGLE	828	192.0	238.0	122.6		
640133*COLMBUS4	230.00	643000	MADISONCNTY4230.00	1	SINGLE	830	192.0	240.6	124.0		
652554*MORRIS	4	230.00	652555 MORRIS	7	115.00	1	SINGLE	835	27.0	99.7	369.1
640133*COLMBUS4	230.00	643000	MADISONCNTY4230.00	1	SINGLE	836	192.0	237.6	122.4		

652554*MORRIS 4	230.00	652555 MORRIS 7	115.00	1 SINGLE 836	27.0	99.6	368.8	
640133*COLMBUS4	230.00	643000 MADISONCNTY4230.00	1 SINGLE 839	192.0	238.0	122.7		
652511*GAVINS 7	115.00	660006 YKNTJCT7	115.00	1 SINGLE 839	120.0	150.8	122.0	
640133*COLMBUS4	230.00	643000 MADISONCNTY4230.00	1 SINGLE 840	192.0	239.5	123.4		
652554*MORRIS 4	230.00	652555 MORRIS 7	115.00	1 SINGLE 841	27.0	96.9	358.8	
652554*MORRIS 4	230.00	652555 MORRIS 7	115.00	1 SINGLE 842	27.0	122.7	454.3	
640133*COLMBUS4	230.00	643000 MADISONCNTY4230.00	1 SINGLE 848	192.0	234.0	120.5		
640133*COLMBUS4	230.00	643000 MADISONCNTY4230.00	1 SINGLE 851	192.0	237.2	122.2		
640133*COLMBUS4	230.00	643000 MADISONCNTY4230.00	1 SINGLE 856	192.0	223.4	115.1		
652488 PHILTAP4	230.00	652519*OAHE 4	230.00	1 SINGLE 856	240.0	255.5	101.9	
640133*COLMBUS4	230.00	643000 MADISONCNTY4230.00	1 SINGLE 857	192.0	236.8	121.9		
640133*COLMBUS4	230.00	643000 MADISONCNTY4230.00	1 SINGLE 868	192.0	236.8	121.9		
640133*COLMBUS4	230.00	643000 MADISONCNTY4230.00	1 SINGLE 884	192.0	237.2	122.2		
652441*GARRISN4	230.00	652442 GARRISN7	115.00	1 SINGLE 884	133.0	171.9	129.3	
659105 LELANDO3	345.00	659201*LELND1TY	345.00	1 SINGLE 884	250.0	324.8	129.9	
659105*LELANDO3	345.00	659202 LELND2TY	345.00	1 SINGLE 884	500.0	616.2	123.2	
659106 LELANDO4	230.00	659108*LOGAN 4	230.00	1 SINGLE 884	319.0	332.7	108.5	
659106 LELANDO4	230.00	659201*LELND1TY	345.00	1 SINGLE 884	250.0	324.8	129.9	
659106 LELANDO4	230.00	659202*LELND2TY	345.00	1 SINGLE 884	500.0	614.5	122.9	
659108*LOGAN 4	230.00	659143 BLAISDELL	4230.00	1 SINGLE 884	239.0	234.3	102.0	
640133*COLMBUS4	230.00	643000 MADISONCNTY4230.00	1 SINGLE 885	192.0	236.6	121.9		
640133*COLMBUS4	230.00	643000 MADISONCNTY4230.00	1 SINGLE 886	192.0	237.0	122.1		
640133*COLMBUS4	230.00	643000 MADISONCNTY4230.00	1 SINGLE 887	192.0	236.2	121.6		
652554*MORRIS 4	230.00	652555 MORRIS 7	115.00	1 SINGLE 889	27.0	99.1	367.1	
659105 LELANDO3	345.00	659201*LELND1TY	345.00	1 SINGLE 889	250.0	268.8	107.5	
659105*LELANDO3	345.00	659202 LELND2TY	345.00	1 SINGLE 889	500.0	510.3	102.1	
659106 LELANDO4	230.00	659201*LELND1TY	345.00	1 SINGLE 889	250.0	268.8	107.5	
659106 LELANDO4	230.00	659202*LELND2TY	345.00	1 SINGLE 889	500.0	508.9	101.8	
659105*LELANDO3	345.00	659202 LELND2TY	345.00	1 SINGLE 890	500.0	639.4	127.9	
659106 LELANDO4	230.00	659202*LELND2TY	345.00	1 SINGLE 890	500.0	637.3	127.5	
659105 LELANDO3	345.00	659201*LELND1TY	345.00	1 SINGLE 891	250.0	574.4	229.8	
659106 LELANDO4	230.00	659201*LELND1TY	345.00	1 SINGLE 891	250.0	574.4	229.8	
603023*MALLARD7	115.00	659190 NDPRAIRWND	7115.00	1 SINGLE 892	120.0	143.6	125.4	
652441*GARRISN4	230.00	652442 GARRISN7	115.00	1 SINGLE 892	133.0	188.2	141.5	
659105*LELANDO3	345.00	659202 LELND2TY	345.00	1 SINGLE 894	500.0	639.4	127.9	
659106 LELANDO4	230.00	659202*LELND2TY	345.00	1 SINGLE 894	500.0	637.3	127.5	
659105 LELANDO3	345.00	659201*LELND1TY	345.00	1 SINGLE 895	250.0	574.4	229.8	
659106 LELANDO4	230.00	659201*LELND1TY	345.00	1 SINGLE 895	250.0	574.4	229.8	
640133*COLMBUS4	230.00	643000 MADISONCNTY4230.00	1 SINGLE 896	192.0	237.2	122.1		
603023*MALLARD7	115.00	659190 NDPRAIRWND	7115.00	1 SINGLE 897	120.0	119.8	102.5	
652441*GARRISN4	230.00	652442 GARRISN7	115.00	1 SINGLE 897	133.0	154.7	116.3	
640133*COLMBUS4	230.00	643000 MADISONCNTY4230.00	1 SINGLE 899	192.0	233.4	120.2		
640133*COLMBUS4	230.00	643000 MADISONCNTY4230.00	1 SINGLE 900	192.0	233.4	120.2		
640133*COLMBUS4	230.00	643000 MADISONCNTY4230.00	1 SINGLE 906	192.0	236.3	121.7		
640133*COLMBUS4	230.00	643000 MADISONCNTY4230.00	1 SINGLE 907	192.0	233.3	120.1		
640133*COLMBUS4	230.00	643000 MADISONCNTY4230.00	1 SINGLE 910	192.0	236.5	121.8		
640133*COLMBUS4	230.00	643000 MADISONCNTY4230.00	1 SINGLE 917	192.0	238.6	122.9		
603023*MALLARD7	115.00	659190 NDPRAIRWND	7115.00	1 SINGLE 921	120.0	119.8	102.5	

652441*	GARRISN4	230.00	652442	GARRISN7	115.00	1	SINGLE	921	133.0	154.7	116.3
640133*	COLMBUS4	230.00	643000	MADISONCNTY4230.00	1	SINGLE	923	192.0	236.9	122.0	
659105	LELANDO3	345.00	659201*	LELND1TY	345.00	1	SINGLE	923	250.0	267.4	106.9
659105*	LELANDO3	345.00	659202	LELND2TY	345.00	1	SINGLE	923	500.0	507.5	101.5
659106	LELANDO4	230.00	659201*	LELND1TY	345.00	1	SINGLE	923	250.0	267.4	106.9
659106	LELANDO4	230.00	659202*	LELND2TY	345.00	1	SINGLE	923	500.0	506.1	101.2
652441*	GARRISN4	230.00	652442	GARRISN7	115.00	1	SINGLE	931	133.0	143.1	107.6
652441*	GARRISN4	230.00	652442	GARRISN7	115.00	1	SINGLE	932	133.0	143.1	107.6
652441*	GARRISN4	230.00	652442	GARRISN7	115.00	1	SINGLE	933	133.0	137.8	103.6
659105	LELANDO3	345.00	659201*	LELND1TY	345.00	1	SINGLE	933	250.0	260.5	104.2
659106	LELANDO4	230.00	659108*	LOGAN 4	230.00	1	SINGLE	933	319.0	314.9	103.7
659106	LELANDO4	230.00	659201*	LELND1TY	345.00	1	SINGLE	933	250.0	260.5	104.2
659108*	LOGAN 4	230.00	659143	BLAISDELL	4230.00	1	SINGLE	933	239.0	230.4	101.3
659182*	CHAR.CK7	115.00	659184	R.RIDER7	115.00	1	SINGLE	933	120.0	121.9	101.2
640133*	COLMBUS4	230.00	643000	MADISONCNTY4230.00	1	SINGLE	941	192.0	233.4	120.2	
640133*	COLMBUS4	230.00	643000	MADISONCNTY4230.00	1	SINGLE	942	192.0	223.4	115.1	
652488	PHILTAP4	230.00	652519*	OAHE 4	230.00	1	SINGLE	942	240.0	255.7	102.0
640133*	COLMBUS4	230.00	643000	MADISONCNTY4230.00	1	SINGLE	952	192.0	236.2	121.6	
640133*	COLMBUS4	230.00	643000	MADISONCNTY4230.00	1	SINGLE	953	192.0	236.2	121.6	
640133*	COLMBUS4	230.00	643000	MADISONCNTY4230.00	1	SINGLE	958	192.0	237.6	122.4	
640133*	COLMBUS4	230.00	643000	MADISONCNTY4230.00	1	SINGLE	959	192.0	237.2	122.1	
640133*	COLMBUS4	230.00	643000	MADISONCNTY4230.00	1	SINGLE	960	192.0	236.5	121.8	
640133*	COLMBUS4	230.00	643000	MADISONCNTY4230.00	1	SINGLE	965	192.0	236.7	121.9	
640133*	COLMBUS4	230.00	643000	MADISONCNTY4230.00	1	SINGLE	968	192.0	238.1	122.6	
640133*	COLMBUS4	230.00	643000	MADISONCNTY4230.00	1	SINGLE	970	192.0	237.9	122.5	
640133*	COLMBUS4	230.00	643000	MADISONCNTY4230.00	1	SINGLE	974	192.0	238.2	122.7	
652626*	UTICAJC7	115.00	660007	MENNOJT7	115.00	1	SINGLE	978	60.0	67.0	110.9
640133*	COLMBUS4	230.00	643000	MADISONCNTY4230.00	1	SINGLE	982	192.0	236.6	121.8	
640133*	COLMBUS4	230.00	643000	MADISONCNTY4230.00	1	SINGLE	983	192.0	237.5	122.3	
640133*	COLMBUS4	230.00	643000	MADISONCNTY4230.00	1	GEN-COOPER		192.0	240.1	123.7	
640133	COLMBUS4	230.00	643000*	MADISONCNTY4230.00	1	GEN-GGS-2		192.0	245.2	124.0	
640133*	COLMBUS4	230.00	643000	MADISONCNTY4230.00	1	GEN-SS-2		192.0	236.3	121.7	
640133*	COLMBUS4	230.00	643000	MADISONCNTY4230.00	1	GEN-PLATTE		192.0	236.3	121.7	
640133*	COLMBUS4	230.00	643000	MADISONCNTY4230.00	1	GEN-WEC1		192.0	236.4	121.7	
640133*	COLMBUS4	230.00	643000	MADISONCNTY4230.00	1	GEN-COLCOG		192.0	240.6	124.4	
640133*	COLMBUS4	230.00	643000	MADISONCNTY4230.00	1	GEN-WEC2		192.0	239.4	123.3	
640133*	COLMBUS4	230.00	643000	MADISONCNTY4230.00	1	GEN-AWEF		192.0	231.4	119.1	
640133*	COLMBUS4	230.00	643000	MADISONCNTY4230.00	1	GEN-E-RIDGE		192.0	229.1	117.9	
640133*	COLMBUS4	230.00	643000	MADISONCNTY4230.00	1	LN-FAIRPORT		192.0	234.0	120.5	
640133*	COLMBUS4	230.00	643000	MADISONCNTY4230.00	1	LN-RUSHVILLE		192.0	233.9	120.4	
640133*	COLMBUS4	230.00	643000	MADISONCNTY4230.00	1	LN-1267		192.0	232.9	119.9	
640133*	COLMBUS4	230.00	643000	MADISONCNTY4230.00	1	LN-1163		192.0	239.2	123.2	
640133*	COLMBUS4	230.00	643000	MADISONCNTY4230.00	1	LN-1169		192.0	238.1	122.6	
640133*	COLMBUS4	230.00	643000	MADISONCNTY4230.00	1	LN-1152		192.0	234.1	120.6	
640133*	COLMBUS4	230.00	643000	MADISONCNTY4230.00	1	LN-N-BEND		192.0	233.5	120.3	
640133*	COLMBUS4	230.00	643000	MADISONCNTY4230.00	1	LN-1168		192.0	236.5	121.8	
640133	COLMBUS4	230.00	643000*	MADISONCNTY4230.00	1	TRF-HOSKINS		192.0	245.4	124.1	
640133*	COLMBUS4	230.00	643000	MADISONCNTY4230.00	1	TRF-VHILL		192.0	234.0	120.5	

640133 COLMBUS4	230.00	643000*	MADISONCNTY4230.00	1	TRF-KELLY	192.0	232.6	117.6	
640133*COLMBUS4	230.00	643000	MADISONCNTY4230.00	1	TRF-STEGALL	192.0	223.4	115.1	
652488 PHILTAP4	230.00	652519*	OAHE 4	230.00	1	TRF-STEGALL	240.0	255.5	101.9
640133*COLMBUS4	230.00	643000	MADISONCNTY4230.00	1	FCS_GEN	192.0	238.3	122.8	
652554*MORRIS 4	230.00	652555	MORRIS 7	115.00	1	FCS_GEN	27.0	99.4	368.0
640133*COLMBUS4	230.00	643000	MADISONCNTY4230.00	1	NC2_GEN	192.0	241.0	124.2	

## MONITORED VOLTAGE REPORT:

SYSTEM	CONTINGENCY	<----- B U S ----->	V-CONT	V-INIT	V-MAX	V-MIN
'NEBR	'	RANGE SINGLE 194 636672 GALESBR5	161.00	1.10066	1.05847	1.10000 0.90000
'NEBR	'	RANGE SINGLE 343 640362 STERLNG7	115.00	1.16773	1.03700	1.10000 0.90000
'NEBR	'	RANGE SINGLE 634 659144 BLAISDELL	7115.00	0.89816	0.94138	1.10000 0.90000
'NEBR	'	RANGE SINGLE 636 659144 BLAISDELL	7115.00	0.88161	0.94138	1.10000 0.90000
'NEBR	'	RANGE SINGLE 656 652401 CIRCLE 7	115.00	1.19101	1.01414	1.10000 0.90000
'NEBR	'	RANGE SINGLE 656 652403 DAWSONC4	230.00	1.25215	1.03202	1.10000 0.90000
'NEBR	'	RANGE SINGLE 656 652404 DAWSONC7	115.00	1.24532	1.02704	1.10000 0.90000
'NEBR	'	RANGE SINGLE 656 652405 FTPECK 4	230.00	1.16628	1.04500	1.10000 0.90000
'NEBR	'	RANGE SINGLE 656 652406 FTPECK 7	115.00	1.12839	1.03967	1.10000 0.90000
'NEBR	'	RANGE SINGLE 656 652407 FALLON 7	115.00	1.27024	1.01106	1.10000 0.90000
'NEBR	'	RANGE SINGLE 656 652409 WOLFPT 7	115.00	1.12993	1.03045	1.10000 0.90000
'NEBR	'	RANGE SINGLE 656 652411 MI CTYE4	230.00	1.36349	1.03000	1.10000 0.90000
'NEBR	'	RANGE SINGLE 656 652412 MI CTYE7	115.00	1.34069	1.02186	1.10000 0.90000
'NEBR	'	RANGE SINGLE 656 652413 MEDORA 4	230.00	1.18084	1.01672	1.10000 0.90000
'NEBR	'	RANGE SINGLE 656 652417 DICKNSN4	230.00	1.13606	1.01108	1.10000 0.90000
'NEBR	'	RANGE SINGLE 656 652425 BELFELD4	230.00	1.15662	1.01199	1.10000 0.90000
'NEBR	'	RANGE SINGLE 656 652470 BISON 4	230.00	1.15930	1.00675	1.10000 0.90000
'NEBR	'	RANGE SINGLE 656 652480 MAURINE7	115.00	1.11769	1.00372	1.10000 0.90000
'NEBR	'	RANGE SINGLE 656 652497 MAURINE4	230.00	1.13317	1.01018	1.10000 0.90000
'NEBR	'	RANGE SINGLE 656 659263 LTLMISS7	115.00	1.25763	1.01388	1.10000 0.90000
'NEBR	'	RANGE SINGLE 656 659265 LTLMISS4	230.00	1.25556	1.01703	1.10000 0.90000
'NEBR	'	RANGE SINGLE 656 659266 RHAME 4	230.00	1.21878	1.00670	1.10000 0.90000
'NEBR	'	RANGE SINGLE 656 659267 RHAME 7	115.00	1.16776	0.95534	1.10000 0.90000
'NEBR	'	RANGE SINGLE 656 659271 RCDC EAST	4230.00	1.10692	1.02987	1.10000 0.90000
'NEBR	'	RANGE SINGLE 656 661004 BAKER 4	230.00	1.27187	1.01921	1.10000 0.90000
'NEBR	'	RANGE SINGLE 656 661010 BOWMAN 4	230.00	1.20488	1.00460	1.10000 0.90000
'NEBR	'	RANGE SINGLE 656 661047 HETINGR4	230.00	1.18551	1.00968	1.10000 0.90000
'NEBR	'	RANGE SINGLE 657 652401 CIRCLE 7	115.00	1.15775	1.01414	1.10000 0.90000
'NEBR	'	RANGE SINGLE 657 652403 DAWSONC4	230.00	1.27215	1.03202	1.10000 0.90000
'NEBR	'	RANGE SINGLE 657 652404 DAWSONC7	115.00	1.25508	1.02704	1.10000 0.90000
'NEBR	'	RANGE SINGLE 657 652407 FALLON 7	115.00	1.28216	1.01106	1.10000 0.90000
'NEBR	'	RANGE SINGLE 657 652411 MI CTYE4	230.00	1.37990	1.03000	1.10000 0.90000
'NEBR	'	RANGE SINGLE 657 652412 MI CTYE7	115.00	1.35605	1.02186	1.10000 0.90000
'NEBR	'	RANGE SINGLE 657 652413 MEDORA 4	230.00	1.19016	1.01672	1.10000 0.90000
'NEBR	'	RANGE SINGLE 657 652417 DICKNSN4	230.00	1.14098	1.01108	1.10000 0.90000
'NEBR	'	RANGE SINGLE 657 652425 BELFELD4	230.00	1.16298	1.01199	1.10000 0.90000
'NEBR	'	RANGE SINGLE 657 652470 BISON 4	230.00	1.16288	1.00675	1.10000 0.90000
'NEBR	'	RANGE SINGLE 657 652480 MAURINE7	115.00	1.11892	1.00372	1.10000 0.90000
'NEBR	'	RANGE SINGLE 657 652497 MAURINE4	230.00	1.13503	1.01018	1.10000 0.90000

'NEBR	'	RANGE SINGLE	657	659263	LTLMISS7	115.00	1.26775	1.01388	1.10000	0.90000
'NEBR	'	RANGE SINGLE	657	659265	LTLMISS4	230.00	1.26550	1.01703	1.10000	0.90000
'NEBR	'	RANGE SINGLE	657	659266	RHAME 4	230.00	1.22711	1.00670	1.10000	0.90000
'NEBR	'	RANGE SINGLE	657	659267	RHAME 7	115.00	1.17606	0.95534	1.10000	0.90000
'NEBR	'	RANGE SINGLE	657	659271	RCDC EAST	4230.00	1.10699	1.02987	1.10000	0.90000
'NEBR	'	RANGE SINGLE	657	661004	BAKER 4	230.00	1.28276	1.01921	1.10000	0.90000
'NEBR	'	RANGE SINGLE	657	661010	BOWMAN 4	230.00	1.21213	1.00460	1.10000	0.90000
'NEBR	'	RANGE SINGLE	657	661047	HETINGR4	230.00	1.19082	1.00968	1.10000	0.90000
'NEBR	'	RANGE SINGLE	658	652401	CIRCLE 7	115.00	1.11527	1.01414	1.10000	0.90000
'NEBR	'	RANGE SINGLE	658	652403	DAWSONC4	230.00	1.15967	1.03202	1.10000	0.90000
'NEBR	'	RANGE SINGLE	658	652404	DAWSONC7	115.00	1.17860	1.02704	1.10000	0.90000
'NEBR	'	RANGE SINGLE	658	652407	FALLON 7	115.00	1.25899	1.01106	1.10000	0.90000
'NEBR	'	RANGE SINGLE	658	652411	MI CTYE4	230.00	1.48619	1.03000	1.10000	0.90000
'NEBR	'	RANGE SINGLE	658	652412	MI CTYE7	115.00	1.43043	1.02186	1.10000	0.90000
'NEBR	'	RANGE SINGLE	658	652413	MEDORA 4	230.00	1.14589	1.01672	1.10000	0.90000
'NEBR	'	RANGE SINGLE	658	652417	DICKNSN4	230.00	1.12207	1.01108	1.10000	0.90000
'NEBR	'	RANGE SINGLE	658	652425	BELFELD4	230.00	1.13930	1.01199	1.10000	0.90000
'NEBR	'	RANGE SINGLE	658	652470	BISON 4	230.00	1.16759	1.00675	1.10000	0.90000
'NEBR	'	RANGE SINGLE	658	652480	MAURINE7	115.00	1.12152	1.00372	1.10000	0.90000
'NEBR	'	RANGE SINGLE	658	652497	MAURINE4	230.00	1.13812	1.01018	1.10000	0.90000
'NEBR	'	RANGE SINGLE	658	659263	LTLMISS7	115.00	1.29275	1.01388	1.10000	0.90000
'NEBR	'	RANGE SINGLE	658	659265	LTLMISS4	230.00	1.29003	1.01703	1.10000	0.90000
'NEBR	'	RANGE SINGLE	658	659266	RHAME 4	230.00	1.23890	1.00670	1.10000	0.90000
'NEBR	'	RANGE SINGLE	658	659267	RHAME 7	115.00	1.18780	0.95534	1.10000	0.90000
'NEBR	'	RANGE SINGLE	658	659271	RCDC EAST	4230.00	1.10791	1.02987	1.10000	0.90000
'NEBR	'	RANGE SINGLE	658	661004	BAKER 4	230.00	1.31541	1.01921	1.10000	0.90000
'NEBR	'	RANGE SINGLE	658	661010	BOWMAN 4	230.00	1.22192	1.00460	1.10000	0.90000
'NEBR	'	RANGE SINGLE	658	661047	HETINGR4	230.00	1.19698	1.00968	1.10000	0.90000
'NEBR	'	RANGE SINGLE	679	652401	CIRCLE 7	115.00	1.11584	1.01414	1.10000	0.90000
'NEBR	'	RANGE SINGLE	679	652403	DAWSONC4	230.00	1.17883	1.03202	1.10000	0.90000
'NEBR	'	RANGE SINGLE	679	652404	DAWSONC7	115.00	1.17594	1.02704	1.10000	0.90000
'NEBR	'	RANGE SINGLE	679	652407	FALLON 7	115.00	1.19960	1.01106	1.10000	0.90000
'NEBR	'	RANGE SINGLE	679	652411	MI CTYE4	230.00	1.29633	1.03000	1.10000	0.90000
'NEBR	'	RANGE SINGLE	679	652412	MI CTYE7	115.00	1.27137	1.02186	1.10000	0.90000
'NEBR	'	RANGE SINGLE	679	652413	MEDORA 4	230.00	1.10883	1.01672	1.10000	0.90000
'NEBR	'	RANGE SINGLE	679	652470	BISON 4	230.00	1.11897	1.00675	1.10000	0.90000
'NEBR	'	RANGE SINGLE	679	659263	LTLMISS7	115.00	1.22002	1.01388	1.10000	0.90000
'NEBR	'	RANGE SINGLE	679	659265	LTLMISS4	230.00	1.21868	1.01703	1.10000	0.90000
'NEBR	'	RANGE SINGLE	679	659266	RHAME 4	230.00	1.19167	1.00670	1.10000	0.90000
'NEBR	'	RANGE SINGLE	679	659267	RHAME 7	115.00	1.14075	0.95534	1.10000	0.90000
'NEBR	'	RANGE SINGLE	679	661004	BAKER 4	230.00	1.22894	1.01921	1.10000	0.90000
'NEBR	'	RANGE SINGLE	679	661010	BOWMAN 4	230.00	1.17282	1.00460	1.10000	0.90000
'NEBR	'	RANGE SINGLE	679	661047	HETINGR4	230.00	1.14638	1.00968	1.10000	0.90000
'NEBR	'	RANGE SINGLE	729	652467	WITTEN 4	230.00	0.87730	1.02097	1.10000	0.90000
'NEBR	'	RANGE SINGLE	729	652495	WITTEN 7	115.00	0.89588	1.02300	1.10000	0.90000
'NEBR	'	RANGE SINGLE	730	652401	CIRCLE 7	115.00	1.19861	1.01414	1.10000	0.90000
'NEBR	'	RANGE SINGLE	730	652403	DAWSONC4	230.00	1.26089	1.03202	1.10000	0.90000
'NEBR	'	RANGE SINGLE	730	652404	DAWSONC7	115.00	1.25342	1.02704	1.10000	0.90000



'NEBR	'	RANGE SINGLE 730	652405 FTPECK 4	230.00	1.17473	1.04500	1.10000	0.90000
'NEBR	'	RANGE SINGLE 730	652406 FTPECK 7	115.00	1.13546	1.03967	1.10000	0.90000
'NEBR	'	RANGE SINGLE 730	652407 FALLON 7	115.00	1.28044	1.01106	1.10000	0.90000
'NEBR	'	RANGE SINGLE 730	652409 WOLFPT 7	115.00	1.13605	1.03045	1.10000	0.90000
'NEBR	'	RANGE SINGLE 730	652411 MI CTYE4	230.00	1.37886	1.03000	1.10000	0.90000
'NEBR	'	RANGE SINGLE 730	652412 MI CTYE7	115.00	1.35449	1.02186	1.10000	0.90000
'NEBR	'	RANGE SINGLE 730	652413 MEDORA 4	230.00	1.18540	1.01672	1.10000	0.90000
'NEBR	'	RANGE SINGLE 730	652417 DICKNSN4	230.00	1.13738	1.01108	1.10000	0.90000
'NEBR	'	RANGE SINGLE 730	652425 BELFELD4	230.00	1.16007	1.01199	1.10000	0.90000
'NEBR	'	RANGE SINGLE 730	652470 BISON 4	230.00	1.23408	1.00675	1.10000	0.90000
'NEBR	'	RANGE SINGLE 730	659263 LTLMISS7	115.00	1.28197	1.01388	1.10000	0.90000
'NEBR	'	RANGE SINGLE 730	659265 LTLMISS4	230.00	1.27945	1.01703	1.10000	0.90000
'NEBR	'	RANGE SINGLE 730	659266 RHAME 4	230.00	1.24481	1.00670	1.10000	0.90000
'NEBR	'	RANGE SINGLE 730	659267 RHAME 7	115.00	1.19368	0.95534	1.10000	0.90000
'NEBR	'	RANGE SINGLE 730	661004 BAKER 4	230.00	1.29401	1.01921	1.10000	0.90000
'NEBR	'	RANGE SINGLE 730	661010 BOWMAN 4	230.00	1.24048	1.00460	1.10000	0.90000
'NEBR	'	RANGE SINGLE 730	661047 HETINGR4	230.00	1.23754	1.00968	1.10000	0.90000
'NEBR	'	RANGE SINGLE 730	661075 POPLAR 7	115.00	1.10051	1.01379	1.10000	0.90000
'NEBR	'	RANGE SINGLE 731	652401 CIRCLE 7	115.00	1.25140	1.01414	1.10000	0.90000
'NEBR	'	RANGE SINGLE 731	652403 DAWSONC4	230.00	1.31101	1.03202	1.10000	0.90000
'NEBR	'	RANGE SINGLE 731	652404 DAWSONC7	115.00	1.30315	1.02704	1.10000	0.90000
'NEBR	'	RANGE SINGLE 731	652405 FTPECK 4	230.00	1.22888	1.04500	1.10000	0.90000
'NEBR	'	RANGE SINGLE 731	652406 FTPECK 7	115.00	1.18789	1.03967	1.10000	0.90000
'NEBR	'	RANGE SINGLE 731	652407 FALLON 7	115.00	1.33288	1.01106	1.10000	0.90000
'NEBR	'	RANGE SINGLE 731	652409 WOLFPT 7	115.00	1.18494	1.03045	1.10000	0.90000
'NEBR	'	RANGE SINGLE 731	652411 MI CTYE4	230.00	1.43456	1.03000	1.10000	0.90000
'NEBR	'	RANGE SINGLE 731	652412 MI CTYE7	115.00	1.40977	1.02186	1.10000	0.90000
'NEBR	'	RANGE SINGLE 731	652413 MEDORA 4	230.00	1.22521	1.01672	1.10000	0.90000
'NEBR	'	RANGE SINGLE 731	652417 DICKNSN4	230.00	1.16964	1.01108	1.10000	0.90000
'NEBR	'	RANGE SINGLE 731	652425 BELFELD4	230.00	1.19631	1.01199	1.10000	0.90000
'NEBR	'	RANGE SINGLE 731	652451 RICHLND7	115.00	1.12767	0.98327	1.10000	0.90000
'NEBR	'	RANGE SINGLE 731	652651 FAIRVIEW 7	115.00	1.10927	0.98429	1.10000	0.90000
'NEBR	'	RANGE SINGLE 731	659180 KOCH 7	115.00	1.11530	0.98394	1.10000	0.90000
'NEBR	'	RANGE SINGLE 731	659191 SQUAWGP7	115.00	1.11336	0.99180	1.10000	0.90000
'NEBR	'	RANGE SINGLE 731	659263 LTLMISS7	115.00	1.33399	1.01388	1.10000	0.90000
'NEBR	'	RANGE SINGLE 731	659265 LTLMISS4	230.00	1.33052	1.01703	1.10000	0.90000
'NEBR	'	RANGE SINGLE 731	659266 RHAME 4	230.00	1.29370	1.00670	1.10000	0.90000
'NEBR	'	RANGE SINGLE 731	659267 RHAME 7	115.00	1.24228	0.95534	1.10000	0.90000
'NEBR	'	RANGE SINGLE 731	661004 BAKER 4	230.00	1.34594	1.01921	1.10000	0.90000
'NEBR	'	RANGE SINGLE 731	661010 BOWMAN 4	230.00	1.28955	1.00460	1.10000	0.90000
'NEBR	'	RANGE SINGLE 731	661047 HETINGR4	230.00	1.28615	1.00968	1.10000	0.90000
'NEBR	'	RANGE SINGLE 731	661075 POPLAR 7	115.00	1.14202	1.01379	1.10000	0.90000
'NEBR	'	RANGE SINGLE 758	652401 CIRCLE 7	115.00	1.17463	1.01414	1.10000	0.90000
'NEBR	'	RANGE SINGLE 758	652403 DAWSONC4	230.00	1.23642	1.03202	1.10000	0.90000
'NEBR	'	RANGE SINGLE 758	652404 DAWSONC7	115.00	1.22967	1.02704	1.10000	0.90000
'NEBR	'	RANGE SINGLE 758	652405 FTPECK 4	230.00	1.14940	1.04500	1.10000	0.90000
'NEBR	'	RANGE SINGLE 758	652406 FTPECK 7	115.00	1.11221	1.03967	1.10000	0.90000
'NEBR	'	RANGE SINGLE 758	652407 FALLON 7	115.00	1.25401	1.01106	1.10000	0.90000

'NEBR	'	RANGE SINGLE 758	652409 WOLFPT 7	115.00	1.11517	1.03045	1.10000	0.90000
'NEBR	'	RANGE SINGLE 758	652411 MI CTYE4	230.00	1.34721	1.03000	1.10000	0.90000
'NEBR	'	RANGE SINGLE 758	652412 MI CTYE7	115.00	1.32417	1.02186	1.10000	0.90000
'NEBR	'	RANGE SINGLE 758	652413 MEDORA 4	230.00	1.16746	1.01672	1.10000	0.90000
'NEBR	'	RANGE SINGLE 758	652417 DICKNSN4	230.00	1.12447	1.01108	1.10000	0.90000
'NEBR	'	RANGE SINGLE 758	652425 BELFELD4	230.00	1.14415	1.01199	1.10000	0.90000
'NEBR	'	RANGE SINGLE 758	652470 BISON 4	230.00	1.15798	1.00675	1.10000	0.90000
'NEBR	'	RANGE SINGLE 758	652480 MAURINE7	115.00	1.11589	1.00372	1.10000	0.90000
'NEBR	'	RANGE SINGLE 758	652484 NUNDRWD4	230.00	1.10160	1.01925	1.10000	0.90000
'NEBR	'	RANGE SINGLE 758	652488 PHILTAP4	230.00	1.10211	1.03440	1.10000	0.90000
'NEBR	'	RANGE SINGLE 758	652497 MAURINE4	230.00	1.13518	1.01018	1.10000	0.90000
'NEBR	'	RANGE SINGLE 758	659263 LTLMISS7	115.00	1.24461	1.01388	1.10000	0.90000
'NEBR	'	RANGE SINGLE 758	659265 LTLMISS4	230.00	1.24279	1.01703	1.10000	0.90000
'NEBR	'	RANGE SINGLE 758	659266 RHAME 4	230.00	1.20723	1.00670	1.10000	0.90000
'NEBR	'	RANGE SINGLE 758	659267 RHAME 7	115.00	1.15626	0.95534	1.10000	0.90000
'NEBR	'	RANGE SINGLE 758	659271 RCDC EAST	4230.00	1.11376	1.02987	1.10000	0.90000
'NEBR	'	RANGE SINGLE 758	661004 BAKER 4	230.00	1.25841	1.01921	1.10000	0.90000
'NEBR	'	RANGE SINGLE 758	661010 BOWMAN 4	230.00	1.19548	1.00460	1.10000	0.90000
'NEBR	'	RANGE SINGLE 758	661047 HETINGR4	230.00	1.17976	1.00968	1.10000	0.90000
'NEBR	'	RANGE SINGLE 802	652534 ORDWAY 7	115.00	0.86450	1.00278	1.10000	0.90000
'NEBR	'	RANGE SINGLE 884	652401 CIRCLE 7	115.00	1.10868	1.01414	1.10000	0.90000
'NEBR	'	RANGE SINGLE 884	652403 DAWSONC4	230.00	1.17149	1.03202	1.10000	0.90000
'NEBR	'	RANGE SINGLE 884	652404 DAWSONC7	115.00	1.16847	1.02704	1.10000	0.90000
'NEBR	'	RANGE SINGLE 884	652407 FALLON 7	115.00	1.18802	1.01106	1.10000	0.90000
'NEBR	'	RANGE SINGLE 884	652411 MI CTYE4	230.00	1.27261	1.03000	1.10000	0.90000
'NEBR	'	RANGE SINGLE 884	652412 MI CTYE7	115.00	1.25200	1.02186	1.10000	0.90000
'NEBR	'	RANGE SINGLE 884	652413 MEDORA 4	230.00	1.11126	1.01672	1.10000	0.90000
'NEBR	'	RANGE SINGLE 884	659263 LTLMISS7	115.00	1.16805	1.01388	1.10000	0.90000
'NEBR	'	RANGE SINGLE 884	659265 LTLMISS4	230.00	1.16776	1.01703	1.10000	0.90000
'NEBR	'	RANGE SINGLE 884	659266 RHAME 4	230.00	1.13340	1.00670	1.10000	0.90000
'NEBR	'	RANGE SINGLE 884	661004 BAKER 4	230.00	1.18363	1.01921	1.10000	0.90000
'NEBR	'	RANGE SINGLE 884	661010 BOWMAN 4	230.00	1.11745	1.00460	1.10000	0.90000
'NEBR	'	RANGE SINGLE 896	652401 CIRCLE 7	115.00	1.12474	1.01414	1.10000	0.90000
'NEBR	'	RANGE SINGLE 896	652403 DAWSONC4	230.00	1.19309	1.03202	1.10000	0.90000
'NEBR	'	RANGE SINGLE 896	652404 DAWSONC7	115.00	1.18675	1.02704	1.10000	0.90000
'NEBR	'	RANGE SINGLE 896	652407 FALLON 7	115.00	1.20979	1.01106	1.10000	0.90000
'NEBR	'	RANGE SINGLE 896	652411 MI CTYE4	230.00	1.30141	1.03000	1.10000	0.90000
'NEBR	'	RANGE SINGLE 896	652412 MI CTYE7	115.00	1.27910	1.02186	1.10000	0.90000
'NEBR	'	RANGE SINGLE 896	652413 MEDORA 4	230.00	1.13547	1.01672	1.10000	0.90000
'NEBR	'	RANGE SINGLE 896	652417 DICKNSN4	230.00	1.10068	1.01108	1.10000	0.90000
'NEBR	'	RANGE SINGLE 896	652425 BELFELD4	230.00	1.11636	1.01199	1.10000	0.90000
'NEBR	'	RANGE SINGLE 896	652470 BISON 4	230.00	1.12137	1.00675	1.10000	0.90000
'NEBR	'	RANGE SINGLE 896	652497 MAURINE4	230.00	1.10181	1.01018	1.10000	0.90000
'NEBR	'	RANGE SINGLE 896	659263 LTLMISS7	115.00	1.20361	1.01388	1.10000	0.90000
'NEBR	'	RANGE SINGLE 896	659265 LTLMISS4	230.00	1.20260	1.01703	1.10000	0.90000
'NEBR	'	RANGE SINGLE 896	659266 RHAME 4	230.00	1.16947	1.00670	1.10000	0.90000
'NEBR	'	RANGE SINGLE 896	659267 RHAME 7	115.00	1.11859	0.95534	1.10000	0.90000
'NEBR	'	RANGE SINGLE 896	661004 BAKER 4	230.00	1.21720	1.01921	1.10000	0.90000

'NEBR	'	RANGE SINGLE 896	661010 BOWMAN 4	230.00	1.15761	1.00460	1.10000	0.90000
'NEBR	'	RANGE SINGLE 896	661047 HETINGR4	230.00	1.14270	1.00968	1.10000	0.90000
'NEBR	'	RANGE SINGLE 918	659144 BLAISDELL	7115.00	0.87041	0.94138	1.10000	0.90000
'NEBR	'	RANGE SINGLE 933	659144 BLAISDELL	7115.00	0.89103	0.94138	1.10000	0.90000
'NEBR	'	RANGE SINGLE 945	659216 AVSDC5TY	345.00	0.88407	1.02077	1.10000	0.90000
'NEBR	'	RANGE SINGLE 948	659219 AVSDC8TY	345.00	1.10624	1.04722	1.10000	0.90000
'NEBR	'	RANGE SINGLE 949	659222 AVSD11TY	345.00	0.89801	1.00000	1.10000	0.90000
'NEBR	'	RANGE SINGLE 983	652401 CIRCLE 7	115.00	1.21393	1.01414	1.10000	0.90000
'NEBR	'	RANGE SINGLE 983	652403 DAWSONC4	230.00	1.27449	1.03202	1.10000	0.90000
'NEBR	'	RANGE SINGLE 983	652404 DAWSONC7	115.00	1.26751	1.02704	1.10000	0.90000
'NEBR	'	RANGE SINGLE 983	652405 FTPECK 4	230.00	1.19001	1.04500	1.10000	0.90000
'NEBR	'	RANGE SINGLE 983	652406 FTPECK 7	115.00	1.15074	1.03967	1.10000	0.90000
'NEBR	'	RANGE SINGLE 983	652407 FALLON 7	115.00	1.29506	1.01106	1.10000	0.90000
'NEBR	'	RANGE SINGLE 983	652409 WOLFPT 7	115.00	1.15051	1.03045	1.10000	0.90000
'NEBR	'	RANGE SINGLE 983	652411 MI CTYE4	230.00	1.39367	1.03000	1.10000	0.90000
'NEBR	'	RANGE SINGLE 983	652412 MI CTYE7	115.00	1.36944	1.02186	1.10000	0.90000
'NEBR	'	RANGE SINGLE 983	652413 MEDORA 4	230.00	1.19459	1.01672	1.10000	0.90000
'NEBR	'	RANGE SINGLE 983	652417 DICKNSN4	230.00	1.14268	1.01108	1.10000	0.90000
'NEBR	'	RANGE SINGLE 983	652425 BELFELD4	230.00	1.16787	1.01199	1.10000	0.90000
'NEBR	'	RANGE SINGLE 983	652451 RICHLND7	115.00	1.10769	0.98327	1.10000	0.90000
'NEBR	'	RANGE SINGLE 983	652470 BISON 4	230.00	1.11328	1.00675	1.10000	0.90000
'NEBR	'	RANGE SINGLE 983	652497 MAURINE4	230.00	1.10396	1.01018	1.10000	0.90000
'NEBR	'	RANGE SINGLE 983	659263 LTLMISS7	115.00	1.29490	1.01388	1.10000	0.90000
'NEBR	'	RANGE SINGLE 983	659265 LTLMISS4	230.00	1.29214	1.01703	1.10000	0.90000
'NEBR	'	RANGE SINGLE 983	659266 RHAME 4	230.00	1.25663	1.00670	1.10000	0.90000
'NEBR	'	RANGE SINGLE 983	659267 RHAME 7	115.00	1.20543	0.95534	1.10000	0.90000
'NEBR	'	RANGE SINGLE 983	661004 BAKER 4	230.00	1.30713	1.01921	1.10000	0.90000
'NEBR	'	RANGE SINGLE 983	661010 BOWMAN 4	230.00	1.25213	1.00460	1.10000	0.90000
'NEBR	'	RANGE SINGLE 983	661047 HETINGR4	230.00	1.12360	1.00968	1.10000	0.90000
'NEBR	'	RANGE SINGLE 983	661075 POPLAR 7	115.00	1.11326	1.01379	1.10000	0.90000

## CONTINGENCY LEGEND:

## LABEL      EVENTS

SINGLE 1 : OPEN LINE FROM BUS 300039 [7FAIRPT 345.00] TO BUS 541199 [ST JOE 3 345.00] CKT 1  
SINGLE 2 : OPEN LINE FROM BUS 300039 [7FAIRPT 345.00] TO BUS 640139 [COOPER 3 345.00] CKT 1  
SINGLE 3 : OPEN LINE FROM BUS 530583 [WOLF 7 345.00] TO BUS 640065 [AXTELL 3 345.00] CKT 1  
SINGLE 4 : OPEN LINE FROM BUS 531451 [MINGO 7 345.00] TO BUS 640325 [REDWILO3 345.00] CKT 1  
SINGLE 5 : OPEN LINE FROM BUS 533332 [KNOB HL3 115.00] TO BUS 640426 [STEELEC7 115.00] CKT 1  
SINGLE 6 : OPEN LINE FROM BUS 541199 [ST JOE 3 345.00] TO BUS 640139 [COOPER 3 345.00] CKT 1  
SINGLE 7 : OPEN LINE FROM BUS 603023 [MALLARD7 115.00] TO BUS 652452 [RUGBY 7 115.00] CKT 1  
SINGLE 8 : OPEN LINE FROM BUS 603023 [MALLARD7 115.00] TO BUS 659155 [LOGAN 7 115.00] CKT 1  
SINGLE 9 : OPEN LINE FROM BUS 603023 [MALLARD7 115.00] TO BUS 659166 [DUNNING7 115.00] CKT 1  
SINGLE 10 : OPEN LINE FROM BUS 603023 [MALLARD7 115.00] TO BUS 659190 [NDPRAIRWND 7115.00] CKT 1  
SINGLE 11 : OPEN LINE FROM BUS 631069 [ANTA TP5 161.00] TO BUS 652560 [CRESTON5 161.00] CKT 1  
SINGLE 12 : OPEN LINE FROM BUS 631069 [ANTA TP5 161.00] TO BUS 652603 [EXIRA 5 161.00] CKT 1  
SINGLE 13 : OPEN LINE FROM BUS 635000 [CBLUFFS3 345.00] TO BUS 635013 [PONYCKA3 345.00] CKT 1  
SINGLE 14 : OPEN LINE FROM BUS 635000 [CBLUFFS3 345.00] TO BUS 635013 [PONYCKA3 345.00] CKT 2  
SINGLE 15 : OPEN LINE FROM BUS 635000 [CBLUFFS3 345.00] TO BUS 635015 [PONYCKB3 345.00] CKT 1

SINGLE 16 : OPEN LINE FROM BUS 635000 [CBLUFFS3 345.00] TO BUS 635100 [RLHILLS3 345.00] CKT 1  
SINGLE 17 : OPEN LINE FROM BUS 635000 [CBLUFFS3 345.00] TO BUS 635600 [GRIMES 3 345.00] CKT 1  
SINGLE 18 : OPEN LINE FROM BUS 635000 [CBLUFFS3 345.00] TO BUS 645456 [S3456 3 345.00] CKT 1  
SINGLE 19 : OPEN LINE FROM BUS 635001 [CBLUFFS5 161.00] TO BUS 635011 [INDNCRK5 161.00] CKT 1  
SINGLE 20 : OPEN LINE FROM BUS 635001 [CBLUFFS5 161.00] TO BUS 635012 [QUICK 5 161.00] CKT 1  
SINGLE 21 : OPEN LINE FROM BUS 635001 [CBLUFFS5 161.00] TO BUS 635030 [RIVRBND5 161.00] CKT 1  
SINGLE 22 : OPEN LINE FROM BUS 635001 [CBLUFFS5 161.00] TO BUS 646206 [S1206 5 161.00] CKT 1  
SINGLE 23 : OPEN LINE FROM BUS 635003 [SUB701 5 161.00] TO BUS 635005 [SUB702 5 161.00] CKT 1  
SINGLE 24 : OPEN LINE FROM BUS 635003 [SUB701 5 161.00] TO BUS 646211 [S1211 5 161.00] CKT 1  
SINGLE 25 : OPEN LINE FROM BUS 635005 [SUB702 5 161.00] TO BUS 635010 [MANAWA 5 161.00] CKT 1  
SINGLE 26 : OPEN LINE FROM BUS 635010 [MANAWA 5 161.00] TO BUS 635011 [INDNCRK5 161.00] CKT 1  
SINGLE 27 : OPEN LINE FROM BUS 635012 [QUICK 5 161.00] TO BUS 635039 [AVOCA 5 161.00] CKT 1  
SINGLE 28 : OPEN LINE FROM BUS 635013 [PONYCKA3 345.00] TO BUS 635015 [PONYCKB3 345.00] CKT 1  
SINGLE 29 : OPEN LINE FROM BUS 635013 [PONYCKA3 345.00] TO BUS 635015 [PONYCKB3 345.00] CKT 2  
SINGLE 30 : OPEN LINE FROM BUS 635017 [ATCHSNT3 345.00] TO BUS 635018 [ATCHSN 3 345.00] CKT 1  
SINGLE 31 : OPEN LINE FROM BUS 635017 [ATCHSNT3 345.00] TO BUS 635630 [BOONVIL3 345.00] CKT 1  
SINGLE 32 : OPEN LINE FROM BUS 635017 [ATCHSNT3 345.00] TO BUS 640139 [COOPER 3 345.00] CKT 1  
SINGLE 33 : OPEN LINE FROM BUS 635030 [RIVRBND5 161.00] TO BUS 635031 [BUNGE 5 161.00] CKT 1  
SINGLE 34 : OPEN LINE FROM BUS 635031 [BUNGE 5 161.00] TO BUS 635032 [HASTING5 161.00] CKT 1  
SINGLE 35 : OPEN LINE FROM BUS 635032 [HASTING5 161.00] TO BUS 635034 [CLRNDA 5 161.00] CKT 1  
SINGLE 36 : OPEN LINE FROM BUS 635034 [CLRNDA 5 161.00] TO BUS 635038 [BROOKST5 161.00] CKT 1  
SINGLE 37 : OPEN LINE FROM BUS 635037 [BROOKS 5 161.00] TO BUS 635038 [BROOKST5 161.00] CKT 1  
SINGLE 38 : OPEN LINE FROM BUS 635038 [BROOKST5 161.00] TO BUS 652560 [CRESTON5 161.00] CKT 1  
SINGLE 39 : OPEN LINE FROM BUS 635039 [AVOCA 5 161.00] TO BUS 635041 [WALNUT 5 161.00] CKT 1  
SINGLE 40 : OPEN LINE FROM BUS 635041 [WALNUT 5 161.00] TO BUS 638050 [ATLANTC5 161.00] CKT 1  
SINGLE 41 : OPEN LINE FROM BUS 635100 [RLHILLS3 345.00] TO BUS 635635 [MADISON3 345.00] CKT 1  
SINGLE 42 : OPEN LINE FROM BUS 635200 [RAUN 3 345.00] TO BUS 635201 [RAUN 5 161.00] CKT 2  
SINGLE 43 : OPEN LINE FROM BUS 635200 [RAUN 3 345.00] TO BUS 636010 [LEHIGH 3 345.00] CKT 1  
SINGLE 44 : OPEN LINE FROM BUS 635200 [RAUN 3 345.00] TO BUS 640226 [HOSKINS3 345.00] CKT 1  
SINGLE 45 : OPEN LINE FROM BUS 635200 [RAUN 3 345.00] TO BUS 645451 [S3451 3 345.00] CKT 1  
SINGLE 46 : OPEN LINE FROM BUS 635200 [RAUN 3 345.00] TO BUS 652564 [SIOUXCY3 345.00] CKT 1  
SINGLE 47 : OPEN LINE FROM BUS 635201 [RAUN 5 161.00] TO BUS 635202 [NEAL 4 5 161.00] CKT 1  
SINGLE 48 : OPEN LINE FROM BUS 635201 [RAUN 5 161.00] TO BUS 635203 [NEAL N 5 161.00] CKT 1  
SINGLE 49 : OPEN LINE FROM BUS 635201 [RAUN 5 161.00] TO BUS 635203 [NEAL N 5 161.00] CKT 2  
SINGLE 50 : OPEN LINE FROM BUS 635201 [RAUN 5 161.00] TO BUS 635220 [INTCHG 5 161.00] CKT 1  
SINGLE 51 : OPEN LINE FROM BUS 635201 [RAUN 5 161.00] TO BUS 635225 [MORNSD 5 161.00] CKT 1  
SINGLE 52 : OPEN LINE FROM BUS 635201 [RAUN 5 161.00] TO BUS 640377 [TEKAMAH5 161.00] CKT 1  
SINGLE 53 : OPEN LINE FROM BUS 635202 [NEAL 4 5 161.00] TO BUS 635300 [MONONA 5 161.00] CKT 1  
SINGLE 54 : OPEN LINE FROM BUS 635203 [NEAL N 5 161.00] TO BUS 635235 [SALIX 5 161.00] CKT 1  
SINGLE 55 : OPEN LINE FROM BUS 635220 [INTCHG 5 161.00] TO BUS 635221 [KELLOGG5 161.00] CKT 1  
SINGLE 56 : OPEN LINE FROM BUS 635221 [KELLOGG5 161.00] TO BUS 635226 [LEEDS 5 161.00] CKT 1  
SINGLE 57 : OPEN LINE FROM BUS 635223 [PLYMOTH5 161.00] TO BUS 635225 [MORNSD 5 161.00] CKT 1  
SINGLE 58 : OPEN LINE FROM BUS 635223 [PLYMOTH5 161.00] TO BUS 635226 [LEEDS 5 161.00] CKT 1  
SINGLE 59 : OPEN LINE FROM BUS 635223 [PLYMOTH5 161.00] TO BUS 635260 [LEMARST5 161.00] CKT 1  
SINGLE 60 : OPEN LINE FROM BUS 635223 [PLYMOTH5 161.00] TO BUS 652566 [SIOUXCY5 161.00] CKT 1  
SINGLE 61 : OPEN LINE FROM BUS 635260 [LEMARST5 161.00] TO BUS 635261 [LEMARS 5 161.00] CKT 1  
SINGLE 62 : OPEN LINE FROM BUS 635260 [LEMARST5 161.00] TO BUS 635360 [LIT SX 5 161.00] CKT 1  
SINGLE 63 : OPEN LINE FROM BUS 635280 [BVISTA 5 161.00] TO BUS 635340 [SAC 5 161.00] CKT 1

SINGLE 64 : OPEN LINE FROM BUS 635280 [BVISTA 5 161.00] TO BUS 637570 [WISDOM 5 161.00] CKT 1  
SINGLE 65 : OPEN LINE FROM BUS 635300 [MONONA 5 161.00] TO BUS 635310 [VICTORY5 161.00] CKT 1  
SINGLE 66 : OPEN LINE FROM BUS 635310 [VICTORY5 161.00] TO BUS 635320 [CARROLL5 161.00] CKT 1  
SINGLE 67 : OPEN LINE FROM BUS 635320 [CARROLL5 161.00] TO BUS 637283 [DRAGER 5 161.00] CKT 1  
SINGLE 68 : OPEN LINE FROM BUS 635340 [SAC 5 161.00] TO BUS 635350 [CLIPPER5 161.00] CKT 1  
SINGLE 69 : OPEN LINE FROM BUS 635340 [SAC 5 161.00] TO BUS 636029 [POCHNTC5 161.00] CKT 1  
SINGLE 70 : OPEN LINE FROM BUS 635350 [CLIPPER5 161.00] TO BUS 635360 [LIT SX 5 161.00] CKT 1  
SINGLE 71 : OPEN LINE FROM BUS 635600 [GRIMES 3 345.00] TO BUS 635630 [BOONVIL3 345.00] CKT 1  
SINGLE 72 : OPEN LINE FROM BUS 635600 [GRIMES 3 345.00] TO BUS 635700 [SYCAMOR3 345.00] CKT 1  
SINGLE 73 : OPEN LINE FROM BUS 635600 [GRIMES 3 345.00] TO BUS 635700 [SYCAMOR3 345.00] CKT 2  
SINGLE 74 : OPEN LINE FROM BUS 635600 [GRIMES 3 345.00] TO BUS 636010 [LEHIGH 3 345.00] CKT 1  
SINGLE 75 : OPEN LINE FROM BUS 635601 [GRIMES 5 161.00] TO BUS 635602 [142ST 5 161.00] CKT 1  
SINGLE 76 : OPEN LINE FROM BUS 635601 [GRIMES 5 161.00] TO BUS 635605 [GRNGRTP5 161.00] CKT 1  
SINGLE 77 : OPEN LINE FROM BUS 635601 [GRIMES 5 161.00] TO BUS 635608 [LINWELD5 161.00] CKT 1  
SINGLE 78 : OPEN LINE FROM BUS 635602 [142ST 5 161.00] TO BUS 635603 [ALICERD5 161.00] CKT 1  
SINGLE 79 : OPEN LINE FROM BUS 635603 [ALICERD5 161.00] TO BUS 635604 [88TH 5 161.00] CKT 1  
SINGLE 80 : OPEN LINE FROM BUS 635604 [88TH 5 161.00] TO BUS 635610 [ASHAWA5 161.00] CKT 1  
SINGLE 81 : OPEN LINE FROM BUS 635605 [GRNGRTP5 161.00] TO BUS 635606 [GRANGER5 161.00] CKT 1  
SINGLE 82 : OPEN LINE FROM BUS 635605 [GRNGRTP5 161.00] TO BUS 635614 [100 54 5 161.00] CKT 1  
SINGLE 83 : OPEN LINE FROM BUS 635606 [GRANGER5 161.00] TO BUS 635607 [BITRSWT5 161.00] CKT 1  
SINGLE 84 : OPEN LINE FROM BUS 635607 [BITRSWT5 161.00] TO BUS 635710 [NEANKNY5 161.00] CKT 1  
SINGLE 85 : OPEN LINE FROM BUS 635610 [ASHAWA5 161.00] TO BUS 635612 [60TH ST5 161.00] CKT 1  
SINGLE 86 : OPEN LINE FROM BUS 635610 [ASHAWA5 161.00] TO BUS 635616 [109CLK 5 161.00] CKT 1  
SINGLE 87 : OPEN LINE FROM BUS 635610 [ASHAWA5 161.00] TO BUS 635654 [ARMYPOS5 161.00] CKT 1  
SINGLE 88 : OPEN LINE FROM BUS 635610 [ASHAWA5 161.00] TO BUS 635662 [WABASH 5 161.00] CKT 1  
SINGLE 89 : OPEN LINE FROM BUS 635612 [60TH ST5 161.00] TO BUS 635613 [WGRAND5 161.00] CKT 1  
SINGLE 90 : OPEN LINE FROM BUS 635613 [WGRAND5 161.00] TO BUS 635631 [BOONVIL5 161.00] CKT 1  
SINGLE 91 : OPEN LINE FROM BUS 635614 [100 54 5 161.00] TO BUS 635615 [100DUG 5 161.00] CKT 1  
SINGLE 92 : OPEN LINE FROM BUS 635614 [100 54 5 161.00] TO BUS 635701 [SYCAMOR5 161.00] CKT 1  
SINGLE 93 : OPEN LINE FROM BUS 635615 [100DUG 5 161.00] TO BUS 635616 [109CLK 5 161.00] CKT 1  
SINGLE 94 : OPEN LINE FROM BUS 635630 [BOONVIL3 345.00] TO BUS 635635 [MADISON3 345.00] CKT 1  
SINGLE 95 : OPEN LINE FROM BUS 635631 [BOONVIL5 161.00] TO BUS 635632 [EARLHAM5 161.00] CKT 1  
SINGLE 96 : OPEN LINE FROM BUS 635631 [BOONVIL5 161.00] TO BUS 635641 [NORWLK5 161.00] CKT 1  
SINGLE 97 : OPEN LINE FROM BUS 635632 [EARLHAM5 161.00] TO BUS 635633 [ADAIRWF5 161.00] CKT 1  
SINGLE 98 : OPEN LINE FROM BUS 635633 [ADAIRWF5 161.00] TO BUS 638050 [ATLANTC5 161.00] CKT 1  
SINGLE 99 : OPEN LINE FROM BUS 635635 [MADISON3 345.00] TO BUS 635640 [NORWLK3 345.00] CKT 1  
SINGLE 100 : OPEN LINE FROM BUS 635640 [NORWLK3 345.00] TO BUS 635641 [NORWLK5 161.00] CKT 1  
SINGLE 101 : OPEN LINE FROM BUS 635640 [NORWLK3 345.00] TO BUS 635650 [SE POLK3 345.00] CKT 1  
SINGLE 102 : OPEN LINE FROM BUS 635641 [NORWLK5 161.00] TO BUS 635653 [GRENFLD5 161.00] CKT 1  
SINGLE 103 : OPEN LINE FROM BUS 635650 [SE POLK3 345.00] TO BUS 635651 [SEPOLK 5 161.00] CKT 1  
SINGLE 104 : OPEN LINE FROM BUS 635650 [SE POLK3 345.00] TO BUS 635690 [GDMEC 345.00] CKT 1  
SINGLE 105 : OPEN LINE FROM BUS 635651 [SEPOLK 5 161.00] TO BUS 635653 [GRENFLD5 161.00] CKT 1  
SINGLE 106 : OPEN LINE FROM BUS 635651 [SEPOLK 5 161.00] TO BUS 635660 [EASTRLK5 161.00] CKT 1  
SINGLE 107 : OPEN LINE FROM BUS 635651 [SEPOLK 5 161.00] TO BUS 635670 [DMOINES5 161.00] CKT 1  
SINGLE 108 : OPEN LINE FROM BUS 635651 [SEPOLK 5 161.00] TO BUS 635670 [DMOINES5 161.00] CKT 2  
SINGLE 109 : OPEN LINE FROM BUS 635653 [GRENFLD5 161.00] TO BUS 635654 [ARMYPOS5 161.00] CKT 1  
SINGLE 110 : OPEN LINE FROM BUS 635660 [EASTRLK5 161.00] TO BUS 635661 [GLOWAT 5 161.00] CKT 1  
SINGLE 111 : OPEN LINE FROM BUS 635661 [GLOWAT 5 161.00] TO BUS 635662 [WABASH 5 161.00] CKT 1

SINGLE 112 : OPEN LINE FROM BUS 635662 [WABASH 5 161.00] TO BUS 635664 [MLKING 5 161.00] CKT 1  
SINGLE 113 : OPEN LINE FROM BUS 635664 [MLKING 5 161.00] TO BUS 635665 [FORVER 5 161.00] CKT 1  
SINGLE 114 : OPEN LINE FROM BUS 635665 [FORVER 5 161.00] TO BUS 635701 [SYCAMOR5 161.00] CKT 1  
SINGLE 115 : OPEN LINE FROM BUS 635670 [DMOINES5 161.00] TO BUS 635672 [METRO E5 161.00] CKT 1  
SINGLE 116 : OPEN LINE FROM BUS 635672 [METRO E5 161.00] TO BUS 635673 [ALTONA 5 161.00] CKT 1  
SINGLE 117 : OPEN LINE FROM BUS 635673 [ALTONA 5 161.00] TO BUS 635681 [BONDRNT5 161.00] CKT 1  
SINGLE 118 : OPEN LINE FROM BUS 635680 [BONDRNT3 345.00] TO BUS 635690 [GDMEC 345.00] CKT 1  
SINGLE 119 : OPEN LINE FROM BUS 635680 [BONDRNT3 345.00] TO BUS 635700 [SYCAMOR3 345.00] CKT 1  
SINGLE 120 : OPEN LINE FROM BUS 635680 [BONDRNT3 345.00] TO BUS 635730 [MNTZUMA3 345.00] CKT 1  
SINGLE 121 : OPEN LINE FROM BUS 635681 [BONDRNT5 161.00] TO BUS 635701 [SYCAMOR5 161.00] CKT 1  
SINGLE 122 : OPEN LINE FROM BUS 635701 [SYCAMOR5 161.00] TO BUS 635703 [DELDWARE5 161.00] CKT 1  
SINGLE 123 : OPEN LINE FROM BUS 635703 [DELDWARE5 161.00] TO BUS 635705 [ANKENY 5 161.00] CKT 1  
SINGLE 124 : OPEN LINE FROM BUS 635705 [ANKENY 5 161.00] TO BUS 635710 [NEANKNY5 161.00] CKT 1  
SINGLE 125 : OPEN LINE FROM BUS 635710 [NEANKNY5 161.00] TO BUS 638010 [STANGE 5 161.00] CKT 1  
SINGLE 126 : OPEN LINE FROM BUS 635730 [MNTZUMA3 345.00] TO BUS 636400 [HILLS 3 345.00] CKT 1  
SINGLE 127 : OPEN LINE FROM BUS 636000 [WEBSTER3 345.00] TO BUS 636010 [LEHIGH 3 345.00] CKT 1  
SINGLE 128 : OPEN LINE FROM BUS 636001 [WEBSTER5 161.00] TO BUS 636020 [FT.DODG5 161.00] CKT 1  
SINGLE 129 : OPEN LINE FROM BUS 636001 [WEBSTER5 161.00] TO BUS 636025 [HAYES 5 161.00] CKT 1  
SINGLE 130 : OPEN LINE FROM BUS 636001 [WEBSTER5 161.00] TO BUS 636050 [WRIGHT 5 161.00] CKT 1  
SINGLE 131 : OPEN LINE FROM BUS 636001 [WEBSTER5 161.00] TO BUS 637353 [HOPE 5 161.00] CKT 1  
SINGLE 132 : OPEN LINE FROM BUS 636020 [FT.DODG5 161.00] TO BUS 636023 [TATELYL5 161.00] CKT 1  
SINGLE 133 : OPEN LINE FROM BUS 636023 [TATELYL5 161.00] TO BUS 636025 [HAYES 5 161.00] CKT 1  
SINGLE 134 : OPEN LINE FROM BUS 636025 [HAYES 5 161.00] TO BUS 636030 [POMEROY5 161.00] CKT 1  
SINGLE 135 : OPEN LINE FROM BUS 636029 [POCHNTC5 161.00] TO BUS 636030 [POMEROY5 161.00] CKT 1  
SINGLE 136 : OPEN LINE FROM BUS 636050 [WRIGHT 5 161.00] TO BUS 636235 [WALL LK5 161.00] CKT 1  
SINGLE 137 : OPEN LINE FROM BUS 636200 [BLKHAWK5 161.00] TO BUS 636202 [MIDPORT5 161.00] CKT 1  
SINGLE 138 : OPEN LINE FROM BUS 636200 [BLKHAWK5 161.00] TO BUS 636205 [DRFNDRY5 161.00] CKT 1  
SINGLE 139 : OPEN LINE FROM BUS 636200 [BLKHAWK5 161.00] TO BUS 636225 [UNIONTP5 161.00] CKT 1  
SINGLE 140 : OPEN LINE FROM BUS 636200 [BLKHAWK5 161.00] TO BUS 637087 [PLAINFD5 161.00] CKT 1  
SINGLE 141 : OPEN LINE FROM BUS 636202 [MIDPORT5 161.00] TO BUS 636203 [LUNDQST5 161.00] CKT 1  
SINGLE 142 : OPEN LINE FROM BUS 636203 [LUNDQST5 161.00] TO BUS 636204 [DR NE 5 161.00] CKT 1  
SINGLE 143 : OPEN LINE FROM BUS 636203 [LUNDQST5 161.00] TO BUS 636206 [DRCOMP 5 161.00] CKT 1  
SINGLE 144 : OPEN LINE FROM BUS 636204 [DR NE 5 161.00] TO BUS 636210 [WASHBRN5 161.00] CKT 1  
SINGLE 145 : OPEN LINE FROM BUS 636205 [DRFNDRY5 161.00] TO BUS 636206 [DRCOMP 5 161.00] CKT 1  
SINGLE 146 : OPEN LINE FROM BUS 636205 [DRFNDRY5 161.00] TO BUS 636207 [WTWEST 5 161.00] CKT 1  
SINGLE 147 : OPEN LINE FROM BUS 636207 [WTWEST 5 161.00] TO BUS 636208 [DR ENG 5 161.00] CKT 1  
SINGLE 148 : OPEN LINE FROM BUS 636208 [DR ENG 5 161.00] TO BUS 636220 [EL FARM5 161.00] CKT 1  
SINGLE 149 : OPEN LINE FROM BUS 636208 [DR ENG 5 161.00] TO BUS 638040 [CFUINDP5 161.00] CKT 1  
SINGLE 150 : OPEN LINE FROM BUS 636210 [WASHBRN5 161.00] TO BUS 636220 [EL FARM5 161.00] CKT 1  
SINGLE 151 : OPEN LINE FROM BUS 636225 [UNIONTP5 161.00] TO BUS 636240 [BUTLER 5 161.00] CKT 1  
SINGLE 152 : OPEN LINE FROM BUS 636225 [UNIONTP5 161.00] TO BUS 638030 [UNIONCF5 161.00] CKT 1  
SINGLE 153 : OPEN LINE FROM BUS 636230 [FRANKLN5 161.00] TO BUS 636235 [WALL LK5 161.00] CKT 1  
SINGLE 154 : OPEN LINE FROM BUS 636230 [FRANKLN5 161.00] TO BUS 636240 [BUTLER 5 161.00] CKT 1  
SINGLE 155 : OPEN LINE FROM BUS 636230 [FRANKLN5 161.00] TO BUS 637191 [HAMPTON5 161.00] CKT 1  
SINGLE 156 : OPEN LINE FROM BUS 636300 [FLOYD 5 161.00] TO BUS 637087 [PLAINFD5 161.00] CKT 1  
SINGLE 157 : OPEN LINE FROM BUS 636400 [HILLS 3 345.00] TO BUS 636420 [TIFFIN 3 345.00] CKT 1  
SINGLE 158 : OPEN LINE FROM BUS 636400 [HILLS 3 345.00] TO BUS 636630 [SUB 92 3 345.00] CKT 1  
SINGLE 159 : OPEN LINE FROM BUS 636400 [HILLS 3 345.00] TO BUS 636645 [SUB T 3 345.00] CKT 1

SINGLE 160 : OPEN LINE FROM BUS 636401 [HILLS 5 161.00] TO BUS 636403 [SB EIC 5 161.00] CKT 1  
SINGLE 161 : OPEN LINE FROM BUS 636401 [HILLS 5 161.00] TO BUS 636423 [SB HCIC5 161.00] CKT 1  
SINGLE 162 : OPEN LINE FROM BUS 636401 [HILLS 5 161.00] TO BUS 636678 [SB 89 5 161.00] CKT 1  
SINGLE 163 : OPEN LINE FROM BUS 636403 [SB EIC 5 161.00] TO BUS 636404 [SB YIC 5 161.00] CKT 1  
SINGLE 164 : OPEN LINE FROM BUS 636404 [SB YIC 5 161.00] TO BUS 636405 [SB GIC 5 161.00] CKT 1  
SINGLE 165 : OPEN LINE FROM BUS 636405 [SB GIC 5 161.00] TO BUS 636410 [SB PIC 5 161.00] CKT 1  
SINGLE 166 : OPEN LINE FROM BUS 636410 [SB PIC 5 161.00] TO BUS 636415 [SB UIC 5 161.00] CKT 1  
SINGLE 167 : OPEN LINE FROM BUS 636410 [SB PIC 5 161.00] TO BUS 636422 [CRLRIDG5 161.00] CKT 1  
SINGLE 168 : OPEN LINE FROM BUS 636415 [SB UIC 5 161.00] TO BUS 636425 [SB JIC 5 161.00] CKT 1  
SINGLE 169 : OPEN LINE FROM BUS 636420 [TIFFIN 3 345.00] TO BUS 636421 [TIFFIN 5 161.00] CKT 1  
SINGLE 170 : OPEN LINE FROM BUS 636421 [TIFFIN 5 161.00] TO BUS 636422 [CRLRIDG5 161.00] CKT 1  
SINGLE 171 : OPEN LINE FROM BUS 636423 [SB HCIC5 161.00] TO BUS 636425 [SB JIC 5 161.00] CKT 1  
SINGLE 172 : OPEN LINE FROM BUS 636600 [SB 39 3 345.00] TO BUS 636601 [SB 39 5 161.00] CKT 1  
SINGLE 173 : OPEN LINE FROM BUS 636600 [SB 39 3 345.00] TO BUS 636605 [MECCORD3 345.00] CKT 1  
SINGLE 174 : OPEN LINE FROM BUS 636600 [SB 39 3 345.00] TO BUS 636635 [OAKGROV3 345.00] CKT 1  
SINGLE 175 : OPEN LINE FROM BUS 636601 [SB 39 5 161.00] TO BUS 636656 [SB 47 5 161.00] CKT 1  
SINGLE 176 : OPEN LINE FROM BUS 636601 [SB 39 5 161.00] TO BUS 636660 [SB 31T 5 161.00] CKT 1  
SINGLE 177 : OPEN LINE FROM BUS 636601 [SB 39 5 161.00] TO BUS 636668 [SB 43 5 161.00] CKT 1  
SINGLE 178 : OPEN LINE FROM BUS 636610 [SUB 91 3 345.00] TO BUS 636611 [SB 91 5 161.00] CKT 1  
SINGLE 179 : OPEN LINE FROM BUS 636610 [SUB 91 3 345.00] TO BUS 636615 [SB 56 3 345.00] CKT 1  
SINGLE 180 : OPEN LINE FROM BUS 636611 [SB 91 5 161.00] TO BUS 636687 [SBHYC5 161.00] CKT 1  
SINGLE 181 : OPEN LINE FROM BUS 636611 [SB 91 5 161.00] TO BUS 636690 [UTICA R5 161.00] CKT 1  
SINGLE 182 : OPEN LINE FROM BUS 636615 [SB 56 3 345.00] TO BUS 636620 [WALCOTT3 345.00] CKT 1  
SINGLE 183 : OPEN LINE FROM BUS 636616 [SB 56 5 161.00] TO BUS 636626 [IPSCO 5 161.00] CKT 1  
SINGLE 184 : OPEN LINE FROM BUS 636616 [SB 56 5 161.00] TO BUS 636675 [SB 85 5 161.00] CKT 1  
SINGLE 185 : OPEN LINE FROM BUS 636616 [SB 56 5 161.00] TO BUS 636678 [SB 89 5 161.00] CKT 1  
SINGLE 186 : OPEN LINE FROM BUS 636616 [SB 56 5 161.00] TO BUS 636680 [SB 78 5 161.00] CKT 1  
SINGLE 187 : OPEN LINE FROM BUS 636620 [WALCOTT3 345.00] TO BUS 636625 [IPSCO 3 345.00] CKT 1  
SINGLE 188 : OPEN LINE FROM BUS 636620 [WALCOTT3 345.00] TO BUS 636630 [SUB 92 3 345.00] CKT 1  
SINGLE 189 : OPEN LINE FROM BUS 636630 [SUB 92 3 345.00] TO BUS 636640 [LOUISA 3 345.00] CKT 1  
SINGLE 190 : OPEN LINE FROM BUS 636635 [OAKGROV3 345.00] TO BUS 636636 [OAKGROV5 161.00] CKT 1  
SINGLE 191 : OPEN LINE FROM BUS 636635 [OAKGROV3 345.00] TO BUS 636640 [LOUISA 3 345.00] CKT 1  
SINGLE 192 : OPEN LINE FROM BUS 636636 [OAKGROV5 161.00] TO BUS 636670 [SB 18 5 161.00] CKT 1  
SINGLE 193 : OPEN LINE FROM BUS 636636 [OAKGROV5 161.00] TO BUS 636670 [SB 18 5 161.00] CKT 2  
SINGLE 194 : OPEN LINE FROM BUS 636636 [OAKGROV5 161.00] TO BUS 636672 [GALESBR5 161.00] CKT 1  
SINGLE 195 : OPEN LINE FROM BUS 636640 [LOUISA 3 345.00] TO BUS 636645 [SUB T 3 345.00] CKT 1  
SINGLE 196 : OPEN LINE FROM BUS 636650 [SB A 5 161.00] TO BUS 636657 [SB 48 5 161.00] CKT 1  
SINGLE 197 : OPEN LINE FROM BUS 636650 [SB A 5 161.00] TO BUS 636692 [SB 70 5 161.00] CKT 1  
SINGLE 198 : OPEN LINE FROM BUS 636656 [SB 47 5 161.00] TO BUS 636657 [SB 48 5 161.00] CKT 1  
SINGLE 199 : OPEN LINE FROM BUS 636660 [SB 31T 5 161.00] TO BUS 636661 [SB 31 5 161.00] CKT 1  
SINGLE 200 : OPEN LINE FROM BUS 636660 [SB 31T 5 161.00] TO BUS 636662 [SB 28 5 161.00] CKT 1  
SINGLE 201 : OPEN LINE FROM BUS 636662 [SB 28 5 161.00] TO BUS 636665 [SB 17 5 161.00] CKT 1  
SINGLE 202 : OPEN LINE FROM BUS 636665 [SB 17 5 161.00] TO BUS 636667 [SB 49 5 161.00] CKT 1  
SINGLE 203 : OPEN LINE FROM BUS 636668 [SB 43 5 161.00] TO BUS 636670 [SB 18 5 161.00] CKT 1  
SINGLE 204 : OPEN LINE FROM BUS 636670 [SB 18 5 161.00] TO BUS 636673 [SB 112 5 161.00] CKT 1  
SINGLE 205 : OPEN LINE FROM BUS 636670 [SB 18 5 161.00] TO BUS 636675 [SB 85 5 161.00] CKT 1  
SINGLE 206 : OPEN LINE FROM BUS 636675 [SB 85 5 161.00] TO BUS 636676 [SB 52 5 161.00] CKT 1  
SINGLE 207 : OPEN LINE FROM BUS 636675 [SB 85 5 161.00] TO BUS 636677 [SB 53 5 161.00] CKT 1

SINGLE 208 : OPEN LINE FROM BUS 636680 [SB 78 5 161.00] TO BUS 636681 [58TAP 5 161.00] CKT 1  
SINGLE 209 : OPEN LINE FROM BUS 636681 [58TAP 5 161.00] TO BUS 636682 [SB 58 5 161.00] CKT 1  
SINGLE 210 : OPEN LINE FROM BUS 636681 [58TAP 5 161.00] TO BUS 636685 [SB 74 5 161.00] CKT 1  
SINGLE 211 : OPEN LINE FROM BUS 636682 [SB 58 5 161.00] TO BUS 636683 [SB 76 5 161.00] CKT 1  
SINGLE 212 : OPEN LINE FROM BUS 636683 [SB 76 5 161.00] TO BUS 636685 [SB 74 5 161.00] CKT 1  
SINGLE 213 : OPEN LINE FROM BUS 636685 [SB 74 5 161.00] TO BUS 636686 [SUB 77 5 161.00] CKT 1  
SINGLE 214 : OPEN LINE FROM BUS 636685 [SB 74 5 161.00] TO BUS 636690 [UTICA R5 161.00] CKT 1  
SINGLE 215 : OPEN LINE FROM BUS 636686 [SUB 77 5 161.00] TO BUS 636687 [SBHYC5 161.00] CKT 1  
SINGLE 216 : OPEN LINE FROM BUS 636690 [UTICA R5 161.00] TO BUS 636691 [SB 71 5 161.00] CKT 1  
SINGLE 217 : OPEN LINE FROM BUS 636691 [SB 71 5 161.00] TO BUS 636693 [SB 88 5 161.00] CKT 1  
SINGLE 218 : OPEN LINE FROM BUS 636692 [SB 70 5 161.00] TO BUS 636693 [SB 88 5 161.00] CKT 1  
SINGLE 219 : OPEN LINE FROM BUS 637191 [HAMPTON5 161.00] TO BUS 637201 [SHEFFLD5 161.00] CKT 1  
SINGLE 220 : OPEN LINE FROM BUS 637353 [HOPE 5 161.00] TO BUS 637423 [BURT 5 161.00] CKT 1  
SINGLE 221 : OPEN LINE FROM BUS 637423 [BURT 5 161.00] TO BUS 637527 [OSGOOD 5 161.00] CKT 1  
SINGLE 222 : OPEN LINE FROM BUS 637527 [OSGOOD 5 161.00] TO BUS 637570 [WISDOM 5 161.00] CKT 1  
SINGLE 223 : OPEN LINE FROM BUS 637570 [WISDOM 5 161.00] TO BUS 652563 [SPENCER5 161.00] CKT 1  
SINGLE 224 : OPEN LINE FROM BUS 638000 [AMES 5 161.00] TO BUS 638010 [STANGE 5 161.00] CKT 1  
SINGLE 225 : OPEN LINE FROM BUS 638030 [UNIONCF5 161.00] TO BUS 638040 [CFUINDP5 161.00] CKT 1  
SINGLE 227 : OPEN LINE FROM BUS 640050 [AINSWND7 115.00] TO BUS 640096 [CALAMS 7 115.00] CKT 1  
SINGLE 228 : OPEN LINE FROM BUS 640051 [AINSWRT7 115.00] TO BUS 640367 [STUART 7 115.00] CKT 1  
SINGLE 229 : OPEN LINE FROM BUS 640051 [AINSWRT7 115.00] TO BUS 640392 [VALENTN7 115.00] CKT 1  
SINGLE 230 : OPEN LINE FROM BUS 640054 [ALBION 7 115.00] TO BUS 640176 [FULERTN7 115.00] CKT 1  
SINGLE 231 : OPEN LINE FROM BUS 640054 [ALBION 7 115.00] TO BUS 640181 [GENOA 7 115.00] CKT 1  
SINGLE 232 : OPEN LINE FROM BUS 640054 [ALBION 7 115.00] TO BUS 640318 [PETRSBG7 115.00] CKT 1  
SINGLE 233 : OPEN LINE FROM BUS 640054 [ALBION 7 115.00] TO BUS 640347 [SPALDNG7 115.00] CKT 1  
SINGLE 234 : OPEN LINE FROM BUS 640056 [ALDA 7 115.00] TO BUS 640323 [RAVENNA7 115.00] CKT 1  
SINGLE 235 : OPEN LINE FROM BUS 640056 [ALDA 7 115.00] TO BUS 642068 [SUB-A 7 115.00] CKT 1  
SINGLE 236 : OPEN LINE FROM BUS 640058 [ATKINSN7 115.00] TO BUS 640165 [EMMET 7 115.00] CKT 1  
SINGLE 237 : OPEN LINE FROM BUS 640058 [ATKINSN7 115.00] TO BUS 640367 [STUART 7 115.00] CKT 1  
SINGLE 238 : OPEN LINE FROM BUS 640063 [AURORA\_7 115.00] TO BUS 640201 [GR ISLD7 115.00] CKT 1  
SINGLE 239 : OPEN LINE FROM BUS 640063 [AURORA\_7 115.00] TO BUS 640411 [YORK 7 115.00] CKT 1  
SINGLE 240 : OPEN LINE FROM BUS 640065 [AXTELL 3 345.00] TO BUS 640312 [PAULINE3 345.00] CKT 1  
SINGLE 241 : OPEN LINE FROM BUS 640065 [AXTELL 3 345.00] TO BUS 640374 [SWEET W3 345.00] CKT 1  
SINGLE 242 : OPEN LINE FROM BUS 640066 [AXTELL 7 115.00] TO BUS 640224 [HOLDREG7 115.00] CKT 1  
SINGLE 243 : OPEN LINE FROM BUS 640066 [AXTELL 7 115.00] TO BUS 640250 [KEARNEY7 115.00] CKT 1  
SINGLE 244 : OPEN LINE FROM BUS 640066 [AXTELL 7 115.00] TO BUS 640275 [MINDEN 7 115.00] CKT 1  
SINGLE 245 : OPEN LINE FROM BUS 640068 [B.SPRGS7 115.00] TO BUS 640086 [BLUECK 7 115.00] CKT 1  
SINGLE 246 : OPEN LINE FROM BUS 640068 [B.SPRGS7 115.00] TO BUS 640091 [BRULE 7 115.00] CKT 1  
SINGLE 247 : OPEN LINE FROM BUS 640068 [B.SPRGS7 115.00] TO BUS 640246 [JULSTAP7 115.00] CKT 1  
SINGLE 248 : OPEN LINE FROM BUS 640070 [BANCRFT7 115.00] TO BUS 640163 [EMERSON7 115.00] CKT 1  
SINGLE 249 : OPEN LINE FROM BUS 640070 [BANCRFT7 115.00] TO BUS 640300 [OAKLAND7 115.00] CKT 1  
SINGLE 250 : OPEN LINE FROM BUS 640072 [BATTLCR7 115.00] TO BUS 640115 [CO.LINE7 115.00] CKT 1  
SINGLE 251 : OPEN LINE FROM BUS 640072 [BATTLCR7 115.00] TO BUS 640296 [NORFK.N7 115.00] CKT 1  
SINGLE 252 : OPEN LINE FROM BUS 640074 [BEAT. S7 115.00] TO BUS 640076 [BEATRCE7 115.00] CKT 1  
SINGLE 253 : OPEN LINE FROM BUS 640076 [BEATRCE7 115.00] TO BUS 640088 [BPS SUB7 115.00] CKT 1  
SINGLE 254 : OPEN LINE FROM BUS 640076 [BEATRCE7 115.00] TO BUS 640088 [BPS SUB7 115.00] CKT 2  
SINGLE 255 : OPEN LINE FROM BUS 640076 [BEATRCE7 115.00] TO BUS 640208 [HARBINE7 115.00] CKT 1  
SINGLE 256 : OPEN LINE FROM BUS 640076 [BEATRCE7 115.00] TO BUS 640361 [STEINER7 115.00] CKT 1



SINGLE 257 : OPEN LINE FROM BUS 640078 [BEEMER 7 115.00] TO BUS 640357 [STANTON7 115.00] CKT 1  
SINGLE 258 : OPEN LINE FROM BUS 640078 [BEEMER 7 115.00] TO BUS 640400 [W.POINT7 115.00] CKT 1  
SINGLE 259 : OPEN LINE FROM BUS 640080 [BELDEN 7 115.00] TO BUS 640084 [BLMFLD 7 115.00] CKT 1  
SINGLE 260 : OPEN LINE FROM BUS 640080 [BELDEN 7 115.00] TO BUS 640212 [HARTGTN7 115.00] CKT 1  
SINGLE 261 : OPEN LINE FROM BUS 640080 [BELDEN 7 115.00] TO BUS 640228 [HOSKINS7 115.00] CKT 1  
SINGLE 262 : OPEN LINE FROM BUS 640080 [BELDEN 7 115.00] TO BUS 640387 [TWIN CH7 115.00] CKT 1  
SINGLE 263 : OPEN LINE FROM BUS 640082 [BEVERLY7 115.00] TO BUS 640167 [ENDERS 7 115.00] CKT 1  
SINGLE 264 : OPEN LINE FROM BUS 640082 [BEVERLY7 115.00] TO BUS 640326 [REDWILO7 115.00] CKT 1  
SINGLE 265 : OPEN LINE FROM BUS 640084 [BLMFLD 7 115.00] TO BUS 640149 [CREITON7 115.00] CKT 1  
SINGLE 266 : OPEN LINE FROM BUS 640084 [BLMFLD 7 115.00] TO BUS 652511 [GAVINS 7 115.00] CKT 1  
SINGLE 267 : OPEN LINE FROM BUS 640086 [BLUECK 7 115.00] TO BUS 659193 [W.HORSE7 115.00] CKT 1  
SINGLE 268 : OPEN LINE FROM BUS 640088 [BPS SUB7 115.00] TO BUS 640111 [CLATONA7 115.00] CKT 1  
SINGLE 269 : OPEN LINE FROM BUS 640088 [BPS SUB7 115.00] TO BUS 640278 [SHELDON7 115.00] CKT 1  
SINGLE 270 : OPEN LINE FROM BUS 640089 [BROKENB7 115.00] TO BUS 640094 [C.CREEK7 115.00] CKT 1  
SINGLE 271 : OPEN LINE FROM BUS 640089 [BROKENB7 115.00] TO BUS 640098 [CALAWAY7 115.00] CKT 1  
SINGLE 272 : OPEN LINE FROM BUS 640089 [BROKENB7 115.00] TO BUS 640259 [LOUPCTY7 115.00] CKT 1  
SINGLE 273 : OPEN LINE FROM BUS 640091 [BRULE 7 115.00] TO BUS 659132 [OGALALA7 115.00] CKT 1  
SINGLE 274 : OPEN LINE FROM BUS 640093 [C.CREEK4 230.00] TO BUS 640094 [C.CREEK7 115.00] CKT 1  
SINGLE 275 : OPEN LINE FROM BUS 640093 [C.CREEK4 230.00] TO BUS 640102 [CANADAY4 230.00] CKT 1  
SINGLE 276 : OPEN LINE FROM BUS 640093 [C.CREEK4 230.00] TO BUS 640286 [N.PLATT4 230.00] CKT 1  
SINGLE 277 : OPEN LINE FROM BUS 640093 [C.CREEK4 230.00] TO BUS 640330 [RIVERDL4 230.00] CKT 1  
SINGLE 278 : OPEN LINE FROM BUS 640096 [CALAMS 7 115.00] TO BUS 640381 [THEDFRD7 115.00] CKT 1  
SINGLE 279 : OPEN LINE FROM BUS 640098 [CALAWAY7 115.00] TO BUS 640267 [MAXWELS7 115.00] CKT 1  
SINGLE 280 : OPEN LINE FROM BUS 640100 [CAMBRIG7 115.00] TO BUS 640194 [GOSPER 7 115.00] CKT 1  
SINGLE 281 : OPEN LINE FROM BUS 640100 [CAMBRIG7 115.00] TO BUS 640269 [MCCOOK 7 115.00] CKT 1  
SINGLE 282 : OPEN LINE FROM BUS 640103 [CANADAY7 115.00] TO BUS 640161 [ELMCRK\_7 115.00] CKT 1  
SINGLE 283 : OPEN LINE FROM BUS 640103 [CANADAY7 115.00] TO BUS 640242 [JOHN.2 7 115.00] CKT 1  
SINGLE 284 : OPEN LINE FROM BUS 640103 [CANADAY7 115.00] TO BUS 640242 [JOHN.2 7 115.00] CKT 2  
SINGLE 285 : OPEN LINE FROM BUS 640103 [CANADAY7 115.00] TO BUS 640256 [LXNGTN 7 115.00] CKT 1  
SINGLE 286 : OPEN LINE FROM BUS 640105 [CARLJCT7 115.00] TO BUS 640178 [GENEVA 7 115.00] CKT 1  
SINGLE 287 : OPEN LINE FROM BUS 640105 [CARLJCT7 115.00] TO BUS 640218 [HEBRN N7 115.00] CKT 1  
SINGLE 288 : OPEN LINE FROM BUS 640107 [CENCITY7 115.00] TO BUS 640201 [GR ISLD7 115.00] CKT 1  
SINGLE 289 : OPEN LINE FROM BUS 640107 [CENCITY7 115.00] TO BUS 640436 [CLARKS 7 115.00] CKT 1  
SINGLE 290 : OPEN LINE FROM BUS 640109 [CHADRON7 115.00] TO BUS 640147 [CRAWFRD7 115.00] CKT 1  
SINGLE 291 : OPEN LINE FROM BUS 640109 [CHADRON7 115.00] TO BUS 640334 [RUSHVIL7 115.00] CKT 1  
SINGLE 292 : OPEN LINE FROM BUS 640109 [CHADRON7 115.00] TO BUS 640405 [WAYSIDE7 115.00] CKT 1  
SINGLE 293 : OPEN LINE FROM BUS 640109 [CHADRON7 115.00] TO BUS 652311 [DUNLAP 7 115.00] CKT 1  
SINGLE 294 : OPEN LINE FROM BUS 640111 [CLATONA7 115.00] TO BUS 640278 [SHELDON7 115.00] CKT 1  
SINGLE 295 : OPEN LINE FROM BUS 640113 [CLRWATR7 115.00] TO BUS 640293 [NELIGH 7 115.00] CKT 1  
SINGLE 296 : OPEN LINE FROM BUS 640113 [CLRWATR7 115.00] TO BUS 640305 [ONEILL 7 115.00] CKT 1  
SINGLE 297 : OPEN LINE FROM BUS 640115 [CO.LINE7 115.00] TO BUS 640293 [NELIGH 7 115.00] CKT 1  
SINGLE 298 : OPEN LINE FROM BUS 640117 [CODY 7 115.00] TO BUS 640394 [VALTN.W7 115.00] CKT 1  
SINGLE 299 : OPEN LINE FROM BUS 640119 [COL.COG7 115.00] TO BUS 640122 [COL.DRY7 115.00] CKT 1  
SINGLE 300 : OPEN LINE FROM BUS 640119 [COL.COG7 115.00] TO BUS 640122 [COL.DRY7 115.00] CKT 2  
SINGLE 301 : OPEN LINE FROM BUS 640119 [COL.COG7 115.00] TO BUS 640124 [COL.SE 7 115.00] CKT 1  
SINGLE 302 : OPEN LINE FROM BUS 640119 [COL.COG7 115.00] TO BUS 640127 [COLMB.E7 115.00] CKT 1  
SINGLE 303 : OPEN LINE FROM BUS 640124 [COL.SE 7 115.00] TO BUS 640136 [COLMBUS7 115.00] CKT 1  
SINGLE 304 : OPEN LINE FROM BUS 640124 [COL.SE 7 115.00] TO BUS 640328 [RISNGCY7 115.00] CKT 1

SINGLE 305 : OPEN LINE FROM BUS 640125 [COLMB.E3 345.00] TO BUS 640342 [SHELCRK3 345.00] CKT 1  
SINGLE 306 : OPEN LINE FROM BUS 640125 [COLMB.E3 345.00] TO BUS 650114 [NW68HOLDRG3 345.00] CKT 1  
SINGLE 307 : OPEN LINE FROM BUS 640126 [E.COL. 4 230.00] TO BUS 640127 [COLMB.E7 115.00] CKT 1  
SINGLE 308 : OPEN LINE FROM BUS 640126 [E.COL. 4 230.00] TO BUS 640133 [COLMBUS4 230.00] CKT 1  
SINGLE 309 : OPEN LINE FROM BUS 640127 [COLMB.E7 115.00] TO BUS 640136 [COLMBUS7 115.00] CKT 1  
SINGLE 310 : OPEN LINE FROM BUS 640127 [COLMB.E7 115.00] TO BUS 640157 [DAVIDCY7 115.00] CKT 1  
SINGLE 311 : OPEN LINE FROM BUS 640131 [COLMB.W4 230.00] TO BUS 640133 [COLMBUS4 230.00] CKT 1  
SINGLE 312 : OPEN LINE FROM BUS 640131 [COLMB.W4 230.00] TO BUS 640200 [GR ISLD4 230.00] CKT 1  
SINGLE 313 : OPEN LINE FROM BUS 640133 [COLMBUS4 230.00] TO BUS 640343 [SHELCRK4 230.00] CKT 1  
SINGLE 314 : OPEN LINE FROM BUS 640133 [COLMBUS4 230.00] TO BUS 643000 [MADISONCNTY4230.00] CKT 1  
SINGLE 315 : OPEN LINE FROM BUS 640134 [KELLY 7 115.00] TO BUS 640136 [COLMBUS7 115.00] CKT 1  
SINGLE 316 : OPEN LINE FROM BUS 640136 [COLMBUS7 115.00] TO BUS 640151 [CRESTON7 115.00] CKT 1  
SINGLE 317 : OPEN LINE FROM BUS 640136 [COLMBUS7 115.00] TO BUS 640181 [GENOA 7 115.00] CKT 1  
SINGLE 318 : OPEN LINE FROM BUS 640136 [COLMBUS7 115.00] TO BUS 640336 [SCHUYLR7 115.00] CKT 1  
SINGLE 319 : OPEN LINE FROM BUS 640136 [COLMBUS7 115.00] TO BUS 640345 [SILVRCK7 115.00] CKT 1  
SINGLE 320 : OPEN LINE FROM BUS 640139 [COOPER 3 345.00] TO BUS 640277 [MOORE 3 345.00] CKT 1  
SINGLE 321 : OPEN LINE FROM BUS 640139 [COOPER 3 345.00] TO BUS 645458 [S3458 3 345.00] CKT 1  
SINGLE 322 : OPEN LINE FROM BUS 640140 [COOPER 5 161.00] TO BUS 646280 [S1280 5 161.00] CKT 1  
SINGLE 323 : OPEN LINE FROM BUS 640144 [COZAD 7 115.00] TO BUS 640196 [GOTHNBG7 115.00] CKT 1  
SINGLE 324 : OPEN LINE FROM BUS 640144 [COZAD 7 115.00] TO BUS 640407 [WESTMIN7 115.00] CKT 1  
SINGLE 325 : OPEN LINE FROM BUS 640147 [CRAWFRD7 115.00] TO BUS 640397 [VICTRYH7 115.00] CKT 1  
SINGLE 326 : OPEN LINE FROM BUS 640149 [CREITON7 115.00] TO BUS 640293 [NELIGH 7 115.00] CKT 1  
SINGLE 327 : OPEN LINE FROM BUS 640151 [CRESTON7 115.00] TO BUS 640263 [MADISON7 115.00] CKT 1  
SINGLE 328 : OPEN LINE FROM BUS 640153 [CRETE\_\_7 115.00] TO BUS 640174 [FRIEND 7 115.00] CKT 1  
SINGLE 329 : OPEN LINE FROM BUS 640153 [CRETE\_\_7 115.00] TO BUS 640278 [SHELDON7 115.00] CKT 1  
SINGLE 330 : OPEN LINE FROM BUS 640155 [DAVEY 7 115.00] TO BUS 640402 [WAHOO 7 115.00] CKT 1  
SINGLE 331 : OPEN LINE FROM BUS 640155 [DAVEY 7 115.00] TO BUS 650269 [70&BLUFF 7 115.00] CKT 1  
SINGLE 332 : OPEN LINE FROM BUS 640157 [DAVIDCY7 115.00] TO BUS 640402 [WAHOO 7 115.00] CKT 1  
SINGLE 333 : OPEN LINE FROM BUS 640159 [DONIPH7 115.00] TO BUS 640282 [N.HAST 7 115.00] CKT 1  
SINGLE 334 : OPEN LINE FROM BUS 640159 [DONIPH7 115.00] TO BUS 642071 [SUB-D 7 115.00] CKT 1  
SINGLE 335 : OPEN LINE FROM BUS 640161 [ELMCRK\_7 115.00] TO BUS 640250 [KEARNEY7 115.00] CKT 1  
SINGLE 336 : OPEN LINE FROM BUS 640163 [EMERSON7 115.00] TO BUS 640387 [TWIN CH7 115.00] CKT 1  
SINGLE 337 : OPEN LINE FROM BUS 640165 [EMMET 7 115.00] TO BUS 640305 [ONEILL 7 115.00] CKT 1  
SINGLE 338 : OPEN LINE FROM BUS 640167 [ENDERS 7 115.00] TO BUS 659130 [GRANTNB7 115.00] CKT 1  
SINGLE 339 : OPEN LINE FROM BUS 640167 [ENDERS 7 115.00] TO BUS 659244 [ATHEY 7 115.00] CKT 1  
SINGLE 340 : OPEN LINE FROM BUS 640169 [FAIRBRY7 115.00] TO BUS 640208 [HARBINE7 115.00] CKT 1  
SINGLE 341 : OPEN LINE FROM BUS 640169 [FAIRBRY7 115.00] TO BUS 640218 [HEBRN N7 115.00] CKT 1  
SINGLE 342 : OPEN LINE FROM BUS 640171 [FIRTH 7 115.00] TO BUS 640278 [SHELDON7 115.00] CKT 1  
SINGLE 343 : OPEN LINE FROM BUS 640171 [FIRTH 7 115.00] TO BUS 640362 [STERLNG7 115.00] CKT 1  
SINGLE 344 : OPEN LINE FROM BUS 640173 [FREMONT7 115.00] TO BUS 640281 [N.BEND 7 115.00] CKT 1  
SINGLE 345 : OPEN LINE FROM BUS 640173 [FREMONT7 115.00] TO BUS 640409 [WINSLOW7 115.00] CKT 1  
SINGLE 346 : OPEN LINE FROM BUS 640173 [FREMONT7 115.00] TO BUS 647976 [S976 8 69.000] CKT 1  
SINGLE 347 : OPEN LINE FROM BUS 640173 [FREMONT7 115.00] TO BUS 647976 [S976 8 69.000] CKT 4  
SINGLE 348 : OPEN LINE FROM BUS 640174 [FRIEND 7 115.00] TO BUS 640178 [GENEVA 7 115.00] CKT 1  
SINGLE 349 : OPEN LINE FROM BUS 640178 [GENEVA 7 115.00] TO BUS 640272 [MCCOOL 7 115.00] CKT 1  
SINGLE 350 : OPEN LINE FROM BUS 640178 [GENEVA 7 115.00] TO BUS 640372 [SUTTON 7 115.00] CKT 1  
SINGLE 351 : OPEN LINE FROM BUS 640183 [GENTLMN3 345.00] TO BUS 640184 [GENTLMN4 230.00] CKT 2  
SINGLE 352 : OPEN LINE FROM BUS 640183 [GENTLMN3 345.00] TO BUS 640252 [KEYSTON3 345.00] CKT 1

SINGLE 353 : OPEN LINE FROM BUS 640183 [GENTLMN3 345.00] TO BUS 640325 [REDWILO3 345.00] CKT 1  
SINGLE 354 : OPEN LINE FROM BUS 640183 [GENTLMN3 345.00] TO BUS 640374 [SWEET W3 345.00] CKT 1  
SINGLE 355 : OPEN LINE FROM BUS 640183 [GENTLMN3 345.00] TO BUS 640374 [SWEET W3 345.00] CKT 2  
SINGLE 356 : OPEN LINE FROM BUS 640184 [GENTLMN4 230.00] TO BUS 640286 [N.PLATT4 230.00] CKT 1  
SINGLE 357 : OPEN LINE FROM BUS 640184 [GENTLMN4 230.00] TO BUS 640286 [N.PLATT4 230.00] CKT 2  
SINGLE 358 : OPEN LINE FROM BUS 640184 [GENTLMN4 230.00] TO BUS 640286 [N.PLATT4 230.00] CKT 3  
SINGLE 359 : OPEN LINE FROM BUS 640184 [GENTLMN4 230.00] TO BUS 640302 [OGALALA4 230.00] CKT 1  
SINGLE 360 : OPEN LINE FROM BUS 640192 [GORDON 7 115.00] TO BUS 640334 [RUSHVIL7 115.00] CKT 1  
SINGLE 361 : OPEN LINE FROM BUS 640192 [GORDON 7 115.00] TO BUS 659152 [SHAN-SD7 115.00] CKT 1  
SINGLE 362 : OPEN LINE FROM BUS 640194 [GOSPER 7 115.00] TO BUS 640242 [JOHN.2 7 115.00] CKT 1  
SINGLE 363 : OPEN LINE FROM BUS 640196 [GOTHNBG7 115.00] TO BUS 640238 [JEFFREY7 115.00] CKT 1  
SINGLE 364 : OPEN LINE FROM BUS 640200 [GR ISLD4 230.00] TO BUS 640201 [GR ISLD7 115.00] CKT 2  
SINGLE 365 : OPEN LINE FROM BUS 640200 [GR ISLD4 230.00] TO BUS 640214 [HASTING4 230.00] CKT 1  
SINGLE 366 : OPEN LINE FROM BUS 640200 [GR ISLD4 230.00] TO BUS 640330 [RIVERDL4 230.00] CKT 1  
SINGLE 367 : OPEN LINE FROM BUS 640200 [GR ISLD4 230.00] TO BUS 652571 [GR ISLD3 345.00] CKT 3  
SINGLE 368 : OPEN LINE FROM BUS 640201 [GR ISLD7 115.00] TO BUS 640353 [ST.LIB 7 115.00] CKT 1  
SINGLE 369 : OPEN LINE FROM BUS 640201 [GR ISLD7 115.00] TO BUS 642071 [SUB-D 7 115.00] CKT 1  
SINGLE 370 : OPEN LINE FROM BUS 640201 [GR ISLD7 115.00] TO BUS 642072 [SUB-E 7 115.00] CKT 1  
SINGLE 371 : OPEN LINE FROM BUS 640206 [GUIDE R7 115.00] TO BUS 640368 [SUPEROR7 115.00] CKT 1  
SINGLE 372 : OPEN LINE FROM BUS 640206 [GUIDE R7 115.00] TO BUS 643050 [ROSEMONT 7115.00] CKT 1  
SINGLE 373 : OPEN LINE FROM BUS 640208 [HARBINE7 115.00] TO BUS 640426 [STEELEC7 115.00] CKT 1  
SINGLE 374 : OPEN LINE FROM BUS 640210 [HARMONY7 115.00] TO BUS 640351 [ST.FRANC 115.00] CKT 1  
SINGLE 375 : OPEN LINE FROM BUS 640210 [HARMONY7 115.00] TO BUS 640392 [VALENTN7 115.00] CKT 1  
SINGLE 376 : OPEN LINE FROM BUS 640212 [HARTGTN7 115.00] TO BUS 652511 [GAVINS 7 115.00] CKT 1  
SINGLE 377 : OPEN LINE FROM BUS 640214 [HASTING4 230.00] TO BUS 641088 [HASTCTY7 115.00] CKT 1  
SINGLE 378 : OPEN LINE FROM BUS 640215 [HASTING7 115.00] TO BUS 640313 [PAULINE7 115.00] CKT 1  
SINGLE 379 : OPEN LINE FROM BUS 640215 [HASTING7 115.00] TO BUS 640313 [PAULINE7 115.00] CKT 2  
SINGLE 380 : OPEN LINE FROM BUS 640215 [HASTING7 115.00] TO BUS 641087 [EGYCNTR7 115.00] CKT 1  
SINGLE 381 : OPEN LINE FROM BUS 640215 [HASTING7 115.00] TO BUS 641088 [HASTCTY7 115.00] CKT 1  
SINGLE 382 : OPEN LINE FROM BUS 640218 [HEBRN N7 115.00] TO BUS 640220 [HEBRON 7 115.00] CKT 1  
SINGLE 383 : OPEN LINE FROM BUS 640220 [HEBRON 7 115.00] TO BUS 640368 [SUPEROR7 115.00] CKT 1  
SINGLE 384 : OPEN LINE FROM BUS 640222 [HILDRTH7 115.00] TO BUS 640224 [HOLDREG7 115.00] CKT 1  
SINGLE 385 : OPEN LINE FROM BUS 640222 [HILDRTH7 115.00] TO BUS 640313 [PAULINE7 115.00] CKT 1  
SINGLE 386 : OPEN LINE FROM BUS 640224 [HOLDREG7 115.00] TO BUS 640242 [JOHN.2 7 115.00] CKT 1  
SINGLE 387 : OPEN LINE FROM BUS 640224 [HOLDREG7 115.00] TO BUS 640310 [ORLEANS7 115.00] CKT 1  
SINGLE 388 : OPEN LINE FROM BUS 640226 [HOSKINS3 345.00] TO BUS 640227 [HOSKINS4 230.00] CKT 1  
SINGLE 389 : OPEN LINE FROM BUS 640226 [HOSKINS3 345.00] TO BUS 640342 [SHELCKR3 345.00] CKT 1  
SINGLE 390 : OPEN LINE FROM BUS 640227 [HOSKINS4 230.00] TO BUS 640228 [HOSKINS7 115.00] CKT 1  
SINGLE 391 : OPEN LINE FROM BUS 640227 [HOSKINS4 230.00] TO BUS 640386 [TWIN CH4 230.00] CKT 1  
SINGLE 392 : OPEN LINE FROM BUS 640228 [HOSKINS7 115.00] TO BUS 640296 [NORFK.N7 115.00] CKT 1  
SINGLE 393 : OPEN LINE FROM BUS 640228 [HOSKINS7 115.00] TO BUS 640298 [NORFOLK7 115.00] CKT 1  
SINGLE 394 : OPEN LINE FROM BUS 640228 [HOSKINS7 115.00] TO BUS 640363 [STNTN.N7 115.00] CKT 1  
SINGLE 395 : OPEN LINE FROM BUS 640234 [HUMBOLT5 161.00] TO BUS 640235 [HUMBOLT7 115.00] CKT 1  
SINGLE 396 : OPEN LINE FROM BUS 640234 [HUMBOLT5 161.00] TO BUS 646280 [S1280 5 161.00] CKT 1  
SINGLE 397 : OPEN LINE FROM BUS 640234 [HUMBOLT5 161.00] TO BUS 646399 [S1399 5 161.00] CKT 1  
SINGLE 398 : OPEN LINE FROM BUS 640235 [HUMBOLT7 115.00] TO BUS 640361 [STEINER7 115.00] CKT 1  
SINGLE 399 : OPEN LINE FROM BUS 640238 [JEFFREY7 115.00] TO BUS 640240 [JOHN.1 7 115.00] CKT 1  
SINGLE 400 : OPEN LINE FROM BUS 640238 [JEFFREY7 115.00] TO BUS 640287 [N.PLATT7 115.00] CKT 1

SINGLE 401 : OPEN LINE FROM BUS 640240 [JOHN.1 7 115.00] TO BUS 640244 [JOHN.LK7 115.00] CKT 1  
SINGLE 402 : OPEN LINE FROM BUS 640242 [JOHN.2 7 115.00] TO BUS 640244 [JOHN.LK7 115.00] CKT 1  
SINGLE 403 : OPEN LINE FROM BUS 640242 [JOHN.2 7 115.00] TO BUS 640407 [WESTMIN7 115.00] CKT 1  
SINGLE 404 : OPEN LINE FROM BUS 640246 [JULSTAP7 115.00] TO BUS 652300 [CHAPPEL7 115.00] CKT 1  
SINGLE 405 : OPEN LINE FROM BUS 640246 [JULSTAP7 115.00] TO BUS 652302 [JULESBG7 115.00] CKT 1  
SINGLE 406 : OPEN LINE FROM BUS 640248 [KEAR.NE7 115.00] TO BUS 640250 [KEARNEY7 115.00] CKT 1  
SINGLE 407 : OPEN LINE FROM BUS 640248 [KEAR.NE7 115.00] TO BUS 640331 [RIVERDL7 115.00] CKT 1  
SINGLE 408 : OPEN LINE FROM BUS 640250 [KEARNEY7 115.00] TO BUS 640261 [LOWELL 7 115.00] CKT 1  
SINGLE 409 : OPEN LINE FROM BUS 640250 [KEARNEY7 115.00] TO BUS 640383 [TOWER 7 115.00] CKT 1  
SINGLE 410 : OPEN LINE FROM BUS 640252 [KEYSTON3 345.00] TO BUS 659133 [SIDNEY 3 345.00] CKT 1  
SINGLE 411 : OPEN LINE FROM BUS 640253 [KEYSTON7 115.00] TO BUS 640255 [KINGSLY7 115.00] CKT 1  
SINGLE 412 : OPEN LINE FROM BUS 640253 [KEYSTON7 115.00] TO BUS 659132 [OGALALA7 115.00] CKT 1  
SINGLE 413 : OPEN LINE FROM BUS 640256 [LXNGTN 7 115.00] TO BUS 640331 [RIVERDL7 115.00] CKT 1  
SINGLE 414 : OPEN LINE FROM BUS 640259 [LOUPCTY7 115.00] TO BUS 640284 [N.LOUP 7 115.00] CKT 1  
SINGLE 415 : OPEN LINE FROM BUS 640259 [LOUPCTY7 115.00] TO BUS 640353 [ST.LIB 7 115.00] CKT 1  
SINGLE 416 : OPEN LINE FROM BUS 640261 [LOWELL 7 115.00] TO BUS 640275 [MINDEN 7 115.00] CKT 1  
SINGLE 417 : OPEN LINE FROM BUS 640261 [LOWELL 7 115.00] TO BUS 640321 [PROSSER7 115.00] CKT 1  
SINGLE 418 : OPEN LINE FROM BUS 640263 [MADISON7 115.00] TO BUS 640298 [NORFOLK7 115.00] CKT 1  
SINGLE 419 : OPEN LINE FROM BUS 640263 [MADISON7 115.00] TO BUS 643001 [MADISONCNTY7115.00] CKT 1  
SINGLE 420 : OPEN LINE FROM BUS 640265 [MALONEY7 115.00] TO BUS 640287 [N.PLATT7 115.00] CKT 1  
SINGLE 421 : OPEN LINE FROM BUS 640265 [MALONEY7 115.00] TO BUS 640370 [SUTHLND7 115.00] CKT 1  
SINGLE 422 : OPEN LINE FROM BUS 640267 [MAXWELS7 115.00] TO BUS 640287 [N.PLATT7 115.00] CKT 1  
SINGLE 423 : OPEN LINE FROM BUS 640267 [MAXWELS7 115.00] TO BUS 640359 [STAPLTN7 115.00] CKT 1  
SINGLE 424 : OPEN LINE FROM BUS 640269 [MCCOOK 7 115.00] TO BUS 640326 [REDWILO7 115.00] CKT 1  
SINGLE 425 : OPEN LINE FROM BUS 640269 [MCCOOK 7 115.00] TO BUS 640326 [REDWILO7 115.00] CKT 2  
SINGLE 426 : OPEN LINE FROM BUS 640271 [MCCOOL 3 345.00] TO BUS 640277 [MOORE 3 345.00] CKT 1  
SINGLE 427 : OPEN LINE FROM BUS 640271 [MCCOOL 3 345.00] TO BUS 652571 [GR ISLD3 345.00] CKT 1  
SINGLE 428 : OPEN LINE FROM BUS 640272 [MCCOOL 7 115.00] TO BUS 640413 [YORK SW7 115.00] CKT 1  
SINGLE 429 : OPEN LINE FROM BUS 640277 [MOORE 3 345.00] TO BUS 640312 [PAULINE3 345.00] CKT 1  
SINGLE 430 : OPEN LINE FROM BUS 640277 [MOORE 3 345.00] TO BUS 650114 [NW68HOLDRG3 345.00] CKT 1  
SINGLE 431 : OPEN LINE FROM BUS 640277 [MOORE 3 345.00] TO BUS 650189 [103&ROKEBY3 345.00] CKT 1  
SINGLE 432 : OPEN LINE FROM BUS 640278 [SHELDON7 115.00] TO BUS 650242 [FOLSM&PHIL7 115.00] CKT 1  
SINGLE 433 : OPEN LINE FROM BUS 640278 [SHELDON7 115.00] TO BUS 650242 [FOLSM&PHIL7 115.00] CKT 2  
SINGLE 434 : OPEN LINE FROM BUS 640281 [N.BEND 7 115.00] TO BUS 640336 [SCHUYLR7 115.00] CKT 1  
SINGLE 435 : OPEN LINE FROM BUS 640281 [N.BEND 7 115.00] TO BUS 648400 [N.BD A9 13.800] CKT 1  
SINGLE 436 : OPEN LINE FROM BUS 640281 [N.BEND 7 115.00] TO BUS 648401 [N.BD B9 13.800] CKT 1  
SINGLE 437 : OPEN LINE FROM BUS 640282 [N.HAST 7 115.00] TO BUS 640321 [PROSSER7 115.00] CKT 1  
SINGLE 438 : OPEN LINE FROM BUS 640282 [N.HAST 7 115.00] TO BUS 641082 [BYPASS 7 115.00] CKT 1  
SINGLE 439 : OPEN LINE FROM BUS 640284 [N.LOUP 7 115.00] TO BUS 640308 [ORD 7 115.00] CKT 1  
SINGLE 440 : OPEN LINE FROM BUS 640284 [N.LOUP 7 115.00] TO BUS 640347 [SPALDNG7 115.00] CKT 1  
SINGLE 441 : OPEN LINE FROM BUS 640287 [N.PLATT7 115.00] TO BUS 640365 [STOCKVL7 115.00] CKT 1  
SINGLE 442 : OPEN LINE FROM BUS 640293 [NELIGH 7 115.00] TO BUS 640444 [PETERSBRG.N7115.00] CKT 1  
SINGLE 443 : OPEN LINE FROM BUS 640296 [NORFK.N7 115.00] TO BUS 640298 [NORFOLK7 115.00] CKT 1  
SINGLE 444 : OPEN LINE FROM BUS 640298 [NORFOLK7 115.00] TO BUS 643001 [MADISONCNTY7115.00] CKT 1  
SINGLE 445 : OPEN LINE FROM BUS 640300 [OAKLAND7 115.00] TO BUS 640378 [TEKAMAH7 115.00] CKT 1  
SINGLE 446 : OPEN LINE FROM BUS 640300 [OAKLAND7 115.00] TO BUS 640400 [W.POINT7 115.00] CKT 1  
SINGLE 447 : OPEN LINE FROM BUS 640300 [OAKLAND7 115.00] TO BUS 640409 [WINSLOW7 115.00] CKT 1  
SINGLE 448 : OPEN LINE FROM BUS 640302 [OGALALA4 230.00] TO BUS 659132 [OGALALA7 115.00] CKT 1

SINGLE 449 : OPEN LINE FROM BUS 640302 [OGALALA4 230.00] TO BUS 659134 [SIDNEY 4 230.00] CKT 1  
SINGLE 450 : OPEN LINE FROM BUS 640305 [ONEILL 7 115.00] TO BUS 640349 [SPENCER7 115.00] CKT 1  
SINGLE 451 : OPEN LINE FROM BUS 640305 [ONEILL 7 115.00] TO BUS 640441 [STUARTS7 115.00] CKT 1  
SINGLE 452 : OPEN LINE FROM BUS 640313 [PAULINE7 115.00] TO BUS 643050 [ROSEMONT 7115.00] CKT 1  
SINGLE 453 : OPEN LINE FROM BUS 640316 [PAWNEEL7 115.00] TO BUS 640340 [SEWARD 7 115.00] CKT 1  
SINGLE 454 : OPEN LINE FROM BUS 640316 [PAWNEEL7 115.00] TO BUS 650214 [NW68HOLDRG7 115.00] CKT 1  
SINGLE 455 : OPEN LINE FROM BUS 640318 [PETERSBG7 115.00] TO BUS 640444 [PETERSBRG.N7115.00] CKT 1  
SINGLE 456 : OPEN LINE FROM BUS 640323 [RAVENNA7 115.00] TO BUS 640331 [RIVERDL7 115.00] CKT 1  
SINGLE 457 : OPEN LINE FROM BUS 640326 [REDWILO7 115.00] TO BUS 640365 [STOCKVL7 115.00] CKT 1  
SINGLE 458 : OPEN LINE FROM BUS 640328 [RISNGCY7 115.00] TO BUS 640340 [SEWARD 7 115.00] CKT 1  
SINGLE 459 : OPEN LINE FROM BUS 640330 [RIVERDL4 230.00] TO BUS 640331 [RIVERDL7 115.00] CKT 1  
SINGLE 460 : OPEN LINE FROM BUS 640331 [RIVERDL7 115.00] TO BUS 640383 [TOWER 7 115.00] CKT 1  
SINGLE 461 : OPEN LINE FROM BUS 640338 [SCOTBLF7 115.00] TO BUS 640397 [VICTRYH7 115.00] CKT 1  
SINGLE 462 : OPEN LINE FROM BUS 640338 [SCOTBLF7 115.00] TO BUS 659242 [GERINGT7 115.00] CKT 1  
SINGLE 463 : OPEN LINE FROM BUS 640340 [SEWARD 7 115.00] TO BUS 640375 [TAMORA 7 115.00] CKT 1  
SINGLE 464 : OPEN LINE FROM BUS 640342 [SHELCKR3 345.00] TO BUS 640343 [SHELCKR4 230.00] CKT 1  
SINGLE 465 : OPEN LINE FROM BUS 640345 [SILVRCK7 115.00] TO BUS 640436 [CLARKS 7 115.00] CKT 1  
SINGLE 466 : OPEN LINE FROM BUS 640349 [SPENCER7 115.00] TO BUS 652510 [FTRANDL7 115.00] CKT 1  
SINGLE 467 : OPEN LINE FROM BUS 640351 [ST.FRANC 115.00] TO BUS 652482 [MISSION7 115.00] CKT 1  
SINGLE 468 : OPEN LINE FROM BUS 640353 [ST.LIB 7 115.00] TO BUS 640355 [ST.PAUL7 115.00] CKT 1  
SINGLE 469 : OPEN LINE FROM BUS 640353 [ST.LIB 7 115.00] TO BUS 642073 [SUB-F 7 115.00] CKT 1  
SINGLE 470 : OPEN LINE FROM BUS 640357 [STANTON7 115.00] TO BUS 640363 [STNTN.N7 115.00] CKT 1  
SINGLE 471 : OPEN LINE FROM BUS 640359 [STAPLTN7 115.00] TO BUS 640381 [THEDFRD7 115.00] CKT 1  
SINGLE 472 : OPEN LINE FROM BUS 640362 [STERLNG7 115.00] TO BUS 647974 [S974 8 69.000] CKT 1  
SINGLE 473 : OPEN LINE FROM BUS 640370 [SUTHLND7 115.00] TO BUS 659186 [PAXTON 7 115.00] CKT 1  
SINGLE 474 : OPEN LINE FROM BUS 640372 [SUTTON 7 115.00] TO BUS 641087 [EGYCNTR7 115.00] CKT 1  
SINGLE 475 : OPEN LINE FROM BUS 640374 [SWEET W3 345.00] TO BUS 652571 [GR ISLD3 345.00] CKT 1  
SINGLE 476 : OPEN LINE FROM BUS 640375 [TAMORA 7 115.00] TO BUS 640411 [YORK 7 115.00] CKT 1  
SINGLE 477 : OPEN LINE FROM BUS 640377 [TEKAMAH5 161.00] TO BUS 640378 [TEKAMAH7 115.00] CKT 1  
SINGLE 478 : OPEN LINE FROM BUS 640377 [TEKAMAH5 161.00] TO BUS 646226 [S1226 5 161.00] CKT 1  
SINGLE 479 : OPEN LINE FROM BUS 640386 [TWIN CH4 230.00] TO BUS 640387 [TWIN CH7 115.00] CKT 1  
SINGLE 480 : OPEN LINE FROM BUS 640386 [TWIN CH4 230.00] TO BUS 640387 [TWIN CH7 115.00] CKT 2  
SINGLE 481 : OPEN LINE FROM BUS 640386 [TWIN CH4 230.00] TO BUS 652565 [SIOUXCY4 230.00] CKT 1  
SINGLE 482 : OPEN LINE FROM BUS 640387 [TWIN CH7 115.00] TO BUS 640424 [SOUTHSC7 115.00] CKT 1  
SINGLE 483 : OPEN LINE FROM BUS 640387 [TWIN CH7 115.00] TO BUS 640424 [SOUTHSC7 115.00] CKT 2  
SINGLE 484 : OPEN LINE FROM BUS 640392 [VALENTN7 115.00] TO BUS 640394 [VALTN.W7 115.00] CKT 1  
SINGLE 486 : OPEN LINE FROM BUS 640402 [WAHOO 7 115.00] TO BUS 648402 [WAHOO 29 13.800] CKT 1  
SINGLE 487 : OPEN LINE FROM BUS 640404 [WAYSIDE4 230.00] TO BUS 652484 [NUNDRWD4 230.00] CKT 1  
SINGLE 488 : OPEN LINE FROM BUS 640404 [WAYSIDE4 230.00] TO BUS 652573 [STEGALL4 230.00] CKT 1  
SINGLE 489 : OPEN LINE FROM BUS 640411 [YORK 7 115.00] TO BUS 640413 [YORK SW7 115.00] CKT 1  
SINGLE 490 : OPEN LINE FROM BUS 640434 [CEN.C.N7 115.00] TO BUS 640436 [CLARKS 7 115.00] CKT 1  
SINGLE 491 : OPEN LINE FROM BUS 640437 [ERICSON7 115.00] TO BUS 640444 [PETERSBRG.N7115.00] CKT 1  
SINGLE 492 : OPEN LINE FROM BUS 640444 [PETERSBRG.N7115.00] TO BUS 643001 [MADISONCNTY7115.00] CKT 1  
SINGLE 493 : OPEN LINE FROM BUS 641082 [BYPASS 7 115.00] TO BUS 641084 [DENVER 7 115.00] CKT 1  
SINGLE 494 : OPEN LINE FROM BUS 641082 [BYPASS 7 115.00] TO BUS 641085 [E7THST 7 115.00] CKT 1  
SINGLE 495 : OPEN LINE FROM BUS 641083 [D.HENRY7 115.00] TO BUS 641084 [DENVER 7 115.00] CKT 1  
SINGLE 496 : OPEN LINE FROM BUS 641083 [D.HENRY7 115.00] TO BUS 641090 [S. 281 7 115.00] CKT 1  
SINGLE 497 : OPEN LINE FROM BUS 641085 [E7THST 7 115.00] TO BUS 641088 [HASTCTY7 115.00] CKT 1

SINGLE 498 : OPEN LINE FROM BUS 641087 [EGYCNTR7 115.00] TO BUS 641088 [HASTCTY7 115.00] CKT 1  
SINGLE 499 : OPEN LINE FROM BUS 641087 [EGYCNTR7 115.00] TO BUS 641090 [S. 281 7 115.00] CKT 1  
SINGLE 500 : OPEN LINE FROM BUS 642066 [SUB-H G 115.00] TO BUS 642071 [SUB-D 7 115.00] CKT 1  
SINGLE 501 : OPEN LINE FROM BUS 642066 [SUB-H G 115.00] TO BUS 642072 [SUB-E 7 115.00] CKT 1  
SINGLE 502 : OPEN LINE FROM BUS 642068 [SUB-A 7 115.00] TO BUS 642069 [SUB-B 7 115.00] CKT 1  
SINGLE 503 : OPEN LINE FROM BUS 642068 [SUB-A 7 115.00] TO BUS 642076 [SUB-I 7 115.00] CKT 1  
SINGLE 504 : OPEN LINE FROM BUS 642069 [SUB-B 7 115.00] TO BUS 642073 [SUB-F 7 115.00] CKT 1  
SINGLE 505 : OPEN LINE FROM BUS 642070 [SUB-C 7 115.00] TO BUS 642072 [SUB-E 7 115.00] CKT 1  
SINGLE 506 : OPEN LINE FROM BUS 642070 [SUB-C 7 115.00] TO BUS 642073 [SUB-F 7 115.00] CKT 1  
SINGLE 507 : OPEN LINE FROM BUS 642071 [SUB-D 7 115.00] TO BUS 642076 [SUB-I 7 115.00] CKT 1  
SINGLE 508 : OPEN LINE FROM BUS 643000 [MADISONCNTY4230.00] TO BUS 652509 [FTRANDL4 230.00] CKT 1  
SINGLE 509 : OPEN LINE FROM BUS 643001 [MADISONCNTY7115.00] TO BUS 643005 [EMERICK 7115.00] CKT 1  
SINGLE 510 : OPEN LINE FROM BUS 645100 [FC1A 5 161.00] TO BUS 646251 [S1251 5 161.00] CKT 1  
SINGLE 511 : OPEN LINE FROM BUS 645451 [S3451 3 345.00] TO BUS 645454 [S3454 3 345.00] CKT 1  
SINGLE 512 : OPEN LINE FROM BUS 645451 [S3451 3 345.00] TO BUS 645459 [S3459 3 345.00] CKT 1  
SINGLE 513 : OPEN LINE FROM BUS 645454 [S3454 3 345.00] TO BUS 645455 [S3455 3 345.00] CKT 1  
SINGLE 514 : OPEN LINE FROM BUS 645454 [S3454 3 345.00] TO BUS 650185 [WAGENER 3 345.00] CKT 1  
SINGLE 515 : OPEN LINE FROM BUS 645455 [S3455 3 345.00] TO BUS 645456 [S3456 3 345.00] CKT 1  
SINGLE 516 : OPEN LINE FROM BUS 645455 [S3455 3 345.00] TO BUS 645740 [S3740 3 345.00] CKT 1  
SINGLE 517 : OPEN LINE FROM BUS 645456 [S3456 3 345.00] TO BUS 645458 [S3458 3 345.00] CKT 1  
SINGLE 518 : OPEN LINE FROM BUS 645456 [S3456 3 345.00] TO BUS 645459 [S3459 3 345.00] CKT 1  
SINGLE 519 : OPEN LINE FROM BUS 645458 [S3458 3 345.00] TO BUS 645740 [S3740 3 345.00] CKT 1  
SINGLE 520 : OPEN LINE FROM BUS 645458 [S3458 3 345.00] TO BUS 650189 [103&ROKEBY3 345.00] CKT 1  
SINGLE 521 : OPEN LINE FROM BUS 646201 [S1201 5 161.00] TO BUS 646206 [S1206 5 161.00] CKT 1  
SINGLE 522 : OPEN LINE FROM BUS 646201 [S1201 5 161.00] TO BUS 646220 [S1220 5 161.00] CKT 1  
SINGLE 523 : OPEN LINE FROM BUS 646201 [S1201 5 161.00] TO BUS 646229 [S1229 5 161.00] CKT 1  
SINGLE 524 : OPEN LINE FROM BUS 646201 [S1201 5 161.00] TO BUS 646286 [S1286 5 161.00] CKT 1  
SINGLE 525 : OPEN LINE FROM BUS 646206 [S1206 5 161.00] TO BUS 646216 [S1216 5 161.00] CKT 1  
SINGLE 526 : OPEN LINE FROM BUS 646206 [S1206 5 161.00] TO BUS 646232 [S1232 5 161.00] CKT 1  
SINGLE 527 : OPEN LINE FROM BUS 646206 [S1206 5 161.00] TO BUS 646244 [S1244 5 161.00] CKT 1  
SINGLE 528 : OPEN LINE FROM BUS 646209 [S1209 5 161.00] TO BUS 646231 [S1231 5 161.00] CKT 1  
SINGLE 529 : OPEN LINE FROM BUS 646209 [S1209 5 161.00] TO BUS 646231 [S1231 5 161.00] CKT 2  
SINGLE 530 : OPEN LINE FROM BUS 646209 [S1209 5 161.00] TO BUS 646250 [S1250 5 161.00] CKT 1  
SINGLE 531 : OPEN LINE FROM BUS 646209 [S1209 5 161.00] TO BUS 646250 [S1250 5 161.00] CKT 2  
SINGLE 532 : OPEN LINE FROM BUS 646209 [S1209 5 161.00] TO BUS 646252 [S1252 5 161.00] CKT 1  
SINGLE 533 : OPEN LINE FROM BUS 646210 [S1210 5 161.00] TO BUS 646217 [S1217 5 161.00] CKT 1  
SINGLE 534 : OPEN LINE FROM BUS 646210 [S1210 5 161.00] TO BUS 646222 [S1222 5 161.00] CKT 1  
SINGLE 535 : OPEN LINE FROM BUS 646211 [S1211 5 161.00] TO BUS 646220 [S1220 5 161.00] CKT 1  
SINGLE 536 : OPEN LINE FROM BUS 646211 [S1211 5 161.00] TO BUS 646250 [S1250 5 161.00] CKT 1  
SINGLE 537 : OPEN LINE FROM BUS 646211 [S1211 5 161.00] TO BUS 646250 [S1250 5 161.00] CKT 2  
SINGLE 538 : OPEN LINE FROM BUS 646211 [S1211 5 161.00] TO BUS 646299 [S1299 5 161.00] CKT 1  
SINGLE 539 : OPEN LINE FROM BUS 646214 [S1214 5 161.00] TO BUS 646287 [S1287 5 161.00] CKT 1  
SINGLE 540 : OPEN LINE FROM BUS 646214 [S1214 5 161.00] TO BUS 650169 [70&BLUFF 5 161.00] CKT 1  
SINGLE 541 : OPEN LINE FROM BUS 646216 [S1216 5 161.00] TO BUS 646217 [S1217 5 161.00] CKT 1  
SINGLE 542 : OPEN LINE FROM BUS 646217 [S1217 5 161.00] TO BUS 646227 [S1227 5 161.00] CKT 1  
SINGLE 543 : OPEN LINE FROM BUS 646221 [S1221 5 161.00] TO BUS 646231 [S1231 5 161.00] CKT 1  
SINGLE 544 : OPEN LINE FROM BUS 646221 [S1221 5 161.00] TO BUS 646255 [S1255 5 161.00] CKT 1  
SINGLE 545 : OPEN LINE FROM BUS 646222 [S1222 5 161.00] TO BUS 646229 [S1229 5 161.00] CKT 1

SINGLE 546 : OPEN LINE FROM BUS 646226 [S1226 5 161.00] TO BUS 646237 [S1237 5 161.00] CKT 1  
SINGLE 547 : OPEN LINE FROM BUS 646226 [S1226 5 161.00] TO BUS 646252 [S1252 5 161.00] CKT 1  
SINGLE 548 : OPEN LINE FROM BUS 646226 [S1226 5 161.00] TO BUS 646298 [S1298 5 161.00] CKT 1  
SINGLE 549 : OPEN LINE FROM BUS 646226 [S1226 5 161.00] TO BUS 646298 [S1298 5 161.00] CKT 2  
SINGLE 550 : OPEN LINE FROM BUS 646227 [S1227 5 161.00] TO BUS 646231 [S1231 5 161.00] CKT 1  
SINGLE 551 : OPEN LINE FROM BUS 646231 [S1231 5 161.00] TO BUS 646235 [S1235 5 161.00] CKT 1  
SINGLE 552 : OPEN LINE FROM BUS 646232 [S1232 5 161.00] TO BUS 646278 [S1278 5 161.00] CKT 1  
SINGLE 553 : OPEN LINE FROM BUS 646233 [S1233 5 161.00] TO BUS 646234 [S1234 5 161.00] CKT 1  
SINGLE 554 : OPEN LINE FROM BUS 646233 [S1233 5 161.00] TO BUS 646255 [S1255 5 161.00] CKT 1  
SINGLE 555 : OPEN LINE FROM BUS 646234 [S1234 5 161.00] TO BUS 646235 [S1235 5 161.00] CKT 1  
SINGLE 556 : OPEN LINE FROM BUS 646235 [S1235 5 161.00] TO BUS 646236 [S1236 5 161.00] CKT 1  
SINGLE 557 : OPEN LINE FROM BUS 646235 [S1235 5 161.00] TO BUS 646253 [S1253 5 161.00] CKT 1  
SINGLE 558 : OPEN LINE FROM BUS 646236 [S1236 5 161.00] TO BUS 646345 [S1345 5 161.00] CKT 1  
SINGLE 559 : OPEN LINE FROM BUS 646237 [S1237 5 161.00] TO BUS 646253 [S1253 5 161.00] CKT 1  
SINGLE 560 : OPEN LINE FROM BUS 646237 [S1237 5 161.00] TO BUS 646345 [S1345 5 161.00] CKT 1  
SINGLE 561 : OPEN LINE FROM BUS 646244 [S1244 5 161.00] TO BUS 646258 [S1258 5 161.00] CKT 1  
SINGLE 562 : OPEN LINE FROM BUS 646249 [S1249 5 161.00] TO BUS 646254 [S1254 5 161.00] CKT 1  
SINGLE 563 : OPEN LINE FROM BUS 646249 [S1249 5 161.00] TO BUS 646256 [S1256 5 161.00] CKT 1  
SINGLE 564 : OPEN LINE FROM BUS 646250 [S1250 5 161.00] TO BUS 646297 [S1297 5 161.00] CKT 1  
SINGLE 565 : OPEN LINE FROM BUS 646251 [S1251 5 161.00] TO BUS 646297 [S1297 5 161.00] CKT 1  
SINGLE 566 : OPEN LINE FROM BUS 646251 [S1251 5 161.00] TO BUS 646298 [S1298 5 161.00] CKT 1  
SINGLE 567 : OPEN LINE FROM BUS 646251 [S1251 5 161.00] TO BUS 646341 [S1341 5 161.00] CKT 1  
SINGLE 568 : OPEN LINE FROM BUS 646253 [S1253 5 161.00] TO BUS 646256 [S1256 5 161.00] CKT 1  
SINGLE 569 : OPEN LINE FROM BUS 646254 [S1254 5 161.00] TO BUS 646281 [S1281 5 161.00] CKT 1  
SINGLE 570 : OPEN LINE FROM BUS 646255 [S1255 5 161.00] TO BUS 646259 [S1259 5 161.00] CKT 1  
SINGLE 571 : OPEN LINE FROM BUS 646258 [S1258 5 161.00] TO BUS 646263 [S1263 5 161.00] CKT 1  
SINGLE 572 : OPEN LINE FROM BUS 646259 [S1259 5 161.00] TO BUS 646278 [S1278 5 161.00] CKT 1  
SINGLE 573 : OPEN LINE FROM BUS 646259 [S1259 5 161.00] TO BUS 646281 [S1281 5 161.00] CKT 1  
SINGLE 574 : OPEN LINE FROM BUS 646263 [S1263 5 161.00] TO BUS 646280 [S1280 5 161.00] CKT 1  
SINGLE 575 : OPEN LINE FROM BUS 646281 [S1281 5 161.00] TO BUS 646287 [S1287 5 161.00] CKT 1  
SINGLE 576 : OPEN LINE FROM BUS 646286 [S1286 5 161.00] TO BUS 646299 [S1299 5 161.00] CKT 1  
SINGLE 577 : OPEN LINE FROM BUS 646298 [S1298 5 161.00] TO BUS 646305 [S1305 5 161.00] CKT 1  
SINGLE 578 : OPEN LINE FROM BUS 646305 [S1305 5 161.00] TO BUS 646341 [S1341 5 161.00] CKT 1  
SINGLE 579 : OPEN LINE FROM BUS 650114 [NW68HOLDRG3 345.00] TO BUS 650185 [WAGENER 3 345.00] CKT 1  
SINGLE 580 : OPEN LINE FROM BUS 650185 [WAGENER 3 345.00] TO BUS 650189 [103&ROKEBY3 345.00] CKT 1  
SINGLE 581 : OPEN LINE FROM BUS 650205 [4&MORTON 7 115.00] TO BUS 650212 [NW5&BENTON7 115.00] CKT 1  
SINGLE 582 : OPEN LINE FROM BUS 650205 [4&MORTON 7 115.00] TO BUS 650215 [19&ALVO 7 115.00] CKT 1  
SINGLE 583 : OPEN LINE FROM BUS 650208 [W LINCOLN 7 115.00] TO BUS 650212 [NW5&BENTON7 115.00] CKT 1  
SINGLE 584 : OPEN LINE FROM BUS 650208 [W LINCOLN 7 115.00] TO BUS 650230 [2&N 7 115.00] CKT 1  
SINGLE 585 : OPEN LINE FROM BUS 650210 [SW56&K 7 115.00] TO BUS 650214 [NW68HOLDRG7 115.00] CKT 1  
SINGLE 586 : OPEN LINE FROM BUS 650210 [SW56&K 7 115.00] TO BUS 650216 [SW27&F 7 115.00] CKT 1  
SINGLE 587 : OPEN LINE FROM BUS 650214 [NW68HOLDRG7 115.00] TO BUS 650226 [NW12&ARBOR7 115.00] CKT 1  
SINGLE 588 : OPEN LINE FROM BUS 650214 [NW68HOLDRG7 115.00] TO BUS 650290 [ROKEBY 7 115.00] CKT 1  
SINGLE 589 : OPEN LINE FROM BUS 650215 [19&ALVO 7 115.00] TO BUS 650226 [NW12&ARBOR7 115.00] CKT 1  
SINGLE 590 : OPEN LINE FROM BUS 650215 [19&ALVO 7 115.00] TO BUS 650228 [27FLETCHER7 115.00] CKT 1  
SINGLE 591 : OPEN LINE FROM BUS 650215 [19&ALVO 7 115.00] TO BUS 650261 [56&I80 7 115.00] CKT 1  
SINGLE 592 : OPEN LINE FROM BUS 650216 [SW27&F 7 115.00] TO BUS 650230 [2&N 7 115.00] CKT 1  
SINGLE 593 : OPEN LINE FROM BUS 650217 [8&N 7 115.00] TO BUS 650219 [17&HOLDRGE7 115.00] CKT 1

SINGLE 594 : OPEN LINE FROM BUS 650217 [8&N 7 115.00] TO BUS 650230 [2&N 7 115.00] CKT 1  
SINGLE 595 : OPEN LINE FROM BUS 650218 [3&VANDORN 7 115.00] TO BUS 650230 [2&N 7 115.00] CKT 1  
SINGLE 596 : OPEN LINE FROM BUS 650218 [3&VANDORN 7 115.00] TO BUS 650238 [20PIONEERS7 115.00] CKT 1  
SINGLE 597 : OPEN LINE FROM BUS 650219 [17&HOLDRGE7 115.00] TO BUS 650240 [29LEIGHTON7 115.00] CKT 1  
SINGLE 598 : OPEN LINE FROM BUS 650228 [27FLETCHER7 115.00] TO BUS 650233 [33SUPERIOR7 115.00] CKT 1  
SINGLE 599 : OPEN LINE FROM BUS 650229 [27&PLR 7 115.00] TO BUS 650250 [40&ROKEBY 7 115.00] CKT 1  
SINGLE 600 : OPEN LINE FROM BUS 650229 [27&PLR 7 115.00] TO BUS 650290 [ROKEBY 7 115.00] CKT 1  
SINGLE 601 : OPEN LINE FROM BUS 650230 [2&N 7 115.00] TO BUS 650238 [20PIONEERS7 115.00] CKT 1  
SINGLE 602 : OPEN LINE FROM BUS 650233 [33SUPERIOR7 115.00] TO BUS 650240 [29LEIGHTON7 115.00] CKT 1  
SINGLE 603 : OPEN LINE FROM BUS 650233 [33SUPERIOR7 115.00] TO BUS 650259 [59CRNHUSKR7 115.00] CKT 1  
SINGLE 604 : OPEN LINE FROM BUS 650238 [20PIONEERS7 115.00] TO BUS 650242 [FOLSM&PHIL7 115.00] CKT 1  
SINGLE 605 : OPEN LINE FROM BUS 650238 [20PIONEERS7 115.00] TO BUS 650251 [30&A SOUTH7 115.00] CKT 1  
SINGLE 606 : OPEN LINE FROM BUS 650238 [20PIONEERS7 115.00] TO BUS 650258 [40&GERTIE 7 115.00] CKT 1  
SINGLE 607 : OPEN LINE FROM BUS 650238 [20PIONEERS7 115.00] TO BUS 650270 [70&CALVERT7 115.00] CKT 1  
SINGLE 608 : OPEN LINE FROM BUS 650240 [29LEIGHTON7 115.00] TO BUS 650252 [30&A NORTH7 115.00] CKT 1  
SINGLE 609 : OPEN LINE FROM BUS 650242 [FOLSM&PHIL7 115.00] TO BUS 650290 [ROKEBY 7 115.00] CKT 1  
SINGLE 610 : OPEN LINE FROM BUS 650250 [40&ROKEBY 7 115.00] TO BUS 650255 [56&PLR 7 115.00] CKT 1  
SINGLE 611 : OPEN LINE FROM BUS 650255 [56&PLR 7 115.00] TO BUS 650274 [91&HWY2 7 115.00] CKT 1  
SINGLE 612 : OPEN LINE FROM BUS 650256 [56&EVERETT7 115.00] TO BUS 650257 [56&ELK TAP7 115.00] CKT 1  
SINGLE 613 : OPEN LINE FROM BUS 650256 [56&EVERETT7 115.00] TO BUS 650260 [56&Q 7 115.00] CKT 1  
SINGLE 614 : OPEN LINE FROM BUS 650257 [56&ELK TAP7 115.00] TO BUS 650258 [40&GERTIE 7 115.00] CKT 1  
SINGLE 615 : OPEN LINE FROM BUS 650257 [56&ELK TAP7 115.00] TO BUS 650270 [70&CALVERT7 115.00] CKT 1  
SINGLE 616 : OPEN LINE FROM BUS 650259 [59CRNHUSKR7 115.00] TO BUS 650262 [57&GARLAND7 115.00] CKT 1  
SINGLE 617 : OPEN LINE FROM BUS 650260 [56&Q 7 115.00] TO BUS 650262 [57&GARLAND7 115.00] CKT 1  
SINGLE 618 : OPEN LINE FROM BUS 650261 [56&I80 7 115.00] TO BUS 650269 [70&BLUFF 7 115.00] CKT 1  
SINGLE 619 : OPEN LINE FROM BUS 650262 [57&GARLAND7 115.00] TO BUS 650267 [84LEIGHTON7 115.00] CKT 1  
SINGLE 620 : OPEN LINE FROM BUS 650267 [84LEIGHTON7 115.00] TO BUS 650272 [91&A 7 115.00] CKT 1  
SINGLE 621 : OPEN LINE FROM BUS 650267 [84LEIGHTON7 115.00] TO BUS 650273 [93&O 7 115.00] CKT 1  
SINGLE 622 : OPEN LINE FROM BUS 650267 [84LEIGHTON7 115.00] TO BUS 650284 [84FLETCHER7 115.00] CKT 1  
SINGLE 623 : OPEN LINE FROM BUS 650267 [84LEIGHTON7 115.00] TO BUS 650285 [WAGENER 7 115.00] CKT 1  
SINGLE 624 : OPEN LINE FROM BUS 650269 [70&BLUFF 7 115.00] TO BUS 650275 [84&BLUFF 7 115.00] CKT 1  
SINGLE 625 : OPEN LINE FROM BUS 650270 [70&CALVERT7 115.00] TO BUS 650271 [81&OCHENEY7 115.00] CKT 1  
SINGLE 626 : OPEN LINE FROM BUS 650270 [70&CALVERT7 115.00] TO BUS 650272 [91&A 7 115.00] CKT 1  
SINGLE 627 : OPEN LINE FROM BUS 650270 [70&CALVERT7 115.00] TO BUS 650273 [93&O 7 115.00] CKT 1  
SINGLE 628 : OPEN LINE FROM BUS 650271 [81&OCHENEY7 115.00] TO BUS 650274 [91&HWY2 7 115.00] CKT 1  
SINGLE 629 : OPEN LINE FROM BUS 650271 [81&OCHENEY7 115.00] TO BUS 650285 [WAGENER 7 115.00] CKT 1  
SINGLE 630 : OPEN LINE FROM BUS 650275 [84&BLUFF 7 115.00] TO BUS 650283 [WAVERLY 7 115.00] CKT 1  
SINGLE 631 : OPEN LINE FROM BUS 650275 [84&BLUFF 7 115.00] TO BUS 650284 [84FLETCHER7 115.00] CKT 1  
SINGLE 632 : OPEN LINE FROM BUS 650280 [120&ALVO 7 115.00] TO BUS 650283 [WAVERLY 7 115.00] CKT 1  
SINGLE 633 : OPEN LINE FROM BUS 650280 [120&ALVO 7 115.00] TO BUS 650285 [WAGENER 7 115.00] CKT 1  
SINGLE 634 : OPEN LINE FROM BUS 652216 [WATFORD4 230.00] TO BUS 652400 [WILISTN4 230.00] CKT 1  
SINGLE 635 : OPEN LINE FROM BUS 652216 [WATFORD4 230.00] TO BUS 652408 [WATFORD7 115.00] CKT 1  
SINGLE 636 : OPEN LINE FROM BUS 652216 [WATFORD4 230.00] TO BUS 659302 [CHAR.CK4 230.00] CKT 1  
SINGLE 637 : OPEN LINE FROM BUS 652243 [FAITH 7 115.00] TO BUS 652476 [EAGLEBT7 115.00] CKT 1  
SINGLE 638 : OPEN LINE FROM BUS 652243 [FAITH 7 115.00] TO BUS 652480 [MAURINE7 115.00] CKT 1  
SINGLE 639 : OPEN LINE FROM BUS 652283 [ROLLA 7 115.00] TO BUS 652299 [AGATE 7 115.00] CKT 1  
SINGLE 640 : OPEN LINE FROM BUS 652294 [IVANHOE7 115.00] TO BUS 652538 [WHITE 7 115.00] CKT 1  
SINGLE 641 : OPEN LINE FROM BUS 652296 [WARD 4 230.00] TO BUS 652426 [BISMARK4 230.00] CKT 1



SINGLE 642 : OPEN LINE FROM BUS 652296 [WARD 4 230.00] TO BUS 659297 [BIS WARD 7115.00] CKT 1  
SINGLE 643 : OPEN LINE FROM BUS 652299 [AGATE 7 115.00] TO BUS 652447 [LEEDS 7 115.00] CKT 1  
SINGLE 644 : OPEN LINE FROM BUS 652300 [CHAPPEL7 115.00] TO BUS 659238 [COLTON 7 115.00] CKT 1  
SINGLE 645 : OPEN LINE FROM BUS 652302 [JULESBG7 115.00] TO BUS 659240 [INTERST7 115.00] CKT 1  
SINGLE 646 : OPEN LINE FROM BUS 652311 [DUNLAP 7 115.00] TO BUS 659236 [BOXBUTE7 115.00] CKT 1  
SINGLE 647 : OPEN LINE FROM BUS 652312 [MORRILL7 115.00] TO BUS 659197 [SNAKECK7 115.00] CKT 1  
SINGLE 648 : OPEN LINE FROM BUS 652312 [MORRILL7 115.00] TO BUS 659242 [GERINGT7 115.00] CKT 1  
SINGLE 649 : OPEN LINE FROM BUS 652397 [VFODNES7 115.00] TO BUS 659258 [SXF HARSBRG7115.00] CKT 1  
SINGLE 650 : OPEN LINE FROM BUS 652397 [VFODNES7 115.00] TO BUS 659259 [SXF CHANCLR7115.00] CKT 1  
SINGLE 651 : OPEN LINE FROM BUS 652398 [VFODNES4 230.00] TO BUS 652523 [SIOUXFL4 230.00] CKT 1  
SINGLE 652 : OPEN LINE FROM BUS 652398 [VFODNES4 230.00] TO BUS 652526 [UTICAJC4 230.00] CKT 1  
SINGLE 653 : OPEN LINE FROM BUS 652400 [WILISTN4 230.00] TO BUS 661084 [TIOGA4 4 230.00] CKT 1  
SINGLE 654 : OPEN LINE FROM BUS 652401 [CIRCLE 7 115.00] TO BUS 652404 [DAWSONC7 115.00] CKT 1  
SINGLE 655 : OPEN LINE FROM BUS 652401 [CIRCLE 7 115.00] TO BUS 652409 [WOLFPT 7 115.00] CKT 1  
SINGLE 656 : OPEN LINE FROM BUS 652402 [MI CTYW4 230.00] TO BUS 652450 [MT WEST4 230.00] CKT 1  
SINGLE 657 : OPEN LINE FROM BUS 652403 [DAWSONC4 230.00] TO BUS 652405 [FTPECK 4 230.00] CKT 1  
SINGLE 658 : OPEN LINE FROM BUS 652403 [DAWSONC4 230.00] TO BUS 652411 [MI CTYE4 230.00] CKT 1  
SINGLE 659 : OPEN LINE FROM BUS 652403 [DAWSONC4 230.00] TO BUS 652413 [MEDORA 4 230.00] CKT 1  
SINGLE 660 : OPEN LINE FROM BUS 652404 [DAWSONC7 115.00] TO BUS 652407 [FALLON 7 115.00] CKT 1  
SINGLE 661 : OPEN LINE FROM BUS 652405 [FTPECK 4 230.00] TO BUS 652406 [FTPECK 7 115.00] CKT 1  
SINGLE 662 : OPEN LINE FROM BUS 652406 [FTPECK 7 115.00] TO BUS 652409 [WOLFPT 7 115.00] CKT 1  
SINGLE 663 : OPEN LINE FROM BUS 652406 [FTPECK 7 115.00] TO BUS 652409 [WOLFPT 7 115.00] CKT 2  
SINGLE 664 : OPEN LINE FROM BUS 652407 [FALLON 7 115.00] TO BUS 652412 [MI CTYE7 115.00] CKT 1  
SINGLE 665 : OPEN LINE FROM BUS 652409 [WOLFPT 7 115.00] TO BUS 661075 [POPLAR 7 115.00] CKT 1  
SINGLE 666 : OPEN LINE FROM BUS 652411 [MI CTYE4 230.00] TO BUS 661004 [BAKER 4 230.00] CKT 1  
SINGLE 667 : OPEN LINE FROM BUS 652413 [MEDORA 4 230.00] TO BUS 652425 [BELFELD4 230.00] CKT 1  
SINGLE 668 : OPEN LINE FROM BUS 652416 [DEVAUL 7 115.00] TO BUS 652420 [NSALEM 7 115.00] CKT 1  
SINGLE 670 : OPEN LINE FROM BUS 652419 [KILDEER7 115.00] TO BUS 652422 [HALIDAY7 115.00] CKT 1  
SINGLE 671 : OPEN LINE FROM BUS 652419 [KILDEER7 115.00] TO BUS 659182 [CHAR.CK7 115.00] CKT 1  
SINGLE 672 : OPEN LINE FROM BUS 652420 [NSALEM 7 115.00] TO BUS 659109 [BASIN 7 115.00] CKT 1  
SINGLE 673 : OPEN LINE FROM BUS 652420 [NSALEM 7 115.00] TO BUS 659305 [NWMANDANMGS7115.00] CKT 1  
SINGLE 674 : OPEN LINE FROM BUS 652421 [WILISTN7 115.00] TO BUS 652651 [FAIRVIEW 7 115.00] CKT 1  
SINGLE 675 : OPEN LINE FROM BUS 652421 [WILISTN7 115.00] TO BUS 661012 [CLBRTSN7 115.00] CKT 1  
SINGLE 676 : OPEN LINE FROM BUS 652423 [BARLOW 7 115.00] TO BUS 652428 [CARNGTN7 115.00] CKT 1  
SINGLE 677 : OPEN LINE FROM BUS 652423 [BARLOW 7 115.00] TO BUS 652431 [DEVILSL7 115.00] CKT 1  
SINGLE 679 : OPEN LINE FROM BUS 652425 [BELFELD4 230.00] TO BUS 659266 [RHAME 4 230.00] CKT 1  
SINGLE 680 : OPEN LINE FROM BUS 652426 [BISMARK4 230.00] TO BUS 652427 [BISMARK7 115.00] CKT 1  
SINGLE 681 : OPEN LINE FROM BUS 652426 [BISMARK4 230.00] TO BUS 652427 [BISMARK7 115.00] CKT 2  
SINGLE 682 : OPEN LINE FROM BUS 652426 [BISMARK4 230.00] TO BUS 652444 [JAMESTN4 230.00] CKT 1  
SINGLE 683 : OPEN LINE FROM BUS 652426 [BISMARK4 230.00] TO BUS 652456 [WASHBRN4 230.00] CKT 1  
SINGLE 684 : OPEN LINE FROM BUS 652426 [BISMARK4 230.00] TO BUS 652466 [HILKEN 4 230.00] CKT 1  
SINGLE 685 : OPEN LINE FROM BUS 652426 [BISMARK4 230.00] TO BUS 661028 [WEBER 4 230.00] CKT 1  
SINGLE 686 : OPEN LINE FROM BUS 652426 [BISMARK4 230.00] TO BUS 661038 [GLENHAM4 230.00] CKT 1  
SINGLE 687 : OPEN LINE FROM BUS 652427 [BISMARK7 115.00] TO BUS 659282 [BIS EA CEPC7115.00] CKT 1  
SINGLE 688 : OPEN LINE FROM BUS 652428 [CARNGTN7 115.00] TO BUS 652445 [JAMESTN7 115.00] CKT 1  
SINGLE 689 : OPEN LINE FROM BUS 652430 [EGF IND7 115.00] TO BUS 652443 [GRNDFKS7 115.00] CKT 1  
SINGLE 690 : OPEN LINE FROM BUS 652430 [EGF IND7 115.00] TO BUS 657707 [CALEDON7 115.00] CKT 1  
SINGLE 691 : OPEN LINE FROM BUS 652431 [DEVILSL7 115.00] TO BUS 652448 [LAKOTA 7 115.00] CKT 1

SINGLE 692 : OPEN LINE FROM BUS 652431 [DEVILSL7 115.00] TO BUS 652465 [PENN 7 115.00] CKT 1  
SINGLE 693 : OPEN LINE FROM BUS 652432 [EDGELEY7 115.00] TO BUS 652445 [JAMESTN7 115.00] CKT 1  
SINGLE 694 : OPEN LINE FROM BUS 652432 [EDGELEY7 115.00] TO BUS 652534 [ORDWAY 7 115.00] CKT 1  
SINGLE 695 : OPEN LINE FROM BUS 652432 [EDGELEY7 115.00] TO BUS 659280 [POMONA 7 115.00] CKT 1  
SINGLE 696 : OPEN LINE FROM BUS 652435 [FARGO 4 230.00] TO BUS 652444 [JAMESTN4 230.00] CKT 1  
SINGLE 697 : OPEN LINE FROM BUS 652435 [FARGO 4 230.00] TO BUS 652444 [JAMESTN4 230.00] CKT 2  
SINGLE 698 : OPEN LINE FROM BUS 652435 [FARGO 4 230.00] TO BUS 652553 [MOORHED4 230.00] CKT 1  
SINGLE 699 : OPEN LINE FROM BUS 652436 [FARGO 7 115.00] TO BUS 657707 [CALEDON7 115.00] CKT 1  
SINGLE 700 : OPEN LINE FROM BUS 652436 [FARGO 7 115.00] TO BUS 658080 [MPSBROOK 115.00] CKT 1  
SINGLE 701 : OPEN LINE FROM BUS 652437 [GRNDFKS4 230.00] TO BUS 657759 [PICKERT4 230.00] CKT 1  
SINGLE 702 : OPEN LINE FROM BUS 652438 [FORMAN 7 115.00] TO BUS 652522 [SUMMIT-7 115.00] CKT 1  
SINGLE 703 : OPEN LINE FROM BUS 652438 [FORMAN 7 115.00] TO BUS 652638 [ENDERLIN 7 115.00] CKT 1  
SINGLE 704 : OPEN LINE FROM BUS 652438 [FORMAN 7 115.00] TO BUS 659172 [LUDDENPS19 7115.00] CKT 1  
SINGLE 705 : OPEN LINE FROM BUS 652441 [GARRISN4 230.00] TO BUS 652442 [GARRISN7 115.00] CKT 1  
SINGLE 706 : OPEN LINE FROM BUS 652441 [GARRISN4 230.00] TO BUS 652444 [JAMESTN4 230.00] CKT 1  
SINGLE 707 : OPEN LINE FROM BUS 652441 [GARRISN4 230.00] TO BUS 652466 [HILKEN 4 230.00] CKT 1  
SINGLE 708 : OPEN LINE FROM BUS 652441 [GARRISN4 230.00] TO BUS 659106 [LELANDO4 230.00] CKT 1  
SINGLE 709 : OPEN LINE FROM BUS 652442 [GARRISN7 115.00] TO BUS 652449 [MAX 7 115.00] CKT 1  
SINGLE 710 : OPEN LINE FROM BUS 652442 [GARRISN7 115.00] TO BUS 659113 [VOLTAIR7 115.00] CKT 1  
SINGLE 711 : OPEN LINE FROM BUS 652444 [JAMESTN4 230.00] TO BUS 657759 [PICKERT4 230.00] CKT 1  
SINGLE 712 : OPEN LINE FROM BUS 652444 [JAMESTN4 230.00] TO BUS 661028 [WEBER 4 230.00] CKT 1  
SINGLE 713 : OPEN LINE FROM BUS 652445 [JAMESTN7 115.00] TO BUS 652454 [VALLEYC7 115.00] CKT 1  
SINGLE 714 : OPEN LINE FROM BUS 652446 [PLEASANT LK7115.00] TO BUS 652447 [LEEDS 7 115.00] CKT 1  
SINGLE 715 : OPEN LINE FROM BUS 652446 [PLEASANT LK7115.00] TO BUS 652452 [RUGBY 7 115.00] CKT 1  
SINGLE 716 : OPEN LINE FROM BUS 652447 [LEEDS 7 115.00] TO BUS 652465 [PENN 7 115.00] CKT 1  
SINGLE 717 : OPEN LINE FROM BUS 652449 [MAX 7 115.00] TO BUS 659190 [NDPRAIRWIND 7115.00] CKT 1  
SINGLE 718 : OPEN LINE FROM BUS 652451 [RICHLND7 115.00] TO BUS 652651 [FAIRVIEW 7 115.00] CKT 1  
SINGLE 719 : OPEN LINE FROM BUS 652451 [RICHLND7 115.00] TO BUS 659180 [KOCH 7 115.00] CKT 1  
SINGLE 720 : OPEN LINE FROM BUS 652452 [RUGBY 7 115.00] TO BUS 652453 [TOWNER 7 115.00] CKT 1  
SINGLE 721 : OPEN LINE FROM BUS 652453 [TOWNER 7 115.00] TO BUS 652455 [BOTTN0 7 115.00] CKT 1  
SINGLE 722 : OPEN LINE FROM BUS 652453 [TOWNER 7 115.00] TO BUS 652464 [DENBIGH TAP7115.00] CKT 1  
SINGLE 723 : OPEN LINE FROM BUS 652454 [VALLEYC7 115.00] TO BUS 652638 [ENDERLIN 7 115.00] CKT 1  
SINGLE 724 : OPEN LINE FROM BUS 652456 [WASHBRN4 230.00] TO BUS 659106 [LELANDO4 230.00] CKT 1  
SINGLE 725 : OPEN LINE FROM BUS 652463 [WH SWAN7 115.00] TO BUS 652510 [FTRANDL7 115.00] CKT 1  
SINGLE 726 : OPEN LINE FROM BUS 652463 [WH SWAN7 115.00] TO BUS 652525 [TYNDALL7 115.00] CKT 1  
SINGLE 727 : OPEN LINE FROM BUS 652464 [DENBIGH TAP7115.00] TO BUS 659113 [VOLTAIR7 115.00] CKT 1  
SINGLE 728 : OPEN LINE FROM BUS 652466 [HILKEN 4 230.00] TO BUS 659284 [ECKLUND4 230.00] CKT 1  
SINGLE 729 : OPEN LINE FROM BUS 652467 [WITTEN 4 230.00] TO BUS 652541 [BIGBND24 230.00] CKT 1  
SINGLE 730 : OPEN LINE FROM BUS 652470 [BISON 4 230.00] TO BUS 652497 [MAURINE4 230.00] CKT 1  
SINGLE 731 : OPEN LINE FROM BUS 652470 [BISON 4 230.00] TO BUS 661047 [HETINGR4 230.00] CKT 1  
SINGLE 732 : OPEN LINE FROM BUS 652473 [ELKCRK 7 115.00] TO BUS 652483 [NEWELL 7 115.00] CKT 1  
SINGLE 733 : OPEN LINE FROM BUS 652473 [ELKCRK 7 115.00] TO BUS 652490 [RAPIDCY7 115.00] CKT 1  
SINGLE 734 : OPEN LINE FROM BUS 652474 [AURORA 7 115.00] TO BUS 652504 [BROOKNG7 115.00] CKT 1  
SINGLE 735 : OPEN LINE FROM BUS 652474 [AURORA 7 115.00] TO BUS 652505 [FLANDRU7 115.00] CKT 1  
SINGLE 736 : OPEN LINE FROM BUS 652475 [BONESTL7 115.00] TO BUS 652478 [GREGORY7 115.00] CKT 1  
SINGLE 737 : OPEN LINE FROM BUS 652475 [BONESTL7 115.00] TO BUS 652510 [FTRANDL7 115.00] CKT 1  
SINGLE 738 : OPEN LINE FROM BUS 652476 [EAGLEBT7 115.00] TO BUS 652520 [OAHE 7 115.00] CKT 1  
SINGLE 739 : OPEN LINE FROM BUS 652477 [ELSWRTH7 115.00] TO BUS 652485 [NUNDRWD7 115.00] CKT 1

SINGLE 740 : OPEN LINE FROM BUS 652477 [ELSWRTH7 115.00] TO BUS 652490 [RAPIDCY7 115.00] CKT 1  
SINGLE 741 : OPEN LINE FROM BUS 652478 [GREGORY7 115.00] TO BUS 652494 [WINNER 7 115.00] CKT 1  
SINGLE 742 : OPEN LINE FROM BUS 652479 [MARTIN 7 115.00] TO BUS 652487 [PHILIP 7 115.00] CKT 1  
SINGLE 743 : OPEN LINE FROM BUS 652479 [MARTIN 7 115.00] TO BUS 659152 [SHAN-SD7 115.00] CKT 1  
SINGLE 744 : OPEN LINE FROM BUS 652479 [MARTIN 7 115.00] TO BUS 659153 [VETALTP7 115.00] CKT 1  
SINGLE 745 : OPEN LINE FROM BUS 652480 [MAURINE7 115.00] TO BUS 652483 [NEWELL 7 115.00] CKT 1  
SINGLE 746 : OPEN LINE FROM BUS 652481 [MIDLAND7 115.00] TO BUS 652487 [PHILIP 7 115.00] CKT 1  
SINGLE 747 : OPEN LINE FROM BUS 652481 [MIDLAND7 115.00] TO BUS 652491 [IRVSIMM7 115.00] CKT 1  
SINGLE 748 : OPEN LINE FROM BUS 652482 [MISSION7 115.00] TO BUS 652495 [WITTEN 7 115.00] CKT 1  
SINGLE 749 : OPEN LINE FROM BUS 652482 [MISSION7 115.00] TO BUS 659153 [VETALTP7 115.00] CKT 1  
SINGLE 752 : OPEN LINE FROM BUS 652484 [NUNDRWD4 230.00] TO BUS 659271 [RCDC EAST 4230.00] CKT 1  
SINGLE 753 : OPEN LINE FROM BUS 652485 [NUNDRWD7 115.00] TO BUS 652493 [WICKSVL7 115.00] CKT 1  
SINGLE 754 : OPEN LINE FROM BUS 652485 [NUNDRWD7 115.00] TO BUS 652496 [RUSHMRE7 115.00] CKT 1  
SINGLE 755 : OPEN LINE FROM BUS 652486 [PHILIP 4 230.00] TO BUS 652487 [PHILIP 7 115.00] CKT 1  
SINGLE 756 : OPEN LINE FROM BUS 652486 [PHILIP 4 230.00] TO BUS 652488 [PHILTAP4 230.00] CKT 1  
SINGLE 757 : OPEN LINE FROM BUS 652487 [PHILIP 7 115.00] TO BUS 652492 [WALL 7 115.00] CKT 1  
SINGLE 758 : OPEN LINE FROM BUS 652488 [PHILTAP4 230.00] TO BUS 652519 [OAHE 4 230.00] CKT 1  
SINGLE 759 : OPEN LINE FROM BUS 652489 [PIERRE 7 115.00] TO BUS 652491 [IRVSIMM7 115.00] CKT 1  
SINGLE 760 : OPEN LINE FROM BUS 652489 [PIERRE 7 115.00] TO BUS 652600 [ASH TAP 115.00] CKT 1  
SINGLE 761 : OPEN LINE FROM BUS 652489 [PIERRE 7 115.00] TO BUS 652602 [EVANS ST 115.00] CKT 1  
SINGLE 762 : OPEN LINE FROM BUS 652490 [RAPIDCY7 115.00] TO BUS 652496 [RUSHMRE7 115.00] CKT 1  
SINGLE 763 : OPEN LINE FROM BUS 652491 [IRVSIMM7 115.00] TO BUS 652520 [OAHE 7 115.00] CKT 1  
SINGLE 764 : OPEN LINE FROM BUS 652492 [WALL 7 115.00] TO BUS 652493 [WICKSVL7 115.00] CKT 1  
SINGLE 765 : OPEN LINE FROM BUS 652494 [WINNER 7 115.00] TO BUS 652495 [WITTEN 7 115.00] CKT 1  
SINGLE 766 : OPEN LINE FROM BUS 652500 [ARLNGTN7 115.00] TO BUS 652504 [BROOKNG7 115.00] CKT 1  
SINGLE 767 : OPEN LINE FROM BUS 652500 [ARLNGTN7 115.00] TO BUS 652531 [WATERTN7 115.00] CKT 1  
SINGLE 768 : OPEN LINE FROM BUS 652501 [ARMOUR 7 115.00] TO BUS 652510 [FTRANDL7 115.00] CKT 1  
SINGLE 769 : OPEN LINE FROM BUS 652501 [ARMOUR 7 115.00] TO BUS 652518 [MTVERN 7 115.00] CKT 1  
SINGLE 770 : OPEN LINE FROM BUS 652502 [BERSFRD7 115.00] TO BUS 652517 [MANNING7 115.00] CKT 1  
SINGLE 771 : OPEN LINE FROM BUS 652502 [BERSFRD7 115.00] TO BUS 652524 [SIOUXFL7 115.00] CKT 1  
SINGLE 772 : OPEN LINE FROM BUS 652503 [BLAIR 4 230.00] TO BUS 652530 [WATERTN4 230.00] CKT 1  
SINGLE 773 : OPEN LINE FROM BUS 652503 [BLAIR 4 230.00] TO BUS 652550 [GRANITF4 230.00] CKT 1  
SINGLE 774 : OPEN LINE FROM BUS 652504 [BROOKNG7 115.00] TO BUS 652531 [WATERTN7 115.00] CKT 1  
SINGLE 775 : OPEN LINE FROM BUS 652504 [BROOKNG7 115.00] TO BUS 652538 [WHITE 7 115.00] CKT 1  
SINGLE 776 : OPEN LINE FROM BUS 652505 [FLANDRU7 115.00] TO BUS 652524 [SIOUXFL7 115.00] CKT 1  
SINGLE 777 : OPEN LINE FROM BUS 652506 [FTTHOMP3 345.00] TO BUS 652571 [GR ISLD3 345.00] CKT 1  
SINGLE 778 : OPEN LINE FROM BUS 652506 [FTTHOMP3 345.00] TO BUS 659156 [SELBY 3345.00] CKT 1  
SINGLE 779 : OPEN LINE FROM BUS 652507 [FTTHOMP4 230.00] TO BUS 652509 [FTRANDL4 230.00] CKT 1  
SINGLE 780 : OPEN LINE FROM BUS 652507 [FTTHOMP4 230.00] TO BUS 652514 [HURON 4 230.00] CKT 1  
SINGLE 781 : OPEN LINE FROM BUS 652507 [FTTHOMP4 230.00] TO BUS 652514 [HURON 4 230.00] CKT 2  
SINGLE 782 : OPEN LINE FROM BUS 652507 [FTTHOMP4 230.00] TO BUS 652516 [LAKPLAT4 230.00] CKT 1  
SINGLE 783 : OPEN LINE FROM BUS 652507 [FTTHOMP4 230.00] TO BUS 652519 [OAHE 4 230.00] CKT 1  
SINGLE 784 : OPEN LINE FROM BUS 652507 [FTTHOMP4 230.00] TO BUS 652519 [OAHE 4 230.00] CKT 2  
SINGLE 785 : OPEN LINE FROM BUS 652507 [FTTHOMP4 230.00] TO BUS 652519 [OAHE 4 230.00] CKT 3  
SINGLE 786 : OPEN LINE FROM BUS 652507 [FTTHOMP4 230.00] TO BUS 652519 [OAHE 4 230.00] CKT 4  
SINGLE 787 : OPEN LINE FROM BUS 652507 [FTTHOMP4 230.00] TO BUS 652540 [BIGBND14 230.00] CKT 1  
SINGLE 788 : OPEN LINE FROM BUS 652507 [FTTHOMP4 230.00] TO BUS 652541 [BIGBND24 230.00] CKT 1  
SINGLE 789 : OPEN LINE FROM BUS 652507 [FTTHOMP4 230.00] TO BUS 652606 [LETCHER4 230.00] CKT 1

SINGLE 790 : OPEN LINE FROM BUS 652507 [FTTHOMP4 230.00] TO BUS 652607 [WESSINGTON 4230.00] CKT 1  
SINGLE 791 : OPEN LINE FROM BUS 652508 [S3 7 115.00] TO BUS 652551 [GRANITF7 115.00] CKT 1  
SINGLE 792 : OPEN LINE FROM BUS 652508 [S3 7 115.00] TO BUS 652552 [MARS ER7 115.00] CKT 1  
SINGLE 793 : OPEN LINE FROM BUS 652508 [S3 7 115.00] TO BUS 658072 [ERIE RD7 115.00] CKT 1  
SINGLE 794 : OPEN LINE FROM BUS 652509 [FTRANDL4 230.00] TO BUS 652510 [FTRANDL7 115.00] CKT 1  
SINGLE 795 : OPEN LINE FROM BUS 652509 [FTRANDL4 230.00] TO BUS 652510 [FTRANDL7 115.00] CKT 2  
SINGLE 796 : OPEN LINE FROM BUS 652509 [FTRANDL4 230.00] TO BUS 652516 [LAKPLAT4 230.00] CKT 1  
SINGLE 797 : OPEN LINE FROM BUS 652509 [FTRANDL4 230.00] TO BUS 652526 [UTICAJC4 230.00] CKT 1  
SINGLE 798 : OPEN LINE FROM BUS 652509 [FTRANDL4 230.00] TO BUS 652565 [SIOUXCY4 230.00] CKT 1  
SINGLE 799 : OPEN LINE FROM BUS 652511 [GAVINS 7 115.00] TO BUS 652532 [YANKTON7 115.00] CKT 1  
SINGLE 800 : OPEN LINE FROM BUS 652511 [GAVINS 7 115.00] TO BUS 660006 [YKNTJCT7 115.00] CKT 1  
SINGLE 801 : OPEN LINE FROM BUS 652512 [GROTON 7 115.00] TO BUS 652533 [BRISTOL7 115.00] CKT 1  
SINGLE 802 : OPEN LINE FROM BUS 652512 [GROTON 7 115.00] TO BUS 652534 [ORDWAY 7 115.00] CKT 1  
SINGLE 803 : OPEN LINE FROM BUS 652512 [GROTON 7 115.00] TO BUS 652535 [REDFELD7 115.00] CKT 1  
SINGLE 804 : OPEN LINE FROM BUS 652512 [GROTON 7 115.00] TO BUS 659174 [GRTKEYPS20 7115.00] CKT 1  
SINGLE 805 : OPEN LINE FROM BUS 652512 [GROTON 7 115.00] TO BUS 659203 [GROTONTY 345.00] CKT 1  
SINGLE 806 : OPEN LINE FROM BUS 652512 [GROTON 7 115.00] TO BUS 659275 [GROTONB7 115.00] CKT 1  
SINGLE 807 : OPEN LINE FROM BUS 652512 [GROTON 7 115.00] TO BUS 660001 [ABDNSBT7 115.00] CKT 1  
SINGLE 808 : OPEN LINE FROM BUS 652513 [HANLON 4 230.00] TO BUS 652523 [SIOUXFL4 230.00] CKT 1  
SINGLE 809 : OPEN LINE FROM BUS 652513 [HANLON 4 230.00] TO BUS 659122 [STORLA 4 230.00] CKT 1  
SINGLE 810 : OPEN LINE FROM BUS 652514 [HURON 4 230.00] TO BUS 652530 [WATERTN4 230.00] CKT 2  
SINGLE 811 : OPEN LINE FROM BUS 652514 [HURON 4 230.00] TO BUS 652614 [CARPENTER 4 230.00] CKT 1  
SINGLE 812 : OPEN LINE FROM BUS 652514 [HURON 4 230.00] TO BUS 659205 [BRDLAND4 230.00] CKT 1  
SINGLE 813 : OPEN LINE FROM BUS 652515 [HURON 7 115.00] TO BUS 652528 [WOONSKT7 115.00] CKT 1  
SINGLE 814 : OPEN LINE FROM BUS 652515 [HURON 7 115.00] TO BUS 652535 [REDFELD7 115.00] CKT 1  
SINGLE 815 : OPEN LINE FROM BUS 652515 [HURON 7 115.00] TO BUS 660003 [HURONWP7 115.00] CKT 1  
SINGLE 816 : OPEN LINE FROM BUS 652515 [HURON 7 115.00] TO BUS 660009 [BTAP WP7 115.00] CKT 1  
SINGLE 817 : OPEN LINE FROM BUS 652517 [MANNING7 115.00] TO BUS 659121 [SPIRITM7 115.00] CKT 1  
SINGLE 818 : OPEN LINE FROM BUS 652518 [MTVERN 7 115.00] TO BUS 659123 [STORLA 7 115.00] CKT 1  
SINGLE 819 : OPEN LINE FROM BUS 652519 [OAHE 4 230.00] TO BUS 652520 [OAHE 7 115.00] CKT 1  
SINGLE 820 : OPEN LINE FROM BUS 652519 [OAHE 4 230.00] TO BUS 652521 [SULLYBT4 230.00] CKT 1  
SINGLE 821 : OPEN LINE FROM BUS 652520 [OAHE 7 115.00] TO BUS 652600 [ASH TAP 115.00] CKT 1  
SINGLE 822 : OPEN LINE FROM BUS 652520 [OAHE 7 115.00] TO BUS 659295 [SDPRAIRWND 7115.00] CKT 1  
SINGLE 823 : OPEN LINE FROM BUS 652521 [SULLYBT4 230.00] TO BUS 652527 [WHITLOK4 230.00] CKT 1  
SINGLE 824 : OPEN LINE FROM BUS 652522 [SUMMIT-7 115.00] TO BUS 652531 [WATERTN7 115.00] CKT 1  
SINGLE 825 : OPEN LINE FROM BUS 652522 [SUMMIT-7 115.00] TO BUS 652533 [BRISTOL7 115.00] CKT 1  
SINGLE 826 : OPEN LINE FROM BUS 652523 [SIOUXFL4 230.00] TO BUS 652578 [PAHOJA 4 230.00] CKT 1  
SINGLE 827 : OPEN LINE FROM BUS 652523 [SIOUXFL4 230.00] TO BUS 652606 [LETCHER4 230.00] CKT 1  
SINGLE 828 : OPEN LINE FROM BUS 652524 [SIOUXFL7 115.00] TO BUS 659250 [SXF WBRANDN7115.00] CKT 1  
SINGLE 829 : OPEN LINE FROM BUS 652525 [TYNDALL7 115.00] TO BUS 660006 [YKNTJCT7 115.00] CKT 1  
SINGLE 830 : OPEN LINE FROM BUS 652526 [UTICAJC4 230.00] TO BUS 652536 [RASMUSN4 230.00] CKT 1  
SINGLE 831 : OPEN LINE FROM BUS 652527 [WHITLOK4 230.00] TO BUS 659157 [SELBY 4230.00] CKT 1  
SINGLE 832 : OPEN LINE FROM BUS 652528 [WOONSKT7 115.00] TO BUS 659123 [STORLA 7 115.00] CKT 1  
SINGLE 833 : OPEN LINE FROM BUS 652529 [WATERTN3 345.00] TO BUS 652537 [WHITE 3 345.00] CKT 1  
SINGLE 834 : OPEN LINE FROM BUS 652529 [WATERTN3 345.00] TO BUS 659160 [GROTON 3 345.00] CKT 1  
SINGLE 835 : OPEN LINE FROM BUS 652530 [WATERTN4 230.00] TO BUS 652550 [GRANITF4 230.00] CKT 1  
SINGLE 836 : OPEN LINE FROM BUS 652530 [WATERTN4 230.00] TO BUS 652614 [CARPENTER 4 230.00] CKT 1  
SINGLE 837 : OPEN LINE FROM BUS 652531 [WATERTN7 115.00] TO BUS 658088 [WTREAST7 115.00] CKT 1

SINGLE 838 : OPEN LINE FROM BUS 652531 [WATERTN7 115.00] TO BUS 658094 [WTRPELI7 115.00] CKT 1  
SINGLE 839 : OPEN LINE FROM BUS 652532 [YANKTON7 115.00] TO BUS 659121 [SPIRITM7 115.00] CKT 1  
SINGLE 840 : OPEN LINE FROM BUS 652536 [RASMUSN4 230.00] TO BUS 652565 [SIOUXCY4 230.00] CKT 1  
SINGLE 841 : OPEN LINE FROM BUS 652550 [GRANITF4 230.00] TO BUS 652554 [MORRIS 4 230.00] CKT 1  
SINGLE 842 : OPEN LINE FROM BUS 652553 [MOORHED4 230.00] TO BUS 652554 [MORRIS 4 230.00] CKT 1  
SINGLE 843 : OPEN LINE FROM BUS 652553 [MOORHED4 230.00] TO BUS 652587 [MOORHED7 115.00] CKT 1  
SINGLE 844 : OPEN LINE FROM BUS 652553 [MOORHED4 230.00] TO BUS 652587 [MOORHED7 115.00] CKT 2  
SINGLE 845 : OPEN LINE FROM BUS 652554 [MORRIS 4 230.00] TO BUS 652555 [MORRIS 7 115.00] CKT 1  
SINGLE 846 : OPEN LINE FROM BUS 652561 [DENISON5 161.00] TO BUS 652567 [DENISON4 230.00] CKT 1  
SINGLE 847 : OPEN LINE FROM BUS 652561 [DENISON5 161.00] TO BUS 652603 [EXIRA 5 161.00] CKT 1  
SINGLE 848 : OPEN LINE FROM BUS 652562 [EAGLE 4 230.00] TO BUS 652565 [SIOUXCY4 230.00] CKT 1  
SINGLE 849 : OPEN LINE FROM BUS 652562 [EAGLE 4 230.00] TO BUS 652578 [PAHOJA 4 230.00] CKT 1  
SINGLE 850 : OPEN LINE FROM BUS 652563 [SPENCER5 161.00] TO BUS 652566 [SIOUXCY5 161.00] CKT 1  
SINGLE 851 : OPEN LINE FROM BUS 652565 [SIOUXCY4 230.00] TO BUS 652567 [DENISON4 230.00] CKT 1  
SINGLE 852 : OPEN LINE FROM BUS 652570 [ALIANCE7 115.00] TO BUS 659197 [SNAKECK7 115.00] CKT 1  
SINGLE 853 : OPEN LINE FROM BUS 652570 [ALIANCE7 115.00] TO BUS 659236 [BOXBUTE7 115.00] CKT 1  
SINGLE 854 : OPEN LINE FROM BUS 652572 [SIDNEY 7 115.00] TO BUS 659136 [SIDNEY\*4 230.00] CKT 1  
SINGLE 855 : OPEN LINE FROM BUS 652572 [SIDNEY 7 115.00] TO BUS 659238 [COLTON 7 115.00] CKT 1  
SINGLE 856 : OPEN LINE FROM BUS 652573 [STEGALL4 230.00] TO BUS 659206 [STGXFMR4 230.00] CKT 1  
SINGLE 857 : OPEN LINE FROM BUS 652578 [PAHOJA 4 230.00] TO BUS 652588 [CLEVELD4 230.00] CKT 1  
SINGLE 858 : OPEN LINE FROM BUS 652584 [SIDNEYW4 230.00] TO BUS 652585 [NB WEST4 230.00] CKT 1  
SINGLE 859 : OPEN LINE FROM BUS 652584 [SIDNEYW4 230.00] TO BUS 659170 [STEGALDC 230.00] CKT 1  
SINGLE 860 : OPEN LINE FROM BUS 652585 [NB WEST4 230.00] TO BUS 659170 [STEGALDC 230.00] CKT 1  
SINGLE 861 : OPEN LINE FROM BUS 652587 [MOORHED7 115.00] TO BUS 658086 [MPSNE 7 115.00] CKT 1  
SINGLE 862 : OPEN LINE FROM BUS 652600 [ASH TAP 115.00] TO BUS 652601 [ASH ST 7 115.00] CKT 1  
SINGLE 863 : OPEN LINE FROM BUS 652601 [ASH ST 7 115.00] TO BUS 652602 [EVANS ST 115.00] CKT 1  
SINGLE 864 : OPEN LINE FROM BUS 652607 [WESSINGTON 4230.00] TO BUS 659122 [STORLA 4 230.00] CKT 1  
SINGLE 865 : OPEN LINE FROM BUS 652609 [LETCHER7 115.00] TO BUS 659198 [LETCHR PS227115.00] CKT 1  
SINGLE 866 : OPEN LINE FROM BUS 652626 [UTICAJC7 115.00] TO BUS 659292 [KEYSTN PS237115.00] CKT 1  
SINGLE 867 : OPEN LINE FROM BUS 652626 [UTICAJC7 115.00] TO BUS 660006 [YKNTJCT7 115.00] CKT 1  
SINGLE 868 : OPEN LINE FROM BUS 652626 [UTICAJC7 115.00] TO BUS 660007 [MENNOJT7 115.00] CKT 1  
SINGLE 869 : OPEN LINE FROM BUS 658068 [MARSHAL7 115.00] TO BUS 658070 [MMU 7ST7 115.00] CKT 1  
SINGLE 870 : OPEN LINE FROM BUS 658068 [MARSHAL7 115.00] TO BUS 658078 [SOUTH E7 115.00] CKT 1  
SINGLE 871 : OPEN LINE FROM BUS 658070 [MMU 7ST7 115.00] TO BUS 658072 [ERIE RD7 115.00] CKT 1  
SINGLE 872 : OPEN LINE FROM BUS 658072 [ERIE RD7 115.00] TO BUS 658074 [SARATOG7 115.00] CKT 1  
SINGLE 873 : OPEN LINE FROM BUS 658074 [SARATOG7 115.00] TO BUS 658076 [MMU SW 7 115.00] CKT 1  
SINGLE 874 : OPEN LINE FROM BUS 658076 [MMU SW 7 115.00] TO BUS 658078 [SOUTH E7 115.00] CKT 1  
SINGLE 875 : OPEN LINE FROM BUS 658080 [MPSBROOK 115.00] TO BUS 658082 [MPSSE 7 115.00] CKT 1  
SINGLE 876 : OPEN LINE FROM BUS 658082 [MPSSE 7 115.00] TO BUS 658084 [MPSCENT7 115.00] CKT 1  
SINGLE 877 : OPEN LINE FROM BUS 658084 [MPSCENT7 115.00] TO BUS 658086 [MPSNE 7 115.00] CKT 1  
SINGLE 878 : OPEN LINE FROM BUS 658088 [WTREAST7 115.00] TO BUS 658090 [WTRTNPP 115.00] CKT 1  
SINGLE 879 : OPEN LINE FROM BUS 658090 [WTRTNPP 115.00] TO BUS 658092 [WTRWEST7 115.00] CKT 1  
SINGLE 880 : OPEN LINE FROM BUS 658092 [WTRWEST7 115.00] TO BUS 658094 [WTRPELI7 115.00] CKT 1  
SINGLE 881 : OPEN LINE FROM BUS 659101 [ANTELOP3 345.00] TO BUS 659105 [LELANDO3 345.00] CKT 1  
SINGLE 882 : OPEN LINE FROM BUS 659101 [ANTELOP3 345.00] TO BUS 659105 [LELANDO3 345.00] CKT 2  
SINGLE 883 : OPEN LINE FROM BUS 659101 [ANTELOP3 345.00] TO BUS 659156 [SELBY 3345.00] CKT 1  
SINGLE 884 : OPEN LINE FROM BUS 659101 [ANTELOP3 345.00] TO BUS 659183 [CHAR.CK3 345.00] CKT 1  
SINGLE 885 : OPEN LINE FROM BUS 659101 [ANTELOP3 345.00] TO BUS 659212 [AVSDC1TY 345.00] CKT 1

SINGLE 886 : OPEN LINE FROM BUS 659101 [ANTELOP3 345.00] TO BUS 659218 [AVSDC7TY 345.00] CKT 1  
SINGLE 887 : OPEN LINE FROM BUS 659101 [ANTELOP3 345.00] TO BUS 659230 [DGCX3 T 345.00] CKT 1  
SINGLE 888 : OPEN LINE FROM BUS 659105 [LELANDO3 345.00] TO BUS 659156 [SELBY 3345.00] CKT 1  
SINGLE 889 : OPEN LINE FROM BUS 659105 [LELANDO3 345.00] TO BUS 659160 [GROTON 3 345.00] CKT 1  
SINGLE 890 : OPEN LINE FROM BUS 659105 [LELANDO3 345.00] TO BUS 659201 [LELND1TY 345.00] CKT 1  
SINGLE 891 : OPEN LINE FROM BUS 659105 [LELANDO3 345.00] TO BUS 659202 [LELND2TY 345.00] CKT 1  
SINGLE 892 : OPEN LINE FROM BUS 659106 [LELANDO4 230.00] TO BUS 659108 [LOGAN 4 230.00] CKT 1  
SINGLE 893 : OPEN LINE FROM BUS 659106 [LELANDO4 230.00] TO BUS 659200 [BASIN TY 230.00] CKT 1  
SINGLE 894 : OPEN LINE FROM BUS 659106 [LELANDO4 230.00] TO BUS 659201 [LELND1TY 345.00] CKT 1  
SINGLE 895 : OPEN LINE FROM BUS 659106 [LELANDO4 230.00] TO BUS 659202 [LELND2TY 345.00] CKT 1  
SINGLE 896 : OPEN LINE FROM BUS 659108 [LOGAN 4 230.00] TO BUS 659143 [BLAISDELL 4230.00] CKT 1  
SINGLE 897 : OPEN LINE FROM BUS 659108 [LOGAN 4 230.00] TO BUS 659208 [LOGAN TY 230.00] CKT 1  
SINGLE 898 : OPEN LINE FROM BUS 659109 [BASIN 7 115.00] TO BUS 659200 [BASIN TY 230.00] CKT 1  
SINGLE 899 : OPEN LINE FROM BUS 659120 [BRDLAND3 345.00] TO BUS 659156 [SELBY 3345.00] CKT 1  
SINGLE 900 : OPEN LINE FROM BUS 659120 [BRDLAND3 345.00] TO BUS 659204 [BRDLNDTY 345.00] CKT 1  
SINGLE 901 : OPEN LINE FROM BUS 659122 [STORLA 4 230.00] TO BUS 659123 [STORLA 7 115.00] CKT 1  
SINGLE 902 : OPEN LINE FROM BUS 659122 [STORLA 4 230.00] TO BUS 659205 [BRDLAND4 230.00] CKT 1  
SINGLE 903 : OPEN LINE FROM BUS 659130 [GRANTNB7 115.00] TO BUS 659132 [OGALALA7 115.00] CKT 1  
SINGLE 904 : OPEN LINE FROM BUS 659130 [GRANTNB7 115.00] TO BUS 659132 [OGALALA7 115.00] CKT 2  
SINGLE 905 : OPEN LINE FROM BUS 659130 [GRANTNB7 115.00] TO BUS 659188 [SPCREEK7 115.00] CKT 1  
SINGLE 906 : OPEN LINE FROM BUS 659131 [LARAMIE3 345.00] TO BUS 659133 [SIDNEY 3 345.00] CKT 1  
SINGLE 907 : OPEN LINE FROM BUS 659131 [LARAMIE3 345.00] TO BUS 659135 [STEGALL3 345.00] CKT 1  
SINGLE 908 : OPEN LINE FROM BUS 659132 [OGALALA7 115.00] TO BUS 659187 [ROSCOE 7 115.00] CKT 1  
SINGLE 909 : OPEN LINE FROM BUS 659132 [OGALALA7 115.00] TO BUS 659246 [MCONGHY7 115.00] CKT 1  
SINGLE 910 : OPEN LINE FROM BUS 659133 [SIDNEY 3 345.00] TO BUS 659135 [STEGALL3 345.00] CKT 1  
SINGLE 911 : OPEN LINE FROM BUS 659133 [SIDNEY 3 345.00] TO BUS 659209 [SIDNEYTY 345.00] CKT 1  
SINGLE 912 : OPEN LINE FROM BUS 659134 [SIDNEY 4 230.00] TO BUS 659136 [SIDNEY\*4 230.00] CKT 1  
SINGLE 913 : OPEN LINE FROM BUS 659134 [SIDNEY 4 230.00] TO BUS 659210 [SIDXFMR4 230.00] CKT 1  
SINGLE 915 : OPEN LINE FROM BUS 659138 [NESET 4 230.00] TO BUS 659139 [NESET 7 115.00] CKT 1  
SINGLE 916 : OPEN LINE FROM BUS 659138 [NESET 4 230.00] TO BUS 661084 [TIOGA4 4 230.00] CKT 1  
SINGLE 917 : OPEN LINE FROM BUS 659143 [BLAISDELL 4230.00] TO BUS 659144 [BLAISDELL 7115.00] CKT 1  
SINGLE 918 : OPEN LINE FROM BUS 659143 [BLAISDELL 4230.00] TO BUS 661084 [TIOGA4 4 230.00] CKT 1  
SINGLE 919 : OPEN LINE FROM BUS 659154 [LAMAR 7 115.00] TO BUS 659188 [SPCREEK7 115.00] CKT 1  
SINGLE 920 : OPEN LINE FROM BUS 659154 [LAMAR 7 115.00] TO BUS 659195 [CRETE 7 115.00] CKT 1  
SINGLE 921 : OPEN LINE FROM BUS 659155 [LOGAN 7 115.00] TO BUS 659208 [LOGAN TY 230.00] CKT 1  
SINGLE 922 : OPEN LINE FROM BUS 659155 [LOGAN 7 115.00] TO BUS 659261 [BTHOLD 7 115.00] CKT 1  
SINGLE 923 : OPEN LINE FROM BUS 659157 [SELBY 4230.00] TO BUS 661038 [GLENHAM4 230.00] CKT 1  
SINGLE 924 : OPEN LINE FROM BUS 659160 [GROTON 3 345.00] TO BUS 659203 [GROTONTY 345.00] CKT 1  
SINGLE 925 : OPEN LINE FROM BUS 659162 [REDWLCK7 115.00] TO BUS 659163 [BLKWDC7 115.00] CKT 1  
SINGLE 926 : OPEN LINE FROM BUS 659162 [REDWLCK7 115.00] TO BUS 659243 [ELSIE 7 115.00] CKT 1  
SINGLE 927 : OPEN LINE FROM BUS 659180 [KOCH 7 115.00] TO BUS 659191 [SQUAWGP7 115.00] CKT 1  
SINGLE 928 : OPEN LINE FROM BUS 659181 [BICNTNL7 115.00] TO BUS 659184 [R.RIDER7 115.00] CKT 1  
SINGLE 929 : OPEN LINE FROM BUS 659181 [BICNTNL7 115.00] TO BUS 659191 [SQUAWGP7 115.00] CKT 1  
SINGLE 930 : OPEN LINE FROM BUS 659182 [CHAR.CK7 115.00] TO BUS 659184 [R.RIDER7 115.00] CKT 1  
SINGLE 931 : OPEN LINE FROM BUS 659182 [CHAR.CK7 115.00] TO BUS 659211 [CHARCKTY 345.00] CKT 1  
SINGLE 932 : OPEN LINE FROM BUS 659183 [CHAR.CK3 345.00] TO BUS 659211 [CHARCKTY 345.00] CKT 1  
SINGLE 933 : OPEN LINE FROM BUS 659183 [CHAR.CK3 345.00] TO BUS 659302 [CHAR.CK4 230.00] CKT 1  
SINGLE 934 : OPEN LINE FROM BUS 659185 [ELSIETP7 115.00] TO BUS 659186 [PAXTON 7 115.00] CKT 1

SINGLE 935 : OPEN LINE FROM BUS 659185 [ELSIETP7 115.00] TO BUS 659187 [ROSCOE 7 115.00] CKT 1  
SINGLE 936 : OPEN LINE FROM BUS 659185 [ELSIETP7 115.00] TO BUS 659243 [ELSIE 7 115.00] CKT 1  
SINGLE 937 : OPEN LINE FROM BUS 659192 [LYNN 7 115.00] TO BUS 659197 [SNAKECK7 115.00] CKT 1  
SINGLE 938 : OPEN LINE FROM BUS 659192 [LYNN 7 115.00] TO BUS 659239 [COVALT 7 115.00] CKT 1  
SINGLE 939 : OPEN LINE FROM BUS 659193 [W.HORSE7 115.00] TO BUS 659239 [COVALT 7 115.00] CKT 1  
SINGLE 940 : OPEN LINE FROM BUS 659195 [CRETE 7 115.00] TO BUS 659245 [CRETEHE7 115.00] CKT 1  
SINGLE 941 : OPEN LINE FROM BUS 659204 [BRDLNDTY 345.00] TO BUS 659205 [BRDLAND4 230.00] CKT 1  
SINGLE 942 : OPEN LINE FROM BUS 659206 [STGXFMR4 230.00] TO BUS 659207 [STEGALTY 345.00] CKT 1  
SINGLE 943 : OPEN LINE FROM BUS 659209 [SIDNEYTY 345.00] TO BUS 659210 [SIDXFMR4 230.00] CKT 1  
SINGLE 944 : OPEN LINE FROM BUS 659212 [AVSDC1TY 345.00] TO BUS 659213 [AVSDC2TY 345.00] CKT 1  
SINGLE 945 : OPEN LINE FROM BUS 659212 [AVSDC1TY 345.00] TO BUS 659216 [AVSDC5TY 345.00] CKT 1  
SINGLE 946 : OPEN LINE FROM BUS 659213 [AVSDC2TY 345.00] TO BUS 659217 [AVSDC6TY 345.00] CKT 1  
SINGLE 947 : OPEN LINE FROM BUS 659216 [AVSDC5TY 345.00] TO BUS 659217 [AVSDC6TY 345.00] CKT 1  
SINGLE 948 : OPEN LINE FROM BUS 659218 [AVSDC7TY 345.00] TO BUS 659219 [AVSDC8TY 345.00] CKT 1  
SINGLE 949 : OPEN LINE FROM BUS 659218 [AVSDC7TY 345.00] TO BUS 659222 [AVSD11TY 345.00] CKT 1  
SINGLE 950 : OPEN LINE FROM BUS 659219 [AVSDC8TY 345.00] TO BUS 659223 [AVSD12TY 345.00] CKT 1  
SINGLE 951 : OPEN LINE FROM BUS 659222 [AVSD11TY 345.00] TO BUS 659223 [AVSD12TY 345.00] CKT 1  
SINGLE 952 : OPEN LINE FROM BUS 659230 [DGCX3 T 345.00] TO BUS 659231 [DGCX3 4 230.00] CKT 1  
SINGLE 953 : OPEN LINE FROM BUS 659231 [DGCX3 4 230.00] TO BUS 659233 [DGCX4 T 230.00] CKT 1  
SINGLE 954 : OPEN LINE FROM BUS 659236 [BOXBUTE7 115.00] TO BUS 659237 [HEMINGF7 115.00] CKT 1  
SINGLE 955 : OPEN LINE FROM BUS 659244 [ATHEY 7 115.00] TO BUS 659245 [CRETEHE7 115.00] CKT 1  
SINGLE 956 : OPEN LINE FROM BUS 659246 [MCONGHY7 115.00] TO BUS 659247 [ARTHUR 7 115.00] CKT 1  
SINGLE 957 : OPEN LINE FROM BUS 659247 [ARTHUR 7 115.00] TO BUS 659248 [HYANNIS7 115.00] CKT 1  
SINGLE 958 : OPEN LINE FROM BUS 659250 [SXF WBRANDN7115.00] TO BUS 659251 [SXF CORSON 7115.00] CKT 1  
SINGLE 959 : OPEN LINE FROM BUS 659251 [SXF CORSON 7115.00] TO BUS 659252 [SXF BRANDON7115.00] CKT 1  
SINGLE 960 : OPEN LINE FROM BUS 659252 [SXF BRANDON7115.00] TO BUS 659253 [SXF ROWENA 7115.00] CKT 1  
SINGLE 961 : OPEN LINE FROM BUS 659253 [SXF ROWENA 7115.00] TO BUS 659254 [SXF SPLT RK7115.00] CKT 1  
SINGLE 962 : OPEN LINE FROM BUS 659255 [SXF 6 MI RD7115.00] TO BUS 659256 [SXF 57TH ST7115.00] CKT 1  
SINGLE 963 : OPEN LINE FROM BUS 659256 [SXF 57TH ST7115.00] TO BUS 659257 [SXF SHINDLR7115.00] CKT 1  
SINGLE 964 : OPEN LINE FROM BUS 659257 [SXF SHINDLR7115.00] TO BUS 659258 [SXF HARSBRG7115.00] CKT 1  
SINGLE 965 : OPEN LINE FROM BUS 659263 [LTLMISS7 115.00] TO BUS 659265 [LTLMISS4 230.00] CKT 1  
SINGLE 966 : OPEN LINE FROM BUS 659265 [LTLMISS4 230.00] TO BUS 659266 [RHAME 4 230.00] CKT 1  
SINGLE 967 : OPEN LINE FROM BUS 659265 [LTLMISS4 230.00] TO BUS 661004 [BAKER 4 230.00] CKT 1  
SINGLE 968 : OPEN LINE FROM BUS 659266 [RHAME 4 230.00] TO BUS 659267 [RHAME 7 115.00] CKT 1  
SINGLE 969 : OPEN LINE FROM BUS 659266 [RHAME 4 230.00] TO BUS 661010 [BOWMAN 4 230.00] CKT 1  
SINGLE 970 : OPEN LINE FROM BUS 659268 [RCDC EDUMMY4230.00] TO BUS 659271 [RCDC EAST 4230.00] CKT 1  
SINGLE 971 : OPEN LINE FROM BUS 659269 [CLBRTSONGEN7115.00] TO BUS 661012 [CLBRTSN7 115.00] CKT 1  
SINGLE 972 : OPEN LINE FROM BUS 659297 [BIS WARD 7115.00] TO BUS 659298 [BIS NORTH267115.00] CKT 1  
SINGLE 973 : OPEN LINE FROM BUS 659298 [BIS NORTH267115.00] TO BUS 659299 [BIS GVPINES7115.00] CKT 1  
SINGLE 974 : OPEN LINE FROM BUS 659303 [RCDC WEST 4230.00] TO BUS 659304 [RCDC SWING G230.00] CKT 1  
SINGLE 975 : OPEN LINE FROM BUS 660000 [ABDNJCT7 115.00] TO BUS 660001 [ABDNSBT7 115.00] CKT 1  
SINGLE 976 : OPEN LINE FROM BUS 660001 [ABDNSBT7 115.00] TO BUS 660002 [REDFLD 7 115.00] CKT 1  
SINGLE 977 : OPEN LINE FROM BUS 660002 [REDFLD 7 115.00] TO BUS 660009 [BTAP WP7 115.00] CKT 1  
SINGLE 978 : OPEN LINE FROM BUS 660003 [HURONWP7 115.00] TO BUS 660008 [MITCLNW7 115.00] CKT 1  
SINGLE 979 : OPEN LINE FROM BUS 660003 [HURONWP7 115.00] TO BUS 660009 [BTAP WP7 115.00] CKT 1  
SINGLE 980 : OPEN LINE FROM BUS 660004 [MITCHEL7 115.00] TO BUS 660005 [TRIPP 7 115.00] CKT 1  
SINGLE 981 : OPEN LINE FROM BUS 660004 [MITCHEL7 115.00] TO BUS 660008 [MITCLNW7 115.00] CKT 1  
SINGLE 982 : OPEN LINE FROM BUS 660005 [TRIPP 7 115.00] TO BUS 660007 [MENNOJT7 115.00] CKT 1

SINGLE 983 : OPEN LINE FROM BUS 661010 [BOWMAN 4 230.00] TO BUS 661047 [HETINGR4 230.00] CKT 1  
SINGLE 984 : OPEN LINE FROM BUS 661012 [CLBRTSN7 115.00] TO BUS 661075 [POPLAR 7 115.00] CKT 1  
GEN-COOPER : TRIP LINE FROM BUS 640139 [COOPER 3 345.00] TO BUS 640009 [COOPER1G 22.000] CKT 1  
GEN-GGS-1 : TRIP LINE FROM BUS 640184 [GENTLMN4 230.00] TO BUS 640010 [GENTLM1G 23.000] CKT 1  
GEN-GGS-2 : TRIP LINE FROM BUS 640183 [GENTLMN3 345.00] TO BUS 640011 [GENTLM2G 24.000] CKT 1  
GEN-SS-1 : TRIP LINE FROM BUS 640278 [SHELDON7 115.00] TO BUS 640019 [SHELDN1G 13.800] CKT 1  
GEN-SS-2 : TRIP LINE FROM BUS 640278 [SHELDON7 115.00] TO BUS 640020 [SHELDN2G 13.800] CKT 1  
GEN-PLATTE : TRIP LINE FROM BUS 642071 [SUB-D 7 115.00] TO BUS 642067 [PLATTE1G 13.800] CKT 1  
GEN-WEC1 : TRIP LINE FROM BUS 641087 [EGYCNTR7 115.00] TO BUS 641086 [EGY CTRG 13.800] CKT 1  
GEN-COLCOG : TRIP LINE FROM BUS 640119 [COL.COG7 115.00] TO BUS 640028 [COLCOG1G 13.800] CKT 1  
GEN-WEC2 : TRIP LINE FROM BUS 641087 [EGYCNTR7 115.00] TO BUS 641089 [EGYCTR2G 22.000] CKT 1  
GEN-AWEF : TRIP LINE FROM BUS 640050 [AINSWND7 115.00] TO BUS 640025 [AINSWDDG 34.500] CKT 1  
GEN-E-RIDGE : TRIP LINE FROM BUS 640084 [BLMFLD 7 115.00] TO BUS 640419 [ELKRDG1D 34.500] CKT 1  
LN-FAIRPORT : TRIP LINE FROM BUS 300039 [7FAIRPT 345.00] TO BUS 640139 [COOPER 3 345.00] CKT 1  
TRIP LINE FROM BUS 300039 [7FAIRPT 345.00] TO BUS 541199 [ST JOE 3 345.00] CKT 1  
TRIP LINE FROM BUS 300039 [7FAIRPT 345.00] TO BUS 300076 [5FAIRPT 161.00] CKT 3  
LN-1091 : TRIP LINE FROM BUS 640392 [VALENTN7 115.00] TO BUS 640210 [HARMONY7 115.00] CKT 1  
TRIP LINE FROM BUS 640210 [HARMONY7 115.00] TO BUS 640351 [ST.FRANC 115.00] CKT 1  
TRIP LINE FROM BUS 640351 [ST.FRANC 115.00] TO BUS 652482 [MISSION7 115.00] CKT 1  
LN-RUSHVILLE: TRIP LINE FROM BUS 640334 [RUSHVIL7 115.00] TO BUS 640109 [CHADRON7 115.00] CKT 1  
TRIP LINE FROM BUS 640334 [RUSHVIL7 115.00] TO BUS 640192 [GORDON 7 115.00] CKT 1  
LN-MALONEY : TRIP LINE FROM BUS 640287 [N.PLATT7 115.00] TO BUS 640265 [MALONEY7 115.00] CKT 1  
TRIP LINE FROM BUS 640266 [MALONEY9 34.500] TO BUS 640265 [MALONEY7 115.00] CKT 1  
LN-STOCKVILL: TRIP LINE FROM BUS 640287 [N.PLATT7 115.00] TO BUS 640365 [STOCKVL7 115.00] CKT 1  
TRIP LINE FROM BUS 640366 [STOCKVL8 69.000] TO BUS 640365 [STOCKVL7 115.00] CKT 1  
LN-1133 : TRIP LINE FROM BUS 640100 [CAMBRIG7 115.00] TO BUS 640269 [MCCOOK 7 115.00] CKT 1  
TRIP LINE FROM BUS 640100 [CAMBRIG7 115.00] TO BUS 640194 [GOSPER 7 115.00] CKT 1  
TRIP LINE FROM BUS 640242 [JOHN.2 7 115.00] TO BUS 640194 [GOSPER 7 115.00] CKT 1  
LN-1147 : TRIP LINE FROM BUS 640244 [JOHN.LK7 115.00] TO BUS 640242 [JOHN.2 7 115.00] CKT 1  
TRIP LINE FROM BUS 640244 [JOHN.LK7 115.00] TO BUS 640240 [JOHN.1 7 115.00] CKT 1  
LN-1142 : TRIP LINE FROM BUS 640196 [GOTHNBG7 115.00] TO BUS 640238 [JEFFREY7 115.00] CKT 1  
TRIP LINE FROM BUS 640196 [GOTHNBG7 115.00] TO BUS 640144 [COZAD 7 115.00] CKT 1  
LN-1242 : TRIP LINE FROM BUS 640407 [WESTMIN7 115.00] TO BUS 640242 [JOHN.2 7 115.00] CKT 1  
TRIP LINE FROM BUS 640407 [WESTMIN7 115.00] TO BUS 640144 [COZAD 7 115.00] CKT 1  
LN-1090 : TRIP LINE FROM BUS 640096 [CALAMS 7 115.00] TO BUS 640050 [AINSWND7 115.00] CKT 1  
TRIP LINE FROM BUS 640096 [CALAMS 7 115.00] TO BUS 640381 [THEDFRD7 115.00] CKT 1  
LN-1267 : TRIP LINE FROM BUS 640367 [STUART 7 115.00] TO BUS 640051 [AINSWRT7 115.00] CKT 1  
TRIP LINE FROM BUS 640367 [STUART 7 115.00] TO BUS 640058 [ATKINSN7 115.00] CKT 1  
TRIP LINE FROM BUS 640165 [EMMET 7 115.00] TO BUS 640058 [ATKINSN7 115.00] CKT 1  
TRIP LINE FROM BUS 640165 [EMMET 7 115.00] TO BUS 640305 [ONEILL 7 115.00] CKT 1  
LN-1164 : TRIP LINE FROM BUS 640113 [CLRWATR7 115.00] TO BUS 640305 [ONEILL 7 115.00] CKT 1  
TRIP LINE FROM BUS 640113 [CLRWATR7 115.00] TO BUS 640293 [NELIGH 7 115.00] CKT 1  
LN-1163 : TRIP LINE FROM BUS 640115 [CO.LINE7 115.00] TO BUS 640293 [NELIGH 7 115.00] CKT 1  
TRIP LINE FROM BUS 640115 [CO.LINE7 115.00] TO BUS 640072 [BATTLCR7 115.00] CKT 1  
TRIP LINE FROM BUS 640296 [NORFK.N7 115.00] TO BUS 640072 [BATTLCR7 115.00] CKT 1  
LN-1169 : TRIP LINE FROM BUS 640353 [ST.LIB 7 115.00] TO BUS 640201 [GR ISLD7 115.00] CKT 1  
TRIP LINE FROM BUS 640353 [ST.LIB 7 115.00] TO BUS 640259 [LOUPCTY7 115.00] CKT 1  
TRIP LINE FROM BUS 640353 [ST.LIB 7 115.00] TO BUS 640355 [ST.PAUL7 115.00] CKT 1



LN-1143 : TRIP LINE FROM BUS 640161 [ELMCRK\_7 115.00] TO BUS 640103 [CANADAY7 115.00] CKT 1  
TRIP LINE FROM BUS 640161 [ELMCRK\_7 115.00] TO BUS 640250 [KEARNEY7 115.00] CKT 1

LN-1094 : TRIP LINE FROM BUS 640248 [KEAR.NE7 115.00] TO BUS 640331 [RIVERDL7 115.00] CKT 1  
TRIP LINE FROM BUS 640248 [KEAR.NE7 115.00] TO BUS 640250 [KEARNEY7 115.00] CKT 1

LN-1173 : TRIP LINE FROM BUS 640220 [HEBRON 7 115.00] TO BUS 640368 [SUPEROR7 115.00] CKT 1  
TRIP LINE FROM BUS 640220 [HEBRON 7 115.00] TO BUS 640218 [HEBRN N7 115.00] CKT 1

LN-1175B : TRIP LINE FROM BUS 640169 [FAIRBRY7 115.00] TO BUS 640208 [HARBINE7 115.00] CKT 1  
TRIP LINE FROM BUS 640169 [FAIRBRY7 115.00] TO BUS 640170 [FAIRBRYG 34.500] CKT 1

LN-1176 : TRIP LINE FROM BUS 640361 [STEINER7 115.00] TO BUS 640076 [BEATRCE7 115.00] CKT 1  
TRIP LINE FROM BUS 640361 [STEINER7 115.00] TO BUS 640235 [HUMBOLT7 115.00] CKT 1

LN-CLATONIA : TRIP LINE FROM BUS 640111 [CLATONA7 115.00] TO BUS 640088 [BPS SUB7 115.00] CKT 1  
TRIP LINE FROM BUS 640111 [CLATONA7 115.00] TO BUS 640278 [SHELDON7 115.00] CKT 1

LN-FIRTH : TRIP LINE FROM BUS 640171 [FIRTH 7 115.00] TO BUS 640362 [STERLNG7 115.00] CKT 1  
TRIP LINE FROM BUS 640171 [FIRTH 7 115.00] TO BUS 640278 [SHELDON7 115.00] CKT 1  
TRIP LINE FROM BUS 640362 [STERLNG7 115.00] TO BUS 647974 [S974 8 69.000] CKT 1

LN-FRIEND : TRIP LINE FROM BUS 640174 [FRIEND 7 115.00] TO BUS 640153 [CRETE\_\_7 115.00] CKT 1  
TRIP LINE FROM BUS 640174 [FRIEND 7 115.00] TO BUS 640178 [GENEVA 7 115.00] CKT 1

LN-1155 : TRIP LINE FROM BUS 640375 [TAMORA 7 115.00] TO BUS 640411 [YORK 7 115.00] CKT 1  
TRIP LINE FROM BUS 640375 [TAMORA 7 115.00] TO BUS 640340 [SEWARD 7 115.00] CKT 1

LN-1156 : TRIP LINE FROM BUS 640316 [PAWNEEL7 115.00] TO BUS 650214 [NW68HOLDRG7 115.00] CKT 1  
TRIP LINE FROM BUS 640316 [PAWNEEL7 115.00] TO BUS 640340 [SEWARD 7 115.00] CKT 1

LN-1181 : TRIP LINE FROM BUS 640155 [DAVEY 7 115.00] TO BUS 650269 [70&BLUFF 7 115.00] CKT 1  
TRIP LINE FROM BUS 640155 [DAVEY 7 115.00] TO BUS 640402 [WAHOO 7 115.00] CKT 1

LN-1152 : TRIP LINE FROM BUS 640157 [DAVIDCY7 115.00] TO BUS 640127 [COLMB.E7 115.00] CKT 1  
TRIP LINE FROM BUS 640157 [DAVIDCY7 115.00] TO BUS 640402 [WAHOO 7 115.00] CKT 1

LN-N-BEND : TRIP LINE FROM BUS 640281 [N.BEND 7 115.00] TO BUS 640336 [SCHUYLR7 115.00] CKT 1  
TRIP LINE FROM BUS 640281 [N.BEND 7 115.00] TO BUS 640173 [FREMONT7 115.00] CKT 1

LN-1160 : TRIP LINE FROM BUS 640409 [WINSLOW7 115.00] TO BUS 640300 [OAKLAND7 115.00] CKT 1  
TRIP LINE FROM BUS 640409 [WINSLOW7 115.00] TO BUS 640173 [FREMONT7 115.00] CKT 1

LN-1161 : TRIP LINE FROM BUS 640400 [W.POINT7 115.00] TO BUS 640300 [OAKLAND7 115.00] CKT 1  
TRIP LINE FROM BUS 640400 [W.POINT7 115.00] TO BUS 640078 [BEEMER 7 115.00] CKT 1

LN-1168 : TRIP LINE FROM BUS 640357 [STANTON7 115.00] TO BUS 640363 [STNTN.N7 115.00] CKT 1  
TRIP LINE FROM BUS 640357 [STANTON7 115.00] TO BUS 640078 [BEEMER 7 115.00] CKT 1

LN-1193 : TRIP LINE FROM BUS 640070 [BANCRAFT7 115.00] TO BUS 640300 [OAKLAND7 115.00] CKT 1  
TRIP LINE FROM BUS 640070 [BANCRAFT7 115.00] TO BUS 640163 [EMERSON7 115.00] CKT 1

LN-DONIPHAN : TRIP LINE FROM BUS 640159 [DONIPHN7 115.00] TO BUS 642071 [SUB-D 7 115.00] CKT 1  
TRIP LINE FROM BUS 640159 [DONIPHN7 115.00] TO BUS 640282 [N.HAST 7 115.00] CKT 1

LN-HILDRETH : TRIP LINE FROM BUS 640222 [HILDRTH7 115.00] TO BUS 640224 [HOLDREG7 115.00] CKT 1  
TRIP LINE FROM BUS 640222 [HILDRTH7 115.00] TO BUS 640313 [PAULINE7 115.00] CKT 1

LN-CRAWFORD : TRIP LINE FROM BUS 640147 [CRAWFRD7 115.00] TO BUS 640109 [CHADRON7 115.00] CKT 1  
TRIP LINE FROM BUS 640147 [CRAWFRD7 115.00] TO BUS 640397 [VICTRYH7 115.00] CKT 1

LN-CALLAWAY : TRIP LINE FROM BUS 640098 [CALAWAY7 115.00] TO BUS 640089 [BROKENB7 115.00] CKT 1  
TRIP LINE FROM BUS 640098 [CALAWAY7 115.00] TO BUS 640099 [CALAWAY8 69.000] CKT 1

LN-PROSSER : TRIP LINE FROM BUS 640321 [PROSSER7 115.00] TO BUS 640322 [PROSSER9 34.500] CKT 1  
TRIP LINE FROM BUS 640321 [PROSSER7 115.00] TO BUS 640261 [LOWELL 7 115.00] CKT 1

LN-WAPA1 : TRIP LINE FROM BUS 652311 [DUNLAP 7 115.00] TO BUS 640109 [CHADRON7 115.00] CKT 1  
TRIP LINE FROM BUS 652311 [DUNLAP 7 115.00] TO BUS 659236 [BOXBUTE7 115.00] CKT 1

LN-WAPA2 : TRIP LINE FROM BUS 659236 [BOXBUTE7 115.00] TO BUS 659237 [HEMINGF7 115.00] CKT 1

TRIP LINE FROM BUS 659236 [BOXBUTE7 115.00] TO BUS 652570 [ALIANCE7 115.00] CKT 1  
 TRIP LINE FROM BUS 652570 [ALIANCE7 115.00] TO BUS 659197 [SNAKECK7 115.00] CKT 1  
 LN-WAPA3 : TRIP LINE FROM BUS 652312 [MORRILL7 115.00] TO BUS 659197 [SNAKECK7 115.00] CKT 1  
 TRIP LINE FROM BUS 652312 [MORRILL7 115.00] TO BUS 659242 [GERINGT7 115.00] CKT 1  
 TRIP LINE FROM BUS 659242 [GERINGT7 115.00] TO BUS 640338 [SCOTBLF7 115.00] CKT 1  
 LN-WAPA4 : TRIP LINE FROM BUS 659238 [COLTON 7 115.00] TO BUS 652572 [SIDNEY 7 115.00] CKT 1  
 TRIP LINE FROM BUS 659238 [COLTON 7 115.00] TO BUS 652300 [CHAPPEL7 115.00] CKT 1  
 TRIP LINE FROM BUS 640246 [JULSTAP7 115.00] TO BUS 652300 [CHAPPEL7 115.00] CKT 1  
 TRIP LINE FROM BUS 640246 [JULSTAP7 115.00] TO BUS 640068 [B.SPRGS7 115.00] CKT 1  
 LN-WAPA5 : TRIP LINE FROM BUS 640091 [BRULE 7 115.00] TO BUS 640068 [B.SPRGS7 115.00] CKT 1  
 TRIP LINE FROM BUS 640091 [BRULE 7 115.00] TO BUS 659132 [OGALALA7 115.00] CKT 1  
 LN-WAPA6 : TRIP LINE FROM BUS 640349 [SPENCER7 115.00] TO BUS 652510 [FTRANDL7 115.00] CKT 1  
 TRIP LINE FROM BUS 640349 [SPENCER7 115.00] TO BUS 640305 [ONEILL 7 115.00] CKT 1  
 LN-TSGT1 : TRIP LINE FROM BUS 659192 [LYNN 7 115.00] TO BUS 659197 [SNAKECK7 115.00] CKT 1  
 TRIP LINE FROM BUS 659192 [LYNN 7 115.00] TO BUS 659239 [COVALT 7 115.00] CKT 1  
 TRIP LINE FROM BUS 659239 [COVALT 7 115.00] TO BUS 659193 [W.HORSE7 115.00] CKT 1  
 LN-TSGT2 : TRIP LINE FROM BUS 640086 [BLUECK 7 115.00] TO BUS 659193 [W.HORSE7 115.00] CKT 1  
 TRIP LINE FROM BUS 640086 [BLUECK 7 115.00] TO BUS 640068 [B.SPRGS7 115.00] CKT 1  
 LN-TSGT3 : TRIP LINE FROM BUS 659188 [SPCREEK7 115.00] TO BUS 659154 [LAMAR 7 115.00] CKT 1  
 TRIP LINE FROM BUS 659188 [SPCREEK7 115.00] TO BUS 659130 [GRANTNB7 115.00] CKT 1  
 LN-TSGT4 : TRIP LINE FROM BUS 659195 [CRETE 7 115.00] TO BUS 659154 [LAMAR 7 115.00] CKT 1  
 TRIP LINE FROM BUS 659195 [CRETE 7 115.00] TO BUS 659245 [CRETEHE7 115.00] CKT 1  
 TRIP LINE FROM BUS 659244 [ATHEY 7 115.00] TO BUS 659245 [CRETEHE7 115.00] CKT 1  
 TRIP LINE FROM BUS 659244 [ATHEY 7 115.00] TO BUS 640167 [ENDERS 7 115.00] CKT 1  
 LN-TSGT5 : TRIP LINE FROM BUS 659187 [ROSCOE 7 115.00] TO BUS 659132 [OGALALA7 115.00] CKT 1  
 TRIP LINE FROM BUS 659187 [ROSCOE 7 115.00] TO BUS 659185 [ELSIETP7 115.00] CKT 1  
 LN-TSGT6 : TRIP LINE FROM BUS 659186 [PAXTON 7 115.00] TO BUS 640370 [SUTHLND7 115.00] CKT 1  
 TRIP LINE FROM BUS 659186 [PAXTON 7 115.00] TO BUS 659185 [ELSIETP7 115.00] CKT 1  
 TRF-AXTELL : TRIP LINE FROM BUS 640065 [AXTELL 3 345.00] TO BUS 640066 [AXTELL 7 115.00] TO BUS 640067 [AXTELL 9 13.800] CKT 1  
 TRF-COOPER : TRIP LINE FROM BUS 640139 [COOPER 3 345.00] TO BUS 640140 [COOPER 5 161.00] TO BUS 640142 [COOPER 9 13.800] CKT 1  
 TRF-GENTLMN : TRIP LINE FROM BUS 640183 [GENTLMN3 345.00] TO BUS 640184 [GENTLMN4 230.00] TO BUS 640185 [G.GENT19 13.800] CKT 1  
 TRF-GRIS-T2 : TRIP LINE FROM BUS 640200 [GR ISLD4 230.00] TO BUS 640201 [GR ISLD7 115.00] TO BUS 640203 [G.I.T219 13.800] CKT 1  
 TRF-HOSKINS : TRIP LINE FROM BUS 640226 [HOSKINS3 345.00] TO BUS 640228 [HOSKINS7 115.00] TO BUS 640231 [HOSKNS19 13.800] CKT 1  
 TRF-KEYSTONE: TRIP LINE FROM BUS 640252 [KEYSTON3 345.00] TO BUS 640253 [KEYSTON7 115.00] TO BUS 640254 [KEYSTON9 13.800] CKT 1  
 TRF-MCCOOL : TRIP LINE FROM BUS 640271 [MCCOOL 3 345.00] TO BUS 640272 [MCCOOL 7 115.00] TO BUS 640274 [MCCOOL19 13.800] CKT 1  
 TRF-NP-T8 : TRIP LINE FROM BUS 640286 [N.PLATT4 230.00] TO BUS 640287 [N.PLATT7 115.00] TO BUS 640290 [N.PT8 9 13.800] CKT 1  
 TRF-NP-T9 : TRIP LINE FROM BUS 640286 [N.PLATT4 230.00] TO BUS 640287 [N.PLATT7 115.00] TO BUS 640291 [N.PT9 9 13.800] CKT 2  
 TRF-PAULINE : TRIP LINE FROM BUS 640312 [PAULINE3 345.00] TO BUS 640313 [PAULINE7 115.00] TO BUS 640315 [PAULINE9 13.800] CKT 1  
 TRF-REDWILO : TRIP LINE FROM BUS 640325 [REDWILO3 345.00] TO BUS 640326 [REDWILO7 115.00] TO BUS 640327 [REDWILO9 13.800] CKT 1  
 TRF-MOORE : TRIP LINE FROM BUS 640277 [MOORE 3 345.00] TO BUS 640278 [SHELDON7 115.00] TO BUS 640280 [MOORE 9 13.800] CKT 1  
 TRF-VHILL : TRIP LINE FROM BUS 640396 [VICTRYH4 230.00] TO BUS 640397 [VICTRYH7 115.00] TO BUS 640399 [VICTR10G 13.800] CKT 1  
 TRF-WAYSIDE : TRIP LINE FROM BUS 640404 [WAYSIDE4 230.00] TO BUS 640405 [WAYSIDE7 115.00] TO BUS 640406 [WAYSIDE9 13.800] CKT 1  
 TRIP LINE FROM BUS 640405 [WAYSIDE7 115.00] TO BUS 640109 [CHADRON7 115.00] CKT 1  
 TRF-KELLY : TRIP LINE FROM BUS 640133 [COLMBUS4 230.00] TO BUS 640134 [KELLY 7 115.00] TO BUS 640135 [COLMBS19 13.200] CKT 1  
 TRIP LINE FROM BUS 640134 [KELLY 7 115.00] TO BUS 640136 [COLMBUS7 115.00] CKT 1  
 TRF-GRIS-T3 : TRIP LINE FROM BUS 652571 [GR ISLD3 345.00] TO BUS 640200 [GR ISLD4 230.00] TO BUS 652314 [GR ISL19 13.800] CKT 1  
 TRF-GRIS-T4 : TRIP LINE FROM BUS 652571 [GR ISLD3 345.00] TO BUS 640200 [GR ISLD4 230.00] TO BUS 652316 [GR ISL29 13.800] CKT 2  
 TRF-STEGALL : TRIP LINE FROM BUS 659207 [STEGALTY 345.00] TO BUS 659206 [STGXFMR4 230.00] CKT 1

TRIP LINE FROM BUS 659207 [STEGALTY 345.00] TO BUS 659167 [STEGALLM 13.800] CKT 1  
TRIP LINE FROM BUS 659207 [STEGALTY 345.00] TO BUS 659135 [STEGALL3 345.00] CKT 1  
TRIP LINE FROM BUS 659206 [STGXFMR4 230.00] TO BUS 652573 [STEGALL4 230.00] CKT 1  
TRF-SIDNEY1 : TRIP LINE FROM BUS 659209 [SIDNEYTY 345.00] TO BUS 659210 [SIDXFMR4 230.00] CKT 1  
TRIP LINE FROM BUS 659209 [SIDNEYTY 345.00] TO BUS 659168 [SIDNEY M 13.800] CKT 1  
TRIP LINE FROM BUS 659209 [SIDNEYTY 345.00] TO BUS 659133 [SIDNEY 3 345.00] CKT 1  
TRIP LINE FROM BUS 659210 [SIDXFMR4 230.00] TO BUS 659134 [SIDNEY 4 230.00] CKT 1  
TRF-SIDNEY2 : TRIP LINE FROM BUS 659136 [SIDNEY\*4 230.00] TO BUS 659134 [SIDNEY 4 230.00] CKT 1  
TRIP LINE FROM BUS 659136 [SIDNEY\*4 230.00] TO BUS 652572 [SIDNEY 7 115.00] CKT 1  
TRIP LINE FROM BUS 659136 [SIDNEY\*4 230.00] TO BUS 659137 [SIDNEY 8 13.800] CKT 1  
S993 GEN OFF: DECREASE BUS 647993 [S993 8 69.000] GENERATION BY 5.4 MW  
NCU GEN OFF : DECREASE BUS 647401 [NCU903 8 69.000] GENERATION BY 5.8 MW  
S3454T1 AUTO: OPEN BRANCH FROM BUS 645454 [S3454 3 345.00] TO BUS 646254 [S1254 5 161.00] TO BUS 648254 [S1254T19 13.800] CKT 1  
OPEN LINE FROM BUS 646254 [S1254 5 161.00] TO BUS 646281 [S1281 5 161.00] CKT 1  
OPEN LINE FROM BUS 646254 [S1254 5 161.00] TO BUS 646249 [S1249 5 161.00] CKT 1  
S1206T1 BSCL: OPEN BRANCH FROM BUS 646206 [S1206 5 161.00] TO BUS 647906 [S906 S 8 69.000] TO BUS 648206 [S1206T19 13.800] CKT 1  
CLOSE BRANCH FROM BUS 647006 [S906 N 8 69.000] TO BUS 647906 [S906 S 8 69.000] CKT 1  
S1206T2 BSCL: OPEN BRANCH FROM BUS 646206 [S1206 5 161.00] TO BUS 647006 [S906 N 8 69.000] TO BUS 648306 [S1206T29 13.800] CKT 1  
CLOSE BRANCH FROM BUS 647006 [S906 N 8 69.000] TO BUS 647906 [S906 S 8 69.000] CKT 1  
S1210T7 AUTO: OPEN LINE FROM BUS 646210 [S1210 5 161.00] TO BUS 646217 [S1217 5 161.00] CKT 1  
OPEN LINE FROM BUS 646210 [S1210 5 161.00] TO BUS 646222 [S1222 5 161.00] CKT 1  
OPEN LINE FROM BUS 646210 [S1210 5 161.00] TO BUS 647910 [S910 8 69.000] TO BUS 648210 [S1210T79 13.800] CKT 1  
S1217T1 AUTO: OPEN BRANCH FROM BUS 646217 [S1217 5 161.00] TO BUS 647917 [S917 8 69.000] TO BUS 648217 [S1217T19 13.800] CKT 1  
OPEN LINE FROM BUS 646217 [S1217 5 161.00] TO BUS 646227 [S1227 5 161.00] CKT 1  
OPEN LINE FROM BUS 646217 [S1217 5 161.00] TO BUS 646210 [S1210 5 161.00] CKT 1  
OPEN LINE FROM BUS 646217 [S1217 5 161.00] TO BUS 646216 [S1216 5 161.00] CKT 1  
S1221T9 AUTO: OPEN LINE FROM BUS 646221 [S1221 5 161.00] TO BUS 646231 [S1231 5 161.00] CKT 1  
OPEN LINE FROM BUS 646221 [S1221 5 161.00] TO BUS 646255 [S1255 5 161.00] CKT 1  
OPEN LINE FROM BUS 646221 [S1221 5 161.00] TO BUS 647921 [S921 8 69.000] TO BUS 648221 [S1221T99 13.800] CKT 1  
S1263T1 AUTO: OPEN BRANCH FROM BUS 646263 [S1263 5 161.00] TO BUS 647111 [W BROCK8 69.000] TO BUS 648263 [S1263T19 13.800] CKT 1  
OPEN LINE FROM BUS 647111 [W BROCK8 69.000] TO BUS 647963 [S963 8 69.000] CKT 1  
OPEN LINE FROM BUS 647111 [W BROCK8 69.000] TO BUS 647967 [S967 8 69.000] CKT 1  
1252TARP : OPEN LINE FROM BUS 646252 [S1252 5 161.00] TO BUS 646209 [S1209 5 161.00] CKT 1  
OPEN LINE FROM BUS 646252 [S1252 5 161.00] TO BUS 646226 [S1226 5 161.00] CKT 1  
1211-50-HS4 : OPEN BRANCH FROM BUS 646211 [S1211 5 161.00] TO BUS 646250 [S1250 5 161.00] CKT 2  
OPEN LINE FROM BUS 645127 [S1211HS9 13.800] TO BUS 646211 [S1211 5 161.00] CKT 1  
1297TARP : OPEN LINE FROM BUS 646297 [S1297 5 161.00] TO BUS 646250 [S1250 5 161.00] CKT 1  
OPEN LINE FROM BUS 646297 [S1297 5 161.00] TO BUS 646251 [S1251 5 161.00] CKT 1  
1281LINBUS : OPEN LINE FROM BUS 646281 [S1281 5 161.00] TO BUS 646287 [S1287 5 161.00] CKT 1  
OPEN LINE FROM BUS 646281 [S1281 5 161.00] TO BUS 646254 [S1254 5 161.00] CKT 1  
OPEN LINE FROM BUS 646281 [S1281 5 161.00] TO BUS 646259 [S1259 5 161.00] CKT 1  
S979TAP : OPEN LINE FROM BUS 647979 [S979 8 69.000] TO BUS 647079 [979TP 8 69.000] CKT 1  
OPEN LINE FROM BUS 647079 [979TP 8 69.000] TO BUS 647900 [S900 8 69.000] CKT 1  
OPEN LINE FROM BUS 647079 [979TP 8 69.000] TO BUS 647006 [S906 N 8 69.000] CKT 1  
901-JCT-910 : OPEN LINE FROM BUS 647105 [JCT205 8 69.000] TO BUS 647901 [S901 8 69.000] CKT 1  
OPEN LINE FROM BUS 647105 [JCT205 8 69.000] TO BUS 647910 [S910 8 69.000] CKT 1  
S937NOBKR : OPEN LINE FROM BUS 647937 [S937 8 69.000] TO BUS 647902 [S902 8 69.000] CKT 1  
OPEN LINE FROM BUS 647937 [S937 8 69.000] TO BUS 647909 [S909 8 69.000] CKT 1

906S15-25-94: OPEN LINE FROM BUS 647016 [915TP3 8 69.000] TO BUS 647107 [SAC623 8 69.000] CKT 1  
     OPEN LINE FROM BUS 647016 [915TP3 8 69.000] TO BUS 647906 [S906 S 8 69.000] CKT 1  
     OPEN LINE FROM BUS 647016 [915TP3 8 69.000] TO BUS 647915 [S915T2 8 69.000] CKT 1  
     OPEN LINE FROM BUS 647107 [SAC623 8 69.000] TO BUS 647109 [SAC SO 8 69.000] CKT 1  
     OPEN LINE FROM BUS 647107 [SAC623 8 69.000] TO BUS 647994 [S994 8 69.000] CKT 1  
 906N15-25-94: OPEN LINE FROM BUS 647017 [915TP9 8 69.000] TO BUS 647108 [SAC629 8 69.000] CKT 1  
     OPEN LINE FROM BUS 647017 [915TP9 8 69.000] TO BUS 647006 [S906 N 8 69.000] CKT 1  
     OPEN LINE FROM BUS 647017 [915TP9 8 69.000] TO BUS 647015 [S915T1 8 69.000] CKT 1  
     OPEN LINE FROM BUS 647108 [SAC629 8 69.000] TO BUS 647110 [SAC NO 8 69.000] CKT 1  
     OPEN LINE FROM BUS 647108 [SAC629 8 69.000] TO BUS 647994 [S994 8 69.000] CKT 1  
 S938LINBUS : OPEN LINE FROM BUS 647938 [S938 8 69.000] TO BUS 647995 [S995 8 69.000] CKT 1  
     OPEN LINE FROM BUS 647938 [S938 8 69.000] TO BUS 647006 [S906 N 8 69.000] CKT 1  
     OPEN LINE FROM BUS 647938 [S938 8 69.000] TO BUS 647906 [S906 S 8 69.000] CKT 1  
 S973NOBKR : OPEN LINE FROM BUS 647973 [S973 8 69.000] TO BUS 640143 [CORNFLD8 69.000] CKT 1  
     OPEN LINE FROM BUS 647973 [S973 8 69.000] TO BUS 647963 [S963 8 69.000] CKT 1  
 AUBNOBKR : OPEN LINE FROM BUS 647101 [AUBRNT 8 69.000] TO BUS 647963 [S963 8 69.000] CKT 1  
     OPEN LINE FROM BUS 647101 [AUBRNT 8 69.000] TO BUS 647975 [S975 8 69.000] CKT 1  
     OPEN LINE FROM BUS 647101 [AUBRNT 8 69.000] TO BUS 640062 [AUBURN 8 69.000] CKT 1  
 S964-S993 : OPEN LINE FROM BUS 647964 [S964 8 69.000] TO BUS 647975 [S975 8 69.000] CKT 1  
     OPEN LINE FROM BUS 647964 [S964 8 69.000] TO BUS 647112 [MGLN TP8 69.000] CKT 1  
     OPEN LINE FROM BUS 647112 [MGLN TP8 69.000] TO BUS 647113 [MAGELLN8 69.000] CKT 1  
     OPEN LINE FROM BUS 647112 [MGLN TP8 69.000] TO BUS 647993 [S993 8 69.000] CKT 1  
 S968LINBUS : OPEN LINE FROM BUS 647968 [S968 8 69.000] TO BUS 647969 [S969 8 69.000] CKT 1  
     OPEN LINE FROM BUS 647968 [S968 8 69.000] TO BUS 647400 [TECUMSH8 69.000] CKT 1  
     OPEN LINE FROM BUS 647968 [S968 8 69.000] TO BUS 647967 [S967 8 69.000] CKT 1  
 ENRONTAP : OPEN LINE FROM BUS 647102 [HYDCAP 8 69.000] TO BUS 647103 [ENRON 8 69.000] CKT 1  
     OPEN LINE FROM BUS 647102 [HYDCAP 8 69.000] TO BUS 647970 [S970 8 69.000] CKT 1  
     OPEN LINE FROM BUS 647102 [HYDCAP 8 69.000] TO BUS 647974 [S974 8 69.000] CKT 1  
 S982-90-71 : OPEN LINE FROM BUS 647090 [990TP 8 69.000] TO BUS 647971 [S971 8 69.000] CKT 1  
     OPEN LINE FROM BUS 647090 [990TP 8 69.000] TO BUS 647982 [S982 8 69.000] CKT 1  
     OPEN LINE FROM BUS 647090 [990TP 8 69.000] TO BUS 647990 [S990 8 69.000] CKT 1  
 S976-FRE-D-E: OPEN BRANCH FROM BUS 647976 [S976 8 69.000] TO BUS 647424 [FREM D 8 69.000] CKT 1  
     OPEN BRANCH FROM BUS 647424 [FREM D 8 69.000] TO BUS 647425 [FREM E 8 69.000] CKT 1  
 S979BUS : OPEN LINE FROM BUS 647979 [S979 8 69.000] TO BUS 647079 [979TP 8 69.000] CKT 1  
 S991TAP : OPEN LINE FROM BUS 647091 [991TP 8 69.000] TO BUS 647427 [FREM G 8 69.000] CKT 1  
     OPEN LINE FROM BUS 647091 [991TP 8 69.000] TO BUS 647984 [S984 8 69.000] CKT 1  
     OPEN LINE FROM BUS 647091 [991TP 8 69.000] TO BUS 647991 [S991 8 69.000] CKT 1  
 S962-KM-S971: OPEN LINE FROM BUS 647114 [KIN MTP8 69.000] TO BUS 647115 [KIN MOR8 69.000] CKT 1  
     OPEN LINE FROM BUS 647114 [KIN MTP8 69.000] TO BUS 647962 [S962 8 69.000] CKT 1  
     OPEN LINE FROM BUS 647114 [KIN MTP8 69.000] TO BUS 647971 [S971 8 69.000] CKT 1  
 FCS\_GEN : REMOVE MACHINE 1 FROM BUS 645001 [FT CAL1G 22.000]  
 NC2\_GEN : REMOVE MACHINE 2 FROM BUS 645012 [NEBCTY2G 23.000]  
 FRE8\_GEN : REMOVE MACHINE 8 FROM BUS 647418 [FREM 8G 13.800]  
 ELKCITY\_GEN : REMOVE MACHINE 1 FROM BUS 647937 [S937 8 69.000]  
 ELKCTY3\_GEN : REDUCE BUS 647937 [S937 8 69.000] GENERATION BY 3 MW  
 GEN-SVGS4 : TRIP LINE FROM BUS 650004 [TBGS 4G 13.800] TO BUS 650275 [84&BLUFF 7 115.00] CKT 1  
 GEN-ROKBY2 : TRIP LINE FROM BUS 650092 [ROKEBY 2G 13.800] TO BUS 650290 [ROKEBY 7 115.00] CKT 1  
 TRF-NW68HOL : TRIP LINE FROM BUS 650214 [NW68HOLDRG7 115.00] TO BUS 650114 [NW68HOLDRG3 345.00] TO BUS 650314 [NW68HOL1 9 13.800] CKT 1

TRF-70&BLUF : TRIP LINE FROM BUS 650269 [70&BLUFF 7 115.00] TO BUS 650169 [70&BLUFF 5 161.00] TO BUS 650369 [70&BLUFF 9 13.800] CKT 1

TRF-WAGNR1 : TRIP LINE FROM BUS 650285 [WAGENER 7 115.00] TO BUS 650185 [WAGENER 3 345.00] TO BUS 650385 [WAGENER1 9 13.800] CKT 1

TRF-WAGNR2 : TRIP LINE FROM BUS 650285 [WAGENER 7 115.00] TO BUS 650185 [WAGENER 3 345.00] TO BUS 650485 [WAGENER2 9 13.800] CKT 2

# **APPENDIX B**

LOADFLOW ANALYSIS – PHASE 2

MULTIPLE ELEMENT ACCC SCREENING  
RESULTS

(TPL-003 & TPL-004)

## ACCC OVERLOAD REPORT: MONITORED BRANCHES AND INTERFACES LOADED ABOVE 100.0 % OF RATING SET A

CONTINGENCY CASE LOADING NOT CHECKED UNLESS IT DIFFERS FROM ITS BASE CASE LOADING BY 1.0 MVA (MW FOR INTERFACES)

ACCC VOLTAGE REPORT: VOLTAGE BAND CHECK IN CONTINGENCY CASES SKIPPED FOR ANY BUS WITHIN 0.01000 OF ITS BASE CASE VOLTAGE MAGNITUDE

AC CONTINGENCY RESULTS FILE: C:\u1\ddbetz\spp-facilities-study\DISIS-2010-001\lf\acc\10G-post-mult.acc

DISTRIBUTION FACTOR FILE: C:\u1\ddbetz\spp-facilities-study\DISIS-2010-001\lf\acc\10G-post-mult.dfx

SUBSYSTEM DESCRIPTION FILE: C:\u1\ddbetz\spp-facilities-study\DISIS-2010-001\lf\acc\MRO.sub

MONITORED ELEMENT FILE: C:\u1\ddbetz\spp-facilities-study\DISIS-2010-001\lf\acc\Nebraska.mon

CONTINGENCY DESCRIPTION FILE: C:\u1\ddbetz\spp-facilities-study\DISIS-2010-001\lf\acc\Nebraska-mult.con

Solution engine: Fixed slope decoupled Newton-Raphson (FDNS)

Solution options

Tap adjustment: Stepping

Area interchange control: Disable

Phase shift adjustment: Enable

Dc tap adjustment: Enable

Switch shunt adjustment: Lock all

Non diverge: Disable

Mismatch tolerance (MW): 1.5

Dispatch mode: Disable

<-----	MULTI-SECTION LINE	----->	<-----	MONITORED BRANCH	----->	CONTINGENCY	RATING	FLOW	%	
	640133 COLMBUS4	230.00	643000*	MADISONCNTY4230.00	1	BASE CASE	192.0	227.6	115.1	
	640133 COLMBUS4	230.00	643000*	MADISONCNTY4230.00	1	TWR-GK-PS	192.0	230.5	116.6	
	640133 COLMBUS4	230.00	643000*	MADISONCNTY4230.00	1	TWR-GS-NPM	192.0	229.3	116.0	
	640133*COLMBUS4	230.00	643000	MADISONCNTY4230.00	1	TWR-KSC-CC	192.0	203.9	104.9	
	640133 COLMBUS4	230.00	643000*	MADISONCNTY4230.00	1	TWR-SCH-CC	192.0	201.4	101.8	
	640133 COLMBUS4	230.00	643000*	MADISONCNTY4230.00	1	TWR-SCH-CM	192.0	208.1	105.2	
	640133 COLMBUS4	230.00	643000*	MADISONCNTY4230.00	1	TWR-SCH-MN	192.0	202.7	102.5	
	640133 COLMBUS4	230.00	643000*	MADISONCNTY4230.00	1	TWR-SCH-NH	192.0	203.5	102.9	
	640133*COLMBUS4	230.00	643000	MADISONCNTY4230.00	1	TWR-GS-GRW	192.0	224.0	115.1	
	640133*COLMBUS4	230.00	643000	MADISONCNTY4230.00	1	TWR-ETR-CR	192.0	223.9	115.6	
	640133*COLMBUS4	230.00	643000	MADISONCNTY4230.00	1	TWR-ETR-RS	192.0	224.8	116.1	
	640133*COLMBUS4	230.00	643000	MADISONCNTY4230.00	1	TWR-ETR-SP	192.0	225.2	116.3	
	640133*COLMBUS4	230.00	643000	MADISONCNTY4230.00	1	TWR-ETR-PH	192.0	225.6	116.5	
	640133 COLMBUS4	230.00	643000*	MADISONCNTY4230.00	1	BUS-COLWEST	192.0	230.6	116.6	
	640133 COLMBUS4	230.00	643000*	MADISONCNTY4230.00	1	BUS-HOSKINS	192.0	229.5	116.0	
	640133 COLMBUS4	230.00	643000*	MADISONCNTY4230.00	1	BUS-RIVERDAL	192.0	229.0	115.8	
	640133 COLMBUS4	230.00	643000*	MADISONCNTY4230.00	1	BKR-GGS-3316	192.0	231.2	116.9	
	640183 GENTLMN3	345.00	640184*	GENTLMN4	230.00	2	BKR-GGS-3304	336.0	366.2	109.0
	640133 COLMBUS4	230.00	643000*	MADISONCNTY4230.00	1	BKR-GGS-2216	192.0	238.0	120.3	
	640133 COLMBUS4	230.00	643000*	MADISONCNTY4230.00	1	BKR-SW-3308	192.0	231.4	117.0	
	640133 COLMBUS4	230.00	643000*	MADISONCNTY4230.00	1	BKR-KEY-3310	192.0	232.0	117.3	
	640133 COLMBUS4	230.00	643000*	MADISONCNTY4230.00	1	BKR-SW-3304	192.0	229.1	115.8	
	640133 COLMBUS4	230.00	643000*	MADISONCNTY4230.00	1	BKR-SW-3306	192.0	231.1	116.9	
	640133 COLMBUS4	230.00	643000*	MADISONCNTY4230.00	1	BKR-SW-3310	192.0	229.5	116.0	
	640133 COLMBUS4	230.00	643000*	MADISONCNTY4230.00	1	BKR-NP-2212	192.0	228.7	115.6	

640133 COLMBUS4	230.00	643000*	MADISONCNTY4230.00	1	BKR-CC-2202	192.0	230.6	116.6
640133 COLMBUS4	230.00	643000*	MADISONCNTY4230.00	1	BKR-CC-2208	192.0	231.6	117.1
640133*COLMBUS4	230.00	643000	MADISONCNTY4230.00	1	BKR-RW-3302	192.0	218.9	112.7
640133 COLMBUS4	230.00	643000*	MADISONCNTY4230.00	1	BKR-GRI-1596	192.0	230.0	116.3
640133 COLMBUS4	230.00	643000*	MADISONCNTY4230.00	1	BKR-GRI-1396	192.0	226.4	114.5
640133 COLMBUS4	230.00	643000*	MADISONCNTY4230.00	1	BKR-GRI-2210	192.0	236.0	119.3
640133 COLMBUS4	230.00	643000*	MADISONCNTY4230.00	1	BKR-GRI-2204	192.0	229.2	115.9
640133 COLMBUS4	230.00	643000*	MADISONCNTY4230.00	1	BKR-GRI-2212	192.0	236.2	119.4
640133 COLMBUS4	230.00	643000*	MADISONCNTY4230.00	1	BKR-MOR-3306	192.0	226.5	114.5
640133*COLMBUS4	230.00	643000	MADISONCNTY4230.00	1	BKR-MOR-3310	192.0	225.0	115.7
640133*COLMBUS4	230.00	643000	MADISONCNTY4230.00	1	BKR-MOR-3312	192.0	225.4	115.9
640133 COLMBUS4	230.00	643000*	MADISONCNTY4230.00	1	BKR-CPR-3304	192.0	219.6	111.0
640133 COLMBUS4	230.00	643000*	MADISONCNTY4230.00	1	BKR-CPR-3310	192.0	236.4	119.5
640133 COLMBUS4	230.00	643000*	MADISONCNTY4230.00	1	BKR-CPR-3322	192.0	225.4	114.0
640133 COLMBUS4	230.00	643000*	MADISONCNTY4230.00	1	BKR-C-3322-2	192.0	224.9	113.7
640133 COLMBUS4	230.00	643000*	MADISONCNTY4230.00	1	BKR-WAY-186	192.0	218.9	110.7
640133 COLMBUS4	230.00	643000*	MADISONCNTY4230.00	1	BKR-TEK-1604	192.0	226.2	114.4
640133 COLMBUS4	230.00	643000*	MADISONCNTY4230.00	1	BKR-HOS-3302	192.0	202.5	102.4
640133 COLMBUS4	230.00	643000*	MADISONCNTY4230.00	1	BKR-HOS-3310	192.0	217.5	110.0
640133*COLMBUS4	230.00	643000	MADISONCNTY4230.00	1	BKR-CE-3306	192.0	225.8	117.0
640068*B.SPRGS7	115.00	640091	BRULE 7 115.00	1	CSPT-SK-SO 120.0	145.4	123.4	
640068 B.SPRGS7	115.00	640246*	JULSTAP7 115.00	1	CSPT-SK-SO 120.0	121.8	104.4	
640091*BRULE 7	115.00	659132	OGALALA7 115.00	1	CSPT-SK-SO 120.0	145.8	121.9	
640133 COLMBUS4	230.00	643000*	MADISONCNTY4230.00	1	CSPT-SK-SO 192.0	237.9	120.3	
640246 JULSTAP7	115.00	652300*	CHAPPEL7 115.00	1	CSPT-SK-SO 120.0	142.7	122.3	
652300 CHAPPEL7	115.00	659238*	COLTON 7 115.00	1	CSPT-SK-SO 120.0	151.4	125.7	
652572 SIDNEY 7	115.00	659136*	SIDNEY*4 230.00	1	CSPT-SK-SO 112.0	155.8	139.1	
652572*SIDNEY 7	115.00	659238	COLTON 7 115.00	1	CSPT-SK-SO 120.0	155.3	126.7	
652573*STEGALL4	230.00	659206	STGXFMR4 230.00	1	CSPT-SK-SO 400.0	420.2	108.9	
659134*SIDNEY 4	230.00	659136	SIDNEY*4 230.00	1	CSPT-SK-SO 112.0	159.0	141.9	
659135*STEGALL3	345.00	659207	STEGALTY 345.00	1	CSPT-SK-SO 400.0	438.1	109.5	
659206 STGXFMR4	230.00	659207*	STEGALTY 345.00	1	CSPT-SK-SO 400.0	422.7	105.7	
640133 COLMBUS4	230.00	643000*	MADISONCNTY4230.00	1	CSPT-GS1-GS2 192.0	235.3	119.0	
640133 COLMBUS4	230.00	643000*	MADISONCNTY4230.00	1	CSPT-SA-CCR 192.0	229.8	116.2	
640133 COLMBUS4	230.00	643000*	MADISONCNTY4230.00	1	CSPT-HR-HTC 192.0	223.5	113.0	
640133 COLMBUS4	230.00	643000*	MADISONCNTY4230.00	1	CSPT-CM-H161 192.0	228.6	115.6	
640133 COLMBUS4	230.00	643000*	MADISONCNTY4230.00	1	CSPT-CM-C161 192.0	228.9	115.8	
640133 COLMBUS4	230.00	643000*	MADISONCNTY4230.00	1	INT-CF-CSJ 192.0	217.1	109.8	
640133 COLMBUS4	230.00	643000*	MADISONCNTY4230.00	1	GEN-GGS-ALL 192.0	238.0	120.3	
640133 COLMBUS4	230.00	643000*	MADISONCNTY4230.00	1	GEN-SS-ALL 192.0	230.7	116.6	
640133 COLMBUS4	230.00	643000*	MADISONCNTY4230.00	1	GEN-COL-ALL 192.0	229.5	116.1	
640133 COLMBUS4	230.00	643000*	MADISONCNTY4230.00	1	GEN-EC-ALL 192.0	236.3	119.5	
640133 COLMBUS4	230.00	643000*	MADISONCNTY4230.00	1	MC3456-59-16 192.0	226.5	114.5	
640133 COLMBUS4	230.00	643000*	MADISONCNTY4230.00	1	CB3451-54&FC 192.0	229.2	115.9	
640133 COLMBUS4	230.00	643000*	MADISONCNTY4230.00	1	CB3451-RN&T4 192.0	221.5	112.0	
640133 COLMBUS4	230.00	643000*	MADISONCNTY4230.00	1	CB3454-51&WG 192.0	226.4	114.5	
640133 COLMBUS4	230.00	643000*	MADISONCNTY4230.00	1	CB3454-55&WG 192.0	226.0	114.3	
640133 COLMBUS4	230.00	643000*	MADISONCNTY4230.00	1	CB3455-40&T3 192.0	226.3	114.4	



640133	COLMBUS4	230.00	643000*	MADISONCNTY4230.00	1	CB3456-55&CB	192.0	230.4	116.5
640133	COLMBUS4	230.00	643000*	MADISONCNTY4230.00	1	CB3456-59&T4	192.0	226.2	114.4
640133	COLMBUS4	230.00	643000*	MADISONCNTY4230.00	1	CB3456-58&T4	192.0	225.5	114.0
640133	COLMBUS4	230.00	643000*	MADISONCNTY4230.00	1	CB3455-40&C2	192.0	226.4	114.5
640133	COLMBUS4	230.00	643000*	MADISONCNTY4230.00	1	CB1226-98&TK	192.0	226.2	114.4
640133	COLMBUS4	230.00	643000*	MADISONCNTY4230.00	1	CBTEK-BUS	192.0	226.2	114.4
640133	COLMBUS4	230.00	643000*	MADISONCNTY4230.00	1	OPPD CATD 01	192.0	221.5	112.0
640133	COLMBUS4	230.00	643000*	MADISONCNTY4230.00	1	OPPD CATD 02	192.0	221.5	112.0
640133	COLMBUS4	230.00	643000*	MADISONCNTY4230.00	1	OPPD CATD 03	192.0	221.8	112.2
640133	COLMBUS4	230.00	643000*	MADISONCNTY4230.00	1	OPPD CATD 04	192.0	228.6	115.6
640133	COLMBUS4	230.00	643000*	MADISONCNTY4230.00	1	OPPD CATD 05	192.0	221.5	112.0
640133	COLMBUS4	230.00	643000*	MADISONCNTY4230.00	1	OPPD CATD 06	192.0	228.6	115.6
640133*	COLMBUS4	230.00	643000	MADISONCNTY4230.00	1	OPPD CATD 10	192.0	224.4	115.7
640133*	COLMBUS4	230.00	643000	MADISONCNTY4230.00	1	OPPD CATD 12	192.0	243.6	125.7
640133	COLMBUS4	230.00	643000*	MADISONCNTY4230.00	1	OPPD CATD 13	192.0	225.5	114.0
640133	COLMBUS4	230.00	643000*	MADISONCNTY4230.00	1	OPPD CATD 16	192.0	237.8	120.2
640133	COLMBUS4	230.00	643000*	MADISONCNTY4230.00	1	OPPD CATD 18	192.0	230.2	116.4
640133	COLMBUS4	230.00	643000*	MADISONCNTY4230.00	1	OPPD_CIP1	192.0	242.6	122.7
640133*	COLMBUS4	230.00	643000	MADISONCNTY4230.00	1	OPPD_CIP5	192.0	224.4	115.7
640133	COLMBUS4	230.00	643000*	MADISONCNTY4230.00	1	OPPD_CIP8	192.0	226.5	114.5
640133*	COLMBUS4	230.00	643000	MADISONCNTY4230.00	1	OPPD_CIP11	192.0	238.4	122.6
640133	COLMBUS4	230.00	643000*	MADISONCNTY4230.00	1	OPPD_CIP13	192.0	226.4	114.5
640133	COLMBUS4	230.00	643000*	MADISONCNTY4230.00	1	OPPD_CIP25	192.0	226.5	114.5
640133	COLMBUS4	230.00	643000*	MADISONCNTY4230.00	1	OPPD_CIP26	192.0	226.3	114.5
640133*	COLMBUS4	230.00	643000	MADISONCNTY4230.00	1	OPPD_CIP28	192.0	238.2	122.5
640133	COLMBUS4	230.00	643000*	MADISONCNTY4230.00	1	BKR-103ROKBY	192.0	230.6	116.6
640133	COLMBUS4	230.00	643000*	MADISONCNTY4230.00	1	BKR-WAG-3006	192.0	226.5	114.5
640133	COLMBUS4	230.00	643000*	MADISONCNTY4230.00	1	SUB-68TH-HLD	192.0	230.6	116.6
640133*	COLMBUS4	230.00	643000	MADISONCNTY4230.00	1	SUB-WAGENER	192.0	225.5	115.9
640133	COLMBUS4	230.00	643000*	MADISONCNTY4230.00	1	SUB-84TH-BLF	192.0	228.9	115.8

## MONITORED VOLTAGE REPORT:

SYSTEM                    CONTINGENCY <----- B U S ----->   V-CONT   V-INIT   V-MAX   V-MIN  
 'NEBR                    RANGE CSPT-SK-SO   640404 WAYSIDE4   230.00 0.88268 1.01907 1.10000 0.90000

## CONTINGENCY LEGEND:

LABEL        EVENTS

TWR-AP-AM : TRIP LINE FROM BUS 640066 [AXTELL 7 115.00] TO BUS 640275 [MINDEN 7 115.00] CKT 1  
           TRIP LINE FROM BUS 640065 [AXTELL 3 345.00] TO BUS 640312 [PAULINE3 345.00] CKT 1  
 TWR-AS-AK : TRIP LINE FROM BUS 640066 [AXTELL 7 115.00] TO BUS 640250 [KEARNEY7 115.00] CKT 1  
           TRIP LINE FROM BUS 640065 [AXTELL 3 345.00] TO BUS 640374 [SWEET W3 345.00] CKT 1  
 TWR-RWM-RWS : TRIP LINE FROM BUS 640269 [MCCOOK 7 115.00] TO BUS 640326 [REDWILO7 115.00] CKT 2  
           TRIP LINE FROM BUS 640365 [STOCKVL7 115.00] TO BUS 640326 [REDWILO7 115.00] CKT 1  
 TWR-GK-PS : TRIP LINE FROM BUS 659186 [PAXTON 7 115.00] TO BUS 640370 [SUTHLND7 115.00] CKT 1  
           TRIP LINE FROM BUS 640183 [GENTLMN3 345.00] TO BUS 640252 [KEYSTON3 345.00] CKT 1  
 TWR-GS-NPM : TRIP LINE FROM BUS 640287 [N.PLATT7 115.00] TO BUS 640267 [MAXWELS7 115.00] CKT 1  
           TRIP LINE FROM BUS 640183 [GENTLMN3 345.00] TO BUS 640374 [SWEET W3 345.00] CKT 2  
 TWR-KSC-CC : TRIP LINE FROM BUS 640133 [COLMBUS4 230.00] TO BUS 640343 [SHELCKR4 230.00] CKT 1

TRIP LINE FROM BUS 640136 [COLMBUS7 115.00] TO BUS 640151 [CRESTON7 115.00] CKT 1  
TWR-SCH-CC : TRIP LINE FROM BUS 640136 [COLMBUS7 115.00] TO BUS 640151 [CRESTON7 115.00] CKT 1  
TRIP LINE FROM BUS 640342 [SHELCRK3 345.00] TO BUS 640226 [HOSKINS3 345.00] CKT 1  
TWR-SCH-CM : TRIP LINE FROM BUS 640151 [CRESTON7 115.00] TO BUS 640263 [MADISON7 115.00] CKT 1  
TRIP LINE FROM BUS 640342 [SHELCRK3 345.00] TO BUS 640226 [HOSKINS3 345.00] CKT 1  
TWR-SCH-MN : TRIP LINE FROM BUS 640263 [MADISON7 115.00] TO BUS 640298 [NORFOLK7 115.00] CKT 1  
TRIP LINE FROM BUS 640342 [SHELCRK3 345.00] TO BUS 640226 [HOSKINS3 345.00] CKT 1  
TWR-SCH-NH : TRIP LINE FROM BUS 640298 [NORFOLK7 115.00] TO BUS 640228 [HOSKINS7 115.00] CKT 1  
TRIP LINE FROM BUS 640342 [SHELCRK3 345.00] TO BUS 640226 [HOSKINS3 345.00] CKT 1  
TWR-GNP23 : TRIP LINE FROM BUS 640184 [GENTLMN4 230.00] TO BUS 640286 [N.PLATT4 230.00] CKT 2  
TRIP LINE FROM BUS 640184 [GENTLMN4 230.00] TO BUS 640286 [N.PLATT4 230.00] CKT 3  
TRIP LINE FROM BUS 640093 [C.CREEK4 230.00] TO BUS 640286 [N.PLATT4 230.00] CKT 1  
TWR-GS-GRW : TRIP LINE FROM BUS 640183 [GENTLMN3 345.00] TO BUS 640374 [SWEET W3 345.00] CKT 2  
TRIP LINE FROM BUS 640183 [GENTLMN3 345.00] TO BUS 640325 [REDWILO3 345.00] CKT 1  
TWR-ETR-CR : TRIP LINE FROM BUS 640125 [COLMB.E3 345.00] TO BUS 650114 [NW68HOLDRG3 345.00] CKT 1  
TRIP LINE FROM BUS 640124 [COL.SE 7 115.00] TO BUS 640328 [RISNGCY7 115.00] CKT 1  
TWR-ETR-RS : TRIP LINE FROM BUS 640125 [COLMB.E3 345.00] TO BUS 650114 [NW68HOLDRG3 345.00] CKT 1  
TRIP LINE FROM BUS 640328 [RISNGCY7 115.00] TO BUS 640340 [SEWARD 7 115.00] CKT 1  
TWR-ETR-SP : TRIP LINE FROM BUS 640125 [COLMB.E3 345.00] TO BUS 650114 [NW68HOLDRG3 345.00] CKT 1  
TRIP LINE FROM BUS 640340 [SEWARD 7 115.00] TO BUS 640316 [PAWNEEL7 115.00] CKT 1  
TWR-ETR-PH : TRIP LINE FROM BUS 640125 [COLMB.E3 345.00] TO BUS 650114 [NW68HOLDRG3 345.00] CKT 1  
TRIP LINE FROM BUS 640316 [PAWNEEL7 115.00] TO BUS 650214 [NW68HOLDRG7 115.00] CKT 1  
BUS-COLWEST : TRIP LINE FROM BUS 640131 [COLMB.W4 230.00] TO BUS 640132 [COLMB.W9 34.500] CKT 1  
TRIP LINE FROM BUS 640131 [COLMB.W4 230.00] TO BUS 640133 [COLMBUS4 230.00] CKT 1  
TRIP LINE FROM BUS 640131 [COLMB.W4 230.00] TO BUS 640200 [GR ISLD4 230.00] CKT 1  
BUS-HOSKINS : TRIP LINE FROM BUS 640227 [HOSKINS4 230.00] TO BUS 640386 [TWIN CH4 230.00] CKT 1  
TRIP LINE FROM BUS 640227 [HOSKINS4 230.00] TO BUS 640226 [HOSKINS3 345.00] CKT 1  
TRIP LINE FROM BUS 640227 [HOSKINS4 230.00] TO BUS 640228 [HOSKINS7 115.00] CKT 1  
TRIP LINE FROM BUS 640227 [HOSKINS4 230.00] TO BUS 640230 [HOSK.T89 34.500] CKT 1  
BUS-OGALLALA: TRIP LINE FROM BUS 640302 [OGALALA4 230.00] TO BUS 659134 [SIDNEY 4 230.00] CKT 1  
TRIP LINE FROM BUS 640302 [OGALALA4 230.00] TO BUS 640184 [GENTLMN4 230.00] CKT 1  
TRIP LINE FROM BUS 640302 [OGALALA4 230.00] TO BUS 659132 [OGALALA7 115.00] CKT 1  
BUS-RIVERDAL: TRIP LINE FROM BUS 640330 [RIVERDL4 230.00] TO BUS 640093 [C.CREEK4 230.00] CKT 1  
TRIP LINE FROM BUS 640330 [RIVERDL4 230.00] TO BUS 640200 [GR ISLD4 230.00] CKT 1  
TRIP LINE FROM BUS 640330 [RIVERDL4 230.00] TO BUS 640331 [RIVERDL7 115.00] CKT 1  
BUS-TWNCRH-N: TRIP LINE FROM BUS 640386 [TWIN CH4 230.00] TO BUS 640387 [TWIN CH7 115.00] CKT 1  
TRIP LINE FROM BUS 640386 [TWIN CH4 230.00] TO BUS 652565 [SIOUXCY4 230.00] CKT 1  
BUS-TWNCRH-S: TRIP LINE FROM BUS 640386 [TWIN CH4 230.00] TO BUS 640387 [TWIN CH7 115.00] CKT 2  
TRIP LINE FROM BUS 640386 [TWIN CH4 230.00] TO BUS 640227 [HOSKINS4 230.00] CKT 1  
BKR-GGS-3316: TRIP LINE FROM BUS 640183 [GENTLMN3 345.00] TO BUS 640252 [KEYSTON3 345.00] CKT 1  
TRIP LINE FROM BUS 640183 [GENTLMN3 345.00] TO BUS 640184 [GENTLMN4 230.00] CKT 2  
BKR-GGS-3304: TRIP LINE FROM BUS 640183 [GENTLMN3 345.00] TO BUS 640011 [GENTLM2G 24.000] CKT 1  
TRIP LINE FROM BUS 640183 [GENTLMN3 345.00] TO BUS 640184 [GENTLMN4 230.00] TO BUS 640185 [G.GENT19 13.800] CKT 1  
BKR-GGS-2222: TRIP LINE FROM BUS 640184 [GENTLMN4 230.00] TO BUS 640302 [OGALALA4 230.00] CKT 1  
TRIP LINE FROM BUS 640184 [GENTLMN4 230.00] TO BUS 640183 [GENTLMN3 345.00] CKT 2  
BKR-GGS-2216: TRIP LINE FROM BUS 640184 [GENTLMN4 230.00] TO BUS 640286 [N.PLATT4 230.00] CKT 1  
TRIP LINE FROM BUS 640184 [GENTLMN4 230.00] TO BUS 640286 [N.PLATT4 230.00] CKT 3  
BKR-GGS-2216: TRIP LINE FROM BUS 640184 [GENTLMN4 230.00] TO BUS 640286 [N.PLATT4 230.00] CKT 2

TRIP LINE FROM BUS 640184 [GENTLMN4 230.00] TO BUS 640010 [GENTLM1G 23.000] CKT 1  
BKR-SW-3308 : TRIP LINE FROM BUS 640374 [SWEET W3 345.00] TO BUS 652571 [GR ISLD3 345.00] CKT 1  
TRIP LINE FROM BUS 640183 [GENTLMN3 345.00] TO BUS 640374 [SWEET W3 345.00] CKT 1  
BKR-KEY-3310: TRIP LINE FROM BUS 640252 [KEYSTON3 345.00] TO BUS 640183 [GENTLMN3 345.00] CKT 1  
TRIP LINE FROM BUS 640252 [KEYSTON3 345.00] TO BUS 659133 [SIDNEY 3 345.00] CKT 1  
TRIP LINE FROM BUS 640252 [KEYSTON3 345.00] TO BUS 640253 [KEYSTON7 115.00] TO BUS 640254 [KEYSTON9 13.800]  
BKR-SW-3304 : TRIP LINE FROM BUS 640374 [SWEET W3 345.00] TO BUS 640065 [AXTELL 3 345.00] CKT 1  
TRIP LINE FROM BUS 640183 [GENTLMN3 345.00] TO BUS 640374 [SWEET W3 345.00] CKT 2  
BKR-SW-3306 : TRIP LINE FROM BUS 640374 [SWEET W3 345.00] TO BUS 652571 [GR ISLD3 345.00] CKT 1  
TRIP LINE FROM BUS 640183 [GENTLMN3 345.00] TO BUS 640374 [SWEET W3 345.00] CKT 2  
BKR-SW-3310 : TRIP LINE FROM BUS 640374 [SWEET W3 345.00] TO BUS 640065 [AXTELL 3 345.00] CKT 1  
TRIP LINE FROM BUS 640183 [GENTLMN3 345.00] TO BUS 640374 [SWEET W3 345.00] CKT 1  
BKR-NP-2206 : TRIP LINE FROM BUS 640286 [N.PLATT4 230.00] TO BUS 640184 [GENTLMN4 230.00] CKT 1  
TRIP LINE FROM BUS 640286 [N.PLATT4 230.00] TO BUS 640287 [N.PLATT7 115.00] TO BUS 640290 [N.PT8 9 13.800] CKT 1  
BKR-NP-2212 : TRIP LINE FROM BUS 640286 [N.PLATT4 230.00] TO BUS 640184 [GENTLMN4 230.00] CKT 2  
TRIP LINE FROM BUS 640286 [N.PLATT4 230.00] TO BUS 640093 [C.CREEK4 230.00] CKT 1  
BKR-CC-2202 : TRIP LINE FROM BUS 640093 [C.CREEK4 230.00] TO BUS 640330 [RIVERDL4 230.00] CKT 1  
TRIP LINE FROM BUS 640093 [C.CREEK4 230.00] TO BUS 640094 [C.CREEK7 115.00] CKT 1  
BKR-CC-2208 : TRIP LINE FROM BUS 640093 [C.CREEK4 230.00] TO BUS 640286 [N.PLATT4 230.00] CKT 1  
TRIP LINE FROM BUS 640093 [C.CREEK4 230.00] TO BUS 640094 [C.CREEK7 115.00] CKT 1  
BKR-RW-3302 : TRIP LINE FROM BUS 640325 [REDWILO3 345.00] TO BUS 640183 [GENTLMN3 345.00] CKT 1  
TRIP LINE FROM BUS 640325 [REDWILO3 345.00] TO BUS 531451 [MINGO 7 345.00] CKT 1  
TRIP LINE FROM BUS 640325 [REDWILO3 345.00] TO BUS 640326 [REDWILO7 115.00] TO BUS 640327 [REDWILO9 13.800]  
BKR-GRI-1596: TRIP LINE FROM BUS 640374 [SWEET W3 345.00] TO BUS 652571 [GR ISLD3 345.00] CKT 1  
TRIP LINE FROM BUS 652571 [GR ISLD3 345.00] TO BUS 640200 [GR ISLD4 230.00] TO BUS 652316 [GR ISL29 13.800] CKT 2  
BKR-GRI-1396: TRIP LINE FROM BUS 652571 [GR ISLD3 345.00] TO BUS 640271 [MCCOOL 3 345.00] CKT 1  
TRIP LINE FROM BUS 652571 [GR ISLD3 345.00] TO BUS 640200 [GR ISLD4 230.00] TO BUS 652314 [GR ISL19 13.800]  
BKR-GRI-2210: TRIP LINE FROM BUS 640200 [GR ISLD4 230.00] TO BUS 640131 [COLMB.W4 230.00] CKT 1  
TRIP LINE FROM BUS 640200 [GR ISLD4 230.00] TO BUS 652571 [GR ISLD3 345.00] CKT 3  
BKR-GRI-2208: TRIP LINE FROM BUS 640200 [GR ISLD4 230.00] TO BUS 640201 [GR ISLD7 115.00] TO BUS 640203 [G.I.T219 13.800] CKT 1  
TRIP LINE FROM BUS 640200 [GR ISLD4 230.00] TO BUS 652571 [GR ISLD3 345.00] CKT 3  
BKR-GRI-2220: TRIP LINE FROM BUS 640200 [GR ISLD4 230.00] TO BUS 640201 [GR ISLD7 115.00] TO BUS 640203 [G.I.T219 13.800] CKT 1  
TRIP LINE FROM BUS 640200 [GR ISLD4 230.00] TO BUS 652571 [GR ISLD3 345.00] TO BUS 652316 [GR ISL29 13.800] CKT 2  
BKR-GRI-2202: TRIP LINE FROM BUS 640200 [GR ISLD4 230.00] TO BUS 640201 [GR ISLD7 115.00] TO BUS 640203 [G.I.T219 13.800] CKT 1  
TRIP LINE FROM BUS 640200 [GR ISLD4 230.00] TO BUS 640330 [RIVERDL4 230.00]  
BKR-GRI-2204: TRIP LINE FROM BUS 640200 [GR ISLD4 230.00] TO BUS 640330 [RIVERDL4 230.00] CKT 1  
TRIP LINE FROM BUS 640200 [GR ISLD4 230.00] TO BUS 640214 [HASTING4 230.00] CKT 1  
TRIP LINE FROM BUS 640214 [HASTING4 230.00] TO BUS 641088 [HASTCTY7 115.00] CKT 1  
BKR-GRI-2206: TRIP LINE FROM BUS 640200 [GR ISLD4 230.00] TO BUS 640201 [GR ISLD7 115.00] CKT 2  
TRIP LINE FROM BUS 640200 [GR ISLD4 230.00] TO BUS 640214 [HASTING4 230.00] CKT 1  
TRIP LINE FROM BUS 640214 [HASTING4 230.00] TO BUS 641088 [HASTCTY7 115.00] CKT 1  
BKR-GRI-2212: TRIP LINE FROM BUS 640200 [GR ISLD4 230.00] TO BUS 640201 [GR ISLD7 115.00] CKT 2  
TRIP LINE FROM BUS 640200 [GR ISLD4 230.00] TO BUS 640131 [COLMB.W4 230.00] CKT 1  
BKR-PLN-3310: TRIP LINE FROM BUS 640312 [PAULINE3 345.00] TO BUS 640065 [AXTELL 3 345.00] CKT 1  
TRIP LINE FROM BUS 640312 [PAULINE3 345.00] TO BUS 640277 [MOORE 3 345.00] CKT 1  
TRIP LINE FROM BUS 640312 [PAULINE3 345.00] TO BUS 640313 [PAULINE7 115.00] TO BUS 640315 [PAULINE9 13.800]  
BKR-AXT-3308: TRIP LINE FROM BUS 640065 [AXTELL 3 345.00] TO BUS 640312 [PAULINE3 345.00] CKT 1  
TRIP LINE FROM BUS 640374 [SWEET W3 345.00] TO BUS 640065 [AXTELL 3 345.00] CKT 1

TRIP LINE FROM BUS 640065 [AXTELL 3 345.00] TO BUS 640066 [AXTELL 7 115.00] TO BUS 640067 [AXTELL 9 13.800]

BKR-MOR-3302: OPEN BRANCH FROM BUS 640277 [MOORE 3 345.00] TO BUS 640278 [SHELDON7 115.00] TO BUS 640280 [MOORE 9 13.800] CKT 1  
 OPEN BRANCH FROM BUS 640277 [MOORE 3 345.00] TO BUS 640139 [COOPER 3 345.00] CKT 1

BKR-MOR-3304: OPEN BRANCH FROM BUS 640277 [MOORE 3 345.00] TO BUS 640278 [SHELDON7 115.00] TO BUS 640280 [MOORE 9 13.800] CKT 1  
 OPEN BRANCH FROM BUS 640277 [MOORE 3 345.00] TO BUS 640312 [PAULINE3 345.00] CKT 1

BKR-MOR-3306: OPEN BRANCH FROM BUS 640277 [MOORE 3 345.00] TO BUS 650189 [103&ROKEBY3 345.00] CKT 1  
 OPEN BRANCH FROM BUS 640277 [MOORE 3 345.00] TO BUS 640271 [MCCOOL 3 345.00] CKT 1

BKR-MOR-3308: OPEN BRANCH FROM BUS 640277 [MOORE 3 345.00] TO BUS 650189 [103&ROKEBY3 345.00] CKT 1  
 OPEN BRANCH FROM BUS 640277 [MOORE 3 345.00] TO BUS 640139 [COOPER 3 345.00] CKT 1

BKR-MOR-3310: OPEN BRANCH FROM BUS 640277 [MOORE 3 345.00] TO BUS 650114 [NW68HOLDRG3 345.00] CKT 1  
 OPEN BRANCH FROM BUS 640277 [MOORE 3 345.00] TO BUS 640271 [MCCOOL 3 345.00] CKT 1

BKR-MOR-3312: OPEN BRANCH FROM BUS 640277 [MOORE 3 345.00] TO BUS 650114 [NW68HOLDRG3 345.00] CKT 1  
 OPEN BRANCH FROM BUS 640277 [MOORE 3 345.00] TO BUS 640312 [PAULINE3 345.00] CKT 1

BKR-CPR-3304: TRIP LINE FROM BUS 640139 [COOPER 3 345.00] TO BUS 541199 [ST JOE 3 345.00] CKT 1  
 TRIP LINE FROM BUS 640139 [COOPER 3 345.00] TO BUS 635017 [ATCHSNT3 345.00] CKT 1

BKR-CPR-3310: OPEN BRANCH FROM BUS 640139 [COOPER 3 345.00] TO BUS 640277 [MOORE 3 345.00] CKT 1  
 OPEN BRANCH FROM BUS 640139 [COOPER 3 345.00] TO BUS 640009 [COOPER1G 22.000] CKT 1

BKR-CPR-3322: OPEN BRANCH FROM BUS 640139 [COOPER 3 345.00] TO BUS 645458 [S3458 3 345.00] CKT 1  
 OPEN BRANCH FROM BUS 640139 [COOPER 3 345.00] TO BUS 300039 [7FAIRPT 345.00] CKT 1

BKR-C-3322-2: OPEN BRANCH FROM BUS 640139 [COOPER 3 345.00] TO BUS 645458 [S3458 3 345.00] CKT 1  
 OPEN BRANCH FROM BUS 640139 [COOPER 3 345.00] TO BUS 300039 [7FAIRPT 345.00] CKT 1  
 OPEN BRANCH FROM BUS 300039 [7FAIRPT 345.00] TO BUS 541199 [ST JOE 3 345.00] CKT 1  
 OPEN BRANCH FROM BUS 300039 [7FAIRPT 345.00] TO BUS 300076 [5FAIRPT 161.00] CKT 3

BKR-WAY-186 : OPEN BRANCH FROM BUS 640404 [WAYSIDE4 230.00] TO BUS 652573 [STEGALL4 230.00] CKT 1  
 OPEN BRANCH FROM BUS 640404 [WAYSIDE4 230.00] TO BUS 652484 [NUNDRWD4 230.00] CKT 1  
 OPEN BRANCH FROM BUS 640404 [WAYSIDE4 230.00] TO BUS 640405 [WAYSIDE7 115.00] TO BUS 640406 [WAYSIDE9 13.800] CKT 1

BKR-TEK-1604: OPEN BRANCH FROM BUS 640377 [TEKAMAH5 161.00] TO BUS 635201 [RAUN 5 161.00] CKT 1  
 OPEN BRANCH FROM BUS 640377 [TEKAMAH5 161.00] TO BUS 646226 [S1226 5 161.00] CKT 1  
 OPEN BRANCH FROM BUS 640377 [TEKAMAH5 161.00] TO BUS 640378 [TEKAMAH7 115.00] CKT 1

BKR-HOS-3302: OPEN BRANCH FROM BUS 640226 [HOSKINS3 345.00] TO BUS 640342 [SHELCRK3 345.00] CKT 1  
 OPEN BRANCH FROM BUS 640226 [HOSKINS3 345.00] TO BUS 640228 [HOSKINS7 115.00] TO BUS 640231 [HOSKNS19 13.800] CKT 1

BKR-HOS-3308: OPEN BRANCH FROM BUS 640226 [HOSKINS3 345.00] TO BUS 640342 [SHELCRK3 345.00] CKT 1  
 OPEN BRANCH FROM BUS 640226 [HOSKINS3 345.00] TO BUS 640227 [HOSKINS4 230.00] CKT 1

BKR-HOS-3310: OPEN BRANCH FROM BUS 640226 [HOSKINS3 345.00] TO BUS 635200 [RAUN 3 345.00] CKT 1  
 OPEN BRANCH FROM BUS 640226 [HOSKINS3 345.00] TO BUS 640227 [HOSKINS4 230.00] CKT 1

BKR-HOS-3312: OPEN BRANCH FROM BUS 640226 [HOSKINS3 345.00] TO BUS 635200 [RAUN 3 345.00] CKT 1  
 OPEN BRANCH FROM BUS 640226 [HOSKINS3 345.00] TO BUS 640228 [HOSKINS7 115.00] TO BUS 640231 [HOSKNS19 13.800] CKT 1

BKR-SC-3306 : OPEN BRANCH FROM BUS 640342 [SHELCRK3 345.00] TO BUS 640226 [HOSKINS3 345.00] CKT 1  
 OPEN BRANCH FROM BUS 640342 [SHELCRK3 345.00] TO BUS 640125 [COLMB.E3 345.00] CKT 1  
 OPEN BRANCH FROM BUS 640342 [SHELCRK3 345.00] TO BUS 640343 [SHELCRK4 230.00] CKT 1

BKR-CE-3306 : OPEN BRANCH FROM BUS 640125 [COLMB.E3 345.00] TO BUS 650114 [NW68HOLDRG3 345.00] CKT 1  
 OPEN BRANCH FROM BUS 640125 [COLMB.E3 345.00] TO BUS 640342 [SHELCRK3 345.00] CKT 1  
 OPEN BRANCH FROM BUS 640125 [COLMB.E3 345.00] TO BUS 640127 [COLMB.E7 115.00] TO BUS 640129 [COLMB.T9 13.800] CKT 1

CSPT-SK-SO : TRIP LINE FROM BUS 659133 [SIDNEY 3 345.00] TO BUS 640252 [KEYSTON3 345.00] CKT 1  
 TRIP LINE FROM BUS 659134 [SIDNEY 4 230.00] TO BUS 640302 [OGALALA4 230.00] CKT 1

CSPT-GS1-GS2: TRIP LINE FROM BUS 640183 [GENTLMN3 345.00] TO BUS 640374 [SWEET W3 345.00] CKT 1  
 TRIP LINE FROM BUS 640183 [GENTLMN3 345.00] TO BUS 640374 [SWEET W3 345.00] CKT 2

CSPT-SA-CCR : TRIP LINE FROM BUS 640374 [SWEET W3 345.00] TO BUS 640065 [AXTELL 3 345.00] CKT 1

TRIP LINE FROM BUS 640093 [C.CREEK4 230.00] TO BUS 640330 [RIVERDL4 230.00] CKT 1  
CSPT-HR-HTC : TRIP LINE FROM BUS 640226 [HOSKINS3 345.00] TO BUS 635200 [RAUN 3 345.00] CKT 1  
TRIP LINE FROM BUS 640227 [HOSKINS4 230.00] TO BUS 640386 [TWIN CH4 230.00] CKT 1  
CSPT-CM-H161: TRIP LINE FROM BUS 640139 [COOPER 3 345.00] TO BUS 640277 [MOORE 3 345.00] CKT 1  
TRIP LINE FROM BUS 646280 [S1280 5 161.00] TO BUS 640234 [HUMBOLT5 161.00] CKT 1  
CSPT-CM-C161: TRIP LINE FROM BUS 640139 [COOPER 3 345.00] TO BUS 640277 [MOORE 3 345.00] CKT 1  
TRIP LINE FROM BUS 646280 [S1280 5 161.00] TO BUS 640140 [COOPER 5 161.00] CKT 1  
INT-CF-CSJ : TRIP LINE FROM BUS 640139 [COOPER 3 345.00] TO BUS 300039 [7FAIRPT 345.00] CKT 1  
TRIP LINE FROM BUS 300039 [7FAIRPT 345.00] TO BUS 541199 [ST JOE 3 345.00] CKT 1  
TRIP LINE FROM BUS 300039 [7FAIRPT 345.00] TO BUS 300076 [5FAIRPT 161.00] CKT 3  
TRIP LINE FROM BUS 640139 [COOPER 3 345.00] TO BUS 541199 [ST JOE 3 345.00] CKT 1  
GEN-GGS-ALL : TRIP LINE FROM BUS 640183 [GENTLMN3 345.00] TO BUS 640011 [GENTLM2G 24.000] CKT 1  
TRIP LINE FROM BUS 640184 [GENTLMN4 230.00] TO BUS 640010 [GENTLM1G 23.000] CKT 1  
GEN-BPS-ALL : TRIP LINE FROM BUS 640088 [BPS SUB7 115.00] TO BUS 640022 [BPS GT1G 13.800] CKT 1  
TRIP LINE FROM BUS 640088 [BPS SUB7 115.00] TO BUS 640023 [BPS GT2G 13.800] CKT 1  
TRIP LINE FROM BUS 640088 [BPS SUB7 115.00] TO BUS 640024 [BPS ST3G 13.800] CKT 1  
GEN-SS-ALL : TRIP LINE FROM BUS 640278 [SHELDON7 115.00] TO BUS 640019 [SHELDN1G 13.800] CKT 1  
TRIP LINE FROM BUS 640278 [SHELDON7 115.00] TO BUS 640020 [SHELDN2G 13.800] CKT 1  
TRIP LINE FROM BUS 640278 [SHELDON7 115.00] TO BUS 640021 [HALLAM3G 13.800] CKT 1  
GEN-COL-ALL : TRIP LINE FROM BUS 640136 [COLMBUS7 115.00] TO BUS 640006 [COLMBS1G 13.800] CKT 1  
TRIP LINE FROM BUS 640136 [COLMBUS7 115.00] TO BUS 640007 [COLMBS2G 13.800] CKT 1  
TRIP LINE FROM BUS 640136 [COLMBUS7 115.00] TO BUS 640008 [COLMBS3G 13.800] CKT 1  
GEN-EC-ALL : TRIP LINE FROM BUS 641087 [EGYCNTR7 115.00] TO BUS 641086 [EGY CTRG 13.800] CKT 1  
TRIP LINE FROM BUS 641087 [EGYCNTR7 115.00] TO BUS 641089 [EGYCTR2G 18.000] CKT 1  
MCFTCAL : OPEN BRANCH FROM BUS 645451 [S3451 3 345.00] TO BUS 645459 [S3459 3 345.00] CKT 1  
OPEN BRANCH FROM BUS 645451 [S3451 3 345.00] TO BUS 645454 [S3454 3 345.00] CKT 1  
MC3456-59-16: OPEN BRANCH FROM BUS 645456 [S3456 3 345.00] TO BUS 645459 [S3459 3 345.00] CKT 1  
OPEN BRANCH FROM BUS 646206 [S1206 5 161.00] TO BUS 646216 [S1216 5 161.00] CKT 1  
MC1206-01-CB: OPEN BRANCH FROM BUS 646201 [S1201 5 161.00] TO BUS 646206 [S1206 5 161.00] CKT 1  
OPEN BRANCH FROM BUS 646206 [S1206 5 161.00] TO BUS 635001 [CBLUFFS5 161.00] CKT 1  
MC1201-20-86: OPEN BRANCH FROM BUS 646201 [S1201 5 161.00] TO BUS 646220 [S1220 5 161.00] CKT 1  
OPEN BRANCH FROM BUS 646201 [S1201 5 161.00] TO BUS 646286 [S1286 5 161.00] CKT 1  
MC1209-1231 : OPEN BRANCH FROM BUS 646209 [S1209 5 161.00] TO BUS 646231 [S1231 5 161.00] CKT 1  
OPEN BRANCH FROM BUS 646209 [S1209 5 161.00] TO BUS 646231 [S1231 5 161.00] CKT 2  
MC1209-1250 : OPEN BRANCH FROM BUS 646209 [S1209 5 161.00] TO BUS 646250 [S1250 5 161.00] CKT 1  
OPEN BRANCH FROM BUS 646209 [S1209 5 161.00] TO BUS 646250 [S1250 5 161.00] CKT 2  
MC1211-1250 : OPEN BRANCH FROM BUS 646211 [S1211 5 161.00] TO BUS 646250 [S1250 5 161.00] CKT 1  
OPEN BRANCH FROM BUS 646211 [S1211 5 161.00] TO BUS 646250 [S1250 5 161.00] CKT 2  
MC1211-50-LS: OPEN BRANCH FROM BUS 646211 [S1211 5 161.00] TO BUS 646250 [S1250 5 161.00] CKT 1  
OPEN BRANCH FROM BUS 646211 [S1211 5 161.00] TO BUS 646250 [S1250 5 161.00] CKT 2  
OPEN LINE FROM BUS 645127 [S1211HS9 13.800] TO BUS 646211 [S1211 5 161.00] CKT 1  
MC1211-20-LS: OPEN BRANCH FROM BUS 646211 [S1211 5 161.00] TO BUS 646220 [S1220 5 161.00] CKT 1  
OPEN LINE FROM BUS 646299 [S1299 5 161.00] TO BUS 646211 [S1211 5 161.00] CKT 1  
OPEN LINE FROM BUS 646299 [S1299 5 161.00] TO BUS 646286 [S1286 5 161.00] CKT 1  
MC1299SOUTH : OPEN BRANCH FROM BUS 646211 [S1211 5 161.00] TO BUS 646220 [S1220 5 161.00] CKT 1  
OPEN BRANCH FROM BUS 646286 [S1286 5 161.00] TO BUS 646299 [S1299 5 161.00] CKT 1  
MC1221-31-55: OPEN BRANCH FROM BUS 646221 [S1221 5 161.00] TO BUS 646231 [S1231 5 161.00] CKT 1  
OPEN BRANCH FROM BUS 646221 [S1221 5 161.00] TO BUS 646255 [S1255 5 161.00] CKT 1

MC1226-98 : OPEN BRANCH FROM BUS 646226 [S1226 5 161.00] TO BUS 646298 [S1298 5 161.00] CKT 1  
 OPEN BRANCH FROM BUS 646226 [S1226 5 161.00] TO BUS 646298 [S1298 5 161.00] CKT 2

MC1232-06-78: OPEN BRANCH FROM BUS 646206 [S1206 5 161.00] TO BUS 646232 [S1232 5 161.00] CKT 1  
 OPEN BRANCH FROM BUS 646232 [S1232 5 161.00] TO BUS 646278 [S1278 5 161.00] CKT 1

MC1235-31-34: OPEN BRANCH FROM BUS 646231 [S1231 5 161.00] TO BUS 646235 [S1235 5 161.00] CKT 1  
 OPEN BRANCH FROM BUS 646234 [S1234 5 161.00] TO BUS 646235 [S1235 5 161.00] CKT 1

MC1237-45-53: OPEN BRANCH FROM BUS 646237 [S1237 5 161.00] TO BUS 646345 [S1345 5 161.00] CKT 1  
 OPEN BRANCH FROM BUS 646237 [S1237 5 161.00] TO BUS 646253 [S1253 5 161.00] CKT 1

MC1216-917 : OPEN BRANCH FROM BUS 647916 [S916 8 69.000] TO BUS 647917 [S917 8 69.000] CKT 1  
 OPEN BRANCH FROM BUS 646216 [S1216 5 161.00] TO BUS 646217 [S1217 5 161.00] CKT 1

MC906-79-28 : OPEN LINE FROM BUS 647979 [S979 8 69.000] TO BUS 647079 [979TP 8 69.000] CKT 1  
 OPEN LINE FROM BUS 647079 [979TP 8 69.000] TO BUS 647900 [S900 8 69.000] CKT 1  
 OPEN LINE FROM BUS 647079 [979TP 8 69.000] TO BUS 647006 [S906 N 8 69.000] CKT 1  
 OPEN BRANCH FROM BUS 647006 [S906 N 8 69.000] TO BUS 647928 [S928 8 69.000] CKT 1

MC930-18-19 : OPEN BRANCH FROM BUS 647918 [S918 8 69.000] TO BUS 647930 [S930 8 69.000] CKT 1  
 OPEN BRANCH FROM BUS 647919 [S919 8 69.000] TO BUS 647930 [S930 8 69.000] CKT 1

MC995-38-94 : OPEN LINE FROM BUS 647995 [S995 8 69.000] TO BUS 647874 [S6874 8 69.000] CKT 1  
 OPEN LINE FROM BUS 647995 [S995 8 69.000] TO BUS 647938 [S938 8 69.000] CKT 1  
 OPEN LINE FROM BUS 647995 [S995 8 69.000] TO BUS 647994 [S994 8 69.000] CKT 1

MC1214-14-46: OPEN BRANCH FROM BUS 647014 [S914A 8 69.000] TO BUS 647914 [S914 8 69.000] CKT 1  
 OPEN BRANCH FROM BUS 647014 [S914A 8 69.000] TO BUS 647846 [S6846 8 69.000] CKT 1

CB3451-59&T3: OPEN BRANCH FROM BUS 645451 [S3451 3 345.00] TO BUS 645459 [S3459 3 345.00] CKT 1  
 OPEN BRANCH FROM BUS 645451 [S3451 3 345.00] TO BUS 646251 [S1251 5 161.00] TO BUS 648251 [S3451T39 13.800] CKT 1

CB3451-54&FC: OPEN BRANCH FROM BUS 645451 [S3451 3 345.00] TO BUS 645454 [S3454 3 345.00] CKT 1  
 OPEN LINE FROM BUS 645001 [FT CAL1G 22.000] TO BUS 645101 [FC1A1 9 4.2000] CKT 1  
 OPEN LINE FROM BUS 645001 [FT CAL1G 22.000] TO BUS 645102 [FC1A2 9 4.2000] CKT 1  
 OPEN LINE FROM BUS 645001 [FT CAL1G 22.000] TO BUS 645451 [S3451 3 345.00] CKT 1  
 OPEN LINE FROM BUS 645103 [FC1A3 9 4.2000] TO BUS 645100 [FC1A 5 161.00] CKT 1  
 OPEN LINE FROM BUS 645104 [FC1A4 9 4.2000] TO BUS 645100 [FC1A 5 161.00] CKT 1

CB3451-RN&T4: OPEN BRANCH FROM BUS 635200 [RAUN 3 345.00] TO BUS 645451 [S3451 3 345.00] CKT 1  
 OPEN BRANCH FROM BUS 645451 [S3451 3 345.00] TO BUS 646251 [S1251 5 161.00] TO BUS 648351 [S3451T49 13.800] CKT 1

CB3454-51&WG: OPEN BRANCH FROM BUS 645454 [S3454 3 345.00] TO BUS 650185 [WAGENER 3 345.00] CKT 1  
 OPEN BRANCH FROM BUS 645454 [S3454 3 345.00] TO BUS 645451 [S3451 3 345.00] CKT 1

CB3454-51&T1: OPEN BRANCH FROM BUS 645454 [S3454 3 345.00] TO BUS 646254 [S1254 5 161.00] TO BUS 648254 [S1254T19 13.800] CKT 1  
 OPEN LINE FROM BUS 646254 [S1254 5 161.00] TO BUS 646281 [S1281 5 161.00] CKT 1  
 OPEN LINE FROM BUS 646254 [S1254 5 161.00] TO BUS 646249 [S1249 5 161.00] CKT 1  
 OPEN BRANCH FROM BUS 645454 [S3454 3 345.00] TO BUS 645451 [S3451 3 345.00] CKT 1

CB3454-55&T1: OPEN BRANCH FROM BUS 645454 [S3454 3 345.00] TO BUS 646254 [S1254 5 161.00] TO BUS 648254 [S1254T19 13.800] CKT 1  
 OPEN LINE FROM BUS 646254 [S1254 5 161.00] TO BUS 646281 [S1281 5 161.00] CKT 1  
 OPEN LINE FROM BUS 646254 [S1254 5 161.00] TO BUS 646249 [S1249 5 161.00] CKT 1  
 OPEN BRANCH FROM BUS 645454 [S3454 3 345.00] TO BUS 645455 [S3455 3 345.00] CKT 1

CB3454-55&WG: OPEN BRANCH FROM BUS 645454 [S3454 3 345.00] TO BUS 650185 [WAGENER 3 345.00] CKT 1  
 OPEN BRANCH FROM BUS 645454 [S3454 3 345.00] TO BUS 645455 [S3455 3 345.00] CKT 1

CB3455-56&T1: OPEN BRANCH FROM BUS 645455 [S3455 3 345.00] TO BUS 646255 [S1255 5 161.00] TO BUS 648255 [S3455T19 13.800] CKT 1  
 OPEN BRANCH FROM BUS 645455 [S3455 3 345.00] TO BUS 645456 [S3456 3 345.00] CKT 1

CB3455-40&T3: OPEN BRANCH FROM BUS 645455 [S3455 3 345.00] TO BUS 645740 [S3740 3 345.00] CKT 1  
 OPEN BRANCH FROM BUS 645455 [S3455 3 345.00] TO BUS 646255 [S1255 5 161.00] TO BUS 648355 [S3455T39 13.800] CKT 1

CB3456-55&CB: OPEN BRANCH FROM BUS 635000 [CBLUFFS3 345.00] TO BUS 645456 [S3456 3 345.00] CKT 1

OPEN BRANCH FROM BUS 645455 [S3455 3 345.00] TO BUS 645456 [S3456 3 345.00] CKT 1  
CB3456-59&T4: OPEN BRANCH FROM BUS 645456 [S3456 3 345.00] TO BUS 645459 [S3459 3 345.00] CKT 1  
OPEN BRANCH FROM BUS 645456 [S3456 3 345.00] TO BUS 646206 [S1206 5 161.00] TO BUS 648256 [S3456T49 13.800] CKT 1  
CB3456-58&T4: OPEN BRANCH FROM BUS 645456 [S3456 3 345.00] TO BUS 646206 [S1206 5 161.00] TO BUS 648256 [S3456T49 13.800] CKT 1  
OPEN BRANCH FROM BUS 645456 [S3456 3 345.00] TO BUS 645458 [S3458 3 345.00] CKT 1  
CB3456-58&CB: OPEN BRANCH FROM BUS 645456 [S3456 3 345.00] TO BUS 645458 [S3458 3 345.00] CKT 1  
OPEN BRANCH FROM BUS 635000 [CBLUFFS3 345.00] TO BUS 645456 [S3456 3 345.00] CKT 1  
CB3459-BUS : OPEN LINE FROM BUS 645459 [S3459 3 345.00] TO BUS 646209 [S1209 5 161.00] TO BUS 648259 [S3459T39 13.800] CKT 1  
OPEN LINE FROM BUS 645459 [S3459 3 345.00] TO BUS 645451 [S3451 3 345.00] CKT 1  
OPEN LINE FROM BUS 645459 [S3459 3 345.00] TO BUS 645456 [S3456 3 345.00] CKT 1  
CB3455-40&C2: OPEN BRANCH FROM BUS 645740 [S3740 3 345.00] TO BUS 645455 [S3455 3 345.00] CKT 1  
OPEN BRANCH FROM BUS 645740 [S3740 3 345.00] TO BUS 645042 [CASS 2G 15.000] CKT 1  
CB1201-29&86: OPEN BRANCH FROM BUS 646201 [S1201 5 161.00] TO BUS 646229 [S1229 5 161.00] CKT 1  
OPEN BRANCH FROM BUS 646201 [S1201 5 161.00] TO BUS 646286 [S1286 5 161.00] CKT 1  
CB1201-20&T1: OPEN BRANCH FROM BUS 646201 [S1201 5 161.00] TO BUS 646220 [S1220 5 161.00] CKT 1  
OPEN BRANCH FROM BUS 646201 [S1201 5 161.00] TO BUS 647901 [S901 8 69.000] TO BUS 648201 [S1201T19 13.800] CKT 1  
CB1206-32&T1: OPEN BRANCH FROM BUS 646206 [S1206 5 161.00] TO BUS 646232 [S1232 5 161.00] CKT 1  
OPEN BRANCH FROM BUS 646206 [S1206 5 161.00] TO BUS 647906 [S906 S 8 69.000] TO BUS 648206 [S1206T19 13.800] CKT 1  
CLOSE BRANCH FROM BUS 647006 [S906 N 8 69.000] TO BUS 647906 [S906 S 8 69.000] CKT 1  
CB1206-32&01: OPEN BRANCH FROM BUS 646206 [S1206 5 161.00] TO BUS 646232 [S1232 5 161.00] CKT 1  
OPEN BRANCH FROM BUS 646206 [S1206 5 161.00] TO BUS 646201 [S1201 5 161.00] CKT 1  
CB1206-01&T2: OPEN BRANCH FROM BUS 646206 [S1206 5 161.00] TO BUS 646201 [S1201 5 161.00] CKT 1  
OPEN BRANCH FROM BUS 646206 [S1206 5 161.00] TO BUS 647006 [S906 N 8 69.000] TO BUS 648306 [S1206T29 13.800] CKT 1  
CLOSE BRANCH FROM BUS 647006 [S906 N 8 69.000] TO BUS 647906 [S906 S 8 69.000] CKT 1  
CB1206-44&T1: OPEN BRANCH FROM BUS 646206 [S1206 5 161.00] TO BUS 646244 [S1244 5 161.00] CKT 1  
OPEN BRANCH FROM BUS 646206 [S1206 5 161.00] TO BUS 647906 [S906 S 8 69.000] TO BUS 648206 [S1206T19 13.800] CKT 1  
CLOSE BRANCH FROM BUS 647006 [S906 N 8 69.000] TO BUS 647906 [S906 S 8 69.000] CKT 1  
CB1206-44SC3: OPEN BRANCH FROM BUS 646206 [S1206 5 161.00] TO BUS 646244 [S1244 5 161.00] CKT 1  
OPEN LINE FROM BUS 645033 [SARPY 3G 13.800] TO BUS 646206 [S1206 5 161.00] CKT 1  
OPEN LINE FROM BUS 645033 [SARPY 3G 13.800] TO BUS 645030 [SCBSD G 4.2000] CKT 1  
CB1206-T2SC3: OPEN BRANCH FROM BUS 646206 [S1206 5 161.00] TO BUS 647006 [S906 N 8 69.000] TO BUS 648306 [S1206T29 13.800] CKT 1  
CLOSE BRANCH FROM BUS 647006 [S906 N 8 69.000] TO BUS 647906 [S906 S 8 69.000] CKT 1  
OPEN LINE FROM BUS 645033 [SARPY 3G 13.800] TO BUS 646206 [S1206 5 161.00] CKT 1  
OPEN LINE FROM BUS 645033 [SARPY 3G 13.800] TO BUS 645030 [SCBSD G 4.2000] CKT 1  
CB1206T1SC45: OPEN BRANCH FROM BUS 646206 [S1206 5 161.00] TO BUS 645034 [SARPY 4G 13.800] TO BUS 645035 [SARPY 5G 13.800] CKT 1  
OPEN BRANCH FROM BUS 646206 [S1206 5 161.00] TO BUS 647906 [S906 S 8 69.000] TO BUS 648206 [S1206T19 13.800] CKT 1  
CLOSE BRANCH FROM BUS 647006 [S906 N 8 69.000] TO BUS 647906 [S906 S 8 69.000] CKT 1  
CB1206CBSC45: OPEN BRANCH FROM BUS 646206 [S1206 5 161.00] TO BUS 635001 [CBLUFFS5 161.00] CKT 1  
OPEN BRANCH FROM BUS 646206 [S1206 5 161.00] TO BUS 645034 [SARPY 4G 13.800] TO BUS 645035 [SARPY 5G 13.800] CKT 1  
CB1206T2SC45: OPEN BRANCH FROM BUS 646206 [S1206 5 161.00] TO BUS 635001 [CBLUFFS5 161.00] CKT 1  
OPEN BRANCH FROM BUS 646206 [S1206 5 161.00] TO BUS 647006 [S906 N 8 69.000] TO BUS 648306 [S1206T29 13.800] CKT 1  
CLOSE BRANCH FROM BUS 647006 [S906 N 8 69.000] TO BUS 647906 [S906 S 8 69.000] CKT 1  
CB1206-16&T1: OPEN BRANCH FROM BUS 646206 [S1206 5 161.00] TO BUS 646216 [S1216 5 161.00] CKT 1  
OPEN BRANCH FROM BUS 646206 [S1206 5 161.00] TO BUS 647906 [S906 S 8 69.000] TO BUS 648206 [S1206T19 13.800] CKT 1  
CLOSE BRANCH FROM BUS 647006 [S906 N 8 69.000] TO BUS 647906 [S906 S 8 69.000] CKT 1  
CB1206-16&T4: OPEN BRANCH FROM BUS 646206 [S1206 5 161.00] TO BUS 646216 [S1216 5 161.00] CKT 1  
OPEN BRANCH FROM BUS 645456 [S3456 3 345.00] TO BUS 646206 [S1206 5 161.00] TO BUS 648256 [S3456T49 13.800] CKT 1  
CB1206-T2&T4: OPEN BRANCH FROM BUS 646206 [S1206 5 161.00] TO BUS 647006 [S906 N 8 69.000] TO BUS 648306 [S1206T29 13.800] CKT 1

CLOSE BRANCH FROM BUS 647006 [S906 N 8 69.000] TO BUS 647906 [S906 S 8 69.000] CKT 1  
OPEN BRANCH FROM BUS 645456 [S3456 3 345.000] TO BUS 646206 [S1206 5 161.000] TO BUS 648256 [S3456T49 13.800] CKT 1  
CB1209-26&31: OPEN LINE FROM BUS 646252 [S1252 5 161.000] TO BUS 646209 [S1209 5 161.000] CKT 1  
OPEN LINE FROM BUS 646252 [S1252 5 161.000] TO BUS 646226 [S1226 5 161.000] CKT 1  
OPEN BRANCH FROM BUS 646209 [S1209 5 161.000] TO BUS 646231 [S1231 5 161.000] CKT 1  
CB1209-311T1: OPEN BRANCH FROM BUS 646209 [S1209 5 161.000] TO BUS 647909 [S909 8 69.000] TO BUS 648209 [S1209T19 13.800] CKT 1  
OPEN BRANCH FROM BUS 646209 [S1209 5 161.000] TO BUS 646231 [S1231 5 161.000] CKT 1  
CB1209-50&31: OPEN BRANCH FROM BUS 646209 [S1209 5 161.000] TO BUS 646250 [S1250 5 161.000] CKT 1  
OPEN BRANCH FROM BUS 646209 [S1209 5 161.000] TO BUS 646231 [S1231 5 161.000] CKT 2  
CB1209-312T1: OPEN BRANCH FROM BUS 646209 [S1209 5 161.000] TO BUS 647909 [S909 8 69.000] TO BUS 648209 [S1209T19 13.800] CKT 1  
OPEN BRANCH FROM BUS 646209 [S1209 5 161.000] TO BUS 646231 [S1231 5 161.000] CKT 2  
CB1209-50&T3: OPEN BRANCH FROM BUS 646209 [S1209 5 161.000] TO BUS 646250 [S1250 5 161.000] CKT 2  
OPEN BRANCH FROM BUS 645459 [S3459 3 345.000] TO BUS 646209 [S1209 5 161.000] TO BUS 648259 [S3459T39 13.800] CKT 1  
CB1209-T1&T3: OPEN BRANCH FROM BUS 646209 [S1209 5 161.000] TO BUS 647909 [S909 8 69.000] TO BUS 648209 [S1209T19 13.800] CKT 1  
OPEN BRANCH FROM BUS 645459 [S3459 3 345.000] TO BUS 646209 [S1209 5 161.000] TO BUS 648259 [S3459T39 13.800] CKT 1  
CB1210-17&T7: OPEN BRANCH FROM BUS 646210 [S1210 5 161.000] TO BUS 646217 [S1217 5 161.000] CKT 1  
OPEN BRANCH FROM BUS 646210 [S1210 5 161.000] TO BUS 647910 [S910 8 69.000] TO BUS 648210 [S1210T79 13.800] CKT 1  
CB1210-22&T7: OPEN BRANCH FROM BUS 646210 [S1210 5 161.000] TO BUS 646222 [S1222 5 161.000] CKT 1  
OPEN BRANCH FROM BUS 646210 [S1210 5 161.000] TO BUS 647910 [S910 8 69.000] TO BUS 648210 [S1210T79 13.800] CKT 1  
CB121150&NO2: OPEN BRANCH FROM BUS 646211 [S1211 5 161.000] TO BUS 646250 [S1250 5 161.000] CKT 1  
OPEN LINE FROM BUS 645022 [N OMA 2G 13.800] TO BUS 645122 [NO2 AUX9 2.4000] CKT 1  
OPEN LINE FROM BUS 645022 [N OMA 2G 13.800] TO BUS 646211 [S1211 5 161.000] CKT 1  
CB121150&NO3: OPEN BRANCH FROM BUS 646211 [S1211 5 161.000] TO BUS 646250 [S1250 5 161.000] CKT 2  
OPEN LINE FROM BUS 645023 [N OMA 3G 13.800] TO BUS 645123 [NO3 AUX9 2.4000] CKT 1  
OPEN LINE FROM BUS 645023 [N OMA 3G 13.800] TO BUS 646211 [S1211 5 161.000] CKT 1  
CB121199&NO4: OPEN BRANCH FROM BUS 646211 [S1211 5 161.000] TO BUS 646299 [S1299 5 161.000] CKT 1  
OPEN LINE FROM BUS 645024 [N OMA 4G 15.000] TO BUS 645124 [NO4 AUX9 2.4000] CKT 1  
OPEN LINE FROM BUS 645024 [N OMA 4G 15.000] TO BUS 646211 [S1211 5 161.000] CKT 1  
CB121120&NO5: OPEN BRANCH FROM BUS 646211 [S1211 5 161.000] TO BUS 646220 [S1220 5 161.000] CKT 1  
OPEN LINE FROM BUS 645025 [N OMA 5G 20.000] TO BUS 645125 [NO5 AUX9 4.2000] CKT 1  
OPEN LINE FROM BUS 645025 [N OMA 5G 20.000] TO BUS 646211 [S1211 5 161.000] CKT 1  
CB1214-BUS : OPEN LINE FROM BUS 646214 [S1214 5 161.000] TO BUS 646287 [S1287 5 161.000] CKT 1  
OPEN LINE FROM BUS 646214 [S1214 5 161.000] TO BUS 650169 [70&BLUFF 5 161.000] CKT 1  
OPEN LINE FROM BUS 646214 [S1214 5 161.000] TO BUS 647014 [S914A 8 69.000] TO BUS 648214 [S1214T19 13.800] CKT 1  
CB1216-BUS : OPEN LINE FROM BUS 646216 [S1216 5 161.000] TO BUS 646217 [S1217 5 161.000] CKT 1  
OPEN LINE FROM BUS 646216 [S1216 5 161.000] TO BUS 646206 [S1206 5 161.000] CKT 1  
CB1217-BUS : OPEN LINE FROM BUS 646217 [S1217 5 161.000] TO BUS 646227 [S1227 5 161.000] CKT 1  
OPEN LINE FROM BUS 646217 [S1217 5 161.000] TO BUS 647917 [S917 8 69.000] TO BUS 648217 [S1217T19 13.800] CKT 1  
OPEN LINE FROM BUS 646217 [S1217 5 161.000] TO BUS 646210 [S1210 5 161.000] CKT 1  
OPEN LINE FROM BUS 646217 [S1217 5 161.000] TO BUS 646216 [S1216 5 161.000] CKT 1  
CB1220-BUS : OPEN LINE FROM BUS 646220 [S1220 5 161.000] TO BUS 646201 [S1201 5 161.000] CKT 1  
OPEN LINE FROM BUS 646220 [S1220 5 161.000] TO BUS 646211 [S1211 5 161.000] CKT 1  
CB1221-31&T9: OPEN BRANCH FROM BUS 646221 [S1221 5 161.000] TO BUS 646231 [S1231 5 161.000] CKT 1  
OPEN BRANCH FROM BUS 646221 [S1221 5 161.000] TO BUS 647921 [S921 8 69.000] TO BUS 648221 [S1221T99 13.800] CKT 1  
CB1221-55&T9: OPEN BRANCH FROM BUS 646221 [S1221 5 161.000] TO BUS 646255 [S1255 5 161.000] CKT 1  
OPEN BRANCH FROM BUS 646221 [S1221 5 161.000] TO BUS 647921 [S921 8 69.000] TO BUS 648221 [S1221T99 13.800] CKT 1  
CB1222-BUS : OPEN LINE FROM BUS 646222 [S1222 5 161.000] TO BUS 646229 [S1229 5 161.000] CKT 1  
OPEN LINE FROM BUS 646222 [S1222 5 161.000] TO BUS 646210 [S1210 5 161.000] CKT 1



CB1226-98&TK: OPEN BRANCH FROM BUS 640377 [TEKAMAH5 161.00] TO BUS 646226 [S1226 5 161.00] CKT 1  
OPEN BRANCH FROM BUS 646226 [S1226 5 161.00] TO BUS 646298 [S1298 5 161.00] CKT 2

CB1226-37&52: OPEN BRANCH FROM BUS 646226 [S1226 5 161.00] TO BUS 646237 [S1237 5 161.00] CKT 1  
OPEN LINE FROM BUS 646252 [S1252 5 161.00] TO BUS 646209 [S1209 5 161.00] CKT 1  
OPEN LINE FROM BUS 646252 [S1252 5 161.00] TO BUS 646226 [S1226 5 161.00] CKT 1

CB1227-BUS : OPEN LINE FROM BUS 646227 [S1227 5 161.00] TO BUS 646231 [S1231 5 161.00] CKT 1  
OPEN LINE FROM BUS 646227 [S1227 5 161.00] TO BUS 646217 [S1217 5 161.00] CKT 1

CB1229-BUS : OPEN LINE FROM BUS 646229 [S1229 5 161.00] TO BUS 646201 [S1201 5 161.00] CKT 1  
OPEN LINE FROM BUS 646229 [S1229 5 161.00] TO BUS 646222 [S1222 5 161.00] CKT 1

CB1231-09&35: OPEN BRANCH FROM BUS 646209 [S1209 5 161.00] TO BUS 646231 [S1231 5 161.00] CKT 1  
OPEN BRANCH FROM BUS 646231 [S1231 5 161.00] TO BUS 646235 [S1235 5 161.00] CKT 1

CB1231-21&27: OPEN BRANCH FROM BUS 646227 [S1227 5 161.00] TO BUS 646231 [S1231 5 161.00] CKT 1  
OPEN BRANCH FROM BUS 646221 [S1221 5 161.00] TO BUS 646231 [S1231 5 161.00] CKT 1

CB1233-BUS : OPEN LINE FROM BUS 646233 [S1233 5 161.00] TO BUS 646234 [S1234 5 161.00] CKT 1  
OPEN LINE FROM BUS 646233 [S1233 5 161.00] TO BUS 646255 [S1255 5 161.00] CKT 1

CB1235-34&53: OPEN BRANCH FROM BUS 646234 [S1234 5 161.00] TO BUS 646235 [S1235 5 161.00] CKT 1  
OPEN BRANCH FROM BUS 646235 [S1235 5 161.00] TO BUS 646253 [S1253 5 161.00] CKT 1

CB1235-36&53: OPEN BRANCH FROM BUS 646235 [S1235 5 161.00] TO BUS 646236 [S1236 5 161.00] CKT 1  
OPEN BRANCH FROM BUS 646235 [S1235 5 161.00] TO BUS 646253 [S1253 5 161.00] CKT 1

CB1235-31&36: OPEN BRANCH FROM BUS 646231 [S1231 5 161.00] TO BUS 646235 [S1235 5 161.00] CKT 1  
OPEN BRANCH FROM BUS 646235 [S1235 5 161.00] TO BUS 646236 [S1236 5 161.00] CKT 1

CB1236-BUS : OPEN LINE FROM BUS 646236 [S1236 5 161.00] TO BUS 646345 [S1345 5 161.00] CKT 1  
OPEN LINE FROM BUS 646236 [S1236 5 161.00] TO BUS 646235 [S1235 5 161.00] CKT 1

161T37BK1OR2: OPEN LINE FROM BUS 646237 [S1237 5 161.00] TO BUS 646253 [S1253 5 161.00] CKT 1  
OPEN LINE FROM BUS 646237 [S1237 5 161.00] TO BUS 646345 [S1345 5 161.00] CKT 1  
OPEN LINE FROM BUS 646237 [S1237 5 161.00] TO BUS 646226 [S1226 5 161.00] CKT 1  
OPEN LINE FROM BUS 646345 [S1345 5 161.00] TO BUS 646236 [S1236 5 161.00] CKT 1

CB1237-BUS : OPEN LINE FROM BUS 646237 [S1237 5 161.00] TO BUS 646253 [S1253 5 161.00] CKT 1  
OPEN LINE FROM BUS 646237 [S1237 5 161.00] TO BUS 646345 [S1345 5 161.00] CKT 1  
OPEN LINE FROM BUS 646237 [S1237 5 161.00] TO BUS 646226 [S1226 5 161.00] CKT 1

CB1345-BUS : OPEN LINE FROM BUS 646345 [S1345 5 161.00] TO BUS 646236 [S1236 5 161.00] CKT 1  
OPEN LINE FROM BUS 646345 [S1345 5 161.00] TO BUS 646237 [S1237 5 161.00] CKT 1

CB1249-BUS : OPEN LINE FROM BUS 646249 [S1249 5 161.00] TO BUS 646254 [S1254 5 161.00] CKT 1  
OPEN LINE FROM BUS 646249 [S1249 5 161.00] TO BUS 646256 [S1256 5 161.00] CKT 1

CB1250-09&T1: OPEN BRANCH FROM BUS 646250 [S1250 5 161.00] TO BUS 646209 [S1209 5 161.00] CKT 2  
OPEN BRANCH FROM BUS 646250 [S1250 5 161.00] TO BUS 647950 [S950 8 69.000] TO BUS 648250 [S1250T19 13.800] CKT 1

CB1250-09&97: OPEN BRANCH FROM BUS 646250 [S1250 5 161.00] TO BUS 646209 [S1209 5 161.00] CKT 1  
OPEN LINE FROM BUS 646297 [S1297 5 161.00] TO BUS 646250 [S1250 5 161.00] CKT 1  
OPEN LINE FROM BUS 646297 [S1297 5 161.00] TO BUS 646251 [S1251 5 161.00] CKT 1

CB1250-11&97: OPEN BRANCH FROM BUS 646211 [S1211 5 161.00] TO BUS 646250 [S1250 5 161.00] CKT 1  
OPEN LINE FROM BUS 646297 [S1297 5 161.00] TO BUS 646250 [S1250 5 161.00] CKT 1  
OPEN LINE FROM BUS 646297 [S1297 5 161.00] TO BUS 646251 [S1251 5 161.00] CKT 1

CB1250-11&T1: OPEN BRANCH FROM BUS 646211 [S1211 5 161.00] TO BUS 646250 [S1250 5 161.00] CKT 2  
OPEN BRANCH FROM BUS 646250 [S1250 5 161.00] TO BUS 647950 [S950 8 69.000] TO BUS 648250 [S1250T19 13.800] CKT 1

CB1305-BUS : OPEN LINE FROM BUS 646305 [S1305 5 161.00] TO BUS 646251 [S1251 5 161.00] CKT 1  
OPEN LINE FROM BUS 646305 [S1305 5 161.00] TO BUS 646298 [S1298 5 161.00] CKT 1

CB1251-98&T3: OPEN BRANCH FROM BUS 646251 [S1251 5 161.00] TO BUS 646298 [S1298 5 161.00] CKT 1  
OPEN BRANCH FROM BUS 645451 [S3451 3 345.00] TO BUS 646251 [S1251 5 161.00] TO BUS 648251 [S3451T39 13.800] CKT 1

CB1298-51&05: OPEN BRANCH FROM BUS 646298 [S1298 5 161.00] TO BUS 646251 [S1251 5 161.00] CKT 1  
OPEN BRANCH FROM BUS 646298 [S1298 5 161.00] TO BUS 646305 [S1305 5 161.00] CKT 1

CB1298-05&26: OPEN BRANCH FROM BUS 646298 [S1298 5 161.00] TO BUS 646305 [S1305 5 161.00] CKT 1  
OPEN BRANCH FROM BUS 646298 [S1298 5 161.00] TO BUS 646226 [S1226 5 161.00] CKT 1

CB1298-51&26: OPEN BRANCH FROM BUS 646298 [S1298 5 161.00] TO BUS 646251 [S1251 5 161.00] CKT 1  
OPEN BRANCH FROM BUS 646298 [S1298 5 161.00] TO BUS 646226 [S1226 5 161.00] CKT 2

CB1251-97&FC: OPEN LINE FROM BUS 646297 [S1297 5 161.00] TO BUS 646250 [S1250 5 161.00] CKT 1  
OPEN LINE FROM BUS 646297 [S1297 5 161.00] TO BUS 646251 [S1251 5 161.00] CKT 1  
OPEN LINE FROM BUS 645100 [FC1A 5 161.00] TO BUS 646251 [S1251 5 161.00] CKT 1  
OPEN LINE FROM BUS 645100 [FC1A 5 161.00] TO BUS 645103 [FC1A3 9 4.2000] CKT 1  
OPEN LINE FROM BUS 645100 [FC1A 5 161.00] TO BUS 645104 [FC1A4 9 4.2000] CKT 1

CB1253-35&37: OPEN BRANCH FROM BUS 646235 [S1235 5 161.00] TO BUS 646253 [S1253 5 161.00] CKT 1  
OPEN BRANCH FROM BUS 646237 [S1237 5 161.00] TO BUS 646253 [S1253 5 161.00] CKT 1

CB1253-BUS : OPEN LINE FROM BUS 646253 [S1253 5 161.00] TO BUS 646256 [S1256 5 161.00] CKT 1  
OPEN LINE FROM BUS 646253 [S1253 5 161.00] TO BUS 646235 [S1235 5 161.00] CKT 1  
OPEN LINE FROM BUS 646253 [S1253 5 161.00] TO BUS 646237 [S1237 5 161.00] CKT 1

CB1254-BUS : OPEN LINE FROM BUS 646254 [S1254 5 161.00] TO BUS 646281 [S1281 5 161.00] CKT 1  
OPEN LINE FROM BUS 646254 [S1254 5 161.00] TO BUS 645454 [S3454 3 345.00] TO BUS 648254 [S1254T19 13.800] CKT 1  
OPEN LINE FROM BUS 646254 [S1254 5 161.00] TO BUS 646249 [S1249 5 161.00] CKT 1

CB1255-21&T1: OPEN BRANCH FROM BUS 646221 [S1221 5 161.00] TO BUS 646255 [S1255 5 161.00] CKT 1  
OPEN BRANCH FROM BUS 645455 [S3455 3 345.00] TO BUS 646255 [S1255 5 161.00] TO BUS 648255 [S3455T19 13.800] CKT 1

CB1255-59&T3: OPEN BRANCH FROM BUS 646255 [S1255 5 161.00] TO BUS 646259 [S1259 5 161.00] CKT 1  
OPEN BRANCH FROM BUS 645455 [S3455 3 345.00] TO BUS 646255 [S1255 5 161.00] TO BUS 648355 [S3455T39 13.800] CKT 1

CB1256-49&53: OPEN LINE FROM BUS 646256 [S1256 5 161.00] TO BUS 646249 [S1249 5 161.00] CKT 1  
OPEN LINE FROM BUS 646256 [S1256 5 161.00] TO BUS 646253 [S1253 5 161.00] CKT 1  
SET BUS 646253 [S1253 5 161.00] LOAD TO 0 MW

CB1259-BUS81: OPEN LINE FROM BUS 646259 [S1259 5 161.00] TO BUS 646278 [S1278 5 161.00] CKT 1  
OPEN LINE FROM BUS 646259 [S1259 5 161.00] TO BUS 646281 [S1281 5 161.00] CKT 1  
OPEN LINE FROM BUS 646259 [S1259 5 161.00] TO BUS 646255 [S1255 5 161.00] CKT 1  
OPEN LINE FROM BUS 646281 [S1281 5 161.00] TO BUS 646287 [S1287 5 161.00] CKT 1  
OPEN LINE FROM BUS 646281 [S1281 5 161.00] TO BUS 646254 [S1254 5 161.00] CKT 1

CB1259-BUS : OPEN LINE FROM BUS 646259 [S1259 5 161.00] TO BUS 646278 [S1278 5 161.00] CKT 1  
OPEN LINE FROM BUS 646259 [S1259 5 161.00] TO BUS 646281 [S1281 5 161.00] CKT 1  
OPEN LINE FROM BUS 646259 [S1259 5 161.00] TO BUS 646255 [S1255 5 161.00] CKT 1

CB1263-BUS : OPEN LINE FROM BUS 646263 [S1263 5 161.00] TO BUS 646280 [S1280 5 161.00] CKT 1  
OPEN LINE FROM BUS 646263 [S1263 5 161.00] TO BUS 647111 [W BROCK8 69.000] TO BUS 648263 [S1263T19 13.800] CKT 1  
OPEN LINE FROM BUS 646263 [S1263 5 161.00] TO BUS 646258 [S1258 5 161.00] CKT 1

CB1278-BUS : OPEN LINE FROM BUS 646278 [S1278 5 161.00] TO BUS 646232 [S1232 5 161.00] CKT 1  
OPEN LINE FROM BUS 646278 [S1278 5 161.00] TO BUS 646259 [S1259 5 161.00] CKT 1

CB1280-BUS : OPEN LINE FROM BUS 646280 [S1280 5 161.00] TO BUS 640140 [COOPER 5 161.00] CKT 1  
OPEN LINE FROM BUS 646280 [S1280 5 161.00] TO BUS 640234 [HUMBOLT5 161.00] CKT 1  
OPEN LINE FROM BUS 646280 [S1280 5 161.00] TO BUS 646263 [S1263 5 161.00] CKT 1

CB1281-BUS : OPEN LINE FROM BUS 646281 [S1281 5 161.00] TO BUS 646287 [S1287 5 161.00] CKT 1  
OPEN LINE FROM BUS 646281 [S1281 5 161.00] TO BUS 646254 [S1254 5 161.00] CKT 1  
OPEN LINE FROM BUS 646281 [S1281 5 161.00] TO BUS 646259 [S1259 5 161.00] CKT 1

CB1286-BUS : OPEN LINE FROM BUS 646286 [S1286 5 161.00] TO BUS 646299 [S1299 5 161.00] CKT 1  
OPEN LINE FROM BUS 646286 [S1286 5 161.00] TO BUS 646201 [S1201 5 161.00] CKT 1

CB1287-BUS : OPEN LINE FROM BUS 646287 [S1287 5 161.00] TO BUS 646214 [S1214 5 161.00] CKT 1

OPEN LINE FROM BUS 646287 [S1287 5 161.00] TO BUS 646281 [S1281 5 161.00] CKT 1  
CB1299-BUS : OPEN LINE FROM BUS 646299 [S1299 5 161.00] TO BUS 646211 [S1211 5 161.00] CKT 1  
OPEN LINE FROM BUS 646299 [S1299 5 161.00] TO BUS 646286 [S1286 5 161.00] CKT 1  
CBTEK-BUS : OPEN LINE FROM BUS 640377 [TEKAMAH5 161.00] TO BUS 646226 [S1226 5 161.00] CKT 1  
OPEN LINE FROM BUS 640377 [TEKAMAH5 161.00] TO BUS 640378 [TEKAMAH7 115.00] CKT 1  
OPEN LINE FROM BUS 640377 [TEKAMAH5 161.00] TO BUS 635201 [RAUN 5 161.00] CKT 1  
CBCOO-161BUS: OPEN BRANCH FROM BUS 640140 [COOPER 5 161.00] TO BUS 640139 [COOPER 3 345.00] TO BUS 640142 [COOPER 9 13.800] CKT 1  
CBHUM-80&T4 : OPEN BRANCH FROM BUS 640234 [HUMBOLT5 161.00] TO BUS 647975 [S975 8 69.000] TO BUS 648275 [S975T4 9 13.800] CKT 1  
OPEN BRANCH FROM BUS 640234 [HUMBOLT5 161.00] TO BUS 646280 [S1280 5 161.00] CKT 1  
CBHUM-T2&T4 : OPEN BRANCH FROM BUS 640234 [HUMBOLT5 161.00] TO BUS 647975 [S975 8 69.000] TO BUS 648275 [S975T4 9 13.800] CKT 1  
OPEN BRANCH FROM BUS 640235 [HUMBOLT7 115.00] TO BUS 640234 [HUMBOLT5 161.00] CKT 1  
CB900-BUS : OPEN LINE FROM BUS 647900 [S900 8 69.000] TO BUS 647914 [S914 8 69.000] CKT 1  
OPEN LINE FROM BUS 647900 [S900 8 69.000] TO BUS 647972 [S972 8 69.000] CKT 1  
OPEN LINE FROM BUS 647900 [S900 8 69.000] TO BUS 647985 [S985 8 69.000] CKT 1  
OPEN LINE FROM BUS 647900 [S900 8 69.000] TO BUS 647079 [979TP 8 69.000] CKT 1  
OPEN LINE FROM BUS 647900 [S900 8 69.000] TO BUS 647100 [ASH GRV8 69.000] CKT 1  
CB900BUS&979: OPEN LINE FROM BUS 647900 [S900 8 69.000] TO BUS 647914 [S914 8 69.000] CKT 1  
OPEN LINE FROM BUS 647900 [S900 8 69.000] TO BUS 647972 [S972 8 69.000] CKT 1  
OPEN LINE FROM BUS 647900 [S900 8 69.000] TO BUS 647985 [S985 8 69.000] CKT 1  
OPEN LINE FROM BUS 647900 [S900 8 69.000] TO BUS 647079 [979TP 8 69.000] CKT 1  
OPEN LINE FROM BUS 647900 [S900 8 69.000] TO BUS 647100 [ASH GRV8 69.000] CKT 1  
OPEN LINE FROM BUS 647079 [979TP 8 69.000] TO BUS 647979 [S979 8 69.000] CKT 1  
OPEN LINE FROM BUS 647079 [979TP 8 69.000] TO BUS 647006 [S906 N 8 69.000] CKT 1  
CB901-JS&BUS: OPEN LINE FROM BUS 647901 [S901 8 69.000] TO BUS 647912 [S912 8 69.000] CKT 1  
OPEN LINE FROM BUS 647901 [S901 8 69.000] TO BUS 646201 [S1201 5 161.00] TO BUS 648201 [S1201T19 13.800] CKT 1  
OPEN LINE FROM BUS 647901 [S901 8 69.000] TO BUS 645051 [JONES 1G 13.800] CKT 1  
OPEN LINE FROM BUS 647901 [S901 8 69.000] TO BUS 645052 [JONES 2G 13.800] CKT 1  
OPEN LINE FROM BUS 647901 [S901 8 69.000] TO BUS 647105 [JCT205 8 69.000] CKT 1  
CB902-BUS : OPEN LINE FROM BUS 647902 [S902 8 69.000] TO BUS 647937 [S937 8 69.000] CKT 1  
OPEN LINE FROM BUS 647902 [S902 8 69.000] TO BUS 647983 [S983 8 69.000] CKT 1  
OPEN LINE FROM BUS 647902 [S902 8 69.000] TO BUS 647984 [S984 8 69.000] CKT 1  
CB902BUS&937: OPEN LINE FROM BUS 647902 [S902 8 69.000] TO BUS 647937 [S937 8 69.000] CKT 1  
OPEN LINE FROM BUS 647902 [S902 8 69.000] TO BUS 647983 [S983 8 69.000] CKT 1  
OPEN LINE FROM BUS 647902 [S902 8 69.000] TO BUS 647984 [S984 8 69.000] CKT 1  
OPEN LINE FROM BUS 647937 [S937 8 69.000] TO BUS 647909 [S909 8 69.000] CKT 1  
CB904BUS&985: OPEN LINE FROM BUS 647904 [S904 8 69.000] TO BUS 647906 [S906 S 8 69.000] CKT 1  
OPEN LINE FROM BUS 647904 [S904 8 69.000] TO BUS 647985 [S985 8 69.000] CKT 1  
OPEN LINE FROM BUS 647985 [S985 8 69.000] TO BUS 640320 [PLTSMTH8 69.000] CKT 1  
OPEN LINE FROM BUS 647985 [S985 8 69.000] TO BUS 647900 [S900 8 69.000] CKT 1  
CB906N-69DT2: OPEN BRANCH FROM BUS 647006 [S906 N 8 69.000] TO BUS 647079 [979TP 8 69.000] CKT 1  
OPEN BRANCH FROM BUS 647006 [S906 N 8 69.000] TO BUS 647017 [915TP9 8 69.000] CKT 1  
CLOSE BRANCH FROM BUS 647006 [S906 N 8 69.000] TO BUS 647906 [S906 S 8 69.000] CKT 1  
OPEN BRANCH FROM BUS 646206 [S1206 5 161.00] TO BUS 647006 [S906 N 8 69.000] TO BUS 648306 [S1206T29 13.800] CKT 1  
CB906N-6979 : OPEN LINE FROM BUS 647079 [979TP 8 69.000] TO BUS 647900 [S900 8 69.000] CKT 1  
OPEN LINE FROM BUS 647079 [979TP 8 69.000] TO BUS 647979 [S979 8 69.000] CKT 1  
OPEN LINE FROM BUS 647079 [979TP 8 69.000] TO BUS 647006 [S906 N 8 69.000] CKT 1  
OPEN BRANCH FROM BUS 647006 [S906 N 8 69.000] TO BUS 647017 [915TP9 8 69.000] CKT 1  
OPEN BRANCH FROM BUS 646206 [S1206 5 161.00] TO BUS 647006 [S906 N 8 69.000] TO BUS 648306 [S1206T29 13.800] CKT 1

CLOSE BRANCH FROM BUS 647006 [S906 N 8 69.000] TO BUS 647906 [S906 S 8 69.000] CKT 1  
 CB906N-6994 : OPEN BRANCH FROM BUS 646206 [S1206 5 161.00] TO BUS 647006 [S906 N 8 69.000] TO BUS 648306 [S1206T29 13.800] CKT 1  
 OPEN LINE FROM BUS 647017 [915TP9 8 69.000] TO BUS 647108 [SAC629 8 69.000] CKT 1  
 OPEN LINE FROM BUS 647017 [915TP9 8 69.000] TO BUS 647006 [S906 N 8 69.000] CKT 1  
 OPEN LINE FROM BUS 647017 [915TP9 8 69.000] TO BUS 647015 [S915T1 8 69.000] CKT 1  
 OPEN LINE FROM BUS 647108 [SAC629 8 69.000] TO BUS 647110 [SAC NO 8 69.000] CKT 1  
 OPEN LINE FROM BUS 647108 [SAC629 8 69.000] TO BUS 647994 [S994 8 69.000] CKT 1  
 CLOSE BRANCH FROM BUS 647006 [S906 N 8 69.000] TO BUS 647906 [S906 S 8 69.000] CKT 1  
 CB906N-BT61 : OPEN BRANCH FROM BUS 646206 [S1206 5 161.00] TO BUS 647006 [S906 N 8 69.000] TO BUS 648306 [S1206T29 13.800] CKT 1  
 OPEN LINE FROM BUS 645031 [SARPY 1G 13.800] TO BUS 647006 [S906 N 8 69.000] CKT 1  
 OPEN BRANCH FROM BUS 647006 [S906 N 8 69.000] TO BUS 647017 [915TP9 8 69.000] CKT 1  
 OPEN BRANCH FROM BUS 647006 [S906 N 8 69.000] TO BUS 647079 [979TP 8 69.000] CKT 1  
 OPEN BRANCH FROM BUS 647006 [S906 N 8 69.000] TO BUS 647928 [S928 8 69.000] CKT 1  
 OPEN BRANCH FROM BUS 647006 [S906 N 8 69.000] TO BUS 647916 [S916 8 69.000] CKT 1  
 OPEN BRANCH FROM BUS 647006 [S906 N 8 69.000] TO BUS 647938 [S938 8 69.000] CKT 1  
 CB906N69CBUS: OPEN LINE FROM BUS 645031 [SARPY 1G 13.800] TO BUS 647006 [S906 N 8 69.000] CKT 1  
 OPEN BRANCH FROM BUS 647006 [S906 N 8 69.000] TO BUS 647938 [S938 8 69.000] CKT 1  
 OPEN BRANCH FROM BUS 647006 [S906 N 8 69.000] TO BUS 647928 [S928 8 69.000] CKT 1  
 OPEN BRANCH FROM BUS 647006 [S906 N 8 69.000] TO BUS 647916 [S916 8 69.000] CKT 1  
 CB906N69B916: OPEN LINE FROM BUS 645031 [SARPY 1G 13.800] TO BUS 647006 [S906 N 8 69.000] CKT 1  
 OPEN BRANCH FROM BUS 647006 [S906 N 8 69.000] TO BUS 647938 [S938 8 69.000] CKT 1  
 OPEN BRANCH FROM BUS 647006 [S906 N 8 69.000] TO BUS 647928 [S928 8 69.000] CKT 1  
 OPEN BRANCH FROM BUS 647006 [S906 N 8 69.000] TO BUS 647916 [S916 8 69.000] CKT 1  
 OPEN BRANCH FROM BUS 647916 [S916 8 69.000] TO BUS 647940 [S940 8 69.000] CKT 1  
 CB906S69BSC2: OPEN LINE FROM BUS 645032 [SARPY 2G 13.800] TO BUS 647906 [S906 S 8 69.000] CKT 1  
 OPEN BRANCH FROM BUS 647906 [S906 S 8 69.000] TO BUS 647924 [S924 8 69.000] CKT 1  
 OPEN BRANCH FROM BUS 647906 [S906 S 8 69.000] TO BUS 647016 [915TP3 8 69.000] CKT 1  
 CB906S69B994: OPEN LINE FROM BUS 645032 [SARPY 2G 13.800] TO BUS 647906 [S906 S 8 69.000] CKT 1  
 OPEN BRANCH FROM BUS 647906 [S906 S 8 69.000] TO BUS 647924 [S924 8 69.000] CKT 1  
 OPEN LINE FROM BUS 647016 [915TP3 8 69.000] TO BUS 647107 [SAC623 8 69.000] CKT 1  
 OPEN LINE FROM BUS 647016 [915TP3 8 69.000] TO BUS 647906 [S906 S 8 69.000] CKT 1  
 OPEN LINE FROM BUS 647016 [915TP3 8 69.000] TO BUS 647915 [S915T2 8 69.000] CKT 1  
 OPEN LINE FROM BUS 647107 [SAC623 8 69.000] TO BUS 647109 [SAC SO 8 69.000] CKT 1  
 OPEN LINE FROM BUS 647107 [SAC623 8 69.000] TO BUS 647994 [S994 8 69.000] CKT 1  
 CB906S-BT63 : OPEN LINE FROM BUS 645032 [SARPY 2G 13.800] TO BUS 647906 [S906 S 8 69.000] CKT 1  
 OPEN BRANCH FROM BUS 647906 [S906 S 8 69.000] TO BUS 647924 [S924 8 69.000] CKT 1  
 OPEN BRANCH FROM BUS 647906 [S906 S 8 69.000] TO BUS 647016 [915TP3 8 69.000] CKT 1  
 OPEN BRANCH FROM BUS 647906 [S906 S 8 69.000] TO BUS 647904 [S904 8 69.000] CKT 1  
 OPEN BRANCH FROM BUS 647906 [S906 S 8 69.000] TO BUS 647938 [S938 8 69.000] CKT 1  
 OPEN BRANCH FROM BUS 646206 [S1206 5 161.00] TO BUS 647906 [S906 S 8 69.000] TO BUS 648206 [S1206T19 13.800] CKT 1  
 CB906S-69A : OPEN BRANCH FROM BUS 646206 [S1206 5 161.00] TO BUS 647906 [S906 S 8 69.000] TO BUS 648206 [S1206T19 13.800] CKT 1  
 OPEN BRANCH FROM BUS 647906 [S906 S 8 69.000] TO BUS 647904 [S904 8 69.000] CKT 1  
 OPEN BRANCH FROM BUS 647906 [S906 S 8 69.000] TO BUS 647938 [S938 8 69.000] CKT 1  
 CLOSE BRANCH FROM BUS 647006 [S906 N 8 69.000] TO BUS 647906 [S906 S 8 69.000] CKT 1  
 CB907-BUS : OPEN LINE FROM BUS 647907 [S907 8 69.000] TO BUS 647911 [S911 8 69.000] CKT 1  
 OPEN LINE FROM BUS 647907 [S907 8 69.000] TO BUS 647919 [S919 8 69.000] CKT 1  
 CB909BUS&937: OPEN LINE FROM BUS 647909 [S909 8 69.000] TO BUS 647918 [S918 8 69.000] CKT 1  
 OPEN LINE FROM BUS 647909 [S909 8 69.000] TO BUS 647921 [S921 8 69.000] CKT 1

OPEN LINE FROM BUS 647909 [S909 8 69.000] TO BUS 647937 [S937 8 69.000] CKT 1  
 OPEN LINE FROM BUS 647909 [S909 8 69.000] TO BUS 647939 [S939 8 69.000] CKT 1  
 OPEN LINE FROM BUS 647909 [S909 8 69.000] TO BUS 646209 [S1209 5 161.00] TO BUS 648209 [S1209T19 13.800] CKT 1  
 OPEN LINE FROM BUS 647937 [S937 8 69.000] TO BUS 647902 [S902 8 69.000] CKT 1  
 CB909-BUS : OPEN LINE FROM BUS 647909 [S909 8 69.000] TO BUS 647918 [S918 8 69.000] CKT 1  
 OPEN LINE FROM BUS 647909 [S909 8 69.000] TO BUS 647921 [S921 8 69.000] CKT 1  
 OPEN LINE FROM BUS 647909 [S909 8 69.000] TO BUS 647937 [S937 8 69.000] CKT 1  
 OPEN LINE FROM BUS 647909 [S909 8 69.000] TO BUS 647939 [S939 8 69.000] CKT 1  
 OPEN LINE FROM BUS 647909 [S909 8 69.000] TO BUS 646209 [S1209 5 161.00] TO BUS 648209 [S1209T19 13.800] CKT 1  
 CB910-BUS : OPEN LINE FROM BUS 647910 [S910 8 69.000] TO BUS 647923 [S923 8 69.000] CKT 1  
 OPEN LINE FROM BUS 647910 [S910 8 69.000] TO BUS 646210 [S1210 5 161.00] TO BUS 648210 [S1210T79 13.800] CKT 1  
 OPEN LINE FROM BUS 647910 [S910 8 69.000] TO BUS 647105 [JCT205 8 69.000] CKT 1  
 OPEN LINE FROM BUS 647910 [S910 8 69.000] TO BUS 647908 [S908 8 69.000] CKT 1  
 CB910BUS1210: OPEN BRANCH FROM BUS 646210 [S1210 5 161.00] TO BUS 646217 [S1217 5 161.00] CKT 1  
 OPEN LINE FROM BUS 647910 [S910 8 69.000] TO BUS 647923 [S923 8 69.000] CKT 1  
 OPEN LINE FROM BUS 647910 [S910 8 69.000] TO BUS 646210 [S1210 5 161.00] TO BUS 648210 [S1210T79 13.800] CKT 1  
 OPEN LINE FROM BUS 647910 [S910 8 69.000] TO BUS 647105 [JCT205 8 69.000] CKT 1  
 OPEN LINE FROM BUS 647910 [S910 8 69.000] TO BUS 647908 [S908 8 69.000] CKT 1  
 CB911-BUS : OPEN LINE FROM BUS 647911 [S911 8 69.000] TO BUS 647913 [S913 8 69.000] CKT 1  
 OPEN LINE FROM BUS 647911 [S911 8 69.000] TO BUS 646211 [S1211 5 161.00] TO BUS 648211 [S1211T19 13.800] CKT 1  
 OPEN LINE FROM BUS 647911 [S911 8 69.000] TO BUS 645021 [N OMA 1G 13.800] CKT 1  
 OPEN LINE FROM BUS 647911 [S911 8 69.000] TO BUS 645126 [S911 HS9 13.800] CKT 1  
 OPEN LINE FROM BUS 647911 [S911 8 69.000] TO BUS 647907 [S907 8 69.000] CKT 1  
 OPEN LINE FROM BUS 645021 [N OMA 1G 13.800] TO BUS 645121 [NO1 AUX9 2.4000] CKT 1  
 CB912-BUS : OPEN LINE FROM BUS 647912 [S912 8 69.000] TO BUS 647923 [S923 8 69.000] CKT 1  
 OPEN LINE FROM BUS 647912 [S912 8 69.000] TO BUS 647924 [S924 8 69.000] CKT 1  
 OPEN LINE FROM BUS 647912 [S912 8 69.000] TO BUS 647901 [S901 8 69.000] CKT 1  
 CB914-BUS : OPEN LINE FROM BUS 647914 [S914 8 69.000] TO BUS 647014 [S914A 8 69.000] CKT 1  
 OPEN LINE FROM BUS 647914 [S914 8 69.000] TO BUS 647900 [S900 8 69.000] CKT 1  
 CB914A-88-T1: OPEN LINE FROM BUS 647988 [S988 8 69.000] TO BUS 647014 [S914A 8 69.000] CKT 1  
 OPEN BRANCH FROM BUS 646214 [S1214 5 161.00] TO BUS 647014 [S914A 8 69.000] TO BUS 648214 [S1214T19 13.800] CKT 1  
 CB914A-46-T1: OPEN BRANCH FROM BUS 647014 [S914A 8 69.000] TO BUS 647846 [S6846 8 69.000] CKT 1  
 OPEN BRANCH FROM BUS 646214 [S1214 5 161.00] TO BUS 647014 [S914A 8 69.000] TO BUS 648214 [S1214T19 13.800] CKT 1  
 CB914A-14-88: OPEN BRANCH FROM BUS 647014 [S914A 8 69.000] TO BUS 647914 [S914 8 69.000] CKT 1  
 OPEN LINE FROM BUS 647988 [S988 8 69.000] TO BUS 647014 [S914A 8 69.000] CKT 1  
 CB916-BUS : OPEN LINE FROM BUS 647916 [S916 8 69.000] TO BUS 647917 [S917 8 69.000] CKT 1  
 OPEN LINE FROM BUS 647916 [S916 8 69.000] TO BUS 647940 [S940 8 69.000] CKT 1  
 OPEN LINE FROM BUS 647916 [S916 8 69.000] TO BUS 647006 [S906 N 8 69.000] CKT 1  
 CB916-06-40 : OPEN BRANCH FROM BUS 647916 [S916 8 69.000] TO BUS 647940 [S940 8 69.000] CKT 1  
 OPEN BRANCH FROM BUS 647916 [S916 8 69.000] TO BUS 647006 [S906 N 8 69.000] CKT 1  
 CB917-BUS : OPEN LINE FROM BUS 647917 [S917 8 69.000] TO BUS 647918 [S918 8 69.000] CKT 1  
 OPEN LINE FROM BUS 647917 [S917 8 69.000] TO BUS 646217 [S1217 5 161.00] TO BUS 648217 [S1217T19 13.800] CKT 1  
 OPEN LINE FROM BUS 647917 [S917 8 69.000] TO BUS 647916 [S916 8 69.000] CKT 1  
 CB917BUS1217: OPEN LINE FROM BUS 647917 [S917 8 69.000] TO BUS 647918 [S918 8 69.000] CKT 1  
 OPEN LINE FROM BUS 647917 [S917 8 69.000] TO BUS 646217 [S1217 5 161.00] TO BUS 648217 [S1217T19 13.800] CKT 1  
 OPEN LINE FROM BUS 647917 [S917 8 69.000] TO BUS 647916 [S916 8 69.000] CKT 1  
 OPEN LINE FROM BUS 646217 [S1217 5 161.00] TO BUS 646227 [S1227 5 161.00] CKT 1  
 OPEN LINE FROM BUS 646217 [S1217 5 161.00] TO BUS 646210 [S1210 5 161.00] CKT 1

OPEN LINE FROM BUS 646217 [S1217 5 161.00] TO BUS 646216 [S1216 5 161.00] CKT 1  
CB918-BUS : OPEN LINE FROM BUS 647918 [S918 8 69.000] TO BUS 647930 [S930 8 69.000] CKT 1  
OPEN LINE FROM BUS 647918 [S918 8 69.000] TO BUS 647909 [S909 8 69.000] CKT 1  
OPEN LINE FROM BUS 647918 [S918 8 69.000] TO BUS 647917 [S917 8 69.000] CKT 1  
CB919-BUS : OPEN LINE FROM BUS 647919 [S919 8 69.000] TO BUS 647930 [S930 8 69.000] CKT 1  
OPEN LINE FROM BUS 647919 [S919 8 69.000] TO BUS 647950 [S950 8 69.000] CKT 1  
OPEN LINE FROM BUS 647919 [S919 8 69.000] TO BUS 647907 [S907 8 69.000] CKT 1  
CB921-BUS : OPEN LINE FROM BUS 647921 [S921 8 69.000] TO BUS 647940 [S940 8 69.000] CKT 1  
OPEN LINE FROM BUS 647921 [S921 8 69.000] TO BUS 647942 [S942 8 69.000] CKT 1  
OPEN LINE FROM BUS 647921 [S921 8 69.000] TO BUS 646221 [S1221 5 161.00] TO BUS 648221 [S1221T99 13.800] CKT 1  
OPEN LINE FROM BUS 647921 [S921 8 69.000] TO BUS 647909 [S909 8 69.000] CKT 1  
CB923-12-PXM: OPEN BRANCH FROM BUS 647912 [S912 8 69.000] TO BUS 647923 [S923 8 69.000] CKT 1  
OPEN LINE FROM BUS 647106 [PAX MIT8 69.000] TO BUS 647923 [S923 8 69.000] CKT 1  
CB923-BUSPXM: OPEN LINE FROM BUS 647923 [S923 8 69.000] TO BUS 647106 [PAX MIT8 69.000] CKT 1  
OPEN LINE FROM BUS 647923 [S923 8 69.000] TO BUS 647910 [S910 8 69.000] CKT 1  
OPEN LINE FROM BUS 647923 [S923 8 69.000] TO BUS 647912 [S912 8 69.000] CKT 1  
CB924-BUS : OPEN LINE FROM BUS 647924 [S924 8 69.000] TO BUS 647906 [S906 S 8 69.000] CKT 1  
OPEN LINE FROM BUS 647924 [S924 8 69.000] TO BUS 647912 [S912 8 69.000] CKT 1  
CB928-BUS : OPEN LINE FROM BUS 647928 [S928 8 69.000] TO BUS 647942 [S942 8 69.000] CKT 1  
OPEN LINE FROM BUS 647928 [S928 8 69.000] TO BUS 647006 [S906 N 8 69.000] CKT 1  
CB930-18-39 : OPEN BRANCH FROM BUS 647918 [S918 8 69.000] TO BUS 647930 [S930 8 69.000] CKT 1  
OPEN BRANCH FROM BUS 647930 [S930 8 69.000] TO BUS 647939 [S939 8 69.000] CKT 1  
CB938-06N-95: OPEN BRANCH FROM BUS 647006 [S906 N 8 69.000] TO BUS 647938 [S938 8 69.000] CKT 1  
OPEN BRANCH FROM BUS 647938 [S938 8 69.000] TO BUS 647995 [S995 8 69.000] CKT 1  
CB938-06S-95: OPEN BRANCH FROM BUS 647906 [S906 S 8 69.000] TO BUS 647938 [S938 8 69.000] CKT 1  
OPEN BRANCH FROM BUS 647938 [S938 8 69.000] TO BUS 647995 [S995 8 69.000] CKT 1  
CB939-09-MUD: OPEN BRANCH FROM BUS 647939 [S939 8 69.000] TO BUS 647909 [S909 8 69.000] CKT 1  
OPEN LINE FROM BUS 647104 [MUD LNG8 69.000] TO BUS 647939 [S939 8 69.000] CKT 1  
CB939-30-MUD: OPEN BRANCH FROM BUS 647930 [S930 8 69.000] TO BUS 647939 [S939 8 69.000] CKT 1  
OPEN LINE FROM BUS 647104 [MUD LNG8 69.000] TO BUS 647939 [S939 8 69.000] CKT 1  
CB961-BUS&NH: OPEN LINE FROM BUS 647961 [S961 8 69.000] TO BUS 640292 [NEHAWKA8 69.000] CKT 1  
OPEN LINE FROM BUS 647961 [S961 8 69.000] TO BUS 640320 [PLTSMTH8 69.000] CKT 1  
OPEN LINE FROM BUS 640292 [NEHAWKA8 69.000] TO BUS 647962 [S962 8 69.000] CKT 1  
CB962-BUS&NH: OPEN LINE FROM BUS 647962 [S962 8 69.000] TO BUS 640292 [NEHAWKA8 69.000] CKT 1  
OPEN LINE FROM BUS 647962 [S962 8 69.000] TO BUS 647114 [KIN MTP8 69.000] CKT 1  
OPEN LINE FROM BUS 647962 [S962 8 69.000] TO BUS 647401 [NCU903 8 69.000] CKT 1  
OPEN LINE FROM BUS 640292 [NEHAWKA8 69.000] TO BUS 647961 [S961 8 69.000] CKT 1  
CB963-BUS977: OPEN LINE FROM BUS 647963 [S963 8 69.000] TO BUS 647973 [S973 8 69.000] CKT 1  
OPEN LINE FROM BUS 647963 [S963 8 69.000] TO BUS 647977 [S977 8 69.000] CKT 1  
OPEN LINE FROM BUS 647963 [S963 8 69.000] TO BUS 647101 [AUBRNT 8 69.000] CKT 1  
OPEN LINE FROM BUS 647963 [S963 8 69.000] TO BUS 647111 [W BROCK8 69.000] CKT 1  
OPEN LINE FROM BUS 647977 [S977 8 69.000] TO BUS 647401 [NCU903 8 69.000] CKT 1  
OPEN LINE FROM BUS 647973 [S973 8 69.000] TO BUS 640143 [CORNFLD8 69.000] CKT 1  
CB963BUS1263: OPEN LINE FROM BUS 647963 [S963 8 69.000] TO BUS 647973 [S973 8 69.000] CKT 1  
OPEN LINE FROM BUS 647963 [S963 8 69.000] TO BUS 647977 [S977 8 69.000] CKT 1  
OPEN LINE FROM BUS 647963 [S963 8 69.000] TO BUS 647101 [AUBRNT 8 69.000] CKT 1  
OPEN LINE FROM BUS 647963 [S963 8 69.000] TO BUS 647111 [W BROCK8 69.000] CKT 1  
OPEN LINE FROM BUS 647973 [S973 8 69.000] TO BUS 640143 [CORNFLD8 69.000] CKT 1

CB963-BUSAUB: OPEN LINE FROM BUS 647963 [S963 8 69.000] TO BUS 647973 [S973 8 69.000] CKT 1  
OPEN LINE FROM BUS 647963 [S963 8 69.000] TO BUS 647977 [S977 8 69.000] CKT 1  
OPEN LINE FROM BUS 647963 [S963 8 69.000] TO BUS 647101 [AUBRNT 8 69.000] CKT 1  
OPEN LINE FROM BUS 647963 [S963 8 69.000] TO BUS 647111 [W BROCK8 69.000] CKT 1  
OPEN LINE FROM BUS 647973 [S973 8 69.000] TO BUS 640143 [CORNF8LD8 69.000] CKT 1  
OPEN LINE FROM BUS 647101 [AUBRNT 8 69.000] TO BUS 647975 [S975 8 69.000] CKT 1  
OPEN LINE FROM BUS 647101 [AUBRNT 8 69.000] TO BUS 640062 [AUBURN 8 69.000] CKT 1  
CB968-67-TEC: OPEN LINE FROM BUS 647967 [S967 8 69.000] TO BUS 647968 [S968 8 69.000] CKT 1  
OPEN LINE FROM BUS 647967 [S967 8 69.000] TO BUS 647111 [W BROCK8 69.000] CKT 1  
OPEN LINE FROM BUS 647400 [TECUMSH8 69.000] TO BUS 647968 [S968 8 69.000] CKT 1  
CB968TEC7469: OPEN LINE FROM BUS 647968 [S968 8 69.000] TO BUS 647969 [S969 8 69.000] CKT 1  
OPEN LINE FROM BUS 647968 [S968 8 69.000] TO BUS 647400 [TECUMSH8 69.000] CKT 1  
OPEN LINE FROM BUS 647968 [S968 8 69.000] TO BUS 647967 [S967 8 69.000] CKT 1  
OPEN LINE FROM BUS 647969 [S969 8 69.000] TO BUS 647974 [S974 8 69.000] CKT 1  
CB970-EN-NCU: OPEN LINE FROM BUS 647970 [S970 8 69.000] TO BUS 647102 [HYDCAP 8 69.000] CKT 1  
OPEN LINE FROM BUS 647970 [S970 8 69.000] TO BUS 647402 [NC SYRA8 69.000] CKT 1  
OPEN LINE FROM BUS 647102 [HYDCAP 8 69.000] TO BUS 647103 [ENRON 8 69.000] CKT 1  
OPEN LINE FROM BUS 647102 [HYDCAP 8 69.000] TO BUS 647974 [S974 8 69.000] CKT 1  
OPEN LINE FROM BUS 647402 [NC SYRA8 69.000] TO BUS 647971 [S971 8 69.000] CKT 1  
CB971-BUS990: OPEN LINE FROM BUS 647971 [S971 8 69.000] TO BUS 647090 [990TP 8 69.000] CKT 1  
OPEN LINE FROM BUS 647971 [S971 8 69.000] TO BUS 647114 [KIN MTP8 69.000] CKT 1  
OPEN LINE FROM BUS 647971 [S971 8 69.000] TO BUS 647402 [NC SYRA8 69.000] CKT 1  
OPEN LINE FROM BUS 647090 [990TP 8 69.000] TO BUS 647982 [S982 8 69.000] CKT 1  
OPEN LINE FROM BUS 647090 [990TP 8 69.000] TO BUS 647990 [S990 8 69.000] CKT 1  
CB971-BUS : OPEN LINE FROM BUS 647971 [S971 8 69.000] TO BUS 647090 [990TP 8 69.000] CKT 1  
OPEN LINE FROM BUS 647971 [S971 8 69.000] TO BUS 647114 [KIN MTP8 69.000] CKT 1  
OPEN LINE FROM BUS 647971 [S971 8 69.000] TO BUS 647402 [NC SYRA8 69.000] CKT 1  
CB971-BUSNCU: OPEN LINE FROM BUS 647971 [S971 8 69.000] TO BUS 647090 [990TP 8 69.000] CKT 1  
OPEN LINE FROM BUS 647971 [S971 8 69.000] TO BUS 647114 [KIN MTP8 69.000] CKT 1  
OPEN LINE FROM BUS 647971 [S971 8 69.000] TO BUS 647402 [NC SYRA8 69.000] CKT 1  
OPEN LINE FROM BUS 647402 [NC SYRA8 69.000] TO BUS 647970 [S970 8 69.000] CKT 1  
CB972-BUS : OPEN LINE FROM BUS 647972 [S972 8 69.000] TO BUS 647982 [S982 8 69.000] CKT 1  
OPEN LINE FROM BUS 647972 [S972 8 69.000] TO BUS 647900 [S900 8 69.000] CKT 1  
CB974-BUS969: OPEN LINE FROM BUS 647974 [S974 8 69.000] TO BUS 640362 [STERLNG7 115.00] CKT 1  
OPEN LINE FROM BUS 647974 [S974 8 69.000] TO BUS 647102 [HYDCAP 8 69.000] CKT 1  
OPEN LINE FROM BUS 647974 [S974 8 69.000] TO BUS 647969 [S969 8 69.000] CKT 1  
OPEN LINE FROM BUS 647969 [S969 8 69.000] TO BUS 647968 [S968 8 69.000] CKT 1  
CB974-BUS-EN: OPEN LINE FROM BUS 647974 [S974 8 69.000] TO BUS 640362 [STERLNG7 115.00] CKT 1  
OPEN LINE FROM BUS 647974 [S974 8 69.000] TO BUS 647102 [HYDCAP 8 69.000] CKT 1  
OPEN LINE FROM BUS 647974 [S974 8 69.000] TO BUS 647969 [S969 8 69.000] CKT 1  
OPEN LINE FROM BUS 647102 [HYDCAP 8 69.000] TO BUS 647103 [ENRON 8 69.000] CKT 1  
OPEN LINE FROM BUS 647102 [HYDCAP 8 69.000] TO BUS 647970 [S970 8 69.000] CKT 1  
CB974-BUS : OPEN LINE FROM BUS 647974 [S974 8 69.000] TO BUS 640362 [STERLNG7 115.00] CKT 1  
OPEN LINE FROM BUS 647974 [S974 8 69.000] TO BUS 647102 [HYDCAP 8 69.000] CKT 1  
OPEN LINE FROM BUS 647974 [S974 8 69.000] TO BUS 647969 [S969 8 69.000] CKT 1  
CB975-T4-965: OPEN BRANCH FROM BUS 640234 [HUMBOLT5 161.00] TO BUS 647975 [S975 8 69.000] TO BUS 648275 [S975T4 9 13.800] CKT 1  
OPEN LINE FROM BUS 647965 [S965 8 69.000] TO BUS 647975 [S975 8 69.000] CKT 1  
CB975-T4-993: OPEN BRANCH FROM BUS 640234 [HUMBOLT5 161.00] TO BUS 647975 [S975 8 69.000] TO BUS 648275 [S975T4 9 13.800] CKT 1

OPEN LINE FROM BUS 647964 [S964 8 69.000] TO BUS 647975 [S975 8 69.000] CKT 1  
OPEN LINE FROM BUS 647964 [S964 8 69.000] TO BUS 647112 [MGLN TP8 69.000] CKT 1  
OPEN LINE FROM BUS 647993 [S993 8 69.000] TO BUS 647112 [MGLN TP8 69.000] CKT 1  
CB975-93-AUB: OPEN LINE FROM BUS 647101 [AUBRNT 8 69.000] TO BUS 647963 [S963 8 69.000] CKT 1  
OPEN LINE FROM BUS 647101 [AUBRNT 8 69.000] TO BUS 647975 [S975 8 69.000] CKT 1  
OPEN LINE FROM BUS 647101 [AUBRNT 8 69.000] TO BUS 640062 [AUBURN 8 69.000] CKT 1  
OPEN LINE FROM BUS 647964 [S964 8 69.000] TO BUS 647975 [S975 8 69.000] CKT 1  
OPEN LINE FROM BUS 647964 [S964 8 69.000] TO BUS 647112 [MGLN TP8 69.000] CKT 1  
OPEN LINE FROM BUS 647993 [S993 8 69.000] TO BUS 647112 [MGLN TP8 69.000] CKT 1  
CB975-65-AUB: OPEN LINE FROM BUS 647101 [AUBRNT 8 69.000] TO BUS 647963 [S963 8 69.000] CKT 1  
OPEN LINE FROM BUS 647101 [AUBRNT 8 69.000] TO BUS 647975 [S975 8 69.000] CKT 1  
OPEN LINE FROM BUS 647101 [AUBRNT 8 69.000] TO BUS 640062 [AUBURN 8 69.000] CKT 1  
OPEN LINE FROM BUS 647965 [S965 8 69.000] TO BUS 647975 [S975 8 69.000] CKT 1  
CB976-BUS : OPEN LINE FROM BUS 647976 [S976 8 69.000] TO BUS 640173 [FREMONT7 115.00] CKT 1  
OPEN LINE FROM BUS 647976 [S976 8 69.000] TO BUS 640173 [FREMONT7 115.00] CKT 4  
OPEN LINE FROM BUS 647976 [S976 8 69.000] TO BUS 647424 [FREM D 8 69.000] CKT 1  
CB982-BUS990: OPEN LINE FROM BUS 647982 [S982 8 69.000] TO BUS 647090 [990TP 8 69.000] CKT 1  
OPEN LINE FROM BUS 647982 [S982 8 69.000] TO BUS 647972 [S972 8 69.000] CKT 1  
OPEN LINE FROM BUS 647090 [990TP 8 69.000] TO BUS 647971 [S971 8 69.000] CKT 1  
OPEN LINE FROM BUS 647090 [990TP 8 69.000] TO BUS 647990 [S990 8 69.000] CKT 1  
CB983-BUS : OPEN LINE FROM BUS 647983 [S983 8 69.000] TO BUS 647846 [S6846 8 69.000] CKT 1  
OPEN LINE FROM BUS 647983 [S983 8 69.000] TO BUS 647902 [S902 8 69.000] CKT 1  
CB984-BUS991: OPEN LINE FROM BUS 647984 [S984 8 69.000] TO BUS 647091 [991TP 8 69.000] CKT 1  
OPEN LINE FROM BUS 647984 [S984 8 69.000] TO BUS 647902 [S902 8 69.000] CKT 1  
OPEN LINE FROM BUS 647091 [991TP 8 69.000] TO BUS 647427 [FREM G 8 69.000] CKT 1  
OPEN LINE FROM BUS 647091 [991TP 8 69.000] TO BUS 647991 [S991 8 69.000] CKT 1  
CB985-BUS : OPEN LINE FROM BUS 647985 [S985 8 69.000] TO BUS 640320 [PLTSMTH8 69.000] CKT 1  
OPEN LINE FROM BUS 647985 [S985 8 69.000] TO BUS 647900 [S900 8 69.000] CKT 1  
OPEN LINE FROM BUS 647985 [S985 8 69.000] TO BUS 647904 [S904 8 69.000] CKT 1  
CB994-BUS06S: OPEN LINE FROM BUS 647994 [S994 8 69.000] TO BUS 647995 [S995 8 69.000] CKT 1  
OPEN LINE FROM BUS 647994 [S994 8 69.000] TO BUS 647107 [SAC623 8 69.000] CKT 1  
OPEN LINE FROM BUS 647994 [S994 8 69.000] TO BUS 647108 [SAC629 8 69.000] CKT 1  
OPEN LINE FROM BUS 647107 [SAC623 8 69.000] TO BUS 647109 [SAC SO 8 69.000] CKT 1  
OPEN LINE FROM BUS 647107 [SAC623 8 69.000] TO BUS 647016 [915TP3 8 69.000] CKT 1  
OPEN LINE FROM BUS 647016 [915TP3 8 69.000] TO BUS 647906 [S906 S 8 69.000] CKT 1  
OPEN LINE FROM BUS 647016 [915TP3 8 69.000] TO BUS 647915 [S915T2 8 69.000] CKT 1  
CB994-BUS06N: OPEN LINE FROM BUS 647994 [S994 8 69.000] TO BUS 647995 [S995 8 69.000] CKT 1  
OPEN LINE FROM BUS 647994 [S994 8 69.000] TO BUS 647107 [SAC623 8 69.000] CKT 1  
OPEN LINE FROM BUS 647994 [S994 8 69.000] TO BUS 647108 [SAC629 8 69.000] CKT 1  
OPEN LINE FROM BUS 647108 [SAC629 8 69.000] TO BUS 647110 [SAC NO 8 69.000] CKT 1  
OPEN LINE FROM BUS 647108 [SAC629 8 69.000] TO BUS 647017 [915TP9 8 69.000] CKT 1  
OPEN LINE FROM BUS 647017 [915TP9 8 69.000] TO BUS 647006 [S906 N 8 69.000] CKT 1  
OPEN LINE FROM BUS 647017 [915TP9 8 69.000] TO BUS 647015 [S915T1 8 69.000] CKT 1  
CB994-BUS : OPEN LINE FROM BUS 647994 [S994 8 69.000] TO BUS 647995 [S995 8 69.000] CKT 1  
OPEN LINE FROM BUS 647994 [S994 8 69.000] TO BUS 647107 [SAC623 8 69.000] CKT 1  
OPEN LINE FROM BUS 647994 [S994 8 69.000] TO BUS 647108 [SAC629 8 69.000] CKT 1  
CB995-BUS938: OPEN LINE FROM BUS 647995 [S995 8 69.000] TO BUS 647874 [S6874 8 69.000] CKT 1  
OPEN LINE FROM BUS 647995 [S995 8 69.000] TO BUS 647938 [S938 8 69.000] CKT 1



OPEN LINE FROM BUS 647995 [S995 8 69.000] TO BUS 647994 [S994 8 69.000] CKT 1  
 OPEN LINE FROM BUS 647938 [S938 8 69.000] TO BUS 647006 [S906 N 8 69.000] CKT 1  
 OPEN LINE FROM BUS 647938 [S938 8 69.000] TO BUS 647906 [S906 S 8 69.000] CKT 1  
 CB995-BUS : OPEN LINE FROM BUS 647995 [S995 8 69.000] TO BUS 647874 [S6874 8 69.000] CKT 1  
 OPEN LINE FROM BUS 647995 [S995 8 69.000] TO BUS 647938 [S938 8 69.000] CKT 1  
 OPEN LINE FROM BUS 647995 [S995 8 69.000] TO BUS 647994 [S994 8 69.000] CKT 1  
 CB6846-BUS : OPEN LINE FROM BUS 647846 [S6846 8 69.000] TO BUS 647983 [S983 8 69.000] CKT 1  
 OPEN LINE FROM BUS 647846 [S6846 8 69.000] TO BUS 647014 [S914A 8 69.000] CKT 1  
 CBFREM-A : OPEN LINE FROM BUS 647421 [FREM A 8 69.000] TO BUS 647422 [FREM B 8 69.000] CKT 1  
 OPEN LINE FROM BUS 647421 [FREM A 8 69.000] TO BUS 647426 [FREM F 8 69.000] CKT 1  
 OPEN LINE FROM BUS 647421 [FREM A 8 69.000] TO BUS 647427 [FREM G 8 69.000] CKT 1  
 OPEN LINE FROM BUS 647421 [FREM A 8 69.000] TO BUS 647416 [FREM 6G 13.800] CKT 1  
 OPEN LINE FROM BUS 647421 [FREM A 8 69.000] TO BUS 647417 [FREM 7G 13.800] CKT 1  
 OPEN LINE FROM BUS 647421 [FREM A 8 69.000] TO BUS 647418 [FREM 8G 13.800] CKT 1  
 CBFREM-B : OPEN LINE FROM BUS 647422 [FREM B 8 69.000] TO BUS 647424 [FREM D 8 69.000] CKT 1  
 OPEN LINE FROM BUS 647422 [FREM B 8 69.000] TO BUS 647421 [FREM A 8 69.000] CKT 1  
 CBFREM-C : OPEN LINE FROM BUS 647423 [FREM C 8 69.000] TO BUS 647424 [FREM D 8 69.000] CKT 1  
 OPEN LINE FROM BUS 647423 [FREM C 8 69.000] TO BUS 647427 [FREM G 8 69.000] CKT 1  
 CBFREM-D-C-B: OPEN BRANCH FROM BUS 647422 [FREM B 8 69.000] TO BUS 647424 [FREM D 8 69.000] CKT 1  
 OPEN BRANCH FROM BUS 647424 [FREM D 8 69.000] TO BUS 647423 [FREM C 8 69.000] CKT 1  
 CBFREM-D : OPEN LINE FROM BUS 647424 [FREM D 8 69.000] TO BUS 647425 [FREM E 8 69.000] CKT 1  
 OPEN LINE FROM BUS 647424 [FREM D 8 69.000] TO BUS 647976 [S976 8 69.000] CKT 1  
 OPEN LINE FROM BUS 647424 [FREM D 8 69.000] TO BUS 647422 [FREM B 8 69.000] CKT 1  
 OPEN LINE FROM BUS 647424 [FREM D 8 69.000] TO BUS 647423 [FREM C 8 69.000] CKT 1  
 CBFREM-D-E : OPEN BRANCH FROM BUS 647976 [S976 8 69.000] TO BUS 647424 [FREM D 8 69.000] CKT 1  
 OPEN BRANCH FROM BUS 647424 [FREM D 8 69.000] TO BUS 647425 [FREM E 8 69.000] CKT 1  
 CBFREM-E : OPEN LINE FROM BUS 647425 [FREM E 8 69.000] TO BUS 647426 [FREM F 8 69.000] CKT 1  
 OPEN LINE FROM BUS 647425 [FREM E 8 69.000] TO BUS 647424 [FREM D 8 69.000] CKT 1  
 CBFREM-F : OPEN LINE FROM BUS 647426 [FREM F 8 69.000] TO BUS 647992 [S992 8 69.000] CKT 1  
 OPEN LINE FROM BUS 647426 [FREM F 8 69.000] TO BUS 647421 [FREM A 8 69.000] CKT 1  
 OPEN LINE FROM BUS 647426 [FREM F 8 69.000] TO BUS 647425 [FREM E 8 69.000] CKT 1  
 CBFREM-G : OPEN LINE FROM BUS 647411 [FREM 1G 13.800] TO BUS 647427 [FREM G 8 69.000] CKT 1  
 OPEN LINE FROM BUS 647427 [FREM G 8 69.000] TO BUS 647091 [991TP 8 69.000] CKT 1  
 OPEN LINE FROM BUS 647427 [FREM G 8 69.000] TO BUS 647421 [FREM A 8 69.000] CKT 1  
 OPEN LINE FROM BUS 647427 [FREM G 8 69.000] TO BUS 647423 [FREM C 8 69.000] CKT 1  
 OPPD CATD 01: OPEN BRANCH FROM BUS 645451 [S3451 3 345.00] TO BUS 645459 [S3459 3 345.00] CKT 1  
 OPEN BRANCH FROM BUS 645451 [S3451 3 345.00] TO BUS 635200 [RAUN 3 345.00] CKT 1  
 OPEN BRANCH FROM BUS 645451 [S3451 3 345.00] TO BUS 646251 [S1251 5 161.00] TO BUS 648351 [S3451T49 13.800] CKT 1  
 OPPD CATD 02: OPEN BRANCH FROM BUS 645451 [S3451 3 345.00] TO BUS 645459 [S3459 3 345.00] CKT 1  
 OPEN BRANCH FROM BUS 645451 [S3451 3 345.00] TO BUS 635200 [RAUN 3 345.00] CKT 1  
 OPEN BRANCH FROM BUS 645451 [S3451 3 345.00] TO BUS 646251 [S1251 5 161.00] TO BUS 648251 [S3451T39 13.800] CKT 1  
 OPPD CATD 03: OPEN BRANCH FROM BUS 645455 [S3455 3 345.00] TO BUS 645740 [S3740 3 345.00] CKT 1  
 OPEN BRANCH FROM BUS 645456 [S3456 3 345.00] TO BUS 645458 [S3458 3 345.00] CKT 1  
 OPPD CATD 04: OPEN BRANCH FROM BUS 645451 [S3451 3 345.00] TO BUS 645454 [S3454 3 345.00] CKT 1  
 OPEN BRANCH FROM BUS 645451 [S3451 3 345.00] TO BUS 646251 [S1251 5 161.00] TO BUS 648251 [S3451T39 13.800] CKT 1  
 OPEN BRANCH FROM BUS 645451 [S3451 3 345.00] TO BUS 645459 [S3459 3 345.00] CKT 1  
 OPPD CATD 05: OPEN BRANCH FROM BUS 645451 [S3451 3 345.00] TO BUS 645459 [S3459 3 345.00] CKT 1  
 OPEN BRANCH FROM BUS 645451 [S3451 3 345.00] TO BUS 646251 [S1251 5 161.00] TO BUS 648351 [S3451T49 13.800] CKT 1

OPEN BRANCH FROM BUS 645451 [S3451 3 345.00] TO BUS 635200 [RAUN 3 345.00] CKT 1  
OPPD CATD 06: OPEN BRANCH FROM BUS 645451 [S3451 3 345.00] TO BUS 646251 [S1251 5 161.00] TO BUS 648251 [S3451T39 13.800] CKT 1  
OPEN BRANCH FROM BUS 645451 [S3451 3 345.00] TO BUS 645454 [S3454 3 345.00] CKT 1  
OPEN BRANCH FROM BUS 645451 [S3451 3 345.00] TO BUS 645459 [S3459 3 345.00] CKT 1  
OPPD CATD 10: OPEN BRANCH FROM BUS 645458 [S3458 3 345.00] TO BUS 645456 [S3456 3 345.00] CKT 1  
OPEN BRANCH FROM BUS 645458 [S3458 3 345.00] TO BUS 645740 [S3740 3 345.00] CKT 1  
OPEN BRANCH FROM BUS 645458 [S3458 3 345.00] TO BUS 650189 [103&ROKEBY3 345.00] CKT 1  
OPPD CATD 11: OPEN BRANCH FROM BUS 640139 [COOPER 3 345.00] TO BUS 635017 [ATCHSNT3 345.00] CKT 1  
OPEN BRANCH FROM BUS 645456 [S3456 3 345.00] TO BUS 635000 [CBLUFFS3 345.00] CKT 1  
OPEN BRANCH FROM BUS 646206 [S1206 5 161.00] TO BUS 646201 [S1201 5 161.00] CKT 1  
OPEN BRANCH FROM BUS 646206 [S1206 5 161.00] TO BUS 635001 [CBLUFFS5 161.00] CKT 1  
OPPD CATD 12: OPEN BRANCH FROM BUS 640139 [COOPER 3 345.00] TO BUS 640277 [MOORE 3 345.00] CKT 1  
OPEN LINE FROM BUS 645458 [S3458 3 345.00] TO BUS 645740 [S3740 3 345.00] CKT 1  
OPEN LINE FROM BUS 645458 [S3458 3 345.00] TO BUS 650189 [103&ROKEBY3 345.00] CKT 1  
OPEN LINE FROM BUS 645458 [S3458 3 345.00] TO BUS 640139 [COOPER 3 345.00] CKT 1  
OPEN LINE FROM BUS 645458 [S3458 3 345.00] TO BUS 645011 [NEBCTY1G 18.000] CKT 1  
OPEN LINE FROM BUS 645458 [S3458 3 345.00] TO BUS 645012 [NEBCTY2G 23.000] CKT 1  
OPEN LINE FROM BUS 645458 [S3458 3 345.00] TO BUS 645456 [S3456 3 345.00] CKT 1  
OPPD CATD 13: OPEN BRANCH FROM BUS 645454 [S3454 3 345.00] TO BUS 650185 [WAGENER 3 345.00] CKT 1  
OPEN LINE FROM BUS 645451 [S3451 3 345.00] TO BUS 645454 [S3454 3 345.00] CKT 1  
OPEN LINE FROM BUS 645451 [S3451 3 345.00] TO BUS 645459 [S3459 3 345.00] CKT 1  
OPEN LINE FROM BUS 645451 [S3451 3 345.00] TO BUS 646251 [S1251 5 161.00] TO BUS 648251 [S3451T39 13.800] CKT 1  
OPEN LINE FROM BUS 645451 [S3451 3 345.00] TO BUS 646251 [S1251 5 161.00] TO BUS 648351 [S3451T49 13.800] CKT 1  
OPEN LINE FROM BUS 645451 [S3451 3 345.00] TO BUS 635200 [RAUN 3 345.00] CKT 1  
OPEN LINE FROM BUS 645451 [S3451 3 345.00] TO BUS 645001 [FT CAL1G 22.000] CKT 1  
OPPD CATD 14: OPEN BRANCH FROM BUS 645454 [S3454 3 345.00] TO BUS 645455 [S3455 3 345.00] CKT 1  
OPEN LINE FROM BUS 645456 [S3456 3 345.00] TO BUS 645458 [S3458 3 345.00] CKT 1  
OPEN LINE FROM BUS 645456 [S3456 3 345.00] TO BUS 645459 [S3459 3 345.00] CKT 1  
OPEN LINE FROM BUS 645456 [S3456 3 345.00] TO BUS 646206 [S1206 5 161.00] TO BUS 648256 [S3456T49 13.800] CKT 1  
OPEN LINE FROM BUS 645456 [S3456 3 345.00] TO BUS 635000 [CBLUFFS3 345.00] CKT 1  
OPEN LINE FROM BUS 645456 [S3456 3 345.00] TO BUS 645455 [S3455 3 345.00] CKT 1  
OPPD CATD 15: OPEN BRANCH FROM BUS 645456 [S3456 3 345.00] TO BUS 646206 [S1206 5 161.00] TO BUS 648256 [S3456T49 13.800] CKT 1  
OPEN BRANCH FROM BUS 645456 [S3456 3 345.00] TO BUS 645455 [S3455 3 345.00] CKT 1  
OPEN BRANCH FROM BUS 645456 [S3456 3 345.00] TO BUS 645459 [S3459 3 345.00] CKT 1  
OPPD CATD 16: OPEN BRANCH FROM BUS 645456 [S3456 3 345.00] TO BUS 635000 [CBLUFFS3 345.00] CKT 1  
OPEN LINE FROM BUS 645011 [NEBCTY1G 18.000] TO BUS 645111 [NBAXT1 9 4.2000] CKT 1  
OPEN LINE FROM BUS 645011 [NEBCTY1G 18.000] TO BUS 645112 [NBAXT2 9 4.2000] CKT 1  
OPEN LINE FROM BUS 645011 [NEBCTY1G 18.000] TO BUS 645458 [S3458 3 345.00] CKT 1  
OPPD CATD 17: OPEN BRANCH FROM BUS 645451 [S3451 3 345.00] TO BUS 645459 [S3459 3 345.00] CKT 1  
OPEN LINE FROM BUS 645021 [N OMA 1G 13.800] TO BUS 645121 [NO1 AUX9 2.4000] CKT 1  
OPEN LINE FROM BUS 645021 [N OMA 1G 13.800] TO BUS 647911 [S911 8 69.000] CKT 1  
OPEN LINE FROM BUS 645022 [N OMA 2G 13.800] TO BUS 645122 [NO2 AUX9 2.4000] CKT 1  
OPEN LINE FROM BUS 645022 [N OMA 2G 13.800] TO BUS 646211 [S1211 5 161.00] CKT 1  
OPEN LINE FROM BUS 645023 [N OMA 3G 13.800] TO BUS 645123 [NO3 AUX9 2.4000] CKT 1  
OPEN LINE FROM BUS 645023 [N OMA 3G 13.800] TO BUS 646211 [S1211 5 161.00] CKT 1  
OPEN LINE FROM BUS 645024 [N OMA 4G 15.000] TO BUS 645124 [NO4 AUX9 2.4000] CKT 1  
OPEN LINE FROM BUS 645024 [N OMA 4G 15.000] TO BUS 646211 [S1211 5 161.00] CKT 1  
OPEN LINE FROM BUS 645025 [N OMA 5G 20.000] TO BUS 645125 [NO5 AUX9 4.2000] CKT 1

OPEN LINE FROM BUS 645025 [N OMA 5G 20.000] TO BUS 646211 [S1211 5 161.00] CKT 1  
OPPD CATD 18: OPEN BRANCH FROM BUS 645456 [S3456 3 345.00] TO BUS 635000 [CBLUFFS3 345.00] CKT 1  
OPEN LINE FROM BUS 645030 [SCBSD G 4.2000] TO BUS 645033 [SARPY 3G 13.800] CKT 1  
OPEN LINE FROM BUS 645031 [SARPY 1G 13.800] TO BUS 647006 [S906 N 8 69.000] CKT 1  
OPEN LINE FROM BUS 645032 [SARPY 2G 13.800] TO BUS 647906 [S906 S 8 69.000] CKT 1  
OPEN LINE FROM BUS 645033 [SARPY 3G 13.800] TO BUS 646206 [S1206 5 161.00] CKT 1  
OPEN LINE FROM BUS 645034 [SARPY 4G 13.800] TO BUS 646206 [S1206 5 161.00] TO BUS 645035 [SARPY 5G 13.800] CKT 1  
OPPD CATD 19: OPEN BRANCH FROM BUS 645451 [S3451 3 345.00] TO BUS 645459 [S3459 3 345.00] CKT 1  
DECREASE BUS 646298 [S1298 5 161.00] LOAD BY 100 PERCENT  
OPPD\_CIP1 : OPEN LINE FROM BUS 645011 [NEBCTY1G 18.000] TO BUS 645111 [NBAXT1 9 4.2000] CKT 1  
OPEN LINE FROM BUS 645011 [NEBCTY1G 18.000] TO BUS 645112 [NBAXT2 9 4.2000] CKT 1  
OPEN LINE FROM BUS 645011 [NEBCTY1G 18.000] TO BUS 645458 [S3458 3 345.00] CKT 1  
OPEN LINE FROM BUS 645012 [NEBCTY2G 23.000] TO BUS 645458 [S3458 3 345.00] CKT 1  
OPPD\_CIP2 : OPEN LINE FROM BUS 645021 [N OMA 1G 13.800] TO BUS 645121 [NO1 AUX9 2.4000] CKT 1  
OPEN LINE FROM BUS 645021 [N OMA 1G 13.800] TO BUS 647911 [S911 8 69.000] CKT 1  
OPEN LINE FROM BUS 645022 [N OMA 2G 13.800] TO BUS 645122 [NO2 AUX9 2.4000] CKT 1  
OPEN LINE FROM BUS 645022 [N OMA 2G 13.800] TO BUS 646211 [S1211 5 161.00] CKT 1  
OPEN LINE FROM BUS 645023 [N OMA 3G 13.800] TO BUS 645123 [NO3 AUX9 2.4000] CKT 1  
OPEN LINE FROM BUS 645023 [N OMA 3G 13.800] TO BUS 646211 [S1211 5 161.00] CKT 1  
OPEN LINE FROM BUS 645024 [N OMA 4G 15.000] TO BUS 645124 [NO4 AUX9 2.4000] CKT 1  
OPEN LINE FROM BUS 645024 [N OMA 4G 15.000] TO BUS 646211 [S1211 5 161.00] CKT 1  
OPEN LINE FROM BUS 645025 [N OMA 5G 20.000] TO BUS 645125 [NO5 AUX9 4.2000] CKT 1  
OPEN LINE FROM BUS 645025 [N OMA 5G 20.000] TO BUS 646211 [S1211 5 161.00] CKT 1  
OPPD\_CIP3 : OPEN LINE FROM BUS 645030 [SCBSD G 4.2000] TO BUS 645033 [SARPY 3G 13.800] CKT 1  
OPEN LINE FROM BUS 645031 [SARPY 1G 13.800] TO BUS 647006 [S906 N 8 69.000] CKT 1  
OPEN LINE FROM BUS 645032 [SARPY 2G 13.800] TO BUS 647906 [S906 S 8 69.000] CKT 1  
OPEN LINE FROM BUS 645033 [SARPY 3G 13.800] TO BUS 646206 [S1206 5 161.00] CKT 1  
OPEN LINE FROM BUS 645034 [SARPY 4G 13.800] TO BUS 646206 [S1206 5 161.00] TO BUS 645035 [SARPY 5G 13.800] CKT 1  
OPPD\_CIP4 : OPEN LINE FROM BUS 645041 [CASS 1G 15.000] TO BUS 645740 [S3740 3 345.00] CKT 1  
OPEN LINE FROM BUS 645042 [CASS 2G 15.000] TO BUS 645740 [S3740 3 345.00] CKT 1  
OPPD\_CIP5 : OPEN BRANCH FROM BUS 645458 [S3458 3 345.00] TO BUS 645456 [S3456 3 345.00] CKT 1  
OPEN BRANCH FROM BUS 645458 [S3458 3 345.00] TO BUS 645740 [S3740 3 345.00] CKT 1  
OPEN BRANCH FROM BUS 645458 [S3458 3 345.00] TO BUS 650189 [103&ROKEBY3 345.00] CKT 1  
OPPD\_CIP6 : OPEN BRANCH FROM BUS 645456 [S3456 3 345.00] TO BUS 645459 [S3459 3 345.00] CKT 1  
OPEN BRANCH FROM BUS 645456 [S3456 3 345.00] TO BUS 645455 [S3455 3 345.00] CKT 1  
OPEN BRANCH FROM BUS 646206 [S1206 5 161.00] TO BUS 646216 [S1216 5 161.00] CKT 1  
OPPD\_CIP7 : OPEN LINE FROM BUS 645451 [S3451 3 345.00] TO BUS 645454 [S3454 3 345.00] CKT 1  
OPEN LINE FROM BUS 645451 [S3451 3 345.00] TO BUS 645459 [S3459 3 345.00] CKT 1  
OPEN LINE FROM BUS 645451 [S3451 3 345.00] TO BUS 646251 [S1251 5 161.00] TO BUS 648251 [S3451T39 13.800] CKT 1  
OPEN LINE FROM BUS 645451 [S3451 3 345.00] TO BUS 646251 [S1251 5 161.00] TO BUS 648351 [S3451T49 13.800] CKT 1  
OPEN LINE FROM BUS 645451 [S3451 3 345.00] TO BUS 635200 [RAUN 3 345.00] CKT 1  
OPEN LINE FROM BUS 645451 [S3451 3 345.00] TO BUS 645001 [FT CAL1G 22.000] CKT 1  
OPPD\_CIP8 : OPEN LINE FROM BUS 645454 [S3454 3 345.00] TO BUS 645455 [S3455 3 345.00] CKT 1  
OPEN LINE FROM BUS 645454 [S3454 3 345.00] TO BUS 650185 [WAGENER 3 345.00] CKT 1  
OPEN LINE FROM BUS 645454 [S3454 3 345.00] TO BUS 646254 [S1254 5 161.00] TO BUS 648254 [S1254T19 13.800] CKT 1  
OPEN LINE FROM BUS 645454 [S3454 3 345.00] TO BUS 645451 [S3451 3 345.00] CKT 1  
OPPD\_CIP9 : OPEN LINE FROM BUS 645455 [S3455 3 345.00] TO BUS 645456 [S3456 3 345.00] CKT 1  
OPEN LINE FROM BUS 645455 [S3455 3 345.00] TO BUS 645740 [S3740 3 345.00] CKT 1

OPEN LINE FROM BUS 645455 [S3455 3 345.00] TO BUS 646255 [S1255 5 161.00] TO BUS 648255 [S3455T19 13.800] CKT 1  
OPEN LINE FROM BUS 645455 [S3455 3 345.00] TO BUS 646255 [S1255 5 161.00] TO BUS 648355 [S3455T39 13.800] CKT 1  
OPEN LINE FROM BUS 645455 [S3455 3 345.00] TO BUS 645454 [S3454 3 345.00] CKT 1  
OPPD\_CIP10 : OPEN LINE FROM BUS 645456 [S3456 3 345.00] TO BUS 645458 [S3458 3 345.00] CKT 1  
OPEN LINE FROM BUS 645456 [S3456 3 345.00] TO BUS 645459 [S3459 3 345.00] CKT 1  
OPEN LINE FROM BUS 645456 [S3456 3 345.00] TO BUS 646206 [S1206 5 161.00] TO BUS 648256 [S3456T49 13.800] CKT 1  
OPEN LINE FROM BUS 645456 [S3456 3 345.00] TO BUS 635000 [CBLUFFS3 345.00] CKT 1  
OPEN LINE FROM BUS 645456 [S3456 3 345.00] TO BUS 645455 [S3455 3 345.00] CKT 1  
OPPD\_CIP11 : OPEN LINE FROM BUS 645458 [S3458 3 345.00] TO BUS 645740 [S3740 3 345.00] CKT 1  
OPEN LINE FROM BUS 645458 [S3458 3 345.00] TO BUS 650189 [103&ROKEBY3 345.00] CKT 1  
OPEN LINE FROM BUS 645458 [S3458 3 345.00] TO BUS 640139 [COOPER 3 345.00] CKT 1  
OPEN LINE FROM BUS 645458 [S3458 3 345.00] TO BUS 645011 [NEBCTY1G 18.000] CKT 1  
OPEN LINE FROM BUS 645458 [S3458 3 345.00] TO BUS 645012 [NEBCTY2G 23.000] CKT 1  
OPEN LINE FROM BUS 645458 [S3458 3 345.00] TO BUS 645456 [S3456 3 345.00] CKT 1  
OPPD\_CIP12 : OPEN LINE FROM BUS 645459 [S3459 3 345.00] TO BUS 646209 [S1209 5 161.00] TO BUS 648259 [S3459T39 13.800] CKT 1  
OPEN LINE FROM BUS 645459 [S3459 3 345.00] TO BUS 645451 [S3451 3 345.00] CKT 1  
OPEN LINE FROM BUS 645459 [S3459 3 345.00] TO BUS 645456 [S3456 3 345.00] CKT 1  
OPPD\_CIP13 : OPEN LINE FROM BUS 645740 [S3740 3 345.00] TO BUS 645041 [CASS 1G 15.000] CKT 1  
OPEN LINE FROM BUS 645740 [S3740 3 345.00] TO BUS 645042 [CASS 2G 15.000] CKT 1  
OPEN LINE FROM BUS 645740 [S3740 3 345.00] TO BUS 645455 [S3455 3 345.00] CKT 1  
OPEN LINE FROM BUS 645740 [S3740 3 345.00] TO BUS 645458 [S3458 3 345.00] CKT 1  
OPPD\_CIP14 : OPEN LINE FROM BUS 646206 [S1206 5 161.00] TO BUS 646216 [S1216 5 161.00] CKT 1  
OPEN LINE FROM BUS 646206 [S1206 5 161.00] TO BUS 646232 [S1232 5 161.00] CKT 1  
OPEN LINE FROM BUS 646206 [S1206 5 161.00] TO BUS 646244 [S1244 5 161.00] CKT 1  
OPEN LINE FROM BUS 646206 [S1206 5 161.00] TO BUS 645456 [S3456 3 345.00] TO BUS 648256 [S3456T49 13.800] CKT 1  
OPEN LINE FROM BUS 646206 [S1206 5 161.00] TO BUS 645034 [SARPY 4G 13.800] TO BUS 645035 [SARPY 5G 13.800] CKT 1  
OPEN LINE FROM BUS 646206 [S1206 5 161.00] TO BUS 647006 [S906 N 8 69.000] TO BUS 648306 [S1206T29 13.800] CKT 1  
OPEN LINE FROM BUS 646206 [S1206 5 161.00] TO BUS 647906 [S906 S 8 69.000] TO BUS 648206 [S1206T19 13.800] CKT 1  
OPEN LINE FROM BUS 646206 [S1206 5 161.00] TO BUS 635001 [CBLUFFS5 161.00] CKT 1  
OPEN LINE FROM BUS 646206 [S1206 5 161.00] TO BUS 645033 [SARPY 3G 13.800] CKT 1  
OPEN LINE FROM BUS 646206 [S1206 5 161.00] TO BUS 646201 [S1201 5 161.00] CKT 1  
OPPD\_CIP15 : OPEN LINE FROM BUS 647906 [S906 S 8 69.000] TO BUS 647924 [S924 8 69.000] CKT 1  
OPEN LINE FROM BUS 647906 [S906 S 8 69.000] TO BUS 647938 [S938 8 69.000] CKT 1  
OPEN LINE FROM BUS 647906 [S906 S 8 69.000] TO BUS 646206 [S1206 5 161.00] TO BUS 648206 [S1206T19 13.800] CKT 1  
OPEN LINE FROM BUS 647906 [S906 S 8 69.000] TO BUS 645032 [SARPY 2G 13.800] CKT 1  
OPEN LINE FROM BUS 647906 [S906 S 8 69.000] TO BUS 647016 [915TP3 8 69.000] CKT 1  
OPEN LINE FROM BUS 647906 [S906 S 8 69.000] TO BUS 647904 [S904 8 69.000] CKT 1  
OPPD\_CIP16 : OPEN LINE FROM BUS 646211 [S1211 5 161.00] TO BUS 646220 [S1220 5 161.00] CKT 1  
OPEN LINE FROM BUS 646211 [S1211 5 161.00] TO BUS 646250 [S1250 5 161.00] CKT 1  
OPEN LINE FROM BUS 646211 [S1211 5 161.00] TO BUS 646250 [S1250 5 161.00] CKT 2  
OPEN LINE FROM BUS 646211 [S1211 5 161.00] TO BUS 646299 [S1299 5 161.00] CKT 1  
OPEN LINE FROM BUS 646211 [S1211 5 161.00] TO BUS 647911 [S911 8 69.000] TO BUS 648211 [S1211T19 13.800] CKT 1  
OPEN LINE FROM BUS 646211 [S1211 5 161.00] TO BUS 635003 [SUB701 5 161.00] CKT 1  
OPEN LINE FROM BUS 646211 [S1211 5 161.00] TO BUS 645022 [N OMA 2G 13.800] CKT 1  
OPEN LINE FROM BUS 646211 [S1211 5 161.00] TO BUS 645023 [N OMA 3G 13.800] CKT 1  
OPEN LINE FROM BUS 646211 [S1211 5 161.00] TO BUS 645024 [N OMA 4G 15.000] CKT 1  
OPEN LINE FROM BUS 646211 [S1211 5 161.00] TO BUS 645025 [N OMA 5G 20.000] CKT 1  
OPEN LINE FROM BUS 646211 [S1211 5 161.00] TO BUS 645127 [S1211HS9 13.800] CKT 1

OPPD\_CIP17 : OPEN LINE FROM BUS 647911 [S911 8 69.000] TO BUS 647913 [S913 8 69.000] CKT 1  
OPEN LINE FROM BUS 647911 [S911 8 69.000] TO BUS 646211 [S1211 5 161.00] TO BUS 648211 [S1211T19 13.800] CKT 1  
OPEN LINE FROM BUS 647911 [S911 8 69.000] TO BUS 645021 [N OMA 1G 13.800] CKT 1  
OPEN LINE FROM BUS 647911 [S911 8 69.000] TO BUS 645126 [S911 HS9 13.800] CKT 1  
OPEN LINE FROM BUS 647911 [S911 8 69.000] TO BUS 647907 [S907 8 69.000] CKT 1  
OPPD\_CIP18 : OPEN LINE FROM BUS 647901 [S901 8 69.000] TO BUS 647912 [S912 8 69.000] CKT 1  
OPEN LINE FROM BUS 647901 [S901 8 69.000] TO BUS 646201 [S1201 5 161.00] TO BUS 648201 [S1201T19 13.800] CKT 1  
OPEN LINE FROM BUS 647901 [S901 8 69.000] TO BUS 645051 [JONES 1G 13.800] CKT 1  
OPEN LINE FROM BUS 647901 [S901 8 69.000] TO BUS 645052 [JONES 2G 13.800] CKT 1  
OPEN LINE FROM BUS 647901 [S901 8 69.000] TO BUS 647105 [JCT205 8 69.000] CKT 1  
OPPD\_CIP19 : OPEN LINE FROM BUS 647901 [S901 8 69.000] TO BUS 647912 [S912 8 69.000] CKT 1  
OPEN LINE FROM BUS 647901 [S901 8 69.000] TO BUS 646201 [S1201 5 161.00] TO BUS 648201 [S1201T19 13.800] CKT 1  
OPEN LINE FROM BUS 647901 [S901 8 69.000] TO BUS 645051 [JONES 1G 13.800] CKT 1  
OPEN LINE FROM BUS 647901 [S901 8 69.000] TO BUS 645052 [JONES 2G 13.800] CKT 1  
OPEN LINE FROM BUS 647901 [S901 8 69.000] TO BUS 647105 [JCT205 8 69.000] CKT 1  
OPEN LINE FROM BUS 646201 [S1201 5 161.00] TO BUS 646206 [S1206 5 161.00] CKT 1  
OPEN LINE FROM BUS 646201 [S1201 5 161.00] TO BUS 646220 [S1220 5 161.00] CKT 1  
OPEN LINE FROM BUS 646201 [S1201 5 161.00] TO BUS 646229 [S1229 5 161.00] CKT 1  
OPEN LINE FROM BUS 646201 [S1201 5 161.00] TO BUS 646286 [S1286 5 161.00] CKT 1  
OPPD\_CIP21 : OPEN LINE FROM BUS 647911 [S911 8 69.000] TO BUS 647913 [S913 8 69.000] CKT 1  
OPEN LINE FROM BUS 647911 [S911 8 69.000] TO BUS 646211 [S1211 5 161.00] TO BUS 648211 [S1211T19 13.800] CKT 1  
OPEN LINE FROM BUS 647911 [S911 8 69.000] TO BUS 645021 [N OMA 1G 13.800] CKT 1  
OPEN LINE FROM BUS 647911 [S911 8 69.000] TO BUS 645126 [S911 HS9 13.800] CKT 1  
OPEN LINE FROM BUS 647911 [S911 8 69.000] TO BUS 647907 [S907 8 69.000] CKT 1  
OPEN LINE FROM BUS 646211 [S1211 5 161.00] TO BUS 646220 [S1220 5 161.00] CKT 1  
OPEN LINE FROM BUS 646211 [S1211 5 161.00] TO BUS 646250 [S1250 5 161.00] CKT 1  
OPEN LINE FROM BUS 646211 [S1211 5 161.00] TO BUS 646250 [S1250 5 161.00] CKT 2  
OPEN LINE FROM BUS 646211 [S1211 5 161.00] TO BUS 646299 [S1299 5 161.00] CKT 1  
OPEN LINE FROM BUS 646211 [S1211 5 161.00] TO BUS 635003 [SUB701 5 161.00] CKT 1  
OPEN LINE FROM BUS 646211 [S1211 5 161.00] TO BUS 645022 [N OMA 2G 13.800] CKT 1  
OPEN LINE FROM BUS 646211 [S1211 5 161.00] TO BUS 645023 [N OMA 3G 13.800] CKT 1  
OPEN LINE FROM BUS 646211 [S1211 5 161.00] TO BUS 645024 [N OMA 4G 15.000] CKT 1  
OPEN LINE FROM BUS 646211 [S1211 5 161.00] TO BUS 645025 [N OMA 5G 20.000] CKT 1  
OPEN LINE FROM BUS 646211 [S1211 5 161.00] TO BUS 645127 [S1211HS9 13.800] CKT 1  
OPPD\_CIP22 : OPEN LINE FROM BUS 647916 [S916 8 69.000] TO BUS 647917 [S917 8 69.000] CKT 1  
OPEN LINE FROM BUS 647916 [S916 8 69.000] TO BUS 647940 [S940 8 69.000] CKT 1  
OPEN LINE FROM BUS 647916 [S916 8 69.000] TO BUS 647006 [S906 N 8 69.000] CKT 1  
OPEN LINE FROM BUS 646216 [S1216 5 161.00] TO BUS 646217 [S1217 5 161.00] CKT 1  
OPEN LINE FROM BUS 646216 [S1216 5 161.00] TO BUS 646206 [S1206 5 161.00] CKT 1  
OPPD\_CIP21 : OPEN LINE FROM BUS 647911 [S911 8 69.000] TO BUS 647913 [S913 8 69.000] CKT 1  
OPEN LINE FROM BUS 647911 [S911 8 69.000] TO BUS 646211 [S1211 5 161.00] TO BUS 648211 [S1211T19 13.800] CKT 1  
OPEN LINE FROM BUS 647911 [S911 8 69.000] TO BUS 645021 [N OMA 1G 13.800] CKT 1  
OPEN LINE FROM BUS 647911 [S911 8 69.000] TO BUS 645126 [S911 HS9 13.800] CKT 1  
OPEN LINE FROM BUS 647911 [S911 8 69.000] TO BUS 647907 [S907 8 69.000] CKT 1  
OPEN LINE FROM BUS 646211 [S1211 5 161.00] TO BUS 646220 [S1220 5 161.00] CKT 1  
OPEN LINE FROM BUS 646211 [S1211 5 161.00] TO BUS 646250 [S1250 5 161.00] CKT 1  
OPEN LINE FROM BUS 646211 [S1211 5 161.00] TO BUS 646250 [S1250 5 161.00] CKT 2  
OPEN LINE FROM BUS 646211 [S1211 5 161.00] TO BUS 646299 [S1299 5 161.00] CKT 1

OPEN LINE FROM BUS 646211 [S1211 5 161.00] TO BUS 635003 [SUB701 5 161.00] CKT 1  
 OPEN LINE FROM BUS 646211 [S1211 5 161.00] TO BUS 645022 [N OMA 2G 13.800] CKT 1  
 OPEN LINE FROM BUS 646211 [S1211 5 161.00] TO BUS 645023 [N OMA 3G 13.800] CKT 1  
 OPEN LINE FROM BUS 646211 [S1211 5 161.00] TO BUS 645024 [N OMA 4G 15.000] CKT 1  
 OPEN LINE FROM BUS 646211 [S1211 5 161.00] TO BUS 645025 [N OMA 5G 20.000] CKT 1  
 OPEN LINE FROM BUS 646211 [S1211 5 161.00] TO BUS 645127 [S1211HS9 13.800] CKT 1  
 OPPD\_CIP22 : OPEN LINE FROM BUS 647909 [S909 8 69.000] TO BUS 647918 [S918 8 69.000] CKT 1  
 OPEN LINE FROM BUS 647909 [S909 8 69.000] TO BUS 647921 [S921 8 69.000] CKT 1  
 OPEN LINE FROM BUS 647909 [S909 8 69.000] TO BUS 647937 [S937 8 69.000] CKT 1  
 OPEN LINE FROM BUS 647909 [S909 8 69.000] TO BUS 647939 [S939 8 69.000] CKT 1  
 OPEN LINE FROM BUS 647909 [S909 8 69.000] TO BUS 646209 [S1209 5 161.00] TO BUS 648209 [S1209T19 13.800] CKT 1  
 OPEN LINE FROM BUS 646209 [S1209 5 161.00] TO BUS 646231 [S1231 5 161.00] CKT 1  
 OPEN LINE FROM BUS 646209 [S1209 5 161.00] TO BUS 646231 [S1231 5 161.00] CKT 2  
 OPEN LINE FROM BUS 646209 [S1209 5 161.00] TO BUS 646250 [S1250 5 161.00] CKT 1  
 OPEN LINE FROM BUS 646209 [S1209 5 161.00] TO BUS 646250 [S1250 5 161.00] CKT 2  
 OPEN LINE FROM BUS 646209 [S1209 5 161.00] TO BUS 646252 [S1252 5 161.00] CKT 1  
 OPEN LINE FROM BUS 646209 [S1209 5 161.00] TO BUS 645459 [S3459 3 345.00] TO BUS 648259 [S3459T39 13.800] CKT 1  
 OPEN LINE FROM BUS 645459 [S3459 3 345.00] TO BUS 645451 [S3451 3 345.00] CKT 1  
 OPEN LINE FROM BUS 645459 [S3459 3 345.00] TO BUS 645456 [S3456 3 345.00] CKT 1  
 OPPD\_CIP23 : OPEN LINE FROM BUS 647910 [S910 8 69.000] TO BUS 647923 [S923 8 69.000] CKT 1  
 OPEN LINE FROM BUS 647910 [S910 8 69.000] TO BUS 646210 [S1210 5 161.00] TO BUS 648210 [S1210T79 13.800] CKT 1  
 OPEN LINE FROM BUS 647910 [S910 8 69.000] TO BUS 647105 [JCT205 8 69.000] CKT 1  
 OPEN LINE FROM BUS 647910 [S910 8 69.000] TO BUS 647908 [S908 8 69.000] CKT 1  
 OPEN LINE FROM BUS 646210 [S1210 5 161.00] TO BUS 646217 [S1217 5 161.00] CKT 1  
 OPEN LINE FROM BUS 646210 [S1210 5 161.00] TO BUS 646222 [S1222 5 161.00] CKT 1  
 OPPD\_CIP24 : OPEN LINE FROM BUS 647921 [S921 8 69.000] TO BUS 647940 [S940 8 69.000] CKT 1  
 OPEN LINE FROM BUS 647921 [S921 8 69.000] TO BUS 647942 [S942 8 69.000] CKT 1  
 OPEN LINE FROM BUS 647921 [S921 8 69.000] TO BUS 646221 [S1221 5 161.00] TO BUS 648221 [S1221T99 13.800] CKT 1  
 OPEN LINE FROM BUS 647921 [S921 8 69.000] TO BUS 647909 [S909 8 69.000] CKT 1  
 OPEN LINE FROM BUS 646221 [S1221 5 161.00] TO BUS 646231 [S1231 5 161.00] CKT 1  
 OPEN LINE FROM BUS 646221 [S1221 5 161.00] TO BUS 646255 [S1255 5 161.00] CKT 1  
 OPPD\_CIP25 : OPEN LINE FROM BUS 646255 [S1255 5 161.00] TO BUS 646259 [S1259 5 161.00] CKT 1  
 OPEN LINE FROM BUS 646255 [S1255 5 161.00] TO BUS 645455 [S3455 3 345.00] TO BUS 648255 [S3455T19 13.800] CKT 1  
 OPEN LINE FROM BUS 646255 [S1255 5 161.00] TO BUS 645455 [S3455 3 345.00] TO BUS 648355 [S3455T39 13.800] CKT 1  
 OPEN LINE FROM BUS 646255 [S1255 5 161.00] TO BUS 646221 [S1221 5 161.00] CKT 1  
 OPEN LINE FROM BUS 646255 [S1255 5 161.00] TO BUS 646233 [S1233 5 161.00] CKT 1  
 OPEN LINE FROM BUS 645455 [S3455 3 345.00] TO BUS 645456 [S3456 3 345.00] CKT 1  
 OPEN LINE FROM BUS 645455 [S3455 3 345.00] TO BUS 645740 [S3740 3 345.00] CKT 1  
 OPEN LINE FROM BUS 645455 [S3455 3 345.00] TO BUS 645454 [S3454 3 345.00] CKT 1  
 OPPD\_CIP26 : OPEN LINE FROM BUS 646254 [S1254 5 161.00] TO BUS 646281 [S1281 5 161.00] CKT 1  
 OPEN LINE FROM BUS 646254 [S1254 5 161.00] TO BUS 645454 [S3454 3 345.00] TO BUS 648254 [S1254T19 13.800] CKT 1  
 OPEN LINE FROM BUS 646254 [S1254 5 161.00] TO BUS 646249 [S1249 5 161.00] CKT 1  
 OPEN LINE FROM BUS 645454 [S3454 3 345.00] TO BUS 645455 [S3455 3 345.00] CKT 1  
 OPEN LINE FROM BUS 645454 [S3454 3 345.00] TO BUS 650185 [WAGENER 3 345.00] CKT 1  
 OPEN LINE FROM BUS 645454 [S3454 3 345.00] TO BUS 645451 [S3451 3 345.00] CKT 1  
 OPPD\_CIP27 : OPEN LINE FROM BUS 647917 [S917 8 69.000] TO BUS 647918 [S918 8 69.000] CKT 1  
 OPEN LINE FROM BUS 647917 [S917 8 69.000] TO BUS 646217 [S1217 5 161.00] TO BUS 648217 [S1217T19 13.800] CKT 1  
 OPEN LINE FROM BUS 647917 [S917 8 69.000] TO BUS 647916 [S916 8 69.000] CKT 1

OPEN LINE FROM BUS 646217 [S1217 5 161.00] TO BUS 646227 [S1227 5 161.00] CKT 1  
 OPEN LINE FROM BUS 646217 [S1217 5 161.00] TO BUS 646210 [S1210 5 161.00] CKT 1  
 OPEN LINE FROM BUS 646217 [S1217 5 161.00] TO BUS 646216 [S1216 5 161.00] CKT 1  
 OPPD\_CIP28 : OPEN LINE FROM BUS 646258 [S1258 5 161.00] TO BUS 646263 [S1263 5 161.00] CKT 1  
 OPEN LINE FROM BUS 646258 [S1258 5 161.00] TO BUS 645113 [NBHST1 9 4.2000] CKT 1  
 OPEN LINE FROM BUS 646258 [S1258 5 161.00] TO BUS 645114 [NBHST2 9 4.2000] CKT 1  
 OPEN LINE FROM BUS 646258 [S1258 5 161.00] TO BUS 645115 [NBHST3 9 4.2000] CKT 1  
 OPEN LINE FROM BUS 646258 [S1258 5 161.00] TO BUS 645116 [NBHST4 9 4.2000] CKT 1  
 OPEN LINE FROM BUS 646258 [S1258 5 161.00] TO BUS 646244 [S1244 5 161.00] CKT 1  
 OPEN LINE FROM BUS 645458 [S3458 3 345.00] TO BUS 645740 [S3740 3 345.00] CKT 1  
 OPEN LINE FROM BUS 645458 [S3458 3 345.00] TO BUS 650189 [103&ROKEBY3 345.00] CKT 1  
 OPEN LINE FROM BUS 645458 [S3458 3 345.00] TO BUS 640139 [COOPER 3 345.00] CKT 1  
 OPEN LINE FROM BUS 645458 [S3458 3 345.00] TO BUS 645011 [NEBCTY1G 18.000] CKT 1  
 OPEN LINE FROM BUS 645458 [S3458 3 345.00] TO BUS 645012 [NEBCTY2G 23.000] CKT 1  
 OPEN LINE FROM BUS 645458 [S3458 3 345.00] TO BUS 645456 [S3456 3 345.00] CKT 1  
 OPPD\_CIP29 : OPEN LINE FROM BUS 646251 [S1251 5 161.00] TO BUS 646297 [S1297 5 161.00] CKT 1  
 OPEN LINE FROM BUS 646251 [S1251 5 161.00] TO BUS 646298 [S1298 5 161.00] CKT 1  
 OPEN LINE FROM BUS 646251 [S1251 5 161.00] TO BUS 646305 [S1305 5 161.00] CKT 1  
 OPEN LINE FROM BUS 646251 [S1251 5 161.00] TO BUS 645451 [S3451 3 345.00] TO BUS 648251 [S3451T39 13.800] CKT 1  
 OPEN LINE FROM BUS 646251 [S1251 5 161.00] TO BUS 645451 [S3451 3 345.00] TO BUS 648351 [S3451T49 13.800] CKT 1  
 OPEN LINE FROM BUS 646251 [S1251 5 161.00] TO BUS 645100 [FC1A 5 161.00] CKT 1  
 OPEN LINE FROM BUS 645451 [S3451 3 345.00] TO BUS 645454 [S3454 3 345.00] CKT 1  
 OPEN LINE FROM BUS 645451 [S3451 3 345.00] TO BUS 645459 [S3459 3 345.00] CKT 1  
 OPEN LINE FROM BUS 645451 [S3451 3 345.00] TO BUS 635200 [RAUN 3 345.00] CKT 1  
 OPEN LINE FROM BUS 645451 [S3451 3 345.00] TO BUS 645001 [FT CAL1G 22.000] CKT 1  
 BKR-103ROKBY: OPEN BRANCH FROM BUS 650189 [103&ROKEBY3 345.00] TO BUS 640277 [MOORE 3 345.00] CKT 1  
 OPEN BRANCH FROM BUS 650189 [103&ROKEBY3 345.00] TO BUS 645458 [S3458 3 345.00] CKT 1  
 BKR-WAG-3003: OPEN BRANCH FROM BUS 650185 [WAGENER 3 345.00] TO BUS 650189 [103&ROKEBY3 345.00] CKT 1  
 OPEN BRANCH FROM BUS 650185 [WAGENER 3 345.00] TO BUS 650285 [WAGENER 7 115.00] TO BUS 650485 [WAGENER2 9 13.800] CKT 2  
 BKR-WAG-3004: OPEN BRANCH FROM BUS 650185 [WAGENER 3 345.00] TO BUS 645454 [S3454 3 345.00] CKT 1  
 OPEN BRANCH FROM BUS 650185 [WAGENER 3 345.00] TO BUS 650285 [WAGENER 7 115.00] TO BUS 650385 [WAGENER1 9 13.800] CKT 1  
 BKR-WAG-3006: OPEN BRANCH FROM BUS 650185 [WAGENER 3 345.00] TO BUS 645454 [S3454 3 345.00] CKT 1  
 OPEN BRANCH FROM BUS 650185 [WAGENER 3 345.00] TO BUS 650114 [NW68HOLDRG3 345.00] CKT 1  
 BKR-WAG-3001: OPEN BRANCH FROM BUS 650185 [WAGENER 3 345.00] TO BUS 650114 [NW68HOLDRG3 345.00] CKT 1  
 OPEN BRANCH FROM BUS 650185 [WAGENER 3 345.00] TO BUS 650285 [WAGENER 7 115.00] TO BUS 650485 [WAGENER2 9 13.800] CKT 2  
 SUB-68TH-HLD: OPEN BRANCH FROM BUS 650114 [NW68HOLDRG3 345.00] TO BUS 640277 [MOORE 3 345.00] CKT 1  
 OPEN BRANCH FROM BUS 650114 [NW68HOLDRG3 345.00] TO BUS 650185 [WAGENER 3 345.00] CKT 1  
 OPEN BRANCH FROM BUS 650114 [NW68HOLDRG3 345.00] TO BUS 650214 [NW68HOLDRG7 115.00] TO BUS 650314 [NW68HOL1 9 13.800] CKT 1  
 SUB-WAGENER : OPEN BRANCH FROM BUS 650185 [WAGENER 3 345.00] TO BUS 645454 [S3454 3 345.00] CKT 1  
 OPEN BRANCH FROM BUS 650185 [WAGENER 3 345.00] TO BUS 650189 [103&ROKEBY3 345.00] CKT 1  
 OPEN BRANCH FROM BUS 650185 [WAGENER 3 345.00] TO BUS 650285 [WAGENER 7 115.00] TO BUS 650385 [WAGENER1 9 13.800] CKT 1  
 OPEN BRANCH FROM BUS 650185 [WAGENER 3 345.00] TO BUS 650285 [WAGENER 7 115.00] TO BUS 650485 [WAGENER2 9 13.800] CKT 2  
 OPEN BRANCH FROM BUS 650185 [WAGENER 3 345.00] TO BUS 650114 [NW68HOLDRG3 345.00] CKT 1  
 SUB-84TH-BLF: OPEN BRANCH FROM BUS 650275 [84&BLUFF 7 115.00] TO BUS 650269 [70&BLUFF 7 115.00] CKT 1  
 OPEN BRANCH FROM BUS 650275 [84&BLUFF 7 115.00] TO BUS 650283 [WAVERLY 7 115.00] CKT 1  
 OPEN BRANCH FROM BUS 650275 [84&BLUFF 7 115.00] TO BUS 650284 [84FLETCHER7 115.00] CKT 1  
 OPEN BRANCH FROM BUS 650275 [84&BLUFF 7 115.00] TO BUS 650001 [TBGS 1G 13.800] CKT 1  
 OPEN BRANCH FROM BUS 650275 [84&BLUFF 7 115.00] TO BUS 650002 [TBGS 2G 13.800] CKT 1

OPEN BRANCH FROM BUS 650275 [84&BLUFF 7 115.00] TO BUS 650003 [TBGS 3G 13.800] CKT 1  
OPEN BRANCH FROM BUS 650275 [84&BLUFF 7 115.00] TO BUS 650004 [TBGS 4G 13.800] CKT 1



## ACCC OVERLOAD REPORT: MONITORED BRANCHES AND INTERFACES LOADED ABOVE 100.0 % OF RATING SET A

CONTINGENCY CASE LOADING NOT CHECKED UNLESS IT DIFFERS FROM ITS BASE CASE LOADING BY 1.0 MVA (MW FOR INTERFACES)

ACCC VOLTAGE REPORT: VOLTAGE BAND CHECK IN CONTINGENCY CASES SKIPPED FOR ANY BUS WITHIN 0.01000 OF ITS BASE CASE VOLTAGE MAGNITUDE

AC CONTINGENCY RESULTS FILE: C:\u1\ddbetz\spp-facilities-study\DISIS-2010-001\lf\acc\16S-post-mult.acc  
 DISTRIBUTION FACTOR FILE: C:\u1\ddbetz\spp-facilities-study\DISIS-2010-001\lf\acc\16S-post-mult.dfx  
 SUBSYSTEM DESCRIPTION FILE: C:\u1\ddbetz\spp-facilities-study\DISIS-2010-001\lf\acc\MRO.sub  
 MONITORED ELEMENT FILE: C:\u1\ddbetz\spp-facilities-study\DISIS-2010-001\lf\acc\Nebraska.mon  
 CONTINGENCY DESCRIPTION FILE: C:\u1\ddbetz\spp-facilities-study\DISIS-2010-001\lf\acc\Nebraska-mult.con

Solution engine: Fixed slope decoupled Newton-Raphson (FDNS)

Solution options

Tap adjustment: Stepping

Area interchange control: Disable

Phase shift adjustment: Enable

Dc tap adjustment: Enable

Switch shunt adjustment: Lock all

Non diverge: Disable

Mismatch tolerance (MW ): 1.5

Dispatch mode: Disable

<-----	MULTI-SECTION LINE	<-----	MONITORED BRANCH	<-----	CONTINGENCY	RATING	FLOW	%
	640133 COLMBUS4	230.00	643000*MADISONCNTY4230.00 1 BASE CASE	192.0	252.8	127.8		
	640133 COLMBUS4	230.00	643000*MADISONCNTY4230.00 1 TWR-KSC-CC	192.0	242.6	122.7		
	640133 COLMBUS4	230.00	643000*MADISONCNTY4230.00 1 TWR-SCH-CC	192.0	256.3	129.6		
	640133 COLMBUS4	230.00	643000*MADISONCNTY4230.00 1 TWR-SCH-CM	192.0	264.2	133.6		
	640133 COLMBUS4	230.00	643000*MADISONCNTY4230.00 1 TWR-SCH-MN	192.0	249.6	126.2		
	640133 COLMBUS4	230.00	643000*MADISONCNTY4230.00 1 TWR-SCH-NH	192.0	248.9	125.9		
	640133 COLMBUS4	230.00	643000*MADISONCNTY4230.00 1 TWR-GNP23	192.0	254.1	128.5		
	640133 COLMBUS4	230.00	643000*MADISONCNTY4230.00 1 TWR-GS-GRW	192.0	254.6	128.7		
	640133 COLMBUS4	230.00	643000*MADISONCNTY4230.00 1 TWR-ETR-CR	192.0	248.3	125.5		
	640133 COLMBUS4	230.00	643000*MADISONCNTY4230.00 1 TWR-ETR-RS	192.0	250.5	126.7		
	640133 COLMBUS4	230.00	643000*MADISONCNTY4230.00 1 BUS-COLWEST	192.0	249.8	126.3		
	640133 COLMBUS4	230.00	643000*MADISONCNTY4230.00 1 BKR-GGS-3316	192.0	253.9	128.4		
	640133 COLMBUS4	230.00	643000*MADISONCNTY4230.00 1 BKR-GGS-2216	192.0	261.8	132.4		
	640133 COLMBUS4	230.00	643000*MADISONCNTY4230.00 1 BKR-SW-3308	192.0	257.6	130.2		
	640133 COLMBUS4	230.00	643000*MADISONCNTY4230.00 1 BKR-KEY-3310	192.0	255.7	129.3		
	640133 COLMBUS4	230.00	643000*MADISONCNTY4230.00 1 BKR-SW-3304	192.0	254.0	128.4		
	640133 COLMBUS4	230.00	643000*MADISONCNTY4230.00 1 BKR-SW-3306	192.0	257.2	130.1		
	640133 COLMBUS4	230.00	643000*MADISONCNTY4230.00 1 BKR-SW-3310	192.0	254.5	128.7		
	640133 COLMBUS4	230.00	643000*MADISONCNTY4230.00 1 BKR-NP-2212	192.0	254.3	128.6		
	640133 COLMBUS4	230.00	643000*MADISONCNTY4230.00 1 BKR-CC-2202	192.0	254.6	128.7		
	640133 COLMBUS4	230.00	643000*MADISONCNTY4230.00 1 BKR-CC-2208	192.0	256.0	129.5		
	640133 COLMBUS4	230.00	643000*MADISONCNTY4230.00 1 BKR-GRI-1596	192.0	256.4	129.7		
	640133 COLMBUS4	230.00	643000*MADISONCNTY4230.00 1 BKR-GRI-1396	192.0	251.7	127.3		
	640133 COLMBUS4	230.00	643000*MADISONCNTY4230.00 1 BKR-GRI-2210	192.0	255.6	129.2		
	640133 COLMBUS4	230.00	643000*MADISONCNTY4230.00 1 BKR-GRI-2212	192.0	255.8	129.4		

640133	COLMBUS4	230.00	643000*	MADISONCNTY4230.00	1	BKR-AXT-3308	192.0	251.2	127.0	
640133	COLMBUS4	230.00	643000*	MADISONCNTY4230.00	1	BKR-MOR-3302	192.0	255.1	129.0	
640133	COLMBUS4	230.00	643000*	MADISONCNTY4230.00	1	BKR-MOR-3308	192.0	256.6	129.7	
640133	COLMBUS4	230.00	643000*	MADISONCNTY4230.00	1	BKR-MOR-3312	192.0	254.1	128.5	
640133	COLMBUS4	230.00	643000*	MADISONCNTY4230.00	1	BKR-CPR-3304	192.0	245.8	124.3	
640133	COLMBUS4	230.00	643000*	MADISONCNTY4230.00	1	BKR-CPR-3322	192.0	251.2	127.0	
640133	COLMBUS4	230.00	643000*	MADISONCNTY4230.00	1	BKR-C-3322-2	192.0	250.5	126.7	
640133	COLMBUS4	230.00	643000*	MADISONCNTY4230.00	1	BKR-WAY-186	192.0	246.8	124.8	
640133	COLMBUS4	230.00	643000*	MADISONCNTY4230.00	1	BKR-HOS-3302	192.0	243.8	123.3	
640133	COLMBUS4	230.00	643000*	MADISONCNTY4230.00	1	BKR-HOS-3308	192.0	244.2	123.5	
640133	COLMBUS4	230.00	643000*	MADISONCNTY4230.00	1	BKR-HOS-3310	192.0	249.3	126.1	
640133	COLMBUS4	230.00	643000*	MADISONCNTY4230.00	1	BKR-SC-3306	192.0	232.6	117.6	
640133	COLMBUS4	230.00	643000*	MADISONCNTY4230.00	1	CSPT-SK-SO	192.0	262.2	132.6	
640246	JULSTAP7	115.00	652300*	CHAPPEL7	115.00	1	CSPT-SK-SO	120.0	139.3	120.3
652300	CHAPPEL7	115.00	659238*	COLTON 7	115.00	1	CSPT-SK-SO	120.0	153.6	128.2
652572	SIDNEY 7	115.00	659136*	SIDNEY*4	230.00	1	CSPT-SK-SO	112.0	160.7	143.5
652572*	SIDNEY 7	115.00	659238	COLTON 7	115.00	1	CSPT-SK-SO	120.0	160.0	131.1
652573*	STEGALL4	230.00	659206	STGXFMR4	230.00	1	CSPT-SK-SO	400.0	412.1	104.3
659134*	SIDNEY 4	230.00	659136	SIDNEY*4	230.00	1	CSPT-SK-SO	112.0	164.7	147.0
659135*	STEGALL3	345.00	659207	STEGALTY	345.00	1	CSPT-SK-SO	400.0	422.6	105.6
659206	STGXFMR4	230.00	659207*	STEGALTY	345.00	1	CSPT-SK-SO	400.0	413.9	103.5
640133	COLMBUS4	230.00	643000*	MADISONCNTY4230.00	1	CSPT-GS1-GS2	192.0	263.9	133.5	
640133	COLMBUS4	230.00	643000*	MADISONCNTY4230.00	1	CSPT-SA-CCR	192.0	254.1	128.5	
640133	COLMBUS4	230.00	643000*	MADISONCNTY4230.00	1	CSPT-HR-HTC	192.0	254.9	128.9	
640133	COLMBUS4	230.00	643000*	MADISONCNTY4230.00	1	CSPT-CM-H161	192.0	255.4	129.2	
640133	COLMBUS4	230.00	643000*	MADISONCNTY4230.00	1	CSPT-CM-C161	192.0	255.7	129.3	
640133	COLMBUS4	230.00	643000*	MADISONCNTY4230.00	1	INT-CF-CSJ	192.0	246.7	124.8	
640133	COLMBUS4	230.00	643000*	MADISONCNTY4230.00	1	GEN-GGS-ALL	192.0	271.4	137.2	
640318	PETRSBG7	115.00	640444*	PETERSBRG.N7	115.00	1	GEN-GGS-ALL	137.0	143.3	101.1
640133	COLMBUS4	230.00	643000*	MADISONCNTY4230.00	1	GEN-SS-ALL	192.0	255.9	129.4	
640133	COLMBUS4	230.00	643000*	MADISONCNTY4230.00	1	GEN-COL-ALL	192.0	255.6	129.2	
640133	COLMBUS4	230.00	643000*	MADISONCNTY4230.00	1	GEN-EC-ALL	192.0	260.8	131.9	
640133	COLMBUS4	230.00	643000*	MADISONCNTY4230.00	1	MCFTCAL5	192.0	256.2	129.6	
640133	COLMBUS4	230.00	643000*	MADISONCNTY4230.00	1	CB3455-40&T3	192.0	250.5	126.6	
640133	COLMBUS4	230.00	643000*	MADISONCNTY4230.00	1	CB3456-55&CB	192.0	255.3	129.1	
640133	COLMBUS4	230.00	643000*	MADISONCNTY4230.00	1	CB3456-59&T4	192.0	251.6	127.2	
640133	COLMBUS4	230.00	643000*	MADISONCNTY4230.00	1	CB3456-58&T4	192.0	250.4	126.6	
640133	COLMBUS4	230.00	643000*	MADISONCNTY4230.00	1	CB1206-44SC3	192.0	253.8	128.3	
640133	COLMBUS4	230.00	643000*	MADISONCNTY4230.00	1	CB121120&NO5	192.0	254.0	128.4	
640133	COLMBUS4	230.00	643000*	MADISONCNTY4230.00	1	OPPD CATD 03	192.0	244.0	123.4	
640133	COLMBUS4	230.00	643000*	MADISONCNTY4230.00	1	OPPD CATD 04	192.0	257.6	130.2	
640133	COLMBUS4	230.00	643000*	MADISONCNTY4230.00	1	OPPD CATD 06	192.0	257.6	130.2	
640139*	COOPER 3	345.00	645458	S3458 3	345.00	1	OPPD CATD 10	1195.0	1289.0	104.7
640133	COLMBUS4	230.00	643000*	MADISONCNTY4230.00	1	OPPD CATD 11	192.0	251.5	127.2	
640133	COLMBUS4	230.00	643000*	MADISONCNTY4230.00	1	OPPD CATD 12	192.0	276.6	139.9	
640133	COLMBUS4	230.00	643000*	MADISONCNTY4230.00	1	OPPD CATD 13	192.0	258.6	130.8	
640133	COLMBUS4	230.00	643000*	MADISONCNTY4230.00	1	OPPD CATD 17	192.0	257.3	130.1	
640133	COLMBUS4	230.00	643000*	MADISONCNTY4230.00	1	OPPD CATD 18	192.0	256.7	129.8	

640133	COLMBUS4	230.00	643000*	MADISONCNTY4230.00	1	OPPD_CIP1	192.0	268.7	135.9
640133	COLMBUS4	230.00	643000*	MADISONCNTY4230.00	1	OPPD_CIP2	192.0	256.4	129.7
640133	COLMBUS4	230.00	643000*	MADISONCNTY4230.00	1	OPPD_CIP3	192.0	254.4	128.6
640139*	COOPER 3	345.00	645458 S3458 3	345.00 1	OPPD_CIP5	1195.0	1289.0	104.7	
640133	COLMBUS4	230.00	643000*	MADISONCNTY4230.00	1	OPPD_CIP7	192.0	260.2	131.5
640133	COLMBUS4	230.00	643000*	MADISONCNTY4230.00	1	OPPD_CIP8	192.0	253.8	128.3
640133	COLMBUS4	230.00	643000*	MADISONCNTY4230.00	1	OPPD_CIP9	192.0	251.1	127.0
640133	COLMBUS4	230.00	643000*	MADISONCNTY4230.00	1	OPPD_CIP11	192.0	268.8	135.9
640133	COLMBUS4	230.00	643000*	MADISONCNTY4230.00	1	OPPD_CIP14	192.0	254.4	128.6
646227*	S1227 5	161.00	646231 S1231 5	161.00 1	OPPD_CIP14	335.0	339.8	101.0	
640133	COLMBUS4	230.00	643000*	MADISONCNTY4230.00	1	OPPD_CIP16	192.0	256.0	129.5
640133	COLMBUS4	230.00	643000*	MADISONCNTY4230.00	1	OPPD_CIP21	192.0	256.4	129.7
646201*	S1201 5	161.00	646206 S1206 5	161.00 1	OPPD_CIP21	221.0	227.0	102.9	
640133	COLMBUS4	230.00	643000*	MADISONCNTY4230.00	1	OPPD_CIP21	192.0	256.4	129.7
646201*	S1201 5	161.00	646206 S1206 5	161.00 1	OPPD_CIP21	221.0	227.0	102.9	
640133	COLMBUS4	230.00	643000*	MADISONCNTY4230.00	1	OPPD_CIP25	192.0	250.4	126.6
640133	COLMBUS4	230.00	643000*	MADISONCNTY4230.00	1	OPPD_CIP28	192.0	268.6	135.8
640133	COLMBUS4	230.00	643000*	MADISONCNTY4230.00	1	OPPD_CIP29	192.0	259.5	131.2
640133	COLMBUS4	230.00	643000*	MADISONCNTY4230.00	1	BKR-103ROKBY	192.0	256.9	129.9
640133	COLMBUS4	230.00	643000*	MADISONCNTY4230.00	1	BKR-WAG-3001	192.0	254.2	128.5
640133	COLMBUS4	230.00	643000*	MADISONCNTY4230.00	1	SUB-68TH-HLD	192.0	259.2	131.1
640133	COLMBUS4	230.00	643000*	MADISONCNTY4230.00	1	SUB-WAGENER	192.0	255.3	129.1
640133	COLMBUS4	230.00	643000*	MADISONCNTY4230.00	1	SUB-84TH-BLF	192.0	256.2	129.6

## MONITORED VOLTAGE REPORT:

SYSTEM                    CONTINGENCY <----- B U S ----->    V-CONT   V-INIT   V-MAX   V-MIN

## CONTINGENCY LEGEND:

## LABEL        EVENTS

TWR-AP-AM : TRIP LINE FROM BUS 640066 [AXTELL 7 115.00] TO BUS 640275 [MINDEN 7 115.00] CKT 1  
TRIP LINE FROM BUS 640065 [AXTELL 3 345.00] TO BUS 640312 [PAULINE3 345.00] CKT 1

TWR-AS-AK : TRIP LINE FROM BUS 640066 [AXTELL 7 115.00] TO BUS 640250 [KEARNEY7 115.00] CKT 1  
TRIP LINE FROM BUS 640065 [AXTELL 3 345.00] TO BUS 640374 [SWEET W3 345.00] CKT 1

TWR-RWM-RWS : TRIP LINE FROM BUS 640269 [MCCOOK 7 115.00] TO BUS 640326 [REDWILO7 115.00] CKT 2  
TRIP LINE FROM BUS 640365 [STOCKVL7 115.00] TO BUS 640326 [REDWILO7 115.00] CKT 1

TWR-GK-PS : TRIP LINE FROM BUS 659186 [PAXTON 7 115.00] TO BUS 640370 [SUTHLND7 115.00] CKT 1  
TRIP LINE FROM BUS 640183 [GENTLMN3 345.00] TO BUS 640252 [KEYSTON3 345.00] CKT 1

TWR-GS-NPM : TRIP LINE FROM BUS 640287 [N.PLATT7 115.00] TO BUS 640267 [MAXWELS7 115.00] CKT 1  
TRIP LINE FROM BUS 640183 [GENTLMN3 345.00] TO BUS 640374 [SWEET W3 345.00] CKT 2

TWR-KSC-CC : TRIP LINE FROM BUS 640133 [COLMBUS4 230.00] TO BUS 640343 [SHELCKR4 230.00] CKT 1  
TRIP LINE FROM BUS 640136 [COLMBUS7 115.00] TO BUS 640151 [CRESTON7 115.00] CKT 1

TWR-SCH-CC : TRIP LINE FROM BUS 640136 [COLMBUS7 115.00] TO BUS 640151 [CRESTON7 115.00] CKT 1  
TRIP LINE FROM BUS 640342 [SHELCKR3 345.00] TO BUS 640226 [HOSKINS3 345.00] CKT 1

TWR-SCH-CM : TRIP LINE FROM BUS 640151 [CRESTON7 115.00] TO BUS 640263 [MADISON7 115.00] CKT 1  
TRIP LINE FROM BUS 640342 [SHELCKR3 345.00] TO BUS 640226 [HOSKINS3 345.00] CKT 1

TWR-SCH-MN : TRIP LINE FROM BUS 640263 [MADISON7 115.00] TO BUS 640298 [NORFOLK7 115.00] CKT 1  
TRIP LINE FROM BUS 640342 [SHELCKR3 345.00] TO BUS 640226 [HOSKINS3 345.00] CKT 1

TWR-SCH-NH : TRIP LINE FROM BUS 640298 [NORFOLK7 115.00] TO BUS 640228 [HOSKINS7 115.00] CKT 1

TRIP LINE FROM BUS 640342 [SHELCRK3 345.00] TO BUS 640226 [HOSKINS3 345.00] CKT 1  
TWR-GNP23 : TRIP LINE FROM BUS 640184 [GENTLMN4 230.00] TO BUS 640286 [N.PLATT4 230.00] CKT 2  
TRIP LINE FROM BUS 640184 [GENTLMN4 230.00] TO BUS 640286 [N.PLATT4 230.00] CKT 3  
TRIP LINE FROM BUS 640093 [C.CREEK4 230.00] TO BUS 640286 [N.PLATT4 230.00] CKT 1  
TWR-GS-GRW : TRIP LINE FROM BUS 640183 [GENTLMN3 345.00] TO BUS 640374 [SWEET W3 345.00] CKT 2  
TRIP LINE FROM BUS 640183 [GENTLMN3 345.00] TO BUS 640325 [REDWILO3 345.00] CKT 1  
TWR-ETR-CR : TRIP LINE FROM BUS 640125 [COLMB.E3 345.00] TO BUS 650114 [NW68HOLDRG3 345.00] CKT 1  
TRIP LINE FROM BUS 640124 [COL.SE 7 115.00] TO BUS 640328 [RISNGCY7 115.00] CKT 1  
TWR-ETR-RS : TRIP LINE FROM BUS 640125 [COLMB.E3 345.00] TO BUS 650114 [NW68HOLDRG3 345.00] CKT 1  
TRIP LINE FROM BUS 640328 [RISNGCY7 115.00] TO BUS 640340 [SEWARD 7 115.00] CKT 1  
TWR-ETR-SP : TRIP LINE FROM BUS 640125 [COLMB.E3 345.00] TO BUS 650114 [NW68HOLDRG3 345.00] CKT 1  
TRIP LINE FROM BUS 640340 [SEWARD 7 115.00] TO BUS 640316 [PAWNEEL7 115.00] CKT 1  
TWR-ETR-PH : TRIP LINE FROM BUS 640125 [COLMB.E3 345.00] TO BUS 650114 [NW68HOLDRG3 345.00] CKT 1  
TRIP LINE FROM BUS 640316 [PAWNEEL7 115.00] TO BUS 650214 [NW68HOLDRG7 115.00] CKT 1  
BUS-COLWEST : TRIP LINE FROM BUS 640131 [COLMB.W4 230.00] TO BUS 640132 [COLMB.W9 34.500] CKT 1  
TRIP LINE FROM BUS 640131 [COLMB.W4 230.00] TO BUS 640133 [COLMBUS4 230.00] CKT 1  
TRIP LINE FROM BUS 640131 [COLMB.W4 230.00] TO BUS 640200 [GR ISLD4 230.00] CKT 1  
BUS-HOSKINS : TRIP LINE FROM BUS 640227 [HOSKINS4 230.00] TO BUS 640386 [TWIN CH4 230.00] CKT 1  
TRIP LINE FROM BUS 640227 [HOSKINS4 230.00] TO BUS 640226 [HOSKINS3 345.00] CKT 1  
TRIP LINE FROM BUS 640227 [HOSKINS4 230.00] TO BUS 640228 [HOSKINS7 115.00] CKT 1  
TRIP LINE FROM BUS 640227 [HOSKINS4 230.00] TO BUS 640230 [HOSK.T89 34.500] CKT 1  
BUS-OGALLALA: TRIP LINE FROM BUS 640302 [OGALALA4 230.00] TO BUS 659134 [SIDNEY 4 230.00] CKT 1  
TRIP LINE FROM BUS 640302 [OGALALA4 230.00] TO BUS 640184 [GENTLMN4 230.00] CKT 1  
TRIP LINE FROM BUS 640302 [OGALALA4 230.00] TO BUS 659132 [OGALALA7 115.00] CKT 1  
BUS-RIVERDAL: TRIP LINE FROM BUS 640330 [RIVERDL4 230.00] TO BUS 640093 [C.CREEK4 230.00] CKT 1  
TRIP LINE FROM BUS 640330 [RIVERDL4 230.00] TO BUS 640200 [GR ISLD4 230.00] CKT 1  
TRIP LINE FROM BUS 640330 [RIVERDL4 230.00] TO BUS 640331 [RIVERDL7 115.00] CKT 1  
BUS-TWNCRH-N: TRIP LINE FROM BUS 640386 [TWIN CH4 230.00] TO BUS 640387 [TWIN CH7 115.00] CKT 1  
TRIP LINE FROM BUS 640386 [TWIN CH4 230.00] TO BUS 652565 [SIOUXCY4 230.00] CKT 1  
BUS-TWNCRH-S: TRIP LINE FROM BUS 640386 [TWIN CH4 230.00] TO BUS 640387 [TWIN CH7 115.00] CKT 2  
TRIP LINE FROM BUS 640386 [TWIN CH4 230.00] TO BUS 640227 [HOSKINS4 230.00] CKT 1  
BKR-GGS-3316: TRIP LINE FROM BUS 640183 [GENTLMN3 345.00] TO BUS 640252 [KEYSTON3 345.00] CKT 1  
TRIP LINE FROM BUS 640183 [GENTLMN3 345.00] TO BUS 640184 [GENTLMN4 230.00] CKT 2  
BKR-GGS-2222: TRIP LINE FROM BUS 640184 [GENTLMN4 230.00] TO BUS 640302 [OGALALA4 230.00] CKT 1  
TRIP LINE FROM BUS 640184 [GENTLMN4 230.00] TO BUS 640183 [GENTLMN3 345.00] CKT 2  
BKR-GGS-2216: TRIP LINE FROM BUS 640184 [GENTLMN4 230.00] TO BUS 640286 [N.PLATT4 230.00] CKT 1  
TRIP LINE FROM BUS 640184 [GENTLMN4 230.00] TO BUS 640286 [N.PLATT4 230.00] CKT 3  
BKR-GGS-2216: TRIP LINE FROM BUS 640184 [GENTLMN4 230.00] TO BUS 640286 [N.PLATT4 230.00] CKT 2  
TRIP LINE FROM BUS 640184 [GENTLMN4 230.00] TO BUS 640010 [GENTLM1G 23.000] CKT 1  
BKR-SW-3308 : TRIP LINE FROM BUS 640374 [SWEET W3 345.00] TO BUS 652571 [GR ISLD3 345.00] CKT 1  
TRIP LINE FROM BUS 640183 [GENTLMN3 345.00] TO BUS 640374 [SWEET W3 345.00] CKT 1  
BKR-KEY-3310: TRIP LINE FROM BUS 640252 [KEYSTON3 345.00] TO BUS 640183 [GENTLMN3 345.00] CKT 1  
TRIP LINE FROM BUS 640252 [KEYSTON3 345.00] TO BUS 659133 [SIDNEY 3 345.00] CKT 1  
TRIP LINE FROM BUS 640252 [KEYSTON3 345.00] TO BUS 640253 [KEYSTON7 115.00] TO BUS 640254 [KEYSTON9 13.800]  
BKR-SW-3304 : TRIP LINE FROM BUS 640374 [SWEET W3 345.00] TO BUS 640065 [AXTELL 3 345.00] CKT 1  
TRIP LINE FROM BUS 640183 [GENTLMN3 345.00] TO BUS 640374 [SWEET W3 345.00] CKT 2  
BKR-SW-3306 : TRIP LINE FROM BUS 640374 [SWEET W3 345.00] TO BUS 652571 [GR ISLD3 345.00] CKT 1  
TRIP LINE FROM BUS 640183 [GENTLMN3 345.00] TO BUS 640374 [SWEET W3 345.00] CKT 2

BKR-SW-3310: TRIP LINE FROM BUS 640374 [SWEET W3 345.00] TO BUS 640065 [AXTELL 3 345.00] CKT 1  
TRIP LINE FROM BUS 640183 [GENTLMN3 345.00] TO BUS 640374 [SWEET W3 345.00] CKT 1

BKR-NP-2206 : TRIP LINE FROM BUS 640286 [N.PLATT4 230.00] TO BUS 640184 [GENTLMN4 230.00] CKT 1  
TRIP LINE FROM BUS 640286 [N.PLATT4 230.00] TO BUS 640287 [N.PLATT7 115.00] TO BUS 640290 [N.PT8 9 13.800] CKT 1

BKR-NP-2212 : TRIP LINE FROM BUS 640286 [N.PLATT4 230.00] TO BUS 640184 [GENTLMN4 230.00] CKT 2  
TRIP LINE FROM BUS 640286 [N.PLATT4 230.00] TO BUS 640093 [C.CREEK4 230.00] CKT 1

BKR-CC-2202 : TRIP LINE FROM BUS 640093 [C.CREEK4 230.00] TO BUS 640330 [RIVERDL4 230.00] CKT 1  
TRIP LINE FROM BUS 640093 [C.CREEK4 230.00] TO BUS 640094 [C.CREEK7 115.00] CKT 1

BKR-CC-2208 : TRIP LINE FROM BUS 640093 [C.CREEK4 230.00] TO BUS 640286 [N.PLATT4 230.00] CKT 1  
TRIP LINE FROM BUS 640093 [C.CREEK4 230.00] TO BUS 640094 [C.CREEK7 115.00] CKT 1

BKR-RW-3302 : TRIP LINE FROM BUS 640325 [REDWILO3 345.00] TO BUS 640183 [GENTLMN3 345.00] CKT 1  
TRIP LINE FROM BUS 640325 [REDWILO3 345.00] TO BUS 531451 [MINGO 7 345.00] CKT 1  
TRIP LINE FROM BUS 640325 [REDWILO3 345.00] TO BUS 640326 [REDWILO7 115.00] TO BUS 640327 [REDWILO9 13.800]

BKR-GRI-1596: TRIP LINE FROM BUS 640374 [SWEET W3 345.00] TO BUS 652571 [GR ISLD3 345.00] CKT 1  
TRIP LINE FROM BUS 652571 [GR ISLD3 345.00] TO BUS 640200 [GR ISLD4 230.00] TO BUS 652316 [GR ISL29 13.800] CKT 2

BKR-GRI-1396: TRIP LINE FROM BUS 652571 [GR ISLD3 345.00] TO BUS 640271 [MCCOOL 3 345.00] CKT 1  
TRIP LINE FROM BUS 652571 [GR ISLD3 345.00] TO BUS 640200 [GR ISLD4 230.00] TO BUS 652314 [GR ISL19 13.800]

BKR-GRI-2210: TRIP LINE FROM BUS 640200 [GR ISLD4 230.00] TO BUS 640131 [COLMB.W4 230.00] CKT 1  
TRIP LINE FROM BUS 640200 [GR ISLD4 230.00] TO BUS 652571 [GR ISLD3 345.00] CKT 3

BKR-GRI-2208: TRIP LINE FROM BUS 640200 [GR ISLD4 230.00] TO BUS 640201 [GR ISLD7 115.00] TO BUS 640203 [G.I.T219 13.800] CKT 1  
TRIP LINE FROM BUS 640200 [GR ISLD4 230.00] TO BUS 652571 [GR ISLD3 345.00] CKT 3

BKR-GRI-2220: TRIP LINE FROM BUS 640200 [GR ISLD4 230.00] TO BUS 640201 [GR ISLD7 115.00] TO BUS 640203 [G.I.T219 13.800] CKT 1  
TRIP LINE FROM BUS 640200 [GR ISLD4 230.00] TO BUS 652571 [GR ISLD3 345.00] TO BUS 652316 [GR ISL29 13.800] CKT 2

BKR-GRI-2202: TRIP LINE FROM BUS 640200 [GR ISLD4 230.00] TO BUS 640201 [GR ISLD7 115.00] TO BUS 640203 [G.I.T219 13.800] CKT 1  
TRIP LINE FROM BUS 640200 [GR ISLD4 230.00] TO BUS 640330 [RIVERDL4 230.00]

BKR-GRI-2204: TRIP LINE FROM BUS 640200 [GR ISLD4 230.00] TO BUS 640330 [RIVERDL4 230.00] CKT 1  
TRIP LINE FROM BUS 640200 [GR ISLD4 230.00] TO BUS 640214 [HASTING4 230.00] CKT 1  
TRIP LINE FROM BUS 640214 [HASTING4 230.00] TO BUS 641088 [HASTCTY7 115.00] CKT 1

BKR-GRI-2206: TRIP LINE FROM BUS 640200 [GR ISLD4 230.00] TO BUS 640201 [GR ISLD7 115.00] CKT 2  
TRIP LINE FROM BUS 640200 [GR ISLD4 230.00] TO BUS 640214 [HASTING4 230.00] CKT 1  
TRIP LINE FROM BUS 640214 [HASTING4 230.00] TO BUS 641088 [HASTCTY7 115.00] CKT 1

BKR-GRI-2212: TRIP LINE FROM BUS 640200 [GR ISLD4 230.00] TO BUS 640201 [GR ISLD7 115.00] CKT 2  
TRIP LINE FROM BUS 640200 [GR ISLD4 230.00] TO BUS 640131 [COLMB.W4 230.00] CKT 1

BKR-PLN-3310: TRIP LINE FROM BUS 640312 [PAULINE3 345.00] TO BUS 640065 [AXTELL 3 345.00] CKT 1  
TRIP LINE FROM BUS 640312 [PAULINE3 345.00] TO BUS 640277 [MOORE 3 345.00] CKT 1  
TRIP LINE FROM BUS 640312 [PAULINE3 345.00] TO BUS 640313 [PAULINE7 115.00] TO BUS 640315 [PAULINE9 13.800]

BKR-AXT-3308: TRIP LINE FROM BUS 640065 [AXTELL 3 345.00] TO BUS 640312 [PAULINE3 345.00] CKT 1  
TRIP LINE FROM BUS 640374 [SWEET W3 345.00] TO BUS 640065 [AXTELL 3 345.00] CKT 1  
TRIP LINE FROM BUS 640065 [AXTELL 3 345.00] TO BUS 640066 [AXTELL 7 115.00] TO BUS 640067 [AXTELL 9 13.800]

BKR-MOR-3302: OPEN BRANCH FROM BUS 640277 [MOORE 3 345.00] TO BUS 640278 [SHELDON7 115.00] TO BUS 640280 [MOORE 9 13.800] CKT 1  
OPEN BRANCH FROM BUS 640277 [MOORE 3 345.00] TO BUS 640139 [COOPER 3 345.00] CKT 1

BKR-MOR-3304: OPEN BRANCH FROM BUS 640277 [MOORE 3 345.00] TO BUS 640278 [SHELDON7 115.00] TO BUS 640280 [MOORE 9 13.800] CKT 1  
OPEN BRANCH FROM BUS 640277 [MOORE 3 345.00] TO BUS 640312 [PAULINE3 345.00] CKT 1

BKR-MOR-3306: OPEN BRANCH FROM BUS 640277 [MOORE 3 345.00] TO BUS 650189 [103&ROKEBY3 345.00] CKT 1  
OPEN BRANCH FROM BUS 640277 [MOORE 3 345.00] TO BUS 640271 [MCCOOL 3 345.00] CKT 1

BKR-MOR-3308: OPEN BRANCH FROM BUS 640277 [MOORE 3 345.00] TO BUS 650189 [103&ROKEBY3 345.00] CKT 1  
OPEN BRANCH FROM BUS 640277 [MOORE 3 345.00] TO BUS 640139 [COOPER 3 345.00] CKT 1

BKR-MOR-3310: OPEN BRANCH FROM BUS 640277 [MOORE 3 345.00] TO BUS 650114 [NW68HOLDRG3 345.00] CKT 1

OPEN BRANCH FROM BUS 640277 [MOORE 3 345.00] TO BUS 640271 [MCCOOL 3 345.00] CKT 1  
 BKR-MOR-3312: OPEN BRANCH FROM BUS 640277 [MOORE 3 345.00] TO BUS 650114 [NW68HOLDRG3 345.00] CKT 1  
 OPEN BRANCH FROM BUS 640277 [MOORE 3 345.00] TO BUS 640312 [PAULINE3 345.00] CKT 1  
 BKR-CPR-3304: TRIP LINE FROM BUS 640139 [COOPER 3 345.00] TO BUS 541199 [ST JOE 3 345.00] CKT 1  
 TRIP LINE FROM BUS 640139 [COOPER 3 345.00] TO BUS 635017 [ATCHSNT3 345.00] CKT 1  
 BKR-CPR-3322: OPEN BRANCH FROM BUS 640139 [COOPER 3 345.00] TO BUS 645458 [S3458 3 345.00] CKT 1  
 OPEN BRANCH FROM BUS 640139 [COOPER 3 345.00] TO BUS 300039 [7FAIRPT 345.00] CKT 1  
 BKR-C-3322-2: OPEN BRANCH FROM BUS 640139 [COOPER 3 345.00] TO BUS 645458 [S3458 3 345.00] CKT 1  
 OPEN BRANCH FROM BUS 640139 [COOPER 3 345.00] TO BUS 300039 [7FAIRPT 345.00] CKT 1  
 OPEN BRANCH FROM BUS 300039 [7FAIRPT 345.00] TO BUS 541199 [ST JOE 3 345.00] CKT 1  
 OPEN BRANCH FROM BUS 300039 [7FAIRPT 345.00] TO BUS 300076 [5FAIRPT 161.00] CKT 3  
 BKR-WAY-186 : OPEN BRANCH FROM BUS 640404 [WAYSIDE4 230.00] TO BUS 652573 [STEGALL4 230.00] CKT 1  
 OPEN BRANCH FROM BUS 640404 [WAYSIDE4 230.00] TO BUS 652484 [NUNDRWD4 230.00] CKT 1  
 OPEN BRANCH FROM BUS 640404 [WAYSIDE4 230.00] TO BUS 640405 [WAYSIDE7 115.00] TO BUS 640406 [WAYSIDE9 13.800] CKT 1  
 BKR-TEK-1604: OPEN BRANCH FROM BUS 640377 [TEKAMAH5 161.00] TO BUS 635201 [RAUN 5 161.00] CKT 1  
 OPEN BRANCH FROM BUS 640377 [TEKAMAH5 161.00] TO BUS 646226 [S1226 5 161.00] CKT 1  
 OPEN BRANCH FROM BUS 640377 [TEKAMAH5 161.00] TO BUS 640378 [TEKAMAH7 115.00] CKT 1  
 BKR-HMB-1604: OPEN BRANCH FROM BUS 640234 [HUMBOLT5 161.00] TO BUS 646280 [S1280 5 161.00] CKT 1  
 OPEN BRANCH FROM BUS 640234 [HUMBOLT5 161.00] TO BUS 646399 [S1399 5 161.00] CKT 1  
 BKR-HMB-1602: OPEN BRANCH FROM BUS 640234 [HUMBOLT5 161.00] TO BUS 646399 [S1399 5 161.00] CKT 1  
 OPEN BRANCH FROM BUS 640234 [HUMBOLT5 161.00] TO BUS 640235 [HUMBOLT7 115.00] CKT 1  
 BKR-HOS-3302: OPEN BRANCH FROM BUS 640226 [HOSKINS3 345.00] TO BUS 640342 [SHELCRK3 345.00] CKT 1  
 OPEN BRANCH FROM BUS 640226 [HOSKINS3 345.00] TO BUS 640228 [HOSKINS7 115.00] TO BUS 640231 [HOSKNS19 13.800] CKT 1  
 BKR-HOS-3308: OPEN BRANCH FROM BUS 640226 [HOSKINS3 345.00] TO BUS 640342 [SHELCRK3 345.00] CKT 1  
 OPEN BRANCH FROM BUS 640226 [HOSKINS3 345.00] TO BUS 640227 [HOSKINS4 230.00] CKT 1  
 BKR-HOS-3310: OPEN BRANCH FROM BUS 640226 [HOSKINS3 345.00] TO BUS 635200 [RAUN 3 345.00] CKT 1  
 OPEN BRANCH FROM BUS 640226 [HOSKINS3 345.00] TO BUS 640227 [HOSKINS4 230.00] CKT 1  
 BKR-HOS-3312: OPEN BRANCH FROM BUS 640226 [HOSKINS3 345.00] TO BUS 635200 [RAUN 3 345.00] CKT 1  
 OPEN BRANCH FROM BUS 640226 [HOSKINS3 345.00] TO BUS 640228 [HOSKINS7 115.00] TO BUS 640231 [HOSKNS19 13.800] CKT 1  
 BKR-SC-3306 : OPEN BRANCH FROM BUS 640342 [SHELCRK3 345.00] TO BUS 640226 [HOSKINS3 345.00] CKT 1  
 OPEN BRANCH FROM BUS 640342 [SHELCRK3 345.00] TO BUS 640125 [COLMB.E3 345.00] CKT 1  
 OPEN BRANCH FROM BUS 640342 [SHELCRK3 345.00] TO BUS 640343 [SHELCRK4 230.00] CKT 1  
 BKR-CE-3306 : OPEN BRANCH FROM BUS 640125 [COLMB.E3 345.00] TO BUS 650114 [NW68HOLDRG3 345.00] CKT 1  
 OPEN BRANCH FROM BUS 640125 [COLMB.E3 345.00] TO BUS 640342 [SHELCRK3 345.00] CKT 1  
 OPEN BRANCH FROM BUS 640125 [COLMB.E3 345.00] TO BUS 640127 [COLMB.E7 115.00] TO BUS 640129 [COLMB.T9 13.800] CKT 1  
 CSPT-SK-SO : TRIP LINE FROM BUS 659133 [SIDNEY 3 345.00] TO BUS 640252 [KEYSTON3 345.00] CKT 1  
 TRIP LINE FROM BUS 659134 [SIDNEY 4 230.00] TO BUS 640302 [OGALALA4 230.00] CKT 1  
 CSPT-GS1-GS2: TRIP LINE FROM BUS 640183 [GENTLMN3 345.00] TO BUS 640374 [SWEET W3 345.00] CKT 1  
 TRIP LINE FROM BUS 640183 [GENTLMN3 345.00] TO BUS 640374 [SWEET W3 345.00] CKT 2  
 CSPT-SA-CCR : TRIP LINE FROM BUS 640374 [SWEET W3 345.00] TO BUS 640065 [AXTELL 3 345.00] CKT 1  
 TRIP LINE FROM BUS 640093 [C.CREEK4 230.00] TO BUS 640330 [RIVERDL4 230.00] CKT 1  
 CSPT-HR-HTC : TRIP LINE FROM BUS 640226 [HOSKINS3 345.00] TO BUS 635200 [RAUN 3 345.00] CKT 1  
 TRIP LINE FROM BUS 640227 [HOSKINS4 230.00] TO BUS 640386 [TWIN CH4 230.00] CKT 1  
 CSPT-CM-H161: TRIP LINE FROM BUS 640139 [COOPER 3 345.00] TO BUS 640277 [MOORE 3 345.00] CKT 1  
 TRIP LINE FROM BUS 646280 [S1280 5 161.00] TO BUS 640234 [HUMBOLT5 161.00] CKT 1  
 CSPT-CM-C161: TRIP LINE FROM BUS 640139 [COOPER 3 345.00] TO BUS 640277 [MOORE 3 345.00] CKT 1  
 TRIP LINE FROM BUS 646280 [S1280 5 161.00] TO BUS 640140 [COOPER 5 161.00] CKT 1  
 INT-CF-CSJ : TRIP LINE FROM BUS 640139 [COOPER 3 345.00] TO BUS 300039 [7FAIRPT 345.00] CKT 1

TRIP LINE FROM BUS 300039 [7FAIRPT 345.00] TO BUS 541199 [ST JOE 3 345.00] CKT 1  
TRIP LINE FROM BUS 300039 [7FAIRPT 345.00] TO BUS 300076 [5FAIRPT 161.00] CKT 3  
TRIP LINE FROM BUS 640139 [COOPER 3 345.00] TO BUS 541199 [ST JOE 3 345.00] CKT 1  
GEN-GGS-ALL : TRIP LINE FROM BUS 640183 [GENTLMN3 345.00] TO BUS 640011 [GENTLM2G 24.000] CKT 1  
TRIP LINE FROM BUS 640184 [GENTLMN4 230.00] TO BUS 640010 [GENTLM1G 23.000] CKT 1  
GEN-BPS-ALL : TRIP LINE FROM BUS 640088 [BPS SUB7 115.00] TO BUS 640022 [BPS GT1G 13.800] CKT 1  
TRIP LINE FROM BUS 640088 [BPS SUB7 115.00] TO BUS 640023 [BPS GT2G 13.800] CKT 1  
TRIP LINE FROM BUS 640088 [BPS SUB7 115.00] TO BUS 640024 [BPS ST3G 13.800] CKT 1  
GEN-SS-ALL : TRIP LINE FROM BUS 640278 [SHELDON7 115.00] TO BUS 640019 [SHELDN1G 13.800] CKT 1  
TRIP LINE FROM BUS 640278 [SHELDON7 115.00] TO BUS 640020 [SHELDN2G 13.800] CKT 1  
TRIP LINE FROM BUS 640278 [SHELDON7 115.00] TO BUS 640021 [HALLAM3G 13.800] CKT 1  
GEN-COL-ALL : TRIP LINE FROM BUS 640136 [COLMBUS7 115.00] TO BUS 640006 [COLMBS1G 13.800] CKT 1  
TRIP LINE FROM BUS 640136 [COLMBUS7 115.00] TO BUS 640007 [COLMBS2G 13.800] CKT 1  
TRIP LINE FROM BUS 640136 [COLMBUS7 115.00] TO BUS 640008 [COLMBS3G 13.800] CKT 1  
GEN-EC-ALL : TRIP LINE FROM BUS 641087 [EGYCNTR7 115.00] TO BUS 641086 [EGY CTRG 13.800] CKT 1  
TRIP LINE FROM BUS 641087 [EGYCNTR7 115.00] TO BUS 641089 [EGYCTR2G 22.000] CKT 1  
MCFTCAL : OPEN BRANCH FROM BUS 645451 [S3451 3 345.00] TO BUS 645459 [S3459 3 345.00] CKT 1  
OPEN BRANCH FROM BUS 645451 [S3451 3 345.00] TO BUS 645454 [S3454 3 345.00] CKT 1  
MC3456-59-16: OPEN BRANCH FROM BUS 645456 [S3456 3 345.00] TO BUS 645459 [S3459 3 345.00] CKT 1  
OPEN BRANCH FROM BUS 646206 [S1206 5 161.00] TO BUS 646216 [S1216 5 161.00] CKT 1  
MC1206-01-CB: OPEN BRANCH FROM BUS 646201 [S1201 5 161.00] TO BUS 646206 [S1206 5 161.00] CKT 1  
OPEN BRANCH FROM BUS 646206 [S1206 5 161.00] TO BUS 635001 [CBLUFFS5 161.00] CKT 1  
MC1201-20-86: OPEN BRANCH FROM BUS 646201 [S1201 5 161.00] TO BUS 646220 [S1220 5 161.00] CKT 1  
OPEN BRANCH FROM BUS 646201 [S1201 5 161.00] TO BUS 646286 [S1286 5 161.00] CKT 1  
MC1209-1231 : OPEN BRANCH FROM BUS 646209 [S1209 5 161.00] TO BUS 646231 [S1231 5 161.00] CKT 1  
OPEN BRANCH FROM BUS 646209 [S1209 5 161.00] TO BUS 646231 [S1231 5 161.00] CKT 2  
MC1209-1250 : OPEN BRANCH FROM BUS 646209 [S1209 5 161.00] TO BUS 646250 [S1250 5 161.00] CKT 1  
OPEN BRANCH FROM BUS 646209 [S1209 5 161.00] TO BUS 646250 [S1250 5 161.00] CKT 2  
MC1211-1250 : OPEN BRANCH FROM BUS 646211 [S1211 5 161.00] TO BUS 646250 [S1250 5 161.00] CKT 1  
OPEN BRANCH FROM BUS 646211 [S1211 5 161.00] TO BUS 646250 [S1250 5 161.00] CKT 2  
MC1211-50-LS: OPEN BRANCH FROM BUS 646211 [S1211 5 161.00] TO BUS 646250 [S1250 5 161.00] CKT 1  
OPEN BRANCH FROM BUS 646211 [S1211 5 161.00] TO BUS 646250 [S1250 5 161.00] CKT 2  
OPEN LINE FROM BUS 645127 [S1211HS9 13.800] TO BUS 646211 [S1211 5 161.00] CKT 1  
MC1211-20-LS: OPEN BRANCH FROM BUS 646211 [S1211 5 161.00] TO BUS 646220 [S1220 5 161.00] CKT 1  
OPEN LINE FROM BUS 646299 [S1299 5 161.00] TO BUS 646211 [S1211 5 161.00] CKT 1  
OPEN LINE FROM BUS 646299 [S1299 5 161.00] TO BUS 646286 [S1286 5 161.00] CKT 1  
MC1299SOUTH : OPEN BRANCH FROM BUS 646211 [S1211 5 161.00] TO BUS 646220 [S1220 5 161.00] CKT 1  
OPEN BRANCH FROM BUS 646286 [S1286 5 161.00] TO BUS 646299 [S1299 5 161.00] CKT 1  
MC1221-31-55: OPEN BRANCH FROM BUS 646221 [S1221 5 161.00] TO BUS 646231 [S1231 5 161.00] CKT 1  
OPEN BRANCH FROM BUS 646221 [S1221 5 161.00] TO BUS 646255 [S1255 5 161.00] CKT 1  
MC1226-98 : OPEN BRANCH FROM BUS 646226 [S1226 5 161.00] TO BUS 646298 [S1298 5 161.00] CKT 1  
OPEN BRANCH FROM BUS 646226 [S1226 5 161.00] TO BUS 646298 [S1298 5 161.00] CKT 2  
MC1232-06-78: OPEN BRANCH FROM BUS 646206 [S1206 5 161.00] TO BUS 646232 [S1232 5 161.00] CKT 1  
OPEN BRANCH FROM BUS 646232 [S1232 5 161.00] TO BUS 646278 [S1278 5 161.00] CKT 1  
MC1235-31-34: OPEN BRANCH FROM BUS 646231 [S1231 5 161.00] TO BUS 646235 [S1235 5 161.00] CKT 1  
OPEN BRANCH FROM BUS 646234 [S1234 5 161.00] TO BUS 646235 [S1235 5 161.00] CKT 1  
MC1237-45-53: OPEN BRANCH FROM BUS 646237 [S1237 5 161.00] TO BUS 646345 [S1345 5 161.00] CKT 1  
OPEN BRANCH FROM BUS 646237 [S1237 5 161.00] TO BUS 646253 [S1253 5 161.00] CKT 1

MC1216-917 : OPEN BRANCH FROM BUS 647916 [S916 8 69.000] TO BUS 647917 [S917 8 69.000] CKT 1  
OPEN BRANCH FROM BUS 646216 [S1216 5 161.00] TO BUS 646217 [S1217 5 161.00] CKT 1

MC906-79-28 : OPEN LINE FROM BUS 647979 [S979 8 69.000] TO BUS 647079 [979TP 8 69.000] CKT 1  
OPEN LINE FROM BUS 647079 [979TP 8 69.000] TO BUS 647900 [S900 8 69.000] CKT 1  
OPEN LINE FROM BUS 647079 [979TP 8 69.000] TO BUS 647006 [S906 N 8 69.000] CKT 1  
OPEN BRANCH FROM BUS 647006 [S906 N 8 69.000] TO BUS 647928 [S928 8 69.000] CKT 1

MC930-18-19 : OPEN BRANCH FROM BUS 647918 [S918 8 69.000] TO BUS 647930 [S930 8 69.000] CKT 1  
OPEN BRANCH FROM BUS 647919 [S919 8 69.000] TO BUS 647930 [S930 8 69.000] CKT 1

MC995-38-94 : OPEN LINE FROM BUS 647995 [S995 8 69.000] TO BUS 647874 [S6874 8 69.000] CKT 1  
OPEN LINE FROM BUS 647995 [S995 8 69.000] TO BUS 647938 [S938 8 69.000] CKT 1  
OPEN LINE FROM BUS 647995 [S995 8 69.000] TO BUS 647994 [S994 8 69.000] CKT 1

MC1214-14-46: OPEN BRANCH FROM BUS 647014 [S914A 8 69.000] TO BUS 647914 [S914 8 69.000] CKT 1  
OPEN BRANCH FROM BUS 647014 [S914A 8 69.000] TO BUS 647846 [S6846 8 69.000] CKT 1

CB3451-59&T3: OPEN BRANCH FROM BUS 645451 [S3451 3 345.00] TO BUS 645459 [S3459 3 345.00] CKT 1  
OPEN BRANCH FROM BUS 645451 [S3451 3 345.00] TO BUS 646251 [S1251 5 161.00] TO BUS 648251 [S3451T39 13.800] CKT 1

CB3451-RN&T4: OPEN BRANCH FROM BUS 635200 [RAUN 3 345.00] TO BUS 645451 [S3451 3 345.00] CKT 1  
OPEN BRANCH FROM BUS 645451 [S3451 3 345.00] TO BUS 646251 [S1251 5 161.00] TO BUS 648351 [S3451T49 13.800] CKT 1

CB3454-51&WG: OPEN BRANCH FROM BUS 645454 [S3454 3 345.00] TO BUS 650185 [WAGENER 3 345.00] CKT 1  
OPEN BRANCH FROM BUS 645454 [S3454 3 345.00] TO BUS 645451 [S3451 3 345.00] CKT 1

CB3454-51&T1: OPEN BRANCH FROM BUS 645454 [S3454 3 345.00] TO BUS 646254 [S1254 5 161.00] TO BUS 648254 [S1254T19 13.800] CKT 1  
OPEN LINE FROM BUS 646254 [S1254 5 161.00] TO BUS 646281 [S1281 5 161.00] CKT 1  
OPEN LINE FROM BUS 646254 [S1254 5 161.00] TO BUS 646249 [S1249 5 161.00] CKT 1  
OPEN BRANCH FROM BUS 645454 [S3454 3 345.00] TO BUS 645451 [S3451 3 345.00] CKT 1

CB3454-55&T1: OPEN BRANCH FROM BUS 645454 [S3454 3 345.00] TO BUS 646254 [S1254 5 161.00] TO BUS 648254 [S1254T19 13.800] CKT 1  
OPEN LINE FROM BUS 646254 [S1254 5 161.00] TO BUS 646281 [S1281 5 161.00] CKT 1  
OPEN LINE FROM BUS 646254 [S1254 5 161.00] TO BUS 646249 [S1249 5 161.00] CKT 1  
OPEN BRANCH FROM BUS 645454 [S3454 3 345.00] TO BUS 645455 [S3455 3 345.00] CKT 1

CB3454-55&WG: OPEN BRANCH FROM BUS 645454 [S3454 3 345.00] TO BUS 650185 [WAGENER 3 345.00] CKT 1  
OPEN BRANCH FROM BUS 645454 [S3454 3 345.00] TO BUS 645455 [S3455 3 345.00] CKT 1

CB3455-56&T1: OPEN BRANCH FROM BUS 645455 [S3455 3 345.00] TO BUS 646255 [S1255 5 161.00] TO BUS 648255 [S3455T19 13.800] CKT 1  
OPEN BRANCH FROM BUS 645455 [S3455 3 345.00] TO BUS 645456 [S3456 3 345.00] CKT 1

CB3455-40&T3: OPEN BRANCH FROM BUS 645455 [S3455 3 345.00] TO BUS 645740 [S3740 3 345.00] CKT 1  
OPEN BRANCH FROM BUS 645455 [S3455 3 345.00] TO BUS 646255 [S1255 5 161.00] TO BUS 648355 [S3455T39 13.800] CKT 1

CB3456-55&CB: OPEN BRANCH FROM BUS 635000 [CBLUFFS3 345.00] TO BUS 645456 [S3456 3 345.00] CKT 1  
OPEN BRANCH FROM BUS 645455 [S3455 3 345.00] TO BUS 645456 [S3456 3 345.00] CKT 1

CB3456-59&T4: OPEN BRANCH FROM BUS 645456 [S3456 3 345.00] TO BUS 645459 [S3459 3 345.00] CKT 1  
OPEN BRANCH FROM BUS 645456 [S3456 3 345.00] TO BUS 646206 [S1206 5 161.00] TO BUS 648256 [S3456T49 13.800] CKT 1

CB3456-58&T4: OPEN BRANCH FROM BUS 645456 [S3456 3 345.00] TO BUS 646206 [S1206 5 161.00] TO BUS 648256 [S3456T49 13.800] CKT 1  
OPEN BRANCH FROM BUS 645456 [S3456 3 345.00] TO BUS 645458 [S3458 3 345.00] CKT 1

CB3456-58&CB: OPEN BRANCH FROM BUS 645456 [S3456 3 345.00] TO BUS 645458 [S3458 3 345.00] CKT 1  
OPEN BRANCH FROM BUS 635000 [CBLUFFS3 345.00] TO BUS 645456 [S3456 3 345.00] CKT 1

CB3459-BUS : OPEN LINE FROM BUS 645459 [S3459 3 345.00] TO BUS 646209 [S1209 5 161.00] TO BUS 648259 [S3459T39 13.800] CKT 1  
OPEN LINE FROM BUS 645459 [S3459 3 345.00] TO BUS 645451 [S3451 3 345.00] CKT 1  
OPEN LINE FROM BUS 645459 [S3459 3 345.00] TO BUS 645456 [S3456 3 345.00] CKT 1

CB3455-40&C2: OPEN BRANCH FROM BUS 645740 [S3740 3 345.00] TO BUS 645455 [S3455 3 345.00] CKT 1  
OPEN BRANCH FROM BUS 645740 [S3740 3 345.00] TO BUS 645042 [CASS 2G 15.000] CKT 1

CB1201-29&86: OPEN BRANCH FROM BUS 646201 [S1201 5 161.00] TO BUS 646229 [S1229 5 161.00] CKT 1  
OPEN BRANCH FROM BUS 646201 [S1201 5 161.00] TO BUS 646286 [S1286 5 161.00] CKT 1



CB1201-20&T1: OPEN BRANCH FROM BUS 646201 [S1201 5 161.00] TO BUS 646220 [S1220 5 161.00] CKT 1  
 OPEN BRANCH FROM BUS 646201 [S1201 5 161.00] TO BUS 647901 [S901 8 69.000] TO BUS 648201 [S1201T19 13.800] CKT 1  
 CB1206-32&T1: OPEN BRANCH FROM BUS 646206 [S1206 5 161.00] TO BUS 646232 [S1232 5 161.00] CKT 1  
 OPEN BRANCH FROM BUS 646206 [S1206 5 161.00] TO BUS 647906 [S906 S 8 69.000] TO BUS 648206 [S1206T19 13.800] CKT 1  
 CLOSE BRANCH FROM BUS 647006 [S906 N 8 69.000] TO BUS 647906 [S906 S 8 69.000] CKT 1  
 CB1206-32&01: OPEN BRANCH FROM BUS 646206 [S1206 5 161.00] TO BUS 646232 [S1232 5 161.00] CKT 1  
 OPEN BRANCH FROM BUS 646206 [S1206 5 161.00] TO BUS 646201 [S1201 5 161.00] CKT 1  
 CB1206-01&T2: OPEN BRANCH FROM BUS 646206 [S1206 5 161.00] TO BUS 646201 [S1201 5 161.00] CKT 1  
 OPEN BRANCH FROM BUS 646206 [S1206 5 161.00] TO BUS 647006 [S906 N 8 69.000] TO BUS 648306 [S1206T29 13.800] CKT 1  
 CLOSE BRANCH FROM BUS 647006 [S906 N 8 69.000] TO BUS 647906 [S906 S 8 69.000] CKT 1  
 CB1206-44&T1: OPEN BRANCH FROM BUS 646206 [S1206 5 161.00] TO BUS 646244 [S1244 5 161.00] CKT 1  
 OPEN BRANCH FROM BUS 646206 [S1206 5 161.00] TO BUS 647906 [S906 S 8 69.000] TO BUS 648206 [S1206T19 13.800] CKT 1  
 CLOSE BRANCH FROM BUS 647006 [S906 N 8 69.000] TO BUS 647906 [S906 S 8 69.000] CKT 1  
 CB1206-44SC3: OPEN BRANCH FROM BUS 646206 [S1206 5 161.00] TO BUS 646244 [S1244 5 161.00] CKT 1  
 OPEN LINE FROM BUS 645033 [SARPY 3G 13.800] TO BUS 646206 [S1206 5 161.00] CKT 1  
 OPEN LINE FROM BUS 645033 [SARPY 3G 13.800] TO BUS 645030 [SCBSD G 4.2000] CKT 1  
 CB1206-T2SC3: OPEN BRANCH FROM BUS 646206 [S1206 5 161.00] TO BUS 647006 [S906 N 8 69.000] TO BUS 648306 [S1206T29 13.800] CKT 1  
 CLOSE BRANCH FROM BUS 647006 [S906 N 8 69.000] TO BUS 647906 [S906 S 8 69.000] CKT 1  
 OPEN LINE FROM BUS 645033 [SARPY 3G 13.800] TO BUS 646206 [S1206 5 161.00] CKT 1  
 OPEN LINE FROM BUS 645033 [SARPY 3G 13.800] TO BUS 645030 [SCBSD G 4.2000] CKT 1  
 CB1206T1SC45: OPEN BRANCH FROM BUS 646206 [S1206 5 161.00] TO BUS 645034 [SARPY 4G 13.800] TO BUS 645035 [SARPY 5G 13.800] CKT 1  
 OPEN BRANCH FROM BUS 646206 [S1206 5 161.00] TO BUS 647906 [S906 S 8 69.000] TO BUS 648206 [S1206T19 13.800] CKT 1  
 CLOSE BRANCH FROM BUS 647006 [S906 N 8 69.000] TO BUS 647906 [S906 S 8 69.000] CKT 1  
 CB1206CBSC45: OPEN BRANCH FROM BUS 646206 [S1206 5 161.00] TO BUS 635001 [CBLUFFS5 161.00] CKT 1  
 OPEN BRANCH FROM BUS 646206 [S1206 5 161.00] TO BUS 645034 [SARPY 4G 13.800] TO BUS 645035 [SARPY 5G 13.800] CKT 1  
 CB1206T2SC45: OPEN BRANCH FROM BUS 646206 [S1206 5 161.00] TO BUS 635001 [CBLUFFS5 161.00] CKT 1  
 OPEN BRANCH FROM BUS 646206 [S1206 5 161.00] TO BUS 647006 [S906 N 8 69.000] TO BUS 648306 [S1206T29 13.800] CKT 1  
 CLOSE BRANCH FROM BUS 647006 [S906 N 8 69.000] TO BUS 647906 [S906 S 8 69.000] CKT 1  
 CB1206-16&T1: OPEN BRANCH FROM BUS 646206 [S1206 5 161.00] TO BUS 646216 [S1216 5 161.00] CKT 1  
 OPEN BRANCH FROM BUS 646206 [S1206 5 161.00] TO BUS 647906 [S906 S 8 69.000] TO BUS 648206 [S1206T19 13.800] CKT 1  
 CLOSE BRANCH FROM BUS 647006 [S906 N 8 69.000] TO BUS 647906 [S906 S 8 69.000] CKT 1  
 CB1206-16&T4: OPEN BRANCH FROM BUS 646206 [S1206 5 161.00] TO BUS 646216 [S1216 5 161.00] CKT 1  
 OPEN BRANCH FROM BUS 645456 [S3456 3 345.00] TO BUS 646206 [S1206 5 161.00] TO BUS 648256 [S3456T49 13.800] CKT 1  
 CB1206-T2&T4: OPEN BRANCH FROM BUS 646206 [S1206 5 161.00] TO BUS 647006 [S906 N 8 69.000] TO BUS 648306 [S1206T29 13.800] CKT 1  
 CLOSE BRANCH FROM BUS 647006 [S906 N 8 69.000] TO BUS 647906 [S906 S 8 69.000] CKT 1  
 OPEN BRANCH FROM BUS 645456 [S3456 3 345.00] TO BUS 646206 [S1206 5 161.00] TO BUS 648256 [S3456T49 13.800] CKT 1  
 CB1209-26&31: OPEN LINE FROM BUS 646252 [S1252 5 161.00] TO BUS 646209 [S1209 5 161.00] CKT 1  
 OPEN LINE FROM BUS 646252 [S1252 5 161.00] TO BUS 646226 [S1226 5 161.00] CKT 1  
 OPEN BRANCH FROM BUS 646209 [S1209 5 161.00] TO BUS 646231 [S1231 5 161.00] CKT 1  
 CB1209-311T1: OPEN BRANCH FROM BUS 646209 [S1209 5 161.00] TO BUS 647909 [S909 8 69.000] TO BUS 648209 [S1209T19 13.800] CKT 1  
 OPEN BRANCH FROM BUS 646209 [S1209 5 161.00] TO BUS 646231 [S1231 5 161.00] CKT 1  
 CB1209-50&31: OPEN BRANCH FROM BUS 646209 [S1209 5 161.00] TO BUS 646250 [S1250 5 161.00] CKT 1  
 OPEN BRANCH FROM BUS 646209 [S1209 5 161.00] TO BUS 646231 [S1231 5 161.00] CKT 2  
 CB1209-312T1: OPEN BRANCH FROM BUS 646209 [S1209 5 161.00] TO BUS 647909 [S909 8 69.000] TO BUS 648209 [S1209T19 13.800] CKT 1  
 OPEN BRANCH FROM BUS 646209 [S1209 5 161.00] TO BUS 646231 [S1231 5 161.00] CKT 2  
 CB1209-50&T3: OPEN BRANCH FROM BUS 646209 [S1209 5 161.00] TO BUS 646250 [S1250 5 161.00] CKT 2  
 OPEN BRANCH FROM BUS 645459 [S3459 3 345.00] TO BUS 646209 [S1209 5 161.00] TO BUS 648259 [S3459T39 13.800] CKT 1  
 CB1209-T1&T3: OPEN BRANCH FROM BUS 646209 [S1209 5 161.00] TO BUS 647909 [S909 8 69.000] TO BUS 648209 [S1209T19 13.800] CKT 1

OPEN BRANCH FROM BUS 645459 [S3459 3 345.00] TO BUS 646209 [S1209 5 161.00] TO BUS 648259 [S3459T39 13.800] CKT 1  
CB1210-17&T7: OPEN BRANCH FROM BUS 646210 [S1210 5 161.00] TO BUS 646217 [S1217 5 161.00] CKT 1  
OPEN BRANCH FROM BUS 646210 [S1210 5 161.00] TO BUS 647910 [S910 8 69.000] TO BUS 648210 [S1210T79 13.800] CKT 1  
CB1210-22&T7: OPEN BRANCH FROM BUS 646210 [S1210 5 161.00] TO BUS 646222 [S1222 5 161.00] CKT 1  
OPEN BRANCH FROM BUS 646210 [S1210 5 161.00] TO BUS 647910 [S910 8 69.000] TO BUS 648210 [S1210T79 13.800] CKT 1  
CB121150&NO2: OPEN BRANCH FROM BUS 646211 [S1211 5 161.00] TO BUS 646250 [S1250 5 161.00] CKT 1  
OPEN LINE FROM BUS 645022 [N OMA 2G 13.800] TO BUS 645122 [NO2 AUX9 2.4000] CKT 1  
OPEN LINE FROM BUS 645022 [N OMA 2G 13.800] TO BUS 646211 [S1211 5 161.00] CKT 1  
CB121150&NO3: OPEN BRANCH FROM BUS 646211 [S1211 5 161.00] TO BUS 646250 [S1250 5 161.00] CKT 2  
OPEN LINE FROM BUS 645023 [N OMA 3G 13.800] TO BUS 645123 [NO3 AUX9 2.4000] CKT 1  
OPEN LINE FROM BUS 645023 [N OMA 3G 13.800] TO BUS 646211 [S1211 5 161.00] CKT 1  
CB121199&NO4: OPEN BRANCH FROM BUS 646211 [S1211 5 161.00] TO BUS 646299 [S1299 5 161.00] CKT 1  
OPEN LINE FROM BUS 645024 [N OMA 4G 15.000] TO BUS 645124 [NO4 AUX9 2.4000] CKT 1  
OPEN LINE FROM BUS 645024 [N OMA 4G 15.000] TO BUS 646211 [S1211 5 161.00] CKT 1  
CB121120&NO5: OPEN BRANCH FROM BUS 646211 [S1211 5 161.00] TO BUS 646220 [S1220 5 161.00] CKT 1  
OPEN LINE FROM BUS 645025 [N OMA 5G 20.000] TO BUS 645125 [NO5 AUX9 4.2000] CKT 1  
OPEN LINE FROM BUS 645025 [N OMA 5G 20.000] TO BUS 646211 [S1211 5 161.00] CKT 1  
CB1214-BUS : OPEN LINE FROM BUS 646214 [S1214 5 161.00] TO BUS 646287 [S1287 5 161.00] CKT 1  
OPEN LINE FROM BUS 646214 [S1214 5 161.00] TO BUS 650169 [70&BLUFF 5 161.00] CKT 1  
OPEN LINE FROM BUS 646214 [S1214 5 161.00] TO BUS 647014 [S914A 8 69.000] TO BUS 648214 [S1214T19 13.800] CKT 1  
CB1216-BUS : OPEN LINE FROM BUS 646216 [S1216 5 161.00] TO BUS 646217 [S1217 5 161.00] CKT 1  
OPEN LINE FROM BUS 646216 [S1216 5 161.00] TO BUS 646206 [S1206 5 161.00] CKT 1  
CB1217-BUS : OPEN LINE FROM BUS 646217 [S1217 5 161.00] TO BUS 646227 [S1227 5 161.00] CKT 1  
OPEN LINE FROM BUS 646217 [S1217 5 161.00] TO BUS 647917 [S917 8 69.000] TO BUS 648217 [S1217T19 13.800] CKT 1  
OPEN LINE FROM BUS 646217 [S1217 5 161.00] TO BUS 646210 [S1210 5 161.00] CKT 1  
OPEN LINE FROM BUS 646217 [S1217 5 161.00] TO BUS 646216 [S1216 5 161.00] CKT 1  
CB1220-BUS : OPEN LINE FROM BUS 646220 [S1220 5 161.00] TO BUS 646201 [S1201 5 161.00] CKT 1  
OPEN LINE FROM BUS 646220 [S1220 5 161.00] TO BUS 646211 [S1211 5 161.00] CKT 1  
CB1221-31&T9: OPEN BRANCH FROM BUS 646221 [S1221 5 161.00] TO BUS 646231 [S1231 5 161.00] CKT 1  
OPEN BRANCH FROM BUS 646221 [S1221 5 161.00] TO BUS 647921 [S921 8 69.000] TO BUS 648221 [S1221T99 13.800] CKT 1  
CB1221-55&T9: OPEN BRANCH FROM BUS 646221 [S1221 5 161.00] TO BUS 646255 [S1255 5 161.00] CKT 1  
OPEN BRANCH FROM BUS 646221 [S1221 5 161.00] TO BUS 647921 [S921 8 69.000] TO BUS 648221 [S1221T99 13.800] CKT 1  
CB1222-BUS : OPEN LINE FROM BUS 646222 [S1222 5 161.00] TO BUS 646229 [S1229 5 161.00] CKT 1  
OPEN LINE FROM BUS 646222 [S1222 5 161.00] TO BUS 646210 [S1210 5 161.00] CKT 1  
CB1226-98&TK: OPEN BRANCH FROM BUS 640377 [TEKAMAH5 161.00] TO BUS 646226 [S1226 5 161.00] CKT 1  
OPEN BRANCH FROM BUS 646226 [S1226 5 161.00] TO BUS 646298 [S1298 5 161.00] CKT 2  
CB1226-37&52: OPEN BRANCH FROM BUS 646226 [S1226 5 161.00] TO BUS 646237 [S1237 5 161.00] CKT 1  
OPEN LINE FROM BUS 646252 [S1252 5 161.00] TO BUS 646209 [S1209 5 161.00] CKT 1  
OPEN LINE FROM BUS 646252 [S1252 5 161.00] TO BUS 646226 [S1226 5 161.00] CKT 1  
CB1227-BUS : OPEN LINE FROM BUS 646227 [S1227 5 161.00] TO BUS 646231 [S1231 5 161.00] CKT 1  
OPEN LINE FROM BUS 646227 [S1227 5 161.00] TO BUS 646217 [S1217 5 161.00] CKT 1  
CB1229-BUS : OPEN LINE FROM BUS 646229 [S1229 5 161.00] TO BUS 646201 [S1201 5 161.00] CKT 1  
OPEN LINE FROM BUS 646229 [S1229 5 161.00] TO BUS 646222 [S1222 5 161.00] CKT 1  
CB1231-09&35: OPEN BRANCH FROM BUS 646209 [S1209 5 161.00] TO BUS 646231 [S1231 5 161.00] CKT 1  
OPEN BRANCH FROM BUS 646231 [S1231 5 161.00] TO BUS 646235 [S1235 5 161.00] CKT 1  
CB1231-21&27: OPEN BRANCH FROM BUS 646227 [S1227 5 161.00] TO BUS 646231 [S1231 5 161.00] CKT 1  
OPEN BRANCH FROM BUS 646221 [S1221 5 161.00] TO BUS 646231 [S1231 5 161.00] CKT 1  
CB1233-BUS : OPEN LINE FROM BUS 646233 [S1233 5 161.00] TO BUS 646234 [S1234 5 161.00] CKT 1

OPEN LINE FROM BUS 646233 [S1233 5 161.00] TO BUS 646255 [S1255 5 161.00] CKT 1  
CB1235-34&53: OPEN BRANCH FROM BUS 646234 [S1234 5 161.00] TO BUS 646235 [S1235 5 161.00] CKT 1  
OPEN BRANCH FROM BUS 646235 [S1235 5 161.00] TO BUS 646253 [S1253 5 161.00] CKT 1  
CB1235-36&53: OPEN BRANCH FROM BUS 646235 [S1235 5 161.00] TO BUS 646236 [S1236 5 161.00] CKT 1  
OPEN BRANCH FROM BUS 646235 [S1235 5 161.00] TO BUS 646253 [S1253 5 161.00] CKT 1  
CB1235-31&36: OPEN BRANCH FROM BUS 646231 [S1231 5 161.00] TO BUS 646235 [S1235 5 161.00] CKT 1  
OPEN BRANCH FROM BUS 646235 [S1235 5 161.00] TO BUS 646236 [S1236 5 161.00] CKT 1  
CB1236-BUS : OPEN LINE FROM BUS 646236 [S1236 5 161.00] TO BUS 646345 [S1345 5 161.00] CKT 1  
OPEN LINE FROM BUS 646236 [S1236 5 161.00] TO BUS 646235 [S1235 5 161.00] CKT 1  
161T37BK1OR2: OPEN LINE FROM BUS 646237 [S1237 5 161.00] TO BUS 646253 [S1253 5 161.00] CKT 1  
OPEN LINE FROM BUS 646237 [S1237 5 161.00] TO BUS 646345 [S1345 5 161.00] CKT 1  
OPEN LINE FROM BUS 646237 [S1237 5 161.00] TO BUS 646226 [S1226 5 161.00] CKT 1  
OPEN LINE FROM BUS 646345 [S1345 5 161.00] TO BUS 646236 [S1236 5 161.00] CKT 1  
CB1237-BUS : OPEN LINE FROM BUS 646237 [S1237 5 161.00] TO BUS 646253 [S1253 5 161.00] CKT 1  
OPEN LINE FROM BUS 646237 [S1237 5 161.00] TO BUS 646345 [S1345 5 161.00] CKT 1  
OPEN LINE FROM BUS 646237 [S1237 5 161.00] TO BUS 646226 [S1226 5 161.00] CKT 1  
CB1345-BUS : OPEN LINE FROM BUS 646345 [S1345 5 161.00] TO BUS 646236 [S1236 5 161.00] CKT 1  
OPEN LINE FROM BUS 646345 [S1345 5 161.00] TO BUS 646237 [S1237 5 161.00] CKT 1  
CB1249-BUS : OPEN LINE FROM BUS 646249 [S1249 5 161.00] TO BUS 646254 [S1254 5 161.00] CKT 1  
OPEN LINE FROM BUS 646249 [S1249 5 161.00] TO BUS 646256 [S1256 5 161.00] CKT 1  
CB1250-09&T1: OPEN BRANCH FROM BUS 646250 [S1250 5 161.00] TO BUS 646209 [S1209 5 161.00] CKT 2  
OPEN BRANCH FROM BUS 646250 [S1250 5 161.00] TO BUS 647950 [S950 8 69.000] TO BUS 648250 [S1250T19 13.800] CKT 1  
CB1250-09&97: OPEN BRANCH FROM BUS 646250 [S1250 5 161.00] TO BUS 646209 [S1209 5 161.00] CKT 1  
OPEN LINE FROM BUS 646297 [S1297 5 161.00] TO BUS 646250 [S1250 5 161.00] CKT 1  
OPEN LINE FROM BUS 646297 [S1297 5 161.00] TO BUS 646251 [S1251 5 161.00] CKT 1  
CB1250-11&97: OPEN BRANCH FROM BUS 646211 [S1211 5 161.00] TO BUS 646250 [S1250 5 161.00] CKT 1  
OPEN LINE FROM BUS 646297 [S1297 5 161.00] TO BUS 646250 [S1250 5 161.00] CKT 1  
OPEN LINE FROM BUS 646297 [S1297 5 161.00] TO BUS 646251 [S1251 5 161.00] CKT 1  
CB1250-11&T1: OPEN BRANCH FROM BUS 646211 [S1211 5 161.00] TO BUS 646250 [S1250 5 161.00] CKT 2  
OPEN BRANCH FROM BUS 646250 [S1250 5 161.00] TO BUS 647950 [S950 8 69.000] TO BUS 648250 [S1250T19 13.800] CKT 1  
CB1305-BUS : OPEN LINE FROM BUS 646305 [S1305 5 161.00] TO BUS 646341 [S1341 5 161.00] CKT 1  
OPEN LINE FROM BUS 646305 [S1305 5 161.00] TO BUS 646298 [S1298 5 161.00] CKT 1  
CB1341-BUS : OPEN LINE FROM BUS 646341 [S1341 5 161.00] TO BUS 646251 [S1251 5 161.00] CKT 1  
OPEN LINE FROM BUS 646341 [S1341 5 161.00] TO BUS 646305 [S1305 5 161.00] CKT 1  
CB1251-41&T4: OPEN BRANCH FROM BUS 646251 [S1251 5 161.00] TO BUS 646341 [S1341 5 161.00] CKT 1  
OPEN BRANCH FROM BUS 645451 [S3451 3 345.00] TO BUS 646251 [S1251 5 161.00] TO BUS 648351 [S3451T49 13.800] CKT 1  
CB1251-98&T3: OPEN BRANCH FROM BUS 646251 [S1251 5 161.00] TO BUS 646298 [S1298 5 161.00] CKT 1  
OPEN BRANCH FROM BUS 645451 [S3451 3 345.00] TO BUS 646251 [S1251 5 161.00] TO BUS 648251 [S3451T39 13.800] CKT 1  
CB1298-51&05: OPEN BRANCH FROM BUS 646298 [S1298 5 161.00] TO BUS 646251 [S1251 5 161.00] CKT 1  
OPEN BRANCH FROM BUS 646298 [S1298 5 161.00] TO BUS 646305 [S1305 5 161.00] CKT 1  
CB1298-05&26: OPEN BRANCH FROM BUS 646298 [S1298 5 161.00] TO BUS 646305 [S1305 5 161.00] CKT 1  
OPEN BRANCH FROM BUS 646298 [S1298 5 161.00] TO BUS 646226 [S1226 5 161.00] CKT 1  
CB1298-51&26: OPEN BRANCH FROM BUS 646298 [S1298 5 161.00] TO BUS 646251 [S1251 5 161.00] CKT 1  
OPEN BRANCH FROM BUS 646298 [S1298 5 161.00] TO BUS 646226 [S1226 5 161.00] CKT 2  
CB1251-97&FC: OPEN LINE FROM BUS 646297 [S1297 5 161.00] TO BUS 646250 [S1250 5 161.00] CKT 1  
OPEN LINE FROM BUS 646297 [S1297 5 161.00] TO BUS 646251 [S1251 5 161.00] CKT 1  
OPEN LINE FROM BUS 645100 [FC1A 5 161.00] TO BUS 646251 [S1251 5 161.00] CKT 1  
OPEN LINE FROM BUS 645100 [FC1A 5 161.00] TO BUS 645103 [FC1A3 9 4.2000] CKT 1

OPEN LINE FROM BUS 645100 [FC1A 5 161.00] TO BUS 645104 [FC1A4 9 4.2000] CKT 1  
CB1253-35&37: OPEN BRANCH FROM BUS 646235 [S1235 5 161.00] TO BUS 646253 [S1253 5 161.00] CKT 1  
OPEN BRANCH FROM BUS 646237 [S1237 5 161.00] TO BUS 646253 [S1253 5 161.00] CKT 1  
CB1253-BUS : OPEN LINE FROM BUS 646253 [S1253 5 161.00] TO BUS 646256 [S1256 5 161.00] CKT 1  
OPEN LINE FROM BUS 646253 [S1253 5 161.00] TO BUS 646235 [S1235 5 161.00] CKT 1  
OPEN LINE FROM BUS 646253 [S1253 5 161.00] TO BUS 646237 [S1237 5 161.00] CKT 1  
CB1254-BUS : OPEN LINE FROM BUS 646254 [S1254 5 161.00] TO BUS 646281 [S1281 5 161.00] CKT 1  
OPEN LINE FROM BUS 646254 [S1254 5 161.00] TO BUS 645454 [S3454 3 345.00] TO BUS 648254 [S1254T19 13.800] CKT 1  
OPEN LINE FROM BUS 646254 [S1254 5 161.00] TO BUS 646249 [S1249 5 161.00] CKT 1  
CB1255-21&T1: OPEN BRANCH FROM BUS 646221 [S1221 5 161.00] TO BUS 646255 [S1255 5 161.00] CKT 1  
OPEN BRANCH FROM BUS 645455 [S3455 3 345.00] TO BUS 646255 [S1255 5 161.00] TO BUS 648255 [S3455T19 13.800] CKT 1  
CB1255-59&T3: OPEN BRANCH FROM BUS 646255 [S1255 5 161.00] TO BUS 646259 [S1259 5 161.00] CKT 1  
OPEN BRANCH FROM BUS 645455 [S3455 3 345.00] TO BUS 646255 [S1255 5 161.00] TO BUS 648355 [S3455T39 13.800] CKT 1  
CB1256-49&53: OPEN LINE FROM BUS 646256 [S1256 5 161.00] TO BUS 646249 [S1249 5 161.00] CKT 1  
OPEN LINE FROM BUS 646256 [S1256 5 161.00] TO BUS 646253 [S1253 5 161.00] CKT 1  
SET BUS 646253 [S1253 5 161.00] LOAD TO 0 MW  
CB1259-BUS81: OPEN LINE FROM BUS 646259 [S1259 5 161.00] TO BUS 646278 [S1278 5 161.00] CKT 1  
OPEN LINE FROM BUS 646259 [S1259 5 161.00] TO BUS 646281 [S1281 5 161.00] CKT 1  
OPEN LINE FROM BUS 646259 [S1259 5 161.00] TO BUS 646255 [S1255 5 161.00] CKT 1  
OPEN LINE FROM BUS 646281 [S1281 5 161.00] TO BUS 646287 [S1287 5 161.00] CKT 1  
OPEN LINE FROM BUS 646281 [S1281 5 161.00] TO BUS 646254 [S1254 5 161.00] CKT 1  
CB1259-BUS : OPEN LINE FROM BUS 646259 [S1259 5 161.00] TO BUS 646278 [S1278 5 161.00] CKT 1  
OPEN LINE FROM BUS 646259 [S1259 5 161.00] TO BUS 646281 [S1281 5 161.00] CKT 1  
OPEN LINE FROM BUS 646259 [S1259 5 161.00] TO BUS 646255 [S1255 5 161.00] CKT 1  
CB1263-BUS : OPEN LINE FROM BUS 646263 [S1263 5 161.00] TO BUS 646280 [S1280 5 161.00] CKT 1  
OPEN LINE FROM BUS 646263 [S1263 5 161.00] TO BUS 647111 [W BROCK8 69.000] TO BUS 648263 [S1263T19 13.800] CKT 1  
OPEN LINE FROM BUS 646263 [S1263 5 161.00] TO BUS 646258 [S1258 5 161.00] CKT 1  
CB1278-BUS : OPEN LINE FROM BUS 646278 [S1278 5 161.00] TO BUS 646232 [S1232 5 161.00] CKT 1  
OPEN LINE FROM BUS 646278 [S1278 5 161.00] TO BUS 646259 [S1259 5 161.00] CKT 1  
CB1280-BUS : OPEN LINE FROM BUS 646280 [S1280 5 161.00] TO BUS 640140 [COOPER 5 161.00] CKT 1  
OPEN LINE FROM BUS 646280 [S1280 5 161.00] TO BUS 640234 [HUMBOLT5 161.00] CKT 1  
OPEN LINE FROM BUS 646280 [S1280 5 161.00] TO BUS 646263 [S1263 5 161.00] CKT 1  
CB1281-BUS : OPEN LINE FROM BUS 646281 [S1281 5 161.00] TO BUS 646287 [S1287 5 161.00] CKT 1  
OPEN LINE FROM BUS 646281 [S1281 5 161.00] TO BUS 646254 [S1254 5 161.00] CKT 1  
OPEN LINE FROM BUS 646281 [S1281 5 161.00] TO BUS 646259 [S1259 5 161.00] CKT 1  
CB1286-BUS : OPEN LINE FROM BUS 646286 [S1286 5 161.00] TO BUS 646299 [S1299 5 161.00] CKT 1  
OPEN LINE FROM BUS 646286 [S1286 5 161.00] TO BUS 646201 [S1201 5 161.00] CKT 1  
CB1287-BUS : OPEN LINE FROM BUS 646287 [S1287 5 161.00] TO BUS 646214 [S1214 5 161.00] CKT 1  
OPEN LINE FROM BUS 646287 [S1287 5 161.00] TO BUS 646281 [S1281 5 161.00] CKT 1  
CB1299-BUS : OPEN LINE FROM BUS 646299 [S1299 5 161.00] TO BUS 646211 [S1211 5 161.00] CKT 1  
OPEN LINE FROM BUS 646299 [S1299 5 161.00] TO BUS 646286 [S1286 5 161.00] CKT 1  
CBTEK-BUS : OPEN LINE FROM BUS 640377 [TEKAMAH5 161.00] TO BUS 646226 [S1226 5 161.00] CKT 1  
OPEN LINE FROM BUS 640377 [TEKAMAH5 161.00] TO BUS 640378 [TEKAMAH7 115.00] CKT 1  
OPEN LINE FROM BUS 640377 [TEKAMAH5 161.00] TO BUS 635201 [RAUN 5 161.00] CKT 1  
CBCOO-161BUS: OPEN BRANCH FROM BUS 640140 [COOPER 5 161.00] TO BUS 640139 [COOPER 3 345.00] TO BUS 640142 [COOPER 9 13.800] CKT 1  
CB1399-BUS : OPEN LINE FROM BUS 646399 [S1399 5 161.00] TO BUS 648500 [FLTWTRX9 34.500] TO BUS 648501 [FLTWTRY9 13.800] CKT 1  
OPEN LINE FROM BUS 646399 [S1399 5 161.00] TO BUS 532913 [KELLY 5 161.00] CKT 1  
OPEN LINE FROM BUS 646399 [S1399 5 161.00] TO BUS 640234 [HUMBOLT5 161.00] CKT 1

CBHUM-80&T4 : OPEN BRANCH FROM BUS 640234 [HUMBOLT5 161.00] TO BUS 647975 [S975 8 69.000] TO BUS 648275 [S975T4 9 13.800] CKT 1  
OPEN BRANCH FROM BUS 640234 [HUMBOLT5 161.00] TO BUS 646280 [S1280 5 161.00] CKT 1

CBHUM-T2&T4 : OPEN BRANCH FROM BUS 640234 [HUMBOLT5 161.00] TO BUS 647975 [S975 8 69.000] TO BUS 648275 [S975T4 9 13.800] CKT 1  
OPEN BRANCH FROM BUS 640235 [HUMBOLT7 115.00] TO BUS 640234 [HUMBOLT5 161.00] CKT 1

CB900-BUS : OPEN LINE FROM BUS 647900 [S900 8 69.000] TO BUS 647914 [S914 8 69.000] CKT 1  
OPEN LINE FROM BUS 647900 [S900 8 69.000] TO BUS 647972 [S972 8 69.000] CKT 1  
OPEN LINE FROM BUS 647900 [S900 8 69.000] TO BUS 647985 [S985 8 69.000] CKT 1  
OPEN LINE FROM BUS 647900 [S900 8 69.000] TO BUS 647079 [979TP 8 69.000] CKT 1  
OPEN LINE FROM BUS 647900 [S900 8 69.000] TO BUS 647100 [ASH GRV8 69.000] CKT 1

CB900BUS&979: OPEN LINE FROM BUS 647900 [S900 8 69.000] TO BUS 647914 [S914 8 69.000] CKT 1  
OPEN LINE FROM BUS 647900 [S900 8 69.000] TO BUS 647972 [S972 8 69.000] CKT 1  
OPEN LINE FROM BUS 647900 [S900 8 69.000] TO BUS 647985 [S985 8 69.000] CKT 1  
OPEN LINE FROM BUS 647900 [S900 8 69.000] TO BUS 647079 [979TP 8 69.000] CKT 1  
OPEN LINE FROM BUS 647900 [S900 8 69.000] TO BUS 647100 [ASH GRV8 69.000] CKT 1  
OPEN LINE FROM BUS 647079 [979TP 8 69.000] TO BUS 647979 [S979 8 69.000] CKT 1  
OPEN LINE FROM BUS 647079 [979TP 8 69.000] TO BUS 647006 [S906 N 8 69.000] CKT 1

CB901-JS&BUS: OPEN LINE FROM BUS 647901 [S901 8 69.000] TO BUS 647912 [S912 8 69.000] CKT 1  
OPEN LINE FROM BUS 647901 [S901 8 69.000] TO BUS 646201 [S1201 5 161.00] TO BUS 648201 [S1201T19 13.800] CKT 1  
OPEN LINE FROM BUS 647901 [S901 8 69.000] TO BUS 645051 [JONES 1G 13.800] CKT 1  
OPEN LINE FROM BUS 647901 [S901 8 69.000] TO BUS 645052 [JONES 2G 13.800] CKT 1  
OPEN LINE FROM BUS 647901 [S901 8 69.000] TO BUS 647105 [JCT205 8 69.000] CKT 1

CB902-BUS : OPEN LINE FROM BUS 647902 [S902 8 69.000] TO BUS 647937 [S937 8 69.000] CKT 1  
OPEN LINE FROM BUS 647902 [S902 8 69.000] TO BUS 647983 [S983 8 69.000] CKT 1  
OPEN LINE FROM BUS 647902 [S902 8 69.000] TO BUS 647984 [S984 8 69.000] CKT 1

CB902BUS&937: OPEN LINE FROM BUS 647902 [S902 8 69.000] TO BUS 647937 [S937 8 69.000] CKT 1  
OPEN LINE FROM BUS 647902 [S902 8 69.000] TO BUS 647983 [S983 8 69.000] CKT 1  
OPEN LINE FROM BUS 647902 [S902 8 69.000] TO BUS 647984 [S984 8 69.000] CKT 1  
OPEN LINE FROM BUS 647937 [S937 8 69.000] TO BUS 647909 [S909 8 69.000] CKT 1

CB904BUS&985: OPEN LINE FROM BUS 647904 [S904 8 69.000] TO BUS 647906 [S906 S 8 69.000] CKT 1  
OPEN LINE FROM BUS 647904 [S904 8 69.000] TO BUS 647985 [S985 8 69.000] CKT 1  
OPEN LINE FROM BUS 647985 [S985 8 69.000] TO BUS 640320 [PLTSMTH8 69.000] CKT 1  
OPEN LINE FROM BUS 647985 [S985 8 69.000] TO BUS 647900 [S900 8 69.000] CKT 1

CB906N-69DT2: OPEN BRANCH FROM BUS 647006 [S906 N 8 69.000] TO BUS 647079 [979TP 8 69.000] CKT 1  
OPEN BRANCH FROM BUS 647006 [S906 N 8 69.000] TO BUS 647017 [915TP9 8 69.000] CKT 1  
CLOSE BRANCH FROM BUS 647006 [S906 N 8 69.000] TO BUS 647906 [S906 S 8 69.000] CKT 1  
OPEN BRANCH FROM BUS 646206 [S1206 5 161.00] TO BUS 647006 [S906 N 8 69.000] TO BUS 648306 [S1206T29 13.800] CKT 1

CB906N-6979 : OPEN LINE FROM BUS 647079 [979TP 8 69.000] TO BUS 647900 [S900 8 69.000] CKT 1  
OPEN LINE FROM BUS 647079 [979TP 8 69.000] TO BUS 647979 [S979 8 69.000] CKT 1  
OPEN LINE FROM BUS 647079 [979TP 8 69.000] TO BUS 647006 [S906 N 8 69.000] CKT 1  
OPEN BRANCH FROM BUS 647006 [S906 N 8 69.000] TO BUS 647017 [915TP9 8 69.000] CKT 1  
OPEN BRANCH FROM BUS 646206 [S1206 5 161.00] TO BUS 647006 [S906 N 8 69.000] TO BUS 648306 [S1206T29 13.800] CKT 1  
CLOSE BRANCH FROM BUS 647006 [S906 N 8 69.000] TO BUS 647906 [S906 S 8 69.000] CKT 1

CB906N-6994 : OPEN BRANCH FROM BUS 646206 [S1206 5 161.00] TO BUS 647006 [S906 N 8 69.000] TO BUS 648306 [S1206T29 13.800] CKT 1  
OPEN LINE FROM BUS 647017 [915TP9 8 69.000] TO BUS 647108 [SAC629 8 69.000] CKT 1  
OPEN LINE FROM BUS 647017 [915TP9 8 69.000] TO BUS 647006 [S906 N 8 69.000] CKT 1  
OPEN LINE FROM BUS 647017 [915TP9 8 69.000] TO BUS 647015 [S915T1 8 69.000] CKT 1  
OPEN LINE FROM BUS 647108 [SAC629 8 69.000] TO BUS 647110 [SAC NO 8 69.000] CKT 1  
OPEN LINE FROM BUS 647108 [SAC629 8 69.000] TO BUS 647994 [S994 8 69.000] CKT 1

CLOSE BRANCH FROM BUS 647006 [S906 N 8 69.000] TO BUS 647906 [S906 S 8 69.000] CKT 1  
CB906N-BT61 : OPEN BRANCH FROM BUS 646206 [S1206 5 161.00] TO BUS 647006 [S906 N 8 69.000] TO BUS 648306 [S1206T29 13.800] CKT 1  
OPEN LINE FROM BUS 645031 [SARPY 1G 13.800] TO BUS 647006 [S906 N 8 69.000] CKT 1  
OPEN BRANCH FROM BUS 647006 [S906 N 8 69.000] TO BUS 647017 [915TP9 8 69.000] CKT 1  
OPEN BRANCH FROM BUS 647006 [S906 N 8 69.000] TO BUS 647079 [979TP 8 69.000] CKT 1  
OPEN BRANCH FROM BUS 647006 [S906 N 8 69.000] TO BUS 647928 [S928 8 69.000] CKT 1  
OPEN BRANCH FROM BUS 647006 [S906 N 8 69.000] TO BUS 647916 [S916 8 69.000] CKT 1  
OPEN BRANCH FROM BUS 647006 [S906 N 8 69.000] TO BUS 647938 [S938 8 69.000] CKT 1  
CB906N69CBUS: OPEN LINE FROM BUS 645031 [SARPY 1G 13.800] TO BUS 647006 [S906 N 8 69.000] CKT 1  
OPEN BRANCH FROM BUS 647006 [S906 N 8 69.000] TO BUS 647938 [S938 8 69.000] CKT 1  
OPEN BRANCH FROM BUS 647006 [S906 N 8 69.000] TO BUS 647928 [S928 8 69.000] CKT 1  
OPEN BRANCH FROM BUS 647006 [S906 N 8 69.000] TO BUS 647916 [S916 8 69.000] CKT 1  
CB906N69B916: OPEN LINE FROM BUS 645031 [SARPY 1G 13.800] TO BUS 647006 [S906 N 8 69.000] CKT 1  
OPEN BRANCH FROM BUS 647006 [S906 N 8 69.000] TO BUS 647938 [S938 8 69.000] CKT 1  
OPEN BRANCH FROM BUS 647006 [S906 N 8 69.000] TO BUS 647928 [S928 8 69.000] CKT 1  
OPEN BRANCH FROM BUS 647006 [S906 N 8 69.000] TO BUS 647916 [S916 8 69.000] CKT 1  
OPEN BRANCH FROM BUS 647916 [S916 8 69.000] TO BUS 647940 [S940 8 69.000] CKT 1  
CB906S69BSC2: OPEN LINE FROM BUS 645032 [SARPY 2G 13.800] TO BUS 647906 [S906 S 8 69.000] CKT 1  
OPEN BRANCH FROM BUS 647906 [S906 S 8 69.000] TO BUS 647924 [S924 8 69.000] CKT 1  
OPEN BRANCH FROM BUS 647906 [S906 S 8 69.000] TO BUS 647016 [915TP3 8 69.000] CKT 1  
CB906S69B994: OPEN LINE FROM BUS 645032 [SARPY 2G 13.800] TO BUS 647906 [S906 S 8 69.000] CKT 1  
OPEN BRANCH FROM BUS 647906 [S906 S 8 69.000] TO BUS 647924 [S924 8 69.000] CKT 1  
OPEN LINE FROM BUS 647016 [915TP3 8 69.000] TO BUS 647107 [SAC623 8 69.000] CKT 1  
OPEN LINE FROM BUS 647016 [915TP3 8 69.000] TO BUS 647906 [S906 S 8 69.000] CKT 1  
OPEN LINE FROM BUS 647016 [915TP3 8 69.000] TO BUS 647915 [S915T2 8 69.000] CKT 1  
OPEN LINE FROM BUS 647107 [SAC623 8 69.000] TO BUS 647109 [SAC SO 8 69.000] CKT 1  
OPEN LINE FROM BUS 647107 [SAC623 8 69.000] TO BUS 647994 [S994 8 69.000] CKT 1  
CB906S-BT63 : OPEN LINE FROM BUS 645032 [SARPY 2G 13.800] TO BUS 647906 [S906 S 8 69.000] CKT 1  
OPEN BRANCH FROM BUS 647906 [S906 S 8 69.000] TO BUS 647924 [S924 8 69.000] CKT 1  
OPEN BRANCH FROM BUS 647906 [S906 S 8 69.000] TO BUS 647016 [915TP3 8 69.000] CKT 1  
OPEN BRANCH FROM BUS 647906 [S906 S 8 69.000] TO BUS 647904 [S904 8 69.000] CKT 1  
OPEN BRANCH FROM BUS 647906 [S906 S 8 69.000] TO BUS 647938 [S938 8 69.000] CKT 1  
OPEN BRANCH FROM BUS 646206 [S1206 5 161.00] TO BUS 647906 [S906 S 8 69.000] TO BUS 648206 [S1206T19 13.800] CKT 1  
CB906S-69A : OPEN BRANCH FROM BUS 646206 [S1206 5 161.00] TO BUS 647906 [S906 S 8 69.000] TO BUS 648206 [S1206T19 13.800] CKT 1  
OPEN BRANCH FROM BUS 647906 [S906 S 8 69.000] TO BUS 647904 [S904 8 69.000] CKT 1  
OPEN BRANCH FROM BUS 647906 [S906 S 8 69.000] TO BUS 647938 [S938 8 69.000] CKT 1  
CLOSE BRANCH FROM BUS 647006 [S906 N 8 69.000] TO BUS 647906 [S906 S 8 69.000] CKT 1  
CB907-BUS : OPEN LINE FROM BUS 647907 [S907 8 69.000] TO BUS 647911 [S911 8 69.000] CKT 1  
OPEN LINE FROM BUS 647907 [S907 8 69.000] TO BUS 647919 [S919 8 69.000] CKT 1  
CB909BUS&937: OPEN LINE FROM BUS 647909 [S909 8 69.000] TO BUS 647918 [S918 8 69.000] CKT 1  
OPEN LINE FROM BUS 647909 [S909 8 69.000] TO BUS 647921 [S921 8 69.000] CKT 1  
OPEN LINE FROM BUS 647909 [S909 8 69.000] TO BUS 647937 [S937 8 69.000] CKT 1  
OPEN LINE FROM BUS 647909 [S909 8 69.000] TO BUS 647939 [S939 8 69.000] CKT 1  
OPEN LINE FROM BUS 647909 [S909 8 69.000] TO BUS 646209 [S1209 5 161.00] TO BUS 648209 [S1209T19 13.800] CKT 1  
OPEN LINE FROM BUS 647937 [S937 8 69.000] TO BUS 647902 [S902 8 69.000] CKT 1  
CB909-BUS : OPEN LINE FROM BUS 647909 [S909 8 69.000] TO BUS 647918 [S918 8 69.000] CKT 1  
OPEN LINE FROM BUS 647909 [S909 8 69.000] TO BUS 647921 [S921 8 69.000] CKT 1  
OPEN LINE FROM BUS 647909 [S909 8 69.000] TO BUS 647937 [S937 8 69.000] CKT 1

OPEN LINE FROM BUS 647909 [S909 8 69.000] TO BUS 647939 [S939 8 69.000] CKT 1  
OPEN LINE FROM BUS 647909 [S909 8 69.000] TO BUS 646209 [S1209 5 161.00] TO BUS 648209 [S1209T19 13.800] CKT 1  
CB910-BUS : OPEN LINE FROM BUS 647910 [S910 8 69.000] TO BUS 647923 [S923 8 69.000] CKT 1  
OPEN LINE FROM BUS 647910 [S910 8 69.000] TO BUS 646210 [S1210 5 161.00] TO BUS 648210 [S1210T79 13.800] CKT 1  
OPEN LINE FROM BUS 647910 [S910 8 69.000] TO BUS 647105 [JCT205 8 69.000] CKT 1  
OPEN LINE FROM BUS 647910 [S910 8 69.000] TO BUS 647908 [S908 8 69.000] CKT 1  
CB910BUS1210: OPEN BRANCH FROM BUS 646210 [S1210 5 161.00] TO BUS 646217 [S1217 5 161.00] CKT 1  
OPEN LINE FROM BUS 647910 [S910 8 69.000] TO BUS 647923 [S923 8 69.000] CKT 1  
OPEN LINE FROM BUS 647910 [S910 8 69.000] TO BUS 646210 [S1210 5 161.00] TO BUS 648210 [S1210T79 13.800] CKT 1  
OPEN LINE FROM BUS 647910 [S910 8 69.000] TO BUS 647105 [JCT205 8 69.000] CKT 1  
OPEN LINE FROM BUS 647910 [S910 8 69.000] TO BUS 647908 [S908 8 69.000] CKT 1  
CB911-BUS : OPEN LINE FROM BUS 647911 [S911 8 69.000] TO BUS 647913 [S913 8 69.000] CKT 1  
OPEN LINE FROM BUS 647911 [S911 8 69.000] TO BUS 646211 [S1211 5 161.00] TO BUS 648211 [S1211T19 13.800] CKT 1  
OPEN LINE FROM BUS 647911 [S911 8 69.000] TO BUS 645021 [N OMA 1G 13.800] CKT 1  
OPEN LINE FROM BUS 647911 [S911 8 69.000] TO BUS 645126 [S911 HS9 13.800] CKT 1  
OPEN LINE FROM BUS 647911 [S911 8 69.000] TO BUS 647907 [S907 8 69.000] CKT 1  
OPEN LINE FROM BUS 645021 [N OMA 1G 13.800] TO BUS 645121 [NO1 AUX9 2.4000] CKT 1  
CB912-BUS : OPEN LINE FROM BUS 647912 [S912 8 69.000] TO BUS 647923 [S923 8 69.000] CKT 1  
OPEN LINE FROM BUS 647912 [S912 8 69.000] TO BUS 647924 [S924 8 69.000] CKT 1  
OPEN LINE FROM BUS 647912 [S912 8 69.000] TO BUS 647901 [S901 8 69.000] CKT 1  
CB914-BUS : OPEN LINE FROM BUS 647914 [S914 8 69.000] TO BUS 647014 [S914A 8 69.000] CKT 1  
OPEN LINE FROM BUS 647914 [S914 8 69.000] TO BUS 647900 [S900 8 69.000] CKT 1  
CB914A-88-T1: OPEN LINE FROM BUS 647988 [S988 8 69.000] TO BUS 647014 [S914A 8 69.000] CKT 1  
OPEN BRANCH FROM BUS 646214 [S1214 5 161.00] TO BUS 647014 [S914A 8 69.000] TO BUS 648214 [S1214T19 13.800] CKT 1  
CB914A-46-T1: OPEN BRANCH FROM BUS 647014 [S914A 8 69.000] TO BUS 647846 [S6846 8 69.000] CKT 1  
OPEN BRANCH FROM BUS 646214 [S1214 5 161.00] TO BUS 647014 [S914A 8 69.000] TO BUS 648214 [S1214T19 13.800] CKT 1  
CB914A-14-88: OPEN BRANCH FROM BUS 647014 [S914A 8 69.000] TO BUS 647914 [S914 8 69.000] CKT 1  
OPEN LINE FROM BUS 647988 [S988 8 69.000] TO BUS 647014 [S914A 8 69.000] CKT 1  
CB916-BUS : OPEN LINE FROM BUS 647916 [S916 8 69.000] TO BUS 647917 [S917 8 69.000] CKT 1  
OPEN LINE FROM BUS 647916 [S916 8 69.000] TO BUS 647940 [S940 8 69.000] CKT 1  
OPEN LINE FROM BUS 647916 [S916 8 69.000] TO BUS 647006 [S906 N 8 69.000] CKT 1  
CB916-06-40 : OPEN BRANCH FROM BUS 647916 [S916 8 69.000] TO BUS 647940 [S940 8 69.000] CKT 1  
OPEN BRANCH FROM BUS 647916 [S916 8 69.000] TO BUS 647006 [S906 N 8 69.000] CKT 1  
CB917-BUS : OPEN LINE FROM BUS 647917 [S917 8 69.000] TO BUS 647918 [S918 8 69.000] CKT 1  
OPEN LINE FROM BUS 647917 [S917 8 69.000] TO BUS 646217 [S1217 5 161.00] TO BUS 648217 [S1217T19 13.800] CKT 1  
OPEN LINE FROM BUS 647917 [S917 8 69.000] TO BUS 647916 [S916 8 69.000] CKT 1  
CB917BUS1217: OPEN LINE FROM BUS 647917 [S917 8 69.000] TO BUS 647918 [S918 8 69.000] CKT 1  
OPEN LINE FROM BUS 647917 [S917 8 69.000] TO BUS 646217 [S1217 5 161.00] TO BUS 648217 [S1217T19 13.800] CKT 1  
OPEN LINE FROM BUS 647917 [S917 8 69.000] TO BUS 647916 [S916 8 69.000] CKT 1  
OPEN LINE FROM BUS 646217 [S1217 5 161.00] TO BUS 646227 [S1227 5 161.00] CKT 1  
OPEN LINE FROM BUS 646217 [S1217 5 161.00] TO BUS 646210 [S1210 5 161.00] CKT 1  
OPEN LINE FROM BUS 646217 [S1217 5 161.00] TO BUS 646216 [S1216 5 161.00] CKT 1  
CB918-BUS : OPEN LINE FROM BUS 647918 [S918 8 69.000] TO BUS 647930 [S930 8 69.000] CKT 1  
OPEN LINE FROM BUS 647918 [S918 8 69.000] TO BUS 647909 [S909 8 69.000] CKT 1  
OPEN LINE FROM BUS 647918 [S918 8 69.000] TO BUS 647917 [S917 8 69.000] CKT 1  
CB919-BUS : OPEN LINE FROM BUS 647919 [S919 8 69.000] TO BUS 647930 [S930 8 69.000] CKT 1  
OPEN LINE FROM BUS 647919 [S919 8 69.000] TO BUS 647950 [S950 8 69.000] CKT 1  
OPEN LINE FROM BUS 647919 [S919 8 69.000] TO BUS 647907 [S907 8 69.000] CKT 1

CB921-BUS : OPEN LINE FROM BUS 647921 [S921 8 69.000] TO BUS 647940 [S940 8 69.000] CKT 1  
OPEN LINE FROM BUS 647921 [S921 8 69.000] TO BUS 647942 [S942 8 69.000] CKT 1  
OPEN LINE FROM BUS 647921 [S921 8 69.000] TO BUS 646221 [S1221 5 161.00] TO BUS 648221 [S1221T99 13.800] CKT 1  
OPEN LINE FROM BUS 647921 [S921 8 69.000] TO BUS 647909 [S909 8 69.000] CKT 1

CB923-12-PXM: OPEN BRANCH FROM BUS 647912 [S912 8 69.000] TO BUS 647923 [S923 8 69.000] CKT 1  
OPEN LINE FROM BUS 647106 [PAX MIT8 69.000] TO BUS 647923 [S923 8 69.000] CKT 1

CB923-BUSPXM: OPEN LINE FROM BUS 647923 [S923 8 69.000] TO BUS 647106 [PAX MIT8 69.000] CKT 1  
OPEN LINE FROM BUS 647923 [S923 8 69.000] TO BUS 647910 [S910 8 69.000] CKT 1  
OPEN LINE FROM BUS 647923 [S923 8 69.000] TO BUS 647912 [S912 8 69.000] CKT 1

CB924-BUS : OPEN LINE FROM BUS 647924 [S924 8 69.000] TO BUS 647906 [S906 S 8 69.000] CKT 1  
OPEN LINE FROM BUS 647924 [S924 8 69.000] TO BUS 647912 [S912 8 69.000] CKT 1

CB928-BUS : OPEN LINE FROM BUS 647928 [S928 8 69.000] TO BUS 647942 [S942 8 69.000] CKT 1  
OPEN LINE FROM BUS 647928 [S928 8 69.000] TO BUS 647006 [S906 N 8 69.000] CKT 1

CB930-18-39 : OPEN BRANCH FROM BUS 647918 [S918 8 69.000] TO BUS 647930 [S930 8 69.000] CKT 1  
OPEN BRANCH FROM BUS 647930 [S930 8 69.000] TO BUS 647939 [S939 8 69.000] CKT 1

CB938-06N-95: OPEN BRANCH FROM BUS 647006 [S906 N 8 69.000] TO BUS 647938 [S938 8 69.000] CKT 1  
OPEN BRANCH FROM BUS 647938 [S938 8 69.000] TO BUS 647995 [S995 8 69.000] CKT 1

CB938-06S-95: OPEN BRANCH FROM BUS 647906 [S906 S 8 69.000] TO BUS 647938 [S938 8 69.000] CKT 1  
OPEN BRANCH FROM BUS 647938 [S938 8 69.000] TO BUS 647995 [S995 8 69.000] CKT 1

CB939-09-MUD: OPEN BRANCH FROM BUS 647939 [S939 8 69.000] TO BUS 647909 [S909 8 69.000] CKT 1  
OPEN LINE FROM BUS 647104 [MUD LNG8 69.000] TO BUS 647939 [S939 8 69.000] CKT 1

CB939-30-MUD: OPEN BRANCH FROM BUS 647930 [S930 8 69.000] TO BUS 647939 [S939 8 69.000] CKT 1  
OPEN LINE FROM BUS 647104 [MUD LNG8 69.000] TO BUS 647939 [S939 8 69.000] CKT 1

CB961-BUS&NH: OPEN LINE FROM BUS 647961 [S961 8 69.000] TO BUS 640292 [NEHAWKA8 69.000] CKT 1  
OPEN LINE FROM BUS 647961 [S961 8 69.000] TO BUS 640320 [PLTSMTH8 69.000] CKT 1  
OPEN LINE FROM BUS 640292 [NEHAWKA8 69.000] TO BUS 647962 [S962 8 69.000] CKT 1

CB962-BUS&NH: OPEN LINE FROM BUS 647962 [S962 8 69.000] TO BUS 640292 [NEHAWKA8 69.000] CKT 1  
OPEN LINE FROM BUS 647962 [S962 8 69.000] TO BUS 647114 [KIN MTP8 69.000] CKT 1  
OPEN LINE FROM BUS 647962 [S962 8 69.000] TO BUS 647401 [NCU903 8 69.000] CKT 1  
OPEN LINE FROM BUS 640292 [NEHAWKA8 69.000] TO BUS 647961 [S961 8 69.000] CKT 1

CB963-BUS977: OPEN LINE FROM BUS 647963 [S963 8 69.000] TO BUS 647973 [S973 8 69.000] CKT 1  
OPEN LINE FROM BUS 647963 [S963 8 69.000] TO BUS 647977 [S977 8 69.000] CKT 1  
OPEN LINE FROM BUS 647963 [S963 8 69.000] TO BUS 647101 [AUBRNT 8 69.000] CKT 1  
OPEN LINE FROM BUS 647963 [S963 8 69.000] TO BUS 647111 [W BROCK8 69.000] CKT 1  
OPEN LINE FROM BUS 647977 [S977 8 69.000] TO BUS 647401 [NCU903 8 69.000] CKT 1  
OPEN LINE FROM BUS 647973 [S973 8 69.000] TO BUS 640143 [CORNFLD8 69.000] CKT 1

CB963BUS1263: OPEN LINE FROM BUS 647963 [S963 8 69.000] TO BUS 647973 [S973 8 69.000] CKT 1  
OPEN LINE FROM BUS 647963 [S963 8 69.000] TO BUS 647977 [S977 8 69.000] CKT 1  
OPEN LINE FROM BUS 647963 [S963 8 69.000] TO BUS 647101 [AUBRNT 8 69.000] CKT 1  
OPEN LINE FROM BUS 647963 [S963 8 69.000] TO BUS 647111 [W BROCK8 69.000] CKT 1  
OPEN LINE FROM BUS 647973 [S973 8 69.000] TO BUS 640143 [CORNFLD8 69.000] CKT 1

CB963-BUSAUB: OPEN LINE FROM BUS 647963 [S963 8 69.000] TO BUS 647973 [S973 8 69.000] CKT 1  
OPEN LINE FROM BUS 647963 [S963 8 69.000] TO BUS 647977 [S977 8 69.000] CKT 1  
OPEN LINE FROM BUS 647963 [S963 8 69.000] TO BUS 647101 [AUBRNT 8 69.000] CKT 1  
OPEN LINE FROM BUS 647963 [S963 8 69.000] TO BUS 647111 [W BROCK8 69.000] CKT 1  
OPEN LINE FROM BUS 647973 [S973 8 69.000] TO BUS 640143 [CORNFLD8 69.000] CKT 1  
OPEN LINE FROM BUS 647101 [AUBRNT 8 69.000] TO BUS 647975 [S975 8 69.000] CKT 1  
OPEN LINE FROM BUS 647101 [AUBRNT 8 69.000] TO BUS 640062 [AUBURN 8 69.000] CKT 1



CB968-67-TEC: OPEN LINE FROM BUS 647967 [S967 8 69.000] TO BUS 647968 [S968 8 69.000] CKT 1  
OPEN LINE FROM BUS 647967 [S967 8 69.000] TO BUS 647111 [W BROCK8 69.000] CKT 1  
OPEN LINE FROM BUS 647400 [TECUMSH8 69.000] TO BUS 647968 [S968 8 69.000] CKT 1  
CB968TEC7469: OPEN LINE FROM BUS 647968 [S968 8 69.000] TO BUS 647969 [S969 8 69.000] CKT 1  
OPEN LINE FROM BUS 647968 [S968 8 69.000] TO BUS 647400 [TECUMSH8 69.000] CKT 1  
OPEN LINE FROM BUS 647968 [S968 8 69.000] TO BUS 647967 [S967 8 69.000] CKT 1  
OPEN LINE FROM BUS 647969 [S969 8 69.000] TO BUS 647974 [S974 8 69.000] CKT 1  
CB970-EN-NCU: OPEN LINE FROM BUS 647970 [S970 8 69.000] TO BUS 647102 [HYDCAP 8 69.000] CKT 1  
OPEN LINE FROM BUS 647970 [S970 8 69.000] TO BUS 647402 [NC SYRA8 69.000] CKT 1  
OPEN LINE FROM BUS 647102 [HYDCAP 8 69.000] TO BUS 647103 [ENRON 8 69.000] CKT 1  
OPEN LINE FROM BUS 647102 [HYDCAP 8 69.000] TO BUS 647974 [S974 8 69.000] CKT 1  
OPEN LINE FROM BUS 647402 [NC SYRA8 69.000] TO BUS 647971 [S971 8 69.000] CKT 1  
CB971-BUS990: OPEN LINE FROM BUS 647971 [S971 8 69.000] TO BUS 647090 [990TP 8 69.000] CKT 1  
OPEN LINE FROM BUS 647971 [S971 8 69.000] TO BUS 647114 [KIN MTP8 69.000] CKT 1  
OPEN LINE FROM BUS 647971 [S971 8 69.000] TO BUS 647402 [NC SYRA8 69.000] CKT 1  
OPEN LINE FROM BUS 647090 [990TP 8 69.000] TO BUS 647982 [S982 8 69.000] CKT 1  
OPEN LINE FROM BUS 647090 [990TP 8 69.000] TO BUS 647990 [S990 8 69.000] CKT 1  
CB971-BUS : OPEN LINE FROM BUS 647971 [S971 8 69.000] TO BUS 647090 [990TP 8 69.000] CKT 1  
OPEN LINE FROM BUS 647971 [S971 8 69.000] TO BUS 647114 [KIN MTP8 69.000] CKT 1  
OPEN LINE FROM BUS 647971 [S971 8 69.000] TO BUS 647402 [NC SYRA8 69.000] CKT 1  
CB971-BUSNCU: OPEN LINE FROM BUS 647971 [S971 8 69.000] TO BUS 647090 [990TP 8 69.000] CKT 1  
OPEN LINE FROM BUS 647971 [S971 8 69.000] TO BUS 647114 [KIN MTP8 69.000] CKT 1  
OPEN LINE FROM BUS 647971 [S971 8 69.000] TO BUS 647402 [NC SYRA8 69.000] CKT 1  
OPEN LINE FROM BUS 647402 [NC SYRA8 69.000] TO BUS 647970 [S970 8 69.000] CKT 1  
CB972-BUS : OPEN LINE FROM BUS 647972 [S972 8 69.000] TO BUS 647982 [S982 8 69.000] CKT 1  
OPEN LINE FROM BUS 647972 [S972 8 69.000] TO BUS 647900 [S900 8 69.000] CKT 1  
CB974-BUS969: OPEN LINE FROM BUS 647974 [S974 8 69.000] TO BUS 640362 [STERLNG7 115.00] CKT 1  
OPEN LINE FROM BUS 647974 [S974 8 69.000] TO BUS 647102 [HYDCAP 8 69.000] CKT 1  
OPEN LINE FROM BUS 647974 [S974 8 69.000] TO BUS 647969 [S969 8 69.000] CKT 1  
OPEN LINE FROM BUS 647969 [S969 8 69.000] TO BUS 647968 [S968 8 69.000] CKT 1  
CB974-BUS-EN: OPEN LINE FROM BUS 647974 [S974 8 69.000] TO BUS 640362 [STERLNG7 115.00] CKT 1  
OPEN LINE FROM BUS 647974 [S974 8 69.000] TO BUS 647102 [HYDCAP 8 69.000] CKT 1  
OPEN LINE FROM BUS 647974 [S974 8 69.000] TO BUS 647969 [S969 8 69.000] CKT 1  
OPEN LINE FROM BUS 647102 [HYDCAP 8 69.000] TO BUS 647103 [ENRON 8 69.000] CKT 1  
OPEN LINE FROM BUS 647102 [HYDCAP 8 69.000] TO BUS 647970 [S970 8 69.000] CKT 1  
CB974-BUS : OPEN LINE FROM BUS 647974 [S974 8 69.000] TO BUS 640362 [STERLNG7 115.00] CKT 1  
OPEN LINE FROM BUS 647974 [S974 8 69.000] TO BUS 647102 [HYDCAP 8 69.000] CKT 1  
OPEN LINE FROM BUS 647974 [S974 8 69.000] TO BUS 647969 [S969 8 69.000] CKT 1  
CB975-T4-965: OPEN BRANCH FROM BUS 640234 [HUMBOLT5 161.00] TO BUS 647975 [S975 8 69.000] TO BUS 648275 [S975T4 9 13.800] CKT 1  
OPEN LINE FROM BUS 647965 [S965 8 69.000] TO BUS 647975 [S975 8 69.000] CKT 1  
CB975-T4-993: OPEN BRANCH FROM BUS 640234 [HUMBOLT5 161.00] TO BUS 647975 [S975 8 69.000] TO BUS 648275 [S975T4 9 13.800] CKT 1  
OPEN LINE FROM BUS 647964 [S964 8 69.000] TO BUS 647975 [S975 8 69.000] CKT 1  
OPEN LINE FROM BUS 647964 [S964 8 69.000] TO BUS 647112 [MGLN TP8 69.000] CKT 1  
OPEN LINE FROM BUS 647993 [S993 8 69.000] TO BUS 647112 [MGLN TP8 69.000] CKT 1  
CB975-93-AUB: OPEN LINE FROM BUS 647101 [AUBRNT 8 69.000] TO BUS 647963 [S963 8 69.000] CKT 1  
OPEN LINE FROM BUS 647101 [AUBRNT 8 69.000] TO BUS 647975 [S975 8 69.000] CKT 1  
OPEN LINE FROM BUS 647101 [AUBRNT 8 69.000] TO BUS 640062 [AUBURN 8 69.000] CKT 1  
OPEN LINE FROM BUS 647964 [S964 8 69.000] TO BUS 647975 [S975 8 69.000] CKT 1

OPEN LINE FROM BUS 647964 [S964 8 69.000] TO BUS 647112 [MGLN TP8 69.000] CKT 1  
OPEN LINE FROM BUS 647993 [S993 8 69.000] TO BUS 647112 [MGLN TP8 69.000] CKT 1  
CB975-65-AUB: OPEN LINE FROM BUS 647101 [AUBRNT 8 69.000] TO BUS 647963 [S963 8 69.000] CKT 1  
OPEN LINE FROM BUS 647101 [AUBRNT 8 69.000] TO BUS 647975 [S975 8 69.000] CKT 1  
OPEN LINE FROM BUS 647101 [AUBRNT 8 69.000] TO BUS 640062 [AUBURN 8 69.000] CKT 1  
OPEN LINE FROM BUS 647965 [S965 8 69.000] TO BUS 647975 [S975 8 69.000] CKT 1  
CB976-BUS : OPEN LINE FROM BUS 647976 [S976 8 69.000] TO BUS 640173 [FREMONT7 115.00] CKT 1  
OPEN LINE FROM BUS 647976 [S976 8 69.000] TO BUS 640173 [FREMONT7 115.00] CKT 4  
OPEN LINE FROM BUS 647976 [S976 8 69.000] TO BUS 647424 [FREM D 8 69.000] CKT 1  
CB982-BUS990: OPEN LINE FROM BUS 647982 [S982 8 69.000] TO BUS 647090 [990TP 8 69.000] CKT 1  
OPEN LINE FROM BUS 647982 [S982 8 69.000] TO BUS 647972 [S972 8 69.000] CKT 1  
OPEN LINE FROM BUS 647090 [990TP 8 69.000] TO BUS 647971 [S971 8 69.000] CKT 1  
OPEN LINE FROM BUS 647090 [990TP 8 69.000] TO BUS 647990 [S990 8 69.000] CKT 1  
CB983-BUS : OPEN LINE FROM BUS 647983 [S983 8 69.000] TO BUS 647846 [S6846 8 69.000] CKT 1  
OPEN LINE FROM BUS 647983 [S983 8 69.000] TO BUS 647902 [S902 8 69.000] CKT 1  
CB984-BUS991: OPEN LINE FROM BUS 647984 [S984 8 69.000] TO BUS 647091 [991TP 8 69.000] CKT 1  
OPEN LINE FROM BUS 647984 [S984 8 69.000] TO BUS 647902 [S902 8 69.000] CKT 1  
OPEN LINE FROM BUS 647091 [991TP 8 69.000] TO BUS 647427 [FREM G 8 69.000] CKT 1  
OPEN LINE FROM BUS 647091 [991TP 8 69.000] TO BUS 647991 [S991 8 69.000] CKT 1  
CB985-BUS : OPEN LINE FROM BUS 647985 [S985 8 69.000] TO BUS 640320 [PLTSMTH8 69.000] CKT 1  
OPEN LINE FROM BUS 647985 [S985 8 69.000] TO BUS 647900 [S900 8 69.000] CKT 1  
OPEN LINE FROM BUS 647985 [S985 8 69.000] TO BUS 647904 [S904 8 69.000] CKT 1  
CB994-BUS06S: OPEN LINE FROM BUS 647994 [S994 8 69.000] TO BUS 647995 [S995 8 69.000] CKT 1  
OPEN LINE FROM BUS 647994 [S994 8 69.000] TO BUS 647107 [SAC623 8 69.000] CKT 1  
OPEN LINE FROM BUS 647994 [S994 8 69.000] TO BUS 647108 [SAC629 8 69.000] CKT 1  
OPEN LINE FROM BUS 647107 [SAC623 8 69.000] TO BUS 647109 [SAC SO 8 69.000] CKT 1  
OPEN LINE FROM BUS 647107 [SAC623 8 69.000] TO BUS 647016 [915TP3 8 69.000] CKT 1  
OPEN LINE FROM BUS 647016 [915TP3 8 69.000] TO BUS 647906 [S906 S 8 69.000] CKT 1  
OPEN LINE FROM BUS 647016 [915TP3 8 69.000] TO BUS 647915 [S915T2 8 69.000] CKT 1  
CB994-BUS06N: OPEN LINE FROM BUS 647994 [S994 8 69.000] TO BUS 647995 [S995 8 69.000] CKT 1  
OPEN LINE FROM BUS 647994 [S994 8 69.000] TO BUS 647107 [SAC623 8 69.000] CKT 1  
OPEN LINE FROM BUS 647994 [S994 8 69.000] TO BUS 647108 [SAC629 8 69.000] CKT 1  
OPEN LINE FROM BUS 647108 [SAC629 8 69.000] TO BUS 647110 [SAC NO 8 69.000] CKT 1  
OPEN LINE FROM BUS 647108 [SAC629 8 69.000] TO BUS 647017 [915TP9 8 69.000] CKT 1  
OPEN LINE FROM BUS 647017 [915TP9 8 69.000] TO BUS 647006 [S906 N 8 69.000] CKT 1  
OPEN LINE FROM BUS 647017 [915TP9 8 69.000] TO BUS 647015 [S915T1 8 69.000] CKT 1  
CB994-BUS : OPEN LINE FROM BUS 647994 [S994 8 69.000] TO BUS 647995 [S995 8 69.000] CKT 1  
OPEN LINE FROM BUS 647994 [S994 8 69.000] TO BUS 647107 [SAC623 8 69.000] CKT 1  
OPEN LINE FROM BUS 647994 [S994 8 69.000] TO BUS 647108 [SAC629 8 69.000] CKT 1  
CB995-BUS938: OPEN LINE FROM BUS 647995 [S995 8 69.000] TO BUS 647874 [S6874 8 69.000] CKT 1  
OPEN LINE FROM BUS 647995 [S995 8 69.000] TO BUS 647938 [S938 8 69.000] CKT 1  
OPEN LINE FROM BUS 647995 [S995 8 69.000] TO BUS 647994 [S994 8 69.000] CKT 1  
OPEN LINE FROM BUS 647938 [S938 8 69.000] TO BUS 647006 [S906 N 8 69.000] CKT 1  
OPEN LINE FROM BUS 647938 [S938 8 69.000] TO BUS 647906 [S906 S 8 69.000] CKT 1  
CB995-BUS : OPEN LINE FROM BUS 647995 [S995 8 69.000] TO BUS 647874 [S6874 8 69.000] CKT 1  
OPEN LINE FROM BUS 647995 [S995 8 69.000] TO BUS 647938 [S938 8 69.000] CKT 1  
OPEN LINE FROM BUS 647995 [S995 8 69.000] TO BUS 647994 [S994 8 69.000] CKT 1  
CB6846-BUS : OPEN LINE FROM BUS 647846 [S6846 8 69.000] TO BUS 647983 [S983 8 69.000] CKT 1

OPEN LINE FROM BUS 647846 [S6846 8 69.000] TO BUS 647014 [S914A 8 69.000] CKT 1  
 CBFREM-A : OPEN LINE FROM BUS 647421 [FREM A 8 69.000] TO BUS 647422 [FREM B 8 69.000] CKT 1  
     OPEN LINE FROM BUS 647421 [FREM A 8 69.000] TO BUS 647426 [FREM F 8 69.000] CKT 1  
     OPEN LINE FROM BUS 647421 [FREM A 8 69.000] TO BUS 647427 [FREM G 8 69.000] CKT 1  
     OPEN LINE FROM BUS 647421 [FREM A 8 69.000] TO BUS 647416 [FREM 6G 13.800] CKT 1  
     OPEN LINE FROM BUS 647421 [FREM A 8 69.000] TO BUS 647417 [FREM 7G 13.800] CKT 1  
     OPEN LINE FROM BUS 647421 [FREM A 8 69.000] TO BUS 647418 [FREM 8G 13.800] CKT 1  
 CBFREM-B : OPEN LINE FROM BUS 647422 [FREM B 8 69.000] TO BUS 647424 [FREM D 8 69.000] CKT 1  
     OPEN LINE FROM BUS 647422 [FREM B 8 69.000] TO BUS 647421 [FREM A 8 69.000] CKT 1  
 CBFREM-C : OPEN LINE FROM BUS 647423 [FREM C 8 69.000] TO BUS 647424 [FREM D 8 69.000] CKT 1  
     OPEN LINE FROM BUS 647423 [FREM C 8 69.000] TO BUS 647427 [FREM G 8 69.000] CKT 1  
 CBFREM-D-C-B: OPEN BRANCH FROM BUS 647422 [FREM B 8 69.000] TO BUS 647424 [FREM D 8 69.000] CKT 1  
     OPEN BRANCH FROM BUS 647424 [FREM D 8 69.000] TO BUS 647423 [FREM C 8 69.000] CKT 1  
 CBFREM-D : OPEN LINE FROM BUS 647424 [FREM D 8 69.000] TO BUS 647425 [FREM E 8 69.000] CKT 1  
     OPEN LINE FROM BUS 647424 [FREM D 8 69.000] TO BUS 647976 [S976 8 69.000] CKT 1  
     OPEN LINE FROM BUS 647424 [FREM D 8 69.000] TO BUS 647422 [FREM B 8 69.000] CKT 1  
     OPEN LINE FROM BUS 647424 [FREM D 8 69.000] TO BUS 647423 [FREM C 8 69.000] CKT 1  
 CBFREM-D-E : OPEN BRANCH FROM BUS 647976 [S976 8 69.000] TO BUS 647424 [FREM D 8 69.000] CKT 1  
     OPEN BRANCH FROM BUS 647424 [FREM D 8 69.000] TO BUS 647425 [FREM E 8 69.000] CKT 1  
 CBFREM-E : OPEN LINE FROM BUS 647425 [FREM E 8 69.000] TO BUS 647426 [FREM F 8 69.000] CKT 1  
     OPEN LINE FROM BUS 647425 [FREM E 8 69.000] TO BUS 647424 [FREM D 8 69.000] CKT 1  
 CBFREM-F : OPEN LINE FROM BUS 647426 [FREM F 8 69.000] TO BUS 647992 [S992 8 69.000] CKT 1  
     OPEN LINE FROM BUS 647426 [FREM F 8 69.000] TO BUS 647421 [FREM A 8 69.000] CKT 1  
     OPEN LINE FROM BUS 647426 [FREM F 8 69.000] TO BUS 647425 [FREM E 8 69.000] CKT 1  
 CBFREM-G : OPEN LINE FROM BUS 647411 [FREM 1G 13.800] TO BUS 647427 [FREM G 8 69.000] CKT 1  
     OPEN LINE FROM BUS 647427 [FREM G 8 69.000] TO BUS 647091 [991TP 8 69.000] CKT 1  
     OPEN LINE FROM BUS 647427 [FREM G 8 69.000] TO BUS 647421 [FREM A 8 69.000] CKT 1  
     OPEN LINE FROM BUS 647427 [FREM G 8 69.000] TO BUS 647423 [FREM C 8 69.000] CKT 1  
 OPPD CATD 01: OPEN BRANCH FROM BUS 645451 [S3451 3 345.00] TO BUS 645459 [S3459 3 345.00] CKT 1  
     OPEN BRANCH FROM BUS 645451 [S3451 3 345.00] TO BUS 635200 [RAUN 3 345.00] CKT 1  
     OPEN BRANCH FROM BUS 645451 [S3451 3 345.00] TO BUS 646251 [S1251 5 161.00] TO BUS 648351 [S3451T49 13.800] CKT 1  
 OPPD CATD 02: OPEN BRANCH FROM BUS 645451 [S3451 3 345.00] TO BUS 645459 [S3459 3 345.00] CKT 1  
     OPEN BRANCH FROM BUS 645451 [S3451 3 345.00] TO BUS 635200 [RAUN 3 345.00] CKT 1  
     OPEN BRANCH FROM BUS 645451 [S3451 3 345.00] TO BUS 646251 [S1251 5 161.00] TO BUS 648251 [S3451T39 13.800] CKT 1  
 OPPD CATD 03: OPEN BRANCH FROM BUS 645455 [S3455 3 345.00] TO BUS 645740 [S3740 3 345.00] CKT 1  
     OPEN BRANCH FROM BUS 645456 [S3456 3 345.00] TO BUS 645458 [S3458 3 345.00] CKT 1  
 OPPD CATD 04: OPEN BRANCH FROM BUS 645451 [S3451 3 345.00] TO BUS 645454 [S3454 3 345.00] CKT 1  
     OPEN BRANCH FROM BUS 645451 [S3451 3 345.00] TO BUS 646251 [S1251 5 161.00] TO BUS 648251 [S3451T39 13.800] CKT 1  
     OPEN BRANCH FROM BUS 645451 [S3451 3 345.00] TO BUS 645459 [S3459 3 345.00] CKT 1  
 OPPD CATD 05: OPEN BRANCH FROM BUS 645451 [S3451 3 345.00] TO BUS 645459 [S3459 3 345.00] CKT 1  
     OPEN BRANCH FROM BUS 645451 [S3451 3 345.00] TO BUS 646251 [S1251 5 161.00] TO BUS 648351 [S3451T49 13.800] CKT 1  
     OPEN BRANCH FROM BUS 645451 [S3451 3 345.00] TO BUS 635200 [RAUN 3 345.00] CKT 1  
 OPPD CATD 06: OPEN BRANCH FROM BUS 645451 [S3451 3 345.00] TO BUS 646251 [S1251 5 161.00] TO BUS 648251 [S3451T39 13.800] CKT 1  
     OPEN BRANCH FROM BUS 645451 [S3451 3 345.00] TO BUS 645454 [S3454 3 345.00] CKT 1  
     OPEN BRANCH FROM BUS 645451 [S3451 3 345.00] TO BUS 645459 [S3459 3 345.00] CKT 1  
 OPPD CATD 10: OPEN BRANCH FROM BUS 645458 [S3458 3 345.00] TO BUS 645456 [S3456 3 345.00] CKT 1  
     OPEN BRANCH FROM BUS 645458 [S3458 3 345.00] TO BUS 645740 [S3740 3 345.00] CKT 1  
     OPEN BRANCH FROM BUS 645458 [S3458 3 345.00] TO BUS 650189 [103&ROKEBY3 345.00] CKT 1

OPPD CATD 11: OPEN BRANCH FROM BUS 640139 [COOPER 3 345.00] TO BUS 635017 [ATCHSNT3 345.00] CKT 1  
     OPEN BRANCH FROM BUS 645456 [S3456 3 345.00] TO BUS 635000 [CBLUFFS3 345.00] CKT 1  
     OPEN BRANCH FROM BUS 646206 [S1206 5 161.00] TO BUS 646201 [S1201 5 161.00] CKT 1  
     OPEN BRANCH FROM BUS 646206 [S1206 5 161.00] TO BUS 635001 [CBLUFFS5 161.00] CKT 1  
 OPPD CATD 12: OPEN BRANCH FROM BUS 640139 [COOPER 3 345.00] TO BUS 640277 [MOORE 3 345.00] CKT 1  
     OPEN LINE FROM BUS 645458 [S3458 3 345.00] TO BUS 645740 [S3740 3 345.00] CKT 1  
     OPEN LINE FROM BUS 645458 [S3458 3 345.00] TO BUS 650189 [103&ROKEBY3 345.00] CKT 1  
     OPEN LINE FROM BUS 645458 [S3458 3 345.00] TO BUS 640139 [COOPER 3 345.00] CKT 1  
     OPEN LINE FROM BUS 645458 [S3458 3 345.00] TO BUS 645011 [NEBCTY1G 18.000] CKT 1  
     OPEN LINE FROM BUS 645458 [S3458 3 345.00] TO BUS 645012 [NEBCTY2G 23.000] CKT 1  
     OPEN LINE FROM BUS 645458 [S3458 3 345.00] TO BUS 645456 [S3456 3 345.00] CKT 1  
 OPPD CATD 13: OPEN BRANCH FROM BUS 645454 [S3454 3 345.00] TO BUS 650185 [WAGENER 3 345.00] CKT 1  
     OPEN LINE FROM BUS 645451 [S3451 3 345.00] TO BUS 645454 [S3454 3 345.00] CKT 1  
     OPEN LINE FROM BUS 645451 [S3451 3 345.00] TO BUS 645459 [S3459 3 345.00] CKT 1  
     OPEN LINE FROM BUS 645451 [S3451 3 345.00] TO BUS 646251 [S1251 5 161.00] TO BUS 648251 [S3451T39 13.800] CKT 1  
     OPEN LINE FROM BUS 645451 [S3451 3 345.00] TO BUS 646251 [S1251 5 161.00] TO BUS 648351 [S3451T49 13.800] CKT 1  
     OPEN LINE FROM BUS 645451 [S3451 3 345.00] TO BUS 635200 [RAUN 3 345.00] CKT 1  
     OPEN LINE FROM BUS 645451 [S3451 3 345.00] TO BUS 645001 [FT CAL1G 22.000] CKT 1  
 OPPD CATD 14: OPEN BRANCH FROM BUS 645454 [S3454 3 345.00] TO BUS 645455 [S3455 3 345.00] CKT 1  
     OPEN LINE FROM BUS 645456 [S3456 3 345.00] TO BUS 645458 [S3458 3 345.00] CKT 1  
     OPEN LINE FROM BUS 645456 [S3456 3 345.00] TO BUS 645459 [S3459 3 345.00] CKT 1  
     OPEN LINE FROM BUS 645456 [S3456 3 345.00] TO BUS 646206 [S1206 5 161.00] TO BUS 648256 [S3456T49 13.800] CKT 1  
     OPEN LINE FROM BUS 645456 [S3456 3 345.00] TO BUS 635000 [CBLUFFS3 345.00] CKT 1  
     OPEN LINE FROM BUS 645456 [S3456 3 345.00] TO BUS 645455 [S3455 3 345.00] CKT 1  
 OPPD CATD 15: OPEN BRANCH FROM BUS 645456 [S3456 3 345.00] TO BUS 646206 [S1206 5 161.00] TO BUS 648256 [S3456T49 13.800] CKT 1  
     OPEN BRANCH FROM BUS 645456 [S3456 3 345.00] TO BUS 645455 [S3455 3 345.00] CKT 1  
     OPEN BRANCH FROM BUS 645456 [S3456 3 345.00] TO BUS 645459 [S3459 3 345.00] CKT 1  
 OPPD CATD 17: OPEN BRANCH FROM BUS 645451 [S3451 3 345.00] TO BUS 645459 [S3459 3 345.00] CKT 1  
     OPEN LINE FROM BUS 645021 [N OMA 1G 13.800] TO BUS 645121 [NO1 AUX9 2.4000] CKT 1  
     OPEN LINE FROM BUS 645021 [N OMA 1G 13.800] TO BUS 647911 [S911 8 69.000] CKT 1  
     OPEN LINE FROM BUS 645022 [N OMA 2G 13.800] TO BUS 645122 [NO2 AUX9 2.4000] CKT 1  
     OPEN LINE FROM BUS 645022 [N OMA 2G 13.800] TO BUS 646211 [S1211 5 161.00] CKT 1  
     OPEN LINE FROM BUS 645023 [N OMA 3G 13.800] TO BUS 645123 [NO3 AUX9 2.4000] CKT 1  
     OPEN LINE FROM BUS 645023 [N OMA 3G 13.800] TO BUS 646211 [S1211 5 161.00] CKT 1  
     OPEN LINE FROM BUS 645024 [N OMA 4G 15.000] TO BUS 645124 [NO4 AUX9 2.4000] CKT 1  
     OPEN LINE FROM BUS 645024 [N OMA 4G 15.000] TO BUS 646211 [S1211 5 161.00] CKT 1  
     OPEN LINE FROM BUS 645025 [N OMA 5G 20.000] TO BUS 645125 [NO5 AUX9 4.2000] CKT 1  
     OPEN LINE FROM BUS 645025 [N OMA 5G 20.000] TO BUS 646211 [S1211 5 161.00] CKT 1  
 OPPD CATD 18: OPEN BRANCH FROM BUS 645456 [S3456 3 345.00] TO BUS 635000 [CBLUFFS3 345.00] CKT 1  
     OPEN LINE FROM BUS 645030 [SCBSD G 4.2000] TO BUS 645033 [SARPY 3G 13.800] CKT 1  
     OPEN LINE FROM BUS 645031 [SARPY 1G 13.800] TO BUS 647006 [S906 N 8 69.000] CKT 1  
     OPEN LINE FROM BUS 645032 [SARPY 2G 13.800] TO BUS 647906 [S906 S 8 69.000] CKT 1  
     OPEN LINE FROM BUS 645033 [SARPY 3G 13.800] TO BUS 646206 [S1206 5 161.00] CKT 1  
     OPEN LINE FROM BUS 645034 [SARPY 4G 13.800] TO BUS 646206 [S1206 5 161.00] TO BUS 645035 [SARPY 5G 13.800] CKT 1  
 OPPD CATD 19: OPEN BRANCH FROM BUS 645451 [S3451 3 345.00] TO BUS 645459 [S3459 3 345.00] CKT 1  
     DECREASE BUS 646298 [S1298 5 161.00] LOAD BY 100 PERCENT  
 OPPD\_CIP1 : OPEN LINE FROM BUS 645011 [NEBCTY1G 18.000] TO BUS 645111 [NBAXT1 9 4.2000] CKT 1  
     OPEN LINE FROM BUS 645011 [NEBCTY1G 18.000] TO BUS 645112 [NBAXT2 9 4.2000] CKT 1

OPEN LINE FROM BUS 645011 [NEBCTY1G 18.000] TO BUS 645458 [S3458 3 345.00] CKT 1  
 OPEN LINE FROM BUS 645012 [NEBCTY2G 23.000] TO BUS 645458 [S3458 3 345.00] CKT 1  
 OPPD\_CIP2 : OPEN LINE FROM BUS 645021 [N OMA 1G 13.800] TO BUS 645121 [NO1 AUX9 2.4000] CKT 1  
 OPEN LINE FROM BUS 645021 [N OMA 1G 13.800] TO BUS 647911 [S911 8 69.000] CKT 1  
 OPEN LINE FROM BUS 645022 [N OMA 2G 13.800] TO BUS 645122 [NO2 AUX9 2.4000] CKT 1  
 OPEN LINE FROM BUS 645022 [N OMA 2G 13.800] TO BUS 646211 [S1211 5 161.00] CKT 1  
 OPEN LINE FROM BUS 645023 [N OMA 3G 13.800] TO BUS 645123 [NO3 AUX9 2.4000] CKT 1  
 OPEN LINE FROM BUS 645023 [N OMA 3G 13.800] TO BUS 646211 [S1211 5 161.00] CKT 1  
 OPEN LINE FROM BUS 645024 [N OMA 4G 15.000] TO BUS 645124 [NO4 AUX9 2.4000] CKT 1  
 OPEN LINE FROM BUS 645024 [N OMA 4G 15.000] TO BUS 646211 [S1211 5 161.00] CKT 1  
 OPEN LINE FROM BUS 645025 [N OMA 5G 20.000] TO BUS 645125 [NO5 AUX9 4.2000] CKT 1  
 OPEN LINE FROM BUS 645025 [N OMA 5G 20.000] TO BUS 646211 [S1211 5 161.00] CKT 1  
 OPPD\_CIP3 : OPEN LINE FROM BUS 645030 [SCBSD G 4.2000] TO BUS 645033 [SARPY 3G 13.800] CKT 1  
 OPEN LINE FROM BUS 645031 [SARPY 1G 13.800] TO BUS 647006 [S906 N 8 69.000] CKT 1  
 OPEN LINE FROM BUS 645032 [SARPY 2G 13.800] TO BUS 647906 [S906 S 8 69.000] CKT 1  
 OPEN LINE FROM BUS 645033 [SARPY 3G 13.800] TO BUS 646206 [S1206 5 161.00] CKT 1  
 OPEN LINE FROM BUS 645034 [SARPY 4G 13.800] TO BUS 646206 [S1206 5 161.00] TO BUS 645035 [SARPY 5G 13.800] CKT 1  
 OPPD\_CIP5 : OPEN BRANCH FROM BUS 645458 [S3458 3 345.00] TO BUS 645456 [S3456 3 345.00] CKT 1  
 OPEN BRANCH FROM BUS 645458 [S3458 3 345.00] TO BUS 645740 [S3740 3 345.00] CKT 1  
 OPEN BRANCH FROM BUS 645458 [S3458 3 345.00] TO BUS 650189 [103&ROKEBY3 345.00] CKT 1  
 OPPD\_CIP6 : OPEN BRANCH FROM BUS 645456 [S3456 3 345.00] TO BUS 645459 [S3459 3 345.00] CKT 1  
 OPEN BRANCH FROM BUS 645456 [S3456 3 345.00] TO BUS 645455 [S3455 3 345.00] CKT 1  
 OPEN BRANCH FROM BUS 646206 [S1206 5 161.00] TO BUS 646216 [S1216 5 161.00] CKT 1  
 OPPD\_CIP7 : OPEN LINE FROM BUS 645451 [S3451 3 345.00] TO BUS 645454 [S3454 3 345.00] CKT 1  
 OPEN LINE FROM BUS 645451 [S3451 3 345.00] TO BUS 645459 [S3459 3 345.00] CKT 1  
 OPEN LINE FROM BUS 645451 [S3451 3 345.00] TO BUS 646251 [S1251 5 161.00] TO BUS 648251 [S3451T39 13.800] CKT 1  
 OPEN LINE FROM BUS 645451 [S3451 3 345.00] TO BUS 646251 [S1251 5 161.00] TO BUS 648351 [S3451T49 13.800] CKT 1  
 OPEN LINE FROM BUS 645451 [S3451 3 345.00] TO BUS 635200 [RAUN 3 345.00] CKT 1  
 OPEN LINE FROM BUS 645451 [S3451 3 345.00] TO BUS 645001 [FT CAL1G 22.000] CKT 1  
 OPPD\_CIP8 : OPEN LINE FROM BUS 645454 [S3454 3 345.00] TO BUS 645455 [S3455 3 345.00] CKT 1  
 OPEN LINE FROM BUS 645454 [S3454 3 345.00] TO BUS 650185 [WAGENER 3 345.00] CKT 1  
 OPEN LINE FROM BUS 645454 [S3454 3 345.00] TO BUS 646254 [S1254 5 161.00] TO BUS 648254 [S1254T19 13.800] CKT 1  
 OPEN LINE FROM BUS 645454 [S3454 3 345.00] TO BUS 645451 [S3451 3 345.00] CKT 1  
 OPPD\_CIP9 : OPEN LINE FROM BUS 645455 [S3455 3 345.00] TO BUS 645456 [S3456 3 345.00] CKT 1  
 OPEN LINE FROM BUS 645455 [S3455 3 345.00] TO BUS 645740 [S3740 3 345.00] CKT 1  
 OPEN LINE FROM BUS 645455 [S3455 3 345.00] TO BUS 646255 [S1255 5 161.00] TO BUS 648255 [S3455T19 13.800] CKT 1  
 OPEN LINE FROM BUS 645455 [S3455 3 345.00] TO BUS 646255 [S1255 5 161.00] TO BUS 648355 [S3455T39 13.800] CKT 1  
 OPEN LINE FROM BUS 645455 [S3455 3 345.00] TO BUS 645454 [S3454 3 345.00] CKT 1  
 OPPD\_CIP10 : OPEN LINE FROM BUS 645456 [S3456 3 345.00] TO BUS 645458 [S3458 3 345.00] CKT 1  
 OPEN LINE FROM BUS 645456 [S3456 3 345.00] TO BUS 645459 [S3459 3 345.00] CKT 1  
 OPEN LINE FROM BUS 645456 [S3456 3 345.00] TO BUS 646206 [S1206 5 161.00] TO BUS 648256 [S3456T49 13.800] CKT 1  
 OPEN LINE FROM BUS 645456 [S3456 3 345.00] TO BUS 635000 [CBLUFFS3 345.00] CKT 1  
 OPEN LINE FROM BUS 645456 [S3456 3 345.00] TO BUS 645455 [S3455 3 345.00] CKT 1  
 OPPD\_CIP11 : OPEN LINE FROM BUS 645458 [S3458 3 345.00] TO BUS 645740 [S3740 3 345.00] CKT 1  
 OPEN LINE FROM BUS 645458 [S3458 3 345.00] TO BUS 650189 [103&ROKEBY3 345.00] CKT 1  
 OPEN LINE FROM BUS 645458 [S3458 3 345.00] TO BUS 640139 [COOPER 3 345.00] CKT 1  
 OPEN LINE FROM BUS 645458 [S3458 3 345.00] TO BUS 645011 [NEBCTY1G 18.000] CKT 1  
 OPEN LINE FROM BUS 645458 [S3458 3 345.00] TO BUS 645012 [NEBCTY2G 23.000] CKT 1

OPEN LINE FROM BUS 645458 [S3458 3 345.00] TO BUS 645456 [S3456 3 345.00] CKT 1  
 OPPD\_CIP12 : OPEN LINE FROM BUS 645459 [S3459 3 345.00] TO BUS 646209 [S1209 5 161.00] TO BUS 648259 [S3459T39 13.800] CKT 1  
 OPEN LINE FROM BUS 645459 [S3459 3 345.00] TO BUS 645451 [S3451 3 345.00] CKT 1  
 OPEN LINE FROM BUS 645459 [S3459 3 345.00] TO BUS 645456 [S3456 3 345.00] CKT 1  
 OPPD\_CIP13 : OPEN LINE FROM BUS 645740 [S3740 3 345.00] TO BUS 645041 [CASS 1G 15.000] CKT 1  
 OPEN LINE FROM BUS 645740 [S3740 3 345.00] TO BUS 645042 [CASS 2G 15.000] CKT 1  
 OPEN LINE FROM BUS 645740 [S3740 3 345.00] TO BUS 645455 [S3455 3 345.00] CKT 1  
 OPEN LINE FROM BUS 645740 [S3740 3 345.00] TO BUS 645458 [S3458 3 345.00] CKT 1  
 OPPD\_CIP14 : OPEN LINE FROM BUS 646206 [S1206 5 161.00] TO BUS 646216 [S1216 5 161.00] CKT 1  
 OPEN LINE FROM BUS 646206 [S1206 5 161.00] TO BUS 646232 [S1232 5 161.00] CKT 1  
 OPEN LINE FROM BUS 646206 [S1206 5 161.00] TO BUS 646244 [S1244 5 161.00] CKT 1  
 OPEN LINE FROM BUS 646206 [S1206 5 161.00] TO BUS 645456 [S3456 3 345.00] TO BUS 648256 [S3456T49 13.800] CKT 1  
 OPEN LINE FROM BUS 646206 [S1206 5 161.00] TO BUS 645034 [SARPY 4G 13.800] TO BUS 645035 [SARPY 5G 13.800] CKT 1  
 OPEN LINE FROM BUS 646206 [S1206 5 161.00] TO BUS 647006 [S906 N 8 69.000] TO BUS 648306 [S1206T29 13.800] CKT 1  
 OPEN LINE FROM BUS 646206 [S1206 5 161.00] TO BUS 647906 [S906 S 8 69.000] TO BUS 648206 [S1206T19 13.800] CKT 1  
 OPEN LINE FROM BUS 646206 [S1206 5 161.00] TO BUS 635001 [CBLUFFS5 161.00] CKT 1  
 OPEN LINE FROM BUS 646206 [S1206 5 161.00] TO BUS 645033 [SARPY 3G 13.800] CKT 1  
 OPEN LINE FROM BUS 646206 [S1206 5 161.00] TO BUS 646201 [S1201 5 161.00] CKT 1  
 OPPD\_CIP15 : OPEN LINE FROM BUS 647906 [S906 S 8 69.000] TO BUS 647924 [S924 8 69.000] CKT 1  
 OPEN LINE FROM BUS 647906 [S906 S 8 69.000] TO BUS 647938 [S938 8 69.000] CKT 1  
 OPEN LINE FROM BUS 647906 [S906 S 8 69.000] TO BUS 646206 [S1206 5 161.00] TO BUS 648206 [S1206T19 13.800] CKT 1  
 OPEN LINE FROM BUS 647906 [S906 S 8 69.000] TO BUS 645032 [SARPY 2G 13.800] CKT 1  
 OPEN LINE FROM BUS 647906 [S906 S 8 69.000] TO BUS 647016 [915TP3 8 69.000] CKT 1  
 OPEN LINE FROM BUS 647906 [S906 S 8 69.000] TO BUS 647904 [S904 8 69.000] CKT 1  
 OPPD\_CIP16 : OPEN LINE FROM BUS 646211 [S1211 5 161.00] TO BUS 646220 [S1220 5 161.00] CKT 1  
 OPEN LINE FROM BUS 646211 [S1211 5 161.00] TO BUS 646250 [S1250 5 161.00] CKT 1  
 OPEN LINE FROM BUS 646211 [S1211 5 161.00] TO BUS 646250 [S1250 5 161.00] CKT 2  
 OPEN LINE FROM BUS 646211 [S1211 5 161.00] TO BUS 646299 [S1299 5 161.00] CKT 1  
 OPEN LINE FROM BUS 646211 [S1211 5 161.00] TO BUS 647911 [S911 8 69.000] TO BUS 648211 [S1211T19 13.800] CKT 1  
 OPEN LINE FROM BUS 646211 [S1211 5 161.00] TO BUS 635003 [SUB701 5 161.00] CKT 1  
 OPEN LINE FROM BUS 646211 [S1211 5 161.00] TO BUS 645022 [N OMA 2G 13.800] CKT 1  
 OPEN LINE FROM BUS 646211 [S1211 5 161.00] TO BUS 645023 [N OMA 3G 13.800] CKT 1  
 OPEN LINE FROM BUS 646211 [S1211 5 161.00] TO BUS 645024 [N OMA 4G 15.000] CKT 1  
 OPEN LINE FROM BUS 646211 [S1211 5 161.00] TO BUS 645025 [N OMA 5G 20.000] CKT 1  
 OPEN LINE FROM BUS 646211 [S1211 5 161.00] TO BUS 645127 [S1211HS9 13.800] CKT 1  
 OPPD\_CIP17 : OPEN LINE FROM BUS 647911 [S911 8 69.000] TO BUS 647913 [S913 8 69.000] CKT 1  
 OPEN LINE FROM BUS 647911 [S911 8 69.000] TO BUS 646211 [S1211 5 161.00] TO BUS 648211 [S1211T19 13.800] CKT 1  
 OPEN LINE FROM BUS 647911 [S911 8 69.000] TO BUS 645021 [N OMA 1G 13.800] CKT 1  
 OPEN LINE FROM BUS 647911 [S911 8 69.000] TO BUS 645126 [S911 HS9 13.800] CKT 1  
 OPEN LINE FROM BUS 647911 [S911 8 69.000] TO BUS 647907 [S907 8 69.000] CKT 1  
 OPPD\_CIP18 : OPEN LINE FROM BUS 647901 [S901 8 69.000] TO BUS 647912 [S912 8 69.000] CKT 1  
 OPEN LINE FROM BUS 647901 [S901 8 69.000] TO BUS 646201 [S1201 5 161.00] TO BUS 648201 [S1201T19 13.800] CKT 1  
 OPEN LINE FROM BUS 647901 [S901 8 69.000] TO BUS 645051 [JONES 1G 13.800] CKT 1  
 OPEN LINE FROM BUS 647901 [S901 8 69.000] TO BUS 645052 [JONES 2G 13.800] CKT 1  
 OPEN LINE FROM BUS 647901 [S901 8 69.000] TO BUS 647105 [JCT205 8 69.000] CKT 1  
 OPPD\_CIP19 : OPEN LINE FROM BUS 647901 [S901 8 69.000] TO BUS 647912 [S912 8 69.000] CKT 1  
 OPEN LINE FROM BUS 647901 [S901 8 69.000] TO BUS 646201 [S1201 5 161.00] TO BUS 648201 [S1201T19 13.800] CKT 1  
 OPEN LINE FROM BUS 647901 [S901 8 69.000] TO BUS 645051 [JONES 1G 13.800] CKT 1

OPEN LINE FROM BUS 647901 [S901 8 69.000] TO BUS 645052 [JONES 2G 13.800] CKT 1  
OPEN LINE FROM BUS 647901 [S901 8 69.000] TO BUS 647105 [JCT205 8 69.000] CKT 1  
OPEN LINE FROM BUS 646201 [S1201 5 161.00] TO BUS 646206 [S1206 5 161.00] CKT 1  
OPEN LINE FROM BUS 646201 [S1201 5 161.00] TO BUS 646220 [S1220 5 161.00] CKT 1  
OPEN LINE FROM BUS 646201 [S1201 5 161.00] TO BUS 646229 [S1229 5 161.00] CKT 1  
OPEN LINE FROM BUS 646201 [S1201 5 161.00] TO BUS 646286 [S1286 5 161.00] CKT 1  
OPPD\_CIP21 : OPEN LINE FROM BUS 647911 [S911 8 69.000] TO BUS 647913 [S913 8 69.000] CKT 1  
OPEN LINE FROM BUS 647911 [S911 8 69.000] TO BUS 646211 [S1211 5 161.00] TO BUS 648211 [S1211T19 13.800] CKT 1  
OPEN LINE FROM BUS 647911 [S911 8 69.000] TO BUS 645021 [N OMA 1G 13.800] CKT 1  
OPEN LINE FROM BUS 647911 [S911 8 69.000] TO BUS 645126 [S911 HS9 13.800] CKT 1  
OPEN LINE FROM BUS 647911 [S911 8 69.000] TO BUS 647907 [S907 8 69.000] CKT 1  
OPEN LINE FROM BUS 646211 [S1211 5 161.00] TO BUS 646220 [S1220 5 161.00] CKT 1  
OPEN LINE FROM BUS 646211 [S1211 5 161.00] TO BUS 646250 [S1250 5 161.00] CKT 1  
OPEN LINE FROM BUS 646211 [S1211 5 161.00] TO BUS 646250 [S1250 5 161.00] CKT 2  
OPEN LINE FROM BUS 646211 [S1211 5 161.00] TO BUS 646299 [S1299 5 161.00] CKT 1  
OPEN LINE FROM BUS 646211 [S1211 5 161.00] TO BUS 635003 [SUB701 5 161.00] CKT 1  
OPEN LINE FROM BUS 646211 [S1211 5 161.00] TO BUS 645022 [N OMA 2G 13.800] CKT 1  
OPEN LINE FROM BUS 646211 [S1211 5 161.00] TO BUS 645023 [N OMA 3G 13.800] CKT 1  
OPEN LINE FROM BUS 646211 [S1211 5 161.00] TO BUS 645024 [N OMA 4G 15.000] CKT 1  
OPEN LINE FROM BUS 646211 [S1211 5 161.00] TO BUS 645025 [N OMA 5G 20.000] CKT 1  
OPEN LINE FROM BUS 646211 [S1211 5 161.00] TO BUS 645127 [S1211HS9 13.800] CKT 1  
OPPD\_CIP22 : OPEN LINE FROM BUS 647916 [S916 8 69.000] TO BUS 647917 [S917 8 69.000] CKT 1  
OPEN LINE FROM BUS 647916 [S916 8 69.000] TO BUS 647940 [S940 8 69.000] CKT 1  
OPEN LINE FROM BUS 647916 [S916 8 69.000] TO BUS 647006 [S906 N 8 69.000] CKT 1  
OPEN LINE FROM BUS 646216 [S1216 5 161.00] TO BUS 646217 [S1217 5 161.00] CKT 1  
OPEN LINE FROM BUS 646216 [S1216 5 161.00] TO BUS 646206 [S1206 5 161.00] CKT 1  
OPPD\_CIP21 : OPEN LINE FROM BUS 647911 [S911 8 69.000] TO BUS 647913 [S913 8 69.000] CKT 1  
OPEN LINE FROM BUS 647911 [S911 8 69.000] TO BUS 646211 [S1211 5 161.00] TO BUS 648211 [S1211T19 13.800] CKT 1  
OPEN LINE FROM BUS 647911 [S911 8 69.000] TO BUS 645021 [N OMA 1G 13.800] CKT 1  
OPEN LINE FROM BUS 647911 [S911 8 69.000] TO BUS 645126 [S911 HS9 13.800] CKT 1  
OPEN LINE FROM BUS 647911 [S911 8 69.000] TO BUS 647907 [S907 8 69.000] CKT 1  
OPEN LINE FROM BUS 646211 [S1211 5 161.00] TO BUS 646220 [S1220 5 161.00] CKT 1  
OPEN LINE FROM BUS 646211 [S1211 5 161.00] TO BUS 646250 [S1250 5 161.00] CKT 1  
OPEN LINE FROM BUS 646211 [S1211 5 161.00] TO BUS 646250 [S1250 5 161.00] CKT 2  
OPEN LINE FROM BUS 646211 [S1211 5 161.00] TO BUS 646299 [S1299 5 161.00] CKT 1  
OPEN LINE FROM BUS 646211 [S1211 5 161.00] TO BUS 635003 [SUB701 5 161.00] CKT 1  
OPEN LINE FROM BUS 646211 [S1211 5 161.00] TO BUS 645022 [N OMA 2G 13.800] CKT 1  
OPEN LINE FROM BUS 646211 [S1211 5 161.00] TO BUS 645023 [N OMA 3G 13.800] CKT 1  
OPEN LINE FROM BUS 646211 [S1211 5 161.00] TO BUS 645024 [N OMA 4G 15.000] CKT 1  
OPEN LINE FROM BUS 646211 [S1211 5 161.00] TO BUS 645025 [N OMA 5G 20.000] CKT 1  
OPEN LINE FROM BUS 646211 [S1211 5 161.00] TO BUS 645127 [S1211HS9 13.800] CKT 1  
OPPD\_CIP22 : OPEN LINE FROM BUS 647909 [S909 8 69.000] TO BUS 647918 [S918 8 69.000] CKT 1  
OPEN LINE FROM BUS 647909 [S909 8 69.000] TO BUS 647921 [S921 8 69.000] CKT 1  
OPEN LINE FROM BUS 647909 [S909 8 69.000] TO BUS 647937 [S937 8 69.000] CKT 1  
OPEN LINE FROM BUS 647909 [S909 8 69.000] TO BUS 647939 [S939 8 69.000] CKT 1  
OPEN LINE FROM BUS 647909 [S909 8 69.000] TO BUS 646209 [S1209 5 161.00] TO BUS 648209 [S1209T19 13.800] CKT 1  
OPEN LINE FROM BUS 646209 [S1209 5 161.00] TO BUS 646231 [S1231 5 161.00] CKT 1  
OPEN LINE FROM BUS 646209 [S1209 5 161.00] TO BUS 646231 [S1231 5 161.00] CKT 2

OPEN LINE FROM BUS 646209 [S1209 5 161.00] TO BUS 646250 [S1250 5 161.00] CKT 1  
OPEN LINE FROM BUS 646209 [S1209 5 161.00] TO BUS 646250 [S1250 5 161.00] CKT 2  
OPEN LINE FROM BUS 646209 [S1209 5 161.00] TO BUS 646252 [S1252 5 161.00] CKT 1  
OPEN LINE FROM BUS 646209 [S1209 5 161.00] TO BUS 645459 [S3459 3 345.00] TO BUS 648259 [S3459T39 13.800] CKT 1  
OPEN LINE FROM BUS 645459 [S3459 3 345.00] TO BUS 645451 [S3451 3 345.00] CKT 1  
OPEN LINE FROM BUS 645459 [S3459 3 345.00] TO BUS 645456 [S3456 3 345.00] CKT 1  
OPPD\_CIP23 : OPEN LINE FROM BUS 647910 [S910 8 69.000] TO BUS 647923 [S923 8 69.000] CKT 1  
OPEN LINE FROM BUS 647910 [S910 8 69.000] TO BUS 646210 [S1210 5 161.00] TO BUS 648210 [S1210T79 13.800] CKT 1  
OPEN LINE FROM BUS 647910 [S910 8 69.000] TO BUS 647105 [JCT205 8 69.000] CKT 1  
OPEN LINE FROM BUS 647910 [S910 8 69.000] TO BUS 647908 [S908 8 69.000] CKT 1  
OPEN LINE FROM BUS 646210 [S1210 5 161.00] TO BUS 646217 [S1217 5 161.00] CKT 1  
OPEN LINE FROM BUS 646210 [S1210 5 161.00] TO BUS 646222 [S1222 5 161.00] CKT 1  
OPPD\_CIP24 : OPEN LINE FROM BUS 647921 [S921 8 69.000] TO BUS 647940 [S940 8 69.000] CKT 1  
OPEN LINE FROM BUS 647921 [S921 8 69.000] TO BUS 647942 [S942 8 69.000] CKT 1  
OPEN LINE FROM BUS 647921 [S921 8 69.000] TO BUS 646221 [S1221 5 161.00] TO BUS 648221 [S1221T99 13.800] CKT 1  
OPEN LINE FROM BUS 647921 [S921 8 69.000] TO BUS 647909 [S909 8 69.000] CKT 1  
OPEN LINE FROM BUS 646221 [S1221 5 161.00] TO BUS 646231 [S1231 5 161.00] CKT 1  
OPEN LINE FROM BUS 646221 [S1221 5 161.00] TO BUS 646255 [S1255 5 161.00] CKT 1  
OPPD\_CIP25 : OPEN LINE FROM BUS 646255 [S1255 5 161.00] TO BUS 646259 [S1259 5 161.00] CKT 1  
OPEN LINE FROM BUS 646255 [S1255 5 161.00] TO BUS 645455 [S3455 3 345.00] TO BUS 648255 [S3455T19 13.800] CKT 1  
OPEN LINE FROM BUS 646255 [S1255 5 161.00] TO BUS 645455 [S3455 3 345.00] TO BUS 648355 [S3455T39 13.800] CKT 1  
OPEN LINE FROM BUS 646255 [S1255 5 161.00] TO BUS 646221 [S1221 5 161.00] CKT 1  
OPEN LINE FROM BUS 646255 [S1255 5 161.00] TO BUS 646233 [S1233 5 161.00] CKT 1  
OPEN LINE FROM BUS 645455 [S3455 3 345.00] TO BUS 645456 [S3456 3 345.00] CKT 1  
OPEN LINE FROM BUS 645455 [S3455 3 345.00] TO BUS 645740 [S3740 3 345.00] CKT 1  
OPEN LINE FROM BUS 645455 [S3455 3 345.00] TO BUS 645454 [S3454 3 345.00] CKT 1  
OPPD\_CIP26 : OPEN LINE FROM BUS 646254 [S1254 5 161.00] TO BUS 646281 [S1281 5 161.00] CKT 1  
OPEN LINE FROM BUS 646254 [S1254 5 161.00] TO BUS 645454 [S3454 3 345.00] TO BUS 648254 [S1254T19 13.800] CKT 1  
OPEN LINE FROM BUS 646254 [S1254 5 161.00] TO BUS 646249 [S1249 5 161.00] CKT 1  
OPEN LINE FROM BUS 645454 [S3454 3 345.00] TO BUS 645455 [S3455 3 345.00] CKT 1  
OPEN LINE FROM BUS 645454 [S3454 3 345.00] TO BUS 650185 [WAGENER 3 345.00] CKT 1  
OPEN LINE FROM BUS 645454 [S3454 3 345.00] TO BUS 645451 [S3451 3 345.00] CKT 1  
OPPD\_CIP27 : OPEN LINE FROM BUS 647917 [S917 8 69.000] TO BUS 647918 [S918 8 69.000] CKT 1  
OPEN LINE FROM BUS 647917 [S917 8 69.000] TO BUS 646217 [S1217 5 161.00] TO BUS 648217 [S1217T19 13.800] CKT 1  
OPEN LINE FROM BUS 647917 [S917 8 69.000] TO BUS 647916 [S916 8 69.000] CKT 1  
OPEN LINE FROM BUS 646217 [S1217 5 161.00] TO BUS 646227 [S1227 5 161.00] CKT 1  
OPEN LINE FROM BUS 646217 [S1217 5 161.00] TO BUS 646210 [S1210 5 161.00] CKT 1  
OPEN LINE FROM BUS 646217 [S1217 5 161.00] TO BUS 646216 [S1216 5 161.00] CKT 1  
OPPD\_CIP28 : OPEN LINE FROM BUS 646258 [S1258 5 161.00] TO BUS 646263 [S1263 5 161.00] CKT 1  
OPEN LINE FROM BUS 646258 [S1258 5 161.00] TO BUS 645113 [NBHST1 9 4.2000] CKT 1  
OPEN LINE FROM BUS 646258 [S1258 5 161.00] TO BUS 645114 [NBHST2 9 4.2000] CKT 1  
OPEN LINE FROM BUS 646258 [S1258 5 161.00] TO BUS 645115 [NBHST3 9 4.2000] CKT 1  
OPEN LINE FROM BUS 646258 [S1258 5 161.00] TO BUS 645116 [NBHST4 9 4.2000] CKT 1  
OPEN LINE FROM BUS 646258 [S1258 5 161.00] TO BUS 646244 [S1244 5 161.00] CKT 1  
OPEN LINE FROM BUS 645458 [S3458 3 345.00] TO BUS 645740 [S3740 3 345.00] CKT 1  
OPEN LINE FROM BUS 645458 [S3458 3 345.00] TO BUS 650189 [103&ROKEBY3 345.00] CKT 1  
OPEN LINE FROM BUS 645458 [S3458 3 345.00] TO BUS 640139 [COOPER 3 345.00] CKT 1  
OPEN LINE FROM BUS 645458 [S3458 3 345.00] TO BUS 645011 [NEBCTY1G 18.000] CKT 1



OPEN LINE FROM BUS 645458 [S3458 3 345.00] TO BUS 645012 [NEBCTY2G 23.000] CKT 1  
OPEN LINE FROM BUS 645458 [S3458 3 345.00] TO BUS 645456 [S3456 3 345.00] CKT 1  
OPPD\_CIP29 : OPEN LINE FROM BUS 646251 [S1251 5 161.00] TO BUS 646297 [S1297 5 161.00] CKT 1  
OPEN LINE FROM BUS 646251 [S1251 5 161.00] TO BUS 646298 [S1298 5 161.00] CKT 1  
OPEN LINE FROM BUS 646251 [S1251 5 161.00] TO BUS 646341 [S1341 5 161.00] CKT 1  
OPEN LINE FROM BUS 646251 [S1251 5 161.00] TO BUS 645451 [S3451 3 345.00] TO BUS 648251 [S3451T39 13.800] CKT 1  
OPEN LINE FROM BUS 646251 [S1251 5 161.00] TO BUS 645451 [S3451 3 345.00] TO BUS 648351 [S3451T49 13.800] CKT 1  
OPEN LINE FROM BUS 646251 [S1251 5 161.00] TO BUS 645100 [FC1A 5 161.00] CKT 1  
OPEN LINE FROM BUS 645451 [S3451 3 345.00] TO BUS 645454 [S3454 3 345.00] CKT 1  
OPEN LINE FROM BUS 645451 [S3451 3 345.00] TO BUS 645459 [S3459 3 345.00] CKT 1  
OPEN LINE FROM BUS 645451 [S3451 3 345.00] TO BUS 635200 [RAUN 3 345.00] CKT 1  
OPEN LINE FROM BUS 645451 [S3451 3 345.00] TO BUS 645001 [FT CAL1G 22.000] CKT 1  
BKR-103ROKBY: OPEN BRANCH FROM BUS 650189 [103&ROKEBY3 345.00] TO BUS 640277 [MOORE 3 345.00] CKT 1  
OPEN BRANCH FROM BUS 650189 [103&ROKEBY3 345.00] TO BUS 645458 [S3458 3 345.00] CKT 1  
BKR-WAG-3003: OPEN BRANCH FROM BUS 650185 [WAGENER 3 345.00] TO BUS 650189 [103&ROKEBY3 345.00] CKT 1  
OPEN BRANCH FROM BUS 650185 [WAGENER 3 345.00] TO BUS 650285 [WAGENER 7 115.00] TO BUS 650485 [WAGENER2 9 13.800] CKT 2  
BKR-WAG-3004: OPEN BRANCH FROM BUS 650185 [WAGENER 3 345.00] TO BUS 645454 [S3454 3 345.00] CKT 1  
OPEN BRANCH FROM BUS 650185 [WAGENER 3 345.00] TO BUS 650285 [WAGENER 7 115.00] TO BUS 650385 [WAGENER1 9 13.800] CKT 1  
BKR-WAG-3006: OPEN BRANCH FROM BUS 650185 [WAGENER 3 345.00] TO BUS 645454 [S3454 3 345.00] CKT 1  
OPEN BRANCH FROM BUS 650185 [WAGENER 3 345.00] TO BUS 650114 [NW68HOLDRG3 345.00] CKT 1  
BKR-WAG-3001: OPEN BRANCH FROM BUS 650185 [WAGENER 3 345.00] TO BUS 650114 [NW68HOLDRG3 345.00] CKT 1  
OPEN BRANCH FROM BUS 650185 [WAGENER 3 345.00] TO BUS 650285 [WAGENER 7 115.00] TO BUS 650485 [WAGENER2 9 13.800] CKT 2  
SUB-68TH-HLD: OPEN BRANCH FROM BUS 650114 [NW68HOLDRG3 345.00] TO BUS 640277 [MOORE 3 345.00] CKT 1  
OPEN BRANCH FROM BUS 650114 [NW68HOLDRG3 345.00] TO BUS 650185 [WAGENER 3 345.00] CKT 1  
OPEN BRANCH FROM BUS 650114 [NW68HOLDRG3 345.00] TO BUS 650214 [NW68HOLDRG7 115.00] TO BUS 650314 [NW68HOL1 9 13.800] CKT 1  
SUB-WAGENER : OPEN BRANCH FROM BUS 650185 [WAGENER 3 345.00] TO BUS 645454 [S3454 3 345.00] CKT 1  
OPEN BRANCH FROM BUS 650185 [WAGENER 3 345.00] TO BUS 650189 [103&ROKEBY3 345.00] CKT 1  
OPEN BRANCH FROM BUS 650185 [WAGENER 3 345.00] TO BUS 650285 [WAGENER 7 115.00] TO BUS 650385 [WAGENER1 9 13.800] CKT 1  
OPEN BRANCH FROM BUS 650185 [WAGENER 3 345.00] TO BUS 650285 [WAGENER 7 115.00] TO BUS 650485 [WAGENER2 9 13.800] CKT 2  
OPEN BRANCH FROM BUS 650185 [WAGENER 3 345.00] TO BUS 650114 [NW68HOLDRG3 345.00] CKT 1  
SUB-84TH-BLF: OPEN BRANCH FROM BUS 650275 [84&BLUFF 7 115.00] TO BUS 650269 [70&BLUFF 7 115.00] CKT 1  
OPEN BRANCH FROM BUS 650275 [84&BLUFF 7 115.00] TO BUS 650283 [WAVERLY 7 115.00] CKT 1  
OPEN BRANCH FROM BUS 650275 [84&BLUFF 7 115.00] TO BUS 650284 [84FLETCHER7 115.00] CKT 1  
OPEN BRANCH FROM BUS 650275 [84&BLUFF 7 115.00] TO BUS 650001 [TBGS 1G 13.800] CKT 1  
OPEN BRANCH FROM BUS 650275 [84&BLUFF 7 115.00] TO BUS 650002 [TBGS 2G 13.800] CKT 1  
OPEN BRANCH FROM BUS 650275 [84&BLUFF 7 115.00] TO BUS 650003 [TBGS 3G 13.800] CKT 1  
OPEN BRANCH FROM BUS 650275 [84&BLUFF 7 115.00] TO BUS 650004 [TBGS 4G 13.800] CKT 1

## ACCC OVERLOAD REPORT: MONITORED BRANCHES AND INTERFACES LOADED ABOVE 100.0 % OF RATING SET A

CONTINGENCY CASE LOADING NOT CHECKED UNLESS IT DIFFERS FROM ITS BASE CASE LOADING BY 1.0 MVA (MW FOR INTERFACES)

ACCC VOLTAGE REPORT: VOLTAGE BAND CHECK IN CONTINGENCY CASES SKIPPED FOR ANY BUS WITHIN 0.01000 OF ITS BASE CASE VOLTAGE MAGNITUDE

AC CONTINGENCY RESULTS FILE: C:\u1\ddbetz\spp-facilities-study\DISIS-2010-001\lf\acc\16W-post-mult.acc

DISTRIBUTION FACTOR FILE: C:\u1\ddbetz\spp-facilities-study\DISIS-2010-001\lf\acc\16W-post-mult.dfx

SUBSYSTEM DESCRIPTION FILE: C:\u1\ddbetz\spp-facilities-study\DISIS-2010-001\lf\acc\MRO.sub

MONITORED ELEMENT FILE: C:\u1\ddbetz\spp-facilities-study\DISIS-2010-001\lf\acc\Nebraska.mon

CONTINGENCY DESCRIPTION FILE: C:\u1\ddbetz\spp-facilities-study\DISIS-2010-001\lf\acc\Nebraska-mult.con

Solution engine: Fixed slope decoupled Newton-Raphson (FDNS)

Solution options

Tap adjustment: Stepping

Area interchange control: Disable

Phase shift adjustment: Enable

Dc tap adjustment: Enable

Switch shunt adjustment: Lock all

Non diverge: Disable

Mismatch tolerance (MW): 1.5

Dispatch mode: Disable

<----- MULTI-SECTION LINE ----->	<----- MONITORED BRANCH ----->	CONTINGENCY	RATING	FLOW	%
640133 COLMBUS4	230.00 643000*MADISONCNTY4230.00 1 BASE CASE	192.0	229.6	116.1	
652554*MORRIS 4	230.00 652555 MORRIS 7 115.00 1 BASE CASE	27.0	100.1	370.9	
640133 COLMBUS4	230.00 643000*MADISONCNTY4230.00 1 TWR-GK-PS	192.0	231.3	117.0	
640133 COLMBUS4	230.00 643000*MADISONCNTY4230.00 1 TWR-KSC-CC	192.0	213.0	107.7	
640133 COLMBUS4	230.00 643000*MADISONCNTY4230.00 1 TWR-SCH-CC	192.0	205.9	104.1	
640133 COLMBUS4	230.00 643000*MADISONCNTY4230.00 1 TWR-SCH-CM	192.0	214.0	108.2	
640133 COLMBUS4	230.00 643000*MADISONCNTY4230.00 1 TWR-SCH-MN	192.0	206.7	104.5	
640133 COLMBUS4	230.00 643000*MADISONCNTY4230.00 1 TWR-SCH-NH	192.0	206.3	104.3	
640133 COLMBUS4	230.00 643000*MADISONCNTY4230.00 1 TWR-GNP23	192.0	231.2	116.9	
640133 COLMBUS4	230.00 643000*MADISONCNTY4230.00 1 TWR-GS-GRW	192.0	232.1	117.4	
640133 COLMBUS4	230.00 643000*MADISONCNTY4230.00 1 TWR-ETR-CR	192.0	232.7	117.7	
640133 COLMBUS4	230.00 643000*MADISONCNTY4230.00 1 TWR-ETR-RS	192.0	234.9	118.8	
640133 COLMBUS4	230.00 643000*MADISONCNTY4230.00 1 TWR-ETR-SP	192.0	235.4	119.0	
640133*COLMBUS4	230.00 643000 MADISONCNTY4230.00 1 TWR-ETR-PH	192.0	232.5	119.5	
640133 COLMBUS4	230.00 643000*MADISONCNTY4230.00 1 BUS-COLWEST	192.0	237.2	119.9	
640133 COLMBUS4	230.00 643000*MADISONCNTY4230.00 1 BUS-RIVERDAL	192.0	231.6	117.1	
640133 COLMBUS4	230.00 643000*MADISONCNTY4230.00 1 BKR-GGS-3316	192.0	231.5	117.1	
640133 COLMBUS4	230.00 643000*MADISONCNTY4230.00 1 BKR-GGS-3304	192.0	239.9	121.3	
652554*MORRIS 4	230.00 652555 MORRIS 7 115.00 1 BKR-GGS-3304	27.0	98.7	365.4	
640133 COLMBUS4	230.00 643000*MADISONCNTY4230.00 1 BKR-GGS-2216	192.0	239.1	120.9	
652554*MORRIS 4	230.00 652555 MORRIS 7 115.00 1 BKR-GGS-2216	27.0	98.7	365.4	
640133 COLMBUS4	230.00 643000*MADISONCNTY4230.00 1 BKR-SW-3308	192.0	236.5	119.6	
640133 COLMBUS4	230.00 643000*MADISONCNTY4230.00 1 BKR-KEY-3310	192.0	232.5	117.6	
640133 COLMBUS4	230.00 643000*MADISONCNTY4230.00 1 BKR-SW-3304	192.0	231.5	117.1	
640133 COLMBUS4	230.00 643000*MADISONCNTY4230.00 1 BKR-SW-3306	192.0	236.1	119.4	

640133 COLMBUS4	230.00	643000*	MADISONCNTY4230.00	1	BKR-SW-3310	192.0	232.3	117.5
640133 COLMBUS4	230.00	643000*	MADISONCNTY4230.00	1	BKR-NP-2212	192.0	231.4	117.0
640133 COLMBUS4	230.00	643000*	MADISONCNTY4230.00	1	BKR-CC-2202	192.0	232.7	117.6
640133 COLMBUS4	230.00	643000*	MADISONCNTY4230.00	1	BKR-CC-2208	192.0	234.0	118.3
640133 COLMBUS4	230.00	643000*	MADISONCNTY4230.00	1	BKR-RW-3302	192.0	228.5	115.5
640133 COLMBUS4	230.00	643000*	MADISONCNTY4230.00	1	BKR-GRI-1596	192.0	234.8	118.7
640133 COLMBUS4	230.00	643000*	MADISONCNTY4230.00	1	BKR-GRI-1396	192.0	228.1	115.3
640133 COLMBUS4	230.00	643000*	MADISONCNTY4230.00	1	BKR-GRI-2210	192.0	246.3	124.5
640133 COLMBUS4	230.00	643000*	MADISONCNTY4230.00	1	BKR-GRI-2204	192.0	231.2	116.9
640133 COLMBUS4	230.00	643000*	MADISONCNTY4230.00	1	BKR-GRI-2212	192.0	246.5	124.6
640133 COLMBUS4	230.00	643000*	MADISONCNTY4230.00	1	BKR-AXT-3308	192.0	228.2	115.4
640133 COLMBUS4	230.00	643000*	MADISONCNTY4230.00	1	BKR-MOR-3302	192.0	231.9	117.3
640133 COLMBUS4	230.00	643000*	MADISONCNTY4230.00	1	BKR-MOR-3306	192.0	227.9	115.2
640133 COLMBUS4	230.00	643000*	MADISONCNTY4230.00	1	BKR-MOR-3308	192.0	232.3	117.5
640133 COLMBUS4	230.00	643000*	MADISONCNTY4230.00	1	BKR-MOR-3312	192.0	231.8	117.2
640133 COLMBUS4	230.00	643000*	MADISONCNTY4230.00	1	BKR-CPR-3304	192.0	222.2	112.3
640133 COLMBUS4	230.00	643000*	MADISONCNTY4230.00	1	BKR-CPR-3310	192.0	239.4	121.1
652554*MORRIS 4	230.00	652555 MORRIS 7	115.00	1	BKR-CPR-3310	27.0	98.7	365.4
640133 COLMBUS4	230.00	643000*	MADISONCNTY4230.00	1	BKR-CPR-3322	192.0	228.4	115.5
640133 COLMBUS4	230.00	643000*	MADISONCNTY4230.00	1	BKR-C-3322-2	192.0	227.7	115.1
640133 COLMBUS4	230.00	643000*	MADISONCNTY4230.00	1	BKR-WAY-186	192.0	220.2	111.4
652476 EAGLEBT7	115.00	652520*OAHE 7	115.00	1	BKR-WAY-186	60.0	62.7	103.1
640133 COLMBUS4	230.00	643000*	MADISONCNTY4230.00	1	BKR-TEK-1604	192.0	227.8	115.2
640133 COLMBUS4	230.00	643000*	MADISONCNTY4230.00	1	BKR-HOS-3302	192.0	201.8	102.0
640133 COLMBUS4	230.00	643000*	MADISONCNTY4230.00	1	BKR-HOS-3308	192.0	199.9	101.1
640133 COLMBUS4	230.00	643000*	MADISONCNTY4230.00	1	BKR-HOS-3310	192.0	221.2	111.9
640133 COLMBUS4	230.00	643000*	MADISONCNTY4230.00	1	BKR-HOS-3312	192.0	225.3	113.9
640133*COLMBUS4	230.00	643000	MADISONCNTY4230.00	1	BKR-CE-3306	192.0	231.1	118.8
640133 COLMBUS4	230.00	643000*	MADISONCNTY4230.00	1	CSPT-SK-SO	192.0	237.2	119.9
640246 JULSTAP7	115.00	652300*CHAPPEL7	115.00	1	CSPT-SK-SO	120.0	130.0	109.1
652300 CHAPPEL7	115.00	659238*COLTON 7	115.00	1	CSPT-SK-SO	120.0	138.3	113.4
652572 SIDNEY 7	115.00	659136*SIDNEY*4	230.00	1	CSPT-SK-SO	112.0	143.0	127.7
652572*SIDNEY 7	115.00	659238 COLTON 7	115.00	1	CSPT-SK-SO	120.0	142.2	114.9
652573*STEGALL4	230.00	659206 STGXFMR4	230.00	1	CSPT-SK-SO	400.0	431.7	111.6
659134*SIDNEY 4	230.00	659136 SIDNEY*4	230.00	1	CSPT-SK-SO	112.0	144.6	129.1
659135*STEGALL3	345.00	659207 STEGALTY	345.00	1	CSPT-SK-SO	400.0	448.8	112.2
659206 STGXFMR4	230.00	659207*STEGALTY	345.00	1	CSPT-SK-SO	400.0	434.2	108.6
640133 COLMBUS4	230.00	643000*	MADISONCNTY4230.00	1	CSPT-GS1-GS2	192.0	243.4	123.1
640133 COLMBUS4	230.00	643000*	MADISONCNTY4230.00	1	CSPT-SA-CCR	192.0	232.1	117.4
640133 COLMBUS4	230.00	643000*	MADISONCNTY4230.00	1	CSPT-HR-HTC	192.0	228.1	115.3
640133 COLMBUS4	230.00	643000*	MADISONCNTY4230.00	1	CSPT-CM-H161	192.0	232.1	117.4
640133 COLMBUS4	230.00	643000*	MADISONCNTY4230.00	1	CSPT-CM-C161	192.0	232.4	117.5
640133 COLMBUS4	230.00	643000*	MADISONCNTY4230.00	1	INT-CF-CSJ	192.0	224.9	113.7
640133 COLMBUS4	230.00	643000*	MADISONCNTY4230.00	1	GEN-GGS-ALL	192.0	249.5	126.2
652554*MORRIS 4	230.00	652555 MORRIS 7	115.00	1	GEN-GGS-ALL	27.0	97.1	359.6
640133 COLMBUS4	230.00	643000*	MADISONCNTY4230.00	1	GEN-SS-ALL	192.0	232.6	117.6
640133 COLMBUS4	230.00	643000*	MADISONCNTY4230.00	1	GEN-EC-ALL	192.0	238.1	120.4
640133 COLMBUS4	230.00	643000*	MADISONCNTY4230.00	1	MCFTCAL	192.0	230.8	116.7

640133 COLMBUS4	230.00	643000*	MADISONCNTY4230.00	1	CB3451-54&FC	192.0	231.5	117.1
652554*MORRIS 4	230.00	652555	MORRIS 7 115.00	1	CB3451-54&FC	27.0	98.8	365.8
640133 COLMBUS4	230.00	643000*	MADISONCNTY4230.00	1	CB3451-RN&T4	192.0	224.6	113.5
640133 COLMBUS4	230.00	643000*	MADISONCNTY4230.00	1	CB3454-51&WG	192.0	228.1	115.3
640133 COLMBUS4	230.00	643000*	MADISONCNTY4230.00	1	CB3454-55&WG	192.0	227.5	115.1
640133 COLMBUS4	230.00	643000*	MADISONCNTY4230.00	1	CB3455-40&T3	192.0	227.9	115.3
640133 COLMBUS4	230.00	643000*	MADISONCNTY4230.00	1	CB3456-55&CB	192.0	231.8	117.2
640133 COLMBUS4	230.00	643000*	MADISONCNTY4230.00	1	CB3456-59&T4	192.0	228.3	115.4
640133 COLMBUS4	230.00	643000*	MADISONCNTY4230.00	1	CB3456-58&T4	192.0	226.9	114.7
640133 COLMBUS4	230.00	643000*	MADISONCNTY4230.00	1	CB3455-40&C2	192.0	228.0	115.3
640133 COLMBUS4	230.00	643000*	MADISONCNTY4230.00	1	CB121120&NO5	192.0	230.8	116.7
640133 COLMBUS4	230.00	643000*	MADISONCNTY4230.00	1	CB1226-98&TK	192.0	227.9	115.2
640133 COLMBUS4	230.00	643000*	MADISONCNTY4230.00	1	CBTEK-BUS	192.0	227.8	115.2
640133 COLMBUS4	230.00	643000*	MADISONCNTY4230.00	1	OPPD CATD 01	192.0	224.5	113.5
640133 COLMBUS4	230.00	643000*	MADISONCNTY4230.00	1	OPPD CATD 02	192.0	224.5	113.5
640133 COLMBUS4	230.00	643000*	MADISONCNTY4230.00	1	OPPD CATD 03	192.0	221.8	112.2
640133 COLMBUS4	230.00	643000*	MADISONCNTY4230.00	1	OPPD CATD 04	192.0	231.9	117.3
640133 COLMBUS4	230.00	643000*	MADISONCNTY4230.00	1	OPPD CATD 05	192.0	224.5	113.5
640133 COLMBUS4	230.00	643000*	MADISONCNTY4230.00	1	OPPD CATD 06	192.0	231.9	117.3
640133*COLMBUS4	230.00	643000	MADISONCNTY4230.00	1	OPPD CATD 10	192.0	225.9	116.1
640139*COOPER 3	345.00	645458	S3458 3 345.00	1	OPPD CATD 10	1195.0	1287.7	104.8
640133 COLMBUS4	230.00	643000*	MADISONCNTY4230.00	1	OPPD CATD 11	192.0	226.2	114.4
640133*COLMBUS4	230.00	643000	MADISONCNTY4230.00	1	OPPD CATD 12	192.0	250.0	128.6
652554*MORRIS 4	230.00	652555	MORRIS 7 115.00	1	OPPD CATD 12	27.0	96.7	358.1
652554*MORRIS 4	230.00	652555	MORRIS 7 115.00	1	OPPD CATD 13	27.0	98.8	365.8
640133 COLMBUS4	230.00	643000*	MADISONCNTY4230.00	1	OPPD CATD 14	192.0	228.1	115.3
640133 COLMBUS4	230.00	643000*	MADISONCNTY4230.00	1	OPPD CATD 16	192.0	240.2	121.5
652554*MORRIS 4	230.00	652555	MORRIS 7 115.00	1	OPPD CATD 16	27.0	98.6	365.3
640133 COLMBUS4	230.00	643000*	MADISONCNTY4230.00	1	OPPD CATD 17	192.0	232.0	117.3
640133 COLMBUS4	230.00	643000*	MADISONCNTY4230.00	1	OPPD CATD 18	192.0	231.5	117.1
640133 COLMBUS4	230.00	643000*	MADISONCNTY4230.00	1	OPPD_CIP1	192.0	246.0	124.4
652554*MORRIS 4	230.00	652555	MORRIS 7 115.00	1	OPPD_CIP1	27.0	97.4	360.9
640133 COLMBUS4	230.00	643000*	MADISONCNTY4230.00	1	OPPD_CIP2	192.0	231.6	117.1
640133*COLMBUS4	230.00	643000	MADISONCNTY4230.00	1	OPPD_CIP5	192.0	225.9	116.1
640139*COOPER 3	345.00	645458	S3458 3 345.00	1	OPPD_CIP5	1195.0	1287.7	104.8
640133 COLMBUS4	230.00	643000*	MADISONCNTY4230.00	1	OPPD_CIP7	192.0	231.4	117.0
652554*MORRIS 4	230.00	652555	MORRIS 7 115.00	1	OPPD_CIP7	27.0	98.7	365.6
640133 COLMBUS4	230.00	643000*	MADISONCNTY4230.00	1	OPPD_CIP8	192.0	228.2	115.4
640133 COLMBUS4	230.00	643000*	MADISONCNTY4230.00	1	OPPD_CIP9	192.0	228.4	115.5
640133 COLMBUS4	230.00	643000*	MADISONCNTY4230.00	1	OPPD_CIP10	192.0	228.0	115.3
640133 COLMBUS4	230.00	643000*	MADISONCNTY4230.00	1	OPPD_CIP11	192.0	245.1	124.0
652554*MORRIS 4	230.00	652555	MORRIS 7 115.00	1	OPPD_CIP11	27.0	97.2	360.0
640133 COLMBUS4	230.00	643000*	MADISONCNTY4230.00	1	OPPD_CIP13	192.0	228.0	115.3
640133 COLMBUS4	230.00	643000*	MADISONCNTY4230.00	1	OPPD_CIP16	192.0	231.6	117.1
640133 COLMBUS4	230.00	643000*	MADISONCNTY4230.00	1	OPPD_CIP21	192.0	231.6	117.1
640133 COLMBUS4	230.00	643000*	MADISONCNTY4230.00	1	OPPD_CIP21	192.0	231.6	117.1
640133 COLMBUS4	230.00	643000*	MADISONCNTY4230.00	1	OPPD_CIP25	192.0	227.8	115.2
640133 COLMBUS4	230.00	643000*	MADISONCNTY4230.00	1	OPPD_CIP26	192.0	228.0	115.3

640133 COLMBUS4	230.00	643000*	MADISONCNTY4230.00	1	OPPD_CIP28	192.0	244.8	123.8
652554*MORRIS 4	230.00	652555	MORRIS 7	115.00	1	OPPD_CIP28	27.0	97.2 359.9
640133 COLMBUS4	230.00	643000*	MADISONCNTY4230.00	1	OPPD_CIP29	192.0	230.6	116.6
652554*MORRIS 4	230.00	652555	MORRIS 7	115.00	1	OPPD_CIP29	27.0	98.8 365.8
640133 COLMBUS4	230.00	643000*	MADISONCNTY4230.00	1	BKR-103ROKBY	192.0	233.1	117.9
640133 COLMBUS4	230.00	643000*	MADISONCNTY4230.00	1	BKR-WAG-3004	192.0	228.1	115.3
640133 COLMBUS4	230.00	643000*	MADISONCNTY4230.00	1	BKR-WAG-3006	192.0	228.5	115.5
640133 COLMBUS4	230.00	643000*	MADISONCNTY4230.00	1	BKR-WAG-3001	192.0	230.8	116.7
640133 COLMBUS4	230.00	643000*	MADISONCNTY4230.00	1	SUB-68TH-HLD	192.0	239.0	120.8
640133 COLMBUS4	230.00	643000*	MADISONCNTY4230.00	1	SUB-84TH-BLF	192.0	232.6	117.6

## MONITORED VOLTAGE REPORT:

SYSTEM	CONTINGENCY	<----- B U S ----->	V-CONT	V-INIT	V-MAX	V-MIN
'NEBR	RANGE CSPT-SK-SO	640404 WAYSIDE4	230.00	0.87941	1.00418	1.10000 0.90000
'NEBR	RANGE CSPT-SK-SO	652490 RAPIDCY7	115.00	0.89981	0.98768	1.10000 0.90000
'NEBR	RANGE CSPT-SK-SO	652496 RUSHMRE7	115.00	0.89764	0.98510	1.10000 0.90000
'NEBR	RANGE CSPT-SK-SO	659268 RCDC EDUMMY4230.00	0.89226	0.97857	1.10000	0.90000

## CONTINGENCY LEGEND:

## LABEL EVENTS

TWR-AP-AM : TRIP LINE FROM BUS 640066 [AXTELL 7 115.00] TO BUS 640275 [MINDEN 7 115.00] CKT 1  
TRIP LINE FROM BUS 640065 [AXTELL 3 345.00] TO BUS 640312 [PAULINE3 345.00] CKT 1

TWR-AS-AK : TRIP LINE FROM BUS 640066 [AXTELL 7 115.00] TO BUS 640250 [KEARNEY7 115.00] CKT 1  
TRIP LINE FROM BUS 640065 [AXTELL 3 345.00] TO BUS 640374 [SWEET W3 345.00] CKT 1

TWR-RWM-RWS : TRIP LINE FROM BUS 640269 [MCCOOK 7 115.00] TO BUS 640326 [REDWILO7 115.00] CKT 2  
TRIP LINE FROM BUS 640365 [STOCKVL7 115.00] TO BUS 640326 [REDWILO7 115.00] CKT 1

TWR-GK-PS : TRIP LINE FROM BUS 659186 [PAXTON 7 115.00] TO BUS 640370 [SUTHLND7 115.00] CKT 1  
TRIP LINE FROM BUS 640183 [GENTLMN3 345.00] TO BUS 640252 [KEYSTON3 345.00] CKT 1

TWR-GS-NPM : TRIP LINE FROM BUS 640287 [N.PLATT7 115.00] TO BUS 640267 [MAXWELS7 115.00] CKT 1  
TRIP LINE FROM BUS 640183 [GENTLMN3 345.00] TO BUS 640374 [SWEET W3 345.00] CKT 2

TWR-KSC-CC : TRIP LINE FROM BUS 640133 [COLMBUS4 230.00] TO BUS 640343 [SHELCRK4 230.00] CKT 1  
TRIP LINE FROM BUS 640136 [COLMBUS7 115.00] TO BUS 640151 [CRESTON7 115.00] CKT 1

TWR-SCH-CC : TRIP LINE FROM BUS 640136 [COLMBUS7 115.00] TO BUS 640151 [CRESTON7 115.00] CKT 1  
TRIP LINE FROM BUS 640342 [SHELCRK3 345.00] TO BUS 640226 [HOSKINS3 345.00] CKT 1

TWR-SCH-CM : TRIP LINE FROM BUS 640151 [CRESTON7 115.00] TO BUS 640263 [MADISON7 115.00] CKT 1  
TRIP LINE FROM BUS 640342 [SHELCRK3 345.00] TO BUS 640226 [HOSKINS3 345.00] CKT 1

TWR-SCH-MN : TRIP LINE FROM BUS 640263 [MADISON7 115.00] TO BUS 640298 [NORFOLK7 115.00] CKT 1  
TRIP LINE FROM BUS 640342 [SHELCRK3 345.00] TO BUS 640226 [HOSKINS3 345.00] CKT 1

TWR-SCH-NH : TRIP LINE FROM BUS 640298 [NORFOLK7 115.00] TO BUS 640228 [HOSKINS7 115.00] CKT 1  
TRIP LINE FROM BUS 640342 [SHELCRK3 345.00] TO BUS 640226 [HOSKINS3 345.00] CKT 1

TWR-GNP23 : TRIP LINE FROM BUS 640184 [GENTLMN4 230.00] TO BUS 640286 [N.PLATT4 230.00] CKT 2  
TRIP LINE FROM BUS 640184 [GENTLMN4 230.00] TO BUS 640286 [N.PLATT4 230.00] CKT 3  
TRIP LINE FROM BUS 640093 [C.CREEK4 230.00] TO BUS 640286 [N.PLATT4 230.00] CKT 1

TWR-GS-GRW : TRIP LINE FROM BUS 640183 [GENTLMN3 345.00] TO BUS 640374 [SWEET W3 345.00] CKT 2  
TRIP LINE FROM BUS 640183 [GENTLMN3 345.00] TO BUS 640325 [REDWILO3 345.00] CKT 1

TWR-ETR-CR : TRIP LINE FROM BUS 640125 [COLMB.E3 345.00] TO BUS 650114 [NW68HOLDRG3 345.00] CKT 1  
TRIP LINE FROM BUS 640124 [COL.SE 7 115.00] TO BUS 640328 [RISNGCY7 115.00] CKT 1

TWR-ETR-RS : TRIP LINE FROM BUS 640125 [COLMB.E3 345.00] TO BUS 650114 [NW68HOLDRG3 345.00] CKT 1

TRIP LINE FROM BUS 640328 [RISNGCY7 115.00] TO BUS 640340 [SEWARD 7 115.00] CKT 1  
TWR-ETR-SP : TRIP LINE FROM BUS 640125 [COLMB.E3 345.00] TO BUS 650114 [NW68HOLDRG3 345.00] CKT 1  
TRIP LINE FROM BUS 640340 [SEWARD 7 115.00] TO BUS 640316 [PAWNEEL7 115.00] CKT 1  
TWR-ETR-PH : TRIP LINE FROM BUS 640125 [COLMB.E3 345.00] TO BUS 650114 [NW68HOLDRG3 345.00] CKT 1  
TRIP LINE FROM BUS 640316 [PAWNEEL7 115.00] TO BUS 650214 [NW68HOLDRG7 115.00] CKT 1  
BUS-COLWEST : TRIP LINE FROM BUS 640131 [COLMB.W4 230.00] TO BUS 640132 [COLMB.W9 34.500] CKT 1  
TRIP LINE FROM BUS 640131 [COLMB.W4 230.00] TO BUS 640133 [COLMBUS4 230.00] CKT 1  
TRIP LINE FROM BUS 640131 [COLMB.W4 230.00] TO BUS 640200 [GR ISLD4 230.00] CKT 1  
BUS-HOSKINS : TRIP LINE FROM BUS 640227 [HOSKINS4 230.00] TO BUS 640386 [TWIN CH4 230.00] CKT 1  
TRIP LINE FROM BUS 640227 [HOSKINS4 230.00] TO BUS 640226 [HOSKINS3 345.00] CKT 1  
TRIP LINE FROM BUS 640227 [HOSKINS4 230.00] TO BUS 640228 [HOSKINS7 115.00] CKT 1  
TRIP LINE FROM BUS 640227 [HOSKINS4 230.00] TO BUS 640230 [HOSK.T89 34.500] CKT 1  
BUS-OGALLALA: TRIP LINE FROM BUS 640302 [OGALALA4 230.00] TO BUS 659134 [SIDNEY 4 230.00] CKT 1  
TRIP LINE FROM BUS 640302 [OGALALA4 230.00] TO BUS 640184 [GENTLMN4 230.00] CKT 1  
TRIP LINE FROM BUS 640302 [OGALALA4 230.00] TO BUS 659132 [OGALALA7 115.00] CKT 1  
BUS-RIVERDAL: TRIP LINE FROM BUS 640330 [RIVERDL4 230.00] TO BUS 640093 [C.CREEK4 230.00] CKT 1  
TRIP LINE FROM BUS 640330 [RIVERDL4 230.00] TO BUS 640200 [GR ISLD4 230.00] CKT 1  
TRIP LINE FROM BUS 640330 [RIVERDL4 230.00] TO BUS 640331 [RIVERDL7 115.00] CKT 1  
BUS-TWNCRH-N: TRIP LINE FROM BUS 640386 [TWIN CH4 230.00] TO BUS 640387 [TWIN CH7 115.00] CKT 1  
TRIP LINE FROM BUS 640386 [TWIN CH4 230.00] TO BUS 652565 [SIOUXCY4 230.00] CKT 1  
BUS-TWNCRH-S: TRIP LINE FROM BUS 640386 [TWIN CH4 230.00] TO BUS 640387 [TWIN CH7 115.00] CKT 2  
TRIP LINE FROM BUS 640386 [TWIN CH4 230.00] TO BUS 640227 [HOSKINS4 230.00] CKT 1  
BKR-GGS-3316: TRIP LINE FROM BUS 640183 [GENTLMN3 345.00] TO BUS 640252 [KEYSTON3 345.00] CKT 1  
TRIP LINE FROM BUS 640183 [GENTLMN3 345.00] TO BUS 640184 [GENTLMN4 230.00] CKT 2  
BKR-GGS-3304: TRIP LINE FROM BUS 640183 [GENTLMN3 345.00] TO BUS 640011 [GENTLM2G 24.000] CKT 1  
TRIP LINE FROM BUS 640183 [GENTLMN3 345.00] TO BUS 640184 [GENTLMN4 230.00] TO BUS 640185 [G.GENT19 13.800] CKT 1  
BKR-GGS-2222: TRIP LINE FROM BUS 640184 [GENTLMN4 230.00] TO BUS 640302 [OGALALA4 230.00] CKT 1  
TRIP LINE FROM BUS 640184 [GENTLMN4 230.00] TO BUS 640183 [GENTLMN3 345.00] CKT 2  
BKR-GGS-2216: TRIP LINE FROM BUS 640184 [GENTLMN4 230.00] TO BUS 640286 [N.PLATT4 230.00] CKT 1  
TRIP LINE FROM BUS 640184 [GENTLMN4 230.00] TO BUS 640286 [N.PLATT4 230.00] CKT 3  
BKR-GGS-2216: TRIP LINE FROM BUS 640184 [GENTLMN4 230.00] TO BUS 640286 [N.PLATT4 230.00] CKT 2  
TRIP LINE FROM BUS 640184 [GENTLMN4 230.00] TO BUS 640010 [GENTLM1G 23.000] CKT 1  
BKR-SW-3308 : TRIP LINE FROM BUS 640374 [SWEET W3 345.00] TO BUS 652571 [GR ISLD3 345.00] CKT 1  
TRIP LINE FROM BUS 640183 [GENTLMN3 345.00] TO BUS 640374 [SWEET W3 345.00] CKT 1  
BKR-KEY-3310: TRIP LINE FROM BUS 640252 [KEYSTON3 345.00] TO BUS 640183 [GENTLMN3 345.00] CKT 1  
TRIP LINE FROM BUS 640252 [KEYSTON3 345.00] TO BUS 659133 [SIDNEY 3 345.00] CKT 1  
TRIP LINE FROM BUS 640252 [KEYSTON3 345.00] TO BUS 640253 [KEYSTON7 115.00] TO BUS 640254 [KEYSTON9 13.800]  
BKR-SW-3304 : TRIP LINE FROM BUS 640374 [SWEET W3 345.00] TO BUS 640065 [AXTELL 3 345.00] CKT 1  
TRIP LINE FROM BUS 640183 [GENTLMN3 345.00] TO BUS 640374 [SWEET W3 345.00] CKT 2  
BKR-SW-3306 : TRIP LINE FROM BUS 640374 [SWEET W3 345.00] TO BUS 652571 [GR ISLD3 345.00] CKT 1  
TRIP LINE FROM BUS 640183 [GENTLMN3 345.00] TO BUS 640374 [SWEET W3 345.00] CKT 2  
BKR-SW-3310 : TRIP LINE FROM BUS 640374 [SWEET W3 345.00] TO BUS 640065 [AXTELL 3 345.00] CKT 1  
TRIP LINE FROM BUS 640183 [GENTLMN3 345.00] TO BUS 640374 [SWEET W3 345.00] CKT 1  
BKR-NP-2206 : TRIP LINE FROM BUS 640286 [N.PLATT4 230.00] TO BUS 640184 [GENTLMN4 230.00] CKT 1  
TRIP LINE FROM BUS 640286 [N.PLATT4 230.00] TO BUS 640287 [N.PLATT7 115.00] TO BUS 640290 [N.PT8 9 13.800] CKT 1  
BKR-NP-2212 : TRIP LINE FROM BUS 640286 [N.PLATT4 230.00] TO BUS 640184 [GENTLMN4 230.00] CKT 2  
TRIP LINE FROM BUS 640286 [N.PLATT4 230.00] TO BUS 640093 [C.CREEK4 230.00] CKT 1  
BKR-CC-2202 : TRIP LINE FROM BUS 640093 [C.CREEK4 230.00] TO BUS 640330 [RIVERDL4 230.00] CKT 1

TRIP LINE FROM BUS 640093 [C.CREEK4 230.00] TO BUS 640094 [C.CREEK7 115.00] CKT 1  
BKR-CC-2208 : TRIP LINE FROM BUS 640093 [C.CREEK4 230.00] TO BUS 640286 [N.PLATT4 230.00] CKT 1  
TRIP LINE FROM BUS 640093 [C.CREEK4 230.00] TO BUS 640094 [C.CREEK7 115.00] CKT 1  
BKR-RW-3302 : TRIP LINE FROM BUS 640325 [REDWILO3 345.00] TO BUS 640183 [GENTLMN3 345.00] CKT 1  
TRIP LINE FROM BUS 640325 [REDWILO3 345.00] TO BUS 531451 [MINGO 7 345.00] CKT 1  
TRIP LINE FROM BUS 640325 [REDWILO3 345.00] TO BUS 640326 [REDWILO7 115.00] TO BUS 640327 [REDWILO9 13.800]  
BKR-GRI-1596: TRIP LINE FROM BUS 640374 [SWEET W3 345.00] TO BUS 652571 [GR ISLD3 345.00] CKT 1  
TRIP LINE FROM BUS 652571 [GR ISLD3 345.00] TO BUS 640200 [GR ISLD4 230.00] TO BUS 652316 [GR ISL29 13.800] CKT 2  
BKR-GRI-1396: TRIP LINE FROM BUS 652571 [GR ISLD3 345.00] TO BUS 640271 [MCCOOL 3 345.00] CKT 1  
TRIP LINE FROM BUS 652571 [GR ISLD3 345.00] TO BUS 640200 [GR ISLD4 230.00] TO BUS 652314 [GR ISL19 13.800]  
BKR-GRI-2210: TRIP LINE FROM BUS 640200 [GR ISLD4 230.00] TO BUS 640131 [COLMB.W4 230.00] CKT 1  
TRIP LINE FROM BUS 640200 [GR ISLD4 230.00] TO BUS 652571 [GR ISLD3 345.00] CKT 3  
BKR-GRI-2208: TRIP LINE FROM BUS 640200 [GR ISLD4 230.00] TO BUS 640201 [GR ISLD7 115.00] TO BUS 640203 [G.I.T219 13.800] CKT 1  
TRIP LINE FROM BUS 640200 [GR ISLD4 230.00] TO BUS 652571 [GR ISLD3 345.00] CKT 3  
BKR-GRI-2220: TRIP LINE FROM BUS 640200 [GR ISLD4 230.00] TO BUS 640201 [GR ISLD7 115.00] TO BUS 640203 [G.I.T219 13.800] CKT 1  
TRIP LINE FROM BUS 640200 [GR ISLD4 230.00] TO BUS 652571 [GR ISLD3 345.00] TO BUS 652316 [GR ISL29 13.800] CKT 2  
BKR-GRI-2202: TRIP LINE FROM BUS 640200 [GR ISLD4 230.00] TO BUS 640201 [GR ISLD7 115.00] TO BUS 640203 [G.I.T219 13.800] CKT 1  
TRIP LINE FROM BUS 640200 [GR ISLD4 230.00] TO BUS 640330 [RIVERDL4 230.00]  
BKR-GRI-2204: TRIP LINE FROM BUS 640200 [GR ISLD4 230.00] TO BUS 640330 [RIVERDL4 230.00] CKT 1  
TRIP LINE FROM BUS 640200 [GR ISLD4 230.00] TO BUS 640214 [HASTING4 230.00] CKT 1  
TRIP LINE FROM BUS 640214 [HASTING4 230.00] TO BUS 641088 [HASTCTY7 115.00] CKT 1  
BKR-GRI-2206: TRIP LINE FROM BUS 640200 [GR ISLD4 230.00] TO BUS 640201 [GR ISLD7 115.00] CKT 2  
TRIP LINE FROM BUS 640200 [GR ISLD4 230.00] TO BUS 640214 [HASTING4 230.00] CKT 1  
TRIP LINE FROM BUS 640214 [HASTING4 230.00] TO BUS 641088 [HASTCTY7 115.00] CKT 1  
BKR-GRI-2212: TRIP LINE FROM BUS 640200 [GR ISLD4 230.00] TO BUS 640201 [GR ISLD7 115.00] CKT 2  
TRIP LINE FROM BUS 640200 [GR ISLD4 230.00] TO BUS 640131 [COLMB.W4 230.00] CKT 1  
BKR-PLN-3310: TRIP LINE FROM BUS 640312 [PAULINE3 345.00] TO BUS 640065 [AXTELL 3 345.00] CKT 1  
TRIP LINE FROM BUS 640312 [PAULINE3 345.00] TO BUS 640277 [MOORE 3 345.00] CKT 1  
TRIP LINE FROM BUS 640312 [PAULINE3 345.00] TO BUS 640313 [PAULINE7 115.00] TO BUS 640315 [PAULINE9 13.800]  
BKR-AXT-3308: TRIP LINE FROM BUS 640065 [AXTELL 3 345.00] TO BUS 640312 [PAULINE3 345.00] CKT 1  
TRIP LINE FROM BUS 640374 [SWEET W3 345.00] TO BUS 640065 [AXTELL 3 345.00] CKT 1  
TRIP LINE FROM BUS 640065 [AXTELL 3 345.00] TO BUS 640066 [AXTELL 7 115.00] TO BUS 640067 [AXTELL 9 13.800]  
BKR-MOR-3302: OPEN BRANCH FROM BUS 640277 [MOORE 3 345.00] TO BUS 640278 [SHELDON7 115.00] TO BUS 640280 [MOORE 9 13.800] CKT 1  
OPEN BRANCH FROM BUS 640277 [MOORE 3 345.00] TO BUS 640139 [COOPER 3 345.00] CKT 1  
BKR-MOR-3304: OPEN BRANCH FROM BUS 640277 [MOORE 3 345.00] TO BUS 640278 [SHELDON7 115.00] TO BUS 640280 [MOORE 9 13.800] CKT 1  
OPEN BRANCH FROM BUS 640277 [MOORE 3 345.00] TO BUS 640312 [PAULINE3 345.00] CKT 1  
BKR-MOR-3306: OPEN BRANCH FROM BUS 640277 [MOORE 3 345.00] TO BUS 650189 [103&ROKEBY3 345.00] CKT 1  
OPEN BRANCH FROM BUS 640277 [MOORE 3 345.00] TO BUS 640271 [MCCOOL 3 345.00] CKT 1  
BKR-MOR-3308: OPEN BRANCH FROM BUS 640277 [MOORE 3 345.00] TO BUS 650189 [103&ROKEBY3 345.00] CKT 1  
OPEN BRANCH FROM BUS 640277 [MOORE 3 345.00] TO BUS 640139 [COOPER 3 345.00] CKT 1  
BKR-MOR-3310: OPEN BRANCH FROM BUS 640277 [MOORE 3 345.00] TO BUS 650114 [NW68HOLDRG3 345.00] CKT 1  
OPEN BRANCH FROM BUS 640277 [MOORE 3 345.00] TO BUS 640271 [MCCOOL 3 345.00] CKT 1  
BKR-MOR-3312: OPEN BRANCH FROM BUS 640277 [MOORE 3 345.00] TO BUS 650114 [NW68HOLDRG3 345.00] CKT 1  
OPEN BRANCH FROM BUS 640277 [MOORE 3 345.00] TO BUS 640312 [PAULINE3 345.00] CKT 1  
BKR-CPR-3304: TRIP LINE FROM BUS 640139 [COOPER 3 345.00] TO BUS 541199 [ST JOE 3 345.00] CKT 1  
TRIP LINE FROM BUS 640139 [COOPER 3 345.00] TO BUS 635017 [ATCHSNT3 345.00] CKT 1  
BKR-CPR-3310: OPEN BRANCH FROM BUS 640139 [COOPER 3 345.00] TO BUS 640277 [MOORE 3 345.00] CKT 1  
OPEN BRANCH FROM BUS 640139 [COOPER 3 345.00] TO BUS 640009 [COOPER1G 22.000] CKT 1

BKR-CPR-3322: OPEN BRANCH FROM BUS 640139 [COOPER 3 345.00] TO BUS 645458 [S3458 3 345.00] CKT 1  
OPEN BRANCH FROM BUS 640139 [COOPER 3 345.00] TO BUS 300039 [7FAIRPT 345.00] CKT 1

BKR-C-3322-2: OPEN BRANCH FROM BUS 640139 [COOPER 3 345.00] TO BUS 645458 [S3458 3 345.00] CKT 1  
OPEN BRANCH FROM BUS 640139 [COOPER 3 345.00] TO BUS 300039 [7FAIRPT 345.00] CKT 1  
OPEN BRANCH FROM BUS 300039 [7FAIRPT 345.00] TO BUS 541199 [ST JOE 3 345.00] CKT 1  
OPEN BRANCH FROM BUS 300039 [7FAIRPT 345.00] TO BUS 300076 [5FAIRPT 161.00] CKT 3

BKR-WAY-186 : OPEN BRANCH FROM BUS 640404 [WAYSIDE4 230.00] TO BUS 652573 [STEGALL4 230.00] CKT 1  
OPEN BRANCH FROM BUS 640404 [WAYSIDE4 230.00] TO BUS 652484 [NUNDRWD4 230.00] CKT 1  
OPEN BRANCH FROM BUS 640404 [WAYSIDE4 230.00] TO BUS 640405 [WAYSIDE7 115.00] TO BUS 640406 [WAYSIDE9 13.800] CKT 1

BKR-TEK-1604: OPEN BRANCH FROM BUS 640377 [TEKAMAH5 161.00] TO BUS 635201 [RAUN 5 161.00] CKT 1  
OPEN BRANCH FROM BUS 640377 [TEKAMAH5 161.00] TO BUS 646226 [S1226 5 161.00] CKT 1  
OPEN BRANCH FROM BUS 640377 [TEKAMAH5 161.00] TO BUS 640378 [TEKAMAH7 115.00] CKT 1

BKR-HMB-1604: OPEN BRANCH FROM BUS 640234 [HUMBOLT5 161.00] TO BUS 646280 [S1280 5 161.00] CKT 1  
OPEN BRANCH FROM BUS 640234 [HUMBOLT5 161.00] TO BUS 646399 [S1399 5 161.00] CKT 1

BKR-HMB-1602: OPEN BRANCH FROM BUS 640234 [HUMBOLT5 161.00] TO BUS 646399 [S1399 5 161.00] CKT 1  
OPEN BRANCH FROM BUS 640234 [HUMBOLT5 161.00] TO BUS 640235 [HUMBOLT7 115.00] CKT 1

BKR-HOS-3302: OPEN BRANCH FROM BUS 640226 [HOSKINS3 345.00] TO BUS 640342 [SHELCRK3 345.00] CKT 1  
OPEN BRANCH FROM BUS 640226 [HOSKINS3 345.00] TO BUS 640228 [HOSKINS7 115.00] TO BUS 640231 [HOSKNS19 13.800] CKT 1

BKR-HOS-3308: OPEN BRANCH FROM BUS 640226 [HOSKINS3 345.00] TO BUS 640342 [SHELCRK3 345.00] CKT 1  
OPEN BRANCH FROM BUS 640226 [HOSKINS3 345.00] TO BUS 640227 [HOSKINS4 230.00] CKT 1

BKR-HOS-3310: OPEN BRANCH FROM BUS 640226 [HOSKINS3 345.00] TO BUS 635200 [RAUN 3 345.00] CKT 1  
OPEN BRANCH FROM BUS 640226 [HOSKINS3 345.00] TO BUS 640227 [HOSKINS4 230.00] CKT 1

BKR-HOS-3312: OPEN BRANCH FROM BUS 640226 [HOSKINS3 345.00] TO BUS 635200 [RAUN 3 345.00] CKT 1  
OPEN BRANCH FROM BUS 640226 [HOSKINS3 345.00] TO BUS 640228 [HOSKINS7 115.00] TO BUS 640231 [HOSKNS19 13.800] CKT 1

BKR-SC-3306 : OPEN BRANCH FROM BUS 640342 [SHELCRK3 345.00] TO BUS 640226 [HOSKINS3 345.00] CKT 1  
OPEN BRANCH FROM BUS 640342 [SHELCRK3 345.00] TO BUS 640125 [COLMB.E3 345.00] CKT 1  
OPEN BRANCH FROM BUS 640342 [SHELCRK3 345.00] TO BUS 640343 [SHELCRK4 230.00] CKT 1

BKR-CE-3306 : OPEN BRANCH FROM BUS 640125 [COLMB.E3 345.00] TO BUS 650114 [NW68HOLDRG3 345.00] CKT 1  
OPEN BRANCH FROM BUS 640125 [COLMB.E3 345.00] TO BUS 640342 [SHELCRK3 345.00] CKT 1  
OPEN BRANCH FROM BUS 640125 [COLMB.E3 345.00] TO BUS 640127 [COLMB.E7 115.00] TO BUS 640129 [COLMB.T9 13.800] CKT 1

CSPT-SK-SO : TRIP LINE FROM BUS 659133 [SIDNEY 3 345.00] TO BUS 640252 [KEYSTON3 345.00] CKT 1  
TRIP LINE FROM BUS 659134 [SIDNEY 4 230.00] TO BUS 640302 [OGALALA4 230.00] CKT 1

CSPT-GS1-GS2: TRIP LINE FROM BUS 640183 [GENTLMN3 345.00] TO BUS 640374 [SWEET W3 345.00] CKT 1  
TRIP LINE FROM BUS 640183 [GENTLMN3 345.00] TO BUS 640374 [SWEET W3 345.00] CKT 2

CSPT-SA-CCR : TRIP LINE FROM BUS 640374 [SWEET W3 345.00] TO BUS 640065 [AXTELL 3 345.00] CKT 1  
TRIP LINE FROM BUS 640093 [C.CREEK4 230.00] TO BUS 640330 [RIVERDL4 230.00] CKT 1

CSPT-HR-HTC : TRIP LINE FROM BUS 640226 [HOSKINS3 345.00] TO BUS 635200 [RAUN 3 345.00] CKT 1  
TRIP LINE FROM BUS 640227 [HOSKINS4 230.00] TO BUS 640386 [TWIN CH4 230.00] CKT 1

CSPT-CM-H161: TRIP LINE FROM BUS 640139 [COOPER 3 345.00] TO BUS 640277 [MOORE 3 345.00] CKT 1  
TRIP LINE FROM BUS 646280 [S1280 5 161.00] TO BUS 640234 [HUMBOLT5 161.00] CKT 1

CSPT-CM-C161: TRIP LINE FROM BUS 640139 [COOPER 3 345.00] TO BUS 640277 [MOORE 3 345.00] CKT 1  
TRIP LINE FROM BUS 646280 [S1280 5 161.00] TO BUS 640140 [COOPER 5 161.00] CKT 1

INT-CF-CSJ : TRIP LINE FROM BUS 640139 [COOPER 3 345.00] TO BUS 300039 [7FAIRPT 345.00] CKT 1  
TRIP LINE FROM BUS 300039 [7FAIRPT 345.00] TO BUS 541199 [ST JOE 3 345.00] CKT 1  
TRIP LINE FROM BUS 300039 [7FAIRPT 345.00] TO BUS 300076 [5FAIRPT 161.00] CKT 3  
TRIP LINE FROM BUS 640139 [COOPER 3 345.00] TO BUS 541199 [ST JOE 3 345.00] CKT 1

GEN-GGS-ALL : TRIP LINE FROM BUS 640183 [GENTLMN3 345.00] TO BUS 640011 [GENTLM2G 24.000] CKT 1  
TRIP LINE FROM BUS 640184 [GENTLMN4 230.00] TO BUS 640010 [GENTLM1G 23.000] CKT 1



GEN-BPS-ALL : TRIP LINE FROM BUS 640088 [BPS SUB7 115.00] TO BUS 640022 [BPS GT1G 13.800] CKT 1  
TRIP LINE FROM BUS 640088 [BPS SUB7 115.00] TO BUS 640023 [BPS GT2G 13.800] CKT 1  
TRIP LINE FROM BUS 640088 [BPS SUB7 115.00] TO BUS 640024 [BPS ST3G 13.800] CKT 1  
GEN-SS-ALL : TRIP LINE FROM BUS 640278 [SHELDON7 115.00] TO BUS 640019 [SHELDN1G 13.800] CKT 1  
TRIP LINE FROM BUS 640278 [SHELDON7 115.00] TO BUS 640020 [SHELDN2G 13.800] CKT 1  
TRIP LINE FROM BUS 640278 [SHELDON7 115.00] TO BUS 640021 [HALLAM3G 13.800] CKT 1  
GEN-COL-ALL : TRIP LINE FROM BUS 640136 [COLMBUS7 115.00] TO BUS 640006 [COLMBS1G 13.800] CKT 1  
TRIP LINE FROM BUS 640136 [COLMBUS7 115.00] TO BUS 640007 [COLMBS2G 13.800] CKT 1  
TRIP LINE FROM BUS 640136 [COLMBUS7 115.00] TO BUS 640008 [COLMBS3G 13.800] CKT 1  
GEN-EC-ALL : TRIP LINE FROM BUS 641087 [EGYCNTR7 115.00] TO BUS 641086 [EGY CTRG 13.800] CKT 1  
TRIP LINE FROM BUS 641087 [EGYCNTR7 115.00] TO BUS 641089 [EGYCTR2G 22.000] CKT 1  
MCFTCAL : OPEN BRANCH FROM BUS 645451 [S3451 3 345.00] TO BUS 645459 [S3459 3 345.00] CKT 1  
OPEN BRANCH FROM BUS 645451 [S3451 3 345.00] TO BUS 645454 [S3454 3 345.00] CKT 1  
MC3456-59-16: OPEN BRANCH FROM BUS 645456 [S3456 3 345.00] TO BUS 645459 [S3459 3 345.00] CKT 1  
OPEN BRANCH FROM BUS 646206 [S1206 5 161.00] TO BUS 646216 [S1216 5 161.00] CKT 1  
MC1206-01-CB: OPEN BRANCH FROM BUS 646201 [S1201 5 161.00] TO BUS 646206 [S1206 5 161.00] CKT 1  
OPEN BRANCH FROM BUS 646206 [S1206 5 161.00] TO BUS 635001 [CBLUFFS5 161.00] CKT 1  
MC1201-20-86: OPEN BRANCH FROM BUS 646201 [S1201 5 161.00] TO BUS 646220 [S1220 5 161.00] CKT 1  
OPEN BRANCH FROM BUS 646201 [S1201 5 161.00] TO BUS 646286 [S1286 5 161.00] CKT 1  
MC1209-1231 : OPEN BRANCH FROM BUS 646209 [S1209 5 161.00] TO BUS 646231 [S1231 5 161.00] CKT 1  
OPEN BRANCH FROM BUS 646209 [S1209 5 161.00] TO BUS 646231 [S1231 5 161.00] CKT 2  
MC1209-1250 : OPEN BRANCH FROM BUS 646209 [S1209 5 161.00] TO BUS 646250 [S1250 5 161.00] CKT 1  
OPEN BRANCH FROM BUS 646209 [S1209 5 161.00] TO BUS 646250 [S1250 5 161.00] CKT 2  
MC1211-1250 : OPEN BRANCH FROM BUS 646211 [S1211 5 161.00] TO BUS 646250 [S1250 5 161.00] CKT 1  
OPEN BRANCH FROM BUS 646211 [S1211 5 161.00] TO BUS 646250 [S1250 5 161.00] CKT 2  
MC1211-50-LS: OPEN BRANCH FROM BUS 646211 [S1211 5 161.00] TO BUS 646250 [S1250 5 161.00] CKT 1  
OPEN BRANCH FROM BUS 646211 [S1211 5 161.00] TO BUS 646250 [S1250 5 161.00] CKT 2  
OPEN LINE FROM BUS 645127 [S1211HS9 13.800] TO BUS 646211 [S1211 5 161.00] CKT 1  
MC1211-20-LS: OPEN BRANCH FROM BUS 646211 [S1211 5 161.00] TO BUS 646220 [S1220 5 161.00] CKT 1  
OPEN LINE FROM BUS 646299 [S1299 5 161.00] TO BUS 646211 [S1211 5 161.00] CKT 1  
OPEN LINE FROM BUS 646299 [S1299 5 161.00] TO BUS 646286 [S1286 5 161.00] CKT 1  
MC1299SOUTH : OPEN BRANCH FROM BUS 646211 [S1211 5 161.00] TO BUS 646220 [S1220 5 161.00] CKT 1  
OPEN BRANCH FROM BUS 646286 [S1286 5 161.00] TO BUS 646299 [S1299 5 161.00] CKT 1  
MC1221-31-55: OPEN BRANCH FROM BUS 646221 [S1221 5 161.00] TO BUS 646231 [S1231 5 161.00] CKT 1  
OPEN BRANCH FROM BUS 646221 [S1221 5 161.00] TO BUS 646255 [S1255 5 161.00] CKT 1  
MC1226-98 : OPEN BRANCH FROM BUS 646226 [S1226 5 161.00] TO BUS 646298 [S1298 5 161.00] CKT 1  
OPEN BRANCH FROM BUS 646226 [S1226 5 161.00] TO BUS 646298 [S1298 5 161.00] CKT 2  
MC1232-06-78: OPEN BRANCH FROM BUS 646206 [S1206 5 161.00] TO BUS 646232 [S1232 5 161.00] CKT 1  
OPEN BRANCH FROM BUS 646232 [S1232 5 161.00] TO BUS 646278 [S1278 5 161.00] CKT 1  
MC1235-31-34: OPEN BRANCH FROM BUS 646231 [S1231 5 161.00] TO BUS 646235 [S1235 5 161.00] CKT 1  
OPEN BRANCH FROM BUS 646234 [S1234 5 161.00] TO BUS 646235 [S1235 5 161.00] CKT 1  
MC1237-45-53: OPEN BRANCH FROM BUS 646237 [S1237 5 161.00] TO BUS 646345 [S1345 5 161.00] CKT 1  
OPEN BRANCH FROM BUS 646237 [S1237 5 161.00] TO BUS 646253 [S1253 5 161.00] CKT 1  
MC1216-917 : OPEN BRANCH FROM BUS 647916 [S916 8 69.000] TO BUS 647917 [S917 8 69.000] CKT 1  
OPEN BRANCH FROM BUS 646216 [S1216 5 161.00] TO BUS 646217 [S1217 5 161.00] CKT 1  
MC906-79-28 : OPEN LINE FROM BUS 647979 [S979 8 69.000] TO BUS 647079 [979TP 8 69.000] CKT 1  
OPEN LINE FROM BUS 647079 [979TP 8 69.000] TO BUS 647900 [S900 8 69.000] CKT 1  
OPEN LINE FROM BUS 647079 [979TP 8 69.000] TO BUS 647006 [S906 N 8 69.000] CKT 1

OPEN BRANCH FROM BUS 647006 [S906 N 8 69.000] TO BUS 647928 [S928 8 69.000] CKT 1  
MC930-18-19 : OPEN BRANCH FROM BUS 647918 [S918 8 69.000] TO BUS 647930 [S930 8 69.000] CKT 1  
OPEN BRANCH FROM BUS 647919 [S919 8 69.000] TO BUS 647930 [S930 8 69.000] CKT 1  
MC995-38-94 : OPEN LINE FROM BUS 647995 [S995 8 69.000] TO BUS 647874 [S6874 8 69.000] CKT 1  
OPEN LINE FROM BUS 647995 [S995 8 69.000] TO BUS 647938 [S938 8 69.000] CKT 1  
OPEN LINE FROM BUS 647995 [S995 8 69.000] TO BUS 647994 [S994 8 69.000] CKT 1  
MC1214-14-46: OPEN BRANCH FROM BUS 647014 [S914A 8 69.000] TO BUS 647914 [S914 8 69.000] CKT 1  
OPEN BRANCH FROM BUS 647014 [S914A 8 69.000] TO BUS 647846 [S6846 8 69.000] CKT 1  
CB3451-59&T3: OPEN BRANCH FROM BUS 645451 [S3451 3 345.00] TO BUS 645459 [S3459 3 345.00] CKT 1  
OPEN BRANCH FROM BUS 645451 [S3451 3 345.00] TO BUS 646251 [S1251 5 161.00] TO BUS 648251 [S3451T39 13.800] CKT 1  
CB3451-54&FC: OPEN BRANCH FROM BUS 645451 [S3451 3 345.00] TO BUS 645454 [S3454 3 345.00] CKT 1  
OPEN LINE FROM BUS 645001 [FT CAL1G 22.000] TO BUS 645101 [FC1A1 9 4.2000] CKT 1  
OPEN LINE FROM BUS 645001 [FT CAL1G 22.000] TO BUS 645102 [FC1A2 9 4.2000] CKT 1  
OPEN LINE FROM BUS 645001 [FT CAL1G 22.000] TO BUS 645451 [S3451 3 345.00] CKT 1  
OPEN LINE FROM BUS 645103 [FC1A3 9 4.2000] TO BUS 645100 [FC1A 5 161.00] CKT 1  
OPEN LINE FROM BUS 645104 [FC1A4 9 4.2000] TO BUS 645100 [FC1A 5 161.00] CKT 1  
CB3451-RN&T4: OPEN BRANCH FROM BUS 635200 [RAUN 3 345.00] TO BUS 645451 [S3451 3 345.00] CKT 1  
OPEN BRANCH FROM BUS 645451 [S3451 3 345.00] TO BUS 646251 [S1251 5 161.00] TO BUS 648351 [S3451T49 13.800] CKT 1  
CB3454-51&WG: OPEN BRANCH FROM BUS 645454 [S3454 3 345.00] TO BUS 650185 [WAGENER 3 345.00] CKT 1  
OPEN BRANCH FROM BUS 645454 [S3454 3 345.00] TO BUS 645451 [S3451 3 345.00] CKT 1  
CB3454-51&T1: OPEN BRANCH FROM BUS 645454 [S3454 3 345.00] TO BUS 646254 [S1254 5 161.00] TO BUS 648254 [S1254T19 13.800] CKT 1  
OPEN LINE FROM BUS 646254 [S1254 5 161.00] TO BUS 646281 [S1281 5 161.00] CKT 1  
OPEN LINE FROM BUS 646254 [S1254 5 161.00] TO BUS 646249 [S1249 5 161.00] CKT 1  
OPEN BRANCH FROM BUS 645454 [S3454 3 345.00] TO BUS 645451 [S3451 3 345.00] CKT 1  
CB3454-55&T1: OPEN BRANCH FROM BUS 645454 [S3454 3 345.00] TO BUS 646254 [S1254 5 161.00] TO BUS 648254 [S1254T19 13.800] CKT 1  
OPEN LINE FROM BUS 646254 [S1254 5 161.00] TO BUS 646281 [S1281 5 161.00] CKT 1  
OPEN LINE FROM BUS 646254 [S1254 5 161.00] TO BUS 646249 [S1249 5 161.00] CKT 1  
OPEN BRANCH FROM BUS 645454 [S3454 3 345.00] TO BUS 645455 [S3455 3 345.00] CKT 1  
CB3454-55&WG: OPEN BRANCH FROM BUS 645454 [S3454 3 345.00] TO BUS 650185 [WAGENER 3 345.00] CKT 1  
OPEN BRANCH FROM BUS 645454 [S3454 3 345.00] TO BUS 645455 [S3455 3 345.00] CKT 1  
CB3455-56&T1: OPEN BRANCH FROM BUS 645455 [S3455 3 345.00] TO BUS 646255 [S1255 5 161.00] TO BUS 648255 [S3455T19 13.800] CKT 1  
OPEN BRANCH FROM BUS 645455 [S3455 3 345.00] TO BUS 645456 [S3456 3 345.00] CKT 1  
CB3455-40&T3: OPEN BRANCH FROM BUS 645455 [S3455 3 345.00] TO BUS 645740 [S3740 3 345.00] CKT 1  
OPEN BRANCH FROM BUS 645455 [S3455 3 345.00] TO BUS 646255 [S1255 5 161.00] TO BUS 648355 [S3455T39 13.800] CKT 1  
CB3456-55&CB: OPEN BRANCH FROM BUS 635000 [CBLUFFS3 345.00] TO BUS 645456 [S3456 3 345.00] CKT 1  
OPEN BRANCH FROM BUS 645455 [S3455 3 345.00] TO BUS 645456 [S3456 3 345.00] CKT 1  
CB3456-59&T4: OPEN BRANCH FROM BUS 645456 [S3456 3 345.00] TO BUS 645459 [S3459 3 345.00] CKT 1  
OPEN BRANCH FROM BUS 645456 [S3456 3 345.00] TO BUS 646206 [S1206 5 161.00] TO BUS 648256 [S3456T49 13.800] CKT 1  
CB3456-58&T4: OPEN BRANCH FROM BUS 645456 [S3456 3 345.00] TO BUS 646206 [S1206 5 161.00] TO BUS 648256 [S3456T49 13.800] CKT 1  
OPEN BRANCH FROM BUS 645456 [S3456 3 345.00] TO BUS 645458 [S3458 3 345.00] CKT 1  
CB3456-58&CB: OPEN BRANCH FROM BUS 645456 [S3456 3 345.00] TO BUS 645458 [S3458 3 345.00] CKT 1  
OPEN BRANCH FROM BUS 635000 [CBLUFFS3 345.00] TO BUS 645456 [S3456 3 345.00] CKT 1  
CB3459-BUS : OPEN LINE FROM BUS 645459 [S3459 3 345.00] TO BUS 646209 [S1209 5 161.00] TO BUS 648259 [S3459T39 13.800] CKT 1  
OPEN LINE FROM BUS 645459 [S3459 3 345.00] TO BUS 645451 [S3451 3 345.00] CKT 1  
OPEN LINE FROM BUS 645459 [S3459 3 345.00] TO BUS 645456 [S3456 3 345.00] CKT 1  
CB3455-40&C2: OPEN BRANCH FROM BUS 645740 [S3740 3 345.00] TO BUS 645455 [S3455 3 345.00] CKT 1  
OPEN BRANCH FROM BUS 645740 [S3740 3 345.00] TO BUS 645042 [CASS 2G 15.000] CKT 1  
CB1201-29&86: OPEN BRANCH FROM BUS 646201 [S1201 5 161.00] TO BUS 646229 [S1229 5 161.00] CKT 1

OPEN BRANCH FROM BUS 646201 [S1201 5 161.00] TO BUS 646286 [S1286 5 161.00] CKT 1  
 CB1201-20&T1: OPEN BRANCH FROM BUS 646201 [S1201 5 161.00] TO BUS 646220 [S1220 5 161.00] CKT 1  
 OPEN BRANCH FROM BUS 646201 [S1201 5 161.00] TO BUS 647901 [S901 8 69.000] TO BUS 648201 [S1201T19 13.800] CKT 1  
 CB1206-32&T1: OPEN BRANCH FROM BUS 646206 [S1206 5 161.00] TO BUS 646232 [S1232 5 161.00] CKT 1  
 OPEN BRANCH FROM BUS 646206 [S1206 5 161.00] TO BUS 647906 [S906 S 8 69.000] TO BUS 648206 [S1206T19 13.800] CKT 1  
 CLOSE BRANCH FROM BUS 647006 [S906 N 8 69.000] TO BUS 647906 [S906 S 8 69.000] CKT 1  
 CB1206-32&01: OPEN BRANCH FROM BUS 646206 [S1206 5 161.00] TO BUS 646232 [S1232 5 161.00] CKT 1  
 OPEN BRANCH FROM BUS 646206 [S1206 5 161.00] TO BUS 646201 [S1201 5 161.00] CKT 1  
 CB1206-01&T2: OPEN BRANCH FROM BUS 646206 [S1206 5 161.00] TO BUS 646201 [S1201 5 161.00] CKT 1  
 OPEN BRANCH FROM BUS 646206 [S1206 5 161.00] TO BUS 647006 [S906 N 8 69.000] TO BUS 648306 [S1206T29 13.800] CKT 1  
 CLOSE BRANCH FROM BUS 647006 [S906 N 8 69.000] TO BUS 647906 [S906 S 8 69.000] CKT 1  
 CB1206-44&T1: OPEN BRANCH FROM BUS 646206 [S1206 5 161.00] TO BUS 646244 [S1244 5 161.00] CKT 1  
 OPEN BRANCH FROM BUS 646206 [S1206 5 161.00] TO BUS 647906 [S906 S 8 69.000] TO BUS 648206 [S1206T19 13.800] CKT 1  
 CLOSE BRANCH FROM BUS 647006 [S906 N 8 69.000] TO BUS 647906 [S906 S 8 69.000] CKT 1  
 CB1206-44SC3: OPEN BRANCH FROM BUS 646206 [S1206 5 161.00] TO BUS 646244 [S1244 5 161.00] CKT 1  
 OPEN LINE FROM BUS 645033 [SARPY 3G 13.800] TO BUS 646206 [S1206 5 161.00] CKT 1  
 OPEN LINE FROM BUS 645033 [SARPY 3G 13.800] TO BUS 645030 [SCBSD G 4.2000] CKT 1  
 CB1206-T2SC3: OPEN BRANCH FROM BUS 646206 [S1206 5 161.00] TO BUS 647006 [S906 N 8 69.000] TO BUS 648306 [S1206T29 13.800] CKT 1  
 CLOSE BRANCH FROM BUS 647006 [S906 N 8 69.000] TO BUS 647906 [S906 S 8 69.000] CKT 1  
 OPEN LINE FROM BUS 645033 [SARPY 3G 13.800] TO BUS 646206 [S1206 5 161.00] CKT 1  
 OPEN LINE FROM BUS 645033 [SARPY 3G 13.800] TO BUS 645030 [SCBSD G 4.2000] CKT 1  
 CB1206T1SC45: OPEN BRANCH FROM BUS 646206 [S1206 5 161.00] TO BUS 645034 [SARPY 4G 13.800] TO BUS 645035 [SARPY 5G 13.800] CKT 1  
 OPEN BRANCH FROM BUS 646206 [S1206 5 161.00] TO BUS 647906 [S906 S 8 69.000] TO BUS 648206 [S1206T19 13.800] CKT 1  
 CLOSE BRANCH FROM BUS 647006 [S906 N 8 69.000] TO BUS 647906 [S906 S 8 69.000] CKT 1  
 CB1206CBSC45: OPEN BRANCH FROM BUS 646206 [S1206 5 161.00] TO BUS 635001 [CBLUFFS5 161.00] CKT 1  
 OPEN BRANCH FROM BUS 646206 [S1206 5 161.00] TO BUS 645034 [SARPY 4G 13.800] TO BUS 645035 [SARPY 5G 13.800] CKT 1  
 CB1206T2SC45: OPEN BRANCH FROM BUS 646206 [S1206 5 161.00] TO BUS 635001 [CBLUFFS5 161.00] CKT 1  
 OPEN BRANCH FROM BUS 646206 [S1206 5 161.00] TO BUS 647006 [S906 N 8 69.000] TO BUS 648306 [S1206T29 13.800] CKT 1  
 CLOSE BRANCH FROM BUS 647006 [S906 N 8 69.000] TO BUS 647906 [S906 S 8 69.000] CKT 1  
 CB1206-16&T1: OPEN BRANCH FROM BUS 646206 [S1206 5 161.00] TO BUS 646216 [S1216 5 161.00] CKT 1  
 OPEN BRANCH FROM BUS 646206 [S1206 5 161.00] TO BUS 647906 [S906 S 8 69.000] TO BUS 648206 [S1206T19 13.800] CKT 1  
 CLOSE BRANCH FROM BUS 647006 [S906 N 8 69.000] TO BUS 647906 [S906 S 8 69.000] CKT 1  
 CB1206-16&T4: OPEN BRANCH FROM BUS 646206 [S1206 5 161.00] TO BUS 646216 [S1216 5 161.00] CKT 1  
 OPEN BRANCH FROM BUS 645456 [S3456 3 345.00] TO BUS 646206 [S1206 5 161.00] TO BUS 648256 [S3456T49 13.800] CKT 1  
 CB1206-T2&T4: OPEN BRANCH FROM BUS 646206 [S1206 5 161.00] TO BUS 647006 [S906 N 8 69.000] TO BUS 648306 [S1206T29 13.800] CKT 1  
 CLOSE BRANCH FROM BUS 647006 [S906 N 8 69.000] TO BUS 647906 [S906 S 8 69.000] CKT 1  
 OPEN BRANCH FROM BUS 645456 [S3456 3 345.00] TO BUS 646206 [S1206 5 161.00] TO BUS 648256 [S3456T49 13.800] CKT 1  
 CB1209-26&31: OPEN LINE FROM BUS 646252 [S1252 5 161.00] TO BUS 646209 [S1209 5 161.00] CKT 1  
 OPEN LINE FROM BUS 646252 [S1252 5 161.00] TO BUS 646226 [S1226 5 161.00] CKT 1  
 OPEN BRANCH FROM BUS 646209 [S1209 5 161.00] TO BUS 646231 [S1231 5 161.00] CKT 1  
 CB1209-31T1: OPEN BRANCH FROM BUS 646209 [S1209 5 161.00] TO BUS 647909 [S909 8 69.000] TO BUS 648209 [S1209T19 13.800] CKT 1  
 OPEN BRANCH FROM BUS 646209 [S1209 5 161.00] TO BUS 646231 [S1231 5 161.00] CKT 1  
 CB1209-50&31: OPEN BRANCH FROM BUS 646209 [S1209 5 161.00] TO BUS 646250 [S1250 5 161.00] CKT 1  
 OPEN BRANCH FROM BUS 646209 [S1209 5 161.00] TO BUS 646231 [S1231 5 161.00] CKT 2  
 CB1209-312T1: OPEN BRANCH FROM BUS 646209 [S1209 5 161.00] TO BUS 647909 [S909 8 69.000] TO BUS 648209 [S1209T19 13.800] CKT 1  
 OPEN BRANCH FROM BUS 646209 [S1209 5 161.00] TO BUS 646231 [S1231 5 161.00] CKT 2  
 CB1209-50&T3: OPEN BRANCH FROM BUS 646209 [S1209 5 161.00] TO BUS 646250 [S1250 5 161.00] CKT 2  
 OPEN BRANCH FROM BUS 645459 [S3459 3 345.00] TO BUS 646209 [S1209 5 161.00] TO BUS 648259 [S3459T39 13.800] CKT 1

CB1209-T1&T3: OPEN BRANCH FROM BUS 646209 [S1209 5 161.00] TO BUS 647909 [S909 8 69.000] TO BUS 648209 [S1209T19 13.800] CKT 1  
OPEN BRANCH FROM BUS 645459 [S3459 3 345.00] TO BUS 646209 [S1209 5 161.00] TO BUS 648259 [S3459T39 13.800] CKT 1

CB1210-17&T7: OPEN BRANCH FROM BUS 646210 [S1210 5 161.00] TO BUS 646217 [S1217 5 161.00] CKT 1  
OPEN BRANCH FROM BUS 646210 [S1210 5 161.00] TO BUS 647910 [S910 8 69.000] TO BUS 648210 [S1210T79 13.800] CKT 1

CB1210-22&T7: OPEN BRANCH FROM BUS 646210 [S1210 5 161.00] TO BUS 646222 [S1222 5 161.00] CKT 1  
OPEN BRANCH FROM BUS 646210 [S1210 5 161.00] TO BUS 647910 [S910 8 69.000] TO BUS 648210 [S1210T79 13.800] CKT 1

CB121150&NO2: OPEN BRANCH FROM BUS 646211 [S1211 5 161.00] TO BUS 646250 [S1250 5 161.00] CKT 1  
OPEN LINE FROM BUS 645022 [N OMA 2G 13.800] TO BUS 645122 [NO2 AUX9 2.4000] CKT 1  
OPEN LINE FROM BUS 645022 [N OMA 2G 13.800] TO BUS 646211 [S1211 5 161.00] CKT 1

CB121150&NO3: OPEN BRANCH FROM BUS 646211 [S1211 5 161.00] TO BUS 646250 [S1250 5 161.00] CKT 2  
OPEN LINE FROM BUS 645023 [N OMA 3G 13.800] TO BUS 645123 [NO3 AUX9 2.4000] CKT 1  
OPEN LINE FROM BUS 645023 [N OMA 3G 13.800] TO BUS 646211 [S1211 5 161.00] CKT 1

CB121199&NO4: OPEN BRANCH FROM BUS 646211 [S1211 5 161.00] TO BUS 646299 [S1299 5 161.00] CKT 1  
OPEN LINE FROM BUS 645024 [N OMA 4G 15.000] TO BUS 645124 [NO4 AUX9 2.4000] CKT 1  
OPEN LINE FROM BUS 645024 [N OMA 4G 15.000] TO BUS 646211 [S1211 5 161.00] CKT 1

CB121120&NO5: OPEN BRANCH FROM BUS 646211 [S1211 5 161.00] TO BUS 646220 [S1220 5 161.00] CKT 1  
OPEN LINE FROM BUS 645025 [N OMA 5G 20.000] TO BUS 645125 [NO5 AUX9 4.2000] CKT 1  
OPEN LINE FROM BUS 645025 [N OMA 5G 20.000] TO BUS 646211 [S1211 5 161.00] CKT 1

CB1214-BUS : OPEN LINE FROM BUS 646214 [S1214 5 161.00] TO BUS 646287 [S1287 5 161.00] CKT 1  
OPEN LINE FROM BUS 646214 [S1214 5 161.00] TO BUS 650169 [70&BLUFF 5 161.00] CKT 1  
OPEN LINE FROM BUS 646214 [S1214 5 161.00] TO BUS 647014 [S914A 8 69.000] TO BUS 648214 [S1214T19 13.800] CKT 1

CB1216-BUS : OPEN LINE FROM BUS 646216 [S1216 5 161.00] TO BUS 646217 [S1217 5 161.00] CKT 1  
OPEN LINE FROM BUS 646216 [S1216 5 161.00] TO BUS 646206 [S1206 5 161.00] CKT 1

CB1217-BUS : OPEN LINE FROM BUS 646217 [S1217 5 161.00] TO BUS 646227 [S1227 5 161.00] CKT 1  
OPEN LINE FROM BUS 646217 [S1217 5 161.00] TO BUS 647917 [S917 8 69.000] TO BUS 648217 [S1217T19 13.800] CKT 1  
OPEN LINE FROM BUS 646217 [S1217 5 161.00] TO BUS 646210 [S1210 5 161.00] CKT 1  
OPEN LINE FROM BUS 646217 [S1217 5 161.00] TO BUS 646216 [S1216 5 161.00] CKT 1

CB1220-BUS : OPEN LINE FROM BUS 646220 [S1220 5 161.00] TO BUS 646201 [S1201 5 161.00] CKT 1  
OPEN LINE FROM BUS 646220 [S1220 5 161.00] TO BUS 646211 [S1211 5 161.00] CKT 1

CB1221-31&T9: OPEN BRANCH FROM BUS 646221 [S1221 5 161.00] TO BUS 646231 [S1231 5 161.00] CKT 1  
OPEN BRANCH FROM BUS 646221 [S1221 5 161.00] TO BUS 647921 [S921 8 69.000] TO BUS 648221 [S1221T99 13.800] CKT 1

CB1221-55&T9: OPEN BRANCH FROM BUS 646221 [S1221 5 161.00] TO BUS 646255 [S1255 5 161.00] CKT 1  
OPEN BRANCH FROM BUS 646221 [S1221 5 161.00] TO BUS 647921 [S921 8 69.000] TO BUS 648221 [S1221T99 13.800] CKT 1

CB1222-BUS : OPEN LINE FROM BUS 646222 [S1222 5 161.00] TO BUS 646229 [S1229 5 161.00] CKT 1  
OPEN LINE FROM BUS 646222 [S1222 5 161.00] TO BUS 646210 [S1210 5 161.00] CKT 1

CB1226-98&TK: OPEN BRANCH FROM BUS 640377 [TEKAMAH5 161.00] TO BUS 646226 [S1226 5 161.00] CKT 1  
OPEN BRANCH FROM BUS 646226 [S1226 5 161.00] TO BUS 646298 [S1298 5 161.00] CKT 2

CB1226-37&52: OPEN BRANCH FROM BUS 646226 [S1226 5 161.00] TO BUS 646237 [S1237 5 161.00] CKT 1  
OPEN LINE FROM BUS 646252 [S1252 5 161.00] TO BUS 646209 [S1209 5 161.00] CKT 1  
OPEN LINE FROM BUS 646252 [S1252 5 161.00] TO BUS 646226 [S1226 5 161.00] CKT 1

CB1227-BUS : OPEN LINE FROM BUS 646227 [S1227 5 161.00] TO BUS 646231 [S1231 5 161.00] CKT 1  
OPEN LINE FROM BUS 646227 [S1227 5 161.00] TO BUS 646217 [S1217 5 161.00] CKT 1

CB1229-BUS : OPEN LINE FROM BUS 646229 [S1229 5 161.00] TO BUS 646201 [S1201 5 161.00] CKT 1  
OPEN LINE FROM BUS 646229 [S1229 5 161.00] TO BUS 646222 [S1222 5 161.00] CKT 1

CB1231-09&35: OPEN BRANCH FROM BUS 646209 [S1209 5 161.00] TO BUS 646231 [S1231 5 161.00] CKT 1  
OPEN BRANCH FROM BUS 646231 [S1231 5 161.00] TO BUS 646235 [S1235 5 161.00] CKT 1

CB1231-21&27: OPEN BRANCH FROM BUS 646227 [S1227 5 161.00] TO BUS 646231 [S1231 5 161.00] CKT 1  
OPEN BRANCH FROM BUS 646221 [S1221 5 161.00] TO BUS 646231 [S1231 5 161.00] CKT 1

CB1233-BUS : OPEN LINE FROM BUS 646233 [S1233 5 161.00] TO BUS 646234 [S1234 5 161.00] CKT 1  
OPEN LINE FROM BUS 646233 [S1233 5 161.00] TO BUS 646255 [S1255 5 161.00] CKT 1

CB1235-34&53: OPEN BRANCH FROM BUS 646234 [S1234 5 161.00] TO BUS 646235 [S1235 5 161.00] CKT 1  
OPEN BRANCH FROM BUS 646235 [S1235 5 161.00] TO BUS 646253 [S1253 5 161.00] CKT 1

CB1235-36&53: OPEN BRANCH FROM BUS 646235 [S1235 5 161.00] TO BUS 646236 [S1236 5 161.00] CKT 1  
OPEN BRANCH FROM BUS 646235 [S1235 5 161.00] TO BUS 646253 [S1253 5 161.00] CKT 1

CB1235-31&36: OPEN BRANCH FROM BUS 646231 [S1231 5 161.00] TO BUS 646235 [S1235 5 161.00] CKT 1  
OPEN BRANCH FROM BUS 646235 [S1235 5 161.00] TO BUS 646236 [S1236 5 161.00] CKT 1

CB1236-BUS : OPEN LINE FROM BUS 646236 [S1236 5 161.00] TO BUS 646345 [S1345 5 161.00] CKT 1  
OPEN LINE FROM BUS 646236 [S1236 5 161.00] TO BUS 646235 [S1235 5 161.00] CKT 1

161T37BK1OR2: OPEN LINE FROM BUS 646237 [S1237 5 161.00] TO BUS 646253 [S1253 5 161.00] CKT 1  
OPEN LINE FROM BUS 646237 [S1237 5 161.00] TO BUS 646345 [S1345 5 161.00] CKT 1  
OPEN LINE FROM BUS 646237 [S1237 5 161.00] TO BUS 646226 [S1226 5 161.00] CKT 1  
OPEN LINE FROM BUS 646345 [S1345 5 161.00] TO BUS 646236 [S1236 5 161.00] CKT 1

CB1237-BUS : OPEN LINE FROM BUS 646237 [S1237 5 161.00] TO BUS 646253 [S1253 5 161.00] CKT 1  
OPEN LINE FROM BUS 646237 [S1237 5 161.00] TO BUS 646345 [S1345 5 161.00] CKT 1  
OPEN LINE FROM BUS 646237 [S1237 5 161.00] TO BUS 646226 [S1226 5 161.00] CKT 1

CB1345-BUS : OPEN LINE FROM BUS 646345 [S1345 5 161.00] TO BUS 646236 [S1236 5 161.00] CKT 1  
OPEN LINE FROM BUS 646345 [S1345 5 161.00] TO BUS 646237 [S1237 5 161.00] CKT 1

CB1249-BUS : OPEN LINE FROM BUS 646249 [S1249 5 161.00] TO BUS 646254 [S1254 5 161.00] CKT 1  
OPEN LINE FROM BUS 646249 [S1249 5 161.00] TO BUS 646256 [S1256 5 161.00] CKT 1

CB1250-09&T1: OPEN BRANCH FROM BUS 646250 [S1250 5 161.00] TO BUS 646209 [S1209 5 161.00] CKT 2  
OPEN BRANCH FROM BUS 646250 [S1250 5 161.00] TO BUS 647950 [S950 8 69.000] TO BUS 648250 [S1250T19 13.800] CKT 1

CB1250-09&97: OPEN BRANCH FROM BUS 646250 [S1250 5 161.00] TO BUS 646209 [S1209 5 161.00] CKT 1  
OPEN LINE FROM BUS 646297 [S1297 5 161.00] TO BUS 646250 [S1250 5 161.00] CKT 1  
OPEN LINE FROM BUS 646297 [S1297 5 161.00] TO BUS 646251 [S1251 5 161.00] CKT 1

CB1250-11&97: OPEN BRANCH FROM BUS 646211 [S1211 5 161.00] TO BUS 646250 [S1250 5 161.00] CKT 1  
OPEN LINE FROM BUS 646297 [S1297 5 161.00] TO BUS 646250 [S1250 5 161.00] CKT 1  
OPEN LINE FROM BUS 646297 [S1297 5 161.00] TO BUS 646251 [S1251 5 161.00] CKT 1

CB1250-11&T1: OPEN BRANCH FROM BUS 646211 [S1211 5 161.00] TO BUS 646250 [S1250 5 161.00] CKT 2  
OPEN BRANCH FROM BUS 646250 [S1250 5 161.00] TO BUS 647950 [S950 8 69.000] TO BUS 648250 [S1250T19 13.800] CKT 1

CB1305-BUS : OPEN LINE FROM BUS 646305 [S1305 5 161.00] TO BUS 646341 [S1341 5 161.00] CKT 1  
OPEN LINE FROM BUS 646305 [S1305 5 161.00] TO BUS 646298 [S1298 5 161.00] CKT 1

CB1341-BUS : OPEN LINE FROM BUS 646341 [S1341 5 161.00] TO BUS 646251 [S1251 5 161.00] CKT 1  
OPEN LINE FROM BUS 646341 [S1341 5 161.00] TO BUS 646305 [S1305 5 161.00] CKT 1

CB1251-41&T4: OPEN BRANCH FROM BUS 646251 [S1251 5 161.00] TO BUS 646341 [S1341 5 161.00] CKT 1  
OPEN BRANCH FROM BUS 645451 [S3451 3 345.00] TO BUS 646251 [S1251 5 161.00] TO BUS 648351 [S3451T49 13.800] CKT 1

CB1251-98&T3: OPEN BRANCH FROM BUS 646251 [S1251 5 161.00] TO BUS 646298 [S1298 5 161.00] CKT 1  
OPEN BRANCH FROM BUS 645451 [S3451 3 345.00] TO BUS 646251 [S1251 5 161.00] TO BUS 648251 [S3451T39 13.800] CKT 1

CB1298-51&05: OPEN BRANCH FROM BUS 646298 [S1298 5 161.00] TO BUS 646251 [S1251 5 161.00] CKT 1  
OPEN BRANCH FROM BUS 646298 [S1298 5 161.00] TO BUS 646305 [S1305 5 161.00] CKT 1

CB1298-05&26: OPEN BRANCH FROM BUS 646298 [S1298 5 161.00] TO BUS 646305 [S1305 5 161.00] CKT 1  
OPEN BRANCH FROM BUS 646298 [S1298 5 161.00] TO BUS 646226 [S1226 5 161.00] CKT 1

CB1298-51&26: OPEN BRANCH FROM BUS 646298 [S1298 5 161.00] TO BUS 646251 [S1251 5 161.00] CKT 1  
OPEN BRANCH FROM BUS 646298 [S1298 5 161.00] TO BUS 646226 [S1226 5 161.00] CKT 2

CB1251-97&FC: OPEN LINE FROM BUS 646297 [S1297 5 161.00] TO BUS 646250 [S1250 5 161.00] CKT 1  
OPEN LINE FROM BUS 646297 [S1297 5 161.00] TO BUS 646251 [S1251 5 161.00] CKT 1  
OPEN LINE FROM BUS 645100 [FC1A 5 161.00] TO BUS 646251 [S1251 5 161.00] CKT 1

OPEN LINE FROM BUS 645100 [FC1A 5 161.00] TO BUS 645103 [FC1A3 9 4.2000] CKT 1  
OPEN LINE FROM BUS 645100 [FC1A 5 161.00] TO BUS 645104 [FC1A4 9 4.2000] CKT 1  
CB1253-35&37: OPEN BRANCH FROM BUS 646235 [S1235 5 161.00] TO BUS 646253 [S1253 5 161.00] CKT 1  
OPEN BRANCH FROM BUS 646237 [S1237 5 161.00] TO BUS 646253 [S1253 5 161.00] CKT 1  
CB1253-BUS : OPEN LINE FROM BUS 646253 [S1253 5 161.00] TO BUS 646256 [S1256 5 161.00] CKT 1  
OPEN LINE FROM BUS 646253 [S1253 5 161.00] TO BUS 646235 [S1235 5 161.00] CKT 1  
OPEN LINE FROM BUS 646253 [S1253 5 161.00] TO BUS 646237 [S1237 5 161.00] CKT 1  
CB1254-BUS : OPEN LINE FROM BUS 646254 [S1254 5 161.00] TO BUS 646281 [S1281 5 161.00] CKT 1  
OPEN LINE FROM BUS 646254 [S1254 5 161.00] TO BUS 645454 [S3454 3 345.00] TO BUS 648254 [S1254T19 13.800] CKT 1  
OPEN LINE FROM BUS 646254 [S1254 5 161.00] TO BUS 646249 [S1249 5 161.00] CKT 1  
CB1255-21&T1: OPEN BRANCH FROM BUS 646221 [S1221 5 161.00] TO BUS 646255 [S1255 5 161.00] CKT 1  
OPEN BRANCH FROM BUS 645455 [S3455 3 345.00] TO BUS 646255 [S1255 5 161.00] TO BUS 648255 [S3455T19 13.800] CKT 1  
CB1255-59&T3: OPEN BRANCH FROM BUS 646255 [S1255 5 161.00] TO BUS 646259 [S1259 5 161.00] CKT 1  
OPEN BRANCH FROM BUS 645455 [S3455 3 345.00] TO BUS 646255 [S1255 5 161.00] TO BUS 648355 [S3455T39 13.800] CKT 1  
CB1256-49&53: OPEN LINE FROM BUS 646256 [S1256 5 161.00] TO BUS 646249 [S1249 5 161.00] CKT 1  
OPEN LINE FROM BUS 646256 [S1256 5 161.00] TO BUS 646253 [S1253 5 161.00] CKT 1  
SET BUS 646253 [S1253 5 161.00] LOAD TO 0 MW  
CB1259-BUS81: OPEN LINE FROM BUS 646259 [S1259 5 161.00] TO BUS 646278 [S1278 5 161.00] CKT 1  
OPEN LINE FROM BUS 646259 [S1259 5 161.00] TO BUS 646281 [S1281 5 161.00] CKT 1  
OPEN LINE FROM BUS 646259 [S1259 5 161.00] TO BUS 646255 [S1255 5 161.00] CKT 1  
OPEN LINE FROM BUS 646281 [S1281 5 161.00] TO BUS 646287 [S1287 5 161.00] CKT 1  
OPEN LINE FROM BUS 646281 [S1281 5 161.00] TO BUS 646254 [S1254 5 161.00] CKT 1  
CB1259-BUS : OPEN LINE FROM BUS 646259 [S1259 5 161.00] TO BUS 646278 [S1278 5 161.00] CKT 1  
OPEN LINE FROM BUS 646259 [S1259 5 161.00] TO BUS 646281 [S1281 5 161.00] CKT 1  
OPEN LINE FROM BUS 646259 [S1259 5 161.00] TO BUS 646255 [S1255 5 161.00] CKT 1  
CB1263-BUS : OPEN LINE FROM BUS 646263 [S1263 5 161.00] TO BUS 646280 [S1280 5 161.00] CKT 1  
OPEN LINE FROM BUS 646263 [S1263 5 161.00] TO BUS 647111 [W BROCK8 69.000] TO BUS 648263 [S1263T19 13.800] CKT 1  
OPEN LINE FROM BUS 646263 [S1263 5 161.00] TO BUS 646258 [S1258 5 161.00] CKT 1  
CB1278-BUS : OPEN LINE FROM BUS 646278 [S1278 5 161.00] TO BUS 646232 [S1232 5 161.00] CKT 1  
OPEN LINE FROM BUS 646278 [S1278 5 161.00] TO BUS 646259 [S1259 5 161.00] CKT 1  
CB1280-BUS : OPEN LINE FROM BUS 646280 [S1280 5 161.00] TO BUS 640140 [COOPER 5 161.00] CKT 1  
OPEN LINE FROM BUS 646280 [S1280 5 161.00] TO BUS 640234 [HUMBOLT5 161.00] CKT 1  
OPEN LINE FROM BUS 646280 [S1280 5 161.00] TO BUS 646263 [S1263 5 161.00] CKT 1  
CB1281-BUS : OPEN LINE FROM BUS 646281 [S1281 5 161.00] TO BUS 646287 [S1287 5 161.00] CKT 1  
OPEN LINE FROM BUS 646281 [S1281 5 161.00] TO BUS 646254 [S1254 5 161.00] CKT 1  
OPEN LINE FROM BUS 646281 [S1281 5 161.00] TO BUS 646259 [S1259 5 161.00] CKT 1  
CB1286-BUS : OPEN LINE FROM BUS 646286 [S1286 5 161.00] TO BUS 646299 [S1299 5 161.00] CKT 1  
OPEN LINE FROM BUS 646286 [S1286 5 161.00] TO BUS 646201 [S1201 5 161.00] CKT 1  
CB1287-BUS : OPEN LINE FROM BUS 646287 [S1287 5 161.00] TO BUS 646214 [S1214 5 161.00] CKT 1  
OPEN LINE FROM BUS 646287 [S1287 5 161.00] TO BUS 646281 [S1281 5 161.00] CKT 1  
CB1299-BUS : OPEN LINE FROM BUS 646299 [S1299 5 161.00] TO BUS 646211 [S1211 5 161.00] CKT 1  
OPEN LINE FROM BUS 646299 [S1299 5 161.00] TO BUS 646286 [S1286 5 161.00] CKT 1  
CBTEK-BUS : OPEN LINE FROM BUS 640377 [TEKAMAH5 161.00] TO BUS 646226 [S1226 5 161.00] CKT 1  
OPEN LINE FROM BUS 640377 [TEKAMAH5 161.00] TO BUS 640378 [TEKAMAH7 115.00] CKT 1  
OPEN LINE FROM BUS 640377 [TEKAMAH5 161.00] TO BUS 635201 [RAUN 5 161.00] CKT 1  
CBCOO-161BUS: OPEN BRANCH FROM BUS 640140 [COOPER 5 161.00] TO BUS 640139 [COOPER 3 345.00] TO BUS 640142 [COOPER 9 13.800] CKT 1  
CB1399-BUS : OPEN LINE FROM BUS 646399 [S1399 5 161.00] TO BUS 648500 [FLTWTRX9 34.500] TO BUS 648501 [FLTWTRY9 13.800] CKT 1  
OPEN LINE FROM BUS 646399 [S1399 5 161.00] TO BUS 532913 [KELLY 5 161.00] CKT 1

OPEN LINE FROM BUS 646399 [S1399 5 161.00] TO BUS 640234 [HUMBOLT5 161.00] CKT 1  
CBHUM-80&T4 : OPEN BRANCH FROM BUS 640234 [HUMBOLT5 161.00] TO BUS 647975 [S975 8 69.000] TO BUS 648275 [S975T4 9 13.800] CKT 1  
OPEN BRANCH FROM BUS 640234 [HUMBOLT5 161.00] TO BUS 646280 [S1280 5 161.00] CKT 1  
CBHUM-T2&T4 : OPEN BRANCH FROM BUS 640234 [HUMBOLT5 161.00] TO BUS 647975 [S975 8 69.000] TO BUS 648275 [S975T4 9 13.800] CKT 1  
OPEN BRANCH FROM BUS 640235 [HUMBOLT7 115.00] TO BUS 640234 [HUMBOLT5 161.00] CKT 1  
CB900-BUS : OPEN LINE FROM BUS 647900 [S900 8 69.000] TO BUS 647914 [S914 8 69.000] CKT 1  
OPEN LINE FROM BUS 647900 [S900 8 69.000] TO BUS 647972 [S972 8 69.000] CKT 1  
OPEN LINE FROM BUS 647900 [S900 8 69.000] TO BUS 647985 [S985 8 69.000] CKT 1  
OPEN LINE FROM BUS 647900 [S900 8 69.000] TO BUS 647079 [979TP 8 69.000] CKT 1  
OPEN LINE FROM BUS 647900 [S900 8 69.000] TO BUS 647100 [ASH GRV8 69.000] CKT 1  
CB900BUS&979: OPEN LINE FROM BUS 647900 [S900 8 69.000] TO BUS 647914 [S914 8 69.000] CKT 1  
OPEN LINE FROM BUS 647900 [S900 8 69.000] TO BUS 647972 [S972 8 69.000] CKT 1  
OPEN LINE FROM BUS 647900 [S900 8 69.000] TO BUS 647985 [S985 8 69.000] CKT 1  
OPEN LINE FROM BUS 647900 [S900 8 69.000] TO BUS 647079 [979TP 8 69.000] CKT 1  
OPEN LINE FROM BUS 647900 [S900 8 69.000] TO BUS 647100 [ASH GRV8 69.000] CKT 1  
OPEN LINE FROM BUS 647079 [979TP 8 69.000] TO BUS 647979 [S979 8 69.000] CKT 1  
OPEN LINE FROM BUS 647079 [979TP 8 69.000] TO BUS 647006 [S906 N 8 69.000] CKT 1  
CB901-JS&BUS: OPEN LINE FROM BUS 647901 [S901 8 69.000] TO BUS 647912 [S912 8 69.000] CKT 1  
OPEN LINE FROM BUS 647901 [S901 8 69.000] TO BUS 646201 [S1201 5 161.00] TO BUS 648201 [S1201T19 13.800] CKT 1  
OPEN LINE FROM BUS 647901 [S901 8 69.000] TO BUS 645051 [JONES 1G 13.800] CKT 1  
OPEN LINE FROM BUS 647901 [S901 8 69.000] TO BUS 645052 [JONES 2G 13.800] CKT 1  
OPEN LINE FROM BUS 647901 [S901 8 69.000] TO BUS 647105 [JCT205 8 69.000] CKT 1  
CB902-BUS : OPEN LINE FROM BUS 647902 [S902 8 69.000] TO BUS 647937 [S937 8 69.000] CKT 1  
OPEN LINE FROM BUS 647902 [S902 8 69.000] TO BUS 647983 [S983 8 69.000] CKT 1  
OPEN LINE FROM BUS 647902 [S902 8 69.000] TO BUS 647984 [S984 8 69.000] CKT 1  
CB902BUS&937: OPEN LINE FROM BUS 647902 [S902 8 69.000] TO BUS 647937 [S937 8 69.000] CKT 1  
OPEN LINE FROM BUS 647902 [S902 8 69.000] TO BUS 647983 [S983 8 69.000] CKT 1  
OPEN LINE FROM BUS 647902 [S902 8 69.000] TO BUS 647984 [S984 8 69.000] CKT 1  
OPEN LINE FROM BUS 647937 [S937 8 69.000] TO BUS 647909 [S909 8 69.000] CKT 1  
CB904BUS&985: OPEN LINE FROM BUS 647904 [S904 8 69.000] TO BUS 647906 [S906 S 8 69.000] CKT 1  
OPEN LINE FROM BUS 647904 [S904 8 69.000] TO BUS 647985 [S985 8 69.000] CKT 1  
OPEN LINE FROM BUS 647985 [S985 8 69.000] TO BUS 640320 [PLTSMTH8 69.000] CKT 1  
OPEN LINE FROM BUS 647985 [S985 8 69.000] TO BUS 647900 [S900 8 69.000] CKT 1  
CB906N-69DT2: OPEN BRANCH FROM BUS 647006 [S906 N 8 69.000] TO BUS 647079 [979TP 8 69.000] CKT 1  
OPEN BRANCH FROM BUS 647006 [S906 N 8 69.000] TO BUS 647017 [915TP9 8 69.000] CKT 1  
CLOSE BRANCH FROM BUS 647006 [S906 N 8 69.000] TO BUS 647906 [S906 S 8 69.000] CKT 1  
OPEN BRANCH FROM BUS 646206 [S1206 5 161.00] TO BUS 647006 [S906 N 8 69.000] TO BUS 648306 [S1206T29 13.800] CKT 1  
CB906N-6979 : OPEN LINE FROM BUS 647079 [979TP 8 69.000] TO BUS 647900 [S900 8 69.000] CKT 1  
OPEN LINE FROM BUS 647079 [979TP 8 69.000] TO BUS 647979 [S979 8 69.000] CKT 1  
OPEN LINE FROM BUS 647079 [979TP 8 69.000] TO BUS 647006 [S906 N 8 69.000] CKT 1  
OPEN BRANCH FROM BUS 647006 [S906 N 8 69.000] TO BUS 647017 [915TP9 8 69.000] CKT 1  
OPEN BRANCH FROM BUS 646206 [S1206 5 161.00] TO BUS 647006 [S906 N 8 69.000] TO BUS 648306 [S1206T29 13.800] CKT 1  
CLOSE BRANCH FROM BUS 647006 [S906 N 8 69.000] TO BUS 647906 [S906 S 8 69.000] CKT 1  
CB906N-6994 : OPEN BRANCH FROM BUS 646206 [S1206 5 161.00] TO BUS 647006 [S906 N 8 69.000] TO BUS 648306 [S1206T29 13.800] CKT 1  
OPEN LINE FROM BUS 647017 [915TP9 8 69.000] TO BUS 647108 [SAC629 8 69.000] CKT 1  
OPEN LINE FROM BUS 647017 [915TP9 8 69.000] TO BUS 647006 [S906 N 8 69.000] CKT 1  
OPEN LINE FROM BUS 647017 [915TP9 8 69.000] TO BUS 647015 [S915T1 8 69.000] CKT 1  
OPEN LINE FROM BUS 647108 [SAC629 8 69.000] TO BUS 647110 [SAC NO 8 69.000] CKT 1

OPEN LINE FROM BUS 647108 [SAC629 8 69.000] TO BUS 647994 [S994 8 69.000] CKT 1  
CLOSE BRANCH FROM BUS 647006 [S906 N 8 69.000] TO BUS 647906 [S906 S 8 69.000] CKT 1  
CB906N-BT61 : OPEN BRANCH FROM BUS 646206 [S1206 5 161.00] TO BUS 647006 [S906 N 8 69.000] TO BUS 648306 [S1206T29 13.800] CKT 1  
OPEN LINE FROM BUS 645031 [SARPY 1G 13.800] TO BUS 647006 [S906 N 8 69.000] CKT 1  
OPEN BRANCH FROM BUS 647006 [S906 N 8 69.000] TO BUS 647017 [915TP9 8 69.000] CKT 1  
OPEN BRANCH FROM BUS 647006 [S906 N 8 69.000] TO BUS 647079 [979TP 8 69.000] CKT 1  
OPEN BRANCH FROM BUS 647006 [S906 N 8 69.000] TO BUS 647928 [S928 8 69.000] CKT 1  
OPEN BRANCH FROM BUS 647006 [S906 N 8 69.000] TO BUS 647916 [S916 8 69.000] CKT 1  
OPEN BRANCH FROM BUS 647006 [S906 N 8 69.000] TO BUS 647938 [S938 8 69.000] CKT 1  
CB906N69CBUS: OPEN LINE FROM BUS 645031 [SARPY 1G 13.800] TO BUS 647006 [S906 N 8 69.000] CKT 1  
OPEN BRANCH FROM BUS 647006 [S906 N 8 69.000] TO BUS 647938 [S938 8 69.000] CKT 1  
OPEN BRANCH FROM BUS 647006 [S906 N 8 69.000] TO BUS 647928 [S928 8 69.000] CKT 1  
OPEN BRANCH FROM BUS 647006 [S906 N 8 69.000] TO BUS 647916 [S916 8 69.000] CKT 1  
CB906N69B916: OPEN LINE FROM BUS 645031 [SARPY 1G 13.800] TO BUS 647006 [S906 N 8 69.000] CKT 1  
OPEN BRANCH FROM BUS 647006 [S906 N 8 69.000] TO BUS 647938 [S938 8 69.000] CKT 1  
OPEN BRANCH FROM BUS 647006 [S906 N 8 69.000] TO BUS 647928 [S928 8 69.000] CKT 1  
OPEN BRANCH FROM BUS 647006 [S906 N 8 69.000] TO BUS 647916 [S916 8 69.000] CKT 1  
OPEN BRANCH FROM BUS 647916 [S916 8 69.000] TO BUS 647940 [S940 8 69.000] CKT 1  
CB906S69BSC2: OPEN LINE FROM BUS 645032 [SARPY 2G 13.800] TO BUS 647906 [S906 S 8 69.000] CKT 1  
OPEN BRANCH FROM BUS 647906 [S906 S 8 69.000] TO BUS 647924 [S924 8 69.000] CKT 1  
OPEN BRANCH FROM BUS 647906 [S906 S 8 69.000] TO BUS 647016 [915TP3 8 69.000] CKT 1  
CB906S69B994: OPEN LINE FROM BUS 645032 [SARPY 2G 13.800] TO BUS 647906 [S906 S 8 69.000] CKT 1  
OPEN BRANCH FROM BUS 647906 [S906 S 8 69.000] TO BUS 647924 [S924 8 69.000] CKT 1  
OPEN LINE FROM BUS 647016 [915TP3 8 69.000] TO BUS 647107 [SAC623 8 69.000] CKT 1  
OPEN LINE FROM BUS 647016 [915TP3 8 69.000] TO BUS 647906 [S906 S 8 69.000] CKT 1  
OPEN LINE FROM BUS 647016 [915TP3 8 69.000] TO BUS 647915 [S915T2 8 69.000] CKT 1  
OPEN LINE FROM BUS 647107 [SAC623 8 69.000] TO BUS 647109 [SAC SO 8 69.000] CKT 1  
OPEN LINE FROM BUS 647107 [SAC623 8 69.000] TO BUS 647994 [S994 8 69.000] CKT 1  
CB906S-BT63 : OPEN LINE FROM BUS 645032 [SARPY 2G 13.800] TO BUS 647906 [S906 S 8 69.000] CKT 1  
OPEN BRANCH FROM BUS 647906 [S906 S 8 69.000] TO BUS 647924 [S924 8 69.000] CKT 1  
OPEN BRANCH FROM BUS 647906 [S906 S 8 69.000] TO BUS 647016 [915TP3 8 69.000] CKT 1  
OPEN BRANCH FROM BUS 647906 [S906 S 8 69.000] TO BUS 647904 [S904 8 69.000] CKT 1  
OPEN BRANCH FROM BUS 647906 [S906 S 8 69.000] TO BUS 647938 [S938 8 69.000] CKT 1  
OPEN BRANCH FROM BUS 646206 [S1206 5 161.00] TO BUS 647906 [S906 S 8 69.000] TO BUS 648206 [S1206T19 13.800] CKT 1  
CB906S-69A : OPEN BRANCH FROM BUS 646206 [S1206 5 161.00] TO BUS 647906 [S906 S 8 69.000] TO BUS 648206 [S1206T19 13.800] CKT 1  
OPEN BRANCH FROM BUS 647906 [S906 S 8 69.000] TO BUS 647904 [S904 8 69.000] CKT 1  
OPEN BRANCH FROM BUS 647906 [S906 S 8 69.000] TO BUS 647938 [S938 8 69.000] CKT 1  
CLOSE BRANCH FROM BUS 647006 [S906 N 8 69.000] TO BUS 647906 [S906 S 8 69.000] CKT 1  
CB907-BUS : OPEN LINE FROM BUS 647907 [S907 8 69.000] TO BUS 647911 [S911 8 69.000] CKT 1  
OPEN LINE FROM BUS 647907 [S907 8 69.000] TO BUS 647919 [S919 8 69.000] CKT 1  
CB909BUS&937: OPEN LINE FROM BUS 647909 [S909 8 69.000] TO BUS 647918 [S918 8 69.000] CKT 1  
OPEN LINE FROM BUS 647909 [S909 8 69.000] TO BUS 647921 [S921 8 69.000] CKT 1  
OPEN LINE FROM BUS 647909 [S909 8 69.000] TO BUS 647937 [S937 8 69.000] CKT 1  
OPEN LINE FROM BUS 647909 [S909 8 69.000] TO BUS 647939 [S939 8 69.000] CKT 1  
OPEN LINE FROM BUS 647909 [S909 8 69.000] TO BUS 646209 [S1209 5 161.00] TO BUS 648209 [S1209T19 13.800] CKT 1  
OPEN LINE FROM BUS 647937 [S937 8 69.000] TO BUS 647902 [S902 8 69.000] CKT 1  
CB909-BUS : OPEN LINE FROM BUS 647909 [S909 8 69.000] TO BUS 647918 [S918 8 69.000] CKT 1  
OPEN LINE FROM BUS 647909 [S909 8 69.000] TO BUS 647921 [S921 8 69.000] CKT 1



OPEN LINE FROM BUS 647909 [S909 8 69.000] TO BUS 647937 [S937 8 69.000] CKT 1  
OPEN LINE FROM BUS 647909 [S909 8 69.000] TO BUS 647939 [S939 8 69.000] CKT 1  
OPEN LINE FROM BUS 647909 [S909 8 69.000] TO BUS 646209 [S1209 5 161.00] TO BUS 648209 [S1209T19 13.800] CKT 1  
CB910-BUS : OPEN LINE FROM BUS 647910 [S910 8 69.000] TO BUS 647923 [S923 8 69.000] CKT 1  
OPEN LINE FROM BUS 647910 [S910 8 69.000] TO BUS 646210 [S1210 5 161.00] TO BUS 648210 [S1210T79 13.800] CKT 1  
OPEN LINE FROM BUS 647910 [S910 8 69.000] TO BUS 647105 [JCT205 8 69.000] CKT 1  
OPEN LINE FROM BUS 647910 [S910 8 69.000] TO BUS 647908 [S908 8 69.000] CKT 1  
CB910BUS1210: OPEN BRANCH FROM BUS 646210 [S1210 5 161.00] TO BUS 646217 [S1217 5 161.00] CKT 1  
OPEN LINE FROM BUS 647910 [S910 8 69.000] TO BUS 647923 [S923 8 69.000] CKT 1  
OPEN LINE FROM BUS 647910 [S910 8 69.000] TO BUS 646210 [S1210 5 161.00] TO BUS 648210 [S1210T79 13.800] CKT 1  
OPEN LINE FROM BUS 647910 [S910 8 69.000] TO BUS 647105 [JCT205 8 69.000] CKT 1  
OPEN LINE FROM BUS 647910 [S910 8 69.000] TO BUS 647908 [S908 8 69.000] CKT 1  
CB911-BUS : OPEN LINE FROM BUS 647911 [S911 8 69.000] TO BUS 647913 [S913 8 69.000] CKT 1  
OPEN LINE FROM BUS 647911 [S911 8 69.000] TO BUS 646211 [S1211 5 161.00] TO BUS 648211 [S1211T19 13.800] CKT 1  
OPEN LINE FROM BUS 647911 [S911 8 69.000] TO BUS 645021 [N OMA 1G 13.800] CKT 1  
OPEN LINE FROM BUS 647911 [S911 8 69.000] TO BUS 645126 [S911 HS9 13.800] CKT 1  
OPEN LINE FROM BUS 647911 [S911 8 69.000] TO BUS 647907 [S907 8 69.000] CKT 1  
OPEN LINE FROM BUS 645021 [N OMA 1G 13.800] TO BUS 645121 [NO1 AUX9 2.4000] CKT 1  
CB912-BUS : OPEN LINE FROM BUS 647912 [S912 8 69.000] TO BUS 647923 [S923 8 69.000] CKT 1  
OPEN LINE FROM BUS 647912 [S912 8 69.000] TO BUS 647924 [S924 8 69.000] CKT 1  
OPEN LINE FROM BUS 647912 [S912 8 69.000] TO BUS 647901 [S901 8 69.000] CKT 1  
CB914-BUS : OPEN LINE FROM BUS 647914 [S914 8 69.000] TO BUS 647014 [S914A 8 69.000] CKT 1  
OPEN LINE FROM BUS 647914 [S914 8 69.000] TO BUS 647900 [S900 8 69.000] CKT 1  
CB914A-88-T1: OPEN LINE FROM BUS 647988 [S988 8 69.000] TO BUS 647014 [S914A 8 69.000] CKT 1  
OPEN BRANCH FROM BUS 646214 [S1214 5 161.00] TO BUS 647014 [S914A 8 69.000] TO BUS 648214 [S1214T19 13.800] CKT 1  
CB914A-46-T1: OPEN BRANCH FROM BUS 647014 [S914A 8 69.000] TO BUS 647846 [S6846 8 69.000] CKT 1  
OPEN BRANCH FROM BUS 646214 [S1214 5 161.00] TO BUS 647014 [S914A 8 69.000] TO BUS 648214 [S1214T19 13.800] CKT 1  
CB914A-14-88: OPEN BRANCH FROM BUS 647014 [S914A 8 69.000] TO BUS 647914 [S914 8 69.000] CKT 1  
OPEN LINE FROM BUS 647988 [S988 8 69.000] TO BUS 647014 [S914A 8 69.000] CKT 1  
CB916-BUS : OPEN LINE FROM BUS 647916 [S916 8 69.000] TO BUS 647917 [S917 8 69.000] CKT 1  
OPEN LINE FROM BUS 647916 [S916 8 69.000] TO BUS 647940 [S940 8 69.000] CKT 1  
OPEN LINE FROM BUS 647916 [S916 8 69.000] TO BUS 647006 [S906 N 8 69.000] CKT 1  
CB916-06-40 : OPEN BRANCH FROM BUS 647916 [S916 8 69.000] TO BUS 647940 [S940 8 69.000] CKT 1  
OPEN BRANCH FROM BUS 647916 [S916 8 69.000] TO BUS 647006 [S906 N 8 69.000] CKT 1  
CB917-BUS : OPEN LINE FROM BUS 647917 [S917 8 69.000] TO BUS 647918 [S918 8 69.000] CKT 1  
OPEN LINE FROM BUS 647917 [S917 8 69.000] TO BUS 646217 [S1217 5 161.00] TO BUS 648217 [S1217T19 13.800] CKT 1  
OPEN LINE FROM BUS 647917 [S917 8 69.000] TO BUS 647916 [S916 8 69.000] CKT 1  
CB917BUS1217: OPEN LINE FROM BUS 647917 [S917 8 69.000] TO BUS 647918 [S918 8 69.000] CKT 1  
OPEN LINE FROM BUS 647917 [S917 8 69.000] TO BUS 646217 [S1217 5 161.00] TO BUS 648217 [S1217T19 13.800] CKT 1  
OPEN LINE FROM BUS 647917 [S917 8 69.000] TO BUS 647916 [S916 8 69.000] CKT 1  
OPEN LINE FROM BUS 646217 [S1217 5 161.00] TO BUS 646227 [S1227 5 161.00] CKT 1  
OPEN LINE FROM BUS 646217 [S1217 5 161.00] TO BUS 646210 [S1210 5 161.00] CKT 1  
OPEN LINE FROM BUS 646217 [S1217 5 161.00] TO BUS 646216 [S1216 5 161.00] CKT 1  
CB918-BUS : OPEN LINE FROM BUS 647918 [S918 8 69.000] TO BUS 647930 [S930 8 69.000] CKT 1  
OPEN LINE FROM BUS 647918 [S918 8 69.000] TO BUS 647909 [S909 8 69.000] CKT 1  
OPEN LINE FROM BUS 647918 [S918 8 69.000] TO BUS 647917 [S917 8 69.000] CKT 1  
CB919-BUS : OPEN LINE FROM BUS 647919 [S919 8 69.000] TO BUS 647930 [S930 8 69.000] CKT 1  
OPEN LINE FROM BUS 647919 [S919 8 69.000] TO BUS 647950 [S950 8 69.000] CKT 1

OPEN LINE FROM BUS 647919 [S919 8 69.000] TO BUS 647907 [S907 8 69.000] CKT 1  
CB921-BUS : OPEN LINE FROM BUS 647921 [S921 8 69.000] TO BUS 647940 [S940 8 69.000] CKT 1  
OPEN LINE FROM BUS 647921 [S921 8 69.000] TO BUS 647942 [S942 8 69.000] CKT 1  
OPEN LINE FROM BUS 647921 [S921 8 69.000] TO BUS 646221 [S1221 5 161.00] TO BUS 648221 [S1221T99 13.800] CKT 1  
OPEN LINE FROM BUS 647921 [S921 8 69.000] TO BUS 647909 [S909 8 69.000] CKT 1  
CB923-12-PXM: OPEN BRANCH FROM BUS 647912 [S912 8 69.000] TO BUS 647923 [S923 8 69.000] CKT 1  
OPEN LINE FROM BUS 647106 [PAX MIT8 69.000] TO BUS 647923 [S923 8 69.000] CKT 1  
CB923-BUSPXM: OPEN LINE FROM BUS 647923 [S923 8 69.000] TO BUS 647106 [PAX MIT8 69.000] CKT 1  
OPEN LINE FROM BUS 647923 [S923 8 69.000] TO BUS 647910 [S910 8 69.000] CKT 1  
OPEN LINE FROM BUS 647923 [S923 8 69.000] TO BUS 647912 [S912 8 69.000] CKT 1  
CB924-BUS : OPEN LINE FROM BUS 647924 [S924 8 69.000] TO BUS 647906 [S906 S 8 69.000] CKT 1  
OPEN LINE FROM BUS 647924 [S924 8 69.000] TO BUS 647912 [S912 8 69.000] CKT 1  
CB928-BUS : OPEN LINE FROM BUS 647928 [S928 8 69.000] TO BUS 647942 [S942 8 69.000] CKT 1  
OPEN LINE FROM BUS 647928 [S928 8 69.000] TO BUS 647006 [S906 N 8 69.000] CKT 1  
CB930-18-39 : OPEN BRANCH FROM BUS 647918 [S918 8 69.000] TO BUS 647930 [S930 8 69.000] CKT 1  
OPEN BRANCH FROM BUS 647930 [S930 8 69.000] TO BUS 647939 [S939 8 69.000] CKT 1  
CB938-06N-95: OPEN BRANCH FROM BUS 647006 [S906 N 8 69.000] TO BUS 647938 [S938 8 69.000] CKT 1  
OPEN BRANCH FROM BUS 647938 [S938 8 69.000] TO BUS 647995 [S995 8 69.000] CKT 1  
CB938-06S-95: OPEN BRANCH FROM BUS 647906 [S906 S 8 69.000] TO BUS 647938 [S938 8 69.000] CKT 1  
OPEN BRANCH FROM BUS 647938 [S938 8 69.000] TO BUS 647995 [S995 8 69.000] CKT 1  
CB939-09-MUD: OPEN BRANCH FROM BUS 647939 [S939 8 69.000] TO BUS 647909 [S909 8 69.000] CKT 1  
OPEN LINE FROM BUS 647104 [MUD LNG8 69.000] TO BUS 647939 [S939 8 69.000] CKT 1  
CB939-30-MUD: OPEN BRANCH FROM BUS 647930 [S930 8 69.000] TO BUS 647939 [S939 8 69.000] CKT 1  
OPEN LINE FROM BUS 647104 [MUD LNG8 69.000] TO BUS 647939 [S939 8 69.000] CKT 1  
CB961-BUS&NH: OPEN LINE FROM BUS 647961 [S961 8 69.000] TO BUS 640292 [NEHAWKA8 69.000] CKT 1  
OPEN LINE FROM BUS 647961 [S961 8 69.000] TO BUS 640320 [PLTSMTH8 69.000] CKT 1  
OPEN LINE FROM BUS 640292 [NEHAWKA8 69.000] TO BUS 647962 [S962 8 69.000] CKT 1  
CB962-BUS&NH: OPEN LINE FROM BUS 647962 [S962 8 69.000] TO BUS 640292 [NEHAWKA8 69.000] CKT 1  
OPEN LINE FROM BUS 647962 [S962 8 69.000] TO BUS 647114 [KIN MTP8 69.000] CKT 1  
OPEN LINE FROM BUS 647962 [S962 8 69.000] TO BUS 647401 [NCU903 8 69.000] CKT 1  
OPEN LINE FROM BUS 640292 [NEHAWKA8 69.000] TO BUS 647961 [S961 8 69.000] CKT 1  
CB963-BUS977: OPEN LINE FROM BUS 647963 [S963 8 69.000] TO BUS 647973 [S973 8 69.000] CKT 1  
OPEN LINE FROM BUS 647963 [S963 8 69.000] TO BUS 647977 [S977 8 69.000] CKT 1  
OPEN LINE FROM BUS 647963 [S963 8 69.000] TO BUS 647101 [AUBRNT 8 69.000] CKT 1  
OPEN LINE FROM BUS 647963 [S963 8 69.000] TO BUS 647111 [W BROCK8 69.000] CKT 1  
OPEN LINE FROM BUS 647977 [S977 8 69.000] TO BUS 647401 [NCU903 8 69.000] CKT 1  
OPEN LINE FROM BUS 647973 [S973 8 69.000] TO BUS 640143 [CORNFLD8 69.000] CKT 1  
CB963BUS1263: OPEN LINE FROM BUS 647963 [S963 8 69.000] TO BUS 647973 [S973 8 69.000] CKT 1  
OPEN LINE FROM BUS 647963 [S963 8 69.000] TO BUS 647977 [S977 8 69.000] CKT 1  
OPEN LINE FROM BUS 647963 [S963 8 69.000] TO BUS 647101 [AUBRNT 8 69.000] CKT 1  
OPEN LINE FROM BUS 647963 [S963 8 69.000] TO BUS 647111 [W BROCK8 69.000] CKT 1  
OPEN LINE FROM BUS 647973 [S973 8 69.000] TO BUS 640143 [CORNFLD8 69.000] CKT 1  
CB963-BUSAUB: OPEN LINE FROM BUS 647963 [S963 8 69.000] TO BUS 647973 [S973 8 69.000] CKT 1  
OPEN LINE FROM BUS 647963 [S963 8 69.000] TO BUS 647977 [S977 8 69.000] CKT 1  
OPEN LINE FROM BUS 647963 [S963 8 69.000] TO BUS 647101 [AUBRNT 8 69.000] CKT 1  
OPEN LINE FROM BUS 647963 [S963 8 69.000] TO BUS 647111 [W BROCK8 69.000] CKT 1  
OPEN LINE FROM BUS 647973 [S973 8 69.000] TO BUS 640143 [CORNFLD8 69.000] CKT 1  
OPEN LINE FROM BUS 647101 [AUBRNT 8 69.000] TO BUS 647975 [S975 8 69.000] CKT 1

OPEN LINE FROM BUS 647101 [AUBRNT 8 69.000] TO BUS 640062 [AUBURN 8 69.000] CKT 1  
CB968-67-TEC: OPEN LINE FROM BUS 647967 [S967 8 69.000] TO BUS 647968 [S968 8 69.000] CKT 1  
OPEN LINE FROM BUS 647967 [S967 8 69.000] TO BUS 647111 [W BROCK8 69.000] CKT 1  
OPEN LINE FROM BUS 647400 [TECUMSH8 69.000] TO BUS 647968 [S968 8 69.000] CKT 1  
CB968TEC7469: OPEN LINE FROM BUS 647968 [S968 8 69.000] TO BUS 647969 [S969 8 69.000] CKT 1  
OPEN LINE FROM BUS 647968 [S968 8 69.000] TO BUS 647400 [TECUMSH8 69.000] CKT 1  
OPEN LINE FROM BUS 647968 [S968 8 69.000] TO BUS 647967 [S967 8 69.000] CKT 1  
OPEN LINE FROM BUS 647969 [S969 8 69.000] TO BUS 647974 [S974 8 69.000] CKT 1  
CB970-EN-NCU: OPEN LINE FROM BUS 647970 [S970 8 69.000] TO BUS 647102 [HYDCAP 8 69.000] CKT 1  
OPEN LINE FROM BUS 647970 [S970 8 69.000] TO BUS 647402 [NC SYRA8 69.000] CKT 1  
OPEN LINE FROM BUS 647102 [HYDCAP 8 69.000] TO BUS 647103 [ENRON 8 69.000] CKT 1  
OPEN LINE FROM BUS 647102 [HYDCAP 8 69.000] TO BUS 647974 [S974 8 69.000] CKT 1  
OPEN LINE FROM BUS 647402 [NC SYRA8 69.000] TO BUS 647971 [S971 8 69.000] CKT 1  
CB971-BUS990: OPEN LINE FROM BUS 647971 [S971 8 69.000] TO BUS 647090 [990TP 8 69.000] CKT 1  
OPEN LINE FROM BUS 647971 [S971 8 69.000] TO BUS 647114 [KIN MTP8 69.000] CKT 1  
OPEN LINE FROM BUS 647971 [S971 8 69.000] TO BUS 647402 [NC SYRA8 69.000] CKT 1  
OPEN LINE FROM BUS 647090 [990TP 8 69.000] TO BUS 647982 [S982 8 69.000] CKT 1  
OPEN LINE FROM BUS 647090 [990TP 8 69.000] TO BUS 647990 [S990 8 69.000] CKT 1  
CB971-BUS : OPEN LINE FROM BUS 647971 [S971 8 69.000] TO BUS 647090 [990TP 8 69.000] CKT 1  
OPEN LINE FROM BUS 647971 [S971 8 69.000] TO BUS 647114 [KIN MTP8 69.000] CKT 1  
OPEN LINE FROM BUS 647971 [S971 8 69.000] TO BUS 647402 [NC SYRA8 69.000] CKT 1  
CB971-BUSNCU: OPEN LINE FROM BUS 647971 [S971 8 69.000] TO BUS 647090 [990TP 8 69.000] CKT 1  
OPEN LINE FROM BUS 647971 [S971 8 69.000] TO BUS 647114 [KIN MTP8 69.000] CKT 1  
OPEN LINE FROM BUS 647971 [S971 8 69.000] TO BUS 647402 [NC SYRA8 69.000] CKT 1  
OPEN LINE FROM BUS 647402 [NC SYRA8 69.000] TO BUS 647970 [S970 8 69.000] CKT 1  
CB972-BUS : OPEN LINE FROM BUS 647972 [S972 8 69.000] TO BUS 647982 [S982 8 69.000] CKT 1  
OPEN LINE FROM BUS 647972 [S972 8 69.000] TO BUS 647900 [S900 8 69.000] CKT 1  
CB974-BUS969: OPEN LINE FROM BUS 647974 [S974 8 69.000] TO BUS 640362 [STERLNG7 115.00] CKT 1  
OPEN LINE FROM BUS 647974 [S974 8 69.000] TO BUS 647102 [HYDCAP 8 69.000] CKT 1  
OPEN LINE FROM BUS 647974 [S974 8 69.000] TO BUS 647969 [S969 8 69.000] CKT 1  
OPEN LINE FROM BUS 647969 [S969 8 69.000] TO BUS 647968 [S968 8 69.000] CKT 1  
CB974-BUS-EN: OPEN LINE FROM BUS 647974 [S974 8 69.000] TO BUS 640362 [STERLNG7 115.00] CKT 1  
OPEN LINE FROM BUS 647974 [S974 8 69.000] TO BUS 647102 [HYDCAP 8 69.000] CKT 1  
OPEN LINE FROM BUS 647974 [S974 8 69.000] TO BUS 647969 [S969 8 69.000] CKT 1  
OPEN LINE FROM BUS 647102 [HYDCAP 8 69.000] TO BUS 647103 [ENRON 8 69.000] CKT 1  
OPEN LINE FROM BUS 647102 [HYDCAP 8 69.000] TO BUS 647970 [S970 8 69.000] CKT 1  
CB974-BUS : OPEN LINE FROM BUS 647974 [S974 8 69.000] TO BUS 640362 [STERLNG7 115.00] CKT 1  
OPEN LINE FROM BUS 647974 [S974 8 69.000] TO BUS 647102 [HYDCAP 8 69.000] CKT 1  
OPEN LINE FROM BUS 647974 [S974 8 69.000] TO BUS 647969 [S969 8 69.000] CKT 1  
CB975-T4-965: OPEN BRANCH FROM BUS 640234 [HUMBOLT5 161.00] TO BUS 647975 [S975 8 69.000] TO BUS 648275 [S975T4 9 13.800] CKT 1  
OPEN LINE FROM BUS 647965 [S965 8 69.000] TO BUS 647975 [S975 8 69.000] CKT 1  
CB975-T4-993: OPEN BRANCH FROM BUS 640234 [HUMBOLT5 161.00] TO BUS 647975 [S975 8 69.000] TO BUS 648275 [S975T4 9 13.800] CKT 1  
OPEN LINE FROM BUS 647964 [S964 8 69.000] TO BUS 647975 [S975 8 69.000] CKT 1  
OPEN LINE FROM BUS 647964 [S964 8 69.000] TO BUS 647112 [MGLN TP8 69.000] CKT 1  
OPEN LINE FROM BUS 647993 [S993 8 69.000] TO BUS 647112 [MGLN TP8 69.000] CKT 1  
CB975-93-AUB: OPEN LINE FROM BUS 647101 [AUBRNT 8 69.000] TO BUS 647963 [S963 8 69.000] CKT 1  
OPEN LINE FROM BUS 647101 [AUBRNT 8 69.000] TO BUS 647975 [S975 8 69.000] CKT 1  
OPEN LINE FROM BUS 647101 [AUBRNT 8 69.000] TO BUS 640062 [AUBURN 8 69.000] CKT 1

OPEN LINE FROM BUS 647964 [S964 8 69.000] TO BUS 647975 [S975 8 69.000] CKT 1  
OPEN LINE FROM BUS 647964 [S964 8 69.000] TO BUS 647112 [MGLN TP8 69.000] CKT 1  
OPEN LINE FROM BUS 647993 [S993 8 69.000] TO BUS 647112 [MGLN TP8 69.000] CKT 1  
CB975-65-AUB: OPEN LINE FROM BUS 647101 [AUBRNT 8 69.000] TO BUS 647963 [S963 8 69.000] CKT 1  
OPEN LINE FROM BUS 647101 [AUBRNT 8 69.000] TO BUS 647975 [S975 8 69.000] CKT 1  
OPEN LINE FROM BUS 647101 [AUBRNT 8 69.000] TO BUS 640062 [AUBURN 8 69.000] CKT 1  
OPEN LINE FROM BUS 647965 [S965 8 69.000] TO BUS 647975 [S975 8 69.000] CKT 1  
CB976-BUS : OPEN LINE FROM BUS 647976 [S976 8 69.000] TO BUS 640173 [FREMONT7 115.00] CKT 1  
OPEN LINE FROM BUS 647976 [S976 8 69.000] TO BUS 640173 [FREMONT7 115.00] CKT 4  
OPEN LINE FROM BUS 647976 [S976 8 69.000] TO BUS 647424 [FREM D 8 69.000] CKT 1  
CB982-BUS990: OPEN LINE FROM BUS 647982 [S982 8 69.000] TO BUS 647090 [990TP 8 69.000] CKT 1  
OPEN LINE FROM BUS 647982 [S982 8 69.000] TO BUS 647972 [S972 8 69.000] CKT 1  
OPEN LINE FROM BUS 647090 [990TP 8 69.000] TO BUS 647971 [S971 8 69.000] CKT 1  
OPEN LINE FROM BUS 647090 [990TP 8 69.000] TO BUS 647990 [S990 8 69.000] CKT 1  
CB983-BUS : OPEN LINE FROM BUS 647983 [S983 8 69.000] TO BUS 647846 [S6846 8 69.000] CKT 1  
OPEN LINE FROM BUS 647983 [S983 8 69.000] TO BUS 647902 [S902 8 69.000] CKT 1  
CB984-BUS991: OPEN LINE FROM BUS 647984 [S984 8 69.000] TO BUS 647091 [991TP 8 69.000] CKT 1  
OPEN LINE FROM BUS 647984 [S984 8 69.000] TO BUS 647902 [S902 8 69.000] CKT 1  
OPEN LINE FROM BUS 647091 [991TP 8 69.000] TO BUS 647427 [FREM G 8 69.000] CKT 1  
OPEN LINE FROM BUS 647091 [991TP 8 69.000] TO BUS 647991 [S991 8 69.000] CKT 1  
CB985-BUS : OPEN LINE FROM BUS 647985 [S985 8 69.000] TO BUS 640320 [PLTSMTH8 69.000] CKT 1  
OPEN LINE FROM BUS 647985 [S985 8 69.000] TO BUS 647900 [S900 8 69.000] CKT 1  
OPEN LINE FROM BUS 647985 [S985 8 69.000] TO BUS 647904 [S904 8 69.000] CKT 1  
CB994-BUS06S: OPEN LINE FROM BUS 647994 [S994 8 69.000] TO BUS 647995 [S995 8 69.000] CKT 1  
OPEN LINE FROM BUS 647994 [S994 8 69.000] TO BUS 647107 [SAC623 8 69.000] CKT 1  
OPEN LINE FROM BUS 647994 [S994 8 69.000] TO BUS 647108 [SAC629 8 69.000] CKT 1  
OPEN LINE FROM BUS 647107 [SAC623 8 69.000] TO BUS 647109 [SAC SO 8 69.000] CKT 1  
OPEN LINE FROM BUS 647107 [SAC623 8 69.000] TO BUS 647016 [915TP3 8 69.000] CKT 1  
OPEN LINE FROM BUS 647016 [915TP3 8 69.000] TO BUS 647906 [S906 S 8 69.000] CKT 1  
OPEN LINE FROM BUS 647016 [915TP3 8 69.000] TO BUS 647915 [S915T2 8 69.000] CKT 1  
CB994-BUS06N: OPEN LINE FROM BUS 647994 [S994 8 69.000] TO BUS 647995 [S995 8 69.000] CKT 1  
OPEN LINE FROM BUS 647994 [S994 8 69.000] TO BUS 647107 [SAC623 8 69.000] CKT 1  
OPEN LINE FROM BUS 647994 [S994 8 69.000] TO BUS 647108 [SAC629 8 69.000] CKT 1  
OPEN LINE FROM BUS 647108 [SAC629 8 69.000] TO BUS 647110 [SAC NO 8 69.000] CKT 1  
OPEN LINE FROM BUS 647108 [SAC629 8 69.000] TO BUS 647017 [915TP9 8 69.000] CKT 1  
OPEN LINE FROM BUS 647017 [915TP9 8 69.000] TO BUS 647006 [S906 N 8 69.000] CKT 1  
OPEN LINE FROM BUS 647017 [915TP9 8 69.000] TO BUS 647015 [S915T1 8 69.000] CKT 1  
CB994-BUS : OPEN LINE FROM BUS 647994 [S994 8 69.000] TO BUS 647995 [S995 8 69.000] CKT 1  
OPEN LINE FROM BUS 647994 [S994 8 69.000] TO BUS 647107 [SAC623 8 69.000] CKT 1  
OPEN LINE FROM BUS 647994 [S994 8 69.000] TO BUS 647108 [SAC629 8 69.000] CKT 1  
CB995-BUS938: OPEN LINE FROM BUS 647995 [S995 8 69.000] TO BUS 647874 [S6874 8 69.000] CKT 1  
OPEN LINE FROM BUS 647995 [S995 8 69.000] TO BUS 647938 [S938 8 69.000] CKT 1  
OPEN LINE FROM BUS 647995 [S995 8 69.000] TO BUS 647994 [S994 8 69.000] CKT 1  
OPEN LINE FROM BUS 647938 [S938 8 69.000] TO BUS 647006 [S906 N 8 69.000] CKT 1  
OPEN LINE FROM BUS 647938 [S938 8 69.000] TO BUS 647906 [S906 S 8 69.000] CKT 1  
CB995-BUS : OPEN LINE FROM BUS 647995 [S995 8 69.000] TO BUS 647874 [S6874 8 69.000] CKT 1  
OPEN LINE FROM BUS 647995 [S995 8 69.000] TO BUS 647938 [S938 8 69.000] CKT 1  
OPEN LINE FROM BUS 647995 [S995 8 69.000] TO BUS 647994 [S994 8 69.000] CKT 1

CB6846-BUS : OPEN LINE FROM BUS 647846 [S6846 8 69.000] TO BUS 647983 [S983 8 69.000] CKT 1  
     OPEN LINE FROM BUS 647846 [S6846 8 69.000] TO BUS 647014 [S914A 8 69.000] CKT 1  
 CBFREM-A : OPEN LINE FROM BUS 647421 [FREM A 8 69.000] TO BUS 647422 [FREM B 8 69.000] CKT 1  
     OPEN LINE FROM BUS 647421 [FREM A 8 69.000] TO BUS 647426 [FREM F 8 69.000] CKT 1  
     OPEN LINE FROM BUS 647421 [FREM A 8 69.000] TO BUS 647427 [FREM G 8 69.000] CKT 1  
     OPEN LINE FROM BUS 647421 [FREM A 8 69.000] TO BUS 647416 [FREM 6G 13.800] CKT 1  
     OPEN LINE FROM BUS 647421 [FREM A 8 69.000] TO BUS 647417 [FREM 7G 13.800] CKT 1  
     OPEN LINE FROM BUS 647421 [FREM A 8 69.000] TO BUS 647418 [FREM 8G 13.800] CKT 1  
 CBFREM-B : OPEN LINE FROM BUS 647422 [FREM B 8 69.000] TO BUS 647424 [FREM D 8 69.000] CKT 1  
     OPEN LINE FROM BUS 647422 [FREM B 8 69.000] TO BUS 647421 [FREM A 8 69.000] CKT 1  
 CBFREM-C : OPEN LINE FROM BUS 647423 [FREM C 8 69.000] TO BUS 647424 [FREM D 8 69.000] CKT 1  
     OPEN LINE FROM BUS 647423 [FREM C 8 69.000] TO BUS 647427 [FREM G 8 69.000] CKT 1  
 CBFREM-D-C-B: OPEN BRANCH FROM BUS 647422 [FREM B 8 69.000] TO BUS 647424 [FREM D 8 69.000] CKT 1  
     OPEN BRANCH FROM BUS 647424 [FREM D 8 69.000] TO BUS 647423 [FREM C 8 69.000] CKT 1  
 CBFREM-D : OPEN LINE FROM BUS 647424 [FREM D 8 69.000] TO BUS 647425 [FREM E 8 69.000] CKT 1  
     OPEN LINE FROM BUS 647424 [FREM D 8 69.000] TO BUS 647976 [S976 8 69.000] CKT 1  
     OPEN LINE FROM BUS 647424 [FREM D 8 69.000] TO BUS 647422 [FREM B 8 69.000] CKT 1  
     OPEN LINE FROM BUS 647424 [FREM D 8 69.000] TO BUS 647423 [FREM C 8 69.000] CKT 1  
 CBFREM-D-E : OPEN BRANCH FROM BUS 647976 [S976 8 69.000] TO BUS 647424 [FREM D 8 69.000] CKT 1  
     OPEN BRANCH FROM BUS 647424 [FREM D 8 69.000] TO BUS 647425 [FREM E 8 69.000] CKT 1  
 CBFREM-E : OPEN LINE FROM BUS 647425 [FREM E 8 69.000] TO BUS 647426 [FREM F 8 69.000] CKT 1  
     OPEN LINE FROM BUS 647425 [FREM E 8 69.000] TO BUS 647424 [FREM D 8 69.000] CKT 1  
 CBFREM-F : OPEN LINE FROM BUS 647426 [FREM F 8 69.000] TO BUS 647992 [S992 8 69.000] CKT 1  
     OPEN LINE FROM BUS 647426 [FREM F 8 69.000] TO BUS 647421 [FREM A 8 69.000] CKT 1  
     OPEN LINE FROM BUS 647426 [FREM F 8 69.000] TO BUS 647425 [FREM E 8 69.000] CKT 1  
 CBFREM-G : OPEN LINE FROM BUS 647411 [FREM 1G 13.800] TO BUS 647427 [FREM G 8 69.000] CKT 1  
     OPEN LINE FROM BUS 647427 [FREM G 8 69.000] TO BUS 647091 [991TP 8 69.000] CKT 1  
     OPEN LINE FROM BUS 647427 [FREM G 8 69.000] TO BUS 647421 [FREM A 8 69.000] CKT 1  
     OPEN LINE FROM BUS 647427 [FREM G 8 69.000] TO BUS 647423 [FREM C 8 69.000] CKT 1  
 OPPD CATD 01: OPEN BRANCH FROM BUS 645451 [S3451 3 345.00] TO BUS 645459 [S3459 3 345.00] CKT 1  
     OPEN BRANCH FROM BUS 645451 [S3451 3 345.00] TO BUS 635200 [RAUN 3 345.00] CKT 1  
     OPEN BRANCH FROM BUS 645451 [S3451 3 345.00] TO BUS 646251 [S1251 5 161.00] TO BUS 648351 [S3451T49 13.800] CKT 1  
 OPPD CATD 02: OPEN BRANCH FROM BUS 645451 [S3451 3 345.00] TO BUS 645459 [S3459 3 345.00] CKT 1  
     OPEN BRANCH FROM BUS 645451 [S3451 3 345.00] TO BUS 635200 [RAUN 3 345.00] CKT 1  
     OPEN BRANCH FROM BUS 645451 [S3451 3 345.00] TO BUS 646251 [S1251 5 161.00] TO BUS 648251 [S3451T39 13.800] CKT 1  
 OPPD CATD 03: OPEN BRANCH FROM BUS 645455 [S3455 3 345.00] TO BUS 645740 [S3740 3 345.00] CKT 1  
     OPEN BRANCH FROM BUS 645456 [S3456 3 345.00] TO BUS 645458 [S3458 3 345.00] CKT 1  
 OPPD CATD 04: OPEN BRANCH FROM BUS 645451 [S3451 3 345.00] TO BUS 645454 [S3454 3 345.00] CKT 1  
     OPEN BRANCH FROM BUS 645451 [S3451 3 345.00] TO BUS 646251 [S1251 5 161.00] TO BUS 648251 [S3451T39 13.800] CKT 1  
     OPEN BRANCH FROM BUS 645451 [S3451 3 345.00] TO BUS 645459 [S3459 3 345.00] CKT 1  
 OPPD CATD 05: OPEN BRANCH FROM BUS 645451 [S3451 3 345.00] TO BUS 645459 [S3459 3 345.00] CKT 1  
     OPEN BRANCH FROM BUS 645451 [S3451 3 345.00] TO BUS 646251 [S1251 5 161.00] TO BUS 648351 [S3451T49 13.800] CKT 1  
     OPEN BRANCH FROM BUS 645451 [S3451 3 345.00] TO BUS 635200 [RAUN 3 345.00] CKT 1  
 OPPD CATD 06: OPEN BRANCH FROM BUS 645451 [S3451 3 345.00] TO BUS 646251 [S1251 5 161.00] TO BUS 648251 [S3451T39 13.800] CKT 1  
     OPEN BRANCH FROM BUS 645451 [S3451 3 345.00] TO BUS 645454 [S3454 3 345.00] CKT 1  
     OPEN BRANCH FROM BUS 645451 [S3451 3 345.00] TO BUS 645459 [S3459 3 345.00] CKT 1  
 OPPD CATD 10: OPEN BRANCH FROM BUS 645458 [S3458 3 345.00] TO BUS 645456 [S3456 3 345.00] CKT 1  
     OPEN BRANCH FROM BUS 645458 [S3458 3 345.00] TO BUS 645740 [S3740 3 345.00] CKT 1

OPEN BRANCH FROM BUS 645458 [S3458 3 345.00] TO BUS 650189 [103&ROKEBY3 345.00] CKT 1  
OPPD CATD 11: OPEN BRANCH FROM BUS 640139 [COOPER 3 345.00] TO BUS 635017 [ATCHSNT3 345.00] CKT 1  
OPEN BRANCH FROM BUS 645456 [S3456 3 345.00] TO BUS 635000 [CBLUFFS3 345.00] CKT 1  
OPEN BRANCH FROM BUS 646206 [S1206 5 161.00] TO BUS 646201 [S1201 5 161.00] CKT 1  
OPEN BRANCH FROM BUS 646206 [S1206 5 161.00] TO BUS 635001 [CBLUFFS5 161.00] CKT 1  
OPPD CATD 12: OPEN BRANCH FROM BUS 640139 [COOPER 3 345.00] TO BUS 640277 [MOORE 3 345.00] CKT 1  
OPEN LINE FROM BUS 645458 [S3458 3 345.00] TO BUS 645740 [S3740 3 345.00] CKT 1  
OPEN LINE FROM BUS 645458 [S3458 3 345.00] TO BUS 650189 [103&ROKEBY3 345.00] CKT 1  
OPEN LINE FROM BUS 645458 [S3458 3 345.00] TO BUS 640139 [COOPER 3 345.00] CKT 1  
OPEN LINE FROM BUS 645458 [S3458 3 345.00] TO BUS 645011 [NEBCTY1G 18.000] CKT 1  
OPEN LINE FROM BUS 645458 [S3458 3 345.00] TO BUS 645012 [NEBCTY2G 23.000] CKT 1  
OPEN LINE FROM BUS 645458 [S3458 3 345.00] TO BUS 645456 [S3456 3 345.00] CKT 1  
OPPD CATD 13: OPEN BRANCH FROM BUS 645454 [S3454 3 345.00] TO BUS 650185 [WAGENER 3 345.00] CKT 1  
OPEN LINE FROM BUS 645451 [S3451 3 345.00] TO BUS 645454 [S3454 3 345.00] CKT 1  
OPEN LINE FROM BUS 645451 [S3451 3 345.00] TO BUS 645459 [S3459 3 345.00] CKT 1  
OPEN LINE FROM BUS 645451 [S3451 3 345.00] TO BUS 646251 [S1251 5 161.00] TO BUS 648251 [S3451T39 13.800] CKT 1  
OPEN LINE FROM BUS 645451 [S3451 3 345.00] TO BUS 646251 [S1251 5 161.00] TO BUS 648351 [S3451T49 13.800] CKT 1  
OPEN LINE FROM BUS 645451 [S3451 3 345.00] TO BUS 635200 [RAUN 3 345.00] CKT 1  
OPEN LINE FROM BUS 645451 [S3451 3 345.00] TO BUS 645001 [FT CAL1G 22.000] CKT 1  
OPPD CATD 14: OPEN BRANCH FROM BUS 645454 [S3454 3 345.00] TO BUS 645455 [S3455 3 345.00] CKT 1  
OPEN LINE FROM BUS 645456 [S3456 3 345.00] TO BUS 645458 [S3458 3 345.00] CKT 1  
OPEN LINE FROM BUS 645456 [S3456 3 345.00] TO BUS 645459 [S3459 3 345.00] CKT 1  
OPEN LINE FROM BUS 645456 [S3456 3 345.00] TO BUS 646206 [S1206 5 161.00] TO BUS 648256 [S3456T49 13.800] CKT 1  
OPEN LINE FROM BUS 645456 [S3456 3 345.00] TO BUS 635000 [CBLUFFS3 345.00] CKT 1  
OPEN LINE FROM BUS 645456 [S3456 3 345.00] TO BUS 645455 [S3455 3 345.00] CKT 1  
OPPD CATD 15: OPEN BRANCH FROM BUS 645456 [S3456 3 345.00] TO BUS 646206 [S1206 5 161.00] TO BUS 648256 [S3456T49 13.800] CKT 1  
OPEN BRANCH FROM BUS 645456 [S3456 3 345.00] TO BUS 645455 [S3455 3 345.00] CKT 1  
OPEN BRANCH FROM BUS 645456 [S3456 3 345.00] TO BUS 645459 [S3459 3 345.00] CKT 1  
OPPD CATD 16: OPEN BRANCH FROM BUS 645456 [S3456 3 345.00] TO BUS 635000 [CBLUFFS3 345.00] CKT 1  
OPEN LINE FROM BUS 645011 [NEBCTY1G 18.000] TO BUS 645111 [NBAXT1 9 4.2000] CKT 1  
OPEN LINE FROM BUS 645011 [NEBCTY1G 18.000] TO BUS 645112 [NBAXT2 9 4.2000] CKT 1  
OPEN LINE FROM BUS 645011 [NEBCTY1G 18.000] TO BUS 645458 [S3458 3 345.00] CKT 1  
OPPD CATD 17: OPEN BRANCH FROM BUS 645451 [S3451 3 345.00] TO BUS 645459 [S3459 3 345.00] CKT 1  
OPEN LINE FROM BUS 645021 [N OMA 1G 13.800] TO BUS 645121 [NO1 AUX9 2.4000] CKT 1  
OPEN LINE FROM BUS 645021 [N OMA 1G 13.800] TO BUS 647911 [S911 8 69.000] CKT 1  
OPEN LINE FROM BUS 645022 [N OMA 2G 13.800] TO BUS 645122 [NO2 AUX9 2.4000] CKT 1  
OPEN LINE FROM BUS 645022 [N OMA 2G 13.800] TO BUS 646211 [S1211 5 161.00] CKT 1  
OPEN LINE FROM BUS 645023 [N OMA 3G 13.800] TO BUS 645123 [NO3 AUX9 2.4000] CKT 1  
OPEN LINE FROM BUS 645023 [N OMA 3G 13.800] TO BUS 646211 [S1211 5 161.00] CKT 1  
OPEN LINE FROM BUS 645024 [N OMA 4G 15.000] TO BUS 645124 [NO4 AUX9 2.4000] CKT 1  
OPEN LINE FROM BUS 645024 [N OMA 4G 15.000] TO BUS 646211 [S1211 5 161.00] CKT 1  
OPEN LINE FROM BUS 645025 [N OMA 5G 20.000] TO BUS 645125 [NO5 AUX9 4.2000] CKT 1  
OPEN LINE FROM BUS 645025 [N OMA 5G 20.000] TO BUS 646211 [S1211 5 161.00] CKT 1  
OPPD CATD 18: OPEN BRANCH FROM BUS 645456 [S3456 3 345.00] TO BUS 635000 [CBLUFFS3 345.00] CKT 1  
OPEN LINE FROM BUS 645030 [SCBSD G 4.2000] TO BUS 645033 [SARPY 3G 13.800] CKT 1  
OPEN LINE FROM BUS 645031 [SARPY 1G 13.800] TO BUS 647006 [S906 N 8 69.000] CKT 1  
OPEN LINE FROM BUS 645032 [SARPY 2G 13.800] TO BUS 647906 [S906 S 8 69.000] CKT 1  
OPEN LINE FROM BUS 645033 [SARPY 3G 13.800] TO BUS 646206 [S1206 5 161.00] CKT 1

OPEN LINE FROM BUS 645034 [SARPY 4G 13.800] TO BUS 646206 [S1206 5 161.00] TO BUS 645035 [SARPY 5G 13.800] CKT 1  
 OPPD CATD 19: OPEN BRANCH FROM BUS 645451 [S3451 3 345.00] TO BUS 645459 [S3459 3 345.00] CKT 1  
 DECREASE BUS 646298 [S1298 5 161.00] LOAD BY 100 PERCENT  
 OPPD\_CIP1 : OPEN LINE FROM BUS 645011 [NEBCTY1G 18.000] TO BUS 645111 [NBAXT1 9 4.2000] CKT 1  
 OPEN LINE FROM BUS 645011 [NEBCTY1G 18.000] TO BUS 645112 [NBAXT2 9 4.2000] CKT 1  
 OPEN LINE FROM BUS 645011 [NEBCTY1G 18.000] TO BUS 645458 [S3458 3 345.00] CKT 1  
 OPEN LINE FROM BUS 645012 [NEBCTY2G 23.000] TO BUS 645458 [S3458 3 345.00] CKT 1  
 OPPD\_CIP2 : OPEN LINE FROM BUS 645021 [N OMA 1G 13.800] TO BUS 645121 [NO1 AUX9 2.4000] CKT 1  
 OPEN LINE FROM BUS 645021 [N OMA 1G 13.800] TO BUS 647911 [S911 8 69.000] CKT 1  
 OPEN LINE FROM BUS 645022 [N OMA 2G 13.800] TO BUS 645122 [NO2 AUX9 2.4000] CKT 1  
 OPEN LINE FROM BUS 645022 [N OMA 2G 13.800] TO BUS 646211 [S1211 5 161.00] CKT 1  
 OPEN LINE FROM BUS 645023 [N OMA 3G 13.800] TO BUS 645123 [NO3 AUX9 2.4000] CKT 1  
 OPEN LINE FROM BUS 645023 [N OMA 3G 13.800] TO BUS 646211 [S1211 5 161.00] CKT 1  
 OPEN LINE FROM BUS 645024 [N OMA 4G 15.000] TO BUS 645124 [NO4 AUX9 2.4000] CKT 1  
 OPEN LINE FROM BUS 645024 [N OMA 4G 15.000] TO BUS 646211 [S1211 5 161.00] CKT 1  
 OPEN LINE FROM BUS 645025 [N OMA 5G 20.000] TO BUS 645125 [NO5 AUX9 4.2000] CKT 1  
 OPEN LINE FROM BUS 645025 [N OMA 5G 20.000] TO BUS 646211 [S1211 5 161.00] CKT 1  
 OPPD\_CIP3 : OPEN LINE FROM BUS 645030 [SCBSD G 4.2000] TO BUS 645033 [SARPY 3G 13.800] CKT 1  
 OPEN LINE FROM BUS 645031 [SARPY 1G 13.800] TO BUS 647006 [S906 N 8 69.000] CKT 1  
 OPEN LINE FROM BUS 645032 [SARPY 2G 13.800] TO BUS 647906 [S906 S 8 69.000] CKT 1  
 OPEN LINE FROM BUS 645033 [SARPY 3G 13.800] TO BUS 646206 [S1206 5 161.00] CKT 1  
 OPEN LINE FROM BUS 645034 [SARPY 4G 13.800] TO BUS 646206 [S1206 5 161.00] TO BUS 645035 [SARPY 5G 13.800] CKT 1  
 OPPD\_CIP4 : OPEN LINE FROM BUS 645041 [CASS 1G 15.000] TO BUS 645740 [S3740 3 345.00] CKT 1  
 OPEN LINE FROM BUS 645042 [CASS 2G 15.000] TO BUS 645740 [S3740 3 345.00] CKT 1  
 OPPD\_CIP5 : OPEN BRANCH FROM BUS 645458 [S3458 3 345.00] TO BUS 645456 [S3456 3 345.00] CKT 1  
 OPEN BRANCH FROM BUS 645458 [S3458 3 345.00] TO BUS 645740 [S3740 3 345.00] CKT 1  
 OPEN BRANCH FROM BUS 645458 [S3458 3 345.00] TO BUS 650189 [103&ROKEBY3 345.00] CKT 1  
 OPPD\_CIP6 : OPEN BRANCH FROM BUS 645456 [S3456 3 345.00] TO BUS 645459 [S3459 3 345.00] CKT 1  
 OPEN BRANCH FROM BUS 645456 [S3456 3 345.00] TO BUS 645455 [S3455 3 345.00] CKT 1  
 OPEN BRANCH FROM BUS 646206 [S1206 5 161.00] TO BUS 646216 [S1216 5 161.00] CKT 1  
 OPPD\_CIP7 : OPEN LINE FROM BUS 645451 [S3451 3 345.00] TO BUS 645454 [S3454 3 345.00] CKT 1  
 OPEN LINE FROM BUS 645451 [S3451 3 345.00] TO BUS 645459 [S3459 3 345.00] CKT 1  
 OPEN LINE FROM BUS 645451 [S3451 3 345.00] TO BUS 646251 [S1251 5 161.00] TO BUS 648251 [S3451T39 13.800] CKT 1  
 OPEN LINE FROM BUS 645451 [S3451 3 345.00] TO BUS 646251 [S1251 5 161.00] TO BUS 648351 [S3451T49 13.800] CKT 1  
 OPEN LINE FROM BUS 645451 [S3451 3 345.00] TO BUS 635200 [RAUN 3 345.00] CKT 1  
 OPEN LINE FROM BUS 645451 [S3451 3 345.00] TO BUS 645001 [FT CAL1G 22.000] CKT 1  
 OPPD\_CIP8 : OPEN LINE FROM BUS 645454 [S3454 3 345.00] TO BUS 645455 [S3455 3 345.00] CKT 1  
 OPEN LINE FROM BUS 645454 [S3454 3 345.00] TO BUS 650185 [WAGENER 3 345.00] CKT 1  
 OPEN LINE FROM BUS 645454 [S3454 3 345.00] TO BUS 646254 [S1254 5 161.00] TO BUS 648254 [S1254T19 13.800] CKT 1  
 OPEN LINE FROM BUS 645454 [S3454 3 345.00] TO BUS 645451 [S3451 3 345.00] CKT 1  
 OPPD\_CIP9 : OPEN LINE FROM BUS 645455 [S3455 3 345.00] TO BUS 645456 [S3456 3 345.00] CKT 1  
 OPEN LINE FROM BUS 645455 [S3455 3 345.00] TO BUS 645740 [S3740 3 345.00] CKT 1  
 OPEN LINE FROM BUS 645455 [S3455 3 345.00] TO BUS 646255 [S1255 5 161.00] TO BUS 648255 [S3455T19 13.800] CKT 1  
 OPEN LINE FROM BUS 645455 [S3455 3 345.00] TO BUS 646255 [S1255 5 161.00] TO BUS 648355 [S3455T39 13.800] CKT 1  
 OPEN LINE FROM BUS 645455 [S3455 3 345.00] TO BUS 645454 [S3454 3 345.00] CKT 1  
 OPPD\_CIP10 : OPEN LINE FROM BUS 645456 [S3456 3 345.00] TO BUS 645458 [S3458 3 345.00] CKT 1  
 OPEN LINE FROM BUS 645456 [S3456 3 345.00] TO BUS 645459 [S3459 3 345.00] CKT 1  
 OPEN LINE FROM BUS 645456 [S3456 3 345.00] TO BUS 646206 [S1206 5 161.00] TO BUS 648256 [S3456T49 13.800] CKT 1

OPEN LINE FROM BUS 645456 [S3456 3 345.00] TO BUS 635000 [CBLUFFS3 345.00] CKT 1  
 OPEN LINE FROM BUS 645456 [S3456 3 345.00] TO BUS 645455 [S3455 3 345.00] CKT 1  
 OPPD\_CIP11 : OPEN LINE FROM BUS 645458 [S3458 3 345.00] TO BUS 645740 [S3740 3 345.00] CKT 1  
 OPEN LINE FROM BUS 645458 [S3458 3 345.00] TO BUS 650189 [103&ROKEBY3 345.00] CKT 1  
 OPEN LINE FROM BUS 645458 [S3458 3 345.00] TO BUS 640139 [COOPER 3 345.00] CKT 1  
 OPEN LINE FROM BUS 645458 [S3458 3 345.00] TO BUS 645011 [NEBCTY1G 18.000] CKT 1  
 OPEN LINE FROM BUS 645458 [S3458 3 345.00] TO BUS 645012 [NEBCTY2G 23.000] CKT 1  
 OPEN LINE FROM BUS 645458 [S3458 3 345.00] TO BUS 645456 [S3456 3 345.00] CKT 1  
 OPPD\_CIP12 : OPEN LINE FROM BUS 645459 [S3459 3 345.00] TO BUS 646209 [S1209 5 161.00] TO BUS 648259 [S3459T39 13.800] CKT 1  
 OPEN LINE FROM BUS 645459 [S3459 3 345.00] TO BUS 645451 [S3451 3 345.00] CKT 1  
 OPEN LINE FROM BUS 645459 [S3459 3 345.00] TO BUS 645456 [S3456 3 345.00] CKT 1  
 OPPD\_CIP13 : OPEN LINE FROM BUS 645740 [S3740 3 345.00] TO BUS 645041 [CASS 1G 15.000] CKT 1  
 OPEN LINE FROM BUS 645740 [S3740 3 345.00] TO BUS 645042 [CASS 2G 15.000] CKT 1  
 OPEN LINE FROM BUS 645740 [S3740 3 345.00] TO BUS 645455 [S3455 3 345.00] CKT 1  
 OPEN LINE FROM BUS 645740 [S3740 3 345.00] TO BUS 645458 [S3458 3 345.00] CKT 1  
 OPPD\_CIP14 : OPEN LINE FROM BUS 646206 [S1206 5 161.00] TO BUS 646216 [S1216 5 161.00] CKT 1  
 OPEN LINE FROM BUS 646206 [S1206 5 161.00] TO BUS 646232 [S1232 5 161.00] CKT 1  
 OPEN LINE FROM BUS 646206 [S1206 5 161.00] TO BUS 646244 [S1244 5 161.00] CKT 1  
 OPEN LINE FROM BUS 646206 [S1206 5 161.00] TO BUS 645456 [S3456 3 345.00] TO BUS 648256 [S3456T49 13.800] CKT 1  
 OPEN LINE FROM BUS 646206 [S1206 5 161.00] TO BUS 645034 [SARPY 4G 13.800] TO BUS 645035 [SARPY 5G 13.800] CKT 1  
 OPEN LINE FROM BUS 646206 [S1206 5 161.00] TO BUS 647006 [S906 N 8 69.000] TO BUS 648306 [S1206T29 13.800] CKT 1  
 OPEN LINE FROM BUS 646206 [S1206 5 161.00] TO BUS 647906 [S906 S 8 69.000] TO BUS 648206 [S1206T19 13.800] CKT 1  
 OPEN LINE FROM BUS 646206 [S1206 5 161.00] TO BUS 635001 [CBLUFFS5 161.00] CKT 1  
 OPEN LINE FROM BUS 646206 [S1206 5 161.00] TO BUS 645033 [SARPY 3G 13.800] CKT 1  
 OPEN LINE FROM BUS 646206 [S1206 5 161.00] TO BUS 646201 [S1201 5 161.00] CKT 1  
 OPPD\_CIP15 : OPEN LINE FROM BUS 647906 [S906 S 8 69.000] TO BUS 647924 [S924 8 69.000] CKT 1  
 OPEN LINE FROM BUS 647906 [S906 S 8 69.000] TO BUS 647938 [S938 8 69.000] CKT 1  
 OPEN LINE FROM BUS 647906 [S906 S 8 69.000] TO BUS 646206 [S1206 5 161.00] TO BUS 648206 [S1206T19 13.800] CKT 1  
 OPEN LINE FROM BUS 647906 [S906 S 8 69.000] TO BUS 645032 [SARPY 2G 13.800] CKT 1  
 OPEN LINE FROM BUS 647906 [S906 S 8 69.000] TO BUS 647016 [915TP3 8 69.000] CKT 1  
 OPEN LINE FROM BUS 647906 [S906 S 8 69.000] TO BUS 647904 [S904 8 69.000] CKT 1  
 OPPD\_CIP16 : OPEN LINE FROM BUS 646211 [S1211 5 161.00] TO BUS 646220 [S1220 5 161.00] CKT 1  
 OPEN LINE FROM BUS 646211 [S1211 5 161.00] TO BUS 646250 [S1250 5 161.00] CKT 1  
 OPEN LINE FROM BUS 646211 [S1211 5 161.00] TO BUS 646250 [S1250 5 161.00] CKT 2  
 OPEN LINE FROM BUS 646211 [S1211 5 161.00] TO BUS 646299 [S1299 5 161.00] CKT 1  
 OPEN LINE FROM BUS 646211 [S1211 5 161.00] TO BUS 647911 [S911 8 69.000] TO BUS 648211 [S1211T19 13.800] CKT 1  
 OPEN LINE FROM BUS 646211 [S1211 5 161.00] TO BUS 635003 [SUB701 5 161.00] CKT 1  
 OPEN LINE FROM BUS 646211 [S1211 5 161.00] TO BUS 645022 [N OMA 2G 13.800] CKT 1  
 OPEN LINE FROM BUS 646211 [S1211 5 161.00] TO BUS 645023 [N OMA 3G 13.800] CKT 1  
 OPEN LINE FROM BUS 646211 [S1211 5 161.00] TO BUS 645024 [N OMA 4G 15.000] CKT 1  
 OPEN LINE FROM BUS 646211 [S1211 5 161.00] TO BUS 645025 [N OMA 5G 20.000] CKT 1  
 OPEN LINE FROM BUS 646211 [S1211 5 161.00] TO BUS 645127 [S1211HS9 13.800] CKT 1  
 OPPD\_CIP17 : OPEN LINE FROM BUS 647911 [S911 8 69.000] TO BUS 647913 [S913 8 69.000] CKT 1  
 OPEN LINE FROM BUS 647911 [S911 8 69.000] TO BUS 646211 [S1211 5 161.00] TO BUS 648211 [S1211T19 13.800] CKT 1  
 OPEN LINE FROM BUS 647911 [S911 8 69.000] TO BUS 645021 [N OMA 1G 13.800] CKT 1  
 OPEN LINE FROM BUS 647911 [S911 8 69.000] TO BUS 645126 [S911 HS9 13.800] CKT 1  
 OPEN LINE FROM BUS 647911 [S911 8 69.000] TO BUS 647907 [S907 8 69.000] CKT 1  
 OPPD\_CIP18 : OPEN LINE FROM BUS 647901 [S901 8 69.000] TO BUS 647912 [S912 8 69.000] CKT 1



OPEN LINE FROM BUS 647901 [S901 8 69.000] TO BUS 646201 [S1201 5 161.00] TO BUS 648201 [S1201T19 13.800] CKT 1  
OPEN LINE FROM BUS 647901 [S901 8 69.000] TO BUS 645051 [JONES 1G 13.800] CKT 1  
OPEN LINE FROM BUS 647901 [S901 8 69.000] TO BUS 645052 [JONES 2G 13.800] CKT 1  
OPEN LINE FROM BUS 647901 [S901 8 69.000] TO BUS 647105 [JCT205 8 69.000] CKT 1  
OPPD\_CIP19 : OPEN LINE FROM BUS 647901 [S901 8 69.000] TO BUS 647912 [S912 8 69.000] CKT 1  
OPEN LINE FROM BUS 647901 [S901 8 69.000] TO BUS 646201 [S1201 5 161.00] TO BUS 648201 [S1201T19 13.800] CKT 1  
OPEN LINE FROM BUS 647901 [S901 8 69.000] TO BUS 645051 [JONES 1G 13.800] CKT 1  
OPEN LINE FROM BUS 647901 [S901 8 69.000] TO BUS 645052 [JONES 2G 13.800] CKT 1  
OPEN LINE FROM BUS 647901 [S901 8 69.000] TO BUS 647105 [JCT205 8 69.000] CKT 1  
OPEN LINE FROM BUS 646201 [S1201 5 161.00] TO BUS 646206 [S1206 5 161.00] CKT 1  
OPEN LINE FROM BUS 646201 [S1201 5 161.00] TO BUS 646220 [S1220 5 161.00] CKT 1  
OPEN LINE FROM BUS 646201 [S1201 5 161.00] TO BUS 646229 [S1229 5 161.00] CKT 1  
OPEN LINE FROM BUS 646201 [S1201 5 161.00] TO BUS 646286 [S1286 5 161.00] CKT 1  
OPPD\_CIP21 : OPEN LINE FROM BUS 647911 [S911 8 69.000] TO BUS 647913 [S913 8 69.000] CKT 1  
OPEN LINE FROM BUS 647911 [S911 8 69.000] TO BUS 646211 [S1211 5 161.00] TO BUS 648211 [S1211T19 13.800] CKT 1  
OPEN LINE FROM BUS 647911 [S911 8 69.000] TO BUS 645021 [N OMA 1G 13.800] CKT 1  
OPEN LINE FROM BUS 647911 [S911 8 69.000] TO BUS 645126 [S911 HS9 13.800] CKT 1  
OPEN LINE FROM BUS 647911 [S911 8 69.000] TO BUS 647907 [S907 8 69.000] CKT 1  
OPEN LINE FROM BUS 646211 [S1211 5 161.00] TO BUS 646220 [S1220 5 161.00] CKT 1  
OPEN LINE FROM BUS 646211 [S1211 5 161.00] TO BUS 646250 [S1250 5 161.00] CKT 1  
OPEN LINE FROM BUS 646211 [S1211 5 161.00] TO BUS 646250 [S1250 5 161.00] CKT 2  
OPEN LINE FROM BUS 646211 [S1211 5 161.00] TO BUS 646299 [S1299 5 161.00] CKT 1  
OPEN LINE FROM BUS 646211 [S1211 5 161.00] TO BUS 635003 [SUB701 5 161.00] CKT 1  
OPEN LINE FROM BUS 646211 [S1211 5 161.00] TO BUS 645022 [N OMA 2G 13.800] CKT 1  
OPEN LINE FROM BUS 646211 [S1211 5 161.00] TO BUS 645023 [N OMA 3G 13.800] CKT 1  
OPEN LINE FROM BUS 646211 [S1211 5 161.00] TO BUS 645024 [N OMA 4G 15.000] CKT 1  
OPEN LINE FROM BUS 646211 [S1211 5 161.00] TO BUS 645025 [N OMA 5G 20.000] CKT 1  
OPEN LINE FROM BUS 646211 [S1211 5 161.00] TO BUS 645127 [S1211HS9 13.800] CKT 1  
OPPD\_CIP22 : OPEN LINE FROM BUS 647916 [S916 8 69.000] TO BUS 647917 [S917 8 69.000] CKT 1  
OPEN LINE FROM BUS 647916 [S916 8 69.000] TO BUS 647940 [S940 8 69.000] CKT 1  
OPEN LINE FROM BUS 647916 [S916 8 69.000] TO BUS 647006 [S906 N 8 69.000] CKT 1  
OPEN LINE FROM BUS 646216 [S1216 5 161.00] TO BUS 646217 [S1217 5 161.00] CKT 1  
OPEN LINE FROM BUS 646216 [S1216 5 161.00] TO BUS 646206 [S1206 5 161.00] CKT 1  
OPPD\_CIP21 : OPEN LINE FROM BUS 647911 [S911 8 69.000] TO BUS 647913 [S913 8 69.000] CKT 1  
OPEN LINE FROM BUS 647911 [S911 8 69.000] TO BUS 646211 [S1211 5 161.00] TO BUS 648211 [S1211T19 13.800] CKT 1  
OPEN LINE FROM BUS 647911 [S911 8 69.000] TO BUS 645021 [N OMA 1G 13.800] CKT 1  
OPEN LINE FROM BUS 647911 [S911 8 69.000] TO BUS 645126 [S911 HS9 13.800] CKT 1  
OPEN LINE FROM BUS 647911 [S911 8 69.000] TO BUS 647907 [S907 8 69.000] CKT 1  
OPEN LINE FROM BUS 646211 [S1211 5 161.00] TO BUS 646220 [S1220 5 161.00] CKT 1  
OPEN LINE FROM BUS 646211 [S1211 5 161.00] TO BUS 646250 [S1250 5 161.00] CKT 1  
OPEN LINE FROM BUS 646211 [S1211 5 161.00] TO BUS 646250 [S1250 5 161.00] CKT 2  
OPEN LINE FROM BUS 646211 [S1211 5 161.00] TO BUS 646299 [S1299 5 161.00] CKT 1  
OPEN LINE FROM BUS 646211 [S1211 5 161.00] TO BUS 635003 [SUB701 5 161.00] CKT 1  
OPEN LINE FROM BUS 646211 [S1211 5 161.00] TO BUS 645022 [N OMA 2G 13.800] CKT 1  
OPEN LINE FROM BUS 646211 [S1211 5 161.00] TO BUS 645023 [N OMA 3G 13.800] CKT 1  
OPEN LINE FROM BUS 646211 [S1211 5 161.00] TO BUS 645024 [N OMA 4G 15.000] CKT 1  
OPEN LINE FROM BUS 646211 [S1211 5 161.00] TO BUS 645025 [N OMA 5G 20.000] CKT 1  
OPEN LINE FROM BUS 646211 [S1211 5 161.00] TO BUS 645127 [S1211HS9 13.800] CKT 1

OPPD\_CIP22 : OPEN LINE FROM BUS 647909 [S909 8 69.000] TO BUS 647918 [S918 8 69.000] CKT 1  
OPEN LINE FROM BUS 647909 [S909 8 69.000] TO BUS 647921 [S921 8 69.000] CKT 1  
OPEN LINE FROM BUS 647909 [S909 8 69.000] TO BUS 647937 [S937 8 69.000] CKT 1  
OPEN LINE FROM BUS 647909 [S909 8 69.000] TO BUS 647939 [S939 8 69.000] CKT 1  
OPEN LINE FROM BUS 647909 [S909 8 69.000] TO BUS 646209 [S1209 5 161.00] TO BUS 648209 [S1209T19 13.800] CKT 1  
OPEN LINE FROM BUS 646209 [S1209 5 161.00] TO BUS 646231 [S1231 5 161.00] CKT 1  
OPEN LINE FROM BUS 646209 [S1209 5 161.00] TO BUS 646231 [S1231 5 161.00] CKT 2  
OPEN LINE FROM BUS 646209 [S1209 5 161.00] TO BUS 646250 [S1250 5 161.00] CKT 1  
OPEN LINE FROM BUS 646209 [S1209 5 161.00] TO BUS 646250 [S1250 5 161.00] CKT 2  
OPEN LINE FROM BUS 646209 [S1209 5 161.00] TO BUS 646252 [S1252 5 161.00] CKT 1  
OPEN LINE FROM BUS 646209 [S1209 5 161.00] TO BUS 645459 [S3459 3 345.00] TO BUS 648259 [S3459T39 13.800] CKT 1  
OPEN LINE FROM BUS 645459 [S3459 3 345.00] TO BUS 645451 [S3451 3 345.00] CKT 1  
OPEN LINE FROM BUS 645459 [S3459 3 345.00] TO BUS 645456 [S3456 3 345.00] CKT 1  
OPPD\_CIP23 : OPEN LINE FROM BUS 647910 [S910 8 69.000] TO BUS 647923 [S923 8 69.000] CKT 1  
OPEN LINE FROM BUS 647910 [S910 8 69.000] TO BUS 646210 [S1210 5 161.00] TO BUS 648210 [S1210T79 13.800] CKT 1  
OPEN LINE FROM BUS 647910 [S910 8 69.000] TO BUS 647105 [JCT205 8 69.000] CKT 1  
OPEN LINE FROM BUS 647910 [S910 8 69.000] TO BUS 647908 [S908 8 69.000] CKT 1  
OPEN LINE FROM BUS 646210 [S1210 5 161.00] TO BUS 646217 [S1217 5 161.00] CKT 1  
OPEN LINE FROM BUS 646210 [S1210 5 161.00] TO BUS 646222 [S1222 5 161.00] CKT 1  
OPPD\_CIP24 : OPEN LINE FROM BUS 647921 [S921 8 69.000] TO BUS 647940 [S940 8 69.000] CKT 1  
OPEN LINE FROM BUS 647921 [S921 8 69.000] TO BUS 647942 [S942 8 69.000] CKT 1  
OPEN LINE FROM BUS 647921 [S921 8 69.000] TO BUS 646221 [S1221 5 161.00] TO BUS 648221 [S1221T99 13.800] CKT 1  
OPEN LINE FROM BUS 647921 [S921 8 69.000] TO BUS 647909 [S909 8 69.000] CKT 1  
OPEN LINE FROM BUS 646221 [S1221 5 161.00] TO BUS 646231 [S1231 5 161.00] CKT 1  
OPEN LINE FROM BUS 646221 [S1221 5 161.00] TO BUS 646255 [S1255 5 161.00] CKT 1  
OPPD\_CIP25 : OPEN LINE FROM BUS 646255 [S1255 5 161.00] TO BUS 646259 [S1259 5 161.00] CKT 1  
OPEN LINE FROM BUS 646255 [S1255 5 161.00] TO BUS 645455 [S3455 3 345.00] TO BUS 648255 [S3455T19 13.800] CKT 1  
OPEN LINE FROM BUS 646255 [S1255 5 161.00] TO BUS 645455 [S3455 3 345.00] TO BUS 648355 [S3455T39 13.800] CKT 1  
OPEN LINE FROM BUS 646255 [S1255 5 161.00] TO BUS 646221 [S1221 5 161.00] CKT 1  
OPEN LINE FROM BUS 646255 [S1255 5 161.00] TO BUS 646233 [S1233 5 161.00] CKT 1  
OPEN LINE FROM BUS 645455 [S3455 3 345.00] TO BUS 645456 [S3456 3 345.00] CKT 1  
OPEN LINE FROM BUS 645455 [S3455 3 345.00] TO BUS 645740 [S3740 3 345.00] CKT 1  
OPEN LINE FROM BUS 645455 [S3455 3 345.00] TO BUS 645454 [S3454 3 345.00] CKT 1  
OPPD\_CIP26 : OPEN LINE FROM BUS 646254 [S1254 5 161.00] TO BUS 646281 [S1281 5 161.00] CKT 1  
OPEN LINE FROM BUS 646254 [S1254 5 161.00] TO BUS 645454 [S3454 3 345.00] TO BUS 648254 [S1254T19 13.800] CKT 1  
OPEN LINE FROM BUS 646254 [S1254 5 161.00] TO BUS 646249 [S1249 5 161.00] CKT 1  
OPEN LINE FROM BUS 645454 [S3454 3 345.00] TO BUS 645455 [S3455 3 345.00] CKT 1  
OPEN LINE FROM BUS 645454 [S3454 3 345.00] TO BUS 650185 [WAGENER 3 345.00] CKT 1  
OPEN LINE FROM BUS 645454 [S3454 3 345.00] TO BUS 645451 [S3451 3 345.00] CKT 1  
OPPD\_CIP27 : OPEN LINE FROM BUS 647917 [S917 8 69.000] TO BUS 647918 [S918 8 69.000] CKT 1  
OPEN LINE FROM BUS 647917 [S917 8 69.000] TO BUS 646217 [S1217 5 161.00] TO BUS 648217 [S1217T19 13.800] CKT 1  
OPEN LINE FROM BUS 647917 [S917 8 69.000] TO BUS 647916 [S916 8 69.000] CKT 1  
OPEN LINE FROM BUS 646217 [S1217 5 161.00] TO BUS 646227 [S1227 5 161.00] CKT 1  
OPEN LINE FROM BUS 646217 [S1217 5 161.00] TO BUS 646210 [S1210 5 161.00] CKT 1  
OPEN LINE FROM BUS 646217 [S1217 5 161.00] TO BUS 646216 [S1216 5 161.00] CKT 1  
OPPD\_CIP28 : OPEN LINE FROM BUS 646258 [S1258 5 161.00] TO BUS 646263 [S1263 5 161.00] CKT 1  
OPEN LINE FROM BUS 646258 [S1258 5 161.00] TO BUS 645113 [NBHST1 9 4.2000] CKT 1  
OPEN LINE FROM BUS 646258 [S1258 5 161.00] TO BUS 645114 [NBHST2 9 4.2000] CKT 1

OPEN LINE FROM BUS 646258 [S1258 5 161.00] TO BUS 645115 [NBHST3 9 4.2000] CKT 1  
 OPEN LINE FROM BUS 646258 [S1258 5 161.00] TO BUS 645116 [NBHST4 9 4.2000] CKT 1  
 OPEN LINE FROM BUS 646258 [S1258 5 161.00] TO BUS 646244 [S1244 5 161.00] CKT 1  
 OPEN LINE FROM BUS 645458 [S3458 3 345.00] TO BUS 645740 [S3740 3 345.00] CKT 1  
 OPEN LINE FROM BUS 645458 [S3458 3 345.00] TO BUS 650189 [103&ROKEBY3 345.00] CKT 1  
 OPEN LINE FROM BUS 645458 [S3458 3 345.00] TO BUS 640139 [COOPER 3 345.00] CKT 1  
 OPEN LINE FROM BUS 645458 [S3458 3 345.00] TO BUS 645011 [NEBCTY1G 18.000] CKT 1  
 OPEN LINE FROM BUS 645458 [S3458 3 345.00] TO BUS 645012 [NEBCTY2G 23.000] CKT 1  
 OPEN LINE FROM BUS 645458 [S3458 3 345.00] TO BUS 645456 [S3456 3 345.00] CKT 1  
 OPPD\_CIP29 : OPEN LINE FROM BUS 646251 [S1251 5 161.00] TO BUS 646297 [S1297 5 161.00] CKT 1  
 OPEN LINE FROM BUS 646251 [S1251 5 161.00] TO BUS 646298 [S1298 5 161.00] CKT 1  
 OPEN LINE FROM BUS 646251 [S1251 5 161.00] TO BUS 646341 [S1341 5 161.00] CKT 1  
 OPEN LINE FROM BUS 646251 [S1251 5 161.00] TO BUS 645451 [S3451 3 345.00] TO BUS 648251 [S3451T39 13.800] CKT 1  
 OPEN LINE FROM BUS 646251 [S1251 5 161.00] TO BUS 645451 [S3451 3 345.00] TO BUS 648351 [S3451T49 13.800] CKT 1  
 OPEN LINE FROM BUS 646251 [S1251 5 161.00] TO BUS 645100 [FC1A 5 161.00] CKT 1  
 OPEN LINE FROM BUS 645451 [S3451 3 345.00] TO BUS 645454 [S3454 3 345.00] CKT 1  
 OPEN LINE FROM BUS 645451 [S3451 3 345.00] TO BUS 645459 [S3459 3 345.00] CKT 1  
 OPEN LINE FROM BUS 645451 [S3451 3 345.00] TO BUS 635200 [RAUN 3 345.00] CKT 1  
 OPEN LINE FROM BUS 645451 [S3451 3 345.00] TO BUS 645001 [FT CAL1G 22.000] CKT 1  
 BKR-103ROKBY: OPEN BRANCH FROM BUS 650189 [103&ROKEBY3 345.00] TO BUS 640277 [MOORE 3 345.00] CKT 1  
 OPEN BRANCH FROM BUS 650189 [103&ROKEBY3 345.00] TO BUS 645458 [S3458 3 345.00] CKT 1  
 BKR-WAG-3003: OPEN BRANCH FROM BUS 650185 [WAGENER 3 345.00] TO BUS 650189 [103&ROKEBY3 345.00] CKT 1  
 OPEN BRANCH FROM BUS 650185 [WAGENER 3 345.00] TO BUS 650285 [WAGENER 7 115.00] TO BUS 650485 [WAGENER2 9 13.800] CKT 2  
 BKR-WAG-3004: OPEN BRANCH FROM BUS 650185 [WAGENER 3 345.00] TO BUS 645454 [S3454 3 345.00] CKT 1  
 OPEN BRANCH FROM BUS 650185 [WAGENER 3 345.00] TO BUS 650285 [WAGENER 7 115.00] TO BUS 650385 [WAGENER1 9 13.800] CKT 1  
 BKR-WAG-3006: OPEN BRANCH FROM BUS 650185 [WAGENER 3 345.00] TO BUS 645454 [S3454 3 345.00] CKT 1  
 OPEN BRANCH FROM BUS 650185 [WAGENER 3 345.00] TO BUS 650114 [NW68HOLDRG3 345.00] CKT 1  
 BKR-WAG-3001: OPEN BRANCH FROM BUS 650185 [WAGENER 3 345.00] TO BUS 650114 [NW68HOLDRG3 345.00] CKT 1  
 OPEN BRANCH FROM BUS 650185 [WAGENER 3 345.00] TO BUS 650285 [WAGENER 7 115.00] TO BUS 650485 [WAGENER2 9 13.800] CKT 2  
 SUB-68TH-HLD: OPEN BRANCH FROM BUS 650114 [NW68HOLDRG3 345.00] TO BUS 640277 [MOORE 3 345.00] CKT 1  
 OPEN BRANCH FROM BUS 650114 [NW68HOLDRG3 345.00] TO BUS 650185 [WAGENER 3 345.00] CKT 1  
 OPEN BRANCH FROM BUS 650114 [NW68HOLDRG3 345.00] TO BUS 650214 [NW68HOLDRG7 115.00] TO BUS 650314 [NW68HOL1 9 13.800] CKT 1  
 SUB-WAGENER : OPEN BRANCH FROM BUS 650185 [WAGENER 3 345.00] TO BUS 645454 [S3454 3 345.00] CKT 1  
 OPEN BRANCH FROM BUS 650185 [WAGENER 3 345.00] TO BUS 650189 [103&ROKEBY3 345.00] CKT 1  
 OPEN BRANCH FROM BUS 650185 [WAGENER 3 345.00] TO BUS 650285 [WAGENER 7 115.00] TO BUS 650385 [WAGENER1 9 13.800] CKT 1  
 OPEN BRANCH FROM BUS 650185 [WAGENER 3 345.00] TO BUS 650285 [WAGENER 7 115.00] TO BUS 650485 [WAGENER2 9 13.800] CKT 2  
 OPEN BRANCH FROM BUS 650185 [WAGENER 3 345.00] TO BUS 650114 [NW68HOLDRG3 345.00] CKT 1  
 SUB-84TH-BLF: OPEN BRANCH FROM BUS 650275 [84&BLUFF 7 115.00] TO BUS 650269 [70&BLUFF 7 115.00] CKT 1  
 OPEN BRANCH FROM BUS 650275 [84&BLUFF 7 115.00] TO BUS 650283 [WAVERLY 7 115.00] CKT 1  
 OPEN BRANCH FROM BUS 650275 [84&BLUFF 7 115.00] TO BUS 650284 [84FLETCHER7 115.00] CKT 1  
 OPEN BRANCH FROM BUS 650275 [84&BLUFF 7 115.00] TO BUS 650001 [TBGS 1G 13.800] CKT 1  
 OPEN BRANCH FROM BUS 650275 [84&BLUFF 7 115.00] TO BUS 650002 [TBGS 2G 13.800] CKT 1  
 OPEN BRANCH FROM BUS 650275 [84&BLUFF 7 115.00] TO BUS 650003 [TBGS 3G 13.800] CKT 1  
 OPEN BRANCH FROM BUS 650275 [84&BLUFF 7 115.00] TO BUS 650004 [TBGS 4G 13.800] CKT 1

## ACCC OVERLOAD REPORT: MONITORED BRANCHES AND INTERFACES LOADED ABOVE 100.0 % OF RATING SET A

CONTINGENCY CASE LOADING NOT CHECKED UNLESS IT DIFFERS FROM ITS BASE CASE LOADING BY 1.0 MVA (MW FOR INTERFACES)

ACCC VOLTAGE REPORT: VOLTAGE BAND CHECK IN CONTINGENCY CASES SKIPPED FOR ANY BUS WITHIN 0.01000 OF ITS BASE CASE VOLTAGE MAGNITUDE

AC CONTINGENCY RESULTS FILE: C:\u1\ddbetz\spp-facilities-study\DISIS-2010-001\lf\acc\16L-post-mult.acc

DISTRIBUTION FACTOR FILE: C:\u1\ddbetz\spp-facilities-study\DISIS-2010-001\lf\acc\16L-post-mult.dfx

SUBSYSTEM DESCRIPTION FILE: C:\u1\ddbetz\spp-facilities-study\DISIS-2010-001\lf\acc\MRO.sub

MONITORED ELEMENT FILE: C:\u1\ddbetz\spp-facilities-study\DISIS-2010-001\lf\acc\Nebraska.mon

CONTINGENCY DESCRIPTION FILE: C:\u1\ddbetz\spp-facilities-study\DISIS-2010-001\lf\acc\Nebraska-mult.con

Solution engine: Fixed slope decoupled Newton-Raphson (FDNS)

Solution options

Tap adjustment: Stepping

Area interchange control: Disable

Phase shift adjustment: Enable

Dc tap adjustment: Enable

Switch shunt adjustment: Lock all

Non diverge: Disable

Mismatch tolerance (MW): 1.5

Dispatch mode: Disable

<----- MULTI-SECTION LINE ----->	<----- MONITORED BRANCH ----->	CONTINGENCY	RATING	FLOW	%
640133*COLMBUS4	230.00 643000 MADISONCNTY4230.00 1 BASE CASE	192.0	235.2	121.1	
652554*MORRIS 4	230.00 652555 MORRIS 7 115.00 1 BASE CASE	27.0	100.7	372.9	
640133*COLMBUS4	230.00 643000 MADISONCNTY4230.00 1 TWR-GK-PS	192.0	237.6	122.4	
640133*COLMBUS4	230.00 643000 MADISONCNTY4230.00 1 TWR-GS-NPM	192.0	237.6	122.4	
640133*COLMBUS4	230.00 643000 MADISONCNTY4230.00 1 TWR-KSC-CC	192.0	214.8	111.1	
640133*COLMBUS4	230.00 643000 MADISONCNTY4230.00 1 TWR-SCH-CC	192.0	218.3	112.1	
640133*COLMBUS4	230.00 643000 MADISONCNTY4230.00 1 TWR-SCH-CM	192.0	220.1	113.1	
640133*COLMBUS4	230.00 643000 MADISONCNTY4230.00 1 TWR-SCH-MN	192.0	214.8	110.4	
640133*COLMBUS4	230.00 643000 MADISONCNTY4230.00 1 TWR-SCH-NH	192.0	216.8	111.4	
640296 NORFK.N7	115.00 640298*NORFOLK7 115.00 1 TWR-SCH-NH	120.0	127.8	103.5	
640133*COLMBUS4	230.00 643000 MADISONCNTY4230.00 1 TWR-ETR-CR	192.0	231.5	120.5	
640133*COLMBUS4	230.00 643000 MADISONCNTY4230.00 1 TWR-ETR-RS	192.0	232.4	121.0	
640133*COLMBUS4	230.00 643000 MADISONCNTY4230.00 1 TWR-ETR-SP	192.0	232.7	121.1	
640133*COLMBUS4	230.00 643000 MADISONCNTY4230.00 1 TWR-ETR-PH	192.0	232.9	121.2	
640133*COLMBUS4	230.00 643000 MADISONCNTY4230.00 1 BUS-COLWEST	192.0	236.6	122.5	
640133*COLMBUS4	230.00 643000 MADISONCNTY4230.00 1 BUS-HOSKINS	192.0	238.0	122.4	
640133*COLMBUS4	230.00 643000 MADISONCNTY4230.00 1 BUS-RIVERDAL	192.0	236.3	121.8	
640133*COLMBUS4	230.00 643000 MADISONCNTY4230.00 1 BKR-GGS-3316	192.0	237.5	122.3	
640133 COLMBUS4	230.00 643000*MADISONCNTY4230.00 1 BKR-GGS-3304	192.0	245.2	124.0	
640133*COLMBUS4	230.00 643000 MADISONCNTY4230.00 1 BKR-SW-3308	192.0	237.7	122.7	
640133*COLMBUS4	230.00 643000 MADISONCNTY4230.00 1 BKR-KEY-3310	192.0	239.0	123.0	
640133*COLMBUS4	230.00 643000 MADISONCNTY4230.00 1 BKR-SW-3306	192.0	237.6	122.6	
640133*COLMBUS4	230.00 643000 MADISONCNTY4230.00 1 BKR-CC-2202	192.0	237.8	122.5	
640133*COLMBUS4	230.00 643000 MADISONCNTY4230.00 1 BKR-CC-2208	192.0	238.3	122.8	
640133*COLMBUS4	230.00 643000 MADISONCNTY4230.00 1 BKR-GRI-1596	192.0	236.8	122.0	

640133*COLMBUS4	230.00	643000	MADISONCNTY4230.00	1	BKR-GRI-1396	192.0	233.9	120.5	
640133*COLMBUS4	230.00	643000	MADISONCNTY4230.00	1	BKR-GRI-2210	192.0	238.3	123.4	
640133*COLMBUS4	230.00	643000	MADISONCNTY4230.00	1	BKR-GRI-2204	192.0	236.3	121.8	
640133*COLMBUS4	230.00	643000	MADISONCNTY4230.00	1	BKR-GRI-2212	192.0	238.4	123.4	
640133*COLMBUS4	230.00	643000	MADISONCNTY4230.00	1	BKR-AXT-3308	192.0	233.2	120.2	
640133*COLMBUS4	230.00	643000	MADISONCNTY4230.00	1	BKR-MOR-3306	192.0	233.6	120.6	
640133*COLMBUS4	230.00	643000	MADISONCNTY4230.00	1	BKR-MOR-3308	192.0	233.9	120.6	
640133*COLMBUS4	230.00	643000	MADISONCNTY4230.00	1	BKR-CPR-3304	192.0	229.4	118.1	
640133*COLMBUS4	230.00	643000	MADISONCNTY4230.00	1	BKR-CPR-3310	192.0	238.7	123.1	
640133*COLMBUS4	230.00	643000	MADISONCNTY4230.00	1	BKR-C-3322-2	192.0	233.9	120.5	
640133*COLMBUS4	230.00	643000	MADISONCNTY4230.00	1	BKR-WAY-186	192.0	226.2	116.5	
640133*COLMBUS4	230.00	643000	MADISONCNTY4230.00	1	BKR-TEK-1604	192.0	234.1	120.5	
640133*COLMBUS4	230.00	643000	MADISONCNTY4230.00	1	BKR-HOS-3302	192.0	216.2	111.1	
640133*COLMBUS4	230.00	643000	MADISONCNTY4230.00	1	BKR-HOS-3308	192.0	209.2	107.4	
640133*COLMBUS4	230.00	643000	MADISONCNTY4230.00	1	BKR-HOS-3310	192.0	225.7	117.2	
640133*COLMBUS4	230.00	643000	MADISONCNTY4230.00	1	BKR-HOS-3312	192.0	236.8	122.2	
640133*COLMBUS4	230.00	643000	MADISONCNTY4230.00	1	BKR-SC-3306	192.0	193.9	100.0	
640133*COLMBUS4	230.00	643000	MADISONCNTY4230.00	1	BKR-CE-3306	192.0	234.2	122.5	
640068*B.SPRGS7	115.00	640091	BRULE 7	115.00	1	CSPT-SK-SO	120.0	157.5	134.4
640068 B.SPRGS7	115.00	640246*	JULSTAP7	115.00	1	CSPT-SK-SO	120.0	128.1	110.3
640091*BRULE 7	115.00	659132	OGALALA7	115.00	1	CSPT-SK-SO	120.0	158.6	133.3
640133*COLMBUS4	230.00	643000	MADISONCNTY4230.00	1	CSPT-SK-SO	192.0	244.6	126.0	
640246 JULSTAP7	115.00	652300*	CHAPPEL7	115.00	1	CSPT-SK-SO	120.0	147.5	127.1
652300 CHAPPEL7	115.00	659238*	COLTON 7	115.00	1	CSPT-SK-SO	120.0	155.7	129.8
652572 SIDNEY 7	115.00	659136*	SIDNEY*4	230.00	1	CSPT-SK-SO	112.0	160.1	143.0
652572*SIDNEY 7	115.00	659238	COLTON 7	115.00	1	CSPT-SK-SO	120.0	159.8	130.7
652573*STEGALL4	230.00	659206	STGXFMR4	230.00	1	CSPT-SK-SO	400.0	416.5	109.2
659134*SIDNEY 4	230.00	659136	SIDNEY*4	230.00	1	CSPT-SK-SO	112.0	163.8	146.3
659135*STEGALL3	345.00	659207	STEGALTY	345.00	1	CSPT-SK-SO	400.0	438.0	109.5
659206 STGXFMR4	230.00	659207*	STEGALTY	345.00	1	CSPT-SK-SO	400.0	419.3	104.8
640133*COLMBUS4	230.00	643000	MADISONCNTY4230.00	1	CSPT-GS1-GS2	192.0	241.1	124.3	
640133*COLMBUS4	230.00	643000	MADISONCNTY4230.00	1	CSPT-SA-CCR	192.0	236.2	121.8	
640133*COLMBUS4	230.00	643000	MADISONCNTY4230.00	1	CSPT-HR-HTC	192.0	231.4	120.3	
640133 COLMBUS4	230.00	643000*	MADISONCNTY4230.00	1	GEN-GGS-ALL	192.0	244.6	123.7	
640133*COLMBUS4	230.00	643000	MADISONCNTY4230.00	1	GEN-SS-ALL	192.0	236.3	121.7	
640133*COLMBUS4	230.00	643000	MADISONCNTY4230.00	1	GEN-EC-ALL	192.0	240.6	124.0	
640133*COLMBUS4	230.00	643000	MADISONCNTY4230.00	1	MCFTCAL	192.0	237.5	122.3	
640133*COLMBUS4	230.00	643000	MADISONCNTY4230.00	1	CB3451-54&FC	192.0	237.4	122.3	
652554*MORRIS 4	230.00	652555	MORRIS 7	115.00	1	CB3451-54&FC	27.0	99.4	368.1
640133*COLMBUS4	230.00	643000	MADISONCNTY4230.00	1	CB3451-RN&T4	192.0	230.2	118.6	
640133*COLMBUS4	230.00	643000	MADISONCNTY4230.00	1	CB3456-55&CB	192.0	237.1	122.2	
640133*COLMBUS4	230.00	643000	MADISONCNTY4230.00	1	CB3456-58&CB	192.0	236.3	121.8	
640133*COLMBUS4	230.00	643000	MADISONCNTY4230.00	1	CB1226-98&TK	192.0	234.1	120.6	
640133*COLMBUS4	230.00	643000	MADISONCNTY4230.00	1	CBTEK-BUS	192.0	234.1	120.5	
640133*COLMBUS4	230.00	643000	MADISONCNTY4230.00	1	OPPD CATD 01	192.0	230.2	118.5	
640133*COLMBUS4	230.00	643000	MADISONCNTY4230.00	1	OPPD CATD 02	192.0	230.2	118.5	
640133*COLMBUS4	230.00	643000	MADISONCNTY4230.00	1	OPPD CATD 03	192.0	233.3	120.2	
640133*COLMBUS4	230.00	643000	MADISONCNTY4230.00	1	OPPD CATD 04	192.0	238.5	122.8	

640133*COLMBUS4	230.00	643000	MADISONCNTY4230.00	1	OPPD CATD 05	192.0	230.2	118.5
640133*COLMBUS4	230.00	643000	MADISONCNTY4230.00	1	OPPD CATD 06	192.0	238.5	122.8
640133*COLMBUS4	230.00	643000	MADISONCNTY4230.00	1	OPPD CATD 11	192.0	232.7	119.9
640133*COLMBUS4	230.00	643000	MADISONCNTY4230.00	1	OPPD CATD 12	192.0	239.6	124.2
652554*MORRIS 4	230.00	652555	MORRIS 7	115.00	1 OPPD CATD 13	27.0	99.4	368.1
640133*COLMBUS4	230.00	643000	MADISONCNTY4230.00	1	OPPD CATD 16	192.0	237.1	122.1
640133*COLMBUS4	230.00	643000	MADISONCNTY4230.00	1	OPPD CATD 18	192.0	237.1	122.1
640133*COLMBUS4	230.00	643000	MADISONCNTY4230.00	1	OPPD_CIP1	192.0	240.4	123.8
640133*COLMBUS4	230.00	643000	MADISONCNTY4230.00	1	OPPD_CIP7	192.0	237.0	122.2
652554*MORRIS 4	230.00	652555	MORRIS 7	115.00	1 OPPD_CIP7	27.0	99.4	368.0
640133*COLMBUS4	230.00	643000	MADISONCNTY4230.00	1	OPPD_CIP11	192.0	239.9	123.7
640133*COLMBUS4	230.00	643000	MADISONCNTY4230.00	1	OPPD_CIP28	192.0	239.9	123.7
640133*COLMBUS4	230.00	643000	MADISONCNTY4230.00	1	OPPD_CIP29	192.0	236.5	121.9
652554*MORRIS 4	230.00	652555	MORRIS 7	115.00	1 OPPD_CIP29	27.0	99.4	368.0
640133*COLMBUS4	230.00	643000	MADISONCNTY4230.00	1	SUB-68TH-HLD	192.0	236.6	122.3

## MONITORED VOLTAGE REPORT:

SYSTEM	CONTINGENCY	<----- B U S ----->	V-CONT	V-INIT	V-MAX	V-MIN	
'NEBR	'	RANGE CSPT-SK-SO 640404 WAYSIDE4	230.00	0.84794	1.00659	1.10000	0.90000
'NEBR	'	RANGE CSPT-SK-SO 652473 ELKCRK 7	115.00	0.86989	0.98824	1.10000	0.90000
'NEBR	'	RANGE CSPT-SK-SO 652477 ELSWRTH7	115.00	0.87083	0.98830	1.10000	0.90000
'NEBR	'	RANGE CSPT-SK-SO 652480 MAURINE7	115.00	0.89978	1.00372	1.10000	0.90000
'NEBR	'	RANGE CSPT-SK-SO 652483 NEWELL 7	115.00	0.87550	0.99026	1.10000	0.90000
'NEBR	'	RANGE CSPT-SK-SO 652484 NUNDRWD4	230.00	0.89496	1.01925	1.10000	0.90000
'NEBR	'	RANGE CSPT-SK-SO 652485 NUNDRWD7	115.00	0.88101	0.99494	1.10000	0.90000
'NEBR	'	RANGE CSPT-SK-SO 652490 RAPIDCY7	115.00	0.86901	0.98840	1.10000	0.90000
'NEBR	'	RANGE CSPT-SK-SO 652493 WICKSVL7	115.00	0.89327	0.99704	1.10000	0.90000
'NEBR	'	RANGE CSPT-SK-SO 652496 RUSHMRE7	115.00	0.86696	0.98579	1.10000	0.90000
'NEBR	'	RANGE CSPT-SK-SO 659267 RHAME 7	115.00	0.89219	0.95534	1.10000	0.90000
'NEBR	'	RANGE CSPT-SK-SO 659268 RCDC EDUMMY4230.00	0.86466	0.98069	1.10000	0.90000	

## CONTINGENCY LEGEND:

## LABEL      EVENTS

TWR-AP-AM : TRIP LINE FROM BUS 640066 [AXTELL 7 115.00] TO BUS 640275 [MINDEN 7 115.00] CKT 1  
TRIP LINE FROM BUS 640065 [AXTELL 3 345.00] TO BUS 640312 [PAULINE3 345.00] CKT 1

TWR-AS-AK : TRIP LINE FROM BUS 640066 [AXTELL 7 115.00] TO BUS 640250 [KEARNEY7 115.00] CKT 1  
TRIP LINE FROM BUS 640065 [AXTELL 3 345.00] TO BUS 640374 [SWEET W3 345.00] CKT 1

TWR-RWM-RWS : TRIP LINE FROM BUS 640269 [MCCOOK 7 115.00] TO BUS 640326 [REDWILO7 115.00] CKT 2  
TRIP LINE FROM BUS 640365 [STOCKVL7 115.00] TO BUS 640326 [REDWILO7 115.00] CKT 1

TWR-GK-PS : TRIP LINE FROM BUS 659186 [PAXTON 7 115.00] TO BUS 640370 [SUTHLND7 115.00] CKT 1  
TRIP LINE FROM BUS 640183 [GENTLMN3 345.00] TO BUS 640252 [KEYSTON3 345.00] CKT 1

TWR-GS-NPM : TRIP LINE FROM BUS 640287 [N.PLATT7 115.00] TO BUS 640267 [MAXWELS7 115.00] CKT 1  
TRIP LINE FROM BUS 640183 [GENTLMN3 345.00] TO BUS 640374 [SWEET W3 345.00] CKT 2

TWR-KSC-CC : TRIP LINE FROM BUS 640133 [COLMBUS4 230.00] TO BUS 640343 [SHELCKR4 230.00] CKT 1  
TRIP LINE FROM BUS 640136 [COLMBUS7 115.00] TO BUS 640151 [CRESTON7 115.00] CKT 1

TWR-SCH-CC : TRIP LINE FROM BUS 640136 [COLMBUS7 115.00] TO BUS 640151 [CRESTON7 115.00] CKT 1  
TRIP LINE FROM BUS 640342 [SHELCKR3 345.00] TO BUS 640226 [HOSKINS3 345.00] CKT 1

TWR-SCH-CM : TRIP LINE FROM BUS 640151 [CRESTON7 115.00] TO BUS 640263 [MADISON7 115.00] CKT 1

TRIP LINE FROM BUS 640342 [SHELCRK3 345.00] TO BUS 640226 [HOSKINS3 345.00] CKT 1  
TWR-SCH-MN : TRIP LINE FROM BUS 640263 [MADISON7 115.00] TO BUS 640298 [NORFOLK7 115.00] CKT 1  
TRIP LINE FROM BUS 640342 [SHELCRK3 345.00] TO BUS 640226 [HOSKINS3 345.00] CKT 1  
TWR-SCH-NH : TRIP LINE FROM BUS 640298 [NORFOLK7 115.00] TO BUS 640228 [HOSKINS7 115.00] CKT 1  
TRIP LINE FROM BUS 640342 [SHELCRK3 345.00] TO BUS 640226 [HOSKINS3 345.00] CKT 1  
TWR-GNP23 : TRIP LINE FROM BUS 640184 [GENTLMN4 230.00] TO BUS 640286 [N.PLATT4 230.00] CKT 2  
TRIP LINE FROM BUS 640184 [GENTLMN4 230.00] TO BUS 640286 [N.PLATT4 230.00] CKT 3  
TRIP LINE FROM BUS 640093 [C.CREEK4 230.00] TO BUS 640286 [N.PLATT4 230.00] CKT 1  
TWR-GS-GRW : TRIP LINE FROM BUS 640183 [GENTLMN3 345.00] TO BUS 640374 [SWEET W3 345.00] CKT 2  
TRIP LINE FROM BUS 640183 [GENTLMN3 345.00] TO BUS 640325 [REDWILO3 345.00] CKT 1  
TWR-ETR-CR : TRIP LINE FROM BUS 640125 [COLMB.E3 345.00] TO BUS 650114 [NW68HOLDRG3 345.00] CKT 1  
TRIP LINE FROM BUS 640124 [COL.SE 7 115.00] TO BUS 640328 [RISNGCY7 115.00] CKT 1  
TWR-ETR-RS : TRIP LINE FROM BUS 640125 [COLMB.E3 345.00] TO BUS 650114 [NW68HOLDRG3 345.00] CKT 1  
TRIP LINE FROM BUS 640328 [RISNGCY7 115.00] TO BUS 640340 [SEWARD 7 115.00] CKT 1  
TWR-ETR-SP : TRIP LINE FROM BUS 640125 [COLMB.E3 345.00] TO BUS 650114 [NW68HOLDRG3 345.00] CKT 1  
TRIP LINE FROM BUS 640340 [SEWARD 7 115.00] TO BUS 640316 [PAWNEEL7 115.00] CKT 1  
TWR-ETR-PH : TRIP LINE FROM BUS 640125 [COLMB.E3 345.00] TO BUS 650114 [NW68HOLDRG3 345.00] CKT 1  
TRIP LINE FROM BUS 640316 [PAWNEEL7 115.00] TO BUS 650214 [NW68HOLDRG7 115.00] CKT 1  
BUS-COLWEST : TRIP LINE FROM BUS 640131 [COLMB.W4 230.00] TO BUS 640132 [COLMB.W9 34.500] CKT 1  
TRIP LINE FROM BUS 640131 [COLMB.W4 230.00] TO BUS 640133 [COLMBUS4 230.00] CKT 1  
TRIP LINE FROM BUS 640131 [COLMB.W4 230.00] TO BUS 640200 [GR ISLD4 230.00] CKT 1  
BUS-HOSKINS : TRIP LINE FROM BUS 640227 [HOSKINS4 230.00] TO BUS 640386 [TWIN CH4 230.00] CKT 1  
TRIP LINE FROM BUS 640227 [HOSKINS4 230.00] TO BUS 640226 [HOSKINS3 345.00] CKT 1  
TRIP LINE FROM BUS 640227 [HOSKINS4 230.00] TO BUS 640228 [HOSKINS7 115.00] CKT 1  
TRIP LINE FROM BUS 640227 [HOSKINS4 230.00] TO BUS 640230 [HOSK.T89 34.500] CKT 1  
BUS-OGALLALA: TRIP LINE FROM BUS 640302 [OGALALA4 230.00] TO BUS 659134 [SIDNEY 4 230.00] CKT 1  
TRIP LINE FROM BUS 640302 [OGALALA4 230.00] TO BUS 640184 [GENTLMN4 230.00] CKT 1  
TRIP LINE FROM BUS 640302 [OGALALA4 230.00] TO BUS 659132 [OGALALA7 115.00] CKT 1  
BUS-RIVERDAL: TRIP LINE FROM BUS 640330 [RIVERDL4 230.00] TO BUS 640093 [C.CREEK4 230.00] CKT 1  
TRIP LINE FROM BUS 640330 [RIVERDL4 230.00] TO BUS 640200 [GR ISLD4 230.00] CKT 1  
TRIP LINE FROM BUS 640330 [RIVERDL4 230.00] TO BUS 640331 [RIVERDL7 115.00] CKT 1  
BUS-TWNCRH-N: TRIP LINE FROM BUS 640386 [TWIN CH4 230.00] TO BUS 640387 [TWIN CH7 115.00] CKT 1  
TRIP LINE FROM BUS 640386 [TWIN CH4 230.00] TO BUS 652565 [SIOUXCY4 230.00] CKT 1  
BUS-TWNCRH-S: TRIP LINE FROM BUS 640386 [TWIN CH4 230.00] TO BUS 640387 [TWIN CH7 115.00] CKT 2  
TRIP LINE FROM BUS 640386 [TWIN CH4 230.00] TO BUS 640227 [HOSKINS4 230.00] CKT 1  
BKR-GGS-3316: TRIP LINE FROM BUS 640183 [GENTLMN3 345.00] TO BUS 640252 [KEYSTON3 345.00] CKT 1  
TRIP LINE FROM BUS 640183 [GENTLMN3 345.00] TO BUS 640184 [GENTLMN4 230.00] CKT 2  
BKR-GGS-3304: TRIP LINE FROM BUS 640183 [GENTLMN3 345.00] TO BUS 640011 [GENTLM2G 24.000] CKT 1  
TRIP LINE FROM BUS 640183 [GENTLMN3 345.00] TO BUS 640184 [GENTLMN4 230.00] TO BUS 640185 [G.GENT19 13.800] CKT 1  
BKR-GGS-2222: TRIP LINE FROM BUS 640184 [GENTLMN4 230.00] TO BUS 640302 [OGALALA4 230.00] CKT 1  
TRIP LINE FROM BUS 640184 [GENTLMN4 230.00] TO BUS 640183 [GENTLMN3 345.00] CKT 2  
BKR-GGS-2216: TRIP LINE FROM BUS 640184 [GENTLMN4 230.00] TO BUS 640286 [N.PLATT4 230.00] CKT 1  
TRIP LINE FROM BUS 640184 [GENTLMN4 230.00] TO BUS 640286 [N.PLATT4 230.00] CKT 3  
BKR-GGS-2216: TRIP LINE FROM BUS 640184 [GENTLMN4 230.00] TO BUS 640286 [N.PLATT4 230.00] CKT 2  
TRIP LINE FROM BUS 640184 [GENTLMN4 230.00] TO BUS 640010 [GENTLM1G 23.000] CKT 1  
BKR-SW-3308 : TRIP LINE FROM BUS 640374 [SWEET W3 345.00] TO BUS 652571 [GR ISLD3 345.00] CKT 1  
TRIP LINE FROM BUS 640183 [GENTLMN3 345.00] TO BUS 640374 [SWEET W3 345.00] CKT 1  
BKR-KEY-3310: TRIP LINE FROM BUS 640252 [KEYSTON3 345.00] TO BUS 640183 [GENTLMN3 345.00] CKT 1

TRIP LINE FROM BUS 640252 [KEYSTON3 345.00] TO BUS 659133 [SIDNEY 3 345.00] CKT 1  
 TRIP LINE FROM BUS 640252 [KEYSTON3 345.00] TO BUS 640253 [KEYSTON7 115.00] TO BUS 640254 [KEYSTON9 13.800]  
 BKR-SW-3304 : TRIP LINE FROM BUS 640374 [SWEET W3 345.00] TO BUS 640065 [AXTELL 3 345.00] CKT 1  
 TRIP LINE FROM BUS 640183 [GENTLMN3 345.00] TO BUS 640374 [SWEET W3 345.00] CKT 2  
 BKR-SW-3306 : TRIP LINE FROM BUS 640374 [SWEET W3 345.00] TO BUS 652571 [GR ISLD3 345.00] CKT 1  
 TRIP LINE FROM BUS 640183 [GENTLMN3 345.00] TO BUS 640374 [SWEET W3 345.00] CKT 2  
 BKR-SW-3310 : TRIP LINE FROM BUS 640374 [SWEET W3 345.00] TO BUS 640065 [AXTELL 3 345.00] CKT 1  
 TRIP LINE FROM BUS 640183 [GENTLMN3 345.00] TO BUS 640374 [SWEET W3 345.00] CKT 1  
 BKR-NP-2206 : TRIP LINE FROM BUS 640286 [N.PLATT4 230.00] TO BUS 640184 [GENTLMN4 230.00] CKT 1  
 TRIP LINE FROM BUS 640286 [N.PLATT4 230.00] TO BUS 640287 [N.PLATT7 115.00] TO BUS 640290 [N.PT8 9 13.800] CKT 1  
 BKR-NP-2212 : TRIP LINE FROM BUS 640286 [N.PLATT4 230.00] TO BUS 640184 [GENTLMN4 230.00] CKT 2  
 TRIP LINE FROM BUS 640286 [N.PLATT4 230.00] TO BUS 640093 [C.CREEK4 230.00] CKT 1  
 BKR-CC-2202 : TRIP LINE FROM BUS 640093 [C.CREEK4 230.00] TO BUS 640330 [RIVERDL4 230.00] CKT 1  
 TRIP LINE FROM BUS 640093 [C.CREEK4 230.00] TO BUS 640094 [C.CREEK7 115.00] CKT 1  
 BKR-CC-2208 : TRIP LINE FROM BUS 640093 [C.CREEK4 230.00] TO BUS 640286 [N.PLATT4 230.00] CKT 1  
 TRIP LINE FROM BUS 640093 [C.CREEK4 230.00] TO BUS 640094 [C.CREEK7 115.00] CKT 1  
 BKR-RW-3302 : TRIP LINE FROM BUS 640325 [REDWILO3 345.00] TO BUS 640183 [GENTLMN3 345.00] CKT 1  
 TRIP LINE FROM BUS 640325 [REDWILO3 345.00] TO BUS 531451 [MINGO 7 345.00] CKT 1  
 TRIP LINE FROM BUS 640325 [REDWILO3 345.00] TO BUS 640326 [REDWILO7 115.00] TO BUS 640327 [REDWILO9 13.800]  
 BKR-GRI-1596: TRIP LINE FROM BUS 640374 [SWEET W3 345.00] TO BUS 652571 [GR ISLD3 345.00] CKT 1  
 TRIP LINE FROM BUS 652571 [GR ISLD3 345.00] TO BUS 640200 [GR ISLD4 230.00] TO BUS 652316 [GR ISL29 13.800] CKT 2  
 BKR-GRI-1396: TRIP LINE FROM BUS 652571 [GR ISLD3 345.00] TO BUS 640271 [MCCOOL 3 345.00] CKT 1  
 TRIP LINE FROM BUS 652571 [GR ISLD3 345.00] TO BUS 640200 [GR ISLD4 230.00] TO BUS 652314 [GR ISL19 13.800]  
 BKR-GRI-2210: TRIP LINE FROM BUS 640200 [GR ISLD4 230.00] TO BUS 640131 [COLMB.W4 230.00] CKT 1  
 TRIP LINE FROM BUS 640200 [GR ISLD4 230.00] TO BUS 652571 [GR ISLD3 345.00] CKT 3  
 BKR-GRI-2208: TRIP LINE FROM BUS 640200 [GR ISLD4 230.00] TO BUS 640201 [GR ISLD7 115.00] TO BUS 640203 [G.I.T219 13.800] CKT 1  
 TRIP LINE FROM BUS 640200 [GR ISLD4 230.00] TO BUS 652571 [GR ISLD3 345.00] CKT 3  
 BKR-GRI-2220: TRIP LINE FROM BUS 640200 [GR ISLD4 230.00] TO BUS 640201 [GR ISLD7 115.00] TO BUS 640203 [G.I.T219 13.800] CKT 1  
 TRIP LINE FROM BUS 640200 [GR ISLD4 230.00] TO BUS 652571 [GR ISLD3 345.00] TO BUS 652316 [GR ISL29 13.800] CKT 2  
 BKR-GRI-2202: TRIP LINE FROM BUS 640200 [GR ISLD4 230.00] TO BUS 640201 [GR ISLD7 115.00] TO BUS 640203 [G.I.T219 13.800] CKT 1  
 TRIP LINE FROM BUS 640200 [GR ISLD4 230.00] TO BUS 640330 [RIVERDL4 230.00]  
 BKR-GRI-2204: TRIP LINE FROM BUS 640200 [GR ISLD4 230.00] TO BUS 640330 [RIVERDL4 230.00] CKT 1  
 TRIP LINE FROM BUS 640200 [GR ISLD4 230.00] TO BUS 640214 [HASTING4 230.00] CKT 1  
 TRIP LINE FROM BUS 640214 [HASTING4 230.00] TO BUS 641088 [HASTCTY7 115.00] CKT 1  
 BKR-GRI-2206: TRIP LINE FROM BUS 640200 [GR ISLD4 230.00] TO BUS 640201 [GR ISLD7 115.00] CKT 2  
 TRIP LINE FROM BUS 640200 [GR ISLD4 230.00] TO BUS 640214 [HASTING4 230.00] CKT 1  
 TRIP LINE FROM BUS 640214 [HASTING4 230.00] TO BUS 641088 [HASTCTY7 115.00] CKT 1  
 BKR-GRI-2212: TRIP LINE FROM BUS 640200 [GR ISLD4 230.00] TO BUS 640201 [GR ISLD7 115.00] CKT 2  
 TRIP LINE FROM BUS 640200 [GR ISLD4 230.00] TO BUS 640131 [COLMB.W4 230.00] CKT 1  
 BKR-PLN-3310: TRIP LINE FROM BUS 640312 [PAULINE3 345.00] TO BUS 640065 [AXTELL 3 345.00] CKT 1  
 TRIP LINE FROM BUS 640312 [PAULINE3 345.00] TO BUS 640277 [MOORE 3 345.00] CKT 1  
 TRIP LINE FROM BUS 640312 [PAULINE3 345.00] TO BUS 640313 [PAULINE7 115.00] TO BUS 640315 [PAULINE9 13.800]  
 BKR-AXT-3308: TRIP LINE FROM BUS 640065 [AXTELL 3 345.00] TO BUS 640312 [PAULINE3 345.00] CKT 1  
 TRIP LINE FROM BUS 640374 [SWEET W3 345.00] TO BUS 640065 [AXTELL 3 345.00] CKT 1  
 TRIP LINE FROM BUS 640065 [AXTELL 3 345.00] TO BUS 640066 [AXTELL 7 115.00] TO BUS 640067 [AXTELL 9 13.800]  
 BKR-MOR-3302: OPEN BRANCH FROM BUS 640277 [MOORE 3 345.00] TO BUS 640278 [SHELDON7 115.00] TO BUS 640280 [MOORE 9 13.800] CKT 1  
 OPEN BRANCH FROM BUS 640277 [MOORE 3 345.00] TO BUS 640139 [COOPER 3 345.00] CKT 1  
 BKR-MOR-3304: OPEN BRANCH FROM BUS 640277 [MOORE 3 345.00] TO BUS 640278 [SHELDON7 115.00] TO BUS 640280 [MOORE 9 13.800] CKT 1



OPEN BRANCH FROM BUS 640277 [MOORE 3 345.00] TO BUS 640312 [PAULINE3 345.00] CKT 1  
 BKR-MOR-3306: OPEN BRANCH FROM BUS 640277 [MOORE 3 345.00] TO BUS 650189 [103&ROKEBY3 345.00] CKT 1  
 OPEN BRANCH FROM BUS 640277 [MOORE 3 345.00] TO BUS 640271 [MCCOOL 3 345.00] CKT 1  
 BKR-MOR-3308: OPEN BRANCH FROM BUS 640277 [MOORE 3 345.00] TO BUS 650189 [103&ROKEBY3 345.00] CKT 1  
 OPEN BRANCH FROM BUS 640277 [MOORE 3 345.00] TO BUS 640139 [COOPER 3 345.00] CKT 1  
 BKR-MOR-3310: OPEN BRANCH FROM BUS 640277 [MOORE 3 345.00] TO BUS 650114 [NW68HOLDRG3 345.00] CKT 1  
 OPEN BRANCH FROM BUS 640277 [MOORE 3 345.00] TO BUS 640271 [MCCOOL 3 345.00] CKT 1  
 BKR-MOR-3312: OPEN BRANCH FROM BUS 640277 [MOORE 3 345.00] TO BUS 650114 [NW68HOLDRG3 345.00] CKT 1  
 OPEN BRANCH FROM BUS 640277 [MOORE 3 345.00] TO BUS 640312 [PAULINE3 345.00] CKT 1  
 BKR-CPR-3304: TRIP LINE FROM BUS 640139 [COOPER 3 345.00] TO BUS 541199 [ST JOE 3 345.00] CKT 1  
 TRIP LINE FROM BUS 640139 [COOPER 3 345.00] TO BUS 635017 [ATCHSNT3 345.00] CKT 1  
 BKR-CPR-3310: OPEN BRANCH FROM BUS 640139 [COOPER 3 345.00] TO BUS 640277 [MOORE 3 345.00] CKT 1  
 OPEN BRANCH FROM BUS 640139 [COOPER 3 345.00] TO BUS 640009 [COOPER1G 22.000] CKT 1  
 BKR-CPR-3322: OPEN BRANCH FROM BUS 640139 [COOPER 3 345.00] TO BUS 645458 [S3458 3 345.00] CKT 1  
 OPEN BRANCH FROM BUS 640139 [COOPER 3 345.00] TO BUS 300039 [7FAIRPT 345.00] CKT 1  
 BKR-C-3322-2: OPEN BRANCH FROM BUS 640139 [COOPER 3 345.00] TO BUS 645458 [S3458 3 345.00] CKT 1  
 OPEN BRANCH FROM BUS 640139 [COOPER 3 345.00] TO BUS 300039 [7FAIRPT 345.00] CKT 1  
 OPEN BRANCH FROM BUS 300039 [7FAIRPT 345.00] TO BUS 541199 [ST JOE 3 345.00] CKT 1  
 OPEN BRANCH FROM BUS 300039 [7FAIRPT 345.00] TO BUS 300076 [5FAIRPT 161.00] CKT 3  
 BKR-WAY-186 : OPEN BRANCH FROM BUS 640404 [WAYSIDE4 230.00] TO BUS 652573 [STEGALL4 230.00] CKT 1  
 OPEN BRANCH FROM BUS 640404 [WAYSIDE4 230.00] TO BUS 652484 [NUNDRWD4 230.00] CKT 1  
 OPEN BRANCH FROM BUS 640404 [WAYSIDE4 230.00] TO BUS 640405 [WAYSIDE7 115.00] TO BUS 640406 [WAYSIDE9 13.800] CKT 1  
 BKR-TEK-1604: OPEN BRANCH FROM BUS 640377 [TEKAMAH5 161.00] TO BUS 635201 [RAUN 5 161.00] CKT 1  
 OPEN BRANCH FROM BUS 640377 [TEKAMAH5 161.00] TO BUS 646226 [S1226 5 161.00] CKT 1  
 OPEN BRANCH FROM BUS 640377 [TEKAMAH5 161.00] TO BUS 640378 [TEKAMAH7 115.00] CKT 1  
 BKR-HMB-1604: OPEN BRANCH FROM BUS 640234 [HUMBOLT5 161.00] TO BUS 646280 [S1280 5 161.00] CKT 1  
 OPEN BRANCH FROM BUS 640234 [HUMBOLT5 161.00] TO BUS 646399 [S1399 5 161.00] CKT 1  
 BKR-HMB-1602: OPEN BRANCH FROM BUS 640234 [HUMBOLT5 161.00] TO BUS 646399 [S1399 5 161.00] CKT 1  
 OPEN BRANCH FROM BUS 640234 [HUMBOLT5 161.00] TO BUS 640235 [HUMBOLT7 115.00] CKT 1  
 BKR-HOS-3302: OPEN BRANCH FROM BUS 640226 [HOSKINS3 345.00] TO BUS 640342 [SHELCRK3 345.00] CKT 1  
 OPEN BRANCH FROM BUS 640226 [HOSKINS3 345.00] TO BUS 640228 [HOSKINS7 115.00] TO BUS 640231 [HOSKNS19 13.800] CKT 1  
 BKR-HOS-3308: OPEN BRANCH FROM BUS 640226 [HOSKINS3 345.00] TO BUS 640342 [SHELCRK3 345.00] CKT 1  
 OPEN BRANCH FROM BUS 640226 [HOSKINS3 345.00] TO BUS 640227 [HOSKINS4 230.00] CKT 1  
 BKR-HOS-3310: OPEN BRANCH FROM BUS 640226 [HOSKINS3 345.00] TO BUS 635200 [RAUN 3 345.00] CKT 1  
 OPEN BRANCH FROM BUS 640226 [HOSKINS3 345.00] TO BUS 640227 [HOSKINS4 230.00] CKT 1  
 BKR-HOS-3312: OPEN BRANCH FROM BUS 640226 [HOSKINS3 345.00] TO BUS 635200 [RAUN 3 345.00] CKT 1  
 OPEN BRANCH FROM BUS 640226 [HOSKINS3 345.00] TO BUS 640228 [HOSKINS7 115.00] TO BUS 640231 [HOSKNS19 13.800] CKT 1  
 BKR-SC-3306 : OPEN BRANCH FROM BUS 640342 [SHELCRK3 345.00] TO BUS 640226 [HOSKINS3 345.00] CKT 1  
 OPEN BRANCH FROM BUS 640342 [SHELCRK3 345.00] TO BUS 640125 [COLMB.E3 345.00] CKT 1  
 OPEN BRANCH FROM BUS 640342 [SHELCRK3 345.00] TO BUS 640343 [SHELCRK4 230.00] CKT 1  
 BKR-CE-3306 : OPEN BRANCH FROM BUS 640125 [COLMB.E3 345.00] TO BUS 650114 [NW68HOLDRG3 345.00] CKT 1  
 OPEN BRANCH FROM BUS 640125 [COLMB.E3 345.00] TO BUS 640342 [SHELCRK3 345.00] CKT 1  
 OPEN BRANCH FROM BUS 640125 [COLMB.E3 345.00] TO BUS 640127 [COLMB.E7 115.00] TO BUS 640129 [COLMB.T9 13.800] CKT 1  
 CSPT-SK-SO : TRIP LINE FROM BUS 659133 [SIDNEY 3 345.00] TO BUS 640252 [KEYSTON3 345.00] CKT 1  
 TRIP LINE FROM BUS 659134 [SIDNEY 4 230.00] TO BUS 640302 [OGALALA4 230.00] CKT 1  
 CSPT-GS1-GS2: TRIP LINE FROM BUS 640183 [GENTLMN3 345.00] TO BUS 640374 [SWEET W3 345.00] CKT 1  
 TRIP LINE FROM BUS 640183 [GENTLMN3 345.00] TO BUS 640374 [SWEET W3 345.00] CKT 2  
 CSPT-SA-CCR : TRIP LINE FROM BUS 640374 [SWEET W3 345.00] TO BUS 640065 [AXTELL 3 345.00] CKT 1

TRIP LINE FROM BUS 640093 [C.CREEK4 230.00] TO BUS 640330 [RIVERDL4 230.00] CKT 1  
CSPT-HR-HTC : TRIP LINE FROM BUS 640226 [HOSKINS3 345.00] TO BUS 635200 [RAUN 3 345.00] CKT 1  
TRIP LINE FROM BUS 640227 [HOSKINS4 230.00] TO BUS 640386 [TWIN CH4 230.00] CKT 1  
CSPT-CM-H161: TRIP LINE FROM BUS 640139 [COOPER 3 345.00] TO BUS 640277 [MOORE 3 345.00] CKT 1  
TRIP LINE FROM BUS 646280 [S1280 5 161.00] TO BUS 640234 [HUMBOLT5 161.00] CKT 1  
CSPT-CM-C161: TRIP LINE FROM BUS 640139 [COOPER 3 345.00] TO BUS 640277 [MOORE 3 345.00] CKT 1  
TRIP LINE FROM BUS 646280 [S1280 5 161.00] TO BUS 640140 [COOPER 5 161.00] CKT 1  
GEN-GGS-ALL : TRIP LINE FROM BUS 640183 [GENTLMN3 345.00] TO BUS 640011 [GENTLM2G 24.000] CKT 1  
TRIP LINE FROM BUS 640184 [GENTLMN4 230.00] TO BUS 640010 [GENTLM1G 23.000] CKT 1  
GEN-BPS-ALL : TRIP LINE FROM BUS 640088 [BPS SUB7 115.00] TO BUS 640022 [BPS GT1G 13.800] CKT 1  
TRIP LINE FROM BUS 640088 [BPS SUB7 115.00] TO BUS 640023 [BPS GT2G 13.800] CKT 1  
TRIP LINE FROM BUS 640088 [BPS SUB7 115.00] TO BUS 640024 [BPS ST3G 13.800] CKT 1  
GEN-SS-ALL : TRIP LINE FROM BUS 640278 [SHELDON7 115.00] TO BUS 640019 [SHELDN1G 13.800] CKT 1  
TRIP LINE FROM BUS 640278 [SHELDON7 115.00] TO BUS 640020 [SHELDN2G 13.800] CKT 1  
TRIP LINE FROM BUS 640278 [SHELDON7 115.00] TO BUS 640021 [HALLAM3G 13.800] CKT 1  
GEN-COL-ALL : TRIP LINE FROM BUS 640136 [COLMBUS7 115.00] TO BUS 640006 [COLMBS1G 13.800] CKT 1  
TRIP LINE FROM BUS 640136 [COLMBUS7 115.00] TO BUS 640007 [COLMBS2G 13.800] CKT 1  
TRIP LINE FROM BUS 640136 [COLMBUS7 115.00] TO BUS 640008 [COLMBS3G 13.800] CKT 1  
GEN-EC-ALL : TRIP LINE FROM BUS 641087 [EGYCNTR7 115.00] TO BUS 641086 [EGY CTRG 13.800] CKT 1  
TRIP LINE FROM BUS 641087 [EGYCNTR7 115.00] TO BUS 641089 [EGYCTR2G 22.000] CKT 1  
MCFTCAL : OPEN BRANCH FROM BUS 645451 [S3451 3 345.00] TO BUS 645459 [S3459 3 345.00] CKT 1  
OPEN BRANCH FROM BUS 645451 [S3451 3 345.00] TO BUS 645454 [S3454 3 345.00] CKT 1  
MC3456-59-16: OPEN BRANCH FROM BUS 645456 [S3456 3 345.00] TO BUS 645459 [S3459 3 345.00] CKT 1  
OPEN BRANCH FROM BUS 646206 [S1206 5 161.00] TO BUS 646216 [S1216 5 161.00] CKT 1  
MC1206-01-CB: OPEN BRANCH FROM BUS 646201 [S1201 5 161.00] TO BUS 646206 [S1206 5 161.00] CKT 1  
OPEN BRANCH FROM BUS 646206 [S1206 5 161.00] TO BUS 635001 [CBLUFFS5 161.00] CKT 1  
MC1201-20-86: OPEN BRANCH FROM BUS 646201 [S1201 5 161.00] TO BUS 646220 [S1220 5 161.00] CKT 1  
OPEN BRANCH FROM BUS 646201 [S1201 5 161.00] TO BUS 646286 [S1286 5 161.00] CKT 1  
MC1209-1231 : OPEN BRANCH FROM BUS 646209 [S1209 5 161.00] TO BUS 646231 [S1231 5 161.00] CKT 1  
OPEN BRANCH FROM BUS 646209 [S1209 5 161.00] TO BUS 646231 [S1231 5 161.00] CKT 2  
MC1209-1250 : OPEN BRANCH FROM BUS 646209 [S1209 5 161.00] TO BUS 646250 [S1250 5 161.00] CKT 1  
OPEN BRANCH FROM BUS 646209 [S1209 5 161.00] TO BUS 646250 [S1250 5 161.00] CKT 2  
MC1211-1250 : OPEN BRANCH FROM BUS 646211 [S1211 5 161.00] TO BUS 646250 [S1250 5 161.00] CKT 1  
OPEN BRANCH FROM BUS 646211 [S1211 5 161.00] TO BUS 646250 [S1250 5 161.00] CKT 2  
MC1211-50-LS: OPEN BRANCH FROM BUS 646211 [S1211 5 161.00] TO BUS 646250 [S1250 5 161.00] CKT 1  
OPEN BRANCH FROM BUS 646211 [S1211 5 161.00] TO BUS 646250 [S1250 5 161.00] CKT 2  
OPEN LINE FROM BUS 645127 [S1211HS9 13.800] TO BUS 646211 [S1211 5 161.00] CKT 1  
MC1211-20-LS: OPEN BRANCH FROM BUS 646211 [S1211 5 161.00] TO BUS 646220 [S1220 5 161.00] CKT 1  
OPEN LINE FROM BUS 646299 [S1299 5 161.00] TO BUS 646211 [S1211 5 161.00] CKT 1  
OPEN LINE FROM BUS 646299 [S1299 5 161.00] TO BUS 646286 [S1286 5 161.00] CKT 1  
MC1299SOUTH : OPEN BRANCH FROM BUS 646211 [S1211 5 161.00] TO BUS 646220 [S1220 5 161.00] CKT 1  
OPEN BRANCH FROM BUS 646286 [S1286 5 161.00] TO BUS 646299 [S1299 5 161.00] CKT 1  
MC1221-31-55: OPEN BRANCH FROM BUS 646221 [S1221 5 161.00] TO BUS 646231 [S1231 5 161.00] CKT 1  
OPEN BRANCH FROM BUS 646221 [S1221 5 161.00] TO BUS 646255 [S1255 5 161.00] CKT 1  
MC1226-98 : OPEN BRANCH FROM BUS 646226 [S1226 5 161.00] TO BUS 646298 [S1298 5 161.00] CKT 1  
OPEN BRANCH FROM BUS 646226 [S1226 5 161.00] TO BUS 646298 [S1298 5 161.00] CKT 2  
MC1232-06-78: OPEN BRANCH FROM BUS 646206 [S1206 5 161.00] TO BUS 646232 [S1232 5 161.00] CKT 1  
OPEN BRANCH FROM BUS 646232 [S1232 5 161.00] TO BUS 646278 [S1278 5 161.00] CKT 1

MC1235-31-34: OPEN BRANCH FROM BUS 646231 [S1231 5 161.00] TO BUS 646235 [S1235 5 161.00] CKT 1  
OPEN BRANCH FROM BUS 646234 [S1234 5 161.00] TO BUS 646235 [S1235 5 161.00] CKT 1

MC1237-45-53: OPEN BRANCH FROM BUS 646237 [S1237 5 161.00] TO BUS 646345 [S1345 5 161.00] CKT 1  
OPEN BRANCH FROM BUS 646237 [S1237 5 161.00] TO BUS 646253 [S1253 5 161.00] CKT 1

MC1216-917 : OPEN BRANCH FROM BUS 647916 [S916 8 69.000] TO BUS 647917 [S917 8 69.000] CKT 1  
OPEN BRANCH FROM BUS 646216 [S1216 5 161.00] TO BUS 646217 [S1217 5 161.00] CKT 1

MC906-79-28 : OPEN LINE FROM BUS 647979 [S979 8 69.000] TO BUS 647079 [979TP 8 69.000] CKT 1  
OPEN LINE FROM BUS 647079 [979TP 8 69.000] TO BUS 647900 [S900 8 69.000] CKT 1  
OPEN LINE FROM BUS 647079 [979TP 8 69.000] TO BUS 647006 [S906 N 8 69.000] CKT 1  
OPEN BRANCH FROM BUS 647006 [S906 N 8 69.000] TO BUS 647928 [S928 8 69.000] CKT 1

MC930-18-19 : OPEN BRANCH FROM BUS 647918 [S918 8 69.000] TO BUS 647930 [S930 8 69.000] CKT 1  
OPEN BRANCH FROM BUS 647919 [S919 8 69.000] TO BUS 647930 [S930 8 69.000] CKT 1

MC995-38-94 : OPEN LINE FROM BUS 647995 [S995 8 69.000] TO BUS 647874 [S6874 8 69.000] CKT 1  
OPEN LINE FROM BUS 647995 [S995 8 69.000] TO BUS 647938 [S938 8 69.000] CKT 1  
OPEN LINE FROM BUS 647995 [S995 8 69.000] TO BUS 647994 [S994 8 69.000] CKT 1

MC1214-14-46: OPEN BRANCH FROM BUS 647014 [S914A 8 69.000] TO BUS 647914 [S914 8 69.000] CKT 1  
OPEN BRANCH FROM BUS 647014 [S914A 8 69.000] TO BUS 647846 [S6846 8 69.000] CKT 1

CB3451-59&T3: OPEN BRANCH FROM BUS 645451 [S3451 3 345.00] TO BUS 645459 [S3459 3 345.00] CKT 1  
OPEN BRANCH FROM BUS 645451 [S3451 3 345.00] TO BUS 646251 [S1251 5 161.00] TO BUS 648251 [S3451T39 13.800] CKT 1

CB3451-54&FC: OPEN BRANCH FROM BUS 645451 [S3451 3 345.00] TO BUS 645454 [S3454 3 345.00] CKT 1  
OPEN LINE FROM BUS 645001 [FT CAL1G 22.000] TO BUS 645101 [FC1A1 9 4.2000] CKT 1  
OPEN LINE FROM BUS 645001 [FT CAL1G 22.000] TO BUS 645102 [FC1A2 9 4.2000] CKT 1  
OPEN LINE FROM BUS 645001 [FT CAL1G 22.000] TO BUS 645451 [S3451 3 345.00] CKT 1  
OPEN LINE FROM BUS 645103 [FC1A3 9 4.2000] TO BUS 645100 [FC1A 5 161.00] CKT 1  
OPEN LINE FROM BUS 645104 [FC1A4 9 4.2000] TO BUS 645100 [FC1A 5 161.00] CKT 1

CB3451-RN&T4: OPEN BRANCH FROM BUS 635200 [RAUN 3 345.00] TO BUS 645451 [S3451 3 345.00] CKT 1  
OPEN BRANCH FROM BUS 645451 [S3451 3 345.00] TO BUS 646251 [S1251 5 161.00] TO BUS 648351 [S3451T49 13.800] CKT 1

CB3454-51&WG: OPEN BRANCH FROM BUS 645454 [S3454 3 345.00] TO BUS 650185 [WAGENER 3 345.00] CKT 1  
OPEN BRANCH FROM BUS 645454 [S3454 3 345.00] TO BUS 645451 [S3451 3 345.00] CKT 1

CB3454-51&T1: OPEN BRANCH FROM BUS 645454 [S3454 3 345.00] TO BUS 646254 [S1254 5 161.00] TO BUS 648254 [S1254T19 13.800] CKT 1  
OPEN LINE FROM BUS 646254 [S1254 5 161.00] TO BUS 646281 [S1281 5 161.00] CKT 1  
OPEN LINE FROM BUS 646254 [S1254 5 161.00] TO BUS 646249 [S1249 5 161.00] CKT 1  
OPEN BRANCH FROM BUS 645454 [S3454 3 345.00] TO BUS 645451 [S3451 3 345.00] CKT 1

CB3454-55&T1: OPEN BRANCH FROM BUS 645454 [S3454 3 345.00] TO BUS 646254 [S1254 5 161.00] TO BUS 648254 [S1254T19 13.800] CKT 1  
OPEN LINE FROM BUS 646254 [S1254 5 161.00] TO BUS 646281 [S1281 5 161.00] CKT 1  
OPEN LINE FROM BUS 646254 [S1254 5 161.00] TO BUS 646249 [S1249 5 161.00] CKT 1  
OPEN BRANCH FROM BUS 645454 [S3454 3 345.00] TO BUS 645455 [S3455 3 345.00] CKT 1

CB3454-55&WG: OPEN BRANCH FROM BUS 645454 [S3454 3 345.00] TO BUS 650185 [WAGENER 3 345.00] CKT 1  
OPEN BRANCH FROM BUS 645454 [S3454 3 345.00] TO BUS 645455 [S3455 3 345.00] CKT 1

CB3455-56&T1: OPEN BRANCH FROM BUS 645455 [S3455 3 345.00] TO BUS 646255 [S1255 5 161.00] TO BUS 648255 [S3455T19 13.800] CKT 1  
OPEN BRANCH FROM BUS 645455 [S3455 3 345.00] TO BUS 645456 [S3456 3 345.00] CKT 1

CB3455-40&T3: OPEN BRANCH FROM BUS 645455 [S3455 3 345.00] TO BUS 645740 [S3740 3 345.00] CKT 1  
OPEN BRANCH FROM BUS 645455 [S3455 3 345.00] TO BUS 646255 [S1255 5 161.00] TO BUS 648355 [S3455T39 13.800] CKT 1

CB3456-55&CB: OPEN BRANCH FROM BUS 635000 [CBLUFFS3 345.00] TO BUS 645456 [S3456 3 345.00] CKT 1  
OPEN BRANCH FROM BUS 645455 [S3455 3 345.00] TO BUS 645456 [S3456 3 345.00] CKT 1

CB3456-59&T4: OPEN BRANCH FROM BUS 645456 [S3456 3 345.00] TO BUS 645459 [S3459 3 345.00] CKT 1  
OPEN BRANCH FROM BUS 645456 [S3456 3 345.00] TO BUS 646206 [S1206 5 161.00] TO BUS 648256 [S3456T49 13.800] CKT 1

CB3456-58&T4: OPEN BRANCH FROM BUS 645456 [S3456 3 345.00] TO BUS 646206 [S1206 5 161.00] TO BUS 648256 [S3456T49 13.800] CKT 1

OPEN BRANCH FROM BUS 645456 [S3456 3 345.00] TO BUS 645458 [S3458 3 345.00] CKT 1  
 CB3456-58&CB: OPEN BRANCH FROM BUS 645456 [S3456 3 345.00] TO BUS 645458 [S3458 3 345.00] CKT 1  
 OPEN BRANCH FROM BUS 635000 [CBLUFFS3 345.00] TO BUS 645456 [S3456 3 345.00] CKT 1  
 CB3459-BUS : OPEN LINE FROM BUS 645459 [S3459 3 345.00] TO BUS 646209 [S1209 5 161.00] TO BUS 648259 [S3459T39 13.800] CKT 1  
 OPEN LINE FROM BUS 645459 [S3459 3 345.00] TO BUS 645451 [S3451 3 345.00] CKT 1  
 OPEN LINE FROM BUS 645459 [S3459 3 345.00] TO BUS 645456 [S3456 3 345.00] CKT 1  
 CB3455-40&C2: OPEN BRANCH FROM BUS 645740 [S3740 3 345.00] TO BUS 645455 [S3455 3 345.00] CKT 1  
 OPEN BRANCH FROM BUS 645740 [S3740 3 345.00] TO BUS 645042 [CASS 2G 15.000] CKT 1  
 CB1201-29&86: OPEN BRANCH FROM BUS 646201 [S1201 5 161.00] TO BUS 646229 [S1229 5 161.00] CKT 1  
 OPEN BRANCH FROM BUS 646201 [S1201 5 161.00] TO BUS 646286 [S1286 5 161.00] CKT 1  
 CB1201-20&T1: OPEN BRANCH FROM BUS 646201 [S1201 5 161.00] TO BUS 646220 [S1220 5 161.00] CKT 1  
 OPEN BRANCH FROM BUS 646201 [S1201 5 161.00] TO BUS 647901 [S901 8 69.000] TO BUS 648201 [S1201T19 13.800] CKT 1  
 CB1206-32&T1: OPEN BRANCH FROM BUS 646206 [S1206 5 161.00] TO BUS 646232 [S1232 5 161.00] CKT 1  
 OPEN BRANCH FROM BUS 646206 [S1206 5 161.00] TO BUS 647906 [S906 S 8 69.000] TO BUS 648206 [S1206T19 13.800] CKT 1  
 CLOSE BRANCH FROM BUS 647006 [S906 N 8 69.000] TO BUS 647906 [S906 S 8 69.000] CKT 1  
 CB1206-32&01: OPEN BRANCH FROM BUS 646206 [S1206 5 161.00] TO BUS 646232 [S1232 5 161.00] CKT 1  
 OPEN BRANCH FROM BUS 646206 [S1206 5 161.00] TO BUS 646201 [S1201 5 161.00] CKT 1  
 CB1206-01&T2: OPEN BRANCH FROM BUS 646206 [S1206 5 161.00] TO BUS 646201 [S1201 5 161.00] CKT 1  
 OPEN BRANCH FROM BUS 646206 [S1206 5 161.00] TO BUS 647006 [S906 N 8 69.000] TO BUS 648306 [S1206T29 13.800] CKT 1  
 CLOSE BRANCH FROM BUS 647006 [S906 N 8 69.000] TO BUS 647906 [S906 S 8 69.000] CKT 1  
 CB1206-44&T1: OPEN BRANCH FROM BUS 646206 [S1206 5 161.00] TO BUS 646244 [S1244 5 161.00] CKT 1  
 OPEN BRANCH FROM BUS 646206 [S1206 5 161.00] TO BUS 647906 [S906 S 8 69.000] TO BUS 648206 [S1206T19 13.800] CKT 1  
 CLOSE BRANCH FROM BUS 647006 [S906 N 8 69.000] TO BUS 647906 [S906 S 8 69.000] CKT 1  
 CB1206-44SC3: OPEN BRANCH FROM BUS 646206 [S1206 5 161.00] TO BUS 646244 [S1244 5 161.00] CKT 1  
 OPEN LINE FROM BUS 645033 [SARPY 3G 13.800] TO BUS 646206 [S1206 5 161.00] CKT 1  
 OPEN LINE FROM BUS 645033 [SARPY 3G 13.800] TO BUS 645030 [SCBSD G 4.2000] CKT 1  
 CB1206-T2SC3: OPEN BRANCH FROM BUS 646206 [S1206 5 161.00] TO BUS 647006 [S906 N 8 69.000] TO BUS 648306 [S1206T29 13.800] CKT 1  
 CLOSE BRANCH FROM BUS 647006 [S906 N 8 69.000] TO BUS 647906 [S906 S 8 69.000] CKT 1  
 OPEN LINE FROM BUS 645033 [SARPY 3G 13.800] TO BUS 646206 [S1206 5 161.00] CKT 1  
 OPEN LINE FROM BUS 645033 [SARPY 3G 13.800] TO BUS 645030 [SCBSD G 4.2000] CKT 1  
 CB1206T1SC45: OPEN BRANCH FROM BUS 646206 [S1206 5 161.00] TO BUS 645034 [SARPY 4G 13.800] TO BUS 645035 [SARPY 5G 13.800] CKT 1  
 OPEN BRANCH FROM BUS 646206 [S1206 5 161.00] TO BUS 647906 [S906 S 8 69.000] TO BUS 648206 [S1206T19 13.800] CKT 1  
 CLOSE BRANCH FROM BUS 647006 [S906 N 8 69.000] TO BUS 647906 [S906 S 8 69.000] CKT 1  
 CB1206CBSC45: OPEN BRANCH FROM BUS 646206 [S1206 5 161.00] TO BUS 635001 [CBLUFFS5 161.00] CKT 1  
 OPEN BRANCH FROM BUS 646206 [S1206 5 161.00] TO BUS 645034 [SARPY 4G 13.800] TO BUS 645035 [SARPY 5G 13.800] CKT 1  
 CB1206T2SC45: OPEN BRANCH FROM BUS 646206 [S1206 5 161.00] TO BUS 635001 [CBLUFFS5 161.00] CKT 1  
 OPEN BRANCH FROM BUS 646206 [S1206 5 161.00] TO BUS 647006 [S906 N 8 69.000] TO BUS 648306 [S1206T29 13.800] CKT 1  
 CLOSE BRANCH FROM BUS 647006 [S906 N 8 69.000] TO BUS 647906 [S906 S 8 69.000] CKT 1  
 CB1206-16&T1: OPEN BRANCH FROM BUS 646206 [S1206 5 161.00] TO BUS 646216 [S1216 5 161.00] CKT 1  
 OPEN BRANCH FROM BUS 646206 [S1206 5 161.00] TO BUS 647906 [S906 S 8 69.000] TO BUS 648206 [S1206T19 13.800] CKT 1  
 CLOSE BRANCH FROM BUS 647006 [S906 N 8 69.000] TO BUS 647906 [S906 S 8 69.000] CKT 1  
 CB1206-16&T4: OPEN BRANCH FROM BUS 646206 [S1206 5 161.00] TO BUS 646216 [S1216 5 161.00] CKT 1  
 OPEN BRANCH FROM BUS 645456 [S3456 3 345.00] TO BUS 646206 [S1206 5 161.00] TO BUS 648256 [S3456T49 13.800] CKT 1  
 CB1206-T2&T4: OPEN BRANCH FROM BUS 646206 [S1206 5 161.00] TO BUS 647006 [S906 N 8 69.000] TO BUS 648306 [S1206T29 13.800] CKT 1  
 CLOSE BRANCH FROM BUS 647006 [S906 N 8 69.000] TO BUS 647906 [S906 S 8 69.000] CKT 1  
 OPEN BRANCH FROM BUS 645456 [S3456 3 345.00] TO BUS 646206 [S1206 5 161.00] TO BUS 648256 [S3456T49 13.800] CKT 1  
 CB1209-26&31: OPEN LINE FROM BUS 646252 [S1252 5 161.00] TO BUS 646209 [S1209 5 161.00] CKT 1  
 OPEN LINE FROM BUS 646252 [S1252 5 161.00] TO BUS 646226 [S1226 5 161.00] CKT 1

OPEN BRANCH FROM BUS 646209 [S1209 5 161.00] TO BUS 646231 [S1231 5 161.00] CKT 1  
 CB1209-311T1: OPEN BRANCH FROM BUS 646209 [S1209 5 161.00] TO BUS 647909 [S909 8 69.000] TO BUS 648209 [S1209T19 13.800] CKT 1  
 OPEN BRANCH FROM BUS 646209 [S1209 5 161.00] TO BUS 646231 [S1231 5 161.00] CKT 1  
 CB1209-50&31: OPEN BRANCH FROM BUS 646209 [S1209 5 161.00] TO BUS 646250 [S1250 5 161.00] CKT 1  
 OPEN BRANCH FROM BUS 646209 [S1209 5 161.00] TO BUS 646231 [S1231 5 161.00] CKT 2  
 CB1209-312T1: OPEN BRANCH FROM BUS 646209 [S1209 5 161.00] TO BUS 647909 [S909 8 69.000] TO BUS 648209 [S1209T19 13.800] CKT 1  
 OPEN BRANCH FROM BUS 646209 [S1209 5 161.00] TO BUS 646231 [S1231 5 161.00] CKT 2  
 CB1209-50&T3: OPEN BRANCH FROM BUS 646209 [S1209 5 161.00] TO BUS 646250 [S1250 5 161.00] CKT 2  
 OPEN BRANCH FROM BUS 645459 [S3459 3 345.00] TO BUS 646209 [S1209 5 161.00] TO BUS 648259 [S3459T39 13.800] CKT 1  
 CB1209-T1&T3: OPEN BRANCH FROM BUS 646209 [S1209 5 161.00] TO BUS 647909 [S909 8 69.000] TO BUS 648209 [S1209T19 13.800] CKT 1  
 OPEN BRANCH FROM BUS 645459 [S3459 3 345.00] TO BUS 646209 [S1209 5 161.00] TO BUS 648259 [S3459T39 13.800] CKT 1  
 CB1210-17&T7: OPEN BRANCH FROM BUS 646210 [S1210 5 161.00] TO BUS 646217 [S1217 5 161.00] CKT 1  
 OPEN BRANCH FROM BUS 646210 [S1210 5 161.00] TO BUS 647910 [S910 8 69.000] TO BUS 648210 [S1210T79 13.800] CKT 1  
 CB1210-22&T7: OPEN BRANCH FROM BUS 646210 [S1210 5 161.00] TO BUS 646222 [S1222 5 161.00] CKT 1  
 OPEN BRANCH FROM BUS 646210 [S1210 5 161.00] TO BUS 647910 [S910 8 69.000] TO BUS 648210 [S1210T79 13.800] CKT 1  
 CB121150&NO2: OPEN BRANCH FROM BUS 646211 [S1211 5 161.00] TO BUS 646250 [S1250 5 161.00] CKT 1  
 OPEN LINE FROM BUS 645022 [N OMA 2G 13.800] TO BUS 645122 [NO2 AUX9 2.4000] CKT 1  
 OPEN LINE FROM BUS 645022 [N OMA 2G 13.800] TO BUS 646211 [S1211 5 161.00] CKT 1  
 CB121150&NO3: OPEN BRANCH FROM BUS 646211 [S1211 5 161.00] TO BUS 646250 [S1250 5 161.00] CKT 2  
 OPEN LINE FROM BUS 645023 [N OMA 3G 13.800] TO BUS 645123 [NO3 AUX9 2.4000] CKT 1  
 OPEN LINE FROM BUS 645023 [N OMA 3G 13.800] TO BUS 646211 [S1211 5 161.00] CKT 1  
 CB121199&NO4: OPEN BRANCH FROM BUS 646211 [S1211 5 161.00] TO BUS 646299 [S1299 5 161.00] CKT 1  
 OPEN LINE FROM BUS 645024 [N OMA 4G 15.000] TO BUS 645124 [NO4 AUX9 2.4000] CKT 1  
 OPEN LINE FROM BUS 645024 [N OMA 4G 15.000] TO BUS 646211 [S1211 5 161.00] CKT 1  
 CB121120&NO5: OPEN BRANCH FROM BUS 646211 [S1211 5 161.00] TO BUS 646220 [S1220 5 161.00] CKT 1  
 OPEN LINE FROM BUS 645025 [N OMA 5G 20.000] TO BUS 645125 [NO5 AUX9 4.2000] CKT 1  
 OPEN LINE FROM BUS 645025 [N OMA 5G 20.000] TO BUS 646211 [S1211 5 161.00] CKT 1  
 CB1214-BUS : OPEN LINE FROM BUS 646214 [S1214 5 161.00] TO BUS 646287 [S1287 5 161.00] CKT 1  
 OPEN LINE FROM BUS 646214 [S1214 5 161.00] TO BUS 650169 [70&BLUFF 5 161.00] CKT 1  
 OPEN LINE FROM BUS 646214 [S1214 5 161.00] TO BUS 647014 [S914A 8 69.000] TO BUS 648214 [S1214T19 13.800] CKT 1  
 CB1216-BUS : OPEN LINE FROM BUS 646216 [S1216 5 161.00] TO BUS 646217 [S1217 5 161.00] CKT 1  
 OPEN LINE FROM BUS 646216 [S1216 5 161.00] TO BUS 646206 [S1206 5 161.00] CKT 1  
 CB1217-BUS : OPEN LINE FROM BUS 646217 [S1217 5 161.00] TO BUS 646227 [S1227 5 161.00] CKT 1  
 OPEN LINE FROM BUS 646217 [S1217 5 161.00] TO BUS 647917 [S917 8 69.000] TO BUS 648217 [S1217T19 13.800] CKT 1  
 OPEN LINE FROM BUS 646217 [S1217 5 161.00] TO BUS 646210 [S1210 5 161.00] CKT 1  
 OPEN LINE FROM BUS 646217 [S1217 5 161.00] TO BUS 646216 [S1216 5 161.00] CKT 1  
 CB1220-BUS : OPEN LINE FROM BUS 646220 [S1220 5 161.00] TO BUS 646201 [S1201 5 161.00] CKT 1  
 OPEN LINE FROM BUS 646220 [S1220 5 161.00] TO BUS 646211 [S1211 5 161.00] CKT 1  
 CB1221-31&T9: OPEN BRANCH FROM BUS 646221 [S1221 5 161.00] TO BUS 646231 [S1231 5 161.00] CKT 1  
 OPEN BRANCH FROM BUS 646221 [S1221 5 161.00] TO BUS 647921 [S921 8 69.000] TO BUS 648221 [S1221T99 13.800] CKT 1  
 CB1221-55&T9: OPEN BRANCH FROM BUS 646221 [S1221 5 161.00] TO BUS 646255 [S1255 5 161.00] CKT 1  
 OPEN BRANCH FROM BUS 646221 [S1221 5 161.00] TO BUS 647921 [S921 8 69.000] TO BUS 648221 [S1221T99 13.800] CKT 1  
 CB1222-BUS : OPEN LINE FROM BUS 646222 [S1222 5 161.00] TO BUS 646229 [S1229 5 161.00] CKT 1  
 OPEN LINE FROM BUS 646222 [S1222 5 161.00] TO BUS 646210 [S1210 5 161.00] CKT 1  
 CB1226-98&TK: OPEN BRANCH FROM BUS 640377 [TEKAMAH5 161.00] TO BUS 646226 [S1226 5 161.00] CKT 1  
 OPEN BRANCH FROM BUS 646226 [S1226 5 161.00] TO BUS 646298 [S1298 5 161.00] CKT 2  
 CB1226-37&52: OPEN BRANCH FROM BUS 646226 [S1226 5 161.00] TO BUS 646237 [S1237 5 161.00] CKT 1  
 OPEN LINE FROM BUS 646252 [S1252 5 161.00] TO BUS 646209 [S1209 5 161.00] CKT 1

OPEN LINE FROM BUS 646252 [S1252 5 161.00] TO BUS 646226 [S1226 5 161.00] CKT 1  
 CB1227-BUS : OPEN LINE FROM BUS 646227 [S1227 5 161.00] TO BUS 646231 [S1231 5 161.00] CKT 1  
 OPEN LINE FROM BUS 646227 [S1227 5 161.00] TO BUS 646217 [S1217 5 161.00] CKT 1  
 CB1229-BUS : OPEN LINE FROM BUS 646229 [S1229 5 161.00] TO BUS 646201 [S1201 5 161.00] CKT 1  
 OPEN LINE FROM BUS 646229 [S1229 5 161.00] TO BUS 646222 [S1222 5 161.00] CKT 1  
 CB1231-09&35: OPEN BRANCH FROM BUS 646209 [S1209 5 161.00] TO BUS 646231 [S1231 5 161.00] CKT 1  
 OPEN BRANCH FROM BUS 646231 [S1231 5 161.00] TO BUS 646235 [S1235 5 161.00] CKT 1  
 CB1231-21&27: OPEN BRANCH FROM BUS 646227 [S1227 5 161.00] TO BUS 646231 [S1231 5 161.00] CKT 1  
 OPEN BRANCH FROM BUS 646221 [S1221 5 161.00] TO BUS 646231 [S1231 5 161.00] CKT 1  
 CB1233-BUS : OPEN LINE FROM BUS 646233 [S1233 5 161.00] TO BUS 646234 [S1234 5 161.00] CKT 1  
 OPEN LINE FROM BUS 646233 [S1233 5 161.00] TO BUS 646255 [S1255 5 161.00] CKT 1  
 CB1235-34&53: OPEN BRANCH FROM BUS 646234 [S1234 5 161.00] TO BUS 646235 [S1235 5 161.00] CKT 1  
 OPEN BRANCH FROM BUS 646235 [S1235 5 161.00] TO BUS 646253 [S1253 5 161.00] CKT 1  
 CB1235-36&53: OPEN BRANCH FROM BUS 646235 [S1235 5 161.00] TO BUS 646236 [S1236 5 161.00] CKT 1  
 OPEN BRANCH FROM BUS 646235 [S1235 5 161.00] TO BUS 646253 [S1253 5 161.00] CKT 1  
 CB1235-31&36: OPEN BRANCH FROM BUS 646231 [S1231 5 161.00] TO BUS 646235 [S1235 5 161.00] CKT 1  
 OPEN BRANCH FROM BUS 646235 [S1235 5 161.00] TO BUS 646236 [S1236 5 161.00] CKT 1  
 CB1236-BUS : OPEN LINE FROM BUS 646236 [S1236 5 161.00] TO BUS 646345 [S1345 5 161.00] CKT 1  
 OPEN LINE FROM BUS 646236 [S1236 5 161.00] TO BUS 646235 [S1235 5 161.00] CKT 1  
 161T37BK1OR2: OPEN LINE FROM BUS 646237 [S1237 5 161.00] TO BUS 646253 [S1253 5 161.00] CKT 1  
 OPEN LINE FROM BUS 646237 [S1237 5 161.00] TO BUS 646345 [S1345 5 161.00] CKT 1  
 OPEN LINE FROM BUS 646237 [S1237 5 161.00] TO BUS 646226 [S1226 5 161.00] CKT 1  
 OPEN LINE FROM BUS 646345 [S1345 5 161.00] TO BUS 646236 [S1236 5 161.00] CKT 1  
 CB1237-BUS : OPEN LINE FROM BUS 646237 [S1237 5 161.00] TO BUS 646253 [S1253 5 161.00] CKT 1  
 OPEN LINE FROM BUS 646237 [S1237 5 161.00] TO BUS 646345 [S1345 5 161.00] CKT 1  
 OPEN LINE FROM BUS 646237 [S1237 5 161.00] TO BUS 646226 [S1226 5 161.00] CKT 1  
 CB1345-BUS : OPEN LINE FROM BUS 646345 [S1345 5 161.00] TO BUS 646236 [S1236 5 161.00] CKT 1  
 OPEN LINE FROM BUS 646345 [S1345 5 161.00] TO BUS 646237 [S1237 5 161.00] CKT 1  
 CB1249-BUS : OPEN LINE FROM BUS 646249 [S1249 5 161.00] TO BUS 646254 [S1254 5 161.00] CKT 1  
 OPEN LINE FROM BUS 646249 [S1249 5 161.00] TO BUS 646256 [S1256 5 161.00] CKT 1  
 CB1250-09&T1: OPEN BRANCH FROM BUS 646250 [S1250 5 161.00] TO BUS 646209 [S1209 5 161.00] CKT 2  
 OPEN BRANCH FROM BUS 646250 [S1250 5 161.00] TO BUS 647950 [S950 8 69.000] TO BUS 648250 [S1250T19 13.800] CKT 1  
 CB1250-09&97: OPEN BRANCH FROM BUS 646250 [S1250 5 161.00] TO BUS 646209 [S1209 5 161.00] CKT 1  
 OPEN LINE FROM BUS 646297 [S1297 5 161.00] TO BUS 646250 [S1250 5 161.00] CKT 1  
 OPEN LINE FROM BUS 646297 [S1297 5 161.00] TO BUS 646251 [S1251 5 161.00] CKT 1  
 CB1250-11&97: OPEN BRANCH FROM BUS 646211 [S1211 5 161.00] TO BUS 646250 [S1250 5 161.00] CKT 1  
 OPEN LINE FROM BUS 646297 [S1297 5 161.00] TO BUS 646250 [S1250 5 161.00] CKT 1  
 OPEN LINE FROM BUS 646297 [S1297 5 161.00] TO BUS 646251 [S1251 5 161.00] CKT 1  
 CB1250-11&T1: OPEN BRANCH FROM BUS 646211 [S1211 5 161.00] TO BUS 646250 [S1250 5 161.00] CKT 2  
 OPEN BRANCH FROM BUS 646250 [S1250 5 161.00] TO BUS 647950 [S950 8 69.000] TO BUS 648250 [S1250T19 13.800] CKT 1  
 CB1305-BUS : OPEN LINE FROM BUS 646305 [S1305 5 161.00] TO BUS 646341 [S1341 5 161.00] CKT 1  
 OPEN LINE FROM BUS 646305 [S1305 5 161.00] TO BUS 646298 [S1298 5 161.00] CKT 1  
 CB1341-BUS : OPEN LINE FROM BUS 646341 [S1341 5 161.00] TO BUS 646251 [S1251 5 161.00] CKT 1  
 OPEN LINE FROM BUS 646341 [S1341 5 161.00] TO BUS 646305 [S1305 5 161.00] CKT 1  
 CB1251-41&T4: OPEN BRANCH FROM BUS 646251 [S1251 5 161.00] TO BUS 646341 [S1341 5 161.00] CKT 1  
 OPEN BRANCH FROM BUS 645451 [S3451 3 345.00] TO BUS 646251 [S1251 5 161.00] TO BUS 648351 [S3451T49 13.800] CKT 1  
 CB1251-98&T3: OPEN BRANCH FROM BUS 646251 [S1251 5 161.00] TO BUS 646298 [S1298 5 161.00] CKT 1  
 OPEN BRANCH FROM BUS 645451 [S3451 3 345.00] TO BUS 646251 [S1251 5 161.00] TO BUS 648251 [S3451T39 13.800] CKT 1

CB1298-51&05: OPEN BRANCH FROM BUS 646298 [S1298 5 161.00] TO BUS 646251 [S1251 5 161.00] CKT 1  
OPEN BRANCH FROM BUS 646298 [S1298 5 161.00] TO BUS 646305 [S1305 5 161.00] CKT 1

CB1298-05&26: OPEN BRANCH FROM BUS 646298 [S1298 5 161.00] TO BUS 646305 [S1305 5 161.00] CKT 1  
OPEN BRANCH FROM BUS 646298 [S1298 5 161.00] TO BUS 646226 [S1226 5 161.00] CKT 1

CB1298-51&26: OPEN BRANCH FROM BUS 646298 [S1298 5 161.00] TO BUS 646251 [S1251 5 161.00] CKT 1  
OPEN BRANCH FROM BUS 646298 [S1298 5 161.00] TO BUS 646226 [S1226 5 161.00] CKT 2

CB1251-97&FC: OPEN LINE FROM BUS 646297 [S1297 5 161.00] TO BUS 646250 [S1250 5 161.00] CKT 1  
OPEN LINE FROM BUS 646297 [S1297 5 161.00] TO BUS 646251 [S1251 5 161.00] CKT 1  
OPEN LINE FROM BUS 645100 [FC1A 5 161.00] TO BUS 646251 [S1251 5 161.00] CKT 1  
OPEN LINE FROM BUS 645100 [FC1A 5 161.00] TO BUS 645103 [FC1A3 9 4.2000] CKT 1  
OPEN LINE FROM BUS 645100 [FC1A 5 161.00] TO BUS 645104 [FC1A4 9 4.2000] CKT 1

CB1253-35&37: OPEN BRANCH FROM BUS 646235 [S1235 5 161.00] TO BUS 646253 [S1253 5 161.00] CKT 1  
OPEN BRANCH FROM BUS 646237 [S1237 5 161.00] TO BUS 646253 [S1253 5 161.00] CKT 1

CB1253-BUS : OPEN LINE FROM BUS 646253 [S1253 5 161.00] TO BUS 646256 [S1256 5 161.00] CKT 1  
OPEN LINE FROM BUS 646253 [S1253 5 161.00] TO BUS 646235 [S1235 5 161.00] CKT 1  
OPEN LINE FROM BUS 646253 [S1253 5 161.00] TO BUS 646237 [S1237 5 161.00] CKT 1

CB1254-BUS : OPEN LINE FROM BUS 646254 [S1254 5 161.00] TO BUS 646281 [S1281 5 161.00] CKT 1  
OPEN LINE FROM BUS 646254 [S1254 5 161.00] TO BUS 645454 [S3454 3 345.00] TO BUS 648254 [S1254T19 13.800] CKT 1  
OPEN LINE FROM BUS 646254 [S1254 5 161.00] TO BUS 646249 [S1249 5 161.00] CKT 1

CB1255-21&T1: OPEN BRANCH FROM BUS 646221 [S1221 5 161.00] TO BUS 646255 [S1255 5 161.00] CKT 1  
OPEN BRANCH FROM BUS 645455 [S3455 3 345.00] TO BUS 646255 [S1255 5 161.00] TO BUS 648255 [S3455T19 13.800] CKT 1

CB1255-59&T3: OPEN BRANCH FROM BUS 646255 [S1255 5 161.00] TO BUS 646259 [S1259 5 161.00] CKT 1  
OPEN BRANCH FROM BUS 645455 [S3455 3 345.00] TO BUS 646255 [S1255 5 161.00] TO BUS 648355 [S3455T39 13.800] CKT 1

CB1256-49&53: OPEN LINE FROM BUS 646256 [S1256 5 161.00] TO BUS 646249 [S1249 5 161.00] CKT 1  
OPEN LINE FROM BUS 646256 [S1256 5 161.00] TO BUS 646253 [S1253 5 161.00] CKT 1  
SET BUS 646253 [S1253 5 161.00] LOAD TO 0 MW

CB1259-BUS81: OPEN LINE FROM BUS 646259 [S1259 5 161.00] TO BUS 646278 [S1278 5 161.00] CKT 1  
OPEN LINE FROM BUS 646259 [S1259 5 161.00] TO BUS 646281 [S1281 5 161.00] CKT 1  
OPEN LINE FROM BUS 646259 [S1259 5 161.00] TO BUS 646255 [S1255 5 161.00] CKT 1  
OPEN LINE FROM BUS 646281 [S1281 5 161.00] TO BUS 646287 [S1287 5 161.00] CKT 1  
OPEN LINE FROM BUS 646281 [S1281 5 161.00] TO BUS 646254 [S1254 5 161.00] CKT 1

CB1259-BUS : OPEN LINE FROM BUS 646259 [S1259 5 161.00] TO BUS 646278 [S1278 5 161.00] CKT 1  
OPEN LINE FROM BUS 646259 [S1259 5 161.00] TO BUS 646281 [S1281 5 161.00] CKT 1  
OPEN LINE FROM BUS 646259 [S1259 5 161.00] TO BUS 646255 [S1255 5 161.00] CKT 1

CB1263-BUS : OPEN LINE FROM BUS 646263 [S1263 5 161.00] TO BUS 646280 [S1280 5 161.00] CKT 1  
OPEN LINE FROM BUS 646263 [S1263 5 161.00] TO BUS 647111 [W BROCK8 69.000] TO BUS 648263 [S1263T19 13.800] CKT 1  
OPEN LINE FROM BUS 646263 [S1263 5 161.00] TO BUS 646258 [S1258 5 161.00] CKT 1

CB1278-BUS : OPEN LINE FROM BUS 646278 [S1278 5 161.00] TO BUS 646232 [S1232 5 161.00] CKT 1  
OPEN LINE FROM BUS 646278 [S1278 5 161.00] TO BUS 646259 [S1259 5 161.00] CKT 1

CB1280-BUS : OPEN LINE FROM BUS 646280 [S1280 5 161.00] TO BUS 640140 [COOPER 5 161.00] CKT 1  
OPEN LINE FROM BUS 646280 [S1280 5 161.00] TO BUS 640234 [HUMBOLT5 161.00] CKT 1  
OPEN LINE FROM BUS 646280 [S1280 5 161.00] TO BUS 646263 [S1263 5 161.00] CKT 1

CB1281-BUS : OPEN LINE FROM BUS 646281 [S1281 5 161.00] TO BUS 646287 [S1287 5 161.00] CKT 1  
OPEN LINE FROM BUS 646281 [S1281 5 161.00] TO BUS 646254 [S1254 5 161.00] CKT 1  
OPEN LINE FROM BUS 646281 [S1281 5 161.00] TO BUS 646259 [S1259 5 161.00] CKT 1

CB1286-BUS : OPEN LINE FROM BUS 646286 [S1286 5 161.00] TO BUS 646299 [S1299 5 161.00] CKT 1  
OPEN LINE FROM BUS 646286 [S1286 5 161.00] TO BUS 646201 [S1201 5 161.00] CKT 1

CB1287-BUS : OPEN LINE FROM BUS 646287 [S1287 5 161.00] TO BUS 646214 [S1214 5 161.00] CKT 1

OPEN LINE FROM BUS 646287 [S1287 5 161.00] TO BUS 646281 [S1281 5 161.00] CKT 1  
 CB1299-BUS : OPEN LINE FROM BUS 646299 [S1299 5 161.00] TO BUS 646211 [S1211 5 161.00] CKT 1  
 OPEN LINE FROM BUS 646299 [S1299 5 161.00] TO BUS 646286 [S1286 5 161.00] CKT 1  
 CBTEK-BUS : OPEN LINE FROM BUS 640377 [TEKAMAH5 161.00] TO BUS 646226 [S1226 5 161.00] CKT 1  
 OPEN LINE FROM BUS 640377 [TEKAMAH5 161.00] TO BUS 640378 [TEKAMAH7 115.00] CKT 1  
 OPEN LINE FROM BUS 640377 [TEKAMAH5 161.00] TO BUS 635201 [RAUN 5 161.00] CKT 1  
 CBCOO-161BUS: OPEN BRANCH FROM BUS 640140 [COOPER 5 161.00] TO BUS 640139 [COOPER 3 345.00] TO BUS 640142 [COOPER 9 13.800] CKT 1  
 CB1399-BUS : OPEN LINE FROM BUS 646399 [S1399 5 161.00] TO BUS 648500 [FLTWTRX9 34.500] TO BUS 648501 [FLTWTRY9 13.800] CKT 1  
 OPEN LINE FROM BUS 646399 [S1399 5 161.00] TO BUS 532913 [KELLY 5 161.00] CKT 1  
 OPEN LINE FROM BUS 646399 [S1399 5 161.00] TO BUS 640234 [HUMBOLT5 161.00] CKT 1  
 CBHUM-80&T4 : OPEN BRANCH FROM BUS 640234 [HUMBOLT5 161.00] TO BUS 647975 [S975 8 69.000] TO BUS 648275 [S975T4 9 13.800] CKT 1  
 OPEN BRANCH FROM BUS 640234 [HUMBOLT5 161.00] TO BUS 646280 [S1280 5 161.00] CKT 1  
 CBHUM-T2&T4 : OPEN BRANCH FROM BUS 640234 [HUMBOLT5 161.00] TO BUS 647975 [S975 8 69.000] TO BUS 648275 [S975T4 9 13.800] CKT 1  
 OPEN BRANCH FROM BUS 640235 [HUMBOLT7 115.00] TO BUS 640234 [HUMBOLT5 161.00] CKT 1  
 CB900-BUS : OPEN LINE FROM BUS 647900 [S900 8 69.000] TO BUS 647914 [S914 8 69.000] CKT 1  
 OPEN LINE FROM BUS 647900 [S900 8 69.000] TO BUS 647972 [S972 8 69.000] CKT 1  
 OPEN LINE FROM BUS 647900 [S900 8 69.000] TO BUS 647985 [S985 8 69.000] CKT 1  
 OPEN LINE FROM BUS 647900 [S900 8 69.000] TO BUS 647079 [979TP 8 69.000] CKT 1  
 OPEN LINE FROM BUS 647900 [S900 8 69.000] TO BUS 647100 [ASH GRV8 69.000] CKT 1  
 CB900BUS&979: OPEN LINE FROM BUS 647900 [S900 8 69.000] TO BUS 647914 [S914 8 69.000] CKT 1  
 OPEN LINE FROM BUS 647900 [S900 8 69.000] TO BUS 647972 [S972 8 69.000] CKT 1  
 OPEN LINE FROM BUS 647900 [S900 8 69.000] TO BUS 647985 [S985 8 69.000] CKT 1  
 OPEN LINE FROM BUS 647900 [S900 8 69.000] TO BUS 647079 [979TP 8 69.000] CKT 1  
 OPEN LINE FROM BUS 647900 [S900 8 69.000] TO BUS 647100 [ASH GRV8 69.000] CKT 1  
 OPEN LINE FROM BUS 647079 [979TP 8 69.000] TO BUS 647979 [S979 8 69.000] CKT 1  
 OPEN LINE FROM BUS 647079 [979TP 8 69.000] TO BUS 647006 [S906 N 8 69.000] CKT 1  
 CB901-JS&BUS: OPEN LINE FROM BUS 647901 [S901 8 69.000] TO BUS 647912 [S912 8 69.000] CKT 1  
 OPEN LINE FROM BUS 647901 [S901 8 69.000] TO BUS 646201 [S1201 5 161.00] TO BUS 648201 [S1201T19 13.800] CKT 1  
 OPEN LINE FROM BUS 647901 [S901 8 69.000] TO BUS 645051 [JONES 1G 13.800] CKT 1  
 OPEN LINE FROM BUS 647901 [S901 8 69.000] TO BUS 645052 [JONES 2G 13.800] CKT 1  
 OPEN LINE FROM BUS 647901 [S901 8 69.000] TO BUS 647105 [JCT205 8 69.000] CKT 1  
 CB902-BUS : OPEN LINE FROM BUS 647902 [S902 8 69.000] TO BUS 647937 [S937 8 69.000] CKT 1  
 OPEN LINE FROM BUS 647902 [S902 8 69.000] TO BUS 647983 [S983 8 69.000] CKT 1  
 OPEN LINE FROM BUS 647902 [S902 8 69.000] TO BUS 647984 [S984 8 69.000] CKT 1  
 CB902BUS&937: OPEN LINE FROM BUS 647902 [S902 8 69.000] TO BUS 647937 [S937 8 69.000] CKT 1  
 OPEN LINE FROM BUS 647902 [S902 8 69.000] TO BUS 647983 [S983 8 69.000] CKT 1  
 OPEN LINE FROM BUS 647902 [S902 8 69.000] TO BUS 647984 [S984 8 69.000] CKT 1  
 OPEN LINE FROM BUS 647937 [S937 8 69.000] TO BUS 647909 [S909 8 69.000] CKT 1  
 CB904BUS&985: OPEN LINE FROM BUS 647904 [S904 8 69.000] TO BUS 647906 [S906 S 8 69.000] CKT 1  
 OPEN LINE FROM BUS 647904 [S904 8 69.000] TO BUS 647985 [S985 8 69.000] CKT 1  
 OPEN LINE FROM BUS 647985 [S985 8 69.000] TO BUS 640320 [PLTSMTH8 69.000] CKT 1  
 OPEN LINE FROM BUS 647985 [S985 8 69.000] TO BUS 647900 [S900 8 69.000] CKT 1  
 CB906N-69DT2: OPEN BRANCH FROM BUS 647006 [S906 N 8 69.000] TO BUS 647079 [979TP 8 69.000] CKT 1  
 OPEN BRANCH FROM BUS 647006 [S906 N 8 69.000] TO BUS 647017 [915TP9 8 69.000] CKT 1  
 CLOSE BRANCH FROM BUS 647006 [S906 N 8 69.000] TO BUS 647906 [S906 S 8 69.000] CKT 1  
 OPEN BRANCH FROM BUS 646206 [S1206 5 161.00] TO BUS 647006 [S906 N 8 69.000] TO BUS 648306 [S1206T29 13.800] CKT 1  
 CB906N-6979 : OPEN LINE FROM BUS 647079 [979TP 8 69.000] TO BUS 647900 [S900 8 69.000] CKT 1  
 OPEN LINE FROM BUS 647079 [979TP 8 69.000] TO BUS 647979 [S979 8 69.000] CKT 1



OPEN LINE FROM BUS 647079 [979TP 8 69.000] TO BUS 647006 [S906 N 8 69.000] CKT 1  
 OPEN BRANCH FROM BUS 647006 [S906 N 8 69.000] TO BUS 647017 [915TP9 8 69.000] CKT 1  
 OPEN BRANCH FROM BUS 646206 [S1206 5 161.00] TO BUS 647006 [S906 N 8 69.000] TO BUS 648306 [S1206T29 13.800] CKT 1  
 CLOSE BRANCH FROM BUS 647006 [S906 N 8 69.000] TO BUS 647906 [S906 S 8 69.000] CKT 1  
 CB906N-6994 : OPEN BRANCH FROM BUS 646206 [S1206 5 161.00] TO BUS 647006 [S906 N 8 69.000] TO BUS 648306 [S1206T29 13.800] CKT 1  
 OPEN LINE FROM BUS 647017 [915TP9 8 69.000] TO BUS 647108 [SAC629 8 69.000] CKT 1  
 OPEN LINE FROM BUS 647017 [915TP9 8 69.000] TO BUS 647006 [S906 N 8 69.000] CKT 1  
 OPEN LINE FROM BUS 647017 [915TP9 8 69.000] TO BUS 647015 [S915T1 8 69.000] CKT 1  
 OPEN LINE FROM BUS 647108 [SAC629 8 69.000] TO BUS 647110 [SAC NO 8 69.000] CKT 1  
 OPEN LINE FROM BUS 647108 [SAC629 8 69.000] TO BUS 647994 [S994 8 69.000] CKT 1  
 CLOSE BRANCH FROM BUS 647006 [S906 N 8 69.000] TO BUS 647906 [S906 S 8 69.000] CKT 1  
 CB906N-BT61 : OPEN BRANCH FROM BUS 646206 [S1206 5 161.00] TO BUS 647006 [S906 N 8 69.000] TO BUS 648306 [S1206T29 13.800] CKT 1  
 OPEN LINE FROM BUS 645031 [SARPY 1G 13.800] TO BUS 647006 [S906 N 8 69.000] CKT 1  
 OPEN BRANCH FROM BUS 647006 [S906 N 8 69.000] TO BUS 647017 [915TP9 8 69.000] CKT 1  
 OPEN BRANCH FROM BUS 647006 [S906 N 8 69.000] TO BUS 647079 [979TP 8 69.000] CKT 1  
 OPEN BRANCH FROM BUS 647006 [S906 N 8 69.000] TO BUS 647928 [S928 8 69.000] CKT 1  
 OPEN BRANCH FROM BUS 647006 [S906 N 8 69.000] TO BUS 647916 [S916 8 69.000] CKT 1  
 OPEN BRANCH FROM BUS 647006 [S906 N 8 69.000] TO BUS 647938 [S938 8 69.000] CKT 1  
 CB906N69CBUS: OPEN LINE FROM BUS 645031 [SARPY 1G 13.800] TO BUS 647006 [S906 N 8 69.000] CKT 1  
 OPEN BRANCH FROM BUS 647006 [S906 N 8 69.000] TO BUS 647938 [S938 8 69.000] CKT 1  
 OPEN BRANCH FROM BUS 647006 [S906 N 8 69.000] TO BUS 647928 [S928 8 69.000] CKT 1  
 OPEN BRANCH FROM BUS 647006 [S906 N 8 69.000] TO BUS 647916 [S916 8 69.000] CKT 1  
 CB906N69B916: OPEN LINE FROM BUS 645031 [SARPY 1G 13.800] TO BUS 647006 [S906 N 8 69.000] CKT 1  
 OPEN BRANCH FROM BUS 647006 [S906 N 8 69.000] TO BUS 647938 [S938 8 69.000] CKT 1  
 OPEN BRANCH FROM BUS 647006 [S906 N 8 69.000] TO BUS 647928 [S928 8 69.000] CKT 1  
 OPEN BRANCH FROM BUS 647006 [S906 N 8 69.000] TO BUS 647916 [S916 8 69.000] CKT 1  
 OPEN BRANCH FROM BUS 647916 [S916 8 69.000] TO BUS 647940 [S940 8 69.000] CKT 1  
 CB906S69BSC2: OPEN LINE FROM BUS 645032 [SARPY 2G 13.800] TO BUS 647906 [S906 S 8 69.000] CKT 1  
 OPEN BRANCH FROM BUS 647906 [S906 S 8 69.000] TO BUS 647924 [S924 8 69.000] CKT 1  
 OPEN BRANCH FROM BUS 647906 [S906 S 8 69.000] TO BUS 647016 [915TP3 8 69.000] CKT 1  
 CB906S69B994: OPEN LINE FROM BUS 645032 [SARPY 2G 13.800] TO BUS 647906 [S906 S 8 69.000] CKT 1  
 OPEN BRANCH FROM BUS 647906 [S906 S 8 69.000] TO BUS 647924 [S924 8 69.000] CKT 1  
 OPEN LINE FROM BUS 647016 [915TP3 8 69.000] TO BUS 647107 [SAC623 8 69.000] CKT 1  
 OPEN LINE FROM BUS 647016 [915TP3 8 69.000] TO BUS 647906 [S906 S 8 69.000] CKT 1  
 OPEN LINE FROM BUS 647016 [915TP3 8 69.000] TO BUS 647915 [S915T2 8 69.000] CKT 1  
 OPEN LINE FROM BUS 647107 [SAC623 8 69.000] TO BUS 647109 [SAC SO 8 69.000] CKT 1  
 OPEN LINE FROM BUS 647107 [SAC623 8 69.000] TO BUS 647994 [S994 8 69.000] CKT 1  
 CB906S-BT63 : OPEN LINE FROM BUS 645032 [SARPY 2G 13.800] TO BUS 647906 [S906 S 8 69.000] CKT 1  
 OPEN BRANCH FROM BUS 647906 [S906 S 8 69.000] TO BUS 647924 [S924 8 69.000] CKT 1  
 OPEN BRANCH FROM BUS 647906 [S906 S 8 69.000] TO BUS 647016 [915TP3 8 69.000] CKT 1  
 OPEN BRANCH FROM BUS 647906 [S906 S 8 69.000] TO BUS 647904 [S904 8 69.000] CKT 1  
 OPEN BRANCH FROM BUS 647906 [S906 S 8 69.000] TO BUS 647938 [S938 8 69.000] CKT 1  
 OPEN BRANCH FROM BUS 646206 [S1206 5 161.00] TO BUS 647906 [S906 S 8 69.000] TO BUS 648206 [S1206T19 13.800] CKT 1  
 CB906S-69A : OPEN BRANCH FROM BUS 646206 [S1206 5 161.00] TO BUS 647906 [S906 S 8 69.000] TO BUS 648206 [S1206T19 13.800] CKT 1  
 OPEN BRANCH FROM BUS 647906 [S906 S 8 69.000] TO BUS 647904 [S904 8 69.000] CKT 1  
 OPEN BRANCH FROM BUS 647906 [S906 S 8 69.000] TO BUS 647938 [S938 8 69.000] CKT 1  
 CLOSE BRANCH FROM BUS 647006 [S906 N 8 69.000] TO BUS 647906 [S906 S 8 69.000] CKT 1  
 CB907-BUS : OPEN LINE FROM BUS 647907 [S907 8 69.000] TO BUS 647911 [S911 8 69.000] CKT 1

OPEN LINE FROM BUS 647907 [S907 8 69.000] TO BUS 647919 [S919 8 69.000] CKT 1  
 CB909BUS&937: OPEN LINE FROM BUS 647909 [S909 8 69.000] TO BUS 647918 [S918 8 69.000] CKT 1  
 OPEN LINE FROM BUS 647909 [S909 8 69.000] TO BUS 647921 [S921 8 69.000] CKT 1  
 OPEN LINE FROM BUS 647909 [S909 8 69.000] TO BUS 647937 [S937 8 69.000] CKT 1  
 OPEN LINE FROM BUS 647909 [S909 8 69.000] TO BUS 647939 [S939 8 69.000] CKT 1  
 OPEN LINE FROM BUS 647909 [S909 8 69.000] TO BUS 646209 [S1209 5 161.00] TO BUS 648209 [S1209T19 13.800] CKT 1  
 OPEN LINE FROM BUS 647937 [S937 8 69.000] TO BUS 647902 [S902 8 69.000] CKT 1  
 CB909-BUS : OPEN LINE FROM BUS 647909 [S909 8 69.000] TO BUS 647918 [S918 8 69.000] CKT 1  
 OPEN LINE FROM BUS 647909 [S909 8 69.000] TO BUS 647921 [S921 8 69.000] CKT 1  
 OPEN LINE FROM BUS 647909 [S909 8 69.000] TO BUS 647937 [S937 8 69.000] CKT 1  
 OPEN LINE FROM BUS 647909 [S909 8 69.000] TO BUS 647939 [S939 8 69.000] CKT 1  
 OPEN LINE FROM BUS 647909 [S909 8 69.000] TO BUS 646209 [S1209 5 161.00] TO BUS 648209 [S1209T19 13.800] CKT 1  
 CB910-BUS : OPEN LINE FROM BUS 647910 [S910 8 69.000] TO BUS 647923 [S923 8 69.000] CKT 1  
 OPEN LINE FROM BUS 647910 [S910 8 69.000] TO BUS 646210 [S1210 5 161.00] TO BUS 648210 [S1210T79 13.800] CKT 1  
 OPEN LINE FROM BUS 647910 [S910 8 69.000] TO BUS 647105 [JCT205 8 69.000] CKT 1  
 OPEN LINE FROM BUS 647910 [S910 8 69.000] TO BUS 647908 [S908 8 69.000] CKT 1  
 CB910BUS1210: OPEN BRANCH FROM BUS 646210 [S1210 5 161.00] TO BUS 646217 [S1217 5 161.00] CKT 1  
 OPEN LINE FROM BUS 647910 [S910 8 69.000] TO BUS 647923 [S923 8 69.000] CKT 1  
 OPEN LINE FROM BUS 647910 [S910 8 69.000] TO BUS 646210 [S1210 5 161.00] TO BUS 648210 [S1210T79 13.800] CKT 1  
 OPEN LINE FROM BUS 647910 [S910 8 69.000] TO BUS 647105 [JCT205 8 69.000] CKT 1  
 OPEN LINE FROM BUS 647910 [S910 8 69.000] TO BUS 647908 [S908 8 69.000] CKT 1  
 CB911-BUS : OPEN LINE FROM BUS 647911 [S911 8 69.000] TO BUS 647913 [S913 8 69.000] CKT 1  
 OPEN LINE FROM BUS 647911 [S911 8 69.000] TO BUS 646211 [S1211 5 161.00] TO BUS 648211 [S1211T19 13.800] CKT 1  
 OPEN LINE FROM BUS 647911 [S911 8 69.000] TO BUS 645021 [N OMA 1G 13.800] CKT 1  
 OPEN LINE FROM BUS 647911 [S911 8 69.000] TO BUS 645126 [S911 HS9 13.800] CKT 1  
 OPEN LINE FROM BUS 647911 [S911 8 69.000] TO BUS 647907 [S907 8 69.000] CKT 1  
 OPEN LINE FROM BUS 645021 [N OMA 1G 13.800] TO BUS 645121 [NO1 AUX9 2.4000] CKT 1  
 CB912-BUS : OPEN LINE FROM BUS 647912 [S912 8 69.000] TO BUS 647923 [S923 8 69.000] CKT 1  
 OPEN LINE FROM BUS 647912 [S912 8 69.000] TO BUS 647924 [S924 8 69.000] CKT 1  
 OPEN LINE FROM BUS 647912 [S912 8 69.000] TO BUS 647901 [S901 8 69.000] CKT 1  
 CB914-BUS : OPEN LINE FROM BUS 647914 [S914 8 69.000] TO BUS 647014 [S914A 8 69.000] CKT 1  
 OPEN LINE FROM BUS 647914 [S914 8 69.000] TO BUS 647900 [S900 8 69.000] CKT 1  
 CB914A-88-T1: OPEN LINE FROM BUS 647988 [S988 8 69.000] TO BUS 647014 [S914A 8 69.000] CKT 1  
 OPEN BRANCH FROM BUS 646214 [S1214 5 161.00] TO BUS 647014 [S914A 8 69.000] TO BUS 648214 [S1214T19 13.800] CKT 1  
 CB914A-46-T1: OPEN BRANCH FROM BUS 647014 [S914A 8 69.000] TO BUS 647846 [S6846 8 69.000] CKT 1  
 OPEN BRANCH FROM BUS 646214 [S1214 5 161.00] TO BUS 647014 [S914A 8 69.000] TO BUS 648214 [S1214T19 13.800] CKT 1  
 CB914A-14-88: OPEN BRANCH FROM BUS 647014 [S914A 8 69.000] TO BUS 647914 [S914 8 69.000] CKT 1  
 OPEN LINE FROM BUS 647988 [S988 8 69.000] TO BUS 647014 [S914A 8 69.000] CKT 1  
 CB916-BUS : OPEN LINE FROM BUS 647916 [S916 8 69.000] TO BUS 647917 [S917 8 69.000] CKT 1  
 OPEN LINE FROM BUS 647916 [S916 8 69.000] TO BUS 647940 [S940 8 69.000] CKT 1  
 OPEN LINE FROM BUS 647916 [S916 8 69.000] TO BUS 647006 [S906 N 8 69.000] CKT 1  
 CB916-06-40 : OPEN BRANCH FROM BUS 647916 [S916 8 69.000] TO BUS 647940 [S940 8 69.000] CKT 1  
 OPEN BRANCH FROM BUS 647916 [S916 8 69.000] TO BUS 647006 [S906 N 8 69.000] CKT 1  
 CB917-BUS : OPEN LINE FROM BUS 647917 [S917 8 69.000] TO BUS 647918 [S918 8 69.000] CKT 1  
 OPEN LINE FROM BUS 647917 [S917 8 69.000] TO BUS 646217 [S1217 5 161.00] TO BUS 648217 [S1217T19 13.800] CKT 1  
 OPEN LINE FROM BUS 647917 [S917 8 69.000] TO BUS 647916 [S916 8 69.000] CKT 1  
 CB917BUS1217: OPEN LINE FROM BUS 647917 [S917 8 69.000] TO BUS 647918 [S918 8 69.000] CKT 1  
 OPEN LINE FROM BUS 647917 [S917 8 69.000] TO BUS 646217 [S1217 5 161.00] TO BUS 648217 [S1217T19 13.800] CKT 1

OPEN LINE FROM BUS 647917 [S917 8 69.000] TO BUS 647916 [S916 8 69.000] CKT 1  
OPEN LINE FROM BUS 646217 [S1217 5 161.00] TO BUS 646227 [S1227 5 161.00] CKT 1  
OPEN LINE FROM BUS 646217 [S1217 5 161.00] TO BUS 646210 [S1210 5 161.00] CKT 1  
OPEN LINE FROM BUS 646217 [S1217 5 161.00] TO BUS 646216 [S1216 5 161.00] CKT 1  
CB918-BUS : OPEN LINE FROM BUS 647918 [S918 8 69.000] TO BUS 647930 [S930 8 69.000] CKT 1  
OPEN LINE FROM BUS 647918 [S918 8 69.000] TO BUS 647909 [S909 8 69.000] CKT 1  
OPEN LINE FROM BUS 647918 [S918 8 69.000] TO BUS 647917 [S917 8 69.000] CKT 1  
CB919-BUS : OPEN LINE FROM BUS 647919 [S919 8 69.000] TO BUS 647930 [S930 8 69.000] CKT 1  
OPEN LINE FROM BUS 647919 [S919 8 69.000] TO BUS 647950 [S950 8 69.000] CKT 1  
OPEN LINE FROM BUS 647919 [S919 8 69.000] TO BUS 647907 [S907 8 69.000] CKT 1  
CB921-BUS : OPEN LINE FROM BUS 647921 [S921 8 69.000] TO BUS 647940 [S940 8 69.000] CKT 1  
OPEN LINE FROM BUS 647921 [S921 8 69.000] TO BUS 647942 [S942 8 69.000] CKT 1  
OPEN LINE FROM BUS 647921 [S921 8 69.000] TO BUS 646221 [S1221 5 161.00] TO BUS 648221 [S1221T99 13.800] CKT 1  
OPEN LINE FROM BUS 647921 [S921 8 69.000] TO BUS 647909 [S909 8 69.000] CKT 1  
CB923-12-PXM: OPEN BRANCH FROM BUS 647912 [S912 8 69.000] TO BUS 647923 [S923 8 69.000] CKT 1  
OPEN LINE FROM BUS 647106 [PAX MIT8 69.000] TO BUS 647923 [S923 8 69.000] CKT 1  
CB923-BUSPXM: OPEN LINE FROM BUS 647923 [S923 8 69.000] TO BUS 647106 [PAX MIT8 69.000] CKT 1  
OPEN LINE FROM BUS 647923 [S923 8 69.000] TO BUS 647910 [S910 8 69.000] CKT 1  
OPEN LINE FROM BUS 647923 [S923 8 69.000] TO BUS 647912 [S912 8 69.000] CKT 1  
CB924-BUS : OPEN LINE FROM BUS 647924 [S924 8 69.000] TO BUS 647906 [S906 S 8 69.000] CKT 1  
OPEN LINE FROM BUS 647924 [S924 8 69.000] TO BUS 647912 [S912 8 69.000] CKT 1  
CB928-BUS : OPEN LINE FROM BUS 647928 [S928 8 69.000] TO BUS 647942 [S942 8 69.000] CKT 1  
OPEN LINE FROM BUS 647928 [S928 8 69.000] TO BUS 647006 [S906 N 8 69.000] CKT 1  
CB930-18-39 : OPEN BRANCH FROM BUS 647918 [S918 8 69.000] TO BUS 647930 [S930 8 69.000] CKT 1  
OPEN BRANCH FROM BUS 647930 [S930 8 69.000] TO BUS 647939 [S939 8 69.000] CKT 1  
CB938-06N-95: OPEN BRANCH FROM BUS 647006 [S906 N 8 69.000] TO BUS 647938 [S938 8 69.000] CKT 1  
OPEN BRANCH FROM BUS 647938 [S938 8 69.000] TO BUS 647995 [S995 8 69.000] CKT 1  
CB938-06S-95: OPEN BRANCH FROM BUS 647906 [S906 S 8 69.000] TO BUS 647938 [S938 8 69.000] CKT 1  
OPEN BRANCH FROM BUS 647938 [S938 8 69.000] TO BUS 647995 [S995 8 69.000] CKT 1  
CB939-09-MUD: OPEN BRANCH FROM BUS 647939 [S939 8 69.000] TO BUS 647909 [S909 8 69.000] CKT 1  
OPEN LINE FROM BUS 647104 [MUD LNG8 69.000] TO BUS 647939 [S939 8 69.000] CKT 1  
CB939-30-MUD: OPEN BRANCH FROM BUS 647930 [S930 8 69.000] TO BUS 647939 [S939 8 69.000] CKT 1  
OPEN LINE FROM BUS 647104 [MUD LNG8 69.000] TO BUS 647939 [S939 8 69.000] CKT 1  
CB961-BUS&NH: OPEN LINE FROM BUS 647961 [S961 8 69.000] TO BUS 640292 [NEHAWKA8 69.000] CKT 1  
OPEN LINE FROM BUS 647961 [S961 8 69.000] TO BUS 640320 [PLTSMTH8 69.000] CKT 1  
OPEN LINE FROM BUS 640292 [NEHAWKA8 69.000] TO BUS 647962 [S962 8 69.000] CKT 1  
CB962-BUS&NH: OPEN LINE FROM BUS 647962 [S962 8 69.000] TO BUS 640292 [NEHAWKA8 69.000] CKT 1  
OPEN LINE FROM BUS 647962 [S962 8 69.000] TO BUS 647114 [KIN MTP8 69.000] CKT 1  
OPEN LINE FROM BUS 647962 [S962 8 69.000] TO BUS 647401 [NCU903 8 69.000] CKT 1  
OPEN LINE FROM BUS 640292 [NEHAWKA8 69.000] TO BUS 647961 [S961 8 69.000] CKT 1  
CB963-BUS977: OPEN LINE FROM BUS 647963 [S963 8 69.000] TO BUS 647973 [S973 8 69.000] CKT 1  
OPEN LINE FROM BUS 647963 [S963 8 69.000] TO BUS 647977 [S977 8 69.000] CKT 1  
OPEN LINE FROM BUS 647963 [S963 8 69.000] TO BUS 647101 [AUBRNT 8 69.000] CKT 1  
OPEN LINE FROM BUS 647963 [S963 8 69.000] TO BUS 647111 [W BROCK8 69.000] CKT 1  
OPEN LINE FROM BUS 647977 [S977 8 69.000] TO BUS 647401 [NCU903 8 69.000] CKT 1  
OPEN LINE FROM BUS 647973 [S973 8 69.000] TO BUS 640143 [CORNFLD8 69.000] CKT 1  
CB963BUS1263: OPEN LINE FROM BUS 647963 [S963 8 69.000] TO BUS 647973 [S973 8 69.000] CKT 1  
OPEN LINE FROM BUS 647963 [S963 8 69.000] TO BUS 647977 [S977 8 69.000] CKT 1

OPEN LINE FROM BUS 647963 [S963 8 69.000] TO BUS 647101 [AUBRNT 8 69.000] CKT 1  
OPEN LINE FROM BUS 647963 [S963 8 69.000] TO BUS 647111 [W BROCK8 69.000] CKT 1  
OPEN LINE FROM BUS 647973 [S973 8 69.000] TO BUS 640143 [CORNF8D8 69.000] CKT 1  
CB963-BUSAUB: OPEN LINE FROM BUS 647963 [S963 8 69.000] TO BUS 647973 [S973 8 69.000] CKT 1  
OPEN LINE FROM BUS 647963 [S963 8 69.000] TO BUS 647977 [S977 8 69.000] CKT 1  
OPEN LINE FROM BUS 647963 [S963 8 69.000] TO BUS 647101 [AUBRNT 8 69.000] CKT 1  
OPEN LINE FROM BUS 647963 [S963 8 69.000] TO BUS 647111 [W BROCK8 69.000] CKT 1  
OPEN LINE FROM BUS 647973 [S973 8 69.000] TO BUS 640143 [CORNF8D8 69.000] CKT 1  
OPEN LINE FROM BUS 647101 [AUBRNT 8 69.000] TO BUS 647975 [S975 8 69.000] CKT 1  
OPEN LINE FROM BUS 647101 [AUBRNT 8 69.000] TO BUS 640062 [AUBURN 8 69.000] CKT 1  
CB968-67-TEC: OPEN LINE FROM BUS 647967 [S967 8 69.000] TO BUS 647968 [S968 8 69.000] CKT 1  
OPEN LINE FROM BUS 647967 [S967 8 69.000] TO BUS 647111 [W BROCK8 69.000] CKT 1  
OPEN LINE FROM BUS 647400 [TECUMSH8 69.000] TO BUS 647968 [S968 8 69.000] CKT 1  
CB968TEC7469: OPEN LINE FROM BUS 647968 [S968 8 69.000] TO BUS 647969 [S969 8 69.000] CKT 1  
OPEN LINE FROM BUS 647968 [S968 8 69.000] TO BUS 647400 [TECUMSH8 69.000] CKT 1  
OPEN LINE FROM BUS 647968 [S968 8 69.000] TO BUS 647967 [S967 8 69.000] CKT 1  
OPEN LINE FROM BUS 647969 [S969 8 69.000] TO BUS 647974 [S974 8 69.000] CKT 1  
CB970-EN-NCU: OPEN LINE FROM BUS 647970 [S970 8 69.000] TO BUS 647102 [HYDCAP 8 69.000] CKT 1  
OPEN LINE FROM BUS 647970 [S970 8 69.000] TO BUS 647402 [NC SYRA8 69.000] CKT 1  
OPEN LINE FROM BUS 647102 [HYDCAP 8 69.000] TO BUS 647103 [ENRON 8 69.000] CKT 1  
OPEN LINE FROM BUS 647102 [HYDCAP 8 69.000] TO BUS 647974 [S974 8 69.000] CKT 1  
OPEN LINE FROM BUS 647402 [NC SYRA8 69.000] TO BUS 647971 [S971 8 69.000] CKT 1  
CB971-BUS990: OPEN LINE FROM BUS 647971 [S971 8 69.000] TO BUS 647090 [990TP 8 69.000] CKT 1  
OPEN LINE FROM BUS 647971 [S971 8 69.000] TO BUS 647114 [KIN MTP8 69.000] CKT 1  
OPEN LINE FROM BUS 647971 [S971 8 69.000] TO BUS 647402 [NC SYRA8 69.000] CKT 1  
OPEN LINE FROM BUS 647090 [990TP 8 69.000] TO BUS 647982 [S982 8 69.000] CKT 1  
OPEN LINE FROM BUS 647090 [990TP 8 69.000] TO BUS 647990 [S990 8 69.000] CKT 1  
CB971-BUS : OPEN LINE FROM BUS 647971 [S971 8 69.000] TO BUS 647090 [990TP 8 69.000] CKT 1  
OPEN LINE FROM BUS 647971 [S971 8 69.000] TO BUS 647114 [KIN MTP8 69.000] CKT 1  
OPEN LINE FROM BUS 647971 [S971 8 69.000] TO BUS 647402 [NC SYRA8 69.000] CKT 1  
CB971-BUSNCU: OPEN LINE FROM BUS 647971 [S971 8 69.000] TO BUS 647090 [990TP 8 69.000] CKT 1  
OPEN LINE FROM BUS 647971 [S971 8 69.000] TO BUS 647114 [KIN MTP8 69.000] CKT 1  
OPEN LINE FROM BUS 647971 [S971 8 69.000] TO BUS 647402 [NC SYRA8 69.000] CKT 1  
OPEN LINE FROM BUS 647402 [NC SYRA8 69.000] TO BUS 647970 [S970 8 69.000] CKT 1  
CB972-BUS : OPEN LINE FROM BUS 647972 [S972 8 69.000] TO BUS 647982 [S982 8 69.000] CKT 1  
OPEN LINE FROM BUS 647972 [S972 8 69.000] TO BUS 647900 [S900 8 69.000] CKT 1  
CB974-BUS969: OPEN LINE FROM BUS 647974 [S974 8 69.000] TO BUS 640362 [STERLNG7 115.00] CKT 1  
OPEN LINE FROM BUS 647974 [S974 8 69.000] TO BUS 647102 [HYDCAP 8 69.000] CKT 1  
OPEN LINE FROM BUS 647974 [S974 8 69.000] TO BUS 647969 [S969 8 69.000] CKT 1  
OPEN LINE FROM BUS 647969 [S969 8 69.000] TO BUS 647968 [S968 8 69.000] CKT 1  
CB974-BUS-EN: OPEN LINE FROM BUS 647974 [S974 8 69.000] TO BUS 640362 [STERLNG7 115.00] CKT 1  
OPEN LINE FROM BUS 647974 [S974 8 69.000] TO BUS 647102 [HYDCAP 8 69.000] CKT 1  
OPEN LINE FROM BUS 647974 [S974 8 69.000] TO BUS 647969 [S969 8 69.000] CKT 1  
OPEN LINE FROM BUS 647102 [HYDCAP 8 69.000] TO BUS 647103 [ENRON 8 69.000] CKT 1  
OPEN LINE FROM BUS 647102 [HYDCAP 8 69.000] TO BUS 647970 [S970 8 69.000] CKT 1  
CB974-BUS : OPEN LINE FROM BUS 647974 [S974 8 69.000] TO BUS 640362 [STERLNG7 115.00] CKT 1  
OPEN LINE FROM BUS 647974 [S974 8 69.000] TO BUS 647102 [HYDCAP 8 69.000] CKT 1  
OPEN LINE FROM BUS 647974 [S974 8 69.000] TO BUS 647969 [S969 8 69.000] CKT 1

CB975-T4-965: OPEN BRANCH FROM BUS 640234 [HUMBOLT5 161.00] TO BUS 647975 [S975 8 69.000] TO BUS 648275 [S975T4 9 13.800] CKT 1  
OPEN LINE FROM BUS 647965 [S965 8 69.000] TO BUS 647975 [S975 8 69.000] CKT 1

CB975-T4-993: OPEN BRANCH FROM BUS 640234 [HUMBOLT5 161.00] TO BUS 647975 [S975 8 69.000] TO BUS 648275 [S975T4 9 13.800] CKT 1  
OPEN LINE FROM BUS 647964 [S964 8 69.000] TO BUS 647975 [S975 8 69.000] CKT 1  
OPEN LINE FROM BUS 647964 [S964 8 69.000] TO BUS 647112 [MGLN TP8 69.000] CKT 1  
OPEN LINE FROM BUS 647993 [S993 8 69.000] TO BUS 647112 [MGLN TP8 69.000] CKT 1

CB975-93-AUB: OPEN LINE FROM BUS 647101 [AUBRNT 8 69.000] TO BUS 647963 [S963 8 69.000] CKT 1  
OPEN LINE FROM BUS 647101 [AUBRNT 8 69.000] TO BUS 647975 [S975 8 69.000] CKT 1  
OPEN LINE FROM BUS 647101 [AUBRNT 8 69.000] TO BUS 640062 [AUBURN 8 69.000] CKT 1  
OPEN LINE FROM BUS 647964 [S964 8 69.000] TO BUS 647975 [S975 8 69.000] CKT 1  
OPEN LINE FROM BUS 647964 [S964 8 69.000] TO BUS 647112 [MGLN TP8 69.000] CKT 1  
OPEN LINE FROM BUS 647993 [S993 8 69.000] TO BUS 647112 [MGLN TP8 69.000] CKT 1

CB975-65-AUB: OPEN LINE FROM BUS 647101 [AUBRNT 8 69.000] TO BUS 647963 [S963 8 69.000] CKT 1  
OPEN LINE FROM BUS 647101 [AUBRNT 8 69.000] TO BUS 647975 [S975 8 69.000] CKT 1  
OPEN LINE FROM BUS 647101 [AUBRNT 8 69.000] TO BUS 640062 [AUBURN 8 69.000] CKT 1  
OPEN LINE FROM BUS 647965 [S965 8 69.000] TO BUS 647975 [S975 8 69.000] CKT 1

CB976-BUS : OPEN LINE FROM BUS 647976 [S976 8 69.000] TO BUS 640173 [FREMONT7 115.00] CKT 1  
OPEN LINE FROM BUS 647976 [S976 8 69.000] TO BUS 640173 [FREMONT7 115.00] CKT 4  
OPEN LINE FROM BUS 647976 [S976 8 69.000] TO BUS 647424 [FREM D 8 69.000] CKT 1

CB982-BUS990: OPEN LINE FROM BUS 647982 [S982 8 69.000] TO BUS 647090 [990TP 8 69.000] CKT 1  
OPEN LINE FROM BUS 647982 [S982 8 69.000] TO BUS 647972 [S972 8 69.000] CKT 1  
OPEN LINE FROM BUS 647090 [990TP 8 69.000] TO BUS 647971 [S971 8 69.000] CKT 1  
OPEN LINE FROM BUS 647090 [990TP 8 69.000] TO BUS 647990 [S990 8 69.000] CKT 1

CB983-BUS : OPEN LINE FROM BUS 647983 [S983 8 69.000] TO BUS 647846 [S6846 8 69.000] CKT 1  
OPEN LINE FROM BUS 647983 [S983 8 69.000] TO BUS 647902 [S902 8 69.000] CKT 1

CB984-BUS991: OPEN LINE FROM BUS 647984 [S984 8 69.000] TO BUS 647091 [991TP 8 69.000] CKT 1  
OPEN LINE FROM BUS 647984 [S984 8 69.000] TO BUS 647902 [S902 8 69.000] CKT 1  
OPEN LINE FROM BUS 647091 [991TP 8 69.000] TO BUS 647427 [FREM G 8 69.000] CKT 1  
OPEN LINE FROM BUS 647091 [991TP 8 69.000] TO BUS 647991 [S991 8 69.000] CKT 1

CB985-BUS : OPEN LINE FROM BUS 647985 [S985 8 69.000] TO BUS 640320 [PLTSMTH8 69.000] CKT 1  
OPEN LINE FROM BUS 647985 [S985 8 69.000] TO BUS 647900 [S900 8 69.000] CKT 1  
OPEN LINE FROM BUS 647985 [S985 8 69.000] TO BUS 647904 [S904 8 69.000] CKT 1

CB994-BUS06S: OPEN LINE FROM BUS 647994 [S994 8 69.000] TO BUS 647995 [S995 8 69.000] CKT 1  
OPEN LINE FROM BUS 647994 [S994 8 69.000] TO BUS 647107 [SAC623 8 69.000] CKT 1  
OPEN LINE FROM BUS 647994 [S994 8 69.000] TO BUS 647108 [SAC629 8 69.000] CKT 1  
OPEN LINE FROM BUS 647107 [SAC623 8 69.000] TO BUS 647109 [SAC SO 8 69.000] CKT 1  
OPEN LINE FROM BUS 647107 [SAC623 8 69.000] TO BUS 647016 [915TP3 8 69.000] CKT 1  
OPEN LINE FROM BUS 647016 [915TP3 8 69.000] TO BUS 647906 [S906 S 8 69.000] CKT 1  
OPEN LINE FROM BUS 647016 [915TP3 8 69.000] TO BUS 647915 [S915T2 8 69.000] CKT 1

CB994-BUS06N: OPEN LINE FROM BUS 647994 [S994 8 69.000] TO BUS 647995 [S995 8 69.000] CKT 1  
OPEN LINE FROM BUS 647994 [S994 8 69.000] TO BUS 647107 [SAC623 8 69.000] CKT 1  
OPEN LINE FROM BUS 647994 [S994 8 69.000] TO BUS 647108 [SAC629 8 69.000] CKT 1  
OPEN LINE FROM BUS 647108 [SAC629 8 69.000] TO BUS 647110 [SAC NO 8 69.000] CKT 1  
OPEN LINE FROM BUS 647108 [SAC629 8 69.000] TO BUS 647017 [915TP9 8 69.000] CKT 1  
OPEN LINE FROM BUS 647017 [915TP9 8 69.000] TO BUS 647006 [S906 N 8 69.000] CKT 1  
OPEN LINE FROM BUS 647017 [915TP9 8 69.000] TO BUS 647015 [S915T1 8 69.000] CKT 1

CB994-BUS : OPEN LINE FROM BUS 647994 [S994 8 69.000] TO BUS 647995 [S995 8 69.000] CKT 1  
OPEN LINE FROM BUS 647994 [S994 8 69.000] TO BUS 647107 [SAC623 8 69.000] CKT 1

OPEN LINE FROM BUS 647994 [S994 8 69.000] TO BUS 647108 [SAC629 8 69.000] CKT 1  
 CB995-BUS938: OPEN LINE FROM BUS 647995 [S995 8 69.000] TO BUS 647874 [S6874 8 69.000] CKT 1  
 OPEN LINE FROM BUS 647995 [S995 8 69.000] TO BUS 647938 [S938 8 69.000] CKT 1  
 OPEN LINE FROM BUS 647995 [S995 8 69.000] TO BUS 647994 [S994 8 69.000] CKT 1  
 OPEN LINE FROM BUS 647938 [S938 8 69.000] TO BUS 647006 [S906 N 8 69.000] CKT 1  
 OPEN LINE FROM BUS 647938 [S938 8 69.000] TO BUS 647906 [S906 S 8 69.000] CKT 1  
 CB995-BUS : OPEN LINE FROM BUS 647995 [S995 8 69.000] TO BUS 647874 [S6874 8 69.000] CKT 1  
 OPEN LINE FROM BUS 647995 [S995 8 69.000] TO BUS 647938 [S938 8 69.000] CKT 1  
 OPEN LINE FROM BUS 647995 [S995 8 69.000] TO BUS 647994 [S994 8 69.000] CKT 1  
 CB6846-BUS : OPEN LINE FROM BUS 647846 [S6846 8 69.000] TO BUS 647983 [S983 8 69.000] CKT 1  
 OPEN LINE FROM BUS 647846 [S6846 8 69.000] TO BUS 647014 [S914A 8 69.000] CKT 1  
 CBFREM-A : OPEN LINE FROM BUS 647421 [FREM A 8 69.000] TO BUS 647422 [FREM B 8 69.000] CKT 1  
 OPEN LINE FROM BUS 647421 [FREM A 8 69.000] TO BUS 647426 [FREM F 8 69.000] CKT 1  
 OPEN LINE FROM BUS 647421 [FREM A 8 69.000] TO BUS 647427 [FREM G 8 69.000] CKT 1  
 OPEN LINE FROM BUS 647421 [FREM A 8 69.000] TO BUS 647416 [FREM 6G 13.800] CKT 1  
 OPEN LINE FROM BUS 647421 [FREM A 8 69.000] TO BUS 647417 [FREM 7G 13.800] CKT 1  
 OPEN LINE FROM BUS 647421 [FREM A 8 69.000] TO BUS 647418 [FREM 8G 13.800] CKT 1  
 CBFREM-B : OPEN LINE FROM BUS 647422 [FREM B 8 69.000] TO BUS 647424 [FREM D 8 69.000] CKT 1  
 OPEN LINE FROM BUS 647422 [FREM B 8 69.000] TO BUS 647421 [FREM A 8 69.000] CKT 1  
 CBFREM-C : OPEN LINE FROM BUS 647423 [FREM C 8 69.000] TO BUS 647424 [FREM D 8 69.000] CKT 1  
 OPEN LINE FROM BUS 647423 [FREM C 8 69.000] TO BUS 647427 [FREM G 8 69.000] CKT 1  
 CBFREM-D-C-B: OPEN BRANCH FROM BUS 647422 [FREM B 8 69.000] TO BUS 647424 [FREM D 8 69.000] CKT 1  
 OPEN BRANCH FROM BUS 647424 [FREM D 8 69.000] TO BUS 647423 [FREM C 8 69.000] CKT 1  
 CBFREM-D : OPEN LINE FROM BUS 647424 [FREM D 8 69.000] TO BUS 647425 [FREM E 8 69.000] CKT 1  
 OPEN LINE FROM BUS 647424 [FREM D 8 69.000] TO BUS 647976 [S976 8 69.000] CKT 1  
 OPEN LINE FROM BUS 647424 [FREM D 8 69.000] TO BUS 647422 [FREM B 8 69.000] CKT 1  
 OPEN LINE FROM BUS 647424 [FREM D 8 69.000] TO BUS 647423 [FREM C 8 69.000] CKT 1  
 CBFREM-D-E : OPEN BRANCH FROM BUS 647976 [S976 8 69.000] TO BUS 647424 [FREM D 8 69.000] CKT 1  
 OPEN BRANCH FROM BUS 647424 [FREM D 8 69.000] TO BUS 647425 [FREM E 8 69.000] CKT 1  
 CBFREM-E : OPEN LINE FROM BUS 647425 [FREM E 8 69.000] TO BUS 647426 [FREM F 8 69.000] CKT 1  
 OPEN LINE FROM BUS 647425 [FREM E 8 69.000] TO BUS 647424 [FREM D 8 69.000] CKT 1  
 CBFREM-F : OPEN LINE FROM BUS 647426 [FREM F 8 69.000] TO BUS 647992 [S992 8 69.000] CKT 1  
 OPEN LINE FROM BUS 647426 [FREM F 8 69.000] TO BUS 647421 [FREM A 8 69.000] CKT 1  
 OPEN LINE FROM BUS 647426 [FREM F 8 69.000] TO BUS 647425 [FREM E 8 69.000] CKT 1  
 CBFREM-G : OPEN LINE FROM BUS 647411 [FREM 1G 13.800] TO BUS 647427 [FREM G 8 69.000] CKT 1  
 OPEN LINE FROM BUS 647427 [FREM G 8 69.000] TO BUS 647091 [991TP 8 69.000] CKT 1  
 OPEN LINE FROM BUS 647427 [FREM G 8 69.000] TO BUS 647421 [FREM A 8 69.000] CKT 1  
 OPEN LINE FROM BUS 647427 [FREM G 8 69.000] TO BUS 647423 [FREM C 8 69.000] CKT 1  
 OPPD CATD 01: OPEN BRANCH FROM BUS 645451 [S3451 3 345.00] TO BUS 645459 [S3459 3 345.00] CKT 1  
 OPEN BRANCH FROM BUS 645451 [S3451 3 345.00] TO BUS 635200 [RAUN 3 345.00] CKT 1  
 OPEN BRANCH FROM BUS 645451 [S3451 3 345.00] TO BUS 646251 [S1251 5 161.00] TO BUS 648351 [S3451T49 13.800] CKT 1  
 OPPD CATD 02: OPEN BRANCH FROM BUS 645451 [S3451 3 345.00] TO BUS 645459 [S3459 3 345.00] CKT 1  
 OPEN BRANCH FROM BUS 645451 [S3451 3 345.00] TO BUS 635200 [RAUN 3 345.00] CKT 1  
 OPEN BRANCH FROM BUS 645451 [S3451 3 345.00] TO BUS 646251 [S1251 5 161.00] TO BUS 648251 [S3451T39 13.800] CKT 1  
 OPPD CATD 03: OPEN BRANCH FROM BUS 645455 [S3455 3 345.00] TO BUS 645740 [S3740 3 345.00] CKT 1  
 OPEN BRANCH FROM BUS 645456 [S3456 3 345.00] TO BUS 645458 [S3458 3 345.00] CKT 1  
 OPPD CATD 04: OPEN BRANCH FROM BUS 645451 [S3451 3 345.00] TO BUS 645454 [S3454 3 345.00] CKT 1  
 OPEN BRANCH FROM BUS 645451 [S3451 3 345.00] TO BUS 646251 [S1251 5 161.00] TO BUS 648251 [S3451T39 13.800] CKT 1

OPEN BRANCH FROM BUS 645451 [S3451 3 345.00] TO BUS 645459 [S3459 3 345.00] CKT 1  
OPPD CATD 05: OPEN BRANCH FROM BUS 645451 [S3451 3 345.00] TO BUS 645459 [S3459 3 345.00] CKT 1  
OPEN BRANCH FROM BUS 645451 [S3451 3 345.00] TO BUS 646251 [S1251 5 161.00] TO BUS 648351 [S3451T49 13.800] CKT 1  
OPEN BRANCH FROM BUS 645451 [S3451 3 345.00] TO BUS 635200 [RAUN 3 345.00] CKT 1  
OPPD CATD 06: OPEN BRANCH FROM BUS 645451 [S3451 3 345.00] TO BUS 646251 [S1251 5 161.00] TO BUS 648251 [S3451T39 13.800] CKT 1  
OPEN BRANCH FROM BUS 645451 [S3451 3 345.00] TO BUS 645454 [S3454 3 345.00] CKT 1  
OPEN BRANCH FROM BUS 645451 [S3451 3 345.00] TO BUS 645459 [S3459 3 345.00] CKT 1  
OPPD CATD 10: OPEN BRANCH FROM BUS 645458 [S3458 3 345.00] TO BUS 645456 [S3456 3 345.00] CKT 1  
OPEN BRANCH FROM BUS 645458 [S3458 3 345.00] TO BUS 645740 [S3740 3 345.00] CKT 1  
OPEN BRANCH FROM BUS 645458 [S3458 3 345.00] TO BUS 650189 [103&ROKEBY3 345.00] CKT 1  
OPPD CATD 11: OPEN BRANCH FROM BUS 640139 [COOPER 3 345.00] TO BUS 635017 [ATCHSNT3 345.00] CKT 1  
OPEN BRANCH FROM BUS 645456 [S3456 3 345.00] TO BUS 635000 [CBLUFFS3 345.00] CKT 1  
OPEN BRANCH FROM BUS 646206 [S1206 5 161.00] TO BUS 646201 [S1201 5 161.00] CKT 1  
OPEN BRANCH FROM BUS 646206 [S1206 5 161.00] TO BUS 635001 [CBLUFFS5 161.00] CKT 1  
OPPD CATD 12: OPEN BRANCH FROM BUS 640139 [COOPER 3 345.00] TO BUS 640277 [MOORE 3 345.00] CKT 1  
OPEN LINE FROM BUS 645458 [S3458 3 345.00] TO BUS 645740 [S3740 3 345.00] CKT 1  
OPEN LINE FROM BUS 645458 [S3458 3 345.00] TO BUS 650189 [103&ROKEBY3 345.00] CKT 1  
OPEN LINE FROM BUS 645458 [S3458 3 345.00] TO BUS 640139 [COOPER 3 345.00] CKT 1  
OPEN LINE FROM BUS 645458 [S3458 3 345.00] TO BUS 645011 [NEBCTY1G 18.000] CKT 1  
OPEN LINE FROM BUS 645458 [S3458 3 345.00] TO BUS 645012 [NEBCTY2G 23.000] CKT 1  
OPEN LINE FROM BUS 645458 [S3458 3 345.00] TO BUS 645456 [S3456 3 345.00] CKT 1  
OPPD CATD 13: OPEN BRANCH FROM BUS 645454 [S3454 3 345.00] TO BUS 650185 [WAGENER 3 345.00] CKT 1  
OPEN LINE FROM BUS 645451 [S3451 3 345.00] TO BUS 645454 [S3454 3 345.00] CKT 1  
OPEN LINE FROM BUS 645451 [S3451 3 345.00] TO BUS 645459 [S3459 3 345.00] CKT 1  
OPEN LINE FROM BUS 645451 [S3451 3 345.00] TO BUS 646251 [S1251 5 161.00] TO BUS 648251 [S3451T39 13.800] CKT 1  
OPEN LINE FROM BUS 645451 [S3451 3 345.00] TO BUS 646251 [S1251 5 161.00] TO BUS 648351 [S3451T49 13.800] CKT 1  
OPEN LINE FROM BUS 645451 [S3451 3 345.00] TO BUS 635200 [RAUN 3 345.00] CKT 1  
OPEN LINE FROM BUS 645451 [S3451 3 345.00] TO BUS 645001 [FT CAL1G 22.000] CKT 1  
OPPD CATD 14: OPEN BRANCH FROM BUS 645454 [S3454 3 345.00] TO BUS 645455 [S3455 3 345.00] CKT 1  
OPEN LINE FROM BUS 645456 [S3456 3 345.00] TO BUS 645458 [S3458 3 345.00] CKT 1  
OPEN LINE FROM BUS 645456 [S3456 3 345.00] TO BUS 645459 [S3459 3 345.00] CKT 1  
OPEN LINE FROM BUS 645456 [S3456 3 345.00] TO BUS 646206 [S1206 5 161.00] TO BUS 648256 [S3456T49 13.800] CKT 1  
OPEN LINE FROM BUS 645456 [S3456 3 345.00] TO BUS 635000 [CBLUFFS3 345.00] CKT 1  
OPEN LINE FROM BUS 645456 [S3456 3 345.00] TO BUS 645455 [S3455 3 345.00] CKT 1  
OPPD CATD 15: OPEN BRANCH FROM BUS 645456 [S3456 3 345.00] TO BUS 646206 [S1206 5 161.00] TO BUS 648256 [S3456T49 13.800] CKT 1  
OPEN BRANCH FROM BUS 645456 [S3456 3 345.00] TO BUS 645455 [S3455 3 345.00] CKT 1  
OPEN BRANCH FROM BUS 645456 [S3456 3 345.00] TO BUS 645459 [S3459 3 345.00] CKT 1  
OPPD CATD 16: OPEN BRANCH FROM BUS 645456 [S3456 3 345.00] TO BUS 635000 [CBLUFFS3 345.00] CKT 1  
OPEN LINE FROM BUS 645011 [NEBCTY1G 18.000] TO BUS 645111 [NBAXT1 9 4.2000] CKT 1  
OPEN LINE FROM BUS 645011 [NEBCTY1G 18.000] TO BUS 645112 [NBAXT2 9 4.2000] CKT 1  
OPEN LINE FROM BUS 645011 [NEBCTY1G 18.000] TO BUS 645458 [S3458 3 345.00] CKT 1  
OPPD CATD 17: OPEN BRANCH FROM BUS 645451 [S3451 3 345.00] TO BUS 645459 [S3459 3 345.00] CKT 1  
OPEN LINE FROM BUS 645021 [N OMA 1G 13.800] TO BUS 645121 [NO1 AUX9 2.4000] CKT 1  
OPEN LINE FROM BUS 645021 [N OMA 1G 13.800] TO BUS 647911 [S911 8 69.000] CKT 1  
OPEN LINE FROM BUS 645022 [N OMA 2G 13.800] TO BUS 645122 [NO2 AUX9 2.4000] CKT 1  
OPEN LINE FROM BUS 645022 [N OMA 2G 13.800] TO BUS 646211 [S1211 5 161.00] CKT 1  
OPEN LINE FROM BUS 645023 [N OMA 3G 13.800] TO BUS 645123 [NO3 AUX9 2.4000] CKT 1  
OPEN LINE FROM BUS 645023 [N OMA 3G 13.800] TO BUS 646211 [S1211 5 161.00] CKT 1

OPEN LINE FROM BUS 645024 [N OMA 4G 15.000] TO BUS 645124 [NO4 AUX9 2.4000] CKT 1  
 OPEN LINE FROM BUS 645024 [N OMA 4G 15.000] TO BUS 646211 [S1211 5 161.00] CKT 1  
 OPEN LINE FROM BUS 645025 [N OMA 5G 20.000] TO BUS 645125 [NO5 AUX9 4.2000] CKT 1  
 OPEN LINE FROM BUS 645025 [N OMA 5G 20.000] TO BUS 646211 [S1211 5 161.00] CKT 1  
 OPPD CATD 18: OPEN BRANCH FROM BUS 645456 [S3456 3 345.00] TO BUS 635000 [CBLUFFS3 345.00] CKT 1  
 OPEN LINE FROM BUS 645030 [SCBSD G 4.2000] TO BUS 645033 [SARPY 3G 13.800] CKT 1  
 OPEN LINE FROM BUS 645031 [SARPY 1G 13.800] TO BUS 647006 [S906 N 8 69.000] CKT 1  
 OPEN LINE FROM BUS 645032 [SARPY 2G 13.800] TO BUS 647906 [S906 S 8 69.000] CKT 1  
 OPEN LINE FROM BUS 645033 [SARPY 3G 13.800] TO BUS 646206 [S1206 5 161.00] CKT 1  
 OPEN LINE FROM BUS 645034 [SARPY 4G 13.800] TO BUS 646206 [S1206 5 161.00] TO BUS 645035 [SARPY 5G 13.800] CKT 1  
 OPPD CATD 19: OPEN BRANCH FROM BUS 645451 [S3451 3 345.00] TO BUS 645459 [S3459 3 345.00] CKT 1  
 DECREASE BUS 646298 [S1298 5 161.00] LOAD BY 100 PERCENT  
 OPPD\_CIP1 : OPEN LINE FROM BUS 645011 [NEBCTY1G 18.000] TO BUS 645111 [NBAXT1 9 4.2000] CKT 1  
 OPEN LINE FROM BUS 645011 [NEBCTY1G 18.000] TO BUS 645112 [NBAXT2 9 4.2000] CKT 1  
 OPEN LINE FROM BUS 645011 [NEBCTY1G 18.000] TO BUS 645458 [S3458 3 345.00] CKT 1  
 OPEN LINE FROM BUS 645012 [NEBCTY2G 23.000] TO BUS 645458 [S3458 3 345.00] CKT 1  
 OPPD\_CIP2 : OPEN LINE FROM BUS 645021 [N OMA 1G 13.800] TO BUS 645121 [NO1 AUX9 2.4000] CKT 1  
 OPEN LINE FROM BUS 645021 [N OMA 1G 13.800] TO BUS 647911 [S911 8 69.000] CKT 1  
 OPEN LINE FROM BUS 645022 [N OMA 2G 13.800] TO BUS 645122 [NO2 AUX9 2.4000] CKT 1  
 OPEN LINE FROM BUS 645022 [N OMA 2G 13.800] TO BUS 646211 [S1211 5 161.00] CKT 1  
 OPEN LINE FROM BUS 645023 [N OMA 3G 13.800] TO BUS 645123 [NO3 AUX9 2.4000] CKT 1  
 OPEN LINE FROM BUS 645023 [N OMA 3G 13.800] TO BUS 646211 [S1211 5 161.00] CKT 1  
 OPEN LINE FROM BUS 645024 [N OMA 4G 15.000] TO BUS 645124 [NO4 AUX9 2.4000] CKT 1  
 OPEN LINE FROM BUS 645024 [N OMA 4G 15.000] TO BUS 646211 [S1211 5 161.00] CKT 1  
 OPEN LINE FROM BUS 645025 [N OMA 5G 20.000] TO BUS 645125 [NO5 AUX9 4.2000] CKT 1  
 OPEN LINE FROM BUS 645025 [N OMA 5G 20.000] TO BUS 646211 [S1211 5 161.00] CKT 1  
 OPPD\_CIP3 : OPEN LINE FROM BUS 645030 [SCBSD G 4.2000] TO BUS 645033 [SARPY 3G 13.800] CKT 1  
 OPEN LINE FROM BUS 645031 [SARPY 1G 13.800] TO BUS 647006 [S906 N 8 69.000] CKT 1  
 OPEN LINE FROM BUS 645032 [SARPY 2G 13.800] TO BUS 647906 [S906 S 8 69.000] CKT 1  
 OPEN LINE FROM BUS 645033 [SARPY 3G 13.800] TO BUS 646206 [S1206 5 161.00] CKT 1  
 OPEN LINE FROM BUS 645034 [SARPY 4G 13.800] TO BUS 646206 [S1206 5 161.00] TO BUS 645035 [SARPY 5G 13.800] CKT 1  
 OPPD\_CIP4 : OPEN LINE FROM BUS 645041 [CASS 1G 15.000] TO BUS 645740 [S3740 3 345.00] CKT 1  
 OPEN LINE FROM BUS 645042 [CASS 2G 15.000] TO BUS 645740 [S3740 3 345.00] CKT 1  
 OPPD\_CIP5 : OPEN BRANCH FROM BUS 645458 [S3458 3 345.00] TO BUS 645456 [S3456 3 345.00] CKT 1  
 OPEN BRANCH FROM BUS 645458 [S3458 3 345.00] TO BUS 645740 [S3740 3 345.00] CKT 1  
 OPEN BRANCH FROM BUS 645458 [S3458 3 345.00] TO BUS 650189 [103&ROKEBY3 345.00] CKT 1  
 OPPD\_CIP6 : OPEN BRANCH FROM BUS 645456 [S3456 3 345.00] TO BUS 645459 [S3459 3 345.00] CKT 1  
 OPEN BRANCH FROM BUS 645456 [S3456 3 345.00] TO BUS 645455 [S3455 3 345.00] CKT 1  
 OPEN BRANCH FROM BUS 646206 [S1206 5 161.00] TO BUS 646216 [S1216 5 161.00] CKT 1  
 OPPD\_CIP7 : OPEN LINE FROM BUS 645451 [S3451 3 345.00] TO BUS 645454 [S3454 3 345.00] CKT 1  
 OPEN LINE FROM BUS 645451 [S3451 3 345.00] TO BUS 645459 [S3459 3 345.00] CKT 1  
 OPEN LINE FROM BUS 645451 [S3451 3 345.00] TO BUS 646251 [S1251 5 161.00] TO BUS 648251 [S3451T39 13.800] CKT 1  
 OPEN LINE FROM BUS 645451 [S3451 3 345.00] TO BUS 646251 [S1251 5 161.00] TO BUS 648351 [S3451T49 13.800] CKT 1  
 OPEN LINE FROM BUS 645451 [S3451 3 345.00] TO BUS 635200 [RAUN 3 345.00] CKT 1  
 OPEN LINE FROM BUS 645451 [S3451 3 345.00] TO BUS 645001 [FT CAL1G 22.000] CKT 1  
 OPPD\_CIP8 : OPEN LINE FROM BUS 645454 [S3454 3 345.00] TO BUS 645455 [S3455 3 345.00] CKT 1  
 OPEN LINE FROM BUS 645454 [S3454 3 345.00] TO BUS 650185 [WAGENER 3 345.00] CKT 1  
 OPEN LINE FROM BUS 645454 [S3454 3 345.00] TO BUS 646254 [S1254 5 161.00] TO BUS 648254 [S1254T19 13.800] CKT 1



OPEN LINE FROM BUS 645454 [S3454 3 345.00] TO BUS 645451 [S3451 3 345.00] CKT 1  
 OPPD\_CIP9 : OPEN LINE FROM BUS 645455 [S3455 3 345.00] TO BUS 645456 [S3456 3 345.00] CKT 1  
 OPEN LINE FROM BUS 645455 [S3455 3 345.00] TO BUS 645740 [S3740 3 345.00] CKT 1  
 OPEN LINE FROM BUS 645455 [S3455 3 345.00] TO BUS 646255 [S1255 5 161.00] TO BUS 648255 [S3455T19 13.800] CKT 1  
 OPEN LINE FROM BUS 645455 [S3455 3 345.00] TO BUS 646255 [S1255 5 161.00] TO BUS 648355 [S3455T39 13.800] CKT 1  
 OPEN LINE FROM BUS 645455 [S3455 3 345.00] TO BUS 645454 [S3454 3 345.00] CKT 1  
 OPPD\_CIP10 : OPEN LINE FROM BUS 645456 [S3456 3 345.00] TO BUS 645458 [S3458 3 345.00] CKT 1  
 OPEN LINE FROM BUS 645456 [S3456 3 345.00] TO BUS 645459 [S3459 3 345.00] CKT 1  
 OPEN LINE FROM BUS 645456 [S3456 3 345.00] TO BUS 646206 [S1206 5 161.00] TO BUS 648256 [S3456T49 13.800] CKT 1  
 OPEN LINE FROM BUS 645456 [S3456 3 345.00] TO BUS 635000 [CBLUFFS3 345.00] CKT 1  
 OPEN LINE FROM BUS 645456 [S3456 3 345.00] TO BUS 645455 [S3455 3 345.00] CKT 1  
 OPPD\_CIP11 : OPEN LINE FROM BUS 645458 [S3458 3 345.00] TO BUS 645740 [S3740 3 345.00] CKT 1  
 OPEN LINE FROM BUS 645458 [S3458 3 345.00] TO BUS 650189 [103&ROKEBY3 345.00] CKT 1  
 OPEN LINE FROM BUS 645458 [S3458 3 345.00] TO BUS 640139 [COOPER 3 345.00] CKT 1  
 OPEN LINE FROM BUS 645458 [S3458 3 345.00] TO BUS 645011 [NEBCTY1G 18.000] CKT 1  
 OPEN LINE FROM BUS 645458 [S3458 3 345.00] TO BUS 645012 [NEBCTY2G 23.000] CKT 1  
 OPEN LINE FROM BUS 645458 [S3458 3 345.00] TO BUS 645456 [S3456 3 345.00] CKT 1  
 OPPD\_CIP12 : OPEN LINE FROM BUS 645459 [S3459 3 345.00] TO BUS 646209 [S1209 5 161.00] TO BUS 648259 [S3459T39 13.800] CKT 1  
 OPEN LINE FROM BUS 645459 [S3459 3 345.00] TO BUS 645451 [S3451 3 345.00] CKT 1  
 OPEN LINE FROM BUS 645459 [S3459 3 345.00] TO BUS 645456 [S3456 3 345.00] CKT 1  
 OPPD\_CIP13 : OPEN LINE FROM BUS 645740 [S3740 3 345.00] TO BUS 645041 [CASS 1G 15.000] CKT 1  
 OPEN LINE FROM BUS 645740 [S3740 3 345.00] TO BUS 645042 [CASS 2G 15.000] CKT 1  
 OPEN LINE FROM BUS 645740 [S3740 3 345.00] TO BUS 645455 [S3455 3 345.00] CKT 1  
 OPEN LINE FROM BUS 645740 [S3740 3 345.00] TO BUS 645458 [S3458 3 345.00] CKT 1  
 OPPD\_CIP14 : OPEN LINE FROM BUS 646206 [S1206 5 161.00] TO BUS 646216 [S1216 5 161.00] CKT 1  
 OPEN LINE FROM BUS 646206 [S1206 5 161.00] TO BUS 646232 [S1232 5 161.00] CKT 1  
 OPEN LINE FROM BUS 646206 [S1206 5 161.00] TO BUS 646244 [S1244 5 161.00] CKT 1  
 OPEN LINE FROM BUS 646206 [S1206 5 161.00] TO BUS 645456 [S3456 3 345.00] TO BUS 648256 [S3456T49 13.800] CKT 1  
 OPEN LINE FROM BUS 646206 [S1206 5 161.00] TO BUS 645034 [SARPY 4G 13.800] TO BUS 645035 [SARPY 5G 13.800] CKT 1  
 OPEN LINE FROM BUS 646206 [S1206 5 161.00] TO BUS 647006 [S906 N 8 69.000] TO BUS 648306 [S1206T29 13.800] CKT 1  
 OPEN LINE FROM BUS 646206 [S1206 5 161.00] TO BUS 647906 [S906 S 8 69.000] TO BUS 648206 [S1206T19 13.800] CKT 1  
 OPEN LINE FROM BUS 646206 [S1206 5 161.00] TO BUS 635001 [CBLUFFS5 161.00] CKT 1  
 OPEN LINE FROM BUS 646206 [S1206 5 161.00] TO BUS 645033 [SARPY 3G 13.800] CKT 1  
 OPEN LINE FROM BUS 646206 [S1206 5 161.00] TO BUS 646201 [S1201 5 161.00] CKT 1  
 OPPD\_CIP15 : OPEN LINE FROM BUS 647906 [S906 S 8 69.000] TO BUS 647924 [S924 8 69.000] CKT 1  
 OPEN LINE FROM BUS 647906 [S906 S 8 69.000] TO BUS 647938 [S938 8 69.000] CKT 1  
 OPEN LINE FROM BUS 647906 [S906 S 8 69.000] TO BUS 646206 [S1206 5 161.00] TO BUS 648206 [S1206T19 13.800] CKT 1  
 OPEN LINE FROM BUS 647906 [S906 S 8 69.000] TO BUS 645032 [SARPY 2G 13.800] CKT 1  
 OPEN LINE FROM BUS 647906 [S906 S 8 69.000] TO BUS 647016 [915TP3 8 69.000] CKT 1  
 OPEN LINE FROM BUS 647906 [S906 S 8 69.000] TO BUS 647904 [S904 8 69.000] CKT 1  
 OPPD\_CIP16 : OPEN LINE FROM BUS 646211 [S1211 5 161.00] TO BUS 646220 [S1220 5 161.00] CKT 1  
 OPEN LINE FROM BUS 646211 [S1211 5 161.00] TO BUS 646250 [S1250 5 161.00] CKT 1  
 OPEN LINE FROM BUS 646211 [S1211 5 161.00] TO BUS 646250 [S1250 5 161.00] CKT 2  
 OPEN LINE FROM BUS 646211 [S1211 5 161.00] TO BUS 646299 [S1299 5 161.00] CKT 1  
 OPEN LINE FROM BUS 646211 [S1211 5 161.00] TO BUS 647911 [S911 8 69.000] TO BUS 648211 [S1211T19 13.800] CKT 1  
 OPEN LINE FROM BUS 646211 [S1211 5 161.00] TO BUS 635003 [SUB701 5 161.00] CKT 1  
 OPEN LINE FROM BUS 646211 [S1211 5 161.00] TO BUS 645022 [N OMA 2G 13.800] CKT 1  
 OPEN LINE FROM BUS 646211 [S1211 5 161.00] TO BUS 645023 [N OMA 3G 13.800] CKT 1

OPEN LINE FROM BUS 646211 [S1211 5 161.00] TO BUS 645024 [N OMA 4G 15.000] CKT 1  
OPEN LINE FROM BUS 646211 [S1211 5 161.00] TO BUS 645025 [N OMA 5G 20.000] CKT 1  
OPEN LINE FROM BUS 646211 [S1211 5 161.00] TO BUS 645127 [S1211HS9 13.800] CKT 1  
OPPD\_CIP17 : OPEN LINE FROM BUS 647911 [S911 8 69.000] TO BUS 647913 [S913 8 69.000] CKT 1  
OPEN LINE FROM BUS 647911 [S911 8 69.000] TO BUS 646211 [S1211 5 161.00] TO BUS 648211 [S1211T19 13.800] CKT 1  
OPEN LINE FROM BUS 647911 [S911 8 69.000] TO BUS 645021 [N OMA 1G 13.800] CKT 1  
OPEN LINE FROM BUS 647911 [S911 8 69.000] TO BUS 645126 [S911 HS9 13.800] CKT 1  
OPEN LINE FROM BUS 647911 [S911 8 69.000] TO BUS 647907 [S907 8 69.000] CKT 1  
OPPD\_CIP18 : OPEN LINE FROM BUS 647901 [S901 8 69.000] TO BUS 647912 [S912 8 69.000] CKT 1  
OPEN LINE FROM BUS 647901 [S901 8 69.000] TO BUS 646201 [S1201 5 161.00] TO BUS 648201 [S1201T19 13.800] CKT 1  
OPEN LINE FROM BUS 647901 [S901 8 69.000] TO BUS 645051 [JONES 1G 13.800] CKT 1  
OPEN LINE FROM BUS 647901 [S901 8 69.000] TO BUS 645052 [JONES 2G 13.800] CKT 1  
OPEN LINE FROM BUS 647901 [S901 8 69.000] TO BUS 647105 [JCT205 8 69.000] CKT 1  
OPPD\_CIP19 : OPEN LINE FROM BUS 647901 [S901 8 69.000] TO BUS 647912 [S912 8 69.000] CKT 1  
OPEN LINE FROM BUS 647901 [S901 8 69.000] TO BUS 646201 [S1201 5 161.00] TO BUS 648201 [S1201T19 13.800] CKT 1  
OPEN LINE FROM BUS 647901 [S901 8 69.000] TO BUS 645051 [JONES 1G 13.800] CKT 1  
OPEN LINE FROM BUS 647901 [S901 8 69.000] TO BUS 645052 [JONES 2G 13.800] CKT 1  
OPEN LINE FROM BUS 647901 [S901 8 69.000] TO BUS 647105 [JCT205 8 69.000] CKT 1  
OPEN LINE FROM BUS 646201 [S1201 5 161.00] TO BUS 646206 [S1206 5 161.00] CKT 1  
OPEN LINE FROM BUS 646201 [S1201 5 161.00] TO BUS 646220 [S1220 5 161.00] CKT 1  
OPEN LINE FROM BUS 646201 [S1201 5 161.00] TO BUS 646229 [S1229 5 161.00] CKT 1  
OPEN LINE FROM BUS 646201 [S1201 5 161.00] TO BUS 646286 [S1286 5 161.00] CKT 1  
OPPD\_CIP21 : OPEN LINE FROM BUS 647911 [S911 8 69.000] TO BUS 647913 [S913 8 69.000] CKT 1  
OPEN LINE FROM BUS 647911 [S911 8 69.000] TO BUS 646211 [S1211 5 161.00] TO BUS 648211 [S1211T19 13.800] CKT 1  
OPEN LINE FROM BUS 647911 [S911 8 69.000] TO BUS 645021 [N OMA 1G 13.800] CKT 1  
OPEN LINE FROM BUS 647911 [S911 8 69.000] TO BUS 645126 [S911 HS9 13.800] CKT 1  
OPEN LINE FROM BUS 647911 [S911 8 69.000] TO BUS 647907 [S907 8 69.000] CKT 1  
OPEN LINE FROM BUS 646211 [S1211 5 161.00] TO BUS 646220 [S1220 5 161.00] CKT 1  
OPEN LINE FROM BUS 646211 [S1211 5 161.00] TO BUS 646250 [S1250 5 161.00] CKT 1  
OPEN LINE FROM BUS 646211 [S1211 5 161.00] TO BUS 646250 [S1250 5 161.00] CKT 2  
OPEN LINE FROM BUS 646211 [S1211 5 161.00] TO BUS 646299 [S1299 5 161.00] CKT 1  
OPEN LINE FROM BUS 646211 [S1211 5 161.00] TO BUS 635003 [SUB701 5 161.00] CKT 1  
OPEN LINE FROM BUS 646211 [S1211 5 161.00] TO BUS 645022 [N OMA 2G 13.800] CKT 1  
OPEN LINE FROM BUS 646211 [S1211 5 161.00] TO BUS 645023 [N OMA 3G 13.800] CKT 1  
OPEN LINE FROM BUS 646211 [S1211 5 161.00] TO BUS 645024 [N OMA 4G 15.000] CKT 1  
OPEN LINE FROM BUS 646211 [S1211 5 161.00] TO BUS 645025 [N OMA 5G 20.000] CKT 1  
OPEN LINE FROM BUS 646211 [S1211 5 161.00] TO BUS 645127 [S1211HS9 13.800] CKT 1  
OPPD\_CIP22 : OPEN LINE FROM BUS 647916 [S916 8 69.000] TO BUS 647917 [S917 8 69.000] CKT 1  
OPEN LINE FROM BUS 647916 [S916 8 69.000] TO BUS 647940 [S940 8 69.000] CKT 1  
OPEN LINE FROM BUS 647916 [S916 8 69.000] TO BUS 647006 [S906 N 8 69.000] CKT 1  
OPEN LINE FROM BUS 646216 [S1216 5 161.00] TO BUS 646217 [S1217 5 161.00] CKT 1  
OPEN LINE FROM BUS 646216 [S1216 5 161.00] TO BUS 646206 [S1206 5 161.00] CKT 1  
OPPD\_CIP21 : OPEN LINE FROM BUS 647911 [S911 8 69.000] TO BUS 647913 [S913 8 69.000] CKT 1  
OPEN LINE FROM BUS 647911 [S911 8 69.000] TO BUS 646211 [S1211 5 161.00] TO BUS 648211 [S1211T19 13.800] CKT 1  
OPEN LINE FROM BUS 647911 [S911 8 69.000] TO BUS 645021 [N OMA 1G 13.800] CKT 1  
OPEN LINE FROM BUS 647911 [S911 8 69.000] TO BUS 645126 [S911 HS9 13.800] CKT 1  
OPEN LINE FROM BUS 647911 [S911 8 69.000] TO BUS 647907 [S907 8 69.000] CKT 1  
OPEN LINE FROM BUS 646211 [S1211 5 161.00] TO BUS 646220 [S1220 5 161.00] CKT 1

OPEN LINE FROM BUS 646211 [S1211 5 161.00] TO BUS 646250 [S1250 5 161.00] CKT 1  
 OPEN LINE FROM BUS 646211 [S1211 5 161.00] TO BUS 646250 [S1250 5 161.00] CKT 2  
 OPEN LINE FROM BUS 646211 [S1211 5 161.00] TO BUS 646299 [S1299 5 161.00] CKT 1  
 OPEN LINE FROM BUS 646211 [S1211 5 161.00] TO BUS 635003 [SUB701 5 161.00] CKT 1  
 OPEN LINE FROM BUS 646211 [S1211 5 161.00] TO BUS 645022 [N OMA 2G 13.800] CKT 1  
 OPEN LINE FROM BUS 646211 [S1211 5 161.00] TO BUS 645023 [N OMA 3G 13.800] CKT 1  
 OPEN LINE FROM BUS 646211 [S1211 5 161.00] TO BUS 645024 [N OMA 4G 15.000] CKT 1  
 OPEN LINE FROM BUS 646211 [S1211 5 161.00] TO BUS 645025 [N OMA 5G 20.000] CKT 1  
 OPEN LINE FROM BUS 646211 [S1211 5 161.00] TO BUS 645127 [S1211HS9 13.800] CKT 1  
 OPPD\_CIP22 : OPEN LINE FROM BUS 647909 [S909 8 69.000] TO BUS 647918 [S918 8 69.000] CKT 1  
 OPEN LINE FROM BUS 647909 [S909 8 69.000] TO BUS 647921 [S921 8 69.000] CKT 1  
 OPEN LINE FROM BUS 647909 [S909 8 69.000] TO BUS 647937 [S937 8 69.000] CKT 1  
 OPEN LINE FROM BUS 647909 [S909 8 69.000] TO BUS 647939 [S939 8 69.000] CKT 1  
 OPEN LINE FROM BUS 647909 [S909 8 69.000] TO BUS 646209 [S1209 5 161.00] TO BUS 648209 [S1209T19 13.800] CKT 1  
 OPEN LINE FROM BUS 646209 [S1209 5 161.00] TO BUS 646231 [S1231 5 161.00] CKT 1  
 OPEN LINE FROM BUS 646209 [S1209 5 161.00] TO BUS 646231 [S1231 5 161.00] CKT 2  
 OPEN LINE FROM BUS 646209 [S1209 5 161.00] TO BUS 646250 [S1250 5 161.00] CKT 1  
 OPEN LINE FROM BUS 646209 [S1209 5 161.00] TO BUS 646250 [S1250 5 161.00] CKT 2  
 OPEN LINE FROM BUS 646209 [S1209 5 161.00] TO BUS 646252 [S1252 5 161.00] CKT 1  
 OPEN LINE FROM BUS 646209 [S1209 5 161.00] TO BUS 645459 [S3459 3 345.00] TO BUS 648259 [S3459T39 13.800] CKT 1  
 OPEN LINE FROM BUS 645459 [S3459 3 345.00] TO BUS 645451 [S3451 3 345.00] CKT 1  
 OPEN LINE FROM BUS 645459 [S3459 3 345.00] TO BUS 645456 [S3456 3 345.00] CKT 1  
 OPPD\_CIP23 : OPEN LINE FROM BUS 647910 [S910 8 69.000] TO BUS 647923 [S923 8 69.000] CKT 1  
 OPEN LINE FROM BUS 647910 [S910 8 69.000] TO BUS 646210 [S1210 5 161.00] TO BUS 648210 [S1210T79 13.800] CKT 1  
 OPEN LINE FROM BUS 647910 [S910 8 69.000] TO BUS 647105 [JCT205 8 69.000] CKT 1  
 OPEN LINE FROM BUS 647910 [S910 8 69.000] TO BUS 647908 [S908 8 69.000] CKT 1  
 OPEN LINE FROM BUS 646210 [S1210 5 161.00] TO BUS 646217 [S1217 5 161.00] CKT 1  
 OPEN LINE FROM BUS 646210 [S1210 5 161.00] TO BUS 646222 [S1222 5 161.00] CKT 1  
 OPPD\_CIP24 : OPEN LINE FROM BUS 647921 [S921 8 69.000] TO BUS 647940 [S940 8 69.000] CKT 1  
 OPEN LINE FROM BUS 647921 [S921 8 69.000] TO BUS 647942 [S942 8 69.000] CKT 1  
 OPEN LINE FROM BUS 647921 [S921 8 69.000] TO BUS 646221 [S1221 5 161.00] TO BUS 648221 [S1221T99 13.800] CKT 1  
 OPEN LINE FROM BUS 647921 [S921 8 69.000] TO BUS 647909 [S909 8 69.000] CKT 1  
 OPEN LINE FROM BUS 646221 [S1221 5 161.00] TO BUS 646231 [S1231 5 161.00] CKT 1  
 OPEN LINE FROM BUS 646221 [S1221 5 161.00] TO BUS 646255 [S1255 5 161.00] CKT 1  
 OPPD\_CIP25 : OPEN LINE FROM BUS 646255 [S1255 5 161.00] TO BUS 646259 [S1259 5 161.00] CKT 1  
 OPEN LINE FROM BUS 646255 [S1255 5 161.00] TO BUS 645455 [S3455 3 345.00] TO BUS 648255 [S3455T19 13.800] CKT 1  
 OPEN LINE FROM BUS 646255 [S1255 5 161.00] TO BUS 645455 [S3455 3 345.00] TO BUS 648355 [S3455T39 13.800] CKT 1  
 OPEN LINE FROM BUS 646255 [S1255 5 161.00] TO BUS 646221 [S1221 5 161.00] CKT 1  
 OPEN LINE FROM BUS 646255 [S1255 5 161.00] TO BUS 646233 [S1233 5 161.00] CKT 1  
 OPEN LINE FROM BUS 645455 [S3455 3 345.00] TO BUS 645456 [S3456 3 345.00] CKT 1  
 OPEN LINE FROM BUS 645455 [S3455 3 345.00] TO BUS 645740 [S3740 3 345.00] CKT 1  
 OPEN LINE FROM BUS 645455 [S3455 3 345.00] TO BUS 645454 [S3454 3 345.00] CKT 1  
 OPPD\_CIP26 : OPEN LINE FROM BUS 646254 [S1254 5 161.00] TO BUS 646281 [S1281 5 161.00] CKT 1  
 OPEN LINE FROM BUS 646254 [S1254 5 161.00] TO BUS 645454 [S3454 3 345.00] TO BUS 648254 [S1254T19 13.800] CKT 1  
 OPEN LINE FROM BUS 646254 [S1254 5 161.00] TO BUS 646249 [S1249 5 161.00] CKT 1  
 OPEN LINE FROM BUS 645454 [S3454 3 345.00] TO BUS 645455 [S3455 3 345.00] CKT 1  
 OPEN LINE FROM BUS 645454 [S3454 3 345.00] TO BUS 650185 [WAGENER 3 345.00] CKT 1  
 OPEN LINE FROM BUS 645454 [S3454 3 345.00] TO BUS 645451 [S3451 3 345.00] CKT 1

OPPD\_CIP27 : OPEN LINE FROM BUS 647917 [S917 8 69.000] TO BUS 647918 [S918 8 69.000] CKT 1  
OPEN LINE FROM BUS 647917 [S917 8 69.000] TO BUS 646217 [S1217 5 161.00] TO BUS 648217 [S1217T19 13.800] CKT 1  
OPEN LINE FROM BUS 647917 [S917 8 69.000] TO BUS 647916 [S916 8 69.000] CKT 1  
OPEN LINE FROM BUS 646217 [S1217 5 161.00] TO BUS 646227 [S1227 5 161.00] CKT 1  
OPEN LINE FROM BUS 646217 [S1217 5 161.00] TO BUS 646210 [S1210 5 161.00] CKT 1  
OPEN LINE FROM BUS 646217 [S1217 5 161.00] TO BUS 646216 [S1216 5 161.00] CKT 1  
OPPD\_CIP28 : OPEN LINE FROM BUS 646258 [S1258 5 161.00] TO BUS 646263 [S1263 5 161.00] CKT 1  
OPEN LINE FROM BUS 646258 [S1258 5 161.00] TO BUS 645113 [NBHST1 9 4.2000] CKT 1  
OPEN LINE FROM BUS 646258 [S1258 5 161.00] TO BUS 645114 [NBHST2 9 4.2000] CKT 1  
OPEN LINE FROM BUS 646258 [S1258 5 161.00] TO BUS 645115 [NBHST3 9 4.2000] CKT 1  
OPEN LINE FROM BUS 646258 [S1258 5 161.00] TO BUS 645116 [NBHST4 9 4.2000] CKT 1  
OPEN LINE FROM BUS 646258 [S1258 5 161.00] TO BUS 646244 [S1244 5 161.00] CKT 1  
OPEN LINE FROM BUS 645458 [S3458 3 345.00] TO BUS 645740 [S3740 3 345.00] CKT 1  
OPEN LINE FROM BUS 645458 [S3458 3 345.00] TO BUS 650189 [103&ROKEBY3 345.00] CKT 1  
OPEN LINE FROM BUS 645458 [S3458 3 345.00] TO BUS 640139 [COOPER 3 345.00] CKT 1  
OPEN LINE FROM BUS 645458 [S3458 3 345.00] TO BUS 645011 [NEBCTY1G 18.000] CKT 1  
OPEN LINE FROM BUS 645458 [S3458 3 345.00] TO BUS 645012 [NEBCTY2G 23.000] CKT 1  
OPEN LINE FROM BUS 645458 [S3458 3 345.00] TO BUS 645456 [S3456 3 345.00] CKT 1  
OPPD\_CIP29 : OPEN LINE FROM BUS 646251 [S1251 5 161.00] TO BUS 646297 [S1297 5 161.00] CKT 1  
OPEN LINE FROM BUS 646251 [S1251 5 161.00] TO BUS 646298 [S1298 5 161.00] CKT 1  
OPEN LINE FROM BUS 646251 [S1251 5 161.00] TO BUS 646341 [S1341 5 161.00] CKT 1  
OPEN LINE FROM BUS 646251 [S1251 5 161.00] TO BUS 645451 [S3451 3 345.00] TO BUS 648251 [S3451T39 13.800] CKT 1  
OPEN LINE FROM BUS 646251 [S1251 5 161.00] TO BUS 645451 [S3451 3 345.00] TO BUS 648351 [S3451T49 13.800] CKT 1  
OPEN LINE FROM BUS 646251 [S1251 5 161.00] TO BUS 645100 [FC1A 5 161.00] CKT 1  
OPEN LINE FROM BUS 645451 [S3451 3 345.00] TO BUS 645454 [S3454 3 345.00] CKT 1  
OPEN LINE FROM BUS 645451 [S3451 3 345.00] TO BUS 645459 [S3459 3 345.00] CKT 1  
OPEN LINE FROM BUS 645451 [S3451 3 345.00] TO BUS 635200 [RAUN 3 345.00] CKT 1  
OPEN LINE FROM BUS 645451 [S3451 3 345.00] TO BUS 645001 [FT CAL1G 22.000] CKT 1  
BKR-103ROKBY: OPEN BRANCH FROM BUS 650189 [103&ROKEBY3 345.00] TO BUS 640277 [MOORE 3 345.00] CKT 1  
OPEN BRANCH FROM BUS 650189 [103&ROKEBY3 345.00] TO BUS 645458 [S3458 3 345.00] CKT 1  
BKR-WAG-3003: OPEN BRANCH FROM BUS 650185 [WAGENER 3 345.00] TO BUS 650189 [103&ROKEBY3 345.00] CKT 1  
OPEN BRANCH FROM BUS 650185 [WAGENER 3 345.00] TO BUS 650285 [WAGENER 7 115.00] TO BUS 650485 [WAGENER2 9 13.800] CKT 2  
BKR-WAG-3004: OPEN BRANCH FROM BUS 650185 [WAGENER 3 345.00] TO BUS 645454 [S3454 3 345.00] CKT 1  
OPEN BRANCH FROM BUS 650185 [WAGENER 3 345.00] TO BUS 650285 [WAGENER 7 115.00] TO BUS 650385 [WAGENER1 9 13.800] CKT 1  
BKR-WAG-3006: OPEN BRANCH FROM BUS 650185 [WAGENER 3 345.00] TO BUS 645454 [S3454 3 345.00] CKT 1  
OPEN BRANCH FROM BUS 650185 [WAGENER 3 345.00] TO BUS 650114 [NW68HOLDRG3 345.00] CKT 1  
BKR-WAG-3001: OPEN BRANCH FROM BUS 650185 [WAGENER 3 345.00] TO BUS 650114 [NW68HOLDRG3 345.00] CKT 1  
OPEN BRANCH FROM BUS 650185 [WAGENER 3 345.00] TO BUS 650285 [WAGENER 7 115.00] TO BUS 650485 [WAGENER2 9 13.800] CKT 2  
SUB-68TH-HLD: OPEN BRANCH FROM BUS 650114 [NW68HOLDRG3 345.00] TO BUS 640277 [MOORE 3 345.00] CKT 1  
OPEN BRANCH FROM BUS 650114 [NW68HOLDRG3 345.00] TO BUS 650185 [WAGENER 3 345.00] CKT 1  
OPEN BRANCH FROM BUS 650114 [NW68HOLDRG3 345.00] TO BUS 650214 [NW68HOLDRG7 115.00] TO BUS 650314 [NW68HOL1 9 13.800] CKT 1  
SUB-WAGENER : OPEN BRANCH FROM BUS 650185 [WAGENER 3 345.00] TO BUS 645454 [S3454 3 345.00] CKT 1  
OPEN BRANCH FROM BUS 650185 [WAGENER 3 345.00] TO BUS 650189 [103&ROKEBY3 345.00] CKT 1  
OPEN BRANCH FROM BUS 650185 [WAGENER 3 345.00] TO BUS 650285 [WAGENER 7 115.00] TO BUS 650385 [WAGENER1 9 13.800] CKT 1  
OPEN BRANCH FROM BUS 650185 [WAGENER 3 345.00] TO BUS 650285 [WAGENER 7 115.00] TO BUS 650485 [WAGENER2 9 13.800] CKT 2  
OPEN BRANCH FROM BUS 650185 [WAGENER 3 345.00] TO BUS 650114 [NW68HOLDRG3 345.00] CKT 1  
SUB-84TH-BLF: OPEN BRANCH FROM BUS 650275 [84&BLUFF 7 115.00] TO BUS 650269 [70&BLUFF 7 115.00] CKT 1  
OPEN BRANCH FROM BUS 650275 [84&BLUFF 7 115.00] TO BUS 650283 [WAVERLY 7 115.00] CKT 1

OPEN BRANCH FROM BUS 650275 [84&BLUFF 7 115.00] TO BUS 650284 [84FLETCHER7 115.00] CKT 1  
OPEN BRANCH FROM BUS 650275 [84&BLUFF 7 115.00] TO BUS 650001 [TBGS 1G 13.800] CKT 1  
OPEN BRANCH FROM BUS 650275 [84&BLUFF 7 115.00] TO BUS 650002 [TBGS 2G 13.800] CKT 1  
OPEN BRANCH FROM BUS 650275 [84&BLUFF 7 115.00] TO BUS 650003 [TBGS 3G 13.800] CKT 1  
OPEN BRANCH FROM BUS 650275 [84&BLUFF 7 115.00] TO BUS 650004 [TBGS 4G 13.800] CKT 1

# **APPENDIX C**

**LOADFLOW ANALYSIS – PHASE 3**

**MAXIMUM GENERATION OUTLET  
ACCC SCREENING RESULTS**

ACCC OVERLOAD REPORT: MONITORED BRANCHES AND INTERFACES LOADED ABOVE 100.0 % OF RATING SET A  
 CONTINGENCY CASE LOADING NOT CHECKED UNLESS IT DIFFERS FROM ITS BASE CASE LOADING BY 1.0 MVA (MW FOR INTERFACES)  
 ACCC VOLTAGE REPORT: VOLTAGE BAND CHECK IN CONTINGENCY CASES SKIPPED FOR ANY BUS WITHIN 0.01000 OF ITS BASE CASE VOLTAGE MAGNITUDE

AC CONTINGENCY RESULTS FILE: C:\u1\ddbetz\spp-facilities-study\DISIS-2010-001\lf\acc\10G-max-post-nc.acc  
 DISTRIBUTION FACTOR FILE: C:\u1\ddbetz\spp-facilities-study\DISIS-2010-001\lf\acc\10G-max-post-nc.dfx  
 SUBSYSTEM DESCRIPTION FILE: C:\u1\ddbetz\spp-facilities-study\DISIS-2010-001\lf\acc\MRO.sub  
 MONITORED ELEMENT FILE: C:\u1\ddbetz\spp-facilities-study\DISIS-2010-001\lf\acc\Nebraska.mon  
 CONTINGENCY DESCRIPTION FILE: C:\u1\ddbetz\spp-facilities-study\DISIS-2010-001\lf\acc\Nebraska.con

Solution engine: Fixed slope decoupled Newton-Raphson (FDNS)  
 Solution options  
 Tap adjustment: Stepping  
 Area interchange control: Disable  
 Phase shift adjustment: Enable  
 Dc tap adjustment: Enable  
 Switch shunt adjustment: Lock all  
 Non diverge: Disable  
 Mismatch tolerance (MW ): 1.5  
 Dispatch mode: Disable

<----- MULTI-SECTION LINE ----->	<----- MONITORED BRANCH ----->	CONTINGENCY	RATING	FLOW	%
640133*COLMBUS4	230.00 643000 MADISONCNTY4230.00 1	BASE CASE	192.0 230.1	118.8	
652511*GAVINS 7	115.00 660006 YKNTJCT7 115.00 1	BASE CASE	120.0 128.7	104.2	
640133*COLMBUS4	230.00 643000 MADISONCNTY4230.00 1	SINGLE 2	192.0 228.0	117.7	
640133*COLMBUS4	230.00 643000 MADISONCNTY4230.00 1	SINGLE 3	192.0 227.0	118.9	
640133*COLMBUS4	230.00 643000 MADISONCNTY4230.00 1	SINGLE 4	192.0 226.9	117.1	
652511*GAVINS 7	115.00 660006 YKNTJCT7 115.00 1	SINGLE 4	120.0 129.8	105.0	
640133*COLMBUS4	230.00 643000 MADISONCNTY4230.00 1	SINGLE 10	192.0 232.5	120.0	
640133*COLMBUS4	230.00 643000 MADISONCNTY4230.00 1	SINGLE 13	192.0 226.5	116.9	
652511*GAVINS 7	115.00 660006 YKNTJCT7 115.00 1	SINGLE 13	120.0 129.9	105.1	
640133*COLMBUS4	230.00 643000 MADISONCNTY4230.00 1	SINGLE 14	192.0 232.3	120.0	
640133*COLMBUS4	230.00 643000 MADISONCNTY4230.00 1	SINGLE 24	192.0 227.6	117.4	
640133*COLMBUS4	230.00 643000 MADISONCNTY4230.00 1	SINGLE 26	192.0 224.9	116.1	
640133*COLMBUS4	230.00 643000 MADISONCNTY4230.00 1	SINGLE 27	192.0 225.7	116.5	
640133*COLMBUS4	230.00 643000 MADISONCNTY4230.00 1	SINGLE 36	192.0 226.7	117.0	
652511*GAVINS 7	115.00 660006 YKNTJCT7 115.00 1	SINGLE 36	120.0 129.9	105.1	
640133*COLMBUS4	230.00 643000 MADISONCNTY4230.00 1	SINGLE 38	192.0 233.2	120.3	
640133*COLMBUS4	230.00 643000 MADISONCNTY4230.00 1	SINGLE 39	192.0 227.6	118.0	
652511*GAVINS 7	115.00 660006 YKNTJCT7 115.00 1	SINGLE 39	120.0 133.9	108.3	
640133*COLMBUS4	230.00 643000 MADISONCNTY4230.00 1	SINGLE 40	192.0 225.3	116.3	
640133*COLMBUS4	230.00 643000 MADISONCNTY4230.00 1	SINGLE 41	192.0 222.1	114.6	
652511*GAVINS 7	115.00 660006 YKNTJCT7 115.00 1	SINGLE 41	120.0 133.3	107.9	
640133*COLMBUS4	230.00 643000 MADISONCNTY4230.00 1	SINGLE 45	192.0 229.0	118.2	
640133*COLMBUS4	230.00 643000 MADISONCNTY4230.00 1	SINGLE 55	192.0 231.8	119.6	
640133*COLMBUS4	230.00 643000 MADISONCNTY4230.00 1	SINGLE 120	192.0 227.6	117.5	
652511*GAVINS 7	115.00 660006 YKNTJCT7 115.00 1	SINGLE 120	120.0 130.1	105.3	

640133*COLMBUS4	230.00	643000	MADISONCNTY4230.00	1	SINGLE	128	192.0	231.3	119.4	
640133*COLMBUS4	230.00	643000	MADISONCNTY4230.00	1	SINGLE	150	192.0	229.0	118.2	
640133*COLMBUS4	230.00	643000	MADISONCNTY4230.00	1	SINGLE	221	192.0	226.7	117.0	
652511*GAVINS 7	115.00	660006	YKNTJCT7	115.00	1	SINGLE	221	120.0	127.7	103.3
652511*GAVINS 7	115.00	660006	YKNTJCT7	115.00	1	SINGLE	222	120.0	130.7	105.8
640133*COLMBUS4	230.00	643000	MADISONCNTY4230.00	1	SINGLE	224	192.0	244.6	126.2	
652511*GAVINS 7	115.00	660006	YKNTJCT7	115.00	1	SINGLE	224	120.0	130.6	105.6
640133*COLMBUS4	230.00	643000	MADISONCNTY4230.00	1	SINGLE	225	192.0	251.9	130.0	
652511*GAVINS 7	115.00	660006	YKNTJCT7	115.00	1	SINGLE	225	120.0	132.3	107.0
640133*COLMBUS4	230.00	643000	MADISONCNTY4230.00	1	SINGLE	226	192.0	228.2	117.8	
640133*COLMBUS4	230.00	643000	MADISONCNTY4230.00	1	SINGLE	229	192.0	227.0	117.2	
640133*COLMBUS4	230.00	643000	MADISONCNTY4230.00	1	SINGLE	230	192.0	226.8	117.1	
640133*COLMBUS4	230.00	643000	MADISONCNTY4230.00	1	SINGLE	234	192.0	231.6	119.8	
652511*GAVINS 7	115.00	660006	YKNTJCT7	115.00	1	SINGLE	234	120.0	127.7	103.3
640133*COLMBUS4	230.00	643000	MADISONCNTY4230.00	1	SINGLE	243	192.0	234.7	121.1	
652511*GAVINS 7	115.00	660006	YKNTJCT7	115.00	1	SINGLE	243	120.0	133.9	108.3
640133*COLMBUS4	230.00	643000	MADISONCNTY4230.00	1	SINGLE	244	192.0	234.3	120.9	
652511*GAVINS 7	115.00	660006	YKNTJCT7	115.00	1	SINGLE	244	120.0	133.4	108.0
640133*COLMBUS4	230.00	643000	MADISONCNTY4230.00	1	SINGLE	250	192.0	232.0	119.7	
640133*COLMBUS4	230.00	643000	MADISONCNTY4230.00	1	SINGLE	251	192.0	231.3	119.4	
640133*COLMBUS4	230.00	643000	MADISONCNTY4230.00	1	SINGLE	252	192.0	232.1	119.8	
652511*GAVINS 7	115.00	660006	YKNTJCT7	115.00	1	SINGLE	252	120.0	142.2	115.0
652511*GAVINS 7	115.00	660006	YKNTJCT7	115.00	1	SINGLE	253	120.0	143.8	116.4
652626 UTICAJC7	115.00	660006*	YKNTJCT7	115.00	1	SINGLE	253	120.0	123.7	100.6
652511*GAVINS 7	115.00	660006	YKNTJCT7	115.00	1	SINGLE	254	120.0	138.9	112.4
640133*COLMBUS4	230.00	643000	MADISONCNTY4230.00	1	SINGLE	255	192.0	233.0	120.3	
652511*GAVINS 7	115.00	660006	YKNTJCT7	115.00	1	SINGLE	255	120.0	148.5	120.1
652626 UTICAJC7	115.00	660006*	YKNTJCT7	115.00	1	SINGLE	255	120.0	127.7	103.9
640133*COLMBUS4	230.00	643000	MADISONCNTY4230.00	1	SINGLE	258	192.0	227.3	117.3	
652511*GAVINS 7	115.00	660006	YKNTJCT7	115.00	1	SINGLE	258	120.0	143.7	116.3
652626 UTICAJC7	115.00	660006*	YKNTJCT7	115.00	1	SINGLE	258	120.0	123.1	100.1
640133*COLMBUS4	230.00	643000	MADISONCNTY4230.00	1	SINGLE	259	192.0	232.3	120.0	
640133*COLMBUS4	230.00	643000	MADISONCNTY4230.00	1	SINGLE	263	192.0	232.1	119.8	
640133*COLMBUS4	230.00	643000	MADISONCNTY4230.00	1	SINGLE	265	192.0	226.2	116.7	
652511*GAVINS 7	115.00	660006	YKNTJCT7	115.00	1	SINGLE	265	120.0	127.2	103.0
640133*COLMBUS4	230.00	643000	MADISONCNTY4230.00	1	SINGLE	267	192.0	232.1	119.8	
640133*COLMBUS4	230.00	643000	MADISONCNTY4230.00	1	SINGLE	269	192.0	232.1	119.9	
640133*COLMBUS4	230.00	643000	MADISONCNTY4230.00	1	SINGLE	270	192.0	233.0	120.4	
640133*COLMBUS4	230.00	643000	MADISONCNTY4230.00	1	SINGLE	281	192.0	231.3	119.4	
640133*COLMBUS4	230.00	643000	MADISONCNTY4230.00	1	SINGLE	284	192.0	228.2	117.8	
652511*GAVINS 7	115.00	660006	YKNTJCT7	115.00	1	SINGLE	288	120.0	130.4	105.5
652511*GAVINS 7	115.00	660006	YKNTJCT7	115.00	1	SINGLE	289	120.0	130.1	105.3
640133*COLMBUS4	230.00	643000	MADISONCNTY4230.00	1	SINGLE	290	192.0	234.7	121.1	
652511*GAVINS 7	115.00	660006	YKNTJCT7	115.00	1	SINGLE	290	120.0	133.9	108.3
640133*COLMBUS4	230.00	643000	MADISONCNTY4230.00	1	SINGLE	297	192.0	228.9	118.1	
640133*COLMBUS4	230.00	643000	MADISONCNTY4230.00	1	SINGLE	300	192.0	220.1	113.5	
640133*COLMBUS4	230.00	643000	MADISONCNTY4230.00	1	SINGLE	301	192.0	220.1	113.5	
640133*COLMBUS4	230.00	643000	MADISONCNTY4230.00	1	SINGLE	302	192.0	231.2	119.3	



640133*COLMBUS4	230.00	643000	MADISONCNTY4230.00	1	SINGLE	303	192.0	228.4	117.9	
640133*COLMBUS4	230.00	643000	MADISONCNTY4230.00	1	SINGLE	304	192.0	237.3	122.1	
640133*COLMBUS4	230.00	643000	MADISONCNTY4230.00	1	SINGLE	305	192.0	242.2	124.8	
652511*GAVINS 7	115.00	660006	YKNTJCT7	115.00	1	SINGLE	305	120.0	127.7	103.3
640133*COLMBUS4	230.00	643000	MADISONCNTY4230.00	1	SINGLE	306	192.0	199.0	103.3	
652511*GAVINS 7	115.00	660006	YKNTJCT7	115.00	1	SINGLE	307	120.0	127.5	103.2
640133*COLMBUS4	230.00	643000	MADISONCNTY4230.00	1	SINGLE	308	192.0	222.8	114.7	
640133*COLMBUS4	230.00	643000	MADISONCNTY4230.00	1	SINGLE	309	192.0	237.1	122.3	
640133*COLMBUS4	230.00	643000	MADISONCNTY4230.00	1	SINGLE	310	192.0	243.8	125.8	
652511*GAVINS 7	115.00	660006	YKNTJCT7	115.00	1	SINGLE	310	120.0	130.5	105.6
640133*COLMBUS4	230.00	643000	MADISONCNTY4230.00	1	SINGLE	311	192.0	225.7	116.4	
640133*COLMBUS4	230.00	643000	MADISONCNTY4230.00	1	SINGLE	319	192.0	228.5	117.9	
652511*GAVINS 7	115.00	660006	YKNTJCT7	115.00	1	SINGLE	319	120.0	137.5	111.2
640133*COLMBUS4	230.00	643000	MADISONCNTY4230.00	1	SINGLE	320	192.0	242.4	125.1	
640133*COLMBUS4	230.00	643000	MADISONCNTY4230.00	1	SINGLE	325	192.0	228.9	118.2	
640133*COLMBUS4	230.00	643000	MADISONCNTY4230.00	1	SINGLE	330	192.0	227.1	117.2	
640133*COLMBUS4	230.00	643000	MADISONCNTY4230.00	1	SINGLE	337	192.0	228.0	117.7	
640133*COLMBUS4	230.00	643000	MADISONCNTY4230.00	1	SINGLE	345	192.0	231.9	119.7	
640133*COLMBUS4	230.00	643000	MADISONCNTY4230.00	1	SINGLE	346	192.0	228.4	118.7	
640287*N.PLATT7	115.00	640365	STOCKVL7	115.00	1	SINGLE	346	137.0	152.3	107.7
640133*COLMBUS4	230.00	643000	MADISONCNTY4230.00	1	SINGLE	347	192.0	234.3	121.2	
640133*COLMBUS4	230.00	643000	MADISONCNTY4230.00	1	SINGLE	348	192.0	233.2	120.5	
640133*COLMBUS4	230.00	643000	MADISONCNTY4230.00	1	SINGLE	353	192.0	228.4	117.9	
640133*COLMBUS4	230.00	643000	MADISONCNTY4230.00	1	SINGLE	354	192.0	228.8	118.1	
640133*COLMBUS4	230.00	643000	MADISONCNTY4230.00	1	SINGLE	359	192.0	231.9	119.7	
640133*COLMBUS4	230.00	643000	MADISONCNTY4230.00	1	SINGLE	361	192.0	232.7	120.1	
652511*GAVINS 7	115.00	660006	YKNTJCT7	115.00	1	SINGLE	367	120.0	130.0	105.2
652511*GAVINS 7	115.00	660006	YKNTJCT7	115.00	1	SINGLE	368	120.0	130.1	105.3
652511*GAVINS 7	115.00	660006	YKNTJCT7	115.00	1	SINGLE	369	120.0	150.9	122.1
652626 UTICAJC7	115.00	660006*	YKNTJCT7	115.00	1	SINGLE	369	120.0	129.3	105.2
640133*COLMBUS4	230.00	643000	MADISONCNTY4230.00	1	SINGLE	380	192.0	225.0	116.0	
652511*GAVINS 7	115.00	660006	YKNTJCT7	115.00	1	SINGLE	380	120.0	127.1	102.8
640133*COLMBUS4	230.00	643000	MADISONCNTY4230.00	1	SINGLE	381	192.0	198.4	102.4	
652511*GAVINS 7	115.00	660006	YKNTJCT7	115.00	1	SINGLE	381	120.0	125.2	101.3
640133*COLMBUS4	230.00	643000	MADISONCNTY4230.00	1	SINGLE	382	192.0	234.7	121.1	
652511*GAVINS 7	115.00	660006	YKNTJCT7	115.00	1	SINGLE	382	120.0	130.8	105.9
640133*COLMBUS4	230.00	643000	MADISONCNTY4230.00	1	SINGLE	384	192.0	234.4	121.0	
640133*COLMBUS4	230.00	643000	MADISONCNTY4230.00	1	SINGLE	385	192.0	236.6	122.1	
640133*COLMBUS4	230.00	643000	MADISONCNTY4230.00	1	SINGLE	386	192.0	232.3	119.9	
652511*GAVINS 7	115.00	660006	YKNTJCT7	115.00	1	SINGLE	386	120.0	129.9	105.1
640133*COLMBUS4	230.00	643000	MADISONCNTY4230.00	1	SINGLE	401	192.0	233.1	120.3	
652511*GAVINS 7	115.00	660006	YKNTJCT7	115.00	1	SINGLE	401	120.0	127.5	103.2
640133*COLMBUS4	230.00	643000	MADISONCNTY4230.00	1	SINGLE	405	192.0	225.3	116.3	
652511*GAVINS 7	115.00	660006	YKNTJCT7	115.00	1	SINGLE	405	120.0	127.4	103.1
640133*COLMBUS4	230.00	643000	MADISONCNTY4230.00	1	SINGLE	406	192.0	233.4	120.4	
640133*COLMBUS4	230.00	643000	MADISONCNTY4230.00	1	SINGLE	409	192.0	237.6	122.7	
652511*GAVINS 7	115.00	660006	YKNTJCT7	115.00	1	SINGLE	409	120.0	127.1	102.8
640133*COLMBUS4	230.00	643000	MADISONCNTY4230.00	1	SINGLE	410	192.0	269.7	139.5	

652511*GAVINS 7	115.00	660006	YKNTJCT7	115.00	1	SINGLE 410	120.0	127.3	103.0
640133*COLMBUS4	230.00	643000	MADISONCNTY4230.00	1	SINGLE 414	192.0	228.7	118.0	
640133*COLMBUS4	230.00	643000	MADISONCNTY4230.00	1	SINGLE 417	192.0	228.6	118.5	
652511*GAVINS 7	115.00	660006	YKNTJCT7	115.00	1	SINGLE 417	120.0	127.7	103.3
640133*COLMBUS4	230.00	643000	MADISONCNTY4230.00	1	SINGLE 418	192.0	228.2	118.3	
652511*GAVINS 7	115.00	660006	YKNTJCT7	115.00	1	SINGLE 418	120.0	127.0	102.8
640133*COLMBUS4	230.00	643000	MADISONCNTY4230.00	1	SINGLE 421	192.0	232.1	119.9	
640133*COLMBUS4	230.00	643000	MADISONCNTY4230.00	1	SINGLE 424	192.0	227.8	117.6	
640133*COLMBUS4	230.00	643000	MADISONCNTY4230.00	1	SINGLE 430	192.0	227.3	117.3	
640133*COLMBUS4	230.00	643000	MADISONCNTY4230.00	1	SINGLE 433	192.0	239.7	123.8	
640133*COLMBUS4	230.00	643000	MADISONCNTY4230.00	1	SINGLE 434	192.0	232.2	119.8	
640133*COLMBUS4	230.00	643000	MADISONCNTY4230.00	1	SINGLE 435	192.0	260.6	134.7	
652511*GAVINS 7	115.00	660006	YKNTJCT7	115.00	1	SINGLE 435	120.0	126.1	102.0
640133*COLMBUS4	230.00	643000	MADISONCNTY4230.00	1	SINGLE 444	192.0	252.3	130.2	
652511*GAVINS 7	115.00	660006	YKNTJCT7	115.00	1	SINGLE 444	120.0	132.3	107.1
640133*COLMBUS4	230.00	643000	MADISONCNTY4230.00	1	SINGLE 453	192.0	198.9	103.2	
640133*COLMBUS4	230.00	643000	MADISONCNTY4230.00	1	SINGLE 457	192.0	232.1	119.8	
652511*GAVINS 7	115.00	660006	YKNTJCT7	115.00	1	SINGLE 457	120.0	129.8	105.0
640133*COLMBUS4	230.00	643000	MADISONCNTY4230.00	1	SINGLE 461	192.0	236.1	122.2	
640133*COLMBUS4	230.00	643000	MADISONCNTY4230.00	1	SINGLE 464	192.0	229.0	118.2	
652511*GAVINS 7	115.00	660006	YKNTJCT7	115.00	1	SINGLE 467	120.0	132.6	107.3
640133*COLMBUS4	230.00	643000	MADISONCNTY4230.00	1	SINGLE 471	192.0	221.2	114.4	
652511*GAVINS 7	115.00	660006	YKNTJCT7	115.00	1	SINGLE 471	120.0	133.0	107.6
640133*COLMBUS4	230.00	643000	MADISONCNTY4230.00	1	SINGLE 472	192.0	223.0	115.2	
652511*GAVINS 7	115.00	660006	YKNTJCT7	115.00	1	SINGLE 472	120.0	132.1	106.9
640133*COLMBUS4	230.00	643000	MADISONCNTY4230.00	1	SINGLE 474	192.0	207.8	107.3	
652511*GAVINS 7	115.00	660006	YKNTJCT7	115.00	1	SINGLE 474	120.0	132.6	107.3
640133*COLMBUS4	230.00	643000	MADISONCNTY4230.00	1	SINGLE 489	192.0	243.1	125.5	
652511*GAVINS 7	115.00	660006	YKNTJCT7	115.00	1	SINGLE 489	120.0	131.3	106.2
640133*COLMBUS4	230.00	643000	MADISONCNTY4230.00	1	SINGLE 490	192.0	198.5	102.3	
652511*GAVINS 7	115.00	660006	YKNTJCT7	115.00	1	SINGLE 490	120.0	126.3	102.2
640133*COLMBUS4	230.00	643000	MADISONCNTY4230.00	1	SINGLE 495	192.0	227.9	117.6	
640133*COLMBUS4	230.00	643000	MADISONCNTY4230.00	1	SINGLE 497	192.0	229.0	118.2	
640133*COLMBUS4	230.00	643000	MADISONCNTY4230.00	1	SINGLE 498	192.0	228.1	117.8	
640133*COLMBUS4	230.00	643000	MADISONCNTY4230.00	1	SINGLE 500	192.0	229.0	118.2	
640133*COLMBUS4	230.00	643000	MADISONCNTY4230.00	1	SINGLE 501	192.0	233.0	120.4	
640133*COLMBUS4	230.00	643000	MADISONCNTY4230.00	1	SINGLE 624	192.0	234.7	121.1	
640133*COLMBUS4	230.00	643000	MADISONCNTY4230.00	1	SINGLE 625	192.0	236.0	121.9	
640133*COLMBUS4	230.00	643000	MADISONCNTY4230.00	1	SINGLE 628	192.0	231.7	119.6	
652511*GAVINS 7	115.00	660006	YKNTJCT7	115.00	1	SINGLE 700	120.0	135.7	109.8
652511*GAVINS 7	115.00	660006	YKNTJCT7	115.00	1	SINGLE 701	120.0	135.2	109.4
640133*COLMBUS4	230.00	643000	MADISONCNTY4230.00	1	SINGLE 703	192.0	228.9	118.1	
652511*GAVINS 7	115.00	660006	YKNTJCT7	115.00	1	SINGLE 710	120.0	127.7	103.3
640133*COLMBUS4	230.00	643000	MADISONCNTY4230.00	1	SINGLE 711	192.0	231.2	119.3	
652511*GAVINS 7	115.00	660006	YKNTJCT7	115.00	1	SINGLE 711	120.0	127.6	103.2
640133*COLMBUS4	230.00	643000	MADISONCNTY4230.00	1	SINGLE 726	192.0	234.4	121.1	
652511*GAVINS 7	115.00	660006	YKNTJCT7	115.00	1	SINGLE 726	120.0	126.0	101.9
640133*COLMBUS4	230.00	643000	MADISONCNTY4230.00	1	SINGLE 732	192.0	231.1	119.3	

640133*COLMBUS4	230.00	643000	MADISONCNTY4230.00	1	SINGLE	742	192.0	232.6	120.1	
652511*GAVINS 7	115.00	660006	YKNTJCT7	115.00	1	SINGLE	742	120.0	127.1	102.8
640133*COLMBUS4	230.00	643000	MADISONCNTY4230.00	1	SINGLE	743	192.0	232.0	119.7	
652511*GAVINS 7	115.00	660006	YKNTJCT7	115.00	1	SINGLE	743	120.0	127.5	103.1
640133*COLMBUS4	230.00	643000	MADISONCNTY4230.00	1	SINGLE	744	192.0	233.0	120.3	
652511*GAVINS 7	115.00	660006	YKNTJCT7	115.00	1	SINGLE	744	120.0	175.9	142.3
652626 UTICAJC7	115.00	660006*	YKNTJCT7	115.00	1	SINGLE	744	120.0	149.8	122.0
640133*COLMBUS4	230.00	643000	MADISONCNTY4230.00	1	SINGLE	745	192.0	232.2	119.9	
652511*GAVINS 7	115.00	660006	YKNTJCT7	115.00	1	SINGLE	745	120.0	160.9	130.2
652626 UTICAJC7	115.00	660006*	YKNTJCT7	115.00	1	SINGLE	745	120.0	137.8	112.1
640133*COLMBUS4	230.00	643000	MADISONCNTY4230.00	1	SINGLE	751	192.0	231.7	120.1	
640133*COLMBUS4	230.00	643000	MADISONCNTY4230.00	1	SINGLE	752	192.0	229.1	118.2	
640133*COLMBUS4	230.00	643000	MADISONCNTY4230.00	1	SINGLE	754	192.0	231.4	119.5	
640133*COLMBUS4	230.00	643000	MADISONCNTY4230.00	1	SINGLE	755	192.0	231.4	119.5	
640133*COLMBUS4	230.00	643000	MADISONCNTY4230.00	1	SINGLE	761	192.0	224.2	115.7	
652511*GAVINS 7	115.00	660006	YKNTJCT7	115.00	1	SINGLE	761	120.0	132.3	107.1
640133*COLMBUS4	230.00	643000	MADISONCNTY4230.00	1	SINGLE	762	192.0	227.4	117.3	
652511*GAVINS 7	115.00	660006	YKNTJCT7	115.00	1	SINGLE	762	120.0	130.4	105.5
640133*COLMBUS4	230.00	643000	MADISONCNTY4230.00	1	SINGLE	763	192.0	231.6	119.5	
640133*COLMBUS4	230.00	643000	MADISONCNTY4230.00	1	SINGLE	771	192.0	246.0	127.1	
652511*GAVINS 7	115.00	660006	YKNTJCT7	115.00	1	SINGLE	771	120.0	148.2	119.9
652626 UTICAJC7	115.00	660006*	YKNTJCT7	115.00	1	SINGLE	771	120.0	147.4	120.2
640133*COLMBUS4	230.00	643000	MADISONCNTY4230.00	1	SINGLE	772	192.0	244.4	126.3	
652511*GAVINS 7	115.00	660006	YKNTJCT7	115.00	1	SINGLE	773	120.0	129.9	105.1
640133*COLMBUS4	230.00	643000	MADISONCNTY4230.00	1	SINGLE	774	192.0	228.6	118.1	
652517 MANNING7	115.00	659121*	SPIRITM7	115.00	1	SINGLE	774	120.0	122.7	102.2
640133*COLMBUS4	230.00	643000	MADISONCNTY4230.00	1	SINGLE	782	192.0	231.3	119.4	
640133*COLMBUS4	230.00	643000	MADISONCNTY4230.00	1	SINGLE	783	192.0	232.3	119.9	
652511*GAVINS 7	115.00	660006	YKNTJCT7	115.00	1	SINGLE	783	120.0	127.3	103.0
640133*COLMBUS4	230.00	643000	MADISONCNTY4230.00	1	SINGLE	784	192.0	231.9	119.7	
652511*GAVINS 7	115.00	660006	YKNTJCT7	115.00	1	SINGLE	784	120.0	126.7	102.5
640133*COLMBUS4	230.00	643000	MADISONCNTY4230.00	1	SINGLE	785	192.0	232.0	119.7	
652511*GAVINS 7	115.00	660006	YKNTJCT7	115.00	1	SINGLE	785	120.0	126.5	102.4
640133*COLMBUS4	230.00	643000	MADISONCNTY4230.00	1	SINGLE	786	192.0	228.3	117.8	
652511*GAVINS 7	115.00	660006	YKNTJCT7	115.00	1	SINGLE	786	120.0	130.5	105.6
640133*COLMBUS4	230.00	643000	MADISONCNTY4230.00	1	SINGLE	791	192.0	233.4	120.5	
652511*GAVINS 7	115.00	660006	YKNTJCT7	115.00	1	SINGLE	791	120.0	182.9	148.0
652626 UTICAJC7	115.00	660006*	YKNTJCT7	115.00	1	SINGLE	791	120.0	155.4	126.6
640133*COLMBUS4	230.00	643000	MADISONCNTY4230.00	1	SINGLE	799	192.0	231.7	119.6	
652511*GAVINS 7	115.00	660006	YKNTJCT7	115.00	1	SINGLE	799	120.0	126.6	102.4
640133*COLMBUS4	230.00	643000	MADISONCNTY4230.00	1	SINGLE	800	192.0	231.5	119.5	
640133*COLMBUS4	230.00	643000	MADISONCNTY4230.00	1	SINGLE	801	192.0	231.3	119.4	
640133*COLMBUS4	230.00	643000	MADISONCNTY4230.00	1	SINGLE	803	192.0	236.8	122.3	
652511*GAVINS 7	115.00	660006	YKNTJCT7	115.00	1	SINGLE	807	120.0	127.6	103.3
640133*COLMBUS4	230.00	643000	MADISONCNTY4230.00	1	SINGLE	808	192.0	231.3	119.4	
640133*COLMBUS4	230.00	643000	MADISONCNTY4230.00	1	SINGLE	809	192.0	231.8	119.7	
652511*GAVINS 7	115.00	660006	YKNTJCT7	115.00	1	SINGLE	809	120.0	126.7	102.5
652511*GAVINS 7	115.00	660006	YKNTJCT7	115.00	1	SINGLE	812	120.0	129.9	105.1

640133*COLMBUS4	230.00	643000	MADISONCNTY4230.00	1	SINGLE	813	192.0	236.0	121.9	
652511*GAVINS 7	115.00	660006	YKNTJCT7	115.00	1	SINGLE	821	120.0	130.2	105.4
652511*GAVINS 7	115.00	660006	YKNTJCT7	115.00	1	SINGLE	822	120.0	127.6	103.2
640133*COLMBUS4	230.00	643000	MADISONCNTY4230.00	1	SINGLE	824	192.0	232.0	119.7	
640133*COLMBUS4	230.00	643000	MADISONCNTY4230.00	1	SINGLE	830	192.0	231.5	119.5	
652511*GAVINS 7	115.00	660006	YKNTJCT7	115.00	1	SINGLE	839	120.0	127.2	102.9
640133*COLMBUS4	230.00	643000	MADISONCNTY4230.00	1	SINGLE	840	192.0	231.2	119.4	
640133*COLMBUS4	230.00	643000	MADISONCNTY4230.00	1	SINGLE	841	192.0	231.3	119.4	
640133*COLMBUS4	230.00	643000	MADISONCNTY4230.00	1	SINGLE	856	192.0	228.3	117.8	
652511*GAVINS 7	115.00	660006	YKNTJCT7	115.00	1	SINGLE	856	120.0	130.5	105.6
640133*COLMBUS4	230.00	643000	MADISONCNTY4230.00	1	SINGLE	860	192.0	231.2	119.3	
659105 LELANDO3	345.00	659201*	LELND1TY	345.00	1	SINGLE	863	250.0	342.3	136.9
659106 LELANDO4	230.00	659201*	LELND1TY	345.00	1	SINGLE	863	250.0	342.3	136.9
659105 LELANDO3	345.00	659201*	LELND1TY	345.00	1	SINGLE	867	250.0	342.3	136.9
659106 LELANDO4	230.00	659201*	LELND1TY	345.00	1	SINGLE	867	250.0	342.3	136.9
640133*COLMBUS4	230.00	643000	MADISONCNTY4230.00	1	SINGLE	871	192.0	228.3	117.8	
652511*GAVINS 7	115.00	660006	YKNTJCT7	115.00	1	SINGLE	871	120.0	130.5	105.6
640133*COLMBUS4	230.00	643000	MADISONCNTY4230.00	1	SINGLE	877	192.0	228.1	117.8	
640133*COLMBUS4	230.00	643000	MADISONCNTY4230.00	1	SINGLE	907	192.0	228.3	117.8	
652511*GAVINS 7	115.00	660006	YKNTJCT7	115.00	1	SINGLE	907	120.0	130.5	105.6
640133*COLMBUS4	230.00	643000	MADISONCNTY4230.00	1	SINGLE	918	192.0	231.2	119.3	
640133*COLMBUS4	230.00	643000	MADISONCNTY4230.00	1	SINGLE	919	192.0	231.2	119.3	
640133*COLMBUS4	230.00	643000	MADISONCNTY4230.00	1	SINGLE	931	192.0	231.6	119.5	
640133*COLMBUS4	230.00	643000	MADISONCNTY4230.00	1	SINGLE	934	192.0	232.8	120.2	
652511*GAVINS 7	115.00	660006	YKNTJCT7	115.00	1	SINGLE	934	120.0	127.1	102.9
640133*COLMBUS4	230.00	643000	MADISONCNTY4230.00	1	SINGLE	936	192.0	234.4	121.1	
652511*GAVINS 7	115.00	660006	YKNTJCT7	115.00	1	SINGLE	936	120.0	126.0	101.9
640133*COLMBUS4	230.00	643000	MADISONCNTY4230.00	1	SINGLE	940	192.0	234.8	121.3	
652511*GAVINS 7	115.00	660006	YKNTJCT7	115.00	1	SINGLE	940	120.0	125.8	101.8
652511*GAVINS 7	115.00	660006	YKNTJCT7	115.00	1	SINGLE	944	120.0	131.8	106.7
652511*GAVINS 7	115.00	660006	YKNTJCT7	115.00	1	SINGLE	947	120.0	130.9	105.9
640133*COLMBUS4	230.00	643000	MADISONCNTY4230.00	1	SINGLE	948	192.0	231.1	119.3	
640133*COLMBUS4	230.00	643000	MADISONCNTY4230.00	1	GEN-COOPER		192.0	239.6	123.8	
652511*GAVINS 7	115.00	660006	YKNTJCT7	115.00	1	GEN-COOPER	120.0	125.5	101.6	
640133 COLMBUS4	230.00	643000*	MADISONCNTY4230.00	1	GEN-GGS-1		192.0	243.7	123.2	
640133 COLMBUS4	230.00	643000*	MADISONCNTY4230.00	1	GEN-GGS-2		192.0	244.8	123.8	
640133*COLMBUS4	230.00	643000	MADISONCNTY4230.00	1	GEN-SS-1		192.0	231.6	119.5	
640133*COLMBUS4	230.00	643000	MADISONCNTY4230.00	1	GEN-SS-2		192.0	231.7	119.6	
640133*COLMBUS4	230.00	643000	MADISONCNTY4230.00	1	GEN-PLATTE		192.0	232.8	120.1	
640133*COLMBUS4	230.00	643000	MADISONCNTY4230.00	1	GEN-WEC1		192.0	232.4	119.9	
640133*COLMBUS4	230.00	643000	MADISONCNTY4230.00	1	GEN-COLCOG		192.0	235.7	122.0	
652511*GAVINS 7	115.00	660006	YKNTJCT7	115.00	1	GEN-COLCOG	120.0	127.5	103.1	
640133*COLMBUS4	230.00	643000	MADISONCNTY4230.00	1	GEN-AWEF		192.0	226.0	116.5	
640133*COLMBUS4	230.00	643000	MADISONCNTY4230.00	1	GEN-E-RIDGE		192.0	224.0	115.6	
640133*COLMBUS4	230.00	643000	MADISONCNTY4230.00	1	LN-FAIRPORT		192.0	227.5	117.4	
640133*COLMBUS4	230.00	643000	MADISONCNTY4230.00	1	LN-RUSHVILLE		192.0	228.4	117.9	
640133*COLMBUS4	230.00	643000	MADISONCNTY4230.00	1	LN-1267		192.0	227.2	117.3	
652511*GAVINS 7	115.00	660006	YKNTJCT7	115.00	1	LN-1164	120.0	130.3	105.4	

640133*COLMBUS4	230.00	643000	MADISONCNTY4230.00	1	LN-1163	192.0	235.1	121.4	
652511*GAVINS 7	115.00	660006	YKNTJCT7	115.00	1	LN-1163	120.0	134.2	108.6
640133*COLMBUS4	230.00	643000	MADISONCNTY4230.00	1	LN-1169	192.0	233.1	120.3	
640133*COLMBUS4	230.00	643000	MADISONCNTY4230.00	1	LN-1152	192.0	228.3	117.8	
640133*COLMBUS4	230.00	643000	MADISONCNTY4230.00	1	LN-N-BEND	192.0	227.8	117.6	
640133*COLMBUS4	230.00	643000	MADISONCNTY4230.00	1	LN-1161	192.0	231.3	119.4	
640133*COLMBUS4	230.00	643000	MADISONCNTY4230.00	1	LN-1168	192.0	232.1	119.8	
652511*GAVINS 7	115.00	660006	YKNTJCT7	115.00	1	LN-1168	120.0	129.8	105.1
640133*COLMBUS4	230.00	643000	MADISONCNTY4230.00	1	TRF-HOSKINS	192.0	235.0	121.3	
652511*GAVINS 7	115.00	660006	YKNTJCT7	115.00	1	TRF-HOSKINS	120.0	130.8	105.8
640133*COLMBUS4	230.00	643000	MADISONCNTY4230.00	1	TRF-VHILL	192.0	228.3	117.8	
640133*COLMBUS4	230.00	643000	MADISONCNTY4230.00	1	TRF-KELLY	192.0	222.8	114.7	
640133*COLMBUS4	230.00	643000	MADISONCNTY4230.00	1	FCS_GEN	192.0	233.1	120.4	
652511*GAVINS 7	115.00	660006	YKNTJCT7	115.00	1	FCS_GEN	120.0	126.4	102.3
640133*COLMBUS4	230.00	643000	MADISONCNTY4230.00	1	NC1_GEN	192.0	237.3	122.6	
652511*GAVINS 7	115.00	660006	YKNTJCT7	115.00	1	NC1_GEN	120.0	126.1	102.0
640133*COLMBUS4	230.00	643000	MADISONCNTY4230.00	1	NC2_GEN	192.0	239.1	123.5	
652511*GAVINS 7	115.00	660006	YKNTJCT7	115.00	1	NC2_GEN	120.0	125.5	101.5

## MONITORED VOLTAGE REPORT:

SYSTEM	CONTINGENCY	<----- B U S ----->	V-CONT	V-INIT	V-MAX	V-MIN			
'NEBR	'	RANGE SINGLE 187	636672	GALESBR5	161.00	0.86363	1.01082	1.10000	0.90000
'NEBR	'	RANGE SINGLE 335	640171	FIRTH 7	115.00	0.89325	1.02163	1.10000	0.90000
'NEBR	'	RANGE SINGLE 335	640362	STERLNG7	115.00	0.89764	1.01666	1.10000	0.90000
'NEBR	'	RANGE SINGLE 628	652411	MI CTYE4	230.00	1.15039	1.03000	1.10000	0.90000
'NEBR	'	RANGE SINGLE 628	652412	MI CTYE7	115.00	1.13651	1.02382	1.10000	0.90000
'NEBR	'	RANGE SINGLE 628	659263	LTLMISS7	115.00	1.10355	1.02412	1.10000	0.90000
'NEBR	'	RANGE SINGLE 628	659265	LTLMISS4	230.00	1.10382	1.02615	1.10000	0.90000
'NEBR	'	RANGE SINGLE 628	661004	BAKER 4	230.00	1.10871	1.02534	1.10000	0.90000
'NEBR	'	RANGE SINGLE 911	659216	AVSDC5TY	345.00	0.88407	1.02077	1.10000	0.90000
'NEBR	'	RANGE SINGLE 914	659219	AVSDC8TY	345.00	1.10624	1.04722	1.10000	0.90000
'NEBR	'	RANGE SINGLE 915	659222	AVSD11TY	345.00	0.89801	1.00000	1.10000	0.90000

## CONTINGENCY LEGEND:

LABEL	EVENTS
SINGLE 1	: OPEN LINE FROM BUS 300039 [7FAIRPT 345.00] TO BUS 541199 [ST JOE 3 345.00] CKT 1
SINGLE 2	: OPEN LINE FROM BUS 300039 [7FAIRPT 345.00] TO BUS 640139 [COOPER 3 345.00] CKT 1
SINGLE 3	: OPEN LINE FROM BUS 531451 [MINGO 7 345.00] TO BUS 640325 [REDWILO3 345.00] CKT 1
SINGLE 4	: OPEN LINE FROM BUS 541199 [ST JOE 3 345.00] TO BUS 640139 [COOPER 3 345.00] CKT 1
SINGLE 5	: OPEN LINE FROM BUS 603023 [MALLARD7 115.00] TO BUS 652452 [RUGBY 7 115.00] CKT 1
SINGLE 6	: OPEN LINE FROM BUS 603023 [MALLARD7 115.00] TO BUS 659155 [LOGAN 7 115.00] CKT 1
SINGLE 7	: OPEN LINE FROM BUS 603023 [MALLARD7 115.00] TO BUS 659166 [DUNNING7 115.00] CKT 1
SINGLE 8	: OPEN LINE FROM BUS 603023 [MALLARD7 115.00] TO BUS 659190 [NDPRAIRWND 7115.00] CKT 1
SINGLE 9	: OPEN LINE FROM BUS 631069 [ANTA TP5 161.00] TO BUS 652560 [CRESTON5 161.00] CKT 1
SINGLE 10	: OPEN LINE FROM BUS 631069 [ANTA TP5 161.00] TO BUS 652603 [EXIRA 5 161.00] CKT 1
SINGLE 11	: OPEN LINE FROM BUS 635000 [CBLUFFS3 345.00] TO BUS 635013 [PONYCKA3 345.00] CKT 1
SINGLE 12	: OPEN LINE FROM BUS 635000 [CBLUFFS3 345.00] TO BUS 635013 [PONYCKA3 345.00] CKT 2
SINGLE 13	: OPEN LINE FROM BUS 635000 [CBLUFFS3 345.00] TO BUS 635600 [GRIMES 3 345.00] CKT 1

SINGLE 14 : OPEN LINE FROM BUS 635000 [CBLUFFS3 345.00] TO BUS 645456 [S3456 3 345.00] CKT 1  
SINGLE 15 : OPEN LINE FROM BUS 635001 [CBLUFFS5 161.00] TO BUS 635011 [INDNCRK5 161.00] CKT 1  
SINGLE 16 : OPEN LINE FROM BUS 635001 [CBLUFFS5 161.00] TO BUS 635012 [QUICK 5 161.00] CKT 1  
SINGLE 17 : OPEN LINE FROM BUS 635001 [CBLUFFS5 161.00] TO BUS 635030 [RIVRBND5 161.00] CKT 1  
SINGLE 18 : OPEN LINE FROM BUS 635001 [CBLUFFS5 161.00] TO BUS 646206 [S1206 5 161.00] CKT 1  
SINGLE 19 : OPEN LINE FROM BUS 635003 [SUB701 5 161.00] TO BUS 635005 [SUB702 5 161.00] CKT 1  
SINGLE 20 : OPEN LINE FROM BUS 635003 [SUB701 5 161.00] TO BUS 646211 [S1211 5 161.00] CKT 1  
SINGLE 21 : OPEN LINE FROM BUS 635005 [SUB702 5 161.00] TO BUS 635010 [MANAWA 5 161.00] CKT 1  
SINGLE 22 : OPEN LINE FROM BUS 635010 [MANAWA 5 161.00] TO BUS 635011 [INDNCRK5 161.00] CKT 1  
SINGLE 23 : OPEN LINE FROM BUS 635012 [QUICK 5 161.00] TO BUS 635039 [AVOCA 5 161.00] CKT 1  
SINGLE 24 : OPEN LINE FROM BUS 635013 [PONYCKA3 345.00] TO BUS 635100 [RLHILLS3 345.00] CKT 1  
SINGLE 25 : OPEN LINE FROM BUS 635017 [ATCHSNT3 345.00] TO BUS 635018 [ATCHSN 3 345.00] CKT 1  
SINGLE 26 : OPEN LINE FROM BUS 635017 [ATCHSNT3 345.00] TO BUS 635630 [BOONVIL3 345.00] CKT 1  
SINGLE 27 : OPEN LINE FROM BUS 635017 [ATCHSNT3 345.00] TO BUS 640139 [COOPER 3 345.00] CKT 1  
SINGLE 28 : OPEN LINE FROM BUS 635030 [RIVRBND5 161.00] TO BUS 635031 [BUNGE 5 161.00] CKT 1  
SINGLE 29 : OPEN LINE FROM BUS 635031 [BUNGE 5 161.00] TO BUS 635032 [HASTING5 161.00] CKT 1  
SINGLE 30 : OPEN LINE FROM BUS 635032 [HASTING5 161.00] TO BUS 635034 [CLRNDA 5 161.00] CKT 1  
SINGLE 31 : OPEN LINE FROM BUS 635034 [CLRNDA 5 161.00] TO BUS 635038 [BROOKST5 161.00] CKT 1  
SINGLE 32 : OPEN LINE FROM BUS 635037 [BROOKS 5 161.00] TO BUS 635038 [BROOKST5 161.00] CKT 1  
SINGLE 33 : OPEN LINE FROM BUS 635038 [BROOKST5 161.00] TO BUS 652560 [CRESTON5 161.00] CKT 1  
SINGLE 34 : OPEN LINE FROM BUS 635039 [AVOCA 5 161.00] TO BUS 635041 [WALNUT 5 161.00] CKT 1  
SINGLE 35 : OPEN LINE FROM BUS 635041 [WALNUT 5 161.00] TO BUS 638050 [ATLANTC5 161.00] CKT 1  
SINGLE 36 : OPEN LINE FROM BUS 635100 [RLHILLS3 345.00] TO BUS 635635 [MADISON3 345.00] CKT 1  
SINGLE 37 : OPEN LINE FROM BUS 635200 [RAUN 3 345.00] TO BUS 635201 [RAUN 5 161.00] CKT 2  
SINGLE 38 : OPEN LINE FROM BUS 635200 [RAUN 3 345.00] TO BUS 636010 [LEHIGH 3 345.00] CKT 1  
SINGLE 39 : OPEN LINE FROM BUS 635200 [RAUN 3 345.00] TO BUS 640226 [HOSKINS3 345.00] CKT 1  
SINGLE 40 : OPEN LINE FROM BUS 635200 [RAUN 3 345.00] TO BUS 645451 [S3451 3 345.00] CKT 1  
SINGLE 41 : OPEN LINE FROM BUS 635200 [RAUN 3 345.00] TO BUS 652564 [SIOUXCY3 345.00] CKT 1  
SINGLE 42 : OPEN LINE FROM BUS 635201 [RAUN 5 161.00] TO BUS 635202 [NEAL 4 5 161.00] CKT 1  
SINGLE 43 : OPEN LINE FROM BUS 635201 [RAUN 5 161.00] TO BUS 635203 [NEAL N 5 161.00] CKT 1  
SINGLE 44 : OPEN LINE FROM BUS 635201 [RAUN 5 161.00] TO BUS 635203 [NEAL N 5 161.00] CKT 2  
SINGLE 45 : OPEN LINE FROM BUS 635201 [RAUN 5 161.00] TO BUS 635220 [INTCHG 5 161.00] CKT 1  
SINGLE 46 : OPEN LINE FROM BUS 635201 [RAUN 5 161.00] TO BUS 635225 [MORNSD 5 161.00] CKT 1  
SINGLE 47 : OPEN LINE FROM BUS 635201 [RAUN 5 161.00] TO BUS 640377 [TEKAMAH5 161.00] CKT 1  
SINGLE 48 : OPEN LINE FROM BUS 635202 [NEAL 4 5 161.00] TO BUS 635300 [MONONA 5 161.00] CKT 1  
SINGLE 49 : OPEN LINE FROM BUS 635203 [NEAL N 5 161.00] TO BUS 635235 [SALIX 5 161.00] CKT 1  
SINGLE 50 : OPEN LINE FROM BUS 635220 [INTCHG 5 161.00] TO BUS 635221 [KELLOGG5 161.00] CKT 1  
SINGLE 51 : OPEN LINE FROM BUS 635221 [KELLOGG5 161.00] TO BUS 635226 [LEEDS 5 161.00] CKT 1  
SINGLE 52 : OPEN LINE FROM BUS 635223 [PLYMOTH5 161.00] TO BUS 635225 [MORNSD 5 161.00] CKT 1  
SINGLE 53 : OPEN LINE FROM BUS 635223 [PLYMOTH5 161.00] TO BUS 635226 [LEEDS 5 161.00] CKT 1  
SINGLE 54 : OPEN LINE FROM BUS 635223 [PLYMOTH5 161.00] TO BUS 635260 [LEMARST5 161.00] CKT 1  
SINGLE 55 : OPEN LINE FROM BUS 635223 [PLYMOTH5 161.00] TO BUS 652566 [SIOUXCY5 161.00] CKT 1  
SINGLE 56 : OPEN LINE FROM BUS 635260 [LEMARST5 161.00] TO BUS 635261 [LEMARS 5 161.00] CKT 1  
SINGLE 57 : OPEN LINE FROM BUS 635260 [LEMARST5 161.00] TO BUS 635360 [LIT SX 5 161.00] CKT 1  
SINGLE 58 : OPEN LINE FROM BUS 635280 [BVISTA 5 161.00] TO BUS 635340 [SAC 5 161.00] CKT 1  
SINGLE 59 : OPEN LINE FROM BUS 635280 [BVISTA 5 161.00] TO BUS 637570 [WISDOM 5 161.00] CKT 1  
SINGLE 60 : OPEN LINE FROM BUS 635300 [MONONA 5 161.00] TO BUS 635310 [VICTORY5 161.00] CKT 1  
SINGLE 61 : OPEN LINE FROM BUS 635310 [VICTORY5 161.00] TO BUS 635320 [CARROLL5 161.00] CKT 1

SINGLE 62 : OPEN LINE FROM BUS 635320 [CARROLL5 161.00] TO BUS 637283 [DRAGER 5 161.00] CKT 1  
SINGLE 63 : OPEN LINE FROM BUS 635340 [SAC 5 161.00] TO BUS 635350 [CLIPPER5 161.00] CKT 1  
SINGLE 64 : OPEN LINE FROM BUS 635340 [SAC 5 161.00] TO BUS 636029 [POCHNTC5 161.00] CKT 1  
SINGLE 65 : OPEN LINE FROM BUS 635350 [CLIPPER5 161.00] TO BUS 635360 [LIT SX 5 161.00] CKT 1  
SINGLE 66 : OPEN LINE FROM BUS 635600 [GRIMES 3 345.00] TO BUS 635630 [BOONVIL3 345.00] CKT 1  
SINGLE 67 : OPEN LINE FROM BUS 635600 [GRIMES 3 345.00] TO BUS 635700 [SYCAMOR3 345.00] CKT 1  
SINGLE 68 : OPEN LINE FROM BUS 635600 [GRIMES 3 345.00] TO BUS 635700 [SYCAMOR3 345.00] CKT 2  
SINGLE 69 : OPEN LINE FROM BUS 635600 [GRIMES 3 345.00] TO BUS 636010 [LEHIGH 3 345.00] CKT 1  
SINGLE 70 : OPEN LINE FROM BUS 635601 [GRIMES 5 161.00] TO BUS 635602 [142ST 5 161.00] CKT 1  
SINGLE 71 : OPEN LINE FROM BUS 635601 [GRIMES 5 161.00] TO BUS 635605 [GRNGRTP5 161.00] CKT 1  
SINGLE 72 : OPEN LINE FROM BUS 635601 [GRIMES 5 161.00] TO BUS 635608 [LINWELD5 161.00] CKT 1  
SINGLE 73 : OPEN LINE FROM BUS 635602 [142ST 5 161.00] TO BUS 635603 [ALICERD5 161.00] CKT 1  
SINGLE 74 : OPEN LINE FROM BUS 635603 [ALICERD5 161.00] TO BUS 635604 [88TH 5 161.00] CKT 1  
SINGLE 75 : OPEN LINE FROM BUS 635604 [88TH 5 161.00] TO BUS 635610 [ASHAWA5 161.00] CKT 1  
SINGLE 76 : OPEN LINE FROM BUS 635605 [GRNGRTP5 161.00] TO BUS 635606 [GRANGER5 161.00] CKT 1  
SINGLE 77 : OPEN LINE FROM BUS 635605 [GRNGRTP5 161.00] TO BUS 635614 [100 54 5 161.00] CKT 1  
SINGLE 78 : OPEN LINE FROM BUS 635606 [GRANGER5 161.00] TO BUS 635607 [BITRSWT5 161.00] CKT 1  
SINGLE 79 : OPEN LINE FROM BUS 635607 [BITRSWT5 161.00] TO BUS 635710 [NEANKNY5 161.00] CKT 1  
SINGLE 80 : OPEN LINE FROM BUS 635610 [ASHAWA5 161.00] TO BUS 635612 [60TH ST5 161.00] CKT 1  
SINGLE 81 : OPEN LINE FROM BUS 635610 [ASHAWA5 161.00] TO BUS 635616 [109CLK 5 161.00] CKT 1  
SINGLE 82 : OPEN LINE FROM BUS 635610 [ASHAWA5 161.00] TO BUS 635654 [ARMYPOS5 161.00] CKT 1  
SINGLE 83 : OPEN LINE FROM BUS 635610 [ASHAWA5 161.00] TO BUS 635662 [WABASH 5 161.00] CKT 1  
SINGLE 84 : OPEN LINE FROM BUS 635612 [60TH ST5 161.00] TO BUS 635613 [WGRAND5 161.00] CKT 1  
SINGLE 85 : OPEN LINE FROM BUS 635613 [WGRAND5 161.00] TO BUS 635631 [BOONVIL5 161.00] CKT 1  
SINGLE 86 : OPEN LINE FROM BUS 635614 [100 54 5 161.00] TO BUS 635615 [100DUG 5 161.00] CKT 1  
SINGLE 87 : OPEN LINE FROM BUS 635614 [100 54 5 161.00] TO BUS 635701 [SYCAMOR5 161.00] CKT 1  
SINGLE 88 : OPEN LINE FROM BUS 635615 [100DUG 5 161.00] TO BUS 635616 [109CLK 5 161.00] CKT 1  
SINGLE 89 : OPEN LINE FROM BUS 635630 [BOONVIL3 345.00] TO BUS 635635 [MADISON3 345.00] CKT 1  
SINGLE 90 : OPEN LINE FROM BUS 635631 [BOONVIL5 161.00] TO BUS 635632 [EARLHAM5 161.00] CKT 1  
SINGLE 91 : OPEN LINE FROM BUS 635631 [BOONVIL5 161.00] TO BUS 635641 [NORWLK5 161.00] CKT 1  
SINGLE 92 : OPEN LINE FROM BUS 635632 [EARLHAM5 161.00] TO BUS 635633 [ADAIRWF5 161.00] CKT 1  
SINGLE 93 : OPEN LINE FROM BUS 635633 [ADAIRWF5 161.00] TO BUS 638050 [ATLANTC5 161.00] CKT 1  
SINGLE 94 : OPEN LINE FROM BUS 635635 [MADISON3 345.00] TO BUS 635640 [NORWLK3 345.00] CKT 1  
SINGLE 95 : OPEN LINE FROM BUS 635640 [NORWLK3 345.00] TO BUS 635641 [NORWLK5 161.00] CKT 1  
SINGLE 96 : OPEN LINE FROM BUS 635640 [NORWLK3 345.00] TO BUS 635650 [SE POLK3 345.00] CKT 1  
SINGLE 97 : OPEN LINE FROM BUS 635641 [NORWLK5 161.00] TO BUS 635653 [GRENFLD5 161.00] CKT 1  
SINGLE 98 : OPEN LINE FROM BUS 635650 [SE POLK3 345.00] TO BUS 635651 [SEPOLK 5 161.00] CKT 1  
SINGLE 99 : OPEN LINE FROM BUS 635650 [SE POLK3 345.00] TO BUS 635690 [GDMEC 345.00] CKT 1  
SINGLE 100 : OPEN LINE FROM BUS 635651 [SEPOLK 5 161.00] TO BUS 635653 [GRENFLD5 161.00] CKT 1  
SINGLE 101 : OPEN LINE FROM BUS 635651 [SEPOLK 5 161.00] TO BUS 635660 [EASTRLK5 161.00] CKT 1  
SINGLE 102 : OPEN LINE FROM BUS 635651 [SEPOLK 5 161.00] TO BUS 635670 [DMOINES5 161.00] CKT 1  
SINGLE 103 : OPEN LINE FROM BUS 635651 [SEPOLK 5 161.00] TO BUS 635670 [DMOINES5 161.00] CKT 2  
SINGLE 104 : OPEN LINE FROM BUS 635653 [GRENFLD5 161.00] TO BUS 635654 [ARMYPOS5 161.00] CKT 1  
SINGLE 105 : OPEN LINE FROM BUS 635660 [EASTRLK5 161.00] TO BUS 635661 [GLOWAT 5 161.00] CKT 1  
SINGLE 106 : OPEN LINE FROM BUS 635661 [GLOWAT 5 161.00] TO BUS 635662 [WABASH 5 161.00] CKT 1  
SINGLE 107 : OPEN LINE FROM BUS 635662 [WABASH 5 161.00] TO BUS 635664 [MLKING 5 161.00] CKT 1  
SINGLE 108 : OPEN LINE FROM BUS 635664 [MLKING 5 161.00] TO BUS 635665 [FORVER 5 161.00] CKT 1  
SINGLE 109 : OPEN LINE FROM BUS 635665 [FORVER 5 161.00] TO BUS 635701 [SYCAMOR5 161.00] CKT 1

SINGLE 110 : OPEN LINE FROM BUS 635670 [DMOINES5 161.00] TO BUS 635672 [METRO E5 161.00] CKT 1  
SINGLE 111 : OPEN LINE FROM BUS 635672 [METRO E5 161.00] TO BUS 635673 [ALTONA 5 161.00] CKT 1  
SINGLE 112 : OPEN LINE FROM BUS 635673 [ALTONA 5 161.00] TO BUS 635681 [BONDRNT5 161.00] CKT 1  
SINGLE 113 : OPEN LINE FROM BUS 635680 [BONDRNT3 345.00] TO BUS 635690 [GDMEC 345.00] CKT 1  
SINGLE 114 : OPEN LINE FROM BUS 635680 [BONDRNT3 345.00] TO BUS 635700 [SYCAMOR3 345.00] CKT 1  
SINGLE 115 : OPEN LINE FROM BUS 635680 [BONDRNT3 345.00] TO BUS 635730 [MNTZUMA3 345.00] CKT 1  
SINGLE 116 : OPEN LINE FROM BUS 635681 [BONDRNT5 161.00] TO BUS 635701 [SYCAMOR5 161.00] CKT 1  
SINGLE 117 : OPEN LINE FROM BUS 635701 [SYCAMOR5 161.00] TO BUS 635705 [ANKENY 5 161.00] CKT 1  
SINGLE 118 : OPEN LINE FROM BUS 635705 [ANKENY 5 161.00] TO BUS 635710 [NEANKNY5 161.00] CKT 1  
SINGLE 119 : OPEN LINE FROM BUS 635730 [MNTZUMA3 345.00] TO BUS 636400 [HILLS 3 345.00] CKT 1  
SINGLE 120 : OPEN LINE FROM BUS 636000 [WEBSTER3 345.00] TO BUS 636010 [LEHIGH 3 345.00] CKT 1  
SINGLE 121 : OPEN LINE FROM BUS 636001 [WEBSTER5 161.00] TO BUS 636020 [FT.DODG5 161.00] CKT 1  
SINGLE 122 : OPEN LINE FROM BUS 636001 [WEBSTER5 161.00] TO BUS 636025 [HAYES 5 161.00] CKT 1  
SINGLE 123 : OPEN LINE FROM BUS 636001 [WEBSTER5 161.00] TO BUS 636050 [WRIGHT 5 161.00] CKT 1  
SINGLE 124 : OPEN LINE FROM BUS 636001 [WEBSTER5 161.00] TO BUS 637353 [HOPE 5 161.00] CKT 1  
SINGLE 125 : OPEN LINE FROM BUS 636020 [FT.DODG5 161.00] TO BUS 636023 [TATELYL5 161.00] CKT 1  
SINGLE 126 : OPEN LINE FROM BUS 636023 [TATELYL5 161.00] TO BUS 636025 [HAYES 5 161.00] CKT 1  
SINGLE 127 : OPEN LINE FROM BUS 636025 [HAYES 5 161.00] TO BUS 636030 [POMEROY5 161.00] CKT 1  
SINGLE 128 : OPEN LINE FROM BUS 636029 [POCHNTC5 161.00] TO BUS 636030 [POMEROY5 161.00] CKT 1  
SINGLE 129 : OPEN LINE FROM BUS 636050 [WRIGHT 5 161.00] TO BUS 636235 [WALL LK5 161.00] CKT 1  
SINGLE 130 : OPEN LINE FROM BUS 636200 [BLKHAWK5 161.00] TO BUS 636202 [MIDPORT5 161.00] CKT 1  
SINGLE 131 : OPEN LINE FROM BUS 636200 [BLKHAWK5 161.00] TO BUS 636205 [DRFNDRY5 161.00] CKT 1  
SINGLE 132 : OPEN LINE FROM BUS 636200 [BLKHAWK5 161.00] TO BUS 636225 [UNIONTP5 161.00] CKT 1  
SINGLE 133 : OPEN LINE FROM BUS 636200 [BLKHAWK5 161.00] TO BUS 637087 [PLAINFD5 161.00] CKT 1  
SINGLE 134 : OPEN LINE FROM BUS 636202 [MIDPORT5 161.00] TO BUS 636203 [LUNDQST5 161.00] CKT 1  
SINGLE 135 : OPEN LINE FROM BUS 636203 [LUNDQST5 161.00] TO BUS 636204 [DR NE 5 161.00] CKT 1  
SINGLE 136 : OPEN LINE FROM BUS 636203 [LUNDQST5 161.00] TO BUS 636206 [DRCOMP 5 161.00] CKT 1  
SINGLE 137 : OPEN LINE FROM BUS 636204 [DR NE 5 161.00] TO BUS 636210 [WASHBRN5 161.00] CKT 1  
SINGLE 138 : OPEN LINE FROM BUS 636205 [DRFNDRY5 161.00] TO BUS 636206 [DRCOMP 5 161.00] CKT 1  
SINGLE 139 : OPEN LINE FROM BUS 636205 [DRFNDRY5 161.00] TO BUS 636207 [WTWEST 5 161.00] CKT 1  
SINGLE 140 : OPEN LINE FROM BUS 636207 [WTWEST 5 161.00] TO BUS 636208 [DR ENG 5 161.00] CKT 1  
SINGLE 141 : OPEN LINE FROM BUS 636208 [DR ENG 5 161.00] TO BUS 636220 [EL FARM5 161.00] CKT 1  
SINGLE 142 : OPEN LINE FROM BUS 636208 [DR ENG 5 161.00] TO BUS 638040 [CFUINDP5 161.00] CKT 1  
SINGLE 143 : OPEN LINE FROM BUS 636210 [WASHBRN5 161.00] TO BUS 636220 [EL FARM5 161.00] CKT 1  
SINGLE 144 : OPEN LINE FROM BUS 636225 [UNIONTP5 161.00] TO BUS 636240 [BUTLER 5 161.00] CKT 1  
SINGLE 145 : OPEN LINE FROM BUS 636225 [UNIONTP5 161.00] TO BUS 638030 [UNIONCF5 161.00] CKT 1  
SINGLE 146 : OPEN LINE FROM BUS 636230 [FRANKLN5 161.00] TO BUS 636235 [WALL LK5 161.00] CKT 1  
SINGLE 147 : OPEN LINE FROM BUS 636230 [FRANKLN5 161.00] TO BUS 636240 [BUTLER 5 161.00] CKT 1  
SINGLE 148 : OPEN LINE FROM BUS 636230 [FRANKLN5 161.00] TO BUS 637191 [HAMPTON5 161.00] CKT 1  
SINGLE 149 : OPEN LINE FROM BUS 636300 [FLOYD 5 161.00] TO BUS 637087 [PLAINFD5 161.00] CKT 1  
SINGLE 150 : OPEN LINE FROM BUS 636400 [HILLS 3 345.00] TO BUS 636420 [TIFFIN 3 345.00] CKT 1  
SINGLE 151 : OPEN LINE FROM BUS 636400 [HILLS 3 345.00] TO BUS 636630 [SUB 92 3 345.00] CKT 1  
SINGLE 152 : OPEN LINE FROM BUS 636400 [HILLS 3 345.00] TO BUS 636645 [SUB T 3 345.00] CKT 1  
SINGLE 153 : OPEN LINE FROM BUS 636401 [HILLS 5 161.00] TO BUS 636403 [SB EIC 5 161.00] CKT 1  
SINGLE 154 : OPEN LINE FROM BUS 636401 [HILLS 5 161.00] TO BUS 636423 [SB HCIC5 161.00] CKT 1  
SINGLE 155 : OPEN LINE FROM BUS 636401 [HILLS 5 161.00] TO BUS 636678 [SB 89 5 161.00] CKT 1  
SINGLE 156 : OPEN LINE FROM BUS 636403 [SB EIC 5 161.00] TO BUS 636404 [SB YIC 5 161.00] CKT 1  
SINGLE 157 : OPEN LINE FROM BUS 636404 [SB YIC 5 161.00] TO BUS 636405 [SB GIC 5 161.00] CKT 1



SINGLE 158 : OPEN LINE FROM BUS 636405 [SB GIC 5 161.00] TO BUS 636410 [SB PIC 5 161.00] CKT 1  
SINGLE 159 : OPEN LINE FROM BUS 636410 [SB PIC 5 161.00] TO BUS 636415 [SB UIC 5 161.00] CKT 1  
SINGLE 160 : OPEN LINE FROM BUS 636410 [SB PIC 5 161.00] TO BUS 636422 [CRLRIDG5 161.00] CKT 1  
SINGLE 161 : OPEN LINE FROM BUS 636415 [SB UIC 5 161.00] TO BUS 636425 [SB JIC 5 161.00] CKT 1  
SINGLE 162 : OPEN LINE FROM BUS 636420 [TIFFIN 3 345.00] TO BUS 636421 [TIFFIN 5 161.00] CKT 1  
SINGLE 163 : OPEN LINE FROM BUS 636421 [TIFFIN 5 161.00] TO BUS 636422 [CRLRIDG5 161.00] CKT 1  
SINGLE 164 : OPEN LINE FROM BUS 636423 [SB HCIC5 161.00] TO BUS 636425 [SB JIC 5 161.00] CKT 1  
SINGLE 165 : OPEN LINE FROM BUS 636600 [SB 39 3 345.00] TO BUS 636601 [SB 39 5 161.00] CKT 1  
SINGLE 166 : OPEN LINE FROM BUS 636600 [SB 39 3 345.00] TO BUS 636605 [MECCORD3 345.00] CKT 1  
SINGLE 167 : OPEN LINE FROM BUS 636600 [SB 39 3 345.00] TO BUS 636635 [OAKGROV3 345.00] CKT 1  
SINGLE 168 : OPEN LINE FROM BUS 636601 [SB 39 5 161.00] TO BUS 636656 [SB 47 5 161.00] CKT 1  
SINGLE 169 : OPEN LINE FROM BUS 636601 [SB 39 5 161.00] TO BUS 636660 [SB 31T 5 161.00] CKT 1  
SINGLE 170 : OPEN LINE FROM BUS 636601 [SB 39 5 161.00] TO BUS 636668 [SB 43 5 161.00] CKT 1  
SINGLE 171 : OPEN LINE FROM BUS 636610 [SUB 91 3 345.00] TO BUS 636611 [SB 91 5 161.00] CKT 1  
SINGLE 172 : OPEN LINE FROM BUS 636610 [SUB 91 3 345.00] TO BUS 636615 [SB 56 3 345.00] CKT 1  
SINGLE 173 : OPEN LINE FROM BUS 636611 [SB 91 5 161.00] TO BUS 636687 [SBHYC5 161.00] CKT 1  
SINGLE 174 : OPEN LINE FROM BUS 636611 [SB 91 5 161.00] TO BUS 636690 [UTICA R5 161.00] CKT 1  
SINGLE 175 : OPEN LINE FROM BUS 636615 [SB 56 3 345.00] TO BUS 636620 [WALCOTT3 345.00] CKT 1  
SINGLE 176 : OPEN LINE FROM BUS 636616 [SB 56 5 161.00] TO BUS 636626 [IPSCO 5 161.00] CKT 1  
SINGLE 177 : OPEN LINE FROM BUS 636616 [SB 56 5 161.00] TO BUS 636675 [SB 85 5 161.00] CKT 1  
SINGLE 178 : OPEN LINE FROM BUS 636616 [SB 56 5 161.00] TO BUS 636678 [SB 89 5 161.00] CKT 1  
SINGLE 179 : OPEN LINE FROM BUS 636616 [SB 56 5 161.00] TO BUS 636680 [SB 78 5 161.00] CKT 1  
SINGLE 180 : OPEN LINE FROM BUS 636620 [WALCOTT3 345.00] TO BUS 636625 [IPSCO 3 345.00] CKT 1  
SINGLE 181 : OPEN LINE FROM BUS 636620 [WALCOTT3 345.00] TO BUS 636630 [SUB 92 3 345.00] CKT 1  
SINGLE 182 : OPEN LINE FROM BUS 636630 [SUB 92 3 345.00] TO BUS 636640 [LOUISA 3 345.00] CKT 1  
SINGLE 183 : OPEN LINE FROM BUS 636635 [OAKGROV3 345.00] TO BUS 636636 [OAKGROV5 161.00] CKT 1  
SINGLE 184 : OPEN LINE FROM BUS 636635 [OAKGROV3 345.00] TO BUS 636640 [LOUISA 3 345.00] CKT 1  
SINGLE 185 : OPEN LINE FROM BUS 636636 [OAKGROV5 161.00] TO BUS 636670 [SB 18 5 161.00] CKT 1  
SINGLE 186 : OPEN LINE FROM BUS 636636 [OAKGROV5 161.00] TO BUS 636670 [SB 18 5 161.00] CKT 2  
SINGLE 187 : OPEN LINE FROM BUS 636636 [OAKGROV5 161.00] TO BUS 636672 [GALESBR5 161.00] CKT 1  
SINGLE 188 : OPEN LINE FROM BUS 636640 [LOUISA 3 345.00] TO BUS 636645 [SUB T 3 345.00] CKT 1  
SINGLE 189 : OPEN LINE FROM BUS 636650 [SB A 5 161.00] TO BUS 636657 [SB 48 5 161.00] CKT 1  
SINGLE 190 : OPEN LINE FROM BUS 636650 [SB A 5 161.00] TO BUS 636692 [SB 70 5 161.00] CKT 1  
SINGLE 191 : OPEN LINE FROM BUS 636656 [SB 47 5 161.00] TO BUS 636657 [SB 48 5 161.00] CKT 1  
SINGLE 192 : OPEN LINE FROM BUS 636660 [SB 31T 5 161.00] TO BUS 636661 [SB 31 5 161.00] CKT 1  
SINGLE 193 : OPEN LINE FROM BUS 636660 [SB 31T 5 161.00] TO BUS 636662 [SB 28 5 161.00] CKT 1  
SINGLE 194 : OPEN LINE FROM BUS 636662 [SB 28 5 161.00] TO BUS 636665 [SB 17 5 161.00] CKT 1  
SINGLE 195 : OPEN LINE FROM BUS 636665 [SB 17 5 161.00] TO BUS 636667 [SB 49 5 161.00] CKT 1  
SINGLE 196 : OPEN LINE FROM BUS 636668 [SB 43 5 161.00] TO BUS 636670 [SB 18 5 161.00] CKT 1  
SINGLE 197 : OPEN LINE FROM BUS 636670 [SB 18 5 161.00] TO BUS 636673 [SB 112 5 161.00] CKT 1  
SINGLE 198 : OPEN LINE FROM BUS 636670 [SB 18 5 161.00] TO BUS 636675 [SB 85 5 161.00] CKT 1  
SINGLE 199 : OPEN LINE FROM BUS 636675 [SB 85 5 161.00] TO BUS 636676 [SB 52 5 161.00] CKT 1  
SINGLE 200 : OPEN LINE FROM BUS 636675 [SB 85 5 161.00] TO BUS 636677 [SB 53 5 161.00] CKT 1  
SINGLE 201 : OPEN LINE FROM BUS 636680 [SB 78 5 161.00] TO BUS 636681 [58TAP 5 161.00] CKT 1  
SINGLE 202 : OPEN LINE FROM BUS 636681 [58TAP 5 161.00] TO BUS 636682 [SB 58 5 161.00] CKT 1  
SINGLE 203 : OPEN LINE FROM BUS 636681 [58TAP 5 161.00] TO BUS 636685 [SB 74 5 161.00] CKT 1  
SINGLE 204 : OPEN LINE FROM BUS 636682 [SB 58 5 161.00] TO BUS 636683 [SB 76 5 161.00] CKT 1  
SINGLE 205 : OPEN LINE FROM BUS 636683 [SB 76 5 161.00] TO BUS 636685 [SB 74 5 161.00] CKT 1

SINGLE 206 : OPEN LINE FROM BUS 636685 [SB 74 5 161.00] TO BUS 636686 [SUB 77 5 161.00] CKT 1  
SINGLE 207 : OPEN LINE FROM BUS 636685 [SB 74 5 161.00] TO BUS 636690 [UTICA R5 161.00] CKT 1  
SINGLE 208 : OPEN LINE FROM BUS 636686 [SUB 77 5 161.00] TO BUS 636687 [SBHYC5 161.00] CKT 1  
SINGLE 209 : OPEN LINE FROM BUS 636690 [UTICA R5 161.00] TO BUS 636691 [SB 71 5 161.00] CKT 1  
SINGLE 210 : OPEN LINE FROM BUS 636691 [SB 71 5 161.00] TO BUS 636693 [SB 88 5 161.00] CKT 1  
SINGLE 211 : OPEN LINE FROM BUS 636692 [SB 70 5 161.00] TO BUS 636693 [SB 88 5 161.00] CKT 1  
SINGLE 212 : OPEN LINE FROM BUS 637191 [HAMPTON5 161.00] TO BUS 637201 [SHEFFLD5 161.00] CKT 1  
SINGLE 213 : OPEN LINE FROM BUS 637353 [HOPE 5 161.00] TO BUS 637423 [BURT 5 161.00] CKT 1  
SINGLE 214 : OPEN LINE FROM BUS 637423 [BURT 5 161.00] TO BUS 637527 [OSGOOD 5 161.00] CKT 1  
SINGLE 215 : OPEN LINE FROM BUS 637527 [OSGOOD 5 161.00] TO BUS 637570 [WISDOM 5 161.00] CKT 1  
SINGLE 216 : OPEN LINE FROM BUS 637570 [WISDOM 5 161.00] TO BUS 652563 [SPENCER5 161.00] CKT 1  
SINGLE 217 : OPEN LINE FROM BUS 638000 [AMES 5 161.00] TO BUS 638010 [STANGE 5 161.00] CKT 1  
SINGLE 218 : OPEN LINE FROM BUS 638030 [UNIONCF5 161.00] TO BUS 638040 [CFUINDP5 161.00] CKT 1  
SINGLE 220 : OPEN LINE FROM BUS 640050 [AINSWND7 115.00] TO BUS 640096 [CALAMS 7 115.00] CKT 1  
SINGLE 221 : OPEN LINE FROM BUS 640051 [AINSWRT7 115.00] TO BUS 640367 [STUART 7 115.00] CKT 1  
SINGLE 222 : OPEN LINE FROM BUS 640051 [AINSWRT7 115.00] TO BUS 640392 [VALENTN7 115.00] CKT 1  
SINGLE 223 : OPEN LINE FROM BUS 640054 [ALBION 7 115.00] TO BUS 640176 [FULERTN7 115.00] CKT 1  
SINGLE 224 : OPEN LINE FROM BUS 640054 [ALBION 7 115.00] TO BUS 640181 [GENOA 7 115.00] CKT 1  
SINGLE 225 : OPEN LINE FROM BUS 640054 [ALBION 7 115.00] TO BUS 640318 [PETRSBG7 115.00] CKT 1  
SINGLE 226 : OPEN LINE FROM BUS 640054 [ALBION 7 115.00] TO BUS 640347 [SPALDNG7 115.00] CKT 1  
SINGLE 227 : OPEN LINE FROM BUS 640056 [ALDA 7 115.00] TO BUS 640323 [RAVENNA7 115.00] CKT 1  
SINGLE 228 : OPEN LINE FROM BUS 640056 [ALDA 7 115.00] TO BUS 642068 [SUB-A 7 115.00] CKT 1  
SINGLE 229 : OPEN LINE FROM BUS 640058 [ATKINSN7 115.00] TO BUS 640165 [EMMET 7 115.00] CKT 1  
SINGLE 230 : OPEN LINE FROM BUS 640058 [ATKINSN7 115.00] TO BUS 640367 [STUART 7 115.00] CKT 1  
SINGLE 231 : OPEN LINE FROM BUS 640063 [AURORA\_7 115.00] TO BUS 640201 [GR ISLD7 115.00] CKT 1  
SINGLE 232 : OPEN LINE FROM BUS 640063 [AURORA\_7 115.00] TO BUS 640411 [YORK 7 115.00] CKT 1  
SINGLE 233 : OPEN LINE FROM BUS 640065 [AXTELL 3 345.00] TO BUS 640312 [PAULINE3 345.00] CKT 1  
SINGLE 234 : OPEN LINE FROM BUS 640065 [AXTELL 3 345.00] TO BUS 640374 [SWEET W3 345.00] CKT 1  
SINGLE 235 : OPEN LINE FROM BUS 640066 [AXTELL 7 115.00] TO BUS 640224 [HOLDREG7 115.00] CKT 1  
SINGLE 236 : OPEN LINE FROM BUS 640066 [AXTELL 7 115.00] TO BUS 640250 [KEARNEY7 115.00] CKT 1  
SINGLE 237 : OPEN LINE FROM BUS 640066 [AXTELL 7 115.00] TO BUS 640275 [MINDEN 7 115.00] CKT 1  
SINGLE 238 : OPEN LINE FROM BUS 640068 [B.SPRGS7 115.00] TO BUS 640086 [BLUECK 7 115.00] CKT 1  
SINGLE 239 : OPEN LINE FROM BUS 640068 [B.SPRGS7 115.00] TO BUS 640091 [BRULE 7 115.00] CKT 1  
SINGLE 240 : OPEN LINE FROM BUS 640068 [B.SPRGS7 115.00] TO BUS 640246 [JULSTAP7 115.00] CKT 1  
SINGLE 241 : OPEN LINE FROM BUS 640070 [BANCRAFT7 115.00] TO BUS 640163 [EMERSON7 115.00] CKT 1  
SINGLE 242 : OPEN LINE FROM BUS 640070 [BANCRAFT7 115.00] TO BUS 640300 [OAKLAND7 115.00] CKT 1  
SINGLE 243 : OPEN LINE FROM BUS 640072 [BATTLER7 115.00] TO BUS 640115 [CO.LINE7 115.00] CKT 1  
SINGLE 244 : OPEN LINE FROM BUS 640072 [BATTLER7 115.00] TO BUS 640296 [NORFK.N7 115.00] CKT 1  
SINGLE 245 : OPEN LINE FROM BUS 640074 [BEAT. S7 115.00] TO BUS 640076 [BEATRCE7 115.00] CKT 1  
SINGLE 246 : OPEN LINE FROM BUS 640076 [BEATRCE7 115.00] TO BUS 640088 [BPS SUB7 115.00] CKT 1  
SINGLE 247 : OPEN LINE FROM BUS 640076 [BEATRCE7 115.00] TO BUS 640088 [BPS SUB7 115.00] CKT 2  
SINGLE 248 : OPEN LINE FROM BUS 640076 [BEATRCE7 115.00] TO BUS 640208 [HARBINE7 115.00] CKT 1  
SINGLE 249 : OPEN LINE FROM BUS 640076 [BEATRCE7 115.00] TO BUS 640361 [STEINER7 115.00] CKT 1  
SINGLE 250 : OPEN LINE FROM BUS 640078 [BEEMER 7 115.00] TO BUS 640357 [STANTON7 115.00] CKT 1  
SINGLE 251 : OPEN LINE FROM BUS 640078 [BEEMER 7 115.00] TO BUS 640400 [W.POINT7 115.00] CKT 1  
SINGLE 252 : OPEN LINE FROM BUS 640080 [BELDEN 7 115.00] TO BUS 640084 [BLMFLD 7 115.00] CKT 1  
SINGLE 253 : OPEN LINE FROM BUS 640080 [BELDEN 7 115.00] TO BUS 640212 [HARTGTN7 115.00] CKT 1  
SINGLE 254 : OPEN LINE FROM BUS 640080 [BELDEN 7 115.00] TO BUS 640228 [HOSKINS7 115.00] CKT 1

SINGLE 255 : OPEN LINE FROM BUS 640080 [BELDEN 7 115.00] TO BUS 640387 [TWIN CH7 115.00] CKT 1  
SINGLE 256 : OPEN LINE FROM BUS 640082 [BEVERLY7 115.00] TO BUS 640167 [ENDERS 7 115.00] CKT 1  
SINGLE 257 : OPEN LINE FROM BUS 640082 [BEVERLY7 115.00] TO BUS 640326 [REDWILO7 115.00] CKT 1  
SINGLE 258 : OPEN LINE FROM BUS 640084 [BLMFLD 7 115.00] TO BUS 640149 [CREITON7 115.00] CKT 1  
SINGLE 259 : OPEN LINE FROM BUS 640084 [BLMFLD 7 115.00] TO BUS 652511 [GAVINS 7 115.00] CKT 1  
SINGLE 260 : OPEN LINE FROM BUS 640086 [BLUECK 7 115.00] TO BUS 659193 [W.HORSE7 115.00] CKT 1  
SINGLE 261 : OPEN LINE FROM BUS 640088 [BPS SUB7 115.00] TO BUS 640111 [CLATONA7 115.00] CKT 1  
SINGLE 262 : OPEN LINE FROM BUS 640088 [BPS SUB7 115.00] TO BUS 640278 [SHELDON7 115.00] CKT 1  
SINGLE 263 : OPEN LINE FROM BUS 640089 [BROKENB7 115.00] TO BUS 640094 [C.CREEK7 115.00] CKT 1  
SINGLE 264 : OPEN LINE FROM BUS 640089 [BROKENB7 115.00] TO BUS 640098 [CALAWAY7 115.00] CKT 1  
SINGLE 265 : OPEN LINE FROM BUS 640089 [BROKENB7 115.00] TO BUS 640259 [LOUPCTY7 115.00] CKT 1  
SINGLE 266 : OPEN LINE FROM BUS 640091 [BRULE 7 115.00] TO BUS 659132 [OGALALA7 115.00] CKT 1  
SINGLE 267 : OPEN LINE FROM BUS 640093 [C.CREEK4 230.00] TO BUS 640094 [C.CREEK7 115.00] CKT 1  
SINGLE 268 : OPEN LINE FROM BUS 640093 [C.CREEK4 230.00] TO BUS 640102 [CANADAY4 230.00] CKT 1  
SINGLE 269 : OPEN LINE FROM BUS 640093 [C.CREEK4 230.00] TO BUS 640286 [N.PLATT4 230.00] CKT 1  
SINGLE 270 : OPEN LINE FROM BUS 640093 [C.CREEK4 230.00] TO BUS 640330 [RIVERDL4 230.00] CKT 1  
SINGLE 271 : OPEN LINE FROM BUS 640096 [CALAMS 7 115.00] TO BUS 640381 [THEDFRD7 115.00] CKT 1  
SINGLE 272 : OPEN LINE FROM BUS 640098 [CALAWAY7 115.00] TO BUS 640267 [MAXWELS7 115.00] CKT 1  
SINGLE 273 : OPEN LINE FROM BUS 640100 [CAMBRIG7 115.00] TO BUS 640194 [GOSPER 7 115.00] CKT 1  
SINGLE 274 : OPEN LINE FROM BUS 640100 [CAMBRIG7 115.00] TO BUS 640269 [MCCOOK 7 115.00] CKT 1  
SINGLE 275 : OPEN LINE FROM BUS 640103 [CANADAY7 115.00] TO BUS 640161 [ELMCRK\_7 115.00] CKT 1  
SINGLE 276 : OPEN LINE FROM BUS 640103 [CANADAY7 115.00] TO BUS 640242 [JOHN.2 7 115.00] CKT 1  
SINGLE 277 : OPEN LINE FROM BUS 640103 [CANADAY7 115.00] TO BUS 640242 [JOHN.2 7 115.00] CKT 2  
SINGLE 278 : OPEN LINE FROM BUS 640103 [CANADAY7 115.00] TO BUS 640256 [LXNGTN 7 115.00] CKT 1  
SINGLE 279 : OPEN LINE FROM BUS 640105 [CARLJCT7 115.00] TO BUS 640178 [GENEVA 7 115.00] CKT 1  
SINGLE 280 : OPEN LINE FROM BUS 640105 [CARLJCT7 115.00] TO BUS 640218 [HEBRN N7 115.00] CKT 1  
SINGLE 281 : OPEN LINE FROM BUS 640107 [CENCITY7 115.00] TO BUS 640201 [GR ISLD7 115.00] CKT 1  
SINGLE 282 : OPEN LINE FROM BUS 640107 [CENCITY7 115.00] TO BUS 640345 [SILVRCK7 115.00] CKT 1  
SINGLE 283 : OPEN LINE FROM BUS 640109 [CHADRON7 115.00] TO BUS 640147 [CRAWFRD7 115.00] CKT 1  
SINGLE 284 : OPEN LINE FROM BUS 640109 [CHADRON7 115.00] TO BUS 640334 [RUSHVIL7 115.00] CKT 1  
SINGLE 285 : OPEN LINE FROM BUS 640109 [CHADRON7 115.00] TO BUS 640405 [WAYSIDE7 115.00] CKT 1  
SINGLE 286 : OPEN LINE FROM BUS 640109 [CHADRON7 115.00] TO BUS 652311 [DUNLAP 7 115.00] CKT 1  
SINGLE 287 : OPEN LINE FROM BUS 640111 [CLATONA7 115.00] TO BUS 640278 [SHELDON7 115.00] CKT 1  
SINGLE 288 : OPEN LINE FROM BUS 640113 [CLRWATR7 115.00] TO BUS 640293 [NELIGH 7 115.00] CKT 1  
SINGLE 289 : OPEN LINE FROM BUS 640113 [CLRWATR7 115.00] TO BUS 640305 [ONEILL 7 115.00] CKT 1  
SINGLE 290 : OPEN LINE FROM BUS 640115 [CO.LINE7 115.00] TO BUS 640293 [NELIGH 7 115.00] CKT 1  
SINGLE 291 : OPEN LINE FROM BUS 640117 [CODY 7 115.00] TO BUS 640394 [VALTN.W7 115.00] CKT 1  
SINGLE 292 : OPEN LINE FROM BUS 640119 [COL.COG7 115.00] TO BUS 640122 [COL.DRY7 115.00] CKT 1  
SINGLE 293 : OPEN LINE FROM BUS 640119 [COL.COG7 115.00] TO BUS 640122 [COL.DRY7 115.00] CKT 2  
SINGLE 294 : OPEN LINE FROM BUS 640119 [COL.COG7 115.00] TO BUS 640124 [COL.SE 7 115.00] CKT 1  
SINGLE 295 : OPEN LINE FROM BUS 640119 [COL.COG7 115.00] TO BUS 640127 [COLMB.E7 115.00] CKT 1  
SINGLE 296 : OPEN LINE FROM BUS 640124 [COL.SE 7 115.00] TO BUS 640136 [COLMBUS7 115.00] CKT 1  
SINGLE 297 : OPEN LINE FROM BUS 640124 [COL.SE 7 115.00] TO BUS 640328 [RISNGCY7 115.00] CKT 1  
SINGLE 298 : OPEN LINE FROM BUS 640125 [COLMB.E3 345.00] TO BUS 640342 [SHELCKR3 345.00] CKT 1  
SINGLE 299 : OPEN LINE FROM BUS 640125 [COLMB.E3 345.00] TO BUS 650114 [NW68HOLDRG3 345.00] CKT 1  
SINGLE 300 : OPEN LINE FROM BUS 640126 [E.COL. 4 230.00] TO BUS 640127 [COLMB.E7 115.00] CKT 1  
SINGLE 301 : OPEN LINE FROM BUS 640126 [E.COL. 4 230.00] TO BUS 640133 [COLMBUS4 230.00] CKT 1  
SINGLE 302 : OPEN LINE FROM BUS 640127 [COLMB.E7 115.00] TO BUS 640136 [COLMBUS7 115.00] CKT 1

SINGLE 303 : OPEN LINE FROM BUS 640127 [COLMB.E7 115.00] TO BUS 640157 [DAVIDCY7 115.00] CKT 1  
SINGLE 304 : OPEN LINE FROM BUS 640131 [COLMB.W4 230.00] TO BUS 640133 [COLMBUS4 230.00] CKT 1  
SINGLE 305 : OPEN LINE FROM BUS 640131 [COLMB.W4 230.00] TO BUS 640200 [GR ISLD4 230.00] CKT 1  
SINGLE 306 : OPEN LINE FROM BUS 640133 [COLMBUS4 230.00] TO BUS 640343 [SHELCRK4 230.00] CKT 1  
SINGLE 307 : OPEN LINE FROM BUS 640133 [COLMBUS4 230.00] TO BUS 643000 [MADISONCNTY4230.00] CKT 1  
SINGLE 308 : OPEN LINE FROM BUS 640134 [KELLY 7 115.00] TO BUS 640136 [COLMBUS7 115.00] CKT 1  
SINGLE 309 : OPEN LINE FROM BUS 640136 [COLMBUS7 115.00] TO BUS 640151 [CRESTON7 115.00] CKT 1  
SINGLE 310 : OPEN LINE FROM BUS 640136 [COLMBUS7 115.00] TO BUS 640181 [GENOA 7 115.00] CKT 1  
SINGLE 311 : OPEN LINE FROM BUS 640136 [COLMBUS7 115.00] TO BUS 640336 [SCHUYLR7 115.00] CKT 1  
SINGLE 312 : OPEN LINE FROM BUS 640136 [COLMBUS7 115.00] TO BUS 640345 [SILVRCK7 115.00] CKT 1  
SINGLE 313 : OPEN LINE FROM BUS 640139 [COOPER 3 345.00] TO BUS 640277 [MOORE 3 345.00] CKT 1  
SINGLE 314 : OPEN LINE FROM BUS 640139 [COOPER 3 345.00] TO BUS 645458 [S3458 3 345.00] CKT 1  
SINGLE 315 : OPEN LINE FROM BUS 640140 [COOPER 5 161.00] TO BUS 646280 [S1280 5 161.00] CKT 1  
SINGLE 316 : OPEN LINE FROM BUS 640144 [COZAD 7 115.00] TO BUS 640196 [GOTHNBG7 115.00] CKT 1  
SINGLE 317 : OPEN LINE FROM BUS 640144 [COZAD 7 115.00] TO BUS 640407 [WESTMIN7 115.00] CKT 1  
SINGLE 318 : OPEN LINE FROM BUS 640147 [CRAWFRD7 115.00] TO BUS 640397 [VICTRYH7 115.00] CKT 1  
SINGLE 319 : OPEN LINE FROM BUS 640149 [CREITON7 115.00] TO BUS 640293 [NELIGH 7 115.00] CKT 1  
SINGLE 320 : OPEN LINE FROM BUS 640151 [CRESTON7 115.00] TO BUS 640263 [MADISON7 115.00] CKT 1  
SINGLE 321 : OPEN LINE FROM BUS 640153 [CRETE\_\_7 115.00] TO BUS 640174 [FRIEND 7 115.00] CKT 1  
SINGLE 322 : OPEN LINE FROM BUS 640153 [CRETE\_\_7 115.00] TO BUS 640278 [SHELDON7 115.00] CKT 1  
SINGLE 323 : OPEN LINE FROM BUS 640155 [DAVEY 7 115.00] TO BUS 640402 [WAHOO 7 115.00] CKT 1  
SINGLE 324 : OPEN LINE FROM BUS 640155 [DAVEY 7 115.00] TO BUS 650269 [70&BLUFF 7 115.00] CKT 1  
SINGLE 325 : OPEN LINE FROM BUS 640157 [DAVIDCY7 115.00] TO BUS 640402 [WAHOO 7 115.00] CKT 1  
SINGLE 326 : OPEN LINE FROM BUS 640159 [DONIPH7 115.00] TO BUS 640282 [N.HAST 7 115.00] CKT 1  
SINGLE 327 : OPEN LINE FROM BUS 640159 [DONIPH7 115.00] TO BUS 642071 [SUB-D 7 115.00] CKT 1  
SINGLE 328 : OPEN LINE FROM BUS 640161 [ELMCRK\_7 115.00] TO BUS 640250 [KEARNEY7 115.00] CKT 1  
SINGLE 329 : OPEN LINE FROM BUS 640163 [EMERSON7 115.00] TO BUS 640387 [TWIN CH7 115.00] CKT 1  
SINGLE 330 : OPEN LINE FROM BUS 640165 [EMMET 7 115.00] TO BUS 640305 [ONEILL 7 115.00] CKT 1  
SINGLE 331 : OPEN LINE FROM BUS 640167 [ENDERS 7 115.00] TO BUS 659130 [GRANTNB7 115.00] CKT 1  
SINGLE 332 : OPEN LINE FROM BUS 640167 [ENDERS 7 115.00] TO BUS 659244 [ATHEY 7 115.00] CKT 1  
SINGLE 333 : OPEN LINE FROM BUS 640169 [FAIRBRY7 115.00] TO BUS 640208 [HARBINE7 115.00] CKT 1  
SINGLE 334 : OPEN LINE FROM BUS 640169 [FAIRBRY7 115.00] TO BUS 640218 [HEBRN N7 115.00] CKT 1  
SINGLE 335 : OPEN LINE FROM BUS 640171 [FIRTH 7 115.00] TO BUS 640278 [SHELDON7 115.00] CKT 1  
SINGLE 336 : OPEN LINE FROM BUS 640171 [FIRTH 7 115.00] TO BUS 640362 [STERLNG7 115.00] CKT 1  
SINGLE 337 : OPEN LINE FROM BUS 640173 [FREMONT7 115.00] TO BUS 640281 [N.BEND 7 115.00] CKT 1  
SINGLE 338 : OPEN LINE FROM BUS 640173 [FREMONT7 115.00] TO BUS 640409 [WINSLOW7 115.00] CKT 1  
SINGLE 339 : OPEN LINE FROM BUS 640173 [FREMONT7 115.00] TO BUS 647976 [S976 8 69.000] CKT 1  
SINGLE 340 : OPEN LINE FROM BUS 640173 [FREMONT7 115.00] TO BUS 647976 [S976 8 69.000] CKT 4  
SINGLE 341 : OPEN LINE FROM BUS 640174 [FRIEND 7 115.00] TO BUS 640178 [GENEVA 7 115.00] CKT 1  
SINGLE 342 : OPEN LINE FROM BUS 640178 [GENEVA 7 115.00] TO BUS 640272 [MCCOOL 7 115.00] CKT 1  
SINGLE 343 : OPEN LINE FROM BUS 640178 [GENEVA 7 115.00] TO BUS 640372 [SUTTON 7 115.00] CKT 1  
SINGLE 344 : OPEN LINE FROM BUS 640183 [GENTLMN3 345.00] TO BUS 640184 [GENTLMN4 230.00] CKT 2  
SINGLE 345 : OPEN LINE FROM BUS 640183 [GENTLMN3 345.00] TO BUS 640252 [KEYSTON3 345.00] CKT 1  
SINGLE 346 : OPEN LINE FROM BUS 640183 [GENTLMN3 345.00] TO BUS 640325 [REDWILO3 345.00] CKT 1  
SINGLE 347 : OPEN LINE FROM BUS 640183 [GENTLMN3 345.00] TO BUS 640374 [SWEET W3 345.00] CKT 1  
SINGLE 348 : OPEN LINE FROM BUS 640183 [GENTLMN3 345.00] TO BUS 640374 [SWEET W3 345.00] CKT 2  
SINGLE 349 : OPEN LINE FROM BUS 640184 [GENTLMN4 230.00] TO BUS 640286 [N.PLATT4 230.00] CKT 1  
SINGLE 350 : OPEN LINE FROM BUS 640184 [GENTLMN4 230.00] TO BUS 640286 [N.PLATT4 230.00] CKT 2

SINGLE 351 : OPEN LINE FROM BUS 640184 [GENTLMN4 230.00] TO BUS 640286 [N.PLATT4 230.00] CKT 3  
SINGLE 352 : OPEN LINE FROM BUS 640184 [GENTLMN4 230.00] TO BUS 640302 [OGALALA4 230.00] CKT 1  
SINGLE 353 : OPEN LINE FROM BUS 640192 [GORDON 7 115.00] TO BUS 640334 [RUSHVIL7 115.00] CKT 1  
SINGLE 354 : OPEN LINE FROM BUS 640192 [GORDON 7 115.00] TO BUS 659152 [SHAN-SD7 115.00] CKT 1  
SINGLE 355 : OPEN LINE FROM BUS 640194 [GOSPER 7 115.00] TO BUS 640242 [JOHN.2 7 115.00] CKT 1  
SINGLE 356 : OPEN LINE FROM BUS 640196 [GOTHNBG7 115.00] TO BUS 640238 [JEFFREY7 115.00] CKT 1  
SINGLE 357 : OPEN LINE FROM BUS 640200 [GR ISLD4 230.00] TO BUS 640201 [GR ISLD7 115.00] CKT 2  
SINGLE 358 : OPEN LINE FROM BUS 640200 [GR ISLD4 230.00] TO BUS 640214 [HASTING4 230.00] CKT 1  
SINGLE 359 : OPEN LINE FROM BUS 640200 [GR ISLD4 230.00] TO BUS 640330 [RIVERDL4 230.00] CKT 1  
SINGLE 360 : OPEN LINE FROM BUS 640200 [GR ISLD4 230.00] TO BUS 652571 [GR ISLD3 345.00] CKT 3  
SINGLE 361 : OPEN LINE FROM BUS 640201 [GR ISLD7 115.00] TO BUS 640353 [ST.LIB 7 115.00] CKT 1  
SINGLE 362 : OPEN LINE FROM BUS 640201 [GR ISLD7 115.00] TO BUS 642071 [SUB-D 7 115.00] CKT 1  
SINGLE 363 : OPEN LINE FROM BUS 640201 [GR ISLD7 115.00] TO BUS 642072 [SUB-E 7 115.00] CKT 1  
SINGLE 364 : OPEN LINE FROM BUS 640206 [GUIDE R7 115.00] TO BUS 640313 [PAULINE7 115.00] CKT 1  
SINGLE 365 : OPEN LINE FROM BUS 640206 [GUIDE R7 115.00] TO BUS 640368 [SUPEROR7 115.00] CKT 1  
SINGLE 366 : OPEN LINE FROM BUS 640208 [HARBINE7 115.00] TO BUS 640426 [STEELEC7 115.00] CKT 1  
SINGLE 367 : OPEN LINE FROM BUS 640210 [HARMONY7 115.00] TO BUS 640351 [ST.FRANC 115.00] CKT 1  
SINGLE 368 : OPEN LINE FROM BUS 640210 [HARMONY7 115.00] TO BUS 640392 [VALENTN7 115.00] CKT 1  
SINGLE 369 : OPEN LINE FROM BUS 640212 [HARTGTN7 115.00] TO BUS 652511 [GAVINS 7 115.00] CKT 1  
SINGLE 370 : OPEN LINE FROM BUS 640214 [HASTING4 230.00] TO BUS 641088 [HASTCTY7 115.00] CKT 1  
SINGLE 371 : OPEN LINE FROM BUS 640215 [HASTING7 115.00] TO BUS 640313 [PAULINE7 115.00] CKT 1  
SINGLE 372 : OPEN LINE FROM BUS 640215 [HASTING7 115.00] TO BUS 640313 [PAULINE7 115.00] CKT 2  
SINGLE 373 : OPEN LINE FROM BUS 640215 [HASTING7 115.00] TO BUS 641088 [HASTCTY7 115.00] CKT 1  
SINGLE 374 : OPEN LINE FROM BUS 640218 [HEBRN N7 115.00] TO BUS 640220 [HEBRON 7 115.00] CKT 1  
SINGLE 375 : OPEN LINE FROM BUS 640220 [HEBRON 7 115.00] TO BUS 640368 [SUPEROR7 115.00] CKT 1  
SINGLE 376 : OPEN LINE FROM BUS 640222 [HILDRTH7 115.00] TO BUS 640224 [HOLDREG7 115.00] CKT 1  
SINGLE 377 : OPEN LINE FROM BUS 640222 [HILDRTH7 115.00] TO BUS 640313 [PAULINE7 115.00] CKT 1  
SINGLE 378 : OPEN LINE FROM BUS 640224 [HOLDREG7 115.00] TO BUS 640242 [JOHN.2 7 115.00] CKT 1  
SINGLE 379 : OPEN LINE FROM BUS 640224 [HOLDREG7 115.00] TO BUS 640310 [ORLEANS7 115.00] CKT 1  
SINGLE 380 : OPEN LINE FROM BUS 640226 [HOSKINS3 345.00] TO BUS 640227 [HOSKINS4 230.00] CKT 1  
SINGLE 381 : OPEN LINE FROM BUS 640226 [HOSKINS3 345.00] TO BUS 640342 [SHELCKR3 345.00] CKT 1  
SINGLE 382 : OPEN LINE FROM BUS 640227 [HOSKINS4 230.00] TO BUS 640228 [HOSKINS7 115.00] CKT 1  
SINGLE 383 : OPEN LINE FROM BUS 640227 [HOSKINS4 230.00] TO BUS 640386 [TWIN CH4 230.00] CKT 1  
SINGLE 384 : OPEN LINE FROM BUS 640228 [HOSKINS7 115.00] TO BUS 640296 [NORFK.N7 115.00] CKT 1  
SINGLE 385 : OPEN LINE FROM BUS 640228 [HOSKINS7 115.00] TO BUS 640298 [NORFOLK7 115.00] CKT 1  
SINGLE 386 : OPEN LINE FROM BUS 640228 [HOSKINS7 115.00] TO BUS 640363 [STNTN.N7 115.00] CKT 1  
SINGLE 387 : OPEN LINE FROM BUS 640234 [HUMBOLT5 161.00] TO BUS 640235 [HUMBOLT7 115.00] CKT 1  
SINGLE 388 : OPEN LINE FROM BUS 640234 [HUMBOLT5 161.00] TO BUS 646280 [S1280 5 161.00] CKT 1  
SINGLE 389 : OPEN LINE FROM BUS 640235 [HUMBOLT7 115.00] TO BUS 640361 [STEINER7 115.00] CKT 1  
SINGLE 390 : OPEN LINE FROM BUS 640238 [JEFFREY7 115.00] TO BUS 640240 [JOHN.1 7 115.00] CKT 1  
SINGLE 391 : OPEN LINE FROM BUS 640238 [JEFFREY7 115.00] TO BUS 640287 [N.PLATT7 115.00] CKT 1  
SINGLE 392 : OPEN LINE FROM BUS 640240 [JOHN.1 7 115.00] TO BUS 640244 [JOHN.LK7 115.00] CKT 1  
SINGLE 393 : OPEN LINE FROM BUS 640242 [JOHN.2 7 115.00] TO BUS 640244 [JOHN.LK7 115.00] CKT 1  
SINGLE 394 : OPEN LINE FROM BUS 640242 [JOHN.2 7 115.00] TO BUS 640407 [WESTMIN7 115.00] CKT 1  
SINGLE 395 : OPEN LINE FROM BUS 640246 [JULSTAP7 115.00] TO BUS 652300 [CHAPPEL7 115.00] CKT 1  
SINGLE 396 : OPEN LINE FROM BUS 640246 [JULSTAP7 115.00] TO BUS 652302 [JULESBG7 115.00] CKT 1  
SINGLE 397 : OPEN LINE FROM BUS 640248 [KEAR.NE7 115.00] TO BUS 640250 [KEARNEY7 115.00] CKT 1  
SINGLE 398 : OPEN LINE FROM BUS 640248 [KEAR.NE7 115.00] TO BUS 640331 [RIVERDL7 115.00] CKT 1

SINGLE 399 : OPEN LINE FROM BUS 640250 [KEARNEY7 115.00] TO BUS 640261 [LOWELL 7 115.00] CKT 1  
SINGLE 400 : OPEN LINE FROM BUS 640250 [KEARNEY7 115.00] TO BUS 640383 [TOWER 7 115.00] CKT 1  
SINGLE 401 : OPEN LINE FROM BUS 640252 [KEYSTON3 345.00] TO BUS 659133 [SIDNEY 3 345.00] CKT 1  
SINGLE 402 : OPEN LINE FROM BUS 640253 [KEYSTON7 115.00] TO BUS 640255 [KINGSLY7 115.00] CKT 1  
SINGLE 403 : OPEN LINE FROM BUS 640253 [KEYSTON7 115.00] TO BUS 659132 [OGALALA7 115.00] CKT 1  
SINGLE 404 : OPEN LINE FROM BUS 640256 [LXNGTN 7 115.00] TO BUS 640331 [RIVERDL7 115.00] CKT 1  
SINGLE 405 : OPEN LINE FROM BUS 640259 [LOUPCTY7 115.00] TO BUS 640284 [N.LOUP 7 115.00] CKT 1  
SINGLE 406 : OPEN LINE FROM BUS 640259 [LOUPCTY7 115.00] TO BUS 640353 [ST.LIB 7 115.00] CKT 1  
SINGLE 407 : OPEN LINE FROM BUS 640261 [LOWELL 7 115.00] TO BUS 640275 [MINDEN 7 115.00] CKT 1  
SINGLE 408 : OPEN LINE FROM BUS 640261 [LOWELL 7 115.00] TO BUS 640321 [PROSSER7 115.00] CKT 1  
SINGLE 409 : OPEN LINE FROM BUS 640263 [MADISON7 115.00] TO BUS 640298 [NORFOLK7 115.00] CKT 1  
SINGLE 410 : OPEN LINE FROM BUS 640263 [MADISON7 115.00] TO BUS 643001 [MADISONCNTY7115.00] CKT 1  
SINGLE 411 : OPEN LINE FROM BUS 640265 [MALONEY7 115.00] TO BUS 640287 [N.PLATT7 115.00] CKT 1  
SINGLE 412 : OPEN LINE FROM BUS 640265 [MALONEY7 115.00] TO BUS 640370 [SUTHLND7 115.00] CKT 1  
SINGLE 413 : OPEN LINE FROM BUS 640267 [MAXWELS7 115.00] TO BUS 640287 [N.PLATT7 115.00] CKT 1  
SINGLE 414 : OPEN LINE FROM BUS 640267 [MAXWELS7 115.00] TO BUS 640381 [THEDFRD7 115.00] CKT 1  
SINGLE 415 : OPEN LINE FROM BUS 640269 [MCCOOK 7 115.00] TO BUS 640326 [REDWILO7 115.00] CKT 1  
SINGLE 416 : OPEN LINE FROM BUS 640269 [MCCOOK 7 115.00] TO BUS 640326 [REDWILO7 115.00] CKT 2  
SINGLE 417 : OPEN LINE FROM BUS 640271 [MCCOOL 3 345.00] TO BUS 640277 [MOORE 3 345.00] CKT 1  
SINGLE 418 : OPEN LINE FROM BUS 640271 [MCCOOL 3 345.00] TO BUS 652571 [GR ISLD3 345.00] CKT 1  
SINGLE 419 : OPEN LINE FROM BUS 640272 [MCCOOL 7 115.00] TO BUS 640413 [YORK SW7 115.00] CKT 1  
SINGLE 420 : OPEN LINE FROM BUS 640277 [MOORE 3 345.00] TO BUS 640312 [PAULINE3 345.00] CKT 1  
SINGLE 421 : OPEN LINE FROM BUS 640277 [MOORE 3 345.00] TO BUS 650114 [NW68HOLDRG3 345.00] CKT 1  
SINGLE 422 : OPEN LINE FROM BUS 640277 [MOORE 3 345.00] TO BUS 650189 [103&ROKEBY3 345.00] CKT 1  
SINGLE 423 : OPEN LINE FROM BUS 640278 [SHELDON7 115.00] TO BUS 650230 [2&N 7 115.00] CKT 1  
SINGLE 424 : OPEN LINE FROM BUS 640281 [N.BEND 7 115.00] TO BUS 640336 [SCHUYLR7 115.00] CKT 1  
SINGLE 425 : OPEN LINE FROM BUS 640281 [N.BEND 7 115.00] TO BUS 648400 [N.BD A9 13.800] CKT 1  
SINGLE 426 : OPEN LINE FROM BUS 640281 [N.BEND 7 115.00] TO BUS 648401 [N.BD B9 13.800] CKT 1  
SINGLE 427 : OPEN LINE FROM BUS 640282 [N.HAST 7 115.00] TO BUS 640321 [PROSSER7 115.00] CKT 1  
SINGLE 428 : OPEN LINE FROM BUS 640282 [N.HAST 7 115.00] TO BUS 641082 [BYPASS 7 115.00] CKT 1  
SINGLE 429 : OPEN LINE FROM BUS 640284 [N.LOUP 7 115.00] TO BUS 640308 [ORD 7 115.00] CKT 1  
SINGLE 430 : OPEN LINE FROM BUS 640284 [N.LOUP 7 115.00] TO BUS 640347 [SPALDNG7 115.00] CKT 1  
SINGLE 431 : OPEN LINE FROM BUS 640286 [N.PLATT4 230.00] TO BUS 640287 [N.PLATT7 115.00] CKT 2  
SINGLE 432 : OPEN LINE FROM BUS 640287 [N.PLATT7 115.00] TO BUS 640365 [STOCKVL7 115.00] CKT 1  
SINGLE 433 : OPEN LINE FROM BUS 640293 [NELIGH 7 115.00] TO BUS 640444 [PETERSBRG.N7115.00] CKT 1  
SINGLE 434 : OPEN LINE FROM BUS 640296 [NORFK.N7 115.00] TO BUS 640298 [NORFOLK7 115.00] CKT 1  
SINGLE 435 : OPEN LINE FROM BUS 640298 [NORFOLK7 115.00] TO BUS 643001 [MADISONCNTY7115.00] CKT 1  
SINGLE 436 : OPEN LINE FROM BUS 640300 [OAKLAND7 115.00] TO BUS 640378 [TEKAMAH7 115.00] CKT 1  
SINGLE 437 : OPEN LINE FROM BUS 640300 [OAKLAND7 115.00] TO BUS 640400 [W.POINT7 115.00] CKT 1  
SINGLE 438 : OPEN LINE FROM BUS 640300 [OAKLAND7 115.00] TO BUS 640409 [WINSLOW7 115.00] CKT 1  
SINGLE 439 : OPEN LINE FROM BUS 640302 [OGALALA4 230.00] TO BUS 659132 [OGALALA7 115.00] CKT 1  
SINGLE 440 : OPEN LINE FROM BUS 640302 [OGALALA4 230.00] TO BUS 659134 [SIDNEY 4 230.00] CKT 1  
SINGLE 441 : OPEN LINE FROM BUS 640305 [ONEILL 7 115.00] TO BUS 640349 [SPENCER7 115.00] CKT 1  
SINGLE 442 : OPEN LINE FROM BUS 640316 [PAWNEEL7 115.00] TO BUS 640340 [SEWARD 7 115.00] CKT 1  
SINGLE 443 : OPEN LINE FROM BUS 640316 [PAWNEEL7 115.00] TO BUS 650214 [NW68HOLDRG7 115.00] CKT 1  
SINGLE 444 : OPEN LINE FROM BUS 640318 [PETRSBG7 115.00] TO BUS 640444 [PETERSBRG.N7115.00] CKT 1  
SINGLE 445 : OPEN LINE FROM BUS 640323 [RAVENNA7 115.00] TO BUS 640331 [RIVERDL7 115.00] CKT 1  
SINGLE 446 : OPEN LINE FROM BUS 640326 [REDWILO7 115.00] TO BUS 640365 [STOCKVL7 115.00] CKT 1

SINGLE 447 : OPEN LINE FROM BUS 640328 [RISNGCY7 115.00] TO BUS 640340 [SEWARD 7 115.00] CKT 1  
SINGLE 448 : OPEN LINE FROM BUS 640330 [RIVERDL4 230.00] TO BUS 640331 [RIVERDL7 115.00] CKT 1  
SINGLE 449 : OPEN LINE FROM BUS 640331 [RIVERDL7 115.00] TO BUS 640383 [TOWER 7 115.00] CKT 1  
SINGLE 450 : OPEN LINE FROM BUS 640338 [SCOTBLF7 115.00] TO BUS 640397 [VICTRYH7 115.00] CKT 1  
SINGLE 451 : OPEN LINE FROM BUS 640338 [SCOTBLF7 115.00] TO BUS 659242 [GERINGT7 115.00] CKT 1  
SINGLE 452 : OPEN LINE FROM BUS 640340 [SEWARD 7 115.00] TO BUS 640375 [TAMORA 7 115.00] CKT 1  
SINGLE 453 : OPEN LINE FROM BUS 640342 [SHELCKR3 345.00] TO BUS 640343 [SHELCKR4 230.00] CKT 1  
SINGLE 454 : OPEN LINE FROM BUS 640349 [SPENCER7 115.00] TO BUS 652510 [FTRANDL7 115.00] CKT 1  
SINGLE 455 : OPEN LINE FROM BUS 640351 [ST.FRANC 115.00] TO BUS 652482 [MISSION7 115.00] CKT 1  
SINGLE 456 : OPEN LINE FROM BUS 640353 [ST.LIB 7 115.00] TO BUS 640355 [ST.PAUL7 115.00] CKT 1  
SINGLE 457 : OPEN LINE FROM BUS 640357 [STANTON7 115.00] TO BUS 640363 [STNTN.N7 115.00] CKT 1  
SINGLE 458 : OPEN LINE FROM BUS 640362 [STERLNG7 115.00] TO BUS 647974 [S974 8 69.000] CKT 1  
SINGLE 459 : OPEN LINE FROM BUS 640370 [SUTHLND7 115.00] TO BUS 659186 [PAXTON 7 115.00] CKT 1  
SINGLE 460 : OPEN LINE FROM BUS 640372 [SUTTON 7 115.00] TO BUS 641087 [EGYCNTR7 115.00] CKT 1  
SINGLE 461 : OPEN LINE FROM BUS 640374 [SWEET W3 345.00] TO BUS 652571 [GR ISLD3 345.00] CKT 1  
SINGLE 462 : OPEN LINE FROM BUS 640375 [TAMORA 7 115.00] TO BUS 640411 [YORK 7 115.00] CKT 1  
SINGLE 463 : OPEN LINE FROM BUS 640377 [TEKAMAH5 161.00] TO BUS 640378 [TEKAMAH7 115.00] CKT 1  
SINGLE 464 : OPEN LINE FROM BUS 640377 [TEKAMAH5 161.00] TO BUS 646226 [S1226 5 161.00] CKT 1  
SINGLE 465 : OPEN LINE FROM BUS 640386 [TWIN CH4 230.00] TO BUS 640387 [TWIN CH7 115.00] CKT 1  
SINGLE 466 : OPEN LINE FROM BUS 640386 [TWIN CH4 230.00] TO BUS 640387 [TWIN CH7 115.00] CKT 2  
SINGLE 467 : OPEN LINE FROM BUS 640386 [TWIN CH4 230.00] TO BUS 652565 [SIOUXCY4 230.00] CKT 1  
SINGLE 468 : OPEN LINE FROM BUS 640392 [VALENTN7 115.00] TO BUS 640394 [VALTN.W7 115.00] CKT 1  
SINGLE 470 : OPEN LINE FROM BUS 640402 [WAHOO 7 115.00] TO BUS 648402 [WAHOO 29 13.800] CKT 1  
SINGLE 471 : OPEN LINE FROM BUS 640404 [WAYSIDE4 230.00] TO BUS 652484 [NUNDRWD4 230.00] CKT 1  
SINGLE 472 : OPEN LINE FROM BUS 640404 [WAYSIDE4 230.00] TO BUS 652573 [STEGALL4 230.00] CKT 1  
SINGLE 473 : OPEN LINE FROM BUS 640411 [YORK 7 115.00] TO BUS 640413 [YORK SW7 115.00] CKT 1  
SINGLE 474 : OPEN LINE FROM BUS 640444 [PETERSBRG.N7115.00] TO BUS 643001 [MADISONCNTY7115.00] CKT 1  
SINGLE 475 : OPEN LINE FROM BUS 641082 [BYPASS 7 115.00] TO BUS 641084 [DENVER 7 115.00] CKT 1  
SINGLE 476 : OPEN LINE FROM BUS 641082 [BYPASS 7 115.00] TO BUS 641085 [E7THST 7 115.00] CKT 1  
SINGLE 477 : OPEN LINE FROM BUS 641083 [D.HENRY7 115.00] TO BUS 641084 [DENVER 7 115.00] CKT 1  
SINGLE 478 : OPEN LINE FROM BUS 641083 [D.HENRY7 115.00] TO BUS 641090 [S. 281 7 115.00] CKT 1  
SINGLE 479 : OPEN LINE FROM BUS 641085 [E7THST 7 115.00] TO BUS 641088 [HASTCTY7 115.00] CKT 1  
SINGLE 480 : OPEN LINE FROM BUS 641087 [EGYCNTR7 115.00] TO BUS 641088 [HASTCTY7 115.00] CKT 1  
SINGLE 481 : OPEN LINE FROM BUS 641087 [EGYCNTR7 115.00] TO BUS 641090 [S. 281 7 115.00] CKT 1  
SINGLE 482 : OPEN LINE FROM BUS 642066 [SUB-H G 115.00] TO BUS 642071 [SUB-D 7 115.00] CKT 1  
SINGLE 483 : OPEN LINE FROM BUS 642066 [SUB-H G 115.00] TO BUS 642072 [SUB-E 7 115.00] CKT 1  
SINGLE 484 : OPEN LINE FROM BUS 642068 [SUB-A 7 115.00] TO BUS 642069 [SUB-B 7 115.00] CKT 1  
SINGLE 485 : OPEN LINE FROM BUS 642068 [SUB-A 7 115.00] TO BUS 642071 [SUB-D 7 115.00] CKT 1  
SINGLE 486 : OPEN LINE FROM BUS 642069 [SUB-B 7 115.00] TO BUS 642073 [SUB-F 7 115.00] CKT 1  
SINGLE 487 : OPEN LINE FROM BUS 642070 [SUB-C 7 115.00] TO BUS 642072 [SUB-E 7 115.00] CKT 1  
SINGLE 488 : OPEN LINE FROM BUS 642070 [SUB-C 7 115.00] TO BUS 642073 [SUB-F 7 115.00] CKT 1  
SINGLE 489 : OPEN LINE FROM BUS 643000 [MADISONCNTY4230.00] TO BUS 652509 [FTRANDL4 230.00] CKT 1  
SINGLE 490 : OPEN LINE FROM BUS 643001 [MADISONCNTY7115.00] TO BUS 643005 [EMERICK 7115.00] CKT 1  
SINGLE 491 : OPEN LINE FROM BUS 645100 [FC1A 5 161.00] TO BUS 646251 [S1251 5 161.00] CKT 1  
SINGLE 492 : OPEN LINE FROM BUS 645451 [S3451 3 345.00] TO BUS 645454 [S3454 3 345.00] CKT 1  
SINGLE 493 : OPEN LINE FROM BUS 645451 [S3451 3 345.00] TO BUS 645459 [S3459 3 345.00] CKT 1  
SINGLE 494 : OPEN LINE FROM BUS 645454 [S3454 3 345.00] TO BUS 645455 [S3455 3 345.00] CKT 1  
SINGLE 495 : OPEN LINE FROM BUS 645454 [S3454 3 345.00] TO BUS 650185 [WAGENER 3 345.00] CKT 1

SINGLE 496 : OPEN LINE FROM BUS 645455 [S3455 3 345.00] TO BUS 645456 [S3456 3 345.00] CKT 1  
SINGLE 497 : OPEN LINE FROM BUS 645455 [S3455 3 345.00] TO BUS 645740 [S3740 3 345.00] CKT 1  
SINGLE 498 : OPEN LINE FROM BUS 645456 [S3456 3 345.00] TO BUS 645458 [S3458 3 345.00] CKT 1  
SINGLE 499 : OPEN LINE FROM BUS 645456 [S3456 3 345.00] TO BUS 645459 [S3459 3 345.00] CKT 1  
SINGLE 500 : OPEN LINE FROM BUS 645458 [S3458 3 345.00] TO BUS 645740 [S3740 3 345.00] CKT 1  
SINGLE 501 : OPEN LINE FROM BUS 645458 [S3458 3 345.00] TO BUS 650189 [103&ROKEBY3 345.00] CKT 1  
SINGLE 502 : OPEN LINE FROM BUS 646201 [S1201 5 161.00] TO BUS 646206 [S1206 5 161.00] CKT 1  
SINGLE 503 : OPEN LINE FROM BUS 646201 [S1201 5 161.00] TO BUS 646220 [S1220 5 161.00] CKT 1  
SINGLE 504 : OPEN LINE FROM BUS 646201 [S1201 5 161.00] TO BUS 646229 [S1229 5 161.00] CKT 1  
SINGLE 505 : OPEN LINE FROM BUS 646201 [S1201 5 161.00] TO BUS 646286 [S1286 5 161.00] CKT 1  
SINGLE 506 : OPEN LINE FROM BUS 646206 [S1206 5 161.00] TO BUS 646216 [S1216 5 161.00] CKT 1  
SINGLE 507 : OPEN LINE FROM BUS 646206 [S1206 5 161.00] TO BUS 646232 [S1232 5 161.00] CKT 1  
SINGLE 508 : OPEN LINE FROM BUS 646206 [S1206 5 161.00] TO BUS 646244 [S1244 5 161.00] CKT 1  
SINGLE 509 : OPEN LINE FROM BUS 646209 [S1209 5 161.00] TO BUS 646231 [S1231 5 161.00] CKT 1  
SINGLE 510 : OPEN LINE FROM BUS 646209 [S1209 5 161.00] TO BUS 646231 [S1231 5 161.00] CKT 2  
SINGLE 511 : OPEN LINE FROM BUS 646209 [S1209 5 161.00] TO BUS 646250 [S1250 5 161.00] CKT 1  
SINGLE 512 : OPEN LINE FROM BUS 646209 [S1209 5 161.00] TO BUS 646250 [S1250 5 161.00] CKT 2  
SINGLE 513 : OPEN LINE FROM BUS 646209 [S1209 5 161.00] TO BUS 646252 [S1252 5 161.00] CKT 1  
SINGLE 514 : OPEN LINE FROM BUS 646210 [S1210 5 161.00] TO BUS 646217 [S1217 5 161.00] CKT 1  
SINGLE 515 : OPEN LINE FROM BUS 646210 [S1210 5 161.00] TO BUS 646222 [S1222 5 161.00] CKT 1  
SINGLE 516 : OPEN LINE FROM BUS 646211 [S1211 5 161.00] TO BUS 646220 [S1220 5 161.00] CKT 1  
SINGLE 517 : OPEN LINE FROM BUS 646211 [S1211 5 161.00] TO BUS 646250 [S1250 5 161.00] CKT 1  
SINGLE 518 : OPEN LINE FROM BUS 646211 [S1211 5 161.00] TO BUS 646250 [S1250 5 161.00] CKT 2  
SINGLE 519 : OPEN LINE FROM BUS 646211 [S1211 5 161.00] TO BUS 646299 [S1299 5 161.00] CKT 1  
SINGLE 520 : OPEN LINE FROM BUS 646214 [S1214 5 161.00] TO BUS 646287 [S1287 5 161.00] CKT 1  
SINGLE 521 : OPEN LINE FROM BUS 646214 [S1214 5 161.00] TO BUS 650169 [70&BLUFF 5 161.00] CKT 1  
SINGLE 522 : OPEN LINE FROM BUS 646216 [S1216 5 161.00] TO BUS 646217 [S1217 5 161.00] CKT 1  
SINGLE 523 : OPEN LINE FROM BUS 646217 [S1217 5 161.00] TO BUS 646227 [S1227 5 161.00] CKT 1  
SINGLE 524 : OPEN LINE FROM BUS 646221 [S1221 5 161.00] TO BUS 646231 [S1231 5 161.00] CKT 1  
SINGLE 525 : OPEN LINE FROM BUS 646221 [S1221 5 161.00] TO BUS 646255 [S1255 5 161.00] CKT 1  
SINGLE 526 : OPEN LINE FROM BUS 646222 [S1222 5 161.00] TO BUS 646229 [S1229 5 161.00] CKT 1  
SINGLE 527 : OPEN LINE FROM BUS 646226 [S1226 5 161.00] TO BUS 646237 [S1237 5 161.00] CKT 1  
SINGLE 528 : OPEN LINE FROM BUS 646226 [S1226 5 161.00] TO BUS 646252 [S1252 5 161.00] CKT 1  
SINGLE 529 : OPEN LINE FROM BUS 646226 [S1226 5 161.00] TO BUS 646298 [S1298 5 161.00] CKT 1  
SINGLE 530 : OPEN LINE FROM BUS 646226 [S1226 5 161.00] TO BUS 646298 [S1298 5 161.00] CKT 2  
SINGLE 531 : OPEN LINE FROM BUS 646227 [S1227 5 161.00] TO BUS 646231 [S1231 5 161.00] CKT 1  
SINGLE 532 : OPEN LINE FROM BUS 646231 [S1231 5 161.00] TO BUS 646235 [S1235 5 161.00] CKT 1  
SINGLE 533 : OPEN LINE FROM BUS 646232 [S1232 5 161.00] TO BUS 646278 [S1278 5 161.00] CKT 1  
SINGLE 534 : OPEN LINE FROM BUS 646233 [S1233 5 161.00] TO BUS 646234 [S1234 5 161.00] CKT 1  
SINGLE 535 : OPEN LINE FROM BUS 646233 [S1233 5 161.00] TO BUS 646255 [S1255 5 161.00] CKT 1  
SINGLE 536 : OPEN LINE FROM BUS 646234 [S1234 5 161.00] TO BUS 646235 [S1235 5 161.00] CKT 1  
SINGLE 537 : OPEN LINE FROM BUS 646235 [S1235 5 161.00] TO BUS 646236 [S1236 5 161.00] CKT 1  
SINGLE 538 : OPEN LINE FROM BUS 646235 [S1235 5 161.00] TO BUS 646253 [S1253 5 161.00] CKT 1  
SINGLE 539 : OPEN LINE FROM BUS 646236 [S1236 5 161.00] TO BUS 646345 [S1345 5 161.00] CKT 1  
SINGLE 540 : OPEN LINE FROM BUS 646237 [S1237 5 161.00] TO BUS 646253 [S1253 5 161.00] CKT 1  
SINGLE 541 : OPEN LINE FROM BUS 646237 [S1237 5 161.00] TO BUS 646345 [S1345 5 161.00] CKT 1  
SINGLE 542 : OPEN LINE FROM BUS 646244 [S1244 5 161.00] TO BUS 646258 [S1258 5 161.00] CKT 1  
SINGLE 543 : OPEN LINE FROM BUS 646249 [S1249 5 161.00] TO BUS 646254 [S1254 5 161.00] CKT 1



SINGLE 544 : OPEN LINE FROM BUS 646249 [S1249 5 161.00] TO BUS 646256 [S1256 5 161.00] CKT 1  
SINGLE 545 : OPEN LINE FROM BUS 646250 [S1250 5 161.00] TO BUS 646297 [S1297 5 161.00] CKT 1  
SINGLE 546 : OPEN LINE FROM BUS 646251 [S1251 5 161.00] TO BUS 646297 [S1297 5 161.00] CKT 1  
SINGLE 547 : OPEN LINE FROM BUS 646251 [S1251 5 161.00] TO BUS 646298 [S1298 5 161.00] CKT 1  
SINGLE 548 : OPEN LINE FROM BUS 646251 [S1251 5 161.00] TO BUS 646305 [S1305 5 161.00] CKT 1  
SINGLE 549 : OPEN LINE FROM BUS 646253 [S1253 5 161.00] TO BUS 646256 [S1256 5 161.00] CKT 1  
SINGLE 550 : OPEN LINE FROM BUS 646254 [S1254 5 161.00] TO BUS 646281 [S1281 5 161.00] CKT 1  
SINGLE 551 : OPEN LINE FROM BUS 646255 [S1255 5 161.00] TO BUS 646259 [S1259 5 161.00] CKT 1  
SINGLE 552 : OPEN LINE FROM BUS 646258 [S1258 5 161.00] TO BUS 646263 [S1263 5 161.00] CKT 1  
SINGLE 553 : OPEN LINE FROM BUS 646259 [S1259 5 161.00] TO BUS 646278 [S1278 5 161.00] CKT 1  
SINGLE 554 : OPEN LINE FROM BUS 646259 [S1259 5 161.00] TO BUS 646281 [S1281 5 161.00] CKT 1  
SINGLE 555 : OPEN LINE FROM BUS 646263 [S1263 5 161.00] TO BUS 646280 [S1280 5 161.00] CKT 1  
SINGLE 556 : OPEN LINE FROM BUS 646281 [S1281 5 161.00] TO BUS 646287 [S1287 5 161.00] CKT 1  
SINGLE 557 : OPEN LINE FROM BUS 646286 [S1286 5 161.00] TO BUS 646299 [S1299 5 161.00] CKT 1  
SINGLE 558 : OPEN LINE FROM BUS 646298 [S1298 5 161.00] TO BUS 646305 [S1305 5 161.00] CKT 1  
SINGLE 559 : OPEN LINE FROM BUS 650114 [NW68HOLDRG3 345.00] TO BUS 650185 [WAGENER 3 345.00] CKT 1  
SINGLE 560 : OPEN LINE FROM BUS 650185 [WAGENER 3 345.00] TO BUS 650189 [103&ROKEBY3 345.00] CKT 1  
SINGLE 561 : OPEN LINE FROM BUS 650205 [4&MORTON 7 115.00] TO BUS 650212 [NW5&BENTON7 115.00] CKT 1  
SINGLE 562 : OPEN LINE FROM BUS 650205 [4&MORTON 7 115.00] TO BUS 650215 [19&ALVO 7 115.00] CKT 1  
SINGLE 563 : OPEN LINE FROM BUS 650208 [W LINCOLN 7 115.00] TO BUS 650212 [NW5&BENTON7 115.00] CKT 1  
SINGLE 564 : OPEN LINE FROM BUS 650208 [W LINCOLN 7 115.00] TO BUS 650230 [2&N 7 115.00] CKT 1  
SINGLE 565 : OPEN LINE FROM BUS 650214 [NW68HOLDRG7 115.00] TO BUS 650216 [SW27&F 7 115.00] CKT 1  
SINGLE 566 : OPEN LINE FROM BUS 650214 [NW68HOLDRG7 115.00] TO BUS 650226 [NW12&ARBOR7 115.00] CKT 1  
SINGLE 567 : OPEN LINE FROM BUS 650214 [NW68HOLDRG7 115.00] TO BUS 650290 [ROKEBY 7 115.00] CKT 1  
SINGLE 568 : OPEN LINE FROM BUS 650215 [19&ALVO 7 115.00] TO BUS 650226 [NW12&ARBOR7 115.00] CKT 1  
SINGLE 569 : OPEN LINE FROM BUS 650215 [19&ALVO 7 115.00] TO BUS 650228 [27FLETCHER7 115.00] CKT 1  
SINGLE 570 : OPEN LINE FROM BUS 650215 [19&ALVO 7 115.00] TO BUS 650261 [56&I80 7 115.00] CKT 1  
SINGLE 571 : OPEN LINE FROM BUS 650216 [SW27&F 7 115.00] TO BUS 650230 [2&N 7 115.00] CKT 1  
SINGLE 572 : OPEN LINE FROM BUS 650217 [8&N 7 115.00] TO BUS 650219 [17&HOLDRGE7 115.00] CKT 1  
SINGLE 573 : OPEN LINE FROM BUS 650217 [8&N 7 115.00] TO BUS 650230 [2&N 7 115.00] CKT 1  
SINGLE 574 : OPEN LINE FROM BUS 650218 [3&VANDORN 7 115.00] TO BUS 650230 [2&N 7 115.00] CKT 1  
SINGLE 575 : OPEN LINE FROM BUS 650218 [3&VANDORN 7 115.00] TO BUS 650238 [20PIONEERS7 115.00] CKT 1  
SINGLE 576 : OPEN LINE FROM BUS 650219 [17&HOLDRGE7 115.00] TO BUS 650240 [29LEIGHTON7 115.00] CKT 1  
SINGLE 577 : OPEN LINE FROM BUS 650228 [27FLETCHER7 115.00] TO BUS 650233 [33SUPERIOR7 115.00] CKT 1  
SINGLE 578 : OPEN LINE FROM BUS 650229 [27&PLR 7 115.00] TO BUS 650250 [40&ROKEBY 7 115.00] CKT 1  
SINGLE 579 : OPEN LINE FROM BUS 650229 [27&PLR 7 115.00] TO BUS 650290 [ROKEBY 7 115.00] CKT 1  
SINGLE 580 : OPEN LINE FROM BUS 650233 [33SUPERIOR7 115.00] TO BUS 650240 [29LEIGHTON7 115.00] CKT 1  
SINGLE 581 : OPEN LINE FROM BUS 650233 [33SUPERIOR7 115.00] TO BUS 650259 [59CRNHUSKR7 115.00] CKT 1  
SINGLE 582 : OPEN LINE FROM BUS 650238 [20PIONEERS7 115.00] TO BUS 650251 [30&A SOUTH7 115.00] CKT 1  
SINGLE 583 : OPEN LINE FROM BUS 650238 [20PIONEERS7 115.00] TO BUS 650258 [40&GERTIE 7 115.00] CKT 1  
SINGLE 584 : OPEN LINE FROM BUS 650238 [20PIONEERS7 115.00] TO BUS 650270 [70&CALVERT7 115.00] CKT 1  
SINGLE 585 : OPEN LINE FROM BUS 650238 [20PIONEERS7 115.00] TO BUS 650290 [ROKEBY 7 115.00] CKT 1  
SINGLE 586 : OPEN LINE FROM BUS 650240 [29LEIGHTON7 115.00] TO BUS 650252 [30&A NORTH7 115.00] CKT 1  
SINGLE 587 : OPEN LINE FROM BUS 650250 [40&ROKEBY 7 115.00] TO BUS 650255 [56&PLR 7 115.00] CKT 1  
SINGLE 588 : OPEN LINE FROM BUS 650255 [56&PLR 7 115.00] TO BUS 650274 [91&HWY2 7 115.00] CKT 1  
SINGLE 589 : OPEN LINE FROM BUS 650256 [56&EVERETT7 115.00] TO BUS 650257 [56&ELK TAP7 115.00] CKT 1  
SINGLE 590 : OPEN LINE FROM BUS 650256 [56&EVERETT7 115.00] TO BUS 650260 [56&Q 7 115.00] CKT 1  
SINGLE 591 : OPEN LINE FROM BUS 650257 [56&ELK TAP7 115.00] TO BUS 650258 [40&GERTIE 7 115.00] CKT 1

SINGLE 592 : OPEN LINE FROM BUS 650257 [56&ELK TAP7 115.00] TO BUS 650270 [70&CALVERT7 115.00] CKT 1  
SINGLE 593 : OPEN LINE FROM BUS 650259 [59CRNHUSKR7 115.00] TO BUS 650262 [57&GARLAND7 115.00] CKT 1  
SINGLE 594 : OPEN LINE FROM BUS 650260 [56&Q 7 115.00] TO BUS 650262 [57&GARLAND7 115.00] CKT 1  
SINGLE 595 : OPEN LINE FROM BUS 650261 [56&I80 7 115.00] TO BUS 650269 [70&BLUFF 7 115.00] CKT 1  
SINGLE 596 : OPEN LINE FROM BUS 650262 [57&GARLAND7 115.00] TO BUS 650267 [84LEIGHTON7 115.00] CKT 1  
SINGLE 597 : OPEN LINE FROM BUS 650267 [84LEIGHTON7 115.00] TO BUS 650272 [91&A 7 115.00] CKT 1  
SINGLE 598 : OPEN LINE FROM BUS 650267 [84LEIGHTON7 115.00] TO BUS 650273 [93&O 7 115.00] CKT 1  
SINGLE 599 : OPEN LINE FROM BUS 650267 [84LEIGHTON7 115.00] TO BUS 650284 [84FLETCHER7 115.00] CKT 1  
SINGLE 600 : OPEN LINE FROM BUS 650267 [84LEIGHTON7 115.00] TO BUS 650285 [WAGENER 7 115.00] CKT 1  
SINGLE 601 : OPEN LINE FROM BUS 650269 [70&BLUFF 7 115.00] TO BUS 650275 [84&BLUFF 7 115.00] CKT 1  
SINGLE 602 : OPEN LINE FROM BUS 650270 [70&CALVERT7 115.00] TO BUS 650271 [81&OCHENEY7 115.00] CKT 1  
SINGLE 603 : OPEN LINE FROM BUS 650270 [70&CALVERT7 115.00] TO BUS 650272 [91&A 7 115.00] CKT 1  
SINGLE 604 : OPEN LINE FROM BUS 650270 [70&CALVERT7 115.00] TO BUS 650273 [93&O 7 115.00] CKT 1  
SINGLE 605 : OPEN LINE FROM BUS 650271 [81&OCHENEY7 115.00] TO BUS 650274 [91&HWY2 7 115.00] CKT 1  
SINGLE 606 : OPEN LINE FROM BUS 650271 [81&OCHENEY7 115.00] TO BUS 650285 [WAGENER 7 115.00] CKT 1  
SINGLE 607 : OPEN LINE FROM BUS 650275 [84&BLUFF 7 115.00] TO BUS 650283 [WAVERLY 7 115.00] CKT 1  
SINGLE 608 : OPEN LINE FROM BUS 650275 [84&BLUFF 7 115.00] TO BUS 650284 [84FLETCHER7 115.00] CKT 1  
SINGLE 609 : OPEN LINE FROM BUS 650283 [WAVERLY 7 115.00] TO BUS 650285 [WAGENER 7 115.00] CKT 1  
SINGLE 610 : OPEN LINE FROM BUS 652243 [FAITH 7 115.00] TO BUS 652476 [EAGLEBT7 115.00] CKT 1  
SINGLE 611 : OPEN LINE FROM BUS 652243 [FAITH 7 115.00] TO BUS 652480 [MAURINE7 115.00] CKT 1  
SINGLE 612 : OPEN LINE FROM BUS 652283 [ROLLA 7 115.00] TO BUS 652299 [AGATE 7 115.00] CKT 1  
SINGLE 613 : OPEN LINE FROM BUS 652294 [IVANHOE7 115.00] TO BUS 652538 [WHITE 7 115.00] CKT 1  
SINGLE 614 : OPEN LINE FROM BUS 652296 [WARD 4 230.00] TO BUS 652426 [BISMARK4 230.00] CKT 1  
SINGLE 615 : OPEN LINE FROM BUS 652296 [WARD 4 230.00] TO BUS 659297 [BIS WARD 7115.00] CKT 1  
SINGLE 616 : OPEN LINE FROM BUS 652299 [AGATE 7 115.00] TO BUS 652447 [LEEDS 7 115.00] CKT 1  
SINGLE 617 : OPEN LINE FROM BUS 652300 [CHAPPEL7 115.00] TO BUS 659238 [COLTON 7 115.00] CKT 1  
SINGLE 618 : OPEN LINE FROM BUS 652302 [JULESBG7 115.00] TO BUS 659240 [INTERST7 115.00] CKT 1  
SINGLE 619 : OPEN LINE FROM BUS 652311 [DUNLAP 7 115.00] TO BUS 659236 [BOXBUTE7 115.00] CKT 1  
SINGLE 620 : OPEN LINE FROM BUS 652312 [MORRILL7 115.00] TO BUS 659197 [SNAKECK7 115.00] CKT 1  
SINGLE 621 : OPEN LINE FROM BUS 652312 [MORRILL7 115.00] TO BUS 659242 [GERINGT7 115.00] CKT 1  
SINGLE 622 : OPEN LINE FROM BUS 652397 [VFODNES7 115.00] TO BUS 659258 [SXF HARSBRG7115.00] CKT 1  
SINGLE 623 : OPEN LINE FROM BUS 652397 [VFODNES7 115.00] TO BUS 659259 [SXF CHANCLR7115.00] CKT 1  
SINGLE 624 : OPEN LINE FROM BUS 652398 [VFODNES4 230.00] TO BUS 652523 [SIOUXFL4 230.00] CKT 1  
SINGLE 625 : OPEN LINE FROM BUS 652398 [VFODNES4 230.00] TO BUS 652526 [UTICAJC4 230.00] CKT 1  
SINGLE 626 : OPEN LINE FROM BUS 652401 [CIRCLE 7 115.00] TO BUS 652404 [DAWSONC7 115.00] CKT 1  
SINGLE 627 : OPEN LINE FROM BUS 652401 [CIRCLE 7 115.00] TO BUS 652409 [WOLFPT 7 115.00] CKT 1  
SINGLE 628 : OPEN LINE FROM BUS 652402 [MI CTYW4 230.00] TO BUS 652450 [MT WEST4 230.00] CKT 1  
SINGLE 629 : OPEN LINE FROM BUS 652403 [DAWSONC4 230.00] TO BUS 652405 [FTPECK 4 230.00] CKT 1  
SINGLE 630 : OPEN LINE FROM BUS 652403 [DAWSONC4 230.00] TO BUS 652411 [MI CTYE4 230.00] CKT 1  
SINGLE 631 : OPEN LINE FROM BUS 652403 [DAWSONC4 230.00] TO BUS 652413 [MEDORA 4 230.00] CKT 1  
SINGLE 632 : OPEN LINE FROM BUS 652404 [DAWSONC7 115.00] TO BUS 652407 [FALLON 7 115.00] CKT 1  
SINGLE 633 : OPEN LINE FROM BUS 652405 [FTPECK 4 230.00] TO BUS 652406 [FTPECK 7 115.00] CKT 1  
SINGLE 634 : OPEN LINE FROM BUS 652406 [FTPECK 7 115.00] TO BUS 652409 [WOLFPT 7 115.00] CKT 1  
SINGLE 635 : OPEN LINE FROM BUS 652406 [FTPECK 7 115.00] TO BUS 652409 [WOLFPT 7 115.00] CKT 2  
SINGLE 636 : OPEN LINE FROM BUS 652407 [FALLON 7 115.00] TO BUS 652412 [MI CTYE7 115.00] CKT 1  
SINGLE 637 : OPEN LINE FROM BUS 652408 [WATFORD7 115.00] TO BUS 659182 [CHAR.CK7 115.00] CKT 1  
SINGLE 638 : OPEN LINE FROM BUS 652408 [WATFORD7 115.00] TO BUS 659189 [INDNHLS7 115.00] CKT 1  
SINGLE 639 : OPEN LINE FROM BUS 652409 [WOLFPT 7 115.00] TO BUS 661075 [POPLAR 7 115.00] CKT 1

SINGLE 640 : OPEN LINE FROM BUS 652411 [MI CTYE4 230.00] TO BUS 661004 [BAKER 4 230.00] CKT 1  
SINGLE 641 : OPEN LINE FROM BUS 652413 [MEDORA 4 230.00] TO BUS 652425 [BELFELD4 230.00] CKT 1  
SINGLE 642 : OPEN LINE FROM BUS 652416 [DEVAUL 7 115.00] TO BUS 652420 [NSALEM 7 115.00] CKT 1  
SINGLE 643 : OPEN LINE FROM BUS 652417 [DICKNSN4 230.00] TO BUS 652425 [BELFELD4 230.00] CKT 1  
SINGLE 644 : OPEN LINE FROM BUS 652419 [KILDEER7 115.00] TO BUS 652422 [HALIDAY7 115.00] CKT 1  
SINGLE 645 : OPEN LINE FROM BUS 652419 [KILDEER7 115.00] TO BUS 659182 [CHAR.CK7 115.00] CKT 1  
SINGLE 646 : OPEN LINE FROM BUS 652420 [NSALEM 7 115.00] TO BUS 659109 [BASIN 7 115.00] CKT 1  
SINGLE 647 : OPEN LINE FROM BUS 652420 [NSALEM 7 115.00] TO BUS 659305 [NWMANDANMGS7115.00] CKT 1  
SINGLE 648 : OPEN LINE FROM BUS 652421 [WILISTN7 115.00] TO BUS 652651 [FAIRVIEW 7 115.00] CKT 1  
SINGLE 649 : OPEN LINE FROM BUS 652421 [WILISTN7 115.00] TO BUS 659189 [INDNHLS7 115.00] CKT 1  
SINGLE 650 : OPEN LINE FROM BUS 652421 [WILISTN7 115.00] TO BUS 661012 [CLBRTSN7 115.00] CKT 1  
SINGLE 651 : OPEN LINE FROM BUS 652423 [BARLOW 7 115.00] TO BUS 652428 [CARNGTN7 115.00] CKT 1  
SINGLE 652 : OPEN LINE FROM BUS 652423 [BARLOW 7 115.00] TO BUS 652431 [DEVILSL7 115.00] CKT 1  
SINGLE 653 : OPEN LINE FROM BUS 652424 [BELFELD3 345.00] TO BUS 659183 [CHAR.CK3 345.00] CKT 1  
SINGLE 654 : OPEN LINE FROM BUS 652425 [BELFELD4 230.00] TO BUS 659266 [RHAME 4 230.00] CKT 1  
SINGLE 655 : OPEN LINE FROM BUS 652426 [BISMARK4 230.00] TO BUS 652427 [BISMARK7 115.00] CKT 1  
SINGLE 656 : OPEN LINE FROM BUS 652426 [BISMARK4 230.00] TO BUS 652427 [BISMARK7 115.00] CKT 2  
SINGLE 657 : OPEN LINE FROM BUS 652426 [BISMARK4 230.00] TO BUS 652444 [JAMESTN4 230.00] CKT 1  
SINGLE 658 : OPEN LINE FROM BUS 652426 [BISMARK4 230.00] TO BUS 652456 [WASHBRN4 230.00] CKT 1  
SINGLE 659 : OPEN LINE FROM BUS 652426 [BISMARK4 230.00] TO BUS 652466 [HILKEN 4 230.00] CKT 1  
SINGLE 660 : OPEN LINE FROM BUS 652426 [BISMARK4 230.00] TO BUS 661028 [WEBER 4 230.00] CKT 1  
SINGLE 661 : OPEN LINE FROM BUS 652426 [BISMARK4 230.00] TO BUS 661038 [GLENHAM4 230.00] CKT 1  
SINGLE 662 : OPEN LINE FROM BUS 652427 [BISMARK7 115.00] TO BUS 659282 [BIS EA CEPC7115.00] CKT 1  
SINGLE 663 : OPEN LINE FROM BUS 652428 [CARNGTN7 115.00] TO BUS 652445 [JAMESTN7 115.00] CKT 1  
SINGLE 664 : OPEN LINE FROM BUS 652430 [EGF IND7 115.00] TO BUS 652443 [GRNDFKS7 115.00] CKT 1  
SINGLE 665 : OPEN LINE FROM BUS 652430 [EGF IND7 115.00] TO BUS 657707 [CALEDON7 115.00] CKT 1  
SINGLE 666 : OPEN LINE FROM BUS 652431 [DEVILSL7 115.00] TO BUS 652448 [LAKOTA 7 115.00] CKT 1  
SINGLE 667 : OPEN LINE FROM BUS 652431 [DEVILSL7 115.00] TO BUS 652465 [PENN 7 115.00] CKT 1  
SINGLE 668 : OPEN LINE FROM BUS 652432 [EDGELEY7 115.00] TO BUS 652445 [JAMESTN7 115.00] CKT 1  
SINGLE 669 : OPEN LINE FROM BUS 652432 [EDGELEY7 115.00] TO BUS 652534 [ORDWAY 7 115.00] CKT 1  
SINGLE 670 : OPEN LINE FROM BUS 652432 [EDGELEY7 115.00] TO BUS 659280 [POMONA 7 115.00] CKT 1  
SINGLE 671 : OPEN LINE FROM BUS 652435 [FARGO 4 230.00] TO BUS 652444 [JAMESTN4 230.00] CKT 1  
SINGLE 672 : OPEN LINE FROM BUS 652435 [FARGO 4 230.00] TO BUS 652444 [JAMESTN4 230.00] CKT 2  
SINGLE 673 : OPEN LINE FROM BUS 652435 [FARGO 4 230.00] TO BUS 652553 [MOORHED4 230.00] CKT 1  
SINGLE 674 : OPEN LINE FROM BUS 652436 [FARGO 7 115.00] TO BUS 657707 [CALEDON7 115.00] CKT 1  
SINGLE 675 : OPEN LINE FROM BUS 652436 [FARGO 7 115.00] TO BUS 658080 [MPSBROOK 115.00] CKT 1  
SINGLE 676 : OPEN LINE FROM BUS 652437 [GRNDFKS4 230.00] TO BUS 657759 [PICKERT4 230.00] CKT 1  
SINGLE 677 : OPEN LINE FROM BUS 652438 [FORMAN 7 115.00] TO BUS 652522 [SUMMIT-7 115.00] CKT 1  
SINGLE 678 : OPEN LINE FROM BUS 652438 [FORMAN 7 115.00] TO BUS 652638 [ENDERLIN 7 115.00] CKT 1  
SINGLE 679 : OPEN LINE FROM BUS 652438 [FORMAN 7 115.00] TO BUS 659172 [LUDDENPS19 7115.00] CKT 1  
SINGLE 680 : OPEN LINE FROM BUS 652441 [GARRISN4 230.00] TO BUS 652442 [GARRISN7 115.00] CKT 1  
SINGLE 681 : OPEN LINE FROM BUS 652441 [GARRISN4 230.00] TO BUS 652444 [JAMESTN4 230.00] CKT 1  
SINGLE 682 : OPEN LINE FROM BUS 652441 [GARRISN4 230.00] TO BUS 652466 [HILKEN 4 230.00] CKT 1  
SINGLE 683 : OPEN LINE FROM BUS 652441 [GARRISN4 230.00] TO BUS 659106 [LELANDO4 230.00] CKT 1  
SINGLE 684 : OPEN LINE FROM BUS 652442 [GARRISN7 115.00] TO BUS 652449 [MAX 7 115.00] CKT 1  
SINGLE 685 : OPEN LINE FROM BUS 652442 [GARRISN7 115.00] TO BUS 659113 [VOLTAIR7 115.00] CKT 1  
SINGLE 686 : OPEN LINE FROM BUS 652444 [JAMESTN4 230.00] TO BUS 657759 [PICKERT4 230.00] CKT 1  
SINGLE 687 : OPEN LINE FROM BUS 652444 [JAMESTN4 230.00] TO BUS 661028 [WEBER 4 230.00] CKT 1

SINGLE 688 : OPEN LINE FROM BUS 652445 [JAMESTN7 115.00] TO BUS 652454 [VALLEYC7 115.00] CKT 1  
SINGLE 689 : OPEN LINE FROM BUS 652446 [PLEASANT LK7115.00] TO BUS 652447 [LEEDS 7 115.00] CKT 1  
SINGLE 690 : OPEN LINE FROM BUS 652446 [PLEASANT LK7115.00] TO BUS 652452 [RUGBY 7 115.00] CKT 1  
SINGLE 691 : OPEN LINE FROM BUS 652447 [LEEDS 7 115.00] TO BUS 652465 [PENN 7 115.00] CKT 1  
SINGLE 692 : OPEN LINE FROM BUS 652449 [MAX 7 115.00] TO BUS 659190 [NDPRAIRWND 7115.00] CKT 1  
SINGLE 693 : OPEN LINE FROM BUS 652451 [RICHLND7 115.00] TO BUS 652651 [FAIRVIEW 7 115.00] CKT 1  
SINGLE 694 : OPEN LINE FROM BUS 652451 [RICHLND7 115.00] TO BUS 659180 [KOCH 7 115.00] CKT 1  
SINGLE 695 : OPEN LINE FROM BUS 652452 [RUGBY 7 115.00] TO BUS 652453 [TOWNER 7 115.00] CKT 1  
SINGLE 696 : OPEN LINE FROM BUS 652453 [TOWNER 7 115.00] TO BUS 652455 [BOTTNO 7 115.00] CKT 1  
SINGLE 697 : OPEN LINE FROM BUS 652453 [TOWNER 7 115.00] TO BUS 652464 [DENBIGH TAP7115.00] CKT 1  
SINGLE 698 : OPEN LINE FROM BUS 652454 [VALLEYC7 115.00] TO BUS 652638 [ENDERLIN 7 115.00] CKT 1  
SINGLE 699 : OPEN LINE FROM BUS 652456 [WASHBRN4 230.00] TO BUS 659106 [LELANDO4 230.00] CKT 1  
SINGLE 700 : OPEN LINE FROM BUS 652463 [WH SWAN7 115.00] TO BUS 652510 [FTRANDL7 115.00] CKT 1  
SINGLE 701 : OPEN LINE FROM BUS 652463 [WH SWAN7 115.00] TO BUS 652525 [TYNDALL7 115.00] CKT 1  
SINGLE 702 : OPEN LINE FROM BUS 652464 [DENBIGH TAP7115.00] TO BUS 659113 [VOLTAIR7 115.00] CKT 1  
SINGLE 703 : OPEN LINE FROM BUS 652466 [HILKEN 4 230.00] TO BUS 659284 [ECKLUND4 230.00] CKT 1  
SINGLE 704 : OPEN LINE FROM BUS 652470 [BISON 4 230.00] TO BUS 652497 [MAURINE4 230.00] CKT 1  
SINGLE 705 : OPEN LINE FROM BUS 652470 [BISON 4 230.00] TO BUS 661047 [HETINGR4 230.00] CKT 1  
SINGLE 706 : OPEN LINE FROM BUS 652473 [ELKCRK 7 115.00] TO BUS 652483 [NEWELL 7 115.00] CKT 1  
SINGLE 707 : OPEN LINE FROM BUS 652473 [ELKCRK 7 115.00] TO BUS 652490 [RAPIDCY7 115.00] CKT 1  
SINGLE 708 : OPEN LINE FROM BUS 652474 [AURORA 7 115.00] TO BUS 652504 [BROOKNG7 115.00] CKT 1  
SINGLE 709 : OPEN LINE FROM BUS 652474 [AURORA 7 115.00] TO BUS 652505 [FLANDRU7 115.00] CKT 1  
SINGLE 710 : OPEN LINE FROM BUS 652475 [BONESTL7 115.00] TO BUS 652478 [GREGORY7 115.00] CKT 1  
SINGLE 711 : OPEN LINE FROM BUS 652475 [BONESTL7 115.00] TO BUS 652510 [FTRANDL7 115.00] CKT 1  
SINGLE 712 : OPEN LINE FROM BUS 652476 [EAGLEBT7 115.00] TO BUS 652520 [OAHE 7 115.00] CKT 1  
SINGLE 713 : OPEN LINE FROM BUS 652477 [ELSWRTH7 115.00] TO BUS 652485 [NUNDRWD7 115.00] CKT 1  
SINGLE 714 : OPEN LINE FROM BUS 652477 [ELSWRTH7 115.00] TO BUS 652490 [RAPIDCY7 115.00] CKT 1  
SINGLE 715 : OPEN LINE FROM BUS 652478 [GREGORY7 115.00] TO BUS 652494 [WINNER 7 115.00] CKT 1  
SINGLE 716 : OPEN LINE FROM BUS 652479 [MARTIN 7 115.00] TO BUS 652487 [PHILIP 7 115.00] CKT 1  
SINGLE 717 : OPEN LINE FROM BUS 652479 [MARTIN 7 115.00] TO BUS 659152 [SHAN-SD7 115.00] CKT 1  
SINGLE 718 : OPEN LINE FROM BUS 652479 [MARTIN 7 115.00] TO BUS 659153 [VETALTP7 115.00] CKT 1  
SINGLE 719 : OPEN LINE FROM BUS 652480 [MAURINE7 115.00] TO BUS 652483 [NEWELL 7 115.00] CKT 1  
SINGLE 720 : OPEN LINE FROM BUS 652481 [MIDLAND7 115.00] TO BUS 652487 [PHILIP 7 115.00] CKT 1  
SINGLE 721 : OPEN LINE FROM BUS 652481 [MIDLAND7 115.00] TO BUS 652491 [IRVSIMM7 115.00] CKT 1  
SINGLE 722 : OPEN LINE FROM BUS 652482 [MISSION7 115.00] TO BUS 652495 [WITTEN 7 115.00] CKT 1  
SINGLE 723 : OPEN LINE FROM BUS 652482 [MISSION7 115.00] TO BUS 659153 [VETALTP7 115.00] CKT 1  
SINGLE 724 : OPEN LINE FROM BUS 652484 [NUNDRWD4 230.00] TO BUS 652488 [PHILTAP4 230.00] CKT 1  
SINGLE 725 : OPEN LINE FROM BUS 652484 [NUNDRWD4 230.00] TO BUS 652497 [MAURINE4 230.00] CKT 1  
SINGLE 726 : OPEN LINE FROM BUS 652484 [NUNDRWD4 230.00] TO BUS 659271 [RCDC EAST 4230.00] CKT 1  
SINGLE 727 : OPEN LINE FROM BUS 652485 [NUNDRWD7 115.00] TO BUS 652493 [WICKSVL7 115.00] CKT 1  
SINGLE 728 : OPEN LINE FROM BUS 652485 [NUNDRWD7 115.00] TO BUS 652496 [RUSHMRE7 115.00] CKT 1  
SINGLE 729 : OPEN LINE FROM BUS 652486 [PHILIP 4 230.00] TO BUS 652487 [PHILIP 7 115.00] CKT 1  
SINGLE 730 : OPEN LINE FROM BUS 652486 [PHILIP 4 230.00] TO BUS 652488 [PHILTAP4 230.00] CKT 1  
SINGLE 731 : OPEN LINE FROM BUS 652487 [PHILIP 7 115.00] TO BUS 652492 [WALL 7 115.00] CKT 1  
SINGLE 732 : OPEN LINE FROM BUS 652488 [PHILTAP4 230.00] TO BUS 652519 [OAHE 4 230.00] CKT 1  
SINGLE 733 : OPEN LINE FROM BUS 652489 [PIERRE 7 115.00] TO BUS 652491 [IRVSIMM7 115.00] CKT 1  
SINGLE 734 : OPEN LINE FROM BUS 652489 [PIERRE 7 115.00] TO BUS 652600 [ASH TAP 115.00] CKT 1  
SINGLE 735 : OPEN LINE FROM BUS 652489 [PIERRE 7 115.00] TO BUS 652602 [EVANS ST 115.00] CKT 1

SINGLE 736 : OPEN LINE FROM BUS 652490 [RAPIDCY7 115.00] TO BUS 652496 [RUSHMRE7 115.00] CKT 1  
SINGLE 737 : OPEN LINE FROM BUS 652491 [IRVSIMM7 115.00] TO BUS 652520 [OAHE 7 115.00] CKT 1  
SINGLE 738 : OPEN LINE FROM BUS 652492 [WALL 7 115.00] TO BUS 652493 [WICKSVL7 115.00] CKT 1  
SINGLE 739 : OPEN LINE FROM BUS 652494 [WINNER 7 115.00] TO BUS 652495 [WITTEN 7 115.00] CKT 1  
SINGLE 740 : OPEN LINE FROM BUS 652500 [ARLNGTN7 115.00] TO BUS 652504 [BROOKNG7 115.00] CKT 1  
SINGLE 741 : OPEN LINE FROM BUS 652500 [ARLNGTN7 115.00] TO BUS 652531 [WATERTN7 115.00] CKT 1  
SINGLE 742 : OPEN LINE FROM BUS 652501 [ARMOUR 7 115.00] TO BUS 652510 [FTRANDL7 115.00] CKT 1  
SINGLE 743 : OPEN LINE FROM BUS 652501 [ARMOUR 7 115.00] TO BUS 652518 [MTVERN 7 115.00] CKT 1  
SINGLE 744 : OPEN LINE FROM BUS 652502 [BERSFRD7 115.00] TO BUS 652517 [MANNING7 115.00] CKT 1  
SINGLE 745 : OPEN LINE FROM BUS 652502 [BERSFRD7 115.00] TO BUS 652524 [SIOUXFL7 115.00] CKT 1  
SINGLE 746 : OPEN LINE FROM BUS 652503 [BLAIR 4 230.00] TO BUS 652530 [WATERTN4 230.00] CKT 1  
SINGLE 747 : OPEN LINE FROM BUS 652503 [BLAIR 4 230.00] TO BUS 652550 [GRANITF4 230.00] CKT 1  
SINGLE 748 : OPEN LINE FROM BUS 652504 [BROOKNG7 115.00] TO BUS 652531 [WATERTN7 115.00] CKT 1  
SINGLE 749 : OPEN LINE FROM BUS 652504 [BROOKNG7 115.00] TO BUS 652538 [WHITE 7 115.00] CKT 1  
SINGLE 750 : OPEN LINE FROM BUS 652505 [FLANDRU7 115.00] TO BUS 652524 [SIOUXFL7 115.00] CKT 1  
SINGLE 751 : OPEN LINE FROM BUS 652506 [FTTHOMP3 345.00] TO BUS 652571 [GR ISLD3 345.00] CKT 1  
SINGLE 752 : OPEN LINE FROM BUS 652506 [FTTHOMP3 345.00] TO BUS 659105 [LELANDO3 345.00] CKT 1  
SINGLE 753 : OPEN LINE FROM BUS 652507 [FTTHOMP4 230.00] TO BUS 652509 [FTRANDL4 230.00] CKT 1  
SINGLE 754 : OPEN LINE FROM BUS 652507 [FTTHOMP4 230.00] TO BUS 652514 [HURON 4 230.00] CKT 1  
SINGLE 755 : OPEN LINE FROM BUS 652507 [FTTHOMP4 230.00] TO BUS 652514 [HURON 4 230.00] CKT 2  
SINGLE 756 : OPEN LINE FROM BUS 652507 [FTTHOMP4 230.00] TO BUS 652516 [LAKPLAT4 230.00] CKT 1  
SINGLE 757 : OPEN LINE FROM BUS 652507 [FTTHOMP4 230.00] TO BUS 652519 [OAHE 4 230.00] CKT 1  
SINGLE 758 : OPEN LINE FROM BUS 652507 [FTTHOMP4 230.00] TO BUS 652519 [OAHE 4 230.00] CKT 2  
SINGLE 759 : OPEN LINE FROM BUS 652507 [FTTHOMP4 230.00] TO BUS 652519 [OAHE 4 230.00] CKT 3  
SINGLE 760 : OPEN LINE FROM BUS 652507 [FTTHOMP4 230.00] TO BUS 652519 [OAHE 4 230.00] CKT 4  
SINGLE 761 : OPEN LINE FROM BUS 652507 [FTTHOMP4 230.00] TO BUS 652540 [BIGBND14 230.00] CKT 1  
SINGLE 762 : OPEN LINE FROM BUS 652507 [FTTHOMP4 230.00] TO BUS 652541 [BIGBND24 230.00] CKT 1  
SINGLE 763 : OPEN LINE FROM BUS 652507 [FTTHOMP4 230.00] TO BUS 652606 [LETCHER4 230.00] CKT 1  
SINGLE 764 : OPEN LINE FROM BUS 652507 [FTTHOMP4 230.00] TO BUS 652607 [WESSINGTON 4230.00] CKT 1  
SINGLE 765 : OPEN LINE FROM BUS 652508 [S3 7 115.00] TO BUS 652551 [GRANITF7 115.00] CKT 1  
SINGLE 766 : OPEN LINE FROM BUS 652508 [S3 7 115.00] TO BUS 652552 [MARS ER7 115.00] CKT 1  
SINGLE 767 : OPEN LINE FROM BUS 652508 [S3 7 115.00] TO BUS 658072 [ERIE RD7 115.00] CKT 1  
SINGLE 768 : OPEN LINE FROM BUS 652509 [FTRANDL4 230.00] TO BUS 652510 [FTRANDL7 115.00] CKT 1  
SINGLE 769 : OPEN LINE FROM BUS 652509 [FTRANDL4 230.00] TO BUS 652510 [FTRANDL7 115.00] CKT 2  
SINGLE 770 : OPEN LINE FROM BUS 652509 [FTRANDL4 230.00] TO BUS 652516 [LAKPLAT4 230.00] CKT 1  
SINGLE 771 : OPEN LINE FROM BUS 652509 [FTRANDL4 230.00] TO BUS 652526 [UTICAJC4 230.00] CKT 1  
SINGLE 772 : OPEN LINE FROM BUS 652509 [FTRANDL4 230.00] TO BUS 652565 [SIOUXCY4 230.00] CKT 1  
SINGLE 773 : OPEN LINE FROM BUS 652511 [GAVINS 7 115.00] TO BUS 652532 [YANKNTON7 115.00] CKT 1  
SINGLE 774 : OPEN LINE FROM BUS 652511 [GAVINS 7 115.00] TO BUS 660006 [YKNTJCT7 115.00] CKT 1  
SINGLE 775 : OPEN LINE FROM BUS 652512 [GROTON 7 115.00] TO BUS 652533 [BRISTOL7 115.00] CKT 1  
SINGLE 776 : OPEN LINE FROM BUS 652512 [GROTON 7 115.00] TO BUS 652534 [ORDWAY 7 115.00] CKT 1  
SINGLE 777 : OPEN LINE FROM BUS 652512 [GROTON 7 115.00] TO BUS 652535 [REDFELD7 115.00] CKT 1  
SINGLE 778 : OPEN LINE FROM BUS 652512 [GROTON 7 115.00] TO BUS 659174 [GRTKEYPS20 7115.00] CKT 1  
SINGLE 779 : OPEN LINE FROM BUS 652512 [GROTON 7 115.00] TO BUS 659203 [GROTONTY 345.00] CKT 1  
SINGLE 780 : OPEN LINE FROM BUS 652512 [GROTON 7 115.00] TO BUS 659275 [GROTONB7 115.00] CKT 1  
SINGLE 781 : OPEN LINE FROM BUS 652512 [GROTON 7 115.00] TO BUS 660001 [ABDNSBT7 115.00] CKT 1  
SINGLE 782 : OPEN LINE FROM BUS 652513 [HANLON 4 230.00] TO BUS 652523 [SIOUXFL4 230.00] CKT 1  
SINGLE 783 : OPEN LINE FROM BUS 652513 [HANLON 4 230.00] TO BUS 659122 [STORLA 4 230.00] CKT 1

SINGLE 784 : OPEN LINE FROM BUS 652514 [HURON 4 230.00] TO BUS 652530 [WATERTN4 230.00] CKT 2  
SINGLE 785 : OPEN LINE FROM BUS 652514 [HURON 4 230.00] TO BUS 652614 [CARPENTER 4 230.00] CKT 1  
SINGLE 786 : OPEN LINE FROM BUS 652514 [HURON 4 230.00] TO BUS 659205 [BRDLAND4 230.00] CKT 1  
SINGLE 787 : OPEN LINE FROM BUS 652515 [HURON 7 115.00] TO BUS 652528 [WOONSKT7 115.00] CKT 1  
SINGLE 788 : OPEN LINE FROM BUS 652515 [HURON 7 115.00] TO BUS 652535 [REDFELD7 115.00] CKT 1  
SINGLE 789 : OPEN LINE FROM BUS 652515 [HURON 7 115.00] TO BUS 660003 [HURONWP7 115.00] CKT 1  
SINGLE 790 : OPEN LINE FROM BUS 652515 [HURON 7 115.00] TO BUS 660009 [BTAP WP7 115.00] CKT 1  
SINGLE 791 : OPEN LINE FROM BUS 652517 [MANNING7 115.00] TO BUS 659121 [SPIRITM7 115.00] CKT 1  
SINGLE 792 : OPEN LINE FROM BUS 652518 [MTVERN 7 115.00] TO BUS 659123 [STORLA 7 115.00] CKT 1  
SINGLE 793 : OPEN LINE FROM BUS 652519 [OAHE 4 230.00] TO BUS 652520 [OAHE 7 115.00] CKT 1  
SINGLE 794 : OPEN LINE FROM BUS 652519 [OAHE 4 230.00] TO BUS 652521 [SULLYBT4 230.00] CKT 1  
SINGLE 795 : OPEN LINE FROM BUS 652520 [OAHE 7 115.00] TO BUS 652600 [ASH TAP 115.00] CKT 1  
SINGLE 796 : OPEN LINE FROM BUS 652521 [SULLYBT4 230.00] TO BUS 652527 [WHITLOK4 230.00] CKT 1  
SINGLE 797 : OPEN LINE FROM BUS 652522 [SUMMIT-7 115.00] TO BUS 652531 [WATERTN7 115.00] CKT 1  
SINGLE 798 : OPEN LINE FROM BUS 652522 [SUMMIT-7 115.00] TO BUS 652533 [BRISTOL7 115.00] CKT 1  
SINGLE 799 : OPEN LINE FROM BUS 652523 [SIOUXFL4 230.00] TO BUS 652578 [PAHOJA 4 230.00] CKT 1  
SINGLE 800 : OPEN LINE FROM BUS 652523 [SIOUXFL4 230.00] TO BUS 652606 [LETCHER4 230.00] CKT 1  
SINGLE 801 : OPEN LINE FROM BUS 652524 [SIOUXFL7 115.00] TO BUS 659250 [SXF WBRANDN7115.00] CKT 1  
SINGLE 802 : OPEN LINE FROM BUS 652525 [TYNDALL7 115.00] TO BUS 660006 [YKNTJCT7 115.00] CKT 1  
SINGLE 803 : OPEN LINE FROM BUS 652526 [UTICAJC4 230.00] TO BUS 652536 [RASMUSN4 230.00] CKT 1  
SINGLE 804 : OPEN LINE FROM BUS 652527 [WHITLOK4 230.00] TO BUS 661038 [GLENHAM4 230.00] CKT 1  
SINGLE 805 : OPEN LINE FROM BUS 652528 [WOONSKT7 115.00] TO BUS 659123 [STORLA 7 115.00] CKT 1  
SINGLE 806 : OPEN LINE FROM BUS 652529 [WATERTN3 345.00] TO BUS 652537 [WHITE 3 345.00] CKT 1  
SINGLE 807 : OPEN LINE FROM BUS 652529 [WATERTN3 345.00] TO BUS 659160 [GROTON 3 345.00] CKT 1  
SINGLE 808 : OPEN LINE FROM BUS 652530 [WATERTN4 230.00] TO BUS 652550 [GRANITF4 230.00] CKT 1  
SINGLE 809 : OPEN LINE FROM BUS 652530 [WATERTN4 230.00] TO BUS 652614 [CARPENTER 4 230.00] CKT 1  
SINGLE 810 : OPEN LINE FROM BUS 652531 [WATERTN7 115.00] TO BUS 658088 [WTREAST7 115.00] CKT 1  
SINGLE 811 : OPEN LINE FROM BUS 652531 [WATERTN7 115.00] TO BUS 658094 [WTRPELI7 115.00] CKT 1  
SINGLE 812 : OPEN LINE FROM BUS 652532 [YANKTON7 115.00] TO BUS 659121 [SPIRITM7 115.00] CKT 1  
SINGLE 813 : OPEN LINE FROM BUS 652536 [RASMUSN4 230.00] TO BUS 652565 [SIOUXCY4 230.00] CKT 1  
SINGLE 814 : OPEN LINE FROM BUS 652550 [GRANITF4 230.00] TO BUS 652554 [MORRIS 4 230.00] CKT 1  
SINGLE 815 : OPEN LINE FROM BUS 652553 [MOORHED4 230.00] TO BUS 652554 [MORRIS 4 230.00] CKT 1  
SINGLE 816 : OPEN LINE FROM BUS 652553 [MOORHED4 230.00] TO BUS 652587 [MOORHED7 115.00] CKT 1  
SINGLE 817 : OPEN LINE FROM BUS 652553 [MOORHED4 230.00] TO BUS 652587 [MOORHED7 115.00] CKT 2  
SINGLE 818 : OPEN LINE FROM BUS 652554 [MORRIS 4 230.00] TO BUS 652555 [MORRIS 7 115.00] CKT 1  
SINGLE 819 : OPEN LINE FROM BUS 652561 [DENISON5 161.00] TO BUS 652567 [DENISON4 230.00] CKT 1  
SINGLE 820 : OPEN LINE FROM BUS 652561 [DENISON5 161.00] TO BUS 652603 [EXIRA 5 161.00] CKT 1  
SINGLE 821 : OPEN LINE FROM BUS 652562 [EAGLE 4 230.00] TO BUS 652565 [SIOUXCY4 230.00] CKT 1  
SINGLE 822 : OPEN LINE FROM BUS 652562 [EAGLE 4 230.00] TO BUS 652578 [PAHOJA 4 230.00] CKT 1  
SINGLE 823 : OPEN LINE FROM BUS 652563 [SPENCER5 161.00] TO BUS 652566 [SIOUXCY5 161.00] CKT 1  
SINGLE 824 : OPEN LINE FROM BUS 652565 [SIOUXCY4 230.00] TO BUS 652567 [DENISON4 230.00] CKT 1  
SINGLE 825 : OPEN LINE FROM BUS 652570 [ALIANCE7 115.00] TO BUS 659197 [SNAKECK7 115.00] CKT 1  
SINGLE 826 : OPEN LINE FROM BUS 652570 [ALIANCE7 115.00] TO BUS 659236 [BOXBUTE7 115.00] CKT 1  
SINGLE 827 : OPEN LINE FROM BUS 652572 [SIDNEY 7 115.00] TO BUS 659136 [SIDNEY\*4 230.00] CKT 1  
SINGLE 828 : OPEN LINE FROM BUS 652572 [SIDNEY 7 115.00] TO BUS 659238 [COLTON 7 115.00] CKT 1  
SINGLE 830 : OPEN LINE FROM BUS 652578 [PAHOJA 4 230.00] TO BUS 652588 [CLEVELD4 230.00] CKT 1  
SINGLE 831 : OPEN LINE FROM BUS 652584 [SIDNEYW4 230.00] TO BUS 652585 [NB WEST4 230.00] CKT 1  
SINGLE 832 : OPEN LINE FROM BUS 652584 [SIDNEYW4 230.00] TO BUS 659170 [STEGALDC 230.00] CKT 1

SINGLE 833 : OPEN LINE FROM BUS 652585 [NB WEST4 230.00] TO BUS 659170 [STEGALDC 230.00] CKT 1  
SINGLE 834 : OPEN LINE FROM BUS 652587 [MOORHED7 115.00] TO BUS 658086 [MPSNE 7 115.00] CKT 1  
SINGLE 835 : OPEN LINE FROM BUS 652600 [ASH TAP 115.00] TO BUS 652601 [ASH ST 7 115.00] CKT 1  
SINGLE 836 : OPEN LINE FROM BUS 652601 [ASH ST 7 115.00] TO BUS 652602 [EVANS ST 115.00] CKT 1  
SINGLE 837 : OPEN LINE FROM BUS 652607 [WESSINGTON 4230.00] TO BUS 659122 [STORLA 4 230.00] CKT 1  
SINGLE 838 : OPEN LINE FROM BUS 652609 [LETCHER7 115.00] TO BUS 659198 [LETCHR PS227115.00] CKT 1  
SINGLE 839 : OPEN LINE FROM BUS 652626 [UTICAJC7 115.00] TO BUS 659292 [KEYSTN PS237115.00] CKT 1  
SINGLE 840 : OPEN LINE FROM BUS 652626 [UTICAJC7 115.00] TO BUS 660006 [YKNTJCT7 115.00] CKT 1  
SINGLE 841 : OPEN LINE FROM BUS 652626 [UTICAJC7 115.00] TO BUS 660007 [MENNOJT7 115.00] CKT 1  
SINGLE 842 : OPEN LINE FROM BUS 658068 [MARSHAL7 115.00] TO BUS 658070 [MMU 7ST7 115.00] CKT 1  
SINGLE 843 : OPEN LINE FROM BUS 658068 [MARSHAL7 115.00] TO BUS 658078 [SOUTH E7 115.00] CKT 1  
SINGLE 844 : OPEN LINE FROM BUS 658070 [MMU 7ST7 115.00] TO BUS 658072 [ERIE RD7 115.00] CKT 1  
SINGLE 845 : OPEN LINE FROM BUS 658072 [ERIE RD7 115.00] TO BUS 658074 [SARATOG7 115.00] CKT 1  
SINGLE 846 : OPEN LINE FROM BUS 658074 [SARATOG7 115.00] TO BUS 658076 [MMU SW 7 115.00] CKT 1  
SINGLE 847 : OPEN LINE FROM BUS 658076 [MMU SW 7 115.00] TO BUS 658078 [SOUTH E7 115.00] CKT 1  
SINGLE 848 : OPEN LINE FROM BUS 658080 [MPSBROOK 115.00] TO BUS 658082 [MPSSE 7 115.00] CKT 1  
SINGLE 849 : OPEN LINE FROM BUS 658082 [MPSSE 7 115.00] TO BUS 658084 [MPSCENT7 115.00] CKT 1  
SINGLE 850 : OPEN LINE FROM BUS 658084 [MPSCENT7 115.00] TO BUS 658086 [MPSNE 7 115.00] CKT 1  
SINGLE 851 : OPEN LINE FROM BUS 658088 [WTRAST7 115.00] TO BUS 658090 [WTRTNPP 115.00] CKT 1  
SINGLE 852 : OPEN LINE FROM BUS 658090 [WTRTNPP 115.00] TO BUS 658092 [WTRWEST7 115.00] CKT 1  
SINGLE 853 : OPEN LINE FROM BUS 658092 [WTRWEST7 115.00] TO BUS 658094 [WTRPEL17 115.00] CKT 1  
SINGLE 854 : OPEN LINE FROM BUS 659101 [ANTELOP3 345.00] TO BUS 659105 [LELANDO3 345.00] CKT 1  
SINGLE 855 : OPEN LINE FROM BUS 659101 [ANTELOP3 345.00] TO BUS 659105 [LELANDO3 345.00] CKT 2  
SINGLE 856 : OPEN LINE FROM BUS 659101 [ANTELOP3 345.00] TO BUS 659120 [BRDLAND3 345.00] CKT 1  
SINGLE 857 : OPEN LINE FROM BUS 659101 [ANTELOP3 345.00] TO BUS 659183 [CHAR.CK3 345.00] CKT 1  
SINGLE 860 : OPEN LINE FROM BUS 659101 [ANTELOP3 345.00] TO BUS 659230 [DGCX3 T 345.00] CKT 1  
SINGLE 861 : OPEN LINE FROM BUS 659105 [LELANDO3 345.00] TO BUS 659160 [GROTON 3 345.00] CKT 1  
SINGLE 862 : OPEN LINE FROM BUS 659105 [LELANDO3 345.00] TO BUS 659201 [LELND1TY 345.00] CKT 1  
SINGLE 863 : OPEN LINE FROM BUS 659105 [LELANDO3 345.00] TO BUS 659202 [LELND2TY 345.00] CKT 1  
SINGLE 864 : OPEN LINE FROM BUS 659106 [LELANDO4 230.00] TO BUS 659108 [LOGAN 4 230.00] CKT 1  
SINGLE 865 : OPEN LINE FROM BUS 659106 [LELANDO4 230.00] TO BUS 659200 [BASIN TY 230.00] CKT 1  
SINGLE 866 : OPEN LINE FROM BUS 659106 [LELANDO4 230.00] TO BUS 659201 [LELND1TY 345.00] CKT 1  
SINGLE 867 : OPEN LINE FROM BUS 659106 [LELANDO4 230.00] TO BUS 659202 [LELND2TY 345.00] CKT 1  
SINGLE 868 : OPEN LINE FROM BUS 659108 [LOGAN 4 230.00] TO BUS 659208 [LOGAN TY 230.00] CKT 1  
SINGLE 869 : OPEN LINE FROM BUS 659108 [LOGAN 4 230.00] TO BUS 661084 [TIOGA4 4 230.00] CKT 1  
SINGLE 870 : OPEN LINE FROM BUS 659109 [BASIN 7 115.00] TO BUS 659200 [BASIN TY 230.00] CKT 1  
SINGLE 871 : OPEN LINE FROM BUS 659120 [BRDLAND3 345.00] TO BUS 659204 [BRDLNDTY 345.00] CKT 1  
SINGLE 872 : OPEN LINE FROM BUS 659122 [STORLA 4 230.00] TO BUS 659123 [STORLA 7 115.00] CKT 1  
SINGLE 873 : OPEN LINE FROM BUS 659130 [GRANTNB7 115.00] TO BUS 659132 [OGALALA7 115.00] CKT 1  
SINGLE 874 : OPEN LINE FROM BUS 659130 [GRANTNB7 115.00] TO BUS 659132 [OGALALA7 115.00] CKT 2  
SINGLE 875 : OPEN LINE FROM BUS 659130 [GRANTNB7 115.00] TO BUS 659188 [SPCREEK7 115.00] CKT 1  
SINGLE 876 : OPEN LINE FROM BUS 659131 [LARAMIE3 345.00] TO BUS 659133 [SIDNEY 3 345.00] CKT 1  
SINGLE 877 : OPEN LINE FROM BUS 659131 [LARAMIE3 345.00] TO BUS 659135 [STEGALL3 345.00] CKT 1  
SINGLE 878 : OPEN LINE FROM BUS 659132 [OGALALA7 115.00] TO BUS 659187 [ROSCOE 7 115.00] CKT 1  
SINGLE 879 : OPEN LINE FROM BUS 659132 [OGALALA7 115.00] TO BUS 659246 [MCONGHY7 115.00] CKT 1  
SINGLE 880 : OPEN LINE FROM BUS 659133 [SIDNEY 3 345.00] TO BUS 659135 [STEGALL3 345.00] CKT 1  
SINGLE 881 : OPEN LINE FROM BUS 659133 [SIDNEY 3 345.00] TO BUS 659209 [SIDNEYTY 345.00] CKT 1  
SINGLE 882 : OPEN LINE FROM BUS 659134 [SIDNEY 4 230.00] TO BUS 659136 [SIDNEY\*4 230.00] CKT 1

SINGLE 883 : OPEN LINE FROM BUS 659134 [SIDNEY 4 230.00] TO BUS 659210 [SIDXFMR4 230.00] CKT 1  
SINGLE 885 : OPEN LINE FROM BUS 659138 [NESET 4 230.00] TO BUS 659139 [NESET 7 115.00] CKT 1  
SINGLE 886 : OPEN LINE FROM BUS 659138 [NESET 4 230.00] TO BUS 661084 [TIOGA4 4 230.00] CKT 1  
SINGLE 887 : OPEN LINE FROM BUS 659154 [LAMAR 7 115.00] TO BUS 659188 [SPCREEK7 115.00] CKT 1  
SINGLE 888 : OPEN LINE FROM BUS 659154 [LAMAR 7 115.00] TO BUS 659195 [CRETE 7 115.00] CKT 1  
SINGLE 889 : OPEN LINE FROM BUS 659155 [LOGAN 7 115.00] TO BUS 659208 [LOGAN TY 230.00] CKT 1  
SINGLE 890 : OPEN LINE FROM BUS 659155 [LOGAN 7 115.00] TO BUS 659261 [BTHOLD 7 115.00] CKT 1  
SINGLE 891 : OPEN LINE FROM BUS 659160 [GROTON 3 345.00] TO BUS 659203 [GROTONTY 345.00] CKT 1  
SINGLE 892 : OPEN LINE FROM BUS 659162 [REDWLCK7 115.00] TO BUS 659163 [BLKWDC7 115.00] CKT 1  
SINGLE 893 : OPEN LINE FROM BUS 659162 [REDWLCK7 115.00] TO BUS 659243 [ELSIE 7 115.00] CKT 1  
SINGLE 894 : OPEN LINE FROM BUS 659180 [KOCH 7 115.00] TO BUS 659191 [SQUAWGP7 115.00] CKT 1  
SINGLE 895 : OPEN LINE FROM BUS 659181 [BICNTNL7 115.00] TO BUS 659184 [R.RIDER7 115.00] CKT 1  
SINGLE 896 : OPEN LINE FROM BUS 659181 [BICNTNL7 115.00] TO BUS 659191 [SQUAWGP7 115.00] CKT 1  
SINGLE 897 : OPEN LINE FROM BUS 659182 [CHAR.CK7 115.00] TO BUS 659184 [R.RIDER7 115.00] CKT 1  
SINGLE 898 : OPEN LINE FROM BUS 659182 [CHAR.CK7 115.00] TO BUS 659211 [CHARCKTY 345.00] CKT 1  
SINGLE 899 : OPEN LINE FROM BUS 659183 [CHAR.CK3 345.00] TO BUS 659211 [CHARCKTY 345.00] CKT 1  
SINGLE 900 : OPEN LINE FROM BUS 659185 [ELSIETP7 115.00] TO BUS 659186 [PAXTON 7 115.00] CKT 1  
SINGLE 901 : OPEN LINE FROM BUS 659185 [ELSIETP7 115.00] TO BUS 659187 [ROSCOE 7 115.00] CKT 1  
SINGLE 902 : OPEN LINE FROM BUS 659185 [ELSIETP7 115.00] TO BUS 659243 [ELSIE 7 115.00] CKT 1  
SINGLE 903 : OPEN LINE FROM BUS 659192 [LYNN 7 115.00] TO BUS 659197 [SNAKECK7 115.00] CKT 1  
SINGLE 904 : OPEN LINE FROM BUS 659192 [LYNN 7 115.00] TO BUS 659239 [COVALT 7 115.00] CKT 1  
SINGLE 905 : OPEN LINE FROM BUS 659193 [W.HORSE7 115.00] TO BUS 659239 [COVALT 7 115.00] CKT 1  
SINGLE 906 : OPEN LINE FROM BUS 659195 [CRETE 7 115.00] TO BUS 659245 [CRETEHE7 115.00] CKT 1  
SINGLE 907 : OPEN LINE FROM BUS 659204 [BRDLNDTY 345.00] TO BUS 659205 [BRDLAND4 230.00] CKT 1  
SINGLE 909 : OPEN LINE FROM BUS 659209 [SIDNEYTY 345.00] TO BUS 659210 [SIDXFMR4 230.00] CKT 1  
SINGLE 910 : OPEN LINE FROM BUS 659212 [AVSDC1TY 345.00] TO BUS 659213 [AVSDC2TY 345.00] CKT 1  
SINGLE 911 : OPEN LINE FROM BUS 659212 [AVSDC1TY 345.00] TO BUS 659216 [AVSDC5TY 345.00] CKT 1  
SINGLE 912 : OPEN LINE FROM BUS 659213 [AVSDC2TY 345.00] TO BUS 659217 [AVSDC6TY 345.00] CKT 1  
SINGLE 913 : OPEN LINE FROM BUS 659216 [AVSDC5TY 345.00] TO BUS 659217 [AVSDC6TY 345.00] CKT 1  
SINGLE 914 : OPEN LINE FROM BUS 659218 [AVSDC7TY 345.00] TO BUS 659219 [AVSDC8TY 345.00] CKT 1  
SINGLE 915 : OPEN LINE FROM BUS 659218 [AVSDC7TY 345.00] TO BUS 659222 [AVSD11TY 345.00] CKT 1  
SINGLE 916 : OPEN LINE FROM BUS 659219 [AVSDC8TY 345.00] TO BUS 659223 [AVSD12TY 345.00] CKT 1  
SINGLE 917 : OPEN LINE FROM BUS 659222 [AVSD11TY 345.00] TO BUS 659223 [AVSD12TY 345.00] CKT 1  
SINGLE 918 : OPEN LINE FROM BUS 659230 [DGCX3 T 345.00] TO BUS 659231 [DGCX3 4 230.00] CKT 1  
SINGLE 919 : OPEN LINE FROM BUS 659231 [DGCX3 4 230.00] TO BUS 659233 [DGCX4 T 230.00] CKT 1  
SINGLE 920 : OPEN LINE FROM BUS 659236 [BOXBUTE7 115.00] TO BUS 659237 [HEMINGF7 115.00] CKT 1  
SINGLE 921 : OPEN LINE FROM BUS 659244 [ATHEY 7 115.00] TO BUS 659245 [CRETEHE7 115.00] CKT 1  
SINGLE 922 : OPEN LINE FROM BUS 659246 [MCONGHY7 115.00] TO BUS 659247 [ARTHUR 7 115.00] CKT 1  
SINGLE 923 : OPEN LINE FROM BUS 659247 [ARTHUR 7 115.00] TO BUS 659248 [HYANNIS7 115.00] CKT 1  
SINGLE 924 : OPEN LINE FROM BUS 659250 [SXF WBRANDN7115.00] TO BUS 659251 [SXF CORSON 7115.00] CKT 1  
SINGLE 925 : OPEN LINE FROM BUS 659251 [SXF CORSON 7115.00] TO BUS 659252 [SXF BRANDON7115.00] CKT 1  
SINGLE 926 : OPEN LINE FROM BUS 659252 [SXF BRANDON7115.00] TO BUS 659253 [SXF ROWENA 7115.00] CKT 1  
SINGLE 927 : OPEN LINE FROM BUS 659253 [SXF ROWENA 7115.00] TO BUS 659254 [SXF SPLT RK7115.00] CKT 1  
SINGLE 928 : OPEN LINE FROM BUS 659255 [SXF 6 MI RD7115.00] TO BUS 659256 [SXF 57TH ST7115.00] CKT 1  
SINGLE 929 : OPEN LINE FROM BUS 659256 [SXF 57TH ST7115.00] TO BUS 659257 [SXF SHINDLR7115.00] CKT 1  
SINGLE 930 : OPEN LINE FROM BUS 659257 [SXF SHINDLR7115.00] TO BUS 659258 [SXF HARSBRG7115.00] CKT 1  
SINGLE 931 : OPEN LINE FROM BUS 659263 [LTLMISS7 115.00] TO BUS 659265 [LTLMISS4 230.00] CKT 1  
SINGLE 932 : OPEN LINE FROM BUS 659265 [LTLMISS4 230.00] TO BUS 659266 [RHAME 4 230.00] CKT 1



SINGLE 933 : OPEN LINE FROM BUS 659265 [LTLMISS4 230.00] TO BUS 661004 [BAKER 4 230.00] CKT 1  
 SINGLE 934 : OPEN LINE FROM BUS 659266 [RHAME 4 230.00] TO BUS 659267 [RHAME 7 115.00] CKT 1  
 SINGLE 935 : OPEN LINE FROM BUS 659266 [RHAME 4 230.00] TO BUS 661010 [BOWMAN 4 230.00] CKT 1  
 SINGLE 936 : OPEN LINE FROM BUS 659268 [RCDC EDUMMY4230.00] TO BUS 659271 [RCDC EAST 4230.00] CKT 1  
 SINGLE 937 : OPEN LINE FROM BUS 659269 [CLBRITSONGEN7115.00] TO BUS 661012 [CLBRITSN7 115.00] CKT 1  
 SINGLE 938 : OPEN LINE FROM BUS 659297 [BIS WARD 7115.00] TO BUS 659298 [BIS NORTH267115.00] CKT 1  
 SINGLE 939 : OPEN LINE FROM BUS 659298 [BIS NORTH267115.00] TO BUS 659299 [BIS GVPINES7115.00] CKT 1  
 SINGLE 940 : OPEN LINE FROM BUS 659303 [RCDC WEST 4230.00] TO BUS 659304 [RCDC SWING G230.00] CKT 1  
 SINGLE 941 : OPEN LINE FROM BUS 660000 [ABDNJCT7 115.00] TO BUS 660001 [ABDNSBT7 115.00] CKT 1  
 SINGLE 942 : OPEN LINE FROM BUS 660001 [ABDNSBT7 115.00] TO BUS 660002 [REDFLD 7 115.00] CKT 1  
 SINGLE 943 : OPEN LINE FROM BUS 660002 [REDFLD 7 115.00] TO BUS 660009 [BTAP WP7 115.00] CKT 1  
 SINGLE 944 : OPEN LINE FROM BUS 660003 [HURONWP7 115.00] TO BUS 660008 [MITCLNW7 115.00] CKT 1  
 SINGLE 945 : OPEN LINE FROM BUS 660003 [HURONWP7 115.00] TO BUS 660009 [BTAP WP7 115.00] CKT 1  
 SINGLE 946 : OPEN LINE FROM BUS 660004 [MITCHEL7 115.00] TO BUS 660005 [TRIPP 7 115.00] CKT 1  
 SINGLE 947 : OPEN LINE FROM BUS 660004 [MITCHEL7 115.00] TO BUS 660008 [MITCLNW7 115.00] CKT 1  
 SINGLE 948 : OPEN LINE FROM BUS 660005 [TRIPP 7 115.00] TO BUS 660007 [MENNOJT7 115.00] CKT 1  
 SINGLE 949 : OPEN LINE FROM BUS 661010 [BOWMAN 4 230.00] TO BUS 661047 [HETINGR4 230.00] CKT 1  
 SINGLE 950 : OPEN LINE FROM BUS 661012 [CLBRITSN7 115.00] TO BUS 661075 [POPLAR 7 115.00] CKT 1  
 GEN-COOPER : TRIP LINE FROM BUS 640139 [COOPER 3 345.00] TO BUS 640009 [COOPER1G 22.000] CKT 1  
 GEN-GGS-1 : TRIP LINE FROM BUS 640184 [GENTLMN4 230.00] TO BUS 640010 [GENTLM1G 23.000] CKT 1  
 GEN-GGS-2 : TRIP LINE FROM BUS 640183 [GENTLMN3 345.00] TO BUS 640011 [GENTLM2G 24.000] CKT 1  
 GEN-SS-1 : TRIP LINE FROM BUS 640278 [SHELDON7 115.00] TO BUS 640019 [SHELDN1G 13.800] CKT 1  
 GEN-SS-2 : TRIP LINE FROM BUS 640278 [SHELDON7 115.00] TO BUS 640020 [SHELDN2G 13.800] CKT 1  
 GEN-PLATTE : TRIP LINE FROM BUS 642071 [SUB-D 7 115.00] TO BUS 642067 [PLATTE1G 13.800] CKT 1  
 GEN-WEC1 : TRIP LINE FROM BUS 641087 [EGYCNTR7 115.00] TO BUS 641086 [EGY CTRG 13.800] CKT 1  
 GEN-COLCOG : TRIP LINE FROM BUS 640119 [COL.COG7 115.00] TO BUS 640028 [COLCOG1G 13.800] CKT 1  
 GEN-AWEF : TRIP LINE FROM BUS 640050 [AINSWND7 115.00] TO BUS 640025 [AINSWDDG 34.500] CKT 1  
 GEN-E-RIDGE : TRIP LINE FROM BUS 640084 [BLMFLD 7 115.00] TO BUS 640419 [ELKRDRG1D 34.500] CKT 1  
 LN-FAIRPORT : TRIP LINE FROM BUS 300039 [7FAIRPT 345.00] TO BUS 640139 [COOPER 3 345.00] CKT 1  
     TRIP LINE FROM BUS 300039 [7FAIRPT 345.00] TO BUS 541199 [ST JOE 3 345.00] CKT 1  
     TRIP LINE FROM BUS 300039 [7FAIRPT 345.00] TO BUS 300076 [5FAIRPT 161.00] CKT 3  
 LN-1091 : TRIP LINE FROM BUS 640392 [VALENTN7 115.00] TO BUS 640210 [HARMONY7 115.00] CKT 1  
     TRIP LINE FROM BUS 640210 [HARMONY7 115.00] TO BUS 640351 [ST.FRANC 115.00] CKT 1  
     TRIP LINE FROM BUS 640351 [ST.FRANC 115.00] TO BUS 652482 [MISSION7 115.00] CKT 1  
 LN-RUSHVILLE: TRIP LINE FROM BUS 640334 [RUSHVIL7 115.00] TO BUS 640109 [CHADRON7 115.00] CKT 1  
     TRIP LINE FROM BUS 640334 [RUSHVIL7 115.00] TO BUS 640192 [GORDON 7 115.00] CKT 1  
 LN-MALONEY : TRIP LINE FROM BUS 640287 [N.PLATT7 115.00] TO BUS 640265 [MALONEY7 115.00] CKT 1  
     TRIP LINE FROM BUS 640266 [MALONEY9 34.500] TO BUS 640265 [MALONEY7 115.00] CKT 1  
 LN-STOCKVILL: TRIP LINE FROM BUS 640287 [N.PLATT7 115.00] TO BUS 640365 [STOCKVL7 115.00] CKT 1  
     TRIP LINE FROM BUS 640366 [STOCKVL8 69.000] TO BUS 640365 [STOCKVL7 115.00] CKT 1  
 LN-1133 : TRIP LINE FROM BUS 640100 [CAMBRIG7 115.00] TO BUS 640269 [MCCOOK 7 115.00] CKT 1  
     TRIP LINE FROM BUS 640100 [CAMBRIG7 115.00] TO BUS 640194 [GOSPER 7 115.00] CKT 1  
     TRIP LINE FROM BUS 640242 [JOHN.2 7 115.00] TO BUS 640194 [GOSPER 7 115.00] CKT 1  
 LN-1147 : TRIP LINE FROM BUS 640244 [JOHN.LK7 115.00] TO BUS 640242 [JOHN.2 7 115.00] CKT 1  
     TRIP LINE FROM BUS 640244 [JOHN.LK7 115.00] TO BUS 640240 [JOHN.1 7 115.00] CKT 1  
 LN-1142 : TRIP LINE FROM BUS 640196 [GOTHNBG7 115.00] TO BUS 640238 [JEFFREY7 115.00] CKT 1  
     TRIP LINE FROM BUS 640196 [GOTHNBG7 115.00] TO BUS 640144 [COZAD 7 115.00] CKT 1  
 LN-1242 : TRIP LINE FROM BUS 640407 [WESTMIN7 115.00] TO BUS 640242 [JOHN.2 7 115.00] CKT 1

TRIP LINE FROM BUS 640407 [WESTMIN7 115.00] TO BUS 640144 [COZAD 7 115.00] CKT 1  
LN-1090 : TRIP LINE FROM BUS 640096 [CALAMS 7 115.00] TO BUS 640050 [AINSWND7 115.00] CKT 1  
TRIP LINE FROM BUS 640096 [CALAMS 7 115.00] TO BUS 640381 [THEDFRD7 115.00] CKT 1  
LN-1267 : TRIP LINE FROM BUS 640367 [STUART 7 115.00] TO BUS 640051 [AINSWRT7 115.00] CKT 1  
TRIP LINE FROM BUS 640367 [STUART 7 115.00] TO BUS 640058 [ATKINSN7 115.00] CKT 1  
TRIP LINE FROM BUS 640165 [EMMET 7 115.00] TO BUS 640058 [ATKINSN7 115.00] CKT 1  
TRIP LINE FROM BUS 640165 [EMMET 7 115.00] TO BUS 640305 [ONEILL 7 115.00] CKT 1  
LN-1164 : TRIP LINE FROM BUS 640113 [CLRWATR7 115.00] TO BUS 640305 [ONEILL 7 115.00] CKT 1  
TRIP LINE FROM BUS 640113 [CLRWATR7 115.00] TO BUS 640293 [NELIGH 7 115.00] CKT 1  
LN-1163 : TRIP LINE FROM BUS 640115 [CO.LINE7 115.00] TO BUS 640293 [NELIGH 7 115.00] CKT 1  
TRIP LINE FROM BUS 640115 [CO.LINE7 115.00] TO BUS 640072 [BATTLCR7 115.00] CKT 1  
TRIP LINE FROM BUS 640296 [NORFK.N7 115.00] TO BUS 640072 [BATTLCR7 115.00] CKT 1  
LN-1169 : TRIP LINE FROM BUS 640353 [ST.LIB 7 115.00] TO BUS 640201 [GR ISLD7 115.00] CKT 1  
TRIP LINE FROM BUS 640353 [ST.LIB 7 115.00] TO BUS 640259 [LOUPCTY7 115.00] CKT 1  
TRIP LINE FROM BUS 640353 [ST.LIB 7 115.00] TO BUS 640355 [ST.PAUL7 115.00] CKT 1  
LN-1143 : TRIP LINE FROM BUS 640161 [ELMCRK\_7 115.00] TO BUS 640103 [CANADAY7 115.00] CKT 1  
TRIP LINE FROM BUS 640161 [ELMCRK\_7 115.00] TO BUS 640250 [KEARNEY7 115.00] CKT 1  
LN-1094 : TRIP LINE FROM BUS 640248 [KEAR.NE7 115.00] TO BUS 640331 [RIVERDL7 115.00] CKT 1  
TRIP LINE FROM BUS 640248 [KEAR.NE7 115.00] TO BUS 640250 [KEARNEY7 115.00] CKT 1  
LN-1172 : TRIP LINE FROM BUS 640206 [GUIDE R7 115.00] TO BUS 640368 [SUPEROR7 115.00] CKT 1  
TRIP LINE FROM BUS 640206 [GUIDE R7 115.00] TO BUS 640313 [PAULINE7 115.00] CKT 1  
LN-1173 : TRIP LINE FROM BUS 640220 [HEBRON 7 115.00] TO BUS 640368 [SUPEROR7 115.00] CKT 1  
TRIP LINE FROM BUS 640220 [HEBRON 7 115.00] TO BUS 640218 [HEBRN N7 115.00] CKT 1  
LN-1175B : TRIP LINE FROM BUS 640169 [FAIRBRY7 115.00] TO BUS 640208 [HARBINE7 115.00] CKT 1  
TRIP LINE FROM BUS 640169 [FAIRBRY7 115.00] TO BUS 640170 [FAIRBRYG 34.500] CKT 1  
LN-1176 : TRIP LINE FROM BUS 640361 [STEINER7 115.00] TO BUS 640076 [BEATRCE7 115.00] CKT 1  
TRIP LINE FROM BUS 640361 [STEINER7 115.00] TO BUS 640235 [HUMBOLT7 115.00] CKT 1  
LN-CLATONIA : TRIP LINE FROM BUS 640111 [CLATONA7 115.00] TO BUS 640088 [BPS SUB7 115.00] CKT 1  
TRIP LINE FROM BUS 640111 [CLATONA7 115.00] TO BUS 640278 [SHELDON7 115.00] CKT 1  
LN-FIRTH : TRIP LINE FROM BUS 640171 [FIRTH 7 115.00] TO BUS 640362 [STERLNG7 115.00] CKT 1  
TRIP LINE FROM BUS 640171 [FIRTH 7 115.00] TO BUS 640278 [SHELDON7 115.00] CKT 1  
TRIP LINE FROM BUS 640362 [STERLNG7 115.00] TO BUS 647974 [S974 8 69.000] CKT 1  
LN-FRIEND : TRIP LINE FROM BUS 640174 [FRIEND 7 115.00] TO BUS 640153 [CRETE\_\_7 115.00] CKT 1  
TRIP LINE FROM BUS 640174 [FRIEND 7 115.00] TO BUS 640178 [GENEVA 7 115.00] CKT 1  
LN-1155 : TRIP LINE FROM BUS 640375 [TAMORA 7 115.00] TO BUS 640411 [YORK 7 115.00] CKT 1  
TRIP LINE FROM BUS 640375 [TAMORA 7 115.00] TO BUS 640340 [SEWARD 7 115.00] CKT 1  
LN-1156 : TRIP LINE FROM BUS 640316 [PAWNEEL7 115.00] TO BUS 650214 [NW68HOLDRG7 115.00] CKT 1  
TRIP LINE FROM BUS 640316 [PAWNEEL7 115.00] TO BUS 640340 [SEWARD 7 115.00] CKT 1  
LN-1181 : TRIP LINE FROM BUS 640155 [DAVEY 7 115.00] TO BUS 650269 [70&BLUFF 7 115.00] CKT 1  
TRIP LINE FROM BUS 640155 [DAVEY 7 115.00] TO BUS 640402 [WAHOO 7 115.00] CKT 1  
LN-1152 : TRIP LINE FROM BUS 640157 [DAVIDCY7 115.00] TO BUS 640127 [COLMB.E7 115.00] CKT 1  
TRIP LINE FROM BUS 640157 [DAVIDCY7 115.00] TO BUS 640402 [WAHOO 7 115.00] CKT 1  
LN-S-CREEK : TRIP LINE FROM BUS 640345 [SILVRCK7 115.00] TO BUS 640107 [CENCITY7 115.00] CKT 1  
TRIP LINE FROM BUS 640345 [SILVRCK7 115.00] TO BUS 640136 [COLMBUS7 115.00] CKT 1  
LN-N-BEND : TRIP LINE FROM BUS 640281 [N.BEND 7 115.00] TO BUS 640336 [SCHUYLR7 115.00] CKT 1  
TRIP LINE FROM BUS 640281 [N.BEND 7 115.00] TO BUS 640173 [FREMONT7 115.00] CKT 1  
LN-1160 : TRIP LINE FROM BUS 640409 [WINSLOW7 115.00] TO BUS 640300 [OAKLAND7 115.00] CKT 1  
TRIP LINE FROM BUS 640409 [WINSLOW7 115.00] TO BUS 640173 [FREMONT7 115.00] CKT 1

LN-1161 : TRIP LINE FROM BUS 640400 [W.POINT7 115.00] TO BUS 640300 [OAKLAND7 115.00] CKT 1  
TRIP LINE FROM BUS 640400 [W.POINT7 115.00] TO BUS 640078 [BEEMER 7 115.00] CKT 1

LN-1168 : TRIP LINE FROM BUS 640357 [STANTON7 115.00] TO BUS 640363 [STNTN.N7 115.00] CKT 1  
TRIP LINE FROM BUS 640357 [STANTON7 115.00] TO BUS 640078 [BEEMER 7 115.00] CKT 1

LN-1193 : TRIP LINE FROM BUS 640070 [BANCRFT7 115.00] TO BUS 640300 [OAKLAND7 115.00] CKT 1  
TRIP LINE FROM BUS 640070 [BANCRFT7 115.00] TO BUS 640163 [EMERSON7 115.00] CKT 1

LN-DONIPHAN : TRIP LINE FROM BUS 640159 [DONIPHN7 115.00] TO BUS 642071 [SUB-D 7 115.00] CKT 1  
TRIP LINE FROM BUS 640159 [DONIPHN7 115.00] TO BUS 640282 [N.HAST 7 115.00] CKT 1

LN-HILDRETH : TRIP LINE FROM BUS 640222 [HILDRTH7 115.00] TO BUS 640224 [HOLDREG7 115.00] CKT 1  
TRIP LINE FROM BUS 640222 [HILDRTH7 115.00] TO BUS 640313 [PAULINE7 115.00] CKT 1

LN-CRAWFORD : TRIP LINE FROM BUS 640147 [CRAWFRD7 115.00] TO BUS 640109 [CHADRON7 115.00] CKT 1  
TRIP LINE FROM BUS 640147 [CRAWFRD7 115.00] TO BUS 640397 [VICTRYH7 115.00] CKT 1

LN-CALLAWAY : TRIP LINE FROM BUS 640098 [CALAWAY7 115.00] TO BUS 640089 [BROKENB7 115.00] CKT 1  
TRIP LINE FROM BUS 640098 [CALAWAY7 115.00] TO BUS 640099 [CALAWAY8 69.000] CKT 1

LN-PROSSER : TRIP LINE FROM BUS 640321 [PROSSER7 115.00] TO BUS 640322 [PROSSER9 34.500] CKT 1  
TRIP LINE FROM BUS 640321 [PROSSER7 115.00] TO BUS 640261 [LOWELL 7 115.00] CKT 1

LN-WAPA1 : TRIP LINE FROM BUS 652311 [DUNLAP 7 115.00] TO BUS 640109 [CHADRON7 115.00] CKT 1  
TRIP LINE FROM BUS 652311 [DUNLAP 7 115.00] TO BUS 659236 [BOXBUTE7 115.00] CKT 1

LN-WAPA2 : TRIP LINE FROM BUS 659236 [BOXBUTE7 115.00] TO BUS 659237 [HEMINGF7 115.00] CKT 1  
TRIP LINE FROM BUS 659236 [BOXBUTE7 115.00] TO BUS 652570 [ALIANCE7 115.00] CKT 1  
TRIP LINE FROM BUS 652570 [ALIANCE7 115.00] TO BUS 659197 [SNAKECK7 115.00] CKT 1

LN-WAPA3 : TRIP LINE FROM BUS 652312 [MORRILL7 115.00] TO BUS 659197 [SNAKECK7 115.00] CKT 1  
TRIP LINE FROM BUS 652312 [MORRILL7 115.00] TO BUS 659242 [GERINGT7 115.00] CKT 1  
TRIP LINE FROM BUS 659242 [GERINGT7 115.00] TO BUS 640338 [SCOTBLF7 115.00] CKT 1

LN-WAPA4 : TRIP LINE FROM BUS 659238 [COLTON 7 115.00] TO BUS 652572 [SIDNEY 7 115.00] CKT 1  
TRIP LINE FROM BUS 659238 [COLTON 7 115.00] TO BUS 652300 [CHAPPEL7 115.00] CKT 1  
TRIP LINE FROM BUS 640246 [JULSTAP7 115.00] TO BUS 652300 [CHAPPEL7 115.00] CKT 1  
TRIP LINE FROM BUS 640246 [JULSTAP7 115.00] TO BUS 640068 [B.SPRGS7 115.00] CKT 1

LN-WAPA5 : TRIP LINE FROM BUS 640091 [BRULE 7 115.00] TO BUS 640068 [B.SPRGS7 115.00] CKT 1  
TRIP LINE FROM BUS 640091 [BRULE 7 115.00] TO BUS 659132 [OGALALA7 115.00] CKT 1

LN-WAPA6 : TRIP LINE FROM BUS 640349 [SPENCER7 115.00] TO BUS 652510 [FTRANDL7 115.00] CKT 1  
TRIP LINE FROM BUS 640349 [SPENCER7 115.00] TO BUS 640305 [ONEILL 7 115.00] CKT 1

LN-TSGT1 : TRIP LINE FROM BUS 659192 [LYNN 7 115.00] TO BUS 659197 [SNAKECK7 115.00] CKT 1  
TRIP LINE FROM BUS 659192 [LYNN 7 115.00] TO BUS 659239 [COVALT 7 115.00] CKT 1  
TRIP LINE FROM BUS 659239 [COVALT 7 115.00] TO BUS 659193 [W.HORSE7 115.00] CKT 1

LN-TSGT2 : TRIP LINE FROM BUS 640086 [BLUECK 7 115.00] TO BUS 659193 [W.HORSE7 115.00] CKT 1  
TRIP LINE FROM BUS 640086 [BLUECK 7 115.00] TO BUS 640068 [B.SPRGS7 115.00] CKT 1

LN-TSGT3 : TRIP LINE FROM BUS 659188 [SPCREEK7 115.00] TO BUS 659154 [LAMAR 7 115.00] CKT 1  
TRIP LINE FROM BUS 659188 [SPCREEK7 115.00] TO BUS 659130 [GRANTNB7 115.00] CKT 1

LN-TSGT4 : TRIP LINE FROM BUS 659195 [CRETE 7 115.00] TO BUS 659154 [LAMAR 7 115.00] CKT 1  
TRIP LINE FROM BUS 659195 [CRETE 7 115.00] TO BUS 659245 [CRETEHE7 115.00] CKT 1  
TRIP LINE FROM BUS 659244 [ATHEY 7 115.00] TO BUS 659245 [CRETEHE7 115.00] CKT 1  
TRIP LINE FROM BUS 659244 [ATHEY 7 115.00] TO BUS 640167 [ENDERS 7 115.00] CKT 1

LN-TSGT5 : TRIP LINE FROM BUS 659187 [ROSCOE 7 115.00] TO BUS 659132 [OGALALA7 115.00] CKT 1  
TRIP LINE FROM BUS 659187 [ROSCOE 7 115.00] TO BUS 659185 [ELSIETP7 115.00] CKT 1

LN-TSGT6 : TRIP LINE FROM BUS 659186 [PAXTON 7 115.00] TO BUS 640370 [SUTHLND7 115.00] CKT 1  
TRIP LINE FROM BUS 659186 [PAXTON 7 115.00] TO BUS 659185 [ELSIETP7 115.00] CKT 1

TRF-AXTELL : TRIP LINE FROM BUS 640065 [AXTELL 3 345.00] TO BUS 640066 [AXTELL 7 115.00] TO BUS 640067 [AXTELL 9 13.800] CKT 1

TRF-COOPER : TRIP LINE FROM BUS 640139 [COOPER 3 345.00] TO BUS 640140 [COOPER 5 161.00] TO BUS 640142 [COOPER 9 13.800] CKT 1

TRF-GENTLMN : TRIP LINE FROM BUS 640183 [GENTLMN3 345.00] TO BUS 640184 [GENTLMN4 230.00] TO BUS 640185 [G.GENT19 13.800] CKT 1

TRF-GRIS-T2 : TRIP LINE FROM BUS 640200 [GR ISLD4 230.00] TO BUS 640201 [GR ISLD7 115.00] TO BUS 640203 [G.I.T219 13.800] CKT 1

TRF-HOSKINS : TRIP LINE FROM BUS 640226 [HOSKINS3 345.00] TO BUS 640228 [HOSKINS7 115.00] TO BUS 640231 [HOSKNS19 13.800] CKT 1

TRF-KEYSTONE: TRIP LINE FROM BUS 640252 [KEYSTON3 345.00] TO BUS 640253 [KEYSTON7 115.00] TO BUS 640254 [KEYSTON9 13.800] CKT 1

TRF-MCCOOL : TRIP LINE FROM BUS 640271 [MCCOOL 3 345.00] TO BUS 640272 [MCCOOL 7 115.00] TO BUS 640274 [MCCOOL19 13.800] CKT 1

TRF-NP-T8 : TRIP LINE FROM BUS 640286 [N.PLATT4 230.00] TO BUS 640287 [N.PLATT7 115.00] TO BUS 640290 [N.PT8 9 13.800] CKT 1

TRF-PAULINE : TRIP LINE FROM BUS 640312 [PAULINE3 345.00] TO BUS 640313 [PAULINE7 115.00] TO BUS 640315 [PAULINE9 13.800] CKT 1

TRF-REDWILO : TRIP LINE FROM BUS 640325 [REDWILO3 345.00] TO BUS 640326 [REDWILO7 115.00] TO BUS 640327 [REDWILO9 13.800] CKT 1

TRF-MOORE : TRIP LINE FROM BUS 640277 [MOORE 3 345.00] TO BUS 640278 [SHELDON7 115.00] TO BUS 640280 [MOORE 9 13.800] CKT 1

TRF-VHILL : TRIP LINE FROM BUS 640396 [VICTRYH4 230.00] TO BUS 640397 [VICTRYH7 115.00] TO BUS 640399 [VICTR10G 13.800] CKT 1

TRF-WAYSIDE : TRIP LINE FROM BUS 640404 [WAYSIDE4 230.00] TO BUS 640405 [WAYSIDE7 115.00] TO BUS 640406 [WAYSIDE9 13.800] CKT 1

TRIP LINE FROM BUS 640405 [WAYSIDE7 115.00] TO BUS 640109 [CHADRON7 115.00] CKT 1

TRF-KELLY : TRIP LINE FROM BUS 640133 [COLMBUS4 230.00] TO BUS 640134 [KELLY 7 115.00] TO BUS 640135 [COLMBS19 13.200] CKT 1

TRIP LINE FROM BUS 640134 [KELLY 7 115.00] TO BUS 640136 [COLMBUS7 115.00] CKT 1

TRF-GRIS-T3 : TRIP LINE FROM BUS 652571 [GR ISLD3 345.00] TO BUS 640200 [GR ISLD4 230.00] TO BUS 652314 [GR ISL19 13.800] CKT 1

TRF-GRIS-T4 : TRIP LINE FROM BUS 652571 [GR ISLD3 345.00] TO BUS 640200 [GR ISLD4 230.00] TO BUS 652316 [GR ISL29 13.800] CKT 2

TRF-SIDNEY1 : TRIP LINE FROM BUS 659209 [SIDNEYTY 345.00] TO BUS 659210 [SIDXFMR4 230.00] CKT 1

TRIP LINE FROM BUS 659209 [SIDNEYTY 345.00] TO BUS 659168 [SIDNEY M 13.800] CKT 1

TRIP LINE FROM BUS 659209 [SIDNEYTY 345.00] TO BUS 659133 [SIDNEY 3 345.00] CKT 1

TRIP LINE FROM BUS 659210 [SIDXFMR4 230.00] TO BUS 659134 [SIDNEY 4 230.00] CKT 1

TRF-SIDNEY2 : TRIP LINE FROM BUS 659136 [SIDNEY\*4 230.00] TO BUS 659134 [SIDNEY 4 230.00] CKT 1

TRIP LINE FROM BUS 659136 [SIDNEY\*4 230.00] TO BUS 652572 [SIDNEY 7 115.00] CKT 1

TRIP LINE FROM BUS 659136 [SIDNEY\*4 230.00] TO BUS 659137 [SIDNEY 8 13.800] CKT 1

S993 GEN OFF: DECREASE BUS 647993 [S993 8 69.000] GENERATION BY 5.4 MW

NCU GEN OFF : DECREASE BUS 647401 [NCU903 8 69.000] GENERATION BY 5.8 MW

S3454T1 AUTO: OPEN BRANCH FROM BUS 645454 [S3454 3 345.00] TO BUS 646254 [S1254 5 161.00] TO BUS 648254 [S1254T19 13.800] CKT 1

OPEN LINE FROM BUS 646254 [S1254 5 161.00] TO BUS 646281 [S1281 5 161.00] CKT 1

OPEN LINE FROM BUS 646254 [S1254 5 161.00] TO BUS 646249 [S1249 5 161.00] CKT 1

S1206T1 BSCL: OPEN BRANCH FROM BUS 646206 [S1206 5 161.00] TO BUS 647906 [S906 S 8 69.000] TO BUS 648206 [S1206T19 13.800] CKT 1

CLOSE BRANCH FROM BUS 647006 [S906 N 8 69.000] TO BUS 647906 [S906 S 8 69.000] CKT 1

S1206T2 BSCL: OPEN BRANCH FROM BUS 646206 [S1206 5 161.00] TO BUS 647006 [S906 N 8 69.000] TO BUS 648306 [S1206T29 13.800] CKT 1

CLOSE BRANCH FROM BUS 647006 [S906 N 8 69.000] TO BUS 647906 [S906 S 8 69.000] CKT 1

S1210T7 AUTO: OPEN LINE FROM BUS 646210 [S1210 5 161.00] TO BUS 646217 [S1217 5 161.00] CKT 1

OPEN LINE FROM BUS 646210 [S1210 5 161.00] TO BUS 646222 [S1222 5 161.00] CKT 1

OPEN LINE FROM BUS 646210 [S1210 5 161.00] TO BUS 647910 [S910 8 69.000] TO BUS 648210 [S1210T79 13.800] CKT 1

S1217T1 AUTO: OPEN BRANCH FROM BUS 646217 [S1217 5 161.00] TO BUS 647917 [S917 8 69.000] TO BUS 648217 [S1217T19 13.800] CKT 1

OPEN LINE FROM BUS 646217 [S1217 5 161.00] TO BUS 646227 [S1227 5 161.00] CKT 1

OPEN LINE FROM BUS 646217 [S1217 5 161.00] TO BUS 646210 [S1210 5 161.00] CKT 1

OPEN LINE FROM BUS 646217 [S1217 5 161.00] TO BUS 646216 [S1216 5 161.00] CKT 1

S1221T9 AUTO: OPEN LINE FROM BUS 646221 [S1221 5 161.00] TO BUS 646231 [S1231 5 161.00] CKT 1

OPEN LINE FROM BUS 646221 [S1221 5 161.00] TO BUS 646255 [S1255 5 161.00] CKT 1

OPEN LINE FROM BUS 646221 [S1221 5 161.00] TO BUS 647921 [S921 8 69.000] TO BUS 648221 [S1221T99 13.800] CKT 1

S1263T1 AUTO: OPEN BRANCH FROM BUS 646263 [S1263 5 161.00] TO BUS 647111 [W BROCK8 69.000] TO BUS 648263 [S1263T19 13.800] CKT 1

OPEN LINE FROM BUS 647111 [W BROCK8 69.000] TO BUS 647963 [S963 8 69.000] CKT 1

OPEN LINE FROM BUS 647111 [W BROCK8 69.000] TO BUS 647967 [S967 8 69.000] CKT 1

1252TARP : OPEN LINE FROM BUS 646252 [S1252 5 161.00] TO BUS 646209 [S1209 5 161.00] CKT 1

OPEN LINE FROM BUS 646252 [S1252 5 161.00] TO BUS 646226 [S1226 5 161.00] CKT 1

1211-50-HS4 : OPEN BRANCH FROM BUS 646211 [S1211 5 161.00] TO BUS 646250 [S1250 5 161.00] CKT 2  
OPEN LINE FROM BUS 645127 [S1211HS9 13.800] TO BUS 646211 [S1211 5 161.00] CKT 1

1297TARP : OPEN LINE FROM BUS 646297 [S1297 5 161.00] TO BUS 646250 [S1250 5 161.00] CKT 1  
OPEN LINE FROM BUS 646297 [S1297 5 161.00] TO BUS 646251 [S1251 5 161.00] CKT 1

1281LINBUS : OPEN LINE FROM BUS 646281 [S1281 5 161.00] TO BUS 646287 [S1287 5 161.00] CKT 1  
OPEN LINE FROM BUS 646281 [S1281 5 161.00] TO BUS 646254 [S1254 5 161.00] CKT 1  
OPEN LINE FROM BUS 646281 [S1281 5 161.00] TO BUS 646259 [S1259 5 161.00] CKT 1

S979TAP : OPEN LINE FROM BUS 647979 [S979 8 69.000] TO BUS 647079 [979TP 8 69.000] CKT 1  
OPEN LINE FROM BUS 647079 [979TP 8 69.000] TO BUS 647900 [S900 8 69.000] CKT 1  
OPEN LINE FROM BUS 647079 [979TP 8 69.000] TO BUS 647006 [S906 N 8 69.000] CKT 1

901-JCT-910 : OPEN LINE FROM BUS 647105 [JCT205 8 69.000] TO BUS 647901 [S901 8 69.000] CKT 1  
OPEN LINE FROM BUS 647105 [JCT205 8 69.000] TO BUS 647910 [S910 8 69.000] CKT 1

S937NOBKR : OPEN LINE FROM BUS 647937 [S937 8 69.000] TO BUS 647902 [S902 8 69.000] CKT 1  
OPEN LINE FROM BUS 647937 [S937 8 69.000] TO BUS 647909 [S909 8 69.000] CKT 1

906S15-25-94: OPEN LINE FROM BUS 647016 [915TP3 8 69.000] TO BUS 647107 [SAC623 8 69.000] CKT 1  
OPEN LINE FROM BUS 647016 [915TP3 8 69.000] TO BUS 647906 [S906 S 8 69.000] CKT 1  
OPEN LINE FROM BUS 647016 [915TP3 8 69.000] TO BUS 647915 [S915T2 8 69.000] CKT 1  
OPEN LINE FROM BUS 647107 [SAC623 8 69.000] TO BUS 647109 [SAC SO 8 69.000] CKT 1  
OPEN LINE FROM BUS 647107 [SAC623 8 69.000] TO BUS 647994 [S994 8 69.000] CKT 1

906N15-25-94: OPEN LINE FROM BUS 647017 [915TP9 8 69.000] TO BUS 647108 [SAC629 8 69.000] CKT 1  
OPEN LINE FROM BUS 647017 [915TP9 8 69.000] TO BUS 647006 [S906 N 8 69.000] CKT 1  
OPEN LINE FROM BUS 647017 [915TP9 8 69.000] TO BUS 647015 [S915T1 8 69.000] CKT 1  
OPEN LINE FROM BUS 647108 [SAC629 8 69.000] TO BUS 647110 [SAC NO 8 69.000] CKT 1  
OPEN LINE FROM BUS 647108 [SAC629 8 69.000] TO BUS 647994 [S994 8 69.000] CKT 1

S938LINBUS : OPEN LINE FROM BUS 647938 [S938 8 69.000] TO BUS 647995 [S995 8 69.000] CKT 1  
OPEN LINE FROM BUS 647938 [S938 8 69.000] TO BUS 647006 [S906 N 8 69.000] CKT 1  
OPEN LINE FROM BUS 647938 [S938 8 69.000] TO BUS 647906 [S906 S 8 69.000] CKT 1

S973NOBKR : OPEN LINE FROM BUS 647973 [S973 8 69.000] TO BUS 640143 [CORNFLD8 69.000] CKT 1  
OPEN LINE FROM BUS 647973 [S973 8 69.000] TO BUS 647963 [S963 8 69.000] CKT 1

AUBNOBKR : OPEN LINE FROM BUS 647101 [AUBRNT 8 69.000] TO BUS 647963 [S963 8 69.000] CKT 1  
OPEN LINE FROM BUS 647101 [AUBRNT 8 69.000] TO BUS 647975 [S975 8 69.000] CKT 1  
OPEN LINE FROM BUS 647101 [AUBRNT 8 69.000] TO BUS 640062 [AUBURN 8 69.000] CKT 1

S964-S993 : OPEN LINE FROM BUS 647964 [S964 8 69.000] TO BUS 647975 [S975 8 69.000] CKT 1  
OPEN LINE FROM BUS 647964 [S964 8 69.000] TO BUS 647112 [MGLN TP8 69.000] CKT 1  
OPEN LINE FROM BUS 647112 [MGLN TP8 69.000] TO BUS 647113 [MAGELLN8 69.000] CKT 1  
OPEN LINE FROM BUS 647112 [MGLN TP8 69.000] TO BUS 647993 [S993 8 69.000] CKT 1

S968LINBUS : OPEN LINE FROM BUS 647968 [S968 8 69.000] TO BUS 647969 [S969 8 69.000] CKT 1  
OPEN LINE FROM BUS 647968 [S968 8 69.000] TO BUS 647400 [TECUMSH8 69.000] CKT 1  
OPEN LINE FROM BUS 647968 [S968 8 69.000] TO BUS 647967 [S967 8 69.000] CKT 1

ENRONTAP : OPEN LINE FROM BUS 647102 [HYDCAP 8 69.000] TO BUS 647103 [ENRON 8 69.000] CKT 1  
OPEN LINE FROM BUS 647102 [HYDCAP 8 69.000] TO BUS 647970 [S970 8 69.000] CKT 1  
OPEN LINE FROM BUS 647102 [HYDCAP 8 69.000] TO BUS 647974 [S974 8 69.000] CKT 1

S982-90-71 : OPEN LINE FROM BUS 647090 [990TP 8 69.000] TO BUS 647971 [S971 8 69.000] CKT 1  
OPEN LINE FROM BUS 647090 [990TP 8 69.000] TO BUS 647982 [S982 8 69.000] CKT 1  
OPEN LINE FROM BUS 647090 [990TP 8 69.000] TO BUS 647990 [S990 8 69.000] CKT 1

S976-FRE-D-E: OPEN BRANCH FROM BUS 647976 [S976 8 69.000] TO BUS 647424 [FREM D 8 69.000] CKT 1  
OPEN BRANCH FROM BUS 647424 [FREM D 8 69.000] TO BUS 647425 [FREM E 8 69.000] CKT 1

S979BUS : OPEN LINE FROM BUS 647979 [S979 8 69.000] TO BUS 647079 [979TP 8 69.000] CKT 1

S991TAP : OPEN LINE FROM BUS 647091 [991TP 8 69.000] TO BUS 647427 [FREM G 8 69.000] CKT 1  
OPEN LINE FROM BUS 647091 [991TP 8 69.000] TO BUS 647984 [S984 8 69.000] CKT 1  
OPEN LINE FROM BUS 647091 [991TP 8 69.000] TO BUS 647991 [S991 8 69.000] CKT 1  
S962-KM-S971: OPEN LINE FROM BUS 647114 [KIN MTP8 69.000] TO BUS 647115 [KIN MOR8 69.000] CKT 1  
OPEN LINE FROM BUS 647114 [KIN MTP8 69.000] TO BUS 647962 [S962 8 69.000] CKT 1  
OPEN LINE FROM BUS 647114 [KIN MTP8 69.000] TO BUS 647971 [S971 8 69.000] CKT 1  
FCS\_GEN : REMOVE MACHINE 1 FROM BUS 645001 [FT CAL1G 22.000]  
NC1\_GEN : REMOVE MACHINE 1 FROM BUS 645011 [NEBCTY1G 18.000]  
NC2\_GEN : REMOVE MACHINE 2 FROM BUS 645012 [NEBCTY2G 23.000]  
FRE8\_GEN : REMOVE MACHINE 8 FROM BUS 647418 [FREM 8G 13.800]  
ELKCITY\_GEN : REMOVE MACHINE 1 FROM BUS 647937 [S937 8 69.000]  
ELKCTY3\_GEN : REDUCE BUS 647937 [S937 8 69.000] GENERATION BY 3 MW  
GEN-SVGS4 : TRIP LINE FROM BUS 650004 [TBGS 4G 13.800] TO BUS 650275 [84&BLUFF 7 115.00] CKT 1  
GEN-ROKBY2 : TRIP LINE FROM BUS 650092 [ROKEBY 2G 13.800] TO BUS 650290 [ROKEBY 7 115.00] CKT 1  
TRF-NW68HOL : TRIP LINE FROM BUS 650214 [NW68HOLDRG7 115.00] TO BUS 650114 [NW68HOLDRG3 345.00] TO BUS 650314 [NW68HOL1 9 13.800] CKT 1  
TRF-70&BLUF : TRIP LINE FROM BUS 650269 [70&BLUFF 7 115.00] TO BUS 650169 [70&BLUFF 5 161.00] TO BUS 650369 [70&BLUFF 9 13.800] CKT 1  
TRF-WAGNR1 : TRIP LINE FROM BUS 650285 [WAGENER 7 115.00] TO BUS 650185 [WAGENER 3 345.00] TO BUS 650385 [WAGENER1 9 13.800] CKT 1  
TRF-WAGNR2 : TRIP LINE FROM BUS 650285 [WAGENER 7 115.00] TO BUS 650185 [WAGENER 3 345.00] TO BUS 650485 [WAGENER2 9 13.800] CKT 2

ACCC OVERLOAD REPORT: MONITORED BRANCHES AND INTERFACES LOADED ABOVE 100.0 % OF RATING SET A  
 CONTINGENCY CASE LOADING NOT CHECKED UNLESS IT DIFFERS FROM ITS BASE CASE LOADING BY 1.0 MVA (MW FOR INTERFACES)  
 ACCC VOLTAGE REPORT: VOLTAGE BAND CHECK IN CONTINGENCY CASES SKIPPED FOR ANY BUS WITHIN 0.01000 OF ITS BASE CASE VOLTAGE MAGNITUDE

AC CONTINGENCY RESULTS FILE: C:\u1\ddbetz\spp-facilities-study\DISIS-2010-001\lf\acc\10G-max-post-sc.acc  
 DISTRIBUTION FACTOR FILE: C:\u1\ddbetz\spp-facilities-study\DISIS-2010-001\lf\acc\10G-max-post-sc.dfx  
 SUBSYSTEM DESCRIPTION FILE: C:\u1\ddbetz\spp-facilities-study\DISIS-2010-001\lf\acc\MRO.sub  
 MONITORED ELEMENT FILE: C:\u1\ddbetz\spp-facilities-study\DISIS-2010-001\lf\acc\Nebraska.mon  
 CONTINGENCY DESCRIPTION FILE: C:\u1\ddbetz\spp-facilities-study\DISIS-2010-001\lf\acc\Nebraska.con

Solution engine: Fixed slope decoupled Newton-Raphson (FDNS)  
 Solution options  
 Tap adjustment: Stepping  
 Area interchange control: Disable  
 Phase shift adjustment: Enable  
 Dc tap adjustment: Enable  
 Switch shunt adjustment: Lock all  
 Non diverge: Disable  
 Mismatch tolerance (MW): 1.5  
 Dispatch mode: Disable

<----- MULTI-SECTION LINE ----->	<----- MONITORED BRANCH ----->	CONTINGENCY	RATING	FLOW	%
642066*SUB-H G	115.00 642072 SUB-E 7	115.00 1 SINGLE 362	177.0	188.4	102.5
640201 GR ISLD7	115.00 642071*SUB-D 7	115.00 1 SINGLE 363	137.0	157.9	111.2
640201 GR ISLD7	115.00 642071*SUB-D 7	115.00 1 SINGLE 483	137.0	146.5	103.1
642066*SUB-H G	115.00 642072 SUB-E 7	115.00 1 SINGLE 485	177.0	184.6	100.6
659105 LELANDO3	345.00 659201*LELND1TY	345.00 1 SINGLE 862	250.0	300.8	120.3
659106 LELANDO4	230.00 659201*LELND1TY	345.00 1 SINGLE 862	250.0	300.8	120.3
659105 LELANDO3	345.00 659201*LELND1TY	345.00 1 SINGLE 866	250.0	300.8	120.3
659106 LELANDO4	230.00 659201*LELND1TY	345.00 1 SINGLE 866	250.0	300.8	120.3
640183 GENTLMN3	345.00 640184*GENTLMN4	230.00 2 TRF-GENTLMN	336.0	370.0	110.1
640278*SHELDON7	115.00 650230 2&N 7	115.00 1 TRF-MOORE	139.0	157.8	110.0

MONITORED VOLTAGE REPORT:

SYSTEM	CONTINGENCY	<----- BUS ----->	V-CONT	V-INIT	V-MAX	V-MIN
'NEBR	RANGE SINGLE 187	636672 GALESBR5	161.00	0.86375	1.01183	1.10000 0.90000
'NEBR	RANGE SINGLE 335	640171 FIRTH 7	115.00	0.89120	1.01836	1.10000 0.90000
'NEBR	RANGE SINGLE 335	640362 STERLNG7	115.00	0.89561	1.01218	1.10000 0.90000
'NEBR	RANGE SINGLE 627	652411 MI CTYE4	230.00	1.15013	1.03000	1.10000 0.90000
'NEBR	RANGE SINGLE 627	652412 MI CTYE7	115.00	1.13627	1.02382	1.10000 0.90000
'NEBR	RANGE SINGLE 627	659263 LTLMISS7	115.00	1.10495	1.02577	1.10000 0.90000
'NEBR	RANGE SINGLE 627	659265 LTLMISS4	230.00	1.10519	1.02776	1.10000 0.90000
'NEBR	RANGE SINGLE 627	661004 BAKER 4	230.00	1.10979	1.02667	1.10000 0.90000
'NEBR	RANGE SINGLE 910	659216 AVSDC5TY	345.00	0.88418	1.02077	1.10000 0.90000
'NEBR	RANGE SINGLE 913	659219 AVSDC8TY	345.00	1.10627	1.04722	1.10000 0.90000
'NEBR	RANGE SINGLE 914	659222 AVSD11TY	345.00	0.89819	1.00000	1.10000 0.90000
'NEBR	RANGE SINGLE 939	659271 RCDC EAST	4230.00	1.10387	1.02375	1.10000 0.90000

## CONTINGENCY LEGEND:

LABEL	EVENTS
SINGLE 1	: OPEN LINE FROM BUS 300039 [7FAIRPT 345.00] TO BUS 541199 [ST JOE 3 345.00] CKT 1
SINGLE 2	: OPEN LINE FROM BUS 300039 [7FAIRPT 345.00] TO BUS 640139 [COOPER 3 345.00] CKT 1
SINGLE 3	: OPEN LINE FROM BUS 531451 [MINGO 7 345.00] TO BUS 640325 [REDWILO3 345.00] CKT 1
SINGLE 4	: OPEN LINE FROM BUS 541199 [ST JOE 3 345.00] TO BUS 640139 [COOPER 3 345.00] CKT 1
SINGLE 5	: OPEN LINE FROM BUS 603023 [MALLARD7 115.00] TO BUS 652452 [RUGBY 7 115.00] CKT 1
SINGLE 6	: OPEN LINE FROM BUS 603023 [MALLARD7 115.00] TO BUS 659155 [LOGAN 7 115.00] CKT 1
SINGLE 7	: OPEN LINE FROM BUS 603023 [MALLARD7 115.00] TO BUS 659166 [DUNNING7 115.00] CKT 1
SINGLE 8	: OPEN LINE FROM BUS 603023 [MALLARD7 115.00] TO BUS 659190 [NDPRAIRWND 7115.00] CKT 1
SINGLE 9	: OPEN LINE FROM BUS 631069 [ANTA TP5 161.00] TO BUS 652560 [CRESTON5 161.00] CKT 1
SINGLE 10	: OPEN LINE FROM BUS 631069 [ANTA TP5 161.00] TO BUS 652603 [EXIRA 5 161.00] CKT 1
SINGLE 11	: OPEN LINE FROM BUS 635000 [CBLUFFS3 345.00] TO BUS 635013 [PONYCKA3 345.00] CKT 1
SINGLE 12	: OPEN LINE FROM BUS 635000 [CBLUFFS3 345.00] TO BUS 635013 [PONYCKA3 345.00] CKT 2
SINGLE 13	: OPEN LINE FROM BUS 635000 [CBLUFFS3 345.00] TO BUS 635600 [GRIMES 3 345.00] CKT 1
SINGLE 14	: OPEN LINE FROM BUS 635000 [CBLUFFS3 345.00] TO BUS 645456 [S3456 3 345.00] CKT 1
SINGLE 15	: OPEN LINE FROM BUS 635001 [CBLUFFS5 161.00] TO BUS 635011 [INDNCRK5 161.00] CKT 1
SINGLE 16	: OPEN LINE FROM BUS 635001 [CBLUFFS5 161.00] TO BUS 635012 [QUICK 5 161.00] CKT 1
SINGLE 17	: OPEN LINE FROM BUS 635001 [CBLUFFS5 161.00] TO BUS 635030 [RIVRBND5 161.00] CKT 1
SINGLE 18	: OPEN LINE FROM BUS 635001 [CBLUFFS5 161.00] TO BUS 646206 [S1206 5 161.00] CKT 1
SINGLE 19	: OPEN LINE FROM BUS 635003 [SUB701 5 161.00] TO BUS 635005 [SUB702 5 161.00] CKT 1
SINGLE 20	: OPEN LINE FROM BUS 635003 [SUB701 5 161.00] TO BUS 646211 [S1211 5 161.00] CKT 1
SINGLE 21	: OPEN LINE FROM BUS 635005 [SUB702 5 161.00] TO BUS 635010 [MANAWA 5 161.00] CKT 1
SINGLE 22	: OPEN LINE FROM BUS 635010 [MANAWA 5 161.00] TO BUS 635011 [INDNCRK5 161.00] CKT 1
SINGLE 23	: OPEN LINE FROM BUS 635012 [QUICK 5 161.00] TO BUS 635039 [AVOCA 5 161.00] CKT 1
SINGLE 24	: OPEN LINE FROM BUS 635013 [PONYCKA3 345.00] TO BUS 635100 [RLHILLS3 345.00] CKT 1
SINGLE 25	: OPEN LINE FROM BUS 635017 [ATCHSNT3 345.00] TO BUS 635018 [ATCHSN 3 345.00] CKT 1
SINGLE 26	: OPEN LINE FROM BUS 635017 [ATCHSNT3 345.00] TO BUS 635630 [BOONVIL3 345.00] CKT 1
SINGLE 27	: OPEN LINE FROM BUS 635017 [ATCHSNT3 345.00] TO BUS 640139 [COOPER 3 345.00] CKT 1
SINGLE 28	: OPEN LINE FROM BUS 635030 [RIVRBND5 161.00] TO BUS 635031 [BUNGE 5 161.00] CKT 1
SINGLE 29	: OPEN LINE FROM BUS 635031 [BUNGE 5 161.00] TO BUS 635032 [HASTING5 161.00] CKT 1
SINGLE 30	: OPEN LINE FROM BUS 635032 [HASTING5 161.00] TO BUS 635034 [CLRNDA 5 161.00] CKT 1
SINGLE 31	: OPEN LINE FROM BUS 635034 [CLRNDA 5 161.00] TO BUS 635038 [BROOKST5 161.00] CKT 1
SINGLE 32	: OPEN LINE FROM BUS 635037 [BROOKS 5 161.00] TO BUS 635038 [BROOKST5 161.00] CKT 1
SINGLE 33	: OPEN LINE FROM BUS 635038 [BROOKST5 161.00] TO BUS 652560 [CRESTON5 161.00] CKT 1
SINGLE 34	: OPEN LINE FROM BUS 635039 [AVOCA 5 161.00] TO BUS 635041 [WALNUT 5 161.00] CKT 1
SINGLE 35	: OPEN LINE FROM BUS 635041 [WALNUT 5 161.00] TO BUS 638050 [ATLANTC5 161.00] CKT 1
SINGLE 36	: OPEN LINE FROM BUS 635100 [RLHILLS3 345.00] TO BUS 635635 [MADISON3 345.00] CKT 1
SINGLE 37	: OPEN LINE FROM BUS 635200 [RAUN 3 345.00] TO BUS 635201 [RAUN 5 161.00] CKT 2
SINGLE 38	: OPEN LINE FROM BUS 635200 [RAUN 3 345.00] TO BUS 636010 [LEHIGH 3 345.00] CKT 1
SINGLE 39	: OPEN LINE FROM BUS 635200 [RAUN 3 345.00] TO BUS 640226 [HOSKINS3 345.00] CKT 1
SINGLE 40	: OPEN LINE FROM BUS 635200 [RAUN 3 345.00] TO BUS 645451 [S3451 3 345.00] CKT 1
SINGLE 41	: OPEN LINE FROM BUS 635200 [RAUN 3 345.00] TO BUS 652564 [SIOUXCY3 345.00] CKT 1
SINGLE 42	: OPEN LINE FROM BUS 635201 [RAUN 5 161.00] TO BUS 635202 [NEAL 4 5 161.00] CKT 1
SINGLE 43	: OPEN LINE FROM BUS 635201 [RAUN 5 161.00] TO BUS 635203 [NEAL N 5 161.00] CKT 1
SINGLE 44	: OPEN LINE FROM BUS 635201 [RAUN 5 161.00] TO BUS 635203 [NEAL N 5 161.00] CKT 2
SINGLE 45	: OPEN LINE FROM BUS 635201 [RAUN 5 161.00] TO BUS 635220 [INTCHG 5 161.00] CKT 1



SINGLE 46 : OPEN LINE FROM BUS 635201 [RAUN 5 161.00] TO BUS 635225 [MORNSD 5 161.00] CKT 1  
SINGLE 47 : OPEN LINE FROM BUS 635201 [RAUN 5 161.00] TO BUS 640377 [TEKAMAH5 161.00] CKT 1  
SINGLE 48 : OPEN LINE FROM BUS 635202 [NEAL 4 5 161.00] TO BUS 635300 [MONONA 5 161.00] CKT 1  
SINGLE 49 : OPEN LINE FROM BUS 635203 [NEAL N 5 161.00] TO BUS 635235 [SALIX 5 161.00] CKT 1  
SINGLE 50 : OPEN LINE FROM BUS 635220 [INTCHG 5 161.00] TO BUS 635221 [KELLOGG5 161.00] CKT 1  
SINGLE 51 : OPEN LINE FROM BUS 635221 [KELLOGG5 161.00] TO BUS 635226 [LEEDS 5 161.00] CKT 1  
SINGLE 52 : OPEN LINE FROM BUS 635223 [PLYMOTH5 161.00] TO BUS 635225 [MORNSD 5 161.00] CKT 1  
SINGLE 53 : OPEN LINE FROM BUS 635223 [PLYMOTH5 161.00] TO BUS 635226 [LEEDS 5 161.00] CKT 1  
SINGLE 54 : OPEN LINE FROM BUS 635223 [PLYMOTH5 161.00] TO BUS 635260 [LEMARST5 161.00] CKT 1  
SINGLE 55 : OPEN LINE FROM BUS 635223 [PLYMOTH5 161.00] TO BUS 652566 [SIOUXCY5 161.00] CKT 1  
SINGLE 56 : OPEN LINE FROM BUS 635260 [LEMARST5 161.00] TO BUS 635261 [LEMARS 5 161.00] CKT 1  
SINGLE 57 : OPEN LINE FROM BUS 635260 [LEMARST5 161.00] TO BUS 635360 [LIT SX 5 161.00] CKT 1  
SINGLE 58 : OPEN LINE FROM BUS 635280 [BVISTA 5 161.00] TO BUS 635340 [SAC 5 161.00] CKT 1  
SINGLE 59 : OPEN LINE FROM BUS 635280 [BVISTA 5 161.00] TO BUS 637570 [WISDOM 5 161.00] CKT 1  
SINGLE 60 : OPEN LINE FROM BUS 635300 [MONONA 5 161.00] TO BUS 635310 [VICTORY5 161.00] CKT 1  
SINGLE 61 : OPEN LINE FROM BUS 635310 [VICTORY5 161.00] TO BUS 635320 [CARROLL5 161.00] CKT 1  
SINGLE 62 : OPEN LINE FROM BUS 635320 [CARROLL5 161.00] TO BUS 637283 [DRAGER 5 161.00] CKT 1  
SINGLE 63 : OPEN LINE FROM BUS 635340 [SAC 5 161.00] TO BUS 635350 [CLIPPER5 161.00] CKT 1  
SINGLE 64 : OPEN LINE FROM BUS 635340 [SAC 5 161.00] TO BUS 636029 [POCHNTC5 161.00] CKT 1  
SINGLE 65 : OPEN LINE FROM BUS 635350 [CLIPPER5 161.00] TO BUS 635360 [LIT SX 5 161.00] CKT 1  
SINGLE 66 : OPEN LINE FROM BUS 635600 [GRIMES 3 345.00] TO BUS 635630 [BOONVIL3 345.00] CKT 1  
SINGLE 67 : OPEN LINE FROM BUS 635600 [GRIMES 3 345.00] TO BUS 635700 [SYCAMOR3 345.00] CKT 1  
SINGLE 68 : OPEN LINE FROM BUS 635600 [GRIMES 3 345.00] TO BUS 635700 [SYCAMOR3 345.00] CKT 2  
SINGLE 69 : OPEN LINE FROM BUS 635600 [GRIMES 3 345.00] TO BUS 636010 [LEHIGH 3 345.00] CKT 1  
SINGLE 70 : OPEN LINE FROM BUS 635601 [GRIMES 5 161.00] TO BUS 635602 [142ST 5 161.00] CKT 1  
SINGLE 71 : OPEN LINE FROM BUS 635601 [GRIMES 5 161.00] TO BUS 635605 [GRNGRTP5 161.00] CKT 1  
SINGLE 72 : OPEN LINE FROM BUS 635601 [GRIMES 5 161.00] TO BUS 635608 [LINWELD5 161.00] CKT 1  
SINGLE 73 : OPEN LINE FROM BUS 635602 [142ST 5 161.00] TO BUS 635603 [ALICERD5 161.00] CKT 1  
SINGLE 74 : OPEN LINE FROM BUS 635603 [ALICERD5 161.00] TO BUS 635604 [88TH 5 161.00] CKT 1  
SINGLE 75 : OPEN LINE FROM BUS 635604 [88TH 5 161.00] TO BUS 635610 [ASHAWA5 161.00] CKT 1  
SINGLE 76 : OPEN LINE FROM BUS 635605 [GRNGRTP5 161.00] TO BUS 635606 [GRANGER5 161.00] CKT 1  
SINGLE 77 : OPEN LINE FROM BUS 635605 [GRNGRTP5 161.00] TO BUS 635614 [100 54 5 161.00] CKT 1  
SINGLE 78 : OPEN LINE FROM BUS 635606 [GRANGER5 161.00] TO BUS 635607 [BITRSWT5 161.00] CKT 1  
SINGLE 79 : OPEN LINE FROM BUS 635607 [BITRSWT5 161.00] TO BUS 635710 [NEANKNY5 161.00] CKT 1  
SINGLE 80 : OPEN LINE FROM BUS 635610 [ASHAWA5 161.00] TO BUS 635612 [60TH ST5 161.00] CKT 1  
SINGLE 81 : OPEN LINE FROM BUS 635610 [ASHAWA5 161.00] TO BUS 635616 [109CLK 5 161.00] CKT 1  
SINGLE 82 : OPEN LINE FROM BUS 635610 [ASHAWA5 161.00] TO BUS 635654 [ARMYPOS5 161.00] CKT 1  
SINGLE 83 : OPEN LINE FROM BUS 635610 [ASHAWA5 161.00] TO BUS 635662 [WABASH 5 161.00] CKT 1  
SINGLE 84 : OPEN LINE FROM BUS 635612 [60TH ST5 161.00] TO BUS 635613 [WGRAND5 161.00] CKT 1  
SINGLE 85 : OPEN LINE FROM BUS 635613 [WGRAND5 161.00] TO BUS 635631 [BOONVIL5 161.00] CKT 1  
SINGLE 86 : OPEN LINE FROM BUS 635614 [100 54 5 161.00] TO BUS 635615 [100DUG 5 161.00] CKT 1  
SINGLE 87 : OPEN LINE FROM BUS 635614 [100 54 5 161.00] TO BUS 635701 [SYCAMOR5 161.00] CKT 1  
SINGLE 88 : OPEN LINE FROM BUS 635615 [100DUG 5 161.00] TO BUS 635616 [109CLK 5 161.00] CKT 1  
SINGLE 89 : OPEN LINE FROM BUS 635630 [BOONVIL3 345.00] TO BUS 635635 [MADISON3 345.00] CKT 1  
SINGLE 90 : OPEN LINE FROM BUS 635631 [BOONVIL5 161.00] TO BUS 635632 [EARLHAM5 161.00] CKT 1  
SINGLE 91 : OPEN LINE FROM BUS 635631 [BOONVIL5 161.00] TO BUS 635641 [NORWLK5 161.00] CKT 1  
SINGLE 92 : OPEN LINE FROM BUS 635632 [EARLHAM5 161.00] TO BUS 635633 [ADAIRWF5 161.00] CKT 1  
SINGLE 93 : OPEN LINE FROM BUS 635633 [ADAIRWF5 161.00] TO BUS 638050 [ATLANTC5 161.00] CKT 1

SINGLE 94 : OPEN LINE FROM BUS 635635 [MADISON3 345.00] TO BUS 635640 [NORWLK3 345.00] CKT 1  
SINGLE 95 : OPEN LINE FROM BUS 635640 [NORWLK3 345.00] TO BUS 635641 [NORWLK5 161.00] CKT 1  
SINGLE 96 : OPEN LINE FROM BUS 635640 [NORWLK3 345.00] TO BUS 635650 [SE POLK3 345.00] CKT 1  
SINGLE 97 : OPEN LINE FROM BUS 635641 [NORWLK5 161.00] TO BUS 635653 [GRENFLD5 161.00] CKT 1  
SINGLE 98 : OPEN LINE FROM BUS 635650 [SE POLK3 345.00] TO BUS 635651 [SEPOLK 5 161.00] CKT 1  
SINGLE 99 : OPEN LINE FROM BUS 635650 [SE POLK3 345.00] TO BUS 635690 [GDMEC 345.00] CKT 1  
SINGLE 100 : OPEN LINE FROM BUS 635651 [SEPOLK 5 161.00] TO BUS 635653 [GRENFLD5 161.00] CKT 1  
SINGLE 101 : OPEN LINE FROM BUS 635651 [SEPOLK 5 161.00] TO BUS 635660 [EASTRLK5 161.00] CKT 1  
SINGLE 102 : OPEN LINE FROM BUS 635651 [SEPOLK 5 161.00] TO BUS 635670 [DMOINES5 161.00] CKT 1  
SINGLE 103 : OPEN LINE FROM BUS 635651 [SEPOLK 5 161.00] TO BUS 635670 [DMOINES5 161.00] CKT 2  
SINGLE 104 : OPEN LINE FROM BUS 635653 [GRENFLD5 161.00] TO BUS 635654 [ARMYPOS5 161.00] CKT 1  
SINGLE 105 : OPEN LINE FROM BUS 635660 [EASTRLK5 161.00] TO BUS 635661 [GLOWAT 5 161.00] CKT 1  
SINGLE 106 : OPEN LINE FROM BUS 635661 [GLOWAT 5 161.00] TO BUS 635662 [WABASH 5 161.00] CKT 1  
SINGLE 107 : OPEN LINE FROM BUS 635662 [WABASH 5 161.00] TO BUS 635664 [MLKING 5 161.00] CKT 1  
SINGLE 108 : OPEN LINE FROM BUS 635664 [MLKING 5 161.00] TO BUS 635665 [FORVER 5 161.00] CKT 1  
SINGLE 109 : OPEN LINE FROM BUS 635665 [FORVER 5 161.00] TO BUS 635701 [SYCAMOR5 161.00] CKT 1  
SINGLE 110 : OPEN LINE FROM BUS 635670 [DMOINES5 161.00] TO BUS 635672 [METRO E5 161.00] CKT 1  
SINGLE 111 : OPEN LINE FROM BUS 635672 [METRO E5 161.00] TO BUS 635673 [ALTONA 5 161.00] CKT 1  
SINGLE 112 : OPEN LINE FROM BUS 635673 [ALTONA 5 161.00] TO BUS 635681 [BONDRNT5 161.00] CKT 1  
SINGLE 113 : OPEN LINE FROM BUS 635680 [BONDRNT3 345.00] TO BUS 635690 [GDMEC 345.00] CKT 1  
SINGLE 114 : OPEN LINE FROM BUS 635680 [BONDRNT3 345.00] TO BUS 635700 [SYCAMOR3 345.00] CKT 1  
SINGLE 115 : OPEN LINE FROM BUS 635680 [BONDRNT3 345.00] TO BUS 635730 [MNTZUMA3 345.00] CKT 1  
SINGLE 116 : OPEN LINE FROM BUS 635681 [BONDRNT5 161.00] TO BUS 635701 [SYCAMOR5 161.00] CKT 1  
SINGLE 117 : OPEN LINE FROM BUS 635701 [SYCAMOR5 161.00] TO BUS 635705 [ANKENY 5 161.00] CKT 1  
SINGLE 118 : OPEN LINE FROM BUS 635705 [ANKENY 5 161.00] TO BUS 635710 [NEANKNY5 161.00] CKT 1  
SINGLE 119 : OPEN LINE FROM BUS 635730 [MNTZUMA3 345.00] TO BUS 636400 [HILLS 3 345.00] CKT 1  
SINGLE 120 : OPEN LINE FROM BUS 636000 [WEBSTER3 345.00] TO BUS 636010 [LEHIGH 3 345.00] CKT 1  
SINGLE 121 : OPEN LINE FROM BUS 636001 [WEBSTER5 161.00] TO BUS 636020 [FT.DODG5 161.00] CKT 1  
SINGLE 122 : OPEN LINE FROM BUS 636001 [WEBSTER5 161.00] TO BUS 636025 [HAYES 5 161.00] CKT 1  
SINGLE 123 : OPEN LINE FROM BUS 636001 [WEBSTER5 161.00] TO BUS 636050 [WRIGHT 5 161.00] CKT 1  
SINGLE 124 : OPEN LINE FROM BUS 636001 [WEBSTER5 161.00] TO BUS 637353 [HOPE 5 161.00] CKT 1  
SINGLE 125 : OPEN LINE FROM BUS 636020 [FT.DODG5 161.00] TO BUS 636023 [TATELYL5 161.00] CKT 1  
SINGLE 126 : OPEN LINE FROM BUS 636023 [TATELYL5 161.00] TO BUS 636025 [HAYES 5 161.00] CKT 1  
SINGLE 127 : OPEN LINE FROM BUS 636025 [HAYES 5 161.00] TO BUS 636030 [POMEROY5 161.00] CKT 1  
SINGLE 128 : OPEN LINE FROM BUS 636029 [POCHNTC5 161.00] TO BUS 636030 [POMEROY5 161.00] CKT 1  
SINGLE 129 : OPEN LINE FROM BUS 636050 [WRIGHT 5 161.00] TO BUS 636235 [WALL LK5 161.00] CKT 1  
SINGLE 130 : OPEN LINE FROM BUS 636200 [BLKHAWK5 161.00] TO BUS 636202 [MIDPORT5 161.00] CKT 1  
SINGLE 131 : OPEN LINE FROM BUS 636200 [BLKHAWK5 161.00] TO BUS 636205 [DRFNDRY5 161.00] CKT 1  
SINGLE 132 : OPEN LINE FROM BUS 636200 [BLKHAWK5 161.00] TO BUS 636225 [UNIONTP5 161.00] CKT 1  
SINGLE 133 : OPEN LINE FROM BUS 636200 [BLKHAWK5 161.00] TO BUS 637087 [PLAINFD5 161.00] CKT 1  
SINGLE 134 : OPEN LINE FROM BUS 636202 [MIDPORT5 161.00] TO BUS 636203 [LUNDQST5 161.00] CKT 1  
SINGLE 135 : OPEN LINE FROM BUS 636203 [LUNDQST5 161.00] TO BUS 636204 [DR NE 5 161.00] CKT 1  
SINGLE 136 : OPEN LINE FROM BUS 636203 [LUNDQST5 161.00] TO BUS 636206 [DRCOMP 5 161.00] CKT 1  
SINGLE 137 : OPEN LINE FROM BUS 636204 [DR NE 5 161.00] TO BUS 636210 [WASHBRN5 161.00] CKT 1  
SINGLE 138 : OPEN LINE FROM BUS 636205 [DRFNDRY5 161.00] TO BUS 636206 [DRCOMP 5 161.00] CKT 1  
SINGLE 139 : OPEN LINE FROM BUS 636205 [DRFNDRY5 161.00] TO BUS 636207 [WTWEST 5 161.00] CKT 1  
SINGLE 140 : OPEN LINE FROM BUS 636207 [WTWEST 5 161.00] TO BUS 636208 [DR ENG 5 161.00] CKT 1  
SINGLE 141 : OPEN LINE FROM BUS 636208 [DR ENG 5 161.00] TO BUS 636220 [EL FARM5 161.00] CKT 1

SINGLE 142 : OPEN LINE FROM BUS 636208 [DR ENG 5 161.00] TO BUS 638040 [CFUINDP5 161.00] CKT 1  
SINGLE 143 : OPEN LINE FROM BUS 636210 [WASHBRN5 161.00] TO BUS 636220 [EL FARM5 161.00] CKT 1  
SINGLE 144 : OPEN LINE FROM BUS 636225 [UNIONTP5 161.00] TO BUS 636240 [BUTLER 5 161.00] CKT 1  
SINGLE 145 : OPEN LINE FROM BUS 636225 [UNIONTP5 161.00] TO BUS 638030 [UNIONCF5 161.00] CKT 1  
SINGLE 146 : OPEN LINE FROM BUS 636230 [FRANKLN5 161.00] TO BUS 636235 [WALL LK5 161.00] CKT 1  
SINGLE 147 : OPEN LINE FROM BUS 636230 [FRANKLN5 161.00] TO BUS 636240 [BUTLER 5 161.00] CKT 1  
SINGLE 148 : OPEN LINE FROM BUS 636230 [FRANKLN5 161.00] TO BUS 637191 [HAMPTON5 161.00] CKT 1  
SINGLE 149 : OPEN LINE FROM BUS 636300 [FLOYD 5 161.00] TO BUS 637087 [PLAINFD5 161.00] CKT 1  
SINGLE 150 : OPEN LINE FROM BUS 636400 [HILLS 3 345.00] TO BUS 636420 [TIFFIN 3 345.00] CKT 1  
SINGLE 151 : OPEN LINE FROM BUS 636400 [HILLS 3 345.00] TO BUS 636630 [SUB 92 3 345.00] CKT 1  
SINGLE 152 : OPEN LINE FROM BUS 636400 [HILLS 3 345.00] TO BUS 636645 [SUB T 3 345.00] CKT 1  
SINGLE 153 : OPEN LINE FROM BUS 636401 [HILLS 5 161.00] TO BUS 636403 [SB EIC 5 161.00] CKT 1  
SINGLE 154 : OPEN LINE FROM BUS 636401 [HILLS 5 161.00] TO BUS 636423 [SB HCIC5 161.00] CKT 1  
SINGLE 155 : OPEN LINE FROM BUS 636401 [HILLS 5 161.00] TO BUS 636678 [SB 89 5 161.00] CKT 1  
SINGLE 156 : OPEN LINE FROM BUS 636403 [SB EIC 5 161.00] TO BUS 636404 [SB YIC 5 161.00] CKT 1  
SINGLE 157 : OPEN LINE FROM BUS 636404 [SB YIC 5 161.00] TO BUS 636405 [SB GIC 5 161.00] CKT 1  
SINGLE 158 : OPEN LINE FROM BUS 636405 [SB GIC 5 161.00] TO BUS 636410 [SB PIC 5 161.00] CKT 1  
SINGLE 159 : OPEN LINE FROM BUS 636410 [SB PIC 5 161.00] TO BUS 636415 [SB UIC 5 161.00] CKT 1  
SINGLE 160 : OPEN LINE FROM BUS 636410 [SB PIC 5 161.00] TO BUS 636422 [CRLRIDG5 161.00] CKT 1  
SINGLE 161 : OPEN LINE FROM BUS 636415 [SB UIC 5 161.00] TO BUS 636425 [SB JIC 5 161.00] CKT 1  
SINGLE 162 : OPEN LINE FROM BUS 636420 [TIFFIN 3 345.00] TO BUS 636421 [TIFFIN 5 161.00] CKT 1  
SINGLE 163 : OPEN LINE FROM BUS 636421 [TIFFIN 5 161.00] TO BUS 636422 [CRLRIDG5 161.00] CKT 1  
SINGLE 164 : OPEN LINE FROM BUS 636423 [SB HCIC5 161.00] TO BUS 636425 [SB JIC 5 161.00] CKT 1  
SINGLE 165 : OPEN LINE FROM BUS 636600 [SB 39 3 345.00] TO BUS 636601 [SB 39 5 161.00] CKT 1  
SINGLE 166 : OPEN LINE FROM BUS 636600 [SB 39 3 345.00] TO BUS 636605 [MECCORD3 345.00] CKT 1  
SINGLE 167 : OPEN LINE FROM BUS 636600 [SB 39 3 345.00] TO BUS 636635 [OAKGROV3 345.00] CKT 1  
SINGLE 168 : OPEN LINE FROM BUS 636601 [SB 39 5 161.00] TO BUS 636656 [SB 47 5 161.00] CKT 1  
SINGLE 169 : OPEN LINE FROM BUS 636601 [SB 39 5 161.00] TO BUS 636660 [SB 31T 5 161.00] CKT 1  
SINGLE 170 : OPEN LINE FROM BUS 636601 [SB 39 5 161.00] TO BUS 636668 [SB 43 5 161.00] CKT 1  
SINGLE 171 : OPEN LINE FROM BUS 636610 [SUB 91 3 345.00] TO BUS 636611 [SB 91 5 161.00] CKT 1  
SINGLE 172 : OPEN LINE FROM BUS 636610 [SUB 91 3 345.00] TO BUS 636615 [SB 56 3 345.00] CKT 1  
SINGLE 173 : OPEN LINE FROM BUS 636611 [SB 91 5 161.00] TO BUS 636687 [SBHYC5 161.00] CKT 1  
SINGLE 174 : OPEN LINE FROM BUS 636611 [SB 91 5 161.00] TO BUS 636690 [UTICA R5 161.00] CKT 1  
SINGLE 175 : OPEN LINE FROM BUS 636615 [SB 56 3 345.00] TO BUS 636620 [WALCOTT3 345.00] CKT 1  
SINGLE 176 : OPEN LINE FROM BUS 636616 [SB 56 5 161.00] TO BUS 636626 [IPSCO 5 161.00] CKT 1  
SINGLE 177 : OPEN LINE FROM BUS 636616 [SB 56 5 161.00] TO BUS 636675 [SB 85 5 161.00] CKT 1  
SINGLE 178 : OPEN LINE FROM BUS 636616 [SB 56 5 161.00] TO BUS 636678 [SB 89 5 161.00] CKT 1  
SINGLE 179 : OPEN LINE FROM BUS 636616 [SB 56 5 161.00] TO BUS 636680 [SB 78 5 161.00] CKT 1  
SINGLE 180 : OPEN LINE FROM BUS 636620 [WALCOTT3 345.00] TO BUS 636625 [IPSCO 3 345.00] CKT 1  
SINGLE 181 : OPEN LINE FROM BUS 636620 [WALCOTT3 345.00] TO BUS 636630 [SUB 92 3 345.00] CKT 1  
SINGLE 182 : OPEN LINE FROM BUS 636630 [SUB 92 3 345.00] TO BUS 636640 [LOUISA 3 345.00] CKT 1  
SINGLE 183 : OPEN LINE FROM BUS 636635 [OAKGROV3 345.00] TO BUS 636636 [OAKGROV5 161.00] CKT 1  
SINGLE 184 : OPEN LINE FROM BUS 636635 [OAKGROV3 345.00] TO BUS 636640 [LOUISA 3 345.00] CKT 1  
SINGLE 185 : OPEN LINE FROM BUS 636636 [OAKGROV5 161.00] TO BUS 636670 [SB 18 5 161.00] CKT 1  
SINGLE 186 : OPEN LINE FROM BUS 636636 [OAKGROV5 161.00] TO BUS 636670 [SB 18 5 161.00] CKT 2  
SINGLE 187 : OPEN LINE FROM BUS 636636 [OAKGROV5 161.00] TO BUS 636672 [GALESBR5 161.00] CKT 1  
SINGLE 188 : OPEN LINE FROM BUS 636640 [LOUISA 3 345.00] TO BUS 636645 [SUB T 3 345.00] CKT 1  
SINGLE 189 : OPEN LINE FROM BUS 636650 [SB A 5 161.00] TO BUS 636657 [SB 48 5 161.00] CKT 1

SINGLE 190 : OPEN LINE FROM BUS 636650 [SB A 5 161.00] TO BUS 636692 [SB 70 5 161.00] CKT 1  
SINGLE 191 : OPEN LINE FROM BUS 636656 [SB 47 5 161.00] TO BUS 636657 [SB 48 5 161.00] CKT 1  
SINGLE 192 : OPEN LINE FROM BUS 636660 [SB 31T 5 161.00] TO BUS 636661 [SB 31 5 161.00] CKT 1  
SINGLE 193 : OPEN LINE FROM BUS 636660 [SB 31T 5 161.00] TO BUS 636662 [SB 28 5 161.00] CKT 1  
SINGLE 194 : OPEN LINE FROM BUS 636662 [SB 28 5 161.00] TO BUS 636665 [SB 17 5 161.00] CKT 1  
SINGLE 195 : OPEN LINE FROM BUS 636665 [SB 17 5 161.00] TO BUS 636667 [SB 49 5 161.00] CKT 1  
SINGLE 196 : OPEN LINE FROM BUS 636668 [SB 43 5 161.00] TO BUS 636670 [SB 18 5 161.00] CKT 1  
SINGLE 197 : OPEN LINE FROM BUS 636670 [SB 18 5 161.00] TO BUS 636673 [SB 112 5 161.00] CKT 1  
SINGLE 198 : OPEN LINE FROM BUS 636670 [SB 18 5 161.00] TO BUS 636675 [SB 85 5 161.00] CKT 1  
SINGLE 199 : OPEN LINE FROM BUS 636675 [SB 85 5 161.00] TO BUS 636676 [SB 52 5 161.00] CKT 1  
SINGLE 200 : OPEN LINE FROM BUS 636675 [SB 85 5 161.00] TO BUS 636677 [SB 53 5 161.00] CKT 1  
SINGLE 201 : OPEN LINE FROM BUS 636680 [SB 78 5 161.00] TO BUS 636681 [58TAP 5 161.00] CKT 1  
SINGLE 202 : OPEN LINE FROM BUS 636681 [58TAP 5 161.00] TO BUS 636682 [SB 58 5 161.00] CKT 1  
SINGLE 203 : OPEN LINE FROM BUS 636681 [58TAP 5 161.00] TO BUS 636685 [SB 74 5 161.00] CKT 1  
SINGLE 204 : OPEN LINE FROM BUS 636682 [SB 58 5 161.00] TO BUS 636683 [SB 76 5 161.00] CKT 1  
SINGLE 205 : OPEN LINE FROM BUS 636683 [SB 76 5 161.00] TO BUS 636685 [SB 74 5 161.00] CKT 1  
SINGLE 206 : OPEN LINE FROM BUS 636685 [SB 74 5 161.00] TO BUS 636686 [SUB 77 5 161.00] CKT 1  
SINGLE 207 : OPEN LINE FROM BUS 636685 [SB 74 5 161.00] TO BUS 636690 [UTICA R5 161.00] CKT 1  
SINGLE 208 : OPEN LINE FROM BUS 636686 [SUB 77 5 161.00] TO BUS 636687 [SBHYC5 161.00] CKT 1  
SINGLE 209 : OPEN LINE FROM BUS 636690 [UTICA R5 161.00] TO BUS 636691 [SB 71 5 161.00] CKT 1  
SINGLE 210 : OPEN LINE FROM BUS 636691 [SB 71 5 161.00] TO BUS 636693 [SB 88 5 161.00] CKT 1  
SINGLE 211 : OPEN LINE FROM BUS 636692 [SB 70 5 161.00] TO BUS 636693 [SB 88 5 161.00] CKT 1  
SINGLE 212 : OPEN LINE FROM BUS 637191 [HAMPTON5 161.00] TO BUS 637201 [SHEFFLD5 161.00] CKT 1  
SINGLE 213 : OPEN LINE FROM BUS 637353 [HOPE 5 161.00] TO BUS 637423 [BURT 5 161.00] CKT 1  
SINGLE 214 : OPEN LINE FROM BUS 637423 [BURT 5 161.00] TO BUS 637527 [OSGOOD 5 161.00] CKT 1  
SINGLE 215 : OPEN LINE FROM BUS 637527 [OSGOOD 5 161.00] TO BUS 637570 [WISDOM 5 161.00] CKT 1  
SINGLE 216 : OPEN LINE FROM BUS 637570 [WISDOM 5 161.00] TO BUS 652563 [SPENCER5 161.00] CKT 1  
SINGLE 217 : OPEN LINE FROM BUS 638000 [AMES 5 161.00] TO BUS 638010 [STANGE 5 161.00] CKT 1  
SINGLE 218 : OPEN LINE FROM BUS 638030 [UNIONCF5 161.00] TO BUS 638040 [CFUINDP5 161.00] CKT 1  
SINGLE 220 : OPEN LINE FROM BUS 640050 [AINSWND7 115.00] TO BUS 640096 [CALAMS 7 115.00] CKT 1  
SINGLE 221 : OPEN LINE FROM BUS 640051 [AINSWRT7 115.00] TO BUS 640367 [STUART 7 115.00] CKT 1  
SINGLE 222 : OPEN LINE FROM BUS 640051 [AINSWRT7 115.00] TO BUS 640392 [VALENTN7 115.00] CKT 1  
SINGLE 223 : OPEN LINE FROM BUS 640054 [ALBION 7 115.00] TO BUS 640176 [FULERTN7 115.00] CKT 1  
SINGLE 224 : OPEN LINE FROM BUS 640054 [ALBION 7 115.00] TO BUS 640181 [GENOA 7 115.00] CKT 1  
SINGLE 225 : OPEN LINE FROM BUS 640054 [ALBION 7 115.00] TO BUS 640318 [PETRSBG7 115.00] CKT 1  
SINGLE 226 : OPEN LINE FROM BUS 640054 [ALBION 7 115.00] TO BUS 640347 [SPALDNG7 115.00] CKT 1  
SINGLE 227 : OPEN LINE FROM BUS 640056 [ALDA 7 115.00] TO BUS 640323 [RAVENNA7 115.00] CKT 1  
SINGLE 228 : OPEN LINE FROM BUS 640056 [ALDA 7 115.00] TO BUS 642068 [SUB-A 7 115.00] CKT 1  
SINGLE 229 : OPEN LINE FROM BUS 640058 [ATKINSN7 115.00] TO BUS 640165 [EMMET 7 115.00] CKT 1  
SINGLE 230 : OPEN LINE FROM BUS 640058 [ATKINSN7 115.00] TO BUS 640367 [STUART 7 115.00] CKT 1  
SINGLE 231 : OPEN LINE FROM BUS 640063 [AURORA\_7 115.00] TO BUS 640201 [GR ISLD7 115.00] CKT 1  
SINGLE 232 : OPEN LINE FROM BUS 640063 [AURORA\_7 115.00] TO BUS 640411 [YORK 7 115.00] CKT 1  
SINGLE 233 : OPEN LINE FROM BUS 640065 [AXTELL 3 345.00] TO BUS 640312 [PAULINE3 345.00] CKT 1  
SINGLE 234 : OPEN LINE FROM BUS 640065 [AXTELL 3 345.00] TO BUS 640374 [SWEET W3 345.00] CKT 1  
SINGLE 235 : OPEN LINE FROM BUS 640066 [AXTELL 7 115.00] TO BUS 640224 [HOLDREG7 115.00] CKT 1  
SINGLE 236 : OPEN LINE FROM BUS 640066 [AXTELL 7 115.00] TO BUS 640250 [KEARNEY7 115.00] CKT 1  
SINGLE 237 : OPEN LINE FROM BUS 640066 [AXTELL 7 115.00] TO BUS 640275 [MINDEN 7 115.00] CKT 1  
SINGLE 238 : OPEN LINE FROM BUS 640068 [B.SPRGS7 115.00] TO BUS 640086 [BLUECK 7 115.00] CKT 1

SINGLE 239 : OPEN LINE FROM BUS 640068 [B.SPRGS7 115.00] TO BUS 640091 [BRULE 7 115.00] CKT 1  
SINGLE 240 : OPEN LINE FROM BUS 640068 [B.SPRGS7 115.00] TO BUS 640246 [JULSTAP7 115.00] CKT 1  
SINGLE 241 : OPEN LINE FROM BUS 640070 [BANCRFT7 115.00] TO BUS 640163 [EMERSON7 115.00] CKT 1  
SINGLE 242 : OPEN LINE FROM BUS 640070 [BANCRFT7 115.00] TO BUS 640300 [OAKLAND7 115.00] CKT 1  
SINGLE 243 : OPEN LINE FROM BUS 640072 [BATTLCR7 115.00] TO BUS 640115 [CO.LINE7 115.00] CKT 1  
SINGLE 244 : OPEN LINE FROM BUS 640072 [BATTLCR7 115.00] TO BUS 640296 [NORFK.N7 115.00] CKT 1  
SINGLE 245 : OPEN LINE FROM BUS 640074 [BEAT. S7 115.00] TO BUS 640076 [BEATRCE7 115.00] CKT 1  
SINGLE 246 : OPEN LINE FROM BUS 640076 [BEATRCE7 115.00] TO BUS 640088 [BPS SUB7 115.00] CKT 1  
SINGLE 247 : OPEN LINE FROM BUS 640076 [BEATRCE7 115.00] TO BUS 640088 [BPS SUB7 115.00] CKT 2  
SINGLE 248 : OPEN LINE FROM BUS 640076 [BEATRCE7 115.00] TO BUS 640208 [HARBINE7 115.00] CKT 1  
SINGLE 249 : OPEN LINE FROM BUS 640076 [BEATRCE7 115.00] TO BUS 640361 [STEINER7 115.00] CKT 1  
SINGLE 250 : OPEN LINE FROM BUS 640078 [BEEMER 7 115.00] TO BUS 640357 [STANTON7 115.00] CKT 1  
SINGLE 251 : OPEN LINE FROM BUS 640078 [BEEMER 7 115.00] TO BUS 640400 [W.POINT7 115.00] CKT 1  
SINGLE 252 : OPEN LINE FROM BUS 640080 [BELDEN 7 115.00] TO BUS 640084 [BLMFLD 7 115.00] CKT 1  
SINGLE 253 : OPEN LINE FROM BUS 640080 [BELDEN 7 115.00] TO BUS 640212 [HARTGTN7 115.00] CKT 1  
SINGLE 254 : OPEN LINE FROM BUS 640080 [BELDEN 7 115.00] TO BUS 640228 [HOSKINS7 115.00] CKT 1  
SINGLE 255 : OPEN LINE FROM BUS 640080 [BELDEN 7 115.00] TO BUS 640387 [TWIN CH7 115.00] CKT 1  
SINGLE 256 : OPEN LINE FROM BUS 640082 [BEVERLY7 115.00] TO BUS 640167 [ENDERS 7 115.00] CKT 1  
SINGLE 257 : OPEN LINE FROM BUS 640082 [BEVERLY7 115.00] TO BUS 640326 [REDWILO7 115.00] CKT 1  
SINGLE 258 : OPEN LINE FROM BUS 640084 [BLMFLD 7 115.00] TO BUS 640149 [CREITON7 115.00] CKT 1  
SINGLE 259 : OPEN LINE FROM BUS 640084 [BLMFLD 7 115.00] TO BUS 652511 [GAVINS 7 115.00] CKT 1  
SINGLE 260 : OPEN LINE FROM BUS 640086 [BLUECK 7 115.00] TO BUS 659193 [W.HORSE7 115.00] CKT 1  
SINGLE 261 : OPEN LINE FROM BUS 640088 [BPS SUB7 115.00] TO BUS 640111 [CLATONA7 115.00] CKT 1  
SINGLE 262 : OPEN LINE FROM BUS 640088 [BPS SUB7 115.00] TO BUS 640278 [SHELDON7 115.00] CKT 1  
SINGLE 263 : OPEN LINE FROM BUS 640089 [BROKENB7 115.00] TO BUS 640094 [C.CREEK7 115.00] CKT 1  
SINGLE 264 : OPEN LINE FROM BUS 640089 [BROKENB7 115.00] TO BUS 640098 [CALAWAY7 115.00] CKT 1  
SINGLE 265 : OPEN LINE FROM BUS 640089 [BROKENB7 115.00] TO BUS 640259 [LOUPCTY7 115.00] CKT 1  
SINGLE 266 : OPEN LINE FROM BUS 640091 [BRULE 7 115.00] TO BUS 659132 [OGALALA7 115.00] CKT 1  
SINGLE 267 : OPEN LINE FROM BUS 640093 [C.CREEK4 230.00] TO BUS 640094 [C.CREEK7 115.00] CKT 1  
SINGLE 268 : OPEN LINE FROM BUS 640093 [C.CREEK4 230.00] TO BUS 640102 [CANADAY4 230.00] CKT 1  
SINGLE 269 : OPEN LINE FROM BUS 640093 [C.CREEK4 230.00] TO BUS 640286 [N.PLATT4 230.00] CKT 1  
SINGLE 270 : OPEN LINE FROM BUS 640093 [C.CREEK4 230.00] TO BUS 640330 [RIVERDL4 230.00] CKT 1  
SINGLE 271 : OPEN LINE FROM BUS 640096 [CALAMS 7 115.00] TO BUS 640381 [THEDFRD7 115.00] CKT 1  
SINGLE 272 : OPEN LINE FROM BUS 640098 [CALAWAY7 115.00] TO BUS 640267 [MAXWELS7 115.00] CKT 1  
SINGLE 273 : OPEN LINE FROM BUS 640100 [CAMBRIG7 115.00] TO BUS 640194 [GOSPER 7 115.00] CKT 1  
SINGLE 274 : OPEN LINE FROM BUS 640100 [CAMBRIG7 115.00] TO BUS 640269 [MCCOOK 7 115.00] CKT 1  
SINGLE 275 : OPEN LINE FROM BUS 640103 [CANADAY7 115.00] TO BUS 640161 [ELMCRK\_7 115.00] CKT 1  
SINGLE 276 : OPEN LINE FROM BUS 640103 [CANADAY7 115.00] TO BUS 640242 [JOHN.2 7 115.00] CKT 1  
SINGLE 277 : OPEN LINE FROM BUS 640103 [CANADAY7 115.00] TO BUS 640242 [JOHN.2 7 115.00] CKT 2  
SINGLE 278 : OPEN LINE FROM BUS 640103 [CANADAY7 115.00] TO BUS 640256 [LXNGTN 7 115.00] CKT 1  
SINGLE 279 : OPEN LINE FROM BUS 640105 [CARLJCT7 115.00] TO BUS 640178 [GENEVA 7 115.00] CKT 1  
SINGLE 280 : OPEN LINE FROM BUS 640105 [CARLJCT7 115.00] TO BUS 640218 [HEBRN N7 115.00] CKT 1  
SINGLE 281 : OPEN LINE FROM BUS 640107 [CENCITY7 115.00] TO BUS 640201 [GR ISLD7 115.00] CKT 1  
SINGLE 282 : OPEN LINE FROM BUS 640107 [CENCITY7 115.00] TO BUS 640345 [SILVRCK7 115.00] CKT 1  
SINGLE 283 : OPEN LINE FROM BUS 640109 [CHADRON7 115.00] TO BUS 640147 [CRAWFRD7 115.00] CKT 1  
SINGLE 284 : OPEN LINE FROM BUS 640109 [CHADRON7 115.00] TO BUS 640334 [RUSHVIL7 115.00] CKT 1  
SINGLE 285 : OPEN LINE FROM BUS 640109 [CHADRON7 115.00] TO BUS 640405 [WAYSIDE7 115.00] CKT 1  
SINGLE 286 : OPEN LINE FROM BUS 640109 [CHADRON7 115.00] TO BUS 652311 [DUNLAP 7 115.00] CKT 1

SINGLE 287 : OPEN LINE FROM BUS 640111 [CLATONA7 115.00] TO BUS 640278 [SHELDON7 115.00] CKT 1  
SINGLE 288 : OPEN LINE FROM BUS 640113 [CLRWATR7 115.00] TO BUS 640293 [NELIGH 7 115.00] CKT 1  
SINGLE 289 : OPEN LINE FROM BUS 640113 [CLRWATR7 115.00] TO BUS 640305 [ONEILL 7 115.00] CKT 1  
SINGLE 290 : OPEN LINE FROM BUS 640115 [CO.LINE7 115.00] TO BUS 640293 [NELIGH 7 115.00] CKT 1  
SINGLE 291 : OPEN LINE FROM BUS 640117 [CODY 7 115.00] TO BUS 640394 [VALTN.W7 115.00] CKT 1  
SINGLE 292 : OPEN LINE FROM BUS 640119 [COL.COG7 115.00] TO BUS 640122 [COL.DRY7 115.00] CKT 1  
SINGLE 293 : OPEN LINE FROM BUS 640119 [COL.COG7 115.00] TO BUS 640122 [COL.DRY7 115.00] CKT 2  
SINGLE 294 : OPEN LINE FROM BUS 640119 [COL.COG7 115.00] TO BUS 640124 [COL.SE 7 115.00] CKT 1  
SINGLE 295 : OPEN LINE FROM BUS 640119 [COL.COG7 115.00] TO BUS 640127 [COLMB.E7 115.00] CKT 1  
SINGLE 296 : OPEN LINE FROM BUS 640124 [COL.SE 7 115.00] TO BUS 640136 [COLMBUS7 115.00] CKT 1  
SINGLE 297 : OPEN LINE FROM BUS 640124 [COL.SE 7 115.00] TO BUS 640328 [RISNGCY7 115.00] CKT 1  
SINGLE 298 : OPEN LINE FROM BUS 640125 [COLMB.E3 345.00] TO BUS 640342 [SHELCKR3 345.00] CKT 1  
SINGLE 299 : OPEN LINE FROM BUS 640125 [COLMB.E3 345.00] TO BUS 650114 [NW68HOLDRG3 345.00] CKT 1  
SINGLE 300 : OPEN LINE FROM BUS 640126 [E.COL. 4 230.00] TO BUS 640127 [COLMB.E7 115.00] CKT 1  
SINGLE 301 : OPEN LINE FROM BUS 640126 [E.COL. 4 230.00] TO BUS 640133 [COLMBUS4 230.00] CKT 1  
SINGLE 302 : OPEN LINE FROM BUS 640127 [COLMB.E7 115.00] TO BUS 640136 [COLMBUS7 115.00] CKT 1  
SINGLE 303 : OPEN LINE FROM BUS 640127 [COLMB.E7 115.00] TO BUS 640157 [DAVIDCY7 115.00] CKT 1  
SINGLE 304 : OPEN LINE FROM BUS 640131 [COLMB.W4 230.00] TO BUS 640133 [COLMBUS4 230.00] CKT 1  
SINGLE 305 : OPEN LINE FROM BUS 640131 [COLMB.W4 230.00] TO BUS 640200 [GR ISLD4 230.00] CKT 1  
SINGLE 306 : OPEN LINE FROM BUS 640133 [COLMBUS4 230.00] TO BUS 640343 [SHELCKR4 230.00] CKT 1  
SINGLE 307 : OPEN LINE FROM BUS 640133 [COLMBUS4 230.00] TO BUS 643000 [MADISONCNTY4230.00] CKT 1  
SINGLE 308 : OPEN LINE FROM BUS 640134 [KELLY 7 115.00] TO BUS 640136 [COLMBUS7 115.00] CKT 1  
SINGLE 309 : OPEN LINE FROM BUS 640136 [COLMBUS7 115.00] TO BUS 640151 [CRESTON7 115.00] CKT 1  
SINGLE 310 : OPEN LINE FROM BUS 640136 [COLMBUS7 115.00] TO BUS 640181 [GENOA 7 115.00] CKT 1  
SINGLE 311 : OPEN LINE FROM BUS 640136 [COLMBUS7 115.00] TO BUS 640336 [SCHUYLR7 115.00] CKT 1  
SINGLE 312 : OPEN LINE FROM BUS 640136 [COLMBUS7 115.00] TO BUS 640345 [SILVRCK7 115.00] CKT 1  
SINGLE 313 : OPEN LINE FROM BUS 640139 [COOPER 3 345.00] TO BUS 640277 [MOORE 3 345.00] CKT 1  
SINGLE 314 : OPEN LINE FROM BUS 640139 [COOPER 3 345.00] TO BUS 645458 [S3458 3 345.00] CKT 1  
SINGLE 315 : OPEN LINE FROM BUS 640140 [COOPER 5 161.00] TO BUS 646280 [S1280 5 161.00] CKT 1  
SINGLE 316 : OPEN LINE FROM BUS 640144 [COZAD 7 115.00] TO BUS 640196 [GOTHNBG7 115.00] CKT 1  
SINGLE 317 : OPEN LINE FROM BUS 640144 [COZAD 7 115.00] TO BUS 640407 [WESTMIN7 115.00] CKT 1  
SINGLE 318 : OPEN LINE FROM BUS 640147 [CRAWFRD7 115.00] TO BUS 640397 [VICTRYH7 115.00] CKT 1  
SINGLE 319 : OPEN LINE FROM BUS 640149 [CREITON7 115.00] TO BUS 640293 [NELIGH 7 115.00] CKT 1  
SINGLE 320 : OPEN LINE FROM BUS 640151 [CRESTON7 115.00] TO BUS 640263 [MADISON7 115.00] CKT 1  
SINGLE 321 : OPEN LINE FROM BUS 640153 [CRETE\_\_7 115.00] TO BUS 640174 [FRIEND 7 115.00] CKT 1  
SINGLE 322 : OPEN LINE FROM BUS 640153 [CRETE\_\_7 115.00] TO BUS 640278 [SHELDON7 115.00] CKT 1  
SINGLE 323 : OPEN LINE FROM BUS 640155 [DAVEY 7 115.00] TO BUS 640402 [WAHOO 7 115.00] CKT 1  
SINGLE 324 : OPEN LINE FROM BUS 640155 [DAVEY 7 115.00] TO BUS 650269 [70&BLUFF 7 115.00] CKT 1  
SINGLE 325 : OPEN LINE FROM BUS 640157 [DAVIDCY7 115.00] TO BUS 640402 [WAHOO 7 115.00] CKT 1  
SINGLE 326 : OPEN LINE FROM BUS 640159 [DONIPH7 115.00] TO BUS 640282 [N.HAST 7 115.00] CKT 1  
SINGLE 327 : OPEN LINE FROM BUS 640159 [DONIPH7 115.00] TO BUS 642071 [SUB-D 7 115.00] CKT 1  
SINGLE 328 : OPEN LINE FROM BUS 640161 [ELMCRK\_7 115.00] TO BUS 640250 [KEARNEY7 115.00] CKT 1  
SINGLE 329 : OPEN LINE FROM BUS 640163 [EMERSON7 115.00] TO BUS 640387 [TWIN CH7 115.00] CKT 1  
SINGLE 330 : OPEN LINE FROM BUS 640165 [EMMET 7 115.00] TO BUS 640305 [ONEILL 7 115.00] CKT 1  
SINGLE 331 : OPEN LINE FROM BUS 640167 [ENDERS 7 115.00] TO BUS 659130 [GRANTNB7 115.00] CKT 1  
SINGLE 332 : OPEN LINE FROM BUS 640167 [ENDERS 7 115.00] TO BUS 659244 [ATHEY 7 115.00] CKT 1  
SINGLE 333 : OPEN LINE FROM BUS 640169 [FAIRBRY7 115.00] TO BUS 640208 [HARBINE7 115.00] CKT 1  
SINGLE 334 : OPEN LINE FROM BUS 640169 [FAIRBRY7 115.00] TO BUS 640218 [HEBRN N7 115.00] CKT 1

SINGLE 335 : OPEN LINE FROM BUS 640171 [FIRTH 7 115.00] TO BUS 640278 [SHELDON7 115.00] CKT 1  
SINGLE 336 : OPEN LINE FROM BUS 640171 [FIRTH 7 115.00] TO BUS 640362 [STERLNG7 115.00] CKT 1  
SINGLE 337 : OPEN LINE FROM BUS 640173 [FREMONT7 115.00] TO BUS 640281 [N.BEND 7 115.00] CKT 1  
SINGLE 338 : OPEN LINE FROM BUS 640173 [FREMONT7 115.00] TO BUS 640409 [WINSLOW7 115.00] CKT 1  
SINGLE 339 : OPEN LINE FROM BUS 640173 [FREMONT7 115.00] TO BUS 647976 [S976 8 69.000] CKT 1  
SINGLE 340 : OPEN LINE FROM BUS 640173 [FREMONT7 115.00] TO BUS 647976 [S976 8 69.000] CKT 4  
SINGLE 341 : OPEN LINE FROM BUS 640174 [FRIEND 7 115.00] TO BUS 640178 [GENEVA 7 115.00] CKT 1  
SINGLE 342 : OPEN LINE FROM BUS 640178 [GENEVA 7 115.00] TO BUS 640272 [MCCOOL 7 115.00] CKT 1  
SINGLE 343 : OPEN LINE FROM BUS 640178 [GENEVA 7 115.00] TO BUS 640372 [SUTTON 7 115.00] CKT 1  
SINGLE 344 : OPEN LINE FROM BUS 640183 [GENTLMN3 345.00] TO BUS 640184 [GENTLMN4 230.00] CKT 2  
SINGLE 345 : OPEN LINE FROM BUS 640183 [GENTLMN3 345.00] TO BUS 640252 [KEYSTON3 345.00] CKT 1  
SINGLE 346 : OPEN LINE FROM BUS 640183 [GENTLMN3 345.00] TO BUS 640325 [REDWILO3 345.00] CKT 1  
SINGLE 347 : OPEN LINE FROM BUS 640183 [GENTLMN3 345.00] TO BUS 640374 [SWEET W3 345.00] CKT 1  
SINGLE 348 : OPEN LINE FROM BUS 640183 [GENTLMN3 345.00] TO BUS 640374 [SWEET W3 345.00] CKT 2  
SINGLE 349 : OPEN LINE FROM BUS 640184 [GENTLMN4 230.00] TO BUS 640286 [N.PLATT4 230.00] CKT 1  
SINGLE 350 : OPEN LINE FROM BUS 640184 [GENTLMN4 230.00] TO BUS 640286 [N.PLATT4 230.00] CKT 2  
SINGLE 351 : OPEN LINE FROM BUS 640184 [GENTLMN4 230.00] TO BUS 640286 [N.PLATT4 230.00] CKT 3  
SINGLE 352 : OPEN LINE FROM BUS 640184 [GENTLMN4 230.00] TO BUS 640302 [OGALALA4 230.00] CKT 1  
SINGLE 353 : OPEN LINE FROM BUS 640192 [GORDON 7 115.00] TO BUS 640334 [RUSHVIL7 115.00] CKT 1  
SINGLE 354 : OPEN LINE FROM BUS 640192 [GORDON 7 115.00] TO BUS 659152 [SHAN-SD7 115.00] CKT 1  
SINGLE 355 : OPEN LINE FROM BUS 640194 [GOSPER 7 115.00] TO BUS 640242 [JOHN.2 7 115.00] CKT 1  
SINGLE 356 : OPEN LINE FROM BUS 640196 [GOTHNBG7 115.00] TO BUS 640238 [JEFFREY7 115.00] CKT 1  
SINGLE 357 : OPEN LINE FROM BUS 640200 [GR ISLD4 230.00] TO BUS 640201 [GR ISLD7 115.00] CKT 2  
SINGLE 358 : OPEN LINE FROM BUS 640200 [GR ISLD4 230.00] TO BUS 640214 [HASTING4 230.00] CKT 1  
SINGLE 359 : OPEN LINE FROM BUS 640200 [GR ISLD4 230.00] TO BUS 640330 [RIVERDL4 230.00] CKT 1  
SINGLE 360 : OPEN LINE FROM BUS 640200 [GR ISLD4 230.00] TO BUS 652571 [GR ISLD3 345.00] CKT 3  
SINGLE 361 : OPEN LINE FROM BUS 640201 [GR ISLD7 115.00] TO BUS 640353 [ST.LIB 7 115.00] CKT 1  
SINGLE 362 : OPEN LINE FROM BUS 640201 [GR ISLD7 115.00] TO BUS 642071 [SUB-D 7 115.00] CKT 1  
SINGLE 363 : OPEN LINE FROM BUS 640201 [GR ISLD7 115.00] TO BUS 642072 [SUB-E 7 115.00] CKT 1  
SINGLE 364 : OPEN LINE FROM BUS 640206 [GUIDE R7 115.00] TO BUS 640368 [SUPEROR7 115.00] CKT 1  
SINGLE 365 : OPEN LINE FROM BUS 640206 [GUIDE R7 115.00] TO BUS 643050 [ROSEMONT 7115.00] CKT 1  
SINGLE 366 : OPEN LINE FROM BUS 640208 [HARBINE7 115.00] TO BUS 640426 [STEELEC7 115.00] CKT 1  
SINGLE 367 : OPEN LINE FROM BUS 640210 [HARMONY7 115.00] TO BUS 640351 [ST.FRANC 115.00] CKT 1  
SINGLE 368 : OPEN LINE FROM BUS 640210 [HARMONY7 115.00] TO BUS 640392 [VALENTN7 115.00] CKT 1  
SINGLE 369 : OPEN LINE FROM BUS 640212 [HARTGTN7 115.00] TO BUS 652511 [GAVINS 7 115.00] CKT 1  
SINGLE 370 : OPEN LINE FROM BUS 640214 [HASTING4 230.00] TO BUS 641088 [HASTCTY7 115.00] CKT 1  
SINGLE 371 : OPEN LINE FROM BUS 640215 [HASTING7 115.00] TO BUS 640313 [PAULINE7 115.00] CKT 1  
SINGLE 372 : OPEN LINE FROM BUS 640215 [HASTING7 115.00] TO BUS 640313 [PAULINE7 115.00] CKT 2  
SINGLE 373 : OPEN LINE FROM BUS 640215 [HASTING7 115.00] TO BUS 641087 [EGYCNTR7 115.00] CKT 1  
SINGLE 374 : OPEN LINE FROM BUS 640215 [HASTING7 115.00] TO BUS 641088 [HASTCTY7 115.00] CKT 1  
SINGLE 375 : OPEN LINE FROM BUS 640218 [HEBRN N7 115.00] TO BUS 640220 [HEBRON 7 115.00] CKT 1  
SINGLE 376 : OPEN LINE FROM BUS 640220 [HEBRON 7 115.00] TO BUS 640368 [SUPEROR7 115.00] CKT 1  
SINGLE 377 : OPEN LINE FROM BUS 640222 [HILDRTH7 115.00] TO BUS 640224 [HOLDREG7 115.00] CKT 1  
SINGLE 378 : OPEN LINE FROM BUS 640222 [HILDRTH7 115.00] TO BUS 640313 [PAULINE7 115.00] CKT 1  
SINGLE 379 : OPEN LINE FROM BUS 640224 [HOLDREG7 115.00] TO BUS 640242 [JOHN.2 7 115.00] CKT 1  
SINGLE 380 : OPEN LINE FROM BUS 640224 [HOLDREG7 115.00] TO BUS 640310 [ORLEANS7 115.00] CKT 1  
SINGLE 381 : OPEN LINE FROM BUS 640226 [HOSKINS3 345.00] TO BUS 640227 [HOSKINS4 230.00] CKT 1  
SINGLE 382 : OPEN LINE FROM BUS 640226 [HOSKINS3 345.00] TO BUS 640342 [SHELCKR3 345.00] CKT 1

SINGLE 383 : OPEN LINE FROM BUS 640227 [HOSKINS4 230.00] TO BUS 640228 [HOSKINS7 115.00] CKT 1  
SINGLE 384 : OPEN LINE FROM BUS 640227 [HOSKINS4 230.00] TO BUS 640386 [TWIN CH4 230.00] CKT 1  
SINGLE 385 : OPEN LINE FROM BUS 640228 [HOSKINS7 115.00] TO BUS 640296 [NORFK.N7 115.00] CKT 1  
SINGLE 386 : OPEN LINE FROM BUS 640228 [HOSKINS7 115.00] TO BUS 640298 [NORFOLK7 115.00] CKT 1  
SINGLE 387 : OPEN LINE FROM BUS 640228 [HOSKINS7 115.00] TO BUS 640363 [STNTN.N7 115.00] CKT 1  
SINGLE 388 : OPEN LINE FROM BUS 640234 [HUMBOLT5 161.00] TO BUS 640235 [HUMBOLT7 115.00] CKT 1  
SINGLE 389 : OPEN LINE FROM BUS 640234 [HUMBOLT5 161.00] TO BUS 646280 [S1280 5 161.00] CKT 1  
SINGLE 390 : OPEN LINE FROM BUS 640235 [HUMBOLT7 115.00] TO BUS 640361 [STEINER7 115.00] CKT 1  
SINGLE 391 : OPEN LINE FROM BUS 640238 [JEFFREY7 115.00] TO BUS 640240 [JOHN.1 7 115.00] CKT 1  
SINGLE 392 : OPEN LINE FROM BUS 640238 [JEFFREY7 115.00] TO BUS 640287 [N.PLATT7 115.00] CKT 1  
SINGLE 393 : OPEN LINE FROM BUS 640240 [JOHN.1 7 115.00] TO BUS 640244 [JOHN.LK7 115.00] CKT 1  
SINGLE 394 : OPEN LINE FROM BUS 640242 [JOHN.2 7 115.00] TO BUS 640244 [JOHN.LK7 115.00] CKT 1  
SINGLE 395 : OPEN LINE FROM BUS 640242 [JOHN.2 7 115.00] TO BUS 640407 [WESTMIN7 115.00] CKT 1  
SINGLE 396 : OPEN LINE FROM BUS 640246 [JULSTAP7 115.00] TO BUS 652300 [CHAPPEL7 115.00] CKT 1  
SINGLE 397 : OPEN LINE FROM BUS 640246 [JULSTAP7 115.00] TO BUS 652302 [JULESBG7 115.00] CKT 1  
SINGLE 398 : OPEN LINE FROM BUS 640248 [KEAR.NE7 115.00] TO BUS 640250 [KEARNEY7 115.00] CKT 1  
SINGLE 399 : OPEN LINE FROM BUS 640248 [KEAR.NE7 115.00] TO BUS 640331 [RIVERDL7 115.00] CKT 1  
SINGLE 400 : OPEN LINE FROM BUS 640250 [KEARNEY7 115.00] TO BUS 640261 [LOWELL 7 115.00] CKT 1  
SINGLE 401 : OPEN LINE FROM BUS 640250 [KEARNEY7 115.00] TO BUS 640383 [TOWER 7 115.00] CKT 1  
SINGLE 402 : OPEN LINE FROM BUS 640252 [KEYSTON3 345.00] TO BUS 659133 [SIDNEY 3 345.00] CKT 1  
SINGLE 403 : OPEN LINE FROM BUS 640253 [KEYSTON7 115.00] TO BUS 640255 [KINGSLY7 115.00] CKT 1  
SINGLE 404 : OPEN LINE FROM BUS 640253 [KEYSTON7 115.00] TO BUS 659132 [OGALALA7 115.00] CKT 1  
SINGLE 405 : OPEN LINE FROM BUS 640256 [LXNGTN 7 115.00] TO BUS 640331 [RIVERDL7 115.00] CKT 1  
SINGLE 406 : OPEN LINE FROM BUS 640259 [LOUPCTY7 115.00] TO BUS 640284 [N.LOUP 7 115.00] CKT 1  
SINGLE 407 : OPEN LINE FROM BUS 640259 [LOUPCTY7 115.00] TO BUS 640353 [ST.LIB 7 115.00] CKT 1  
SINGLE 408 : OPEN LINE FROM BUS 640261 [LOWELL 7 115.00] TO BUS 640275 [MINDEN 7 115.00] CKT 1  
SINGLE 409 : OPEN LINE FROM BUS 640261 [LOWELL 7 115.00] TO BUS 640321 [PROSSER7 115.00] CKT 1  
SINGLE 410 : OPEN LINE FROM BUS 640263 [MADISON7 115.00] TO BUS 640298 [NORFOLK7 115.00] CKT 1  
SINGLE 411 : OPEN LINE FROM BUS 640263 [MADISON7 115.00] TO BUS 640444 [PETERSBRG.N7115.00] CKT 1  
SINGLE 412 : OPEN LINE FROM BUS 640265 [MALONEY7 115.00] TO BUS 640287 [N.PLATT7 115.00] CKT 1  
SINGLE 413 : OPEN LINE FROM BUS 640265 [MALONEY7 115.00] TO BUS 640370 [SUTHLND7 115.00] CKT 1  
SINGLE 414 : OPEN LINE FROM BUS 640267 [MAXWELS7 115.00] TO BUS 640287 [N.PLATT7 115.00] CKT 1  
SINGLE 415 : OPEN LINE FROM BUS 640267 [MAXWELS7 115.00] TO BUS 640381 [THEDFRD7 115.00] CKT 1  
SINGLE 416 : OPEN LINE FROM BUS 640269 [MCCOOK 7 115.00] TO BUS 640326 [REDWILO7 115.00] CKT 1  
SINGLE 417 : OPEN LINE FROM BUS 640269 [MCCOOK 7 115.00] TO BUS 640326 [REDWILO7 115.00] CKT 2  
SINGLE 418 : OPEN LINE FROM BUS 640271 [MCCOOL 3 345.00] TO BUS 640277 [MOORE 3 345.00] CKT 1  
SINGLE 419 : OPEN LINE FROM BUS 640271 [MCCOOL 3 345.00] TO BUS 652571 [GR ISLD3 345.00] CKT 1  
SINGLE 420 : OPEN LINE FROM BUS 640272 [MCCOOL 7 115.00] TO BUS 640413 [YORK SW7 115.00] CKT 1  
SINGLE 421 : OPEN LINE FROM BUS 640277 [MOORE 3 345.00] TO BUS 640312 [PAULINE3 345.00] CKT 1  
SINGLE 422 : OPEN LINE FROM BUS 640277 [MOORE 3 345.00] TO BUS 650114 [NW68HOLDRG3 345.00] CKT 1  
SINGLE 423 : OPEN LINE FROM BUS 640277 [MOORE 3 345.00] TO BUS 650189 [103&ROKEBY3 345.00] CKT 1  
SINGLE 424 : OPEN LINE FROM BUS 640278 [SHELDON7 115.00] TO BUS 650230 [2&N 7 115.00] CKT 1  
SINGLE 425 : OPEN LINE FROM BUS 640281 [N.BEND 7 115.00] TO BUS 640336 [SCHUYLR7 115.00] CKT 1  
SINGLE 426 : OPEN LINE FROM BUS 640281 [N.BEND 7 115.00] TO BUS 648400 [N.BD A9 13.800] CKT 1  
SINGLE 427 : OPEN LINE FROM BUS 640281 [N.BEND 7 115.00] TO BUS 648401 [N.BD B9 13.800] CKT 1  
SINGLE 428 : OPEN LINE FROM BUS 640282 [N.HAST 7 115.00] TO BUS 640321 [PROSSER7 115.00] CKT 1  
SINGLE 429 : OPEN LINE FROM BUS 640282 [N.HAST 7 115.00] TO BUS 641082 [BYPASS 7 115.00] CKT 1  
SINGLE 430 : OPEN LINE FROM BUS 640284 [N.LOUP 7 115.00] TO BUS 640308 [ORD 7 115.00] CKT 1



SINGLE 431 : OPEN LINE FROM BUS 640284 [N.LOUP 7 115.00] TO BUS 640347 [SPALDNG7 115.00] CKT 1  
SINGLE 432 : OPEN LINE FROM BUS 640286 [N.PLATT4 230.00] TO BUS 640287 [N.PLATT7 115.00] CKT 2  
SINGLE 433 : OPEN LINE FROM BUS 640287 [N.PLATT7 115.00] TO BUS 640365 [STOCKVL7 115.00] CKT 1  
SINGLE 434 : OPEN LINE FROM BUS 640293 [NELIGH 7 115.00] TO BUS 640444 [PETERSBRG.N7115.00] CKT 1  
SINGLE 435 : OPEN LINE FROM BUS 640296 [NORFK.N7 115.00] TO BUS 640298 [NORFOLK7 115.00] CKT 1  
SINGLE 436 : OPEN LINE FROM BUS 640300 [OAKLAND7 115.00] TO BUS 640378 [TEKAMAH7 115.00] CKT 1  
SINGLE 437 : OPEN LINE FROM BUS 640300 [OAKLAND7 115.00] TO BUS 640400 [W.POINT7 115.00] CKT 1  
SINGLE 438 : OPEN LINE FROM BUS 640300 [OAKLAND7 115.00] TO BUS 640409 [WINSLOW7 115.00] CKT 1  
SINGLE 439 : OPEN LINE FROM BUS 640302 [OGALALA4 230.00] TO BUS 659132 [OGALALA7 115.00] CKT 1  
SINGLE 440 : OPEN LINE FROM BUS 640302 [OGALALA4 230.00] TO BUS 659134 [SIDNEY 4 230.00] CKT 1  
SINGLE 441 : OPEN LINE FROM BUS 640305 [ONEILL 7 115.00] TO BUS 640349 [SPENCER7 115.00] CKT 1  
SINGLE 442 : OPEN LINE FROM BUS 640313 [PAULINE7 115.00] TO BUS 643050 [ROSEMONT 7115.00] CKT 1  
SINGLE 443 : OPEN LINE FROM BUS 640316 [PAWNEEL7 115.00] TO BUS 640340 [SEWARD 7 115.00] CKT 1  
SINGLE 444 : OPEN LINE FROM BUS 640316 [PAWNEEL7 115.00] TO BUS 650214 [NW68HOLDRG7 115.00] CKT 1  
SINGLE 445 : OPEN LINE FROM BUS 640318 [PETRSBG7 115.00] TO BUS 640444 [PETERSBRG.N7115.00] CKT 1  
SINGLE 446 : OPEN LINE FROM BUS 640323 [RAVENNA7 115.00] TO BUS 640331 [RIVERDL7 115.00] CKT 1  
SINGLE 447 : OPEN LINE FROM BUS 640326 [REDWILO7 115.00] TO BUS 640365 [STOCKVL7 115.00] CKT 1  
SINGLE 448 : OPEN LINE FROM BUS 640328 [RISNGCY7 115.00] TO BUS 640340 [SEWARD 7 115.00] CKT 1  
SINGLE 449 : OPEN LINE FROM BUS 640330 [RIVERDL4 230.00] TO BUS 640331 [RIVERDL7 115.00] CKT 1  
SINGLE 450 : OPEN LINE FROM BUS 640331 [RIVERDL7 115.00] TO BUS 640383 [TOWER 7 115.00] CKT 1  
SINGLE 451 : OPEN LINE FROM BUS 640338 [SCOTBLF7 115.00] TO BUS 640397 [VICTRYH7 115.00] CKT 1  
SINGLE 452 : OPEN LINE FROM BUS 640338 [SCOTBLF7 115.00] TO BUS 659242 [GERINGT7 115.00] CKT 1  
SINGLE 453 : OPEN LINE FROM BUS 640340 [SEWARD 7 115.00] TO BUS 640375 [TAMORA 7 115.00] CKT 1  
SINGLE 454 : OPEN LINE FROM BUS 640342 [SHELCRK3 345.00] TO BUS 640343 [SHELCRK4 230.00] CKT 1  
SINGLE 455 : OPEN LINE FROM BUS 640349 [SPENCER7 115.00] TO BUS 652510 [FTRANDL7 115.00] CKT 1  
SINGLE 456 : OPEN LINE FROM BUS 640351 [ST.FRANC 115.00] TO BUS 652482 [MISSION7 115.00] CKT 1  
SINGLE 457 : OPEN LINE FROM BUS 640353 [ST.LIB 7 115.00] TO BUS 640355 [ST.PAUL7 115.00] CKT 1  
SINGLE 458 : OPEN LINE FROM BUS 640357 [STANTON7 115.00] TO BUS 640363 [STNTN.N7 115.00] CKT 1  
SINGLE 459 : OPEN LINE FROM BUS 640362 [STERLNG7 115.00] TO BUS 647974 [S974 8 69.000] CKT 1  
SINGLE 460 : OPEN LINE FROM BUS 640370 [SUTHLND7 115.00] TO BUS 659186 [PAXTON 7 115.00] CKT 1  
SINGLE 461 : OPEN LINE FROM BUS 640372 [SUTTON 7 115.00] TO BUS 641087 [EGYCNTR7 115.00] CKT 1  
SINGLE 462 : OPEN LINE FROM BUS 640374 [SWEET W3 345.00] TO BUS 652571 [GR ISLD3 345.00] CKT 1  
SINGLE 463 : OPEN LINE FROM BUS 640375 [TAMORA 7 115.00] TO BUS 640411 [YORK 7 115.00] CKT 1  
SINGLE 464 : OPEN LINE FROM BUS 640377 [TEKAMAH5 161.00] TO BUS 640378 [TEKAMAH7 115.00] CKT 1  
SINGLE 465 : OPEN LINE FROM BUS 640377 [TEKAMAH5 161.00] TO BUS 646226 [S1226 5 161.00] CKT 1  
SINGLE 466 : OPEN LINE FROM BUS 640386 [TWIN CH4 230.00] TO BUS 640387 [TWIN CH7 115.00] CKT 1  
SINGLE 467 : OPEN LINE FROM BUS 640386 [TWIN CH4 230.00] TO BUS 640387 [TWIN CH7 115.00] CKT 2  
SINGLE 468 : OPEN LINE FROM BUS 640386 [TWIN CH4 230.00] TO BUS 652565 [SIOUXCY4 230.00] CKT 1  
SINGLE 469 : OPEN LINE FROM BUS 640392 [VALENTN7 115.00] TO BUS 640394 [VALTN.W7 115.00] CKT 1  
SINGLE 471 : OPEN LINE FROM BUS 640402 [WAHOO 7 115.00] TO BUS 648402 [WAHOO 29 13.800] CKT 1  
SINGLE 472 : OPEN LINE FROM BUS 640404 [WAYSIDE4 230.00] TO BUS 652484 [NUNDRWD4 230.00] CKT 1  
SINGLE 473 : OPEN LINE FROM BUS 640404 [WAYSIDE4 230.00] TO BUS 652573 [STEGALL4 230.00] CKT 1  
SINGLE 474 : OPEN LINE FROM BUS 640411 [YORK 7 115.00] TO BUS 640413 [YORK SW7 115.00] CKT 1  
SINGLE 475 : OPEN LINE FROM BUS 641082 [BYPASS 7 115.00] TO BUS 641084 [DENVER 7 115.00] CKT 1  
SINGLE 476 : OPEN LINE FROM BUS 641082 [BYPASS 7 115.00] TO BUS 641085 [E7THST 7 115.00] CKT 1  
SINGLE 477 : OPEN LINE FROM BUS 641083 [D.HENRY7 115.00] TO BUS 641084 [DENVER 7 115.00] CKT 1  
SINGLE 478 : OPEN LINE FROM BUS 641083 [D.HENRY7 115.00] TO BUS 641090 [S. 281 7 115.00] CKT 1  
SINGLE 479 : OPEN LINE FROM BUS 641085 [E7THST 7 115.00] TO BUS 641088 [HASTCTY7 115.00] CKT 1

SINGLE 480 : OPEN LINE FROM BUS 641087 [EGYCNTR7 115.00] TO BUS 641088 [HASTCTY7 115.00] CKT 1  
SINGLE 481 : OPEN LINE FROM BUS 641087 [EGYCNTR7 115.00] TO BUS 641090 [S. 281 7 115.00] CKT 1  
SINGLE 482 : OPEN LINE FROM BUS 642066 [SUB-H G 115.00] TO BUS 642071 [SUB-D 7 115.00] CKT 1  
SINGLE 483 : OPEN LINE FROM BUS 642066 [SUB-H G 115.00] TO BUS 642072 [SUB-E 7 115.00] CKT 1  
SINGLE 484 : OPEN LINE FROM BUS 642068 [SUB-A 7 115.00] TO BUS 642069 [SUB-B 7 115.00] CKT 1  
SINGLE 485 : OPEN LINE FROM BUS 642068 [SUB-A 7 115.00] TO BUS 642071 [SUB-D 7 115.00] CKT 1  
SINGLE 486 : OPEN LINE FROM BUS 642069 [SUB-B 7 115.00] TO BUS 642073 [SUB-F 7 115.00] CKT 1  
SINGLE 487 : OPEN LINE FROM BUS 642070 [SUB-C 7 115.00] TO BUS 642072 [SUB-E 7 115.00] CKT 1  
SINGLE 488 : OPEN LINE FROM BUS 642070 [SUB-C 7 115.00] TO BUS 642073 [SUB-F 7 115.00] CKT 1  
SINGLE 489 : OPEN LINE FROM BUS 643000 [MADISONCNTY4230.00] TO BUS 652509 [FTRANDL4 230.00] CKT 1  
SINGLE 490 : OPEN LINE FROM BUS 645100 [FC1A 5 161.00] TO BUS 646251 [S1251 5 161.00] CKT 1  
SINGLE 491 : OPEN LINE FROM BUS 645451 [S3451 3 345.00] TO BUS 645454 [S3454 3 345.00] CKT 1  
SINGLE 492 : OPEN LINE FROM BUS 645451 [S3451 3 345.00] TO BUS 645459 [S3459 3 345.00] CKT 1  
SINGLE 493 : OPEN LINE FROM BUS 645454 [S3454 3 345.00] TO BUS 645455 [S3455 3 345.00] CKT 1  
SINGLE 494 : OPEN LINE FROM BUS 645454 [S3454 3 345.00] TO BUS 650185 [WAGENER 3 345.00] CKT 1  
SINGLE 495 : OPEN LINE FROM BUS 645455 [S3455 3 345.00] TO BUS 645456 [S3456 3 345.00] CKT 1  
SINGLE 496 : OPEN LINE FROM BUS 645455 [S3455 3 345.00] TO BUS 645740 [S3740 3 345.00] CKT 1  
SINGLE 497 : OPEN LINE FROM BUS 645456 [S3456 3 345.00] TO BUS 645458 [S3458 3 345.00] CKT 1  
SINGLE 498 : OPEN LINE FROM BUS 645456 [S3456 3 345.00] TO BUS 645459 [S3459 3 345.00] CKT 1  
SINGLE 499 : OPEN LINE FROM BUS 645458 [S3458 3 345.00] TO BUS 645740 [S3740 3 345.00] CKT 1  
SINGLE 500 : OPEN LINE FROM BUS 645458 [S3458 3 345.00] TO BUS 650189 [103&ROKEBY3 345.00] CKT 1  
SINGLE 501 : OPEN LINE FROM BUS 646201 [S1201 5 161.00] TO BUS 646206 [S1206 5 161.00] CKT 1  
SINGLE 502 : OPEN LINE FROM BUS 646201 [S1201 5 161.00] TO BUS 646220 [S1220 5 161.00] CKT 1  
SINGLE 503 : OPEN LINE FROM BUS 646201 [S1201 5 161.00] TO BUS 646229 [S1229 5 161.00] CKT 1  
SINGLE 504 : OPEN LINE FROM BUS 646201 [S1201 5 161.00] TO BUS 646286 [S1286 5 161.00] CKT 1  
SINGLE 505 : OPEN LINE FROM BUS 646206 [S1206 5 161.00] TO BUS 646216 [S1216 5 161.00] CKT 1  
SINGLE 506 : OPEN LINE FROM BUS 646206 [S1206 5 161.00] TO BUS 646232 [S1232 5 161.00] CKT 1  
SINGLE 507 : OPEN LINE FROM BUS 646206 [S1206 5 161.00] TO BUS 646244 [S1244 5 161.00] CKT 1  
SINGLE 508 : OPEN LINE FROM BUS 646209 [S1209 5 161.00] TO BUS 646231 [S1231 5 161.00] CKT 1  
SINGLE 509 : OPEN LINE FROM BUS 646209 [S1209 5 161.00] TO BUS 646231 [S1231 5 161.00] CKT 2  
SINGLE 510 : OPEN LINE FROM BUS 646209 [S1209 5 161.00] TO BUS 646250 [S1250 5 161.00] CKT 1  
SINGLE 511 : OPEN LINE FROM BUS 646209 [S1209 5 161.00] TO BUS 646250 [S1250 5 161.00] CKT 2  
SINGLE 512 : OPEN LINE FROM BUS 646209 [S1209 5 161.00] TO BUS 646252 [S1252 5 161.00] CKT 1  
SINGLE 513 : OPEN LINE FROM BUS 646210 [S1210 5 161.00] TO BUS 646217 [S1217 5 161.00] CKT 1  
SINGLE 514 : OPEN LINE FROM BUS 646210 [S1210 5 161.00] TO BUS 646222 [S1222 5 161.00] CKT 1  
SINGLE 515 : OPEN LINE FROM BUS 646211 [S1211 5 161.00] TO BUS 646220 [S1220 5 161.00] CKT 1  
SINGLE 516 : OPEN LINE FROM BUS 646211 [S1211 5 161.00] TO BUS 646250 [S1250 5 161.00] CKT 1  
SINGLE 517 : OPEN LINE FROM BUS 646211 [S1211 5 161.00] TO BUS 646250 [S1250 5 161.00] CKT 2  
SINGLE 518 : OPEN LINE FROM BUS 646211 [S1211 5 161.00] TO BUS 646299 [S1299 5 161.00] CKT 1  
SINGLE 519 : OPEN LINE FROM BUS 646214 [S1214 5 161.00] TO BUS 646287 [S1287 5 161.00] CKT 1  
SINGLE 520 : OPEN LINE FROM BUS 646214 [S1214 5 161.00] TO BUS 650169 [70&BLUFF 5 161.00] CKT 1  
SINGLE 521 : OPEN LINE FROM BUS 646216 [S1216 5 161.00] TO BUS 646217 [S1217 5 161.00] CKT 1  
SINGLE 522 : OPEN LINE FROM BUS 646217 [S1217 5 161.00] TO BUS 646227 [S1227 5 161.00] CKT 1  
SINGLE 523 : OPEN LINE FROM BUS 646221 [S1221 5 161.00] TO BUS 646231 [S1231 5 161.00] CKT 1  
SINGLE 524 : OPEN LINE FROM BUS 646221 [S1221 5 161.00] TO BUS 646255 [S1255 5 161.00] CKT 1  
SINGLE 525 : OPEN LINE FROM BUS 646222 [S1222 5 161.00] TO BUS 646229 [S1229 5 161.00] CKT 1  
SINGLE 526 : OPEN LINE FROM BUS 646226 [S1226 5 161.00] TO BUS 646237 [S1237 5 161.00] CKT 1  
SINGLE 527 : OPEN LINE FROM BUS 646226 [S1226 5 161.00] TO BUS 646252 [S1252 5 161.00] CKT 1

SINGLE 528 : OPEN LINE FROM BUS 646226 [S1226 5 161.00] TO BUS 646298 [S1298 5 161.00] CKT 1  
SINGLE 529 : OPEN LINE FROM BUS 646226 [S1226 5 161.00] TO BUS 646298 [S1298 5 161.00] CKT 2  
SINGLE 530 : OPEN LINE FROM BUS 646227 [S1227 5 161.00] TO BUS 646231 [S1231 5 161.00] CKT 1  
SINGLE 531 : OPEN LINE FROM BUS 646231 [S1231 5 161.00] TO BUS 646235 [S1235 5 161.00] CKT 1  
SINGLE 532 : OPEN LINE FROM BUS 646232 [S1232 5 161.00] TO BUS 646278 [S1278 5 161.00] CKT 1  
SINGLE 533 : OPEN LINE FROM BUS 646233 [S1233 5 161.00] TO BUS 646234 [S1234 5 161.00] CKT 1  
SINGLE 534 : OPEN LINE FROM BUS 646233 [S1233 5 161.00] TO BUS 646255 [S1255 5 161.00] CKT 1  
SINGLE 535 : OPEN LINE FROM BUS 646234 [S1234 5 161.00] TO BUS 646235 [S1235 5 161.00] CKT 1  
SINGLE 536 : OPEN LINE FROM BUS 646235 [S1235 5 161.00] TO BUS 646236 [S1236 5 161.00] CKT 1  
SINGLE 537 : OPEN LINE FROM BUS 646235 [S1235 5 161.00] TO BUS 646253 [S1253 5 161.00] CKT 1  
SINGLE 538 : OPEN LINE FROM BUS 646236 [S1236 5 161.00] TO BUS 646345 [S1345 5 161.00] CKT 1  
SINGLE 539 : OPEN LINE FROM BUS 646237 [S1237 5 161.00] TO BUS 646253 [S1253 5 161.00] CKT 1  
SINGLE 540 : OPEN LINE FROM BUS 646237 [S1237 5 161.00] TO BUS 646345 [S1345 5 161.00] CKT 1  
SINGLE 541 : OPEN LINE FROM BUS 646244 [S1244 5 161.00] TO BUS 646258 [S1258 5 161.00] CKT 1  
SINGLE 542 : OPEN LINE FROM BUS 646249 [S1249 5 161.00] TO BUS 646254 [S1254 5 161.00] CKT 1  
SINGLE 543 : OPEN LINE FROM BUS 646249 [S1249 5 161.00] TO BUS 646256 [S1256 5 161.00] CKT 1  
SINGLE 544 : OPEN LINE FROM BUS 646250 [S1250 5 161.00] TO BUS 646297 [S1297 5 161.00] CKT 1  
SINGLE 545 : OPEN LINE FROM BUS 646251 [S1251 5 161.00] TO BUS 646297 [S1297 5 161.00] CKT 1  
SINGLE 546 : OPEN LINE FROM BUS 646251 [S1251 5 161.00] TO BUS 646298 [S1298 5 161.00] CKT 1  
SINGLE 547 : OPEN LINE FROM BUS 646251 [S1251 5 161.00] TO BUS 646305 [S1305 5 161.00] CKT 1  
SINGLE 548 : OPEN LINE FROM BUS 646253 [S1253 5 161.00] TO BUS 646256 [S1256 5 161.00] CKT 1  
SINGLE 549 : OPEN LINE FROM BUS 646254 [S1254 5 161.00] TO BUS 646281 [S1281 5 161.00] CKT 1  
SINGLE 550 : OPEN LINE FROM BUS 646255 [S1255 5 161.00] TO BUS 646259 [S1259 5 161.00] CKT 1  
SINGLE 551 : OPEN LINE FROM BUS 646258 [S1258 5 161.00] TO BUS 646263 [S1263 5 161.00] CKT 1  
SINGLE 552 : OPEN LINE FROM BUS 646259 [S1259 5 161.00] TO BUS 646278 [S1278 5 161.00] CKT 1  
SINGLE 553 : OPEN LINE FROM BUS 646259 [S1259 5 161.00] TO BUS 646281 [S1281 5 161.00] CKT 1  
SINGLE 554 : OPEN LINE FROM BUS 646263 [S1263 5 161.00] TO BUS 646280 [S1280 5 161.00] CKT 1  
SINGLE 555 : OPEN LINE FROM BUS 646281 [S1281 5 161.00] TO BUS 646287 [S1287 5 161.00] CKT 1  
SINGLE 556 : OPEN LINE FROM BUS 646286 [S1286 5 161.00] TO BUS 646299 [S1299 5 161.00] CKT 1  
SINGLE 557 : OPEN LINE FROM BUS 646298 [S1298 5 161.00] TO BUS 646305 [S1305 5 161.00] CKT 1  
SINGLE 558 : OPEN LINE FROM BUS 650114 [NW68HOLDRG3 345.00] TO BUS 650185 [WAGENER 3 345.00] CKT 1  
SINGLE 559 : OPEN LINE FROM BUS 650185 [WAGENER 3 345.00] TO BUS 650189 [103&ROKEBY3 345.00] CKT 1  
SINGLE 560 : OPEN LINE FROM BUS 650205 [4&MORTON 7 115.00] TO BUS 650212 [NW5&BENTON7 115.00] CKT 1  
SINGLE 561 : OPEN LINE FROM BUS 650205 [4&MORTON 7 115.00] TO BUS 650215 [19&ALVO 7 115.00] CKT 1  
SINGLE 562 : OPEN LINE FROM BUS 650208 [W LINCOLN 7 115.00] TO BUS 650212 [NW5&BENTON7 115.00] CKT 1  
SINGLE 563 : OPEN LINE FROM BUS 650208 [W LINCOLN 7 115.00] TO BUS 650230 [2&N 7 115.00] CKT 1  
SINGLE 564 : OPEN LINE FROM BUS 650214 [NW68HOLDRG7 115.00] TO BUS 650216 [SW27&F 7 115.00] CKT 1  
SINGLE 565 : OPEN LINE FROM BUS 650214 [NW68HOLDRG7 115.00] TO BUS 650226 [NW12&ARBOR7 115.00] CKT 1  
SINGLE 566 : OPEN LINE FROM BUS 650214 [NW68HOLDRG7 115.00] TO BUS 650290 [ROKEBY 7 115.00] CKT 1  
SINGLE 567 : OPEN LINE FROM BUS 650215 [19&ALVO 7 115.00] TO BUS 650226 [NW12&ARBOR7 115.00] CKT 1  
SINGLE 568 : OPEN LINE FROM BUS 650215 [19&ALVO 7 115.00] TO BUS 650228 [27FLETCHER7 115.00] CKT 1  
SINGLE 569 : OPEN LINE FROM BUS 650215 [19&ALVO 7 115.00] TO BUS 650261 [56&I80 7 115.00] CKT 1  
SINGLE 570 : OPEN LINE FROM BUS 650216 [SW27&F 7 115.00] TO BUS 650230 [2&N 7 115.00] CKT 1  
SINGLE 571 : OPEN LINE FROM BUS 650217 [8&N 7 115.00] TO BUS 650219 [17&HOLDRGE7 115.00] CKT 1  
SINGLE 572 : OPEN LINE FROM BUS 650217 [8&N 7 115.00] TO BUS 650230 [2&N 7 115.00] CKT 1  
SINGLE 573 : OPEN LINE FROM BUS 650218 [3&VANDORN 7 115.00] TO BUS 650230 [2&N 7 115.00] CKT 1  
SINGLE 574 : OPEN LINE FROM BUS 650218 [3&VANDORN 7 115.00] TO BUS 650238 [20PIONEERS7 115.00] CKT 1  
SINGLE 575 : OPEN LINE FROM BUS 650219 [17&HOLDRGE7 115.00] TO BUS 650240 [29LEIGHTON7 115.00] CKT 1

SINGLE 576 : OPEN LINE FROM BUS 650228 [27FLETCHER7 115.00] TO BUS 650233 [33SUPERIOR7 115.00] CKT 1  
SINGLE 577 : OPEN LINE FROM BUS 650229 [27&PLR 7 115.00] TO BUS 650250 [40&ROKEBY 7 115.00] CKT 1  
SINGLE 578 : OPEN LINE FROM BUS 650229 [27&PLR 7 115.00] TO BUS 650290 [ROKEBY 7 115.00] CKT 1  
SINGLE 579 : OPEN LINE FROM BUS 650233 [33SUPERIOR7 115.00] TO BUS 650240 [29LEIGHTON7 115.00] CKT 1  
SINGLE 580 : OPEN LINE FROM BUS 650233 [33SUPERIOR7 115.00] TO BUS 650259 [59CRNHUSKR7 115.00] CKT 1  
SINGLE 581 : OPEN LINE FROM BUS 650238 [20PIONEERS7 115.00] TO BUS 650251 [30&A SOUTH7 115.00] CKT 1  
SINGLE 582 : OPEN LINE FROM BUS 650238 [20PIONEERS7 115.00] TO BUS 650258 [40&GERTIE 7 115.00] CKT 1  
SINGLE 583 : OPEN LINE FROM BUS 650238 [20PIONEERS7 115.00] TO BUS 650270 [70&CALVERT7 115.00] CKT 1  
SINGLE 584 : OPEN LINE FROM BUS 650238 [20PIONEERS7 115.00] TO BUS 650290 [ROKEBY 7 115.00] CKT 1  
SINGLE 585 : OPEN LINE FROM BUS 650240 [29LEIGHTON7 115.00] TO BUS 650252 [30&A NORTH7 115.00] CKT 1  
SINGLE 586 : OPEN LINE FROM BUS 650250 [40&ROKEBY 7 115.00] TO BUS 650255 [56&PLR 7 115.00] CKT 1  
SINGLE 587 : OPEN LINE FROM BUS 650255 [56&PLR 7 115.00] TO BUS 650274 [91&HWY2 7 115.00] CKT 1  
SINGLE 588 : OPEN LINE FROM BUS 650256 [56&EVERETT7 115.00] TO BUS 650257 [56&ELK TAP7 115.00] CKT 1  
SINGLE 589 : OPEN LINE FROM BUS 650256 [56&EVERETT7 115.00] TO BUS 650260 [56&Q 7 115.00] CKT 1  
SINGLE 590 : OPEN LINE FROM BUS 650257 [56&ELK TAP7 115.00] TO BUS 650258 [40&GERTIE 7 115.00] CKT 1  
SINGLE 591 : OPEN LINE FROM BUS 650257 [56&ELK TAP7 115.00] TO BUS 650270 [70&CALVERT7 115.00] CKT 1  
SINGLE 592 : OPEN LINE FROM BUS 650259 [59CRNHUSKR7 115.00] TO BUS 650262 [57&GARLAND7 115.00] CKT 1  
SINGLE 593 : OPEN LINE FROM BUS 650260 [56&Q 7 115.00] TO BUS 650262 [57&GARLAND7 115.00] CKT 1  
SINGLE 594 : OPEN LINE FROM BUS 650261 [56&I80 7 115.00] TO BUS 650269 [70&BLUFF 7 115.00] CKT 1  
SINGLE 595 : OPEN LINE FROM BUS 650262 [57&GARLAND7 115.00] TO BUS 650267 [84LEIGHTON7 115.00] CKT 1  
SINGLE 596 : OPEN LINE FROM BUS 650267 [84LEIGHTON7 115.00] TO BUS 650272 [91&A 7 115.00] CKT 1  
SINGLE 597 : OPEN LINE FROM BUS 650267 [84LEIGHTON7 115.00] TO BUS 650273 [93&O 7 115.00] CKT 1  
SINGLE 598 : OPEN LINE FROM BUS 650267 [84LEIGHTON7 115.00] TO BUS 650284 [84FLETCHER7 115.00] CKT 1  
SINGLE 599 : OPEN LINE FROM BUS 650267 [84LEIGHTON7 115.00] TO BUS 650285 [WAGENER 7 115.00] CKT 1  
SINGLE 600 : OPEN LINE FROM BUS 650269 [70&BLUFF 7 115.00] TO BUS 650275 [84&BLUFF 7 115.00] CKT 1  
SINGLE 601 : OPEN LINE FROM BUS 650270 [70&CALVERT7 115.00] TO BUS 650271 [81&OCHENEY7 115.00] CKT 1  
SINGLE 602 : OPEN LINE FROM BUS 650270 [70&CALVERT7 115.00] TO BUS 650272 [91&A 7 115.00] CKT 1  
SINGLE 603 : OPEN LINE FROM BUS 650270 [70&CALVERT7 115.00] TO BUS 650273 [93&O 7 115.00] CKT 1  
SINGLE 604 : OPEN LINE FROM BUS 650271 [81&OCHENEY7 115.00] TO BUS 650274 [91&HWY2 7 115.00] CKT 1  
SINGLE 605 : OPEN LINE FROM BUS 650271 [81&OCHENEY7 115.00] TO BUS 650285 [WAGENER 7 115.00] CKT 1  
SINGLE 606 : OPEN LINE FROM BUS 650275 [84&BLUFF 7 115.00] TO BUS 650283 [WAVERLY 7 115.00] CKT 1  
SINGLE 607 : OPEN LINE FROM BUS 650275 [84&BLUFF 7 115.00] TO BUS 650284 [84FLETCHER7 115.00] CKT 1  
SINGLE 608 : OPEN LINE FROM BUS 650283 [WAVERLY 7 115.00] TO BUS 650285 [WAGENER 7 115.00] CKT 1  
SINGLE 609 : OPEN LINE FROM BUS 652243 [FAITH 7 115.00] TO BUS 652476 [EAGLEBT7 115.00] CKT 1  
SINGLE 610 : OPEN LINE FROM BUS 652243 [FAITH 7 115.00] TO BUS 652480 [MAURINE7 115.00] CKT 1  
SINGLE 611 : OPEN LINE FROM BUS 652283 [ROLLA 7 115.00] TO BUS 652299 [AGATE 7 115.00] CKT 1  
SINGLE 612 : OPEN LINE FROM BUS 652294 [IVANHOE7 115.00] TO BUS 652538 [WHITE 7 115.00] CKT 1  
SINGLE 613 : OPEN LINE FROM BUS 652296 [WARD 4 230.00] TO BUS 652426 [BISMARK4 230.00] CKT 1  
SINGLE 614 : OPEN LINE FROM BUS 652296 [WARD 4 230.00] TO BUS 659297 [BIS WARD 7115.00] CKT 1  
SINGLE 615 : OPEN LINE FROM BUS 652299 [AGATE 7 115.00] TO BUS 652447 [LEEDS 7 115.00] CKT 1  
SINGLE 616 : OPEN LINE FROM BUS 652300 [CHAPPEL7 115.00] TO BUS 659238 [COLTON 7 115.00] CKT 1  
SINGLE 617 : OPEN LINE FROM BUS 652302 [JULESBG7 115.00] TO BUS 659240 [INTERST7 115.00] CKT 1  
SINGLE 618 : OPEN LINE FROM BUS 652311 [DUNLAP 7 115.00] TO BUS 659236 [BOXBUTE7 115.00] CKT 1  
SINGLE 619 : OPEN LINE FROM BUS 652312 [MORRILL7 115.00] TO BUS 659197 [SNAKECK7 115.00] CKT 1  
SINGLE 620 : OPEN LINE FROM BUS 652312 [MORRILL7 115.00] TO BUS 659242 [GERINGT7 115.00] CKT 1  
SINGLE 621 : OPEN LINE FROM BUS 652397 [VFODNES7 115.00] TO BUS 659258 [SXF HARSBRG7115.00] CKT 1  
SINGLE 622 : OPEN LINE FROM BUS 652397 [VFODNES7 115.00] TO BUS 659259 [SXF CHANCLR7115.00] CKT 1  
SINGLE 623 : OPEN LINE FROM BUS 652398 [VFODNES4 230.00] TO BUS 652523 [SIOUXFL4 230.00] CKT 1

SINGLE 624 : OPEN LINE FROM BUS 652398 [VFODNES4 230.00] TO BUS 652526 [UTICAJC4 230.00] CKT 1  
SINGLE 625 : OPEN LINE FROM BUS 652401 [CIRCLE 7 115.00] TO BUS 652404 [DAWSONC7 115.00] CKT 1  
SINGLE 626 : OPEN LINE FROM BUS 652401 [CIRCLE 7 115.00] TO BUS 652409 [WOLFPT 7 115.00] CKT 1  
SINGLE 627 : OPEN LINE FROM BUS 652402 [MI CTYW4 230.00] TO BUS 652450 [MT WEST4 230.00] CKT 1  
SINGLE 628 : OPEN LINE FROM BUS 652403 [DAWSONC4 230.00] TO BUS 652405 [FTPECK 4 230.00] CKT 1  
SINGLE 629 : OPEN LINE FROM BUS 652403 [DAWSONC4 230.00] TO BUS 652411 [MI CTYE4 230.00] CKT 1  
SINGLE 630 : OPEN LINE FROM BUS 652403 [DAWSONC4 230.00] TO BUS 652413 [MEDORA 4 230.00] CKT 1  
SINGLE 631 : OPEN LINE FROM BUS 652404 [DAWSONC7 115.00] TO BUS 652407 [FALLON 7 115.00] CKT 1  
SINGLE 632 : OPEN LINE FROM BUS 652405 [FTPECK 4 230.00] TO BUS 652406 [FTPECK 7 115.00] CKT 1  
SINGLE 633 : OPEN LINE FROM BUS 652406 [FTPECK 7 115.00] TO BUS 652409 [WOLFPT 7 115.00] CKT 1  
SINGLE 634 : OPEN LINE FROM BUS 652406 [FTPECK 7 115.00] TO BUS 652409 [WOLFPT 7 115.00] CKT 2  
SINGLE 635 : OPEN LINE FROM BUS 652407 [FALLON 7 115.00] TO BUS 652412 [MI CTYE7 115.00] CKT 1  
SINGLE 636 : OPEN LINE FROM BUS 652408 [WATFORD7 115.00] TO BUS 659182 [CHAR.CK7 115.00] CKT 1  
SINGLE 637 : OPEN LINE FROM BUS 652408 [WATFORD7 115.00] TO BUS 659189 [INDNHLS7 115.00] CKT 1  
SINGLE 638 : OPEN LINE FROM BUS 652409 [WOLFPT 7 115.00] TO BUS 661075 [POPLAR 7 115.00] CKT 1  
SINGLE 639 : OPEN LINE FROM BUS 652411 [MI CTYE4 230.00] TO BUS 661004 [BAKER 4 230.00] CKT 1  
SINGLE 640 : OPEN LINE FROM BUS 652413 [MEDORA 4 230.00] TO BUS 652425 [BELFELD4 230.00] CKT 1  
SINGLE 641 : OPEN LINE FROM BUS 652416 [DEVAUL 7 115.00] TO BUS 652420 [NSALEM 7 115.00] CKT 1  
SINGLE 642 : OPEN LINE FROM BUS 652417 [DICKNSN4 230.00] TO BUS 652425 [BELFELD4 230.00] CKT 1  
SINGLE 643 : OPEN LINE FROM BUS 652419 [KILDEER7 115.00] TO BUS 652422 [HALIDAY7 115.00] CKT 1  
SINGLE 644 : OPEN LINE FROM BUS 652419 [KILDEER7 115.00] TO BUS 659182 [CHAR.CK7 115.00] CKT 1  
SINGLE 645 : OPEN LINE FROM BUS 652420 [NSALEM 7 115.00] TO BUS 659109 [BASIN 7 115.00] CKT 1  
SINGLE 646 : OPEN LINE FROM BUS 652420 [NSALEM 7 115.00] TO BUS 659305 [NWMANDANMGS7115.00] CKT 1  
SINGLE 647 : OPEN LINE FROM BUS 652421 [WILISTN7 115.00] TO BUS 652651 [FAIRVIEW 7 115.00] CKT 1  
SINGLE 648 : OPEN LINE FROM BUS 652421 [WILISTN7 115.00] TO BUS 659189 [INDNHLS7 115.00] CKT 1  
SINGLE 649 : OPEN LINE FROM BUS 652421 [WILISTN7 115.00] TO BUS 661012 [CLBRTSN7 115.00] CKT 1  
SINGLE 650 : OPEN LINE FROM BUS 652423 [BARLOW 7 115.00] TO BUS 652428 [CARNGTN7 115.00] CKT 1  
SINGLE 651 : OPEN LINE FROM BUS 652423 [BARLOW 7 115.00] TO BUS 652431 [DEVILSL7 115.00] CKT 1  
SINGLE 652 : OPEN LINE FROM BUS 652424 [BELFELD3 345.00] TO BUS 659183 [CHAR.CK3 345.00] CKT 1  
SINGLE 653 : OPEN LINE FROM BUS 652425 [BELFELD4 230.00] TO BUS 659266 [RHAME 4 230.00] CKT 1  
SINGLE 654 : OPEN LINE FROM BUS 652426 [BISMARK4 230.00] TO BUS 652427 [BISMARK7 115.00] CKT 1  
SINGLE 655 : OPEN LINE FROM BUS 652426 [BISMARK4 230.00] TO BUS 652427 [BISMARK7 115.00] CKT 2  
SINGLE 656 : OPEN LINE FROM BUS 652426 [BISMARK4 230.00] TO BUS 652444 [JAMESTN4 230.00] CKT 1  
SINGLE 657 : OPEN LINE FROM BUS 652426 [BISMARK4 230.00] TO BUS 652456 [WASHBRN4 230.00] CKT 1  
SINGLE 658 : OPEN LINE FROM BUS 652426 [BISMARK4 230.00] TO BUS 652466 [HILKEN 4 230.00] CKT 1  
SINGLE 659 : OPEN LINE FROM BUS 652426 [BISMARK4 230.00] TO BUS 661028 [WEBER 4 230.00] CKT 1  
SINGLE 660 : OPEN LINE FROM BUS 652426 [BISMARK4 230.00] TO BUS 661038 [GLENHAM4 230.00] CKT 1  
SINGLE 661 : OPEN LINE FROM BUS 652427 [BISMARK7 115.00] TO BUS 659282 [BIS EA CEPC7115.00] CKT 1  
SINGLE 662 : OPEN LINE FROM BUS 652428 [CARNGTN7 115.00] TO BUS 652445 [JAMESTN7 115.00] CKT 1  
SINGLE 663 : OPEN LINE FROM BUS 652430 [EGF IND7 115.00] TO BUS 652443 [GRNDFKS7 115.00] CKT 1  
SINGLE 664 : OPEN LINE FROM BUS 652430 [EGF IND7 115.00] TO BUS 657707 [CALEDON7 115.00] CKT 1  
SINGLE 665 : OPEN LINE FROM BUS 652431 [DEVILSL7 115.00] TO BUS 652448 [LAKOTA 7 115.00] CKT 1  
SINGLE 666 : OPEN LINE FROM BUS 652431 [DEVILSL7 115.00] TO BUS 652465 [PENN 7 115.00] CKT 1  
SINGLE 667 : OPEN LINE FROM BUS 652432 [EDGELEY7 115.00] TO BUS 652445 [JAMESTN7 115.00] CKT 1  
SINGLE 668 : OPEN LINE FROM BUS 652432 [EDGELEY7 115.00] TO BUS 652534 [ORDWAY 7 115.00] CKT 1  
SINGLE 669 : OPEN LINE FROM BUS 652432 [EDGELEY7 115.00] TO BUS 659280 [POMONA 7 115.00] CKT 1  
SINGLE 670 : OPEN LINE FROM BUS 652435 [FARGO 4 230.00] TO BUS 652444 [JAMESTN4 230.00] CKT 1  
SINGLE 671 : OPEN LINE FROM BUS 652435 [FARGO 4 230.00] TO BUS 652444 [JAMESTN4 230.00] CKT 2

SINGLE 672 : OPEN LINE FROM BUS 652435 [FARGO 4 230.00] TO BUS 652553 [MOORHED4 230.00] CKT 1  
SINGLE 673 : OPEN LINE FROM BUS 652436 [FARGO 7 115.00] TO BUS 657707 [CALEDON7 115.00] CKT 1  
SINGLE 674 : OPEN LINE FROM BUS 652436 [FARGO 7 115.00] TO BUS 658080 [MPSBROOK 115.00] CKT 1  
SINGLE 675 : OPEN LINE FROM BUS 652437 [GRNDFKS4 230.00] TO BUS 657759 [PICKERT4 230.00] CKT 1  
SINGLE 676 : OPEN LINE FROM BUS 652438 [FORMAN 7 115.00] TO BUS 652522 [SUMMIT-7 115.00] CKT 1  
SINGLE 677 : OPEN LINE FROM BUS 652438 [FORMAN 7 115.00] TO BUS 652638 [ENDERLIN 7 115.00] CKT 1  
SINGLE 678 : OPEN LINE FROM BUS 652438 [FORMAN 7 115.00] TO BUS 659172 [LUDDENPS19 7115.00] CKT 1  
SINGLE 679 : OPEN LINE FROM BUS 652441 [GARRISN4 230.00] TO BUS 652442 [GARRISN7 115.00] CKT 1  
SINGLE 680 : OPEN LINE FROM BUS 652441 [GARRISN4 230.00] TO BUS 652444 [JAMESTN4 230.00] CKT 1  
SINGLE 681 : OPEN LINE FROM BUS 652441 [GARRISN4 230.00] TO BUS 652466 [HILKEN 4 230.00] CKT 1  
SINGLE 682 : OPEN LINE FROM BUS 652441 [GARRISN4 230.00] TO BUS 659106 [LELANDO4 230.00] CKT 1  
SINGLE 683 : OPEN LINE FROM BUS 652442 [GARRISN7 115.00] TO BUS 652449 [MAX 7 115.00] CKT 1  
SINGLE 684 : OPEN LINE FROM BUS 652442 [GARRISN7 115.00] TO BUS 659113 [VOLTAIR7 115.00] CKT 1  
SINGLE 685 : OPEN LINE FROM BUS 652444 [JAMESTN4 230.00] TO BUS 657759 [PICKERT4 230.00] CKT 1  
SINGLE 686 : OPEN LINE FROM BUS 652444 [JAMESTN4 230.00] TO BUS 661028 [WEBER 4 230.00] CKT 1  
SINGLE 687 : OPEN LINE FROM BUS 652445 [JAMESTN7 115.00] TO BUS 652454 [VALLEYC7 115.00] CKT 1  
SINGLE 688 : OPEN LINE FROM BUS 652446 [PLEASANT LK7115.00] TO BUS 652447 [LEEDS 7 115.00] CKT 1  
SINGLE 689 : OPEN LINE FROM BUS 652446 [PLEASANT LK7115.00] TO BUS 652452 [RUGBY 7 115.00] CKT 1  
SINGLE 690 : OPEN LINE FROM BUS 652447 [LEEDS 7 115.00] TO BUS 652465 [PENN 7 115.00] CKT 1  
SINGLE 691 : OPEN LINE FROM BUS 652449 [MAX 7 115.00] TO BUS 659190 [NDPRAIRWND 7115.00] CKT 1  
SINGLE 692 : OPEN LINE FROM BUS 652451 [RICHLND7 115.00] TO BUS 652651 [FAIRVIEW 7 115.00] CKT 1  
SINGLE 693 : OPEN LINE FROM BUS 652451 [RICHLND7 115.00] TO BUS 659180 [KOCH 7 115.00] CKT 1  
SINGLE 694 : OPEN LINE FROM BUS 652452 [RUGBY 7 115.00] TO BUS 652453 [TOWNER 7 115.00] CKT 1  
SINGLE 695 : OPEN LINE FROM BUS 652453 [TOWNER 7 115.00] TO BUS 652455 [BOTTN0 7 115.00] CKT 1  
SINGLE 696 : OPEN LINE FROM BUS 652453 [TOWNER 7 115.00] TO BUS 652464 [DENBIGH TAP7115.00] CKT 1  
SINGLE 697 : OPEN LINE FROM BUS 652454 [VALLEYC7 115.00] TO BUS 652638 [ENDERLIN 7 115.00] CKT 1  
SINGLE 698 : OPEN LINE FROM BUS 652456 [WASHBRN4 230.00] TO BUS 659106 [LELANDO4 230.00] CKT 1  
SINGLE 699 : OPEN LINE FROM BUS 652463 [WH SWAN7 115.00] TO BUS 652510 [FTRANDL7 115.00] CKT 1  
SINGLE 700 : OPEN LINE FROM BUS 652463 [WH SWAN7 115.00] TO BUS 652525 [TYNDALL7 115.00] CKT 1  
SINGLE 701 : OPEN LINE FROM BUS 652464 [DENBIGH TAP7115.00] TO BUS 659113 [VOLTAIR7 115.00] CKT 1  
SINGLE 702 : OPEN LINE FROM BUS 652466 [HILKEN 4 230.00] TO BUS 659284 [ECKLUND4 230.00] CKT 1  
SINGLE 703 : OPEN LINE FROM BUS 652470 [BISON 4 230.00] TO BUS 652497 [MAURINE4 230.00] CKT 1  
SINGLE 704 : OPEN LINE FROM BUS 652470 [BISON 4 230.00] TO BUS 661047 [HETINGR4 230.00] CKT 1  
SINGLE 705 : OPEN LINE FROM BUS 652473 [ELKCRK 7 115.00] TO BUS 652483 [NEWELL 7 115.00] CKT 1  
SINGLE 706 : OPEN LINE FROM BUS 652473 [ELKCRK 7 115.00] TO BUS 652490 [RAPIDCY7 115.00] CKT 1  
SINGLE 707 : OPEN LINE FROM BUS 652474 [AURORA 7 115.00] TO BUS 652504 [BROOKNG7 115.00] CKT 1  
SINGLE 708 : OPEN LINE FROM BUS 652474 [AURORA 7 115.00] TO BUS 652505 [FLANDRU7 115.00] CKT 1  
SINGLE 709 : OPEN LINE FROM BUS 652475 [BONESTL7 115.00] TO BUS 652478 [GREGORY7 115.00] CKT 1  
SINGLE 710 : OPEN LINE FROM BUS 652475 [BONESTL7 115.00] TO BUS 652510 [FTRANDL7 115.00] CKT 1  
SINGLE 711 : OPEN LINE FROM BUS 652476 [EAGLEBT7 115.00] TO BUS 652520 [OAHE 7 115.00] CKT 1  
SINGLE 712 : OPEN LINE FROM BUS 652477 [ELSWRTH7 115.00] TO BUS 652485 [NUNDRWD7 115.00] CKT 1  
SINGLE 713 : OPEN LINE FROM BUS 652477 [ELSWRTH7 115.00] TO BUS 652490 [RAPIDCY7 115.00] CKT 1  
SINGLE 714 : OPEN LINE FROM BUS 652478 [GREGORY7 115.00] TO BUS 652494 [WINNER 7 115.00] CKT 1  
SINGLE 715 : OPEN LINE FROM BUS 652479 [MARTIN 7 115.00] TO BUS 652487 [PHILIP 7 115.00] CKT 1  
SINGLE 716 : OPEN LINE FROM BUS 652479 [MARTIN 7 115.00] TO BUS 659152 [SHAN-SD7 115.00] CKT 1  
SINGLE 717 : OPEN LINE FROM BUS 652479 [MARTIN 7 115.00] TO BUS 659153 [VETALTP7 115.00] CKT 1  
SINGLE 718 : OPEN LINE FROM BUS 652480 [MAURINE7 115.00] TO BUS 652483 [NEWELL 7 115.00] CKT 1  
SINGLE 719 : OPEN LINE FROM BUS 652481 [MIDLAND7 115.00] TO BUS 652487 [PHILIP 7 115.00] CKT 1

SINGLE 720 : OPEN LINE FROM BUS 652481 [MIDLAND7 115.00] TO BUS 652491 [IRVSIMM7 115.00] CKT 1  
SINGLE 721 : OPEN LINE FROM BUS 652482 [MISSION7 115.00] TO BUS 652495 [WITTEN 7 115.00] CKT 1  
SINGLE 722 : OPEN LINE FROM BUS 652482 [MISSION7 115.00] TO BUS 659153 [VETALTP7 115.00] CKT 1  
SINGLE 723 : OPEN LINE FROM BUS 652484 [NUNDRWD4 230.00] TO BUS 652488 [PHILTAP4 230.00] CKT 1  
SINGLE 724 : OPEN LINE FROM BUS 652484 [NUNDRWD4 230.00] TO BUS 652497 [MAURINE4 230.00] CKT 1  
SINGLE 725 : OPEN LINE FROM BUS 652484 [NUNDRWD4 230.00] TO BUS 659271 [RCDC EAST 4230.00] CKT 1  
SINGLE 726 : OPEN LINE FROM BUS 652485 [NUNDRWD7 115.00] TO BUS 652493 [WICKSVL7 115.00] CKT 1  
SINGLE 727 : OPEN LINE FROM BUS 652485 [NUNDRWD7 115.00] TO BUS 652496 [RUSHMRE7 115.00] CKT 1  
SINGLE 728 : OPEN LINE FROM BUS 652486 [PHILIP 4 230.00] TO BUS 652487 [PHILIP 7 115.00] CKT 1  
SINGLE 729 : OPEN LINE FROM BUS 652486 [PHILIP 4 230.00] TO BUS 652488 [PHILTAP4 230.00] CKT 1  
SINGLE 730 : OPEN LINE FROM BUS 652487 [PHILIP 7 115.00] TO BUS 652492 [WALL 7 115.00] CKT 1  
SINGLE 731 : OPEN LINE FROM BUS 652488 [PHILTAP4 230.00] TO BUS 652519 [OAHE 4 230.00] CKT 1  
SINGLE 732 : OPEN LINE FROM BUS 652489 [PIERRE 7 115.00] TO BUS 652491 [IRVSIMM7 115.00] CKT 1  
SINGLE 733 : OPEN LINE FROM BUS 652489 [PIERRE 7 115.00] TO BUS 652600 [ASH TAP 115.00] CKT 1  
SINGLE 734 : OPEN LINE FROM BUS 652489 [PIERRE 7 115.00] TO BUS 652602 [EVANS ST 115.00] CKT 1  
SINGLE 735 : OPEN LINE FROM BUS 652490 [RAPIDCY7 115.00] TO BUS 652496 [RUSHMRE7 115.00] CKT 1  
SINGLE 736 : OPEN LINE FROM BUS 652491 [IRVSIMM7 115.00] TO BUS 652520 [OAHE 7 115.00] CKT 1  
SINGLE 737 : OPEN LINE FROM BUS 652492 [WALL 7 115.00] TO BUS 652493 [WICKSVL7 115.00] CKT 1  
SINGLE 738 : OPEN LINE FROM BUS 652494 [WINNER 7 115.00] TO BUS 652495 [WITTEN 7 115.00] CKT 1  
SINGLE 739 : OPEN LINE FROM BUS 652500 [ARLNGTN7 115.00] TO BUS 652504 [BROOKNG7 115.00] CKT 1  
SINGLE 740 : OPEN LINE FROM BUS 652500 [ARLNGTN7 115.00] TO BUS 652531 [WATERTN7 115.00] CKT 1  
SINGLE 741 : OPEN LINE FROM BUS 652501 [ARMOUR 7 115.00] TO BUS 652510 [FTRANDL7 115.00] CKT 1  
SINGLE 742 : OPEN LINE FROM BUS 652501 [ARMOUR 7 115.00] TO BUS 652518 [MTVERN 7 115.00] CKT 1  
SINGLE 743 : OPEN LINE FROM BUS 652502 [BERSFRD7 115.00] TO BUS 652517 [MANNING7 115.00] CKT 1  
SINGLE 744 : OPEN LINE FROM BUS 652502 [BERSFRD7 115.00] TO BUS 652524 [SIOUXFL7 115.00] CKT 1  
SINGLE 745 : OPEN LINE FROM BUS 652503 [BLAIR 4 230.00] TO BUS 652530 [WATERTN4 230.00] CKT 1  
SINGLE 746 : OPEN LINE FROM BUS 652503 [BLAIR 4 230.00] TO BUS 652550 [GRANITF4 230.00] CKT 1  
SINGLE 747 : OPEN LINE FROM BUS 652504 [BROOKNG7 115.00] TO BUS 652531 [WATERTN7 115.00] CKT 1  
SINGLE 748 : OPEN LINE FROM BUS 652504 [BROOKNG7 115.00] TO BUS 652538 [WHITE 7 115.00] CKT 1  
SINGLE 749 : OPEN LINE FROM BUS 652505 [FLANDRU7 115.00] TO BUS 652524 [SIOUXFL7 115.00] CKT 1  
SINGLE 750 : OPEN LINE FROM BUS 652506 [FTTHOMP3 345.00] TO BUS 652571 [GR ISLD3 345.00] CKT 1  
SINGLE 751 : OPEN LINE FROM BUS 652506 [FTTHOMP3 345.00] TO BUS 659105 [LELANDO3 345.00] CKT 1  
SINGLE 752 : OPEN LINE FROM BUS 652507 [FTTHOMP4 230.00] TO BUS 652509 [FTRANDL4 230.00] CKT 1  
SINGLE 753 : OPEN LINE FROM BUS 652507 [FTTHOMP4 230.00] TO BUS 652514 [HURON 4 230.00] CKT 1  
SINGLE 754 : OPEN LINE FROM BUS 652507 [FTTHOMP4 230.00] TO BUS 652514 [HURON 4 230.00] CKT 2  
SINGLE 755 : OPEN LINE FROM BUS 652507 [FTTHOMP4 230.00] TO BUS 652516 [LAKPLAT4 230.00] CKT 1  
SINGLE 756 : OPEN LINE FROM BUS 652507 [FTTHOMP4 230.00] TO BUS 652519 [OAHE 4 230.00] CKT 1  
SINGLE 757 : OPEN LINE FROM BUS 652507 [FTTHOMP4 230.00] TO BUS 652519 [OAHE 4 230.00] CKT 2  
SINGLE 758 : OPEN LINE FROM BUS 652507 [FTTHOMP4 230.00] TO BUS 652519 [OAHE 4 230.00] CKT 3  
SINGLE 759 : OPEN LINE FROM BUS 652507 [FTTHOMP4 230.00] TO BUS 652519 [OAHE 4 230.00] CKT 4  
SINGLE 760 : OPEN LINE FROM BUS 652507 [FTTHOMP4 230.00] TO BUS 652540 [BIGBND14 230.00] CKT 1  
SINGLE 761 : OPEN LINE FROM BUS 652507 [FTTHOMP4 230.00] TO BUS 652541 [BIGBND24 230.00] CKT 1  
SINGLE 762 : OPEN LINE FROM BUS 652507 [FTTHOMP4 230.00] TO BUS 652606 [LETCHER4 230.00] CKT 1  
SINGLE 763 : OPEN LINE FROM BUS 652507 [FTTHOMP4 230.00] TO BUS 652607 [WESSINGTON 4230.00] CKT 1  
SINGLE 764 : OPEN LINE FROM BUS 652508 [S3 7 115.00] TO BUS 652551 [GRANITF7 115.00] CKT 1  
SINGLE 765 : OPEN LINE FROM BUS 652508 [S3 7 115.00] TO BUS 652552 [MARS ER7 115.00] CKT 1  
SINGLE 766 : OPEN LINE FROM BUS 652508 [S3 7 115.00] TO BUS 658072 [ERIE RD7 115.00] CKT 1  
SINGLE 767 : OPEN LINE FROM BUS 652509 [FTRANDL4 230.00] TO BUS 652510 [FTRANDL7 115.00] CKT 1

SINGLE 768 : OPEN LINE FROM BUS 652509 [FTRANDL4 230.00] TO BUS 652510 [FTRANDL7 115.00] CKT 2  
SINGLE 769 : OPEN LINE FROM BUS 652509 [FTRANDL4 230.00] TO BUS 652516 [LAKPLAT4 230.00] CKT 1  
SINGLE 770 : OPEN LINE FROM BUS 652509 [FTRANDL4 230.00] TO BUS 652526 [UTICAJC4 230.00] CKT 1  
SINGLE 771 : OPEN LINE FROM BUS 652509 [FTRANDL4 230.00] TO BUS 652565 [SIOUXCY4 230.00] CKT 1  
SINGLE 772 : OPEN LINE FROM BUS 652511 [GAVINS 7 115.00] TO BUS 652532 [YANKTON7 115.00] CKT 1  
SINGLE 773 : OPEN LINE FROM BUS 652511 [GAVINS 7 115.00] TO BUS 660006 [YKNTJCT7 115.00] CKT 1  
SINGLE 774 : OPEN LINE FROM BUS 652512 [GROTON 7 115.00] TO BUS 652533 [BRISTOL7 115.00] CKT 1  
SINGLE 775 : OPEN LINE FROM BUS 652512 [GROTON 7 115.00] TO BUS 652534 [ORDWAY 7 115.00] CKT 1  
SINGLE 776 : OPEN LINE FROM BUS 652512 [GROTON 7 115.00] TO BUS 652535 [REDFELD7 115.00] CKT 1  
SINGLE 777 : OPEN LINE FROM BUS 652512 [GROTON 7 115.00] TO BUS 659174 [GRTKEYPS20 7115.00] CKT 1  
SINGLE 778 : OPEN LINE FROM BUS 652512 [GROTON 7 115.00] TO BUS 659203 [GROTONTY 345.00] CKT 1  
SINGLE 779 : OPEN LINE FROM BUS 652512 [GROTON 7 115.00] TO BUS 659275 [GROTONB7 115.00] CKT 1  
SINGLE 780 : OPEN LINE FROM BUS 652512 [GROTON 7 115.00] TO BUS 660001 [ABDNSBT7 115.00] CKT 1  
SINGLE 781 : OPEN LINE FROM BUS 652513 [HANLON 4 230.00] TO BUS 652523 [SIOUXFL4 230.00] CKT 1  
SINGLE 782 : OPEN LINE FROM BUS 652513 [HANLON 4 230.00] TO BUS 659122 [STORLA 4 230.00] CKT 1  
SINGLE 783 : OPEN LINE FROM BUS 652514 [HURON 4 230.00] TO BUS 652530 [WATERTN4 230.00] CKT 2  
SINGLE 784 : OPEN LINE FROM BUS 652514 [HURON 4 230.00] TO BUS 652614 [CARPENTER 4 230.00] CKT 1  
SINGLE 785 : OPEN LINE FROM BUS 652514 [HURON 4 230.00] TO BUS 659205 [BRDLAND4 230.00] CKT 1  
SINGLE 786 : OPEN LINE FROM BUS 652515 [HURON 7 115.00] TO BUS 652528 [WOONSKT7 115.00] CKT 1  
SINGLE 787 : OPEN LINE FROM BUS 652515 [HURON 7 115.00] TO BUS 652535 [REDFELD7 115.00] CKT 1  
SINGLE 788 : OPEN LINE FROM BUS 652515 [HURON 7 115.00] TO BUS 660003 [HURONWP7 115.00] CKT 1  
SINGLE 789 : OPEN LINE FROM BUS 652515 [HURON 7 115.00] TO BUS 660009 [BTAP WP7 115.00] CKT 1  
SINGLE 790 : OPEN LINE FROM BUS 652517 [MANNING7 115.00] TO BUS 659121 [SPIRITM7 115.00] CKT 1  
SINGLE 791 : OPEN LINE FROM BUS 652518 [MTVERN 7 115.00] TO BUS 659123 [STORLA 7 115.00] CKT 1  
SINGLE 792 : OPEN LINE FROM BUS 652519 [OAHE 4 230.00] TO BUS 652520 [OAHE 7 115.00] CKT 1  
SINGLE 793 : OPEN LINE FROM BUS 652519 [OAHE 4 230.00] TO BUS 652521 [SULLYBT4 230.00] CKT 1  
SINGLE 794 : OPEN LINE FROM BUS 652520 [OAHE 7 115.00] TO BUS 652600 [ASH TAP 115.00] CKT 1  
SINGLE 795 : OPEN LINE FROM BUS 652521 [SULLYBT4 230.00] TO BUS 652527 [WHITLOK4 230.00] CKT 1  
SINGLE 796 : OPEN LINE FROM BUS 652522 [SUMMIT-7 115.00] TO BUS 652531 [WATERTN7 115.00] CKT 1  
SINGLE 797 : OPEN LINE FROM BUS 652522 [SUMMIT-7 115.00] TO BUS 652533 [BRISTOL7 115.00] CKT 1  
SINGLE 798 : OPEN LINE FROM BUS 652523 [SIOUXFL4 230.00] TO BUS 652578 [PAHOJA 4 230.00] CKT 1  
SINGLE 799 : OPEN LINE FROM BUS 652523 [SIOUXFL4 230.00] TO BUS 652606 [LETCHER4 230.00] CKT 1  
SINGLE 800 : OPEN LINE FROM BUS 652524 [SIOUXFL7 115.00] TO BUS 659250 [SXF WBRANDN7115.00] CKT 1  
SINGLE 801 : OPEN LINE FROM BUS 652525 [TYNDALL7 115.00] TO BUS 660006 [YKNTJCT7 115.00] CKT 1  
SINGLE 802 : OPEN LINE FROM BUS 652526 [UTICAJC4 230.00] TO BUS 652536 [RASMUSN4 230.00] CKT 1  
SINGLE 803 : OPEN LINE FROM BUS 652527 [WHITLOK4 230.00] TO BUS 661038 [GLENHAM4 230.00] CKT 1  
SINGLE 804 : OPEN LINE FROM BUS 652528 [WOONSKT7 115.00] TO BUS 659123 [STORLA 7 115.00] CKT 1  
SINGLE 805 : OPEN LINE FROM BUS 652529 [WATERTN3 345.00] TO BUS 652537 [WHITE 3 345.00] CKT 1  
SINGLE 806 : OPEN LINE FROM BUS 652529 [WATERTN3 345.00] TO BUS 659160 [GROTON 3 345.00] CKT 1  
SINGLE 807 : OPEN LINE FROM BUS 652530 [WATERTN4 230.00] TO BUS 652550 [GRANITF4 230.00] CKT 1  
SINGLE 808 : OPEN LINE FROM BUS 652530 [WATERTN4 230.00] TO BUS 652614 [CARPENTER 4 230.00] CKT 1  
SINGLE 809 : OPEN LINE FROM BUS 652531 [WATERTN7 115.00] TO BUS 658088 [WTREAST7 115.00] CKT 1  
SINGLE 810 : OPEN LINE FROM BUS 652531 [WATERTN7 115.00] TO BUS 658094 [WTRPELI7 115.00] CKT 1  
SINGLE 811 : OPEN LINE FROM BUS 652532 [YANKTON7 115.00] TO BUS 659121 [SPIRITM7 115.00] CKT 1  
SINGLE 812 : OPEN LINE FROM BUS 652536 [RASMUSN4 230.00] TO BUS 652565 [SIOUXCY4 230.00] CKT 1  
SINGLE 813 : OPEN LINE FROM BUS 652550 [GRANITF4 230.00] TO BUS 652554 [MORRIS 4 230.00] CKT 1  
SINGLE 814 : OPEN LINE FROM BUS 652553 [MOORHED4 230.00] TO BUS 652554 [MORRIS 4 230.00] CKT 1  
SINGLE 815 : OPEN LINE FROM BUS 652553 [MOORHED4 230.00] TO BUS 652587 [MOORHED7 115.00] CKT 1



SINGLE 816 : OPEN LINE FROM BUS 652553 [MOORHED4 230.00] TO BUS 652587 [MOORHED7 115.00] CKT 2  
SINGLE 817 : OPEN LINE FROM BUS 652554 [MORRIS 4 230.00] TO BUS 652555 [MORRIS 7 115.00] CKT 1  
SINGLE 818 : OPEN LINE FROM BUS 652561 [DENISON5 161.00] TO BUS 652567 [DENISON4 230.00] CKT 1  
SINGLE 819 : OPEN LINE FROM BUS 652561 [DENISON5 161.00] TO BUS 652603 [EXIRA 5 161.00] CKT 1  
SINGLE 820 : OPEN LINE FROM BUS 652562 [EAGLE 4 230.00] TO BUS 652565 [SIOUXCY4 230.00] CKT 1  
SINGLE 821 : OPEN LINE FROM BUS 652562 [EAGLE 4 230.00] TO BUS 652578 [PAHOJA 4 230.00] CKT 1  
SINGLE 822 : OPEN LINE FROM BUS 652563 [SPENCER5 161.00] TO BUS 652566 [SIOUXCY5 161.00] CKT 1  
SINGLE 823 : OPEN LINE FROM BUS 652565 [SIOUXCY4 230.00] TO BUS 652567 [DENISON4 230.00] CKT 1  
SINGLE 824 : OPEN LINE FROM BUS 652570 [ALIANCE7 115.00] TO BUS 659197 [SNAKECK7 115.00] CKT 1  
SINGLE 825 : OPEN LINE FROM BUS 652570 [ALIANCE7 115.00] TO BUS 659236 [BOXBUTE7 115.00] CKT 1  
SINGLE 826 : OPEN LINE FROM BUS 652572 [SIDNEY 7 115.00] TO BUS 659136 [SIDNEY\*4 230.00] CKT 1  
SINGLE 827 : OPEN LINE FROM BUS 652572 [SIDNEY 7 115.00] TO BUS 659238 [COLTON 7 115.00] CKT 1  
SINGLE 828 : OPEN LINE FROM BUS 652573 [STEGALL4 230.00] TO BUS 659206 [STGXFMR4 230.00] CKT 1  
SINGLE 829 : OPEN LINE FROM BUS 652578 [PAHOJA 4 230.00] TO BUS 652588 [CLEVELD4 230.00] CKT 1  
SINGLE 830 : OPEN LINE FROM BUS 652584 [SIDNEYW4 230.00] TO BUS 652585 [NB WEST4 230.00] CKT 1  
SINGLE 831 : OPEN LINE FROM BUS 652584 [SIDNEYW4 230.00] TO BUS 659170 [STEGALDC 230.00] CKT 1  
SINGLE 832 : OPEN LINE FROM BUS 652585 [NB WEST4 230.00] TO BUS 659170 [STEGALDC 230.00] CKT 1  
SINGLE 833 : OPEN LINE FROM BUS 652587 [MOORHED7 115.00] TO BUS 658086 [MPSNE 7 115.00] CKT 1  
SINGLE 834 : OPEN LINE FROM BUS 652600 [ASH TAP 115.00] TO BUS 652601 [ASH ST 7 115.00] CKT 1  
SINGLE 835 : OPEN LINE FROM BUS 652601 [ASH ST 7 115.00] TO BUS 652602 [EVANS ST 115.00] CKT 1  
SINGLE 836 : OPEN LINE FROM BUS 652607 [WESSINGTON 4230.00] TO BUS 659122 [STORLA 4 230.00] CKT 1  
SINGLE 837 : OPEN LINE FROM BUS 652609 [LETCHER7 115.00] TO BUS 659198 [LETCHR PS227115.00] CKT 1  
SINGLE 838 : OPEN LINE FROM BUS 652626 [UTICAJC7 115.00] TO BUS 659292 [KEYSTN PS237115.00] CKT 1  
SINGLE 839 : OPEN LINE FROM BUS 652626 [UTICAJC7 115.00] TO BUS 660006 [YKNTJCT7 115.00] CKT 1  
SINGLE 840 : OPEN LINE FROM BUS 652626 [UTICAJC7 115.00] TO BUS 660007 [MENNOJT7 115.00] CKT 1  
SINGLE 841 : OPEN LINE FROM BUS 658068 [MARSHAL7 115.00] TO BUS 658070 [MMU 7ST7 115.00] CKT 1  
SINGLE 842 : OPEN LINE FROM BUS 658068 [MARSHAL7 115.00] TO BUS 658078 [SOUTH E7 115.00] CKT 1  
SINGLE 843 : OPEN LINE FROM BUS 658070 [MMU 7ST7 115.00] TO BUS 658072 [ERIE RD7 115.00] CKT 1  
SINGLE 844 : OPEN LINE FROM BUS 658072 [ERIE RD7 115.00] TO BUS 658074 [SARATOG7 115.00] CKT 1  
SINGLE 845 : OPEN LINE FROM BUS 658074 [SARATOG7 115.00] TO BUS 658076 [MMU SW 7 115.00] CKT 1  
SINGLE 846 : OPEN LINE FROM BUS 658076 [MMU SW 7 115.00] TO BUS 658078 [SOUTH E7 115.00] CKT 1  
SINGLE 847 : OPEN LINE FROM BUS 658080 [MPSBROOK 115.00] TO BUS 658082 [MPSSE 7 115.00] CKT 1  
SINGLE 848 : OPEN LINE FROM BUS 658082 [MPSSE 7 115.00] TO BUS 658084 [MPSCENT7 115.00] CKT 1  
SINGLE 849 : OPEN LINE FROM BUS 658084 [MPSCENT7 115.00] TO BUS 658086 [MPSNE 7 115.00] CKT 1  
SINGLE 850 : OPEN LINE FROM BUS 658088 [WTREAST7 115.00] TO BUS 658090 [WTRTNPP 115.00] CKT 1  
SINGLE 851 : OPEN LINE FROM BUS 658090 [WTRTNPP 115.00] TO BUS 658092 [WTRWEST7 115.00] CKT 1  
SINGLE 852 : OPEN LINE FROM BUS 658092 [WTRWEST7 115.00] TO BUS 658094 [WTRPELI7 115.00] CKT 1  
SINGLE 853 : OPEN LINE FROM BUS 659101 [ANTELOP3 345.00] TO BUS 659105 [LELANDO3 345.00] CKT 1  
SINGLE 854 : OPEN LINE FROM BUS 659101 [ANTELOP3 345.00] TO BUS 659105 [LELANDO3 345.00] CKT 2  
SINGLE 855 : OPEN LINE FROM BUS 659101 [ANTELOP3 345.00] TO BUS 659120 [BRDLAND3 345.00] CKT 1  
SINGLE 856 : OPEN LINE FROM BUS 659101 [ANTELOP3 345.00] TO BUS 659183 [CHAR.CK3 345.00] CKT 1  
SINGLE 859 : OPEN LINE FROM BUS 659101 [ANTELOP3 345.00] TO BUS 659230 [DGCX3 T 345.00] CKT 1  
SINGLE 860 : OPEN LINE FROM BUS 659105 [LELANDO3 345.00] TO BUS 659160 [GROTON 3 345.00] CKT 1  
SINGLE 861 : OPEN LINE FROM BUS 659105 [LELANDO3 345.00] TO BUS 659201 [LELND1TY 345.00] CKT 1  
SINGLE 862 : OPEN LINE FROM BUS 659105 [LELANDO3 345.00] TO BUS 659202 [LELND2TY 345.00] CKT 1  
SINGLE 863 : OPEN LINE FROM BUS 659106 [LELANDO4 230.00] TO BUS 659108 [LOGAN 4 230.00] CKT 1  
SINGLE 864 : OPEN LINE FROM BUS 659106 [LELANDO4 230.00] TO BUS 659200 [BASIN TY 230.00] CKT 1  
SINGLE 865 : OPEN LINE FROM BUS 659106 [LELANDO4 230.00] TO BUS 659201 [LELND1TY 345.00] CKT 1

SINGLE 866 : OPEN LINE FROM BUS 659106 [LELANDO4 230.00] TO BUS 659202 [LELND2TY 345.00] CKT 1  
SINGLE 867 : OPEN LINE FROM BUS 659108 [LOGAN 4 230.00] TO BUS 659208 [LOGAN TY 230.00] CKT 1  
SINGLE 868 : OPEN LINE FROM BUS 659108 [LOGAN 4 230.00] TO BUS 661084 [TIOGA4 4 230.00] CKT 1  
SINGLE 869 : OPEN LINE FROM BUS 659109 [BASIN 7 115.00] TO BUS 659200 [BASIN TY 230.00] CKT 1  
SINGLE 870 : OPEN LINE FROM BUS 659120 [BRDLAND3 345.00] TO BUS 659204 [BRDLNDTY 345.00] CKT 1  
SINGLE 871 : OPEN LINE FROM BUS 659122 [STORLA 4 230.00] TO BUS 659123 [STORLA 7 115.00] CKT 1  
SINGLE 872 : OPEN LINE FROM BUS 659130 [GRANTNB7 115.00] TO BUS 659132 [OGALALA7 115.00] CKT 1  
SINGLE 873 : OPEN LINE FROM BUS 659130 [GRANTNB7 115.00] TO BUS 659132 [OGALALA7 115.00] CKT 2  
SINGLE 874 : OPEN LINE FROM BUS 659130 [GRANTNB7 115.00] TO BUS 659188 [SPCREEK7 115.00] CKT 1  
SINGLE 875 : OPEN LINE FROM BUS 659131 [LARAMIE3 345.00] TO BUS 659133 [SIDNEY 3 345.00] CKT 1  
SINGLE 876 : OPEN LINE FROM BUS 659131 [LARAMIE3 345.00] TO BUS 659135 [STEGALL3 345.00] CKT 1  
SINGLE 877 : OPEN LINE FROM BUS 659132 [OGALALA7 115.00] TO BUS 659187 [ROSCOE 7 115.00] CKT 1  
SINGLE 878 : OPEN LINE FROM BUS 659132 [OGALALA7 115.00] TO BUS 659246 [MCONGHY7 115.00] CKT 1  
SINGLE 879 : OPEN LINE FROM BUS 659133 [SIDNEY 3 345.00] TO BUS 659135 [STEGALL3 345.00] CKT 1  
SINGLE 880 : OPEN LINE FROM BUS 659133 [SIDNEY 3 345.00] TO BUS 659209 [SIDNEYTY 345.00] CKT 1  
SINGLE 881 : OPEN LINE FROM BUS 659134 [SIDNEY 4 230.00] TO BUS 659136 [SIDNEY\*4 230.00] CKT 1  
SINGLE 882 : OPEN LINE FROM BUS 659134 [SIDNEY 4 230.00] TO BUS 659210 [SIDXFMR4 230.00] CKT 1  
SINGLE 884 : OPEN LINE FROM BUS 659138 [NESET 4 230.00] TO BUS 659139 [NESET 7 115.00] CKT 1  
SINGLE 885 : OPEN LINE FROM BUS 659138 [NESET 4 230.00] TO BUS 661084 [TIOGA4 4 230.00] CKT 1  
SINGLE 886 : OPEN LINE FROM BUS 659154 [LAMAR 7 115.00] TO BUS 659188 [SPCREEK7 115.00] CKT 1  
SINGLE 887 : OPEN LINE FROM BUS 659154 [LAMAR 7 115.00] TO BUS 659195 [CRETE 7 115.00] CKT 1  
SINGLE 888 : OPEN LINE FROM BUS 659155 [LOGAN 7 115.00] TO BUS 659208 [LOGAN TY 230.00] CKT 1  
SINGLE 889 : OPEN LINE FROM BUS 659155 [LOGAN 7 115.00] TO BUS 659261 [BTHOLD 7 115.00] CKT 1  
SINGLE 890 : OPEN LINE FROM BUS 659160 [GROTON 3 345.00] TO BUS 659203 [GROTONTY 345.00] CKT 1  
SINGLE 891 : OPEN LINE FROM BUS 659162 [REDWLCK7 115.00] TO BUS 659163 [BLKWDC7 115.00] CKT 1  
SINGLE 892 : OPEN LINE FROM BUS 659162 [REDWLCK7 115.00] TO BUS 659243 [ELSIE 7 115.00] CKT 1  
SINGLE 893 : OPEN LINE FROM BUS 659180 [KOCH 7 115.00] TO BUS 659191 [SQUAWGP7 115.00] CKT 1  
SINGLE 894 : OPEN LINE FROM BUS 659181 [BICNTNL7 115.00] TO BUS 659184 [R.RIDER7 115.00] CKT 1  
SINGLE 895 : OPEN LINE FROM BUS 659181 [BICNTNL7 115.00] TO BUS 659191 [SQUAWGP7 115.00] CKT 1  
SINGLE 896 : OPEN LINE FROM BUS 659182 [CHAR.CK7 115.00] TO BUS 659184 [R.RIDER7 115.00] CKT 1  
SINGLE 897 : OPEN LINE FROM BUS 659182 [CHAR.CK7 115.00] TO BUS 659211 [CHARCKTY 345.00] CKT 1  
SINGLE 898 : OPEN LINE FROM BUS 659183 [CHAR.CK3 345.00] TO BUS 659211 [CHARCKTY 345.00] CKT 1  
SINGLE 899 : OPEN LINE FROM BUS 659185 [ELSIETP7 115.00] TO BUS 659186 [PAXTON 7 115.00] CKT 1  
SINGLE 900 : OPEN LINE FROM BUS 659185 [ELSIETP7 115.00] TO BUS 659187 [ROSCOE 7 115.00] CKT 1  
SINGLE 901 : OPEN LINE FROM BUS 659185 [ELSIETP7 115.00] TO BUS 659243 [ELSIE 7 115.00] CKT 1  
SINGLE 902 : OPEN LINE FROM BUS 659192 [LYNN 7 115.00] TO BUS 659197 [SNAKECK7 115.00] CKT 1  
SINGLE 903 : OPEN LINE FROM BUS 659192 [LYNN 7 115.00] TO BUS 659239 [COVALT 7 115.00] CKT 1  
SINGLE 904 : OPEN LINE FROM BUS 659193 [W.HORSE7 115.00] TO BUS 659239 [COVALT 7 115.00] CKT 1  
SINGLE 905 : OPEN LINE FROM BUS 659195 [CRETE 7 115.00] TO BUS 659245 [CRETEHE7 115.00] CKT 1  
SINGLE 906 : OPEN LINE FROM BUS 659204 [BRDLNDTY 345.00] TO BUS 659205 [BRDLAND4 230.00] CKT 1  
SINGLE 907 : OPEN LINE FROM BUS 659206 [STGXFMR4 230.00] TO BUS 659207 [STEGALTY 345.00] CKT 1  
SINGLE 908 : OPEN LINE FROM BUS 659209 [SIDNEYTY 345.00] TO BUS 659210 [SIDXFMR4 230.00] CKT 1  
SINGLE 909 : OPEN LINE FROM BUS 659212 [AVSDC1TY 345.00] TO BUS 659213 [AVSDC2TY 345.00] CKT 1  
SINGLE 910 : OPEN LINE FROM BUS 659212 [AVSDC1TY 345.00] TO BUS 659216 [AVSDC5TY 345.00] CKT 1  
SINGLE 911 : OPEN LINE FROM BUS 659213 [AVSDC2TY 345.00] TO BUS 659217 [AVSDC6TY 345.00] CKT 1  
SINGLE 912 : OPEN LINE FROM BUS 659216 [AVSDC5TY 345.00] TO BUS 659217 [AVSDC6TY 345.00] CKT 1  
SINGLE 913 : OPEN LINE FROM BUS 659218 [AVSDC7TY 345.00] TO BUS 659219 [AVSDC8TY 345.00] CKT 1  
SINGLE 914 : OPEN LINE FROM BUS 659218 [AVSDC7TY 345.00] TO BUS 659222 [AVSD11TY 345.00] CKT 1

SINGLE 915 : OPEN LINE FROM BUS 659219 [AVSDC8TY 345.00] TO BUS 659223 [AVSD12TY 345.00] CKT 1  
SINGLE 916 : OPEN LINE FROM BUS 659222 [AVSD11TY 345.00] TO BUS 659223 [AVSD12TY 345.00] CKT 1  
SINGLE 917 : OPEN LINE FROM BUS 659230 [DGCX3 T 345.00] TO BUS 659231 [DGCX3 4 230.00] CKT 1  
SINGLE 918 : OPEN LINE FROM BUS 659231 [DGCX3 4 230.00] TO BUS 659233 [DGCX4 T 230.00] CKT 1  
SINGLE 919 : OPEN LINE FROM BUS 659236 [BOXBUTE7 115.00] TO BUS 659237 [HEMINGF7 115.00] CKT 1  
SINGLE 920 : OPEN LINE FROM BUS 659244 [ATHEY 7 115.00] TO BUS 659245 [CRETEHE7 115.00] CKT 1  
SINGLE 921 : OPEN LINE FROM BUS 659246 [MCONGHY7 115.00] TO BUS 659247 [ARTHUR 7 115.00] CKT 1  
SINGLE 922 : OPEN LINE FROM BUS 659247 [ARTHUR 7 115.00] TO BUS 659248 [HYANNIS7 115.00] CKT 1  
SINGLE 923 : OPEN LINE FROM BUS 659250 [SXF WBRANDN7115.00] TO BUS 659251 [SXF CORSON 7115.00] CKT 1  
SINGLE 924 : OPEN LINE FROM BUS 659251 [SXF CORSON 7115.00] TO BUS 659252 [SXF BRANDON7115.00] CKT 1  
SINGLE 925 : OPEN LINE FROM BUS 659252 [SXF BRANDON7115.00] TO BUS 659253 [SXF ROWENA 7115.00] CKT 1  
SINGLE 926 : OPEN LINE FROM BUS 659253 [SXF ROWENA 7115.00] TO BUS 659254 [SXF SPLT RK7115.00] CKT 1  
SINGLE 927 : OPEN LINE FROM BUS 659255 [SXF 6 MI RD7115.00] TO BUS 659256 [SXF 57TH ST7115.00] CKT 1  
SINGLE 928 : OPEN LINE FROM BUS 659256 [SXF 57TH ST7115.00] TO BUS 659257 [SXF SHINDLR7115.00] CKT 1  
SINGLE 929 : OPEN LINE FROM BUS 659257 [SXF SHINDLR7115.00] TO BUS 659258 [SXF HARSBRG7115.00] CKT 1  
SINGLE 930 : OPEN LINE FROM BUS 659263 [LTLMISS7 115.00] TO BUS 659265 [LTLMISS4 230.00] CKT 1  
SINGLE 931 : OPEN LINE FROM BUS 659265 [LTLMISS4 230.00] TO BUS 659266 [RHAME 4 230.00] CKT 1  
SINGLE 932 : OPEN LINE FROM BUS 659265 [LTLMISS4 230.00] TO BUS 661004 [BAKER 4 230.00] CKT 1  
SINGLE 933 : OPEN LINE FROM BUS 659266 [RHAME 4 230.00] TO BUS 659267 [RHAME 7 115.00] CKT 1  
SINGLE 934 : OPEN LINE FROM BUS 659266 [RHAME 4 230.00] TO BUS 661010 [BOWMAN 4 230.00] CKT 1  
SINGLE 935 : OPEN LINE FROM BUS 659268 [RCDC EDUMMY4230.00] TO BUS 659271 [RCDC EAST 4230.00] CKT 1  
SINGLE 936 : OPEN LINE FROM BUS 659269 [CLBRITSONGEN7115.00] TO BUS 661012 [CLBRITSN7 115.00] CKT 1  
SINGLE 937 : OPEN LINE FROM BUS 659297 [BIS WARD 7115.00] TO BUS 659298 [BIS NORTH267115.00] CKT 1  
SINGLE 938 : OPEN LINE FROM BUS 659298 [BIS NORTH267115.00] TO BUS 659299 [BIS GVPINES7115.00] CKT 1  
SINGLE 939 : OPEN LINE FROM BUS 659303 [RCDC WEST 4230.00] TO BUS 659304 [RCDC SWING G230.00] CKT 1  
SINGLE 940 : OPEN LINE FROM BUS 660000 [ABDNJCT7 115.00] TO BUS 660001 [ABDNSBT7 115.00] CKT 1  
SINGLE 941 : OPEN LINE FROM BUS 660001 [ABDNSBT7 115.00] TO BUS 660002 [REDFLD 7 115.00] CKT 1  
SINGLE 942 : OPEN LINE FROM BUS 660002 [REDFLD 7 115.00] TO BUS 660009 [BTAP WP7 115.00] CKT 1  
SINGLE 943 : OPEN LINE FROM BUS 660003 [HURONWP7 115.00] TO BUS 660008 [MITCLNW7 115.00] CKT 1  
SINGLE 944 : OPEN LINE FROM BUS 660003 [HURONWP7 115.00] TO BUS 660009 [BTAP WP7 115.00] CKT 1  
SINGLE 945 : OPEN LINE FROM BUS 660004 [MITCHEL7 115.00] TO BUS 660005 [TRIPP 7 115.00] CKT 1  
SINGLE 946 : OPEN LINE FROM BUS 660004 [MITCHEL7 115.00] TO BUS 660008 [MITCLNW7 115.00] CKT 1  
SINGLE 947 : OPEN LINE FROM BUS 660005 [TRIPP 7 115.00] TO BUS 660007 [MENNOJT7 115.00] CKT 1  
SINGLE 948 : OPEN LINE FROM BUS 661010 [BOWMAN 4 230.00] TO BUS 661047 [HETINGR4 230.00] CKT 1  
SINGLE 949 : OPEN LINE FROM BUS 661012 [CLBRITSN7 115.00] TO BUS 661075 [POPLAR 7 115.00] CKT 1  
GEN-COOPER : TRIP LINE FROM BUS 640139 [COOPER 3 345.00] TO BUS 640009 [COOPER1G 22.000] CKT 1  
GEN-GGS-1 : TRIP LINE FROM BUS 640184 [GENTLMN4 230.00] TO BUS 640010 [GENTLM1G 23.000] CKT 1  
GEN-GGS-2 : TRIP LINE FROM BUS 640183 [GENTLMN3 345.00] TO BUS 640011 [GENTLM2G 24.000] CKT 1  
GEN-SS-1 : TRIP LINE FROM BUS 640278 [SHELDON7 115.00] TO BUS 640019 [SHELDN1G 13.800] CKT 1  
GEN-SS-2 : TRIP LINE FROM BUS 640278 [SHELDON7 115.00] TO BUS 640020 [SHELDN2G 13.800] CKT 1  
GEN-PLATTE : TRIP LINE FROM BUS 642071 [SUB-D 7 115.00] TO BUS 642067 [PLATTE1G 13.800] CKT 1  
GEN-WEC1 : TRIP LINE FROM BUS 641087 [EGYCNTR7 115.00] TO BUS 641086 [EGY CTRG 13.800] CKT 1  
GEN-COLCOG : TRIP LINE FROM BUS 640119 [COL.COG7 115.00] TO BUS 640028 [COLCOG1G 13.800] CKT 1  
GEN-WEC2 : TRIP LINE FROM BUS 641087 [EGYCNTR7 115.00] TO BUS 641089 [EGYCTR2G 18.000] CKT 1  
GEN-AWEF : TRIP LINE FROM BUS 640050 [AINSWND7 115.00] TO BUS 640025 [AINSWDDG 34.500] CKT 1  
GEN-E-RIDGE : TRIP LINE FROM BUS 640084 [BLMFLD 7 115.00] TO BUS 640419 [ELKRDRG1D 34.500] CKT 1  
LN-FAIRPORT : TRIP LINE FROM BUS 300039 [7FAIRPT 345.00] TO BUS 640139 [COOPER 3 345.00] CKT 1  
TRIP LINE FROM BUS 300039 [7FAIRPT 345.00] TO BUS 541199 [ST JOE 3 345.00] CKT 1

TRIP LINE FROM BUS 300039 [7FAIRPT 345.00] TO BUS 300076 [5FAIRPT 161.00] CKT 3  
 LN-1091 : TRIP LINE FROM BUS 640392 [VALENTN7 115.00] TO BUS 640210 [HARMONY7 115.00] CKT 1  
 TRIP LINE FROM BUS 640210 [HARMONY7 115.00] TO BUS 640351 [ST.FRANC 115.00] CKT 1  
 TRIP LINE FROM BUS 640351 [ST.FRANC 115.00] TO BUS 652482 [MISSION7 115.00] CKT 1  
 LN-RUSHVILLE: TRIP LINE FROM BUS 640334 [RUSHVIL7 115.00] TO BUS 640109 [CHADRON7 115.00] CKT 1  
 TRIP LINE FROM BUS 640334 [RUSHVIL7 115.00] TO BUS 640192 [GORDON 7 115.00] CKT 1  
 LN-MALONEY : TRIP LINE FROM BUS 640287 [N.PLATT7 115.00] TO BUS 640265 [MALONEY7 115.00] CKT 1  
 TRIP LINE FROM BUS 640266 [MALONEY9 34.500] TO BUS 640265 [MALONEY7 115.00] CKT 1  
 LN-STOCKVILL: TRIP LINE FROM BUS 640287 [N.PLATT7 115.00] TO BUS 640365 [STOCKVL7 115.00] CKT 1  
 TRIP LINE FROM BUS 640366 [STOCKVL8 69.000] TO BUS 640365 [STOCKVL7 115.00] CKT 1  
 LN-1133 : TRIP LINE FROM BUS 640100 [CAMBRIG7 115.00] TO BUS 640269 [MCCOOK 7 115.00] CKT 1  
 TRIP LINE FROM BUS 640100 [CAMBRIG7 115.00] TO BUS 640194 [GOSPER 7 115.00] CKT 1  
 TRIP LINE FROM BUS 640242 [JOHN.2 7 115.00] TO BUS 640194 [GOSPER 7 115.00] CKT 1  
 LN-1147 : TRIP LINE FROM BUS 640244 [JOHN.LK7 115.00] TO BUS 640242 [JOHN.2 7 115.00] CKT 1  
 TRIP LINE FROM BUS 640244 [JOHN.LK7 115.00] TO BUS 640240 [JOHN.1 7 115.00] CKT 1  
 LN-1142 : TRIP LINE FROM BUS 640196 [GOTHNBG7 115.00] TO BUS 640238 [JEFFREY7 115.00] CKT 1  
 TRIP LINE FROM BUS 640196 [GOTHNBG7 115.00] TO BUS 640144 [COZAD 7 115.00] CKT 1  
 LN-1242 : TRIP LINE FROM BUS 640407 [WESTMIN7 115.00] TO BUS 640242 [JOHN.2 7 115.00] CKT 1  
 TRIP LINE FROM BUS 640407 [WESTMIN7 115.00] TO BUS 640144 [COZAD 7 115.00] CKT 1  
 LN-1090 : TRIP LINE FROM BUS 640096 [CALAMS 7 115.00] TO BUS 640050 [AINSWND7 115.00] CKT 1  
 TRIP LINE FROM BUS 640096 [CALAMS 7 115.00] TO BUS 640381 [THEDFRD7 115.00] CKT 1  
 LN-1267 : TRIP LINE FROM BUS 640367 [STUART 7 115.00] TO BUS 640051 [AINSWRT7 115.00] CKT 1  
 TRIP LINE FROM BUS 640367 [STUART 7 115.00] TO BUS 640058 [ATKINSN7 115.00] CKT 1  
 TRIP LINE FROM BUS 640165 [EMMET 7 115.00] TO BUS 640058 [ATKINSN7 115.00] CKT 1  
 TRIP LINE FROM BUS 640165 [EMMET 7 115.00] TO BUS 640305 [ONEILL 7 115.00] CKT 1  
 LN-1164 : TRIP LINE FROM BUS 640113 [CLRWATR7 115.00] TO BUS 640305 [ONEILL 7 115.00] CKT 1  
 TRIP LINE FROM BUS 640113 [CLRWATR7 115.00] TO BUS 640293 [NELIGH 7 115.00] CKT 1  
 LN-1163 : TRIP LINE FROM BUS 640115 [CO.LINE7 115.00] TO BUS 640293 [NELIGH 7 115.00] CKT 1  
 TRIP LINE FROM BUS 640115 [CO.LINE7 115.00] TO BUS 640072 [BATTLCR7 115.00] CKT 1  
 TRIP LINE FROM BUS 640296 [NORFK.N7 115.00] TO BUS 640072 [BATTLCR7 115.00] CKT 1  
 LN-1169 : TRIP LINE FROM BUS 640353 [ST.LIB 7 115.00] TO BUS 640201 [GR ISLD7 115.00] CKT 1  
 TRIP LINE FROM BUS 640353 [ST.LIB 7 115.00] TO BUS 640259 [LOUPCTY7 115.00] CKT 1  
 TRIP LINE FROM BUS 640353 [ST.LIB 7 115.00] TO BUS 640355 [ST.PAUL7 115.00] CKT 1  
 LN-1143 : TRIP LINE FROM BUS 640161 [ELMCRK\_7 115.00] TO BUS 640103 [CANADAY7 115.00] CKT 1  
 TRIP LINE FROM BUS 640161 [ELMCRK\_7 115.00] TO BUS 640250 [KEARNEY7 115.00] CKT 1  
 LN-1094 : TRIP LINE FROM BUS 640248 [KEAR.NE7 115.00] TO BUS 640331 [RIVERDL7 115.00] CKT 1  
 TRIP LINE FROM BUS 640248 [KEAR.NE7 115.00] TO BUS 640250 [KEARNEY7 115.00] CKT 1  
 LN-1173 : TRIP LINE FROM BUS 640220 [HEBRON 7 115.00] TO BUS 640368 [SUPEROR7 115.00] CKT 1  
 TRIP LINE FROM BUS 640220 [HEBRON 7 115.00] TO BUS 640218 [HEBRN N7 115.00] CKT 1  
 LN-1175B : TRIP LINE FROM BUS 640169 [FAIRBRY7 115.00] TO BUS 640208 [HARBINE7 115.00] CKT 1  
 TRIP LINE FROM BUS 640169 [FAIRBRY7 115.00] TO BUS 640170 [FAIRBRYG 34.500] CKT 1  
 LN-1176 : TRIP LINE FROM BUS 640361 [STEINER7 115.00] TO BUS 640076 [BEATRCE7 115.00] CKT 1  
 TRIP LINE FROM BUS 640361 [STEINER7 115.00] TO BUS 640235 [HUMBOLT7 115.00] CKT 1  
 LN-CLATONIA : TRIP LINE FROM BUS 640111 [CLATONA7 115.00] TO BUS 640088 [BPS SUB7 115.00] CKT 1  
 TRIP LINE FROM BUS 640111 [CLATONA7 115.00] TO BUS 640278 [SHELDON7 115.00] CKT 1  
 LN-FIRTH : TRIP LINE FROM BUS 640171 [FIRTH 7 115.00] TO BUS 640362 [STERLNG7 115.00] CKT 1  
 TRIP LINE FROM BUS 640171 [FIRTH 7 115.00] TO BUS 640278 [SHELDON7 115.00] CKT 1  
 TRIP LINE FROM BUS 640362 [STERLNG7 115.00] TO BUS 647974 [S974 8 69.000] CKT 1

LN-FRIEND : TRIP LINE FROM BUS 640174 [FRIEND 7 115.00] TO BUS 640153 [CRETE\_\_7 115.00] CKT 1  
TRIP LINE FROM BUS 640174 [FRIEND 7 115.00] TO BUS 640178 [GENEVA 7 115.00] CKT 1

LN-1155 : TRIP LINE FROM BUS 640375 [TAMORA 7 115.00] TO BUS 640411 [YORK 7 115.00] CKT 1  
TRIP LINE FROM BUS 640375 [TAMORA 7 115.00] TO BUS 640340 [SEWARD 7 115.00] CKT 1

LN-1156 : TRIP LINE FROM BUS 640316 [PAWNEEL7 115.00] TO BUS 650214 [NW68HOLDRG7 115.00] CKT 1  
TRIP LINE FROM BUS 640316 [PAWNEEL7 115.00] TO BUS 640340 [SEWARD 7 115.00] CKT 1

LN-1181 : TRIP LINE FROM BUS 640155 [DAVEY 7 115.00] TO BUS 650269 [70&BLUFF 7 115.00] CKT 1  
TRIP LINE FROM BUS 640155 [DAVEY 7 115.00] TO BUS 640402 [WAHOO 7 115.00] CKT 1

LN-1152 : TRIP LINE FROM BUS 640157 [DAVIDCY7 115.00] TO BUS 640127 [COLMB.E7 115.00] CKT 1  
TRIP LINE FROM BUS 640157 [DAVIDCY7 115.00] TO BUS 640402 [WAHOO 7 115.00] CKT 1

LN-S-CREEK : TRIP LINE FROM BUS 640345 [SILVRCK7 115.00] TO BUS 640107 [CENCITY7 115.00] CKT 1  
TRIP LINE FROM BUS 640345 [SILVRCK7 115.00] TO BUS 640136 [COLMBUS7 115.00] CKT 1

LN-N-BEND : TRIP LINE FROM BUS 640281 [N.BEND 7 115.00] TO BUS 640336 [SCHUYLR7 115.00] CKT 1  
TRIP LINE FROM BUS 640281 [N.BEND 7 115.00] TO BUS 640173 [FREMONT7 115.00] CKT 1

LN-1160 : TRIP LINE FROM BUS 640409 [WINSLOW7 115.00] TO BUS 640300 [OAKLAND7 115.00] CKT 1  
TRIP LINE FROM BUS 640409 [WINSLOW7 115.00] TO BUS 640173 [FREMONT7 115.00] CKT 1

LN-1161 : TRIP LINE FROM BUS 640400 [W.POINT7 115.00] TO BUS 640300 [OAKLAND7 115.00] CKT 1  
TRIP LINE FROM BUS 640400 [W.POINT7 115.00] TO BUS 640078 [BEEMER 7 115.00] CKT 1

LN-1168 : TRIP LINE FROM BUS 640357 [STANTON7 115.00] TO BUS 640363 [STNTN.N7 115.00] CKT 1  
TRIP LINE FROM BUS 640357 [STANTON7 115.00] TO BUS 640078 [BEEMER 7 115.00] CKT 1

LN-1193 : TRIP LINE FROM BUS 640070 [BANCRAFT7 115.00] TO BUS 640300 [OAKLAND7 115.00] CKT 1  
TRIP LINE FROM BUS 640070 [BANCRAFT7 115.00] TO BUS 640163 [EMERSON7 115.00] CKT 1

LN-DONIPHAN : TRIP LINE FROM BUS 640159 [DONIPHN7 115.00] TO BUS 642071 [SUB-D 7 115.00] CKT 1  
TRIP LINE FROM BUS 640159 [DONIPHN7 115.00] TO BUS 640282 [N.HAST 7 115.00] CKT 1

LN-HILDRETH : TRIP LINE FROM BUS 640222 [HILDRTH7 115.00] TO BUS 640224 [HOLDREG7 115.00] CKT 1  
TRIP LINE FROM BUS 640222 [HILDRTH7 115.00] TO BUS 640313 [PAULINE7 115.00] CKT 1

LN-CRAWFORD : TRIP LINE FROM BUS 640147 [CRAWFRD7 115.00] TO BUS 640109 [CHADRON7 115.00] CKT 1  
TRIP LINE FROM BUS 640147 [CRAWFRD7 115.00] TO BUS 640397 [VICTRYH7 115.00] CKT 1

LN-CALLAWAY : TRIP LINE FROM BUS 640098 [CALAWAY7 115.00] TO BUS 640089 [BROKENB7 115.00] CKT 1  
TRIP LINE FROM BUS 640098 [CALAWAY7 115.00] TO BUS 640099 [CALAWAY8 69.000] CKT 1

LN-PROSSER : TRIP LINE FROM BUS 640321 [PROSSER7 115.00] TO BUS 640322 [PROSSER9 34.500] CKT 1  
TRIP LINE FROM BUS 640321 [PROSSER7 115.00] TO BUS 640261 [LOWELL 7 115.00] CKT 1

LN-WAPA1 : TRIP LINE FROM BUS 652311 [DUNLAP 7 115.00] TO BUS 640109 [CHADRON7 115.00] CKT 1  
TRIP LINE FROM BUS 652311 [DUNLAP 7 115.00] TO BUS 659236 [BOXBUTE7 115.00] CKT 1

LN-WAPA2 : TRIP LINE FROM BUS 659236 [BOXBUTE7 115.00] TO BUS 659237 [HEMINGF7 115.00] CKT 1  
TRIP LINE FROM BUS 659236 [BOXBUTE7 115.00] TO BUS 652570 [ALIANCE7 115.00] CKT 1  
TRIP LINE FROM BUS 652570 [ALIANCE7 115.00] TO BUS 659197 [SNAKECK7 115.00] CKT 1

LN-WAPA3 : TRIP LINE FROM BUS 652312 [MORRILL7 115.00] TO BUS 659197 [SNAKECK7 115.00] CKT 1  
TRIP LINE FROM BUS 652312 [MORRILL7 115.00] TO BUS 659242 [GERINGT7 115.00] CKT 1  
TRIP LINE FROM BUS 659242 [GERINGT7 115.00] TO BUS 640338 [SCOTBLF7 115.00] CKT 1

LN-WAPA4 : TRIP LINE FROM BUS 659238 [COLTON 7 115.00] TO BUS 652572 [SIDNEY 7 115.00] CKT 1  
TRIP LINE FROM BUS 659238 [COLTON 7 115.00] TO BUS 652300 [CHAPPEL7 115.00] CKT 1  
TRIP LINE FROM BUS 640246 [JULSTAP7 115.00] TO BUS 652300 [CHAPPEL7 115.00] CKT 1  
TRIP LINE FROM BUS 640246 [JULSTAP7 115.00] TO BUS 640068 [B.SPRGS7 115.00] CKT 1

LN-WAPA5 : TRIP LINE FROM BUS 640091 [BRULE 7 115.00] TO BUS 640068 [B.SPRGS7 115.00] CKT 1  
TRIP LINE FROM BUS 640091 [BRULE 7 115.00] TO BUS 659132 [OGALALA7 115.00] CKT 1

LN-WAPA6 : TRIP LINE FROM BUS 640349 [SPENCER7 115.00] TO BUS 652510 [FTRANDL7 115.00] CKT 1  
TRIP LINE FROM BUS 640349 [SPENCER7 115.00] TO BUS 640305 [ONEILL 7 115.00] CKT 1

LN-TSGT1 : TRIP LINE FROM BUS 659192 [LYNN 7 115.00] TO BUS 659197 [SNAKECK7 115.00] CKT 1  
TRIP LINE FROM BUS 659192 [LYNN 7 115.00] TO BUS 659239 [COVALT 7 115.00] CKT 1  
TRIP LINE FROM BUS 659239 [COVALT 7 115.00] TO BUS 659193 [W.HORSE7 115.00] CKT 1

LN-TSGT2 : TRIP LINE FROM BUS 640086 [BLUECK 7 115.00] TO BUS 659193 [W.HORSE7 115.00] CKT 1  
TRIP LINE FROM BUS 640086 [BLUECK 7 115.00] TO BUS 640068 [B.SPRGS7 115.00] CKT 1

LN-TSGT3 : TRIP LINE FROM BUS 659188 [SPCREEK7 115.00] TO BUS 659154 [LAMAR 7 115.00] CKT 1  
TRIP LINE FROM BUS 659188 [SPCREEK7 115.00] TO BUS 659130 [GRANTNB7 115.00] CKT 1

LN-TSGT4 : TRIP LINE FROM BUS 659195 [CRETE 7 115.00] TO BUS 659154 [LAMAR 7 115.00] CKT 1  
TRIP LINE FROM BUS 659195 [CRETE 7 115.00] TO BUS 659245 [CRETEHE7 115.00] CKT 1  
TRIP LINE FROM BUS 659244 [ATHEY 7 115.00] TO BUS 659245 [CRETEHE7 115.00] CKT 1  
TRIP LINE FROM BUS 659244 [ATHEY 7 115.00] TO BUS 640167 [ENDERS 7 115.00] CKT 1

LN-TSGT5 : TRIP LINE FROM BUS 659187 [ROSCOE 7 115.00] TO BUS 659132 [OGALALA7 115.00] CKT 1  
TRIP LINE FROM BUS 659187 [ROSCOE 7 115.00] TO BUS 659185 [ELSIETP7 115.00] CKT 1

LN-TSGT6 : TRIP LINE FROM BUS 659186 [PAXTON 7 115.00] TO BUS 640370 [SUTHLND7 115.00] CKT 1  
TRIP LINE FROM BUS 659186 [PAXTON 7 115.00] TO BUS 659185 [ELSIETP7 115.00] CKT 1

TRF-AXTELL : TRIP LINE FROM BUS 640065 [AXTELL 3 345.00] TO BUS 640066 [AXTELL 7 115.00] TO BUS 640067 [AXTELL 9 13.800] CKT 1

TRF-COOPER : TRIP LINE FROM BUS 640139 [COOPER 3 345.00] TO BUS 640140 [COOPER 5 161.00] TO BUS 640142 [COOPER 9 13.800] CKT 1

TRF-GENTLMN : TRIP LINE FROM BUS 640183 [GENTLMN3 345.00] TO BUS 640184 [GENTLMN4 230.00] TO BUS 640185 [G.GENT19 13.800] CKT 1

TRF-GRIS-T2 : TRIP LINE FROM BUS 640200 [GR ISLD4 230.00] TO BUS 640201 [GR ISLD7 115.00] TO BUS 640203 [G.I.T219 13.800] CKT 1

TRF-HOSKINS : TRIP LINE FROM BUS 640226 [HOSKINS3 345.00] TO BUS 640228 [HOSKINS7 115.00] TO BUS 640231 [HOSKNS19 13.800] CKT 1

TRF-KEYSTONE: TRIP LINE FROM BUS 640252 [KEYSTON3 345.00] TO BUS 640253 [KEYSTON7 115.00] TO BUS 640254 [KEYSTON9 13.800] CKT 1

TRF-MCCOOL : TRIP LINE FROM BUS 640271 [MCCOOL 3 345.00] TO BUS 640272 [MCCOOL 7 115.00] TO BUS 640274 [MCCOOL19 13.800] CKT 1

TRF-NP-T8 : TRIP LINE FROM BUS 640286 [N.PLATT4 230.00] TO BUS 640287 [N.PLATT7 115.00] TO BUS 640290 [N.PT8 9 13.800] CKT 1

TRF-PAULINE : TRIP LINE FROM BUS 640312 [PAULINE3 345.00] TO BUS 640313 [PAULINE7 115.00] TO BUS 640315 [PAULINE9 13.800] CKT 1

TRF-REDWILO : TRIP LINE FROM BUS 640325 [REDWILO3 345.00] TO BUS 640326 [REDWILO7 115.00] TO BUS 640327 [REDWILO9 13.800] CKT 1

TRF-MOORE : TRIP LINE FROM BUS 640277 [MOORE 3 345.00] TO BUS 640278 [SHELDON7 115.00] TO BUS 640280 [MOORE 9 13.800] CKT 1

TRF-VHILL : TRIP LINE FROM BUS 640396 [VICTRYH4 230.00] TO BUS 640397 [VICTRYH7 115.00] TO BUS 640399 [VICTR10G 13.800] CKT 1

TRF-WAYSIDE : TRIP LINE FROM BUS 640404 [WAYSIDE4 230.00] TO BUS 640405 [WAYSIDE7 115.00] TO BUS 640406 [WAYSIDE9 13.800] CKT 1  
TRIP LINE FROM BUS 640405 [WAYSIDE7 115.00] TO BUS 640109 [CHADRON7 115.00] CKT 1

TRF-KELLY : TRIP LINE FROM BUS 640133 [COLMBUS4 230.00] TO BUS 640134 [KELLY 7 115.00] TO BUS 640135 [COLMBS19 13.200] CKT 1  
TRIP LINE FROM BUS 640134 [KELLY 7 115.00] TO BUS 640136 [COLMBUS7 115.00] CKT 1

TRF-GRIS-T3 : TRIP LINE FROM BUS 652571 [GR ISLD3 345.00] TO BUS 640200 [GR ISLD4 230.00] TO BUS 652314 [GR ISL19 13.800] CKT 1

TRF-GRIS-T4 : TRIP LINE FROM BUS 652571 [GR ISLD3 345.00] TO BUS 640200 [GR ISLD4 230.00] TO BUS 652316 [GR ISL29 13.800] CKT 2

TRF-STEGALL : TRIP LINE FROM BUS 659207 [STEGALTY 345.00] TO BUS 659206 [STGXFMR4 230.00] CKT 1  
TRIP LINE FROM BUS 659207 [STEGALTY 345.00] TO BUS 659167 [STEGALLM 13.800] CKT 1  
TRIP LINE FROM BUS 659207 [STEGALTY 345.00] TO BUS 659135 [STEGALL3 345.00] CKT 1  
TRIP LINE FROM BUS 659206 [STGXFMR4 230.00] TO BUS 652573 [STEGALL4 230.00] CKT 1

TRF-SIDNEY1 : TRIP LINE FROM BUS 659209 [SIDNEYTY 345.00] TO BUS 659210 [SIDXFMR4 230.00] CKT 1  
TRIP LINE FROM BUS 659209 [SIDNEYTY 345.00] TO BUS 659168 [SIDNEY M 13.800] CKT 1  
TRIP LINE FROM BUS 659209 [SIDNEYTY 345.00] TO BUS 659133 [SIDNEY 3 345.00] CKT 1  
TRIP LINE FROM BUS 659210 [SIDXFMR4 230.00] TO BUS 659134 [SIDNEY 4 230.00] CKT 1

TRF-SIDNEY2 : TRIP LINE FROM BUS 659136 [SIDNEY\*4 230.00] TO BUS 659134 [SIDNEY 4 230.00] CKT 1  
TRIP LINE FROM BUS 659136 [SIDNEY\*4 230.00] TO BUS 652572 [SIDNEY 7 115.00] CKT 1  
TRIP LINE FROM BUS 659136 [SIDNEY\*4 230.00] TO BUS 659137 [SIDNEY 8 13.800] CKT 1

S993 GEN OFF: DECREASE BUS 647993 [S993 8 69.000] GENERATION BY 5.4 MW

NCU GEN OFF : DECREASE BUS 647401 [NCU903 8 69.000] GENERATION BY 5.8 MW

S3454T1 AUTO: OPEN BRANCH FROM BUS 645454 [S3454 3 345.00] TO BUS 646254 [S1254 5 161.00] TO BUS 648254 [S1254T19 13.800] CKT 1  
OPEN LINE FROM BUS 646254 [S1254 5 161.00] TO BUS 646281 [S1281 5 161.00] CKT 1

OPEN LINE FROM BUS 646254 [S1254 5 161.00] TO BUS 646249 [S1249 5 161.00] CKT 1  
S1206T1 BSCL: OPEN BRANCH FROM BUS 646206 [S1206 5 161.00] TO BUS 647906 [S906 S 8 69.000] TO BUS 648206 [S1206T19 13.800] CKT 1  
CLOSE BRANCH FROM BUS 647006 [S906 N 8 69.000] TO BUS 647906 [S906 S 8 69.000] CKT 1  
S1206T2 BSCL: OPEN BRANCH FROM BUS 646206 [S1206 5 161.00] TO BUS 647006 [S906 N 8 69.000] TO BUS 648306 [S1206T29 13.800] CKT 1  
CLOSE BRANCH FROM BUS 647006 [S906 N 8 69.000] TO BUS 647906 [S906 S 8 69.000] CKT 1  
S1210T7 AUTO: OPEN LINE FROM BUS 646210 [S1210 5 161.00] TO BUS 646217 [S1217 5 161.00] CKT 1  
OPEN LINE FROM BUS 646210 [S1210 5 161.00] TO BUS 646222 [S1222 5 161.00] CKT 1  
OPEN LINE FROM BUS 646210 [S1210 5 161.00] TO BUS 647910 [S910 8 69.000] TO BUS 648210 [S1210T79 13.800] CKT 1  
S1217T1 AUTO: OPEN BRANCH FROM BUS 646217 [S1217 5 161.00] TO BUS 647917 [S917 8 69.000] TO BUS 648217 [S1217T19 13.800] CKT 1  
OPEN LINE FROM BUS 646217 [S1217 5 161.00] TO BUS 646227 [S1227 5 161.00] CKT 1  
OPEN LINE FROM BUS 646217 [S1217 5 161.00] TO BUS 646210 [S1210 5 161.00] CKT 1  
OPEN LINE FROM BUS 646217 [S1217 5 161.00] TO BUS 646216 [S1216 5 161.00] CKT 1  
S1221T9 AUTO: OPEN LINE FROM BUS 646221 [S1221 5 161.00] TO BUS 646231 [S1231 5 161.00] CKT 1  
OPEN LINE FROM BUS 646221 [S1221 5 161.00] TO BUS 646255 [S1255 5 161.00] CKT 1  
OPEN LINE FROM BUS 646221 [S1221 5 161.00] TO BUS 647921 [S921 8 69.000] TO BUS 648221 [S1221T99 13.800] CKT 1  
S1263T1 AUTO: OPEN BRANCH FROM BUS 646263 [S1263 5 161.00] TO BUS 647111 [W BROCK8 69.000] TO BUS 648263 [S1263T19 13.800] CKT 1  
OPEN LINE FROM BUS 647111 [W BROCK8 69.000] TO BUS 647963 [S963 8 69.000] CKT 1  
OPEN LINE FROM BUS 647111 [W BROCK8 69.000] TO BUS 647967 [S967 8 69.000] CKT 1  
1252TARP : OPEN LINE FROM BUS 646252 [S1252 5 161.00] TO BUS 646209 [S1209 5 161.00] CKT 1  
OPEN LINE FROM BUS 646252 [S1252 5 161.00] TO BUS 646226 [S1226 5 161.00] CKT 1  
1211-50-HS4 : OPEN BRANCH FROM BUS 646211 [S1211 5 161.00] TO BUS 646250 [S1250 5 161.00] CKT 2  
OPEN LINE FROM BUS 645127 [S1211HS9 13.800] TO BUS 646211 [S1211 5 161.00] CKT 1  
1297TARP : OPEN LINE FROM BUS 646297 [S1297 5 161.00] TO BUS 646250 [S1250 5 161.00] CKT 1  
OPEN LINE FROM BUS 646297 [S1297 5 161.00] TO BUS 646251 [S1251 5 161.00] CKT 1  
1281LINBUS : OPEN LINE FROM BUS 646281 [S1281 5 161.00] TO BUS 646287 [S1287 5 161.00] CKT 1  
OPEN LINE FROM BUS 646281 [S1281 5 161.00] TO BUS 646254 [S1254 5 161.00] CKT 1  
OPEN LINE FROM BUS 646281 [S1281 5 161.00] TO BUS 646259 [S1259 5 161.00] CKT 1  
S979TAP : OPEN LINE FROM BUS 647979 [S979 8 69.000] TO BUS 647079 [979TP 8 69.000] CKT 1  
OPEN LINE FROM BUS 647079 [979TP 8 69.000] TO BUS 647900 [S900 8 69.000] CKT 1  
OPEN LINE FROM BUS 647079 [979TP 8 69.000] TO BUS 647006 [S906 N 8 69.000] CKT 1  
901-JCT-910 : OPEN LINE FROM BUS 647105 [JCT205 8 69.000] TO BUS 647901 [S901 8 69.000] CKT 1  
OPEN LINE FROM BUS 647105 [JCT205 8 69.000] TO BUS 647910 [S910 8 69.000] CKT 1  
S937NOBKR : OPEN LINE FROM BUS 647937 [S937 8 69.000] TO BUS 647902 [S902 8 69.000] CKT 1  
OPEN LINE FROM BUS 647937 [S937 8 69.000] TO BUS 647909 [S909 8 69.000] CKT 1  
906S15-25-94: OPEN LINE FROM BUS 647016 [915TP3 8 69.000] TO BUS 647107 [SAC623 8 69.000] CKT 1  
OPEN LINE FROM BUS 647016 [915TP3 8 69.000] TO BUS 647906 [S906 S 8 69.000] CKT 1  
OPEN LINE FROM BUS 647016 [915TP3 8 69.000] TO BUS 647915 [S915T2 8 69.000] CKT 1  
OPEN LINE FROM BUS 647107 [SAC623 8 69.000] TO BUS 647109 [SAC SO 8 69.000] CKT 1  
OPEN LINE FROM BUS 647107 [SAC623 8 69.000] TO BUS 647994 [S994 8 69.000] CKT 1  
906N15-25-94: OPEN LINE FROM BUS 647017 [915TP9 8 69.000] TO BUS 647108 [SAC629 8 69.000] CKT 1  
OPEN LINE FROM BUS 647017 [915TP9 8 69.000] TO BUS 647006 [S906 N 8 69.000] CKT 1  
OPEN LINE FROM BUS 647017 [915TP9 8 69.000] TO BUS 647015 [S915T1 8 69.000] CKT 1  
OPEN LINE FROM BUS 647108 [SAC629 8 69.000] TO BUS 647110 [SAC NO 8 69.000] CKT 1  
OPEN LINE FROM BUS 647108 [SAC629 8 69.000] TO BUS 647994 [S994 8 69.000] CKT 1  
S938LINBUS : OPEN LINE FROM BUS 647938 [S938 8 69.000] TO BUS 647995 [S995 8 69.000] CKT 1  
OPEN LINE FROM BUS 647938 [S938 8 69.000] TO BUS 647006 [S906 N 8 69.000] CKT 1  
OPEN LINE FROM BUS 647938 [S938 8 69.000] TO BUS 647906 [S906 S 8 69.000] CKT 1  
S973NOBKR : OPEN LINE FROM BUS 647973 [S973 8 69.000] TO BUS 640143 [CORNFLD8 69.000] CKT 1

OPEN LINE FROM BUS 647973 [S973 8 69.000] TO BUS 647963 [S963 8 69.000] CKT 1  
 AUBNOBKR : OPEN LINE FROM BUS 647101 [AUBRNT 8 69.000] TO BUS 647963 [S963 8 69.000] CKT 1  
 OPEN LINE FROM BUS 647101 [AUBRNT 8 69.000] TO BUS 647975 [S975 8 69.000] CKT 1  
 OPEN LINE FROM BUS 647101 [AUBRNT 8 69.000] TO BUS 640062 [AUBURN 8 69.000] CKT 1  
 S964-S993 : OPEN LINE FROM BUS 647964 [S964 8 69.000] TO BUS 647975 [S975 8 69.000] CKT 1  
 OPEN LINE FROM BUS 647964 [S964 8 69.000] TO BUS 647112 [MGLN TP8 69.000] CKT 1  
 OPEN LINE FROM BUS 647112 [MGLN TP8 69.000] TO BUS 647113 [MAGELLN8 69.000] CKT 1  
 OPEN LINE FROM BUS 647112 [MGLN TP8 69.000] TO BUS 647993 [S993 8 69.000] CKT 1  
 S968LINBUS : OPEN LINE FROM BUS 647968 [S968 8 69.000] TO BUS 647969 [S969 8 69.000] CKT 1  
 OPEN LINE FROM BUS 647968 [S968 8 69.000] TO BUS 647400 [TECUMSH8 69.000] CKT 1  
 OPEN LINE FROM BUS 647968 [S968 8 69.000] TO BUS 647967 [S967 8 69.000] CKT 1  
 ENRONTAP : OPEN LINE FROM BUS 647102 [HYDCAP 8 69.000] TO BUS 647103 [ENRON 8 69.000] CKT 1  
 OPEN LINE FROM BUS 647102 [HYDCAP 8 69.000] TO BUS 647970 [S970 8 69.000] CKT 1  
 OPEN LINE FROM BUS 647102 [HYDCAP 8 69.000] TO BUS 647974 [S974 8 69.000] CKT 1  
 S982-90-71 : OPEN LINE FROM BUS 647090 [990TP 8 69.000] TO BUS 647971 [S971 8 69.000] CKT 1  
 OPEN LINE FROM BUS 647090 [990TP 8 69.000] TO BUS 647982 [S982 8 69.000] CKT 1  
 OPEN LINE FROM BUS 647090 [990TP 8 69.000] TO BUS 647990 [S990 8 69.000] CKT 1  
 S976-FRE-D-E: OPEN BRANCH FROM BUS 647976 [S976 8 69.000] TO BUS 647424 [FREM D 8 69.000] CKT 1  
 OPEN BRANCH FROM BUS 647424 [FREM D 8 69.000] TO BUS 647425 [FREM E 8 69.000] CKT 1  
 S979BUS : OPEN LINE FROM BUS 647979 [S979 8 69.000] TO BUS 647079 [979TP 8 69.000] CKT 1  
 S991TAP : OPEN LINE FROM BUS 647091 [991TP 8 69.000] TO BUS 647427 [FREM G 8 69.000] CKT 1  
 OPEN LINE FROM BUS 647091 [991TP 8 69.000] TO BUS 647984 [S984 8 69.000] CKT 1  
 OPEN LINE FROM BUS 647091 [991TP 8 69.000] TO BUS 647991 [S991 8 69.000] CKT 1  
 S962-KM-S971: OPEN LINE FROM BUS 647114 [KIN MTP8 69.000] TO BUS 647115 [KIN MOR8 69.000] CKT 1  
 OPEN LINE FROM BUS 647114 [KIN MTP8 69.000] TO BUS 647962 [S962 8 69.000] CKT 1  
 OPEN LINE FROM BUS 647114 [KIN MTP8 69.000] TO BUS 647971 [S971 8 69.000] CKT 1  
 FCS\_GEN : REMOVE MACHINE 1 FROM BUS 645001 [FT CAL1G 22.000]  
 NC1\_GEN : REMOVE MACHINE 1 FROM BUS 645011 [NEBCTY1G 18.000]  
 NC2\_GEN : REMOVE MACHINE 2 FROM BUS 645012 [NEBCTY2G 23.000]  
 FRE8\_GEN : REMOVE MACHINE 8 FROM BUS 647418 [FREM 8G 13.800]  
 ELKCITY\_GEN : REMOVE MACHINE 1 FROM BUS 647937 [S937 8 69.000]  
 ELKCTY3\_GEN : REDUCE BUS 647937 [S937 8 69.000] GENERATION BY 3 MW  
 GEN-SVGS4 : TRIP LINE FROM BUS 650004 [TBGS 4G 13.800] TO BUS 650275 [84&BLUFF 7 115.00] CKT 1  
 GEN-ROKBY2 : TRIP LINE FROM BUS 650092 [ROKEBY 2G 13.800] TO BUS 650290 [ROKEBY 7 115.00] CKT 1  
 TRF-NW68HOL : TRIP LINE FROM BUS 650214 [NW68HOLDRG7 115.00] TO BUS 650114 [NW68HOLDRG3 345.00] TO BUS 650314 [NW68HOL1 9 13.800] CKT 1  
 TRF-70&BLUF : TRIP LINE FROM BUS 650269 [70&BLUFF 7 115.00] TO BUS 650169 [70&BLUFF 5 161.00] TO BUS 650369 [70&BLUFF 9 13.800] CKT 1  
 TRF-WAGNR1 : TRIP LINE FROM BUS 650285 [WAGENER 7 115.00] TO BUS 650185 [WAGENER 3 345.00] TO BUS 650385 [WAGENER1 9 13.800] CKT 1  
 TRF-WAGNR2 : TRIP LINE FROM BUS 650285 [WAGENER 7 115.00] TO BUS 650185 [WAGENER 3 345.00] TO BUS 650485 [WAGENER2 9 13.800] CKT 2



ACCC OVERLOAD REPORT: MONITORED BRANCHES AND INTERFACES LOADED ABOVE 100.0 % OF RATING SET A  
 CONTINGENCY CASE LOADING NOT CHECKED UNLESS IT DIFFERS FROM ITS BASE CASE LOADING BY 1.0 MVA (MW FOR INTERFACES)  
 ACCC VOLTAGE REPORT: VOLTAGE BAND CHECK IN CONTINGENCY CASES SKIPPED FOR ANY BUS WITHIN 0.01000 OF ITS BASE CASE VOLTAGE MAGNITUDE

AC CONTINGENCY RESULTS FILE: C:\u1\ddbetz\spp-facilities-study\DISIS-2010-001\lf\acc\10G-max-post-nc-p3.acc  
 DISTRIBUTION FACTOR FILE: C:\u1\ddbetz\spp-facilities-study\DISIS-2010-001\lf\acc\10G-max-post-nc-p3.dfx  
 SUBSYSTEM DESCRIPTION FILE: C:\u1\ddbetz\spp-facilities-study\DISIS-2010-001\lf\acc\MRO.sub  
 MONITORED ELEMENT FILE: C:\u1\ddbetz\spp-facilities-study\DISIS-2010-001\lf\acc\Nebraska.mon  
 CONTINGENCY DESCRIPTION FILE: C:\u1\ddbetz\spp-facilities-study\DISIS-2010-001\lf\acc\2010\_sb\_nc.con

Solution engine: Fixed slope decoupled Newton-Raphson (FDNS)  
 Solution options  
 Tap adjustment: Stepping  
 Area interchange control: Disable  
 Phase shift adjustment: Enable  
 Dc tap adjustment: Enable  
 Switch shunt adjustment: Lock all  
 Non diverge: Disable  
 Mismatch tolerance (MW ): 1.5  
 Dispatch mode: Disable

<----- MULTI-SECTION LINE ----->	<----- MONITORED BRANCH ----->	CONTINGENCY	RATING	FLOW	%
640133*COLMBUS4	230.00 643000 MADISONCNTY4230.00 1 BASE CASE	192.0	230.1	118.8	
652511*GAVINS 7	115.00 660006 YKNTJCT7 115.00 1 BASE CASE	120.0	128.7	104.2	
640133*COLMBUS4	230.00 643000 MADISONCNTY4230.00 1 ALBION	192.0	251.3	129.7	
652511*GAVINS 7	115.00 660006 YKNTJCT7 115.00 1 ALBION	120.0	132.3	107.0	
640133*COLMBUS4	230.00 643000 MADISONCNTY4230.00 1 GENOA	192.0	244.4	126.1	
652511*GAVINS 7	115.00 660006 YKNTJCT7 115.00 1 GENOA	120.0	130.6	105.7	
640133*COLMBUS4	230.00 643000 MADISONCNTY4230.00 1 SPALDING	192.0	228.1	117.7	
640133*COLMBUS4	230.00 643000 MADISONCNTY4230.00 1 NLOUP	192.0	226.9	117.1	
640133*COLMBUS4	230.00 643000 MADISONCNTY4230.00 1 NELIGH	192.0	239.7	123.8	
652511*GAVINS 7	115.00 660006 YKNTJCT7 115.00 1 NELIGH	120.0	136.3	110.3	
652511*GAVINS 7	115.00 660006 YKNTJCT7 115.00 1 CREIGHTON	120.0	143.8	116.4	
652626 UTICAJC7	115.00 660006*YKNTJCT7 115.00 1 CREIGHTON	120.0	123.4	100.4	
640133*COLMBUS4	230.00 643000 MADISONCNTY4230.00 1 BLOOMFLD1	192.0	226.5	116.9	
640133*COLMBUS4	230.00 643000 MADISONCNTY4230.00 1 BLOOMFLD2	192.0	220.9	113.9	
640133*COLMBUS4	230.00 643000 MADISONCNTY4230.00 1 GAVINS	192.0	225.3	116.3	
652511*GAVINS 7	115.00 660006 YKNTJCT7 115.00 1 KELLY	120.0	126.1	102.0	
640133*COLMBUS4	230.00 643000 MADISONCNTY4230.00 1 BROKENBOW1	192.0	227.3	117.2	
652511*GAVINS 7	115.00 660006 YKNTJCT7 115.00 1 BROKENBOW1	120.0	127.2	102.9	
640133*COLMBUS4	230.00 643000 MADISONCNTY4230.00 1 MAXWELL	192.0	228.7	118.1	
640133*COLMBUS4	230.00 643000 MADISONCNTY4230.00 1 LOUPCITY	192.0	226.2	116.7	
652511*GAVINS 7	115.00 660006 YKNTJCT7 115.00 1 LOUPCITY	120.0	127.3	103.0	
640133*COLMBUS4	230.00 643000 MADISONCNTY4230.00 1 BKR-CC-2202	192.0	234.1	121.0	
640133*COLMBUS4	230.00 643000 MADISONCNTY4230.00 1 BKR-CC-2208	192.0	235.3	121.6	
640133*COLMBUS4	230.00 643000 MADISONCNTY4230.00 1 TWR-KSC-CC	192.0	205.0	106.4	
640133*COLMBUS4	230.00 643000 MADISONCNTY4230.00 1 TWR-SCH-CC	192.0	201.1	103.7	

652511*GAVINS 7	115.00	660006	YKNTJCT7	115.00	1	TWR-SCH-CC	120.0	125.3	101.4
640133*COLMBUS4	230.00	643000	MADISONCNTY4230.00	1	TWR-SCH-CM	192.0	207.6	107.1	
652511*GAVINS 7	115.00	660006	YKNTJCT7	115.00	1	TWR-SCH-CM	120.0	125.8	101.8
640133*COLMBUS4	230.00	643000	MADISONCNTY4230.00	1	TWR-SCH-MN	192.0	203.4	105.0	
640133*COLMBUS4	230.00	643000	MADISONCNTY4230.00	1	TWR-SCH-NH	192.0	204.4	105.5	
652511*GAVINS 7	115.00	660006	YKNTJCT7	115.00	1	TWR-SCH-NH	120.0	124.1	100.4

## MONITORED VOLTAGE REPORT:

SYSTEM CONTINGENCY &lt;----- B U S -----&gt; V-CONT V-INIT V-MAX V-MIN

## CONTINGENCY LEGEND:

LABEL EVENTS

ALBION : TRIP LINE FROM BUS 640054 [ALBION 7 115.00] TO BUS 640318 [PETRSG7 115.00] CKT 1  
TRIP LINE FROM BUS 640054 [ALBION 7 115.00] TO BUS 640181 [GENOA 7 115.00] CKT 1  
TRIP LINE FROM BUS 640054 [ALBION 7 115.00] TO BUS 640055 [ALBION 9 34.500] CKT 1  
TRIP LINE FROM BUS 640054 [ALBION 7 115.00] TO BUS 640055 [ALBION 9 34.500] CKT 2  
TRIP LINE FROM BUS 640054 [ALBION 7 115.00] TO BUS 640176 [FULERTN7 115.00] CKT 1  
TRIP LINE FROM BUS 640054 [ALBION 7 115.00] TO BUS 640347 [SPALDNG7 115.00] CKT 1

GENOA : TRIP LINE FROM BUS 640181 [GENOA 7 115.00] TO BUS 640054 [ALBION 7 115.00] CKT 1  
TRIP LINE FROM BUS 640181 [GENOA 7 115.00] TO BUS 640136 [COLMBUS7 115.00] CKT 1  
TRIP LINE FROM BUS 640181 [GENOA 7 115.00] TO BUS 640182 [GENOA G 34.500] CKT 1  
TRIP LINE FROM BUS 640181 [GENOA 7 115.00] TO BUS 640182 [GENOA G 34.500] CKT 2

SPALDING : TRIP LINE FROM BUS 640347 [SPALDNG7 115.00] TO BUS 640054 [ALBION 7 115.00] CKT 1  
TRIP LINE FROM BUS 640347 [SPALDNG7 115.00] TO BUS 640284 [N.LOUP 7 115.00] CKT 1  
TRIP LINE FROM BUS 640347 [SPALDNG7 115.00] TO BUS 640348 [SPALDNG9 34.500] CKT 1

NLOUP : TRIP LINE FROM BUS 640259 [LOUPCTY7 115.00] TO BUS 640284 [N.LOUP 7 115.00] CKT 1  
TRIP LINE FROM BUS 640284 [N.LOUP 7 115.00] TO BUS 640308 [ORD 7 115.00] CKT 1  
TRIP LINE FROM BUS 640284 [N.LOUP 7 115.00] TO BUS 640347 [SPALDNG7 115.00] CKT 1  
TRIP LINE FROM BUS 640284 [N.LOUP 7 115.00] TO BUS 640285 [N.LOUP 9 34.500] CKT 1

NELIGH : TRIP LINE FROM BUS 640293 [NELIGH 7 115.00] TO BUS 640444 [PETERSBRG.N7115.00] CKT 1  
TRIP LINE FROM BUS 640293 [NELIGH 7 115.00] TO BUS 640113 [CLRWATR7 115.00] CKT 1  
TRIP LINE FROM BUS 640293 [NELIGH 7 115.00] TO BUS 640115 [CO.LINE7 115.00] CKT 1  
TRIP LINE FROM BUS 640293 [NELIGH 7 115.00] TO BUS 640149 [CREITON7 115.00] CKT 1  
TRIP LINE FROM BUS 640293 [NELIGH 7 115.00] TO BUS 640294 [NELIGH 8 69.000] CKT 1  
TRIP LINE FROM BUS 640293 [NELIGH 7 115.00] TO BUS 640295 [NELIGH 9 34.500] CKT 1

CREIGHTON : TRIP LINE FROM BUS 640149 [CREITON7 115.00] TO BUS 640293 [NELIGH 7 115.00] CKT 1  
TRIP LINE FROM BUS 640149 [CREITON7 115.00] TO BUS 640084 [BLMFLD 7 115.00] CKT 1  
TRIP LINE FROM BUS 640149 [CREITON7 115.00] TO BUS 640150 [CREITON8 69.000] CKT 1

BLOOMFLD1 : TRIP LINE FROM BUS 640084 [BLMFLD 7 115.00] TO BUS 652511 [GAVINS 7 115.00] CKT 1  
TRIP LINE FROM BUS 640084 [BLMFLD 7 115.00] TO BUS 643030 [ELKHRN RG II34.500] CKT 1  
TRIP LINE FROM BUS 640084 [BLMFLD 7 115.00] TO BUS 640085 [BLMFLD 8 69.000] CKT 1

BLOOMFLD2 : TRIP LINE FROM BUS 640084 [BLMFLD 7 115.00] TO BUS 640149 [CREITON7 115.00] CKT 1  
TRIP LINE FROM BUS 640084 [BLMFLD 7 115.00] TO BUS 640080 [BELDEN 7 115.00] CKT 1  
TRIP LINE FROM BUS 640084 [BLMFLD 7 115.00] TO BUS 640419 [ELKRDG1D 34.500] CKT 1  
TRIP LINE FROM BUS 640084 [BLMFLD 7 115.00] TO BUS 640421 [CBED 1X 34.500] CKT 1

GAVINS : TRIP LINE FROM BUS 652511 [GAVINS 7 115.00] TO BUS 640084 [BLMFLD 7 115.00] CKT 1  
TRIP LINE FROM BUS 652511 [GAVINS 7 115.00] TO BUS 640212 [HARTGTN7 115.00] CKT 1  
TRIP LINE FROM BUS 652511 [GAVINS 7 115.00] TO BUS 652532 [YANKTON7 115.00] CKT 1

TRIP LINE FROM BUS 652511 [GAVINS 7 115.00] TO BUS 652575 [GAVINS1G 13.800] CKT 1  
 TRIP LINE FROM BUS 652511 [GAVINS 7 115.00] TO BUS 652576 [GAVINS2G 13.800] CKT 1  
 TRIP LINE FROM BUS 652511 [GAVINS 7 115.00] TO BUS 652577 [GAVINS3G 13.800] CKT 1  
 TRIP LINE FROM BUS 652511 [GAVINS 7 115.00] TO BUS 660006 [YKNTJCT7 115.00] CKT 1  
 KELLY : TRIP LINE FROM BUS 640133 [COLMBUS4 230.00] TO BUS 640126 [E.COL. 4 230.00] CKT 1  
 TRIP LINE FROM BUS 640133 [COLMBUS4 230.00] TO BUS 640131 [COLMB.W4 230.00] CKT 1  
 TRIP LINE FROM BUS 640133 [COLMBUS4 230.00] TO BUS 640343 [SHELCKR4 230.00] CKT 1  
 TRIP LINE FROM BUS 640133 [COLMBUS4 230.00] TO BUS 643000 [MADISONCNTY4230.00] CKT 1  
 TRIP LINE FROM BUS 640133 [COLMBUS4 230.00] TO BUS 640134 [KELLY 7 115.00] TO BUS 640135 [COLMBS19 13.200] CKT 1  
 BROKENBOW1 : TRIP LINE FROM BUS 640089 [BROKENB7 115.00] TO BUS 640428 [BROKEN1X 34.500] CKT 1  
 TRIP LINE FROM BUS 640089 [BROKENB7 115.00] TO BUS 640259 [LOUPCTY7 115.00] CKT 1  
 BROKENBOW2 : TRIP LINE FROM BUS 640089 [BROKENB7 115.00] TO BUS 643040 [BROKENBOW II34.500] CKT 1  
 TRIP LINE FROM BUS 640089 [BROKENB7 115.00] TO BUS 640098 [CALAWAY7 115.00] CKT 1  
 CALLAWAY : TRIP LINE FROM BUS 640098 [CALAWAY7 115.00] TO BUS 640089 [BROKENB7 115.00] CKT 1  
 TRIP LINE FROM BUS 640098 [CALAWAY7 115.00] TO BUS 640267 [MAXWELS7 115.00] CKT 1  
 MAXWELL : TRIP LINE FROM BUS 640267 [MAXWELS7 115.00] TO BUS 640098 [CALAWAY7 115.00] CKT 1  
 TRIP LINE FROM BUS 640267 [MAXWELS7 115.00] TO BUS 640381 [THEDFRD7 115.00] CKT 1  
 TRIP LINE FROM BUS 640267 [MAXWELS7 115.00] TO BUS 640287 [N.PLATT7 115.00] CKT 1  
 LOUPCTY : TRIP LINE FROM BUS 640259 [LOUPCTY7 115.00] TO BUS 640089 [BROKENB7 115.00] CKT 1  
 TRIP LINE FROM BUS 640259 [LOUPCTY7 115.00] TO BUS 640353 [ST.LIB 7 115.00] CKT 1  
 TRIP LINE FROM BUS 640259 [LOUPCTY7 115.00] TO BUS 640284 [N.LOUP 7 115.00] CKT 1  
 BKR-CC-2202 : TRIP LINE FROM BUS 640093 [C.CREEK4 230.00] TO BUS 640330 [RIVERDL4 230.00] CKT 1  
 TRIP LINE FROM BUS 640093 [C.CREEK4 230.00] TO BUS 640094 [C.CREEK7 115.00] CKT 1  
 BKR-CC-2208 : TRIP LINE FROM BUS 640093 [C.CREEK4 230.00] TO BUS 640286 [N.PLATT4 230.00] CKT 1  
 TRIP LINE FROM BUS 640093 [C.CREEK4 230.00] TO BUS 640094 [C.CREEK7 115.00] CKT 1  
 TWR-KSC-CC : TRIP LINE FROM BUS 640133 [COLMBUS4 230.00] TO BUS 640343 [SHELCKR4 230.00] CKT 1  
 TRIP LINE FROM BUS 640136 [COLMBUS7 115.00] TO BUS 640151 [CRESTON7 115.00] CKT 1  
 TWR-SCH-CC : TRIP LINE FROM BUS 640136 [COLMBUS7 115.00] TO BUS 640151 [CRESTON7 115.00] CKT 1  
 TRIP LINE FROM BUS 640342 [SHELCKR3 345.00] TO BUS 640226 [HOSKINS3 345.00] CKT 1  
 TWR-SCH-CM : TRIP LINE FROM BUS 640151 [CRESTON7 115.00] TO BUS 640263 [MADISON7 115.00] CKT 1  
 TRIP LINE FROM BUS 640342 [SHELCKR3 345.00] TO BUS 640226 [HOSKINS3 345.00] CKT 1  
 TWR-SCH-MN : TRIP LINE FROM BUS 640263 [MADISON7 115.00] TO BUS 640298 [NORFOLK7 115.00] CKT 1  
 TRIP LINE FROM BUS 640342 [SHELCKR3 345.00] TO BUS 640226 [HOSKINS3 345.00] CKT 1  
 TWR-SCH-NH : TRIP LINE FROM BUS 640298 [NORFOLK7 115.00] TO BUS 640228 [HOSKINS7 115.00] CKT 1  
 TRIP LINE FROM BUS 640342 [SHELCKR3 345.00] TO BUS 640226 [HOSKINS3 345.00] CKT 1

ACCC OVERLOAD REPORT: MONITORED BRANCHES AND INTERFACES LOADED ABOVE 100.0 % OF RATING SET A  
 CONTINGENCY CASE LOADING NOT CHECKED UNLESS IT DIFFERS FROM ITS BASE CASE LOADING BY 1.0 MVA (MW FOR INTERFACES)  
 ACCC VOLTAGE REPORT: VOLTAGE BAND CHECK IN CONTINGENCY CASES SKIPPED FOR ANY BUS WITHIN 0.01000 OF ITS BASE CASE VOLTAGE MAGNITUDE

AC CONTINGENCY RESULTS FILE: C:\u1\ddbetz\spp-facilities-study\DISIS-2010-001\lf\acc\10G-max-post-sc-p3.acc  
 DISTRIBUTION FACTOR FILE: C:\u1\ddbetz\spp-facilities-study\DISIS-2010-001\lf\acc\10G-max-post-sc-p3.dfx  
 SUBSYSTEM DESCRIPTION FILE: C:\u1\ddbetz\spp-facilities-study\DISIS-2010-001\lf\acc\MRO.sub  
 MONITORED ELEMENT FILE: C:\u1\ddbetz\spp-facilities-study\DISIS-2010-001\lf\acc\Nebraska.mon  
 CONTINGENCY DESCRIPTION FILE: C:\u1\ddbetz\spp-facilities-study\DISIS-2010-001\lf\acc\2010\_sb\_sc.con

Solution engine: Fixed slope decoupled Newton-Raphson (FDNS)

Solution options

Tap adjustment: Stepping  
 Area interchange control: Disable  
 Phase shift adjustment: Enable  
 Dc tap adjustment: Enable  
 Switch shunt adjustment: Lock all  
 Non diverge: Disable  
 Mismatch tolerance (MW): 1.5  
 Dispatch mode: Disable

<----- MULTI-SECTION LINE -----> <----- MONITORED BRANCH -----> CONTINGENCY RATING FLOW %

MONITORED VOLTAGE REPORT:

SYSTEM CONTINGENCY <----- B U S -----> V-CONT V-INIT V-MAX V-MIN

CONTINGENCY LEGEND:

LABEL EVENTS

PAUL-345 : TRIP LINE FROM BUS 640312 [PAULINE3 345.00] TO BUS 640065 [AXTELL 3 345.00] CKT 1  
 TRIP LINE FROM BUS 640312 [PAULINE3 345.00] TO BUS 640277 [MOORE 3 345.00] CKT 1  
 TRIP LINE FROM BUS 640312 [PAULINE3 345.00] TO BUS 640313 [PAULINE7 115.00] TO BUS 640315 [PAULINE9 13.800] CKT 1  
 PAUL-115 : TRIP LINE FROM BUS 640313 [PAULINE7 115.00] TO BUS 643050 [ROSEMONT 7115.00] CKT 1  
 TRIP LINE FROM BUS 640313 [PAULINE7 115.00] TO BUS 640215 [HASTING7 115.00] CKT 1  
 TRIP LINE FROM BUS 640313 [PAULINE7 115.00] TO BUS 640215 [HASTING7 115.00] CKT 2  
 TRIP LINE FROM BUS 640313 [PAULINE7 115.00] TO BUS 640222 [HILDRTH7 115.00] CKT 1  
 TRIP LINE FROM BUS 640313 [PAULINE7 115.00] TO BUS 640314 [PAULINE8 69.000] CKT 1  
 TRIP LINE FROM BUS 640313 [PAULINE7 115.00] TO BUS 640312 [PAULINE3 345.00] TO BUS 640315 [PAULINE9 13.800] CKT 1  
 HAST-NPPD : TRIP LINE FROM BUS 640215 [HASTING7 115.00] TO BUS 640216 [HASTING9 34.500] CKT 1  
 TRIP LINE FROM BUS 640215 [HASTING7 115.00] TO BUS 640216 [HASTING9 34.500] CKT 2  
 TRIP LINE FROM BUS 640215 [HASTING7 115.00] TO BUS 640313 [PAULINE7 115.00] CKT 1  
 TRIP LINE FROM BUS 640215 [HASTING7 115.00] TO BUS 640313 [PAULINE7 115.00] CKT 2  
 TRIP LINE FROM BUS 640215 [HASTING7 115.00] TO BUS 641087 [EGYCNTR7 115.00] CKT 1  
 TRIP LINE FROM BUS 640215 [HASTING7 115.00] TO BUS 641088 [HASTCTY7 115.00] CKT 1  
 HAST-CITY : TRIP LINE FROM BUS 641088 [HASTCTY7 115.00] TO BUS 640214 [HASTING4 230.00] CKT 1  
 TRIP LINE FROM BUS 641088 [HASTCTY7 115.00] TO BUS 640215 [HASTING7 115.00] CKT 1  
 TRIP LINE FROM BUS 641088 [HASTCTY7 115.00] TO BUS 641085 [E7THST 7 115.00] CKT 1  
 TRIP LINE FROM BUS 641088 [HASTCTY7 115.00] TO BUS 641087 [EGYCNTR7 115.00] CKT 1

BYPASS : TRIP LINE FROM BUS 641082 [BYPASS 7 115.00] TO BUS 640282 [N.HAST 7 115.00] CKT 1  
TRIP LINE FROM BUS 641082 [BYPASS 7 115.00] TO BUS 641084 [DENVER 7 115.00] CKT 1  
TRIP LINE FROM BUS 641082 [BYPASS 7 115.00] TO BUS 641085 [E7THST 7 115.00] CKT 1  
TRIP LINE FROM BUS 641082 [BYPASS 7 115.00] TO BUS 641091 [BYPASS 9 13.800] CKT 1  
NHAST : TRIP LINE FROM BUS 640282 [N.HAST 7 115.00] TO BUS 640159 [DONIPH7 115.00] CKT 1  
TRIP LINE FROM BUS 640282 [N.HAST 7 115.00] TO BUS 640321 [PROSSER7 115.00] CKT 1  
TRIP LINE FROM BUS 640282 [N.HAST 7 115.00] TO BUS 641082 [BYPASS 7 115.00] CKT 1  
GENEVA : TRIP LINE FROM BUS 640178 [GENEVA 7 115.00] TO BUS 640105 [CARLJCT7 115.00] CKT 1  
TRIP LINE FROM BUS 640178 [GENEVA 7 115.00] TO BUS 640174 [FRIEND 7 115.00] CKT 1  
TRIP LINE FROM BUS 640178 [GENEVA 7 115.00] TO BUS 640179 [GENEVA 8 69.000] CKT 1  
TRIP LINE FROM BUS 640178 [GENEVA 7 115.00] TO BUS 640180 [GENEVA 9 34.500] CKT 1  
TRIP LINE FROM BUS 640178 [GENEVA 7 115.00] TO BUS 640272 [MCCOOL 7 115.00] CKT 1  
TRIP LINE FROM BUS 640178 [GENEVA 7 115.00] TO BUS 640372 [SUTTON 7 115.00] CKT 1  
HEBRONN : TRIP LINE FROM BUS 640218 [HEBRN N7 115.00] TO BUS 640012 [HEBRON G 13.800] CKT 1  
TRIP LINE FROM BUS 640218 [HEBRN N7 115.00] TO BUS 640105 [CARLJCT7 115.00] CKT 1  
TRIP LINE FROM BUS 640218 [HEBRN N7 115.00] TO BUS 640169 [FAIRBRY7 115.00] CKT 1  
TRIP LINE FROM BUS 640218 [HEBRN N7 115.00] TO BUS 640220 [HEBRON 7 115.00] CKT 1  
GI-1 : TRIP LINE FROM BUS 640200 [GR ISLD4 230.00] TO BUS 640214 [HASTING4 230.00] CKT 1  
TRIP LINE FROM BUS 640200 [GR ISLD4 230.00] TO BUS 640330 [RIVERDL4 230.00] CKT 1  
GI-2 : TRIP LINE FROM BUS 640200 [GR ISLD4 230.00] TO BUS 640214 [HASTING4 230.00] CKT 1  
TRIP LINE FROM BUS 640200 [GR ISLD4 230.00] TO BUS 640201 [GR ISLD7 115.00] CKT 2  
TWR-AP-HP : TRIP LINE FROM BUS 640312 [PAULINE3 345.00] TO BUS 640065 [AXTELL 3 345.00] CKT 1  
TRIP LINE FROM BUS 640313 [PAULINE7 115.00] TO BUS 640215 [HASTING7 115.00] CKT 1  
TWR-HP-PR : TRIP LINE FROM BUS 640313 [PAULINE7 115.00] TO BUS 640215 [HASTING7 115.00] CKT 2  
TRIP LINE FROM BUS 640313 [PAULINE7 115.00] TO BUS 643050 [ROSEMONT 7115.00] CKT 1  
TWR-PM-PR : TRIP LINE FROM BUS 640312 [PAULINE3 345.00] TO BUS 640277 [MOORE 3 345.00] CKT 1  
TRIP LINE FROM BUS 640313 [PAULINE7 115.00] TO BUS 643050 [ROSEMONT 7115.00] CKT 1

ACCC OVERLOAD REPORT: MONITORED BRANCHES AND INTERFACES LOADED ABOVE 100.0 % OF RATING SET A  
 CONTINGENCY CASE LOADING NOT CHECKED UNLESS IT DIFFERS FROM ITS BASE CASE LOADING BY 1.0 MVA (MW FOR INTERFACES)  
 ACCC VOLTAGE REPORT: VOLTAGE BAND CHECK IN CONTINGENCY CASES SKIPPED FOR ANY BUS WITHIN 0.01000 OF ITS BASE CASE VOLTAGE MAGNITUDE

AC CONTINGENCY RESULTS FILE: C:\u1\ddbetz\spp-facilities-study\DISIS-2010-001\lf\acc\10G-max-post-nc-N2.acc  
 DISTRIBUTION FACTOR FILE: C:\u1\ddbetz\spp-facilities-study\DISIS-2010-001\lf\acc\10G-max-post-nc-N2.dfx  
 SUBSYSTEM DESCRIPTION FILE: C:\u1\ddbetz\spp-facilities-study\DISIS-2010-001\lf\acc\MRO.sub  
 MONITORED ELEMENT FILE: C:\u1\ddbetz\spp-facilities-study\DISIS-2010-001\lf\acc\Nebraska.mon  
 CONTINGENCY DESCRIPTION FILE: C:\u1\ddbetz\spp-facilities-study\DISIS-2010-001\lf\acc\2010\_n2\_nc.con

Solution engine: Fixed slope decoupled Newton-Raphson (FDNS)  
 Solution options  
 Tap adjustment: Stepping  
 Area interchange control: Disable  
 Phase shift adjustment: Enable  
 Dc tap adjustment: Enable  
 Switch shunt adjustment: Lock all  
 Non diverge: Disable  
 Mismatch tolerance (MW): 1.5  
 Dispatch mode: Disable

<----- MULTI-SECTION LINE ----->	<----- MONITORED BRANCH ----->	CONTINGENCY	RATING	FLOW	%
640133*COLMBUS4	230.00 643000 MADISONCNTY4230.00 1 BASE CASE	192.0	230.1	118.8	
652511*GAVINS 7	115.00 660006 YKNTJCT7 115.00 1 BASE CASE	120.0	128.7	104.2	
640133*COLMBUS4	230.00 643000 MADISONCNTY4230.00 1 DOUBLE 1	192.0	221.8	114.4	
640133*COLMBUS4	230.00 643000 MADISONCNTY4230.00 1 DOUBLE 20	192.0	221.8	114.4	
640133*COLMBUS4	230.00 643000 MADISONCNTY4230.00 1 DOUBLE 38	192.0	221.7	114.4	
652511*GAVINS 7	115.00 660006 YKNTJCT7 115.00 1 DOUBLE 61	120.0	130.8	105.8	
640133*COLMBUS4	230.00 643000 MADISONCNTY4230.00 1 DOUBLE 62	192.0	243.6	125.7	
652511*GAVINS 7	115.00 660006 YKNTJCT7 115.00 1 DOUBLE 62	120.0	130.7	105.7	
640133*COLMBUS4	230.00 643000 MADISONCNTY4230.00 1 DOUBLE 63	192.0	251.0	129.5	
652511*GAVINS 7	115.00 660006 YKNTJCT7 115.00 1 DOUBLE 63	120.0	132.3	107.1	
640133*COLMBUS4	230.00 643000 MADISONCNTY4230.00 1 DOUBLE 64	192.0	227.1	117.2	
640133*COLMBUS4	230.00 643000 MADISONCNTY4230.00 1 DOUBLE 65	192.0	231.3	119.4	
652511*GAVINS 7	115.00 660006 YKNTJCT7 115.00 1 DOUBLE 65	120.0	142.2	115.1	
652511*GAVINS 7	115.00 660006 YKNTJCT7 115.00 1 DOUBLE 66	120.0	143.8	116.4	
652626 UTICAJC7	115.00 660006*YKNTJCT7 115.00 1 DOUBLE 66	120.0	123.4	100.3	
652511*GAVINS 7	115.00 660006 YKNTJCT7 115.00 1 DOUBLE 67	120.0	138.9	112.4	
640133*COLMBUS4	230.00 643000 MADISONCNTY4230.00 1 DOUBLE 68	192.0	232.1	119.9	
652511*GAVINS 7	115.00 660006 YKNTJCT7 115.00 1 DOUBLE 68	120.0	148.5	120.1	
652626 UTICAJC7	115.00 660006*YKNTJCT7 115.00 1 DOUBLE 68	120.0	127.4	103.6	
640133*COLMBUS4	230.00 643000 MADISONCNTY4230.00 1 DOUBLE 69	192.0	226.2	116.7	
652511*GAVINS 7	115.00 660006 YKNTJCT7 115.00 1 DOUBLE 69	120.0	144.0	116.5	
652626 UTICAJC7	115.00 660006*YKNTJCT7 115.00 1 DOUBLE 69	120.0	123.0	100.1	
640133*COLMBUS4	230.00 643000 MADISONCNTY4230.00 1 DOUBLE 70	192.0	231.4	119.5	
640133*COLMBUS4	230.00 643000 MADISONCNTY4230.00 1 DOUBLE 73	192.0	224.7	116.0	
652511*GAVINS 7	115.00 660006 YKNTJCT7 115.00 1 DOUBLE 73	120.0	127.4	103.0	

640133*COLMBUS4	230.00	643000	MADISONCNTY4230.00	1	DOUBLE	77	192.0	231.7	119.7	
652511*GAVINS 7	115.00	660006	YKNTJCT7	115.00	1	DOUBLE	80	120.0	131.1	106.1
640133*COLMBUS4	230.00	643000	MADISONCNTY4230.00	1	DOUBLE	81	192.0	233.9	120.7	
652511*GAVINS 7	115.00	660006	YKNTJCT7	115.00	1	DOUBLE	81	120.0	133.9	108.4
640133*COLMBUS4	230.00	643000	MADISONCNTY4230.00	1	DOUBLE	82	192.0	219.2	113.0	
640133*COLMBUS4	230.00	643000	MADISONCNTY4230.00	1	DOUBLE	83	192.0	236.5	121.7	
640133*COLMBUS4	230.00	643000	MADISONCNTY4230.00	1	DOUBLE	84	192.0	198.0	102.8	
652511*GAVINS 7	115.00	660006	YKNTJCT7	115.00	1	DOUBLE	85	120.0	127.6	103.2
640133*COLMBUS4	230.00	643000	MADISONCNTY4230.00	1	DOUBLE	86	192.0	221.9	114.2	
640133*COLMBUS4	230.00	643000	MADISONCNTY4230.00	1	DOUBLE	87	192.0	227.5	117.4	
652511*GAVINS 7	115.00	660006	YKNTJCT7	115.00	1	DOUBLE	87	120.0	137.8	111.5
640133*COLMBUS4	230.00	643000	MADISONCNTY4230.00	1	DOUBLE	88	192.0	241.4	124.6	
652511*GAVINS 7	115.00	660006	YKNTJCT7	115.00	1	DOUBLE	89	120.0	150.9	122.1
652626 UTICAJC7	115.00	660006*	YKNTJCT7	115.00	1	DOUBLE	89	120.0	129.0	105.0
640133*COLMBUS4	230.00	643000	MADISONCNTY4230.00	1	DOUBLE	90	192.0	235.6	121.6	
640133*COLMBUS4	230.00	643000	MADISONCNTY4230.00	1	DOUBLE	91	192.0	224.2	115.7	
652511*GAVINS 7	115.00	660006	YKNTJCT7	115.00	1	DOUBLE	91	120.0	127.5	103.2
640133*COLMBUS4	230.00	643000	MADISONCNTY4230.00	1	DOUBLE	92	192.0	232.4	119.9	
640133*COLMBUS4	230.00	643000	MADISONCNTY4230.00	1	DOUBLE	93	192.0	236.7	122.2	
652511*GAVINS 7	115.00	660006	YKNTJCT7	115.00	1	DOUBLE	93	120.0	127.2	102.9
640133*COLMBUS4	230.00	643000	MADISONCNTY4230.00	1	DOUBLE	94	192.0	268.7	139.0	
652511*GAVINS 7	115.00	660006	YKNTJCT7	115.00	1	DOUBLE	94	120.0	127.4	103.1
640133*COLMBUS4	230.00	643000	MADISONCNTY4230.00	1	DOUBLE	97	192.0	226.1	116.7	
640133*COLMBUS4	230.00	643000	MADISONCNTY4230.00	1	DOUBLE	99	192.0	238.7	123.3	
640133*COLMBUS4	230.00	643000	MADISONCNTY4230.00	1	DOUBLE	100	192.0	259.6	134.2	
652511*GAVINS 7	115.00	660006	YKNTJCT7	115.00	1	DOUBLE	100	120.0	126.2	102.1
640133*COLMBUS4	230.00	643000	MADISONCNTY4230.00	1	DOUBLE	101	192.0	251.4	129.7	
652511*GAVINS 7	115.00	660006	YKNTJCT7	115.00	1	DOUBLE	101	120.0	132.4	107.1
640133*COLMBUS4	230.00	643000	MADISONCNTY4230.00	1	DOUBLE	102	192.0	207.1	106.9	
652511*GAVINS 7	115.00	660006	YKNTJCT7	115.00	1	DOUBLE	102	120.0	132.6	107.3
640133*COLMBUS4	230.00	643000	MADISONCNTY4230.00	1	DOUBLE	103	192.0	242.5	125.2	
652511*GAVINS 7	115.00	660006	YKNTJCT7	115.00	1	DOUBLE	103	120.0	131.5	106.4
640133*COLMBUS4	230.00	643000	MADISONCNTY4230.00	1	DOUBLE	104	192.0	229.1	118.2	
640133*COLMBUS4	230.00	643000	MADISONCNTY4230.00	1	DOUBLE	105	192.0	228.7	118.0	
640133*COLMBUS4	230.00	643000	MADISONCNTY4230.00	1	DOUBLE	109	192.0	245.2	126.6	
652511*GAVINS 7	115.00	660006	YKNTJCT7	115.00	1	DOUBLE	109	120.0	148.2	119.9
652626 UTICAJC7	115.00	660006*	YKNTJCT7	115.00	1	DOUBLE	109	120.0	147.1	119.9
640133*COLMBUS4	230.00	643000	MADISONCNTY4230.00	1	DOUBLE	110	192.0	243.6	125.9	
652511*GAVINS 7	115.00	660006	YKNTJCT7	115.00	1	DOUBLE	111	120.0	130.0	105.2
640133*COLMBUS4	230.00	643000	MADISONCNTY4230.00	1	DOUBLE	112	192.0	227.6	117.6	
652517 MANNING7	115.00	659121*	SPIRITM7	115.00	1	DOUBLE	112	120.0	122.6	102.1
640133*COLMBUS4	230.00	643000	MADISONCNTY4230.00	1	DOUBLE	113	192.0	232.5	120.1	
652511*GAVINS 7	115.00	660006	YKNTJCT7	115.00	1	DOUBLE	113	120.0	183.0	148.0
652626 UTICAJC7	115.00	660006*	YKNTJCT7	115.00	1	DOUBLE	113	120.0	155.1	126.4
652511*GAVINS 7	115.00	660006	YKNTJCT7	115.00	1	DOUBLE	115	120.0	130.0	105.2
640133*COLMBUS4	230.00	643000	MADISONCNTY4230.00	1	DOUBLE	119	192.0	240.8	124.2	
640133*COLMBUS4	230.00	643000	MADISONCNTY4230.00	1	DOUBLE	120	192.0	247.7	127.8	
652511*GAVINS 7	115.00	660006	YKNTJCT7	115.00	1	DOUBLE	120	120.0	131.1	106.1

640133*COLMBUS4	230.00	643000	MADISONCNTY4230.00	1	DOUBLE	121	192.0	224.4	115.8	
652511*GAVINS 7	115.00	660006	YKNTJCT7	115.00	1	DOUBLE	121	120.0	127.1	102.8
640133*COLMBUS4	230.00	643000	MADISONCNTY4230.00	1	DOUBLE	122	192.0	228.7	118.1	
652511*GAVINS 7	115.00	660006	YKNTJCT7	115.00	1	DOUBLE	122	120.0	141.0	114.1
640133*COLMBUS4	230.00	643000	MADISONCNTY4230.00	1	DOUBLE	123	192.0	227.2	117.3	
652511*GAVINS 7	115.00	660006	YKNTJCT7	115.00	1	DOUBLE	123	120.0	142.6	115.4
640133*COLMBUS4	230.00	643000	MADISONCNTY4230.00	1	DOUBLE	124	192.0	226.7	117.0	
652511*GAVINS 7	115.00	660006	YKNTJCT7	115.00	1	DOUBLE	124	120.0	137.7	111.4
652511*GAVINS 7	115.00	660006	YKNTJCT7	115.00	1	DOUBLE	125	120.0	147.2	119.1
652626 UTICAJC7	115.00	660006*	YKNTJCT7	115.00	1	DOUBLE	125	120.0	125.7	102.3
640133*COLMBUS4	230.00	643000	MADISONCNTY4230.00	1	DOUBLE	126	192.0	223.3	115.2	
652511*GAVINS 7	115.00	660006	YKNTJCT7	115.00	1	DOUBLE	126	120.0	144.2	116.7
640133*COLMBUS4	230.00	643000	MADISONCNTY4230.00	1	DOUBLE	127	192.0	228.9	118.2	
640133*COLMBUS4	230.00	643000	MADISONCNTY4230.00	1	DOUBLE	128	192.0	228.6	118.0	
640133*COLMBUS4	230.00	643000	MADISONCNTY4230.00	1	DOUBLE	129	192.0	226.8	117.1	
640133*COLMBUS4	230.00	643000	MADISONCNTY4230.00	1	DOUBLE	130	192.0	222.3	114.7	
652511*GAVINS 7	115.00	660006	YKNTJCT7	115.00	1	DOUBLE	130	120.0	126.1	102.0
640133*COLMBUS4	230.00	643000	MADISONCNTY4230.00	1	DOUBLE	131	192.0	228.6	118.0	
640133*COLMBUS4	230.00	643000	MADISONCNTY4230.00	1	DOUBLE	132	192.0	226.8	117.1	
652511*GAVINS 7	115.00	660006	YKNTJCT7	115.00	1	DOUBLE	132	120.0	127.7	103.3
640133*COLMBUS4	230.00	643000	MADISONCNTY4230.00	1	DOUBLE	133	192.0	228.5	118.1	
652511*GAVINS 7	115.00	660006	YKNTJCT7	115.00	1	DOUBLE	133	120.0	127.1	102.8
652511*GAVINS 7	115.00	660006	YKNTJCT7	115.00	1	DOUBLE	134	120.0	127.5	103.2
640133*COLMBUS4	230.00	643000	MADISONCNTY4230.00	1	DOUBLE	136	192.0	226.7	117.0	
652511*GAVINS 7	115.00	660006	YKNTJCT7	115.00	1	DOUBLE	136	120.0	127.7	103.3
640133*COLMBUS4	230.00	643000	MADISONCNTY4230.00	1	DOUBLE	137	192.0	227.2	117.3	
652511*GAVINS 7	115.00	660006	YKNTJCT7	115.00	1	DOUBLE	137	120.0	132.9	107.5
652511*GAVINS 7	115.00	660006	YKNTJCT7	115.00	1	DOUBLE	138	120.0	132.5	107.2
640133*COLMBUS4	230.00	643000	MADISONCNTY4230.00	1	DOUBLE	139	192.0	216.6	111.7	
652511*GAVINS 7	115.00	660006	YKNTJCT7	115.00	1	DOUBLE	139	120.0	127.5	103.2
640133*COLMBUS4	230.00	643000	MADISONCNTY4230.00	1	DOUBLE	140	192.0	234.4	120.6	
652511*GAVINS 7	115.00	660006	YKNTJCT7	115.00	1	DOUBLE	140	120.0	127.0	102.8
640133*COLMBUS4	230.00	643000	MADISONCNTY4230.00	1	DOUBLE	141	192.0	195.7	101.6	
652511*GAVINS 7	115.00	660006	YKNTJCT7	115.00	1	DOUBLE	141	120.0	126.9	102.7
652511*GAVINS 7	115.00	660006	YKNTJCT7	115.00	1	DOUBLE	142	120.0	126.6	102.4
640133*COLMBUS4	230.00	643000	MADISONCNTY4230.00	1	DOUBLE	143	192.0	219.3	112.9	
652511*GAVINS 7	115.00	660006	YKNTJCT7	115.00	1	DOUBLE	143	120.0	127.5	103.1
640133*COLMBUS4	230.00	643000	MADISONCNTY4230.00	1	DOUBLE	144	192.0	224.6	115.9	
652511*GAVINS 7	115.00	660006	YKNTJCT7	115.00	1	DOUBLE	144	120.0	138.0	111.6
640133*COLMBUS4	230.00	643000	MADISONCNTY4230.00	1	DOUBLE	145	192.0	238.6	123.2	
640133*COLMBUS4	230.00	643000	MADISONCNTY4230.00	1	DOUBLE	146	192.0	227.5	117.4	
652511*GAVINS 7	115.00	660006	YKNTJCT7	115.00	1	DOUBLE	146	120.0	149.7	121.1
652626 UTICAJC7	115.00	660006*	YKNTJCT7	115.00	1	DOUBLE	146	120.0	127.4	103.7
640133*COLMBUS4	230.00	643000	MADISONCNTY4230.00	1	DOUBLE	147	192.0	233.0	120.3	
652511*GAVINS 7	115.00	660006	YKNTJCT7	115.00	1	DOUBLE	147	120.0	127.2	102.9
640133*COLMBUS4	230.00	643000	MADISONCNTY4230.00	1	DOUBLE	148	192.0	221.4	114.3	
652511*GAVINS 7	115.00	660006	YKNTJCT7	115.00	1	DOUBLE	148	120.0	126.3	102.2
640133*COLMBUS4	230.00	643000	MADISONCNTY4230.00	1	DOUBLE	150	192.0	234.2	120.9	



652511*GAVINS 7	115.00	660006	YKNTJCT7	115.00	1	DOUBLE 150	120.0	126.0	102.0
640133*COLMBUS4	230.00	643000	MADISONCNTY4230.00	1	DOUBLE 151	192.0	266.0	137.5	
652511*GAVINS 7	115.00	660006	YKNTJCT7	115.00	1	DOUBLE 151	120.0	126.3	102.2
640133*COLMBUS4	230.00	643000	MADISONCNTY4230.00	1	DOUBLE 152	192.0	226.9	117.1	
652511*GAVINS 7	115.00	660006	YKNTJCT7	115.00	1	DOUBLE 152	120.0	127.7	103.3
640133*COLMBUS4	230.00	643000	MADISONCNTY4230.00	1	DOUBLE 153	192.0	227.0	117.1	
652511*GAVINS 7	115.00	660006	YKNTJCT7	115.00	1	DOUBLE 153	120.0	127.5	103.2
640133*COLMBUS4	230.00	643000	MADISONCNTY4230.00	1	DOUBLE 154	192.0	223.4	115.3	
652511*GAVINS 7	115.00	660006	YKNTJCT7	115.00	1	DOUBLE 154	120.0	126.8	102.6
640133*COLMBUS4	230.00	643000	MADISONCNTY4230.00	1	DOUBLE 155	192.0	226.6	116.9	
652511*GAVINS 7	115.00	660006	YKNTJCT7	115.00	1	DOUBLE 155	120.0	127.7	103.3
640133*COLMBUS4	230.00	643000	MADISONCNTY4230.00	1	DOUBLE 156	192.0	237.0	122.4	
640133*COLMBUS4	230.00	643000	MADISONCNTY4230.00	1	DOUBLE 157	192.0	257.0	132.8	
652511*GAVINS 7	115.00	660006	YKNTJCT7	115.00	1	DOUBLE 157	120.0	125.1	101.2
640133*COLMBUS4	230.00	643000	MADISONCNTY4230.00	1	DOUBLE 158	192.0	248.1	128.0	
652511*GAVINS 7	115.00	660006	YKNTJCT7	115.00	1	DOUBLE 158	120.0	131.1	106.1
640133*COLMBUS4	230.00	643000	MADISONCNTY4230.00	1	DOUBLE 159	192.0	205.7	106.2	
652511*GAVINS 7	115.00	660006	YKNTJCT7	115.00	1	DOUBLE 159	120.0	131.4	106.3
640133*COLMBUS4	230.00	643000	MADISONCNTY4230.00	1	DOUBLE 160	192.0	240.1	124.0	
652511*GAVINS 7	115.00	660006	YKNTJCT7	115.00	1	DOUBLE 160	120.0	130.4	105.5
640133*COLMBUS4	230.00	643000	MADISONCNTY4230.00	1	DOUBLE 161	192.0	226.4	116.8	
640133*COLMBUS4	230.00	643000	MADISONCNTY4230.00	1	DOUBLE 162	192.0	225.9	116.6	
640133*COLMBUS4	230.00	643000	MADISONCNTY4230.00	1	DOUBLE 163	192.0	226.7	117.0	
652511*GAVINS 7	115.00	660006	YKNTJCT7	115.00	1	DOUBLE 163	120.0	127.7	103.3
640133*COLMBUS4	230.00	643000	MADISONCNTY4230.00	1	DOUBLE 164	192.0	226.7	117.0	
652511*GAVINS 7	115.00	660006	YKNTJCT7	115.00	1	DOUBLE 164	120.0	127.7	103.3
640133*COLMBUS4	230.00	643000	MADISONCNTY4230.00	1	DOUBLE 165	192.0	226.8	117.1	
652511*GAVINS 7	115.00	660006	YKNTJCT7	115.00	1	DOUBLE 165	120.0	127.7	103.3
640133*COLMBUS4	230.00	643000	MADISONCNTY4230.00	1	DOUBLE 166	192.0	242.5	125.3	
652511*GAVINS 7	115.00	660006	YKNTJCT7	115.00	1	DOUBLE 166	120.0	147.0	118.9
652626 UTICAJC7	115.00	660006*	YKNTJCT7	115.00	1	DOUBLE 166	120.0	145.3	118.5
640133*COLMBUS4	230.00	643000	MADISONCNTY4230.00	1	DOUBLE 167	192.0	240.9	124.5	
640133*COLMBUS4	230.00	643000	MADISONCNTY4230.00	1	DOUBLE 168	192.0	226.7	117.0	
640133*COLMBUS4	230.00	643000	MADISONCNTY4230.00	1	DOUBLE 169	192.0	225.2	116.3	
652517 MANNING7	115.00	659121*	SPIRITM7	115.00	1	DOUBLE 169	120.0	121.9	101.6
652511*GAVINS 7	115.00	660006	YKNTJCT7	115.00	1	DOUBLE 170	120.0	181.5	146.9
652626 UTICAJC7	115.00	660006*	YKNTJCT7	115.00	1	DOUBLE 170	120.0	153.4	124.9
640133*COLMBUS4	230.00	643000	MADISONCNTY4230.00	1	DOUBLE 171	192.0	226.7	117.0	
640133*COLMBUS4	230.00	643000	MADISONCNTY4230.00	1	DOUBLE 172	192.0	226.7	117.0	
640133*COLMBUS4	230.00	643000	MADISONCNTY4230.00	1	DOUBLE 173	192.0	227.8	117.7	
640133*COLMBUS4	230.00	643000	MADISONCNTY4230.00	1	DOUBLE 174	192.0	227.8	117.6	
640133*COLMBUS4	230.00	643000	MADISONCNTY4230.00	1	DOUBLE 175	192.0	244.2	126.0	
652511*GAVINS 7	115.00	660006	YKNTJCT7	115.00	1	DOUBLE 175	120.0	132.6	107.3
640133*COLMBUS4	230.00	643000	MADISONCNTY4230.00	1	DOUBLE 176	192.0	251.5	129.8	
652511*GAVINS 7	115.00	660006	YKNTJCT7	115.00	1	DOUBLE 176	120.0	134.3	108.7
640133*COLMBUS4	230.00	643000	MADISONCNTY4230.00	1	DOUBLE 177	192.0	227.6	117.5	
652511*GAVINS 7	115.00	660006	YKNTJCT7	115.00	1	DOUBLE 177	120.0	130.2	105.4
640133*COLMBUS4	230.00	643000	MADISONCNTY4230.00	1	DOUBLE 178	192.0	231.6	119.6	

652511*GAVINS 7	115.00	660006	YKNTJCT7	115.00	1	DOUBLE 178	120.0	144.3	116.7
652626 UTICAJC7	115.00	660006*	YKNTJCT7	115.00	1	DOUBLE 178	120.0	123.6	100.6
652511*GAVINS 7	115.00	660006	YKNTJCT7	115.00	1	DOUBLE 179	120.0	145.6	117.8
652626 UTICAJC7	115.00	660006*	YKNTJCT7	115.00	1	DOUBLE 179	120.0	124.5	101.2
652511*GAVINS 7	115.00	660006	YKNTJCT7	115.00	1	DOUBLE 180	120.0	140.8	113.9
640133*COLMBUS4	230.00	643000	MADISONCNTY4230.00	1	DOUBLE 181	192.0	232.4	120.0	
652511*GAVINS 7	115.00	660006	YKNTJCT7	115.00	1	DOUBLE 181	120.0	150.5	121.8
652626 UTICAJC7	115.00	660006*	YKNTJCT7	115.00	1	DOUBLE 181	120.0	128.7	104.7
640133*COLMBUS4	230.00	643000	MADISONCNTY4230.00	1	DOUBLE 182	192.0	226.9	117.1	
652511*GAVINS 7	115.00	660006	YKNTJCT7	115.00	1	DOUBLE 182	120.0	144.7	117.1
652626 UTICAJC7	115.00	660006*	YKNTJCT7	115.00	1	DOUBLE 182	120.0	123.4	100.3
640133*COLMBUS4	230.00	643000	MADISONCNTY4230.00	1	DOUBLE 183	192.0	231.7	119.7	
640133*COLMBUS4	230.00	643000	MADISONCNTY4230.00	1	DOUBLE 184	192.0	231.5	119.5	
652511*GAVINS 7	115.00	660006	YKNTJCT7	115.00	1	DOUBLE 184	120.0	131.2	106.1
652511*GAVINS 7	115.00	660006	YKNTJCT7	115.00	1	DOUBLE 185	120.0	130.8	105.8
640133*COLMBUS4	230.00	643000	MADISONCNTY4230.00	1	DOUBLE 186	192.0	225.5	116.4	
640133*COLMBUS4	230.00	643000	MADISONCNTY4230.00	1	DOUBLE 187	192.0	231.5	119.5	
652511*GAVINS 7	115.00	660006	YKNTJCT7	115.00	1	DOUBLE 187	120.0	131.2	106.1
652511*GAVINS 7	115.00	660006	YKNTJCT7	115.00	1	DOUBLE 188	120.0	130.8	105.8
640133*COLMBUS4	230.00	643000	MADISONCNTY4230.00	1	DOUBLE 189	192.0	231.6	119.7	
652511*GAVINS 7	115.00	660006	YKNTJCT7	115.00	1	DOUBLE 189	120.0	130.2	105.3
640133*COLMBUS4	230.00	643000	MADISONCNTY4230.00	1	DOUBLE 190	192.0	232.4	120.1	
652511*GAVINS 7	115.00	660006	YKNTJCT7	115.00	1	DOUBLE 190	120.0	130.6	105.7
652511*GAVINS 7	115.00	660006	YKNTJCT7	115.00	1	DOUBLE 191	120.0	130.8	105.8
652511*GAVINS 7	115.00	660006	YKNTJCT7	115.00	1	DOUBLE 192	120.0	130.8	105.8
652511*GAVINS 7	115.00	660006	YKNTJCT7	115.00	1	DOUBLE 193	120.0	131.0	106.0
640133*COLMBUS4	230.00	643000	MADISONCNTY4230.00	1	DOUBLE 194	192.0	234.3	121.0	
652511*GAVINS 7	115.00	660006	YKNTJCT7	115.00	1	DOUBLE 194	120.0	136.2	110.2
640133*COLMBUS4	230.00	643000	MADISONCNTY4230.00	1	DOUBLE 195	192.0	219.5	113.2	
652511*GAVINS 7	115.00	660006	YKNTJCT7	115.00	1	DOUBLE 195	120.0	130.5	105.6
640133*COLMBUS4	230.00	643000	MADISONCNTY4230.00	1	DOUBLE 196	192.0	236.8	121.9	
652511*GAVINS 7	115.00	660006	YKNTJCT7	115.00	1	DOUBLE 196	120.0	130.1	105.3
640133*COLMBUS4	230.00	643000	MADISONCNTY4230.00	1	DOUBLE 197	192.0	198.3	103.0	
652511*GAVINS 7	115.00	660006	YKNTJCT7	115.00	1	DOUBLE 197	120.0	130.0	105.1
640133*COLMBUS4	230.00	643000	MADISONCNTY4230.00	1	DOUBLE 199	192.0	222.2	114.5	
652511*GAVINS 7	115.00	660006	YKNTJCT7	115.00	1	DOUBLE 199	120.0	130.5	105.6
640133*COLMBUS4	230.00	643000	MADISONCNTY4230.00	1	DOUBLE 200	192.0	228.1	117.7	
652511*GAVINS 7	115.00	660006	YKNTJCT7	115.00	1	DOUBLE 200	120.0	138.5	112.1
640133*COLMBUS4	230.00	643000	MADISONCNTY4230.00	1	DOUBLE 201	192.0	241.8	124.9	
652511*GAVINS 7	115.00	660006	YKNTJCT7	115.00	1	DOUBLE 201	120.0	131.5	106.4
652511*GAVINS 7	115.00	660006	YKNTJCT7	115.00	1	DOUBLE 202	120.0	152.7	123.5
652626 UTICAJC7	115.00	660006*	YKNTJCT7	115.00	1	DOUBLE 202	120.0	130.1	105.8
640133*COLMBUS4	230.00	643000	MADISONCNTY4230.00	1	DOUBLE 203	192.0	236.0	121.9	
652511*GAVINS 7	115.00	660006	YKNTJCT7	115.00	1	DOUBLE 203	120.0	130.2	105.4
640133*COLMBUS4	230.00	643000	MADISONCNTY4230.00	1	DOUBLE 204	192.0	224.7	116.0	
640133*COLMBUS4	230.00	643000	MADISONCNTY4230.00	1	DOUBLE 205	192.0	232.8	120.2	
652511*GAVINS 7	115.00	660006	YKNTJCT7	115.00	1	DOUBLE 205	120.0	131.4	106.3
640133*COLMBUS4	230.00	643000	MADISONCNTY4230.00	1	DOUBLE 206	192.0	237.0	122.4	

640133*COLMBUS4	230.00	643000	MADISONCNTY4230.00	1	DOUBLE	207	192.0	269.0	139.2	
652511*GAVINS 7	115.00	660006	YKNTJCT7	115.00	1	DOUBLE	208	120.0	130.8	105.8
652511*GAVINS 7	115.00	660006	YKNTJCT7	115.00	1	DOUBLE	209	120.0	130.8	105.8
640133*COLMBUS4	230.00	643000	MADISONCNTY4230.00	1	DOUBLE	210	192.0	226.6	117.0	
652511*GAVINS 7	115.00	660006	YKNTJCT7	115.00	1	DOUBLE	210	120.0	130.0	105.2
652511*GAVINS 7	115.00	660006	YKNTJCT7	115.00	1	DOUBLE	211	120.0	130.7	105.8
640133*COLMBUS4	230.00	643000	MADISONCNTY4230.00	1	DOUBLE	212	192.0	238.7	123.3	
640133*COLMBUS4	230.00	643000	MADISONCNTY4230.00	1	DOUBLE	213	192.0	260.0	134.4	
640133*COLMBUS4	230.00	643000	MADISONCNTY4230.00	1	DOUBLE	214	192.0	251.9	130.0	
652511*GAVINS 7	115.00	660006	YKNTJCT7	115.00	1	DOUBLE	214	120.0	134.4	108.7
640133*COLMBUS4	230.00	643000	MADISONCNTY4230.00	1	DOUBLE	215	192.0	206.4	106.6	
652511*GAVINS 7	115.00	660006	YKNTJCT7	115.00	1	DOUBLE	215	120.0	134.8	109.1
640133*COLMBUS4	230.00	643000	MADISONCNTY4230.00	1	DOUBLE	216	192.0	244.0	126.0	
652511*GAVINS 7	115.00	660006	YKNTJCT7	115.00	1	DOUBLE	216	120.0	133.6	108.1
652511*GAVINS 7	115.00	660006	YKNTJCT7	115.00	1	DOUBLE	217	120.0	130.7	105.8
652511*GAVINS 7	115.00	660006	YKNTJCT7	115.00	1	DOUBLE	218	120.0	130.9	105.9
652511*GAVINS 7	115.00	660006	YKNTJCT7	115.00	1	DOUBLE	219	120.0	130.7	105.8
652511*GAVINS 7	115.00	660006	YKNTJCT7	115.00	1	DOUBLE	220	120.0	130.7	105.8
652511*GAVINS 7	115.00	660006	YKNTJCT7	115.00	1	DOUBLE	221	120.0	130.6	105.6
640133*COLMBUS4	230.00	643000	MADISONCNTY4230.00	1	DOUBLE	222	192.0	245.2	126.7	
652511*GAVINS 7	115.00	660006	YKNTJCT7	115.00	1	DOUBLE	222	120.0	149.9	121.2
652626 UTICAJC7	115.00	660006*	YKNTJCT7	115.00	1	DOUBLE	222	120.0	147.8	120.6
640133*COLMBUS4	230.00	643000	MADISONCNTY4230.00	1	DOUBLE	223	192.0	243.6	125.9	
652511*GAVINS 7	115.00	660006	YKNTJCT7	115.00	1	DOUBLE	224	120.0	132.0	106.8
640133*COLMBUS4	230.00	643000	MADISONCNTY4230.00	1	DOUBLE	225	192.0	227.9	117.8	
652517 MANNING7	115.00	659121*	SPIRITM7	115.00	1	DOUBLE	225	120.0	123.3	102.8
640133*COLMBUS4	230.00	643000	MADISONCNTY4230.00	1	DOUBLE	226	192.0	232.8	120.3	
652511*GAVINS 7	115.00	660006	YKNTJCT7	115.00	1	DOUBLE	226	120.0	185.1	149.7
652626 UTICAJC7	115.00	660006*	YKNTJCT7	115.00	1	DOUBLE	226	120.0	156.4	127.5
652511*GAVINS 7	115.00	660006	YKNTJCT7	115.00	1	DOUBLE	228	120.0	132.0	106.8
640133*COLMBUS4	230.00	643000	MADISONCNTY4230.00	1	DOUBLE	231	192.0	252.2	130.1	
652511*GAVINS 7	115.00	660006	YKNTJCT7	115.00	1	DOUBLE	231	120.0	132.2	107.0
640133*COLMBUS4	230.00	643000	MADISONCNTY4230.00	1	DOUBLE	232	192.0	244.4	126.1	
652511*GAVINS 7	115.00	660006	YKNTJCT7	115.00	1	DOUBLE	232	120.0	130.5	105.6
640133*COLMBUS4	230.00	643000	MADISONCNTY4230.00	1	DOUBLE	233	192.0	247.2	127.5	
652511*GAVINS 7	115.00	660006	YKNTJCT7	115.00	1	DOUBLE	233	120.0	144.4	116.8
652626 UTICAJC7	115.00	660006*	YKNTJCT7	115.00	1	DOUBLE	233	120.0	124.6	101.4
640133*COLMBUS4	230.00	643000	MADISONCNTY4230.00	1	DOUBLE	234	192.0	245.2	126.5	
652511*GAVINS 7	115.00	660006	YKNTJCT7	115.00	1	DOUBLE	234	120.0	145.8	118.0
652626 UTICAJC7	115.00	660006*	YKNTJCT7	115.00	1	DOUBLE	234	120.0	125.5	102.1
640133*COLMBUS4	230.00	643000	MADISONCNTY4230.00	1	DOUBLE	235	192.0	244.7	126.2	
652511*GAVINS 7	115.00	660006	YKNTJCT7	115.00	1	DOUBLE	235	120.0	141.0	114.1
640133*COLMBUS4	230.00	643000	MADISONCNTY4230.00	1	DOUBLE	236	192.0	247.8	127.9	
652511*GAVINS 7	115.00	660006	YKNTJCT7	115.00	1	DOUBLE	236	120.0	150.7	121.9
652626 UTICAJC7	115.00	660006*	YKNTJCT7	115.00	1	DOUBLE	236	120.0	129.7	105.5
640133*COLMBUS4	230.00	643000	MADISONCNTY4230.00	1	DOUBLE	237	192.0	241.3	124.5	
652511*GAVINS 7	115.00	660006	YKNTJCT7	115.00	1	DOUBLE	237	120.0	143.6	116.2
652626 UTICAJC7	115.00	660006*	YKNTJCT7	115.00	1	DOUBLE	237	120.0	123.3	100.3

640133*COLMBUS4	230.00	643000	MADISONCNTY4230.00	1	DOUBLE	238	192.0	247.8	127.9	
640133*COLMBUS4	230.00	643000	MADISONCNTY4230.00	1	DOUBLE	239	192.0	247.7	127.8	
652511*GAVINS 7	115.00	660006	YKNTJCT7	115.00	1	DOUBLE	239	120.0	131.1	106.1
640133*COLMBUS4	230.00	643000	MADISONCNTY4230.00	1	DOUBLE	240	192.0	244.9	126.4	
652511*GAVINS 7	115.00	660006	YKNTJCT7	115.00	1	DOUBLE	240	120.0	130.7	105.8
640133*COLMBUS4	230.00	643000	MADISONCNTY4230.00	1	DOUBLE	241	192.0	237.9	122.7	
640133*COLMBUS4	230.00	643000	MADISONCNTY4230.00	1	DOUBLE	242	192.0	247.7	127.8	
652511*GAVINS 7	115.00	660006	YKNTJCT7	115.00	1	DOUBLE	242	120.0	131.1	106.1
640133*COLMBUS4	230.00	643000	MADISONCNTY4230.00	1	DOUBLE	243	192.0	244.9	126.4	
652511*GAVINS 7	115.00	660006	YKNTJCT7	115.00	1	DOUBLE	243	120.0	130.6	105.7
640133*COLMBUS4	230.00	643000	MADISONCNTY4230.00	1	DOUBLE	244	192.0	246.4	127.3	
652511*GAVINS 7	115.00	660006	YKNTJCT7	115.00	1	DOUBLE	244	120.0	130.0	105.2
640133*COLMBUS4	230.00	643000	MADISONCNTY4230.00	1	DOUBLE	245	192.0	247.9	128.0	
652511*GAVINS 7	115.00	660006	YKNTJCT7	115.00	1	DOUBLE	245	120.0	130.5	105.6
640133*COLMBUS4	230.00	643000	MADISONCNTY4230.00	1	DOUBLE	246	192.0	243.6	125.7	
652511*GAVINS 7	115.00	660006	YKNTJCT7	115.00	1	DOUBLE	246	120.0	130.7	105.7
640133*COLMBUS4	230.00	643000	MADISONCNTY4230.00	1	DOUBLE	247	192.0	244.8	126.3	
652511*GAVINS 7	115.00	660006	YKNTJCT7	115.00	1	DOUBLE	247	120.0	130.7	105.7
640133*COLMBUS4	230.00	643000	MADISONCNTY4230.00	1	DOUBLE	248	192.0	245.4	126.6	
652511*GAVINS 7	115.00	660006	YKNTJCT7	115.00	1	DOUBLE	248	120.0	132.9	107.5
640133*COLMBUS4	230.00	643000	MADISONCNTY4230.00	1	DOUBLE	249	192.0	252.0	130.0	
652511*GAVINS 7	115.00	660006	YKNTJCT7	115.00	1	DOUBLE	249	120.0	136.7	110.6
640133*COLMBUS4	230.00	643000	MADISONCNTY4230.00	1	DOUBLE	250	192.0	234.2	120.8	
652511*GAVINS 7	115.00	660006	YKNTJCT7	115.00	1	DOUBLE	250	120.0	130.4	105.5
640133*COLMBUS4	230.00	643000*	MADISONCNTY4230.00	1	DOUBLE	251	192.0	257.3	130.1	
652511*GAVINS 7	115.00	660006	YKNTJCT7	115.00	1	DOUBLE	251	120.0	129.9	105.1
640133*COLMBUS4	230.00	643000	MADISONCNTY4230.00	1	DOUBLE	252	192.0	213.2	110.6	
652511*GAVINS 7	115.00	660006	YKNTJCT7	115.00	1	DOUBLE	253	120.0	130.1	105.2
640133*COLMBUS4	230.00	643000	MADISONCNTY4230.00	1	DOUBLE	254	192.0	236.4	121.7	
652511*GAVINS 7	115.00	660006	YKNTJCT7	115.00	1	DOUBLE	254	120.0	130.4	105.5
640133*COLMBUS4	230.00	643000	MADISONCNTY4230.00	1	DOUBLE	255	192.0	242.9	125.3	
652511*GAVINS 7	115.00	660006	YKNTJCT7	115.00	1	DOUBLE	255	120.0	137.3	111.1
640133*COLMBUS4	230.00	643000	MADISONCNTY4230.00	1	DOUBLE	256	192.0	261.1	134.8	
652511*GAVINS 7	115.00	660006	YKNTJCT7	115.00	1	DOUBLE	256	120.0	131.7	106.6
640133*COLMBUS4	230.00	643000	MADISONCNTY4230.00	1	DOUBLE	257	192.0	245.4	126.6	
652511*GAVINS 7	115.00	660006	YKNTJCT7	115.00	1	DOUBLE	257	120.0	152.9	123.7
652626 UTICAJC7	115.00	660006*	YKNTJCT7	115.00	1	DOUBLE	257	120.0	131.2	106.7
640133*COLMBUS4	230.00	643000	MADISONCNTY4230.00	1	DOUBLE	258	192.0	251.5	129.8	
652511*GAVINS 7	115.00	660006	YKNTJCT7	115.00	1	DOUBLE	258	120.0	130.1	105.3
640133*COLMBUS4	230.00	643000	MADISONCNTY4230.00	1	DOUBLE	259	192.0	239.3	123.5	
640133*COLMBUS4	230.00	643000	MADISONCNTY4230.00	1	DOUBLE	260	192.0	250.6	129.3	
652511*GAVINS 7	115.00	660006	YKNTJCT7	115.00	1	DOUBLE	260	120.0	131.7	106.5
640133*COLMBUS4	230.00	643000	MADISONCNTY4230.00	1	DOUBLE	261	192.0	251.8	130.0	
640133*COLMBUS4	230.00	643000	MADISONCNTY4230.00	1	DOUBLE	262	192.0	289.3	149.6	
640133*COLMBUS4	230.00	643000	MADISONCNTY4230.00	1	DOUBLE	263	192.0	244.2	126.0	
652511*GAVINS 7	115.00	660006	YKNTJCT7	115.00	1	DOUBLE	263	120.0	130.5	105.6
640133*COLMBUS4	230.00	643000	MADISONCNTY4230.00	1	DOUBLE	264	192.0	243.1	125.4	
652511*GAVINS 7	115.00	660006	YKNTJCT7	115.00	1	DOUBLE	264	120.0	130.7	105.7

640133*COLMBUS4	230.00	643000	MADISONCNTY4230.00	1	DOUBLE	265	192.0	242.8	125.3	
652511*GAVINS 7	115.00	660006	YKNTJCT7	115.00	1	DOUBLE	265	120.0	130.2	105.3
640133*COLMBUS4	230.00	643000	MADISONCNTY4230.00	1	DOUBLE	266	192.0	244.4	126.1	
652511*GAVINS 7	115.00	660006	YKNTJCT7	115.00	1	DOUBLE	266	120.0	130.6	105.6
640133*COLMBUS4	230.00	643000	MADISONCNTY4230.00	1	DOUBLE	267	192.0	261.5	135.0	
640133*COLMBUS4	230.00	643000	MADISONCNTY4230.00	1	DOUBLE	268	192.0	276.8	143.0	
640133*COLMBUS4	230.00	643000	MADISONCNTY4230.00	1	DOUBLE	269	192.0	252.5	130.3	
652511*GAVINS 7	115.00	660006	YKNTJCT7	115.00	1	DOUBLE	269	120.0	132.3	107.0
640133*COLMBUS4	230.00	643000	MADISONCNTY4230.00	1	DOUBLE	270	192.0	215.2	111.0	
640293 NELIGH 7	115.00	640444	*PETERSBRG.N7115.00	1	DOUBLE	270	113.0	146.9	125.6	
652511*GAVINS 7	115.00	660006	YKNTJCT7	115.00	1	DOUBLE	270	120.0	138.3	111.9
640133*COLMBUS4	230.00	643000	MADISONCNTY4230.00	1	DOUBLE	271	192.0	258.1	133.2	
652511*GAVINS 7	115.00	660006	YKNTJCT7	115.00	1	DOUBLE	271	120.0	133.2	107.8
640133*COLMBUS4	230.00	643000	MADISONCNTY4230.00	1	DOUBLE	272	192.0	244.6	126.2	
652511*GAVINS 7	115.00	660006	YKNTJCT7	115.00	1	DOUBLE	272	120.0	130.6	105.6
640133*COLMBUS4	230.00	643000	MADISONCNTY4230.00	1	DOUBLE	273	192.0	244.2	126.0	
652511*GAVINS 7	115.00	660006	YKNTJCT7	115.00	1	DOUBLE	273	120.0	130.7	105.8
640133*COLMBUS4	230.00	643000	MADISONCNTY4230.00	1	DOUBLE	274	192.0	244.5	126.1	
652511*GAVINS 7	115.00	660006	YKNTJCT7	115.00	1	DOUBLE	274	120.0	130.4	105.5
640133*COLMBUS4	230.00	643000	MADISONCNTY4230.00	1	DOUBLE	275	192.0	244.5	126.1	
652511*GAVINS 7	115.00	660006	YKNTJCT7	115.00	1	DOUBLE	275	120.0	130.4	105.5
640133*COLMBUS4	230.00	643000	MADISONCNTY4230.00	1	DOUBLE	276	192.0	245.0	126.4	
652511*GAVINS 7	115.00	660006	YKNTJCT7	115.00	1	DOUBLE	276	120.0	130.4	105.5
640133*COLMBUS4	230.00	643000	MADISONCNTY4230.00	1	DOUBLE	277	192.0	260.7	134.6	
652511*GAVINS 7	115.00	660006	YKNTJCT7	115.00	1	DOUBLE	277	120.0	150.1	121.4
652626 UTICAJC7	115.00	660006	*YKNTJCT7	115.00	1	DOUBLE	277	120.0	149.2	121.7
640133*COLMBUS4	230.00	643000	MADISONCNTY4230.00	1	DOUBLE	278	192.0	259.4	134.0	
640133*COLMBUS4	230.00	643000	MADISONCNTY4230.00	1	DOUBLE	279	192.0	244.7	126.2	
652511*GAVINS 7	115.00	660006	YKNTJCT7	115.00	1	DOUBLE	279	120.0	132.1	106.9
640133*COLMBUS4	230.00	643000	MADISONCNTY4230.00	1	DOUBLE	280	192.0	243.7	125.9	
652517 MANNING7	115.00	659121	*SPIRITM7	115.00	1	DOUBLE	280	120.0	123.6	103.0
640133*COLMBUS4	230.00	643000	MADISONCNTY4230.00	1	DOUBLE	281	192.0	248.3	128.2	
652511*GAVINS 7	115.00	660006	YKNTJCT7	115.00	1	DOUBLE	281	120.0	185.2	149.8
652626 UTICAJC7	115.00	660006	*YKNTJCT7	115.00	1	DOUBLE	281	120.0	157.4	128.3
640133*COLMBUS4	230.00	643000	MADISONCNTY4230.00	1	DOUBLE	282	192.0	244.8	126.4	
640133*COLMBUS4	230.00	643000	MADISONCNTY4230.00	1	DOUBLE	283	192.0	244.7	126.2	
652511*GAVINS 7	115.00	660006	YKNTJCT7	115.00	1	DOUBLE	283	120.0	132.1	106.9
640133*COLMBUS4	230.00	643000	MADISONCNTY4230.00	1	DOUBLE	284	192.0	246.3	127.2	
640133*COLMBUS4	230.00	643000	MADISONCNTY4230.00	1	DOUBLE	285	192.0	245.8	126.8	
640133*COLMBUS4	230.00	643000	MADISONCNTY4230.00	1	DOUBLE	286	192.0	253.4	130.9	
652511*GAVINS 7	115.00	660006	YKNTJCT7	115.00	1	DOUBLE	286	120.0	131.8	106.7
640133*COLMBUS4	230.00	643000	MADISONCNTY4230.00	1	DOUBLE	287	192.0	254.8	131.5	
652511*GAVINS 7	115.00	660006	YKNTJCT7	115.00	1	DOUBLE	287	120.0	146.3	118.4
652626 UTICAJC7	115.00	660006	*YKNTJCT7	115.00	1	DOUBLE	287	120.0	126.3	102.7
640133*COLMBUS4	230.00	643000	MADISONCNTY4230.00	1	DOUBLE	288	192.0	252.6	130.3	
652511*GAVINS 7	115.00	660006	YKNTJCT7	115.00	1	DOUBLE	288	120.0	147.5	119.3
652626 UTICAJC7	115.00	660006	*YKNTJCT7	115.00	1	DOUBLE	288	120.0	127.0	103.3
640133*COLMBUS4	230.00	643000	MADISONCNTY4230.00	1	DOUBLE	289	192.0	252.1	130.1	

652511*GAVINS 7	115.00	660006	YKNTJCT7	115.00	1	DOUBLE 289	120.0	142.7	115.4
652626 UTICAJC7	115.00	660006*	YKNTJCT7	115.00	1	DOUBLE 289	120.0	123.1	100.1
640133*COLMBUS4	230.00	643000	MADISONCNTY4230.00	1	DOUBLE 290	192.0	255.5	131.9	
652511*GAVINS 7	115.00	660006	YKNTJCT7	115.00	1	DOUBLE 290	120.0	152.6	123.5
652626 UTICAJC7	115.00	660006*	YKNTJCT7	115.00	1	DOUBLE 290	120.0	131.4	106.9
640133*COLMBUS4	230.00	643000	MADISONCNTY4230.00	1	DOUBLE 291	192.0	248.5	128.3	
652511*GAVINS 7	115.00	660006	YKNTJCT7	115.00	1	DOUBLE 291	120.0	143.9	116.4
652626 UTICAJC7	115.00	660006*	YKNTJCT7	115.00	1	DOUBLE 291	120.0	123.8	100.7
640133*COLMBUS4	230.00	643000	MADISONCNTY4230.00	1	DOUBLE 292	192.0	255.6	131.9	
640133*COLMBUS4	230.00	643000	MADISONCNTY4230.00	1	DOUBLE 293	192.0	252.0	130.1	
652511*GAVINS 7	115.00	660006	YKNTJCT7	115.00	1	DOUBLE 293	120.0	132.4	107.1
640133*COLMBUS4	230.00	643000	MADISONCNTY4230.00	1	DOUBLE 294	192.0	251.7	129.9	
652511*GAVINS 7	115.00	660006	YKNTJCT7	115.00	1	DOUBLE 294	120.0	132.3	107.1
640133*COLMBUS4	230.00	643000	MADISONCNTY4230.00	1	DOUBLE 295	192.0	254.7	131.5	
652511*GAVINS 7	115.00	660006	YKNTJCT7	115.00	1	DOUBLE 295	120.0	131.7	106.6
640133*COLMBUS4	230.00	643000	MADISONCNTY4230.00	1	DOUBLE 296	192.0	252.0	130.1	
652511*GAVINS 7	115.00	660006	YKNTJCT7	115.00	1	DOUBLE 296	120.0	132.4	107.1
640133*COLMBUS4	230.00	643000	MADISONCNTY4230.00	1	DOUBLE 297	192.0	251.8	130.0	
652511*GAVINS 7	115.00	660006	YKNTJCT7	115.00	1	DOUBLE 297	120.0	132.3	107.0
640133*COLMBUS4	230.00	643000	MADISONCNTY4230.00	1	DOUBLE 298	192.0	254.6	131.5	
652511*GAVINS 7	115.00	660006	YKNTJCT7	115.00	1	DOUBLE 298	120.0	131.8	106.7
640133*COLMBUS4	230.00	643000	MADISONCNTY4230.00	1	DOUBLE 299	192.0	254.1	131.2	
652511*GAVINS 7	115.00	660006	YKNTJCT7	115.00	1	DOUBLE 299	120.0	132.0	106.8
640133*COLMBUS4	230.00	643000	MADISONCNTY4230.00	1	DOUBLE 300	192.0	251.0	129.5	
652511*GAVINS 7	115.00	660006	YKNTJCT7	115.00	1	DOUBLE 300	120.0	132.3	107.1
640133*COLMBUS4	230.00	643000	MADISONCNTY4230.00	1	DOUBLE 301	192.0	251.9	130.0	
652511*GAVINS 7	115.00	660006	YKNTJCT7	115.00	1	DOUBLE 301	120.0	132.3	107.0
640133*COLMBUS4	230.00	643000	MADISONCNTY4230.00	1	DOUBLE 302	192.0	253.3	130.7	
652511*GAVINS 7	115.00	660006	YKNTJCT7	115.00	1	DOUBLE 302	120.0	135.2	109.4
640133*COLMBUS4	230.00	643000	MADISONCNTY4230.00	1	DOUBLE 303	192.0	260.9	134.6	
652511*GAVINS 7	115.00	660006	YKNTJCT7	115.00	1	DOUBLE 303	120.0	139.1	112.6
640133*COLMBUS4	230.00	643000	MADISONCNTY4230.00	1	DOUBLE 304	192.0	241.6	124.6	
652511*GAVINS 7	115.00	660006	YKNTJCT7	115.00	1	DOUBLE 304	120.0	132.2	107.0
640133*COLMBUS4	230.00	643000*	MADISONCNTY4230.00	1	DOUBLE 305	192.0	263.2	133.1	
652511*GAVINS 7	115.00	660006	YKNTJCT7	115.00	1	DOUBLE 305	120.0	131.6	106.5
640133*COLMBUS4	230.00	643000	MADISONCNTY4230.00	1	DOUBLE 306	192.0	220.3	114.3	
652511*GAVINS 7	115.00	660006	YKNTJCT7	115.00	1	DOUBLE 306	120.0	131.5	106.4
640293 NELIGH 7	115.00	640444*	PETERSBRG.N7	115.00	1	DOUBLE 307	113.0	117.7	100.7
652511*GAVINS 7	115.00	660006	YKNTJCT7	115.00	1	DOUBLE 307	120.0	132.6	107.2
640133*COLMBUS4	230.00	643000	MADISONCNTY4230.00	1	DOUBLE 308	192.0	243.9	125.6	
652511*GAVINS 7	115.00	660006	YKNTJCT7	115.00	1	DOUBLE 308	120.0	132.2	106.9
640133*COLMBUS4	230.00	643000	MADISONCNTY4230.00	1	DOUBLE 309	192.0	250.4	129.2	
652511*GAVINS 7	115.00	660006	YKNTJCT7	115.00	1	DOUBLE 309	120.0	137.7	111.4
640133*COLMBUS4	230.00	643000	MADISONCNTY4230.00	1	DOUBLE 310	192.0	269.6	139.2	
652511*GAVINS 7	115.00	660006	YKNTJCT7	115.00	1	DOUBLE 310	120.0	133.5	108.0
640133*COLMBUS4	230.00	643000	MADISONCNTY4230.00	1	DOUBLE 311	192.0	252.9	130.5	
652511*GAVINS 7	115.00	660006	YKNTJCT7	115.00	1	DOUBLE 311	120.0	154.6	125.1
652626 UTICAJC7	115.00	660006*	YKNTJCT7	115.00	1	DOUBLE 311	120.0	132.6	107.9

640133*COLMBUS4	230.00	643000	MADISONCNTY4230.00	1	DOUBLE	312	192.0	259.5	134.0	
652511*GAVINS 7	115.00	660006	YKNTJCT7	115.00	1	DOUBLE	312	120.0	131.8	106.6
640133*COLMBUS4	230.00	643000	MADISONCNTY4230.00	1	DOUBLE	313	192.0	254.4	131.4	
652511*GAVINS 7	115.00	660006	YKNTJCT7	115.00	1	DOUBLE	313	120.0	131.5	106.4
640133*COLMBUS4	230.00	643000	MADISONCNTY4230.00	1	DOUBLE	314	192.0	251.9	130.0	
652511*GAVINS 7	115.00	660006	YKNTJCT7	115.00	1	DOUBLE	314	120.0	132.4	107.1
640133*COLMBUS4	230.00	643000	MADISONCNTY4230.00	1	DOUBLE	315	192.0	259.1	133.8	
652511*GAVINS 7	115.00	660006	YKNTJCT7	115.00	1	DOUBLE	315	120.0	130.6	105.6
640133*COLMBUS4	230.00	643000	MADISONCNTY4230.00	1	DOUBLE	316	192.0	298.7	154.5	
652511*GAVINS 7	115.00	660006	YKNTJCT7	115.00	1	DOUBLE	316	120.0	131.2	106.1
640133*COLMBUS4	230.00	643000	MADISONCNTY4230.00	1	DOUBLE	317	192.0	251.6	129.9	
652511*GAVINS 7	115.00	660006	YKNTJCT7	115.00	1	DOUBLE	317	120.0	132.3	107.0
640133*COLMBUS4	230.00	643000	MADISONCNTY4230.00	1	DOUBLE	318	192.0	250.3	129.2	
652511*GAVINS 7	115.00	660006	YKNTJCT7	115.00	1	DOUBLE	318	120.0	132.4	107.1
640133*COLMBUS4	230.00	643000	MADISONCNTY4230.00	1	DOUBLE	319	192.0	253.8	131.0	
652511*GAVINS 7	115.00	660006	YKNTJCT7	115.00	1	DOUBLE	319	120.0	131.7	106.6
640133*COLMBUS4	230.00	643000	MADISONCNTY4230.00	1	DOUBLE	320	192.0	251.8	130.0	
652511*GAVINS 7	115.00	660006	YKNTJCT7	115.00	1	DOUBLE	320	120.0	132.3	107.0
640133*COLMBUS4	230.00	643000	MADISONCNTY4230.00	1	DOUBLE	321	192.0	276.7	142.9	
640133*COLMBUS4	230.00	643000	MADISONCNTY4230.00	1	DOUBLE	322	192.0	285.8	147.7	
640133*COLMBUS4	230.00	643000	MADISONCNTY4230.00	1	DOUBLE	323	192.0	252.2	130.2	
652511*GAVINS 7	115.00	660006	YKNTJCT7	115.00	1	DOUBLE	323	120.0	132.4	107.1
640072 BATTLCR7	115.00	640115*CO.LINE7	115.00	1	DOUBLE	324	120.0	123.6	101.6	
640115 CO.LINE7	115.00	640293*NELIGH 7	115.00	1	DOUBLE	324	120.0	124.1	102.1	
640133*COLMBUS4	230.00	643000	MADISONCNTY4230.00	1	DOUBLE	324	192.0	219.3	113.2	
640293 NELIGH 7	115.00	640444*PETERSBRG.N7	115.00	1	DOUBLE	324	113.0	195.2	166.9	
652511*GAVINS 7	115.00	660006	YKNTJCT7	115.00	1	DOUBLE	324	120.0	144.5	116.9
652626 UTICAJC7	115.00	660006*YKNTJCT7	115.00	1	DOUBLE	324	120.0	125.3	102.0	
640133*COLMBUS4	230.00	643000	MADISONCNTY4230.00	1	DOUBLE	325	192.0	267.2	138.0	
652511*GAVINS 7	115.00	660006	YKNTJCT7	115.00	1	DOUBLE	325	120.0	135.3	109.4
640133*COLMBUS4	230.00	643000	MADISONCNTY4230.00	1	DOUBLE	326	192.0	252.1	130.1	
652511*GAVINS 7	115.00	660006	YKNTJCT7	115.00	1	DOUBLE	326	120.0	132.2	107.0
640133*COLMBUS4	230.00	643000	MADISONCNTY4230.00	1	DOUBLE	327	192.0	251.6	129.9	
652511*GAVINS 7	115.00	660006	YKNTJCT7	115.00	1	DOUBLE	327	120.0	132.4	107.1
640133*COLMBUS4	230.00	643000	MADISONCNTY4230.00	1	DOUBLE	328	192.0	251.9	130.0	
652511*GAVINS 7	115.00	660006	YKNTJCT7	115.00	1	DOUBLE	328	120.0	132.2	106.9
640133*COLMBUS4	230.00	643000	MADISONCNTY4230.00	1	DOUBLE	329	192.0	251.9	130.0	
652511*GAVINS 7	115.00	660006	YKNTJCT7	115.00	1	DOUBLE	329	120.0	132.2	106.9
640133*COLMBUS4	230.00	643000	MADISONCNTY4230.00	1	DOUBLE	330	192.0	252.5	130.3	
652511*GAVINS 7	115.00	660006	YKNTJCT7	115.00	1	DOUBLE	330	120.0	132.1	106.8
640133*COLMBUS4	230.00	643000	MADISONCNTY4230.00	1	DOUBLE	331	192.0	268.1	138.5	
652511*GAVINS 7	115.00	660006	YKNTJCT7	115.00	1	DOUBLE	331	120.0	151.9	122.9
652626 UTICAJC7	115.00	660006*YKNTJCT7	115.00	1	DOUBLE	331	120.0	150.8	123.0	
640133*COLMBUS4	230.00	643000	MADISONCNTY4230.00	1	DOUBLE	332	192.0	267.0	138.0	
652511*GAVINS 7	115.00	660006	YKNTJCT7	115.00	1	DOUBLE	332	120.0	124.0	100.4
640133*COLMBUS4	230.00	643000	MADISONCNTY4230.00	1	DOUBLE	333	192.0	252.1	130.1	
652511*GAVINS 7	115.00	660006	YKNTJCT7	115.00	1	DOUBLE	333	120.0	134.1	108.5
640133*COLMBUS4	230.00	643000	MADISONCNTY4230.00	1	DOUBLE	334	192.0	251.4	129.8	

652517 MANNING7	115.00	659121*SPIRITM7	115.00	1	DOUBLE 334	120.0	124.5	103.8
640133*COLMBUS4	230.00	643000 MADISONCNTY4230.00	1	DOUBLE 335	192.0	256.1	132.2	
652511*GAVINS 7	115.00	660006 YKNTJCT7	115.00	1	DOUBLE 335	120.0	187.2	151.4
652626 UTICAJC7	115.00	660006*YKNTJCT7	115.00	1	DOUBLE 335	120.0	159.1	129.7
640133*COLMBUS4	230.00	643000 MADISONCNTY4230.00	1	DOUBLE 336	192.0	252.5	130.4	
640133*COLMBUS4	230.00	643000 MADISONCNTY4230.00	1	DOUBLE 337	192.0	252.1	130.1	
652511*GAVINS 7	115.00	660006 YKNTJCT7	115.00	1	DOUBLE 337	120.0	134.1	108.5
640133*COLMBUS4	230.00	643000 MADISONCNTY4230.00	1	DOUBLE 338	192.0	253.8	131.0	
640133*COLMBUS4	230.00	643000 MADISONCNTY4230.00	1	DOUBLE 339	192.0	253.3	130.7	
652511*GAVINS 7	115.00	660006 YKNTJCT7	115.00	1	DOUBLE 340	120.0	141.7	114.6
640133*COLMBUS4	230.00	643000 MADISONCNTY4230.00	1	DOUBLE 341	192.0	228.7	118.0	
652511*GAVINS 7	115.00	660006 YKNTJCT7	115.00	1	DOUBLE 341	120.0	143.3	116.0
652626 UTICAJC7	115.00	660006*YKNTJCT7	115.00	1	DOUBLE 341	120.0	123.3	100.2
640133*COLMBUS4	230.00	643000 MADISONCNTY4230.00	1	DOUBLE 342	192.0	228.2	117.8	
652511*GAVINS 7	115.00	660006 YKNTJCT7	115.00	1	DOUBLE 342	120.0	138.4	112.0
640133*COLMBUS4	230.00	643000 MADISONCNTY4230.00	1	DOUBLE 343	192.0	231.2	119.4	
652511*GAVINS 7	115.00	660006 YKNTJCT7	115.00	1	DOUBLE 343	120.0	147.9	119.7
652626 UTICAJC7	115.00	660006*YKNTJCT7	115.00	1	DOUBLE 343	120.0	127.2	103.5
640133*COLMBUS4	230.00	643000 MADISONCNTY4230.00	1	DOUBLE 344	192.0	225.0	116.1	
652511*GAVINS 7	115.00	660006 YKNTJCT7	115.00	1	DOUBLE 344	120.0	143.6	116.2
652626 UTICAJC7	115.00	660006*YKNTJCT7	115.00	1	DOUBLE 344	120.0	123.0	100.0
640133*COLMBUS4	230.00	643000 MADISONCNTY4230.00	1	DOUBLE 346	192.0	228.7	118.1	
640133*COLMBUS4	230.00	643000 MADISONCNTY4230.00	1	DOUBLE 347	192.0	228.0	117.7	
640133*COLMBUS4	230.00	643000 MADISONCNTY4230.00	1	DOUBLE 349	192.0	228.7	118.1	
640133*COLMBUS4	230.00	643000 MADISONCNTY4230.00	1	DOUBLE 350	192.0	228.2	117.8	
640133*COLMBUS4	230.00	643000 MADISONCNTY4230.00	1	DOUBLE 353	192.0	227.1	117.2	
640133*COLMBUS4	230.00	643000 MADISONCNTY4230.00	1	DOUBLE 354	192.0	228.1	117.7	
640133*COLMBUS4	230.00	643000 MADISONCNTY4230.00	1	DOUBLE 355	192.0	228.6	118.0	
652511*GAVINS 7	115.00	660006 YKNTJCT7	115.00	1	DOUBLE 355	120.0	129.8	105.0
640133*COLMBUS4	230.00	643000 MADISONCNTY4230.00	1	DOUBLE 356	192.0	233.2	120.4	
652511*GAVINS 7	115.00	660006 YKNTJCT7	115.00	1	DOUBLE 356	120.0	133.5	108.0
640133*COLMBUS4	230.00	643000 MADISONCNTY4230.00	1	DOUBLE 357	192.0	218.1	112.5	
640133*COLMBUS4	230.00	643000 MADISONCNTY4230.00	1	DOUBLE 358	192.0	235.6	121.3	
652511*GAVINS 7	115.00	660006 YKNTJCT7	115.00	1	DOUBLE 358	120.0	127.5	103.1
640133*COLMBUS4	230.00	643000 MADISONCNTY4230.00	1	DOUBLE 359	192.0	197.4	102.5	
652511*GAVINS 7	115.00	660006 YKNTJCT7	115.00	1	DOUBLE 359	120.0	127.5	103.1
652511*GAVINS 7	115.00	660006 YKNTJCT7	115.00	1	DOUBLE 360	120.0	127.3	103.0
640133*COLMBUS4	230.00	643000 MADISONCNTY4230.00	1	DOUBLE 361	192.0	220.7	113.6	
640133*COLMBUS4	230.00	643000 MADISONCNTY4230.00	1	DOUBLE 362	192.0	226.4	116.8	
652511*GAVINS 7	115.00	660006 YKNTJCT7	115.00	1	DOUBLE 362	120.0	137.3	111.1
640133*COLMBUS4	230.00	643000 MADISONCNTY4230.00	1	DOUBLE 363	192.0	240.4	124.1	
640133*COLMBUS4	230.00	643000 MADISONCNTY4230.00	1	DOUBLE 364	192.0	229.0	118.2	
652511*GAVINS 7	115.00	660006 YKNTJCT7	115.00	1	DOUBLE 364	120.0	150.4	121.7
652626 UTICAJC7	115.00	660006*YKNTJCT7	115.00	1	DOUBLE 364	120.0	128.9	104.9
640133*COLMBUS4	230.00	643000 MADISONCNTY4230.00	1	DOUBLE 365	192.0	234.6	121.1	
652511*GAVINS 7	115.00	660006 YKNTJCT7	115.00	1	DOUBLE 365	120.0	127.7	103.3
640133*COLMBUS4	230.00	643000 MADISONCNTY4230.00	1	DOUBLE 366	192.0	227.8	117.6	
640133*COLMBUS4	230.00	643000 MADISONCNTY4230.00	1	DOUBLE 367	192.0	229.0	118.2	



640133*COLMBUS4	230.00	643000	MADISONCNTY4230.00	1	DOUBLE	368	192.0	235.7	121.7	
652511*GAVINS 7	115.00	660006	YKNTJCT7	115.00	1	DOUBLE	368	120.0	126.6	102.4
640133*COLMBUS4	230.00	643000	MADISONCNTY4230.00	1	DOUBLE	369	192.0	267.8	138.5	
652511*GAVINS 7	115.00	660006	YKNTJCT7	115.00	1	DOUBLE	369	120.0	126.9	102.7
640133*COLMBUS4	230.00	643000	MADISONCNTY4230.00	1	DOUBLE	370	192.0	228.0	117.7	
640133*COLMBUS4	230.00	643000	MADISONCNTY4230.00	1	DOUBLE	371	192.0	226.6	116.9	
640133*COLMBUS4	230.00	643000	MADISONCNTY4230.00	1	DOUBLE	372	192.0	228.1	117.7	
640133*COLMBUS4	230.00	643000	MADISONCNTY4230.00	1	DOUBLE	373	192.0	228.1	117.7	
640133*COLMBUS4	230.00	643000	MADISONCNTY4230.00	1	DOUBLE	374	192.0	238.6	123.2	
640133*COLMBUS4	230.00	643000	MADISONCNTY4230.00	1	DOUBLE	375	192.0	258.7	133.7	
652511*GAVINS 7	115.00	660006	YKNTJCT7	115.00	1	DOUBLE	375	120.0	125.7	101.7
640133*COLMBUS4	230.00	643000	MADISONCNTY4230.00	1	DOUBLE	376	192.0	253.8	131.1	
652511*GAVINS 7	115.00	660006	YKNTJCT7	115.00	1	DOUBLE	376	120.0	131.9	106.7
640133*COLMBUS4	230.00	643000	MADISONCNTY4230.00	1	DOUBLE	377	192.0	207.7	107.3	
652511*GAVINS 7	115.00	660006	YKNTJCT7	115.00	1	DOUBLE	377	120.0	132.3	107.1
640133*COLMBUS4	230.00	643000	MADISONCNTY4230.00	1	DOUBLE	378	192.0	240.8	124.3	
652511*GAVINS 7	115.00	660006	YKNTJCT7	115.00	1	DOUBLE	378	120.0	130.7	105.8
640133*COLMBUS4	230.00	643000	MADISONCNTY4230.00	1	DOUBLE	379	192.0	228.1	117.7	
640133*COLMBUS4	230.00	643000	MADISONCNTY4230.00	1	DOUBLE	380	192.0	227.7	117.5	
640133*COLMBUS4	230.00	643000	MADISONCNTY4230.00	1	DOUBLE	381	192.0	228.2	117.7	
640133*COLMBUS4	230.00	643000	MADISONCNTY4230.00	1	DOUBLE	382	192.0	228.2	117.7	
640133*COLMBUS4	230.00	643000	MADISONCNTY4230.00	1	DOUBLE	383	192.0	228.6	118.0	
640133*COLMBUS4	230.00	643000	MADISONCNTY4230.00	1	DOUBLE	384	192.0	244.1	126.1	
652511*GAVINS 7	115.00	660006	YKNTJCT7	115.00	1	DOUBLE	384	120.0	147.7	119.5
652626 UTICAJC7	115.00	660006*	YKNTJCT7	115.00	1	DOUBLE	384	120.0	146.9	119.8
640133*COLMBUS4	230.00	643000	MADISONCNTY4230.00	1	DOUBLE	385	192.0	242.5	125.3	
640133*COLMBUS4	230.00	643000	MADISONCNTY4230.00	1	DOUBLE	386	192.0	228.3	117.8	
640133*COLMBUS4	230.00	643000	MADISONCNTY4230.00	1	DOUBLE	387	192.0	227.0	117.3	
652517 MANNING7	115.00	659121*	SPIRITM7	115.00	1	DOUBLE	387	120.0	122.5	102.1
640133*COLMBUS4	230.00	643000	MADISONCNTY4230.00	1	DOUBLE	388	192.0	231.6	119.6	
652511*GAVINS 7	115.00	660006	YKNTJCT7	115.00	1	DOUBLE	388	120.0	182.4	147.6
652626 UTICAJC7	115.00	660006*	YKNTJCT7	115.00	1	DOUBLE	388	120.0	154.9	126.2
640133*COLMBUS4	230.00	643000	MADISONCNTY4230.00	1	DOUBLE	389	192.0	228.3	117.9	
640133*COLMBUS4	230.00	643000	MADISONCNTY4230.00	1	DOUBLE	390	192.0	228.3	117.8	
640133*COLMBUS4	230.00	643000	MADISONCNTY4230.00	1	DOUBLE	393	192.0	234.3	121.0	
652511*GAVINS 7	115.00	660006	YKNTJCT7	115.00	1	DOUBLE	393	120.0	186.0	150.5
652626 UTICAJC7	115.00	660006*	YKNTJCT7	115.00	1	DOUBLE	393	120.0	157.3	128.2
640133*COLMBUS4	230.00	643000	MADISONCNTY4230.00	1	DOUBLE	394	192.0	232.1	119.8	
652511*GAVINS 7	115.00	660006	YKNTJCT7	115.00	1	DOUBLE	394	120.0	144.4	116.8
652626 UTICAJC7	115.00	660006*	YKNTJCT7	115.00	1	DOUBLE	394	120.0	124.3	101.1
640133*COLMBUS4	230.00	643000	MADISONCNTY4230.00	1	DOUBLE	395	192.0	234.1	120.9	
652511*GAVINS 7	115.00	660006	YKNTJCT7	115.00	1	DOUBLE	395	120.0	155.9	126.1
652626 UTICAJC7	115.00	660006*	YKNTJCT7	115.00	1	DOUBLE	395	120.0	133.7	108.8
640084*BLMFLD 7	115.00	652511	GAVINS 7	115.00	1	DOUBLE	396	159.0	189.1	114.9
640133*COLMBUS4	230.00	643000	MADISONCNTY4230.00	1	DOUBLE	396	192.0	227.7	117.5	
652511*GAVINS 7	115.00	660006	YKNTJCT7	115.00	1	DOUBLE	396	120.0	171.5	138.8
652626 UTICAJC7	115.00	660006*	YKNTJCT7	115.00	1	DOUBLE	396	120.0	145.1	118.1
640084*BLMFLD 7	115.00	640149	CREITON7	115.00	1	DOUBLE	397	159.0	188.1	114.3

640133*COLMBUS4	230.00	643000	MADISONCNTY4230.00	1	DOUBLE	397	192.0	240.2	124.3	
640149*CREITON7	115.00	640293	NELIGH 7	115.00	1	DOUBLE	397	143.0	168.2	117.9
640133*COLMBUS4	230.00	643000	MADISONCNTY4230.00	1	DOUBLE	398	192.0	234.1	120.9	
652511*GAVINS 7	115.00	660006	YKNTJCT7	115.00	1	DOUBLE	398	120.0	142.6	115.4
652626 UTICAJC7	115.00	660006*	YKNTJCT7	115.00	1	DOUBLE	398	120.0	123.0	100.1
640133*COLMBUS4	230.00	643000	MADISONCNTY4230.00	1	DOUBLE	399	192.0	232.3	119.9	
652511*GAVINS 7	115.00	660006	YKNTJCT7	115.00	1	DOUBLE	399	120.0	142.3	115.1
640133*COLMBUS4	230.00	643000	MADISONCNTY4230.00	1	DOUBLE	400	192.0	228.2	117.8	
652511*GAVINS 7	115.00	660006	YKNTJCT7	115.00	1	DOUBLE	400	120.0	140.6	113.8
640133*COLMBUS4	230.00	643000	MADISONCNTY4230.00	1	DOUBLE	401	192.0	234.1	120.9	
652511*GAVINS 7	115.00	660006	YKNTJCT7	115.00	1	DOUBLE	401	120.0	142.6	115.4
652626 UTICAJC7	115.00	660006*	YKNTJCT7	115.00	1	DOUBLE	401	120.0	123.0	100.1
640133*COLMBUS4	230.00	643000	MADISONCNTY4230.00	1	DOUBLE	402	192.0	232.3	119.9	
652511*GAVINS 7	115.00	660006	YKNTJCT7	115.00	1	DOUBLE	402	120.0	142.2	115.1
640133*COLMBUS4	230.00	643000	MADISONCNTY4230.00	1	DOUBLE	403	192.0	234.1	121.0	
652511*GAVINS 7	115.00	660006	YKNTJCT7	115.00	1	DOUBLE	403	120.0	141.6	114.6
640133*COLMBUS4	230.00	643000	MADISONCNTY4230.00	1	DOUBLE	404	192.0	235.0	121.4	
652511*GAVINS 7	115.00	660006	YKNTJCT7	115.00	1	DOUBLE	404	120.0	142.1	114.9
640133*COLMBUS4	230.00	643000	MADISONCNTY4230.00	1	DOUBLE	405	192.0	231.2	119.4	
652511*GAVINS 7	115.00	660006	YKNTJCT7	115.00	1	DOUBLE	405	120.0	142.2	115.1
640133*COLMBUS4	230.00	643000	MADISONCNTY4230.00	1	DOUBLE	406	192.0	232.2	119.9	
652511*GAVINS 7	115.00	660006	YKNTJCT7	115.00	1	DOUBLE	406	120.0	142.2	115.1
640133*COLMBUS4	230.00	643000	MADISONCNTY4230.00	1	DOUBLE	407	192.0	232.7	120.1	
652511*GAVINS 7	115.00	660006	YKNTJCT7	115.00	1	DOUBLE	407	120.0	144.4	116.9
652626 UTICAJC7	115.00	660006*	YKNTJCT7	115.00	1	DOUBLE	407	120.0	123.7	100.6
640133*COLMBUS4	230.00	643000	MADISONCNTY4230.00	1	DOUBLE	408	192.0	237.6	122.7	
652511*GAVINS 7	115.00	660006	YKNTJCT7	115.00	1	DOUBLE	408	120.0	149.6	121.0
652626 UTICAJC7	115.00	660006*	YKNTJCT7	115.00	1	DOUBLE	408	120.0	129.4	105.3
640133*COLMBUS4	230.00	643000	MADISONCNTY4230.00	1	DOUBLE	409	192.0	222.1	114.6	
652511*GAVINS 7	115.00	660006	YKNTJCT7	115.00	1	DOUBLE	409	120.0	142.0	114.9
640133*COLMBUS4	230.00	643000	MADISONCNTY4230.00	1	DOUBLE	410	192.0	239.4	123.3	
652511*GAVINS 7	115.00	660006	YKNTJCT7	115.00	1	DOUBLE	410	120.0	141.6	114.6
640133*COLMBUS4	230.00	643000	MADISONCNTY4230.00	1	DOUBLE	411	192.0	200.4	104.1	
652511*GAVINS 7	115.00	660006	YKNTJCT7	115.00	1	DOUBLE	411	120.0	141.6	114.5
652511*GAVINS 7	115.00	660006	YKNTJCT7	115.00	1	DOUBLE	412	120.0	141.4	114.4
652626 UTICAJC7	115.00	660006*	YKNTJCT7	115.00	1	DOUBLE	412	120.0	124.2	101.1
640133*COLMBUS4	230.00	643000	MADISONCNTY4230.00	1	DOUBLE	413	192.0	224.8	115.9	
652511*GAVINS 7	115.00	660006	YKNTJCT7	115.00	1	DOUBLE	413	120.0	142.0	114.9
640084*BLMFLD 7	115.00	652511	GAVINS 7	115.00	1	DOUBLE	414	159.0	175.6	106.7
640133*COLMBUS4	230.00	643000	MADISONCNTY4230.00	1	DOUBLE	414	192.0	228.9	118.1	
652511*GAVINS 7	115.00	660006	YKNTJCT7	115.00	1	DOUBLE	414	120.0	163.9	132.6
652626 UTICAJC7	115.00	660006*	YKNTJCT7	115.00	1	DOUBLE	414	120.0	139.3	113.4
640133*COLMBUS4	230.00	643000	MADISONCNTY4230.00	1	DOUBLE	415	192.0	244.3	126.1	
652511*GAVINS 7	115.00	660006	YKNTJCT7	115.00	1	DOUBLE	415	120.0	142.9	115.6
652626 UTICAJC7	115.00	660006*	YKNTJCT7	115.00	1	DOUBLE	415	120.0	123.2	100.2
640133*COLMBUS4	230.00	643000	MADISONCNTY4230.00	1	DOUBLE	416	192.0	234.8	121.2	
652511*GAVINS 7	115.00	660006	YKNTJCT7	115.00	1	DOUBLE	416	120.0	195.9	158.5
652626 UTICAJC7	115.00	660006*	YKNTJCT7	115.00	1	DOUBLE	416	120.0	165.2	134.7

640133*COLMBUS4	230.00	643000	MADISONCNTY4230.00	1	DOUBLE	417	192.0	239.1	123.5	
652511*GAVINS 7	115.00	660006	YKNTJCT7	115.00	1	DOUBLE	417	120.0	141.8	114.7
640133*COLMBUS4	230.00	643000	MADISONCNTY4230.00	1	DOUBLE	418	192.0	227.4	117.4	
652511*GAVINS 7	115.00	660006	YKNTJCT7	115.00	1	DOUBLE	418	120.0	140.8	113.9
640133*COLMBUS4	230.00	643000	MADISONCNTY4230.00	1	DOUBLE	419	192.0	235.4	121.5	
652511*GAVINS 7	115.00	660006	YKNTJCT7	115.00	1	DOUBLE	419	120.0	142.9	115.6
652626 UTICAJC7	115.00	660006*YKNTJCT7	115.00	1	DOUBLE	419	120.0	123.3	100.3	
640133*COLMBUS4	230.00	643000	MADISONCNTY4230.00	1	DOUBLE	420	192.0	239.9	123.9	
652511*GAVINS 7	115.00	660006	YKNTJCT7	115.00	1	DOUBLE	420	120.0	140.7	113.8
640133*COLMBUS4	230.00	643000	MADISONCNTY4230.00	1	DOUBLE	421	192.0	272.5	141.0	
652511*GAVINS 7	115.00	660006	YKNTJCT7	115.00	1	DOUBLE	421	120.0	141.0	114.1
640133*COLMBUS4	230.00	643000	MADISONCNTY4230.00	1	DOUBLE	422	192.0	231.8	119.6	
652511*GAVINS 7	115.00	660006	YKNTJCT7	115.00	1	DOUBLE	422	120.0	142.2	115.0
652511*GAVINS 7	115.00	660006	YKNTJCT7	115.00	1	DOUBLE	423	120.0	142.3	115.1
652511*GAVINS 7	115.00	660006	YKNTJCT7	115.00	1	DOUBLE	424	120.0	141.4	114.4
640133*COLMBUS4	230.00	643000	MADISONCNTY4230.00	1	DOUBLE	425	192.0	232.0	119.8	
652511*GAVINS 7	115.00	660006	YKNTJCT7	115.00	1	DOUBLE	425	120.0	142.2	115.0
640133*COLMBUS4	230.00	643000	MADISONCNTY4230.00	1	DOUBLE	426	192.0	240.5	124.2	
652511*GAVINS 7	115.00	660006	YKNTJCT7	115.00	1	DOUBLE	426	120.0	134.0	108.4
640133*COLMBUS4	230.00	643000	MADISONCNTY4230.00	1	DOUBLE	427	192.0	263.5	136.2	
652511*GAVINS 7	115.00	660006	YKNTJCT7	115.00	1	DOUBLE	427	120.0	139.9	113.1
640133*COLMBUS4	230.00	643000	MADISONCNTY4230.00	1	DOUBLE	428	192.0	255.2	131.7	
652511*GAVINS 7	115.00	660006	YKNTJCT7	115.00	1	DOUBLE	428	120.0	146.4	118.4
652626 UTICAJC7	115.00	660006*YKNTJCT7	115.00	1	DOUBLE	428	120.0	126.3	102.8	
640133*COLMBUS4	230.00	643000	MADISONCNTY4230.00	1	DOUBLE	429	192.0	207.9	107.4	
652511*GAVINS 7	115.00	660006	YKNTJCT7	115.00	1	DOUBLE	429	120.0	147.0	119.0
652626 UTICAJC7	115.00	660006*YKNTJCT7	115.00	1	DOUBLE	429	120.0	126.7	103.0	
640133*COLMBUS4	230.00	643000	MADISONCNTY4230.00	1	DOUBLE	430	192.0	244.2	126.1	
652511*GAVINS 7	115.00	660006	YKNTJCT7	115.00	1	DOUBLE	430	120.0	144.5	116.9
652626 UTICAJC7	115.00	660006*YKNTJCT7	115.00	1	DOUBLE	430	120.0	123.9	100.8	
640133*COLMBUS4	230.00	643000	MADISONCNTY4230.00	1	DOUBLE	431	192.0	232.2	119.8	
652511*GAVINS 7	115.00	660006	YKNTJCT7	115.00	1	DOUBLE	431	120.0	142.2	115.0
640133*COLMBUS4	230.00	643000	MADISONCNTY4230.00	1	DOUBLE	432	192.0	231.8	119.6	
652511*GAVINS 7	115.00	660006	YKNTJCT7	115.00	1	DOUBLE	432	120.0	142.3	115.2
640133*COLMBUS4	230.00	643000	MADISONCNTY4230.00	1	DOUBLE	433	192.0	232.0	119.8	
652511*GAVINS 7	115.00	660006	YKNTJCT7	115.00	1	DOUBLE	433	120.0	142.1	114.9
652626 UTICAJC7	115.00	660006*YKNTJCT7	115.00	1	DOUBLE	433	120.0	123.1	100.1	
640133*COLMBUS4	230.00	643000	MADISONCNTY4230.00	1	DOUBLE	434	192.0	232.0	119.8	
652511*GAVINS 7	115.00	660006	YKNTJCT7	115.00	1	DOUBLE	434	120.0	142.1	114.9
652626 UTICAJC7	115.00	660006*YKNTJCT7	115.00	1	DOUBLE	434	120.0	123.1	100.1	
640133*COLMBUS4	230.00	643000	MADISONCNTY4230.00	1	DOUBLE	435	192.0	232.6	120.1	
652511*GAVINS 7	115.00	660006	YKNTJCT7	115.00	1	DOUBLE	435	120.0	142.0	114.9
640133*COLMBUS4	230.00	643000	MADISONCNTY4230.00	1	DOUBLE	436	192.0	247.8	128.0	
652511*GAVINS 7	115.00	660006	YKNTJCT7	115.00	1	DOUBLE	436	120.0	160.9	130.2
652626 UTICAJC7	115.00	660006*YKNTJCT7	115.00	1	DOUBLE	436	120.0	157.4	128.4	
640133*COLMBUS4	230.00	643000	MADISONCNTY4230.00	1	DOUBLE	437	192.0	246.7	127.5	
652511*GAVINS 7	115.00	660006	YKNTJCT7	115.00	1	DOUBLE	437	120.0	134.3	108.7
640133*COLMBUS4	230.00	643000	MADISONCNTY4230.00	1	DOUBLE	438	192.0	232.4	119.9	

652511*GAVINS 7	115.00	660006	YKNTJCT7	115.00	1	DOUBLE 438	120.0	145.1	117.4
652626 UTICAJC7	115.00	660006*	YKNTJCT7	115.00	1	DOUBLE 438	120.0	125.0	101.7
640080 BELDEN 7	115.00	640212*	HARTGTN7	115.00	1	DOUBLE 439	120.0	128.9	105.6
640212 HARTGTN7	115.00	652511*	GAVINS 7	115.00	1	DOUBLE 439	120.0	145.1	117.4
652517 MANNING7	115.00	659121*	SPIRITM7	115.00	1	DOUBLE 439	120.0	130.0	108.4
640133*COLMBUS4	230.00	643000	MADISONCNTY4230.00	1	DOUBLE 440	192.0	235.7	121.7	
652511*GAVINS 7	115.00	660006	YKNTJCT7	115.00	1	DOUBLE 440	120.0	199.5	161.4
652626 UTICAJC7	115.00	660006*	YKNTJCT7	115.00	1	DOUBLE 440	120.0	168.7	137.6
640133*COLMBUS4	230.00	643000	MADISONCNTY4230.00	1	DOUBLE 441	192.0	232.2	119.9	
640133*COLMBUS4	230.00	643000	MADISONCNTY4230.00	1	DOUBLE 442	192.0	232.4	119.9	
652511*GAVINS 7	115.00	660006	YKNTJCT7	115.00	1	DOUBLE 442	120.0	145.1	117.4
652626 UTICAJC7	115.00	660006*	YKNTJCT7	115.00	1	DOUBLE 442	120.0	125.0	101.7
640133*COLMBUS4	230.00	643000	MADISONCNTY4230.00	1	DOUBLE 443	192.0	233.6	120.7	
640133*COLMBUS4	230.00	643000	MADISONCNTY4230.00	1	DOUBLE 444	192.0	233.4	120.5	
652511*GAVINS 7	115.00	660006	YKNTJCT7	115.00	1	DOUBLE 444	120.0	131.6	106.5
652511*GAVINS 7	115.00	660006	YKNTJCT7	115.00	1	DOUBLE 445	120.0	147.5	119.4
652626 UTICAJC7	115.00	660006*	YKNTJCT7	115.00	1	DOUBLE 445	120.0	126.6	103.0
640133*COLMBUS4	230.00	643000	MADISONCNTY4230.00	1	DOUBLE 446	192.0	233.0	120.3	
652511*GAVINS 7	115.00	660006	YKNTJCT7	115.00	1	DOUBLE 446	120.0	154.1	124.7
652626 UTICAJC7	115.00	660006*	YKNTJCT7	115.00	1	DOUBLE 446	120.0	132.1	107.5
640133*COLMBUS4	230.00	643000	MADISONCNTY4230.00	1	DOUBLE 447	192.0	227.7	117.5	
652511*GAVINS 7	115.00	660006	YKNTJCT7	115.00	1	DOUBLE 447	120.0	161.0	130.2
652626 UTICAJC7	115.00	660006*	YKNTJCT7	115.00	1	DOUBLE 447	120.0	136.8	111.3
640133*COLMBUS4	230.00	643000	MADISONCNTY4230.00	1	DOUBLE 448	192.0	232.2	119.9	
640133*COLMBUS4	230.00	643000	MADISONCNTY4230.00	1	DOUBLE 449	192.0	232.6	120.1	
652511*GAVINS 7	115.00	660006	YKNTJCT7	115.00	1	DOUBLE 449	120.0	144.2	116.7
652626 UTICAJC7	115.00	660006*	YKNTJCT7	115.00	1	DOUBLE 449	120.0	124.1	100.9
652511*GAVINS 7	115.00	660006	YKNTJCT7	115.00	1	DOUBLE 450	120.0	143.9	116.4
652626 UTICAJC7	115.00	660006*	YKNTJCT7	115.00	1	DOUBLE 450	120.0	123.7	100.6
640133*COLMBUS4	230.00	643000	MADISONCNTY4230.00	1	DOUBLE 451	192.0	226.7	117.0	
652511*GAVINS 7	115.00	660006	YKNTJCT7	115.00	1	DOUBLE 451	120.0	142.4	115.2
640133*COLMBUS4	230.00	643000	MADISONCNTY4230.00	1	DOUBLE 452	192.0	232.6	120.1	
652511*GAVINS 7	115.00	660006	YKNTJCT7	115.00	1	DOUBLE 452	120.0	144.2	116.7
652626 UTICAJC7	115.00	660006*	YKNTJCT7	115.00	1	DOUBLE 452	120.0	124.1	100.9
652511*GAVINS 7	115.00	660006	YKNTJCT7	115.00	1	DOUBLE 453	120.0	143.8	116.4
652626 UTICAJC7	115.00	660006*	YKNTJCT7	115.00	1	DOUBLE 453	120.0	123.7	100.6
640133*COLMBUS4	230.00	643000	MADISONCNTY4230.00	1	DOUBLE 454	192.0	232.6	120.1	
652511*GAVINS 7	115.00	660006	YKNTJCT7	115.00	1	DOUBLE 454	120.0	143.4	116.0
652626 UTICAJC7	115.00	660006*	YKNTJCT7	115.00	1	DOUBLE 454	120.0	123.5	100.4
640133*COLMBUS4	230.00	643000	MADISONCNTY4230.00	1	DOUBLE 455	192.0	233.5	120.6	
652511*GAVINS 7	115.00	660006	YKNTJCT7	115.00	1	DOUBLE 455	120.0	143.8	116.3
652626 UTICAJC7	115.00	660006*	YKNTJCT7	115.00	1	DOUBLE 455	120.0	123.8	100.7
652511*GAVINS 7	115.00	660006	YKNTJCT7	115.00	1	DOUBLE 456	120.0	143.8	116.4
652626 UTICAJC7	115.00	660006*	YKNTJCT7	115.00	1	DOUBLE 456	120.0	123.4	100.3
652511*GAVINS 7	115.00	660006	YKNTJCT7	115.00	1	DOUBLE 457	120.0	143.9	116.4
652626 UTICAJC7	115.00	660006*	YKNTJCT7	115.00	1	DOUBLE 457	120.0	123.7	100.6
652511*GAVINS 7	115.00	660006	YKNTJCT7	115.00	1	DOUBLE 458	120.0	145.3	117.5
652626 UTICAJC7	115.00	660006*	YKNTJCT7	115.00	1	DOUBLE 458	120.0	124.3	101.1

640133*COLMBUS4	230.00	643000	MADISONCNTY4230.00	1	DOUBLE	459	192.0	235.4	121.5	
652511*GAVINS 7	115.00	660006	YKNTJCT7	115.00	1	DOUBLE	459	120.0	150.7	121.9
652626 UTICAJC7	115.00	660006*	YKNTJCT7	115.00	1	DOUBLE	459	120.0	129.9	105.7
640133*COLMBUS4	230.00	643000	MADISONCNTY4230.00	1	DOUBLE	460	192.0	220.6	113.8	
652511*GAVINS 7	115.00	660006	YKNTJCT7	115.00	1	DOUBLE	460	120.0	143.7	116.2
652626 UTICAJC7	115.00	660006*	YKNTJCT7	115.00	1	DOUBLE	460	120.0	123.6	100.6
640133*COLMBUS4	230.00	643000	MADISONCNTY4230.00	1	DOUBLE	461	192.0	237.9	122.5	
652511*GAVINS 7	115.00	660006	YKNTJCT7	115.00	1	DOUBLE	461	120.0	143.3	116.0
652626 UTICAJC7	115.00	660006*	YKNTJCT7	115.00	1	DOUBLE	461	120.0	123.3	100.3
640133*COLMBUS4	230.00	643000	MADISONCNTY4230.00	1	DOUBLE	462	192.0	199.3	103.4	
652511*GAVINS 7	115.00	660006	YKNTJCT7	115.00	1	DOUBLE	462	120.0	143.5	116.1
652626 UTICAJC7	115.00	660006*	YKNTJCT7	115.00	1	DOUBLE	462	120.0	123.9	100.8
652511*GAVINS 7	115.00	660006	YKNTJCT7	115.00	1	DOUBLE	463	120.0	143.4	116.0
652626 UTICAJC7	115.00	660006*	YKNTJCT7	115.00	1	DOUBLE	463	120.0	125.6	102.2
640133*COLMBUS4	230.00	643000	MADISONCNTY4230.00	1	DOUBLE	464	192.0	223.3	114.9	
652511*GAVINS 7	115.00	660006	YKNTJCT7	115.00	1	DOUBLE	464	120.0	143.6	116.2
652626 UTICAJC7	115.00	660006*	YKNTJCT7	115.00	1	DOUBLE	464	120.0	123.6	100.5
640133*COLMBUS4	230.00	643000	MADISONCNTY4230.00	1	DOUBLE	465	192.0	228.9	118.1	
652511*GAVINS 7	115.00	660006	YKNTJCT7	115.00	1	DOUBLE	465	120.0	154.2	124.7
652626 UTICAJC7	115.00	660006*	YKNTJCT7	115.00	1	DOUBLE	465	120.0	131.6	107.1
640133*COLMBUS4	230.00	643000	MADISONCNTY4230.00	1	DOUBLE	466	192.0	242.7	125.3	
652511*GAVINS 7	115.00	660006	YKNTJCT7	115.00	1	DOUBLE	466	120.0	144.4	116.8
652626 UTICAJC7	115.00	660006*	YKNTJCT7	115.00	1	DOUBLE	466	120.0	124.2	101.0
640133*COLMBUS4	230.00	643000	MADISONCNTY4230.00	1	DOUBLE	467	192.0	231.7	119.6	
652511*GAVINS 7	115.00	660006	YKNTJCT7	115.00	1	DOUBLE	467	120.0	152.8	123.7
652626 UTICAJC7	115.00	660006*	YKNTJCT7	115.00	1	DOUBLE	467	120.0	130.8	106.5
640133*COLMBUS4	230.00	643000	MADISONCNTY4230.00	1	DOUBLE	468	192.0	237.3	122.5	
652511*GAVINS 7	115.00	660006	YKNTJCT7	115.00	1	DOUBLE	468	120.0	143.7	116.3
652626 UTICAJC7	115.00	660006*	YKNTJCT7	115.00	1	DOUBLE	468	120.0	123.8	100.7
640133*COLMBUS4	230.00	643000	MADISONCNTY4230.00	1	DOUBLE	469	192.0	225.9	116.6	
652511*GAVINS 7	115.00	660006	YKNTJCT7	115.00	1	DOUBLE	469	120.0	142.6	115.4
640133*COLMBUS4	230.00	643000	MADISONCNTY4230.00	1	DOUBLE	470	192.0	233.9	120.7	
652511*GAVINS 7	115.00	660006	YKNTJCT7	115.00	1	DOUBLE	470	120.0	144.5	116.9
652626 UTICAJC7	115.00	660006*	YKNTJCT7	115.00	1	DOUBLE	470	120.0	124.3	101.1
640133*COLMBUS4	230.00	643000	MADISONCNTY4230.00	1	DOUBLE	471	192.0	238.3	123.0	
652511*GAVINS 7	115.00	660006	YKNTJCT7	115.00	1	DOUBLE	471	120.0	142.8	115.5
652626 UTICAJC7	115.00	660006*	YKNTJCT7	115.00	1	DOUBLE	471	120.0	123.0	100.1
640133*COLMBUS4	230.00	643000	MADISONCNTY4230.00	1	DOUBLE	472	192.0	270.6	139.9	
652511*GAVINS 7	115.00	660006	YKNTJCT7	115.00	1	DOUBLE	472	120.0	143.2	115.9
652626 UTICAJC7	115.00	660006*	YKNTJCT7	115.00	1	DOUBLE	472	120.0	123.6	100.5
652511*GAVINS 7	115.00	660006	YKNTJCT7	115.00	1	DOUBLE	473	120.0	143.8	116.3
652626 UTICAJC7	115.00	660006*	YKNTJCT7	115.00	1	DOUBLE	473	120.0	123.6	100.5
652511*GAVINS 7	115.00	660006	YKNTJCT7	115.00	1	DOUBLE	474	120.0	143.8	116.4
652626 UTICAJC7	115.00	660006*	YKNTJCT7	115.00	1	DOUBLE	474	120.0	123.2	100.2
640133*COLMBUS4	230.00	643000	MADISONCNTY4230.00	1	DOUBLE	475	192.0	227.8	117.5	
652511*GAVINS 7	115.00	660006	YKNTJCT7	115.00	1	DOUBLE	475	120.0	143.1	115.8
652626 UTICAJC7	115.00	660006*	YKNTJCT7	115.00	1	DOUBLE	475	120.0	123.0	100.1
652511*GAVINS 7	115.00	660006	YKNTJCT7	115.00	1	DOUBLE	476	120.0	143.8	116.3

652626 UTICAJC7	115.00	660006*YKNTJCT7	115.00	1	DOUBLE 476	120.0	123.6	100.6	
640133*COLMBUS4	230.00	643000 MADISONCNTY4230.00	1	DOUBLE 477	192.0	240.1	124.0		
652511*GAVINS 7	115.00	660006 YKNTJCT7	115.00	1	DOUBLE 477	120.0	135.0	109.2	
640133*COLMBUS4	230.00	643000 MADISONCNTY4230.00	1	DOUBLE 478	192.0	261.6	135.2		
652511*GAVINS 7	115.00	660006 YKNTJCT7	115.00	1	DOUBLE 478	120.0	142.3	115.2	
640133*COLMBUS4	230.00	643000 MADISONCNTY4230.00	1	DOUBLE 479	192.0	253.0	130.5		
652511*GAVINS 7	115.00	660006 YKNTJCT7	115.00	1	DOUBLE 479	120.0	147.5	119.4	
652626 UTICAJC7	115.00	660006*YKNTJCT7	115.00	1	DOUBLE 479	120.0	127.0	103.3	
640133*COLMBUS4	230.00	643000 MADISONCNTY4230.00	1	DOUBLE 480	192.0	208.2	107.4		
652511*GAVINS 7	115.00	660006 YKNTJCT7	115.00	1	DOUBLE 480	120.0	148.2	119.9	
652626 UTICAJC7	115.00	660006*YKNTJCT7	115.00	1	DOUBLE 480	120.0	127.3	103.6	
640133*COLMBUS4	230.00	643000 MADISONCNTY4230.00	1	DOUBLE 481	192.0	242.4	125.2		
652511*GAVINS 7	115.00	660006 YKNTJCT7	115.00	1	DOUBLE 481	120.0	145.7	117.8	
652626 UTICAJC7	115.00	660006*YKNTJCT7	115.00	1	DOUBLE 481	120.0	124.6	101.4	
652511*GAVINS 7	115.00	660006 YKNTJCT7	115.00	1	DOUBLE 482	120.0	143.8	116.3	
652626 UTICAJC7	115.00	660006*YKNTJCT7	115.00	1	DOUBLE 482	120.0	123.7	100.6	
652511*GAVINS 7	115.00	660006 YKNTJCT7	115.00	1	DOUBLE 483	120.0	143.9	116.5	
652626 UTICAJC7	115.00	660006*YKNTJCT7	115.00	1	DOUBLE 483	120.0	123.7	100.6	
652511*GAVINS 7	115.00	660006 YKNTJCT7	115.00	1	DOUBLE 484	120.0	143.7	116.3	
652626 UTICAJC7	115.00	660006*YKNTJCT7	115.00	1	DOUBLE 484	120.0	124.1	100.9	
652511*GAVINS 7	115.00	660006 YKNTJCT7	115.00	1	DOUBLE 485	120.0	143.7	116.3	
652626 UTICAJC7	115.00	660006*YKNTJCT7	115.00	1	DOUBLE 485	120.0	124.1	100.9	
652511*GAVINS 7	115.00	660006 YKNTJCT7	115.00	1	DOUBLE 486	120.0	143.7	116.2	
652626 UTICAJC7	115.00	660006*YKNTJCT7	115.00	1	DOUBLE 486	120.0	123.7	100.6	
640133*COLMBUS4	230.00	643000 MADISONCNTY4230.00	1	DOUBLE 487	192.0	246.1	127.1		
652511*GAVINS 7	115.00	660006 YKNTJCT7	115.00	1	DOUBLE 487	120.0	159.2	128.8	
652626 UTICAJC7	115.00	660006*YKNTJCT7	115.00	1	DOUBLE 487	120.0	155.8	127.1	
640133*COLMBUS4	230.00	643000 MADISONCNTY4230.00	1	DOUBLE 488	192.0	245.2	126.7		
652511*GAVINS 7	115.00	660006 YKNTJCT7	115.00	1	DOUBLE 488	120.0	137.5	111.2	
652511*GAVINS 7	115.00	660006 YKNTJCT7	115.00	1	DOUBLE 489	120.0	147.3	119.2	
652626 UTICAJC7	115.00	660006*YKNTJCT7	115.00	1	DOUBLE 489	120.0	126.5	102.9	
652502 BERSFRD7	115.00	652517*MANNING7	115.00	1	DOUBLE 490	120.0	127.2	107.2	
652517 MANNING7	115.00	659121*SPIRITM7	115.00	1	DOUBLE 490	120.0	141.7	118.1	
640133*COLMBUS4	230.00	643000 MADISONCNTY4230.00	1	DOUBLE 491	192.0	234.5	121.1		
652511*GAVINS 7	115.00	660006 YKNTJCT7	115.00	1	DOUBLE 491	120.0	209.5	169.5	
652626 UTICAJC7	115.00	660006*YKNTJCT7	115.00	1	DOUBLE 491	120.0	176.3	143.8	
652511*GAVINS 7	115.00	660006 YKNTJCT7	115.00	1	DOUBLE 493	120.0	147.3	119.2	
652626 UTICAJC7	115.00	660006*YKNTJCT7	115.00	1	DOUBLE 493	120.0	126.5	102.9	
640133*COLMBUS4	230.00	643000 MADISONCNTY4230.00	1	DOUBLE 494	192.0	232.6	120.1		
652517 MANNING7	115.00	659121*SPIRITM7	115.00	1	DOUBLE 494	120.0	123.3	102.7	
640133*COLMBUS4	230.00	643000 MADISONCNTY4230.00	1	DOUBLE 495	192.0	231.9	119.7		
652511*GAVINS 7	115.00	660006 YKNTJCT7	115.00	1	DOUBLE 495	120.0	134.7	108.9	
640133*COLMBUS4	230.00	643000 MADISONCNTY4230.00	1	DOUBLE 496	192.0	234.4	121.0		
652511*GAVINS 7	115.00	660006 YKNTJCT7	115.00	1	DOUBLE 496	120.0	183.2	148.2	
652626 UTICAJC7	115.00	660006*YKNTJCT7	115.00	1	DOUBLE 496	120.0	155.1	126.4	
640133*COLMBUS4	230.00	643000 MADISONCNTY4230.00	1	DOUBLE 497	192.0	226.7	116.9		
652511*GAVINS 7	115.00	660006 YKNTJCT7	115.00	1	DOUBLE 497	120.0	160.9	130.2	
652626 UTICAJC7	115.00	660006*YKNTJCT7	115.00	1	DOUBLE 497	120.0	136.6	111.1	

640133*COLMBUS4	230.00	643000	MADISONCNTY4230.00	1	DOUBLE	498	192.0	232.4	120.0	
640133*COLMBUS4	230.00	643000	MADISONCNTY4230.00	1	DOUBLE	499	192.0	232.1	119.8	
652511*GAVINS 7	115.00	660006	YKNTJCT7	115.00	1	DOUBLE	499	120.0	139.3	112.7
652511*GAVINS 7	115.00	660006	YKNTJCT7	115.00	1	DOUBLE	500	120.0	139.0	112.5
640133*COLMBUS4	230.00	643000	MADISONCNTY4230.00	1	DOUBLE	501	192.0	226.2	116.7	
652511*GAVINS 7	115.00	660006	YKNTJCT7	115.00	1	DOUBLE	501	120.0	137.6	111.3
640133*COLMBUS4	230.00	643000	MADISONCNTY4230.00	1	DOUBLE	502	192.0	232.1	119.8	
652511*GAVINS 7	115.00	660006	YKNTJCT7	115.00	1	DOUBLE	502	120.0	139.3	112.7
652511*GAVINS 7	115.00	660006	YKNTJCT7	115.00	1	DOUBLE	503	120.0	139.0	112.4
640133*COLMBUS4	230.00	643000	MADISONCNTY4230.00	1	DOUBLE	504	192.0	232.1	119.9	
652511*GAVINS 7	115.00	660006	YKNTJCT7	115.00	1	DOUBLE	504	120.0	138.5	112.1
640133*COLMBUS4	230.00	643000	MADISONCNTY4230.00	1	DOUBLE	505	192.0	233.0	120.4	
652511*GAVINS 7	115.00	660006	YKNTJCT7	115.00	1	DOUBLE	505	120.0	138.9	112.4
652511*GAVINS 7	115.00	660006	YKNTJCT7	115.00	1	DOUBLE	506	120.0	138.9	112.4
652511*GAVINS 7	115.00	660006	YKNTJCT7	115.00	1	DOUBLE	507	120.0	139.0	112.4
652511*GAVINS 7	115.00	660006	YKNTJCT7	115.00	1	DOUBLE	508	120.0	140.5	113.7
640133*COLMBUS4	230.00	643000	MADISONCNTY4230.00	1	DOUBLE	509	192.0	235.0	121.3	
652511*GAVINS 7	115.00	660006	YKNTJCT7	115.00	1	DOUBLE	509	120.0	147.5	119.4
652626 UTICAJC7	115.00	660006*	YKNTJCT7	115.00	1	DOUBLE	509	120.0	127.4	103.7
640133*COLMBUS4	230.00	643000	MADISONCNTY4230.00	1	DOUBLE	510	192.0	220.1	113.5	
652511*GAVINS 7	115.00	660006	YKNTJCT7	115.00	1	DOUBLE	510	120.0	138.7	112.2
640133*COLMBUS4	230.00	643000	MADISONCNTY4230.00	1	DOUBLE	511	192.0	237.5	122.2	
652511*GAVINS 7	115.00	660006	YKNTJCT7	115.00	1	DOUBLE	511	120.0	138.5	112.1
640133*COLMBUS4	230.00	643000	MADISONCNTY4230.00	1	DOUBLE	512	192.0	198.7	103.2	
652511*GAVINS 7	115.00	660006	YKNTJCT7	115.00	1	DOUBLE	512	120.0	138.6	112.1
652511*GAVINS 7	115.00	660006	YKNTJCT7	115.00	1	DOUBLE	513	120.0	137.7	111.4
640133*COLMBUS4	230.00	643000	MADISONCNTY4230.00	1	DOUBLE	514	192.0	222.8	114.7	
652511*GAVINS 7	115.00	660006	YKNTJCT7	115.00	1	DOUBLE	514	120.0	138.7	112.2
640133*COLMBUS4	230.00	643000	MADISONCNTY4230.00	1	DOUBLE	515	192.0	227.9	117.6	
652511*GAVINS 7	115.00	660006	YKNTJCT7	115.00	1	DOUBLE	515	120.0	153.0	123.8
652626 UTICAJC7	115.00	660006*	YKNTJCT7	115.00	1	DOUBLE	515	120.0	130.5	106.2
640133*COLMBUS4	230.00	643000	MADISONCNTY4230.00	1	DOUBLE	516	192.0	242.0	125.0	
652511*GAVINS 7	115.00	660006	YKNTJCT7	115.00	1	DOUBLE	516	120.0	139.3	112.7
652511*GAVINS 7	115.00	660006	YKNTJCT7	115.00	1	DOUBLE	517	120.0	153.5	124.2
652626 UTICAJC7	115.00	660006*	YKNTJCT7	115.00	1	DOUBLE	517	120.0	131.4	106.9
640133*COLMBUS4	230.00	643000	MADISONCNTY4230.00	1	DOUBLE	518	192.0	237.0	122.3	
652511*GAVINS 7	115.00	660006	YKNTJCT7	115.00	1	DOUBLE	518	120.0	139.1	112.6
640133*COLMBUS4	230.00	643000	MADISONCNTY4230.00	1	DOUBLE	519	192.0	225.3	116.3	
652511*GAVINS 7	115.00	660006	YKNTJCT7	115.00	1	DOUBLE	519	120.0	137.7	111.4
640133*COLMBUS4	230.00	643000	MADISONCNTY4230.00	1	DOUBLE	520	192.0	233.4	120.4	
652511*GAVINS 7	115.00	660006	YKNTJCT7	115.00	1	DOUBLE	520	120.0	139.6	112.9
640133*COLMBUS4	230.00	643000	MADISONCNTY4230.00	1	DOUBLE	521	192.0	238.0	122.9	
652511*GAVINS 7	115.00	660006	YKNTJCT7	115.00	1	DOUBLE	521	120.0	138.4	111.9
640133*COLMBUS4	230.00	643000	MADISONCNTY4230.00	1	DOUBLE	522	192.0	270.3	139.8	
652511*GAVINS 7	115.00	660006	YKNTJCT7	115.00	1	DOUBLE	522	120.0	138.7	112.2
652511*GAVINS 7	115.00	660006	YKNTJCT7	115.00	1	DOUBLE	523	120.0	138.9	112.4
640133*COLMBUS4	230.00	643000	MADISONCNTY4230.00	1	DOUBLE	524	192.0	228.7	118.0	
652511*GAVINS 7	115.00	660006	YKNTJCT7	115.00	1	DOUBLE	524	120.0	139.0	112.4

640133*COLMBUS4	230.00	643000	MADISONCNTY4230.00	1	DOUBLE	525	192.0	227.2	117.3	
652511*GAVINS 7	115.00	660006	YKNTJCT7	115.00	1	DOUBLE	525	120.0	138.2	111.8
652511*GAVINS 7	115.00	660006	YKNTJCT7	115.00	1	DOUBLE	526	120.0	138.9	112.4
640133*COLMBUS4	230.00	643000	MADISONCNTY4230.00	1	DOUBLE	527	192.0	239.4	123.7	
640133*COLMBUS4	230.00	643000	MADISONCNTY4230.00	1	DOUBLE	528	192.0	261.5	135.2	
652511*GAVINS 7	115.00	660006	YKNTJCT7	115.00	1	DOUBLE	528	120.0	138.2	111.8
640133*COLMBUS4	230.00	643000	MADISONCNTY4230.00	1	DOUBLE	529	192.0	252.5	130.3	
652511*GAVINS 7	115.00	660006	YKNTJCT7	115.00	1	DOUBLE	529	120.0	142.8	115.5
652626 UTICAJC7	115.00	660006*	YKNTJCT7	115.00	1	DOUBLE	529	120.0	123.2	100.2
640133*COLMBUS4	230.00	643000	MADISONCNTY4230.00	1	DOUBLE	530	192.0	207.2	107.0	
652511*GAVINS 7	115.00	660006	YKNTJCT7	115.00	1	DOUBLE	530	120.0	143.9	116.5
652626 UTICAJC7	115.00	660006*	YKNTJCT7	115.00	1	DOUBLE	530	120.0	123.9	100.8
640133*COLMBUS4	230.00	643000	MADISONCNTY4230.00	1	DOUBLE	531	192.0	241.8	124.8	
652511*GAVINS 7	115.00	660006	YKNTJCT7	115.00	1	DOUBLE	531	120.0	140.8	113.9
652511*GAVINS 7	115.00	660006	YKNTJCT7	115.00	1	DOUBLE	532	120.0	138.9	112.4
652511*GAVINS 7	115.00	660006	YKNTJCT7	115.00	1	DOUBLE	533	120.0	139.1	112.5
652511*GAVINS 7	115.00	660006	YKNTJCT7	115.00	1	DOUBLE	534	120.0	138.8	112.3
652511*GAVINS 7	115.00	660006	YKNTJCT7	115.00	1	DOUBLE	535	120.0	138.8	112.3
652511*GAVINS 7	115.00	660006	YKNTJCT7	115.00	1	DOUBLE	536	120.0	138.8	112.3
640133*COLMBUS4	230.00	643000	MADISONCNTY4230.00	1	DOUBLE	537	192.0	245.8	127.0	
652511*GAVINS 7	115.00	660006	YKNTJCT7	115.00	1	DOUBLE	537	120.0	155.6	125.9
652626 UTICAJC7	115.00	660006*	YKNTJCT7	115.00	1	DOUBLE	537	120.0	152.9	124.8
640133*COLMBUS4	230.00	643000	MADISONCNTY4230.00	1	DOUBLE	538	192.0	244.5	126.3	
652511*GAVINS 7	115.00	660006	YKNTJCT7	115.00	1	DOUBLE	538	120.0	131.2	106.1
652511*GAVINS 7	115.00	660006	YKNTJCT7	115.00	1	DOUBLE	539	120.0	141.6	114.6
640080*BELDEN 7	115.00	640387	TWIN CH7	115.00	1	DOUBLE	540	99.0	124.9	123.2
640133*COLMBUS4	230.00	643000	MADISONCNTY4230.00	1	DOUBLE	540	192.0	228.2	117.9	
652502 BERSFRD7	115.00	652517*	MANNING7	115.00	1	DOUBLE	540	120.0	119.1	100.3
652517 MANNING7	115.00	659121*	SPIRITM7	115.00	1	DOUBLE	540	120.0	133.3	111.1
640133*COLMBUS4	230.00	643000	MADISONCNTY4230.00	1	DOUBLE	541	192.0	233.6	120.6	
652511*GAVINS 7	115.00	660006	YKNTJCT7	115.00	1	DOUBLE	541	120.0	199.7	161.6
652626 UTICAJC7	115.00	660006*	YKNTJCT7	115.00	1	DOUBLE	541	120.0	168.5	137.4
652511*GAVINS 7	115.00	660006	YKNTJCT7	115.00	1	DOUBLE	543	120.0	141.6	114.6
640080*BELDEN 7	115.00	640387	TWIN CH7	115.00	1	DOUBLE	544	99.0	104.5	102.8
640133*COLMBUS4	230.00	643000	MADISONCNTY4230.00	1	DOUBLE	544	192.0	231.4	119.5	
640133*COLMBUS4	230.00	643000	MADISONCNTY4230.00	1	DOUBLE	545	192.0	231.3	119.4	
652511*GAVINS 7	115.00	660006	YKNTJCT7	115.00	1	DOUBLE	546	120.0	168.7	136.5
652626 UTICAJC7	115.00	660006*	YKNTJCT7	115.00	1	DOUBLE	546	120.0	143.1	116.5
640133*COLMBUS4	230.00	643000	MADISONCNTY4230.00	1	DOUBLE	547	192.0	235.6	121.8	
640133*COLMBUS4	230.00	643000	MADISONCNTY4230.00	1	DOUBLE	548	192.0	235.0	121.4	
652511*GAVINS 7	115.00	660006	YKNTJCT7	115.00	1	DOUBLE	548	120.0	148.9	120.5
652626 UTICAJC7	115.00	660006*	YKNTJCT7	115.00	1	DOUBLE	548	120.0	128.1	104.2
640133*COLMBUS4	230.00	643000	MADISONCNTY4230.00	1	DOUBLE	549	192.0	233.1	120.4	
652511*GAVINS 7	115.00	660006	YKNTJCT7	115.00	1	DOUBLE	549	120.0	148.6	120.2
652626 UTICAJC7	115.00	660006*	YKNTJCT7	115.00	1	DOUBLE	549	120.0	127.7	103.9
640133*COLMBUS4	230.00	643000	MADISONCNTY4230.00	1	DOUBLE	550	192.0	229.0	118.2	
652511*GAVINS 7	115.00	660006	YKNTJCT7	115.00	1	DOUBLE	550	120.0	146.8	118.8
652626 UTICAJC7	115.00	660006*	YKNTJCT7	115.00	1	DOUBLE	550	120.0	126.3	102.8



640133*COLMBUS4	230.00	643000	MADISONCNTY4230.00	1	DOUBLE	551	192.0	235.0	121.4	
652511*GAVINS 7	115.00	660006	YKNTJCT7	115.00	1	DOUBLE	551	120.0	148.9	120.5
652626 UTICAJC7	115.00	660006*	YKNTJCT7	115.00	1	DOUBLE	551	120.0	128.1	104.2
640133*COLMBUS4	230.00	643000	MADISONCNTY4230.00	1	DOUBLE	552	192.0	233.1	120.4	
652511*GAVINS 7	115.00	660006	YKNTJCT7	115.00	1	DOUBLE	552	120.0	148.5	120.1
652626 UTICAJC7	115.00	660006*	YKNTJCT7	115.00	1	DOUBLE	552	120.0	127.7	103.9
640133*COLMBUS4	230.00	643000	MADISONCNTY4230.00	1	DOUBLE	553	192.0	235.0	121.5	
652511*GAVINS 7	115.00	660006	YKNTJCT7	115.00	1	DOUBLE	553	120.0	147.9	119.6
652626 UTICAJC7	115.00	660006*	YKNTJCT7	115.00	1	DOUBLE	553	120.0	127.3	103.6
640133*COLMBUS4	230.00	643000	MADISONCNTY4230.00	1	DOUBLE	554	192.0	235.8	121.9	
652511*GAVINS 7	115.00	660006	YKNTJCT7	115.00	1	DOUBLE	554	120.0	148.3	120.0
652626 UTICAJC7	115.00	660006*	YKNTJCT7	115.00	1	DOUBLE	554	120.0	127.7	103.9
640133*COLMBUS4	230.00	643000	MADISONCNTY4230.00	1	DOUBLE	555	192.0	232.1	119.8	
652511*GAVINS 7	115.00	660006	YKNTJCT7	115.00	1	DOUBLE	555	120.0	148.5	120.1
652626 UTICAJC7	115.00	660006*	YKNTJCT7	115.00	1	DOUBLE	555	120.0	127.4	103.6
640133*COLMBUS4	230.00	643000	MADISONCNTY4230.00	1	DOUBLE	556	192.0	233.0	120.3	
652511*GAVINS 7	115.00	660006	YKNTJCT7	115.00	1	DOUBLE	556	120.0	148.5	120.2
652626 UTICAJC7	115.00	660006*	YKNTJCT7	115.00	1	DOUBLE	556	120.0	127.7	103.9
640133*COLMBUS4	230.00	643000	MADISONCNTY4230.00	1	DOUBLE	557	192.0	233.4	120.6	
652511*GAVINS 7	115.00	660006	YKNTJCT7	115.00	1	DOUBLE	557	120.0	150.5	121.7
652626 UTICAJC7	115.00	660006*	YKNTJCT7	115.00	1	DOUBLE	557	120.0	128.7	104.7
640133*COLMBUS4	230.00	643000	MADISONCNTY4230.00	1	DOUBLE	558	192.0	237.9	122.8	
652511*GAVINS 7	115.00	660006	YKNTJCT7	115.00	1	DOUBLE	558	120.0	154.3	124.9
652626 UTICAJC7	115.00	660006*	YKNTJCT7	115.00	1	DOUBLE	558	120.0	133.2	108.4
640133*COLMBUS4	230.00	643000	MADISONCNTY4230.00	1	DOUBLE	559	192.0	222.9	115.0	
652511*GAVINS 7	115.00	660006	YKNTJCT7	115.00	1	DOUBLE	559	120.0	148.3	120.0
652626 UTICAJC7	115.00	660006*	YKNTJCT7	115.00	1	DOUBLE	559	120.0	127.6	103.8
640133*COLMBUS4	230.00	643000	MADISONCNTY4230.00	1	DOUBLE	560	192.0	239.9	123.6	
652511*GAVINS 7	115.00	660006	YKNTJCT7	115.00	1	DOUBLE	560	120.0	147.8	119.6
652626 UTICAJC7	115.00	660006*	YKNTJCT7	115.00	1	DOUBLE	560	120.0	127.1	103.4
640133*COLMBUS4	230.00	643000	MADISONCNTY4230.00	1	DOUBLE	561	192.0	201.5	104.6	
652511*GAVINS 7	115.00	660006	YKNTJCT7	115.00	1	DOUBLE	561	120.0	147.9	119.6
652626 UTICAJC7	115.00	660006*	YKNTJCT7	115.00	1	DOUBLE	561	120.0	127.7	103.9
652511*GAVINS 7	115.00	660006	YKNTJCT7	115.00	1	DOUBLE	562	120.0	148.6	120.2
652626 UTICAJC7	115.00	660006*	YKNTJCT7	115.00	1	DOUBLE	562	120.0	130.1	105.9
640133*COLMBUS4	230.00	643000	MADISONCNTY4230.00	1	DOUBLE	563	192.0	225.7	116.3	
652511*GAVINS 7	115.00	660006	YKNTJCT7	115.00	1	DOUBLE	563	120.0	148.2	119.9
652626 UTICAJC7	115.00	660006*	YKNTJCT7	115.00	1	DOUBLE	563	120.0	127.5	103.7
652511*GAVINS 7	115.00	660006	YKNTJCT7	115.00	1	DOUBLE	564	120.0	161.8	130.9
652626 UTICAJC7	115.00	660006*	YKNTJCT7	115.00	1	DOUBLE	564	120.0	137.8	112.2
640133*COLMBUS4	230.00	643000	MADISONCNTY4230.00	1	DOUBLE	565	192.0	245.8	127.0	
652511*GAVINS 7	115.00	660006	YKNTJCT7	115.00	1	DOUBLE	565	120.0	149.4	120.9
652626 UTICAJC7	115.00	660006*	YKNTJCT7	115.00	1	DOUBLE	565	120.0	128.5	104.6
640133*COLMBUS4	230.00	643000	MADISONCNTY4230.00	1	DOUBLE	566	192.0	233.2	120.4	
652511*GAVINS 7	115.00	660006	YKNTJCT7	115.00	1	DOUBLE	566	120.0	160.5	129.8
652626 UTICAJC7	115.00	660006*	YKNTJCT7	115.00	1	DOUBLE	566	120.0	137.1	111.6
640133*COLMBUS4	230.00	643000	MADISONCNTY4230.00	1	DOUBLE	567	192.0	239.3	123.6	
652511*GAVINS 7	115.00	660006	YKNTJCT7	115.00	1	DOUBLE	567	120.0	147.8	119.6

652626 UTICAJC7	115.00	660006*YKNTJCT7	115.00	1	DOUBLE 567	120.0	127.3	103.6	
640133*COLMBUS4	230.00	643000 MADISONCNTY4230.00	1	DOUBLE 568	192.0	228.3	117.9		
652511*GAVINS 7	115.00	660006 YKNTJCT7	115.00	1	DOUBLE 568	120.0	147.0	118.9	
652626 UTICAJC7	115.00	660006*YKNTJCT7	115.00	1	DOUBLE 568	120.0	126.4	102.8	
640133*COLMBUS4	230.00	643000 MADISONCNTY4230.00	1	DOUBLE 569	192.0	236.3	122.0		
652511*GAVINS 7	115.00	660006 YKNTJCT7	115.00	1	DOUBLE 569	120.0	149.2	120.7	
652626 UTICAJC7	115.00	660006*YKNTJCT7	115.00	1	DOUBLE 569	120.0	128.4	104.4	
640133*COLMBUS4	230.00	643000 MADISONCNTY4230.00	1	DOUBLE 570	192.0	240.3	124.1		
652511*GAVINS 7	115.00	660006 YKNTJCT7	115.00	1	DOUBLE 570	120.0	146.5	118.5	
652626 UTICAJC7	115.00	660006*YKNTJCT7	115.00	1	DOUBLE 570	120.0	126.2	102.7	
640133*COLMBUS4	230.00	643000 MADISONCNTY4230.00	1	DOUBLE 571	192.0	272.5	141.0		
652511*GAVINS 7	115.00	660006 YKNTJCT7	115.00	1	DOUBLE 571	120.0	147.0	118.9	
652626 UTICAJC7	115.00	660006*YKNTJCT7	115.00	1	DOUBLE 571	120.0	126.9	103.2	
640133*COLMBUS4	230.00	643000 MADISONCNTY4230.00	1	DOUBLE 572	192.0	232.6	120.1		
652511*GAVINS 7	115.00	660006 YKNTJCT7	115.00	1	DOUBLE 572	120.0	148.4	120.1	
652626 UTICAJC7	115.00	660006*YKNTJCT7	115.00	1	DOUBLE 572	120.0	127.5	103.8	
640133*COLMBUS4	230.00	643000 MADISONCNTY4230.00	1	DOUBLE 573	192.0	231.6	119.6		
652511*GAVINS 7	115.00	660006 YKNTJCT7	115.00	1	DOUBLE 573	120.0	148.5	120.2	
652626 UTICAJC7	115.00	660006*YKNTJCT7	115.00	1	DOUBLE 573	120.0	127.2	103.5	
652511*GAVINS 7	115.00	660006 YKNTJCT7	115.00	1	DOUBLE 574	120.0	147.6	119.4	
652626 UTICAJC7	115.00	660006*YKNTJCT7	115.00	1	DOUBLE 574	120.0	126.9	103.3	
640133*COLMBUS4	230.00	643000 MADISONCNTY4230.00	1	DOUBLE 575	192.0	232.9	120.2		
652511*GAVINS 7	115.00	660006 YKNTJCT7	115.00	1	DOUBLE 575	120.0	148.4	120.1	
652626 UTICAJC7	115.00	660006*YKNTJCT7	115.00	1	DOUBLE 575	120.0	127.6	103.8	
640133*COLMBUS4	230.00	643000 MADISONCNTY4230.00	1	DOUBLE 576	192.0	242.0	125.0		
652511*GAVINS 7	115.00	660006 YKNTJCT7	115.00	1	DOUBLE 576	120.0	139.6	112.9	
640133*COLMBUS4	230.00	643000 MADISONCNTY4230.00	1	DOUBLE 577	192.0	263.0	136.0		
652511*GAVINS 7	115.00	660006 YKNTJCT7	115.00	1	DOUBLE 577	120.0	145.5	117.7	
652626 UTICAJC7	115.00	660006*YKNTJCT7	115.00	1	DOUBLE 577	120.0	125.7	102.3	
640133*COLMBUS4	230.00	643000 MADISONCNTY4230.00	1	DOUBLE 578	192.0	255.9	132.1		
652511*GAVINS 7	115.00	660006 YKNTJCT7	115.00	1	DOUBLE 578	120.0	152.7	123.5	
652626 UTICAJC7	115.00	660006*YKNTJCT7	115.00	1	DOUBLE 578	120.0	131.4	106.9	
640133*COLMBUS4	230.00	643000 MADISONCNTY4230.00	1	DOUBLE 579	192.0	210.1	108.5		
652511*GAVINS 7	115.00	660006 YKNTJCT7	115.00	1	DOUBLE 579	120.0	152.8	123.6	
652626 UTICAJC7	115.00	660006*YKNTJCT7	115.00	1	DOUBLE 579	120.0	131.3	106.9	
640133*COLMBUS4	230.00	643000 MADISONCNTY4230.00	1	DOUBLE 580	192.0	246.0	127.1		
652511*GAVINS 7	115.00	660006 YKNTJCT7	115.00	1	DOUBLE 580	120.0	151.0	122.2	
652626 UTICAJC7	115.00	660006*YKNTJCT7	115.00	1	DOUBLE 580	120.0	129.1	105.1	
640133*COLMBUS4	230.00	643000 MADISONCNTY4230.00	1	DOUBLE 581	192.0	233.0	120.3		
652511*GAVINS 7	115.00	660006 YKNTJCT7	115.00	1	DOUBLE 581	120.0	148.4	120.1	
652626 UTICAJC7	115.00	660006*YKNTJCT7	115.00	1	DOUBLE 581	120.0	127.7	103.8	
640133*COLMBUS4	230.00	643000 MADISONCNTY4230.00	1	DOUBLE 582	192.0	232.6	120.1		
652511*GAVINS 7	115.00	660006 YKNTJCT7	115.00	1	DOUBLE 582	120.0	148.6	120.2	
652626 UTICAJC7	115.00	660006*YKNTJCT7	115.00	1	DOUBLE 582	120.0	127.7	103.9	
640133*COLMBUS4	230.00	643000 MADISONCNTY4230.00	1	DOUBLE 583	192.0	232.9	120.3		
652511*GAVINS 7	115.00	660006 YKNTJCT7	115.00	1	DOUBLE 583	120.0	148.3	120.0	
652626 UTICAJC7	115.00	660006*YKNTJCT7	115.00	1	DOUBLE 583	120.0	128.1	104.2	
640133*COLMBUS4	230.00	643000 MADISONCNTY4230.00	1	DOUBLE 584	192.0	232.9	120.3		

652511*GAVINS 7	115.00	660006	YKNTJCT7	115.00	1	DOUBLE 584	120.0	148.3	120.0
652626 UTICAJC7	115.00	660006*	YKNTJCT7	115.00	1	DOUBLE 584	120.0	128.1	104.2
640133*COLMBUS4	230.00	643000	MADISONCNTY4230.00	1	DOUBLE 585	192.0	233.5	120.6	
652511*GAVINS 7	115.00	660006	YKNTJCT7	115.00	1	DOUBLE 585	120.0	148.3	120.0
652626 UTICAJC7	115.00	660006*	YKNTJCT7	115.00	1	DOUBLE 585	120.0	127.6	103.8
640133*COLMBUS4	230.00	643000	MADISONCNTY4230.00	1	DOUBLE 586	192.0	248.5	128.4	
652511*GAVINS 7	115.00	660006	YKNTJCT7	115.00	1	DOUBLE 586	120.0	166.6	134.8
652626 UTICAJC7	115.00	660006*	YKNTJCT7	115.00	1	DOUBLE 586	120.0	162.0	132.2
640133*COLMBUS4	230.00	643000	MADISONCNTY4230.00	1	DOUBLE 587	192.0	248.0	128.2	
652511*GAVINS 7	115.00	660006	YKNTJCT7	115.00	1	DOUBLE 587	120.0	141.5	114.5
652626 UTICAJC7	115.00	660006*	YKNTJCT7	115.00	1	DOUBLE 587	120.0	126.4	102.9
640133*COLMBUS4	230.00	643000	MADISONCNTY4230.00	1	DOUBLE 588	192.0	233.3	120.5	
652511*GAVINS 7	115.00	660006	YKNTJCT7	115.00	1	DOUBLE 588	120.0	152.3	123.2
652626 UTICAJC7	115.00	660006*	YKNTJCT7	115.00	1	DOUBLE 588	120.0	130.7	106.4
640080*BELDEN 7	115.00	640228	HOSKINS7	115.00	1	DOUBLE 589	113.0	124.5	107.1
640133*COLMBUS4	230.00	643000	MADISONCNTY4230.00	1	DOUBLE 589	192.0	232.7	120.4	
652502 BERSFRD7	115.00	652517*	MANNING7	115.00	1	DOUBLE 589	120.0	121.2	102.0
652517 MANNING7	115.00	659121*	SPIRITM7	115.00	1	DOUBLE 589	120.0	135.5	112.9
640133*COLMBUS4	230.00	643000	MADISONCNTY4230.00	1	DOUBLE 590	192.0	237.0	122.5	
652511*GAVINS 7	115.00	660006	YKNTJCT7	115.00	1	DOUBLE 590	120.0	208.8	169.0
652626 UTICAJC7	115.00	660006*	YKNTJCT7	115.00	1	DOUBLE 590	120.0	176.2	143.7
640133*COLMBUS4	230.00	643000	MADISONCNTY4230.00	1	DOUBLE 591	192.0	233.5	120.6	
640133*COLMBUS4	230.00	643000	MADISONCNTY4230.00	1	DOUBLE 592	192.0	233.3	120.5	
652511*GAVINS 7	115.00	660006	YKNTJCT7	115.00	1	DOUBLE 592	120.0	152.3	123.2
652626 UTICAJC7	115.00	660006*	YKNTJCT7	115.00	1	DOUBLE 592	120.0	130.7	106.4
640133*COLMBUS4	230.00	643000	MADISONCNTY4230.00	1	DOUBLE 593	192.0	235.3	121.6	
652517 MANNING7	115.00	659121*	SPIRITM7	115.00	1	DOUBLE 593	120.0	121.3	101.1
640133*COLMBUS4	230.00	643000	MADISONCNTY4230.00	1	DOUBLE 594	192.0	234.3	121.0	
652511*GAVINS 7	115.00	660006	YKNTJCT7	115.00	1	DOUBLE 594	120.0	138.1	111.7
640133*COLMBUS4	230.00	643000	MADISONCNTY4230.00	1	DOUBLE 595	192.0	226.0	116.7	
652511*GAVINS 7	115.00	660006	YKNTJCT7	115.00	1	DOUBLE 596	120.0	143.7	116.3
652626 UTICAJC7	115.00	660006*	YKNTJCT7	115.00	1	DOUBLE 596	120.0	123.2	100.2
640133*COLMBUS4	230.00	643000	MADISONCNTY4230.00	1	DOUBLE 597	192.0	227.4	117.3	
652511*GAVINS 7	115.00	660006	YKNTJCT7	115.00	1	DOUBLE 597	120.0	143.8	116.3
652626 UTICAJC7	115.00	660006*	YKNTJCT7	115.00	1	DOUBLE 597	120.0	123.2	100.2
640133*COLMBUS4	230.00	643000	MADISONCNTY4230.00	1	DOUBLE 598	192.0	223.1	115.1	
652511*GAVINS 7	115.00	660006	YKNTJCT7	115.00	1	DOUBLE 598	120.0	143.2	115.9
652511*GAVINS 7	115.00	660006	YKNTJCT7	115.00	1	DOUBLE 599	120.0	143.7	116.3
652626 UTICAJC7	115.00	660006*	YKNTJCT7	115.00	1	DOUBLE 599	120.0	123.2	100.2
640133*COLMBUS4	230.00	643000	MADISONCNTY4230.00	1	DOUBLE 600	192.0	227.4	117.4	
652511*GAVINS 7	115.00	660006	YKNTJCT7	115.00	1	DOUBLE 600	120.0	143.7	116.3
652626 UTICAJC7	115.00	660006*	YKNTJCT7	115.00	1	DOUBLE 600	120.0	123.1	100.1
652511*GAVINS 7	115.00	660006	YKNTJCT7	115.00	1	DOUBLE 601	120.0	143.3	115.9
652511*GAVINS 7	115.00	660006	YKNTJCT7	115.00	1	DOUBLE 602	120.0	143.4	116.1
652626 UTICAJC7	115.00	660006*	YKNTJCT7	115.00	1	DOUBLE 602	120.0	123.0	100.1
640133*COLMBUS4	230.00	643000	MADISONCNTY4230.00	1	DOUBLE 603	192.0	226.2	116.7	
652511*GAVINS 7	115.00	660006	YKNTJCT7	115.00	1	DOUBLE 603	120.0	144.0	116.5
652626 UTICAJC7	115.00	660006*	YKNTJCT7	115.00	1	DOUBLE 603	120.0	123.0	100.1

640133*COLMBUS4	230.00	643000	MADISONCNTY4230.00	1	DOUBLE	604	192.0	227.3	117.3	
652511*GAVINS 7	115.00	660006	YKNTJCT7	115.00	1	DOUBLE	604	120.0	143.7	116.3
652626 UTICAJC7	115.00	660006*	YKNTJCT7	115.00	1	DOUBLE	604	120.0	123.1	100.2
640133*COLMBUS4	230.00	643000	MADISONCNTY4230.00	1	DOUBLE	605	192.0	227.4	117.3	
652511*GAVINS 7	115.00	660006	YKNTJCT7	115.00	1	DOUBLE	605	120.0	143.9	116.5
652626 UTICAJC7	115.00	660006*	YKNTJCT7	115.00	1	DOUBLE	605	120.0	123.2	100.2
640133*COLMBUS4	230.00	643000	MADISONCNTY4230.00	1	DOUBLE	606	192.0	232.7	120.1	
652511*GAVINS 7	115.00	660006	YKNTJCT7	115.00	1	DOUBLE	606	120.0	141.3	114.3
640133*COLMBUS4	230.00	643000	MADISONCNTY4230.00	1	DOUBLE	607	192.0	217.2	112.0	
652511*GAVINS 7	115.00	660006	YKNTJCT7	115.00	1	DOUBLE	607	120.0	143.5	116.1
652626 UTICAJC7	115.00	660006*	YKNTJCT7	115.00	1	DOUBLE	607	120.0	123.1	100.1
640133*COLMBUS4	230.00	643000	MADISONCNTY4230.00	1	DOUBLE	608	192.0	234.6	120.7	
652511*GAVINS 7	115.00	660006	YKNTJCT7	115.00	1	DOUBLE	608	120.0	143.3	115.9
640133*COLMBUS4	230.00	643000	MADISONCNTY4230.00	1	DOUBLE	609	192.0	196.7	102.1	
652511*GAVINS 7	115.00	660006	YKNTJCT7	115.00	1	DOUBLE	609	120.0	142.3	115.1
652511*GAVINS 7	115.00	660006	YKNTJCT7	115.00	1	DOUBLE	610	120.0	140.1	113.3
640133*COLMBUS4	230.00	643000	MADISONCNTY4230.00	1	DOUBLE	611	192.0	219.8	113.1	
652511*GAVINS 7	115.00	660006	YKNTJCT7	115.00	1	DOUBLE	611	120.0	143.6	116.2
652626 UTICAJC7	115.00	660006*	YKNTJCT7	115.00	1	DOUBLE	611	120.0	123.0	100.1
652511*GAVINS 7	115.00	660006	YKNTJCT7	115.00	1	DOUBLE	612	120.0	143.8	116.4
652626 UTICAJC7	115.00	660006*	YKNTJCT7	115.00	1	DOUBLE	612	120.0	123.4	100.4
640133*COLMBUS4	230.00	643000	MADISONCNTY4230.00	1	DOUBLE	613	192.0	239.3	123.5	
652511*GAVINS 7	115.00	660006	YKNTJCT7	115.00	1	DOUBLE	613	120.0	144.2	116.7
652626 UTICAJC7	115.00	660006*	YKNTJCT7	115.00	1	DOUBLE	613	120.0	123.6	100.5
640133*COLMBUS4	230.00	643000	MADISONCNTY4230.00	1	DOUBLE	614	192.0	227.9	117.6	
652511*GAVINS 7	115.00	660006	YKNTJCT7	115.00	1	DOUBLE	614	120.0	168.6	136.4
652626 UTICAJC7	115.00	660006*	YKNTJCT7	115.00	1	DOUBLE	614	120.0	142.8	116.2
640133*COLMBUS4	230.00	643000	MADISONCNTY4230.00	1	DOUBLE	615	192.0	233.4	120.5	
652511*GAVINS 7	115.00	660006	YKNTJCT7	115.00	1	DOUBLE	615	120.0	142.6	115.4
640133*COLMBUS4	230.00	643000	MADISONCNTY4230.00	1	DOUBLE	616	192.0	222.0	114.6	
652511*GAVINS 7	115.00	660006	YKNTJCT7	115.00	1	DOUBLE	616	120.0	143.4	116.0
652511*GAVINS 7	115.00	660006	YKNTJCT7	115.00	1	DOUBLE	617	120.0	143.8	116.3
652626 UTICAJC7	115.00	660006*	YKNTJCT7	115.00	1	DOUBLE	617	120.0	123.3	100.3
640133*COLMBUS4	230.00	643000	MADISONCNTY4230.00	1	DOUBLE	618	192.0	234.7	121.1	
652511*GAVINS 7	115.00	660006	YKNTJCT7	115.00	1	DOUBLE	618	120.0	141.9	114.8
640133*COLMBUS4	230.00	643000	MADISONCNTY4230.00	1	DOUBLE	619	192.0	266.5	137.8	
652511*GAVINS 7	115.00	660006	YKNTJCT7	115.00	1	DOUBLE	619	120.0	141.4	114.4
640133*COLMBUS4	230.00	643000	MADISONCNTY4230.00	1	DOUBLE	620	192.0	226.8	117.0	
652511*GAVINS 7	115.00	660006	YKNTJCT7	115.00	1	DOUBLE	620	120.0	143.8	116.3
652626 UTICAJC7	115.00	660006*	YKNTJCT7	115.00	1	DOUBLE	620	120.0	123.1	100.1
640133*COLMBUS4	230.00	643000	MADISONCNTY4230.00	1	DOUBLE	621	192.0	225.7	116.5	
652511*GAVINS 7	115.00	660006	YKNTJCT7	115.00	1	DOUBLE	621	120.0	144.2	116.7
652626 UTICAJC7	115.00	660006*	YKNTJCT7	115.00	1	DOUBLE	621	120.0	123.0	100.0
640133*COLMBUS4	230.00	643000	MADISONCNTY4230.00	1	DOUBLE	622	192.0	224.0	115.6	
652511*GAVINS 7	115.00	660006	YKNTJCT7	115.00	1	DOUBLE	622	120.0	143.5	116.1
640133*COLMBUS4	230.00	643000	MADISONCNTY4230.00	1	DOUBLE	623	192.0	227.1	117.2	
652511*GAVINS 7	115.00	660006	YKNTJCT7	115.00	1	DOUBLE	623	120.0	143.7	116.3
652626 UTICAJC7	115.00	660006*	YKNTJCT7	115.00	1	DOUBLE	623	120.0	123.1	100.1

640133*COLMBUS4	230.00	643000	MADISONCNTY4230.00	1	DOUBLE	624	192.0	238.3	123.1	
652511*GAVINS 7	115.00	660006	YKNTJCT7	115.00	1	DOUBLE	624	120.0	143.8	116.4
640133*COLMBUS4	230.00	643000	MADISONCNTY4230.00	1	DOUBLE	625	192.0	257.4	133.0	
652511*GAVINS 7	115.00	660006	YKNTJCT7	115.00	1	DOUBLE	625	120.0	140.4	113.6
640133*COLMBUS4	230.00	643000	MADISONCNTY4230.00	1	DOUBLE	626	192.0	248.9	128.5	
652511*GAVINS 7	115.00	660006	YKNTJCT7	115.00	1	DOUBLE	626	120.0	143.9	116.4
652626 UTICAJC7	115.00	660006*YKNTJCT7	115.00	1	DOUBLE	626	120.0	123.8	100.7	
640133*COLMBUS4	230.00	643000	MADISONCNTY4230.00	1	DOUBLE	627	192.0	208.0	107.4	
652511*GAVINS 7	115.00	660006	YKNTJCT7	115.00	1	DOUBLE	627	120.0	143.4	116.0
652626 UTICAJC7	115.00	660006*YKNTJCT7	115.00	1	DOUBLE	627	120.0	123.2	100.2	
640133*COLMBUS4	230.00	643000	MADISONCNTY4230.00	1	DOUBLE	628	192.0	238.7	123.2	
652511*GAVINS 7	115.00	660006	YKNTJCT7	115.00	1	DOUBLE	628	120.0	145.5	117.8
652626 UTICAJC7	115.00	660006*YKNTJCT7	115.00	1	DOUBLE	628	120.0	124.1	100.9	
640133*COLMBUS4	230.00	643000	MADISONCNTY4230.00	1	DOUBLE	629	192.0	227.2	117.2	
652511*GAVINS 7	115.00	660006	YKNTJCT7	115.00	1	DOUBLE	629	120.0	143.7	116.3
652626 UTICAJC7	115.00	660006*YKNTJCT7	115.00	1	DOUBLE	629	120.0	123.1	100.1	
640133*COLMBUS4	230.00	643000	MADISONCNTY4230.00	1	DOUBLE	630	192.0	226.8	117.0	
652511*GAVINS 7	115.00	660006	YKNTJCT7	115.00	1	DOUBLE	630	120.0	143.9	116.4
652626 UTICAJC7	115.00	660006*YKNTJCT7	115.00	1	DOUBLE	630	120.0	123.2	100.2	
640133*COLMBUS4	230.00	643000	MADISONCNTY4230.00	1	DOUBLE	631	192.0	227.2	117.2	
652511*GAVINS 7	115.00	660006	YKNTJCT7	115.00	1	DOUBLE	631	120.0	143.6	116.2
652626 UTICAJC7	115.00	660006*YKNTJCT7	115.00	1	DOUBLE	631	120.0	123.4	100.3	
640133*COLMBUS4	230.00	643000	MADISONCNTY4230.00	1	DOUBLE	632	192.0	227.2	117.2	
652511*GAVINS 7	115.00	660006	YKNTJCT7	115.00	1	DOUBLE	632	120.0	143.6	116.2
652626 UTICAJC7	115.00	660006*YKNTJCT7	115.00	1	DOUBLE	632	120.0	123.4	100.3	
640133*COLMBUS4	230.00	643000	MADISONCNTY4230.00	1	DOUBLE	633	192.0	227.6	117.5	
652511*GAVINS 7	115.00	660006	YKNTJCT7	115.00	1	DOUBLE	633	120.0	143.6	116.1
652626 UTICAJC7	115.00	660006*YKNTJCT7	115.00	1	DOUBLE	633	120.0	123.1	100.1	
640133*COLMBUS4	230.00	643000	MADISONCNTY4230.00	1	DOUBLE	634	192.0	243.4	125.7	
652511*GAVINS 7	115.00	660006	YKNTJCT7	115.00	1	DOUBLE	634	120.0	159.2	128.8
652626 UTICAJC7	115.00	660006*YKNTJCT7	115.00	1	DOUBLE	634	120.0	155.3	126.7	
640133*COLMBUS4	230.00	643000	MADISONCNTY4230.00	1	DOUBLE	635	192.0	241.5	124.8	
652511*GAVINS 7	115.00	660006	YKNTJCT7	115.00	1	DOUBLE	635	120.0	135.4	109.6
640133*COLMBUS4	230.00	643000	MADISONCNTY4230.00	1	DOUBLE	636	192.0	227.4	117.3	
652511*GAVINS 7	115.00	660006	YKNTJCT7	115.00	1	DOUBLE	636	120.0	146.9	118.8
652626 UTICAJC7	115.00	660006*YKNTJCT7	115.00	1	DOUBLE	636	120.0	125.7	102.2	
640080*BELDEN 7	115.00	640387	TWIN CH7	115.00	1	DOUBLE	637	99.0	107.4	105.8
640133*COLMBUS4	230.00	643000	MADISONCNTY4230.00	1	DOUBLE	637	192.0	221.9	114.6	
652502 BERSFRD7	115.00	652517*	MANNING7	115.00	1	DOUBLE	637	120.0	121.9	102.7
652517 MANNING7	115.00	659121*	SPIRITM7	115.00	1	DOUBLE	637	120.0	136.3	113.6
652511*GAVINS 7	115.00	660006	YKNTJCT7	115.00	1	DOUBLE	638	120.0	205.3	166.1
652626 UTICAJC7	115.00	660006*YKNTJCT7	115.00	1	DOUBLE	638	120.0	172.4	140.6	
640133*COLMBUS4	230.00	643000	MADISONCNTY4230.00	1	DOUBLE	639	192.0	226.1	116.7	
640133*COLMBUS4	230.00	643000	MADISONCNTY4230.00	1	DOUBLE	640	192.0	227.4	117.3	
652511*GAVINS 7	115.00	660006	YKNTJCT7	115.00	1	DOUBLE	640	120.0	146.9	118.8
652626 UTICAJC7	115.00	660006*YKNTJCT7	115.00	1	DOUBLE	640	120.0	125.7	102.2	
640133*COLMBUS4	230.00	643000	MADISONCNTY4230.00	1	DOUBLE	641	192.0	226.5	117.0	
652517 MANNING7	115.00	659121*	SPIRITM7	115.00	1	DOUBLE	641	120.0	120.4	100.3

640133*COLMBUS4	230.00	643000	MADISONCNTY4230.00	1	DOUBLE	642	192.0	228.3	117.8	
652511*GAVINS 7	115.00	660006	YKNTJCT7	115.00	1	DOUBLE	642	120.0	133.9	108.3
640133*COLMBUS4	230.00	643000	MADISONCNTY4230.00	1	DOUBLE	643	192.0	234.3	121.0	
640133*COLMBUS4	230.00	643000	MADISONCNTY4230.00	1	DOUBLE	644	192.0	232.4	120.0	
640133*COLMBUS4	230.00	643000	MADISONCNTY4230.00	1	DOUBLE	645	192.0	228.3	117.9	
640133*COLMBUS4	230.00	643000	MADISONCNTY4230.00	1	DOUBLE	646	192.0	234.3	121.0	
640133*COLMBUS4	230.00	643000	MADISONCNTY4230.00	1	DOUBLE	647	192.0	232.4	120.1	
640133*COLMBUS4	230.00	643000	MADISONCNTY4230.00	1	DOUBLE	648	192.0	234.2	121.1	
640133*COLMBUS4	230.00	643000	MADISONCNTY4230.00	1	DOUBLE	649	192.0	235.1	121.5	
640133*COLMBUS4	230.00	643000	MADISONCNTY4230.00	1	DOUBLE	650	192.0	231.4	119.5	
640133*COLMBUS4	230.00	643000	MADISONCNTY4230.00	1	DOUBLE	651	192.0	232.3	120.0	
640133*COLMBUS4	230.00	643000	MADISONCNTY4230.00	1	DOUBLE	652	192.0	233.1	120.4	
640133*COLMBUS4	230.00	643000	MADISONCNTY4230.00	1	DOUBLE	653	192.0	238.2	123.1	
640133*COLMBUS4	230.00	643000	MADISONCNTY4230.00	1	DOUBLE	654	192.0	222.3	114.7	
640133*COLMBUS4	230.00	643000	MADISONCNTY4230.00	1	DOUBLE	655	192.0	239.0	123.1	
640133*COLMBUS4	230.00	643000	MADISONCNTY4230.00	1	DOUBLE	656	192.0	200.9	104.3	
640133*COLMBUS4	230.00	643000	MADISONCNTY4230.00	1	DOUBLE	658	192.0	225.0	116.0	
640133*COLMBUS4	230.00	643000	MADISONCNTY4230.00	1	DOUBLE	659	192.0	227.3	117.4	
640133*COLMBUS4	230.00	643000	MADISONCNTY4230.00	1	DOUBLE	660	192.0	245.1	126.6	
640133*COLMBUS4	230.00	643000	MADISONCNTY4230.00	1	DOUBLE	661	192.0	232.3	120.0	
640133*COLMBUS4	230.00	643000	MADISONCNTY4230.00	1	DOUBLE	662	192.0	238.9	123.5	
640133*COLMBUS4	230.00	643000	MADISONCNTY4230.00	1	DOUBLE	663	192.0	227.7	117.6	
640133*COLMBUS4	230.00	643000	MADISONCNTY4230.00	1	DOUBLE	664	192.0	235.6	121.7	
640133*COLMBUS4	230.00	643000	MADISONCNTY4230.00	1	DOUBLE	665	192.0	239.6	123.8	
640133*COLMBUS4	230.00	643000	MADISONCNTY4230.00	1	DOUBLE	666	192.0	272.1	140.8	
640133*COLMBUS4	230.00	643000	MADISONCNTY4230.00	1	DOUBLE	667	192.0	231.9	119.8	
640133*COLMBUS4	230.00	643000	MADISONCNTY4230.00	1	DOUBLE	670	192.0	232.1	119.9	
640133*COLMBUS4	230.00	643000	MADISONCNTY4230.00	1	DOUBLE	671	192.0	239.7	123.8	
640133*COLMBUS4	230.00	643000	MADISONCNTY4230.00	1	DOUBLE	672	192.0	262.6	135.8	
640133*COLMBUS4	230.00	643000	MADISONCNTY4230.00	1	DOUBLE	673	192.0	256.0	132.1	
640133*COLMBUS4	230.00	643000	MADISONCNTY4230.00	1	DOUBLE	674	192.0	206.7	106.9	
640133*COLMBUS4	230.00	643000	MADISONCNTY4230.00	1	DOUBLE	675	192.0	249.1	128.7	
640133*COLMBUS4	230.00	643000	MADISONCNTY4230.00	1	DOUBLE	676	192.0	232.1	119.9	
640133*COLMBUS4	230.00	643000	MADISONCNTY4230.00	1	DOUBLE	677	192.0	231.7	119.7	
640133*COLMBUS4	230.00	643000	MADISONCNTY4230.00	1	DOUBLE	678	192.0	232.2	119.9	
640133*COLMBUS4	230.00	643000	MADISONCNTY4230.00	1	DOUBLE	679	192.0	232.2	119.9	
640133*COLMBUS4	230.00	643000	MADISONCNTY4230.00	1	DOUBLE	680	192.0	232.5	120.1	
640133*COLMBUS4	230.00	643000	MADISONCNTY4230.00	1	DOUBLE	681	192.0	249.5	129.0	
640133*COLMBUS4	230.00	643000	MADISONCNTY4230.00	1	DOUBLE	682	192.0	246.3	127.3	
640133*COLMBUS4	230.00	643000	MADISONCNTY4230.00	1	DOUBLE	683	192.0	232.0	119.8	
640133*COLMBUS4	230.00	643000	MADISONCNTY4230.00	1	DOUBLE	685	192.0	235.0	121.4	
652511*GAVINS 7	115.00	660006	YKNTJCT7	115.00	1	DOUBLE	685	120.0	146.5	118.6
652626 UTICAJC7	115.00	660006*	YKNTJCT7	115.00	1	DOUBLE	685	120.0	127.0	103.3
640133*COLMBUS4	230.00	643000	MADISONCNTY4230.00	1	DOUBLE	686	192.0	232.0	119.8	
640133*COLMBUS4	230.00	643000	MADISONCNTY4230.00	1	DOUBLE	687	192.0	232.0	119.8	
640133*COLMBUS4	230.00	643000	MADISONCNTY4230.00	1	DOUBLE	688	192.0	232.5	120.1	
640133*COLMBUS4	230.00	643000	MADISONCNTY4230.00	1	DOUBLE	689	192.0	233.2	120.4	
640089*BROKENB7	115.00	640259	LOUPCTY7	115.00	1	DOUBLE	690	120.0	143.2	115.3

640133*COLMBUS4	230.00	643000	MADISONCNTY4230.00	1	DOUBLE	690	192.0	233.8	120.8	
652511*GAVINS 7	115.00	660006	YKNTJCT7	115.00	1	DOUBLE	690	120.0	129.8	105.0
640089*BROKENB7	115.00	640098	CALAWAY7	115.00	1	DOUBLE	691	120.0	143.0	115.2
640098*CALAWAY7	115.00	640267	MAXWELS7	115.00	1	DOUBLE	691	120.0	131.7	109.6
640133*COLMBUS4	230.00	643000	MADISONCNTY4230.00	1	DOUBLE	691	192.0	227.6	117.4	
652511*GAVINS 7	115.00	660006	YKNTJCT7	115.00	1	DOUBLE	691	120.0	127.1	102.8
640133*COLMBUS4	230.00	643000	MADISONCNTY4230.00	1	DOUBLE	692	192.0	232.1	119.8	
640133*COLMBUS4	230.00	643000	MADISONCNTY4230.00	1	DOUBLE	693	192.0	232.0	119.8	
640133*COLMBUS4	230.00	643000	MADISONCNTY4230.00	1	DOUBLE	694	192.0	235.3	121.6	
640133*COLMBUS4	230.00	643000	MADISONCNTY4230.00	1	DOUBLE	695	192.0	234.1	121.0	
640089*BROKENB7	115.00	640259	LOUPCTY7	115.00	1	DOUBLE	697	120.0	136.0	109.5
640133*COLMBUS4	230.00	643000	MADISONCNTY4230.00	1	DOUBLE	697	192.0	233.5	120.6	
640133*COLMBUS4	230.00	643000	MADISONCNTY4230.00	1	DOUBLE	698	192.0	232.5	120.0	
652511*GAVINS 7	115.00	660006	YKNTJCT7	115.00	1	DOUBLE	698	120.0	130.8	105.8
640133*COLMBUS4	230.00	643000	MADISONCNTY4230.00	1	DOUBLE	699	192.0	236.8	122.3	
652511*GAVINS 7	115.00	660006	YKNTJCT7	115.00	1	DOUBLE	699	120.0	134.4	108.7
640133*COLMBUS4	230.00	643000	MADISONCNTY4230.00	1	DOUBLE	700	192.0	222.1	114.6	
640133*COLMBUS4	230.00	643000	MADISONCNTY4230.00	1	DOUBLE	701	192.0	238.7	122.9	
640133*COLMBUS4	230.00	643000	MADISONCNTY4230.00	1	DOUBLE	702	192.0	200.9	104.3	
640133*COLMBUS4	230.00	643000	MADISONCNTY4230.00	1	DOUBLE	704	192.0	224.9	115.9	
652511*GAVINS 7	115.00	660006	YKNTJCT7	115.00	1	DOUBLE	705	120.0	137.5	111.2
640133*COLMBUS4	230.00	643000	MADISONCNTY4230.00	1	DOUBLE	706	192.0	244.5	126.3	
652511*GAVINS 7	115.00	660006	YKNTJCT7	115.00	1	DOUBLE	706	120.0	129.8	105.1
640133*COLMBUS4	230.00	643000	MADISONCNTY4230.00	1	DOUBLE	707	192.0	232.9	120.2	
652511*GAVINS 7	115.00	660006	YKNTJCT7	115.00	1	DOUBLE	707	120.0	151.3	122.4
652626 UTICAJC7	115.00	660006*	YKNTJCT7	115.00	1	DOUBLE	707	120.0	129.7	105.5
640133*COLMBUS4	230.00	643000	MADISONCNTY4230.00	1	DOUBLE	708	192.0	238.6	123.2	
640133*COLMBUS4	230.00	643000	MADISONCNTY4230.00	1	DOUBLE	709	192.0	225.9	116.6	
652511*GAVINS 7	115.00	660006	YKNTJCT7	115.00	1	DOUBLE	709	120.0	127.4	103.1
640133*COLMBUS4	230.00	643000	MADISONCNTY4230.00	1	DOUBLE	710	192.0	237.4	122.5	
652511*GAVINS 7	115.00	660006	YKNTJCT7	115.00	1	DOUBLE	710	120.0	130.2	105.3
640133*COLMBUS4	230.00	643000	MADISONCNTY4230.00	1	DOUBLE	711	192.0	239.6	123.7	
652511*GAVINS 7	115.00	660006	YKNTJCT7	115.00	1	DOUBLE	711	120.0	127.4	103.1
640133*COLMBUS4	230.00	643000	MADISONCNTY4230.00	1	DOUBLE	712	192.0	271.8	140.6	
652511*GAVINS 7	115.00	660006	YKNTJCT7	115.00	1	DOUBLE	712	120.0	127.7	103.3
640133*COLMBUS4	230.00	643000	MADISONCNTY4230.00	1	DOUBLE	713	192.0	233.3	120.5	
640133*COLMBUS4	230.00	643000	MADISONCNTY4230.00	1	DOUBLE	715	192.0	227.8	117.6	
640133*COLMBUS4	230.00	643000	MADISONCNTY4230.00	1	DOUBLE	716	192.0	231.9	119.7	
640133*COLMBUS4	230.00	643000	MADISONCNTY4230.00	1	DOUBLE	717	192.0	242.1	125.1	
640133*COLMBUS4	230.00	643000	MADISONCNTY4230.00	1	DOUBLE	718	192.0	262.7	135.8	
652511*GAVINS 7	115.00	660006	YKNTJCT7	115.00	1	DOUBLE	718	120.0	126.4	102.3
640133*COLMBUS4	230.00	643000	MADISONCNTY4230.00	1	DOUBLE	719	192.0	252.4	130.3	
652511*GAVINS 7	115.00	660006	YKNTJCT7	115.00	1	DOUBLE	719	120.0	132.4	107.1
640133*COLMBUS4	230.00	643000	MADISONCNTY4230.00	1	DOUBLE	720	192.0	208.4	107.6	
652511*GAVINS 7	115.00	660006	YKNTJCT7	115.00	1	DOUBLE	720	120.0	133.3	107.8
640133*COLMBUS4	230.00	643000	MADISONCNTY4230.00	1	DOUBLE	721	192.0	245.3	126.7	
652511*GAVINS 7	115.00	660006	YKNTJCT7	115.00	1	DOUBLE	721	120.0	131.7	106.6
640133*COLMBUS4	230.00	643000	MADISONCNTY4230.00	1	DOUBLE	722	192.0	232.1	119.8	

640133*COLMBUS4	230.00	643000	MADISONCNTY4230.00	1	DOUBLE	723	192.0	231.7	119.6	
640133*COLMBUS4	230.00	643000	MADISONCNTY4230.00	1	DOUBLE	724	192.0	232.0	119.8	
640133*COLMBUS4	230.00	643000	MADISONCNTY4230.00	1	DOUBLE	725	192.0	232.0	119.8	
640133*COLMBUS4	230.00	643000	MADISONCNTY4230.00	1	DOUBLE	726	192.0	232.5	120.0	
640133*COLMBUS4	230.00	643000	MADISONCNTY4230.00	1	DOUBLE	727	192.0	248.0	128.1	
652511*GAVINS 7	115.00	660006	YKNTJCT7	115.00	1	DOUBLE	727	120.0	148.6	120.2
652626 UTICAJC7	115.00	660006*	YKNTJCT7	115.00	1	DOUBLE	727	120.0	147.8	120.5
640133*COLMBUS4	230.00	643000	MADISONCNTY4230.00	1	DOUBLE	728	192.0	246.4	127.3	
640133*COLMBUS4	230.00	643000	MADISONCNTY4230.00	1	DOUBLE	729	192.0	232.2	119.9	
652511*GAVINS 7	115.00	660006	YKNTJCT7	115.00	1	DOUBLE	729	120.0	130.4	105.5
652517 MANNING7	115.00	659121*	SPIRITM7	115.00	1	DOUBLE	730	120.0	122.9	102.4
640133*COLMBUS4	230.00	643000	MADISONCNTY4230.00	1	DOUBLE	731	192.0	235.4	121.6	
652511*GAVINS 7	115.00	660006	YKNTJCT7	115.00	1	DOUBLE	731	120.0	183.4	148.4
652626 UTICAJC7	115.00	660006*	YKNTJCT7	115.00	1	DOUBLE	731	120.0	155.8	127.0
640133*COLMBUS4	230.00	643000	MADISONCNTY4230.00	1	DOUBLE	732	192.0	232.0	119.8	
640133*COLMBUS4	230.00	643000	MADISONCNTY4230.00	1	DOUBLE	733	192.0	232.2	119.9	
652511*GAVINS 7	115.00	660006	YKNTJCT7	115.00	1	DOUBLE	733	120.0	130.4	105.5
640133*COLMBUS4	230.00	643000	MADISONCNTY4230.00	1	DOUBLE	734	192.0	233.2	120.5	
640133*COLMBUS4	230.00	643000	MADISONCNTY4230.00	1	DOUBLE	735	192.0	233.2	120.4	
640133*COLMBUS4	230.00	643000	MADISONCNTY4230.00	1	DOUBLE	736	192.0	225.7	116.5	
652511*GAVINS 7	115.00	660006	YKNTJCT7	115.00	1	DOUBLE	736	120.0	127.3	103.0
640089*BROKENB7	115.00	640259	LOUPCTY7	115.00	1	DOUBLE	737	120.0	143.2	115.3
640133*COLMBUS4	230.00	643000	MADISONCNTY4230.00	1	DOUBLE	737	192.0	233.8	120.8	
652511*GAVINS 7	115.00	660006	YKNTJCT7	115.00	1	DOUBLE	737	120.0	129.8	105.0
640133*COLMBUS4	230.00	643000	MADISONCNTY4230.00	1	DOUBLE	739	192.0	232.0	119.9	
640133*COLMBUS4	230.00	643000	MADISONCNTY4230.00	1	DOUBLE	740	192.0	233.1	120.5	
652511*GAVINS 7	115.00	660006	YKNTJCT7	115.00	1	DOUBLE	743	120.0	130.6	105.7
640133*COLMBUS4	230.00	643000	MADISONCNTY4230.00	1	DOUBLE	744	192.0	234.8	121.2	
652511*GAVINS 7	115.00	660006	YKNTJCT7	115.00	1	DOUBLE	744	120.0	134.0	108.4
640133*COLMBUS4	230.00	643000	MADISONCNTY4230.00	1	DOUBLE	745	192.0	220.2	113.6	
640133*COLMBUS4	230.00	643000	MADISONCNTY4230.00	1	DOUBLE	746	192.0	237.4	122.2	
640133*COLMBUS4	230.00	643000	MADISONCNTY4230.00	1	DOUBLE	747	192.0	199.0	103.3	
652511*GAVINS 7	115.00	660006	YKNTJCT7	115.00	1	DOUBLE	748	120.0	127.6	103.3
640133*COLMBUS4	230.00	643000	MADISONCNTY4230.00	1	DOUBLE	749	192.0	223.0	114.9	
640133*COLMBUS4	230.00	643000	MADISONCNTY4230.00	1	DOUBLE	750	192.0	228.6	118.0	
652511*GAVINS 7	115.00	660006	YKNTJCT7	115.00	1	DOUBLE	750	120.0	137.5	111.3
640133*COLMBUS4	230.00	643000	MADISONCNTY4230.00	1	DOUBLE	751	192.0	242.5	125.2	
652511*GAVINS 7	115.00	660006	YKNTJCT7	115.00	1	DOUBLE	752	120.0	151.0	122.2
652626 UTICAJC7	115.00	660006*	YKNTJCT7	115.00	1	DOUBLE	752	120.0	129.3	105.2
640133*COLMBUS4	230.00	643000	MADISONCNTY4230.00	1	DOUBLE	753	192.0	236.7	122.2	
640133*COLMBUS4	230.00	643000	MADISONCNTY4230.00	1	DOUBLE	754	192.0	225.0	116.2	
652511*GAVINS 7	115.00	660006	YKNTJCT7	115.00	1	DOUBLE	754	120.0	127.5	103.1
640133*COLMBUS4	230.00	643000	MADISONCNTY4230.00	1	DOUBLE	755	192.0	234.0	120.8	
640133*COLMBUS4	230.00	643000	MADISONCNTY4230.00	1	DOUBLE	756	192.0	237.7	122.8	
652511*GAVINS 7	115.00	660006	YKNTJCT7	115.00	1	DOUBLE	756	120.0	127.2	102.9
640133*COLMBUS4	230.00	643000	MADISONCNTY4230.00	1	DOUBLE	757	192.0	269.9	139.6	
652511*GAVINS 7	115.00	660006	YKNTJCT7	115.00	1	DOUBLE	757	120.0	127.4	103.1
640133*COLMBUS4	230.00	643000	MADISONCNTY4230.00	1	DOUBLE	758	192.0	228.1	117.7	



640133*COLMBUS4	230.00	643000	MADISONCNTY4230.00	1	DOUBLE	759	192.0	228.9	118.1	
640133*COLMBUS4	230.00	643000	MADISONCNTY4230.00	1	DOUBLE	760	192.0	227.0	117.1	
640133*COLMBUS4	230.00	643000	MADISONCNTY4230.00	1	DOUBLE	762	192.0	239.9	123.9	
640133*COLMBUS4	230.00	643000	MADISONCNTY4230.00	1	DOUBLE	763	192.0	260.7	134.8	
652511*GAVINS 7	115.00	660006	YKNTJCT7	115.00	1	DOUBLE	763	120.0	126.2	102.1
640133*COLMBUS4	230.00	643000	MADISONCNTY4230.00	1	DOUBLE	764	192.0	252.1	130.1	
652511*GAVINS 7	115.00	660006	YKNTJCT7	115.00	1	DOUBLE	764	120.0	132.4	107.1
640133*COLMBUS4	230.00	643000	MADISONCNTY4230.00	1	DOUBLE	765	192.0	207.7	107.2	
652511*GAVINS 7	115.00	660006	YKNTJCT7	115.00	1	DOUBLE	765	120.0	132.7	107.4
640133*COLMBUS4	230.00	643000	MADISONCNTY4230.00	1	DOUBLE	766	192.0	243.4	125.7	
652511*GAVINS 7	115.00	660006	YKNTJCT7	115.00	1	DOUBLE	766	120.0	131.4	106.3
640133*COLMBUS4	230.00	643000	MADISONCNTY4230.00	1	DOUBLE	772	192.0	246.1	127.1	
652511*GAVINS 7	115.00	660006	YKNTJCT7	115.00	1	DOUBLE	772	120.0	148.3	120.0
652626 UTICAJC7	115.00	660006*	YKNTJCT7	115.00	1	DOUBLE	772	120.0	147.4	120.2
640133*COLMBUS4	230.00	643000	MADISONCNTY4230.00	1	DOUBLE	773	192.0	244.5	126.4	
652511*GAVINS 7	115.00	660006	YKNTJCT7	115.00	1	DOUBLE	774	120.0	130.1	105.2
640133*COLMBUS4	230.00	643000	MADISONCNTY4230.00	1	DOUBLE	775	192.0	228.7	118.2	
652517 MANNING7	115.00	659121*	SPIRITM7	115.00	1	DOUBLE	775	120.0	122.7	102.3
640133*COLMBUS4	230.00	643000	MADISONCNTY4230.00	1	DOUBLE	776	192.0	233.5	120.6	
652511*GAVINS 7	115.00	660006	YKNTJCT7	115.00	1	DOUBLE	776	120.0	183.1	148.1
652626 UTICAJC7	115.00	660006*	YKNTJCT7	115.00	1	DOUBLE	776	120.0	155.5	126.7
652511*GAVINS 7	115.00	660006	YKNTJCT7	115.00	1	DOUBLE	778	120.0	130.1	105.2
640133*COLMBUS4	230.00	643000	MADISONCNTY4230.00	1	DOUBLE	779	192.0	231.3	119.5	
640133*COLMBUS4	230.00	643000	MADISONCNTY4230.00	1	DOUBLE	780	192.0	231.4	119.4	
640089*BROKENB7	115.00	640098	CALAWAY7	115.00	1	DOUBLE	781	120.0	143.0	115.2
640098*CALAWAY7	115.00	640267	MAXWELS7	115.00	1	DOUBLE	781	120.0	131.7	109.6
640133*COLMBUS4	230.00	643000	MADISONCNTY4230.00	1	DOUBLE	781	192.0	227.6	117.4	
652511*GAVINS 7	115.00	660006	YKNTJCT7	115.00	1	DOUBLE	781	120.0	127.1	102.8
640133*COLMBUS4	230.00	643000	MADISONCNTY4230.00	1	DOUBLE	782	192.0	226.1	116.7	
652511*GAVINS 7	115.00	660006	YKNTJCT7	115.00	1	DOUBLE	782	120.0	127.2	102.9
640133*COLMBUS4	230.00	643000	MADISONCNTY4230.00	1	DOUBLE	783	192.0	228.4	118.0	
652511*GAVINS 7	115.00	660006	YKNTJCT7	115.00	1	DOUBLE	783	120.0	126.8	102.6
640133*COLMBUS4	230.00	643000	MADISONCNTY4230.00	1	DOUBLE	784	192.0	228.7	118.1	
652511*GAVINS 7	115.00	660006	YKNTJCT7	115.00	1	DOUBLE	784	120.0	126.8	102.6
640133*COLMBUS4	230.00	643000	MADISONCNTY4230.00	1	DOUBLE	785	192.0	224.7	116.0	
652511*GAVINS 7	115.00	660006	YKNTJCT7	115.00	1	DOUBLE	785	120.0	127.4	103.0
640133*COLMBUS4	230.00	643000	MADISONCNTY4230.00	1	DOUBLE	786	192.0	225.7	116.5	
652511*GAVINS 7	115.00	660006	YKNTJCT7	115.00	1	DOUBLE	786	120.0	127.3	103.0
640133*COLMBUS4	230.00	643000	MADISONCNTY4230.00	1	DOUBLE	787	192.0	226.4	116.8	
652511*GAVINS 7	115.00	660006	YKNTJCT7	115.00	1	DOUBLE	788	120.0	132.2	107.0
640133*COLMBUS4	230.00	643000	MADISONCNTY4230.00	1	DOUBLE	789	192.0	216.0	111.4	
652511*GAVINS 7	115.00	660006	YKNTJCT7	115.00	1	DOUBLE	789	120.0	127.0	102.8
640133*COLMBUS4	230.00	643000	MADISONCNTY4230.00	1	DOUBLE	790	192.0	234.0	120.4	
652511*GAVINS 7	115.00	660006	YKNTJCT7	115.00	1	DOUBLE	790	120.0	126.5	102.4
640133*COLMBUS4	230.00	643000	MADISONCNTY4230.00	1	DOUBLE	791	192.0	195.9	101.7	
652511*GAVINS 7	115.00	660006	YKNTJCT7	115.00	1	DOUBLE	791	120.0	126.5	102.3
652511*GAVINS 7	115.00	660006	YKNTJCT7	115.00	1	DOUBLE	792	120.0	126.0	102.0
640133*COLMBUS4	230.00	643000	MADISONCNTY4230.00	1	DOUBLE	793	192.0	218.4	112.4	

652511*GAVINS 7	115.00	660006	YKNTJCT7	115.00	1	DOUBLE	793	120.0	127.0	102.8
640133*COLMBUS4	230.00	643000	MADISONCNTY4230.00	1	DOUBLE	794	192.0	224.3	115.7	
652511*GAVINS 7	115.00	660006	YKNTJCT7	115.00	1	DOUBLE	794	120.0	137.0	110.8
640133*COLMBUS4	230.00	643000	MADISONCNTY4230.00	1	DOUBLE	795	192.0	238.3	123.0	
640133*COLMBUS4	230.00	643000	MADISONCNTY4230.00	1	DOUBLE	796	192.0	227.0	117.1	
652511*GAVINS 7	115.00	660006	YKNTJCT7	115.00	1	DOUBLE	796	120.0	149.5	121.0
652626 UTICAJC7	115.00	660006*	YKNTJCT7	115.00	1	DOUBLE	796	120.0	128.2	104.3
640133*COLMBUS4	230.00	643000	MADISONCNTY4230.00	1	DOUBLE	797	192.0	232.3	119.9	
652511*GAVINS 7	115.00	660006	YKNTJCT7	115.00	1	DOUBLE	797	120.0	126.8	102.5
640133*COLMBUS4	230.00	643000	MADISONCNTY4230.00	1	DOUBLE	798	192.0	226.4	116.8	
652511*GAVINS 7	115.00	660006	YKNTJCT7	115.00	1	DOUBLE	798	120.0	127.3	103.0
640133*COLMBUS4	230.00	643000	MADISONCNTY4230.00	1	DOUBLE	799	192.0	225.5	116.4	
652511*GAVINS 7	115.00	660006	YKNTJCT7	115.00	1	DOUBLE	799	120.0	127.1	102.8
640133*COLMBUS4	230.00	643000	MADISONCNTY4230.00	1	DOUBLE	800	192.0	233.4	120.5	
652511*GAVINS 7	115.00	660006	YKNTJCT7	115.00	1	DOUBLE	800	120.0	125.7	101.7
640133*COLMBUS4	230.00	643000	MADISONCNTY4230.00	1	DOUBLE	801	192.0	265.0	137.0	
652511*GAVINS 7	115.00	660006	YKNTJCT7	115.00	1	DOUBLE	801	120.0	125.9	101.8
640133*COLMBUS4	230.00	643000	MADISONCNTY4230.00	1	DOUBLE	802	192.0	226.8	117.0	
652511*GAVINS 7	115.00	660006	YKNTJCT7	115.00	1	DOUBLE	802	120.0	127.2	102.9
640133*COLMBUS4	230.00	643000	MADISONCNTY4230.00	1	DOUBLE	803	192.0	224.2	115.7	
652511*GAVINS 7	115.00	660006	YKNTJCT7	115.00	1	DOUBLE	803	120.0	127.4	103.1
640133*COLMBUS4	230.00	643000	MADISONCNTY4230.00	1	DOUBLE	804	192.0	228.4	117.9	
640133*COLMBUS4	230.00	643000	MADISONCNTY4230.00	1	DOUBLE	805	192.0	226.1	116.7	
652511*GAVINS 7	115.00	660006	YKNTJCT7	115.00	1	DOUBLE	805	120.0	127.3	103.0
640133*COLMBUS4	230.00	643000	MADISONCNTY4230.00	1	DOUBLE	806	192.0	234.7	121.2	
640133*COLMBUS4	230.00	643000	MADISONCNTY4230.00	1	DOUBLE	807	192.0	255.9	132.3	
652511*GAVINS 7	115.00	660006	YKNTJCT7	115.00	1	DOUBLE	807	120.0	124.7	100.9
640133*COLMBUS4	230.00	643000	MADISONCNTY4230.00	1	DOUBLE	808	192.0	255.1	131.7	
652511*GAVINS 7	115.00	660006	YKNTJCT7	115.00	1	DOUBLE	808	120.0	131.8	106.6
640133*COLMBUS4	230.00	643000	MADISONCNTY4230.00	1	DOUBLE	809	192.0	208.0	107.3	
652511*GAVINS 7	115.00	660006	YKNTJCT7	115.00	1	DOUBLE	809	120.0	130.5	105.6
640133*COLMBUS4	230.00	643000	MADISONCNTY4230.00	1	DOUBLE	810	192.0	237.4	122.6	
640133*COLMBUS4	230.00	643000	MADISONCNTY4230.00	1	DOUBLE	811	192.0	226.0	116.6	
652511*GAVINS 7	115.00	660006	YKNTJCT7	115.00	1	DOUBLE	811	120.0	127.3	103.0
640133*COLMBUS4	230.00	643000	MADISONCNTY4230.00	1	DOUBLE	812	192.0	225.6	116.4	
652511*GAVINS 7	115.00	660006	YKNTJCT7	115.00	1	DOUBLE	812	120.0	127.5	103.1
640133*COLMBUS4	230.00	643000	MADISONCNTY4230.00	1	DOUBLE	813	192.0	226.1	116.7	
652511*GAVINS 7	115.00	660006	YKNTJCT7	115.00	1	DOUBLE	813	120.0	127.1	102.9
640133*COLMBUS4	230.00	643000	MADISONCNTY4230.00	1	DOUBLE	814	192.0	226.1	116.7	
652511*GAVINS 7	115.00	660006	YKNTJCT7	115.00	1	DOUBLE	814	120.0	127.1	102.9
640133*COLMBUS4	230.00	643000	MADISONCNTY4230.00	1	DOUBLE	815	192.0	226.4	116.9	
652511*GAVINS 7	115.00	660006	YKNTJCT7	115.00	1	DOUBLE	815	120.0	127.1	102.9
640133*COLMBUS4	230.00	643000	MADISONCNTY4230.00	1	DOUBLE	816	192.0	242.0	125.0	
652511*GAVINS 7	115.00	660006	YKNTJCT7	115.00	1	DOUBLE	816	120.0	146.7	118.7
652626 UTICAJC7	115.00	660006*	YKNTJCT7	115.00	1	DOUBLE	816	120.0	146.2	119.2
640133*COLMBUS4	230.00	643000	MADISONCNTY4230.00	1	DOUBLE	817	192.0	240.5	124.2	
640133*COLMBUS4	230.00	643000	MADISONCNTY4230.00	1	DOUBLE	818	192.0	226.2	116.8	
640133*COLMBUS4	230.00	643000	MADISONCNTY4230.00	1	DOUBLE	819	192.0	224.7	116.0	

652517 MANNING7	115.00	659121*SPIRITM7	115.00	1	DOUBLE 819	120.0	122.0	101.7
652511*GAVINS 7	115.00	660006 YKNTJCT7	115.00	1	DOUBLE 820	120.0	181.2	146.6
652626 UTICAJC7	115.00	660006*YKNTJCT7	115.00	1	DOUBLE 820	120.0	154.0	125.5
640133*COLMBUS4	230.00	643000 MADISONCNTY4230.00	1	DOUBLE 821	192.0	226.2	116.7	
640133*COLMBUS4	230.00	643000 MADISONCNTY4230.00	1	DOUBLE 822	192.0	226.2	116.8	
640133*COLMBUS4	230.00	643000 MADISONCNTY4230.00	1	DOUBLE 823	192.0	227.2	117.3	
640133*COLMBUS4	230.00	643000 MADISONCNTY4230.00	1	DOUBLE 824	192.0	227.3	117.3	
640133*COLMBUS4	230.00	643000 MADISONCNTY4230.00	1	DOUBLE 825	192.0	232.0	119.8	
640133*COLMBUS4	230.00	643000 MADISONCNTY4230.00	1	DOUBLE 826	192.0	235.3	121.6	
640133*COLMBUS4	230.00	643000 MADISONCNTY4230.00	1	DOUBLE 827	192.0	234.1	121.0	
640089*BROKENB7	115.00	640259 LOUPCTY7	115.00	1	DOUBLE 829	120.0	136.0	109.5
640133*COLMBUS4	230.00	643000 MADISONCNTY4230.00	1	DOUBLE 829	192.0	233.5	120.6	
640133*COLMBUS4	230.00	643000 MADISONCNTY4230.00	1	DOUBLE 830	192.0	232.5	120.0	
652511*GAVINS 7	115.00	660006 YKNTJCT7	115.00	1	DOUBLE 830	120.0	130.8	105.8
640133*COLMBUS4	230.00	643000 MADISONCNTY4230.00	1	DOUBLE 831	192.0	236.8	122.3	
652511*GAVINS 7	115.00	660006 YKNTJCT7	115.00	1	DOUBLE 831	120.0	134.4	108.7
640133*COLMBUS4	230.00	643000 MADISONCNTY4230.00	1	DOUBLE 832	192.0	222.1	114.6	
640133*COLMBUS4	230.00	643000 MADISONCNTY4230.00	1	DOUBLE 833	192.0	238.7	122.9	
640133*COLMBUS4	230.00	643000 MADISONCNTY4230.00	1	DOUBLE 834	192.0	200.9	104.3	
640133*COLMBUS4	230.00	643000 MADISONCNTY4230.00	1	DOUBLE 836	192.0	224.9	115.9	
652511*GAVINS 7	115.00	660006 YKNTJCT7	115.00	1	DOUBLE 837	120.0	137.5	111.2
640133*COLMBUS4	230.00	643000 MADISONCNTY4230.00	1	DOUBLE 838	192.0	244.5	126.3	
652511*GAVINS 7	115.00	660006 YKNTJCT7	115.00	1	DOUBLE 838	120.0	129.8	105.1
640133*COLMBUS4	230.00	643000 MADISONCNTY4230.00	1	DOUBLE 839	192.0	232.9	120.2	
652511*GAVINS 7	115.00	660006 YKNTJCT7	115.00	1	DOUBLE 839	120.0	151.3	122.4
652626 UTICAJC7	115.00	660006*YKNTJCT7	115.00	1	DOUBLE 839	120.0	129.7	105.5
640133*COLMBUS4	230.00	643000 MADISONCNTY4230.00	1	DOUBLE 840	192.0	238.6	123.2	
640133*COLMBUS4	230.00	643000 MADISONCNTY4230.00	1	DOUBLE 841	192.0	225.9	116.6	
652511*GAVINS 7	115.00	660006 YKNTJCT7	115.00	1	DOUBLE 841	120.0	127.4	103.1
640133*COLMBUS4	230.00	643000 MADISONCNTY4230.00	1	DOUBLE 842	192.0	237.4	122.5	
652511*GAVINS 7	115.00	660006 YKNTJCT7	115.00	1	DOUBLE 842	120.0	130.2	105.3
640133*COLMBUS4	230.00	643000 MADISONCNTY4230.00	1	DOUBLE 843	192.0	239.6	123.7	
652511*GAVINS 7	115.00	660006 YKNTJCT7	115.00	1	DOUBLE 843	120.0	127.4	103.1
640133*COLMBUS4	230.00	643000 MADISONCNTY4230.00	1	DOUBLE 844	192.0	271.8	140.6	
652511*GAVINS 7	115.00	660006 YKNTJCT7	115.00	1	DOUBLE 844	120.0	127.7	103.3
640133*COLMBUS4	230.00	643000 MADISONCNTY4230.00	1	DOUBLE 845	192.0	233.3	120.5	
640133*COLMBUS4	230.00	643000 MADISONCNTY4230.00	1	DOUBLE 847	192.0	227.8	117.6	
640133*COLMBUS4	230.00	643000 MADISONCNTY4230.00	1	DOUBLE 848	192.0	231.9	119.7	
640133*COLMBUS4	230.00	643000 MADISONCNTY4230.00	1	DOUBLE 849	192.0	242.1	125.1	
640133*COLMBUS4	230.00	643000 MADISONCNTY4230.00	1	DOUBLE 850	192.0	262.7	135.8	
652511*GAVINS 7	115.00	660006 YKNTJCT7	115.00	1	DOUBLE 850	120.0	126.4	102.3
640133*COLMBUS4	230.00	643000 MADISONCNTY4230.00	1	DOUBLE 851	192.0	252.4	130.3	
652511*GAVINS 7	115.00	660006 YKNTJCT7	115.00	1	DOUBLE 851	120.0	132.4	107.1
640133*COLMBUS4	230.00	643000 MADISONCNTY4230.00	1	DOUBLE 852	192.0	208.4	107.6	
652511*GAVINS 7	115.00	660006 YKNTJCT7	115.00	1	DOUBLE 852	120.0	133.3	107.8
640133*COLMBUS4	230.00	643000 MADISONCNTY4230.00	1	DOUBLE 853	192.0	245.3	126.7	
652511*GAVINS 7	115.00	660006 YKNTJCT7	115.00	1	DOUBLE 853	120.0	131.7	106.6
640133*COLMBUS4	230.00	643000 MADISONCNTY4230.00	1	DOUBLE 854	192.0	232.1	119.8	

640133*COLMBUS4	230.00	643000	MADISONCNTY	4230.00	1	DOUBLE	855	192.0	231.7	119.6
640133*COLMBUS4	230.00	643000	MADISONCNTY	4230.00	1	DOUBLE	856	192.0	232.0	119.8
640133*COLMBUS4	230.00	643000	MADISONCNTY	4230.00	1	DOUBLE	857	192.0	232.0	119.8
640133*COLMBUS4	230.00	643000	MADISONCNTY	4230.00	1	DOUBLE	858	192.0	232.5	120.0
640133*COLMBUS4	230.00	643000	MADISONCNTY	4230.00	1	DOUBLE	859	192.0	248.0	128.1
652511*GAVINS 7	115.00	660006	YKNTJCT7	115.00	1	DOUBLE	859	120.0	148.6	120.2
652626 UTICAJC7	115.00	660006*	YKNTJCT7	115.00	1	DOUBLE	859	120.0	147.8	120.5
640133*COLMBUS4	230.00	643000	MADISONCNTY	4230.00	1	DOUBLE	860	192.0	246.4	127.3
640133*COLMBUS4	230.00	643000	MADISONCNTY	4230.00	1	DOUBLE	861	192.0	232.2	119.9
652511*GAVINS 7	115.00	660006	YKNTJCT7	115.00	1	DOUBLE	861	120.0	130.4	105.5
652517 MANNING7	115.00	659121*	SPIRITM7	115.00	1	DOUBLE	862	120.0	122.9	102.4
640133*COLMBUS4	230.00	643000	MADISONCNTY	4230.00	1	DOUBLE	863	192.0	235.4	121.6
652511*GAVINS 7	115.00	660006	YKNTJCT7	115.00	1	DOUBLE	863	120.0	183.4	148.4
652626 UTICAJC7	115.00	660006*	YKNTJCT7	115.00	1	DOUBLE	863	120.0	155.8	127.0
640133*COLMBUS4	230.00	643000	MADISONCNTY	4230.00	1	DOUBLE	864	192.0	232.0	119.8
640133*COLMBUS4	230.00	643000	MADISONCNTY	4230.00	1	DOUBLE	865	192.0	232.2	119.9
652511*GAVINS 7	115.00	660006	YKNTJCT7	115.00	1	DOUBLE	865	120.0	130.4	105.5
640133*COLMBUS4	230.00	643000	MADISONCNTY	4230.00	1	DOUBLE	866	192.0	233.2	120.5
640133*COLMBUS4	230.00	643000	MADISONCNTY	4230.00	1	DOUBLE	867	192.0	233.2	120.4
640133*COLMBUS4	230.00	643000	MADISONCNTY	4230.00	1	DOUBLE	868	192.0	232.0	119.9
640133*COLMBUS4	230.00	643000	MADISONCNTY	4230.00	1	DOUBLE	869	192.0	235.4	121.7
652511*GAVINS 7	115.00	660006	YKNTJCT7	115.00	1	DOUBLE	872	120.0	130.4	105.5
640133*COLMBUS4	230.00	643000	MADISONCNTY	4230.00	1	DOUBLE	873	192.0	234.9	121.3
652511*GAVINS 7	115.00	660006	YKNTJCT7	115.00	1	DOUBLE	873	120.0	134.0	108.4
640133*COLMBUS4	230.00	643000	MADISONCNTY	4230.00	1	DOUBLE	874	192.0	220.2	113.6
640133*COLMBUS4	230.00	643000	MADISONCNTY	4230.00	1	DOUBLE	875	192.0	237.6	122.3
640133*COLMBUS4	230.00	643000	MADISONCNTY	4230.00	1	DOUBLE	876	192.0	199.0	103.3
652511*GAVINS 7	115.00	660006	YKNTJCT7	115.00	1	DOUBLE	877	120.0	127.5	103.2
640133*COLMBUS4	230.00	643000	MADISONCNTY	4230.00	1	DOUBLE	878	192.0	223.0	114.9
640133*COLMBUS4	230.00	643000	MADISONCNTY	4230.00	1	DOUBLE	879	192.0	228.6	118.0
652511*GAVINS 7	115.00	660006	YKNTJCT7	115.00	1	DOUBLE	879	120.0	137.4	111.2
640133*COLMBUS4	230.00	643000	MADISONCNTY	4230.00	1	DOUBLE	880	192.0	242.5	125.3
652511*GAVINS 7	115.00	660006	YKNTJCT7	115.00	1	DOUBLE	881	120.0	151.0	122.1
652626 UTICAJC7	115.00	660006*	YKNTJCT7	115.00	1	DOUBLE	881	120.0	129.4	105.2
640133*COLMBUS4	230.00	643000	MADISONCNTY	4230.00	1	DOUBLE	882	192.0	236.7	122.2
640133*COLMBUS4	230.00	643000	MADISONCNTY	4230.00	1	DOUBLE	883	192.0	225.3	116.3
652511*GAVINS 7	115.00	660006	YKNTJCT7	115.00	1	DOUBLE	883	120.0	127.4	103.1
640133*COLMBUS4	230.00	643000	MADISONCNTY	4230.00	1	DOUBLE	884	192.0	233.7	120.6
640133*COLMBUS4	230.00	643000	MADISONCNTY	4230.00	1	DOUBLE	885	192.0	237.8	122.8
652511*GAVINS 7	115.00	660006	YKNTJCT7	115.00	1	DOUBLE	885	120.0	127.1	102.8
640133*COLMBUS4	230.00	643000	MADISONCNTY	4230.00	1	DOUBLE	886	192.0	269.9	139.6
652511*GAVINS 7	115.00	660006	YKNTJCT7	115.00	1	DOUBLE	886	120.0	127.3	103.0
640133*COLMBUS4	230.00	643000	MADISONCNTY	4230.00	1	DOUBLE	888	192.0	228.8	118.1
640133*COLMBUS4	230.00	643000	MADISONCNTY	4230.00	1	DOUBLE	889	192.0	227.2	117.3
640133*COLMBUS4	230.00	643000	MADISONCNTY	4230.00	1	DOUBLE	891	192.0	239.9	123.9
640133*COLMBUS4	230.00	643000	MADISONCNTY	4230.00	1	DOUBLE	892	192.0	260.7	134.8
652511*GAVINS 7	115.00	660006	YKNTJCT7	115.00	1	DOUBLE	892	120.0	126.1	102.0
640133*COLMBUS4	230.00	643000	MADISONCNTY	4230.00	1	DOUBLE	893	192.0	252.2	130.2

652511*GAVINS 7	115.00	660006	YKNTJCT7	115.00	1	DOUBLE 893	120.0	132.3	107.1
640133*COLMBUS4	230.00	643000	MADISONCNTY4230.00	1	DOUBLE 894	192.0	207.8	107.3	
652511*GAVINS 7	115.00	660006	YKNTJCT7	115.00	1	DOUBLE 894	120.0	132.6	107.3
640133*COLMBUS4	230.00	643000	MADISONCNTY4230.00	1	DOUBLE 895	192.0	243.3	125.7	
652511*GAVINS 7	115.00	660006	YKNTJCT7	115.00	1	DOUBLE 895	120.0	131.3	106.3
640133*COLMBUS4	230.00	643000	MADISONCNTY4230.00	1	DOUBLE 901	192.0	246.1	127.2	
652511*GAVINS 7	115.00	660006	YKNTJCT7	115.00	1	DOUBLE 901	120.0	148.2	119.9
652626 UTICAJC7	115.00	660006*	YKNTJCT7	115.00	1	DOUBLE 901	120.0	147.5	120.2
640133*COLMBUS4	230.00	643000	MADISONCNTY4230.00	1	DOUBLE 902	192.0	244.5	126.4	
652511*GAVINS 7	115.00	660006	YKNTJCT7	115.00	1	DOUBLE 903	120.0	130.0	105.2
640133*COLMBUS4	230.00	643000	MADISONCNTY4230.00	1	DOUBLE 904	192.0	228.8	118.2	
652517 MANNING7	115.00	659121*	SPIRITM7	115.00	1	DOUBLE 904	120.0	122.7	102.2
640133*COLMBUS4	230.00	643000	MADISONCNTY4230.00	1	DOUBLE 905	192.0	233.6	120.7	
652511*GAVINS 7	115.00	660006	YKNTJCT7	115.00	1	DOUBLE 905	120.0	183.0	148.0
652626 UTICAJC7	115.00	660006*	YKNTJCT7	115.00	1	DOUBLE 905	120.0	155.5	126.7
652511*GAVINS 7	115.00	660006	YKNTJCT7	115.00	1	DOUBLE 907	120.0	130.0	105.2
640133*COLMBUS4	230.00	643000	MADISONCNTY4230.00	1	DOUBLE 908	192.0	231.3	119.5	
640133*COLMBUS4	230.00	643000	MADISONCNTY4230.00	1	DOUBLE 909	192.0	231.4	119.5	
640133*COLMBUS4	230.00	643000	MADISONCNTY4230.00	1	DOUBLE 910	192.0	233.3	120.6	
640133*COLMBUS4	230.00	643000	MADISONCNTY4230.00	1	DOUBLE 912	192.0	232.0	119.8	
640133*COLMBUS4	230.00	643000	MADISONCNTY4230.00	1	DOUBLE 913	192.0	232.4	120.1	
640133*COLMBUS4	230.00	643000	MADISONCNTY4230.00	1	DOUBLE 914	192.0	236.7	122.3	
652511*GAVINS 7	115.00	660006	YKNTJCT7	115.00	1	DOUBLE 914	120.0	133.4	107.9
640133*COLMBUS4	230.00	643000	MADISONCNTY4230.00	1	DOUBLE 915	192.0	222.1	114.7	
640133*COLMBUS4	230.00	643000	MADISONCNTY4230.00	1	DOUBLE 916	192.0	238.0	122.6	
652511*GAVINS 7	115.00	660006	YKNTJCT7	115.00	1	DOUBLE 916	120.0	127.6	103.3
640133*COLMBUS4	230.00	643000	MADISONCNTY4230.00	1	DOUBLE 917	192.0	202.3	105.3	
652511*GAVINS 7	115.00	660006	YKNTJCT7	115.00	1	DOUBLE 917	120.0	127.4	103.1
652511*GAVINS 7	115.00	660006	YKNTJCT7	115.00	1	DOUBLE 918	120.0	126.9	102.7
640133*COLMBUS4	230.00	643000	MADISONCNTY4230.00	1	DOUBLE 919	192.0	224.8	115.9	
652511*GAVINS 7	115.00	660006	YKNTJCT7	115.00	1	DOUBLE 920	120.0	137.0	110.9
640133*COLMBUS4	230.00	643000	MADISONCNTY4230.00	1	DOUBLE 921	192.0	244.5	126.4	
640133*COLMBUS4	230.00	643000	MADISONCNTY4230.00	1	DOUBLE 922	192.0	232.9	120.3	
652511*GAVINS 7	115.00	660006	YKNTJCT7	115.00	1	DOUBLE 922	120.0	150.5	121.8
652626 UTICAJC7	115.00	660006*	YKNTJCT7	115.00	1	DOUBLE 922	120.0	129.1	105.0
640133*COLMBUS4	230.00	643000	MADISONCNTY4230.00	1	DOUBLE 923	192.0	238.5	123.3	
652511*GAVINS 7	115.00	660006	YKNTJCT7	115.00	1	DOUBLE 923	120.0	127.6	103.3
640133*COLMBUS4	230.00	643000	MADISONCNTY4230.00	1	DOUBLE 924	192.0	227.7	117.7	
652511*GAVINS 7	115.00	660006	YKNTJCT7	115.00	1	DOUBLE 924	120.0	127.0	102.7
640133*COLMBUS4	230.00	643000	MADISONCNTY4230.00	1	DOUBLE 925	192.0	235.2	121.5	
640133*COLMBUS4	230.00	643000	MADISONCNTY4230.00	1	DOUBLE 926	192.0	239.5	123.8	
652511*GAVINS 7	115.00	660006	YKNTJCT7	115.00	1	DOUBLE 926	120.0	126.5	102.4
640133*COLMBUS4	230.00	643000	MADISONCNTY4230.00	1	DOUBLE 927	192.0	271.5	140.6	
652511*GAVINS 7	115.00	660006	YKNTJCT7	115.00	1	DOUBLE 927	120.0	126.8	102.6
652511*GAVINS 7	115.00	660006	YKNTJCT7	115.00	1	DOUBLE 930	120.0	127.5	103.2
640133*COLMBUS4	230.00	643000	MADISONCNTY4230.00	1	DOUBLE 931	192.0	231.9	119.8	
640133*COLMBUS4	230.00	643000	MADISONCNTY4230.00	1	DOUBLE 932	192.0	241.4	124.8	
640133*COLMBUS4	230.00	643000	MADISONCNTY4230.00	1	DOUBLE 933	192.0	262.3	135.8	

652511*GAVINS 7	115.00	660006	YKNTJCT7	115.00	1	DOUBLE 933	120.0	125.5	101.6
640133*COLMBUS4	230.00	643000	MADISONCNTY4230.00	1	DOUBLE 934	192.0	255.0	131.7	
652511*GAVINS 7	115.00	660006	YKNTJCT7	115.00	1	DOUBLE 934	120.0	131.9	106.7
640133*COLMBUS4	230.00	643000	MADISONCNTY4230.00	1	DOUBLE 935	192.0	210.2	108.7	
652511*GAVINS 7	115.00	660006	YKNTJCT7	115.00	1	DOUBLE 935	120.0	132.0	106.8
640133*COLMBUS4	230.00	643000	MADISONCNTY4230.00	1	DOUBLE 936	192.0	243.9	126.0	
652511*GAVINS 7	115.00	660006	YKNTJCT7	115.00	1	DOUBLE 936	120.0	130.5	105.6
640133*COLMBUS4	230.00	643000	MADISONCNTY4230.00	1	DOUBLE 937	192.0	232.0	119.8	
640133*COLMBUS4	230.00	643000	MADISONCNTY4230.00	1	DOUBLE 938	192.0	231.6	119.6	
640133*COLMBUS4	230.00	643000	MADISONCNTY4230.00	1	DOUBLE 939	192.0	232.0	119.8	
640133*COLMBUS4	230.00	643000	MADISONCNTY4230.00	1	DOUBLE 940	192.0	232.0	119.8	
640133*COLMBUS4	230.00	643000	MADISONCNTY4230.00	1	DOUBLE 941	192.0	232.4	120.1	
640133*COLMBUS4	230.00	643000	MADISONCNTY4230.00	1	DOUBLE 942	192.0	248.0	128.3	
652511*GAVINS 7	115.00	660006	YKNTJCT7	115.00	1	DOUBLE 942	120.0	147.7	119.5
652626 UTICAJC7	115.00	660006*	YKNTJCT7	115.00	1	DOUBLE 942	120.0	147.1	120.0
640133*COLMBUS4	230.00	643000	MADISONCNTY4230.00	1	DOUBLE 943	192.0	246.4	127.5	
640133*COLMBUS4	230.00	643000	MADISONCNTY4230.00	1	DOUBLE 944	192.0	232.2	120.0	
652517 MANNING7	115.00	659121*	SPIRITM7	115.00	1	DOUBLE 945	120.0	122.5	102.0
640133*COLMBUS4	230.00	643000	MADISONCNTY4230.00	1	DOUBLE 946	192.0	235.4	121.7	
652511*GAVINS 7	115.00	660006	YKNTJCT7	115.00	1	DOUBLE 946	120.0	182.3	147.5
652626 UTICAJC7	115.00	660006*	YKNTJCT7	115.00	1	DOUBLE 946	120.0	155.0	126.3
640133*COLMBUS4	230.00	643000	MADISONCNTY4230.00	1	DOUBLE 947	192.0	232.1	120.0	
640133*COLMBUS4	230.00	643000	MADISONCNTY4230.00	1	DOUBLE 948	192.0	232.2	120.0	
640133*COLMBUS4	230.00	643000	MADISONCNTY4230.00	1	DOUBLE 949	192.0	233.2	120.5	
640133*COLMBUS4	230.00	643000	MADISONCNTY4230.00	1	DOUBLE 950	192.0	233.2	120.5	
640133*COLMBUS4	230.00	643000	MADISONCNTY4230.00	1	DOUBLE 951	192.0	231.7	119.7	
640133*COLMBUS4	230.00	643000	MADISONCNTY4230.00	1	DOUBLE 952	192.0	233.1	120.4	
640133*COLMBUS4	230.00	643000	MADISONCNTY4230.00	1	DOUBLE 953	192.0	233.3	120.5	
652511*GAVINS 7	115.00	660006	YKNTJCT7	115.00	1	DOUBLE 953	120.0	130.1	105.2
640133*COLMBUS4	230.00	643000	MADISONCNTY4230.00	1	DOUBLE 954	192.0	237.6	122.8	
652511*GAVINS 7	115.00	660006	YKNTJCT7	115.00	1	DOUBLE 954	120.0	133.8	108.3
640133*COLMBUS4	230.00	643000	MADISONCNTY4230.00	1	DOUBLE 955	192.0	223.1	115.2	
640133*COLMBUS4	230.00	643000	MADISONCNTY4230.00	1	DOUBLE 956	192.0	238.5	122.8	
640133*COLMBUS4	230.00	643000	MADISONCNTY4230.00	1	DOUBLE 957	192.0	202.9	105.6	
652511*GAVINS 7	115.00	660006	YKNTJCT7	115.00	1	DOUBLE 958	120.0	127.3	103.0
640133*COLMBUS4	230.00	643000	MADISONCNTY4230.00	1	DOUBLE 959	192.0	225.8	116.5	
640133*COLMBUS4	230.00	643000	MADISONCNTY4230.00	1	DOUBLE 960	192.0	231.3	119.5	
652511*GAVINS 7	115.00	660006	YKNTJCT7	115.00	1	DOUBLE 960	120.0	137.2	111.0
640133*COLMBUS4	230.00	643000	MADISONCNTY4230.00	1	DOUBLE 961	192.0	245.4	126.9	
640133*COLMBUS4	230.00	643000	MADISONCNTY4230.00	1	DOUBLE 962	192.0	233.7	120.8	
652511*GAVINS 7	115.00	660006	YKNTJCT7	115.00	1	DOUBLE 962	120.0	150.9	122.1
652626 UTICAJC7	115.00	660006*	YKNTJCT7	115.00	1	DOUBLE 962	120.0	129.4	105.3
640133*COLMBUS4	230.00	643000	MADISONCNTY4230.00	1	DOUBLE 963	192.0	239.4	123.7	
640133*COLMBUS4	230.00	643000	MADISONCNTY4230.00	1	DOUBLE 964	192.0	227.6	117.6	
652511*GAVINS 7	115.00	660006	YKNTJCT7	115.00	1	DOUBLE 964	120.0	127.1	102.9
640133*COLMBUS4	230.00	643000	MADISONCNTY4230.00	1	DOUBLE 965	192.0	236.9	122.4	
640133*COLMBUS4	230.00	643000	MADISONCNTY4230.00	1	DOUBLE 966	192.0	240.4	124.2	
652511*GAVINS 7	115.00	660006	YKNTJCT7	115.00	1	DOUBLE 966	120.0	126.9	102.7

640133*COLMBUS4	230.00	643000	MADISONCNTY4230.00	1	DOUBLE	967	192.0	272.5	141.1
652511*GAVINS 7	115.00	660006	YKNTJCT7	115.00	1	DOUBLE	967	120.0	127.2 102.9
640133*COLMBUS4	230.00	643000	MADISONCNTY4230.00	1	DOUBLE	968	192.0	232.6	120.2
640133*COLMBUS4	230.00	643000	MADISONCNTY4230.00	1	DOUBLE	969	192.0	231.2	119.5
652511*GAVINS 7	115.00	660006	YKNTJCT7	115.00	1	DOUBLE	970	120.0	127.6 103.3
640133*COLMBUS4	230.00	643000	MADISONCNTY4230.00	1	DOUBLE	971	192.0	232.8	120.3
640133*COLMBUS4	230.00	643000	MADISONCNTY4230.00	1	DOUBLE	972	192.0	242.5	125.4
640133*COLMBUS4	230.00	643000	MADISONCNTY4230.00	1	DOUBLE	973	192.0	263.3	136.2
652511*GAVINS 7	115.00	660006	YKNTJCT7	115.00	1	DOUBLE	973	120.0	125.9 101.9
640133*COLMBUS4	230.00	643000	MADISONCNTY4230.00	1	DOUBLE	974	192.0	254.5	131.4
652511*GAVINS 7	115.00	660006	YKNTJCT7	115.00	1	DOUBLE	974	120.0	132.1 106.9
640133*COLMBUS4	230.00	643000	MADISONCNTY4230.00	1	DOUBLE	975	192.0	210.1	108.7
652511*GAVINS 7	115.00	660006	YKNTJCT7	115.00	1	DOUBLE	975	120.0	132.6 107.3
640133*COLMBUS4	230.00	643000	MADISONCNTY4230.00	1	DOUBLE	976	192.0	245.2	126.8
652511*GAVINS 7	115.00	660006	YKNTJCT7	115.00	1	DOUBLE	976	120.0	131.0 106.0
640133*COLMBUS4	230.00	643000	MADISONCNTY4230.00	1	DOUBLE	977	192.0	232.9	120.3
640133*COLMBUS4	230.00	643000	MADISONCNTY4230.00	1	DOUBLE	978	192.0	232.5	120.1
640133*COLMBUS4	230.00	643000	MADISONCNTY4230.00	1	DOUBLE	979	192.0	232.9	120.3
640133*COLMBUS4	230.00	643000	MADISONCNTY4230.00	1	DOUBLE	980	192.0	232.9	120.3
640133*COLMBUS4	230.00	643000	MADISONCNTY4230.00	1	DOUBLE	981	192.0	233.3	120.6
640133*COLMBUS4	230.00	643000	MADISONCNTY4230.00	1	DOUBLE	982	192.0	248.8	128.6
652511*GAVINS 7	115.00	660006	YKNTJCT7	115.00	1	DOUBLE	982	120.0	148.1 119.8
652626 UTICAJC7	115.00	660006*	YKNTJCT7	115.00	1	DOUBLE	982	120.0	147.4 120.2
640133*COLMBUS4	230.00	643000	MADISONCNTY4230.00	1	DOUBLE	983	192.0	247.2	127.9
640133*COLMBUS4	230.00	643000	MADISONCNTY4230.00	1	DOUBLE	984	192.0	233.1	120.4
652511*GAVINS 7	115.00	660006	YKNTJCT7	115.00	1	DOUBLE	984	120.0	129.8 105.0
640133*COLMBUS4	230.00	643000	MADISONCNTY4230.00	1	DOUBLE	985	192.0	231.4	119.7
652517 MANNING7	115.00	659121*	SPIRITM7	115.00	1	DOUBLE	985	120.0	122.6 102.2
640133*COLMBUS4	230.00	643000	MADISONCNTY4230.00	1	DOUBLE	986	192.0	236.2	122.1
652511*GAVINS 7	115.00	660006	YKNTJCT7	115.00	1	DOUBLE	986	120.0	182.8 147.9
652626 UTICAJC7	115.00	660006*	YKNTJCT7	115.00	1	DOUBLE	986	120.0	155.4 126.6
640133*COLMBUS4	230.00	643000	MADISONCNTY4230.00	1	DOUBLE	987	192.0	232.9	120.4
640133*COLMBUS4	230.00	643000	MADISONCNTY4230.00	1	DOUBLE	988	192.0	233.0	120.4
652511*GAVINS 7	115.00	660006	YKNTJCT7	115.00	1	DOUBLE	988	120.0	129.8 105.0
640133*COLMBUS4	230.00	643000	MADISONCNTY4230.00	1	DOUBLE	989	192.0	234.0	121.0
640133*COLMBUS4	230.00	643000	MADISONCNTY4230.00	1	DOUBLE	990	192.0	234.1	120.9
652511*GAVINS 7	115.00	660006	YKNTJCT7	115.00	1	DOUBLE	992	120.0	131.1 106.1
640133*COLMBUS4	230.00	643000	MADISONCNTY4230.00	1	DOUBLE	993	192.0	233.9	120.7
652511*GAVINS 7	115.00	660006	YKNTJCT7	115.00	1	DOUBLE	993	120.0	133.9 108.4
640133*COLMBUS4	230.00	643000	MADISONCNTY4230.00	1	DOUBLE	994	192.0	219.2	113.0
640133*COLMBUS4	230.00	643000	MADISONCNTY4230.00	1	DOUBLE	995	192.0	236.5	121.7
640133*COLMBUS4	230.00	643000	MADISONCNTY4230.00	1	DOUBLE	996	192.0	198.0	102.8
652511*GAVINS 7	115.00	660006	YKNTJCT7	115.00	1	DOUBLE	997	120.0	127.6 103.2
640133*COLMBUS4	230.00	643000	MADISONCNTY4230.00	1	DOUBLE	998	192.0	221.8	114.2
640133*COLMBUS4	230.00	643000	MADISONCNTY4230.00	1	DOUBLE	999	192.0	227.5	117.4
652511*GAVINS 7	115.00	660006	YKNTJCT7	115.00	1	DOUBLE	999	120.0	137.8 111.5
640133*COLMBUS4	230.00	643000	MADISONCNTY4230.00	1	DOUBLE	1000	192.0	241.4	124.6
652511*GAVINS 7	115.00	660006	YKNTJCT7	115.00	1	DOUBLE	1001	120.0	150.9 122.1

652626 UTICAJC7	115.00	660006*YKNTJCT7	115.00	1	DOUBLE 1001	120.0	129.0	105.0
640133*COLMBUS4	230.00	643000 MADISONCNTY4230.00	1	DOUBLE 1002	192.0	235.6	121.6	
640133*COLMBUS4	230.00	643000 MADISONCNTY4230.00	1	DOUBLE 1003	192.0	224.2	115.7	
652511*GAVINS 7	115.00	660006 YKNTJCT7	115.00	1	DOUBLE 1003	120.0	127.5	103.2
640133*COLMBUS4	230.00	643000 MADISONCNTY4230.00	1	DOUBLE 1004	192.0	232.4	119.9	
640133*COLMBUS4	230.00	643000 MADISONCNTY4230.00	1	DOUBLE 1005	192.0	236.6	122.2	
652511*GAVINS 7	115.00	660006 YKNTJCT7	115.00	1	DOUBLE 1005	120.0	127.2	102.9
640133*COLMBUS4	230.00	643000 MADISONCNTY4230.00	1	DOUBLE 1006	192.0	268.7	139.0	
652511*GAVINS 7	115.00	660006 YKNTJCT7	115.00	1	DOUBLE 1006	120.0	127.4	103.1
640133*COLMBUS4	230.00	643000 MADISONCNTY4230.00	1	DOUBLE 1008	192.0	229.1	118.3	
640133*COLMBUS4	230.00	643000 MADISONCNTY4230.00	1	DOUBLE 1009	192.0	226.1	116.7	
640133*COLMBUS4	230.00	643000 MADISONCNTY4230.00	1	DOUBLE 1011	192.0	238.7	123.3	
640133*COLMBUS4	230.00	643000 MADISONCNTY4230.00	1	DOUBLE 1012	192.0	259.6	134.2	
652511*GAVINS 7	115.00	660006 YKNTJCT7	115.00	1	DOUBLE 1012	120.0	126.2	102.1
640133*COLMBUS4	230.00	643000 MADISONCNTY4230.00	1	DOUBLE 1013	192.0	251.3	129.7	
652511*GAVINS 7	115.00	660006 YKNTJCT7	115.00	1	DOUBLE 1013	120.0	132.4	107.1
640133*COLMBUS4	230.00	643000 MADISONCNTY4230.00	1	DOUBLE 1014	192.0	207.1	106.9	
652511*GAVINS 7	115.00	660006 YKNTJCT7	115.00	1	DOUBLE 1014	120.0	132.6	107.3
640133*COLMBUS4	230.00	643000 MADISONCNTY4230.00	1	DOUBLE 1015	192.0	242.5	125.2	
652511*GAVINS 7	115.00	660006 YKNTJCT7	115.00	1	DOUBLE 1015	120.0	131.5	106.4
640133*COLMBUS4	230.00	643000 MADISONCNTY4230.00	1	DOUBLE 1016	192.0	229.1	118.2	
640133*COLMBUS4	230.00	643000 MADISONCNTY4230.00	1	DOUBLE 1017	192.0	228.7	118.0	
640133*COLMBUS4	230.00	643000 MADISONCNTY4230.00	1	DOUBLE 1021	192.0	245.1	126.6	
652511*GAVINS 7	115.00	660006 YKNTJCT7	115.00	1	DOUBLE 1021	120.0	148.2	119.9
652626 UTICAJC7	115.00	660006*YKNTJCT7	115.00	1	DOUBLE 1021	120.0	147.1	119.9
640133*COLMBUS4	230.00	643000 MADISONCNTY4230.00	1	DOUBLE 1022	192.0	243.5	125.9	
652511*GAVINS 7	115.00	660006 YKNTJCT7	115.00	1	DOUBLE 1023	120.0	130.0	105.2
640133*COLMBUS4	230.00	643000 MADISONCNTY4230.00	1	DOUBLE 1024	192.0	227.6	117.6	
652517 MANNING7	115.00	659121*SPIRITM7	115.00	1	DOUBLE 1024	120.0	122.6	102.1
640133*COLMBUS4	230.00	643000 MADISONCNTY4230.00	1	DOUBLE 1025	192.0	232.5	120.1	
652511*GAVINS 7	115.00	660006 YKNTJCT7	115.00	1	DOUBLE 1025	120.0	183.0	148.0
652626 UTICAJC7	115.00	660006*YKNTJCT7	115.00	1	DOUBLE 1025	120.0	155.1	126.4
652511*GAVINS 7	115.00	660006 YKNTJCT7	115.00	1	DOUBLE 1027	120.0	130.0	105.2
652511*GAVINS 7	115.00	660006 YKNTJCT7	115.00	1	DOUBLE 1030	120.0	130.5	105.6
640133*COLMBUS4	230.00	643000 MADISONCNTY4230.00	1	DOUBLE 1031	192.0	234.8	121.2	
652511*GAVINS 7	115.00	660006 YKNTJCT7	115.00	1	DOUBLE 1031	120.0	134.0	108.4
640133*COLMBUS4	230.00	643000 MADISONCNTY4230.00	1	DOUBLE 1032	192.0	220.2	113.5	
640133*COLMBUS4	230.00	643000 MADISONCNTY4230.00	1	DOUBLE 1033	192.0	237.3	122.2	
640133*COLMBUS4	230.00	643000 MADISONCNTY4230.00	1	DOUBLE 1034	192.0	199.0	103.3	
652511*GAVINS 7	115.00	660006 YKNTJCT7	115.00	1	DOUBLE 1035	120.0	127.6	103.2
640133*COLMBUS4	230.00	643000 MADISONCNTY4230.00	1	DOUBLE 1036	192.0	222.9	114.7	
640133*COLMBUS4	230.00	643000 MADISONCNTY4230.00	1	DOUBLE 1037	192.0	228.5	117.9	
652511*GAVINS 7	115.00	660006 YKNTJCT7	115.00	1	DOUBLE 1037	120.0	137.5	111.2
640133*COLMBUS4	230.00	643000 MADISONCNTY4230.00	1	DOUBLE 1038	192.0	242.4	125.2	
652511*GAVINS 7	115.00	660006 YKNTJCT7	115.00	1	DOUBLE 1039	120.0	151.0	122.1
652626 UTICAJC7	115.00	660006*YKNTJCT7	115.00	1	DOUBLE 1039	120.0	129.3	105.2
640133*COLMBUS4	230.00	643000 MADISONCNTY4230.00	1	DOUBLE 1040	192.0	236.6	122.2	
640133*COLMBUS4	230.00	643000 MADISONCNTY4230.00	1	DOUBLE 1041	192.0	225.2	116.2	



652511*GAVINS 7	115.00	660006	YKNTJCT7	115.00	1	DOUBLE	1041	120.0	127.5	103.1
640133*COLMBUS4	230.00	643000	MADISONCNTY	4230.00	1	DOUBLE	1042	192.0	233.8	120.6
640133*COLMBUS4	230.00	643000	MADISONCNTY	4230.00	1	DOUBLE	1043	192.0	237.6	122.7
652511*GAVINS 7	115.00	660006	YKNTJCT7	115.00	1	DOUBLE	1043	120.0	127.1	102.9
640133*COLMBUS4	230.00	643000	MADISONCNTY	4230.00	1	DOUBLE	1044	192.0	269.8	139.5
652511*GAVINS 7	115.00	660006	YKNTJCT7	115.00	1	DOUBLE	1044	120.0	127.4	103.0
640133*COLMBUS4	230.00	643000	MADISONCNTY	4230.00	1	DOUBLE	1045	192.0	228.7	118.1
640133*COLMBUS4	230.00	643000	MADISONCNTY	4230.00	1	DOUBLE	1046	192.0	228.7	118.1
640133*COLMBUS4	230.00	643000	MADISONCNTY	4230.00	1	DOUBLE	1047	192.0	227.1	117.2
640133*COLMBUS4	230.00	643000	MADISONCNTY	4230.00	1	DOUBLE	1049	192.0	239.8	123.9
640133*COLMBUS4	230.00	643000	MADISONCNTY	4230.00	1	DOUBLE	1050	192.0	260.6	134.7
652511*GAVINS 7	115.00	660006	YKNTJCT7	115.00	1	DOUBLE	1050	120.0	126.1	102.1
640133*COLMBUS4	230.00	643000	MADISONCNTY	4230.00	1	DOUBLE	1051	192.0	252.3	130.2
652511*GAVINS 7	115.00	660006	YKNTJCT7	115.00	1	DOUBLE	1051	120.0	132.4	107.1
640133*COLMBUS4	230.00	643000	MADISONCNTY	4230.00	1	DOUBLE	1052	192.0	207.8	107.3
652511*GAVINS 7	115.00	660006	YKNTJCT7	115.00	1	DOUBLE	1052	120.0	132.7	107.3
640133*COLMBUS4	230.00	643000	MADISONCNTY	4230.00	1	DOUBLE	1053	192.0	243.2	125.6
652511*GAVINS 7	115.00	660006	YKNTJCT7	115.00	1	DOUBLE	1053	120.0	131.4	106.3
640133*COLMBUS4	230.00	643000	MADISONCNTY	4230.00	1	DOUBLE	1059	192.0	246.0	127.1
652511*GAVINS 7	115.00	660006	YKNTJCT7	115.00	1	DOUBLE	1059	120.0	148.2	119.9
652626 UTICAJC7	115.00	660006*	YKNTJCT7	115.00	1	DOUBLE	1059	120.0	147.4	120.2
640133*COLMBUS4	230.00	643000	MADISONCNTY	4230.00	1	DOUBLE	1060	192.0	244.4	126.3
652511*GAVINS 7	115.00	660006	YKNTJCT7	115.00	1	DOUBLE	1061	120.0	130.0	105.2
640133*COLMBUS4	230.00	643000	MADISONCNTY	4230.00	1	DOUBLE	1062	192.0	228.7	118.1
652517 MANNING7	115.00	659121*	SPIRITM7	115.00	1	DOUBLE	1062	120.0	122.7	102.2
640133*COLMBUS4	230.00	643000	MADISONCNTY	4230.00	1	DOUBLE	1063	192.0	233.5	120.6
652511*GAVINS 7	115.00	660006	YKNTJCT7	115.00	1	DOUBLE	1063	120.0	183.0	148.1
652626 UTICAJC7	115.00	660006*	YKNTJCT7	115.00	1	DOUBLE	1063	120.0	155.4	126.6
652511*GAVINS 7	115.00	660006	YKNTJCT7	115.00	1	DOUBLE	1065	120.0	130.0	105.2
640133*COLMBUS4	230.00	643000	MADISONCNTY	4230.00	1	DOUBLE	1066	192.0	231.2	119.4
640133*COLMBUS4	230.00	643000	MADISONCNTY	4230.00	1	DOUBLE	1067	192.0	231.3	119.4
640133*COLMBUS4	230.00	643000	MADISONCNTY	4230.00	1	DOUBLE	1068	192.0	236.3	122.0
652511*GAVINS 7	115.00	660006	YKNTJCT7	115.00	1	DOUBLE	1068	120.0	138.8	112.3
640133*COLMBUS4	230.00	643000	MADISONCNTY	4230.00	1	DOUBLE	1069	192.0	220.5	113.7
652511*GAVINS 7	115.00	660006	YKNTJCT7	115.00	1	DOUBLE	1069	120.0	130.2	105.3
640133*COLMBUS4	230.00	643000	MADISONCNTY	4230.00	1	DOUBLE	1070	192.0	237.5	122.3
640133*COLMBUS4	230.00	643000	MADISONCNTY	4230.00	1	DOUBLE	1071	192.0	199.3	103.5
640133*COLMBUS4	230.00	643000	MADISONCNTY	4230.00	1	DOUBLE	1073	192.0	223.2	114.9
652511*GAVINS 7	115.00	660006	YKNTJCT7	115.00	1	DOUBLE	1073	120.0	130.1	105.3
640133*COLMBUS4	230.00	643000	MADISONCNTY	4230.00	1	DOUBLE	1074	192.0	228.8	118.1
652511*GAVINS 7	115.00	660006	YKNTJCT7	115.00	1	DOUBLE	1074	120.0	137.9	111.6
640133*COLMBUS4	230.00	643000	MADISONCNTY	4230.00	1	DOUBLE	1075	192.0	242.9	125.4
652511*GAVINS 7	115.00	660006	YKNTJCT7	115.00	1	DOUBLE	1075	120.0	131.3	106.2
640133*COLMBUS4	230.00	643000	MADISONCNTY	4230.00	1	DOUBLE	1076	192.0	231.2	119.3
652511*GAVINS 7	115.00	660006	YKNTJCT7	115.00	1	DOUBLE	1076	120.0	152.3	123.3
652626 UTICAJC7	115.00	660006*	YKNTJCT7	115.00	1	DOUBLE	1076	120.0	129.9	105.7
640133*COLMBUS4	230.00	643000	MADISONCNTY	4230.00	1	DOUBLE	1077	192.0	237.0	122.4
652511*GAVINS 7	115.00	660006	YKNTJCT7	115.00	1	DOUBLE	1077	120.0	130.0	105.2

640133*COLMBUS4	230.00	643000	MADISONCNTY4230.00	1	DOUBLE	1078	192.0	225.7	116.5	
640133*COLMBUS4	230.00	643000	MADISONCNTY4230.00	1	DOUBLE	1079	192.0	233.8	120.7	
652511*GAVINS 7	115.00	660006	YKNTJCT7	115.00	1	DOUBLE	1079	120.0	131.2	106.1
640133*COLMBUS4	230.00	643000	MADISONCNTY4230.00	1	DOUBLE	1080	192.0	237.9	122.9	
640133*COLMBUS4	230.00	643000	MADISONCNTY4230.00	1	DOUBLE	1081	192.0	270.2	139.7	
652511*GAVINS 7	115.00	660006	YKNTJCT7	115.00	1	DOUBLE	1082	120.0	130.5	105.6
640133*COLMBUS4	230.00	643000	MADISONCNTY4230.00	1	DOUBLE	1083	192.0	229.1	118.2	
652511*GAVINS 7	115.00	660006	YKNTJCT7	115.00	1	DOUBLE	1083	120.0	131.4	106.3
640133*COLMBUS4	230.00	643000	MADISONCNTY4230.00	1	DOUBLE	1084	192.0	227.6	117.5	
652511*GAVINS 7	115.00	660006	YKNTJCT7	115.00	1	DOUBLE	1085	120.0	130.4	105.5
640133*COLMBUS4	230.00	643000	MADISONCNTY4230.00	1	DOUBLE	1086	192.0	239.7	123.8	
640133*COLMBUS4	230.00	643000	MADISONCNTY4230.00	1	DOUBLE	1087	192.0	260.9	134.9	
640133*COLMBUS4	230.00	643000	MADISONCNTY4230.00	1	DOUBLE	1088	192.0	253.7	130.9	
652511*GAVINS 7	115.00	660006	YKNTJCT7	115.00	1	DOUBLE	1088	120.0	135.3	109.5
640133*COLMBUS4	230.00	643000	MADISONCNTY4230.00	1	DOUBLE	1089	192.0	207.0	106.9	
652511*GAVINS 7	115.00	660006	YKNTJCT7	115.00	1	DOUBLE	1089	120.0	135.9	110.0
640133*COLMBUS4	230.00	643000	MADISONCNTY4230.00	1	DOUBLE	1090	192.0	244.7	126.4	
652511*GAVINS 7	115.00	660006	YKNTJCT7	115.00	1	DOUBLE	1090	120.0	133.5	108.0
652511*GAVINS 7	115.00	660006	YKNTJCT7	115.00	1	DOUBLE	1091	120.0	130.4	105.5
652511*GAVINS 7	115.00	660006	YKNTJCT7	115.00	1	DOUBLE	1092	120.0	130.6	105.7
652511*GAVINS 7	115.00	660006	YKNTJCT7	115.00	1	DOUBLE	1093	120.0	130.3	105.5
652511*GAVINS 7	115.00	660006	YKNTJCT7	115.00	1	DOUBLE	1094	120.0	130.3	105.5
652511*GAVINS 7	115.00	660006	YKNTJCT7	115.00	1	DOUBLE	1095	120.0	130.3	105.4
640133*COLMBUS4	230.00	643000	MADISONCNTY4230.00	1	DOUBLE	1096	192.0	246.0	127.1	
652511*GAVINS 7	115.00	660006	YKNTJCT7	115.00	1	DOUBLE	1096	120.0	148.5	120.2
652626 UTICAJC7	115.00	660006*YKNTJCT7	115.00	1	DOUBLE	1096	120.0	147.5	120.2	
640133*COLMBUS4	230.00	643000	MADISONCNTY4230.00	1	DOUBLE	1097	192.0	244.5	126.3	
652511*GAVINS 7	115.00	660006	YKNTJCT7	115.00	1	DOUBLE	1098	120.0	131.7	106.5
652517 MANNING7	115.00	659121*SPIRITM7	115.00	1	DOUBLE	1099	120.0	123.8	103.2	
640133*COLMBUS4	230.00	643000	MADISONCNTY4230.00	1	DOUBLE	1100	192.0	233.9	120.8	
652511*GAVINS 7	115.00	660006	YKNTJCT7	115.00	1	DOUBLE	1100	120.0	185.0	149.7
652626 UTICAJC7	115.00	660006*YKNTJCT7	115.00	1	DOUBLE	1100	120.0	156.4	127.4	
652511*GAVINS 7	115.00	660006	YKNTJCT7	115.00	1	DOUBLE	1102	120.0	131.7	106.5
640133*COLMBUS4	230.00	643000	MADISONCNTY4230.00	1	DOUBLE	1103	192.0	231.8	119.7	
640133*COLMBUS4	230.00	643000	MADISONCNTY4230.00	1	DOUBLE	1104	192.0	231.7	119.6	
640133*COLMBUS4	230.00	643000	MADISONCNTY4230.00	1	DOUBLE	1105	192.0	224.7	115.9	
652511*GAVINS 7	115.00	660006	YKNTJCT7	115.00	1	DOUBLE	1105	120.0	133.7	108.2
640133*COLMBUS4	230.00	643000	MADISONCNTY4230.00	1	DOUBLE	1106	192.0	242.1	124.6	
652511*GAVINS 7	115.00	660006	YKNTJCT7	115.00	1	DOUBLE	1106	120.0	133.3	107.8
640133*COLMBUS4	230.00	643000	MADISONCNTY4230.00	1	DOUBLE	1107	192.0	202.3	105.1	
652511*GAVINS 7	115.00	660006	YKNTJCT7	115.00	1	DOUBLE	1107	120.0	133.3	107.9
652511*GAVINS 7	115.00	660006	YKNTJCT7	115.00	1	DOUBLE	1108	120.0	133.1	107.7
640133*COLMBUS4	230.00	643000	MADISONCNTY4230.00	1	DOUBLE	1109	192.0	227.5	117.2	
652511*GAVINS 7	115.00	660006	YKNTJCT7	115.00	1	DOUBLE	1109	120.0	133.7	108.2
640133*COLMBUS4	230.00	643000	MADISONCNTY4230.00	1	DOUBLE	1110	192.0	234.5	121.0	
652511*GAVINS 7	115.00	660006	YKNTJCT7	115.00	1	DOUBLE	1110	120.0	134.8	109.0
640133*COLMBUS4	230.00	643000	MADISONCNTY4230.00	1	DOUBLE	1111	192.0	246.1	127.1	
652511*GAVINS 7	115.00	660006	YKNTJCT7	115.00	1	DOUBLE	1111	120.0	134.5	108.8

640133*COLMBUS4	230.00	643000	MADISONCNTY4230.00	1	DOUBLE	1112	192.0	235.7	121.7	
652511*GAVINS 7	115.00	660006	YKNTJCT7	115.00	1	DOUBLE	1112	120.0	157.9	127.7
652626 UTICAJC7	115.00	660006*	YKNTJCT7	115.00	1	DOUBLE	1112	120.0	135.7	110.4
640133*COLMBUS4	230.00	643000	MADISONCNTY4230.00	1	DOUBLE	1113	192.0	240.7	124.3	
652511*GAVINS 7	115.00	660006	YKNTJCT7	115.00	1	DOUBLE	1113	120.0	133.3	107.9
652511*GAVINS 7	115.00	660006	YKNTJCT7	115.00	1	DOUBLE	1114	120.0	132.5	107.2
640133*COLMBUS4	230.00	643000	MADISONCNTY4230.00	1	DOUBLE	1115	192.0	238.2	123.0	
652511*GAVINS 7	115.00	660006	YKNTJCT7	115.00	1	DOUBLE	1115	120.0	134.8	109.0
640133*COLMBUS4	230.00	643000	MADISONCNTY4230.00	1	DOUBLE	1116	192.0	244.1	126.1	
652511*GAVINS 7	115.00	660006	YKNTJCT7	115.00	1	DOUBLE	1116	120.0	132.5	107.2
640133*COLMBUS4	230.00	643000	MADISONCNTY4230.00	1	DOUBLE	1117	192.0	278.3	144.0	
652511*GAVINS 7	115.00	660006	YKNTJCT7	115.00	1	DOUBLE	1117	120.0	133.0	107.6
640133*COLMBUS4	230.00	643000	MADISONCNTY4230.00	1	DOUBLE	1118	192.0	234.4	121.0	
652511*GAVINS 7	115.00	660006	YKNTJCT7	115.00	1	DOUBLE	1118	120.0	133.9	108.3
640133*COLMBUS4	230.00	643000	MADISONCNTY4230.00	1	DOUBLE	1119	192.0	233.4	120.5	
652511*GAVINS 7	115.00	660006	YKNTJCT7	115.00	1	DOUBLE	1119	120.0	133.9	108.4
640133*COLMBUS4	230.00	643000	MADISONCNTY4230.00	1	DOUBLE	1120	192.0	232.2	119.8	
652511*GAVINS 7	115.00	660006	YKNTJCT7	115.00	1	DOUBLE	1120	120.0	133.1	107.7
640133*COLMBUS4	230.00	643000	MADISONCNTY4230.00	1	DOUBLE	1121	192.0	234.6	121.1	
652511*GAVINS 7	115.00	660006	YKNTJCT7	115.00	1	DOUBLE	1121	120.0	133.9	108.3
640133*COLMBUS4	230.00	643000	MADISONCNTY4230.00	1	DOUBLE	1122	192.0	239.4	123.6	
652511*GAVINS 7	115.00	660006	YKNTJCT7	115.00	1	DOUBLE	1122	120.0	127.0	102.7
640133*COLMBUS4	230.00	643000	MADISONCNTY4230.00	1	DOUBLE	1123	192.0	270.1	139.7	
652511*GAVINS 7	115.00	660006	YKNTJCT7	115.00	1	DOUBLE	1123	120.0	131.9	106.7
640133*COLMBUS4	230.00	643000	MADISONCNTY4230.00	1	DOUBLE	1124	192.0	261.3	134.8	
652511*GAVINS 7	115.00	660006	YKNTJCT7	115.00	1	DOUBLE	1124	120.0	139.2	112.6
640133*COLMBUS4	230.00	643000	MADISONCNTY4230.00	1	DOUBLE	1125	192.0	203.2	105.0	
652511*GAVINS 7	115.00	660006	YKNTJCT7	115.00	1	DOUBLE	1125	120.0	141.8	114.7
652626 UTICAJC7	115.00	660006*	YKNTJCT7	115.00	1	DOUBLE	1125	120.0	123.5	100.4
640133*COLMBUS4	230.00	643000	MADISONCNTY4230.00	1	DOUBLE	1126	192.0	246.8	127.5	
652511*GAVINS 7	115.00	660006	YKNTJCT7	115.00	1	DOUBLE	1126	120.0	136.3	110.3
640133*COLMBUS4	230.00	643000	MADISONCNTY4230.00	1	DOUBLE	1127	192.0	234.8	121.2	
652511*GAVINS 7	115.00	660006	YKNTJCT7	115.00	1	DOUBLE	1127	120.0	133.9	108.3
640133*COLMBUS4	230.00	643000	MADISONCNTY4230.00	1	DOUBLE	1128	192.0	234.4	121.0	
652511*GAVINS 7	115.00	660006	YKNTJCT7	115.00	1	DOUBLE	1128	120.0	134.0	108.4
640133*COLMBUS4	230.00	643000	MADISONCNTY4230.00	1	DOUBLE	1129	192.0	234.6	121.1	
652511*GAVINS 7	115.00	660006	YKNTJCT7	115.00	1	DOUBLE	1129	120.0	133.7	108.2
640133*COLMBUS4	230.00	643000	MADISONCNTY4230.00	1	DOUBLE	1130	192.0	234.6	121.1	
652511*GAVINS 7	115.00	660006	YKNTJCT7	115.00	1	DOUBLE	1130	120.0	133.7	108.2
640133*COLMBUS4	230.00	643000	MADISONCNTY4230.00	1	DOUBLE	1131	192.0	235.2	121.4	
652511*GAVINS 7	115.00	660006	YKNTJCT7	115.00	1	DOUBLE	1131	120.0	133.7	108.2
640133*COLMBUS4	230.00	643000	MADISONCNTY4230.00	1	DOUBLE	1132	192.0	250.8	129.6	
652511*GAVINS 7	115.00	660006	YKNTJCT7	115.00	1	DOUBLE	1132	120.0	153.6	124.3
652626 UTICAJC7	115.00	660006*	YKNTJCT7	115.00	1	DOUBLE	1132	120.0	152.6	124.5
640133*COLMBUS4	230.00	643000	MADISONCNTY4230.00	1	DOUBLE	1133	192.0	249.6	129.0	
652511*GAVINS 7	115.00	660006	YKNTJCT7	115.00	1	DOUBLE	1133	120.0	125.8	101.8
640133*COLMBUS4	230.00	643000	MADISONCNTY4230.00	1	DOUBLE	1134	192.0	234.9	121.2	
652511*GAVINS 7	115.00	660006	YKNTJCT7	115.00	1	DOUBLE	1134	120.0	135.9	110.0

640133*COLMBUS4	230.00	643000	MADISONCNTY4230.00	1	DOUBLE	1135	192.0	233.7	120.7	
652517 MANNING7	115.00	659121*	SPIRITM7	115.00	1	DOUBLE	1135	120.0	125.5	104.6
640133*COLMBUS4	230.00	643000	MADISONCNTY4230.00	1	DOUBLE	1136	192.0	238.4	123.1	
652511*GAVINS 7	115.00	660006	YKNTJCT7	115.00	1	DOUBLE	1136	120.0	189.2	153.1
652626 UTICAJC7	115.00	660006*	YKNTJCT7	115.00	1	DOUBLE	1136	120.0	161.2	131.4
640133*COLMBUS4	230.00	643000	MADISONCNTY4230.00	1	DOUBLE	1137	192.0	234.9	121.3	
640133*COLMBUS4	230.00	643000	MADISONCNTY4230.00	1	DOUBLE	1138	192.0	234.9	121.2	
652511*GAVINS 7	115.00	660006	YKNTJCT7	115.00	1	DOUBLE	1138	120.0	135.9	110.0
640133*COLMBUS4	230.00	643000	MADISONCNTY4230.00	1	DOUBLE	1139	192.0	236.4	122.1	
640133*COLMBUS4	230.00	643000	MADISONCNTY4230.00	1	DOUBLE	1140	192.0	235.9	121.8	
640133*COLMBUS4	230.00	643000	MADISONCNTY4230.00	1	DOUBLE	1141	192.0	226.5	116.5	
652511*GAVINS 7	115.00	660006	YKNTJCT7	115.00	1	DOUBLE	1142	120.0	127.2	103.0
652511*GAVINS 7	115.00	660006	YKNTJCT7	115.00	1	DOUBLE	1143	120.0	127.4	103.1
640133*COLMBUS4	230.00	643000	MADISONCNTY4230.00	1	DOUBLE	1144	192.0	201.9	103.7	
640133*COLMBUS4	230.00	643000	MADISONCNTY4230.00	1	DOUBLE	1145	192.0	218.5	112.6	
652511*GAVINS 7	115.00	660006	YKNTJCT7	115.00	1	DOUBLE	1145	120.0	137.3	111.1
640133*COLMBUS4	230.00	643000	MADISONCNTY4230.00	1	DOUBLE	1146	192.0	233.1	120.3	
640133*COLMBUS4	230.00	643000	MADISONCNTY4230.00	1	DOUBLE	1147	192.0	220.9	113.9	
652511*GAVINS 7	115.00	660006	YKNTJCT7	115.00	1	DOUBLE	1147	120.0	150.8	122.0
652626 UTICAJC7	115.00	660006*	YKNTJCT7	115.00	1	DOUBLE	1147	120.0	129.3	105.2
640133*COLMBUS4	230.00	643000	MADISONCNTY4230.00	1	DOUBLE	1148	192.0	226.5	116.9	
640133*COLMBUS4	230.00	643000	MADISONCNTY4230.00	1	DOUBLE	1149	192.0	215.1	110.9	
652511*GAVINS 7	115.00	660006	YKNTJCT7	115.00	1	DOUBLE	1149	120.0	127.2	102.9
640133*COLMBUS4	230.00	643000	MADISONCNTY4230.00	1	DOUBLE	1150	192.0	223.4	115.2	
640133*COLMBUS4	230.00	643000	MADISONCNTY4230.00	1	DOUBLE	1151	192.0	227.6	117.5	
652511*GAVINS 7	115.00	660006	YKNTJCT7	115.00	1	DOUBLE	1151	120.0	126.9	102.7
640133*COLMBUS4	230.00	643000	MADISONCNTY4230.00	1	DOUBLE	1152	192.0	259.7	134.4	
652511*GAVINS 7	115.00	660006	YKNTJCT7	115.00	1	DOUBLE	1152	120.0	127.1	102.8
640133*COLMBUS4	230.00	643000	MADISONCNTY4230.00	1	DOUBLE	1153	192.0	219.7	113.3	
640133*COLMBUS4	230.00	643000	MADISONCNTY4230.00	1	DOUBLE	1154	192.0	218.7	112.8	
640133*COLMBUS4	230.00	643000	MADISONCNTY4230.00	1	DOUBLE	1155	192.0	217.1	112.0	
640133*COLMBUS4	230.00	643000	MADISONCNTY4230.00	1	DOUBLE	1156	192.0	220.0	113.4	
640133*COLMBUS4	230.00	643000	MADISONCNTY4230.00	1	DOUBLE	1158	192.0	250.4	129.5	
652511*GAVINS 7	115.00	660006	YKNTJCT7	115.00	1	DOUBLE	1158	120.0	125.8	101.8
640133*COLMBUS4	230.00	643000	MADISONCNTY4230.00	1	DOUBLE	1159	192.0	242.0	124.8	
652511*GAVINS 7	115.00	660006	YKNTJCT7	115.00	1	DOUBLE	1159	120.0	132.3	107.0
640133*COLMBUS4	230.00	643000	MADISONCNTY4230.00	1	DOUBLE	1160	192.0	199.3	102.9	
652511*GAVINS 7	115.00	660006	YKNTJCT7	115.00	1	DOUBLE	1160	120.0	132.3	107.1
640133*COLMBUS4	230.00	643000	MADISONCNTY4230.00	1	DOUBLE	1161	192.0	234.3	120.9	
652511*GAVINS 7	115.00	660006	YKNTJCT7	115.00	1	DOUBLE	1161	120.0	131.4	106.3
640133*COLMBUS4	230.00	643000	MADISONCNTY4230.00	1	DOUBLE	1162	192.0	220.1	113.5	
640133*COLMBUS4	230.00	643000	MADISONCNTY4230.00	1	DOUBLE	1163	192.0	219.7	113.3	
640133*COLMBUS4	230.00	643000	MADISONCNTY4230.00	1	DOUBLE	1164	192.0	220.0	113.5	
640133*COLMBUS4	230.00	643000	MADISONCNTY4230.00	1	DOUBLE	1165	192.0	220.0	113.5	
640133*COLMBUS4	230.00	643000	MADISONCNTY4230.00	1	DOUBLE	1166	192.0	220.5	113.7	
640133*COLMBUS4	230.00	643000	MADISONCNTY4230.00	1	DOUBLE	1167	192.0	235.7	121.7	
652511*GAVINS 7	115.00	660006	YKNTJCT7	115.00	1	DOUBLE	1167	120.0	148.1	119.8
652626 UTICAJC7	115.00	660006*	YKNTJCT7	115.00	1	DOUBLE	1167	120.0	147.5	120.3

640133*COLMBUS4	230.00	643000	MADISONCNTY4230.00	1	DOUBLE	1168	192.0	234.1	120.9	
640133*COLMBUS4	230.00	643000	MADISONCNTY4230.00	1	DOUBLE	1169	192.0	220.2	113.5	
652511*GAVINS 7	115.00	660006	YKNTJCT7	115.00	1	DOUBLE	1169	120.0	129.8	105.0
640133*COLMBUS4	230.00	643000	MADISONCNTY4230.00	1	DOUBLE	1170	192.0	218.7	112.9	
652517 MANNING7	115.00	659121	*SPIRITM7	115.00	1	DOUBLE	1170	120.0	122.7	102.2
640133*COLMBUS4	230.00	643000	MADISONCNTY4230.00	1	DOUBLE	1171	192.0	223.4	115.3	
652511*GAVINS 7	115.00	660006	YKNTJCT7	115.00	1	DOUBLE	1171	120.0	182.8	147.9
652626 UTICAJC7	115.00	660006	*YKNTJCT7	115.00	1	DOUBLE	1171	120.0	155.3	126.6
640133*COLMBUS4	230.00	643000	MADISONCNTY4230.00	1	DOUBLE	1172	192.0	220.1	113.5	
640133*COLMBUS4	230.00	643000	MADISONCNTY4230.00	1	DOUBLE	1173	192.0	220.2	113.5	
652511*GAVINS 7	115.00	660006	YKNTJCT7	115.00	1	DOUBLE	1173	120.0	129.8	105.0
640133*COLMBUS4	230.00	643000	MADISONCNTY4230.00	1	DOUBLE	1174	192.0	221.2	114.2	
640133*COLMBUS4	230.00	643000	MADISONCNTY4230.00	1	DOUBLE	1175	192.0	221.2	114.1	
640133*COLMBUS4	230.00	643000	MADISONCNTY4230.00	1	DOUBLE	1176	192.0	201.1	104.2	
652511*GAVINS 7	115.00	660006	YKNTJCT7	115.00	1	DOUBLE	1177	120.0	126.1	102.0
640133 COLMBUS4	230.00	643000	*MADISONCNTY4230.00	1	DOUBLE	1178	192.0	233.5	118.1	
640133*COLMBUS4	230.00	643000	MADISONCNTY4230.00	1	DOUBLE	1179	192.0	235.7	121.3	
652511*GAVINS 7	115.00	660006	YKNTJCT7	115.00	1	DOUBLE	1179	120.0	137.0	110.9
640133*COLMBUS4	230.00	643000	MADISONCNTY4230.00	1	DOUBLE	1180	192.0	250.0	128.7	
640133*COLMBUS4	230.00	643000	MADISONCNTY4230.00	1	DOUBLE	1181	192.0	238.3	122.6	
652511*GAVINS 7	115.00	660006	YKNTJCT7	115.00	1	DOUBLE	1181	120.0	150.5	121.7
652626 UTICAJC7	115.00	660006	*YKNTJCT7	115.00	1	DOUBLE	1181	120.0	128.9	104.9
640133*COLMBUS4	230.00	643000	MADISONCNTY4230.00	1	DOUBLE	1182	192.0	243.4	125.3	
652511*GAVINS 7	115.00	660006	YKNTJCT7	115.00	1	DOUBLE	1182	120.0	127.6	103.2
640133*COLMBUS4	230.00	643000	MADISONCNTY4230.00	1	DOUBLE	1183	192.0	233.4	120.1	
652511*GAVINS 7	115.00	660006	YKNTJCT7	115.00	1	DOUBLE	1183	120.0	126.6	102.5
640133*COLMBUS4	230.00	643000	MADISONCNTY4230.00	1	DOUBLE	1184	192.0	239.6	123.3	
640133*COLMBUS4	230.00	643000	MADISONCNTY4230.00	1	DOUBLE	1185	192.0	244.2	125.8	
652511*GAVINS 7	115.00	660006	YKNTJCT7	115.00	1	DOUBLE	1185	120.0	126.5	102.4
640133*COLMBUS4	230.00	643000	MADISONCNTY4230.00	1	DOUBLE	1186	192.0	276.3	142.5	
652511*GAVINS 7	115.00	660006	YKNTJCT7	115.00	1	DOUBLE	1186	120.0	126.7	102.5
640133*COLMBUS4	230.00	643000	MADISONCNTY4230.00	1	DOUBLE	1187	192.0	236.9	122.0	
640133*COLMBUS4	230.00	643000	MADISONCNTY4230.00	1	DOUBLE	1188	192.0	236.1	121.5	
640133*COLMBUS4	230.00	643000	MADISONCNTY4230.00	1	DOUBLE	1189	192.0	234.9	120.9	
652511*GAVINS 7	115.00	660006	YKNTJCT7	115.00	1	DOUBLE	1189	120.0	127.2	102.9
640133*COLMBUS4	230.00	643000	MADISONCNTY4230.00	1	DOUBLE	1190	192.0	237.2	122.1	
640133*COLMBUS4	230.00	643000	MADISONCNTY4230.00	1	DOUBLE	1191	192.0	246.2	126.9	
640133*COLMBUS4	230.00	643000	MADISONCNTY4230.00	1	DOUBLE	1192	192.0	266.7	137.5	
652511*GAVINS 7	115.00	660006	YKNTJCT7	115.00	1	DOUBLE	1192	120.0	125.6	101.6
640133*COLMBUS4	230.00	643000	MADISONCNTY4230.00	1	DOUBLE	1193	192.0	258.8	133.3	
652511*GAVINS 7	115.00	660006	YKNTJCT7	115.00	1	DOUBLE	1193	120.0	131.7	106.6
640133*COLMBUS4	230.00	643000	MADISONCNTY4230.00	1	DOUBLE	1194	192.0	215.0	110.7	
652511*GAVINS 7	115.00	660006	YKNTJCT7	115.00	1	DOUBLE	1194	120.0	132.0	106.8
640133*COLMBUS4	230.00	643000	MADISONCNTY4230.00	1	DOUBLE	1195	192.0	247.8	127.6	
652511*GAVINS 7	115.00	660006	YKNTJCT7	115.00	1	DOUBLE	1195	120.0	130.3	105.4
640133*COLMBUS4	230.00	643000	MADISONCNTY4230.00	1	DOUBLE	1196	192.0	237.1	122.0	
640133*COLMBUS4	230.00	643000	MADISONCNTY4230.00	1	DOUBLE	1197	192.0	236.7	121.9	
640133*COLMBUS4	230.00	643000	MADISONCNTY4230.00	1	DOUBLE	1198	192.0	237.2	122.1	

640133*COLMBUS4	230.00	643000	MADISONCNTY4230.00	1	DOUBLE	1199	192.0	237.2	122.1	
640133*COLMBUS4	230.00	643000	MADISONCNTY4230.00	1	DOUBLE	1200	192.0	237.5	122.2	
640133*COLMBUS4	230.00	643000	MADISONCNTY4230.00	1	DOUBLE	1201	192.0	253.0	130.4	
652511*GAVINS 7	115.00	660006	YKNTJCT7	115.00	1	DOUBLE	1201	120.0	147.6	119.4
652626 UTICAJC7	115.00	660006*	YKNTJCT7	115.00	1	DOUBLE	1201	120.0	146.8	119.7
640133*COLMBUS4	230.00	643000	MADISONCNTY4230.00	1	DOUBLE	1202	192.0	251.5	129.6	
640133*COLMBUS4	230.00	643000	MADISONCNTY4230.00	1	DOUBLE	1203	192.0	237.3	122.2	
640133*COLMBUS4	230.00	643000	MADISONCNTY4230.00	1	DOUBLE	1204	192.0	235.1	121.1	
652517 MANNING7	115.00	659121*	SPIRITM7	115.00	1	DOUBLE	1204	120.0	122.4	102.0
640133*COLMBUS4	230.00	643000	MADISONCNTY4230.00	1	DOUBLE	1205	192.0	240.3	123.8	
652511*GAVINS 7	115.00	660006	YKNTJCT7	115.00	1	DOUBLE	1205	120.0	182.2	147.4
652626 UTICAJC7	115.00	660006*	YKNTJCT7	115.00	1	DOUBLE	1205	120.0	154.7	126.1
640133*COLMBUS4	230.00	643000	MADISONCNTY4230.00	1	DOUBLE	1206	192.0	237.1	122.1	
640133*COLMBUS4	230.00	643000	MADISONCNTY4230.00	1	DOUBLE	1207	192.0	237.3	122.2	
640133*COLMBUS4	230.00	643000	MADISONCNTY4230.00	1	DOUBLE	1208	192.0	237.9	122.5	
640133*COLMBUS4	230.00	643000	MADISONCNTY4230.00	1	DOUBLE	1209	192.0	238.3	122.7	
652511*GAVINS 7	115.00	660006	YKNTJCT7	115.00	1	DOUBLE	1210	120.0	127.3	103.0
652511*GAVINS 7	115.00	660006	YKNTJCT7	115.00	1	DOUBLE	1211	120.0	127.4	103.0
640133*COLMBUS4	230.00	643000	MADISONCNTY4230.00	1	DOUBLE	1212	192.0	197.7	102.6	
652511*GAVINS 7	115.00	660006	YKNTJCT7	115.00	1	DOUBLE	1212	120.0	136.0	110.0
640133*COLMBUS4	230.00	643000	MADISONCNTY4230.00	1	DOUBLE	1213	192.0	210.5	109.3	
640133*COLMBUS4	230.00	643000	MADISONCNTY4230.00	1	DOUBLE	1214	192.0	199.4	103.5	
652511*GAVINS 7	115.00	660006	YKNTJCT7	115.00	1	DOUBLE	1214	120.0	150.6	121.8
652626 UTICAJC7	115.00	660006*	YKNTJCT7	115.00	1	DOUBLE	1214	120.0	129.5	105.4
640133*COLMBUS4	230.00	643000	MADISONCNTY4230.00	1	DOUBLE	1215	192.0	204.9	106.4	
652511*GAVINS 7	115.00	660006	YKNTJCT7	115.00	1	DOUBLE	1215	120.0	127.3	103.0
640133*COLMBUS4	230.00	643000	MADISONCNTY4230.00	1	DOUBLE	1216	192.0	194.9	101.2	
652511*GAVINS 7	115.00	660006	YKNTJCT7	115.00	1	DOUBLE	1216	120.0	126.7	102.5
640133*COLMBUS4	230.00	643000	MADISONCNTY4230.00	1	DOUBLE	1217	192.0	202.0	104.9	
640133*COLMBUS4	230.00	643000	MADISONCNTY4230.00	1	DOUBLE	1218	192.0	204.9	106.4	
652511*GAVINS 7	115.00	660006	YKNTJCT7	115.00	1	DOUBLE	1218	120.0	125.9	101.9
640133*COLMBUS4	230.00	643000	MADISONCNTY4230.00	1	DOUBLE	1219	192.0	237.7	123.8	
652511*GAVINS 7	115.00	660006	YKNTJCT7	115.00	1	DOUBLE	1219	120.0	126.3	102.2
640133*COLMBUS4	230.00	643000	MADISONCNTY4230.00	1	DOUBLE	1220	192.0	198.6	103.1	
640133*COLMBUS4	230.00	643000	MADISONCNTY4230.00	1	DOUBLE	1221	192.0	197.6	102.6	
640133*COLMBUS4	230.00	643000	MADISONCNTY4230.00	1	DOUBLE	1222	192.0	196.5	102.0	
652511*GAVINS 7	115.00	660006	YKNTJCT7	115.00	1	DOUBLE	1222	120.0	127.2	102.9
640133*COLMBUS4	230.00	643000	MADISONCNTY4230.00	1	DOUBLE	1223	192.0	198.8	103.2	
640133*COLMBUS4	230.00	643000	MADISONCNTY4230.00	1	DOUBLE	1224	192.0	207.4	107.9	
640133*COLMBUS4	230.00	643000	MADISONCNTY4230.00	1	DOUBLE	1225	192.0	228.1	118.8	
652511*GAVINS 7	115.00	660006	YKNTJCT7	115.00	1	DOUBLE	1225	120.0	124.9	101.0
640133*COLMBUS4	230.00	643000	MADISONCNTY4230.00	1	DOUBLE	1226	192.0	220.6	114.5	
652511*GAVINS 7	115.00	660006	YKNTJCT7	115.00	1	DOUBLE	1226	120.0	131.5	106.4
652511*GAVINS 7	115.00	660006	YKNTJCT7	115.00	1	DOUBLE	1227	120.0	131.6	106.4
640133*COLMBUS4	230.00	643000	MADISONCNTY4230.00	1	DOUBLE	1228	192.0	216.5	112.5	
652511*GAVINS 7	115.00	660006	YKNTJCT7	115.00	1	DOUBLE	1228	120.0	131.8	106.7
640133*COLMBUS4	230.00	643000	MADISONCNTY4230.00	1	DOUBLE	1229	192.0	199.0	103.3	
640133*COLMBUS4	230.00	643000	MADISONCNTY4230.00	1	DOUBLE	1230	192.0	198.7	103.1	

640133*COLMBUS4	230.00	643000	MADISONCNTY4230.00	1	DOUBLE	1231	192.0	198.9	103.2	
640133*COLMBUS4	230.00	643000	MADISONCNTY4230.00	1	DOUBLE	1232	192.0	198.9	103.2	
640133*COLMBUS4	230.00	643000	MADISONCNTY4230.00	1	DOUBLE	1233	192.0	199.4	103.5	
652511*GAVINS 7	115.00	660006	YKNTJCT7	115.00	1	DOUBLE	1233	120.0	127.7	103.3
640133*COLMBUS4	230.00	643000	MADISONCNTY4230.00	1	DOUBLE	1234	192.0	212.7	110.5	
652511*GAVINS 7	115.00	660006	YKNTJCT7	115.00	1	DOUBLE	1234	120.0	147.9	119.7
652626 UTICAJC7	115.00	660006*	YKNTJCT7	115.00	1	DOUBLE	1234	120.0	148.3	120.9
640133*COLMBUS4	230.00	643000	MADISONCNTY4230.00	1	DOUBLE	1235	192.0	211.6	110.1	
640133*COLMBUS4	230.00	643000	MADISONCNTY4230.00	1	DOUBLE	1236	192.0	199.0	103.3	
640133*COLMBUS4	230.00	643000	MADISONCNTY4230.00	1	DOUBLE	1237	192.0	198.4	103.1	
652517 MANNING7	115.00	659121*	SPIRITM7	115.00	1	DOUBLE	1237	120.0	122.7	102.3
640133*COLMBUS4	230.00	643000	MADISONCNTY4230.00	1	DOUBLE	1238	192.0	201.9	104.9	
652511*GAVINS 7	115.00	660006	YKNTJCT7	115.00	1	DOUBLE	1238	120.0	182.3	147.5
652626 UTICAJC7	115.00	660006*	YKNTJCT7	115.00	1	DOUBLE	1238	120.0	155.4	126.6
640133*COLMBUS4	230.00	643000	MADISONCNTY4230.00	1	DOUBLE	1239	192.0	199.0	103.3	
640133*COLMBUS4	230.00	643000	MADISONCNTY4230.00	1	DOUBLE	1240	192.0	199.0	103.3	
640133*COLMBUS4	230.00	643000	MADISONCNTY4230.00	1	DOUBLE	1241	192.0	200.1	103.9	
640133*COLMBUS4	230.00	643000	MADISONCNTY4230.00	1	DOUBLE	1242	192.0	200.0	103.8	
652511*GAVINS 7	115.00	660006	YKNTJCT7	115.00	1	DOUBLE	1243	120.0	127.5	103.1
652511*GAVINS 7	115.00	660006	YKNTJCT7	115.00	1	DOUBLE	1244	120.0	133.8	108.2
652511*GAVINS 7	115.00	660006	YKNTJCT7	115.00	1	DOUBLE	1246	120.0	150.5	121.8
652626 UTICAJC7	115.00	660006*	YKNTJCT7	115.00	1	DOUBLE	1246	120.0	131.2	106.8
640296 NORFK.N7	115.00	640298*	NORFOLK7	115.00	1	DOUBLE	1247	120.0	153.4	123.8
652511*GAVINS 7	115.00	660006	YKNTJCT7	115.00	1	DOUBLE	1247	120.0	126.6	102.4
652511*GAVINS 7	115.00	660006	YKNTJCT7	115.00	1	DOUBLE	1248	120.0	126.5	102.3
652511*GAVINS 7	115.00	660006	YKNTJCT7	115.00	1	DOUBLE	1250	120.0	125.1	101.2
652511*GAVINS 7	115.00	660006	YKNTJCT7	115.00	1	DOUBLE	1251	120.0	124.6	100.8
652511*GAVINS 7	115.00	660006	YKNTJCT7	115.00	1	DOUBLE	1252	120.0	127.5	103.1
652511*GAVINS 7	115.00	660006	YKNTJCT7	115.00	1	DOUBLE	1253	120.0	127.6	103.3
652511*GAVINS 7	115.00	660006	YKNTJCT7	115.00	1	DOUBLE	1254	120.0	127.0	102.8
652511*GAVINS 7	115.00	660006	YKNTJCT7	115.00	1	DOUBLE	1255	120.0	127.5	103.1
640263*MADISON7	115.00	640298	NORFOLK7	115.00	1	DOUBLE	1257	120.0	141.1	116.2
640293 NELIGH 7	115.00	640444*	PETERSBRG.N7	115.00	1	DOUBLE	1258	113.0	118.2	101.1
652511*GAVINS 7	115.00	660006	YKNTJCT7	115.00	1	DOUBLE	1258	120.0	132.6	107.3
652511*GAVINS 7	115.00	660006	YKNTJCT7	115.00	1	DOUBLE	1260	120.0	140.7	113.8
652511*GAVINS 7	115.00	660006	YKNTJCT7	115.00	1	DOUBLE	1261	120.0	126.9	102.7
652511*GAVINS 7	115.00	660006	YKNTJCT7	115.00	1	DOUBLE	1262	120.0	127.1	102.8
652511*GAVINS 7	115.00	660006	YKNTJCT7	115.00	1	DOUBLE	1263	120.0	127.5	103.1
652511*GAVINS 7	115.00	660006	YKNTJCT7	115.00	1	DOUBLE	1264	120.0	127.5	103.1
652511*GAVINS 7	115.00	660006	YKNTJCT7	115.00	1	DOUBLE	1265	120.0	126.7	102.5
652511*GAVINS 7	115.00	660006	YKNTJCT7	115.00	1	DOUBLE	1266	120.0	149.8	121.2
652626 UTICAJC7	115.00	660006*	YKNTJCT7	115.00	1	DOUBLE	1266	120.0	153.8	125.5
652511*GAVINS 7	115.00	660006	YKNTJCT7	115.00	1	DOUBLE	1268	120.0	129.8	105.0
652517 MANNING7	115.00	659121*	SPIRITM7	115.00	1	DOUBLE	1269	120.0	124.3	103.5
652511*GAVINS 7	115.00	660006	YKNTJCT7	115.00	1	DOUBLE	1270	120.0	182.9	147.9
652626 UTICAJC7	115.00	660006*	YKNTJCT7	115.00	1	DOUBLE	1270	120.0	157.6	128.5
652511*GAVINS 7	115.00	660006	YKNTJCT7	115.00	1	DOUBLE	1272	120.0	129.8	105.0
640133*COLMBUS4	230.00	643000	MADISONCNTY4230.00	1	DOUBLE	1275	192.0	221.1	113.8	

652511*GAVINS 7	115.00	660006	YKNTJCT7	115.00	1	DOUBLE	1275	120.0	137.3	111.1
640133*COLMBUS4	230.00	643000	MADISONCNTY4230.00	1	DOUBLE	1276	192.0	235.6	121.5	
640133*COLMBUS4	230.00	643000	MADISONCNTY4230.00	1	DOUBLE	1277	192.0	223.6	115.1	
652511*GAVINS 7	115.00	660006	YKNTJCT7	115.00	1	DOUBLE	1277	120.0	150.7	122.0
652626 UTICAJC7	115.00	660006*	YKNTJCT7	115.00	1	DOUBLE	1277	120.0	129.2	105.1
640133*COLMBUS4	230.00	643000	MADISONCNTY4230.00	1	DOUBLE	1279	192.0	217.5	112.0	
652511*GAVINS 7	115.00	660006	YKNTJCT7	115.00	1	DOUBLE	1279	120.0	127.2	102.9
640133*COLMBUS4	230.00	643000	MADISONCNTY4230.00	1	DOUBLE	1280	192.0	226.2	116.6	
652511*GAVINS 7	115.00	660006	YKNTJCT7	115.00	1	DOUBLE	1281	120.0	126.9	102.7
640133*COLMBUS4	230.00	643000	MADISONCNTY4230.00	1	DOUBLE	1282	192.0	261.9	135.3	
652511*GAVINS 7	115.00	660006	YKNTJCT7	115.00	1	DOUBLE	1282	120.0	127.0	102.8
640133*COLMBUS4	230.00	643000	MADISONCNTY4230.00	1	DOUBLE	1283	192.0	222.4	114.5	
640133*COLMBUS4	230.00	643000	MADISONCNTY4230.00	1	DOUBLE	1284	192.0	221.3	113.9	
640133*COLMBUS4	230.00	643000	MADISONCNTY4230.00	1	DOUBLE	1285	192.0	219.6	113.0	
652511*GAVINS 7	115.00	660006	YKNTJCT7	115.00	1	DOUBLE	1285	120.0	127.7	103.3
640133*COLMBUS4	230.00	643000	MADISONCNTY4230.00	1	DOUBLE	1286	192.0	222.7	114.6	
640133*COLMBUS4	230.00	643000	MADISONCNTY4230.00	1	DOUBLE	1287	192.0	232.6	120.0	
640133*COLMBUS4	230.00	643000	MADISONCNTY4230.00	1	DOUBLE	1288	192.0	253.1	130.6	
652511*GAVINS 7	115.00	660006	YKNTJCT7	115.00	1	DOUBLE	1288	120.0	125.8	101.8
640133*COLMBUS4	230.00	643000	MADISONCNTY4230.00	1	DOUBLE	1289	192.0	244.3	125.8	
652511*GAVINS 7	115.00	660006	YKNTJCT7	115.00	1	DOUBLE	1289	120.0	132.2	107.0
640133*COLMBUS4	230.00	643000	MADISONCNTY4230.00	1	DOUBLE	1290	192.0	201.8	104.0	
652511*GAVINS 7	115.00	660006	YKNTJCT7	115.00	1	DOUBLE	1290	120.0	132.4	107.1
640133*COLMBUS4	230.00	643000	MADISONCNTY4230.00	1	DOUBLE	1291	192.0	236.4	121.9	
652511*GAVINS 7	115.00	660006	YKNTJCT7	115.00	1	DOUBLE	1291	120.0	131.2	106.2
640133*COLMBUS4	230.00	643000	MADISONCNTY4230.00	1	DOUBLE	1292	192.0	222.8	114.7	
640133*COLMBUS4	230.00	643000	MADISONCNTY4230.00	1	DOUBLE	1293	192.0	222.4	114.5	
640133*COLMBUS4	230.00	643000	MADISONCNTY4230.00	1	DOUBLE	1294	192.0	222.7	114.6	
640133*COLMBUS4	230.00	643000	MADISONCNTY4230.00	1	DOUBLE	1295	192.0	222.7	114.6	
640133*COLMBUS4	230.00	643000	MADISONCNTY4230.00	1	DOUBLE	1296	192.0	223.2	114.9	
640133*COLMBUS4	230.00	643000	MADISONCNTY4230.00	1	DOUBLE	1297	192.0	238.5	123.0	
652511*GAVINS 7	115.00	660006	YKNTJCT7	115.00	1	DOUBLE	1297	120.0	148.0	119.8
652626 UTICAJC7	115.00	660006*	YKNTJCT7	115.00	1	DOUBLE	1297	120.0	147.3	120.1
640133*COLMBUS4	230.00	643000	MADISONCNTY4230.00	1	DOUBLE	1298	192.0	236.9	122.2	
640133*COLMBUS4	230.00	643000	MADISONCNTY4230.00	1	DOUBLE	1299	192.0	222.9	114.7	
640133*COLMBUS4	230.00	643000	MADISONCNTY4230.00	1	DOUBLE	1300	192.0	221.4	114.2	
652517 MANNING7	115.00	659121*	SPIRITM7	115.00	1	DOUBLE	1300	120.0	122.6	102.2
640133*COLMBUS4	230.00	643000	MADISONCNTY4230.00	1	DOUBLE	1301	192.0	226.1	116.6	
652511*GAVINS 7	115.00	660006	YKNTJCT7	115.00	1	DOUBLE	1301	120.0	182.7	147.8
652626 UTICAJC7	115.00	660006*	YKNTJCT7	115.00	1	DOUBLE	1301	120.0	155.3	126.5
640133*COLMBUS4	230.00	643000	MADISONCNTY4230.00	1	DOUBLE	1302	192.0	222.8	114.8	
640133*COLMBUS4	230.00	643000	MADISONCNTY4230.00	1	DOUBLE	1303	192.0	222.9	114.7	
640133*COLMBUS4	230.00	643000	MADISONCNTY4230.00	1	DOUBLE	1304	192.0	224.0	115.5	
640133*COLMBUS4	230.00	643000	MADISONCNTY4230.00	1	DOUBLE	1305	192.0	223.9	115.3	
640133*COLMBUS4	230.00	643000	MADISONCNTY4230.00	1	DOUBLE	1306	192.0	240.6	124.2	
652511*GAVINS 7	115.00	660006	YKNTJCT7	115.00	1	DOUBLE	1306	120.0	138.0	111.6
640133*COLMBUS4	230.00	643000	MADISONCNTY4230.00	1	DOUBLE	1307	192.0	229.1	118.2	
652511*GAVINS 7	115.00	660006	YKNTJCT7	115.00	1	DOUBLE	1307	120.0	161.7	130.8



652626 UTICAJC7	115.00	660006*YKNTJCT7	115.00	1	DOUBLE	1307	120.0	137.6	112.0
640133*COLMBUS4	230.00	643000 MADISONCNTY4230.00	1	DOUBLE	1308	192.0	234.8	121.2	
652511*GAVINS 7	115.00	660006 YKNTJCT7	115.00	1	DOUBLE	1308	120.0	136.4	110.3
640133*COLMBUS4	230.00	643000 MADISONCNTY4230.00	1	DOUBLE	1309	192.0	223.4	115.3	
652511*GAVINS 7	115.00	660006 YKNTJCT7	115.00	1	DOUBLE	1309	120.0	137.1	111.0
640133*COLMBUS4	230.00	643000 MADISONCNTY4230.00	1	DOUBLE	1310	192.0	231.8	119.6	
652511*GAVINS 7	115.00	660006 YKNTJCT7	115.00	1	DOUBLE	1310	120.0	137.5	111.3
640133*COLMBUS4	230.00	643000 MADISONCNTY4230.00	1	DOUBLE	1311	192.0	235.9	121.8	
652511*GAVINS 7	115.00	660006 YKNTJCT7	115.00	1	DOUBLE	1311	120.0	135.6	109.7
640133*COLMBUS4	230.00	643000 MADISONCNTY4230.00	1	DOUBLE	1312	192.0	267.9	138.5	
652511*GAVINS 7	115.00	660006 YKNTJCT7	115.00	1	DOUBLE	1312	120.0	135.2	109.4
640133*COLMBUS4	230.00	643000 MADISONCNTY4230.00	1	DOUBLE	1313	192.0	228.1	117.7	
652511*GAVINS 7	115.00	660006 YKNTJCT7	115.00	1	DOUBLE	1313	120.0	137.5	111.3
640133*COLMBUS4	230.00	643000 MADISONCNTY4230.00	1	DOUBLE	1314	192.0	226.9	117.1	
652511*GAVINS 7	115.00	660006 YKNTJCT7	115.00	1	DOUBLE	1314	120.0	137.9	111.6
640133*COLMBUS4	230.00	643000 MADISONCNTY4230.00	1	DOUBLE	1315	192.0	225.3	116.3	
652511*GAVINS 7	115.00	660006 YKNTJCT7	115.00	1	DOUBLE	1315	120.0	137.3	111.1
640133*COLMBUS4	230.00	643000 MADISONCNTY4230.00	1	DOUBLE	1316	192.0	228.3	117.8	
652511*GAVINS 7	115.00	660006 YKNTJCT7	115.00	1	DOUBLE	1316	120.0	137.5	111.2
640133*COLMBUS4	230.00	643000 MADISONCNTY4230.00	1	DOUBLE	1317	192.0	238.7	123.3	
652511*GAVINS 7	115.00	660006 YKNTJCT7	115.00	1	DOUBLE	1317	120.0	137.6	111.3
640133*COLMBUS4	230.00	643000 MADISONCNTY4230.00	1	DOUBLE	1318	192.0	258.8	133.8	
652511*GAVINS 7	115.00	660006 YKNTJCT7	115.00	1	DOUBLE	1318	120.0	134.1	108.5
640133*COLMBUS4	230.00	643000 MADISONCNTY4230.00	1	DOUBLE	1319	192.0	250.8	129.4	
652511*GAVINS 7	115.00	660006 YKNTJCT7	115.00	1	DOUBLE	1319	120.0	137.7	111.4
640133*COLMBUS4	230.00	643000 MADISONCNTY4230.00	1	DOUBLE	1320	192.0	207.9	107.3	
652511*GAVINS 7	115.00	660006 YKNTJCT7	115.00	1	DOUBLE	1320	120.0	137.2	111.0
640133*COLMBUS4	230.00	643000 MADISONCNTY4230.00	1	DOUBLE	1321	192.0	240.6	124.2	
652511*GAVINS 7	115.00	660006 YKNTJCT7	115.00	1	DOUBLE	1321	120.0	139.4	112.8
640133*COLMBUS4	230.00	643000 MADISONCNTY4230.00	1	DOUBLE	1322	192.0	228.4	117.9	
652511*GAVINS 7	115.00	660006 YKNTJCT7	115.00	1	DOUBLE	1322	120.0	137.5	111.2
640133*COLMBUS4	230.00	643000 MADISONCNTY4230.00	1	DOUBLE	1323	192.0	228.0	117.7	
652511*GAVINS 7	115.00	660006 YKNTJCT7	115.00	1	DOUBLE	1323	120.0	137.6	111.4
640133*COLMBUS4	230.00	643000 MADISONCNTY4230.00	1	DOUBLE	1324	192.0	228.4	117.9	
652511*GAVINS 7	115.00	660006 YKNTJCT7	115.00	1	DOUBLE	1324	120.0	137.4	111.1
640133*COLMBUS4	230.00	643000 MADISONCNTY4230.00	1	DOUBLE	1325	192.0	228.4	117.9	
652511*GAVINS 7	115.00	660006 YKNTJCT7	115.00	1	DOUBLE	1325	120.0	137.4	111.1
640133*COLMBUS4	230.00	643000 MADISONCNTY4230.00	1	DOUBLE	1326	192.0	228.9	118.1	
652511*GAVINS 7	115.00	660006 YKNTJCT7	115.00	1	DOUBLE	1326	120.0	137.3	111.1
640133*COLMBUS4	230.00	643000 MADISONCNTY4230.00	1	DOUBLE	1327	192.0	244.8	126.5	
652511*GAVINS 7	115.00	660006 YKNTJCT7	115.00	1	DOUBLE	1327	120.0	153.2	123.9
652626 UTICAJC7	115.00	660006*YKNTJCT7	115.00	1	DOUBLE	1327	120.0	151.0	123.1
640133*COLMBUS4	230.00	643000 MADISONCNTY4230.00	1	DOUBLE	1328	192.0	242.7	125.4	
640133*COLMBUS4	230.00	643000 MADISONCNTY4230.00	1	DOUBLE	1329	192.0	228.6	118.0	
652511*GAVINS 7	115.00	660006 YKNTJCT7	115.00	1	DOUBLE	1329	120.0	139.9	113.2
640080*BELDEN 7	115.00	640387 TWIN CH7	115.00	1	DOUBLE	1330	99.0	103.8	102.1
640133*COLMBUS4	230.00	643000 MADISONCNTY4230.00	1	DOUBLE	1330	192.0	223.4	115.4	
652502 BERSFRD7	115.00	652517*MANNING7	115.00	1	DOUBLE	1330	120.0	119.2	100.3

652517 MANNING7	115.00	659121*SPIRITM7	115.00	1	DOUBLE	1330	120.0	133.4	111.2
652511*GAVINS 7	115.00	660006 YKNTJCT7	115.00	1	DOUBLE	1331	120.0	198.3	160.4
652626 UTICAJC7	115.00	660006*YKNTJCT7	115.00	1	DOUBLE	1331	120.0	167.1	136.3
640133*COLMBUS4	230.00	643000 MADISONCNTY4230.00	1	DOUBLE	1332	192.0	227.5	117.4	
640133*COLMBUS4	230.00	643000 MADISONCNTY4230.00	1	DOUBLE	1333	192.0	228.6	118.0	
652511*GAVINS 7	115.00	660006 YKNTJCT7	115.00	1	DOUBLE	1333	120.0	139.9	113.2
640133*COLMBUS4	230.00	643000 MADISONCNTY4230.00	1	DOUBLE	1334	192.0	227.8	117.6	
640133*COLMBUS4	230.00	643000 MADISONCNTY4230.00	1	DOUBLE	1336	192.0	242.9	125.4	
652511*GAVINS 7	115.00	660006 YKNTJCT7	115.00	1	DOUBLE	1336	120.0	151.5	122.5
652626 UTICAJC7	115.00	660006*YKNTJCT7	115.00	1	DOUBLE	1336	120.0	129.8	105.6
640133*COLMBUS4	230.00	643000 MADISONCNTY4230.00	1	DOUBLE	1337	192.0	251.9	130.2	
640133*COLMBUS4	230.00	643000 MADISONCNTY4230.00	1	DOUBLE	1338	192.0	237.4	122.6	
640133*COLMBUS4	230.00	643000 MADISONCNTY4230.00	1	DOUBLE	1339	192.0	245.9	126.9	
652511*GAVINS 7	115.00	660006 YKNTJCT7	115.00	1	DOUBLE	1339	120.0	130.1	105.3
640133*COLMBUS4	230.00	643000 MADISONCNTY4230.00	1	DOUBLE	1340	192.0	264.9	136.9	
652511*GAVINS 7	115.00	660006 YKNTJCT7	115.00	1	DOUBLE	1340	120.0	127.5	103.2
640133*COLMBUS4	230.00	643000 MADISONCNTY4230.00	1	DOUBLE	1341	192.0	268.8	139.0	
652511*GAVINS 7	115.00	660006 YKNTJCT7	115.00	1	DOUBLE	1341	120.0	127.2	102.9
640133*COLMBUS4	230.00	643000 MADISONCNTY4230.00	1	DOUBLE	1342	192.0	242.0	124.9	
640133*COLMBUS4	230.00	643000 MADISONCNTY4230.00	1	DOUBLE	1343	192.0	240.8	124.4	
640133*COLMBUS4	230.00	643000 MADISONCNTY4230.00	1	DOUBLE	1344	192.0	239.4	123.6	
640133*COLMBUS4	230.00	643000 MADISONCNTY4230.00	1	DOUBLE	1345	192.0	242.2	125.1	
640133*COLMBUS4	230.00	643000 MADISONCNTY4230.00	1	DOUBLE	1346	192.0	252.1	130.3	
640133*COLMBUS4	230.00	643000 MADISONCNTY4230.00	1	DOUBLE	1347	192.0	273.0	141.2	
652511*GAVINS 7	115.00	660006 YKNTJCT7	115.00	1	DOUBLE	1347	120.0	126.8	102.6
640133*COLMBUS4	230.00	643000 MADISONCNTY4230.00	1	DOUBLE	1348	192.0	269.7	139.2	
652511*GAVINS 7	115.00	660006 YKNTJCT7	115.00	1	DOUBLE	1348	120.0	133.6	108.1
640133*COLMBUS4	230.00	643000 MADISONCNTY4230.00	1	DOUBLE	1349	192.0	218.8	113.0	
652511*GAVINS 7	115.00	660006 YKNTJCT7	115.00	1	DOUBLE	1349	120.0	133.1	107.6
640133*COLMBUS4	230.00	643000 MADISONCNTY4230.00	1	DOUBLE	1350	192.0	256.7	132.6	
652511*GAVINS 7	115.00	660006 YKNTJCT7	115.00	1	DOUBLE	1350	120.0	132.3	107.0
640133*COLMBUS4	230.00	643000 MADISONCNTY4230.00	1	DOUBLE	1351	192.0	242.4	125.2	
640133*COLMBUS4	230.00	643000 MADISONCNTY4230.00	1	DOUBLE	1352	192.0	242.0	124.9	
640133*COLMBUS4	230.00	643000 MADISONCNTY4230.00	1	DOUBLE	1353	192.0	242.3	125.1	
640133*COLMBUS4	230.00	643000 MADISONCNTY4230.00	1	DOUBLE	1354	192.0	242.3	125.1	
640133*COLMBUS4	230.00	643000 MADISONCNTY4230.00	1	DOUBLE	1355	192.0	242.8	125.4	
640133*COLMBUS4	230.00	643000 MADISONCNTY4230.00	1	DOUBLE	1356	192.0	258.5	133.6	
652511*GAVINS 7	115.00	660006 YKNTJCT7	115.00	1	DOUBLE	1356	120.0	149.0	120.5
652626 UTICAJC7	115.00	660006*YKNTJCT7	115.00	1	DOUBLE	1356	120.0	148.1	120.8
640133*COLMBUS4	230.00	643000 MADISONCNTY4230.00	1	DOUBLE	1357	192.0	257.0	132.9	
640133*COLMBUS4	230.00	643000 MADISONCNTY4230.00	1	DOUBLE	1358	192.0	242.5	125.2	
652511*GAVINS 7	115.00	660006 YKNTJCT7	115.00	1	DOUBLE	1358	120.0	130.8	105.8
640133*COLMBUS4	230.00	643000 MADISONCNTY4230.00	1	DOUBLE	1359	192.0	241.7	124.9	
652517 MANNING7	115.00	659121*SPIRITM7	115.00	1	DOUBLE	1359	120.0	123.1	102.6
640133*COLMBUS4	230.00	643000 MADISONCNTY4230.00	1	DOUBLE	1360	192.0	246.1	127.2	
652511*GAVINS 7	115.00	660006 YKNTJCT7	115.00	1	DOUBLE	1360	120.0	183.9	148.7
652626 UTICAJC7	115.00	660006*YKNTJCT7	115.00	1	DOUBLE	1360	120.0	156.2	127.3
640133*COLMBUS4	230.00	643000 MADISONCNTY4230.00	1	DOUBLE	1361	192.0	242.6	125.3	

640133*COLMBUS4	230.00	643000	MADISONCNTY4230.00	1	DOUBLE	1362	192.0	242.5	125.2	
652511*GAVINS 7	115.00	660006	YKNTJCT7	115.00	1	DOUBLE	1362	120.0	130.8	105.8
640133*COLMBUS4	230.00	643000	MADISONCNTY4230.00	1	DOUBLE	1363	192.0	244.1	126.1	
640133*COLMBUS4	230.00	643000	MADISONCNTY4230.00	1	DOUBLE	1364	192.0	243.6	125.8	
640133*COLMBUS4	230.00	643000	MADISONCNTY4230.00	1	DOUBLE	1365	192.0	237.6	122.7	
652511*GAVINS 7	115.00	660006	YKNTJCT7	115.00	1	DOUBLE	1365	120.0	150.8	122.0
652626 UTICAJC7	115.00	660006*	YKNTJCT7	115.00	1	DOUBLE	1365	120.0	129.4	105.3
640133*COLMBUS4	230.00	643000	MADISONCNTY4230.00	1	DOUBLE	1366	192.0	226.1	116.7	
652511*GAVINS 7	115.00	660006	YKNTJCT7	115.00	1	DOUBLE	1366	120.0	149.7	121.1
652626 UTICAJC7	115.00	660006*	YKNTJCT7	115.00	1	DOUBLE	1366	120.0	128.2	104.3
640133*COLMBUS4	230.00	643000	MADISONCNTY4230.00	1	DOUBLE	1367	192.0	234.1	120.8	
652511*GAVINS 7	115.00	660006	YKNTJCT7	115.00	1	DOUBLE	1367	120.0	151.6	122.6
652626 UTICAJC7	115.00	660006*	YKNTJCT7	115.00	1	DOUBLE	1367	120.0	129.9	105.7
640133*COLMBUS4	230.00	643000	MADISONCNTY4230.00	1	DOUBLE	1368	192.0	238.7	123.2	
652511*GAVINS 7	115.00	660006	YKNTJCT7	115.00	1	DOUBLE	1368	120.0	149.9	121.3
652626 UTICAJC7	115.00	660006*	YKNTJCT7	115.00	1	DOUBLE	1368	120.0	128.7	104.7
640133*COLMBUS4	230.00	643000	MADISONCNTY4230.00	1	DOUBLE	1369	192.0	271.0	140.1	
652511*GAVINS 7	115.00	660006	YKNTJCT7	115.00	1	DOUBLE	1369	120.0	150.3	121.6
652626 UTICAJC7	115.00	660006*	YKNTJCT7	115.00	1	DOUBLE	1369	120.0	129.2	105.1
652511*GAVINS 7	115.00	660006	YKNTJCT7	115.00	1	DOUBLE	1370	120.0	150.9	122.1
652626 UTICAJC7	115.00	660006*	YKNTJCT7	115.00	1	DOUBLE	1370	120.0	129.2	105.1
652511*GAVINS 7	115.00	660006	YKNTJCT7	115.00	1	DOUBLE	1371	120.0	150.9	122.1
652626 UTICAJC7	115.00	660006*	YKNTJCT7	115.00	1	DOUBLE	1371	120.0	128.8	104.8
640133*COLMBUS4	230.00	643000	MADISONCNTY4230.00	1	DOUBLE	1372	192.0	228.0	117.7	
652511*GAVINS 7	115.00	660006	YKNTJCT7	115.00	1	DOUBLE	1372	120.0	150.2	121.5
652626 UTICAJC7	115.00	660006*	YKNTJCT7	115.00	1	DOUBLE	1372	120.0	128.7	104.7
652511*GAVINS 7	115.00	660006	YKNTJCT7	115.00	1	DOUBLE	1373	120.0	150.9	122.1
652626 UTICAJC7	115.00	660006*	YKNTJCT7	115.00	1	DOUBLE	1373	120.0	129.3	105.2
640133*COLMBUS4	230.00	643000	MADISONCNTY4230.00	1	DOUBLE	1374	192.0	240.3	124.1	
652511*GAVINS 7	115.00	660006	YKNTJCT7	115.00	1	DOUBLE	1374	120.0	142.1	115.0
640133*COLMBUS4	230.00	643000	MADISONCNTY4230.00	1	DOUBLE	1375	192.0	262.0	135.4	
652511*GAVINS 7	115.00	660006	YKNTJCT7	115.00	1	DOUBLE	1375	120.0	149.4	120.9
652626 UTICAJC7	115.00	660006*	YKNTJCT7	115.00	1	DOUBLE	1375	120.0	128.5	104.6
640133*COLMBUS4	230.00	643000	MADISONCNTY4230.00	1	DOUBLE	1376	192.0	253.3	130.7	
652511*GAVINS 7	115.00	660006	YKNTJCT7	115.00	1	DOUBLE	1376	120.0	154.6	125.1
652626 UTICAJC7	115.00	660006*	YKNTJCT7	115.00	1	DOUBLE	1376	120.0	132.6	107.9
640133*COLMBUS4	230.00	643000	MADISONCNTY4230.00	1	DOUBLE	1377	192.0	208.3	107.5	
652511*GAVINS 7	115.00	660006	YKNTJCT7	115.00	1	DOUBLE	1377	120.0	155.3	125.7
652626 UTICAJC7	115.00	660006*	YKNTJCT7	115.00	1	DOUBLE	1377	120.0	133.0	108.2
640133*COLMBUS4	230.00	643000	MADISONCNTY4230.00	1	DOUBLE	1378	192.0	242.1	125.0	
652511*GAVINS 7	115.00	660006	YKNTJCT7	115.00	1	DOUBLE	1378	120.0	152.7	123.5
652626 UTICAJC7	115.00	660006*	YKNTJCT7	115.00	1	DOUBLE	1378	120.0	130.2	105.9
652511*GAVINS 7	115.00	660006	YKNTJCT7	115.00	1	DOUBLE	1379	120.0	150.9	122.1
652626 UTICAJC7	115.00	660006*	YKNTJCT7	115.00	1	DOUBLE	1379	120.0	129.3	105.2
652511*GAVINS 7	115.00	660006	YKNTJCT7	115.00	1	DOUBLE	1380	120.0	151.0	122.2
652626 UTICAJC7	115.00	660006*	YKNTJCT7	115.00	1	DOUBLE	1380	120.0	129.3	105.2
652511*GAVINS 7	115.00	660006	YKNTJCT7	115.00	1	DOUBLE	1381	120.0	150.8	122.0
652626 UTICAJC7	115.00	660006*	YKNTJCT7	115.00	1	DOUBLE	1381	120.0	129.7	105.6

652511*GAVINS 7	115.00	660006	YKNTJCT7	115.00	1	DOUBLE	1382	120.0	150.8	122.0
652626 UTICAJC7	115.00	660006*	YKNTJCT7	115.00	1	DOUBLE	1382	120.0	129.7	105.6
640133*COLMBUS4	230.00	643000	MADISONCNTY4230.00	1	DOUBLE	1383	192.0	231.4	119.4	
652511*GAVINS 7	115.00	660006	YKNTJCT7	115.00	1	DOUBLE	1383	120.0	150.8	122.0
652626 UTICAJC7	115.00	660006*	YKNTJCT7	115.00	1	DOUBLE	1383	120.0	129.3	105.2
640133*COLMBUS4	230.00	643000	MADISONCNTY4230.00	1	DOUBLE	1384	192.0	246.3	127.2	
652511*GAVINS 7	115.00	660006	YKNTJCT7	115.00	1	DOUBLE	1384	120.0	166.1	134.4
652626 UTICAJC7	115.00	660006*	YKNTJCT7	115.00	1	DOUBLE	1384	120.0	161.1	131.4
640133*COLMBUS4	230.00	643000	MADISONCNTY4230.00	1	DOUBLE	1385	192.0	245.6	126.9	
652511*GAVINS 7	115.00	660006	YKNTJCT7	115.00	1	DOUBLE	1385	120.0	144.5	116.9
652626 UTICAJC7	115.00	660006*	YKNTJCT7	115.00	1	DOUBLE	1385	120.0	128.4	104.5
640133*COLMBUS4	230.00	643000	MADISONCNTY4230.00	1	DOUBLE	1386	192.0	231.2	119.3	
652511*GAVINS 7	115.00	660006	YKNTJCT7	115.00	1	DOUBLE	1386	120.0	155.4	125.8
652626 UTICAJC7	115.00	660006*	YKNTJCT7	115.00	1	DOUBLE	1386	120.0	132.9	108.2
652502 BERSFRD7	115.00	652517*	MANNING7	115.00	1	DOUBLE	1387	120.0	130.6	110.1
652517 MANNING7	115.00	659121*	SPIRITM7	115.00	1	DOUBLE	1387	120.0	145.1	120.9
640133*COLMBUS4	230.00	643000	MADISONCNTY4230.00	1	DOUBLE	1388	192.0	234.8	121.2	
652511*GAVINS 7	115.00	660006	YKNTJCT7	115.00	1	DOUBLE	1388	120.0	217.5	176.0
652626 UTICAJC7	115.00	660006*	YKNTJCT7	115.00	1	DOUBLE	1388	120.0	182.6	149.0
640133*COLMBUS4	230.00	643000	MADISONCNTY4230.00	1	DOUBLE	1389	192.0	231.3	119.4	
640133*COLMBUS4	230.00	643000	MADISONCNTY4230.00	1	DOUBLE	1390	192.0	231.2	119.3	
652511*GAVINS 7	115.00	660006	YKNTJCT7	115.00	1	DOUBLE	1390	120.0	155.4	125.8
652626 UTICAJC7	115.00	660006*	YKNTJCT7	115.00	1	DOUBLE	1390	120.0	132.9	108.2
640133*COLMBUS4	230.00	643000	MADISONCNTY4230.00	1	DOUBLE	1391	192.0	232.9	120.3	
652517 MANNING7	115.00	659121*	SPIRITM7	115.00	1	DOUBLE	1391	120.0	125.8	104.8
640133*COLMBUS4	230.00	643000	MADISONCNTY4230.00	1	DOUBLE	1392	192.0	232.2	119.8	
652511*GAVINS 7	115.00	660006	YKNTJCT7	115.00	1	DOUBLE	1392	120.0	141.6	114.5
640133*COLMBUS4	230.00	643000	MADISONCNTY4230.00	1	DOUBLE	1393	192.0	231.6	119.6	
652511*GAVINS 7	115.00	660006	YKNTJCT7	115.00	1	DOUBLE	1393	120.0	127.0	102.7
640133*COLMBUS4	230.00	643000	MADISONCNTY4230.00	1	DOUBLE	1394	192.0	240.0	123.9	
640133*COLMBUS4	230.00	643000	MADISONCNTY4230.00	1	DOUBLE	1395	192.0	241.4	124.7	
652511*GAVINS 7	115.00	660006	YKNTJCT7	115.00	1	DOUBLE	1395	120.0	126.9	102.7
640133*COLMBUS4	230.00	643000	MADISONCNTY4230.00	1	DOUBLE	1396	192.0	273.5	141.5	
652511*GAVINS 7	115.00	660006	YKNTJCT7	115.00	1	DOUBLE	1396	120.0	126.9	102.7
640133*COLMBUS4	230.00	643000	MADISONCNTY4230.00	1	DOUBLE	1397	192.0	236.2	121.9	
640133*COLMBUS4	230.00	643000	MADISONCNTY4230.00	1	DOUBLE	1398	192.0	235.1	121.4	
640133*COLMBUS4	230.00	643000	MADISONCNTY4230.00	1	DOUBLE	1399	192.0	233.6	120.6	
652511*GAVINS 7	115.00	660006	YKNTJCT7	115.00	1	DOUBLE	1399	120.0	127.5	103.1
640133*COLMBUS4	230.00	643000	MADISONCNTY4230.00	1	DOUBLE	1400	192.0	236.4	122.1	
640133*COLMBUS4	230.00	643000	MADISONCNTY4230.00	1	DOUBLE	1401	192.0	246.7	127.5	
640133*COLMBUS4	230.00	643000	MADISONCNTY4230.00	1	DOUBLE	1402	192.0	262.7	135.8	
652511*GAVINS 7	115.00	660006	YKNTJCT7	115.00	1	DOUBLE	1402	120.0	125.9	101.9
640133*COLMBUS4	230.00	643000	MADISONCNTY4230.00	1	DOUBLE	1403	192.0	259.9	134.2	
652511*GAVINS 7	115.00	660006	YKNTJCT7	115.00	1	DOUBLE	1403	120.0	131.8	106.7
640133*COLMBUS4	230.00	643000	MADISONCNTY4230.00	1	DOUBLE	1404	192.0	214.2	110.6	
652511*GAVINS 7	115.00	660006	YKNTJCT7	115.00	1	DOUBLE	1404	120.0	132.0	106.8
640133*COLMBUS4	230.00	643000	MADISONCNTY4230.00	1	DOUBLE	1405	192.0	251.5	129.9	
652511*GAVINS 7	115.00	660006	YKNTJCT7	115.00	1	DOUBLE	1405	120.0	131.1	106.0

640133*COLMBUS4	230.00	643000	MADISONCNTY4230.00	1	DOUBLE	1406	192.0	236.5	122.1	
640133*COLMBUS4	230.00	643000	MADISONCNTY4230.00	1	DOUBLE	1407	192.0	236.1	121.9	
640133*COLMBUS4	230.00	643000	MADISONCNTY4230.00	1	DOUBLE	1408	192.0	236.5	122.1	
640133*COLMBUS4	230.00	643000	MADISONCNTY4230.00	1	DOUBLE	1409	192.0	236.5	122.1	
640133*COLMBUS4	230.00	643000	MADISONCNTY4230.00	1	DOUBLE	1410	192.0	237.0	122.3	
640133*COLMBUS4	230.00	643000	MADISONCNTY4230.00	1	DOUBLE	1411	192.0	253.1	130.8	
652511*GAVINS 7	115.00	660006	YKNTJCT7	115.00	1	DOUBLE	1411	120.0	147.8	119.6
652626 UTICAJC7	115.00	660006*	YKNTJCT7	115.00	1	DOUBLE	1411	120.0	147.4	120.2
640133*COLMBUS4	230.00	643000	MADISONCNTY4230.00	1	DOUBLE	1412	192.0	251.4	130.0	
640133*COLMBUS4	230.00	643000	MADISONCNTY4230.00	1	DOUBLE	1413	192.0	236.6	122.2	
640133*COLMBUS4	230.00	643000	MADISONCNTY4230.00	1	DOUBLE	1414	192.0	234.7	121.3	
652517 MANNING7	115.00	659121*	SPIRITM7	115.00	1	DOUBLE	1414	120.0	122.6	102.1
640133*COLMBUS4	230.00	643000	MADISONCNTY4230.00	1	DOUBLE	1415	192.0	239.9	123.9	
652511*GAVINS 7	115.00	660006	YKNTJCT7	115.00	1	DOUBLE	1415	120.0	182.4	147.6
652626 UTICAJC7	115.00	660006*	YKNTJCT7	115.00	1	DOUBLE	1415	120.0	155.1	126.4
640133*COLMBUS4	230.00	643000	MADISONCNTY4230.00	1	DOUBLE	1416	192.0	236.4	122.1	
640133*COLMBUS4	230.00	643000	MADISONCNTY4230.00	1	DOUBLE	1417	192.0	236.6	122.2	
640133*COLMBUS4	230.00	643000	MADISONCNTY4230.00	1	DOUBLE	1418	192.0	237.5	122.7	
640133*COLMBUS4	230.00	643000	MADISONCNTY4230.00	1	DOUBLE	1419	192.0	237.7	122.7	
640133*COLMBUS4	230.00	643000	MADISONCNTY4230.00	1	DOUBLE	1420	192.0	226.3	116.8	
652511*GAVINS 7	115.00	660006	YKNTJCT7	115.00	1	DOUBLE	1420	120.0	127.3	103.0
640133*COLMBUS4	230.00	643000	MADISONCNTY4230.00	1	DOUBLE	1421	192.0	232.7	120.2	
652511*GAVINS 7	115.00	660006	YKNTJCT7	115.00	1	DOUBLE	1421	120.0	125.9	101.8
640133*COLMBUS4	230.00	643000	MADISONCNTY4230.00	1	DOUBLE	1422	192.0	264.5	136.8	
652511*GAVINS 7	115.00	660006	YKNTJCT7	115.00	1	DOUBLE	1422	120.0	126.1	102.0
640133*COLMBUS4	230.00	643000	MADISONCNTY4230.00	1	DOUBLE	1423	192.0	225.2	116.2	
652511*GAVINS 7	115.00	660006	YKNTJCT7	115.00	1	DOUBLE	1423	120.0	127.5	103.1
640133*COLMBUS4	230.00	643000	MADISONCNTY4230.00	1	DOUBLE	1424	192.0	223.6	115.4	
652511*GAVINS 7	115.00	660006	YKNTJCT7	115.00	1	DOUBLE	1424	120.0	127.6	103.2
640133*COLMBUS4	230.00	643000	MADISONCNTY4230.00	1	DOUBLE	1425	192.0	226.9	117.1	
640133*COLMBUS4	230.00	643000	MADISONCNTY4230.00	1	DOUBLE	1426	192.0	225.3	116.3	
652511*GAVINS 7	115.00	660006	YKNTJCT7	115.00	1	DOUBLE	1426	120.0	127.5	103.1
640133*COLMBUS4	230.00	643000	MADISONCNTY4230.00	1	DOUBLE	1427	192.0	235.0	121.4	
640133*COLMBUS4	230.00	643000	MADISONCNTY4230.00	1	DOUBLE	1428	192.0	255.4	132.0	
652511*GAVINS 7	115.00	660006	YKNTJCT7	115.00	1	DOUBLE	1428	120.0	124.9	101.1
640133*COLMBUS4	230.00	643000	MADISONCNTY4230.00	1	DOUBLE	1429	192.0	254.8	131.6	
652511*GAVINS 7	115.00	660006	YKNTJCT7	115.00	1	DOUBLE	1429	120.0	131.6	106.5
640133*COLMBUS4	230.00	643000	MADISONCNTY4230.00	1	DOUBLE	1430	192.0	207.3	107.0	
652511*GAVINS 7	115.00	660006	YKNTJCT7	115.00	1	DOUBLE	1430	120.0	131.1	106.1
640133*COLMBUS4	230.00	643000	MADISONCNTY4230.00	1	DOUBLE	1431	192.0	237.1	122.4	
652511*GAVINS 7	115.00	660006	YKNTJCT7	115.00	1	DOUBLE	1431	120.0	129.8	105.0
640133*COLMBUS4	230.00	643000	MADISONCNTY4230.00	1	DOUBLE	1432	192.0	225.2	116.2	
652511*GAVINS 7	115.00	660006	YKNTJCT7	115.00	1	DOUBLE	1432	120.0	127.5	103.2
640133*COLMBUS4	230.00	643000	MADISONCNTY4230.00	1	DOUBLE	1433	192.0	224.8	116.0	
652511*GAVINS 7	115.00	660006	YKNTJCT7	115.00	1	DOUBLE	1433	120.0	127.7	103.3
640133*COLMBUS4	230.00	643000	MADISONCNTY4230.00	1	DOUBLE	1434	192.0	225.3	116.3	
652511*GAVINS 7	115.00	660006	YKNTJCT7	115.00	1	DOUBLE	1434	120.0	127.4	103.0
640133*COLMBUS4	230.00	643000	MADISONCNTY4230.00	1	DOUBLE	1435	192.0	225.3	116.3	

652511*GAVINS 7	115.00	660006	YKNTJCT7	115.00	1	DOUBLE	1435	120.0	127.4	103.0
640133*COLMBUS4	230.00	643000	MADISONCNTY4230.00	1	DOUBLE	1436	192.0	225.6	116.4	
652511*GAVINS 7	115.00	660006	YKNTJCT7	115.00	1	DOUBLE	1436	120.0	127.3	103.0
640133*COLMBUS4	230.00	643000	MADISONCNTY4230.00	1	DOUBLE	1437	192.0	241.2	124.6	
652511*GAVINS 7	115.00	660006	YKNTJCT7	115.00	1	DOUBLE	1437	120.0	146.9	118.9
652626 UTICAJC7	115.00	660006*	YKNTJCT7	115.00	1	DOUBLE	1437	120.0	146.2	119.2
640133*COLMBUS4	230.00	643000	MADISONCNTY4230.00	1	DOUBLE	1438	192.0	239.7	123.8	
640133*COLMBUS4	230.00	643000	MADISONCNTY4230.00	1	DOUBLE	1439	192.0	225.4	116.3	
640133*COLMBUS4	230.00	643000	MADISONCNTY4230.00	1	DOUBLE	1440	192.0	224.1	115.8	
652517 MANNING7	115.00	659121*	SPIRITM7	115.00	1	DOUBLE	1440	120.0	122.1	101.7
640133*COLMBUS4	230.00	643000	MADISONCNTY4230.00	1	DOUBLE	1441	192.0	228.8	118.2	
652511*GAVINS 7	115.00	660006	YKNTJCT7	115.00	1	DOUBLE	1441	120.0	181.4	146.8
652626 UTICAJC7	115.00	660006*	YKNTJCT7	115.00	1	DOUBLE	1441	120.0	154.1	125.6
640133*COLMBUS4	230.00	643000	MADISONCNTY4230.00	1	DOUBLE	1442	192.0	225.4	116.4	
640133*COLMBUS4	230.00	643000	MADISONCNTY4230.00	1	DOUBLE	1443	192.0	225.4	116.3	
640133*COLMBUS4	230.00	643000	MADISONCNTY4230.00	1	DOUBLE	1444	192.0	226.6	117.0	
640133*COLMBUS4	230.00	643000	MADISONCNTY4230.00	1	DOUBLE	1445	192.0	226.5	116.9	
640133*COLMBUS4	230.00	643000	MADISONCNTY4230.00	1	DOUBLE	1446	192.0	240.9	124.4	
652511*GAVINS 7	115.00	660006	YKNTJCT7	115.00	1	DOUBLE	1446	120.0	127.7	103.3
640133*COLMBUS4	230.00	643000	MADISONCNTY4230.00	1	DOUBLE	1447	192.0	273.4	141.4	
640133*COLMBUS4	230.00	643000	MADISONCNTY4230.00	1	DOUBLE	1448	192.0	233.3	120.4	
640133*COLMBUS4	230.00	643000	MADISONCNTY4230.00	1	DOUBLE	1449	192.0	231.9	119.7	
640133*COLMBUS4	230.00	643000	MADISONCNTY4230.00	1	DOUBLE	1450	192.0	228.1	117.7	
640133*COLMBUS4	230.00	643000	MADISONCNTY4230.00	1	DOUBLE	1451	192.0	233.2	120.4	
640133*COLMBUS4	230.00	643000	MADISONCNTY4230.00	1	DOUBLE	1452	192.0	243.9	126.0	
640133*COLMBUS4	230.00	643000	MADISONCNTY4230.00	1	DOUBLE	1453	192.0	264.2	136.6	
652511*GAVINS 7	115.00	660006	YKNTJCT7	115.00	1	DOUBLE	1453	120.0	126.7	102.5
640133*COLMBUS4	230.00	643000	MADISONCNTY4230.00	1	DOUBLE	1454	192.0	252.3	130.2	
652511*GAVINS 7	115.00	660006	YKNTJCT7	115.00	1	DOUBLE	1454	120.0	132.4	107.1
640133*COLMBUS4	230.00	643000	MADISONCNTY4230.00	1	DOUBLE	1455	192.0	208.7	107.8	
652511*GAVINS 7	115.00	660006	YKNTJCT7	115.00	1	DOUBLE	1455	120.0	133.9	108.3
640133*COLMBUS4	230.00	643000	MADISONCNTY4230.00	1	DOUBLE	1456	192.0	246.9	127.5	
652511*GAVINS 7	115.00	660006	YKNTJCT7	115.00	1	DOUBLE	1456	120.0	132.1	106.8
640133*COLMBUS4	230.00	643000	MADISONCNTY4230.00	1	DOUBLE	1457	192.0	233.4	120.4	
640133*COLMBUS4	230.00	643000	MADISONCNTY4230.00	1	DOUBLE	1458	192.0	233.0	120.2	
640133*COLMBUS4	230.00	643000	MADISONCNTY4230.00	1	DOUBLE	1459	192.0	233.3	120.4	
640133*COLMBUS4	230.00	643000	MADISONCNTY4230.00	1	DOUBLE	1460	192.0	233.3	120.4	
640133*COLMBUS4	230.00	643000	MADISONCNTY4230.00	1	DOUBLE	1461	192.0	233.8	120.7	
640133*COLMBUS4	230.00	643000	MADISONCNTY4230.00	1	DOUBLE	1462	192.0	249.3	128.8	
652511*GAVINS 7	115.00	660006	YKNTJCT7	115.00	1	DOUBLE	1462	120.0	148.9	120.4
652626 UTICAJC7	115.00	660006*	YKNTJCT7	115.00	1	DOUBLE	1462	120.0	148.0	120.7
640133*COLMBUS4	230.00	643000	MADISONCNTY4230.00	1	DOUBLE	1463	192.0	247.7	128.0	
640133*COLMBUS4	230.00	643000	MADISONCNTY4230.00	1	DOUBLE	1464	192.0	233.5	120.5	
652511*GAVINS 7	115.00	660006	YKNTJCT7	115.00	1	DOUBLE	1464	120.0	130.7	105.7
640133*COLMBUS4	230.00	643000	MADISONCNTY4230.00	1	DOUBLE	1465	192.0	231.9	119.8	
652517 MANNING7	115.00	659121*	SPIRITM7	115.00	1	DOUBLE	1465	120.0	123.0	102.5
640133*COLMBUS4	230.00	643000	MADISONCNTY4230.00	1	DOUBLE	1466	192.0	236.7	122.2	
652511*GAVINS 7	115.00	660006	YKNTJCT7	115.00	1	DOUBLE	1466	120.0	183.7	148.6

652626 UTICAJC7	115.00	660006*YKNTJCT7	115.00	1	DOUBLE	1466	120.0	156.1	127.2
640133*COLMBUS4	230.00	643000 MADISONCNTY4230.00	1	DOUBLE	1467	192.0	233.3	120.5	
640133*COLMBUS4	230.00	643000 MADISONCNTY4230.00	1	DOUBLE	1468	192.0	233.5	120.5	
652511*GAVINS 7	115.00	660006 YKNTJCT7	115.00	1	DOUBLE	1468	120.0	130.7	105.7
640133*COLMBUS4	230.00	643000 MADISONCNTY4230.00	1	DOUBLE	1469	192.0	234.5	121.1	
640133*COLMBUS4	230.00	643000 MADISONCNTY4230.00	1	DOUBLE	1470	192.0	234.5	121.0	
640133*COLMBUS4	230.00	643000 MADISONCNTY4230.00	1	DOUBLE	1471	192.0	271.4	140.5	
652511*GAVINS 7	115.00	660006 YKNTJCT7	115.00	1	DOUBLE	1471	120.0	127.6	103.3
640133*COLMBUS4	230.00	643000 MADISONCNTY4230.00	1	DOUBLE	1472	192.0	237.2	122.5	
652511*GAVINS 7	115.00	660006 YKNTJCT7	115.00	1	DOUBLE	1472	120.0	127.1	102.8
640133*COLMBUS4	230.00	643000 MADISONCNTY4230.00	1	DOUBLE	1473	192.0	236.1	122.0	
652511*GAVINS 7	115.00	660006 YKNTJCT7	115.00	1	DOUBLE	1473	120.0	127.2	102.9
640133*COLMBUS4	230.00	643000 MADISONCNTY4230.00	1	DOUBLE	1474	192.0	234.7	121.2	
652511*GAVINS 7	115.00	660006 YKNTJCT7	115.00	1	DOUBLE	1474	120.0	126.4	102.2
640133*COLMBUS4	230.00	643000 MADISONCNTY4230.00	1	DOUBLE	1475	192.0	237.5	122.6	
652511*GAVINS 7	115.00	660006 YKNTJCT7	115.00	1	DOUBLE	1475	120.0	127.1	102.8
640133*COLMBUS4	230.00	643000 MADISONCNTY4230.00	1	DOUBLE	1476	192.0	249.1	128.8	
640133*COLMBUS4	230.00	643000 MADISONCNTY4230.00	1	DOUBLE	1477	192.0	285.8	148.2	
640133*COLMBUS4	230.00	643000 MADISONCNTY4230.00	1	DOUBLE	1478	192.0	259.5	134.0	
652511*GAVINS 7	115.00	660006 YKNTJCT7	115.00	1	DOUBLE	1478	120.0	130.6	105.7
640133*COLMBUS4	230.00	643000 MADISONCNTY4230.00	1	DOUBLE	1479	192.0	216.0	111.5	
652511*GAVINS 7	115.00	660006 YKNTJCT7	115.00	1	DOUBLE	1479	120.0	130.8	105.8
640133*COLMBUS4	230.00	643000 MADISONCNTY4230.00	1	DOUBLE	1480	192.0	253.6	131.0	
652511*GAVINS 7	115.00	660006 YKNTJCT7	115.00	1	DOUBLE	1480	120.0	130.1	105.3
640133*COLMBUS4	230.00	643000 MADISONCNTY4230.00	1	DOUBLE	1481	192.0	237.6	122.7	
652511*GAVINS 7	115.00	660006 YKNTJCT7	115.00	1	DOUBLE	1481	120.0	127.1	102.8
640133*COLMBUS4	230.00	643000 MADISONCNTY4230.00	1	DOUBLE	1482	192.0	237.2	122.5	
652511*GAVINS 7	115.00	660006 YKNTJCT7	115.00	1	DOUBLE	1482	120.0	127.3	103.0
640133*COLMBUS4	230.00	643000 MADISONCNTY4230.00	1	DOUBLE	1483	192.0	237.5	122.6	
652511*GAVINS 7	115.00	660006 YKNTJCT7	115.00	1	DOUBLE	1483	120.0	127.0	102.7
640133*COLMBUS4	230.00	643000 MADISONCNTY4230.00	1	DOUBLE	1484	192.0	237.5	122.6	
652511*GAVINS 7	115.00	660006 YKNTJCT7	115.00	1	DOUBLE	1484	120.0	127.0	102.7
640133*COLMBUS4	230.00	643000 MADISONCNTY4230.00	1	DOUBLE	1485	192.0	238.0	122.9	
652511*GAVINS 7	115.00	660006 YKNTJCT7	115.00	1	DOUBLE	1485	120.0	126.9	102.7
640133*COLMBUS4	230.00	643000 MADISONCNTY4230.00	1	DOUBLE	1486	192.0	254.2	131.4	
652511*GAVINS 7	115.00	660006 YKNTJCT7	115.00	1	DOUBLE	1486	120.0	146.7	118.7
652626 UTICAJC7	115.00	660006*YKNTJCT7	115.00	1	DOUBLE	1486	120.0	146.6	119.5
640133*COLMBUS4	230.00	643000 MADISONCNTY4230.00	1	DOUBLE	1487	192.0	252.4	130.5	
640133*COLMBUS4	230.00	643000 MADISONCNTY4230.00	1	DOUBLE	1488	192.0	237.7	122.7	
640133*COLMBUS4	230.00	643000 MADISONCNTY4230.00	1	DOUBLE	1489	192.0	235.5	121.7	
652517 MANNING7	115.00	659121*SPIRITM7	115.00	1	DOUBLE	1489	120.0	122.1	101.8
640133*COLMBUS4	230.00	643000 MADISONCNTY4230.00	1	DOUBLE	1490	192.0	240.8	124.4	
652511*GAVINS 7	115.00	660006 YKNTJCT7	115.00	1	DOUBLE	1490	120.0	181.1	146.5
652626 UTICAJC7	115.00	660006*YKNTJCT7	115.00	1	DOUBLE	1490	120.0	154.1	125.6
640133*COLMBUS4	230.00	643000 MADISONCNTY4230.00	1	DOUBLE	1491	192.0	237.4	122.6	
640133*COLMBUS4	230.00	643000 MADISONCNTY4230.00	1	DOUBLE	1492	192.0	237.7	122.7	
640133*COLMBUS4	230.00	643000 MADISONCNTY4230.00	1	DOUBLE	1493	192.0	238.3	123.1	
640133*COLMBUS4	230.00	643000 MADISONCNTY4230.00	1	DOUBLE	1494	192.0	238.7	123.3	

640133*COLMBUS4	230.00	643000	MADISONCNTY4230.00	1	DOUBLE	1495	192.0	269.3	139.3	
652511*GAVINS 7	115.00	660006	YKNTJCT7	115.00	1	DOUBLE	1495	120.0	127.3	103.0
640133*COLMBUS4	230.00	643000	MADISONCNTY4230.00	1	DOUBLE	1496	192.0	268.2	138.7	
652511*GAVINS 7	115.00	660006	YKNTJCT7	115.00	1	DOUBLE	1496	120.0	127.4	103.1
640133*COLMBUS4	230.00	643000	MADISONCNTY4230.00	1	DOUBLE	1497	192.0	266.7	137.9	
652511*GAVINS 7	115.00	660006	YKNTJCT7	115.00	1	DOUBLE	1497	120.0	126.6	102.4
640133*COLMBUS4	230.00	643000	MADISONCNTY4230.00	1	DOUBLE	1498	192.0	269.6	139.4	
652511*GAVINS 7	115.00	660006	YKNTJCT7	115.00	1	DOUBLE	1498	120.0	127.3	103.0
640133*COLMBUS4	230.00	643000	MADISONCNTY4230.00	1	DOUBLE	1499	192.0	285.0	147.6	
640133*COLMBUS4	230.00	643000	MADISONCNTY4230.00	1	DOUBLE	1500	192.0	338.1	175.7	
640133*COLMBUS4	230.00	643000	MADISONCNTY4230.00	1	DOUBLE	1501	192.0	299.2	154.7	
652511*GAVINS 7	115.00	660006	YKNTJCT7	115.00	1	DOUBLE	1501	120.0	131.2	106.2
640133*COLMBUS4	230.00	643000	MADISONCNTY4230.00	1	DOUBLE	1502	192.0	249.0	128.9	
652511*GAVINS 7	115.00	660006	YKNTJCT7	115.00	1	DOUBLE	1502	120.0	130.3	105.4
640133*COLMBUS4	230.00	643000	MADISONCNTY4230.00	1	DOUBLE	1503	192.0	291.4	150.9	
652511*GAVINS 7	115.00	660006	YKNTJCT7	115.00	1	DOUBLE	1503	120.0	131.2	106.2
640133*COLMBUS4	230.00	643000	MADISONCNTY4230.00	1	DOUBLE	1504	192.0	269.8	139.5	
652511*GAVINS 7	115.00	660006	YKNTJCT7	115.00	1	DOUBLE	1504	120.0	127.2	102.9
640133*COLMBUS4	230.00	643000	MADISONCNTY4230.00	1	DOUBLE	1505	192.0	269.4	139.3	
652511*GAVINS 7	115.00	660006	YKNTJCT7	115.00	1	DOUBLE	1505	120.0	127.4	103.1
640133*COLMBUS4	230.00	643000	MADISONCNTY4230.00	1	DOUBLE	1506	192.0	269.6	139.4	
652511*GAVINS 7	115.00	660006	YKNTJCT7	115.00	1	DOUBLE	1506	120.0	127.2	102.9
640133*COLMBUS4	230.00	643000	MADISONCNTY4230.00	1	DOUBLE	1507	192.0	269.6	139.4	
652511*GAVINS 7	115.00	660006	YKNTJCT7	115.00	1	DOUBLE	1507	120.0	127.2	102.9
640133*COLMBUS4	230.00	643000	MADISONCNTY4230.00	1	DOUBLE	1508	192.0	270.3	139.8	
652511*GAVINS 7	115.00	660006	YKNTJCT7	115.00	1	DOUBLE	1508	120.0	127.1	102.8
640133*COLMBUS4	230.00	643000	MADISONCNTY4230.00	1	DOUBLE	1509	192.0	287.7	148.9	
652511*GAVINS 7	115.00	660006	YKNTJCT7	115.00	1	DOUBLE	1509	120.0	147.3	119.2
652626 UTICAJC7	115.00	660006*	YKNTJCT7	115.00	1	DOUBLE	1509	120.0	147.6	120.4
640133*COLMBUS4	230.00	643000	MADISONCNTY4230.00	1	DOUBLE	1510	192.0	285.8	148.1	
640133*COLMBUS4	230.00	643000	MADISONCNTY4230.00	1	DOUBLE	1511	192.0	269.8	139.5	
640133*COLMBUS4	230.00	643000	MADISONCNTY4230.00	1	DOUBLE	1512	192.0	267.3	138.4	
652517 MANNING7	115.00	659121*	SPIRITM7	115.00	1	DOUBLE	1512	120.0	122.4	102.0
640133*COLMBUS4	230.00	643000	MADISONCNTY4230.00	1	DOUBLE	1513	192.0	273.1	141.3	
652511*GAVINS 7	115.00	660006	YKNTJCT7	115.00	1	DOUBLE	1513	120.0	181.5	146.9
652626 UTICAJC7	115.00	660006*	YKNTJCT7	115.00	1	DOUBLE	1513	120.0	154.7	126.1
640133*COLMBUS4	230.00	643000	MADISONCNTY4230.00	1	DOUBLE	1514	192.0	269.4	139.4	
640133*COLMBUS4	230.00	643000	MADISONCNTY4230.00	1	DOUBLE	1515	192.0	269.8	139.5	
640133*COLMBUS4	230.00	643000	MADISONCNTY4230.00	1	DOUBLE	1516	192.0	270.4	139.9	
640133*COLMBUS4	230.00	643000	MADISONCNTY4230.00	1	DOUBLE	1517	192.0	270.8	140.1	
640133*COLMBUS4	230.00	643000	MADISONCNTY4230.00	1	DOUBLE	1518	192.0	228.7	118.1	
640133*COLMBUS4	230.00	643000	MADISONCNTY4230.00	1	DOUBLE	1519	192.0	227.1	117.2	
640133*COLMBUS4	230.00	643000	MADISONCNTY4230.00	1	DOUBLE	1521	192.0	239.3	123.6	
640133*COLMBUS4	230.00	643000	MADISONCNTY4230.00	1	DOUBLE	1522	192.0	260.2	134.5	
652511*GAVINS 7	115.00	660006	YKNTJCT7	115.00	1	DOUBLE	1522	120.0	126.1	102.0
640133*COLMBUS4	230.00	643000	MADISONCNTY4230.00	1	DOUBLE	1523	192.0	252.0	130.1	
652511*GAVINS 7	115.00	660006	YKNTJCT7	115.00	1	DOUBLE	1523	120.0	132.3	107.1
640133*COLMBUS4	230.00	643000	MADISONCNTY4230.00	1	DOUBLE	1524	192.0	207.7	107.2	



652511*GAVINS 7	115.00	660006	YKNTJCT7	115.00	1	DOUBLE	1524	120.0	132.5	107.2
640133*COLMBUS4	230.00	643000	MADISONCNTY4230.00	1	DOUBLE	1525	192.0	242.7	125.3	
652511*GAVINS 7	115.00	660006	YKNTJCT7	115.00	1	DOUBLE	1525	120.0	131.3	106.2
640133*COLMBUS4	230.00	643000	MADISONCNTY4230.00	1	DOUBLE	1531	192.0	245.6	126.9	
652511*GAVINS 7	115.00	660006	YKNTJCT7	115.00	1	DOUBLE	1531	120.0	148.2	119.9
652626 UTICAJC7	115.00	660006*	YKNTJCT7	115.00	1	DOUBLE	1531	120.0	147.2	120.1
640133*COLMBUS4	230.00	643000	MADISONCNTY4230.00	1	DOUBLE	1532	192.0	244.0	126.1	
652511*GAVINS 7	115.00	660006	YKNTJCT7	115.00	1	DOUBLE	1533	120.0	129.9	105.1
640133*COLMBUS4	230.00	643000	MADISONCNTY4230.00	1	DOUBLE	1534	192.0	228.2	117.9	
652517 MANNING7	115.00	659121*	SPIRITM7	115.00	1	DOUBLE	1534	120.0	122.6	102.2
640133*COLMBUS4	230.00	643000	MADISONCNTY4230.00	1	DOUBLE	1535	192.0	233.1	120.4	
652511*GAVINS 7	115.00	660006	YKNTJCT7	115.00	1	DOUBLE	1535	120.0	182.9	148.0
652626 UTICAJC7	115.00	660006*	YKNTJCT7	115.00	1	DOUBLE	1535	120.0	155.3	126.5
652511*GAVINS 7	115.00	660006	YKNTJCT7	115.00	1	DOUBLE	1537	120.0	129.9	105.1
640133*COLMBUS4	230.00	643000	MADISONCNTY4230.00	1	DOUBLE	1540	192.0	225.6	116.4	
640133*COLMBUS4	230.00	643000	MADISONCNTY4230.00	1	DOUBLE	1541	192.0	228.6	118.0	
640133*COLMBUS4	230.00	643000	MADISONCNTY4230.00	1	DOUBLE	1542	192.0	238.3	123.1	
640133*COLMBUS4	230.00	643000	MADISONCNTY4230.00	1	DOUBLE	1543	192.0	259.1	133.9	
652511*GAVINS 7	115.00	660006	YKNTJCT7	115.00	1	DOUBLE	1543	120.0	126.2	102.1
640133*COLMBUS4	230.00	643000	MADISONCNTY4230.00	1	DOUBLE	1544	192.0	250.7	129.4	
652511*GAVINS 7	115.00	660006	YKNTJCT7	115.00	1	DOUBLE	1544	120.0	132.4	107.1
640133*COLMBUS4	230.00	643000	MADISONCNTY4230.00	1	DOUBLE	1545	192.0	206.7	106.7	
652511*GAVINS 7	115.00	660006	YKNTJCT7	115.00	1	DOUBLE	1545	120.0	132.7	107.3
640133*COLMBUS4	230.00	643000	MADISONCNTY4230.00	1	DOUBLE	1546	192.0	242.2	125.1	
652511*GAVINS 7	115.00	660006	YKNTJCT7	115.00	1	DOUBLE	1546	120.0	131.6	106.5
640133*COLMBUS4	230.00	643000	MADISONCNTY4230.00	1	DOUBLE	1547	192.0	228.5	118.0	
640133*COLMBUS4	230.00	643000	MADISONCNTY4230.00	1	DOUBLE	1548	192.0	228.1	117.7	
640133*COLMBUS4	230.00	643000	MADISONCNTY4230.00	1	DOUBLE	1549	192.0	228.6	118.0	
640133*COLMBUS4	230.00	643000	MADISONCNTY4230.00	1	DOUBLE	1550	192.0	228.6	118.0	
640133*COLMBUS4	230.00	643000	MADISONCNTY4230.00	1	DOUBLE	1551	192.0	229.0	118.2	
640133*COLMBUS4	230.00	643000	MADISONCNTY4230.00	1	DOUBLE	1552	192.0	244.6	126.4	
652511*GAVINS 7	115.00	660006	YKNTJCT7	115.00	1	DOUBLE	1552	120.0	148.2	119.9
652626 UTICAJC7	115.00	660006*	YKNTJCT7	115.00	1	DOUBLE	1552	120.0	146.8	119.7
640133*COLMBUS4	230.00	643000	MADISONCNTY4230.00	1	DOUBLE	1553	192.0	243.0	125.6	
640133*COLMBUS4	230.00	643000	MADISONCNTY4230.00	1	DOUBLE	1554	192.0	228.8	118.1	
652511*GAVINS 7	115.00	660006	YKNTJCT7	115.00	1	DOUBLE	1554	120.0	130.0	105.2
640133*COLMBUS4	230.00	643000	MADISONCNTY4230.00	1	DOUBLE	1555	192.0	227.1	117.3	
652517 MANNING7	115.00	659121*	SPIRITM7	115.00	1	DOUBLE	1555	120.0	122.5	102.1
640133*COLMBUS4	230.00	643000	MADISONCNTY4230.00	1	DOUBLE	1556	192.0	232.0	119.8	
652511*GAVINS 7	115.00	660006	YKNTJCT7	115.00	1	DOUBLE	1556	120.0	183.0	148.0
652626 UTICAJC7	115.00	660006*	YKNTJCT7	115.00	1	DOUBLE	1556	120.0	155.0	126.3
640133*COLMBUS4	230.00	643000	MADISONCNTY4230.00	1	DOUBLE	1557	192.0	228.7	118.1	
640133*COLMBUS4	230.00	643000	MADISONCNTY4230.00	1	DOUBLE	1558	192.0	228.8	118.1	
652511*GAVINS 7	115.00	660006	YKNTJCT7	115.00	1	DOUBLE	1558	120.0	130.0	105.2
640133*COLMBUS4	230.00	643000	MADISONCNTY4230.00	1	DOUBLE	1561	192.0	227.2	117.2	
640133*COLMBUS4	230.00	643000	MADISONCNTY4230.00	1	DOUBLE	1562	192.0	237.4	122.6	
640133*COLMBUS4	230.00	643000	MADISONCNTY4230.00	1	DOUBLE	1563	192.0	257.6	133.1	
652511*GAVINS 7	115.00	660006	YKNTJCT7	115.00	1	DOUBLE	1563	120.0	125.4	101.5

640133*COLMBUS4	230.00	643000	MADISONCNTY4230.00	1	DOUBLE	1564	192.0	254.2	131.2		
652511*GAVINS 7	115.00	660006	YKNTJCT7	115.00	1	DOUBLE	1564	120.0	131.8	106.6	
640133*COLMBUS4	230.00	643000	MADISONCNTY4230.00	1	DOUBLE	1565	192.0	207.6	107.2		
652511*GAVINS 7	115.00	660006	YKNTJCT7	115.00	1	DOUBLE	1565	120.0	131.9	106.7	
640133*COLMBUS4	230.00	643000	MADISONCNTY4230.00	1	DOUBLE	1566	192.0	239.6	123.7		
652511*GAVINS 7	115.00	660006	YKNTJCT7	115.00	1	DOUBLE	1566	120.0	130.4	105.5	
640133*COLMBUS4	230.00	643000	MADISONCNTY4230.00	1	DOUBLE	1567	192.0	227.1	117.2		
640133*COLMBUS4	230.00	643000	MADISONCNTY4230.00	1	DOUBLE	1568	192.0	226.7	117.0		
640133*COLMBUS4	230.00	643000	MADISONCNTY4230.00	1	DOUBLE	1569	192.0	227.2	117.2		
640133*COLMBUS4	230.00	643000	MADISONCNTY4230.00	1	DOUBLE	1570	192.0	227.2	117.2		
640133*COLMBUS4	230.00	643000	MADISONCNTY4230.00	1	DOUBLE	1571	192.0	227.6	117.4		
640133*COLMBUS4	230.00	643000	MADISONCNTY4230.00	1	DOUBLE	1572	192.0	243.1	125.6		
652511*GAVINS 7	115.00	660006	YKNTJCT7	115.00	1	DOUBLE	1572	120.0	147.4	119.3	
652626 UTICAJC7	115.00	660006*	YKNTJCT7	115.00	1	DOUBLE	1572	120.0	146.7	119.6	
640133*COLMBUS4	230.00	643000	MADISONCNTY4230.00	1	DOUBLE	1573	192.0	241.6	124.8		
640133*COLMBUS4	230.00	643000	MADISONCNTY4230.00	1	DOUBLE	1574	192.0	227.3	117.3		
640133*COLMBUS4	230.00	643000	MADISONCNTY4230.00	1	DOUBLE	1575	192.0	226.0	116.7		
652517 MANNING7	115.00	659121*	SPIRITM7	115.00	1	DOUBLE	1575	120.0	122.3	101.9	
652511*GAVINS 7	115.00	660006	YKNTJCT7	115.00	1	DOUBLE	1576	120.0	182.1	147.3	
652626 UTICAJC7	115.00	660006*	YKNTJCT7	115.00	1	DOUBLE	1576	120.0	154.7	126.0	
640133*COLMBUS4	230.00	643000	MADISONCNTY4230.00	1	DOUBLE	1577	192.0	227.4	117.4		
640133*COLMBUS4	230.00	643000	MADISONCNTY4230.00	1	DOUBLE	1578	192.0	227.3	117.3		
640133*COLMBUS4	230.00	643000	MADISONCNTY4230.00	1	DOUBLE	1579	192.0	228.5	118.0		
640133*COLMBUS4	230.00	643000	MADISONCNTY4230.00	1	DOUBLE	1580	192.0	228.4	117.9		
640133*COLMBUS4	230.00	643000	MADISONCNTY4230.00	1	DOUBLE	1581	192.0	239.5	123.7		
640133*COLMBUS4	230.00	643000	MADISONCNTY4230.00	1	DOUBLE	1582	192.0	260.4	134.6		
652511*GAVINS 7	115.00	660006	YKNTJCT7	115.00	1	DOUBLE	1582	120.0	126.1	102.0	
640133*COLMBUS4	230.00	643000	MADISONCNTY4230.00	1	DOUBLE	1583	192.0	252.2	130.2		
652511*GAVINS 7	115.00	660006	YKNTJCT7	115.00	1	DOUBLE	1583	120.0	132.3	107.1	
640133*COLMBUS4	230.00	643000	MADISONCNTY4230.00	1	DOUBLE	1584	192.0	207.7	107.2		
652511*GAVINS 7	115.00	660006	YKNTJCT7	115.00	1	DOUBLE	1584	120.0	132.6	107.2	
640133*COLMBUS4	230.00	643000	MADISONCNTY4230.00	1	DOUBLE	1585	192.0	243.0	125.5		
652511*GAVINS 7	115.00	660006	YKNTJCT7	115.00	1	DOUBLE	1585	120.0	131.3	106.2	
640133*COLMBUS4	230.00	643000	MADISONCNTY4230.00	1	DOUBLE	1591	192.0	245.8	127.0		
652511*GAVINS 7	115.00	660006	YKNTJCT7	115.00	1	DOUBLE	1591	120.0	148.2	119.9	
652626 UTICAJC7	115.00	660006*	YKNTJCT7	115.00	1	DOUBLE	1591	120.0	147.3	120.1	
640133*COLMBUS4	230.00	643000	MADISONCNTY4230.00	1	DOUBLE	1592	192.0	244.2	126.2		
652511*GAVINS 7	115.00	660006	YKNTJCT7	115.00	1	DOUBLE	1593	120.0	129.9	105.1	
640133*COLMBUS4	230.00	643000	MADISONCNTY4230.00	1	DOUBLE	1594	192.0	228.5	118.0		
652517 MANNING7	115.00	659121*	SPIRITM7	115.00	1	DOUBLE	1594	120.0	122.7	102.2	
640133*COLMBUS4	230.00	643000	MADISONCNTY4230.00	1	DOUBLE	1595	192.0	233.3	120.5		
652511*GAVINS 7	115.00	660006	YKNTJCT7	115.00	1	DOUBLE	1595	120.0	182.9	148.0	
652626 UTICAJC7	115.00	660006*	YKNTJCT7	115.00	1	DOUBLE	1595	120.0	155.4	126.6	
652511*GAVINS 7	115.00	660006	YKNTJCT7	115.00	1	DOUBLE	1597	120.0	129.9	105.1	
640133*COLMBUS4	230.00	643000	MADISONCNTY4230.00	1	DOUBLE	1599	192.0	231.1	119.3		
640133*COLMBUS4	230.00	643000	MADISONCNTY4230.00	1	DOUBLE	1600	192.0	276.2	143.1		
640133*COLMBUS4	230.00	643000	MADISONCNTY4230.00	1	DOUBLE	1601	192.0	277.2	143.1		
640054*ALBION 7	115.00	640181	GENOA	7	115.00	1	DOUBLE	1602	113.0	136.8	119.6

640054 ALBION 7	115.00	640318*PETRSBG7	115.00	1	DOUBLE	1602	137.0	194.6	137.3
640133*COLMBUS4	230.00	643000 MADISONCNTY	4230.00	1	DOUBLE	1602	192.0	197.6	102.6
640318 PETRSBG7	115.00	640444*PETERSBRG.N71	115.00	1	DOUBLE	1602	137.0	195.8	138.1
640133*COLMBUS4	230.00	643000 MADISONCNTY	4230.00	1	DOUBLE	1603	192.0	258.3	133.5
652511*GAVINS 7	115.00	660006 YKNTJCT7	115.00	1	DOUBLE	1603	120.0	123.7	100.1
640133*COLMBUS4	230.00	643000 MADISONCNTY	4230.00	1	DOUBLE	1604	192.0	239.5	123.7
640133*COLMBUS4	230.00	643000 MADISONCNTY	4230.00	1	DOUBLE	1605	192.0	239.1	123.5
640133*COLMBUS4	230.00	643000 MADISONCNTY	4230.00	1	DOUBLE	1606	192.0	239.7	123.8
640133*COLMBUS4	230.00	643000 MADISONCNTY	4230.00	1	DOUBLE	1607	192.0	239.7	123.8
640133*COLMBUS4	230.00	643000 MADISONCNTY	4230.00	1	DOUBLE	1608	192.0	239.9	123.9
640133*COLMBUS4	230.00	643000 MADISONCNTY	4230.00	1	DOUBLE	1609	192.0	256.1	132.4
652511*GAVINS 7	115.00	660006 YKNTJCT7	115.00	1	DOUBLE	1609	120.0	140.0	113.2
652626 UTICAJC7	115.00	660006*YKNTJCT7	115.00	1	DOUBLE	1609	120.0	140.4	114.4
640133*COLMBUS4	230.00	643000 MADISONCNTY	4230.00	1	DOUBLE	1610	192.0	253.8	131.3
640133*COLMBUS4	230.00	643000 MADISONCNTY	4230.00	1	DOUBLE	1611	192.0	239.7	123.8
640133*COLMBUS4	230.00	643000 MADISONCNTY	4230.00	1	DOUBLE	1612	192.0	236.4	122.2
640133*COLMBUS4	230.00	643000 MADISONCNTY	4230.00	1	DOUBLE	1613	192.0	242.2	125.2
652511*GAVINS 7	115.00	660006 YKNTJCT7	115.00	1	DOUBLE	1613	120.0	174.3	141.0
652626 UTICAJC7	115.00	660006*YKNTJCT7	115.00	1	DOUBLE	1613	120.0	148.0	120.5
640133*COLMBUS4	230.00	643000 MADISONCNTY	4230.00	1	DOUBLE	1614	192.0	239.0	123.5
640133*COLMBUS4	230.00	643000 MADISONCNTY	4230.00	1	DOUBLE	1615	192.0	239.7	123.8
640133*COLMBUS4	230.00	643000 MADISONCNTY	4230.00	1	DOUBLE	1616	192.0	239.3	123.7
640133*COLMBUS4	230.00	643000 MADISONCNTY	4230.00	1	DOUBLE	1617	192.0	240.6	124.3
640133*COLMBUS4	230.00	643000 MADISONCNTY	4230.00	1	DOUBLE	1618	192.0	286.2	147.9
652511*GAVINS 7	115.00	660006 YKNTJCT7	115.00	1	DOUBLE	1618	120.0	129.8	105.0
640133*COLMBUS4	230.00	643000 MADISONCNTY	4230.00	1	DOUBLE	1619	192.0	239.6	123.9
640133*COLMBUS4	230.00	643000 MADISONCNTY	4230.00	1	DOUBLE	1620	192.0	282.1	145.9
652511*GAVINS 7	115.00	660006 YKNTJCT7	115.00	1	DOUBLE	1620	120.0	129.9	105.1
640133*COLMBUS4	230.00	643000 MADISONCNTY	4230.00	1	DOUBLE	1621	192.0	260.7	134.7
652511*GAVINS 7	115.00	660006 YKNTJCT7	115.00	1	DOUBLE	1621	120.0	126.0	102.0
640133*COLMBUS4	230.00	643000 MADISONCNTY	4230.00	1	DOUBLE	1622	192.0	260.2	134.5
652511*GAVINS 7	115.00	660006 YKNTJCT7	115.00	1	DOUBLE	1622	120.0	126.2	102.1
640133*COLMBUS4	230.00	643000 MADISONCNTY	4230.00	1	DOUBLE	1623	192.0	260.5	134.6
652511*GAVINS 7	115.00	660006 YKNTJCT7	115.00	1	DOUBLE	1623	120.0	126.0	101.9
640133*COLMBUS4	230.00	643000 MADISONCNTY	4230.00	1	DOUBLE	1624	192.0	260.5	134.6
652511*GAVINS 7	115.00	660006 YKNTJCT7	115.00	1	DOUBLE	1624	120.0	126.0	101.9
640133*COLMBUS4	230.00	643000 MADISONCNTY	4230.00	1	DOUBLE	1625	192.0	261.1	135.0
652511*GAVINS 7	115.00	660006 YKNTJCT7	115.00	1	DOUBLE	1625	120.0	125.9	101.8
640133*COLMBUS4	230.00	643000 MADISONCNTY	4230.00	1	DOUBLE	1626	192.0	278.6	144.1
652511*GAVINS 7	115.00	660006 YKNTJCT7	115.00	1	DOUBLE	1626	120.0	146.0	118.1
652626 UTICAJC7	115.00	660006*YKNTJCT7	115.00	1	DOUBLE	1626	120.0	146.6	119.5
640133*COLMBUS4	230.00	643000 MADISONCNTY	4230.00	1	DOUBLE	1627	192.0	276.5	143.2
640133*COLMBUS4	230.00	643000 MADISONCNTY	4230.00	1	DOUBLE	1628	192.0	260.6	134.7
652511*GAVINS 7	115.00	660006 YKNTJCT7	115.00	1	DOUBLE	1628	120.0	127.2	102.9
640133*COLMBUS4	230.00	643000 MADISONCNTY	4230.00	1	DOUBLE	1629	192.0	257.7	133.3
652517 MANNING7	115.00	659121*SPIRITM7	115.00	1	DOUBLE	1629	120.0	121.9	101.6
640133*COLMBUS4	230.00	643000 MADISONCNTY	4230.00	1	DOUBLE	1630	192.0	263.7	136.4
652511*GAVINS 7	115.00	660006 YKNTJCT7	115.00	1	DOUBLE	1630	120.0	180.2	145.8

652626 UTICAJC7	115.00	660006*YKNTJCT7	115.00	1	DOUBLE	1630	120.0	153.6	125.1
640133*COLMBUS4	230.00	643000 MADISONCNTY4230.00	1	DOUBLE	1631	192.0	260.2	134.5	
640133*COLMBUS4	230.00	643000 MADISONCNTY4230.00	1	DOUBLE	1632	192.0	260.6	134.7	
652511*GAVINS 7	115.00	660006 YKNTJCT7	115.00	1	DOUBLE	1632	120.0	127.2	102.9
640133*COLMBUS4	230.00	643000 MADISONCNTY4230.00	1	DOUBLE	1633	192.0	260.9	135.0	
640133*COLMBUS4	230.00	643000 MADISONCNTY4230.00	1	DOUBLE	1634	192.0	261.7	135.3	
640072 BATTLCR7	115.00	640115*CO.LINE7	115.00	1	DOUBLE	1635	120.0	124.1	102.0
640115 CO.LINE7	115.00	640293*NELIGH 7	115.00	1	DOUBLE	1635	120.0	124.6	102.5
640133*COLMBUS4	230.00	643000 MADISONCNTY4230.00	1	DOUBLE	1635	192.0	219.5	113.2	
640293 NELIGH 7	115.00	640444*PETERSBRG.N7	115.00	1	DOUBLE	1635	113.0	196.3	167.9
652511*GAVINS 7	115.00	660006 YKNTJCT7	115.00	1	DOUBLE	1635	120.0	144.6	117.0
652626 UTICAJC7	115.00	660006*YKNTJCT7	115.00	1	DOUBLE	1635	120.0	125.4	102.1
640133*COLMBUS4	230.00	643000 MADISONCNTY4230.00	1	DOUBLE	1636	192.0	267.6	138.2	
652511*GAVINS 7	115.00	660006 YKNTJCT7	115.00	1	DOUBLE	1636	120.0	135.3	109.5
640133*COLMBUS4	230.00	643000 MADISONCNTY4230.00	1	DOUBLE	1637	192.0	252.5	130.3	
652511*GAVINS 7	115.00	660006 YKNTJCT7	115.00	1	DOUBLE	1637	120.0	132.3	107.0
640133*COLMBUS4	230.00	643000 MADISONCNTY4230.00	1	DOUBLE	1638	192.0	252.0	130.1	
652511*GAVINS 7	115.00	660006 YKNTJCT7	115.00	1	DOUBLE	1638	120.0	132.5	107.2
640133*COLMBUS4	230.00	643000 MADISONCNTY4230.00	1	DOUBLE	1639	192.0	252.2	130.2	
652511*GAVINS 7	115.00	660006 YKNTJCT7	115.00	1	DOUBLE	1639	120.0	132.2	107.0
640133*COLMBUS4	230.00	643000 MADISONCNTY4230.00	1	DOUBLE	1640	192.0	252.2	130.2	
652511*GAVINS 7	115.00	660006 YKNTJCT7	115.00	1	DOUBLE	1640	120.0	132.2	107.0
640133*COLMBUS4	230.00	643000 MADISONCNTY4230.00	1	DOUBLE	1641	192.0	252.9	130.5	
652511*GAVINS 7	115.00	660006 YKNTJCT7	115.00	1	DOUBLE	1641	120.0	132.1	106.9
640133*COLMBUS4	230.00	643000 MADISONCNTY4230.00	1	DOUBLE	1642	192.0	268.5	138.7	
652511*GAVINS 7	115.00	660006 YKNTJCT7	115.00	1	DOUBLE	1642	120.0	151.9	122.9
652626 UTICAJC7	115.00	660006*YKNTJCT7	115.00	1	DOUBLE	1642	120.0	150.8	123.0
640133*COLMBUS4	230.00	643000 MADISONCNTY4230.00	1	DOUBLE	1643	192.0	267.4	138.2	
652511*GAVINS 7	115.00	660006 YKNTJCT7	115.00	1	DOUBLE	1643	120.0	124.1	100.4
640133*COLMBUS4	230.00	643000 MADISONCNTY4230.00	1	DOUBLE	1644	192.0	252.5	130.3	
652511*GAVINS 7	115.00	660006 YKNTJCT7	115.00	1	DOUBLE	1644	120.0	134.1	108.5
640133*COLMBUS4	230.00	643000 MADISONCNTY4230.00	1	DOUBLE	1645	192.0	251.8	130.0	
652517 MANNING7	115.00	659121*SPIRITM7	115.00	1	DOUBLE	1645	120.0	124.5	103.8
640133*COLMBUS4	230.00	643000 MADISONCNTY4230.00	1	DOUBLE	1646	192.0	256.0	132.2	
652511*GAVINS 7	115.00	660006 YKNTJCT7	115.00	1	DOUBLE	1646	120.0	187.3	151.5
652626 UTICAJC7	115.00	660006*YKNTJCT7	115.00	1	DOUBLE	1646	120.0	159.2	129.8
640133*COLMBUS4	230.00	643000 MADISONCNTY4230.00	1	DOUBLE	1647	192.0	252.9	130.6	
640133*COLMBUS4	230.00	643000 MADISONCNTY4230.00	1	DOUBLE	1648	192.0	252.5	130.3	
652511*GAVINS 7	115.00	660006 YKNTJCT7	115.00	1	DOUBLE	1648	120.0	134.1	108.5
640133*COLMBUS4	230.00	643000 MADISONCNTY4230.00	1	DOUBLE	1649	192.0	254.2	131.2	
640133*COLMBUS4	230.00	643000 MADISONCNTY4230.00	1	DOUBLE	1650	192.0	253.7	130.9	
640133*COLMBUS4	230.00	643000 MADISONCNTY4230.00	1	DOUBLE	1651	192.0	216.2	111.6	
652511*GAVINS 7	115.00	660006 YKNTJCT7	115.00	1	DOUBLE	1651	120.0	134.0	108.4
640133*COLMBUS4	230.00	643000 MADISONCNTY4230.00	1	DOUBLE	1652	192.0	207.7	107.2	
652511*GAVINS 7	115.00	660006 YKNTJCT7	115.00	1	DOUBLE	1652	120.0	132.6	107.3
640133*COLMBUS4	230.00	643000 MADISONCNTY4230.00	1	DOUBLE	1653	192.0	207.3	107.0	
652511*GAVINS 7	115.00	660006 YKNTJCT7	115.00	1	DOUBLE	1653	120.0	132.8	107.4
640133*COLMBUS4	230.00	643000 MADISONCNTY4230.00	1	DOUBLE	1654	192.0	207.6	107.2	

652511*GAVINS 7	115.00	660006	YKNTJCT7	115.00	1	DOUBLE	1654	120.0	132.4	107.1
640133*COLMBUS4	230.00	643000	MADISONCNTY4230.00	1	DOUBLE	1655	192.0	207.6	107.2	
652511*GAVINS 7	115.00	660006	YKNTJCT7	115.00	1	DOUBLE	1655	120.0	132.4	107.1
640133*COLMBUS4	230.00	643000	MADISONCNTY4230.00	1	DOUBLE	1656	192.0	208.1	107.4	
652511*GAVINS 7	115.00	660006	YKNTJCT7	115.00	1	DOUBLE	1656	120.0	132.4	107.2
640133*COLMBUS4	230.00	643000	MADISONCNTY4230.00	1	DOUBLE	1657	192.0	224.4	116.0	
652511*GAVINS 7	115.00	660006	YKNTJCT7	115.00	1	DOUBLE	1657	120.0	151.7	122.7
652626 UTICAJC7	115.00	660006*	YKNTJCT7	115.00	1	DOUBLE	1657	120.0	150.1	122.4
640133*COLMBUS4	230.00	643000	MADISONCNTY4230.00	1	DOUBLE	1658	192.0	222.3	115.0	
652511*GAVINS 7	115.00	660006	YKNTJCT7	115.00	1	DOUBLE	1658	120.0	124.4	100.6
640133*COLMBUS4	230.00	643000	MADISONCNTY4230.00	1	DOUBLE	1659	192.0	207.9	107.3	
652511*GAVINS 7	115.00	660006	YKNTJCT7	115.00	1	DOUBLE	1659	120.0	134.2	108.6
640133*COLMBUS4	230.00	643000	MADISONCNTY4230.00	1	DOUBLE	1660	192.0	203.5	105.2	
652517 MANNING7	115.00	659121*	SPIRITM7	115.00	1	DOUBLE	1660	120.0	124.5	103.7
640133*COLMBUS4	230.00	643000	MADISONCNTY4230.00	1	DOUBLE	1661	192.0	210.1	108.6	
652511*GAVINS 7	115.00	660006	YKNTJCT7	115.00	1	DOUBLE	1661	120.0	187.4	151.7
652626 UTICAJC7	115.00	660006*	YKNTJCT7	115.00	1	DOUBLE	1661	120.0	159.1	129.7
640133*COLMBUS4	230.00	643000	MADISONCNTY4230.00	1	DOUBLE	1662	192.0	206.7	106.7	
640133*COLMBUS4	230.00	643000	MADISONCNTY4230.00	1	DOUBLE	1663	192.0	207.9	107.3	
652511*GAVINS 7	115.00	660006	YKNTJCT7	115.00	1	DOUBLE	1663	120.0	134.2	108.6
640133*COLMBUS4	230.00	643000	MADISONCNTY4230.00	1	DOUBLE	1664	192.0	207.1	107.1	
640133*COLMBUS4	230.00	643000	MADISONCNTY4230.00	1	DOUBLE	1665	192.0	208.7	107.8	
640133*COLMBUS4	230.00	643000	MADISONCNTY4230.00	1	DOUBLE	1666	192.0	243.0	125.5	
652511*GAVINS 7	115.00	660006	YKNTJCT7	115.00	1	DOUBLE	1666	120.0	131.5	106.4
640133*COLMBUS4	230.00	643000	MADISONCNTY4230.00	1	DOUBLE	1667	192.0	243.0	125.4	
652511*GAVINS 7	115.00	660006	YKNTJCT7	115.00	1	DOUBLE	1667	120.0	131.8	106.6
640133*COLMBUS4	230.00	643000	MADISONCNTY4230.00	1	DOUBLE	1668	192.0	243.2	125.6	
652511*GAVINS 7	115.00	660006	YKNTJCT7	115.00	1	DOUBLE	1668	120.0	131.2	106.1
640133*COLMBUS4	230.00	643000	MADISONCNTY4230.00	1	DOUBLE	1669	192.0	243.2	125.6	
652511*GAVINS 7	115.00	660006	YKNTJCT7	115.00	1	DOUBLE	1669	120.0	131.2	106.1
640133*COLMBUS4	230.00	643000	MADISONCNTY4230.00	1	DOUBLE	1670	192.0	243.1	125.5	
652511*GAVINS 7	115.00	660006	YKNTJCT7	115.00	1	DOUBLE	1670	120.0	131.3	106.2
640133*COLMBUS4	230.00	643000	MADISONCNTY4230.00	1	DOUBLE	1671	192.0	242.4	125.2	
652511*GAVINS 7	115.00	660006	YKNTJCT7	115.00	1	DOUBLE	1671	120.0	147.7	119.5
652626 UTICAJC7	115.00	660006*	YKNTJCT7	115.00	1	DOUBLE	1671	120.0	147.4	120.2
640133*COLMBUS4	230.00	643000	MADISONCNTY4230.00	1	DOUBLE	1672	192.0	243.9	126.0	
640133*COLMBUS4	230.00	643000	MADISONCNTY4230.00	1	DOUBLE	1673	192.0	243.2	125.6	
652511*GAVINS 7	115.00	660006	YKNTJCT7	115.00	1	DOUBLE	1673	120.0	132.5	107.2
640133*COLMBUS4	230.00	643000	MADISONCNTY4230.00	1	DOUBLE	1674	192.0	250.7	129.6	
652517 MANNING7	115.00	659121*	SPIRITM7	115.00	1	DOUBLE	1674	120.0	123.5	103.0
640133*COLMBUS4	230.00	643000	MADISONCNTY4230.00	1	DOUBLE	1675	192.0	246.1	127.2	
652511*GAVINS 7	115.00	660006	YKNTJCT7	115.00	1	DOUBLE	1675	120.0	185.4	150.0
652626 UTICAJC7	115.00	660006*	YKNTJCT7	115.00	1	DOUBLE	1675	120.0	156.8	127.8
640133*COLMBUS4	230.00	643000	MADISONCNTY4230.00	1	DOUBLE	1676	192.0	245.7	126.9	
640133*COLMBUS4	230.00	643000	MADISONCNTY4230.00	1	DOUBLE	1677	192.0	243.2	125.6	
652511*GAVINS 7	115.00	660006	YKNTJCT7	115.00	1	DOUBLE	1677	120.0	132.5	107.2
640133*COLMBUS4	230.00	643000	MADISONCNTY4230.00	1	DOUBLE	1678	192.0	248.3	128.3	
640133*COLMBUS4	230.00	643000	MADISONCNTY4230.00	1	DOUBLE	1679	192.0	243.9	125.9	

640133*COLMBUS4	230.00	643000	MADISONCNTY4230.00	1	DOUBLE	1684	192.0	249.5	128.9	
652511*GAVINS 7	115.00	660006	YKNTJCT7	115.00	1	DOUBLE	1684	120.0	147.9	119.7
652626 UTICAJC7	115.00	660006*	YKNTJCT7	115.00	1	DOUBLE	1684	120.0	148.8	121.3
640133*COLMBUS4	230.00	643000	MADISONCNTY4230.00	1	DOUBLE	1685	192.0	246.7	127.5	
652511*GAVINS 7	115.00	660006	YKNTJCT7	115.00	1	DOUBLE	1686	120.0	129.9	105.1
640133*COLMBUS4	230.00	643000	MADISONCNTY4230.00	1	DOUBLE	1687	192.0	227.9	117.7	
652517 MANNING7	115.00	659121*	SPIRITM7	115.00	1	DOUBLE	1687	120.0	122.6	102.2
640133*COLMBUS4	230.00	643000	MADISONCNTY4230.00	1	DOUBLE	1688	192.0	233.9	120.8	
652511*GAVINS 7	115.00	660006	YKNTJCT7	115.00	1	DOUBLE	1688	120.0	182.8	147.9
652626 UTICAJC7	115.00	660006*	YKNTJCT7	115.00	1	DOUBLE	1688	120.0	155.4	126.6
652511*GAVINS 7	115.00	660006	YKNTJCT7	115.00	1	DOUBLE	1690	120.0	129.9	105.1
640133*COLMBUS4	230.00	643000	MADISONCNTY4230.00	1	DOUBLE	1692	192.0	231.5	119.5	
640133*COLMBUS4	230.00	643000	MADISONCNTY4230.00	1	DOUBLE	1696	192.0	248.9	128.6	
652511*GAVINS 7	115.00	660006	YKNTJCT7	115.00	1	DOUBLE	1696	120.0	148.0	119.7
652626 UTICAJC7	115.00	660006*	YKNTJCT7	115.00	1	DOUBLE	1696	120.0	148.5	121.1
640133*COLMBUS4	230.00	643000	MADISONCNTY4230.00	1	DOUBLE	1697	192.0	246.1	127.2	
652511*GAVINS 7	115.00	660006	YKNTJCT7	115.00	1	DOUBLE	1698	120.0	130.1	105.2
640133*COLMBUS4	230.00	643000	MADISONCNTY4230.00	1	DOUBLE	1699	192.0	227.5	117.5	
652517 MANNING7	115.00	659121*	SPIRITM7	115.00	1	DOUBLE	1699	120.0	122.6	102.2
640133*COLMBUS4	230.00	643000	MADISONCNTY4230.00	1	DOUBLE	1700	192.0	233.4	120.6	
652511*GAVINS 7	115.00	660006	YKNTJCT7	115.00	1	DOUBLE	1700	120.0	182.9	148.0
652626 UTICAJC7	115.00	660006*	YKNTJCT7	115.00	1	DOUBLE	1700	120.0	155.4	126.6
652511*GAVINS 7	115.00	660006	YKNTJCT7	115.00	1	DOUBLE	1702	120.0	130.1	105.2
640133*COLMBUS4	230.00	643000	MADISONCNTY4230.00	1	DOUBLE	1707	192.0	246.3	127.2	
652511*GAVINS 7	115.00	660006	YKNTJCT7	115.00	1	DOUBLE	1707	120.0	148.6	120.2
652626 UTICAJC7	115.00	660006*	YKNTJCT7	115.00	1	DOUBLE	1707	120.0	146.8	119.7
640133*COLMBUS4	230.00	643000	MADISONCNTY4230.00	1	DOUBLE	1708	192.0	244.5	126.3	
652511*GAVINS 7	115.00	660006	YKNTJCT7	115.00	1	DOUBLE	1709	120.0	129.9	105.1
640133*COLMBUS4	230.00	643000	MADISONCNTY4230.00	1	DOUBLE	1710	192.0	228.6	118.1	
652517 MANNING7	115.00	659121*	SPIRITM7	115.00	1	DOUBLE	1710	120.0	122.7	102.2
640133*COLMBUS4	230.00	643000	MADISONCNTY4230.00	1	DOUBLE	1711	192.0	233.3	120.5	
652511*GAVINS 7	115.00	660006	YKNTJCT7	115.00	1	DOUBLE	1711	120.0	182.8	147.9
652626 UTICAJC7	115.00	660006*	YKNTJCT7	115.00	1	DOUBLE	1711	120.0	156.0	127.1
652511*GAVINS 7	115.00	660006	YKNTJCT7	115.00	1	DOUBLE	1713	120.0	129.9	105.1
640133*COLMBUS4	230.00	643000	MADISONCNTY4230.00	1	DOUBLE	1715	192.0	231.2	119.3	
640133*COLMBUS4	230.00	643000	MADISONCNTY4230.00	1	DOUBLE	1717	192.0	246.3	127.2	
652511*GAVINS 7	115.00	660006	YKNTJCT7	115.00	1	DOUBLE	1717	120.0	148.6	120.2
652626 UTICAJC7	115.00	660006*	YKNTJCT7	115.00	1	DOUBLE	1717	120.0	146.8	119.7
640133*COLMBUS4	230.00	643000	MADISONCNTY4230.00	1	DOUBLE	1718	192.0	244.5	126.3	
652511*GAVINS 7	115.00	660006	YKNTJCT7	115.00	1	DOUBLE	1719	120.0	129.9	105.1
640133*COLMBUS4	230.00	643000	MADISONCNTY4230.00	1	DOUBLE	1720	192.0	228.6	118.1	
652517 MANNING7	115.00	659121*	SPIRITM7	115.00	1	DOUBLE	1720	120.0	122.7	102.2
640133*COLMBUS4	230.00	643000	MADISONCNTY4230.00	1	DOUBLE	1721	192.0	233.3	120.5	
652511*GAVINS 7	115.00	660006	YKNTJCT7	115.00	1	DOUBLE	1721	120.0	182.8	147.9
652626 UTICAJC7	115.00	660006*	YKNTJCT7	115.00	1	DOUBLE	1721	120.0	156.0	127.1
652511*GAVINS 7	115.00	660006	YKNTJCT7	115.00	1	DOUBLE	1723	120.0	129.9	105.1
640133*COLMBUS4	230.00	643000	MADISONCNTY4230.00	1	DOUBLE	1725	192.0	231.2	119.3	
640133*COLMBUS4	230.00	643000	MADISONCNTY4230.00	1	DOUBLE	1726	192.0	250.0	129.1	

652511*GAVINS 7	115.00	660006	YKNTJCT7	115.00	1	DOUBLE	1726	120.0	147.9	119.6
652626 UTICAJC7	115.00	660006*	YKNTJCT7	115.00	1	DOUBLE	1726	120.0	148.9	121.5
640133*COLMBUS4	230.00	643000	MADISONCNTY4230.00	1	DOUBLE	1727	192.0	247.1	127.7	
652511*GAVINS 7	115.00	660006	YKNTJCT7	115.00	1	DOUBLE	1728	120.0	129.8	105.0
640133*COLMBUS4	230.00	643000	MADISONCNTY4230.00	1	DOUBLE	1729	192.0	228.3	117.9	
652517 MANNING7	115.00	659121*	SPIRITM7	115.00	1	DOUBLE	1729	120.0	122.6	102.2
640133*COLMBUS4	230.00	643000	MADISONCNTY4230.00	1	DOUBLE	1730	192.0	234.3	121.0	
652511*GAVINS 7	115.00	660006	YKNTJCT7	115.00	1	DOUBLE	1730	120.0	182.7	147.8
652626 UTICAJC7	115.00	660006*	YKNTJCT7	115.00	1	DOUBLE	1730	120.0	155.4	126.6
652511*GAVINS 7	115.00	660006	YKNTJCT7	115.00	1	DOUBLE	1732	120.0	129.8	105.0
640133*COLMBUS4	230.00	643000	MADISONCNTY4230.00	1	DOUBLE	1733	192.0	231.4	119.5	
640133*COLMBUS4	230.00	643000	MADISONCNTY4230.00	1	DOUBLE	1734	192.0	231.9	119.7	
640133*COLMBUS4	230.00	643000	MADISONCNTY4230.00	1	DOUBLE	1735	192.0	270.4	140.0	
652511*GAVINS 7	115.00	660006	YKNTJCT7	115.00	1	DOUBLE	1735	120.0	144.8	117.2
652626 UTICAJC7	115.00	660006*	YKNTJCT7	115.00	1	DOUBLE	1735	120.0	157.3	128.4
640133*COLMBUS4	230.00	643000	MADISONCNTY4230.00	1	DOUBLE	1736	192.0	245.9	127.0	
652511*GAVINS 7	115.00	660006	YKNTJCT7	115.00	1	DOUBLE	1736	120.0	147.6	119.4
652626 UTICAJC7	115.00	660006*	YKNTJCT7	115.00	1	DOUBLE	1736	120.0	146.9	119.7
640133*COLMBUS4	230.00	643000	MADISONCNTY4230.00	1	DOUBLE	1737	192.0	247.5	128.0	
652517 MANNING7	115.00	659121*	SPIRITM7	115.00	1	DOUBLE	1737	120.0	124.7	103.9
640133*COLMBUS4	230.00	643000	MADISONCNTY4230.00	1	DOUBLE	1738	192.0	248.5	128.4	
652511*GAVINS 7	115.00	660006	YKNTJCT7	115.00	1	DOUBLE	1738	120.0	199.6	161.5
652626 UTICAJC7	115.00	660006*	YKNTJCT7	115.00	1	DOUBLE	1738	120.0	187.9	153.6
640133*COLMBUS4	230.00	643000	MADISONCNTY4230.00	1	DOUBLE	1739	192.0	251.1	129.8	
640133*COLMBUS4	230.00	643000	MADISONCNTY4230.00	1	DOUBLE	1740	192.0	245.9	127.0	
652511*GAVINS 7	115.00	660006	YKNTJCT7	115.00	1	DOUBLE	1740	120.0	147.6	119.4
652626 UTICAJC7	115.00	660006*	YKNTJCT7	115.00	1	DOUBLE	1740	120.0	146.9	119.7
640133*COLMBUS4	230.00	643000	MADISONCNTY4230.00	1	DOUBLE	1741	192.0	253.5	131.1	
640133*COLMBUS4	230.00	643000	MADISONCNTY4230.00	1	DOUBLE	1742	192.0	246.3	127.3	
652511*GAVINS 7	115.00	660006	YKNTJCT7	115.00	1	DOUBLE	1742	120.0	139.4	112.8
652626 UTICAJC7	115.00	660006*	YKNTJCT7	115.00	1	DOUBLE	1742	120.0	134.8	110.0
640133*COLMBUS4	230.00	643000	MADISONCNTY4230.00	1	DOUBLE	1743	192.0	244.5	126.4	
640133*COLMBUS4	230.00	643000	MADISONCNTY4230.00	1	DOUBLE	1744	192.0	242.1	125.2	
652517 MANNING7	115.00	659121*	SPIRITM7	115.00	1	DOUBLE	1744	120.0	122.5	102.0
640133*COLMBUS4	230.00	643000	MADISONCNTY4230.00	1	DOUBLE	1745	192.0	248.2	128.3	
652511*GAVINS 7	115.00	660006	YKNTJCT7	115.00	1	DOUBLE	1745	120.0	175.4	141.9
652626 UTICAJC7	115.00	660006*	YKNTJCT7	115.00	1	DOUBLE	1745	120.0	153.7	125.3
640133*COLMBUS4	230.00	643000	MADISONCNTY4230.00	1	DOUBLE	1746	192.0	244.2	126.2	
640133*COLMBUS4	230.00	643000	MADISONCNTY4230.00	1	DOUBLE	1747	192.0	244.5	126.4	
640133*COLMBUS4	230.00	643000	MADISONCNTY4230.00	1	DOUBLE	1748	192.0	245.3	126.8	
640133*COLMBUS4	230.00	643000	MADISONCNTY4230.00	1	DOUBLE	1749	192.0	245.6	126.9	
640133*COLMBUS4	230.00	643000	MADISONCNTY4230.00	1	DOUBLE	1751	192.0	227.3	117.3	
652511*GAVINS 7	115.00	660006	YKNTJCT7	115.00	1	DOUBLE	1751	120.0	132.3	107.0
652511*GAVINS 7	115.00	660006	YKNTJCT7	115.00	1	DOUBLE	1753	120.0	129.9	105.1
640133*COLMBUS4	230.00	643000	MADISONCNTY4230.00	1	DOUBLE	1754	192.0	232.3	120.0	
640133*COLMBUS4	230.00	643000	MADISONCNTY4230.00	1	DOUBLE	1755	192.0	231.5	119.5	
640080 BELDEN 7	115.00	640212*	HARTGTN7	115.00	1	DOUBLE	1756	120.0	138.4	113.7
640080*BELDEN 7	115.00	640387	TWIN CH7	115.00	1	DOUBLE	1756	99.0	122.2	121.1

640133*COLMBUS4	230.00	643000	MADISONCNTY4230.00	1	DOUBLE	1756	192.0	232.3	120.3	
640212 HARTGTN7	115.00	652511*	GAVINS 7	115.00	1	DOUBLE	1756	120.0	155.1	125.5
640133*COLMBUS4	230.00	643000	MADISONCNTY4230.00	1	DOUBLE	1757	192.0	228.3	117.9	
652517 MANNING7	115.00	659121*	SPIRITM7	115.00	1	DOUBLE	1757	120.0	122.7	102.2
640133*COLMBUS4	230.00	643000	MADISONCNTY4230.00	1	DOUBLE	1759	192.0	228.8	118.2	
652517 MANNING7	115.00	659121*	SPIRITM7	115.00	1	DOUBLE	1759	120.0	122.7	102.3
652517 MANNING7	115.00	659121*	SPIRITM7	115.00	1	DOUBLE	1760	120.0	122.9	102.4
640133*COLMBUS4	230.00	643000	MADISONCNTY4230.00	1	DOUBLE	1761	192.0	234.0	120.9	
652626*UTICAJC7	115.00	660007	MENNOJT7	115.00	1	DOUBLE	1761	60.0	62.2	102.3
640133*COLMBUS4	230.00	643000	MADISONCNTY4230.00	1	DOUBLE	1762	192.0	227.3	117.3	
652511*GAVINS 7	115.00	660006	YKNTJCT7	115.00	1	DOUBLE	1762	120.0	132.3	107.0
640080*BELDEN 7	115.00	640387	TWIN CH7	115.00	1	DOUBLE	1763	99.0	102.5	100.9
640133*COLMBUS4	230.00	643000	MADISONCNTY4230.00	1	DOUBLE	1763	192.0	236.1	122.1	
640133*COLMBUS4	230.00	643000	MADISONCNTY4230.00	1	DOUBLE	1764	192.0	234.9	121.3	
652511*GAVINS 7	115.00	660006	YKNTJCT7	115.00	1	DOUBLE	1764	120.0	172.3	139.4
652626 UTICAJC7	115.00	660006*	YKNTJCT7	115.00	1	DOUBLE	1764	120.0	140.1	114.3
640133*COLMBUS4	230.00	643000	MADISONCNTY4230.00	1	DOUBLE	1766	192.0	232.0	119.8	
640133*COLMBUS4	230.00	643000	MADISONCNTY4230.00	1	DOUBLE	1767	192.0	231.8	119.7	
640133*COLMBUS4	230.00	643000	MADISONCNTY4230.00	1	DOUBLE	1768	192.0	232.3	120.0	
640133*COLMBUS4	230.00	643000	MADISONCNTY4230.00	1	DOUBLE	1769	192.0	231.5	119.5	
640133*COLMBUS4	230.00	643000	MADISONCNTY4230.00	1	DOUBLE	1770	192.0	231.8	119.7	

## MONITORED VOLTAGE REPORT:

SYSTEM CONTINGENCY &lt;----- B U S -----&gt; V-CONT V-INIT V-MAX V-MIN

## CONTINGENCY LEGEND:

LABEL EVENTS

DOUBLE 1 : OPEN LINE FROM BUS 640050 [AINSWND7 115.00] TO BUS 640051 [AINSWRT7 115.00] CKT 1  
 OPEN LINE FROM BUS 640050 [AINSWND7 115.00] TO BUS 640096 [CALAMS 7 115.00] CKT 1

DOUBLE 20 : OPEN LINE FROM BUS 640050 [AINSWND7 115.00] TO BUS 640051 [AINSWRT7 115.00] CKT 1  
 OPEN LINE FROM BUS 640096 [CALAMS 7 115.00] TO BUS 640381 [THEDFRD7 115.00] CKT 1

DOUBLE 38 : OPEN LINE FROM BUS 640050 [AINSWND7 115.00] TO BUS 640051 [AINSWRT7 115.00] CKT 1  
 OPEN LINE FROM BUS 640267 [MAXWELS7 115.00] TO BUS 640381 [THEDFRD7 115.00] CKT 1

DOUBLE 61 : OPEN LINE FROM BUS 640050 [AINSWND7 115.00] TO BUS 640096 [CALAMS 7 115.00] CKT 1  
 OPEN LINE FROM BUS 640051 [AINSWRT7 115.00] TO BUS 640392 [VALENTN7 115.00] CKT 1

DOUBLE 62 : OPEN LINE FROM BUS 640050 [AINSWND7 115.00] TO BUS 640096 [CALAMS 7 115.00] CKT 1  
 OPEN LINE FROM BUS 640054 [ALBION 7 115.00] TO BUS 640181 [GENOA 7 115.00] CKT 1

DOUBLE 63 : OPEN LINE FROM BUS 640050 [AINSWND7 115.00] TO BUS 640096 [CALAMS 7 115.00] CKT 1  
 OPEN LINE FROM BUS 640054 [ALBION 7 115.00] TO BUS 640318 [PETRSBG7 115.00] CKT 1

DOUBLE 64 : OPEN LINE FROM BUS 640050 [AINSWND7 115.00] TO BUS 640096 [CALAMS 7 115.00] CKT 1  
 OPEN LINE FROM BUS 640054 [ALBION 7 115.00] TO BUS 640347 [SPALDNG7 115.00] CKT 1

DOUBLE 65 : OPEN LINE FROM BUS 640050 [AINSWND7 115.00] TO BUS 640096 [CALAMS 7 115.00] CKT 1  
 OPEN LINE FROM BUS 640080 [BELDEN 7 115.00] TO BUS 640084 [BLMFLD 7 115.00] CKT 1

DOUBLE 66 : OPEN LINE FROM BUS 640050 [AINSWND7 115.00] TO BUS 640096 [CALAMS 7 115.00] CKT 1  
 OPEN LINE FROM BUS 640080 [BELDEN 7 115.00] TO BUS 640212 [HARTGTN7 115.00] CKT 1

DOUBLE 67 : OPEN LINE FROM BUS 640050 [AINSWND7 115.00] TO BUS 640096 [CALAMS 7 115.00] CKT 1  
 OPEN LINE FROM BUS 640080 [BELDEN 7 115.00] TO BUS 640228 [HOSKINS7 115.00] CKT 1

DOUBLE 68 : OPEN LINE FROM BUS 640050 [AINSWND7 115.00] TO BUS 640096 [CALAMS 7 115.00] CKT 1



OPEN LINE FROM BUS 640080 [BELDEN 7 115.00] TO BUS 640387 [TWIN CH7 115.00] CKT 1  
DOUBLE 69 : OPEN LINE FROM BUS 640050 [AINSWND7 115.00] TO BUS 640096 [CALAMS 7 115.00] CKT 1  
OPEN LINE FROM BUS 640084 [BLMFLD 7 115.00] TO BUS 640149 [CREITON7 115.00] CKT 1  
DOUBLE 70 : OPEN LINE FROM BUS 640050 [AINSWND7 115.00] TO BUS 640096 [CALAMS 7 115.00] CKT 1  
OPEN LINE FROM BUS 640084 [BLMFLD 7 115.00] TO BUS 652511 [GAVINS 7 115.00] CKT 1  
DOUBLE 71 : OPEN LINE FROM BUS 640050 [AINSWND7 115.00] TO BUS 640096 [CALAMS 7 115.00] CKT 1  
OPEN LINE FROM BUS 640089 [BROKENB7 115.00] TO BUS 640094 [C.CREEK7 115.00] CKT 1  
DOUBLE 72 : OPEN LINE FROM BUS 640050 [AINSWND7 115.00] TO BUS 640096 [CALAMS 7 115.00] CKT 1  
OPEN LINE FROM BUS 640089 [BROKENB7 115.00] TO BUS 640098 [CALAWAY7 115.00] CKT 1  
DOUBLE 73 : OPEN LINE FROM BUS 640050 [AINSWND7 115.00] TO BUS 640096 [CALAMS 7 115.00] CKT 1  
OPEN LINE FROM BUS 640089 [BROKENB7 115.00] TO BUS 640259 [LOUPCTY7 115.00] CKT 1  
DOUBLE 74 : OPEN LINE FROM BUS 640050 [AINSWND7 115.00] TO BUS 640096 [CALAMS 7 115.00] CKT 1  
OPEN LINE FROM BUS 640093 [C.CREEK4 230.00] TO BUS 640094 [C.CREEK7 115.00] CKT 1  
DOUBLE 75 : OPEN LINE FROM BUS 640050 [AINSWND7 115.00] TO BUS 640096 [CALAMS 7 115.00] CKT 1  
OPEN LINE FROM BUS 640093 [C.CREEK4 230.00] TO BUS 640102 [CANADAY4 230.00] CKT 1  
DOUBLE 76 : OPEN LINE FROM BUS 640050 [AINSWND7 115.00] TO BUS 640096 [CALAMS 7 115.00] CKT 1  
OPEN LINE FROM BUS 640093 [C.CREEK4 230.00] TO BUS 640286 [N.PLATT4 230.00] CKT 1  
DOUBLE 77 : OPEN LINE FROM BUS 640050 [AINSWND7 115.00] TO BUS 640096 [CALAMS 7 115.00] CKT 1  
OPEN LINE FROM BUS 640093 [C.CREEK4 230.00] TO BUS 640330 [RIVERDL4 230.00] CKT 1  
DOUBLE 78 : OPEN LINE FROM BUS 640050 [AINSWND7 115.00] TO BUS 640096 [CALAMS 7 115.00] CKT 1  
OPEN LINE FROM BUS 640096 [CALAMS 7 115.00] TO BUS 640381 [THEDFRD7 115.00] CKT 1  
DOUBLE 79 : OPEN LINE FROM BUS 640050 [AINSWND7 115.00] TO BUS 640096 [CALAMS 7 115.00] CKT 1  
OPEN LINE FROM BUS 640098 [CALAWAY7 115.00] TO BUS 640267 [MAXWELS7 115.00] CKT 1  
DOUBLE 80 : OPEN LINE FROM BUS 640050 [AINSWND7 115.00] TO BUS 640096 [CALAMS 7 115.00] CKT 1  
OPEN LINE FROM BUS 640113 [CLRWATR7 115.00] TO BUS 640293 [NELIGH 7 115.00] CKT 1  
DOUBLE 81 : OPEN LINE FROM BUS 640050 [AINSWND7 115.00] TO BUS 640096 [CALAMS 7 115.00] CKT 1  
OPEN LINE FROM BUS 640115 [CO.LINE7 115.00] TO BUS 640293 [NELIGH 7 115.00] CKT 1  
DOUBLE 82 : OPEN LINE FROM BUS 640050 [AINSWND7 115.00] TO BUS 640096 [CALAMS 7 115.00] CKT 1  
OPEN LINE FROM BUS 640126 [E.COL. 4 230.00] TO BUS 640133 [COLMBUS4 230.00] CKT 1  
DOUBLE 83 : OPEN LINE FROM BUS 640050 [AINSWND7 115.00] TO BUS 640096 [CALAMS 7 115.00] CKT 1  
OPEN LINE FROM BUS 640131 [COLMB.W4 230.00] TO BUS 640133 [COLMBUS4 230.00] CKT 1  
DOUBLE 84 : OPEN LINE FROM BUS 640050 [AINSWND7 115.00] TO BUS 640096 [CALAMS 7 115.00] CKT 1  
OPEN LINE FROM BUS 640133 [COLMBUS4 230.00] TO BUS 640343 [SHELCKR4 230.00] CKT 1  
DOUBLE 85 : OPEN LINE FROM BUS 640050 [AINSWND7 115.00] TO BUS 640096 [CALAMS 7 115.00] CKT 1  
OPEN LINE FROM BUS 640133 [COLMBUS4 230.00] TO BUS 643000 [MADISONCNTY4230.00] CKT 1  
DOUBLE 86 : OPEN LINE FROM BUS 640050 [AINSWND7 115.00] TO BUS 640096 [CALAMS 7 115.00] CKT 1  
OPEN LINE FROM BUS 640133 [COLMBUS4 230.00] TO BUS 640134 [KELLY 7 115.00] TO BUS 640135 [COLMBS19 13.200] CKT 1  
DOUBLE 87 : OPEN LINE FROM BUS 640050 [AINSWND7 115.00] TO BUS 640096 [CALAMS 7 115.00] CKT 1  
OPEN LINE FROM BUS 640149 [CREITON7 115.00] TO BUS 640293 [NELIGH 7 115.00] CKT 1  
DOUBLE 88 : OPEN LINE FROM BUS 640050 [AINSWND7 115.00] TO BUS 640096 [CALAMS 7 115.00] CKT 1  
OPEN LINE FROM BUS 640151 [CRESTON7 115.00] TO BUS 640263 [MADISON7 115.00] CKT 1  
DOUBLE 89 : OPEN LINE FROM BUS 640050 [AINSWND7 115.00] TO BUS 640096 [CALAMS 7 115.00] CKT 1  
OPEN LINE FROM BUS 640212 [HARTGTN7 115.00] TO BUS 652511 [GAVINS 7 115.00] CKT 1  
DOUBLE 90 : OPEN LINE FROM BUS 640050 [AINSWND7 115.00] TO BUS 640096 [CALAMS 7 115.00] CKT 1  
OPEN LINE FROM BUS 640228 [HOSKINS7 115.00] TO BUS 640298 [NORFOLK7 115.00] CKT 1  
DOUBLE 91 : OPEN LINE FROM BUS 640050 [AINSWND7 115.00] TO BUS 640096 [CALAMS 7 115.00] CKT 1  
OPEN LINE FROM BUS 640259 [LOUPCTY7 115.00] TO BUS 640284 [N.LOUP 7 115.00] CKT 1  
DOUBLE 92 : OPEN LINE FROM BUS 640050 [AINSWND7 115.00] TO BUS 640096 [CALAMS 7 115.00] CKT 1

OPEN LINE FROM BUS 640259 [LOUPCTY7 115.00] TO BUS 640353 [ST.LIB 7 115.00] CKT 1  
DOUBLE 93 : OPEN LINE FROM BUS 640050 [AINSWND7 115.00] TO BUS 640096 [CALAMS 7 115.00] CKT 1  
OPEN LINE FROM BUS 640263 [MADISON7 115.00] TO BUS 640298 [NORFOLK7 115.00] CKT 1  
DOUBLE 94 : OPEN LINE FROM BUS 640050 [AINSWND7 115.00] TO BUS 640096 [CALAMS 7 115.00] CKT 1  
OPEN LINE FROM BUS 640263 [MADISON7 115.00] TO BUS 643001 [MADISONCNTY7115.00] CKT 1  
DOUBLE 95 : OPEN LINE FROM BUS 640050 [AINSWND7 115.00] TO BUS 640096 [CALAMS 7 115.00] CKT 1  
OPEN LINE FROM BUS 640267 [MAXWELS7 115.00] TO BUS 640287 [N.PLATT7 115.00] CKT 1  
DOUBLE 96 : OPEN LINE FROM BUS 640050 [AINSWND7 115.00] TO BUS 640096 [CALAMS 7 115.00] CKT 1  
OPEN LINE FROM BUS 640267 [MAXWELS7 115.00] TO BUS 640381 [THEDFRD7 115.00] CKT 1  
DOUBLE 97 : OPEN LINE FROM BUS 640050 [AINSWND7 115.00] TO BUS 640096 [CALAMS 7 115.00] CKT 1  
OPEN LINE FROM BUS 640284 [N.LOUP 7 115.00] TO BUS 640347 [SPALDNG7 115.00] CKT 1  
DOUBLE 98 : OPEN LINE FROM BUS 640050 [AINSWND7 115.00] TO BUS 640096 [CALAMS 7 115.00] CKT 1  
OPEN LINE FROM BUS 640286 [N.PLATT4 230.00] TO BUS 640287 [N.PLATT7 115.00] CKT 2  
DOUBLE 99 : OPEN LINE FROM BUS 640050 [AINSWND7 115.00] TO BUS 640096 [CALAMS 7 115.00] CKT 1  
OPEN LINE FROM BUS 640293 [NELIGH 7 115.00] TO BUS 640444 [PETERSBRG.N7115.00] CKT 1  
DOUBLE 100 : OPEN LINE FROM BUS 640050 [AINSWND7 115.00] TO BUS 640096 [CALAMS 7 115.00] CKT 1  
OPEN LINE FROM BUS 640298 [NORFOLK7 115.00] TO BUS 643001 [MADISONCNTY7115.00] CKT 1  
DOUBLE 101 : OPEN LINE FROM BUS 640050 [AINSWND7 115.00] TO BUS 640096 [CALAMS 7 115.00] CKT 1  
OPEN LINE FROM BUS 640318 [PETRSG7 115.00] TO BUS 640444 [PETERSBRG.N7115.00] CKT 1  
DOUBLE 102 : OPEN LINE FROM BUS 640050 [AINSWND7 115.00] TO BUS 640096 [CALAMS 7 115.00] CKT 1  
OPEN LINE FROM BUS 640444 [PETERSBRG.N7115.00] TO BUS 643001 [MADISONCNTY7115.00] CKT 1  
DOUBLE 103 : OPEN LINE FROM BUS 640050 [AINSWND7 115.00] TO BUS 640096 [CALAMS 7 115.00] CKT 1  
OPEN LINE FROM BUS 643000 [MADISONCNTY4230.00] TO BUS 652509 [FTRANDL4 230.00] CKT 1  
DOUBLE 104 : OPEN LINE FROM BUS 640050 [AINSWND7 115.00] TO BUS 640096 [CALAMS 7 115.00] CKT 1  
OPEN LINE FROM BUS 652507 [FTTHOMP4 230.00] TO BUS 652509 [FTRANDL4 230.00] CKT 1  
DOUBLE 105 : OPEN LINE FROM BUS 640050 [AINSWND7 115.00] TO BUS 640096 [CALAMS 7 115.00] CKT 1  
OPEN LINE FROM BUS 652507 [FTTHOMP4 230.00] TO BUS 652516 [LAKPLAT4 230.00] CKT 1  
DOUBLE 106 : OPEN LINE FROM BUS 640050 [AINSWND7 115.00] TO BUS 640096 [CALAMS 7 115.00] CKT 1  
OPEN LINE FROM BUS 652509 [FTRANDL4 230.00] TO BUS 652510 [FTRANDL7 115.00] CKT 1  
DOUBLE 107 : OPEN LINE FROM BUS 640050 [AINSWND7 115.00] TO BUS 640096 [CALAMS 7 115.00] CKT 1  
OPEN LINE FROM BUS 652509 [FTRANDL4 230.00] TO BUS 652510 [FTRANDL7 115.00] CKT 2  
DOUBLE 108 : OPEN LINE FROM BUS 640050 [AINSWND7 115.00] TO BUS 640096 [CALAMS 7 115.00] CKT 1  
OPEN LINE FROM BUS 652509 [FTRANDL4 230.00] TO BUS 652516 [LAKPLAT4 230.00] CKT 1  
DOUBLE 109 : OPEN LINE FROM BUS 640050 [AINSWND7 115.00] TO BUS 640096 [CALAMS 7 115.00] CKT 1  
OPEN LINE FROM BUS 652509 [FTRANDL4 230.00] TO BUS 652526 [UTICAJC4 230.00] CKT 1  
DOUBLE 110 : OPEN LINE FROM BUS 640050 [AINSWND7 115.00] TO BUS 640096 [CALAMS 7 115.00] CKT 1  
OPEN LINE FROM BUS 652509 [FTRANDL4 230.00] TO BUS 652565 [SIOUXCY4 230.00] CKT 1  
DOUBLE 111 : OPEN LINE FROM BUS 640050 [AINSWND7 115.00] TO BUS 640096 [CALAMS 7 115.00] CKT 1  
OPEN LINE FROM BUS 652511 [GAVINS 7 115.00] TO BUS 652532 [YANKTON7 115.00] CKT 1  
DOUBLE 112 : OPEN LINE FROM BUS 640050 [AINSWND7 115.00] TO BUS 640096 [CALAMS 7 115.00] CKT 1  
OPEN LINE FROM BUS 652511 [GAVINS 7 115.00] TO BUS 660006 [YKNTJCT7 115.00] CKT 1  
DOUBLE 113 : OPEN LINE FROM BUS 640050 [AINSWND7 115.00] TO BUS 640096 [CALAMS 7 115.00] CKT 1  
OPEN LINE FROM BUS 652517 [MANNING7 115.00] TO BUS 659121 [SPIRITM7 115.00] CKT 1  
DOUBLE 114 : OPEN LINE FROM BUS 640050 [AINSWND7 115.00] TO BUS 640096 [CALAMS 7 115.00] CKT 1  
OPEN LINE FROM BUS 652526 [UTICAJC4 230.00] TO BUS 652626 [UTICAJC7 115.00] TO BUS 652627 [UTICAJC9 13.200] CKT 1  
DOUBLE 115 : OPEN LINE FROM BUS 640050 [AINSWND7 115.00] TO BUS 640096 [CALAMS 7 115.00] CKT 1  
OPEN LINE FROM BUS 652532 [YANKTON7 115.00] TO BUS 659121 [SPIRITM7 115.00] CKT 1  
DOUBLE 116 : OPEN LINE FROM BUS 640050 [AINSWND7 115.00] TO BUS 640096 [CALAMS 7 115.00] CKT 1

OPEN LINE FROM BUS 652626 [UTICAJC7 115.00] TO BUS 660006 [YKNTJCT7 115.00] CKT 1  
DOUBLE 117 : OPEN LINE FROM BUS 640050 [AINSWND7 115.00] TO BUS 640096 [CALAMS 7 115.00] CKT 1  
OPEN LINE FROM BUS 652626 [UTICAJC7 115.00] TO BUS 660007 [MENNOJT7 115.00] CKT 1  
DOUBLE 119 : OPEN LINE FROM BUS 640051 [AINSWRT7 115.00] TO BUS 640367 [STUART 7 115.00] CKT 1  
OPEN LINE FROM BUS 640054 [ALBION 7 115.00] TO BUS 640181 [GENOA 7 115.00] CKT 1  
DOUBLE 120 : OPEN LINE FROM BUS 640051 [AINSWRT7 115.00] TO BUS 640367 [STUART 7 115.00] CKT 1  
OPEN LINE FROM BUS 640054 [ALBION 7 115.00] TO BUS 640318 [PETRSBG7 115.00] CKT 1  
DOUBLE 121 : OPEN LINE FROM BUS 640051 [AINSWRT7 115.00] TO BUS 640367 [STUART 7 115.00] CKT 1  
OPEN LINE FROM BUS 640054 [ALBION 7 115.00] TO BUS 640347 [SPALDNG7 115.00] CKT 1  
DOUBLE 122 : OPEN LINE FROM BUS 640051 [AINSWRT7 115.00] TO BUS 640367 [STUART 7 115.00] CKT 1  
OPEN LINE FROM BUS 640080 [BELDEN 7 115.00] TO BUS 640084 [BLMFLD 7 115.00] CKT 1  
DOUBLE 123 : OPEN LINE FROM BUS 640051 [AINSWRT7 115.00] TO BUS 640367 [STUART 7 115.00] CKT 1  
OPEN LINE FROM BUS 640080 [BELDEN 7 115.00] TO BUS 640212 [HARTGTN7 115.00] CKT 1  
DOUBLE 124 : OPEN LINE FROM BUS 640051 [AINSWRT7 115.00] TO BUS 640367 [STUART 7 115.00] CKT 1  
OPEN LINE FROM BUS 640080 [BELDEN 7 115.00] TO BUS 640228 [HOSKINS7 115.00] CKT 1  
DOUBLE 125 : OPEN LINE FROM BUS 640051 [AINSWRT7 115.00] TO BUS 640367 [STUART 7 115.00] CKT 1  
OPEN LINE FROM BUS 640080 [BELDEN 7 115.00] TO BUS 640387 [TWIN CH7 115.00] CKT 1  
DOUBLE 126 : OPEN LINE FROM BUS 640051 [AINSWRT7 115.00] TO BUS 640367 [STUART 7 115.00] CKT 1  
OPEN LINE FROM BUS 640084 [BLMFLD 7 115.00] TO BUS 640149 [CREITON7 115.00] CKT 1  
DOUBLE 127 : OPEN LINE FROM BUS 640051 [AINSWRT7 115.00] TO BUS 640367 [STUART 7 115.00] CKT 1  
OPEN LINE FROM BUS 640084 [BLMFLD 7 115.00] TO BUS 652511 [GAVINS 7 115.00] CKT 1  
DOUBLE 128 : OPEN LINE FROM BUS 640051 [AINSWRT7 115.00] TO BUS 640367 [STUART 7 115.00] CKT 1  
OPEN LINE FROM BUS 640089 [BROKENB7 115.00] TO BUS 640094 [C.CREEK7 115.00] CKT 1  
DOUBLE 129 : OPEN LINE FROM BUS 640051 [AINSWRT7 115.00] TO BUS 640367 [STUART 7 115.00] CKT 1  
OPEN LINE FROM BUS 640089 [BROKENB7 115.00] TO BUS 640098 [CALAWAY7 115.00] CKT 1  
DOUBLE 130 : OPEN LINE FROM BUS 640051 [AINSWRT7 115.00] TO BUS 640367 [STUART 7 115.00] CKT 1  
OPEN LINE FROM BUS 640089 [BROKENB7 115.00] TO BUS 640259 [LOUPCTY7 115.00] CKT 1  
DOUBLE 131 : OPEN LINE FROM BUS 640051 [AINSWRT7 115.00] TO BUS 640367 [STUART 7 115.00] CKT 1  
OPEN LINE FROM BUS 640093 [C.CREEK4 230.00] TO BUS 640094 [C.CREEK7 115.00] CKT 1  
DOUBLE 132 : OPEN LINE FROM BUS 640051 [AINSWRT7 115.00] TO BUS 640367 [STUART 7 115.00] CKT 1  
OPEN LINE FROM BUS 640093 [C.CREEK4 230.00] TO BUS 640102 [CANADAY4 230.00] CKT 1  
DOUBLE 133 : OPEN LINE FROM BUS 640051 [AINSWRT7 115.00] TO BUS 640367 [STUART 7 115.00] CKT 1  
OPEN LINE FROM BUS 640093 [C.CREEK4 230.00] TO BUS 640286 [N.PLATT4 230.00] CKT 1  
DOUBLE 134 : OPEN LINE FROM BUS 640051 [AINSWRT7 115.00] TO BUS 640367 [STUART 7 115.00] CKT 1  
OPEN LINE FROM BUS 640093 [C.CREEK4 230.00] TO BUS 640330 [RIVERDL4 230.00] CKT 1  
DOUBLE 136 : OPEN LINE FROM BUS 640051 [AINSWRT7 115.00] TO BUS 640367 [STUART 7 115.00] CKT 1  
OPEN LINE FROM BUS 640098 [CALAWAY7 115.00] TO BUS 640267 [MAXWELS7 115.00] CKT 1  
DOUBLE 137 : OPEN LINE FROM BUS 640051 [AINSWRT7 115.00] TO BUS 640367 [STUART 7 115.00] CKT 1  
OPEN LINE FROM BUS 640113 [CLRWATR7 115.00] TO BUS 640293 [NELIGH 7 115.00] CKT 1  
DOUBLE 138 : OPEN LINE FROM BUS 640051 [AINSWRT7 115.00] TO BUS 640367 [STUART 7 115.00] CKT 1  
OPEN LINE FROM BUS 640115 [CO.LINE7 115.00] TO BUS 640293 [NELIGH 7 115.00] CKT 1  
DOUBLE 139 : OPEN LINE FROM BUS 640051 [AINSWRT7 115.00] TO BUS 640367 [STUART 7 115.00] CKT 1  
OPEN LINE FROM BUS 640126 [E.COL. 4 230.00] TO BUS 640133 [COLMBUS4 230.00] CKT 1  
DOUBLE 140 : OPEN LINE FROM BUS 640051 [AINSWRT7 115.00] TO BUS 640367 [STUART 7 115.00] CKT 1  
OPEN LINE FROM BUS 640131 [COLMB.W4 230.00] TO BUS 640133 [COLMBUS4 230.00] CKT 1  
DOUBLE 141 : OPEN LINE FROM BUS 640051 [AINSWRT7 115.00] TO BUS 640367 [STUART 7 115.00] CKT 1  
OPEN LINE FROM BUS 640133 [COLMBUS4 230.00] TO BUS 640343 [SHELCKR4 230.00] CKT 1  
DOUBLE 142 : OPEN LINE FROM BUS 640051 [AINSWRT7 115.00] TO BUS 640367 [STUART 7 115.00] CKT 1

OPEN LINE FROM BUS 640133 [COLMBUS4 230.00] TO BUS 643000 [MADISONCNTY4230.00] CKT 1  
DOUBLE 143 : OPEN LINE FROM BUS 640051 [AINSWRT7 115.00] TO BUS 640367 [STUART 7 115.00] CKT 1  
OPEN LINE FROM BUS 640133 [COLMBUS4 230.00] TO BUS 640134 [KELLY 7 115.00] TO BUS 640135 [COLMBS19 13.200] CKT 1  
DOUBLE 144 : OPEN LINE FROM BUS 640051 [AINSWRT7 115.00] TO BUS 640367 [STUART 7 115.00] CKT 1  
OPEN LINE FROM BUS 640149 [CREITON7 115.00] TO BUS 640293 [NELIGH 7 115.00] CKT 1  
DOUBLE 145 : OPEN LINE FROM BUS 640051 [AINSWRT7 115.00] TO BUS 640367 [STUART 7 115.00] CKT 1  
OPEN LINE FROM BUS 640151 [CRESTON7 115.00] TO BUS 640263 [MADISON7 115.00] CKT 1  
DOUBLE 146 : OPEN LINE FROM BUS 640051 [AINSWRT7 115.00] TO BUS 640367 [STUART 7 115.00] CKT 1  
OPEN LINE FROM BUS 640212 [HARTGTN7 115.00] TO BUS 652511 [GAVINS 7 115.00] CKT 1  
DOUBLE 147 : OPEN LINE FROM BUS 640051 [AINSWRT7 115.00] TO BUS 640367 [STUART 7 115.00] CKT 1  
OPEN LINE FROM BUS 640228 [HOSKINS7 115.00] TO BUS 640298 [NORFOLK7 115.00] CKT 1  
DOUBLE 148 : OPEN LINE FROM BUS 640051 [AINSWRT7 115.00] TO BUS 640367 [STUART 7 115.00] CKT 1  
OPEN LINE FROM BUS 640259 [LOUPCTY7 115.00] TO BUS 640284 [N.LOUP 7 115.00] CKT 1  
DOUBLE 149 : OPEN LINE FROM BUS 640051 [AINSWRT7 115.00] TO BUS 640367 [STUART 7 115.00] CKT 1  
OPEN LINE FROM BUS 640259 [LOUPCTY7 115.00] TO BUS 640353 [ST.LIB 7 115.00] CKT 1  
DOUBLE 150 : OPEN LINE FROM BUS 640051 [AINSWRT7 115.00] TO BUS 640367 [STUART 7 115.00] CKT 1  
OPEN LINE FROM BUS 640263 [MADISON7 115.00] TO BUS 640298 [NORFOLK7 115.00] CKT 1  
DOUBLE 151 : OPEN LINE FROM BUS 640051 [AINSWRT7 115.00] TO BUS 640367 [STUART 7 115.00] CKT 1  
OPEN LINE FROM BUS 640263 [MADISON7 115.00] TO BUS 643001 [MADISONCNTY7115.00] CKT 1  
DOUBLE 152 : OPEN LINE FROM BUS 640051 [AINSWRT7 115.00] TO BUS 640367 [STUART 7 115.00] CKT 1  
OPEN LINE FROM BUS 640267 [MAXWELS7 115.00] TO BUS 640287 [N.PLATT7 115.00] CKT 1  
DOUBLE 153 : OPEN LINE FROM BUS 640051 [AINSWRT7 115.00] TO BUS 640367 [STUART 7 115.00] CKT 1  
OPEN LINE FROM BUS 640267 [MAXWELS7 115.00] TO BUS 640381 [THEDFRD7 115.00] CKT 1  
DOUBLE 154 : OPEN LINE FROM BUS 640051 [AINSWRT7 115.00] TO BUS 640367 [STUART 7 115.00] CKT 1  
OPEN LINE FROM BUS 640284 [N.LOUP 7 115.00] TO BUS 640347 [SPALDNG7 115.00] CKT 1  
DOUBLE 155 : OPEN LINE FROM BUS 640051 [AINSWRT7 115.00] TO BUS 640367 [STUART 7 115.00] CKT 1  
OPEN LINE FROM BUS 640286 [N.PLATT4 230.00] TO BUS 640287 [N.PLATT7 115.00] CKT 2  
DOUBLE 156 : OPEN LINE FROM BUS 640051 [AINSWRT7 115.00] TO BUS 640367 [STUART 7 115.00] CKT 1  
OPEN LINE FROM BUS 640293 [NELIGH 7 115.00] TO BUS 640444 [PETERSBRG.N7115.00] CKT 1  
DOUBLE 157 : OPEN LINE FROM BUS 640051 [AINSWRT7 115.00] TO BUS 640367 [STUART 7 115.00] CKT 1  
OPEN LINE FROM BUS 640298 [NORFOLK7 115.00] TO BUS 643001 [MADISONCNTY7115.00] CKT 1  
DOUBLE 158 : OPEN LINE FROM BUS 640051 [AINSWRT7 115.00] TO BUS 640367 [STUART 7 115.00] CKT 1  
OPEN LINE FROM BUS 640318 [PETERSBG7 115.00] TO BUS 640444 [PETERSBRG.N7115.00] CKT 1  
DOUBLE 159 : OPEN LINE FROM BUS 640051 [AINSWRT7 115.00] TO BUS 640367 [STUART 7 115.00] CKT 1  
OPEN LINE FROM BUS 640444 [PETERSBRG.N7115.00] TO BUS 643001 [MADISONCNTY7115.00] CKT 1  
DOUBLE 160 : OPEN LINE FROM BUS 640051 [AINSWRT7 115.00] TO BUS 640367 [STUART 7 115.00] CKT 1  
OPEN LINE FROM BUS 643000 [MADISONCNTY4230.00] TO BUS 652509 [FTRANDL4 230.00] CKT 1  
DOUBLE 161 : OPEN LINE FROM BUS 640051 [AINSWRT7 115.00] TO BUS 640367 [STUART 7 115.00] CKT 1  
OPEN LINE FROM BUS 652507 [FTTHOMP4 230.00] TO BUS 652509 [FTRANDL4 230.00] CKT 1  
DOUBLE 162 : OPEN LINE FROM BUS 640051 [AINSWRT7 115.00] TO BUS 640367 [STUART 7 115.00] CKT 1  
OPEN LINE FROM BUS 652507 [FTTHOMP4 230.00] TO BUS 652516 [LAKPLAT4 230.00] CKT 1  
DOUBLE 163 : OPEN LINE FROM BUS 640051 [AINSWRT7 115.00] TO BUS 640367 [STUART 7 115.00] CKT 1  
OPEN LINE FROM BUS 652509 [FTRANDL4 230.00] TO BUS 652510 [FTRANDL7 115.00] CKT 1  
DOUBLE 164 : OPEN LINE FROM BUS 640051 [AINSWRT7 115.00] TO BUS 640367 [STUART 7 115.00] CKT 1  
OPEN LINE FROM BUS 652509 [FTRANDL4 230.00] TO BUS 652510 [FTRANDL7 115.00] CKT 2  
DOUBLE 165 : OPEN LINE FROM BUS 640051 [AINSWRT7 115.00] TO BUS 640367 [STUART 7 115.00] CKT 1  
OPEN LINE FROM BUS 652509 [FTRANDL4 230.00] TO BUS 652516 [LAKPLAT4 230.00] CKT 1  
DOUBLE 166 : OPEN LINE FROM BUS 640051 [AINSWRT7 115.00] TO BUS 640367 [STUART 7 115.00] CKT 1

OPEN LINE FROM BUS 652509 [FTRANDL4 230.00] TO BUS 652526 [UTICAJC4 230.00] CKT 1  
DOUBLE 167 : OPEN LINE FROM BUS 640051 [AINSWRT7 115.00] TO BUS 640367 [STUART 7 115.00] CKT 1  
OPEN LINE FROM BUS 652509 [FTRANDL4 230.00] TO BUS 652565 [SIOUXCY4 230.00] CKT 1  
DOUBLE 168 : OPEN LINE FROM BUS 640051 [AINSWRT7 115.00] TO BUS 640367 [STUART 7 115.00] CKT 1  
OPEN LINE FROM BUS 652511 [GAVINS 7 115.00] TO BUS 652532 [YANKTON7 115.00] CKT 1  
DOUBLE 169 : OPEN LINE FROM BUS 640051 [AINSWRT7 115.00] TO BUS 640367 [STUART 7 115.00] CKT 1  
OPEN LINE FROM BUS 652511 [GAVINS 7 115.00] TO BUS 660006 [YKNTJCT7 115.00] CKT 1  
DOUBLE 170 : OPEN LINE FROM BUS 640051 [AINSWRT7 115.00] TO BUS 640367 [STUART 7 115.00] CKT 1  
OPEN LINE FROM BUS 652517 [MANNING7 115.00] TO BUS 659121 [SPIRITM7 115.00] CKT 1  
DOUBLE 171 : OPEN LINE FROM BUS 640051 [AINSWRT7 115.00] TO BUS 640367 [STUART 7 115.00] CKT 1  
OPEN LINE FROM BUS 652526 [UTICAJC4 230.00] TO BUS 652626 [UTICAJC7 115.00] TO BUS 652627 [UTICAJC9 13.200] CKT 1  
DOUBLE 172 : OPEN LINE FROM BUS 640051 [AINSWRT7 115.00] TO BUS 640367 [STUART 7 115.00] CKT 1  
OPEN LINE FROM BUS 652532 [YANKTON7 115.00] TO BUS 659121 [SPIRITM7 115.00] CKT 1  
DOUBLE 173 : OPEN LINE FROM BUS 640051 [AINSWRT7 115.00] TO BUS 640367 [STUART 7 115.00] CKT 1  
OPEN LINE FROM BUS 652626 [UTICAJC7 115.00] TO BUS 660006 [YKNTJCT7 115.00] CKT 1  
DOUBLE 174 : OPEN LINE FROM BUS 640051 [AINSWRT7 115.00] TO BUS 640367 [STUART 7 115.00] CKT 1  
OPEN LINE FROM BUS 652626 [UTICAJC7 115.00] TO BUS 660007 [MENNOJT7 115.00] CKT 1  
DOUBLE 175 : OPEN LINE FROM BUS 640051 [AINSWRT7 115.00] TO BUS 640392 [VALENTN7 115.00] CKT 1  
OPEN LINE FROM BUS 640054 [ALBION 7 115.00] TO BUS 640181 [GENOA 7 115.00] CKT 1  
DOUBLE 176 : OPEN LINE FROM BUS 640051 [AINSWRT7 115.00] TO BUS 640392 [VALENTN7 115.00] CKT 1  
OPEN LINE FROM BUS 640054 [ALBION 7 115.00] TO BUS 640318 [PETRSBG7 115.00] CKT 1  
DOUBLE 177 : OPEN LINE FROM BUS 640051 [AINSWRT7 115.00] TO BUS 640392 [VALENTN7 115.00] CKT 1  
OPEN LINE FROM BUS 640054 [ALBION 7 115.00] TO BUS 640347 [SPALDNG7 115.00] CKT 1  
DOUBLE 178 : OPEN LINE FROM BUS 640051 [AINSWRT7 115.00] TO BUS 640392 [VALENTN7 115.00] CKT 1  
OPEN LINE FROM BUS 640080 [BELDEN 7 115.00] TO BUS 640084 [BLMFLD 7 115.00] CKT 1  
DOUBLE 179 : OPEN LINE FROM BUS 640051 [AINSWRT7 115.00] TO BUS 640392 [VALENTN7 115.00] CKT 1  
OPEN LINE FROM BUS 640080 [BELDEN 7 115.00] TO BUS 640212 [HARTGTN7 115.00] CKT 1  
DOUBLE 180 : OPEN LINE FROM BUS 640051 [AINSWRT7 115.00] TO BUS 640392 [VALENTN7 115.00] CKT 1  
OPEN LINE FROM BUS 640080 [BELDEN 7 115.00] TO BUS 640228 [HOSKINS7 115.00] CKT 1  
DOUBLE 181 : OPEN LINE FROM BUS 640051 [AINSWRT7 115.00] TO BUS 640392 [VALENTN7 115.00] CKT 1  
OPEN LINE FROM BUS 640080 [BELDEN 7 115.00] TO BUS 640387 [TWIN CH7 115.00] CKT 1  
DOUBLE 182 : OPEN LINE FROM BUS 640051 [AINSWRT7 115.00] TO BUS 640392 [VALENTN7 115.00] CKT 1  
OPEN LINE FROM BUS 640084 [BLMFLD 7 115.00] TO BUS 640149 [CREITON7 115.00] CKT 1  
DOUBLE 183 : OPEN LINE FROM BUS 640051 [AINSWRT7 115.00] TO BUS 640392 [VALENTN7 115.00] CKT 1  
OPEN LINE FROM BUS 640084 [BLMFLD 7 115.00] TO BUS 652511 [GAVINS 7 115.00] CKT 1  
DOUBLE 184 : OPEN LINE FROM BUS 640051 [AINSWRT7 115.00] TO BUS 640392 [VALENTN7 115.00] CKT 1  
OPEN LINE FROM BUS 640089 [BROKENB7 115.00] TO BUS 640094 [C.CREEK7 115.00] CKT 1  
DOUBLE 185 : OPEN LINE FROM BUS 640051 [AINSWRT7 115.00] TO BUS 640392 [VALENTN7 115.00] CKT 1  
OPEN LINE FROM BUS 640089 [BROKENB7 115.00] TO BUS 640098 [CALAWAY7 115.00] CKT 1  
DOUBLE 186 : OPEN LINE FROM BUS 640051 [AINSWRT7 115.00] TO BUS 640392 [VALENTN7 115.00] CKT 1  
OPEN LINE FROM BUS 640089 [BROKENB7 115.00] TO BUS 640259 [LOUPCTY7 115.00] CKT 1  
DOUBLE 187 : OPEN LINE FROM BUS 640051 [AINSWRT7 115.00] TO BUS 640392 [VALENTN7 115.00] CKT 1  
OPEN LINE FROM BUS 640093 [C.CREEK4 230.00] TO BUS 640094 [C.CREEK7 115.00] CKT 1  
DOUBLE 188 : OPEN LINE FROM BUS 640051 [AINSWRT7 115.00] TO BUS 640392 [VALENTN7 115.00] CKT 1  
OPEN LINE FROM BUS 640093 [C.CREEK4 230.00] TO BUS 640102 [CANADAY4 230.00] CKT 1  
DOUBLE 189 : OPEN LINE FROM BUS 640051 [AINSWRT7 115.00] TO BUS 640392 [VALENTN7 115.00] CKT 1  
OPEN LINE FROM BUS 640093 [C.CREEK4 230.00] TO BUS 640286 [N.PLATT4 230.00] CKT 1  
DOUBLE 190 : OPEN LINE FROM BUS 640051 [AINSWRT7 115.00] TO BUS 640392 [VALENTN7 115.00] CKT 1

OPEN LINE FROM BUS 640093 [C.CREEK4 230.00] TO BUS 640330 [RIVERDL4 230.00] CKT 1  
DOUBLE 191 : OPEN LINE FROM BUS 640051 [AINSWRT7 115.00] TO BUS 640392 [VALENTN7 115.00] CKT 1  
OPEN LINE FROM BUS 640096 [CALAMS 7 115.00] TO BUS 640381 [THEDFRD7 115.00] CKT 1  
DOUBLE 192 : OPEN LINE FROM BUS 640051 [AINSWRT7 115.00] TO BUS 640392 [VALENTN7 115.00] CKT 1  
OPEN LINE FROM BUS 640098 [CALAWAY7 115.00] TO BUS 640267 [MAXWELS7 115.00] CKT 1  
DOUBLE 193 : OPEN LINE FROM BUS 640051 [AINSWRT7 115.00] TO BUS 640392 [VALENTN7 115.00] CKT 1  
OPEN LINE FROM BUS 640113 [CLRWATR7 115.00] TO BUS 640293 [NELIGH 7 115.00] CKT 1  
DOUBLE 194 : OPEN LINE FROM BUS 640051 [AINSWRT7 115.00] TO BUS 640392 [VALENTN7 115.00] CKT 1  
OPEN LINE FROM BUS 640115 [CO.LINE7 115.00] TO BUS 640293 [NELIGH 7 115.00] CKT 1  
DOUBLE 195 : OPEN LINE FROM BUS 640051 [AINSWRT7 115.00] TO BUS 640392 [VALENTN7 115.00] CKT 1  
OPEN LINE FROM BUS 640126 [E.COL. 4 230.00] TO BUS 640133 [COLMBUS4 230.00] CKT 1  
DOUBLE 196 : OPEN LINE FROM BUS 640051 [AINSWRT7 115.00] TO BUS 640392 [VALENTN7 115.00] CKT 1  
OPEN LINE FROM BUS 640131 [COLMB.W4 230.00] TO BUS 640133 [COLMBUS4 230.00] CKT 1  
DOUBLE 197 : OPEN LINE FROM BUS 640051 [AINSWRT7 115.00] TO BUS 640392 [VALENTN7 115.00] CKT 1  
OPEN LINE FROM BUS 640133 [COLMBUS4 230.00] TO BUS 640343 [SHELCKR4 230.00] CKT 1  
DOUBLE 198 : OPEN LINE FROM BUS 640051 [AINSWRT7 115.00] TO BUS 640392 [VALENTN7 115.00] CKT 1  
OPEN LINE FROM BUS 640133 [COLMBUS4 230.00] TO BUS 643000 [MADISONCNTY4230.00] CKT 1  
DOUBLE 199 : OPEN LINE FROM BUS 640051 [AINSWRT7 115.00] TO BUS 640392 [VALENTN7 115.00] CKT 1  
OPEN LINE FROM BUS 640133 [COLMBUS4 230.00] TO BUS 640134 [KELLY 7 115.00] TO BUS 640135 [COLMBS19 13.200] CKT 1  
DOUBLE 200 : OPEN LINE FROM BUS 640051 [AINSWRT7 115.00] TO BUS 640392 [VALENTN7 115.00] CKT 1  
OPEN LINE FROM BUS 640149 [CREITON7 115.00] TO BUS 640293 [NELIGH 7 115.00] CKT 1  
DOUBLE 201 : OPEN LINE FROM BUS 640051 [AINSWRT7 115.00] TO BUS 640392 [VALENTN7 115.00] CKT 1  
OPEN LINE FROM BUS 640151 [CRESTON7 115.00] TO BUS 640263 [MADISON7 115.00] CKT 1  
DOUBLE 202 : OPEN LINE FROM BUS 640051 [AINSWRT7 115.00] TO BUS 640392 [VALENTN7 115.00] CKT 1  
OPEN LINE FROM BUS 640212 [HARTGTN7 115.00] TO BUS 652511 [GAVINS 7 115.00] CKT 1  
DOUBLE 203 : OPEN LINE FROM BUS 640051 [AINSWRT7 115.00] TO BUS 640392 [VALENTN7 115.00] CKT 1  
OPEN LINE FROM BUS 640228 [HOSKINS7 115.00] TO BUS 640298 [NORFOLK7 115.00] CKT 1  
DOUBLE 204 : OPEN LINE FROM BUS 640051 [AINSWRT7 115.00] TO BUS 640392 [VALENTN7 115.00] CKT 1  
OPEN LINE FROM BUS 640259 [LOUPCTY7 115.00] TO BUS 640284 [N.LOUP 7 115.00] CKT 1  
DOUBLE 205 : OPEN LINE FROM BUS 640051 [AINSWRT7 115.00] TO BUS 640392 [VALENTN7 115.00] CKT 1  
OPEN LINE FROM BUS 640259 [LOUPCTY7 115.00] TO BUS 640353 [ST.LIB 7 115.00] CKT 1  
DOUBLE 206 : OPEN LINE FROM BUS 640051 [AINSWRT7 115.00] TO BUS 640392 [VALENTN7 115.00] CKT 1  
OPEN LINE FROM BUS 640263 [MADISON7 115.00] TO BUS 640298 [NORFOLK7 115.00] CKT 1  
DOUBLE 207 : OPEN LINE FROM BUS 640051 [AINSWRT7 115.00] TO BUS 640392 [VALENTN7 115.00] CKT 1  
OPEN LINE FROM BUS 640263 [MADISON7 115.00] TO BUS 643001 [MADISONCNTY7115.00] CKT 1  
DOUBLE 208 : OPEN LINE FROM BUS 640051 [AINSWRT7 115.00] TO BUS 640392 [VALENTN7 115.00] CKT 1  
OPEN LINE FROM BUS 640267 [MAXWELS7 115.00] TO BUS 640287 [N.PLATT7 115.00] CKT 1  
DOUBLE 209 : OPEN LINE FROM BUS 640051 [AINSWRT7 115.00] TO BUS 640392 [VALENTN7 115.00] CKT 1  
OPEN LINE FROM BUS 640267 [MAXWELS7 115.00] TO BUS 640381 [THEDFRD7 115.00] CKT 1  
DOUBLE 210 : OPEN LINE FROM BUS 640051 [AINSWRT7 115.00] TO BUS 640392 [VALENTN7 115.00] CKT 1  
OPEN LINE FROM BUS 640284 [N.LOUP 7 115.00] TO BUS 640347 [SPALDNG7 115.00] CKT 1  
DOUBLE 211 : OPEN LINE FROM BUS 640051 [AINSWRT7 115.00] TO BUS 640392 [VALENTN7 115.00] CKT 1  
OPEN LINE FROM BUS 640286 [N.PLATT4 230.00] TO BUS 640287 [N.PLATT7 115.00] CKT 2  
DOUBLE 212 : OPEN LINE FROM BUS 640051 [AINSWRT7 115.00] TO BUS 640392 [VALENTN7 115.00] CKT 1  
OPEN LINE FROM BUS 640293 [NELIGH 7 115.00] TO BUS 640444 [PETERSBRG.N7115.00] CKT 1  
DOUBLE 213 : OPEN LINE FROM BUS 640051 [AINSWRT7 115.00] TO BUS 640392 [VALENTN7 115.00] CKT 1  
OPEN LINE FROM BUS 640298 [NORFOLK7 115.00] TO BUS 643001 [MADISONCNTY7115.00] CKT 1  
DOUBLE 214 : OPEN LINE FROM BUS 640051 [AINSWRT7 115.00] TO BUS 640392 [VALENTN7 115.00] CKT 1

OPEN LINE FROM BUS 640318 [PETERSBG7 115.00] TO BUS 640444 [PETERSBRG.N7115.00] CKT 1  
DOUBLE 215 : OPEN LINE FROM BUS 640051 [AINSWRT7 115.00] TO BUS 640392 [VALENTN7 115.00] CKT 1  
OPEN LINE FROM BUS 640444 [PETERSBRG.N7115.00] TO BUS 643001 [MADISONCNTY7115.00] CKT 1  
DOUBLE 216 : OPEN LINE FROM BUS 640051 [AINSWRT7 115.00] TO BUS 640392 [VALENTN7 115.00] CKT 1  
OPEN LINE FROM BUS 643000 [MADISONCNTY4230.00] TO BUS 652509 [FTRANDL4 230.00] CKT 1  
DOUBLE 217 : OPEN LINE FROM BUS 640051 [AINSWRT7 115.00] TO BUS 640392 [VALENTN7 115.00] CKT 1  
OPEN LINE FROM BUS 652507 [FTTHOMP4 230.00] TO BUS 652509 [FTRANDL4 230.00] CKT 1  
DOUBLE 218 : OPEN LINE FROM BUS 640051 [AINSWRT7 115.00] TO BUS 640392 [VALENTN7 115.00] CKT 1  
OPEN LINE FROM BUS 652507 [FTTHOMP4 230.00] TO BUS 652516 [LAKPLAT4 230.00] CKT 1  
DOUBLE 219 : OPEN LINE FROM BUS 640051 [AINSWRT7 115.00] TO BUS 640392 [VALENTN7 115.00] CKT 1  
OPEN LINE FROM BUS 652509 [FTRANDL4 230.00] TO BUS 652510 [FTRANDL7 115.00] CKT 1  
DOUBLE 220 : OPEN LINE FROM BUS 640051 [AINSWRT7 115.00] TO BUS 640392 [VALENTN7 115.00] CKT 1  
OPEN LINE FROM BUS 652509 [FTRANDL4 230.00] TO BUS 652510 [FTRANDL7 115.00] CKT 2  
DOUBLE 221 : OPEN LINE FROM BUS 640051 [AINSWRT7 115.00] TO BUS 640392 [VALENTN7 115.00] CKT 1  
OPEN LINE FROM BUS 652509 [FTRANDL4 230.00] TO BUS 652516 [LAKPLAT4 230.00] CKT 1  
DOUBLE 222 : OPEN LINE FROM BUS 640051 [AINSWRT7 115.00] TO BUS 640392 [VALENTN7 115.00] CKT 1  
OPEN LINE FROM BUS 652509 [FTRANDL4 230.00] TO BUS 652526 [UTICAJC4 230.00] CKT 1  
DOUBLE 223 : OPEN LINE FROM BUS 640051 [AINSWRT7 115.00] TO BUS 640392 [VALENTN7 115.00] CKT 1  
OPEN LINE FROM BUS 652509 [FTRANDL4 230.00] TO BUS 652565 [SIOUXCY4 230.00] CKT 1  
DOUBLE 224 : OPEN LINE FROM BUS 640051 [AINSWRT7 115.00] TO BUS 640392 [VALENTN7 115.00] CKT 1  
OPEN LINE FROM BUS 652511 [GAVINS 7 115.00] TO BUS 652532 [YANKTON7 115.00] CKT 1  
DOUBLE 225 : OPEN LINE FROM BUS 640051 [AINSWRT7 115.00] TO BUS 640392 [VALENTN7 115.00] CKT 1  
OPEN LINE FROM BUS 652511 [GAVINS 7 115.00] TO BUS 660006 [YKNTJCT7 115.00] CKT 1  
DOUBLE 226 : OPEN LINE FROM BUS 640051 [AINSWRT7 115.00] TO BUS 640392 [VALENTN7 115.00] CKT 1  
OPEN LINE FROM BUS 652517 [MANNING7 115.00] TO BUS 659121 [SPIRITM7 115.00] CKT 1  
DOUBLE 227 : OPEN LINE FROM BUS 640051 [AINSWRT7 115.00] TO BUS 640392 [VALENTN7 115.00] CKT 1  
OPEN LINE FROM BUS 652526 [UTICAJC4 230.00] TO BUS 652626 [UTICAJC7 115.00] TO BUS 652627 [UTICAJC9 13.200] CKT 1  
DOUBLE 228 : OPEN LINE FROM BUS 640051 [AINSWRT7 115.00] TO BUS 640392 [VALENTN7 115.00] CKT 1  
OPEN LINE FROM BUS 652532 [YANKTON7 115.00] TO BUS 659121 [SPIRITM7 115.00] CKT 1  
DOUBLE 229 : OPEN LINE FROM BUS 640051 [AINSWRT7 115.00] TO BUS 640392 [VALENTN7 115.00] CKT 1  
OPEN LINE FROM BUS 652626 [UTICAJC7 115.00] TO BUS 660006 [YKNTJCT7 115.00] CKT 1  
DOUBLE 230 : OPEN LINE FROM BUS 640051 [AINSWRT7 115.00] TO BUS 640392 [VALENTN7 115.00] CKT 1  
OPEN LINE FROM BUS 652626 [UTICAJC7 115.00] TO BUS 660007 [MENNOJT7 115.00] CKT 1  
DOUBLE 231 : OPEN LINE FROM BUS 640054 [ALBION 7 115.00] TO BUS 640181 [GENOA 7 115.00] CKT 1  
OPEN LINE FROM BUS 640054 [ALBION 7 115.00] TO BUS 640318 [PETERSBG7 115.00] CKT 1  
DOUBLE 232 : OPEN LINE FROM BUS 640054 [ALBION 7 115.00] TO BUS 640181 [GENOA 7 115.00] CKT 1  
OPEN LINE FROM BUS 640054 [ALBION 7 115.00] TO BUS 640347 [SPALDNG7 115.00] CKT 1  
DOUBLE 233 : OPEN LINE FROM BUS 640054 [ALBION 7 115.00] TO BUS 640181 [GENOA 7 115.00] CKT 1  
OPEN LINE FROM BUS 640080 [BELDEN 7 115.00] TO BUS 640084 [BLMFLD 7 115.00] CKT 1  
DOUBLE 234 : OPEN LINE FROM BUS 640054 [ALBION 7 115.00] TO BUS 640181 [GENOA 7 115.00] CKT 1  
OPEN LINE FROM BUS 640080 [BELDEN 7 115.00] TO BUS 640212 [HARTGTN7 115.00] CKT 1  
DOUBLE 235 : OPEN LINE FROM BUS 640054 [ALBION 7 115.00] TO BUS 640181 [GENOA 7 115.00] CKT 1  
OPEN LINE FROM BUS 640080 [BELDEN 7 115.00] TO BUS 640228 [HOSKINS7 115.00] CKT 1  
DOUBLE 236 : OPEN LINE FROM BUS 640054 [ALBION 7 115.00] TO BUS 640181 [GENOA 7 115.00] CKT 1  
OPEN LINE FROM BUS 640080 [BELDEN 7 115.00] TO BUS 640387 [TWIN CH7 115.00] CKT 1  
DOUBLE 237 : OPEN LINE FROM BUS 640054 [ALBION 7 115.00] TO BUS 640181 [GENOA 7 115.00] CKT 1  
OPEN LINE FROM BUS 640084 [BLMFLD 7 115.00] TO BUS 640149 [CREITON7 115.00] CKT 1  
DOUBLE 238 : OPEN LINE FROM BUS 640054 [ALBION 7 115.00] TO BUS 640181 [GENOA 7 115.00] CKT 1

OPEN LINE FROM BUS 640084 [BLMFLD 7 115.00] TO BUS 652511 [GAVINS 7 115.00] CKT 1  
DOUBLE 239 : OPEN LINE FROM BUS 640054 [ALBION 7 115.00] TO BUS 640181 [GENOA 7 115.00] CKT 1  
OPEN LINE FROM BUS 640089 [BROKENB7 115.00] TO BUS 640094 [C.CREEK7 115.00] CKT 1  
DOUBLE 240 : OPEN LINE FROM BUS 640054 [ALBION 7 115.00] TO BUS 640181 [GENOA 7 115.00] CKT 1  
OPEN LINE FROM BUS 640089 [BROKENB7 115.00] TO BUS 640098 [CALAWAY7 115.00] CKT 1  
DOUBLE 241 : OPEN LINE FROM BUS 640054 [ALBION 7 115.00] TO BUS 640181 [GENOA 7 115.00] CKT 1  
OPEN LINE FROM BUS 640089 [BROKENB7 115.00] TO BUS 640259 [LOUPCTY7 115.00] CKT 1  
DOUBLE 242 : OPEN LINE FROM BUS 640054 [ALBION 7 115.00] TO BUS 640181 [GENOA 7 115.00] CKT 1  
OPEN LINE FROM BUS 640093 [C.CREEK4 230.00] TO BUS 640094 [C.CREEK7 115.00] CKT 1  
DOUBLE 243 : OPEN LINE FROM BUS 640054 [ALBION 7 115.00] TO BUS 640181 [GENOA 7 115.00] CKT 1  
OPEN LINE FROM BUS 640093 [C.CREEK4 230.00] TO BUS 640102 [CANADAY4 230.00] CKT 1  
DOUBLE 244 : OPEN LINE FROM BUS 640054 [ALBION 7 115.00] TO BUS 640181 [GENOA 7 115.00] CKT 1  
OPEN LINE FROM BUS 640093 [C.CREEK4 230.00] TO BUS 640286 [N.PLATT4 230.00] CKT 1  
DOUBLE 245 : OPEN LINE FROM BUS 640054 [ALBION 7 115.00] TO BUS 640181 [GENOA 7 115.00] CKT 1  
OPEN LINE FROM BUS 640093 [C.CREEK4 230.00] TO BUS 640330 [RIVERDL4 230.00] CKT 1  
DOUBLE 246 : OPEN LINE FROM BUS 640054 [ALBION 7 115.00] TO BUS 640181 [GENOA 7 115.00] CKT 1  
OPEN LINE FROM BUS 640096 [CALAMS 7 115.00] TO BUS 640381 [THEDFRD7 115.00] CKT 1  
DOUBLE 247 : OPEN LINE FROM BUS 640054 [ALBION 7 115.00] TO BUS 640181 [GENOA 7 115.00] CKT 1  
OPEN LINE FROM BUS 640098 [CALAWAY7 115.00] TO BUS 640267 [MAXWELS7 115.00] CKT 1  
DOUBLE 248 : OPEN LINE FROM BUS 640054 [ALBION 7 115.00] TO BUS 640181 [GENOA 7 115.00] CKT 1  
OPEN LINE FROM BUS 640113 [CLRWATR7 115.00] TO BUS 640293 [NELIGH 7 115.00] CKT 1  
DOUBLE 249 : OPEN LINE FROM BUS 640054 [ALBION 7 115.00] TO BUS 640181 [GENOA 7 115.00] CKT 1  
OPEN LINE FROM BUS 640115 [CO.LINE7 115.00] TO BUS 640293 [NELIGH 7 115.00] CKT 1  
DOUBLE 250 : OPEN LINE FROM BUS 640054 [ALBION 7 115.00] TO BUS 640181 [GENOA 7 115.00] CKT 1  
OPEN LINE FROM BUS 640126 [E.COL. 4 230.00] TO BUS 640133 [COLMBUS4 230.00] CKT 1  
DOUBLE 251 : OPEN LINE FROM BUS 640054 [ALBION 7 115.00] TO BUS 640181 [GENOA 7 115.00] CKT 1  
OPEN LINE FROM BUS 640131 [COLMB.W4 230.00] TO BUS 640133 [COLMBUS4 230.00] CKT 1  
DOUBLE 252 : OPEN LINE FROM BUS 640054 [ALBION 7 115.00] TO BUS 640181 [GENOA 7 115.00] CKT 1  
OPEN LINE FROM BUS 640133 [COLMBUS4 230.00] TO BUS 640343 [SHELCKR4 230.00] CKT 1  
DOUBLE 253 : OPEN LINE FROM BUS 640054 [ALBION 7 115.00] TO BUS 640181 [GENOA 7 115.00] CKT 1  
OPEN LINE FROM BUS 640133 [COLMBUS4 230.00] TO BUS 643000 [MADISONCNTY4230.00] CKT 1  
DOUBLE 254 : OPEN LINE FROM BUS 640054 [ALBION 7 115.00] TO BUS 640181 [GENOA 7 115.00] CKT 1  
OPEN LINE FROM BUS 640133 [COLMBUS4 230.00] TO BUS 640134 [KELLY 7 115.00] TO BUS 640135 [COLMBS19 13.200] CKT 1  
DOUBLE 255 : OPEN LINE FROM BUS 640054 [ALBION 7 115.00] TO BUS 640181 [GENOA 7 115.00] CKT 1  
OPEN LINE FROM BUS 640149 [CREITON7 115.00] TO BUS 640293 [NELIGH 7 115.00] CKT 1  
DOUBLE 256 : OPEN LINE FROM BUS 640054 [ALBION 7 115.00] TO BUS 640181 [GENOA 7 115.00] CKT 1  
OPEN LINE FROM BUS 640151 [CRESTON7 115.00] TO BUS 640263 [MADISON7 115.00] CKT 1  
DOUBLE 257 : OPEN LINE FROM BUS 640054 [ALBION 7 115.00] TO BUS 640181 [GENOA 7 115.00] CKT 1  
OPEN LINE FROM BUS 640212 [HARTGTN7 115.00] TO BUS 652511 [GAVINS 7 115.00] CKT 1  
DOUBLE 258 : OPEN LINE FROM BUS 640054 [ALBION 7 115.00] TO BUS 640181 [GENOA 7 115.00] CKT 1  
OPEN LINE FROM BUS 640228 [HOSKINS7 115.00] TO BUS 640298 [NORFOLK7 115.00] CKT 1  
DOUBLE 259 : OPEN LINE FROM BUS 640054 [ALBION 7 115.00] TO BUS 640181 [GENOA 7 115.00] CKT 1  
OPEN LINE FROM BUS 640259 [LOUPCTY7 115.00] TO BUS 640284 [N.LOUP 7 115.00] CKT 1  
DOUBLE 260 : OPEN LINE FROM BUS 640054 [ALBION 7 115.00] TO BUS 640181 [GENOA 7 115.00] CKT 1  
OPEN LINE FROM BUS 640259 [LOUPCTY7 115.00] TO BUS 640353 [ST.LIB 7 115.00] CKT 1  
DOUBLE 261 : OPEN LINE FROM BUS 640054 [ALBION 7 115.00] TO BUS 640181 [GENOA 7 115.00] CKT 1  
OPEN LINE FROM BUS 640263 [MADISON7 115.00] TO BUS 640298 [NORFOLK7 115.00] CKT 1  
DOUBLE 262 : OPEN LINE FROM BUS 640054 [ALBION 7 115.00] TO BUS 640181 [GENOA 7 115.00] CKT 1



OPEN LINE FROM BUS 640263 [MADISON7 115.00] TO BUS 643001 [MADISONCNTY7115.00] CKT 1  
DOUBLE 263 : OPEN LINE FROM BUS 640054 [ALBION 7 115.00] TO BUS 640181 [GENOA 7 115.00] CKT 1  
OPEN LINE FROM BUS 640267 [MAXWELS7 115.00] TO BUS 640287 [N.PLATT7 115.00] CKT 1  
DOUBLE 264 : OPEN LINE FROM BUS 640054 [ALBION 7 115.00] TO BUS 640181 [GENOA 7 115.00] CKT 1  
OPEN LINE FROM BUS 640267 [MAXWELS7 115.00] TO BUS 640381 [THEDFRD7 115.00] CKT 1  
DOUBLE 265 : OPEN LINE FROM BUS 640054 [ALBION 7 115.00] TO BUS 640181 [GENOA 7 115.00] CKT 1  
OPEN LINE FROM BUS 640284 [N.LOUP 7 115.00] TO BUS 640347 [SPALDNG7 115.00] CKT 1  
DOUBLE 266 : OPEN LINE FROM BUS 640054 [ALBION 7 115.00] TO BUS 640181 [GENOA 7 115.00] CKT 1  
OPEN LINE FROM BUS 640286 [N.PLATT4 230.00] TO BUS 640287 [N.PLATT7 115.00] CKT 2  
DOUBLE 267 : OPEN LINE FROM BUS 640054 [ALBION 7 115.00] TO BUS 640181 [GENOA 7 115.00] CKT 1  
OPEN LINE FROM BUS 640293 [NELIGH 7 115.00] TO BUS 640444 [PETERSBRG.N7115.00] CKT 1  
DOUBLE 268 : OPEN LINE FROM BUS 640054 [ALBION 7 115.00] TO BUS 640181 [GENOA 7 115.00] CKT 1  
OPEN LINE FROM BUS 640298 [NORFOLK7 115.00] TO BUS 643001 [MADISONCNTY7115.00] CKT 1  
DOUBLE 269 : OPEN LINE FROM BUS 640054 [ALBION 7 115.00] TO BUS 640181 [GENOA 7 115.00] CKT 1  
OPEN LINE FROM BUS 640318 [PETRSG7 115.00] TO BUS 640444 [PETERSBRG.N7115.00] CKT 1  
DOUBLE 270 : OPEN LINE FROM BUS 640054 [ALBION 7 115.00] TO BUS 640181 [GENOA 7 115.00] CKT 1  
OPEN LINE FROM BUS 640444 [PETERSBRG.N7115.00] TO BUS 643001 [MADISONCNTY7115.00] CKT 1  
DOUBLE 271 : OPEN LINE FROM BUS 640054 [ALBION 7 115.00] TO BUS 640181 [GENOA 7 115.00] CKT 1  
OPEN LINE FROM BUS 643000 [MADISONCNTY4230.00] TO BUS 652509 [FTRANDL4 230.00] CKT 1  
DOUBLE 272 : OPEN LINE FROM BUS 640054 [ALBION 7 115.00] TO BUS 640181 [GENOA 7 115.00] CKT 1  
OPEN LINE FROM BUS 652507 [FTTHOMP4 230.00] TO BUS 652509 [FTRANDL4 230.00] CKT 1  
DOUBLE 273 : OPEN LINE FROM BUS 640054 [ALBION 7 115.00] TO BUS 640181 [GENOA 7 115.00] CKT 1  
OPEN LINE FROM BUS 652507 [FTTHOMP4 230.00] TO BUS 652516 [LAKPLAT4 230.00] CKT 1  
DOUBLE 274 : OPEN LINE FROM BUS 640054 [ALBION 7 115.00] TO BUS 640181 [GENOA 7 115.00] CKT 1  
OPEN LINE FROM BUS 652509 [FTRANDL4 230.00] TO BUS 652510 [FTRANDL7 115.00] CKT 1  
DOUBLE 275 : OPEN LINE FROM BUS 640054 [ALBION 7 115.00] TO BUS 640181 [GENOA 7 115.00] CKT 1  
OPEN LINE FROM BUS 652509 [FTRANDL4 230.00] TO BUS 652510 [FTRANDL7 115.00] CKT 2  
DOUBLE 276 : OPEN LINE FROM BUS 640054 [ALBION 7 115.00] TO BUS 640181 [GENOA 7 115.00] CKT 1  
OPEN LINE FROM BUS 652509 [FTRANDL4 230.00] TO BUS 652516 [LAKPLAT4 230.00] CKT 1  
DOUBLE 277 : OPEN LINE FROM BUS 640054 [ALBION 7 115.00] TO BUS 640181 [GENOA 7 115.00] CKT 1  
OPEN LINE FROM BUS 652509 [FTRANDL4 230.00] TO BUS 652526 [UTICAJC4 230.00] CKT 1  
DOUBLE 278 : OPEN LINE FROM BUS 640054 [ALBION 7 115.00] TO BUS 640181 [GENOA 7 115.00] CKT 1  
OPEN LINE FROM BUS 652509 [FTRANDL4 230.00] TO BUS 652565 [SIOUXCY4 230.00] CKT 1  
DOUBLE 279 : OPEN LINE FROM BUS 640054 [ALBION 7 115.00] TO BUS 640181 [GENOA 7 115.00] CKT 1  
OPEN LINE FROM BUS 652511 [GAVINS 7 115.00] TO BUS 652532 [YANKTON7 115.00] CKT 1  
DOUBLE 280 : OPEN LINE FROM BUS 640054 [ALBION 7 115.00] TO BUS 640181 [GENOA 7 115.00] CKT 1  
OPEN LINE FROM BUS 652511 [GAVINS 7 115.00] TO BUS 660006 [YKNTJCT7 115.00] CKT 1  
DOUBLE 281 : OPEN LINE FROM BUS 640054 [ALBION 7 115.00] TO BUS 640181 [GENOA 7 115.00] CKT 1  
OPEN LINE FROM BUS 652517 [MANNING7 115.00] TO BUS 659121 [SPIRITM7 115.00] CKT 1  
DOUBLE 282 : OPEN LINE FROM BUS 640054 [ALBION 7 115.00] TO BUS 640181 [GENOA 7 115.00] CKT 1  
OPEN LINE FROM BUS 652526 [UTICAJC4 230.00] TO BUS 652626 [UTICAJC7 115.00] TO BUS 652627 [UTICAJC9 13.200] CKT 1  
DOUBLE 283 : OPEN LINE FROM BUS 640054 [ALBION 7 115.00] TO BUS 640181 [GENOA 7 115.00] CKT 1  
OPEN LINE FROM BUS 652532 [YANKTON7 115.00] TO BUS 659121 [SPIRITM7 115.00] CKT 1  
DOUBLE 284 : OPEN LINE FROM BUS 640054 [ALBION 7 115.00] TO BUS 640181 [GENOA 7 115.00] CKT 1  
OPEN LINE FROM BUS 652626 [UTICAJC7 115.00] TO BUS 660006 [YKNTJCT7 115.00] CKT 1  
DOUBLE 285 : OPEN LINE FROM BUS 640054 [ALBION 7 115.00] TO BUS 640181 [GENOA 7 115.00] CKT 1  
OPEN LINE FROM BUS 652626 [UTICAJC7 115.00] TO BUS 660007 [MENNOJT7 115.00] CKT 1  
DOUBLE 286 : OPEN LINE FROM BUS 640054 [ALBION 7 115.00] TO BUS 640318 [PETRSG7 115.00] CKT 1

OPEN LINE FROM BUS 640054 [ALBION 7 115.00] TO BUS 640347 [SPALDNG7 115.00] CKT 1  
DOUBLE 287 : OPEN LINE FROM BUS 640054 [ALBION 7 115.00] TO BUS 640318 [PETRSBG7 115.00] CKT 1  
OPEN LINE FROM BUS 640080 [BELDEN 7 115.00] TO BUS 640084 [BLMFLD 7 115.00] CKT 1  
DOUBLE 288 : OPEN LINE FROM BUS 640054 [ALBION 7 115.00] TO BUS 640318 [PETRSBG7 115.00] CKT 1  
OPEN LINE FROM BUS 640080 [BELDEN 7 115.00] TO BUS 640212 [HARTGTN7 115.00] CKT 1  
DOUBLE 289 : OPEN LINE FROM BUS 640054 [ALBION 7 115.00] TO BUS 640318 [PETRSBG7 115.00] CKT 1  
OPEN LINE FROM BUS 640080 [BELDEN 7 115.00] TO BUS 640228 [HOSKINS7 115.00] CKT 1  
DOUBLE 290 : OPEN LINE FROM BUS 640054 [ALBION 7 115.00] TO BUS 640318 [PETRSBG7 115.00] CKT 1  
OPEN LINE FROM BUS 640080 [BELDEN 7 115.00] TO BUS 640387 [TWIN CH7 115.00] CKT 1  
DOUBLE 291 : OPEN LINE FROM BUS 640054 [ALBION 7 115.00] TO BUS 640318 [PETRSBG7 115.00] CKT 1  
OPEN LINE FROM BUS 640084 [BLMFLD 7 115.00] TO BUS 640149 [CREITON7 115.00] CKT 1  
DOUBLE 292 : OPEN LINE FROM BUS 640054 [ALBION 7 115.00] TO BUS 640318 [PETRSBG7 115.00] CKT 1  
OPEN LINE FROM BUS 640084 [BLMFLD 7 115.00] TO BUS 652511 [GAVINS 7 115.00] CKT 1  
DOUBLE 293 : OPEN LINE FROM BUS 640054 [ALBION 7 115.00] TO BUS 640318 [PETRSBG7 115.00] CKT 1  
OPEN LINE FROM BUS 640089 [BROKENB7 115.00] TO BUS 640094 [C.CREEK7 115.00] CKT 1  
DOUBLE 294 : OPEN LINE FROM BUS 640054 [ALBION 7 115.00] TO BUS 640318 [PETRSBG7 115.00] CKT 1  
OPEN LINE FROM BUS 640089 [BROKENB7 115.00] TO BUS 640098 [CALAWAY7 115.00] CKT 1  
DOUBLE 295 : OPEN LINE FROM BUS 640054 [ALBION 7 115.00] TO BUS 640318 [PETRSBG7 115.00] CKT 1  
OPEN LINE FROM BUS 640089 [BROKENB7 115.00] TO BUS 640259 [LOUPCTY7 115.00] CKT 1  
DOUBLE 296 : OPEN LINE FROM BUS 640054 [ALBION 7 115.00] TO BUS 640318 [PETRSBG7 115.00] CKT 1  
OPEN LINE FROM BUS 640093 [C.CREEK4 230.00] TO BUS 640094 [C.CREEK7 115.00] CKT 1  
DOUBLE 297 : OPEN LINE FROM BUS 640054 [ALBION 7 115.00] TO BUS 640318 [PETRSBG7 115.00] CKT 1  
OPEN LINE FROM BUS 640093 [C.CREEK4 230.00] TO BUS 640102 [CANADAY4 230.00] CKT 1  
DOUBLE 298 : OPEN LINE FROM BUS 640054 [ALBION 7 115.00] TO BUS 640318 [PETRSBG7 115.00] CKT 1  
OPEN LINE FROM BUS 640093 [C.CREEK4 230.00] TO BUS 640286 [N.PLATT4 230.00] CKT 1  
DOUBLE 299 : OPEN LINE FROM BUS 640054 [ALBION 7 115.00] TO BUS 640318 [PETRSBG7 115.00] CKT 1  
OPEN LINE FROM BUS 640093 [C.CREEK4 230.00] TO BUS 640330 [RIVERDL4 230.00] CKT 1  
DOUBLE 300 : OPEN LINE FROM BUS 640054 [ALBION 7 115.00] TO BUS 640318 [PETRSBG7 115.00] CKT 1  
OPEN LINE FROM BUS 640096 [CALAMS 7 115.00] TO BUS 640381 [THEDFRD7 115.00] CKT 1  
DOUBLE 301 : OPEN LINE FROM BUS 640054 [ALBION 7 115.00] TO BUS 640318 [PETRSBG7 115.00] CKT 1  
OPEN LINE FROM BUS 640098 [CALAWAY7 115.00] TO BUS 640267 [MAXWELS7 115.00] CKT 1  
DOUBLE 302 : OPEN LINE FROM BUS 640054 [ALBION 7 115.00] TO BUS 640318 [PETRSBG7 115.00] CKT 1  
OPEN LINE FROM BUS 640113 [CLRWATR7 115.00] TO BUS 640293 [NELIGH 7 115.00] CKT 1  
DOUBLE 303 : OPEN LINE FROM BUS 640054 [ALBION 7 115.00] TO BUS 640318 [PETRSBG7 115.00] CKT 1  
OPEN LINE FROM BUS 640115 [CO.LINE7 115.00] TO BUS 640293 [NELIGH 7 115.00] CKT 1  
DOUBLE 304 : OPEN LINE FROM BUS 640054 [ALBION 7 115.00] TO BUS 640318 [PETRSBG7 115.00] CKT 1  
OPEN LINE FROM BUS 640126 [E.COL. 4 230.00] TO BUS 640133 [COLMBUS4 230.00] CKT 1  
DOUBLE 305 : OPEN LINE FROM BUS 640054 [ALBION 7 115.00] TO BUS 640318 [PETRSBG7 115.00] CKT 1  
OPEN LINE FROM BUS 640131 [COLMB.W4 230.00] TO BUS 640133 [COLMBUS4 230.00] CKT 1  
DOUBLE 306 : OPEN LINE FROM BUS 640054 [ALBION 7 115.00] TO BUS 640318 [PETRSBG7 115.00] CKT 1  
OPEN LINE FROM BUS 640133 [COLMBUS4 230.00] TO BUS 640343 [SHELCKR4 230.00] CKT 1  
DOUBLE 307 : OPEN LINE FROM BUS 640054 [ALBION 7 115.00] TO BUS 640318 [PETRSBG7 115.00] CKT 1  
OPEN LINE FROM BUS 640133 [COLMBUS4 230.00] TO BUS 643000 [MADISONCNTY4230.00] CKT 1  
DOUBLE 308 : OPEN LINE FROM BUS 640054 [ALBION 7 115.00] TO BUS 640318 [PETRSBG7 115.00] CKT 1  
OPEN LINE FROM BUS 640133 [COLMBUS4 230.00] TO BUS 640134 [KELLY 7 115.00] TO BUS 640135 [COLMBS19 13.200] CKT 1  
DOUBLE 309 : OPEN LINE FROM BUS 640054 [ALBION 7 115.00] TO BUS 640318 [PETRSBG7 115.00] CKT 1  
OPEN LINE FROM BUS 640149 [CREITON7 115.00] TO BUS 640293 [NELIGH 7 115.00] CKT 1  
DOUBLE 310 : OPEN LINE FROM BUS 640054 [ALBION 7 115.00] TO BUS 640318 [PETRSBG7 115.00] CKT 1

OPEN LINE FROM BUS 640151 [CRESTON7 115.00] TO BUS 640263 [MADISON7 115.00] CKT 1  
DOUBLE 311 : OPEN LINE FROM BUS 640054 [ALBION 7 115.00] TO BUS 640318 [PETRSBG7 115.00] CKT 1  
OPEN LINE FROM BUS 640212 [HARTGTN7 115.00] TO BUS 652511 [GAVINS 7 115.00] CKT 1  
DOUBLE 312 : OPEN LINE FROM BUS 640054 [ALBION 7 115.00] TO BUS 640318 [PETRSBG7 115.00] CKT 1  
OPEN LINE FROM BUS 640228 [HOSKINS7 115.00] TO BUS 640298 [NORFOLK7 115.00] CKT 1  
DOUBLE 313 : OPEN LINE FROM BUS 640054 [ALBION 7 115.00] TO BUS 640318 [PETRSBG7 115.00] CKT 1  
OPEN LINE FROM BUS 640259 [LOUPCTY7 115.00] TO BUS 640284 [N.LOUP 7 115.00] CKT 1  
DOUBLE 314 : OPEN LINE FROM BUS 640054 [ALBION 7 115.00] TO BUS 640318 [PETRSBG7 115.00] CKT 1  
OPEN LINE FROM BUS 640259 [LOUPCTY7 115.00] TO BUS 640353 [ST.LIB 7 115.00] CKT 1  
DOUBLE 315 : OPEN LINE FROM BUS 640054 [ALBION 7 115.00] TO BUS 640318 [PETRSBG7 115.00] CKT 1  
OPEN LINE FROM BUS 640263 [MADISON7 115.00] TO BUS 640298 [NORFOLK7 115.00] CKT 1  
DOUBLE 316 : OPEN LINE FROM BUS 640054 [ALBION 7 115.00] TO BUS 640318 [PETRSBG7 115.00] CKT 1  
OPEN LINE FROM BUS 640263 [MADISON7 115.00] TO BUS 643001 [MADISONCNTY7115.00] CKT 1  
DOUBLE 317 : OPEN LINE FROM BUS 640054 [ALBION 7 115.00] TO BUS 640318 [PETRSBG7 115.00] CKT 1  
OPEN LINE FROM BUS 640267 [MAXWELS7 115.00] TO BUS 640287 [N.PLATT7 115.00] CKT 1  
DOUBLE 318 : OPEN LINE FROM BUS 640054 [ALBION 7 115.00] TO BUS 640318 [PETRSBG7 115.00] CKT 1  
OPEN LINE FROM BUS 640267 [MAXWELS7 115.00] TO BUS 640381 [THEDFRD7 115.00] CKT 1  
DOUBLE 319 : OPEN LINE FROM BUS 640054 [ALBION 7 115.00] TO BUS 640318 [PETRSBG7 115.00] CKT 1  
OPEN LINE FROM BUS 640284 [N.LOUP 7 115.00] TO BUS 640347 [SPALDNG7 115.00] CKT 1  
DOUBLE 320 : OPEN LINE FROM BUS 640054 [ALBION 7 115.00] TO BUS 640318 [PETRSBG7 115.00] CKT 1  
OPEN LINE FROM BUS 640286 [N.PLATT4 230.00] TO BUS 640287 [N.PLATT7 115.00] CKT 2  
DOUBLE 321 : OPEN LINE FROM BUS 640054 [ALBION 7 115.00] TO BUS 640318 [PETRSBG7 115.00] CKT 1  
OPEN LINE FROM BUS 640293 [NELIGH 7 115.00] TO BUS 640444 [PETERSBRG.N7115.00] CKT 1  
DOUBLE 322 : OPEN LINE FROM BUS 640054 [ALBION 7 115.00] TO BUS 640318 [PETRSBG7 115.00] CKT 1  
OPEN LINE FROM BUS 640298 [NORFOLK7 115.00] TO BUS 643001 [MADISONCNTY7115.00] CKT 1  
DOUBLE 323 : OPEN LINE FROM BUS 640054 [ALBION 7 115.00] TO BUS 640318 [PETRSBG7 115.00] CKT 1  
OPEN LINE FROM BUS 640318 [PETRSBG7 115.00] TO BUS 640444 [PETERSBRG.N7115.00] CKT 1  
DOUBLE 324 : OPEN LINE FROM BUS 640054 [ALBION 7 115.00] TO BUS 640318 [PETRSBG7 115.00] CKT 1  
OPEN LINE FROM BUS 640444 [PETERSBRG.N7115.00] TO BUS 643001 [MADISONCNTY7115.00] CKT 1  
DOUBLE 325 : OPEN LINE FROM BUS 640054 [ALBION 7 115.00] TO BUS 640318 [PETRSBG7 115.00] CKT 1  
OPEN LINE FROM BUS 643000 [MADISONCNTY4230.00] TO BUS 652509 [FTRANDL4 230.00] CKT 1  
DOUBLE 326 : OPEN LINE FROM BUS 640054 [ALBION 7 115.00] TO BUS 640318 [PETRSBG7 115.00] CKT 1  
OPEN LINE FROM BUS 652507 [FTTHOMP4 230.00] TO BUS 652509 [FTRANDL4 230.00] CKT 1  
DOUBLE 327 : OPEN LINE FROM BUS 640054 [ALBION 7 115.00] TO BUS 640318 [PETRSBG7 115.00] CKT 1  
OPEN LINE FROM BUS 652507 [FTTHOMP4 230.00] TO BUS 652516 [LAKPLAT4 230.00] CKT 1  
DOUBLE 328 : OPEN LINE FROM BUS 640054 [ALBION 7 115.00] TO BUS 640318 [PETRSBG7 115.00] CKT 1  
OPEN LINE FROM BUS 652509 [FTRANDL4 230.00] TO BUS 652510 [FTRANDL7 115.00] CKT 1  
DOUBLE 329 : OPEN LINE FROM BUS 640054 [ALBION 7 115.00] TO BUS 640318 [PETRSBG7 115.00] CKT 1  
OPEN LINE FROM BUS 652509 [FTRANDL4 230.00] TO BUS 652510 [FTRANDL7 115.00] CKT 2  
DOUBLE 330 : OPEN LINE FROM BUS 640054 [ALBION 7 115.00] TO BUS 640318 [PETRSBG7 115.00] CKT 1  
OPEN LINE FROM BUS 652509 [FTRANDL4 230.00] TO BUS 652516 [LAKPLAT4 230.00] CKT 1  
DOUBLE 331 : OPEN LINE FROM BUS 640054 [ALBION 7 115.00] TO BUS 640318 [PETRSBG7 115.00] CKT 1  
OPEN LINE FROM BUS 652509 [FTRANDL4 230.00] TO BUS 652526 [UTICAJC4 230.00] CKT 1  
DOUBLE 332 : OPEN LINE FROM BUS 640054 [ALBION 7 115.00] TO BUS 640318 [PETRSBG7 115.00] CKT 1  
OPEN LINE FROM BUS 652509 [FTRANDL4 230.00] TO BUS 652565 [SIOUXCY4 230.00] CKT 1  
DOUBLE 333 : OPEN LINE FROM BUS 640054 [ALBION 7 115.00] TO BUS 640318 [PETRSBG7 115.00] CKT 1  
OPEN LINE FROM BUS 652511 [GAVINS 7 115.00] TO BUS 652532 [YANKTON7 115.00] CKT 1  
DOUBLE 334 : OPEN LINE FROM BUS 640054 [ALBION 7 115.00] TO BUS 640318 [PETRSBG7 115.00] CKT 1

OPEN LINE FROM BUS 652511 [GAVINS 7 115.00] TO BUS 660006 [YKNTJCT7 115.00] CKT 1  
DOUBLE 335 : OPEN LINE FROM BUS 640054 [ALBION 7 115.00] TO BUS 640318 [PETR SBG7 115.00] CKT 1  
OPEN LINE FROM BUS 652517 [MANNING7 115.00] TO BUS 659121 [SPIRITM7 115.00] CKT 1  
DOUBLE 336 : OPEN LINE FROM BUS 640054 [ALBION 7 115.00] TO BUS 640318 [PETR SBG7 115.00] CKT 1  
OPEN LINE FROM BUS 652526 [UTICAJC4 230.00] TO BUS 652626 [UTICAJC7 115.00] TO BUS 652627 [UTICAJC9 13.200] CKT 1  
DOUBLE 337 : OPEN LINE FROM BUS 640054 [ALBION 7 115.00] TO BUS 640318 [PETR SBG7 115.00] CKT 1  
OPEN LINE FROM BUS 652532 [YANKTON7 115.00] TO BUS 659121 [SPIRITM7 115.00] CKT 1  
DOUBLE 338 : OPEN LINE FROM BUS 640054 [ALBION 7 115.00] TO BUS 640318 [PETR SBG7 115.00] CKT 1  
OPEN LINE FROM BUS 652626 [UTICAJC7 115.00] TO BUS 660006 [YKNTJCT7 115.00] CKT 1  
DOUBLE 339 : OPEN LINE FROM BUS 640054 [ALBION 7 115.00] TO BUS 640318 [PETR SBG7 115.00] CKT 1  
OPEN LINE FROM BUS 652626 [UTICAJC7 115.00] TO BUS 660007 [MENNOJT7 115.00] CKT 1  
DOUBLE 340 : OPEN LINE FROM BUS 640054 [ALBION 7 115.00] TO BUS 640347 [SPALDNG7 115.00] CKT 1  
OPEN LINE FROM BUS 640080 [BELDEN 7 115.00] TO BUS 640084 [BLMFLD 7 115.00] CKT 1  
DOUBLE 341 : OPEN LINE FROM BUS 640054 [ALBION 7 115.00] TO BUS 640347 [SPALDNG7 115.00] CKT 1  
OPEN LINE FROM BUS 640080 [BELDEN 7 115.00] TO BUS 640212 [HARTGTN7 115.00] CKT 1  
DOUBLE 342 : OPEN LINE FROM BUS 640054 [ALBION 7 115.00] TO BUS 640347 [SPALDNG7 115.00] CKT 1  
OPEN LINE FROM BUS 640080 [BELDEN 7 115.00] TO BUS 640228 [HOSKINS7 115.00] CKT 1  
DOUBLE 343 : OPEN LINE FROM BUS 640054 [ALBION 7 115.00] TO BUS 640347 [SPALDNG7 115.00] CKT 1  
OPEN LINE FROM BUS 640080 [BELDEN 7 115.00] TO BUS 640387 [TWIN CH7 115.00] CKT 1  
DOUBLE 344 : OPEN LINE FROM BUS 640054 [ALBION 7 115.00] TO BUS 640347 [SPALDNG7 115.00] CKT 1  
OPEN LINE FROM BUS 640084 [BLMFLD 7 115.00] TO BUS 640149 [CREITON7 115.00] CKT 1  
DOUBLE 345 : OPEN LINE FROM BUS 640054 [ALBION 7 115.00] TO BUS 640347 [SPALDNG7 115.00] CKT 1  
OPEN LINE FROM BUS 640084 [BLMFLD 7 115.00] TO BUS 652511 [GAVINS 7 115.00] CKT 1  
DOUBLE 346 : OPEN LINE FROM BUS 640054 [ALBION 7 115.00] TO BUS 640347 [SPALDNG7 115.00] CKT 1  
OPEN LINE FROM BUS 640089 [BROKENB7 115.00] TO BUS 640094 [C.CREEK7 115.00] CKT 1  
DOUBLE 347 : OPEN LINE FROM BUS 640054 [ALBION 7 115.00] TO BUS 640347 [SPALDNG7 115.00] CKT 1  
OPEN LINE FROM BUS 640089 [BROKENB7 115.00] TO BUS 640098 [CALAWAY7 115.00] CKT 1  
DOUBLE 348 : OPEN LINE FROM BUS 640054 [ALBION 7 115.00] TO BUS 640347 [SPALDNG7 115.00] CKT 1  
OPEN LINE FROM BUS 640089 [BROKENB7 115.00] TO BUS 640259 [LOUPCTY7 115.00] CKT 1  
DOUBLE 349 : OPEN LINE FROM BUS 640054 [ALBION 7 115.00] TO BUS 640347 [SPALDNG7 115.00] CKT 1  
OPEN LINE FROM BUS 640093 [C.CREEK4 230.00] TO BUS 640094 [C.CREEK7 115.00] CKT 1  
DOUBLE 350 : OPEN LINE FROM BUS 640054 [ALBION 7 115.00] TO BUS 640347 [SPALDNG7 115.00] CKT 1  
OPEN LINE FROM BUS 640093 [C.CREEK4 230.00] TO BUS 640102 [CANADAY4 230.00] CKT 1  
DOUBLE 351 : OPEN LINE FROM BUS 640054 [ALBION 7 115.00] TO BUS 640347 [SPALDNG7 115.00] CKT 1  
OPEN LINE FROM BUS 640093 [C.CREEK4 230.00] TO BUS 640286 [N.PLATT4 230.00] CKT 1  
DOUBLE 352 : OPEN LINE FROM BUS 640054 [ALBION 7 115.00] TO BUS 640347 [SPALDNG7 115.00] CKT 1  
OPEN LINE FROM BUS 640093 [C.CREEK4 230.00] TO BUS 640330 [RIVERDL4 230.00] CKT 1  
DOUBLE 353 : OPEN LINE FROM BUS 640054 [ALBION 7 115.00] TO BUS 640347 [SPALDNG7 115.00] CKT 1  
OPEN LINE FROM BUS 640096 [CALAMS 7 115.00] TO BUS 640381 [THEDFRD7 115.00] CKT 1  
DOUBLE 354 : OPEN LINE FROM BUS 640054 [ALBION 7 115.00] TO BUS 640347 [SPALDNG7 115.00] CKT 1  
OPEN LINE FROM BUS 640098 [CALAWAY7 115.00] TO BUS 640267 [MAXWELS7 115.00] CKT 1  
DOUBLE 355 : OPEN LINE FROM BUS 640054 [ALBION 7 115.00] TO BUS 640347 [SPALDNG7 115.00] CKT 1  
OPEN LINE FROM BUS 640113 [CLRWATR7 115.00] TO BUS 640293 [NELIGH 7 115.00] CKT 1  
DOUBLE 356 : OPEN LINE FROM BUS 640054 [ALBION 7 115.00] TO BUS 640347 [SPALDNG7 115.00] CKT 1  
OPEN LINE FROM BUS 640115 [CO.LINE7 115.00] TO BUS 640293 [NELIGH 7 115.00] CKT 1  
DOUBLE 357 : OPEN LINE FROM BUS 640054 [ALBION 7 115.00] TO BUS 640347 [SPALDNG7 115.00] CKT 1  
OPEN LINE FROM BUS 640126 [E.COL. 4 230.00] TO BUS 640133 [COLMBUS4 230.00] CKT 1  
DOUBLE 358 : OPEN LINE FROM BUS 640054 [ALBION 7 115.00] TO BUS 640347 [SPALDNG7 115.00] CKT 1

OPEN LINE FROM BUS 640131 [COLMB.W4 230.00] TO BUS 640133 [COLMBUS4 230.00] CKT 1  
DOUBLE 359 : OPEN LINE FROM BUS 640054 [ALBION 7 115.00] TO BUS 640347 [SPALDNG7 115.00] CKT 1  
OPEN LINE FROM BUS 640133 [COLMBUS4 230.00] TO BUS 640343 [SHELCKR4 230.00] CKT 1  
DOUBLE 360 : OPEN LINE FROM BUS 640054 [ALBION 7 115.00] TO BUS 640347 [SPALDNG7 115.00] CKT 1  
OPEN LINE FROM BUS 640133 [COLMBUS4 230.00] TO BUS 643000 [MADISONCNTY4230.00] CKT 1  
DOUBLE 361 : OPEN LINE FROM BUS 640054 [ALBION 7 115.00] TO BUS 640347 [SPALDNG7 115.00] CKT 1  
OPEN LINE FROM BUS 640133 [COLMBUS4 230.00] TO BUS 640134 [KELLY 7 115.00] TO BUS 640135 [COLMBS19 13.200] CKT 1  
DOUBLE 362 : OPEN LINE FROM BUS 640054 [ALBION 7 115.00] TO BUS 640347 [SPALDNG7 115.00] CKT 1  
OPEN LINE FROM BUS 640149 [CREITON7 115.00] TO BUS 640293 [NELIGH 7 115.00] CKT 1  
DOUBLE 363 : OPEN LINE FROM BUS 640054 [ALBION 7 115.00] TO BUS 640347 [SPALDNG7 115.00] CKT 1  
OPEN LINE FROM BUS 640151 [CRESTON7 115.00] TO BUS 640263 [MADISON7 115.00] CKT 1  
DOUBLE 364 : OPEN LINE FROM BUS 640054 [ALBION 7 115.00] TO BUS 640347 [SPALDNG7 115.00] CKT 1  
OPEN LINE FROM BUS 640212 [HARTGTN7 115.00] TO BUS 652511 [GAVINS 7 115.00] CKT 1  
DOUBLE 365 : OPEN LINE FROM BUS 640054 [ALBION 7 115.00] TO BUS 640347 [SPALDNG7 115.00] CKT 1  
OPEN LINE FROM BUS 640228 [HOSKINS7 115.00] TO BUS 640298 [NORFOLK7 115.00] CKT 1  
DOUBLE 366 : OPEN LINE FROM BUS 640054 [ALBION 7 115.00] TO BUS 640347 [SPALDNG7 115.00] CKT 1  
OPEN LINE FROM BUS 640259 [LOUPCTY7 115.00] TO BUS 640284 [N.LOUP 7 115.00] CKT 1  
DOUBLE 367 : OPEN LINE FROM BUS 640054 [ALBION 7 115.00] TO BUS 640347 [SPALDNG7 115.00] CKT 1  
OPEN LINE FROM BUS 640259 [LOUPCTY7 115.00] TO BUS 640353 [ST.LIB 7 115.00] CKT 1  
DOUBLE 368 : OPEN LINE FROM BUS 640054 [ALBION 7 115.00] TO BUS 640347 [SPALDNG7 115.00] CKT 1  
OPEN LINE FROM BUS 640263 [MADISON7 115.00] TO BUS 640298 [NORFOLK7 115.00] CKT 1  
DOUBLE 369 : OPEN LINE FROM BUS 640054 [ALBION 7 115.00] TO BUS 640347 [SPALDNG7 115.00] CKT 1  
OPEN LINE FROM BUS 640263 [MADISON7 115.00] TO BUS 643001 [MADISONCNTY7115.00] CKT 1  
DOUBLE 370 : OPEN LINE FROM BUS 640054 [ALBION 7 115.00] TO BUS 640347 [SPALDNG7 115.00] CKT 1  
OPEN LINE FROM BUS 640267 [MAXWELS7 115.00] TO BUS 640287 [N.PLATT7 115.00] CKT 1  
DOUBLE 371 : OPEN LINE FROM BUS 640054 [ALBION 7 115.00] TO BUS 640347 [SPALDNG7 115.00] CKT 1  
OPEN LINE FROM BUS 640267 [MAXWELS7 115.00] TO BUS 640381 [THEDFRD7 115.00] CKT 1  
DOUBLE 372 : OPEN LINE FROM BUS 640054 [ALBION 7 115.00] TO BUS 640347 [SPALDNG7 115.00] CKT 1  
OPEN LINE FROM BUS 640284 [N.LOUP 7 115.00] TO BUS 640347 [SPALDNG7 115.00] CKT 1  
DOUBLE 373 : OPEN LINE FROM BUS 640054 [ALBION 7 115.00] TO BUS 640347 [SPALDNG7 115.00] CKT 1  
OPEN LINE FROM BUS 640286 [N.PLATT4 230.00] TO BUS 640287 [N.PLATT7 115.00] CKT 2  
DOUBLE 374 : OPEN LINE FROM BUS 640054 [ALBION 7 115.00] TO BUS 640347 [SPALDNG7 115.00] CKT 1  
OPEN LINE FROM BUS 640293 [NELIGH 7 115.00] TO BUS 640444 [PETERSBRG.N7115.00] CKT 1  
DOUBLE 375 : OPEN LINE FROM BUS 640054 [ALBION 7 115.00] TO BUS 640347 [SPALDNG7 115.00] CKT 1  
OPEN LINE FROM BUS 640298 [NORFOLK7 115.00] TO BUS 643001 [MADISONCNTY7115.00] CKT 1  
DOUBLE 376 : OPEN LINE FROM BUS 640054 [ALBION 7 115.00] TO BUS 640347 [SPALDNG7 115.00] CKT 1  
OPEN LINE FROM BUS 640318 [PETERSBG7 115.00] TO BUS 640444 [PETERSBRG.N7115.00] CKT 1  
DOUBLE 377 : OPEN LINE FROM BUS 640054 [ALBION 7 115.00] TO BUS 640347 [SPALDNG7 115.00] CKT 1  
OPEN LINE FROM BUS 640444 [PETERSBRG.N7115.00] TO BUS 643001 [MADISONCNTY7115.00] CKT 1  
DOUBLE 378 : OPEN LINE FROM BUS 640054 [ALBION 7 115.00] TO BUS 640347 [SPALDNG7 115.00] CKT 1  
OPEN LINE FROM BUS 643000 [MADISONCNTY4230.00] TO BUS 652509 [FTRANDL4 230.00] CKT 1  
DOUBLE 379 : OPEN LINE FROM BUS 640054 [ALBION 7 115.00] TO BUS 640347 [SPALDNG7 115.00] CKT 1  
OPEN LINE FROM BUS 652507 [FTTHOMP4 230.00] TO BUS 652509 [FTRANDL4 230.00] CKT 1  
DOUBLE 380 : OPEN LINE FROM BUS 640054 [ALBION 7 115.00] TO BUS 640347 [SPALDNG7 115.00] CKT 1  
OPEN LINE FROM BUS 652507 [FTTHOMP4 230.00] TO BUS 652516 [LAKPLAT4 230.00] CKT 1  
DOUBLE 381 : OPEN LINE FROM BUS 640054 [ALBION 7 115.00] TO BUS 640347 [SPALDNG7 115.00] CKT 1  
OPEN LINE FROM BUS 652509 [FTRANDL4 230.00] TO BUS 652510 [FTRANDL7 115.00] CKT 1  
DOUBLE 382 : OPEN LINE FROM BUS 640054 [ALBION 7 115.00] TO BUS 640347 [SPALDNG7 115.00] CKT 1

OPEN LINE FROM BUS 652509 [FTRANDL4 230.00] TO BUS 652510 [FTRANDL7 115.00] CKT 2  
DOUBLE 383 : OPEN LINE FROM BUS 640054 [ALBION 7 115.00] TO BUS 640347 [SPALDNG7 115.00] CKT 1  
OPEN LINE FROM BUS 652509 [FTRANDL4 230.00] TO BUS 652516 [LAKPLAT4 230.00] CKT 1  
DOUBLE 384 : OPEN LINE FROM BUS 640054 [ALBION 7 115.00] TO BUS 640347 [SPALDNG7 115.00] CKT 1  
OPEN LINE FROM BUS 652509 [FTRANDL4 230.00] TO BUS 652526 [UTICAJC4 230.00] CKT 1  
DOUBLE 385 : OPEN LINE FROM BUS 640054 [ALBION 7 115.00] TO BUS 640347 [SPALDNG7 115.00] CKT 1  
OPEN LINE FROM BUS 652509 [FTRANDL4 230.00] TO BUS 652565 [SIOUXCY4 230.00] CKT 1  
DOUBLE 386 : OPEN LINE FROM BUS 640054 [ALBION 7 115.00] TO BUS 640347 [SPALDNG7 115.00] CKT 1  
OPEN LINE FROM BUS 652511 [GAVINS 7 115.00] TO BUS 652532 [YANKTON7 115.00] CKT 1  
DOUBLE 387 : OPEN LINE FROM BUS 640054 [ALBION 7 115.00] TO BUS 640347 [SPALDNG7 115.00] CKT 1  
OPEN LINE FROM BUS 652511 [GAVINS 7 115.00] TO BUS 660006 [YKNTJCT7 115.00] CKT 1  
DOUBLE 388 : OPEN LINE FROM BUS 640054 [ALBION 7 115.00] TO BUS 640347 [SPALDNG7 115.00] CKT 1  
OPEN LINE FROM BUS 652517 [MANNING7 115.00] TO BUS 659121 [SPIRITM7 115.00] CKT 1  
DOUBLE 389 : OPEN LINE FROM BUS 640054 [ALBION 7 115.00] TO BUS 640347 [SPALDNG7 115.00] CKT 1  
OPEN LINE FROM BUS 652526 [UTICAJC4 230.00] TO BUS 652626 [UTICAJC7 115.00] TO BUS 652627 [UTICAJC9 13.200] CKT 1  
DOUBLE 390 : OPEN LINE FROM BUS 640054 [ALBION 7 115.00] TO BUS 640347 [SPALDNG7 115.00] CKT 1  
OPEN LINE FROM BUS 652532 [YANKTON7 115.00] TO BUS 659121 [SPIRITM7 115.00] CKT 1  
DOUBLE 391 : OPEN LINE FROM BUS 640054 [ALBION 7 115.00] TO BUS 640347 [SPALDNG7 115.00] CKT 1  
OPEN LINE FROM BUS 652626 [UTICAJC7 115.00] TO BUS 660006 [YKNTJCT7 115.00] CKT 1  
DOUBLE 392 : OPEN LINE FROM BUS 640054 [ALBION 7 115.00] TO BUS 640347 [SPALDNG7 115.00] CKT 1  
OPEN LINE FROM BUS 652626 [UTICAJC7 115.00] TO BUS 660007 [MENNOJT7 115.00] CKT 1  
DOUBLE 393 : OPEN LINE FROM BUS 640080 [BELDEN 7 115.00] TO BUS 640084 [BLMFLD 7 115.00] CKT 1  
OPEN LINE FROM BUS 640080 [BELDEN 7 115.00] TO BUS 640212 [HARTGTN7 115.00] CKT 1  
DOUBLE 394 : OPEN LINE FROM BUS 640080 [BELDEN 7 115.00] TO BUS 640084 [BLMFLD 7 115.00] CKT 1  
OPEN LINE FROM BUS 640080 [BELDEN 7 115.00] TO BUS 640228 [HOSKINS7 115.00] CKT 1  
DOUBLE 395 : OPEN LINE FROM BUS 640080 [BELDEN 7 115.00] TO BUS 640084 [BLMFLD 7 115.00] CKT 1  
OPEN LINE FROM BUS 640080 [BELDEN 7 115.00] TO BUS 640387 [TWIN CH7 115.00] CKT 1  
DOUBLE 396 : OPEN LINE FROM BUS 640080 [BELDEN 7 115.00] TO BUS 640084 [BLMFLD 7 115.00] CKT 1  
OPEN LINE FROM BUS 640084 [BLMFLD 7 115.00] TO BUS 640149 [CREITON7 115.00] CKT 1  
DOUBLE 397 : OPEN LINE FROM BUS 640080 [BELDEN 7 115.00] TO BUS 640084 [BLMFLD 7 115.00] CKT 1  
OPEN LINE FROM BUS 640084 [BLMFLD 7 115.00] TO BUS 652511 [GAVINS 7 115.00] CKT 1  
DOUBLE 398 : OPEN LINE FROM BUS 640080 [BELDEN 7 115.00] TO BUS 640084 [BLMFLD 7 115.00] CKT 1  
OPEN LINE FROM BUS 640089 [BROKENB7 115.00] TO BUS 640094 [C.CREEK7 115.00] CKT 1  
DOUBLE 399 : OPEN LINE FROM BUS 640080 [BELDEN 7 115.00] TO BUS 640084 [BLMFLD 7 115.00] CKT 1  
OPEN LINE FROM BUS 640089 [BROKENB7 115.00] TO BUS 640098 [CALAWAY7 115.00] CKT 1  
DOUBLE 400 : OPEN LINE FROM BUS 640080 [BELDEN 7 115.00] TO BUS 640084 [BLMFLD 7 115.00] CKT 1  
OPEN LINE FROM BUS 640089 [BROKENB7 115.00] TO BUS 640259 [LOUPCTY7 115.00] CKT 1  
DOUBLE 401 : OPEN LINE FROM BUS 640080 [BELDEN 7 115.00] TO BUS 640084 [BLMFLD 7 115.00] CKT 1  
OPEN LINE FROM BUS 640093 [C.CREEK4 230.00] TO BUS 640094 [C.CREEK7 115.00] CKT 1  
DOUBLE 402 : OPEN LINE FROM BUS 640080 [BELDEN 7 115.00] TO BUS 640084 [BLMFLD 7 115.00] CKT 1  
OPEN LINE FROM BUS 640093 [C.CREEK4 230.00] TO BUS 640102 [CANADAY4 230.00] CKT 1  
DOUBLE 403 : OPEN LINE FROM BUS 640080 [BELDEN 7 115.00] TO BUS 640084 [BLMFLD 7 115.00] CKT 1  
OPEN LINE FROM BUS 640093 [C.CREEK4 230.00] TO BUS 640286 [N.PLATT4 230.00] CKT 1  
DOUBLE 404 : OPEN LINE FROM BUS 640080 [BELDEN 7 115.00] TO BUS 640084 [BLMFLD 7 115.00] CKT 1  
OPEN LINE FROM BUS 640093 [C.CREEK4 230.00] TO BUS 640330 [RIVERDL4 230.00] CKT 1  
DOUBLE 405 : OPEN LINE FROM BUS 640080 [BELDEN 7 115.00] TO BUS 640084 [BLMFLD 7 115.00] CKT 1  
OPEN LINE FROM BUS 640096 [CALAMS 7 115.00] TO BUS 640381 [THEDFRD7 115.00] CKT 1  
DOUBLE 406 : OPEN LINE FROM BUS 640080 [BELDEN 7 115.00] TO BUS 640084 [BLMFLD 7 115.00] CKT 1

OPEN LINE FROM BUS 640098 [CALAWAY7 115.00] TO BUS 640267 [MAXWELS7 115.00] CKT 1  
DOUBLE 407 : OPEN LINE FROM BUS 640080 [BELDEN 7 115.00] TO BUS 640084 [BLMFLD 7 115.00] CKT 1  
OPEN LINE FROM BUS 640113 [CLRWATR7 115.00] TO BUS 640293 [NELIGH 7 115.00] CKT 1  
DOUBLE 408 : OPEN LINE FROM BUS 640080 [BELDEN 7 115.00] TO BUS 640084 [BLMFLD 7 115.00] CKT 1  
OPEN LINE FROM BUS 640115 [CO.LINE7 115.00] TO BUS 640293 [NELIGH 7 115.00] CKT 1  
DOUBLE 409 : OPEN LINE FROM BUS 640080 [BELDEN 7 115.00] TO BUS 640084 [BLMFLD 7 115.00] CKT 1  
OPEN LINE FROM BUS 640126 [E.COL. 4 230.00] TO BUS 640133 [COLMBUS4 230.00] CKT 1  
DOUBLE 410 : OPEN LINE FROM BUS 640080 [BELDEN 7 115.00] TO BUS 640084 [BLMFLD 7 115.00] CKT 1  
OPEN LINE FROM BUS 640131 [COLMB.W4 230.00] TO BUS 640133 [COLMBUS4 230.00] CKT 1  
DOUBLE 411 : OPEN LINE FROM BUS 640080 [BELDEN 7 115.00] TO BUS 640084 [BLMFLD 7 115.00] CKT 1  
OPEN LINE FROM BUS 640133 [COLMBUS4 230.00] TO BUS 640343 [SHELCKR4 230.00] CKT 1  
DOUBLE 412 : OPEN LINE FROM BUS 640080 [BELDEN 7 115.00] TO BUS 640084 [BLMFLD 7 115.00] CKT 1  
OPEN LINE FROM BUS 640133 [COLMBUS4 230.00] TO BUS 643000 [MADISONCNTY4230.00] CKT 1  
DOUBLE 413 : OPEN LINE FROM BUS 640080 [BELDEN 7 115.00] TO BUS 640084 [BLMFLD 7 115.00] CKT 1  
OPEN LINE FROM BUS 640133 [COLMBUS4 230.00] TO BUS 640134 [KELLY 7 115.00] TO BUS 640135 [COLMBS19 13.200] CKT 1  
DOUBLE 414 : OPEN LINE FROM BUS 640080 [BELDEN 7 115.00] TO BUS 640084 [BLMFLD 7 115.00] CKT 1  
OPEN LINE FROM BUS 640149 [CREITON7 115.00] TO BUS 640293 [NELIGH 7 115.00] CKT 1  
DOUBLE 415 : OPEN LINE FROM BUS 640080 [BELDEN 7 115.00] TO BUS 640084 [BLMFLD 7 115.00] CKT 1  
OPEN LINE FROM BUS 640151 [CRESTON7 115.00] TO BUS 640263 [MADISON7 115.00] CKT 1  
DOUBLE 416 : OPEN LINE FROM BUS 640080 [BELDEN 7 115.00] TO BUS 640084 [BLMFLD 7 115.00] CKT 1  
OPEN LINE FROM BUS 640212 [HARTGTN7 115.00] TO BUS 652511 [GAVINS 7 115.00] CKT 1  
DOUBLE 417 : OPEN LINE FROM BUS 640080 [BELDEN 7 115.00] TO BUS 640084 [BLMFLD 7 115.00] CKT 1  
OPEN LINE FROM BUS 640228 [HOSKINS7 115.00] TO BUS 640298 [NORFOLK7 115.00] CKT 1  
DOUBLE 418 : OPEN LINE FROM BUS 640080 [BELDEN 7 115.00] TO BUS 640084 [BLMFLD 7 115.00] CKT 1  
OPEN LINE FROM BUS 640259 [LOUPCTY7 115.00] TO BUS 640284 [N.LOUP 7 115.00] CKT 1  
DOUBLE 419 : OPEN LINE FROM BUS 640080 [BELDEN 7 115.00] TO BUS 640084 [BLMFLD 7 115.00] CKT 1  
OPEN LINE FROM BUS 640259 [LOUPCTY7 115.00] TO BUS 640353 [ST.LIB 7 115.00] CKT 1  
DOUBLE 420 : OPEN LINE FROM BUS 640080 [BELDEN 7 115.00] TO BUS 640084 [BLMFLD 7 115.00] CKT 1  
OPEN LINE FROM BUS 640263 [MADISON7 115.00] TO BUS 640298 [NORFOLK7 115.00] CKT 1  
DOUBLE 421 : OPEN LINE FROM BUS 640080 [BELDEN 7 115.00] TO BUS 640084 [BLMFLD 7 115.00] CKT 1  
OPEN LINE FROM BUS 640263 [MADISON7 115.00] TO BUS 643001 [MADISONCNTY7115.00] CKT 1  
DOUBLE 422 : OPEN LINE FROM BUS 640080 [BELDEN 7 115.00] TO BUS 640084 [BLMFLD 7 115.00] CKT 1  
OPEN LINE FROM BUS 640267 [MAXWELS7 115.00] TO BUS 640287 [N.PLATT7 115.00] CKT 1  
DOUBLE 423 : OPEN LINE FROM BUS 640080 [BELDEN 7 115.00] TO BUS 640084 [BLMFLD 7 115.00] CKT 1  
OPEN LINE FROM BUS 640267 [MAXWELS7 115.00] TO BUS 640381 [THEDFRD7 115.00] CKT 1  
DOUBLE 424 : OPEN LINE FROM BUS 640080 [BELDEN 7 115.00] TO BUS 640084 [BLMFLD 7 115.00] CKT 1  
OPEN LINE FROM BUS 640284 [N.LOUP 7 115.00] TO BUS 640347 [SPALDNG7 115.00] CKT 1  
DOUBLE 425 : OPEN LINE FROM BUS 640080 [BELDEN 7 115.00] TO BUS 640084 [BLMFLD 7 115.00] CKT 1  
OPEN LINE FROM BUS 640286 [N.PLATT4 230.00] TO BUS 640287 [N.PLATT7 115.00] CKT 2  
DOUBLE 426 : OPEN LINE FROM BUS 640080 [BELDEN 7 115.00] TO BUS 640084 [BLMFLD 7 115.00] CKT 1  
OPEN LINE FROM BUS 640293 [NELIGH 7 115.00] TO BUS 640444 [PETERSBRG.N7115.00] CKT 1  
DOUBLE 427 : OPEN LINE FROM BUS 640080 [BELDEN 7 115.00] TO BUS 640084 [BLMFLD 7 115.00] CKT 1  
OPEN LINE FROM BUS 640298 [NORFOLK7 115.00] TO BUS 643001 [MADISONCNTY7115.00] CKT 1  
DOUBLE 428 : OPEN LINE FROM BUS 640080 [BELDEN 7 115.00] TO BUS 640084 [BLMFLD 7 115.00] CKT 1  
OPEN LINE FROM BUS 640318 [PETRSG7 115.00] TO BUS 640444 [PETERSBRG.N7115.00] CKT 1  
DOUBLE 429 : OPEN LINE FROM BUS 640080 [BELDEN 7 115.00] TO BUS 640084 [BLMFLD 7 115.00] CKT 1  
OPEN LINE FROM BUS 640444 [PETERSBRG.N7115.00] TO BUS 643001 [MADISONCNTY7115.00] CKT 1  
DOUBLE 430 : OPEN LINE FROM BUS 640080 [BELDEN 7 115.00] TO BUS 640084 [BLMFLD 7 115.00] CKT 1

OPEN LINE FROM BUS 643000 [MADISONCNTY4230.00] TO BUS 652509 [FTRANDL4 230.00] CKT 1  
DOUBLE 431 : OPEN LINE FROM BUS 640080 [BELDEN 7 115.00] TO BUS 640084 [BLMFLD 7 115.00] CKT 1  
OPEN LINE FROM BUS 652507 [FTTHOMP4 230.00] TO BUS 652509 [FTRANDL4 230.00] CKT 1  
DOUBLE 432 : OPEN LINE FROM BUS 640080 [BELDEN 7 115.00] TO BUS 640084 [BLMFLD 7 115.00] CKT 1  
OPEN LINE FROM BUS 652507 [FTTHOMP4 230.00] TO BUS 652516 [LAKPLAT4 230.00] CKT 1  
DOUBLE 433 : OPEN LINE FROM BUS 640080 [BELDEN 7 115.00] TO BUS 640084 [BLMFLD 7 115.00] CKT 1  
OPEN LINE FROM BUS 652509 [FTRANDL4 230.00] TO BUS 652510 [FTRANDL7 115.00] CKT 1  
DOUBLE 434 : OPEN LINE FROM BUS 640080 [BELDEN 7 115.00] TO BUS 640084 [BLMFLD 7 115.00] CKT 1  
OPEN LINE FROM BUS 652509 [FTRANDL4 230.00] TO BUS 652510 [FTRANDL7 115.00] CKT 2  
DOUBLE 435 : OPEN LINE FROM BUS 640080 [BELDEN 7 115.00] TO BUS 640084 [BLMFLD 7 115.00] CKT 1  
OPEN LINE FROM BUS 652509 [FTRANDL4 230.00] TO BUS 652516 [LAKPLAT4 230.00] CKT 1  
DOUBLE 436 : OPEN LINE FROM BUS 640080 [BELDEN 7 115.00] TO BUS 640084 [BLMFLD 7 115.00] CKT 1  
OPEN LINE FROM BUS 652509 [FTRANDL4 230.00] TO BUS 652526 [UTICAJC4 230.00] CKT 1  
DOUBLE 437 : OPEN LINE FROM BUS 640080 [BELDEN 7 115.00] TO BUS 640084 [BLMFLD 7 115.00] CKT 1  
OPEN LINE FROM BUS 652509 [FTRANDL4 230.00] TO BUS 652565 [SIOUXCY4 230.00] CKT 1  
DOUBLE 438 : OPEN LINE FROM BUS 640080 [BELDEN 7 115.00] TO BUS 640084 [BLMFLD 7 115.00] CKT 1  
OPEN LINE FROM BUS 652511 [GAVINS 7 115.00] TO BUS 652532 [YANKTON7 115.00] CKT 1  
DOUBLE 439 : OPEN LINE FROM BUS 640080 [BELDEN 7 115.00] TO BUS 640084 [BLMFLD 7 115.00] CKT 1  
OPEN LINE FROM BUS 652511 [GAVINS 7 115.00] TO BUS 660006 [YKNTJCT7 115.00] CKT 1  
DOUBLE 440 : OPEN LINE FROM BUS 640080 [BELDEN 7 115.00] TO BUS 640084 [BLMFLD 7 115.00] CKT 1  
OPEN LINE FROM BUS 652517 [MANNING7 115.00] TO BUS 659121 [SPIRITM7 115.00] CKT 1  
DOUBLE 441 : OPEN LINE FROM BUS 640080 [BELDEN 7 115.00] TO BUS 640084 [BLMFLD 7 115.00] CKT 1  
OPEN LINE FROM BUS 652526 [UTICAJC4 230.00] TO BUS 652626 [UTICAJC7 115.00] TO BUS 652627 [UTICAJC9 13.200] CKT 1  
DOUBLE 442 : OPEN LINE FROM BUS 640080 [BELDEN 7 115.00] TO BUS 640084 [BLMFLD 7 115.00] CKT 1  
OPEN LINE FROM BUS 652532 [YANKTON7 115.00] TO BUS 659121 [SPIRITM7 115.00] CKT 1  
DOUBLE 443 : OPEN LINE FROM BUS 640080 [BELDEN 7 115.00] TO BUS 640084 [BLMFLD 7 115.00] CKT 1  
OPEN LINE FROM BUS 652626 [UTICAJC7 115.00] TO BUS 660006 [YKNTJCT7 115.00] CKT 1  
DOUBLE 444 : OPEN LINE FROM BUS 640080 [BELDEN 7 115.00] TO BUS 640084 [BLMFLD 7 115.00] CKT 1  
OPEN LINE FROM BUS 652626 [UTICAJC7 115.00] TO BUS 660007 [MENNOJT7 115.00] CKT 1  
DOUBLE 445 : OPEN LINE FROM BUS 640080 [BELDEN 7 115.00] TO BUS 640212 [HARTGTN7 115.00] CKT 1  
OPEN LINE FROM BUS 640080 [BELDEN 7 115.00] TO BUS 640228 [HOSKINS7 115.00] CKT 1  
DOUBLE 446 : OPEN LINE FROM BUS 640080 [BELDEN 7 115.00] TO BUS 640212 [HARTGTN7 115.00] CKT 1  
OPEN LINE FROM BUS 640080 [BELDEN 7 115.00] TO BUS 640387 [TWIN CH7 115.00] CKT 1  
DOUBLE 447 : OPEN LINE FROM BUS 640080 [BELDEN 7 115.00] TO BUS 640212 [HARTGTN7 115.00] CKT 1  
OPEN LINE FROM BUS 640084 [BLMFLD 7 115.00] TO BUS 640149 [CREITON7 115.00] CKT 1  
DOUBLE 448 : OPEN LINE FROM BUS 640080 [BELDEN 7 115.00] TO BUS 640212 [HARTGTN7 115.00] CKT 1  
OPEN LINE FROM BUS 640084 [BLMFLD 7 115.00] TO BUS 652511 [GAVINS 7 115.00] CKT 1  
DOUBLE 449 : OPEN LINE FROM BUS 640080 [BELDEN 7 115.00] TO BUS 640212 [HARTGTN7 115.00] CKT 1  
OPEN LINE FROM BUS 640089 [BROKENB7 115.00] TO BUS 640094 [C.CREEK7 115.00] CKT 1  
DOUBLE 450 : OPEN LINE FROM BUS 640080 [BELDEN 7 115.00] TO BUS 640212 [HARTGTN7 115.00] CKT 1  
OPEN LINE FROM BUS 640089 [BROKENB7 115.00] TO BUS 640098 [CALAWAY7 115.00] CKT 1  
DOUBLE 451 : OPEN LINE FROM BUS 640080 [BELDEN 7 115.00] TO BUS 640212 [HARTGTN7 115.00] CKT 1  
OPEN LINE FROM BUS 640089 [BROKENB7 115.00] TO BUS 640259 [LOUPCTY7 115.00] CKT 1  
DOUBLE 452 : OPEN LINE FROM BUS 640080 [BELDEN 7 115.00] TO BUS 640212 [HARTGTN7 115.00] CKT 1  
OPEN LINE FROM BUS 640093 [C.CREEK4 230.00] TO BUS 640094 [C.CREEK7 115.00] CKT 1  
DOUBLE 453 : OPEN LINE FROM BUS 640080 [BELDEN 7 115.00] TO BUS 640212 [HARTGTN7 115.00] CKT 1  
OPEN LINE FROM BUS 640093 [C.CREEK4 230.00] TO BUS 640102 [CANADAY4 230.00] CKT 1  
DOUBLE 454 : OPEN LINE FROM BUS 640080 [BELDEN 7 115.00] TO BUS 640212 [HARTGTN7 115.00] CKT 1



OPEN LINE FROM BUS 640093 [C.CREEK4 230.00] TO BUS 640286 [N.PLATT4 230.00] CKT 1  
DOUBLE 455 : OPEN LINE FROM BUS 640080 [BELDEN 7 115.00] TO BUS 640212 [HARTGTN7 115.00] CKT 1  
OPEN LINE FROM BUS 640093 [C.CREEK4 230.00] TO BUS 640330 [RIVERDL4 230.00] CKT 1  
DOUBLE 456 : OPEN LINE FROM BUS 640080 [BELDEN 7 115.00] TO BUS 640212 [HARTGTN7 115.00] CKT 1  
OPEN LINE FROM BUS 640096 [CALAMS 7 115.00] TO BUS 640381 [THEDFRD7 115.00] CKT 1  
DOUBLE 457 : OPEN LINE FROM BUS 640080 [BELDEN 7 115.00] TO BUS 640212 [HARTGTN7 115.00] CKT 1  
OPEN LINE FROM BUS 640098 [CALAWAY7 115.00] TO BUS 640267 [MAXWELS7 115.00] CKT 1  
DOUBLE 458 : OPEN LINE FROM BUS 640080 [BELDEN 7 115.00] TO BUS 640212 [HARTGTN7 115.00] CKT 1  
OPEN LINE FROM BUS 640113 [CLRWATR7 115.00] TO BUS 640293 [NELIGH 7 115.00] CKT 1  
DOUBLE 459 : OPEN LINE FROM BUS 640080 [BELDEN 7 115.00] TO BUS 640212 [HARTGTN7 115.00] CKT 1  
OPEN LINE FROM BUS 640115 [CO.LINE7 115.00] TO BUS 640293 [NELIGH 7 115.00] CKT 1  
DOUBLE 460 : OPEN LINE FROM BUS 640080 [BELDEN 7 115.00] TO BUS 640212 [HARTGTN7 115.00] CKT 1  
OPEN LINE FROM BUS 640126 [E.COL. 4 230.00] TO BUS 640133 [COLMBUS4 230.00] CKT 1  
DOUBLE 461 : OPEN LINE FROM BUS 640080 [BELDEN 7 115.00] TO BUS 640212 [HARTGTN7 115.00] CKT 1  
OPEN LINE FROM BUS 640131 [COLMB.W4 230.00] TO BUS 640133 [COLMBUS4 230.00] CKT 1  
DOUBLE 462 : OPEN LINE FROM BUS 640080 [BELDEN 7 115.00] TO BUS 640212 [HARTGTN7 115.00] CKT 1  
OPEN LINE FROM BUS 640133 [COLMBUS4 230.00] TO BUS 640343 [SHELCKR4 230.00] CKT 1  
DOUBLE 463 : OPEN LINE FROM BUS 640080 [BELDEN 7 115.00] TO BUS 640212 [HARTGTN7 115.00] CKT 1  
OPEN LINE FROM BUS 640133 [COLMBUS4 230.00] TO BUS 643000 [MADISONCNTY4230.00] CKT 1  
DOUBLE 464 : OPEN LINE FROM BUS 640080 [BELDEN 7 115.00] TO BUS 640212 [HARTGTN7 115.00] CKT 1  
OPEN LINE FROM BUS 640133 [COLMBUS4 230.00] TO BUS 640134 [KELLY 7 115.00] TO BUS 640135 [COLMBS19 13.200] CKT 1  
DOUBLE 465 : OPEN LINE FROM BUS 640080 [BELDEN 7 115.00] TO BUS 640212 [HARTGTN7 115.00] CKT 1  
OPEN LINE FROM BUS 640149 [CREITON7 115.00] TO BUS 640293 [NELIGH 7 115.00] CKT 1  
DOUBLE 466 : OPEN LINE FROM BUS 640080 [BELDEN 7 115.00] TO BUS 640212 [HARTGTN7 115.00] CKT 1  
OPEN LINE FROM BUS 640151 [CRESTON7 115.00] TO BUS 640263 [MADISON7 115.00] CKT 1  
DOUBLE 467 : OPEN LINE FROM BUS 640080 [BELDEN 7 115.00] TO BUS 640212 [HARTGTN7 115.00] CKT 1  
OPEN LINE FROM BUS 640212 [HARTGTN7 115.00] TO BUS 652511 [GAVINS 7 115.00] CKT 1  
DOUBLE 468 : OPEN LINE FROM BUS 640080 [BELDEN 7 115.00] TO BUS 640212 [HARTGTN7 115.00] CKT 1  
OPEN LINE FROM BUS 640228 [HOSKINS7 115.00] TO BUS 640298 [NORFOLK7 115.00] CKT 1  
DOUBLE 469 : OPEN LINE FROM BUS 640080 [BELDEN 7 115.00] TO BUS 640212 [HARTGTN7 115.00] CKT 1  
OPEN LINE FROM BUS 640259 [LOUPCTY7 115.00] TO BUS 640284 [N.LOUP 7 115.00] CKT 1  
DOUBLE 470 : OPEN LINE FROM BUS 640080 [BELDEN 7 115.00] TO BUS 640212 [HARTGTN7 115.00] CKT 1  
OPEN LINE FROM BUS 640259 [LOUPCTY7 115.00] TO BUS 640353 [ST.LIB 7 115.00] CKT 1  
DOUBLE 471 : OPEN LINE FROM BUS 640080 [BELDEN 7 115.00] TO BUS 640212 [HARTGTN7 115.00] CKT 1  
OPEN LINE FROM BUS 640263 [MADISON7 115.00] TO BUS 640298 [NORFOLK7 115.00] CKT 1  
DOUBLE 472 : OPEN LINE FROM BUS 640080 [BELDEN 7 115.00] TO BUS 640212 [HARTGTN7 115.00] CKT 1  
OPEN LINE FROM BUS 640263 [MADISON7 115.00] TO BUS 643001 [MADISONCNTY7115.00] CKT 1  
DOUBLE 473 : OPEN LINE FROM BUS 640080 [BELDEN 7 115.00] TO BUS 640212 [HARTGTN7 115.00] CKT 1  
OPEN LINE FROM BUS 640267 [MAXWELS7 115.00] TO BUS 640287 [N.PLATT7 115.00] CKT 1  
DOUBLE 474 : OPEN LINE FROM BUS 640080 [BELDEN 7 115.00] TO BUS 640212 [HARTGTN7 115.00] CKT 1  
OPEN LINE FROM BUS 640267 [MAXWELS7 115.00] TO BUS 640381 [THEDFRD7 115.00] CKT 1  
DOUBLE 475 : OPEN LINE FROM BUS 640080 [BELDEN 7 115.00] TO BUS 640212 [HARTGTN7 115.00] CKT 1  
OPEN LINE FROM BUS 640284 [N.LOUP 7 115.00] TO BUS 640347 [SPALDNG7 115.00] CKT 1  
DOUBLE 476 : OPEN LINE FROM BUS 640080 [BELDEN 7 115.00] TO BUS 640212 [HARTGTN7 115.00] CKT 1  
OPEN LINE FROM BUS 640286 [N.PLATT4 230.00] TO BUS 640287 [N.PLATT7 115.00] CKT 2  
DOUBLE 477 : OPEN LINE FROM BUS 640080 [BELDEN 7 115.00] TO BUS 640212 [HARTGTN7 115.00] CKT 1  
OPEN LINE FROM BUS 640293 [NELIGH 7 115.00] TO BUS 640444 [PETERSBRG.N7115.00] CKT 1  
DOUBLE 478 : OPEN LINE FROM BUS 640080 [BELDEN 7 115.00] TO BUS 640212 [HARTGTN7 115.00] CKT 1

OPEN LINE FROM BUS 640298 [NORFOLK7 115.00] TO BUS 643001 [MADISONCNTY7115.00] CKT 1  
DOUBLE 479 : OPEN LINE FROM BUS 640080 [BELDEN 7 115.00] TO BUS 640212 [HARTGTN7 115.00] CKT 1  
OPEN LINE FROM BUS 640318 [PETERSBG7 115.00] TO BUS 640444 [PETERSBRG.N7115.00] CKT 1  
DOUBLE 480 : OPEN LINE FROM BUS 640080 [BELDEN 7 115.00] TO BUS 640212 [HARTGTN7 115.00] CKT 1  
OPEN LINE FROM BUS 640444 [PETERSBRG.N7115.00] TO BUS 643001 [MADISONCNTY7115.00] CKT 1  
DOUBLE 481 : OPEN LINE FROM BUS 640080 [BELDEN 7 115.00] TO BUS 640212 [HARTGTN7 115.00] CKT 1  
OPEN LINE FROM BUS 643000 [MADISONCNTY4230.00] TO BUS 652509 [FTRANDL4 230.00] CKT 1  
DOUBLE 482 : OPEN LINE FROM BUS 640080 [BELDEN 7 115.00] TO BUS 640212 [HARTGTN7 115.00] CKT 1  
OPEN LINE FROM BUS 652507 [FTTHOMP4 230.00] TO BUS 652509 [FTRANDL4 230.00] CKT 1  
DOUBLE 483 : OPEN LINE FROM BUS 640080 [BELDEN 7 115.00] TO BUS 640212 [HARTGTN7 115.00] CKT 1  
OPEN LINE FROM BUS 652507 [FTTHOMP4 230.00] TO BUS 652516 [LAKPLAT4 230.00] CKT 1  
DOUBLE 484 : OPEN LINE FROM BUS 640080 [BELDEN 7 115.00] TO BUS 640212 [HARTGTN7 115.00] CKT 1  
OPEN LINE FROM BUS 652509 [FTRANDL4 230.00] TO BUS 652510 [FTRANDL7 115.00] CKT 1  
DOUBLE 485 : OPEN LINE FROM BUS 640080 [BELDEN 7 115.00] TO BUS 640212 [HARTGTN7 115.00] CKT 1  
OPEN LINE FROM BUS 652509 [FTRANDL4 230.00] TO BUS 652510 [FTRANDL7 115.00] CKT 2  
DOUBLE 486 : OPEN LINE FROM BUS 640080 [BELDEN 7 115.00] TO BUS 640212 [HARTGTN7 115.00] CKT 1  
OPEN LINE FROM BUS 652509 [FTRANDL4 230.00] TO BUS 652516 [LAKPLAT4 230.00] CKT 1  
DOUBLE 487 : OPEN LINE FROM BUS 640080 [BELDEN 7 115.00] TO BUS 640212 [HARTGTN7 115.00] CKT 1  
OPEN LINE FROM BUS 652509 [FTRANDL4 230.00] TO BUS 652526 [UTICAJC4 230.00] CKT 1  
DOUBLE 488 : OPEN LINE FROM BUS 640080 [BELDEN 7 115.00] TO BUS 640212 [HARTGTN7 115.00] CKT 1  
OPEN LINE FROM BUS 652509 [FTRANDL4 230.00] TO BUS 652565 [SIOUXCY4 230.00] CKT 1  
DOUBLE 489 : OPEN LINE FROM BUS 640080 [BELDEN 7 115.00] TO BUS 640212 [HARTGTN7 115.00] CKT 1  
OPEN LINE FROM BUS 652511 [GAVINS 7 115.00] TO BUS 652532 [YANKTON7 115.00] CKT 1  
DOUBLE 490 : OPEN LINE FROM BUS 640080 [BELDEN 7 115.00] TO BUS 640212 [HARTGTN7 115.00] CKT 1  
OPEN LINE FROM BUS 652511 [GAVINS 7 115.00] TO BUS 660006 [YKNTJCT7 115.00] CKT 1  
DOUBLE 491 : OPEN LINE FROM BUS 640080 [BELDEN 7 115.00] TO BUS 640212 [HARTGTN7 115.00] CKT 1  
OPEN LINE FROM BUS 652517 [MANNING7 115.00] TO BUS 659121 [SPIRITM7 115.00] CKT 1  
DOUBLE 492 : OPEN LINE FROM BUS 640080 [BELDEN 7 115.00] TO BUS 640212 [HARTGTN7 115.00] CKT 1  
OPEN LINE FROM BUS 652526 [UTICAJC4 230.00] TO BUS 652626 [UTICAJC7 115.00] TO BUS 652627 [UTICAJC9 13.200] CKT 1  
DOUBLE 493 : OPEN LINE FROM BUS 640080 [BELDEN 7 115.00] TO BUS 640212 [HARTGTN7 115.00] CKT 1  
OPEN LINE FROM BUS 652532 [YANKTON7 115.00] TO BUS 659121 [SPIRITM7 115.00] CKT 1  
DOUBLE 494 : OPEN LINE FROM BUS 640080 [BELDEN 7 115.00] TO BUS 640212 [HARTGTN7 115.00] CKT 1  
OPEN LINE FROM BUS 652626 [UTICAJC7 115.00] TO BUS 660006 [YKNTJCT7 115.00] CKT 1  
DOUBLE 495 : OPEN LINE FROM BUS 640080 [BELDEN 7 115.00] TO BUS 640212 [HARTGTN7 115.00] CKT 1  
OPEN LINE FROM BUS 652626 [UTICAJC7 115.00] TO BUS 660007 [MENNOJT7 115.00] CKT 1  
DOUBLE 496 : OPEN LINE FROM BUS 640080 [BELDEN 7 115.00] TO BUS 640228 [HOSKINS7 115.00] CKT 1  
OPEN LINE FROM BUS 640080 [BELDEN 7 115.00] TO BUS 640387 [TWIN CH7 115.00] CKT 1  
DOUBLE 497 : OPEN LINE FROM BUS 640080 [BELDEN 7 115.00] TO BUS 640228 [HOSKINS7 115.00] CKT 1  
OPEN LINE FROM BUS 640084 [BLMFLD 7 115.00] TO BUS 640149 [CREITON7 115.00] CKT 1  
DOUBLE 498 : OPEN LINE FROM BUS 640080 [BELDEN 7 115.00] TO BUS 640228 [HOSKINS7 115.00] CKT 1  
OPEN LINE FROM BUS 640084 [BLMFLD 7 115.00] TO BUS 652511 [GAVINS 7 115.00] CKT 1  
DOUBLE 499 : OPEN LINE FROM BUS 640080 [BELDEN 7 115.00] TO BUS 640228 [HOSKINS7 115.00] CKT 1  
OPEN LINE FROM BUS 640089 [BROKENB7 115.00] TO BUS 640094 [C.CREEK7 115.00] CKT 1  
DOUBLE 500 : OPEN LINE FROM BUS 640080 [BELDEN 7 115.00] TO BUS 640228 [HOSKINS7 115.00] CKT 1  
OPEN LINE FROM BUS 640089 [BROKENB7 115.00] TO BUS 640098 [CALAWAY7 115.00] CKT 1  
DOUBLE 501 : OPEN LINE FROM BUS 640080 [BELDEN 7 115.00] TO BUS 640228 [HOSKINS7 115.00] CKT 1  
OPEN LINE FROM BUS 640089 [BROKENB7 115.00] TO BUS 640259 [LOUPCTY7 115.00] CKT 1  
DOUBLE 502 : OPEN LINE FROM BUS 640080 [BELDEN 7 115.00] TO BUS 640228 [HOSKINS7 115.00] CKT 1

OPEN LINE FROM BUS 640093 [C.CREEK4 230.00] TO BUS 640094 [C.CREEK7 115.00] CKT 1  
DOUBLE 503 : OPEN LINE FROM BUS 640080 [BELDEN 7 115.00] TO BUS 640228 [HOSKINS7 115.00] CKT 1  
OPEN LINE FROM BUS 640093 [C.CREEK4 230.00] TO BUS 640102 [CANADAY4 230.00] CKT 1  
DOUBLE 504 : OPEN LINE FROM BUS 640080 [BELDEN 7 115.00] TO BUS 640228 [HOSKINS7 115.00] CKT 1  
OPEN LINE FROM BUS 640093 [C.CREEK4 230.00] TO BUS 640286 [N.PLATT4 230.00] CKT 1  
DOUBLE 505 : OPEN LINE FROM BUS 640080 [BELDEN 7 115.00] TO BUS 640228 [HOSKINS7 115.00] CKT 1  
OPEN LINE FROM BUS 640093 [C.CREEK4 230.00] TO BUS 640330 [RIVERDL4 230.00] CKT 1  
DOUBLE 506 : OPEN LINE FROM BUS 640080 [BELDEN 7 115.00] TO BUS 640228 [HOSKINS7 115.00] CKT 1  
OPEN LINE FROM BUS 640096 [CALAMS 7 115.00] TO BUS 640381 [THEDFRD7 115.00] CKT 1  
DOUBLE 507 : OPEN LINE FROM BUS 640080 [BELDEN 7 115.00] TO BUS 640228 [HOSKINS7 115.00] CKT 1  
OPEN LINE FROM BUS 640098 [CALAWAY7 115.00] TO BUS 640267 [MAXWELS7 115.00] CKT 1  
DOUBLE 508 : OPEN LINE FROM BUS 640080 [BELDEN 7 115.00] TO BUS 640228 [HOSKINS7 115.00] CKT 1  
OPEN LINE FROM BUS 640113 [CLRWATR7 115.00] TO BUS 640293 [NELIGH 7 115.00] CKT 1  
DOUBLE 509 : OPEN LINE FROM BUS 640080 [BELDEN 7 115.00] TO BUS 640228 [HOSKINS7 115.00] CKT 1  
OPEN LINE FROM BUS 640115 [CO.LINE7 115.00] TO BUS 640293 [NELIGH 7 115.00] CKT 1  
DOUBLE 510 : OPEN LINE FROM BUS 640080 [BELDEN 7 115.00] TO BUS 640228 [HOSKINS7 115.00] CKT 1  
OPEN LINE FROM BUS 640126 [E.COL. 4 230.00] TO BUS 640133 [COLMBUS4 230.00] CKT 1  
DOUBLE 511 : OPEN LINE FROM BUS 640080 [BELDEN 7 115.00] TO BUS 640228 [HOSKINS7 115.00] CKT 1  
OPEN LINE FROM BUS 640131 [COLMB.W4 230.00] TO BUS 640133 [COLMBUS4 230.00] CKT 1  
DOUBLE 512 : OPEN LINE FROM BUS 640080 [BELDEN 7 115.00] TO BUS 640228 [HOSKINS7 115.00] CKT 1  
OPEN LINE FROM BUS 640133 [COLMBUS4 230.00] TO BUS 640343 [SHELCKR4 230.00] CKT 1  
DOUBLE 513 : OPEN LINE FROM BUS 640080 [BELDEN 7 115.00] TO BUS 640228 [HOSKINS7 115.00] CKT 1  
OPEN LINE FROM BUS 640133 [COLMBUS4 230.00] TO BUS 643000 [MADISONCNTY4230.00] CKT 1  
DOUBLE 514 : OPEN LINE FROM BUS 640080 [BELDEN 7 115.00] TO BUS 640228 [HOSKINS7 115.00] CKT 1  
OPEN LINE FROM BUS 640133 [COLMBUS4 230.00] TO BUS 640134 [KELLY 7 115.00] TO BUS 640135 [COLMBS19 13.200] CKT 1  
DOUBLE 515 : OPEN LINE FROM BUS 640080 [BELDEN 7 115.00] TO BUS 640228 [HOSKINS7 115.00] CKT 1  
OPEN LINE FROM BUS 640149 [CREITON7 115.00] TO BUS 640293 [NELIGH 7 115.00] CKT 1  
DOUBLE 516 : OPEN LINE FROM BUS 640080 [BELDEN 7 115.00] TO BUS 640228 [HOSKINS7 115.00] CKT 1  
OPEN LINE FROM BUS 640151 [CRESTON7 115.00] TO BUS 640263 [MADISON7 115.00] CKT 1  
DOUBLE 517 : OPEN LINE FROM BUS 640080 [BELDEN 7 115.00] TO BUS 640228 [HOSKINS7 115.00] CKT 1  
OPEN LINE FROM BUS 640212 [HARTGTN7 115.00] TO BUS 652511 [GAVINS 7 115.00] CKT 1  
DOUBLE 518 : OPEN LINE FROM BUS 640080 [BELDEN 7 115.00] TO BUS 640228 [HOSKINS7 115.00] CKT 1  
OPEN LINE FROM BUS 640228 [HOSKINS7 115.00] TO BUS 640298 [NORFOLK7 115.00] CKT 1  
DOUBLE 519 : OPEN LINE FROM BUS 640080 [BELDEN 7 115.00] TO BUS 640228 [HOSKINS7 115.00] CKT 1  
OPEN LINE FROM BUS 640259 [LOUPCTY7 115.00] TO BUS 640284 [N.LOUP 7 115.00] CKT 1  
DOUBLE 520 : OPEN LINE FROM BUS 640080 [BELDEN 7 115.00] TO BUS 640228 [HOSKINS7 115.00] CKT 1  
OPEN LINE FROM BUS 640259 [LOUPCTY7 115.00] TO BUS 640353 [ST.LIB 7 115.00] CKT 1  
DOUBLE 521 : OPEN LINE FROM BUS 640080 [BELDEN 7 115.00] TO BUS 640228 [HOSKINS7 115.00] CKT 1  
OPEN LINE FROM BUS 640263 [MADISON7 115.00] TO BUS 640298 [NORFOLK7 115.00] CKT 1  
DOUBLE 522 : OPEN LINE FROM BUS 640080 [BELDEN 7 115.00] TO BUS 640228 [HOSKINS7 115.00] CKT 1  
OPEN LINE FROM BUS 640263 [MADISON7 115.00] TO BUS 643001 [MADISONCNTY7115.00] CKT 1  
DOUBLE 523 : OPEN LINE FROM BUS 640080 [BELDEN 7 115.00] TO BUS 640228 [HOSKINS7 115.00] CKT 1  
OPEN LINE FROM BUS 640267 [MAXWELS7 115.00] TO BUS 640287 [N.PLATT7 115.00] CKT 1  
DOUBLE 524 : OPEN LINE FROM BUS 640080 [BELDEN 7 115.00] TO BUS 640228 [HOSKINS7 115.00] CKT 1  
OPEN LINE FROM BUS 640267 [MAXWELS7 115.00] TO BUS 640381 [THEDFRD7 115.00] CKT 1  
DOUBLE 525 : OPEN LINE FROM BUS 640080 [BELDEN 7 115.00] TO BUS 640228 [HOSKINS7 115.00] CKT 1  
OPEN LINE FROM BUS 640284 [N.LOUP 7 115.00] TO BUS 640347 [SPALDNG7 115.00] CKT 1  
DOUBLE 526 : OPEN LINE FROM BUS 640080 [BELDEN 7 115.00] TO BUS 640228 [HOSKINS7 115.00] CKT 1

OPEN LINE FROM BUS 640286 [N.PLATT4 230.00] TO BUS 640287 [N.PLATT7 115.00] CKT 2  
DOUBLE 527 : OPEN LINE FROM BUS 640080 [BELDEN 7 115.00] TO BUS 640228 [HOSKINS7 115.00] CKT 1  
OPEN LINE FROM BUS 640293 [NELIGH 7 115.00] TO BUS 640444 [PETERSBRG.N7115.00] CKT 1  
DOUBLE 528 : OPEN LINE FROM BUS 640080 [BELDEN 7 115.00] TO BUS 640228 [HOSKINS7 115.00] CKT 1  
OPEN LINE FROM BUS 640298 [NORFOLK7 115.00] TO BUS 643001 [MADISONCNTY7115.00] CKT 1  
DOUBLE 529 : OPEN LINE FROM BUS 640080 [BELDEN 7 115.00] TO BUS 640228 [HOSKINS7 115.00] CKT 1  
OPEN LINE FROM BUS 640318 [PETERSBG7 115.00] TO BUS 640444 [PETERSBRG.N7115.00] CKT 1  
DOUBLE 530 : OPEN LINE FROM BUS 640080 [BELDEN 7 115.00] TO BUS 640228 [HOSKINS7 115.00] CKT 1  
OPEN LINE FROM BUS 640444 [PETERSBRG.N7115.00] TO BUS 643001 [MADISONCNTY7115.00] CKT 1  
DOUBLE 531 : OPEN LINE FROM BUS 640080 [BELDEN 7 115.00] TO BUS 640228 [HOSKINS7 115.00] CKT 1  
OPEN LINE FROM BUS 643000 [MADISONCNTY4230.00] TO BUS 652509 [FTRANDL4 230.00] CKT 1  
DOUBLE 532 : OPEN LINE FROM BUS 640080 [BELDEN 7 115.00] TO BUS 640228 [HOSKINS7 115.00] CKT 1  
OPEN LINE FROM BUS 652507 [FTTHOMP4 230.00] TO BUS 652509 [FTRANDL4 230.00] CKT 1  
DOUBLE 533 : OPEN LINE FROM BUS 640080 [BELDEN 7 115.00] TO BUS 640228 [HOSKINS7 115.00] CKT 1  
OPEN LINE FROM BUS 652507 [FTTHOMP4 230.00] TO BUS 652516 [LAKPLAT4 230.00] CKT 1  
DOUBLE 534 : OPEN LINE FROM BUS 640080 [BELDEN 7 115.00] TO BUS 640228 [HOSKINS7 115.00] CKT 1  
OPEN LINE FROM BUS 652509 [FTRANDL4 230.00] TO BUS 652510 [FTRANDL7 115.00] CKT 1  
DOUBLE 535 : OPEN LINE FROM BUS 640080 [BELDEN 7 115.00] TO BUS 640228 [HOSKINS7 115.00] CKT 1  
OPEN LINE FROM BUS 652509 [FTRANDL4 230.00] TO BUS 652510 [FTRANDL7 115.00] CKT 2  
DOUBLE 536 : OPEN LINE FROM BUS 640080 [BELDEN 7 115.00] TO BUS 640228 [HOSKINS7 115.00] CKT 1  
OPEN LINE FROM BUS 652509 [FTRANDL4 230.00] TO BUS 652516 [LAKPLAT4 230.00] CKT 1  
DOUBLE 537 : OPEN LINE FROM BUS 640080 [BELDEN 7 115.00] TO BUS 640228 [HOSKINS7 115.00] CKT 1  
OPEN LINE FROM BUS 652509 [FTRANDL4 230.00] TO BUS 652526 [UTICAJC4 230.00] CKT 1  
DOUBLE 538 : OPEN LINE FROM BUS 640080 [BELDEN 7 115.00] TO BUS 640228 [HOSKINS7 115.00] CKT 1  
OPEN LINE FROM BUS 652509 [FTRANDL4 230.00] TO BUS 652565 [SIOUXCY4 230.00] CKT 1  
DOUBLE 539 : OPEN LINE FROM BUS 640080 [BELDEN 7 115.00] TO BUS 640228 [HOSKINS7 115.00] CKT 1  
OPEN LINE FROM BUS 652511 [GAVINS 7 115.00] TO BUS 652532 [YANKTON7 115.00] CKT 1  
DOUBLE 540 : OPEN LINE FROM BUS 640080 [BELDEN 7 115.00] TO BUS 640228 [HOSKINS7 115.00] CKT 1  
OPEN LINE FROM BUS 652511 [GAVINS 7 115.00] TO BUS 660006 [YKNTJCT7 115.00] CKT 1  
DOUBLE 541 : OPEN LINE FROM BUS 640080 [BELDEN 7 115.00] TO BUS 640228 [HOSKINS7 115.00] CKT 1  
OPEN LINE FROM BUS 652517 [MANNING7 115.00] TO BUS 659121 [SPIRITM7 115.00] CKT 1  
DOUBLE 542 : OPEN LINE FROM BUS 640080 [BELDEN 7 115.00] TO BUS 640228 [HOSKINS7 115.00] CKT 1  
OPEN LINE FROM BUS 652526 [UTICAJC4 230.00] TO BUS 652626 [UTICAJC7 115.00] TO BUS 652627 [UTICAJC9 13.200] CKT 1  
DOUBLE 543 : OPEN LINE FROM BUS 640080 [BELDEN 7 115.00] TO BUS 640228 [HOSKINS7 115.00] CKT 1  
OPEN LINE FROM BUS 652532 [YANKTON7 115.00] TO BUS 659121 [SPIRITM7 115.00] CKT 1  
DOUBLE 544 : OPEN LINE FROM BUS 640080 [BELDEN 7 115.00] TO BUS 640228 [HOSKINS7 115.00] CKT 1  
OPEN LINE FROM BUS 652626 [UTICAJC7 115.00] TO BUS 660006 [YKNTJCT7 115.00] CKT 1  
DOUBLE 545 : OPEN LINE FROM BUS 640080 [BELDEN 7 115.00] TO BUS 640228 [HOSKINS7 115.00] CKT 1  
OPEN LINE FROM BUS 652626 [UTICAJC7 115.00] TO BUS 660007 [MENNOJT7 115.00] CKT 1  
DOUBLE 546 : OPEN LINE FROM BUS 640080 [BELDEN 7 115.00] TO BUS 640387 [TWIN CH7 115.00] CKT 1  
OPEN LINE FROM BUS 640084 [BLMFLD 7 115.00] TO BUS 640149 [CREITON7 115.00] CKT 1  
DOUBLE 547 : OPEN LINE FROM BUS 640080 [BELDEN 7 115.00] TO BUS 640387 [TWIN CH7 115.00] CKT 1  
OPEN LINE FROM BUS 640084 [BLMFLD 7 115.00] TO BUS 652511 [GAVINS 7 115.00] CKT 1  
DOUBLE 548 : OPEN LINE FROM BUS 640080 [BELDEN 7 115.00] TO BUS 640387 [TWIN CH7 115.00] CKT 1  
OPEN LINE FROM BUS 640089 [BROKENB7 115.00] TO BUS 640094 [C.CREEK7 115.00] CKT 1  
DOUBLE 549 : OPEN LINE FROM BUS 640080 [BELDEN 7 115.00] TO BUS 640387 [TWIN CH7 115.00] CKT 1  
OPEN LINE FROM BUS 640089 [BROKENB7 115.00] TO BUS 640098 [CALAWAY7 115.00] CKT 1  
DOUBLE 550 : OPEN LINE FROM BUS 640080 [BELDEN 7 115.00] TO BUS 640387 [TWIN CH7 115.00] CKT 1

OPEN LINE FROM BUS 640089 [BROKENB7 115.00] TO BUS 640259 [LOUPCTY7 115.00] CKT 1  
DOUBLE 551 : OPEN LINE FROM BUS 640080 [BELDEN 7 115.00] TO BUS 640387 [TWIN CH7 115.00] CKT 1  
OPEN LINE FROM BUS 640093 [C.CREEK4 230.00] TO BUS 640094 [C.CREEK7 115.00] CKT 1  
DOUBLE 552 : OPEN LINE FROM BUS 640080 [BELDEN 7 115.00] TO BUS 640387 [TWIN CH7 115.00] CKT 1  
OPEN LINE FROM BUS 640093 [C.CREEK4 230.00] TO BUS 640102 [CANADAY4 230.00] CKT 1  
DOUBLE 553 : OPEN LINE FROM BUS 640080 [BELDEN 7 115.00] TO BUS 640387 [TWIN CH7 115.00] CKT 1  
OPEN LINE FROM BUS 640093 [C.CREEK4 230.00] TO BUS 640286 [N.PLATT4 230.00] CKT 1  
DOUBLE 554 : OPEN LINE FROM BUS 640080 [BELDEN 7 115.00] TO BUS 640387 [TWIN CH7 115.00] CKT 1  
OPEN LINE FROM BUS 640093 [C.CREEK4 230.00] TO BUS 640330 [RIVERDL4 230.00] CKT 1  
DOUBLE 555 : OPEN LINE FROM BUS 640080 [BELDEN 7 115.00] TO BUS 640387 [TWIN CH7 115.00] CKT 1  
OPEN LINE FROM BUS 640096 [CALAMS 7 115.00] TO BUS 640381 [THEDFRD7 115.00] CKT 1  
DOUBLE 556 : OPEN LINE FROM BUS 640080 [BELDEN 7 115.00] TO BUS 640387 [TWIN CH7 115.00] CKT 1  
OPEN LINE FROM BUS 640098 [CALAWAY7 115.00] TO BUS 640267 [MAXWELS7 115.00] CKT 1  
DOUBLE 557 : OPEN LINE FROM BUS 640080 [BELDEN 7 115.00] TO BUS 640387 [TWIN CH7 115.00] CKT 1  
OPEN LINE FROM BUS 640113 [CLRWATR7 115.00] TO BUS 640293 [NELIGH 7 115.00] CKT 1  
DOUBLE 558 : OPEN LINE FROM BUS 640080 [BELDEN 7 115.00] TO BUS 640387 [TWIN CH7 115.00] CKT 1  
OPEN LINE FROM BUS 640115 [CO.LINE7 115.00] TO BUS 640293 [NELIGH 7 115.00] CKT 1  
DOUBLE 559 : OPEN LINE FROM BUS 640080 [BELDEN 7 115.00] TO BUS 640387 [TWIN CH7 115.00] CKT 1  
OPEN LINE FROM BUS 640126 [E.COL. 4 230.00] TO BUS 640133 [COLMBUS4 230.00] CKT 1  
DOUBLE 560 : OPEN LINE FROM BUS 640080 [BELDEN 7 115.00] TO BUS 640387 [TWIN CH7 115.00] CKT 1  
OPEN LINE FROM BUS 640131 [COLMB.W4 230.00] TO BUS 640133 [COLMBUS4 230.00] CKT 1  
DOUBLE 561 : OPEN LINE FROM BUS 640080 [BELDEN 7 115.00] TO BUS 640387 [TWIN CH7 115.00] CKT 1  
OPEN LINE FROM BUS 640133 [COLMBUS4 230.00] TO BUS 640343 [SHELCKR4 230.00] CKT 1  
DOUBLE 562 : OPEN LINE FROM BUS 640080 [BELDEN 7 115.00] TO BUS 640387 [TWIN CH7 115.00] CKT 1  
OPEN LINE FROM BUS 640133 [COLMBUS4 230.00] TO BUS 643000 [MADISONCNTY4230.00] CKT 1  
DOUBLE 563 : OPEN LINE FROM BUS 640080 [BELDEN 7 115.00] TO BUS 640387 [TWIN CH7 115.00] CKT 1  
OPEN LINE FROM BUS 640133 [COLMBUS4 230.00] TO BUS 640134 [KELLY 7 115.00] TO BUS 640135 [COLMBS19 13.200] CKT 1  
DOUBLE 564 : OPEN LINE FROM BUS 640080 [BELDEN 7 115.00] TO BUS 640387 [TWIN CH7 115.00] CKT 1  
OPEN LINE FROM BUS 640149 [CREITON7 115.00] TO BUS 640293 [NELIGH 7 115.00] CKT 1  
DOUBLE 565 : OPEN LINE FROM BUS 640080 [BELDEN 7 115.00] TO BUS 640387 [TWIN CH7 115.00] CKT 1  
OPEN LINE FROM BUS 640151 [CRESTON7 115.00] TO BUS 640263 [MADISON7 115.00] CKT 1  
DOUBLE 566 : OPEN LINE FROM BUS 640080 [BELDEN 7 115.00] TO BUS 640387 [TWIN CH7 115.00] CKT 1  
OPEN LINE FROM BUS 640212 [HARTGTN7 115.00] TO BUS 652511 [GAVINS 7 115.00] CKT 1  
DOUBLE 567 : OPEN LINE FROM BUS 640080 [BELDEN 7 115.00] TO BUS 640387 [TWIN CH7 115.00] CKT 1  
OPEN LINE FROM BUS 640228 [HOSKINS7 115.00] TO BUS 640298 [NORFOLK7 115.00] CKT 1  
DOUBLE 568 : OPEN LINE FROM BUS 640080 [BELDEN 7 115.00] TO BUS 640387 [TWIN CH7 115.00] CKT 1  
OPEN LINE FROM BUS 640259 [LOUPCTY7 115.00] TO BUS 640284 [N.LOUP 7 115.00] CKT 1  
DOUBLE 569 : OPEN LINE FROM BUS 640080 [BELDEN 7 115.00] TO BUS 640387 [TWIN CH7 115.00] CKT 1  
OPEN LINE FROM BUS 640259 [LOUPCTY7 115.00] TO BUS 640353 [ST.LIB 7 115.00] CKT 1  
DOUBLE 570 : OPEN LINE FROM BUS 640080 [BELDEN 7 115.00] TO BUS 640387 [TWIN CH7 115.00] CKT 1  
OPEN LINE FROM BUS 640263 [MADISON7 115.00] TO BUS 640298 [NORFOLK7 115.00] CKT 1  
DOUBLE 571 : OPEN LINE FROM BUS 640080 [BELDEN 7 115.00] TO BUS 640387 [TWIN CH7 115.00] CKT 1  
OPEN LINE FROM BUS 640263 [MADISON7 115.00] TO BUS 643001 [MADISONCNTY7115.00] CKT 1  
DOUBLE 572 : OPEN LINE FROM BUS 640080 [BELDEN 7 115.00] TO BUS 640387 [TWIN CH7 115.00] CKT 1  
OPEN LINE FROM BUS 640267 [MAXWELS7 115.00] TO BUS 640287 [N.PLATT7 115.00] CKT 1  
DOUBLE 573 : OPEN LINE FROM BUS 640080 [BELDEN 7 115.00] TO BUS 640387 [TWIN CH7 115.00] CKT 1  
OPEN LINE FROM BUS 640267 [MAXWELS7 115.00] TO BUS 640381 [THEDFRD7 115.00] CKT 1  
DOUBLE 574 : OPEN LINE FROM BUS 640080 [BELDEN 7 115.00] TO BUS 640387 [TWIN CH7 115.00] CKT 1

OPEN LINE FROM BUS 640284 [N.LOUP 7 115.00] TO BUS 640347 [SPALDNG7 115.00] CKT 1  
DOUBLE 575 : OPEN LINE FROM BUS 640080 [BELDEN 7 115.00] TO BUS 640387 [TWIN CH7 115.00] CKT 1  
OPEN LINE FROM BUS 640286 [N.PLATT4 230.00] TO BUS 640287 [N.PLATT7 115.00] CKT 2  
DOUBLE 576 : OPEN LINE FROM BUS 640080 [BELDEN 7 115.00] TO BUS 640387 [TWIN CH7 115.00] CKT 1  
OPEN LINE FROM BUS 640293 [NELIGH 7 115.00] TO BUS 640444 [PETERSBRG.N7115.00] CKT 1  
DOUBLE 577 : OPEN LINE FROM BUS 640080 [BELDEN 7 115.00] TO BUS 640387 [TWIN CH7 115.00] CKT 1  
OPEN LINE FROM BUS 640298 [NORFOLK7 115.00] TO BUS 643001 [MADISONCNTY7115.00] CKT 1  
DOUBLE 578 : OPEN LINE FROM BUS 640080 [BELDEN 7 115.00] TO BUS 640387 [TWIN CH7 115.00] CKT 1  
OPEN LINE FROM BUS 640318 [PETERSBG7 115.00] TO BUS 640444 [PETERSBRG.N7115.00] CKT 1  
DOUBLE 579 : OPEN LINE FROM BUS 640080 [BELDEN 7 115.00] TO BUS 640387 [TWIN CH7 115.00] CKT 1  
OPEN LINE FROM BUS 640444 [PETERSBRG.N7115.00] TO BUS 643001 [MADISONCNTY7115.00] CKT 1  
DOUBLE 580 : OPEN LINE FROM BUS 640080 [BELDEN 7 115.00] TO BUS 640387 [TWIN CH7 115.00] CKT 1  
OPEN LINE FROM BUS 643000 [MADISONCNTY4230.00] TO BUS 652509 [FTRANDL4 230.00] CKT 1  
DOUBLE 581 : OPEN LINE FROM BUS 640080 [BELDEN 7 115.00] TO BUS 640387 [TWIN CH7 115.00] CKT 1  
OPEN LINE FROM BUS 652507 [FTTHOMP4 230.00] TO BUS 652509 [FTRANDL4 230.00] CKT 1  
DOUBLE 582 : OPEN LINE FROM BUS 640080 [BELDEN 7 115.00] TO BUS 640387 [TWIN CH7 115.00] CKT 1  
OPEN LINE FROM BUS 652507 [FTTHOMP4 230.00] TO BUS 652516 [LAKPLAT4 230.00] CKT 1  
DOUBLE 583 : OPEN LINE FROM BUS 640080 [BELDEN 7 115.00] TO BUS 640387 [TWIN CH7 115.00] CKT 1  
OPEN LINE FROM BUS 652509 [FTRANDL4 230.00] TO BUS 652510 [FTRANDL7 115.00] CKT 1  
DOUBLE 584 : OPEN LINE FROM BUS 640080 [BELDEN 7 115.00] TO BUS 640387 [TWIN CH7 115.00] CKT 1  
OPEN LINE FROM BUS 652509 [FTRANDL4 230.00] TO BUS 652510 [FTRANDL7 115.00] CKT 2  
DOUBLE 585 : OPEN LINE FROM BUS 640080 [BELDEN 7 115.00] TO BUS 640387 [TWIN CH7 115.00] CKT 1  
OPEN LINE FROM BUS 652509 [FTRANDL4 230.00] TO BUS 652516 [LAKPLAT4 230.00] CKT 1  
DOUBLE 586 : OPEN LINE FROM BUS 640080 [BELDEN 7 115.00] TO BUS 640387 [TWIN CH7 115.00] CKT 1  
OPEN LINE FROM BUS 652509 [FTRANDL4 230.00] TO BUS 652526 [UTICAJC4 230.00] CKT 1  
DOUBLE 587 : OPEN LINE FROM BUS 640080 [BELDEN 7 115.00] TO BUS 640387 [TWIN CH7 115.00] CKT 1  
OPEN LINE FROM BUS 652509 [FTRANDL4 230.00] TO BUS 652565 [SIOUXCY4 230.00] CKT 1  
DOUBLE 588 : OPEN LINE FROM BUS 640080 [BELDEN 7 115.00] TO BUS 640387 [TWIN CH7 115.00] CKT 1  
OPEN LINE FROM BUS 652511 [GAVINS 7 115.00] TO BUS 652532 [YANKTON7 115.00] CKT 1  
DOUBLE 589 : OPEN LINE FROM BUS 640080 [BELDEN 7 115.00] TO BUS 640387 [TWIN CH7 115.00] CKT 1  
OPEN LINE FROM BUS 652511 [GAVINS 7 115.00] TO BUS 660006 [YKNTJCT7 115.00] CKT 1  
DOUBLE 590 : OPEN LINE FROM BUS 640080 [BELDEN 7 115.00] TO BUS 640387 [TWIN CH7 115.00] CKT 1  
OPEN LINE FROM BUS 652517 [MANNING7 115.00] TO BUS 659121 [SPIRITM7 115.00] CKT 1  
DOUBLE 591 : OPEN LINE FROM BUS 640080 [BELDEN 7 115.00] TO BUS 640387 [TWIN CH7 115.00] CKT 1  
OPEN LINE FROM BUS 652526 [UTICAJC4 230.00] TO BUS 652626 [UTICAJC7 115.00] TO BUS 652627 [UTICAJC9 13.200] CKT 1  
DOUBLE 592 : OPEN LINE FROM BUS 640080 [BELDEN 7 115.00] TO BUS 640387 [TWIN CH7 115.00] CKT 1  
OPEN LINE FROM BUS 652532 [YANKTON7 115.00] TO BUS 659121 [SPIRITM7 115.00] CKT 1  
DOUBLE 593 : OPEN LINE FROM BUS 640080 [BELDEN 7 115.00] TO BUS 640387 [TWIN CH7 115.00] CKT 1  
OPEN LINE FROM BUS 652626 [UTICAJC7 115.00] TO BUS 660006 [YKNTJCT7 115.00] CKT 1  
DOUBLE 594 : OPEN LINE FROM BUS 640080 [BELDEN 7 115.00] TO BUS 640387 [TWIN CH7 115.00] CKT 1  
OPEN LINE FROM BUS 652626 [UTICAJC7 115.00] TO BUS 660007 [MENNOJT7 115.00] CKT 1  
DOUBLE 595 : OPEN LINE FROM BUS 640084 [BLMFLD 7 115.00] TO BUS 640149 [CREITON7 115.00] CKT 1  
OPEN LINE FROM BUS 640084 [BLMFLD 7 115.00] TO BUS 652511 [GAVINS 7 115.00] CKT 1  
DOUBLE 596 : OPEN LINE FROM BUS 640084 [BLMFLD 7 115.00] TO BUS 640149 [CREITON7 115.00] CKT 1  
OPEN LINE FROM BUS 640089 [BROKENB7 115.00] TO BUS 640094 [C.CREEK7 115.00] CKT 1  
DOUBLE 597 : OPEN LINE FROM BUS 640084 [BLMFLD 7 115.00] TO BUS 640149 [CREITON7 115.00] CKT 1  
OPEN LINE FROM BUS 640089 [BROKENB7 115.00] TO BUS 640098 [CALAWAY7 115.00] CKT 1  
DOUBLE 598 : OPEN LINE FROM BUS 640084 [BLMFLD 7 115.00] TO BUS 640149 [CREITON7 115.00] CKT 1

OPEN LINE FROM BUS 640089 [BROKENB7 115.00] TO BUS 640259 [LOUPCTY7 115.00] CKT 1  
DOUBLE 599 : OPEN LINE FROM BUS 640084 [BLMFLD 7 115.00] TO BUS 640149 [CREITON7 115.00] CKT 1  
OPEN LINE FROM BUS 640093 [C.CREEK4 230.00] TO BUS 640094 [C.CREEK7 115.00] CKT 1  
DOUBLE 600 : OPEN LINE FROM BUS 640084 [BLMFLD 7 115.00] TO BUS 640149 [CREITON7 115.00] CKT 1  
OPEN LINE FROM BUS 640093 [C.CREEK4 230.00] TO BUS 640102 [CANADAY4 230.00] CKT 1  
DOUBLE 601 : OPEN LINE FROM BUS 640084 [BLMFLD 7 115.00] TO BUS 640149 [CREITON7 115.00] CKT 1  
OPEN LINE FROM BUS 640093 [C.CREEK4 230.00] TO BUS 640286 [N.PLATT4 230.00] CKT 1  
DOUBLE 602 : OPEN LINE FROM BUS 640084 [BLMFLD 7 115.00] TO BUS 640149 [CREITON7 115.00] CKT 1  
OPEN LINE FROM BUS 640093 [C.CREEK4 230.00] TO BUS 640330 [RIVERDL4 230.00] CKT 1  
DOUBLE 603 : OPEN LINE FROM BUS 640084 [BLMFLD 7 115.00] TO BUS 640149 [CREITON7 115.00] CKT 1  
OPEN LINE FROM BUS 640096 [CALAMS 7 115.00] TO BUS 640381 [THEDFRD7 115.00] CKT 1  
DOUBLE 604 : OPEN LINE FROM BUS 640084 [BLMFLD 7 115.00] TO BUS 640149 [CREITON7 115.00] CKT 1  
OPEN LINE FROM BUS 640098 [CALAWAY7 115.00] TO BUS 640267 [MAXWELS7 115.00] CKT 1  
DOUBLE 605 : OPEN LINE FROM BUS 640084 [BLMFLD 7 115.00] TO BUS 640149 [CREITON7 115.00] CKT 1  
OPEN LINE FROM BUS 640113 [CLRWATR7 115.00] TO BUS 640293 [NELIGH 7 115.00] CKT 1  
DOUBLE 606 : OPEN LINE FROM BUS 640084 [BLMFLD 7 115.00] TO BUS 640149 [CREITON7 115.00] CKT 1  
OPEN LINE FROM BUS 640115 [CO.LINE7 115.00] TO BUS 640293 [NELIGH 7 115.00] CKT 1  
DOUBLE 607 : OPEN LINE FROM BUS 640084 [BLMFLD 7 115.00] TO BUS 640149 [CREITON7 115.00] CKT 1  
OPEN LINE FROM BUS 640126 [E.COL. 4 230.00] TO BUS 640133 [COLMBUS4 230.00] CKT 1  
DOUBLE 608 : OPEN LINE FROM BUS 640084 [BLMFLD 7 115.00] TO BUS 640149 [CREITON7 115.00] CKT 1  
OPEN LINE FROM BUS 640131 [COLMB.W4 230.00] TO BUS 640133 [COLMBUS4 230.00] CKT 1  
DOUBLE 609 : OPEN LINE FROM BUS 640084 [BLMFLD 7 115.00] TO BUS 640149 [CREITON7 115.00] CKT 1  
OPEN LINE FROM BUS 640133 [COLMBUS4 230.00] TO BUS 640343 [SHELCKR4 230.00] CKT 1  
DOUBLE 610 : OPEN LINE FROM BUS 640084 [BLMFLD 7 115.00] TO BUS 640149 [CREITON7 115.00] CKT 1  
OPEN LINE FROM BUS 640133 [COLMBUS4 230.00] TO BUS 643000 [MADISONCNTY4230.00] CKT 1  
DOUBLE 611 : OPEN LINE FROM BUS 640084 [BLMFLD 7 115.00] TO BUS 640149 [CREITON7 115.00] CKT 1  
OPEN LINE FROM BUS 640133 [COLMBUS4 230.00] TO BUS 640134 [KELLY 7 115.00] TO BUS 640135 [COLMBS19 13.200] CKT 1  
DOUBLE 612 : OPEN LINE FROM BUS 640084 [BLMFLD 7 115.00] TO BUS 640149 [CREITON7 115.00] CKT 1  
OPEN LINE FROM BUS 640149 [CREITON7 115.00] TO BUS 640293 [NELIGH 7 115.00] CKT 1  
DOUBLE 613 : OPEN LINE FROM BUS 640084 [BLMFLD 7 115.00] TO BUS 640149 [CREITON7 115.00] CKT 1  
OPEN LINE FROM BUS 640151 [CRESTON7 115.00] TO BUS 640263 [MADISON7 115.00] CKT 1  
DOUBLE 614 : OPEN LINE FROM BUS 640084 [BLMFLD 7 115.00] TO BUS 640149 [CREITON7 115.00] CKT 1  
OPEN LINE FROM BUS 640212 [HARTGTN7 115.00] TO BUS 652511 [GAVINS 7 115.00] CKT 1  
DOUBLE 615 : OPEN LINE FROM BUS 640084 [BLMFLD 7 115.00] TO BUS 640149 [CREITON7 115.00] CKT 1  
OPEN LINE FROM BUS 640228 [HOSKINS7 115.00] TO BUS 640298 [NORFOLK7 115.00] CKT 1  
DOUBLE 616 : OPEN LINE FROM BUS 640084 [BLMFLD 7 115.00] TO BUS 640149 [CREITON7 115.00] CKT 1  
OPEN LINE FROM BUS 640259 [LOUPCTY7 115.00] TO BUS 640284 [N.LOUP 7 115.00] CKT 1  
DOUBLE 617 : OPEN LINE FROM BUS 640084 [BLMFLD 7 115.00] TO BUS 640149 [CREITON7 115.00] CKT 1  
OPEN LINE FROM BUS 640259 [LOUPCTY7 115.00] TO BUS 640353 [ST.LIB 7 115.00] CKT 1  
DOUBLE 618 : OPEN LINE FROM BUS 640084 [BLMFLD 7 115.00] TO BUS 640149 [CREITON7 115.00] CKT 1  
OPEN LINE FROM BUS 640263 [MADISON7 115.00] TO BUS 640298 [NORFOLK7 115.00] CKT 1  
DOUBLE 619 : OPEN LINE FROM BUS 640084 [BLMFLD 7 115.00] TO BUS 640149 [CREITON7 115.00] CKT 1  
OPEN LINE FROM BUS 640263 [MADISON7 115.00] TO BUS 643001 [MADISONCNTY7115.00] CKT 1  
DOUBLE 620 : OPEN LINE FROM BUS 640084 [BLMFLD 7 115.00] TO BUS 640149 [CREITON7 115.00] CKT 1  
OPEN LINE FROM BUS 640267 [MAXWELS7 115.00] TO BUS 640287 [N.PLATT7 115.00] CKT 1  
DOUBLE 621 : OPEN LINE FROM BUS 640084 [BLMFLD 7 115.00] TO BUS 640149 [CREITON7 115.00] CKT 1  
OPEN LINE FROM BUS 640267 [MAXWELS7 115.00] TO BUS 640381 [THEDFRD7 115.00] CKT 1  
DOUBLE 622 : OPEN LINE FROM BUS 640084 [BLMFLD 7 115.00] TO BUS 640149 [CREITON7 115.00] CKT 1

OPEN LINE FROM BUS 640284 [N.LOUP 7 115.00] TO BUS 640347 [SPALDNG7 115.00] CKT 1  
DOUBLE 623 : OPEN LINE FROM BUS 640084 [BLMFLD 7 115.00] TO BUS 640149 [CREITON7 115.00] CKT 1  
OPEN LINE FROM BUS 640286 [N.PLATT4 230.00] TO BUS 640287 [N.PLATT7 115.00] CKT 2  
DOUBLE 624 : OPEN LINE FROM BUS 640084 [BLMFLD 7 115.00] TO BUS 640149 [CREITON7 115.00] CKT 1  
OPEN LINE FROM BUS 640293 [NELIGH 7 115.00] TO BUS 640444 [PETERSBRG.N7115.00] CKT 1  
DOUBLE 625 : OPEN LINE FROM BUS 640084 [BLMFLD 7 115.00] TO BUS 640149 [CREITON7 115.00] CKT 1  
OPEN LINE FROM BUS 640298 [NORFOLK7 115.00] TO BUS 643001 [MADISONCNTY7115.00] CKT 1  
DOUBLE 626 : OPEN LINE FROM BUS 640084 [BLMFLD 7 115.00] TO BUS 640149 [CREITON7 115.00] CKT 1  
OPEN LINE FROM BUS 640318 [PETERSBG7 115.00] TO BUS 640444 [PETERSBRG.N7115.00] CKT 1  
DOUBLE 627 : OPEN LINE FROM BUS 640084 [BLMFLD 7 115.00] TO BUS 640149 [CREITON7 115.00] CKT 1  
OPEN LINE FROM BUS 640444 [PETERSBRG.N7115.00] TO BUS 643001 [MADISONCNTY7115.00] CKT 1  
DOUBLE 628 : OPEN LINE FROM BUS 640084 [BLMFLD 7 115.00] TO BUS 640149 [CREITON7 115.00] CKT 1  
OPEN LINE FROM BUS 643000 [MADISONCNTY4230.00] TO BUS 652509 [FTRANDL4 230.00] CKT 1  
DOUBLE 629 : OPEN LINE FROM BUS 640084 [BLMFLD 7 115.00] TO BUS 640149 [CREITON7 115.00] CKT 1  
OPEN LINE FROM BUS 652507 [FTTHOMP4 230.00] TO BUS 652509 [FTRANDL4 230.00] CKT 1  
DOUBLE 630 : OPEN LINE FROM BUS 640084 [BLMFLD 7 115.00] TO BUS 640149 [CREITON7 115.00] CKT 1  
OPEN LINE FROM BUS 652507 [FTTHOMP4 230.00] TO BUS 652516 [LAKPLAT4 230.00] CKT 1  
DOUBLE 631 : OPEN LINE FROM BUS 640084 [BLMFLD 7 115.00] TO BUS 640149 [CREITON7 115.00] CKT 1  
OPEN LINE FROM BUS 652509 [FTRANDL4 230.00] TO BUS 652510 [FTRANDL7 115.00] CKT 1  
DOUBLE 632 : OPEN LINE FROM BUS 640084 [BLMFLD 7 115.00] TO BUS 640149 [CREITON7 115.00] CKT 1  
OPEN LINE FROM BUS 652509 [FTRANDL4 230.00] TO BUS 652510 [FTRANDL7 115.00] CKT 2  
DOUBLE 633 : OPEN LINE FROM BUS 640084 [BLMFLD 7 115.00] TO BUS 640149 [CREITON7 115.00] CKT 1  
OPEN LINE FROM BUS 652509 [FTRANDL4 230.00] TO BUS 652516 [LAKPLAT4 230.00] CKT 1  
DOUBLE 634 : OPEN LINE FROM BUS 640084 [BLMFLD 7 115.00] TO BUS 640149 [CREITON7 115.00] CKT 1  
OPEN LINE FROM BUS 652509 [FTRANDL4 230.00] TO BUS 652526 [UTICAJC4 230.00] CKT 1  
DOUBLE 635 : OPEN LINE FROM BUS 640084 [BLMFLD 7 115.00] TO BUS 640149 [CREITON7 115.00] CKT 1  
OPEN LINE FROM BUS 652509 [FTRANDL4 230.00] TO BUS 652565 [SIOUXCY4 230.00] CKT 1  
DOUBLE 636 : OPEN LINE FROM BUS 640084 [BLMFLD 7 115.00] TO BUS 640149 [CREITON7 115.00] CKT 1  
OPEN LINE FROM BUS 652511 [GAVINS 7 115.00] TO BUS 652532 [YANKTON7 115.00] CKT 1  
DOUBLE 637 : OPEN LINE FROM BUS 640084 [BLMFLD 7 115.00] TO BUS 640149 [CREITON7 115.00] CKT 1  
OPEN LINE FROM BUS 652511 [GAVINS 7 115.00] TO BUS 660006 [YKNTJCT7 115.00] CKT 1  
DOUBLE 638 : OPEN LINE FROM BUS 640084 [BLMFLD 7 115.00] TO BUS 640149 [CREITON7 115.00] CKT 1  
OPEN LINE FROM BUS 652517 [MANNING7 115.00] TO BUS 659121 [SPIRITM7 115.00] CKT 1  
DOUBLE 639 : OPEN LINE FROM BUS 640084 [BLMFLD 7 115.00] TO BUS 640149 [CREITON7 115.00] CKT 1  
OPEN LINE FROM BUS 652526 [UTICAJC4 230.00] TO BUS 652626 [UTICAJC7 115.00] TO BUS 652627 [UTICAJC9 13.200] CKT 1  
DOUBLE 640 : OPEN LINE FROM BUS 640084 [BLMFLD 7 115.00] TO BUS 640149 [CREITON7 115.00] CKT 1  
OPEN LINE FROM BUS 652532 [YANKTON7 115.00] TO BUS 659121 [SPIRITM7 115.00] CKT 1  
DOUBLE 641 : OPEN LINE FROM BUS 640084 [BLMFLD 7 115.00] TO BUS 640149 [CREITON7 115.00] CKT 1  
OPEN LINE FROM BUS 652626 [UTICAJC7 115.00] TO BUS 660006 [YKNTJCT7 115.00] CKT 1  
DOUBLE 642 : OPEN LINE FROM BUS 640084 [BLMFLD 7 115.00] TO BUS 640149 [CREITON7 115.00] CKT 1  
OPEN LINE FROM BUS 652626 [UTICAJC7 115.00] TO BUS 660007 [MENNOJT7 115.00] CKT 1  
DOUBLE 643 : OPEN LINE FROM BUS 640084 [BLMFLD 7 115.00] TO BUS 652511 [GAVINS 7 115.00] CKT 1  
OPEN LINE FROM BUS 640089 [BROKENB7 115.00] TO BUS 640094 [C.CREEK7 115.00] CKT 1  
DOUBLE 644 : OPEN LINE FROM BUS 640084 [BLMFLD 7 115.00] TO BUS 652511 [GAVINS 7 115.00] CKT 1  
OPEN LINE FROM BUS 640089 [BROKENB7 115.00] TO BUS 640098 [CALAWAY7 115.00] CKT 1  
DOUBLE 645 : OPEN LINE FROM BUS 640084 [BLMFLD 7 115.00] TO BUS 652511 [GAVINS 7 115.00] CKT 1  
OPEN LINE FROM BUS 640089 [BROKENB7 115.00] TO BUS 640259 [LOUPCTY7 115.00] CKT 1  
DOUBLE 646 : OPEN LINE FROM BUS 640084 [BLMFLD 7 115.00] TO BUS 652511 [GAVINS 7 115.00] CKT 1



OPEN LINE FROM BUS 640093 [C.CREEK4 230.00] TO BUS 640094 [C.CREEK7 115.00] CKT 1  
DOUBLE 647 : OPEN LINE FROM BUS 640084 [BLMFLD 7 115.00] TO BUS 652511 [GAVINS 7 115.00] CKT 1  
OPEN LINE FROM BUS 640093 [C.CREEK4 230.00] TO BUS 640102 [CANADAY4 230.00] CKT 1  
DOUBLE 648 : OPEN LINE FROM BUS 640084 [BLMFLD 7 115.00] TO BUS 652511 [GAVINS 7 115.00] CKT 1  
OPEN LINE FROM BUS 640093 [C.CREEK4 230.00] TO BUS 640286 [N.PLATT4 230.00] CKT 1  
DOUBLE 649 : OPEN LINE FROM BUS 640084 [BLMFLD 7 115.00] TO BUS 652511 [GAVINS 7 115.00] CKT 1  
OPEN LINE FROM BUS 640093 [C.CREEK4 230.00] TO BUS 640330 [RIVERDL4 230.00] CKT 1  
DOUBLE 650 : OPEN LINE FROM BUS 640084 [BLMFLD 7 115.00] TO BUS 652511 [GAVINS 7 115.00] CKT 1  
OPEN LINE FROM BUS 640096 [CALAMS 7 115.00] TO BUS 640381 [THEDFRD7 115.00] CKT 1  
DOUBLE 651 : OPEN LINE FROM BUS 640084 [BLMFLD 7 115.00] TO BUS 652511 [GAVINS 7 115.00] CKT 1  
OPEN LINE FROM BUS 640098 [CALAWAY7 115.00] TO BUS 640267 [MAXWELS7 115.00] CKT 1  
DOUBLE 652 : OPEN LINE FROM BUS 640084 [BLMFLD 7 115.00] TO BUS 652511 [GAVINS 7 115.00] CKT 1  
OPEN LINE FROM BUS 640113 [CLRWATR7 115.00] TO BUS 640293 [NELIGH 7 115.00] CKT 1  
DOUBLE 653 : OPEN LINE FROM BUS 640084 [BLMFLD 7 115.00] TO BUS 652511 [GAVINS 7 115.00] CKT 1  
OPEN LINE FROM BUS 640115 [CO.LINE7 115.00] TO BUS 640293 [NELIGH 7 115.00] CKT 1  
DOUBLE 654 : OPEN LINE FROM BUS 640084 [BLMFLD 7 115.00] TO BUS 652511 [GAVINS 7 115.00] CKT 1  
OPEN LINE FROM BUS 640126 [E.COL. 4 230.00] TO BUS 640133 [COLMBUS4 230.00] CKT 1  
DOUBLE 655 : OPEN LINE FROM BUS 640084 [BLMFLD 7 115.00] TO BUS 652511 [GAVINS 7 115.00] CKT 1  
OPEN LINE FROM BUS 640131 [COLMB.W4 230.00] TO BUS 640133 [COLMBUS4 230.00] CKT 1  
DOUBLE 656 : OPEN LINE FROM BUS 640084 [BLMFLD 7 115.00] TO BUS 652511 [GAVINS 7 115.00] CKT 1  
OPEN LINE FROM BUS 640133 [COLMBUS4 230.00] TO BUS 640343 [SHELCKR4 230.00] CKT 1  
DOUBLE 657 : OPEN LINE FROM BUS 640084 [BLMFLD 7 115.00] TO BUS 652511 [GAVINS 7 115.00] CKT 1  
OPEN LINE FROM BUS 640133 [COLMBUS4 230.00] TO BUS 643000 [MADISONCNTY4230.00] CKT 1  
DOUBLE 658 : OPEN LINE FROM BUS 640084 [BLMFLD 7 115.00] TO BUS 652511 [GAVINS 7 115.00] CKT 1  
OPEN LINE FROM BUS 640133 [COLMBUS4 230.00] TO BUS 640134 [KELLY 7 115.00] TO BUS 640135 [COLMBS19 13.200] CKT 1  
DOUBLE 659 : OPEN LINE FROM BUS 640084 [BLMFLD 7 115.00] TO BUS 652511 [GAVINS 7 115.00] CKT 1  
OPEN LINE FROM BUS 640149 [CREITON7 115.00] TO BUS 640293 [NELIGH 7 115.00] CKT 1  
DOUBLE 660 : OPEN LINE FROM BUS 640084 [BLMFLD 7 115.00] TO BUS 652511 [GAVINS 7 115.00] CKT 1  
OPEN LINE FROM BUS 640151 [CRESTON7 115.00] TO BUS 640263 [MADISON7 115.00] CKT 1  
DOUBLE 661 : OPEN LINE FROM BUS 640084 [BLMFLD 7 115.00] TO BUS 652511 [GAVINS 7 115.00] CKT 1  
OPEN LINE FROM BUS 640212 [HARTGTN7 115.00] TO BUS 652511 [GAVINS 7 115.00] CKT 1  
DOUBLE 662 : OPEN LINE FROM BUS 640084 [BLMFLD 7 115.00] TO BUS 652511 [GAVINS 7 115.00] CKT 1  
OPEN LINE FROM BUS 640228 [HOSKINS7 115.00] TO BUS 640298 [NORFOLK7 115.00] CKT 1  
DOUBLE 663 : OPEN LINE FROM BUS 640084 [BLMFLD 7 115.00] TO BUS 652511 [GAVINS 7 115.00] CKT 1  
OPEN LINE FROM BUS 640259 [LOUPCTY7 115.00] TO BUS 640284 [N.LOUP 7 115.00] CKT 1  
DOUBLE 664 : OPEN LINE FROM BUS 640084 [BLMFLD 7 115.00] TO BUS 652511 [GAVINS 7 115.00] CKT 1  
OPEN LINE FROM BUS 640259 [LOUPCTY7 115.00] TO BUS 640353 [ST.LIB 7 115.00] CKT 1  
DOUBLE 665 : OPEN LINE FROM BUS 640084 [BLMFLD 7 115.00] TO BUS 652511 [GAVINS 7 115.00] CKT 1  
OPEN LINE FROM BUS 640263 [MADISON7 115.00] TO BUS 640298 [NORFOLK7 115.00] CKT 1  
DOUBLE 666 : OPEN LINE FROM BUS 640084 [BLMFLD 7 115.00] TO BUS 652511 [GAVINS 7 115.00] CKT 1  
OPEN LINE FROM BUS 640263 [MADISON7 115.00] TO BUS 643001 [MADISONCNTY7115.00] CKT 1  
DOUBLE 667 : OPEN LINE FROM BUS 640084 [BLMFLD 7 115.00] TO BUS 652511 [GAVINS 7 115.00] CKT 1  
OPEN LINE FROM BUS 640267 [MAXWELS7 115.00] TO BUS 640287 [N.PLATT7 115.00] CKT 1  
DOUBLE 668 : OPEN LINE FROM BUS 640084 [BLMFLD 7 115.00] TO BUS 652511 [GAVINS 7 115.00] CKT 1  
OPEN LINE FROM BUS 640267 [MAXWELS7 115.00] TO BUS 640381 [THEDFRD7 115.00] CKT 1  
DOUBLE 669 : OPEN LINE FROM BUS 640084 [BLMFLD 7 115.00] TO BUS 652511 [GAVINS 7 115.00] CKT 1  
OPEN LINE FROM BUS 640284 [N.LOUP 7 115.00] TO BUS 640347 [SPALDNG7 115.00] CKT 1  
DOUBLE 670 : OPEN LINE FROM BUS 640084 [BLMFLD 7 115.00] TO BUS 652511 [GAVINS 7 115.00] CKT 1

OPEN LINE FROM BUS 640286 [N.PLATT4 230.00] TO BUS 640287 [N.PLATT7 115.00] CKT 2  
DOUBLE 671 : OPEN LINE FROM BUS 640084 [BLMFLD 7 115.00] TO BUS 652511 [GAVINS 7 115.00] CKT 1  
OPEN LINE FROM BUS 640293 [NELIGH 7 115.00] TO BUS 640444 [PETERSBRG.N7115.00] CKT 1  
DOUBLE 672 : OPEN LINE FROM BUS 640084 [BLMFLD 7 115.00] TO BUS 652511 [GAVINS 7 115.00] CKT 1  
OPEN LINE FROM BUS 640298 [NORFOLK7 115.00] TO BUS 643001 [MADISONCNTY7115.00] CKT 1  
DOUBLE 673 : OPEN LINE FROM BUS 640084 [BLMFLD 7 115.00] TO BUS 652511 [GAVINS 7 115.00] CKT 1  
OPEN LINE FROM BUS 640318 [PETERSBG7 115.00] TO BUS 640444 [PETERSBRG.N7115.00] CKT 1  
DOUBLE 674 : OPEN LINE FROM BUS 640084 [BLMFLD 7 115.00] TO BUS 652511 [GAVINS 7 115.00] CKT 1  
OPEN LINE FROM BUS 640444 [PETERSBRG.N7115.00] TO BUS 643001 [MADISONCNTY7115.00] CKT 1  
DOUBLE 675 : OPEN LINE FROM BUS 640084 [BLMFLD 7 115.00] TO BUS 652511 [GAVINS 7 115.00] CKT 1  
OPEN LINE FROM BUS 643000 [MADISONCNTY4230.00] TO BUS 652509 [FTRANDL4 230.00] CKT 1  
DOUBLE 676 : OPEN LINE FROM BUS 640084 [BLMFLD 7 115.00] TO BUS 652511 [GAVINS 7 115.00] CKT 1  
OPEN LINE FROM BUS 652507 [FTTHOMP4 230.00] TO BUS 652509 [FTRANDL4 230.00] CKT 1  
DOUBLE 677 : OPEN LINE FROM BUS 640084 [BLMFLD 7 115.00] TO BUS 652511 [GAVINS 7 115.00] CKT 1  
OPEN LINE FROM BUS 652507 [FTTHOMP4 230.00] TO BUS 652516 [LAKPLAT4 230.00] CKT 1  
DOUBLE 678 : OPEN LINE FROM BUS 640084 [BLMFLD 7 115.00] TO BUS 652511 [GAVINS 7 115.00] CKT 1  
OPEN LINE FROM BUS 652509 [FTRANDL4 230.00] TO BUS 652510 [FTRANDL7 115.00] CKT 1  
DOUBLE 679 : OPEN LINE FROM BUS 640084 [BLMFLD 7 115.00] TO BUS 652511 [GAVINS 7 115.00] CKT 1  
OPEN LINE FROM BUS 652509 [FTRANDL4 230.00] TO BUS 652510 [FTRANDL7 115.00] CKT 2  
DOUBLE 680 : OPEN LINE FROM BUS 640084 [BLMFLD 7 115.00] TO BUS 652511 [GAVINS 7 115.00] CKT 1  
OPEN LINE FROM BUS 652509 [FTRANDL4 230.00] TO BUS 652516 [LAKPLAT4 230.00] CKT 1  
DOUBLE 681 : OPEN LINE FROM BUS 640084 [BLMFLD 7 115.00] TO BUS 652511 [GAVINS 7 115.00] CKT 1  
OPEN LINE FROM BUS 652509 [FTRANDL4 230.00] TO BUS 652526 [UTICAJC4 230.00] CKT 1  
DOUBLE 682 : OPEN LINE FROM BUS 640084 [BLMFLD 7 115.00] TO BUS 652511 [GAVINS 7 115.00] CKT 1  
OPEN LINE FROM BUS 652509 [FTRANDL4 230.00] TO BUS 652565 [SIOUXCY4 230.00] CKT 1  
DOUBLE 683 : OPEN LINE FROM BUS 640084 [BLMFLD 7 115.00] TO BUS 652511 [GAVINS 7 115.00] CKT 1  
OPEN LINE FROM BUS 652511 [GAVINS 7 115.00] TO BUS 652532 [YANKTON7 115.00] CKT 1  
DOUBLE 684 : OPEN LINE FROM BUS 640084 [BLMFLD 7 115.00] TO BUS 652511 [GAVINS 7 115.00] CKT 1  
OPEN LINE FROM BUS 652511 [GAVINS 7 115.00] TO BUS 660006 [YKNTJCT7 115.00] CKT 1  
DOUBLE 685 : OPEN LINE FROM BUS 640084 [BLMFLD 7 115.00] TO BUS 652511 [GAVINS 7 115.00] CKT 1  
OPEN LINE FROM BUS 652517 [MANNING7 115.00] TO BUS 659121 [SPIRITM7 115.00] CKT 1  
DOUBLE 686 : OPEN LINE FROM BUS 640084 [BLMFLD 7 115.00] TO BUS 652511 [GAVINS 7 115.00] CKT 1  
OPEN LINE FROM BUS 652526 [UTICAJC4 230.00] TO BUS 652626 [UTICAJC7 115.00] TO BUS 652627 [UTICAJC9 13.200] CKT 1  
DOUBLE 687 : OPEN LINE FROM BUS 640084 [BLMFLD 7 115.00] TO BUS 652511 [GAVINS 7 115.00] CKT 1  
OPEN LINE FROM BUS 652532 [YANKTON7 115.00] TO BUS 659121 [SPIRITM7 115.00] CKT 1  
DOUBLE 688 : OPEN LINE FROM BUS 640084 [BLMFLD 7 115.00] TO BUS 652511 [GAVINS 7 115.00] CKT 1  
OPEN LINE FROM BUS 652626 [UTICAJC7 115.00] TO BUS 660006 [YKNTJCT7 115.00] CKT 1  
DOUBLE 689 : OPEN LINE FROM BUS 640084 [BLMFLD 7 115.00] TO BUS 652511 [GAVINS 7 115.00] CKT 1  
OPEN LINE FROM BUS 652626 [UTICAJC7 115.00] TO BUS 660007 [MENNOJT7 115.00] CKT 1  
DOUBLE 690 : OPEN LINE FROM BUS 640089 [BROKENB7 115.00] TO BUS 640094 [C.CREEK7 115.00] CKT 1  
OPEN LINE FROM BUS 640089 [BROKENB7 115.00] TO BUS 640098 [CALAWAY7 115.00] CKT 1  
DOUBLE 691 : OPEN LINE FROM BUS 640089 [BROKENB7 115.00] TO BUS 640094 [C.CREEK7 115.00] CKT 1  
OPEN LINE FROM BUS 640089 [BROKENB7 115.00] TO BUS 640259 [LOUPCTY7 115.00] CKT 1  
DOUBLE 692 : OPEN LINE FROM BUS 640089 [BROKENB7 115.00] TO BUS 640094 [C.CREEK7 115.00] CKT 1  
OPEN LINE FROM BUS 640093 [C.CREEK4 230.00] TO BUS 640094 [C.CREEK7 115.00] CKT 1  
DOUBLE 693 : OPEN LINE FROM BUS 640089 [BROKENB7 115.00] TO BUS 640094 [C.CREEK7 115.00] CKT 1  
OPEN LINE FROM BUS 640093 [C.CREEK4 230.00] TO BUS 640102 [CANADAY4 230.00] CKT 1  
DOUBLE 694 : OPEN LINE FROM BUS 640089 [BROKENB7 115.00] TO BUS 640094 [C.CREEK7 115.00] CKT 1

OPEN LINE FROM BUS 640093 [C.CREEK4 230.00] TO BUS 640286 [N.PLATT4 230.00] CKT 1  
DOUBLE 695 : OPEN LINE FROM BUS 640089 [BROKENB7 115.00] TO BUS 640094 [C.CREEK7 115.00] CKT 1  
OPEN LINE FROM BUS 640093 [C.CREEK4 230.00] TO BUS 640330 [RIVERDL4 230.00] CKT 1  
DOUBLE 696 : OPEN LINE FROM BUS 640089 [BROKENB7 115.00] TO BUS 640094 [C.CREEK7 115.00] CKT 1  
OPEN LINE FROM BUS 640096 [CALAMS 7 115.00] TO BUS 640381 [THEDFRD7 115.00] CKT 1  
DOUBLE 697 : OPEN LINE FROM BUS 640089 [BROKENB7 115.00] TO BUS 640094 [C.CREEK7 115.00] CKT 1  
OPEN LINE FROM BUS 640098 [CALAWAY7 115.00] TO BUS 640267 [MAXWELS7 115.00] CKT 1  
DOUBLE 698 : OPEN LINE FROM BUS 640089 [BROKENB7 115.00] TO BUS 640094 [C.CREEK7 115.00] CKT 1  
OPEN LINE FROM BUS 640113 [CLRWATR7 115.00] TO BUS 640293 [NELIGH 7 115.00] CKT 1  
DOUBLE 699 : OPEN LINE FROM BUS 640089 [BROKENB7 115.00] TO BUS 640094 [C.CREEK7 115.00] CKT 1  
OPEN LINE FROM BUS 640115 [CO.LINE7 115.00] TO BUS 640293 [NELIGH 7 115.00] CKT 1  
DOUBLE 700 : OPEN LINE FROM BUS 640089 [BROKENB7 115.00] TO BUS 640094 [C.CREEK7 115.00] CKT 1  
OPEN LINE FROM BUS 640126 [E.COL. 4 230.00] TO BUS 640133 [COLMBUS4 230.00] CKT 1  
DOUBLE 701 : OPEN LINE FROM BUS 640089 [BROKENB7 115.00] TO BUS 640094 [C.CREEK7 115.00] CKT 1  
OPEN LINE FROM BUS 640131 [COLMB.W4 230.00] TO BUS 640133 [COLMBUS4 230.00] CKT 1  
DOUBLE 702 : OPEN LINE FROM BUS 640089 [BROKENB7 115.00] TO BUS 640094 [C.CREEK7 115.00] CKT 1  
OPEN LINE FROM BUS 640133 [COLMBUS4 230.00] TO BUS 640343 [SHELCKR4 230.00] CKT 1  
DOUBLE 703 : OPEN LINE FROM BUS 640089 [BROKENB7 115.00] TO BUS 640094 [C.CREEK7 115.00] CKT 1  
OPEN LINE FROM BUS 640133 [COLMBUS4 230.00] TO BUS 643000 [MADISONCNTY4230.00] CKT 1  
DOUBLE 704 : OPEN LINE FROM BUS 640089 [BROKENB7 115.00] TO BUS 640094 [C.CREEK7 115.00] CKT 1  
OPEN LINE FROM BUS 640133 [COLMBUS4 230.00] TO BUS 640134 [KELLY 7 115.00] TO BUS 640135 [COLMBS19 13.200] CKT 1  
DOUBLE 705 : OPEN LINE FROM BUS 640089 [BROKENB7 115.00] TO BUS 640094 [C.CREEK7 115.00] CKT 1  
OPEN LINE FROM BUS 640149 [CREITON7 115.00] TO BUS 640293 [NELIGH 7 115.00] CKT 1  
DOUBLE 706 : OPEN LINE FROM BUS 640089 [BROKENB7 115.00] TO BUS 640094 [C.CREEK7 115.00] CKT 1  
OPEN LINE FROM BUS 640151 [CRESTON7 115.00] TO BUS 640263 [MADISON7 115.00] CKT 1  
DOUBLE 707 : OPEN LINE FROM BUS 640089 [BROKENB7 115.00] TO BUS 640094 [C.CREEK7 115.00] CKT 1  
OPEN LINE FROM BUS 640212 [HARTGTN7 115.00] TO BUS 652511 [GAVINS 7 115.00] CKT 1  
DOUBLE 708 : OPEN LINE FROM BUS 640089 [BROKENB7 115.00] TO BUS 640094 [C.CREEK7 115.00] CKT 1  
OPEN LINE FROM BUS 640228 [HOSKINS7 115.00] TO BUS 640298 [NORFOLK7 115.00] CKT 1  
DOUBLE 709 : OPEN LINE FROM BUS 640089 [BROKENB7 115.00] TO BUS 640094 [C.CREEK7 115.00] CKT 1  
OPEN LINE FROM BUS 640259 [LOUPCTY7 115.00] TO BUS 640284 [N.LOUP 7 115.00] CKT 1  
DOUBLE 710 : OPEN LINE FROM BUS 640089 [BROKENB7 115.00] TO BUS 640094 [C.CREEK7 115.00] CKT 1  
OPEN LINE FROM BUS 640259 [LOUPCTY7 115.00] TO BUS 640353 [ST.LIB 7 115.00] CKT 1  
DOUBLE 711 : OPEN LINE FROM BUS 640089 [BROKENB7 115.00] TO BUS 640094 [C.CREEK7 115.00] CKT 1  
OPEN LINE FROM BUS 640263 [MADISON7 115.00] TO BUS 640298 [NORFOLK7 115.00] CKT 1  
DOUBLE 712 : OPEN LINE FROM BUS 640089 [BROKENB7 115.00] TO BUS 640094 [C.CREEK7 115.00] CKT 1  
OPEN LINE FROM BUS 640263 [MADISON7 115.00] TO BUS 643001 [MADISONCNTY7115.00] CKT 1  
DOUBLE 713 : OPEN LINE FROM BUS 640089 [BROKENB7 115.00] TO BUS 640094 [C.CREEK7 115.00] CKT 1  
OPEN LINE FROM BUS 640267 [MAXWELS7 115.00] TO BUS 640287 [N.PLATT7 115.00] CKT 1  
DOUBLE 714 : OPEN LINE FROM BUS 640089 [BROKENB7 115.00] TO BUS 640094 [C.CREEK7 115.00] CKT 1  
OPEN LINE FROM BUS 640267 [MAXWELS7 115.00] TO BUS 640381 [THEDFRD7 115.00] CKT 1  
DOUBLE 715 : OPEN LINE FROM BUS 640089 [BROKENB7 115.00] TO BUS 640094 [C.CREEK7 115.00] CKT 1  
OPEN LINE FROM BUS 640284 [N.LOUP 7 115.00] TO BUS 640347 [SPALDNG7 115.00] CKT 1  
DOUBLE 716 : OPEN LINE FROM BUS 640089 [BROKENB7 115.00] TO BUS 640094 [C.CREEK7 115.00] CKT 1  
OPEN LINE FROM BUS 640286 [N.PLATT4 230.00] TO BUS 640287 [N.PLATT7 115.00] CKT 2  
DOUBLE 717 : OPEN LINE FROM BUS 640089 [BROKENB7 115.00] TO BUS 640094 [C.CREEK7 115.00] CKT 1  
OPEN LINE FROM BUS 640293 [NELIGH 7 115.00] TO BUS 640444 [PETERSBRG.N7115.00] CKT 1  
DOUBLE 718 : OPEN LINE FROM BUS 640089 [BROKENB7 115.00] TO BUS 640094 [C.CREEK7 115.00] CKT 1

OPEN LINE FROM BUS 640298 [NORFOLK7 115.00] TO BUS 643001 [MADISONCNTY7115.00] CKT 1  
DOUBLE 719 : OPEN LINE FROM BUS 640089 [BROKENB7 115.00] TO BUS 640094 [C.CREEK7 115.00] CKT 1  
OPEN LINE FROM BUS 640318 [PETR SBG7 115.00] TO BUS 640444 [PETERSBRG.N7115.00] CKT 1  
DOUBLE 720 : OPEN LINE FROM BUS 640089 [BROKENB7 115.00] TO BUS 640094 [C.CREEK7 115.00] CKT 1  
OPEN LINE FROM BUS 640444 [PETERSBRG.N7115.00] TO BUS 643001 [MADISONCNTY7115.00] CKT 1  
DOUBLE 721 : OPEN LINE FROM BUS 640089 [BROKENB7 115.00] TO BUS 640094 [C.CREEK7 115.00] CKT 1  
OPEN LINE FROM BUS 643000 [MADISONCNTY4230.00] TO BUS 652509 [FTRANDL4 230.00] CKT 1  
DOUBLE 722 : OPEN LINE FROM BUS 640089 [BROKENB7 115.00] TO BUS 640094 [C.CREEK7 115.00] CKT 1  
OPEN LINE FROM BUS 652507 [FTTHOMP4 230.00] TO BUS 652509 [FTRANDL4 230.00] CKT 1  
DOUBLE 723 : OPEN LINE FROM BUS 640089 [BROKENB7 115.00] TO BUS 640094 [C.CREEK7 115.00] CKT 1  
OPEN LINE FROM BUS 652507 [FTTHOMP4 230.00] TO BUS 652516 [LAKPLAT4 230.00] CKT 1  
DOUBLE 724 : OPEN LINE FROM BUS 640089 [BROKENB7 115.00] TO BUS 640094 [C.CREEK7 115.00] CKT 1  
OPEN LINE FROM BUS 652509 [FTRANDL4 230.00] TO BUS 652510 [FTRANDL7 115.00] CKT 1  
DOUBLE 725 : OPEN LINE FROM BUS 640089 [BROKENB7 115.00] TO BUS 640094 [C.CREEK7 115.00] CKT 1  
OPEN LINE FROM BUS 652509 [FTRANDL4 230.00] TO BUS 652510 [FTRANDL7 115.00] CKT 2  
DOUBLE 726 : OPEN LINE FROM BUS 640089 [BROKENB7 115.00] TO BUS 640094 [C.CREEK7 115.00] CKT 1  
OPEN LINE FROM BUS 652509 [FTRANDL4 230.00] TO BUS 652516 [LAKPLAT4 230.00] CKT 1  
DOUBLE 727 : OPEN LINE FROM BUS 640089 [BROKENB7 115.00] TO BUS 640094 [C.CREEK7 115.00] CKT 1  
OPEN LINE FROM BUS 652509 [FTRANDL4 230.00] TO BUS 652526 [UTICAJC4 230.00] CKT 1  
DOUBLE 728 : OPEN LINE FROM BUS 640089 [BROKENB7 115.00] TO BUS 640094 [C.CREEK7 115.00] CKT 1  
OPEN LINE FROM BUS 652509 [FTRANDL4 230.00] TO BUS 652565 [SIOUXCY4 230.00] CKT 1  
DOUBLE 729 : OPEN LINE FROM BUS 640089 [BROKENB7 115.00] TO BUS 640094 [C.CREEK7 115.00] CKT 1  
OPEN LINE FROM BUS 652511 [GAVINS 7 115.00] TO BUS 652532 [YANKTON7 115.00] CKT 1  
DOUBLE 730 : OPEN LINE FROM BUS 640089 [BROKENB7 115.00] TO BUS 640094 [C.CREEK7 115.00] CKT 1  
OPEN LINE FROM BUS 652511 [GAVINS 7 115.00] TO BUS 660006 [YKNTJCT7 115.00] CKT 1  
DOUBLE 731 : OPEN LINE FROM BUS 640089 [BROKENB7 115.00] TO BUS 640094 [C.CREEK7 115.00] CKT 1  
OPEN LINE FROM BUS 652517 [MANNING7 115.00] TO BUS 659121 [SPIRITM7 115.00] CKT 1  
DOUBLE 732 : OPEN LINE FROM BUS 640089 [BROKENB7 115.00] TO BUS 640094 [C.CREEK7 115.00] CKT 1  
OPEN LINE FROM BUS 652526 [UTICAJC4 230.00] TO BUS 652626 [UTICAJC7 115.00] TO BUS 652627 [UTICAJC9 13.200] CKT 1  
DOUBLE 733 : OPEN LINE FROM BUS 640089 [BROKENB7 115.00] TO BUS 640094 [C.CREEK7 115.00] CKT 1  
OPEN LINE FROM BUS 652532 [YANKTON7 115.00] TO BUS 659121 [SPIRITM7 115.00] CKT 1  
DOUBLE 734 : OPEN LINE FROM BUS 640089 [BROKENB7 115.00] TO BUS 640094 [C.CREEK7 115.00] CKT 1  
OPEN LINE FROM BUS 652626 [UTICAJC7 115.00] TO BUS 660006 [YKNTJCT7 115.00] CKT 1  
DOUBLE 735 : OPEN LINE FROM BUS 640089 [BROKENB7 115.00] TO BUS 640094 [C.CREEK7 115.00] CKT 1  
OPEN LINE FROM BUS 652626 [UTICAJC7 115.00] TO BUS 660007 [MENNOJT7 115.00] CKT 1  
DOUBLE 736 : OPEN LINE FROM BUS 640089 [BROKENB7 115.00] TO BUS 640098 [CALAWAY7 115.00] CKT 1  
OPEN LINE FROM BUS 640089 [BROKENB7 115.00] TO BUS 640259 [LOUPCTY7 115.00] CKT 1  
DOUBLE 737 : OPEN LINE FROM BUS 640089 [BROKENB7 115.00] TO BUS 640098 [CALAWAY7 115.00] CKT 1  
OPEN LINE FROM BUS 640093 [C.CREEK4 230.00] TO BUS 640094 [C.CREEK7 115.00] CKT 1  
DOUBLE 738 : OPEN LINE FROM BUS 640089 [BROKENB7 115.00] TO BUS 640098 [CALAWAY7 115.00] CKT 1  
OPEN LINE FROM BUS 640093 [C.CREEK4 230.00] TO BUS 640102 [CANADAY4 230.00] CKT 1  
DOUBLE 739 : OPEN LINE FROM BUS 640089 [BROKENB7 115.00] TO BUS 640098 [CALAWAY7 115.00] CKT 1  
OPEN LINE FROM BUS 640093 [C.CREEK4 230.00] TO BUS 640286 [N.PLATT4 230.00] CKT 1  
DOUBLE 740 : OPEN LINE FROM BUS 640089 [BROKENB7 115.00] TO BUS 640098 [CALAWAY7 115.00] CKT 1  
OPEN LINE FROM BUS 640093 [C.CREEK4 230.00] TO BUS 640330 [RIVERDL4 230.00] CKT 1  
DOUBLE 741 : OPEN LINE FROM BUS 640089 [BROKENB7 115.00] TO BUS 640098 [CALAWAY7 115.00] CKT 1  
OPEN LINE FROM BUS 640096 [CALAMS 7 115.00] TO BUS 640381 [THEDFRD7 115.00] CKT 1  
DOUBLE 742 : OPEN LINE FROM BUS 640089 [BROKENB7 115.00] TO BUS 640098 [CALAWAY7 115.00] CKT 1

OPEN LINE FROM BUS 640098 [CALAWAY7 115.00] TO BUS 640267 [MAXWELS7 115.00] CKT 1  
DOUBLE 743 : OPEN LINE FROM BUS 640089 [BROKENB7 115.00] TO BUS 640098 [CALAWAY7 115.00] CKT 1  
OPEN LINE FROM BUS 640113 [CLRWATR7 115.00] TO BUS 640293 [NELIGH 7 115.00] CKT 1  
DOUBLE 744 : OPEN LINE FROM BUS 640089 [BROKENB7 115.00] TO BUS 640098 [CALAWAY7 115.00] CKT 1  
OPEN LINE FROM BUS 640115 [CO.LINE7 115.00] TO BUS 640293 [NELIGH 7 115.00] CKT 1  
DOUBLE 745 : OPEN LINE FROM BUS 640089 [BROKENB7 115.00] TO BUS 640098 [CALAWAY7 115.00] CKT 1  
OPEN LINE FROM BUS 640126 [E.COL. 4 230.00] TO BUS 640133 [COLMBUS4 230.00] CKT 1  
DOUBLE 746 : OPEN LINE FROM BUS 640089 [BROKENB7 115.00] TO BUS 640098 [CALAWAY7 115.00] CKT 1  
OPEN LINE FROM BUS 640131 [COLMB.W4 230.00] TO BUS 640133 [COLMBUS4 230.00] CKT 1  
DOUBLE 747 : OPEN LINE FROM BUS 640089 [BROKENB7 115.00] TO BUS 640098 [CALAWAY7 115.00] CKT 1  
OPEN LINE FROM BUS 640133 [COLMBUS4 230.00] TO BUS 640343 [SHELCKR4 230.00] CKT 1  
DOUBLE 748 : OPEN LINE FROM BUS 640089 [BROKENB7 115.00] TO BUS 640098 [CALAWAY7 115.00] CKT 1  
OPEN LINE FROM BUS 640133 [COLMBUS4 230.00] TO BUS 643000 [MADISONCNTY4230.00] CKT 1  
DOUBLE 749 : OPEN LINE FROM BUS 640089 [BROKENB7 115.00] TO BUS 640098 [CALAWAY7 115.00] CKT 1  
OPEN LINE FROM BUS 640133 [COLMBUS4 230.00] TO BUS 640134 [KELLY 7 115.00] TO BUS 640135 [COLMBS19 13.200] CKT 1  
DOUBLE 750 : OPEN LINE FROM BUS 640089 [BROKENB7 115.00] TO BUS 640098 [CALAWAY7 115.00] CKT 1  
OPEN LINE FROM BUS 640149 [CREITON7 115.00] TO BUS 640293 [NELIGH 7 115.00] CKT 1  
DOUBLE 751 : OPEN LINE FROM BUS 640089 [BROKENB7 115.00] TO BUS 640098 [CALAWAY7 115.00] CKT 1  
OPEN LINE FROM BUS 640151 [CRESTON7 115.00] TO BUS 640263 [MADISON7 115.00] CKT 1  
DOUBLE 752 : OPEN LINE FROM BUS 640089 [BROKENB7 115.00] TO BUS 640098 [CALAWAY7 115.00] CKT 1  
OPEN LINE FROM BUS 640212 [HARTGTN7 115.00] TO BUS 652511 [GAVINS 7 115.00] CKT 1  
DOUBLE 753 : OPEN LINE FROM BUS 640089 [BROKENB7 115.00] TO BUS 640098 [CALAWAY7 115.00] CKT 1  
OPEN LINE FROM BUS 640228 [HOSKINS7 115.00] TO BUS 640298 [NORFOLK7 115.00] CKT 1  
DOUBLE 754 : OPEN LINE FROM BUS 640089 [BROKENB7 115.00] TO BUS 640098 [CALAWAY7 115.00] CKT 1  
OPEN LINE FROM BUS 640259 [LOUPCTY7 115.00] TO BUS 640284 [N.LOUP 7 115.00] CKT 1  
DOUBLE 755 : OPEN LINE FROM BUS 640089 [BROKENB7 115.00] TO BUS 640098 [CALAWAY7 115.00] CKT 1  
OPEN LINE FROM BUS 640259 [LOUPCTY7 115.00] TO BUS 640353 [ST.LIB 7 115.00] CKT 1  
DOUBLE 756 : OPEN LINE FROM BUS 640089 [BROKENB7 115.00] TO BUS 640098 [CALAWAY7 115.00] CKT 1  
OPEN LINE FROM BUS 640263 [MADISON7 115.00] TO BUS 640298 [NORFOLK7 115.00] CKT 1  
DOUBLE 757 : OPEN LINE FROM BUS 640089 [BROKENB7 115.00] TO BUS 640098 [CALAWAY7 115.00] CKT 1  
OPEN LINE FROM BUS 640263 [MADISON7 115.00] TO BUS 643001 [MADISONCNTY7115.00] CKT 1  
DOUBLE 758 : OPEN LINE FROM BUS 640089 [BROKENB7 115.00] TO BUS 640098 [CALAWAY7 115.00] CKT 1  
OPEN LINE FROM BUS 640267 [MAXWELS7 115.00] TO BUS 640287 [N.PLATT7 115.00] CKT 1  
DOUBLE 759 : OPEN LINE FROM BUS 640089 [BROKENB7 115.00] TO BUS 640098 [CALAWAY7 115.00] CKT 1  
OPEN LINE FROM BUS 640267 [MAXWELS7 115.00] TO BUS 640381 [THEDFRD7 115.00] CKT 1  
DOUBLE 760 : OPEN LINE FROM BUS 640089 [BROKENB7 115.00] TO BUS 640098 [CALAWAY7 115.00] CKT 1  
OPEN LINE FROM BUS 640284 [N.LOUP 7 115.00] TO BUS 640347 [SPALDNG7 115.00] CKT 1  
DOUBLE 761 : OPEN LINE FROM BUS 640089 [BROKENB7 115.00] TO BUS 640098 [CALAWAY7 115.00] CKT 1  
OPEN LINE FROM BUS 640286 [N.PLATT4 230.00] TO BUS 640287 [N.PLATT7 115.00] CKT 2  
DOUBLE 762 : OPEN LINE FROM BUS 640089 [BROKENB7 115.00] TO BUS 640098 [CALAWAY7 115.00] CKT 1  
OPEN LINE FROM BUS 640293 [NELIGH 7 115.00] TO BUS 640444 [PETERSBRG.N7115.00] CKT 1  
DOUBLE 763 : OPEN LINE FROM BUS 640089 [BROKENB7 115.00] TO BUS 640098 [CALAWAY7 115.00] CKT 1  
OPEN LINE FROM BUS 640298 [NORFOLK7 115.00] TO BUS 643001 [MADISONCNTY7115.00] CKT 1  
DOUBLE 764 : OPEN LINE FROM BUS 640089 [BROKENB7 115.00] TO BUS 640098 [CALAWAY7 115.00] CKT 1  
OPEN LINE FROM BUS 640318 [PETRSBG7 115.00] TO BUS 640444 [PETERSBRG.N7115.00] CKT 1  
DOUBLE 765 : OPEN LINE FROM BUS 640089 [BROKENB7 115.00] TO BUS 640098 [CALAWAY7 115.00] CKT 1  
OPEN LINE FROM BUS 640444 [PETERSBRG.N7115.00] TO BUS 643001 [MADISONCNTY7115.00] CKT 1  
DOUBLE 766 : OPEN LINE FROM BUS 640089 [BROKENB7 115.00] TO BUS 640098 [CALAWAY7 115.00] CKT 1

OPEN LINE FROM BUS 643000 [MADISONCNTY4230.00] TO BUS 652509 [FTRANDL4 230.00] CKT 1  
DOUBLE 767 : OPEN LINE FROM BUS 640089 [BROKENB7 115.00] TO BUS 640098 [CALAWAY7 115.00] CKT 1  
OPEN LINE FROM BUS 652507 [FTTHOMP4 230.00] TO BUS 652509 [FTRANDL4 230.00] CKT 1  
DOUBLE 768 : OPEN LINE FROM BUS 640089 [BROKENB7 115.00] TO BUS 640098 [CALAWAY7 115.00] CKT 1  
OPEN LINE FROM BUS 652507 [FTTHOMP4 230.00] TO BUS 652516 [LAKPLAT4 230.00] CKT 1  
DOUBLE 769 : OPEN LINE FROM BUS 640089 [BROKENB7 115.00] TO BUS 640098 [CALAWAY7 115.00] CKT 1  
OPEN LINE FROM BUS 652509 [FTRANDL4 230.00] TO BUS 652510 [FTRANDL7 115.00] CKT 1  
DOUBLE 770 : OPEN LINE FROM BUS 640089 [BROKENB7 115.00] TO BUS 640098 [CALAWAY7 115.00] CKT 1  
OPEN LINE FROM BUS 652509 [FTRANDL4 230.00] TO BUS 652510 [FTRANDL7 115.00] CKT 2  
DOUBLE 771 : OPEN LINE FROM BUS 640089 [BROKENB7 115.00] TO BUS 640098 [CALAWAY7 115.00] CKT 1  
OPEN LINE FROM BUS 652509 [FTRANDL4 230.00] TO BUS 652516 [LAKPLAT4 230.00] CKT 1  
DOUBLE 772 : OPEN LINE FROM BUS 640089 [BROKENB7 115.00] TO BUS 640098 [CALAWAY7 115.00] CKT 1  
OPEN LINE FROM BUS 652509 [FTRANDL4 230.00] TO BUS 652526 [UTICAJC4 230.00] CKT 1  
DOUBLE 773 : OPEN LINE FROM BUS 640089 [BROKENB7 115.00] TO BUS 640098 [CALAWAY7 115.00] CKT 1  
OPEN LINE FROM BUS 652509 [FTRANDL4 230.00] TO BUS 652565 [SIOUXCY4 230.00] CKT 1  
DOUBLE 774 : OPEN LINE FROM BUS 640089 [BROKENB7 115.00] TO BUS 640098 [CALAWAY7 115.00] CKT 1  
OPEN LINE FROM BUS 652511 [GAVINS 7 115.00] TO BUS 652532 [YANKTON7 115.00] CKT 1  
DOUBLE 775 : OPEN LINE FROM BUS 640089 [BROKENB7 115.00] TO BUS 640098 [CALAWAY7 115.00] CKT 1  
OPEN LINE FROM BUS 652511 [GAVINS 7 115.00] TO BUS 660006 [YKNTJCT7 115.00] CKT 1  
DOUBLE 776 : OPEN LINE FROM BUS 640089 [BROKENB7 115.00] TO BUS 640098 [CALAWAY7 115.00] CKT 1  
OPEN LINE FROM BUS 652517 [MANNING7 115.00] TO BUS 659121 [SPIRITM7 115.00] CKT 1  
DOUBLE 777 : OPEN LINE FROM BUS 640089 [BROKENB7 115.00] TO BUS 640098 [CALAWAY7 115.00] CKT 1  
OPEN LINE FROM BUS 652526 [UTICAJC4 230.00] TO BUS 652626 [UTICAJC7 115.00] TO BUS 652627 [UTICAJC9 13.200] CKT 1  
DOUBLE 778 : OPEN LINE FROM BUS 640089 [BROKENB7 115.00] TO BUS 640098 [CALAWAY7 115.00] CKT 1  
OPEN LINE FROM BUS 652532 [YANKTON7 115.00] TO BUS 659121 [SPIRITM7 115.00] CKT 1  
DOUBLE 779 : OPEN LINE FROM BUS 640089 [BROKENB7 115.00] TO BUS 640098 [CALAWAY7 115.00] CKT 1  
OPEN LINE FROM BUS 652626 [UTICAJC7 115.00] TO BUS 660006 [YKNTJCT7 115.00] CKT 1  
DOUBLE 780 : OPEN LINE FROM BUS 640089 [BROKENB7 115.00] TO BUS 640098 [CALAWAY7 115.00] CKT 1  
OPEN LINE FROM BUS 652626 [UTICAJC7 115.00] TO BUS 660007 [MENNOJT7 115.00] CKT 1  
DOUBLE 781 : OPEN LINE FROM BUS 640089 [BROKENB7 115.00] TO BUS 640259 [LOUPCTY7 115.00] CKT 1  
OPEN LINE FROM BUS 640093 [C.CREEK4 230.00] TO BUS 640094 [C.CREEK7 115.00] CKT 1  
DOUBLE 782 : OPEN LINE FROM BUS 640089 [BROKENB7 115.00] TO BUS 640259 [LOUPCTY7 115.00] CKT 1  
OPEN LINE FROM BUS 640093 [C.CREEK4 230.00] TO BUS 640102 [CANADAY4 230.00] CKT 1  
DOUBLE 783 : OPEN LINE FROM BUS 640089 [BROKENB7 115.00] TO BUS 640259 [LOUPCTY7 115.00] CKT 1  
OPEN LINE FROM BUS 640093 [C.CREEK4 230.00] TO BUS 640286 [N.PLATT4 230.00] CKT 1  
DOUBLE 784 : OPEN LINE FROM BUS 640089 [BROKENB7 115.00] TO BUS 640259 [LOUPCTY7 115.00] CKT 1  
OPEN LINE FROM BUS 640093 [C.CREEK4 230.00] TO BUS 640330 [RIVERDL4 230.00] CKT 1  
DOUBLE 785 : OPEN LINE FROM BUS 640089 [BROKENB7 115.00] TO BUS 640259 [LOUPCTY7 115.00] CKT 1  
OPEN LINE FROM BUS 640096 [CALAMS 7 115.00] TO BUS 640381 [THEDFRD7 115.00] CKT 1  
DOUBLE 786 : OPEN LINE FROM BUS 640089 [BROKENB7 115.00] TO BUS 640259 [LOUPCTY7 115.00] CKT 1  
OPEN LINE FROM BUS 640098 [CALAWAY7 115.00] TO BUS 640267 [MAXWELS7 115.00] CKT 1  
DOUBLE 787 : OPEN LINE FROM BUS 640089 [BROKENB7 115.00] TO BUS 640259 [LOUPCTY7 115.00] CKT 1  
OPEN LINE FROM BUS 640113 [CLRWATR7 115.00] TO BUS 640293 [NELIGH 7 115.00] CKT 1  
DOUBLE 788 : OPEN LINE FROM BUS 640089 [BROKENB7 115.00] TO BUS 640259 [LOUPCTY7 115.00] CKT 1  
OPEN LINE FROM BUS 640115 [CO.LINE7 115.00] TO BUS 640293 [NELIGH 7 115.00] CKT 1  
DOUBLE 789 : OPEN LINE FROM BUS 640089 [BROKENB7 115.00] TO BUS 640259 [LOUPCTY7 115.00] CKT 1  
OPEN LINE FROM BUS 640126 [E.COL. 4 230.00] TO BUS 640133 [COLMBUS4 230.00] CKT 1  
DOUBLE 790 : OPEN LINE FROM BUS 640089 [BROKENB7 115.00] TO BUS 640259 [LOUPCTY7 115.00] CKT 1

OPEN LINE FROM BUS 640131 [COLMB.W4 230.00] TO BUS 640133 [COLMBUS4 230.00] CKT 1  
DOUBLE 791 : OPEN LINE FROM BUS 640089 [BROKENB7 115.00] TO BUS 640259 [LOUPCTY7 115.00] CKT 1  
OPEN LINE FROM BUS 640133 [COLMBUS4 230.00] TO BUS 640343 [SHELCKR4 230.00] CKT 1  
DOUBLE 792 : OPEN LINE FROM BUS 640089 [BROKENB7 115.00] TO BUS 640259 [LOUPCTY7 115.00] CKT 1  
OPEN LINE FROM BUS 640133 [COLMBUS4 230.00] TO BUS 643000 [MADISONCNTY4230.00] CKT 1  
DOUBLE 793 : OPEN LINE FROM BUS 640089 [BROKENB7 115.00] TO BUS 640259 [LOUPCTY7 115.00] CKT 1  
OPEN LINE FROM BUS 640133 [COLMBUS4 230.00] TO BUS 640134 [KELLY 7 115.00] TO BUS 640135 [COLMBS19 13.200] CKT 1  
DOUBLE 794 : OPEN LINE FROM BUS 640089 [BROKENB7 115.00] TO BUS 640259 [LOUPCTY7 115.00] CKT 1  
OPEN LINE FROM BUS 640149 [CREITON7 115.00] TO BUS 640293 [NELIGH 7 115.00] CKT 1  
DOUBLE 795 : OPEN LINE FROM BUS 640089 [BROKENB7 115.00] TO BUS 640259 [LOUPCTY7 115.00] CKT 1  
OPEN LINE FROM BUS 640151 [CRESTON7 115.00] TO BUS 640263 [MADISON7 115.00] CKT 1  
DOUBLE 796 : OPEN LINE FROM BUS 640089 [BROKENB7 115.00] TO BUS 640259 [LOUPCTY7 115.00] CKT 1  
OPEN LINE FROM BUS 640212 [HARTGTN7 115.00] TO BUS 652511 [GAVINS 7 115.00] CKT 1  
DOUBLE 797 : OPEN LINE FROM BUS 640089 [BROKENB7 115.00] TO BUS 640259 [LOUPCTY7 115.00] CKT 1  
OPEN LINE FROM BUS 640228 [HOSKINS7 115.00] TO BUS 640298 [NORFOLK7 115.00] CKT 1  
DOUBLE 798 : OPEN LINE FROM BUS 640089 [BROKENB7 115.00] TO BUS 640259 [LOUPCTY7 115.00] CKT 1  
OPEN LINE FROM BUS 640259 [LOUPCTY7 115.00] TO BUS 640284 [N.LOUP 7 115.00] CKT 1  
DOUBLE 799 : OPEN LINE FROM BUS 640089 [BROKENB7 115.00] TO BUS 640259 [LOUPCTY7 115.00] CKT 1  
OPEN LINE FROM BUS 640259 [LOUPCTY7 115.00] TO BUS 640353 [ST.LIB 7 115.00] CKT 1  
DOUBLE 800 : OPEN LINE FROM BUS 640089 [BROKENB7 115.00] TO BUS 640259 [LOUPCTY7 115.00] CKT 1  
OPEN LINE FROM BUS 640263 [MADISON7 115.00] TO BUS 640298 [NORFOLK7 115.00] CKT 1  
DOUBLE 801 : OPEN LINE FROM BUS 640089 [BROKENB7 115.00] TO BUS 640259 [LOUPCTY7 115.00] CKT 1  
OPEN LINE FROM BUS 640263 [MADISON7 115.00] TO BUS 643001 [MADISONCNTY7115.00] CKT 1  
DOUBLE 802 : OPEN LINE FROM BUS 640089 [BROKENB7 115.00] TO BUS 640259 [LOUPCTY7 115.00] CKT 1  
OPEN LINE FROM BUS 640267 [MAXWELS7 115.00] TO BUS 640287 [N.PLATT7 115.00] CKT 1  
DOUBLE 803 : OPEN LINE FROM BUS 640089 [BROKENB7 115.00] TO BUS 640259 [LOUPCTY7 115.00] CKT 1  
OPEN LINE FROM BUS 640267 [MAXWELS7 115.00] TO BUS 640381 [THEDFRD7 115.00] CKT 1  
DOUBLE 804 : OPEN LINE FROM BUS 640089 [BROKENB7 115.00] TO BUS 640259 [LOUPCTY7 115.00] CKT 1  
OPEN LINE FROM BUS 640284 [N.LOUP 7 115.00] TO BUS 640347 [SPALDNG7 115.00] CKT 1  
DOUBLE 805 : OPEN LINE FROM BUS 640089 [BROKENB7 115.00] TO BUS 640259 [LOUPCTY7 115.00] CKT 1  
OPEN LINE FROM BUS 640286 [N.PLATT4 230.00] TO BUS 640287 [N.PLATT7 115.00] CKT 2  
DOUBLE 806 : OPEN LINE FROM BUS 640089 [BROKENB7 115.00] TO BUS 640259 [LOUPCTY7 115.00] CKT 1  
OPEN LINE FROM BUS 640293 [NELIGH 7 115.00] TO BUS 640444 [PETERSBRG.N7115.00] CKT 1  
DOUBLE 807 : OPEN LINE FROM BUS 640089 [BROKENB7 115.00] TO BUS 640259 [LOUPCTY7 115.00] CKT 1  
OPEN LINE FROM BUS 640298 [NORFOLK7 115.00] TO BUS 643001 [MADISONCNTY7115.00] CKT 1  
DOUBLE 808 : OPEN LINE FROM BUS 640089 [BROKENB7 115.00] TO BUS 640259 [LOUPCTY7 115.00] CKT 1  
OPEN LINE FROM BUS 640318 [PETRSG7 115.00] TO BUS 640444 [PETERSBRG.N7115.00] CKT 1  
DOUBLE 809 : OPEN LINE FROM BUS 640089 [BROKENB7 115.00] TO BUS 640259 [LOUPCTY7 115.00] CKT 1  
OPEN LINE FROM BUS 640444 [PETERSBRG.N7115.00] TO BUS 643001 [MADISONCNTY7115.00] CKT 1  
DOUBLE 810 : OPEN LINE FROM BUS 640089 [BROKENB7 115.00] TO BUS 640259 [LOUPCTY7 115.00] CKT 1  
OPEN LINE FROM BUS 643000 [MADISONCNTY4230.00] TO BUS 652509 [FTRANDL4 230.00] CKT 1  
DOUBLE 811 : OPEN LINE FROM BUS 640089 [BROKENB7 115.00] TO BUS 640259 [LOUPCTY7 115.00] CKT 1  
OPEN LINE FROM BUS 652507 [FTTHOMP4 230.00] TO BUS 652509 [FTRANDL4 230.00] CKT 1  
DOUBLE 812 : OPEN LINE FROM BUS 640089 [BROKENB7 115.00] TO BUS 640259 [LOUPCTY7 115.00] CKT 1  
OPEN LINE FROM BUS 652507 [FTTHOMP4 230.00] TO BUS 652516 [LAKPLAT4 230.00] CKT 1  
DOUBLE 813 : OPEN LINE FROM BUS 640089 [BROKENB7 115.00] TO BUS 640259 [LOUPCTY7 115.00] CKT 1  
OPEN LINE FROM BUS 652509 [FTRANDL4 230.00] TO BUS 652510 [FTRANDL7 115.00] CKT 1  
DOUBLE 814 : OPEN LINE FROM BUS 640089 [BROKENB7 115.00] TO BUS 640259 [LOUPCTY7 115.00] CKT 1

OPEN LINE FROM BUS 652509 [FTRANDL4 230.00] TO BUS 652510 [FTRANDL7 115.00] CKT 2  
DOUBLE 815 : OPEN LINE FROM BUS 640089 [BROKENB7 115.00] TO BUS 640259 [LOUPCTY7 115.00] CKT 1  
OPEN LINE FROM BUS 652509 [FTRANDL4 230.00] TO BUS 652516 [LAKPLAT4 230.00] CKT 1  
DOUBLE 816 : OPEN LINE FROM BUS 640089 [BROKENB7 115.00] TO BUS 640259 [LOUPCTY7 115.00] CKT 1  
OPEN LINE FROM BUS 652509 [FTRANDL4 230.00] TO BUS 652526 [UTICAJC4 230.00] CKT 1  
DOUBLE 817 : OPEN LINE FROM BUS 640089 [BROKENB7 115.00] TO BUS 640259 [LOUPCTY7 115.00] CKT 1  
OPEN LINE FROM BUS 652509 [FTRANDL4 230.00] TO BUS 652565 [SIOUXCY4 230.00] CKT 1  
DOUBLE 818 : OPEN LINE FROM BUS 640089 [BROKENB7 115.00] TO BUS 640259 [LOUPCTY7 115.00] CKT 1  
OPEN LINE FROM BUS 652511 [GAVINS 7 115.00] TO BUS 652532 [YANKTON7 115.00] CKT 1  
DOUBLE 819 : OPEN LINE FROM BUS 640089 [BROKENB7 115.00] TO BUS 640259 [LOUPCTY7 115.00] CKT 1  
OPEN LINE FROM BUS 652511 [GAVINS 7 115.00] TO BUS 660006 [YKNTJCT7 115.00] CKT 1  
DOUBLE 820 : OPEN LINE FROM BUS 640089 [BROKENB7 115.00] TO BUS 640259 [LOUPCTY7 115.00] CKT 1  
OPEN LINE FROM BUS 652517 [MANNING7 115.00] TO BUS 659121 [SPIRITM7 115.00] CKT 1  
DOUBLE 821 : OPEN LINE FROM BUS 640089 [BROKENB7 115.00] TO BUS 640259 [LOUPCTY7 115.00] CKT 1  
OPEN LINE FROM BUS 652526 [UTICAJC4 230.00] TO BUS 652626 [UTICAJC7 115.00] TO BUS 652627 [UTICAJC9 13.200] CKT 1  
DOUBLE 822 : OPEN LINE FROM BUS 640089 [BROKENB7 115.00] TO BUS 640259 [LOUPCTY7 115.00] CKT 1  
OPEN LINE FROM BUS 652532 [YANKTON7 115.00] TO BUS 659121 [SPIRITM7 115.00] CKT 1  
DOUBLE 823 : OPEN LINE FROM BUS 640089 [BROKENB7 115.00] TO BUS 640259 [LOUPCTY7 115.00] CKT 1  
OPEN LINE FROM BUS 652626 [UTICAJC7 115.00] TO BUS 660006 [YKNTJCT7 115.00] CKT 1  
DOUBLE 824 : OPEN LINE FROM BUS 640089 [BROKENB7 115.00] TO BUS 640259 [LOUPCTY7 115.00] CKT 1  
OPEN LINE FROM BUS 652626 [UTICAJC7 115.00] TO BUS 660007 [MENNOJT7 115.00] CKT 1  
DOUBLE 825 : OPEN LINE FROM BUS 640093 [C.CREEK4 230.00] TO BUS 640094 [C.CREEK7 115.00] CKT 1  
OPEN LINE FROM BUS 640093 [C.CREEK4 230.00] TO BUS 640102 [CANADAY4 230.00] CKT 1  
DOUBLE 826 : OPEN LINE FROM BUS 640093 [C.CREEK4 230.00] TO BUS 640094 [C.CREEK7 115.00] CKT 1  
OPEN LINE FROM BUS 640093 [C.CREEK4 230.00] TO BUS 640286 [N.PLATT4 230.00] CKT 1  
DOUBLE 827 : OPEN LINE FROM BUS 640093 [C.CREEK4 230.00] TO BUS 640094 [C.CREEK7 115.00] CKT 1  
OPEN LINE FROM BUS 640093 [C.CREEK4 230.00] TO BUS 640330 [RIVERDL4 230.00] CKT 1  
DOUBLE 828 : OPEN LINE FROM BUS 640093 [C.CREEK4 230.00] TO BUS 640094 [C.CREEK7 115.00] CKT 1  
OPEN LINE FROM BUS 640096 [CALAMS 7 115.00] TO BUS 640381 [THEDFRD7 115.00] CKT 1  
DOUBLE 829 : OPEN LINE FROM BUS 640093 [C.CREEK4 230.00] TO BUS 640094 [C.CREEK7 115.00] CKT 1  
OPEN LINE FROM BUS 640098 [CALAWAY7 115.00] TO BUS 640267 [MAXWELS7 115.00] CKT 1  
DOUBLE 830 : OPEN LINE FROM BUS 640093 [C.CREEK4 230.00] TO BUS 640094 [C.CREEK7 115.00] CKT 1  
OPEN LINE FROM BUS 640113 [CLRWATR7 115.00] TO BUS 640293 [NELIGH 7 115.00] CKT 1  
DOUBLE 831 : OPEN LINE FROM BUS 640093 [C.CREEK4 230.00] TO BUS 640094 [C.CREEK7 115.00] CKT 1  
OPEN LINE FROM BUS 640115 [CO.LINE7 115.00] TO BUS 640293 [NELIGH 7 115.00] CKT 1  
DOUBLE 832 : OPEN LINE FROM BUS 640093 [C.CREEK4 230.00] TO BUS 640094 [C.CREEK7 115.00] CKT 1  
OPEN LINE FROM BUS 640126 [E.COL. 4 230.00] TO BUS 640133 [COLMBUS4 230.00] CKT 1  
DOUBLE 833 : OPEN LINE FROM BUS 640093 [C.CREEK4 230.00] TO BUS 640094 [C.CREEK7 115.00] CKT 1  
OPEN LINE FROM BUS 640131 [COLMB.W4 230.00] TO BUS 640133 [COLMBUS4 230.00] CKT 1  
DOUBLE 834 : OPEN LINE FROM BUS 640093 [C.CREEK4 230.00] TO BUS 640094 [C.CREEK7 115.00] CKT 1  
OPEN LINE FROM BUS 640133 [COLMBUS4 230.00] TO BUS 640343 [SHELCKR4 230.00] CKT 1  
DOUBLE 835 : OPEN LINE FROM BUS 640093 [C.CREEK4 230.00] TO BUS 640094 [C.CREEK7 115.00] CKT 1  
OPEN LINE FROM BUS 640133 [COLMBUS4 230.00] TO BUS 643000 [MADISONCNTY4230.00] CKT 1  
DOUBLE 836 : OPEN LINE FROM BUS 640093 [C.CREEK4 230.00] TO BUS 640094 [C.CREEK7 115.00] CKT 1  
OPEN LINE FROM BUS 640133 [COLMBUS4 230.00] TO BUS 640134 [KELLY 7 115.00] TO BUS 640135 [COLMBS19 13.200] CKT 1  
DOUBLE 837 : OPEN LINE FROM BUS 640093 [C.CREEK4 230.00] TO BUS 640094 [C.CREEK7 115.00] CKT 1  
OPEN LINE FROM BUS 640149 [CREITON7 115.00] TO BUS 640293 [NELIGH 7 115.00] CKT 1  
DOUBLE 838 : OPEN LINE FROM BUS 640093 [C.CREEK4 230.00] TO BUS 640094 [C.CREEK7 115.00] CKT 1



OPEN LINE FROM BUS 640151 [CRESTON7 115.00] TO BUS 640263 [MADISON7 115.00] CKT 1  
DOUBLE 839 : OPEN LINE FROM BUS 640093 [C.CREEK4 230.00] TO BUS 640094 [C.CREEK7 115.00] CKT 1  
OPEN LINE FROM BUS 640212 [HARTGTN7 115.00] TO BUS 652511 [GAVINS 7 115.00] CKT 1  
DOUBLE 840 : OPEN LINE FROM BUS 640093 [C.CREEK4 230.00] TO BUS 640094 [C.CREEK7 115.00] CKT 1  
OPEN LINE FROM BUS 640228 [HOSKINS7 115.00] TO BUS 640298 [NORFOLK7 115.00] CKT 1  
DOUBLE 841 : OPEN LINE FROM BUS 640093 [C.CREEK4 230.00] TO BUS 640094 [C.CREEK7 115.00] CKT 1  
OPEN LINE FROM BUS 640259 [LOUPCTY7 115.00] TO BUS 640284 [N.LOUP 7 115.00] CKT 1  
DOUBLE 842 : OPEN LINE FROM BUS 640093 [C.CREEK4 230.00] TO BUS 640094 [C.CREEK7 115.00] CKT 1  
OPEN LINE FROM BUS 640259 [LOUPCTY7 115.00] TO BUS 640353 [ST.LIB 7 115.00] CKT 1  
DOUBLE 843 : OPEN LINE FROM BUS 640093 [C.CREEK4 230.00] TO BUS 640094 [C.CREEK7 115.00] CKT 1  
OPEN LINE FROM BUS 640263 [MADISON7 115.00] TO BUS 640298 [NORFOLK7 115.00] CKT 1  
DOUBLE 844 : OPEN LINE FROM BUS 640093 [C.CREEK4 230.00] TO BUS 640094 [C.CREEK7 115.00] CKT 1  
OPEN LINE FROM BUS 640263 [MADISON7 115.00] TO BUS 643001 [MADISONCNTY7115.00] CKT 1  
DOUBLE 845 : OPEN LINE FROM BUS 640093 [C.CREEK4 230.00] TO BUS 640094 [C.CREEK7 115.00] CKT 1  
OPEN LINE FROM BUS 640267 [MAXWELS7 115.00] TO BUS 640287 [N.PLATT7 115.00] CKT 1  
DOUBLE 846 : OPEN LINE FROM BUS 640093 [C.CREEK4 230.00] TO BUS 640094 [C.CREEK7 115.00] CKT 1  
OPEN LINE FROM BUS 640267 [MAXWELS7 115.00] TO BUS 640381 [THEDFRD7 115.00] CKT 1  
DOUBLE 847 : OPEN LINE FROM BUS 640093 [C.CREEK4 230.00] TO BUS 640094 [C.CREEK7 115.00] CKT 1  
OPEN LINE FROM BUS 640284 [N.LOUP 7 115.00] TO BUS 640347 [SPALDNG7 115.00] CKT 1  
DOUBLE 848 : OPEN LINE FROM BUS 640093 [C.CREEK4 230.00] TO BUS 640094 [C.CREEK7 115.00] CKT 1  
OPEN LINE FROM BUS 640286 [N.PLATT4 230.00] TO BUS 640287 [N.PLATT7 115.00] CKT 2  
DOUBLE 849 : OPEN LINE FROM BUS 640093 [C.CREEK4 230.00] TO BUS 640094 [C.CREEK7 115.00] CKT 1  
OPEN LINE FROM BUS 640293 [NELIGH 7 115.00] TO BUS 640444 [PETERSBRG.N7115.00] CKT 1  
DOUBLE 850 : OPEN LINE FROM BUS 640093 [C.CREEK4 230.00] TO BUS 640094 [C.CREEK7 115.00] CKT 1  
OPEN LINE FROM BUS 640298 [NORFOLK7 115.00] TO BUS 643001 [MADISONCNTY7115.00] CKT 1  
DOUBLE 851 : OPEN LINE FROM BUS 640093 [C.CREEK4 230.00] TO BUS 640094 [C.CREEK7 115.00] CKT 1  
OPEN LINE FROM BUS 640318 [PETRSBG7 115.00] TO BUS 640444 [PETERSBRG.N7115.00] CKT 1  
DOUBLE 852 : OPEN LINE FROM BUS 640093 [C.CREEK4 230.00] TO BUS 640094 [C.CREEK7 115.00] CKT 1  
OPEN LINE FROM BUS 640444 [PETERSBRG.N7115.00] TO BUS 643001 [MADISONCNTY7115.00] CKT 1  
DOUBLE 853 : OPEN LINE FROM BUS 640093 [C.CREEK4 230.00] TO BUS 640094 [C.CREEK7 115.00] CKT 1  
OPEN LINE FROM BUS 643000 [MADISONCNTY4230.00] TO BUS 652509 [FTRANDL4 230.00] CKT 1  
DOUBLE 854 : OPEN LINE FROM BUS 640093 [C.CREEK4 230.00] TO BUS 640094 [C.CREEK7 115.00] CKT 1  
OPEN LINE FROM BUS 652507 [FTTHOMP4 230.00] TO BUS 652509 [FTRANDL4 230.00] CKT 1  
DOUBLE 855 : OPEN LINE FROM BUS 640093 [C.CREEK4 230.00] TO BUS 640094 [C.CREEK7 115.00] CKT 1  
OPEN LINE FROM BUS 652507 [FTTHOMP4 230.00] TO BUS 652516 [LAKPLAT4 230.00] CKT 1  
DOUBLE 856 : OPEN LINE FROM BUS 640093 [C.CREEK4 230.00] TO BUS 640094 [C.CREEK7 115.00] CKT 1  
OPEN LINE FROM BUS 652509 [FTRANDL4 230.00] TO BUS 652510 [FTRANDL7 115.00] CKT 1  
DOUBLE 857 : OPEN LINE FROM BUS 640093 [C.CREEK4 230.00] TO BUS 640094 [C.CREEK7 115.00] CKT 1  
OPEN LINE FROM BUS 652509 [FTRANDL4 230.00] TO BUS 652510 [FTRANDL7 115.00] CKT 2  
DOUBLE 858 : OPEN LINE FROM BUS 640093 [C.CREEK4 230.00] TO BUS 640094 [C.CREEK7 115.00] CKT 1  
OPEN LINE FROM BUS 652509 [FTRANDL4 230.00] TO BUS 652516 [LAKPLAT4 230.00] CKT 1  
DOUBLE 859 : OPEN LINE FROM BUS 640093 [C.CREEK4 230.00] TO BUS 640094 [C.CREEK7 115.00] CKT 1  
OPEN LINE FROM BUS 652509 [FTRANDL4 230.00] TO BUS 652526 [UTICAJC4 230.00] CKT 1  
DOUBLE 860 : OPEN LINE FROM BUS 640093 [C.CREEK4 230.00] TO BUS 640094 [C.CREEK7 115.00] CKT 1  
OPEN LINE FROM BUS 652509 [FTRANDL4 230.00] TO BUS 652565 [SIOUXCY4 230.00] CKT 1  
DOUBLE 861 : OPEN LINE FROM BUS 640093 [C.CREEK4 230.00] TO BUS 640094 [C.CREEK7 115.00] CKT 1  
OPEN LINE FROM BUS 652511 [GAVINS 7 115.00] TO BUS 652532 [YANKTON7 115.00] CKT 1  
DOUBLE 862 : OPEN LINE FROM BUS 640093 [C.CREEK4 230.00] TO BUS 640094 [C.CREEK7 115.00] CKT 1

OPEN LINE FROM BUS 652511 [GAVINS 7 115.00] TO BUS 660006 [YKNTJCT7 115.00] CKT 1  
DOUBLE 863 : OPEN LINE FROM BUS 640093 [C.CREEK4 230.00] TO BUS 640094 [C.CREEK7 115.00] CKT 1  
OPEN LINE FROM BUS 652517 [MANNING7 115.00] TO BUS 659121 [SPIRITM7 115.00] CKT 1  
DOUBLE 864 : OPEN LINE FROM BUS 640093 [C.CREEK4 230.00] TO BUS 640094 [C.CREEK7 115.00] CKT 1  
OPEN LINE FROM BUS 652526 [UTICAJC4 230.00] TO BUS 652626 [UTICAJC7 115.00] TO BUS 652627 [UTICAJC9 13.200] CKT 1  
DOUBLE 865 : OPEN LINE FROM BUS 640093 [C.CREEK4 230.00] TO BUS 640094 [C.CREEK7 115.00] CKT 1  
OPEN LINE FROM BUS 652532 [YANKTON7 115.00] TO BUS 659121 [SPIRITM7 115.00] CKT 1  
DOUBLE 866 : OPEN LINE FROM BUS 640093 [C.CREEK4 230.00] TO BUS 640094 [C.CREEK7 115.00] CKT 1  
OPEN LINE FROM BUS 652626 [UTICAJC7 115.00] TO BUS 660006 [YKNTJCT7 115.00] CKT 1  
DOUBLE 867 : OPEN LINE FROM BUS 640093 [C.CREEK4 230.00] TO BUS 640094 [C.CREEK7 115.00] CKT 1  
OPEN LINE FROM BUS 652626 [UTICAJC7 115.00] TO BUS 660007 [MENNOJT7 115.00] CKT 1  
DOUBLE 868 : OPEN LINE FROM BUS 640093 [C.CREEK4 230.00] TO BUS 640102 [CANADAY4 230.00] CKT 1  
OPEN LINE FROM BUS 640093 [C.CREEK4 230.00] TO BUS 640286 [N.PLATT4 230.00] CKT 1  
DOUBLE 869 : OPEN LINE FROM BUS 640093 [C.CREEK4 230.00] TO BUS 640102 [CANADAY4 230.00] CKT 1  
OPEN LINE FROM BUS 640093 [C.CREEK4 230.00] TO BUS 640330 [RIVERDL4 230.00] CKT 1  
DOUBLE 870 : OPEN LINE FROM BUS 640093 [C.CREEK4 230.00] TO BUS 640102 [CANADAY4 230.00] CKT 1  
OPEN LINE FROM BUS 640096 [CALAMS 7 115.00] TO BUS 640381 [THEDFRD7 115.00] CKT 1  
DOUBLE 871 : OPEN LINE FROM BUS 640093 [C.CREEK4 230.00] TO BUS 640102 [CANADAY4 230.00] CKT 1  
OPEN LINE FROM BUS 640098 [CALAWAY7 115.00] TO BUS 640267 [MAXWELS7 115.00] CKT 1  
DOUBLE 872 : OPEN LINE FROM BUS 640093 [C.CREEK4 230.00] TO BUS 640102 [CANADAY4 230.00] CKT 1  
OPEN LINE FROM BUS 640113 [CLRWATR7 115.00] TO BUS 640293 [NELIGH 7 115.00] CKT 1  
DOUBLE 873 : OPEN LINE FROM BUS 640093 [C.CREEK4 230.00] TO BUS 640102 [CANADAY4 230.00] CKT 1  
OPEN LINE FROM BUS 640115 [CO.LINE7 115.00] TO BUS 640293 [NELIGH 7 115.00] CKT 1  
DOUBLE 874 : OPEN LINE FROM BUS 640093 [C.CREEK4 230.00] TO BUS 640102 [CANADAY4 230.00] CKT 1  
OPEN LINE FROM BUS 640126 [E.COL. 4 230.00] TO BUS 640133 [COLMBUS4 230.00] CKT 1  
DOUBLE 875 : OPEN LINE FROM BUS 640093 [C.CREEK4 230.00] TO BUS 640102 [CANADAY4 230.00] CKT 1  
OPEN LINE FROM BUS 640131 [COLMB.W4 230.00] TO BUS 640133 [COLMBUS4 230.00] CKT 1  
DOUBLE 876 : OPEN LINE FROM BUS 640093 [C.CREEK4 230.00] TO BUS 640102 [CANADAY4 230.00] CKT 1  
OPEN LINE FROM BUS 640133 [COLMBUS4 230.00] TO BUS 640343 [SHELCKR4 230.00] CKT 1  
DOUBLE 877 : OPEN LINE FROM BUS 640093 [C.CREEK4 230.00] TO BUS 640102 [CANADAY4 230.00] CKT 1  
OPEN LINE FROM BUS 640133 [COLMBUS4 230.00] TO BUS 643000 [MADISONCNTY4230.00] CKT 1  
DOUBLE 878 : OPEN LINE FROM BUS 640093 [C.CREEK4 230.00] TO BUS 640102 [CANADAY4 230.00] CKT 1  
OPEN LINE FROM BUS 640133 [COLMBUS4 230.00] TO BUS 640134 [KELLY 7 115.00] TO BUS 640135 [COLMBS19 13.200] CKT 1  
DOUBLE 879 : OPEN LINE FROM BUS 640093 [C.CREEK4 230.00] TO BUS 640102 [CANADAY4 230.00] CKT 1  
OPEN LINE FROM BUS 640149 [CREITON7 115.00] TO BUS 640293 [NELIGH 7 115.00] CKT 1  
DOUBLE 880 : OPEN LINE FROM BUS 640093 [C.CREEK4 230.00] TO BUS 640102 [CANADAY4 230.00] CKT 1  
OPEN LINE FROM BUS 640151 [CRESTON7 115.00] TO BUS 640263 [MADISON7 115.00] CKT 1  
DOUBLE 881 : OPEN LINE FROM BUS 640093 [C.CREEK4 230.00] TO BUS 640102 [CANADAY4 230.00] CKT 1  
OPEN LINE FROM BUS 640212 [HARTGTN7 115.00] TO BUS 652511 [GAVINS 7 115.00] CKT 1  
DOUBLE 882 : OPEN LINE FROM BUS 640093 [C.CREEK4 230.00] TO BUS 640102 [CANADAY4 230.00] CKT 1  
OPEN LINE FROM BUS 640228 [HOSKINS7 115.00] TO BUS 640298 [NORFOLK7 115.00] CKT 1  
DOUBLE 883 : OPEN LINE FROM BUS 640093 [C.CREEK4 230.00] TO BUS 640102 [CANADAY4 230.00] CKT 1  
OPEN LINE FROM BUS 640259 [LOUPCTY7 115.00] TO BUS 640284 [N.LOUP 7 115.00] CKT 1  
DOUBLE 884 : OPEN LINE FROM BUS 640093 [C.CREEK4 230.00] TO BUS 640102 [CANADAY4 230.00] CKT 1  
OPEN LINE FROM BUS 640259 [LOUPCTY7 115.00] TO BUS 640353 [ST.LIB 7 115.00] CKT 1  
DOUBLE 885 : OPEN LINE FROM BUS 640093 [C.CREEK4 230.00] TO BUS 640102 [CANADAY4 230.00] CKT 1  
OPEN LINE FROM BUS 640263 [MADISON7 115.00] TO BUS 640298 [NORFOLK7 115.00] CKT 1  
DOUBLE 886 : OPEN LINE FROM BUS 640093 [C.CREEK4 230.00] TO BUS 640102 [CANADAY4 230.00] CKT 1

OPEN LINE FROM BUS 640263 [MADISON7 115.00] TO BUS 643001 [MADISONCNTY7115.00] CKT 1  
DOUBLE 887 : OPEN LINE FROM BUS 640093 [C.CREEK4 230.00] TO BUS 640102 [CANADAY4 230.00] CKT 1  
OPEN LINE FROM BUS 640267 [MAXWELS7 115.00] TO BUS 640287 [N.PLATT7 115.00] CKT 1  
DOUBLE 888 : OPEN LINE FROM BUS 640093 [C.CREEK4 230.00] TO BUS 640102 [CANADAY4 230.00] CKT 1  
OPEN LINE FROM BUS 640267 [MAXWELS7 115.00] TO BUS 640381 [THEDFRD7 115.00] CKT 1  
DOUBLE 889 : OPEN LINE FROM BUS 640093 [C.CREEK4 230.00] TO BUS 640102 [CANADAY4 230.00] CKT 1  
OPEN LINE FROM BUS 640284 [N.LOUP 7 115.00] TO BUS 640347 [SPALDNG7 115.00] CKT 1  
DOUBLE 890 : OPEN LINE FROM BUS 640093 [C.CREEK4 230.00] TO BUS 640102 [CANADAY4 230.00] CKT 1  
OPEN LINE FROM BUS 640286 [N.PLATT4 230.00] TO BUS 640287 [N.PLATT7 115.00] CKT 2  
DOUBLE 891 : OPEN LINE FROM BUS 640093 [C.CREEK4 230.00] TO BUS 640102 [CANADAY4 230.00] CKT 1  
OPEN LINE FROM BUS 640293 [NELIGH 7 115.00] TO BUS 640444 [PETERSBRG.N7115.00] CKT 1  
DOUBLE 892 : OPEN LINE FROM BUS 640093 [C.CREEK4 230.00] TO BUS 640102 [CANADAY4 230.00] CKT 1  
OPEN LINE FROM BUS 640298 [NORFOLK7 115.00] TO BUS 643001 [MADISONCNTY7115.00] CKT 1  
DOUBLE 893 : OPEN LINE FROM BUS 640093 [C.CREEK4 230.00] TO BUS 640102 [CANADAY4 230.00] CKT 1  
OPEN LINE FROM BUS 640318 [PETRSBG7 115.00] TO BUS 640444 [PETERSBRG.N7115.00] CKT 1  
DOUBLE 894 : OPEN LINE FROM BUS 640093 [C.CREEK4 230.00] TO BUS 640102 [CANADAY4 230.00] CKT 1  
OPEN LINE FROM BUS 640444 [PETERSBRG.N7115.00] TO BUS 643001 [MADISONCNTY7115.00] CKT 1  
DOUBLE 895 : OPEN LINE FROM BUS 640093 [C.CREEK4 230.00] TO BUS 640102 [CANADAY4 230.00] CKT 1  
OPEN LINE FROM BUS 643000 [MADISONCNTY4230.00] TO BUS 652509 [FTRANDL4 230.00] CKT 1  
DOUBLE 896 : OPEN LINE FROM BUS 640093 [C.CREEK4 230.00] TO BUS 640102 [CANADAY4 230.00] CKT 1  
OPEN LINE FROM BUS 652507 [FTTHOMP4 230.00] TO BUS 652509 [FTRANDL4 230.00] CKT 1  
DOUBLE 897 : OPEN LINE FROM BUS 640093 [C.CREEK4 230.00] TO BUS 640102 [CANADAY4 230.00] CKT 1  
OPEN LINE FROM BUS 652507 [FTTHOMP4 230.00] TO BUS 652516 [LAKPLAT4 230.00] CKT 1  
DOUBLE 898 : OPEN LINE FROM BUS 640093 [C.CREEK4 230.00] TO BUS 640102 [CANADAY4 230.00] CKT 1  
OPEN LINE FROM BUS 652509 [FTRANDL4 230.00] TO BUS 652510 [FTRANDL7 115.00] CKT 1  
DOUBLE 899 : OPEN LINE FROM BUS 640093 [C.CREEK4 230.00] TO BUS 640102 [CANADAY4 230.00] CKT 1  
OPEN LINE FROM BUS 652509 [FTRANDL4 230.00] TO BUS 652510 [FTRANDL7 115.00] CKT 2  
DOUBLE 900 : OPEN LINE FROM BUS 640093 [C.CREEK4 230.00] TO BUS 640102 [CANADAY4 230.00] CKT 1  
OPEN LINE FROM BUS 652509 [FTRANDL4 230.00] TO BUS 652516 [LAKPLAT4 230.00] CKT 1  
DOUBLE 901 : OPEN LINE FROM BUS 640093 [C.CREEK4 230.00] TO BUS 640102 [CANADAY4 230.00] CKT 1  
OPEN LINE FROM BUS 652509 [FTRANDL4 230.00] TO BUS 652526 [UTICAJC4 230.00] CKT 1  
DOUBLE 902 : OPEN LINE FROM BUS 640093 [C.CREEK4 230.00] TO BUS 640102 [CANADAY4 230.00] CKT 1  
OPEN LINE FROM BUS 652509 [FTRANDL4 230.00] TO BUS 652565 [SIOUXCY4 230.00] CKT 1  
DOUBLE 903 : OPEN LINE FROM BUS 640093 [C.CREEK4 230.00] TO BUS 640102 [CANADAY4 230.00] CKT 1  
OPEN LINE FROM BUS 652511 [GAVINS 7 115.00] TO BUS 652532 [YANKTON7 115.00] CKT 1  
DOUBLE 904 : OPEN LINE FROM BUS 640093 [C.CREEK4 230.00] TO BUS 640102 [CANADAY4 230.00] CKT 1  
OPEN LINE FROM BUS 652511 [GAVINS 7 115.00] TO BUS 660006 [YKNTJCT7 115.00] CKT 1  
DOUBLE 905 : OPEN LINE FROM BUS 640093 [C.CREEK4 230.00] TO BUS 640102 [CANADAY4 230.00] CKT 1  
OPEN LINE FROM BUS 652517 [MANNING7 115.00] TO BUS 659121 [SPIRITM7 115.00] CKT 1  
DOUBLE 906 : OPEN LINE FROM BUS 640093 [C.CREEK4 230.00] TO BUS 640102 [CANADAY4 230.00] CKT 1  
OPEN LINE FROM BUS 652526 [UTICAJC4 230.00] TO BUS 652626 [UTICAJC7 115.00] TO BUS 652627 [UTICAJC9 13.200] CKT 1  
DOUBLE 907 : OPEN LINE FROM BUS 640093 [C.CREEK4 230.00] TO BUS 640102 [CANADAY4 230.00] CKT 1  
OPEN LINE FROM BUS 652532 [YANKTON7 115.00] TO BUS 659121 [SPIRITM7 115.00] CKT 1  
DOUBLE 908 : OPEN LINE FROM BUS 640093 [C.CREEK4 230.00] TO BUS 640102 [CANADAY4 230.00] CKT 1  
OPEN LINE FROM BUS 652626 [UTICAJC7 115.00] TO BUS 660006 [YKNTJCT7 115.00] CKT 1  
DOUBLE 909 : OPEN LINE FROM BUS 640093 [C.CREEK4 230.00] TO BUS 640102 [CANADAY4 230.00] CKT 1  
OPEN LINE FROM BUS 652626 [UTICAJC7 115.00] TO BUS 660007 [MENNOJT7 115.00] CKT 1  
DOUBLE 910 : OPEN LINE FROM BUS 640093 [C.CREEK4 230.00] TO BUS 640286 [N.PLATT4 230.00] CKT 1

OPEN LINE FROM BUS 640093 [C.CREEK4 230.00] TO BUS 640330 [RIVERDL4 230.00] CKT 1  
DOUBLE 911 : OPEN LINE FROM BUS 640093 [C.CREEK4 230.00] TO BUS 640286 [N.PLATT4 230.00] CKT 1  
OPEN LINE FROM BUS 640096 [CALAMS 7 115.00] TO BUS 640381 [THEDFRD7 115.00] CKT 1  
DOUBLE 912 : OPEN LINE FROM BUS 640093 [C.CREEK4 230.00] TO BUS 640286 [N.PLATT4 230.00] CKT 1  
OPEN LINE FROM BUS 640098 [CALAWAY7 115.00] TO BUS 640267 [MAXWELS7 115.00] CKT 1  
DOUBLE 913 : OPEN LINE FROM BUS 640093 [C.CREEK4 230.00] TO BUS 640286 [N.PLATT4 230.00] CKT 1  
OPEN LINE FROM BUS 640113 [CLRWATR7 115.00] TO BUS 640293 [NELIGH 7 115.00] CKT 1  
DOUBLE 914 : OPEN LINE FROM BUS 640093 [C.CREEK4 230.00] TO BUS 640286 [N.PLATT4 230.00] CKT 1  
OPEN LINE FROM BUS 640115 [CO.LINE7 115.00] TO BUS 640293 [NELIGH 7 115.00] CKT 1  
DOUBLE 915 : OPEN LINE FROM BUS 640093 [C.CREEK4 230.00] TO BUS 640286 [N.PLATT4 230.00] CKT 1  
OPEN LINE FROM BUS 640126 [E.COL. 4 230.00] TO BUS 640133 [COLMBUS4 230.00] CKT 1  
DOUBLE 916 : OPEN LINE FROM BUS 640093 [C.CREEK4 230.00] TO BUS 640286 [N.PLATT4 230.00] CKT 1  
OPEN LINE FROM BUS 640131 [COLMB.W4 230.00] TO BUS 640133 [COLMBUS4 230.00] CKT 1  
DOUBLE 917 : OPEN LINE FROM BUS 640093 [C.CREEK4 230.00] TO BUS 640286 [N.PLATT4 230.00] CKT 1  
OPEN LINE FROM BUS 640133 [COLMBUS4 230.00] TO BUS 640343 [SHELCKR4 230.00] CKT 1  
DOUBLE 918 : OPEN LINE FROM BUS 640093 [C.CREEK4 230.00] TO BUS 640286 [N.PLATT4 230.00] CKT 1  
OPEN LINE FROM BUS 640133 [COLMBUS4 230.00] TO BUS 643000 [MADISONCNTY4230.00] CKT 1  
DOUBLE 919 : OPEN LINE FROM BUS 640093 [C.CREEK4 230.00] TO BUS 640286 [N.PLATT4 230.00] CKT 1  
OPEN LINE FROM BUS 640133 [COLMBUS4 230.00] TO BUS 640134 [KELLY 7 115.00] TO BUS 640135 [COLMBS19 13.200] CKT 1  
DOUBLE 920 : OPEN LINE FROM BUS 640093 [C.CREEK4 230.00] TO BUS 640286 [N.PLATT4 230.00] CKT 1  
OPEN LINE FROM BUS 640149 [CREITON7 115.00] TO BUS 640293 [NELIGH 7 115.00] CKT 1  
DOUBLE 921 : OPEN LINE FROM BUS 640093 [C.CREEK4 230.00] TO BUS 640286 [N.PLATT4 230.00] CKT 1  
OPEN LINE FROM BUS 640151 [CRESTON7 115.00] TO BUS 640263 [MADISON7 115.00] CKT 1  
DOUBLE 922 : OPEN LINE FROM BUS 640093 [C.CREEK4 230.00] TO BUS 640286 [N.PLATT4 230.00] CKT 1  
OPEN LINE FROM BUS 640212 [HARTGTN7 115.00] TO BUS 652511 [GAVINS 7 115.00] CKT 1  
DOUBLE 923 : OPEN LINE FROM BUS 640093 [C.CREEK4 230.00] TO BUS 640286 [N.PLATT4 230.00] CKT 1  
OPEN LINE FROM BUS 640228 [HOSKINS7 115.00] TO BUS 640298 [NORFOLK7 115.00] CKT 1  
DOUBLE 924 : OPEN LINE FROM BUS 640093 [C.CREEK4 230.00] TO BUS 640286 [N.PLATT4 230.00] CKT 1  
OPEN LINE FROM BUS 640259 [LOUPCTY7 115.00] TO BUS 640284 [N.LOUP 7 115.00] CKT 1  
DOUBLE 925 : OPEN LINE FROM BUS 640093 [C.CREEK4 230.00] TO BUS 640286 [N.PLATT4 230.00] CKT 1  
OPEN LINE FROM BUS 640259 [LOUPCTY7 115.00] TO BUS 640353 [ST.LIB 7 115.00] CKT 1  
DOUBLE 926 : OPEN LINE FROM BUS 640093 [C.CREEK4 230.00] TO BUS 640286 [N.PLATT4 230.00] CKT 1  
OPEN LINE FROM BUS 640263 [MADISON7 115.00] TO BUS 640298 [NORFOLK7 115.00] CKT 1  
DOUBLE 927 : OPEN LINE FROM BUS 640093 [C.CREEK4 230.00] TO BUS 640286 [N.PLATT4 230.00] CKT 1  
OPEN LINE FROM BUS 640263 [MADISON7 115.00] TO BUS 643001 [MADISONCNTY7115.00] CKT 1  
DOUBLE 928 : OPEN LINE FROM BUS 640093 [C.CREEK4 230.00] TO BUS 640286 [N.PLATT4 230.00] CKT 1  
OPEN LINE FROM BUS 640267 [MAXWELS7 115.00] TO BUS 640287 [N.PLATT7 115.00] CKT 1  
DOUBLE 929 : OPEN LINE FROM BUS 640093 [C.CREEK4 230.00] TO BUS 640286 [N.PLATT4 230.00] CKT 1  
OPEN LINE FROM BUS 640267 [MAXWELS7 115.00] TO BUS 640381 [THEDFRD7 115.00] CKT 1  
DOUBLE 930 : OPEN LINE FROM BUS 640093 [C.CREEK4 230.00] TO BUS 640286 [N.PLATT4 230.00] CKT 1  
OPEN LINE FROM BUS 640284 [N.LOUP 7 115.00] TO BUS 640347 [SPALDNG7 115.00] CKT 1  
DOUBLE 931 : OPEN LINE FROM BUS 640093 [C.CREEK4 230.00] TO BUS 640286 [N.PLATT4 230.00] CKT 1  
OPEN LINE FROM BUS 640286 [N.PLATT4 230.00] TO BUS 640287 [N.PLATT7 115.00] CKT 2  
DOUBLE 932 : OPEN LINE FROM BUS 640093 [C.CREEK4 230.00] TO BUS 640286 [N.PLATT4 230.00] CKT 1  
OPEN LINE FROM BUS 640293 [NELIGH 7 115.00] TO BUS 640444 [PETERSBRG.N7115.00] CKT 1  
DOUBLE 933 : OPEN LINE FROM BUS 640093 [C.CREEK4 230.00] TO BUS 640286 [N.PLATT4 230.00] CKT 1  
OPEN LINE FROM BUS 640298 [NORFOLK7 115.00] TO BUS 643001 [MADISONCNTY7115.00] CKT 1  
DOUBLE 934 : OPEN LINE FROM BUS 640093 [C.CREEK4 230.00] TO BUS 640286 [N.PLATT4 230.00] CKT 1

OPEN LINE FROM BUS 640318 [PETERSBG7 115.00] TO BUS 640444 [PETERSBRG.N7115.00] CKT 1  
DOUBLE 935 : OPEN LINE FROM BUS 640093 [C.CREEK4 230.00] TO BUS 640286 [N.PLATT4 230.00] CKT 1  
OPEN LINE FROM BUS 640444 [PETERSBRG.N7115.00] TO BUS 643001 [MADISONCNTY7115.00] CKT 1  
DOUBLE 936 : OPEN LINE FROM BUS 640093 [C.CREEK4 230.00] TO BUS 640286 [N.PLATT4 230.00] CKT 1  
OPEN LINE FROM BUS 643000 [MADISONCNTY4230.00] TO BUS 652509 [FTRANDL4 230.00] CKT 1  
DOUBLE 937 : OPEN LINE FROM BUS 640093 [C.CREEK4 230.00] TO BUS 640286 [N.PLATT4 230.00] CKT 1  
OPEN LINE FROM BUS 652507 [FTTHOMP4 230.00] TO BUS 652509 [FTRANDL4 230.00] CKT 1  
DOUBLE 938 : OPEN LINE FROM BUS 640093 [C.CREEK4 230.00] TO BUS 640286 [N.PLATT4 230.00] CKT 1  
OPEN LINE FROM BUS 652507 [FTTHOMP4 230.00] TO BUS 652516 [LAKPLAT4 230.00] CKT 1  
DOUBLE 939 : OPEN LINE FROM BUS 640093 [C.CREEK4 230.00] TO BUS 640286 [N.PLATT4 230.00] CKT 1  
OPEN LINE FROM BUS 652509 [FTRANDL4 230.00] TO BUS 652510 [FTRANDL7 115.00] CKT 1  
DOUBLE 940 : OPEN LINE FROM BUS 640093 [C.CREEK4 230.00] TO BUS 640286 [N.PLATT4 230.00] CKT 1  
OPEN LINE FROM BUS 652509 [FTRANDL4 230.00] TO BUS 652510 [FTRANDL7 115.00] CKT 2  
DOUBLE 941 : OPEN LINE FROM BUS 640093 [C.CREEK4 230.00] TO BUS 640286 [N.PLATT4 230.00] CKT 1  
OPEN LINE FROM BUS 652509 [FTRANDL4 230.00] TO BUS 652516 [LAKPLAT4 230.00] CKT 1  
DOUBLE 942 : OPEN LINE FROM BUS 640093 [C.CREEK4 230.00] TO BUS 640286 [N.PLATT4 230.00] CKT 1  
OPEN LINE FROM BUS 652509 [FTRANDL4 230.00] TO BUS 652526 [UTICAJC4 230.00] CKT 1  
DOUBLE 943 : OPEN LINE FROM BUS 640093 [C.CREEK4 230.00] TO BUS 640286 [N.PLATT4 230.00] CKT 1  
OPEN LINE FROM BUS 652509 [FTRANDL4 230.00] TO BUS 652565 [SIOUXCY4 230.00] CKT 1  
DOUBLE 944 : OPEN LINE FROM BUS 640093 [C.CREEK4 230.00] TO BUS 640286 [N.PLATT4 230.00] CKT 1  
OPEN LINE FROM BUS 652511 [GAVINS 7 115.00] TO BUS 652532 [YANKTON7 115.00] CKT 1  
DOUBLE 945 : OPEN LINE FROM BUS 640093 [C.CREEK4 230.00] TO BUS 640286 [N.PLATT4 230.00] CKT 1  
OPEN LINE FROM BUS 652511 [GAVINS 7 115.00] TO BUS 660006 [YKNTJCT7 115.00] CKT 1  
DOUBLE 946 : OPEN LINE FROM BUS 640093 [C.CREEK4 230.00] TO BUS 640286 [N.PLATT4 230.00] CKT 1  
OPEN LINE FROM BUS 652517 [MANNING7 115.00] TO BUS 659121 [SPIRITM7 115.00] CKT 1  
DOUBLE 947 : OPEN LINE FROM BUS 640093 [C.CREEK4 230.00] TO BUS 640286 [N.PLATT4 230.00] CKT 1  
OPEN LINE FROM BUS 652526 [UTICAJC4 230.00] TO BUS 652626 [UTICAJC7 115.00] TO BUS 652627 [UTICAJC9 13.200] CKT 1  
DOUBLE 948 : OPEN LINE FROM BUS 640093 [C.CREEK4 230.00] TO BUS 640286 [N.PLATT4 230.00] CKT 1  
OPEN LINE FROM BUS 652532 [YANKTON7 115.00] TO BUS 659121 [SPIRITM7 115.00] CKT 1  
DOUBLE 949 : OPEN LINE FROM BUS 640093 [C.CREEK4 230.00] TO BUS 640286 [N.PLATT4 230.00] CKT 1  
OPEN LINE FROM BUS 652626 [UTICAJC7 115.00] TO BUS 660006 [YKNTJCT7 115.00] CKT 1  
DOUBLE 950 : OPEN LINE FROM BUS 640093 [C.CREEK4 230.00] TO BUS 640286 [N.PLATT4 230.00] CKT 1  
OPEN LINE FROM BUS 652626 [UTICAJC7 115.00] TO BUS 660007 [MENNOJT7 115.00] CKT 1  
DOUBLE 951 : OPEN LINE FROM BUS 640093 [C.CREEK4 230.00] TO BUS 640330 [RIVERDL4 230.00] CKT 1  
OPEN LINE FROM BUS 640096 [CALAMS 7 115.00] TO BUS 640381 [THEDFRD7 115.00] CKT 1  
DOUBLE 952 : OPEN LINE FROM BUS 640093 [C.CREEK4 230.00] TO BUS 640330 [RIVERDL4 230.00] CKT 1  
OPEN LINE FROM BUS 640098 [CALAWAY7 115.00] TO BUS 640267 [MAXWELS7 115.00] CKT 1  
DOUBLE 953 : OPEN LINE FROM BUS 640093 [C.CREEK4 230.00] TO BUS 640330 [RIVERDL4 230.00] CKT 1  
OPEN LINE FROM BUS 640113 [CLRWATR7 115.00] TO BUS 640293 [NELIGH 7 115.00] CKT 1  
DOUBLE 954 : OPEN LINE FROM BUS 640093 [C.CREEK4 230.00] TO BUS 640330 [RIVERDL4 230.00] CKT 1  
OPEN LINE FROM BUS 640115 [CO.LINE7 115.00] TO BUS 640293 [NELIGH 7 115.00] CKT 1  
DOUBLE 955 : OPEN LINE FROM BUS 640093 [C.CREEK4 230.00] TO BUS 640330 [RIVERDL4 230.00] CKT 1  
OPEN LINE FROM BUS 640126 [E.COL. 4 230.00] TO BUS 640133 [COLMBUS4 230.00] CKT 1  
DOUBLE 956 : OPEN LINE FROM BUS 640093 [C.CREEK4 230.00] TO BUS 640330 [RIVERDL4 230.00] CKT 1  
OPEN LINE FROM BUS 640131 [COLMB.W4 230.00] TO BUS 640133 [COLMBUS4 230.00] CKT 1  
DOUBLE 957 : OPEN LINE FROM BUS 640093 [C.CREEK4 230.00] TO BUS 640330 [RIVERDL4 230.00] CKT 1  
OPEN LINE FROM BUS 640133 [COLMBUS4 230.00] TO BUS 640343 [SHELCKR4 230.00] CKT 1  
DOUBLE 958 : OPEN LINE FROM BUS 640093 [C.CREEK4 230.00] TO BUS 640330 [RIVERDL4 230.00] CKT 1

OPEN LINE FROM BUS 640133 [COLMBUS4 230.00] TO BUS 643000 [MADISONCNTY4230.00] CKT 1  
DOUBLE 959 : OPEN LINE FROM BUS 640093 [C.CREEK4 230.00] TO BUS 640330 [RIVERDL4 230.00] CKT 1  
OPEN LINE FROM BUS 640133 [COLMBUS4 230.00] TO BUS 640134 [KELLY 7 115.00] TO BUS 640135 [COLMBS19 13.200] CKT 1  
DOUBLE 960 : OPEN LINE FROM BUS 640093 [C.CREEK4 230.00] TO BUS 640330 [RIVERDL4 230.00] CKT 1  
OPEN LINE FROM BUS 640149 [CREITON7 115.00] TO BUS 640293 [NELIGH 7 115.00] CKT 1  
DOUBLE 961 : OPEN LINE FROM BUS 640093 [C.CREEK4 230.00] TO BUS 640330 [RIVERDL4 230.00] CKT 1  
OPEN LINE FROM BUS 640151 [CRESTON7 115.00] TO BUS 640263 [MADISON7 115.00] CKT 1  
DOUBLE 962 : OPEN LINE FROM BUS 640093 [C.CREEK4 230.00] TO BUS 640330 [RIVERDL4 230.00] CKT 1  
OPEN LINE FROM BUS 640212 [HARTGTN7 115.00] TO BUS 652511 [GAVINS 7 115.00] CKT 1  
DOUBLE 963 : OPEN LINE FROM BUS 640093 [C.CREEK4 230.00] TO BUS 640330 [RIVERDL4 230.00] CKT 1  
OPEN LINE FROM BUS 640228 [HOSKINS7 115.00] TO BUS 640298 [NORFOLK7 115.00] CKT 1  
DOUBLE 964 : OPEN LINE FROM BUS 640093 [C.CREEK4 230.00] TO BUS 640330 [RIVERDL4 230.00] CKT 1  
OPEN LINE FROM BUS 640259 [LOUPCTY7 115.00] TO BUS 640284 [N.LOUP 7 115.00] CKT 1  
DOUBLE 965 : OPEN LINE FROM BUS 640093 [C.CREEK4 230.00] TO BUS 640330 [RIVERDL4 230.00] CKT 1  
OPEN LINE FROM BUS 640259 [LOUPCTY7 115.00] TO BUS 640353 [ST.LIB 7 115.00] CKT 1  
DOUBLE 966 : OPEN LINE FROM BUS 640093 [C.CREEK4 230.00] TO BUS 640330 [RIVERDL4 230.00] CKT 1  
OPEN LINE FROM BUS 640263 [MADISON7 115.00] TO BUS 640298 [NORFOLK7 115.00] CKT 1  
DOUBLE 967 : OPEN LINE FROM BUS 640093 [C.CREEK4 230.00] TO BUS 640330 [RIVERDL4 230.00] CKT 1  
OPEN LINE FROM BUS 640263 [MADISON7 115.00] TO BUS 643001 [MADISONCNTY7115.00] CKT 1  
DOUBLE 968 : OPEN LINE FROM BUS 640093 [C.CREEK4 230.00] TO BUS 640330 [RIVERDL4 230.00] CKT 1  
OPEN LINE FROM BUS 640267 [MAXWELS7 115.00] TO BUS 640287 [N.PLATT7 115.00] CKT 1  
DOUBLE 969 : OPEN LINE FROM BUS 640093 [C.CREEK4 230.00] TO BUS 640330 [RIVERDL4 230.00] CKT 1  
OPEN LINE FROM BUS 640267 [MAXWELS7 115.00] TO BUS 640381 [THEDFRD7 115.00] CKT 1  
DOUBLE 970 : OPEN LINE FROM BUS 640093 [C.CREEK4 230.00] TO BUS 640330 [RIVERDL4 230.00] CKT 1  
OPEN LINE FROM BUS 640284 [N.LOUP 7 115.00] TO BUS 640347 [SPALDNG7 115.00] CKT 1  
DOUBLE 971 : OPEN LINE FROM BUS 640093 [C.CREEK4 230.00] TO BUS 640330 [RIVERDL4 230.00] CKT 1  
OPEN LINE FROM BUS 640286 [N.PLATT4 230.00] TO BUS 640287 [N.PLATT7 115.00] CKT 2  
DOUBLE 972 : OPEN LINE FROM BUS 640093 [C.CREEK4 230.00] TO BUS 640330 [RIVERDL4 230.00] CKT 1  
OPEN LINE FROM BUS 640293 [NELIGH 7 115.00] TO BUS 640444 [PETERSBRG.N7115.00] CKT 1  
DOUBLE 973 : OPEN LINE FROM BUS 640093 [C.CREEK4 230.00] TO BUS 640330 [RIVERDL4 230.00] CKT 1  
OPEN LINE FROM BUS 640298 [NORFOLK7 115.00] TO BUS 643001 [MADISONCNTY7115.00] CKT 1  
DOUBLE 974 : OPEN LINE FROM BUS 640093 [C.CREEK4 230.00] TO BUS 640330 [RIVERDL4 230.00] CKT 1  
OPEN LINE FROM BUS 640318 [PETERSBG7 115.00] TO BUS 640444 [PETERSBRG.N7115.00] CKT 1  
DOUBLE 975 : OPEN LINE FROM BUS 640093 [C.CREEK4 230.00] TO BUS 640330 [RIVERDL4 230.00] CKT 1  
OPEN LINE FROM BUS 640444 [PETERSBRG.N7115.00] TO BUS 643001 [MADISONCNTY7115.00] CKT 1  
DOUBLE 976 : OPEN LINE FROM BUS 640093 [C.CREEK4 230.00] TO BUS 640330 [RIVERDL4 230.00] CKT 1  
OPEN LINE FROM BUS 643000 [MADISONCNTY4230.00] TO BUS 652509 [FTRANDL4 230.00] CKT 1  
DOUBLE 977 : OPEN LINE FROM BUS 640093 [C.CREEK4 230.00] TO BUS 640330 [RIVERDL4 230.00] CKT 1  
OPEN LINE FROM BUS 652507 [FTTHOMP4 230.00] TO BUS 652509 [FTRANDL4 230.00] CKT 1  
DOUBLE 978 : OPEN LINE FROM BUS 640093 [C.CREEK4 230.00] TO BUS 640330 [RIVERDL4 230.00] CKT 1  
OPEN LINE FROM BUS 652507 [FTTHOMP4 230.00] TO BUS 652516 [LAKPLAT4 230.00] CKT 1  
DOUBLE 979 : OPEN LINE FROM BUS 640093 [C.CREEK4 230.00] TO BUS 640330 [RIVERDL4 230.00] CKT 1  
OPEN LINE FROM BUS 652509 [FTRANDL4 230.00] TO BUS 652510 [FTRANDL7 115.00] CKT 1  
DOUBLE 980 : OPEN LINE FROM BUS 640093 [C.CREEK4 230.00] TO BUS 640330 [RIVERDL4 230.00] CKT 1  
OPEN LINE FROM BUS 652509 [FTRANDL4 230.00] TO BUS 652510 [FTRANDL7 115.00] CKT 2  
DOUBLE 981 : OPEN LINE FROM BUS 640093 [C.CREEK4 230.00] TO BUS 640330 [RIVERDL4 230.00] CKT 1  
OPEN LINE FROM BUS 652509 [FTRANDL4 230.00] TO BUS 652516 [LAKPLAT4 230.00] CKT 1  
DOUBLE 982 : OPEN LINE FROM BUS 640093 [C.CREEK4 230.00] TO BUS 640330 [RIVERDL4 230.00] CKT 1

OPEN LINE FROM BUS 652509 [FTRANDL4 230.00] TO BUS 652526 [UTICAJC4 230.00] CKT 1  
DOUBLE 983 : OPEN LINE FROM BUS 640093 [C.CREEK4 230.00] TO BUS 640330 [RIVERDL4 230.00] CKT 1  
OPEN LINE FROM BUS 652509 [FTRANDL4 230.00] TO BUS 652565 [SIOUXCY4 230.00] CKT 1  
DOUBLE 984 : OPEN LINE FROM BUS 640093 [C.CREEK4 230.00] TO BUS 640330 [RIVERDL4 230.00] CKT 1  
OPEN LINE FROM BUS 652511 [GAVINS 7 115.00] TO BUS 652532 [YANKTON7 115.00] CKT 1  
DOUBLE 985 : OPEN LINE FROM BUS 640093 [C.CREEK4 230.00] TO BUS 640330 [RIVERDL4 230.00] CKT 1  
OPEN LINE FROM BUS 652511 [GAVINS 7 115.00] TO BUS 660006 [YKNTJCT7 115.00] CKT 1  
DOUBLE 986 : OPEN LINE FROM BUS 640093 [C.CREEK4 230.00] TO BUS 640330 [RIVERDL4 230.00] CKT 1  
OPEN LINE FROM BUS 652517 [MANNING7 115.00] TO BUS 659121 [SPIRITM7 115.00] CKT 1  
DOUBLE 987 : OPEN LINE FROM BUS 640093 [C.CREEK4 230.00] TO BUS 640330 [RIVERDL4 230.00] CKT 1  
OPEN LINE FROM BUS 652526 [UTICAJC4 230.00] TO BUS 652626 [UTICAJC7 115.00] TO BUS 652627 [UTICAJC9 13.200] CKT 1  
DOUBLE 988 : OPEN LINE FROM BUS 640093 [C.CREEK4 230.00] TO BUS 640330 [RIVERDL4 230.00] CKT 1  
OPEN LINE FROM BUS 652532 [YANKTON7 115.00] TO BUS 659121 [SPIRITM7 115.00] CKT 1  
DOUBLE 989 : OPEN LINE FROM BUS 640093 [C.CREEK4 230.00] TO BUS 640330 [RIVERDL4 230.00] CKT 1  
OPEN LINE FROM BUS 652626 [UTICAJC7 115.00] TO BUS 660006 [YKNTJCT7 115.00] CKT 1  
DOUBLE 990 : OPEN LINE FROM BUS 640093 [C.CREEK4 230.00] TO BUS 640330 [RIVERDL4 230.00] CKT 1  
OPEN LINE FROM BUS 652626 [UTICAJC7 115.00] TO BUS 660007 [MENNOJT7 115.00] CKT 1  
DOUBLE 991 : OPEN LINE FROM BUS 640096 [CALAMS 7 115.00] TO BUS 640381 [THEDFRD7 115.00] CKT 1  
OPEN LINE FROM BUS 640098 [CALAWAY7 115.00] TO BUS 640267 [MAXWELS7 115.00] CKT 1  
DOUBLE 992 : OPEN LINE FROM BUS 640096 [CALAMS 7 115.00] TO BUS 640381 [THEDFRD7 115.00] CKT 1  
OPEN LINE FROM BUS 640113 [CLRWATR7 115.00] TO BUS 640293 [NELIGH 7 115.00] CKT 1  
DOUBLE 993 : OPEN LINE FROM BUS 640096 [CALAMS 7 115.00] TO BUS 640381 [THEDFRD7 115.00] CKT 1  
OPEN LINE FROM BUS 640115 [CO.LINE7 115.00] TO BUS 640293 [NELIGH 7 115.00] CKT 1  
DOUBLE 994 : OPEN LINE FROM BUS 640096 [CALAMS 7 115.00] TO BUS 640381 [THEDFRD7 115.00] CKT 1  
OPEN LINE FROM BUS 640126 [E.COL. 4 230.00] TO BUS 640133 [COLMBUS4 230.00] CKT 1  
DOUBLE 995 : OPEN LINE FROM BUS 640096 [CALAMS 7 115.00] TO BUS 640381 [THEDFRD7 115.00] CKT 1  
OPEN LINE FROM BUS 640131 [COLMB.W4 230.00] TO BUS 640133 [COLMBUS4 230.00] CKT 1  
DOUBLE 996 : OPEN LINE FROM BUS 640096 [CALAMS 7 115.00] TO BUS 640381 [THEDFRD7 115.00] CKT 1  
OPEN LINE FROM BUS 640133 [COLMBUS4 230.00] TO BUS 640343 [SHELCKR4 230.00] CKT 1  
DOUBLE 997 : OPEN LINE FROM BUS 640096 [CALAMS 7 115.00] TO BUS 640381 [THEDFRD7 115.00] CKT 1  
OPEN LINE FROM BUS 640133 [COLMBUS4 230.00] TO BUS 643000 [MADISONCNTY4230.00] CKT 1  
DOUBLE 998 : OPEN LINE FROM BUS 640096 [CALAMS 7 115.00] TO BUS 640381 [THEDFRD7 115.00] CKT 1  
OPEN LINE FROM BUS 640133 [COLMBUS4 230.00] TO BUS 640134 [KELLY 7 115.00] TO BUS 640135 [COLMBS19 13.200] CKT 1  
DOUBLE 999 : OPEN LINE FROM BUS 640096 [CALAMS 7 115.00] TO BUS 640381 [THEDFRD7 115.00] CKT 1  
OPEN LINE FROM BUS 640149 [CREITON7 115.00] TO BUS 640293 [NELIGH 7 115.00] CKT 1  
DOUBLE 1000 : OPEN LINE FROM BUS 640096 [CALAMS 7 115.00] TO BUS 640381 [THEDFRD7 115.00] CKT 1  
OPEN LINE FROM BUS 640151 [CRESTON7 115.00] TO BUS 640263 [MADISON7 115.00] CKT 1  
DOUBLE 1001 : OPEN LINE FROM BUS 640096 [CALAMS 7 115.00] TO BUS 640381 [THEDFRD7 115.00] CKT 1  
OPEN LINE FROM BUS 640212 [HARTGTN7 115.00] TO BUS 652511 [GAVINS 7 115.00] CKT 1  
DOUBLE 1002 : OPEN LINE FROM BUS 640096 [CALAMS 7 115.00] TO BUS 640381 [THEDFRD7 115.00] CKT 1  
OPEN LINE FROM BUS 640228 [HOSKINS7 115.00] TO BUS 640298 [NORFOLK7 115.00] CKT 1  
DOUBLE 1003 : OPEN LINE FROM BUS 640096 [CALAMS 7 115.00] TO BUS 640381 [THEDFRD7 115.00] CKT 1  
OPEN LINE FROM BUS 640259 [LOUPCTY7 115.00] TO BUS 640284 [N.LOUP 7 115.00] CKT 1  
DOUBLE 1004 : OPEN LINE FROM BUS 640096 [CALAMS 7 115.00] TO BUS 640381 [THEDFRD7 115.00] CKT 1  
OPEN LINE FROM BUS 640259 [LOUPCTY7 115.00] TO BUS 640353 [ST.LIB 7 115.00] CKT 1  
DOUBLE 1005 : OPEN LINE FROM BUS 640096 [CALAMS 7 115.00] TO BUS 640381 [THEDFRD7 115.00] CKT 1  
OPEN LINE FROM BUS 640263 [MADISON7 115.00] TO BUS 640298 [NORFOLK7 115.00] CKT 1  
DOUBLE 1006 : OPEN LINE FROM BUS 640096 [CALAMS 7 115.00] TO BUS 640381 [THEDFRD7 115.00] CKT 1

OPEN LINE FROM BUS 640263 [MADISON7 115.00] TO BUS 643001 [MADISONCNTY7115.00] CKT 1  
DOUBLE 1007 : OPEN LINE FROM BUS 640096 [CALAMS 7 115.00] TO BUS 640381 [THEDFRD7 115.00] CKT 1  
OPEN LINE FROM BUS 640267 [MAXWELS7 115.00] TO BUS 640287 [N.PLATT7 115.00] CKT 1  
DOUBLE 1008 : OPEN LINE FROM BUS 640096 [CALAMS 7 115.00] TO BUS 640381 [THEDFRD7 115.00] CKT 1  
OPEN LINE FROM BUS 640267 [MAXWELS7 115.00] TO BUS 640381 [THEDFRD7 115.00] CKT 1  
DOUBLE 1009 : OPEN LINE FROM BUS 640096 [CALAMS 7 115.00] TO BUS 640381 [THEDFRD7 115.00] CKT 1  
OPEN LINE FROM BUS 640284 [N.LOUP 7 115.00] TO BUS 640347 [SPALDNG7 115.00] CKT 1  
DOUBLE 1010 : OPEN LINE FROM BUS 640096 [CALAMS 7 115.00] TO BUS 640381 [THEDFRD7 115.00] CKT 1  
OPEN LINE FROM BUS 640286 [N.PLATT4 230.00] TO BUS 640287 [N.PLATT7 115.00] CKT 2  
DOUBLE 1011 : OPEN LINE FROM BUS 640096 [CALAMS 7 115.00] TO BUS 640381 [THEDFRD7 115.00] CKT 1  
OPEN LINE FROM BUS 640293 [NELIGH 7 115.00] TO BUS 640444 [PETERSBRG.N7115.00] CKT 1  
DOUBLE 1012 : OPEN LINE FROM BUS 640096 [CALAMS 7 115.00] TO BUS 640381 [THEDFRD7 115.00] CKT 1  
OPEN LINE FROM BUS 640298 [NORFOLK7 115.00] TO BUS 643001 [MADISONCNTY7115.00] CKT 1  
DOUBLE 1013 : OPEN LINE FROM BUS 640096 [CALAMS 7 115.00] TO BUS 640381 [THEDFRD7 115.00] CKT 1  
OPEN LINE FROM BUS 640318 [PETERSBG7 115.00] TO BUS 640444 [PETERSBRG.N7115.00] CKT 1  
DOUBLE 1014 : OPEN LINE FROM BUS 640096 [CALAMS 7 115.00] TO BUS 640381 [THEDFRD7 115.00] CKT 1  
OPEN LINE FROM BUS 640444 [PETERSBRG.N7115.00] TO BUS 643001 [MADISONCNTY7115.00] CKT 1  
DOUBLE 1015 : OPEN LINE FROM BUS 640096 [CALAMS 7 115.00] TO BUS 640381 [THEDFRD7 115.00] CKT 1  
OPEN LINE FROM BUS 643000 [MADISONCNTY4230.00] TO BUS 652509 [FTRANDL4 230.00] CKT 1  
DOUBLE 1016 : OPEN LINE FROM BUS 640096 [CALAMS 7 115.00] TO BUS 640381 [THEDFRD7 115.00] CKT 1  
OPEN LINE FROM BUS 652507 [FTTHOMP4 230.00] TO BUS 652509 [FTRANDL4 230.00] CKT 1  
DOUBLE 1017 : OPEN LINE FROM BUS 640096 [CALAMS 7 115.00] TO BUS 640381 [THEDFRD7 115.00] CKT 1  
OPEN LINE FROM BUS 652507 [FTTHOMP4 230.00] TO BUS 652516 [LAKPLAT4 230.00] CKT 1  
DOUBLE 1018 : OPEN LINE FROM BUS 640096 [CALAMS 7 115.00] TO BUS 640381 [THEDFRD7 115.00] CKT 1  
OPEN LINE FROM BUS 652509 [FTRANDL4 230.00] TO BUS 652510 [FTRANDL7 115.00] CKT 1  
DOUBLE 1019 : OPEN LINE FROM BUS 640096 [CALAMS 7 115.00] TO BUS 640381 [THEDFRD7 115.00] CKT 1  
OPEN LINE FROM BUS 652509 [FTRANDL4 230.00] TO BUS 652510 [FTRANDL7 115.00] CKT 2  
DOUBLE 1020 : OPEN LINE FROM BUS 640096 [CALAMS 7 115.00] TO BUS 640381 [THEDFRD7 115.00] CKT 1  
OPEN LINE FROM BUS 652509 [FTRANDL4 230.00] TO BUS 652516 [LAKPLAT4 230.00] CKT 1  
DOUBLE 1021 : OPEN LINE FROM BUS 640096 [CALAMS 7 115.00] TO BUS 640381 [THEDFRD7 115.00] CKT 1  
OPEN LINE FROM BUS 652509 [FTRANDL4 230.00] TO BUS 652526 [UTICAJC4 230.00] CKT 1  
DOUBLE 1022 : OPEN LINE FROM BUS 640096 [CALAMS 7 115.00] TO BUS 640381 [THEDFRD7 115.00] CKT 1  
OPEN LINE FROM BUS 652509 [FTRANDL4 230.00] TO BUS 652565 [SIOUXCY4 230.00] CKT 1  
DOUBLE 1023 : OPEN LINE FROM BUS 640096 [CALAMS 7 115.00] TO BUS 640381 [THEDFRD7 115.00] CKT 1  
OPEN LINE FROM BUS 652511 [GAVINS 7 115.00] TO BUS 652532 [YANKTON7 115.00] CKT 1  
DOUBLE 1024 : OPEN LINE FROM BUS 640096 [CALAMS 7 115.00] TO BUS 640381 [THEDFRD7 115.00] CKT 1  
OPEN LINE FROM BUS 652511 [GAVINS 7 115.00] TO BUS 660006 [YKNTJCT7 115.00] CKT 1  
DOUBLE 1025 : OPEN LINE FROM BUS 640096 [CALAMS 7 115.00] TO BUS 640381 [THEDFRD7 115.00] CKT 1  
OPEN LINE FROM BUS 652517 [MANNING7 115.00] TO BUS 659121 [SPIRITM7 115.00] CKT 1  
DOUBLE 1026 : OPEN LINE FROM BUS 640096 [CALAMS 7 115.00] TO BUS 640381 [THEDFRD7 115.00] CKT 1  
OPEN LINE FROM BUS 652526 [UTICAJC4 230.00] TO BUS 652626 [UTICAJC7 115.00] TO BUS 652627 [UTICAJC9 13.200] CKT 1  
DOUBLE 1027 : OPEN LINE FROM BUS 640096 [CALAMS 7 115.00] TO BUS 640381 [THEDFRD7 115.00] CKT 1  
OPEN LINE FROM BUS 652532 [YANKTON7 115.00] TO BUS 659121 [SPIRITM7 115.00] CKT 1  
DOUBLE 1028 : OPEN LINE FROM BUS 640096 [CALAMS 7 115.00] TO BUS 640381 [THEDFRD7 115.00] CKT 1  
OPEN LINE FROM BUS 652626 [UTICAJC7 115.00] TO BUS 660006 [YKNTJCT7 115.00] CKT 1  
DOUBLE 1029 : OPEN LINE FROM BUS 640096 [CALAMS 7 115.00] TO BUS 640381 [THEDFRD7 115.00] CKT 1  
OPEN LINE FROM BUS 652626 [UTICAJC7 115.00] TO BUS 660007 [MENNOJT7 115.00] CKT 1  
DOUBLE 1030 : OPEN LINE FROM BUS 640098 [CALAWAY7 115.00] TO BUS 640267 [MAXWELS7 115.00] CKT 1



OPEN LINE FROM BUS 640113 [CLRWATR7 115.00] TO BUS 640293 [NELIGH 7 115.00] CKT 1  
DOUBLE 1031 : OPEN LINE FROM BUS 640098 [CALAWAY7 115.00] TO BUS 640267 [MAXWELS7 115.00] CKT 1  
OPEN LINE FROM BUS 640115 [CO.LINE7 115.00] TO BUS 640293 [NELIGH 7 115.00] CKT 1  
DOUBLE 1032 : OPEN LINE FROM BUS 640098 [CALAWAY7 115.00] TO BUS 640267 [MAXWELS7 115.00] CKT 1  
OPEN LINE FROM BUS 640126 [E.COL. 4 230.00] TO BUS 640133 [COLMBUS4 230.00] CKT 1  
DOUBLE 1033 : OPEN LINE FROM BUS 640098 [CALAWAY7 115.00] TO BUS 640267 [MAXWELS7 115.00] CKT 1  
OPEN LINE FROM BUS 640131 [COLMB.W4 230.00] TO BUS 640133 [COLMBUS4 230.00] CKT 1  
DOUBLE 1034 : OPEN LINE FROM BUS 640098 [CALAWAY7 115.00] TO BUS 640267 [MAXWELS7 115.00] CKT 1  
OPEN LINE FROM BUS 640133 [COLMBUS4 230.00] TO BUS 640343 [SHELCKR4 230.00] CKT 1  
DOUBLE 1035 : OPEN LINE FROM BUS 640098 [CALAWAY7 115.00] TO BUS 640267 [MAXWELS7 115.00] CKT 1  
OPEN LINE FROM BUS 640133 [COLMBUS4 230.00] TO BUS 643000 [MADISONCNTY4230.00] CKT 1  
DOUBLE 1036 : OPEN LINE FROM BUS 640098 [CALAWAY7 115.00] TO BUS 640267 [MAXWELS7 115.00] CKT 1  
OPEN LINE FROM BUS 640133 [COLMBUS4 230.00] TO BUS 640134 [KELLY 7 115.00] TO BUS 640135 [COLMBS19 13.200] CKT 1  
DOUBLE 1037 : OPEN LINE FROM BUS 640098 [CALAWAY7 115.00] TO BUS 640267 [MAXWELS7 115.00] CKT 1  
OPEN LINE FROM BUS 640149 [CREITON7 115.00] TO BUS 640293 [NELIGH 7 115.00] CKT 1  
DOUBLE 1038 : OPEN LINE FROM BUS 640098 [CALAWAY7 115.00] TO BUS 640267 [MAXWELS7 115.00] CKT 1  
OPEN LINE FROM BUS 640151 [CRESTON7 115.00] TO BUS 640263 [MADISON7 115.00] CKT 1  
DOUBLE 1039 : OPEN LINE FROM BUS 640098 [CALAWAY7 115.00] TO BUS 640267 [MAXWELS7 115.00] CKT 1  
OPEN LINE FROM BUS 640212 [HARTGTN7 115.00] TO BUS 652511 [GAVINS 7 115.00] CKT 1  
DOUBLE 1040 : OPEN LINE FROM BUS 640098 [CALAWAY7 115.00] TO BUS 640267 [MAXWELS7 115.00] CKT 1  
OPEN LINE FROM BUS 640228 [HOSKINS7 115.00] TO BUS 640298 [NORFOLK7 115.00] CKT 1  
DOUBLE 1041 : OPEN LINE FROM BUS 640098 [CALAWAY7 115.00] TO BUS 640267 [MAXWELS7 115.00] CKT 1  
OPEN LINE FROM BUS 640259 [LOUPCTY7 115.00] TO BUS 640284 [N.LOUP 7 115.00] CKT 1  
DOUBLE 1042 : OPEN LINE FROM BUS 640098 [CALAWAY7 115.00] TO BUS 640267 [MAXWELS7 115.00] CKT 1  
OPEN LINE FROM BUS 640259 [LOUPCTY7 115.00] TO BUS 640353 [ST.LIB 7 115.00] CKT 1  
DOUBLE 1043 : OPEN LINE FROM BUS 640098 [CALAWAY7 115.00] TO BUS 640267 [MAXWELS7 115.00] CKT 1  
OPEN LINE FROM BUS 640263 [MADISON7 115.00] TO BUS 640298 [NORFOLK7 115.00] CKT 1  
DOUBLE 1044 : OPEN LINE FROM BUS 640098 [CALAWAY7 115.00] TO BUS 640267 [MAXWELS7 115.00] CKT 1  
OPEN LINE FROM BUS 640263 [MADISON7 115.00] TO BUS 643001 [MADISONCNTY7115.00] CKT 1  
DOUBLE 1045 : OPEN LINE FROM BUS 640098 [CALAWAY7 115.00] TO BUS 640267 [MAXWELS7 115.00] CKT 1  
OPEN LINE FROM BUS 640267 [MAXWELS7 115.00] TO BUS 640287 [N.PLATT7 115.00] CKT 1  
DOUBLE 1046 : OPEN LINE FROM BUS 640098 [CALAWAY7 115.00] TO BUS 640267 [MAXWELS7 115.00] CKT 1  
OPEN LINE FROM BUS 640267 [MAXWELS7 115.00] TO BUS 640381 [THEDFRD7 115.00] CKT 1  
DOUBLE 1047 : OPEN LINE FROM BUS 640098 [CALAWAY7 115.00] TO BUS 640267 [MAXWELS7 115.00] CKT 1  
OPEN LINE FROM BUS 640284 [N.LOUP 7 115.00] TO BUS 640347 [SPALDNG7 115.00] CKT 1  
DOUBLE 1048 : OPEN LINE FROM BUS 640098 [CALAWAY7 115.00] TO BUS 640267 [MAXWELS7 115.00] CKT 1  
OPEN LINE FROM BUS 640286 [N.PLATT4 230.00] TO BUS 640287 [N.PLATT7 115.00] CKT 2  
DOUBLE 1049 : OPEN LINE FROM BUS 640098 [CALAWAY7 115.00] TO BUS 640267 [MAXWELS7 115.00] CKT 1  
OPEN LINE FROM BUS 640293 [NELIGH 7 115.00] TO BUS 640444 [PETERSBRG.N7115.00] CKT 1  
DOUBLE 1050 : OPEN LINE FROM BUS 640098 [CALAWAY7 115.00] TO BUS 640267 [MAXWELS7 115.00] CKT 1  
OPEN LINE FROM BUS 640298 [NORFOLK7 115.00] TO BUS 643001 [MADISONCNTY7115.00] CKT 1  
DOUBLE 1051 : OPEN LINE FROM BUS 640098 [CALAWAY7 115.00] TO BUS 640267 [MAXWELS7 115.00] CKT 1  
OPEN LINE FROM BUS 640318 [PETRSBG7 115.00] TO BUS 640444 [PETERSBRG.N7115.00] CKT 1  
DOUBLE 1052 : OPEN LINE FROM BUS 640098 [CALAWAY7 115.00] TO BUS 640267 [MAXWELS7 115.00] CKT 1  
OPEN LINE FROM BUS 640444 [PETERSBRG.N7115.00] TO BUS 643001 [MADISONCNTY7115.00] CKT 1  
DOUBLE 1053 : OPEN LINE FROM BUS 640098 [CALAWAY7 115.00] TO BUS 640267 [MAXWELS7 115.00] CKT 1  
OPEN LINE FROM BUS 643000 [MADISONCNTY4230.00] TO BUS 652509 [FTRANDL4 230.00] CKT 1  
DOUBLE 1054 : OPEN LINE FROM BUS 640098 [CALAWAY7 115.00] TO BUS 640267 [MAXWELS7 115.00] CKT 1

OPEN LINE FROM BUS 652507 [FTTHOMP4 230.00] TO BUS 652509 [FTRANDL4 230.00] CKT 1  
DOUBLE 1055 : OPEN LINE FROM BUS 640098 [CALAWAY7 115.00] TO BUS 640267 [MAXWELS7 115.00] CKT 1  
OPEN LINE FROM BUS 652507 [FTTHOMP4 230.00] TO BUS 652516 [LAKPLAT4 230.00] CKT 1  
DOUBLE 1056 : OPEN LINE FROM BUS 640098 [CALAWAY7 115.00] TO BUS 640267 [MAXWELS7 115.00] CKT 1  
OPEN LINE FROM BUS 652509 [FTRANDL4 230.00] TO BUS 652510 [FTRANDL7 115.00] CKT 1  
DOUBLE 1057 : OPEN LINE FROM BUS 640098 [CALAWAY7 115.00] TO BUS 640267 [MAXWELS7 115.00] CKT 1  
OPEN LINE FROM BUS 652509 [FTRANDL4 230.00] TO BUS 652510 [FTRANDL7 115.00] CKT 2  
DOUBLE 1058 : OPEN LINE FROM BUS 640098 [CALAWAY7 115.00] TO BUS 640267 [MAXWELS7 115.00] CKT 1  
OPEN LINE FROM BUS 652509 [FTRANDL4 230.00] TO BUS 652516 [LAKPLAT4 230.00] CKT 1  
DOUBLE 1059 : OPEN LINE FROM BUS 640098 [CALAWAY7 115.00] TO BUS 640267 [MAXWELS7 115.00] CKT 1  
OPEN LINE FROM BUS 652509 [FTRANDL4 230.00] TO BUS 652526 [UTICAJC4 230.00] CKT 1  
DOUBLE 1060 : OPEN LINE FROM BUS 640098 [CALAWAY7 115.00] TO BUS 640267 [MAXWELS7 115.00] CKT 1  
OPEN LINE FROM BUS 652509 [FTRANDL4 230.00] TO BUS 652565 [SIOUXCY4 230.00] CKT 1  
DOUBLE 1061 : OPEN LINE FROM BUS 640098 [CALAWAY7 115.00] TO BUS 640267 [MAXWELS7 115.00] CKT 1  
OPEN LINE FROM BUS 652511 [GAVINS 7 115.00] TO BUS 652532 [YANKTON7 115.00] CKT 1  
DOUBLE 1062 : OPEN LINE FROM BUS 640098 [CALAWAY7 115.00] TO BUS 640267 [MAXWELS7 115.00] CKT 1  
OPEN LINE FROM BUS 652511 [GAVINS 7 115.00] TO BUS 660006 [YKNTJCT7 115.00] CKT 1  
DOUBLE 1063 : OPEN LINE FROM BUS 640098 [CALAWAY7 115.00] TO BUS 640267 [MAXWELS7 115.00] CKT 1  
OPEN LINE FROM BUS 652517 [MANNING7 115.00] TO BUS 659121 [SPIRITM7 115.00] CKT 1  
DOUBLE 1064 : OPEN LINE FROM BUS 640098 [CALAWAY7 115.00] TO BUS 640267 [MAXWELS7 115.00] CKT 1  
OPEN LINE FROM BUS 652526 [UTICAJC4 230.00] TO BUS 652626 [UTICAJC7 115.00] TO BUS 652627 [UTICAJC9 13.200] CKT 1  
DOUBLE 1065 : OPEN LINE FROM BUS 640098 [CALAWAY7 115.00] TO BUS 640267 [MAXWELS7 115.00] CKT 1  
OPEN LINE FROM BUS 652532 [YANKTON7 115.00] TO BUS 659121 [SPIRITM7 115.00] CKT 1  
DOUBLE 1066 : OPEN LINE FROM BUS 640098 [CALAWAY7 115.00] TO BUS 640267 [MAXWELS7 115.00] CKT 1  
OPEN LINE FROM BUS 652626 [UTICAJC7 115.00] TO BUS 660006 [YKNTJCT7 115.00] CKT 1  
DOUBLE 1067 : OPEN LINE FROM BUS 640098 [CALAWAY7 115.00] TO BUS 640267 [MAXWELS7 115.00] CKT 1  
OPEN LINE FROM BUS 652626 [UTICAJC7 115.00] TO BUS 660007 [MENNOJT7 115.00] CKT 1  
DOUBLE 1068 : OPEN LINE FROM BUS 640113 [CLRWATR7 115.00] TO BUS 640293 [NELIGH 7 115.00] CKT 1  
OPEN LINE FROM BUS 640115 [CO.LINE7 115.00] TO BUS 640293 [NELIGH 7 115.00] CKT 1  
DOUBLE 1069 : OPEN LINE FROM BUS 640113 [CLRWATR7 115.00] TO BUS 640293 [NELIGH 7 115.00] CKT 1  
OPEN LINE FROM BUS 640126 [E.COL. 4 230.00] TO BUS 640133 [COLMBUS4 230.00] CKT 1  
DOUBLE 1070 : OPEN LINE FROM BUS 640113 [CLRWATR7 115.00] TO BUS 640293 [NELIGH 7 115.00] CKT 1  
OPEN LINE FROM BUS 640131 [COLMB.W4 230.00] TO BUS 640133 [COLMBUS4 230.00] CKT 1  
DOUBLE 1071 : OPEN LINE FROM BUS 640113 [CLRWATR7 115.00] TO BUS 640293 [NELIGH 7 115.00] CKT 1  
OPEN LINE FROM BUS 640133 [COLMBUS4 230.00] TO BUS 640343 [SHELCKR4 230.00] CKT 1  
DOUBLE 1072 : OPEN LINE FROM BUS 640113 [CLRWATR7 115.00] TO BUS 640293 [NELIGH 7 115.00] CKT 1  
OPEN LINE FROM BUS 640133 [COLMBUS4 230.00] TO BUS 643000 [MADISONCNTY4230.00] CKT 1  
DOUBLE 1073 : OPEN LINE FROM BUS 640113 [CLRWATR7 115.00] TO BUS 640293 [NELIGH 7 115.00] CKT 1  
OPEN LINE FROM BUS 640133 [COLMBUS4 230.00] TO BUS 640134 [KELLY 7 115.00] TO BUS 640135 [COLMBS19 13.200] CKT 1  
DOUBLE 1074 : OPEN LINE FROM BUS 640113 [CLRWATR7 115.00] TO BUS 640293 [NELIGH 7 115.00] CKT 1  
OPEN LINE FROM BUS 640149 [CREITON7 115.00] TO BUS 640293 [NELIGH 7 115.00] CKT 1  
DOUBLE 1075 : OPEN LINE FROM BUS 640113 [CLRWATR7 115.00] TO BUS 640293 [NELIGH 7 115.00] CKT 1  
OPEN LINE FROM BUS 640151 [CRESTON7 115.00] TO BUS 640263 [MADISON7 115.00] CKT 1  
DOUBLE 1076 : OPEN LINE FROM BUS 640113 [CLRWATR7 115.00] TO BUS 640293 [NELIGH 7 115.00] CKT 1  
OPEN LINE FROM BUS 640212 [HARTGTN7 115.00] TO BUS 652511 [GAVINS 7 115.00] CKT 1  
DOUBLE 1077 : OPEN LINE FROM BUS 640113 [CLRWATR7 115.00] TO BUS 640293 [NELIGH 7 115.00] CKT 1  
OPEN LINE FROM BUS 640228 [HOSKINS7 115.00] TO BUS 640298 [NORFOLK7 115.00] CKT 1  
DOUBLE 1078 : OPEN LINE FROM BUS 640113 [CLRWATR7 115.00] TO BUS 640293 [NELIGH 7 115.00] CKT 1

OPEN LINE FROM BUS 640259 [LOUPCTY7 115.00] TO BUS 640284 [N.LOUP 7 115.00] CKT 1  
DOUBLE 1079 : OPEN LINE FROM BUS 640113 [CLRWATR7 115.00] TO BUS 640293 [NELIGH 7 115.00] CKT 1  
OPEN LINE FROM BUS 640259 [LOUPCTY7 115.00] TO BUS 640353 [ST.LIB 7 115.00] CKT 1  
DOUBLE 1080 : OPEN LINE FROM BUS 640113 [CLRWATR7 115.00] TO BUS 640293 [NELIGH 7 115.00] CKT 1  
OPEN LINE FROM BUS 640263 [MADISON7 115.00] TO BUS 640298 [NORFOLK7 115.00] CKT 1  
DOUBLE 1081 : OPEN LINE FROM BUS 640113 [CLRWATR7 115.00] TO BUS 640293 [NELIGH 7 115.00] CKT 1  
OPEN LINE FROM BUS 640263 [MADISON7 115.00] TO BUS 643001 [MADISONCNTY7115.00] CKT 1  
DOUBLE 1082 : OPEN LINE FROM BUS 640113 [CLRWATR7 115.00] TO BUS 640293 [NELIGH 7 115.00] CKT 1  
OPEN LINE FROM BUS 640267 [MAXWELS7 115.00] TO BUS 640287 [N.PLATT7 115.00] CKT 1  
DOUBLE 1083 : OPEN LINE FROM BUS 640113 [CLRWATR7 115.00] TO BUS 640293 [NELIGH 7 115.00] CKT 1  
OPEN LINE FROM BUS 640267 [MAXWELS7 115.00] TO BUS 640381 [THEDFRD7 115.00] CKT 1  
DOUBLE 1084 : OPEN LINE FROM BUS 640113 [CLRWATR7 115.00] TO BUS 640293 [NELIGH 7 115.00] CKT 1  
OPEN LINE FROM BUS 640284 [N.LOUP 7 115.00] TO BUS 640347 [SPALDNG7 115.00] CKT 1  
DOUBLE 1085 : OPEN LINE FROM BUS 640113 [CLRWATR7 115.00] TO BUS 640293 [NELIGH 7 115.00] CKT 1  
OPEN LINE FROM BUS 640286 [N.PLATT4 230.00] TO BUS 640287 [N.PLATT7 115.00] CKT 2  
DOUBLE 1086 : OPEN LINE FROM BUS 640113 [CLRWATR7 115.00] TO BUS 640293 [NELIGH 7 115.00] CKT 1  
OPEN LINE FROM BUS 640293 [NELIGH 7 115.00] TO BUS 640444 [PETERSBRG.N7115.00] CKT 1  
DOUBLE 1087 : OPEN LINE FROM BUS 640113 [CLRWATR7 115.00] TO BUS 640293 [NELIGH 7 115.00] CKT 1  
OPEN LINE FROM BUS 640298 [NORFOLK7 115.00] TO BUS 643001 [MADISONCNTY7115.00] CKT 1  
DOUBLE 1088 : OPEN LINE FROM BUS 640113 [CLRWATR7 115.00] TO BUS 640293 [NELIGH 7 115.00] CKT 1  
OPEN LINE FROM BUS 640318 [PETRSBG7 115.00] TO BUS 640444 [PETERSBRG.N7115.00] CKT 1  
DOUBLE 1089 : OPEN LINE FROM BUS 640113 [CLRWATR7 115.00] TO BUS 640293 [NELIGH 7 115.00] CKT 1  
OPEN LINE FROM BUS 640444 [PETERSBRG.N7115.00] TO BUS 643001 [MADISONCNTY7115.00] CKT 1  
DOUBLE 1090 : OPEN LINE FROM BUS 640113 [CLRWATR7 115.00] TO BUS 640293 [NELIGH 7 115.00] CKT 1  
OPEN LINE FROM BUS 643000 [MADISONCNTY4230.00] TO BUS 652509 [FTRANDL4 230.00] CKT 1  
DOUBLE 1091 : OPEN LINE FROM BUS 640113 [CLRWATR7 115.00] TO BUS 640293 [NELIGH 7 115.00] CKT 1  
OPEN LINE FROM BUS 652507 [FTTHOMP4 230.00] TO BUS 652509 [FTRANDL4 230.00] CKT 1  
DOUBLE 1092 : OPEN LINE FROM BUS 640113 [CLRWATR7 115.00] TO BUS 640293 [NELIGH 7 115.00] CKT 1  
OPEN LINE FROM BUS 652507 [FTTHOMP4 230.00] TO BUS 652516 [LAKPLAT4 230.00] CKT 1  
DOUBLE 1093 : OPEN LINE FROM BUS 640113 [CLRWATR7 115.00] TO BUS 640293 [NELIGH 7 115.00] CKT 1  
OPEN LINE FROM BUS 652509 [FTRANDL4 230.00] TO BUS 652510 [FTRANDL7 115.00] CKT 1  
DOUBLE 1094 : OPEN LINE FROM BUS 640113 [CLRWATR7 115.00] TO BUS 640293 [NELIGH 7 115.00] CKT 1  
OPEN LINE FROM BUS 652509 [FTRANDL4 230.00] TO BUS 652510 [FTRANDL7 115.00] CKT 2  
DOUBLE 1095 : OPEN LINE FROM BUS 640113 [CLRWATR7 115.00] TO BUS 640293 [NELIGH 7 115.00] CKT 1  
OPEN LINE FROM BUS 652509 [FTRANDL4 230.00] TO BUS 652516 [LAKPLAT4 230.00] CKT 1  
DOUBLE 1096 : OPEN LINE FROM BUS 640113 [CLRWATR7 115.00] TO BUS 640293 [NELIGH 7 115.00] CKT 1  
OPEN LINE FROM BUS 652509 [FTRANDL4 230.00] TO BUS 652526 [UTICAJC4 230.00] CKT 1  
DOUBLE 1097 : OPEN LINE FROM BUS 640113 [CLRWATR7 115.00] TO BUS 640293 [NELIGH 7 115.00] CKT 1  
OPEN LINE FROM BUS 652509 [FTRANDL4 230.00] TO BUS 652565 [SIOUXCY4 230.00] CKT 1  
DOUBLE 1098 : OPEN LINE FROM BUS 640113 [CLRWATR7 115.00] TO BUS 640293 [NELIGH 7 115.00] CKT 1  
OPEN LINE FROM BUS 652511 [GAVINS 7 115.00] TO BUS 652532 [YANKTON7 115.00] CKT 1  
DOUBLE 1099 : OPEN LINE FROM BUS 640113 [CLRWATR7 115.00] TO BUS 640293 [NELIGH 7 115.00] CKT 1  
OPEN LINE FROM BUS 652511 [GAVINS 7 115.00] TO BUS 660006 [YKNTJCT7 115.00] CKT 1  
DOUBLE 1100 : OPEN LINE FROM BUS 640113 [CLRWATR7 115.00] TO BUS 640293 [NELIGH 7 115.00] CKT 1  
OPEN LINE FROM BUS 652517 [MANNING7 115.00] TO BUS 659121 [SPIRITM7 115.00] CKT 1  
DOUBLE 1101 : OPEN LINE FROM BUS 640113 [CLRWATR7 115.00] TO BUS 640293 [NELIGH 7 115.00] CKT 1  
OPEN LINE FROM BUS 652526 [UTICAJC4 230.00] TO BUS 652626 [UTICAJC7 115.00] TO BUS 652627 [UTICAJC9 13.200] CKT 1  
DOUBLE 1102 : OPEN LINE FROM BUS 640113 [CLRWATR7 115.00] TO BUS 640293 [NELIGH 7 115.00] CKT 1

OPEN LINE FROM BUS 652532 [YANKTON7 115.00] TO BUS 659121 [SPIRITM7 115.00] CKT 1  
DOUBLE 1103 : OPEN LINE FROM BUS 640113 [CLRWATR7 115.00] TO BUS 640293 [NELIGH 7 115.00] CKT 1  
OPEN LINE FROM BUS 652626 [UTICAJC7 115.00] TO BUS 660006 [YKNTJCT7 115.00] CKT 1  
DOUBLE 1104 : OPEN LINE FROM BUS 640113 [CLRWATR7 115.00] TO BUS 640293 [NELIGH 7 115.00] CKT 1  
OPEN LINE FROM BUS 652626 [UTICAJC7 115.00] TO BUS 660007 [MENNOJT7 115.00] CKT 1  
DOUBLE 1105 : OPEN LINE FROM BUS 640115 [CO.LINE7 115.00] TO BUS 640293 [NELIGH 7 115.00] CKT 1  
OPEN LINE FROM BUS 640126 [E.COL. 4 230.00] TO BUS 640133 [COLMBUS4 230.00] CKT 1  
DOUBLE 1106 : OPEN LINE FROM BUS 640115 [CO.LINE7 115.00] TO BUS 640293 [NELIGH 7 115.00] CKT 1  
OPEN LINE FROM BUS 640131 [COLMB.W4 230.00] TO BUS 640133 [COLMBUS4 230.00] CKT 1  
DOUBLE 1107 : OPEN LINE FROM BUS 640115 [CO.LINE7 115.00] TO BUS 640293 [NELIGH 7 115.00] CKT 1  
OPEN LINE FROM BUS 640133 [COLMBUS4 230.00] TO BUS 640343 [SHELCKR4 230.00] CKT 1  
DOUBLE 1108 : OPEN LINE FROM BUS 640115 [CO.LINE7 115.00] TO BUS 640293 [NELIGH 7 115.00] CKT 1  
OPEN LINE FROM BUS 640133 [COLMBUS4 230.00] TO BUS 643000 [MADISONCNTY4230.00] CKT 1  
DOUBLE 1109 : OPEN LINE FROM BUS 640115 [CO.LINE7 115.00] TO BUS 640293 [NELIGH 7 115.00] CKT 1  
OPEN LINE FROM BUS 640133 [COLMBUS4 230.00] TO BUS 640134 [KELLY 7 115.00] TO BUS 640135 [COLMBS19 13.200] CKT 1  
DOUBLE 1110 : OPEN LINE FROM BUS 640115 [CO.LINE7 115.00] TO BUS 640293 [NELIGH 7 115.00] CKT 1  
OPEN LINE FROM BUS 640149 [CREITON7 115.00] TO BUS 640293 [NELIGH 7 115.00] CKT 1  
DOUBLE 1111 : OPEN LINE FROM BUS 640115 [CO.LINE7 115.00] TO BUS 640293 [NELIGH 7 115.00] CKT 1  
OPEN LINE FROM BUS 640151 [CRESTON7 115.00] TO BUS 640263 [MADISON7 115.00] CKT 1  
DOUBLE 1112 : OPEN LINE FROM BUS 640115 [CO.LINE7 115.00] TO BUS 640293 [NELIGH 7 115.00] CKT 1  
OPEN LINE FROM BUS 640212 [HARTGTN7 115.00] TO BUS 652511 [GAVINS 7 115.00] CKT 1  
DOUBLE 1113 : OPEN LINE FROM BUS 640115 [CO.LINE7 115.00] TO BUS 640293 [NELIGH 7 115.00] CKT 1  
OPEN LINE FROM BUS 640228 [HOSKINS7 115.00] TO BUS 640298 [NORFOLK7 115.00] CKT 1  
DOUBLE 1114 : OPEN LINE FROM BUS 640115 [CO.LINE7 115.00] TO BUS 640293 [NELIGH 7 115.00] CKT 1  
OPEN LINE FROM BUS 640259 [LOUPCTY7 115.00] TO BUS 640284 [N.LOUP 7 115.00] CKT 1  
DOUBLE 1115 : OPEN LINE FROM BUS 640115 [CO.LINE7 115.00] TO BUS 640293 [NELIGH 7 115.00] CKT 1  
OPEN LINE FROM BUS 640259 [LOUPCTY7 115.00] TO BUS 640353 [ST.LIB 7 115.00] CKT 1  
DOUBLE 1116 : OPEN LINE FROM BUS 640115 [CO.LINE7 115.00] TO BUS 640293 [NELIGH 7 115.00] CKT 1  
OPEN LINE FROM BUS 640263 [MADISON7 115.00] TO BUS 640298 [NORFOLK7 115.00] CKT 1  
DOUBLE 1117 : OPEN LINE FROM BUS 640115 [CO.LINE7 115.00] TO BUS 640293 [NELIGH 7 115.00] CKT 1  
OPEN LINE FROM BUS 640263 [MADISON7 115.00] TO BUS 643001 [MADISONCNTY7115.00] CKT 1  
DOUBLE 1118 : OPEN LINE FROM BUS 640115 [CO.LINE7 115.00] TO BUS 640293 [NELIGH 7 115.00] CKT 1  
OPEN LINE FROM BUS 640267 [MAXWELS7 115.00] TO BUS 640287 [N.PLATT7 115.00] CKT 1  
DOUBLE 1119 : OPEN LINE FROM BUS 640115 [CO.LINE7 115.00] TO BUS 640293 [NELIGH 7 115.00] CKT 1  
OPEN LINE FROM BUS 640267 [MAXWELS7 115.00] TO BUS 640381 [THEDFRD7 115.00] CKT 1  
DOUBLE 1120 : OPEN LINE FROM BUS 640115 [CO.LINE7 115.00] TO BUS 640293 [NELIGH 7 115.00] CKT 1  
OPEN LINE FROM BUS 640284 [N.LOUP 7 115.00] TO BUS 640347 [SPALDNG7 115.00] CKT 1  
DOUBLE 1121 : OPEN LINE FROM BUS 640115 [CO.LINE7 115.00] TO BUS 640293 [NELIGH 7 115.00] CKT 1  
OPEN LINE FROM BUS 640286 [N.PLATT4 230.00] TO BUS 640287 [N.PLATT7 115.00] CKT 2  
DOUBLE 1122 : OPEN LINE FROM BUS 640115 [CO.LINE7 115.00] TO BUS 640293 [NELIGH 7 115.00] CKT 1  
OPEN LINE FROM BUS 640293 [NELIGH 7 115.00] TO BUS 640444 [PETERSBRG.N7115.00] CKT 1  
DOUBLE 1123 : OPEN LINE FROM BUS 640115 [CO.LINE7 115.00] TO BUS 640293 [NELIGH 7 115.00] CKT 1  
OPEN LINE FROM BUS 640298 [NORFOLK7 115.00] TO BUS 643001 [MADISONCNTY7115.00] CKT 1  
DOUBLE 1124 : OPEN LINE FROM BUS 640115 [CO.LINE7 115.00] TO BUS 640293 [NELIGH 7 115.00] CKT 1  
OPEN LINE FROM BUS 640318 [PETRSBG7 115.00] TO BUS 640444 [PETERSBRG.N7115.00] CKT 1  
DOUBLE 1125 : OPEN LINE FROM BUS 640115 [CO.LINE7 115.00] TO BUS 640293 [NELIGH 7 115.00] CKT 1  
OPEN LINE FROM BUS 640444 [PETERSBRG.N7115.00] TO BUS 643001 [MADISONCNTY7115.00] CKT 1  
DOUBLE 1126 : OPEN LINE FROM BUS 640115 [CO.LINE7 115.00] TO BUS 640293 [NELIGH 7 115.00] CKT 1

OPEN LINE FROM BUS 643000 [MADISONCNTY4230.00] TO BUS 652509 [FTRANDL4 230.00] CKT 1  
DOUBLE 1127 : OPEN LINE FROM BUS 640115 [CO.LINE7 115.00] TO BUS 640293 [NELIGH 7 115.00] CKT 1  
OPEN LINE FROM BUS 652507 [FTTHOMP4 230.00] TO BUS 652509 [FTRANDL4 230.00] CKT 1  
DOUBLE 1128 : OPEN LINE FROM BUS 640115 [CO.LINE7 115.00] TO BUS 640293 [NELIGH 7 115.00] CKT 1  
OPEN LINE FROM BUS 652507 [FTTHOMP4 230.00] TO BUS 652516 [LAKPLAT4 230.00] CKT 1  
DOUBLE 1129 : OPEN LINE FROM BUS 640115 [CO.LINE7 115.00] TO BUS 640293 [NELIGH 7 115.00] CKT 1  
OPEN LINE FROM BUS 652509 [FTRANDL4 230.00] TO BUS 652510 [FTRANDL7 115.00] CKT 1  
DOUBLE 1130 : OPEN LINE FROM BUS 640115 [CO.LINE7 115.00] TO BUS 640293 [NELIGH 7 115.00] CKT 1  
OPEN LINE FROM BUS 652509 [FTRANDL4 230.00] TO BUS 652510 [FTRANDL7 115.00] CKT 2  
DOUBLE 1131 : OPEN LINE FROM BUS 640115 [CO.LINE7 115.00] TO BUS 640293 [NELIGH 7 115.00] CKT 1  
OPEN LINE FROM BUS 652509 [FTRANDL4 230.00] TO BUS 652516 [LAKPLAT4 230.00] CKT 1  
DOUBLE 1132 : OPEN LINE FROM BUS 640115 [CO.LINE7 115.00] TO BUS 640293 [NELIGH 7 115.00] CKT 1  
OPEN LINE FROM BUS 652509 [FTRANDL4 230.00] TO BUS 652526 [UTICAJC4 230.00] CKT 1  
DOUBLE 1133 : OPEN LINE FROM BUS 640115 [CO.LINE7 115.00] TO BUS 640293 [NELIGH 7 115.00] CKT 1  
OPEN LINE FROM BUS 652509 [FTRANDL4 230.00] TO BUS 652565 [SIOUXCY4 230.00] CKT 1  
DOUBLE 1134 : OPEN LINE FROM BUS 640115 [CO.LINE7 115.00] TO BUS 640293 [NELIGH 7 115.00] CKT 1  
OPEN LINE FROM BUS 652511 [GAVINS 7 115.00] TO BUS 652532 [YANKTON7 115.00] CKT 1  
DOUBLE 1135 : OPEN LINE FROM BUS 640115 [CO.LINE7 115.00] TO BUS 640293 [NELIGH 7 115.00] CKT 1  
OPEN LINE FROM BUS 652511 [GAVINS 7 115.00] TO BUS 660006 [YKNTJCT7 115.00] CKT 1  
DOUBLE 1136 : OPEN LINE FROM BUS 640115 [CO.LINE7 115.00] TO BUS 640293 [NELIGH 7 115.00] CKT 1  
OPEN LINE FROM BUS 652517 [MANNING7 115.00] TO BUS 659121 [SPIRITM7 115.00] CKT 1  
DOUBLE 1137 : OPEN LINE FROM BUS 640115 [CO.LINE7 115.00] TO BUS 640293 [NELIGH 7 115.00] CKT 1  
OPEN LINE FROM BUS 652526 [UTICAJC4 230.00] TO BUS 652626 [UTICAJC7 115.00] TO BUS 652627 [UTICAJC9 13.200] CKT 1  
DOUBLE 1138 : OPEN LINE FROM BUS 640115 [CO.LINE7 115.00] TO BUS 640293 [NELIGH 7 115.00] CKT 1  
OPEN LINE FROM BUS 652532 [YANKTON7 115.00] TO BUS 659121 [SPIRITM7 115.00] CKT 1  
DOUBLE 1139 : OPEN LINE FROM BUS 640115 [CO.LINE7 115.00] TO BUS 640293 [NELIGH 7 115.00] CKT 1  
OPEN LINE FROM BUS 652626 [UTICAJC7 115.00] TO BUS 660006 [YKNTJCT7 115.00] CKT 1  
DOUBLE 1140 : OPEN LINE FROM BUS 640115 [CO.LINE7 115.00] TO BUS 640293 [NELIGH 7 115.00] CKT 1  
OPEN LINE FROM BUS 652626 [UTICAJC7 115.00] TO BUS 660007 [MENNOJT7 115.00] CKT 1  
DOUBLE 1141 : OPEN LINE FROM BUS 640126 [E.COL. 4 230.00] TO BUS 640133 [COLMBUS4 230.00] CKT 1  
OPEN LINE FROM BUS 640131 [COLMB.W4 230.00] TO BUS 640133 [COLMBUS4 230.00] CKT 1  
DOUBLE 1142 : OPEN LINE FROM BUS 640126 [E.COL. 4 230.00] TO BUS 640133 [COLMBUS4 230.00] CKT 1  
OPEN LINE FROM BUS 640133 [COLMBUS4 230.00] TO BUS 640343 [SHELCKR4 230.00] CKT 1  
DOUBLE 1143 : OPEN LINE FROM BUS 640126 [E.COL. 4 230.00] TO BUS 640133 [COLMBUS4 230.00] CKT 1  
OPEN LINE FROM BUS 640133 [COLMBUS4 230.00] TO BUS 643000 [MADISONCNTY4230.00] CKT 1  
DOUBLE 1144 : OPEN LINE FROM BUS 640126 [E.COL. 4 230.00] TO BUS 640133 [COLMBUS4 230.00] CKT 1  
OPEN LINE FROM BUS 640133 [COLMBUS4 230.00] TO BUS 640134 [KELLY 7 115.00] TO BUS 640135 [COLMBS19 13.200] CKT 1  
DOUBLE 1145 : OPEN LINE FROM BUS 640126 [E.COL. 4 230.00] TO BUS 640133 [COLMBUS4 230.00] CKT 1  
OPEN LINE FROM BUS 640149 [CREITON7 115.00] TO BUS 640293 [NELIGH 7 115.00] CKT 1  
DOUBLE 1146 : OPEN LINE FROM BUS 640126 [E.COL. 4 230.00] TO BUS 640133 [COLMBUS4 230.00] CKT 1  
OPEN LINE FROM BUS 640151 [CRESTON7 115.00] TO BUS 640263 [MADISON7 115.00] CKT 1  
DOUBLE 1147 : OPEN LINE FROM BUS 640126 [E.COL. 4 230.00] TO BUS 640133 [COLMBUS4 230.00] CKT 1  
OPEN LINE FROM BUS 640212 [HARTGTN7 115.00] TO BUS 652511 [GAVINS 7 115.00] CKT 1  
DOUBLE 1148 : OPEN LINE FROM BUS 640126 [E.COL. 4 230.00] TO BUS 640133 [COLMBUS4 230.00] CKT 1  
OPEN LINE FROM BUS 640228 [HOSKINS7 115.00] TO BUS 640298 [NORFOLK7 115.00] CKT 1  
DOUBLE 1149 : OPEN LINE FROM BUS 640126 [E.COL. 4 230.00] TO BUS 640133 [COLMBUS4 230.00] CKT 1  
OPEN LINE FROM BUS 640259 [LOUPCTY7 115.00] TO BUS 640284 [N.LOUP 7 115.00] CKT 1  
DOUBLE 1150 : OPEN LINE FROM BUS 640126 [E.COL. 4 230.00] TO BUS 640133 [COLMBUS4 230.00] CKT 1

OPEN LINE FROM BUS 640259 [LOUPCTY7 115.00] TO BUS 640353 [ST.LIB 7 115.00] CKT 1  
DOUBLE 1151 : OPEN LINE FROM BUS 640126 [E.COL. 4 230.00] TO BUS 640133 [COLMBUS4 230.00] CKT 1  
OPEN LINE FROM BUS 640263 [MADISON7 115.00] TO BUS 640298 [NORFOLK7 115.00] CKT 1  
DOUBLE 1152 : OPEN LINE FROM BUS 640126 [E.COL. 4 230.00] TO BUS 640133 [COLMBUS4 230.00] CKT 1  
OPEN LINE FROM BUS 640263 [MADISON7 115.00] TO BUS 643001 [MADISONCNTY7115.00] CKT 1  
DOUBLE 1153 : OPEN LINE FROM BUS 640126 [E.COL. 4 230.00] TO BUS 640133 [COLMBUS4 230.00] CKT 1  
OPEN LINE FROM BUS 640267 [MAXWELS7 115.00] TO BUS 640287 [N.PLATT7 115.00] CKT 1  
DOUBLE 1154 : OPEN LINE FROM BUS 640126 [E.COL. 4 230.00] TO BUS 640133 [COLMBUS4 230.00] CKT 1  
OPEN LINE FROM BUS 640267 [MAXWELS7 115.00] TO BUS 640381 [THEDFRD7 115.00] CKT 1  
DOUBLE 1155 : OPEN LINE FROM BUS 640126 [E.COL. 4 230.00] TO BUS 640133 [COLMBUS4 230.00] CKT 1  
OPEN LINE FROM BUS 640284 [N.LOUP 7 115.00] TO BUS 640347 [SPALDNG7 115.00] CKT 1  
DOUBLE 1156 : OPEN LINE FROM BUS 640126 [E.COL. 4 230.00] TO BUS 640133 [COLMBUS4 230.00] CKT 1  
OPEN LINE FROM BUS 640286 [N.PLATT4 230.00] TO BUS 640287 [N.PLATT7 115.00] CKT 2  
DOUBLE 1157 : OPEN LINE FROM BUS 640126 [E.COL. 4 230.00] TO BUS 640133 [COLMBUS4 230.00] CKT 1  
OPEN LINE FROM BUS 640293 [NELIGH 7 115.00] TO BUS 640444 [PETERSBRG.N7115.00] CKT 1  
DOUBLE 1158 : OPEN LINE FROM BUS 640126 [E.COL. 4 230.00] TO BUS 640133 [COLMBUS4 230.00] CKT 1  
OPEN LINE FROM BUS 640298 [NORFOLK7 115.00] TO BUS 643001 [MADISONCNTY7115.00] CKT 1  
DOUBLE 1159 : OPEN LINE FROM BUS 640126 [E.COL. 4 230.00] TO BUS 640133 [COLMBUS4 230.00] CKT 1  
OPEN LINE FROM BUS 640318 [PETRSBG7 115.00] TO BUS 640444 [PETERSBRG.N7115.00] CKT 1  
DOUBLE 1160 : OPEN LINE FROM BUS 640126 [E.COL. 4 230.00] TO BUS 640133 [COLMBUS4 230.00] CKT 1  
OPEN LINE FROM BUS 640444 [PETERSBRG.N7115.00] TO BUS 643001 [MADISONCNTY7115.00] CKT 1  
DOUBLE 1161 : OPEN LINE FROM BUS 640126 [E.COL. 4 230.00] TO BUS 640133 [COLMBUS4 230.00] CKT 1  
OPEN LINE FROM BUS 643000 [MADISONCNTY4230.00] TO BUS 652509 [FTRANDL4 230.00] CKT 1  
DOUBLE 1162 : OPEN LINE FROM BUS 640126 [E.COL. 4 230.00] TO BUS 640133 [COLMBUS4 230.00] CKT 1  
OPEN LINE FROM BUS 652507 [FTTHOMP4 230.00] TO BUS 652509 [FTRANDL4 230.00] CKT 1  
DOUBLE 1163 : OPEN LINE FROM BUS 640126 [E.COL. 4 230.00] TO BUS 640133 [COLMBUS4 230.00] CKT 1  
OPEN LINE FROM BUS 652507 [FTTHOMP4 230.00] TO BUS 652516 [LAKPLAT4 230.00] CKT 1  
DOUBLE 1164 : OPEN LINE FROM BUS 640126 [E.COL. 4 230.00] TO BUS 640133 [COLMBUS4 230.00] CKT 1  
OPEN LINE FROM BUS 652509 [FTRANDL4 230.00] TO BUS 652510 [FTRANDL7 115.00] CKT 1  
DOUBLE 1165 : OPEN LINE FROM BUS 640126 [E.COL. 4 230.00] TO BUS 640133 [COLMBUS4 230.00] CKT 1  
OPEN LINE FROM BUS 652509 [FTRANDL4 230.00] TO BUS 652510 [FTRANDL7 115.00] CKT 2  
DOUBLE 1166 : OPEN LINE FROM BUS 640126 [E.COL. 4 230.00] TO BUS 640133 [COLMBUS4 230.00] CKT 1  
OPEN LINE FROM BUS 652509 [FTRANDL4 230.00] TO BUS 652516 [LAKPLAT4 230.00] CKT 1  
DOUBLE 1167 : OPEN LINE FROM BUS 640126 [E.COL. 4 230.00] TO BUS 640133 [COLMBUS4 230.00] CKT 1  
OPEN LINE FROM BUS 652509 [FTRANDL4 230.00] TO BUS 652526 [UTICAJC4 230.00] CKT 1  
DOUBLE 1168 : OPEN LINE FROM BUS 640126 [E.COL. 4 230.00] TO BUS 640133 [COLMBUS4 230.00] CKT 1  
OPEN LINE FROM BUS 652509 [FTRANDL4 230.00] TO BUS 652565 [SIOUXCY4 230.00] CKT 1  
DOUBLE 1169 : OPEN LINE FROM BUS 640126 [E.COL. 4 230.00] TO BUS 640133 [COLMBUS4 230.00] CKT 1  
OPEN LINE FROM BUS 652511 [GAVINS 7 115.00] TO BUS 652532 [YANKTON7 115.00] CKT 1  
DOUBLE 1170 : OPEN LINE FROM BUS 640126 [E.COL. 4 230.00] TO BUS 640133 [COLMBUS4 230.00] CKT 1  
OPEN LINE FROM BUS 652511 [GAVINS 7 115.00] TO BUS 660006 [YKNTJCT7 115.00] CKT 1  
DOUBLE 1171 : OPEN LINE FROM BUS 640126 [E.COL. 4 230.00] TO BUS 640133 [COLMBUS4 230.00] CKT 1  
OPEN LINE FROM BUS 652517 [MANNING7 115.00] TO BUS 659121 [SPIRITM7 115.00] CKT 1  
DOUBLE 1172 : OPEN LINE FROM BUS 640126 [E.COL. 4 230.00] TO BUS 640133 [COLMBUS4 230.00] CKT 1  
OPEN LINE FROM BUS 652526 [UTICAJC4 230.00] TO BUS 652626 [UTICAJC7 115.00] TO BUS 652627 [UTICAJC9 13.200] CKT 1  
DOUBLE 1173 : OPEN LINE FROM BUS 640126 [E.COL. 4 230.00] TO BUS 640133 [COLMBUS4 230.00] CKT 1  
OPEN LINE FROM BUS 652532 [YANKTON7 115.00] TO BUS 659121 [SPIRITM7 115.00] CKT 1  
DOUBLE 1174 : OPEN LINE FROM BUS 640126 [E.COL. 4 230.00] TO BUS 640133 [COLMBUS4 230.00] CKT 1

OPEN LINE FROM BUS 652626 [UTICAJC7 115.00] TO BUS 660006 [YKNTJCT7 115.00] CKT 1  
DOUBLE 1175 : OPEN LINE FROM BUS 640126 [E.COL. 4 230.00] TO BUS 640133 [COLMBUS4 230.00] CKT 1  
OPEN LINE FROM BUS 652626 [UTICAJC7 115.00] TO BUS 660007 [MENNOJT7 115.00] CKT 1  
DOUBLE 1176 : OPEN LINE FROM BUS 640131 [COLMB.W4 230.00] TO BUS 640133 [COLMBUS4 230.00] CKT 1  
OPEN LINE FROM BUS 640133 [COLMBUS4 230.00] TO BUS 640343 [SHELCKR4 230.00] CKT 1  
DOUBLE 1177 : OPEN LINE FROM BUS 640131 [COLMB.W4 230.00] TO BUS 640133 [COLMBUS4 230.00] CKT 1  
OPEN LINE FROM BUS 640133 [COLMBUS4 230.00] TO BUS 643000 [MADISONCNTY4230.00] CKT 1  
DOUBLE 1178 : OPEN LINE FROM BUS 640131 [COLMB.W4 230.00] TO BUS 640133 [COLMBUS4 230.00] CKT 1  
OPEN LINE FROM BUS 640133 [COLMBUS4 230.00] TO BUS 640134 [KELLY 7 115.00] TO BUS 640135 [COLMBS19 13.200] CKT 1  
DOUBLE 1179 : OPEN LINE FROM BUS 640131 [COLMB.W4 230.00] TO BUS 640133 [COLMBUS4 230.00] CKT 1  
OPEN LINE FROM BUS 640149 [CREITON7 115.00] TO BUS 640293 [NELIGH 7 115.00] CKT 1  
DOUBLE 1180 : OPEN LINE FROM BUS 640131 [COLMB.W4 230.00] TO BUS 640133 [COLMBUS4 230.00] CKT 1  
OPEN LINE FROM BUS 640151 [CRESTON7 115.00] TO BUS 640263 [MADISON7 115.00] CKT 1  
DOUBLE 1181 : OPEN LINE FROM BUS 640131 [COLMB.W4 230.00] TO BUS 640133 [COLMBUS4 230.00] CKT 1  
OPEN LINE FROM BUS 640212 [HARTGTN7 115.00] TO BUS 652511 [GAVINS 7 115.00] CKT 1  
DOUBLE 1182 : OPEN LINE FROM BUS 640131 [COLMB.W4 230.00] TO BUS 640133 [COLMBUS4 230.00] CKT 1  
OPEN LINE FROM BUS 640228 [HOSKINS7 115.00] TO BUS 640298 [NORFOLK7 115.00] CKT 1  
DOUBLE 1183 : OPEN LINE FROM BUS 640131 [COLMB.W4 230.00] TO BUS 640133 [COLMBUS4 230.00] CKT 1  
OPEN LINE FROM BUS 640259 [LOUPCTY7 115.00] TO BUS 640284 [N.LOUP 7 115.00] CKT 1  
DOUBLE 1184 : OPEN LINE FROM BUS 640131 [COLMB.W4 230.00] TO BUS 640133 [COLMBUS4 230.00] CKT 1  
OPEN LINE FROM BUS 640259 [LOUPCTY7 115.00] TO BUS 640353 [ST.LIB 7 115.00] CKT 1  
DOUBLE 1185 : OPEN LINE FROM BUS 640131 [COLMB.W4 230.00] TO BUS 640133 [COLMBUS4 230.00] CKT 1  
OPEN LINE FROM BUS 640263 [MADISON7 115.00] TO BUS 640298 [NORFOLK7 115.00] CKT 1  
DOUBLE 1186 : OPEN LINE FROM BUS 640131 [COLMB.W4 230.00] TO BUS 640133 [COLMBUS4 230.00] CKT 1  
OPEN LINE FROM BUS 640263 [MADISON7 115.00] TO BUS 643001 [MADISONCNTY7115.00] CKT 1  
DOUBLE 1187 : OPEN LINE FROM BUS 640131 [COLMB.W4 230.00] TO BUS 640133 [COLMBUS4 230.00] CKT 1  
OPEN LINE FROM BUS 640267 [MAXWELS7 115.00] TO BUS 640287 [N.PLATT7 115.00] CKT 1  
DOUBLE 1188 : OPEN LINE FROM BUS 640131 [COLMB.W4 230.00] TO BUS 640133 [COLMBUS4 230.00] CKT 1  
OPEN LINE FROM BUS 640267 [MAXWELS7 115.00] TO BUS 640381 [THEDFRD7 115.00] CKT 1  
DOUBLE 1189 : OPEN LINE FROM BUS 640131 [COLMB.W4 230.00] TO BUS 640133 [COLMBUS4 230.00] CKT 1  
OPEN LINE FROM BUS 640284 [N.LOUP 7 115.00] TO BUS 640347 [SPALDNG7 115.00] CKT 1  
DOUBLE 1190 : OPEN LINE FROM BUS 640131 [COLMB.W4 230.00] TO BUS 640133 [COLMBUS4 230.00] CKT 1  
OPEN LINE FROM BUS 640286 [N.PLATT4 230.00] TO BUS 640287 [N.PLATT7 115.00] CKT 2  
DOUBLE 1191 : OPEN LINE FROM BUS 640131 [COLMB.W4 230.00] TO BUS 640133 [COLMBUS4 230.00] CKT 1  
OPEN LINE FROM BUS 640293 [NELIGH 7 115.00] TO BUS 640444 [PETERSBRG.N7115.00] CKT 1  
DOUBLE 1192 : OPEN LINE FROM BUS 640131 [COLMB.W4 230.00] TO BUS 640133 [COLMBUS4 230.00] CKT 1  
OPEN LINE FROM BUS 640298 [NORFOLK7 115.00] TO BUS 643001 [MADISONCNTY7115.00] CKT 1  
DOUBLE 1193 : OPEN LINE FROM BUS 640131 [COLMB.W4 230.00] TO BUS 640133 [COLMBUS4 230.00] CKT 1  
OPEN LINE FROM BUS 640318 [PETRSG7 115.00] TO BUS 640444 [PETERSBRG.N7115.00] CKT 1  
DOUBLE 1194 : OPEN LINE FROM BUS 640131 [COLMB.W4 230.00] TO BUS 640133 [COLMBUS4 230.00] CKT 1  
OPEN LINE FROM BUS 640444 [PETERSBRG.N7115.00] TO BUS 643001 [MADISONCNTY7115.00] CKT 1  
DOUBLE 1195 : OPEN LINE FROM BUS 640131 [COLMB.W4 230.00] TO BUS 640133 [COLMBUS4 230.00] CKT 1  
OPEN LINE FROM BUS 643000 [MADISONCNTY4230.00] TO BUS 652509 [FTRANDL4 230.00] CKT 1  
DOUBLE 1196 : OPEN LINE FROM BUS 640131 [COLMB.W4 230.00] TO BUS 640133 [COLMBUS4 230.00] CKT 1  
OPEN LINE FROM BUS 652507 [FTTHOMP4 230.00] TO BUS 652509 [FTRANDL4 230.00] CKT 1  
DOUBLE 1197 : OPEN LINE FROM BUS 640131 [COLMB.W4 230.00] TO BUS 640133 [COLMBUS4 230.00] CKT 1  
OPEN LINE FROM BUS 652507 [FTTHOMP4 230.00] TO BUS 652516 [LAKPLAT4 230.00] CKT 1  
DOUBLE 1198 : OPEN LINE FROM BUS 640131 [COLMB.W4 230.00] TO BUS 640133 [COLMBUS4 230.00] CKT 1

OPEN LINE FROM BUS 652509 [FTRANDL4 230.00] TO BUS 652510 [FTRANDL7 115.00] CKT 1  
DOUBLE 1199 : OPEN LINE FROM BUS 640131 [COLMB.W4 230.00] TO BUS 640133 [COLMBUS4 230.00] CKT 1  
OPEN LINE FROM BUS 652509 [FTRANDL4 230.00] TO BUS 652510 [FTRANDL7 115.00] CKT 2  
DOUBLE 1200 : OPEN LINE FROM BUS 640131 [COLMB.W4 230.00] TO BUS 640133 [COLMBUS4 230.00] CKT 1  
OPEN LINE FROM BUS 652509 [FTRANDL4 230.00] TO BUS 652516 [LAKPLAT4 230.00] CKT 1  
DOUBLE 1201 : OPEN LINE FROM BUS 640131 [COLMB.W4 230.00] TO BUS 640133 [COLMBUS4 230.00] CKT 1  
OPEN LINE FROM BUS 652509 [FTRANDL4 230.00] TO BUS 652526 [UTICAJC4 230.00] CKT 1  
DOUBLE 1202 : OPEN LINE FROM BUS 640131 [COLMB.W4 230.00] TO BUS 640133 [COLMBUS4 230.00] CKT 1  
OPEN LINE FROM BUS 652509 [FTRANDL4 230.00] TO BUS 652565 [SIOUXCY4 230.00] CKT 1  
DOUBLE 1203 : OPEN LINE FROM BUS 640131 [COLMB.W4 230.00] TO BUS 640133 [COLMBUS4 230.00] CKT 1  
OPEN LINE FROM BUS 652511 [GAVINS 7 115.00] TO BUS 652532 [YANKTON7 115.00] CKT 1  
DOUBLE 1204 : OPEN LINE FROM BUS 640131 [COLMB.W4 230.00] TO BUS 640133 [COLMBUS4 230.00] CKT 1  
OPEN LINE FROM BUS 652511 [GAVINS 7 115.00] TO BUS 660006 [YKNTJCT7 115.00] CKT 1  
DOUBLE 1205 : OPEN LINE FROM BUS 640131 [COLMB.W4 230.00] TO BUS 640133 [COLMBUS4 230.00] CKT 1  
OPEN LINE FROM BUS 652517 [MANNING7 115.00] TO BUS 659121 [SPIRITM7 115.00] CKT 1  
DOUBLE 1206 : OPEN LINE FROM BUS 640131 [COLMB.W4 230.00] TO BUS 640133 [COLMBUS4 230.00] CKT 1  
OPEN LINE FROM BUS 652526 [UTICAJC4 230.00] TO BUS 652626 [UTICAJC7 115.00] TO BUS 652627 [UTICAJC9 13.200] CKT 1  
DOUBLE 1207 : OPEN LINE FROM BUS 640131 [COLMB.W4 230.00] TO BUS 640133 [COLMBUS4 230.00] CKT 1  
OPEN LINE FROM BUS 652532 [YANKTON7 115.00] TO BUS 659121 [SPIRITM7 115.00] CKT 1  
DOUBLE 1208 : OPEN LINE FROM BUS 640131 [COLMB.W4 230.00] TO BUS 640133 [COLMBUS4 230.00] CKT 1  
OPEN LINE FROM BUS 652626 [UTICAJC7 115.00] TO BUS 660006 [YKNTJCT7 115.00] CKT 1  
DOUBLE 1209 : OPEN LINE FROM BUS 640131 [COLMB.W4 230.00] TO BUS 640133 [COLMBUS4 230.00] CKT 1  
OPEN LINE FROM BUS 652626 [UTICAJC7 115.00] TO BUS 660007 [MENNOJT7 115.00] CKT 1  
DOUBLE 1210 : OPEN LINE FROM BUS 640133 [COLMBUS4 230.00] TO BUS 640343 [SHELCKR4 230.00] CKT 1  
OPEN LINE FROM BUS 640133 [COLMBUS4 230.00] TO BUS 643000 [MADISONCNTY4230.00] CKT 1  
DOUBLE 1211 : OPEN LINE FROM BUS 640133 [COLMBUS4 230.00] TO BUS 640343 [SHELCKR4 230.00] CKT 1  
OPEN LINE FROM BUS 640133 [COLMBUS4 230.00] TO BUS 640134 [KELLY 7 115.00] TO BUS 640135 [COLMBS19 13.200] CKT 1  
DOUBLE 1212 : OPEN LINE FROM BUS 640133 [COLMBUS4 230.00] TO BUS 640343 [SHELCKR4 230.00] CKT 1  
OPEN LINE FROM BUS 640149 [CREITON7 115.00] TO BUS 640293 [NELIGH 7 115.00] CKT 1  
DOUBLE 1213 : OPEN LINE FROM BUS 640133 [COLMBUS4 230.00] TO BUS 640343 [SHELCKR4 230.00] CKT 1  
OPEN LINE FROM BUS 640151 [CRESTON7 115.00] TO BUS 640263 [MADISON7 115.00] CKT 1  
DOUBLE 1214 : OPEN LINE FROM BUS 640133 [COLMBUS4 230.00] TO BUS 640343 [SHELCKR4 230.00] CKT 1  
OPEN LINE FROM BUS 640212 [HARTGTN7 115.00] TO BUS 652511 [GAVINS 7 115.00] CKT 1  
DOUBLE 1215 : OPEN LINE FROM BUS 640133 [COLMBUS4 230.00] TO BUS 640343 [SHELCKR4 230.00] CKT 1  
OPEN LINE FROM BUS 640228 [HOSKINS7 115.00] TO BUS 640298 [NORFOLK7 115.00] CKT 1  
DOUBLE 1216 : OPEN LINE FROM BUS 640133 [COLMBUS4 230.00] TO BUS 640343 [SHELCKR4 230.00] CKT 1  
OPEN LINE FROM BUS 640259 [LOUPCTY7 115.00] TO BUS 640284 [N.LOUP 7 115.00] CKT 1  
DOUBLE 1217 : OPEN LINE FROM BUS 640133 [COLMBUS4 230.00] TO BUS 640343 [SHELCKR4 230.00] CKT 1  
OPEN LINE FROM BUS 640259 [LOUPCTY7 115.00] TO BUS 640353 [ST.LIB 7 115.00] CKT 1  
DOUBLE 1218 : OPEN LINE FROM BUS 640133 [COLMBUS4 230.00] TO BUS 640343 [SHELCKR4 230.00] CKT 1  
OPEN LINE FROM BUS 640263 [MADISON7 115.00] TO BUS 640298 [NORFOLK7 115.00] CKT 1  
DOUBLE 1219 : OPEN LINE FROM BUS 640133 [COLMBUS4 230.00] TO BUS 640343 [SHELCKR4 230.00] CKT 1  
OPEN LINE FROM BUS 640263 [MADISON7 115.00] TO BUS 643001 [MADISONCNTY7115.00] CKT 1  
DOUBLE 1220 : OPEN LINE FROM BUS 640133 [COLMBUS4 230.00] TO BUS 640343 [SHELCKR4 230.00] CKT 1  
OPEN LINE FROM BUS 640267 [MAXWELS7 115.00] TO BUS 640287 [N.PLATT7 115.00] CKT 1  
DOUBLE 1221 : OPEN LINE FROM BUS 640133 [COLMBUS4 230.00] TO BUS 640343 [SHELCKR4 230.00] CKT 1  
OPEN LINE FROM BUS 640267 [MAXWELS7 115.00] TO BUS 640381 [THEDFRD7 115.00] CKT 1  
DOUBLE 1222 : OPEN LINE FROM BUS 640133 [COLMBUS4 230.00] TO BUS 640343 [SHELCKR4 230.00] CKT 1



OPEN LINE FROM BUS 640284 [N.LOUP 7 115.00] TO BUS 640347 [SPALDNG7 115.00] CKT 1  
DOUBLE 1223 : OPEN LINE FROM BUS 640133 [COLMBUS4 230.00] TO BUS 640343 [SHELCKR4 230.00] CKT 1  
OPEN LINE FROM BUS 640286 [N.PLATT4 230.00] TO BUS 640287 [N.PLATT7 115.00] CKT 2  
DOUBLE 1224 : OPEN LINE FROM BUS 640133 [COLMBUS4 230.00] TO BUS 640343 [SHELCKR4 230.00] CKT 1  
OPEN LINE FROM BUS 640293 [NELIGH 7 115.00] TO BUS 640444 [PETERSBRG.N7115.00] CKT 1  
DOUBLE 1225 : OPEN LINE FROM BUS 640133 [COLMBUS4 230.00] TO BUS 640343 [SHELCKR4 230.00] CKT 1  
OPEN LINE FROM BUS 640298 [NORFOLK7 115.00] TO BUS 643001 [MADISONCNTY7115.00] CKT 1  
DOUBLE 1226 : OPEN LINE FROM BUS 640133 [COLMBUS4 230.00] TO BUS 640343 [SHELCKR4 230.00] CKT 1  
OPEN LINE FROM BUS 640318 [PETERSBG7 115.00] TO BUS 640444 [PETERSBRG.N7115.00] CKT 1  
DOUBLE 1227 : OPEN LINE FROM BUS 640133 [COLMBUS4 230.00] TO BUS 640343 [SHELCKR4 230.00] CKT 1  
OPEN LINE FROM BUS 640444 [PETERSBRG.N7115.00] TO BUS 643001 [MADISONCNTY7115.00] CKT 1  
DOUBLE 1228 : OPEN LINE FROM BUS 640133 [COLMBUS4 230.00] TO BUS 640343 [SHELCKR4 230.00] CKT 1  
OPEN LINE FROM BUS 643000 [MADISONCNTY4230.00] TO BUS 652509 [FTRANDL4 230.00] CKT 1  
DOUBLE 1229 : OPEN LINE FROM BUS 640133 [COLMBUS4 230.00] TO BUS 640343 [SHELCKR4 230.00] CKT 1  
OPEN LINE FROM BUS 652507 [FTTHOMP4 230.00] TO BUS 652509 [FTRANDL4 230.00] CKT 1  
DOUBLE 1230 : OPEN LINE FROM BUS 640133 [COLMBUS4 230.00] TO BUS 640343 [SHELCKR4 230.00] CKT 1  
OPEN LINE FROM BUS 652507 [FTTHOMP4 230.00] TO BUS 652516 [LAKPLAT4 230.00] CKT 1  
DOUBLE 1231 : OPEN LINE FROM BUS 640133 [COLMBUS4 230.00] TO BUS 640343 [SHELCKR4 230.00] CKT 1  
OPEN LINE FROM BUS 652509 [FTRANDL4 230.00] TO BUS 652510 [FTRANDL7 115.00] CKT 1  
DOUBLE 1232 : OPEN LINE FROM BUS 640133 [COLMBUS4 230.00] TO BUS 640343 [SHELCKR4 230.00] CKT 1  
OPEN LINE FROM BUS 652509 [FTRANDL4 230.00] TO BUS 652510 [FTRANDL7 115.00] CKT 2  
DOUBLE 1233 : OPEN LINE FROM BUS 640133 [COLMBUS4 230.00] TO BUS 640343 [SHELCKR4 230.00] CKT 1  
OPEN LINE FROM BUS 652509 [FTRANDL4 230.00] TO BUS 652516 [LAKPLAT4 230.00] CKT 1  
DOUBLE 1234 : OPEN LINE FROM BUS 640133 [COLMBUS4 230.00] TO BUS 640343 [SHELCKR4 230.00] CKT 1  
OPEN LINE FROM BUS 652509 [FTRANDL4 230.00] TO BUS 652526 [UTICAJC4 230.00] CKT 1  
DOUBLE 1235 : OPEN LINE FROM BUS 640133 [COLMBUS4 230.00] TO BUS 640343 [SHELCKR4 230.00] CKT 1  
OPEN LINE FROM BUS 652509 [FTRANDL4 230.00] TO BUS 652565 [SIOUXCY4 230.00] CKT 1  
DOUBLE 1236 : OPEN LINE FROM BUS 640133 [COLMBUS4 230.00] TO BUS 640343 [SHELCKR4 230.00] CKT 1  
OPEN LINE FROM BUS 652511 [GAVINS 7 115.00] TO BUS 652532 [YANKTON7 115.00] CKT 1  
DOUBLE 1237 : OPEN LINE FROM BUS 640133 [COLMBUS4 230.00] TO BUS 640343 [SHELCKR4 230.00] CKT 1  
OPEN LINE FROM BUS 652511 [GAVINS 7 115.00] TO BUS 660006 [YKNTJCT7 115.00] CKT 1  
DOUBLE 1238 : OPEN LINE FROM BUS 640133 [COLMBUS4 230.00] TO BUS 640343 [SHELCKR4 230.00] CKT 1  
OPEN LINE FROM BUS 652517 [MANNING7 115.00] TO BUS 659121 [SPIRITM7 115.00] CKT 1  
DOUBLE 1239 : OPEN LINE FROM BUS 640133 [COLMBUS4 230.00] TO BUS 640343 [SHELCKR4 230.00] CKT 1  
OPEN LINE FROM BUS 652526 [UTICAJC4 230.00] TO BUS 652626 [UTICAJC7 115.00] TO BUS 652627 [UTICAJC9 13.200] CKT 1  
DOUBLE 1240 : OPEN LINE FROM BUS 640133 [COLMBUS4 230.00] TO BUS 640343 [SHELCKR4 230.00] CKT 1  
OPEN LINE FROM BUS 652532 [YANKTON7 115.00] TO BUS 659121 [SPIRITM7 115.00] CKT 1  
DOUBLE 1241 : OPEN LINE FROM BUS 640133 [COLMBUS4 230.00] TO BUS 640343 [SHELCKR4 230.00] CKT 1  
OPEN LINE FROM BUS 652626 [UTICAJC7 115.00] TO BUS 660006 [YKNTJCT7 115.00] CKT 1  
DOUBLE 1242 : OPEN LINE FROM BUS 640133 [COLMBUS4 230.00] TO BUS 640343 [SHELCKR4 230.00] CKT 1  
OPEN LINE FROM BUS 652626 [UTICAJC7 115.00] TO BUS 660007 [MENNOJT7 115.00] CKT 1  
DOUBLE 1243 : OPEN LINE FROM BUS 640133 [COLMBUS4 230.00] TO BUS 643000 [MADISONCNTY4230.00] CKT 1  
OPEN LINE FROM BUS 640133 [COLMBUS4 230.00] TO BUS 640134 [KELLY 7 115.00] TO BUS 640135 [COLMBS19 13.200] CKT 1  
DOUBLE 1244 : OPEN LINE FROM BUS 640133 [COLMBUS4 230.00] TO BUS 643000 [MADISONCNTY4230.00] CKT 1  
OPEN LINE FROM BUS 640149 [CREITON7 115.00] TO BUS 640293 [NELIGH 7 115.00] CKT 1  
DOUBLE 1245 : OPEN LINE FROM BUS 640133 [COLMBUS4 230.00] TO BUS 643000 [MADISONCNTY4230.00] CKT 1  
OPEN LINE FROM BUS 640151 [CRESTON7 115.00] TO BUS 640263 [MADISON7 115.00] CKT 1  
DOUBLE 1246 : OPEN LINE FROM BUS 640133 [COLMBUS4 230.00] TO BUS 643000 [MADISONCNTY4230.00] CKT 1

OPEN LINE FROM BUS 640212 [HARTGTN7 115.00] TO BUS 652511 [GAVINS 7 115.00] CKT 1  
DOUBLE 1247 : OPEN LINE FROM BUS 640133 [COLMBUS4 230.00] TO BUS 643000 [MADISONCNTY4230.00] CKT 1  
OPEN LINE FROM BUS 640228 [HOSKINS7 115.00] TO BUS 640298 [NORFOLK7 115.00] CKT 1  
DOUBLE 1248 : OPEN LINE FROM BUS 640133 [COLMBUS4 230.00] TO BUS 643000 [MADISONCNTY4230.00] CKT 1  
OPEN LINE FROM BUS 640259 [LOUPCTY7 115.00] TO BUS 640284 [N.LOUP 7 115.00] CKT 1  
DOUBLE 1249 : OPEN LINE FROM BUS 640133 [COLMBUS4 230.00] TO BUS 643000 [MADISONCNTY4230.00] CKT 1  
OPEN LINE FROM BUS 640259 [LOUPCTY7 115.00] TO BUS 640353 [ST.LIB 7 115.00] CKT 1  
DOUBLE 1250 : OPEN LINE FROM BUS 640133 [COLMBUS4 230.00] TO BUS 643000 [MADISONCNTY4230.00] CKT 1  
OPEN LINE FROM BUS 640263 [MADISON7 115.00] TO BUS 640298 [NORFOLK7 115.00] CKT 1  
DOUBLE 1251 : OPEN LINE FROM BUS 640133 [COLMBUS4 230.00] TO BUS 643000 [MADISONCNTY4230.00] CKT 1  
OPEN LINE FROM BUS 640263 [MADISON7 115.00] TO BUS 643001 [MADISONCNTY7115.00] CKT 1  
DOUBLE 1252 : OPEN LINE FROM BUS 640133 [COLMBUS4 230.00] TO BUS 643000 [MADISONCNTY4230.00] CKT 1  
OPEN LINE FROM BUS 640267 [MAXWELS7 115.00] TO BUS 640287 [N.PLATT7 115.00] CKT 1  
DOUBLE 1253 : OPEN LINE FROM BUS 640133 [COLMBUS4 230.00] TO BUS 643000 [MADISONCNTY4230.00] CKT 1  
OPEN LINE FROM BUS 640267 [MAXWELS7 115.00] TO BUS 640381 [THEDFRD7 115.00] CKT 1  
DOUBLE 1254 : OPEN LINE FROM BUS 640133 [COLMBUS4 230.00] TO BUS 643000 [MADISONCNTY4230.00] CKT 1  
OPEN LINE FROM BUS 640284 [N.LOUP 7 115.00] TO BUS 640347 [SPALDNG7 115.00] CKT 1  
DOUBLE 1255 : OPEN LINE FROM BUS 640133 [COLMBUS4 230.00] TO BUS 643000 [MADISONCNTY4230.00] CKT 1  
OPEN LINE FROM BUS 640286 [N.PLATT4 230.00] TO BUS 640287 [N.PLATT7 115.00] CKT 2  
DOUBLE 1256 : OPEN LINE FROM BUS 640133 [COLMBUS4 230.00] TO BUS 643000 [MADISONCNTY4230.00] CKT 1  
OPEN LINE FROM BUS 640293 [NELIGH 7 115.00] TO BUS 640444 [PETERSBRG.N7115.00] CKT 1  
DOUBLE 1257 : OPEN LINE FROM BUS 640133 [COLMBUS4 230.00] TO BUS 643000 [MADISONCNTY4230.00] CKT 1  
OPEN LINE FROM BUS 640298 [NORFOLK7 115.00] TO BUS 643001 [MADISONCNTY7115.00] CKT 1  
DOUBLE 1258 : OPEN LINE FROM BUS 640133 [COLMBUS4 230.00] TO BUS 643000 [MADISONCNTY4230.00] CKT 1  
OPEN LINE FROM BUS 640318 [PETERSBG7 115.00] TO BUS 640444 [PETERSBRG.N7115.00] CKT 1  
DOUBLE 1259 : OPEN LINE FROM BUS 640133 [COLMBUS4 230.00] TO BUS 643000 [MADISONCNTY4230.00] CKT 1  
OPEN LINE FROM BUS 640444 [PETERSBRG.N7115.00] TO BUS 643001 [MADISONCNTY7115.00] CKT 1  
DOUBLE 1260 : OPEN LINE FROM BUS 640133 [COLMBUS4 230.00] TO BUS 643000 [MADISONCNTY4230.00] CKT 1  
OPEN LINE FROM BUS 643000 [MADISONCNTY4230.00] TO BUS 652509 [FTRANDL4 230.00] CKT 1  
DOUBLE 1261 : OPEN LINE FROM BUS 640133 [COLMBUS4 230.00] TO BUS 643000 [MADISONCNTY4230.00] CKT 1  
OPEN LINE FROM BUS 652507 [FTTHOMP4 230.00] TO BUS 652509 [FTRANDL4 230.00] CKT 1  
DOUBLE 1262 : OPEN LINE FROM BUS 640133 [COLMBUS4 230.00] TO BUS 643000 [MADISONCNTY4230.00] CKT 1  
OPEN LINE FROM BUS 652507 [FTTHOMP4 230.00] TO BUS 652516 [LAKPLAT4 230.00] CKT 1  
DOUBLE 1263 : OPEN LINE FROM BUS 640133 [COLMBUS4 230.00] TO BUS 643000 [MADISONCNTY4230.00] CKT 1  
OPEN LINE FROM BUS 652509 [FTRANDL4 230.00] TO BUS 652510 [FTRANDL7 115.00] CKT 1  
DOUBLE 1264 : OPEN LINE FROM BUS 640133 [COLMBUS4 230.00] TO BUS 643000 [MADISONCNTY4230.00] CKT 1  
OPEN LINE FROM BUS 652509 [FTRANDL4 230.00] TO BUS 652510 [FTRANDL7 115.00] CKT 2  
DOUBLE 1265 : OPEN LINE FROM BUS 640133 [COLMBUS4 230.00] TO BUS 643000 [MADISONCNTY4230.00] CKT 1  
OPEN LINE FROM BUS 652509 [FTRANDL4 230.00] TO BUS 652516 [LAKPLAT4 230.00] CKT 1  
DOUBLE 1266 : OPEN LINE FROM BUS 640133 [COLMBUS4 230.00] TO BUS 643000 [MADISONCNTY4230.00] CKT 1  
OPEN LINE FROM BUS 652509 [FTRANDL4 230.00] TO BUS 652526 [UTICAJC4 230.00] CKT 1  
DOUBLE 1267 : OPEN LINE FROM BUS 640133 [COLMBUS4 230.00] TO BUS 643000 [MADISONCNTY4230.00] CKT 1  
OPEN LINE FROM BUS 652509 [FTRANDL4 230.00] TO BUS 652565 [SIOUXCY4 230.00] CKT 1  
DOUBLE 1268 : OPEN LINE FROM BUS 640133 [COLMBUS4 230.00] TO BUS 643000 [MADISONCNTY4230.00] CKT 1  
OPEN LINE FROM BUS 652511 [GAVINS 7 115.00] TO BUS 652532 [YANKTON7 115.00] CKT 1  
DOUBLE 1269 : OPEN LINE FROM BUS 640133 [COLMBUS4 230.00] TO BUS 643000 [MADISONCNTY4230.00] CKT 1  
OPEN LINE FROM BUS 652511 [GAVINS 7 115.00] TO BUS 660006 [YKNTJCT7 115.00] CKT 1  
DOUBLE 1270 : OPEN LINE FROM BUS 640133 [COLMBUS4 230.00] TO BUS 643000 [MADISONCNTY4230.00] CKT 1

OPEN LINE FROM BUS 652517 [MANNING7 115.00] TO BUS 659121 [SPIRITM7 115.00] CKT 1  
DOUBLE 1271 : OPEN LINE FROM BUS 640133 [COLMBUS4 230.00] TO BUS 643000 [MADISONCNTY4230.00] CKT 1  
OPEN LINE FROM BUS 652526 [UTICAJC4 230.00] TO BUS 652626 [UTICAJC7 115.00] TO BUS 652627 [UTICAJC9 13.200] CKT 1  
DOUBLE 1272 : OPEN LINE FROM BUS 640133 [COLMBUS4 230.00] TO BUS 643000 [MADISONCNTY4230.00] CKT 1  
OPEN LINE FROM BUS 652532 [YANKTON7 115.00] TO BUS 659121 [SPIRITM7 115.00] CKT 1  
DOUBLE 1273 : OPEN LINE FROM BUS 640133 [COLMBUS4 230.00] TO BUS 643000 [MADISONCNTY4230.00] CKT 1  
OPEN LINE FROM BUS 652626 [UTICAJC7 115.00] TO BUS 660006 [YKNTJCT7 115.00] CKT 1  
DOUBLE 1274 : OPEN LINE FROM BUS 640133 [COLMBUS4 230.00] TO BUS 643000 [MADISONCNTY4230.00] CKT 1  
OPEN LINE FROM BUS 652626 [UTICAJC7 115.00] TO BUS 660007 [MENNOJT7 115.00] CKT 1  
DOUBLE 1275 : OPEN LINE FROM BUS 640133 [COLMBUS4 230.00] TO BUS 640134 [KELLY 7 115.00] TO BUS 640135 [COLMBS19 13.200] CKT 1  
OPEN LINE FROM BUS 640149 [CREITON7 115.00] TO BUS 640293 [NELIGH 7 115.00] CKT 1  
DOUBLE 1276 : OPEN LINE FROM BUS 640133 [COLMBUS4 230.00] TO BUS 640134 [KELLY 7 115.00] TO BUS 640135 [COLMBS19 13.200] CKT 1  
OPEN LINE FROM BUS 640151 [CRESTON7 115.00] TO BUS 640263 [MADISON7 115.00] CKT 1  
DOUBLE 1277 : OPEN LINE FROM BUS 640133 [COLMBUS4 230.00] TO BUS 640134 [KELLY 7 115.00] TO BUS 640135 [COLMBS19 13.200] CKT 1  
OPEN LINE FROM BUS 640212 [HARTGTN7 115.00] TO BUS 652511 [GAVINS 7 115.00] CKT 1  
DOUBLE 1278 : OPEN LINE FROM BUS 640133 [COLMBUS4 230.00] TO BUS 640134 [KELLY 7 115.00] TO BUS 640135 [COLMBS19 13.200] CKT 1  
OPEN LINE FROM BUS 640228 [HOSKINS7 115.00] TO BUS 640298 [NORFOLK7 115.00] CKT 1  
DOUBLE 1279 : OPEN LINE FROM BUS 640133 [COLMBUS4 230.00] TO BUS 640134 [KELLY 7 115.00] TO BUS 640135 [COLMBS19 13.200] CKT 1  
OPEN LINE FROM BUS 640259 [LOUPCTY7 115.00] TO BUS 640284 [N.LOUP 7 115.00] CKT 1  
DOUBLE 1280 : OPEN LINE FROM BUS 640133 [COLMBUS4 230.00] TO BUS 640134 [KELLY 7 115.00] TO BUS 640135 [COLMBS19 13.200] CKT 1  
OPEN LINE FROM BUS 640259 [LOUPCTY7 115.00] TO BUS 640353 [ST.LIB 7 115.00] CKT 1  
DOUBLE 1281 : OPEN LINE FROM BUS 640133 [COLMBUS4 230.00] TO BUS 640134 [KELLY 7 115.00] TO BUS 640135 [COLMBS19 13.200] CKT 1  
OPEN LINE FROM BUS 640263 [MADISON7 115.00] TO BUS 640298 [NORFOLK7 115.00] CKT 1  
DOUBLE 1282 : OPEN LINE FROM BUS 640133 [COLMBUS4 230.00] TO BUS 640134 [KELLY 7 115.00] TO BUS 640135 [COLMBS19 13.200] CKT 1  
OPEN LINE FROM BUS 640263 [MADISON7 115.00] TO BUS 643001 [MADISONCNTY7115.00] CKT 1  
DOUBLE 1283 : OPEN LINE FROM BUS 640133 [COLMBUS4 230.00] TO BUS 640134 [KELLY 7 115.00] TO BUS 640135 [COLMBS19 13.200] CKT 1  
OPEN LINE FROM BUS 640267 [MAXWELS7 115.00] TO BUS 640287 [N.PLATT7 115.00] CKT 1  
DOUBLE 1284 : OPEN LINE FROM BUS 640133 [COLMBUS4 230.00] TO BUS 640134 [KELLY 7 115.00] TO BUS 640135 [COLMBS19 13.200] CKT 1  
OPEN LINE FROM BUS 640267 [MAXWELS7 115.00] TO BUS 640381 [THEDFRD7 115.00] CKT 1  
DOUBLE 1285 : OPEN LINE FROM BUS 640133 [COLMBUS4 230.00] TO BUS 640134 [KELLY 7 115.00] TO BUS 640135 [COLMBS19 13.200] CKT 1  
OPEN LINE FROM BUS 640284 [N.LOUP 7 115.00] TO BUS 640347 [SPALDNG7 115.00] CKT 1  
DOUBLE 1286 : OPEN LINE FROM BUS 640133 [COLMBUS4 230.00] TO BUS 640134 [KELLY 7 115.00] TO BUS 640135 [COLMBS19 13.200] CKT 1  
OPEN LINE FROM BUS 640286 [N.PLATT4 230.00] TO BUS 640287 [N.PLATT7 115.00] CKT 2  
DOUBLE 1287 : OPEN LINE FROM BUS 640133 [COLMBUS4 230.00] TO BUS 640134 [KELLY 7 115.00] TO BUS 640135 [COLMBS19 13.200] CKT 1  
OPEN LINE FROM BUS 640293 [NELIGH 7 115.00] TO BUS 640444 [PETERSBRG.N7115.00] CKT 1  
DOUBLE 1288 : OPEN LINE FROM BUS 640133 [COLMBUS4 230.00] TO BUS 640134 [KELLY 7 115.00] TO BUS 640135 [COLMBS19 13.200] CKT 1  
OPEN LINE FROM BUS 640298 [NORFOLK7 115.00] TO BUS 643001 [MADISONCNTY7115.00] CKT 1  
DOUBLE 1289 : OPEN LINE FROM BUS 640133 [COLMBUS4 230.00] TO BUS 640134 [KELLY 7 115.00] TO BUS 640135 [COLMBS19 13.200] CKT 1  
OPEN LINE FROM BUS 640318 [PETRSBG7 115.00] TO BUS 640444 [PETERSBRG.N7115.00] CKT 1  
DOUBLE 1290 : OPEN LINE FROM BUS 640133 [COLMBUS4 230.00] TO BUS 640134 [KELLY 7 115.00] TO BUS 640135 [COLMBS19 13.200] CKT 1  
OPEN LINE FROM BUS 640444 [PETERSBRG.N7115.00] TO BUS 643001 [MADISONCNTY7115.00] CKT 1  
DOUBLE 1291 : OPEN LINE FROM BUS 640133 [COLMBUS4 230.00] TO BUS 640134 [KELLY 7 115.00] TO BUS 640135 [COLMBS19 13.200] CKT 1  
OPEN LINE FROM BUS 643000 [MADISONCNTY4230.00] TO BUS 652509 [FTRANDL4 230.00] CKT 1  
DOUBLE 1292 : OPEN LINE FROM BUS 640133 [COLMBUS4 230.00] TO BUS 640134 [KELLY 7 115.00] TO BUS 640135 [COLMBS19 13.200] CKT 1  
OPEN LINE FROM BUS 652507 [FTTHOMP4 230.00] TO BUS 652509 [FTRANDL4 230.00] CKT 1  
DOUBLE 1293 : OPEN LINE FROM BUS 640133 [COLMBUS4 230.00] TO BUS 640134 [KELLY 7 115.00] TO BUS 640135 [COLMBS19 13.200] CKT 1  
OPEN LINE FROM BUS 652507 [FTTHOMP4 230.00] TO BUS 652516 [LAKPLAT4 230.00] CKT 1  
DOUBLE 1294 : OPEN LINE FROM BUS 640133 [COLMBUS4 230.00] TO BUS 640134 [KELLY 7 115.00] TO BUS 640135 [COLMBS19 13.200] CKT 1

OPEN LINE FROM BUS 652509 [FTRANDL4 230.00] TO BUS 652510 [FTRANDL7 115.00] CKT 1  
DOUBLE 1295 : OPEN LINE FROM BUS 640133 [COLMBUS4 230.00] TO BUS 640134 [KELLY 7 115.00] TO BUS 640135 [COLMBS19 13.200] CKT 1  
OPEN LINE FROM BUS 652509 [FTRANDL4 230.00] TO BUS 652510 [FTRANDL7 115.00] CKT 2  
DOUBLE 1296 : OPEN LINE FROM BUS 640133 [COLMBUS4 230.00] TO BUS 640134 [KELLY 7 115.00] TO BUS 640135 [COLMBS19 13.200] CKT 1  
OPEN LINE FROM BUS 652509 [FTRANDL4 230.00] TO BUS 652516 [LAKPLAT4 230.00] CKT 1  
DOUBLE 1297 : OPEN LINE FROM BUS 640133 [COLMBUS4 230.00] TO BUS 640134 [KELLY 7 115.00] TO BUS 640135 [COLMBS19 13.200] CKT 1  
OPEN LINE FROM BUS 652509 [FTRANDL4 230.00] TO BUS 652526 [UTICAJC4 230.00] CKT 1  
DOUBLE 1298 : OPEN LINE FROM BUS 640133 [COLMBUS4 230.00] TO BUS 640134 [KELLY 7 115.00] TO BUS 640135 [COLMBS19 13.200] CKT 1  
OPEN LINE FROM BUS 652509 [FTRANDL4 230.00] TO BUS 652565 [SIOUXCY4 230.00] CKT 1  
DOUBLE 1299 : OPEN LINE FROM BUS 640133 [COLMBUS4 230.00] TO BUS 640134 [KELLY 7 115.00] TO BUS 640135 [COLMBS19 13.200] CKT 1  
OPEN LINE FROM BUS 652511 [GAVINS 7 115.00] TO BUS 652532 [YANKTON7 115.00] CKT 1  
DOUBLE 1300 : OPEN LINE FROM BUS 640133 [COLMBUS4 230.00] TO BUS 640134 [KELLY 7 115.00] TO BUS 640135 [COLMBS19 13.200] CKT 1  
OPEN LINE FROM BUS 652511 [GAVINS 7 115.00] TO BUS 660006 [YKNTJCT7 115.00] CKT 1  
DOUBLE 1301 : OPEN LINE FROM BUS 640133 [COLMBUS4 230.00] TO BUS 640134 [KELLY 7 115.00] TO BUS 640135 [COLMBS19 13.200] CKT 1  
OPEN LINE FROM BUS 652517 [MANNING7 115.00] TO BUS 659121 [SPIRITM7 115.00] CKT 1  
DOUBLE 1302 : OPEN LINE FROM BUS 640133 [COLMBUS4 230.00] TO BUS 640134 [KELLY 7 115.00] TO BUS 640135 [COLMBS19 13.200] CKT 1  
OPEN LINE FROM BUS 652526 [UTICAJC4 230.00] TO BUS 652626 [UTICAJC7 115.00] TO BUS 652627 [UTICAJC9 13.200] CKT 1  
DOUBLE 1303 : OPEN LINE FROM BUS 640133 [COLMBUS4 230.00] TO BUS 640134 [KELLY 7 115.00] TO BUS 640135 [COLMBS19 13.200] CKT 1  
OPEN LINE FROM BUS 652532 [YANKTON7 115.00] TO BUS 659121 [SPIRITM7 115.00] CKT 1  
DOUBLE 1304 : OPEN LINE FROM BUS 640133 [COLMBUS4 230.00] TO BUS 640134 [KELLY 7 115.00] TO BUS 640135 [COLMBS19 13.200] CKT 1  
OPEN LINE FROM BUS 652626 [UTICAJC7 115.00] TO BUS 660006 [YKNTJCT7 115.00] CKT 1  
DOUBLE 1305 : OPEN LINE FROM BUS 640133 [COLMBUS4 230.00] TO BUS 640134 [KELLY 7 115.00] TO BUS 640135 [COLMBS19 13.200] CKT 1  
OPEN LINE FROM BUS 652626 [UTICAJC7 115.00] TO BUS 660007 [MENNOJT7 115.00] CKT 1  
DOUBLE 1306 : OPEN LINE FROM BUS 640149 [CREITON7 115.00] TO BUS 640293 [NELIGH 7 115.00] CKT 1  
OPEN LINE FROM BUS 640151 [CRESTON7 115.00] TO BUS 640263 [MADISON7 115.00] CKT 1  
DOUBLE 1307 : OPEN LINE FROM BUS 640149 [CREITON7 115.00] TO BUS 640293 [NELIGH 7 115.00] CKT 1  
OPEN LINE FROM BUS 640212 [HARTGTN7 115.00] TO BUS 652511 [GAVINS 7 115.00] CKT 1  
DOUBLE 1308 : OPEN LINE FROM BUS 640149 [CREITON7 115.00] TO BUS 640293 [NELIGH 7 115.00] CKT 1  
OPEN LINE FROM BUS 640228 [HOSKINS7 115.00] TO BUS 640298 [NORFOLK7 115.00] CKT 1  
DOUBLE 1309 : OPEN LINE FROM BUS 640149 [CREITON7 115.00] TO BUS 640293 [NELIGH 7 115.00] CKT 1  
OPEN LINE FROM BUS 640259 [LOUPCTY7 115.00] TO BUS 640284 [N.LOUP 7 115.00] CKT 1  
DOUBLE 1310 : OPEN LINE FROM BUS 640149 [CREITON7 115.00] TO BUS 640293 [NELIGH 7 115.00] CKT 1  
OPEN LINE FROM BUS 640259 [LOUPCTY7 115.00] TO BUS 640353 [ST.LIB 7 115.00] CKT 1  
DOUBLE 1311 : OPEN LINE FROM BUS 640149 [CREITON7 115.00] TO BUS 640293 [NELIGH 7 115.00] CKT 1  
OPEN LINE FROM BUS 640263 [MADISON7 115.00] TO BUS 640298 [NORFOLK7 115.00] CKT 1  
DOUBLE 1312 : OPEN LINE FROM BUS 640149 [CREITON7 115.00] TO BUS 640293 [NELIGH 7 115.00] CKT 1  
OPEN LINE FROM BUS 640263 [MADISON7 115.00] TO BUS 643001 [MADISONCNTY7115.00] CKT 1  
DOUBLE 1313 : OPEN LINE FROM BUS 640149 [CREITON7 115.00] TO BUS 640293 [NELIGH 7 115.00] CKT 1  
OPEN LINE FROM BUS 640267 [MAXWELS7 115.00] TO BUS 640287 [N.PLATT7 115.00] CKT 1  
DOUBLE 1314 : OPEN LINE FROM BUS 640149 [CREITON7 115.00] TO BUS 640293 [NELIGH 7 115.00] CKT 1  
OPEN LINE FROM BUS 640267 [MAXWELS7 115.00] TO BUS 640381 [THEDFRD7 115.00] CKT 1  
DOUBLE 1315 : OPEN LINE FROM BUS 640149 [CREITON7 115.00] TO BUS 640293 [NELIGH 7 115.00] CKT 1  
OPEN LINE FROM BUS 640284 [N.LOUP 7 115.00] TO BUS 640347 [SPALDNG7 115.00] CKT 1  
DOUBLE 1316 : OPEN LINE FROM BUS 640149 [CREITON7 115.00] TO BUS 640293 [NELIGH 7 115.00] CKT 1  
OPEN LINE FROM BUS 640286 [N.PLATT4 230.00] TO BUS 640287 [N.PLATT7 115.00] CKT 2  
DOUBLE 1317 : OPEN LINE FROM BUS 640149 [CREITON7 115.00] TO BUS 640293 [NELIGH 7 115.00] CKT 1  
OPEN LINE FROM BUS 640293 [NELIGH 7 115.00] TO BUS 640444 [PETERSBRG.N7115.00] CKT 1  
DOUBLE 1318 : OPEN LINE FROM BUS 640149 [CREITON7 115.00] TO BUS 640293 [NELIGH 7 115.00] CKT 1

OPEN LINE FROM BUS 640298 [NORFOLK7 115.00] TO BUS 643001 [MADISONCNTY7115.00] CKT 1  
DOUBLE 1319 : OPEN LINE FROM BUS 640149 [CREITON7 115.00] TO BUS 640293 [NELIGH 7 115.00] CKT 1  
OPEN LINE FROM BUS 640318 [PETERSBG7 115.00] TO BUS 640444 [PETERSBRG.N7115.00] CKT 1  
DOUBLE 1320 : OPEN LINE FROM BUS 640149 [CREITON7 115.00] TO BUS 640293 [NELIGH 7 115.00] CKT 1  
OPEN LINE FROM BUS 640444 [PETERSBRG.N7115.00] TO BUS 643001 [MADISONCNTY7115.00] CKT 1  
DOUBLE 1321 : OPEN LINE FROM BUS 640149 [CREITON7 115.00] TO BUS 640293 [NELIGH 7 115.00] CKT 1  
OPEN LINE FROM BUS 643000 [MADISONCNTY4230.00] TO BUS 652509 [FTRANDL4 230.00] CKT 1  
DOUBLE 1322 : OPEN LINE FROM BUS 640149 [CREITON7 115.00] TO BUS 640293 [NELIGH 7 115.00] CKT 1  
OPEN LINE FROM BUS 652507 [FTTHOMP4 230.00] TO BUS 652509 [FTRANDL4 230.00] CKT 1  
DOUBLE 1323 : OPEN LINE FROM BUS 640149 [CREITON7 115.00] TO BUS 640293 [NELIGH 7 115.00] CKT 1  
OPEN LINE FROM BUS 652507 [FTTHOMP4 230.00] TO BUS 652516 [LAKPLAT4 230.00] CKT 1  
DOUBLE 1324 : OPEN LINE FROM BUS 640149 [CREITON7 115.00] TO BUS 640293 [NELIGH 7 115.00] CKT 1  
OPEN LINE FROM BUS 652509 [FTRANDL4 230.00] TO BUS 652510 [FTRANDL7 115.00] CKT 1  
DOUBLE 1325 : OPEN LINE FROM BUS 640149 [CREITON7 115.00] TO BUS 640293 [NELIGH 7 115.00] CKT 1  
OPEN LINE FROM BUS 652509 [FTRANDL4 230.00] TO BUS 652510 [FTRANDL7 115.00] CKT 2  
DOUBLE 1326 : OPEN LINE FROM BUS 640149 [CREITON7 115.00] TO BUS 640293 [NELIGH 7 115.00] CKT 1  
OPEN LINE FROM BUS 652509 [FTRANDL4 230.00] TO BUS 652516 [LAKPLAT4 230.00] CKT 1  
DOUBLE 1327 : OPEN LINE FROM BUS 640149 [CREITON7 115.00] TO BUS 640293 [NELIGH 7 115.00] CKT 1  
OPEN LINE FROM BUS 652509 [FTRANDL4 230.00] TO BUS 652526 [UTICAJC4 230.00] CKT 1  
DOUBLE 1328 : OPEN LINE FROM BUS 640149 [CREITON7 115.00] TO BUS 640293 [NELIGH 7 115.00] CKT 1  
OPEN LINE FROM BUS 652509 [FTRANDL4 230.00] TO BUS 652565 [SIOUXCY4 230.00] CKT 1  
DOUBLE 1329 : OPEN LINE FROM BUS 640149 [CREITON7 115.00] TO BUS 640293 [NELIGH 7 115.00] CKT 1  
OPEN LINE FROM BUS 652511 [GAVINS 7 115.00] TO BUS 652532 [YANKTON7 115.00] CKT 1  
DOUBLE 1330 : OPEN LINE FROM BUS 640149 [CREITON7 115.00] TO BUS 640293 [NELIGH 7 115.00] CKT 1  
OPEN LINE FROM BUS 652511 [GAVINS 7 115.00] TO BUS 660006 [YKNTJCT7 115.00] CKT 1  
DOUBLE 1331 : OPEN LINE FROM BUS 640149 [CREITON7 115.00] TO BUS 640293 [NELIGH 7 115.00] CKT 1  
OPEN LINE FROM BUS 652517 [MANNING7 115.00] TO BUS 659121 [SPIRITM7 115.00] CKT 1  
DOUBLE 1332 : OPEN LINE FROM BUS 640149 [CREITON7 115.00] TO BUS 640293 [NELIGH 7 115.00] CKT 1  
OPEN LINE FROM BUS 652526 [UTICAJC4 230.00] TO BUS 652626 [UTICAJC7 115.00] TO BUS 652627 [UTICAJC9 13.200] CKT 1  
DOUBLE 1333 : OPEN LINE FROM BUS 640149 [CREITON7 115.00] TO BUS 640293 [NELIGH 7 115.00] CKT 1  
OPEN LINE FROM BUS 652532 [YANKTON7 115.00] TO BUS 659121 [SPIRITM7 115.00] CKT 1  
DOUBLE 1334 : OPEN LINE FROM BUS 640149 [CREITON7 115.00] TO BUS 640293 [NELIGH 7 115.00] CKT 1  
OPEN LINE FROM BUS 652626 [UTICAJC7 115.00] TO BUS 660006 [YKNTJCT7 115.00] CKT 1  
DOUBLE 1335 : OPEN LINE FROM BUS 640149 [CREITON7 115.00] TO BUS 640293 [NELIGH 7 115.00] CKT 1  
OPEN LINE FROM BUS 652626 [UTICAJC7 115.00] TO BUS 660007 [MENNOJT7 115.00] CKT 1  
DOUBLE 1336 : OPEN LINE FROM BUS 640151 [CRESTON7 115.00] TO BUS 640263 [MADISON7 115.00] CKT 1  
OPEN LINE FROM BUS 640212 [HARTGTN7 115.00] TO BUS 652511 [GAVINS 7 115.00] CKT 1  
DOUBLE 1337 : OPEN LINE FROM BUS 640151 [CRESTON7 115.00] TO BUS 640263 [MADISON7 115.00] CKT 1  
OPEN LINE FROM BUS 640228 [HOSKINS7 115.00] TO BUS 640298 [NORFOLK7 115.00] CKT 1  
DOUBLE 1338 : OPEN LINE FROM BUS 640151 [CRESTON7 115.00] TO BUS 640263 [MADISON7 115.00] CKT 1  
OPEN LINE FROM BUS 640259 [LOUPCTY7 115.00] TO BUS 640284 [N.LOUP 7 115.00] CKT 1  
DOUBLE 1339 : OPEN LINE FROM BUS 640151 [CRESTON7 115.00] TO BUS 640263 [MADISON7 115.00] CKT 1  
OPEN LINE FROM BUS 640259 [LOUPCTY7 115.00] TO BUS 640353 [ST.LIB 7 115.00] CKT 1  
DOUBLE 1340 : OPEN LINE FROM BUS 640151 [CRESTON7 115.00] TO BUS 640263 [MADISON7 115.00] CKT 1  
OPEN LINE FROM BUS 640263 [MADISON7 115.00] TO BUS 640298 [NORFOLK7 115.00] CKT 1  
DOUBLE 1341 : OPEN LINE FROM BUS 640151 [CRESTON7 115.00] TO BUS 640263 [MADISON7 115.00] CKT 1  
OPEN LINE FROM BUS 640263 [MADISON7 115.00] TO BUS 643001 [MADISONCNTY7115.00] CKT 1  
DOUBLE 1342 : OPEN LINE FROM BUS 640151 [CRESTON7 115.00] TO BUS 640263 [MADISON7 115.00] CKT 1

OPEN LINE FROM BUS 640267 [MAXWELS7 115.00] TO BUS 640287 [N.PLATT7 115.00] CKT 1  
DOUBLE 1343 : OPEN LINE FROM BUS 640151 [CRESTON7 115.00] TO BUS 640263 [MADISON7 115.00] CKT 1  
OPEN LINE FROM BUS 640267 [MAXWELS7 115.00] TO BUS 640381 [THEDFRD7 115.00] CKT 1  
DOUBLE 1344 : OPEN LINE FROM BUS 640151 [CRESTON7 115.00] TO BUS 640263 [MADISON7 115.00] CKT 1  
OPEN LINE FROM BUS 640284 [N.LOUP 7 115.00] TO BUS 640347 [SPALDNG7 115.00] CKT 1  
DOUBLE 1345 : OPEN LINE FROM BUS 640151 [CRESTON7 115.00] TO BUS 640263 [MADISON7 115.00] CKT 1  
OPEN LINE FROM BUS 640286 [N.PLATT4 230.00] TO BUS 640287 [N.PLATT7 115.00] CKT 2  
DOUBLE 1346 : OPEN LINE FROM BUS 640151 [CRESTON7 115.00] TO BUS 640263 [MADISON7 115.00] CKT 1  
OPEN LINE FROM BUS 640293 [NELIGH 7 115.00] TO BUS 640444 [PETERSBRG.N7115.00] CKT 1  
DOUBLE 1347 : OPEN LINE FROM BUS 640151 [CRESTON7 115.00] TO BUS 640263 [MADISON7 115.00] CKT 1  
OPEN LINE FROM BUS 640298 [NORFOLK7 115.00] TO BUS 643001 [MADISONCNTY7115.00] CKT 1  
DOUBLE 1348 : OPEN LINE FROM BUS 640151 [CRESTON7 115.00] TO BUS 640263 [MADISON7 115.00] CKT 1  
OPEN LINE FROM BUS 640318 [PETRSBG7 115.00] TO BUS 640444 [PETERSBRG.N7115.00] CKT 1  
DOUBLE 1349 : OPEN LINE FROM BUS 640151 [CRESTON7 115.00] TO BUS 640263 [MADISON7 115.00] CKT 1  
OPEN LINE FROM BUS 640444 [PETERSBRG.N7115.00] TO BUS 643001 [MADISONCNTY7115.00] CKT 1  
DOUBLE 1350 : OPEN LINE FROM BUS 640151 [CRESTON7 115.00] TO BUS 640263 [MADISON7 115.00] CKT 1  
OPEN LINE FROM BUS 643000 [MADISONCNTY4230.00] TO BUS 652509 [FTRANDL4 230.00] CKT 1  
DOUBLE 1351 : OPEN LINE FROM BUS 640151 [CRESTON7 115.00] TO BUS 640263 [MADISON7 115.00] CKT 1  
OPEN LINE FROM BUS 652507 [FTTHOMP4 230.00] TO BUS 652509 [FTRANDL4 230.00] CKT 1  
DOUBLE 1352 : OPEN LINE FROM BUS 640151 [CRESTON7 115.00] TO BUS 640263 [MADISON7 115.00] CKT 1  
OPEN LINE FROM BUS 652507 [FTTHOMP4 230.00] TO BUS 652516 [LAKPLAT4 230.00] CKT 1  
DOUBLE 1353 : OPEN LINE FROM BUS 640151 [CRESTON7 115.00] TO BUS 640263 [MADISON7 115.00] CKT 1  
OPEN LINE FROM BUS 652509 [FTRANDL4 230.00] TO BUS 652510 [FTRANDL7 115.00] CKT 1  
DOUBLE 1354 : OPEN LINE FROM BUS 640151 [CRESTON7 115.00] TO BUS 640263 [MADISON7 115.00] CKT 1  
OPEN LINE FROM BUS 652509 [FTRANDL4 230.00] TO BUS 652510 [FTRANDL7 115.00] CKT 2  
DOUBLE 1355 : OPEN LINE FROM BUS 640151 [CRESTON7 115.00] TO BUS 640263 [MADISON7 115.00] CKT 1  
OPEN LINE FROM BUS 652509 [FTRANDL4 230.00] TO BUS 652516 [LAKPLAT4 230.00] CKT 1  
DOUBLE 1356 : OPEN LINE FROM BUS 640151 [CRESTON7 115.00] TO BUS 640263 [MADISON7 115.00] CKT 1  
OPEN LINE FROM BUS 652509 [FTRANDL4 230.00] TO BUS 652526 [UTICAJC4 230.00] CKT 1  
DOUBLE 1357 : OPEN LINE FROM BUS 640151 [CRESTON7 115.00] TO BUS 640263 [MADISON7 115.00] CKT 1  
OPEN LINE FROM BUS 652509 [FTRANDL4 230.00] TO BUS 652565 [SIOUXCY4 230.00] CKT 1  
DOUBLE 1358 : OPEN LINE FROM BUS 640151 [CRESTON7 115.00] TO BUS 640263 [MADISON7 115.00] CKT 1  
OPEN LINE FROM BUS 652511 [GAVINS 7 115.00] TO BUS 652532 [YANKTON7 115.00] CKT 1  
DOUBLE 1359 : OPEN LINE FROM BUS 640151 [CRESTON7 115.00] TO BUS 640263 [MADISON7 115.00] CKT 1  
OPEN LINE FROM BUS 652511 [GAVINS 7 115.00] TO BUS 660006 [YKNTJCT7 115.00] CKT 1  
DOUBLE 1360 : OPEN LINE FROM BUS 640151 [CRESTON7 115.00] TO BUS 640263 [MADISON7 115.00] CKT 1  
OPEN LINE FROM BUS 652517 [MANNING7 115.00] TO BUS 659121 [SPIRITM7 115.00] CKT 1  
DOUBLE 1361 : OPEN LINE FROM BUS 640151 [CRESTON7 115.00] TO BUS 640263 [MADISON7 115.00] CKT 1  
OPEN LINE FROM BUS 652526 [UTICAJC4 230.00] TO BUS 652626 [UTICAJC7 115.00] TO BUS 652627 [UTICAJC9 13.200] CKT 1  
DOUBLE 1362 : OPEN LINE FROM BUS 640151 [CRESTON7 115.00] TO BUS 640263 [MADISON7 115.00] CKT 1  
OPEN LINE FROM BUS 652532 [YANKTON7 115.00] TO BUS 659121 [SPIRITM7 115.00] CKT 1  
DOUBLE 1363 : OPEN LINE FROM BUS 640151 [CRESTON7 115.00] TO BUS 640263 [MADISON7 115.00] CKT 1  
OPEN LINE FROM BUS 652626 [UTICAJC7 115.00] TO BUS 660006 [YKNTJCT7 115.00] CKT 1  
DOUBLE 1364 : OPEN LINE FROM BUS 640151 [CRESTON7 115.00] TO BUS 640263 [MADISON7 115.00] CKT 1  
OPEN LINE FROM BUS 652626 [UTICAJC7 115.00] TO BUS 660007 [MENNOJT7 115.00] CKT 1  
DOUBLE 1365 : OPEN LINE FROM BUS 640212 [HARTGTN7 115.00] TO BUS 652511 [GAVINS 7 115.00] CKT 1  
OPEN LINE FROM BUS 640228 [HOSKINS7 115.00] TO BUS 640298 [NORFOLK7 115.00] CKT 1  
DOUBLE 1366 : OPEN LINE FROM BUS 640212 [HARTGTN7 115.00] TO BUS 652511 [GAVINS 7 115.00] CKT 1

OPEN LINE FROM BUS 640259 [LOUPCTY7 115.00] TO BUS 640284 [N.LOUP 7 115.00] CKT 1  
DOUBLE 1367 : OPEN LINE FROM BUS 640212 [HARTGTN7 115.00] TO BUS 652511 [GAVINS 7 115.00] CKT 1  
OPEN LINE FROM BUS 640259 [LOUPCTY7 115.00] TO BUS 640353 [ST.LIB 7 115.00] CKT 1  
DOUBLE 1368 : OPEN LINE FROM BUS 640212 [HARTGTN7 115.00] TO BUS 652511 [GAVINS 7 115.00] CKT 1  
OPEN LINE FROM BUS 640263 [MADISON7 115.00] TO BUS 640298 [NORFOLK7 115.00] CKT 1  
DOUBLE 1369 : OPEN LINE FROM BUS 640212 [HARTGTN7 115.00] TO BUS 652511 [GAVINS 7 115.00] CKT 1  
OPEN LINE FROM BUS 640263 [MADISON7 115.00] TO BUS 643001 [MADISONCNTY7115.00] CKT 1  
DOUBLE 1370 : OPEN LINE FROM BUS 640212 [HARTGTN7 115.00] TO BUS 652511 [GAVINS 7 115.00] CKT 1  
OPEN LINE FROM BUS 640267 [MAXWELS7 115.00] TO BUS 640287 [N.PLATT7 115.00] CKT 1  
DOUBLE 1371 : OPEN LINE FROM BUS 640212 [HARTGTN7 115.00] TO BUS 652511 [GAVINS 7 115.00] CKT 1  
OPEN LINE FROM BUS 640267 [MAXWELS7 115.00] TO BUS 640381 [THEDFRD7 115.00] CKT 1  
DOUBLE 1372 : OPEN LINE FROM BUS 640212 [HARTGTN7 115.00] TO BUS 652511 [GAVINS 7 115.00] CKT 1  
OPEN LINE FROM BUS 640284 [N.LOUP 7 115.00] TO BUS 640347 [SPALDNG7 115.00] CKT 1  
DOUBLE 1373 : OPEN LINE FROM BUS 640212 [HARTGTN7 115.00] TO BUS 652511 [GAVINS 7 115.00] CKT 1  
OPEN LINE FROM BUS 640286 [N.PLATT4 230.00] TO BUS 640287 [N.PLATT7 115.00] CKT 2  
DOUBLE 1374 : OPEN LINE FROM BUS 640212 [HARTGTN7 115.00] TO BUS 652511 [GAVINS 7 115.00] CKT 1  
OPEN LINE FROM BUS 640293 [NELIGH 7 115.00] TO BUS 640444 [PETERSBRG.N7115.00] CKT 1  
DOUBLE 1375 : OPEN LINE FROM BUS 640212 [HARTGTN7 115.00] TO BUS 652511 [GAVINS 7 115.00] CKT 1  
OPEN LINE FROM BUS 640298 [NORFOLK7 115.00] TO BUS 643001 [MADISONCNTY7115.00] CKT 1  
DOUBLE 1376 : OPEN LINE FROM BUS 640212 [HARTGTN7 115.00] TO BUS 652511 [GAVINS 7 115.00] CKT 1  
OPEN LINE FROM BUS 640318 [PETRSBG7 115.00] TO BUS 640444 [PETERSBRG.N7115.00] CKT 1  
DOUBLE 1377 : OPEN LINE FROM BUS 640212 [HARTGTN7 115.00] TO BUS 652511 [GAVINS 7 115.00] CKT 1  
OPEN LINE FROM BUS 640444 [PETERSBRG.N7115.00] TO BUS 643001 [MADISONCNTY7115.00] CKT 1  
DOUBLE 1378 : OPEN LINE FROM BUS 640212 [HARTGTN7 115.00] TO BUS 652511 [GAVINS 7 115.00] CKT 1  
OPEN LINE FROM BUS 643000 [MADISONCNTY4230.00] TO BUS 652509 [FTRANDL4 230.00] CKT 1  
DOUBLE 1379 : OPEN LINE FROM BUS 640212 [HARTGTN7 115.00] TO BUS 652511 [GAVINS 7 115.00] CKT 1  
OPEN LINE FROM BUS 652507 [FTTHOMP4 230.00] TO BUS 652509 [FTRANDL4 230.00] CKT 1  
DOUBLE 1380 : OPEN LINE FROM BUS 640212 [HARTGTN7 115.00] TO BUS 652511 [GAVINS 7 115.00] CKT 1  
OPEN LINE FROM BUS 652507 [FTTHOMP4 230.00] TO BUS 652516 [LAKPLAT4 230.00] CKT 1  
DOUBLE 1381 : OPEN LINE FROM BUS 640212 [HARTGTN7 115.00] TO BUS 652511 [GAVINS 7 115.00] CKT 1  
OPEN LINE FROM BUS 652509 [FTRANDL4 230.00] TO BUS 652510 [FTRANDL7 115.00] CKT 1  
DOUBLE 1382 : OPEN LINE FROM BUS 640212 [HARTGTN7 115.00] TO BUS 652511 [GAVINS 7 115.00] CKT 1  
OPEN LINE FROM BUS 652509 [FTRANDL4 230.00] TO BUS 652510 [FTRANDL7 115.00] CKT 2  
DOUBLE 1383 : OPEN LINE FROM BUS 640212 [HARTGTN7 115.00] TO BUS 652511 [GAVINS 7 115.00] CKT 1  
OPEN LINE FROM BUS 652509 [FTRANDL4 230.00] TO BUS 652516 [LAKPLAT4 230.00] CKT 1  
DOUBLE 1384 : OPEN LINE FROM BUS 640212 [HARTGTN7 115.00] TO BUS 652511 [GAVINS 7 115.00] CKT 1  
OPEN LINE FROM BUS 652509 [FTRANDL4 230.00] TO BUS 652526 [UTICAJC4 230.00] CKT 1  
DOUBLE 1385 : OPEN LINE FROM BUS 640212 [HARTGTN7 115.00] TO BUS 652511 [GAVINS 7 115.00] CKT 1  
OPEN LINE FROM BUS 652509 [FTRANDL4 230.00] TO BUS 652565 [SIOUXCY4 230.00] CKT 1  
DOUBLE 1386 : OPEN LINE FROM BUS 640212 [HARTGTN7 115.00] TO BUS 652511 [GAVINS 7 115.00] CKT 1  
OPEN LINE FROM BUS 652511 [GAVINS 7 115.00] TO BUS 652532 [YANKTON7 115.00] CKT 1  
DOUBLE 1387 : OPEN LINE FROM BUS 640212 [HARTGTN7 115.00] TO BUS 652511 [GAVINS 7 115.00] CKT 1  
OPEN LINE FROM BUS 652511 [GAVINS 7 115.00] TO BUS 660006 [YKNTJCT7 115.00] CKT 1  
DOUBLE 1388 : OPEN LINE FROM BUS 640212 [HARTGTN7 115.00] TO BUS 652511 [GAVINS 7 115.00] CKT 1  
OPEN LINE FROM BUS 652517 [MANNING7 115.00] TO BUS 659121 [SPIRITM7 115.00] CKT 1  
DOUBLE 1389 : OPEN LINE FROM BUS 640212 [HARTGTN7 115.00] TO BUS 652511 [GAVINS 7 115.00] CKT 1  
OPEN LINE FROM BUS 652526 [UTICAJC4 230.00] TO BUS 652626 [UTICAJC7 115.00] TO BUS 652627 [UTICAJC9 13.200] CKT 1  
DOUBLE 1390 : OPEN LINE FROM BUS 640212 [HARTGTN7 115.00] TO BUS 652511 [GAVINS 7 115.00] CKT 1

OPEN LINE FROM BUS 652532 [YANKTON7 115.00] TO BUS 659121 [SPIRITM7 115.00] CKT 1  
DOUBLE 1391 : OPEN LINE FROM BUS 640212 [HARTGTN7 115.00] TO BUS 652511 [GAVINS 7 115.00] CKT 1  
OPEN LINE FROM BUS 652626 [UTICAJC7 115.00] TO BUS 660006 [YKNTJCT7 115.00] CKT 1  
DOUBLE 1392 : OPEN LINE FROM BUS 640212 [HARTGTN7 115.00] TO BUS 652511 [GAVINS 7 115.00] CKT 1  
OPEN LINE FROM BUS 652626 [UTICAJC7 115.00] TO BUS 660007 [MENNOJT7 115.00] CKT 1  
DOUBLE 1393 : OPEN LINE FROM BUS 640228 [HOSKINS7 115.00] TO BUS 640298 [NORFOLK7 115.00] CKT 1  
OPEN LINE FROM BUS 640259 [LOUPCTY7 115.00] TO BUS 640284 [N.LOUP 7 115.00] CKT 1  
DOUBLE 1394 : OPEN LINE FROM BUS 640228 [HOSKINS7 115.00] TO BUS 640298 [NORFOLK7 115.00] CKT 1  
OPEN LINE FROM BUS 640259 [LOUPCTY7 115.00] TO BUS 640353 [ST.LIB 7 115.00] CKT 1  
DOUBLE 1395 : OPEN LINE FROM BUS 640228 [HOSKINS7 115.00] TO BUS 640298 [NORFOLK7 115.00] CKT 1  
OPEN LINE FROM BUS 640263 [MADISON7 115.00] TO BUS 640298 [NORFOLK7 115.00] CKT 1  
DOUBLE 1396 : OPEN LINE FROM BUS 640228 [HOSKINS7 115.00] TO BUS 640298 [NORFOLK7 115.00] CKT 1  
OPEN LINE FROM BUS 640263 [MADISON7 115.00] TO BUS 643001 [MADISONCNTY7115.00] CKT 1  
DOUBLE 1397 : OPEN LINE FROM BUS 640228 [HOSKINS7 115.00] TO BUS 640298 [NORFOLK7 115.00] CKT 1  
OPEN LINE FROM BUS 640267 [MAXWELS7 115.00] TO BUS 640287 [N.PLATT7 115.00] CKT 1  
DOUBLE 1398 : OPEN LINE FROM BUS 640228 [HOSKINS7 115.00] TO BUS 640298 [NORFOLK7 115.00] CKT 1  
OPEN LINE FROM BUS 640267 [MAXWELS7 115.00] TO BUS 640381 [THEDFRD7 115.00] CKT 1  
DOUBLE 1399 : OPEN LINE FROM BUS 640228 [HOSKINS7 115.00] TO BUS 640298 [NORFOLK7 115.00] CKT 1  
OPEN LINE FROM BUS 640284 [N.LOUP 7 115.00] TO BUS 640347 [SPALDNG7 115.00] CKT 1  
DOUBLE 1400 : OPEN LINE FROM BUS 640228 [HOSKINS7 115.00] TO BUS 640298 [NORFOLK7 115.00] CKT 1  
OPEN LINE FROM BUS 640286 [N.PLATT4 230.00] TO BUS 640287 [N.PLATT7 115.00] CKT 2  
DOUBLE 1401 : OPEN LINE FROM BUS 640228 [HOSKINS7 115.00] TO BUS 640298 [NORFOLK7 115.00] CKT 1  
OPEN LINE FROM BUS 640293 [NELIGH 7 115.00] TO BUS 640444 [PETERSBRG.N7115.00] CKT 1  
DOUBLE 1402 : OPEN LINE FROM BUS 640228 [HOSKINS7 115.00] TO BUS 640298 [NORFOLK7 115.00] CKT 1  
OPEN LINE FROM BUS 640298 [NORFOLK7 115.00] TO BUS 643001 [MADISONCNTY7115.00] CKT 1  
DOUBLE 1403 : OPEN LINE FROM BUS 640228 [HOSKINS7 115.00] TO BUS 640298 [NORFOLK7 115.00] CKT 1  
OPEN LINE FROM BUS 640318 [PETRSG7 115.00] TO BUS 640444 [PETERSBRG.N7115.00] CKT 1  
DOUBLE 1404 : OPEN LINE FROM BUS 640228 [HOSKINS7 115.00] TO BUS 640298 [NORFOLK7 115.00] CKT 1  
OPEN LINE FROM BUS 640444 [PETERSBRG.N7115.00] TO BUS 643001 [MADISONCNTY7115.00] CKT 1  
DOUBLE 1405 : OPEN LINE FROM BUS 640228 [HOSKINS7 115.00] TO BUS 640298 [NORFOLK7 115.00] CKT 1  
OPEN LINE FROM BUS 643000 [MADISONCNTY4230.00] TO BUS 652509 [FTRANDL4 230.00] CKT 1  
DOUBLE 1406 : OPEN LINE FROM BUS 640228 [HOSKINS7 115.00] TO BUS 640298 [NORFOLK7 115.00] CKT 1  
OPEN LINE FROM BUS 652507 [FTTHOMP4 230.00] TO BUS 652509 [FTRANDL4 230.00] CKT 1  
DOUBLE 1407 : OPEN LINE FROM BUS 640228 [HOSKINS7 115.00] TO BUS 640298 [NORFOLK7 115.00] CKT 1  
OPEN LINE FROM BUS 652507 [FTTHOMP4 230.00] TO BUS 652516 [LAKPLAT4 230.00] CKT 1  
DOUBLE 1408 : OPEN LINE FROM BUS 640228 [HOSKINS7 115.00] TO BUS 640298 [NORFOLK7 115.00] CKT 1  
OPEN LINE FROM BUS 652509 [FTRANDL4 230.00] TO BUS 652510 [FTRANDL7 115.00] CKT 1  
DOUBLE 1409 : OPEN LINE FROM BUS 640228 [HOSKINS7 115.00] TO BUS 640298 [NORFOLK7 115.00] CKT 1  
OPEN LINE FROM BUS 652509 [FTRANDL4 230.00] TO BUS 652510 [FTRANDL7 115.00] CKT 2  
DOUBLE 1410 : OPEN LINE FROM BUS 640228 [HOSKINS7 115.00] TO BUS 640298 [NORFOLK7 115.00] CKT 1  
OPEN LINE FROM BUS 652509 [FTRANDL4 230.00] TO BUS 652516 [LAKPLAT4 230.00] CKT 1  
DOUBLE 1411 : OPEN LINE FROM BUS 640228 [HOSKINS7 115.00] TO BUS 640298 [NORFOLK7 115.00] CKT 1  
OPEN LINE FROM BUS 652509 [FTRANDL4 230.00] TO BUS 652526 [UTICAJC4 230.00] CKT 1  
DOUBLE 1412 : OPEN LINE FROM BUS 640228 [HOSKINS7 115.00] TO BUS 640298 [NORFOLK7 115.00] CKT 1  
OPEN LINE FROM BUS 652509 [FTRANDL4 230.00] TO BUS 652565 [SIOUXCY4 230.00] CKT 1  
DOUBLE 1413 : OPEN LINE FROM BUS 640228 [HOSKINS7 115.00] TO BUS 640298 [NORFOLK7 115.00] CKT 1  
OPEN LINE FROM BUS 652511 [GAVINS 7 115.00] TO BUS 652532 [YANKTON7 115.00] CKT 1  
DOUBLE 1414 : OPEN LINE FROM BUS 640228 [HOSKINS7 115.00] TO BUS 640298 [NORFOLK7 115.00] CKT 1



OPEN LINE FROM BUS 652511 [GAVINS 7 115.00] TO BUS 660006 [YKNTJCT7 115.00] CKT 1  
DOUBLE 1415 : OPEN LINE FROM BUS 640228 [HOSKINS7 115.00] TO BUS 640298 [NORFOLK7 115.00] CKT 1  
OPEN LINE FROM BUS 652517 [MANNING7 115.00] TO BUS 659121 [SPIRITM7 115.00] CKT 1  
DOUBLE 1416 : OPEN LINE FROM BUS 640228 [HOSKINS7 115.00] TO BUS 640298 [NORFOLK7 115.00] CKT 1  
OPEN LINE FROM BUS 652526 [UTICAJC4 230.00] TO BUS 652626 [UTICAJC7 115.00] TO BUS 652627 [UTICAJC9 13.200] CKT 1  
DOUBLE 1417 : OPEN LINE FROM BUS 640228 [HOSKINS7 115.00] TO BUS 640298 [NORFOLK7 115.00] CKT 1  
OPEN LINE FROM BUS 652532 [YANKTON7 115.00] TO BUS 659121 [SPIRITM7 115.00] CKT 1  
DOUBLE 1418 : OPEN LINE FROM BUS 640228 [HOSKINS7 115.00] TO BUS 640298 [NORFOLK7 115.00] CKT 1  
OPEN LINE FROM BUS 652626 [UTICAJC7 115.00] TO BUS 660006 [YKNTJCT7 115.00] CKT 1  
DOUBLE 1419 : OPEN LINE FROM BUS 640228 [HOSKINS7 115.00] TO BUS 640298 [NORFOLK7 115.00] CKT 1  
OPEN LINE FROM BUS 652626 [UTICAJC7 115.00] TO BUS 660007 [MENNOJT7 115.00] CKT 1  
DOUBLE 1420 : OPEN LINE FROM BUS 640259 [LOUPCTY7 115.00] TO BUS 640284 [N.LOUP 7 115.00] CKT 1  
OPEN LINE FROM BUS 640259 [LOUPCTY7 115.00] TO BUS 640353 [ST.LIB 7 115.00] CKT 1  
DOUBLE 1421 : OPEN LINE FROM BUS 640259 [LOUPCTY7 115.00] TO BUS 640284 [N.LOUP 7 115.00] CKT 1  
OPEN LINE FROM BUS 640263 [MADISON7 115.00] TO BUS 640298 [NORFOLK7 115.00] CKT 1  
DOUBLE 1422 : OPEN LINE FROM BUS 640259 [LOUPCTY7 115.00] TO BUS 640284 [N.LOUP 7 115.00] CKT 1  
OPEN LINE FROM BUS 640263 [MADISON7 115.00] TO BUS 643001 [MADISONCNTY7115.00] CKT 1  
DOUBLE 1423 : OPEN LINE FROM BUS 640259 [LOUPCTY7 115.00] TO BUS 640284 [N.LOUP 7 115.00] CKT 1  
OPEN LINE FROM BUS 640267 [MAXWELS7 115.00] TO BUS 640287 [N.PLATT7 115.00] CKT 1  
DOUBLE 1424 : OPEN LINE FROM BUS 640259 [LOUPCTY7 115.00] TO BUS 640284 [N.LOUP 7 115.00] CKT 1  
OPEN LINE FROM BUS 640267 [MAXWELS7 115.00] TO BUS 640381 [THEDFRD7 115.00] CKT 1  
DOUBLE 1425 : OPEN LINE FROM BUS 640259 [LOUPCTY7 115.00] TO BUS 640284 [N.LOUP 7 115.00] CKT 1  
OPEN LINE FROM BUS 640284 [N.LOUP 7 115.00] TO BUS 640347 [SPALDNG7 115.00] CKT 1  
DOUBLE 1426 : OPEN LINE FROM BUS 640259 [LOUPCTY7 115.00] TO BUS 640284 [N.LOUP 7 115.00] CKT 1  
OPEN LINE FROM BUS 640286 [N.PLATT4 230.00] TO BUS 640287 [N.PLATT7 115.00] CKT 2  
DOUBLE 1427 : OPEN LINE FROM BUS 640259 [LOUPCTY7 115.00] TO BUS 640284 [N.LOUP 7 115.00] CKT 1  
OPEN LINE FROM BUS 640293 [NELIGH 7 115.00] TO BUS 640444 [PETERSBRG.N7115.00] CKT 1  
DOUBLE 1428 : OPEN LINE FROM BUS 640259 [LOUPCTY7 115.00] TO BUS 640284 [N.LOUP 7 115.00] CKT 1  
OPEN LINE FROM BUS 640298 [NORFOLK7 115.00] TO BUS 643001 [MADISONCNTY7115.00] CKT 1  
DOUBLE 1429 : OPEN LINE FROM BUS 640259 [LOUPCTY7 115.00] TO BUS 640284 [N.LOUP 7 115.00] CKT 1  
OPEN LINE FROM BUS 640318 [PETERSBG7 115.00] TO BUS 640444 [PETERSBRG.N7115.00] CKT 1  
DOUBLE 1430 : OPEN LINE FROM BUS 640259 [LOUPCTY7 115.00] TO BUS 640284 [N.LOUP 7 115.00] CKT 1  
OPEN LINE FROM BUS 640444 [PETERSBRG.N7115.00] TO BUS 643001 [MADISONCNTY7115.00] CKT 1  
DOUBLE 1431 : OPEN LINE FROM BUS 640259 [LOUPCTY7 115.00] TO BUS 640284 [N.LOUP 7 115.00] CKT 1  
OPEN LINE FROM BUS 643000 [MADISONCNTY4230.00] TO BUS 652509 [FTRANDL4 230.00] CKT 1  
DOUBLE 1432 : OPEN LINE FROM BUS 640259 [LOUPCTY7 115.00] TO BUS 640284 [N.LOUP 7 115.00] CKT 1  
OPEN LINE FROM BUS 652507 [FTTHOMP4 230.00] TO BUS 652509 [FTRANDL4 230.00] CKT 1  
DOUBLE 1433 : OPEN LINE FROM BUS 640259 [LOUPCTY7 115.00] TO BUS 640284 [N.LOUP 7 115.00] CKT 1  
OPEN LINE FROM BUS 652507 [FTTHOMP4 230.00] TO BUS 652516 [LAKPLAT4 230.00] CKT 1  
DOUBLE 1434 : OPEN LINE FROM BUS 640259 [LOUPCTY7 115.00] TO BUS 640284 [N.LOUP 7 115.00] CKT 1  
OPEN LINE FROM BUS 652509 [FTRANDL4 230.00] TO BUS 652510 [FTRANDL7 115.00] CKT 1  
DOUBLE 1435 : OPEN LINE FROM BUS 640259 [LOUPCTY7 115.00] TO BUS 640284 [N.LOUP 7 115.00] CKT 1  
OPEN LINE FROM BUS 652509 [FTRANDL4 230.00] TO BUS 652510 [FTRANDL7 115.00] CKT 2  
DOUBLE 1436 : OPEN LINE FROM BUS 640259 [LOUPCTY7 115.00] TO BUS 640284 [N.LOUP 7 115.00] CKT 1  
OPEN LINE FROM BUS 652509 [FTRANDL4 230.00] TO BUS 652516 [LAKPLAT4 230.00] CKT 1  
DOUBLE 1437 : OPEN LINE FROM BUS 640259 [LOUPCTY7 115.00] TO BUS 640284 [N.LOUP 7 115.00] CKT 1  
OPEN LINE FROM BUS 652509 [FTRANDL4 230.00] TO BUS 652526 [UTICAJC4 230.00] CKT 1  
DOUBLE 1438 : OPEN LINE FROM BUS 640259 [LOUPCTY7 115.00] TO BUS 640284 [N.LOUP 7 115.00] CKT 1

OPEN LINE FROM BUS 652509 [FTRANDL4 230.00] TO BUS 652565 [SIOUXCY4 230.00] CKT 1  
DOUBLE 1439 : OPEN LINE FROM BUS 640259 [LOUPCTY7 115.00] TO BUS 640284 [N.LOUP 7 115.00] CKT 1  
OPEN LINE FROM BUS 652511 [GAVINS 7 115.00] TO BUS 652532 [YANKTON7 115.00] CKT 1  
DOUBLE 1440 : OPEN LINE FROM BUS 640259 [LOUPCTY7 115.00] TO BUS 640284 [N.LOUP 7 115.00] CKT 1  
OPEN LINE FROM BUS 652511 [GAVINS 7 115.00] TO BUS 660006 [YKNTJCT7 115.00] CKT 1  
DOUBLE 1441 : OPEN LINE FROM BUS 640259 [LOUPCTY7 115.00] TO BUS 640284 [N.LOUP 7 115.00] CKT 1  
OPEN LINE FROM BUS 652517 [MANNING7 115.00] TO BUS 659121 [SPIRITM7 115.00] CKT 1  
DOUBLE 1442 : OPEN LINE FROM BUS 640259 [LOUPCTY7 115.00] TO BUS 640284 [N.LOUP 7 115.00] CKT 1  
OPEN LINE FROM BUS 652526 [UTICAJC4 230.00] TO BUS 652626 [UTICAJC7 115.00] TO BUS 652627 [UTICAJC9 13.200] CKT 1  
DOUBLE 1443 : OPEN LINE FROM BUS 640259 [LOUPCTY7 115.00] TO BUS 640284 [N.LOUP 7 115.00] CKT 1  
OPEN LINE FROM BUS 652532 [YANKTON7 115.00] TO BUS 659121 [SPIRITM7 115.00] CKT 1  
DOUBLE 1444 : OPEN LINE FROM BUS 640259 [LOUPCTY7 115.00] TO BUS 640284 [N.LOUP 7 115.00] CKT 1  
OPEN LINE FROM BUS 652626 [UTICAJC7 115.00] TO BUS 660006 [YKNTJCT7 115.00] CKT 1  
DOUBLE 1445 : OPEN LINE FROM BUS 640259 [LOUPCTY7 115.00] TO BUS 640284 [N.LOUP 7 115.00] CKT 1  
OPEN LINE FROM BUS 652626 [UTICAJC7 115.00] TO BUS 660007 [MENNOJT7 115.00] CKT 1  
DOUBLE 1446 : OPEN LINE FROM BUS 640259 [LOUPCTY7 115.00] TO BUS 640353 [ST.LIB 7 115.00] CKT 1  
OPEN LINE FROM BUS 640263 [MADISON7 115.00] TO BUS 640298 [NORFOLK7 115.00] CKT 1  
DOUBLE 1447 : OPEN LINE FROM BUS 640259 [LOUPCTY7 115.00] TO BUS 640353 [ST.LIB 7 115.00] CKT 1  
OPEN LINE FROM BUS 640263 [MADISON7 115.00] TO BUS 643001 [MADISONCNTY7115.00] CKT 1  
DOUBLE 1448 : OPEN LINE FROM BUS 640259 [LOUPCTY7 115.00] TO BUS 640353 [ST.LIB 7 115.00] CKT 1  
OPEN LINE FROM BUS 640267 [MAXWELS7 115.00] TO BUS 640287 [N.PLATT7 115.00] CKT 1  
DOUBLE 1449 : OPEN LINE FROM BUS 640259 [LOUPCTY7 115.00] TO BUS 640353 [ST.LIB 7 115.00] CKT 1  
OPEN LINE FROM BUS 640267 [MAXWELS7 115.00] TO BUS 640381 [THEDFRD7 115.00] CKT 1  
DOUBLE 1450 : OPEN LINE FROM BUS 640259 [LOUPCTY7 115.00] TO BUS 640353 [ST.LIB 7 115.00] CKT 1  
OPEN LINE FROM BUS 640284 [N.LOUP 7 115.00] TO BUS 640347 [SPALDNG7 115.00] CKT 1  
DOUBLE 1451 : OPEN LINE FROM BUS 640259 [LOUPCTY7 115.00] TO BUS 640353 [ST.LIB 7 115.00] CKT 1  
OPEN LINE FROM BUS 640286 [N.PLATT4 230.00] TO BUS 640287 [N.PLATT7 115.00] CKT 2  
DOUBLE 1452 : OPEN LINE FROM BUS 640259 [LOUPCTY7 115.00] TO BUS 640353 [ST.LIB 7 115.00] CKT 1  
OPEN LINE FROM BUS 640293 [NELIGH 7 115.00] TO BUS 640444 [PETERSBRG.N7115.00] CKT 1  
DOUBLE 1453 : OPEN LINE FROM BUS 640259 [LOUPCTY7 115.00] TO BUS 640353 [ST.LIB 7 115.00] CKT 1  
OPEN LINE FROM BUS 640298 [NORFOLK7 115.00] TO BUS 643001 [MADISONCNTY7115.00] CKT 1  
DOUBLE 1454 : OPEN LINE FROM BUS 640259 [LOUPCTY7 115.00] TO BUS 640353 [ST.LIB 7 115.00] CKT 1  
OPEN LINE FROM BUS 640318 [PETERSBG7 115.00] TO BUS 640444 [PETERSBRG.N7115.00] CKT 1  
DOUBLE 1455 : OPEN LINE FROM BUS 640259 [LOUPCTY7 115.00] TO BUS 640353 [ST.LIB 7 115.00] CKT 1  
OPEN LINE FROM BUS 640444 [PETERSBRG.N7115.00] TO BUS 643001 [MADISONCNTY7115.00] CKT 1  
DOUBLE 1456 : OPEN LINE FROM BUS 640259 [LOUPCTY7 115.00] TO BUS 640353 [ST.LIB 7 115.00] CKT 1  
OPEN LINE FROM BUS 643000 [MADISONCNTY4230.00] TO BUS 652509 [FTRANDL4 230.00] CKT 1  
DOUBLE 1457 : OPEN LINE FROM BUS 640259 [LOUPCTY7 115.00] TO BUS 640353 [ST.LIB 7 115.00] CKT 1  
OPEN LINE FROM BUS 652507 [FTTHOMP4 230.00] TO BUS 652509 [FTRANDL4 230.00] CKT 1  
DOUBLE 1458 : OPEN LINE FROM BUS 640259 [LOUPCTY7 115.00] TO BUS 640353 [ST.LIB 7 115.00] CKT 1  
OPEN LINE FROM BUS 652507 [FTTHOMP4 230.00] TO BUS 652516 [LAKPLAT4 230.00] CKT 1  
DOUBLE 1459 : OPEN LINE FROM BUS 640259 [LOUPCTY7 115.00] TO BUS 640353 [ST.LIB 7 115.00] CKT 1  
OPEN LINE FROM BUS 652509 [FTRANDL4 230.00] TO BUS 652510 [FTRANDL7 115.00] CKT 1  
DOUBLE 1460 : OPEN LINE FROM BUS 640259 [LOUPCTY7 115.00] TO BUS 640353 [ST.LIB 7 115.00] CKT 1  
OPEN LINE FROM BUS 652509 [FTRANDL4 230.00] TO BUS 652510 [FTRANDL7 115.00] CKT 2  
DOUBLE 1461 : OPEN LINE FROM BUS 640259 [LOUPCTY7 115.00] TO BUS 640353 [ST.LIB 7 115.00] CKT 1  
OPEN LINE FROM BUS 652509 [FTRANDL4 230.00] TO BUS 652516 [LAKPLAT4 230.00] CKT 1  
DOUBLE 1462 : OPEN LINE FROM BUS 640259 [LOUPCTY7 115.00] TO BUS 640353 [ST.LIB 7 115.00] CKT 1

OPEN LINE FROM BUS 652509 [FTRANDL4 230.00] TO BUS 652526 [UTICAJC4 230.00] CKT 1  
DOUBLE 1463 : OPEN LINE FROM BUS 640259 [LOUPCTY7 115.00] TO BUS 640353 [ST.LIB 7 115.00] CKT 1  
OPEN LINE FROM BUS 652509 [FTRANDL4 230.00] TO BUS 652565 [SIOUXCY4 230.00] CKT 1  
DOUBLE 1464 : OPEN LINE FROM BUS 640259 [LOUPCTY7 115.00] TO BUS 640353 [ST.LIB 7 115.00] CKT 1  
OPEN LINE FROM BUS 652511 [GAVINS 7 115.00] TO BUS 652532 [YANKTON7 115.00] CKT 1  
DOUBLE 1465 : OPEN LINE FROM BUS 640259 [LOUPCTY7 115.00] TO BUS 640353 [ST.LIB 7 115.00] CKT 1  
OPEN LINE FROM BUS 652511 [GAVINS 7 115.00] TO BUS 660006 [YKNTJCT7 115.00] CKT 1  
DOUBLE 1466 : OPEN LINE FROM BUS 640259 [LOUPCTY7 115.00] TO BUS 640353 [ST.LIB 7 115.00] CKT 1  
OPEN LINE FROM BUS 652517 [MANNING7 115.00] TO BUS 659121 [SPIRITM7 115.00] CKT 1  
DOUBLE 1467 : OPEN LINE FROM BUS 640259 [LOUPCTY7 115.00] TO BUS 640353 [ST.LIB 7 115.00] CKT 1  
OPEN LINE FROM BUS 652526 [UTICAJC4 230.00] TO BUS 652626 [UTICAJC7 115.00] TO BUS 652627 [UTICAJC9 13.200] CKT 1  
DOUBLE 1468 : OPEN LINE FROM BUS 640259 [LOUPCTY7 115.00] TO BUS 640353 [ST.LIB 7 115.00] CKT 1  
OPEN LINE FROM BUS 652532 [YANKTON7 115.00] TO BUS 659121 [SPIRITM7 115.00] CKT 1  
DOUBLE 1469 : OPEN LINE FROM BUS 640259 [LOUPCTY7 115.00] TO BUS 640353 [ST.LIB 7 115.00] CKT 1  
OPEN LINE FROM BUS 652626 [UTICAJC7 115.00] TO BUS 660006 [YKNTJCT7 115.00] CKT 1  
DOUBLE 1470 : OPEN LINE FROM BUS 640259 [LOUPCTY7 115.00] TO BUS 640353 [ST.LIB 7 115.00] CKT 1  
OPEN LINE FROM BUS 652626 [UTICAJC7 115.00] TO BUS 660007 [MENNOJT7 115.00] CKT 1  
DOUBLE 1471 : OPEN LINE FROM BUS 640263 [MADISON7 115.00] TO BUS 640298 [NORFOLK7 115.00] CKT 1  
OPEN LINE FROM BUS 640263 [MADISON7 115.00] TO BUS 643001 [MADISONCNTY7115.00] CKT 1  
DOUBLE 1472 : OPEN LINE FROM BUS 640263 [MADISON7 115.00] TO BUS 640298 [NORFOLK7 115.00] CKT 1  
OPEN LINE FROM BUS 640267 [MAXWELS7 115.00] TO BUS 640287 [N.PLATT7 115.00] CKT 1  
DOUBLE 1473 : OPEN LINE FROM BUS 640263 [MADISON7 115.00] TO BUS 640298 [NORFOLK7 115.00] CKT 1  
OPEN LINE FROM BUS 640267 [MAXWELS7 115.00] TO BUS 640381 [THEDFRD7 115.00] CKT 1  
DOUBLE 1474 : OPEN LINE FROM BUS 640263 [MADISON7 115.00] TO BUS 640298 [NORFOLK7 115.00] CKT 1  
OPEN LINE FROM BUS 640284 [N.LOUP 7 115.00] TO BUS 640347 [SPALDNG7 115.00] CKT 1  
DOUBLE 1475 : OPEN LINE FROM BUS 640263 [MADISON7 115.00] TO BUS 640298 [NORFOLK7 115.00] CKT 1  
OPEN LINE FROM BUS 640286 [N.PLATT4 230.00] TO BUS 640287 [N.PLATT7 115.00] CKT 2  
DOUBLE 1476 : OPEN LINE FROM BUS 640263 [MADISON7 115.00] TO BUS 640298 [NORFOLK7 115.00] CKT 1  
OPEN LINE FROM BUS 640293 [NELIGH 7 115.00] TO BUS 640444 [PETERSBRG.N7115.00] CKT 1  
DOUBLE 1477 : OPEN LINE FROM BUS 640263 [MADISON7 115.00] TO BUS 640298 [NORFOLK7 115.00] CKT 1  
OPEN LINE FROM BUS 640298 [NORFOLK7 115.00] TO BUS 643001 [MADISONCNTY7115.00] CKT 1  
DOUBLE 1478 : OPEN LINE FROM BUS 640263 [MADISON7 115.00] TO BUS 640298 [NORFOLK7 115.00] CKT 1  
OPEN LINE FROM BUS 640318 [PETERSBG7 115.00] TO BUS 640444 [PETERSBRG.N7115.00] CKT 1  
DOUBLE 1479 : OPEN LINE FROM BUS 640263 [MADISON7 115.00] TO BUS 640298 [NORFOLK7 115.00] CKT 1  
OPEN LINE FROM BUS 640444 [PETERSBRG.N7115.00] TO BUS 643001 [MADISONCNTY7115.00] CKT 1  
DOUBLE 1480 : OPEN LINE FROM BUS 640263 [MADISON7 115.00] TO BUS 640298 [NORFOLK7 115.00] CKT 1  
OPEN LINE FROM BUS 643000 [MADISONCNTY4230.00] TO BUS 652509 [FTRANDL4 230.00] CKT 1  
DOUBLE 1481 : OPEN LINE FROM BUS 640263 [MADISON7 115.00] TO BUS 640298 [NORFOLK7 115.00] CKT 1  
OPEN LINE FROM BUS 652507 [FTTHOMP4 230.00] TO BUS 652509 [FTRANDL4 230.00] CKT 1  
DOUBLE 1482 : OPEN LINE FROM BUS 640263 [MADISON7 115.00] TO BUS 640298 [NORFOLK7 115.00] CKT 1  
OPEN LINE FROM BUS 652507 [FTTHOMP4 230.00] TO BUS 652516 [LAKPLAT4 230.00] CKT 1  
DOUBLE 1483 : OPEN LINE FROM BUS 640263 [MADISON7 115.00] TO BUS 640298 [NORFOLK7 115.00] CKT 1  
OPEN LINE FROM BUS 652509 [FTRANDL4 230.00] TO BUS 652510 [FTRANDL7 115.00] CKT 1  
DOUBLE 1484 : OPEN LINE FROM BUS 640263 [MADISON7 115.00] TO BUS 640298 [NORFOLK7 115.00] CKT 1  
OPEN LINE FROM BUS 652509 [FTRANDL4 230.00] TO BUS 652510 [FTRANDL7 115.00] CKT 2  
DOUBLE 1485 : OPEN LINE FROM BUS 640263 [MADISON7 115.00] TO BUS 640298 [NORFOLK7 115.00] CKT 1  
OPEN LINE FROM BUS 652509 [FTRANDL4 230.00] TO BUS 652516 [LAKPLAT4 230.00] CKT 1  
DOUBLE 1486 : OPEN LINE FROM BUS 640263 [MADISON7 115.00] TO BUS 640298 [NORFOLK7 115.00] CKT 1

OPEN LINE FROM BUS 652509 [FTRANDL4 230.00] TO BUS 652526 [UTICAJC4 230.00] CKT 1  
DOUBLE 1487 : OPEN LINE FROM BUS 640263 [MADISON7 115.00] TO BUS 640298 [NORFOLK7 115.00] CKT 1  
OPEN LINE FROM BUS 652509 [FTRANDL4 230.00] TO BUS 652565 [SIOUXCY4 230.00] CKT 1  
DOUBLE 1488 : OPEN LINE FROM BUS 640263 [MADISON7 115.00] TO BUS 640298 [NORFOLK7 115.00] CKT 1  
OPEN LINE FROM BUS 652511 [GAVINS 7 115.00] TO BUS 652532 [YANKTON7 115.00] CKT 1  
DOUBLE 1489 : OPEN LINE FROM BUS 640263 [MADISON7 115.00] TO BUS 640298 [NORFOLK7 115.00] CKT 1  
OPEN LINE FROM BUS 652511 [GAVINS 7 115.00] TO BUS 660006 [YKNTJCT7 115.00] CKT 1  
DOUBLE 1490 : OPEN LINE FROM BUS 640263 [MADISON7 115.00] TO BUS 640298 [NORFOLK7 115.00] CKT 1  
OPEN LINE FROM BUS 652517 [MANNING7 115.00] TO BUS 659121 [SPIRITM7 115.00] CKT 1  
DOUBLE 1491 : OPEN LINE FROM BUS 640263 [MADISON7 115.00] TO BUS 640298 [NORFOLK7 115.00] CKT 1  
OPEN LINE FROM BUS 652526 [UTICAJC4 230.00] TO BUS 652626 [UTICAJC7 115.00] TO BUS 652627 [UTICAJC9 13.200] CKT 1  
DOUBLE 1492 : OPEN LINE FROM BUS 640263 [MADISON7 115.00] TO BUS 640298 [NORFOLK7 115.00] CKT 1  
OPEN LINE FROM BUS 652532 [YANKTON7 115.00] TO BUS 659121 [SPIRITM7 115.00] CKT 1  
DOUBLE 1493 : OPEN LINE FROM BUS 640263 [MADISON7 115.00] TO BUS 640298 [NORFOLK7 115.00] CKT 1  
OPEN LINE FROM BUS 652626 [UTICAJC7 115.00] TO BUS 660006 [YKNTJCT7 115.00] CKT 1  
DOUBLE 1494 : OPEN LINE FROM BUS 640263 [MADISON7 115.00] TO BUS 640298 [NORFOLK7 115.00] CKT 1  
OPEN LINE FROM BUS 652626 [UTICAJC7 115.00] TO BUS 660007 [MENNOJT7 115.00] CKT 1  
DOUBLE 1495 : OPEN LINE FROM BUS 640263 [MADISON7 115.00] TO BUS 643001 [MADISONCNTY7115.00] CKT 1  
OPEN LINE FROM BUS 640267 [MAXWELS7 115.00] TO BUS 640287 [N.PLATT7 115.00] CKT 1  
DOUBLE 1496 : OPEN LINE FROM BUS 640263 [MADISON7 115.00] TO BUS 643001 [MADISONCNTY7115.00] CKT 1  
OPEN LINE FROM BUS 640267 [MAXWELS7 115.00] TO BUS 640381 [THEDFRD7 115.00] CKT 1  
DOUBLE 1497 : OPEN LINE FROM BUS 640263 [MADISON7 115.00] TO BUS 643001 [MADISONCNTY7115.00] CKT 1  
OPEN LINE FROM BUS 640284 [N.LOUP 7 115.00] TO BUS 640347 [SPALDNG7 115.00] CKT 1  
DOUBLE 1498 : OPEN LINE FROM BUS 640263 [MADISON7 115.00] TO BUS 643001 [MADISONCNTY7115.00] CKT 1  
OPEN LINE FROM BUS 640286 [N.PLATT4 230.00] TO BUS 640287 [N.PLATT7 115.00] CKT 2  
DOUBLE 1499 : OPEN LINE FROM BUS 640263 [MADISON7 115.00] TO BUS 643001 [MADISONCNTY7115.00] CKT 1  
OPEN LINE FROM BUS 640293 [NELIGH 7 115.00] TO BUS 640444 [PETERSBRG.N7115.00] CKT 1  
DOUBLE 1500 : OPEN LINE FROM BUS 640263 [MADISON7 115.00] TO BUS 643001 [MADISONCNTY7115.00] CKT 1  
OPEN LINE FROM BUS 640298 [NORFOLK7 115.00] TO BUS 643001 [MADISONCNTY7115.00] CKT 1  
DOUBLE 1501 : OPEN LINE FROM BUS 640263 [MADISON7 115.00] TO BUS 643001 [MADISONCNTY7115.00] CKT 1  
OPEN LINE FROM BUS 640318 [PETERSBG7 115.00] TO BUS 640444 [PETERSBRG.N7115.00] CKT 1  
DOUBLE 1502 : OPEN LINE FROM BUS 640263 [MADISON7 115.00] TO BUS 643001 [MADISONCNTY7115.00] CKT 1  
OPEN LINE FROM BUS 640444 [PETERSBRG.N7115.00] TO BUS 643001 [MADISONCNTY7115.00] CKT 1  
DOUBLE 1503 : OPEN LINE FROM BUS 640263 [MADISON7 115.00] TO BUS 643001 [MADISONCNTY7115.00] CKT 1  
OPEN LINE FROM BUS 643000 [MADISONCNTY4230.00] TO BUS 652509 [FTRANDL4 230.00] CKT 1  
DOUBLE 1504 : OPEN LINE FROM BUS 640263 [MADISON7 115.00] TO BUS 643001 [MADISONCNTY7115.00] CKT 1  
OPEN LINE FROM BUS 652507 [FTTHOMP4 230.00] TO BUS 652509 [FTRANDL4 230.00] CKT 1  
DOUBLE 1505 : OPEN LINE FROM BUS 640263 [MADISON7 115.00] TO BUS 643001 [MADISONCNTY7115.00] CKT 1  
OPEN LINE FROM BUS 652507 [FTTHOMP4 230.00] TO BUS 652516 [LAKPLAT4 230.00] CKT 1  
DOUBLE 1506 : OPEN LINE FROM BUS 640263 [MADISON7 115.00] TO BUS 643001 [MADISONCNTY7115.00] CKT 1  
OPEN LINE FROM BUS 652509 [FTRANDL4 230.00] TO BUS 652510 [FTRANDL7 115.00] CKT 1  
DOUBLE 1507 : OPEN LINE FROM BUS 640263 [MADISON7 115.00] TO BUS 643001 [MADISONCNTY7115.00] CKT 1  
OPEN LINE FROM BUS 652509 [FTRANDL4 230.00] TO BUS 652510 [FTRANDL7 115.00] CKT 2  
DOUBLE 1508 : OPEN LINE FROM BUS 640263 [MADISON7 115.00] TO BUS 643001 [MADISONCNTY7115.00] CKT 1  
OPEN LINE FROM BUS 652509 [FTRANDL4 230.00] TO BUS 652516 [LAKPLAT4 230.00] CKT 1  
DOUBLE 1509 : OPEN LINE FROM BUS 640263 [MADISON7 115.00] TO BUS 643001 [MADISONCNTY7115.00] CKT 1  
OPEN LINE FROM BUS 652509 [FTRANDL4 230.00] TO BUS 652526 [UTICAJC4 230.00] CKT 1  
DOUBLE 1510 : OPEN LINE FROM BUS 640263 [MADISON7 115.00] TO BUS 643001 [MADISONCNTY7115.00] CKT 1

OPEN LINE FROM BUS 652509 [FTRANDL4 230.00] TO BUS 652565 [SIOUXCY4 230.00] CKT 1  
DOUBLE 1511 : OPEN LINE FROM BUS 640263 [MADISON7 115.00] TO BUS 643001 [MADISONCNTY7115.00] CKT 1  
OPEN LINE FROM BUS 652511 [GAVINS 7 115.00] TO BUS 652532 [YANKTON7 115.00] CKT 1  
DOUBLE 1512 : OPEN LINE FROM BUS 640263 [MADISON7 115.00] TO BUS 643001 [MADISONCNTY7115.00] CKT 1  
OPEN LINE FROM BUS 652511 [GAVINS 7 115.00] TO BUS 660006 [YKNTJCT7 115.00] CKT 1  
DOUBLE 1513 : OPEN LINE FROM BUS 640263 [MADISON7 115.00] TO BUS 643001 [MADISONCNTY7115.00] CKT 1  
OPEN LINE FROM BUS 652517 [MANNING7 115.00] TO BUS 659121 [SPIRITM7 115.00] CKT 1  
DOUBLE 1514 : OPEN LINE FROM BUS 640263 [MADISON7 115.00] TO BUS 643001 [MADISONCNTY7115.00] CKT 1  
OPEN LINE FROM BUS 652526 [UTICAJC4 230.00] TO BUS 652626 [UTICAJC7 115.00] TO BUS 652627 [UTICAJC9 13.200] CKT 1  
DOUBLE 1515 : OPEN LINE FROM BUS 640263 [MADISON7 115.00] TO BUS 643001 [MADISONCNTY7115.00] CKT 1  
OPEN LINE FROM BUS 652532 [YANKTON7 115.00] TO BUS 659121 [SPIRITM7 115.00] CKT 1  
DOUBLE 1516 : OPEN LINE FROM BUS 640263 [MADISON7 115.00] TO BUS 643001 [MADISONCNTY7115.00] CKT 1  
OPEN LINE FROM BUS 652626 [UTICAJC7 115.00] TO BUS 660006 [YKNTJCT7 115.00] CKT 1  
DOUBLE 1517 : OPEN LINE FROM BUS 640263 [MADISON7 115.00] TO BUS 643001 [MADISONCNTY7115.00] CKT 1  
OPEN LINE FROM BUS 652626 [UTICAJC7 115.00] TO BUS 660007 [MENNOJT7 115.00] CKT 1  
DOUBLE 1518 : OPEN LINE FROM BUS 640267 [MAXWELS7 115.00] TO BUS 640287 [N.PLATT7 115.00] CKT 1  
OPEN LINE FROM BUS 640267 [MAXWELS7 115.00] TO BUS 640381 [THEDFRD7 115.00] CKT 1  
DOUBLE 1519 : OPEN LINE FROM BUS 640267 [MAXWELS7 115.00] TO BUS 640287 [N.PLATT7 115.00] CKT 1  
OPEN LINE FROM BUS 640284 [N.LOUP 7 115.00] TO BUS 640347 [SPALDNG7 115.00] CKT 1  
DOUBLE 1520 : OPEN LINE FROM BUS 640267 [MAXWELS7 115.00] TO BUS 640287 [N.PLATT7 115.00] CKT 1  
OPEN LINE FROM BUS 640286 [N.PLATT4 230.00] TO BUS 640287 [N.PLATT7 115.00] CKT 2  
DOUBLE 1521 : OPEN LINE FROM BUS 640267 [MAXWELS7 115.00] TO BUS 640287 [N.PLATT7 115.00] CKT 1  
OPEN LINE FROM BUS 640293 [NELIGH 7 115.00] TO BUS 640444 [PETERSBRG.N7115.00] CKT 1  
DOUBLE 1522 : OPEN LINE FROM BUS 640267 [MAXWELS7 115.00] TO BUS 640287 [N.PLATT7 115.00] CKT 1  
OPEN LINE FROM BUS 640298 [NORFOLK7 115.00] TO BUS 643001 [MADISONCNTY7115.00] CKT 1  
DOUBLE 1523 : OPEN LINE FROM BUS 640267 [MAXWELS7 115.00] TO BUS 640287 [N.PLATT7 115.00] CKT 1  
OPEN LINE FROM BUS 640318 [PETERSBG7 115.00] TO BUS 640444 [PETERSBRG.N7115.00] CKT 1  
DOUBLE 1524 : OPEN LINE FROM BUS 640267 [MAXWELS7 115.00] TO BUS 640287 [N.PLATT7 115.00] CKT 1  
OPEN LINE FROM BUS 640444 [PETERSBRG.N7115.00] TO BUS 643001 [MADISONCNTY7115.00] CKT 1  
DOUBLE 1525 : OPEN LINE FROM BUS 640267 [MAXWELS7 115.00] TO BUS 640287 [N.PLATT7 115.00] CKT 1  
OPEN LINE FROM BUS 643000 [MADISONCNTY4230.00] TO BUS 652509 [FTRANDL4 230.00] CKT 1  
DOUBLE 1526 : OPEN LINE FROM BUS 640267 [MAXWELS7 115.00] TO BUS 640287 [N.PLATT7 115.00] CKT 1  
OPEN LINE FROM BUS 652507 [FTTHOMP4 230.00] TO BUS 652509 [FTRANDL4 230.00] CKT 1  
DOUBLE 1527 : OPEN LINE FROM BUS 640267 [MAXWELS7 115.00] TO BUS 640287 [N.PLATT7 115.00] CKT 1  
OPEN LINE FROM BUS 652507 [FTTHOMP4 230.00] TO BUS 652516 [LAKPLAT4 230.00] CKT 1  
DOUBLE 1528 : OPEN LINE FROM BUS 640267 [MAXWELS7 115.00] TO BUS 640287 [N.PLATT7 115.00] CKT 1  
OPEN LINE FROM BUS 652509 [FTRANDL4 230.00] TO BUS 652510 [FTRANDL7 115.00] CKT 1  
DOUBLE 1529 : OPEN LINE FROM BUS 640267 [MAXWELS7 115.00] TO BUS 640287 [N.PLATT7 115.00] CKT 1  
OPEN LINE FROM BUS 652509 [FTRANDL4 230.00] TO BUS 652510 [FTRANDL7 115.00] CKT 2  
DOUBLE 1530 : OPEN LINE FROM BUS 640267 [MAXWELS7 115.00] TO BUS 640287 [N.PLATT7 115.00] CKT 1  
OPEN LINE FROM BUS 652509 [FTRANDL4 230.00] TO BUS 652516 [LAKPLAT4 230.00] CKT 1  
DOUBLE 1531 : OPEN LINE FROM BUS 640267 [MAXWELS7 115.00] TO BUS 640287 [N.PLATT7 115.00] CKT 1  
OPEN LINE FROM BUS 652509 [FTRANDL4 230.00] TO BUS 652526 [UTICAJC4 230.00] CKT 1  
DOUBLE 1532 : OPEN LINE FROM BUS 640267 [MAXWELS7 115.00] TO BUS 640287 [N.PLATT7 115.00] CKT 1  
OPEN LINE FROM BUS 652509 [FTRANDL4 230.00] TO BUS 652565 [SIOUXCY4 230.00] CKT 1  
DOUBLE 1533 : OPEN LINE FROM BUS 640267 [MAXWELS7 115.00] TO BUS 640287 [N.PLATT7 115.00] CKT 1  
OPEN LINE FROM BUS 652511 [GAVINS 7 115.00] TO BUS 652532 [YANKTON7 115.00] CKT 1  
DOUBLE 1534 : OPEN LINE FROM BUS 640267 [MAXWELS7 115.00] TO BUS 640287 [N.PLATT7 115.00] CKT 1

OPEN LINE FROM BUS 652511 [GAVINS 7 115.00] TO BUS 660006 [YKNTJCT7 115.00] CKT 1  
DOUBLE 1535 : OPEN LINE FROM BUS 640267 [MAXWELS7 115.00] TO BUS 640287 [N.PLATT7 115.00] CKT 1  
OPEN LINE FROM BUS 652517 [MANNING7 115.00] TO BUS 659121 [SPIRITM7 115.00] CKT 1  
DOUBLE 1536 : OPEN LINE FROM BUS 640267 [MAXWELS7 115.00] TO BUS 640287 [N.PLATT7 115.00] CKT 1  
OPEN LINE FROM BUS 652526 [UTICAJC4 230.00] TO BUS 652626 [UTICAJC7 115.00] TO BUS 652627 [UTICAJC9 13.200] CKT 1  
DOUBLE 1537 : OPEN LINE FROM BUS 640267 [MAXWELS7 115.00] TO BUS 640287 [N.PLATT7 115.00] CKT 1  
OPEN LINE FROM BUS 652532 [YANKTON7 115.00] TO BUS 659121 [SPIRITM7 115.00] CKT 1  
DOUBLE 1538 : OPEN LINE FROM BUS 640267 [MAXWELS7 115.00] TO BUS 640287 [N.PLATT7 115.00] CKT 1  
OPEN LINE FROM BUS 652626 [UTICAJC7 115.00] TO BUS 660006 [YKNTJCT7 115.00] CKT 1  
DOUBLE 1539 : OPEN LINE FROM BUS 640267 [MAXWELS7 115.00] TO BUS 640287 [N.PLATT7 115.00] CKT 1  
OPEN LINE FROM BUS 652626 [UTICAJC7 115.00] TO BUS 660007 [MENNOJT7 115.00] CKT 1  
DOUBLE 1540 : OPEN LINE FROM BUS 640267 [MAXWELS7 115.00] TO BUS 640381 [THEDFRD7 115.00] CKT 1  
OPEN LINE FROM BUS 640284 [N.LOUP 7 115.00] TO BUS 640347 [SPALDNG7 115.00] CKT 1  
DOUBLE 1541 : OPEN LINE FROM BUS 640267 [MAXWELS7 115.00] TO BUS 640381 [THEDFRD7 115.00] CKT 1  
OPEN LINE FROM BUS 640286 [N.PLATT4 230.00] TO BUS 640287 [N.PLATT7 115.00] CKT 2  
DOUBLE 1542 : OPEN LINE FROM BUS 640267 [MAXWELS7 115.00] TO BUS 640381 [THEDFRD7 115.00] CKT 1  
OPEN LINE FROM BUS 640293 [NELIGH 7 115.00] TO BUS 640444 [PETERSBRG.N7115.00] CKT 1  
DOUBLE 1543 : OPEN LINE FROM BUS 640267 [MAXWELS7 115.00] TO BUS 640381 [THEDFRD7 115.00] CKT 1  
OPEN LINE FROM BUS 640298 [NORFOLK7 115.00] TO BUS 643001 [MADISONCNTY7115.00] CKT 1  
DOUBLE 1544 : OPEN LINE FROM BUS 640267 [MAXWELS7 115.00] TO BUS 640381 [THEDFRD7 115.00] CKT 1  
OPEN LINE FROM BUS 640318 [PETRSG7 115.00] TO BUS 640444 [PETERSBRG.N7115.00] CKT 1  
DOUBLE 1545 : OPEN LINE FROM BUS 640267 [MAXWELS7 115.00] TO BUS 640381 [THEDFRD7 115.00] CKT 1  
OPEN LINE FROM BUS 640444 [PETERSBRG.N7115.00] TO BUS 643001 [MADISONCNTY7115.00] CKT 1  
DOUBLE 1546 : OPEN LINE FROM BUS 640267 [MAXWELS7 115.00] TO BUS 640381 [THEDFRD7 115.00] CKT 1  
OPEN LINE FROM BUS 643000 [MADISONCNTY4230.00] TO BUS 652509 [FTRANDL4 230.00] CKT 1  
DOUBLE 1547 : OPEN LINE FROM BUS 640267 [MAXWELS7 115.00] TO BUS 640381 [THEDFRD7 115.00] CKT 1  
OPEN LINE FROM BUS 652507 [FTTHOMP4 230.00] TO BUS 652509 [FTRANDL4 230.00] CKT 1  
DOUBLE 1548 : OPEN LINE FROM BUS 640267 [MAXWELS7 115.00] TO BUS 640381 [THEDFRD7 115.00] CKT 1  
OPEN LINE FROM BUS 652507 [FTTHOMP4 230.00] TO BUS 652516 [LAKPLAT4 230.00] CKT 1  
DOUBLE 1549 : OPEN LINE FROM BUS 640267 [MAXWELS7 115.00] TO BUS 640381 [THEDFRD7 115.00] CKT 1  
OPEN LINE FROM BUS 652509 [FTRANDL4 230.00] TO BUS 652510 [FTRANDL7 115.00] CKT 1  
DOUBLE 1550 : OPEN LINE FROM BUS 640267 [MAXWELS7 115.00] TO BUS 640381 [THEDFRD7 115.00] CKT 1  
OPEN LINE FROM BUS 652509 [FTRANDL4 230.00] TO BUS 652510 [FTRANDL7 115.00] CKT 2  
DOUBLE 1551 : OPEN LINE FROM BUS 640267 [MAXWELS7 115.00] TO BUS 640381 [THEDFRD7 115.00] CKT 1  
OPEN LINE FROM BUS 652509 [FTRANDL4 230.00] TO BUS 652516 [LAKPLAT4 230.00] CKT 1  
DOUBLE 1552 : OPEN LINE FROM BUS 640267 [MAXWELS7 115.00] TO BUS 640381 [THEDFRD7 115.00] CKT 1  
OPEN LINE FROM BUS 652509 [FTRANDL4 230.00] TO BUS 652526 [UTICAJC4 230.00] CKT 1  
DOUBLE 1553 : OPEN LINE FROM BUS 640267 [MAXWELS7 115.00] TO BUS 640381 [THEDFRD7 115.00] CKT 1  
OPEN LINE FROM BUS 652509 [FTRANDL4 230.00] TO BUS 652565 [SIOUXCY4 230.00] CKT 1  
DOUBLE 1554 : OPEN LINE FROM BUS 640267 [MAXWELS7 115.00] TO BUS 640381 [THEDFRD7 115.00] CKT 1  
OPEN LINE FROM BUS 652511 [GAVINS 7 115.00] TO BUS 652532 [YANKTON7 115.00] CKT 1  
DOUBLE 1555 : OPEN LINE FROM BUS 640267 [MAXWELS7 115.00] TO BUS 640381 [THEDFRD7 115.00] CKT 1  
OPEN LINE FROM BUS 652511 [GAVINS 7 115.00] TO BUS 660006 [YKNTJCT7 115.00] CKT 1  
DOUBLE 1556 : OPEN LINE FROM BUS 640267 [MAXWELS7 115.00] TO BUS 640381 [THEDFRD7 115.00] CKT 1  
OPEN LINE FROM BUS 652517 [MANNING7 115.00] TO BUS 659121 [SPIRITM7 115.00] CKT 1  
DOUBLE 1557 : OPEN LINE FROM BUS 640267 [MAXWELS7 115.00] TO BUS 640381 [THEDFRD7 115.00] CKT 1  
OPEN LINE FROM BUS 652526 [UTICAJC4 230.00] TO BUS 652626 [UTICAJC7 115.00] TO BUS 652627 [UTICAJC9 13.200] CKT 1  
DOUBLE 1558 : OPEN LINE FROM BUS 640267 [MAXWELS7 115.00] TO BUS 640381 [THEDFRD7 115.00] CKT 1

OPEN LINE FROM BUS 652532 [YANKTON7 115.00] TO BUS 659121 [SPIRITM7 115.00] CKT 1  
DOUBLE 1559 : OPEN LINE FROM BUS 640267 [MAXWELS7 115.00] TO BUS 640381 [THEDFRD7 115.00] CKT 1  
OPEN LINE FROM BUS 652626 [UTICAJC7 115.00] TO BUS 660006 [YKNTJCT7 115.00] CKT 1  
DOUBLE 1560 : OPEN LINE FROM BUS 640267 [MAXWELS7 115.00] TO BUS 640381 [THEDFRD7 115.00] CKT 1  
OPEN LINE FROM BUS 652626 [UTICAJC7 115.00] TO BUS 660007 [MENNOJT7 115.00] CKT 1  
DOUBLE 1561 : OPEN LINE FROM BUS 640284 [N.LOUP 7 115.00] TO BUS 640347 [SPALDNG7 115.00] CKT 1  
OPEN LINE FROM BUS 640286 [N.PLATT4 230.00] TO BUS 640287 [N.PLATT7 115.00] CKT 2  
DOUBLE 1562 : OPEN LINE FROM BUS 640284 [N.LOUP 7 115.00] TO BUS 640347 [SPALDNG7 115.00] CKT 1  
OPEN LINE FROM BUS 640293 [NELIGH 7 115.00] TO BUS 640444 [PETERSBRG.N7115.00] CKT 1  
DOUBLE 1563 : OPEN LINE FROM BUS 640284 [N.LOUP 7 115.00] TO BUS 640347 [SPALDNG7 115.00] CKT 1  
OPEN LINE FROM BUS 640298 [NORFOLK7 115.00] TO BUS 643001 [MADISONCNTY7115.00] CKT 1  
DOUBLE 1564 : OPEN LINE FROM BUS 640284 [N.LOUP 7 115.00] TO BUS 640347 [SPALDNG7 115.00] CKT 1  
OPEN LINE FROM BUS 640318 [PETERSBG7 115.00] TO BUS 640444 [PETERSBRG.N7115.00] CKT 1  
DOUBLE 1565 : OPEN LINE FROM BUS 640284 [N.LOUP 7 115.00] TO BUS 640347 [SPALDNG7 115.00] CKT 1  
OPEN LINE FROM BUS 640444 [PETERSBRG.N7115.00] TO BUS 643001 [MADISONCNTY7115.00] CKT 1  
DOUBLE 1566 : OPEN LINE FROM BUS 640284 [N.LOUP 7 115.00] TO BUS 640347 [SPALDNG7 115.00] CKT 1  
OPEN LINE FROM BUS 643000 [MADISONCNTY4230.00] TO BUS 652509 [FTRANDL4 230.00] CKT 1  
DOUBLE 1567 : OPEN LINE FROM BUS 640284 [N.LOUP 7 115.00] TO BUS 640347 [SPALDNG7 115.00] CKT 1  
OPEN LINE FROM BUS 652507 [FTTHOMP4 230.00] TO BUS 652509 [FTRANDL4 230.00] CKT 1  
DOUBLE 1568 : OPEN LINE FROM BUS 640284 [N.LOUP 7 115.00] TO BUS 640347 [SPALDNG7 115.00] CKT 1  
OPEN LINE FROM BUS 652507 [FTTHOMP4 230.00] TO BUS 652516 [LAKPLAT4 230.00] CKT 1  
DOUBLE 1569 : OPEN LINE FROM BUS 640284 [N.LOUP 7 115.00] TO BUS 640347 [SPALDNG7 115.00] CKT 1  
OPEN LINE FROM BUS 652509 [FTRANDL4 230.00] TO BUS 652510 [FTRANDL7 115.00] CKT 1  
DOUBLE 1570 : OPEN LINE FROM BUS 640284 [N.LOUP 7 115.00] TO BUS 640347 [SPALDNG7 115.00] CKT 1  
OPEN LINE FROM BUS 652509 [FTRANDL4 230.00] TO BUS 652510 [FTRANDL7 115.00] CKT 2  
DOUBLE 1571 : OPEN LINE FROM BUS 640284 [N.LOUP 7 115.00] TO BUS 640347 [SPALDNG7 115.00] CKT 1  
OPEN LINE FROM BUS 652509 [FTRANDL4 230.00] TO BUS 652516 [LAKPLAT4 230.00] CKT 1  
DOUBLE 1572 : OPEN LINE FROM BUS 640284 [N.LOUP 7 115.00] TO BUS 640347 [SPALDNG7 115.00] CKT 1  
OPEN LINE FROM BUS 652509 [FTRANDL4 230.00] TO BUS 652526 [UTICAJC4 230.00] CKT 1  
DOUBLE 1573 : OPEN LINE FROM BUS 640284 [N.LOUP 7 115.00] TO BUS 640347 [SPALDNG7 115.00] CKT 1  
OPEN LINE FROM BUS 652509 [FTRANDL4 230.00] TO BUS 652565 [SIOUXCY4 230.00] CKT 1  
DOUBLE 1574 : OPEN LINE FROM BUS 640284 [N.LOUP 7 115.00] TO BUS 640347 [SPALDNG7 115.00] CKT 1  
OPEN LINE FROM BUS 652511 [GAVINS 7 115.00] TO BUS 652532 [YANKTON7 115.00] CKT 1  
DOUBLE 1575 : OPEN LINE FROM BUS 640284 [N.LOUP 7 115.00] TO BUS 640347 [SPALDNG7 115.00] CKT 1  
OPEN LINE FROM BUS 652511 [GAVINS 7 115.00] TO BUS 660006 [YKNTJCT7 115.00] CKT 1  
DOUBLE 1576 : OPEN LINE FROM BUS 640284 [N.LOUP 7 115.00] TO BUS 640347 [SPALDNG7 115.00] CKT 1  
OPEN LINE FROM BUS 652517 [MANNING7 115.00] TO BUS 659121 [SPIRITM7 115.00] CKT 1  
DOUBLE 1577 : OPEN LINE FROM BUS 640284 [N.LOUP 7 115.00] TO BUS 640347 [SPALDNG7 115.00] CKT 1  
OPEN LINE FROM BUS 652526 [UTICAJC4 230.00] TO BUS 652626 [UTICAJC7 115.00] TO BUS 652627 [UTICAJC9 13.200] CKT 1  
DOUBLE 1578 : OPEN LINE FROM BUS 640284 [N.LOUP 7 115.00] TO BUS 640347 [SPALDNG7 115.00] CKT 1  
OPEN LINE FROM BUS 652532 [YANKTON7 115.00] TO BUS 659121 [SPIRITM7 115.00] CKT 1  
DOUBLE 1579 : OPEN LINE FROM BUS 640284 [N.LOUP 7 115.00] TO BUS 640347 [SPALDNG7 115.00] CKT 1  
OPEN LINE FROM BUS 652626 [UTICAJC7 115.00] TO BUS 660006 [YKNTJCT7 115.00] CKT 1  
DOUBLE 1580 : OPEN LINE FROM BUS 640284 [N.LOUP 7 115.00] TO BUS 640347 [SPALDNG7 115.00] CKT 1  
OPEN LINE FROM BUS 652626 [UTICAJC7 115.00] TO BUS 660007 [MENNOJT7 115.00] CKT 1  
DOUBLE 1581 : OPEN LINE FROM BUS 640286 [N.PLATT4 230.00] TO BUS 640287 [N.PLATT7 115.00] CKT 2  
OPEN LINE FROM BUS 640293 [NELIGH 7 115.00] TO BUS 640444 [PETERSBRG.N7115.00] CKT 1  
DOUBLE 1582 : OPEN LINE FROM BUS 640286 [N.PLATT4 230.00] TO BUS 640287 [N.PLATT7 115.00] CKT 2

OPEN LINE FROM BUS 640298 [NORFOLK7 115.00] TO BUS 643001 [MADISONCNTY7115.00] CKT 1  
DOUBLE 1583 : OPEN LINE FROM BUS 640286 [N.PLATT4 230.00] TO BUS 640287 [N.PLATT7 115.00] CKT 2  
OPEN LINE FROM BUS 640318 [PETERSBG7 115.00] TO BUS 640444 [PETERSBRG.N7115.00] CKT 1  
DOUBLE 1584 : OPEN LINE FROM BUS 640286 [N.PLATT4 230.00] TO BUS 640287 [N.PLATT7 115.00] CKT 2  
OPEN LINE FROM BUS 640444 [PETERSBRG.N7115.00] TO BUS 643001 [MADISONCNTY7115.00] CKT 1  
DOUBLE 1585 : OPEN LINE FROM BUS 640286 [N.PLATT4 230.00] TO BUS 640287 [N.PLATT7 115.00] CKT 2  
OPEN LINE FROM BUS 643000 [MADISONCNTY4230.00] TO BUS 652509 [FTRANDL4 230.00] CKT 1  
DOUBLE 1586 : OPEN LINE FROM BUS 640286 [N.PLATT4 230.00] TO BUS 640287 [N.PLATT7 115.00] CKT 2  
OPEN LINE FROM BUS 652507 [FTTHOMP4 230.00] TO BUS 652509 [FTRANDL4 230.00] CKT 1  
DOUBLE 1587 : OPEN LINE FROM BUS 640286 [N.PLATT4 230.00] TO BUS 640287 [N.PLATT7 115.00] CKT 2  
OPEN LINE FROM BUS 652507 [FTTHOMP4 230.00] TO BUS 652516 [LAKPLAT4 230.00] CKT 1  
DOUBLE 1588 : OPEN LINE FROM BUS 640286 [N.PLATT4 230.00] TO BUS 640287 [N.PLATT7 115.00] CKT 2  
OPEN LINE FROM BUS 652509 [FTRANDL4 230.00] TO BUS 652510 [FTRANDL7 115.00] CKT 1  
DOUBLE 1589 : OPEN LINE FROM BUS 640286 [N.PLATT4 230.00] TO BUS 640287 [N.PLATT7 115.00] CKT 2  
OPEN LINE FROM BUS 652509 [FTRANDL4 230.00] TO BUS 652510 [FTRANDL7 115.00] CKT 2  
DOUBLE 1590 : OPEN LINE FROM BUS 640286 [N.PLATT4 230.00] TO BUS 640287 [N.PLATT7 115.00] CKT 2  
OPEN LINE FROM BUS 652509 [FTRANDL4 230.00] TO BUS 652516 [LAKPLAT4 230.00] CKT 1  
DOUBLE 1591 : OPEN LINE FROM BUS 640286 [N.PLATT4 230.00] TO BUS 640287 [N.PLATT7 115.00] CKT 2  
OPEN LINE FROM BUS 652509 [FTRANDL4 230.00] TO BUS 652526 [UTICAJC4 230.00] CKT 1  
DOUBLE 1592 : OPEN LINE FROM BUS 640286 [N.PLATT4 230.00] TO BUS 640287 [N.PLATT7 115.00] CKT 2  
OPEN LINE FROM BUS 652509 [FTRANDL4 230.00] TO BUS 652565 [SIOUXCY4 230.00] CKT 1  
DOUBLE 1593 : OPEN LINE FROM BUS 640286 [N.PLATT4 230.00] TO BUS 640287 [N.PLATT7 115.00] CKT 2  
OPEN LINE FROM BUS 652511 [GAVINS 7 115.00] TO BUS 652532 [YANKTON7 115.00] CKT 1  
DOUBLE 1594 : OPEN LINE FROM BUS 640286 [N.PLATT4 230.00] TO BUS 640287 [N.PLATT7 115.00] CKT 2  
OPEN LINE FROM BUS 652511 [GAVINS 7 115.00] TO BUS 660006 [YKNTJCT7 115.00] CKT 1  
DOUBLE 1595 : OPEN LINE FROM BUS 640286 [N.PLATT4 230.00] TO BUS 640287 [N.PLATT7 115.00] CKT 2  
OPEN LINE FROM BUS 652517 [MANNING7 115.00] TO BUS 659121 [SPIRITM7 115.00] CKT 1  
DOUBLE 1596 : OPEN LINE FROM BUS 640286 [N.PLATT4 230.00] TO BUS 640287 [N.PLATT7 115.00] CKT 2  
OPEN LINE FROM BUS 652526 [UTICAJC4 230.00] TO BUS 652626 [UTICAJC7 115.00] TO BUS 652627 [UTICAJC9 13.200] CKT 1  
DOUBLE 1597 : OPEN LINE FROM BUS 640286 [N.PLATT4 230.00] TO BUS 640287 [N.PLATT7 115.00] CKT 2  
OPEN LINE FROM BUS 652532 [YANKTON7 115.00] TO BUS 659121 [SPIRITM7 115.00] CKT 1  
DOUBLE 1598 : OPEN LINE FROM BUS 640286 [N.PLATT4 230.00] TO BUS 640287 [N.PLATT7 115.00] CKT 2  
OPEN LINE FROM BUS 652626 [UTICAJC7 115.00] TO BUS 660006 [YKNTJCT7 115.00] CKT 1  
DOUBLE 1599 : OPEN LINE FROM BUS 640286 [N.PLATT4 230.00] TO BUS 640287 [N.PLATT7 115.00] CKT 2  
OPEN LINE FROM BUS 652626 [UTICAJC7 115.00] TO BUS 660007 [MENNOJT7 115.00] CKT 1  
DOUBLE 1600 : OPEN LINE FROM BUS 640293 [NELIGH 7 115.00] TO BUS 640444 [PETERSBRG.N7115.00] CKT 1  
OPEN LINE FROM BUS 640298 [NORFOLK7 115.00] TO BUS 643001 [MADISONCNTY7115.00] CKT 1  
DOUBLE 1601 : OPEN LINE FROM BUS 640293 [NELIGH 7 115.00] TO BUS 640444 [PETERSBRG.N7115.00] CKT 1  
OPEN LINE FROM BUS 640318 [PETERSBG7 115.00] TO BUS 640444 [PETERSBRG.N7115.00] CKT 1  
DOUBLE 1602 : OPEN LINE FROM BUS 640293 [NELIGH 7 115.00] TO BUS 640444 [PETERSBRG.N7115.00] CKT 1  
OPEN LINE FROM BUS 640444 [PETERSBRG.N7115.00] TO BUS 643001 [MADISONCNTY7115.00] CKT 1  
DOUBLE 1603 : OPEN LINE FROM BUS 640293 [NELIGH 7 115.00] TO BUS 640444 [PETERSBRG.N7115.00] CKT 1  
OPEN LINE FROM BUS 643000 [MADISONCNTY4230.00] TO BUS 652509 [FTRANDL4 230.00] CKT 1  
DOUBLE 1604 : OPEN LINE FROM BUS 640293 [NELIGH 7 115.00] TO BUS 640444 [PETERSBRG.N7115.00] CKT 1  
OPEN LINE FROM BUS 652507 [FTTHOMP4 230.00] TO BUS 652509 [FTRANDL4 230.00] CKT 1  
DOUBLE 1605 : OPEN LINE FROM BUS 640293 [NELIGH 7 115.00] TO BUS 640444 [PETERSBRG.N7115.00] CKT 1  
OPEN LINE FROM BUS 652507 [FTTHOMP4 230.00] TO BUS 652516 [LAKPLAT4 230.00] CKT 1  
DOUBLE 1606 : OPEN LINE FROM BUS 640293 [NELIGH 7 115.00] TO BUS 640444 [PETERSBRG.N7115.00] CKT 1



OPEN LINE FROM BUS 652509 [FTRANDL4 230.00] TO BUS 652510 [FTRANDL7 115.00] CKT 1  
DOUBLE 1607 : OPEN LINE FROM BUS 640293 [NELIGH 7 115.00] TO BUS 640444 [PETERSBRG.N7115.00] CKT 1  
OPEN LINE FROM BUS 652509 [FTRANDL4 230.00] TO BUS 652510 [FTRANDL7 115.00] CKT 2  
DOUBLE 1608 : OPEN LINE FROM BUS 640293 [NELIGH 7 115.00] TO BUS 640444 [PETERSBRG.N7115.00] CKT 1  
OPEN LINE FROM BUS 652509 [FTRANDL4 230.00] TO BUS 652516 [LAKPLAT4 230.00] CKT 1  
DOUBLE 1609 : OPEN LINE FROM BUS 640293 [NELIGH 7 115.00] TO BUS 640444 [PETERSBRG.N7115.00] CKT 1  
OPEN LINE FROM BUS 652509 [FTRANDL4 230.00] TO BUS 652526 [UTICAJC4 230.00] CKT 1  
DOUBLE 1610 : OPEN LINE FROM BUS 640293 [NELIGH 7 115.00] TO BUS 640444 [PETERSBRG.N7115.00] CKT 1  
OPEN LINE FROM BUS 652509 [FTRANDL4 230.00] TO BUS 652565 [SIOUXCY4 230.00] CKT 1  
DOUBLE 1611 : OPEN LINE FROM BUS 640293 [NELIGH 7 115.00] TO BUS 640444 [PETERSBRG.N7115.00] CKT 1  
OPEN LINE FROM BUS 652511 [GAVINS 7 115.00] TO BUS 652532 [YANKTON7 115.00] CKT 1  
DOUBLE 1612 : OPEN LINE FROM BUS 640293 [NELIGH 7 115.00] TO BUS 640444 [PETERSBRG.N7115.00] CKT 1  
OPEN LINE FROM BUS 652511 [GAVINS 7 115.00] TO BUS 660006 [YKNTJCT7 115.00] CKT 1  
DOUBLE 1613 : OPEN LINE FROM BUS 640293 [NELIGH 7 115.00] TO BUS 640444 [PETERSBRG.N7115.00] CKT 1  
OPEN LINE FROM BUS 652517 [MANNING7 115.00] TO BUS 659121 [SPIRITM7 115.00] CKT 1  
DOUBLE 1614 : OPEN LINE FROM BUS 640293 [NELIGH 7 115.00] TO BUS 640444 [PETERSBRG.N7115.00] CKT 1  
OPEN LINE FROM BUS 652526 [UTICAJC4 230.00] TO BUS 652626 [UTICAJC7 115.00] TO BUS 652627 [UTICAJC9 13.200] CKT 1  
DOUBLE 1615 : OPEN LINE FROM BUS 640293 [NELIGH 7 115.00] TO BUS 640444 [PETERSBRG.N7115.00] CKT 1  
OPEN LINE FROM BUS 652532 [YANKTON7 115.00] TO BUS 659121 [SPIRITM7 115.00] CKT 1  
DOUBLE 1616 : OPEN LINE FROM BUS 640293 [NELIGH 7 115.00] TO BUS 640444 [PETERSBRG.N7115.00] CKT 1  
OPEN LINE FROM BUS 652626 [UTICAJC7 115.00] TO BUS 660006 [YKNTJCT7 115.00] CKT 1  
DOUBLE 1617 : OPEN LINE FROM BUS 640293 [NELIGH 7 115.00] TO BUS 640444 [PETERSBRG.N7115.00] CKT 1  
OPEN LINE FROM BUS 652626 [UTICAJC7 115.00] TO BUS 660007 [MENNOJT7 115.00] CKT 1  
DOUBLE 1618 : OPEN LINE FROM BUS 640298 [NORFOLK7 115.00] TO BUS 643001 [MADISONCNTY7115.00] CKT 1  
OPEN LINE FROM BUS 640318 [PETERSBG7 115.00] TO BUS 640444 [PETERSBRG.N7115.00] CKT 1  
DOUBLE 1619 : OPEN LINE FROM BUS 640298 [NORFOLK7 115.00] TO BUS 643001 [MADISONCNTY7115.00] CKT 1  
OPEN LINE FROM BUS 640444 [PETERSBRG.N7115.00] TO BUS 643001 [MADISONCNTY7115.00] CKT 1  
DOUBLE 1620 : OPEN LINE FROM BUS 640298 [NORFOLK7 115.00] TO BUS 643001 [MADISONCNTY7115.00] CKT 1  
OPEN LINE FROM BUS 643000 [MADISONCNTY4230.00] TO BUS 652509 [FTRANDL4 230.00] CKT 1  
DOUBLE 1621 : OPEN LINE FROM BUS 640298 [NORFOLK7 115.00] TO BUS 643001 [MADISONCNTY7115.00] CKT 1  
OPEN LINE FROM BUS 652507 [FTTHOMP4 230.00] TO BUS 652509 [FTRANDL4 230.00] CKT 1  
DOUBLE 1622 : OPEN LINE FROM BUS 640298 [NORFOLK7 115.00] TO BUS 643001 [MADISONCNTY7115.00] CKT 1  
OPEN LINE FROM BUS 652507 [FTTHOMP4 230.00] TO BUS 652516 [LAKPLAT4 230.00] CKT 1  
DOUBLE 1623 : OPEN LINE FROM BUS 640298 [NORFOLK7 115.00] TO BUS 643001 [MADISONCNTY7115.00] CKT 1  
OPEN LINE FROM BUS 652509 [FTRANDL4 230.00] TO BUS 652510 [FTRANDL7 115.00] CKT 1  
DOUBLE 1624 : OPEN LINE FROM BUS 640298 [NORFOLK7 115.00] TO BUS 643001 [MADISONCNTY7115.00] CKT 1  
OPEN LINE FROM BUS 652509 [FTRANDL4 230.00] TO BUS 652510 [FTRANDL7 115.00] CKT 2  
DOUBLE 1625 : OPEN LINE FROM BUS 640298 [NORFOLK7 115.00] TO BUS 643001 [MADISONCNTY7115.00] CKT 1  
OPEN LINE FROM BUS 652509 [FTRANDL4 230.00] TO BUS 652516 [LAKPLAT4 230.00] CKT 1  
DOUBLE 1626 : OPEN LINE FROM BUS 640298 [NORFOLK7 115.00] TO BUS 643001 [MADISONCNTY7115.00] CKT 1  
OPEN LINE FROM BUS 652509 [FTRANDL4 230.00] TO BUS 652526 [UTICAJC4 230.00] CKT 1  
DOUBLE 1627 : OPEN LINE FROM BUS 640298 [NORFOLK7 115.00] TO BUS 643001 [MADISONCNTY7115.00] CKT 1  
OPEN LINE FROM BUS 652509 [FTRANDL4 230.00] TO BUS 652565 [SIOUXCY4 230.00] CKT 1  
DOUBLE 1628 : OPEN LINE FROM BUS 640298 [NORFOLK7 115.00] TO BUS 643001 [MADISONCNTY7115.00] CKT 1  
OPEN LINE FROM BUS 652511 [GAVINS 7 115.00] TO BUS 652532 [YANKTON7 115.00] CKT 1  
DOUBLE 1629 : OPEN LINE FROM BUS 640298 [NORFOLK7 115.00] TO BUS 643001 [MADISONCNTY7115.00] CKT 1  
OPEN LINE FROM BUS 652511 [GAVINS 7 115.00] TO BUS 660006 [YKNTJCT7 115.00] CKT 1  
DOUBLE 1630 : OPEN LINE FROM BUS 640298 [NORFOLK7 115.00] TO BUS 643001 [MADISONCNTY7115.00] CKT 1

OPEN LINE FROM BUS 652517 [MANNING7 115.00] TO BUS 659121 [SPIRITM7 115.00] CKT 1  
DOUBLE 1631 : OPEN LINE FROM BUS 640298 [NORFOLK7 115.00] TO BUS 643001 [MADISONCNTY7115.00] CKT 1  
OPEN LINE FROM BUS 652526 [UTICAJC4 230.00] TO BUS 652626 [UTICAJC7 115.00] TO BUS 652627 [UTICAJC9 13.200] CKT 1  
DOUBLE 1632 : OPEN LINE FROM BUS 640298 [NORFOLK7 115.00] TO BUS 643001 [MADISONCNTY7115.00] CKT 1  
OPEN LINE FROM BUS 652532 [YANKTON7 115.00] TO BUS 659121 [SPIRITM7 115.00] CKT 1  
DOUBLE 1633 : OPEN LINE FROM BUS 640298 [NORFOLK7 115.00] TO BUS 643001 [MADISONCNTY7115.00] CKT 1  
OPEN LINE FROM BUS 652626 [UTICAJC7 115.00] TO BUS 660006 [YKNTJCT7 115.00] CKT 1  
DOUBLE 1634 : OPEN LINE FROM BUS 640298 [NORFOLK7 115.00] TO BUS 643001 [MADISONCNTY7115.00] CKT 1  
OPEN LINE FROM BUS 652626 [UTICAJC7 115.00] TO BUS 660007 [MENNOJT7 115.00] CKT 1  
DOUBLE 1635 : OPEN LINE FROM BUS 640318 [PETERSBG7 115.00] TO BUS 640444 [PETERSBRG.N7115.00] CKT 1  
OPEN LINE FROM BUS 640444 [PETERSBRG.N7115.00] TO BUS 643001 [MADISONCNTY7115.00] CKT 1  
DOUBLE 1636 : OPEN LINE FROM BUS 640318 [PETERSBG7 115.00] TO BUS 640444 [PETERSBRG.N7115.00] CKT 1  
OPEN LINE FROM BUS 643000 [MADISONCNTY4230.00] TO BUS 652509 [FTRANDL4 230.00] CKT 1  
DOUBLE 1637 : OPEN LINE FROM BUS 640318 [PETERSBG7 115.00] TO BUS 640444 [PETERSBRG.N7115.00] CKT 1  
OPEN LINE FROM BUS 652507 [FTTHOMP4 230.00] TO BUS 652509 [FTRANDL4 230.00] CKT 1  
DOUBLE 1638 : OPEN LINE FROM BUS 640318 [PETERSBG7 115.00] TO BUS 640444 [PETERSBRG.N7115.00] CKT 1  
OPEN LINE FROM BUS 652507 [FTTHOMP4 230.00] TO BUS 652516 [LAKPLAT4 230.00] CKT 1  
DOUBLE 1639 : OPEN LINE FROM BUS 640318 [PETERSBG7 115.00] TO BUS 640444 [PETERSBRG.N7115.00] CKT 1  
OPEN LINE FROM BUS 652509 [FTRANDL4 230.00] TO BUS 652510 [FTRANDL7 115.00] CKT 1  
DOUBLE 1640 : OPEN LINE FROM BUS 640318 [PETERSBG7 115.00] TO BUS 640444 [PETERSBRG.N7115.00] CKT 1  
OPEN LINE FROM BUS 652509 [FTRANDL4 230.00] TO BUS 652510 [FTRANDL7 115.00] CKT 2  
DOUBLE 1641 : OPEN LINE FROM BUS 640318 [PETERSBG7 115.00] TO BUS 640444 [PETERSBRG.N7115.00] CKT 1  
OPEN LINE FROM BUS 652509 [FTRANDL4 230.00] TO BUS 652516 [LAKPLAT4 230.00] CKT 1  
DOUBLE 1642 : OPEN LINE FROM BUS 640318 [PETERSBG7 115.00] TO BUS 640444 [PETERSBRG.N7115.00] CKT 1  
OPEN LINE FROM BUS 652509 [FTRANDL4 230.00] TO BUS 652526 [UTICAJC4 230.00] CKT 1  
DOUBLE 1643 : OPEN LINE FROM BUS 640318 [PETERSBG7 115.00] TO BUS 640444 [PETERSBRG.N7115.00] CKT 1  
OPEN LINE FROM BUS 652509 [FTRANDL4 230.00] TO BUS 652565 [SIOUXCY4 230.00] CKT 1  
DOUBLE 1644 : OPEN LINE FROM BUS 640318 [PETERSBG7 115.00] TO BUS 640444 [PETERSBRG.N7115.00] CKT 1  
OPEN LINE FROM BUS 652511 [GAVINS 7 115.00] TO BUS 652532 [YANKTON7 115.00] CKT 1  
DOUBLE 1645 : OPEN LINE FROM BUS 640318 [PETERSBG7 115.00] TO BUS 640444 [PETERSBRG.N7115.00] CKT 1  
OPEN LINE FROM BUS 652511 [GAVINS 7 115.00] TO BUS 660006 [YKNTJCT7 115.00] CKT 1  
DOUBLE 1646 : OPEN LINE FROM BUS 640318 [PETERSBG7 115.00] TO BUS 640444 [PETERSBRG.N7115.00] CKT 1  
OPEN LINE FROM BUS 652517 [MANNING7 115.00] TO BUS 659121 [SPIRITM7 115.00] CKT 1  
DOUBLE 1647 : OPEN LINE FROM BUS 640318 [PETERSBG7 115.00] TO BUS 640444 [PETERSBRG.N7115.00] CKT 1  
OPEN LINE FROM BUS 652526 [UTICAJC4 230.00] TO BUS 652626 [UTICAJC7 115.00] TO BUS 652627 [UTICAJC9 13.200] CKT 1  
DOUBLE 1648 : OPEN LINE FROM BUS 640318 [PETERSBG7 115.00] TO BUS 640444 [PETERSBRG.N7115.00] CKT 1  
OPEN LINE FROM BUS 652532 [YANKTON7 115.00] TO BUS 659121 [SPIRITM7 115.00] CKT 1  
DOUBLE 1649 : OPEN LINE FROM BUS 640318 [PETERSBG7 115.00] TO BUS 640444 [PETERSBRG.N7115.00] CKT 1  
OPEN LINE FROM BUS 652626 [UTICAJC7 115.00] TO BUS 660006 [YKNTJCT7 115.00] CKT 1  
DOUBLE 1650 : OPEN LINE FROM BUS 640318 [PETERSBG7 115.00] TO BUS 640444 [PETERSBRG.N7115.00] CKT 1  
OPEN LINE FROM BUS 652626 [UTICAJC7 115.00] TO BUS 660007 [MENNOJT7 115.00] CKT 1  
DOUBLE 1651 : OPEN LINE FROM BUS 640444 [PETERSBRG.N7115.00] TO BUS 643001 [MADISONCNTY7115.00] CKT 1  
OPEN LINE FROM BUS 643000 [MADISONCNTY4230.00] TO BUS 652509 [FTRANDL4 230.00] CKT 1  
DOUBLE 1652 : OPEN LINE FROM BUS 640444 [PETERSBRG.N7115.00] TO BUS 643001 [MADISONCNTY7115.00] CKT 1  
OPEN LINE FROM BUS 652507 [FTTHOMP4 230.00] TO BUS 652509 [FTRANDL4 230.00] CKT 1  
DOUBLE 1653 : OPEN LINE FROM BUS 640444 [PETERSBRG.N7115.00] TO BUS 643001 [MADISONCNTY7115.00] CKT 1  
OPEN LINE FROM BUS 652507 [FTTHOMP4 230.00] TO BUS 652516 [LAKPLAT4 230.00] CKT 1  
DOUBLE 1654 : OPEN LINE FROM BUS 640444 [PETERSBRG.N7115.00] TO BUS 643001 [MADISONCNTY7115.00] CKT 1

OPEN LINE FROM BUS 652509 [FTRANDL4 230.00] TO BUS 652510 [FTRANDL7 115.00] CKT 1  
DOUBLE 1655 : OPEN LINE FROM BUS 640444 [PETERSBRG.N7115.00] TO BUS 643001 [MADISONCNTY7115.00] CKT 1  
OPEN LINE FROM BUS 652509 [FTRANDL4 230.00] TO BUS 652510 [FTRANDL7 115.00] CKT 2  
DOUBLE 1656 : OPEN LINE FROM BUS 640444 [PETERSBRG.N7115.00] TO BUS 643001 [MADISONCNTY7115.00] CKT 1  
OPEN LINE FROM BUS 652509 [FTRANDL4 230.00] TO BUS 652516 [LAKPLAT4 230.00] CKT 1  
DOUBLE 1657 : OPEN LINE FROM BUS 640444 [PETERSBRG.N7115.00] TO BUS 643001 [MADISONCNTY7115.00] CKT 1  
OPEN LINE FROM BUS 652509 [FTRANDL4 230.00] TO BUS 652526 [UTICAJC4 230.00] CKT 1  
DOUBLE 1658 : OPEN LINE FROM BUS 640444 [PETERSBRG.N7115.00] TO BUS 643001 [MADISONCNTY7115.00] CKT 1  
OPEN LINE FROM BUS 652509 [FTRANDL4 230.00] TO BUS 652565 [SIOUXCY4 230.00] CKT 1  
DOUBLE 1659 : OPEN LINE FROM BUS 640444 [PETERSBRG.N7115.00] TO BUS 643001 [MADISONCNTY7115.00] CKT 1  
OPEN LINE FROM BUS 652511 [GAVINS 7 115.00] TO BUS 652532 [YANKTON7 115.00] CKT 1  
DOUBLE 1660 : OPEN LINE FROM BUS 640444 [PETERSBRG.N7115.00] TO BUS 643001 [MADISONCNTY7115.00] CKT 1  
OPEN LINE FROM BUS 652511 [GAVINS 7 115.00] TO BUS 660006 [YKNTJCT7 115.00] CKT 1  
DOUBLE 1661 : OPEN LINE FROM BUS 640444 [PETERSBRG.N7115.00] TO BUS 643001 [MADISONCNTY7115.00] CKT 1  
OPEN LINE FROM BUS 652517 [MANNING7 115.00] TO BUS 659121 [SPIRITM7 115.00] CKT 1  
DOUBLE 1662 : OPEN LINE FROM BUS 640444 [PETERSBRG.N7115.00] TO BUS 643001 [MADISONCNTY7115.00] CKT 1  
OPEN LINE FROM BUS 652526 [UTICAJC4 230.00] TO BUS 652626 [UTICAJC7 115.00] TO BUS 652627 [UTICAJC9 13.200] CKT 1  
DOUBLE 1663 : OPEN LINE FROM BUS 640444 [PETERSBRG.N7115.00] TO BUS 643001 [MADISONCNTY7115.00] CKT 1  
OPEN LINE FROM BUS 652532 [YANKTON7 115.00] TO BUS 659121 [SPIRITM7 115.00] CKT 1  
DOUBLE 1664 : OPEN LINE FROM BUS 640444 [PETERSBRG.N7115.00] TO BUS 643001 [MADISONCNTY7115.00] CKT 1  
OPEN LINE FROM BUS 652626 [UTICAJC7 115.00] TO BUS 660006 [YKNTJCT7 115.00] CKT 1  
DOUBLE 1665 : OPEN LINE FROM BUS 640444 [PETERSBRG.N7115.00] TO BUS 643001 [MADISONCNTY7115.00] CKT 1  
OPEN LINE FROM BUS 652626 [UTICAJC7 115.00] TO BUS 660007 [MENNOJT7 115.00] CKT 1  
DOUBLE 1666 : OPEN LINE FROM BUS 643000 [MADISONCNTY4230.00] TO BUS 652509 [FTRANDL4 230.00] CKT 1  
OPEN LINE FROM BUS 652507 [FTTHOMP4 230.00] TO BUS 652509 [FTRANDL4 230.00] CKT 1  
DOUBLE 1667 : OPEN LINE FROM BUS 643000 [MADISONCNTY4230.00] TO BUS 652509 [FTRANDL4 230.00] CKT 1  
OPEN LINE FROM BUS 652507 [FTTHOMP4 230.00] TO BUS 652516 [LAKPLAT4 230.00] CKT 1  
DOUBLE 1668 : OPEN LINE FROM BUS 643000 [MADISONCNTY4230.00] TO BUS 652509 [FTRANDL4 230.00] CKT 1  
OPEN LINE FROM BUS 652509 [FTRANDL4 230.00] TO BUS 652510 [FTRANDL7 115.00] CKT 1  
DOUBLE 1669 : OPEN LINE FROM BUS 643000 [MADISONCNTY4230.00] TO BUS 652509 [FTRANDL4 230.00] CKT 1  
OPEN LINE FROM BUS 652509 [FTRANDL4 230.00] TO BUS 652510 [FTRANDL7 115.00] CKT 2  
DOUBLE 1670 : OPEN LINE FROM BUS 643000 [MADISONCNTY4230.00] TO BUS 652509 [FTRANDL4 230.00] CKT 1  
OPEN LINE FROM BUS 652509 [FTRANDL4 230.00] TO BUS 652516 [LAKPLAT4 230.00] CKT 1  
DOUBLE 1671 : OPEN LINE FROM BUS 643000 [MADISONCNTY4230.00] TO BUS 652509 [FTRANDL4 230.00] CKT 1  
OPEN LINE FROM BUS 652509 [FTRANDL4 230.00] TO BUS 652526 [UTICAJC4 230.00] CKT 1  
DOUBLE 1672 : OPEN LINE FROM BUS 643000 [MADISONCNTY4230.00] TO BUS 652509 [FTRANDL4 230.00] CKT 1  
OPEN LINE FROM BUS 652509 [FTRANDL4 230.00] TO BUS 652565 [SIOUXCY4 230.00] CKT 1  
DOUBLE 1673 : OPEN LINE FROM BUS 643000 [MADISONCNTY4230.00] TO BUS 652509 [FTRANDL4 230.00] CKT 1  
OPEN LINE FROM BUS 652511 [GAVINS 7 115.00] TO BUS 652532 [YANKTON7 115.00] CKT 1  
DOUBLE 1674 : OPEN LINE FROM BUS 643000 [MADISONCNTY4230.00] TO BUS 652509 [FTRANDL4 230.00] CKT 1  
OPEN LINE FROM BUS 652511 [GAVINS 7 115.00] TO BUS 660006 [YKNTJCT7 115.00] CKT 1  
DOUBLE 1675 : OPEN LINE FROM BUS 643000 [MADISONCNTY4230.00] TO BUS 652509 [FTRANDL4 230.00] CKT 1  
OPEN LINE FROM BUS 652517 [MANNING7 115.00] TO BUS 659121 [SPIRITM7 115.00] CKT 1  
DOUBLE 1676 : OPEN LINE FROM BUS 643000 [MADISONCNTY4230.00] TO BUS 652509 [FTRANDL4 230.00] CKT 1  
OPEN LINE FROM BUS 652526 [UTICAJC4 230.00] TO BUS 652626 [UTICAJC7 115.00] TO BUS 652627 [UTICAJC9 13.200] CKT 1  
DOUBLE 1677 : OPEN LINE FROM BUS 643000 [MADISONCNTY4230.00] TO BUS 652509 [FTRANDL4 230.00] CKT 1  
OPEN LINE FROM BUS 652532 [YANKTON7 115.00] TO BUS 659121 [SPIRITM7 115.00] CKT 1  
DOUBLE 1678 : OPEN LINE FROM BUS 643000 [MADISONCNTY4230.00] TO BUS 652509 [FTRANDL4 230.00] CKT 1

OPEN LINE FROM BUS 652626 [UTICAJC7 115.00] TO BUS 660006 [YKNTJCT7 115.00] CKT 1  
DOUBLE 1679 : OPEN LINE FROM BUS 643000 [MADISONCNTY4230.00] TO BUS 652509 [FTRANDL4 230.00] CKT 1  
OPEN LINE FROM BUS 652626 [UTICAJC7 115.00] TO BUS 660007 [MENNOJT7 115.00] CKT 1  
DOUBLE 1680 : OPEN LINE FROM BUS 652507 [FTTHOMP4 230.00] TO BUS 652509 [FTRANDL4 230.00] CKT 1  
OPEN LINE FROM BUS 652507 [FTTHOMP4 230.00] TO BUS 652516 [LAKPLAT4 230.00] CKT 1  
DOUBLE 1681 : OPEN LINE FROM BUS 652507 [FTTHOMP4 230.00] TO BUS 652509 [FTRANDL4 230.00] CKT 1  
OPEN LINE FROM BUS 652509 [FTRANDL4 230.00] TO BUS 652510 [FTRANDL7 115.00] CKT 1  
DOUBLE 1682 : OPEN LINE FROM BUS 652507 [FTTHOMP4 230.00] TO BUS 652509 [FTRANDL4 230.00] CKT 1  
OPEN LINE FROM BUS 652509 [FTRANDL4 230.00] TO BUS 652510 [FTRANDL7 115.00] CKT 2  
DOUBLE 1683 : OPEN LINE FROM BUS 652507 [FTTHOMP4 230.00] TO BUS 652509 [FTRANDL4 230.00] CKT 1  
OPEN LINE FROM BUS 652509 [FTRANDL4 230.00] TO BUS 652516 [LAKPLAT4 230.00] CKT 1  
DOUBLE 1684 : OPEN LINE FROM BUS 652507 [FTTHOMP4 230.00] TO BUS 652509 [FTRANDL4 230.00] CKT 1  
OPEN LINE FROM BUS 652509 [FTRANDL4 230.00] TO BUS 652526 [UTICAJC4 230.00] CKT 1  
DOUBLE 1685 : OPEN LINE FROM BUS 652507 [FTTHOMP4 230.00] TO BUS 652509 [FTRANDL4 230.00] CKT 1  
OPEN LINE FROM BUS 652509 [FTRANDL4 230.00] TO BUS 652565 [SIOUXCY4 230.00] CKT 1  
DOUBLE 1686 : OPEN LINE FROM BUS 652507 [FTTHOMP4 230.00] TO BUS 652509 [FTRANDL4 230.00] CKT 1  
OPEN LINE FROM BUS 652511 [GAVINS 7 115.00] TO BUS 652532 [YANKTON7 115.00] CKT 1  
DOUBLE 1687 : OPEN LINE FROM BUS 652507 [FTTHOMP4 230.00] TO BUS 652509 [FTRANDL4 230.00] CKT 1  
OPEN LINE FROM BUS 652511 [GAVINS 7 115.00] TO BUS 660006 [YKNTJCT7 115.00] CKT 1  
DOUBLE 1688 : OPEN LINE FROM BUS 652507 [FTTHOMP4 230.00] TO BUS 652509 [FTRANDL4 230.00] CKT 1  
OPEN LINE FROM BUS 652517 [MANNING7 115.00] TO BUS 659121 [SPIRITM7 115.00] CKT 1  
DOUBLE 1689 : OPEN LINE FROM BUS 652507 [FTTHOMP4 230.00] TO BUS 652509 [FTRANDL4 230.00] CKT 1  
OPEN LINE FROM BUS 652526 [UTICAJC4 230.00] TO BUS 652626 [UTICAJC7 115.00] TO BUS 652627 [UTICAJC9 13.200] CKT 1  
DOUBLE 1690 : OPEN LINE FROM BUS 652507 [FTTHOMP4 230.00] TO BUS 652509 [FTRANDL4 230.00] CKT 1  
OPEN LINE FROM BUS 652532 [YANKTON7 115.00] TO BUS 659121 [SPIRITM7 115.00] CKT 1  
DOUBLE 1691 : OPEN LINE FROM BUS 652507 [FTTHOMP4 230.00] TO BUS 652509 [FTRANDL4 230.00] CKT 1  
OPEN LINE FROM BUS 652626 [UTICAJC7 115.00] TO BUS 660006 [YKNTJCT7 115.00] CKT 1  
DOUBLE 1692 : OPEN LINE FROM BUS 652507 [FTTHOMP4 230.00] TO BUS 652509 [FTRANDL4 230.00] CKT 1  
OPEN LINE FROM BUS 652626 [UTICAJC7 115.00] TO BUS 660007 [MENNOJT7 115.00] CKT 1  
DOUBLE 1693 : OPEN LINE FROM BUS 652507 [FTTHOMP4 230.00] TO BUS 652516 [LAKPLAT4 230.00] CKT 1  
OPEN LINE FROM BUS 652509 [FTRANDL4 230.00] TO BUS 652510 [FTRANDL7 115.00] CKT 1  
DOUBLE 1694 : OPEN LINE FROM BUS 652507 [FTTHOMP4 230.00] TO BUS 652516 [LAKPLAT4 230.00] CKT 1  
OPEN LINE FROM BUS 652509 [FTRANDL4 230.00] TO BUS 652510 [FTRANDL7 115.00] CKT 2  
DOUBLE 1695 : OPEN LINE FROM BUS 652507 [FTTHOMP4 230.00] TO BUS 652516 [LAKPLAT4 230.00] CKT 1  
OPEN LINE FROM BUS 652509 [FTRANDL4 230.00] TO BUS 652516 [LAKPLAT4 230.00] CKT 1  
DOUBLE 1696 : OPEN LINE FROM BUS 652507 [FTTHOMP4 230.00] TO BUS 652516 [LAKPLAT4 230.00] CKT 1  
OPEN LINE FROM BUS 652509 [FTRANDL4 230.00] TO BUS 652526 [UTICAJC4 230.00] CKT 1  
DOUBLE 1697 : OPEN LINE FROM BUS 652507 [FTTHOMP4 230.00] TO BUS 652516 [LAKPLAT4 230.00] CKT 1  
OPEN LINE FROM BUS 652509 [FTRANDL4 230.00] TO BUS 652565 [SIOUXCY4 230.00] CKT 1  
DOUBLE 1698 : OPEN LINE FROM BUS 652507 [FTTHOMP4 230.00] TO BUS 652516 [LAKPLAT4 230.00] CKT 1  
OPEN LINE FROM BUS 652511 [GAVINS 7 115.00] TO BUS 652532 [YANKTON7 115.00] CKT 1  
DOUBLE 1699 : OPEN LINE FROM BUS 652507 [FTTHOMP4 230.00] TO BUS 652516 [LAKPLAT4 230.00] CKT 1  
OPEN LINE FROM BUS 652511 [GAVINS 7 115.00] TO BUS 660006 [YKNTJCT7 115.00] CKT 1  
DOUBLE 1700 : OPEN LINE FROM BUS 652507 [FTTHOMP4 230.00] TO BUS 652516 [LAKPLAT4 230.00] CKT 1  
OPEN LINE FROM BUS 652517 [MANNING7 115.00] TO BUS 659121 [SPIRITM7 115.00] CKT 1  
DOUBLE 1701 : OPEN LINE FROM BUS 652507 [FTTHOMP4 230.00] TO BUS 652516 [LAKPLAT4 230.00] CKT 1  
OPEN LINE FROM BUS 652526 [UTICAJC4 230.00] TO BUS 652626 [UTICAJC7 115.00] TO BUS 652627 [UTICAJC9 13.200] CKT 1  
DOUBLE 1702 : OPEN LINE FROM BUS 652507 [FTTHOMP4 230.00] TO BUS 652516 [LAKPLAT4 230.00] CKT 1

OPEN LINE FROM BUS 652532 [YANKTON7 115.00] TO BUS 659121 [SPIRITM7 115.00] CKT 1  
DOUBLE 1703 : OPEN LINE FROM BUS 652507 [FTTHOMP4 230.00] TO BUS 652516 [LAKPLAT4 230.00] CKT 1  
OPEN LINE FROM BUS 652626 [UTICAJC7 115.00] TO BUS 660006 [YKNTJCT7 115.00] CKT 1  
DOUBLE 1704 : OPEN LINE FROM BUS 652507 [FTTHOMP4 230.00] TO BUS 652516 [LAKPLAT4 230.00] CKT 1  
OPEN LINE FROM BUS 652626 [UTICAJC7 115.00] TO BUS 660007 [MENNOJT7 115.00] CKT 1  
DOUBLE 1705 : OPEN LINE FROM BUS 652509 [FTRANDL4 230.00] TO BUS 652510 [FTRANDL7 115.00] CKT 1  
OPEN LINE FROM BUS 652509 [FTRANDL4 230.00] TO BUS 652510 [FTRANDL7 115.00] CKT 2  
DOUBLE 1706 : OPEN LINE FROM BUS 652509 [FTRANDL4 230.00] TO BUS 652510 [FTRANDL7 115.00] CKT 1  
OPEN LINE FROM BUS 652509 [FTRANDL4 230.00] TO BUS 652516 [LAKPLAT4 230.00] CKT 1  
DOUBLE 1707 : OPEN LINE FROM BUS 652509 [FTRANDL4 230.00] TO BUS 652510 [FTRANDL7 115.00] CKT 1  
OPEN LINE FROM BUS 652509 [FTRANDL4 230.00] TO BUS 652526 [UTICAJC4 230.00] CKT 1  
DOUBLE 1708 : OPEN LINE FROM BUS 652509 [FTRANDL4 230.00] TO BUS 652510 [FTRANDL7 115.00] CKT 1  
OPEN LINE FROM BUS 652509 [FTRANDL4 230.00] TO BUS 652565 [SIOUXCY4 230.00] CKT 1  
DOUBLE 1709 : OPEN LINE FROM BUS 652509 [FTRANDL4 230.00] TO BUS 652510 [FTRANDL7 115.00] CKT 1  
OPEN LINE FROM BUS 652511 [GAVINS 7 115.00] TO BUS 652532 [YANKTON7 115.00] CKT 1  
DOUBLE 1710 : OPEN LINE FROM BUS 652509 [FTRANDL4 230.00] TO BUS 652510 [FTRANDL7 115.00] CKT 1  
OPEN LINE FROM BUS 652511 [GAVINS 7 115.00] TO BUS 660006 [YKNTJCT7 115.00] CKT 1  
DOUBLE 1711 : OPEN LINE FROM BUS 652509 [FTRANDL4 230.00] TO BUS 652510 [FTRANDL7 115.00] CKT 1  
OPEN LINE FROM BUS 652517 [MANNING7 115.00] TO BUS 659121 [SPIRITM7 115.00] CKT 1  
DOUBLE 1712 : OPEN LINE FROM BUS 652509 [FTRANDL4 230.00] TO BUS 652510 [FTRANDL7 115.00] CKT 1  
OPEN LINE FROM BUS 652526 [UTICAJC4 230.00] TO BUS 652626 [UTICAJC7 115.00] TO BUS 652627 [UTICAJC9 13.200] CKT 1  
DOUBLE 1713 : OPEN LINE FROM BUS 652509 [FTRANDL4 230.00] TO BUS 652510 [FTRANDL7 115.00] CKT 1  
OPEN LINE FROM BUS 652532 [YANKTON7 115.00] TO BUS 659121 [SPIRITM7 115.00] CKT 1  
DOUBLE 1714 : OPEN LINE FROM BUS 652509 [FTRANDL4 230.00] TO BUS 652510 [FTRANDL7 115.00] CKT 1  
OPEN LINE FROM BUS 652626 [UTICAJC7 115.00] TO BUS 660006 [YKNTJCT7 115.00] CKT 1  
DOUBLE 1715 : OPEN LINE FROM BUS 652509 [FTRANDL4 230.00] TO BUS 652510 [FTRANDL7 115.00] CKT 1  
OPEN LINE FROM BUS 652626 [UTICAJC7 115.00] TO BUS 660007 [MENNOJT7 115.00] CKT 1  
DOUBLE 1716 : OPEN LINE FROM BUS 652509 [FTRANDL4 230.00] TO BUS 652510 [FTRANDL7 115.00] CKT 2  
OPEN LINE FROM BUS 652509 [FTRANDL4 230.00] TO BUS 652516 [LAKPLAT4 230.00] CKT 1  
DOUBLE 1717 : OPEN LINE FROM BUS 652509 [FTRANDL4 230.00] TO BUS 652510 [FTRANDL7 115.00] CKT 2  
OPEN LINE FROM BUS 652509 [FTRANDL4 230.00] TO BUS 652526 [UTICAJC4 230.00] CKT 1  
DOUBLE 1718 : OPEN LINE FROM BUS 652509 [FTRANDL4 230.00] TO BUS 652510 [FTRANDL7 115.00] CKT 2  
OPEN LINE FROM BUS 652509 [FTRANDL4 230.00] TO BUS 652565 [SIOUXCY4 230.00] CKT 1  
DOUBLE 1719 : OPEN LINE FROM BUS 652509 [FTRANDL4 230.00] TO BUS 652510 [FTRANDL7 115.00] CKT 2  
OPEN LINE FROM BUS 652511 [GAVINS 7 115.00] TO BUS 652532 [YANKTON7 115.00] CKT 1  
DOUBLE 1720 : OPEN LINE FROM BUS 652509 [FTRANDL4 230.00] TO BUS 652510 [FTRANDL7 115.00] CKT 2  
OPEN LINE FROM BUS 652511 [GAVINS 7 115.00] TO BUS 660006 [YKNTJCT7 115.00] CKT 1  
DOUBLE 1721 : OPEN LINE FROM BUS 652509 [FTRANDL4 230.00] TO BUS 652510 [FTRANDL7 115.00] CKT 2  
OPEN LINE FROM BUS 652517 [MANNING7 115.00] TO BUS 659121 [SPIRITM7 115.00] CKT 1  
DOUBLE 1722 : OPEN LINE FROM BUS 652509 [FTRANDL4 230.00] TO BUS 652510 [FTRANDL7 115.00] CKT 2  
OPEN LINE FROM BUS 652526 [UTICAJC4 230.00] TO BUS 652626 [UTICAJC7 115.00] TO BUS 652627 [UTICAJC9 13.200] CKT 1  
DOUBLE 1723 : OPEN LINE FROM BUS 652509 [FTRANDL4 230.00] TO BUS 652510 [FTRANDL7 115.00] CKT 2  
OPEN LINE FROM BUS 652532 [YANKTON7 115.00] TO BUS 659121 [SPIRITM7 115.00] CKT 1  
DOUBLE 1724 : OPEN LINE FROM BUS 652509 [FTRANDL4 230.00] TO BUS 652510 [FTRANDL7 115.00] CKT 2  
OPEN LINE FROM BUS 652626 [UTICAJC7 115.00] TO BUS 660006 [YKNTJCT7 115.00] CKT 1  
DOUBLE 1725 : OPEN LINE FROM BUS 652509 [FTRANDL4 230.00] TO BUS 652510 [FTRANDL7 115.00] CKT 2  
OPEN LINE FROM BUS 652626 [UTICAJC7 115.00] TO BUS 660007 [MENNOJT7 115.00] CKT 1  
DOUBLE 1726 : OPEN LINE FROM BUS 652509 [FTRANDL4 230.00] TO BUS 652516 [LAKPLAT4 230.00] CKT 1

OPEN LINE FROM BUS 652509 [FTRANDL4 230.00] TO BUS 652526 [UTICAJC4 230.00] CKT 1  
DOUBLE 1727 : OPEN LINE FROM BUS 652509 [FTRANDL4 230.00] TO BUS 652516 [LAKPLAT4 230.00] CKT 1  
OPEN LINE FROM BUS 652509 [FTRANDL4 230.00] TO BUS 652565 [SIOUXCY4 230.00] CKT 1  
DOUBLE 1728 : OPEN LINE FROM BUS 652509 [FTRANDL4 230.00] TO BUS 652516 [LAKPLAT4 230.00] CKT 1  
OPEN LINE FROM BUS 652511 [GAVINS 7 115.00] TO BUS 652532 [YANKTON7 115.00] CKT 1  
DOUBLE 1729 : OPEN LINE FROM BUS 652509 [FTRANDL4 230.00] TO BUS 652516 [LAKPLAT4 230.00] CKT 1  
OPEN LINE FROM BUS 652511 [GAVINS 7 115.00] TO BUS 660006 [YKNTJCT7 115.00] CKT 1  
DOUBLE 1730 : OPEN LINE FROM BUS 652509 [FTRANDL4 230.00] TO BUS 652516 [LAKPLAT4 230.00] CKT 1  
OPEN LINE FROM BUS 652517 [MANNING7 115.00] TO BUS 659121 [SPIRITM7 115.00] CKT 1  
DOUBLE 1731 : OPEN LINE FROM BUS 652509 [FTRANDL4 230.00] TO BUS 652516 [LAKPLAT4 230.00] CKT 1  
OPEN LINE FROM BUS 652526 [UTICAJC4 230.00] TO BUS 652626 [UTICAJC7 115.00] TO BUS 652627 [UTICAJC9 13.200] CKT 1  
DOUBLE 1732 : OPEN LINE FROM BUS 652509 [FTRANDL4 230.00] TO BUS 652516 [LAKPLAT4 230.00] CKT 1  
OPEN LINE FROM BUS 652532 [YANKTON7 115.00] TO BUS 659121 [SPIRITM7 115.00] CKT 1  
DOUBLE 1733 : OPEN LINE FROM BUS 652509 [FTRANDL4 230.00] TO BUS 652516 [LAKPLAT4 230.00] CKT 1  
OPEN LINE FROM BUS 652626 [UTICAJC7 115.00] TO BUS 660006 [YKNTJCT7 115.00] CKT 1  
DOUBLE 1734 : OPEN LINE FROM BUS 652509 [FTRANDL4 230.00] TO BUS 652516 [LAKPLAT4 230.00] CKT 1  
OPEN LINE FROM BUS 652626 [UTICAJC7 115.00] TO BUS 660007 [MENNOJT7 115.00] CKT 1  
DOUBLE 1735 : OPEN LINE FROM BUS 652509 [FTRANDL4 230.00] TO BUS 652526 [UTICAJC4 230.00] CKT 1  
OPEN LINE FROM BUS 652509 [FTRANDL4 230.00] TO BUS 652565 [SIOUXCY4 230.00] CKT 1  
DOUBLE 1736 : OPEN LINE FROM BUS 652509 [FTRANDL4 230.00] TO BUS 652526 [UTICAJC4 230.00] CKT 1  
OPEN LINE FROM BUS 652511 [GAVINS 7 115.00] TO BUS 652532 [YANKTON7 115.00] CKT 1  
DOUBLE 1737 : OPEN LINE FROM BUS 652509 [FTRANDL4 230.00] TO BUS 652526 [UTICAJC4 230.00] CKT 1  
OPEN LINE FROM BUS 652511 [GAVINS 7 115.00] TO BUS 660006 [YKNTJCT7 115.00] CKT 1  
DOUBLE 1738 : OPEN LINE FROM BUS 652509 [FTRANDL4 230.00] TO BUS 652526 [UTICAJC4 230.00] CKT 1  
OPEN LINE FROM BUS 652517 [MANNING7 115.00] TO BUS 659121 [SPIRITM7 115.00] CKT 1  
DOUBLE 1739 : OPEN LINE FROM BUS 652509 [FTRANDL4 230.00] TO BUS 652526 [UTICAJC4 230.00] CKT 1  
OPEN LINE FROM BUS 652526 [UTICAJC4 230.00] TO BUS 652626 [UTICAJC7 115.00] TO BUS 652627 [UTICAJC9 13.200] CKT 1  
DOUBLE 1740 : OPEN LINE FROM BUS 652509 [FTRANDL4 230.00] TO BUS 652526 [UTICAJC4 230.00] CKT 1  
OPEN LINE FROM BUS 652532 [YANKTON7 115.00] TO BUS 659121 [SPIRITM7 115.00] CKT 1  
DOUBLE 1741 : OPEN LINE FROM BUS 652509 [FTRANDL4 230.00] TO BUS 652526 [UTICAJC4 230.00] CKT 1  
OPEN LINE FROM BUS 652626 [UTICAJC7 115.00] TO BUS 660006 [YKNTJCT7 115.00] CKT 1  
DOUBLE 1742 : OPEN LINE FROM BUS 652509 [FTRANDL4 230.00] TO BUS 652526 [UTICAJC4 230.00] CKT 1  
OPEN LINE FROM BUS 652626 [UTICAJC7 115.00] TO BUS 660007 [MENNOJT7 115.00] CKT 1  
DOUBLE 1743 : OPEN LINE FROM BUS 652509 [FTRANDL4 230.00] TO BUS 652565 [SIOUXCY4 230.00] CKT 1  
OPEN LINE FROM BUS 652511 [GAVINS 7 115.00] TO BUS 652532 [YANKTON7 115.00] CKT 1  
DOUBLE 1744 : OPEN LINE FROM BUS 652509 [FTRANDL4 230.00] TO BUS 652565 [SIOUXCY4 230.00] CKT 1  
OPEN LINE FROM BUS 652511 [GAVINS 7 115.00] TO BUS 660006 [YKNTJCT7 115.00] CKT 1  
DOUBLE 1745 : OPEN LINE FROM BUS 652509 [FTRANDL4 230.00] TO BUS 652565 [SIOUXCY4 230.00] CKT 1  
OPEN LINE FROM BUS 652517 [MANNING7 115.00] TO BUS 659121 [SPIRITM7 115.00] CKT 1  
DOUBLE 1746 : OPEN LINE FROM BUS 652509 [FTRANDL4 230.00] TO BUS 652565 [SIOUXCY4 230.00] CKT 1  
OPEN LINE FROM BUS 652526 [UTICAJC4 230.00] TO BUS 652626 [UTICAJC7 115.00] TO BUS 652627 [UTICAJC9 13.200] CKT 1  
DOUBLE 1747 : OPEN LINE FROM BUS 652509 [FTRANDL4 230.00] TO BUS 652565 [SIOUXCY4 230.00] CKT 1  
OPEN LINE FROM BUS 652532 [YANKTON7 115.00] TO BUS 659121 [SPIRITM7 115.00] CKT 1  
DOUBLE 1748 : OPEN LINE FROM BUS 652509 [FTRANDL4 230.00] TO BUS 652565 [SIOUXCY4 230.00] CKT 1  
OPEN LINE FROM BUS 652626 [UTICAJC7 115.00] TO BUS 660006 [YKNTJCT7 115.00] CKT 1  
DOUBLE 1749 : OPEN LINE FROM BUS 652509 [FTRANDL4 230.00] TO BUS 652565 [SIOUXCY4 230.00] CKT 1  
OPEN LINE FROM BUS 652626 [UTICAJC7 115.00] TO BUS 660007 [MENNOJT7 115.00] CKT 1  
DOUBLE 1750 : OPEN LINE FROM BUS 652511 [GAVINS 7 115.00] TO BUS 652532 [YANKTON7 115.00] CKT 1

OPEN LINE FROM BUS 652511 [GAVINS 7 115.00] TO BUS 660006 [YKNTJCT7 115.00] CKT 1  
DOUBLE 1751 : OPEN LINE FROM BUS 652511 [GAVINS 7 115.00] TO BUS 652532 [YANKTON7 115.00] CKT 1  
OPEN LINE FROM BUS 652517 [MANNING7 115.00] TO BUS 659121 [SPIRITM7 115.00] CKT 1  
DOUBLE 1752 : OPEN LINE FROM BUS 652511 [GAVINS 7 115.00] TO BUS 652532 [YANKTON7 115.00] CKT 1  
OPEN LINE FROM BUS 652526 [UTICAJC4 230.00] TO BUS 652626 [UTICAJC7 115.00] TO BUS 652627 [UTICAJC9 13.200] CKT 1  
DOUBLE 1753 : OPEN LINE FROM BUS 652511 [GAVINS 7 115.00] TO BUS 652532 [YANKTON7 115.00] CKT 1  
OPEN LINE FROM BUS 652532 [YANKTON7 115.00] TO BUS 659121 [SPIRITM7 115.00] CKT 1  
DOUBLE 1754 : OPEN LINE FROM BUS 652511 [GAVINS 7 115.00] TO BUS 652532 [YANKTON7 115.00] CKT 1  
OPEN LINE FROM BUS 652626 [UTICAJC7 115.00] TO BUS 660006 [YKNTJCT7 115.00] CKT 1  
DOUBLE 1755 : OPEN LINE FROM BUS 652511 [GAVINS 7 115.00] TO BUS 652532 [YANKTON7 115.00] CKT 1  
OPEN LINE FROM BUS 652626 [UTICAJC7 115.00] TO BUS 660007 [MENNOJT7 115.00] CKT 1  
DOUBLE 1756 : OPEN LINE FROM BUS 652511 [GAVINS 7 115.00] TO BUS 660006 [YKNTJCT7 115.00] CKT 1  
OPEN LINE FROM BUS 652517 [MANNING7 115.00] TO BUS 659121 [SPIRITM7 115.00] CKT 1  
DOUBLE 1757 : OPEN LINE FROM BUS 652511 [GAVINS 7 115.00] TO BUS 660006 [YKNTJCT7 115.00] CKT 1  
OPEN LINE FROM BUS 652526 [UTICAJC4 230.00] TO BUS 652626 [UTICAJC7 115.00] TO BUS 652627 [UTICAJC9 13.200] CKT 1  
DOUBLE 1758 : OPEN LINE FROM BUS 652511 [GAVINS 7 115.00] TO BUS 660006 [YKNTJCT7 115.00] CKT 1  
OPEN LINE FROM BUS 652532 [YANKTON7 115.00] TO BUS 659121 [SPIRITM7 115.00] CKT 1  
DOUBLE 1759 : OPEN LINE FROM BUS 652511 [GAVINS 7 115.00] TO BUS 660006 [YKNTJCT7 115.00] CKT 1  
OPEN LINE FROM BUS 652626 [UTICAJC7 115.00] TO BUS 660006 [YKNTJCT7 115.00] CKT 1  
DOUBLE 1760 : OPEN LINE FROM BUS 652511 [GAVINS 7 115.00] TO BUS 660006 [YKNTJCT7 115.00] CKT 1  
OPEN LINE FROM BUS 652626 [UTICAJC7 115.00] TO BUS 660007 [MENNOJT7 115.00] CKT 1  
DOUBLE 1761 : OPEN LINE FROM BUS 652517 [MANNING7 115.00] TO BUS 659121 [SPIRITM7 115.00] CKT 1  
OPEN LINE FROM BUS 652526 [UTICAJC4 230.00] TO BUS 652626 [UTICAJC7 115.00] TO BUS 652627 [UTICAJC9 13.200] CKT 1  
DOUBLE 1762 : OPEN LINE FROM BUS 652517 [MANNING7 115.00] TO BUS 659121 [SPIRITM7 115.00] CKT 1  
OPEN LINE FROM BUS 652532 [YANKTON7 115.00] TO BUS 659121 [SPIRITM7 115.00] CKT 1  
DOUBLE 1763 : OPEN LINE FROM BUS 652517 [MANNING7 115.00] TO BUS 659121 [SPIRITM7 115.00] CKT 1  
OPEN LINE FROM BUS 652626 [UTICAJC7 115.00] TO BUS 660006 [YKNTJCT7 115.00] CKT 1  
DOUBLE 1764 : OPEN LINE FROM BUS 652517 [MANNING7 115.00] TO BUS 659121 [SPIRITM7 115.00] CKT 1  
OPEN LINE FROM BUS 652626 [UTICAJC7 115.00] TO BUS 660007 [MENNOJT7 115.00] CKT 1  
DOUBLE 1765 : OPEN LINE FROM BUS 652526 [UTICAJC4 230.00] TO BUS 652626 [UTICAJC7 115.00] TO BUS 652627 [UTICAJC9 13.200] CKT 1  
OPEN LINE FROM BUS 652532 [YANKTON7 115.00] TO BUS 659121 [SPIRITM7 115.00] CKT 1  
DOUBLE 1766 : OPEN LINE FROM BUS 652526 [UTICAJC4 230.00] TO BUS 652626 [UTICAJC7 115.00] TO BUS 652627 [UTICAJC9 13.200] CKT 1  
OPEN LINE FROM BUS 652626 [UTICAJC7 115.00] TO BUS 660006 [YKNTJCT7 115.00] CKT 1  
DOUBLE 1767 : OPEN LINE FROM BUS 652526 [UTICAJC4 230.00] TO BUS 652626 [UTICAJC7 115.00] TO BUS 652627 [UTICAJC9 13.200] CKT 1  
OPEN LINE FROM BUS 652626 [UTICAJC7 115.00] TO BUS 660007 [MENNOJT7 115.00] CKT 1  
DOUBLE 1768 : OPEN LINE FROM BUS 652532 [YANKTON7 115.00] TO BUS 659121 [SPIRITM7 115.00] CKT 1  
OPEN LINE FROM BUS 652626 [UTICAJC7 115.00] TO BUS 660006 [YKNTJCT7 115.00] CKT 1  
DOUBLE 1769 : OPEN LINE FROM BUS 652532 [YANKTON7 115.00] TO BUS 659121 [SPIRITM7 115.00] CKT 1  
OPEN LINE FROM BUS 652626 [UTICAJC7 115.00] TO BUS 660007 [MENNOJT7 115.00] CKT 1  
DOUBLE 1770 : OPEN LINE FROM BUS 652626 [UTICAJC7 115.00] TO BUS 660006 [YKNTJCT7 115.00] CKT 1  
OPEN LINE FROM BUS 652626 [UTICAJC7 115.00] TO BUS 660007 [MENNOJT7 115.00] CKT 1

ACCC OVERLOAD REPORT: MONITORED BRANCHES AND INTERFACES LOADED ABOVE 100.0 % OF RATING SET A  
 CONTINGENCY CASE LOADING NOT CHECKED UNLESS IT DIFFERS FROM ITS BASE CASE LOADING BY 1.0 MVA (MW FOR INTERFACES)  
 ACCC VOLTAGE REPORT: VOLTAGE BAND CHECK IN CONTINGENCY CASES SKIPPED FOR ANY BUS WITHIN 0.01000 OF ITS BASE CASE VOLTAGE MAGNITUDE

AC CONTINGENCY RESULTS FILE: C:\u1\ddbetz\spp-facilities-study\DISIS-2010-001\lf\acc\10G-max-post-sc-N2.acc  
 DISTRIBUTION FACTOR FILE: C:\u1\ddbetz\spp-facilities-study\DISIS-2010-001\lf\acc\10G-max-post-sc-N2.dfx  
 SUBSYSTEM DESCRIPTION FILE: C:\u1\ddbetz\spp-facilities-study\DISIS-2010-001\lf\acc\MRO.sub  
 MONITORED ELEMENT FILE: C:\u1\ddbetz\spp-facilities-study\DISIS-2010-001\lf\acc\Nebraska.mon  
 CONTINGENCY DESCRIPTION FILE: C:\u1\ddbetz\spp-facilities-study\DISIS-2010-001\lf\acc\2010\_n2\_sc.con

Solution engine: Fixed slope decoupled Newton-Raphson (FDNS)  
 Solution options  
 Tap adjustment: Stepping  
 Area interchange control: Disable  
 Phase shift adjustment: Enable  
 Dc tap adjustment: Enable  
 Switch shunt adjustment: Lock all  
 Non diverge: Disable  
 Mismatch tolerance (MW): 1.5  
 Dispatch mode: Disable

<----- MULTI-SECTION LINE ----->	<----- MONITORED BRANCH ----->	CONTINGENCY	RATING	FLOW	%
640313 PAULINE7	115.00 643050*ROSEMONT	7115.00 1 DOUBLE 46	120.0 129.0	103.9	
640313 PAULINE7	115.00 643050*ROSEMONT	7115.00 1 DOUBLE 47	120.0 130.1	104.7	
640169*FAIRBRY7	115.00 640208 HARBINE7	115.00 1 DOUBLE 62	99.0 114.8	113.6	
641082 BYPASS 7	115.00 641084*DENVER 7	115.00 1 DOUBLE 210	201.0 218.1	105.3	
640214*HASTING4	230.00 641088 HASTCTY7	115.00 1 DOUBLE 256	187.0 209.2	111.9	
640215 HASTING7	115.00 641087*EGYCNT7	115.00 1 DOUBLE 273	240.0 256.8	103.4	

MONITORED VOLTAGE REPORT:  
 SYSTEM CONTINGENCY <----- B U S -----> V-CONT V-INIT V-MAX V-MIN

CONTINGENCY LEGEND:

LABEL EVENTS  
 DOUBLE 1 : OPEN LINE FROM BUS 640065 [AXTELL 3 345.00] TO BUS 640312 [PAULINE3 345.00] CKT 1  
 OPEN LINE FROM BUS 640076 [BEATRCE7 115.00] TO BUS 640208 [HARBINE7 115.00] CKT 1  
 DOUBLE 2 : OPEN LINE FROM BUS 640065 [AXTELL 3 345.00] TO BUS 640312 [PAULINE3 345.00] CKT 1  
 OPEN LINE FROM BUS 640105 [CARLJCT7 115.00] TO BUS 640218 [HEBRN N7 115.00] CKT 1  
 DOUBLE 3 : OPEN LINE FROM BUS 640065 [AXTELL 3 345.00] TO BUS 640312 [PAULINE3 345.00] CKT 1  
 OPEN LINE FROM BUS 640169 [FAIRBRY7 115.00] TO BUS 640208 [HARBINE7 115.00] CKT 1  
 DOUBLE 4 : OPEN LINE FROM BUS 640065 [AXTELL 3 345.00] TO BUS 640312 [PAULINE3 345.00] CKT 1  
 OPEN LINE FROM BUS 640169 [FAIRBRY7 115.00] TO BUS 640218 [HEBRN N7 115.00] CKT 1  
 DOUBLE 5 : OPEN LINE FROM BUS 640065 [AXTELL 3 345.00] TO BUS 640312 [PAULINE3 345.00] CKT 1  
 OPEN LINE FROM BUS 640206 [GUIDE R7 115.00] TO BUS 640368 [SUPEROR7 115.00] CKT 1  
 DOUBLE 6 : OPEN LINE FROM BUS 640065 [AXTELL 3 345.00] TO BUS 640312 [PAULINE3 345.00] CKT 1  
 OPEN LINE FROM BUS 640206 [GUIDE R7 115.00] TO BUS 643050 [ROSEMONT 7115.00] CKT 1  
 DOUBLE 7 : OPEN LINE FROM BUS 640065 [AXTELL 3 345.00] TO BUS 640312 [PAULINE3 345.00] CKT 1



OPEN LINE FROM BUS 640208 [HARBINE7 115.00] TO BUS 640426 [STEELEC7 115.00] CKT 1  
DOUBLE 8 : OPEN LINE FROM BUS 640065 [AXTELL 3 345.00] TO BUS 640312 [PAULINE3 345.00] CKT 1  
OPEN LINE FROM BUS 640214 [HASTING4 230.00] TO BUS 641088 [HASTCTY7 115.00] CKT 1  
DOUBLE 9 : OPEN LINE FROM BUS 640065 [AXTELL 3 345.00] TO BUS 640312 [PAULINE3 345.00] CKT 1  
OPEN LINE FROM BUS 640215 [HASTING7 115.00] TO BUS 640313 [PAULINE7 115.00] CKT 1  
DOUBLE 10 : OPEN LINE FROM BUS 640065 [AXTELL 3 345.00] TO BUS 640312 [PAULINE3 345.00] CKT 1  
OPEN LINE FROM BUS 640215 [HASTING7 115.00] TO BUS 640313 [PAULINE7 115.00] CKT 2  
DOUBLE 11 : OPEN LINE FROM BUS 640065 [AXTELL 3 345.00] TO BUS 640312 [PAULINE3 345.00] CKT 1  
OPEN LINE FROM BUS 640215 [HASTING7 115.00] TO BUS 641087 [EGYCNTR7 115.00] CKT 1  
DOUBLE 12 : OPEN LINE FROM BUS 640065 [AXTELL 3 345.00] TO BUS 640312 [PAULINE3 345.00] CKT 1  
OPEN LINE FROM BUS 640215 [HASTING7 115.00] TO BUS 641088 [HASTCTY7 115.00] CKT 1  
DOUBLE 13 : OPEN LINE FROM BUS 640065 [AXTELL 3 345.00] TO BUS 640312 [PAULINE3 345.00] CKT 1  
OPEN LINE FROM BUS 640218 [HEBRN N7 115.00] TO BUS 640220 [HEBRON 7 115.00] CKT 1  
DOUBLE 14 : OPEN LINE FROM BUS 640065 [AXTELL 3 345.00] TO BUS 640312 [PAULINE3 345.00] CKT 1  
OPEN LINE FROM BUS 640220 [HEBRON 7 115.00] TO BUS 640368 [SUPEROR7 115.00] CKT 1  
DOUBLE 15 : OPEN LINE FROM BUS 640065 [AXTELL 3 345.00] TO BUS 640312 [PAULINE3 345.00] CKT 1  
OPEN LINE FROM BUS 640222 [HILDRTH7 115.00] TO BUS 640313 [PAULINE7 115.00] CKT 1  
DOUBLE 16 : OPEN LINE FROM BUS 640065 [AXTELL 3 345.00] TO BUS 640312 [PAULINE3 345.00] CKT 1  
OPEN LINE FROM BUS 640277 [MOORE 3 345.00] TO BUS 640312 [PAULINE3 345.00] CKT 1  
DOUBLE 17 : OPEN LINE FROM BUS 640065 [AXTELL 3 345.00] TO BUS 640312 [PAULINE3 345.00] CKT 1  
OPEN LINE FROM BUS 640282 [N.HAST 7 115.00] TO BUS 641082 [BYPASS 7 115.00] CKT 1  
DOUBLE 18 : OPEN LINE FROM BUS 640065 [AXTELL 3 345.00] TO BUS 640312 [PAULINE3 345.00] CKT 1  
OPEN LINE FROM BUS 640312 [PAULINE3 345.00] TO BUS 640313 [PAULINE7 115.00] TO BUS 640315 [PAULINE9 13.800] CKT 1  
DOUBLE 19 : OPEN LINE FROM BUS 640065 [AXTELL 3 345.00] TO BUS 640312 [PAULINE3 345.00] CKT 1  
OPEN LINE FROM BUS 640313 [PAULINE7 115.00] TO BUS 643050 [ROSEMONT 7115.00] CKT 1  
DOUBLE 20 : OPEN LINE FROM BUS 640065 [AXTELL 3 345.00] TO BUS 640312 [PAULINE3 345.00] CKT 1  
OPEN LINE FROM BUS 640372 [SUTTON 7 115.00] TO BUS 641087 [EGYCNTR7 115.00] CKT 1  
DOUBLE 21 : OPEN LINE FROM BUS 640065 [AXTELL 3 345.00] TO BUS 640312 [PAULINE3 345.00] CKT 1  
OPEN LINE FROM BUS 641082 [BYPASS 7 115.00] TO BUS 641085 [E7THST 7 115.00] CKT 1  
DOUBLE 22 : OPEN LINE FROM BUS 640065 [AXTELL 3 345.00] TO BUS 640312 [PAULINE3 345.00] CKT 1  
OPEN LINE FROM BUS 641085 [E7THST 7 115.00] TO BUS 641088 [HASTCTY7 115.00] CKT 1  
DOUBLE 23 : OPEN LINE FROM BUS 640065 [AXTELL 3 345.00] TO BUS 640312 [PAULINE3 345.00] CKT 1  
OPEN LINE FROM BUS 641087 [EGYCNTR7 115.00] TO BUS 641088 [HASTCTY7 115.00] CKT 1  
DOUBLE 24 : OPEN LINE FROM BUS 640076 [BEATRCE7 115.00] TO BUS 640208 [HARBINE7 115.00] CKT 1  
OPEN LINE FROM BUS 640105 [CARLJCT7 115.00] TO BUS 640218 [HEBRN N7 115.00] CKT 1  
DOUBLE 25 : OPEN LINE FROM BUS 640076 [BEATRCE7 115.00] TO BUS 640208 [HARBINE7 115.00] CKT 1  
OPEN LINE FROM BUS 640169 [FAIRBRY7 115.00] TO BUS 640208 [HARBINE7 115.00] CKT 1  
DOUBLE 26 : OPEN LINE FROM BUS 640076 [BEATRCE7 115.00] TO BUS 640208 [HARBINE7 115.00] CKT 1  
OPEN LINE FROM BUS 640169 [FAIRBRY7 115.00] TO BUS 640218 [HEBRN N7 115.00] CKT 1  
DOUBLE 27 : OPEN LINE FROM BUS 640076 [BEATRCE7 115.00] TO BUS 640208 [HARBINE7 115.00] CKT 1  
OPEN LINE FROM BUS 640206 [GUIDE R7 115.00] TO BUS 640368 [SUPEROR7 115.00] CKT 1  
DOUBLE 28 : OPEN LINE FROM BUS 640076 [BEATRCE7 115.00] TO BUS 640208 [HARBINE7 115.00] CKT 1  
OPEN LINE FROM BUS 640206 [GUIDE R7 115.00] TO BUS 643050 [ROSEMONT 7115.00] CKT 1  
DOUBLE 29 : OPEN LINE FROM BUS 640076 [BEATRCE7 115.00] TO BUS 640208 [HARBINE7 115.00] CKT 1  
OPEN LINE FROM BUS 640208 [HARBINE7 115.00] TO BUS 640426 [STEELEC7 115.00] CKT 1  
DOUBLE 30 : OPEN LINE FROM BUS 640076 [BEATRCE7 115.00] TO BUS 640208 [HARBINE7 115.00] CKT 1  
OPEN LINE FROM BUS 640214 [HASTING4 230.00] TO BUS 641088 [HASTCTY7 115.00] CKT 1  
DOUBLE 31 : OPEN LINE FROM BUS 640076 [BEATRCE7 115.00] TO BUS 640208 [HARBINE7 115.00] CKT 1

OPEN LINE FROM BUS 640215 [HASTING7 115.00] TO BUS 640313 [PAULINE7 115.00] CKT 1  
 DOUBLE 32 : OPEN LINE FROM BUS 640076 [BEATRCE7 115.00] TO BUS 640208 [HARBINE7 115.00] CKT 1  
 OPEN LINE FROM BUS 640215 [HASTING7 115.00] TO BUS 640313 [PAULINE7 115.00] CKT 2  
 DOUBLE 33 : OPEN LINE FROM BUS 640076 [BEATRCE7 115.00] TO BUS 640208 [HARBINE7 115.00] CKT 1  
 OPEN LINE FROM BUS 640215 [HASTING7 115.00] TO BUS 641087 [EGYCNTR7 115.00] CKT 1  
 DOUBLE 34 : OPEN LINE FROM BUS 640076 [BEATRCE7 115.00] TO BUS 640208 [HARBINE7 115.00] CKT 1  
 OPEN LINE FROM BUS 640215 [HASTING7 115.00] TO BUS 641088 [HASTCTY7 115.00] CKT 1  
 DOUBLE 35 : OPEN LINE FROM BUS 640076 [BEATRCE7 115.00] TO BUS 640208 [HARBINE7 115.00] CKT 1  
 OPEN LINE FROM BUS 640218 [HEBRN N7 115.00] TO BUS 640220 [HEBRON 7 115.00] CKT 1  
 DOUBLE 36 : OPEN LINE FROM BUS 640076 [BEATRCE7 115.00] TO BUS 640208 [HARBINE7 115.00] CKT 1  
 OPEN LINE FROM BUS 640220 [HEBRON 7 115.00] TO BUS 640368 [SUPEROR7 115.00] CKT 1  
 DOUBLE 37 : OPEN LINE FROM BUS 640076 [BEATRCE7 115.00] TO BUS 640208 [HARBINE7 115.00] CKT 1  
 OPEN LINE FROM BUS 640222 [HILDRTH7 115.00] TO BUS 640313 [PAULINE7 115.00] CKT 1  
 DOUBLE 38 : OPEN LINE FROM BUS 640076 [BEATRCE7 115.00] TO BUS 640208 [HARBINE7 115.00] CKT 1  
 OPEN LINE FROM BUS 640277 [MOORE 3 345.00] TO BUS 640312 [PAULINE3 345.00] CKT 1  
 DOUBLE 39 : OPEN LINE FROM BUS 640076 [BEATRCE7 115.00] TO BUS 640208 [HARBINE7 115.00] CKT 1  
 OPEN LINE FROM BUS 640282 [N.HAST 7 115.00] TO BUS 641082 [BYPASS 7 115.00] CKT 1  
 DOUBLE 40 : OPEN LINE FROM BUS 640076 [BEATRCE7 115.00] TO BUS 640208 [HARBINE7 115.00] CKT 1  
 OPEN LINE FROM BUS 640312 [PAULINE3 345.00] TO BUS 640313 [PAULINE7 115.00] TO BUS 640315 [PAULINE9 13.800] CKT 1  
 DOUBLE 41 : OPEN LINE FROM BUS 640076 [BEATRCE7 115.00] TO BUS 640208 [HARBINE7 115.00] CKT 1  
 OPEN LINE FROM BUS 640313 [PAULINE7 115.00] TO BUS 643050 [ROSEMONT 7115.00] CKT 1  
 DOUBLE 42 : OPEN LINE FROM BUS 640076 [BEATRCE7 115.00] TO BUS 640208 [HARBINE7 115.00] CKT 1  
 OPEN LINE FROM BUS 640372 [SUTTON 7 115.00] TO BUS 641087 [EGYCNTR7 115.00] CKT 1  
 DOUBLE 43 : OPEN LINE FROM BUS 640076 [BEATRCE7 115.00] TO BUS 640208 [HARBINE7 115.00] CKT 1  
 OPEN LINE FROM BUS 641082 [BYPASS 7 115.00] TO BUS 641085 [E7THST 7 115.00] CKT 1  
 DOUBLE 44 : OPEN LINE FROM BUS 640076 [BEATRCE7 115.00] TO BUS 640208 [HARBINE7 115.00] CKT 1  
 OPEN LINE FROM BUS 641085 [E7THST 7 115.00] TO BUS 641088 [HASTCTY7 115.00] CKT 1  
 DOUBLE 45 : OPEN LINE FROM BUS 640076 [BEATRCE7 115.00] TO BUS 640208 [HARBINE7 115.00] CKT 1  
 OPEN LINE FROM BUS 641087 [EGYCNTR7 115.00] TO BUS 641088 [HASTCTY7 115.00] CKT 1  
 DOUBLE 46 : OPEN LINE FROM BUS 640105 [CARLJCT7 115.00] TO BUS 640218 [HEBRN N7 115.00] CKT 1  
 OPEN LINE FROM BUS 640169 [FAIRBRY7 115.00] TO BUS 640208 [HARBINE7 115.00] CKT 1  
 DOUBLE 47 : OPEN LINE FROM BUS 640105 [CARLJCT7 115.00] TO BUS 640218 [HEBRN N7 115.00] CKT 1  
 OPEN LINE FROM BUS 640169 [FAIRBRY7 115.00] TO BUS 640218 [HEBRN N7 115.00] CKT 1  
 DOUBLE 48 : OPEN LINE FROM BUS 640105 [CARLJCT7 115.00] TO BUS 640218 [HEBRN N7 115.00] CKT 1  
 OPEN LINE FROM BUS 640206 [GUIDE R7 115.00] TO BUS 640368 [SUPEROR7 115.00] CKT 1  
 DOUBLE 49 : OPEN LINE FROM BUS 640105 [CARLJCT7 115.00] TO BUS 640218 [HEBRN N7 115.00] CKT 1  
 OPEN LINE FROM BUS 640206 [GUIDE R7 115.00] TO BUS 643050 [ROSEMONT 7115.00] CKT 1  
 DOUBLE 50 : OPEN LINE FROM BUS 640105 [CARLJCT7 115.00] TO BUS 640218 [HEBRN N7 115.00] CKT 1  
 OPEN LINE FROM BUS 640208 [HARBINE7 115.00] TO BUS 640426 [STEELEC7 115.00] CKT 1  
 DOUBLE 51 : OPEN LINE FROM BUS 640105 [CARLJCT7 115.00] TO BUS 640218 [HEBRN N7 115.00] CKT 1  
 OPEN LINE FROM BUS 640214 [HASTING4 230.00] TO BUS 641088 [HASTCTY7 115.00] CKT 1  
 DOUBLE 52 : OPEN LINE FROM BUS 640105 [CARLJCT7 115.00] TO BUS 640218 [HEBRN N7 115.00] CKT 1  
 OPEN LINE FROM BUS 640215 [HASTING7 115.00] TO BUS 640313 [PAULINE7 115.00] CKT 1  
 DOUBLE 53 : OPEN LINE FROM BUS 640105 [CARLJCT7 115.00] TO BUS 640218 [HEBRN N7 115.00] CKT 1  
 OPEN LINE FROM BUS 640215 [HASTING7 115.00] TO BUS 640313 [PAULINE7 115.00] CKT 2  
 DOUBLE 54 : OPEN LINE FROM BUS 640105 [CARLJCT7 115.00] TO BUS 640218 [HEBRN N7 115.00] CKT 1  
 OPEN LINE FROM BUS 640215 [HASTING7 115.00] TO BUS 641087 [EGYCNTR7 115.00] CKT 1  
 DOUBLE 55 : OPEN LINE FROM BUS 640105 [CARLJCT7 115.00] TO BUS 640218 [HEBRN N7 115.00] CKT 1

OPEN LINE FROM BUS 640215 [HASTING7 115.00] TO BUS 641088 [HASTCTY7 115.00] CKT 1  
DOUBLE 56 : OPEN LINE FROM BUS 640105 [CARLJCT7 115.00] TO BUS 640218 [HEBRN N7 115.00] CKT 1  
OPEN LINE FROM BUS 640218 [HEBRN N7 115.00] TO BUS 640220 [HEBRON 7 115.00] CKT 1  
DOUBLE 57 : OPEN LINE FROM BUS 640105 [CARLJCT7 115.00] TO BUS 640218 [HEBRN N7 115.00] CKT 1  
OPEN LINE FROM BUS 640220 [HEBRON 7 115.00] TO BUS 640368 [SUPEROR7 115.00] CKT 1  
DOUBLE 58 : OPEN LINE FROM BUS 640105 [CARLJCT7 115.00] TO BUS 640218 [HEBRN N7 115.00] CKT 1  
OPEN LINE FROM BUS 640222 [HILDRTH7 115.00] TO BUS 640313 [PAULINE7 115.00] CKT 1  
DOUBLE 59 : OPEN LINE FROM BUS 640105 [CARLJCT7 115.00] TO BUS 640218 [HEBRN N7 115.00] CKT 1  
OPEN LINE FROM BUS 640277 [MOORE 3 345.00] TO BUS 640312 [PAULINE3 345.00] CKT 1  
DOUBLE 60 : OPEN LINE FROM BUS 640105 [CARLJCT7 115.00] TO BUS 640218 [HEBRN N7 115.00] CKT 1  
OPEN LINE FROM BUS 640282 [N.HAST 7 115.00] TO BUS 641082 [BYPASS 7 115.00] CKT 1  
DOUBLE 61 : OPEN LINE FROM BUS 640105 [CARLJCT7 115.00] TO BUS 640218 [HEBRN N7 115.00] CKT 1  
OPEN LINE FROM BUS 640312 [PAULINE3 345.00] TO BUS 640313 [PAULINE7 115.00] TO BUS 640315 [PAULINE9 13.800] CKT 1  
DOUBLE 62 : OPEN LINE FROM BUS 640105 [CARLJCT7 115.00] TO BUS 640218 [HEBRN N7 115.00] CKT 1  
OPEN LINE FROM BUS 640313 [PAULINE7 115.00] TO BUS 643050 [ROSEMONT 7115.00] CKT 1  
DOUBLE 63 : OPEN LINE FROM BUS 640105 [CARLJCT7 115.00] TO BUS 640218 [HEBRN N7 115.00] CKT 1  
OPEN LINE FROM BUS 640372 [SUTTON 7 115.00] TO BUS 641087 [EGYCNTR7 115.00] CKT 1  
DOUBLE 64 : OPEN LINE FROM BUS 640105 [CARLJCT7 115.00] TO BUS 640218 [HEBRN N7 115.00] CKT 1  
OPEN LINE FROM BUS 641082 [BYPASS 7 115.00] TO BUS 641085 [E7THST 7 115.00] CKT 1  
DOUBLE 65 : OPEN LINE FROM BUS 640105 [CARLJCT7 115.00] TO BUS 640218 [HEBRN N7 115.00] CKT 1  
OPEN LINE FROM BUS 641085 [E7THST 7 115.00] TO BUS 641088 [HASTCTY7 115.00] CKT 1  
DOUBLE 66 : OPEN LINE FROM BUS 640105 [CARLJCT7 115.00] TO BUS 640218 [HEBRN N7 115.00] CKT 1  
OPEN LINE FROM BUS 641087 [EGYCNTR7 115.00] TO BUS 641088 [HASTCTY7 115.00] CKT 1  
DOUBLE 67 : OPEN LINE FROM BUS 640169 [FAIRBRY7 115.00] TO BUS 640208 [HARBINE7 115.00] CKT 1  
OPEN LINE FROM BUS 640169 [FAIRBRY7 115.00] TO BUS 640218 [HEBRN N7 115.00] CKT 1  
DOUBLE 68 : OPEN LINE FROM BUS 640169 [FAIRBRY7 115.00] TO BUS 640208 [HARBINE7 115.00] CKT 1  
OPEN LINE FROM BUS 640206 [GUIDE R7 115.00] TO BUS 640368 [SUPEROR7 115.00] CKT 1  
DOUBLE 69 : OPEN LINE FROM BUS 640169 [FAIRBRY7 115.00] TO BUS 640208 [HARBINE7 115.00] CKT 1  
OPEN LINE FROM BUS 640206 [GUIDE R7 115.00] TO BUS 643050 [ROSEMONT 7115.00] CKT 1  
DOUBLE 70 : OPEN LINE FROM BUS 640169 [FAIRBRY7 115.00] TO BUS 640208 [HARBINE7 115.00] CKT 1  
OPEN LINE FROM BUS 640208 [HARBINE7 115.00] TO BUS 640426 [STEELEC7 115.00] CKT 1  
DOUBLE 71 : OPEN LINE FROM BUS 640169 [FAIRBRY7 115.00] TO BUS 640208 [HARBINE7 115.00] CKT 1  
OPEN LINE FROM BUS 640214 [HASTING4 230.00] TO BUS 641088 [HASTCTY7 115.00] CKT 1  
DOUBLE 72 : OPEN LINE FROM BUS 640169 [FAIRBRY7 115.00] TO BUS 640208 [HARBINE7 115.00] CKT 1  
OPEN LINE FROM BUS 640215 [HASTING7 115.00] TO BUS 640313 [PAULINE7 115.00] CKT 1  
DOUBLE 73 : OPEN LINE FROM BUS 640169 [FAIRBRY7 115.00] TO BUS 640208 [HARBINE7 115.00] CKT 1  
OPEN LINE FROM BUS 640215 [HASTING7 115.00] TO BUS 640313 [PAULINE7 115.00] CKT 2  
DOUBLE 74 : OPEN LINE FROM BUS 640169 [FAIRBRY7 115.00] TO BUS 640208 [HARBINE7 115.00] CKT 1  
OPEN LINE FROM BUS 640215 [HASTING7 115.00] TO BUS 641087 [EGYCNTR7 115.00] CKT 1  
DOUBLE 75 : OPEN LINE FROM BUS 640169 [FAIRBRY7 115.00] TO BUS 640208 [HARBINE7 115.00] CKT 1  
OPEN LINE FROM BUS 640215 [HASTING7 115.00] TO BUS 641088 [HASTCTY7 115.00] CKT 1  
DOUBLE 76 : OPEN LINE FROM BUS 640169 [FAIRBRY7 115.00] TO BUS 640208 [HARBINE7 115.00] CKT 1  
OPEN LINE FROM BUS 640218 [HEBRN N7 115.00] TO BUS 640220 [HEBRON 7 115.00] CKT 1  
DOUBLE 77 : OPEN LINE FROM BUS 640169 [FAIRBRY7 115.00] TO BUS 640208 [HARBINE7 115.00] CKT 1  
OPEN LINE FROM BUS 640220 [HEBRON 7 115.00] TO BUS 640368 [SUPEROR7 115.00] CKT 1  
DOUBLE 78 : OPEN LINE FROM BUS 640169 [FAIRBRY7 115.00] TO BUS 640208 [HARBINE7 115.00] CKT 1  
OPEN LINE FROM BUS 640222 [HILDRTH7 115.00] TO BUS 640313 [PAULINE7 115.00] CKT 1  
DOUBLE 79 : OPEN LINE FROM BUS 640169 [FAIRBRY7 115.00] TO BUS 640208 [HARBINE7 115.00] CKT 1

OPEN LINE FROM BUS 640277 [MOORE 3 345.00] TO BUS 640312 [PAULINE3 345.00] CKT 1  
DOUBLE 81 : OPEN LINE FROM BUS 640169 [FAIRBRY7 115.00] TO BUS 640208 [HARBINE7 115.00] CKT 1  
OPEN LINE FROM BUS 640312 [PAULINE3 345.00] TO BUS 640313 [PAULINE7 115.00] TO BUS 640315 [PAULINE9 13.800] CKT 1  
DOUBLE 82 : OPEN LINE FROM BUS 640169 [FAIRBRY7 115.00] TO BUS 640208 [HARBINE7 115.00] CKT 1  
OPEN LINE FROM BUS 640313 [PAULINE7 115.00] TO BUS 643050 [ROSEMONT 7115.00] CKT 1  
DOUBLE 83 : OPEN LINE FROM BUS 640169 [FAIRBRY7 115.00] TO BUS 640208 [HARBINE7 115.00] CKT 1  
OPEN LINE FROM BUS 640372 [SUTTON 7 115.00] TO BUS 641087 [EGYCNTR7 115.00] CKT 1  
DOUBLE 84 : OPEN LINE FROM BUS 640169 [FAIRBRY7 115.00] TO BUS 640208 [HARBINE7 115.00] CKT 1  
OPEN LINE FROM BUS 641082 [BYPASS 7 115.00] TO BUS 641085 [E7THST 7 115.00] CKT 1  
DOUBLE 85 : OPEN LINE FROM BUS 640169 [FAIRBRY7 115.00] TO BUS 640208 [HARBINE7 115.00] CKT 1  
OPEN LINE FROM BUS 641085 [E7THST 7 115.00] TO BUS 641088 [HASTCTY7 115.00] CKT 1  
DOUBLE 86 : OPEN LINE FROM BUS 640169 [FAIRBRY7 115.00] TO BUS 640208 [HARBINE7 115.00] CKT 1  
OPEN LINE FROM BUS 641087 [EGYCNTR7 115.00] TO BUS 641088 [HASTCTY7 115.00] CKT 1  
DOUBLE 87 : OPEN LINE FROM BUS 640169 [FAIRBRY7 115.00] TO BUS 640218 [HEBRN N7 115.00] CKT 1  
OPEN LINE FROM BUS 640206 [GUIDE R7 115.00] TO BUS 640368 [SUPEROR7 115.00] CKT 1  
DOUBLE 88 : OPEN LINE FROM BUS 640169 [FAIRBRY7 115.00] TO BUS 640218 [HEBRN N7 115.00] CKT 1  
OPEN LINE FROM BUS 640206 [GUIDE R7 115.00] TO BUS 643050 [ROSEMONT 7115.00] CKT 1  
DOUBLE 89 : OPEN LINE FROM BUS 640169 [FAIRBRY7 115.00] TO BUS 640218 [HEBRN N7 115.00] CKT 1  
OPEN LINE FROM BUS 640208 [HARBINE7 115.00] TO BUS 640426 [STEELEC7 115.00] CKT 1  
DOUBLE 90 : OPEN LINE FROM BUS 640169 [FAIRBRY7 115.00] TO BUS 640218 [HEBRN N7 115.00] CKT 1  
OPEN LINE FROM BUS 640214 [HASTING4 230.00] TO BUS 641088 [HASTCTY7 115.00] CKT 1  
DOUBLE 91 : OPEN LINE FROM BUS 640169 [FAIRBRY7 115.00] TO BUS 640218 [HEBRN N7 115.00] CKT 1  
OPEN LINE FROM BUS 640215 [HASTING7 115.00] TO BUS 640313 [PAULINE7 115.00] CKT 1  
DOUBLE 92 : OPEN LINE FROM BUS 640169 [FAIRBRY7 115.00] TO BUS 640218 [HEBRN N7 115.00] CKT 1  
OPEN LINE FROM BUS 640215 [HASTING7 115.00] TO BUS 640313 [PAULINE7 115.00] CKT 2  
DOUBLE 93 : OPEN LINE FROM BUS 640169 [FAIRBRY7 115.00] TO BUS 640218 [HEBRN N7 115.00] CKT 1  
OPEN LINE FROM BUS 640215 [HASTING7 115.00] TO BUS 641087 [EGYCNTR7 115.00] CKT 1  
DOUBLE 94 : OPEN LINE FROM BUS 640169 [FAIRBRY7 115.00] TO BUS 640218 [HEBRN N7 115.00] CKT 1  
OPEN LINE FROM BUS 640215 [HASTING7 115.00] TO BUS 641088 [HASTCTY7 115.00] CKT 1  
DOUBLE 95 : OPEN LINE FROM BUS 640169 [FAIRBRY7 115.00] TO BUS 640218 [HEBRN N7 115.00] CKT 1  
OPEN LINE FROM BUS 640218 [HEBRN N7 115.00] TO BUS 640220 [HEBRON 7 115.00] CKT 1  
DOUBLE 96 : OPEN LINE FROM BUS 640169 [FAIRBRY7 115.00] TO BUS 640218 [HEBRN N7 115.00] CKT 1  
OPEN LINE FROM BUS 640220 [HEBRON 7 115.00] TO BUS 640368 [SUPEROR7 115.00] CKT 1  
DOUBLE 97 : OPEN LINE FROM BUS 640169 [FAIRBRY7 115.00] TO BUS 640218 [HEBRN N7 115.00] CKT 1  
OPEN LINE FROM BUS 640222 [HILDRTH7 115.00] TO BUS 640313 [PAULINE7 115.00] CKT 1  
DOUBLE 98 : OPEN LINE FROM BUS 640169 [FAIRBRY7 115.00] TO BUS 640218 [HEBRN N7 115.00] CKT 1  
OPEN LINE FROM BUS 640277 [MOORE 3 345.00] TO BUS 640312 [PAULINE3 345.00] CKT 1  
DOUBLE 100 : OPEN LINE FROM BUS 640169 [FAIRBRY7 115.00] TO BUS 640218 [HEBRN N7 115.00] CKT 1  
OPEN LINE FROM BUS 640312 [PAULINE3 345.00] TO BUS 640313 [PAULINE7 115.00] TO BUS 640315 [PAULINE9 13.800] CKT 1  
DOUBLE 101 : OPEN LINE FROM BUS 640169 [FAIRBRY7 115.00] TO BUS 640218 [HEBRN N7 115.00] CKT 1  
OPEN LINE FROM BUS 640313 [PAULINE7 115.00] TO BUS 643050 [ROSEMONT 7115.00] CKT 1  
DOUBLE 102 : OPEN LINE FROM BUS 640169 [FAIRBRY7 115.00] TO BUS 640218 [HEBRN N7 115.00] CKT 1  
OPEN LINE FROM BUS 640372 [SUTTON 7 115.00] TO BUS 641087 [EGYCNTR7 115.00] CKT 1  
DOUBLE 103 : OPEN LINE FROM BUS 640169 [FAIRBRY7 115.00] TO BUS 640218 [HEBRN N7 115.00] CKT 1  
OPEN LINE FROM BUS 641082 [BYPASS 7 115.00] TO BUS 641085 [E7THST 7 115.00] CKT 1  
DOUBLE 104 : OPEN LINE FROM BUS 640169 [FAIRBRY7 115.00] TO BUS 640218 [HEBRN N7 115.00] CKT 1  
OPEN LINE FROM BUS 641085 [E7THST 7 115.00] TO BUS 641088 [HASTCTY7 115.00] CKT 1  
DOUBLE 105 : OPEN LINE FROM BUS 640169 [FAIRBRY7 115.00] TO BUS 640218 [HEBRN N7 115.00] CKT 1

OPEN LINE FROM BUS 641087 [EGYCNTR7 115.00] TO BUS 641088 [HASTCTY7 115.00] CKT 1  
DOUBLE 106 : OPEN LINE FROM BUS 640206 [GUIDE R7 115.00] TO BUS 640368 [SUPEROR7 115.00] CKT 1  
OPEN LINE FROM BUS 640206 [GUIDE R7 115.00] TO BUS 643050 [ROSEMONT 7115.00] CKT 1  
DOUBLE 107 : OPEN LINE FROM BUS 640206 [GUIDE R7 115.00] TO BUS 640368 [SUPEROR7 115.00] CKT 1  
OPEN LINE FROM BUS 640208 [HARBINE7 115.00] TO BUS 640426 [STEELEC7 115.00] CKT 1  
DOUBLE 108 : OPEN LINE FROM BUS 640206 [GUIDE R7 115.00] TO BUS 640368 [SUPEROR7 115.00] CKT 1  
OPEN LINE FROM BUS 640214 [HASTING4 230.00] TO BUS 641088 [HASTCTY7 115.00] CKT 1  
DOUBLE 109 : OPEN LINE FROM BUS 640206 [GUIDE R7 115.00] TO BUS 640368 [SUPEROR7 115.00] CKT 1  
OPEN LINE FROM BUS 640215 [HASTING7 115.00] TO BUS 640313 [PAULINE7 115.00] CKT 1  
DOUBLE 110 : OPEN LINE FROM BUS 640206 [GUIDE R7 115.00] TO BUS 640368 [SUPEROR7 115.00] CKT 1  
OPEN LINE FROM BUS 640215 [HASTING7 115.00] TO BUS 640313 [PAULINE7 115.00] CKT 2  
DOUBLE 111 : OPEN LINE FROM BUS 640206 [GUIDE R7 115.00] TO BUS 640368 [SUPEROR7 115.00] CKT 1  
OPEN LINE FROM BUS 640215 [HASTING7 115.00] TO BUS 641087 [EGYCNTR7 115.00] CKT 1  
DOUBLE 112 : OPEN LINE FROM BUS 640206 [GUIDE R7 115.00] TO BUS 640368 [SUPEROR7 115.00] CKT 1  
OPEN LINE FROM BUS 640215 [HASTING7 115.00] TO BUS 641088 [HASTCTY7 115.00] CKT 1  
DOUBLE 113 : OPEN LINE FROM BUS 640206 [GUIDE R7 115.00] TO BUS 640368 [SUPEROR7 115.00] CKT 1  
OPEN LINE FROM BUS 640218 [HEBRN N7 115.00] TO BUS 640220 [HEBRON 7 115.00] CKT 1  
DOUBLE 114 : OPEN LINE FROM BUS 640206 [GUIDE R7 115.00] TO BUS 640368 [SUPEROR7 115.00] CKT 1  
OPEN LINE FROM BUS 640220 [HEBRON 7 115.00] TO BUS 640368 [SUPEROR7 115.00] CKT 1  
DOUBLE 115 : OPEN LINE FROM BUS 640206 [GUIDE R7 115.00] TO BUS 640368 [SUPEROR7 115.00] CKT 1  
OPEN LINE FROM BUS 640222 [HILDRTH7 115.00] TO BUS 640313 [PAULINE7 115.00] CKT 1  
DOUBLE 116 : OPEN LINE FROM BUS 640206 [GUIDE R7 115.00] TO BUS 640368 [SUPEROR7 115.00] CKT 1  
OPEN LINE FROM BUS 640277 [MOORE 3 345.00] TO BUS 640312 [PAULINE3 345.00] CKT 1  
DOUBLE 117 : OPEN LINE FROM BUS 640206 [GUIDE R7 115.00] TO BUS 640368 [SUPEROR7 115.00] CKT 1  
OPEN LINE FROM BUS 640282 [N.HAST 7 115.00] TO BUS 641082 [BYPASS 7 115.00] CKT 1  
DOUBLE 118 : OPEN LINE FROM BUS 640206 [GUIDE R7 115.00] TO BUS 640368 [SUPEROR7 115.00] CKT 1  
OPEN LINE FROM BUS 640312 [PAULINE3 345.00] TO BUS 640313 [PAULINE7 115.00] TO BUS 640315 [PAULINE9 13.800] CKT 1  
DOUBLE 119 : OPEN LINE FROM BUS 640206 [GUIDE R7 115.00] TO BUS 640368 [SUPEROR7 115.00] CKT 1  
OPEN LINE FROM BUS 640313 [PAULINE7 115.00] TO BUS 643050 [ROSEMONT 7115.00] CKT 1  
DOUBLE 120 : OPEN LINE FROM BUS 640206 [GUIDE R7 115.00] TO BUS 640368 [SUPEROR7 115.00] CKT 1  
OPEN LINE FROM BUS 640372 [SUTTON 7 115.00] TO BUS 641087 [EGYCNTR7 115.00] CKT 1  
DOUBLE 121 : OPEN LINE FROM BUS 640206 [GUIDE R7 115.00] TO BUS 640368 [SUPEROR7 115.00] CKT 1  
OPEN LINE FROM BUS 641082 [BYPASS 7 115.00] TO BUS 641085 [E7THST 7 115.00] CKT 1  
DOUBLE 122 : OPEN LINE FROM BUS 640206 [GUIDE R7 115.00] TO BUS 640368 [SUPEROR7 115.00] CKT 1  
OPEN LINE FROM BUS 641085 [E7THST 7 115.00] TO BUS 641088 [HASTCTY7 115.00] CKT 1  
DOUBLE 123 : OPEN LINE FROM BUS 640206 [GUIDE R7 115.00] TO BUS 640368 [SUPEROR7 115.00] CKT 1  
OPEN LINE FROM BUS 641087 [EGYCNTR7 115.00] TO BUS 641088 [HASTCTY7 115.00] CKT 1  
DOUBLE 124 : OPEN LINE FROM BUS 640206 [GUIDE R7 115.00] TO BUS 643050 [ROSEMONT 7115.00] CKT 1  
OPEN LINE FROM BUS 640208 [HARBINE7 115.00] TO BUS 640426 [STEELEC7 115.00] CKT 1  
DOUBLE 125 : OPEN LINE FROM BUS 640206 [GUIDE R7 115.00] TO BUS 643050 [ROSEMONT 7115.00] CKT 1  
OPEN LINE FROM BUS 640214 [HASTING4 230.00] TO BUS 641088 [HASTCTY7 115.00] CKT 1  
DOUBLE 126 : OPEN LINE FROM BUS 640206 [GUIDE R7 115.00] TO BUS 643050 [ROSEMONT 7115.00] CKT 1  
OPEN LINE FROM BUS 640215 [HASTING7 115.00] TO BUS 640313 [PAULINE7 115.00] CKT 1  
DOUBLE 127 : OPEN LINE FROM BUS 640206 [GUIDE R7 115.00] TO BUS 643050 [ROSEMONT 7115.00] CKT 1  
OPEN LINE FROM BUS 640215 [HASTING7 115.00] TO BUS 640313 [PAULINE7 115.00] CKT 2  
DOUBLE 128 : OPEN LINE FROM BUS 640206 [GUIDE R7 115.00] TO BUS 643050 [ROSEMONT 7115.00] CKT 1  
OPEN LINE FROM BUS 640215 [HASTING7 115.00] TO BUS 641087 [EGYCNTR7 115.00] CKT 1  
DOUBLE 129 : OPEN LINE FROM BUS 640206 [GUIDE R7 115.00] TO BUS 643050 [ROSEMONT 7115.00] CKT 1

OPEN LINE FROM BUS 640215 [HASTING7 115.00] TO BUS 641088 [HASTCTY7 115.00] CKT 1  
DOUBLE 130 : OPEN LINE FROM BUS 640206 [GUIDE R7 115.00] TO BUS 643050 [ROSEMONT 7115.00] CKT 1  
OPEN LINE FROM BUS 640218 [HEBRN N7 115.00] TO BUS 640220 [HEBRON 7 115.00] CKT 1  
DOUBLE 131 : OPEN LINE FROM BUS 640206 [GUIDE R7 115.00] TO BUS 643050 [ROSEMONT 7115.00] CKT 1  
OPEN LINE FROM BUS 640220 [HEBRON 7 115.00] TO BUS 640368 [SUPEROR7 115.00] CKT 1  
DOUBLE 132 : OPEN LINE FROM BUS 640206 [GUIDE R7 115.00] TO BUS 643050 [ROSEMONT 7115.00] CKT 1  
OPEN LINE FROM BUS 640222 [HILDRTH7 115.00] TO BUS 640313 [PAULINE7 115.00] CKT 1  
DOUBLE 133 : OPEN LINE FROM BUS 640206 [GUIDE R7 115.00] TO BUS 643050 [ROSEMONT 7115.00] CKT 1  
OPEN LINE FROM BUS 640277 [MOORE 3 345.00] TO BUS 640312 [PAULINE3 345.00] CKT 1  
DOUBLE 134 : OPEN LINE FROM BUS 640206 [GUIDE R7 115.00] TO BUS 643050 [ROSEMONT 7115.00] CKT 1  
OPEN LINE FROM BUS 640282 [N.HAST 7 115.00] TO BUS 641082 [BYPASS 7 115.00] CKT 1  
DOUBLE 135 : OPEN LINE FROM BUS 640206 [GUIDE R7 115.00] TO BUS 643050 [ROSEMONT 7115.00] CKT 1  
OPEN LINE FROM BUS 640312 [PAULINE3 345.00] TO BUS 640313 [PAULINE7 115.00] TO BUS 640315 [PAULINE9 13.800] CKT 1  
DOUBLE 136 : OPEN LINE FROM BUS 640206 [GUIDE R7 115.00] TO BUS 643050 [ROSEMONT 7115.00] CKT 1  
OPEN LINE FROM BUS 640313 [PAULINE7 115.00] TO BUS 643050 [ROSEMONT 7115.00] CKT 1  
DOUBLE 137 : OPEN LINE FROM BUS 640206 [GUIDE R7 115.00] TO BUS 643050 [ROSEMONT 7115.00] CKT 1  
OPEN LINE FROM BUS 640372 [SUTTON 7 115.00] TO BUS 641087 [EGYCNTR7 115.00] CKT 1  
DOUBLE 138 : OPEN LINE FROM BUS 640206 [GUIDE R7 115.00] TO BUS 643050 [ROSEMONT 7115.00] CKT 1  
OPEN LINE FROM BUS 641082 [BYPASS 7 115.00] TO BUS 641085 [E7THST 7 115.00] CKT 1  
DOUBLE 139 : OPEN LINE FROM BUS 640206 [GUIDE R7 115.00] TO BUS 643050 [ROSEMONT 7115.00] CKT 1  
OPEN LINE FROM BUS 641085 [E7THST 7 115.00] TO BUS 641088 [HASTCTY7 115.00] CKT 1  
DOUBLE 140 : OPEN LINE FROM BUS 640206 [GUIDE R7 115.00] TO BUS 643050 [ROSEMONT 7115.00] CKT 1  
OPEN LINE FROM BUS 641087 [EGYCNTR7 115.00] TO BUS 641088 [HASTCTY7 115.00] CKT 1  
DOUBLE 141 : OPEN LINE FROM BUS 640208 [HARBINE7 115.00] TO BUS 640426 [STEELEC7 115.00] CKT 1  
OPEN LINE FROM BUS 640214 [HASTING4 230.00] TO BUS 641088 [HASTCTY7 115.00] CKT 1  
DOUBLE 142 : OPEN LINE FROM BUS 640208 [HARBINE7 115.00] TO BUS 640426 [STEELEC7 115.00] CKT 1  
OPEN LINE FROM BUS 640215 [HASTING7 115.00] TO BUS 640313 [PAULINE7 115.00] CKT 1  
DOUBLE 143 : OPEN LINE FROM BUS 640208 [HARBINE7 115.00] TO BUS 640426 [STEELEC7 115.00] CKT 1  
OPEN LINE FROM BUS 640215 [HASTING7 115.00] TO BUS 640313 [PAULINE7 115.00] CKT 2  
DOUBLE 144 : OPEN LINE FROM BUS 640208 [HARBINE7 115.00] TO BUS 640426 [STEELEC7 115.00] CKT 1  
OPEN LINE FROM BUS 640215 [HASTING7 115.00] TO BUS 641087 [EGYCNTR7 115.00] CKT 1  
DOUBLE 145 : OPEN LINE FROM BUS 640208 [HARBINE7 115.00] TO BUS 640426 [STEELEC7 115.00] CKT 1  
OPEN LINE FROM BUS 640215 [HASTING7 115.00] TO BUS 641088 [HASTCTY7 115.00] CKT 1  
DOUBLE 146 : OPEN LINE FROM BUS 640208 [HARBINE7 115.00] TO BUS 640426 [STEELEC7 115.00] CKT 1  
OPEN LINE FROM BUS 640218 [HEBRN N7 115.00] TO BUS 640220 [HEBRON 7 115.00] CKT 1  
DOUBLE 147 : OPEN LINE FROM BUS 640208 [HARBINE7 115.00] TO BUS 640426 [STEELEC7 115.00] CKT 1  
OPEN LINE FROM BUS 640220 [HEBRON 7 115.00] TO BUS 640368 [SUPEROR7 115.00] CKT 1  
DOUBLE 148 : OPEN LINE FROM BUS 640208 [HARBINE7 115.00] TO BUS 640426 [STEELEC7 115.00] CKT 1  
OPEN LINE FROM BUS 640222 [HILDRTH7 115.00] TO BUS 640313 [PAULINE7 115.00] CKT 1  
DOUBLE 149 : OPEN LINE FROM BUS 640208 [HARBINE7 115.00] TO BUS 640426 [STEELEC7 115.00] CKT 1  
OPEN LINE FROM BUS 640277 [MOORE 3 345.00] TO BUS 640312 [PAULINE3 345.00] CKT 1  
DOUBLE 150 : OPEN LINE FROM BUS 640208 [HARBINE7 115.00] TO BUS 640426 [STEELEC7 115.00] CKT 1  
OPEN LINE FROM BUS 640282 [N.HAST 7 115.00] TO BUS 641082 [BYPASS 7 115.00] CKT 1  
DOUBLE 151 : OPEN LINE FROM BUS 640208 [HARBINE7 115.00] TO BUS 640426 [STEELEC7 115.00] CKT 1  
OPEN LINE FROM BUS 640312 [PAULINE3 345.00] TO BUS 640313 [PAULINE7 115.00] TO BUS 640315 [PAULINE9 13.800] CKT 1  
DOUBLE 152 : OPEN LINE FROM BUS 640208 [HARBINE7 115.00] TO BUS 640426 [STEELEC7 115.00] CKT 1  
OPEN LINE FROM BUS 640313 [PAULINE7 115.00] TO BUS 643050 [ROSEMONT 7115.00] CKT 1  
DOUBLE 153 : OPEN LINE FROM BUS 640208 [HARBINE7 115.00] TO BUS 640426 [STEELEC7 115.00] CKT 1

OPEN LINE FROM BUS 640372 [SUTTON 7 115.00] TO BUS 641087 [EGYCNTR7 115.00] CKT 1  
DOUBLE 154 : OPEN LINE FROM BUS 640208 [HARBINE7 115.00] TO BUS 640426 [STEELEC7 115.00] CKT 1  
OPEN LINE FROM BUS 641082 [BYPASS 7 115.00] TO BUS 641085 [E7THST 7 115.00] CKT 1  
DOUBLE 155 : OPEN LINE FROM BUS 640208 [HARBINE7 115.00] TO BUS 640426 [STEELEC7 115.00] CKT 1  
OPEN LINE FROM BUS 641085 [E7THST 7 115.00] TO BUS 641088 [HASTCTY7 115.00] CKT 1  
DOUBLE 156 : OPEN LINE FROM BUS 640208 [HARBINE7 115.00] TO BUS 640426 [STEELEC7 115.00] CKT 1  
OPEN LINE FROM BUS 641087 [EGYCNTR7 115.00] TO BUS 641088 [HASTCTY7 115.00] CKT 1  
DOUBLE 157 : OPEN LINE FROM BUS 640214 [HASTING4 230.00] TO BUS 641088 [HASTCTY7 115.00] CKT 1  
OPEN LINE FROM BUS 640215 [HASTING7 115.00] TO BUS 640313 [PAULINE7 115.00] CKT 1  
DOUBLE 158 : OPEN LINE FROM BUS 640214 [HASTING4 230.00] TO BUS 641088 [HASTCTY7 115.00] CKT 1  
OPEN LINE FROM BUS 640215 [HASTING7 115.00] TO BUS 640313 [PAULINE7 115.00] CKT 2  
DOUBLE 159 : OPEN LINE FROM BUS 640214 [HASTING4 230.00] TO BUS 641088 [HASTCTY7 115.00] CKT 1  
OPEN LINE FROM BUS 640215 [HASTING7 115.00] TO BUS 641087 [EGYCNTR7 115.00] CKT 1  
DOUBLE 160 : OPEN LINE FROM BUS 640214 [HASTING4 230.00] TO BUS 641088 [HASTCTY7 115.00] CKT 1  
OPEN LINE FROM BUS 640215 [HASTING7 115.00] TO BUS 641088 [HASTCTY7 115.00] CKT 1  
DOUBLE 161 : OPEN LINE FROM BUS 640214 [HASTING4 230.00] TO BUS 641088 [HASTCTY7 115.00] CKT 1  
OPEN LINE FROM BUS 640218 [HEBRN N7 115.00] TO BUS 640220 [HEBRON 7 115.00] CKT 1  
DOUBLE 162 : OPEN LINE FROM BUS 640214 [HASTING4 230.00] TO BUS 641088 [HASTCTY7 115.00] CKT 1  
OPEN LINE FROM BUS 640220 [HEBRON 7 115.00] TO BUS 640368 [SUPEROR7 115.00] CKT 1  
DOUBLE 163 : OPEN LINE FROM BUS 640214 [HASTING4 230.00] TO BUS 641088 [HASTCTY7 115.00] CKT 1  
OPEN LINE FROM BUS 640222 [HILDRTH7 115.00] TO BUS 640313 [PAULINE7 115.00] CKT 1  
DOUBLE 164 : OPEN LINE FROM BUS 640214 [HASTING4 230.00] TO BUS 641088 [HASTCTY7 115.00] CKT 1  
OPEN LINE FROM BUS 640277 [MOORE 3 345.00] TO BUS 640312 [PAULINE3 345.00] CKT 1  
DOUBLE 165 : OPEN LINE FROM BUS 640214 [HASTING4 230.00] TO BUS 641088 [HASTCTY7 115.00] CKT 1  
OPEN LINE FROM BUS 640282 [N.HAST 7 115.00] TO BUS 641082 [BYPASS 7 115.00] CKT 1  
DOUBLE 166 : OPEN LINE FROM BUS 640214 [HASTING4 230.00] TO BUS 641088 [HASTCTY7 115.00] CKT 1  
OPEN LINE FROM BUS 640312 [PAULINE3 345.00] TO BUS 640313 [PAULINE7 115.00] TO BUS 640315 [PAULINE9 13.800] CKT 1  
DOUBLE 167 : OPEN LINE FROM BUS 640214 [HASTING4 230.00] TO BUS 641088 [HASTCTY7 115.00] CKT 1  
OPEN LINE FROM BUS 640313 [PAULINE7 115.00] TO BUS 643050 [ROSEMONT 7115.00] CKT 1  
DOUBLE 168 : OPEN LINE FROM BUS 640214 [HASTING4 230.00] TO BUS 641088 [HASTCTY7 115.00] CKT 1  
OPEN LINE FROM BUS 640372 [SUTTON 7 115.00] TO BUS 641087 [EGYCNTR7 115.00] CKT 1  
DOUBLE 169 : OPEN LINE FROM BUS 640214 [HASTING4 230.00] TO BUS 641088 [HASTCTY7 115.00] CKT 1  
OPEN LINE FROM BUS 641082 [BYPASS 7 115.00] TO BUS 641085 [E7THST 7 115.00] CKT 1  
DOUBLE 170 : OPEN LINE FROM BUS 640214 [HASTING4 230.00] TO BUS 641088 [HASTCTY7 115.00] CKT 1  
OPEN LINE FROM BUS 641085 [E7THST 7 115.00] TO BUS 641088 [HASTCTY7 115.00] CKT 1  
DOUBLE 171 : OPEN LINE FROM BUS 640214 [HASTING4 230.00] TO BUS 641088 [HASTCTY7 115.00] CKT 1  
OPEN LINE FROM BUS 641087 [EGYCNTR7 115.00] TO BUS 641088 [HASTCTY7 115.00] CKT 1  
DOUBLE 172 : OPEN LINE FROM BUS 640215 [HASTING7 115.00] TO BUS 640313 [PAULINE7 115.00] CKT 1  
OPEN LINE FROM BUS 640215 [HASTING7 115.00] TO BUS 640313 [PAULINE7 115.00] CKT 2  
DOUBLE 173 : OPEN LINE FROM BUS 640215 [HASTING7 115.00] TO BUS 640313 [PAULINE7 115.00] CKT 1  
OPEN LINE FROM BUS 640215 [HASTING7 115.00] TO BUS 641087 [EGYCNTR7 115.00] CKT 1  
DOUBLE 174 : OPEN LINE FROM BUS 640215 [HASTING7 115.00] TO BUS 640313 [PAULINE7 115.00] CKT 1  
OPEN LINE FROM BUS 640215 [HASTING7 115.00] TO BUS 641088 [HASTCTY7 115.00] CKT 1  
DOUBLE 175 : OPEN LINE FROM BUS 640215 [HASTING7 115.00] TO BUS 640313 [PAULINE7 115.00] CKT 1  
OPEN LINE FROM BUS 640218 [HEBRN N7 115.00] TO BUS 640220 [HEBRON 7 115.00] CKT 1  
DOUBLE 176 : OPEN LINE FROM BUS 640215 [HASTING7 115.00] TO BUS 640313 [PAULINE7 115.00] CKT 1  
OPEN LINE FROM BUS 640220 [HEBRON 7 115.00] TO BUS 640368 [SUPEROR7 115.00] CKT 1  
DOUBLE 177 : OPEN LINE FROM BUS 640215 [HASTING7 115.00] TO BUS 640313 [PAULINE7 115.00] CKT 1

OPEN LINE FROM BUS 640222 [HILDRTH7 115.00] TO BUS 640313 [PAULINE7 115.00] CKT 1  
DOUBLE 178 : OPEN LINE FROM BUS 640215 [HASTING7 115.00] TO BUS 640313 [PAULINE7 115.00] CKT 1  
OPEN LINE FROM BUS 640277 [MOORE 3 345.00] TO BUS 640312 [PAULINE3 345.00] CKT 1  
DOUBLE 179 : OPEN LINE FROM BUS 640215 [HASTING7 115.00] TO BUS 640313 [PAULINE7 115.00] CKT 1  
OPEN LINE FROM BUS 640282 [N.HAST 7 115.00] TO BUS 641082 [BYPASS 7 115.00] CKT 1  
DOUBLE 180 : OPEN LINE FROM BUS 640215 [HASTING7 115.00] TO BUS 640313 [PAULINE7 115.00] CKT 1  
OPEN LINE FROM BUS 640312 [PAULINE3 345.00] TO BUS 640313 [PAULINE7 115.00] TO BUS 640315 [PAULINE9 13.800] CKT 1  
DOUBLE 181 : OPEN LINE FROM BUS 640215 [HASTING7 115.00] TO BUS 640313 [PAULINE7 115.00] CKT 1  
OPEN LINE FROM BUS 640313 [PAULINE7 115.00] TO BUS 643050 [ROSEMONT 7115.00] CKT 1  
DOUBLE 182 : OPEN LINE FROM BUS 640215 [HASTING7 115.00] TO BUS 640313 [PAULINE7 115.00] CKT 1  
OPEN LINE FROM BUS 640372 [SUTTON 7 115.00] TO BUS 641087 [EGYCNTR7 115.00] CKT 1  
DOUBLE 183 : OPEN LINE FROM BUS 640215 [HASTING7 115.00] TO BUS 640313 [PAULINE7 115.00] CKT 1  
OPEN LINE FROM BUS 641082 [BYPASS 7 115.00] TO BUS 641085 [E7THST 7 115.00] CKT 1  
DOUBLE 184 : OPEN LINE FROM BUS 640215 [HASTING7 115.00] TO BUS 640313 [PAULINE7 115.00] CKT 1  
OPEN LINE FROM BUS 641085 [E7THST 7 115.00] TO BUS 641088 [HASTCTY7 115.00] CKT 1  
DOUBLE 185 : OPEN LINE FROM BUS 640215 [HASTING7 115.00] TO BUS 640313 [PAULINE7 115.00] CKT 1  
OPEN LINE FROM BUS 641087 [EGYCNTR7 115.00] TO BUS 641088 [HASTCTY7 115.00] CKT 1  
DOUBLE 186 : OPEN LINE FROM BUS 640215 [HASTING7 115.00] TO BUS 640313 [PAULINE7 115.00] CKT 2  
OPEN LINE FROM BUS 640215 [HASTING7 115.00] TO BUS 641087 [EGYCNTR7 115.00] CKT 1  
DOUBLE 187 : OPEN LINE FROM BUS 640215 [HASTING7 115.00] TO BUS 640313 [PAULINE7 115.00] CKT 2  
OPEN LINE FROM BUS 640215 [HASTING7 115.00] TO BUS 641088 [HASTCTY7 115.00] CKT 1  
DOUBLE 188 : OPEN LINE FROM BUS 640215 [HASTING7 115.00] TO BUS 640313 [PAULINE7 115.00] CKT 2  
OPEN LINE FROM BUS 640218 [HEBRN N7 115.00] TO BUS 640220 [HEBRON 7 115.00] CKT 1  
DOUBLE 189 : OPEN LINE FROM BUS 640215 [HASTING7 115.00] TO BUS 640313 [PAULINE7 115.00] CKT 2  
OPEN LINE FROM BUS 640220 [HEBRON 7 115.00] TO BUS 640368 [SUPEROR7 115.00] CKT 1  
DOUBLE 190 : OPEN LINE FROM BUS 640215 [HASTING7 115.00] TO BUS 640313 [PAULINE7 115.00] CKT 2  
OPEN LINE FROM BUS 640222 [HILDRTH7 115.00] TO BUS 640313 [PAULINE7 115.00] CKT 1  
DOUBLE 191 : OPEN LINE FROM BUS 640215 [HASTING7 115.00] TO BUS 640313 [PAULINE7 115.00] CKT 2  
OPEN LINE FROM BUS 640277 [MOORE 3 345.00] TO BUS 640312 [PAULINE3 345.00] CKT 1  
DOUBLE 192 : OPEN LINE FROM BUS 640215 [HASTING7 115.00] TO BUS 640313 [PAULINE7 115.00] CKT 2  
OPEN LINE FROM BUS 640282 [N.HAST 7 115.00] TO BUS 641082 [BYPASS 7 115.00] CKT 1  
DOUBLE 193 : OPEN LINE FROM BUS 640215 [HASTING7 115.00] TO BUS 640313 [PAULINE7 115.00] CKT 2  
OPEN LINE FROM BUS 640312 [PAULINE3 345.00] TO BUS 640313 [PAULINE7 115.00] TO BUS 640315 [PAULINE9 13.800] CKT 1  
DOUBLE 194 : OPEN LINE FROM BUS 640215 [HASTING7 115.00] TO BUS 640313 [PAULINE7 115.00] CKT 2  
OPEN LINE FROM BUS 640313 [PAULINE7 115.00] TO BUS 643050 [ROSEMONT 7115.00] CKT 1  
DOUBLE 195 : OPEN LINE FROM BUS 640215 [HASTING7 115.00] TO BUS 640313 [PAULINE7 115.00] CKT 2  
OPEN LINE FROM BUS 640372 [SUTTON 7 115.00] TO BUS 641087 [EGYCNTR7 115.00] CKT 1  
DOUBLE 196 : OPEN LINE FROM BUS 640215 [HASTING7 115.00] TO BUS 640313 [PAULINE7 115.00] CKT 2  
OPEN LINE FROM BUS 641082 [BYPASS 7 115.00] TO BUS 641085 [E7THST 7 115.00] CKT 1  
DOUBLE 197 : OPEN LINE FROM BUS 640215 [HASTING7 115.00] TO BUS 640313 [PAULINE7 115.00] CKT 2  
OPEN LINE FROM BUS 641085 [E7THST 7 115.00] TO BUS 641088 [HASTCTY7 115.00] CKT 1  
DOUBLE 198 : OPEN LINE FROM BUS 640215 [HASTING7 115.00] TO BUS 640313 [PAULINE7 115.00] CKT 2  
OPEN LINE FROM BUS 641087 [EGYCNTR7 115.00] TO BUS 641088 [HASTCTY7 115.00] CKT 1  
DOUBLE 199 : OPEN LINE FROM BUS 640215 [HASTING7 115.00] TO BUS 641087 [EGYCNTR7 115.00] CKT 1  
OPEN LINE FROM BUS 640215 [HASTING7 115.00] TO BUS 641088 [HASTCTY7 115.00] CKT 1  
DOUBLE 200 : OPEN LINE FROM BUS 640215 [HASTING7 115.00] TO BUS 641087 [EGYCNTR7 115.00] CKT 1  
OPEN LINE FROM BUS 640218 [HEBRN N7 115.00] TO BUS 640220 [HEBRON 7 115.00] CKT 1  
DOUBLE 201 : OPEN LINE FROM BUS 640215 [HASTING7 115.00] TO BUS 641087 [EGYCNTR7 115.00] CKT 1



OPEN LINE FROM BUS 640220 [HEBRON 7 115.00] TO BUS 640368 [SUPEROR7 115.00] CKT 1  
DOUBLE 202 : OPEN LINE FROM BUS 640215 [HASTING7 115.00] TO BUS 641087 [EGYCNTR7 115.00] CKT 1  
OPEN LINE FROM BUS 640222 [HILDRTH7 115.00] TO BUS 640313 [PAULINE7 115.00] CKT 1  
DOUBLE 203 : OPEN LINE FROM BUS 640215 [HASTING7 115.00] TO BUS 641087 [EGYCNTR7 115.00] CKT 1  
OPEN LINE FROM BUS 640277 [MOORE 3 345.00] TO BUS 640312 [PAULINE3 345.00] CKT 1  
DOUBLE 204 : OPEN LINE FROM BUS 640215 [HASTING7 115.00] TO BUS 641087 [EGYCNTR7 115.00] CKT 1  
OPEN LINE FROM BUS 640282 [N.HAST 7 115.00] TO BUS 641082 [BYPASS 7 115.00] CKT 1  
DOUBLE 205 : OPEN LINE FROM BUS 640215 [HASTING7 115.00] TO BUS 641087 [EGYCNTR7 115.00] CKT 1  
OPEN LINE FROM BUS 640312 [PAULINE3 345.00] TO BUS 640313 [PAULINE7 115.00] TO BUS 640315 [PAULINE9 13.800] CKT 1  
DOUBLE 206 : OPEN LINE FROM BUS 640215 [HASTING7 115.00] TO BUS 641087 [EGYCNTR7 115.00] CKT 1  
OPEN LINE FROM BUS 640313 [PAULINE7 115.00] TO BUS 643050 [ROSEMONT 7115.00] CKT 1  
DOUBLE 207 : OPEN LINE FROM BUS 640215 [HASTING7 115.00] TO BUS 641087 [EGYCNTR7 115.00] CKT 1  
OPEN LINE FROM BUS 640372 [SUTTON 7 115.00] TO BUS 641087 [EGYCNTR7 115.00] CKT 1  
DOUBLE 208 : OPEN LINE FROM BUS 640215 [HASTING7 115.00] TO BUS 641087 [EGYCNTR7 115.00] CKT 1  
OPEN LINE FROM BUS 641082 [BYPASS 7 115.00] TO BUS 641085 [E7THST 7 115.00] CKT 1  
DOUBLE 209 : OPEN LINE FROM BUS 640215 [HASTING7 115.00] TO BUS 641087 [EGYCNTR7 115.00] CKT 1  
OPEN LINE FROM BUS 641085 [E7THST 7 115.00] TO BUS 641088 [HASTCTY7 115.00] CKT 1  
DOUBLE 210 : OPEN LINE FROM BUS 640215 [HASTING7 115.00] TO BUS 641087 [EGYCNTR7 115.00] CKT 1  
OPEN LINE FROM BUS 641087 [EGYCNTR7 115.00] TO BUS 641088 [HASTCTY7 115.00] CKT 1  
DOUBLE 211 : OPEN LINE FROM BUS 640215 [HASTING7 115.00] TO BUS 641088 [HASTCTY7 115.00] CKT 1  
OPEN LINE FROM BUS 640218 [HEBRN N7 115.00] TO BUS 640220 [HEBRON 7 115.00] CKT 1  
DOUBLE 212 : OPEN LINE FROM BUS 640215 [HASTING7 115.00] TO BUS 641088 [HASTCTY7 115.00] CKT 1  
OPEN LINE FROM BUS 640220 [HEBRON 7 115.00] TO BUS 640368 [SUPEROR7 115.00] CKT 1  
DOUBLE 213 : OPEN LINE FROM BUS 640215 [HASTING7 115.00] TO BUS 641088 [HASTCTY7 115.00] CKT 1  
OPEN LINE FROM BUS 640222 [HILDRTH7 115.00] TO BUS 640313 [PAULINE7 115.00] CKT 1  
DOUBLE 214 : OPEN LINE FROM BUS 640215 [HASTING7 115.00] TO BUS 641088 [HASTCTY7 115.00] CKT 1  
OPEN LINE FROM BUS 640277 [MOORE 3 345.00] TO BUS 640312 [PAULINE3 345.00] CKT 1  
DOUBLE 215 : OPEN LINE FROM BUS 640215 [HASTING7 115.00] TO BUS 641088 [HASTCTY7 115.00] CKT 1  
OPEN LINE FROM BUS 640282 [N.HAST 7 115.00] TO BUS 641082 [BYPASS 7 115.00] CKT 1  
DOUBLE 216 : OPEN LINE FROM BUS 640215 [HASTING7 115.00] TO BUS 641088 [HASTCTY7 115.00] CKT 1  
OPEN LINE FROM BUS 640312 [PAULINE3 345.00] TO BUS 640313 [PAULINE7 115.00] TO BUS 640315 [PAULINE9 13.800] CKT 1  
DOUBLE 217 : OPEN LINE FROM BUS 640215 [HASTING7 115.00] TO BUS 641088 [HASTCTY7 115.00] CKT 1  
OPEN LINE FROM BUS 640313 [PAULINE7 115.00] TO BUS 643050 [ROSEMONT 7115.00] CKT 1  
DOUBLE 218 : OPEN LINE FROM BUS 640215 [HASTING7 115.00] TO BUS 641088 [HASTCTY7 115.00] CKT 1  
OPEN LINE FROM BUS 640372 [SUTTON 7 115.00] TO BUS 641087 [EGYCNTR7 115.00] CKT 1  
DOUBLE 219 : OPEN LINE FROM BUS 640215 [HASTING7 115.00] TO BUS 641088 [HASTCTY7 115.00] CKT 1  
OPEN LINE FROM BUS 641082 [BYPASS 7 115.00] TO BUS 641085 [E7THST 7 115.00] CKT 1  
DOUBLE 220 : OPEN LINE FROM BUS 640215 [HASTING7 115.00] TO BUS 641088 [HASTCTY7 115.00] CKT 1  
OPEN LINE FROM BUS 641085 [E7THST 7 115.00] TO BUS 641088 [HASTCTY7 115.00] CKT 1  
DOUBLE 221 : OPEN LINE FROM BUS 640215 [HASTING7 115.00] TO BUS 641088 [HASTCTY7 115.00] CKT 1  
OPEN LINE FROM BUS 641087 [EGYCNTR7 115.00] TO BUS 641088 [HASTCTY7 115.00] CKT 1  
DOUBLE 222 : OPEN LINE FROM BUS 640218 [HEBRN N7 115.00] TO BUS 640220 [HEBRON 7 115.00] CKT 1  
OPEN LINE FROM BUS 640220 [HEBRON 7 115.00] TO BUS 640368 [SUPEROR7 115.00] CKT 1  
DOUBLE 223 : OPEN LINE FROM BUS 640218 [HEBRN N7 115.00] TO BUS 640220 [HEBRON 7 115.00] CKT 1  
OPEN LINE FROM BUS 640222 [HILDRTH7 115.00] TO BUS 640313 [PAULINE7 115.00] CKT 1  
DOUBLE 224 : OPEN LINE FROM BUS 640218 [HEBRN N7 115.00] TO BUS 640220 [HEBRON 7 115.00] CKT 1  
OPEN LINE FROM BUS 640277 [MOORE 3 345.00] TO BUS 640312 [PAULINE3 345.00] CKT 1  
DOUBLE 225 : OPEN LINE FROM BUS 640218 [HEBRN N7 115.00] TO BUS 640220 [HEBRON 7 115.00] CKT 1

OPEN LINE FROM BUS 640282 [N.HAST 7 115.00] TO BUS 641082 [BYPASS 7 115.00] CKT 1  
DOUBLE 226 : OPEN LINE FROM BUS 640218 [HEBRN N7 115.00] TO BUS 640220 [HEBRON 7 115.00] CKT 1  
OPEN LINE FROM BUS 640312 [PAULINE3 345.00] TO BUS 640313 [PAULINE7 115.00] TO BUS 640315 [PAULINE9 13.800] CKT 1  
DOUBLE 227 : OPEN LINE FROM BUS 640218 [HEBRN N7 115.00] TO BUS 640220 [HEBRON 7 115.00] CKT 1  
OPEN LINE FROM BUS 640313 [PAULINE7 115.00] TO BUS 643050 [ROSEMONT 7115.00] CKT 1  
DOUBLE 228 : OPEN LINE FROM BUS 640218 [HEBRN N7 115.00] TO BUS 640220 [HEBRON 7 115.00] CKT 1  
OPEN LINE FROM BUS 640372 [SUTTON 7 115.00] TO BUS 641087 [EGYCNTR7 115.00] CKT 1  
DOUBLE 229 : OPEN LINE FROM BUS 640218 [HEBRN N7 115.00] TO BUS 640220 [HEBRON 7 115.00] CKT 1  
OPEN LINE FROM BUS 641082 [BYPASS 7 115.00] TO BUS 641085 [E7THST 7 115.00] CKT 1  
DOUBLE 230 : OPEN LINE FROM BUS 640218 [HEBRN N7 115.00] TO BUS 640220 [HEBRON 7 115.00] CKT 1  
OPEN LINE FROM BUS 641085 [E7THST 7 115.00] TO BUS 641088 [HASTCTY7 115.00] CKT 1  
DOUBLE 231 : OPEN LINE FROM BUS 640218 [HEBRN N7 115.00] TO BUS 640220 [HEBRON 7 115.00] CKT 1  
OPEN LINE FROM BUS 641087 [EGYCNTR7 115.00] TO BUS 641088 [HASTCTY7 115.00] CKT 1  
DOUBLE 232 : OPEN LINE FROM BUS 640220 [HEBRON 7 115.00] TO BUS 640368 [SUPEROR7 115.00] CKT 1  
OPEN LINE FROM BUS 640222 [HILDRTH7 115.00] TO BUS 640313 [PAULINE7 115.00] CKT 1  
DOUBLE 233 : OPEN LINE FROM BUS 640220 [HEBRON 7 115.00] TO BUS 640368 [SUPEROR7 115.00] CKT 1  
OPEN LINE FROM BUS 640277 [MOORE 3 345.00] TO BUS 640312 [PAULINE3 345.00] CKT 1  
DOUBLE 234 : OPEN LINE FROM BUS 640220 [HEBRON 7 115.00] TO BUS 640368 [SUPEROR7 115.00] CKT 1  
OPEN LINE FROM BUS 640282 [N.HAST 7 115.00] TO BUS 641082 [BYPASS 7 115.00] CKT 1  
DOUBLE 235 : OPEN LINE FROM BUS 640220 [HEBRON 7 115.00] TO BUS 640368 [SUPEROR7 115.00] CKT 1  
OPEN LINE FROM BUS 640312 [PAULINE3 345.00] TO BUS 640313 [PAULINE7 115.00] TO BUS 640315 [PAULINE9 13.800] CKT 1  
DOUBLE 236 : OPEN LINE FROM BUS 640220 [HEBRON 7 115.00] TO BUS 640368 [SUPEROR7 115.00] CKT 1  
OPEN LINE FROM BUS 640313 [PAULINE7 115.00] TO BUS 643050 [ROSEMONT 7115.00] CKT 1  
DOUBLE 237 : OPEN LINE FROM BUS 640220 [HEBRON 7 115.00] TO BUS 640368 [SUPEROR7 115.00] CKT 1  
OPEN LINE FROM BUS 640372 [SUTTON 7 115.00] TO BUS 641087 [EGYCNTR7 115.00] CKT 1  
DOUBLE 238 : OPEN LINE FROM BUS 640220 [HEBRON 7 115.00] TO BUS 640368 [SUPEROR7 115.00] CKT 1  
OPEN LINE FROM BUS 641082 [BYPASS 7 115.00] TO BUS 641085 [E7THST 7 115.00] CKT 1  
DOUBLE 239 : OPEN LINE FROM BUS 640220 [HEBRON 7 115.00] TO BUS 640368 [SUPEROR7 115.00] CKT 1  
OPEN LINE FROM BUS 641085 [E7THST 7 115.00] TO BUS 641088 [HASTCTY7 115.00] CKT 1  
DOUBLE 240 : OPEN LINE FROM BUS 640220 [HEBRON 7 115.00] TO BUS 640368 [SUPEROR7 115.00] CKT 1  
OPEN LINE FROM BUS 641087 [EGYCNTR7 115.00] TO BUS 641088 [HASTCTY7 115.00] CKT 1  
DOUBLE 241 : OPEN LINE FROM BUS 640222 [HILDRTH7 115.00] TO BUS 640313 [PAULINE7 115.00] CKT 1  
OPEN LINE FROM BUS 640277 [MOORE 3 345.00] TO BUS 640312 [PAULINE3 345.00] CKT 1  
DOUBLE 242 : OPEN LINE FROM BUS 640222 [HILDRTH7 115.00] TO BUS 640313 [PAULINE7 115.00] CKT 1  
OPEN LINE FROM BUS 640282 [N.HAST 7 115.00] TO BUS 641082 [BYPASS 7 115.00] CKT 1  
DOUBLE 243 : OPEN LINE FROM BUS 640222 [HILDRTH7 115.00] TO BUS 640313 [PAULINE7 115.00] CKT 1  
OPEN LINE FROM BUS 640312 [PAULINE3 345.00] TO BUS 640313 [PAULINE7 115.00] TO BUS 640315 [PAULINE9 13.800] CKT 1  
DOUBLE 244 : OPEN LINE FROM BUS 640222 [HILDRTH7 115.00] TO BUS 640313 [PAULINE7 115.00] CKT 1  
OPEN LINE FROM BUS 640313 [PAULINE7 115.00] TO BUS 643050 [ROSEMONT 7115.00] CKT 1  
DOUBLE 245 : OPEN LINE FROM BUS 640222 [HILDRTH7 115.00] TO BUS 640313 [PAULINE7 115.00] CKT 1  
OPEN LINE FROM BUS 640372 [SUTTON 7 115.00] TO BUS 641087 [EGYCNTR7 115.00] CKT 1  
DOUBLE 246 : OPEN LINE FROM BUS 640222 [HILDRTH7 115.00] TO BUS 640313 [PAULINE7 115.00] CKT 1  
OPEN LINE FROM BUS 641082 [BYPASS 7 115.00] TO BUS 641085 [E7THST 7 115.00] CKT 1  
DOUBLE 247 : OPEN LINE FROM BUS 640222 [HILDRTH7 115.00] TO BUS 640313 [PAULINE7 115.00] CKT 1  
OPEN LINE FROM BUS 641085 [E7THST 7 115.00] TO BUS 641088 [HASTCTY7 115.00] CKT 1  
DOUBLE 248 : OPEN LINE FROM BUS 640222 [HILDRTH7 115.00] TO BUS 640313 [PAULINE7 115.00] CKT 1  
OPEN LINE FROM BUS 641087 [EGYCNTR7 115.00] TO BUS 641088 [HASTCTY7 115.00] CKT 1  
DOUBLE 249 : OPEN LINE FROM BUS 640277 [MOORE 3 345.00] TO BUS 640312 [PAULINE3 345.00] CKT 1

OPEN LINE FROM BUS 640282 [N.HAST 7 115.00] TO BUS 641082 [BYPASS 7 115.00] CKT 1  
DOUBLE 250 : OPEN LINE FROM BUS 640277 [MOORE 3 345.00] TO BUS 640312 [PAULINE3 345.00] CKT 1  
OPEN LINE FROM BUS 640312 [PAULINE3 345.00] TO BUS 640313 [PAULINE7 115.00] TO BUS 640315 [PAULINE9 13.800] CKT 1  
DOUBLE 251 : OPEN LINE FROM BUS 640277 [MOORE 3 345.00] TO BUS 640312 [PAULINE3 345.00] CKT 1  
OPEN LINE FROM BUS 640313 [PAULINE7 115.00] TO BUS 643050 [ROSEMONT 7115.00] CKT 1  
DOUBLE 252 : OPEN LINE FROM BUS 640277 [MOORE 3 345.00] TO BUS 640312 [PAULINE3 345.00] CKT 1  
OPEN LINE FROM BUS 640372 [SUTTON 7 115.00] TO BUS 641087 [EGYCNTR7 115.00] CKT 1  
DOUBLE 253 : OPEN LINE FROM BUS 640277 [MOORE 3 345.00] TO BUS 640312 [PAULINE3 345.00] CKT 1  
OPEN LINE FROM BUS 641082 [BYPASS 7 115.00] TO BUS 641085 [E7THST 7 115.00] CKT 1  
DOUBLE 254 : OPEN LINE FROM BUS 640277 [MOORE 3 345.00] TO BUS 640312 [PAULINE3 345.00] CKT 1  
OPEN LINE FROM BUS 641085 [E7THST 7 115.00] TO BUS 641088 [HASTCTY7 115.00] CKT 1  
DOUBLE 255 : OPEN LINE FROM BUS 640277 [MOORE 3 345.00] TO BUS 640312 [PAULINE3 345.00] CKT 1  
OPEN LINE FROM BUS 641087 [EGYCNTR7 115.00] TO BUS 641088 [HASTCTY7 115.00] CKT 1  
DOUBLE 256 : OPEN LINE FROM BUS 640282 [N.HAST 7 115.00] TO BUS 641082 [BYPASS 7 115.00] CKT 1  
OPEN LINE FROM BUS 640312 [PAULINE3 345.00] TO BUS 640313 [PAULINE7 115.00] TO BUS 640315 [PAULINE9 13.800] CKT 1  
DOUBLE 257 : OPEN LINE FROM BUS 640282 [N.HAST 7 115.00] TO BUS 641082 [BYPASS 7 115.00] CKT 1  
OPEN LINE FROM BUS 640313 [PAULINE7 115.00] TO BUS 643050 [ROSEMONT 7115.00] CKT 1  
DOUBLE 258 : OPEN LINE FROM BUS 640282 [N.HAST 7 115.00] TO BUS 641082 [BYPASS 7 115.00] CKT 1  
OPEN LINE FROM BUS 640372 [SUTTON 7 115.00] TO BUS 641087 [EGYCNTR7 115.00] CKT 1  
DOUBLE 259 : OPEN LINE FROM BUS 640282 [N.HAST 7 115.00] TO BUS 641082 [BYPASS 7 115.00] CKT 1  
OPEN LINE FROM BUS 641082 [BYPASS 7 115.00] TO BUS 641085 [E7THST 7 115.00] CKT 1  
DOUBLE 260 : OPEN LINE FROM BUS 640282 [N.HAST 7 115.00] TO BUS 641082 [BYPASS 7 115.00] CKT 1  
OPEN LINE FROM BUS 641085 [E7THST 7 115.00] TO BUS 641088 [HASTCTY7 115.00] CKT 1  
DOUBLE 261 : OPEN LINE FROM BUS 640282 [N.HAST 7 115.00] TO BUS 641082 [BYPASS 7 115.00] CKT 1  
OPEN LINE FROM BUS 641087 [EGYCNTR7 115.00] TO BUS 641088 [HASTCTY7 115.00] CKT 1  
DOUBLE 262 : OPEN LINE FROM BUS 640312 [PAULINE3 345.00] TO BUS 640313 [PAULINE7 115.00] TO BUS 640315 [PAULINE9 13.800] CKT 1  
OPEN LINE FROM BUS 640313 [PAULINE7 115.00] TO BUS 643050 [ROSEMONT 7115.00] CKT 1  
DOUBLE 263 : OPEN LINE FROM BUS 640312 [PAULINE3 345.00] TO BUS 640313 [PAULINE7 115.00] TO BUS 640315 [PAULINE9 13.800] CKT 1  
OPEN LINE FROM BUS 640372 [SUTTON 7 115.00] TO BUS 641087 [EGYCNTR7 115.00] CKT 1  
DOUBLE 264 : OPEN LINE FROM BUS 640312 [PAULINE3 345.00] TO BUS 640313 [PAULINE7 115.00] TO BUS 640315 [PAULINE9 13.800] CKT 1  
OPEN LINE FROM BUS 641082 [BYPASS 7 115.00] TO BUS 641085 [E7THST 7 115.00] CKT 1  
DOUBLE 265 : OPEN LINE FROM BUS 640312 [PAULINE3 345.00] TO BUS 640313 [PAULINE7 115.00] TO BUS 640315 [PAULINE9 13.800] CKT 1  
OPEN LINE FROM BUS 641085 [E7THST 7 115.00] TO BUS 641088 [HASTCTY7 115.00] CKT 1  
DOUBLE 266 : OPEN LINE FROM BUS 640312 [PAULINE3 345.00] TO BUS 640313 [PAULINE7 115.00] TO BUS 640315 [PAULINE9 13.800] CKT 1  
OPEN LINE FROM BUS 641087 [EGYCNTR7 115.00] TO BUS 641088 [HASTCTY7 115.00] CKT 1  
DOUBLE 267 : OPEN LINE FROM BUS 640313 [PAULINE7 115.00] TO BUS 643050 [ROSEMONT 7115.00] CKT 1  
OPEN LINE FROM BUS 640372 [SUTTON 7 115.00] TO BUS 641087 [EGYCNTR7 115.00] CKT 1  
DOUBLE 268 : OPEN LINE FROM BUS 640313 [PAULINE7 115.00] TO BUS 643050 [ROSEMONT 7115.00] CKT 1  
OPEN LINE FROM BUS 641082 [BYPASS 7 115.00] TO BUS 641085 [E7THST 7 115.00] CKT 1  
DOUBLE 269 : OPEN LINE FROM BUS 640313 [PAULINE7 115.00] TO BUS 643050 [ROSEMONT 7115.00] CKT 1  
OPEN LINE FROM BUS 641085 [E7THST 7 115.00] TO BUS 641088 [HASTCTY7 115.00] CKT 1  
DOUBLE 270 : OPEN LINE FROM BUS 640313 [PAULINE7 115.00] TO BUS 643050 [ROSEMONT 7115.00] CKT 1  
OPEN LINE FROM BUS 641087 [EGYCNTR7 115.00] TO BUS 641088 [HASTCTY7 115.00] CKT 1  
DOUBLE 271 : OPEN LINE FROM BUS 640372 [SUTTON 7 115.00] TO BUS 641087 [EGYCNTR7 115.00] CKT 1  
OPEN LINE FROM BUS 641082 [BYPASS 7 115.00] TO BUS 641085 [E7THST 7 115.00] CKT 1  
DOUBLE 272 : OPEN LINE FROM BUS 640372 [SUTTON 7 115.00] TO BUS 641087 [EGYCNTR7 115.00] CKT 1  
OPEN LINE FROM BUS 641085 [E7THST 7 115.00] TO BUS 641088 [HASTCTY7 115.00] CKT 1  
DOUBLE 273 : OPEN LINE FROM BUS 640372 [SUTTON 7 115.00] TO BUS 641087 [EGYCNTR7 115.00] CKT 1

OPEN LINE FROM BUS 641087 [EGYCNTR7 115.00] TO BUS 641088 [HASTCTY7 115.00] CKT 1  
DOUBLE 274 : OPEN LINE FROM BUS 641082 [BYPASS 7 115.00] TO BUS 641085 [E7THST 7 115.00] CKT 1  
OPEN LINE FROM BUS 641085 [E7THST 7 115.00] TO BUS 641088 [HASTCTY7 115.00] CKT 1  
DOUBLE 275 : OPEN LINE FROM BUS 641082 [BYPASS 7 115.00] TO BUS 641085 [E7THST 7 115.00] CKT 1  
OPEN LINE FROM BUS 641087 [EGYCNTR7 115.00] TO BUS 641088 [HASTCTY7 115.00] CKT 1  
DOUBLE 276 : OPEN LINE FROM BUS 641085 [E7THST 7 115.00] TO BUS 641088 [HASTCTY7 115.00] CKT 1  
OPEN LINE FROM BUS 641087 [EGYCNTR7 115.00] TO BUS 641088 [HASTCTY7 115.00] CKT 1

# **APPENDIX D**

## **LOADFLOW ANALYSIS WITH TRANSFERS – PHASE 4**

### **SYSTEM INTACT & N-1 ACCC SCREENING RESULTS**

**(TPL-001 & TPL-002)**

ACCC OVERLOAD REPORT: MONITORED BRANCHES AND INTERFACES LOADED ABOVE 100.0 % OF RATING SET A  
 CONTINGENCY CASE LOADING NOT CHECKED UNLESS IT DIFFERS FROM ITS BASE CASE LOADING BY 1.0 MVA (MW FOR INTERFACES)  
 ACCC VOLTAGE REPORT: VOLTAGE BAND CHECK IN CONTINGENCY CASES SKIPPED FOR ANY BUS WITHIN 0.01000 OF ITS BASE CASE VOLTAGE MAGNITUDE

AC CONTINGENCY RESULTS FILE: C:\u1\ddbetz\spp-facilities-study\DISIS-2010-001\lf\acc\10G-xfr-post.acc  
 DISTRIBUTION FACTOR FILE: C:\u1\ddbetz\spp-facilities-study\DISIS-2010-001\lf\acc\10G-xfr-post.dfx  
 SUBSYSTEM DESCRIPTION FILE: C:\u1\ddbetz\spp-facilities-study\DISIS-2010-001\lf\acc\MRO.sub  
 MONITORED ELEMENT FILE: C:\u1\ddbetz\spp-facilities-study\DISIS-2010-001\lf\acc\Nebraska.mon  
 CONTINGENCY DESCRIPTION FILE: C:\u1\ddbetz\spp-facilities-study\DISIS-2010-001\lf\acc\Nebraska.con

Solution engine: Fixed slope decoupled Newton-Raphson (FDNS)  
 Solution options  
 Tap adjustment: Stepping  
 Area interchange control: Disable  
 Phase shift adjustment: Enable  
 Dc tap adjustment: Enable  
 Switch shunt adjustment: Lock all  
 Non diverge: Disable  
 Mismatch tolerance (MW ): 1.5  
 Dispatch mode: Disable

<----- MULTI-SECTION LINE ----->	<----- MONITORED BRANCH ----->	CONTINGENCY	RATING	FLOW	%
640133*COLMBUS4	230.00 643000 MADISONCNTY4230.00 1 BASE CASE	192.0	205.3	106.7	
640133*COLMBUS4	230.00 643000 MADISONCNTY4230.00 1 SINGLE 2	192.0	203.2	105.6	
640089*BROKENB7	115.00 640259 LOUPCTY7 115.00 1 SINGLE 3	120.0	127.7	103.6	
640103*CANADAY7	115.00 640161 ELMCRK_7 115.00 1 SINGLE 3	80.0	82.1	101.0	
640133*COLMBUS4	230.00 643000 MADISONCNTY4230.00 1 SINGLE 3	192.0	216.2	115.9	
640374*SWEET W3	345.00 652571 GR ISLD3 345.00 1 SINGLE 3	717.0	688.1	105.5	
640133*COLMBUS4	230.00 643000 MADISONCNTY4230.00 1 SINGLE 4	192.0	202.0	105.0	
640133*COLMBUS4	230.00 643000 MADISONCNTY4230.00 1 SINGLE 10	192.0	207.6	107.9	
640133*COLMBUS4	230.00 643000 MADISONCNTY4230.00 1 SINGLE 13	192.0	201.5	104.7	
640133*COLMBUS4	230.00 643000 MADISONCNTY4230.00 1 SINGLE 14	192.0	206.8	107.6	
640133*COLMBUS4	230.00 643000 MADISONCNTY4230.00 1 SINGLE 16	192.0	204.2	106.1	
640133*COLMBUS4	230.00 643000 MADISONCNTY4230.00 1 SINGLE 24	192.0	202.5	105.3	
640133*COLMBUS4	230.00 643000 MADISONCNTY4230.00 1 SINGLE 26	192.0	199.6	103.8	
640133*COLMBUS4	230.00 643000 MADISONCNTY4230.00 1 SINGLE 27	192.0	200.4	104.2	
640133*COLMBUS4	230.00 643000 MADISONCNTY4230.00 1 SINGLE 36	192.0	201.7	104.9	
640133*COLMBUS4	230.00 643000 MADISONCNTY4230.00 1 SINGLE 38	192.0	208.2	108.2	
640133*COLMBUS4	230.00 643000 MADISONCNTY4230.00 1 SINGLE 39	192.0	201.5	105.1	
640133*COLMBUS4	230.00 643000 MADISONCNTY4230.00 1 SINGLE 40	192.0	198.0	103.0	
640133*COLMBUS4	230.00 643000 MADISONCNTY4230.00 1 SINGLE 41	192.0	196.3	102.0	
640133*COLMBUS4	230.00 643000 MADISONCNTY4230.00 1 SINGLE 45	192.0	204.2	106.1	
640133*COLMBUS4	230.00 643000 MADISONCNTY4230.00 1 SINGLE 55	192.0	207.0	107.6	
640133*COLMBUS4	230.00 643000 MADISONCNTY4230.00 1 SINGLE 120	192.0	202.6	105.3	
640133*COLMBUS4	230.00 643000 MADISONCNTY4230.00 1 SINGLE 128	192.0	206.4	107.3	
640133*COLMBUS4	230.00 643000 MADISONCNTY4230.00 1 SINGLE 150	192.0	203.9	106.0	
640133*COLMBUS4	230.00 643000 MADISONCNTY4230.00 1 SINGLE 220	192.0	203.2	105.6	

640133*COLMBUS4	230.00	643000	MADISONCNTY4230.00	1	SINGLE	221	192.0	200.7	104.3	
640133*COLMBUS4	230.00	643000	MADISONCNTY4230.00	1	SINGLE	224	192.0	219.4	114.0	
640133*COLMBUS4	230.00	643000	MADISONCNTY4230.00	1	SINGLE	225	192.0	223.3	116.1	
640133*COLMBUS4	230.00	643000	MADISONCNTY4230.00	1	SINGLE	226	192.0	201.7	104.8	
640133*COLMBUS4	230.00	643000	MADISONCNTY4230.00	1	SINGLE	229	192.0	201.1	104.5	
640133*COLMBUS4	230.00	643000	MADISONCNTY4230.00	1	SINGLE	230	192.0	200.9	104.4	
640133*COLMBUS4	230.00	643000	MADISONCNTY4230.00	1	SINGLE	233	192.0	207.6	108.4	
640133*COLMBUS4	230.00	643000	MADISONCNTY4230.00	1	SINGLE	234	192.0	207.8	108.3	
640133*COLMBUS4	230.00	643000	MADISONCNTY4230.00	1	SINGLE	243	192.0	209.9	109.1	
640133*COLMBUS4	230.00	643000	MADISONCNTY4230.00	1	SINGLE	244	192.0	209.4	108.9	
640133*COLMBUS4	230.00	643000	MADISONCNTY4230.00	1	SINGLE	250	192.0	207.2	107.7	
640133*COLMBUS4	230.00	643000	MADISONCNTY4230.00	1	SINGLE	251	192.0	206.6	107.4	
640133*COLMBUS4	230.00	643000	MADISONCNTY4230.00	1	SINGLE	252	192.0	207.3	107.7	
640133*COLMBUS4	230.00	643000	MADISONCNTY4230.00	1	SINGLE	255	192.0	208.1	108.2	
640133*COLMBUS4	230.00	643000	MADISONCNTY4230.00	1	SINGLE	258	192.0	203.9	106.0	
640133*COLMBUS4	230.00	643000	MADISONCNTY4230.00	1	SINGLE	259	192.0	208.1	108.2	
640133*COLMBUS4	230.00	643000	MADISONCNTY4230.00	1	SINGLE	263	192.0	206.6	107.4	
640133*COLMBUS4	230.00	643000	MADISONCNTY4230.00	1	SINGLE	265	192.0	200.7	104.3	
640133*COLMBUS4	230.00	643000	MADISONCNTY4230.00	1	SINGLE	267	192.0	206.6	107.4	
640133*COLMBUS4	230.00	643000	MADISONCNTY4230.00	1	SINGLE	269	192.0	207.3	107.7	
640103*CANADAY7	115.00	640161	ELMCRK_7	115.00	1	SINGLE	270	80.0	91.8	110.3
640103*CANADAY7	115.00	640256	LXNGTN 7	115.00	1	SINGLE	270	80.0	95.1	114.2
640133*COLMBUS4	230.00	643000	MADISONCNTY4230.00	1	SINGLE	270	192.0	209.6	109.1	
640161*ELMCRK_7	115.00	640250	KEARNEY7	115.00	1	SINGLE	270	80.0	86.1	105.0
640256*LXNGTN 7	115.00	640331	RIVERDL7	115.00	1	SINGLE	270	80.0	83.1	100.6
640133*COLMBUS4	230.00	643000	MADISONCNTY4230.00	1	SINGLE	271	192.0	203.2	105.6	
640133*COLMBUS4	230.00	643000	MADISONCNTY4230.00	1	SINGLE	281	192.0	207.3	107.8	
640133*COLMBUS4	230.00	643000	MADISONCNTY4230.00	1	SINGLE	282	192.0	206.5	107.3	
640133*COLMBUS4	230.00	643000	MADISONCNTY4230.00	1	SINGLE	284	192.0	202.8	105.5	
640133*COLMBUS4	230.00	643000	MADISONCNTY4230.00	1	SINGLE	290	192.0	209.9	109.1	
640133*COLMBUS4	230.00	643000	MADISONCNTY4230.00	1	SINGLE	298	192.0	207.0	107.8	
640133*COLMBUS4	230.00	643000	MADISONCNTY4230.00	1	SINGLE	299	192.0	211.1	110.8	
640133*COLMBUS4	230.00	643000	MADISONCNTY4230.00	1	SINGLE	300	192.0	194.1	100.8	
640133*COLMBUS4	230.00	643000	MADISONCNTY4230.00	1	SINGLE	301	192.0	194.2	100.8	
640133*COLMBUS4	230.00	643000	MADISONCNTY4230.00	1	SINGLE	302	192.0	206.4	107.2	
640133*COLMBUS4	230.00	643000	MADISONCNTY4230.00	1	SINGLE	303	192.0	203.7	105.8	
640133*COLMBUS4	230.00	643000	MADISONCNTY4230.00	1	SINGLE	304	192.0	226.6	117.2	
640133*COLMBUS4	230.00	643000	MADISONCNTY4230.00	1	SINGLE	305	192.0	231.6	120.0	
640133*COLMBUS4	230.00	643000	MADISONCNTY4230.00	1	SINGLE	308	192.0	196.5	101.8	
640133*COLMBUS4	230.00	643000	MADISONCNTY4230.00	1	SINGLE	309	192.0	209.3	108.8	
640133*COLMBUS4	230.00	643000	MADISONCNTY4230.00	1	SINGLE	310	192.0	218.0	113.2	
640133*COLMBUS4	230.00	643000	MADISONCNTY4230.00	1	SINGLE	311	192.0	200.3	104.0	
640133*COLMBUS4	230.00	643000	MADISONCNTY4230.00	1	SINGLE	313	192.0	203.8	106.1	
640133*COLMBUS4	230.00	643000	MADISONCNTY4230.00	1	SINGLE	320	192.0	214.6	111.6	
640133*COLMBUS4	230.00	643000	MADISONCNTY4230.00	1	SINGLE	325	192.0	204.2	106.1	
640133*COLMBUS4	230.00	643000	MADISONCNTY4230.00	1	SINGLE	330	192.0	201.2	104.6	
640133*COLMBUS4	230.00	643000	MADISONCNTY4230.00	1	SINGLE	337	192.0	202.8	105.4	
640133*COLMBUS4	230.00	643000	MADISONCNTY4230.00	1	SINGLE	345	192.0	208.4	108.2	

640133*COLMBUS4	230.00	643000	MADISONCNTY4230.00	1	SINGLE	346	192.0	209.2	110.2	
640287*N.PLATT7	115.00	640365	STOCKVL7	115.00	1	SINGLE	346	137.0	173.1	122.4
640326 REDWILO7	115.00	640365*	STOCKVL7	115.00	1	SINGLE	346	137.0	132.7	107.3
640133*COLMBUS4	230.00	643000	MADISONCNTY4230.00	1	SINGLE	347	192.0	211.2	110.0	
640133*COLMBUS4	230.00	643000	MADISONCNTY4230.00	1	SINGLE	348	192.0	210.3	109.7	
640133*COLMBUS4	230.00	643000	MADISONCNTY4230.00	1	SINGLE	353	192.0	203.0	105.5	
640133*COLMBUS4	230.00	643000	MADISONCNTY4230.00	1	SINGLE	354	192.0	203.4	105.7	
640133*COLMBUS4	230.00	643000	MADISONCNTY4230.00	1	SINGLE	359	192.0	208.4	108.4	
640133*COLMBUS4	230.00	643000	MADISONCNTY4230.00	1	SINGLE	361	192.0	207.1	107.6	
640133*COLMBUS4	230.00	643000	MADISONCNTY4230.00	1	SINGLE	381	192.0	199.3	103.5	
640133*COLMBUS4	230.00	643000	MADISONCNTY4230.00	1	SINGLE	383	192.0	210.2	109.2	
640133*COLMBUS4	230.00	643000	MADISONCNTY4230.00	1	SINGLE	384	192.0	204.2	106.1	
640133*COLMBUS4	230.00	643000	MADISONCNTY4230.00	1	SINGLE	385	192.0	210.1	109.2	
640133*COLMBUS4	230.00	643000	MADISONCNTY4230.00	1	SINGLE	386	192.0	212.7	110.6	
640133*COLMBUS4	230.00	643000	MADISONCNTY4230.00	1	SINGLE	387	192.0	207.5	107.9	
640133*COLMBUS4	230.00	643000	MADISONCNTY4230.00	1	SINGLE	402	192.0	209.5	108.7	
640302 OGALALA4	230.00	659134*	SIDNEY 4	230.00	1	SINGLE	402	320.0	389.9	119.4
640133*COLMBUS4	230.00	643000	MADISONCNTY4230.00	1	SINGLE	406	192.0	196.8	102.3	
640133*COLMBUS4	230.00	643000	MADISONCNTY4230.00	1	SINGLE	407	192.0	207.7	107.9	
640133*COLMBUS4	230.00	643000	MADISONCNTY4230.00	1	SINGLE	410	192.0	214.1	111.3	
640133*COLMBUS4	230.00	643000	MADISONCNTY4230.00	1	SINGLE	411	192.0	245.3	127.8	
640133*COLMBUS4	230.00	643000	MADISONCNTY4230.00	1	SINGLE	414	192.0	203.8	105.9	
640133*COLMBUS4	230.00	643000	MADISONCNTY4230.00	1	SINGLE	415	192.0	202.7	105.4	
640133*COLMBUS4	230.00	643000	MADISONCNTY4230.00	1	SINGLE	421	192.0	208.0	109.2	
640133*COLMBUS4	230.00	643000	MADISONCNTY4230.00	1	SINGLE	422	192.0	208.6	108.6	
640133*COLMBUS4	230.00	643000	MADISONCNTY4230.00	1	SINGLE	423	192.0	203.9	106.1	
640133*COLMBUS4	230.00	643000	MADISONCNTY4230.00	1	SINGLE	425	192.0	202.5	105.3	
640133*COLMBUS4	230.00	643000	MADISONCNTY4230.00	1	SINGLE	430	192.0	206.3	107.2	
640133*COLMBUS4	230.00	643000	MADISONCNTY4230.00	1	SINGLE	431	192.0	200.8	104.4	
640133*COLMBUS4	230.00	643000	MADISONCNTY4230.00	1	SINGLE	434	192.0	216.4	112.6	
640133*COLMBUS4	230.00	643000	MADISONCNTY4230.00	1	SINGLE	435	192.0	207.8	108.0	
640133*COLMBUS4	230.00	643000	MADISONCNTY4230.00	1	SINGLE	436	192.0	237.9	123.9	
640133*COLMBUS4	230.00	643000	MADISONCNTY4230.00	1	SINGLE	446	192.0	223.6	116.3	
640133*COLMBUS4	230.00	643000	MADISONCNTY4230.00	1	SINGLE	459	192.0	207.4	107.8	
640133*COLMBUS4	230.00	643000	MADISONCNTY4230.00	1	SINGLE	463	192.0	215.0	112.4	
640133*COLMBUS4	230.00	643000	MADISONCNTY4230.00	1	SINGLE	466	192.0	204.0	106.0	
640133*COLMBUS4	230.00	643000	MADISONCNTY4230.00	1	SINGLE	473	192.0	198.9	103.7	
640133*COLMBUS4	230.00	643000	MADISONCNTY4230.00	1	SINGLE	474	192.0	199.7	104.0	
640133*COLMBUS4	230.00	643000	MADISONCNTY4230.00	1	SINGLE	491	192.0	226.1	117.6	
640133*COLMBUS4	230.00	643000	MADISONCNTY4230.00	1	SINGLE	497	192.0	200.5	104.2	
640133*COLMBUS4	230.00	643000	MADISONCNTY4230.00	1	SINGLE	499	192.0	204.2	106.2	
640133*COLMBUS4	230.00	643000	MADISONCNTY4230.00	1	SINGLE	500	192.0	203.2	105.7	
640133*COLMBUS4	230.00	643000	MADISONCNTY4230.00	1	SINGLE	502	192.0	204.2	106.2	
640133*COLMBUS4	230.00	643000	MADISONCNTY4230.00	1	SINGLE	503	192.0	207.4	108.0	
640133*COLMBUS4	230.00	643000	MADISONCNTY4230.00	1	SINGLE	626	192.0	210.2	109.3	
640133*COLMBUS4	230.00	643000	MADISONCNTY4230.00	1	SINGLE	627	192.0	211.6	110.0	
640133*COLMBUS4	230.00	643000	MADISONCNTY4230.00	1	SINGLE	630	192.0	206.9	107.6	
640133*COLMBUS4	230.00	643000	MADISONCNTY4230.00	1	SINGLE	702	192.0	206.7	107.4	



640133*COLMBUS4	230.00	643000	MADISONCNTY4230.00	1	SINGLE 703	192.0	206.7	107.4
640133*COLMBUS4	230.00	643000	MADISONCNTY4230.00	1	SINGLE 705	192.0	204.1	106.1
640133*COLMBUS4	230.00	643000	MADISONCNTY4230.00	1	SINGLE 719	192.0	204.1	106.1
640133*COLMBUS4	230.00	643000	MADISONCNTY4230.00	1	SINGLE 720	192.0	204.2	106.1
640133*COLMBUS4	230.00	643000	MADISONCNTY4230.00	1	SINGLE 724	192.0	203.8	105.9
640133*COLMBUS4	230.00	643000	MADISONCNTY4230.00	1	SINGLE 725	192.0	204.2	106.1
640133*COLMBUS4	230.00	643000	MADISONCNTY4230.00	1	SINGLE 726	192.0	202.2	105.2
640133*COLMBUS4	230.00	643000	MADISONCNTY4230.00	1	SINGLE 728	192.0	198.3	102.9
640133*COLMBUS4	230.00	643000	MADISONCNTY4230.00	1	SINGLE 734	192.0	203.5	105.8
640133*COLMBUS4	230.00	643000	MADISONCNTY4230.00	1	SINGLE 741	192.0	203.9	106.0
640133*COLMBUS4	230.00	643000	MADISONCNTY4230.00	1	SINGLE 744	192.0	208.0	108.1
640133*COLMBUS4	230.00	643000	MADISONCNTY4230.00	1	SINGLE 745	192.0	207.4	107.8
640133*COLMBUS4	230.00	643000	MADISONCNTY4230.00	1	SINGLE 746	192.0	207.4	107.8
640133*COLMBUS4	230.00	643000	MADISONCNTY4230.00	1	SINGLE 749	192.0	206.4	107.3
640133*COLMBUS4	230.00	643000	MADISONCNTY4230.00	1	SINGLE 753	192.0	200.0	104.5
640133*COLMBUS4	230.00	643000	MADISONCNTY4230.00	1	SINGLE 755	192.0	204.2	106.1
640133*COLMBUS4	230.00	643000	MADISONCNTY4230.00	1	SINGLE 756	192.0	207.2	107.7
640133*COLMBUS4	230.00	643000	MADISONCNTY4230.00	1	SINGLE 757	192.0	207.2	107.7
640133*COLMBUS4	230.00	643000	MADISONCNTY4230.00	1	SINGLE 758	192.0	203.8	105.9
640133*COLMBUS4	230.00	643000	MADISONCNTY4230.00	1	SINGLE 763	192.0	199.5	103.6
640133*COLMBUS4	230.00	643000	MADISONCNTY4230.00	1	SINGLE 764	192.0	202.6	105.3
640133*COLMBUS4	230.00	643000	MADISONCNTY4230.00	1	SINGLE 765	192.0	207.1	107.7
640133*COLMBUS4	230.00	643000	MADISONCNTY4230.00	1	SINGLE 773	192.0	224.2	116.7
652626 UTICAJC7	115.00	660006*YKNTJCT7	115.00	1	SINGLE 773	120.0	129.9	105.9
640133*COLMBUS4	230.00	643000	MADISONCNTY4230.00	1	SINGLE 774	192.0	221.1	115.0
640133*COLMBUS4	230.00	643000	MADISONCNTY4230.00	1	SINGLE 775	192.0	208.4	108.4
652511*GAVINS 7	115.00	660006 YKNTJCT7	115.00	1	SINGLE 775	120.0	137.0	110.9
652626 UTICAJC7	115.00	660006*YKNTJCT7	115.00	1	SINGLE 775	120.0	123.3	100.4
640133*COLMBUS4	230.00	643000	MADISONCNTY4230.00	1	SINGLE 784	192.0	207.0	107.6
640133*COLMBUS4	230.00	643000	MADISONCNTY4230.00	1	SINGLE 785	192.0	208.0	108.1
640133*COLMBUS4	230.00	643000	MADISONCNTY4230.00	1	SINGLE 786	192.0	207.5	107.9
640133*COLMBUS4	230.00	643000	MADISONCNTY4230.00	1	SINGLE 787	192.0	207.6	107.9
640133*COLMBUS4	230.00	643000	MADISONCNTY4230.00	1	SINGLE 788	192.0	204.0	106.0
640133*COLMBUS4	230.00	643000	MADISONCNTY4230.00	1	SINGLE 793	192.0	207.9	108.1
652511*GAVINS 7	115.00	660006 YKNTJCT7	115.00	1	SINGLE 793	120.0	129.1	104.4
640133*COLMBUS4	230.00	643000	MADISONCNTY4230.00	1	SINGLE 796	192.0	207.0	107.6
640133*COLMBUS4	230.00	643000	MADISONCNTY4230.00	1	SINGLE 798	192.0	206.9	107.5
640133*COLMBUS4	230.00	643000	MADISONCNTY4230.00	1	SINGLE 801	192.0	206.8	107.5
640133*COLMBUS4	230.00	643000	MADISONCNTY4230.00	1	SINGLE 802	192.0	207.1	107.7
640133*COLMBUS4	230.00	643000	MADISONCNTY4230.00	1	SINGLE 805	192.0	212.1	110.3
640133*COLMBUS4	230.00	643000	MADISONCNTY4230.00	1	SINGLE 806	192.0	206.8	107.5
640133*COLMBUS4	230.00	643000	MADISONCNTY4230.00	1	SINGLE 810	192.0	206.7	107.4
640133*COLMBUS4	230.00	643000	MADISONCNTY4230.00	1	SINGLE 811	192.0	207.5	107.9
640133*COLMBUS4	230.00	643000	MADISONCNTY4230.00	1	SINGLE 814	192.0	208.4	108.4
652511*GAVINS 7	115.00	660006 YKNTJCT7	115.00	1	SINGLE 814	120.0	137.0	110.8
652626 UTICAJC7	115.00	660006*YKNTJCT7	115.00	1	SINGLE 814	120.0	123.3	100.4
640133*COLMBUS4	230.00	643000	MADISONCNTY4230.00	1	SINGLE 815	192.0	211.2	109.8
640133*COLMBUS4	230.00	643000	MADISONCNTY4230.00	1	SINGLE 823	192.0	204.2	106.1

640133*COLMBUS4	230.00	643000	MADISONCNTY	4230.00	1	SINGLE	826	192.0	207.1	107.6
640133*COLMBUS4	230.00	643000	MADISONCNTY	4230.00	1	SINGLE	831	192.0	198.2	103.5
640133*COLMBUS4	230.00	643000	MADISONCNTY	4230.00	1	SINGLE	842	192.0	206.3	107.3
640133*COLMBUS4	230.00	643000	MADISONCNTY	4230.00	1	SINGLE	843	192.0	206.5	107.3
640133*COLMBUS4	230.00	643000	MADISONCNTY	4230.00	1	SINGLE	858	192.0	204.0	106.0
659105 LELANDO3	345.00	659201*	LELND1TY	345.00	1	SINGLE	865	250.0	345.7	138.3
659106 LELANDO4	230.00	659201*	LELND1TY	345.00	1	SINGLE	865	250.0	345.7	138.3
659105 LELANDO3	345.00	659201*	LELND1TY	345.00	1	SINGLE	869	250.0	345.7	138.3
659106 LELANDO4	230.00	659201*	LELND1TY	345.00	1	SINGLE	869	250.0	345.7	138.3
640133*COLMBUS4	230.00	643000	MADISONCNTY	4230.00	1	SINGLE	873	192.0	204.0	106.0
640133*COLMBUS4	230.00	643000	MADISONCNTY	4230.00	1	SINGLE	879	192.0	203.7	105.9
640133*COLMBUS4	230.00	643000	MADISONCNTY	4230.00	1	SINGLE	882	192.0	206.4	107.2
640133*COLMBUS4	230.00	643000	MADISONCNTY	4230.00	1	SINGLE	886	192.0	198.2	103.5
640133*COLMBUS4	230.00	643000	MADISONCNTY	4230.00	1	SINGLE	909	192.0	204.0	106.0
640133*COLMBUS4	230.00	643000	MADISONCNTY	4230.00	1	SINGLE	910	192.0	198.2	103.5
640133*COLMBUS4	230.00	643000	MADISONCNTY	4230.00	1	SINGLE	920	192.0	206.4	107.3
640133*COLMBUS4	230.00	643000	MADISONCNTY	4230.00	1	SINGLE	921	192.0	206.4	107.3
640133*COLMBUS4	230.00	643000	MADISONCNTY	4230.00	1	SINGLE	926	192.0	206.3	107.2
640133*COLMBUS4	230.00	643000	MADISONCNTY	4230.00	1	SINGLE	933	192.0	206.8	107.5
640133*COLMBUS4	230.00	643000	MADISONCNTY	4230.00	1	SINGLE	936	192.0	208.1	108.2
640133*COLMBUS4	230.00	643000	MADISONCNTY	4230.00	1	SINGLE	938	192.0	198.4	103.0
640133*COLMBUS4	230.00	643000	MADISONCNTY	4230.00	1	SINGLE	942	192.0	198.9	103.2
640133*COLMBUS4	230.00	643000	MADISONCNTY	4230.00	1	SINGLE	950	192.0	206.3	107.2
640133*COLMBUS4	230.00	643000	MADISONCNTY	4230.00	1	GEN-COOPER		192.0	214.9	111.8
640133*COLMBUS4	230.00	643000	MADISONCNTY	4230.00	1	GEN-GGS-1		192.0	213.7	109.9
640133*COLMBUS4	230.00	643000	MADISONCNTY	4230.00	1	GEN-GGS-2		192.0	214.6	110.4
640133*COLMBUS4	230.00	643000	MADISONCNTY	4230.00	1	GEN-SS-1		192.0	206.9	107.5
640133*COLMBUS4	230.00	643000	MADISONCNTY	4230.00	1	GEN-SS-2		192.0	206.8	107.5
640133*COLMBUS4	230.00	643000	MADISONCNTY	4230.00	1	GEN-PLATTE		192.0	207.8	107.9
640133*COLMBUS4	230.00	643000	MADISONCNTY	4230.00	1	GEN-WEC1		192.0	207.3	107.6
640133*COLMBUS4	230.00	643000	MADISONCNTY	4230.00	1	GEN-COLCOG		192.0	211.6	110.3
640133*COLMBUS4	230.00	643000	MADISONCNTY	4230.00	1	GEN-WEC2		192.0	210.9	109.4
640133*COLMBUS4	230.00	643000	MADISONCNTY	4230.00	1	GEN-AWEF		192.0	201.2	104.5
640133*COLMBUS4	230.00	643000	MADISONCNTY	4230.00	1	GEN-E-RIDGE		192.0	199.2	103.5
640133*COLMBUS4	230.00	643000	MADISONCNTY	4230.00	1	LN-FAIRPORT		192.0	202.7	105.3
640133*COLMBUS4	230.00	643000	MADISONCNTY	4230.00	1	LN-RUSHVILLE		192.0	203.0	105.5
640133*COLMBUS4	230.00	643000	MADISONCNTY	4230.00	1	LN-1090		192.0	203.2	105.6
640133*COLMBUS4	230.00	643000	MADISONCNTY	4230.00	1	LN-1267		192.0	201.2	104.6
640133*COLMBUS4	230.00	643000	MADISONCNTY	4230.00	1	LN-1163		192.0	210.3	109.3
640133*COLMBUS4	230.00	643000	MADISONCNTY	4230.00	1	LN-1169		192.0	207.5	107.8
640133*COLMBUS4	230.00	643000	MADISONCNTY	4230.00	1	LN-1152		192.0	203.5	105.7
640133*COLMBUS4	230.00	643000	MADISONCNTY	4230.00	1	LN-N-BEND		192.0	202.6	105.3
640133*COLMBUS4	230.00	643000	MADISONCNTY	4230.00	1	LN-1161		192.0	206.6	107.4
640133*COLMBUS4	230.00	643000	MADISONCNTY	4230.00	1	LN-1168		192.0	207.4	107.8
640133*COLMBUS4	230.00	643000	MADISONCNTY	4230.00	1	TRF-HOSKINS		192.0	209.8	109.0
640133*COLMBUS4	230.00	643000	MADISONCNTY	4230.00	1	TRF-VHILL		192.0	203.8	105.9
640133*COLMBUS4	230.00	643000	MADISONCNTY	4230.00	1	TRF-KELLY		192.0	196.5	101.8
640133*COLMBUS4	230.00	643000	MADISONCNTY	4230.00	1	TRF-STEGALL		192.0	198.2	103.5

640133*COLMBUS4	230.00	643000	MADISONCNTY	4230.00	1	FCS_GEN	192.0	208.6	108.6
640133*COLMBUS4	230.00	643000	MADISONCNTY	4230.00	1	NC1_GEN	192.0	212.6	110.6
640133*COLMBUS4	230.00	643000	MADISONCNTY	4230.00	1	NC2_GEN	192.0	214.4	111.6
640133*COLMBUS4	230.00	643000	MADISONCNTY	4230.00	1	FRE8_GEN	192.0	206.8	107.7

## MONITORED VOLTAGE REPORT:

SYSTEM	CONTINGENCY	<----- B U S ----->	V-CONT	V-INIT	V-MAX	V-MIN	
'NEBR	RANGE SINGLE 3	640330 RIVERDL4	230.00	0.89659	0.99138	1.10000	0.90000
'NEBR	RANGE SINGLE 3	640404 WAYSIDE4	230.00	0.89646	0.97209	1.10000	0.90000
'NEBR	RANGE SINGLE 187	636672 GALESBR5	161.00	0.86357	1.01162	1.10000	0.90000
'NEBR	RANGE SINGLE 335	640171 FIRTH 7	115.00	0.89060	1.01639	1.10000	0.90000
'NEBR	RANGE SINGLE 335	640362 STERLNG7	115.00	0.89502	1.01063	1.10000	0.90000
'NEBR	RANGE SINGLE 346	640082 BEVERLY7	115.00	0.88604	1.02311	1.10000	0.90000
'NEBR	RANGE SINGLE 346	640325 REDWILO3	345.00	0.87873	0.97365	1.10000	0.90000
'NEBR	RANGE SINGLE 402	640404 WAYSIDE4	230.00	0.88744	0.97209	1.10000	0.90000
'NEBR	RANGE SINGLE 473	659271 RCDC EAST	4230.00	1.10263	1.02469	1.10000	0.90000
'NEBR	RANGE SINGLE 630	652411 MI CTYE4	230.00	1.15288	1.03000	1.10000	0.90000
'NEBR	RANGE SINGLE 630	652412 MI CTYE7	115.00	1.13981	1.02481	1.10000	0.90000
'NEBR	RANGE SINGLE 630	659263 LTLMISS7	115.00	1.10334	1.02016	1.10000	0.90000
'NEBR	RANGE SINGLE 630	659265 LTLMISS4	230.00	1.10361	1.02227	1.10000	0.90000
'NEBR	RANGE SINGLE 630	661004 BAKER 4	230.00	1.10913	1.02229	1.10000	0.90000
'NEBR	RANGE SINGLE 656	659267 RHAME 7	115.00	0.89903	0.96513	1.10000	0.90000
'NEBR	RANGE SINGLE 831	640147 CRAWFRD7	115.00	0.87835	1.03045	1.10000	0.90000
'NEBR	RANGE SINGLE 831	640338 SCOTBLF7	115.00	0.83503	1.03867	1.10000	0.90000
'NEBR	RANGE SINGLE 831	640396 VICTRYH4	230.00	0.69673	0.96692	1.10000	0.90000
'NEBR	RANGE SINGLE 831	640397 VICTRYH7	115.00	0.82404	1.03474	1.10000	0.90000
'NEBR	RANGE SINGLE 831	640404 WAYSIDE4	230.00	0.82775	0.97209	1.10000	0.90000
'NEBR	RANGE SINGLE 831	652311 DUNLAP 7	115.00	0.89309	1.03802	1.10000	0.90000
'NEBR	RANGE SINGLE 831	652312 MORRILL7	115.00	0.86628	1.04036	1.10000	0.90000
'NEBR	RANGE SINGLE 831	652570 ALIANCE7	115.00	0.88195	1.04359	1.10000	0.90000
'NEBR	RANGE SINGLE 831	652573 STEGALL4	230.00	0.68212	0.96301	1.10000	0.90000
'NEBR	RANGE SINGLE 831	659192 LYNN 7	115.00	0.89228	1.04423	1.10000	0.90000
'NEBR	RANGE SINGLE 831	659197 SNAKECK7	115.00	0.87745	1.04278	1.10000	0.90000
'NEBR	RANGE SINGLE 831	659236 BOXBUTE7	115.00	0.88624	1.04040	1.10000	0.90000
'NEBR	RANGE SINGLE 831	659237 HEMINGF7	115.00	0.88461	1.03908	1.10000	0.90000
'NEBR	RANGE SINGLE 831	659242 GERINGT7	115.00	0.83765	1.03897	1.10000	0.90000
'NEBR	RANGE SINGLE 835	659170 STEGALDC	230.00	0.87181	0.97213	1.10000	0.90000
'NEBR	RANGE SINGLE 886	640147 CRAWFRD7	115.00	0.87933	1.03045	1.10000	0.90000
'NEBR	RANGE SINGLE 886	640338 SCOTBLF7	115.00	0.83617	1.03867	1.10000	0.90000
'NEBR	RANGE SINGLE 886	640396 VICTRYH4	230.00	0.69783	0.96692	1.10000	0.90000
'NEBR	RANGE SINGLE 886	640397 VICTRYH7	115.00	0.82521	1.03474	1.10000	0.90000
'NEBR	RANGE SINGLE 886	640404 WAYSIDE4	230.00	0.82846	0.97209	1.10000	0.90000
'NEBR	RANGE SINGLE 886	652311 DUNLAP 7	115.00	0.89401	1.03802	1.10000	0.90000
'NEBR	RANGE SINGLE 886	652312 MORRILL7	115.00	0.86727	1.04036	1.10000	0.90000
'NEBR	RANGE SINGLE 886	652570 ALIANCE7	115.00	0.88291	1.04359	1.10000	0.90000
'NEBR	RANGE SINGLE 886	652573 STEGALL4	230.00	0.68325	0.96301	1.10000	0.90000
'NEBR	RANGE SINGLE 886	659192 LYNN 7	115.00	0.89309	1.04423	1.10000	0.90000
'NEBR	RANGE SINGLE 886	659197 SNAKECK7	115.00	0.87839	1.04278	1.10000	0.90000

'NEBR	'	RANGE SINGLE 886	659206	STGXFMR4	230.00	0.68326	0.96935	1.10000	0.90000
'NEBR	'	RANGE SINGLE 886	659207	STEGALTY	345.00	0.68326	0.96859	1.10000	0.90000
'NEBR	'	RANGE SINGLE 886	659236	BOXBUTE7	115.00	0.88718	1.04040	1.10000	0.90000
'NEBR	'	RANGE SINGLE 886	659237	HEMINGF7	115.00	0.88555	1.03908	1.10000	0.90000
'NEBR	'	RANGE SINGLE 886	659242	GERINGT7	115.00	0.83878	1.03897	1.10000	0.90000
'NEBR	'	RANGE SINGLE 910	640147	CRAWFRD7	115.00	0.87933	1.03045	1.10000	0.90000
'NEBR	'	RANGE SINGLE 910	640338	SCOTBLF7	115.00	0.83617	1.03867	1.10000	0.90000
'NEBR	'	RANGE SINGLE 910	640396	VICTRYH4	230.00	0.69783	0.96692	1.10000	0.90000
'NEBR	'	RANGE SINGLE 910	640397	VICTRYH7	115.00	0.82521	1.03474	1.10000	0.90000
'NEBR	'	RANGE SINGLE 910	640404	WAYSIDE4	230.00	0.82846	0.97209	1.10000	0.90000
'NEBR	'	RANGE SINGLE 910	652311	DUNLAP 7	115.00	0.89401	1.03802	1.10000	0.90000
'NEBR	'	RANGE SINGLE 910	652312	MORRILL7	115.00	0.86727	1.04036	1.10000	0.90000
'NEBR	'	RANGE SINGLE 910	652570	ALIANCE7	115.00	0.88291	1.04359	1.10000	0.90000
'NEBR	'	RANGE SINGLE 910	652573	STEGALL4	230.00	0.68325	0.96301	1.10000	0.90000
'NEBR	'	RANGE SINGLE 910	659192	LYNN 7	115.00	0.89309	1.04423	1.10000	0.90000
'NEBR	'	RANGE SINGLE 910	659197	SNAKECK7	115.00	0.87839	1.04278	1.10000	0.90000
'NEBR	'	RANGE SINGLE 910	659206	STGXFMR4	230.00	0.68326	0.96935	1.10000	0.90000
'NEBR	'	RANGE SINGLE 910	659236	BOXBUTE7	115.00	0.88718	1.04040	1.10000	0.90000
'NEBR	'	RANGE SINGLE 910	659237	HEMINGF7	115.00	0.88555	1.03908	1.10000	0.90000
'NEBR	'	RANGE SINGLE 910	659242	GERINGT7	115.00	0.83878	1.03897	1.10000	0.90000
'NEBR	'	RANGE SINGLE 913	659216	AVSDC5TY	345.00	0.88409	1.02077	1.10000	0.90000
'NEBR	'	RANGE SINGLE 916	659219	AVSDC8TY	345.00	1.10624	1.04722	1.10000	0.90000
'NEBR	'	RANGE SINGLE 917	659222	AVSD11TY	345.00	0.89804	1.00000	1.10000	0.90000
'NEBR	'	RANGE TRF-STEGALL	640147	CRAWFRD7	115.00	0.87835	1.03045	1.10000	0.90000
'NEBR	'	RANGE TRF-STEGALL	640338	SCOTBLF7	115.00	0.83503	1.03867	1.10000	0.90000
'NEBR	'	RANGE TRF-STEGALL	640396	VICTRYH4	230.00	0.69673	0.96692	1.10000	0.90000
'NEBR	'	RANGE TRF-STEGALL	640397	VICTRYH7	115.00	0.82404	1.03474	1.10000	0.90000
'NEBR	'	RANGE TRF-STEGALL	640404	WAYSIDE4	230.00	0.82775	0.97209	1.10000	0.90000
'NEBR	'	RANGE TRF-STEGALL	652311	DUNLAP 7	115.00	0.89309	1.03802	1.10000	0.90000
'NEBR	'	RANGE TRF-STEGALL	652312	MORRILL7	115.00	0.86628	1.04036	1.10000	0.90000
'NEBR	'	RANGE TRF-STEGALL	652570	ALIANCE7	115.00	0.88195	1.04359	1.10000	0.90000
'NEBR	'	RANGE TRF-STEGALL	652573	STEGALL4	230.00	0.68212	0.96301	1.10000	0.90000
'NEBR	'	RANGE TRF-STEGALL	659192	LYNN 7	115.00	0.89228	1.04423	1.10000	0.90000
'NEBR	'	RANGE TRF-STEGALL	659197	SNAKECK7	115.00	0.87745	1.04278	1.10000	0.90000
'NEBR	'	RANGE TRF-STEGALL	659236	BOXBUTE7	115.00	0.88624	1.04040	1.10000	0.90000
'NEBR	'	RANGE TRF-STEGALL	659237	HEMINGF7	115.00	0.88461	1.03908	1.10000	0.90000
'NEBR	'	RANGE TRF-STEGALL	659242	GERINGT7	115.00	0.83765	1.03897	1.10000	0.90000

## CONTINGENCY LEGEND:

## LABEL      EVENTS

SINGLE 1 : OPEN LINE FROM BUS 300039 [7FAIRPT 345.00] TO BUS 541199 [ST JOE 3 345.00] CKT 1  
SINGLE 2 : OPEN LINE FROM BUS 300039 [7FAIRPT 345.00] TO BUS 640139 [COOPER 3 345.00] CKT 1  
SINGLE 3 : OPEN LINE FROM BUS 531451 [MINGO 7 345.00] TO BUS 640325 [REDWILO3 345.00] CKT 1  
SINGLE 4 : OPEN LINE FROM BUS 541199 [ST JOE 3 345.00] TO BUS 640139 [COOPER 3 345.00] CKT 1  
SINGLE 5 : OPEN LINE FROM BUS 603023 [MALLARD7 115.00] TO BUS 652452 [RUGBY 7 115.00] CKT 1  
SINGLE 6 : OPEN LINE FROM BUS 603023 [MALLARD7 115.00] TO BUS 659155 [LOGAN 7 115.00] CKT 1  
SINGLE 7 : OPEN LINE FROM BUS 603023 [MALLARD7 115.00] TO BUS 659166 [DUNNING7 115.00] CKT 1  
SINGLE 8 : OPEN LINE FROM BUS 603023 [MALLARD7 115.00] TO BUS 659190 [NDPRAIRWND 7115.00] CKT 1

SINGLE 9 : OPEN LINE FROM BUS 631069 [ANTA TP5 161.00] TO BUS 652560 [CRESTON5 161.00] CKT 1  
SINGLE 10 : OPEN LINE FROM BUS 631069 [ANTA TP5 161.00] TO BUS 652603 [EXIRA 5 161.00] CKT 1  
SINGLE 11 : OPEN LINE FROM BUS 635000 [CBLUFFS3 345.00] TO BUS 635013 [PONYCKA3 345.00] CKT 1  
SINGLE 12 : OPEN LINE FROM BUS 635000 [CBLUFFS3 345.00] TO BUS 635013 [PONYCKA3 345.00] CKT 2  
SINGLE 13 : OPEN LINE FROM BUS 635000 [CBLUFFS3 345.00] TO BUS 635600 [GRIMES 3 345.00] CKT 1  
SINGLE 14 : OPEN LINE FROM BUS 635000 [CBLUFFS3 345.00] TO BUS 645456 [S3456 3 345.00] CKT 1  
SINGLE 15 : OPEN LINE FROM BUS 635001 [CBLUFFS5 161.00] TO BUS 635011 [INDNCRK5 161.00] CKT 1  
SINGLE 16 : OPEN LINE FROM BUS 635001 [CBLUFFS5 161.00] TO BUS 635012 [QUICK 5 161.00] CKT 1  
SINGLE 17 : OPEN LINE FROM BUS 635001 [CBLUFFS5 161.00] TO BUS 635030 [RIVRBND5 161.00] CKT 1  
SINGLE 18 : OPEN LINE FROM BUS 635001 [CBLUFFS5 161.00] TO BUS 646206 [S1206 5 161.00] CKT 1  
SINGLE 19 : OPEN LINE FROM BUS 635003 [SUB701 5 161.00] TO BUS 635005 [SUB702 5 161.00] CKT 1  
SINGLE 20 : OPEN LINE FROM BUS 635003 [SUB701 5 161.00] TO BUS 646211 [S1211 5 161.00] CKT 1  
SINGLE 21 : OPEN LINE FROM BUS 635005 [SUB702 5 161.00] TO BUS 635010 [MANAWA 5 161.00] CKT 1  
SINGLE 22 : OPEN LINE FROM BUS 635010 [MANAWA 5 161.00] TO BUS 635011 [INDNCRK5 161.00] CKT 1  
SINGLE 23 : OPEN LINE FROM BUS 635012 [QUICK 5 161.00] TO BUS 635039 [AVOCA 5 161.00] CKT 1  
SINGLE 24 : OPEN LINE FROM BUS 635013 [PONYCKA3 345.00] TO BUS 635100 [RLHILLS3 345.00] CKT 1  
SINGLE 25 : OPEN LINE FROM BUS 635017 [ATCHSNT3 345.00] TO BUS 635018 [ATCHSN 3 345.00] CKT 1  
SINGLE 26 : OPEN LINE FROM BUS 635017 [ATCHSNT3 345.00] TO BUS 635630 [BOONVIL3 345.00] CKT 1  
SINGLE 27 : OPEN LINE FROM BUS 635017 [ATCHSNT3 345.00] TO BUS 640139 [COOPER 3 345.00] CKT 1  
SINGLE 28 : OPEN LINE FROM BUS 635030 [RIVRBND5 161.00] TO BUS 635031 [BUNGE 5 161.00] CKT 1  
SINGLE 29 : OPEN LINE FROM BUS 635031 [BUNGE 5 161.00] TO BUS 635032 [HASTING5 161.00] CKT 1  
SINGLE 30 : OPEN LINE FROM BUS 635032 [HASTING5 161.00] TO BUS 635034 [CLRNDA 5 161.00] CKT 1  
SINGLE 31 : OPEN LINE FROM BUS 635034 [CLRNDA 5 161.00] TO BUS 635038 [BROOKST5 161.00] CKT 1  
SINGLE 32 : OPEN LINE FROM BUS 635037 [BROOKS 5 161.00] TO BUS 635038 [BROOKST5 161.00] CKT 1  
SINGLE 33 : OPEN LINE FROM BUS 635038 [BROOKST5 161.00] TO BUS 652560 [CRESTON5 161.00] CKT 1  
SINGLE 34 : OPEN LINE FROM BUS 635039 [AVOCA 5 161.00] TO BUS 635041 [WALNUT 5 161.00] CKT 1  
SINGLE 35 : OPEN LINE FROM BUS 635041 [WALNUT 5 161.00] TO BUS 638050 [ATLANTC5 161.00] CKT 1  
SINGLE 36 : OPEN LINE FROM BUS 635100 [RLHILLS3 345.00] TO BUS 635635 [MADISON3 345.00] CKT 1  
SINGLE 37 : OPEN LINE FROM BUS 635200 [RAUN 3 345.00] TO BUS 635201 [RAUN 5 161.00] CKT 2  
SINGLE 38 : OPEN LINE FROM BUS 635200 [RAUN 3 345.00] TO BUS 636010 [LEHIGH 3 345.00] CKT 1  
SINGLE 39 : OPEN LINE FROM BUS 635200 [RAUN 3 345.00] TO BUS 640226 [HOSKINS3 345.00] CKT 1  
SINGLE 40 : OPEN LINE FROM BUS 635200 [RAUN 3 345.00] TO BUS 645451 [S3451 3 345.00] CKT 1  
SINGLE 41 : OPEN LINE FROM BUS 635200 [RAUN 3 345.00] TO BUS 652564 [SIOUXCY3 345.00] CKT 1  
SINGLE 42 : OPEN LINE FROM BUS 635201 [RAUN 5 161.00] TO BUS 635202 [NEAL 4 5 161.00] CKT 1  
SINGLE 43 : OPEN LINE FROM BUS 635201 [RAUN 5 161.00] TO BUS 635203 [NEAL N 5 161.00] CKT 1  
SINGLE 44 : OPEN LINE FROM BUS 635201 [RAUN 5 161.00] TO BUS 635203 [NEAL N 5 161.00] CKT 2  
SINGLE 45 : OPEN LINE FROM BUS 635201 [RAUN 5 161.00] TO BUS 635220 [INTCHG 5 161.00] CKT 1  
SINGLE 46 : OPEN LINE FROM BUS 635201 [RAUN 5 161.00] TO BUS 635225 [MORNSD 5 161.00] CKT 1  
SINGLE 47 : OPEN LINE FROM BUS 635201 [RAUN 5 161.00] TO BUS 640377 [TEKAMAH5 161.00] CKT 1  
SINGLE 48 : OPEN LINE FROM BUS 635202 [NEAL 4 5 161.00] TO BUS 635300 [MONONA 5 161.00] CKT 1  
SINGLE 49 : OPEN LINE FROM BUS 635203 [NEAL N 5 161.00] TO BUS 635235 [SALIX 5 161.00] CKT 1  
SINGLE 50 : OPEN LINE FROM BUS 635220 [INTCHG 5 161.00] TO BUS 635221 [KELLOGG5 161.00] CKT 1  
SINGLE 51 : OPEN LINE FROM BUS 635221 [KELLOGG5 161.00] TO BUS 635226 [LEEDS 5 161.00] CKT 1  
SINGLE 52 : OPEN LINE FROM BUS 635223 [PLYMOTH5 161.00] TO BUS 635225 [MORNSD 5 161.00] CKT 1  
SINGLE 53 : OPEN LINE FROM BUS 635223 [PLYMOTH5 161.00] TO BUS 635226 [LEEDS 5 161.00] CKT 1  
SINGLE 54 : OPEN LINE FROM BUS 635223 [PLYMOTH5 161.00] TO BUS 635260 [LEMARST5 161.00] CKT 1  
SINGLE 55 : OPEN LINE FROM BUS 635223 [PLYMOTH5 161.00] TO BUS 652566 [SIOUXCY5 161.00] CKT 1  
SINGLE 56 : OPEN LINE FROM BUS 635260 [LEMARST5 161.00] TO BUS 635261 [LEMARS 5 161.00] CKT 1

SINGLE 57 : OPEN LINE FROM BUS 635260 [LEMARST5 161.00] TO BUS 635360 [LIT SX 5 161.00] CKT 1  
SINGLE 58 : OPEN LINE FROM BUS 635280 [BVISTA 5 161.00] TO BUS 635340 [SAC 5 161.00] CKT 1  
SINGLE 59 : OPEN LINE FROM BUS 635280 [BVISTA 5 161.00] TO BUS 637570 [WISDOM 5 161.00] CKT 1  
SINGLE 60 : OPEN LINE FROM BUS 635300 [MONONA 5 161.00] TO BUS 635310 [VICTORY5 161.00] CKT 1  
SINGLE 61 : OPEN LINE FROM BUS 635310 [VICTORY5 161.00] TO BUS 635320 [CARROLL5 161.00] CKT 1  
SINGLE 62 : OPEN LINE FROM BUS 635320 [CARROLL5 161.00] TO BUS 637283 [DRAGER 5 161.00] CKT 1  
SINGLE 63 : OPEN LINE FROM BUS 635340 [SAC 5 161.00] TO BUS 635350 [CLIPPER5 161.00] CKT 1  
SINGLE 64 : OPEN LINE FROM BUS 635340 [SAC 5 161.00] TO BUS 636029 [POCHNTC5 161.00] CKT 1  
SINGLE 65 : OPEN LINE FROM BUS 635350 [CLIPPER5 161.00] TO BUS 635360 [LIT SX 5 161.00] CKT 1  
SINGLE 66 : OPEN LINE FROM BUS 635600 [GRIMES 3 345.00] TO BUS 635630 [BOONVIL3 345.00] CKT 1  
SINGLE 67 : OPEN LINE FROM BUS 635600 [GRIMES 3 345.00] TO BUS 635700 [SYCAMOR3 345.00] CKT 1  
SINGLE 68 : OPEN LINE FROM BUS 635600 [GRIMES 3 345.00] TO BUS 635700 [SYCAMOR3 345.00] CKT 2  
SINGLE 69 : OPEN LINE FROM BUS 635600 [GRIMES 3 345.00] TO BUS 636010 [LEHIGH 3 345.00] CKT 1  
SINGLE 70 : OPEN LINE FROM BUS 635601 [GRIMES 5 161.00] TO BUS 635602 [142ST 5 161.00] CKT 1  
SINGLE 71 : OPEN LINE FROM BUS 635601 [GRIMES 5 161.00] TO BUS 635605 [GRNGRTP5 161.00] CKT 1  
SINGLE 72 : OPEN LINE FROM BUS 635601 [GRIMES 5 161.00] TO BUS 635608 [LINWELD5 161.00] CKT 1  
SINGLE 73 : OPEN LINE FROM BUS 635602 [142ST 5 161.00] TO BUS 635603 [ALICERD5 161.00] CKT 1  
SINGLE 74 : OPEN LINE FROM BUS 635603 [ALICERD5 161.00] TO BUS 635604 [88TH 5 161.00] CKT 1  
SINGLE 75 : OPEN LINE FROM BUS 635604 [88TH 5 161.00] TO BUS 635610 [ASHAWA5 161.00] CKT 1  
SINGLE 76 : OPEN LINE FROM BUS 635605 [GRNGRTP5 161.00] TO BUS 635606 [GRANGER5 161.00] CKT 1  
SINGLE 77 : OPEN LINE FROM BUS 635605 [GRNGRTP5 161.00] TO BUS 635614 [100 54 5 161.00] CKT 1  
SINGLE 78 : OPEN LINE FROM BUS 635606 [GRANGER5 161.00] TO BUS 635607 [BITRSWT5 161.00] CKT 1  
SINGLE 79 : OPEN LINE FROM BUS 635607 [BITRSWT5 161.00] TO BUS 635710 [NEANKNY5 161.00] CKT 1  
SINGLE 80 : OPEN LINE FROM BUS 635610 [ASHAWA5 161.00] TO BUS 635612 [60TH ST5 161.00] CKT 1  
SINGLE 81 : OPEN LINE FROM BUS 635610 [ASHAWA5 161.00] TO BUS 635616 [109CLK 5 161.00] CKT 1  
SINGLE 82 : OPEN LINE FROM BUS 635610 [ASHAWA5 161.00] TO BUS 635654 [ARMYPOS5 161.00] CKT 1  
SINGLE 83 : OPEN LINE FROM BUS 635610 [ASHAWA5 161.00] TO BUS 635662 [WABASH 5 161.00] CKT 1  
SINGLE 84 : OPEN LINE FROM BUS 635612 [60TH ST5 161.00] TO BUS 635613 [WGRAND5 161.00] CKT 1  
SINGLE 85 : OPEN LINE FROM BUS 635613 [WGRAND5 161.00] TO BUS 635631 [BOONVIL5 161.00] CKT 1  
SINGLE 86 : OPEN LINE FROM BUS 635614 [100 54 5 161.00] TO BUS 635615 [100DUG 5 161.00] CKT 1  
SINGLE 87 : OPEN LINE FROM BUS 635614 [100 54 5 161.00] TO BUS 635701 [SYCAMOR5 161.00] CKT 1  
SINGLE 88 : OPEN LINE FROM BUS 635615 [100DUG 5 161.00] TO BUS 635616 [109CLK 5 161.00] CKT 1  
SINGLE 89 : OPEN LINE FROM BUS 635630 [BOONVIL3 345.00] TO BUS 635635 [MADISON3 345.00] CKT 1  
SINGLE 90 : OPEN LINE FROM BUS 635631 [BOONVIL5 161.00] TO BUS 635632 [EARLHAM5 161.00] CKT 1  
SINGLE 91 : OPEN LINE FROM BUS 635631 [BOONVIL5 161.00] TO BUS 635641 [NORWLK5 161.00] CKT 1  
SINGLE 92 : OPEN LINE FROM BUS 635632 [EARLHAM5 161.00] TO BUS 635633 [ADAIRWF5 161.00] CKT 1  
SINGLE 93 : OPEN LINE FROM BUS 635633 [ADAIRWF5 161.00] TO BUS 638050 [ATLANTC5 161.00] CKT 1  
SINGLE 94 : OPEN LINE FROM BUS 635635 [MADISON3 345.00] TO BUS 635640 [NORWLK3 345.00] CKT 1  
SINGLE 95 : OPEN LINE FROM BUS 635640 [NORWLK3 345.00] TO BUS 635641 [NORWLK5 161.00] CKT 1  
SINGLE 96 : OPEN LINE FROM BUS 635640 [NORWLK3 345.00] TO BUS 635650 [SE POLK3 345.00] CKT 1  
SINGLE 97 : OPEN LINE FROM BUS 635641 [NORWLK5 161.00] TO BUS 635653 [GRENFLD5 161.00] CKT 1  
SINGLE 98 : OPEN LINE FROM BUS 635650 [SE POLK3 345.00] TO BUS 635651 [SEPOLK 5 161.00] CKT 1  
SINGLE 99 : OPEN LINE FROM BUS 635650 [SE POLK3 345.00] TO BUS 635690 [GDMEC 345.00] CKT 1  
SINGLE 100 : OPEN LINE FROM BUS 635651 [SEPOLK 5 161.00] TO BUS 635653 [GRENFLD5 161.00] CKT 1  
SINGLE 101 : OPEN LINE FROM BUS 635651 [SEPOLK 5 161.00] TO BUS 635660 [EASTRLK5 161.00] CKT 1  
SINGLE 102 : OPEN LINE FROM BUS 635651 [SEPOLK 5 161.00] TO BUS 635670 [DMOINES5 161.00] CKT 1  
SINGLE 103 : OPEN LINE FROM BUS 635651 [SEPOLK 5 161.00] TO BUS 635670 [DMOINES5 161.00] CKT 2  
SINGLE 104 : OPEN LINE FROM BUS 635653 [GRENFLD5 161.00] TO BUS 635654 [ARMYPOS5 161.00] CKT 1

SINGLE 105 : OPEN LINE FROM BUS 635660 [EASTRLK5 161.00] TO BUS 635661 [GLOWAT 5 161.00] CKT 1  
SINGLE 106 : OPEN LINE FROM BUS 635661 [GLOWAT 5 161.00] TO BUS 635662 [WABASH 5 161.00] CKT 1  
SINGLE 107 : OPEN LINE FROM BUS 635662 [WABASH 5 161.00] TO BUS 635664 [MLKING 5 161.00] CKT 1  
SINGLE 108 : OPEN LINE FROM BUS 635664 [MLKING 5 161.00] TO BUS 635665 [FORVER 5 161.00] CKT 1  
SINGLE 109 : OPEN LINE FROM BUS 635665 [FORVER 5 161.00] TO BUS 635701 [SYCAMOR5 161.00] CKT 1  
SINGLE 110 : OPEN LINE FROM BUS 635670 [DMOINES5 161.00] TO BUS 635672 [METRO E5 161.00] CKT 1  
SINGLE 111 : OPEN LINE FROM BUS 635672 [METRO E5 161.00] TO BUS 635673 [ALTONA 5 161.00] CKT 1  
SINGLE 112 : OPEN LINE FROM BUS 635673 [ALTONA 5 161.00] TO BUS 635681 [BONDRNT5 161.00] CKT 1  
SINGLE 113 : OPEN LINE FROM BUS 635680 [BONDRNT3 345.00] TO BUS 635690 [GDMEC 345.00] CKT 1  
SINGLE 114 : OPEN LINE FROM BUS 635680 [BONDRNT3 345.00] TO BUS 635700 [SYCAMOR3 345.00] CKT 1  
SINGLE 115 : OPEN LINE FROM BUS 635680 [BONDRNT3 345.00] TO BUS 635730 [MNTZUMA3 345.00] CKT 1  
SINGLE 116 : OPEN LINE FROM BUS 635681 [BONDRNT5 161.00] TO BUS 635701 [SYCAMOR5 161.00] CKT 1  
SINGLE 117 : OPEN LINE FROM BUS 635701 [SYCAMOR5 161.00] TO BUS 635705 [ANKENY 5 161.00] CKT 1  
SINGLE 118 : OPEN LINE FROM BUS 635705 [ANKENY 5 161.00] TO BUS 635710 [NEANKNY5 161.00] CKT 1  
SINGLE 119 : OPEN LINE FROM BUS 635730 [MNTZUMA3 345.00] TO BUS 636400 [HILLS 3 345.00] CKT 1  
SINGLE 120 : OPEN LINE FROM BUS 636000 [WEBSTER3 345.00] TO BUS 636010 [LEHIGH 3 345.00] CKT 1  
SINGLE 121 : OPEN LINE FROM BUS 636001 [WEBSTER5 161.00] TO BUS 636020 [FT.DODG5 161.00] CKT 1  
SINGLE 122 : OPEN LINE FROM BUS 636001 [WEBSTER5 161.00] TO BUS 636025 [HAYES 5 161.00] CKT 1  
SINGLE 123 : OPEN LINE FROM BUS 636001 [WEBSTER5 161.00] TO BUS 636050 [WRIGHT 5 161.00] CKT 1  
SINGLE 124 : OPEN LINE FROM BUS 636001 [WEBSTER5 161.00] TO BUS 637353 [HOPE 5 161.00] CKT 1  
SINGLE 125 : OPEN LINE FROM BUS 636020 [FT.DODG5 161.00] TO BUS 636023 [TATELYL5 161.00] CKT 1  
SINGLE 126 : OPEN LINE FROM BUS 636023 [TATELYL5 161.00] TO BUS 636025 [HAYES 5 161.00] CKT 1  
SINGLE 127 : OPEN LINE FROM BUS 636025 [HAYES 5 161.00] TO BUS 636030 [POMEROY5 161.00] CKT 1  
SINGLE 128 : OPEN LINE FROM BUS 636029 [POCHNTC5 161.00] TO BUS 636030 [POMEROY5 161.00] CKT 1  
SINGLE 129 : OPEN LINE FROM BUS 636050 [WRIGHT 5 161.00] TO BUS 636235 [WALL LK5 161.00] CKT 1  
SINGLE 130 : OPEN LINE FROM BUS 636200 [BLKHAWK5 161.00] TO BUS 636202 [MIDPORT5 161.00] CKT 1  
SINGLE 131 : OPEN LINE FROM BUS 636200 [BLKHAWK5 161.00] TO BUS 636205 [DRFNDRY5 161.00] CKT 1  
SINGLE 132 : OPEN LINE FROM BUS 636200 [BLKHAWK5 161.00] TO BUS 636225 [UNIONTP5 161.00] CKT 1  
SINGLE 133 : OPEN LINE FROM BUS 636200 [BLKHAWK5 161.00] TO BUS 637087 [PLAINFD5 161.00] CKT 1  
SINGLE 134 : OPEN LINE FROM BUS 636202 [MIDPORT5 161.00] TO BUS 636203 [LUNDQST5 161.00] CKT 1  
SINGLE 135 : OPEN LINE FROM BUS 636203 [LUNDQST5 161.00] TO BUS 636204 [DR NE 5 161.00] CKT 1  
SINGLE 136 : OPEN LINE FROM BUS 636203 [LUNDQST5 161.00] TO BUS 636206 [DRCOMP 5 161.00] CKT 1  
SINGLE 137 : OPEN LINE FROM BUS 636204 [DR NE 5 161.00] TO BUS 636210 [WASHBRN5 161.00] CKT 1  
SINGLE 138 : OPEN LINE FROM BUS 636205 [DRFNDRY5 161.00] TO BUS 636206 [DRCOMP 5 161.00] CKT 1  
SINGLE 139 : OPEN LINE FROM BUS 636205 [DRFNDRY5 161.00] TO BUS 636207 [WTWEST 5 161.00] CKT 1  
SINGLE 140 : OPEN LINE FROM BUS 636207 [WTWEST 5 161.00] TO BUS 636208 [DR ENG 5 161.00] CKT 1  
SINGLE 141 : OPEN LINE FROM BUS 636208 [DR ENG 5 161.00] TO BUS 636220 [EL FARM5 161.00] CKT 1  
SINGLE 142 : OPEN LINE FROM BUS 636208 [DR ENG 5 161.00] TO BUS 638040 [CFUINDP5 161.00] CKT 1  
SINGLE 143 : OPEN LINE FROM BUS 636210 [WASHBRN5 161.00] TO BUS 636220 [EL FARM5 161.00] CKT 1  
SINGLE 144 : OPEN LINE FROM BUS 636225 [UNIONTP5 161.00] TO BUS 636240 [BUTLER 5 161.00] CKT 1  
SINGLE 145 : OPEN LINE FROM BUS 636225 [UNIONTP5 161.00] TO BUS 638030 [UNIONCF5 161.00] CKT 1  
SINGLE 146 : OPEN LINE FROM BUS 636230 [FRANKLN5 161.00] TO BUS 636235 [WALL LK5 161.00] CKT 1  
SINGLE 147 : OPEN LINE FROM BUS 636230 [FRANKLN5 161.00] TO BUS 636240 [BUTLER 5 161.00] CKT 1  
SINGLE 148 : OPEN LINE FROM BUS 636230 [FRANKLN5 161.00] TO BUS 637191 [HAMPTON5 161.00] CKT 1  
SINGLE 149 : OPEN LINE FROM BUS 636300 [FLOYD 5 161.00] TO BUS 637087 [PLAINFD5 161.00] CKT 1  
SINGLE 150 : OPEN LINE FROM BUS 636400 [HILLS 3 345.00] TO BUS 636420 [TIFFIN 3 345.00] CKT 1  
SINGLE 151 : OPEN LINE FROM BUS 636400 [HILLS 3 345.00] TO BUS 636630 [SUB 92 3 345.00] CKT 1  
SINGLE 152 : OPEN LINE FROM BUS 636400 [HILLS 3 345.00] TO BUS 636645 [SUB T 3 345.00] CKT 1

SINGLE 153 : OPEN LINE FROM BUS 636401 [HILLS 5 161.00] TO BUS 636403 [SB EIC 5 161.00] CKT 1  
SINGLE 154 : OPEN LINE FROM BUS 636401 [HILLS 5 161.00] TO BUS 636423 [SB HCIC5 161.00] CKT 1  
SINGLE 155 : OPEN LINE FROM BUS 636401 [HILLS 5 161.00] TO BUS 636678 [SB 89 5 161.00] CKT 1  
SINGLE 156 : OPEN LINE FROM BUS 636403 [SB EIC 5 161.00] TO BUS 636404 [SB YIC 5 161.00] CKT 1  
SINGLE 157 : OPEN LINE FROM BUS 636404 [SB YIC 5 161.00] TO BUS 636405 [SB GIC 5 161.00] CKT 1  
SINGLE 158 : OPEN LINE FROM BUS 636405 [SB GIC 5 161.00] TO BUS 636410 [SB PIC 5 161.00] CKT 1  
SINGLE 159 : OPEN LINE FROM BUS 636410 [SB PIC 5 161.00] TO BUS 636415 [SB UIC 5 161.00] CKT 1  
SINGLE 160 : OPEN LINE FROM BUS 636410 [SB PIC 5 161.00] TO BUS 636422 [CRLRIDG5 161.00] CKT 1  
SINGLE 161 : OPEN LINE FROM BUS 636415 [SB UIC 5 161.00] TO BUS 636425 [SB JIC 5 161.00] CKT 1  
SINGLE 162 : OPEN LINE FROM BUS 636420 [TIFFIN 3 345.00] TO BUS 636421 [TIFFIN 5 161.00] CKT 1  
SINGLE 163 : OPEN LINE FROM BUS 636421 [TIFFIN 5 161.00] TO BUS 636422 [CRLRIDG5 161.00] CKT 1  
SINGLE 164 : OPEN LINE FROM BUS 636423 [SB HCIC5 161.00] TO BUS 636425 [SB JIC 5 161.00] CKT 1  
SINGLE 165 : OPEN LINE FROM BUS 636600 [SB 39 3 345.00] TO BUS 636601 [SB 39 5 161.00] CKT 1  
SINGLE 166 : OPEN LINE FROM BUS 636600 [SB 39 3 345.00] TO BUS 636605 [MECCORD3 345.00] CKT 1  
SINGLE 167 : OPEN LINE FROM BUS 636600 [SB 39 3 345.00] TO BUS 636635 [OAKGROV3 345.00] CKT 1  
SINGLE 168 : OPEN LINE FROM BUS 636601 [SB 39 5 161.00] TO BUS 636656 [SB 47 5 161.00] CKT 1  
SINGLE 169 : OPEN LINE FROM BUS 636601 [SB 39 5 161.00] TO BUS 636660 [SB 31T 5 161.00] CKT 1  
SINGLE 170 : OPEN LINE FROM BUS 636601 [SB 39 5 161.00] TO BUS 636668 [SB 43 5 161.00] CKT 1  
SINGLE 171 : OPEN LINE FROM BUS 636610 [SUB 91 3 345.00] TO BUS 636611 [SB 91 5 161.00] CKT 1  
SINGLE 172 : OPEN LINE FROM BUS 636610 [SUB 91 3 345.00] TO BUS 636615 [SB 56 3 345.00] CKT 1  
SINGLE 173 : OPEN LINE FROM BUS 636611 [SB 91 5 161.00] TO BUS 636687 [SBHYC5 161.00] CKT 1  
SINGLE 174 : OPEN LINE FROM BUS 636611 [SB 91 5 161.00] TO BUS 636690 [UTICA R5 161.00] CKT 1  
SINGLE 175 : OPEN LINE FROM BUS 636615 [SB 56 3 345.00] TO BUS 636620 [WALCOTT3 345.00] CKT 1  
SINGLE 176 : OPEN LINE FROM BUS 636616 [SB 56 5 161.00] TO BUS 636626 [IPSCO 5 161.00] CKT 1  
SINGLE 177 : OPEN LINE FROM BUS 636616 [SB 56 5 161.00] TO BUS 636675 [SB 85 5 161.00] CKT 1  
SINGLE 178 : OPEN LINE FROM BUS 636616 [SB 56 5 161.00] TO BUS 636678 [SB 89 5 161.00] CKT 1  
SINGLE 179 : OPEN LINE FROM BUS 636616 [SB 56 5 161.00] TO BUS 636680 [SB 78 5 161.00] CKT 1  
SINGLE 180 : OPEN LINE FROM BUS 636620 [WALCOTT3 345.00] TO BUS 636625 [IPSCO 3 345.00] CKT 1  
SINGLE 181 : OPEN LINE FROM BUS 636620 [WALCOTT3 345.00] TO BUS 636630 [SUB 92 3 345.00] CKT 1  
SINGLE 182 : OPEN LINE FROM BUS 636630 [SUB 92 3 345.00] TO BUS 636640 [LOUISA 3 345.00] CKT 1  
SINGLE 183 : OPEN LINE FROM BUS 636635 [OAKGROV3 345.00] TO BUS 636636 [OAKGROV5 161.00] CKT 1  
SINGLE 184 : OPEN LINE FROM BUS 636635 [OAKGROV3 345.00] TO BUS 636640 [LOUISA 3 345.00] CKT 1  
SINGLE 185 : OPEN LINE FROM BUS 636636 [OAKGROV5 161.00] TO BUS 636670 [SB 18 5 161.00] CKT 1  
SINGLE 186 : OPEN LINE FROM BUS 636636 [OAKGROV5 161.00] TO BUS 636670 [SB 18 5 161.00] CKT 2  
SINGLE 187 : OPEN LINE FROM BUS 636636 [OAKGROV5 161.00] TO BUS 636672 [GALESBR5 161.00] CKT 1  
SINGLE 188 : OPEN LINE FROM BUS 636640 [LOUISA 3 345.00] TO BUS 636645 [SUB T 3 345.00] CKT 1  
SINGLE 189 : OPEN LINE FROM BUS 636650 [SB A 5 161.00] TO BUS 636657 [SB 48 5 161.00] CKT 1  
SINGLE 190 : OPEN LINE FROM BUS 636650 [SB A 5 161.00] TO BUS 636692 [SB 70 5 161.00] CKT 1  
SINGLE 191 : OPEN LINE FROM BUS 636656 [SB 47 5 161.00] TO BUS 636657 [SB 48 5 161.00] CKT 1  
SINGLE 192 : OPEN LINE FROM BUS 636660 [SB 31T 5 161.00] TO BUS 636661 [SB 31 5 161.00] CKT 1  
SINGLE 193 : OPEN LINE FROM BUS 636660 [SB 31T 5 161.00] TO BUS 636662 [SB 28 5 161.00] CKT 1  
SINGLE 194 : OPEN LINE FROM BUS 636662 [SB 28 5 161.00] TO BUS 636665 [SB 17 5 161.00] CKT 1  
SINGLE 195 : OPEN LINE FROM BUS 636665 [SB 17 5 161.00] TO BUS 636667 [SB 49 5 161.00] CKT 1  
SINGLE 196 : OPEN LINE FROM BUS 636668 [SB 43 5 161.00] TO BUS 636670 [SB 18 5 161.00] CKT 1  
SINGLE 197 : OPEN LINE FROM BUS 636670 [SB 18 5 161.00] TO BUS 636673 [SB 112 5 161.00] CKT 1  
SINGLE 198 : OPEN LINE FROM BUS 636670 [SB 18 5 161.00] TO BUS 636675 [SB 85 5 161.00] CKT 1  
SINGLE 199 : OPEN LINE FROM BUS 636675 [SB 85 5 161.00] TO BUS 636676 [SB 52 5 161.00] CKT 1  
SINGLE 200 : OPEN LINE FROM BUS 636675 [SB 85 5 161.00] TO BUS 636677 [SB 53 5 161.00] CKT 1



SINGLE 201 : OPEN LINE FROM BUS 636680 [SB 78 5 161.00] TO BUS 636681 [58TAP 5 161.00] CKT 1  
SINGLE 202 : OPEN LINE FROM BUS 636681 [58TAP 5 161.00] TO BUS 636682 [SB 58 5 161.00] CKT 1  
SINGLE 203 : OPEN LINE FROM BUS 636681 [58TAP 5 161.00] TO BUS 636685 [SB 74 5 161.00] CKT 1  
SINGLE 204 : OPEN LINE FROM BUS 636682 [SB 58 5 161.00] TO BUS 636683 [SB 76 5 161.00] CKT 1  
SINGLE 205 : OPEN LINE FROM BUS 636683 [SB 76 5 161.00] TO BUS 636685 [SB 74 5 161.00] CKT 1  
SINGLE 206 : OPEN LINE FROM BUS 636685 [SB 74 5 161.00] TO BUS 636686 [SUB 77 5 161.00] CKT 1  
SINGLE 207 : OPEN LINE FROM BUS 636685 [SB 74 5 161.00] TO BUS 636690 [UTICA R5 161.00] CKT 1  
SINGLE 208 : OPEN LINE FROM BUS 636686 [SUB 77 5 161.00] TO BUS 636687 [SBHYC5 161.00] CKT 1  
SINGLE 209 : OPEN LINE FROM BUS 636690 [UTICA R5 161.00] TO BUS 636691 [SB 71 5 161.00] CKT 1  
SINGLE 210 : OPEN LINE FROM BUS 636691 [SB 71 5 161.00] TO BUS 636693 [SB 88 5 161.00] CKT 1  
SINGLE 211 : OPEN LINE FROM BUS 636692 [SB 70 5 161.00] TO BUS 636693 [SB 88 5 161.00] CKT 1  
SINGLE 212 : OPEN LINE FROM BUS 637191 [HAMPTON5 161.00] TO BUS 637201 [SHEFFLD5 161.00] CKT 1  
SINGLE 213 : OPEN LINE FROM BUS 637353 [HOPE 5 161.00] TO BUS 637423 [BURT 5 161.00] CKT 1  
SINGLE 214 : OPEN LINE FROM BUS 637423 [BURT 5 161.00] TO BUS 637527 [OSGOOD 5 161.00] CKT 1  
SINGLE 215 : OPEN LINE FROM BUS 637527 [OSGOOD 5 161.00] TO BUS 637570 [WISDOM 5 161.00] CKT 1  
SINGLE 216 : OPEN LINE FROM BUS 637570 [WISDOM 5 161.00] TO BUS 652563 [SPENCER5 161.00] CKT 1  
SINGLE 217 : OPEN LINE FROM BUS 638000 [AMES 5 161.00] TO BUS 638010 [STANGE 5 161.00] CKT 1  
SINGLE 218 : OPEN LINE FROM BUS 638030 [UNIONCF5 161.00] TO BUS 638040 [CFUINDP5 161.00] CKT 1  
SINGLE 220 : OPEN LINE FROM BUS 640050 [AINSWND7 115.00] TO BUS 640096 [CALAMS 7 115.00] CKT 1  
SINGLE 221 : OPEN LINE FROM BUS 640051 [AINSWRT7 115.00] TO BUS 640367 [STUART 7 115.00] CKT 1  
SINGLE 222 : OPEN LINE FROM BUS 640051 [AINSWRT7 115.00] TO BUS 640392 [VALENTN7 115.00] CKT 1  
SINGLE 223 : OPEN LINE FROM BUS 640054 [ALBION 7 115.00] TO BUS 640176 [FULERTN7 115.00] CKT 1  
SINGLE 224 : OPEN LINE FROM BUS 640054 [ALBION 7 115.00] TO BUS 640181 [GENOA 7 115.00] CKT 1  
SINGLE 225 : OPEN LINE FROM BUS 640054 [ALBION 7 115.00] TO BUS 640318 [PETRSBG7 115.00] CKT 1  
SINGLE 226 : OPEN LINE FROM BUS 640054 [ALBION 7 115.00] TO BUS 640347 [SPALDNG7 115.00] CKT 1  
SINGLE 227 : OPEN LINE FROM BUS 640056 [ALDA 7 115.00] TO BUS 640323 [RAVENNA7 115.00] CKT 1  
SINGLE 228 : OPEN LINE FROM BUS 640056 [ALDA 7 115.00] TO BUS 642068 [SUB-A 7 115.00] CKT 1  
SINGLE 229 : OPEN LINE FROM BUS 640058 [ATKINSN7 115.00] TO BUS 640165 [EMMET 7 115.00] CKT 1  
SINGLE 230 : OPEN LINE FROM BUS 640058 [ATKINSN7 115.00] TO BUS 640367 [STUART 7 115.00] CKT 1  
SINGLE 231 : OPEN LINE FROM BUS 640063 [AURORA\_7 115.00] TO BUS 640201 [GR ISLD7 115.00] CKT 1  
SINGLE 232 : OPEN LINE FROM BUS 640063 [AURORA\_7 115.00] TO BUS 640411 [YORK 7 115.00] CKT 1  
SINGLE 233 : OPEN LINE FROM BUS 640065 [AXTELL 3 345.00] TO BUS 640312 [PAULINE3 345.00] CKT 1  
SINGLE 234 : OPEN LINE FROM BUS 640065 [AXTELL 3 345.00] TO BUS 640374 [SWEET W3 345.00] CKT 1  
SINGLE 235 : OPEN LINE FROM BUS 640066 [AXTELL 7 115.00] TO BUS 640224 [HOLDREG7 115.00] CKT 1  
SINGLE 236 : OPEN LINE FROM BUS 640066 [AXTELL 7 115.00] TO BUS 640250 [KEARNEY7 115.00] CKT 1  
SINGLE 237 : OPEN LINE FROM BUS 640066 [AXTELL 7 115.00] TO BUS 640275 [MINDEN 7 115.00] CKT 1  
SINGLE 238 : OPEN LINE FROM BUS 640068 [B.SPRGS7 115.00] TO BUS 640086 [BLUECK 7 115.00] CKT 1  
SINGLE 239 : OPEN LINE FROM BUS 640068 [B.SPRGS7 115.00] TO BUS 640091 [BRULE 7 115.00] CKT 1  
SINGLE 240 : OPEN LINE FROM BUS 640068 [B.SPRGS7 115.00] TO BUS 640246 [JULSTAP7 115.00] CKT 1  
SINGLE 241 : OPEN LINE FROM BUS 640070 [BANCRFT7 115.00] TO BUS 640163 [EMERSON7 115.00] CKT 1  
SINGLE 242 : OPEN LINE FROM BUS 640070 [BANCRFT7 115.00] TO BUS 640300 [OAKLAND7 115.00] CKT 1  
SINGLE 243 : OPEN LINE FROM BUS 640072 [BATTLCR7 115.00] TO BUS 640115 [CO.LINE7 115.00] CKT 1  
SINGLE 244 : OPEN LINE FROM BUS 640072 [BATTLCR7 115.00] TO BUS 640296 [NORFK.N7 115.00] CKT 1  
SINGLE 245 : OPEN LINE FROM BUS 640074 [BEAT. S7 115.00] TO BUS 640076 [BEATRCE7 115.00] CKT 1  
SINGLE 246 : OPEN LINE FROM BUS 640076 [BEATRCE7 115.00] TO BUS 640088 [BPS SUB7 115.00] CKT 1  
SINGLE 247 : OPEN LINE FROM BUS 640076 [BEATRCE7 115.00] TO BUS 640088 [BPS SUB7 115.00] CKT 2  
SINGLE 248 : OPEN LINE FROM BUS 640076 [BEATRCE7 115.00] TO BUS 640208 [HARBINE7 115.00] CKT 1  
SINGLE 249 : OPEN LINE FROM BUS 640076 [BEATRCE7 115.00] TO BUS 640361 [STEINER7 115.00] CKT 1

SINGLE 250 : OPEN LINE FROM BUS 640078 [BEEMER 7 115.00] TO BUS 640357 [STANTON7 115.00] CKT 1  
SINGLE 251 : OPEN LINE FROM BUS 640078 [BEEMER 7 115.00] TO BUS 640400 [W.POINT7 115.00] CKT 1  
SINGLE 252 : OPEN LINE FROM BUS 640080 [BELDEN 7 115.00] TO BUS 640084 [BLMFLD 7 115.00] CKT 1  
SINGLE 253 : OPEN LINE FROM BUS 640080 [BELDEN 7 115.00] TO BUS 640212 [HARTGTN7 115.00] CKT 1  
SINGLE 254 : OPEN LINE FROM BUS 640080 [BELDEN 7 115.00] TO BUS 640228 [HOSKINS7 115.00] CKT 1  
SINGLE 255 : OPEN LINE FROM BUS 640080 [BELDEN 7 115.00] TO BUS 640387 [TWIN CH7 115.00] CKT 1  
SINGLE 256 : OPEN LINE FROM BUS 640082 [BEVERLY7 115.00] TO BUS 640167 [ENDERS 7 115.00] CKT 1  
SINGLE 257 : OPEN LINE FROM BUS 640082 [BEVERLY7 115.00] TO BUS 640326 [REDWILO7 115.00] CKT 1  
SINGLE 258 : OPEN LINE FROM BUS 640084 [BLMFLD 7 115.00] TO BUS 640149 [CREITON7 115.00] CKT 1  
SINGLE 259 : OPEN LINE FROM BUS 640084 [BLMFLD 7 115.00] TO BUS 652511 [GAVINS 7 115.00] CKT 1  
SINGLE 260 : OPEN LINE FROM BUS 640086 [BLUECK 7 115.00] TO BUS 659193 [W.HORSE7 115.00] CKT 1  
SINGLE 261 : OPEN LINE FROM BUS 640088 [BPS SUB7 115.00] TO BUS 640111 [CLATONA7 115.00] CKT 1  
SINGLE 262 : OPEN LINE FROM BUS 640088 [BPS SUB7 115.00] TO BUS 640278 [SHELDON7 115.00] CKT 1  
SINGLE 263 : OPEN LINE FROM BUS 640089 [BROKENB7 115.00] TO BUS 640094 [C.CREEK7 115.00] CKT 1  
SINGLE 264 : OPEN LINE FROM BUS 640089 [BROKENB7 115.00] TO BUS 640098 [CALAWAY7 115.00] CKT 1  
SINGLE 265 : OPEN LINE FROM BUS 640089 [BROKENB7 115.00] TO BUS 640259 [LOUPCTY7 115.00] CKT 1  
SINGLE 266 : OPEN LINE FROM BUS 640091 [BRULE 7 115.00] TO BUS 659132 [OGALALA7 115.00] CKT 1  
SINGLE 267 : OPEN LINE FROM BUS 640093 [C.CREEK4 230.00] TO BUS 640094 [C.CREEK7 115.00] CKT 1  
SINGLE 268 : OPEN LINE FROM BUS 640093 [C.CREEK4 230.00] TO BUS 640102 [CANADAY4 230.00] CKT 1  
SINGLE 269 : OPEN LINE FROM BUS 640093 [C.CREEK4 230.00] TO BUS 640286 [N.PLATT4 230.00] CKT 1  
SINGLE 270 : OPEN LINE FROM BUS 640093 [C.CREEK4 230.00] TO BUS 640330 [RIVERDL4 230.00] CKT 1  
SINGLE 271 : OPEN LINE FROM BUS 640096 [CALAMS 7 115.00] TO BUS 640381 [THEDFRD7 115.00] CKT 1  
SINGLE 272 : OPEN LINE FROM BUS 640098 [CALAWAY7 115.00] TO BUS 640267 [MAXWELS7 115.00] CKT 1  
SINGLE 273 : OPEN LINE FROM BUS 640100 [CAMBRIG7 115.00] TO BUS 640194 [GOSPER 7 115.00] CKT 1  
SINGLE 274 : OPEN LINE FROM BUS 640100 [CAMBRIG7 115.00] TO BUS 640269 [MCCOOK 7 115.00] CKT 1  
SINGLE 275 : OPEN LINE FROM BUS 640103 [CANADAY7 115.00] TO BUS 640161 [ELMCRK\_7 115.00] CKT 1  
SINGLE 276 : OPEN LINE FROM BUS 640103 [CANADAY7 115.00] TO BUS 640242 [JOHN.2 7 115.00] CKT 1  
SINGLE 277 : OPEN LINE FROM BUS 640103 [CANADAY7 115.00] TO BUS 640242 [JOHN.2 7 115.00] CKT 2  
SINGLE 278 : OPEN LINE FROM BUS 640103 [CANADAY7 115.00] TO BUS 640256 [LXNGTN 7 115.00] CKT 1  
SINGLE 279 : OPEN LINE FROM BUS 640105 [CARLJCT7 115.00] TO BUS 640178 [GENEVA 7 115.00] CKT 1  
SINGLE 280 : OPEN LINE FROM BUS 640105 [CARLJCT7 115.00] TO BUS 640218 [HEBRN N7 115.00] CKT 1  
SINGLE 281 : OPEN LINE FROM BUS 640107 [CENCITY7 115.00] TO BUS 640201 [GR ISLD7 115.00] CKT 1  
SINGLE 282 : OPEN LINE FROM BUS 640107 [CENCITY7 115.00] TO BUS 640345 [SILVRCK7 115.00] CKT 1  
SINGLE 283 : OPEN LINE FROM BUS 640109 [CHADRON7 115.00] TO BUS 640147 [CRAWFRD7 115.00] CKT 1  
SINGLE 284 : OPEN LINE FROM BUS 640109 [CHADRON7 115.00] TO BUS 640334 [RUSHVIL7 115.00] CKT 1  
SINGLE 285 : OPEN LINE FROM BUS 640109 [CHADRON7 115.00] TO BUS 640405 [WAYSIDE7 115.00] CKT 1  
SINGLE 286 : OPEN LINE FROM BUS 640109 [CHADRON7 115.00] TO BUS 652311 [DUNLAP 7 115.00] CKT 1  
SINGLE 287 : OPEN LINE FROM BUS 640111 [CLATONA7 115.00] TO BUS 640278 [SHELDON7 115.00] CKT 1  
SINGLE 288 : OPEN LINE FROM BUS 640113 [CLRWATR7 115.00] TO BUS 640293 [NELIGH 7 115.00] CKT 1  
SINGLE 289 : OPEN LINE FROM BUS 640113 [CLRWATR7 115.00] TO BUS 640305 [ONEILL 7 115.00] CKT 1  
SINGLE 290 : OPEN LINE FROM BUS 640115 [CO.LINE7 115.00] TO BUS 640293 [NELIGH 7 115.00] CKT 1  
SINGLE 291 : OPEN LINE FROM BUS 640117 [CODY 7 115.00] TO BUS 640394 [VALTN.W7 115.00] CKT 1  
SINGLE 292 : OPEN LINE FROM BUS 640119 [COL.COG7 115.00] TO BUS 640122 [COL.DRY7 115.00] CKT 1  
SINGLE 293 : OPEN LINE FROM BUS 640119 [COL.COG7 115.00] TO BUS 640122 [COL.DRY7 115.00] CKT 2  
SINGLE 294 : OPEN LINE FROM BUS 640119 [COL.COG7 115.00] TO BUS 640124 [COL.SE 7 115.00] CKT 1  
SINGLE 295 : OPEN LINE FROM BUS 640119 [COL.COG7 115.00] TO BUS 640127 [COLMB.E7 115.00] CKT 1  
SINGLE 296 : OPEN LINE FROM BUS 640124 [COL.SE 7 115.00] TO BUS 640136 [COLMBUS7 115.00] CKT 1  
SINGLE 297 : OPEN LINE FROM BUS 640124 [COL.SE 7 115.00] TO BUS 640328 [RISNGCY7 115.00] CKT 1

SINGLE 298 : OPEN LINE FROM BUS 640125 [COLMB.E3 345.00] TO BUS 640342 [SHELCRK3 345.00] CKT 1  
SINGLE 299 : OPEN LINE FROM BUS 640125 [COLMB.E3 345.00] TO BUS 650114 [NW68HOLDRG3 345.00] CKT 1  
SINGLE 300 : OPEN LINE FROM BUS 640126 [E.COL. 4 230.00] TO BUS 640127 [COLMB.E7 115.00] CKT 1  
SINGLE 301 : OPEN LINE FROM BUS 640126 [E.COL. 4 230.00] TO BUS 640133 [COLMBUS4 230.00] CKT 1  
SINGLE 302 : OPEN LINE FROM BUS 640127 [COLMB.E7 115.00] TO BUS 640136 [COLMBUS7 115.00] CKT 1  
SINGLE 303 : OPEN LINE FROM BUS 640127 [COLMB.E7 115.00] TO BUS 640157 [DAVIDCY7 115.00] CKT 1  
SINGLE 304 : OPEN LINE FROM BUS 640131 [COLMB.W4 230.00] TO BUS 640133 [COLMBUS4 230.00] CKT 1  
SINGLE 305 : OPEN LINE FROM BUS 640131 [COLMB.W4 230.00] TO BUS 640200 [GR ISLD4 230.00] CKT 1  
SINGLE 306 : OPEN LINE FROM BUS 640133 [COLMBUS4 230.00] TO BUS 640343 [SHELCRK4 230.00] CKT 1  
SINGLE 307 : OPEN LINE FROM BUS 640133 [COLMBUS4 230.00] TO BUS 643000 [MADISONCNTY4230.00] CKT 1  
SINGLE 308 : OPEN LINE FROM BUS 640134 [KELLY 7 115.00] TO BUS 640136 [COLMBUS7 115.00] CKT 1  
SINGLE 309 : OPEN LINE FROM BUS 640136 [COLMBUS7 115.00] TO BUS 640151 [CRESTON7 115.00] CKT 1  
SINGLE 310 : OPEN LINE FROM BUS 640136 [COLMBUS7 115.00] TO BUS 640181 [GENOA 7 115.00] CKT 1  
SINGLE 311 : OPEN LINE FROM BUS 640136 [COLMBUS7 115.00] TO BUS 640336 [SCHUYLR7 115.00] CKT 1  
SINGLE 312 : OPEN LINE FROM BUS 640136 [COLMBUS7 115.00] TO BUS 640345 [SILVRCK7 115.00] CKT 1  
SINGLE 313 : OPEN LINE FROM BUS 640139 [COOPER 3 345.00] TO BUS 640277 [MOORE 3 345.00] CKT 1  
SINGLE 314 : OPEN LINE FROM BUS 640139 [COOPER 3 345.00] TO BUS 645458 [S3458 3 345.00] CKT 1  
SINGLE 315 : OPEN LINE FROM BUS 640140 [COOPER 5 161.00] TO BUS 646280 [S1280 5 161.00] CKT 1  
SINGLE 316 : OPEN LINE FROM BUS 640144 [COZAD 7 115.00] TO BUS 640196 [GOTHNBG7 115.00] CKT 1  
SINGLE 317 : OPEN LINE FROM BUS 640144 [COZAD 7 115.00] TO BUS 640407 [WESTMIN7 115.00] CKT 1  
SINGLE 318 : OPEN LINE FROM BUS 640147 [CRAWFRD7 115.00] TO BUS 640397 [VICTRYH7 115.00] CKT 1  
SINGLE 319 : OPEN LINE FROM BUS 640149 [CREITON7 115.00] TO BUS 640293 [NELIGH 7 115.00] CKT 1  
SINGLE 320 : OPEN LINE FROM BUS 640151 [CRESTON7 115.00] TO BUS 640263 [MADISON7 115.00] CKT 1  
SINGLE 321 : OPEN LINE FROM BUS 640153 [CRETE\_\_7 115.00] TO BUS 640174 [FRIEND 7 115.00] CKT 1  
SINGLE 322 : OPEN LINE FROM BUS 640153 [CRETE\_\_7 115.00] TO BUS 640278 [SHELDON7 115.00] CKT 1  
SINGLE 323 : OPEN LINE FROM BUS 640155 [DAVEY 7 115.00] TO BUS 640402 [WAHOO 7 115.00] CKT 1  
SINGLE 324 : OPEN LINE FROM BUS 640155 [DAVEY 7 115.00] TO BUS 650269 [70&BLUFF 7 115.00] CKT 1  
SINGLE 325 : OPEN LINE FROM BUS 640157 [DAVIDCY7 115.00] TO BUS 640402 [WAHOO 7 115.00] CKT 1  
SINGLE 326 : OPEN LINE FROM BUS 640159 [DONIPH7 115.00] TO BUS 640282 [N.HAST 7 115.00] CKT 1  
SINGLE 327 : OPEN LINE FROM BUS 640159 [DONIPH7 115.00] TO BUS 642071 [SUB-D 7 115.00] CKT 1  
SINGLE 328 : OPEN LINE FROM BUS 640161 [ELMCRK\_7 115.00] TO BUS 640250 [KEARNEY7 115.00] CKT 1  
SINGLE 329 : OPEN LINE FROM BUS 640163 [EMERSON7 115.00] TO BUS 640387 [TWIN CH7 115.00] CKT 1  
SINGLE 330 : OPEN LINE FROM BUS 640165 [EMMET 7 115.00] TO BUS 640305 [ONEILL 7 115.00] CKT 1  
SINGLE 331 : OPEN LINE FROM BUS 640167 [ENDERS 7 115.00] TO BUS 659130 [GRANTNB7 115.00] CKT 1  
SINGLE 332 : OPEN LINE FROM BUS 640167 [ENDERS 7 115.00] TO BUS 659244 [ATHEY 7 115.00] CKT 1  
SINGLE 333 : OPEN LINE FROM BUS 640169 [FAIRBRY7 115.00] TO BUS 640208 [HARBINE7 115.00] CKT 1  
SINGLE 334 : OPEN LINE FROM BUS 640169 [FAIRBRY7 115.00] TO BUS 640218 [HEBRN N7 115.00] CKT 1  
SINGLE 335 : OPEN LINE FROM BUS 640171 [FIRTH 7 115.00] TO BUS 640278 [SHELDON7 115.00] CKT 1  
SINGLE 336 : OPEN LINE FROM BUS 640171 [FIRTH 7 115.00] TO BUS 640362 [STERLNG7 115.00] CKT 1  
SINGLE 337 : OPEN LINE FROM BUS 640173 [FREMONT7 115.00] TO BUS 640281 [N.BEND 7 115.00] CKT 1  
SINGLE 338 : OPEN LINE FROM BUS 640173 [FREMONT7 115.00] TO BUS 640409 [WINSLOW7 115.00] CKT 1  
SINGLE 339 : OPEN LINE FROM BUS 640173 [FREMONT7 115.00] TO BUS 647976 [S976 8 69.000] CKT 1  
SINGLE 340 : OPEN LINE FROM BUS 640173 [FREMONT7 115.00] TO BUS 647976 [S976 8 69.000] CKT 4  
SINGLE 341 : OPEN LINE FROM BUS 640174 [FRIEND 7 115.00] TO BUS 640178 [GENEVA 7 115.00] CKT 1  
SINGLE 342 : OPEN LINE FROM BUS 640178 [GENEVA 7 115.00] TO BUS 640272 [MCCOOL 7 115.00] CKT 1  
SINGLE 343 : OPEN LINE FROM BUS 640178 [GENEVA 7 115.00] TO BUS 640372 [SUTTON 7 115.00] CKT 1  
SINGLE 344 : OPEN LINE FROM BUS 640183 [GENTLMN3 345.00] TO BUS 640184 [GENTLMN4 230.00] CKT 2  
SINGLE 345 : OPEN LINE FROM BUS 640183 [GENTLMN3 345.00] TO BUS 640252 [KEYSTON3 345.00] CKT 1

SINGLE 346 : OPEN LINE FROM BUS 640183 [GENTLMN3 345.00] TO BUS 640325 [REDWILO3 345.00] CKT 1  
SINGLE 347 : OPEN LINE FROM BUS 640183 [GENTLMN3 345.00] TO BUS 640374 [SWEET W3 345.00] CKT 1  
SINGLE 348 : OPEN LINE FROM BUS 640183 [GENTLMN3 345.00] TO BUS 640374 [SWEET W3 345.00] CKT 2  
SINGLE 349 : OPEN LINE FROM BUS 640184 [GENTLMN4 230.00] TO BUS 640286 [N.PLATT4 230.00] CKT 1  
SINGLE 350 : OPEN LINE FROM BUS 640184 [GENTLMN4 230.00] TO BUS 640286 [N.PLATT4 230.00] CKT 2  
SINGLE 351 : OPEN LINE FROM BUS 640184 [GENTLMN4 230.00] TO BUS 640286 [N.PLATT4 230.00] CKT 3  
SINGLE 352 : OPEN LINE FROM BUS 640184 [GENTLMN4 230.00] TO BUS 640302 [OGALALA4 230.00] CKT 1  
SINGLE 353 : OPEN LINE FROM BUS 640192 [GORDON 7 115.00] TO BUS 640334 [RUSHVIL7 115.00] CKT 1  
SINGLE 354 : OPEN LINE FROM BUS 640192 [GORDON 7 115.00] TO BUS 659152 [SHAN-SD7 115.00] CKT 1  
SINGLE 355 : OPEN LINE FROM BUS 640194 [GOSPER 7 115.00] TO BUS 640242 [JOHN.2 7 115.00] CKT 1  
SINGLE 356 : OPEN LINE FROM BUS 640196 [GOTHNBG7 115.00] TO BUS 640238 [JEFFREY7 115.00] CKT 1  
SINGLE 357 : OPEN LINE FROM BUS 640200 [GR ISLD4 230.00] TO BUS 640201 [GR ISLD7 115.00] CKT 2  
SINGLE 358 : OPEN LINE FROM BUS 640200 [GR ISLD4 230.00] TO BUS 640214 [HASTING4 230.00] CKT 1  
SINGLE 359 : OPEN LINE FROM BUS 640200 [GR ISLD4 230.00] TO BUS 640330 [RIVERDL4 230.00] CKT 1  
SINGLE 360 : OPEN LINE FROM BUS 640200 [GR ISLD4 230.00] TO BUS 652571 [GR ISLD3 345.00] CKT 3  
SINGLE 361 : OPEN LINE FROM BUS 640201 [GR ISLD7 115.00] TO BUS 640353 [ST.LIB 7 115.00] CKT 1  
SINGLE 362 : OPEN LINE FROM BUS 640201 [GR ISLD7 115.00] TO BUS 642071 [SUB-D 7 115.00] CKT 1  
SINGLE 363 : OPEN LINE FROM BUS 640201 [GR ISLD7 115.00] TO BUS 642072 [SUB-E 7 115.00] CKT 1  
SINGLE 364 : OPEN LINE FROM BUS 640206 [GUIDE R7 115.00] TO BUS 640368 [SUPEROR7 115.00] CKT 1  
SINGLE 365 : OPEN LINE FROM BUS 640206 [GUIDE R7 115.00] TO BUS 643050 [ROSEMONT 7115.00] CKT 1  
SINGLE 366 : OPEN LINE FROM BUS 640208 [HARBINE7 115.00] TO BUS 640426 [STEELEC7 115.00] CKT 1  
SINGLE 367 : OPEN LINE FROM BUS 640210 [HARMONY7 115.00] TO BUS 640351 [ST.FRANC 115.00] CKT 1  
SINGLE 368 : OPEN LINE FROM BUS 640210 [HARMONY7 115.00] TO BUS 640392 [VALENTN7 115.00] CKT 1  
SINGLE 369 : OPEN LINE FROM BUS 640212 [HARTGTN7 115.00] TO BUS 652511 [GAVINS 7 115.00] CKT 1  
SINGLE 370 : OPEN LINE FROM BUS 640214 [HASTING4 230.00] TO BUS 641088 [HASTCTY7 115.00] CKT 1  
SINGLE 371 : OPEN LINE FROM BUS 640215 [HASTING7 115.00] TO BUS 640313 [PAULINE7 115.00] CKT 1  
SINGLE 372 : OPEN LINE FROM BUS 640215 [HASTING7 115.00] TO BUS 640313 [PAULINE7 115.00] CKT 2  
SINGLE 373 : OPEN LINE FROM BUS 640215 [HASTING7 115.00] TO BUS 641087 [EGYCNTR7 115.00] CKT 1  
SINGLE 374 : OPEN LINE FROM BUS 640215 [HASTING7 115.00] TO BUS 641088 [HASTCTY7 115.00] CKT 1  
SINGLE 375 : OPEN LINE FROM BUS 640218 [HEBRN N7 115.00] TO BUS 640220 [HEBRON 7 115.00] CKT 1  
SINGLE 376 : OPEN LINE FROM BUS 640220 [HEBRON 7 115.00] TO BUS 640368 [SUPEROR7 115.00] CKT 1  
SINGLE 377 : OPEN LINE FROM BUS 640222 [HILDRTH7 115.00] TO BUS 640224 [HOLDREG7 115.00] CKT 1  
SINGLE 378 : OPEN LINE FROM BUS 640222 [HILDRTH7 115.00] TO BUS 640313 [PAULINE7 115.00] CKT 1  
SINGLE 379 : OPEN LINE FROM BUS 640224 [HOLDREG7 115.00] TO BUS 640242 [JOHN.2 7 115.00] CKT 1  
SINGLE 380 : OPEN LINE FROM BUS 640224 [HOLDREG7 115.00] TO BUS 640310 [ORLEANS7 115.00] CKT 1  
SINGLE 381 : OPEN LINE FROM BUS 640226 [HOSKINS3 345.00] TO BUS 640227 [HOSKINS4 230.00] CKT 1  
SINGLE 382 : OPEN LINE FROM BUS 640226 [HOSKINS3 345.00] TO BUS 640342 [SHELCKR3 345.00] CKT 1  
SINGLE 383 : OPEN LINE FROM BUS 640227 [HOSKINS4 230.00] TO BUS 640228 [HOSKINS7 115.00] CKT 1  
SINGLE 384 : OPEN LINE FROM BUS 640227 [HOSKINS4 230.00] TO BUS 640386 [TWIN CH4 230.00] CKT 1  
SINGLE 385 : OPEN LINE FROM BUS 640228 [HOSKINS7 115.00] TO BUS 640296 [NORFK.N7 115.00] CKT 1  
SINGLE 386 : OPEN LINE FROM BUS 640228 [HOSKINS7 115.00] TO BUS 640298 [NORFOLK7 115.00] CKT 1  
SINGLE 387 : OPEN LINE FROM BUS 640228 [HOSKINS7 115.00] TO BUS 640363 [STNTN.N7 115.00] CKT 1  
SINGLE 388 : OPEN LINE FROM BUS 640234 [HUMBOLT5 161.00] TO BUS 640235 [HUMBOLT7 115.00] CKT 1  
SINGLE 389 : OPEN LINE FROM BUS 640234 [HUMBOLT5 161.00] TO BUS 646280 [S1280 5 161.00] CKT 1  
SINGLE 390 : OPEN LINE FROM BUS 640235 [HUMBOLT7 115.00] TO BUS 640361 [STEINER7 115.00] CKT 1  
SINGLE 391 : OPEN LINE FROM BUS 640238 [JEFFREY7 115.00] TO BUS 640240 [JOHN.1 7 115.00] CKT 1  
SINGLE 392 : OPEN LINE FROM BUS 640238 [JEFFREY7 115.00] TO BUS 640287 [N.PLATT7 115.00] CKT 1  
SINGLE 393 : OPEN LINE FROM BUS 640240 [JOHN.1 7 115.00] TO BUS 640244 [JOHN.LK7 115.00] CKT 1

SINGLE 394 : OPEN LINE FROM BUS 640242 [JOHN.2 7 115.00] TO BUS 640244 [JOHN.LK7 115.00] CKT 1  
SINGLE 395 : OPEN LINE FROM BUS 640242 [JOHN.2 7 115.00] TO BUS 640407 [WESTMIN7 115.00] CKT 1  
SINGLE 396 : OPEN LINE FROM BUS 640246 [JULSTAP7 115.00] TO BUS 652300 [CHAPPEL7 115.00] CKT 1  
SINGLE 397 : OPEN LINE FROM BUS 640246 [JULSTAP7 115.00] TO BUS 652302 [JULESBG7 115.00] CKT 1  
SINGLE 398 : OPEN LINE FROM BUS 640248 [KEAR.NE7 115.00] TO BUS 640250 [KEARNEY7 115.00] CKT 1  
SINGLE 399 : OPEN LINE FROM BUS 640248 [KEAR.NE7 115.00] TO BUS 640331 [RIVERDL7 115.00] CKT 1  
SINGLE 400 : OPEN LINE FROM BUS 640250 [KEARNEY7 115.00] TO BUS 640261 [LOWELL 7 115.00] CKT 1  
SINGLE 401 : OPEN LINE FROM BUS 640250 [KEARNEY7 115.00] TO BUS 640383 [TOWER 7 115.00] CKT 1  
SINGLE 402 : OPEN LINE FROM BUS 640252 [KEYSTON3 345.00] TO BUS 659133 [SIDNEY 3 345.00] CKT 1  
SINGLE 403 : OPEN LINE FROM BUS 640253 [KEYSTON7 115.00] TO BUS 640255 [KINGSLY7 115.00] CKT 1  
SINGLE 404 : OPEN LINE FROM BUS 640253 [KEYSTON7 115.00] TO BUS 659132 [OGALALA7 115.00] CKT 1  
SINGLE 405 : OPEN LINE FROM BUS 640256 [LXNGTN 7 115.00] TO BUS 640331 [RIVERDL7 115.00] CKT 1  
SINGLE 406 : OPEN LINE FROM BUS 640259 [LOUPCTY7 115.00] TO BUS 640284 [N.LOUP 7 115.00] CKT 1  
SINGLE 407 : OPEN LINE FROM BUS 640259 [LOUPCTY7 115.00] TO BUS 640353 [ST.LIB 7 115.00] CKT 1  
SINGLE 408 : OPEN LINE FROM BUS 640261 [LOWELL 7 115.00] TO BUS 640275 [MINDEN 7 115.00] CKT 1  
SINGLE 409 : OPEN LINE FROM BUS 640261 [LOWELL 7 115.00] TO BUS 640321 [PROSSER7 115.00] CKT 1  
SINGLE 410 : OPEN LINE FROM BUS 640263 [MADISON7 115.00] TO BUS 640298 [NORFOLK7 115.00] CKT 1  
SINGLE 411 : OPEN LINE FROM BUS 640263 [MADISON7 115.00] TO BUS 643001 [MADISONCNTY7115.00] CKT 1  
SINGLE 412 : OPEN LINE FROM BUS 640265 [MALONEY7 115.00] TO BUS 640287 [N.PLATT7 115.00] CKT 1  
SINGLE 413 : OPEN LINE FROM BUS 640265 [MALONEY7 115.00] TO BUS 640370 [SUTHLND7 115.00] CKT 1  
SINGLE 414 : OPEN LINE FROM BUS 640267 [MAXWELS7 115.00] TO BUS 640287 [N.PLATT7 115.00] CKT 1  
SINGLE 415 : OPEN LINE FROM BUS 640267 [MAXWELS7 115.00] TO BUS 640381 [THEDFRD7 115.00] CKT 1  
SINGLE 416 : OPEN LINE FROM BUS 640269 [MCCOOK 7 115.00] TO BUS 640326 [REDWILO7 115.00] CKT 1  
SINGLE 417 : OPEN LINE FROM BUS 640269 [MCCOOK 7 115.00] TO BUS 640326 [REDWILO7 115.00] CKT 2  
SINGLE 418 : OPEN LINE FROM BUS 640271 [MCCOOL 3 345.00] TO BUS 640277 [MOORE 3 345.00] CKT 1  
SINGLE 419 : OPEN LINE FROM BUS 640271 [MCCOOL 3 345.00] TO BUS 652571 [GR ISLD3 345.00] CKT 1  
SINGLE 420 : OPEN LINE FROM BUS 640272 [MCCOOL 7 115.00] TO BUS 640413 [YORK SW7 115.00] CKT 1  
SINGLE 421 : OPEN LINE FROM BUS 640277 [MOORE 3 345.00] TO BUS 640312 [PAULINE3 345.00] CKT 1  
SINGLE 422 : OPEN LINE FROM BUS 640277 [MOORE 3 345.00] TO BUS 650114 [NW68HOLDRG3 345.00] CKT 1  
SINGLE 423 : OPEN LINE FROM BUS 640277 [MOORE 3 345.00] TO BUS 650189 [103&ROKEBY3 345.00] CKT 1  
SINGLE 424 : OPEN LINE FROM BUS 640278 [SHELDON7 115.00] TO BUS 650230 [2&N 7 115.00] CKT 1  
SINGLE 425 : OPEN LINE FROM BUS 640281 [N.BEND 7 115.00] TO BUS 640336 [SCHUYLR7 115.00] CKT 1  
SINGLE 426 : OPEN LINE FROM BUS 640281 [N.BEND 7 115.00] TO BUS 648400 [N.BD A9 13.800] CKT 1  
SINGLE 427 : OPEN LINE FROM BUS 640281 [N.BEND 7 115.00] TO BUS 648401 [N.BD B9 13.800] CKT 1  
SINGLE 428 : OPEN LINE FROM BUS 640282 [N.HAST 7 115.00] TO BUS 640321 [PROSSER7 115.00] CKT 1  
SINGLE 429 : OPEN LINE FROM BUS 640282 [N.HAST 7 115.00] TO BUS 641082 [BYPASS 7 115.00] CKT 1  
SINGLE 430 : OPEN LINE FROM BUS 640284 [N.LOUP 7 115.00] TO BUS 640308 [ORD 7 115.00] CKT 1  
SINGLE 431 : OPEN LINE FROM BUS 640284 [N.LOUP 7 115.00] TO BUS 640347 [SPALDNG7 115.00] CKT 1  
SINGLE 432 : OPEN LINE FROM BUS 640286 [N.PLATT4 230.00] TO BUS 640287 [N.PLATT7 115.00] CKT 2  
SINGLE 433 : OPEN LINE FROM BUS 640287 [N.PLATT7 115.00] TO BUS 640365 [STOCKVL7 115.00] CKT 1  
SINGLE 434 : OPEN LINE FROM BUS 640293 [NELIGH 7 115.00] TO BUS 640444 [PETERSBRG.N7115.00] CKT 1  
SINGLE 435 : OPEN LINE FROM BUS 640296 [NORFK.N7 115.00] TO BUS 640298 [NORFOLK7 115.00] CKT 1  
SINGLE 436 : OPEN LINE FROM BUS 640298 [NORFOLK7 115.00] TO BUS 643001 [MADISONCNTY7115.00] CKT 1  
SINGLE 437 : OPEN LINE FROM BUS 640300 [OAKLAND7 115.00] TO BUS 640378 [TEKAMAH7 115.00] CKT 1  
SINGLE 438 : OPEN LINE FROM BUS 640300 [OAKLAND7 115.00] TO BUS 640400 [W.POINT7 115.00] CKT 1  
SINGLE 439 : OPEN LINE FROM BUS 640300 [OAKLAND7 115.00] TO BUS 640409 [WINSLOW7 115.00] CKT 1  
SINGLE 440 : OPEN LINE FROM BUS 640302 [OGALALA4 230.00] TO BUS 659132 [OGALALA7 115.00] CKT 1  
SINGLE 441 : OPEN LINE FROM BUS 640302 [OGALALA4 230.00] TO BUS 659134 [SIDNEY 4 230.00] CKT 1

SINGLE 442 : OPEN LINE FROM BUS 640305 [ONEILL 7 115.00] TO BUS 640349 [SPENCER7 115.00] CKT 1  
SINGLE 443 : OPEN LINE FROM BUS 640313 [PAULINE7 115.00] TO BUS 643050 [ROSEMONT 7115.00] CKT 1  
SINGLE 444 : OPEN LINE FROM BUS 640316 [PAWNEEL7 115.00] TO BUS 640340 [SEWARD 7 115.00] CKT 1  
SINGLE 445 : OPEN LINE FROM BUS 640316 [PAWNEEL7 115.00] TO BUS 650214 [NW68HOLDRG7 115.00] CKT 1  
SINGLE 446 : OPEN LINE FROM BUS 640318 [PETERSBG7 115.00] TO BUS 640444 [PETERSBRG.N7115.00] CKT 1  
SINGLE 447 : OPEN LINE FROM BUS 640323 [RAVENNA7 115.00] TO BUS 640331 [RIVERDL7 115.00] CKT 1  
SINGLE 448 : OPEN LINE FROM BUS 640326 [REDWILO7 115.00] TO BUS 640365 [STOCKVL7 115.00] CKT 1  
SINGLE 449 : OPEN LINE FROM BUS 640328 [RISNGCY7 115.00] TO BUS 640340 [SEWARD 7 115.00] CKT 1  
SINGLE 450 : OPEN LINE FROM BUS 640330 [RIVERDL4 230.00] TO BUS 640331 [RIVERDL7 115.00] CKT 1  
SINGLE 451 : OPEN LINE FROM BUS 640331 [RIVERDL7 115.00] TO BUS 640383 [TOWER 7 115.00] CKT 1  
SINGLE 452 : OPEN LINE FROM BUS 640338 [SCOTBLF7 115.00] TO BUS 640397 [VICTRYH7 115.00] CKT 1  
SINGLE 453 : OPEN LINE FROM BUS 640338 [SCOTBLF7 115.00] TO BUS 659242 [GERINGT7 115.00] CKT 1  
SINGLE 454 : OPEN LINE FROM BUS 640340 [SEWARD 7 115.00] TO BUS 640375 [TAMORA 7 115.00] CKT 1  
SINGLE 455 : OPEN LINE FROM BUS 640342 [SHELCKR3 345.00] TO BUS 640343 [SHELCKR4 230.00] CKT 1  
SINGLE 456 : OPEN LINE FROM BUS 640349 [SPENCER7 115.00] TO BUS 652510 [FTRANDL7 115.00] CKT 1  
SINGLE 457 : OPEN LINE FROM BUS 640351 [ST.FRANC 115.00] TO BUS 652482 [MISSION7 115.00] CKT 1  
SINGLE 458 : OPEN LINE FROM BUS 640353 [ST.LIB 7 115.00] TO BUS 640355 [ST.PAUL7 115.00] CKT 1  
SINGLE 459 : OPEN LINE FROM BUS 640357 [STANTON7 115.00] TO BUS 640363 [STNTN.N7 115.00] CKT 1  
SINGLE 460 : OPEN LINE FROM BUS 640362 [STERLNG7 115.00] TO BUS 647974 [S974 8 69.000] CKT 1  
SINGLE 461 : OPEN LINE FROM BUS 640370 [SUTHLND7 115.00] TO BUS 659186 [PAXTON 7 115.00] CKT 1  
SINGLE 462 : OPEN LINE FROM BUS 640372 [SUTTON 7 115.00] TO BUS 641087 [EGYCNTR7 115.00] CKT 1  
SINGLE 463 : OPEN LINE FROM BUS 640374 [SWEET W3 345.00] TO BUS 652571 [GR ISLD3 345.00] CKT 1  
SINGLE 464 : OPEN LINE FROM BUS 640375 [TAMORA 7 115.00] TO BUS 640411 [YORK 7 115.00] CKT 1  
SINGLE 465 : OPEN LINE FROM BUS 640377 [TEKAMAH5 161.00] TO BUS 640378 [TEKAMAH7 115.00] CKT 1  
SINGLE 466 : OPEN LINE FROM BUS 640377 [TEKAMAH5 161.00] TO BUS 646226 [S1226 5 161.00] CKT 1  
SINGLE 467 : OPEN LINE FROM BUS 640386 [TWIN CH4 230.00] TO BUS 640387 [TWIN CH7 115.00] CKT 1  
SINGLE 468 : OPEN LINE FROM BUS 640386 [TWIN CH4 230.00] TO BUS 640387 [TWIN CH7 115.00] CKT 2  
SINGLE 469 : OPEN LINE FROM BUS 640386 [TWIN CH4 230.00] TO BUS 652565 [SIOUXCY4 230.00] CKT 1  
SINGLE 470 : OPEN LINE FROM BUS 640392 [VALENTN7 115.00] TO BUS 640394 [VALTN.W7 115.00] CKT 1  
SINGLE 472 : OPEN LINE FROM BUS 640402 [WAHOO 7 115.00] TO BUS 648402 [WAHOO 29 13.800] CKT 1  
SINGLE 473 : OPEN LINE FROM BUS 640404 [WAYSIDE4 230.00] TO BUS 652484 [NUNDRWD4 230.00] CKT 1  
SINGLE 474 : OPEN LINE FROM BUS 640404 [WAYSIDE4 230.00] TO BUS 652573 [STEGALL4 230.00] CKT 1  
SINGLE 475 : OPEN LINE FROM BUS 640411 [YORK 7 115.00] TO BUS 640413 [YORK SW7 115.00] CKT 1  
SINGLE 476 : OPEN LINE FROM BUS 640444 [PETERSBRG.N7115.00] TO BUS 643001 [MADISONCNTY7115.00] CKT 1  
SINGLE 477 : OPEN LINE FROM BUS 641082 [BYPASS 7 115.00] TO BUS 641084 [DENVER 7 115.00] CKT 1  
SINGLE 478 : OPEN LINE FROM BUS 641082 [BYPASS 7 115.00] TO BUS 641085 [E7THST 7 115.00] CKT 1  
SINGLE 479 : OPEN LINE FROM BUS 641083 [D.HENRY7 115.00] TO BUS 641084 [DENVER 7 115.00] CKT 1  
SINGLE 480 : OPEN LINE FROM BUS 641083 [D.HENRY7 115.00] TO BUS 641090 [S. 281 7 115.00] CKT 1  
SINGLE 481 : OPEN LINE FROM BUS 641085 [E7THST 7 115.00] TO BUS 641088 [HASTCTY7 115.00] CKT 1  
SINGLE 482 : OPEN LINE FROM BUS 641087 [EGYCNTR7 115.00] TO BUS 641088 [HASTCTY7 115.00] CKT 1  
SINGLE 483 : OPEN LINE FROM BUS 641087 [EGYCNTR7 115.00] TO BUS 641090 [S. 281 7 115.00] CKT 1  
SINGLE 484 : OPEN LINE FROM BUS 642066 [SUB-H G 115.00] TO BUS 642071 [SUB-D 7 115.00] CKT 1  
SINGLE 485 : OPEN LINE FROM BUS 642066 [SUB-H G 115.00] TO BUS 642072 [SUB-E 7 115.00] CKT 1  
SINGLE 486 : OPEN LINE FROM BUS 642068 [SUB-A 7 115.00] TO BUS 642069 [SUB-B 7 115.00] CKT 1  
SINGLE 487 : OPEN LINE FROM BUS 642068 [SUB-A 7 115.00] TO BUS 642071 [SUB-D 7 115.00] CKT 1  
SINGLE 488 : OPEN LINE FROM BUS 642069 [SUB-B 7 115.00] TO BUS 642073 [SUB-F 7 115.00] CKT 1  
SINGLE 489 : OPEN LINE FROM BUS 642070 [SUB-C 7 115.00] TO BUS 642072 [SUB-E 7 115.00] CKT 1  
SINGLE 490 : OPEN LINE FROM BUS 642070 [SUB-C 7 115.00] TO BUS 642073 [SUB-F 7 115.00] CKT 1

SINGLE 491 : OPEN LINE FROM BUS 643000 [MADISONCNTY4230.00] TO BUS 652509 [FTRANDL4 230.00] CKT 1  
SINGLE 492 : OPEN LINE FROM BUS 643001 [MADISONCNTY7115.00] TO BUS 643005 [EMERICK 7115.00] CKT 1  
SINGLE 493 : OPEN LINE FROM BUS 645100 [FC1A 5 161.00] TO BUS 646251 [S1251 5 161.00] CKT 1  
SINGLE 494 : OPEN LINE FROM BUS 645451 [S3451 3 345.00] TO BUS 645454 [S3454 3 345.00] CKT 1  
SINGLE 495 : OPEN LINE FROM BUS 645451 [S3451 3 345.00] TO BUS 645459 [S3459 3 345.00] CKT 1  
SINGLE 496 : OPEN LINE FROM BUS 645454 [S3454 3 345.00] TO BUS 645455 [S3455 3 345.00] CKT 1  
SINGLE 497 : OPEN LINE FROM BUS 645454 [S3454 3 345.00] TO BUS 650185 [WAGENER 3 345.00] CKT 1  
SINGLE 498 : OPEN LINE FROM BUS 645455 [S3455 3 345.00] TO BUS 645456 [S3456 3 345.00] CKT 1  
SINGLE 499 : OPEN LINE FROM BUS 645455 [S3455 3 345.00] TO BUS 645740 [S3740 3 345.00] CKT 1  
SINGLE 500 : OPEN LINE FROM BUS 645456 [S3456 3 345.00] TO BUS 645458 [S3458 3 345.00] CKT 1  
SINGLE 501 : OPEN LINE FROM BUS 645456 [S3456 3 345.00] TO BUS 645459 [S3459 3 345.00] CKT 1  
SINGLE 502 : OPEN LINE FROM BUS 645458 [S3458 3 345.00] TO BUS 645740 [S3740 3 345.00] CKT 1  
SINGLE 503 : OPEN LINE FROM BUS 645458 [S3458 3 345.00] TO BUS 650189 [103&ROKEBY3 345.00] CKT 1  
SINGLE 504 : OPEN LINE FROM BUS 646201 [S1201 5 161.00] TO BUS 646206 [S1206 5 161.00] CKT 1  
SINGLE 505 : OPEN LINE FROM BUS 646201 [S1201 5 161.00] TO BUS 646220 [S1220 5 161.00] CKT 1  
SINGLE 506 : OPEN LINE FROM BUS 646201 [S1201 5 161.00] TO BUS 646229 [S1229 5 161.00] CKT 1  
SINGLE 507 : OPEN LINE FROM BUS 646201 [S1201 5 161.00] TO BUS 646286 [S1286 5 161.00] CKT 1  
SINGLE 508 : OPEN LINE FROM BUS 646206 [S1206 5 161.00] TO BUS 646216 [S1216 5 161.00] CKT 1  
SINGLE 509 : OPEN LINE FROM BUS 646206 [S1206 5 161.00] TO BUS 646232 [S1232 5 161.00] CKT 1  
SINGLE 510 : OPEN LINE FROM BUS 646206 [S1206 5 161.00] TO BUS 646244 [S1244 5 161.00] CKT 1  
SINGLE 511 : OPEN LINE FROM BUS 646209 [S1209 5 161.00] TO BUS 646231 [S1231 5 161.00] CKT 1  
SINGLE 512 : OPEN LINE FROM BUS 646209 [S1209 5 161.00] TO BUS 646231 [S1231 5 161.00] CKT 2  
SINGLE 513 : OPEN LINE FROM BUS 646209 [S1209 5 161.00] TO BUS 646250 [S1250 5 161.00] CKT 1  
SINGLE 514 : OPEN LINE FROM BUS 646209 [S1209 5 161.00] TO BUS 646250 [S1250 5 161.00] CKT 2  
SINGLE 515 : OPEN LINE FROM BUS 646209 [S1209 5 161.00] TO BUS 646252 [S1252 5 161.00] CKT 1  
SINGLE 516 : OPEN LINE FROM BUS 646210 [S1210 5 161.00] TO BUS 646217 [S1217 5 161.00] CKT 1  
SINGLE 517 : OPEN LINE FROM BUS 646210 [S1210 5 161.00] TO BUS 646222 [S1222 5 161.00] CKT 1  
SINGLE 518 : OPEN LINE FROM BUS 646211 [S1211 5 161.00] TO BUS 646220 [S1220 5 161.00] CKT 1  
SINGLE 519 : OPEN LINE FROM BUS 646211 [S1211 5 161.00] TO BUS 646250 [S1250 5 161.00] CKT 1  
SINGLE 520 : OPEN LINE FROM BUS 646211 [S1211 5 161.00] TO BUS 646250 [S1250 5 161.00] CKT 2  
SINGLE 521 : OPEN LINE FROM BUS 646211 [S1211 5 161.00] TO BUS 646299 [S1299 5 161.00] CKT 1  
SINGLE 522 : OPEN LINE FROM BUS 646214 [S1214 5 161.00] TO BUS 646287 [S1287 5 161.00] CKT 1  
SINGLE 523 : OPEN LINE FROM BUS 646214 [S1214 5 161.00] TO BUS 650169 [70&BLUFF 5 161.00] CKT 1  
SINGLE 524 : OPEN LINE FROM BUS 646216 [S1216 5 161.00] TO BUS 646217 [S1217 5 161.00] CKT 1  
SINGLE 525 : OPEN LINE FROM BUS 646217 [S1217 5 161.00] TO BUS 646227 [S1227 5 161.00] CKT 1  
SINGLE 526 : OPEN LINE FROM BUS 646221 [S1221 5 161.00] TO BUS 646231 [S1231 5 161.00] CKT 1  
SINGLE 527 : OPEN LINE FROM BUS 646221 [S1221 5 161.00] TO BUS 646255 [S1255 5 161.00] CKT 1  
SINGLE 528 : OPEN LINE FROM BUS 646222 [S1222 5 161.00] TO BUS 646229 [S1229 5 161.00] CKT 1  
SINGLE 529 : OPEN LINE FROM BUS 646226 [S1226 5 161.00] TO BUS 646237 [S1237 5 161.00] CKT 1  
SINGLE 530 : OPEN LINE FROM BUS 646226 [S1226 5 161.00] TO BUS 646252 [S1252 5 161.00] CKT 1  
SINGLE 531 : OPEN LINE FROM BUS 646226 [S1226 5 161.00] TO BUS 646298 [S1298 5 161.00] CKT 1  
SINGLE 532 : OPEN LINE FROM BUS 646226 [S1226 5 161.00] TO BUS 646298 [S1298 5 161.00] CKT 2  
SINGLE 533 : OPEN LINE FROM BUS 646227 [S1227 5 161.00] TO BUS 646231 [S1231 5 161.00] CKT 1  
SINGLE 534 : OPEN LINE FROM BUS 646231 [S1231 5 161.00] TO BUS 646235 [S1235 5 161.00] CKT 1  
SINGLE 535 : OPEN LINE FROM BUS 646232 [S1232 5 161.00] TO BUS 646278 [S1278 5 161.00] CKT 1  
SINGLE 536 : OPEN LINE FROM BUS 646233 [S1233 5 161.00] TO BUS 646234 [S1234 5 161.00] CKT 1  
SINGLE 537 : OPEN LINE FROM BUS 646233 [S1233 5 161.00] TO BUS 646255 [S1255 5 161.00] CKT 1  
SINGLE 538 : OPEN LINE FROM BUS 646234 [S1234 5 161.00] TO BUS 646235 [S1235 5 161.00] CKT 1

SINGLE 539 : OPEN LINE FROM BUS 646235 [S1235 5 161.00] TO BUS 646236 [S1236 5 161.00] CKT 1  
SINGLE 540 : OPEN LINE FROM BUS 646235 [S1235 5 161.00] TO BUS 646253 [S1253 5 161.00] CKT 1  
SINGLE 541 : OPEN LINE FROM BUS 646236 [S1236 5 161.00] TO BUS 646345 [S1345 5 161.00] CKT 1  
SINGLE 542 : OPEN LINE FROM BUS 646237 [S1237 5 161.00] TO BUS 646253 [S1253 5 161.00] CKT 1  
SINGLE 543 : OPEN LINE FROM BUS 646237 [S1237 5 161.00] TO BUS 646345 [S1345 5 161.00] CKT 1  
SINGLE 544 : OPEN LINE FROM BUS 646244 [S1244 5 161.00] TO BUS 646258 [S1258 5 161.00] CKT 1  
SINGLE 545 : OPEN LINE FROM BUS 646249 [S1249 5 161.00] TO BUS 646254 [S1254 5 161.00] CKT 1  
SINGLE 546 : OPEN LINE FROM BUS 646249 [S1249 5 161.00] TO BUS 646256 [S1256 5 161.00] CKT 1  
SINGLE 547 : OPEN LINE FROM BUS 646250 [S1250 5 161.00] TO BUS 646297 [S1297 5 161.00] CKT 1  
SINGLE 548 : OPEN LINE FROM BUS 646251 [S1251 5 161.00] TO BUS 646297 [S1297 5 161.00] CKT 1  
SINGLE 549 : OPEN LINE FROM BUS 646251 [S1251 5 161.00] TO BUS 646298 [S1298 5 161.00] CKT 1  
SINGLE 550 : OPEN LINE FROM BUS 646251 [S1251 5 161.00] TO BUS 646305 [S1305 5 161.00] CKT 1  
SINGLE 551 : OPEN LINE FROM BUS 646253 [S1253 5 161.00] TO BUS 646256 [S1256 5 161.00] CKT 1  
SINGLE 552 : OPEN LINE FROM BUS 646254 [S1254 5 161.00] TO BUS 646281 [S1281 5 161.00] CKT 1  
SINGLE 553 : OPEN LINE FROM BUS 646255 [S1255 5 161.00] TO BUS 646259 [S1259 5 161.00] CKT 1  
SINGLE 554 : OPEN LINE FROM BUS 646258 [S1258 5 161.00] TO BUS 646263 [S1263 5 161.00] CKT 1  
SINGLE 555 : OPEN LINE FROM BUS 646259 [S1259 5 161.00] TO BUS 646278 [S1278 5 161.00] CKT 1  
SINGLE 556 : OPEN LINE FROM BUS 646259 [S1259 5 161.00] TO BUS 646281 [S1281 5 161.00] CKT 1  
SINGLE 557 : OPEN LINE FROM BUS 646263 [S1263 5 161.00] TO BUS 646280 [S1280 5 161.00] CKT 1  
SINGLE 558 : OPEN LINE FROM BUS 646281 [S1281 5 161.00] TO BUS 646287 [S1287 5 161.00] CKT 1  
SINGLE 559 : OPEN LINE FROM BUS 646286 [S1286 5 161.00] TO BUS 646299 [S1299 5 161.00] CKT 1  
SINGLE 560 : OPEN LINE FROM BUS 646298 [S1298 5 161.00] TO BUS 646305 [S1305 5 161.00] CKT 1  
SINGLE 561 : OPEN LINE FROM BUS 650114 [NW68HOLDRG3 345.00] TO BUS 650185 [WAGENER 3 345.00] CKT 1  
SINGLE 562 : OPEN LINE FROM BUS 650185 [WAGENER 3 345.00] TO BUS 650189 [103&ROKEBY3 345.00] CKT 1  
SINGLE 563 : OPEN LINE FROM BUS 650205 [4&MORTON 7 115.00] TO BUS 650212 [NW5&BENTON7 115.00] CKT 1  
SINGLE 564 : OPEN LINE FROM BUS 650205 [4&MORTON 7 115.00] TO BUS 650215 [19&ALVO 7 115.00] CKT 1  
SINGLE 565 : OPEN LINE FROM BUS 650208 [W LINCOLN 7 115.00] TO BUS 650212 [NW5&BENTON7 115.00] CKT 1  
SINGLE 566 : OPEN LINE FROM BUS 650208 [W LINCOLN 7 115.00] TO BUS 650230 [2&N 7 115.00] CKT 1  
SINGLE 567 : OPEN LINE FROM BUS 650214 [NW68HOLDRG7 115.00] TO BUS 650216 [SW27&F 7 115.00] CKT 1  
SINGLE 568 : OPEN LINE FROM BUS 650214 [NW68HOLDRG7 115.00] TO BUS 650226 [NW12&ARBOR7 115.00] CKT 1  
SINGLE 569 : OPEN LINE FROM BUS 650214 [NW68HOLDRG7 115.00] TO BUS 650290 [ROKEBY 7 115.00] CKT 1  
SINGLE 570 : OPEN LINE FROM BUS 650215 [19&ALVO 7 115.00] TO BUS 650226 [NW12&ARBOR7 115.00] CKT 1  
SINGLE 571 : OPEN LINE FROM BUS 650215 [19&ALVO 7 115.00] TO BUS 650228 [27FLETCHER7 115.00] CKT 1  
SINGLE 572 : OPEN LINE FROM BUS 650215 [19&ALVO 7 115.00] TO BUS 650261 [56&I80 7 115.00] CKT 1  
SINGLE 573 : OPEN LINE FROM BUS 650216 [SW27&F 7 115.00] TO BUS 650230 [2&N 7 115.00] CKT 1  
SINGLE 574 : OPEN LINE FROM BUS 650217 [8&N 7 115.00] TO BUS 650219 [17&HOLDRGE7 115.00] CKT 1  
SINGLE 575 : OPEN LINE FROM BUS 650217 [8&N 7 115.00] TO BUS 650230 [2&N 7 115.00] CKT 1  
SINGLE 576 : OPEN LINE FROM BUS 650218 [3&VANDORN 7 115.00] TO BUS 650230 [2&N 7 115.00] CKT 1  
SINGLE 577 : OPEN LINE FROM BUS 650218 [3&VANDORN 7 115.00] TO BUS 650238 [20PIONEERS7 115.00] CKT 1  
SINGLE 578 : OPEN LINE FROM BUS 650219 [17&HOLDRGE7 115.00] TO BUS 650240 [29LEIGHTON7 115.00] CKT 1  
SINGLE 579 : OPEN LINE FROM BUS 650228 [27FLETCHER7 115.00] TO BUS 650233 [33SUPERIOR7 115.00] CKT 1  
SINGLE 580 : OPEN LINE FROM BUS 650229 [27&PLR 7 115.00] TO BUS 650250 [40&ROKEBY 7 115.00] CKT 1  
SINGLE 581 : OPEN LINE FROM BUS 650229 [27&PLR 7 115.00] TO BUS 650290 [ROKEBY 7 115.00] CKT 1  
SINGLE 582 : OPEN LINE FROM BUS 650233 [33SUPERIOR7 115.00] TO BUS 650240 [29LEIGHTON7 115.00] CKT 1  
SINGLE 583 : OPEN LINE FROM BUS 650233 [33SUPERIOR7 115.00] TO BUS 650259 [59CRNHUSKR7 115.00] CKT 1  
SINGLE 584 : OPEN LINE FROM BUS 650238 [20PIONEERS7 115.00] TO BUS 650251 [30&A SOUTH7 115.00] CKT 1  
SINGLE 585 : OPEN LINE FROM BUS 650238 [20PIONEERS7 115.00] TO BUS 650258 [40&GERTIE 7 115.00] CKT 1  
SINGLE 586 : OPEN LINE FROM BUS 650238 [20PIONEERS7 115.00] TO BUS 650270 [70&CALVERT7 115.00] CKT 1



SINGLE 587 : OPEN LINE FROM BUS 650238 [20PIONEERS7 115.00] TO BUS 650290 [ROKEYB 7 115.00] CKT 1  
SINGLE 588 : OPEN LINE FROM BUS 650240 [29LEIGHTON7 115.00] TO BUS 650252 [30&A NORTH7 115.00] CKT 1  
SINGLE 589 : OPEN LINE FROM BUS 650250 [40&ROKEYB 7 115.00] TO BUS 650255 [56&PLR 7 115.00] CKT 1  
SINGLE 590 : OPEN LINE FROM BUS 650255 [56&PLR 7 115.00] TO BUS 650274 [91&HWY2 7 115.00] CKT 1  
SINGLE 591 : OPEN LINE FROM BUS 650256 [56&EVERETT7 115.00] TO BUS 650257 [56&ELK TAP7 115.00] CKT 1  
SINGLE 592 : OPEN LINE FROM BUS 650256 [56&EVERETT7 115.00] TO BUS 650260 [56&Q 7 115.00] CKT 1  
SINGLE 593 : OPEN LINE FROM BUS 650257 [56&ELK TAP7 115.00] TO BUS 650258 [40&GERTIE 7 115.00] CKT 1  
SINGLE 594 : OPEN LINE FROM BUS 650257 [56&ELK TAP7 115.00] TO BUS 650270 [70&CALVERT7 115.00] CKT 1  
SINGLE 595 : OPEN LINE FROM BUS 650259 [59CRNHUSKR7 115.00] TO BUS 650262 [57&GARLAND7 115.00] CKT 1  
SINGLE 596 : OPEN LINE FROM BUS 650260 [56&Q 7 115.00] TO BUS 650262 [57&GARLAND7 115.00] CKT 1  
SINGLE 597 : OPEN LINE FROM BUS 650261 [56&I80 7 115.00] TO BUS 650269 [70&BLUFF 7 115.00] CKT 1  
SINGLE 598 : OPEN LINE FROM BUS 650262 [57&GARLAND7 115.00] TO BUS 650267 [84LEIGHTON7 115.00] CKT 1  
SINGLE 599 : OPEN LINE FROM BUS 650267 [84LEIGHTON7 115.00] TO BUS 650272 [91&A 7 115.00] CKT 1  
SINGLE 600 : OPEN LINE FROM BUS 650267 [84LEIGHTON7 115.00] TO BUS 650273 [93&O 7 115.00] CKT 1  
SINGLE 601 : OPEN LINE FROM BUS 650267 [84LEIGHTON7 115.00] TO BUS 650284 [84FLETCHER7 115.00] CKT 1  
SINGLE 602 : OPEN LINE FROM BUS 650267 [84LEIGHTON7 115.00] TO BUS 650285 [WAGENER 7 115.00] CKT 1  
SINGLE 603 : OPEN LINE FROM BUS 650269 [70&BLUFF 7 115.00] TO BUS 650275 [84&BLUFF 7 115.00] CKT 1  
SINGLE 604 : OPEN LINE FROM BUS 650270 [70&CALVERT7 115.00] TO BUS 650271 [81&OCHENEY7 115.00] CKT 1  
SINGLE 605 : OPEN LINE FROM BUS 650270 [70&CALVERT7 115.00] TO BUS 650272 [91&A 7 115.00] CKT 1  
SINGLE 606 : OPEN LINE FROM BUS 650270 [70&CALVERT7 115.00] TO BUS 650273 [93&O 7 115.00] CKT 1  
SINGLE 607 : OPEN LINE FROM BUS 650271 [81&OCHENEY7 115.00] TO BUS 650274 [91&HWY2 7 115.00] CKT 1  
SINGLE 608 : OPEN LINE FROM BUS 650271 [81&OCHENEY7 115.00] TO BUS 650285 [WAGENER 7 115.00] CKT 1  
SINGLE 609 : OPEN LINE FROM BUS 650275 [84&BLUFF 7 115.00] TO BUS 650283 [WAVERLY 7 115.00] CKT 1  
SINGLE 610 : OPEN LINE FROM BUS 650275 [84&BLUFF 7 115.00] TO BUS 650284 [84FLETCHER7 115.00] CKT 1  
SINGLE 611 : OPEN LINE FROM BUS 650283 [WAVERLY 7 115.00] TO BUS 650285 [WAGENER 7 115.00] CKT 1  
SINGLE 612 : OPEN LINE FROM BUS 652243 [FAITH 7 115.00] TO BUS 652476 [EAGLEBT7 115.00] CKT 1  
SINGLE 613 : OPEN LINE FROM BUS 652243 [FAITH 7 115.00] TO BUS 652480 [MAURINE7 115.00] CKT 1  
SINGLE 614 : OPEN LINE FROM BUS 652283 [ROLLA 7 115.00] TO BUS 652299 [AGATE 7 115.00] CKT 1  
SINGLE 615 : OPEN LINE FROM BUS 652294 [IVANHOE7 115.00] TO BUS 652538 [WHITE 7 115.00] CKT 1  
SINGLE 616 : OPEN LINE FROM BUS 652296 [WARD 4 230.00] TO BUS 652426 [BISMARK4 230.00] CKT 1  
SINGLE 617 : OPEN LINE FROM BUS 652296 [WARD 4 230.00] TO BUS 659297 [BIS WARD 7115.00] CKT 1  
SINGLE 618 : OPEN LINE FROM BUS 652299 [AGATE 7 115.00] TO BUS 652447 [LEEDS 7 115.00] CKT 1  
SINGLE 619 : OPEN LINE FROM BUS 652300 [CHAPPEL7 115.00] TO BUS 659238 [COLTON 7 115.00] CKT 1  
SINGLE 620 : OPEN LINE FROM BUS 652302 [JULESBG7 115.00] TO BUS 659240 [INTERST7 115.00] CKT 1  
SINGLE 621 : OPEN LINE FROM BUS 652311 [DUNLAP 7 115.00] TO BUS 659236 [BOXBUTE7 115.00] CKT 1  
SINGLE 622 : OPEN LINE FROM BUS 652312 [MORRILL7 115.00] TO BUS 659197 [SNAKECK7 115.00] CKT 1  
SINGLE 623 : OPEN LINE FROM BUS 652312 [MORRILL7 115.00] TO BUS 659242 [GERINGT7 115.00] CKT 1  
SINGLE 624 : OPEN LINE FROM BUS 652397 [VFODNES7 115.00] TO BUS 659258 [SXF HARSBRG7115.00] CKT 1  
SINGLE 625 : OPEN LINE FROM BUS 652397 [VFODNES7 115.00] TO BUS 659259 [SXF CHANCLR7115.00] CKT 1  
SINGLE 626 : OPEN LINE FROM BUS 652398 [VFODNES4 230.00] TO BUS 652523 [SIOUXFL4 230.00] CKT 1  
SINGLE 627 : OPEN LINE FROM BUS 652398 [VFODNES4 230.00] TO BUS 652526 [UTICAJC4 230.00] CKT 1  
SINGLE 628 : OPEN LINE FROM BUS 652401 [CIRCLE 7 115.00] TO BUS 652404 [DAWSONC7 115.00] CKT 1  
SINGLE 629 : OPEN LINE FROM BUS 652401 [CIRCLE 7 115.00] TO BUS 652409 [WOLFPT 7 115.00] CKT 1  
SINGLE 630 : OPEN LINE FROM BUS 652402 [MI CTYW4 230.00] TO BUS 652450 [MT WEST4 230.00] CKT 1  
SINGLE 631 : OPEN LINE FROM BUS 652403 [DAWSONC4 230.00] TO BUS 652405 [FTPECK 4 230.00] CKT 1  
SINGLE 632 : OPEN LINE FROM BUS 652403 [DAWSONC4 230.00] TO BUS 652411 [MI CTYE4 230.00] CKT 1  
SINGLE 633 : OPEN LINE FROM BUS 652403 [DAWSONC4 230.00] TO BUS 652413 [MEDORA 4 230.00] CKT 1  
SINGLE 634 : OPEN LINE FROM BUS 652404 [DAWSONC7 115.00] TO BUS 652407 [FALLON 7 115.00] CKT 1

SINGLE 635 : OPEN LINE FROM BUS 652405 [FTPECK 4 230.00] TO BUS 652406 [FTPECK 7 115.00] CKT 1  
SINGLE 636 : OPEN LINE FROM BUS 652406 [FTPECK 7 115.00] TO BUS 652409 [WOLFPT 7 115.00] CKT 1  
SINGLE 637 : OPEN LINE FROM BUS 652406 [FTPECK 7 115.00] TO BUS 652409 [WOLFPT 7 115.00] CKT 2  
SINGLE 638 : OPEN LINE FROM BUS 652407 [FALLON 7 115.00] TO BUS 652412 [MI CTYE7 115.00] CKT 1  
SINGLE 639 : OPEN LINE FROM BUS 652408 [WATFORD7 115.00] TO BUS 659182 [CHAR.CK7 115.00] CKT 1  
SINGLE 640 : OPEN LINE FROM BUS 652408 [WATFORD7 115.00] TO BUS 659189 [INDNHLS7 115.00] CKT 1  
SINGLE 641 : OPEN LINE FROM BUS 652409 [WOLFPT 7 115.00] TO BUS 661075 [POPLAR 7 115.00] CKT 1  
SINGLE 642 : OPEN LINE FROM BUS 652411 [MI CTYE4 230.00] TO BUS 661004 [BAKER 4 230.00] CKT 1  
SINGLE 643 : OPEN LINE FROM BUS 652413 [MEDORA 4 230.00] TO BUS 652425 [BELFELD4 230.00] CKT 1  
SINGLE 644 : OPEN LINE FROM BUS 652416 [DEVAUL 7 115.00] TO BUS 652420 [NSALEM 7 115.00] CKT 1  
SINGLE 645 : OPEN LINE FROM BUS 652417 [DICKNSN4 230.00] TO BUS 652425 [BELFELD4 230.00] CKT 1  
SINGLE 646 : OPEN LINE FROM BUS 652419 [KILDEER7 115.00] TO BUS 652422 [HALIDAY7 115.00] CKT 1  
SINGLE 647 : OPEN LINE FROM BUS 652419 [KILDEER7 115.00] TO BUS 659182 [CHAR.CK7 115.00] CKT 1  
SINGLE 648 : OPEN LINE FROM BUS 652420 [NSALEM 7 115.00] TO BUS 659109 [BASIN 7 115.00] CKT 1  
SINGLE 649 : OPEN LINE FROM BUS 652420 [NSALEM 7 115.00] TO BUS 659305 [NWMANDANMGS7115.00] CKT 1  
SINGLE 650 : OPEN LINE FROM BUS 652421 [WILISTN7 115.00] TO BUS 652651 [FAIRVIEW 7 115.00] CKT 1  
SINGLE 651 : OPEN LINE FROM BUS 652421 [WILISTN7 115.00] TO BUS 659189 [INDNHLS7 115.00] CKT 1  
SINGLE 652 : OPEN LINE FROM BUS 652421 [WILISTN7 115.00] TO BUS 661012 [CLBRTSN7 115.00] CKT 1  
SINGLE 653 : OPEN LINE FROM BUS 652423 [BARLOW 7 115.00] TO BUS 652428 [CARNGTN7 115.00] CKT 1  
SINGLE 654 : OPEN LINE FROM BUS 652423 [BARLOW 7 115.00] TO BUS 652431 [DEVILSL7 115.00] CKT 1  
SINGLE 655 : OPEN LINE FROM BUS 652424 [BELFELD3 345.00] TO BUS 659183 [CHAR.CK3 345.00] CKT 1  
SINGLE 656 : OPEN LINE FROM BUS 652425 [BELFELD4 230.00] TO BUS 659266 [RHAME 4 230.00] CKT 1  
SINGLE 657 : OPEN LINE FROM BUS 652426 [BISMAR4 230.00] TO BUS 652427 [BISMAR4 115.00] CKT 1  
SINGLE 658 : OPEN LINE FROM BUS 652426 [BISMAR4 230.00] TO BUS 652427 [BISMAR4 115.00] CKT 2  
SINGLE 659 : OPEN LINE FROM BUS 652426 [BISMAR4 230.00] TO BUS 652444 [JAMESTN4 230.00] CKT 1  
SINGLE 660 : OPEN LINE FROM BUS 652426 [BISMAR4 230.00] TO BUS 652456 [WASHBRN4 230.00] CKT 1  
SINGLE 661 : OPEN LINE FROM BUS 652426 [BISMAR4 230.00] TO BUS 652466 [HILKEN 4 230.00] CKT 1  
SINGLE 662 : OPEN LINE FROM BUS 652426 [BISMAR4 230.00] TO BUS 661028 [WEBER 4 230.00] CKT 1  
SINGLE 663 : OPEN LINE FROM BUS 652426 [BISMAR4 230.00] TO BUS 661038 [GLENHAM4 230.00] CKT 1  
SINGLE 664 : OPEN LINE FROM BUS 652427 [BISMAR4 115.00] TO BUS 659282 [BIS EA CEPC7115.00] CKT 1  
SINGLE 665 : OPEN LINE FROM BUS 652428 [CARNGTN7 115.00] TO BUS 652445 [JAMESTN7 115.00] CKT 1  
SINGLE 666 : OPEN LINE FROM BUS 652430 [EGF IND7 115.00] TO BUS 652443 [GRNDFKS7 115.00] CKT 1  
SINGLE 667 : OPEN LINE FROM BUS 652430 [EGF IND7 115.00] TO BUS 657707 [CALEDON7 115.00] CKT 1  
SINGLE 668 : OPEN LINE FROM BUS 652431 [DEVILSL7 115.00] TO BUS 652448 [LAKOTA 7 115.00] CKT 1  
SINGLE 669 : OPEN LINE FROM BUS 652431 [DEVILSL7 115.00] TO BUS 652465 [PENN 7 115.00] CKT 1  
SINGLE 670 : OPEN LINE FROM BUS 652432 [EDGELEY7 115.00] TO BUS 652445 [JAMESTN7 115.00] CKT 1  
SINGLE 671 : OPEN LINE FROM BUS 652432 [EDGELEY7 115.00] TO BUS 652534 [ORDWAY 7 115.00] CKT 1  
SINGLE 672 : OPEN LINE FROM BUS 652432 [EDGELEY7 115.00] TO BUS 659280 [POMONA 7 115.00] CKT 1  
SINGLE 673 : OPEN LINE FROM BUS 652435 [FARGO 4 230.00] TO BUS 652444 [JAMESTN4 230.00] CKT 1  
SINGLE 674 : OPEN LINE FROM BUS 652435 [FARGO 4 230.00] TO BUS 652444 [JAMESTN4 230.00] CKT 2  
SINGLE 675 : OPEN LINE FROM BUS 652435 [FARGO 4 230.00] TO BUS 652553 [MOORHED4 230.00] CKT 1  
SINGLE 676 : OPEN LINE FROM BUS 652436 [FARGO 7 115.00] TO BUS 657707 [CALEDON7 115.00] CKT 1  
SINGLE 677 : OPEN LINE FROM BUS 652436 [FARGO 7 115.00] TO BUS 658080 [MPSBROOK 115.00] CKT 1  
SINGLE 678 : OPEN LINE FROM BUS 652437 [GRNDFKS4 230.00] TO BUS 657759 [PICKERT4 230.00] CKT 1  
SINGLE 679 : OPEN LINE FROM BUS 652438 [FORMAN 7 115.00] TO BUS 652522 [SUMMIT-7 115.00] CKT 1  
SINGLE 680 : OPEN LINE FROM BUS 652438 [FORMAN 7 115.00] TO BUS 652638 [ENDERLIN 7 115.00] CKT 1  
SINGLE 681 : OPEN LINE FROM BUS 652438 [FORMAN 7 115.00] TO BUS 659172 [LUDDENPS19 7115.00] CKT 1  
SINGLE 682 : OPEN LINE FROM BUS 652441 [GARRISN4 230.00] TO BUS 652442 [GARRISN7 115.00] CKT 1

SINGLE 683 : OPEN LINE FROM BUS 652441 [GARRISN4 230.00] TO BUS 652444 [JAMESTN4 230.00] CKT 1  
SINGLE 684 : OPEN LINE FROM BUS 652441 [GARRISN4 230.00] TO BUS 652466 [HILKEN 4 230.00] CKT 1  
SINGLE 685 : OPEN LINE FROM BUS 652441 [GARRISN4 230.00] TO BUS 659106 [LELANDO4 230.00] CKT 1  
SINGLE 686 : OPEN LINE FROM BUS 652442 [GARRISN7 115.00] TO BUS 652449 [MAX 7 115.00] CKT 1  
SINGLE 687 : OPEN LINE FROM BUS 652442 [GARRISN7 115.00] TO BUS 659113 [VOLTAIR7 115.00] CKT 1  
SINGLE 688 : OPEN LINE FROM BUS 652444 [JAMESTN4 230.00] TO BUS 657759 [PICKERT4 230.00] CKT 1  
SINGLE 689 : OPEN LINE FROM BUS 652444 [JAMESTN4 230.00] TO BUS 661028 [WEBER 4 230.00] CKT 1  
SINGLE 690 : OPEN LINE FROM BUS 652445 [JAMESTN7 115.00] TO BUS 652454 [VALLEYC7 115.00] CKT 1  
SINGLE 691 : OPEN LINE FROM BUS 652446 [PLEASANT LK7115.00] TO BUS 652447 [LEEDS 7 115.00] CKT 1  
SINGLE 692 : OPEN LINE FROM BUS 652446 [PLEASANT LK7115.00] TO BUS 652452 [RUGBY 7 115.00] CKT 1  
SINGLE 693 : OPEN LINE FROM BUS 652447 [LEEDS 7 115.00] TO BUS 652465 [PENN 7 115.00] CKT 1  
SINGLE 694 : OPEN LINE FROM BUS 652449 [MAX 7 115.00] TO BUS 659190 [NDPRAIRWND 7115.00] CKT 1  
SINGLE 695 : OPEN LINE FROM BUS 652451 [RICHLND7 115.00] TO BUS 652651 [FAIRVIEW 7 115.00] CKT 1  
SINGLE 696 : OPEN LINE FROM BUS 652451 [RICHLND7 115.00] TO BUS 659180 [KOCH 7 115.00] CKT 1  
SINGLE 697 : OPEN LINE FROM BUS 652452 [RUGBY 7 115.00] TO BUS 652453 [TOWNER 7 115.00] CKT 1  
SINGLE 698 : OPEN LINE FROM BUS 652453 [TOWNER 7 115.00] TO BUS 652455 [BOTTONO 7 115.00] CKT 1  
SINGLE 699 : OPEN LINE FROM BUS 652453 [TOWNER 7 115.00] TO BUS 652464 [DENBIGH TAP7115.00] CKT 1  
SINGLE 700 : OPEN LINE FROM BUS 652454 [VALLEYC7 115.00] TO BUS 652638 [ENDERLIN 7 115.00] CKT 1  
SINGLE 701 : OPEN LINE FROM BUS 652456 [WASHBRN4 230.00] TO BUS 659106 [LELANDO4 230.00] CKT 1  
SINGLE 702 : OPEN LINE FROM BUS 652463 [WH SWAN7 115.00] TO BUS 652510 [FTRANDL7 115.00] CKT 1  
SINGLE 703 : OPEN LINE FROM BUS 652463 [WH SWAN7 115.00] TO BUS 652525 [TYNDALL7 115.00] CKT 1  
SINGLE 704 : OPEN LINE FROM BUS 652464 [DENBIGH TAP7115.00] TO BUS 659113 [VOLTAIR7 115.00] CKT 1  
SINGLE 705 : OPEN LINE FROM BUS 652466 [HILKEN 4 230.00] TO BUS 659284 [ECKLUND4 230.00] CKT 1  
SINGLE 706 : OPEN LINE FROM BUS 652470 [BISON 4 230.00] TO BUS 652497 [MAURINE4 230.00] CKT 1  
SINGLE 707 : OPEN LINE FROM BUS 652470 [BISON 4 230.00] TO BUS 661047 [HETINGR4 230.00] CKT 1  
SINGLE 708 : OPEN LINE FROM BUS 652473 [ELKCRK 7 115.00] TO BUS 652483 [NEWELL 7 115.00] CKT 1  
SINGLE 709 : OPEN LINE FROM BUS 652473 [ELKCRK 7 115.00] TO BUS 652490 [RAPIDCY7 115.00] CKT 1  
SINGLE 710 : OPEN LINE FROM BUS 652474 [AURORA 7 115.00] TO BUS 652504 [BROOKNG7 115.00] CKT 1  
SINGLE 711 : OPEN LINE FROM BUS 652474 [AURORA 7 115.00] TO BUS 652505 [FLANDRU7 115.00] CKT 1  
SINGLE 712 : OPEN LINE FROM BUS 652475 [BONESTL7 115.00] TO BUS 652478 [GREGORY7 115.00] CKT 1  
SINGLE 713 : OPEN LINE FROM BUS 652475 [BONESTL7 115.00] TO BUS 652510 [FTRANDL7 115.00] CKT 1  
SINGLE 714 : OPEN LINE FROM BUS 652476 [EAGLEBT7 115.00] TO BUS 652520 [OAHE 7 115.00] CKT 1  
SINGLE 715 : OPEN LINE FROM BUS 652477 [ELSWRTH7 115.00] TO BUS 652485 [NUNDRWD7 115.00] CKT 1  
SINGLE 716 : OPEN LINE FROM BUS 652477 [ELSWRTH7 115.00] TO BUS 652490 [RAPIDCY7 115.00] CKT 1  
SINGLE 717 : OPEN LINE FROM BUS 652478 [GREGORY7 115.00] TO BUS 652494 [WINNER 7 115.00] CKT 1  
SINGLE 718 : OPEN LINE FROM BUS 652479 [MARTIN 7 115.00] TO BUS 652487 [PHILIP 7 115.00] CKT 1  
SINGLE 719 : OPEN LINE FROM BUS 652479 [MARTIN 7 115.00] TO BUS 659152 [SHAN-SD7 115.00] CKT 1  
SINGLE 720 : OPEN LINE FROM BUS 652479 [MARTIN 7 115.00] TO BUS 659153 [VETALTP7 115.00] CKT 1  
SINGLE 721 : OPEN LINE FROM BUS 652480 [MAURINE7 115.00] TO BUS 652483 [NEWELL 7 115.00] CKT 1  
SINGLE 722 : OPEN LINE FROM BUS 652481 [MIDLAND7 115.00] TO BUS 652487 [PHILIP 7 115.00] CKT 1  
SINGLE 723 : OPEN LINE FROM BUS 652481 [MIDLAND7 115.00] TO BUS 652491 [IRVSIMM7 115.00] CKT 1  
SINGLE 724 : OPEN LINE FROM BUS 652482 [MISSION7 115.00] TO BUS 652495 [WITTEN 7 115.00] CKT 1  
SINGLE 725 : OPEN LINE FROM BUS 652482 [MISSION7 115.00] TO BUS 659153 [VETALTP7 115.00] CKT 1  
SINGLE 726 : OPEN LINE FROM BUS 652484 [NUNDRWD4 230.00] TO BUS 652488 [PHILTAP4 230.00] CKT 1  
SINGLE 727 : OPEN LINE FROM BUS 652484 [NUNDRWD4 230.00] TO BUS 652497 [MAURINE4 230.00] CKT 1  
SINGLE 728 : OPEN LINE FROM BUS 652484 [NUNDRWD4 230.00] TO BUS 659271 [RCDC EAST 4230.00] CKT 1  
SINGLE 729 : OPEN LINE FROM BUS 652485 [NUNDRWD7 115.00] TO BUS 652493 [WICKSVL7 115.00] CKT 1  
SINGLE 730 : OPEN LINE FROM BUS 652485 [NUNDRWD7 115.00] TO BUS 652496 [RUSHMRE7 115.00] CKT 1

SINGLE 731 : OPEN LINE FROM BUS 652486 [PHILIP 4 230.00] TO BUS 652487 [PHILIP 7 115.00] CKT 1  
SINGLE 732 : OPEN LINE FROM BUS 652486 [PHILIP 4 230.00] TO BUS 652488 [PHILTAP4 230.00] CKT 1  
SINGLE 733 : OPEN LINE FROM BUS 652487 [PHILIP 7 115.00] TO BUS 652492 [WALL 7 115.00] CKT 1  
SINGLE 734 : OPEN LINE FROM BUS 652488 [PHILTAP4 230.00] TO BUS 652519 [OAHE 4 230.00] CKT 1  
SINGLE 735 : OPEN LINE FROM BUS 652489 [PIERRE 7 115.00] TO BUS 652491 [IRVSIMM7 115.00] CKT 1  
SINGLE 736 : OPEN LINE FROM BUS 652489 [PIERRE 7 115.00] TO BUS 652600 [ASH TAP 115.00] CKT 1  
SINGLE 737 : OPEN LINE FROM BUS 652489 [PIERRE 7 115.00] TO BUS 652602 [EVANS ST 115.00] CKT 1  
SINGLE 738 : OPEN LINE FROM BUS 652490 [RAPIDCY7 115.00] TO BUS 652496 [RUSHMRE7 115.00] CKT 1  
SINGLE 739 : OPEN LINE FROM BUS 652491 [IRVSIMM7 115.00] TO BUS 652520 [OAHE 7 115.00] CKT 1  
SINGLE 740 : OPEN LINE FROM BUS 652492 [WALL 7 115.00] TO BUS 652493 [WICKSVL7 115.00] CKT 1  
SINGLE 741 : OPEN LINE FROM BUS 652494 [WINNER 7 115.00] TO BUS 652495 [WITTEN 7 115.00] CKT 1  
SINGLE 742 : OPEN LINE FROM BUS 652500 [ARLNGTN7 115.00] TO BUS 652504 [BROOKNG7 115.00] CKT 1  
SINGLE 743 : OPEN LINE FROM BUS 652500 [ARLNGTN7 115.00] TO BUS 652531 [WATERTN7 115.00] CKT 1  
SINGLE 744 : OPEN LINE FROM BUS 652501 [ARMOUR 7 115.00] TO BUS 652510 [FTRANDL7 115.00] CKT 1  
SINGLE 745 : OPEN LINE FROM BUS 652501 [ARMOUR 7 115.00] TO BUS 652518 [MTVERN 7 115.00] CKT 1  
SINGLE 746 : OPEN LINE FROM BUS 652502 [BERSFRD7 115.00] TO BUS 652517 [MANNING7 115.00] CKT 1  
SINGLE 747 : OPEN LINE FROM BUS 652502 [BERSFRD7 115.00] TO BUS 652524 [SIOUXFL7 115.00] CKT 1  
SINGLE 748 : OPEN LINE FROM BUS 652503 [BLAIR 4 230.00] TO BUS 652530 [WATERTN4 230.00] CKT 1  
SINGLE 749 : OPEN LINE FROM BUS 652503 [BLAIR 4 230.00] TO BUS 652550 [GRANITF4 230.00] CKT 1  
SINGLE 750 : OPEN LINE FROM BUS 652504 [BROOKNG7 115.00] TO BUS 652531 [WATERTN7 115.00] CKT 1  
SINGLE 751 : OPEN LINE FROM BUS 652504 [BROOKNG7 115.00] TO BUS 652538 [WHITE 7 115.00] CKT 1  
SINGLE 752 : OPEN LINE FROM BUS 652505 [FLANDRU7 115.00] TO BUS 652524 [SIOUXFL7 115.00] CKT 1  
SINGLE 753 : OPEN LINE FROM BUS 652506 [FTTHOMP3 345.00] TO BUS 652571 [GR ISLD3 345.00] CKT 1  
SINGLE 754 : OPEN LINE FROM BUS 652506 [FTTHOMP3 345.00] TO BUS 659105 [LELANDO3 345.00] CKT 1  
SINGLE 755 : OPEN LINE FROM BUS 652507 [FTTHOMP4 230.00] TO BUS 652509 [FTRANDL4 230.00] CKT 1  
SINGLE 756 : OPEN LINE FROM BUS 652507 [FTTHOMP4 230.00] TO BUS 652514 [HURON 4 230.00] CKT 1  
SINGLE 757 : OPEN LINE FROM BUS 652507 [FTTHOMP4 230.00] TO BUS 652514 [HURON 4 230.00] CKT 2  
SINGLE 758 : OPEN LINE FROM BUS 652507 [FTTHOMP4 230.00] TO BUS 652516 [LAKPLAT4 230.00] CKT 1  
SINGLE 759 : OPEN LINE FROM BUS 652507 [FTTHOMP4 230.00] TO BUS 652519 [OAHE 4 230.00] CKT 1  
SINGLE 760 : OPEN LINE FROM BUS 652507 [FTTHOMP4 230.00] TO BUS 652519 [OAHE 4 230.00] CKT 2  
SINGLE 761 : OPEN LINE FROM BUS 652507 [FTTHOMP4 230.00] TO BUS 652519 [OAHE 4 230.00] CKT 3  
SINGLE 762 : OPEN LINE FROM BUS 652507 [FTTHOMP4 230.00] TO BUS 652519 [OAHE 4 230.00] CKT 4  
SINGLE 763 : OPEN LINE FROM BUS 652507 [FTTHOMP4 230.00] TO BUS 652540 [BIGBND14 230.00] CKT 1  
SINGLE 764 : OPEN LINE FROM BUS 652507 [FTTHOMP4 230.00] TO BUS 652541 [BIGBND24 230.00] CKT 1  
SINGLE 765 : OPEN LINE FROM BUS 652507 [FTTHOMP4 230.00] TO BUS 652606 [LETCHER4 230.00] CKT 1  
SINGLE 766 : OPEN LINE FROM BUS 652507 [FTTHOMP4 230.00] TO BUS 652607 [WESSINGTON 4230.00] CKT 1  
SINGLE 767 : OPEN LINE FROM BUS 652508 [S3 7 115.00] TO BUS 652551 [GRANITF7 115.00] CKT 1  
SINGLE 768 : OPEN LINE FROM BUS 652508 [S3 7 115.00] TO BUS 652552 [MARS ER7 115.00] CKT 1  
SINGLE 769 : OPEN LINE FROM BUS 652508 [S3 7 115.00] TO BUS 658072 [ERIE RD7 115.00] CKT 1  
SINGLE 770 : OPEN LINE FROM BUS 652509 [FTRANDL4 230.00] TO BUS 652510 [FTRANDL7 115.00] CKT 1  
SINGLE 771 : OPEN LINE FROM BUS 652509 [FTRANDL4 230.00] TO BUS 652510 [FTRANDL7 115.00] CKT 2  
SINGLE 772 : OPEN LINE FROM BUS 652509 [FTRANDL4 230.00] TO BUS 652516 [LAKPLAT4 230.00] CKT 1  
SINGLE 773 : OPEN LINE FROM BUS 652509 [FTRANDL4 230.00] TO BUS 652526 [UTICAJC4 230.00] CKT 1  
SINGLE 774 : OPEN LINE FROM BUS 652509 [FTRANDL4 230.00] TO BUS 652565 [SIOUXCY4 230.00] CKT 1  
SINGLE 775 : OPEN LINE FROM BUS 652511 [GAVINS 7 115.00] TO BUS 652532 [YANKTON7 115.00] CKT 1  
SINGLE 776 : OPEN LINE FROM BUS 652511 [GAVINS 7 115.00] TO BUS 660006 [YKNTJCT7 115.00] CKT 1  
SINGLE 777 : OPEN LINE FROM BUS 652512 [GROTON 7 115.00] TO BUS 652533 [BRISTOL7 115.00] CKT 1  
SINGLE 778 : OPEN LINE FROM BUS 652512 [GROTON 7 115.00] TO BUS 652534 [ORDWAY 7 115.00] CKT 1

SINGLE 779 : OPEN LINE FROM BUS 652512 [GROTON 7 115.00] TO BUS 652535 [REDFELD7 115.00] CKT 1  
SINGLE 780 : OPEN LINE FROM BUS 652512 [GROTON 7 115.00] TO BUS 659174 [GRTKEYPS20 7115.00] CKT 1  
SINGLE 781 : OPEN LINE FROM BUS 652512 [GROTON 7 115.00] TO BUS 659203 [GROTONTY 345.00] CKT 1  
SINGLE 782 : OPEN LINE FROM BUS 652512 [GROTON 7 115.00] TO BUS 659275 [GROTONB7 115.00] CKT 1  
SINGLE 783 : OPEN LINE FROM BUS 652512 [GROTON 7 115.00] TO BUS 660001 [ABDNSBT7 115.00] CKT 1  
SINGLE 784 : OPEN LINE FROM BUS 652513 [HANLON 4 230.00] TO BUS 652523 [SIOUXFL4 230.00] CKT 1  
SINGLE 785 : OPEN LINE FROM BUS 652513 [HANLON 4 230.00] TO BUS 659122 [STORLA 4 230.00] CKT 1  
SINGLE 786 : OPEN LINE FROM BUS 652514 [HURON 4 230.00] TO BUS 652530 [WATERTN4 230.00] CKT 2  
SINGLE 787 : OPEN LINE FROM BUS 652514 [HURON 4 230.00] TO BUS 652614 [CARPENTER 4 230.00] CKT 1  
SINGLE 788 : OPEN LINE FROM BUS 652514 [HURON 4 230.00] TO BUS 659205 [BRDLAND4 230.00] CKT 1  
SINGLE 789 : OPEN LINE FROM BUS 652515 [HURON 7 115.00] TO BUS 652528 [WOONSKT7 115.00] CKT 1  
SINGLE 790 : OPEN LINE FROM BUS 652515 [HURON 7 115.00] TO BUS 652535 [REDFELD7 115.00] CKT 1  
SINGLE 791 : OPEN LINE FROM BUS 652515 [HURON 7 115.00] TO BUS 660003 [HURONWP7 115.00] CKT 1  
SINGLE 792 : OPEN LINE FROM BUS 652515 [HURON 7 115.00] TO BUS 660009 [BTAP WP7 115.00] CKT 1  
SINGLE 793 : OPEN LINE FROM BUS 652517 [MANNING7 115.00] TO BUS 659121 [SPIRITM7 115.00] CKT 1  
SINGLE 794 : OPEN LINE FROM BUS 652518 [MTVERN 7 115.00] TO BUS 659123 [STORLA 7 115.00] CKT 1  
SINGLE 795 : OPEN LINE FROM BUS 652519 [OAHE 4 230.00] TO BUS 652520 [OAHE 7 115.00] CKT 1  
SINGLE 796 : OPEN LINE FROM BUS 652519 [OAHE 4 230.00] TO BUS 652521 [SULLYBT4 230.00] CKT 1  
SINGLE 797 : OPEN LINE FROM BUS 652520 [OAHE 7 115.00] TO BUS 652600 [ASH TAP 115.00] CKT 1  
SINGLE 798 : OPEN LINE FROM BUS 652521 [SULLYBT4 230.00] TO BUS 652527 [WHITLOK4 230.00] CKT 1  
SINGLE 799 : OPEN LINE FROM BUS 652522 [SUMMIT-7 115.00] TO BUS 652531 [WATERTN7 115.00] CKT 1  
SINGLE 800 : OPEN LINE FROM BUS 652522 [SUMMIT-7 115.00] TO BUS 652533 [BRISTOL7 115.00] CKT 1  
SINGLE 801 : OPEN LINE FROM BUS 652523 [SIOUXFL4 230.00] TO BUS 652578 [PAHOJA 4 230.00] CKT 1  
SINGLE 802 : OPEN LINE FROM BUS 652523 [SIOUXFL4 230.00] TO BUS 652606 [LETCHER4 230.00] CKT 1  
SINGLE 804 : OPEN LINE FROM BUS 652525 [TYNDALL7 115.00] TO BUS 660006 [YKNTJCT7 115.00] CKT 1  
SINGLE 805 : OPEN LINE FROM BUS 652526 [UTICAJC4 230.00] TO BUS 652536 [RASMUSN4 230.00] CKT 1  
SINGLE 806 : OPEN LINE FROM BUS 652527 [WHITLOK4 230.00] TO BUS 661038 [GLENHAM4 230.00] CKT 1  
SINGLE 807 : OPEN LINE FROM BUS 652528 [WOONSKT7 115.00] TO BUS 659123 [STORLA 7 115.00] CKT 1  
SINGLE 808 : OPEN LINE FROM BUS 652529 [WATERTN3 345.00] TO BUS 652537 [WHITE 3 345.00] CKT 1  
SINGLE 809 : OPEN LINE FROM BUS 652529 [WATERTN3 345.00] TO BUS 659160 [GROTON 3 345.00] CKT 1  
SINGLE 810 : OPEN LINE FROM BUS 652530 [WATERTN4 230.00] TO BUS 652550 [GRANITF4 230.00] CKT 1  
SINGLE 811 : OPEN LINE FROM BUS 652530 [WATERTN4 230.00] TO BUS 652614 [CARPENTER 4 230.00] CKT 1  
SINGLE 812 : OPEN LINE FROM BUS 652531 [WATERTN7 115.00] TO BUS 658088 [WTREAST7 115.00] CKT 1  
SINGLE 813 : OPEN LINE FROM BUS 652531 [WATERTN7 115.00] TO BUS 658094 [WTRPELI7 115.00] CKT 1  
SINGLE 814 : OPEN LINE FROM BUS 652532 [YANKTON7 115.00] TO BUS 659121 [SPIRITM7 115.00] CKT 1  
SINGLE 815 : OPEN LINE FROM BUS 652536 [RASMUSN4 230.00] TO BUS 652565 [SIOUXCY4 230.00] CKT 1  
SINGLE 816 : OPEN LINE FROM BUS 652550 [GRANITF4 230.00] TO BUS 652554 [MORRIS 4 230.00] CKT 1  
SINGLE 817 : OPEN LINE FROM BUS 652553 [MOORHED4 230.00] TO BUS 652554 [MORRIS 4 230.00] CKT 1  
SINGLE 818 : OPEN LINE FROM BUS 652553 [MOORHED4 230.00] TO BUS 652587 [MOORHED7 115.00] CKT 1  
SINGLE 819 : OPEN LINE FROM BUS 652553 [MOORHED4 230.00] TO BUS 652587 [MOORHED7 115.00] CKT 2  
SINGLE 820 : OPEN LINE FROM BUS 652554 [MORRIS 4 230.00] TO BUS 652555 [MORRIS 7 115.00] CKT 1  
SINGLE 821 : OPEN LINE FROM BUS 652561 [DENISON5 161.00] TO BUS 652567 [DENISON4 230.00] CKT 1  
SINGLE 822 : OPEN LINE FROM BUS 652561 [DENISON5 161.00] TO BUS 652603 [EXIRA 5 161.00] CKT 1  
SINGLE 823 : OPEN LINE FROM BUS 652562 [EAGLE 4 230.00] TO BUS 652565 [SIOUXCY4 230.00] CKT 1  
SINGLE 824 : OPEN LINE FROM BUS 652562 [EAGLE 4 230.00] TO BUS 652578 [PAHOJA 4 230.00] CKT 1  
SINGLE 825 : OPEN LINE FROM BUS 652563 [SPENCER5 161.00] TO BUS 652566 [SIOUXCY5 161.00] CKT 1  
SINGLE 826 : OPEN LINE FROM BUS 652565 [SIOUXCY4 230.00] TO BUS 652567 [DENISON4 230.00] CKT 1  
SINGLE 827 : OPEN LINE FROM BUS 652570 [ALIANCE7 115.00] TO BUS 659197 [SNAKECK7 115.00] CKT 1

SINGLE 828 : OPEN LINE FROM BUS 652570 [ALIANCE7 115.00] TO BUS 659236 [BOXBUTE7 115.00] CKT 1  
SINGLE 829 : OPEN LINE FROM BUS 652572 [SIDNEY 7 115.00] TO BUS 659136 [SIDNEY\*4 230.00] CKT 1  
SINGLE 830 : OPEN LINE FROM BUS 652572 [SIDNEY 7 115.00] TO BUS 659238 [COLTON 7 115.00] CKT 1  
SINGLE 831 : OPEN LINE FROM BUS 652573 [STEGALL4 230.00] TO BUS 659206 [STGXFMR4 230.00] CKT 1  
SINGLE 833 : OPEN LINE FROM BUS 652584 [SIDNEYW4 230.00] TO BUS 652585 [NB WEST4 230.00] CKT 1  
SINGLE 834 : OPEN LINE FROM BUS 652584 [SIDNEYW4 230.00] TO BUS 659170 [STEGALDC 230.00] CKT 1  
SINGLE 835 : OPEN LINE FROM BUS 652585 [NB WEST4 230.00] TO BUS 659170 [STEGALDC 230.00] CKT 1  
SINGLE 836 : OPEN LINE FROM BUS 652587 [MOORHED7 115.00] TO BUS 658086 [MPSNE 7 115.00] CKT 1  
SINGLE 837 : OPEN LINE FROM BUS 652600 [ASH TAP 115.00] TO BUS 652601 [ASH ST 7 115.00] CKT 1  
SINGLE 838 : OPEN LINE FROM BUS 652601 [ASH ST 7 115.00] TO BUS 652602 [EVANS ST 115.00] CKT 1  
SINGLE 839 : OPEN LINE FROM BUS 652607 [WESSINGTON 4230.00] TO BUS 659122 [STORLA 4 230.00] CKT 1  
SINGLE 840 : OPEN LINE FROM BUS 652609 [LETCHER7 115.00] TO BUS 659198 [LETCHR PS227115.00] CKT 1  
SINGLE 841 : OPEN LINE FROM BUS 652626 [UTICAJC7 115.00] TO BUS 659292 [KEYSTN PS237115.00] CKT 1  
SINGLE 842 : OPEN LINE FROM BUS 652626 [UTICAJC7 115.00] TO BUS 660006 [YKNTJCT7 115.00] CKT 1  
SINGLE 843 : OPEN LINE FROM BUS 652626 [UTICAJC7 115.00] TO BUS 660007 [MENNOJT7 115.00] CKT 1  
SINGLE 844 : OPEN LINE FROM BUS 658068 [MARSHAL7 115.00] TO BUS 658070 [MMU 7ST7 115.00] CKT 1  
SINGLE 845 : OPEN LINE FROM BUS 658068 [MARSHAL7 115.00] TO BUS 658078 [SOUTH E7 115.00] CKT 1  
SINGLE 846 : OPEN LINE FROM BUS 658070 [MMU 7ST7 115.00] TO BUS 658072 [ERIE RD7 115.00] CKT 1  
SINGLE 847 : OPEN LINE FROM BUS 658072 [ERIE RD7 115.00] TO BUS 658074 [SARATOG7 115.00] CKT 1  
SINGLE 848 : OPEN LINE FROM BUS 658074 [SARATOG7 115.00] TO BUS 658076 [MMU SW 7 115.00] CKT 1  
SINGLE 849 : OPEN LINE FROM BUS 658076 [MMU SW 7 115.00] TO BUS 658078 [SOUTH E7 115.00] CKT 1  
SINGLE 850 : OPEN LINE FROM BUS 658080 [MPSBROOK 115.00] TO BUS 658082 [MPSSE 7 115.00] CKT 1  
SINGLE 851 : OPEN LINE FROM BUS 658082 [MPSSE 7 115.00] TO BUS 658084 [MPSCENT7 115.00] CKT 1  
SINGLE 852 : OPEN LINE FROM BUS 658084 [MPSCENT7 115.00] TO BUS 658086 [MPSNE 7 115.00] CKT 1  
SINGLE 853 : OPEN LINE FROM BUS 658088 [WTREAST7 115.00] TO BUS 658090 [WTRTNPP 115.00] CKT 1  
SINGLE 854 : OPEN LINE FROM BUS 658090 [WTRTNPP 115.00] TO BUS 658092 [WTRWEST7 115.00] CKT 1  
SINGLE 855 : OPEN LINE FROM BUS 658092 [WTRWEST7 115.00] TO BUS 658094 [WTRPEL17 115.00] CKT 1  
SINGLE 856 : OPEN LINE FROM BUS 659101 [ANTELOP3 345.00] TO BUS 659105 [LELANDO3 345.00] CKT 1  
SINGLE 857 : OPEN LINE FROM BUS 659101 [ANTELOP3 345.00] TO BUS 659105 [LELANDO3 345.00] CKT 2  
SINGLE 858 : OPEN LINE FROM BUS 659101 [ANTELOP3 345.00] TO BUS 659120 [BRDLAND3 345.00] CKT 1  
SINGLE 859 : OPEN LINE FROM BUS 659101 [ANTELOP3 345.00] TO BUS 659183 [CHAR.CK3 345.00] CKT 1  
SINGLE 863 : OPEN LINE FROM BUS 659105 [LELANDO3 345.00] TO BUS 659160 [GROTON 3 345.00] CKT 1  
SINGLE 864 : OPEN LINE FROM BUS 659105 [LELANDO3 345.00] TO BUS 659201 [LELND1TY 345.00] CKT 1  
SINGLE 865 : OPEN LINE FROM BUS 659105 [LELANDO3 345.00] TO BUS 659202 [LELND2TY 345.00] CKT 1  
SINGLE 866 : OPEN LINE FROM BUS 659106 [LELANDO4 230.00] TO BUS 659108 [LOGAN 4 230.00] CKT 1  
SINGLE 867 : OPEN LINE FROM BUS 659106 [LELANDO4 230.00] TO BUS 659200 [BASIN TY 230.00] CKT 1  
SINGLE 868 : OPEN LINE FROM BUS 659106 [LELANDO4 230.00] TO BUS 659201 [LELND1TY 345.00] CKT 1  
SINGLE 869 : OPEN LINE FROM BUS 659106 [LELANDO4 230.00] TO BUS 659202 [LELND2TY 345.00] CKT 1  
SINGLE 870 : OPEN LINE FROM BUS 659108 [LOGAN 4 230.00] TO BUS 659208 [LOGAN TY 230.00] CKT 1  
SINGLE 871 : OPEN LINE FROM BUS 659108 [LOGAN 4 230.00] TO BUS 661084 [TIOGA4 4 230.00] CKT 1  
SINGLE 872 : OPEN LINE FROM BUS 659109 [BASIN 7 115.00] TO BUS 659200 [BASIN TY 230.00] CKT 1  
SINGLE 873 : OPEN LINE FROM BUS 659120 [BRDLAND3 345.00] TO BUS 659204 [BRDLNDTY 345.00] CKT 1  
SINGLE 874 : OPEN LINE FROM BUS 659122 [STORLA 4 230.00] TO BUS 659123 [STORLA 7 115.00] CKT 1  
SINGLE 875 : OPEN LINE FROM BUS 659130 [GRANTNB7 115.00] TO BUS 659132 [OGALALA7 115.00] CKT 1  
SINGLE 876 : OPEN LINE FROM BUS 659130 [GRANTNB7 115.00] TO BUS 659132 [OGALALA7 115.00] CKT 2  
SINGLE 877 : OPEN LINE FROM BUS 659130 [GRANTNB7 115.00] TO BUS 659188 [SPCREEK7 115.00] CKT 1  
SINGLE 878 : OPEN LINE FROM BUS 659131 [LARAMIE3 345.00] TO BUS 659133 [SIDNEY 3 345.00] CKT 1  
SINGLE 879 : OPEN LINE FROM BUS 659131 [LARAMIE3 345.00] TO BUS 659135 [STEGALL3 345.00] CKT 1

SINGLE 880 : OPEN LINE FROM BUS 659132 [OGALALA7 115.00] TO BUS 659187 [ROSCOE 7 115.00] CKT 1  
SINGLE 881 : OPEN LINE FROM BUS 659132 [OGALALA7 115.00] TO BUS 659246 [MCONGHY7 115.00] CKT 1  
SINGLE 882 : OPEN LINE FROM BUS 659133 [SIDNEY 3 345.00] TO BUS 659135 [STEGALL3 345.00] CKT 1  
SINGLE 883 : OPEN LINE FROM BUS 659133 [SIDNEY 3 345.00] TO BUS 659209 [SIDNEYTY 345.00] CKT 1  
SINGLE 884 : OPEN LINE FROM BUS 659134 [SIDNEY 4 230.00] TO BUS 659136 [SIDNEY\*4 230.00] CKT 1  
SINGLE 885 : OPEN LINE FROM BUS 659134 [SIDNEY 4 230.00] TO BUS 659210 [SIDXFMR4 230.00] CKT 1  
SINGLE 886 : OPEN LINE FROM BUS 659135 [STEGALL3 345.00] TO BUS 659207 [STEGALTY 345.00] CKT 1  
SINGLE 887 : OPEN LINE FROM BUS 659138 [NESET 4 230.00] TO BUS 659139 [NESET 7 115.00] CKT 1  
SINGLE 888 : OPEN LINE FROM BUS 659138 [NESET 4 230.00] TO BUS 661084 [TIOGA4 4 230.00] CKT 1  
SINGLE 889 : OPEN LINE FROM BUS 659154 [LAMAR 7 115.00] TO BUS 659188 [SPCREEK7 115.00] CKT 1  
SINGLE 890 : OPEN LINE FROM BUS 659154 [LAMAR 7 115.00] TO BUS 659195 [CRETE 7 115.00] CKT 1  
SINGLE 891 : OPEN LINE FROM BUS 659155 [LOGAN 7 115.00] TO BUS 659208 [LOGAN TY 230.00] CKT 1  
SINGLE 892 : OPEN LINE FROM BUS 659155 [LOGAN 7 115.00] TO BUS 659261 [BTHOLD 7 115.00] CKT 1  
SINGLE 893 : OPEN LINE FROM BUS 659160 [GROTON 3 345.00] TO BUS 659203 [GROTONTY 345.00] CKT 1  
SINGLE 894 : OPEN LINE FROM BUS 659162 [REDWLCK7 115.00] TO BUS 659163 [BLKWDC7 115.00] CKT 1  
SINGLE 895 : OPEN LINE FROM BUS 659162 [REDWLCK7 115.00] TO BUS 659243 [ELSIE 7 115.00] CKT 1  
SINGLE 896 : OPEN LINE FROM BUS 659180 [KOCH 7 115.00] TO BUS 659191 [SQUAWGP7 115.00] CKT 1  
SINGLE 897 : OPEN LINE FROM BUS 659181 [BICNTNL7 115.00] TO BUS 659184 [R.RIDER7 115.00] CKT 1  
SINGLE 898 : OPEN LINE FROM BUS 659181 [BICNTNL7 115.00] TO BUS 659191 [SQUAWGP7 115.00] CKT 1  
SINGLE 899 : OPEN LINE FROM BUS 659182 [CHAR.CK7 115.00] TO BUS 659184 [R.RIDER7 115.00] CKT 1  
SINGLE 900 : OPEN LINE FROM BUS 659182 [CHAR.CK7 115.00] TO BUS 659211 [CHARCKTY 345.00] CKT 1  
SINGLE 901 : OPEN LINE FROM BUS 659183 [CHAR.CK3 345.00] TO BUS 659211 [CHARCKTY 345.00] CKT 1  
SINGLE 902 : OPEN LINE FROM BUS 659185 [ELSIETP7 115.00] TO BUS 659186 [PAXTON 7 115.00] CKT 1  
SINGLE 903 : OPEN LINE FROM BUS 659185 [ELSIETP7 115.00] TO BUS 659187 [ROSCOE 7 115.00] CKT 1  
SINGLE 904 : OPEN LINE FROM BUS 659185 [ELSIETP7 115.00] TO BUS 659243 [ELSIE 7 115.00] CKT 1  
SINGLE 905 : OPEN LINE FROM BUS 659192 [LYNN 7 115.00] TO BUS 659197 [SNAKECK7 115.00] CKT 1  
SINGLE 906 : OPEN LINE FROM BUS 659192 [LYNN 7 115.00] TO BUS 659239 [COVALT 7 115.00] CKT 1  
SINGLE 907 : OPEN LINE FROM BUS 659193 [W.HORSE7 115.00] TO BUS 659239 [COVALT 7 115.00] CKT 1  
SINGLE 908 : OPEN LINE FROM BUS 659195 [CRETE 7 115.00] TO BUS 659245 [CRETEHE7 115.00] CKT 1  
SINGLE 909 : OPEN LINE FROM BUS 659204 [BRDLNDTY 345.00] TO BUS 659205 [BRDLAND4 230.00] CKT 1  
SINGLE 910 : OPEN LINE FROM BUS 659206 [STGXFMR4 230.00] TO BUS 659207 [STEGALTY 345.00] CKT 1  
SINGLE 911 : OPEN LINE FROM BUS 659209 [SIDNEYTY 345.00] TO BUS 659210 [SIDXFMR4 230.00] CKT 1  
SINGLE 912 : OPEN LINE FROM BUS 659212 [AVSDC1TY 345.00] TO BUS 659213 [AVSDC2TY 345.00] CKT 1  
SINGLE 913 : OPEN LINE FROM BUS 659212 [AVSDC1TY 345.00] TO BUS 659216 [AVSDC5TY 345.00] CKT 1  
SINGLE 914 : OPEN LINE FROM BUS 659213 [AVSDC2TY 345.00] TO BUS 659217 [AVSDC6TY 345.00] CKT 1  
SINGLE 915 : OPEN LINE FROM BUS 659216 [AVSDC5TY 345.00] TO BUS 659217 [AVSDC6TY 345.00] CKT 1  
SINGLE 916 : OPEN LINE FROM BUS 659218 [AVSDC7TY 345.00] TO BUS 659219 [AVSDC8TY 345.00] CKT 1  
SINGLE 917 : OPEN LINE FROM BUS 659218 [AVSDC7TY 345.00] TO BUS 659222 [AVSD11TY 345.00] CKT 1  
SINGLE 918 : OPEN LINE FROM BUS 659219 [AVSDC8TY 345.00] TO BUS 659223 [AVSD12TY 345.00] CKT 1  
SINGLE 919 : OPEN LINE FROM BUS 659222 [AVSD11TY 345.00] TO BUS 659223 [AVSD12TY 345.00] CKT 1  
SINGLE 920 : OPEN LINE FROM BUS 659230 [DGCX3 T 345.00] TO BUS 659231 [DGCX3 4 230.00] CKT 1  
SINGLE 921 : OPEN LINE FROM BUS 659231 [DGCX3 4 230.00] TO BUS 659233 [DGCX4 T 230.00] CKT 1  
SINGLE 922 : OPEN LINE FROM BUS 659236 [BOXBUTE7 115.00] TO BUS 659237 [HEMINGF7 115.00] CKT 1  
SINGLE 923 : OPEN LINE FROM BUS 659244 [ATHEY 7 115.00] TO BUS 659245 [CRETEHE7 115.00] CKT 1  
SINGLE 924 : OPEN LINE FROM BUS 659246 [MCONGHY7 115.00] TO BUS 659247 [ARTHUR 7 115.00] CKT 1  
SINGLE 925 : OPEN LINE FROM BUS 659247 [ARTHUR 7 115.00] TO BUS 659248 [HYANNIS7 115.00] CKT 1  
SINGLE 926 : OPEN LINE FROM BUS 659250 [SXF WBRANDN7115.00] TO BUS 659251 [SXF CORSON 7115.00] CKT 1  
SINGLE 927 : OPEN LINE FROM BUS 659251 [SXF CORSON 7115.00] TO BUS 659252 [SXF BRANDON7115.00] CKT 1

SINGLE 928 : OPEN LINE FROM BUS 659252 [SXF BRANDON7115.00] TO BUS 659253 [SXF ROWENA 7115.00] CKT 1  
SINGLE 929 : OPEN LINE FROM BUS 659253 [SXF ROWENA 7115.00] TO BUS 659254 [SXF SPLT RK7115.00] CKT 1  
SINGLE 930 : OPEN LINE FROM BUS 659255 [SXF 6 MI RD7115.00] TO BUS 659256 [SXF 57TH ST7115.00] CKT 1  
SINGLE 931 : OPEN LINE FROM BUS 659256 [SXF 57TH ST7115.00] TO BUS 659257 [SXF SHINDLR7115.00] CKT 1  
SINGLE 932 : OPEN LINE FROM BUS 659257 [SXF SHINDLR7115.00] TO BUS 659258 [SXF HARSBRG7115.00] CKT 1  
SINGLE 933 : OPEN LINE FROM BUS 659263 [LTLMISS7 115.00] TO BUS 659265 [LTLMISS4 230.00] CKT 1  
SINGLE 934 : OPEN LINE FROM BUS 659265 [LTLMISS4 230.00] TO BUS 659266 [RHAME 4 230.00] CKT 1  
SINGLE 935 : OPEN LINE FROM BUS 659265 [LTLMISS4 230.00] TO BUS 661004 [BAKER 4 230.00] CKT 1  
SINGLE 936 : OPEN LINE FROM BUS 659266 [RHAME 4 230.00] TO BUS 659267 [RHAME 7 115.00] CKT 1  
SINGLE 937 : OPEN LINE FROM BUS 659266 [RHAME 4 230.00] TO BUS 661010 [BOWMAN 4 230.00] CKT 1  
SINGLE 938 : OPEN LINE FROM BUS 659268 [RCDC EDUMMY4230.00] TO BUS 659271 [RCDC EAST 4230.00] CKT 1  
SINGLE 939 : OPEN LINE FROM BUS 659269 [CLBRTSONGEN7115.00] TO BUS 661012 [CLBRTSN7 115.00] CKT 1  
SINGLE 940 : OPEN LINE FROM BUS 659297 [BIS WARD 7115.00] TO BUS 659298 [BIS NORTH267115.00] CKT 1  
SINGLE 941 : OPEN LINE FROM BUS 659298 [BIS NORTH267115.00] TO BUS 659299 [BIS GVPINES7115.00] CKT 1  
SINGLE 942 : OPEN LINE FROM BUS 659303 [RCDC WEST 4230.00] TO BUS 659304 [RCDC SWING G230.00] CKT 1  
SINGLE 943 : OPEN LINE FROM BUS 660000 [ABDNJCT7 115.00] TO BUS 660001 [ABDNSBT7 115.00] CKT 1  
SINGLE 944 : OPEN LINE FROM BUS 660001 [ABDNSBT7 115.00] TO BUS 660002 [REDFLD 7 115.00] CKT 1  
SINGLE 945 : OPEN LINE FROM BUS 660002 [REDFLD 7 115.00] TO BUS 660009 [BTAP WP7 115.00] CKT 1  
SINGLE 946 : OPEN LINE FROM BUS 660003 [HURONWP7 115.00] TO BUS 660008 [MITCLNW7 115.00] CKT 1  
SINGLE 947 : OPEN LINE FROM BUS 660003 [HURONWP7 115.00] TO BUS 660009 [BTAP WP7 115.00] CKT 1  
SINGLE 948 : OPEN LINE FROM BUS 660004 [MITCHEL7 115.00] TO BUS 660005 [TRIPP 7 115.00] CKT 1  
SINGLE 949 : OPEN LINE FROM BUS 660004 [MITCHEL7 115.00] TO BUS 660008 [MITCLNW7 115.00] CKT 1  
SINGLE 950 : OPEN LINE FROM BUS 660005 [TRIPP 7 115.00] TO BUS 660007 [MENNOJT7 115.00] CKT 1  
SINGLE 951 : OPEN LINE FROM BUS 661010 [BOWMAN 4 230.00] TO BUS 661047 [HETINGR4 230.00] CKT 1  
SINGLE 952 : OPEN LINE FROM BUS 661012 [CLBRTSN7 115.00] TO BUS 661075 [POPLAR 7 115.00] CKT 1  
GEN-COOPER : TRIP LINE FROM BUS 640139 [COOPER 3 345.00] TO BUS 640009 [COOPER1G 22.000] CKT 1  
GEN-GGS-1 : TRIP LINE FROM BUS 640184 [GENTLMN4 230.00] TO BUS 640010 [GENTLM1G 23.000] CKT 1  
GEN-GGS-2 : TRIP LINE FROM BUS 640183 [GENTLMN3 345.00] TO BUS 640011 [GENTLM2G 24.000] CKT 1  
GEN-SS-1 : TRIP LINE FROM BUS 640278 [SHELDON7 115.00] TO BUS 640019 [SHELDN1G 13.800] CKT 1  
GEN-SS-2 : TRIP LINE FROM BUS 640278 [SHELDON7 115.00] TO BUS 640020 [SHELDN2G 13.800] CKT 1  
GEN-PLATTE : TRIP LINE FROM BUS 642071 [SUB-D 7 115.00] TO BUS 642067 [PLATTE1G 13.800] CKT 1  
GEN-WEC1 : TRIP LINE FROM BUS 641087 [EGYCNTR7 115.00] TO BUS 641086 [EGY CTRG 13.800] CKT 1  
GEN-COLCOG : TRIP LINE FROM BUS 640119 [COL.COG7 115.00] TO BUS 640028 [COLCOG1G 13.800] CKT 1  
GEN-WEC2 : TRIP LINE FROM BUS 641087 [EGYCNTR7 115.00] TO BUS 641089 [EGYCTR2G 18.000] CKT 1  
GEN-AWEF : TRIP LINE FROM BUS 640050 [AINSWND7 115.00] TO BUS 640025 [AINSWDDG 34.500] CKT 1  
GEN-E-RIDGE : TRIP LINE FROM BUS 640084 [BLMFLD 7 115.00] TO BUS 640419 [ELKRDG1D 34.500] CKT 1  
LN-FAIRPORT : TRIP LINE FROM BUS 300039 [7FAIRPT 345.00] TO BUS 640139 [COOPER 3 345.00] CKT 1  
TRIP LINE FROM BUS 300039 [7FAIRPT 345.00] TO BUS 541199 [ST JOE 3 345.00] CKT 1  
TRIP LINE FROM BUS 300039 [7FAIRPT 345.00] TO BUS 300076 [5FAIRPT 161.00] CKT 3  
LN-1091 : TRIP LINE FROM BUS 640392 [VALENTN7 115.00] TO BUS 640210 [HARMONY7 115.00] CKT 1  
TRIP LINE FROM BUS 640210 [HARMONY7 115.00] TO BUS 640351 [ST.FRANC 115.00] CKT 1  
TRIP LINE FROM BUS 640351 [ST.FRANC 115.00] TO BUS 652482 [MISSION7 115.00] CKT 1  
LN-RUSHVILLE: TRIP LINE FROM BUS 640334 [RUSHVIL7 115.00] TO BUS 640109 [CHADRON7 115.00] CKT 1  
TRIP LINE FROM BUS 640334 [RUSHVIL7 115.00] TO BUS 640192 [GORDON 7 115.00] CKT 1  
LN-MALONEY : TRIP LINE FROM BUS 640287 [N.PLATT7 115.00] TO BUS 640265 [MALONEY7 115.00] CKT 1  
TRIP LINE FROM BUS 640266 [MALONEY9 34.500] TO BUS 640265 [MALONEY7 115.00] CKT 1  
LN-STOCKVILL: TRIP LINE FROM BUS 640287 [N.PLATT7 115.00] TO BUS 640365 [STOCKVL7 115.00] CKT 1  
TRIP LINE FROM BUS 640366 [STOCKVL8 69.000] TO BUS 640365 [STOCKVL7 115.00] CKT 1



LN-1133 : TRIP LINE FROM BUS 640100 [CAMBRIG7 115.00] TO BUS 640269 [MCCOOK 7 115.00] CKT 1  
TRIP LINE FROM BUS 640100 [CAMBRIG7 115.00] TO BUS 640194 [GOSPER 7 115.00] CKT 1  
TRIP LINE FROM BUS 640242 [JOHN.2 7 115.00] TO BUS 640194 [GOSPER 7 115.00] CKT 1  
LN-1147 : TRIP LINE FROM BUS 640244 [JOHN.LK7 115.00] TO BUS 640242 [JOHN.2 7 115.00] CKT 1  
TRIP LINE FROM BUS 640244 [JOHN.LK7 115.00] TO BUS 640240 [JOHN.1 7 115.00] CKT 1  
LN-1142 : TRIP LINE FROM BUS 640196 [GOTHNBG7 115.00] TO BUS 640238 [JEFFREY7 115.00] CKT 1  
TRIP LINE FROM BUS 640196 [GOTHNBG7 115.00] TO BUS 640144 [COZAD 7 115.00] CKT 1  
LN-1242 : TRIP LINE FROM BUS 640407 [WESTMIN7 115.00] TO BUS 640242 [JOHN.2 7 115.00] CKT 1  
TRIP LINE FROM BUS 640407 [WESTMIN7 115.00] TO BUS 640144 [COZAD 7 115.00] CKT 1  
LN-1090 : TRIP LINE FROM BUS 640096 [CALAMS 7 115.00] TO BUS 640050 [AINSWND7 115.00] CKT 1  
TRIP LINE FROM BUS 640096 [CALAMS 7 115.00] TO BUS 640381 [THEDFRD7 115.00] CKT 1  
LN-1267 : TRIP LINE FROM BUS 640367 [STUART 7 115.00] TO BUS 640051 [AINSWRT7 115.00] CKT 1  
TRIP LINE FROM BUS 640367 [STUART 7 115.00] TO BUS 640058 [ATKINSN7 115.00] CKT 1  
TRIP LINE FROM BUS 640165 [EMMET 7 115.00] TO BUS 640058 [ATKINSN7 115.00] CKT 1  
TRIP LINE FROM BUS 640165 [EMMET 7 115.00] TO BUS 640305 [ONEILL 7 115.00] CKT 1  
LN-1164 : TRIP LINE FROM BUS 640113 [CLRWATR7 115.00] TO BUS 640305 [ONEILL 7 115.00] CKT 1  
TRIP LINE FROM BUS 640113 [CLRWATR7 115.00] TO BUS 640293 [NELIGH 7 115.00] CKT 1  
LN-1163 : TRIP LINE FROM BUS 640115 [CO.LINE7 115.00] TO BUS 640293 [NELIGH 7 115.00] CKT 1  
TRIP LINE FROM BUS 640115 [CO.LINE7 115.00] TO BUS 640072 [BATTLCR7 115.00] CKT 1  
TRIP LINE FROM BUS 640296 [NORFK.N7 115.00] TO BUS 640072 [BATTLCR7 115.00] CKT 1  
LN-1169 : TRIP LINE FROM BUS 640353 [ST.LIB 7 115.00] TO BUS 640201 [GR ISLD7 115.00] CKT 1  
TRIP LINE FROM BUS 640353 [ST.LIB 7 115.00] TO BUS 640259 [LOUPCTY7 115.00] CKT 1  
TRIP LINE FROM BUS 640353 [ST.LIB 7 115.00] TO BUS 640355 [ST.PAUL7 115.00] CKT 1  
LN-1143 : TRIP LINE FROM BUS 640161 [ELMCRK\_7 115.00] TO BUS 640103 [CANADAY7 115.00] CKT 1  
TRIP LINE FROM BUS 640161 [ELMCRK\_7 115.00] TO BUS 640250 [KEARNEY7 115.00] CKT 1  
LN-1094 : TRIP LINE FROM BUS 640248 [KEAR.NE7 115.00] TO BUS 640331 [RIVERDL7 115.00] CKT 1  
TRIP LINE FROM BUS 640248 [KEAR.NE7 115.00] TO BUS 640250 [KEARNEY7 115.00] CKT 1  
LN-1173 : TRIP LINE FROM BUS 640220 [HEBRON 7 115.00] TO BUS 640368 [SUPEROR7 115.00] CKT 1  
TRIP LINE FROM BUS 640220 [HEBRON 7 115.00] TO BUS 640218 [HEBRN N7 115.00] CKT 1  
LN-1175B : TRIP LINE FROM BUS 640169 [FAIRBRY7 115.00] TO BUS 640208 [HARBINE7 115.00] CKT 1  
TRIP LINE FROM BUS 640169 [FAIRBRY7 115.00] TO BUS 640170 [FAIRBRYG 34.500] CKT 1  
LN-1176 : TRIP LINE FROM BUS 640361 [STEINER7 115.00] TO BUS 640076 [BEATRCE7 115.00] CKT 1  
TRIP LINE FROM BUS 640361 [STEINER7 115.00] TO BUS 640235 [HUMBOLT7 115.00] CKT 1  
LN-CLATONIA : TRIP LINE FROM BUS 640111 [CLATONA7 115.00] TO BUS 640088 [BPS SUB7 115.00] CKT 1  
TRIP LINE FROM BUS 640111 [CLATONA7 115.00] TO BUS 640278 [SHELDON7 115.00] CKT 1  
LN-FIRTH : TRIP LINE FROM BUS 640171 [FIRTH 7 115.00] TO BUS 640362 [STERLNG7 115.00] CKT 1  
TRIP LINE FROM BUS 640171 [FIRTH 7 115.00] TO BUS 640278 [SHELDON7 115.00] CKT 1  
TRIP LINE FROM BUS 640362 [STERLNG7 115.00] TO BUS 647974 [S974 8 69.000] CKT 1  
LN-FRIEND : TRIP LINE FROM BUS 640174 [FRIEND 7 115.00] TO BUS 640153 [CRETE\_\_7 115.00] CKT 1  
TRIP LINE FROM BUS 640174 [FRIEND 7 115.00] TO BUS 640178 [GENEVA 7 115.00] CKT 1  
LN-1155 : TRIP LINE FROM BUS 640375 [TAMORA 7 115.00] TO BUS 640411 [YORK 7 115.00] CKT 1  
TRIP LINE FROM BUS 640375 [TAMORA 7 115.00] TO BUS 640340 [SEWARD 7 115.00] CKT 1  
LN-1156 : TRIP LINE FROM BUS 640316 [PAWNEEL7 115.00] TO BUS 650214 [NW68HOLDRG7 115.00] CKT 1  
TRIP LINE FROM BUS 640316 [PAWNEEL7 115.00] TO BUS 640340 [SEWARD 7 115.00] CKT 1  
LN-1181 : TRIP LINE FROM BUS 640155 [DAVEY 7 115.00] TO BUS 650269 [70&BLUFF 7 115.00] CKT 1  
TRIP LINE FROM BUS 640155 [DAVEY 7 115.00] TO BUS 640402 [WAHOO 7 115.00] CKT 1  
LN-1152 : TRIP LINE FROM BUS 640157 [DAVIDCY7 115.00] TO BUS 640127 [COLMB.E7 115.00] CKT 1  
TRIP LINE FROM BUS 640157 [DAVIDCY7 115.00] TO BUS 640402 [WAHOO 7 115.00] CKT 1

LN-S-CREEK : TRIP LINE FROM BUS 640345 [SILVRCK7 115.00] TO BUS 640107 [CENCITY7 115.00] CKT 1  
TRIP LINE FROM BUS 640345 [SILVRCK7 115.00] TO BUS 640136 [COLMBUS7 115.00] CKT 1

LN-N-BEND : TRIP LINE FROM BUS 640281 [N.BEND 7 115.00] TO BUS 640336 [SCHUYLR7 115.00] CKT 1  
TRIP LINE FROM BUS 640281 [N.BEND 7 115.00] TO BUS 640173 [FREMONT7 115.00] CKT 1

LN-1160 : TRIP LINE FROM BUS 640409 [WINSLOW7 115.00] TO BUS 640300 [OAKLAND7 115.00] CKT 1  
TRIP LINE FROM BUS 640409 [WINSLOW7 115.00] TO BUS 640173 [FREMONT7 115.00] CKT 1

LN-1161 : TRIP LINE FROM BUS 640400 [W.POINT7 115.00] TO BUS 640300 [OAKLAND7 115.00] CKT 1  
TRIP LINE FROM BUS 640400 [W.POINT7 115.00] TO BUS 640078 [BEEMER 7 115.00] CKT 1

LN-1168 : TRIP LINE FROM BUS 640357 [STANTON7 115.00] TO BUS 640363 [STNTN.N7 115.00] CKT 1  
TRIP LINE FROM BUS 640357 [STANTON7 115.00] TO BUS 640078 [BEEMER 7 115.00] CKT 1

LN-1193 : TRIP LINE FROM BUS 640070 [BANCRFT7 115.00] TO BUS 640300 [OAKLAND7 115.00] CKT 1  
TRIP LINE FROM BUS 640070 [BANCRFT7 115.00] TO BUS 640163 [EMERSON7 115.00] CKT 1

LN-DONIPHAN : TRIP LINE FROM BUS 640159 [DONIPHN7 115.00] TO BUS 642071 [SUB-D 7 115.00] CKT 1  
TRIP LINE FROM BUS 640159 [DONIPHN7 115.00] TO BUS 640282 [N.HAST 7 115.00] CKT 1

LN-HILDRETH : TRIP LINE FROM BUS 640222 [HILDRTH7 115.00] TO BUS 640224 [HOLDREG7 115.00] CKT 1  
TRIP LINE FROM BUS 640222 [HILDRTH7 115.00] TO BUS 640313 [PAULINE7 115.00] CKT 1

LN-CRAWFORD : TRIP LINE FROM BUS 640147 [CRAWFRD7 115.00] TO BUS 640109 [CHADRON7 115.00] CKT 1  
TRIP LINE FROM BUS 640147 [CRAWFRD7 115.00] TO BUS 640397 [VICTRYH7 115.00] CKT 1

LN-CALLAWAY : TRIP LINE FROM BUS 640098 [CALAWAY7 115.00] TO BUS 640089 [BROKENB7 115.00] CKT 1  
TRIP LINE FROM BUS 640098 [CALAWAY7 115.00] TO BUS 640099 [CALAWAY8 69.000] CKT 1

LN-PROSSER : TRIP LINE FROM BUS 640321 [PROSSER7 115.00] TO BUS 640322 [PROSSER9 34.500] CKT 1  
TRIP LINE FROM BUS 640321 [PROSSER7 115.00] TO BUS 640261 [LOWELL 7 115.00] CKT 1

LN-WAPA1 : TRIP LINE FROM BUS 652311 [DUNLAP 7 115.00] TO BUS 640109 [CHADRON7 115.00] CKT 1  
TRIP LINE FROM BUS 652311 [DUNLAP 7 115.00] TO BUS 659236 [BOXBUTE7 115.00] CKT 1

LN-WAPA2 : TRIP LINE FROM BUS 659236 [BOXBUTE7 115.00] TO BUS 659237 [HEMINGF7 115.00] CKT 1  
TRIP LINE FROM BUS 659236 [BOXBUTE7 115.00] TO BUS 652570 [ALIANCE7 115.00] CKT 1  
TRIP LINE FROM BUS 652570 [ALIANCE7 115.00] TO BUS 659197 [SNAKECK7 115.00] CKT 1

LN-WAPA3 : TRIP LINE FROM BUS 652312 [MORRILL7 115.00] TO BUS 659197 [SNAKECK7 115.00] CKT 1  
TRIP LINE FROM BUS 652312 [MORRILL7 115.00] TO BUS 659242 [GERINGT7 115.00] CKT 1  
TRIP LINE FROM BUS 659242 [GERINGT7 115.00] TO BUS 640338 [SCOTBLF7 115.00] CKT 1

LN-WAPA4 : TRIP LINE FROM BUS 659238 [COLTON 7 115.00] TO BUS 652572 [SIDNEY 7 115.00] CKT 1  
TRIP LINE FROM BUS 659238 [COLTON 7 115.00] TO BUS 652300 [CHAPPEL7 115.00] CKT 1  
TRIP LINE FROM BUS 640246 [JULSTAP7 115.00] TO BUS 652300 [CHAPPEL7 115.00] CKT 1  
TRIP LINE FROM BUS 640246 [JULSTAP7 115.00] TO BUS 640068 [B.SPRGS7 115.00] CKT 1

LN-WAPA5 : TRIP LINE FROM BUS 640091 [BRULE 7 115.00] TO BUS 640068 [B.SPRGS7 115.00] CKT 1  
TRIP LINE FROM BUS 640091 [BRULE 7 115.00] TO BUS 659132 [OGALALA7 115.00] CKT 1

LN-WAPA6 : TRIP LINE FROM BUS 640349 [SPENCER7 115.00] TO BUS 652510 [FTRANDL7 115.00] CKT 1  
TRIP LINE FROM BUS 640349 [SPENCER7 115.00] TO BUS 640305 [ONEILL 7 115.00] CKT 1

LN-TSGT1 : TRIP LINE FROM BUS 659192 [LYNN 7 115.00] TO BUS 659197 [SNAKECK7 115.00] CKT 1  
TRIP LINE FROM BUS 659192 [LYNN 7 115.00] TO BUS 659239 [COVALT 7 115.00] CKT 1  
TRIP LINE FROM BUS 659239 [COVALT 7 115.00] TO BUS 659193 [W.HORSE7 115.00] CKT 1

LN-TSGT2 : TRIP LINE FROM BUS 640086 [BLUECK 7 115.00] TO BUS 659193 [W.HORSE7 115.00] CKT 1  
TRIP LINE FROM BUS 640086 [BLUECK 7 115.00] TO BUS 640068 [B.SPRGS7 115.00] CKT 1

LN-TSGT3 : TRIP LINE FROM BUS 659188 [SPCREEK7 115.00] TO BUS 659154 [LAMAR 7 115.00] CKT 1  
TRIP LINE FROM BUS 659188 [SPCREEK7 115.00] TO BUS 659130 [GRANTNB7 115.00] CKT 1

LN-TSGT4 : TRIP LINE FROM BUS 659195 [CRETE 7 115.00] TO BUS 659154 [LAMAR 7 115.00] CKT 1  
TRIP LINE FROM BUS 659195 [CRETE 7 115.00] TO BUS 659245 [CRETEHE7 115.00] CKT 1  
TRIP LINE FROM BUS 659244 [ATHEY 7 115.00] TO BUS 659245 [CRETEHE7 115.00] CKT 1

TRIP LINE FROM BUS 659244 [ATHEY 7 115.00] TO BUS 640167 [ENDERS 7 115.00] CKT 1  
LN-TSGT5 : TRIP LINE FROM BUS 659187 [ROSCOE 7 115.00] TO BUS 659132 [OGALALA7 115.00] CKT 1  
TRIP LINE FROM BUS 659187 [ROSCOE 7 115.00] TO BUS 659185 [ELSIETP7 115.00] CKT 1  
LN-TSGT6 : TRIP LINE FROM BUS 659186 [PAXTON 7 115.00] TO BUS 640370 [SUTHLND7 115.00] CKT 1  
TRIP LINE FROM BUS 659186 [PAXTON 7 115.00] TO BUS 659185 [ELSIETP7 115.00] CKT 1  
TRF-AXTELL : TRIP LINE FROM BUS 640065 [AXTELL 3 345.00] TO BUS 640066 [AXTELL 7 115.00] TO BUS 640067 [AXTELL 9 13.800] CKT 1  
TRF-COOPER : TRIP LINE FROM BUS 640139 [COOPER 3 345.00] TO BUS 640140 [COOPER 5 161.00] TO BUS 640142 [COOPER 9 13.800] CKT 1  
TRF-GENTLMN : TRIP LINE FROM BUS 640183 [GENTLMN3 345.00] TO BUS 640184 [GENTLMN4 230.00] TO BUS 640185 [G.GENT19 13.800] CKT 1  
TRF-GRIS-T2 : TRIP LINE FROM BUS 640200 [GR ISLD4 230.00] TO BUS 640201 [GR ISLD7 115.00] TO BUS 640203 [G.I.T219 13.800] CKT 1  
TRF-HOSKINS : TRIP LINE FROM BUS 640226 [HOSKINS3 345.00] TO BUS 640228 [HOSKINS7 115.00] TO BUS 640231 [HOSKNS19 13.800] CKT 1  
TRF-KEYSTONE: TRIP LINE FROM BUS 640252 [KEYSTON3 345.00] TO BUS 640253 [KEYSTON7 115.00] TO BUS 640254 [KEYSTON9 13.800] CKT 1  
TRF-MCCOOL : TRIP LINE FROM BUS 640271 [MCCOOL 3 345.00] TO BUS 640272 [MCCOOL 7 115.00] TO BUS 640274 [MCCOOL19 13.800] CKT 1  
TRF-NP-T8 : TRIP LINE FROM BUS 640286 [N.PLATT4 230.00] TO BUS 640287 [N.PLATT7 115.00] TO BUS 640290 [N.PT8 9 13.800] CKT 1  
TRF-PAULINE : TRIP LINE FROM BUS 640312 [PAULINE3 345.00] TO BUS 640313 [PAULINE7 115.00] TO BUS 640315 [PAULINE9 13.800] CKT 1  
TRF-REDWILO : TRIP LINE FROM BUS 640325 [REDWILO3 345.00] TO BUS 640326 [REDWILO7 115.00] TO BUS 640327 [REDWILO9 13.800] CKT 1  
TRF-MOORE : TRIP LINE FROM BUS 640277 [MOORE 3 345.00] TO BUS 640278 [SHELDON7 115.00] TO BUS 640280 [MOORE 9 13.800] CKT 1  
TRF-VHILL : TRIP LINE FROM BUS 640396 [VICTRYH4 230.00] TO BUS 640397 [VICTRYH7 115.00] TO BUS 640399 [VICTR10G 13.800] CKT 1  
TRF-WAYSIDE : TRIP LINE FROM BUS 640404 [WAYSIDE4 230.00] TO BUS 640405 [WAYSIDE7 115.00] TO BUS 640406 [WAYSIDE9 13.800] CKT 1  
TRIP LINE FROM BUS 640405 [WAYSIDE7 115.00] TO BUS 640109 [CHADRON7 115.00] CKT 1  
TRF-KELLY : TRIP LINE FROM BUS 640133 [COLMBUS4 230.00] TO BUS 640134 [KELLY 7 115.00] TO BUS 640135 [COLMBS19 13.200] CKT 1  
TRIP LINE FROM BUS 640134 [KELLY 7 115.00] TO BUS 640136 [COLMBUS7 115.00] CKT 1  
TRF-GRIS-T3 : TRIP LINE FROM BUS 652571 [GR ISLD3 345.00] TO BUS 640200 [GR ISLD4 230.00] TO BUS 652314 [GR ISL19 13.800] CKT 1  
TRF-GRIS-T4 : TRIP LINE FROM BUS 652571 [GR ISLD3 345.00] TO BUS 640200 [GR ISLD4 230.00] TO BUS 652316 [GR ISL29 13.800] CKT 2  
TRF-STEGALL : TRIP LINE FROM BUS 659207 [STEGALTY 345.00] TO BUS 659206 [STGXFMR4 230.00] CKT 1  
TRIP LINE FROM BUS 659207 [STEGALTY 345.00] TO BUS 659167 [STEGALLM 13.800] CKT 1  
TRIP LINE FROM BUS 659207 [STEGALTY 345.00] TO BUS 659135 [STEGALL3 345.00] CKT 1  
TRIP LINE FROM BUS 659206 [STGXFMR4 230.00] TO BUS 652573 [STEGALL4 230.00] CKT 1  
TRF-SIDNEY1 : TRIP LINE FROM BUS 659209 [SIDNEYTY 345.00] TO BUS 659210 [SIDXFMR4 230.00] CKT 1  
TRIP LINE FROM BUS 659209 [SIDNEYTY 345.00] TO BUS 659168 [SIDNEY M 13.800] CKT 1  
TRIP LINE FROM BUS 659209 [SIDNEYTY 345.00] TO BUS 659133 [SIDNEY 3 345.00] CKT 1  
TRIP LINE FROM BUS 659210 [SIDXFMR4 230.00] TO BUS 659134 [SIDNEY 4 230.00] CKT 1  
TRF-SIDNEY2 : TRIP LINE FROM BUS 659136 [SIDNEY\*4 230.00] TO BUS 659134 [SIDNEY 4 230.00] CKT 1  
TRIP LINE FROM BUS 659136 [SIDNEY\*4 230.00] TO BUS 652572 [SIDNEY 7 115.00] CKT 1  
TRIP LINE FROM BUS 659136 [SIDNEY\*4 230.00] TO BUS 659137 [SIDNEY 8 13.800] CKT 1  
S993 GEN OFF: DECREASE BUS 647993 [S993 8 69.000] GENERATION BY 5.4 MW  
NCU GEN OFF : DECREASE BUS 647401 [NCU903 8 69.000] GENERATION BY 5.8 MW  
S3454T1 AUTO: OPEN BRANCH FROM BUS 645454 [S3454 3 345.00] TO BUS 646254 [S1254 5 161.00] TO BUS 648254 [S1254T19 13.800] CKT 1  
OPEN LINE FROM BUS 646254 [S1254 5 161.00] TO BUS 646281 [S1281 5 161.00] CKT 1  
OPEN LINE FROM BUS 646254 [S1254 5 161.00] TO BUS 646249 [S1249 5 161.00] CKT 1  
S1206T1 BSCL: OPEN BRANCH FROM BUS 646206 [S1206 5 161.00] TO BUS 647906 [S906 S 8 69.000] TO BUS 648206 [S1206T19 13.800] CKT 1  
CLOSE BRANCH FROM BUS 647006 [S906 N 8 69.000] TO BUS 647906 [S906 S 8 69.000] CKT 1  
S1206T2 BSCL: OPEN BRANCH FROM BUS 646206 [S1206 5 161.00] TO BUS 647006 [S906 N 8 69.000] TO BUS 648306 [S1206T29 13.800] CKT 1  
CLOSE BRANCH FROM BUS 647006 [S906 N 8 69.000] TO BUS 647906 [S906 S 8 69.000] CKT 1  
S1210T7 AUTO: OPEN LINE FROM BUS 646210 [S1210 5 161.00] TO BUS 646217 [S1217 5 161.00] CKT 1  
OPEN LINE FROM BUS 646210 [S1210 5 161.00] TO BUS 646222 [S1222 5 161.00] CKT 1  
OPEN LINE FROM BUS 646210 [S1210 5 161.00] TO BUS 647910 [S910 8 69.000] TO BUS 648210 [S1210T79 13.800] CKT 1  
S1217T1 AUTO: OPEN BRANCH FROM BUS 646217 [S1217 5 161.00] TO BUS 647917 [S917 8 69.000] TO BUS 648217 [S1217T19 13.800] CKT 1  
OPEN LINE FROM BUS 646217 [S1217 5 161.00] TO BUS 646227 [S1227 5 161.00] CKT 1

OPEN LINE FROM BUS 646217 [S1217 5 161.00] TO BUS 646210 [S1210 5 161.00] CKT 1  
OPEN LINE FROM BUS 646217 [S1217 5 161.00] TO BUS 646216 [S1216 5 161.00] CKT 1  
S1263T1 AUTO: OPEN BRANCH FROM BUS 646263 [S1263 5 161.00] TO BUS 647111 [W BROCK8 69.000] TO BUS 648263 [S1263T19 13.800] CKT 1  
OPEN LINE FROM BUS 647111 [W BROCK8 69.000] TO BUS 647963 [S963 8 69.000] CKT 1  
OPEN LINE FROM BUS 647111 [W BROCK8 69.000] TO BUS 647967 [S967 8 69.000] CKT 1  
1252TARP : OPEN LINE FROM BUS 646252 [S1252 5 161.00] TO BUS 646209 [S1209 5 161.00] CKT 1  
OPEN LINE FROM BUS 646252 [S1252 5 161.00] TO BUS 646226 [S1226 5 161.00] CKT 1  
1211-50-HS4 : OPEN BRANCH FROM BUS 646211 [S1211 5 161.00] TO BUS 646250 [S1250 5 161.00] CKT 2  
OPEN LINE FROM BUS 645127 [S1211HS9 13.800] TO BUS 646211 [S1211 5 161.00] CKT 1  
1297TARP : OPEN LINE FROM BUS 646297 [S1297 5 161.00] TO BUS 646250 [S1250 5 161.00] CKT 1  
OPEN LINE FROM BUS 646297 [S1297 5 161.00] TO BUS 646251 [S1251 5 161.00] CKT 1  
1281LINBUS : OPEN LINE FROM BUS 646281 [S1281 5 161.00] TO BUS 646287 [S1287 5 161.00] CKT 1  
OPEN LINE FROM BUS 646281 [S1281 5 161.00] TO BUS 646254 [S1254 5 161.00] CKT 1  
OPEN LINE FROM BUS 646281 [S1281 5 161.00] TO BUS 646259 [S1259 5 161.00] CKT 1  
S979TAP : OPEN LINE FROM BUS 647979 [S979 8 69.000] TO BUS 647079 [979TP 8 69.000] CKT 1  
OPEN LINE FROM BUS 647079 [979TP 8 69.000] TO BUS 647900 [S900 8 69.000] CKT 1  
OPEN LINE FROM BUS 647079 [979TP 8 69.000] TO BUS 647006 [S906 N 8 69.000] CKT 1  
901-JCT-910 : OPEN LINE FROM BUS 647105 [JCT205 8 69.000] TO BUS 647901 [S901 8 69.000] CKT 1  
OPEN LINE FROM BUS 647105 [JCT205 8 69.000] TO BUS 647910 [S910 8 69.000] CKT 1  
S937NOBKR : OPEN LINE FROM BUS 647937 [S937 8 69.000] TO BUS 647902 [S902 8 69.000] CKT 1  
OPEN LINE FROM BUS 647937 [S937 8 69.000] TO BUS 647909 [S909 8 69.000] CKT 1  
906S15-25-94: OPEN LINE FROM BUS 647016 [915TP3 8 69.000] TO BUS 647107 [SAC623 8 69.000] CKT 1  
OPEN LINE FROM BUS 647016 [915TP3 8 69.000] TO BUS 647906 [S906 S 8 69.000] CKT 1  
OPEN LINE FROM BUS 647016 [915TP3 8 69.000] TO BUS 647915 [S915T2 8 69.000] CKT 1  
OPEN LINE FROM BUS 647107 [SAC623 8 69.000] TO BUS 647109 [SAC SO 8 69.000] CKT 1  
OPEN LINE FROM BUS 647107 [SAC623 8 69.000] TO BUS 647994 [S994 8 69.000] CKT 1  
906N15-25-94: OPEN LINE FROM BUS 647017 [915TP9 8 69.000] TO BUS 647108 [SAC629 8 69.000] CKT 1  
OPEN LINE FROM BUS 647017 [915TP9 8 69.000] TO BUS 647006 [S906 N 8 69.000] CKT 1  
OPEN LINE FROM BUS 647017 [915TP9 8 69.000] TO BUS 647015 [S915T1 8 69.000] CKT 1  
OPEN LINE FROM BUS 647108 [SAC629 8 69.000] TO BUS 647110 [SAC NO 8 69.000] CKT 1  
OPEN LINE FROM BUS 647108 [SAC629 8 69.000] TO BUS 647994 [S994 8 69.000] CKT 1  
S938LINBUS : OPEN LINE FROM BUS 647938 [S938 8 69.000] TO BUS 647995 [S995 8 69.000] CKT 1  
OPEN LINE FROM BUS 647938 [S938 8 69.000] TO BUS 647006 [S906 N 8 69.000] CKT 1  
OPEN LINE FROM BUS 647938 [S938 8 69.000] TO BUS 647906 [S906 S 8 69.000] CKT 1  
S973NOBKR : OPEN LINE FROM BUS 647973 [S973 8 69.000] TO BUS 640143 [CORNFLD8 69.000] CKT 1  
OPEN LINE FROM BUS 647973 [S973 8 69.000] TO BUS 647963 [S963 8 69.000] CKT 1  
AUBNOBKR : OPEN LINE FROM BUS 647101 [AUBRNT 8 69.000] TO BUS 647963 [S963 8 69.000] CKT 1  
OPEN LINE FROM BUS 647101 [AUBRNT 8 69.000] TO BUS 647975 [S975 8 69.000] CKT 1  
OPEN LINE FROM BUS 647101 [AUBRNT 8 69.000] TO BUS 640062 [AUBURN 8 69.000] CKT 1  
S964-S993 : OPEN LINE FROM BUS 647964 [S964 8 69.000] TO BUS 647975 [S975 8 69.000] CKT 1  
OPEN LINE FROM BUS 647964 [S964 8 69.000] TO BUS 647112 [MGLN TP8 69.000] CKT 1  
OPEN LINE FROM BUS 647112 [MGLN TP8 69.000] TO BUS 647113 [MAGELLN8 69.000] CKT 1  
OPEN LINE FROM BUS 647112 [MGLN TP8 69.000] TO BUS 647993 [S993 8 69.000] CKT 1  
S968LINBUS : OPEN LINE FROM BUS 647968 [S968 8 69.000] TO BUS 647969 [S969 8 69.000] CKT 1  
OPEN LINE FROM BUS 647968 [S968 8 69.000] TO BUS 647400 [TECUMSH8 69.000] CKT 1  
OPEN LINE FROM BUS 647968 [S968 8 69.000] TO BUS 647967 [S967 8 69.000] CKT 1  
ENRONTAP : OPEN LINE FROM BUS 647102 [HYDCAP 8 69.000] TO BUS 647103 [ENRON 8 69.000] CKT 1  
OPEN LINE FROM BUS 647102 [HYDCAP 8 69.000] TO BUS 647970 [S970 8 69.000] CKT 1

OPEN LINE FROM BUS 647102 [HYDCAP 8 69.000] TO BUS 647974 [S974 8 69.000] CKT 1  
S982-90-71 : OPEN LINE FROM BUS 647090 [990TP 8 69.000] TO BUS 647971 [S971 8 69.000] CKT 1  
OPEN LINE FROM BUS 647090 [990TP 8 69.000] TO BUS 647982 [S982 8 69.000] CKT 1  
OPEN LINE FROM BUS 647090 [990TP 8 69.000] TO BUS 647990 [S990 8 69.000] CKT 1  
S976-FRE-D-E: OPEN BRANCH FROM BUS 647976 [S976 8 69.000] TO BUS 647424 [FREM D 8 69.000] CKT 1  
OPEN BRANCH FROM BUS 647424 [FREM D 8 69.000] TO BUS 647425 [FREM E 8 69.000] CKT 1  
S979BUS : OPEN LINE FROM BUS 647979 [S979 8 69.000] TO BUS 647079 [979TP 8 69.000] CKT 1  
S991TAP : OPEN LINE FROM BUS 647091 [991TP 8 69.000] TO BUS 647427 [FREM G 8 69.000] CKT 1  
OPEN LINE FROM BUS 647091 [991TP 8 69.000] TO BUS 647984 [S984 8 69.000] CKT 1  
OPEN LINE FROM BUS 647091 [991TP 8 69.000] TO BUS 647991 [S991 8 69.000] CKT 1  
S962-KM-S971: OPEN LINE FROM BUS 647114 [KIN MTP8 69.000] TO BUS 647115 [KIN MOR8 69.000] CKT 1  
OPEN LINE FROM BUS 647114 [KIN MTP8 69.000] TO BUS 647962 [S962 8 69.000] CKT 1  
OPEN LINE FROM BUS 647114 [KIN MTP8 69.000] TO BUS 647971 [S971 8 69.000] CKT 1  
FCS\_GEN : REMOVE MACHINE 1 FROM BUS 645001 [FT CAL1G 22.000]  
NC1\_GEN : REMOVE MACHINE 1 FROM BUS 645011 [NEBCTY1G 18.000]  
NC2\_GEN : REMOVE MACHINE 2 FROM BUS 645012 [NEBCTY2G 23.000]  
FRE8\_GEN : REMOVE MACHINE 8 FROM BUS 647418 [FREM 8G 13.800]  
ELKCITY\_GEN : REMOVE MACHINE 1 FROM BUS 647937 [S937 8 69.000]  
ELKCTY3\_GEN : REDUCE BUS 647937 [S937 8 69.000] GENERATION BY 3 MW  
GEN-SVGS4 : TRIP LINE FROM BUS 650004 [TBGS 4G 13.800] TO BUS 650275 [84&BLUFF 7 115.00] CKT 1  
GEN-ROKBY2 : TRIP LINE FROM BUS 650092 [ROKEBY 2G 13.800] TO BUS 650290 [ROKEBY 7 115.00] CKT 1  
TRF-NW68HOL : TRIP LINE FROM BUS 650214 [NW68HOLDRG7 115.00] TO BUS 650114 [NW68HOLDRG3 345.00] TO BUS 650314 [NW68HOL1 9 13.800] CKT 1  
TRF-70&BLUF : TRIP LINE FROM BUS 650269 [70&BLUFF 7 115.00] TO BUS 650169 [70&BLUFF 5 161.00] TO BUS 650369 [70&BLUFF 9 13.800] CKT 1  
TRF-WAGNR1 : TRIP LINE FROM BUS 650285 [WAGENER 7 115.00] TO BUS 650185 [WAGENER 3 345.00] TO BUS 650385 [WAGENER1 9 13.800] CKT 1  
TRF-WAGNR2 : TRIP LINE FROM BUS 650285 [WAGENER 7 115.00] TO BUS 650185 [WAGENER 3 345.00] TO BUS 650485 [WAGENER2 9 13.800] CKT 2

# **APPENDIX E**

## **DETAILED DFCALC RESULTS**

\*\*\*\*\* BASE CASE:  
2010 MDWG 2010 SPRING  
BASE CASE

\*\*\*\*\* CHNG CASE:  
2010 MDWG 2010 SPRING | GEN-2010-010  
BASE CASE

\*\*\*\*\* BASE TRANSACTION AMOUNT FOR DF CALCULATION: 100.500

## PTFD INTERFACES ##

64013 COOPER 3 - 54119 ST JOE 3 BASE: 407.8 CHNG: 428.5 DIFF: 5.1%  
64013 COOPER 3 - 30003 7FAIRPT BASE: 313.6 CHNG: 327.2 DIFF: 4.4%

SUBTOTALS FOR: COOPER\_S BASE: 721.4 CHNG: 755.7 DIFF: 4.8%  
DIFF: 34.3 DF: 34.1%

\*\*\*\*\*

64545 S3451 3 - 64545 S3454 3 BASE: -11.7 CHNG: -6.9 DIFF: -40.9%  
64545 S3451 3 - 64545 S3459 3 BASE: 20.8 CHNG: 28.9 DIFF: 38.8%  
64625 S1251 5 - 64629 S1297 5 BASE: 57.3 CHNG: 58.9 DIFF: 2.9%

SUBTOTALS FOR: FTCAL\_S BASE: 66.4 CHNG: 80.9 DIFF: 21.9%  
DIFF: 14.5 DF: 14.5%

\*\*\*\*\*

64018 GENTLMN4 - 64028 N.PLATT4 BASE: 119.5 CHNG: 118.6 DIFF: -0.7%  
64018 GENTLMN4 - 64028 N.PLATT4 BASE: 119.8 CHNG: 118.9 DIFF: -0.7%  
64018 GENTLMN4 - 64028 N.PLATT4 BASE: 126.1 CHNG: 125.2 DIFF: -0.7%  
64018 GENTLMN3 - 64037 SWEET W3 BASE: 301.2 CHNG: 298.5 DIFF: -0.9%  
64018 GENTLMN3 - 64037 SWEET W3 BASE: 363.5 CHNG: 360.2 DIFF: -0.9%  
64018 GENTLMN3 - 64032 REDWILO3 BASE: 481.4 CHNG: 490.8 DIFF: 2.0%

SUBTOTALS FOR: GGS BASE: 1511.5 CHNG: 1512.2 DIFF: 0.1%  
DIFF: 0.8 DF: 0.8%

\*\*\*\*\*

64031 PAULINE3 - 64027 MOORE 3 BASE: 187.8 CHNG: 188.4 DIFF: 0.3%

64020 GR ISLD4 - 64013 COLMB.W4 BASE: 82.7 CHNG: 77.0 DIFF: -6.9%  
65257 GR ISLD3 - 64027 MCCOOL 3 BASE: 259.6 CHNG: 262.5 DIFF: 1.1%

SUBTOTALS FOR: GRIS\_LNC BASE: 530.1 CHNG: 527.9 DIFF: -0.4%  
DIFF: -2.2 DF: -2.2%

\*\*\*\*\*

64018 GENTLMN3 - 64032 REDWILO3 BASE: 481.4 CHNG: 490.8 DIFF: 2.0%

SUBTOTALS FOR: WNE\_WKS BASE: 481.4 CHNG: 490.8 DIFF: 2.0%  
DIFF: 9.4 DF: 9.3%

\*\*\*\*\*

## OTDF INTERFACES ##

64545 S3451 3 - 63520 RAUN 3 \*CONTINGENCY\* BASE: 0.0 CHNG: 0.0

-----  
64622 S1226 5 - 64037 TEKAMAH5 BASE: 78.4 CHNG: 70.7 DIFF: -9.8%

SUBTOTALS FOR: S1226TEKAMAH BASE: 78.4 CHNG: 70.7 DIFF: -9.8%  
DIFF: -7.7 DF: -7.6%

\*\*\*\*\*

64013 COOPER 3 - 54119 ST JOE 3 \*CONTINGENCY\* BASE: 0.0 CHNG: 0.0

-----  
63500 CBLUFFS5 - 63503 RIVRBND5 BASE: 147.1 CHNG: 150.5 DIFF: 2.3%

SUBTOTALS FOR: RIVERBEND BASE: 147.1 CHNG: 150.5 DIFF: 2.3%  
DIFF: 3.4 DF: 3.3%

\*\*\*\*\*

64013 COOPER 3 - 54119 ST JOE 3 \*CONTINGENCY\* BASE: 0.0 CHNG: 0.0

-----  
53291 KELLY 5 - 53292 TECHILL5 BASE: 39.5 CHNG: 43.1 DIFF: 9.2%

SUBTOTALS FOR: KELLYTECH BASE: 39.5 CHNG: 43.1 DIFF: 9.2%  
DIFF: 3.6 DF: 3.6%

\*\*\*\*\*

64545 S3451 3 - 63520 RAUN 3 \*CONTINGENCY\* BASE: 0.0 CHNG: 0.0

-----



64037 TEKAMAH5 - 63520 RAUN 5 BASE: 46.1 CHNG: 44.2 DIFF: -4.0%

SUBTOTALS FOR: TEKRNS3451RN BASE: 46.1 CHNG: 44.2 DIFF: -4.0%  
DIFF: -1.9 DF: -1.9%

\*\*\*\*\*

\*\*\*\*\* BASE CASE:

2010 MDWG 2010 SPRING | GEN-2010-010  
BASE CASE

\*\*\*\*\* CHNG CASE:

2010 MDWG 2010 SPRING | GEN-2006-044N02  
BASE CASE

\*\*\*\*\* BASE TRANSACTION AMOUNT FOR DF CALCULATION: 100.800

## PTFD INTERFACES ##

64013 COOPER 3 - 54119 ST JOE 3 BASE: 428.5 CHNG: 449.1 DIFF: 4.8%  
64013 COOPER 3 - 30003 7FAIRPT BASE: 327.2 CHNG: 340.9 DIFF: 4.2%

SUBTOTALS FOR: COOPER\_S BASE: 755.7 CHNG: 789.9 DIFF: 4.5%  
DIFF: 34.2 DF: 33.9%

\*\*\*\*\*

64545 S3451 3 - 64545 S3454 3 BASE: -6.9 CHNG: -4.5 DIFF: -35.1%  
64545 S3451 3 - 64545 S3459 3 BASE: 28.9 CHNG: 34.9 DIFF: 21.0%  
64625 S1251 5 - 64629 S1297 5 BASE: 58.9 CHNG: 60.2 DIFF: 2.1%

SUBTOTALS FOR: FTCAL\_S BASE: 80.9 CHNG: 90.6 DIFF: 12.0%  
DIFF: 9.7 DF: 9.6%

\*\*\*\*\*

64018 GENTLMN4 - 64028 N.PLATT4 BASE: 118.6 CHNG: 117.8 DIFF: -0.7%  
64018 GENTLMN4 - 64028 N.PLATT4 BASE: 118.9 CHNG: 118.1 DIFF: -0.7%  
64018 GENTLMN4 - 64028 N.PLATT4 BASE: 125.2 CHNG: 124.3 DIFF: -0.7%  
64018 GENTLMN3 - 64037 SWEET W3 BASE: 298.5 CHNG: 295.5 DIFF: -1.0%  
64018 GENTLMN3 - 64037 SWEET W3 BASE: 360.2 CHNG: 356.6 DIFF: -1.0%  
64018 GENTLMN3 - 64032 REDWILO3 BASE: 490.8 CHNG: 500.6 DIFF: 2.0%

SUBTOTALS FOR: GGS BASE: 1512.2 CHNG: 1512.9 DIFF: 0.0%  
DIFF: 0.7 DF: 0.7%

\*\*\*\*\*

64031 PAULINE3 - 64027 MOORE 3 BASE: 188.4 CHNG: 190.2 DIFF: 1.0%

64020 GR ISLD4 - 64013 COLMB.W4 BASE: 77.0 CHNG: 63.6 DIFF: -17.3%  
65257 GR ISLD3 - 64027 MCCOOL 3 BASE: 262.5 CHNG: 268.8 DIFF: 2.4%

SUBTOTALS FOR: GRIS\_LNC BASE: 527.9 CHNG: 522.7 DIFF: -1.0%  
DIFF: -5.2 DF: -5.2%

\*\*\*\*\*

64018 GENTLMN3 - 64032 REDWILO3 BASE: 490.8 CHNG: 500.6 DIFF: 2.0%

SUBTOTALS FOR: WNE\_WKS BASE: 490.8 CHNG: 500.6 DIFF: 2.0%  
DIFF: 9.7 DF: 9.7%

\*\*\*\*\*

## OTDF INTERFACES ##

64545 S3451 3 - 63520 RAUN 3 \*CONTINGENCY\* BASE: 0.0 CHNG: 0.0

-----  
64622 S1226 5 - 64037 TEKAMAH5 BASE: 70.7 CHNG: 65.7 DIFF: -7.0%

SUBTOTALS FOR: S1226TEKAMAH BASE: 70.7 CHNG: 65.7 DIFF: -7.0%  
DIFF: -5.0 DF: -4.9%

\*\*\*\*\*

64013 COOPER 3 - 54119 ST JOE 3 \*CONTINGENCY\* BASE: 0.0 CHNG: 0.0

-----  
63500 CBLUFFS5 - 63503 RIVRBND5 BASE: 150.5 CHNG: 153.8 DIFF: 2.2%

SUBTOTALS FOR: RIVERBEND BASE: 150.5 CHNG: 153.8 DIFF: 2.2%  
DIFF: 3.3 DF: 3.3%

\*\*\*\*\*

64013 COOPER 3 - 54119 ST JOE 3 \*CONTINGENCY\* BASE: 0.0 CHNG: 0.0

-----  
53291 KELLY 5 - 53292 TECHILL5 BASE: 43.1 CHNG: 46.7 DIFF: 8.3%

SUBTOTALS FOR: KELLYTECH BASE: 43.1 CHNG: 46.7 DIFF: 8.3%  
DIFF: 3.6 DF: 3.6%

\*\*\*\*\*

64545 S3451 3 - 63520 RAUN 3 \*CONTINGENCY\* BASE: 0.0 CHNG: 0.0

-----

64037 TEKAMAH5 - 63520 RAUN 5 BASE: 44.2 CHNG: 42.5 DIFF: -4.0%

SUBTOTALS FOR: TEKRNS3451RN BASE: 44.2 CHNG: 42.5 DIFF: -4.0%  
DIFF: -1.8 DF: -1.7%

\*\*\*\*\*

\*\*\*\*\* BASE CASE:

2010 MDWG 2010 SPRING | SC GEN | PRE-DISIS-2010-001  
BASE CASE

\*\*\*\*\* CHNG CASE:

2010 MDWG 2010 SPRING | SC GEN | POST-DISIS-2010-001  
BASE CASE

\*\*\*\*\* BASE TRANSACTION AMOUNT FOR DF CALCULATION: 89.700

## PTDF INTERFACES ##

64013 COOPER 3 - 54119 ST JOE 3 BASE: 390.5 CHNG: 409.4 DIFF: 4.8%  
64013 COOPER 3 - 30003 7FAIRPT BASE: 299.5 CHNG: 312.1 DIFF: 4.2%

SUBTOTALS FOR: COOPER\_S BASE: 690.0 CHNG: 721.5 DIFF: 4.6%  
DIFF: 31.5 DF: 35.1%

\*\*\*\*\*

64545 S3451 3 - 64545 S3454 3 BASE: -40.4 CHNG: -43.1 DIFF: 6.6%  
64545 S3451 3 - 64545 S3459 3 BASE: -15.9 CHNG: -14.9 DIFF: -6.5%  
64625 S1251 5 - 64629 S1297 5 BASE: 49.8 CHNG: 50.0 DIFF: 0.6%

SUBTOTALS FOR: FTCAL\_S BASE: -6.6 CHNG: -8.0 DIFF: 20.6%  
DIFF: -1.4 DF: -1.5%

\*\*\*\*\*

64018 GENTLMN4 - 64028 N.PLATT4 BASE: 73.2 CHNG: 72.6 DIFF: -0.9%  
64018 GENTLMN4 - 64028 N.PLATT4 BASE: 73.4 CHNG: 72.7 DIFF: -0.9%  
64018 GENTLMN4 - 64028 N.PLATT4 BASE: 77.3 CHNG: 76.6 DIFF: -0.9%  
64018 GENTLMN3 - 64037 SWEET W3 BASE: 119.7 CHNG: 114.3 DIFF: -4.5%  
64018 GENTLMN3 - 64037 SWEET W3 BASE: 144.1 CHNG: 137.7 DIFF: -4.5%  
64018 GENTLMN3 - 64032 REDWILO3 BASE: 373.1 CHNG: 384.7 DIFF: 3.1%

SUBTOTALS FOR: GGS BASE: 860.8 CHNG: 858.6 DIFF: -0.2%  
DIFF: -2.1 DF: -2.4%

\*\*\*\*\*

64031 PAULINE3 - 64027 MOORE 3 BASE: 161.0 CHNG: 189.9 DIFF: 18.0%

64020 GR ISLD4 - 64013 COLMB.W4 BASE: 142.3 CHNG: 148.7 DIFF: 4.5%  
65257 GR ISLD3 - 64027 MCCOOL 3 BASE: 166.7 CHNG: 176.4 DIFF: 5.8%

SUBTOTALS FOR: GRIS\_LNC BASE: 469.9 CHNG: 514.9 DIFF: 9.6%  
DIFF: 45.0 DF: 50.2%

\*\*\*\*\*

64018 GENTLMN3 - 64032 REDWILO3 BASE: 373.1 CHNG: 384.7 DIFF: 3.1%

SUBTOTALS FOR: WNE\_WKS BASE: 373.1 CHNG: 384.7 DIFF: 3.1%  
DIFF: 11.6 DF: 12.9%

\*\*\*\*\*

## OTDF INTERFACES ##

64545 S3451 3 - 63520 RAUN 3 \*CONTINGENCY\* BASE: 0.0 CHNG: 0.0

-----  
64622 S1226 5 - 64037 TEKAMAH5 BASE: 107.6 CHNG: 107.3 DIFF: -0.2%

SUBTOTALS FOR: S1226TEKAMAH BASE: 107.6 CHNG: 107.3 DIFF: -0.2%  
DIFF: -0.3 DF: -0.3%

\*\*\*\*\*

64013 COOPER 3 - 54119 ST JOE 3 \*CONTINGENCY\* BASE: 0.0 CHNG: 0.0

-----  
63500 CBLUFFS5 - 63503 RIVRBND5 BASE: 142.2 CHNG: 145.1 DIFF: 2.0%

SUBTOTALS FOR: RIVERBEND BASE: 142.2 CHNG: 145.1 DIFF: 2.0%  
DIFF: 2.9 DF: 3.2%

\*\*\*\*\*

64013 COOPER 3 - 54119 ST JOE 3 \*CONTINGENCY\* BASE: 0.0 CHNG: 0.0

-----  
53291 KELLY 5 - 53292 TECHILL5 BASE: 42.7 CHNG: 46.0 DIFF: 7.8%

SUBTOTALS FOR: KELLYTECH BASE: 42.7 CHNG: 46.0 DIFF: 7.8%  
DIFF: 3.3 DF: 3.7%

\*\*\*\*\*

64545 S3451 3 - 63520 RAUN 3 \*CONTINGENCY\* BASE: 0.0 CHNG: 0.0

-----

64037 TEKAMAH5 - 63520 RAUN 5 BASE: 59.5 CHNG: 59.8 DIFF: 0.5%

SUBTOTALS FOR: TEKRNS3451RN BASE: 59.5 CHNG: 59.8 DIFF: 0.5%  
DIFF: 0.3 DF: 0.3%

\*\*\*\*\*