

Definitive Interconnection System Impact Study for Generation Interconnection Requests

Southwest Power Pool
Engineering Department
Tariff Studies – Generation Interconnection

(DISIS-2010-001-2 Study)
May 2011



SPP RESTRICTED

Definitive Interconnection System Impact Study for Generation Interconnection Requests

Southwest Power Pool
Engineering Department
Tariff Studies – Generation Interconnection

(DISIS-2010-001-2 Study)
May 2011

Date	Rev.	Comment
July 30, 2010	0	Issued Report
January 2011	1	Account for Withdrawn Projects
May 2011	2	Account for Withdrawn Projects

Executive Summary

Pursuant to the Southwest Power Pool (SPP) Open Access Transmission Tariff (OATT), SPP has conducted this Definitive Interconnection System Impact Study (DISIS) for certain generation interconnection requests in the SPP Generation Interconnection Queue. These interconnection requests have been clustered together for the following Impact Study. This Impact Re-Study is being performed to account for the withdrawal of higher and equally queued customers. The customers will be referred to in this study as the DISIS-2010-001 Interconnection Customers. This Impact Study analyzes the interconnecting of multiple generation interconnection requests associated with new generation totaling 4,404MW of new generation which would be located within the transmission systems of American Electric Power West (AEPW), Midwest Energy Inc. (MIDW), Missouri Public Service (MIPU), Mid-Kansas Electric Power LLC (MKEC), Nebraska Public Power District (NPPD), Oklahoma Gas and Electric (OKGE), Southwestern Public Service (SPS), Sunflower Electric Power Corporation (SUNC), Westar Energy (WERE). The various generation interconnection requests have differing proposed in-service dates¹. The generation interconnection requests included in this DISIS are listed in Appendix A by their queue number, amount, area, requested interconnection point, proposed interconnection point, and the requested in-service date.

Power flow analysis has indicated that for the power flow cases studied, 4,404MW of nameplate generation may be interconnected with transmission system reinforcements within the SPP transmission system. Dynamic Stability and power factor analysis has determined the need for reactive compensation in accordance with Order No. 661-A for wind farm interconnection requests and those requirements are listed for each interconnection request within the contents of this report.

Voltage Stability Analysis including necessary line reactors on 345kV line in the SPS territory has verified the need for the Border-Gracemont 345kV transmission line. Dynamic Stability Analysis has determined that the transmission system will remain stable with the assigned Network Upgrades and necessary reactive compensation requirements.

The total estimated minimum cost for interconnecting the DISIS-2010-001 interconnection customers is \$400,900,000. These costs are shown in Appendices E and F. Interconnection Service to DISIS-2010-001 interconnection customers is also contingent upon higher queued customers paying for certain required network upgrades. The in service date for the DISIS customers will be deferred until the construction of these network upgrades can be completed.

These costs do not include the Interconnection Customer Interconnection Facilities as defined by the SPP Open Access Transmission Tariff (OATT). This cost does not include additional network constraints in the SPP transmission system that were identified as shown in Appendix H (if provided).

Network Constraints listed in Appendix H (if provided) are in the local area of the new generation when this generation is injected throughout the SPP footprint for the Energy Resource (ER) Interconnection Request. Additional Network constraints will have to be verified with a Transmission

¹ The generation interconnection requests in-service dates will need to be deferred based on the required lead time for the Network Upgrades necessary. The Interconnection Customer's that proceed to the Facility Study will be provided a new in-service date based on the completion of the Facility Study.

Service Request (TSR) and associated studies. With a defined source and sink in a TSR, this list of Network Constraints will be refined and expanded to account for all Network Upgrade requirements.

The required interconnection costs listed in Appendices E and F do not include all costs associated with the deliverability of the energy to final customers. These costs are determined by separate studies if the Customer submits a Transmission Service Request through SPP's Open Access Same Time Information System (OASIS) as required by Attachment Z1 of the SPP OATT.

Table of Contents

Introduction.....	6
Model Development	6
Identification of Network Constraints	9
Determination of Cost Allocated Network Upgrades	9
Interconnection Facilities	10
Power Flow.....	11
Stability Analysis.....	12
Conclusion	16
Appendix	17
A: Generation Interconnection Requests Considered for Impact Study.....	A-1
B: Prior Queued Interconnection Requests	B-1
C: Study Groupings.....	C-1
D: Proposed Point of Interconnection One line Diagrams	D-1
E: Cost Allocation per Interconnection Request (Including Prior Queued Upgrades).....	E-1
F: Cost Allocation per Current Study Network Upgrade	F-1
G: Power Flow Analysis (Constraints for Mitigation)	G-1
H: Power Flow Analysis (Constraints with greater than 3% TDF)	H-1

Introduction

Pursuant to the Southwest Power Pool (SPP) Open Access Transmission Tariff (OATT), SPP has conducted this Definitive Interconnection System Impact Study (DISIS) for certain generation interconnection requests in the SPP Generation Interconnection Queue. These interconnection requests have been clustered together for the following Impact Study. The customers will be referred to in this study as the DISIS-2010-001 Interconnection Customers. This Impact Study analyzes the interconnecting of multiple generation interconnection requests associated with new generation totaling 4,404 MW of new generation which would be located within the transmission systems of American Electric Power West (AEPW), Midwest Energy Inc. (MIDW), Missouri Public Service (MIPU), Mid-Kansas Electric Power LLC (MKEC), Nebraska Public Power District (NPPD), Oklahoma Gas and Electric (OKGE), Southwestern Public Service (SPS), Sunflower Electric Power Corporation (SUNC), Westar Energy (WERE). The various generation interconnection requests have differing proposed in-service dates². The generation interconnection requests included in this Impact Cluster Study are listed in Appendix A by their queue number, amount, area, requested interconnection point, proposed interconnection point, and the requested in-service date.

The primary objective of this Definitive Interconnection System Impact Study is to identify the system constraints associated with connecting the generation to the area transmission system. The Impact and other subsequent Interconnection Studies are designed to identify attachment facilities, Network Upgrades and other Direct Assignment Facilities needed to accept power into the grid at each specific interconnection receipt point.

Model Development

Interconnection Requests Included in the DISIS-2010-001 Study

SPP has included all interconnection requests that submitted a Definitive Interconnection System Impact Study request no later than March 31, 2010 and were subsequently accepted by Southwest Power Pool under the terms of the Generation Interconnection Procedures (GIP) that became effective March 31, 2010.

Affected System Interconnection Requests - Also included in this Definitive Impact Study are four Affected System Studies, one on the Lea County Electric Cooperative system in Lea County, New Mexico (given the designation ASGI-2010-010) and three wind farm requests on the Tri County Electric Cooperative system in Texas County, Oklahoma (given the collective designation ASGI-2010-011).

The interconnection requests that are included in this study are listed in Appendix A.

² The generation interconnection requests in-service dates will need to be deferred based on the required lead time for the Network Upgrades necessary. The Interconnection Customer's that proceed to the Facility Study will be provided a new in-service date based on the completion of the Facility Study.

Previous Queued Projects

The previous queued projects included in this study are listed in Appendix B. In addition to the Base Case Upgrades, the previous queued projects and associated upgrades were assumed to be in-service and added to the Base Case models. These projects were dispatched as Energy Resources with equal distribution across the SPP footprint.

Development of Base Cases

Powerflow - The 2010 series Transmission Service Request (TSR) Models 2011 spring and 2016 summer and winter peak scenario 0 peak cases were used for this study. After the 2011 spring and the 2016 summer and winter peak cases were developed, each of the control areas' resources were then re-dispatched using current dispatch orders.

Stability – The 2010 series SPP Model Development Working Group (MDWG) Models 2011 winter and 2011 summer were used for this study.

Base Case Upgrades

The following facilities are part of the SPP Transmission Expansion Plan or the Balanced Portfolio or recently approved Priority Projects. These facilities have been approved or are in construction stages and were assumed to be in-service at the time of dispatch and added to the base case models. The DISIS-2010-001 Customers have not been assigned cost for the below listed projects. The DISIS-2010-001 Customers Generation Facilities in service dates may need to be delayed until the completion of the following upgrades. If for some reason, construction on these projects is discontinued, additional restudies will be needed to determine the interconnection needs of the DISIS customers.

- Woodward – Northwest 345kV line and associated projects to be built by OKGE placed in service in 2010.
- Hitchland 345/230/115kV upgrades to be built by SPS for 2010/2011 in-service³.
 - Hitchland – Moore County 230kV line
 - Hitchland – Perryton 230kV line
 - Hitchland – Texas County 115kV line
 - Hitchland – Hansford County 115kV line
 - Hitchland – Sherman County Tap 115kV line
- Valliant – Hugo – Sunnyside 345kV – assigned to Aggregate Study AG3-2006 Customers for 2012 in-service.
- Wichita – Reno County – Summit 345kV to be built by WERE for 2010 in-service⁴.
- Rose Hill – Sooner 345kV to be built by WERE/OKGE for 2013 in-service.
- Knob Hill – Steele City 115kV to be built by NPPD/WERE for 2010 in-service.
- Balanced Portfolio Projects⁵:
 - Anadarko 345/138/13.2kV Autotransformer
 - Woodward – TUCO 345kV line
 - Iatan – Nashua 345kV line
 - Muskogee – Seminole 345kV line

³ Approved 230kV upgrades are based on SPP 2007 STEP. Upgrades may need to be re-evaluated in the system impact study.

⁴ Approved based on an order of the Kansas Corporation Commission issued in Docket no. 07-WSEE-715-MIS

⁵ Notice to Construct (NTC) issued June, 2009

- Knoll – Axtell 345kV line
- Spearville – Knoll 345kV line
- Tap Stillwell – Swissvale 345kV line at West Gardner
- Priority Projects⁶:
 - Hitchland - Woodward double circuit 345kV
 - Woodward – Medicine Lodge double circuit 345kV
 - Spearville – Comanche double circuit 345kV
 - Comanche – Medicine Lodge double circuit 345kV
 - Medicine Lodge – Wichita double circuit 345kV
 - Medicine Lodge 345/138kV autotransformer

Contingent Upgrades

The following facilities do not yet have approval. These facilities have been assigned to higher queued interconnection customers. These facilities have been included in the models for the DISIS-2010-001 study and are assumed to be in service. The DISIS-2010-001 Customers at this time do not have responsibility for these facilities but may later be assigned the cost of these facilities if higher queued customers terminate their GIA or withdraw from the interconnection queue. The DISIS-2010-001 Customer Generation Facilities in service dates may need to be delayed until the completion of the following upgrades.

- Finney – Holcomb 345kV Ckt #2 line assigned to GEN-2006-044 interconnection customer. This customer is currently in suspension⁷.
- Central Plains – Setab 115kV transmission line assigned to GEN-2007-013 interconnection customer. This customer is currently is suspension.
- Grassland 230/115kV autotransformer #2 assigned to 1st Cluster Interconnection Customers (100% to GEN-2008-016)
- Judson Large – North Judson Large – Spearville Ckt #2 assigned to DIS-2009-001-1 Interconnection Customers (100% to GEN-2008-079)

Potential Upgrades Not in the Base Case

Any potential upgrades that do not have a Notification to Construct (NTC) have not been included in the base case. These upgrades include any identified in the SPP Extra-High Voltage (EHV) overlay plan or any other SPP planning study other than the upgrades listed above in the previous sections.

Regional Groupings

The interconnection requests listed in Appendix A were grouped together in fourteen different regional groups based on geographical and electrical impacts. These groupings are shown in Appendix C.

To determine interconnection impacts, fourteen different dispatch variations of the spring base case models were developed to accommodate the regional groupings.

⁶ Notice to Construct (NTC) issued June, 2010. NTC for double circuit lines indicated that NTC may be revised at a later time to be built at a higher voltage.

⁷ Based on Facility Study Posting November 2008

Powerflow - For each group, the various wind generating plants were modeled at 80% nameplate of maximum generation. The wind generating plants in the other areas were modeled at 20% nameplate of maximum generation. This process created fifteen different scenarios with each group being studied at 80% nameplate rating. These projects were dispatched as Energy Resources with equal distribution across the SPP footprint. This method allowed for the identification of network constraints that were common to the regional groupings that could then in turn have the mitigating upgrade cost allocated throughout the entire cluster. Each interconnection request was also modeled separately at 100% nameplate for certain analyses.

Peaking units were not dispatched in the 2011 spring model. To study peaking units' impacts, the 2016 summer and winter peak model was chosen and peaking units were modeled at 100% of the nameplate rating and wind generating facilities were modeled at 10% of the nameplate rating.

Stability - For each group, all interconnection requests (wind and non-wind) were modeled at 100% nameplate of maximum generation in both winter and summer seasonal models. The wind interconnection requests in the other areas were modeled at 20% nameplate of maximum generation while fossil units were modeled at 100% in the other areas. This process created twelve different scenarios with each group being studied at 100% nameplate rating. These projects were dispatched as Energy Resources with equal distribution across the SPP footprint.

Identification of Network Constraints

The initial set of network constraints were found by using PTI MUST First Contingency Incremental Transfer Capability (FCITC) analysis on the entire cluster grouping dispatched at the various levels mentioned above. These constraints were then screened to determine if any of the generation interconnection requests had at least a 20% Distribution Factor (DF) upon the constraint. Constraints that measured at least a 20% DF from at least one interconnection request were considered for mitigation.

Determination of Cost Allocated Network Upgrades

Cost Allocated Network Upgrades of wind generation interconnection requests were determined using the 2011 spring model. Cost Allocated Network Upgrades of peaking units was determined using the 2016 summer peak model. Once a determination of the required Network Upgrades was made, a powerflow model of the 2010 spring case was developed with all cost allocated Network Upgrades in-service. A MUST FCITC analysis was performed to determine the Power Transfer Distribution Factors (PTDF), defined as a distribution factor with system impact conditions that each generation interconnection request had on each new upgrade. The impact each generation interconnection request had on each upgrade project was weighted by the size of each request. Finally the costs due by each request for a particular project were then determined by allocating the portion of each request's impact over the impact of all the required upgrades.

For example, assume that there are three Generation Interconnection requests, X, Y, and Z that are responsible for the costs of Upgrade Project '1'. Given that their respective PTDF for the project have been determined, the cost allocation for Generation Interconnection request 'X' for Upgrade Project 1 is found by the following set of steps and formulas:

- Determine an Impact Factor on a given project for all responsible GI requests:

$$\text{Request X Impact Factor on Upgrade Project 1} = \text{PTDF}(\%)(X) * \text{MW}(X) = X1$$

$$\text{Request Y Impact Factor on Upgrade Project 1} = \text{PTDF}(\%)(Y) * \text{MW}(Y) = Y1$$

$$\text{Request Z Impact Factor on Upgrade Project 1} = \text{PTDF}(\%)(Z) * \text{MW}(Z) = Z1$$

- Determine each request's Allocation of Cost for that particular project:

$$\text{Request X's Project 1 Cost Allocation (\$)} = \frac{\text{Network Upgrade Project 1 Cost(\$)} * X1}{X1 + Y1 + Z1}$$

- Repeat previous for each responsible GI request for each Project

The cost allocation of each needed Network Upgrade is determined by the size of each request and its impact on the given project. This allows for the most efficient and reasonable mechanism for sharing the costs of upgrades.

Credits for Amounts Advanced for Network Upgrades

Interconnection Customer shall be entitled to credits in accordance with Attachment Z1 of the SPP Tariff for any Network Upgrades including any tax gross-up or any other tax-related payments associated with the Network Upgrades, and not refunded to the Interconnection Customer.

Interconnection Facilities

The requirement to interconnect the 4,404 MW of generation into the existing and proposed transmission systems in the affected areas of the SPP transmission footprint consist of the necessary cost allocated shared facilities listed in Appendix F by upgrade. The interconnection requirements for the cluster total 385,350,000. Interconnection Facilities, including prior allocated facilities, specific to each generation interconnection request are listed in Appendix E.

A list of constraints with greater than or equal to a 20% OTDF that were identified and used for mitigation are listed in Appendix G. Other Network Constraints in the AEPW, MIDW, MIPU, MKEC, NPPD, OKGE, SPS, SUNC, AND WERE transmission systems that were identified are shown in Appendix H (if provided). With a defined source and sink in a TSR, this list of Network Constraints will be refined and expanded to account for all Network Upgrade requirements.

A preliminary one-line drawing for each generation interconnection request are listed in Appendix D. Figure 1 depicts the major transmission line Network Upgrades needed to support the interconnection of the generation amounts requested in this study.

Powerflow

Powerflow Analysis Methodology

The Southwest Power Pool (SPP) Criteria states that:

“The transmission system of the SPP region shall be planned and constructed so that the contingencies as set forth in the Criteria will meet the applicable NERC Reliability Standards for transmission planning. All MDWG power flow models shall be tested to verify compliance with the System Performance Standards from NERC Table 1 – Category A.”

The ACCC function of PSS/E was used to simulate single contingencies in portions or all of the modeled control areas of American Electric Power West (AEPW), Empire District Electric (EMDE), Grand River Dam Authority (GRDA), Kansas City Power & Light (KCPL), Midwest Energy (MIDW), MIPU, MKEC, Nebraska Public Power District (NPPD), OG&E Electric Services (OKGE), Omaha Public Power District (OPPD), Southwest Public Service (SPS), Sunflower Electric (SUNC), Westar Energy (WERE), Western Farmers Electric Cooperative (WFEC) and other control areas were applied and the resulting scenarios analyzed. This satisfies the “more probable” contingency testing criteria mandated by NERC and the SPP criteria.

Powerflow Analysis

A power flow analysis was conducted for each Interconnection Customer’s facility using modified versions of the 2010 spring peak and the 2016 summer and winter peak models. The output of the Interconnection Customer’s facility was offset in each model by a reduction in output of existing online SPP generation. This method allows the request to be studied as an Energy Resource (ER) Interconnection Request. The available seasonal models used were through the 2014 Summer Peak.

This analysis was conducted assuming that previous queued requests in the immediate area of these interconnect requests were in-service. The analysis of each Customer’s project indicates that additional criteria violations will occur on the AEPW, MIDW, OKGE, SPS, SUNC, SWPA, MKEC, WERE, AND WFEC transmission systems under steady state and contingency conditions in the peak seasons.

Cluster Group 1 (Woodward Area)

The Woodward area contained approximately 292 MW of new interconnection requests in addition to the 3,053 MW of prior queued interconnection requests. To mitigate the Fargo Junction – Woodward 69kV constraint the line will need to be rebuilt.

Cluster Group 2 (Hitchland Area)

The Hitchland area contained 1,080 MW of interconnection request in addition to the 2,131 MW of previous queued generation interconnection requests. An outage of the Finney-Stevens County 345kV line or an outage of the double circuit 345kV line from Hitchland-Woodward was found to

cause possible voltage collapse. To mitigate the constraint, a double 345kV circuit from Hitchland – Border (Wheeler) as well as a 100Mvar Static Var Compensator at Hitchland is required

Cluster Group 3 (Spearville Area)

The Spearville area contained 681 MW of interconnection requests and 2,332 MW of previous queued interconnection requests. There were constraints identified on the lower 230 and 115kV systems out of. To mitigate these issues, a new 345/115kV autotransformer is necessary at Spearville.

Cluster Group 4 (Mingo/NW Kansas Group)

The Mingo/NW Kansas group had 0 MW in addition to the 924 MW of previously queued generation in the area. No new constraints were found in this area.

Cluster Group 5 (Amarillo Area)

The Amarillo group had 51 MW of interconnection requests in addition to the 2,082 MW of previously queued interconnection requests in this area. The major constraint for the GEN-2008-088 request was on the Switch 2749 substation – Wildorado 69kV line. To mitigate the constraint, the line will need to be rebuilt. In addition, the GEN-2008-088 request was found to contribute to the possible voltage collapse for the outage of the Hitchland-Woodward 345kV double circuit and Finney-Stevens 345kV outage.

Cluster Group 6 (South Panhandle/New Mexico)

This group had 567 MW of interconnection requests in addition to the 1,510 MW of previously queued interconnection requests. The wind farm projects in Group 6 were also found to contribute to the possible voltage collapse on the Hitchland-Woodward 345kV double circuit.

Cluster Group 7 (Southwestern Oklahoma)

This group had 286 MW of interconnection requests in addition to the 1,690 MW of previous queued generation in the area. There were several constraints noticed in the Southwestern Oklahoma area, however, the major constraints were in the Clinton Junction and Weatherford areas due to GEN-2009-030 and constraints on the existing lines out of Washita substation due to all requests in the area. To mitigate the constraints in the area, the following upgrades were assigned to the study projects: a second Washita – Gracemont 138kV line was added, a 138kV line from Weatherford – Washita was added.

Cluster Group 8 (South Central Kansas/North Oklahoma)

This group had 629 MW of interconnection requests in addition to the 1,603 MW of previous queued generation in the area. No new constraints were found in this area.

Cluster Group 9 (Northeast Nebraska)

This group had 201 MW of interconnection requests in addition to the 448 MW of previous queued generation in the area. The addition of this generation caused overloads on the Columbus – Madison County – Ft. Randall 230kV line. To mitigate the constraint, a 230kV line from Madison County – Hoskins was added.

Cluster Group 10 (North Nebraska)

This group had 0 MW of interconnection requests in addition to the 284 MW of previous queued generation in the area.

Cluster Group 11 (North Kansas)

This group had 322 MW of interconnection requests in addition to the 976 MW of previous queued generation in the area. The major constraints for the North Kansas area are the South Hays – Hays Plant – Vine Street 115kV line, and the Smoky Hills – Summit 230kV line. To mitigate the constraints, the following actions were taken: the South Hays – Hays Plant – Vine Street 115kV line was rebuilt. Also, a second Post Rock 345/230kV transformer was added to mitigate the Smoky Hills – Summit 230kV line. Constraints around the interconnection point of GEN-2009-040 were also found but relieved when the Knob Hill – Steele City 115kV STEP upgrade, slated for a 2010 in-service, was added to the base case.

Cluster Group 12 (Northwest Arkansas)

This group had 0 MW of interconnection requests in addition to the 0 MW of previous queued generation in the area.

Cluster Group 13 (Northwest Missouri)

This group had 0 MW of interconnection requests in addition to the 2,437 MW of previous queued generation in the area.

Cluster Group 14 (South Central Oklahoma)

This group had 206 MW of interconnection requests in addition to the 0 MW of previous queued generation in the area. No new constraints were found in this area.

Cluster Group 15 (Southwest Nebraska)

This group had 90 MW of interconnection requests in addition to the 0 MW of previous queued generation in the area. No new constraints were found in this area.

Power Factor Analysis

Stability Analysis was not performed again. The latest power factor analysis is shown below.

Cluster Group 1 (Woodward Area)

The analysis for Group 1 showed that a reactive power deficiency was apparent with addition of the interconnection request near Tatonga. The GEN-2008-044 and GEN-2010-011 interconnection requests will need to provide 95% lagging power factor at the point of interconnection (Tatonga). These requests combined will need to be able to provide over 71Mvar at the point of interconnection. This will require additional capacitor banks.

Power Factor Requirements

Request	Size (MW)	Generator Model	Point of Interconnection	Final PF Requirement at POI		Estimated Capacitor Requirement (Mvar)
				Lagging (supplying)	Leading (absorbing)	
GEN-2008-044 GEN-2010-011	197.8 29.7	Siemens SWT 2.3 MW	Tatonga 345kV	0.95	1.00	TBD
GEN-2010-008	64.4	Siemens SWT 2.3 MW	Fargo Jct 69kV	0.993	0.965	TBD

Cluster Group 2 (Hitchland Area)

The analysis for Group 2 showed that a reactive power deficiency was apparent with addition of the interconnection request near Hitchland. The GEN-2008-047 interconnection request will need to provide 95% lagging power factor at the point of interconnection. This will require additional capacitor banks as well as a 100Mvar SVC at Hitchland.

Power Factor Requirements

Request	Size (MW)	Generator Model	Point of Interconnection	Final PF Requirement at POI		Estimated Capacitor Requirement (Mvar)
				Lagging (supplying)	Leading (absorbing)	
GEN-2008-047	300	G.E. 1.5MW	Tap Hitchland- Woodward 345kV	0.95	1.00	TBD
GEN-2008-110 GEN-2010-014	300 358.8	G.E. 1.5MW Siemens 2.3MW	Hitchland 345kV	0.95	0.98	TBD
GEN-2010-007	73.8	Vestas V100 1.8MW	Riverside – Pringle 115kV	1.00	0.95	TBD

Cluster Group 3 (Spearville Area)

Power Factor Requirements

Request	Size (MW)	Generator Model	Point of Interconnection	Final PF Requirement at POI		Estimated Capacitor Requirement (Mvar)
				Lagging (supplying)	Leading (absorbing)	
GEN-2010-009	165.6	Siemens SWT 2.3MW	Gray County 345kV (531000)(G07-040- POI)	0.95	0.95	TBD
GEN-2010-015	200.1	Siemens SWT 2.3MW	Spearville 345kV (531469)	0.95	1.000	TBD
GEN-2010-016	199.8	Vestas V90 1.8MW	Tap Spearville (531469) – Knoll (560004) 345kV	0.950	0.967	TBD

Cluster Group 4 (Mingo Area)

There was no stability analysis conducted in the Mingo area due to no requests in the area.

Cluster Group 5 (Amarillo Area)

Power Factor Requirements

Request	Size (MW)	Generator Model	Point of Interconnection	Final PF Requirement at POI		Estimated Capacitor Requirement (Mvar)
				Lagging (supplying)	Leading (absorbing)	
GEN-2008-088	50.6	Siemens SWT 2.3MW	Vega 69kV	1.0	0.957	No

Cluster Group 6 (South Panhandle Area)

Power Factor Requirements

Request	Size (MW)	Generator Model	Point of Interconnection	Final PF Requirement at POI		Estimated Capacitor Requirement (Mvar)
				Lagging (supplying)	Leading (absorbing)	
GEN-2008-022	300	G.E. 1.5MW	Eddy – Tolk 345kV	1.00	0.96	No
GEN-2009-067S	20	Solar	Seven Rivers 69kV	0.95	0.95	
GEN-2010-006	205	GENROU	Jones 230kV	0.95	0.95	0
ASGI-2010-010	48	GENROU	Lovington 115kV	0.95	0.95	0

Cluster Group 7 (Southwest Oklahoma)

Power Factor Requirements

Request	Size (MW)	Generator Model	Point of Interconnection	Final PF Requirement at POI		Estimated Capacitor Requirement (Mvar)
				Lagging (supplying)	Leading (absorbing)	
GEN-2008-037	100.8	Vestas V90 1.8MW	Washita (521089)	0.96	0.93	Yes
GEN-2009-030	100.8	GE 1.6MW	Weatherford 138kV (521092)	0.95	1.00	Yes
GEN-2009-060	85.5	GE 1.5MW	Gotebo 69kV (520925)	1.000	0.97	No

Cluster Group 8 (South Central Kansas)

Power Factor Requirements

Request	Size (MW)	Generator Model	Point of Interconnection	Final PF Requirement at POI		Estimated Capacitor Requirement (Mvar)
				Lagging (supplying)	Leading (absorbing)	
GEN-2008-071	76.8	GE 1.6MW	Newkirk 138kV	0.95	0.95	TBD
GEN-2008-098 GEN-2010-003	100.8 100.8	Vestas V90 1.8MW	Wolf Creek – LaCygne 345kV	0.98	0.95	TBD
GEN-2010-005	300	Clipper C95 2.5MW	Wichita – Woodring 345kV	0.99	0.99	TBD
GEN-2010-013	50.4	Vestas V90 1.8MW	Latham – Neosho 345kV	0.95	0.98	TBD

Cluster Group 9 (Northeast Nebraska)

Power Factor Requirements

Request	Size (MW)	Generator Model	Point of Interconnection	Final PF Requirement at POI		Estimated Capacitor Requirement (Mvar)
				Lagging (supplying)	Leading (absorbing)	
GEN-2006-044N02	100.5	GE 1.5MW	Madison County 230kV	1.00	0.97	TBD
GEN-2010-010	100.5	GE 1.5MW	Madison County 115kV	1.00	0.95	TBD

Cluster Group 10 (North Nebraska)

There was no stability analysis conducted in the North Nebraska area due to no requests in the area.

Cluster Group 11 (North Kansas)

Power Factor Requirements

Request	Size (MW)	Generator Model	Point of Interconnection	Final PF Requirement at POI		Estimated Capacitor Requirement (Mvar)
				Lagging (supplying)	Leading (absorbing)	
GEN-2009-008	199.5	GE 1.5MW	South Hays 230kV	0.99	0.94	TBD
GEN-2009-020	48.6	Vestas V90 1.8MW	Balzine – Nekoma 69kV	1.0	0.98	+/- 15MVar SVC

GEN-2009-040	73.8	Vestes V90 1.8MW	Smittyville-Knob Hill 115kV	1.0	0.95	TBD
--------------	------	---------------------	--------------------------------	-----	------	-----

Cluster Group 12 (Northwest Arkansas)

There was no stability analysis conducted in the Northwest Arkansas area due to no requests in the area.

Cluster Group 13 (Northwest Missouri)

There was no stability analysis conducted in the Northwest Missouri area due to no requests in the area.

Cluster Group 14 (South Central Oklahoma)

The South Central Oklahoma stability analysis revealed no stability issues with the study requests.

Power Factor Requirements

Request	Size (MW)	Generator Model	Point of Interconnection	Final PF Requirement at POI		Estimated Capacitor Requirement (Mvar)
				Lagging (supplying)	Leading (absorbing)	
GEN-2008-046	200	Vestes V90 1.8MW	Sunnyside 345kV	0.98	0.955	TBD
GEN-2009-032S	6.4	GENROU	Foster 138kV	0.95	0.95	TBD

Cluster Group 15 (Southwest Nebraska)

Power Factor Requirements

Request	Size (MW)	Generator Model	Point of Interconnection	Final PF Requirement		Estimated Capacitor Requirement (Mvar)
				Lagging (supplying)	Leading (absorbing)	
GEN-2008-123N	89.7	Siemens SWT 2.3 MW	Pauline – Guide Rock 115kV	1.0	0.95	TBD

Conclusion

The minimum cost of interconnecting all of the interconnection requests included in this Impact Cluster Study is estimated at \$400,900,000 for the Allocated Network Upgrades and Transmission Owner Interconnection Facilities are listed in Appendix E, F, and G. These costs do not include the cost of upgrades of other transmission facilities listed in Appendix H (if provided) which are Network Constraints.

These interconnection costs do not include any cost of Network Upgrades determined to be required by short circuit analysis. These studies are being performed as part of the Interconnection System Facility Study that each customer has already executed.

The required interconnection costs listed in Appendices E, and F, and G and other upgrades associated with Network Constraints do not include all costs associated with the deliverability of the energy to final customers. These costs are determined by separate studies if the Customer submits a Transmission Service Request (TSR) through SPP's Open Access Same Time Information System (OASIS) as required by Attachment Z1 of the SPP Open Access Transmission Tariff (OATT).

Appendix

A: Generation Interconnection Requests Considered for Impact Study

Request	Amount	Area	Requested Point of Interconnection	Proposed Point of Interconnection	Requested In-Service Date
GEN-2006-044N02	100.5	NPPD	TAP FORT RANDALL-KELLEY 230kV	TAP FORT RANDALL-KELLEY 230kV	
GEN-2008-022	300	SPS	TAP EDDY – GEN-2007-034 345kV	TAP EDDY – TOLK 345kV	09/01/2011
GEN-2008-037	100.8	WFEC	TAP WASHITA - BLUE CANYON 138kV	TAP WASHITA - BLUE CANYON 138kV	1/1/2010
GEN-2008-044	197.8	OKGE	TATONGA 345kV	TATONGA 345kV	12/1/2011
GEN-2008-046	200	OKGE	SUNNYSIDE 345kV	SUNNYSIDE 345kV	12/1/2010
GEN-2008-047	300	SPS	TAP HITCHLAND - WOODWARD 345kV	TAP HITCHLAND - WOODWARD 345kV	12/31/2012
GEN-2008-071	76.8	OKGE	NEWKIRK 138kV	NEWKIRK 138kV	11/1/2010
GEN-2008-088	50.6	SPS	VEGA 69kV	VEGA 69kV	12/1/2011
GEN-2008-098	100.8	WERE	TAP WOLF CREEK - LACYGNE 345kV	TAP WOLF CREEK - LACYGNE 345kV	12/31/2011
GEN-2008-110	299.2	SPS	HITCHLAND 345kV	HITCHLAND 345kV	7/31/2011
GEN-2008-123N	89.7	NPPD	TAP GUIDE - PAULINE 115kV	TAP GUIDE - PAULINE 115kV	
GEN-2009-008	200	SUNC	SOUTH HAYS 230kV	SOUTH HAYS 230kV	9/1/2011
GEN-2009-020	48.6	MIDW	TAP BAZINE - NEKOMA 69kV	TAP BAZINE - NEKOMA 69kV	12/31/2011
GEN-2009-030	100.8	WFEC	WEATHERFORD 138kV	WEATHERFORD 138kV	7/1/2012
GEN-2009-032S	6.4	OKGE	FOSTER 138kV	FOSTER 138kV	8/1/2010
GEN-2009-040	73.8	WERE	TAP SMITTYVILLE - KNOB HILL 115kV	TAP SMITTYVILLE - KNOB HILL 115kV	12/31/2012
GEN-2009-060	84	WFEC	GOTEBO 69kV	GOTEBO 69kV	12/31/2011
GEN-2009-062	115	SUNC	HUGOTON 115kV	HUGOTON 115kV	9/30/2012
GEN-2009-067S	20	SPS	7 RIVERS 69kV	7 RIVERS 69kV	12/1/2010
GEN-2010-003	100.8	WERE	GEN-2008-098 345kV	GEN-2008-098 345kV	12/31/2011
GEN-2010-005	300	MKEC	GEN-2007-025 345kV	GEN-2007-025 345kV	12/1/2012
GEN-2010-006	205	SPS	JONES 230kV	JONES 230kV	6/1/2012
GEN-2010-007	73.8	SPS	TAP PRINGLE - RIVERVIEW 115kV	TAP PRINGLE - RIVERVIEW 115kV	12/1/2011
GEN-2010-008	64.4	WFEC	FARGO 69kV	FARGO 69kV	12/22/2011
GEN-2010-009	165.6	SUNC	GRAY COUNTY 345kV	GRAY COUNTY 345kV	12/1/2011
GEN-2010-010	100.5	NPPD	TAP FORT RANDALL-KELLY 230kV	TAP FORT RANDALL-KELLEY 230kV	12/1/2012
GEN-2010-011	29.7	OKGE	GEN-2008-044 345kV	GEN-2008-044 345kV	12/31/2011
GEN-2010-013	50.4	WERE	GEN-2005-013 345kV	GEN-2005-013 345kV	12/31/2011
GEN-2010-014	358.8	SPS	HITCHLAND 345kV	HITCHLAND 345kV	12/13/2013
GEN-2010-015	200.1	SUNC	SPEARVILLE 345kV	SPEARVILLE 345kV	1/1/2013
GEN-2010-016	199.8	MIDW	TAP SPEARVILLE - KNOLL 345kV	TAP SPEARVILLE - KNOLL 345kV	12/31/2015
ASGI-2010-010	42	SPS	LOVINGTON 115kV	LOVINGTON 115kV	
ASGI-2010-011	48	SPS	TEXAS COUNTY 69kV	TEXAS COUNTY 69kV	
GROUPED TOTAL	4,404				

* Planned Facility

^ Proposed Facility

*** Electrically Remote Interconnection Requests

B: Prior Queued Interconnection Requests

Request	Amount	Area	Requested/Proposed Point of Interconnection	Status or In-Service Date
GEN-2001-014	96	WFEC	Fort Supply 138kV	On-Line
GEN-2001-026	74	WFEC	Washita 138kV	On-Line
GEN-2001-033	180	SPS	San Juan Mesa Tap 230kV	On-Line
GEN-2001-036	80	SPS	Caprock Tap 115kV	On-Line
GEN-2001-037	100	OKGE	Windfarm Switching 138kV	On-Line
GEN-2001-039A	105	MKEC	Tap Greensburg - Judson-Large 115kV	On Schedule for 2011
GEN-2001-039M	100	SUNC	Central Plains Tap 115kV	On-Line
GEN-2002-004	200	WERE	Latham 345kV	On-Line
GEN-2002-005	120	WFEC	Red Hills Tap 138kV	On-Line
GEN-2002-008	240	SPS	*Hitchland 345kV	On-Line at 120MW
GEN-2002-009	80	SPS	Hansford County 115kV	On-Line
GEN-2002-022	240	SPS	Bushland 230kV	On-Line at 160MW
GEN-2002-025A	150	MKEC	Spearville 230kV	On-Line at 100MW
GEN-2003-005	100	WFEC	Tap Anadarko - Paradise 138kV	On Line
GEN-2003-006A-E	100	MKEC	Elm Creek 230kV	On-Line
GEN-2003-006A-W	100	MKEC	Elm Creek 230kV	On-Line
GEN-2003-013**	198	SPS	Tap *Hitchland - Finney 345kV	On Schedule for 2012
GEN-2003-019	250	MIDW	Smoky Hills Tap 230kV	On-Line
GEN-2003-020	160	SPS	Martin 115kV	On-Line at 80MW
GEN-2003-021N	75	NPPD	Ainsworth Wind Tap 115kV	On-Line at 60MW
GEN-2003-022	120	AEPW	Washita 138kV	On-Line
GEN-2004-005N	30	NPPD	St. Francis 115kV	IA Pending
GEN-2004-014	154.5	MIDW	Spearville 230kV	On Schedule for 2010
GEN-2004-020	27	AEPW	Washita 138kV	On-Line
GEN-2005-005	18	OKGE	Windfarm Switching 138kV	IA Pending
GEN-2005-008	120	OKGE	Woodward 138kV	On-Line
GEN-2005-012	250	SUNC	Spearville 345kV	On Suspension
GEN-2005-013	201	WERE	Tap Latham - Neosho	On Schedule for 2012
GEN-2005-017	340	SPS	Tap *Hitchland - Potter County 345kV	On Suspension
GEN-2006-002	101	AEPW	Tap Grapevine - Elk City 230kV	On-Line
GEN-2006-006	205.5	SUNC	Spearville 230kV	IA Pending
GEN-2006-014	300	MIPU	Tap Maryville – Clarinda and tie Midway (WFARMS) 161kV	On Suspension
GEN-2006-017	300	MIPU	Tap Maryville – Clarinda and tie Midway (WFARMS) 161kV	On Suspension
GEN-2006-018	170	SPS	Tuco 230kV	On Schedule for 2010
GEN-2006-020S	18.9	SPS	*DWS Frisco Tap	IA Executed/On Schedule 12/31/2011
GEN-2006-020N	42	NPPD	Bloomfield 115kV	1/1/2009
GEN-2006-021	101	MKEC	Flat Ridge Tap 138kV	On-Line
GEN-2006-022	150	MKEC	Ninnescah Tap 115kV	On Suspension
GEN-2006-024S	19.8	WFEC	South Buffalo Tap 69kV	On-Line
GEN-2006-026	502	SPS	Hobbs 230kV	On-Line
GEN-2006-031	75	MIDW	Knoll 115kV	On-Line
GEN-2006-032	200	MIDW	South Hays 230kV	On Suspension

B-1

Definitive Interconnection System Impact Study for Grouped Generation Interconnection Requests – (DISIS-2010-001-2)

SPP RESTRICTED

Appendix C: Study Groupings



Request	Amount	Area	Requested/Proposed Point of Interconnection	Status or In-Service Date
GEN-2006-034	81	SUNC	Tap Kanarado - Sharon Springs 115kV	On Suspension
GEN-2006-035	225	AEPW	Tap Grapevine - Elk City 230kV	On Schedule for 2010
GEN-2006-037N1	75	NPPD	Broken Bow 115kV	Under Study (DISIS-2009-001)
GEN-2006-038N005	80	NPPD	Broken Bow 115kV	On Schedule for 2012
GEN-2006-038N019	80	NPPD	Petersburg 115kV	5/1/2011
GEN-2006-038	750	WFEC	Hugo 345kV	On Suspension
GEN-2006-039	400	SPS	Tap and Tie both Potter County - Plant X 230kV and Bushland - Deaf Smith 230kV	On Suspension
GEN-2006-040	108	SUNC	Mingo 115kV	On Schedule for 2010
GEN-2006-043	99	AEPW	Tap Grapevine - Elk City 230kV	On Line
GEN-2006-044	370	SPS	*Hitchland 345kV	On Schedule for 2012
GEN-2006-044N	40.5	NPPD	Tap Neligh – Petersburg 115kV	On Schedule for 2011
GEN-2006-045	240	SPS	Tap and Tie both Potter County - Plant X 230kV and Bushland - Deaf Smith 230kV	On Suspension
GEN-2006-046	131	OKGE	Dewey 138kV	On Schedule for 2011
GEN-2006-047	240	SPS	Tap and Tie both Potter County - Plant X 230kV and Bushland - Deaf Smith 230kV	On Schedule for 2013
GEN-2006-049	400	SPS	Tap *Hitchland - Finney 345kV	On Schedule for 2014
GEN-2007-002	160	SPS	Grapevine 115kV	On Suspension
GEN-2007-006	160	OKGE	Roman Nose 138kV	On Suspension
GEN-2007-011	135	SUNC	Syracuse 115kV	On Schedule for 2010
GEN-2007-011N08	81	NPPD	Bloomfield 115kV	On-Line
GEN-2007-013	99	SUNC	Selkirk 115kV	On Suspension
GEN-2007-015	135	WERE	Tap Humboldt – Kelly 161kV	On Suspension
GEN-2007-017	100.5	MIPU	Tap Maryville – Clarinda and tie to Midway (WFARMS)161kV	On Suspension
GEN-2007-021	201	OKGE	*Tatonga 345kV	IA Pending
GEN-2007-025	300	WERE	Tap Woodring – Wichita 345kV	IA Pending
GEN-2007-032	150	WFEC	Tap Clinton Junction – Clinton 138kV	IA Pending
GEN-2007-038	200	SUNC	Spearville 345kV	IA Pending
GEN-2007-040	200.1	SUNC	Tap Holcomb – Spearville 345kV	IA Pending
GEN-2007-043	200	AEPW	Tap Lawton Eastside – Cimarron 345kV	On Line
GEN-2007-044	300	OKGE	*Tatonga 345kV	IA Pending
GEN-2007-046	199.5	SPS	Tap & Tie Texas County – Hitchland & DWS Frisco Tap – Hitchland 115kV	On Schedule for 2014
GEN-2007-048	400	SPS	Tap Amarillo South – Swisher 230kV	On Schedule for 2014
GEN-2007-050	170	OKGE	*Woodward 138kV	On Line
GEN-2007-051	200	WFEC	Mooreland 138kV	On Schedule for 2014
GEN-2007-052	150	WFEC	Anadarko 138kV	On Line
GEN-2007-053	110	MIPU	Tap Maryville – Clarinda and tie to Midway (WFARMS)161kV	On Schedule for 2013

Request	Amount	Area	Requested/Proposed Point of Interconnection	Status or In-Service Date
GEN-2007-057	34.5	SPS	Moore County East 115kV	On Schedule for 2014
GEN-2007-062**	765	OKGE	*Woodward 345kV	On Schedule for 2014
GEN-2008-003	101	OKGE	*Woodward EHV 138kV	IA Pending
GEN-2008-008	60	SPS	Graham 115kV	On Schedule for 2014
GEN-2008-009	60	SPS	San Juan Mesa Tap 230kV	On Schedule for 2014
GEN-2008-013	300	OKGE	Tap Woodring – Wichita 345kV	On Schedule for 2013
GEN-2008-014	150	SPS	Tap Tuco – Oklaunion 345kV	On Schedule for 2014
GEN-2008-016	248	SPS	Grassland 230kV	IA Pending
GEN-2008-017	300	SUNC	Setab 345kV	IA Pending
GEN-2008-018	405	SUNC	Finney 345kV	IA Pending
GEN-2008-019**	300	OKGE	*Tatonga 345kV	IA Pending
GEN-2008-021	42	WERE	Wolf Creek 345kV	IA Pending
GEN-2008-023	150	AEPW	Hobart Junction 138kV	IA Pending
GEN-2008-025	101.2	SUNC	Ruleton 115kV	IA Pending
GEN-2008-029	250.5	OKGE	Woodward EHV 138kV	IA Pending
GEN-2008-051	322	SPS	Potter 345kV	IA Pending
GEN-2008-079	100.5	MKEC	Tap Judson Large – Cudahy 115kV	IA Pending
GEN-2008-086N02	200	NPPD	Tap Ft. Randall – Columbus 230kV	IA Pending
GEN-2008-092	201	MIDW	Knoll 115kV	IA Pending
GEN-2008-119O	60	OPPD	Tap Humboldt – Kelly (North of GEN-2007-015) 161kV	On Schedule
GEN-2008-124	200.1	SUNC	Spearville 230kV	IA Pending
GEN-2008-127	200.1	WERE	Tap Sooner – Rose Hill 345kV	IA Pending
GEN-2008-129	46S/80W	MIPU	Pleasant Hill 161kV	On Line
GEN-2009-011	50	MKEC	Tap Plainville – Phillipsburg 115kV	IA Pending
GEN-2009-016	141	AEPW	Falcon Road 138kV	IA Pending
GEN-2009-017**	60	SPS	Tap Pembroke – Stiles 138kV	Under Study (DISIS-2009-001)
GEN-2009-025	60	OKGE	Tap Deer Creek – Sinclair 69kV	IA Pending
Broken Bow	8.3	NPPD	Genoa 115kV	On-Line
Ord	13.9	NPPD	Bloomfield 115kV	On-Line
Stuart	2.1	NPPD	Petersburg 115kV	On-Line
Genoa	4	NPPD	Genoa 115kV	On-Line
ASGI-2010-001	400	AECI	Tap Cooper – Fairport 345kV	AECI queue Affected Study
ASGI-2010-002	201	AECI	Lathrop 161kV	AECI queue Affected Study
ASGI-2010-003	300	AECI	Maryville 161kV	AECI queue Affected Study
ASGI-2010-004	50	AECI	Tap Queen City – Lancaster 69kV	AECI queue Affected Study
ASGI-2010-005	99	AECI	Lathrop 161kV	AECI queue Affected Study
ASGI-2010-006	150	AECI	Tap Fairfax – Fairfax Tap 138kV	AECI queue Affected Study
ASGI-2010-007	150	AECI	Tap Fairfax – Fairfax Tap 138kV	AECI queue Affected Study
ASGI-2010-008	100	AECI	Maryville 161kV	AECI queue Affected Study
ASGI-2010-009	201	AECI	Osborn 161kV	AECI queue Affected Study

Request	Amount	Area	Requested/Proposed Point of Interconnection	Status or In-Service Date
Llanoest	80	SPS	Llano Wind Farm Tap 115kV	On-Line
SPSDISTR	90	SPS	DUMAS_19ST 115kV	On-Line
			Etter 115kV	On-Line
			Sherman 115kV	On-Line
			Spearman 115kV	On-Line
			Texas County 115kV	On-Line
BLUCAN2	153	WFEC	Washita 138kV (GEN-2003-004)	On-Line
			Washita 138kV (GEN-2004-023)	On-Line
			Washita 138kV (GEN-2005-003)	On-Line
Monte	110	MKEC	Haggard 115kV	On-Line
GROUPED TOTAL	20,218.5			

** Interconnection on Caprock Electric tested for impacts on SPP

* Planned Facility

^ Proposed Facility

C: Study Groupings

Cluster	Request	Amount	Area	Proposed Point of Interconnection
Prior Queued	GEN-2001-014	96	WFEC	Fort Supply 138kV
	GEN-2001-037	100	OKGE	Windfarm Switching 138kV
	GEN-2002-005	120	WFEC	Tap Morewood - Elk City 138kV
	GEN-2005-005	18	OKGE	Windfarm Tap 138kV
	GEN-2005-008	120	OKGE	Woodward 138kV
	GEN-2006-024S	19.8	WFEC	South Buffalo Tap 69kV
	GEN-2006-046	131	OKGE	Dewey 138kV
	GEN-2007-006	160	OKGE	Roman Nose 138kV
	GEN-2007-021	201	OKGE	*Tatonga 345kV
	GEN-2007-044	300	OKGE	*Tatonga 345kV
	GEN-2007-050	170	OKGE	*Woodward 345kV
	GEN-2007-051	200	WFEC	Mooreland 138kV
	GEN-2007-062	765	OKGE	*Woodward 345kV
	GEN-2008-003	101	OKGE	*Woodward EHV 138kV
GEN-2008-019	300	OKGE	*Tatonga 345kV	
GEN-2008-029	250.5	OKGE	WOODWARD EHV 138kV	
PRIOR QUEUED SUBTOTAL		3,052.3		
Cluster	Request	Amount	Area	Proposed Point of Interconnection
Woodward	GEN-2008-044	197.8	OKGE	Tatonga 345kV
	GEN-2010-008	64.4	WFEC	Fargo 69kV
	GEN-2010-011	29.7	OKGE	GEN-2008-044 345kV
WOODWARD SUBTOTAL		291.9		
AREA SUBTOTAL		3,344.4		

Cluster	Request	Amount	Area	Proposed Point of Interconnection
Prior Queued	SPS Distribution	90	SPS	Various
	GEN-2002-008	240	SPS	*Hitchland 345kV
	GEN-2002-009	80	SPS	Hansford County 115kV
	GEN-2003-013	198	SPS	*Tap Hitchland - Finney 345kV
	GEN-2003-020	160	SPS	Martin 115kV
	GEN-2005-017	340	SPS	*Tap Hitchland - Potter County 345kV
	GEN-2006-020S	18.9	SPS	DWS Frisco Tap
	GEN-2006-044	370	SPS	*Hitchland 345kV
	GEN-2006-049	400	SPS	*Tap Hitchland - Finney 345kV
	GEN-2007-046	199.5	SPS	Tap & Tie Texas County – Hitchland & DWS Frisco Tap – Hitchland 115kV
	GEN-2007-057	34.5	SPS	Moore County East 115kV
PRIOR QUEUED SUBTOTAL		2,130.9		
Cluster	Request	Amount	Area	Proposed Point of Interconnection
Hitchland	GEN-2008-047	300	SPS	TAP HITCHLAND - WOODWARD 345kV
	GEN-2008-110	299.2	SPS	Hitchland 345kV
	GEN-2010-007	73.8	SPS	Tap Pringle – Riverview 115kV
	GEN-2010-014	358.8	SPS	Hitchland 345kV
	ASGI-2010-011	48	SPS	Texas County 69kV
HITCHLAND SUBTOTAL		1,079.8		
AREA SUBTOTAL		3,210.7		

Cluster	Request	Amount	Area	Proposed Point of Interconnection
Prior Queued	Montezuma	110	MKEC	Haggard 115kV
	GEN-2001-039A	105	MKEC	Tap Greensburg - Judson-Large 115kV
	GEN-2002-025A	150	MKEC	Spearville 230kV
	GEN-2004-014	154.5	MIDW	Spearville 230kV
	GEN-2005-012	250	SUNC	Spearville 345kV
	GEN-2006-006	205.5	SUNC	Spearville 230kV
	GEN-2006-021	101	MKEC	Flat Ridge Tap 138kV
	GEN-2006-022	150	MKEC	Ninnescah Tap 115kV
	GEN-2007-038	200	SUNC	Spearville 345kV
	GEN-2007-040	200.1	SUNC	Tap Holcomb – Spearville 345kV
	GEN-2008-018	405	SUNC	Finney 345kV
	GEN-2008-079	100.5	MKEC	Tap Judson Large – Cudahy 115kV
GEN-2008-124	200.1	SUNC	Spearville 230kV	
PRIOR QUEUED SUBTOTAL		2,331.7		
Cluster	Request	Amount	Area	Proposed Point of Interconnection
Spearville	GEN-2009-062	115	SUNC	Hugoton 115kV
	GEN-2010-009	165.6	SUNC	Gray County 345kV
	GEN-2010-015	200.1	SUNC	Spearville 345kV
	GEN-2010-016	199.8	MIDW	Tap Spearville – Knoll 345kV
SPEARVILLE SUBTOTAL		680.5		
AREA SUBTOTAL		3,012.2		

Cluster	Request	Amount	Area	Proposed Point of Interconnection
Prior Queued	GEN-2001-039M	100	SUNC	Tap Leoti - City Services 115kV
	GEN-2006-034	81	SUNC	Tap Kanarado - Sharon Springs 115kV
	GEN-2006-040	108	SUNC	Mingo 115kV
	GEN-2007-011	135	SUNC	Syracuse 115kV
	GEN-2007-013	99	SUNC	Selkirk 115kV
	GEN-2008-017	300	SUNC	Setab 345kV
GEN-2008-025	101.2	SUNC	Ruleton 115kV	
PRIOR QUEUED SUBTOTAL		924.2		
MINGO/NW KANSAS SUBTOTAL		924.2		

Cluster	Request	Amount	Area	Proposed Point of Interconnection
Prior Queued	Llano Estacado	80	SPS	Llano Estacado Tap 115kV
	GEN-2002-022	240	SPS	Bushland 230kV
	GEN-2006-039	400	SPS	Tap and Tie both Potter County - Plant X 230kV and Bushland - Deaf Smith 230kV
	GEN-2006-045	240	SPS	Tap and Tie both Potter County - Plant X 230kV and Bushland - Deaf Smith 230kV
	GEN-2006-047	240	SPS	Tap and Tie both Potter County - Plant X 230kV and Bushland - Deaf Smith 230kV
	GEN-2007-002	160	SPS	Grapevine 115kV
	GEN-2007-048	400	SPS	Tap Amarillo South – Swisher 230kV
	GEN-2008-051	322	SPS	Potter 345kV
PRIOR QUEUED SUBTOTAL		2,082		
Cluster	Request	Amount	Area	Proposed Point of Interconnection
Amarillo	GEN-2008-088	50.6	SPS	Vega 69kV
AMARILLO SUBTOTAL		50.6		
AREA SUBTOTAL		2,132.6		

Cluster	Request	Amount	Area	Proposed Point of Interconnection
Prior Queued	GEN-2001-033	180	SPS	San Juan Mesa Tap 230kV
	GEN-2001-036	80	SPS	Norton 115kV
	GEN-2006-018	170	SPS	Tuco 230kV
	GEN-2006-026	502	SPS	Hobbs 230kV
	GEN-2008-008	60	SPS	Graham 115kV
	GEN-2008-009	60	SPS	San Juan Mesa Tap 230kV
	GEN-2008-014	150	SPS	Tap Tuco – Oklaunion 345kV
	GEN-2008-016	248	SPS	Grassland 230kV
	GEN-2009-017	60	SPS	Tap Pembroke – Stiles 138kV
PRIOR QUEUED SUBTOTAL		1,510		
Cluster	Request	Amount	Area	Proposed Point of Interconnection
S Pandle	GEN-2008-022	300	SPS	Tap Eddy – GEN-2007-034 345kV
	GEN-2009-067S	20	SPS	7 Rivers 69kV
	GEN-2010-006	205	SPS	Jones 345kV
	ASGI-2010-010	42	SPS	Lovington 115kV
SOUTH PANHANDLE/NM SUBTOTAL		567		
AREA SUBTOTAL		2,077		

Cluster	Request	Amount	Area	Proposed Point of Interconnection
Prior Queued	GEN-2001-026	74	WFEC	Washita 138kV
	GEN-2003-004	101	WFEC	Washita 138kV
	GEN-2003-005	100	WFEC	Anadarko - Paradise 138kV
	GEN-2003-022	120	AEPW	Washita 138kV
	GEN-2004-020	27	AEPW	Washita 138kV
	GEN-2004-023	21	WFEC	Washita 138kV
	GEN-2005-003	31	WFEC	Washita 138kV
	GEN-2006-002	101	AEPW	Grapevine - Elk City 230kV
	GEN-2006-035	225	AEPW	Grapevine - Elk City 230kV
	GEN-2006-043	99	AEPW	Grapevine - Elk City 230kV
	GEN-2007-032	150	WFEC	Tap Clinton Junction – Clinton 138kV
	GEN-2007-043	200	AEPW	Tap Lawton Eastside – Cimarron 345kV
	GEN-2007-052	150	WFEC	Anadarko 138kV
	GEN-2008-023	150	AEPW	Hobart Junction 138kV
GEN-2009-016	141	AEPW	Falcon Road 138kV	
PRIOR QUEUED SUBTOTAL		1,690		
Cluster	Request	Amount	Area	Proposed Point of Interconnection
SW Oklahoma	GEN-2008-037	100.8	WFEC	Tap Washita – Blue Canyon 138kV
	GEN-2009-030	100.8	WFEC	Weatherford 138kV
	GEN-2009-060	84	WFEC	Gotebo 69kV
SW OKLAHOMA SUBTOTAL		285.6		
AREA SUBTOTAL		1,975.6		

Cluster	Request	Amount	Area	Proposed Point of Interconnection
Prior Queued	ASGI-2010-006	150	AECI	Tap Fairfax – Fairfax Tap 138kV
	ASGI-2010-007	150	AECI	Tap Fairfax – Fairfax Tap 138kV
	GEN-2002-004	200	WERE	Latham 345kV
	GEN-2005-013	201	WERE	Tap Latham - Neosho
	GEN-2007-025	300	WERE	Tap Woodring – Wichita 345kV
	GEN-2008-013	300	OKGE	Tap Woodring – Wichita 345kV
	GEN-2008-021	42	WERE	Wolf Creek 345kV
	GEN-2008-127	200.1	WERE	Tap Sooner – Rose Hill 345kV
	GEN-2009-025	60	OKGE	Tap Deer Creek – Sinclair 69kV
PRIOR QUEUED SUBTOTAL		1,603.1		
Cluster	Request	Amount	Area	Proposed Point of Interconnection
North Oklahoma	GEN-2008-071	76.8	OKGE	Newkirk 138kV
	GEN-2008-098	100.8	WERE	Tap Wolf Creek – LaCygne 345kV
	GEN-2010-003	100.8	WERE	GEN-2008-098 345kV
	GEN-2010-005	300	MKEC	GEN-2007-025 345kV
	GEN-2010-013	50.4	WERE	GEN-2005-013 345kV
NORTH OKLAHOMA SUBTOTAL		628.8		
AREA SUBTOTAL		2,231.9		

Cluster	Request	Amount	Area	Proposed Point of Interconnection
Prior Queued	Genoa	4	NPPD	Genoa 115kV
	GEN-2006-020N	42	NPPD	Bloomfield 115kV
	GEN-2006-038N019	80	NPPD	Petersburg 115kV
	GEN-2006-044N	40.5	NPPD	Tap Neligh – Petersburg 115kV
	GEN-2007-011N08	81	NPPD	Bloomfield 115kV
	GEN-2008-086N02	200	NPPD	Tap Ft. Randall – Columbus 230kV
PRIOR QUEUED SUBTOTAL		447.5		
Cluster	Request	Amount	Area	Proposed Point of Interconnection
NE Nebraska	GEN-2006-044N02	100.5	NPPD	GEN-2008-086N02 230kV
	GEN-2010-010	100.5	NPPD	TAP GEN-2008-086N02 - COLUMBUS 230kV
NE NEBRASKA SUBTOTAL		201		
AREA SUBTOTAL		648.5		

Cluster	Request	Amount	Area	Proposed Point of Interconnection
Prior Queued	Broken Bow	8.3	NPPD	Genoa 115kV
	Ord	13.9	NPPD	Bloomfield 115kV
	Stuart	2.1	NPPD	Petersburg 115kV
	GEN-2003-021N	75	NPPD	Ainsworth Wind Tap 115kV
	GEN-2004-005N	30	NPPD	St. Francis 115kV
	GEN-2006-037N1	75	NPPD	Broken Bow 115kV
	GEN-2006-038N005	80	NPPD	Broken Bow 115kV
PRIOR QUEUED SUBTOTAL		284.3		
NORTH NEBRASKA SUBTOTAL		284.3		

Cluster	Request	Amount	Area	Proposed Point of Interconnection
Prior Queued	GEN-2003-006A-E	100	EMDE	Elm Creek 230kV
	GEN-2003-006A-W	100	WERE	Elm Creek 230kV
	GEN-2003-019	250	MIDW	Smoky Hills Tap 230kV
	GEN-2006-031	75	MIDW	Knoll 115kV
	GEN-2006-032	200	MIDW	South Hays 230kV
	GEN-2008-092	201	MIDW	Knoll 115kV
	GEN-2009-011	50	MKEC	Tap Plainville – Phillipsburg 115kV
PRIOR QUEUED SUBTOTAL		976		
Cluster	Request	Amount	Area	Proposed Point of Interconnection
North Kansas	GEN-2009-008	200	SUNC	South Hays 230kV
	GEN-2009-020	48.6	MIDW	Tap Balzine – Nekoma 69kV
	GEN-2009-040	73.8	WERE	Tap Smittyville – Knob Hill 115kV
NORTH KANSAS SUBTOTAL		322.4		
AREA SUBTOTAL		1,298.4		

Cluster	Request	Amount	Area	Proposed Point of Interconnection
Prior Queued	ASGI-2010-001	400	AECI	Tap Cooper – Fairport 345kV
	ASGI-2010-002	201	AECI	Lathrop 161kV
	ASGI-2010-003	300	AECI	Maryville 161kV
	ASGI-2010-004	50	AECI	Tap Queen City – Lancaster 69kV
	ASGI-2010-005	99	AECI	Lathrop 161kV
	ASGI-2010-008	100	AECI	Maryville 161kV
	ASGI-2010-009	201	AECI	Osborn 161kV
	GEN-2006-014	300	MIPU	Maryville – Clarinda 161kV & Tie to Midway 161kV
	GEN-2006-017	300	MIPU	Maryville – Clarinda 161kV & Tie to Midway 161kV
	GEN-2007-015	135	WERE	Tap Humboldt – Kelly 161kV
	GEN-2007-017	100.5	MIPU	Maryville – Clarinda 161kV & Tie to Midway 161kV
	GEN-2007-053	110	MIPU	Maryville – Clarinda 161kV & Tie to Midway 161kV
	GEN-2008-1190	60	OPPD	Tap Humboldt – Kelly 161kV
	GEN-2008-129	80	MIPU	Pleasant Hill 161kV
PRIOR QUEUED SUBTOTAL		2,436.5		
NORTHWEST MISSOURI SUBTOTAL		2,436.5		

Cluster	Request	Amount	Area	Proposed Point of Interconnection
Prior Queued	GEN-2006-038	750	WFEC	Hugo 345kV
PRIOR QUEUED SUBTOTAL		750		
Cluster	Request	Amount	Area	Proposed Point of Interconnection
South Central Oklahoma	GEN-2008-046	200	OKGE	Sunnyside 345kV
	GEN-2009-032S	6.4	OKGE	Foster 138kV
SOUTH CENTRAL OKLAHOMA SUBTOTAL		206.4		
AREA SUBTOTAL		956.4		

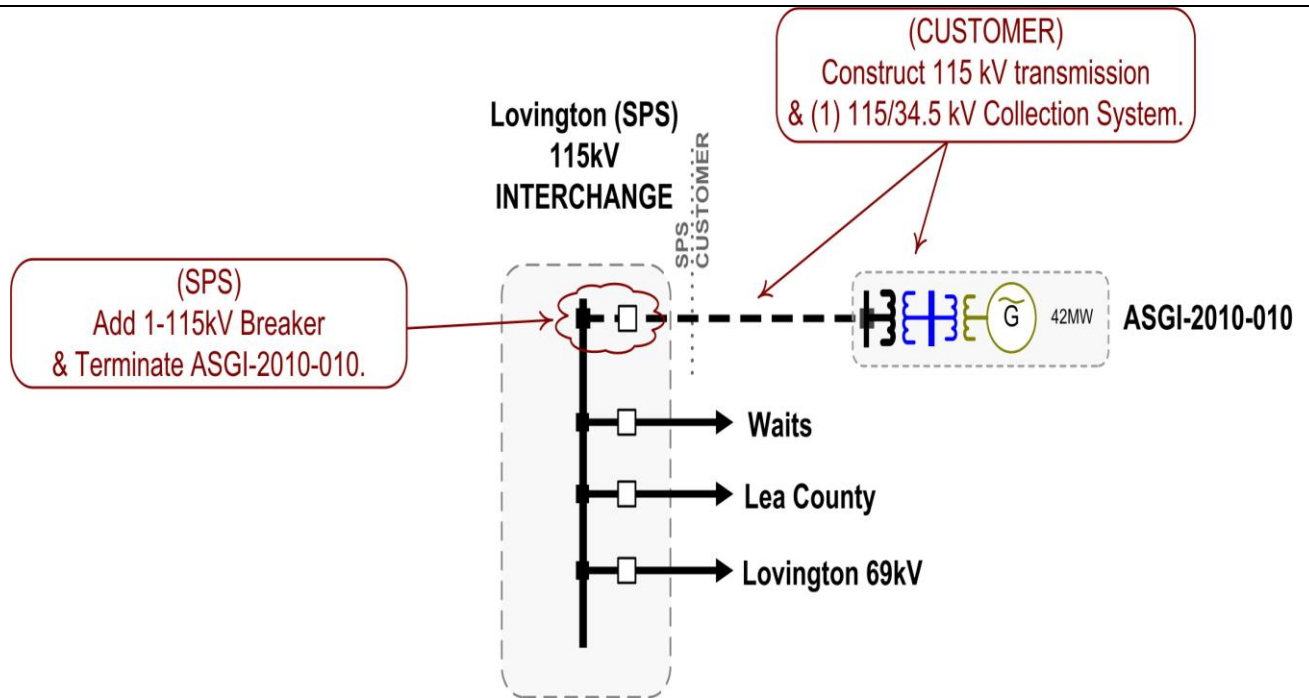
Cluster	Request	Amount	Area	Proposed Point of Interconnection
Southwest Nebraska	GEN-2008-123N	89.7	NPPD	Tap Guide – Pauline 115kV
SOUTHWEST NEBRASKA SUBTOTAL		89.7		
AREA SUBTOTAL		89.7		
***CLUSTERED TOTAL (w/o PRIOR QUEUED)		4,403.7		
***CLUSTERED TOTAL (w/PRIOR QUEUED)		24,622.2		

- * Planned Facility
- ^ Proposed Facility
- ** Alternate requests - counted as one request for study purpose
- *** Electrically Remote Interconnection Requests included in total

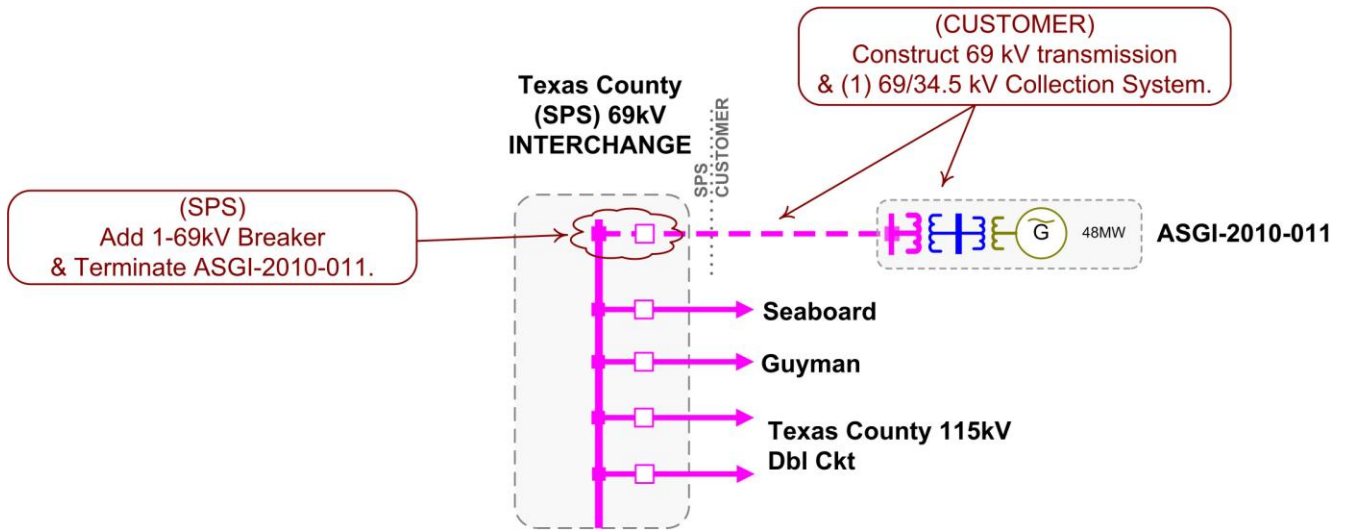
D: Proposed Point of Interconnection One line Diagrams

Refer to the separately posted Facility Study for each request for the most up to date one-line.

ASGI-2010-010



ASGI-2010-011



E: Cost Allocation per Interconnection Request

This section shows each Generation Interconnection Request Customer, their current study impacted Network Upgrades, and the previously allocated upgrades upon which they rely to accommodate their interconnection to the transmission system.

The costs associated with the current study Network Upgrades are allocated to the Customers shown in this report.

In addition should a higher queued request, defined as one this study includes as a prior queued request, withdraw, the Network Upgrades assigned to the withdrawn request may be reallocated to the remaining requests that have an impact on the Network Upgrade under a restudy. Also, should a Interconnection Request choose to go into service prior to the operation date of any necessary Network Upgrades, the costs associated with those upgrades may be reallocated to the impacted Interconnection Request. The actual costs allocated to each Generation Interconnection Request Customer will be determined at the time of a restudy.

The required interconnection costs listed do not include all costs associated with the deliverability of the energy to final customers. These costs are determined by separate studies if the Customer submits a Transmission Service Request through SPP's Open Access Same Time Information System (OASIS) as required by Attachment Z1 of the SPP OATT. In addition, costs associated with a short circuit analysis will be allocated should the Interconnection Request Customer choose to execute a Facility Study Agreement.

Interconnection Request and Upgrades**Upgrade Type****Allocated Cost****Upgrade Cost****ASGI 2010-010**

ASGI-2010-010 Interconnection Costs See Online Diagram.	Current Study	\$1.00	\$1.00
Border - Tuco Interchange 345KV CKT 1 Balanced Portfolio: Tuco - Woodward 345kV (Total Project E&C Cost Shown)	Previously Allocated		\$148,727,500.00
Border - Woodward 345KV CKT 1 Balanced Portfolio: Tuco - Woodward 345kV (Total Project E&C Cost Shown)	Previously Allocated		\$148,727,500.00
GEN-2008-047 Tap - Woodward 345kV Dbl CKT Priority Project: Hitchland - Woodward Dbl 345kV CKT (Total Project E&C Cost Shown)	Previously Allocated		\$247,005,793.00
Hitchland - GEN-2008-047 Tap 345kV Dbl CKT Priority Project: Hitchland - Woodward Dbl 345kV CKT (Total Project E&C Cost Shown)	Previously Allocated		\$247,005,793.00
Medicine Lodge - Wichita 345KV Dbl CKT Priority Project: Spearville - Comanche - Med Lodge - Wichita Dbl 345kV CKT (Total Project E&C Cost Shown.)	Previously Allocated		\$356,300,000.00
Medicine Lodge - Woodward 345KV Dbl CKT Priority Project: Med Lodge - Woodward Dbl 345kV CKT (Total Project E&C Cost Shown)	Previously Allocated		\$194,972,759.00
Medicine Lodge 345/138KV Transformer CKT 1 Priority Project: Spearville - Comanche - Med Lodge - Wichita Dbl 345kV CKT (Total Project E&C Cost Shown.)	Previously Allocated		\$356,300,000.00
	Current Study Total	\$1.00	

ASGI 2010-011

ASGI-2010-011 Interconnection Costs See Online Diagram.	Current Study	\$1.00	\$1.00
Hitchland - Border 345 kV Dbl CKT Build approximately 105 miles of 345kV and SVC at Hitchland.	Current Study	\$10,305,380.10	\$224,831,940.00
Border - Tuco Interchange 345KV CKT 1 Balanced Portfolio: Tuco - Woodward 345kV (Total Project E&C Cost Shown)	Previously Allocated		\$148,727,500.00
Border - Woodward 345KV CKT 1 Balanced Portfolio: Tuco - Woodward 345kV (Total Project E&C Cost Shown)	Previously Allocated		\$148,727,500.00
Finney Switching Station - Holcomb 345KV CKT 2 Per GEN-2006-044 Facility Study	Previously Allocated		\$6,299,839.00
GEN-2008-047 Tap - Woodward 345kV Dbl CKT Priority Project: Hitchland - Woodward Dbl 345kV CKT (Total Project E&C Cost Shown)	Previously Allocated		\$247,005,793.00

Interconnection Request and Upgrades	Upgrade Type	Allocated Cost	Upgrade Cost
Hitchland - GEN-2008-047 Tap 345kV Dbl CKT Priority Project: Hitchland - Woodward Dbl 345kV CKT (Total Project E&C Cost Shown)	Previously Allocated		\$247,005,793.00
Medicine Lodge - Wichita 345KV Dbl CKT Priority Project: Spearville - Comanche - Med Lodge - Wichita Dbl 345kV CKT (Total Project E&C Cost Shown.)	Previously Allocated		\$356,300,000.00
Medicine Lodge - Woodward 345KV Dbl CKT Priority Project: Med Lodge - Woodward Dbl 345kV CKT (Total Project E&C Cost Shown)	Previously Allocated		\$194,972,759.00
Medicine Lodge 345/138KV Transformer CKT 1 Priority Project: Spearville - Comanche - Med Lodge - Wichita Dbl 345kV CKT (Total Project E&C Cost Shown.)	Previously Allocated		\$356,300,000.00
	Current Study Total	\$10,305,381.10	

GEN 2006-044N02

Madison County - Hoskins 230kV Build approximately 30 miles of 230kV between Madison County and Hoskins	Current Study	\$15,000,000.00	\$30,000,000.00
Madison County 230kV Substation See Oneline Diagram.	Current Study	\$1,800,000.00	\$3,600,000.00
	Current Study Total	\$16,800,000.00	

GEN 2008-022

GEN-2008-022 Interconnection Costs See Oneline Diagram.	Current Study	\$13,042,997.00	\$13,042,997.00
Border - Tuco Interchange 345KV CKT 1 Balanced Portfolio: Tuco - Woodward 345kV (Total Project E&C Cost Shown)	Previously Allocated		\$148,727,500.00
Border - Woodward 345KV CKT 1 Balanced Portfolio: Tuco - Woodward 345kV (Total Project E&C Cost Shown)	Previously Allocated		\$148,727,500.00
GEN-2008-047 Tap - Woodward 345kV Dbl CKT Priority Project: Hitchland - Woodward Dbl 345kV CKT (Total Project E&C Cost Shown)	Previously Allocated		\$247,005,793.00
Hitchland - GEN-2008-047 Tap 345kV Dbl CKT Priority Project: Hitchland - Woodward Dbl 345kV CKT (Total Project E&C Cost Shown)	Previously Allocated		\$247,005,793.00
Medicine Lodge - Wichita 345KV Dbl CKT Priority Project: Spearville - Comanche - Med Lodge - Wichita Dbl 345kV CKT (Total Project E&C Cost Shown.)	Previously Allocated		\$356,300,000.00
Medicine Lodge - Woodward 345KV Dbl CKT Priority Project: Med Lodge - Woodward Dbl 345kV CKT (Total Project E&C Cost Shown)	Previously Allocated		\$194,972,759.00
Medicine Lodge 345/138KV Transformer CKT 1 Priority Project: Spearville - Comanche - Med Lodge - Wichita Dbl 345kV CKT (Total Project E&C Cost Shown.)	Previously Allocated		\$356,300,000.00
	Current Study Total	\$13,042,997.00	

Interconnection Request and Upgrades

Upgrade Type

Allocated Cost

Upgrade Cost

GEN 2008-037

GEN-2008-037 Interconnection Costs See Online Diagram.	Current Study	\$1,500,000.00	\$1,500,000.00
Washita - Gracemont 138kV CKT 2 Build approximately 11 miles of 138kV.	Current Study	\$2,903,382.31	\$5,621,986.00
Gracemont Transformer 345/138/13.8KV CKT 1 Priority Project: Gracemont Transformer 345/138/13.8KV CKT 1 (Total Project E&C Cost Shown)	Previously Allocated		\$8,000,000.00
Washita - Blue Canyon 138kV CKT 1 Reset CT on 138kV between GEN-2008-037 POI and Washita.	Previously Allocated		\$500,000.00
	Current Study Total	\$4,403,382.31	

GEN 2008-044

GEN-2008-044 Interconnection Costs See Online Diagram.	Current Study	\$3,403,020.00	\$3,403,020.00
Border - Tuco Interchange 345KV CKT 1 Balanced Portfolio: Tuco - Woodward 345kV (Total Project E&C Cost Shown)	Previously Allocated		\$148,727,500.00
Border - Woodward 345KV CKT 1 Balanced Portfolio: Tuco - Woodward 345kV (Total Project E&C Cost Shown)	Previously Allocated		\$148,727,500.00
Medicine Lodge - Wichita 345KV Dbl CKT Priority Project: Spearville - Comanche - Med Lodge - Wichita Dbl 345kV CKT (Total Project E&C Cost Shown.)	Previously Allocated		\$356,300,000.00
Medicine Lodge - Woodward 345KV Dbl CKT Priority Project: Med Lodge - Woodward Dbl 345kV CKT (Total Project E&C Cost Shown)	Previously Allocated		\$194,972,759.00
Medicine Lodge 345/138KV Transformer CKT 1 Priority Project: Spearville - Comanche - Med Lodge - Wichita Dbl 345kV CKT (Total Project E&C Cost Shown.)	Previously Allocated		\$356,300,000.00
Tuco Interchange 345/230/13.2KV Autotransformer CKT 2 Balanced Portfolio: Tuco 345/230 kV Transformer CKT 2 (Total Project E&C Cost Shown)	Previously Allocated		\$11,250,000.00
	Current Study Total	\$3,403,020.00	

GEN 2008-047

GEN-2008-047 Interconnection Costs See Online Diagram.	Current Study	\$9,276,873.00	\$9,276,873.00
Hitchland - Border 345 kV Dbl CKT Build approximately 105 miles of 345kV and SVC at Hitchland.	Current Study	\$28,392,784.82	\$224,831,940.00
Border - Tuco Interchange 345KV CKT 1 Balanced Portfolio: Tuco - Woodward 345kV (Total Project E&C Cost Shown)	Previously Allocated		\$148,727,500.00

Interconnection Request and Upgrades	Upgrade Type	Allocated Cost	Upgrade Cost
Finney Switching Station - Holcomb 345KV CKT 2 Per GEN-2006-044 Facility Study	Previously Allocated		\$6,299,839.00
GEN-2008-047 Tap - Woodward 345kV Dbl CKT Priority Project: Hitchland - Woodward Dbl 345kV CKT (Total Project E&C Cost Shown)	Previously Allocated		\$247,005,793.00
Medicine Lodge - Wichita 345KV Dbl CKT Priority Project: Spearville - Comanche - Med Lodge - Wichita Dbl 345kV CKT (Total Project E&C Cost Shown.)	Previously Allocated		\$356,300,000.00
Medicine Lodge - Woodward 345KV Dbl CKT Priority Project: Med Lodge - Woodward Dbl 345kV CKT (Total Project E&C Cost Shown)	Previously Allocated		\$194,972,759.00
Medicine Lodge 345/138KV Transformer CKT 1 Priority Project: Spearville - Comanche - Med Lodge - Wichita Dbl 345kV CKT (Total Project E&C Cost Shown.)	Previously Allocated		\$356,300,000.00
Tuco Interchange 345/230/13.2KV Autotransformer CKT 2 Balanced Portfolio: Tuco 345/230 kV Transformer CKT 2 (Total Project E&C Cost Shown)	Previously Allocated		\$11,250,000.00
	Current Study Total	\$37,669,657.82	
GEN 2008-071			
GEN-2008-071 Interconnection Costs See Online Diagram.	Current Study	\$2,889,212.00	\$2,889,212.00
Cleveland - Sooner 345KV CKT 1 Balanced Portfolio: Cleveland - Sooner 345kV CKT (Total Project E&C Cost Shown).	Previously Allocated		\$17,000,000.00
	Current Study Total	\$2,889,212.00	
GEN 2008-088			
GEN-2008-088 Interconnection Costs See Online Diagram.	Current Study	\$759,933.00	\$759,933.00
Hitchland - Border 345 kV Dbl CKT Build approximately 105 miles of 345kV and SVC at Hitchland.	Current Study	\$4,164,326.75	\$224,831,940.00
Switch 2749 - Wildorado 69kV CKT 1 Rebuild approximately 4 miles of 69kV.	Current Study	\$2,124,897.00	\$2,124,897.00
Border - Tuco Interchange 345KV CKT 1 Balanced Portfolio: Tuco - Woodward 345kV (Total Project E&C Cost Shown)	Previously Allocated		\$148,727,500.00
Border - Woodward 345KV CKT 1 Balanced Portfolio: Tuco - Woodward 345kV (Total Project E&C Cost Shown)	Previously Allocated		\$148,727,500.00
Finney Switching Station - Holcomb 345KV CKT 2 Per GEN-2006-044 Facility Study	Previously Allocated		\$6,299,839.00

Interconnection Request and Upgrades	Upgrade Type	Allocated Cost	Upgrade Cost
GEN-2008-047 Tap - Woodward 345kV Dbl CKT Priority Project: Hitchland - Woodward Dbl 345kV CKT (Total Project E&C Cost Shown)	Previously Allocated		\$247,005,793.00
Hitchland - GEN-2008-047 Tap 345kV Dbl CKT Priority Project: Hitchland - Woodward Dbl 345kV CKT (Total Project E&C Cost Shown)	Previously Allocated		\$247,005,793.00
Medicine Lodge - Wichita 345KV Dbl CKT Priority Project: Spearville - Comanche - Med Lodge - Wichita Dbl 345kV CKT (Total Project E&C Cost Shown.)	Previously Allocated		\$356,300,000.00
Medicine Lodge - Woodward 345KV Dbl CKT Priority Project: Med Lodge - Woodward Dbl 345kV CKT (Total Project E&C Cost Shown)	Previously Allocated		\$194,972,759.00
Medicine Lodge 345/138KV Transformer CKT 1 Priority Project: Spearville - Comanche - Med Lodge - Wichita Dbl 345kV CKT (Total Project E&C Cost Shown.)	Previously Allocated		\$356,300,000.00
	Current Study Total	\$7,049,156.75	

GEN 2008-098

GEN-2008-098 Interconnection Costs See Online Diagram.	Current Study	\$8,259,000.00	\$8,259,000.00
Cleveland - Sooner 345KV CKT 1 Balanced Portfolio: Cleveland - Sooner 345kV CKT (Total Project E&C Cost Shown).	Previously Allocated		\$17,000,000.00
	Current Study Total	\$8,259,000.00	

GEN 2008-110

GEN-2008-110 Interconnection Costs See Online Diagram.	Current Study	\$3,307,387.00	\$3,307,387.00
Hitchland - Border 345 kV Dbl CKT Build approximately 105 miles of 345kV and SVC at Hitchland.	Current Study	\$78,484,939.44	\$224,831,940.00
Border - Tuco Interchange 345KV CKT 1 Balanced Portfolio: Tuco - Woodward 345kV (Total Project E&C Cost Shown)	Previously Allocated		\$148,727,500.00
Border - Woodward 345KV CKT 1 Balanced Portfolio: Tuco - Woodward 345kV (Total Project E&C Cost Shown)	Previously Allocated		\$148,727,500.00
Finney Switching Station - Holcomb 345KV CKT 2 Per GEN-2006-044 Facility Study	Previously Allocated		\$6,299,839.00
GEN-2008-047 Tap - Woodward 345kV Dbl CKT Priority Project: Hitchland - Woodward Dbl 345kV CKT (Total Project E&C Cost Shown)	Previously Allocated		\$247,005,793.00
Hitchland - GEN-2008-047 Tap 345kV Dbl CKT Priority Project: Hitchland - Woodward Dbl 345kV CKT (Total Project E&C Cost Shown)	Previously Allocated		\$247,005,793.00

Interconnection Request and Upgrades	Upgrade Type	Allocated Cost	Upgrade Cost
Medicine Lodge - Wichita 345KV Dbl CKT Priority Project: Spearville - Comanche - Med Lodge - Wichita Dbl 345kV CKT (Total Project E&C Cost Shown.)	Previously Allocated		\$356,300,000.00
Medicine Lodge - Woodward 345KV Dbl CKT Priority Project: Med Lodge - Woodward Dbl 345kV CKT (Total Project E&C Cost Shown)	Previously Allocated		\$194,972,759.00
Medicine Lodge 345/138KV Transformer CKT 1 Priority Project: Spearville - Comanche - Med Lodge - Wichita Dbl 345kV CKT (Total Project E&C Cost Shown.)	Previously Allocated		\$356,300,000.00
	Current Study Total	\$81,792,326.44	

GEN 2008-123N

GEN-2008-123N Interconnection Costs See Online Diagram. Includes 115kV breakers at Guide Rock.	Current Study	\$6,200,000.00	\$6,200,000.00
	Current Study Total	\$6,200,000.00	

GEN 2009-008

GEN-2009-008 Interconnection Costs See Online Diagram.	Current Study	\$414,378.00	\$414,378.00
Post Rock 345/230/13.8kV Autotransformer CKT 2 DISIS-2010-001 Restudy	Current Study	\$8,061,114.17	\$13,749,527.00
South Hays - Hays Plant - Vine Street 115kV CKT 1 Rebuild approximately 4 miles of 115kV.	Current Study	\$2,830,144.15	\$3,000,000.00
Axtell - PostRock 345KV CKT 1 Balanced Portfolio: Spearville - PostRock - Axtell 345kV CKT (Total Project E&C Cost Shown)	Previously Allocated		\$112,700,000.00
Medicine Lodge - Wichita 345KV Dbl CKT Priority Project: Spearville - Comanche - Med Lodge - Wichita Dbl 345kV CKT (Total Project E&C Cost Shown.)	Previously Allocated		\$356,300,000.00
Post Rock 345/230/13.8KV Autotransformer CKT 1 Balanced Portfolio: Spearville - PostRock - Axtell 345kV CKT (Total Project E&C Cost Shown)	Previously Allocated		\$112,700,000.00
Spearville - GEN-2010-016 Tap 345KV CKT 1 Balanced Portfolio: Spearville - PostRock - Axtell 345kV CKT (Total Project E&C Cost Shown)	Previously Allocated		\$112,700,000.00
	Current Study Total	\$11,305,636.32	

GEN 2009-020

GEN-2009-020 Interconnection Costs See Online Diagram.	Current Study	\$1,664,657.00	\$1,664,657.00
Post Rock 345/230/13.8kV Autotransformer CKT 2 DISIS-2010-001 Restudy	Current Study	\$578,289.63	\$13,749,527.00

Interconnection Request and Upgrades	Upgrade Type	Allocated Cost	Upgrade Cost
South Hays - Hays Plant - Vine Street 115kV CKT 1 Rebuild approximately 4 miles of 115kV.	Current Study	\$169,855.85	\$3,000,000.00
Axtell - PostRock 345KV CKT 1 Balanced Portfolio: Spearville - PostRock - Axtell 345kV CKT (Total Project E&C Cost Shown)	Previously Allocated		\$112,700,000.00
Hitchland - GEN-2008-047 Tap 345kV Dbl CKT Priority Project: Hitchland - Woodward Dbl 345kV CKT (Total Project E&C Cost Shown)	Previously Allocated		\$247,005,793.00
Medicine Lodge - Wichita 345KV Dbl CKT Priority Project: Spearville - Comanche - Med Lodge - Wichita Dbl 345kV CKT (Total Project E&C Cost Shown.)	Previously Allocated		\$356,300,000.00
Post Rock 345/230/13.8KV Autotransformer CKT 1 Balanced Portfolio: Spearville - PostRock - Axtell 345kV CKT (Total Project E&C Cost Shown)	Previously Allocated		\$112,700,000.00
Spearville - GEN-2010-016 Tap 345KV CKT 1 Balanced Portfolio: Spearville - PostRock - Axtell 345kV CKT (Total Project E&C Cost Shown)	Previously Allocated		\$112,700,000.00
	Current Study Total	\$2,412,802.48	
GEN 2009-030			
GEN-2009-030 Interconnection Costs See Online Diagram.	Current Study	\$2,000,000.00	\$2,000,000.00
Washita - Gracemont 138kV CKT 2 Build approximately 11 miles of 138kV.	Current Study	\$2,007,896.05	\$5,621,986.00
Washita - Weatherford 138kV CKT 1 Build approximately 50 miles of 138kV.	Current Study	\$22,435,002.00	\$22,435,002.00
Gracemont Transformer 345/138/13.8KV CKT 1 Priority Project: Gracemont Transformer 345/138/13.8KV CKT 1 (Total Project E&C Cost Shown)	Previously Allocated		\$8,000,000.00
	Current Study Total	\$26,442,898.05	
GEN 2009-040			
GEN-2009-040 Interconnection Costs See Online Diagram.	Current Study	\$5,240,000.00	\$5,240,000.00
	Current Study Total	\$5,240,000.00	
GEN 2009-060			
GEN-2009-060 Interconnection Costs See Online Diagram.	Current Study	\$1,300,000.00	\$1,300,000.00
Lake Creek- Lone Wolf 69kV CKT 1 Reset CT.	Current Study	\$197,972.00	\$197,972.00

Interconnection Request and Upgrades	Upgrade Type	Allocated Cost	Upgrade Cost
Washita - Gracemont 138kV CKT 2 Build approximately 11 miles of 138kV.	Current Study	\$710,707.64	\$5,621,986.00
Gracemont Transformer 345/138/13.8KV CKT 1 Priority Project: Gracemont Transformer 345/138/13.8KV CKT 1 (Total Project E&C Cost Shown)	Previously Allocated		\$8,000,000.00
	Current Study Total	\$2,208,679.64	
GEN 2009-062			
GEN-2009-062 Interconnection Costs See Online Diagram.	Current Study	\$1,800,000.00	\$1,800,000.00
Post Rock 345/230/13.8kV Autotransformer CKT 2 DISIS-2010-001 Restudy	Current Study	\$307,581.56	\$13,749,527.00
Spearville 345/115/13.8kV Transformer CKT 1 New 345/115kV Spearville Transformer (Partial Cost allocation)	Current Study	\$3,745,000.00	\$3,745,000.00
Axtell - PostRock 345KV CKT 1 Balanced Portfolio: Spearville - PostRock - Axtell 345kV CKT (Total Project E&C Cost Shown)	Previously Allocated		\$112,700,000.00
Border - Tuco Interchange 345KV CKT 1 Balanced Portfolio: Tuco - Woodward 345kV (Total Project E&C Cost Shown)	Previously Allocated		\$148,727,500.00
Border - Woodward 345KV CKT 1 Balanced Portfolio: Tuco - Woodward 345kV (Total Project E&C Cost Shown)	Previously Allocated		\$148,727,500.00
Fort Dodge - North Fort Dodge 115kV CKT 2 Construct approximately 1 mile of new 115kV for 2nd circuit	Previously Allocated		\$6,113,000.00
Medicine Lodge - Wichita 345KV Dbl CKT Priority Project: Spearville - Comanche - Med Lodge - Wichita Dbl 345kV CKT (Total Project E&C Cost Shown.)	Previously Allocated		\$356,300,000.00
Medicine Lodge - Woodward 345KV Dbl CKT Priority Project: Med Lodge - Woodward Dbl 345kV CKT (Total Project E&C Cost Shown)	Previously Allocated		\$194,972,759.00
North Fort Dodge - Spearville 115kV DIS-2009-001-1 upgrade.	Previously Allocated		\$9,660,000.00
Post Rock 345/230/13.8KV Autotransformer CKT 1 Balanced Portfolio: Spearville - PostRock - Axtell 345kV CKT (Total Project E&C Cost Shown)	Previously Allocated		\$112,700,000.00
PostRock - GEN-2010-016 Tap 345KV CKT 1 Balanced Portfolio: Spearville - PostRock - Axtell 345kV CKT (Total Project E&C Cost Shown)	Previously Allocated		\$112,700,000.00
Spearville - GEN-2010-016 Tap 345KV CKT 1 Balanced Portfolio: Spearville - PostRock - Axtell 345kV CKT (Total Project E&C Cost Shown)	Previously Allocated		\$112,700,000.00
	Current Study Total	\$5,852,581.56	

Interconnection Request and Upgrades**Upgrade Type****Allocated Cost****Upgrade Cost****GEN 2009-067S**

GEN-2009-067S Interconnection Costs See Online Diagram.	Current Study	\$1,306,757.00	\$1,306,757.00
Border - Tuco Interchange 345KV CKT 1 Balanced Portfolio: Tuco - Woodward 345kV (Total Project E&C Cost Shown)	Previously Allocated		\$148,727,500.00
Border - Woodward 345KV CKT 1 Balanced Portfolio: Tuco - Woodward 345kV (Total Project E&C Cost Shown)	Previously Allocated		\$148,727,500.00
GEN-2008-047 Tap - Woodward 345kV Dbl CKT Priority Project: Hitchland - Woodward Dbl 345kV CKT (Total Project E&C Cost Shown)	Previously Allocated		\$247,005,793.00
Hitchland - GEN-2008-047 Tap 345kV Dbl CKT Priority Project: Hitchland - Woodward Dbl 345kV CKT (Total Project E&C Cost Shown)	Previously Allocated		\$247,005,793.00
Medicine Lodge - Wichita 345KV Dbl CKT Priority Project: Spearville - Comanche - Med Lodge - Wichita Dbl 345kV CKT (Total Project E&C Cost Shown.)	Previously Allocated		\$356,300,000.00
Medicine Lodge - Woodward 345KV Dbl CKT Priority Project: Med Lodge - Woodward Dbl 345kV CKT (Total Project E&C Cost Shown)	Previously Allocated		\$194,972,759.00
Medicine Lodge 345/138KV Transformer CKT 1 Priority Project: Spearville - Comanche - Med Lodge - Wichita Dbl 345kV CKT (Total Project E&C Cost Shown.)	Previously Allocated		\$356,300,000.00
	Current Study Total	\$1,306,757.00	

GEN 2010-003

GEN-2010-003 Interconnection Costs See Online Diagram.	Current Study	\$26,000.00	\$26,000.00
Cleveland - Sooner 345KV CKT 1 Balanced Portfolio: Cleveland - Sooner 345kV CKT (Total Project E&C Cost Shown).	Previously Allocated		\$17,000,000.00
	Current Study Total	\$26,000.00	

GEN 2010-005

GEN-2010-005 Interconnection Costs See Online Diagram.	Current Study	\$26,000.00	\$26,000.00
Cleveland - Sooner 345KV CKT 1 Balanced Portfolio: Cleveland - Sooner 345kV CKT (Total Project E&C Cost Shown).	Previously Allocated		\$17,000,000.00
	Current Study Total	\$26,000.00	

GEN 2010-007

GEN-2010-007 Interconnection Costs See Online Diagram.	Current Study	\$2,867,363.00	\$2,867,363.00
---	---------------	----------------	----------------

Interconnection Request and Upgrades	Upgrade Type	Allocated Cost	Upgrade Cost
Hitchland - Border 345 kV Dbl CKT Build approximately 105 miles of 345kV and SVC at Hitchland.	Current Study	\$9,564,198.01	\$224,831,940.00
Border - Woodward 345KV CKT 1 Balanced Portfolio: Tuco - Woodward 345kV (Total Project E&C Cost Shown)	Previously Allocated		\$148,727,500.00
Finney Switching Station - Holcomb 345KV CKT 2 Per GEN-2006-044 Facility Study	Previously Allocated		\$6,299,839.00
GEN-2008-047 Tap - Woodward 345kV Dbl CKT Priority Project: Hitchland - Woodward Dbl 345kV CKT (Total Project E&C Cost Shown)	Previously Allocated		\$247,005,793.00
Hitchland - GEN-2008-047 Tap 345kV Dbl CKT Priority Project: Hitchland - Woodward Dbl 345kV CKT (Total Project E&C Cost Shown)	Previously Allocated		\$247,005,793.00
Medicine Lodge - Wichita 345KV Dbl CKT Priority Project: Spearville - Comanche - Med Lodge - Wichita Dbl 345kV CKT (Total Project E&C Cost Shown.)	Previously Allocated		\$356,300,000.00
Medicine Lodge - Woodward 345KV Dbl CKT Priority Project: Med Lodge - Woodward Dbl 345kV CKT (Total Project E&C Cost Shown)	Previously Allocated		\$194,972,759.00
Medicine Lodge 345/138KV Transformer CKT 1 Priority Project: Spearville - Comanche - Med Lodge - Wichita Dbl 345kV CKT (Total Project E&C Cost Shown.)	Previously Allocated		\$356,300,000.00
	Current Study Total	\$12,431,561.01	

GEN 2010-008

Fargo Junction - Woodward 69 kV CKT 1 Rebuild approximately 2 miles of 69kV.	Current Study	\$750,000.00	\$750,000.00
GEN-2010-008 Interconnection Costs See Oneline Diagram.	Current Study	\$1,500,000.00	\$1,500,000.00
Border - Tuco Interchange 345KV CKT 1 Balanced Portfolio: Tuco - Woodward 345kV (Total Project E&C Cost Shown)	Previously Allocated		\$148,727,500.00
Border - Woodward 345KV CKT 1 Balanced Portfolio: Tuco - Woodward 345kV (Total Project E&C Cost Shown)	Previously Allocated		\$148,727,500.00
Gracemont Transformer 345/138/13.8KV CKT 1 Priority Project: Gracemont Transformer 345/138/13.8KV CKT 1 (Total Project E&C Cost Shown)	Previously Allocated		\$8,000,000.00
Medicine Lodge - Wichita 345KV Dbl CKT Priority Project: Spearville - Comanche - Med Lodge - Wichita Dbl 345kV CKT (Total Project E&C Cost Shown.)	Previously Allocated		\$356,300,000.00
Medicine Lodge - Woodward 345KV Dbl CKT Priority Project: Med Lodge - Woodward Dbl 345kV CKT (Total Project E&C Cost Shown)	Previously Allocated		\$194,972,759.00

Interconnection Request and Upgrades	Upgrade Type	Allocated Cost	Upgrade Cost
Medicine Lodge 345/138KV Transformer CKT 1 Priority Project: Spearville - Comanche - Med Lodge - Wichita Dbl 345kV CKT (Total Project E&C Cost Shown.)	Previously Allocated		\$356,300,000.00
Tuco Interchange 345/230/13.2KV Autotransformer CKT 2 Balanced Portfolio: Tuco 345/230 kV Transformer CKT 2 (Total Project E&C Cost Shown)	Previously Allocated		\$11,250,000.00
	Current Study Total	\$2,250,000.00	

GEN 2010-009

GEN-2010-009 Interconnection Costs See Online Diagram.	Current Study	\$5,014,906.00	\$5,014,906.00
Post Rock 345/230/13.8kV Autotransformer CKT 2 DISIS-2010-001 Restudy	Current Study	\$685,595.35	\$13,749,527.00
Axtell - PostRock 345KV CKT 1 Balanced Portfolio: Spearville - PostRock - Axtell 345kV CKT (Total Project E&C Cost Shown)	Previously Allocated		\$112,700,000.00
Border - Tuco Interchange 345KV CKT 1 Balanced Portfolio: Tuco - Woodward 345kV (Total Project E&C Cost Shown)	Previously Allocated		\$148,727,500.00
Border - Woodward 345KV CKT 1 Balanced Portfolio: Tuco - Woodward 345kV (Total Project E&C Cost Shown)	Previously Allocated		\$148,727,500.00
Medicine Lodge - Wichita 345KV Dbl CKT Priority Project: Spearville - Comanche - Med Lodge - Wichita Dbl 345kV CKT (Total Project E&C Cost Shown.)	Previously Allocated		\$356,300,000.00
Medicine Lodge - Woodward 345KV Dbl CKT Priority Project: Med Lodge - Woodward Dbl 345kV CKT (Total Project E&C Cost Shown)	Previously Allocated		\$194,972,759.00
Post Rock 345/230/13.8KV Autotransformer CKT 1 Balanced Portfolio: Spearville - PostRock - Axtell 345kV CKT (Total Project E&C Cost Shown)	Previously Allocated		\$112,700,000.00
PostRock - GEN-2010-016 Tap 345KV CKT 1 Balanced Portfolio: Spearville - PostRock - Axtell 345kV CKT (Total Project E&C Cost Shown)	Previously Allocated		\$112,700,000.00
Spearville - GEN-2010-016 Tap 345KV CKT 1 Balanced Portfolio: Spearville - PostRock - Axtell 345kV CKT (Total Project E&C Cost Shown)	Previously Allocated		\$112,700,000.00
Tuco Interchange 345/230/13.2KV Autotransformer CKT 2 Balanced Portfolio: Tuco 345/230 kV Transformer CKT 2 (Total Project E&C Cost Shown)	Previously Allocated		\$11,250,000.00
	Current Study Total	\$5,700,501.35	

GEN 2010-010

Madison County - Hoskins 230kV Build approximately 30 miles of 230kV between Madison County and Hoskins	Current Study	\$15,000,000.00	\$30,000,000.00
--	---------------	-----------------	-----------------

Interconnection Request and Upgrades	Upgrade Type	Allocated Cost	Upgrade Cost
Madison County 230kV Substation See Oonline Diagram.	Current Study	\$1,800,000.00	\$3,600,000.00
	Current Study Total	\$16,800,000.00	

GEN 2010-011

GEN-2010-011 Interconnection Costs See Oonline Diagram.	Current Study	\$1.00	\$1.00
Border - Tuco Interchange 345KV CKT 1 Balanced Portfolio: Tuco - Woodward 345kV (Total Project E&C Cost Shown)	Previously Allocated		\$148,727,500.00
Border - Woodward 345KV CKT 1 Balanced Portfolio: Tuco - Woodward 345kV (Total Project E&C Cost Shown)	Previously Allocated		\$148,727,500.00
Medicine Lodge - Wichita 345KV Dbl CKT Priority Project: Spearville - Comanche - Med Lodge - Wichita Dbl 345kV CKT (Total Project E&C Cost Shown.)	Previously Allocated		\$356,300,000.00
Medicine Lodge - Woodward 345KV Dbl CKT Priority Project: Med Lodge - Woodward Dbl 345kV CKT (Total Project E&C Cost Shown)	Previously Allocated		\$194,972,759.00
Medicine Lodge 345/138KV Transformer CKT 1 Priority Project: Spearville - Comanche - Med Lodge - Wichita Dbl 345kV CKT (Total Project E&C Cost Shown.)	Previously Allocated		\$356,300,000.00
Tuco Interchange 345/230/13.2KV Autotransformer CKT 2 Balanced Portfolio: Tuco 345/230 kV Transformer CKT 2 (Total Project E&C Cost Shown)	Previously Allocated		\$11,250,000.00
	Current Study Total	\$1.00	

GEN 2010-013

GEN-2010-013 Interconnection Costs See Oonline Diagram.	Current Study	\$1,692,000.00	\$1,692,000.00
Cleveland - Sooner 345KV CKT 1 Balanced Portfolio: Cleveland - Sooner 345kV CKT (Total Project E&C Cost Shown).	Previously Allocated		\$17,000,000.00
	Current Study Total	\$1,692,000.00	

GEN 2010-014

GEN-2010-014 Interconnection Costs See Oonline Diagram.	Current Study	\$3,307,387.00	\$3,307,387.00
Hitchland - Border 345 kV Dbl CKT Build approximately 105 miles of 345kV and SVC at Hitchland.	Current Study	\$93,920,310.86	\$224,831,940.00
Border - Tuco Interchange 345KV CKT 1 Balanced Portfolio: Tuco - Woodward 345kV (Total Project E&C Cost Shown)	Previously Allocated		\$148,727,500.00

Interconnection Request and Upgrades	Upgrade Type	Allocated Cost	Upgrade Cost
Border - Woodward 345KV CKT 1 Balanced Portfolio: Tuco - Woodward 345kV (Total Project E&C Cost Shown)	Previously Allocated		\$148,727,500.00
Finney Switching Station - Holcomb 345KV CKT 2 Per GEN-2006-044 Facility Study	Previously Allocated		\$6,299,839.00
GEN-2008-047 Tap - Woodward 345kV Dbl CKT Priority Project: Hitchland - Woodward Dbl 345kV CKT (Total Project E&C Cost Shown)	Previously Allocated		\$247,005,793.00
Hitchland - GEN-2008-047 Tap 345kV Dbl CKT Priority Project: Hitchland - Woodward Dbl 345kV CKT (Total Project E&C Cost Shown)	Previously Allocated		\$247,005,793.00
Medicine Lodge - Wichita 345KV Dbl CKT Priority Project: Spearville - Comanche - Med Lodge - Wichita Dbl 345kV CKT (Total Project E&C Cost Shown.)	Previously Allocated		\$356,300,000.00
Medicine Lodge - Woodward 345KV Dbl CKT Priority Project: Med Lodge - Woodward Dbl 345kV CKT (Total Project E&C Cost Shown)	Previously Allocated		\$194,972,759.00
Medicine Lodge 345/138KV Transformer CKT 1 Priority Project: Spearville - Comanche - Med Lodge - Wichita Dbl 345kV CKT (Total Project E&C Cost Shown.)	Previously Allocated		\$356,300,000.00
	Current Study Total	\$97,227,697.86	

GEN 2010-015

GEN-2010-015 Interconnection Costs See Online Diagram.	Current Study	\$5,014,906.00	\$5,014,906.00
Post Rock 345/230/13.8kV Autotransformer CKT 2 DISIS-2010-001 Restudy	Current Study	\$1,067,657.86	\$13,749,527.00
Axtell - PostRock 345KV CKT 1 Balanced Portfolio: Spearville - PostRock - Axtell 345kV CKT (Total Project E&C Cost Shown)	Previously Allocated		\$112,700,000.00
Border - Tuco Interchange 345KV CKT 1 Balanced Portfolio: Tuco - Woodward 345kV (Total Project E&C Cost Shown)	Previously Allocated		\$148,727,500.00
Border - Woodward 345KV CKT 1 Balanced Portfolio: Tuco - Woodward 345kV (Total Project E&C Cost Shown)	Previously Allocated		\$148,727,500.00
Medicine Lodge - Wichita 345KV Dbl CKT Priority Project: Spearville - Comanche - Med Lodge - Wichita Dbl 345kV CKT (Total Project E&C Cost Shown.)	Previously Allocated		\$356,300,000.00
Medicine Lodge - Woodward 345KV Dbl CKT Priority Project: Med Lodge - Woodward Dbl 345kV CKT (Total Project E&C Cost Shown)	Previously Allocated		\$194,972,759.00
Post Rock 345/230/13.8KV Autotransformer CKT 1 Balanced Portfolio: Spearville - PostRock - Axtell 345kV CKT (Total Project E&C Cost Shown)	Previously Allocated		\$112,700,000.00

Interconnection Request and Upgrades	Upgrade Type	Allocated Cost	Upgrade Cost
PostRock - GEN-2010-016 Tap 345KV CKT 1 Balanced Portfolio: Spearville - PostRock - Axtell 345kV CKT (Total Project E&C Cost Shown)	Previously Allocated		\$112,700,000.00
Spearville - GEN-2010-016 Tap 345KV CKT 1 Balanced Portfolio: Spearville - PostRock - Axtell 345kV CKT (Total Project E&C Cost Shown)	Previously Allocated		\$112,700,000.00
Tuco Interchange 345/230/13.2KV Autotransformer CKT 2 Balanced Portfolio: Tuco 345/230 kV Transformer CKT 2 (Total Project E&C Cost Shown)	Previously Allocated		\$11,250,000.00
	Current Study Total	\$6,082,563.86	

GEN 2010-016

GEN-2010-016 Interconnection Costs See Online Diagram.	Current Study	\$9,031,000.00	\$9,031,000.00
Post Rock 345/230/13.8kV Autotransformer CKT 2 DISIS-2010-001 Restudy	Current Study	\$3,049,288.43	\$13,749,527.00
Axtell - PostRock 345KV CKT 1 Balanced Portfolio: Spearville - PostRock - Axtell 345kV CKT (Total Project E&C Cost Shown)	Previously Allocated		\$112,700,000.00
Border - Tuco Interchange 345KV CKT 1 Balanced Portfolio: Tuco - Woodward 345kV (Total Project E&C Cost Shown)	Previously Allocated		\$148,727,500.00
Border - Woodward 345KV CKT 1 Balanced Portfolio: Tuco - Woodward 345kV (Total Project E&C Cost Shown)	Previously Allocated		\$148,727,500.00
Medicine Lodge - Wichita 345KV Dbl CKT Priority Project: Spearville - Comanche - Med Lodge - Wichita Dbl 345kV CKT (Total Project E&C Cost Shown.)	Previously Allocated		\$356,300,000.00
Medicine Lodge - Woodward 345KV Dbl CKT Priority Project: Med Lodge - Woodward Dbl 345kV CKT (Total Project E&C Cost Shown)	Previously Allocated		\$194,972,759.00
Post Rock 345/230/13.8KV Autotransformer CKT 1 Balanced Portfolio: Spearville - PostRock - Axtell 345kV CKT (Total Project E&C Cost Shown)	Previously Allocated		\$112,700,000.00
PostRock - GEN-2010-016 Tap 345KV CKT 1 Balanced Portfolio: Spearville - PostRock - Axtell 345kV CKT (Total Project E&C Cost Shown)	Previously Allocated		\$112,700,000.00
Tuco Interchange 345/230/13.2KV Autotransformer CKT 2 Balanced Portfolio: Tuco 345/230 kV Transformer CKT 2 (Total Project E&C Cost Shown)	Previously Allocated		\$11,250,000.00
	Current Study Total	\$12,080,288.43	

TOTAL CURRENT STUDY COSTS: \$400,900,102.98

F: Cost Allocation per Proposed Study Network Upgrade

This section shows each Direct Assigned Facility and Network Upgrade and the Generation Interconnection Request Customer(s) which have an impact in this study assuming all higher queued projects remain in the queue and achieve commercial operation.

The required interconnection costs listed do not include all costs associated with the deliverability of the energy to final customers. These costs are determined by separate studies if the Customer submits a Transmission Service Request through SPP's Open Access Same Time Information System (OASIS) as required by Attachment Z1 of the SPP OATT. In addition, costs associated with a short circuit analysis will be allocated should the Interconnection Request Customer choose to execute a Facility Study Agreement.

There may be additional costs allocated to each Customer. See Appendix E for more details.

Appendix F. Cost Allocation by Upgrade

ASGI-2010-010 Interconnection Costs **\$1.00**

See Online Diagram.

ASGI 2010-010 \$1.00

Total Allocated Costs **\$1.00**

ASGI-2010-011 Interconnection Costs **\$1.00**

See Online Diagram.

ASGI 2010-011 \$1.00

Total Allocated Costs **\$1.00**

Fargo Junction - Woodward 69 kV CKT 1 **\$750,000.00**

Rebuild approximately 2 miles of 69kV.

GEN 2010-008 \$750,000.00

Total Allocated Costs **\$750,000.00**

GEN-2009-062 Interconnection Costs **\$1,800,000.00**

See Online Diagram.

GEN 2009-062 \$1,800,000.00

Total Allocated Costs **\$1,800,000.00**

GEN-2008-022 Interconnection Costs **\$13,042,997.00**

See Online Diagram.

GEN 2008-022 \$13,042,997.00

Total Allocated Costs **\$13,042,997.00**

GEN-2008-037 Interconnection Costs **\$1,500,000.00**

See Online Diagram.

GEN 2008-037 \$1,500,000.00

Total Allocated Costs **\$1,500,000.00**

GEN-2008-044 Interconnection Costs **\$3,403,020.00**

See Online Diagram.

GEN 2008-044 \$3,403,020.00

Total Allocated Costs **\$3,403,020.00**

GEN-2008-047 Interconnection Costs **\$9,276,873.00**

See Online Diagram.

GEN 2008-047 \$9,276,873.00

Total Allocated Costs **\$9,276,873.00**

GEN-2008-071 Interconnection Costs		\$2,889,212.00
See Oonline Diagram.		
	GEN 2008-071	\$2,889,212.00
	Total Allocated Costs	\$2,889,212.00
GEN-2008-088 Interconnection Costs		\$759,933.00
See Oonline Diagram.		
	GEN 2008-088	\$759,933.00
	Total Allocated Costs	\$759,933.00
GEN-2008-098 Interconnection Costs		\$8,259,000.00
See Oonline Diagram.		
	GEN 2008-098	\$8,259,000.00
	Total Allocated Costs	\$8,259,000.00
GEN-2008-110 Interconnection Costs		\$3,307,387.00
See Oonline Diagram.		
	GEN 2008-110	\$3,307,387.00
	Total Allocated Costs	\$3,307,387.00
GEN-2008-123N Interconnection Costs		\$6,200,000.00
See Oonline Diagram.Includes 115kV breakers at Guide Rock.		
	GEN 2008-123N	\$6,200,000.00
	Total Allocated Costs	\$6,200,000.00
GEN-2009-008 Interconnection Costs		\$414,378.00
See Oonline Diagram.		
	GEN 2009-008	\$414,378.00
	Total Allocated Costs	\$414,378.00
GEN-2009-020 Interconnection Costs		\$1,664,657.00
See Oonline Diagram.		
	GEN 2009-020	\$1,664,657.00
	Total Allocated Costs	\$1,664,657.00
GEN-2009-030 Interconnection Costs		\$2,000,000.00
See Oonline Diagram.		
	GEN 2009-030	\$2,000,000.00
	Total Allocated Costs	\$2,000,000.00
GEN-2009-040 Interconnection Costs		\$5,240,000.00
See Oonline Diagram.		

	GEN 2009-040	\$5,240,000.00
	Total Allocated Costs	\$5,240,000.00
<hr/>		
GEN-2009-060 Interconnection Costs		\$1,300,000.00
See Oonline Diagram.		
	GEN 2009-060	\$1,300,000.00
	Total Allocated Costs	\$1,300,000.00
<hr/>		
GEN-2009-067S Interconnection Costs		\$1,306,757.00
See Oonline Diagram.		
	GEN 2009-067S	\$1,306,757.00
	Total Allocated Costs	\$1,306,757.00
<hr/>		
GEN-2010-003 Interconnection Costs		\$26,000.00
See Oonline Diagram.		
	GEN 2010-003	\$26,000.00
	Total Allocated Costs	\$26,000.00
<hr/>		
GEN-2010-005 Interconnection Costs		\$26,000.00
See Oonline Diagram.		
	GEN 2010-005	\$26,000.00
	Total Allocated Costs	\$26,000.00
<hr/>		
GEN-2010-007 Interconnection Costs		\$2,867,363.00
See Oonline Diagram.		
	GEN 2010-007	\$2,867,363.00
	Total Allocated Costs	\$2,867,363.00
<hr/>		
GEN-2010-008 Interconnection Costs		\$1,500,000.00
See Oonline Diagram.		
	GEN 2010-008	\$1,500,000.00
	Total Allocated Costs	\$1,500,000.00
<hr/>		
GEN-2010-009 Interconnection Costs		\$5,014,906.00
See Oonline Diagram.		
	GEN 2010-009	\$5,014,906.00
	Total Allocated Costs	\$5,014,906.00
<hr/>		
GEN-2010-011 Interconnection Costs		\$1.00
See Oonline Diagram.		
	GEN 2010-011	\$1.00

	Total Allocated Costs	\$1.00
<hr/>		
GEN-2010-013 Interconnection Costs		\$1,692,000.00
See Oonline Diagram.		
	GEN 2010-013	\$1,692,000.00
	Total Allocated Costs	\$1,692,000.00
<hr/>		
GEN-2010-014 Interconnection Costs		\$3,307,387.00
See Oonline Diagram.		
	GEN 2010-014	\$3,307,387.00
	Total Allocated Costs	\$3,307,387.00
<hr/>		
GEN-2010-015 Interconnection Costs		\$5,014,906.00
See Oonline Diagram.		
	GEN 2010-015	\$5,014,906.00
	Total Allocated Costs	\$5,014,906.00
<hr/>		
GEN-2010-016 Interconnection Costs		\$9,031,000.00
See Oonline Diagram.		
	GEN 2010-016	\$9,031,000.00
	Total Allocated Costs	\$9,031,000.00
<hr/>		
Hitchland - Border 345 kV Dbl CKT		\$224,831,940.00
Build approximately 105 miles of 345kV and SVC at Hitchland.		
	ASGI 2010-011	\$10,305,380.10
	GEN 2008-047	\$28,392,784.82
	GEN 2008-088	\$4,164,326.75
	GEN 2008-110	\$78,484,939.44
	GEN 2010-007	\$9,564,198.01
	GEN 2010-014	\$93,920,310.86
	Total Allocated Costs	\$224,831,940.00
<hr/>		
Lake Creek- Lone Wolf 69kV CKT 1		\$197,972.00
Reset CT.		
	GEN 2009-060	\$197,972.00
	Total Allocated Costs	\$197,972.00
<hr/>		
Madison County - Hoskins 230kV		\$30,000,000.00
Build approximately 30 miles of 230kV between Madison County and Hoskins		
	GEN 2006-044N02	\$15,000,000.00
	GEN 2010-010	\$15,000,000.00

	Total Allocated Costs	\$30,000,000.00
<hr/>		
Madison County 230kV Substation		\$3,600,000.00
See Oonline Diagram.		
	GEN 2006-044N02	\$1,800,000.00
	GEN 2010-010	\$1,800,000.00
	Total Allocated Costs	\$3,600,000.00
<hr/>		
Post Rock 345/230/13.8kV Autotransformer CKT 2		\$13,749,527.00
DISIS-2010-001 Restudy		
	GEN 2009-008	\$8,061,114.17
	GEN 2009-020	\$578,289.63
	GEN 2009-062	\$307,581.56
	GEN 2010-009	\$685,595.35
	GEN 2010-015	\$1,067,657.86
	GEN 2010-016	\$3,049,288.43
	Total Allocated Costs	\$13,749,527.00
<hr/>		
South Hays - Hays Plant - Vine Street 115kV CKT 1		\$3,000,000.00
Rebuild approximately 4 miles of 115kV.		
	GEN 2009-008	\$2,830,144.15
	GEN 2009-020	\$169,855.85
	Total Allocated Costs	\$3,000,000.00
<hr/>		
Spearville 345/115/13.8kV Transformor CKT 1		\$3,745,000.00
New 345/115kV Spearville Transformer (Partial Cost allocation)		
	GEN 2009-062	\$3,745,000.00
	Total Allocated Costs	\$3,745,000.00
<hr/>		
Switch 2749 - Wildorado 69kV CKT 1		\$2,124,897.00
Rebuild approximately 4 miles of 69kV.		
	GEN 2008-088	\$2,124,897.00
	Total Allocated Costs	\$2,124,897.00
<hr/>		
Washita - Gracemont 138kV CKT 2		\$5,621,986.00
Build approximately 11 miles of 138kV.		
	GEN 2008-037	\$2,903,382.31
	GEN 2009-030	\$2,007,896.05
	GEN 2009-060	\$710,707.64
	Total Allocated Costs	\$5,621,986.00

Washita - Weatherford 138kV CKT 1

\$22,435,002.00

Build approximately 50 miles of 138kV.

GEN 2009-030

\$22,435,002.00

Total Allocated Costs

\$22,435,002.00

G: Power Flow Analysis with Constraints for Mitigation

H-1

Definitive Interconnection System Impact Study for Grouped Generation Interconnection Requests – (DISIS-2010-001-2)

SPP RESTRICTED

SOLUTION	SCENARIO	SEASON	SOURCE	DIRECTION	MONITORED ELEMENT	COMMON NAME	RATE B	TDF	TC%LOADING	CONTINGENCY NAME
FDNS	2	11G	ASGI_2010_011	'TO->FROM'	'NORTHWEST - TATONGA7	345.00 345KV CKT 1'	1195	0.2086	107.9445	'DBL-WOOD-MED'
FDNS	0	11G	ASGI_2010_011	'TO->FROM'	'FINNEY SWITCHING STATION - STEVENSCO	345.00 345KV CKT 1'	1052	0.26619	101.9622	'DBL-WOOD-MED'
FNSL-Blown up	0	11G	ASGI_2010_011		Non Converged Contingency		1052	0.20547	86.10755	'FINNEY SWITCHING STATION - STEVENSCO 345.00 345KV CKT 1'
FDNS	0	11G	G06_044N02	'TO->FROM'	'FT RANDAL - MADISONCO	230.00 230KV CKT 1'	320	0.98856	101.5695	'KELLY - MADISONCO 230.00 230KV CKT 1'
FDNS	0	11G	G06_044N02	'TO->FROM'	'KELLY - MADISONCO	230.00 230KV CKT 1'	320	0.98856	100	'FT RANDAL - MADISONCO 230.00 230KV CKT 1'
FNSL-Blown up	0	11G	G08_022		Non Converged Contingency		1052	0.11739	86.10755	'FINNEY SWITCHING STATION - STEVENSCO 345.00 345KV CKT 1'
FDNS	0	11G	G08_037	'TO->FROM'	'SOUTHWESTERN STATION - WASHITA	138KV CKT 1'	260	0.49493	113.1695	'BASE CASE'
FDNS	0	11G	G08_037	'FROM->TO'	'G08-37T	138.00 - WASHITA 138KV CKT 1'	324	0.98994	117.2249	'BASE CASE'
FDNS	0	11G	G08_037	'TO->FROM'	'GRACMNT4	138.00 - WASHITA 138KV CKT 1'	228	0.78681	154.6224	'SOUTHWESTERN STATION - WASHITA 138KV CKT 1'
FDNS	0	11G	G08_037	'TO->FROM'	'SOUTHWESTERN STATION - WASHITA	138KV CKT 1'	260	0.53115	100	'CLINTON JUNCTION - G07-32T 138.00 138KV CKT 1'
FDNS	0	11G	G08_037	'TO->FROM'	'SOUTHWESTERN STATION - WASHITA	138KV CKT 1'	260	0.8249	141.9047	'GRACMNT4 138.00 - WASHITA 138KV CKT 1'
FDNS	0	11G	G08_037	'TO->FROM'	'SOUTHWESTERN STATION - WASHITA	138KV CKT 1'	260	0.62372	111.2098	'GRACMNT7 345.00 (BANK 1) 345/138/13.8KV TRANSFORMER CKT 1'
FDNS	2	11G	G08_037	'TO->FROM'	'SOUTHWESTERN STATION - WASHITA	138KV CKT 1'	260	0.54981	111.0496	'GRACMNT7 345.00 (BANK 1) 345/138/13.8KV TRANSFORMER CKT 1'
FDNS	0	11G	G08_037	'TO->FROM'	'SOUTHWESTERN STATION - WASHITA	138KV CKT 1'	260	0.49529	107.4814	'BASE CASE'
FDNS	0	11G	G08_037	'FROM->TO'	'G08-37T	138.00 - WASHITA 138KV CKT 1'	324	0.99066	108.1309	'BASE CASE'
FDNS	0	11G	G08_037	'TO->FROM'	'GRACMNT4	138.00 - WASHITA 138KV CKT 1'	228	0.78738	146.4809	'SOUTHWESTERN STATION - WASHITA 138KV CKT 1'
FDNS	0	11G	G08_037	'TO->FROM'	'SOUTHWESTERN STATION - WASHITA	138KV CKT 1'	260	0.82549	134.5581	'GRACMNT4 138.00 - WASHITA 138KV CKT 1'
FDNS	0	11G	G08_037	'TO->FROM'	'SOUTHWESTERN STATION - WASHITA	138KV CKT 1'	260	0.62418	105.7248	'GRACMNT7 345.00 (BANK 1) 345/138/13.8KV TRANSFORMER CKT 1'
FDNS	2	11G	G08_037	'TO->FROM'	'SOUTHWESTERN STATION - WASHITA	138KV CKT 1'	260	0.55022	106.2821	'GRACMNT7 345.00 (BANK 1) 345/138/13.8KV TRANSFORMER CKT 1'
FDNS	0	11G	G08_044	'TO->FROM'	'NORTHWEST - TATONGA7	345.00 345KV CKT 1'	1195	0.48816	103.5968	'DBL-MEDLO-WI'
FDNS	0	11G	G08_044	'TO->FROM'	'NORTHWEST - TATONGA7	345.00 345KV CKT 1'	1195	0.53514	110.0199	'DBL-WOOD-MED'
FDNS	2	11G	G08_044	'TO->FROM'	'NORTHWEST - TATONGA7	345.00 345KV CKT 1'	1195	0.48731	103.8527	'DBL-MEDLO-WI'
FDNS	2	11G	G08_044	'TO->FROM'	'NORTHWEST - TATONGA7	345.00 345KV CKT 1'	1195	0.53177	110.1698	'DBL-WOOD-MED'
FDNS	0	11G	G08_044	'TO->FROM'	'NORTHWEST - TATONGA7	345.00 345KV CKT 1'	1195	0.48889	101.6308	'DBL-MEDLO-WI'
FDNS	0	11G	G08_044	'TO->FROM'	'NORTHWEST - TATONGA7	345.00 345KV CKT 1'	1195	0.53594	107.7704	'DBL-WOOD-MED'
FDNS	2	11G	G08_044	'TO->FROM'	'NORTHWEST - TATONGA7	345.00 345KV CKT 1'	1195	0.48803	101.857	'DBL-MEDLO-WI'
FDNS	2	11G	G08_044	'TO->FROM'	'NORTHWEST - TATONGA7	345.00 345KV CKT 1'	1195	0.53256	107.9445	'DBL-WOOD-MED'
FDNS	0	11G	G08_047	'TO->FROM'	'NORTHWEST - TATONGA7	345.00 345KV CKT 1'	1195	0.22496	101.6308	'DBL-MEDLO-WI'
FDNS	0	11G	G08_047	'TO->FROM'	'NORTHWEST - TATONGA7	345.00 345KV CKT 1'	1195	0.2696	107.7704	'DBL-WOOD-MED'
FDNS	2	11G	G08_047	'TO->FROM'	'NORTHWEST - TATONGA7	345.00 345KV CKT 1'	1195	0.22721	101.857	'DBL-MEDLO-WI'
FDNS	2	11G	G08_047	'TO->FROM'	'NORTHWEST - TATONGA7	345.00 345KV CKT 1'	1195	0.27332	107.9445	'DBL-WOOD-MED'
FDNS	0	11G	G08_047	'TO->FROM'	'FINNEY SWITCHING STATION - STEVENSCO	345.00 345KV CKT 1'	1052	0.22461	101.9622	'DBL-WOOD-MED'
FNSL-Blown up	0	11G	G08_047		Non Converged Contingency		1052	0.13869	86.10755	'FINNEY SWITCHING STATION - STEVENSCO 345.00 345KV CKT 1'
FDNS	0	11G	G08_088	'TO->FROM'	'FINNEY SWITCHING STATION - STEVENSCO	345.00 345KV CKT 1'	1052	0.21107	101.9622	'DBL-WOOD-MED'
FDNS	0	11G	G08_088	'TO->FROM'	'SWITCH 2749 - WILDORADO	69KV CKT 1'	35	0.99818	139.1096	'BASE CASE'

SOLUTION	SCENARIO	SEASON	SOURCE	DIRECTION	MONITORED ELEMENT COMMON NAME	RATE B	TDF	TC%LOADING	CONTINGENCY NAME
FDNS	0	11G	G08_088	'TO->FROM'	'SWITCH 2749 - WILDORADO 69KV CKT 1'	35	0.99854	110.7375	'BASE CASE'
FNSL-Blown up	0	11G	G08_088		Non Converged Contingency	1052	0.15365	86.10755	'FINNEY SWITCHING STATION - STEVENSCO 345.00 345KV CKT 1'
FDNS	0	11G	G08_110	'TO->FROM'	'NORTHWEST - TATONGA7 345.00 345KV CKT 1'	1195	0.21168	107.7704	'DBL-WOOD-MED'
FDNS	2	11G	G08_110	'TO->FROM'	'NORTHWEST - TATONGA7 345.00 345KV CKT 1'	1195	0.22385	107.9445	'DBL-WOOD-MED'
FDNS	0	11G	G08_110	'TO->FROM'	'FINNEY SWITCHING STATION - STEVENSCO 345.00 345KV CKT 1'	1052	0.28619	101.9622	'DBL-WOOD-MED'
FNSL-Blown up	0	11G	G08_110		Non Converged Contingency	1052	0.22417	86.10755	'FINNEY SWITCHING STATION - STEVENSCO 345.00 345KV CKT 1'
FDNS	0	11G	G09_008	'TO->FROM'	'HAYS PLANT - SOUTH HAYS 115KV CKT 1'	88	0.35296	122.5016	'POSTROCK6 230.00 - S HAYS6 230.00 230KV CKT 1'
FDNS	0	11G	G09_008	'FROM->TO'	'HAYS PLANT - VINE STREET 115KV CKT 1'	88	0.35296	103.2414	'POSTROCK6 230.00 - S HAYS6 230.00 230KV CKT 1'
FDNS	0	11G	G09_008	'TO->FROM'	'HAYS PLANT - SOUTH HAYS 115KV CKT 1'	88	0.35347	107.1821	'POSTROCK6 230.00 - S HAYS6 230.00 230KV CKT 1'
FNSL-Blown up	2	16SP	G09_008		Non Converged Contingency	0	0.03006	9999	'TRF-STEGALL'
FDNS	0	11G	G09_020	'TO->FROM'	'CIRCLE - MULLERGREN 230KV CKT 1'	319	0.20841	116.6901	'DBL-SPRVL-CO'
FDNS	0	11G	G09_020	'TO->FROM'	'CIRCLE - MULLERGREN 230KV CKT 1'	319	0.20841	116.6098	'DBL-COM-MEDL'
FNSL-Blown up	2	16SP	G09_020		Non Converged Contingency	0	0.03358	9999	'TRF-STEGALL'
FNSL-Blown up	2	16WP	G09_020		Non Converged Contingency	0	0.03231	9999	'TRF-STEGALL'
FDNS	0	11G	G09_030	'TO->FROM'	'SOUTHWESTERN STATION - WASHITA 138KV CKT 1'	260	0.22381	109.8698	'BASE CASE'
FDNS	0	11G	G09_030	'TO->FROM'	'HYDRO - WEATHERFORD 138KV CKT 1'	179	0.53254	115.0213	'HINTON - WEATHERFORD JCT. 138KV CKT 1'
FDNS	0	11G	G09_030	'TO->FROM'	'HYDRO - WEATHERFORD 138KV CKT 1'	179	0.53254	114.7833	'CAN_GAS4 138.00 - HINTON 138KV CKT 1'
FDNS	0	11G	G09_030	'TO->FROM'	'GRACMNT4 138.00 - WASHITA 138KV CKT 1'	228	0.3876	150.086	'SOUTHWESTERN STATION - WASHITA 138KV CKT 1'
FDNS	0	11G	G09_030	'TO->FROM'	'SOUTHWESTERN STATION - WASHITA 138KV CKT 1'	260	0.53115	100	'CLINTON JUNCTION - G07-32T 138.00 138KV CKT 1'
FDNS	0	11G	G09_030	'TO->FROM'	'HYDRO - WEATHERFORD 138KV CKT 1'	179	0.99209	121.6296	'CLINTON JUNCTION - G07-32T 138.00 138KV CKT 1'
FDNS	0	11G	G09_030	'TO->FROM'	'HYDRO - WEATHERFORD 138KV CKT 1'	179	0.53254	118.0578	'WEATHERFORD JCT. - WEATHERFORD SOUTHEAST 138KV CKT 1'
FDNS	0	11G	G09_030	'TO->FROM'	'HYDRO - WEATHERFORD 138KV CKT 1'	179	0.49853	103.3661	'WEATHERFORD SOUTHEAST - WEATHERFORD TAP 138KV CKT 1'
FDNS	0	11G	G09_030	'TO->FROM'	'HYDRO - WEATHERFORD 138KV CKT 1'	179	0.49853	105.3105	'WEATHERFORD TAP - WEATHERFORD WIND FARM 138KV CKT 1'
FDNS	0	11G	G09_030	'TO->FROM'	'HYDRO - WEATHERFORD 138KV CKT 1'	179	0.53254	113.9226	'CAN_GAS4 138.00 - JENSEN ROAD 138KV CKT 1'
FDNS	0	11G	G09_030	'TO->FROM'	'WEATHERFORD JCT. - WEATHERFORD SOUTHEAST 138KV CKT 1'	210	0.22478	100.1199	'STLN-DEMARC6230.00 - SWEETWT6 230.00 230KV CKT 1'
FDNS	0	11G	G09_030	'FROM->TO'	'CAN_GAS4 138.00 - JENSEN ROAD 138KV CKT 1'	191	0.22478	100.0916	'STLN-DEMARC6230.00 - SWEETWT6 230.00 230KV CKT 1'
FDNS	0	11G	G09_030	'TO->FROM'	'SOUTHWESTERN STATION - WASHITA 138KV CKT 1'	260	0.4006	137.7978	'GRACMNT4 138.00 - WASHITA 138KV CKT 1'
FDNS	0	11G	G09_030	'TO->FROM'	'HINTON - WEATHERFORD JCT. 138KV CKT 1'	210	0.37327	103.9236	'BINGER NIJECT - ONEY 138KV CKT 1'
FDNS	0	11G	G09_030	'TO->FROM'	'CLINTON JUNCTION - G07-32T 138.00 138KV CKT 1'	143	0.99209	137.4898	'BINGER NIJECT - ONEY 138KV CKT 1'
FDNS	0	11G	G09_030	'TO->FROM'	'WEATHERFORD JCT. - WEATHERFORD SOUTHEAST 138KV CKT 1'	210	0.37327	110.7786	'BINGER NIJECT - ONEY 138KV CKT 1'
FDNS	0	11G	G09_030	'FROM->TO'	'CAN_GAS4 138.00 - JENSEN ROAD 138KV CKT 1'	191	0.37327	111.7657	'BINGER NIJECT - ONEY 138KV CKT 1'
FDNS	0	11G	G09_030	'FROM->TO'	'JENSEN ROAD - JENSEN TAP 138KV CKT 1'	191	0.34357	100.1232	'BINGER NIJECT - ONEY 138KV CKT 1'

SOLUTION	SCENARIO	SEASON	SOURCE	DIRECTION	MONITORED ELEMENT COMMON NAME	RATE B	TDF	TC%LOADING	CONTINGENCY NAME
FDNS	0	11G	G09_030	'TO->FROM'	'HINTON - WEATHERFORD JCT. 138KV CKT 1'	210	0.37327	105.2606	'BINGER NIJECT - SICKLES 138KV CKT 1'
FDNS	0	11G	G09_030	'TO->FROM'	'CLINTON JUNCTION - G07-32T 138.00 138KV CKT 1'	143	0.99209	142.6121	'BINGER NIJECT - SICKLES 138KV CKT 1'
FDNS	0	11G	G09_030	'TO->FROM'	'WEATHERFORD JCT. - WEATHERFORD SOUTHEAST 138KV CKT 1'	210	0.37327	112.1298	'BINGER NIJECT - SICKLES 138KV CKT 1'
FDNS	0	11G	G09_030	'FROM->TO'	'CAN_GAS4 138.00 - JENSEN ROAD 138KV CKT 1'	191	0.37327	113.2376	'BINGER NIJECT - SICKLES 138KV CKT 1'
FDNS	0	11G	G09_030	'FROM->TO'	'JENSEN ROAD - JENSEN TAP 138KV CKT 1'	191	0.34357	101.4675	'BINGER NIJECT - SICKLES 138KV CKT 1'
FDNS	0	11G	G09_030	'TO->FROM'	'HINTON - WEATHERFORD JCT. 138KV CKT 1'	210	0.37327	106.5731	'HYDRO - SICKLES 138KV CKT 1'
FDNS	0	11G	G09_030	'TO->FROM'	'CLINTON JUNCTION - G07-32T 138.00 138KV CKT 1'	143	0.99209	147.646	'HYDRO - SICKLES 138KV CKT 1'
FDNS	0	11G	G09_030	'TO->FROM'	'WEATHERFORD JCT. - WEATHERFORD SOUTHEAST 138KV CKT 1'	210	0.37327	113.4566	'HYDRO - SICKLES 138KV CKT 1'
FDNS	0	11G	G09_030	'FROM->TO'	'CAN_GAS4 138.00 - JENSEN ROAD 138KV CKT 1'	191	0.37327	114.6826	'HYDRO - SICKLES 138KV CKT 1'
FDNS	0	11G	G09_030	'FROM->TO'	'JENSEN ROAD - JENSEN TAP 138KV CKT 1'	191	0.34357	102.7885	'HYDRO - SICKLES 138KV CKT 1'
FDNS	0	11G	G09_030	'TO->FROM'	'HINTON - WEATHERFORD JCT. 138KV CKT 1'	210	0.37327	107.2652	'HYDRO - WEATHERFORD 138KV CKT 1'
FDNS	0	11G	G09_030	'TO->FROM'	'CLINTON JUNCTION - G07-32T 138.00 138KV CKT 1'	143	0.99209	150.3003	'HYDRO - WEATHERFORD 138KV CKT 1'
FDNS	0	11G	G09_030	'TO->FROM'	'WEATHERFORD JCT. - WEATHERFORD SOUTHEAST 138KV CKT 1'	210	0.37327	114.1561	'HYDRO - WEATHERFORD 138KV CKT 1'
FDNS	0	11G	G09_030	'FROM->TO'	'CAN_GAS4 138.00 - JENSEN ROAD 138KV CKT 1'	191	0.37327	115.4432	'HYDRO - WEATHERFORD 138KV CKT 1'
FDNS	0	11G	G09_030	'FROM->TO'	'JENSEN ROAD - JENSEN TAP 138KV CKT 1'	191	0.34357	103.484	'HYDRO - WEATHERFORD 138KV CKT 1'
FDNS	0	11G	G09_030	'TO->FROM'	'HINTON - WEATHERFORD JCT. 138KV CKT 1'	210	0.37327	103.4649	'ONEY - WASHITA 138KV CKT 1'
FDNS	0	11G	G09_030	'TO->FROM'	'CLINTON JUNCTION - G07-32T 138.00 138KV CKT 1'	143	0.99209	135.7312	'ONEY - WASHITA 138KV CKT 1'
FDNS	0	11G	G09_030	'TO->FROM'	'WEATHERFORD JCT. - WEATHERFORD SOUTHEAST 138KV CKT 1'	210	0.37327	110.3152	'ONEY - WASHITA 138KV CKT 1'
FDNS	0	11G	G09_030	'FROM->TO'	'CAN_GAS4 138.00 - JENSEN ROAD 138KV CKT 1'	191	0.37327	111.2607	'ONEY - WASHITA 138KV CKT 1'
FDNS	0	11G	G09_030	'TO->FROM'	'WEATHERFORD JCT. - WEATHERFORD SOUTHEAST 138KV CKT 1'	210	0.22478	100.1199	'STATELINE INTERCHANGE - STLN-DEMARC6230.00 230KV CKT 1'
FDNS	0	11G	G09_030	'FROM->TO'	'CAN_GAS4 138.00 - JENSEN ROAD 138KV CKT 1'	191	0.22478	100.0916	'STATELINE INTERCHANGE - STLN-DEMARC6230.00 230KV CKT 1'
FDNS	0	11G	G09_030	'TO->FROM'	'SOUTHWESTERN STATION - WASHITA 138KV CKT 1'	260	0.29667	108.2142	'GRACMNT7 345.00 (BANK 1) 345/138/13.8KV TRANSFORMER CKT 1'
FDNS	0	11G	G09_030	'TO->FROM'	'WEATHERFORD JCT. - WEATHERFORD SOUTHEAST 138KV CKT 1'	210	0.22478	100.1199	'SPP-SWPS-02'
FDNS	0	11G	G09_030	'FROM->TO'	'CAN_GAS4 138.00 - JENSEN ROAD 138KV CKT 1'	191	0.22478	100.0916	'SPP-SWPS-02'
FDNS	2	11G	G09_030	'TO->FROM'	'SOUTHWESTERN STATION - WASHITA 138KV CKT 1'	260	0.35601	109.2427	'GRACMNT7 345.00 (BANK 1) 345/138/13.8KV TRANSFORMER CKT 1'
FDNS	0	11G	G09_030	'TO->FROM'	'SOUTHWESTERN STATION - WASHITA 138KV CKT 1'	260	0.22397	107.4814	'BASE CASE'
FDNS	0	11G	G09_030	'TO->FROM'	'HYDRO - WEATHERFORD 138KV CKT 1'	179	0.53292	108.8172	'HINTON - WEATHERFORD JCT. 138KV CKT 1'
FDNS	0	11G	G09_030	'TO->FROM'	'HYDRO - WEATHERFORD 138KV CKT 1'	179	0.53292	108.5842	'CAN_GAS4 138.00 - HINTON 138KV CKT 1'
FDNS	0	11G	G09_030	'TO->FROM'	'GRACMNT4 138.00 - WASHITA 138KV CKT 1'	228	0.38788	146.4809	'SOUTHWESTERN STATION - WASHITA 138KV CKT 1'
FDNS	0	11G	G09_030	'TO->FROM'	'HYDRO - WEATHERFORD 138KV CKT 1'	179	0.99281	108.6559	'CLINTON JUNCTION - G07-32T 138.00 138KV CKT 1'
FDNS	0	11G	G09_030	'TO->FROM'	'HYDRO - WEATHERFORD 138KV CKT 1'	179	0.53292	111.8362	'WEATHERFORD JCT. - WEATHERFORD SOUTHEAST 138KV CKT 1'

SOLUTION	SCENARIO	SEASON	SOURCE	DIRECTION	MONITORED ELEMENT COMMON NAME	RATE B	TDF	TC%LOADING	CONTINGENCY NAME
FDNS	0	11G	G09_030	'TO->FROM'	'HYDRO - WEATHERFORD 138KV CKT 1'	179	0.53292	107.728	'CAN_GAS4 138.00 - JENSEN ROAD 138KV CKT 1'
FDNS	0	11G	G09_030	'TO->FROM'	'SOUTHWESTERN STATION - WASHITA 138KV CKT 1'	260	0.40089	134.5581	'GRACMNT4 138.00 - WASHITA 138KV CKT 1'
FDNS	0	11G	G09_030	'TO->FROM'	'HINTON - WEATHERFORD JCT. 138KV CKT 1'	210	0.37355	100.3698	'BINGER NIJECT - ONEY 138KV CKT 1'
FDNS	0	11G	G09_030	'TO->FROM'	'CLINTON JUNCTION - G07-32T 138.00 138KV CKT 1'	143	0.99281	123.7612	'BINGER NIJECT - ONEY 138KV CKT 1'
FDNS	0	11G	G09_030	'TO->FROM'	'WEATHERFORD JCT. - WEATHERFORD SOUTHEAST 138KV CKT 1'	210	0.37355	107.1929	'BINGER NIJECT - ONEY 138KV CKT 1'
FDNS	0	11G	G09_030	'FROM->TO'	'CAN_GAS4 138.00 - JENSEN ROAD 138KV CKT 1'	191	0.37355	107.8534	'BINGER NIJECT - ONEY 138KV CKT 1'
FDNS	0	11G	G09_030	'TO->FROM'	'HINTON - WEATHERFORD JCT. 138KV CKT 1'	210	0.37355	101.6854	'BINGER NIJECT - SICKLES 138KV CKT 1'
FDNS	0	11G	G09_030	'TO->FROM'	'CLINTON JUNCTION - G07-32T 138.00 138KV CKT 1'	143	0.99281	128.9064	'BINGER NIJECT - SICKLES 138KV CKT 1'
FDNS	0	11G	G09_030	'TO->FROM'	'WEATHERFORD JCT. - WEATHERFORD SOUTHEAST 138KV CKT 1'	210	0.37355	108.5192	'BINGER NIJECT - SICKLES 138KV CKT 1'
FDNS	0	11G	G09_030	'FROM->TO'	'CAN_GAS4 138.00 - JENSEN ROAD 138KV CKT 1'	191	0.37355	109.3019	'BINGER NIJECT - SICKLES 138KV CKT 1'
FDNS	0	11G	G09_030	'TO->FROM'	'HINTON - WEATHERFORD JCT. 138KV CKT 1'	210	0.37355	102.9897	'HYDRO - SICKLES 138KV CKT 1'
FDNS	0	11G	G09_030	'TO->FROM'	'CLINTON JUNCTION - G07-32T 138.00 138KV CKT 1'	143	0.99281	133.947	'HYDRO - SICKLES 138KV CKT 1'
FDNS	0	11G	G09_030	'TO->FROM'	'WEATHERFORD JCT. - WEATHERFORD SOUTHEAST 138KV CKT 1'	210	0.37355	109.8354	'HYDRO - SICKLES 138KV CKT 1'
FDNS	0	11G	G09_030	'FROM->TO'	'CAN_GAS4 138.00 - JENSEN ROAD 138KV CKT 1'	191	0.37355	110.7378	'HYDRO - SICKLES 138KV CKT 1'
FDNS	0	11G	G09_030	'TO->FROM'	'HINTON - WEATHERFORD JCT. 138KV CKT 1'	210	0.37355	103.6825	'HYDRO - WEATHERFORD 138KV CKT 1'
FDNS	0	11G	G09_030	'TO->FROM'	'CLINTON JUNCTION - G07-32T 138.00 138KV CKT 1'	143	0.99281	136.5987	'HYDRO - WEATHERFORD 138KV CKT 1'
FDNS	0	11G	G09_030	'TO->FROM'	'WEATHERFORD JCT. - WEATHERFORD SOUTHEAST 138KV CKT 1'	210	0.37355	110.5353	'HYDRO - WEATHERFORD 138KV CKT 1'
FDNS	0	11G	G09_030	'FROM->TO'	'CAN_GAS4 138.00 - JENSEN ROAD 138KV CKT 1'	191	0.37355	111.5008	'HYDRO - WEATHERFORD 138KV CKT 1'
FDNS	0	11G	G09_030	'TO->FROM'	'CLINTON JUNCTION - G07-32T 138.00 138KV CKT 1'	143	0.99281	121.9938	'ONEY - WASHITA 138KV CKT 1'
FDNS	0	11G	G09_030	'TO->FROM'	'WEATHERFORD JCT. - WEATHERFORD SOUTHEAST 138KV CKT 1'	210	0.37355	106.7374	'ONEY - WASHITA 138KV CKT 1'
FDNS	0	11G	G09_030	'FROM->TO'	'CAN_GAS4 138.00 - JENSEN ROAD 138KV CKT 1'	191	0.37355	107.3558	'ONEY - WASHITA 138KV CKT 1'
FDNS	0	11G	G09_030	'TO->FROM'	'SOUTHWESTERN STATION - WASHITA 138KV CKT 1'	260	0.2969	105.7248	'GRACMNT7 345.00 (BANK 1) 345/138/13.8KV TRANSFORMER CKT 1'
FDNS	2	11G	G09_030	'TO->FROM'	'SOUTHWESTERN STATION - WASHITA 138KV CKT 1'	260	0.35628	106.2821	'GRACMNT7 345.00 (BANK 1) 345/138/13.8KV TRANSFORMER CKT 1'
FNSL-Blown up	2	16SP	G09_062		Non Converged Contingency	0	0.0448	9999	'TRF-STEGALL'
FNSL-Blown up	2	16WP	G09_062		Non Converged Contingency	0	0.04353	9999	'TRF-STEGALL'
FNSL-Blown up	0	11G	G09_067S		Non Converged Contingency	1052	0.11593	86.10755	'FINNEY SWITCHING STATION - STEVENSCO 345.00 345KV CKT 1'
FDNS	0	11G	G10_007	'TO->FROM'	'FINNEY SWITCHING STATION - STEVENSCO 345KV CKT 1'	1052	0.22923	101.9622	'DBL-WOOD-MED'
FNSL-Blown up	0	11G	G10_007		Non Converged Contingency	1052	0.17096	86.10755	'FINNEY SWITCHING STATION - STEVENSCO 345.00 345KV CKT 1'
FDNS	0	11G	G10_008	'FROM->TO'	'FARGO JCT - WOODWARD 69KV CKT 1'	65	0.77172	108.7432	'BASE CASE'
FDNS	0	11G	G10_008	'FROM->TO'	'FARGO JCT - WOODWARD 69KV CKT 1'	65	0.92851	160.1192	'FT SUPPLY - IODINE 138KV CKT 1'
FDNS	0	11G	G10_008	'FROM->TO'	'FARGO JCT - WOODWARD 69KV CKT 1'	65	0.92851	152.8789	'IODINE - MOORELAND 138KV CKT 1'

SOLUTION	SCENARIO	SEASON	SOURCE	DIRECTION	MONITORED ELEMENT	COMMON NAME	RATE B	TDF	TC%LOADING	CONTINGENCY NAME
FDNS	0	11G	G10_008	'TO->FROM'	'NORTHWEST - TATONGA7	345.00 345KV CKT 1'	1195	0.21163	108.0821	'DBL-WOOD-MED'
FDNS	2	11G	G10_008	'TO->FROM'	'NORTHWEST - TATONGA7	345.00 345KV CKT 1'	1195	0.20869	108.2518	'DBL-WOOD-MED'
FDNS	0	11G	G10_008	'FROM->TO'	'FARGO JCT - WOODWARD	69KV CKT 1'	65	0.92894	141.5353	'FT SUPPLY - IODINE 138KV CKT 1'
FDNS	0	11G	G10_008	'FROM->TO'	'FARGO JCT - WOODWARD	69KV CKT 1'	65	0.92894	134.3021	'IODINE - MOORELAND 138KV CKT 1'
FDNS	0	11G	G10_008	'TO->FROM'	'NORTHWEST - TATONGA7	345.00 345KV CKT 1'	1195	0.21174	107.7704	'DBL-WOOD-MED'
FDNS	2	11G	G10_008	'TO->FROM'	'NORTHWEST - TATONGA7	345.00 345KV CKT 1'	1195	0.2088	107.9445	'DBL-WOOD-MED'
FNSL-Blown up	0	11G	G10_008			Non Converged Contingency	1052	0.0373	86.10755	'FINNEY SWITCHING STATION - STEVENSCO 345.00 345KV CKT 1'
FNSL-Blown up	2	16SP	G10_009			Non Converged Contingency	0	0.03759	9999	'TRF-STEGALL'
FNSL-Blown up	2	16WP	G10_009			Non Converged Contingency	0	0.03632	9999	'TRF-STEGALL'
FDNS	0	11G	G10_010	'TO->FROM'	'FT RANDAL - MADISONCO	230.00 230KV CKT 1'	320	0.98785	109.7782	'KELLY - MADISONCO 230.00 230KV CKT 1'
FDNS	0	11G	G10_010	'TO->FROM'	'KELLY - MADISONCO	230.00 230KV CKT 1'	320	0.98785	106.3447	'FT RANDAL - MADISONCO 230.00 230KV CKT 1'
FDNS	0	11G	G10_010	'TO->FROM'	'FT RANDAL - MADISONCO	230.00 230KV CKT 1'	320	0.98856	101.5695	'KELLY - MADISONCO 230.00 230KV CKT 1'
FDNS	0	11G	G10_010	'TO->FROM'	'KELLY - MADISONCO	230.00 230KV CKT 1'	320	0.98856	100	'FT RANDAL - MADISONCO 230.00 230KV CKT 1'
FDNS	0	11G	G10_011	'TO->FROM'	'NORTHWEST - TATONGA7	345.00 345KV CKT 1'	1195	0.48878	101.9247	'DBL-MEDLO-WI'
FDNS	0	11G	G10_011	'TO->FROM'	'NORTHWEST - TATONGA7	345.00 345KV CKT 1'	1195	0.53582	108.1052	'DBL-WOOD-MED'
FDNS	2	11G	G10_011	'TO->FROM'	'NORTHWEST - TATONGA7	345.00 345KV CKT 1'	1195	0.48792	102.1505	'DBL-MEDLO-WI'
FDNS	2	11G	G10_011	'TO->FROM'	'NORTHWEST - TATONGA7	345.00 345KV CKT 1'	1195	0.53244	108.2761	'DBL-WOOD-MED'
FDNS	0	11G	G10_011	'TO->FROM'	'NORTHWEST - TATONGA7	345.00 345KV CKT 1'	1195	0.48889	101.6308	'DBL-MEDLO-WI'
FDNS	0	11G	G10_011	'TO->FROM'	'NORTHWEST - TATONGA7	345.00 345KV CKT 1'	1195	0.53594	107.7704	'DBL-WOOD-MED'
FDNS	2	11G	G10_011	'TO->FROM'	'NORTHWEST - TATONGA7	345.00 345KV CKT 1'	1195	0.48803	101.857	'DBL-MEDLO-WI'
FDNS	2	11G	G10_011	'TO->FROM'	'NORTHWEST - TATONGA7	345.00 345KV CKT 1'	1195	0.53256	107.9445	'DBL-WOOD-MED'
FDNS	0	11G	G10_014	'TO->FROM'	'NORTHWEST - TATONGA7	345.00 345KV CKT 1'	1195	0.21168	107.7704	'DBL-WOOD-MED'
FDNS	2	11G	G10_014	'TO->FROM'	'NORTHWEST - TATONGA7	345.00 345KV CKT 1'	1195	0.22385	107.9445	'DBL-WOOD-MED'
FDNS	0	11G	G10_014	'TO->FROM'	'FINNEY SWITCHING STATION - STEVENSCO	345.00 345KV CKT 1'	1052	0.28619	101.9622	'DBL-WOOD-MED'
FNSL-Blown up	0	11G	G10_014			Non Converged Contingency	1052	0.22417	86.10755	'FINNEY SWITCHING STATION - STEVENSCO 345.00 345KV CKT 1'
FDNS	0	11G	G10_016	'FROM->TO'	'G10-16	345.00 345/34.5KV TRANSFORMER CKT 1'	184	0.99289	147.6313	'BASE CASE'
FDNS	0	11G	G10_016	'FROM->TO'	'G10-16	345.00 345/34.5KV TRANSFORMER CKT 1'	184	0.99289	108.0226	'G10-16T 345.00 - SPEARVILLE 345KV CKT 1'
FDNS	0	11G	G10_016	'FROM->TO'	'G10-16	345.00 345/34.5KV TRANSFORMER CKT 1'	184	0.99431	120.9169	'BASE CASE'
FNSL-Blown up	2	16SP	G10_016			Non Converged Contingency	0	0.03173	9999	'TRF-STEGALL'
FNSL-Blown up	2	16WP	G10_016			Non Converged Contingency	0	0.03047	9999	'TRF-STEGALL'

H: Power Flow Analysis (Constraints with greater than 3% TDF)

H-1

Definitive Interconnection System Impact Study for Grouped Generation Interconnection Requests – (DISIS-2010-001-2)

SPP RESTRICTED

SOLUTION	GROUP	SCENARIO	SEASON	SOURCE	DIRECTION	MONITORED ELEMENT		RATE B	TDF	TC%	LOADING	CONTINGENCY NAME
						COMMON NAME						
FDNS	01G0844		0 11G	G08_044	'TO->FROM'	'FPL SWITCH - WOODWARD 138KV CKT 1'		153	0.09596		117.864	'NORTHWEST - TATONGA7 345KV CKT 1' 345.00
FDNS	01G0844		0 11G	G08_044	'TO->FROM'	'EL RENO - ROMAN NOSE 138KV CKT 1'		153	0.0324		168.978	'NORTHWEST - TATONGA7 345KV CKT 1' 345.00
FDNS	01G1008		0 11G	G10_008	'TO->FROM'	'GLASS MOUNTAIN - MOORELAND 138KV CKT 1'		124	0.06545		103.8267	'BASE CASE'
FDNS	01G1008		0 11G	G10_008	'TO->FROM'	'EL RENO - ROMAN NOSE 138KV CKT 1'		153	0.05707		154.0228	'BASE CASE'
FDNS	01G1008		0 11G	G10_008	'TO->FROM'	'GLASS MOUNTAIN - MOORELAND 138KV CKT 1'		124	0.06619		106.3246	'CLINTON AIR FORCE BASE TAP - ELK CITY 138KV CKT 1'
FDNS	01G1008		0 11G	G10_008	'TO->FROM'	'GLASS MOUNTAIN - MOORELAND 138KV CKT 1'		124	0.06619		106.2183	'CLINTON AIR FORCE BASE TAP - HOBART JUNCTION 138KV CKT 1'
FDNS	01G1008		0 11G	G10_008	'TO->FROM'	'GLASS MOUNTAIN - MOORELAND 138KV CKT 1'		124	0.06572		110.5019	'LAWTON EASTSIDE - OKLAUNION 345KV CKT 1'
FDNS	01G1008		0 11G	G10_008	'TO->FROM'	'EL RENO - ROMAN NOSE 138KV CKT 1'		153	0.05747		141.5247	'LAWTON EASTSIDE - OKLAUNION 345KV CKT 1'
FDNS	01G1008		0 11G	G10_008	'TO->FROM'	'EL RENO - ROMAN NOSE 138KV CKT 1'		153	0.05747		136.2642	'G08-14T 345.00 - OKLAUNION 345KV CKT 1'
FDNS	01G1008		0 11G	G10_008	'TO->FROM'	'GLASS MOUNTAIN - MOORELAND 138KV CKT 1'		124	0.06627		106.5553	'CLINTON JUNCTION - ELK CITY 138KV CKT 1'
FDNS	01G1008		0 11G	G10_008	'TO->FROM'	'EL RENO - ROMAN NOSE 138KV CKT 1'		153	0.05836		137.1265	'CLINTON JUNCTION - ELK CITY 138KV CKT 1'
FDNS	01G1008		0 11G	G10_008	'TO->FROM'	'GLASS MOUNTAIN - MOORELAND 138KV CKT 1'		124	0.06931		108.1052	'ELK CITY - RHWIND4 138.00 138KV CKT 1'
FDNS	01G1008		0 11G	G10_008	'TO->FROM'	'EL RENO - ROMAN NOSE 138KV CKT 1'		153	0.05997		136.3773	'ELK CITY - RHWIND4 138.00 138KV CKT 1'
FDNS	01G1008		0 11G	G10_008	'TO->FROM'	'EL RENO - ROMAN NOSE 138KV CKT 1'		153	0.05761		136.1701	'WEATHERFORD JCT. - WEATHERFORD SOUTHEAST 138KV CKT 1'
FDNS	01G1008		0 11G	G10_008	'TO->FROM'	'GLASS MOUNTAIN - MOORELAND 138KV CKT 1'		124	0.07236		108.5755	'WAUKOMIS - WAUKOMIS TAP 138KV CKT 1'
FDNS	01G1008		0 11G	G10_008	'TO->FROM'	'GLASS MOUNTAIN - MOORELAND 138KV CKT 1'		124	0.07236		108.8501	'HENESSEY - WAUKOMIS 138KV CKT 1'
FDNS	01G1008		0 11G	G10_008	'TO->FROM'	'GLASS MOUNTAIN - MOORELAND 138KV CKT 1'		124	0.06523		101.3211	'CIMARRON - WOODRING 345KV CKT 1'
FDNS	01G1008		0 11G	G10_008	'TO->FROM'	'GLASS MOUNTAIN - MOORELAND 138KV CKT 1'		124	0.06766		106.4455	'KNOBHILL - SALINE 69KV CKT 1'
FDNS	01G1008		0 11G	G10_008	'TO->FROM'	'GLASS MOUNTAIN - MOORELAND 138KV CKT 1'		124	0.06766		106.3728	'HELENAT2 69.000 - SALINE 69KV CKT 1'
FDNS	01G1008		0 11G	G10_008	'TO->FROM'	'GLASS MOUNTAIN - MOORELAND 138KV CKT 1'		124	0.07236		109.501	'DOVER SW - HENESSEY 138KV CKT 1'
FDNS	01G1008		0 11G	G10_008	'TO->FROM'	'GLASS MOUNTAIN - MOORELAND 138KV CKT 1'		124	0.06702		101.3243	'CLEO CORNER - CLEO JCT 69KV CKT 1'
FDNS	01G1008		0 11G	G10_008	'TO->FROM'	'EL RENO - ROMAN NOSE 138KV CKT 1'		153	0.06126		139.1323	'CLEO CORNER - GLASS MOUNTAIN 138KV CKT 1'
FDNS	01G1008		0 11G	G10_008	'TO->FROM'	'EL RENO - ROMAN NOSE 138KV CKT 1'		153	0.06269		139.4283	'CLEO CORNER - MEN TAP 138KV CKT 1'
FDNS	01G1008		0 11G	G10_008	'TO->FROM'	'EL RENO - ROMAN NOSE 138KV CKT 1'		153	0.06435		129.1094	'DEWEY - IODINE 138KV CKT 1'
FDNS	01G1008		0 11G	G10_008	'TO->FROM'	'GLASS MOUNTAIN - MOORELAND 138KV CKT 1'		124	0.06997		109.5976	'DEWEY - SOUTHARD 138KV CKT 1'
FDNS	01G1008		0 11G	G10_008	'TO->FROM'	'CANTON - TALOGA 69KV CKT 1'		39	0.03081		117.2265	'DEWEY - SOUTHARD 138KV CKT 1'
FDNS	01G1008		0 11G	G10_008	'TO->FROM'	'EL RENO - ROMAN NOSE 138KV CKT 1'		153	0.06126		139.2798	'GLASS MOUNTAIN - MOORELAND 138KV CKT 1'
FDNS	01G1008		0 11G	G10_008	'TO->FROM'	'EL RENO - ROMAN NOSE 138KV CKT 1'		153	0.06269		139.3837	'IMO TAP - MEN TAP 138KV CKT 1'
FDNS	01G1008		0 11G	G10_008	'TO->FROM'	'GLASS MOUNTAIN - MOORELAND 138KV CKT 1'		124	0.06895		106.2969	'ALINE - ALVA 69KV CKT 1'

SOLUTION	GROUP	SCENARIO	SEASON	SOURCE	DIRECTION	MONITORED ELEMENT		RATE B	TDF	TC%	LOADING	CONTINGENCY NAME
						COMMON NAME						
FDNS	01G1008		0 11G	G10_008	'TO->FROM'	'GLASS MOUNTAIN - MOORELAND 138KV CKT 1'		124	0.06405	109.7404	'ALVA - KNOBHILL 69KV CKT 1'	
FDNS	01G1008		0 11G	G10_008	'TO->FROM'	'GLASS MOUNTAIN - MOORELAND 138KV CKT 1'		124	0.06923	117.1646	'KNOBHILL - MOORELAND 138KV CKT 1' 'IODINE - WWRDEHV4 138.00 138KV CKT 1'	
FDNS	01G1008		0 11G	G10_008	'TO->FROM'	'EL RENO - ROMAN NOSE 138KV CKT 1'		153	0.06435	128.2268	'EL RENO - ROMAN NOSE 138KV CKT 1'	
FDNS	01G1008		0 11G	G10_008	'TO->FROM'	'EL RENO - ROMAN NOSE 138KV CKT 1'		153	0.05573	131.3883	'EL RENO - JENSEN TAP 138KV CKT 1'	
FDNS	01G1008		0 11G	G10_008	'TO->FROM'	'GLASS MOUNTAIN - MOORELAND 138KV CKT 1'		124	0.06963	115.4304	'EL RENO - ROMAN NOSE 138KV CKT 1'	
FDNS	01G1008		0 11G	G10_008	'FROM->TO'	'CANTON - OKEENE 69KV CKT 1'		48	0.03048	104.8373	'EL RENO - ROMAN NOSE 138KV CKT 1'	
FDNS	01G1008		0 11G	G10_008	'TO->FROM'	'CANTON - TALOGA 69KV CKT 1'		39	0.03048	135.9982	'EL RENO - ROMAN NOSE 138KV CKT 1'	
FDNS	01G1008		0 11G	G10_008	'TO->FROM'	'EL RENO - ROMAN NOSE 138KV CKT 1'		153	0.05286	127.1281	'CIMARRON - EL RENO 138KV CKT 1'	
FDNS	01G1008		0 11G	G10_008	'TO->FROM'	'EL RENO - ROMAN NOSE 138KV CKT 1'		153	0.05542	131.588	'CIMARRON - JENSEN TAP 138KV CKT 1'	
FDNS	01G1008		0 11G	G10_008	'TO->FROM'	'GLASS MOUNTAIN - MOORELAND 138KV CKT 1'		124	0.06997	108.8518	'ROMAN NOSE - SOUTHARD 138KV CKT 1'	
FDNS	01G1008		0 11G	G10_008	'TO->FROM'	'CANTON - TALOGA 69KV CKT 1'		39	0.03081	114.8544	'ROMAN NOSE - SOUTHARD 138KV CKT 1'	
FDNS	01G1008		0 11G	G10_008	'TO->FROM'	'EL RENO - ROMAN NOSE 138KV CKT 1'		153	0.05727	136.6179	'CIMARRON - NORTHWEST 345KV CKT 1'	
FDNS	01G1008		0 11G	G10_008	'TO->FROM'	'CLEO CORNER - GLASS MOUNTAIN 138KV CKT 1'		153	0.07092	108.0288	'NORTHWEST - TATONGA7 345.00 345KV CKT 1'	
FDNS	01G1008		0 11G	G10_008	'TO->FROM'	'GLASS MOUNTAIN - MOORELAND 138KV CKT 1'		124	0.07092	136.5558	'NORTHWEST - TATONGA7 345.00 345KV CKT 1'	
FDNS	01G1008		0 11G	G10_008	'TO->FROM'	'EL RENO - ROMAN NOSE 138KV CKT 1'		153	0.06461	168.5721	'NORTHWEST - TATONGA7 345.00 345KV CKT 1'	
FDNS	01G1008		0 11G	G10_008	'TO->FROM'	'DOVER SW - OKEENE 138KV CKT 1'		130	0.066	101.5626	'NORTHWEST - TATONGA7 345.00 345KV CKT 1'	
FDNS	01G1008		0 11G	G10_008	'TO->FROM'	'GLASS MOUNTAIN - MOORELAND 138KV CKT 1'		124	0.07221	108.7397	'TATONGA7 345.00 - WWRDEHV7 345.00 345KV CKT 1'	
FDNS	01G1008		0 11G	G10_008	'TO->FROM'	'EL RENO - ROMAN NOSE 138KV CKT 1'		153	0.06639	139.2502	'TATONGA7 345.00 - WWRDEHV7 345.00 345KV CKT 1'	
FDNS	01G1008		0 11G	G10_008	'TO->FROM'	'EL RENO - ROMAN NOSE 138KV CKT 1'		153	0.0585	137.0677	'BORDER 7345.00 - WWRDEHV7 345.00 345KV CKT 1'	
FDNS	01G1008		0 11G	G10_008	'TO->FROM'	'GLASS MOUNTAIN - MOORELAND 138KV CKT 1'		124	0.06813	110.8619	'MED-LDG5 345.00 - WWRDEHV7 345.00 345KV CKT 1'	
FDNS	01G1008		0 11G	G10_008	'TO->FROM'	'EL RENO - ROMAN NOSE 138KV CKT 1'		153	0.05957	139.082	'MED-LDG5 345.00 - WWRDEHV7 345.00 345KV CKT 1'	
FDNS	01G1008		0 11G	G10_008	'TO->FROM'	'GLASS MOUNTAIN - MOORELAND 138KV CKT 1'		124	0.06813	110.8619	'MED-LDG5 345.00 - WWRDEHV7 345.00 345KV CKT 2'	
FDNS	01G1008		0 11G	G10_008	'TO->FROM'	'EL RENO - ROMAN NOSE 138KV CKT 1'		153	0.05957	139.082	'MED-LDG5 345.00 - WWRDEHV7 345.00 345KV CKT 2'	
FDNS	01G1008		0 11G	G10_008	'TO->FROM'	'EL RENO - ROMAN NOSE 138KV CKT 1'		153	0.06239	130.2403	'FPL SWITCH - MOORELAND 138KV CKT 1'	
FDNS	01G1008		0 11G	G10_008	'TO->FROM'	'GLASS MOUNTAIN - MOORELAND 138KV CKT 1'		124	0.06658	106.3635	'ALVA - CHEROKEE SW 69KV CKT 1'	
FDNS	01G1008		0 11G	G10_008	'TO->FROM'	'CANTON - TALOGA 69KV CKT 1'		39	0.03034	110.9651	'ARAPAHO - HAMON BUTLER 69KV CKT 1'	
FDNS	01G1008		0 11G	G10_008	'TO->FROM'	'CANTON - TALOGA 69KV CKT 1'		39	0.03034	110.9619	'ARAPAHO - INDUSTRIAL PARK 69KV CKT 1'	
FDNS	01G1008		0 11G	G10_008	'TO->FROM'	'EL RENO - ROMAN NOSE 138KV CKT 1'		153	0.06052	136.9578	'CANTON - OKEENE 69KV CKT 1'	
FDNS	01G1008		0 11G	G10_008	'TO->FROM'	'EL RENO - ROMAN NOSE 138KV CKT 1'		153	0.06052	137.1809	'CANTON - TALOGA 69KV CKT 1'	

SOLUTION	GROUP	SCENARIO	SEASON	SOURCE	DIRECTION	MONITORED ELEMENT		RATE B	TDF	TC%	LOADING	CONTINGENCY NAME
						COMMON NAME						
FDNS	01G1008		0 11G	G10_008	'TO->FROM'	'GLASS MOUNTAIN - MOORELAND 138KV CKT 1'		124	0.07312		117.2696	'CEDARDALE - MOORELAND 138KV CKT 1'
FDNS	01G1008		0 11G	G10_008	'TO->FROM'	'EL RENO - ROMAN NOSE 138KV CKT 1'		153	0.05964		137.3211	'CEDARDALE - MOORELAND 138KV CKT 1'
FDNS	01G1008		0 11G	G10_008	'FROM->TO'	'CANTON - OKEENE 69KV CKT 1'		48	0.03578		118.7299	'CEDARDALE - MOORELAND 138KV CKT 1'
FDNS	01G1008		0 11G	G10_008	'TO->FROM'	'CANTON - TALOGA 69KV CKT 1'		39	0.03578		153.0541	'CEDARDALE - MOORELAND 138KV CKT 1'
FDNS	01G1008		0 11G	G10_008	'TO->FROM'	'GLASS MOUNTAIN - MOORELAND 138KV CKT 1'		124	0.07312		116.9743	'CEDARDALE - OKEENE 138KV CKT 1'
FDNS	01G1008		0 11G	G10_008	'TO->FROM'	'EL RENO - ROMAN NOSE 138KV CKT 1'		153	0.05964		137.2852	'CEDARDALE - OKEENE 138KV CKT 1'
FDNS	01G1008		0 11G	G10_008	'FROM->TO'	'CANTON - OKEENE 69KV CKT 1'		48	0.03578		117.2837	'CEDARDALE - OKEENE 138KV CKT 1'
FDNS	01G1008		0 11G	G10_008	'TO->FROM'	'CANTON - TALOGA 69KV CKT 1'		39	0.03578		151.2858	'CEDARDALE - OKEENE 138KV CKT 1'
FDNS	01G1008		0 11G	G10_008	'TO->FROM'	'GLASS MOUNTAIN - MOORELAND 138KV CKT 1'		124	0.06702		101.3328	'CLEO JCT - RINGWOOD 69KV CKT 1' 'CORDELL - INDUSTRIAL PARK 69KV CKT 1'
FDNS	01G1008		0 11G	G10_008	'TO->FROM'	'CANTON - TALOGA 69KV CKT 1'		39	0.03034		109.8989	'CORDELL - INDUSTRIAL PARK 69KV CKT 1'
FDNS	01G1008		0 11G	G10_008	'TO->FROM'	'GLASS MOUNTAIN - MOORELAND 138KV CKT 1'		124	0.0727		113.1652	'DOVER SW - OKEENE 138KV CKT 1'
FDNS	01G1008		0 11G	G10_008	'TO->FROM'	'EL RENO - ROMAN NOSE 138KV CKT 1'		153	0.06132		138.3135	'DOVER SW - OKEENE 138KV CKT 1'
FDNS	01G1008		0 11G	G10_008	'FROM->TO'	'OKEENE - WATONGA SW 69KV CKT 1'		48	0.03692		120.5129	'DOVER SW - OKEENE 138KV CKT 1'
FDNS	01G1008		0 11G	G10_008	'TO->FROM'	'GLASS MOUNTAIN - MOORELAND 138KV CKT 1'		124	0.05349		101.2101	'FT SUPPLY - IODINE 138KV CKT 1'
FDNS	01G1008		0 11G	G10_008	'FROM->TO'	'BUFBEAR2 - BUFFALO 69KV CKT 1'		35	0.06592		104.0606	'FT SUPPLY - IODINE 138KV CKT 1'
FDNS	01G1008		0 11G	G10_008	'TO->FROM'	'CANTON - TALOGA 69KV CKT 1'		39	0.03034		110.9669	'HAMON BUTLER - PUTNAM 69KV CKT 1'
FDNS	01G1008		0 11G	G10_008	'TO->FROM'	'GLASS MOUNTAIN - MOORELAND 138KV CKT 1'		124	0.05349		101.5149	'IODINE - MOORELAND 138KV CKT 1'
FDNS	01G1008		0 11G	G10_008	'FROM->TO'	'BUFBEAR2 - BUFFALO 69KV CKT 1'		35	0.06592		100.8078	'IODINE - MOORELAND 138KV CKT 1'
FDNS	01G1008		0 11G	G10_008	'TO->FROM'	'EL RENO - ROMAN NOSE 138KV CKT 1'		153	0.04699		131.4085	'MOORELAND - TALOGA 138KV CKT 1' 'MOORELAND - NINMILE 4 138.00 138KV CKT 1'
FDNS	01G1008		0 11G	G10_008	'TO->FROM'	'GLASS MOUNTAIN - MOORELAND 138KV CKT 1'		124	0.0738		112.3887	'MOORELAND - NINMILE 4 138.00 138KV CKT 1'
FDNS	01G1008		0 11G	G10_008	'TO->FROM'	'EL RENO - ROMAN NOSE 138KV CKT 1'		153	0.06333		138.8119	'MOREWOOD SW - RHWIND4 138.00 138KV CKT 1'
FDNS	01G1008		0 11G	G10_008	'TO->FROM'	'GLASS MOUNTAIN - MOORELAND 138KV CKT 1'		124	0.06937		106.9544	'MOREWOOD SW - NINMILE 4 138.00 138KV CKT 1'
FDNS	01G1008		0 11G	G10_008	'TO->FROM'	'GLASS MOUNTAIN - MOORELAND 138KV CKT 1'		124	0.0738		112.3503	'MOREWOOD SW - NINMILE 4 138.00 138KV CKT 1'
FDNS	01G1008		0 11G	G10_008	'TO->FROM'	'EL RENO - ROMAN NOSE 138KV CKT 1'		153	0.06333		138.8006	'MOREWOOD SW - NINMILE 4 138.00 138KV CKT 1'
FDNS	01G1008		0 11G	G10_008	'TO->FROM'	'EL RENO - ROMAN NOSE 138KV CKT 1'		153	0.05971		136.082	'PUTNAM - TALOGA 69KV CKT 1'
FDNS	01G1008		0 11G	G10_008	'TO->FROM'	'CANTON - TALOGA 69KV CKT 1'		39	0.03034		111.6368	'PUTNAM - TALOGA 69KV CKT 1' 'BORDER 7345.00 - TUCO 137.0677 INTERCHANGE 345KV CKT 1'
FDNS	01G1008		0 11G	G10_008	'TO->FROM'	'EL RENO - ROMAN NOSE 138KV CKT 1'		153	0.0585		137.0677	'FINNEY SWITCHING STATION - 107.4938 STEVENSCO 345.00 345KV CKT 1'
FDNS	01G1008		0 11G	G10_008	'TO->FROM'	'GLASS MOUNTAIN - MOORELAND 138KV CKT 1'		124	0.06667		107.4938	'FINNEY SWITCHING STATION - 136.2584 STEVENSCO 345.00 345KV CKT 1'
FDNS	01G1008		0 11G	G10_008	'TO->FROM'	'EL RENO - ROMAN NOSE 138KV CKT 1'		153	0.05807		136.2584	'MED-LDG5 345.00 - WICHITA 345KV CKT 1'
FDNS	01G1008		0 11G	G10_008	'TO->FROM'	'GLASS MOUNTAIN - MOORELAND 138KV CKT 1'		124	0.0665		108.8224	'MED-LDG5 345.00 - WICHITA 345KV CKT 1'
FDNS	01G1008		0 11G	G10_008	'TO->FROM'	'EL RENO - ROMAN NOSE 138KV CKT 1'		153	0.058		137.4142	'MED-LDG5 345.00 - WICHITA 345KV CKT 1'
FDNS	01G1008		0 11G	G10_008	'TO->FROM'	'GLASS MOUNTAIN - MOORELAND 138KV CKT 1'		124	0.0665		108.8224	'MED-LDG5 345.00 - WICHITA 345KV CKT 2'

SOLUTION	GROUP	SCENARIO	SEASON	SOURCE	DIRECTION	MONITORED ELEMENT		RATE B	TDF	TC%LOADING	CONTINGENCY NAME
						COMMON NAME					
FDNS	01G1008		0 11G	G10_008	'TO->FROM'	'EL RENO - ROMAN NOSE 138KV CKT 1'		153	0.058	137.4142	'MED-LDG5 345.00 - WICHITA 345KV CKT 2'
FDNS	01G1008		0 11G	G10_008	'TO->FROM'	'GLASS MOUNTAIN - MOORELAND 138KV CKT 1'		124	0.05778	106.5316	'WOODRING (WOODRNG2) 345/138/13.8KV TRANSFORMER CKT 1'
FDNS	01G1008		0 11G	G10_008	'TO->FROM'	'GLASS MOUNTAIN - MOORELAND 138KV CKT 1'		124	0.06923	117.1163	'KNOBHILL (KNOBHIL4) 138/69/13.2KV TRANSFORMER CKT 1'
FDNS	01G1008		0 11G	G10_008	'TO->FROM'	'GLASS MOUNTAIN - MOORELAND 138KV CKT 1'		124	0.07497	108.6218	'WWRDEHV7 345.00 (WWDEHV) 345.00 (WWDEHV) 345/138/13.8KV TRANSFORMER CKT 1'
FDNS	01G1008		0 11G	G10_008	'TO->FROM'	'EL RENO - ROMAN NOSE 138KV CKT 1'		153	0.06845	138.4246	'WWRDEHV7 345.00 (WWDEHV-T2) 345/138/13.8KV TRANSFORMER CKT 1'
FDNS	01G1008		0 11G	G10_008	'TO->FROM'	'GLASS MOUNTAIN - MOORELAND 138KV CKT 1'		124	0.07495	108.6312	'WWRDEHV7 345.00 (WWDEHV-T2) 345/138/13.8KV TRANSFORMER CKT 2'
FDNS	01G1008		0 11G	G10_008	'TO->FROM'	'EL RENO - ROMAN NOSE 138KV CKT 1'		153	0.06842	138.4003	'WWRDEHV7 345.00 (WWDEHV-T2) 345/138/13.8KV TRANSFORMER CKT 2'
FDNS	01G1008		0 11G	G10_008	'TO->FROM'	'EL RENO - ROMAN NOSE 138KV CKT 1'		153	0.049	139.2366	'TALOGA (TALOGA) 138/69/13.8KV TRANSFORMER CKT 1'
FDNS	01G1008		0 11G	G10_008	'TO->FROM'	'GLASS MOUNTAIN - MOORELAND 138KV CKT 1'		124	0.06989	125.2562	'DBL-MEDLO-WI'
FDNS	01G1008		0 11G	G10_008	'TO->FROM'	'EL RENO - ROMAN NOSE 138KV CKT 1'		153	0.06098	148.9212	'DBL-MEDLO-WI'
FDNS	01G1008		0 11G	G10_008	'TO->FROM'	'NORTHWEST - TATONGA7 345KV CKT 1'	345.00	1195	0.15955	101.8803	'DBL-MEDLO-WI'
FDNS	01G1008		0 11G	G10_008	'TO->FROM'	'CLEO CORNER - GLASS MOUNTAIN 138KV CKT 1'		153	0.0758	103.3716	'DBL-WOOD-MED'
FDNS	01G1008		0 11G	G10_008	'TO->FROM'	'GLASS MOUNTAIN - MOORELAND 138KV CKT 1'		124	0.0758	130.7902	'DBL-WOOD-MED'
FDNS	01G1008		0 11G	G10_008	'TO->FROM'	'EL RENO - ROMAN NOSE 138KV CKT 1'		153	0.06671	153.8107	'DBL-WOOD-MED'
FDNS	01G1008		0 11G	G10_008	'TO->FROM'	'GLASS MOUNTAIN - MOORELAND 138KV CKT 1'		124	0.0707	108.4053	'OGE3TERM1'
FDNS	01G1008		0 11G	G10_008	'TO->FROM'	'GLASS MOUNTAIN - MOORELAND 138KV CKT 1'		124	0.06515	101.178	'OGE3TERM4'
FDNS	01G1008		0 11G	G10_008	'TO->FROM'	'EL RENO - ROMAN NOSE 138KV CKT 1'		153	0.05637	131.9963	'OGE3TERM10'
FDNS	01G1008		0 11G	G10_008	'TO->FROM'	'GLASS MOUNTAIN - MOORELAND 138KV CKT 1'		124	0.06579	100.8141	'SPP-SWPS-02A'
FDNS	01G1008		0 11G	G10_008	'TO->FROM'	'EL RENO - ROMAN NOSE 138KV CKT 1'		153	0.05707	136.3737	'GEN334440 1-SABINE UNIT 4'
FDNS	01G1008		0 11G	G10_008	'TO->FROM'	'EL RENO - ROMAN NOSE 138KV CKT 1'		153	0.05707	136.267	'GEN335204 1-NELSON UNIT 4'
FDNS	01G1008		0 11G	G10_008	'TO->FROM'	'EL RENO - ROMAN NOSE 138KV CKT 1'		153	0.05707	136.5341	'GEN335206 1-NELSON UNIT 6'
FDNS	01G1008		0 11G	G10_008	'TO->FROM'	'GLASS MOUNTAIN - MOORELAND 138KV CKT 1'		124	0.06545	108.7776	'GEN335831 1-RIVERBEND UNIT#1'
FDNS	01G1008		0 11G	G10_008	'TO->FROM'	'EL RENO - ROMAN NOSE 138KV CKT 1'		153	0.05707	138.9202	'GEN335831 1-RIVERBEND UNIT#1'
FDNS	01G1008		0 11G	G10_008	'TO->FROM'	'GLASS MOUNTAIN - MOORELAND 138KV CKT 1'		124	0.06545	107.236	'GEN336251 1-NINEMILE POINT UNIT#4'
FDNS	01G1008		0 11G	G10_008	'TO->FROM'	'EL RENO - ROMAN NOSE 138KV CKT 1'		153	0.05707	137.3716	'GEN336251 1-NINEMILE POINT UNIT#4'
FDNS	01G1008		0 11G	G10_008	'TO->FROM'	'EL RENO - ROMAN NOSE 138KV CKT 1'		153	0.05707	136.2056	'GEN336801 1-BAXTER WILSON UNIT #1'
FDNS	01G1008		0 11G	G10_008	'TO->FROM'	'GLASS MOUNTAIN - MOORELAND 138KV CKT 1'		124	0.06545	106.8167	'GEN336831 1-BAXTER WILSON SES'
FDNS	01G1008		0 11G	G10_008	'TO->FROM'	'EL RENO - ROMAN NOSE 138KV CKT 1'		153	0.05707	136.8706	'GEN336831 1-BAXTER WILSON SES'
FDNS	01G1008		0 11G	G10_008	'TO->FROM'	'GLASS MOUNTAIN - MOORELAND 138KV CKT 1'		124	0.06545	107.2661	'GEN337041 1-GERALD ANDRUS'

SOLUTION	GROUP	SCENARIO	SEASON	SOURCE	DIRECTION	MONITORED ELEMENT		RATE B	TDF	TC%	LOADING	CONTINGENCY NAME
						COMMON NAME						
FDNS	01G1008		0 11G	G10_008	'TO->FROM'	'EL RENO - ROMAN NOSE 138KV CKT 1'		153	0.05707	137.2363	'GEN337041 1-GERALD ANDRUS'	
FDNS	01G1008		0 11G	G10_008	'TO->FROM'	'GLASS MOUNTAIN - MOORELAND 138KV CKT 1'		124	0.06545	107.7715	'GEN337652 1-WHITE BLUFF UNIT #1'	
FDNS	01G1008		0 11G	G10_008	'TO->FROM'	'EL RENO - ROMAN NOSE 138KV CKT 1'		153	0.05707	137.7584	'GEN337652 1-WHITE BLUFF UNIT #1'	
FDNS	01G1008		0 11G	G10_008	'TO->FROM'	'GLASS MOUNTAIN - MOORELAND 138KV CKT 1'		124	0.06545	107.535	'GEN337653 1-WHITE BLUFF UNIT #2'	
FDNS	01G1008		0 11G	G10_008	'TO->FROM'	'EL RENO - ROMAN NOSE 138KV CKT 1'		153	0.05707	137.5279	'GEN337653 1-WHITE BLUFF UNIT #2'	
FDNS	01G1008		0 11G	G10_008	'TO->FROM'	'GLASS MOUNTAIN - MOORELAND 138KV CKT 1'		124	0.06545	108.3522	'GEN337910 1-ARKANSAS NUCLEAR ONE UNIT #1'	
FDNS	01G1008		0 11G	G10_008	'TO->FROM'	'EL RENO - ROMAN NOSE 138KV CKT 1'		153	0.05707	138.3725	'GEN337910 1-ARKANSAS NUCLEAR ONE UNIT #1'	
FDNS	01G1008		0 11G	G10_008	'TO->FROM'	'GLASS MOUNTAIN - MOORELAND 138KV CKT 1'		124	0.06545	109.2287	'GEN337911 1-ARKANSAS NUCLEAR ONE UNIT #2'	
FDNS	01G1008		0 11G	G10_008	'TO->FROM'	'EL RENO - ROMAN NOSE 138KV CKT 1'		153	0.05707	139.2372	'GEN337911 1-ARKANSAS NUCLEAR ONE UNIT #2'	
FDNS	01G1008		0 11G	G10_008	'TO->FROM'	'GLASS MOUNTAIN - MOORELAND 138KV CKT 1'		124	0.06545	107.7617	'GEN338143 1-INDEPENDENCE UNIT #1'	
FDNS	01G1008		0 11G	G10_008	'TO->FROM'	'EL RENO - ROMAN NOSE 138KV CKT 1'		153	0.05707	137.5046	'GEN338143 1-INDEPENDENCE UNIT #1'	
FDNS	01G1008		0 11G	G10_008	'TO->FROM'	'GLASS MOUNTAIN - MOORELAND 138KV CKT 1'		124	0.06545	107.7841	'GEN338146 1-INDEPENDENCE UNIT #2'	
FDNS	01G1008		0 11G	G10_008	'TO->FROM'	'EL RENO - ROMAN NOSE 138KV CKT 1'		153	0.05707	137.5699	'GEN338146 1-INDEPENDENCE UNIT #2'	
FDNS	01G1008		0 11G	G10_008	'TO->FROM'	'GLASS MOUNTAIN - MOORELAND 138KV CKT 1'		124	0.06545	107.1762	'GEN338189 1-LS POWER OSCEOLA UNIT G1'	
FDNS	01G1008		0 11G	G10_008	'TO->FROM'	'EL RENO - ROMAN NOSE 138KV CKT 1'		153	0.05707	136.903	'GEN338189 1-LS POWER OSCEOLA UNIT G1'	
FDNS	01G1008		0 11G	G10_008	'TO->FROM'	'GLASS MOUNTAIN - MOORELAND 138KV CKT 1'		124	0.06545	106.9476	'GEN501801 1-DOLET HILLS UNIT1'	
FDNS	01G1008		0 11G	G10_008	'TO->FROM'	'EL RENO - ROMAN NOSE 138KV CKT 1'		153	0.05707	137.694	'GEN501801 1-DOLET HILLS UNIT1'	
FDNS	01G1008		0 11G	G10_008	'TO->FROM'	'EL RENO - ROMAN NOSE 138KV CKT 1'		153	0.05707	136.5789	'GEN501812 1-RODEMACHER UNIT 2'	
FDNS	01G1008		0 11G	G10_008	'TO->FROM'	'GLASS MOUNTAIN - MOORELAND 138KV CKT 1'		124	0.06545	106.6635	'GEN501813 1-RODEMACHER UNIT 3'	
FDNS	01G1008		0 11G	G10_008	'TO->FROM'	'EL RENO - ROMAN NOSE 138KV CKT 1'		153	0.05707	136.9663	'GEN501813 1-RODEMACHER UNIT 3'	
FDNS	01G1008		0 11G	G10_008	'TO->FROM'	'GLASS MOUNTAIN - MOORELAND 138KV CKT 1'		124	0.06545	106.6323	'GEN509394 1-FLINT CREEK'	
FDNS	01G1008		0 11G	G10_008	'TO->FROM'	'EL RENO - ROMAN NOSE 138KV CKT 1'		153	0.05707	136.2167	'GEN509394 1-FLINT CREEK'	
FDNS	01G1008		0 11G	G10_008	'TO->FROM'	'GLASS MOUNTAIN - MOORELAND 138KV CKT 1'		124	0.06545	106.5278	'GEN509403 1-PIRKEY GENERATION'	
FDNS	01G1008		0 11G	G10_008	'TO->FROM'	'EL RENO - ROMAN NOSE 138KV CKT 1'		153	0.05707	137.3893	'GEN509403 1-PIRKEY GENERATION'	
FDNS	01G1008		0 11G	G10_008	'TO->FROM'	'EL RENO - ROMAN NOSE 138KV CKT 1'		153	0.05707	136.7154	'GEN509404 1-WELSH #1'	
FDNS	01G1008		0 11G	G10_008	'TO->FROM'	'EL RENO - ROMAN NOSE 138KV CKT 1'		153	0.05707	136.7155	'GEN509405 1-WELSH #2'	
FDNS	01G1008		0 11G	G10_008	'TO->FROM'	'EL RENO - ROMAN NOSE 138KV CKT 1'		153	0.05707	136.7156	'GEN509406 1-WELSH #3'	
FDNS	01G1008		0 11G	G10_008	'TO->FROM'	'GLASS MOUNTAIN - MOORELAND 138KV CKT 1'		124	0.06545	106.6304	'GEN511839 1-NORTHEASTERN STATION #2'	
FDNS	01G1008		0 11G	G10_008	'TO->FROM'	'GLASS MOUNTAIN - MOORELAND 138KV CKT 1'		124	0.06545	106.476	'GEN511840 1-NORTHEASTERN STATION #3'	

SOLUTION	GROUP	SCENARIO	SEASON	SOURCE	DIRECTION	MONITORED ELEMENT		RATE B	TDF	TC%LOADING	CONTINGENCY NAME
						COMMON NAME					
FDNS	01G1008		0 11G	G10_008	'TO->FROM'	'GLASS MOUNTAIN - MOORELAND 138KV CKT 1'		124	0.06545	106.496	'GEN511841 1-NORTHEASTERN STATION #4'
FDNS	01G1008		0 11G	G10_008	'TO->FROM'	'GLASS MOUNTAIN - MOORELAND 138KV CKT 1'		124	0.06545	111.3515	'GEN514805 1-SOONER UNIT 1'
FDNS	01G1008		0 11G	G10_008	'TO->FROM'	'GLASS MOUNTAIN - MOORELAND 138KV CKT 1'		124	0.06545	108.7767	'GEN514806 1-SOONER UNIT 2'
FDNS	01G1008		0 11G	G10_008	'TO->FROM'	'EL RENO - ROMAN NOSE 138KV CKT 1'		153	0.05707	136.327	'GEN514806 1-SOONER UNIT 2'
FDNS	01G1008		0 11G	G10_008	'TO->FROM'	'EL RENO - ROMAN NOSE 138KV CKT 1'		153	0.05707	136.5499	'GEN515223 1-MUSKOGEE 4G'
FDNS	01G1008		0 11G	G10_008	'TO->FROM'	'EL RENO - ROMAN NOSE 138KV CKT 1'		153	0.05707	136.5094	'GEN515225 1-MUSKOGEE 5G'
FDNS	01G1008		0 11G	G10_008	'TO->FROM'	'GLASS MOUNTAIN - MOORELAND 138KV CKT 1'		124	0.06545	106.6158	'GEN515226 1-MUSKOGEE 6G'
FDNS	01G1008		0 11G	G10_008	'TO->FROM'	'EL RENO - ROMAN NOSE 138KV CKT 1'		153	0.05707	136.9375	'GEN515226 1-MUSKOGEE 6G'
FDNS	01G1008		0 11G	G10_008	'TO->FROM'	'GLASS MOUNTAIN - MOORELAND 138KV CKT 1'		124	0.06545	100.4551	'GEN515364 1-CENT 11 0.6000'
FDNS	01G1008		0 11G	G10_008	'TO->FROM'	'EL RENO - ROMAN NOSE 138KV CKT 1'		153	0.05707	131.2148	'GEN515364 1-CENT 11 0.6000'
FDNS	01G1008		0 11G	G10_008	'TO->FROM'	'EL RENO - ROMAN NOSE 138KV CKT 1'		153	0.05707	120.2728	'GEN515389 1-TLGAWND1 34.500'
FDNS	01G1008		0 11G	G10_008	'TO->FROM'	'GLASS MOUNTAIN - MOORELAND 138KV CKT 1'		124	0.06545	100.332	'GEN515393 1-OGEWND2G'
FDNS	01G1008		0 11G	G10_008	'TO->FROM'	'EL RENO - ROMAN NOSE 138KV CKT 1'		153	0.05707	130.6965	'GEN515393 1-OGEWND2G'
FDNS	01G1008		0 11G	G10_008	'TO->FROM'	'EL RENO - ROMAN NOSE 138KV CKT 1'		153	0.05707	131.6937	'GEN515397 1-OUSPRT 1 34.500'
FDNS	01G1008		0 11G	G10_008	'TO->FROM'	'EL RENO - ROMAN NOSE 138KV CKT 1'		153	0.05707	130.766	'GEN515790 1-FPLWND2'
FDNS	01G1008		0 11G	G10_008	'TO->FROM'	'EL RENO - ROMAN NOSE 138KV CKT 1'		153	0.05707	130.9088	'GEN520922 1-SLEEPING 138.00'
FDNS	01G1008		0 11G	G10_008	'TO->FROM'	'EL RENO - ROMAN NOSE 138KV CKT 1'		153	0.05707	136.7234	'GEN520947 1-HUGO1'
FDNS	01G1008		0 11G	G10_008	'TO->FROM'	'EL RENO - ROMAN NOSE 138KV CKT 1'		153	0.05707	131.1329	'GEN520997 1-MORLND2'
FDNS	01G1008		0 11G	G10_008	'TO->FROM'	'GLASS MOUNTAIN - MOORELAND 138KV CKT 1'		124	0.06545	100.3245	'GEN523971 1-HARRINGTON GEN #1 24 KV'
FDNS	01G1008		0 11G	G10_008	'TO->FROM'	'GLASS MOUNTAIN - MOORELAND 138KV CKT 1'		124	0.06545	100.3142	'GEN523972 1-HARRINGTON GEN #2 24 KV'
FDNS	01G1008		0 11G	G10_008	'TO->FROM'	'GLASS MOUNTAIN - MOORELAND 138KV CKT 1'		124	0.06545	100.3148	'GEN523973 1-HARRINGTON GEN #3 24 KV'
FDNS	01G1008		0 11G	G10_008	'TO->FROM'	'EL RENO - ROMAN NOSE 138KV CKT 1'		153	0.05707	131.1505	'GEN525561 1-TOLK GEN #1 24 KV'
FDNS	01G1008		0 11G	G10_008	'TO->FROM'	'EL RENO - ROMAN NOSE 138KV CKT 1'		153	0.05707	130.8362	'GEN525562 1-TOLK GEN #2 24 KV'
FDNS	01G1008		0 11G	G10_008	'TO->FROM'	'GLASS MOUNTAIN - MOORELAND 138KV CKT 1'		124	0.06545	108.9357	'GEN532751 1-WOLF CREEK GENERATING STATION UNIT 1'
FDNS	01G1008		0 11G	G10_008	'TO->FROM'	'GLASS MOUNTAIN - MOORELAND 138KV CKT 1'		124	0.06545	106.4008	'GEN542955 1-LACYGNE UNIT #1'
FDNS	01G1008		0 11G	G10_008	'TO->FROM'	'EL RENO - ROMAN NOSE 138KV CKT 1'		153	0.05707	127.4562	'GEN560180 1-G07-51 0.6000'
FDNS	01G1008		0 11G	G10_008	'TO->FROM'	'GLASS MOUNTAIN - MOORELAND 138KV CKT 1'		124	0.06545	100.3729	'GEN560190 1-G10-08 0.6900'
FDNS	01G1008		0 11G	G10_008	'TO->FROM'	'EL RENO - ROMAN NOSE 138KV CKT 1'		153	0.05707	131.4801	'GEN560190 1-G10-08 0.6900'
FDNS	01G1008		0 11G	G10_008	'TO->FROM'	'EL RENO - ROMAN NOSE 138KV CKT 1'		153	0.05707	131.6422	'GEN560221 1-G07-62-1 0.6900'

SOLUTION	GROUP	SCENARIO	SEASON	SOURCE	DIRECTION	MONITORED ELEMENT	RATE B	TDF	TC%	LOADING	CONTINGENCY	NAME
						COMMON NAME						
FDNS	01G1008		0 11G	G10_008	'TO->FROM'	'EL RENO - ROMAN NOSE 138KV CKT 1'	153	0.05707	131.6422	'GEN560222 1-G07-62-2	0.6900'	
FDNS	01G1008		0 11G	G10_008	'TO->FROM'	'EL RENO - ROMAN NOSE 138KV CKT 1'	153	0.05707	128.7343	'GEN560429 1-G08-29	0.6400'	
FNSL	01G1008		0 11G	G10_008	'TO->FROM'	'GLASS MOUNTAIN - MOORELAND 138KV CKT 1'	124	0.06545	109.5123	'GEN336153 1-WATERFORD UNIT#3'		
FNSL	01G1008		0 11G	G10_008	'TO->FROM'	'EL RENO - ROMAN NOSE 138KV CKT 1'	153	0.05707	139.6928	'GEN336153 1-WATERFORD UNIT#3'		
FDNS	01G1011		0 11G	G10_011	'TO->FROM'	'FPL SWITCH - WOODWARD 138KV CKT 1'	153	0.09608	115.6997	'NORTHWEST - TATONGA7 345.00 345KV CKT 1'		
FDNS	01G1011		0 11G	G10_011	'TO->FROM'	'EL RENO - ROMAN NOSE 138KV CKT 1'	153	0.03244	168.1366	'NORTHWEST - TATONGA7 345.00 345KV CKT 1'		
FDNS	1		0 11G	G10_008	'TO->FROM'	'GLASS MOUNTAIN - MOORELAND 138KV CKT 1'	124	0.06548	103.0904	'BASE CASE'		
FDNS	1		0 11G	G10_008	'TO->FROM'	'EL RENO - ROMAN NOSE 138KV CKT 1'	153	0.0571	153.4496	'BASE CASE'		
FDNS	1		0 11G	G09_060	'TO->FROM'	'CANTON - TALOGA 69KV CKT 1'	39	0.04649	115.9323	'BASE CASE'		
FDNS	1		0 11G	G10_008	'TO->FROM'	'GLASS MOUNTAIN - MOORELAND 138KV CKT 1'	124	0.06622	105.5706	'CLINTON AIR FORCE BASE TAP - ELK CITY 138KV CKT 1'		
FDNS	1		0 11G	G10_008	'TO->FROM'	'GLASS MOUNTAIN - MOORELAND 138KV CKT 1'	124	0.06622	105.4646	'CLINTON AIR FORCE BASE TAP - HOBART JUNCTION 138KV CKT 1'		
FDNS	1		0 11G	G10_008	'TO->FROM'	'GLASS MOUNTAIN - MOORELAND 138KV CKT 1'	124	0.06575	109.7487	'LAWTON EASTSIDE - OKLAUNION 345KV CKT 1'		
FDNS	1		0 11G	G10_008	'TO->FROM'	'EL RENO - ROMAN NOSE 138KV CKT 1'	153	0.05749	141.0143	'LAWTON EASTSIDE - OKLAUNION 345KV CKT 1'		
FDNS	1		0 11G	G10_008	'TO->FROM'	'EL RENO - ROMAN NOSE 138KV CKT 1'	153	0.05749	135.7433	'G08-14T 345.00 - OKLAUNION 345KV CKT 1'		
FDNS	1		0 11G	G10_008	'TO->FROM'	'GLASS MOUNTAIN - MOORELAND 138KV CKT 1'	124	0.06631	105.8053	'CLINTON JUNCTION - ELK CITY 138KV CKT 1'		
FDNS	1		0 11G	G10_008	'TO->FROM'	'EL RENO - ROMAN NOSE 138KV CKT 1'	153	0.05839	136.6148	'CLINTON JUNCTION - ELK CITY 138KV CKT 1'		
FDNS	1		0 11G	G10_008	'TO->FROM'	'GLASS MOUNTAIN - MOORELAND 138KV CKT 1'	124	0.06935	107.3262	'ELK CITY - RHWIND4 138.00 138KV CKT 1'		
FDNS	1		0 11G	G10_008	'TO->FROM'	'EL RENO - ROMAN NOSE 138KV CKT 1'	153	0.06	135.8553	'ELK CITY - RHWIND4 138.00 138KV CKT 1'		
FDNS	1		0 11G	G10_008	'TO->FROM'	'EL RENO - ROMAN NOSE 138KV CKT 1'	153	0.05763	135.6612	'WEATHERFORD JCT. - WEATHERFORD SOUTHEAST 138KV CKT 1'		
FDNS	1		0 11G	G10_008	'TO->FROM'	'GLASS MOUNTAIN - MOORELAND 138KV CKT 1'	124	0.0724	107.7668	'WUKOMIS - WUKOMIS TAP 138KV CKT 1'		
FDNS	1		0 11G	G10_008	'TO->FROM'	'GLASS MOUNTAIN - MOORELAND 138KV CKT 1'	124	0.0724	108.04	'HENESSEY - WUKOMIS 138KV CKT 1'		
FDNS	1		0 11G	G10_008	'TO->FROM'	'GLASS MOUNTAIN - MOORELAND 138KV CKT 1'	124	0.06526	100.5792	'CIMARRON - WOODRING 345KV CKT 1'		
FDNS	1		0 11G	G10_008	'TO->FROM'	'GLASS MOUNTAIN - MOORELAND 138KV CKT 1'	124	0.06769	105.686	'KNOBHILL - SALINE 69KV CKT 1'		
FDNS	1		0 11G	G10_008	'TO->FROM'	'GLASS MOUNTAIN - MOORELAND 138KV CKT 1'	124	0.06769	105.6133	'HELENAT2 69.000 - SALINE 69KV CKT 1'		
FDNS	1		0 11G	G10_008	'TO->FROM'	'GLASS MOUNTAIN - MOORELAND 138KV CKT 1'	124	0.0724	108.6911	'DOVER SW - HENESSEY 138KV CKT 1'		
FDNS	1		0 11G	G10_008	'TO->FROM'	'GLASS MOUNTAIN - MOORELAND 138KV CKT 1'	124	0.06706	100.5752	'CLEO CORNER - CLEO JCT 69KV CKT 1'		
FDNS	1		0 11G	G10_008	'TO->FROM'	'EL RENO - ROMAN NOSE 138KV CKT 1'	153	0.06129	138.5925	'CLEO CORNER - GLASS MOUNTAIN 138KV CKT 1'		
FDNS	1		0 11G	G09_060	'TO->FROM'	'CANTON - TALOGA 69KV CKT 1'	39	0.0469	106.3507	'CLEO CORNER - GLASS MOUNTAIN 138KV CKT 1'		
FDNS	1		0 11G	G10_008	'TO->FROM'	'EL RENO - ROMAN NOSE 138KV CKT 1'	153	0.06272	138.8791	'CLEO CORNER - MEN TAP 138KV CKT 1'		

SOLUTION	GROUP	SCENARIO	SEASON	SOURCE	DIRECTION	MONITORED ELEMENT		RATE B	TDF	TC%	LOADING	CONTINGENCY NAME
						COMMON NAME						
FDNS	1	0 11G	G10_008	'TO->FROM'	'EL RENO - ROMAN NOSE 138KV CKT 1'	153	0.06438	128.5408	'DEWEY - IODINE 138KV CKT 1'			
FDNS	1	0 11G	G09_060	'TO->FROM'	'EL RENO - ROMAN NOSE 138KV CKT 1'	153	0.03575	128.5408	'DEWEY - IODINE 138KV CKT 1'			
FDNS	1	0 11G	G10_008	'TO->FROM'	'GLASS MOUNTAIN - MOORELAND 138KV CKT 1'	124	0.07	108.8038	'DEWEY - SOUTHARD 138KV CKT 1'			
FDNS	1	0 11G	G10_008	'TO->FROM'	'CANTON - TALOGA 69KV CKT 1'	39	0.03083	116.2776	'DEWEY - SOUTHARD 138KV CKT 1'			
FDNS	1	0 11G	G09_060	'TO->FROM'	'CANTON - TALOGA 69KV CKT 1'	39	0.04824	116.2776	'DEWEY - SOUTHARD 138KV CKT 1'			
FDNS	1	0 11G	G10_008	'TO->FROM'	'EL RENO - ROMAN NOSE 138KV CKT 1'	153	0.06129	138.74	'GLASS MOUNTAIN - MOORELAND 138KV CKT 1'			
FDNS	1	0 11G	G09_060	'TO->FROM'	'CANTON - TALOGA 69KV CKT 1'	39	0.0469	106.6278	'GLASS MOUNTAIN - MOORELAND 138KV CKT 1'			
FDNS	1	0 11G	G10_008	'TO->FROM'	'EL RENO - ROMAN NOSE 138KV CKT 1'	153	0.06272	138.8345	'IMO TAP - MEN TAP 138KV CKT 1'			
FDNS	1	0 11G	G10_008	'TO->FROM'	'GLASS MOUNTAIN - MOORELAND 138KV CKT 1'	124	0.06899	105.529	'ALINE - ALVA 69KV CKT 1'			
FDNS	1	0 11G	G10_008	'TO->FROM'	'GLASS MOUNTAIN - MOORELAND 138KV CKT 1'	124	0.06408	109.0032	'ALVA - KNOBHILL 69KV CKT 1'			
FDNS	1	0 11G	G10_008	'TO->FROM'	'GLASS MOUNTAIN - MOORELAND 138KV CKT 1'	124	0.06927	116.3753	'KNOBHILL - MOORELAND 138KV CKT 1'			
FDNS	1	0 11G	G09_060	'TO->FROM'	'CANTON - TALOGA 69KV CKT 1'	39	0.04665	107.9453	'KNOBHILL - MOORELAND 138KV CKT 1'			
FDNS	1	0 11G	G10_008	'TO->FROM'	'EL RENO - ROMAN NOSE 138KV CKT 1'	153	0.06438	127.6612	'IODINE - WWRDEHV4 138.00 138KV CKT 1'			
FDNS	1	0 11G	G09_060	'TO->FROM'	'EL RENO - ROMAN NOSE 138KV CKT 1'	153	0.03575	127.6612	'IODINE - WWRDEHV4 138.00 138KV CKT 1'			
FDNS	1	0 11G	G10_008	'TO->FROM'	'EL RENO - ROMAN NOSE 138KV CKT 1'	153	0.05576	130.9005	'EL RENO - JENSEN TAP 138KV CKT 1'			
FDNS	1	0 11G	G10_008	'TO->FROM'	'GLASS MOUNTAIN - MOORELAND 138KV CKT 1'	124	0.06967	114.6293	'EL RENO - ROMAN NOSE 138KV CKT 1'			
FDNS	1	0 11G	G10_008	'FROM->TO'	'CANTON - OKEENE 69KV CKT 1'	48	0.03049	104.0595	'EL RENO - ROMAN NOSE 138KV CKT 1'			
FDNS	1	0 11G	G09_060	'FROM->TO'	'CANTON - OKEENE 69KV CKT 1'	48	0.04791	104.0595	'EL RENO - ROMAN NOSE 138KV CKT 1'			
FDNS	1	0 11G	G10_008	'TO->FROM'	'CANTON - TALOGA 69KV CKT 1'	39	0.03049	135.0356	'EL RENO - ROMAN NOSE 138KV CKT 1'			
FDNS	1	0 11G	G09_060	'TO->FROM'	'CANTON - TALOGA 69KV CKT 1'	39	0.04791	135.0356	'EL RENO - ROMAN NOSE 138KV CKT 1'			
FDNS	1	0 11G	G10_008	'TO->FROM'	'EL RENO - ROMAN NOSE 138KV CKT 1'	153	0.05289	126.6576	'CIMARRON - EL RENO 138KV CKT 1'			
FDNS	1	0 11G	G10_008	'TO->FROM'	'EL RENO - ROMAN NOSE 138KV CKT 1'	153	0.05545	131.1023	'CIMARRON - JENSEN TAP 138KV CKT 1'			
FDNS	1	0 11G	G10_008	'TO->FROM'	'GLASS MOUNTAIN - MOORELAND 138KV CKT 1'	124	0.07	108.0588	'ROMAN NOSE - SOUTHARD 138KV CKT 1'			
FDNS	1	0 11G	G10_008	'TO->FROM'	'CANTON - TALOGA 69KV CKT 1'	39	0.03083	113.9065	'ROMAN NOSE - SOUTHARD 138KV CKT 1'			
FDNS	1	0 11G	G09_060	'TO->FROM'	'CANTON - TALOGA 69KV CKT 1'	39	0.04824	113.9065	'ROMAN NOSE - SOUTHARD 138KV CKT 1'			
FDNS	1	0 11G	G10_008	'TO->FROM'	'EL RENO - ROMAN NOSE 138KV CKT 1'	153	0.05729	136.1192	'CIMARRON - NORTHWEST 345KV CKT 1'			
FDNS	1	0 11G	G10_008	'TO->FROM'	'CLEO CORNER - GLASS MOUNTAIN 138KV CKT 1'	153	0.07096	107.3315	'NORTHWEST - TATONGA7 345.00 345KV CKT 1'			
FDNS	1	0 11G	G08_044	'TO->FROM'	'FPL SWITCH - WOODWARD 138KV CKT 1'	153	0.0961	115.3475	'NORTHWEST - TATONGA7 345.00 345KV CKT 1'			
FDNS	1	0 11G	G08_047	'TO->FROM'	'FPL SWITCH - WOODWARD 138KV CKT 1'	153	0.07961	115.3475	'NORTHWEST - TATONGA7 345.00 345KV CKT 1'			
FDNS	1	0 11G	G09_067S	'TO->FROM'	'FPL SWITCH - WOODWARD 138KV CKT 1'	153	0.03435	115.3475	'NORTHWEST - TATONGA7 345.00 345KV CKT 1'			

SOLUTION	GROUP	SCENARIO	SEASON	SOURCE	DIRECTION	MONITORED ELEMENT		RATE	B	TDF	TC%	LOADING	CONTINGENCY	NAME
						COMMON NAME								
FDNS	1	0 11G	G08_022	'TO->FROM'	'FPL SWITCH - WOODWARD 138KV CKT 1'		153	0.0344		115.3475	345KV CKT 1'			'NORTHWEST - TATONGA7 345.00
FDNS	1	0 11G	G10_009	'TO->FROM'	'FPL SWITCH - WOODWARD 138KV CKT 1'		153	0.03832		115.3475	345KV CKT 1'			'NORTHWEST - TATONGA7 345.00
FDNS	1	0 11G	G08_088	'TO->FROM'	'FPL SWITCH - WOODWARD 138KV CKT 1'		153	0.03275		115.3475	345KV CKT 1'			'NORTHWEST - TATONGA7 345.00
FDNS	1	0 11G	G08_110	'TO->FROM'	'FPL SWITCH - WOODWARD 138KV CKT 1'		153	0.06313		115.3475	345KV CKT 1'			'NORTHWEST - TATONGA7 345.00
FDNS	1	0 11G	G10_007	'TO->FROM'	'FPL SWITCH - WOODWARD 138KV CKT 1'		153	0.03883		115.3475	345KV CKT 1'			'NORTHWEST - TATONGA7 345.00
FDNS	1	0 11G	ASGI_2010_011	'TO->FROM'	'FPL SWITCH - WOODWARD 138KV CKT 1'		153	0.05472		115.3475	345KV CKT 1'			'NORTHWEST - TATONGA7 345.00
FDNS	1	0 11G	G10_011	'TO->FROM'	'FPL SWITCH - WOODWARD 138KV CKT 1'		153	0.0961		115.3475	345KV CKT 1'			'NORTHWEST - TATONGA7 345.00
FDNS	1	0 11G	G10_015	'TO->FROM'	'FPL SWITCH - WOODWARD 138KV CKT 1'		153	0.03589		115.3475	345KV CKT 1'			'NORTHWEST - TATONGA7 345.00
FDNS	1	0 11G	G10_014	'TO->FROM'	'FPL SWITCH - WOODWARD 138KV CKT 1'		153	0.06313		115.3475	345KV CKT 1'			'NORTHWEST - TATONGA7 345.00
FDNS	1	0 11G	G10_016	'TO->FROM'	'FPL SWITCH - WOODWARD 138KV CKT 1'		153	0.03074		115.3475	345KV CKT 1'			'NORTHWEST - TATONGA7 345.00
FDNS	1	0 11G	G10_008	'TO->FROM'	'GLASS MOUNTAIN - MOORELAND 138KV CKT 1'		124	0.07096		135.6917	345KV CKT 1'			'NORTHWEST - TATONGA7 345.00
FDNS	1	0 11G	G08_044	'TO->FROM'	'EL RENO - ROMAN NOSE 138KV CKT 1'		153	0.03245		167.9894	345KV CKT 1'			'NORTHWEST - TATONGA7 345.00
FDNS	1	0 11G	G10_008	'TO->FROM'	'EL RENO - ROMAN NOSE 138KV CKT 1'		153	0.06464		167.9894	345KV CKT 1'			'NORTHWEST - TATONGA7 345.00
FDNS	1	0 11G	G10_011	'TO->FROM'	'EL RENO - ROMAN NOSE 138KV CKT 1'		153	0.03245		167.9894	345KV CKT 1'			'NORTHWEST - TATONGA7 345.00
FDNS	1	0 11G	G09_060	'TO->FROM'	'CANTON - TALOGA 69KV CKT 1'		39	0.04614		129.3621	345KV CKT 1'			'NORTHWEST - TATONGA7 345.00
FDNS	1	0 11G	G10_008	'TO->FROM'	'DOVER SW - OKEENE 138KV CKT 1'		130	0.06603		100.8411	345KV CKT 1'			'NORTHWEST - TATONGA7 345.00
FDNS	1	0 11G	G10_008	'TO->FROM'	'GLASS MOUNTAIN - MOORELAND 138KV CKT 1'		124	0.07225		107.9351	345.00 345KV CKT 1'			'TATONGA7 345.00 - WWRDEHV7
FDNS	1	0 11G	G10_008	'TO->FROM'	'EL RENO - ROMAN NOSE 138KV CKT 1'		153	0.06642		138.6811	345.00 345KV CKT 1'			'TATONGA7 345.00 - WWRDEHV7
FDNS	1	0 11G	G10_008	'TO->FROM'	'EL RENO - ROMAN NOSE 138KV CKT 1'		153	0.05853		136.5561	345.00 345KV CKT 1'			'BORDER 7345.00 - WWRDEHV7
FDNS	1	0 11G	G10_008	'TO->FROM'	'GLASS MOUNTAIN - MOORELAND 138KV CKT 1'		124	0.06816		110.0803	345.00 345KV CKT 1'			'MED-LDG5 345.00 - WWRDEHV7
FDNS	1	0 11G	G10_008	'TO->FROM'	'EL RENO - ROMAN NOSE 138KV CKT 1'		153	0.0596		138.5517	345.00 345KV CKT 1'			'MED-LDG5 345.00 - WWRDEHV7
FDNS	1	0 11G	G10_008	'TO->FROM'	'GLASS MOUNTAIN - MOORELAND 138KV CKT 1'		124	0.06816		110.0803	345.00 345KV CKT 2'			'MED-LDG5 345.00 - WWRDEHV7
FDNS	1	0 11G	G10_008	'TO->FROM'	'EL RENO - ROMAN NOSE 138KV CKT 1'		153	0.0596		138.5517	345.00 345KV CKT 2'			'MED-LDG5 345.00 - WWRDEHV7
FDNS	1	0 11G	G10_008	'TO->FROM'	'EL RENO - ROMAN NOSE 138KV CKT 1'		153	0.06242		129.6939	1'			'FPL SWITCH - MOORELAND 138KV CKT
FDNS	1	0 11G	G10_008	'TO->FROM'	'GLASS MOUNTAIN - MOORELAND 138KV CKT 1'		124	0.06661		105.6169	'ALVA - CHEROKEE SW 69KV CKT 1'			
FDNS	1	0 11G	G09_060	'TO->FROM'	'CANTON - TALOGA 69KV CKT 1'		39	0.046		109.2025	'ALVA - CHEROKEE SW 69KV CKT 1'			
FDNS	1	0 11G	G10_008	'TO->FROM'	'CANTON - TALOGA 69KV CKT 1'		39	0.03035		110.0573	'ARAPAHO - HAMON BUTLER 69KV CKT 1'			
FDNS	1	0 11G	G10_008	'TO->FROM'	'CANTON - TALOGA 69KV CKT 1'		39	0.03035		110.0541	1'			'ARAPAHO - INDUSTRIAL PARK 69KV CKT
FDNS	1	0 11G	G10_008	'TO->FROM'	'EL RENO - ROMAN NOSE 138KV CKT 1'		153	0.06055		136.4328	'CANTON - OKEENE 69KV CKT 1'			

SOLUTION	GROUP	SCENARIO	SEASON	SOURCE	DIRECTION	MONITORED ELEMENT		RATE B	TDF	TC%	LOADING	CONTINGENCY NAME
						DIRECTION	COMMON NAME					
FDNS	1	0 11G	G10_008	'TO->FROM'	'EL RENO - ROMAN NOSE 138KV CKT 1'			153	0.06055	136.6559	'CANTON - TALOGA 69KV CKT 1'	
FDNS	1	0 11G	G10_008	'TO->FROM'	'GLASS MOUNTAIN - MOORELAND 138KV CKT 1'			124	0.07315	116.4419	'CEDARDALE - MOORELAND 138KV CKT 1'	
FDNS	1	0 11G	G10_008	'TO->FROM'	'EL RENO - ROMAN NOSE 138KV CKT 1'			153	0.05967	136.7999	'CEDARDALE - MOORELAND 138KV CKT 1'	
FDNS	1	0 11G	G10_008	'FROM->TO'	'CANTON - OKEENE 69KV CKT 1'			48	0.0358	117.8206	'CEDARDALE - MOORELAND 138KV CKT 1'	
FDNS	1	0 11G	G09_060	'FROM->TO'	'CANTON - OKEENE 69KV CKT 1'			48	0.04551	117.8206	'CEDARDALE - MOORELAND 138KV CKT 1'	
FDNS	1	0 11G	G10_008	'TO->FROM'	'CANTON - TALOGA 69KV CKT 1'			39	0.0358	151.9274	'CEDARDALE - MOORELAND 138KV CKT 1'	
FDNS	1	0 11G	G09_060	'TO->FROM'	'CANTON - TALOGA 69KV CKT 1'			39	0.04551	151.9274	'CEDARDALE - MOORELAND 138KV CKT 1'	
FDNS	1	0 11G	G10_008	'TO->FROM'	'GLASS MOUNTAIN - MOORELAND 138KV CKT 1'			124	0.07315	116.1466	'CEDARDALE - OKEENE 138KV CKT 1'	
FDNS	1	0 11G	G10_008	'TO->FROM'	'EL RENO - ROMAN NOSE 138KV CKT 1'			153	0.05967	136.7638	'CEDARDALE - OKEENE 138KV CKT 1'	
FDNS	1	0 11G	G10_008	'FROM->TO'	'CANTON - OKEENE 69KV CKT 1'			48	0.0358	116.3768	'CEDARDALE - OKEENE 138KV CKT 1'	
FDNS	1	0 11G	G09_060	'FROM->TO'	'CANTON - OKEENE 69KV CKT 1'			48	0.04551	116.3768	'CEDARDALE - OKEENE 138KV CKT 1'	
FDNS	1	0 11G	G10_008	'TO->FROM'	'CANTON - TALOGA 69KV CKT 1'			39	0.0358	150.1623	'CEDARDALE - OKEENE 138KV CKT 1'	
FDNS	1	0 11G	G09_060	'TO->FROM'	'CANTON - TALOGA 69KV CKT 1'			39	0.04551	150.1623	'CEDARDALE - OKEENE 138KV CKT 1'	
FDNS	1	0 11G	G10_008	'TO->FROM'	'GLASS MOUNTAIN - MOORELAND 138KV CKT 1'			124	0.06706	100.5837	'CLEO JCT - RINGWOOD 69KV CKT 1'	
FDNS	1	0 11G	G10_008	'TO->FROM'	'CANTON - TALOGA 69KV CKT 1'			39	0.03035	108.9921	'CORDELL - INDUSTRIAL PARK 69KV CKT 1'	
FDNS	1	0 11G	G10_008	'TO->FROM'	'GLASS MOUNTAIN - MOORELAND 138KV CKT 1'			124	0.07274	112.346	'DOVER SW - OKEENE 138KV CKT 1'	
FDNS	1	0 11G	G10_008	'TO->FROM'	'EL RENO - ROMAN NOSE 138KV CKT 1'			153	0.06135	137.7763	'DOVER SW - OKEENE 138KV CKT 1'	
FDNS	1	0 11G	G10_008	'FROM->TO'	'OKEENE - WATONGA SW 69KV CKT 1'			48	0.03694	119.5833	'DOVER SW - OKEENE 138KV CKT 1'	
FDNS	1	0 11G	G10_008	'TO->FROM'	'GLASS MOUNTAIN - MOORELAND 138KV CKT 1'			124	0.05352	100.5951	'FT SUPPLY - IODINE 138KV CKT 1'	
FDNS	1	0 11G	G10_008	'FROM->TO'	'BUFBEAR2 - BUFFALO 69KV CKT 1'			35	0.06596	101.7989	'FT SUPPLY - IODINE 138KV CKT 1'	
FDNS	1	0 11G	G10_008	'TO->FROM'	'CANTON - TALOGA 69KV CKT 1'			39	0.03035	110.0591	'HAMON BUTLER - PUTNAM 69KV CKT 1'	
FDNS	1	0 11G	G10_008	'TO->FROM'	'GLASS MOUNTAIN - MOORELAND 138KV CKT 1'			124	0.05352	100.8991	'IODINE - MOORELAND 138KV CKT 1'	
FDNS	1	0 11G	G10_008	'TO->FROM'	'EL RENO - ROMAN NOSE 138KV CKT 1'			153	0.04701	130.9949	'MOORELAND - TALOGA 138KV CKT 1'	
FDNS	1	0 11G	G10_008	'TO->FROM'	'GLASS MOUNTAIN - MOORELAND 138KV CKT 1'			124	0.07383	111.5611	'MOORELAND - NINMILE 4 138.00 138KV CKT 1'	
FDNS	1	0 11G	G10_008	'TO->FROM'	'EL RENO - ROMAN NOSE 138KV CKT 1'			153	0.06337	138.2639	'MOORELAND - NINMILE 4 138.00 138KV CKT 1'	
FDNS	1	0 11G	G10_008	'TO->FROM'	'GLASS MOUNTAIN - MOORELAND 138KV CKT 1'			124	0.0694	106.1754	'MOREWOOD SW - RHWIND4 138.00 138KV CKT 1'	
FDNS	1	0 11G	G10_008	'TO->FROM'	'GLASS MOUNTAIN - MOORELAND 138KV CKT 1'			124	0.07383	111.5227	'MOREWOOD SW - NINMILE 4 138.00 138KV CKT 1'	
FDNS	1	0 11G	G10_008	'TO->FROM'	'EL RENO - ROMAN NOSE 138KV CKT 1'			153	0.06337	138.2527	'MOREWOOD SW - NINMILE 4 138.00 138KV CKT 1'	
FDNS	1	0 11G	G10_008	'TO->FROM'	'EL RENO - ROMAN NOSE 138KV CKT 1'			153	0.05974	135.5621	'PUTNAM - TALOGA 69KV CKT 1'	
FDNS	1	0 11G	G10_008	'TO->FROM'	'CANTON - TALOGA 69KV CKT 1'			39	0.03035	110.7282	'PUTNAM - TALOGA 69KV CKT 1'	
FDNS	1	0 11G	G10_008	'TO->FROM'	'EL RENO - ROMAN NOSE 138KV CKT 1'			153	0.05853	136.5561	'BORDER 7345.00 - TUCO INTERCHANGE 345KV CKT 1'	
FDNS	1	0 11G	G10_008	'TO->FROM'	'GLASS MOUNTAIN - MOORELAND 138KV CKT 1'			124	0.0667	106.7294	'FINNEY SWITCHING STATION - STEVENSCO 345.00 345KV CKT 1'	

SOLUTION	GROUP	SCENARIO	SEASON	SOURCE	DIRECTION	MONITORED ELEMENT		RATE B	TDF	TC%	LOADING	CONTINGENCY NAME
						COMMON NAME						
FDNS	1	0 11G	G10_008	'TO->FROM'	'EL RENO - ROMAN NOSE 138KV CKT 1'			153	0.0581	135.7419	'FINNEY SWITCHING STATION - STEVENSCO 345.00 345KV CKT 1'	
FDNS	1	0 11G	G09_008	'TO->FROM'	'HAYS PLANT - SOUTH HAYS 115KV CKT 1'			88	0.13751	109.4959	'KNOLL 230 - POSTROCK6 230.00 230KV CKT 1'	
FDNS	1	0 11G	G09_020	'TO->FROM'	'HAYS PLANT - SOUTH HAYS 115KV CKT 1'			88	0.03661	109.4959	'KNOLL 230 - POSTROCK6 230.00 230KV CKT 1'	
FDNS	1	0 11G	G10_015	'TO->FROM'	'HAYS PLANT - SOUTH HAYS 115KV CKT 1'			88	0.0311	109.4959	'KNOLL 230 - POSTROCK6 230.00 230KV CKT 1'	
FDNS	1	0 11G	G10_016	'TO->FROM'	'HAYS PLANT - SOUTH HAYS 115KV CKT 1'			88	0.05373	109.4959	'KNOLL 230 - POSTROCK6 230.00 230KV CKT 1'	
FDNS	1	0 11G	G10_008	'TO->FROM'	'GLASS MOUNTAIN - MOORELAND 138KV CKT 1'			124	0.06654	108.0787	'MED-LDG5 345.00 - WICHITA 345KV CKT 1'	
FDNS	1	0 11G	G10_008	'TO->FROM'	'EL RENO - ROMAN NOSE 138KV CKT 1'			153	0.05803	136.8928	'MED-LDG5 345.00 - WICHITA 345KV CKT 1'	
FDNS	1	0 11G	G10_008	'TO->FROM'	'GLASS MOUNTAIN - MOORELAND 138KV CKT 1'			124	0.06654	108.0787	'MED-LDG5 345.00 - WICHITA 345KV CKT 2'	
FDNS	1	0 11G	G10_008	'TO->FROM'	'EL RENO - ROMAN NOSE 138KV CKT 1'			153	0.05803	136.8928	'MED-LDG5 345.00 - WICHITA 345KV CKT 2'	
FDNS	1	0 11G	G10_003	'FROM->TO'	'BURLINGTON JUNCTION - COFFEY COUNTY NO. 3 WESTPHALIA 69KV CKT 1'			72	0.03882	113.9538	'ANDERSONCO 345.00 - LACYGNE 345KV CKT 1'	
FDNS	1	0 11G	G08_098	'FROM->TO'	'BURLINGTON JUNCTION - COFFEY COUNTY NO. 3 WESTPHALIA 69KV CKT 1'			72	0.03882	113.9538	'ANDERSONCO 345.00 - LACYGNE 345KV CKT 1'	
FDNS	1	0 11G	G10_003	'TO->FROM'	'BURLINGTON JUNCTION - WOLF CREEK 69KV CKT 1'			72	0.03903	116.2165	'ANDERSONCO 345.00 - LACYGNE 345KV CKT 1'	
FDNS	1	0 11G	G08_098	'TO->FROM'	'BURLINGTON JUNCTION - WOLF CREEK 69KV CKT 1'			72	0.03903	116.2165	'ANDERSONCO 345.00 - LACYGNE 345KV CKT 1'	
FDNS	1	0 11G	G10_003	'FROM->TO'	'COFFEY COUNTY NO. 3 WESTPHALIA - GREEN 69KV CKT 1'			72	0.03882	113.1056	'ANDERSONCO 345.00 - LACYGNE 345KV CKT 1'	
FDNS	1	0 11G	G08_098	'FROM->TO'	'COFFEY COUNTY NO. 3 WESTPHALIA - GREEN 69KV CKT 1'			72	0.03882	113.1056	'ANDERSONCO 345.00 - LACYGNE 345KV CKT 1'	
FDNS	1	0 11G	G10_008	'TO->FROM'	'GLASS MOUNTAIN - MOORELAND 138KV CKT 1'			124	0.05781	105.8733	'WOODRING (WOODRNG2) 345/138/13.8KV TRANSFORMER CKT 1'	
FDNS	1	0 11G	G10_008	'TO->FROM'	'GLASS MOUNTAIN - MOORELAND 138KV CKT 1'			124	0.06927	116.3621	'KNOBHILL (KNOBHIL4) 138/69/13.2KV TRANSFORMER CKT 1'	
FDNS	1	0 11G	G09_060	'TO->FROM'	'CANTON - TALOGA 69KV CKT 1'			39	0.04665	107.9588	'KNOBHILL (KNOBHIL4) 138/69/13.2KV TRANSFORMER CKT 1'	
FDNS	1	0 11G	G10_008	'TO->FROM'	'GLASS MOUNTAIN - MOORELAND 138KV CKT 1'			124	0.07501	107.7905	'WWRDEHV7 345.00 (WWDEHV) 345/138/13.8KV TRANSFORMER CKT 1'	
FDNS	1	0 11G	G10_008	'TO->FROM'	'EL RENO - ROMAN NOSE 138KV CKT 1'			153	0.06848	137.8376	'WWRDEHV7 345.00 (WWDEHV) 345/138/13.8KV TRANSFORMER CKT 1'	
FDNS	1	0 11G	G10_008	'TO->FROM'	'GLASS MOUNTAIN - MOORELAND 138KV CKT 1'			124	0.07498	107.7964	'WWRDEHV7 345.00 (WWDEHV-T2) 345/138/13.8KV TRANSFORMER CKT 2'	
FDNS	1	0 11G	G10_008	'TO->FROM'	'EL RENO - ROMAN NOSE 138KV CKT 1'			153	0.06845	137.8116	'WWRDEHV7 345.00 (WWDEHV-T2) 345/138/13.8KV TRANSFORMER CKT 2'	
FDNS	1	0 11G	G09_060	'TO->FROM'	'CANTON - TALOGA 69KV CKT 1'			39	0.03368	111.4143	'OKEENE (OKEENE) 138/69/13.8KV TRANSFORMER CKT 1'	
FDNS	1	0 11G	G10_008	'TO->FROM'	'EL RENO - ROMAN NOSE 138KV CKT 1'			153	0.04903	138.7927	'TALOGA (TALOGA) 138/69/13.8KV TRANSFORMER CKT 1'	
FDNS	1	0 11G	G10_005	'FROM->TO'	'WICHITA (WICHT12X) 345/138/13.8KV TRANSFORMER CKT 1'			440	0.05215	103.9068	'WICHITA (WICHT11X) 345/138/13.8KV TRANSFORMER CKT 1'	
FDNS	1	0 11G	G10_005	'FROM->TO'	'WICHITA (WICHT12X) 345/138/13.8KV TRANSFORMER CKT 1'			440	0.05215	101.6364	'WICHITA (WICHT11X) 345/138/13.8KV TRANSFORMER CKT 1'	
FDNS	1	0 11G	G10_008	'TO->FROM'	'GLASS MOUNTAIN - MOORELAND 138KV CKT 1'			124	0.06992	124.4385	'DBL-MEDLO-WI'	
FDNS	1	0 11G	G10_008	'TO->FROM'	'EL RENO - ROMAN NOSE 138KV CKT 1'			153	0.06101	148.368	'DBL-MEDLO-WI'	

SOLUTION	GROUP	SCENARIO	SEASON	SOURCE	DIRECTION	MONITORED ELEMENT		RATE B	TDF	TC%	LOADING	CONTINGENCY NAME
						COMMON NAME						
FDNS	1	0 11G	G09_067S	'TO->FROM'	'NORTHWEST - TATONGA7 345KV CKT 1'	345.00		1195	0.12133		101.6308	'DBL-MEDLO-WI'
FDNS	1	0 11G	G08_022	'TO->FROM'	'NORTHWEST - TATONGA7 345KV CKT 1'	345.00		1195	0.12203		101.6308	'DBL-MEDLO-WI'
FDNS	1	0 11G	G10_008	'TO->FROM'	'NORTHWEST - TATONGA7 345KV CKT 1'	345.00		1195	0.15963		101.6308	'DBL-MEDLO-WI'
FDNS	1	0 11G	G10_009	'TO->FROM'	'NORTHWEST - TATONGA7 345KV CKT 1'	345.00		1195	0.12546		101.6308	'DBL-MEDLO-WI'
FDNS	1	0 11G	G08_088	'TO->FROM'	'NORTHWEST - TATONGA7 345KV CKT 1'	345.00		1195	0.13723		101.6308	'DBL-MEDLO-WI'
FDNS	1	0 11G	G09_008	'TO->FROM'	'NORTHWEST - TATONGA7 345KV CKT 1'	345.00		1195	0.05754		101.6308	'DBL-MEDLO-WI'
FDNS	1	0 11G	G08_110	'TO->FROM'	'NORTHWEST - TATONGA7 345KV CKT 1'	345.00		1195	0.19009		101.6308	'DBL-MEDLO-WI'
FDNS	1	0 11G	G10_007	'TO->FROM'	'NORTHWEST - TATONGA7 345KV CKT 1'	345.00		1195	0.14926		101.6308	'DBL-MEDLO-WI'
FDNS	1	0 11G	ASGL_2010_011	'TO->FROM'	'NORTHWEST - TATONGA7 345KV CKT 1'	345.00		1195	0.17584		101.6308	'DBL-MEDLO-WI'
FDNS	1	0 11G	G09_020	'TO->FROM'	'NORTHWEST - TATONGA7 345KV CKT 1'	345.00		1195	0.06696		101.6308	'DBL-MEDLO-WI'
FDNS	1	0 11G	G10_015	'TO->FROM'	'NORTHWEST - TATONGA7 345KV CKT 1'	345.00		1195	0.12414		101.6308	'DBL-MEDLO-WI'
FDNS	1	0 11G	G10_014	'TO->FROM'	'NORTHWEST - TATONGA7 345KV CKT 1'	345.00		1195	0.19009		101.6308	'DBL-MEDLO-WI'
FDNS	1	0 11G	G10_016	'TO->FROM'	'NORTHWEST - TATONGA7 345KV CKT 1'	345.00		1195	0.09531		101.6308	'DBL-MEDLO-WI'
FDNS	1	0 11G	G09_060	'TO->FROM'	'CANTON - TALOGA 69KV CKT 1'			39	0.0468		118.2916	'DBL-MEDLO-WI'
FDNS	1	0 11G	G08_047	'TO->FROM'	'CLEARWATER - MILAN TAP 138KV CKT 1'			110	0.04036		188.9985	'DBL-MEDLO-WI'
FDNS	1	0 11G	G10_009	'TO->FROM'	'CLEARWATER - MILAN TAP 138KV CKT 1'			110	0.04476		188.9985	'DBL-MEDLO-WI'
FDNS	1	0 11G	G08_110	'TO->FROM'	'CLEARWATER - MILAN TAP 138KV CKT 1'			110	0.03792		188.9985	'DBL-MEDLO-WI'
FDNS	1	0 11G	G10_007	'TO->FROM'	'CLEARWATER - MILAN TAP 138KV CKT 1'			110	0.03163		188.9985	'DBL-MEDLO-WI'
FDNS	1	0 11G	ASGL_2010_011	'TO->FROM'	'CLEARWATER - MILAN TAP 138KV CKT 1'			110	0.03572		188.9985	'DBL-MEDLO-WI'
FDNS	1	0 11G	G10_015	'TO->FROM'	'CLEARWATER - MILAN TAP 138KV CKT 1'			110	0.04996		188.9985	'DBL-MEDLO-WI'
FDNS	1	0 11G	G10_014	'TO->FROM'	'CLEARWATER - MILAN TAP 138KV CKT 1'			110	0.03792		188.9985	'DBL-MEDLO-WI'
FDNS	1	0 11G	G10_016	'TO->FROM'	'CLEARWATER - MILAN TAP 138KV CKT 1'			110	0.03762		188.9985	'DBL-MEDLO-WI'
FDNS	1	0 11G	G08_047	'FROM->TO'	'HARPER - MILAN TAP 138KV CKT 1'			95.6	0.04036		232.1374	'DBL-MEDLO-WI'
FDNS	1	0 11G	G10_009	'FROM->TO'	'HARPER - MILAN TAP 138KV CKT 1'			95.6	0.04476		232.1374	'DBL-MEDLO-WI'
FDNS	1	0 11G	G08_110	'FROM->TO'	'HARPER - MILAN TAP 138KV CKT 1'			95.6	0.03792		232.1374	'DBL-MEDLO-WI'
FDNS	1	0 11G	G10_007	'FROM->TO'	'HARPER - MILAN TAP 138KV CKT 1'			95.6	0.03163		232.1374	'DBL-MEDLO-WI'
FDNS	1	0 11G	ASGL_2010_011	'FROM->TO'	'HARPER - MILAN TAP 138KV CKT 1'			95.6	0.03572		232.1374	'DBL-MEDLO-WI'
FDNS	1	0 11G	G10_015	'FROM->TO'	'HARPER - MILAN TAP 138KV CKT 1'			95.6	0.04996		232.1374	'DBL-MEDLO-WI'
FDNS	1	0 11G	G10_014	'FROM->TO'	'HARPER - MILAN TAP 138KV CKT 1'			95.6	0.03792		232.1374	'DBL-MEDLO-WI'
FDNS	1	0 11G	G10_016	'FROM->TO'	'HARPER - MILAN TAP 138KV CKT 1'			95.6	0.03762		232.1374	'DBL-MEDLO-WI'
FDNS	1	0 11G	G10_008	'TO->FROM'	'CLEO CORNER - GLASS MOUNTAIN 138KV CKT 1'			153	0.07584		102.6493	'DBL-WOOD-MED'
FDNS	1	0 11G	G10_008	'TO->FROM'	'GLASS MOUNTAIN - MOORELAND 138KV CKT 1'			124	0.07584		129.8975	'DBL-WOOD-MED'
FDNS	1	0 11G	G10_008	'TO->FROM'	'EL RENO - ROMAN NOSE 138KV CKT 1'			153	0.06675		153.2193	'DBL-WOOD-MED'

SOLUTION	GROUP	SCENARIO	SEASON	SOURCE	DIRECTION	MONITORED ELEMENT		RATE B	TDF	TC%	LOADING	CONTINGENCY NAME
						COMMON NAME	345.00					
FDNS	1	0 11G	G09_067S	'TO->FROM'	'NORTHWEST - TATONGA7 345KV CKT 1'	345.00	1195	0.15233	107.7704	'DBL-WOOD-MED'		
FDNS	1	0 11G	G08_022	'TO->FROM'	'NORTHWEST - TATONGA7 345KV CKT 1'	345.00	1195	0.15286	107.7704	'DBL-WOOD-MED'		
FDNS	1	0 11G	G08_088	'TO->FROM'	'NORTHWEST - TATONGA7 345KV CKT 1'	345.00	1195	0.16356	107.7704	'DBL-WOOD-MED'		
FDNS	1	0 11G	G10_007	'TO->FROM'	'NORTHWEST - TATONGA7 345KV CKT 1'	345.00	1195	0.17426	107.7704	'DBL-WOOD-MED'		
FDNS	1	0 11G	ASGI_2010_011	'TO->FROM'	'345KV CKT 1'	345.00	1195	0.19865	107.7704	'DBL-WOOD-MED'		
FDNS	1	0 11G	G09_060	'TO->FROM'	'CANTON - TALOGA 69KV CKT 1'		39	0.04756	123.0958	'DBL-WOOD-MED'		
FDNS	1	0 11G	G10_008	'TO->FROM'	'GLASS MOUNTAIN - MOORELAND 138KV CKT 1'	138KV	124	0.07074	107.6119	'OGE3TERM1'		
FDNS	1	0 11G	G10_008	'TO->FROM'	'GLASS MOUNTAIN - MOORELAND 138KV CKT 1'	138KV	124	0.06518	100.4453	'OGE3TERM4'		
FDNS	1	0 11G	G10_008	'TO->FROM'	'EL RENO - ROMAN NOSE 138KV CKT 1'	138KV	153	0.0564	131.4999	'OGE3TERM10'		
FDNS	1	0 11G	G10_008	'TO->FROM'	'GLASS MOUNTAIN - MOORELAND 138KV CKT 1'	138KV	124	0.06582	100.0801	'SPP-SWPS-02A'		
FDNS	1	0 11G	G10_008	'TO->FROM'	'EL RENO - ROMAN NOSE 138KV CKT 1'	138KV	153	0.0571	135.8732	'GEN334440 1-SABINE UNIT 4'		
FDNS	1	0 11G	G10_008	'TO->FROM'	'EL RENO - ROMAN NOSE 138KV CKT 1'	138KV	153	0.0571	135.7551	'GEN335204 1-NELSON UNIT 4'		
FDNS	1	0 11G	G10_008	'TO->FROM'	'EL RENO - ROMAN NOSE 138KV CKT 1'	138KV	153	0.0571	136.0335	'GEN335206 1-NELSON UNIT 6'		
FDNS	1	0 11G	G10_008	'TO->FROM'	'GLASS MOUNTAIN - MOORELAND 138KV CKT 1'	138KV	124	0.06548	108.0342	'GEN335831 1-RIVERBEND UNIT#1'		
FDNS	1	0 11G	G10_008	'TO->FROM'	'EL RENO - ROMAN NOSE 138KV CKT 1'	138KV	153	0.0571	138.4185	'GEN335831 1-RIVERBEND UNIT#1'		
FDNS	1	0 11G	G10_008	'TO->FROM'	'GLASS MOUNTAIN - MOORELAND 138KV CKT 1'	138KV	124	0.06548	106.4944	'GEN336251 1-NINEMILE POINT UNIT#4'		
FDNS	1	0 11G	G10_008	'TO->FROM'	'EL RENO - ROMAN NOSE 138KV CKT 1'	138KV	153	0.0571	136.8708	'GEN336251 1-NINEMILE POINT UNIT#4'		
FDNS	1	0 11G	G10_008	'TO->FROM'	'EL RENO - ROMAN NOSE 138KV CKT 1'	138KV	153	0.0571	135.6936	'GEN336801 1-BAXTER WILSON UNIT #1'		
FDNS	1	0 11G	G10_008	'TO->FROM'	'GLASS MOUNTAIN - MOORELAND 138KV CKT 1'	138KV	124	0.06548	106.0754	'GEN336831 1-BAXTER WILSON SES'		
FDNS	1	0 11G	G10_008	'TO->FROM'	'EL RENO - ROMAN NOSE 138KV CKT 1'	138KV	153	0.0571	136.3697	'GEN336831 1-BAXTER WILSON SES'		
FDNS	1	0 11G	G10_008	'TO->FROM'	'GLASS MOUNTAIN - MOORELAND 138KV CKT 1'	138KV	124	0.06548	106.5243	'GEN337041 1-GERALD ANDRUS'		
FDNS	1	0 11G	G10_008	'TO->FROM'	'EL RENO - ROMAN NOSE 138KV CKT 1'	138KV	153	0.0571	136.7352	'GEN337041 1-GERALD ANDRUS'		
FDNS	1	0 11G	G10_008	'TO->FROM'	'GLASS MOUNTAIN - MOORELAND 138KV CKT 1'	138KV	124	0.06548	107.0295	'GEN337652 1-WHITE BLUFF UNIT #1'		
FDNS	1	0 11G	G10_008	'TO->FROM'	'EL RENO - ROMAN NOSE 138KV CKT 1'	138KV	153	0.0571	137.2573	'GEN337652 1-WHITE BLUFF UNIT #1'		
FDNS	1	0 11G	G10_008	'TO->FROM'	'GLASS MOUNTAIN - MOORELAND 138KV CKT 1'	138KV	124	0.06548	106.7939	'GEN337653 1-WHITE BLUFF UNIT #2'		
FDNS	1	0 11G	G10_008	'TO->FROM'	'EL RENO - ROMAN NOSE 138KV CKT 1'	138KV	153	0.0571	137.0275	'GEN337653 1-WHITE BLUFF UNIT #2'		
FDNS	1	0 11G	G10_008	'TO->FROM'	'GLASS MOUNTAIN - MOORELAND 138KV CKT 1'	138KV	124	0.06548	107.6098	'GEN337910 1-ARKANSAS NUCLEAR ONE UNIT #1'		
FDNS	1	0 11G	G10_008	'TO->FROM'	'EL RENO - ROMAN NOSE 138KV CKT 1'	138KV	153	0.0571	137.8715	'GEN337910 1-ARKANSAS NUCLEAR ONE UNIT #1'		
FDNS	1	0 11G	G10_008	'TO->FROM'	'GLASS MOUNTAIN - MOORELAND 138KV CKT 1'	138KV	124	0.06548	108.4855	'GEN337911 1-ARKANSAS NUCLEAR ONE UNIT #2'		

SOLUTION	GROUP	SCENARIO	SEASON	SOURCE	DIRECTION	MONITORED ELEMENT		RATE	B	TDF	TC%	LOADING	CONTINGENCY NAME
						COMMON NAME							
FDNS	1	0 11G	G10_008	'TO->FROM'	'EL RENO - ROMAN NOSE 138KV CKT 1'	'GLASS MOUNTAIN - MOORELAND 138KV CKT 1'	153	0.0571	138.7357	'GEN337911 1-ARKANSAS NUCLEAR ONE UNIT #2'			
FDNS	1	0 11G	G10_008	'TO->FROM'	'EL RENO - ROMAN NOSE 138KV CKT 1'	'GLASS MOUNTAIN - MOORELAND 138KV CKT 1'	124	0.06548	107.0193	'GEN338143 1-INDEPENDENCE UNIT #1'			
FDNS	1	0 11G	G10_008	'TO->FROM'	'EL RENO - ROMAN NOSE 138KV CKT 1'	'GLASS MOUNTAIN - MOORELAND 138KV CKT 1'	153	0.0571	137.003	'GEN338143 1-INDEPENDENCE UNIT #1'			
FDNS	1	0 11G	G10_008	'TO->FROM'	'EL RENO - ROMAN NOSE 138KV CKT 1'	'GLASS MOUNTAIN - MOORELAND 138KV CKT 1'	124	0.06548	107.0416	'GEN338146 1-INDEPENDENCE UNIT #2'			
FDNS	1	0 11G	G10_008	'TO->FROM'	'EL RENO - ROMAN NOSE 138KV CKT 1'	'GLASS MOUNTAIN - MOORELAND 138KV CKT 1'	153	0.0571	137.0683	'GEN338146 1-INDEPENDENCE UNIT #2'			
FDNS	1	0 11G	G10_008	'TO->FROM'	'EL RENO - ROMAN NOSE 138KV CKT 1'	'GLASS MOUNTAIN - MOORELAND 138KV CKT 1'	124	0.06548	106.4347	'GEN338189 1-LS POWER OSCEOLA UNIT G1'			
FDNS	1	0 11G	G10_008	'TO->FROM'	'EL RENO - ROMAN NOSE 138KV CKT 1'	'GLASS MOUNTAIN - MOORELAND 138KV CKT 1'	153	0.0571	136.4019	'GEN338189 1-LS POWER OSCEOLA UNIT G1'			
FDNS	1	0 11G	G10_008	'TO->FROM'	'EL RENO - ROMAN NOSE 138KV CKT 1'	'GLASS MOUNTAIN - MOORELAND 138KV CKT 1'	124	0.06548	106.206	'GEN501801 1-DOLET HILLS UNIT1'			
FDNS	1	0 11G	G10_008	'TO->FROM'	'EL RENO - ROMAN NOSE 138KV CKT 1'	'GLASS MOUNTAIN - MOORELAND 138KV CKT 1'	153	0.0571	137.1935	'GEN501801 1-DOLET HILLS UNIT1'			
FDNS	1	0 11G	G10_008	'TO->FROM'	'EL RENO - ROMAN NOSE 138KV CKT 1'	'GLASS MOUNTAIN - MOORELAND 138KV CKT 1'	153	0.0571	136.0783	'GEN501812 1-RODEMACHER UNIT 2'			
FDNS	1	0 11G	G10_008	'TO->FROM'	'EL RENO - ROMAN NOSE 138KV CKT 1'	'GLASS MOUNTAIN - MOORELAND 138KV CKT 1'	124	0.06548	105.9222	'GEN501813 1-RODEMACHER UNIT 3'			
FDNS	1	0 11G	G10_008	'TO->FROM'	'EL RENO - ROMAN NOSE 138KV CKT 1'	'GLASS MOUNTAIN - MOORELAND 138KV CKT 1'	153	0.0571	136.4657	'GEN501813 1-RODEMACHER UNIT 3'			
FDNS	1	0 11G	G10_008	'TO->FROM'	'EL RENO - ROMAN NOSE 138KV CKT 1'	'GLASS MOUNTAIN - MOORELAND 138KV CKT 1'	124	0.06548	105.9049	'GEN509394 1-FLINT CREEK'			
FDNS	1	0 11G	G10_008	'TO->FROM'	'EL RENO - ROMAN NOSE 138KV CKT 1'	'GLASS MOUNTAIN - MOORELAND 138KV CKT 1'	153	0.0571	135.7074	'GEN509394 1-FLINT CREEK'			
FDNS	1	0 11G	G10_008	'TO->FROM'	'EL RENO - ROMAN NOSE 138KV CKT 1'	'GLASS MOUNTAIN - MOORELAND 138KV CKT 1'	124	0.06548	105.7874	'GEN509403 1-PIRKEY GENERATION'			
FDNS	1	0 11G	G10_008	'TO->FROM'	'EL RENO - ROMAN NOSE 138KV CKT 1'	'GLASS MOUNTAIN - MOORELAND 138KV CKT 1'	153	0.0571	136.8901	'GEN509403 1-PIRKEY GENERATION'			
FDNS	1	0 11G	G10_008	'TO->FROM'	'EL RENO - ROMAN NOSE 138KV CKT 1'	'GLASS MOUNTAIN - MOORELAND 138KV CKT 1'	153	0.0571	136.2161	'GEN509404 1-WELSH #1'			
FDNS	1	0 11G	G10_008	'TO->FROM'	'EL RENO - ROMAN NOSE 138KV CKT 1'	'GLASS MOUNTAIN - MOORELAND 138KV CKT 1'	153	0.0571	136.2162	'GEN509405 1-WELSH #2'			
FDNS	1	0 11G	G10_008	'TO->FROM'	'EL RENO - ROMAN NOSE 138KV CKT 1'	'GLASS MOUNTAIN - MOORELAND 138KV CKT 1'	153	0.0571	136.2163	'GEN509406 1-WELSH #3'			
FDNS	1	0 11G	G10_008	'TO->FROM'	'EL RENO - ROMAN NOSE 138KV CKT 1'	'GLASS MOUNTAIN - MOORELAND 138KV CKT 1'	124	0.06548	105.8941	'GEN511839 1-NORTHEASTERN STATION #2'			
FDNS	1	0 11G	G10_008	'TO->FROM'	'EL RENO - ROMAN NOSE 138KV CKT 1'	'GLASS MOUNTAIN - MOORELAND 138KV CKT 1'	124	0.06548	105.7396	'GEN511840 1-NORTHEASTERN STATION #3'			
FDNS	1	0 11G	G10_008	'TO->FROM'	'EL RENO - ROMAN NOSE 138KV CKT 1'	'GLASS MOUNTAIN - MOORELAND 138KV CKT 1'	124	0.06548	105.7686	'GEN511841 1-NORTHEASTERN STATION #4'			
FDNS	1	0 11G	G10_008	'TO->FROM'	'EL RENO - ROMAN NOSE 138KV CKT 1'	'GLASS MOUNTAIN - MOORELAND 138KV CKT 1'	124	0.06548	110.6172	'GEN514805 1-SOONER UNIT 1'			
FDNS	1	0 11G	G10_008	'TO->FROM'	'EL RENO - ROMAN NOSE 138KV CKT 1'	'GLASS MOUNTAIN - MOORELAND 138KV CKT 1'	124	0.06548	108.0414	'GEN514806 1-SOONER UNIT 2'			
FDNS	1	0 11G	G10_008	'TO->FROM'	'EL RENO - ROMAN NOSE 138KV CKT 1'	'GLASS MOUNTAIN - MOORELAND 138KV CKT 1'	153	0.0571	135.8278	'GEN514806 1-SOONER UNIT 2'			
FDNS	1	0 11G	G10_008	'TO->FROM'	'EL RENO - ROMAN NOSE 138KV CKT 1'	'GLASS MOUNTAIN - MOORELAND 138KV CKT 1'	153	0.0571	136.0522	'GEN515223 1-MUSKOGEE 4G'			
FDNS	1	0 11G	G10_008	'TO->FROM'	'EL RENO - ROMAN NOSE 138KV CKT 1'	'GLASS MOUNTAIN - MOORELAND 138KV CKT 1'	153	0.0571	136.0116	'GEN515225 1-MUSKOGEE 5G'			
FDNS	1	0 11G	G10_008	'TO->FROM'	'EL RENO - ROMAN NOSE 138KV CKT 1'	'GLASS MOUNTAIN - MOORELAND 138KV CKT 1'	124	0.06548	105.8792	'GEN515226 1-MUSKOGEE 6G'			
FDNS	1	0 11G	G10_008	'TO->FROM'	'EL RENO - ROMAN NOSE 138KV CKT 1'	'GLASS MOUNTAIN - MOORELAND 138KV CKT 1'	153	0.0571	136.4398	'GEN515226 1-MUSKOGEE 6G'			

SOLUTION	GROUP	SCENARIO	SEASON	SOURCE	DIRECTION	MONITORED ELEMENT	RATE B	TDF	TC%	LOADING	CONTINGENCY	NAME
						COMMON NAME						
FDNS	1	0 11G	G10_008	'TO->FROM'	'EL RENO - ROMAN NOSE 138KV CKT 1'	153	0.0571	130.7173	'GEN515364 1-CENT 11	0.6000'		
FDNS	1	0 11G	G10_008	'TO->FROM'	'EL RENO - ROMAN NOSE 138KV CKT 1'	153	0.0571	119.7809	'GEN515389 1-TLGAWND1	34.500'		
FDNS	1	0 11G	G10_008	'TO->FROM'	'EL RENO - ROMAN NOSE 138KV CKT 1'	153	0.0571	130.1998	'GEN515393 1-OGEWND2G'			
FDNS	1	0 11G	G10_008	'TO->FROM'	'EL RENO - ROMAN NOSE 138KV CKT 1'	153	0.0571	131.1956	'GEN515397 1-OUSPRT 1	34.500'		
FDNS	1	0 11G	G10_008	'TO->FROM'	'EL RENO - ROMAN NOSE 138KV CKT 1'	153	0.0571	130.2661	'GEN515790 1-FPLWND2'			
FDNS	1	0 11G	G10_008	'TO->FROM'	'EL RENO - ROMAN NOSE 138KV CKT 1'	153	0.0571	130.4073	'GEN520922 1-SLEEPING	138.00'		
FDNS	1	0 11G	G10_008	'TO->FROM'	'EL RENO - ROMAN NOSE 138KV CKT 1'	153	0.0571	136.2274	'GEN520947 1-HUGO1'			
FDNS	1	0 11G	G10_008	'TO->FROM'	'EL RENO - ROMAN NOSE 138KV CKT 1'	153	0.0571	130.6266	'GEN520997 1-MORLND2'			
FDNS	1	0 11G	G10_008	'TO->FROM'	'EL RENO - ROMAN NOSE 138KV CKT 1'	153	0.0571	130.6505	'GEN525561 1-TOLK GEN #1 24 KV'			
FDNS	1	0 11G	G10_008	'TO->FROM'	'EL RENO - ROMAN NOSE 138KV CKT 1'	153	0.0571	130.3356	'GEN525562 1-TOLK GEN #2 24 KV'			
FDNS	1	0 11G	G08_047	'TO->FROM'	'DEAF SMITH COUNTY INTERCHANGE - S-RANDLCO 230.00 230KV CKT 1'	350	0.03204	100.6718	'GEN525562 1-TOLK GEN #2 24 KV'			
FDNS	1	0 11G	G08_088	'TO->FROM'	'DEAF SMITH COUNTY INTERCHANGE - S-RANDLCO 230.00 230KV CKT 1'	350	0.06549	100.6718	'GEN525562 1-TOLK GEN #2 24 KV'			
FDNS	1	0 11G	G08_110	'TO->FROM'	'DEAF SMITH COUNTY INTERCHANGE - S-RANDLCO 230.00 230KV CKT 1'	350	0.048	100.6718	'GEN525562 1-TOLK GEN #2 24 KV'			
FDNS	1	0 11G	G10_007	'TO->FROM'	'DEAF SMITH COUNTY INTERCHANGE - S-RANDLCO 230.00 230KV CKT 1'	350	0.07502	100.6718	'GEN525562 1-TOLK GEN #2 24 KV'			
FDNS	1	0 11G	ASGI_2010_011	'TO->FROM'	'DEAF SMITH COUNTY INTERCHANGE - S-RANDLCO 230.00 230KV CKT 1'	350	0.05936	100.6718	'GEN525562 1-TOLK GEN #2 24 KV'			
FDNS	1	0 11G	G10_014	'TO->FROM'	'DEAF SMITH COUNTY INTERCHANGE - S-RANDLCO 230.00 230KV CKT 1'	350	0.048	100.6718	'GEN525562 1-TOLK GEN #2 24 KV'			
FDNS	1	0 11G	G10_008	'TO->FROM'	'GLASS MOUNTAIN - MOORELAND 138KV CKT 1'	124	0.06548	108.1925	'GEN532751 1-WOLF CREEK GENERATING STATION UNIT 1'			
FDNS	1	0 11G	G10_008	'TO->FROM'	'GLASS MOUNTAIN - MOORELAND 138KV CKT 1'	124	0.06548	105.6599	'GEN542955 1-LACYGNE UNIT #1'			
FDNS	1	0 11G	G10_008	'TO->FROM'	'EL RENO - ROMAN NOSE 138KV CKT 1'	153	0.0571	126.955	'GEN560180 1-G07-51	0.6000'		
FDNS	1	0 11G	G10_008	'TO->FROM'	'GLASS MOUNTAIN - MOORELAND 138KV CKT 1'	124	0.06548	100.3425	'GEN560190 1-G10-08	0.6900'		
FDNS	1	0 11G	G10_008	'TO->FROM'	'EL RENO - ROMAN NOSE 138KV CKT 1'	153	0.0571	131.1404	'GEN560221 1-G07-62-1	0.6900'		
FDNS	1	0 11G	G10_008	'TO->FROM'	'EL RENO - ROMAN NOSE 138KV CKT 1'	153	0.0571	131.1404	'GEN560222 1-G07-62-2	0.6900'		
FDNS	1	0 11G	G10_008	'TO->FROM'	'EL RENO - ROMAN NOSE 138KV CKT 1'	153	0.0571	128.2346	'GEN560429 1-G08-29	0.6400'		
FNSL	1	0 11G	G10_008	'TO->FROM'	'GLASS MOUNTAIN - MOORELAND 138KV CKT 1'	124	0.06548	108.7692	'GEN336153 1-WATERFORD UNIT#3'			
FNSL	1	0 11G	G10_008	'TO->FROM'	'EL RENO - ROMAN NOSE 138KV CKT 1'	153	0.0571	139.1916	'GEN336153 1-WATERFORD UNIT#3'			
FDNS	02ALL	0 11G	G08_044	'TO->FROM'	'FPL SWITCH - WOODWARD 138KV CKT 1'	153	0.03294	148.5437	'BASE CASE'			
FDNS	02ALL	0 11G	G08_047	'TO->FROM'	'FPL SWITCH - WOODWARD 138KV CKT 1'	153	0.05253	148.5437	'BASE CASE'			
FDNS	02ALL	0 11G	G08_110	'TO->FROM'	'FPL SWITCH - WOODWARD 138KV CKT 1'	153	0.04004	148.5437	'BASE CASE'			
FDNS	02ALL	0 11G	ASGI_2010_011	'TO->FROM'	'FPL SWITCH - WOODWARD 138KV CKT 1'	153	0.03311	148.5437	'BASE CASE'			

SOLUTION	GROUP	SCENARIO	SEASON	SOURCE	DIRECTION	MONITORED ELEMENT	RATE	B	TDF	TC%	LOADING	CONTINGENCY	NAME
						COMMON NAME							
FDNS	02ALL		0 11G	G10_011	'TO->FROM'	'FPL SWITCH - WOODWARD 138KV CKT 1'	153	0.03294		148.5437	'BASE CASE'		
FDNS	02ALL		0 11G	G10_014	'TO->FROM'	'FPL SWITCH - WOODWARD 138KV CKT 1'	153	0.04004		148.5437	'BASE CASE'		
FDNS	02ALL		0 11G	G08_088	'TO->FROM'	'DEAF SMITH COUNTY INTERCHANGE - S-RANDLCO 230.00 230KV CKT 1'	350	0.06268		106.5662	'BASE CASE'		
FDNS	02ALL		0 11G	G08_110	'TO->FROM'	'DEAF SMITH COUNTY INTERCHANGE - S-RANDLCO 230.00 230KV CKT 1'	350	0.04519		106.5662	'BASE CASE'		
FDNS	02ALL		0 11G	G10_007	'TO->FROM'	'DEAF SMITH COUNTY INTERCHANGE - S-RANDLCO 230.00 230KV CKT 1'	350	0.07221		106.5662	'BASE CASE'		
FDNS	02ALL		0 11G	ASGI_2010_011	'TO->FROM'	'DEAF SMITH COUNTY INTERCHANGE - S-RANDLCO 230.00 230KV CKT 1'	350	0.05655		106.5662	'BASE CASE'		
FDNS	02ALL		0 11G	G10_014	'TO->FROM'	'DEAF SMITH COUNTY INTERCHANGE - S-RANDLCO 230.00 230KV CKT 1'	350	0.04519		106.5662	'BASE CASE'		
FDNS	02ALL		0 11G	G09_067S	'FROM->TO'	'ELK CITY 230KV (ELKCTY-6) 230/138/13.8KV TRANSFORMER CKT 1'	287	0.06629		104.8443	'BASE CASE'		
FDNS	02ALL		0 11G	G08_022	'FROM->TO'	'ELK CITY 230KV (ELKCTY-6) 230/138/13.8KV TRANSFORMER CKT 1'	287	0.06759		104.8443	'BASE CASE'		
FDNS	02ALL		0 11G	G08_088	'FROM->TO'	'ELK CITY 230KV (ELKCTY-6) 230/138/13.8KV TRANSFORMER CKT 1'	287	0.11358		104.8443	'BASE CASE'		
FDNS	02ALL		0 11G	G08_110	'FROM->TO'	'ELK CITY 230KV (ELKCTY-6) 230/138/13.8KV TRANSFORMER CKT 1'	287	0.03756		104.8443	'BASE CASE'		
FDNS	02ALL		0 11G	G10_007	'FROM->TO'	'ELK CITY 230KV (ELKCTY-6) 230/138/13.8KV TRANSFORMER CKT 1'	287	0.10175		104.8443	'BASE CASE'		
FDNS	02ALL		0 11G	ASGI_2010_011	'FROM->TO'	'ELK CITY 230KV (ELKCTY-6) 230/138/13.8KV TRANSFORMER CKT 1'	287	0.05951		104.8443	'BASE CASE'		
FDNS	02ALL		0 11G	G10_014	'FROM->TO'	'ELK CITY 230KV (ELKCTY-6) 230/138/13.8KV TRANSFORMER CKT 1'	287	0.03756		104.8443	'BASE CASE'		
FDNS	02ALL		0 11G	G09_067S	'FROM->TO'	'ELK CITY 230KV (ELKCTY-6) 230/138/13.8KV TRANSFORMER CKT 1'	287	0.06629		103.9077	'BASE CASE'		
FDNS	02ALL		0 11G	G08_022	'FROM->TO'	'ELK CITY 230KV (ELKCTY-6) 230/138/13.8KV TRANSFORMER CKT 1'	287	0.06759		103.9077	'BASE CASE'		
FDNS	02ALL		0 11G	G08_088	'FROM->TO'	'ELK CITY 230KV (ELKCTY-6) 230/138/13.8KV TRANSFORMER CKT 1'	287	0.11358		103.9077	'BASE CASE'		
FDNS	02ALL		0 11G	G08_110	'FROM->TO'	'ELK CITY 230KV (ELKCTY-6) 230/138/13.8KV TRANSFORMER CKT 1'	287	0.03756		103.9077	'BASE CASE'		
FDNS	02ALL		0 11G	G10_007	'FROM->TO'	'ELK CITY 230KV (ELKCTY-6) 230/138/13.8KV TRANSFORMER CKT 1'	287	0.10175		103.9077	'BASE CASE'		
FDNS	02ALL		0 11G	ASGI_2010_011	'FROM->TO'	'ELK CITY 230KV (ELKCTY-6) 230/138/13.8KV TRANSFORMER CKT 1'	287	0.05951		103.9077	'BASE CASE'		
FDNS	02ALL		0 11G	G10_014	'FROM->TO'	'ELK CITY 230KV (ELKCTY-6) 230/138/13.8KV TRANSFORMER CKT 1'	287	0.03756		103.9077	'BASE CASE'		
FDNS	02ALL		0 11G	G08_046	'FROM->TO'	'LAWEASOKLUNI'	425	0.11387		111.5	'BASE CASE'		
FDNS	02ALL		0 11G	G09_030	'FROM->TO'	'LAWEASOKLUNI'	425	0.06304		111.5	'BASE CASE'		
FDNS	02ALL		0 11G	G10_005	'FROM->TO'	'LAWEASOKLUNI'	425	0.03314		111.5	'BASE CASE'		
FDNS	02ALL		0 11G	G10_003	'FROM->TO'	'LAWEASOKLUNI'	425	0.03505		111.5	'BASE CASE'		
FDNS	02ALL		0 11G	G08_071	'FROM->TO'	'LAWEASOKLUNI'	425	0.04377		111.5	'BASE CASE'		
FDNS	02ALL		0 11G	G08_037	'FROM->TO'	'LAWEASOKLUNI'	425	0.10473		111.5	'BASE CASE'		
FDNS	02ALL		0 11G	G10_013	'FROM->TO'	'LAWEASOKLUNI'	425	0.03801		111.5	'BASE CASE'		
FDNS	02ALL		0 11G	G08_098	'FROM->TO'	'LAWEASOKLUNI'	425	0.03505		111.5	'BASE CASE'		
FDNS	02ALL		0 11G	G09_060	'FROM->TO'	'LAWEASOKLUNI'	425	0.06114		111.5	'BASE CASE'		
FDNS	02ALL		0 11G	G08_044	'TO->FROM'	'FPL SWITCH - WOODWARD 138KV CKT 1'	153	0.03319		126.6436	'HINTON - WEATHERFORD JCT. 138KV CKT 1'		
FDNS	02ALL		0 11G	G08_047	'TO->FROM'	'FPL SWITCH - WOODWARD 138KV CKT 1'	153	0.05224		126.6436	'HINTON - WEATHERFORD JCT. 138KV CKT 1'		
FDNS	02ALL		0 11G	G08_110	'TO->FROM'	'FPL SWITCH - WOODWARD 138KV CKT 1'	153	0.03957		126.6436	'HINTON - WEATHERFORD JCT. 138KV CKT 1'		

SOLUTION	GROUP	SCENARIO	SEASON	SOURCE	DIRECTION	MONITORED ELEMENT	RATE B	TDF	TC%	LOADING	CONTINGENCY NAME
						COMMON NAME					
FDNS	02ALL		0 11G	ASGI_2010_011	'TO->FROM'	'FPL SWITCH - WOODWARD 138KV CKT 1'	153	0.03239	126.6436		'HINTON - WEATHERFORD JCT. 138KV CKT 1'
FDNS	02ALL		0 11G	G10_011	'TO->FROM'	'FPL SWITCH - WOODWARD 138KV CKT 1'	153	0.03319	126.6436		'HINTON - WEATHERFORD JCT. 138KV CKT 1'
FDNS	02ALL		0 11G	G10_014	'TO->FROM'	'FPL SWITCH - WOODWARD 138KV CKT 1'	153	0.03957	126.6436		'HINTON - WEATHERFORD JCT. 138KV CKT 1'
FDNS	02ALL		0 11G	G09_067S	'FROM->TO'	'ELK CITY 230KV (ELKCTY-6) 230/138/13.8KV TRANSFORMER CKT 1'	287	0.06259	100.2928		'HINTON - WEATHERFORD JCT. 138KV CKT 1'
FDNS	02ALL		0 11G	G08_022	'FROM->TO'	'ELK CITY 230KV (ELKCTY-6) 230/138/13.8KV TRANSFORMER CKT 1'	287	0.06385	100.2928		'HINTON - WEATHERFORD JCT. 138KV CKT 1'
FDNS	02ALL		0 11G	G08_088	'FROM->TO'	'ELK CITY 230KV (ELKCTY-6) 230/138/13.8KV TRANSFORMER CKT 1'	287	0.10815	100.2928		'HINTON - WEATHERFORD JCT. 138KV CKT 1'
FDNS	02ALL		0 11G	G08_110	'FROM->TO'	'ELK CITY 230KV (ELKCTY-6) 230/138/13.8KV TRANSFORMER CKT 1'	287	0.03561	100.2928		'HINTON - WEATHERFORD JCT. 138KV CKT 1'
FDNS	02ALL		0 11G	G10_007	'FROM->TO'	'ELK CITY 230KV (ELKCTY-6) 230/138/13.8KV TRANSFORMER CKT 1'	287	0.0969	100.2928		'HINTON - WEATHERFORD JCT. 138KV CKT 1'
FDNS	02ALL		0 11G	ASGI_2010_011	'FROM->TO'	'ELK CITY 230KV (ELKCTY-6) 230/138/13.8KV TRANSFORMER CKT 1'	287	0.05657	100.2928		'HINTON - WEATHERFORD JCT. 138KV CKT 1'
FDNS	02ALL		0 11G	G10_014	'FROM->TO'	'ELK CITY 230KV (ELKCTY-6) 230/138/13.8KV TRANSFORMER CKT 1'	287	0.03561	100.2928		'HINTON - WEATHERFORD JCT. 138KV CKT 1'
FDNS	02ALL		0 11G	G08_044	'TO->FROM'	'FPL SWITCH - WOODWARD 138KV CKT 1'	153	0.03319	126.6844		'CAN_GAS4 138.00 - HINTON 138KV CKT 1'
FDNS	02ALL		0 11G	G08_047	'TO->FROM'	'FPL SWITCH - WOODWARD 138KV CKT 1'	153	0.05224	126.6844		'CAN_GAS4 138.00 - HINTON 138KV CKT 1'
FDNS	02ALL		0 11G	G08_110	'TO->FROM'	'FPL SWITCH - WOODWARD 138KV CKT 1'	153	0.03957	126.6844		'CAN_GAS4 138.00 - HINTON 138KV CKT 1'
FDNS	02ALL		0 11G	ASGI_2010_011	'TO->FROM'	'FPL SWITCH - WOODWARD 138KV CKT 1'	153	0.03239	126.6844		'CAN_GAS4 138.00 - HINTON 138KV CKT 1'
FDNS	02ALL		0 11G	G10_011	'TO->FROM'	'FPL SWITCH - WOODWARD 138KV CKT 1'	153	0.03319	126.6844		'CAN_GAS4 138.00 - HINTON 138KV CKT 1'
FDNS	02ALL		0 11G	G10_014	'TO->FROM'	'FPL SWITCH - WOODWARD 138KV CKT 1'	153	0.03957	126.6844		'CAN_GAS4 138.00 - HINTON 138KV CKT 1'
FDNS	02ALL		0 11G	G09_067S	'FROM->TO'	'ELK CITY 230KV (ELKCTY-6) 230/138/13.8KV TRANSFORMER CKT 1'	287	0.06259	100.3796		'CAN_GAS4 138.00 - HINTON 138KV CKT 1'
FDNS	02ALL		0 11G	G08_022	'FROM->TO'	'ELK CITY 230KV (ELKCTY-6) 230/138/13.8KV TRANSFORMER CKT 1'	287	0.06385	100.3796		'CAN_GAS4 138.00 - HINTON 138KV CKT 1'
FDNS	02ALL		0 11G	G08_088	'FROM->TO'	'ELK CITY 230KV (ELKCTY-6) 230/138/13.8KV TRANSFORMER CKT 1'	287	0.10815	100.3796		'CAN_GAS4 138.00 - HINTON 138KV CKT 1'
FDNS	02ALL		0 11G	G08_110	'FROM->TO'	'ELK CITY 230KV (ELKCTY-6) 230/138/13.8KV TRANSFORMER CKT 1'	287	0.03561	100.3796		'CAN_GAS4 138.00 - HINTON 138KV CKT 1'
FDNS	02ALL		0 11G	G10_007	'FROM->TO'	'ELK CITY 230KV (ELKCTY-6) 230/138/13.8KV TRANSFORMER CKT 1'	287	0.0969	100.3796		'CAN_GAS4 138.00 - HINTON 138KV CKT 1'
FDNS	02ALL		0 11G	ASGI_2010_011	'FROM->TO'	'ELK CITY 230KV (ELKCTY-6) 230/138/13.8KV TRANSFORMER CKT 1'	287	0.05657	100.3796		'CAN_GAS4 138.00 - HINTON 138KV CKT 1'
FDNS	02ALL		0 11G	G10_014	'FROM->TO'	'ELK CITY 230KV (ELKCTY-6) 230/138/13.8KV TRANSFORMER CKT 1'	287	0.03561	100.3796		'CAN_GAS4 138.00 - HINTON 138KV CKT 1'
FDNS	02ALL		0 11G	G09_067S	'FROM->TO'	'ELK CITY 230KV (ELKCTY-6) 230/138/13.8KV TRANSFORMER CKT 1'	287	0.06773	106.1567		'ALTUS JCT TAP - ALTUS JUNCTION 138KV CKT 1'
FDNS	02ALL		0 11G	G08_022	'FROM->TO'	'ELK CITY 230KV (ELKCTY-6) 230/138/13.8KV TRANSFORMER CKT 1'	287	0.06907	106.1567		'ALTUS JCT TAP - ALTUS JUNCTION 138KV CKT 1'
FDNS	02ALL		0 11G	G08_088	'FROM->TO'	'ELK CITY 230KV (ELKCTY-6) 230/138/13.8KV TRANSFORMER CKT 1'	287	0.11647	106.1567		'ALTUS JCT TAP - ALTUS JUNCTION 138KV CKT 1'
FDNS	02ALL		0 11G	G08_110	'FROM->TO'	'ELK CITY 230KV (ELKCTY-6) 230/138/13.8KV TRANSFORMER CKT 1'	287	0.0386	106.1567		'ALTUS JCT TAP - ALTUS JUNCTION 138KV CKT 1'
FDNS	02ALL		0 11G	G10_007	'FROM->TO'	'ELK CITY 230KV (ELKCTY-6) 230/138/13.8KV TRANSFORMER CKT 1'	287	0.10436	106.1567		'ALTUS JCT TAP - ALTUS JUNCTION 138KV CKT 1'
FDNS	02ALL		0 11G	ASGI_2010_011	'FROM->TO'	'ELK CITY 230KV (ELKCTY-6) 230/138/13.8KV TRANSFORMER CKT 1'	287	0.06107	106.1567		'ALTUS JCT TAP - ALTUS JUNCTION 138KV CKT 1'

SOLUTION	GROUP	SCENARIO	SEASON	SOURCE	DIRECTION	MONITORED ELEMENT	RATE B	TDF	TC%	LOADING	CONTINGENCY NAME
						COMMON NAME					
FDNS	02ALL		0 11G	G10_014	'FROM->TO'	'ELK CITY 230KV (ELKCTY-6) 230/138/13.8KV TRANSFORMER CKT 1'	287	0.0386	106.1567	138KV CKT 1'	'ALTUS JCT TAP - ALTUS JUNCTION
FDNS	02ALL		0 11G	G09_067S	'FROM->TO'	'ELK CITY 230KV (ELKCTY-6) 230/138/13.8KV TRANSFORMER CKT 1'	287	0.06773	105.2037	138KV CKT 1'	'ALTUS JCT TAP - ALTUS JUNCTION
FDNS	02ALL		0 11G	G08_022	'FROM->TO'	'ELK CITY 230KV (ELKCTY-6) 230/138/13.8KV TRANSFORMER CKT 1'	287	0.06907	105.2037	138KV CKT 1'	'ALTUS JCT TAP - ALTUS JUNCTION
FDNS	02ALL		0 11G	G08_088	'FROM->TO'	'ELK CITY 230KV (ELKCTY-6) 230/138/13.8KV TRANSFORMER CKT 1'	287	0.11647	105.2037	138KV CKT 1'	'ALTUS JCT TAP - ALTUS JUNCTION
FDNS	02ALL		0 11G	G08_110	'FROM->TO'	'ELK CITY 230KV (ELKCTY-6) 230/138/13.8KV TRANSFORMER CKT 1'	287	0.0386	105.2037	138KV CKT 1'	'ALTUS JCT TAP - ALTUS JUNCTION
FDNS	02ALL		0 11G	G10_007	'FROM->TO'	'ELK CITY 230KV (ELKCTY-6) 230/138/13.8KV TRANSFORMER CKT 1'	287	0.10436	105.2037	138KV CKT 1'	'ALTUS JCT TAP - ALTUS JUNCTION
FDNS	02ALL		0 11G	ASGI_2010_011	'FROM->TO'	'ELK CITY 230KV (ELKCTY-6) 230/138/13.8KV TRANSFORMER CKT 1'	287	0.06107	105.2037	138KV CKT 1'	'ALTUS JCT TAP - ALTUS JUNCTION
FDNS	02ALL		0 11G	G10_014	'FROM->TO'	'ELK CITY 230KV (ELKCTY-6) 230/138/13.8KV TRANSFORMER CKT 1'	287	0.0386	105.2037	138KV CKT 1'	'ALTUS JCT TAP - ALTUS JUNCTION
FDNS	02ALL		0 11G	G08_044	'TO->FROM'	'FPL SWITCH - WOODWARD 138KV CKT 1'	153	0.033	126.9697	CKT 1'	'CARNEGIE - HOBART JUNCTION 138KV
FDNS	02ALL		0 11G	G08_047	'TO->FROM'	'FPL SWITCH - WOODWARD 138KV CKT 1'	153	0.05207	126.9697	CKT 1'	'CARNEGIE - HOBART JUNCTION 138KV
FDNS	02ALL		0 11G	G08_110	'TO->FROM'	'FPL SWITCH - WOODWARD 138KV CKT 1'	153	0.0394	126.9697	CKT 1'	'CARNEGIE - HOBART JUNCTION 138KV
FDNS	02ALL		0 11G	ASGI_2010_011	'TO->FROM'	'FPL SWITCH - WOODWARD 138KV CKT 1'	153	0.03223	126.9697	CKT 1'	'CARNEGIE - HOBART JUNCTION 138KV
FDNS	02ALL		0 11G	G10_011	'TO->FROM'	'FPL SWITCH - WOODWARD 138KV CKT 1'	153	0.033	126.9697	CKT 1'	'CARNEGIE - HOBART JUNCTION 138KV
FDNS	02ALL		0 11G	G10_014	'TO->FROM'	'FPL SWITCH - WOODWARD 138KV CKT 1'	153	0.0394	126.9697	CKT 1'	'CARNEGIE - HOBART JUNCTION 138KV
FDNS	02ALL		0 11G	G09_067S	'FROM->TO'	'ELK CITY 230KV (ELKCTY-6) 230/138/13.8KV TRANSFORMER CKT 1'	287	0.06358	101.6169	CKT 1'	'CARNEGIE - HOBART JUNCTION 138KV
FDNS	02ALL		0 11G	G08_022	'FROM->TO'	'ELK CITY 230KV (ELKCTY-6) 230/138/13.8KV TRANSFORMER CKT 1'	287	0.06483	101.6169	CKT 1'	'CARNEGIE - HOBART JUNCTION 138KV
FDNS	02ALL		0 11G	G08_088	'FROM->TO'	'ELK CITY 230KV (ELKCTY-6) 230/138/13.8KV TRANSFORMER CKT 1'	287	0.10884	101.6169	CKT 1'	'CARNEGIE - HOBART JUNCTION 138KV
FDNS	02ALL		0 11G	G08_110	'FROM->TO'	'ELK CITY 230KV (ELKCTY-6) 230/138/13.8KV TRANSFORMER CKT 1'	287	0.03552	101.6169	CKT 1'	'CARNEGIE - HOBART JUNCTION 138KV
FDNS	02ALL		0 11G	G10_007	'FROM->TO'	'ELK CITY 230KV (ELKCTY-6) 230/138/13.8KV TRANSFORMER CKT 1'	287	0.0974	101.6169	CKT 1'	'CARNEGIE - HOBART JUNCTION 138KV
FDNS	02ALL		0 11G	ASGI_2010_011	'FROM->TO'	'ELK CITY 230KV (ELKCTY-6) 230/138/13.8KV TRANSFORMER CKT 1'	287	0.05669	101.6169	CKT 1'	'CARNEGIE - HOBART JUNCTION 138KV
FDNS	02ALL		0 11G	G10_014	'FROM->TO'	'ELK CITY 230KV (ELKCTY-6) 230/138/13.8KV TRANSFORMER CKT 1'	287	0.03552	101.6169	CKT 1'	'CARNEGIE - HOBART JUNCTION 138KV
FDNS	02ALL		0 11G	G09_067S	'FROM->TO'	'ELK CITY 230KV (ELKCTY-6) 230/138/13.8KV TRANSFORMER CKT 1'	287	0.06358	100.8079	CKT 1'	'CARNEGIE - HOBART JUNCTION 138KV
FDNS	02ALL		0 11G	G08_022	'FROM->TO'	'ELK CITY 230KV (ELKCTY-6) 230/138/13.8KV TRANSFORMER CKT 1'	287	0.06483	100.8079	CKT 1'	'CARNEGIE - HOBART JUNCTION 138KV
FDNS	02ALL		0 11G	G08_088	'FROM->TO'	'ELK CITY 230KV (ELKCTY-6) 230/138/13.8KV TRANSFORMER CKT 1'	287	0.10884	100.8079	CKT 1'	'CARNEGIE - HOBART JUNCTION 138KV
FDNS	02ALL		0 11G	G08_110	'FROM->TO'	'ELK CITY 230KV (ELKCTY-6) 230/138/13.8KV TRANSFORMER CKT 1'	287	0.03552	100.8079	CKT 1'	'CARNEGIE - HOBART JUNCTION 138KV
FDNS	02ALL		0 11G	G10_007	'FROM->TO'	'ELK CITY 230KV (ELKCTY-6) 230/138/13.8KV TRANSFORMER CKT 1'	287	0.0974	100.8079	CKT 1'	'CARNEGIE - HOBART JUNCTION 138KV
FDNS	02ALL		0 11G	ASGI_2010_011	'FROM->TO'	'ELK CITY 230KV (ELKCTY-6) 230/138/13.8KV TRANSFORMER CKT 1'	287	0.05669	100.8079	CKT 1'	'CARNEGIE - HOBART JUNCTION 138KV
FDNS	02ALL		0 11G	G10_014	'FROM->TO'	'ELK CITY 230KV (ELKCTY-6) 230/138/13.8KV TRANSFORMER CKT 1'	287	0.03552	100.8079	CKT 1'	'CARNEGIE - HOBART JUNCTION 138KV
FDNS	02ALL		0 11G	G08_044	'TO->FROM'	'FPL SWITCH - WOODWARD 138KV CKT 1'	153	0.033	127.1423	138KV CKT 1'	'CARNEGIE - SOUTHWESTERN STATION

SOLUTION	GROUP	SCENARIO	SEASON	SOURCE	DIRECTION	MONITORED ELEMENT	RATE B	TDF	TC%	LOADING	CONTINGENCY NAME
						COMMON NAME					
FDNS	02ALL		0 11G	G08_047	'TO->FROM'	'FPL SWITCH - WOODWARD 138KV CKT 1'	153	0.05207	127.1423	138KV CKT 1'	'CARNEGIE - SOUTHWESTERN STATION
FDNS	02ALL		0 11G	G08_110	'TO->FROM'	'FPL SWITCH - WOODWARD 138KV CKT 1'	153	0.0394	127.1423	138KV CKT 1'	'CARNEGIE - SOUTHWESTERN STATION
FDNS	02ALL		0 11G	ASGI_2010_011	'TO->FROM'	'FPL SWITCH - WOODWARD 138KV CKT 1'	153	0.03223	127.1423	138KV CKT 1'	'CARNEGIE - SOUTHWESTERN STATION
FDNS	02ALL		0 11G	G10_011	'TO->FROM'	'FPL SWITCH - WOODWARD 138KV CKT 1'	153	0.033	127.1423	138KV CKT 1'	'CARNEGIE - SOUTHWESTERN STATION
FDNS	02ALL		0 11G	G10_014	'TO->FROM'	'FPL SWITCH - WOODWARD 138KV CKT 1'	153	0.0394	127.1423	138KV CKT 1'	'CARNEGIE - SOUTHWESTERN STATION
FDNS	02ALL		0 11G	G09_067S	'FROM->TO'	'ELK CITY 230KV (ELKCTY-6) 230/138/13.8KV TRANSFORMER CKT 1'	287	0.06358	101.882	138KV CKT 1'	'CARNEGIE - SOUTHWESTERN STATION
FDNS	02ALL		0 11G	G08_022	'FROM->TO'	'ELK CITY 230KV (ELKCTY-6) 230/138/13.8KV TRANSFORMER CKT 1'	287	0.06483	101.882	138KV CKT 1'	'CARNEGIE - SOUTHWESTERN STATION
FDNS	02ALL		0 11G	G08_088	'FROM->TO'	'ELK CITY 230KV (ELKCTY-6) 230/138/13.8KV TRANSFORMER CKT 1'	287	0.10884	101.882	138KV CKT 1'	'CARNEGIE - SOUTHWESTERN STATION
FDNS	02ALL		0 11G	G08_110	'FROM->TO'	'ELK CITY 230KV (ELKCTY-6) 230/138/13.8KV TRANSFORMER CKT 1'	287	0.03552	101.882	138KV CKT 1'	'CARNEGIE - SOUTHWESTERN STATION
FDNS	02ALL		0 11G	G10_007	'FROM->TO'	'ELK CITY 230KV (ELKCTY-6) 230/138/13.8KV TRANSFORMER CKT 1'	287	0.0974	101.882	138KV CKT 1'	'CARNEGIE - SOUTHWESTERN STATION
FDNS	02ALL		0 11G	ASGI_2010_011	'FROM->TO'	'ELK CITY 230KV (ELKCTY-6) 230/138/13.8KV TRANSFORMER CKT 1'	287	0.05669	101.882	138KV CKT 1'	'CARNEGIE - SOUTHWESTERN STATION
FDNS	02ALL		0 11G	G10_014	'FROM->TO'	'ELK CITY 230KV (ELKCTY-6) 230/138/13.8KV TRANSFORMER CKT 1'	287	0.03552	101.882	138KV CKT 1'	'CARNEGIE - SOUTHWESTERN STATION
FDNS	02ALL		0 11G	G09_067S	'FROM->TO'	'ELK CITY 230KV (ELKCTY-6) 230/138/13.8KV TRANSFORMER CKT 1'	287	0.06358	101.062	138KV CKT 1'	'CARNEGIE - SOUTHWESTERN STATION
FDNS	02ALL		0 11G	G08_022	'FROM->TO'	'ELK CITY 230KV (ELKCTY-6) 230/138/13.8KV TRANSFORMER CKT 1'	287	0.06483	101.062	138KV CKT 1'	'CARNEGIE - SOUTHWESTERN STATION
FDNS	02ALL		0 11G	G08_088	'FROM->TO'	'ELK CITY 230KV (ELKCTY-6) 230/138/13.8KV TRANSFORMER CKT 1'	287	0.10884	101.062	138KV CKT 1'	'CARNEGIE - SOUTHWESTERN STATION
FDNS	02ALL		0 11G	G08_110	'FROM->TO'	'ELK CITY 230KV (ELKCTY-6) 230/138/13.8KV TRANSFORMER CKT 1'	287	0.03552	101.062	138KV CKT 1'	'CARNEGIE - SOUTHWESTERN STATION
FDNS	02ALL		0 11G	G10_007	'FROM->TO'	'ELK CITY 230KV (ELKCTY-6) 230/138/13.8KV TRANSFORMER CKT 1'	287	0.0974	101.062	138KV CKT 1'	'CARNEGIE - SOUTHWESTERN STATION
FDNS	02ALL		0 11G	ASGI_2010_011	'FROM->TO'	'ELK CITY 230KV (ELKCTY-6) 230/138/13.8KV TRANSFORMER CKT 1'	287	0.05669	101.062	138KV CKT 1'	'CARNEGIE - SOUTHWESTERN STATION
FDNS	02ALL		0 11G	G10_014	'FROM->TO'	'ELK CITY 230KV (ELKCTY-6) 230/138/13.8KV TRANSFORMER CKT 1'	287	0.03552	101.062	138KV CKT 1'	'CARNEGIE - SOUTHWESTERN STATION
FDNS	02ALL		0 11G	G09_067S	'TO->FROM'	'CLINTON JUNCTION - ELK CITY 138KV CKT 1'	170	0.03492	108.0287	CITY 138KV CKT 1'	'CLINTON AIR FORCE BASE TAP - ELK
FDNS	02ALL		0 11G	G08_022	'TO->FROM'	'CLINTON JUNCTION - ELK CITY 138KV CKT 1'	170	0.03557	108.0287	CITY 138KV CKT 1'	'CLINTON AIR FORCE BASE TAP - ELK
FDNS	02ALL		0 11G	G08_088	'TO->FROM'	'CLINTON JUNCTION - ELK CITY 138KV CKT 1'	170	0.05822	108.0287	CITY 138KV CKT 1'	'CLINTON AIR FORCE BASE TAP - ELK
FDNS	02ALL		0 11G	G10_007	'TO->FROM'	'CLINTON JUNCTION - ELK CITY 138KV CKT 1'	170	0.05345	108.0287	CITY 138KV CKT 1'	'CLINTON AIR FORCE BASE TAP - ELK
FDNS	02ALL		0 11G	ASGI_2010_011	'TO->FROM'	'CLINTON JUNCTION - ELK CITY 138KV CKT 1'	170	0.03534	108.0287	CITY 138KV CKT 1'	'CLINTON AIR FORCE BASE TAP - ELK
FDNS	02ALL		0 11G	G09_060	'TO->FROM'	'CLINTON JUNCTION - ELK CITY 138KV CKT 1'	170	0.04806	108.0287	CITY 138KV CKT 1'	'CLINTON AIR FORCE BASE TAP - ELK
FDNS	02ALL		0 11G	G08_044	'TO->FROM'	'FPL SWITCH - WOODWARD 138KV CKT 1'	153	0.0329	121.4756	CITY 138KV CKT 1'	'CLINTON AIR FORCE BASE TAP - ELK
FDNS	02ALL		0 11G	G08_047	'TO->FROM'	'FPL SWITCH - WOODWARD 138KV CKT 1'	153	0.05137	121.4756	CITY 138KV CKT 1'	'CLINTON AIR FORCE BASE TAP - ELK
FDNS	02ALL		0 11G	G08_110	'TO->FROM'	'FPL SWITCH - WOODWARD 138KV CKT 1'	153	0.03854	121.4756	CITY 138KV CKT 1'	'CLINTON AIR FORCE BASE TAP - ELK
FDNS	02ALL		0 11G	ASGI_2010_011	'TO->FROM'	'FPL SWITCH - WOODWARD 138KV CKT 1'	153	0.03113	121.4756	CITY 138KV CKT 1'	'CLINTON AIR FORCE BASE TAP - ELK

SOLUTION	GROUP	SCENARIO	SEASON	SOURCE	DIRECTION	MONITORED ELEMENT	RATE B	TDF	TC%	LOADING	CONTINGENCY NAME
						COMMON NAME					
FDNS	02ALL		0 11G	G10_011	'TO->FROM'	'FPL SWITCH - WOODWARD 138KV CKT 1'	153	0.0329	121.4756		'CLINTON AIR FORCE BASE TAP - ELK CITY 138KV CKT 1'
FDNS	02ALL		0 11G	G10_014	'TO->FROM'	'FPL SWITCH - WOODWARD 138KV CKT 1'	153	0.03854	121.4756		'CLINTON AIR FORCE BASE TAP - ELK CITY 138KV CKT 1'
FDNS	02ALL		0 11G	G09_067S	'TO->FROM'	'CLINTON JUNCTION - ELK CITY 138KV CKT 1'	170	0.03492	107.1143		'CLINTON AIR FORCE BASE TAP - HOBART JUNCTION 138KV CKT 1'
FDNS	02ALL		0 11G	G08_022	'TO->FROM'	'CLINTON JUNCTION - ELK CITY 138KV CKT 1'	170	0.03557	107.1143		'CLINTON AIR FORCE BASE TAP - HOBART JUNCTION 138KV CKT 1'
FDNS	02ALL		0 11G	G08_088	'TO->FROM'	'CLINTON JUNCTION - ELK CITY 138KV CKT 1'	170	0.05822	107.1143		'CLINTON AIR FORCE BASE TAP - HOBART JUNCTION 138KV CKT 1'
FDNS	02ALL		0 11G	G10_007	'TO->FROM'	'CLINTON JUNCTION - ELK CITY 138KV CKT 1'	170	0.05345	107.1143		'CLINTON AIR FORCE BASE TAP - HOBART JUNCTION 138KV CKT 1'
FDNS	02ALL		0 11G	ASGI_2010_011	'TO->FROM'	'CLINTON JUNCTION - ELK CITY 138KV CKT 1'	170	0.03534	107.1143		'CLINTON AIR FORCE BASE TAP - HOBART JUNCTION 138KV CKT 1'
FDNS	02ALL		0 11G	G09_060	'TO->FROM'	'CLINTON JUNCTION - ELK CITY 138KV CKT 1'	170	0.04806	107.1143		'CLINTON AIR FORCE BASE TAP - HOBART JUNCTION 138KV CKT 1'
FDNS	02ALL		0 11G	G08_044	'TO->FROM'	'FPL SWITCH - WOODWARD 138KV CKT 1'	153	0.0329	121.7249		'CLINTON AIR FORCE BASE TAP - HOBART JUNCTION 138KV CKT 1'
FDNS	02ALL		0 11G	G08_047	'TO->FROM'	'FPL SWITCH - WOODWARD 138KV CKT 1'	153	0.05137	121.7249		'CLINTON AIR FORCE BASE TAP - HOBART JUNCTION 138KV CKT 1'
FDNS	02ALL		0 11G	G08_110	'TO->FROM'	'FPL SWITCH - WOODWARD 138KV CKT 1'	153	0.03854	121.7249		'CLINTON AIR FORCE BASE TAP - HOBART JUNCTION 138KV CKT 1'
FDNS	02ALL		0 11G	ASGI_2010_011	'TO->FROM'	'FPL SWITCH - WOODWARD 138KV CKT 1'	153	0.03113	121.7249		'CLINTON AIR FORCE BASE TAP - HOBART JUNCTION 138KV CKT 1'
FDNS	02ALL		0 11G	G10_011	'TO->FROM'	'FPL SWITCH - WOODWARD 138KV CKT 1'	153	0.0329	121.7249		'CLINTON AIR FORCE BASE TAP - HOBART JUNCTION 138KV CKT 1'
FDNS	02ALL		0 11G	G10_014	'TO->FROM'	'FPL SWITCH - WOODWARD 138KV CKT 1'	153	0.03854	121.7249		'CLINTON AIR FORCE BASE TAP - HOBART JUNCTION 138KV CKT 1'
FDNS	02ALL		0 11G	G09_067S	'FROM->TO'	'ELK CITY 230KV (ELKCTY-6) 230/138/13.8KV TRANSFORMER CKT 1'	287	0.06773	106.1685		'ALTUS JCT TAP - RUSSELL 138KV CKT 1'
FDNS	02ALL		0 11G	G08_022	'FROM->TO'	'ELK CITY 230KV (ELKCTY-6) 230/138/13.8KV TRANSFORMER CKT 1'	287	0.06907	106.1685		'ALTUS JCT TAP - RUSSELL 138KV CKT 1'
FDNS	02ALL		0 11G	G08_088	'FROM->TO'	'ELK CITY 230KV (ELKCTY-6) 230/138/13.8KV TRANSFORMER CKT 1'	287	0.11647	106.1685		'ALTUS JCT TAP - RUSSELL 138KV CKT 1'
FDNS	02ALL		0 11G	G08_110	'FROM->TO'	'ELK CITY 230KV (ELKCTY-6) 230/138/13.8KV TRANSFORMER CKT 1'	287	0.0386	106.1685		'ALTUS JCT TAP - RUSSELL 138KV CKT 1'
FDNS	02ALL		0 11G	G10_007	'FROM->TO'	'ELK CITY 230KV (ELKCTY-6) 230/138/13.8KV TRANSFORMER CKT 1'	287	0.10436	106.1685		'ALTUS JCT TAP - RUSSELL 138KV CKT 1'
FDNS	02ALL		0 11G	ASGI_2010_011	'FROM->TO'	'ELK CITY 230KV (ELKCTY-6) 230/138/13.8KV TRANSFORMER CKT 1'	287	0.06107	106.1685		'ALTUS JCT TAP - RUSSELL 138KV CKT 1'
FDNS	02ALL		0 11G	G10_014	'FROM->TO'	'ELK CITY 230KV (ELKCTY-6) 230/138/13.8KV TRANSFORMER CKT 1'	287	0.0386	106.1685		'ALTUS JCT TAP - RUSSELL 138KV CKT 1'
FDNS	02ALL		0 11G	G09_067S	'FROM->TO'	'ELK CITY 230KV (ELKCTY-6) 230/138/13.8KV TRANSFORMER CKT 1'	287	0.06773	105.2147		'ALTUS JCT TAP - RUSSELL 138KV CKT 1'
FDNS	02ALL		0 11G	G08_022	'FROM->TO'	'ELK CITY 230KV (ELKCTY-6) 230/138/13.8KV TRANSFORMER CKT 1'	287	0.06907	105.2147		'ALTUS JCT TAP - RUSSELL 138KV CKT 1'
FDNS	02ALL		0 11G	G08_088	'FROM->TO'	'ELK CITY 230KV (ELKCTY-6) 230/138/13.8KV TRANSFORMER CKT 1'	287	0.11647	105.2147		'ALTUS JCT TAP - RUSSELL 138KV CKT 1'
FDNS	02ALL		0 11G	G08_110	'FROM->TO'	'ELK CITY 230KV (ELKCTY-6) 230/138/13.8KV TRANSFORMER CKT 1'	287	0.0386	105.2147		'ALTUS JCT TAP - RUSSELL 138KV CKT 1'
FDNS	02ALL		0 11G	G10_007	'FROM->TO'	'ELK CITY 230KV (ELKCTY-6) 230/138/13.8KV TRANSFORMER CKT 1'	287	0.10436	105.2147		'ALTUS JCT TAP - RUSSELL 138KV CKT 1'
FDNS	02ALL		0 11G	ASGI_2010_011	'FROM->TO'	'ELK CITY 230KV (ELKCTY-6) 230/138/13.8KV TRANSFORMER CKT 1'	287	0.06107	105.2147		'ALTUS JCT TAP - RUSSELL 138KV CKT 1'
FDNS	02ALL		0 11G	G10_014	'FROM->TO'	'ELK CITY 230KV (ELKCTY-6) 230/138/13.8KV TRANSFORMER CKT 1'	287	0.0386	105.2147		'ALTUS JCT TAP - RUSSELL 138KV CKT 1'
FDNS	02ALL		0 11G	G09_067S	'TO->FROM'	'ELK CITY 230KV - SWEETWT6 230.00 230KV CKT 1'	351	0.09873	109.0169		'LAWTON EASTSIDE - OKLAUNION 345KV CKT 1'

SOLUTION	GROUP	SCENARIO	SEASON	SOURCE	DIRECTION	MONITORED ELEMENT		RATE B	TDF	TC%LOADING	CONTINGENCY NAME
						COMMON NAME					
FDNS	02ALL		0 11G	G08_022	'TO->FROM'	'ELK CITY 230KV - SWEETWT6 230KV CKT 1'	230.00	351	0.09953	109.0169	'LAWTON EASTSIDE - OKLAUNION 345KV CKT 1'
FDNS	02ALL		0 11G	G08_088	'TO->FROM'	'ELK CITY 230KV - SWEETWT6 230KV CKT 1'	230.00	351	0.13137	109.0169	'LAWTON EASTSIDE - OKLAUNION 345KV CKT 1'
FDNS	02ALL		0 11G	G08_110	'TO->FROM'	'ELK CITY 230KV - SWEETWT6 230KV CKT 1'	230.00	351	0.04516	109.0169	'LAWTON EASTSIDE - OKLAUNION 345KV CKT 1'
FDNS	02ALL		0 11G	G10_007	'TO->FROM'	'ELK CITY 230KV - SWEETWT6 230KV CKT 1'	230.00	351	0.11632	109.0169	'LAWTON EASTSIDE - OKLAUNION 345KV CKT 1'
FDNS	02ALL		0 11G	ASGI_2010_011	'TO->FROM'	'ELK CITY 230KV - SWEETWT6 230KV CKT 1'	230.00	351	0.06964	109.0169	'LAWTON EASTSIDE - OKLAUNION 345KV CKT 1'
FDNS	02ALL		0 11G	G10_014	'TO->FROM'	'ELK CITY 230KV - SWEETWT6 230KV CKT 1'	230.00	351	0.04516	109.0169	'LAWTON EASTSIDE - OKLAUNION 345KV CKT 1'
FDNS	02ALL		0 11G	G08_044	'TO->FROM'	'FPL SWITCH - WOODWARD 138KV CKT 1'		153	0.03228	157.7073	'LAWTON EASTSIDE - OKLAUNION 345KV CKT 1'
FDNS	02ALL		0 11G	G08_047	'TO->FROM'	'FPL SWITCH - WOODWARD 138KV CKT 1'		153	0.05535	157.7073	'LAWTON EASTSIDE - OKLAUNION 345KV CKT 1'
FDNS	02ALL		0 11G	G09_067S	'TO->FROM'	'FPL SWITCH - WOODWARD 138KV CKT 1'		153	0.03462	157.7073	'LAWTON EASTSIDE - OKLAUNION 345KV CKT 1'
FDNS	02ALL		0 11G	G08_022	'TO->FROM'	'FPL SWITCH - WOODWARD 138KV CKT 1'		153	0.03434	157.7073	'LAWTON EASTSIDE - OKLAUNION 345KV CKT 1'
FDNS	02ALL		0 11G	G08_110	'TO->FROM'	'FPL SWITCH - WOODWARD 138KV CKT 1'		153	0.04386	157.7073	'LAWTON EASTSIDE - OKLAUNION 345KV CKT 1'
FDNS	02ALL		0 11G	ASGI_2010_011	'TO->FROM'	'FPL SWITCH - WOODWARD 138KV CKT 1'		153	0.0382	157.7073	'LAWTON EASTSIDE - OKLAUNION 345KV CKT 1'
FDNS	02ALL		0 11G	G10_011	'TO->FROM'	'FPL SWITCH - WOODWARD 138KV CKT 1'		153	0.03228	157.7073	'LAWTON EASTSIDE - OKLAUNION 345KV CKT 1'
FDNS	02ALL		0 11G	G10_014	'TO->FROM'	'FPL SWITCH - WOODWARD 138KV CKT 1'		153	0.04386	157.7073	'LAWTON EASTSIDE - OKLAUNION 345KV CKT 1'
FDNS	02ALL		0 11G	G09_067S	'TO->FROM'	'GRAPEVINE INTERCHANGE - NICHOLS STATION 230KV CKT 1'		351	0.0938	100.5996	'LAWTON EASTSIDE - OKLAUNION 345KV CKT 1'
FDNS	02ALL		0 11G	G08_022	'TO->FROM'	'GRAPEVINE INTERCHANGE - NICHOLS STATION 230KV CKT 1'		351	0.09453	100.5996	'LAWTON EASTSIDE - OKLAUNION 345KV CKT 1'
FDNS	02ALL		0 11G	G08_088	'TO->FROM'	'GRAPEVINE INTERCHANGE - NICHOLS STATION 230KV CKT 1'		351	0.11329	100.5996	'LAWTON EASTSIDE - OKLAUNION 345KV CKT 1'
FDNS	02ALL		0 11G	G08_110	'TO->FROM'	'GRAPEVINE INTERCHANGE - NICHOLS STATION 230KV CKT 1'		351	0.04366	100.5996	'LAWTON EASTSIDE - OKLAUNION 345KV CKT 1'
FDNS	02ALL		0 11G	G10_007	'TO->FROM'	'GRAPEVINE INTERCHANGE - NICHOLS STATION 230KV CKT 1'		351	0.09541	100.5996	'LAWTON EASTSIDE - OKLAUNION 345KV CKT 1'
FDNS	02ALL		0 11G	ASGI_2010_011	'TO->FROM'	'GRAPEVINE INTERCHANGE - NICHOLS STATION 230KV CKT 1'		351	0.06308	100.5996	'LAWTON EASTSIDE - OKLAUNION 345KV CKT 1'
FDNS	02ALL		0 11G	G10_014	'TO->FROM'	'GRAPEVINE INTERCHANGE - NICHOLS STATION 230KV CKT 1'		351	0.04366	100.5996	'LAWTON EASTSIDE - OKLAUNION 345KV CKT 1'
FDNS	02ALL		0 11G	G09_067S	'FROM->TO'	'ELK CITY 230KV (ELKCTY-6) 230/138/13.8KV TRANSFORMER CKT 1'		287	0.09873	128.518	'LAWTON EASTSIDE - OKLAUNION 345KV CKT 1'
FDNS	02ALL		0 11G	G08_022	'FROM->TO'	'ELK CITY 230KV (ELKCTY-6) 230/138/13.8KV TRANSFORMER CKT 1'		287	0.09953	128.518	'LAWTON EASTSIDE - OKLAUNION 345KV CKT 1'
FDNS	02ALL		0 11G	G08_088	'FROM->TO'	'ELK CITY 230KV (ELKCTY-6) 230/138/13.8KV TRANSFORMER CKT 1'		287	0.13137	128.518	'LAWTON EASTSIDE - OKLAUNION 345KV CKT 1'
FDNS	02ALL		0 11G	G08_110	'FROM->TO'	'ELK CITY 230KV (ELKCTY-6) 230/138/13.8KV TRANSFORMER CKT 1'		287	0.04516	128.518	'LAWTON EASTSIDE - OKLAUNION 345KV CKT 1'
FDNS	02ALL		0 11G	G10_007	'FROM->TO'	'ELK CITY 230KV (ELKCTY-6) 230/138/13.8KV TRANSFORMER CKT 1'		287	0.11632	128.518	'LAWTON EASTSIDE - OKLAUNION 345KV CKT 1'
FDNS	02ALL		0 11G	ASGI_2010_011	'FROM->TO'	'ELK CITY 230KV (ELKCTY-6) 230/138/13.8KV TRANSFORMER CKT 1'		287	0.06964	128.518	'LAWTON EASTSIDE - OKLAUNION 345KV CKT 1'
FDNS	02ALL		0 11G	G10_014	'FROM->TO'	'ELK CITY 230KV (ELKCTY-6) 230/138/13.8KV TRANSFORMER CKT 1'		287	0.04516	128.518	'LAWTON EASTSIDE - OKLAUNION 345KV CKT 1'
FDNS	02ALL		0 11G	G09_067S	'FROM->TO'	'ELK CITY 230KV (ELKCTY-6) 230/138/13.8KV TRANSFORMER CKT 1'		287	0.09873	126.4228	'LAWTON EASTSIDE - OKLAUNION 345KV CKT 1'

SOLUTION	GROUP	SCENARIO	SEASON	SOURCE	DIRECTION	MONITORED ELEMENT	RATE B	TDF	TC%	LOADING	CONTINGENCY NAME	
						COMMON NAME						
FDNS	02ALL		0 11G	G08_022	'FROM->TO'	'ELK CITY 230KV (ELKCTY-6) 230/138/13.8KV TRANSFORMER CKT 1'	287	0.09953	126.4228		CKT 1'	'LAWTON EASTSIDE - OKLAUNION 345KV
FDNS	02ALL		0 11G	G08_088	'FROM->TO'	'ELK CITY 230KV (ELKCTY-6) 230/138/13.8KV TRANSFORMER CKT 1'	287	0.13137	126.4228		CKT 1'	'LAWTON EASTSIDE - OKLAUNION 345KV
FDNS	02ALL		0 11G	G08_110	'FROM->TO'	'ELK CITY 230KV (ELKCTY-6) 230/138/13.8KV TRANSFORMER CKT 1'	287	0.04516	126.4228		CKT 1'	'LAWTON EASTSIDE - OKLAUNION 345KV
FDNS	02ALL		0 11G	G10_007	'FROM->TO'	'ELK CITY 230KV (ELKCTY-6) 230/138/13.8KV TRANSFORMER CKT 1'	287	0.11632	126.4228		CKT 1'	'LAWTON EASTSIDE - OKLAUNION 345KV
FDNS	02ALL		0 11G	ASGI_2010_011	'FROM->TO'	'ELK CITY 230KV (ELKCTY-6) 230/138/13.8KV TRANSFORMER CKT 1'	287	0.06964	126.4228		CKT 1'	'LAWTON EASTSIDE - OKLAUNION 345KV
FDNS	02ALL		0 11G	G10_014	'FROM->TO'	'ELK CITY 230KV (ELKCTY-6) 230/138/13.8KV TRANSFORMER CKT 1'	287	0.04516	126.4228		CKT 1'	'LAWTON EASTSIDE - OKLAUNION 345KV
FDNS	02ALL		0 11G	G08_044	'TO->FROM'	'FPL SWITCH - WOODWARD 138KV CKT 1'	153	0.03228	144.0738		CKT 1'	'G08-14T 345.00 - OKLAUNION 345KV
FDNS	02ALL		0 11G	G08_047	'TO->FROM'	'FPL SWITCH - WOODWARD 138KV CKT 1'	153	0.05535	144.0738		CKT 1'	'G08-14T 345.00 - OKLAUNION 345KV
FDNS	02ALL		0 11G	G09_067S	'TO->FROM'	'FPL SWITCH - WOODWARD 138KV CKT 1'	153	0.03462	144.0738		CKT 1'	'G08-14T 345.00 - OKLAUNION 345KV
FDNS	02ALL		0 11G	G08_022	'TO->FROM'	'FPL SWITCH - WOODWARD 138KV CKT 1'	153	0.03434	144.0738		CKT 1'	'G08-14T 345.00 - OKLAUNION 345KV
FDNS	02ALL		0 11G	G08_110	'TO->FROM'	'FPL SWITCH - WOODWARD 138KV CKT 1'	153	0.04386	144.0738		CKT 1'	'G08-14T 345.00 - OKLAUNION 345KV
FDNS	02ALL		0 11G	ASGI_2010_011	'TO->FROM'	'FPL SWITCH - WOODWARD 138KV CKT 1'	153	0.0382	144.0738		CKT 1'	'G08-14T 345.00 - OKLAUNION 345KV
FDNS	02ALL		0 11G	G10_011	'TO->FROM'	'FPL SWITCH - WOODWARD 138KV CKT 1'	153	0.03228	144.0738		CKT 1'	'G08-14T 345.00 - OKLAUNION 345KV
FDNS	02ALL		0 11G	G10_014	'TO->FROM'	'FPL SWITCH - WOODWARD 138KV CKT 1'	153	0.04386	144.0738		CKT 1'	'G08-14T 345.00 - OKLAUNION 345KV
FDNS	02ALL		0 11G	G09_067S	'FROM->TO'	'ELK CITY 230KV (ELKCTY-6) 230/138/13.8KV TRANSFORMER CKT 1'	287	0.09873	117.5432		CKT 1'	'G08-14T 345.00 - OKLAUNION 345KV
FDNS	02ALL		0 11G	G08_022	'FROM->TO'	'ELK CITY 230KV (ELKCTY-6) 230/138/13.8KV TRANSFORMER CKT 1'	287	0.09953	117.5432		CKT 1'	'G08-14T 345.00 - OKLAUNION 345KV
FDNS	02ALL		0 11G	G08_088	'FROM->TO'	'ELK CITY 230KV (ELKCTY-6) 230/138/13.8KV TRANSFORMER CKT 1'	287	0.13137	117.5432		CKT 1'	'G08-14T 345.00 - OKLAUNION 345KV
FDNS	02ALL		0 11G	G08_110	'FROM->TO'	'ELK CITY 230KV (ELKCTY-6) 230/138/13.8KV TRANSFORMER CKT 1'	287	0.04516	117.5432		CKT 1'	'G08-14T 345.00 - OKLAUNION 345KV
FDNS	02ALL		0 11G	G10_007	'FROM->TO'	'ELK CITY 230KV (ELKCTY-6) 230/138/13.8KV TRANSFORMER CKT 1'	287	0.11632	117.5432		CKT 1'	'G08-14T 345.00 - OKLAUNION 345KV
FDNS	02ALL		0 11G	ASGI_2010_011	'FROM->TO'	'ELK CITY 230KV (ELKCTY-6) 230/138/13.8KV TRANSFORMER CKT 1'	287	0.06964	117.5432		CKT 1'	'G08-14T 345.00 - OKLAUNION 345KV
FDNS	02ALL		0 11G	G10_014	'FROM->TO'	'ELK CITY 230KV (ELKCTY-6) 230/138/13.8KV TRANSFORMER CKT 1'	287	0.04516	117.5432		CKT 1'	'G08-14T 345.00 - OKLAUNION 345KV
FDNS	02ALL		0 11G	G09_067S	'FROM->TO'	'ELK CITY 230KV (ELKCTY-6) 230/138/13.8KV TRANSFORMER CKT 1'	287	0.09873	116.0463		CKT 1'	'G08-14T 345.00 - OKLAUNION 345KV
FDNS	02ALL		0 11G	G08_022	'FROM->TO'	'ELK CITY 230KV (ELKCTY-6) 230/138/13.8KV TRANSFORMER CKT 1'	287	0.09953	116.0463		CKT 1'	'G08-14T 345.00 - OKLAUNION 345KV
FDNS	02ALL		0 11G	G08_088	'FROM->TO'	'ELK CITY 230KV (ELKCTY-6) 230/138/13.8KV TRANSFORMER CKT 1'	287	0.13137	116.0463		CKT 1'	'G08-14T 345.00 - OKLAUNION 345KV
FDNS	02ALL		0 11G	G08_110	'FROM->TO'	'ELK CITY 230KV (ELKCTY-6) 230/138/13.8KV TRANSFORMER CKT 1'	287	0.04516	116.0463		CKT 1'	'G08-14T 345.00 - OKLAUNION 345KV
FDNS	02ALL		0 11G	G10_007	'FROM->TO'	'ELK CITY 230KV (ELKCTY-6) 230/138/13.8KV TRANSFORMER CKT 1'	287	0.11632	116.0463		CKT 1'	'G08-14T 345.00 - OKLAUNION 345KV
FDNS	02ALL		0 11G	ASGI_2010_011	'FROM->TO'	'ELK CITY 230KV (ELKCTY-6) 230/138/13.8KV TRANSFORMER CKT 1'	287	0.06964	116.0463		CKT 1'	'G08-14T 345.00 - OKLAUNION 345KV
FDNS	02ALL		0 11G	G10_014	'FROM->TO'	'ELK CITY 230KV (ELKCTY-6) 230/138/13.8KV TRANSFORMER CKT 1'	287	0.04516	116.0463		CKT 1'	'G08-14T 345.00 - OKLAUNION 345KV
FDNS	02ALL		0 11G	G08_044	'TO->FROM'	'FPL SWITCH - WOODWARD 138KV CKT 1'	153	0.03312	120.838		CKT 1'	'CLINTON JUNCTION - ELK CITY 138KV

SOLUTION	GROUP	SCENARIO	SEASON	SOURCE	DIRECTION	MONITORED ELEMENT	RATE B	TDF	TC%LOADING	CONTINGENCY NAME
						COMMON NAME				
FDNS	02ALL		0 11G	G08_047	'TO->FROM'	'FPL SWITCH - WOODWARD 138KV CKT 1'	153	0.0512	120.838	'CLINTON JUNCTION - ELK CITY 138KV CKT 1'
FDNS	02ALL		0 11G	G08_110	'TO->FROM'	'FPL SWITCH - WOODWARD 138KV CKT 1'	153	0.03819	120.838	'CLINTON JUNCTION - ELK CITY 138KV CKT 1'
FDNS	02ALL		0 11G	ASGI_2010_011	'TO->FROM'	'FPL SWITCH - WOODWARD 138KV CKT 1'	153	0.03058	120.838	'CLINTON JUNCTION - ELK CITY 138KV CKT 1'
FDNS	02ALL		0 11G	G10_011	'TO->FROM'	'FPL SWITCH - WOODWARD 138KV CKT 1'	153	0.03312	120.838	'CLINTON JUNCTION - ELK CITY 138KV CKT 1'
FDNS	02ALL		0 11G	G10_014	'TO->FROM'	'FPL SWITCH - WOODWARD 138KV CKT 1'	153	0.03819	120.838	'CLINTON JUNCTION - ELK CITY 138KV CKT 1'
FDNS	02ALL		0 11G	G08_044	'TO->FROM'	'FPL SWITCH - WOODWARD 138KV CKT 1'	153	0.03012	124.8006	'ELK CITY - RHWIND4 138.00 138KV CKT 1'
FDNS	02ALL		0 11G	G08_047	'TO->FROM'	'FPL SWITCH - WOODWARD 138KV CKT 1'	153	0.04988	124.8006	'ELK CITY - RHWIND4 138.00 138KV CKT 1'
FDNS	02ALL		0 11G	G08_110	'TO->FROM'	'FPL SWITCH - WOODWARD 138KV CKT 1'	153	0.03944	124.8006	'ELK CITY - RHWIND4 138.00 138KV CKT 1'
FDNS	02ALL		0 11G	ASGI_2010_011	'TO->FROM'	'FPL SWITCH - WOODWARD 138KV CKT 1'	153	0.03433	124.8006	'ELK CITY - RHWIND4 138.00 138KV CKT 1'
FDNS	02ALL		0 11G	G10_011	'TO->FROM'	'FPL SWITCH - WOODWARD 138KV CKT 1'	153	0.03012	124.8006	'ELK CITY - RHWIND4 138.00 138KV CKT 1'
FDNS	02ALL		0 11G	G10_014	'TO->FROM'	'FPL SWITCH - WOODWARD 138KV CKT 1'	153	0.03944	124.8006	'ELK CITY - RHWIND4 138.00 138KV CKT 1'
FDNS	02ALL		0 11G	G09_067S	'FROM->TO'	'ELK CITY 230KV (ELKCTY-6) 230/138/13.8KV TRANSFORMER CKT 1'	287	0.06384	106.2151	'ELK CITY - RHWIND4 138.00 138KV CKT 1'
FDNS	02ALL		0 11G	G08_022	'FROM->TO'	'ELK CITY 230KV (ELKCTY-6) 230/138/13.8KV TRANSFORMER CKT 1'	287	0.0651	106.2151	'ELK CITY - RHWIND4 138.00 138KV CKT 1'
FDNS	02ALL		0 11G	G08_088	'FROM->TO'	'ELK CITY 230KV (ELKCTY-6) 230/138/13.8KV TRANSFORMER CKT 1'	287	0.10947	106.2151	'ELK CITY - RHWIND4 138.00 138KV CKT 1'
FDNS	02ALL		0 11G	G08_110	'FROM->TO'	'ELK CITY 230KV (ELKCTY-6) 230/138/13.8KV TRANSFORMER CKT 1'	287	0.03798	106.2151	'ELK CITY - RHWIND4 138.00 138KV CKT 1'
FDNS	02ALL		0 11G	G10_007	'FROM->TO'	'ELK CITY 230KV (ELKCTY-6) 230/138/13.8KV TRANSFORMER CKT 1'	287	0.09844	106.2151	'ELK CITY - RHWIND4 138.00 138KV CKT 1'
FDNS	02ALL		0 11G	ASGI_2010_011	'FROM->TO'	'ELK CITY 230KV (ELKCTY-6) 230/138/13.8KV TRANSFORMER CKT 1'	287	0.05865	106.2151	'ELK CITY - RHWIND4 138.00 138KV CKT 1'
FDNS	02ALL		0 11G	G10_014	'FROM->TO'	'ELK CITY 230KV (ELKCTY-6) 230/138/13.8KV TRANSFORMER CKT 1'	287	0.03798	106.2151	'ELK CITY - RHWIND4 138.00 138KV CKT 1'
FDNS	02ALL		0 11G	G09_067S	'FROM->TO'	'ELK CITY 230KV (ELKCTY-6) 230/138/13.8KV TRANSFORMER CKT 1'	287	0.06384	105.2688	'ELK CITY - RHWIND4 138.00 138KV CKT 1'
FDNS	02ALL		0 11G	G08_022	'FROM->TO'	'ELK CITY 230KV (ELKCTY-6) 230/138/13.8KV TRANSFORMER CKT 1'	287	0.0651	105.2688	'ELK CITY - RHWIND4 138.00 138KV CKT 1'
FDNS	02ALL		0 11G	G08_088	'FROM->TO'	'ELK CITY 230KV (ELKCTY-6) 230/138/13.8KV TRANSFORMER CKT 1'	287	0.10947	105.2688	'ELK CITY - RHWIND4 138.00 138KV CKT 1'
FDNS	02ALL		0 11G	G08_110	'FROM->TO'	'ELK CITY 230KV (ELKCTY-6) 230/138/13.8KV TRANSFORMER CKT 1'	287	0.03798	105.2688	'ELK CITY - RHWIND4 138.00 138KV CKT 1'
FDNS	02ALL		0 11G	G10_007	'FROM->TO'	'ELK CITY 230KV (ELKCTY-6) 230/138/13.8KV TRANSFORMER CKT 1'	287	0.09844	105.2688	'ELK CITY - RHWIND4 138.00 138KV CKT 1'
FDNS	02ALL		0 11G	ASGI_2010_011	'FROM->TO'	'ELK CITY 230KV (ELKCTY-6) 230/138/13.8KV TRANSFORMER CKT 1'	287	0.05865	105.2688	'ELK CITY - RHWIND4 138.00 138KV CKT 1'
FDNS	02ALL		0 11G	G10_014	'FROM->TO'	'ELK CITY 230KV (ELKCTY-6) 230/138/13.8KV TRANSFORMER CKT 1'	287	0.03798	105.2688	'ELK CITY - RHWIND4 138.00 138KV CKT 1'
FDNS	02ALL		0 11G	G09_067S	'FROM->TO'	'ELK CITY 230KV (ELKCTY-6) 230/138/13.8KV TRANSFORMER CKT 1'	287	0.06525	102.1226	'ELK CITY - ELK CITY 69KV CKT 1'
FDNS	02ALL		0 11G	G08_022	'FROM->TO'	'ELK CITY 230KV (ELKCTY-6) 230/138/13.8KV TRANSFORMER CKT 1'	287	0.06653	102.1226	'ELK CITY - ELK CITY 69KV CKT 1'
FDNS	02ALL		0 11G	G08_088	'FROM->TO'	'ELK CITY 230KV (ELKCTY-6) 230/138/13.8KV TRANSFORMER CKT 1'	287	0.1117	102.1226	'ELK CITY - ELK CITY 69KV CKT 1'
FDNS	02ALL		0 11G	G08_110	'FROM->TO'	'ELK CITY 230KV (ELKCTY-6) 230/138/13.8KV TRANSFORMER CKT 1'	287	0.03681	102.1226	'ELK CITY - ELK CITY 69KV CKT 1'

SOLUTION	GROUP	SCENARIO	SEASON	SOURCE	DIRECTION	MONITORED ELEMENT	RATE B	TDF	TC%	LOADING	CONTINGENCY NAME
						COMMON NAME					
FDNS	02ALL		0 11G	G10_007	'FROM->TO'	'ELK CITY 230KV (ELKCTY-6) 230/138/13.8KV TRANSFORMER CKT 1'	287	0.10004	102.1226	'ELK CITY - ELK CITY 69KV CKT 1'	
FDNS	02ALL		0 11G	ASGI_2010_011	'FROM->TO'	'ELK CITY 230KV (ELKCTY-6) 230/138/13.8KV TRANSFORMER CKT 1'	287	0.05843	102.1226	'ELK CITY - ELK CITY 69KV CKT 1'	
FDNS	02ALL		0 11G	G10_014	'FROM->TO'	'ELK CITY 230KV (ELKCTY-6) 230/138/13.8KV TRANSFORMER CKT 1'	287	0.03681	102.1226	'ELK CITY - ELK CITY 69KV CKT 1'	
FDNS	02ALL		0 11G	G09_067S	'FROM->TO'	'ELK CITY 230KV (ELKCTY-6) 230/138/13.8KV TRANSFORMER CKT 1'	287	0.06525	101.257	'ELK CITY - ELK CITY 69KV CKT 1'	
FDNS	02ALL		0 11G	G08_022	'FROM->TO'	'ELK CITY 230KV (ELKCTY-6) 230/138/13.8KV TRANSFORMER CKT 1'	287	0.06653	101.257	'ELK CITY - ELK CITY 69KV CKT 1'	
FDNS	02ALL		0 11G	G08_088	'FROM->TO'	'ELK CITY 230KV (ELKCTY-6) 230/138/13.8KV TRANSFORMER CKT 1'	287	0.1117	101.257	'ELK CITY - ELK CITY 69KV CKT 1'	
FDNS	02ALL		0 11G	G08_110	'FROM->TO'	'ELK CITY 230KV (ELKCTY-6) 230/138/13.8KV TRANSFORMER CKT 1'	287	0.03681	101.257	'ELK CITY - ELK CITY 69KV CKT 1'	
FDNS	02ALL		0 11G	G10_007	'FROM->TO'	'ELK CITY 230KV (ELKCTY-6) 230/138/13.8KV TRANSFORMER CKT 1'	287	0.10004	101.257	'ELK CITY - ELK CITY 69KV CKT 1'	
FDNS	02ALL		0 11G	ASGI_2010_011	'FROM->TO'	'ELK CITY 230KV (ELKCTY-6) 230/138/13.8KV TRANSFORMER CKT 1'	287	0.05843	101.257	'ELK CITY - ELK CITY 69KV CKT 1'	
FDNS	02ALL		0 11G	G10_014	'FROM->TO'	'ELK CITY 230KV (ELKCTY-6) 230/138/13.8KV TRANSFORMER CKT 1'	287	0.03681	101.257	'ELK CITY - ELK CITY 69KV CKT 1'	
FDNS	02ALL		0 11G	G09_067S	'FROM->TO'	'ELK CITY 230KV (ELKCTY-6) 230/138/13.8KV TRANSFORMER CKT 1'	287	0.06642	102.611	'HOBART JUNCTION - OMPA-ALTUS TAMARACK 138KV CKT 1'	
FDNS	02ALL		0 11G	G08_022	'FROM->TO'	'ELK CITY 230KV (ELKCTY-6) 230/138/13.8KV TRANSFORMER CKT 1'	287	0.06771	102.611	'HOBART JUNCTION - OMPA-ALTUS TAMARACK 138KV CKT 1'	
FDNS	02ALL		0 11G	G08_088	'FROM->TO'	'ELK CITY 230KV (ELKCTY-6) 230/138/13.8KV TRANSFORMER CKT 1'	287	0.11344	102.611	'HOBART JUNCTION - OMPA-ALTUS TAMARACK 138KV CKT 1'	
FDNS	02ALL		0 11G	G08_110	'FROM->TO'	'ELK CITY 230KV (ELKCTY-6) 230/138/13.8KV TRANSFORMER CKT 1'	287	0.03738	102.611	'HOBART JUNCTION - OMPA-ALTUS TAMARACK 138KV CKT 1'	
FDNS	02ALL		0 11G	G10_007	'FROM->TO'	'ELK CITY 230KV (ELKCTY-6) 230/138/13.8KV TRANSFORMER CKT 1'	287	0.10158	102.611	'HOBART JUNCTION - OMPA-ALTUS TAMARACK 138KV CKT 1'	
FDNS	02ALL		0 11G	ASGI_2010_011	'FROM->TO'	'ELK CITY 230KV (ELKCTY-6) 230/138/13.8KV TRANSFORMER CKT 1'	287	0.05933	102.611	'HOBART JUNCTION - OMPA-ALTUS TAMARACK 138KV CKT 1'	
FDNS	02ALL		0 11G	G10_014	'FROM->TO'	'ELK CITY 230KV (ELKCTY-6) 230/138/13.8KV TRANSFORMER CKT 1'	287	0.03738	102.611	'HOBART JUNCTION - OMPA-ALTUS TAMARACK 138KV CKT 1'	
FDNS	02ALL		0 11G	G09_067S	'FROM->TO'	'ELK CITY 230KV (ELKCTY-6) 230/138/13.8KV TRANSFORMER CKT 1'	287	0.06642	101.7203	'HOBART JUNCTION - OMPA-ALTUS TAMARACK 138KV CKT 1'	
FDNS	02ALL		0 11G	G08_022	'FROM->TO'	'ELK CITY 230KV (ELKCTY-6) 230/138/13.8KV TRANSFORMER CKT 1'	287	0.06771	101.7203	'HOBART JUNCTION - OMPA-ALTUS TAMARACK 138KV CKT 1'	
FDNS	02ALL		0 11G	G08_088	'FROM->TO'	'ELK CITY 230KV (ELKCTY-6) 230/138/13.8KV TRANSFORMER CKT 1'	287	0.11344	101.7203	'HOBART JUNCTION - OMPA-ALTUS TAMARACK 138KV CKT 1'	
FDNS	02ALL		0 11G	G08_110	'FROM->TO'	'ELK CITY 230KV (ELKCTY-6) 230/138/13.8KV TRANSFORMER CKT 1'	287	0.03738	101.7203	'HOBART JUNCTION - OMPA-ALTUS TAMARACK 138KV CKT 1'	
FDNS	02ALL		0 11G	G10_007	'FROM->TO'	'ELK CITY 230KV (ELKCTY-6) 230/138/13.8KV TRANSFORMER CKT 1'	287	0.10158	101.7203	'HOBART JUNCTION - OMPA-ALTUS TAMARACK 138KV CKT 1'	
FDNS	02ALL		0 11G	ASGI_2010_011	'FROM->TO'	'ELK CITY 230KV (ELKCTY-6) 230/138/13.8KV TRANSFORMER CKT 1'	287	0.05933	101.7203	'HOBART JUNCTION - OMPA-ALTUS TAMARACK 138KV CKT 1'	
FDNS	02ALL		0 11G	G10_014	'FROM->TO'	'ELK CITY 230KV (ELKCTY-6) 230/138/13.8KV TRANSFORMER CKT 1'	287	0.03738	101.7203	'HOBART JUNCTION - OMPA-ALTUS TAMARACK 138KV CKT 1'	
FDNS	02ALL		0 11G	G09_067S	'FROM->TO'	'ELK CITY 230KV (ELKCTY-6) 230/138/13.8KV TRANSFORMER CKT 1'	287	0.06407	101.4841	'CLINTON JUNCTION - CLINTON NATURAL GAS TAP 138KV CKT 1'	
FDNS	02ALL		0 11G	G08_022	'FROM->TO'	'ELK CITY 230KV (ELKCTY-6) 230/138/13.8KV TRANSFORMER CKT 1'	287	0.06535	101.4841	'CLINTON JUNCTION - CLINTON NATURAL GAS TAP 138KV CKT 1'	
FDNS	02ALL		0 11G	G08_088	'FROM->TO'	'ELK CITY 230KV (ELKCTY-6) 230/138/13.8KV TRANSFORMER CKT 1'	287	0.11039	101.4841	'CLINTON JUNCTION - CLINTON NATURAL GAS TAP 138KV CKT 1'	
FDNS	02ALL		0 11G	G08_110	'FROM->TO'	'ELK CITY 230KV (ELKCTY-6) 230/138/13.8KV TRANSFORMER CKT 1'	287	0.03633	101.4841	'CLINTON JUNCTION - CLINTON NATURAL GAS TAP 138KV CKT 1'	
FDNS	02ALL		0 11G	G10_007	'FROM->TO'	'ELK CITY 230KV (ELKCTY-6) 230/138/13.8KV TRANSFORMER CKT 1'	287	0.09888	101.4841	'CLINTON JUNCTION - CLINTON NATURAL GAS TAP 138KV CKT 1'	

SOLUTION	GROUP	SCENARIO	SEASON	SOURCE	DIRECTION	MONITORED ELEMENT			CONTINGENCY NAME	
						COMMON NAME	RATE	B TDF		TC%LOADING
FDNS	02ALL	0	11G	ASGI_2010_011	'FROM->TO'	'ELK CITY 230KV (ELKCTY-6) 230/138/13.8KV TRANSFORMER CKT 1'	287	0.05772	101.4841	'CLINTON JUNCTION - CLINTON NATURAL GAS TAP 138KV CKT 1'
FDNS	02ALL	0	11G	G10_014	'FROM->TO'	'ELK CITY 230KV (ELKCTY-6) 230/138/13.8KV TRANSFORMER CKT 1'	287	0.03633	101.4841	'CLINTON JUNCTION - CLINTON NATURAL GAS TAP 138KV CKT 1'
FDNS	02ALL	0	11G	G09_067S	'FROM->TO'	'ELK CITY 230KV (ELKCTY-6) 230/138/13.8KV TRANSFORMER CKT 1'	287	0.06407	100.6684	'CLINTON JUNCTION - CLINTON NATURAL GAS TAP 138KV CKT 1'
FDNS	02ALL	0	11G	G08_022	'FROM->TO'	'ELK CITY 230KV (ELKCTY-6) 230/138/13.8KV TRANSFORMER CKT 1'	287	0.06535	100.6684	'CLINTON JUNCTION - CLINTON NATURAL GAS TAP 138KV CKT 1'
FDNS	02ALL	0	11G	G08_088	'FROM->TO'	'ELK CITY 230KV (ELKCTY-6) 230/138/13.8KV TRANSFORMER CKT 1'	287	0.11039	100.6684	'CLINTON JUNCTION - CLINTON NATURAL GAS TAP 138KV CKT 1'
FDNS	02ALL	0	11G	G08_110	'FROM->TO'	'ELK CITY 230KV (ELKCTY-6) 230/138/13.8KV TRANSFORMER CKT 1'	287	0.03633	100.6684	'CLINTON JUNCTION - CLINTON NATURAL GAS TAP 138KV CKT 1'
FDNS	02ALL	0	11G	G10_007	'FROM->TO'	'ELK CITY 230KV (ELKCTY-6) 230/138/13.8KV TRANSFORMER CKT 1'	287	0.09888	100.6684	'CLINTON JUNCTION - CLINTON NATURAL GAS TAP 138KV CKT 1'
FDNS	02ALL	0	11G	ASGI_2010_011	'FROM->TO'	'ELK CITY 230KV (ELKCTY-6) 230/138/13.8KV TRANSFORMER CKT 1'	287	0.05772	100.6684	'CLINTON JUNCTION - CLINTON NATURAL GAS TAP 138KV CKT 1'
FDNS	02ALL	0	11G	G10_014	'FROM->TO'	'ELK CITY 230KV (ELKCTY-6) 230/138/13.8KV TRANSFORMER CKT 1'	287	0.03633	100.6684	'CLINTON JUNCTION - CLINTON NATURAL GAS TAP 138KV CKT 1'
FDNS	02ALL	0	11G	G09_067S	'FROM->TO'	'ELK CITY 230KV (ELKCTY-6) 230/138/13.8KV TRANSFORMER CKT 1'	287	0.06425	103.6513	'CLINTON JUNCTION - G07-32T 138KV CKT 1'
FDNS	02ALL	0	11G	G08_022	'FROM->TO'	'ELK CITY 230KV (ELKCTY-6) 230/138/13.8KV TRANSFORMER CKT 1'	287	0.06549	103.6513	'CLINTON JUNCTION - G07-32T 138KV CKT 1'
FDNS	02ALL	0	11G	G08_088	'FROM->TO'	'ELK CITY 230KV (ELKCTY-6) 230/138/13.8KV TRANSFORMER CKT 1'	287	0.10969	103.6513	'CLINTON JUNCTION - G07-32T 138KV CKT 1'
FDNS	02ALL	0	11G	G08_110	'FROM->TO'	'ELK CITY 230KV (ELKCTY-6) 230/138/13.8KV TRANSFORMER CKT 1'	287	0.03559	103.6513	'CLINTON JUNCTION - G07-32T 138KV CKT 1'
FDNS	02ALL	0	11G	G10_007	'FROM->TO'	'ELK CITY 230KV (ELKCTY-6) 230/138/13.8KV TRANSFORMER CKT 1'	287	0.0981	103.6513	'CLINTON JUNCTION - G07-32T 138KV CKT 1'
FDNS	02ALL	0	11G	ASGI_2010_011	'FROM->TO'	'ELK CITY 230KV (ELKCTY-6) 230/138/13.8KV TRANSFORMER CKT 1'	287	0.05697	103.6513	'CLINTON JUNCTION - G07-32T 138KV CKT 1'
FDNS	02ALL	0	11G	G10_014	'FROM->TO'	'ELK CITY 230KV (ELKCTY-6) 230/138/13.8KV TRANSFORMER CKT 1'	287	0.03559	103.6513	'CLINTON JUNCTION - G07-32T 138KV CKT 1'
FDNS	02ALL	0	11G	G09_067S	'FROM->TO'	'ELK CITY 230KV (ELKCTY-6) 230/138/13.8KV TRANSFORMER CKT 1'	287	0.06425	102.7944	'CLINTON JUNCTION - G07-32T 138KV CKT 1'
FDNS	02ALL	0	11G	G08_022	'FROM->TO'	'ELK CITY 230KV (ELKCTY-6) 230/138/13.8KV TRANSFORMER CKT 1'	287	0.06549	102.7944	'CLINTON JUNCTION - G07-32T 138KV CKT 1'
FDNS	02ALL	0	11G	G08_088	'FROM->TO'	'ELK CITY 230KV (ELKCTY-6) 230/138/13.8KV TRANSFORMER CKT 1'	287	0.10969	102.7944	'CLINTON JUNCTION - G07-32T 138KV CKT 1'
FDNS	02ALL	0	11G	G08_110	'FROM->TO'	'ELK CITY 230KV (ELKCTY-6) 230/138/13.8KV TRANSFORMER CKT 1'	287	0.03559	102.7944	'CLINTON JUNCTION - G07-32T 138KV CKT 1'
FDNS	02ALL	0	11G	G10_007	'FROM->TO'	'ELK CITY 230KV (ELKCTY-6) 230/138/13.8KV TRANSFORMER CKT 1'	287	0.0981	102.7944	'CLINTON JUNCTION - G07-32T 138KV CKT 1'
FDNS	02ALL	0	11G	ASGI_2010_011	'FROM->TO'	'ELK CITY 230KV (ELKCTY-6) 230/138/13.8KV TRANSFORMER CKT 1'	287	0.05697	102.7944	'CLINTON JUNCTION - G07-32T 138KV CKT 1'
FDNS	02ALL	0	11G	G10_014	'FROM->TO'	'ELK CITY 230KV (ELKCTY-6) 230/138/13.8KV TRANSFORMER CKT 1'	287	0.03559	102.7944	'CLINTON JUNCTION - G07-32T 138KV CKT 1'
FDNS	02ALL	0	11G	G08_044	'TO->FROM'	'FPL SWITCH - WOODWARD 138KV CKT 1'	153	0.03319	126.1241	'WEATHERFORD JCT. - WEATHERFORD SOUTHEAST 138KV CKT 1'
FDNS	02ALL	0	11G	G08_047	'TO->FROM'	'FPL SWITCH - WOODWARD 138KV CKT 1'	153	0.05224	126.1241	'WEATHERFORD JCT. - WEATHERFORD SOUTHEAST 138KV CKT 1'
FDNS	02ALL	0	11G	G08_110	'TO->FROM'	'FPL SWITCH - WOODWARD 138KV CKT 1'	153	0.03957	126.1241	'WEATHERFORD JCT. - WEATHERFORD SOUTHEAST 138KV CKT 1'
FDNS	02ALL	0	11G	ASGI_2010_011	'TO->FROM'	'FPL SWITCH - WOODWARD 138KV CKT 1'	153	0.03239	126.1241	'WEATHERFORD JCT. - WEATHERFORD SOUTHEAST 138KV CKT 1'
FDNS	02ALL	0	11G	G10_011	'TO->FROM'	'FPL SWITCH - WOODWARD 138KV CKT 1'	153	0.03319	126.1241	'WEATHERFORD JCT. - WEATHERFORD SOUTHEAST 138KV CKT 1'
FDNS	02ALL	0	11G	G10_014	'TO->FROM'	'FPL SWITCH - WOODWARD 138KV CKT 1'	153	0.03957	126.1241	'WEATHERFORD JCT. - WEATHERFORD SOUTHEAST 138KV CKT 1'

SOLUTION	GROUP	SCENARIO	SEASON	SOURCE	DIRECTION	MONITORED ELEMENT		RATE B	TDF	TC%	LOADING	CONTINGENCY NAME
						COMMON NAME	NAME					
FDNS	02ALL		0 11G	G08_044	'TO->FROM'	'FPL SWITCH - WOODWARD 138KV CKT 1'	'ELK CITY 230KV - SWEETWT6 230.00	153	0.0305		167.8918	230KV CKT 1'
FDNS	02ALL		0 11G	G08_047	'TO->FROM'	'FPL SWITCH - WOODWARD 138KV CKT 1'	'ELK CITY 230KV - SWEETWT6 230.00	153	0.05586		167.8918	230KV CKT 1'
FDNS	02ALL		0 11G	G09_067S	'TO->FROM'	'FPL SWITCH - WOODWARD 138KV CKT 1'	'ELK CITY 230KV - SWEETWT6 230.00	153	0.03047		167.8918	230KV CKT 1'
FDNS	02ALL		0 11G	G08_022	'TO->FROM'	'FPL SWITCH - WOODWARD 138KV CKT 1'	'ELK CITY 230KV - SWEETWT6 230.00	153	0.03068		167.8918	230KV CKT 1'
FDNS	02ALL		0 11G	G08_088	'TO->FROM'	'FPL SWITCH - WOODWARD 138KV CKT 1'	'ELK CITY 230KV - SWEETWT6 230.00	153	0.03594		167.8918	230KV CKT 1'
FDNS	02ALL		0 11G	G08_110	'TO->FROM'	'FPL SWITCH - WOODWARD 138KV CKT 1'	'ELK CITY 230KV - SWEETWT6 230.00	153	0.04692		167.8918	230KV CKT 1'
FDNS	02ALL		0 11G	G10_007	'TO->FROM'	'FPL SWITCH - WOODWARD 138KV CKT 1'	'ELK CITY 230KV - SWEETWT6 230.00	153	0.03861		167.8918	230KV CKT 1'
FDNS	02ALL		0 11G	ASGI_2010_011	'TO->FROM'	'FPL SWITCH - WOODWARD 138KV CKT 1'	'ELK CITY 230KV - SWEETWT6 230.00	153	0.04402		167.8918	230KV CKT 1'
FDNS	02ALL		0 11G	G10_011	'TO->FROM'	'FPL SWITCH - WOODWARD 138KV CKT 1'	'ELK CITY 230KV - SWEETWT6 230.00	153	0.0305		167.8918	230KV CKT 1'
FDNS	02ALL		0 11G	G10_014	'TO->FROM'	'FPL SWITCH - WOODWARD 138KV CKT 1'	'ELK CITY 230KV - SWEETWT6 230.00	153	0.04692		167.8918	230KV CKT 1'
FDNS	02ALL		0 11G	G08_047	'TO->FROM'	'DEAF SMITH COUNTY INTERCHANGE - S-RANDLCO 230.00 230KV CKT 1'	'ELK CITY 230KV - SWEETWT6 230.00	350	0.03078		105.7231	230KV CKT 1'
FDNS	02ALL		0 11G	G08_088	'TO->FROM'	'DEAF SMITH COUNTY INTERCHANGE - S-RANDLCO 230.00 230KV CKT 1'	'ELK CITY 230KV - SWEETWT6 230.00	350	0.07239		105.7231	230KV CKT 1'
FDNS	02ALL		0 11G	G08_110	'TO->FROM'	'DEAF SMITH COUNTY INTERCHANGE - S-RANDLCO 230.00 230KV CKT 1'	'ELK CITY 230KV - SWEETWT6 230.00	350	0.04841		105.7231	230KV CKT 1'
FDNS	02ALL		0 11G	G10_007	'TO->FROM'	'DEAF SMITH COUNTY INTERCHANGE - S-RANDLCO 230.00 230KV CKT 1'	'ELK CITY 230KV - SWEETWT6 230.00	350	0.08091		105.7231	230KV CKT 1'
FDNS	02ALL		0 11G	ASGI_2010_011	'TO->FROM'	'DEAF SMITH COUNTY INTERCHANGE - S-RANDLCO 230.00 230KV CKT 1'	'ELK CITY 230KV - SWEETWT6 230.00	350	0.06164		105.7231	230KV CKT 1'
FDNS	02ALL		0 11G	G10_014	'TO->FROM'	'DEAF SMITH COUNTY INTERCHANGE - S-RANDLCO 230.00 230KV CKT 1'	'ELK CITY 230KV - SWEETWT6 230.00	350	0.04841		105.7231	230KV CKT 1'
FDNS	02ALL		0 11G	G08_088	'FROM->TO'	'G07-48T 230.00 - SWISHER COUNTY INTERCHANGE 230KV CKT 1'	'ELK CITY 230KV - SWEETWT6 230.00	351	0.14261		102.357	230KV CKT 1'
FDNS	02ALL		0 11G	G08_110	'FROM->TO'	'G07-48T 230.00 - SWISHER COUNTY INTERCHANGE 230KV CKT 1'	'ELK CITY 230KV - SWEETWT6 230.00	351	0.04088		102.357	230KV CKT 1'
FDNS	02ALL		0 11G	G10_007	'FROM->TO'	'G07-48T 230.00 - SWISHER COUNTY INTERCHANGE 230KV CKT 1'	'ELK CITY 230KV - SWEETWT6 230.00	351	0.11022		102.357	230KV CKT 1'
FDNS	02ALL		0 11G	ASGI_2010_011	'FROM->TO'	'G07-48T 230.00 - SWISHER COUNTY INTERCHANGE 230KV CKT 1'	'ELK CITY 230KV - SWEETWT6 230.00	351	0.06429		102.357	230KV CKT 1'
FDNS	02ALL		0 11G	G10_014	'FROM->TO'	'G07-48T 230.00 - SWISHER COUNTY INTERCHANGE 230KV CKT 1'	'ELK CITY 230KV - SWEETWT6 230.00	351	0.04088		102.357	230KV CKT 1'
FDNS	02ALL		0 11G	G08_044	'TO->FROM'	'FPL SWITCH - WOODWARD 138KV CKT 1'	'WEATHERFORD SOUTHEAST - WEATHERFORD TAP 138KV CKT 1'	153	0.03309		127.1401	WEATHERFORD SOUTHEAST - WEATHERFORD TAP 138KV CKT 1'
FDNS	02ALL		0 11G	G08_047	'TO->FROM'	'FPL SWITCH - WOODWARD 138KV CKT 1'	'WEATHERFORD SOUTHEAST - WEATHERFORD TAP 138KV CKT 1'	153	0.05237		127.1401	WEATHERFORD SOUTHEAST - WEATHERFORD TAP 138KV CKT 1'
FDNS	02ALL		0 11G	G08_110	'TO->FROM'	'FPL SWITCH - WOODWARD 138KV CKT 1'	'WEATHERFORD SOUTHEAST - WEATHERFORD TAP 138KV CKT 1'	153	0.03978		127.1401	WEATHERFORD SOUTHEAST - WEATHERFORD TAP 138KV CKT 1'
FDNS	02ALL		0 11G	ASGI_2010_011	'TO->FROM'	'FPL SWITCH - WOODWARD 138KV CKT 1'	'WEATHERFORD SOUTHEAST - WEATHERFORD TAP 138KV CKT 1'	153	0.03271		127.1401	WEATHERFORD SOUTHEAST - WEATHERFORD TAP 138KV CKT 1'
FDNS	02ALL		0 11G	G10_011	'TO->FROM'	'FPL SWITCH - WOODWARD 138KV CKT 1'	'WEATHERFORD SOUTHEAST - WEATHERFORD TAP 138KV CKT 1'	153	0.03309		127.1401	WEATHERFORD SOUTHEAST - WEATHERFORD TAP 138KV CKT 1'
FDNS	02ALL		0 11G	G10_014	'TO->FROM'	'FPL SWITCH - WOODWARD 138KV CKT 1'	'WEATHERFORD SOUTHEAST - WEATHERFORD TAP 138KV CKT 1'	153	0.03978		127.1401	WEATHERFORD SOUTHEAST - WEATHERFORD TAP 138KV CKT 1'
FDNS	02ALL		0 11G	G09_067S	'FROM->TO'	'ELK CITY 230KV (ELKCTY-6) 230/138/13.8KV TRANSFORMER CKT 1'	'WEATHERFORD SOUTHEAST - WEATHERFORD TAP 138KV CKT 1'	287	0.06422		101.1826	WEATHERFORD SOUTHEAST - WEATHERFORD TAP 138KV CKT 1'
FDNS	02ALL		0 11G	G08_022	'FROM->TO'	'ELK CITY 230KV (ELKCTY-6) 230/138/13.8KV TRANSFORMER CKT 1'	'WEATHERFORD SOUTHEAST - WEATHERFORD TAP 138KV CKT 1'	287	0.06549		101.1826	WEATHERFORD SOUTHEAST - WEATHERFORD TAP 138KV CKT 1'

SOLUTION	GROUP	SCENARIO	SEASON	SOURCE	DIRECTION	MONITORED ELEMENT		RATE B	TDF	TC%	LOADING	CONTINGENCY NAME
						COMMON NAME						
FDNS	02ALL		0 11G	G08_088	'FROM->TO'	'ELK CITY 230KV (ELKCTY-6) 230/138/13.8KV TRANSFORMER CKT 1'		287	0.11054	101.1826		'WEATHERFORD SOUTHEAST - WEATHERFORD TAP 138KV CKT 1'
FDNS	02ALL		0 11G	G08_110	'FROM->TO'	'ELK CITY 230KV (ELKCTY-6) 230/138/13.8KV TRANSFORMER CKT 1'		287	0.03647	101.1826		'WEATHERFORD SOUTHEAST - WEATHERFORD TAP 138KV CKT 1'
FDNS	02ALL		0 11G	G10_007	'FROM->TO'	'ELK CITY 230KV (ELKCTY-6) 230/138/13.8KV TRANSFORMER CKT 1'		287	0.09903	101.1826		'WEATHERFORD SOUTHEAST - WEATHERFORD TAP 138KV CKT 1'
FDNS	02ALL		0 11G	ASGI_2010_011	'FROM->TO'	'ELK CITY 230KV (ELKCTY-6) 230/138/13.8KV TRANSFORMER CKT 1'		287	0.05787	101.1826		'WEATHERFORD SOUTHEAST - WEATHERFORD TAP 138KV CKT 1'
FDNS	02ALL		0 11G	G10_014	'FROM->TO'	'ELK CITY 230KV (ELKCTY-6) 230/138/13.8KV TRANSFORMER CKT 1'		287	0.03647	101.1826		'WEATHERFORD SOUTHEAST - WEATHERFORD TAP 138KV CKT 1'
FDNS	02ALL		0 11G	G09_067S	'FROM->TO'	'ELK CITY 230KV (ELKCTY-6) 230/138/13.8KV TRANSFORMER CKT 1'		287	0.06422	100.3481		'WEATHERFORD SOUTHEAST - WEATHERFORD TAP 138KV CKT 1'
FDNS	02ALL		0 11G	G08_022	'FROM->TO'	'ELK CITY 230KV (ELKCTY-6) 230/138/13.8KV TRANSFORMER CKT 1'		287	0.06549	100.3481		'WEATHERFORD SOUTHEAST - WEATHERFORD TAP 138KV CKT 1'
FDNS	02ALL		0 11G	G08_088	'FROM->TO'	'ELK CITY 230KV (ELKCTY-6) 230/138/13.8KV TRANSFORMER CKT 1'		287	0.11054	100.3481		'WEATHERFORD SOUTHEAST - WEATHERFORD TAP 138KV CKT 1'
FDNS	02ALL		0 11G	G08_110	'FROM->TO'	'ELK CITY 230KV (ELKCTY-6) 230/138/13.8KV TRANSFORMER CKT 1'		287	0.03647	100.3481		'WEATHERFORD SOUTHEAST - WEATHERFORD TAP 138KV CKT 1'
FDNS	02ALL		0 11G	G10_007	'FROM->TO'	'ELK CITY 230KV (ELKCTY-6) 230/138/13.8KV TRANSFORMER CKT 1'		287	0.09903	100.3481		'WEATHERFORD SOUTHEAST - WEATHERFORD TAP 138KV CKT 1'
FDNS	02ALL		0 11G	ASGI_2010_011	'FROM->TO'	'ELK CITY 230KV (ELKCTY-6) 230/138/13.8KV TRANSFORMER CKT 1'		287	0.05787	100.3481		'WEATHERFORD SOUTHEAST - WEATHERFORD TAP 138KV CKT 1'
FDNS	02ALL		0 11G	G10_014	'FROM->TO'	'ELK CITY 230KV (ELKCTY-6) 230/138/13.8KV TRANSFORMER CKT 1'		287	0.03647	100.3481		'WEATHERFORD SOUTHEAST - WEATHERFORD TAP 138KV CKT 1'
FDNS	02ALL		0 11G	G09_067S	'FROM->TO'	'ELK CITY 230KV (ELKCTY-6) 230/138/13.8KV TRANSFORMER CKT 1'		287	0.06407	101.6717		'CLINTON NATURAL GAS TAP - WEATHERFORD WIND FARM 138KV CKT 1'
FDNS	02ALL		0 11G	G08_022	'FROM->TO'	'ELK CITY 230KV (ELKCTY-6) 230/138/13.8KV TRANSFORMER CKT 1'		287	0.06535	101.6717		'CLINTON NATURAL GAS TAP - WEATHERFORD WIND FARM 138KV CKT 1'
FDNS	02ALL		0 11G	G08_088	'FROM->TO'	'ELK CITY 230KV (ELKCTY-6) 230/138/13.8KV TRANSFORMER CKT 1'		287	0.11039	101.6717		'CLINTON NATURAL GAS TAP - WEATHERFORD WIND FARM 138KV CKT 1'
FDNS	02ALL		0 11G	G08_110	'FROM->TO'	'ELK CITY 230KV (ELKCTY-6) 230/138/13.8KV TRANSFORMER CKT 1'		287	0.03633	101.6717		'CLINTON NATURAL GAS TAP - WEATHERFORD WIND FARM 138KV CKT 1'
FDNS	02ALL		0 11G	G10_007	'FROM->TO'	'ELK CITY 230KV (ELKCTY-6) 230/138/13.8KV TRANSFORMER CKT 1'		287	0.09888	101.6717		'CLINTON NATURAL GAS TAP - WEATHERFORD WIND FARM 138KV CKT 1'
FDNS	02ALL		0 11G	ASGI_2010_011	'FROM->TO'	'ELK CITY 230KV (ELKCTY-6) 230/138/13.8KV TRANSFORMER CKT 1'		287	0.05772	101.6717		'CLINTON NATURAL GAS TAP - WEATHERFORD WIND FARM 138KV CKT 1'
FDNS	02ALL		0 11G	G10_014	'FROM->TO'	'ELK CITY 230KV (ELKCTY-6) 230/138/13.8KV TRANSFORMER CKT 1'		287	0.03633	101.6717		'CLINTON NATURAL GAS TAP - WEATHERFORD WIND FARM 138KV CKT 1'
FDNS	02ALL		0 11G	G09_067S	'FROM->TO'	'ELK CITY 230KV (ELKCTY-6) 230/138/13.8KV TRANSFORMER CKT 1'		287	0.06407	100.8556		'CLINTON NATURAL GAS TAP - WEATHERFORD WIND FARM 138KV CKT 1'
FDNS	02ALL		0 11G	G08_022	'FROM->TO'	'ELK CITY 230KV (ELKCTY-6) 230/138/13.8KV TRANSFORMER CKT 1'		287	0.06535	100.8556		'CLINTON NATURAL GAS TAP - WEATHERFORD WIND FARM 138KV CKT 1'
FDNS	02ALL		0 11G	G08_088	'FROM->TO'	'ELK CITY 230KV (ELKCTY-6) 230/138/13.8KV TRANSFORMER CKT 1'		287	0.11039	100.8556		'CLINTON NATURAL GAS TAP - WEATHERFORD WIND FARM 138KV CKT 1'
FDNS	02ALL		0 11G	G08_110	'FROM->TO'	'ELK CITY 230KV (ELKCTY-6) 230/138/13.8KV TRANSFORMER CKT 1'		287	0.03633	100.8556		'CLINTON NATURAL GAS TAP - WEATHERFORD WIND FARM 138KV CKT 1'

SOLUTION	GROUP	SCENARIO	SEASON	SOURCE	DIRECTION	MONITORED ELEMENT	RATE B	TDF	TC%	LOADING	CONTINGENCY NAME
						COMMON NAME					
FDNS	02ALL		0 11G	G10_007	'FROM->TO'	'ELK CITY 230KV (ELKCTY-6) 230/138/13.8KV TRANSFORMER CKT 1'	287	0.09888	100.8556	1'	'CLINTON NATURAL GAS TAP - WEATHERFORD WIND FARM 138KV CKT
FDNS	02ALL		0 11G	ASGI_2010_011	'FROM->TO'	'ELK CITY 230KV (ELKCTY-6) 230/138/13.8KV TRANSFORMER CKT 1'	287	0.05772	100.8556	1'	'CLINTON NATURAL GAS TAP - WEATHERFORD WIND FARM 138KV CKT
FDNS	02ALL		0 11G	G10_014	'FROM->TO'	'ELK CITY 230KV (ELKCTY-6) 230/138/13.8KV TRANSFORMER CKT 1'	287	0.03633	100.8556	1'	'CLINTON NATURAL GAS TAP - WEATHERFORD WIND FARM 138KV CKT
FDNS	02ALL		0 11G	G08_044	'TO->FROM'	'FPL SWITCH - WOODWARD 138KV CKT 1'	153	0.03309	126.844		'WEATHERFORD TAP - WEATHERFORD WIND FARM 138KV CKT 1'
FDNS	02ALL		0 11G	G08_047	'TO->FROM'	'FPL SWITCH - WOODWARD 138KV CKT 1'	153	0.05237	126.844		'WEATHERFORD TAP - WEATHERFORD WIND FARM 138KV CKT 1'
FDNS	02ALL		0 11G	G08_110	'TO->FROM'	'FPL SWITCH - WOODWARD 138KV CKT 1'	153	0.03978	126.844		'WEATHERFORD TAP - WEATHERFORD WIND FARM 138KV CKT 1'
FDNS	02ALL		0 11G	ASGI_2010_011	'TO->FROM'	'FPL SWITCH - WOODWARD 138KV CKT 1'	153	0.03271	126.844		'WEATHERFORD TAP - WEATHERFORD WIND FARM 138KV CKT 1'
FDNS	02ALL		0 11G	G10_011	'TO->FROM'	'FPL SWITCH - WOODWARD 138KV CKT 1'	153	0.03309	126.844		'WEATHERFORD TAP - WEATHERFORD WIND FARM 138KV CKT 1'
FDNS	02ALL		0 11G	G10_014	'TO->FROM'	'FPL SWITCH - WOODWARD 138KV CKT 1'	153	0.03978	126.844		'WEATHERFORD TAP - WEATHERFORD WIND FARM 138KV CKT 1'
FDNS	02ALL		0 11G	G09_067S	'FROM->TO'	'ELK CITY 230KV (ELKCTY-6) 230/138/13.8KV TRANSFORMER CKT 1'	287	0.06422	100.6037		'WEATHERFORD TAP - WEATHERFORD WIND FARM 138KV CKT 1'
FDNS	02ALL		0 11G	G08_022	'FROM->TO'	'ELK CITY 230KV (ELKCTY-6) 230/138/13.8KV TRANSFORMER CKT 1'	287	0.06549	100.6037		'WEATHERFORD TAP - WEATHERFORD WIND FARM 138KV CKT 1'
FDNS	02ALL		0 11G	G08_088	'FROM->TO'	'ELK CITY 230KV (ELKCTY-6) 230/138/13.8KV TRANSFORMER CKT 1'	287	0.11054	100.6037		'WEATHERFORD TAP - WEATHERFORD WIND FARM 138KV CKT 1'
FDNS	02ALL		0 11G	G08_110	'FROM->TO'	'ELK CITY 230KV (ELKCTY-6) 230/138/13.8KV TRANSFORMER CKT 1'	287	0.03647	100.6037		'WEATHERFORD TAP - WEATHERFORD WIND FARM 138KV CKT 1'
FDNS	02ALL		0 11G	G10_007	'FROM->TO'	'ELK CITY 230KV (ELKCTY-6) 230/138/13.8KV TRANSFORMER CKT 1'	287	0.09903	100.6037		'WEATHERFORD TAP - WEATHERFORD WIND FARM 138KV CKT 1'
FDNS	02ALL		0 11G	ASGI_2010_011	'FROM->TO'	'ELK CITY 230KV (ELKCTY-6) 230/138/13.8KV TRANSFORMER CKT 1'	287	0.05787	100.6037		'WEATHERFORD TAP - WEATHERFORD WIND FARM 138KV CKT 1'
FDNS	02ALL		0 11G	G10_014	'FROM->TO'	'ELK CITY 230KV (ELKCTY-6) 230/138/13.8KV TRANSFORMER CKT 1'	287	0.03647	100.6037		'WEATHERFORD TAP - WEATHERFORD WIND FARM 138KV CKT 1'
FDNS	02ALL		0 11G	G08_044	'TO->FROM'	'FPL SWITCH - WOODWARD 138KV CKT 1'	153	0.03319	126.8285		'CAN_GAS4 138.00 - JENSEN ROAD 138KV CKT 1'
FDNS	02ALL		0 11G	G08_047	'TO->FROM'	'FPL SWITCH - WOODWARD 138KV CKT 1'	153	0.05224	126.8285		'CAN_GAS4 138.00 - JENSEN ROAD 138KV CKT 1'
FDNS	02ALL		0 11G	G08_110	'TO->FROM'	'FPL SWITCH - WOODWARD 138KV CKT 1'	153	0.03957	126.8285		'CAN_GAS4 138.00 - JENSEN ROAD 138KV CKT 1'
FDNS	02ALL		0 11G	ASGI_2010_011	'TO->FROM'	'FPL SWITCH - WOODWARD 138KV CKT 1'	153	0.03239	126.8285		'CAN_GAS4 138.00 - JENSEN ROAD 138KV CKT 1'
FDNS	02ALL		0 11G	G10_011	'TO->FROM'	'FPL SWITCH - WOODWARD 138KV CKT 1'	153	0.03319	126.8285		'CAN_GAS4 138.00 - JENSEN ROAD 138KV CKT 1'
FDNS	02ALL		0 11G	G10_014	'TO->FROM'	'FPL SWITCH - WOODWARD 138KV CKT 1'	153	0.03957	126.8285		'CAN_GAS4 138.00 - JENSEN ROAD 138KV CKT 1'
FDNS	02ALL		0 11G	G09_067S	'FROM->TO'	'ELK CITY 230KV (ELKCTY-6) 230/138/13.8KV TRANSFORMER CKT 1'	287	0.06259	100.644		'CAN_GAS4 138.00 - JENSEN ROAD 138KV CKT 1'
FDNS	02ALL		0 11G	G08_022	'FROM->TO'	'ELK CITY 230KV (ELKCTY-6) 230/138/13.8KV TRANSFORMER CKT 1'	287	0.06385	100.644		'CAN_GAS4 138.00 - JENSEN ROAD 138KV CKT 1'
FDNS	02ALL		0 11G	G08_088	'FROM->TO'	'ELK CITY 230KV (ELKCTY-6) 230/138/13.8KV TRANSFORMER CKT 1'	287	0.10815	100.644		'CAN_GAS4 138.00 - JENSEN ROAD 138KV CKT 1'
FDNS	02ALL		0 11G	G08_110	'FROM->TO'	'ELK CITY 230KV (ELKCTY-6) 230/138/13.8KV TRANSFORMER CKT 1'	287	0.03561	100.644		'CAN_GAS4 138.00 - JENSEN ROAD 138KV CKT 1'
FDNS	02ALL		0 11G	G10_007	'FROM->TO'	'ELK CITY 230KV (ELKCTY-6) 230/138/13.8KV TRANSFORMER CKT 1'	287	0.0969	100.644		'CAN_GAS4 138.00 - JENSEN ROAD 138KV CKT 1'

SOLUTION	GROUP	SCENARIO	SEASON	SOURCE	DIRECTION	MONITORED ELEMENT		RATE B	TDF	TC%	LOADING	CONTINGENCY NAME
						COMMON NAME						
FDNS	02ALL		0 11G	ASGI_2010_011	'FROM->TO'	'ELK CITY 230KV (ELKCTY-6) 230/138/13.8KV TRANSFORMER CKT 1'		287	0.05657		100.644	'CAN_GAS4 138.00 - JENSEN ROAD 138KV CKT 1'
FDNS	02ALL		0 11G	G10_014	'FROM->TO'	'ELK CITY 230KV (ELKCTY-6) 230/138/13.8KV TRANSFORMER CKT 1'		287	0.03561		100.644	'CAN_GAS4 138.00 - JENSEN ROAD 138KV CKT 1'
FDNS	02ALL		0 11G	G08_044	'TO->FROM'	'FPL SWITCH - WOODWARD 138KV CKT 1'		153	0.03107		157.3111	'STLN-DEMARC6230.00 - SWEETWT6 230.00 230KV CKT 1'
FDNS	02ALL		0 11G	G08_047	'TO->FROM'	'FPL SWITCH - WOODWARD 138KV CKT 1'		153	0.05643		157.3111	'STLN-DEMARC6230.00 - SWEETWT6 230.00 230KV CKT 1'
FDNS	02ALL		0 11G	G09_067S	'TO->FROM'	'FPL SWITCH - WOODWARD 138KV CKT 1'		153	0.03104		157.3111	'STLN-DEMARC6230.00 - SWEETWT6 230.00 230KV CKT 1'
FDNS	02ALL		0 11G	G08_022	'TO->FROM'	'FPL SWITCH - WOODWARD 138KV CKT 1'		153	0.03125		157.3111	'STLN-DEMARC6230.00 - SWEETWT6 230.00 230KV CKT 1'
FDNS	02ALL		0 11G	G08_088	'TO->FROM'	'FPL SWITCH - WOODWARD 138KV CKT 1'		153	0.03651		157.3111	'STLN-DEMARC6230.00 - SWEETWT6 230.00 230KV CKT 1'
FDNS	02ALL		0 11G	G08_110	'TO->FROM'	'FPL SWITCH - WOODWARD 138KV CKT 1'		153	0.04749		157.3111	'STLN-DEMARC6230.00 - SWEETWT6 230.00 230KV CKT 1'
FDNS	02ALL		0 11G	G10_007	'TO->FROM'	'FPL SWITCH - WOODWARD 138KV CKT 1'		153	0.03918		157.3111	'STLN-DEMARC6230.00 - SWEETWT6 230.00 230KV CKT 1'
FDNS	02ALL		0 11G	ASGI_2010_011	'TO->FROM'	'FPL SWITCH - WOODWARD 138KV CKT 1'		153	0.04459		157.3111	'STLN-DEMARC6230.00 - SWEETWT6 230.00 230KV CKT 1'
FDNS	02ALL		0 11G	G10_011	'TO->FROM'	'FPL SWITCH - WOODWARD 138KV CKT 1'		153	0.03107		157.3111	'STLN-DEMARC6230.00 - SWEETWT6 230.00 230KV CKT 1'
FDNS	02ALL		0 11G	G10_014	'TO->FROM'	'FPL SWITCH - WOODWARD 138KV CKT 1'		153	0.04749		157.3111	'STLN-DEMARC6230.00 - SWEETWT6 230.00 230KV CKT 1'
FDNS	02ALL		0 11G	G08_047	'TO->FROM'	'DEAF SMITH COUNTY INTERCHANGE - S- RANDLCO 230.00 230KV CKT 1'		350	0.03105		103.5657	'STLN-DEMARC6230.00 - SWEETWT6 230.00 230KV CKT 1'
FDNS	02ALL		0 11G	G08_088	'TO->FROM'	'DEAF SMITH COUNTY INTERCHANGE - S- RANDLCO 230.00 230KV CKT 1'		350	0.07266		103.5657	'STLN-DEMARC6230.00 - SWEETWT6 230.00 230KV CKT 1'
FDNS	02ALL		0 11G	G08_110	'TO->FROM'	'DEAF SMITH COUNTY INTERCHANGE - S- RANDLCO 230.00 230KV CKT 1'		350	0.04867		103.5657	'STLN-DEMARC6230.00 - SWEETWT6 230.00 230KV CKT 1'
FDNS	02ALL		0 11G	G10_007	'TO->FROM'	'DEAF SMITH COUNTY INTERCHANGE - S- RANDLCO 230.00 230KV CKT 1'		350	0.08118		103.5657	'STLN-DEMARC6230.00 - SWEETWT6 230.00 230KV CKT 1'
FDNS	02ALL		0 11G	ASGI_2010_011	'TO->FROM'	'DEAF SMITH COUNTY INTERCHANGE - S- RANDLCO 230.00 230KV CKT 1'		350	0.06191		103.5657	'STLN-DEMARC6230.00 - SWEETWT6 230.00 230KV CKT 1'
FDNS	02ALL		0 11G	G10_014	'TO->FROM'	'DEAF SMITH COUNTY INTERCHANGE - S- RANDLCO 230.00 230KV CKT 1'		350	0.04867		103.5657	'STLN-DEMARC6230.00 - SWEETWT6 230.00 230KV CKT 1'
FDNS	02ALL		0 11G	G09_067S	'FROM->TO'	'ELK CITY 230KV (ELKCTY-6) 230/138/13.8KV TRANSFORMER CKT 1'		287	0.06714		106.2939	'NORTH MEMPHIS REC - NW MEMPHIS 69KV CKT 1'
FDNS	02ALL		0 11G	G08_022	'FROM->TO'	'ELK CITY 230KV (ELKCTY-6) 230/138/13.8KV TRANSFORMER CKT 1'		287	0.06846		106.2939	'NORTH MEMPHIS REC - NW MEMPHIS 69KV CKT 1'
FDNS	02ALL		0 11G	G08_088	'FROM->TO'	'ELK CITY 230KV (ELKCTY-6) 230/138/13.8KV TRANSFORMER CKT 1'		287	0.1152		106.2939	'NORTH MEMPHIS REC - NW MEMPHIS 69KV CKT 1'
FDNS	02ALL		0 11G	G08_110	'FROM->TO'	'ELK CITY 230KV (ELKCTY-6) 230/138/13.8KV TRANSFORMER CKT 1'		287	0.03813		106.2939	'NORTH MEMPHIS REC - NW MEMPHIS 69KV CKT 1'
FDNS	02ALL		0 11G	G10_007	'FROM->TO'	'ELK CITY 230KV (ELKCTY-6) 230/138/13.8KV TRANSFORMER CKT 1'		287	0.10321		106.2939	'NORTH MEMPHIS REC - NW MEMPHIS 69KV CKT 1'
FDNS	02ALL		0 11G	ASGI_2010_011	'FROM->TO'	'ELK CITY 230KV (ELKCTY-6) 230/138/13.8KV TRANSFORMER CKT 1'		287	0.06037		106.2939	'NORTH MEMPHIS REC - NW MEMPHIS 69KV CKT 1'
FDNS	02ALL		0 11G	G10_014	'FROM->TO'	'ELK CITY 230KV (ELKCTY-6) 230/138/13.8KV TRANSFORMER CKT 1'		287	0.03813		106.2939	'NORTH MEMPHIS REC - NW MEMPHIS 69KV CKT 1'
FDNS	02ALL		0 11G	G09_067S	'FROM->TO'	'ELK CITY 230KV (ELKCTY-6) 230/138/13.8KV TRANSFORMER CKT 1'		287	0.06714		105.3142	'NORTH MEMPHIS REC - NW MEMPHIS 69KV CKT 1'
FDNS	02ALL		0 11G	G08_022	'FROM->TO'	'ELK CITY 230KV (ELKCTY-6) 230/138/13.8KV TRANSFORMER CKT 1'		287	0.06846		105.3142	'NORTH MEMPHIS REC - NW MEMPHIS 69KV CKT 1'
FDNS	02ALL		0 11G	G08_088	'FROM->TO'	'ELK CITY 230KV (ELKCTY-6) 230/138/13.8KV TRANSFORMER CKT 1'		287	0.1152		105.3142	'NORTH MEMPHIS REC - NW MEMPHIS 69KV CKT 1'
FDNS	02ALL		0 11G	G08_110	'FROM->TO'	'ELK CITY 230KV (ELKCTY-6) 230/138/13.8KV TRANSFORMER CKT 1'		287	0.03813		105.3142	'NORTH MEMPHIS REC - NW MEMPHIS 69KV CKT 1'

SOLUTION	GROUP	SCENARIO	SEASON	SOURCE	DIRECTION	MONITORED ELEMENT	RATE B	TDF	TC%	LOADING	CONTINGENCY NAME
						COMMON NAME					
FDNS	02ALL		0 11G	G10_007	'FROM->TO'	'ELK CITY 230KV (ELKCTY-6) 230/138/13.8KV TRANSFORMER CKT 1'	287	0.10321		105.3142	'NORTH MEMPHIS REC - NW MEMPHIS 69KV CKT 1'
FDNS	02ALL		0 11G	ASGI_2010_011	'FROM->TO'	'ELK CITY 230KV (ELKCTY-6) 230/138/13.8KV TRANSFORMER CKT 1'	287	0.06037		105.3142	'NORTH MEMPHIS REC - NW MEMPHIS 69KV CKT 1'
FDNS	02ALL		0 11G	G10_014	'FROM->TO'	'ELK CITY 230KV (ELKCTY-6) 230/138/13.8KV TRANSFORMER CKT 1'	287	0.03813		105.3142	'NORTH MEMPHIS REC - NW MEMPHIS 69KV CKT 1'
FDNS	02ALL		0 11G	G09_067S	'FROM->TO'	'ELK CITY 230KV (ELKCTY-6) 230/138/13.8KV TRANSFORMER CKT 1'	287	0.06714		106.2946	'MEMPHIS - NW MEMPHIS 69KV CKT 1'
FDNS	02ALL		0 11G	G08_022	'FROM->TO'	'ELK CITY 230KV (ELKCTY-6) 230/138/13.8KV TRANSFORMER CKT 1'	287	0.06846		106.2946	'MEMPHIS - NW MEMPHIS 69KV CKT 1'
FDNS	02ALL		0 11G	G08_088	'FROM->TO'	'ELK CITY 230KV (ELKCTY-6) 230/138/13.8KV TRANSFORMER CKT 1'	287	0.1152		106.2946	'MEMPHIS - NW MEMPHIS 69KV CKT 1'
FDNS	02ALL		0 11G	G08_110	'FROM->TO'	'ELK CITY 230KV (ELKCTY-6) 230/138/13.8KV TRANSFORMER CKT 1'	287	0.03813		106.2946	'MEMPHIS - NW MEMPHIS 69KV CKT 1'
FDNS	02ALL		0 11G	G10_007	'FROM->TO'	'ELK CITY 230KV (ELKCTY-6) 230/138/13.8KV TRANSFORMER CKT 1'	287	0.10321		106.2946	'MEMPHIS - NW MEMPHIS 69KV CKT 1'
FDNS	02ALL		0 11G	ASGI_2010_011	'FROM->TO'	'ELK CITY 230KV (ELKCTY-6) 230/138/13.8KV TRANSFORMER CKT 1'	287	0.06037		106.2946	'MEMPHIS - NW MEMPHIS 69KV CKT 1'
FDNS	02ALL		0 11G	G10_014	'FROM->TO'	'ELK CITY 230KV (ELKCTY-6) 230/138/13.8KV TRANSFORMER CKT 1'	287	0.03813		106.2946	'MEMPHIS - NW MEMPHIS 69KV CKT 1'
FDNS	02ALL		0 11G	G09_067S	'FROM->TO'	'ELK CITY 230KV (ELKCTY-6) 230/138/13.8KV TRANSFORMER CKT 1'	287	0.06714		105.3151	'MEMPHIS - NW MEMPHIS 69KV CKT 1'
FDNS	02ALL		0 11G	G08_022	'FROM->TO'	'ELK CITY 230KV (ELKCTY-6) 230/138/13.8KV TRANSFORMER CKT 1'	287	0.06846		105.3151	'MEMPHIS - NW MEMPHIS 69KV CKT 1'
FDNS	02ALL		0 11G	G08_088	'FROM->TO'	'ELK CITY 230KV (ELKCTY-6) 230/138/13.8KV TRANSFORMER CKT 1'	287	0.1152		105.3151	'MEMPHIS - NW MEMPHIS 69KV CKT 1'
FDNS	02ALL		0 11G	G08_110	'FROM->TO'	'ELK CITY 230KV (ELKCTY-6) 230/138/13.8KV TRANSFORMER CKT 1'	287	0.03813		105.3151	'MEMPHIS - NW MEMPHIS 69KV CKT 1'
FDNS	02ALL		0 11G	G10_007	'FROM->TO'	'ELK CITY 230KV (ELKCTY-6) 230/138/13.8KV TRANSFORMER CKT 1'	287	0.10321		105.3151	'MEMPHIS - NW MEMPHIS 69KV CKT 1'
FDNS	02ALL		0 11G	ASGI_2010_011	'FROM->TO'	'ELK CITY 230KV (ELKCTY-6) 230/138/13.8KV TRANSFORMER CKT 1'	287	0.06037		105.3151	'MEMPHIS - NW MEMPHIS 69KV CKT 1'
FDNS	02ALL		0 11G	G10_014	'FROM->TO'	'ELK CITY 230KV (ELKCTY-6) 230/138/13.8KV TRANSFORMER CKT 1'	287	0.03813		105.3151	'MEMPHIS - NW MEMPHIS 69KV CKT 1'
FDNS	02ALL		0 11G	G09_067S	'FROM->TO'	'ELK CITY 230KV (ELKCTY-6) 230/138/13.8KV TRANSFORMER CKT 1'	287	0.06714		107.1052	'JERICHO - KIRBY SWITCHING STATION 115KV CKT 1'
FDNS	02ALL		0 11G	G08_022	'FROM->TO'	'ELK CITY 230KV (ELKCTY-6) 230/138/13.8KV TRANSFORMER CKT 1'	287	0.06846		107.1052	'JERICHO - KIRBY SWITCHING STATION 115KV CKT 1'
FDNS	02ALL		0 11G	G08_088	'FROM->TO'	'ELK CITY 230KV (ELKCTY-6) 230/138/13.8KV TRANSFORMER CKT 1'	287	0.1152		107.1052	'JERICHO - KIRBY SWITCHING STATION 115KV CKT 1'
FDNS	02ALL		0 11G	G08_110	'FROM->TO'	'ELK CITY 230KV (ELKCTY-6) 230/138/13.8KV TRANSFORMER CKT 1'	287	0.03813		107.1052	'JERICHO - KIRBY SWITCHING STATION 115KV CKT 1'
FDNS	02ALL		0 11G	G10_007	'FROM->TO'	'ELK CITY 230KV (ELKCTY-6) 230/138/13.8KV TRANSFORMER CKT 1'	287	0.10321		107.1052	'JERICHO - KIRBY SWITCHING STATION 115KV CKT 1'
FDNS	02ALL		0 11G	ASGI_2010_011	'FROM->TO'	'ELK CITY 230KV (ELKCTY-6) 230/138/13.8KV TRANSFORMER CKT 1'	287	0.06037		107.1052	'JERICHO - KIRBY SWITCHING STATION 115KV CKT 1'
FDNS	02ALL		0 11G	G10_014	'FROM->TO'	'ELK CITY 230KV (ELKCTY-6) 230/138/13.8KV TRANSFORMER CKT 1'	287	0.03813		107.1052	'JERICHO - KIRBY SWITCHING STATION 115KV CKT 1'
FDNS	02ALL		0 11G	G09_067S	'FROM->TO'	'ELK CITY 230KV (ELKCTY-6) 230/138/13.8KV TRANSFORMER CKT 1'	287	0.06714		106.1111	'JERICHO - KIRBY SWITCHING STATION 115KV CKT 1'
FDNS	02ALL		0 11G	G08_022	'FROM->TO'	'ELK CITY 230KV (ELKCTY-6) 230/138/13.8KV TRANSFORMER CKT 1'	287	0.06846		106.1111	'JERICHO - KIRBY SWITCHING STATION 115KV CKT 1'
FDNS	02ALL		0 11G	G08_088	'FROM->TO'	'ELK CITY 230KV (ELKCTY-6) 230/138/13.8KV TRANSFORMER CKT 1'	287	0.1152		106.1111	'JERICHO - KIRBY SWITCHING STATION 115KV CKT 1'
FDNS	02ALL		0 11G	G08_110	'FROM->TO'	'ELK CITY 230KV (ELKCTY-6) 230/138/13.8KV TRANSFORMER CKT 1'	287	0.03813		106.1111	'JERICHO - KIRBY SWITCHING STATION 115KV CKT 1'
FDNS	02ALL		0 11G	G10_007	'FROM->TO'	'ELK CITY 230KV (ELKCTY-6) 230/138/13.8KV TRANSFORMER CKT 1'	287	0.10321		106.1111	'JERICHO - KIRBY SWITCHING STATION 115KV CKT 1'

SOLUTION	GROUP	SCENARIO	SEASON	SOURCE	DIRECTION	MONITORED ELEMENT	RATE B	TDF	TC%	LOADING	CONTINGENCY NAME
						COMMON NAME					
FDNS	02ALL		0 11G	ASGI_2010_011	'FROM->TO'	'ELK CITY 230KV (ELKCTY-6) 230/138/13.8KV TRANSFORMER CKT 1'	287	0.06037	106.1111	115KV CKT 1'	'JERICO - KIRBY SWITCHING STATION
FDNS	02ALL		0 11G	G10_014	'FROM->TO'	'ELK CITY 230KV (ELKCTY-6) 230/138/13.8KV TRANSFORMER CKT 1'	287	0.03813	106.1111	115KV CKT 1'	'JERICO - KIRBY SWITCHING STATION
FDNS	02ALL		0 11G	G09_067S	'FROM->TO'	'ELK CITY 230KV (ELKCTY-6) 230/138/13.8KV TRANSFORMER CKT 1'	287	0.06714	107.1096	'CLARENDON - JERICO 69KV CKT 1'	
FDNS	02ALL		0 11G	G08_022	'FROM->TO'	'ELK CITY 230KV (ELKCTY-6) 230/138/13.8KV TRANSFORMER CKT 1'	287	0.06846	107.1096	'CLARENDON - JERICO 69KV CKT 1'	
FDNS	02ALL		0 11G	G08_088	'FROM->TO'	'ELK CITY 230KV (ELKCTY-6) 230/138/13.8KV TRANSFORMER CKT 1'	287	0.1152	107.1096	'CLARENDON - JERICO 69KV CKT 1'	
FDNS	02ALL		0 11G	G08_110	'FROM->TO'	'ELK CITY 230KV (ELKCTY-6) 230/138/13.8KV TRANSFORMER CKT 1'	287	0.03813	107.1096	'CLARENDON - JERICO 69KV CKT 1'	
FDNS	02ALL		0 11G	G10_007	'FROM->TO'	'ELK CITY 230KV (ELKCTY-6) 230/138/13.8KV TRANSFORMER CKT 1'	287	0.10321	107.1096	'CLARENDON - JERICO 69KV CKT 1'	
FDNS	02ALL		0 11G	ASGI_2010_011	'FROM->TO'	'ELK CITY 230KV (ELKCTY-6) 230/138/13.8KV TRANSFORMER CKT 1'	287	0.06037	107.1096	'CLARENDON - JERICO 69KV CKT 1'	
FDNS	02ALL		0 11G	G10_014	'FROM->TO'	'ELK CITY 230KV (ELKCTY-6) 230/138/13.8KV TRANSFORMER CKT 1'	287	0.03813	107.1096	'CLARENDON - JERICO 69KV CKT 1'	
FDNS	02ALL		0 11G	G09_067S	'FROM->TO'	'ELK CITY 230KV (ELKCTY-6) 230/138/13.8KV TRANSFORMER CKT 1'	287	0.06714	106.1162	'CLARENDON - JERICO 69KV CKT 1'	
FDNS	02ALL		0 11G	G08_022	'FROM->TO'	'ELK CITY 230KV (ELKCTY-6) 230/138/13.8KV TRANSFORMER CKT 1'	287	0.06846	106.1162	'CLARENDON - JERICO 69KV CKT 1'	
FDNS	02ALL		0 11G	G08_088	'FROM->TO'	'ELK CITY 230KV (ELKCTY-6) 230/138/13.8KV TRANSFORMER CKT 1'	287	0.1152	106.1162	'CLARENDON - JERICO 69KV CKT 1'	
FDNS	02ALL		0 11G	G08_110	'FROM->TO'	'ELK CITY 230KV (ELKCTY-6) 230/138/13.8KV TRANSFORMER CKT 1'	287	0.03813	106.1162	'CLARENDON - JERICO 69KV CKT 1'	
FDNS	02ALL		0 11G	G10_007	'FROM->TO'	'ELK CITY 230KV (ELKCTY-6) 230/138/13.8KV TRANSFORMER CKT 1'	287	0.10321	106.1162	'CLARENDON - JERICO 69KV CKT 1'	
FDNS	02ALL		0 11G	ASGI_2010_011	'FROM->TO'	'ELK CITY 230KV (ELKCTY-6) 230/138/13.8KV TRANSFORMER CKT 1'	287	0.06037	106.1162	'CLARENDON - JERICO 69KV CKT 1'	
FDNS	02ALL		0 11G	G10_014	'FROM->TO'	'ELK CITY 230KV (ELKCTY-6) 230/138/13.8KV TRANSFORMER CKT 1'	287	0.03813	106.1162	'CLARENDON - JERICO 69KV CKT 1'	
FDNS	02ALL		0 11G	G09_067S	'FROM->TO'	'ELK CITY 230KV (ELKCTY-6) 230/138/13.8KV TRANSFORMER CKT 1'	287	0.06714	106.7181	CKT 1'	'CLARENDON - CLARENDON REC 69KV
FDNS	02ALL		0 11G	G08_022	'FROM->TO'	'ELK CITY 230KV (ELKCTY-6) 230/138/13.8KV TRANSFORMER CKT 1'	287	0.06846	106.7181	CKT 1'	'CLARENDON - CLARENDON REC 69KV
FDNS	02ALL		0 11G	G08_088	'FROM->TO'	'ELK CITY 230KV (ELKCTY-6) 230/138/13.8KV TRANSFORMER CKT 1'	287	0.1152	106.7181	CKT 1'	'CLARENDON - CLARENDON REC 69KV
FDNS	02ALL		0 11G	G08_110	'FROM->TO'	'ELK CITY 230KV (ELKCTY-6) 230/138/13.8KV TRANSFORMER CKT 1'	287	0.03813	106.7181	CKT 1'	'CLARENDON - CLARENDON REC 69KV
FDNS	02ALL		0 11G	G10_007	'FROM->TO'	'ELK CITY 230KV (ELKCTY-6) 230/138/13.8KV TRANSFORMER CKT 1'	287	0.10321	106.7181	CKT 1'	'CLARENDON - CLARENDON REC 69KV
FDNS	02ALL		0 11G	ASGI_2010_011	'FROM->TO'	'ELK CITY 230KV (ELKCTY-6) 230/138/13.8KV TRANSFORMER CKT 1'	287	0.06037	106.7181	CKT 1'	'CLARENDON - CLARENDON REC 69KV
FDNS	02ALL		0 11G	G10_014	'FROM->TO'	'ELK CITY 230KV (ELKCTY-6) 230/138/13.8KV TRANSFORMER CKT 1'	287	0.03813	106.7181	CKT 1'	'CLARENDON - CLARENDON REC 69KV
FDNS	02ALL		0 11G	G09_067S	'FROM->TO'	'ELK CITY 230KV (ELKCTY-6) 230/138/13.8KV TRANSFORMER CKT 1'	287	0.06714	105.7304	CKT 1'	'CLARENDON - CLARENDON REC 69KV
FDNS	02ALL		0 11G	G08_022	'FROM->TO'	'ELK CITY 230KV (ELKCTY-6) 230/138/13.8KV TRANSFORMER CKT 1'	287	0.06846	105.7304	CKT 1'	'CLARENDON - CLARENDON REC 69KV
FDNS	02ALL		0 11G	G08_088	'FROM->TO'	'ELK CITY 230KV (ELKCTY-6) 230/138/13.8KV TRANSFORMER CKT 1'	287	0.1152	105.7304	CKT 1'	'CLARENDON - CLARENDON REC 69KV
FDNS	02ALL		0 11G	G08_110	'FROM->TO'	'ELK CITY 230KV (ELKCTY-6) 230/138/13.8KV TRANSFORMER CKT 1'	287	0.03813	105.7304	CKT 1'	'CLARENDON - CLARENDON REC 69KV
FDNS	02ALL		0 11G	G10_007	'FROM->TO'	'ELK CITY 230KV (ELKCTY-6) 230/138/13.8KV TRANSFORMER CKT 1'	287	0.10321	105.7304	CKT 1'	'CLARENDON - CLARENDON REC 69KV
FDNS	02ALL		0 11G	ASGI_2010_011	'FROM->TO'	'ELK CITY 230KV (ELKCTY-6) 230/138/13.8KV TRANSFORMER CKT 1'	287	0.06037	105.7304	CKT 1'	'CLARENDON - CLARENDON REC 69KV

SOLUTION	GROUP	SCENARIO	SEASON	SOURCE	DIRECTION	MONITORED ELEMENT	RATE B	TDF	TC%LOADING	CONTINGENCY NAME
						COMMON NAME				
FDNS	02ALL		0 11G	G10_014	'FROM->TO'	'ELK CITY 230KV (ELKCTY-6) 230/138/13.8KV TRANSFORMER CKT 1'	287	0.03813	105.7304	'CLARENDON - CLARENDON REC 69KV CKT 1'
FDNS	02ALL		0 11G	G09_067S	'FROM->TO'	'ELK CITY 230KV (ELKCTY-6) 230/138/13.8KV TRANSFORMER CKT 1'	287	0.06714	106.5043	'CLARENDON REC - HEDLEY 69KV CKT 1'
FDNS	02ALL		0 11G	G08_022	'FROM->TO'	'ELK CITY 230KV (ELKCTY-6) 230/138/13.8KV TRANSFORMER CKT 1'	287	0.06846	106.5043	'CLARENDON REC - HEDLEY 69KV CKT 1'
FDNS	02ALL		0 11G	G08_088	'FROM->TO'	'ELK CITY 230KV (ELKCTY-6) 230/138/13.8KV TRANSFORMER CKT 1'	287	0.1152	106.5043	'CLARENDON REC - HEDLEY 69KV CKT 1'
FDNS	02ALL		0 11G	G08_110	'FROM->TO'	'ELK CITY 230KV (ELKCTY-6) 230/138/13.8KV TRANSFORMER CKT 1'	287	0.03813	106.5043	'CLARENDON REC - HEDLEY 69KV CKT 1'
FDNS	02ALL		0 11G	G10_007	'FROM->TO'	'ELK CITY 230KV (ELKCTY-6) 230/138/13.8KV TRANSFORMER CKT 1'	287	0.10321	106.5043	'CLARENDON REC - HEDLEY 69KV CKT 1'
FDNS	02ALL		0 11G	ASGI_2010_011	'FROM->TO'	'ELK CITY 230KV (ELKCTY-6) 230/138/13.8KV TRANSFORMER CKT 1'	287	0.06037	106.5043	'CLARENDON REC - HEDLEY 69KV CKT 1'
FDNS	02ALL		0 11G	G10_014	'FROM->TO'	'ELK CITY 230KV (ELKCTY-6) 230/138/13.8KV TRANSFORMER CKT 1'	287	0.03813	106.5043	'CLARENDON REC - HEDLEY 69KV CKT 1'
FDNS	02ALL		0 11G	G09_067S	'FROM->TO'	'ELK CITY 230KV (ELKCTY-6) 230/138/13.8KV TRANSFORMER CKT 1'	287	0.06629	101.8754	'GEN527162 1-MUSTANG GEN #2'
FDNS	02ALL		0 11G	G08_022	'FROM->TO'	'ELK CITY 230KV (ELKCTY-6) 230/138/13.8KV TRANSFORMER CKT 1'	287	0.06759	101.8754	'GEN527162 1-MUSTANG GEN #2'
FDNS	02ALL		0 11G	G08_088	'FROM->TO'	'ELK CITY 230KV (ELKCTY-6) 230/138/13.8KV TRANSFORMER CKT 1'	287	0.11358	101.8754	'GEN527162 1-MUSTANG GEN #2'
FDNS	02ALL		0 11G	G08_110	'FROM->TO'	'ELK CITY 230KV (ELKCTY-6) 230/138/13.8KV TRANSFORMER CKT 1'	287	0.03756	101.8754	'GEN527162 1-MUSTANG GEN #2'
FDNS	02ALL		0 11G	G10_007	'FROM->TO'	'ELK CITY 230KV (ELKCTY-6) 230/138/13.8KV TRANSFORMER CKT 1'	287	0.10175	101.8754	'GEN527162 1-MUSTANG GEN #2'
FDNS	02ALL		0 11G	ASGI_2010_011	'FROM->TO'	'ELK CITY 230KV (ELKCTY-6) 230/138/13.8KV TRANSFORMER CKT 1'	287	0.05951	101.8754	'GEN527162 1-MUSTANG GEN #2'
FDNS	02ALL		0 11G	G10_014	'FROM->TO'	'ELK CITY 230KV (ELKCTY-6) 230/138/13.8KV TRANSFORMER CKT 1'	287	0.03756	101.8754	'GEN527162 1-MUSTANG GEN #2'
FDNS	02ALL		0 11G	G09_067S	'FROM->TO'	'ELK CITY 230KV (ELKCTY-6) 230/138/13.8KV TRANSFORMER CKT 1'	287	0.06629	101.0402	'GEN527162 1-MUSTANG GEN #2'
FDNS	02ALL		0 11G	G08_022	'FROM->TO'	'ELK CITY 230KV (ELKCTY-6) 230/138/13.8KV TRANSFORMER CKT 1'	287	0.06759	101.0402	'GEN527162 1-MUSTANG GEN #2'
FDNS	02ALL		0 11G	G08_088	'FROM->TO'	'ELK CITY 230KV (ELKCTY-6) 230/138/13.8KV TRANSFORMER CKT 1'	287	0.11358	101.0402	'GEN527162 1-MUSTANG GEN #2'
FDNS	02ALL		0 11G	G08_110	'FROM->TO'	'ELK CITY 230KV (ELKCTY-6) 230/138/13.8KV TRANSFORMER CKT 1'	287	0.03756	101.0402	'GEN527162 1-MUSTANG GEN #2'
FDNS	02ALL		0 11G	G10_007	'FROM->TO'	'ELK CITY 230KV (ELKCTY-6) 230/138/13.8KV TRANSFORMER CKT 1'	287	0.10175	101.0402	'GEN527162 1-MUSTANG GEN #2'
FDNS	02ALL		0 11G	ASGI_2010_011	'FROM->TO'	'ELK CITY 230KV (ELKCTY-6) 230/138/13.8KV TRANSFORMER CKT 1'	287	0.05951	101.0402	'GEN527162 1-MUSTANG GEN #2'
FDNS	02ALL		0 11G	G10_014	'FROM->TO'	'ELK CITY 230KV (ELKCTY-6) 230/138/13.8KV TRANSFORMER CKT 1'	287	0.03756	101.0402	'GEN527162 1-MUSTANG GEN #2'
FDNS	02ALL		0 11G	G08_044	'TO->FROM'	'FPL SWITCH - WOODWARD 138KV CKT 1'	153	0.03294	126.6731	'GEN527163 1-MUSTANG GEN #3 22 KV'
FDNS	02ALL		0 11G	G08_047	'TO->FROM'	'FPL SWITCH - WOODWARD 138KV CKT 1'	153	0.05253	126.6731	'GEN527163 1-MUSTANG GEN #3 22 KV'
FDNS	02ALL		0 11G	G08_110	'TO->FROM'	'FPL SWITCH - WOODWARD 138KV CKT 1'	153	0.04004	126.6731	'GEN527163 1-MUSTANG GEN #3 22 KV'
FDNS	02ALL		0 11G	ASGI_2010_011	'TO->FROM'	'FPL SWITCH - WOODWARD 138KV CKT 1'	153	0.03311	126.6731	'GEN527163 1-MUSTANG GEN #3 22 KV'
FDNS	02ALL		0 11G	G10_011	'TO->FROM'	'FPL SWITCH - WOODWARD 138KV CKT 1'	153	0.03294	126.6731	'GEN527163 1-MUSTANG GEN #3 22 KV'
FDNS	02ALL		0 11G	G10_014	'TO->FROM'	'FPL SWITCH - WOODWARD 138KV CKT 1'	153	0.04004	126.6731	'GEN527163 1-MUSTANG GEN #3 22 KV'
FDNS	02ALL		0 11G	G08_088	'TO->FROM'	'DEAF SMITH COUNTY INTERCHANGE - S- RANDLCO 230.00 230KV CKT 1'	350	0.06268	104.3482	'GEN527163 1-MUSTANG GEN #3 22 KV'

SOLUTION	GROUP	SCENARIO	SEASON	SOURCE	DIRECTION	MONITORED ELEMENT	RATE B	TDF	TC%	LOADING	CONTINGENCY NAME
						COMMON NAME					
FDNS	02ALL		0 11G	G08_110	'TO->FROM'	'DEAF SMITH COUNTY INTERCHANGE - S-RANDLCO 230.00 230KV CKT 1'	350	0.04519	104.3482	'GEN527163 1-MUSTANG GEN #3 22 KV'	
FDNS	02ALL		0 11G	G10_007	'TO->FROM'	'DEAF SMITH COUNTY INTERCHANGE - S-RANDLCO 230.00 230KV CKT 1'	350	0.07221	104.3482	'GEN527163 1-MUSTANG GEN #3 22 KV'	
FDNS	02ALL		0 11G	ASGI_2010_011	'TO->FROM'	'DEAF SMITH COUNTY INTERCHANGE - S-RANDLCO 230.00 230KV CKT 1'	350	0.05655	104.3482	'GEN527163 1-MUSTANG GEN #3 22 KV'	
FDNS	02ALL		0 11G	G10_014	'TO->FROM'	'DEAF SMITH COUNTY INTERCHANGE - S-RANDLCO 230.00 230KV CKT 1'	350	0.04519	104.3482	'GEN527163 1-MUSTANG GEN #3 22 KV'	
FDNS	02ALL		0 11G	G09_067S	'FROM->TO'	'ELK CITY 230KV (ELKCTY-6) 230/138/13.8KV TRANSFORMER CKT 1'	287	0.06629	101.7003	'GEN527163 1-MUSTANG GEN #3 22 KV'	
FDNS	02ALL		0 11G	G08_022	'FROM->TO'	'ELK CITY 230KV (ELKCTY-6) 230/138/13.8KV TRANSFORMER CKT 1'	287	0.06759	101.7003	'GEN527163 1-MUSTANG GEN #3 22 KV'	
FDNS	02ALL		0 11G	G08_088	'FROM->TO'	'ELK CITY 230KV (ELKCTY-6) 230/138/13.8KV TRANSFORMER CKT 1'	287	0.11358	101.7003	'GEN527163 1-MUSTANG GEN #3 22 KV'	
FDNS	02ALL		0 11G	G08_110	'FROM->TO'	'ELK CITY 230KV (ELKCTY-6) 230/138/13.8KV TRANSFORMER CKT 1'	287	0.03756	101.7003	'GEN527163 1-MUSTANG GEN #3 22 KV'	
FDNS	02ALL		0 11G	G10_007	'FROM->TO'	'ELK CITY 230KV (ELKCTY-6) 230/138/13.8KV TRANSFORMER CKT 1'	287	0.10175	101.7003	'GEN527163 1-MUSTANG GEN #3 22 KV'	
FDNS	02ALL		0 11G	ASGI_2010_011	'FROM->TO'	'ELK CITY 230KV (ELKCTY-6) 230/138/13.8KV TRANSFORMER CKT 1'	287	0.05951	101.7003	'GEN527163 1-MUSTANG GEN #3 22 KV'	
FDNS	02ALL		0 11G	G10_014	'FROM->TO'	'ELK CITY 230KV (ELKCTY-6) 230/138/13.8KV TRANSFORMER CKT 1'	287	0.03756	101.7003	'GEN527163 1-MUSTANG GEN #3 22 KV'	
FDNS	02ALL		0 11G	G09_067S	'FROM->TO'	'ELK CITY 230KV (ELKCTY-6) 230/138/13.8KV TRANSFORMER CKT 1'	287	0.06629	100.8708	'GEN527163 1-MUSTANG GEN #3 22 KV'	
FDNS	02ALL		0 11G	G08_022	'FROM->TO'	'ELK CITY 230KV (ELKCTY-6) 230/138/13.8KV TRANSFORMER CKT 1'	287	0.06759	100.8708	'GEN527163 1-MUSTANG GEN #3 22 KV'	
FDNS	02ALL		0 11G	G08_088	'FROM->TO'	'ELK CITY 230KV (ELKCTY-6) 230/138/13.8KV TRANSFORMER CKT 1'	287	0.11358	100.8708	'GEN527163 1-MUSTANG GEN #3 22 KV'	
FDNS	02ALL		0 11G	G08_110	'FROM->TO'	'ELK CITY 230KV (ELKCTY-6) 230/138/13.8KV TRANSFORMER CKT 1'	287	0.03756	100.8708	'GEN527163 1-MUSTANG GEN #3 22 KV'	
FDNS	02ALL		0 11G	G10_007	'FROM->TO'	'ELK CITY 230KV (ELKCTY-6) 230/138/13.8KV TRANSFORMER CKT 1'	287	0.10175	100.8708	'GEN527163 1-MUSTANG GEN #3 22 KV'	
FDNS	02ALL		0 11G	ASGI_2010_011	'FROM->TO'	'ELK CITY 230KV (ELKCTY-6) 230/138/13.8KV TRANSFORMER CKT 1'	287	0.05951	100.8708	'GEN527163 1-MUSTANG GEN #3 22 KV'	
FDNS	02ALL		0 11G	G10_014	'FROM->TO'	'ELK CITY 230KV (ELKCTY-6) 230/138/13.8KV TRANSFORMER CKT 1'	287	0.03756	100.8708	'GEN527163 1-MUSTANG GEN #3 22 KV'	
FDNS	02ALL		0 11G	G08_044	'TO->FROM'	'FPL SWITCH - WOODWARD 138KV CKT 1'	153	0.03294	126.7977	'GEN527164 1-MUSTANG GEN #4 22 KV'	
FDNS	02ALL		0 11G	G08_047	'TO->FROM'	'FPL SWITCH - WOODWARD 138KV CKT 1'	153	0.05253	126.7977	'GEN527164 1-MUSTANG GEN #4 22 KV'	
FDNS	02ALL		0 11G	G08_110	'TO->FROM'	'FPL SWITCH - WOODWARD 138KV CKT 1'	153	0.04004	126.7977	'GEN527164 1-MUSTANG GEN #4 22 KV'	
FDNS	02ALL		0 11G	ASGI_2010_011	'TO->FROM'	'FPL SWITCH - WOODWARD 138KV CKT 1'	153	0.03311	126.7977	'GEN527164 1-MUSTANG GEN #4 22 KV'	
FDNS	02ALL		0 11G	G10_011	'TO->FROM'	'FPL SWITCH - WOODWARD 138KV CKT 1'	153	0.03294	126.7977	'GEN527164 1-MUSTANG GEN #4 22 KV'	
FDNS	02ALL		0 11G	G10_014	'TO->FROM'	'FPL SWITCH - WOODWARD 138KV CKT 1'	153	0.04004	126.7977	'GEN527164 1-MUSTANG GEN #4 22 KV'	
FDNS	02ALL		0 11G	G08_088	'TO->FROM'	'DEAF SMITH COUNTY INTERCHANGE - S-RANDLCO 230.00 230KV CKT 1'	350	0.06268	103.9574	'GEN527164 1-MUSTANG GEN #4 22 KV'	
FDNS	02ALL		0 11G	G08_110	'TO->FROM'	'DEAF SMITH COUNTY INTERCHANGE - S-RANDLCO 230.00 230KV CKT 1'	350	0.04519	103.9574	'GEN527164 1-MUSTANG GEN #4 22 KV'	
FDNS	02ALL		0 11G	G10_007	'TO->FROM'	'DEAF SMITH COUNTY INTERCHANGE - S-RANDLCO 230.00 230KV CKT 1'	350	0.07221	103.9574	'GEN527164 1-MUSTANG GEN #4 22 KV'	
FDNS	02ALL		0 11G	ASGI_2010_011	'TO->FROM'	'DEAF SMITH COUNTY INTERCHANGE - S-RANDLCO 230.00 230KV CKT 1'	350	0.05655	103.9574	'GEN527164 1-MUSTANG GEN #4 22 KV'	
FDNS	02ALL		0 11G	G10_014	'TO->FROM'	'DEAF SMITH COUNTY INTERCHANGE - S-RANDLCO 230.00 230KV CKT 1'	350	0.04519	103.9574	'GEN527164 1-MUSTANG GEN #4 22 KV'	

SOLUTION	GROUP	SCENARIO	SEASON	SOURCE	DIRECTION	MONITORED ELEMENT	RATE B	TDF	TC%	LOADING	CONTINGENCY NAME
						COMMON NAME					
FDNS	02ALL		0 11G	G09_067S	'FROM->TO'	'ELK CITY 230KV (ELKCTY-6) 230/138/13.8KV TRANSFORMER CKT 1'	287	0.06629	101.8619	'GEN527164 1-MUSTANG GEN #4 22 KV'	
FDNS	02ALL		0 11G	G08_022	'FROM->TO'	'ELK CITY 230KV (ELKCTY-6) 230/138/13.8KV TRANSFORMER CKT 1'	287	0.06759	101.8619	'GEN527164 1-MUSTANG GEN #4 22 KV'	
FDNS	02ALL		0 11G	G08_088	'FROM->TO'	'ELK CITY 230KV (ELKCTY-6) 230/138/13.8KV TRANSFORMER CKT 1'	287	0.11358	101.8619	'GEN527164 1-MUSTANG GEN #4 22 KV'	
FDNS	02ALL		0 11G	G08_110	'FROM->TO'	'ELK CITY 230KV (ELKCTY-6) 230/138/13.8KV TRANSFORMER CKT 1'	287	0.03756	101.8619	'GEN527164 1-MUSTANG GEN #4 22 KV'	
FDNS	02ALL		0 11G	G10_007	'FROM->TO'	'ELK CITY 230KV (ELKCTY-6) 230/138/13.8KV TRANSFORMER CKT 1'	287	0.10175	101.8619	'GEN527164 1-MUSTANG GEN #4 22 KV'	
FDNS	02ALL		0 11G	ASGI_2010_011	'FROM->TO'	'ELK CITY 230KV (ELKCTY-6) 230/138/13.8KV TRANSFORMER CKT 1'	287	0.05951	101.8619	'GEN527164 1-MUSTANG GEN #4 22 KV'	
FDNS	02ALL		0 11G	G10_014	'FROM->TO'	'ELK CITY 230KV (ELKCTY-6) 230/138/13.8KV TRANSFORMER CKT 1'	287	0.03756	101.8619	'GEN527164 1-MUSTANG GEN #4 22 KV'	
FDNS	02ALL		0 11G	G09_067S	'FROM->TO'	'ELK CITY 230KV (ELKCTY-6) 230/138/13.8KV TRANSFORMER CKT 1'	287	0.06629	101.0271	'GEN527164 1-MUSTANG GEN #4 22 KV'	
FDNS	02ALL		0 11G	G08_022	'FROM->TO'	'ELK CITY 230KV (ELKCTY-6) 230/138/13.8KV TRANSFORMER CKT 1'	287	0.06759	101.0271	'GEN527164 1-MUSTANG GEN #4 22 KV'	
FDNS	02ALL		0 11G	G08_088	'FROM->TO'	'ELK CITY 230KV (ELKCTY-6) 230/138/13.8KV TRANSFORMER CKT 1'	287	0.11358	101.0271	'GEN527164 1-MUSTANG GEN #4 22 KV'	
FDNS	02ALL		0 11G	G08_110	'FROM->TO'	'ELK CITY 230KV (ELKCTY-6) 230/138/13.8KV TRANSFORMER CKT 1'	287	0.03756	101.0271	'GEN527164 1-MUSTANG GEN #4 22 KV'	
FDNS	02ALL		0 11G	G10_007	'FROM->TO'	'ELK CITY 230KV (ELKCTY-6) 230/138/13.8KV TRANSFORMER CKT 1'	287	0.10175	101.0271	'GEN527164 1-MUSTANG GEN #4 22 KV'	
FDNS	02ALL		0 11G	ASGI_2010_011	'FROM->TO'	'ELK CITY 230KV (ELKCTY-6) 230/138/13.8KV TRANSFORMER CKT 1'	287	0.05951	101.0271	'GEN527164 1-MUSTANG GEN #4 22 KV'	
FDNS	02ALL		0 11G	G10_014	'FROM->TO'	'ELK CITY 230KV (ELKCTY-6) 230/138/13.8KV TRANSFORMER CKT 1'	287	0.03756	101.0271	'GEN527164 1-MUSTANG GEN #4 22 KV'	
FDNS	02ALL		0 11G	G08_044	'TO->FROM'	'FPL SWITCH - WOODWARD 138KV CKT 1'	153	0.03294	126.8042	'GEN527165 1-Mustang Gen #5'	
FDNS	02ALL		0 11G	G08_047	'TO->FROM'	'FPL SWITCH - WOODWARD 138KV CKT 1'	153	0.05253	126.8042	'GEN527165 1-Mustang Gen #5'	
FDNS	02ALL		0 11G	G08_110	'TO->FROM'	'FPL SWITCH - WOODWARD 138KV CKT 1'	153	0.04004	126.8042	'GEN527165 1-Mustang Gen #5'	
FDNS	02ALL		0 11G	ASGI_2010_011	'TO->FROM'	'FPL SWITCH - WOODWARD 138KV CKT 1'	153	0.03311	126.8042	'GEN527165 1-Mustang Gen #5'	
FDNS	02ALL		0 11G	G10_011	'TO->FROM'	'FPL SWITCH - WOODWARD 138KV CKT 1'	153	0.03294	126.8042	'GEN527165 1-Mustang Gen #5'	
FDNS	02ALL		0 11G	G10_014	'TO->FROM'	'FPL SWITCH - WOODWARD 138KV CKT 1'	153	0.04004	126.8042	'GEN527165 1-Mustang Gen #5'	
FDNS	02ALL		0 11G	G08_088	'TO->FROM'	'DEAF SMITH COUNTY INTERCHANGE - S-RANDLCO 230.00 230KV CKT 1'	350	0.06268	103.9521	'GEN527165 1-Mustang Gen #5'	
FDNS	02ALL		0 11G	G08_110	'TO->FROM'	'DEAF SMITH COUNTY INTERCHANGE - S-RANDLCO 230.00 230KV CKT 1'	350	0.04519	103.9521	'GEN527165 1-Mustang Gen #5'	
FDNS	02ALL		0 11G	G10_007	'TO->FROM'	'DEAF SMITH COUNTY INTERCHANGE - S-RANDLCO 230.00 230KV CKT 1'	350	0.07221	103.9521	'GEN527165 1-Mustang Gen #5'	
FDNS	02ALL		0 11G	ASGI_2010_011	'TO->FROM'	'DEAF SMITH COUNTY INTERCHANGE - S-RANDLCO 230.00 230KV CKT 1'	350	0.05655	103.9521	'GEN527165 1-Mustang Gen #5'	
FDNS	02ALL		0 11G	G10_014	'TO->FROM'	'DEAF SMITH COUNTY INTERCHANGE - S-RANDLCO 230.00 230KV CKT 1'	350	0.04519	103.9521	'GEN527165 1-Mustang Gen #5'	
FDNS	02ALL		0 11G	G09_067S	'FROM->TO'	'ELK CITY 230KV (ELKCTY-6) 230/138/13.8KV TRANSFORMER CKT 1'	287	0.06629	101.8655	'GEN527165 1-Mustang Gen #5'	
FDNS	02ALL		0 11G	G08_022	'FROM->TO'	'ELK CITY 230KV (ELKCTY-6) 230/138/13.8KV TRANSFORMER CKT 1'	287	0.06759	101.8655	'GEN527165 1-Mustang Gen #5'	
FDNS	02ALL		0 11G	G08_088	'FROM->TO'	'ELK CITY 230KV (ELKCTY-6) 230/138/13.8KV TRANSFORMER CKT 1'	287	0.11358	101.8655	'GEN527165 1-Mustang Gen #5'	
FDNS	02ALL		0 11G	G08_110	'FROM->TO'	'ELK CITY 230KV (ELKCTY-6) 230/138/13.8KV TRANSFORMER CKT 1'	287	0.03756	101.8655	'GEN527165 1-Mustang Gen #5'	

SOLUTION	GROUP	SCENARIO	SEASON	SOURCE	DIRECTION	MONITORED ELEMENT	RATE B	TDF	TC%	LOADING	CONTINGENCY NAME
						COMMON NAME					
FDNS	02ALL		0 11G	G10_007	'FROM->TO'	'ELK CITY 230KV (ELKCTY-6) 230/138/13.8KV TRANSFORMER CKT 1'	287	0.10175	101.8655	'GEN527165 1-Mustang Gen #5'	
FDNS	02ALL		0 11G	ASGI_2010_011	'FROM->TO'	'ELK CITY 230KV (ELKCTY-6) 230/138/13.8KV TRANSFORMER CKT 1'	287	0.05951	101.8655	'GEN527165 1-Mustang Gen #5'	
FDNS	02ALL		0 11G	G10_014	'FROM->TO'	'ELK CITY 230KV (ELKCTY-6) 230/138/13.8KV TRANSFORMER CKT 1'	287	0.03756	101.8655	'GEN527165 1-Mustang Gen #5'	
FDNS	02ALL		0 11G	G09_067S	'FROM->TO'	'ELK CITY 230KV (ELKCTY-6) 230/138/13.8KV TRANSFORMER CKT 1'	287	0.06629	101.031	'GEN527165 1-Mustang Gen #5'	
FDNS	02ALL		0 11G	G08_022	'FROM->TO'	'ELK CITY 230KV (ELKCTY-6) 230/138/13.8KV TRANSFORMER CKT 1'	287	0.06759	101.031	'GEN527165 1-Mustang Gen #5'	
FDNS	02ALL		0 11G	G08_088	'FROM->TO'	'ELK CITY 230KV (ELKCTY-6) 230/138/13.8KV TRANSFORMER CKT 1'	287	0.11358	101.031	'GEN527165 1-Mustang Gen #5'	
FDNS	02ALL		0 11G	G08_110	'FROM->TO'	'ELK CITY 230KV (ELKCTY-6) 230/138/13.8KV TRANSFORMER CKT 1'	287	0.03756	101.031	'GEN527165 1-Mustang Gen #5'	
FDNS	02ALL		0 11G	G10_007	'FROM->TO'	'ELK CITY 230KV (ELKCTY-6) 230/138/13.8KV TRANSFORMER CKT 1'	287	0.10175	101.031	'GEN527165 1-Mustang Gen #5'	
FDNS	02ALL		0 11G	ASGI_2010_011	'FROM->TO'	'ELK CITY 230KV (ELKCTY-6) 230/138/13.8KV TRANSFORMER CKT 1'	287	0.05951	101.031	'GEN527165 1-Mustang Gen #5'	
FDNS	02ALL		0 11G	G10_014	'FROM->TO'	'ELK CITY 230KV (ELKCTY-6) 230/138/13.8KV TRANSFORMER CKT 1'	287	0.03756	101.031	'GEN527165 1-Mustang Gen #5'	
FDNS	02ALL		0 11G	G09_067S	'FROM->TO'	'ELK CITY 230KV (ELKCTY-6) 230/138/13.8KV TRANSFORMER CKT 1'	287	0.06629	103.7236	'GEN527882 1-CUNNINGHAM GEN #2 20 KV'	
FDNS	02ALL		0 11G	G08_022	'FROM->TO'	'ELK CITY 230KV (ELKCTY-6) 230/138/13.8KV TRANSFORMER CKT 1'	287	0.06759	103.7236	'GEN527882 1-CUNNINGHAM GEN #2 20 KV'	
FDNS	02ALL		0 11G	G08_088	'FROM->TO'	'ELK CITY 230KV (ELKCTY-6) 230/138/13.8KV TRANSFORMER CKT 1'	287	0.11358	103.7236	'GEN527882 1-CUNNINGHAM GEN #2 20 KV'	
FDNS	02ALL		0 11G	G08_110	'FROM->TO'	'ELK CITY 230KV (ELKCTY-6) 230/138/13.8KV TRANSFORMER CKT 1'	287	0.03756	103.7236	'GEN527882 1-CUNNINGHAM GEN #2 20 KV'	
FDNS	02ALL		0 11G	G10_007	'FROM->TO'	'ELK CITY 230KV (ELKCTY-6) 230/138/13.8KV TRANSFORMER CKT 1'	287	0.10175	103.7236	'GEN527882 1-CUNNINGHAM GEN #2 20 KV'	
FDNS	02ALL		0 11G	ASGI_2010_011	'FROM->TO'	'ELK CITY 230KV (ELKCTY-6) 230/138/13.8KV TRANSFORMER CKT 1'	287	0.05951	103.7236	'GEN527882 1-CUNNINGHAM GEN #2 20 KV'	
FDNS	02ALL		0 11G	G10_014	'FROM->TO'	'ELK CITY 230KV (ELKCTY-6) 230/138/13.8KV TRANSFORMER CKT 1'	287	0.03756	103.7236	'GEN527882 1-CUNNINGHAM GEN #2 20 KV'	
FDNS	02ALL		0 11G	G09_067S	'FROM->TO'	'ELK CITY 230KV (ELKCTY-6) 230/138/13.8KV TRANSFORMER CKT 1'	287	0.06629	102.8263	'GEN527882 1-CUNNINGHAM GEN #2 20 KV'	
FDNS	02ALL		0 11G	G08_022	'FROM->TO'	'ELK CITY 230KV (ELKCTY-6) 230/138/13.8KV TRANSFORMER CKT 1'	287	0.06759	102.8263	'GEN527882 1-CUNNINGHAM GEN #2 20 KV'	
FDNS	02ALL		0 11G	G08_088	'FROM->TO'	'ELK CITY 230KV (ELKCTY-6) 230/138/13.8KV TRANSFORMER CKT 1'	287	0.11358	102.8263	'GEN527882 1-CUNNINGHAM GEN #2 20 KV'	
FDNS	02ALL		0 11G	G08_110	'FROM->TO'	'ELK CITY 230KV (ELKCTY-6) 230/138/13.8KV TRANSFORMER CKT 1'	287	0.03756	102.8263	'GEN527882 1-CUNNINGHAM GEN #2 20 KV'	
FDNS	02ALL		0 11G	G10_007	'FROM->TO'	'ELK CITY 230KV (ELKCTY-6) 230/138/13.8KV TRANSFORMER CKT 1'	287	0.10175	102.8263	'GEN527882 1-CUNNINGHAM GEN #2 20 KV'	
FDNS	02ALL		0 11G	ASGI_2010_011	'FROM->TO'	'ELK CITY 230KV (ELKCTY-6) 230/138/13.8KV TRANSFORMER CKT 1'	287	0.05951	102.8263	'GEN527882 1-CUNNINGHAM GEN #2 20 KV'	
FDNS	02ALL		0 11G	G10_014	'FROM->TO'	'ELK CITY 230KV (ELKCTY-6) 230/138/13.8KV TRANSFORMER CKT 1'	287	0.03756	102.8263	'GEN527882 1-CUNNINGHAM GEN #2 20 KV'	
FDNS	02ALL		0 11G	G08_044	'TO->FROM'	'FPL SWITCH - WOODWARD 138KV CKT 1'	153	0.03294	126.7687	'GEN527901 1-HOBBS PLANT #1 (CT)'	
FDNS	02ALL		0 11G	G08_047	'TO->FROM'	'FPL SWITCH - WOODWARD 138KV CKT 1'	153	0.05253	126.7687	'GEN527901 1-HOBBS PLANT #1 (CT)'	
FDNS	02ALL		0 11G	G08_110	'TO->FROM'	'FPL SWITCH - WOODWARD 138KV CKT 1'	153	0.04004	126.7687	'GEN527901 1-HOBBS PLANT #1 (CT)'	
FDNS	02ALL		0 11G	ASGI_2010_011	'TO->FROM'	'FPL SWITCH - WOODWARD 138KV CKT 1'	153	0.03311	126.7687	'GEN527901 1-HOBBS PLANT #1 (CT)'	
FDNS	02ALL		0 11G	G10_011	'TO->FROM'	'FPL SWITCH - WOODWARD 138KV CKT 1'	153	0.03294	126.7687	'GEN527901 1-HOBBS PLANT #1 (CT)'	

SOLUTION	GROUP	SCENARIO	SEASON	SOURCE	DIRECTION	MONITORED ELEMENT	RATE B	TDF	TC%	LOADING	CONTINGENCY NAME
						COMMON NAME					
FDNS	02ALL		0 11G	G10_014	'TO->FROM'	'FPL SWITCH - WOODWARD 138KV CKT 1'	153	0.04004	126.7687	'GEN527901 1-HOBBS PLANT #1 (CT)'	
FDNS	02ALL		0 11G	G08_088	'TO->FROM'	'DEAF SMITH COUNTY INTERCHANGE - S-RANDLCO 230.00 230KV CKT 1'	350	0.06268	104.148	'GEN527901 1-HOBBS PLANT #1 (CT)'	
FDNS	02ALL		0 11G	G08_110	'TO->FROM'	'DEAF SMITH COUNTY INTERCHANGE - S-RANDLCO 230.00 230KV CKT 1'	350	0.04519	104.148	'GEN527901 1-HOBBS PLANT #1 (CT)'	
FDNS	02ALL		0 11G	G10_007	'TO->FROM'	'DEAF SMITH COUNTY INTERCHANGE - S-RANDLCO 230.00 230KV CKT 1'	350	0.07221	104.148	'GEN527901 1-HOBBS PLANT #1 (CT)'	
FDNS	02ALL		0 11G	ASGI_2010_011	'TO->FROM'	'DEAF SMITH COUNTY INTERCHANGE - S-RANDLCO 230.00 230KV CKT 1'	350	0.05655	104.148	'GEN527901 1-HOBBS PLANT #1 (CT)'	
FDNS	02ALL		0 11G	G10_014	'TO->FROM'	'DEAF SMITH COUNTY INTERCHANGE - S-RANDLCO 230.00 230KV CKT 1'	350	0.04519	104.148	'GEN527901 1-HOBBS PLANT #1 (CT)'	
FDNS	02ALL		0 11G	G09_067S	'FROM->TO'	'ELK CITY 230KV (ELKCTY-6) 230/138/13.8KV TRANSFORMER CKT 1'	287	0.06629	101.8034	'GEN527901 1-HOBBS PLANT #1 (CT)'	
FDNS	02ALL		0 11G	G08_022	'FROM->TO'	'ELK CITY 230KV (ELKCTY-6) 230/138/13.8KV TRANSFORMER CKT 1'	287	0.06759	101.8034	'GEN527901 1-HOBBS PLANT #1 (CT)'	
FDNS	02ALL		0 11G	G08_088	'FROM->TO'	'ELK CITY 230KV (ELKCTY-6) 230/138/13.8KV TRANSFORMER CKT 1'	287	0.11358	101.8034	'GEN527901 1-HOBBS PLANT #1 (CT)'	
FDNS	02ALL		0 11G	G08_110	'FROM->TO'	'ELK CITY 230KV (ELKCTY-6) 230/138/13.8KV TRANSFORMER CKT 1'	287	0.03756	101.8034	'GEN527901 1-HOBBS PLANT #1 (CT)'	
FDNS	02ALL		0 11G	G10_007	'FROM->TO'	'ELK CITY 230KV (ELKCTY-6) 230/138/13.8KV TRANSFORMER CKT 1'	287	0.10175	101.8034	'GEN527901 1-HOBBS PLANT #1 (CT)'	
FDNS	02ALL		0 11G	ASGI_2010_011	'FROM->TO'	'ELK CITY 230KV (ELKCTY-6) 230/138/13.8KV TRANSFORMER CKT 1'	287	0.05951	101.8034	'GEN527901 1-HOBBS PLANT #1 (CT)'	
FDNS	02ALL		0 11G	G10_014	'FROM->TO'	'ELK CITY 230KV (ELKCTY-6) 230/138/13.8KV TRANSFORMER CKT 1'	287	0.03756	101.8034	'GEN527901 1-HOBBS PLANT #1 (CT)'	
FDNS	02ALL		0 11G	G09_067S	'FROM->TO'	'ELK CITY 230KV (ELKCTY-6) 230/138/13.8KV TRANSFORMER CKT 1'	287	0.06629	100.9704	'GEN527901 1-HOBBS PLANT #1 (CT)'	
FDNS	02ALL		0 11G	G08_022	'FROM->TO'	'ELK CITY 230KV (ELKCTY-6) 230/138/13.8KV TRANSFORMER CKT 1'	287	0.06759	100.9704	'GEN527901 1-HOBBS PLANT #1 (CT)'	
FDNS	02ALL		0 11G	G08_088	'FROM->TO'	'ELK CITY 230KV (ELKCTY-6) 230/138/13.8KV TRANSFORMER CKT 1'	287	0.11358	100.9704	'GEN527901 1-HOBBS PLANT #1 (CT)'	
FDNS	02ALL		0 11G	G08_110	'FROM->TO'	'ELK CITY 230KV (ELKCTY-6) 230/138/13.8KV TRANSFORMER CKT 1'	287	0.03756	100.9704	'GEN527901 1-HOBBS PLANT #1 (CT)'	
FDNS	02ALL		0 11G	G10_007	'FROM->TO'	'ELK CITY 230KV (ELKCTY-6) 230/138/13.8KV TRANSFORMER CKT 1'	287	0.10175	100.9704	'GEN527901 1-HOBBS PLANT #1 (CT)'	
FDNS	02ALL		0 11G	ASGI_2010_011	'FROM->TO'	'ELK CITY 230KV (ELKCTY-6) 230/138/13.8KV TRANSFORMER CKT 1'	287	0.05951	100.9704	'GEN527901 1-HOBBS PLANT #1 (CT)'	
FDNS	02ALL		0 11G	G10_014	'FROM->TO'	'ELK CITY 230KV (ELKCTY-6) 230/138/13.8KV TRANSFORMER CKT 1'	287	0.03756	100.9704	'GEN527901 1-HOBBS PLANT #1 (CT)'	
FDNS	02ALL		0 11G	G08_044	'TO->FROM'	'FPL SWITCH - WOODWARD 138KV CKT 1'	153	0.03294	126.7688	'GEN527902 1-HOBBS PLANT #2 (CT)'	
FDNS	02ALL		0 11G	G08_047	'TO->FROM'	'FPL SWITCH - WOODWARD 138KV CKT 1'	153	0.05253	126.7688	'GEN527902 1-HOBBS PLANT #2 (CT)'	
FDNS	02ALL		0 11G	G08_110	'TO->FROM'	'FPL SWITCH - WOODWARD 138KV CKT 1'	153	0.04004	126.7688	'GEN527902 1-HOBBS PLANT #2 (CT)'	
FDNS	02ALL		0 11G	ASGI_2010_011	'TO->FROM'	'FPL SWITCH - WOODWARD 138KV CKT 1'	153	0.03311	126.7688	'GEN527902 1-HOBBS PLANT #2 (CT)'	
FDNS	02ALL		0 11G	G10_011	'TO->FROM'	'FPL SWITCH - WOODWARD 138KV CKT 1'	153	0.03294	126.7688	'GEN527902 1-HOBBS PLANT #2 (CT)'	
FDNS	02ALL		0 11G	G10_014	'TO->FROM'	'FPL SWITCH - WOODWARD 138KV CKT 1'	153	0.04004	126.7688	'GEN527902 1-HOBBS PLANT #2 (CT)'	
FDNS	02ALL		0 11G	G08_088	'TO->FROM'	'DEAF SMITH COUNTY INTERCHANGE - S-RANDLCO 230.00 230KV CKT 1'	350	0.06268	104.1477	'GEN527902 1-HOBBS PLANT #2 (CT)'	
FDNS	02ALL		0 11G	G08_110	'TO->FROM'	'DEAF SMITH COUNTY INTERCHANGE - S-RANDLCO 230.00 230KV CKT 1'	350	0.04519	104.1477	'GEN527902 1-HOBBS PLANT #2 (CT)'	
FDNS	02ALL		0 11G	G10_007	'TO->FROM'	'DEAF SMITH COUNTY INTERCHANGE - S-RANDLCO 230.00 230KV CKT 1'	350	0.07221	104.1477	'GEN527902 1-HOBBS PLANT #2 (CT)'	

SOLUTION	GROUP	SCENARIO	SEASON	SOURCE	DIRECTION	MONITORED ELEMENT	RATE B	TDF	TC%	LOADING	CONTINGENCY NAME
						COMMON NAME					
FDNS	02ALL		0 11G	ASGI_2010_011	'TO->FROM'	'DEAF SMITH COUNTY INTERCHANGE - S-RANDLCO 230.00 230KV CKT 1'	350	0.05655	104.1477	'GEN527902 1-HOBBS PLANT #2 (CT)'	
FDNS	02ALL		0 11G	G10_014	'TO->FROM'	'DEAF SMITH COUNTY INTERCHANGE - S-RANDLCO 230.00 230KV CKT 1'	350	0.04519	104.1477	'GEN527902 1-HOBBS PLANT #2 (CT)'	
FDNS	02ALL		0 11G	G09_067S	'FROM->TO'	'ELK CITY 230KV (ELKCTY-6) 230/138/13.8KV TRANSFORMER CKT 1'	287	0.06629	101.8035	'GEN527902 1-HOBBS PLANT #2 (CT)'	
FDNS	02ALL		0 11G	G08_022	'FROM->TO'	'ELK CITY 230KV (ELKCTY-6) 230/138/13.8KV TRANSFORMER CKT 1'	287	0.06759	101.8035	'GEN527902 1-HOBBS PLANT #2 (CT)'	
FDNS	02ALL		0 11G	G08_088	'FROM->TO'	'ELK CITY 230KV (ELKCTY-6) 230/138/13.8KV TRANSFORMER CKT 1'	287	0.11358	101.8035	'GEN527902 1-HOBBS PLANT #2 (CT)'	
FDNS	02ALL		0 11G	G08_110	'FROM->TO'	'ELK CITY 230KV (ELKCTY-6) 230/138/13.8KV TRANSFORMER CKT 1'	287	0.03756	101.8035	'GEN527902 1-HOBBS PLANT #2 (CT)'	
FDNS	02ALL		0 11G	G10_007	'FROM->TO'	'ELK CITY 230KV (ELKCTY-6) 230/138/13.8KV TRANSFORMER CKT 1'	287	0.10175	101.8035	'GEN527902 1-HOBBS PLANT #2 (CT)'	
FDNS	02ALL		0 11G	ASGI_2010_011	'FROM->TO'	'ELK CITY 230KV (ELKCTY-6) 230/138/13.8KV TRANSFORMER CKT 1'	287	0.05951	101.8035	'GEN527902 1-HOBBS PLANT #2 (CT)'	
FDNS	02ALL		0 11G	G10_014	'FROM->TO'	'ELK CITY 230KV (ELKCTY-6) 230/138/13.8KV TRANSFORMER CKT 1'	287	0.03756	101.8035	'GEN527902 1-HOBBS PLANT #2 (CT)'	
FDNS	02ALL		0 11G	G09_067S	'FROM->TO'	'ELK CITY 230KV (ELKCTY-6) 230/138/13.8KV TRANSFORMER CKT 1'	287	0.06629	100.9706	'GEN527902 1-HOBBS PLANT #2 (CT)'	
FDNS	02ALL		0 11G	G08_022	'FROM->TO'	'ELK CITY 230KV (ELKCTY-6) 230/138/13.8KV TRANSFORMER CKT 1'	287	0.06759	100.9706	'GEN527902 1-HOBBS PLANT #2 (CT)'	
FDNS	02ALL		0 11G	G08_088	'FROM->TO'	'ELK CITY 230KV (ELKCTY-6) 230/138/13.8KV TRANSFORMER CKT 1'	287	0.11358	100.9706	'GEN527902 1-HOBBS PLANT #2 (CT)'	
FDNS	02ALL		0 11G	G08_110	'FROM->TO'	'ELK CITY 230KV (ELKCTY-6) 230/138/13.8KV TRANSFORMER CKT 1'	287	0.03756	100.9706	'GEN527902 1-HOBBS PLANT #2 (CT)'	
FDNS	02ALL		0 11G	G10_007	'FROM->TO'	'ELK CITY 230KV (ELKCTY-6) 230/138/13.8KV TRANSFORMER CKT 1'	287	0.10175	100.9706	'GEN527902 1-HOBBS PLANT #2 (CT)'	
FDNS	02ALL		0 11G	ASGI_2010_011	'FROM->TO'	'ELK CITY 230KV (ELKCTY-6) 230/138/13.8KV TRANSFORMER CKT 1'	287	0.05951	100.9706	'GEN527902 1-HOBBS PLANT #2 (CT)'	
FDNS	02ALL		0 11G	G10_014	'FROM->TO'	'ELK CITY 230KV (ELKCTY-6) 230/138/13.8KV TRANSFORMER CKT 1'	287	0.03756	100.9706	'GEN527902 1-HOBBS PLANT #2 (CT)'	
FDNS	02ALL		0 11G	G08_044	'TO->FROM'	'FPL SWITCH - WOODWARD 138KV CKT 1'	153	0.03294	125.8273	'GEN527903 1-HOBBS PLANT #3 (ST)'	
FDNS	02ALL		0 11G	G08_047	'TO->FROM'	'FPL SWITCH - WOODWARD 138KV CKT 1'	153	0.05253	125.8273	'GEN527903 1-HOBBS PLANT #3 (ST)'	
FDNS	02ALL		0 11G	G08_110	'TO->FROM'	'FPL SWITCH - WOODWARD 138KV CKT 1'	153	0.04004	125.8273	'GEN527903 1-HOBBS PLANT #3 (ST)'	
FDNS	02ALL		0 11G	ASGI_2010_011	'TO->FROM'	'FPL SWITCH - WOODWARD 138KV CKT 1'	153	0.03311	125.8273	'GEN527903 1-HOBBS PLANT #3 (ST)'	
FDNS	02ALL		0 11G	G10_011	'TO->FROM'	'FPL SWITCH - WOODWARD 138KV CKT 1'	153	0.03294	125.8273	'GEN527903 1-HOBBS PLANT #3 (ST)'	
FDNS	02ALL		0 11G	G10_014	'TO->FROM'	'FPL SWITCH - WOODWARD 138KV CKT 1'	153	0.04004	125.8273	'GEN527903 1-HOBBS PLANT #3 (ST)'	
FDNS	02ALL		0 11G	G08_088	'TO->FROM'	'DEAF SMITH COUNTY INTERCHANGE - S-RANDLCO 230.00 230KV CKT 1'	350	0.06268	107.152	'GEN527903 1-HOBBS PLANT #3 (ST)'	
FDNS	02ALL		0 11G	G08_110	'TO->FROM'	'DEAF SMITH COUNTY INTERCHANGE - S-RANDLCO 230.00 230KV CKT 1'	350	0.04519	107.152	'GEN527903 1-HOBBS PLANT #3 (ST)'	
FDNS	02ALL		0 11G	G10_007	'TO->FROM'	'DEAF SMITH COUNTY INTERCHANGE - S-RANDLCO 230.00 230KV CKT 1'	350	0.07221	107.152	'GEN527903 1-HOBBS PLANT #3 (ST)'	
FDNS	02ALL		0 11G	ASGI_2010_011	'TO->FROM'	'DEAF SMITH COUNTY INTERCHANGE - S-RANDLCO 230.00 230KV CKT 1'	350	0.05655	107.152	'GEN527903 1-HOBBS PLANT #3 (ST)'	
FDNS	02ALL		0 11G	G10_014	'TO->FROM'	'DEAF SMITH COUNTY INTERCHANGE - S-RANDLCO 230.00 230KV CKT 1'	350	0.04519	107.152	'GEN527903 1-HOBBS PLANT #3 (ST)'	
FDNS	02ALL		0 11G	G09_067S	'FROM->TO'	'ELK CITY 230KV (ELKCTY-6) 230/138/13.8KV TRANSFORMER CKT 1'	287	0.06629	100.5565	'GEN527903 1-HOBBS PLANT #3 (ST)'	
FDNS	02ALL		0 11G	G08_022	'FROM->TO'	'ELK CITY 230KV (ELKCTY-6) 230/138/13.8KV TRANSFORMER CKT 1'	287	0.06759	100.5565	'GEN527903 1-HOBBS PLANT #3 (ST)'	

SOLUTION	GROUP	SCENARIO	SEASON	SOURCE	DIRECTION	MONITORED ELEMENT	RATE B	TDF	TC%	LOADING	CONTINGENCY NAME
						COMMON NAME					
FDNS	02ALL		0 11G	G08_088	'FROM->TO'	'ELK CITY 230KV (ELKCTY-6) 230/138/13.8KV TRANSFORMER CKT 1'	287	0.11358	100.5565	'GEN527903 1-HOBBS PLANT #3 (ST)'	
FDNS	02ALL		0 11G	G08_110	'FROM->TO'	'ELK CITY 230KV (ELKCTY-6) 230/138/13.8KV TRANSFORMER CKT 1'	287	0.03756	100.5565	'GEN527903 1-HOBBS PLANT #3 (ST)'	
FDNS	02ALL		0 11G	G10_007	'FROM->TO'	'ELK CITY 230KV (ELKCTY-6) 230/138/13.8KV TRANSFORMER CKT 1'	287	0.10175	100.5565	'GEN527903 1-HOBBS PLANT #3 (ST)'	
FDNS	02ALL		0 11G	ASGI_2010_011	'FROM->TO'	'ELK CITY 230KV (ELKCTY-6) 230/138/13.8KV TRANSFORMER CKT 1'	287	0.05951	100.5565	'GEN527903 1-HOBBS PLANT #3 (ST)'	
FDNS	02ALL		0 11G	G10_014	'FROM->TO'	'ELK CITY 230KV (ELKCTY-6) 230/138/13.8KV TRANSFORMER CKT 1'	287	0.03756	100.5565	'GEN527903 1-HOBBS PLANT #3 (ST)'	
FDNS	02ALL		0 11G	G08_044	'TO->FROM'	'FPL SWITCH - WOODWARD 138KV CKT 1'	153	0.03294	122.0277	'GEN531447 1-HOLCOMB GENERATOR'	
FDNS	02ALL		0 11G	G08_047	'TO->FROM'	'FPL SWITCH - WOODWARD 138KV CKT 1'	153	0.05253	122.0277	'GEN531447 1-HOLCOMB GENERATOR'	
FDNS	02ALL		0 11G	G08_110	'TO->FROM'	'FPL SWITCH - WOODWARD 138KV CKT 1'	153	0.04004	122.0277	'GEN531447 1-HOLCOMB GENERATOR'	
FDNS	02ALL		0 11G	ASGI_2010_011	'TO->FROM'	'FPL SWITCH - WOODWARD 138KV CKT 1'	153	0.03311	122.0277	'GEN531447 1-HOLCOMB GENERATOR'	
FDNS	02ALL		0 11G	G10_011	'TO->FROM'	'FPL SWITCH - WOODWARD 138KV CKT 1'	153	0.03294	122.0277	'GEN531447 1-HOLCOMB GENERATOR'	
FDNS	02ALL		0 11G	G10_014	'TO->FROM'	'FPL SWITCH - WOODWARD 138KV CKT 1'	153	0.04004	122.0277	'GEN531447 1-HOLCOMB GENERATOR'	
FDNS	02ALL		0 11G	G09_067S	'FROM->TO'	'ELK CITY 230KV (ELKCTY-6) 230/138/13.8KV TRANSFORMER CKT 1'	287	0.06629	103.5757	'GEN531447 1-HOLCOMB GENERATOR'	
FDNS	02ALL		0 11G	G08_022	'FROM->TO'	'ELK CITY 230KV (ELKCTY-6) 230/138/13.8KV TRANSFORMER CKT 1'	287	0.06759	103.5757	'GEN531447 1-HOLCOMB GENERATOR'	
FDNS	02ALL		0 11G	G08_088	'FROM->TO'	'ELK CITY 230KV (ELKCTY-6) 230/138/13.8KV TRANSFORMER CKT 1'	287	0.11358	103.5757	'GEN531447 1-HOLCOMB GENERATOR'	
FDNS	02ALL		0 11G	G08_110	'FROM->TO'	'ELK CITY 230KV (ELKCTY-6) 230/138/13.8KV TRANSFORMER CKT 1'	287	0.03756	103.5757	'GEN531447 1-HOLCOMB GENERATOR'	
FDNS	02ALL		0 11G	G10_007	'FROM->TO'	'ELK CITY 230KV (ELKCTY-6) 230/138/13.8KV TRANSFORMER CKT 1'	287	0.10175	103.5757	'GEN531447 1-HOLCOMB GENERATOR'	
FDNS	02ALL		0 11G	ASGI_2010_011	'FROM->TO'	'ELK CITY 230KV (ELKCTY-6) 230/138/13.8KV TRANSFORMER CKT 1'	287	0.05951	103.5757	'GEN531447 1-HOLCOMB GENERATOR'	
FDNS	02ALL		0 11G	G10_014	'FROM->TO'	'ELK CITY 230KV (ELKCTY-6) 230/138/13.8KV TRANSFORMER CKT 1'	287	0.03756	103.5757	'GEN531447 1-HOLCOMB GENERATOR'	
FDNS	02ALL		0 11G	G09_067S	'FROM->TO'	'ELK CITY 230KV (ELKCTY-6) 230/138/13.8KV TRANSFORMER CKT 1'	287	0.06629	102.6865	'GEN531447 1-HOLCOMB GENERATOR'	
FDNS	02ALL		0 11G	G08_022	'FROM->TO'	'ELK CITY 230KV (ELKCTY-6) 230/138/13.8KV TRANSFORMER CKT 1'	287	0.06759	102.6865	'GEN531447 1-HOLCOMB GENERATOR'	
FDNS	02ALL		0 11G	G08_088	'FROM->TO'	'ELK CITY 230KV (ELKCTY-6) 230/138/13.8KV TRANSFORMER CKT 1'	287	0.11358	102.6865	'GEN531447 1-HOLCOMB GENERATOR'	
FDNS	02ALL		0 11G	G08_110	'FROM->TO'	'ELK CITY 230KV (ELKCTY-6) 230/138/13.8KV TRANSFORMER CKT 1'	287	0.03756	102.6865	'GEN531447 1-HOLCOMB GENERATOR'	
FDNS	02ALL		0 11G	G10_007	'FROM->TO'	'ELK CITY 230KV (ELKCTY-6) 230/138/13.8KV TRANSFORMER CKT 1'	287	0.10175	102.6865	'GEN531447 1-HOLCOMB GENERATOR'	
FDNS	02ALL		0 11G	ASGI_2010_011	'FROM->TO'	'ELK CITY 230KV (ELKCTY-6) 230/138/13.8KV TRANSFORMER CKT 1'	287	0.05951	102.6865	'GEN531447 1-HOLCOMB GENERATOR'	
FDNS	02ALL		0 11G	G10_014	'FROM->TO'	'ELK CITY 230KV (ELKCTY-6) 230/138/13.8KV TRANSFORMER CKT 1'	287	0.03756	102.6865	'GEN531447 1-HOLCOMB GENERATOR'	
FDNS	02ALL		0 11G	G09_067S	'FROM->TO'	'ELK CITY 230KV (ELKCTY-6) 230/138/13.8KV TRANSFORMER CKT 1'	287	0.06629	106.6253	'GEN532651 1-JEFFREY ENERGY CENTER UNIT 1'	
FDNS	02ALL		0 11G	G08_022	'FROM->TO'	'ELK CITY 230KV (ELKCTY-6) 230/138/13.8KV TRANSFORMER CKT 1'	287	0.06759	106.6253	'GEN532651 1-JEFFREY ENERGY CENTER UNIT 1'	
FDNS	02ALL		0 11G	G08_088	'FROM->TO'	'ELK CITY 230KV (ELKCTY-6) 230/138/13.8KV TRANSFORMER CKT 1'	287	0.11358	106.6253	'GEN532651 1-JEFFREY ENERGY CENTER UNIT 1'	
FDNS	02ALL		0 11G	G08_110	'FROM->TO'	'ELK CITY 230KV (ELKCTY-6) 230/138/13.8KV TRANSFORMER CKT 1'	287	0.03756	106.6253	'GEN532651 1-JEFFREY ENERGY CENTER UNIT 1'	

SOLUTION	GROUP	SCENARIO	SEASON	SOURCE	DIRECTION	MONITORED ELEMENT	RATE B	TDF	TC%	LOADING	CONTINGENCY NAME
						COMMON NAME					
FDNS	02ALL		0 11G	ASGI_2010_011	'FROM->TO'	'ELK CITY 230KV (ELKCTY-6) 230/138/13.8KV TRANSFORMER CKT 1'	287	0.05951	106.5881	'GEN532653 1-JEFFREY ENERGY CENTER UNIT 3'	
FDNS	02ALL		0 11G	G10_014	'FROM->TO'	'ELK CITY 230KV (ELKCTY-6) 230/138/13.8KV TRANSFORMER CKT 1'	287	0.03756	106.5881	'GEN532653 1-JEFFREY ENERGY CENTER UNIT 3'	
FDNS	02ALL		0 11G	G09_067S	'FROM->TO'	'ELK CITY 230KV (ELKCTY-6) 230/138/13.8KV TRANSFORMER CKT 1'	287	0.06629	105.6078	'GEN532653 1-JEFFREY ENERGY CENTER UNIT 3'	
FDNS	02ALL		0 11G	G08_022	'FROM->TO'	'ELK CITY 230KV (ELKCTY-6) 230/138/13.8KV TRANSFORMER CKT 1'	287	0.06759	105.6078	'GEN532653 1-JEFFREY ENERGY CENTER UNIT 3'	
FDNS	02ALL		0 11G	G08_088	'FROM->TO'	'ELK CITY 230KV (ELKCTY-6) 230/138/13.8KV TRANSFORMER CKT 1'	287	0.11358	105.6078	'GEN532653 1-JEFFREY ENERGY CENTER UNIT 3'	
FDNS	02ALL		0 11G	G08_110	'FROM->TO'	'ELK CITY 230KV (ELKCTY-6) 230/138/13.8KV TRANSFORMER CKT 1'	287	0.03756	105.6078	'GEN532653 1-JEFFREY ENERGY CENTER UNIT 3'	
FDNS	02ALL		0 11G	G10_007	'FROM->TO'	'ELK CITY 230KV (ELKCTY-6) 230/138/13.8KV TRANSFORMER CKT 1'	287	0.10175	105.6078	'GEN532653 1-JEFFREY ENERGY CENTER UNIT 3'	
FDNS	02ALL		0 11G	ASGI_2010_011	'FROM->TO'	'ELK CITY 230KV (ELKCTY-6) 230/138/13.8KV TRANSFORMER CKT 1'	287	0.05951	105.6078	'GEN532653 1-JEFFREY ENERGY CENTER UNIT 3'	
FDNS	02ALL		0 11G	G10_014	'FROM->TO'	'ELK CITY 230KV (ELKCTY-6) 230/138/13.8KV TRANSFORMER CKT 1'	287	0.03756	105.6078	'GEN532653 1-JEFFREY ENERGY CENTER UNIT 3'	
FDNS	02ALL		0 11G	G09_067S	'FROM->TO'	'ELK CITY 230KV (ELKCTY-6) 230/138/13.8KV TRANSFORMER CKT 1'	287	0.06629	110.3484	'GEN532751 1-WOLF CREEK GENERATING STATION UNIT 1'	
FDNS	02ALL		0 11G	G08_022	'FROM->TO'	'ELK CITY 230KV (ELKCTY-6) 230/138/13.8KV TRANSFORMER CKT 1'	287	0.06759	110.3484	'GEN532751 1-WOLF CREEK GENERATING STATION UNIT 1'	
FDNS	02ALL		0 11G	G08_088	'FROM->TO'	'ELK CITY 230KV (ELKCTY-6) 230/138/13.8KV TRANSFORMER CKT 1'	287	0.11358	110.3484	'GEN532751 1-WOLF CREEK GENERATING STATION UNIT 1'	
FDNS	02ALL		0 11G	G08_110	'FROM->TO'	'ELK CITY 230KV (ELKCTY-6) 230/138/13.8KV TRANSFORMER CKT 1'	287	0.03756	110.3484	'GEN532751 1-WOLF CREEK GENERATING STATION UNIT 1'	
FDNS	02ALL		0 11G	G10_007	'FROM->TO'	'ELK CITY 230KV (ELKCTY-6) 230/138/13.8KV TRANSFORMER CKT 1'	287	0.10175	110.3484	'GEN532751 1-WOLF CREEK GENERATING STATION UNIT 1'	
FDNS	02ALL		0 11G	ASGI_2010_011	'FROM->TO'	'ELK CITY 230KV (ELKCTY-6) 230/138/13.8KV TRANSFORMER CKT 1'	287	0.05951	110.3484	'GEN532751 1-WOLF CREEK GENERATING STATION UNIT 1'	
FDNS	02ALL		0 11G	G10_014	'FROM->TO'	'ELK CITY 230KV (ELKCTY-6) 230/138/13.8KV TRANSFORMER CKT 1'	287	0.03756	110.3484	'GEN532751 1-WOLF CREEK GENERATING STATION UNIT 1'	
FDNS	02ALL		0 11G	G09_067S	'FROM->TO'	'ELK CITY 230KV (ELKCTY-6) 230/138/13.8KV TRANSFORMER CKT 1'	287	0.06629	109.2648	'GEN532751 1-WOLF CREEK GENERATING STATION UNIT 1'	
FDNS	02ALL		0 11G	G08_022	'FROM->TO'	'ELK CITY 230KV (ELKCTY-6) 230/138/13.8KV TRANSFORMER CKT 1'	287	0.06759	109.2648	'GEN532751 1-WOLF CREEK GENERATING STATION UNIT 1'	
FDNS	02ALL		0 11G	G08_088	'FROM->TO'	'ELK CITY 230KV (ELKCTY-6) 230/138/13.8KV TRANSFORMER CKT 1'	287	0.11358	109.2648	'GEN532751 1-WOLF CREEK GENERATING STATION UNIT 1'	
FDNS	02ALL		0 11G	G08_110	'FROM->TO'	'ELK CITY 230KV (ELKCTY-6) 230/138/13.8KV TRANSFORMER CKT 1'	287	0.03756	109.2648	'GEN532751 1-WOLF CREEK GENERATING STATION UNIT 1'	
FDNS	02ALL		0 11G	G10_007	'FROM->TO'	'ELK CITY 230KV (ELKCTY-6) 230/138/13.8KV TRANSFORMER CKT 1'	287	0.10175	109.2648	'GEN532751 1-WOLF CREEK GENERATING STATION UNIT 1'	
FDNS	02ALL		0 11G	ASGI_2010_011	'FROM->TO'	'ELK CITY 230KV (ELKCTY-6) 230/138/13.8KV TRANSFORMER CKT 1'	287	0.05951	109.2648	'GEN532751 1-WOLF CREEK GENERATING STATION UNIT 1'	
FDNS	02ALL		0 11G	G10_014	'FROM->TO'	'ELK CITY 230KV (ELKCTY-6) 230/138/13.8KV TRANSFORMER CKT 1'	287	0.03756	109.2648	'GEN532751 1-WOLF CREEK GENERATING STATION UNIT 1'	
FDNS	02ALL		0 11G	G08_044	'TO->FROM'	'FPL SWITCH - WOODWARD 138KV CKT 1'	153	0.03294	126.6771	'GEN539670 4-JUDSON LARGE GENERATOR'	
FDNS	02ALL		0 11G	G08_047	'TO->FROM'	'FPL SWITCH - WOODWARD 138KV CKT 1'	153	0.05253	126.6771	'GEN539670 4-JUDSON LARGE GENERATOR'	
FDNS	02ALL		0 11G	G08_110	'TO->FROM'	'FPL SWITCH - WOODWARD 138KV CKT 1'	153	0.04004	126.6771	'GEN539670 4-JUDSON LARGE GENERATOR'	
FDNS	02ALL		0 11G	ASGI_2010_011	'TO->FROM'	'FPL SWITCH - WOODWARD 138KV CKT 1'	153	0.03311	126.6771	'GEN539670 4-JUDSON LARGE GENERATOR'	
FDNS	02ALL		0 11G	G10_011	'TO->FROM'	'FPL SWITCH - WOODWARD 138KV CKT 1'	153	0.03294	126.6771	'GEN539670 4-JUDSON LARGE GENERATOR'	
FDNS	02ALL		0 11G	G10_014	'TO->FROM'	'FPL SWITCH - WOODWARD 138KV CKT 1'	153	0.04004	126.6771	'GEN539670 4-JUDSON LARGE GENERATOR'	

SOLUTION	GROUP	SCENARIO	SEASON	SOURCE	DIRECTION	MONITORED ELEMENT	RATE B	TDF	TC%	LOADING	CONTINGENCY NAME
						COMMON NAME					
FDNS	02ALL		0 11G	G09_067S	'FROM->TO'	'ELK CITY 230KV (ELKCTY-6) 230/138/13.8KV TRANSFORMER CKT 1'	287	0.06629	106.9044	'GEN542951 5-HAWTHORN UNIT #5'	
FDNS	02ALL		0 11G	G08_022	'FROM->TO'	'ELK CITY 230KV (ELKCTY-6) 230/138/13.8KV TRANSFORMER CKT 1'	287	0.06759	106.9044	'GEN542951 5-HAWTHORN UNIT #5'	
FDNS	02ALL		0 11G	G08_088	'FROM->TO'	'ELK CITY 230KV (ELKCTY-6) 230/138/13.8KV TRANSFORMER CKT 1'	287	0.11358	106.9044	'GEN542951 5-HAWTHORN UNIT #5'	
FDNS	02ALL		0 11G	G08_110	'FROM->TO'	'ELK CITY 230KV (ELKCTY-6) 230/138/13.8KV TRANSFORMER CKT 1'	287	0.03756	106.9044	'GEN542951 5-HAWTHORN UNIT #5'	
FDNS	02ALL		0 11G	G10_007	'FROM->TO'	'ELK CITY 230KV (ELKCTY-6) 230/138/13.8KV TRANSFORMER CKT 1'	287	0.10175	106.9044	'GEN542951 5-HAWTHORN UNIT #5'	
FDNS	02ALL		0 11G	ASGI_2010_011	'FROM->TO'	'ELK CITY 230KV (ELKCTY-6) 230/138/13.8KV TRANSFORMER CKT 1'	287	0.05951	106.9044	'GEN542951 5-HAWTHORN UNIT #5'	
FDNS	02ALL		0 11G	G10_014	'FROM->TO'	'ELK CITY 230KV (ELKCTY-6) 230/138/13.8KV TRANSFORMER CKT 1'	287	0.03756	106.9044	'GEN542951 5-HAWTHORN UNIT #5'	
FDNS	02ALL		0 11G	G09_067S	'FROM->TO'	'ELK CITY 230KV (ELKCTY-6) 230/138/13.8KV TRANSFORMER CKT 1'	287	0.06629	105.9155	'GEN542951 5-HAWTHORN UNIT #5'	
FDNS	02ALL		0 11G	G08_022	'FROM->TO'	'ELK CITY 230KV (ELKCTY-6) 230/138/13.8KV TRANSFORMER CKT 1'	287	0.06759	105.9155	'GEN542951 5-HAWTHORN UNIT #5'	
FDNS	02ALL		0 11G	G08_088	'FROM->TO'	'ELK CITY 230KV (ELKCTY-6) 230/138/13.8KV TRANSFORMER CKT 1'	287	0.11358	105.9155	'GEN542951 5-HAWTHORN UNIT #5'	
FDNS	02ALL		0 11G	G08_110	'FROM->TO'	'ELK CITY 230KV (ELKCTY-6) 230/138/13.8KV TRANSFORMER CKT 1'	287	0.03756	105.9155	'GEN542951 5-HAWTHORN UNIT #5'	
FDNS	02ALL		0 11G	G10_007	'FROM->TO'	'ELK CITY 230KV (ELKCTY-6) 230/138/13.8KV TRANSFORMER CKT 1'	287	0.10175	105.9155	'GEN542951 5-HAWTHORN UNIT #5'	
FDNS	02ALL		0 11G	ASGI_2010_011	'FROM->TO'	'ELK CITY 230KV (ELKCTY-6) 230/138/13.8KV TRANSFORMER CKT 1'	287	0.05951	105.9155	'GEN542951 5-HAWTHORN UNIT #5'	
FDNS	02ALL		0 11G	G10_014	'FROM->TO'	'ELK CITY 230KV (ELKCTY-6) 230/138/13.8KV TRANSFORMER CKT 1'	287	0.03756	105.9155	'GEN542951 5-HAWTHORN UNIT #5'	
FDNS	02ALL		0 11G	G09_067S	'FROM->TO'	'ELK CITY 230KV (ELKCTY-6) 230/138/13.8KV TRANSFORMER CKT 1'	287	0.06629	107.7218	'GEN542955 1-LACYGNE UNIT #1'	
FDNS	02ALL		0 11G	G08_022	'FROM->TO'	'ELK CITY 230KV (ELKCTY-6) 230/138/13.8KV TRANSFORMER CKT 1'	287	0.06759	107.7218	'GEN542955 1-LACYGNE UNIT #1'	
FDNS	02ALL		0 11G	G08_088	'FROM->TO'	'ELK CITY 230KV (ELKCTY-6) 230/138/13.8KV TRANSFORMER CKT 1'	287	0.11358	107.7218	'GEN542955 1-LACYGNE UNIT #1'	
FDNS	02ALL		0 11G	G08_110	'FROM->TO'	'ELK CITY 230KV (ELKCTY-6) 230/138/13.8KV TRANSFORMER CKT 1'	287	0.03756	107.7218	'GEN542955 1-LACYGNE UNIT #1'	
FDNS	02ALL		0 11G	G10_007	'FROM->TO'	'ELK CITY 230KV (ELKCTY-6) 230/138/13.8KV TRANSFORMER CKT 1'	287	0.10175	107.7218	'GEN542955 1-LACYGNE UNIT #1'	
FDNS	02ALL		0 11G	ASGI_2010_011	'FROM->TO'	'ELK CITY 230KV (ELKCTY-6) 230/138/13.8KV TRANSFORMER CKT 1'	287	0.05951	107.7218	'GEN542955 1-LACYGNE UNIT #1'	
FDNS	02ALL		0 11G	G10_014	'FROM->TO'	'ELK CITY 230KV (ELKCTY-6) 230/138/13.8KV TRANSFORMER CKT 1'	287	0.03756	107.7218	'GEN542955 1-LACYGNE UNIT #1'	
FDNS	02ALL		0 11G	G09_067S	'FROM->TO'	'ELK CITY 230KV (ELKCTY-6) 230/138/13.8KV TRANSFORMER CKT 1'	287	0.06629	106.7105	'GEN542955 1-LACYGNE UNIT #1'	
FDNS	02ALL		0 11G	G08_022	'FROM->TO'	'ELK CITY 230KV (ELKCTY-6) 230/138/13.8KV TRANSFORMER CKT 1'	287	0.06759	106.7105	'GEN542955 1-LACYGNE UNIT #1'	
FDNS	02ALL		0 11G	G08_088	'FROM->TO'	'ELK CITY 230KV (ELKCTY-6) 230/138/13.8KV TRANSFORMER CKT 1'	287	0.11358	106.7105	'GEN542955 1-LACYGNE UNIT #1'	
FDNS	02ALL		0 11G	G08_110	'FROM->TO'	'ELK CITY 230KV (ELKCTY-6) 230/138/13.8KV TRANSFORMER CKT 1'	287	0.03756	106.7105	'GEN542955 1-LACYGNE UNIT #1'	
FDNS	02ALL		0 11G	G10_007	'FROM->TO'	'ELK CITY 230KV (ELKCTY-6) 230/138/13.8KV TRANSFORMER CKT 1'	287	0.10175	106.7105	'GEN542955 1-LACYGNE UNIT #1'	
FDNS	02ALL		0 11G	ASGI_2010_011	'FROM->TO'	'ELK CITY 230KV (ELKCTY-6) 230/138/13.8KV TRANSFORMER CKT 1'	287	0.05951	106.7105	'GEN542955 1-LACYGNE UNIT #1'	
FDNS	02ALL		0 11G	G10_014	'FROM->TO'	'ELK CITY 230KV (ELKCTY-6) 230/138/13.8KV TRANSFORMER CKT 1'	287	0.03756	106.7105	'GEN542955 1-LACYGNE UNIT #1'	
FDNS	02ALL		0 11G	G09_067S	'FROM->TO'	'ELK CITY 230KV (ELKCTY-6) 230/138/13.8KV TRANSFORMER CKT 1'	287	0.06629	107.5124	'GEN542956 2-LACYGNE UNIT #2'	

SOLUTION	GROUP	SCENARIO	SEASON	SOURCE	DIRECTION	MONITORED ELEMENT	RATE B	TDF	TC%	LOADING	CONTINGENCY NAME
						COMMON NAME					
FDNS	02ALL		0 11G	G08_022	'FROM->TO'	'ELK CITY 230KV (ELKCTY-6) 230/138/13.8KV TRANSFORMER CKT 1'	287	0.06759	107.5124	'GEN542956 2-LACYGNE UNIT #2'	
FDNS	02ALL		0 11G	G08_088	'FROM->TO'	'ELK CITY 230KV (ELKCTY-6) 230/138/13.8KV TRANSFORMER CKT 1'	287	0.11358	107.5124	'GEN542956 2-LACYGNE UNIT #2'	
FDNS	02ALL		0 11G	G08_110	'FROM->TO'	'ELK CITY 230KV (ELKCTY-6) 230/138/13.8KV TRANSFORMER CKT 1'	287	0.03756	107.5124	'GEN542956 2-LACYGNE UNIT #2'	
FDNS	02ALL		0 11G	G10_007	'FROM->TO'	'ELK CITY 230KV (ELKCTY-6) 230/138/13.8KV TRANSFORMER CKT 1'	287	0.10175	107.5124	'GEN542956 2-LACYGNE UNIT #2'	
FDNS	02ALL		0 11G	ASGI_2010_011	'FROM->TO'	'ELK CITY 230KV (ELKCTY-6) 230/138/13.8KV TRANSFORMER CKT 1'	287	0.05951	107.5124	'GEN542956 2-LACYGNE UNIT #2'	
FDNS	02ALL		0 11G	G10_014	'FROM->TO'	'ELK CITY 230KV (ELKCTY-6) 230/138/13.8KV TRANSFORMER CKT 1'	287	0.03756	107.5124	'GEN542956 2-LACYGNE UNIT #2'	
FDNS	02ALL		0 11G	G09_067S	'FROM->TO'	'ELK CITY 230KV (ELKCTY-6) 230/138/13.8KV TRANSFORMER CKT 1'	287	0.06629	106.5066	'GEN542956 2-LACYGNE UNIT #2'	
FDNS	02ALL		0 11G	G08_022	'FROM->TO'	'ELK CITY 230KV (ELKCTY-6) 230/138/13.8KV TRANSFORMER CKT 1'	287	0.06759	106.5066	'GEN542956 2-LACYGNE UNIT #2'	
FDNS	02ALL		0 11G	G08_088	'FROM->TO'	'ELK CITY 230KV (ELKCTY-6) 230/138/13.8KV TRANSFORMER CKT 1'	287	0.11358	106.5066	'GEN542956 2-LACYGNE UNIT #2'	
FDNS	02ALL		0 11G	G08_110	'FROM->TO'	'ELK CITY 230KV (ELKCTY-6) 230/138/13.8KV TRANSFORMER CKT 1'	287	0.03756	106.5066	'GEN542956 2-LACYGNE UNIT #2'	
FDNS	02ALL		0 11G	G10_007	'FROM->TO'	'ELK CITY 230KV (ELKCTY-6) 230/138/13.8KV TRANSFORMER CKT 1'	287	0.10175	106.5066	'GEN542956 2-LACYGNE UNIT #2'	
FDNS	02ALL		0 11G	ASGI_2010_011	'FROM->TO'	'ELK CITY 230KV (ELKCTY-6) 230/138/13.8KV TRANSFORMER CKT 1'	287	0.05951	106.5066	'GEN542956 2-LACYGNE UNIT #2'	
FDNS	02ALL		0 11G	G10_014	'FROM->TO'	'ELK CITY 230KV (ELKCTY-6) 230/138/13.8KV TRANSFORMER CKT 1'	287	0.03756	106.5066	'GEN542956 2-LACYGNE UNIT #2'	
FDNS	02ALL		0 11G	G09_067S	'FROM->TO'	'ELK CITY 230KV (ELKCTY-6) 230/138/13.8KV TRANSFORMER CKT 1'	287	0.06629	107.3385	'GEN542957 1-IATAN UNIT #1'	
FDNS	02ALL		0 11G	G08_022	'FROM->TO'	'ELK CITY 230KV (ELKCTY-6) 230/138/13.8KV TRANSFORMER CKT 1'	287	0.06759	107.3385	'GEN542957 1-IATAN UNIT #1'	
FDNS	02ALL		0 11G	G08_088	'FROM->TO'	'ELK CITY 230KV (ELKCTY-6) 230/138/13.8KV TRANSFORMER CKT 1'	287	0.11358	107.3385	'GEN542957 1-IATAN UNIT #1'	
FDNS	02ALL		0 11G	G08_110	'FROM->TO'	'ELK CITY 230KV (ELKCTY-6) 230/138/13.8KV TRANSFORMER CKT 1'	287	0.03756	107.3385	'GEN542957 1-IATAN UNIT #1'	
FDNS	02ALL		0 11G	G10_007	'FROM->TO'	'ELK CITY 230KV (ELKCTY-6) 230/138/13.8KV TRANSFORMER CKT 1'	287	0.10175	107.3385	'GEN542957 1-IATAN UNIT #1'	
FDNS	02ALL		0 11G	ASGI_2010_011	'FROM->TO'	'ELK CITY 230KV (ELKCTY-6) 230/138/13.8KV TRANSFORMER CKT 1'	287	0.05951	107.3385	'GEN542957 1-IATAN UNIT #1'	
FDNS	02ALL		0 11G	G10_014	'FROM->TO'	'ELK CITY 230KV (ELKCTY-6) 230/138/13.8KV TRANSFORMER CKT 1'	287	0.03756	107.3385	'GEN542957 1-IATAN UNIT #1'	
FDNS	02ALL		0 11G	G09_067S	'FROM->TO'	'ELK CITY 230KV (ELKCTY-6) 230/138/13.8KV TRANSFORMER CKT 1'	287	0.06629	106.3389	'GEN542957 1-IATAN UNIT #1'	
FDNS	02ALL		0 11G	G08_022	'FROM->TO'	'ELK CITY 230KV (ELKCTY-6) 230/138/13.8KV TRANSFORMER CKT 1'	287	0.06759	106.3389	'GEN542957 1-IATAN UNIT #1'	
FDNS	02ALL		0 11G	G08_088	'FROM->TO'	'ELK CITY 230KV (ELKCTY-6) 230/138/13.8KV TRANSFORMER CKT 1'	287	0.11358	106.3389	'GEN542957 1-IATAN UNIT #1'	
FDNS	02ALL		0 11G	G08_110	'FROM->TO'	'ELK CITY 230KV (ELKCTY-6) 230/138/13.8KV TRANSFORMER CKT 1'	287	0.03756	106.3389	'GEN542957 1-IATAN UNIT #1'	
FDNS	02ALL		0 11G	G10_007	'FROM->TO'	'ELK CITY 230KV (ELKCTY-6) 230/138/13.8KV TRANSFORMER CKT 1'	287	0.10175	106.3389	'GEN542957 1-IATAN UNIT #1'	
FDNS	02ALL		0 11G	ASGI_2010_011	'FROM->TO'	'ELK CITY 230KV (ELKCTY-6) 230/138/13.8KV TRANSFORMER CKT 1'	287	0.05951	106.3389	'GEN542957 1-IATAN UNIT #1'	
FDNS	02ALL		0 11G	G10_014	'FROM->TO'	'ELK CITY 230KV (ELKCTY-6) 230/138/13.8KV TRANSFORMER CKT 1'	287	0.03756	106.3389	'GEN542957 1-IATAN UNIT #1'	
FDNS	02ALL		0 11G	G09_067S	'FROM->TO'	'ELK CITY 230KV (ELKCTY-6) 230/138/13.8KV TRANSFORMER CKT 1'	287	0.06629	107.8288	'GEN542962 2-IATAN UNIT #2'	
FDNS	02ALL		0 11G	G08_022	'FROM->TO'	'ELK CITY 230KV (ELKCTY-6) 230/138/13.8KV TRANSFORMER CKT 1'	287	0.06759	107.8288	'GEN542962 2-IATAN UNIT #2'	

SOLUTION	GROUP	SCENARIO	SEASON	SOURCE	DIRECTION	MONITORED ELEMENT	RATE B	TDF	TC%	LOADING	CONTINGENCY NAME
						COMMON NAME					
FDNS	02ALL		0 11G	G08_088	'FROM->TO'	'ELK CITY 230KV (ELKCTY-6) 230/138/13.8KV TRANSFORMER CKT 1'	287	0.11358	107.8288	'GEN542962 2-IATAN UNIT #2'	
FDNS	02ALL		0 11G	G08_110	'FROM->TO'	'ELK CITY 230KV (ELKCTY-6) 230/138/13.8KV TRANSFORMER CKT 1'	287	0.03756	107.8288	'GEN542962 2-IATAN UNIT #2'	
FDNS	02ALL		0 11G	G10_007	'FROM->TO'	'ELK CITY 230KV (ELKCTY-6) 230/138/13.8KV TRANSFORMER CKT 1'	287	0.10175	107.8288	'GEN542962 2-IATAN UNIT #2'	
FDNS	02ALL		0 11G	ASGI_2010_011	'FROM->TO'	'ELK CITY 230KV (ELKCTY-6) 230/138/13.8KV TRANSFORMER CKT 1'	287	0.05951	107.8288	'GEN542962 2-IATAN UNIT #2'	
FDNS	02ALL		0 11G	G10_014	'FROM->TO'	'ELK CITY 230KV (ELKCTY-6) 230/138/13.8KV TRANSFORMER CKT 1'	287	0.03756	107.8288	'GEN542962 2-IATAN UNIT #2'	
FDNS	02ALL		0 11G	G09_067S	'FROM->TO'	'ELK CITY 230KV (ELKCTY-6) 230/138/13.8KV TRANSFORMER CKT 1'	287	0.06629	106.8165	'GEN542962 2-IATAN UNIT #2'	
FDNS	02ALL		0 11G	G08_022	'FROM->TO'	'ELK CITY 230KV (ELKCTY-6) 230/138/13.8KV TRANSFORMER CKT 1'	287	0.06759	106.8165	'GEN542962 2-IATAN UNIT #2'	
FDNS	02ALL		0 11G	G08_088	'FROM->TO'	'ELK CITY 230KV (ELKCTY-6) 230/138/13.8KV TRANSFORMER CKT 1'	287	0.11358	106.8165	'GEN542962 2-IATAN UNIT #2'	
FDNS	02ALL		0 11G	G08_110	'FROM->TO'	'ELK CITY 230KV (ELKCTY-6) 230/138/13.8KV TRANSFORMER CKT 1'	287	0.03756	106.8165	'GEN542962 2-IATAN UNIT #2'	
FDNS	02ALL		0 11G	G10_007	'FROM->TO'	'ELK CITY 230KV (ELKCTY-6) 230/138/13.8KV TRANSFORMER CKT 1'	287	0.10175	106.8165	'GEN542962 2-IATAN UNIT #2'	
FDNS	02ALL		0 11G	ASGI_2010_011	'FROM->TO'	'ELK CITY 230KV (ELKCTY-6) 230/138/13.8KV TRANSFORMER CKT 1'	287	0.05951	106.8165	'GEN542962 2-IATAN UNIT #2'	
FDNS	02ALL		0 11G	G10_014	'FROM->TO'	'ELK CITY 230KV (ELKCTY-6) 230/138/13.8KV TRANSFORMER CKT 1'	287	0.03756	106.8165	'GEN542962 2-IATAN UNIT #2'	
FDNS	02ALL		0 11G	G08_088	'TO->FROM'	'DEAF SMITH COUNTY INTERCHANGE - S-RANDLCO 230.00 230KV CKT 1'	350	0.06268	100.7152	'GEN560105 1-G08-22 0.6900'	
FDNS	02ALL		0 11G	G08_110	'TO->FROM'	'DEAF SMITH COUNTY INTERCHANGE - S-RANDLCO 230.00 230KV CKT 1'	350	0.04519	100.7152	'GEN560105 1-G08-22 0.6900'	
FDNS	02ALL		0 11G	G10_007	'TO->FROM'	'DEAF SMITH COUNTY INTERCHANGE - S-RANDLCO 230.00 230KV CKT 1'	350	0.07221	100.7152	'GEN560105 1-G08-22 0.6900'	
FDNS	02ALL		0 11G	ASGI_2010_011	'TO->FROM'	'DEAF SMITH COUNTY INTERCHANGE - S-RANDLCO 230.00 230KV CKT 1'	350	0.05655	100.7152	'GEN560105 1-G08-22 0.6900'	
FDNS	02ALL		0 11G	G10_014	'TO->FROM'	'DEAF SMITH COUNTY INTERCHANGE - S-RANDLCO 230.00 230KV CKT 1'	350	0.04519	100.7152	'GEN560105 1-G08-22 0.6900'	
FDNS	02ALL		0 11G	G09_067S	'FROM->TO'	'ELK CITY 230KV (ELKCTY-6) 230/138/13.8KV TRANSFORMER CKT 1'	287	0.06629	103.2781	'GEN560105 1-G08-22 0.6900'	
FDNS	02ALL		0 11G	G08_022	'FROM->TO'	'ELK CITY 230KV (ELKCTY-6) 230/138/13.8KV TRANSFORMER CKT 1'	287	0.06759	103.2781	'GEN560105 1-G08-22 0.6900'	
FDNS	02ALL		0 11G	G08_088	'FROM->TO'	'ELK CITY 230KV (ELKCTY-6) 230/138/13.8KV TRANSFORMER CKT 1'	287	0.11358	103.2781	'GEN560105 1-G08-22 0.6900'	
FDNS	02ALL		0 11G	G08_110	'FROM->TO'	'ELK CITY 230KV (ELKCTY-6) 230/138/13.8KV TRANSFORMER CKT 1'	287	0.03756	103.2781	'GEN560105 1-G08-22 0.6900'	
FDNS	02ALL		0 11G	G10_007	'FROM->TO'	'ELK CITY 230KV (ELKCTY-6) 230/138/13.8KV TRANSFORMER CKT 1'	287	0.10175	103.2781	'GEN560105 1-G08-22 0.6900'	
FDNS	02ALL		0 11G	ASGI_2010_011	'FROM->TO'	'ELK CITY 230KV (ELKCTY-6) 230/138/13.8KV TRANSFORMER CKT 1'	287	0.05951	103.2781	'GEN560105 1-G08-22 0.6900'	
FDNS	02ALL		0 11G	G10_014	'FROM->TO'	'ELK CITY 230KV (ELKCTY-6) 230/138/13.8KV TRANSFORMER CKT 1'	287	0.03756	103.2781	'GEN560105 1-G08-22 0.6900'	
FDNS	02ALL		0 11G	G09_067S	'FROM->TO'	'ELK CITY 230KV (ELKCTY-6) 230/138/13.8KV TRANSFORMER CKT 1'	287	0.06629	102.3959	'GEN560105 1-G08-22 0.6900'	
FDNS	02ALL		0 11G	G08_022	'FROM->TO'	'ELK CITY 230KV (ELKCTY-6) 230/138/13.8KV TRANSFORMER CKT 1'	287	0.06759	102.3959	'GEN560105 1-G08-22 0.6900'	
FDNS	02ALL		0 11G	G08_088	'FROM->TO'	'ELK CITY 230KV (ELKCTY-6) 230/138/13.8KV TRANSFORMER CKT 1'	287	0.11358	102.3959	'GEN560105 1-G08-22 0.6900'	
FDNS	02ALL		0 11G	G08_110	'FROM->TO'	'ELK CITY 230KV (ELKCTY-6) 230/138/13.8KV TRANSFORMER CKT 1'	287	0.03756	102.3959	'GEN560105 1-G08-22 0.6900'	
FDNS	02ALL		0 11G	G10_007	'FROM->TO'	'ELK CITY 230KV (ELKCTY-6) 230/138/13.8KV TRANSFORMER CKT 1'	287	0.10175	102.3959	'GEN560105 1-G08-22 0.6900'	

SOLUTION	GROUP	SCENARIO	SEASON	SOURCE	DIRECTION	MONITORED ELEMENT	RATE B	TDF	TC%	LOADING	CONTINGENCY NAME
						COMMON NAME					
FDNS	02ALL		0 11G	ASGI_2010_011	'FROM->TO'	'ELK CITY 230KV (ELKCTY-6) 230/138/13.8KV TRANSFORMER CKT 1'	287	0.05951	102.3959	'GEN560105 1-G08-22	0.6900'
FDNS	02ALL		0 11G	G10_014	'FROM->TO'	'ELK CITY 230KV (ELKCTY-6) 230/138/13.8KV TRANSFORMER CKT 1'	287	0.03756	102.3959	'GEN560105 1-G08-22	0.6900'
FDNS	02ALL		0 11G	G08_044	'TO->FROM'	'FPL SWITCH - WOODWARD 138KV CKT 1'	153	0.03294	117.332	'GEN560121 1-G08-47	0.5750'
FDNS	02ALL		0 11G	G08_047	'TO->FROM'	'FPL SWITCH - WOODWARD 138KV CKT 1'	153	0.05253	117.332	'GEN560121 1-G08-47	0.5750'
FDNS	02ALL		0 11G	G08_110	'TO->FROM'	'FPL SWITCH - WOODWARD 138KV CKT 1'	153	0.04004	117.332	'GEN560121 1-G08-47	0.5750'
FDNS	02ALL		0 11G	ASGI_2010_011	'TO->FROM'	'FPL SWITCH - WOODWARD 138KV CKT 1'	153	0.03311	117.332	'GEN560121 1-G08-47	0.5750'
FDNS	02ALL		0 11G	G10_011	'TO->FROM'	'FPL SWITCH - WOODWARD 138KV CKT 1'	153	0.03294	117.332	'GEN560121 1-G08-47	0.5750'
FDNS	02ALL		0 11G	G10_014	'TO->FROM'	'FPL SWITCH - WOODWARD 138KV CKT 1'	153	0.04004	117.332	'GEN560121 1-G08-47	0.5750'
FDNS	02ALL		0 11G	G09_067S	'FROM->TO'	'ELK CITY 230KV (ELKCTY-6) 230/138/13.8KV TRANSFORMER CKT 1'	287	0.06629	102.599	'GEN560121 1-G08-47	0.5750'
FDNS	02ALL		0 11G	G08_022	'FROM->TO'	'ELK CITY 230KV (ELKCTY-6) 230/138/13.8KV TRANSFORMER CKT 1'	287	0.06759	102.599	'GEN560121 1-G08-47	0.5750'
FDNS	02ALL		0 11G	G08_088	'FROM->TO'	'ELK CITY 230KV (ELKCTY-6) 230/138/13.8KV TRANSFORMER CKT 1'	287	0.11358	102.599	'GEN560121 1-G08-47	0.5750'
FDNS	02ALL		0 11G	G08_110	'FROM->TO'	'ELK CITY 230KV (ELKCTY-6) 230/138/13.8KV TRANSFORMER CKT 1'	287	0.03756	102.599	'GEN560121 1-G08-47	0.5750'
FDNS	02ALL		0 11G	G10_007	'FROM->TO'	'ELK CITY 230KV (ELKCTY-6) 230/138/13.8KV TRANSFORMER CKT 1'	287	0.10175	102.599	'GEN560121 1-G08-47	0.5750'
FDNS	02ALL		0 11G	ASGI_2010_011	'FROM->TO'	'ELK CITY 230KV (ELKCTY-6) 230/138/13.8KV TRANSFORMER CKT 1'	287	0.05951	102.599	'GEN560121 1-G08-47	0.5750'
FDNS	02ALL		0 11G	G10_014	'FROM->TO'	'ELK CITY 230KV (ELKCTY-6) 230/138/13.8KV TRANSFORMER CKT 1'	287	0.03756	102.599	'GEN560121 1-G08-47	0.5750'
FDNS	02ALL		0 11G	G09_067S	'FROM->TO'	'ELK CITY 230KV (ELKCTY-6) 230/138/13.8KV TRANSFORMER CKT 1'	287	0.06629	101.7329	'GEN560121 1-G08-47	0.5750'
FDNS	02ALL		0 11G	G08_022	'FROM->TO'	'ELK CITY 230KV (ELKCTY-6) 230/138/13.8KV TRANSFORMER CKT 1'	287	0.06759	101.7329	'GEN560121 1-G08-47	0.5750'
FDNS	02ALL		0 11G	G08_088	'FROM->TO'	'ELK CITY 230KV (ELKCTY-6) 230/138/13.8KV TRANSFORMER CKT 1'	287	0.11358	101.7329	'GEN560121 1-G08-47	0.5750'
FDNS	02ALL		0 11G	G08_110	'FROM->TO'	'ELK CITY 230KV (ELKCTY-6) 230/138/13.8KV TRANSFORMER CKT 1'	287	0.03756	101.7329	'GEN560121 1-G08-47	0.5750'
FDNS	02ALL		0 11G	G10_007	'FROM->TO'	'ELK CITY 230KV (ELKCTY-6) 230/138/13.8KV TRANSFORMER CKT 1'	287	0.10175	101.7329	'GEN560121 1-G08-47	0.5750'
FDNS	02ALL		0 11G	ASGI_2010_011	'FROM->TO'	'ELK CITY 230KV (ELKCTY-6) 230/138/13.8KV TRANSFORMER CKT 1'	287	0.05951	101.7329	'GEN560121 1-G08-47	0.5750'
FDNS	02ALL		0 11G	G10_014	'FROM->TO'	'ELK CITY 230KV (ELKCTY-6) 230/138/13.8KV TRANSFORMER CKT 1'	287	0.03756	101.7329	'GEN560121 1-G08-47	0.5750'
FDNS	02ALL		0 11G	G08_044	'TO->FROM'	'FPL SWITCH - WOODWARD 138KV CKT 1'	153	0.03294	119.4613	'GEN560133 1-G08-110	0.5750'
FDNS	02ALL		0 11G	G08_047	'TO->FROM'	'FPL SWITCH - WOODWARD 138KV CKT 1'	153	0.05253	119.4613	'GEN560133 1-G08-110	0.5750'
FDNS	02ALL		0 11G	G08_110	'TO->FROM'	'FPL SWITCH - WOODWARD 138KV CKT 1'	153	0.04004	119.4613	'GEN560133 1-G08-110	0.5750'
FDNS	02ALL		0 11G	ASGI_2010_011	'TO->FROM'	'FPL SWITCH - WOODWARD 138KV CKT 1'	153	0.03311	119.4613	'GEN560133 1-G08-110	0.5750'
FDNS	02ALL		0 11G	G10_011	'TO->FROM'	'FPL SWITCH - WOODWARD 138KV CKT 1'	153	0.03294	119.4613	'GEN560133 1-G08-110	0.5750'
FDNS	02ALL		0 11G	G10_014	'TO->FROM'	'FPL SWITCH - WOODWARD 138KV CKT 1'	153	0.04004	119.4613	'GEN560133 1-G08-110	0.5750'
FDNS	02ALL		0 11G	G09_067S	'FROM->TO'	'ELK CITY 230KV (ELKCTY-6) 230/138/13.8KV TRANSFORMER CKT 1'	287	0.06629	100.5659	'GEN560133 1-G08-110	0.5750'

SOLUTION	GROUP	SCENARIO	SEASON	SOURCE	DIRECTION	MONITORED ELEMENT	RATE B	TDF	TC%	LOADING	CONTINGENCY NAME
						COMMON NAME					
FDNS	02ALL		0 11G	G08_022	'FROM->TO'	'ELK CITY 230KV (ELKCTY-6) 230/138/13.8KV TRANSFORMER CKT 1'	287	0.06759	100.5659	'GEN560133 1-G08-110	0.5750'
FDNS	02ALL		0 11G	G08_088	'FROM->TO'	'ELK CITY 230KV (ELKCTY-6) 230/138/13.8KV TRANSFORMER CKT 1'	287	0.11358	100.5659	'GEN560133 1-G08-110	0.5750'
FDNS	02ALL		0 11G	G08_110	'FROM->TO'	'ELK CITY 230KV (ELKCTY-6) 230/138/13.8KV TRANSFORMER CKT 1'	287	0.03756	100.5659	'GEN560133 1-G08-110	0.5750'
FDNS	02ALL		0 11G	G10_007	'FROM->TO'	'ELK CITY 230KV (ELKCTY-6) 230/138/13.8KV TRANSFORMER CKT 1'	287	0.10175	100.5659	'GEN560133 1-G08-110	0.5750'
FDNS	02ALL		0 11G	ASGI_2010_011	'FROM->TO'	'ELK CITY 230KV (ELKCTY-6) 230/138/13.8KV TRANSFORMER CKT 1'	287	0.05951	100.5659	'GEN560133 1-G08-110	0.5750'
FDNS	02ALL		0 11G	G10_014	'FROM->TO'	'ELK CITY 230KV (ELKCTY-6) 230/138/13.8KV TRANSFORMER CKT 1'	287	0.03756	100.5659	'GEN560133 1-G08-110	0.5750'
FDNS	02ALL		0 11G	G09_067S	'FROM->TO'	'ELK CITY 230KV (ELKCTY-6) 230/138/13.8KV TRANSFORMER CKT 1'	287	0.06629	102.0165	'GEN560166 1-G07-48	0.6900'
FDNS	02ALL		0 11G	G08_022	'FROM->TO'	'ELK CITY 230KV (ELKCTY-6) 230/138/13.8KV TRANSFORMER CKT 1'	287	0.06759	102.0165	'GEN560166 1-G07-48	0.6900'
FDNS	02ALL		0 11G	G08_088	'FROM->TO'	'ELK CITY 230KV (ELKCTY-6) 230/138/13.8KV TRANSFORMER CKT 1'	287	0.11358	102.0165	'GEN560166 1-G07-48	0.6900'
FDNS	02ALL		0 11G	G08_110	'FROM->TO'	'ELK CITY 230KV (ELKCTY-6) 230/138/13.8KV TRANSFORMER CKT 1'	287	0.03756	102.0165	'GEN560166 1-G07-48	0.6900'
FDNS	02ALL		0 11G	G10_007	'FROM->TO'	'ELK CITY 230KV (ELKCTY-6) 230/138/13.8KV TRANSFORMER CKT 1'	287	0.10175	102.0165	'GEN560166 1-G07-48	0.6900'
FDNS	02ALL		0 11G	ASGI_2010_011	'FROM->TO'	'ELK CITY 230KV (ELKCTY-6) 230/138/13.8KV TRANSFORMER CKT 1'	287	0.05951	102.0165	'GEN560166 1-G07-48	0.6900'
FDNS	02ALL		0 11G	G10_014	'FROM->TO'	'ELK CITY 230KV (ELKCTY-6) 230/138/13.8KV TRANSFORMER CKT 1'	287	0.03756	102.0165	'GEN560166 1-G07-48	0.6900'
FDNS	02ALL		0 11G	G09_067S	'FROM->TO'	'ELK CITY 230KV (ELKCTY-6) 230/138/13.8KV TRANSFORMER CKT 1'	287	0.06629	101.1756	'GEN560166 1-G07-48	0.6900'
FDNS	02ALL		0 11G	G08_022	'FROM->TO'	'ELK CITY 230KV (ELKCTY-6) 230/138/13.8KV TRANSFORMER CKT 1'	287	0.06759	101.1756	'GEN560166 1-G07-48	0.6900'
FDNS	02ALL		0 11G	G08_088	'FROM->TO'	'ELK CITY 230KV (ELKCTY-6) 230/138/13.8KV TRANSFORMER CKT 1'	287	0.11358	101.1756	'GEN560166 1-G07-48	0.6900'
FDNS	02ALL		0 11G	G08_110	'FROM->TO'	'ELK CITY 230KV (ELKCTY-6) 230/138/13.8KV TRANSFORMER CKT 1'	287	0.03756	101.1756	'GEN560166 1-G07-48	0.6900'
FDNS	02ALL		0 11G	G10_007	'FROM->TO'	'ELK CITY 230KV (ELKCTY-6) 230/138/13.8KV TRANSFORMER CKT 1'	287	0.10175	101.1756	'GEN560166 1-G07-48	0.6900'
FDNS	02ALL		0 11G	ASGI_2010_011	'FROM->TO'	'ELK CITY 230KV (ELKCTY-6) 230/138/13.8KV TRANSFORMER CKT 1'	287	0.05951	101.1756	'GEN560166 1-G07-48	0.6900'
FDNS	02ALL		0 11G	G10_014	'FROM->TO'	'ELK CITY 230KV (ELKCTY-6) 230/138/13.8KV TRANSFORMER CKT 1'	287	0.03756	101.1756	'GEN560166 1-G07-48	0.6900'
FDNS	02ALL		0 11G	G09_067S	'FROM->TO'	'ELK CITY 230KV (ELKCTY-6) 230/138/13.8KV TRANSFORMER CKT 1'	287	0.06629	103.7046	'GEN560170 1-G08-16	34.500'
FDNS	02ALL		0 11G	G08_022	'FROM->TO'	'ELK CITY 230KV (ELKCTY-6) 230/138/13.8KV TRANSFORMER CKT 1'	287	0.06759	103.7046	'GEN560170 1-G08-16	34.500'
FDNS	02ALL		0 11G	G08_088	'FROM->TO'	'ELK CITY 230KV (ELKCTY-6) 230/138/13.8KV TRANSFORMER CKT 1'	287	0.11358	103.7046	'GEN560170 1-G08-16	34.500'
FDNS	02ALL		0 11G	G08_110	'FROM->TO'	'ELK CITY 230KV (ELKCTY-6) 230/138/13.8KV TRANSFORMER CKT 1'	287	0.03756	103.7046	'GEN560170 1-G08-16	34.500'
FDNS	02ALL		0 11G	G10_007	'FROM->TO'	'ELK CITY 230KV (ELKCTY-6) 230/138/13.8KV TRANSFORMER CKT 1'	287	0.10175	103.7046	'GEN560170 1-G08-16	34.500'
FDNS	02ALL		0 11G	ASGI_2010_011	'FROM->TO'	'ELK CITY 230KV (ELKCTY-6) 230/138/13.8KV TRANSFORMER CKT 1'	287	0.05951	103.7046	'GEN560170 1-G08-16	34.500'
FDNS	02ALL		0 11G	G10_014	'FROM->TO'	'ELK CITY 230KV (ELKCTY-6) 230/138/13.8KV TRANSFORMER CKT 1'	287	0.03756	103.7046	'GEN560170 1-G08-16	34.500'
FDNS	02ALL		0 11G	G09_067S	'FROM->TO'	'ELK CITY 230KV (ELKCTY-6) 230/138/13.8KV TRANSFORMER CKT 1'	287	0.06629	102.8077	'GEN560170 1-G08-16	34.500'
FDNS	02ALL		0 11G	G08_022	'FROM->TO'	'ELK CITY 230KV (ELKCTY-6) 230/138/13.8KV TRANSFORMER CKT 1'	287	0.06759	102.8077	'GEN560170 1-G08-16	34.500'

SOLUTION	GROUP	SCENARIO	SEASON	SOURCE	DIRECTION	MONITORED ELEMENT	RATE B	TDF	TC%	LOADING	CONTINGENCY NAME
						COMMON NAME					
FDNS	02ALL		0 11G	G08_088	'FROM->TO'	'ELK CITY 230KV (ELKCTY-6) 230/138/13.8KV TRANSFORMER CKT 1'	287	0.11358	102.8077	'GEN560170 1-G08-16	34.500'
FDNS	02ALL		0 11G	G08_110	'FROM->TO'	'ELK CITY 230KV (ELKCTY-6) 230/138/13.8KV TRANSFORMER CKT 1'	287	0.03756	102.8077	'GEN560170 1-G08-16	34.500'
FDNS	02ALL		0 11G	G10_007	'FROM->TO'	'ELK CITY 230KV (ELKCTY-6) 230/138/13.8KV TRANSFORMER CKT 1'	287	0.10175	102.8077	'GEN560170 1-G08-16	34.500'
FDNS	02ALL		0 11G	ASGI_2010_011	'FROM->TO'	'ELK CITY 230KV (ELKCTY-6) 230/138/13.8KV TRANSFORMER CKT 1'	287	0.05951	102.8077	'GEN560170 1-G08-16	34.500'
FDNS	02ALL		0 11G	G10_014	'FROM->TO'	'ELK CITY 230KV (ELKCTY-6) 230/138/13.8KV TRANSFORMER CKT 1'	287	0.03756	102.8077	'GEN560170 1-G08-16	34.500'
FDNS	02ALL		0 11G	G08_044	'TO->FROM'	'FPL SWITCH - WOODWARD 138KV CKT 1'	153	0.03294	140.6458	'GEN560180 1-G07-51	0.6000'
FDNS	02ALL		0 11G	G08_047	'TO->FROM'	'FPL SWITCH - WOODWARD 138KV CKT 1'	153	0.05253	140.6458	'GEN560180 1-G07-51	0.6000'
FDNS	02ALL		0 11G	G08_110	'TO->FROM'	'FPL SWITCH - WOODWARD 138KV CKT 1'	153	0.04004	140.6458	'GEN560180 1-G07-51	0.6000'
FDNS	02ALL		0 11G	ASGI_2010_011	'TO->FROM'	'FPL SWITCH - WOODWARD 138KV CKT 1'	153	0.03311	140.6458	'GEN560180 1-G07-51	0.6000'
FDNS	02ALL		0 11G	G10_011	'TO->FROM'	'FPL SWITCH - WOODWARD 138KV CKT 1'	153	0.03294	140.6458	'GEN560180 1-G07-51	0.6000'
FDNS	02ALL		0 11G	G10_014	'TO->FROM'	'FPL SWITCH - WOODWARD 138KV CKT 1'	153	0.04004	140.6458	'GEN560180 1-G07-51	0.6000'
FDNS	02ALL		0 11G	G09_067S	'FROM->TO'	'ELK CITY 230KV (ELKCTY-6) 230/138/13.8KV TRANSFORMER CKT 1'	287	0.06629	102.3881	'GEN560187 1-G10-07	0.6900'
FDNS	02ALL		0 11G	G08_022	'FROM->TO'	'ELK CITY 230KV (ELKCTY-6) 230/138/13.8KV TRANSFORMER CKT 1'	287	0.06759	102.3881	'GEN560187 1-G10-07	0.6900'
FDNS	02ALL		0 11G	G08_088	'FROM->TO'	'ELK CITY 230KV (ELKCTY-6) 230/138/13.8KV TRANSFORMER CKT 1'	287	0.11358	102.3881	'GEN560187 1-G10-07	0.6900'
FDNS	02ALL		0 11G	G08_110	'FROM->TO'	'ELK CITY 230KV (ELKCTY-6) 230/138/13.8KV TRANSFORMER CKT 1'	287	0.03756	102.3881	'GEN560187 1-G10-07	0.6900'
FDNS	02ALL		0 11G	G10_007	'FROM->TO'	'ELK CITY 230KV (ELKCTY-6) 230/138/13.8KV TRANSFORMER CKT 1'	287	0.10175	102.3881	'GEN560187 1-G10-07	0.6900'
FDNS	02ALL		0 11G	ASGI_2010_011	'FROM->TO'	'ELK CITY 230KV (ELKCTY-6) 230/138/13.8KV TRANSFORMER CKT 1'	287	0.05951	102.3881	'GEN560187 1-G10-07	0.6900'
FDNS	02ALL		0 11G	G10_014	'FROM->TO'	'ELK CITY 230KV (ELKCTY-6) 230/138/13.8KV TRANSFORMER CKT 1'	287	0.03756	102.3881	'GEN560187 1-G10-07	0.6900'
FDNS	02ALL		0 11G	G09_067S	'FROM->TO'	'ELK CITY 230KV (ELKCTY-6) 230/138/13.8KV TRANSFORMER CKT 1'	287	0.06629	101.5386	'GEN560187 1-G10-07	0.6900'
FDNS	02ALL		0 11G	G08_022	'FROM->TO'	'ELK CITY 230KV (ELKCTY-6) 230/138/13.8KV TRANSFORMER CKT 1'	287	0.06759	101.5386	'GEN560187 1-G10-07	0.6900'
FDNS	02ALL		0 11G	G08_088	'FROM->TO'	'ELK CITY 230KV (ELKCTY-6) 230/138/13.8KV TRANSFORMER CKT 1'	287	0.11358	101.5386	'GEN560187 1-G10-07	0.6900'
FDNS	02ALL		0 11G	G08_110	'FROM->TO'	'ELK CITY 230KV (ELKCTY-6) 230/138/13.8KV TRANSFORMER CKT 1'	287	0.03756	101.5386	'GEN560187 1-G10-07	0.6900'
FDNS	02ALL		0 11G	G10_007	'FROM->TO'	'ELK CITY 230KV (ELKCTY-6) 230/138/13.8KV TRANSFORMER CKT 1'	287	0.10175	101.5386	'GEN560187 1-G10-07	0.6900'
FDNS	02ALL		0 11G	ASGI_2010_011	'FROM->TO'	'ELK CITY 230KV (ELKCTY-6) 230/138/13.8KV TRANSFORMER CKT 1'	287	0.05951	101.5386	'GEN560187 1-G10-07	0.6900'
FDNS	02ALL		0 11G	G10_014	'FROM->TO'	'ELK CITY 230KV (ELKCTY-6) 230/138/13.8KV TRANSFORMER CKT 1'	287	0.03756	101.5386	'GEN560187 1-G10-07	0.6900'
FDNS	02ALL		0 11G	G09_067S	'FROM->TO'	'ELK CITY 230KV (ELKCTY-6) 230/138/13.8KV TRANSFORMER CKT 1'	287	0.06629	107.2669	'GEN560193 1-G09-16	0.6900'
FDNS	02ALL		0 11G	G08_022	'FROM->TO'	'ELK CITY 230KV (ELKCTY-6) 230/138/13.8KV TRANSFORMER CKT 1'	287	0.06759	107.2669	'GEN560193 1-G09-16	0.6900'
FDNS	02ALL		0 11G	G08_088	'FROM->TO'	'ELK CITY 230KV (ELKCTY-6) 230/138/13.8KV TRANSFORMER CKT 1'	287	0.11358	107.2669	'GEN560193 1-G09-16	0.6900'
FDNS	02ALL		0 11G	G08_110	'FROM->TO'	'ELK CITY 230KV (ELKCTY-6) 230/138/13.8KV TRANSFORMER CKT 1'	287	0.03756	107.2669	'GEN560193 1-G09-16	0.6900'

SOLUTION	GROUP	SCENARIO	SEASON	SOURCE	DIRECTION	MONITORED ELEMENT	RATE B	TDF	TC%	LOADING	CONTINGENCY NAME
						COMMON NAME					
FDNS	02ALL		0 11G	G10_007	'FROM->TO'	'ELK CITY 230KV (ELKCTY-6) 230/138/13.8KV TRANSFORMER CKT 1'	287	0.10175	107.2669	'GEN560193 1-G09-16	0.6900'
FDNS	02ALL		0 11G	ASGI_2010_011	'FROM->TO'	'ELK CITY 230KV (ELKCTY-6) 230/138/13.8KV TRANSFORMER CKT 1'	287	0.05951	107.2669	'GEN560193 1-G09-16	0.6900'
FDNS	02ALL		0 11G	G10_014	'FROM->TO'	'ELK CITY 230KV (ELKCTY-6) 230/138/13.8KV TRANSFORMER CKT 1'	287	0.03756	107.2669	'GEN560193 1-G09-16	0.6900'
FDNS	02ALL		0 11G	G09_067S	'FROM->TO'	'ELK CITY 230KV (ELKCTY-6) 230/138/13.8KV TRANSFORMER CKT 1'	287	0.06629	106.2396	'GEN560193 1-G09-16	0.6900'
FDNS	02ALL		0 11G	G08_022	'FROM->TO'	'ELK CITY 230KV (ELKCTY-6) 230/138/13.8KV TRANSFORMER CKT 1'	287	0.06759	106.2396	'GEN560193 1-G09-16	0.6900'
FDNS	02ALL		0 11G	G08_088	'FROM->TO'	'ELK CITY 230KV (ELKCTY-6) 230/138/13.8KV TRANSFORMER CKT 1'	287	0.11358	106.2396	'GEN560193 1-G09-16	0.6900'
FDNS	02ALL		0 11G	G08_110	'FROM->TO'	'ELK CITY 230KV (ELKCTY-6) 230/138/13.8KV TRANSFORMER CKT 1'	287	0.03756	106.2396	'GEN560193 1-G09-16	0.6900'
FDNS	02ALL		0 11G	G10_007	'FROM->TO'	'ELK CITY 230KV (ELKCTY-6) 230/138/13.8KV TRANSFORMER CKT 1'	287	0.10175	106.2396	'GEN560193 1-G09-16	0.6900'
FDNS	02ALL		0 11G	ASGI_2010_011	'FROM->TO'	'ELK CITY 230KV (ELKCTY-6) 230/138/13.8KV TRANSFORMER CKT 1'	287	0.05951	106.2396	'GEN560193 1-G09-16	0.6900'
FDNS	02ALL		0 11G	G10_014	'FROM->TO'	'ELK CITY 230KV (ELKCTY-6) 230/138/13.8KV TRANSFORMER CKT 1'	287	0.03756	106.2396	'GEN560193 1-G09-16	0.6900'
FDNS	02ALL		0 11G	G08_044	'TO->FROM'	'FPL SWITCH - WOODWARD 138KV CKT 1'	153	0.03294	123.2807	'GEN560256 1-G10-14-1	0.6900'
FDNS	02ALL		0 11G	G08_047	'TO->FROM'	'FPL SWITCH - WOODWARD 138KV CKT 1'	153	0.05253	123.2807	'GEN560256 1-G10-14-1	0.6900'
FDNS	02ALL		0 11G	G08_110	'TO->FROM'	'FPL SWITCH - WOODWARD 138KV CKT 1'	153	0.04004	123.2807	'GEN560256 1-G10-14-1	0.6900'
FDNS	02ALL		0 11G	ASGI_2010_011	'TO->FROM'	'FPL SWITCH - WOODWARD 138KV CKT 1'	153	0.03311	123.2807	'GEN560256 1-G10-14-1	0.6900'
FDNS	02ALL		0 11G	G10_011	'TO->FROM'	'FPL SWITCH - WOODWARD 138KV CKT 1'	153	0.03294	123.2807	'GEN560256 1-G10-14-1	0.6900'
FDNS	02ALL		0 11G	G10_014	'TO->FROM'	'FPL SWITCH - WOODWARD 138KV CKT 1'	153	0.04004	123.2807	'GEN560256 1-G10-14-1	0.6900'
FDNS	02ALL		0 11G	G09_067S	'FROM->TO'	'ELK CITY 230KV (ELKCTY-6) 230/138/13.8KV TRANSFORMER CKT 1'	287	0.06629	102.2478	'GEN560256 1-G10-14-1	0.6900'
FDNS	02ALL		0 11G	G08_022	'FROM->TO'	'ELK CITY 230KV (ELKCTY-6) 230/138/13.8KV TRANSFORMER CKT 1'	287	0.06759	102.2478	'GEN560256 1-G10-14-1	0.6900'
FDNS	02ALL		0 11G	G08_088	'FROM->TO'	'ELK CITY 230KV (ELKCTY-6) 230/138/13.8KV TRANSFORMER CKT 1'	287	0.11358	102.2478	'GEN560256 1-G10-14-1	0.6900'
FDNS	02ALL		0 11G	G08_110	'FROM->TO'	'ELK CITY 230KV (ELKCTY-6) 230/138/13.8KV TRANSFORMER CKT 1'	287	0.03756	102.2478	'GEN560256 1-G10-14-1	0.6900'
FDNS	02ALL		0 11G	G10_007	'FROM->TO'	'ELK CITY 230KV (ELKCTY-6) 230/138/13.8KV TRANSFORMER CKT 1'	287	0.10175	102.2478	'GEN560256 1-G10-14-1	0.6900'
FDNS	02ALL		0 11G	ASGI_2010_011	'FROM->TO'	'ELK CITY 230KV (ELKCTY-6) 230/138/13.8KV TRANSFORMER CKT 1'	287	0.05951	102.2478	'GEN560256 1-G10-14-1	0.6900'
FDNS	02ALL		0 11G	G10_014	'FROM->TO'	'ELK CITY 230KV (ELKCTY-6) 230/138/13.8KV TRANSFORMER CKT 1'	287	0.03756	102.2478	'GEN560256 1-G10-14-1	0.6900'
FDNS	02ALL		0 11G	G09_067S	'FROM->TO'	'ELK CITY 230KV (ELKCTY-6) 230/138/13.8KV TRANSFORMER CKT 1'	287	0.06629	101.3973	'GEN560256 1-G10-14-1	0.6900'
FDNS	02ALL		0 11G	G08_022	'FROM->TO'	'ELK CITY 230KV (ELKCTY-6) 230/138/13.8KV TRANSFORMER CKT 1'	287	0.06759	101.3973	'GEN560256 1-G10-14-1	0.6900'
FDNS	02ALL		0 11G	G08_088	'FROM->TO'	'ELK CITY 230KV (ELKCTY-6) 230/138/13.8KV TRANSFORMER CKT 1'	287	0.11358	101.3973	'GEN560256 1-G10-14-1	0.6900'
FDNS	02ALL		0 11G	G08_110	'FROM->TO'	'ELK CITY 230KV (ELKCTY-6) 230/138/13.8KV TRANSFORMER CKT 1'	287	0.03756	101.3973	'GEN560256 1-G10-14-1	0.6900'
FDNS	02ALL		0 11G	G10_007	'FROM->TO'	'ELK CITY 230KV (ELKCTY-6) 230/138/13.8KV TRANSFORMER CKT 1'	287	0.10175	101.3973	'GEN560256 1-G10-14-1	0.6900'
FDNS	02ALL		0 11G	ASGI_2010_011	'FROM->TO'	'ELK CITY 230KV (ELKCTY-6) 230/138/13.8KV TRANSFORMER CKT 1'	287	0.05951	101.3973	'GEN560256 1-G10-14-1	0.6900'

SOLUTION	GROUP	SCENARIO	SEASON	SOURCE	DIRECTION	MONITORED ELEMENT	RATE B	TDF	TC%	LOADING	CONTINGENCY NAME
						COMMON NAME					
FDNS	02ALL		0 11G	G10_014	'FROM->TO'	'ELK CITY 230KV (ELKCTY-6) 230/138/13.8KV TRANSFORMER CKT 1'	287	0.03756	101.3973	'GEN560256 1-G10-14-1	0.6900'
FDNS	02ALL		0 11G	G08_044	'TO->FROM'	'FPL SWITCH - WOODWARD 138KV CKT 1'	153	0.03294	123.1509	'GEN560257 1-G10-14-2	0.6900'
FDNS	02ALL		0 11G	G08_047	'TO->FROM'	'FPL SWITCH - WOODWARD 138KV CKT 1'	153	0.05253	123.1509	'GEN560257 1-G10-14-2	0.6900'
FDNS	02ALL		0 11G	G08_110	'TO->FROM'	'FPL SWITCH - WOODWARD 138KV CKT 1'	153	0.04004	123.1509	'GEN560257 1-G10-14-2	0.6900'
FDNS	02ALL		0 11G	ASGI_2010_011	'TO->FROM'	'FPL SWITCH - WOODWARD 138KV CKT 1'	153	0.03311	123.1509	'GEN560257 1-G10-14-2	0.6900'
FDNS	02ALL		0 11G	G10_011	'TO->FROM'	'FPL SWITCH - WOODWARD 138KV CKT 1'	153	0.03294	123.1509	'GEN560257 1-G10-14-2	0.6900'
FDNS	02ALL		0 11G	G10_014	'TO->FROM'	'FPL SWITCH - WOODWARD 138KV CKT 1'	153	0.04004	123.1509	'GEN560257 1-G10-14-2	0.6900'
FDNS	02ALL		0 11G	G09_067S	'FROM->TO'	'ELK CITY 230KV (ELKCTY-6) 230/138/13.8KV TRANSFORMER CKT 1'	287	0.06629	102.1899	'GEN560257 1-G10-14-2	0.6900'
FDNS	02ALL		0 11G	G08_022	'FROM->TO'	'ELK CITY 230KV (ELKCTY-6) 230/138/13.8KV TRANSFORMER CKT 1'	287	0.06759	102.1899	'GEN560257 1-G10-14-2	0.6900'
FDNS	02ALL		0 11G	G08_088	'FROM->TO'	'ELK CITY 230KV (ELKCTY-6) 230/138/13.8KV TRANSFORMER CKT 1'	287	0.11358	102.1899	'GEN560257 1-G10-14-2	0.6900'
FDNS	02ALL		0 11G	G08_110	'FROM->TO'	'ELK CITY 230KV (ELKCTY-6) 230/138/13.8KV TRANSFORMER CKT 1'	287	0.03756	102.1899	'GEN560257 1-G10-14-2	0.6900'
FDNS	02ALL		0 11G	G10_007	'FROM->TO'	'ELK CITY 230KV (ELKCTY-6) 230/138/13.8KV TRANSFORMER CKT 1'	287	0.10175	102.1899	'GEN560257 1-G10-14-2	0.6900'
FDNS	02ALL		0 11G	ASGI_2010_011	'FROM->TO'	'ELK CITY 230KV (ELKCTY-6) 230/138/13.8KV TRANSFORMER CKT 1'	287	0.05951	102.1899	'GEN560257 1-G10-14-2	0.6900'
FDNS	02ALL		0 11G	G10_014	'FROM->TO'	'ELK CITY 230KV (ELKCTY-6) 230/138/13.8KV TRANSFORMER CKT 1'	287	0.03756	102.1899	'GEN560257 1-G10-14-2	0.6900'
FDNS	02ALL		0 11G	G09_067S	'FROM->TO'	'ELK CITY 230KV (ELKCTY-6) 230/138/13.8KV TRANSFORMER CKT 1'	287	0.06629	101.3413	'GEN560257 1-G10-14-2	0.6900'
FDNS	02ALL		0 11G	G08_022	'FROM->TO'	'ELK CITY 230KV (ELKCTY-6) 230/138/13.8KV TRANSFORMER CKT 1'	287	0.06759	101.3413	'GEN560257 1-G10-14-2	0.6900'
FDNS	02ALL		0 11G	G08_088	'FROM->TO'	'ELK CITY 230KV (ELKCTY-6) 230/138/13.8KV TRANSFORMER CKT 1'	287	0.11358	101.3413	'GEN560257 1-G10-14-2	0.6900'
FDNS	02ALL		0 11G	G08_110	'FROM->TO'	'ELK CITY 230KV (ELKCTY-6) 230/138/13.8KV TRANSFORMER CKT 1'	287	0.03756	101.3413	'GEN560257 1-G10-14-2	0.6900'
FDNS	02ALL		0 11G	G10_007	'FROM->TO'	'ELK CITY 230KV (ELKCTY-6) 230/138/13.8KV TRANSFORMER CKT 1'	287	0.10175	101.3413	'GEN560257 1-G10-14-2	0.6900'
FDNS	02ALL		0 11G	ASGI_2010_011	'FROM->TO'	'ELK CITY 230KV (ELKCTY-6) 230/138/13.8KV TRANSFORMER CKT 1'	287	0.05951	101.3413	'GEN560257 1-G10-14-2	0.6900'
FDNS	02ALL		0 11G	G10_014	'FROM->TO'	'ELK CITY 230KV (ELKCTY-6) 230/138/13.8KV TRANSFORMER CKT 1'	287	0.03756	101.3413	'GEN560257 1-G10-14-2	0.6900'
FDNS	02ALL		0 11G	G09_067S	'FROM->TO'	'ELK CITY 230KV (ELKCTY-6) 230/138/13.8KV TRANSFORMER CKT 1'	287	0.06629	106.0639	'GEN560290 1-G08-23	0.5750'
FDNS	02ALL		0 11G	G08_022	'FROM->TO'	'ELK CITY 230KV (ELKCTY-6) 230/138/13.8KV TRANSFORMER CKT 1'	287	0.06759	106.0639	'GEN560290 1-G08-23	0.5750'
FDNS	02ALL		0 11G	G08_088	'FROM->TO'	'ELK CITY 230KV (ELKCTY-6) 230/138/13.8KV TRANSFORMER CKT 1'	287	0.11358	106.0639	'GEN560290 1-G08-23	0.5750'
FDNS	02ALL		0 11G	G08_110	'FROM->TO'	'ELK CITY 230KV (ELKCTY-6) 230/138/13.8KV TRANSFORMER CKT 1'	287	0.03756	106.0639	'GEN560290 1-G08-23	0.5750'
FDNS	02ALL		0 11G	G10_007	'FROM->TO'	'ELK CITY 230KV (ELKCTY-6) 230/138/13.8KV TRANSFORMER CKT 1'	287	0.10175	106.0639	'GEN560290 1-G08-23	0.5750'
FDNS	02ALL		0 11G	ASGI_2010_011	'FROM->TO'	'ELK CITY 230KV (ELKCTY-6) 230/138/13.8KV TRANSFORMER CKT 1'	287	0.05951	106.0639	'GEN560290 1-G08-23	0.5750'
FDNS	02ALL		0 11G	G10_014	'FROM->TO'	'ELK CITY 230KV (ELKCTY-6) 230/138/13.8KV TRANSFORMER CKT 1'	287	0.03756	106.0639	'GEN560290 1-G08-23	0.5750'
FDNS	02ALL		0 11G	G09_067S	'FROM->TO'	'ELK CITY 230KV (ELKCTY-6) 230/138/13.8KV TRANSFORMER CKT 1'	287	0.06629	105.1095	'GEN560290 1-G08-23	0.5750'

SOLUTION	GROUP	SCENARIO	SEASON	SOURCE	DIRECTION	MONITORED ELEMENT	RATE B	TDF	TC%	LOADING	CONTINGENCY NAME
						COMMON NAME					
FDNS	02ALL		0 11G	G08_022	'FROM->TO'	'ELK CITY 230KV (ELKCTY-6) 230/138/13.8KV TRANSFORMER CKT 1'	287	0.06759	105.1095	'GEN560290 1-G08-23	0.5750'
FDNS	02ALL		0 11G	G08_088	'FROM->TO'	'ELK CITY 230KV (ELKCTY-6) 230/138/13.8KV TRANSFORMER CKT 1'	287	0.11358	105.1095	'GEN560290 1-G08-23	0.5750'
FDNS	02ALL		0 11G	G08_110	'FROM->TO'	'ELK CITY 230KV (ELKCTY-6) 230/138/13.8KV TRANSFORMER CKT 1'	287	0.03756	105.1095	'GEN560290 1-G08-23	0.5750'
FDNS	02ALL		0 11G	G10_007	'FROM->TO'	'ELK CITY 230KV (ELKCTY-6) 230/138/13.8KV TRANSFORMER CKT 1'	287	0.10175	105.1095	'GEN560290 1-G08-23	0.5750'
FDNS	02ALL		0 11G	ASGI_2010_011	'FROM->TO'	'ELK CITY 230KV (ELKCTY-6) 230/138/13.8KV TRANSFORMER CKT 1'	287	0.05951	105.1095	'GEN560290 1-G08-23	0.5750'
FDNS	02ALL		0 11G	G10_014	'FROM->TO'	'ELK CITY 230KV (ELKCTY-6) 230/138/13.8KV TRANSFORMER CKT 1'	287	0.03756	105.1095	'GEN560290 1-G08-23	0.5750'
FDNS	02ALL		0 11G	G09_067S	'FROM->TO'	'ELK CITY 230KV (ELKCTY-6) 230/138/13.8KV TRANSFORMER CKT 1'	287	0.06629	102.9627	'GEN560359 1-G08-51	0.6900'
FDNS	02ALL		0 11G	G08_022	'FROM->TO'	'ELK CITY 230KV (ELKCTY-6) 230/138/13.8KV TRANSFORMER CKT 1'	287	0.06759	102.9627	'GEN560359 1-G08-51	0.6900'
FDNS	02ALL		0 11G	G08_088	'FROM->TO'	'ELK CITY 230KV (ELKCTY-6) 230/138/13.8KV TRANSFORMER CKT 1'	287	0.11358	102.9627	'GEN560359 1-G08-51	0.6900'
FDNS	02ALL		0 11G	G08_110	'FROM->TO'	'ELK CITY 230KV (ELKCTY-6) 230/138/13.8KV TRANSFORMER CKT 1'	287	0.03756	102.9627	'GEN560359 1-G08-51	0.6900'
FDNS	02ALL		0 11G	G10_007	'FROM->TO'	'ELK CITY 230KV (ELKCTY-6) 230/138/13.8KV TRANSFORMER CKT 1'	287	0.10175	102.9627	'GEN560359 1-G08-51	0.6900'
FDNS	02ALL		0 11G	ASGI_2010_011	'FROM->TO'	'ELK CITY 230KV (ELKCTY-6) 230/138/13.8KV TRANSFORMER CKT 1'	287	0.05951	102.9627	'GEN560359 1-G08-51	0.6900'
FDNS	02ALL		0 11G	G10_014	'FROM->TO'	'ELK CITY 230KV (ELKCTY-6) 230/138/13.8KV TRANSFORMER CKT 1'	287	0.03756	102.9627	'GEN560359 1-G08-51	0.6900'
FDNS	02ALL		0 11G	G09_067S	'FROM->TO'	'ELK CITY 230KV (ELKCTY-6) 230/138/13.8KV TRANSFORMER CKT 1'	287	0.06629	102.091	'GEN560359 1-G08-51	0.6900'
FDNS	02ALL		0 11G	G08_022	'FROM->TO'	'ELK CITY 230KV (ELKCTY-6) 230/138/13.8KV TRANSFORMER CKT 1'	287	0.06759	102.091	'GEN560359 1-G08-51	0.6900'
FDNS	02ALL		0 11G	G08_088	'FROM->TO'	'ELK CITY 230KV (ELKCTY-6) 230/138/13.8KV TRANSFORMER CKT 1'	287	0.11358	102.091	'GEN560359 1-G08-51	0.6900'
FDNS	02ALL		0 11G	G08_110	'FROM->TO'	'ELK CITY 230KV (ELKCTY-6) 230/138/13.8KV TRANSFORMER CKT 1'	287	0.03756	102.091	'GEN560359 1-G08-51	0.6900'
FDNS	02ALL		0 11G	G10_007	'FROM->TO'	'ELK CITY 230KV (ELKCTY-6) 230/138/13.8KV TRANSFORMER CKT 1'	287	0.10175	102.091	'GEN560359 1-G08-51	0.6900'
FDNS	02ALL		0 11G	ASGI_2010_011	'FROM->TO'	'ELK CITY 230KV (ELKCTY-6) 230/138/13.8KV TRANSFORMER CKT 1'	287	0.05951	102.091	'GEN560359 1-G08-51	0.6900'
FDNS	02ALL		0 11G	G10_014	'FROM->TO'	'ELK CITY 230KV (ELKCTY-6) 230/138/13.8KV TRANSFORMER CKT 1'	287	0.03756	102.091	'GEN560359 1-G08-51	0.6900'
FDNS	02ALL		0 11G	G08_044	'TO->FROM'	'FPL SWITCH - WOODWARD 138KV CKT 1'	153	0.03294	123.3031	'GEN560371 1-G07-46	0.6900'
FDNS	02ALL		0 11G	G08_047	'TO->FROM'	'FPL SWITCH - WOODWARD 138KV CKT 1'	153	0.05253	123.3031	'GEN560371 1-G07-46	0.6900'
FDNS	02ALL		0 11G	G08_110	'TO->FROM'	'FPL SWITCH - WOODWARD 138KV CKT 1'	153	0.04004	123.3031	'GEN560371 1-G07-46	0.6900'
FDNS	02ALL		0 11G	ASGI_2010_011	'TO->FROM'	'FPL SWITCH - WOODWARD 138KV CKT 1'	153	0.03311	123.3031	'GEN560371 1-G07-46	0.6900'
FDNS	02ALL		0 11G	G10_011	'TO->FROM'	'FPL SWITCH - WOODWARD 138KV CKT 1'	153	0.03294	123.3031	'GEN560371 1-G07-46	0.6900'
FDNS	02ALL		0 11G	G10_014	'TO->FROM'	'FPL SWITCH - WOODWARD 138KV CKT 1'	153	0.04004	123.3031	'GEN560371 1-G07-46	0.6900'
FDNS	02ALL		0 11G	G09_067S	'FROM->TO'	'ELK CITY 230KV (ELKCTY-6) 230/138/13.8KV TRANSFORMER CKT 1'	287	0.06629	100.7292	'GEN560371 1-G07-46	0.6900'
FDNS	02ALL		0 11G	G08_022	'FROM->TO'	'ELK CITY 230KV (ELKCTY-6) 230/138/13.8KV TRANSFORMER CKT 1'	287	0.06759	100.7292	'GEN560371 1-G07-46	0.6900'
FDNS	02ALL		0 11G	G08_088	'FROM->TO'	'ELK CITY 230KV (ELKCTY-6) 230/138/13.8KV TRANSFORMER CKT 1'	287	0.11358	100.7292	'GEN560371 1-G07-46	0.6900'

SOLUTION	GROUP	SCENARIO	SEASON	SOURCE	DIRECTION	MONITORED ELEMENT	RATE B	TDF	TC%	LOADING	CONTINGENCY	NAME
						COMMON NAME						
FDNS	02ALL		0 11G	G08_110	'FROM->TO'	'ELK CITY 230KV (ELKCTY-6) 230/138/13.8KV TRANSFORMER CKT 1'	287	0.03756	100.7292	'GEN560371 1-G07-46	0.6900'	
FDNS	02ALL		0 11G	G10_007	'FROM->TO'	'ELK CITY 230KV (ELKCTY-6) 230/138/13.8KV TRANSFORMER CKT 1'	287	0.10175	100.7292	'GEN560371 1-G07-46	0.6900'	
FDNS	02ALL		0 11G	ASGI_2010_011	'FROM->TO'	'ELK CITY 230KV (ELKCTY-6) 230/138/13.8KV TRANSFORMER CKT 1'	287	0.05951	100.7292	'GEN560371 1-G07-46	0.6900'	
FDNS	02ALL		0 11G	G10_014	'FROM->TO'	'ELK CITY 230KV (ELKCTY-6) 230/138/13.8KV TRANSFORMER CKT 1'	287	0.03756	100.7292	'GEN560371 1-G07-46	0.6900'	
FDNS	02ALL		0 11G	G08_044	'TO->FROM'	'FPL SWITCH - WOODWARD 138KV CKT 1'	153	0.03294	125.3147	'GEN560429 1-G08-29	0.6400'	
FDNS	02ALL		0 11G	G08_047	'TO->FROM'	'FPL SWITCH - WOODWARD 138KV CKT 1'	153	0.05253	125.3147	'GEN560429 1-G08-29	0.6400'	
FDNS	02ALL		0 11G	G08_110	'TO->FROM'	'FPL SWITCH - WOODWARD 138KV CKT 1'	153	0.04004	125.3147	'GEN560429 1-G08-29	0.6400'	
FDNS	02ALL		0 11G	ASGI_2010_011	'TO->FROM'	'FPL SWITCH - WOODWARD 138KV CKT 1'	153	0.03311	125.3147	'GEN560429 1-G08-29	0.6400'	
FDNS	02ALL		0 11G	G10_011	'TO->FROM'	'FPL SWITCH - WOODWARD 138KV CKT 1'	153	0.03294	125.3147	'GEN560429 1-G08-29	0.6400'	
FDNS	02ALL		0 11G	G10_014	'TO->FROM'	'FPL SWITCH - WOODWARD 138KV CKT 1'	153	0.04004	125.3147	'GEN560429 1-G08-29	0.6400'	
FDNS	02ALL		0 11G	G08_044	'TO->FROM'	'FPL SWITCH - WOODWARD 138KV CKT 1'	153	0.03294	126.6373	'GEN560510 1-G03-013-1	0.6000'	
FDNS	02ALL		0 11G	G08_047	'TO->FROM'	'FPL SWITCH - WOODWARD 138KV CKT 1'	153	0.05253	126.6373	'GEN560510 1-G03-013-1	0.6000'	
FDNS	02ALL		0 11G	G08_110	'TO->FROM'	'FPL SWITCH - WOODWARD 138KV CKT 1'	153	0.04004	126.6373	'GEN560510 1-G03-013-1	0.6000'	
FDNS	02ALL		0 11G	ASGI_2010_011	'TO->FROM'	'FPL SWITCH - WOODWARD 138KV CKT 1'	153	0.03311	126.6373	'GEN560510 1-G03-013-1	0.6000'	
FDNS	02ALL		0 11G	G10_011	'TO->FROM'	'FPL SWITCH - WOODWARD 138KV CKT 1'	153	0.03294	126.6373	'GEN560510 1-G03-013-1	0.6000'	
FDNS	02ALL		0 11G	G10_014	'TO->FROM'	'FPL SWITCH - WOODWARD 138KV CKT 1'	153	0.04004	126.6373	'GEN560510 1-G03-013-1	0.6000'	
FDNS	02ALL		0 11G	G08_044	'TO->FROM'	'FPL SWITCH - WOODWARD 138KV CKT 1'	153	0.03294	126.6373	'GEN560511 1-G03-013-2	0.6000'	
FDNS	02ALL		0 11G	G08_047	'TO->FROM'	'FPL SWITCH - WOODWARD 138KV CKT 1'	153	0.05253	126.6373	'GEN560511 1-G03-013-2	0.6000'	
FDNS	02ALL		0 11G	G08_110	'TO->FROM'	'FPL SWITCH - WOODWARD 138KV CKT 1'	153	0.04004	126.6373	'GEN560511 1-G03-013-2	0.6000'	
FDNS	02ALL		0 11G	ASGI_2010_011	'TO->FROM'	'FPL SWITCH - WOODWARD 138KV CKT 1'	153	0.03311	126.6373	'GEN560511 1-G03-013-2	0.6000'	
FDNS	02ALL		0 11G	G10_011	'TO->FROM'	'FPL SWITCH - WOODWARD 138KV CKT 1'	153	0.03294	126.6373	'GEN560511 1-G03-013-2	0.6000'	
FDNS	02ALL		0 11G	G10_014	'TO->FROM'	'FPL SWITCH - WOODWARD 138KV CKT 1'	153	0.04004	126.6373	'GEN560511 1-G03-013-2	0.6000'	
FDNS	02ALL		0 11G	G08_044	'TO->FROM'	'FPL SWITCH - WOODWARD 138KV CKT 1'	153	0.03294	125.2986	'GEN560536 1-G05-17-1	34.500'	
FDNS	02ALL		0 11G	G08_047	'TO->FROM'	'FPL SWITCH - WOODWARD 138KV CKT 1'	153	0.05253	125.2986	'GEN560536 1-G05-17-1	34.500'	
FDNS	02ALL		0 11G	G08_110	'TO->FROM'	'FPL SWITCH - WOODWARD 138KV CKT 1'	153	0.04004	125.2986	'GEN560536 1-G05-17-1	34.500'	
FDNS	02ALL		0 11G	ASGI_2010_011	'TO->FROM'	'FPL SWITCH - WOODWARD 138KV CKT 1'	153	0.03311	125.2986	'GEN560536 1-G05-17-1	34.500'	
FDNS	02ALL		0 11G	G10_011	'TO->FROM'	'FPL SWITCH - WOODWARD 138KV CKT 1'	153	0.03294	125.2986	'GEN560536 1-G05-17-1	34.500'	
FDNS	02ALL		0 11G	G10_014	'TO->FROM'	'FPL SWITCH - WOODWARD 138KV CKT 1'	153	0.04004	125.2986	'GEN560536 1-G05-17-1	34.500'	
FDNS	02ALL		0 11G	G09_067S	'FROM->TO'	'ELK CITY 230KV (ELKCTY-6) 230/138/13.8KV TRANSFORMER CKT 1'	287	0.06629	102.1554	'GEN560536 1-G05-17-1	34.500'	

SOLUTION	GROUP	SCENARIO	SEASON	SOURCE	DIRECTION	MONITORED ELEMENT	RATE B	TDF	TC%	LOADING	CONTINGENCY NAME
						COMMON NAME					
FDNS	02ALL		0 11G	G08_022	'FROM->TO'	'ELK CITY 230KV (ELKCTY-6) 230/138/13.8KV TRANSFORMER CKT 1'	287	0.06759	102.1554	'GEN560536 1-G05-17-1	34.500'
FDNS	02ALL		0 11G	G08_088	'FROM->TO'	'ELK CITY 230KV (ELKCTY-6) 230/138/13.8KV TRANSFORMER CKT 1'	287	0.11358	102.1554	'GEN560536 1-G05-17-1	34.500'
FDNS	02ALL		0 11G	G08_110	'FROM->TO'	'ELK CITY 230KV (ELKCTY-6) 230/138/13.8KV TRANSFORMER CKT 1'	287	0.03756	102.1554	'GEN560536 1-G05-17-1	34.500'
FDNS	02ALL		0 11G	G10_007	'FROM->TO'	'ELK CITY 230KV (ELKCTY-6) 230/138/13.8KV TRANSFORMER CKT 1'	287	0.10175	102.1554	'GEN560536 1-G05-17-1	34.500'
FDNS	02ALL		0 11G	ASGI_2010_011	'FROM->TO'	'ELK CITY 230KV (ELKCTY-6) 230/138/13.8KV TRANSFORMER CKT 1'	287	0.05951	102.1554	'GEN560536 1-G05-17-1	34.500'
FDNS	02ALL		0 11G	G10_014	'FROM->TO'	'ELK CITY 230KV (ELKCTY-6) 230/138/13.8KV TRANSFORMER CKT 1'	287	0.03756	102.1554	'GEN560536 1-G05-17-1	34.500'
FDNS	02ALL		0 11G	G09_067S	'FROM->TO'	'ELK CITY 230KV (ELKCTY-6) 230/138/13.8KV TRANSFORMER CKT 1'	287	0.06629	101.3094	'GEN560536 1-G05-17-1	34.500'
FDNS	02ALL		0 11G	G08_022	'FROM->TO'	'ELK CITY 230KV (ELKCTY-6) 230/138/13.8KV TRANSFORMER CKT 1'	287	0.06759	101.3094	'GEN560536 1-G05-17-1	34.500'
FDNS	02ALL		0 11G	G08_088	'FROM->TO'	'ELK CITY 230KV (ELKCTY-6) 230/138/13.8KV TRANSFORMER CKT 1'	287	0.11358	101.3094	'GEN560536 1-G05-17-1	34.500'
FDNS	02ALL		0 11G	G08_110	'FROM->TO'	'ELK CITY 230KV (ELKCTY-6) 230/138/13.8KV TRANSFORMER CKT 1'	287	0.03756	101.3094	'GEN560536 1-G05-17-1	34.500'
FDNS	02ALL		0 11G	G10_007	'FROM->TO'	'ELK CITY 230KV (ELKCTY-6) 230/138/13.8KV TRANSFORMER CKT 1'	287	0.10175	101.3094	'GEN560536 1-G05-17-1	34.500'
FDNS	02ALL		0 11G	ASGI_2010_011	'FROM->TO'	'ELK CITY 230KV (ELKCTY-6) 230/138/13.8KV TRANSFORMER CKT 1'	287	0.05951	101.3094	'GEN560536 1-G05-17-1	34.500'
FDNS	02ALL		0 11G	G10_014	'FROM->TO'	'ELK CITY 230KV (ELKCTY-6) 230/138/13.8KV TRANSFORMER CKT 1'	287	0.03756	101.3094	'GEN560536 1-G05-17-1	34.500'
FDNS	02ALL		0 11G	G08_044	'TO->FROM'	'FPL SWITCH - WOODWARD 138KV CKT 1'	153	0.03294	126.7311	'GEN560539 1-G05-17-2	34.500'
FDNS	02ALL		0 11G	G08_047	'TO->FROM'	'FPL SWITCH - WOODWARD 138KV CKT 1'	153	0.05253	126.7311	'GEN560539 1-G05-17-2	34.500'
FDNS	02ALL		0 11G	G08_110	'TO->FROM'	'FPL SWITCH - WOODWARD 138KV CKT 1'	153	0.04004	126.7311	'GEN560539 1-G05-17-2	34.500'
FDNS	02ALL		0 11G	ASGI_2010_011	'TO->FROM'	'FPL SWITCH - WOODWARD 138KV CKT 1'	153	0.03311	126.7311	'GEN560539 1-G05-17-2	34.500'
FDNS	02ALL		0 11G	G10_011	'TO->FROM'	'FPL SWITCH - WOODWARD 138KV CKT 1'	153	0.03294	126.7311	'GEN560539 1-G05-17-2	34.500'
FDNS	02ALL		0 11G	G10_014	'TO->FROM'	'FPL SWITCH - WOODWARD 138KV CKT 1'	153	0.04004	126.7311	'GEN560539 1-G05-17-2	34.500'
FDNS	02ALL		0 11G	G09_067S	'FROM->TO'	'ELK CITY 230KV (ELKCTY-6) 230/138/13.8KV TRANSFORMER CKT 1'	287	0.06629	103.1718	'GEN560539 1-G05-17-2	34.500'
FDNS	02ALL		0 11G	G08_022	'FROM->TO'	'ELK CITY 230KV (ELKCTY-6) 230/138/13.8KV TRANSFORMER CKT 1'	287	0.06759	103.1718	'GEN560539 1-G05-17-2	34.500'
FDNS	02ALL		0 11G	G08_088	'FROM->TO'	'ELK CITY 230KV (ELKCTY-6) 230/138/13.8KV TRANSFORMER CKT 1'	287	0.11358	103.1718	'GEN560539 1-G05-17-2	34.500'
FDNS	02ALL		0 11G	G08_110	'FROM->TO'	'ELK CITY 230KV (ELKCTY-6) 230/138/13.8KV TRANSFORMER CKT 1'	287	0.03756	103.1718	'GEN560539 1-G05-17-2	34.500'
FDNS	02ALL		0 11G	G10_007	'FROM->TO'	'ELK CITY 230KV (ELKCTY-6) 230/138/13.8KV TRANSFORMER CKT 1'	287	0.10175	103.1718	'GEN560539 1-G05-17-2	34.500'
FDNS	02ALL		0 11G	ASGI_2010_011	'FROM->TO'	'ELK CITY 230KV (ELKCTY-6) 230/138/13.8KV TRANSFORMER CKT 1'	287	0.05951	103.1718	'GEN560539 1-G05-17-2	34.500'
FDNS	02ALL		0 11G	G10_014	'FROM->TO'	'ELK CITY 230KV (ELKCTY-6) 230/138/13.8KV TRANSFORMER CKT 1'	287	0.03756	103.1718	'GEN560539 1-G05-17-2	34.500'
FDNS	02ALL		0 11G	G09_067S	'FROM->TO'	'ELK CITY 230KV (ELKCTY-6) 230/138/13.8KV TRANSFORMER CKT 1'	287	0.06629	102.2923	'GEN560539 1-G05-17-2	34.500'
FDNS	02ALL		0 11G	G08_022	'FROM->TO'	'ELK CITY 230KV (ELKCTY-6) 230/138/13.8KV TRANSFORMER CKT 1'	287	0.06759	102.2923	'GEN560539 1-G05-17-2	34.500'
FDNS	02ALL		0 11G	G08_088	'FROM->TO'	'ELK CITY 230KV (ELKCTY-6) 230/138/13.8KV TRANSFORMER CKT 1'	287	0.11358	102.2923	'GEN560539 1-G05-17-2	34.500'

SOLUTION	GROUP	SCENARIO	SEASON	SOURCE	DIRECTION	MONITORED ELEMENT	RATE B	TDF	TC%	LOADING	CONTINGENCY NAME
						COMMON NAME					
FDNS	02ALL		0 11G	G08_110	'FROM->TO'	'ELK CITY 230KV (ELKCTY-6) 230/138/13.8KV TRANSFORMER CKT 1'	287	0.03756	102.2923	'GEN560539 1-G05-17-2	34.500'
FDNS	02ALL		0 11G	G10_007	'FROM->TO'	'ELK CITY 230KV (ELKCTY-6) 230/138/13.8KV TRANSFORMER CKT 1'	287	0.10175	102.2923	'GEN560539 1-G05-17-2	34.500'
FDNS	02ALL		0 11G	ASGI_2010_011	'FROM->TO'	'ELK CITY 230KV (ELKCTY-6) 230/138/13.8KV TRANSFORMER CKT 1'	287	0.05951	102.2923	'GEN560539 1-G05-17-2	34.500'
FDNS	02ALL		0 11G	G10_014	'FROM->TO'	'ELK CITY 230KV (ELKCTY-6) 230/138/13.8KV TRANSFORMER CKT 1'	287	0.03756	102.2923	'GEN560539 1-G05-17-2	34.500'
FDNS	02ALL		0 11G	G08_044	'TO->FROM'	'FPL SWITCH - WOODWARD 138KV CKT 1'	153	0.03294	125.2986	'GEN560540 1-G05-17-3	34.500'
FDNS	02ALL		0 11G	G08_047	'TO->FROM'	'FPL SWITCH - WOODWARD 138KV CKT 1'	153	0.05253	125.2986	'GEN560540 1-G05-17-3	34.500'
FDNS	02ALL		0 11G	G08_110	'TO->FROM'	'FPL SWITCH - WOODWARD 138KV CKT 1'	153	0.04004	125.2986	'GEN560540 1-G05-17-3	34.500'
FDNS	02ALL		0 11G	ASGI_2010_011	'TO->FROM'	'FPL SWITCH - WOODWARD 138KV CKT 1'	153	0.03311	125.2986	'GEN560540 1-G05-17-3	34.500'
FDNS	02ALL		0 11G	G10_011	'TO->FROM'	'FPL SWITCH - WOODWARD 138KV CKT 1'	153	0.03294	125.2986	'GEN560540 1-G05-17-3	34.500'
FDNS	02ALL		0 11G	G10_014	'TO->FROM'	'FPL SWITCH - WOODWARD 138KV CKT 1'	153	0.04004	125.2986	'GEN560540 1-G05-17-3	34.500'
FDNS	02ALL		0 11G	G09_067S	'FROM->TO'	'ELK CITY 230KV (ELKCTY-6) 230/138/13.8KV TRANSFORMER CKT 1'	287	0.06629	102.1554	'GEN560540 1-G05-17-3	34.500'
FDNS	02ALL		0 11G	G08_022	'FROM->TO'	'ELK CITY 230KV (ELKCTY-6) 230/138/13.8KV TRANSFORMER CKT 1'	287	0.06759	102.1554	'GEN560540 1-G05-17-3	34.500'
FDNS	02ALL		0 11G	G08_088	'FROM->TO'	'ELK CITY 230KV (ELKCTY-6) 230/138/13.8KV TRANSFORMER CKT 1'	287	0.11358	102.1554	'GEN560540 1-G05-17-3	34.500'
FDNS	02ALL		0 11G	G08_110	'FROM->TO'	'ELK CITY 230KV (ELKCTY-6) 230/138/13.8KV TRANSFORMER CKT 1'	287	0.03756	102.1554	'GEN560540 1-G05-17-3	34.500'
FDNS	02ALL		0 11G	G10_007	'FROM->TO'	'ELK CITY 230KV (ELKCTY-6) 230/138/13.8KV TRANSFORMER CKT 1'	287	0.10175	102.1554	'GEN560540 1-G05-17-3	34.500'
FDNS	02ALL		0 11G	ASGI_2010_011	'FROM->TO'	'ELK CITY 230KV (ELKCTY-6) 230/138/13.8KV TRANSFORMER CKT 1'	287	0.05951	102.1554	'GEN560540 1-G05-17-3	34.500'
FDNS	02ALL		0 11G	G10_014	'FROM->TO'	'ELK CITY 230KV (ELKCTY-6) 230/138/13.8KV TRANSFORMER CKT 1'	287	0.03756	102.1554	'GEN560540 1-G05-17-3	34.500'
FDNS	02ALL		0 11G	G09_067S	'FROM->TO'	'ELK CITY 230KV (ELKCTY-6) 230/138/13.8KV TRANSFORMER CKT 1'	287	0.06629	101.3094	'GEN560540 1-G05-17-3	34.500'
FDNS	02ALL		0 11G	G08_022	'FROM->TO'	'ELK CITY 230KV (ELKCTY-6) 230/138/13.8KV TRANSFORMER CKT 1'	287	0.06759	101.3094	'GEN560540 1-G05-17-3	34.500'
FDNS	02ALL		0 11G	G08_088	'FROM->TO'	'ELK CITY 230KV (ELKCTY-6) 230/138/13.8KV TRANSFORMER CKT 1'	287	0.11358	101.3094	'GEN560540 1-G05-17-3	34.500'
FDNS	02ALL		0 11G	G08_110	'FROM->TO'	'ELK CITY 230KV (ELKCTY-6) 230/138/13.8KV TRANSFORMER CKT 1'	287	0.03756	101.3094	'GEN560540 1-G05-17-3	34.500'
FDNS	02ALL		0 11G	G10_007	'FROM->TO'	'ELK CITY 230KV (ELKCTY-6) 230/138/13.8KV TRANSFORMER CKT 1'	287	0.10175	101.3094	'GEN560540 1-G05-17-3	34.500'
FDNS	02ALL		0 11G	ASGI_2010_011	'FROM->TO'	'ELK CITY 230KV (ELKCTY-6) 230/138/13.8KV TRANSFORMER CKT 1'	287	0.05951	101.3094	'GEN560540 1-G05-17-3	34.500'
FDNS	02ALL		0 11G	G10_014	'FROM->TO'	'ELK CITY 230KV (ELKCTY-6) 230/138/13.8KV TRANSFORMER CKT 1'	287	0.03756	101.3094	'GEN560540 1-G05-17-3	34.500'
FDNS	02ALL		0 11G	G09_067S	'FROM->TO'	'ELK CITY 230KV (ELKCTY-6) 230/138/13.8KV TRANSFORMER CKT 1'	287	0.06629	100.4167	'GEN560546 1-G06-02	0.6900'
FDNS	02ALL		0 11G	G08_022	'FROM->TO'	'ELK CITY 230KV (ELKCTY-6) 230/138/13.8KV TRANSFORMER CKT 1'	287	0.06759	100.4167	'GEN560546 1-G06-02	0.6900'
FDNS	02ALL		0 11G	G08_088	'FROM->TO'	'ELK CITY 230KV (ELKCTY-6) 230/138/13.8KV TRANSFORMER CKT 1'	287	0.11358	100.4167	'GEN560546 1-G06-02	0.6900'
FDNS	02ALL		0 11G	G08_110	'FROM->TO'	'ELK CITY 230KV (ELKCTY-6) 230/138/13.8KV TRANSFORMER CKT 1'	287	0.03756	100.4167	'GEN560546 1-G06-02	0.6900'
FDNS	02ALL		0 11G	G10_007	'FROM->TO'	'ELK CITY 230KV (ELKCTY-6) 230/138/13.8KV TRANSFORMER CKT 1'	287	0.10175	100.4167	'GEN560546 1-G06-02	0.6900'

SOLUTION	GROUP	SCENARIO	SEASON	SOURCE	DIRECTION	MONITORED ELEMENT	RATE B	TDF	TC%	LOADING	CONTINGENCY NAME
						COMMON NAME					
FDNS	02ALL		0 11G	ASGI_2010_011	'FROM->TO'	'ELK CITY 230KV (ELKCTY-6) 230/138/13.8KV TRANSFORMER CKT 1'	287	0.05951	100.4167	'GEN560546 1-G06-02	0.6900'
FDNS	02ALL		0 11G	G10_014	'FROM->TO'	'ELK CITY 230KV (ELKCTY-6) 230/138/13.8KV TRANSFORMER CKT 1'	287	0.03756	100.4167	'GEN560546 1-G06-02	0.6900'
FDNS	02ALL		0 11G	G08_044	'TO->FROM'	'FPL SWITCH - WOODWARD 138KV CKT 1'	153	0.03294	131.1853	'GEN560564 1-G06-35	0.5750'
FDNS	02ALL		0 11G	G08_047	'TO->FROM'	'FPL SWITCH - WOODWARD 138KV CKT 1'	153	0.05253	131.1853	'GEN560564 1-G06-35	0.5750'
FDNS	02ALL		0 11G	G08_110	'TO->FROM'	'FPL SWITCH - WOODWARD 138KV CKT 1'	153	0.04004	131.1853	'GEN560564 1-G06-35	0.5750'
FDNS	02ALL		0 11G	ASGI_2010_011	'TO->FROM'	'FPL SWITCH - WOODWARD 138KV CKT 1'	153	0.03311	131.1853	'GEN560564 1-G06-35	0.5750'
FDNS	02ALL		0 11G	G10_011	'TO->FROM'	'FPL SWITCH - WOODWARD 138KV CKT 1'	153	0.03294	131.1853	'GEN560564 1-G06-35	0.5750'
FDNS	02ALL		0 11G	G10_014	'TO->FROM'	'FPL SWITCH - WOODWARD 138KV CKT 1'	153	0.04004	131.1853	'GEN560564 1-G06-35	0.5750'
FDNS	02ALL		0 11G	G09_067S	'FROM->TO'	'ELK CITY 230KV (ELKCTY-6) 230/138/13.8KV TRANSFORMER CKT 1'	287	0.06629	102.238	'GEN560570 1-G06-39	0.6900'
FDNS	02ALL		0 11G	G08_022	'FROM->TO'	'ELK CITY 230KV (ELKCTY-6) 230/138/13.8KV TRANSFORMER CKT 1'	287	0.06759	102.238	'GEN560570 1-G06-39	0.6900'
FDNS	02ALL		0 11G	G08_088	'FROM->TO'	'ELK CITY 230KV (ELKCTY-6) 230/138/13.8KV TRANSFORMER CKT 1'	287	0.11358	102.238	'GEN560570 1-G06-39	0.6900'
FDNS	02ALL		0 11G	G08_110	'FROM->TO'	'ELK CITY 230KV (ELKCTY-6) 230/138/13.8KV TRANSFORMER CKT 1'	287	0.03756	102.238	'GEN560570 1-G06-39	0.6900'
FDNS	02ALL		0 11G	G10_007	'FROM->TO'	'ELK CITY 230KV (ELKCTY-6) 230/138/13.8KV TRANSFORMER CKT 1'	287	0.10175	102.238	'GEN560570 1-G06-39	0.6900'
FDNS	02ALL		0 11G	ASGI_2010_011	'FROM->TO'	'ELK CITY 230KV (ELKCTY-6) 230/138/13.8KV TRANSFORMER CKT 1'	287	0.05951	102.238	'GEN560570 1-G06-39	0.6900'
FDNS	02ALL		0 11G	G10_014	'FROM->TO'	'ELK CITY 230KV (ELKCTY-6) 230/138/13.8KV TRANSFORMER CKT 1'	287	0.03756	102.238	'GEN560570 1-G06-39	0.6900'
FDNS	02ALL		0 11G	G09_067S	'FROM->TO'	'ELK CITY 230KV (ELKCTY-6) 230/138/13.8KV TRANSFORMER CKT 1'	287	0.06629	101.3908	'GEN560570 1-G06-39	0.6900'
FDNS	02ALL		0 11G	G08_022	'FROM->TO'	'ELK CITY 230KV (ELKCTY-6) 230/138/13.8KV TRANSFORMER CKT 1'	287	0.06759	101.3908	'GEN560570 1-G06-39	0.6900'
FDNS	02ALL		0 11G	G08_088	'FROM->TO'	'ELK CITY 230KV (ELKCTY-6) 230/138/13.8KV TRANSFORMER CKT 1'	287	0.11358	101.3908	'GEN560570 1-G06-39	0.6900'
FDNS	02ALL		0 11G	G08_110	'FROM->TO'	'ELK CITY 230KV (ELKCTY-6) 230/138/13.8KV TRANSFORMER CKT 1'	287	0.03756	101.3908	'GEN560570 1-G06-39	0.6900'
FDNS	02ALL		0 11G	G10_007	'FROM->TO'	'ELK CITY 230KV (ELKCTY-6) 230/138/13.8KV TRANSFORMER CKT 1'	287	0.10175	101.3908	'GEN560570 1-G06-39	0.6900'
FDNS	02ALL		0 11G	ASGI_2010_011	'FROM->TO'	'ELK CITY 230KV (ELKCTY-6) 230/138/13.8KV TRANSFORMER CKT 1'	287	0.05951	101.3908	'GEN560570 1-G06-39	0.6900'
FDNS	02ALL		0 11G	G10_014	'FROM->TO'	'ELK CITY 230KV (ELKCTY-6) 230/138/13.8KV TRANSFORMER CKT 1'	287	0.03756	101.3908	'GEN560570 1-G06-39	0.6900'
FDNS	02ALL		0 11G	G08_044	'TO->FROM'	'FPL SWITCH - WOODWARD 138KV CKT 1'	153	0.03294	124.7313	'GEN560585 1-G06-44-2	0.6000'
FDNS	02ALL		0 11G	G08_047	'TO->FROM'	'FPL SWITCH - WOODWARD 138KV CKT 1'	153	0.05253	124.7313	'GEN560585 1-G06-44-2	0.6000'
FDNS	02ALL		0 11G	G08_110	'TO->FROM'	'FPL SWITCH - WOODWARD 138KV CKT 1'	153	0.04004	124.7313	'GEN560585 1-G06-44-2	0.6000'
FDNS	02ALL		0 11G	ASGI_2010_011	'TO->FROM'	'FPL SWITCH - WOODWARD 138KV CKT 1'	153	0.03311	124.7313	'GEN560585 1-G06-44-2	0.6000'
FDNS	02ALL		0 11G	G10_011	'TO->FROM'	'FPL SWITCH - WOODWARD 138KV CKT 1'	153	0.03294	124.7313	'GEN560585 1-G06-44-2	0.6000'
FDNS	02ALL		0 11G	G10_014	'TO->FROM'	'FPL SWITCH - WOODWARD 138KV CKT 1'	153	0.04004	124.7313	'GEN560585 1-G06-44-2	0.6000'
FDNS	02ALL		0 11G	G09_067S	'FROM->TO'	'ELK CITY 230KV (ELKCTY-6) 230/138/13.8KV TRANSFORMER CKT 1'	287	0.06629	102.8742	'GEN560585 1-G06-44-2	0.6000'

SOLUTION	GROUP	SCENARIO	SEASON	SOURCE	DIRECTION	MONITORED ELEMENT	RATE B	TDF	TC%	LOADING	CONTINGENCY	NAME
						COMMON NAME						
FDNS	02ALL		0 11G	G08_022	'FROM->TO'	'ELK CITY 230KV (ELKCTY-6) 230/138/13.8KV TRANSFORMER CKT 1'	287	0.06759	102.8742	'GEN560585 1-G06-44-2	0.6000'	
FDNS	02ALL		0 11G	G08_088	'FROM->TO'	'ELK CITY 230KV (ELKCTY-6) 230/138/13.8KV TRANSFORMER CKT 1'	287	0.11358	102.8742	'GEN560585 1-G06-44-2	0.6000'	
FDNS	02ALL		0 11G	G08_110	'FROM->TO'	'ELK CITY 230KV (ELKCTY-6) 230/138/13.8KV TRANSFORMER CKT 1'	287	0.03756	102.8742	'GEN560585 1-G06-44-2	0.6000'	
FDNS	02ALL		0 11G	G10_007	'FROM->TO'	'ELK CITY 230KV (ELKCTY-6) 230/138/13.8KV TRANSFORMER CKT 1'	287	0.10175	102.8742	'GEN560585 1-G06-44-2	0.6000'	
FDNS	02ALL		0 11G	ASGI_2010_011	'FROM->TO'	'ELK CITY 230KV (ELKCTY-6) 230/138/13.8KV TRANSFORMER CKT 1'	287	0.05951	102.8742	'GEN560585 1-G06-44-2	0.6000'	
FDNS	02ALL		0 11G	G10_014	'FROM->TO'	'ELK CITY 230KV (ELKCTY-6) 230/138/13.8KV TRANSFORMER CKT 1'	287	0.03756	102.8742	'GEN560585 1-G06-44-2	0.6000'	
FDNS	02ALL		0 11G	G09_067S	'FROM->TO'	'ELK CITY 230KV (ELKCTY-6) 230/138/13.8KV TRANSFORMER CKT 1'	287	0.06629	102.0033	'GEN560585 1-G06-44-2	0.6000'	
FDNS	02ALL		0 11G	G08_022	'FROM->TO'	'ELK CITY 230KV (ELKCTY-6) 230/138/13.8KV TRANSFORMER CKT 1'	287	0.06759	102.0033	'GEN560585 1-G06-44-2	0.6000'	
FDNS	02ALL		0 11G	G08_088	'FROM->TO'	'ELK CITY 230KV (ELKCTY-6) 230/138/13.8KV TRANSFORMER CKT 1'	287	0.11358	102.0033	'GEN560585 1-G06-44-2	0.6000'	
FDNS	02ALL		0 11G	G08_110	'FROM->TO'	'ELK CITY 230KV (ELKCTY-6) 230/138/13.8KV TRANSFORMER CKT 1'	287	0.03756	102.0033	'GEN560585 1-G06-44-2	0.6000'	
FDNS	02ALL		0 11G	G10_007	'FROM->TO'	'ELK CITY 230KV (ELKCTY-6) 230/138/13.8KV TRANSFORMER CKT 1'	287	0.10175	102.0033	'GEN560585 1-G06-44-2	0.6000'	
FDNS	02ALL		0 11G	ASGI_2010_011	'FROM->TO'	'ELK CITY 230KV (ELKCTY-6) 230/138/13.8KV TRANSFORMER CKT 1'	287	0.05951	102.0033	'GEN560585 1-G06-44-2	0.6000'	
FDNS	02ALL		0 11G	G10_014	'FROM->TO'	'ELK CITY 230KV (ELKCTY-6) 230/138/13.8KV TRANSFORMER CKT 1'	287	0.03756	102.0033	'GEN560585 1-G06-44-2	0.6000'	
FDNS	02ALL		0 11G	G08_044	'TO->FROM'	'FPL SWITCH - WOODWARD 138KV CKT 1'	153	0.03294	123.0551	'GEN560586 1-G06-44-3	0.6000'	
FDNS	02ALL		0 11G	G08_047	'TO->FROM'	'FPL SWITCH - WOODWARD 138KV CKT 1'	153	0.05253	123.0551	'GEN560586 1-G06-44-3	0.6000'	
FDNS	02ALL		0 11G	G08_110	'TO->FROM'	'FPL SWITCH - WOODWARD 138KV CKT 1'	153	0.04004	123.0551	'GEN560586 1-G06-44-3	0.6000'	
FDNS	02ALL		0 11G	ASGI_2010_011	'TO->FROM'	'FPL SWITCH - WOODWARD 138KV CKT 1'	153	0.03311	123.0551	'GEN560586 1-G06-44-3	0.6000'	
FDNS	02ALL		0 11G	G10_011	'TO->FROM'	'FPL SWITCH - WOODWARD 138KV CKT 1'	153	0.03294	123.0551	'GEN560586 1-G06-44-3	0.6000'	
FDNS	02ALL		0 11G	G10_014	'TO->FROM'	'FPL SWITCH - WOODWARD 138KV CKT 1'	153	0.04004	123.0551	'GEN560586 1-G06-44-3	0.6000'	
FDNS	02ALL		0 11G	G09_067S	'FROM->TO'	'ELK CITY 230KV (ELKCTY-6) 230/138/13.8KV TRANSFORMER CKT 1'	287	0.06629	102.1198	'GEN560586 1-G06-44-3	0.6000'	
FDNS	02ALL		0 11G	G08_022	'FROM->TO'	'ELK CITY 230KV (ELKCTY-6) 230/138/13.8KV TRANSFORMER CKT 1'	287	0.06759	102.1198	'GEN560586 1-G06-44-3	0.6000'	
FDNS	02ALL		0 11G	G08_088	'FROM->TO'	'ELK CITY 230KV (ELKCTY-6) 230/138/13.8KV TRANSFORMER CKT 1'	287	0.11358	102.1198	'GEN560586 1-G06-44-3	0.6000'	
FDNS	02ALL		0 11G	G08_110	'FROM->TO'	'ELK CITY 230KV (ELKCTY-6) 230/138/13.8KV TRANSFORMER CKT 1'	287	0.03756	102.1198	'GEN560586 1-G06-44-3	0.6000'	
FDNS	02ALL		0 11G	G10_007	'FROM->TO'	'ELK CITY 230KV (ELKCTY-6) 230/138/13.8KV TRANSFORMER CKT 1'	287	0.10175	102.1198	'GEN560586 1-G06-44-3	0.6000'	
FDNS	02ALL		0 11G	ASGI_2010_011	'FROM->TO'	'ELK CITY 230KV (ELKCTY-6) 230/138/13.8KV TRANSFORMER CKT 1'	287	0.05951	102.1198	'GEN560586 1-G06-44-3	0.6000'	
FDNS	02ALL		0 11G	G10_014	'FROM->TO'	'ELK CITY 230KV (ELKCTY-6) 230/138/13.8KV TRANSFORMER CKT 1'	287	0.03756	102.1198	'GEN560586 1-G06-44-3	0.6000'	
FDNS	02ALL		0 11G	G09_067S	'FROM->TO'	'ELK CITY 230KV (ELKCTY-6) 230/138/13.8KV TRANSFORMER CKT 1'	287	0.06629	101.2733	'GEN560586 1-G06-44-3	0.6000'	
FDNS	02ALL		0 11G	G08_022	'FROM->TO'	'ELK CITY 230KV (ELKCTY-6) 230/138/13.8KV TRANSFORMER CKT 1'	287	0.06759	101.2733	'GEN560586 1-G06-44-3	0.6000'	
FDNS	02ALL		0 11G	G08_088	'FROM->TO'	'ELK CITY 230KV (ELKCTY-6) 230/138/13.8KV TRANSFORMER CKT 1'	287	0.11358	101.2733	'GEN560586 1-G06-44-3	0.6000'	

SOLUTION	GROUP	SCENARIO	SEASON	SOURCE	DIRECTION	MONITORED ELEMENT	RATE B	TDF	TC%	LOADING	CONTINGENCY NAME
						COMMON NAME					
FDNS	02ALL		0 11G	G08_110	'FROM->TO'	'ELK CITY 230KV (ELKCTY-6) 230/138/13.8KV TRANSFORMER CKT 1'	287	0.03756	101.2733	'GEN560586 1-G06-44-3	0.6000'
FDNS	02ALL		0 11G	G10_007	'FROM->TO'	'ELK CITY 230KV (ELKCTY-6) 230/138/13.8KV TRANSFORMER CKT 1'	287	0.10175	101.2733	'GEN560586 1-G06-44-3	0.6000'
FDNS	02ALL		0 11G	ASGI_2010_011	'FROM->TO'	'ELK CITY 230KV (ELKCTY-6) 230/138/13.8KV TRANSFORMER CKT 1'	287	0.05951	101.2733	'GEN560586 1-G06-44-3	0.6000'
FDNS	02ALL		0 11G	G10_014	'FROM->TO'	'ELK CITY 230KV (ELKCTY-6) 230/138/13.8KV TRANSFORMER CKT 1'	287	0.03756	101.2733	'GEN560586 1-G06-44-3	0.6000'
FDNS	02ALL		0 11G	G09_067S	'FROM->TO'	'ELK CITY 230KV (ELKCTY-6) 230/138/13.8KV TRANSFORMER CKT 1'	287	0.06629	103.2854	'GEN560592 1-G06-45	0.6000'
FDNS	02ALL		0 11G	G08_022	'FROM->TO'	'ELK CITY 230KV (ELKCTY-6) 230/138/13.8KV TRANSFORMER CKT 1'	287	0.06759	103.2854	'GEN560592 1-G06-45	0.6000'
FDNS	02ALL		0 11G	G08_088	'FROM->TO'	'ELK CITY 230KV (ELKCTY-6) 230/138/13.8KV TRANSFORMER CKT 1'	287	0.11358	103.2854	'GEN560592 1-G06-45	0.6000'
FDNS	02ALL		0 11G	G08_110	'FROM->TO'	'ELK CITY 230KV (ELKCTY-6) 230/138/13.8KV TRANSFORMER CKT 1'	287	0.03756	103.2854	'GEN560592 1-G06-45	0.6000'
FDNS	02ALL		0 11G	G10_007	'FROM->TO'	'ELK CITY 230KV (ELKCTY-6) 230/138/13.8KV TRANSFORMER CKT 1'	287	0.10175	103.2854	'GEN560592 1-G06-45	0.6000'
FDNS	02ALL		0 11G	ASGI_2010_011	'FROM->TO'	'ELK CITY 230KV (ELKCTY-6) 230/138/13.8KV TRANSFORMER CKT 1'	287	0.05951	103.2854	'GEN560592 1-G06-45	0.6000'
FDNS	02ALL		0 11G	G10_014	'FROM->TO'	'ELK CITY 230KV (ELKCTY-6) 230/138/13.8KV TRANSFORMER CKT 1'	287	0.03756	103.2854	'GEN560592 1-G06-45	0.6000'
FDNS	02ALL		0 11G	G09_067S	'FROM->TO'	'ELK CITY 230KV (ELKCTY-6) 230/138/13.8KV TRANSFORMER CKT 1'	287	0.06629	102.403	'GEN560592 1-G06-45	0.6000'
FDNS	02ALL		0 11G	G08_022	'FROM->TO'	'ELK CITY 230KV (ELKCTY-6) 230/138/13.8KV TRANSFORMER CKT 1'	287	0.06759	102.403	'GEN560592 1-G06-45	0.6000'
FDNS	02ALL		0 11G	G08_088	'FROM->TO'	'ELK CITY 230KV (ELKCTY-6) 230/138/13.8KV TRANSFORMER CKT 1'	287	0.11358	102.403	'GEN560592 1-G06-45	0.6000'
FDNS	02ALL		0 11G	G08_110	'FROM->TO'	'ELK CITY 230KV (ELKCTY-6) 230/138/13.8KV TRANSFORMER CKT 1'	287	0.03756	102.403	'GEN560592 1-G06-45	0.6000'
FDNS	02ALL		0 11G	G10_007	'FROM->TO'	'ELK CITY 230KV (ELKCTY-6) 230/138/13.8KV TRANSFORMER CKT 1'	287	0.10175	102.403	'GEN560592 1-G06-45	0.6000'
FDNS	02ALL		0 11G	ASGI_2010_011	'FROM->TO'	'ELK CITY 230KV (ELKCTY-6) 230/138/13.8KV TRANSFORMER CKT 1'	287	0.05951	102.403	'GEN560592 1-G06-45	0.6000'
FDNS	02ALL		0 11G	G10_014	'FROM->TO'	'ELK CITY 230KV (ELKCTY-6) 230/138/13.8KV TRANSFORMER CKT 1'	287	0.03756	102.403	'GEN560592 1-G06-45	0.6000'
FDNS	02ALL		0 11G	G09_067S	'FROM->TO'	'ELK CITY 230KV (ELKCTY-6) 230/138/13.8KV TRANSFORMER CKT 1'	287	0.06629	103.2874	'GEN560595 1-G06-47	0.6000'
FDNS	02ALL		0 11G	G08_022	'FROM->TO'	'ELK CITY 230KV (ELKCTY-6) 230/138/13.8KV TRANSFORMER CKT 1'	287	0.06759	103.2874	'GEN560595 1-G06-47	0.6000'
FDNS	02ALL		0 11G	G08_088	'FROM->TO'	'ELK CITY 230KV (ELKCTY-6) 230/138/13.8KV TRANSFORMER CKT 1'	287	0.11358	103.2874	'GEN560595 1-G06-47	0.6000'
FDNS	02ALL		0 11G	G08_110	'FROM->TO'	'ELK CITY 230KV (ELKCTY-6) 230/138/13.8KV TRANSFORMER CKT 1'	287	0.03756	103.2874	'GEN560595 1-G06-47	0.6000'
FDNS	02ALL		0 11G	G10_007	'FROM->TO'	'ELK CITY 230KV (ELKCTY-6) 230/138/13.8KV TRANSFORMER CKT 1'	287	0.10175	103.2874	'GEN560595 1-G06-47	0.6000'
FDNS	02ALL		0 11G	ASGI_2010_011	'FROM->TO'	'ELK CITY 230KV (ELKCTY-6) 230/138/13.8KV TRANSFORMER CKT 1'	287	0.05951	103.2874	'GEN560595 1-G06-47	0.6000'
FDNS	02ALL		0 11G	G10_014	'FROM->TO'	'ELK CITY 230KV (ELKCTY-6) 230/138/13.8KV TRANSFORMER CKT 1'	287	0.03756	103.2874	'GEN560595 1-G06-47	0.6000'
FDNS	02ALL		0 11G	G09_067S	'FROM->TO'	'ELK CITY 230KV (ELKCTY-6) 230/138/13.8KV TRANSFORMER CKT 1'	287	0.06629	102.405	'GEN560595 1-G06-47	0.6000'
FDNS	02ALL		0 11G	G08_022	'FROM->TO'	'ELK CITY 230KV (ELKCTY-6) 230/138/13.8KV TRANSFORMER CKT 1'	287	0.06759	102.405	'GEN560595 1-G06-47	0.6000'
FDNS	02ALL		0 11G	G08_088	'FROM->TO'	'ELK CITY 230KV (ELKCTY-6) 230/138/13.8KV TRANSFORMER CKT 1'	287	0.11358	102.405	'GEN560595 1-G06-47	0.6000'
FDNS	02ALL		0 11G	G08_110	'FROM->TO'	'ELK CITY 230KV (ELKCTY-6) 230/138/13.8KV TRANSFORMER CKT 1'	287	0.03756	102.405	'GEN560595 1-G06-47	0.6000'

SOLUTION	GROUP	SCENARIO	SEASON	SOURCE	DIRECTION	MONITORED ELEMENT	RATE B	TDF	TC%	LOADING	CONTINGENCY NAME
						COMMON NAME					
FDNS	02ALL		0 11G	G10_007	'FROM->TO'	'ELK CITY 230KV (ELKCTY-6) 230/138/13.8KV TRANSFORMER CKT 1'	287	0.10175	102.405	'GEN560595 1-G06-47	0.6000'
FDNS	02ALL		0 11G	ASGI_2010_011	'FROM->TO'	'ELK CITY 230KV (ELKCTY-6) 230/138/13.8KV TRANSFORMER CKT 1'	287	0.05951	102.405	'GEN560595 1-G06-47	0.6000'
FDNS	02ALL		0 11G	G10_014	'FROM->TO'	'ELK CITY 230KV (ELKCTY-6) 230/138/13.8KV TRANSFORMER CKT 1'	287	0.03756	102.405	'GEN560595 1-G06-47	0.6000'
FDNS	02ALL		0 11G	G08_044	'TO->FROM'	'FPL SWITCH - WOODWARD 138KV CKT 1'	153	0.03294	119.1109	'GEN560598 1-G06-49	0.6000'
FDNS	02ALL		0 11G	G08_047	'TO->FROM'	'FPL SWITCH - WOODWARD 138KV CKT 1'	153	0.05253	119.1109	'GEN560598 1-G06-49	0.6000'
FDNS	02ALL		0 11G	G08_110	'TO->FROM'	'FPL SWITCH - WOODWARD 138KV CKT 1'	153	0.04004	119.1109	'GEN560598 1-G06-49	0.6000'
FDNS	02ALL		0 11G	ASGI_2010_011	'TO->FROM'	'FPL SWITCH - WOODWARD 138KV CKT 1'	153	0.03311	119.1109	'GEN560598 1-G06-49	0.6000'
FDNS	02ALL		0 11G	G10_011	'TO->FROM'	'FPL SWITCH - WOODWARD 138KV CKT 1'	153	0.03294	119.1109	'GEN560598 1-G06-49	0.6000'
FDNS	02ALL		0 11G	G10_014	'TO->FROM'	'FPL SWITCH - WOODWARD 138KV CKT 1'	153	0.04004	119.1109	'GEN560598 1-G06-49	0.6000'
FDNS	02ALL		0 11G	G09_067S	'FROM->TO'	'ELK CITY 230KV (ELKCTY-6) 230/138/13.8KV TRANSFORMER CKT 1'	287	0.06629	101.5037	'GEN560598 1-G06-49	0.6000'
FDNS	02ALL		0 11G	G08_022	'FROM->TO'	'ELK CITY 230KV (ELKCTY-6) 230/138/13.8KV TRANSFORMER CKT 1'	287	0.06759	101.5037	'GEN560598 1-G06-49	0.6000'
FDNS	02ALL		0 11G	G08_088	'FROM->TO'	'ELK CITY 230KV (ELKCTY-6) 230/138/13.8KV TRANSFORMER CKT 1'	287	0.11358	101.5037	'GEN560598 1-G06-49	0.6000'
FDNS	02ALL		0 11G	G08_110	'FROM->TO'	'ELK CITY 230KV (ELKCTY-6) 230/138/13.8KV TRANSFORMER CKT 1'	287	0.03756	101.5037	'GEN560598 1-G06-49	0.6000'
FDNS	02ALL		0 11G	G10_007	'FROM->TO'	'ELK CITY 230KV (ELKCTY-6) 230/138/13.8KV TRANSFORMER CKT 1'	287	0.10175	101.5037	'GEN560598 1-G06-49	0.6000'
FDNS	02ALL		0 11G	ASGI_2010_011	'FROM->TO'	'ELK CITY 230KV (ELKCTY-6) 230/138/13.8KV TRANSFORMER CKT 1'	287	0.05951	101.5037	'GEN560598 1-G06-49	0.6000'
FDNS	02ALL		0 11G	G10_014	'FROM->TO'	'ELK CITY 230KV (ELKCTY-6) 230/138/13.8KV TRANSFORMER CKT 1'	287	0.03756	101.5037	'GEN560598 1-G06-49	0.6000'
FDNS	02ALL		0 11G	G09_067S	'FROM->TO'	'ELK CITY 230KV (ELKCTY-6) 230/138/13.8KV TRANSFORMER CKT 1'	287	0.06629	100.6794	'GEN560598 1-G06-49	0.6000'
FDNS	02ALL		0 11G	G08_022	'FROM->TO'	'ELK CITY 230KV (ELKCTY-6) 230/138/13.8KV TRANSFORMER CKT 1'	287	0.06759	100.6794	'GEN560598 1-G06-49	0.6000'
FDNS	02ALL		0 11G	G08_088	'FROM->TO'	'ELK CITY 230KV (ELKCTY-6) 230/138/13.8KV TRANSFORMER CKT 1'	287	0.11358	100.6794	'GEN560598 1-G06-49	0.6000'
FDNS	02ALL		0 11G	G08_110	'FROM->TO'	'ELK CITY 230KV (ELKCTY-6) 230/138/13.8KV TRANSFORMER CKT 1'	287	0.03756	100.6794	'GEN560598 1-G06-49	0.6000'
FDNS	02ALL		0 11G	G10_007	'FROM->TO'	'ELK CITY 230KV (ELKCTY-6) 230/138/13.8KV TRANSFORMER CKT 1'	287	0.10175	100.6794	'GEN560598 1-G06-49	0.6000'
FDNS	02ALL		0 11G	ASGI_2010_011	'FROM->TO'	'ELK CITY 230KV (ELKCTY-6) 230/138/13.8KV TRANSFORMER CKT 1'	287	0.05951	100.6794	'GEN560598 1-G06-49	0.6000'
FDNS	02ALL		0 11G	G10_014	'FROM->TO'	'ELK CITY 230KV (ELKCTY-6) 230/138/13.8KV TRANSFORMER CKT 1'	287	0.03756	100.6794	'GEN560598 1-G06-49	0.6000'
FDNS	02ALL		0 11G	G09_067S	'FROM->TO'	'ELK CITY 230KV (ELKCTY-6) 230/138/13.8KV TRANSFORMER CKT 1'	287	0.06629	106.4299	'GEN560655 1-G07-32	12.000'
FDNS	02ALL		0 11G	G08_022	'FROM->TO'	'ELK CITY 230KV (ELKCTY-6) 230/138/13.8KV TRANSFORMER CKT 1'	287	0.06759	106.4299	'GEN560655 1-G07-32	12.000'
FDNS	02ALL		0 11G	G08_088	'FROM->TO'	'ELK CITY 230KV (ELKCTY-6) 230/138/13.8KV TRANSFORMER CKT 1'	287	0.11358	106.4299	'GEN560655 1-G07-32	12.000'
FDNS	02ALL		0 11G	G08_110	'FROM->TO'	'ELK CITY 230KV (ELKCTY-6) 230/138/13.8KV TRANSFORMER CKT 1'	287	0.03756	106.4299	'GEN560655 1-G07-32	12.000'
FDNS	02ALL		0 11G	G10_007	'FROM->TO'	'ELK CITY 230KV (ELKCTY-6) 230/138/13.8KV TRANSFORMER CKT 1'	287	0.10175	106.4299	'GEN560655 1-G07-32	12.000'
FDNS	02ALL		0 11G	ASGI_2010_011	'FROM->TO'	'ELK CITY 230KV (ELKCTY-6) 230/138/13.8KV TRANSFORMER CKT 1'	287	0.05951	106.4299	'GEN560655 1-G07-32	12.000'

SOLUTION	GROUP	SCENARIO	SEASON	SOURCE	DIRECTION	MONITORED ELEMENT	RATE B	TDF	TC%	LOADING	CONTINGENCY	NAME
						COMMON NAME						
FDNS	02ALL		0 11G	G10_014	'FROM->TO'	'ELK CITY 230KV (ELKCTY-6) 230/138/13.8KV TRANSFORMER CKT 1'	287	0.03756	106.4299	'GEN560655 1-G07-32	12.000'	
FDNS	02ALL		0 11G	G09_067S	'FROM->TO'	'ELK CITY 230KV (ELKCTY-6) 230/138/13.8KV TRANSFORMER CKT 1'	287	0.06629	105.4527	'GEN560655 1-G07-32	12.000'	
FDNS	02ALL		0 11G	G08_022	'FROM->TO'	'ELK CITY 230KV (ELKCTY-6) 230/138/13.8KV TRANSFORMER CKT 1'	287	0.06759	105.4527	'GEN560655 1-G07-32	12.000'	
FDNS	02ALL		0 11G	G08_088	'FROM->TO'	'ELK CITY 230KV (ELKCTY-6) 230/138/13.8KV TRANSFORMER CKT 1'	287	0.11358	105.4527	'GEN560655 1-G07-32	12.000'	
FDNS	02ALL		0 11G	G08_110	'FROM->TO'	'ELK CITY 230KV (ELKCTY-6) 230/138/13.8KV TRANSFORMER CKT 1'	287	0.03756	105.4527	'GEN560655 1-G07-32	12.000'	
FDNS	02ALL		0 11G	G10_007	'FROM->TO'	'ELK CITY 230KV (ELKCTY-6) 230/138/13.8KV TRANSFORMER CKT 1'	287	0.10175	105.4527	'GEN560655 1-G07-32	12.000'	
FDNS	02ALL		0 11G	ASGI_2010_011	'FROM->TO'	'ELK CITY 230KV (ELKCTY-6) 230/138/13.8KV TRANSFORMER CKT 1'	287	0.05951	105.4527	'GEN560655 1-G07-32	12.000'	
FDNS	02ALL		0 11G	G10_014	'FROM->TO'	'ELK CITY 230KV (ELKCTY-6) 230/138/13.8KV TRANSFORMER CKT 1'	287	0.03756	105.4527	'GEN560655 1-G07-32	12.000'	
FDNS	02ALL		0 11G	G08_088	'TO->FROM'	'DEAF SMITH COUNTY INTERCHANGE - S-RANDLCO 230.00 230KV CKT 1'	350	0.06268	100.1371	'GEN599891 1-OKLAUN'		
FDNS	02ALL		0 11G	G08_110	'TO->FROM'	'DEAF SMITH COUNTY INTERCHANGE - S-RANDLCO 230.00 230KV CKT 1'	350	0.04519	100.1371	'GEN599891 1-OKLAUN'		
FDNS	02ALL		0 11G	G10_007	'TO->FROM'	'DEAF SMITH COUNTY INTERCHANGE - S-RANDLCO 230.00 230KV CKT 1'	350	0.07221	100.1371	'GEN599891 1-OKLAUN'		
FDNS	02ALL		0 11G	ASGI_2010_011	'TO->FROM'	'DEAF SMITH COUNTY INTERCHANGE - S-RANDLCO 230.00 230KV CKT 1'	350	0.05655	100.1371	'GEN599891 1-OKLAUN'		
FDNS	02ALL		0 11G	G10_014	'TO->FROM'	'DEAF SMITH COUNTY INTERCHANGE - S-RANDLCO 230.00 230KV CKT 1'	350	0.04519	100.1371	'GEN599891 1-OKLAUN'		
FDNS	02ALL		0 11G	G08_044	'TO->FROM'	'FPL SWITCH - WOODWARD 138KV CKT 1'	153	0.03294	127.2859	'GEN640009 1-COOPER NUCLEAR STATION'		
FDNS	02ALL		0 11G	G08_047	'TO->FROM'	'FPL SWITCH - WOODWARD 138KV CKT 1'	153	0.05253	127.2859	'GEN640009 1-COOPER NUCLEAR STATION'		
FDNS	02ALL		0 11G	G08_110	'TO->FROM'	'FPL SWITCH - WOODWARD 138KV CKT 1'	153	0.04004	127.2859	'GEN640009 1-COOPER NUCLEAR STATION'		
FDNS	02ALL		0 11G	ASGI_2010_011	'TO->FROM'	'FPL SWITCH - WOODWARD 138KV CKT 1'	153	0.03311	127.2859	'GEN640009 1-COOPER NUCLEAR STATION'		
FDNS	02ALL		0 11G	G10_011	'TO->FROM'	'FPL SWITCH - WOODWARD 138KV CKT 1'	153	0.03294	127.2859	'GEN640009 1-COOPER NUCLEAR STATION'		
FDNS	02ALL		0 11G	G10_014	'TO->FROM'	'FPL SWITCH - WOODWARD 138KV CKT 1'	153	0.04004	127.2859	'GEN640009 1-COOPER NUCLEAR STATION'		
FDNS	02ALL		0 11G	G09_067S	'FROM->TO'	'ELK CITY 230KV (ELKCTY-6) 230/138/13.8KV TRANSFORMER CKT 1'	287	0.06629	107.2067	'GEN640009 1-COOPER NUCLEAR STATION'		
FDNS	02ALL		0 11G	G08_022	'FROM->TO'	'ELK CITY 230KV (ELKCTY-6) 230/138/13.8KV TRANSFORMER CKT 1'	287	0.06759	107.2067	'GEN640009 1-COOPER NUCLEAR STATION'		
FDNS	02ALL		0 11G	G08_088	'FROM->TO'	'ELK CITY 230KV (ELKCTY-6) 230/138/13.8KV TRANSFORMER CKT 1'	287	0.11358	107.2067	'GEN640009 1-COOPER NUCLEAR STATION'		
FDNS	02ALL		0 11G	G08_110	'FROM->TO'	'ELK CITY 230KV (ELKCTY-6) 230/138/13.8KV TRANSFORMER CKT 1'	287	0.03756	107.2067	'GEN640009 1-COOPER NUCLEAR STATION'		
FDNS	02ALL		0 11G	G10_007	'FROM->TO'	'ELK CITY 230KV (ELKCTY-6) 230/138/13.8KV TRANSFORMER CKT 1'	287	0.10175	107.2067	'GEN640009 1-COOPER NUCLEAR STATION'		
FDNS	02ALL		0 11G	ASGI_2010_011	'FROM->TO'	'ELK CITY 230KV (ELKCTY-6) 230/138/13.8KV TRANSFORMER CKT 1'	287	0.05951	107.2067	'GEN640009 1-COOPER NUCLEAR STATION'		
FDNS	02ALL		0 11G	G10_014	'FROM->TO'	'ELK CITY 230KV (ELKCTY-6) 230/138/13.8KV TRANSFORMER CKT 1'	287	0.03756	107.2067	'GEN640009 1-COOPER NUCLEAR STATION'		
FDNS	02ALL		0 11G	G09_067S	'FROM->TO'	'ELK CITY 230KV (ELKCTY-6) 230/138/13.8KV TRANSFORMER CKT 1'	287	0.06629	106.2124	'GEN640009 1-COOPER NUCLEAR STATION'		
FDNS	02ALL		0 11G	G08_022	'FROM->TO'	'ELK CITY 230KV (ELKCTY-6) 230/138/13.8KV TRANSFORMER CKT 1'	287	0.06759	106.2124	'GEN640009 1-COOPER NUCLEAR STATION'		
FDNS	02ALL		0 11G	G08_088	'FROM->TO'	'ELK CITY 230KV (ELKCTY-6) 230/138/13.8KV TRANSFORMER CKT 1'	287	0.11358	106.2124	'GEN640009 1-COOPER NUCLEAR STATION'		

SOLUTION	GROUP	SCENARIO	SEASON	SOURCE	DIRECTION	MONITORED ELEMENT	RATE B	TDF	TC%LOADING	CONTINGENCY NAME
						COMMON NAME				
FDNS	02ALL		0 11G	G08_110	'FROM->TO'	'ELK CITY 230KV (ELKCTY-6) 230/138/13.8KV TRANSFORMER CKT 1'	287	0.03756	106.2124	'GEN640009 1-COOPER NUCLEAR STATION'
FDNS	02ALL		0 11G	G10_007	'FROM->TO'	'ELK CITY 230KV (ELKCTY-6) 230/138/13.8KV TRANSFORMER CKT 1'	287	0.10175	106.2124	'GEN640009 1-COOPER NUCLEAR STATION'
FDNS	02ALL		0 11G	ASGI_2010_011	'FROM->TO'	'ELK CITY 230KV (ELKCTY-6) 230/138/13.8KV TRANSFORMER CKT 1'	287	0.05951	106.2124	'GEN640009 1-COOPER NUCLEAR STATION'
FDNS	02ALL		0 11G	G10_014	'FROM->TO'	'ELK CITY 230KV (ELKCTY-6) 230/138/13.8KV TRANSFORMER CKT 1'	287	0.03756	106.2124	'GEN640009 1-COOPER NUCLEAR STATION'
FDNS	02ALL		0 11G	G08_044	'TO->FROM'	'FPL SWITCH - WOODWARD 138KV CKT 1'	153	0.03294	126.0969	'GEN640010 1-GERALD GENTLEMAN STATION UNIT 1'
FDNS	02ALL		0 11G	G08_047	'TO->FROM'	'FPL SWITCH - WOODWARD 138KV CKT 1'	153	0.05253	126.0969	'GEN640010 1-GERALD GENTLEMAN STATION UNIT 1'
FDNS	02ALL		0 11G	G08_110	'TO->FROM'	'FPL SWITCH - WOODWARD 138KV CKT 1'	153	0.04004	126.0969	'GEN640010 1-GERALD GENTLEMAN STATION UNIT 1'
FDNS	02ALL		0 11G	ASGI_2010_011	'TO->FROM'	'FPL SWITCH - WOODWARD 138KV CKT 1'	153	0.03311	126.0969	'GEN640010 1-GERALD GENTLEMAN STATION UNIT 1'
FDNS	02ALL		0 11G	G10_011	'TO->FROM'	'FPL SWITCH - WOODWARD 138KV CKT 1'	153	0.03294	126.0969	'GEN640010 1-GERALD GENTLEMAN STATION UNIT 1'
FDNS	02ALL		0 11G	G10_014	'TO->FROM'	'FPL SWITCH - WOODWARD 138KV CKT 1'	153	0.04004	126.0969	'GEN640010 1-GERALD GENTLEMAN STATION UNIT 1'
FDNS	02ALL		0 11G	G08_044	'TO->FROM'	'FPL SWITCH - WOODWARD 138KV CKT 1'	153	0.03294	126.473	'GEN640011 2-GERALD GENTLEMAN STATION UNIT 2'
FDNS	02ALL		0 11G	G08_047	'TO->FROM'	'FPL SWITCH - WOODWARD 138KV CKT 1'	153	0.05253	126.473	'GEN640011 2-GERALD GENTLEMAN STATION UNIT 2'
FDNS	02ALL		0 11G	G08_110	'TO->FROM'	'FPL SWITCH - WOODWARD 138KV CKT 1'	153	0.04004	126.473	'GEN640011 2-GERALD GENTLEMAN STATION UNIT 2'
FDNS	02ALL		0 11G	ASGI_2010_011	'TO->FROM'	'FPL SWITCH - WOODWARD 138KV CKT 1'	153	0.03311	126.473	'GEN640011 2-GERALD GENTLEMAN STATION UNIT 2'
FDNS	02ALL		0 11G	G10_011	'TO->FROM'	'FPL SWITCH - WOODWARD 138KV CKT 1'	153	0.03294	126.473	'GEN640011 2-GERALD GENTLEMAN STATION UNIT 2'
FDNS	02ALL		0 11G	G10_014	'TO->FROM'	'FPL SWITCH - WOODWARD 138KV CKT 1'	153	0.04004	126.473	'GEN640011 2-GERALD GENTLEMAN STATION UNIT 2'
FDNS	02ALL		0 11G	G09_067S	'FROM->TO'	'ELK CITY 230KV (ELKCTY-6) 230/138/13.8KV TRANSFORMER CKT 1'	287	0.06629	106.3425	'GEN645001 1-FORT CALHOUN 1'
FDNS	02ALL		0 11G	G08_022	'FROM->TO'	'ELK CITY 230KV (ELKCTY-6) 230/138/13.8KV TRANSFORMER CKT 1'	287	0.06759	106.3425	'GEN645001 1-FORT CALHOUN 1'
FDNS	02ALL		0 11G	G08_088	'FROM->TO'	'ELK CITY 230KV (ELKCTY-6) 230/138/13.8KV TRANSFORMER CKT 1'	287	0.11358	106.3425	'GEN645001 1-FORT CALHOUN 1'
FDNS	02ALL		0 11G	G08_110	'FROM->TO'	'ELK CITY 230KV (ELKCTY-6) 230/138/13.8KV TRANSFORMER CKT 1'	287	0.03756	106.3425	'GEN645001 1-FORT CALHOUN 1'
FDNS	02ALL		0 11G	G10_007	'FROM->TO'	'ELK CITY 230KV (ELKCTY-6) 230/138/13.8KV TRANSFORMER CKT 1'	287	0.10175	106.3425	'GEN645001 1-FORT CALHOUN 1'
FDNS	02ALL		0 11G	ASGI_2010_011	'FROM->TO'	'ELK CITY 230KV (ELKCTY-6) 230/138/13.8KV TRANSFORMER CKT 1'	287	0.05951	106.3425	'GEN645001 1-FORT CALHOUN 1'
FDNS	02ALL		0 11G	G10_014	'FROM->TO'	'ELK CITY 230KV (ELKCTY-6) 230/138/13.8KV TRANSFORMER CKT 1'	287	0.03756	106.3425	'GEN645001 1-FORT CALHOUN 1'
FDNS	02ALL		0 11G	G09_067S	'FROM->TO'	'ELK CITY 230KV (ELKCTY-6) 230/138/13.8KV TRANSFORMER CKT 1'	287	0.06629	105.3695	'GEN645001 1-FORT CALHOUN 1'
FDNS	02ALL		0 11G	G08_022	'FROM->TO'	'ELK CITY 230KV (ELKCTY-6) 230/138/13.8KV TRANSFORMER CKT 1'	287	0.06759	105.3695	'GEN645001 1-FORT CALHOUN 1'
FDNS	02ALL		0 11G	G08_088	'FROM->TO'	'ELK CITY 230KV (ELKCTY-6) 230/138/13.8KV TRANSFORMER CKT 1'	287	0.11358	105.3695	'GEN645001 1-FORT CALHOUN 1'
FDNS	02ALL		0 11G	G08_110	'FROM->TO'	'ELK CITY 230KV (ELKCTY-6) 230/138/13.8KV TRANSFORMER CKT 1'	287	0.03756	105.3695	'GEN645001 1-FORT CALHOUN 1'
FDNS	02ALL		0 11G	G10_007	'FROM->TO'	'ELK CITY 230KV (ELKCTY-6) 230/138/13.8KV TRANSFORMER CKT 1'	287	0.10175	105.3695	'GEN645001 1-FORT CALHOUN 1'
FDNS	02ALL		0 11G	ASGI_2010_011	'FROM->TO'	'ELK CITY 230KV (ELKCTY-6) 230/138/13.8KV TRANSFORMER CKT 1'	287	0.05951	105.3695	'GEN645001 1-FORT CALHOUN 1'

SOLUTION	GROUP	SCENARIO	SEASON	SOURCE	DIRECTION	MONITORED ELEMENT	RATE B	TDF	TC%	LOADING	CONTINGENCY NAME
						COMMON NAME					
FNSL	02ALL		0 11G	G08_044	'TO->FROM'	'FPL SWITCH - WOODWARD 138KV CKT 1'	153	0.03294	134.7564	'GEN336153 1-WATERFORD UNIT#3'	
FNSL	02ALL		0 11G	G08_047	'TO->FROM'	'FPL SWITCH - WOODWARD 138KV CKT 1'	153	0.05253	134.7564	'GEN336153 1-WATERFORD UNIT#3'	
FNSL	02ALL		0 11G	G08_110	'TO->FROM'	'FPL SWITCH - WOODWARD 138KV CKT 1'	153	0.04004	134.7564	'GEN336153 1-WATERFORD UNIT#3'	
FNSL	02ALL		0 11G	ASGI_2010_011	'TO->FROM'	'FPL SWITCH - WOODWARD 138KV CKT 1'	153	0.03311	134.7564	'GEN336153 1-WATERFORD UNIT#3'	
FNSL	02ALL		0 11G	G10_011	'TO->FROM'	'FPL SWITCH - WOODWARD 138KV CKT 1'	153	0.03294	134.7564	'GEN336153 1-WATERFORD UNIT#3'	
FNSL	02ALL		0 11G	G10_014	'TO->FROM'	'FPL SWITCH - WOODWARD 138KV CKT 1'	153	0.04004	134.7564	'GEN336153 1-WATERFORD UNIT#3'	
FNSL	02ALL		0 11G	G09_067S	'FROM->TO'	'ELK CITY 230KV (ELKCTY-6) 230/138/13.8KV TRANSFORMER CKT 1'	287	0.06629	112.3241	'GEN336153 1-WATERFORD UNIT#3'	
FNSL	02ALL		0 11G	G08_022	'FROM->TO'	'ELK CITY 230KV (ELKCTY-6) 230/138/13.8KV TRANSFORMER CKT 1'	287	0.06759	112.3241	'GEN336153 1-WATERFORD UNIT#3'	
FNSL	02ALL		0 11G	G08_088	'FROM->TO'	'ELK CITY 230KV (ELKCTY-6) 230/138/13.8KV TRANSFORMER CKT 1'	287	0.11358	112.3241	'GEN336153 1-WATERFORD UNIT#3'	
FNSL	02ALL		0 11G	G08_110	'FROM->TO'	'ELK CITY 230KV (ELKCTY-6) 230/138/13.8KV TRANSFORMER CKT 1'	287	0.03756	112.3241	'GEN336153 1-WATERFORD UNIT#3'	
FNSL	02ALL		0 11G	G10_007	'FROM->TO'	'ELK CITY 230KV (ELKCTY-6) 230/138/13.8KV TRANSFORMER CKT 1'	287	0.10175	112.3241	'GEN336153 1-WATERFORD UNIT#3'	
FNSL	02ALL		0 11G	ASGI_2010_011	'FROM->TO'	'ELK CITY 230KV (ELKCTY-6) 230/138/13.8KV TRANSFORMER CKT 1'	287	0.05951	112.3241	'GEN336153 1-WATERFORD UNIT#3'	
FNSL	02ALL		0 11G	G10_014	'FROM->TO'	'ELK CITY 230KV (ELKCTY-6) 230/138/13.8KV TRANSFORMER CKT 1'	287	0.03756	112.3241	'GEN336153 1-WATERFORD UNIT#3'	
FNSL	02ALL		0 11G	G09_067S	'FROM->TO'	'ELK CITY 230KV (ELKCTY-6) 230/138/13.8KV TRANSFORMER CKT 1'	287	0.06629	111.1829	'GEN336153 1-WATERFORD UNIT#3'	
FNSL	02ALL		0 11G	G08_022	'FROM->TO'	'ELK CITY 230KV (ELKCTY-6) 230/138/13.8KV TRANSFORMER CKT 1'	287	0.06759	111.1829	'GEN336153 1-WATERFORD UNIT#3'	
FNSL	02ALL		0 11G	G08_088	'FROM->TO'	'ELK CITY 230KV (ELKCTY-6) 230/138/13.8KV TRANSFORMER CKT 1'	287	0.11358	111.1829	'GEN336153 1-WATERFORD UNIT#3'	
FNSL	02ALL		0 11G	G08_110	'FROM->TO'	'ELK CITY 230KV (ELKCTY-6) 230/138/13.8KV TRANSFORMER CKT 1'	287	0.03756	111.1829	'GEN336153 1-WATERFORD UNIT#3'	
FNSL	02ALL		0 11G	G10_007	'FROM->TO'	'ELK CITY 230KV (ELKCTY-6) 230/138/13.8KV TRANSFORMER CKT 1'	287	0.10175	111.1829	'GEN336153 1-WATERFORD UNIT#3'	
FNSL	02ALL		0 11G	ASGI_2010_011	'FROM->TO'	'ELK CITY 230KV (ELKCTY-6) 230/138/13.8KV TRANSFORMER CKT 1'	287	0.05951	111.1829	'GEN336153 1-WATERFORD UNIT#3'	
FNSL	02ALL		0 11G	G10_014	'FROM->TO'	'ELK CITY 230KV (ELKCTY-6) 230/138/13.8KV TRANSFORMER CKT 1'	287	0.03756	111.1829	'GEN336153 1-WATERFORD UNIT#3'	
FNSL-Blown up	02ALL		0 11G	G08_047		Non Converged Contingency	1052	0.13869	86.10755	'FINNEY SWITCHING STATION - STEVENSCO 345.00 345KV CKT 1'	
FNSL-Blown up	02ALL		0 11G	G09_067S		Non Converged Contingency	1052	0.11593	86.10755	'FINNEY SWITCHING STATION - STEVENSCO 345.00 345KV CKT 1'	
FNSL-Blown up	02ALL		0 11G	G08_022		Non Converged Contingency	1052	0.11739	86.10755	'FINNEY SWITCHING STATION - STEVENSCO 345.00 345KV CKT 1'	
FNSL-Blown up	02ALL		0 11G	G10_008		Non Converged Contingency	1052	0.0373	86.10755	'FINNEY SWITCHING STATION - STEVENSCO 345.00 345KV CKT 1'	
FNSL-Blown up	02ALL		0 11G	G08_088		Non Converged Contingency	1052	0.15365	86.10755	'FINNEY SWITCHING STATION - STEVENSCO 345.00 345KV CKT 1'	
FNSL-Blown up	02ALL		0 11G	G10_007		Non Converged Contingency	1052	0.17096	86.10755	'FINNEY SWITCHING STATION - STEVENSCO 345.00 345KV CKT 1'	
FDNS	02ALL		0 11G	G09_067S	'FROM->TO'	'ELK CITY 230KV (ELKCTY-6) 230/138/13.8KV TRANSFORMER CKT 1'	287	0.06714	105.5208	'CLARENDON REC - HEDLEY 69KV CKT 1'	
FDNS	02ALL		0 11G	G08_022	'FROM->TO'	'ELK CITY 230KV (ELKCTY-6) 230/138/13.8KV TRANSFORMER CKT 1'	287	0.06846	105.5208	'CLARENDON REC - HEDLEY 69KV CKT 1'	
FDNS	02ALL		0 11G	G08_088	'FROM->TO'	'ELK CITY 230KV (ELKCTY-6) 230/138/13.8KV TRANSFORMER CKT 1'	287	0.1152	105.5208	'CLARENDON REC - HEDLEY 69KV CKT 1'	

SOLUTION	GROUP	SCENARIO	SEASON	SOURCE	DIRECTION	MONITORED ELEMENT	RATE B	TDF	TC%	LOADING	CONTINGENCY NAME
						COMMON NAME					
FDNS	02ALL		0 11G	G08_110	'FROM->TO'	'ELK CITY 230KV (ELKCTY-6) 230/138/13.8KV TRANSFORMER CKT 1'	287	0.03813	105.5208	'CLARENDON REC - HEDLEY 69KV CKT 1'	
FDNS	02ALL		0 11G	G10_007	'FROM->TO'	'ELK CITY 230KV (ELKCTY-6) 230/138/13.8KV TRANSFORMER CKT 1'	287	0.10321	105.5208	'CLARENDON REC - HEDLEY 69KV CKT 1'	
FDNS	02ALL		0 11G	ASGI_2010_011	'FROM->TO'	'ELK CITY 230KV (ELKCTY-6) 230/138/13.8KV TRANSFORMER CKT 1'	287	0.06037	105.5208	'CLARENDON REC - HEDLEY 69KV CKT 1'	
FDNS	02ALL		0 11G	G10_014	'FROM->TO'	'ELK CITY 230KV (ELKCTY-6) 230/138/13.8KV TRANSFORMER CKT 1'	287	0.03813	105.5208	'CLARENDON REC - HEDLEY 69KV CKT 1'	
FDNS	02ALL		0 11G	G09_067S	'FROM->TO'	'ELK CITY 230KV (ELKCTY-6) 230/138/13.8KV TRANSFORMER CKT 1'	287	0.06714	106.4222	'HEDLEY - NORTH MEMPHIS REC 69KV CKT 1'	
FDNS	02ALL		0 11G	G08_022	'FROM->TO'	'ELK CITY 230KV (ELKCTY-6) 230/138/13.8KV TRANSFORMER CKT 1'	287	0.06846	106.4222	'HEDLEY - NORTH MEMPHIS REC 69KV CKT 1'	
FDNS	02ALL		0 11G	G08_088	'FROM->TO'	'ELK CITY 230KV (ELKCTY-6) 230/138/13.8KV TRANSFORMER CKT 1'	287	0.1152	106.4222	'HEDLEY - NORTH MEMPHIS REC 69KV CKT 1'	
FDNS	02ALL		0 11G	G08_110	'FROM->TO'	'ELK CITY 230KV (ELKCTY-6) 230/138/13.8KV TRANSFORMER CKT 1'	287	0.03813	106.4222	'HEDLEY - NORTH MEMPHIS REC 69KV CKT 1'	
FDNS	02ALL		0 11G	G10_007	'FROM->TO'	'ELK CITY 230KV (ELKCTY-6) 230/138/13.8KV TRANSFORMER CKT 1'	287	0.10321	106.4222	'HEDLEY - NORTH MEMPHIS REC 69KV CKT 1'	
FDNS	02ALL		0 11G	ASGI_2010_011	'FROM->TO'	'ELK CITY 230KV (ELKCTY-6) 230/138/13.8KV TRANSFORMER CKT 1'	287	0.06037	106.4222	'HEDLEY - NORTH MEMPHIS REC 69KV CKT 1'	
FDNS	02ALL		0 11G	G10_014	'FROM->TO'	'ELK CITY 230KV (ELKCTY-6) 230/138/13.8KV TRANSFORMER CKT 1'	287	0.03813	106.4222	'HEDLEY - NORTH MEMPHIS REC 69KV CKT 1'	
FDNS	02ALL		0 11G	G09_067S	'FROM->TO'	'ELK CITY 230KV (ELKCTY-6) 230/138/13.8KV TRANSFORMER CKT 1'	287	0.06714	105.4404	'HEDLEY - NORTH MEMPHIS REC 69KV CKT 1'	
FDNS	02ALL		0 11G	G08_022	'FROM->TO'	'ELK CITY 230KV (ELKCTY-6) 230/138/13.8KV TRANSFORMER CKT 1'	287	0.06846	105.4404	'HEDLEY - NORTH MEMPHIS REC 69KV CKT 1'	
FDNS	02ALL		0 11G	G08_088	'FROM->TO'	'ELK CITY 230KV (ELKCTY-6) 230/138/13.8KV TRANSFORMER CKT 1'	287	0.1152	105.4404	'HEDLEY - NORTH MEMPHIS REC 69KV CKT 1'	
FDNS	02ALL		0 11G	G08_110	'FROM->TO'	'ELK CITY 230KV (ELKCTY-6) 230/138/13.8KV TRANSFORMER CKT 1'	287	0.03813	105.4404	'HEDLEY - NORTH MEMPHIS REC 69KV CKT 1'	
FDNS	02ALL		0 11G	G10_007	'FROM->TO'	'ELK CITY 230KV (ELKCTY-6) 230/138/13.8KV TRANSFORMER CKT 1'	287	0.10321	105.4404	'HEDLEY - NORTH MEMPHIS REC 69KV CKT 1'	
FDNS	02ALL		0 11G	ASGI_2010_011	'FROM->TO'	'ELK CITY 230KV (ELKCTY-6) 230/138/13.8KV TRANSFORMER CKT 1'	287	0.06037	105.4404	'HEDLEY - NORTH MEMPHIS REC 69KV CKT 1'	
FDNS	02ALL		0 11G	G10_014	'FROM->TO'	'ELK CITY 230KV (ELKCTY-6) 230/138/13.8KV TRANSFORMER CKT 1'	287	0.03813	105.4404	'HEDLEY - NORTH MEMPHIS REC 69KV CKT 1'	
FDNS	02ALL		0 11G	G09_067S	'FROM->TO'	'ELK CITY 230KV (ELKCTY-6) 230/138/13.8KV TRANSFORMER CKT 1'	287	0.06901	108.6369	'CHILDRESS - HOLLIS TAP 138KV CKT 1'	
FDNS	02ALL		0 11G	G08_022	'FROM->TO'	'ELK CITY 230KV (ELKCTY-6) 230/138/13.8KV TRANSFORMER CKT 1'	287	0.07037	108.6369	'CHILDRESS - HOLLIS TAP 138KV CKT 1'	
FDNS	02ALL		0 11G	G08_088	'FROM->TO'	'ELK CITY 230KV (ELKCTY-6) 230/138/13.8KV TRANSFORMER CKT 1'	287	0.11876	108.6369	'CHILDRESS - HOLLIS TAP 138KV CKT 1'	
FDNS	02ALL		0 11G	G08_110	'FROM->TO'	'ELK CITY 230KV (ELKCTY-6) 230/138/13.8KV TRANSFORMER CKT 1'	287	0.03938	108.6369	'CHILDRESS - HOLLIS TAP 138KV CKT 1'	
FDNS	02ALL		0 11G	G10_007	'FROM->TO'	'ELK CITY 230KV (ELKCTY-6) 230/138/13.8KV TRANSFORMER CKT 1'	287	0.10642	108.6369	'CHILDRESS - HOLLIS TAP 138KV CKT 1'	
FDNS	02ALL		0 11G	ASGI_2010_011	'FROM->TO'	'ELK CITY 230KV (ELKCTY-6) 230/138/13.8KV TRANSFORMER CKT 1'	287	0.06227	108.6369	'CHILDRESS - HOLLIS TAP 138KV CKT 1'	
FDNS	02ALL		0 11G	G10_014	'FROM->TO'	'ELK CITY 230KV (ELKCTY-6) 230/138/13.8KV TRANSFORMER CKT 1'	287	0.03938	108.6369	'CHILDRESS - HOLLIS TAP 138KV CKT 1'	
FDNS	02ALL		0 11G	G09_067S	'FROM->TO'	'ELK CITY 230KV (ELKCTY-6) 230/138/13.8KV TRANSFORMER CKT 1'	287	0.06901	107.633	'CHILDRESS - HOLLIS TAP 138KV CKT 1'	
FDNS	02ALL		0 11G	G08_022	'FROM->TO'	'ELK CITY 230KV (ELKCTY-6) 230/138/13.8KV TRANSFORMER CKT 1'	287	0.07037	107.633	'CHILDRESS - HOLLIS TAP 138KV CKT 1'	
FDNS	02ALL		0 11G	G08_088	'FROM->TO'	'ELK CITY 230KV (ELKCTY-6) 230/138/13.8KV TRANSFORMER CKT 1'	287	0.11876	107.633	'CHILDRESS - HOLLIS TAP 138KV CKT 1'	
FDNS	02ALL		0 11G	G08_110	'FROM->TO'	'ELK CITY 230KV (ELKCTY-6) 230/138/13.8KV TRANSFORMER CKT 1'	287	0.03938	107.633	'CHILDRESS - HOLLIS TAP 138KV CKT 1'	

SOLUTION	GROUP	SCENARIO	SEASON	SOURCE	DIRECTION	MONITORED ELEMENT	RATE B	TDF	TC%	LOADING	CONTINGENCY NAME
						COMMON NAME					
FDNS	02ALL		0 11G	G10_007	'FROM->TO'	'ELK CITY 230KV (ELKCTY-6) 230/138/13.8KV TRANSFORMER CKT 1'	287	0.10642	107.633	'CHILDRESS - HOLLIS TAP 138KV CKT 1'	
FDNS	02ALL		0 11G	ASGI_2010_011	'FROM->TO'	'ELK CITY 230KV (ELKCTY-6) 230/138/13.8KV TRANSFORMER CKT 1'	287	0.06227	107.633	'CHILDRESS - HOLLIS TAP 138KV CKT 1'	
FDNS	02ALL		0 11G	G10_014	'FROM->TO'	'ELK CITY 230KV (ELKCTY-6) 230/138/13.8KV TRANSFORMER CKT 1'	287	0.03938	107.633	'CHILDRESS - HOLLIS TAP 138KV CKT 1'	
FDNS	02ALL		0 11G	G09_067S	'FROM->TO'	'ELK CITY 230KV (ELKCTY-6) 230/138/13.8KV TRANSFORMER CKT 1'	287	0.07133	111.126	'CHILDRESS - LAKE PAULINE 138KV CKT 1'	
FDNS	02ALL		0 11G	G08_022	'FROM->TO'	'ELK CITY 230KV (ELKCTY-6) 230/138/13.8KV TRANSFORMER CKT 1'	287	0.07274	111.126	'CHILDRESS - LAKE PAULINE 138KV CKT 1'	
FDNS	02ALL		0 11G	G08_088	'FROM->TO'	'ELK CITY 230KV (ELKCTY-6) 230/138/13.8KV TRANSFORMER CKT 1'	287	0.12317	111.126	'CHILDRESS - LAKE PAULINE 138KV CKT 1'	
FDNS	02ALL		0 11G	G08_110	'FROM->TO'	'ELK CITY 230KV (ELKCTY-6) 230/138/13.8KV TRANSFORMER CKT 1'	287	0.04093	111.126	'CHILDRESS - LAKE PAULINE 138KV CKT 1'	
FDNS	02ALL		0 11G	G10_007	'FROM->TO'	'ELK CITY 230KV (ELKCTY-6) 230/138/13.8KV TRANSFORMER CKT 1'	287	0.11039	111.126	'CHILDRESS - LAKE PAULINE 138KV CKT 1'	
FDNS	02ALL		0 11G	ASGI_2010_011	'FROM->TO'	'ELK CITY 230KV (ELKCTY-6) 230/138/13.8KV TRANSFORMER CKT 1'	287	0.06462	111.126	'CHILDRESS - LAKE PAULINE 138KV CKT 1'	
FDNS	02ALL		0 11G	G10_014	'FROM->TO'	'ELK CITY 230KV (ELKCTY-6) 230/138/13.8KV TRANSFORMER CKT 1'	287	0.04093	111.126	'CHILDRESS - LAKE PAULINE 138KV CKT 1'	
FDNS	02ALL		0 11G	G09_067S	'FROM->TO'	'ELK CITY 230KV (ELKCTY-6) 230/138/13.8KV TRANSFORMER CKT 1'	287	0.07133	110.041	'CHILDRESS - LAKE PAULINE 138KV CKT 1'	
FDNS	02ALL		0 11G	G08_022	'FROM->TO'	'ELK CITY 230KV (ELKCTY-6) 230/138/13.8KV TRANSFORMER CKT 1'	287	0.07274	110.041	'CHILDRESS - LAKE PAULINE 138KV CKT 1'	
FDNS	02ALL		0 11G	G08_088	'FROM->TO'	'ELK CITY 230KV (ELKCTY-6) 230/138/13.8KV TRANSFORMER CKT 1'	287	0.12317	110.041	'CHILDRESS - LAKE PAULINE 138KV CKT 1'	
FDNS	02ALL		0 11G	G08_110	'FROM->TO'	'ELK CITY 230KV (ELKCTY-6) 230/138/13.8KV TRANSFORMER CKT 1'	287	0.04093	110.041	'CHILDRESS - LAKE PAULINE 138KV CKT 1'	
FDNS	02ALL		0 11G	G10_007	'FROM->TO'	'ELK CITY 230KV (ELKCTY-6) 230/138/13.8KV TRANSFORMER CKT 1'	287	0.11039	110.041	'CHILDRESS - LAKE PAULINE 138KV CKT 1'	
FDNS	02ALL		0 11G	ASGI_2010_011	'FROM->TO'	'ELK CITY 230KV (ELKCTY-6) 230/138/13.8KV TRANSFORMER CKT 1'	287	0.06462	110.041	'CHILDRESS - LAKE PAULINE 138KV CKT 1'	
FDNS	02ALL		0 11G	G10_014	'FROM->TO'	'ELK CITY 230KV (ELKCTY-6) 230/138/13.8KV TRANSFORMER CKT 1'	287	0.04093	110.041	'CHILDRESS - LAKE PAULINE 138KV CKT 1'	
FDNS	02ALL		0 11G	G09_067S	'FROM->TO'	'ELK CITY 230KV (ELKCTY-6) 230/138/13.8KV TRANSFORMER CKT 1'	287	0.06901	108.7009	'HOLLIS TAP - WELLINGTON 138KV CKT 1'	
FDNS	02ALL		0 11G	G08_022	'FROM->TO'	'ELK CITY 230KV (ELKCTY-6) 230/138/13.8KV TRANSFORMER CKT 1'	287	0.07037	108.7009	'HOLLIS TAP - WELLINGTON 138KV CKT 1'	
FDNS	02ALL		0 11G	G08_088	'FROM->TO'	'ELK CITY 230KV (ELKCTY-6) 230/138/13.8KV TRANSFORMER CKT 1'	287	0.11876	108.7009	'HOLLIS TAP - WELLINGTON 138KV CKT 1'	
FDNS	02ALL		0 11G	G08_110	'FROM->TO'	'ELK CITY 230KV (ELKCTY-6) 230/138/13.8KV TRANSFORMER CKT 1'	287	0.03938	108.7009	'HOLLIS TAP - WELLINGTON 138KV CKT 1'	
FDNS	02ALL		0 11G	G10_007	'FROM->TO'	'ELK CITY 230KV (ELKCTY-6) 230/138/13.8KV TRANSFORMER CKT 1'	287	0.10642	108.7009	'HOLLIS TAP - WELLINGTON 138KV CKT 1'	
FDNS	02ALL		0 11G	ASGI_2010_011	'FROM->TO'	'ELK CITY 230KV (ELKCTY-6) 230/138/13.8KV TRANSFORMER CKT 1'	287	0.06227	108.7009	'HOLLIS TAP - WELLINGTON 138KV CKT 1'	
FDNS	02ALL		0 11G	G10_014	'FROM->TO'	'ELK CITY 230KV (ELKCTY-6) 230/138/13.8KV TRANSFORMER CKT 1'	287	0.03938	108.7009	'HOLLIS TAP - WELLINGTON 138KV CKT 1'	
FDNS	02ALL		0 11G	G09_067S	'FROM->TO'	'ELK CITY 230KV (ELKCTY-6) 230/138/13.8KV TRANSFORMER CKT 1'	287	0.06901	107.6868	'HOLLIS TAP - WELLINGTON 138KV CKT 1'	
FDNS	02ALL		0 11G	G08_022	'FROM->TO'	'ELK CITY 230KV (ELKCTY-6) 230/138/13.8KV TRANSFORMER CKT 1'	287	0.07037	107.6868	'HOLLIS TAP - WELLINGTON 138KV CKT 1'	
FDNS	02ALL		0 11G	G08_088	'FROM->TO'	'ELK CITY 230KV (ELKCTY-6) 230/138/13.8KV TRANSFORMER CKT 1'	287	0.11876	107.6868	'HOLLIS TAP - WELLINGTON 138KV CKT 1'	
FDNS	02ALL		0 11G	G08_110	'FROM->TO'	'ELK CITY 230KV (ELKCTY-6) 230/138/13.8KV TRANSFORMER CKT 1'	287	0.03938	107.6868	'HOLLIS TAP - WELLINGTON 138KV CKT 1'	
FDNS	02ALL		0 11G	G10_007	'FROM->TO'	'ELK CITY 230KV (ELKCTY-6) 230/138/13.8KV TRANSFORMER CKT 1'	287	0.10642	107.6868	'HOLLIS TAP - WELLINGTON 138KV CKT 1'	

SOLUTION	GROUP	SCENARIO	SEASON	SOURCE	DIRECTION	MONITORED ELEMENT	RATE B	TDF	TC%LOADING	CONTINGENCY NAME
						COMMON NAME				
FDNS	02ALL		0 11G	ASGI_2010_011	'FROM->TO'	'ELK CITY 230KV (ELKCTY-6) 230/138/13.8KV TRANSFORMER CKT 1'	287	0.06227	107.6868	'HOLLIS TAP - WELLINGTON 138KV CKT 1'
FDNS	02ALL		0 11G	G10_014	'FROM->TO'	'ELK CITY 230KV (ELKCTY-6) 230/138/13.8KV TRANSFORMER CKT 1'	287	0.03938	107.6868	'HOLLIS TAP - WELLINGTON 138KV CKT 1'
FDNS	02ALL		0 11G	G09_067S	'FROM->TO'	'ELK CITY 230KV (ELKCTY-6) 230/138/13.8KV TRANSFORMER CKT 1'	287	0.06901	109.4586	'SHAMROCK - WELLINGTON 138KV CKT 1'
FDNS	02ALL		0 11G	G08_022	'FROM->TO'	'ELK CITY 230KV (ELKCTY-6) 230/138/13.8KV TRANSFORMER CKT 1'	287	0.07037	109.4586	'SHAMROCK - WELLINGTON 138KV CKT 1'
FDNS	02ALL		0 11G	G08_088	'FROM->TO'	'ELK CITY 230KV (ELKCTY-6) 230/138/13.8KV TRANSFORMER CKT 1'	287	0.11876	109.4586	'SHAMROCK - WELLINGTON 138KV CKT 1'
FDNS	02ALL		0 11G	G08_110	'FROM->TO'	'ELK CITY 230KV (ELKCTY-6) 230/138/13.8KV TRANSFORMER CKT 1'	287	0.03938	109.4586	'SHAMROCK - WELLINGTON 138KV CKT 1'
FDNS	02ALL		0 11G	G10_007	'FROM->TO'	'ELK CITY 230KV (ELKCTY-6) 230/138/13.8KV TRANSFORMER CKT 1'	287	0.10642	109.4586	'SHAMROCK - WELLINGTON 138KV CKT 1'
FDNS	02ALL		0 11G	ASGI_2010_011	'FROM->TO'	'ELK CITY 230KV (ELKCTY-6) 230/138/13.8KV TRANSFORMER CKT 1'	287	0.06227	109.4586	'SHAMROCK - WELLINGTON 138KV CKT 1'
FDNS	02ALL		0 11G	G10_014	'FROM->TO'	'ELK CITY 230KV (ELKCTY-6) 230/138/13.8KV TRANSFORMER CKT 1'	287	0.03938	109.4586	'SHAMROCK - WELLINGTON 138KV CKT 1'
FDNS	02ALL		0 11G	G09_067S	'FROM->TO'	'ELK CITY 230KV (ELKCTY-6) 230/138/13.8KV TRANSFORMER CKT 1'	287	0.06901	108.4242	'SHAMROCK - WELLINGTON 138KV CKT 1'
FDNS	02ALL		0 11G	G08_022	'FROM->TO'	'ELK CITY 230KV (ELKCTY-6) 230/138/13.8KV TRANSFORMER CKT 1'	287	0.07037	108.4242	'SHAMROCK - WELLINGTON 138KV CKT 1'
FDNS	02ALL		0 11G	G08_088	'FROM->TO'	'ELK CITY 230KV (ELKCTY-6) 230/138/13.8KV TRANSFORMER CKT 1'	287	0.11876	108.4242	'SHAMROCK - WELLINGTON 138KV CKT 1'
FDNS	02ALL		0 11G	G08_110	'FROM->TO'	'ELK CITY 230KV (ELKCTY-6) 230/138/13.8KV TRANSFORMER CKT 1'	287	0.03938	108.4242	'SHAMROCK - WELLINGTON 138KV CKT 1'
FDNS	02ALL		0 11G	G10_007	'FROM->TO'	'ELK CITY 230KV (ELKCTY-6) 230/138/13.8KV TRANSFORMER CKT 1'	287	0.10642	108.4242	'SHAMROCK - WELLINGTON 138KV CKT 1'
FDNS	02ALL		0 11G	ASGI_2010_011	'FROM->TO'	'ELK CITY 230KV (ELKCTY-6) 230/138/13.8KV TRANSFORMER CKT 1'	287	0.06227	108.4242	'SHAMROCK - WELLINGTON 138KV CKT 1'
FDNS	02ALL		0 11G	G10_014	'FROM->TO'	'ELK CITY 230KV (ELKCTY-6) 230/138/13.8KV TRANSFORMER CKT 1'	287	0.03938	108.4242	'SHAMROCK - WELLINGTON 138KV CKT 1'
FDNS	02ALL		0 11G	G09_067S	'FROM->TO'	'ELK CITY 230KV (ELKCTY-6) 230/138/13.8KV TRANSFORMER CKT 1'	287	0.06901	110.4109	'MCLEAN RURAL SUB - SHAMROCK 115KV CKT 1'
FDNS	02ALL		0 11G	G08_022	'FROM->TO'	'ELK CITY 230KV (ELKCTY-6) 230/138/13.8KV TRANSFORMER CKT 1'	287	0.07037	110.4109	'MCLEAN RURAL SUB - SHAMROCK 115KV CKT 1'
FDNS	02ALL		0 11G	G08_088	'FROM->TO'	'ELK CITY 230KV (ELKCTY-6) 230/138/13.8KV TRANSFORMER CKT 1'	287	0.11876	110.4109	'MCLEAN RURAL SUB - SHAMROCK 115KV CKT 1'
FDNS	02ALL		0 11G	G08_110	'FROM->TO'	'ELK CITY 230KV (ELKCTY-6) 230/138/13.8KV TRANSFORMER CKT 1'	287	0.03938	110.4109	'MCLEAN RURAL SUB - SHAMROCK 115KV CKT 1'
FDNS	02ALL		0 11G	G10_007	'FROM->TO'	'ELK CITY 230KV (ELKCTY-6) 230/138/13.8KV TRANSFORMER CKT 1'	287	0.10642	110.4109	'MCLEAN RURAL SUB - SHAMROCK 115KV CKT 1'
FDNS	02ALL		0 11G	ASGI_2010_011	'FROM->TO'	'ELK CITY 230KV (ELKCTY-6) 230/138/13.8KV TRANSFORMER CKT 1'	287	0.06227	110.4109	'MCLEAN RURAL SUB - SHAMROCK 115KV CKT 1'
FDNS	02ALL		0 11G	G10_014	'FROM->TO'	'ELK CITY 230KV (ELKCTY-6) 230/138/13.8KV TRANSFORMER CKT 1'	287	0.03938	110.4109	'MCLEAN RURAL SUB - SHAMROCK 115KV CKT 1'
FDNS	02ALL		0 11G	G09_067S	'FROM->TO'	'ELK CITY 230KV (ELKCTY-6) 230/138/13.8KV TRANSFORMER CKT 1'	287	0.06901	109.3277	'MCLEAN RURAL SUB - SHAMROCK 115KV CKT 1'
FDNS	02ALL		0 11G	G08_022	'FROM->TO'	'ELK CITY 230KV (ELKCTY-6) 230/138/13.8KV TRANSFORMER CKT 1'	287	0.07037	109.3277	'MCLEAN RURAL SUB - SHAMROCK 115KV CKT 1'
FDNS	02ALL		0 11G	G08_088	'FROM->TO'	'ELK CITY 230KV (ELKCTY-6) 230/138/13.8KV TRANSFORMER CKT 1'	287	0.11876	109.3277	'MCLEAN RURAL SUB - SHAMROCK 115KV CKT 1'
FDNS	02ALL		0 11G	G08_110	'FROM->TO'	'ELK CITY 230KV (ELKCTY-6) 230/138/13.8KV TRANSFORMER CKT 1'	287	0.03938	109.3277	'MCLEAN RURAL SUB - SHAMROCK 115KV CKT 1'
FDNS	02ALL		0 11G	G10_007	'FROM->TO'	'ELK CITY 230KV (ELKCTY-6) 230/138/13.8KV TRANSFORMER CKT 1'	287	0.10642	109.3277	'MCLEAN RURAL SUB - SHAMROCK 115KV CKT 1'
FDNS	02ALL		0 11G	ASGI_2010_011	'FROM->TO'	'ELK CITY 230KV (ELKCTY-6) 230/138/13.8KV TRANSFORMER CKT 1'	287	0.06227	109.3277	'MCLEAN RURAL SUB - SHAMROCK 115KV CKT 1'

SOLUTION	GROUP	SCENARIO	SEASON	SOURCE	DIRECTION	MONITORED ELEMENT		RATE B	TDF	TC%	LOADING	CONTINGENCY NAME
						COMMON NAME						
FDNS	02ALL		0 11G	G10_014	'FROM->TO'	'ELK CITY 230KV (ELKCTY-6) 230/138/13.8KV TRANSFORMER CKT 1'		287	0.03938			'MCLEAN RURAL SUB - SHAMROCK 109.3277 115KV CKT 1'
FDNS	02ALL		0 11G	G09_067S	'FROM->TO'	'ELK CITY 230KV (ELKCTY-6) 230/138/13.8KV TRANSFORMER CKT 1'		287	0.06841			107.4225 'LAKE PAULINE - RUSSELL 138KV CKT 1'
FDNS	02ALL		0 11G	G08_022	'FROM->TO'	'ELK CITY 230KV (ELKCTY-6) 230/138/13.8KV TRANSFORMER CKT 1'		287	0.06976			107.4225 'LAKE PAULINE - RUSSELL 138KV CKT 1'
FDNS	02ALL		0 11G	G08_088	'FROM->TO'	'ELK CITY 230KV (ELKCTY-6) 230/138/13.8KV TRANSFORMER CKT 1'		287	0.1177			107.4225 'LAKE PAULINE - RUSSELL 138KV CKT 1'
FDNS	02ALL		0 11G	G08_110	'FROM->TO'	'ELK CITY 230KV (ELKCTY-6) 230/138/13.8KV TRANSFORMER CKT 1'		287	0.03902			107.4225 'LAKE PAULINE - RUSSELL 138KV CKT 1'
FDNS	02ALL		0 11G	G10_007	'FROM->TO'	'ELK CITY 230KV (ELKCTY-6) 230/138/13.8KV TRANSFORMER CKT 1'		287	0.10547			107.4225 'LAKE PAULINE - RUSSELL 138KV CKT 1'
FDNS	02ALL		0 11G	ASGI_2010_011	'FROM->TO'	'ELK CITY 230KV (ELKCTY-6) 230/138/13.8KV TRANSFORMER CKT 1'		287	0.06172			107.4225 'LAKE PAULINE - RUSSELL 138KV CKT 1'
FDNS	02ALL		0 11G	G10_014	'FROM->TO'	'ELK CITY 230KV (ELKCTY-6) 230/138/13.8KV TRANSFORMER CKT 1'		287	0.03902			107.4225 'LAKE PAULINE - RUSSELL 138KV CKT 1'
FDNS	02ALL		0 11G	G09_067S	'FROM->TO'	'ELK CITY 230KV (ELKCTY-6) 230/138/13.8KV TRANSFORMER CKT 1'		287	0.06841			106.4576 'LAKE PAULINE - RUSSELL 138KV CKT 1'
FDNS	02ALL		0 11G	G08_022	'FROM->TO'	'ELK CITY 230KV (ELKCTY-6) 230/138/13.8KV TRANSFORMER CKT 1'		287	0.06976			106.4576 'LAKE PAULINE - RUSSELL 138KV CKT 1'
FDNS	02ALL		0 11G	G08_088	'FROM->TO'	'ELK CITY 230KV (ELKCTY-6) 230/138/13.8KV TRANSFORMER CKT 1'		287	0.1177			106.4576 'LAKE PAULINE - RUSSELL 138KV CKT 1'
FDNS	02ALL		0 11G	G08_110	'FROM->TO'	'ELK CITY 230KV (ELKCTY-6) 230/138/13.8KV TRANSFORMER CKT 1'		287	0.03902			106.4576 'LAKE PAULINE - RUSSELL 138KV CKT 1'
FDNS	02ALL		0 11G	G10_007	'FROM->TO'	'ELK CITY 230KV (ELKCTY-6) 230/138/13.8KV TRANSFORMER CKT 1'		287	0.10547			106.4576 'LAKE PAULINE - RUSSELL 138KV CKT 1'
FDNS	02ALL		0 11G	ASGI_2010_011	'FROM->TO'	'ELK CITY 230KV (ELKCTY-6) 230/138/13.8KV TRANSFORMER CKT 1'		287	0.06172			106.4576 'LAKE PAULINE - RUSSELL 138KV CKT 1'
FDNS	02ALL		0 11G	G10_014	'FROM->TO'	'ELK CITY 230KV (ELKCTY-6) 230/138/13.8KV TRANSFORMER CKT 1'		287	0.03902			106.4576 'LAKE PAULINE - RUSSELL 138KV CKT 1'
FDNS	02ALL		0 11G	G08_044	'TO->FROM'	'FPL SWITCH - WOODWARD 138KV CKT 1'		153	0.03133			'WAUKOMIS - WAUKOMIS TAP 138KV 125.2626 CKT 1'
FDNS	02ALL		0 11G	G08_047	'TO->FROM'	'FPL SWITCH - WOODWARD 138KV CKT 1'		153	0.04965			'WAUKOMIS - WAUKOMIS TAP 138KV 125.2626 CKT 1'
FDNS	02ALL		0 11G	G08_110	'TO->FROM'	'FPL SWITCH - WOODWARD 138KV CKT 1'		153	0.03753			'WAUKOMIS - WAUKOMIS TAP 138KV 125.2626 CKT 1'
FDNS	02ALL		0 11G	ASGI_2010_011	'TO->FROM'	'FPL SWITCH - WOODWARD 138KV CKT 1'		153	0.03055			'WAUKOMIS - WAUKOMIS TAP 138KV 125.2626 CKT 1'
FDNS	02ALL		0 11G	G10_011	'TO->FROM'	'FPL SWITCH - WOODWARD 138KV CKT 1'		153	0.03133			'WAUKOMIS - WAUKOMIS TAP 138KV 125.2626 CKT 1'
FDNS	02ALL		0 11G	G10_014	'TO->FROM'	'FPL SWITCH - WOODWARD 138KV CKT 1'		153	0.03753			'WAUKOMIS - WAUKOMIS TAP 138KV 125.2626 CKT 1'
FDNS	02ALL		0 11G	G08_044	'TO->FROM'	'FPL SWITCH - WOODWARD 138KV CKT 1'		153	0.03133			124.8936 'HENESSEY - WAUKOMIS 138KV CKT 1'
FDNS	02ALL		0 11G	G08_047	'TO->FROM'	'FPL SWITCH - WOODWARD 138KV CKT 1'		153	0.04965			124.8936 'HENESSEY - WAUKOMIS 138KV CKT 1'
FDNS	02ALL		0 11G	G08_110	'TO->FROM'	'FPL SWITCH - WOODWARD 138KV CKT 1'		153	0.03753			124.8936 'HENESSEY - WAUKOMIS 138KV CKT 1'
FDNS	02ALL		0 11G	ASGI_2010_011	'TO->FROM'	'FPL SWITCH - WOODWARD 138KV CKT 1'		153	0.03055			124.8936 'HENESSEY - WAUKOMIS 138KV CKT 1'
FDNS	02ALL		0 11G	G10_011	'TO->FROM'	'FPL SWITCH - WOODWARD 138KV CKT 1'		153	0.03133			124.8936 'HENESSEY - WAUKOMIS 138KV CKT 1'
FDNS	02ALL		0 11G	G10_014	'TO->FROM'	'FPL SWITCH - WOODWARD 138KV CKT 1'		153	0.03753			124.8936 'HENESSEY - WAUKOMIS 138KV CKT 1'
FDNS	02ALL		0 11G	G08_044	'TO->FROM'	'FPL SWITCH - WOODWARD 138KV CKT 1'		153	0.03304			127.1272 'MARSHALL - WOODRING 138KV CKT 1'
FDNS	02ALL		0 11G	G08_047	'TO->FROM'	'FPL SWITCH - WOODWARD 138KV CKT 1'		153	0.0522			127.1272 'MARSHALL - WOODRING 138KV CKT 1'

SOLUTION	GROUP	SCENARIO	SEASON	SOURCE	DIRECTION	MONITORED ELEMENT	RATE	B	TDF	TC%	LOADING	CONTINGENCY	NAME
						COMMON NAME							
FDNS	02ALL	0 11G	G08_110	'TO->FROM'	'FPL SWITCH - WOODWARD 138KV CKT 1'	153	0.03975	127.1272	'MARSHALL - WOODRING 138KV CKT 1'				
FDNS	02ALL	0 11G	ASGI_2010_011	'TO->FROM'	'FPL SWITCH - WOODWARD 138KV CKT 1'	153	0.03285	127.1272	'MARSHALL - WOODRING 138KV CKT 1'				
FDNS	02ALL	0 11G	G10_011	'TO->FROM'	'FPL SWITCH - WOODWARD 138KV CKT 1'	153	0.03304	127.1272	'MARSHALL - WOODRING 138KV CKT 1'				
FDNS	02ALL	0 11G	G10_014	'TO->FROM'	'FPL SWITCH - WOODWARD 138KV CKT 1'	153	0.03975	127.1272	'MARSHALL - WOODRING 138KV CKT 1'				
FDNS	02ALL	0 11G	G08_044	'TO->FROM'	'FPL SWITCH - WOODWARD 138KV CKT 1'	153	0.03154	136.2628	'G08-13T 345.00 - WOODRING 345KV CKT 1'				
FDNS	02ALL	0 11G	G08_047	'TO->FROM'	'FPL SWITCH - WOODWARD 138KV CKT 1'	153	0.05325	136.2628	'G08-13T 345.00 - WOODRING 345KV CKT 1'				
FDNS	02ALL	0 11G	G08_110	'TO->FROM'	'FPL SWITCH - WOODWARD 138KV CKT 1'	153	0.04086	136.2628	'G08-13T 345.00 - WOODRING 345KV CKT 1'				
FDNS	02ALL	0 11G	ASGI_2010_011	'TO->FROM'	'FPL SWITCH - WOODWARD 138KV CKT 1'	153	0.03364	136.2628	'G08-13T 345.00 - WOODRING 345KV CKT 1'				
FDNS	02ALL	0 11G	G10_011	'TO->FROM'	'FPL SWITCH - WOODWARD 138KV CKT 1'	153	0.03154	136.2628	'G08-13T 345.00 - WOODRING 345KV CKT 1'				
FDNS	02ALL	0 11G	G10_014	'TO->FROM'	'FPL SWITCH - WOODWARD 138KV CKT 1'	153	0.04086	136.2628	'G08-13T 345.00 - WOODRING 345KV CKT 1'				
FDNS	02ALL	0 11G	G09_067S	'FROM->TO'	'ELK CITY 230KV (ELKCTY-6) 230/138/13.8KV TRANSFORMER CKT 1'	287	0.06604	106.1802	'G08-13T 345.00 - WOODRING 345KV CKT 1'				
FDNS	02ALL	0 11G	G08_022	'FROM->TO'	'ELK CITY 230KV (ELKCTY-6) 230/138/13.8KV TRANSFORMER CKT 1'	287	0.06735	106.1802	'G08-13T 345.00 - WOODRING 345KV CKT 1'				
FDNS	02ALL	0 11G	G08_088	'FROM->TO'	'ELK CITY 230KV (ELKCTY-6) 230/138/13.8KV TRANSFORMER CKT 1'	287	0.11349	106.1802	'G08-13T 345.00 - WOODRING 345KV CKT 1'				
FDNS	02ALL	0 11G	G08_110	'FROM->TO'	'ELK CITY 230KV (ELKCTY-6) 230/138/13.8KV TRANSFORMER CKT 1'	287	0.03786	106.1802	'G08-13T 345.00 - WOODRING 345KV CKT 1'				
FDNS	02ALL	0 11G	G10_007	'FROM->TO'	'ELK CITY 230KV (ELKCTY-6) 230/138/13.8KV TRANSFORMER CKT 1'	287	0.10175	106.1802	'G08-13T 345.00 - WOODRING 345KV CKT 1'				
FDNS	02ALL	0 11G	ASGI_2010_011	'FROM->TO'	'ELK CITY 230KV (ELKCTY-6) 230/138/13.8KV TRANSFORMER CKT 1'	287	0.05971	106.1802	'G08-13T 345.00 - WOODRING 345KV CKT 1'				
FDNS	02ALL	0 11G	G10_014	'FROM->TO'	'ELK CITY 230KV (ELKCTY-6) 230/138/13.8KV TRANSFORMER CKT 1'	287	0.03786	106.1802	'G08-13T 345.00 - WOODRING 345KV CKT 1'				
FDNS	02ALL	0 11G	G09_067S	'FROM->TO'	'ELK CITY 230KV (ELKCTY-6) 230/138/13.8KV TRANSFORMER CKT 1'	287	0.06604	105.2052	'G08-13T 345.00 - WOODRING 345KV CKT 1'				
FDNS	02ALL	0 11G	G08_022	'FROM->TO'	'ELK CITY 230KV (ELKCTY-6) 230/138/13.8KV TRANSFORMER CKT 1'	287	0.06735	105.2052	'G08-13T 345.00 - WOODRING 345KV CKT 1'				
FDNS	02ALL	0 11G	G08_088	'FROM->TO'	'ELK CITY 230KV (ELKCTY-6) 230/138/13.8KV TRANSFORMER CKT 1'	287	0.11349	105.2052	'G08-13T 345.00 - WOODRING 345KV CKT 1'				
FDNS	02ALL	0 11G	G08_110	'FROM->TO'	'ELK CITY 230KV (ELKCTY-6) 230/138/13.8KV TRANSFORMER CKT 1'	287	0.03786	105.2052	'G08-13T 345.00 - WOODRING 345KV CKT 1'				
FDNS	02ALL	0 11G	G10_007	'FROM->TO'	'ELK CITY 230KV (ELKCTY-6) 230/138/13.8KV TRANSFORMER CKT 1'	287	0.10175	105.2052	'G08-13T 345.00 - WOODRING 345KV CKT 1'				
FDNS	02ALL	0 11G	ASGI_2010_011	'FROM->TO'	'ELK CITY 230KV (ELKCTY-6) 230/138/13.8KV TRANSFORMER CKT 1'	287	0.05971	105.2052	'G08-13T 345.00 - WOODRING 345KV CKT 1'				
FDNS	02ALL	0 11G	G10_014	'FROM->TO'	'ELK CITY 230KV (ELKCTY-6) 230/138/13.8KV TRANSFORMER CKT 1'	287	0.03786	105.2052	'G08-13T 345.00 - WOODRING 345KV CKT 1'				
FDNS	02ALL	0 11G	G08_044	'TO->FROM'	'FPL SWITCH - WOODWARD 138KV CKT 1'	153	0.03226	125.1878	'KNOBHILL - SALINE 69KV CKT 1'				
FDNS	02ALL	0 11G	G08_047	'TO->FROM'	'FPL SWITCH - WOODWARD 138KV CKT 1'	153	0.05119	125.1878	'KNOBHILL - SALINE 69KV CKT 1'				
FDNS	02ALL	0 11G	G08_110	'TO->FROM'	'FPL SWITCH - WOODWARD 138KV CKT 1'	153	0.0389	125.1878	'KNOBHILL - SALINE 69KV CKT 1'				
FDNS	02ALL	0 11G	ASGI_2010_011	'TO->FROM'	'FPL SWITCH - WOODWARD 138KV CKT 1'	153	0.03197	125.1878	'KNOBHILL - SALINE 69KV CKT 1'				
FDNS	02ALL	0 11G	G10_011	'TO->FROM'	'FPL SWITCH - WOODWARD 138KV CKT 1'	153	0.03226	125.1878	'KNOBHILL - SALINE 69KV CKT 1'				

SOLUTION	GROUP	SCENARIO	SEASON	SOURCE	DIRECTION	MONITORED ELEMENT	RATE B	TDF	TC%	LOADING	CONTINGENCY NAME
						COMMON NAME					
FDNS	02ALL		0 11G	G10_014	'TO->FROM'	'FPL SWITCH - WOODWARD 138KV CKT 1'	153	0.0389	125.1878	'KNOBHILL - SALINE 69KV CKT 1'	
FDNS	02ALL		0 11G	G08_044	'TO->FROM'	'FPL SWITCH - WOODWARD 138KV CKT 1'	153	0.03226	125.4268	'HELENAT2 69.000 - SALINE 69KV CKT 1'	
FDNS	02ALL		0 11G	G08_047	'TO->FROM'	'FPL SWITCH - WOODWARD 138KV CKT 1'	153	0.05119	125.4268	'HELENAT2 69.000 - SALINE 69KV CKT 1'	
FDNS	02ALL		0 11G	G08_110	'TO->FROM'	'FPL SWITCH - WOODWARD 138KV CKT 1'	153	0.0389	125.4268	'HELENAT2 69.000 - SALINE 69KV CKT 1'	
FDNS	02ALL		0 11G	ASGI_2010_011	'TO->FROM'	'FPL SWITCH - WOODWARD 138KV CKT 1'	153	0.03197	125.4268	'HELENAT2 69.000 - SALINE 69KV CKT 1'	
FDNS	02ALL		0 11G	G10_011	'TO->FROM'	'FPL SWITCH - WOODWARD 138KV CKT 1'	153	0.03226	125.4268	'HELENAT2 69.000 - SALINE 69KV CKT 1'	
FDNS	02ALL		0 11G	G10_014	'TO->FROM'	'FPL SWITCH - WOODWARD 138KV CKT 1'	153	0.0389	125.4268	'HELENAT2 69.000 - SALINE 69KV CKT 1'	
FDNS	02ALL		0 11G	G08_044	'TO->FROM'	'FPL SWITCH - WOODWARD 138KV CKT 1'	153	0.03226	126.2886	'GOLTRY - IMO 69KV CKT 1'	
FDNS	02ALL		0 11G	G08_047	'TO->FROM'	'FPL SWITCH - WOODWARD 138KV CKT 1'	153	0.05119	126.2886	'GOLTRY - IMO 69KV CKT 1'	
FDNS	02ALL		0 11G	G08_110	'TO->FROM'	'FPL SWITCH - WOODWARD 138KV CKT 1'	153	0.0389	126.2886	'GOLTRY - IMO 69KV CKT 1'	
FDNS	02ALL		0 11G	ASGI_2010_011	'TO->FROM'	'FPL SWITCH - WOODWARD 138KV CKT 1'	153	0.03197	126.2886	'GOLTRY - IMO 69KV CKT 1'	
FDNS	02ALL		0 11G	G10_011	'TO->FROM'	'FPL SWITCH - WOODWARD 138KV CKT 1'	153	0.03226	126.2886	'GOLTRY - IMO 69KV CKT 1'	
FDNS	02ALL		0 11G	G10_014	'TO->FROM'	'FPL SWITCH - WOODWARD 138KV CKT 1'	153	0.0389	126.2886	'GOLTRY - IMO 69KV CKT 1'	
FDNS	02ALL		0 11G	G08_044	'TO->FROM'	'FPL SWITCH - WOODWARD 138KV CKT 1'	153	0.03226	126.1079	'GOLTRY - HELENAT2 69.000 69KV CKT 1'	
FDNS	02ALL		0 11G	G08_047	'TO->FROM'	'FPL SWITCH - WOODWARD 138KV CKT 1'	153	0.05119	126.1079	'GOLTRY - HELENAT2 69.000 69KV CKT 1'	
FDNS	02ALL		0 11G	G08_110	'TO->FROM'	'FPL SWITCH - WOODWARD 138KV CKT 1'	153	0.0389	126.1079	'GOLTRY - HELENAT2 69.000 69KV CKT 1'	
FDNS	02ALL		0 11G	ASGI_2010_011	'TO->FROM'	'FPL SWITCH - WOODWARD 138KV CKT 1'	153	0.03197	126.1079	'GOLTRY - HELENAT2 69.000 69KV CKT 1'	
FDNS	02ALL		0 11G	G10_011	'TO->FROM'	'FPL SWITCH - WOODWARD 138KV CKT 1'	153	0.03226	126.1079	'GOLTRY - HELENAT2 69.000 69KV CKT 1'	
FDNS	02ALL		0 11G	G10_014	'TO->FROM'	'FPL SWITCH - WOODWARD 138KV CKT 1'	153	0.0389	126.1079	'GOLTRY - HELENAT2 69.000 69KV CKT 1'	
FDNS	02ALL		0 11G	G08_044	'TO->FROM'	'FPL SWITCH - WOODWARD 138KV CKT 1'	153	0.03133	124.0713	'DOVER SW - HENESSEY 138KV CKT 1'	
FDNS	02ALL		0 11G	G08_047	'TO->FROM'	'FPL SWITCH - WOODWARD 138KV CKT 1'	153	0.04965	124.0713	'DOVER SW - HENESSEY 138KV CKT 1'	
FDNS	02ALL		0 11G	G08_110	'TO->FROM'	'FPL SWITCH - WOODWARD 138KV CKT 1'	153	0.03753	124.0713	'DOVER SW - HENESSEY 138KV CKT 1'	
FDNS	02ALL		0 11G	ASGI_2010_011	'TO->FROM'	'FPL SWITCH - WOODWARD 138KV CKT 1'	153	0.03055	124.0713	'DOVER SW - HENESSEY 138KV CKT 1'	
FDNS	02ALL		0 11G	G10_011	'TO->FROM'	'FPL SWITCH - WOODWARD 138KV CKT 1'	153	0.03133	124.0713	'DOVER SW - HENESSEY 138KV CKT 1'	
FDNS	02ALL		0 11G	G10_014	'TO->FROM'	'FPL SWITCH - WOODWARD 138KV CKT 1'	153	0.03753	124.0713	'DOVER SW - HENESSEY 138KV CKT 1'	
FDNS	02ALL		0 11G	G08_047	'TO->FROM'	'FPL SWITCH - WOODWARD 138KV CKT 1'	153	0.04579	103.9558	'CLEO CORNER - GLASS MOUNTAIN 138KV CKT 1'	
FDNS	02ALL		0 11G	G08_110	'TO->FROM'	'FPL SWITCH - WOODWARD 138KV CKT 1'	153	0.03425	103.9558	'CLEO CORNER - GLASS MOUNTAIN 138KV CKT 1'	
FDNS	02ALL		0 11G	G10_014	'TO->FROM'	'FPL SWITCH - WOODWARD 138KV CKT 1'	153	0.03425	103.9558	'CLEO CORNER - GLASS MOUNTAIN 138KV CKT 1'	
FDNS	02ALL		0 11G	G08_047	'TO->FROM'	'FPL SWITCH - WOODWARD 138KV CKT 1'	153	0.04442	105.2142	'CLEO CORNER - MEN TAP 138KV CKT 1'	

SOLUTION	GROUP	SCENARIO	SEASON	SOURCE	DIRECTION	MONITORED ELEMENT		RATE B	TDF	TC%	LOADING	CONTINGENCY NAME
						COMMON NAME						
FDNS	02ALL		0 11G	G08_110	'TO->FROM'	'FPL SWITCH - WOODWARD 138KV CKT 1'		153	0.03307	105.2142	'CLEO CORNER - MEN TAP 138KV CKT 1'	
FDNS	02ALL		0 11G	G10_014	'TO->FROM'	'FPL SWITCH - WOODWARD 138KV CKT 1'		153	0.03307	105.2142	'CLEO CORNER - MEN TAP 138KV CKT 1'	
FDNS	02ALL		0 11G	G08_044	'TO->FROM'	'FPL SWITCH - WOODWARD 138KV CKT 1'		153	0.03735	146.4015	'WOODWARD - WOODWARD 69KV CKT 1'	
FDNS	02ALL		0 11G	G08_047	'TO->FROM'	'FPL SWITCH - WOODWARD 138KV CKT 1'		153	0.05967	146.4015	'WOODWARD - WOODWARD 69KV CKT 1'	
FDNS	02ALL		0 11G	G08_110	'TO->FROM'	'FPL SWITCH - WOODWARD 138KV CKT 1'		153	0.04559	146.4015	'WOODWARD - WOODWARD 69KV CKT 1'	
FDNS	02ALL		0 11G	ASGI_2010_011	'TO->FROM'	'FPL SWITCH - WOODWARD 138KV CKT 1'		153	0.03781	146.4015	'WOODWARD - WOODWARD 69KV CKT 1'	
FDNS	02ALL		0 11G	G10_011	'TO->FROM'	'FPL SWITCH - WOODWARD 138KV CKT 1'		153	0.03735	146.4015	'WOODWARD - WOODWARD 69KV CKT 1'	
FDNS	02ALL		0 11G	G10_014	'TO->FROM'	'FPL SWITCH - WOODWARD 138KV CKT 1'		153	0.04559	146.4015	'WOODWARD - WOODWARD 69KV CKT 1'	
FDNS	02ALL		0 11G	G08_047	'TO->FROM'	'FPL SWITCH - WOODWARD 138KV CKT 1'		153	0.04724	115.254	'138KV CKT 1'	
FDNS	02ALL		0 11G	G08_110	'TO->FROM'	'FPL SWITCH - WOODWARD 138KV CKT 1'		153	0.03598	115.254	'138KV CKT 1'	
FDNS	02ALL		0 11G	G10_014	'TO->FROM'	'FPL SWITCH - WOODWARD 138KV CKT 1'		153	0.03598	115.254	'138KV CKT 1'	
FDNS	02ALL		0 11G	G08_044	'TO->FROM'	'FPL SWITCH - WOODWARD 138KV CKT 1'		153	0.03208	125.5795	'138KV CKT 2'	
FDNS	02ALL		0 11G	G08_047	'TO->FROM'	'FPL SWITCH - WOODWARD 138KV CKT 1'		153	0.05116	125.5795	'138KV CKT 2'	
FDNS	02ALL		0 11G	G08_110	'TO->FROM'	'FPL SWITCH - WOODWARD 138KV CKT 1'		153	0.03899	125.5795	'138KV CKT 2'	
FDNS	02ALL		0 11G	ASGI_2010_011	'TO->FROM'	'FPL SWITCH - WOODWARD 138KV CKT 1'		153	0.03224	125.5795	'138KV CKT 2'	
FDNS	02ALL		0 11G	G10_011	'TO->FROM'	'FPL SWITCH - WOODWARD 138KV CKT 1'		153	0.03208	125.5795	'138KV CKT 2'	
FDNS	02ALL		0 11G	G10_014	'TO->FROM'	'FPL SWITCH - WOODWARD 138KV CKT 1'		153	0.03899	125.5795	'138KV CKT 2'	
FDNS	02ALL		0 11G	G09_067S	'FROM->TO'	'ELK CITY 230KV (ELKCTY-6) 230/138/13.8KV TRANSFORMER CKT 1'		287	0.06766	109.6562	'1'	
FDNS	02ALL		0 11G	G08_022	'FROM->TO'	'ELK CITY 230KV (ELKCTY-6) 230/138/13.8KV TRANSFORMER CKT 1'		287	0.06896	109.6562	'1'	
FDNS	02ALL		0 11G	G08_088	'FROM->TO'	'ELK CITY 230KV (ELKCTY-6) 230/138/13.8KV TRANSFORMER CKT 1'		287	0.11471	109.6562	'1'	
FDNS	02ALL		0 11G	G08_110	'FROM->TO'	'ELK CITY 230KV (ELKCTY-6) 230/138/13.8KV TRANSFORMER CKT 1'		287	0.04055	109.6562	'1'	
FDNS	02ALL		0 11G	G10_007	'FROM->TO'	'ELK CITY 230KV (ELKCTY-6) 230/138/13.8KV TRANSFORMER CKT 1'		287	0.10324	109.6562	'1'	
FDNS	02ALL		0 11G	ASGI_2010_011	'FROM->TO'	'ELK CITY 230KV (ELKCTY-6) 230/138/13.8KV TRANSFORMER CKT 1'		287	0.06199	109.6562	'1'	
FDNS	02ALL		0 11G	G10_014	'FROM->TO'	'ELK CITY 230KV (ELKCTY-6) 230/138/13.8KV TRANSFORMER CKT 1'		287	0.04055	109.6562	'1'	
FDNS	02ALL		0 11G	G09_067S	'FROM->TO'	'ELK CITY 230KV (ELKCTY-6) 230/138/13.8KV TRANSFORMER CKT 1'		287	0.06766	108.4537	'1'	
FDNS	02ALL		0 11G	G08_022	'FROM->TO'	'ELK CITY 230KV (ELKCTY-6) 230/138/13.8KV TRANSFORMER CKT 1'		287	0.06896	108.4537	'1'	
FDNS	02ALL		0 11G	G08_088	'FROM->TO'	'ELK CITY 230KV (ELKCTY-6) 230/138/13.8KV TRANSFORMER CKT 1'		287	0.11471	108.4537	'1'	
FDNS	02ALL		0 11G	G08_110	'FROM->TO'	'ELK CITY 230KV (ELKCTY-6) 230/138/13.8KV TRANSFORMER CKT 1'		287	0.04055	108.4537	'1'	
FDNS	02ALL		0 11G	G10_007	'FROM->TO'	'ELK CITY 230KV (ELKCTY-6) 230/138/13.8KV TRANSFORMER CKT 1'		287	0.10324	108.4537	'1'	

SOLUTION	GROUP	SCENARIO	SEASON	SOURCE	DIRECTION	MONITORED ELEMENT	RATE B	TDF	TC%LOADING	CONTINGENCY NAME
						COMMON NAME				
FDNS	02ALL		0 11G	ASGI_2010_011	'FROM->TO'	'ELK CITY 230KV (ELKCTY-6) 230/138/13.8KV TRANSFORMER CKT 1'	287	0.06199	108.4537	'FPL SWITCH - WOODWARD 138KV CKT 1'
FDNS	02ALL		0 11G	G10_014	'FROM->TO'	'ELK CITY 230KV (ELKCTY-6) 230/138/13.8KV TRANSFORMER CKT 1'	287	0.04055	108.4537	'FPL SWITCH - WOODWARD 138KV CKT 1'
FDNS	02ALL		0 11G	G08_044	'TO->FROM'	'FPL SWITCH - WOODWARD 138KV CKT 1'	153	0.03856	158.6569	'DEWEY - IODINE 138KV CKT 1'
FDNS	02ALL		0 11G	G08_047	'TO->FROM'	'FPL SWITCH - WOODWARD 138KV CKT 1'	153	0.06287	158.6569	'DEWEY - IODINE 138KV CKT 1'
FDNS	02ALL		0 11G	G08_110	'TO->FROM'	'FPL SWITCH - WOODWARD 138KV CKT 1'	153	0.04828	158.6569	'DEWEY - IODINE 138KV CKT 1'
FDNS	02ALL		0 11G	ASGI_2010_011	'TO->FROM'	'FPL SWITCH - WOODWARD 138KV CKT 1'	153	0.04033	158.6569	'DEWEY - IODINE 138KV CKT 1'
FDNS	02ALL		0 11G	G10_011	'TO->FROM'	'FPL SWITCH - WOODWARD 138KV CKT 1'	153	0.03856	158.6569	'DEWEY - IODINE 138KV CKT 1'
FDNS	02ALL		0 11G	G10_014	'TO->FROM'	'FPL SWITCH - WOODWARD 138KV CKT 1'	153	0.04828	158.6569	'DEWEY - IODINE 138KV CKT 1'
FDNS	02ALL		0 11G	G09_067S	'FROM->TO'	'ELK CITY 230KV (ELKCTY-6) 230/138/13.8KV TRANSFORMER CKT 1'	287	0.06668	106.1767	'DEWEY - IODINE 138KV CKT 1'
FDNS	02ALL		0 11G	G08_022	'FROM->TO'	'ELK CITY 230KV (ELKCTY-6) 230/138/13.8KV TRANSFORMER CKT 1'	287	0.06798	106.1767	'DEWEY - IODINE 138KV CKT 1'
FDNS	02ALL		0 11G	G08_088	'FROM->TO'	'ELK CITY 230KV (ELKCTY-6) 230/138/13.8KV TRANSFORMER CKT 1'	287	0.11399	106.1767	'DEWEY - IODINE 138KV CKT 1'
FDNS	02ALL		0 11G	G08_110	'FROM->TO'	'ELK CITY 230KV (ELKCTY-6) 230/138/13.8KV TRANSFORMER CKT 1'	287	0.03829	106.1767	'DEWEY - IODINE 138KV CKT 1'
FDNS	02ALL		0 11G	G10_007	'FROM->TO'	'ELK CITY 230KV (ELKCTY-6) 230/138/13.8KV TRANSFORMER CKT 1'	287	0.10222	106.1767	'DEWEY - IODINE 138KV CKT 1'
FDNS	02ALL		0 11G	ASGI_2010_011	'FROM->TO'	'ELK CITY 230KV (ELKCTY-6) 230/138/13.8KV TRANSFORMER CKT 1'	287	0.06015	106.1767	'DEWEY - IODINE 138KV CKT 1'
FDNS	02ALL		0 11G	G10_014	'FROM->TO'	'ELK CITY 230KV (ELKCTY-6) 230/138/13.8KV TRANSFORMER CKT 1'	287	0.03829	106.1767	'DEWEY - IODINE 138KV CKT 1'
FDNS	02ALL		0 11G	G09_067S	'FROM->TO'	'ELK CITY 230KV (ELKCTY-6) 230/138/13.8KV TRANSFORMER CKT 1'	287	0.06668	105.1881	'DEWEY - IODINE 138KV CKT 1'
FDNS	02ALL		0 11G	G08_022	'FROM->TO'	'ELK CITY 230KV (ELKCTY-6) 230/138/13.8KV TRANSFORMER CKT 1'	287	0.06798	105.1881	'DEWEY - IODINE 138KV CKT 1'
FDNS	02ALL		0 11G	G08_088	'FROM->TO'	'ELK CITY 230KV (ELKCTY-6) 230/138/13.8KV TRANSFORMER CKT 1'	287	0.11399	105.1881	'DEWEY - IODINE 138KV CKT 1'
FDNS	02ALL		0 11G	G08_110	'FROM->TO'	'ELK CITY 230KV (ELKCTY-6) 230/138/13.8KV TRANSFORMER CKT 1'	287	0.03829	105.1881	'DEWEY - IODINE 138KV CKT 1'
FDNS	02ALL		0 11G	G10_007	'FROM->TO'	'ELK CITY 230KV (ELKCTY-6) 230/138/13.8KV TRANSFORMER CKT 1'	287	0.10222	105.1881	'DEWEY - IODINE 138KV CKT 1'
FDNS	02ALL		0 11G	ASGI_2010_011	'FROM->TO'	'ELK CITY 230KV (ELKCTY-6) 230/138/13.8KV TRANSFORMER CKT 1'	287	0.06015	105.1881	'DEWEY - IODINE 138KV CKT 1'
FDNS	02ALL		0 11G	G10_014	'FROM->TO'	'ELK CITY 230KV (ELKCTY-6) 230/138/13.8KV TRANSFORMER CKT 1'	287	0.03829	105.1881	'DEWEY - IODINE 138KV CKT 1'
FDNS	02ALL		0 11G	G08_044	'TO->FROM'	'FPL SWITCH - WOODWARD 138KV CKT 1'	153	0.03183	119.7521	'DEWEY - SOUTHARD 138KV CKT 1'
FDNS	02ALL		0 11G	G08_047	'TO->FROM'	'FPL SWITCH - WOODWARD 138KV CKT 1'	153	0.04984	119.7521	'DEWEY - SOUTHARD 138KV CKT 1'
FDNS	02ALL		0 11G	G08_110	'TO->FROM'	'FPL SWITCH - WOODWARD 138KV CKT 1'	153	0.03781	119.7521	'DEWEY - SOUTHARD 138KV CKT 1'
FDNS	02ALL		0 11G	ASGI_2010_011	'TO->FROM'	'FPL SWITCH - WOODWARD 138KV CKT 1'	153	0.03104	119.7521	'DEWEY - SOUTHARD 138KV CKT 1'
FDNS	02ALL		0 11G	G10_011	'TO->FROM'	'FPL SWITCH - WOODWARD 138KV CKT 1'	153	0.03183	119.7521	'DEWEY - SOUTHARD 138KV CKT 1'
FDNS	02ALL		0 11G	G10_014	'TO->FROM'	'FPL SWITCH - WOODWARD 138KV CKT 1'	153	0.03781	119.7521	'DEWEY - SOUTHARD 138KV CKT 1'
FDNS	02ALL		0 11G	G10_008	'TO->FROM'	'CANTON - TALOGA 69KV CKT 1'	39	0.03097	103.0436	'DEWEY - SOUTHARD 138KV CKT 1'
FDNS	02ALL		0 11G	G09_060	'TO->FROM'	'CANTON - TALOGA 69KV CKT 1'	39	0.04839	103.0436	'DEWEY - SOUTHARD 138KV CKT 1'

SOLUTION	GROUP	SCENARIO	SEASON	SOURCE	DIRECTION	MONITORED ELEMENT	RATE	B	TDF	TC%	LOADING	CONTINGENCY	NAME
						COMMON NAME							
FDNS	02ALL		0 11G	G08_044	'TO->FROM'	'FPL SWITCH - WOODWARD 138KV CKT 1'	153	0.03469		132.9852	'DEWEY - TALOGA 138KV CKT 1'		
FDNS	02ALL		0 11G	G08_047	'TO->FROM'	'FPL SWITCH - WOODWARD 138KV CKT 1'	153	0.05373		132.9852	'DEWEY - TALOGA 138KV CKT 1'		
FDNS	02ALL		0 11G	G08_110	'TO->FROM'	'FPL SWITCH - WOODWARD 138KV CKT 1'	153	0.04055		132.9852	'DEWEY - TALOGA 138KV CKT 1'		
FDNS	02ALL		0 11G	ASGI_2010_011	'TO->FROM'	'FPL SWITCH - WOODWARD 138KV CKT 1'	153	0.03307		132.9852	'DEWEY - TALOGA 138KV CKT 1'		
FDNS	02ALL		0 11G	G10_011	'TO->FROM'	'FPL SWITCH - WOODWARD 138KV CKT 1'	153	0.03469		132.9852	'DEWEY - TALOGA 138KV CKT 1'		
FDNS	02ALL		0 11G	G10_014	'TO->FROM'	'FPL SWITCH - WOODWARD 138KV CKT 1'	153	0.04055		132.9852	'DEWEY - TALOGA 138KV CKT 1'		
FDNS	02ALL		0 11G	G08_047	'TO->FROM'	'FPL SWITCH - WOODWARD 138KV CKT 1'	153	0.04579		102.9434	'GLASS MOUNTAIN - MOORELAND 138KV CKT 1'		
FDNS	02ALL		0 11G	G08_110	'TO->FROM'	'FPL SWITCH - WOODWARD 138KV CKT 1'	153	0.03425		102.9434	'GLASS MOUNTAIN - MOORELAND 138KV CKT 1'		
FDNS	02ALL		0 11G	G10_014	'TO->FROM'	'FPL SWITCH - WOODWARD 138KV CKT 1'	153	0.03425		102.9434	'GLASS MOUNTAIN - MOORELAND 138KV CKT 1'		
FDNS	02ALL		0 11G	G08_047	'TO->FROM'	'FPL SWITCH - WOODWARD 138KV CKT 1'	153	0.04442		105.5421	'IMO TAP - MEN TAP 138KV CKT 1'		
FDNS	02ALL		0 11G	G08_110	'TO->FROM'	'FPL SWITCH - WOODWARD 138KV CKT 1'	153	0.03307		105.5421	'IMO TAP - MEN TAP 138KV CKT 1'		
FDNS	02ALL		0 11G	G10_014	'TO->FROM'	'FPL SWITCH - WOODWARD 138KV CKT 1'	153	0.03307		105.5421	'IMO TAP - MEN TAP 138KV CKT 1'		
FDNS	02ALL		0 11G	G08_044	'TO->FROM'	'FPL SWITCH - WOODWARD 138KV CKT 1'	153	0.03283		126.3508	'ALVA - KNOBHILL 69KV CKT 1'		
FDNS	02ALL		0 11G	G08_047	'TO->FROM'	'FPL SWITCH - WOODWARD 138KV CKT 1'	153	0.0523		126.3508	'ALVA - KNOBHILL 69KV CKT 1'		
FDNS	02ALL		0 11G	G08_110	'TO->FROM'	'FPL SWITCH - WOODWARD 138KV CKT 1'	153	0.03984		126.3508	'ALVA - KNOBHILL 69KV CKT 1'		
FDNS	02ALL		0 11G	ASGI_2010_011	'TO->FROM'	'FPL SWITCH - WOODWARD 138KV CKT 1'	153	0.03291		126.3508	'ALVA - KNOBHILL 69KV CKT 1'		
FDNS	02ALL		0 11G	G10_011	'TO->FROM'	'FPL SWITCH - WOODWARD 138KV CKT 1'	153	0.03283		126.3508	'ALVA - KNOBHILL 69KV CKT 1'		
FDNS	02ALL		0 11G	G10_014	'TO->FROM'	'FPL SWITCH - WOODWARD 138KV CKT 1'	153	0.03984		126.3508	'ALVA - KNOBHILL 69KV CKT 1'		
FDNS	02ALL		0 11G	G08_044	'TO->FROM'	'FPL SWITCH - WOODWARD 138KV CKT 1'	153	0.03205		118.6507	'KNOBHILL - MOORELAND 138KV CKT 1'		
FDNS	02ALL		0 11G	G08_047	'TO->FROM'	'FPL SWITCH - WOODWARD 138KV CKT 1'	153	0.05073		118.6507	'KNOBHILL - MOORELAND 138KV CKT 1'		
FDNS	02ALL		0 11G	G08_110	'TO->FROM'	'FPL SWITCH - WOODWARD 138KV CKT 1'	153	0.0385		118.6507	'KNOBHILL - MOORELAND 138KV CKT 1'		
FDNS	02ALL		0 11G	ASGI_2010_011	'TO->FROM'	'FPL SWITCH - WOODWARD 138KV CKT 1'	153	0.03158		118.6507	'KNOBHILL - MOORELAND 138KV CKT 1'		
FDNS	02ALL		0 11G	G10_011	'TO->FROM'	'FPL SWITCH - WOODWARD 138KV CKT 1'	153	0.03205		118.6507	'KNOBHILL - MOORELAND 138KV CKT 1'		
FDNS	02ALL		0 11G	G10_014	'TO->FROM'	'FPL SWITCH - WOODWARD 138KV CKT 1'	153	0.0385		118.6507	'KNOBHILL - MOORELAND 138KV CKT 1'		
FDNS	02ALL		0 11G	G08_044	'TO->FROM'	'FPL SWITCH - WOODWARD 138KV CKT 1'	153	0.03856		159.8827	'IODINE - WWRDEHV4 138.00 138KV CKT 1'		
FDNS	02ALL		0 11G	G08_047	'TO->FROM'	'FPL SWITCH - WOODWARD 138KV CKT 1'	153	0.06287		159.8827	'IODINE - WWRDEHV4 138.00 138KV CKT 1'		
FDNS	02ALL		0 11G	G08_110	'TO->FROM'	'FPL SWITCH - WOODWARD 138KV CKT 1'	153	0.04828		159.8827	'IODINE - WWRDEHV4 138.00 138KV CKT 1'		
FDNS	02ALL		0 11G	ASGI_2010_011	'TO->FROM'	'FPL SWITCH - WOODWARD 138KV CKT 1'	153	0.04033		159.8827	'IODINE - WWRDEHV4 138.00 138KV CKT 1'		
FDNS	02ALL		0 11G	G10_011	'TO->FROM'	'FPL SWITCH - WOODWARD 138KV CKT 1'	153	0.03856		159.8827	'IODINE - WWRDEHV4 138.00 138KV CKT 1'		

SOLUTION	GROUP	SCENARIO	SEASON	SOURCE	DIRECTION	MONITORED ELEMENT	RATE B	TDF	TC%LOADING	CONTINGENCY NAME
						COMMON NAME				
FDNS	02ALL		0 11G	G10_014	'TO->FROM'	'FPL SWITCH - WOODWARD 138KV CKT 1'	153	0.04828	159.8827	'IODINE - WWRDEHV4 138.00 138KV CKT 1'
FDNS	02ALL		0 11G	G09_067S	'FROM->TO'	'ELK CITY 230KV (ELKCTY-6) 230/138/13.8KV TRANSFORMER CKT 1'	287	0.06668	106.2286	'IODINE - WWRDEHV4 138.00 138KV CKT 1'
FDNS	02ALL		0 11G	G08_022	'FROM->TO'	'ELK CITY 230KV (ELKCTY-6) 230/138/13.8KV TRANSFORMER CKT 1'	287	0.06798	106.2286	'IODINE - WWRDEHV4 138.00 138KV CKT 1'
FDNS	02ALL		0 11G	G08_088	'FROM->TO'	'ELK CITY 230KV (ELKCTY-6) 230/138/13.8KV TRANSFORMER CKT 1'	287	0.11399	106.2286	'IODINE - WWRDEHV4 138.00 138KV CKT 1'
FDNS	02ALL		0 11G	G08_110	'FROM->TO'	'ELK CITY 230KV (ELKCTY-6) 230/138/13.8KV TRANSFORMER CKT 1'	287	0.03829	106.2286	'IODINE - WWRDEHV4 138.00 138KV CKT 1'
FDNS	02ALL		0 11G	G10_007	'FROM->TO'	'ELK CITY 230KV (ELKCTY-6) 230/138/13.8KV TRANSFORMER CKT 1'	287	0.10222	106.2286	'IODINE - WWRDEHV4 138.00 138KV CKT 1'
FDNS	02ALL		0 11G	ASGI_2010_011	'FROM->TO'	'ELK CITY 230KV (ELKCTY-6) 230/138/13.8KV TRANSFORMER CKT 1'	287	0.06015	106.2286	'IODINE - WWRDEHV4 138.00 138KV CKT 1'
FDNS	02ALL		0 11G	G10_014	'FROM->TO'	'ELK CITY 230KV (ELKCTY-6) 230/138/13.8KV TRANSFORMER CKT 1'	287	0.03829	106.2286	'IODINE - WWRDEHV4 138.00 138KV CKT 1'
FDNS	02ALL		0 11G	G09_067S	'FROM->TO'	'ELK CITY 230KV (ELKCTY-6) 230/138/13.8KV TRANSFORMER CKT 1'	287	0.06668	105.2385	'IODINE - WWRDEHV4 138.00 138KV CKT 1'
FDNS	02ALL		0 11G	G08_022	'FROM->TO'	'ELK CITY 230KV (ELKCTY-6) 230/138/13.8KV TRANSFORMER CKT 1'	287	0.06798	105.2385	'IODINE - WWRDEHV4 138.00 138KV CKT 1'
FDNS	02ALL		0 11G	G08_088	'FROM->TO'	'ELK CITY 230KV (ELKCTY-6) 230/138/13.8KV TRANSFORMER CKT 1'	287	0.11399	105.2385	'IODINE - WWRDEHV4 138.00 138KV CKT 1'
FDNS	02ALL		0 11G	G08_110	'FROM->TO'	'ELK CITY 230KV (ELKCTY-6) 230/138/13.8KV TRANSFORMER CKT 1'	287	0.03829	105.2385	'IODINE - WWRDEHV4 138.00 138KV CKT 1'
FDNS	02ALL		0 11G	G10_007	'FROM->TO'	'ELK CITY 230KV (ELKCTY-6) 230/138/13.8KV TRANSFORMER CKT 1'	287	0.10222	105.2385	'IODINE - WWRDEHV4 138.00 138KV CKT 1'
FDNS	02ALL		0 11G	ASGI_2010_011	'FROM->TO'	'ELK CITY 230KV (ELKCTY-6) 230/138/13.8KV TRANSFORMER CKT 1'	287	0.06015	105.2385	'IODINE - WWRDEHV4 138.00 138KV CKT 1'
FDNS	02ALL		0 11G	G10_014	'FROM->TO'	'ELK CITY 230KV (ELKCTY-6) 230/138/13.8KV TRANSFORMER CKT 1'	287	0.03829	105.2385	'IODINE - WWRDEHV4 138.00 138KV CKT 1'
FDNS	02ALL		0 11G	G08_044	'TO->FROM'	'FPL SWITCH - WOODWARD 138KV CKT 1'	153	0.03199	118.7719	'EL RENO - ROMAN NOSE 138KV CKT 1'
FDNS	02ALL		0 11G	G08_047	'TO->FROM'	'FPL SWITCH - WOODWARD 138KV CKT 1'	153	0.05	118.7719	'EL RENO - ROMAN NOSE 138KV CKT 1'
FDNS	02ALL		0 11G	G08_110	'TO->FROM'	'FPL SWITCH - WOODWARD 138KV CKT 1'	153	0.03796	118.7719	'EL RENO - ROMAN NOSE 138KV CKT 1'
FDNS	02ALL		0 11G	ASGI_2010_011	'TO->FROM'	'FPL SWITCH - WOODWARD 138KV CKT 1'	153	0.03119	118.7719	'EL RENO - ROMAN NOSE 138KV CKT 1'
FDNS	02ALL		0 11G	G10_011	'TO->FROM'	'FPL SWITCH - WOODWARD 138KV CKT 1'	153	0.03199	118.7719	'EL RENO - ROMAN NOSE 138KV CKT 1'
FDNS	02ALL		0 11G	G10_014	'TO->FROM'	'FPL SWITCH - WOODWARD 138KV CKT 1'	153	0.03796	118.7719	'EL RENO - ROMAN NOSE 138KV CKT 1'
FDNS	02ALL		0 11G	G10_008	'TO->FROM'	'CANTON - TALOGA 69KV CKT 1'	39	0.03088	105.2918	'EL RENO - ROMAN NOSE 138KV CKT 1'
FDNS	02ALL		0 11G	G09_060	'TO->FROM'	'CANTON - TALOGA 69KV CKT 1'	39	0.0483	105.2918	'EL RENO - ROMAN NOSE 138KV CKT 1'
FDNS	02ALL		0 11G	G09_067S	'FROM->TO'	'ELK CITY 230KV (ELKCTY-6) 230/138/13.8KV TRANSFORMER CKT 1'	287	0.06394	102.9772	'JENSEN ROAD - JENSEN TAP 138KV CKT 1'
FDNS	02ALL		0 11G	G08_022	'FROM->TO'	'ELK CITY 230KV (ELKCTY-6) 230/138/13.8KV TRANSFORMER CKT 1'	287	0.06522	102.9772	'JENSEN ROAD - JENSEN TAP 138KV CKT 1'
FDNS	02ALL		0 11G	G08_088	'FROM->TO'	'ELK CITY 230KV (ELKCTY-6) 230/138/13.8KV TRANSFORMER CKT 1'	287	0.1103	102.9772	'JENSEN ROAD - JENSEN TAP 138KV CKT 1'
FDNS	02ALL		0 11G	G08_110	'FROM->TO'	'ELK CITY 230KV (ELKCTY-6) 230/138/13.8KV TRANSFORMER CKT 1'	287	0.03634	102.9772	'JENSEN ROAD - JENSEN TAP 138KV CKT 1'
FDNS	02ALL		0 11G	G10_007	'FROM->TO'	'ELK CITY 230KV (ELKCTY-6) 230/138/13.8KV TRANSFORMER CKT 1'	287	0.09882	102.9772	'JENSEN ROAD - JENSEN TAP 138KV CKT 1'
FDNS	02ALL		0 11G	ASGI_2010_011	'FROM->TO'	'ELK CITY 230KV (ELKCTY-6) 230/138/13.8KV TRANSFORMER CKT 1'	287	0.0577	102.9772	'JENSEN ROAD - JENSEN TAP 138KV CKT 1'

SOLUTION	GROUP	SCENARIO	SEASON	SOURCE	DIRECTION	MONITORED ELEMENT	RATE B	TDF	TC%LOADING	CONTINGENCY NAME
						COMMON NAME				
FDNS	02ALL		0 11G	G10_014	'FROM->TO'	'ELK CITY 230KV (ELKCTY-6) 230/138/13.8KV TRANSFORMER CKT 1'	287	0.03634	102.9772	'JENSEN ROAD - JENSEN TAP 138KV CKT 1'
FDNS	02ALL		0 11G	G09_067S	'FROM->TO'	'ELK CITY 230KV (ELKCTY-6) 230/138/13.8KV TRANSFORMER CKT 1'	287	0.06394	102.1131	'JENSEN ROAD - JENSEN TAP 138KV CKT 1'
FDNS	02ALL		0 11G	G08_022	'FROM->TO'	'ELK CITY 230KV (ELKCTY-6) 230/138/13.8KV TRANSFORMER CKT 1'	287	0.06522	102.1131	'JENSEN ROAD - JENSEN TAP 138KV CKT 1'
FDNS	02ALL		0 11G	G08_088	'FROM->TO'	'ELK CITY 230KV (ELKCTY-6) 230/138/13.8KV TRANSFORMER CKT 1'	287	0.1103	102.1131	'JENSEN ROAD - JENSEN TAP 138KV CKT 1'
FDNS	02ALL		0 11G	G08_110	'FROM->TO'	'ELK CITY 230KV (ELKCTY-6) 230/138/13.8KV TRANSFORMER CKT 1'	287	0.03634	102.1131	'JENSEN ROAD - JENSEN TAP 138KV CKT 1'
FDNS	02ALL		0 11G	G10_007	'FROM->TO'	'ELK CITY 230KV (ELKCTY-6) 230/138/13.8KV TRANSFORMER CKT 1'	287	0.09882	102.1131	'JENSEN ROAD - JENSEN TAP 138KV CKT 1'
FDNS	02ALL		0 11G	ASGI_2010_011	'FROM->TO'	'ELK CITY 230KV (ELKCTY-6) 230/138/13.8KV TRANSFORMER CKT 1'	287	0.0577	102.1131	'JENSEN ROAD - JENSEN TAP 138KV CKT 1'
FDNS	02ALL		0 11G	G10_014	'FROM->TO'	'ELK CITY 230KV (ELKCTY-6) 230/138/13.8KV TRANSFORMER CKT 1'	287	0.03634	102.1131	'JENSEN ROAD - JENSEN TAP 138KV CKT 1'
FDNS	02ALL		0 11G	G08_044	'TO->FROM'	'FPL SWITCH - WOODWARD 138KV CKT 1'	153	0.03183	120.8375	'ROMAN NOSE - SOUTHARD 138KV CKT 1'
FDNS	02ALL		0 11G	G08_047	'TO->FROM'	'FPL SWITCH - WOODWARD 138KV CKT 1'	153	0.04984	120.8375	'ROMAN NOSE - SOUTHARD 138KV CKT 1'
FDNS	02ALL		0 11G	G08_110	'TO->FROM'	'FPL SWITCH - WOODWARD 138KV CKT 1'	153	0.03781	120.8375	'ROMAN NOSE - SOUTHARD 138KV CKT 1'
FDNS	02ALL		0 11G	ASGI_2010_011	'TO->FROM'	'FPL SWITCH - WOODWARD 138KV CKT 1'	153	0.03104	120.8375	'ROMAN NOSE - SOUTHARD 138KV CKT 1'
FDNS	02ALL		0 11G	G10_011	'TO->FROM'	'FPL SWITCH - WOODWARD 138KV CKT 1'	153	0.03183	120.8375	'ROMAN NOSE - SOUTHARD 138KV CKT 1'
FDNS	02ALL		0 11G	G10_014	'TO->FROM'	'FPL SWITCH - WOODWARD 138KV CKT 1'	153	0.03781	120.8375	'ROMAN NOSE - SOUTHARD 138KV CKT 1'
FDNS	02ALL		0 11G	G10_008	'TO->FROM'	'CANTON - TALOGA 69KV CKT 1'	39	0.03097	100.6054	'ROMAN NOSE - SOUTHARD 138KV CKT 1'
FDNS	02ALL		0 11G	G09_060	'TO->FROM'	'CANTON - TALOGA 69KV CKT 1'	39	0.04839	100.6054	'ROMAN NOSE - SOUTHARD 138KV CKT 1'
FDNS	02ALL		0 11G	G08_044	'TO->FROM'	'FPL SWITCH - WOODWARD 138KV CKT 1'	153	0.03592	132.3757	'CIMARRON - NORTHWEST 345KV CKT 1'
FDNS	02ALL		0 11G	G08_047	'TO->FROM'	'FPL SWITCH - WOODWARD 138KV CKT 1'	153	0.05333	132.3757	'CIMARRON - NORTHWEST 345KV CKT 1'
FDNS	02ALL		0 11G	G08_110	'TO->FROM'	'FPL SWITCH - WOODWARD 138KV CKT 1'	153	0.04057	132.3757	'CIMARRON - NORTHWEST 345KV CKT 1'
FDNS	02ALL		0 11G	ASGI_2010_011	'TO->FROM'	'FPL SWITCH - WOODWARD 138KV CKT 1'	153	0.03345	132.3757	'CIMARRON - NORTHWEST 345KV CKT 1'
FDNS	02ALL		0 11G	G10_011	'TO->FROM'	'FPL SWITCH - WOODWARD 138KV CKT 1'	153	0.03592	132.3757	'CIMARRON - NORTHWEST 345KV CKT 1'
FDNS	02ALL		0 11G	G10_014	'TO->FROM'	'FPL SWITCH - WOODWARD 138KV CKT 1'	153	0.04057	132.3757	'CIMARRON - NORTHWEST 345KV CKT 1'
FDNS	02ALL		0 11G	G09_067S	'TO->FROM'	'CLINTON JUNCTION - ELK CITY 138KV CKT 1'	170	0.0327	102.3212	'NORTHWEST - TATONGA7 345.00 345KV CKT 1'
FDNS	02ALL		0 11G	G08_022	'TO->FROM'	'CLINTON JUNCTION - ELK CITY 138KV CKT 1'	170	0.03322	102.3212	'NORTHWEST - TATONGA7 345.00 345KV CKT 1'
FDNS	02ALL		0 11G	G08_088	'TO->FROM'	'CLINTON JUNCTION - ELK CITY 138KV CKT 1'	170	0.05096	102.3212	'NORTHWEST - TATONGA7 345.00 345KV CKT 1'
FDNS	02ALL		0 11G	G10_007	'TO->FROM'	'CLINTON JUNCTION - ELK CITY 138KV CKT 1'	170	0.04741	102.3212	'NORTHWEST - TATONGA7 345.00 345KV CKT 1'
FDNS	02ALL		0 11G	ASGI_2010_011	'TO->FROM'	'CLINTON JUNCTION - ELK CITY 138KV CKT 1'	170	0.0337	102.3212	'NORTHWEST - TATONGA7 345.00 345KV CKT 1'
FDNS	02ALL		0 11G	G09_060	'TO->FROM'	'CLINTON JUNCTION - ELK CITY 138KV CKT 1'	170	0.0425	102.3212	'NORTHWEST - TATONGA7 345.00 345KV CKT 1'
FDNS	02ALL		0 11G	G08_044	'TO->FROM'	'FPL SWITCH - WOODWARD 138KV CKT 1'	153	0.09151	201.3527	'NORTHWEST - TATONGA7 345.00 345KV CKT 1'

SOLUTION	GROUP	SCENARIO	SEASON	SOURCE	DIRECTION	MONITORED ELEMENT	RATE B	TDF	TC%	LOADING	CONTINGENCY NAME	
						COMMON NAME						
FDNS	02ALL		0 11G	G08_047	'TO->FROM'	'FPL SWITCH - WOODWARD 138KV CKT 1'	153	0.07502	201.3527	345KV CKT 1'	'NORTHWEST - TATONGA7	345.00
FDNS	02ALL		0 11G	G10_009	'TO->FROM'	'FPL SWITCH - WOODWARD 138KV CKT 1'	153	0.03373	201.3527	345KV CKT 1'	'NORTHWEST - TATONGA7	345.00
FDNS	02ALL		0 11G	G08_110	'TO->FROM'	'FPL SWITCH - WOODWARD 138KV CKT 1'	153	0.05854	201.3527	345KV CKT 1'	'NORTHWEST - TATONGA7	345.00
FDNS	02ALL		0 11G	G10_007	'TO->FROM'	'FPL SWITCH - WOODWARD 138KV CKT 1'	153	0.03424	201.3527	345KV CKT 1'	'NORTHWEST - TATONGA7	345.00
FDNS	02ALL		0 11G	ASGI_2010_011	'TO->FROM'	'FPL SWITCH - WOODWARD 138KV CKT 1'	153	0.05013	201.3527	345KV CKT 1'	'NORTHWEST - TATONGA7	345.00
FDNS	02ALL		0 11G	G10_011	'TO->FROM'	'FPL SWITCH - WOODWARD 138KV CKT 1'	153	0.09151	201.3527	345KV CKT 1'	'NORTHWEST - TATONGA7	345.00
FDNS	02ALL		0 11G	G10_015	'TO->FROM'	'FPL SWITCH - WOODWARD 138KV CKT 1'	153	0.0313	201.3527	345KV CKT 1'	'NORTHWEST - TATONGA7	345.00
FDNS	02ALL		0 11G	G10_014	'TO->FROM'	'FPL SWITCH - WOODWARD 138KV CKT 1'	153	0.05854	201.3527	345KV CKT 1'	'NORTHWEST - TATONGA7	345.00
FDNS	02ALL		0 11G	G10_008	'TO->FROM'	'GLASS MOUNTAIN - MOORELAND 138KV CKT 1'	124	0.07173	113.7226	345KV CKT 1'	'NORTHWEST - TATONGA7	345.00
FDNS	02ALL		0 11G	G08_044	'TO->FROM'	'EL RENO - ROMAN NOSE 138KV CKT 1'	153	0.03545	108.0638	345KV CKT 1'	'NORTHWEST - TATONGA7	345.00
FDNS	02ALL		0 11G	G08_047	'TO->FROM'	'EL RENO - ROMAN NOSE 138KV CKT 1'	153	0.03009	108.0638	345KV CKT 1'	'NORTHWEST - TATONGA7	345.00
FDNS	02ALL		0 11G	G10_008	'TO->FROM'	'EL RENO - ROMAN NOSE 138KV CKT 1'	153	0.06764	108.0638	345KV CKT 1'	'NORTHWEST - TATONGA7	345.00
FDNS	02ALL		0 11G	G10_011	'TO->FROM'	'EL RENO - ROMAN NOSE 138KV CKT 1'	153	0.03545	108.0638	345KV CKT 1'	'NORTHWEST - TATONGA7	345.00
FDNS	02ALL		0 11G	G08_044	'FROM->TO'	'FPL SWITCH - MOORELAND 138KV CKT 1'	287	0.09064	112.7339	345KV CKT 1'	'NORTHWEST - TATONGA7	345.00
FDNS	02ALL		0 11G	G08_047	'FROM->TO'	'FPL SWITCH - MOORELAND 138KV CKT 1'	287	0.07415	112.7339	345KV CKT 1'	'NORTHWEST - TATONGA7	345.00
FDNS	02ALL		0 11G	G10_009	'FROM->TO'	'FPL SWITCH - MOORELAND 138KV CKT 1'	287	0.03286	112.7339	345KV CKT 1'	'NORTHWEST - TATONGA7	345.00
FDNS	02ALL		0 11G	G08_110	'FROM->TO'	'FPL SWITCH - MOORELAND 138KV CKT 1'	287	0.05767	112.7339	345KV CKT 1'	'NORTHWEST - TATONGA7	345.00
FDNS	02ALL		0 11G	G10_007	'FROM->TO'	'FPL SWITCH - MOORELAND 138KV CKT 1'	287	0.03337	112.7339	345KV CKT 1'	'NORTHWEST - TATONGA7	345.00
FDNS	02ALL		0 11G	ASGI_2010_011	'FROM->TO'	'FPL SWITCH - MOORELAND 138KV CKT 1'	287	0.04927	112.7339	345KV CKT 1'	'NORTHWEST - TATONGA7	345.00
FDNS	02ALL		0 11G	G10_011	'FROM->TO'	'FPL SWITCH - MOORELAND 138KV CKT 1'	287	0.09064	112.7339	345KV CKT 1'	'NORTHWEST - TATONGA7	345.00
FDNS	02ALL		0 11G	G10_015	'FROM->TO'	'FPL SWITCH - MOORELAND 138KV CKT 1'	287	0.03043	112.7339	345KV CKT 1'	'NORTHWEST - TATONGA7	345.00
FDNS	02ALL		0 11G	G10_014	'FROM->TO'	'FPL SWITCH - MOORELAND 138KV CKT 1'	287	0.05767	112.7339	345KV CKT 1'	'NORTHWEST - TATONGA7	345.00
FDNS	02ALL		0 11G	G09_060	'TO->FROM'	'CANTON - TALOGA 69KV CKT 1'	39	0.04635	110.5769	345KV CKT 1'	'NORTHWEST - TATONGA7	345.00
FDNS	02ALL		0 11G	G09_067S	'FROM->TO'	'ELK CITY 230KV (ELKCTY-6) 230/138/13.8KV TRANSFORMER CKT 1'	287	0.0706	117.8864	345KV CKT 1'	'NORTHWEST - TATONGA7	345.00
FDNS	02ALL		0 11G	G08_022	'FROM->TO'	'ELK CITY 230KV (ELKCTY-6) 230/138/13.8KV TRANSFORMER CKT 1'	287	0.07193	117.8864	345KV CKT 1'	'NORTHWEST - TATONGA7	345.00
FDNS	02ALL		0 11G	G08_088	'FROM->TO'	'ELK CITY 230KV (ELKCTY-6) 230/138/13.8KV TRANSFORMER CKT 1'	287	0.1185	117.8864	345KV CKT 1'	'NORTHWEST - TATONGA7	345.00
FDNS	02ALL		0 11G	G08_110	'FROM->TO'	'ELK CITY 230KV (ELKCTY-6) 230/138/13.8KV TRANSFORMER CKT 1'	287	0.04453	117.8864	345KV CKT 1'	'NORTHWEST - TATONGA7	345.00
FDNS	02ALL		0 11G	G10_007	'FROM->TO'	'ELK CITY 230KV (ELKCTY-6) 230/138/13.8KV TRANSFORMER CKT 1'	287	0.10713	117.8864	345KV CKT 1'	'NORTHWEST - TATONGA7	345.00
FDNS	02ALL		0 11G	ASGI_2010_011	'FROM->TO'	'ELK CITY 230KV (ELKCTY-6) 230/138/13.8KV TRANSFORMER CKT 1'	287	0.06593	117.8864	345KV CKT 1'	'NORTHWEST - TATONGA7	345.00

SOLUTION	GROUP	SCENARIO	SEASON	SOURCE	DIRECTION	MONITORED ELEMENT	RATE B	TDF	TC%	LOADING	CONTINGENCY NAME
						COMMON NAME					
FDNS	02ALL		0 11G	G10_014	'FROM->TO'	'ELK CITY 230KV (ELKCTY-6) 230/138/13.8KV TRANSFORMER CKT 1'	287	0.04453	117.8864	'NORTHWEST - TATONGA7 345KV CKT 1'	345.00
FDNS	02ALL		0 11G	G09_067S	'FROM->TO'	'ELK CITY 230KV (ELKCTY-6) 230/138/13.8KV TRANSFORMER CKT 1'	287	0.0706	116.4794	'NORTHWEST - TATONGA7 345KV CKT 1'	345.00
FDNS	02ALL		0 11G	G08_022	'FROM->TO'	'ELK CITY 230KV (ELKCTY-6) 230/138/13.8KV TRANSFORMER CKT 1'	287	0.07193	116.4794	'NORTHWEST - TATONGA7 345KV CKT 1'	345.00
FDNS	02ALL		0 11G	G08_088	'FROM->TO'	'ELK CITY 230KV (ELKCTY-6) 230/138/13.8KV TRANSFORMER CKT 1'	287	0.1185	116.4794	'NORTHWEST - TATONGA7 345KV CKT 1'	345.00
FDNS	02ALL		0 11G	G08_110	'FROM->TO'	'ELK CITY 230KV (ELKCTY-6) 230/138/13.8KV TRANSFORMER CKT 1'	287	0.04453	116.4794	'NORTHWEST - TATONGA7 345KV CKT 1'	345.00
FDNS	02ALL		0 11G	G10_007	'FROM->TO'	'ELK CITY 230KV (ELKCTY-6) 230/138/13.8KV TRANSFORMER CKT 1'	287	0.10713	116.4794	'NORTHWEST - TATONGA7 345KV CKT 1'	345.00
FDNS	02ALL		0 11G	ASGI_2010_011	'FROM->TO'	'ELK CITY 230KV (ELKCTY-6) 230/138/13.8KV TRANSFORMER CKT 1'	287	0.06593	116.4794	'NORTHWEST - TATONGA7 345KV CKT 1'	345.00
FDNS	02ALL		0 11G	G10_014	'FROM->TO'	'ELK CITY 230KV (ELKCTY-6) 230/138/13.8KV TRANSFORMER CKT 1'	287	0.04453	116.4794	'NORTHWEST - TATONGA7 345KV CKT 1'	345.00
FDNS	02ALL		0 11G	G08_047	'TO->FROM'	'FPL SWITCH - WOODWARD 138KV CKT 1'	153	0.07597	184.8213	'TATONGA7 345.00 - WWRDEHV7 345KV CKT 1'	345.00
FDNS	02ALL		0 11G	G09_067S	'TO->FROM'	'FPL SWITCH - WOODWARD 138KV CKT 1'	153	0.0307	184.8213	'TATONGA7 345.00 - WWRDEHV7 345KV CKT 1'	345.00
FDNS	02ALL		0 11G	G08_022	'TO->FROM'	'FPL SWITCH - WOODWARD 138KV CKT 1'	153	0.03075	184.8213	'TATONGA7 345.00 - WWRDEHV7 345KV CKT 1'	345.00
FDNS	02ALL		0 11G	G10_009	'TO->FROM'	'FPL SWITCH - WOODWARD 138KV CKT 1'	153	0.03467	184.8213	'TATONGA7 345.00 - WWRDEHV7 345KV CKT 1'	345.00
FDNS	02ALL		0 11G	G08_110	'TO->FROM'	'FPL SWITCH - WOODWARD 138KV CKT 1'	153	0.05948	184.8213	'TATONGA7 345.00 - WWRDEHV7 345KV CKT 1'	345.00
FDNS	02ALL		0 11G	G10_007	'TO->FROM'	'FPL SWITCH - WOODWARD 138KV CKT 1'	153	0.03518	184.8213	'TATONGA7 345.00 - WWRDEHV7 345KV CKT 1'	345.00
FDNS	02ALL		0 11G	ASGI_2010_011	'TO->FROM'	'FPL SWITCH - WOODWARD 138KV CKT 1'	153	0.05108	184.8213	'TATONGA7 345.00 - WWRDEHV7 345KV CKT 1'	345.00
FDNS	02ALL		0 11G	G10_015	'TO->FROM'	'FPL SWITCH - WOODWARD 138KV CKT 1'	153	0.03224	184.8213	'TATONGA7 345.00 - WWRDEHV7 345KV CKT 1'	345.00
FDNS	02ALL		0 11G	G10_014	'TO->FROM'	'FPL SWITCH - WOODWARD 138KV CKT 1'	153	0.05948	184.8213	'TATONGA7 345.00 - WWRDEHV7 345KV CKT 1'	345.00
FDNS	02ALL		0 11G	G10_008	'TO->FROM'	'GLASS MOUNTAIN - MOORELAND 138KV CKT 1'	124	0.07206	106.8606	'TATONGA7 345.00 - WWRDEHV7 345KV CKT 1'	345.00
FDNS	02ALL		0 11G	G08_047	'TO->FROM'	'EL RENO - ROMAN NOSE 138KV CKT 1'	153	0.03054	101.1999	'TATONGA7 345.00 - WWRDEHV7 345KV CKT 1'	345.00
FDNS	02ALL		0 11G	G10_008	'TO->FROM'	'EL RENO - ROMAN NOSE 138KV CKT 1'	153	0.0681	101.1999	'TATONGA7 345.00 - WWRDEHV7 345KV CKT 1'	345.00
FDNS	02ALL		0 11G	G08_047	'FROM->TO'	'FPL SWITCH - MOORELAND 138KV CKT 1'	287	0.0751	103.6904	'TATONGA7 345.00 - WWRDEHV7 345KV CKT 1'	345.00
FDNS	02ALL		0 11G	G10_009	'FROM->TO'	'FPL SWITCH - MOORELAND 138KV CKT 1'	287	0.03381	103.6904	'TATONGA7 345.00 - WWRDEHV7 345KV CKT 1'	345.00
FDNS	02ALL		0 11G	G08_110	'FROM->TO'	'FPL SWITCH - MOORELAND 138KV CKT 1'	287	0.05861	103.6904	'TATONGA7 345.00 - WWRDEHV7 345KV CKT 1'	345.00
FDNS	02ALL		0 11G	G10_007	'FROM->TO'	'FPL SWITCH - MOORELAND 138KV CKT 1'	287	0.03431	103.6904	'TATONGA7 345.00 - WWRDEHV7 345KV CKT 1'	345.00
FDNS	02ALL		0 11G	ASGI_2010_011	'FROM->TO'	'FPL SWITCH - MOORELAND 138KV CKT 1'	287	0.05021	103.6904	'TATONGA7 345.00 - WWRDEHV7 345KV CKT 1'	345.00
FDNS	02ALL		0 11G	G10_015	'FROM->TO'	'FPL SWITCH - MOORELAND 138KV CKT 1'	287	0.03137	103.6904	'TATONGA7 345.00 - WWRDEHV7 345KV CKT 1'	345.00
FDNS	02ALL		0 11G	G10_014	'FROM->TO'	'FPL SWITCH - MOORELAND 138KV CKT 1'	287	0.05861	103.6904	'TATONGA7 345.00 - WWRDEHV7 345KV CKT 1'	345.00
FDNS	02ALL		0 11G	G09_060	'TO->FROM'	'CANTON - TALOGA 69KV CKT 1'	39	0.04644	101.8445	'TATONGA7 345.00 - WWRDEHV7 345KV CKT 1'	345.00
FDNS	02ALL		0 11G	G09_067S	'FROM->TO'	'ELK CITY 230KV (ELKCTY-6) 230/138/13.8KV TRANSFORMER CKT 1'	287	0.07096	115.0784	'TATONGA7 345.00 - WWRDEHV7 345KV CKT 1'	345.00

SOLUTION	GROUP	SCENARIO	SEASON	SOURCE	DIRECTION	MONITORED ELEMENT	RATE	B	TDF	TC%	LOADING	CONTINGENCY NAME
						COMMON NAME						
FDNS	02ALL		0 11G	G08_022	'FROM->TO'	'ELK CITY 230KV (ELKCTY-6) 230/138/13.8KV TRANSFORMER CKT 1'	287	0.07229		115.0784	345.00	345KV CKT 1 - WWRDEHV7
FDNS	02ALL		0 11G	G08_088	'FROM->TO'	'ELK CITY 230KV (ELKCTY-6) 230/138/13.8KV TRANSFORMER CKT 1'	287	0.11885		115.0784	345.00	345KV CKT 1 - WWRDEHV7
FDNS	02ALL		0 11G	G08_110	'FROM->TO'	'ELK CITY 230KV (ELKCTY-6) 230/138/13.8KV TRANSFORMER CKT 1'	287	0.04489		115.0784	345.00	345KV CKT 1 - WWRDEHV7
FDNS	02ALL		0 11G	G10_007	'FROM->TO'	'ELK CITY 230KV (ELKCTY-6) 230/138/13.8KV TRANSFORMER CKT 1'	287	0.10749		115.0784	345.00	345KV CKT 1 - WWRDEHV7
FDNS	02ALL		0 11G	ASGI_2010_011	'FROM->TO'	'ELK CITY 230KV (ELKCTY-6) 230/138/13.8KV TRANSFORMER CKT 1'	287	0.06629		115.0784	345.00	345KV CKT 1 - WWRDEHV7
FDNS	02ALL		0 11G	G10_014	'FROM->TO'	'ELK CITY 230KV (ELKCTY-6) 230/138/13.8KV TRANSFORMER CKT 1'	287	0.04489		115.0784	345.00	345KV CKT 1 - WWRDEHV7
FDNS	02ALL		0 11G	G09_067S	'FROM->TO'	'ELK CITY 230KV (ELKCTY-6) 230/138/13.8KV TRANSFORMER CKT 1'	287	0.07096		113.7766	345.00	345KV CKT 1 - WWRDEHV7
FDNS	02ALL		0 11G	G08_022	'FROM->TO'	'ELK CITY 230KV (ELKCTY-6) 230/138/13.8KV TRANSFORMER CKT 1'	287	0.07229		113.7766	345.00	345KV CKT 1 - WWRDEHV7
FDNS	02ALL		0 11G	G08_088	'FROM->TO'	'ELK CITY 230KV (ELKCTY-6) 230/138/13.8KV TRANSFORMER CKT 1'	287	0.11885		113.7766	345.00	345KV CKT 1 - WWRDEHV7
FDNS	02ALL		0 11G	G08_110	'FROM->TO'	'ELK CITY 230KV (ELKCTY-6) 230/138/13.8KV TRANSFORMER CKT 1'	287	0.04489		113.7766	345.00	345KV CKT 1 - WWRDEHV7
FDNS	02ALL		0 11G	G10_007	'FROM->TO'	'ELK CITY 230KV (ELKCTY-6) 230/138/13.8KV TRANSFORMER CKT 1'	287	0.10749		113.7766	345.00	345KV CKT 1 - WWRDEHV7
FDNS	02ALL		0 11G	ASGI_2010_011	'FROM->TO'	'ELK CITY 230KV (ELKCTY-6) 230/138/13.8KV TRANSFORMER CKT 1'	287	0.06629		113.7766	345.00	345KV CKT 1 - WWRDEHV7
FDNS	02ALL		0 11G	G10_014	'FROM->TO'	'ELK CITY 230KV (ELKCTY-6) 230/138/13.8KV TRANSFORMER CKT 1'	287	0.04489		113.7766	345.00	345KV CKT 1 - WWRDEHV7
FDNS	02ALL		0 11G	G08_044	'TO->FROM'	'FPL SWITCH - WOODWARD 138KV CKT 1'	153	0.03739		134.2903	345.00	345KV CKT 1 - WWRDEHV7
FDNS	02ALL		0 11G	G08_047	'TO->FROM'	'FPL SWITCH - WOODWARD 138KV CKT 1'	153	0.05644		134.2903	345.00	345KV CKT 1 - WWRDEHV7
FDNS	02ALL		0 11G	G08_110	'TO->FROM'	'FPL SWITCH - WOODWARD 138KV CKT 1'	153	0.04153		134.2903	345.00	345KV CKT 1 - WWRDEHV7
FDNS	02ALL		0 11G	ASGI_2010_011	'TO->FROM'	'FPL SWITCH - WOODWARD 138KV CKT 1'	153	0.03262		134.2903	345.00	345KV CKT 1 - WWRDEHV7
FDNS	02ALL		0 11G	G10_011	'TO->FROM'	'FPL SWITCH - WOODWARD 138KV CKT 1'	153	0.03739		134.2903	345.00	345KV CKT 1 - WWRDEHV7
FDNS	02ALL		0 11G	G10_014	'TO->FROM'	'FPL SWITCH - WOODWARD 138KV CKT 1'	153	0.04153		134.2903	345.00	345KV CKT 1 - WWRDEHV7
FDNS	02ALL		0 11G	G08_047	'TO->FROM'	'DEAF SMITH COUNTY INTERCHANGE - S-RANDLCO 230.00 230KV CKT 1'	350	0.03896		101.672	345.00	345KV CKT 1 - WWRDEHV7
FDNS	02ALL		0 11G	G08_088	'TO->FROM'	'DEAF SMITH COUNTY INTERCHANGE - S-RANDLCO 230.00 230KV CKT 1'	350	0.04703		101.672	345.00	345KV CKT 1 - WWRDEHV7
FDNS	02ALL		0 11G	G08_110	'TO->FROM'	'DEAF SMITH COUNTY INTERCHANGE - S-RANDLCO 230.00 230KV CKT 1'	350	0.04891		101.672	345.00	345KV CKT 1 - WWRDEHV7
FDNS	02ALL		0 11G	G10_007	'TO->FROM'	'DEAF SMITH COUNTY INTERCHANGE - S-RANDLCO 230.00 230KV CKT 1'	350	0.06212		101.672	345.00	345KV CKT 1 - WWRDEHV7
FDNS	02ALL		0 11G	ASGI_2010_011	'TO->FROM'	'DEAF SMITH COUNTY INTERCHANGE - S-RANDLCO 230.00 230KV CKT 1'	350	0.05532		101.672	345.00	345KV CKT 1 - WWRDEHV7
FDNS	02ALL		0 11G	G10_014	'TO->FROM'	'DEAF SMITH COUNTY INTERCHANGE - S-RANDLCO 230.00 230KV CKT 1'	350	0.04891		101.672	345.00	345KV CKT 1 - WWRDEHV7
FDNS	02ALL		0 11G	G09_067S	'FROM->TO'	'ELK CITY 230KV (ELKCTY-6) 230/138/13.8KV TRANSFORMER CKT 1'	287	0.079		103.0045	345.00	345KV CKT 1 - WWRDEHV7
FDNS	02ALL		0 11G	G08_022	'FROM->TO'	'ELK CITY 230KV (ELKCTY-6) 230/138/13.8KV TRANSFORMER CKT 1'	287	0.08004		103.0045	345.00	345KV CKT 1 - WWRDEHV7
FDNS	02ALL		0 11G	G08_088	'FROM->TO'	'ELK CITY 230KV (ELKCTY-6) 230/138/13.8KV TRANSFORMER CKT 1'	287	0.11904		103.0045	345.00	345KV CKT 1 - WWRDEHV7
FDNS	02ALL		0 11G	G08_110	'FROM->TO'	'ELK CITY 230KV (ELKCTY-6) 230/138/13.8KV TRANSFORMER CKT 1'	287	0.03626		103.0045	345.00	345KV CKT 1 - WWRDEHV7

SOLUTION	GROUP	SCENARIO	SEASON	SOURCE	DIRECTION	MONITORED ELEMENT	RATE B	TDF	TC%	LOADING	CONTINGENCY	NAME
						COMMON NAME						
FDNS	02ALL	0 11G	G10_007	'FROM->TO'	'ELK CITY 230KV (ELKCTY-6) 230/138/13.8KV TRANSFORMER CKT 1'	287	0.10527	103.0045	345.00	345KV	CKT 1'	'BORDER 7345.00 - WWRDEHV7
FDNS	02ALL	0 11G	ASGI_2010_011	'FROM->TO'	'ELK CITY 230KV (ELKCTY-6) 230/138/13.8KV TRANSFORMER CKT 1'	287	0.05994	103.0045	345.00	345KV	CKT 1'	'BORDER 7345.00 - WWRDEHV7
FDNS	02ALL	0 11G	G10_014	'FROM->TO'	'ELK CITY 230KV (ELKCTY-6) 230/138/13.8KV TRANSFORMER CKT 1'	287	0.03626	103.0045	345.00	345KV	CKT 1'	'BORDER 7345.00 - WWRDEHV7
FDNS	02ALL	0 11G	G09_067S	'FROM->TO'	'ELK CITY 230KV (ELKCTY-6) 230/138/13.8KV TRANSFORMER CKT 1'	287	0.079	102.1406	345.00	345KV	CKT 1'	'BORDER 7345.00 - WWRDEHV7
FDNS	02ALL	0 11G	G08_022	'FROM->TO'	'ELK CITY 230KV (ELKCTY-6) 230/138/13.8KV TRANSFORMER CKT 1'	287	0.08004	102.1406	345.00	345KV	CKT 1'	'BORDER 7345.00 - WWRDEHV7
FDNS	02ALL	0 11G	G08_088	'FROM->TO'	'ELK CITY 230KV (ELKCTY-6) 230/138/13.8KV TRANSFORMER CKT 1'	287	0.11904	102.1406	345.00	345KV	CKT 1'	'BORDER 7345.00 - WWRDEHV7
FDNS	02ALL	0 11G	G08_110	'FROM->TO'	'ELK CITY 230KV (ELKCTY-6) 230/138/13.8KV TRANSFORMER CKT 1'	287	0.03626	102.1406	345.00	345KV	CKT 1'	'BORDER 7345.00 - WWRDEHV7
FDNS	02ALL	0 11G	G10_007	'FROM->TO'	'ELK CITY 230KV (ELKCTY-6) 230/138/13.8KV TRANSFORMER CKT 1'	287	0.10527	102.1406	345.00	345KV	CKT 1'	'BORDER 7345.00 - WWRDEHV7
FDNS	02ALL	0 11G	ASGI_2010_011	'FROM->TO'	'ELK CITY 230KV (ELKCTY-6) 230/138/13.8KV TRANSFORMER CKT 1'	287	0.05994	102.1406	345.00	345KV	CKT 1'	'BORDER 7345.00 - WWRDEHV7
FDNS	02ALL	0 11G	G10_014	'FROM->TO'	'ELK CITY 230KV (ELKCTY-6) 230/138/13.8KV TRANSFORMER CKT 1'	287	0.03626	102.1406	345.00	345KV	CKT 1'	'BORDER 7345.00 - WWRDEHV7
FDNS	02ALL	0 11G	G08_044	'TO->FROM'	'FPL SWITCH - WOODWARD 138KV CKT 1'	153	0.03509	119.8669	345.00	345KV	CKT 1'	'2008-047T 345.00 - WWRDEHV7
FDNS	02ALL	0 11G	G08_047	'TO->FROM'	'FPL SWITCH - WOODWARD 138KV CKT 1'	153	0.04612	119.8669	345.00	345KV	CKT 1'	'2008-047T 345.00 - WWRDEHV7
FDNS	02ALL	0 11G	G08_110	'TO->FROM'	'FPL SWITCH - WOODWARD 138KV CKT 1'	153	0.03532	119.8669	345.00	345KV	CKT 1'	'2008-047T 345.00 - WWRDEHV7
FDNS	02ALL	0 11G	G10_011	'TO->FROM'	'FPL SWITCH - WOODWARD 138KV CKT 1'	153	0.03509	119.8669	345.00	345KV	CKT 1'	'2008-047T 345.00 - WWRDEHV7
FDNS	02ALL	0 11G	G10_014	'TO->FROM'	'FPL SWITCH - WOODWARD 138KV CKT 1'	153	0.03532	119.8669	345.00	345KV	CKT 1'	'2008-047T 345.00 - WWRDEHV7
FDNS	02ALL	0 11G	G08_047	'TO->FROM'	'DEAF SMITH COUNTY INTERCHANGE - S-RANDLCO 230.00 230KV CKT 1'	350	0.03742	103.0811	345.00	345KV	CKT 1'	'2008-047T 345.00 - WWRDEHV7
FDNS	02ALL	0 11G	G08_088	'TO->FROM'	'DEAF SMITH COUNTY INTERCHANGE - S-RANDLCO 230.00 230KV CKT 1'	350	0.06593	103.0811	345.00	345KV	CKT 1'	'2008-047T 345.00 - WWRDEHV7
FDNS	02ALL	0 11G	G08_110	'TO->FROM'	'DEAF SMITH COUNTY INTERCHANGE - S-RANDLCO 230.00 230KV CKT 1'	350	0.05123	103.0811	345.00	345KV	CKT 1'	'2008-047T 345.00 - WWRDEHV7
FDNS	02ALL	0 11G	G10_007	'TO->FROM'	'DEAF SMITH COUNTY INTERCHANGE - S-RANDLCO 230.00 230KV CKT 1'	350	0.07616	103.0811	345.00	345KV	CKT 1'	'2008-047T 345.00 - WWRDEHV7
FDNS	02ALL	0 11G	ASGI_2010_011	'TO->FROM'	'DEAF SMITH COUNTY INTERCHANGE - S-RANDLCO 230.00 230KV CKT 1'	350	0.06186	103.0811	345.00	345KV	CKT 1'	'2008-047T 345.00 - WWRDEHV7
FDNS	02ALL	0 11G	G10_014	'TO->FROM'	'DEAF SMITH COUNTY INTERCHANGE - S-RANDLCO 230.00 230KV CKT 1'	350	0.05123	103.0811	345.00	345KV	CKT 1'	'2008-047T 345.00 - WWRDEHV7
FDNS	02ALL	0 11G	G09_067S	'FROM->TO'	'ELK CITY 230KV (ELKCTY-6) 230/138/13.8KV TRANSFORMER CKT 1'	287	0.06822	114.8428	345.00	345KV	CKT 1'	'2008-047T 345.00 - WWRDEHV7
FDNS	02ALL	0 11G	G08_022	'FROM->TO'	'ELK CITY 230KV (ELKCTY-6) 230/138/13.8KV TRANSFORMER CKT 1'	287	0.0696	114.8428	345.00	345KV	CKT 1'	'2008-047T 345.00 - WWRDEHV7
FDNS	02ALL	0 11G	G08_088	'FROM->TO'	'ELK CITY 230KV (ELKCTY-6) 230/138/13.8KV TRANSFORMER CKT 1'	287	0.11753	114.8428	345.00	345KV	CKT 1'	'2008-047T 345.00 - WWRDEHV7
FDNS	02ALL	0 11G	G08_110	'FROM->TO'	'ELK CITY 230KV (ELKCTY-6) 230/138/13.8KV TRANSFORMER CKT 1'	287	0.04489	114.8428	345.00	345KV	CKT 1'	'2008-047T 345.00 - WWRDEHV7
FDNS	02ALL	0 11G	G10_007	'FROM->TO'	'ELK CITY 230KV (ELKCTY-6) 230/138/13.8KV TRANSFORMER CKT 1'	287	0.10655	114.8428	345.00	345KV	CKT 1'	'2008-047T 345.00 - WWRDEHV7
FDNS	02ALL	0 11G	ASGI_2010_011	'FROM->TO'	'ELK CITY 230KV (ELKCTY-6) 230/138/13.8KV TRANSFORMER CKT 1'	287	0.06595	114.8428	345.00	345KV	CKT 1'	'2008-047T 345.00 - WWRDEHV7
FDNS	02ALL	0 11G	G10_014	'FROM->TO'	'ELK CITY 230KV (ELKCTY-6) 230/138/13.8KV TRANSFORMER CKT 1'	287	0.04489	114.8428	345.00	345KV	CKT 1'	'2008-047T 345.00 - WWRDEHV7
FDNS	02ALL	0 11G	G09_067S	'FROM->TO'	'ELK CITY 230KV (ELKCTY-6) 230/138/13.8KV TRANSFORMER CKT 1'	287	0.06822	113.422	345.00	345KV	CKT 1'	'2008-047T 345.00 - WWRDEHV7

SOLUTION	GROUP	SCENARIO	SEASON	SOURCE	DIRECTION	MONITORED ELEMENT	RATE B	TDF	TC%	LOADING	CONTINGENCY	NAME
						COMMON NAME						
FDNS	02ALL		0 11G	G08_022	'FROM->TO'	'ELK CITY 230KV (ELKCTY-6) 230/138/13.8KV TRANSFORMER CKT 1'	287	0.0696	113.422	345.00	345KV CKT 1'	'2008-047T 345.00 - WWRDEHV7
FDNS	02ALL		0 11G	G08_088	'FROM->TO'	'ELK CITY 230KV (ELKCTY-6) 230/138/13.8KV TRANSFORMER CKT 1'	287	0.11753	113.422	345.00	345KV CKT 1'	'2008-047T 345.00 - WWRDEHV7
FDNS	02ALL		0 11G	G08_110	'FROM->TO'	'ELK CITY 230KV (ELKCTY-6) 230/138/13.8KV TRANSFORMER CKT 1'	287	0.04489	113.422	345.00	345KV CKT 1'	'2008-047T 345.00 - WWRDEHV7
FDNS	02ALL		0 11G	G10_007	'FROM->TO'	'ELK CITY 230KV (ELKCTY-6) 230/138/13.8KV TRANSFORMER CKT 1'	287	0.10655	113.422	345.00	345KV CKT 1'	'2008-047T 345.00 - WWRDEHV7
FDNS	02ALL		0 11G	ASGI_2010_011	'FROM->TO'	'ELK CITY 230KV (ELKCTY-6) 230/138/13.8KV TRANSFORMER CKT 1'	287	0.06595	113.422	345.00	345KV CKT 1'	'2008-047T 345.00 - WWRDEHV7
FDNS	02ALL		0 11G	G10_014	'FROM->TO'	'ELK CITY 230KV (ELKCTY-6) 230/138/13.8KV TRANSFORMER CKT 1'	287	0.04489	113.422	345.00	345KV CKT 1'	'2008-047T 345.00 - WWRDEHV7
FDNS	02ALL		0 11G	G08_044	'TO->FROM'	'FPL SWITCH - WOODWARD 138KV CKT 1'	153	0.03509	119.8669	345.00	345KV CKT 2'	'2008-047T 345.00 - WWRDEHV7
FDNS	02ALL		0 11G	G08_047	'TO->FROM'	'FPL SWITCH - WOODWARD 138KV CKT 1'	153	0.04612	119.8669	345.00	345KV CKT 2'	'2008-047T 345.00 - WWRDEHV7
FDNS	02ALL		0 11G	G08_110	'TO->FROM'	'FPL SWITCH - WOODWARD 138KV CKT 1'	153	0.03532	119.8669	345.00	345KV CKT 2'	'2008-047T 345.00 - WWRDEHV7
FDNS	02ALL		0 11G	G10_011	'TO->FROM'	'FPL SWITCH - WOODWARD 138KV CKT 1'	153	0.03509	119.8669	345.00	345KV CKT 2'	'2008-047T 345.00 - WWRDEHV7
FDNS	02ALL		0 11G	G10_014	'TO->FROM'	'FPL SWITCH - WOODWARD 138KV CKT 1'	153	0.03532	119.8669	345.00	345KV CKT 2'	'2008-047T 345.00 - WWRDEHV7
FDNS	02ALL		0 11G	G08_047	'TO->FROM'	'DEAF SMITH COUNTY INTERCHANGE - S-RANDLCO 230.00 230KV CKT 1'	350	0.03742	103.0811	345.00	345KV CKT 2'	'2008-047T 345.00 - WWRDEHV7
FDNS	02ALL		0 11G	G08_088	'TO->FROM'	'DEAF SMITH COUNTY INTERCHANGE - S-RANDLCO 230.00 230KV CKT 1'	350	0.06593	103.0811	345.00	345KV CKT 2'	'2008-047T 345.00 - WWRDEHV7
FDNS	02ALL		0 11G	G08_110	'TO->FROM'	'DEAF SMITH COUNTY INTERCHANGE - S-RANDLCO 230.00 230KV CKT 1'	350	0.05123	103.0811	345.00	345KV CKT 2'	'2008-047T 345.00 - WWRDEHV7
FDNS	02ALL		0 11G	G10_007	'TO->FROM'	'DEAF SMITH COUNTY INTERCHANGE - S-RANDLCO 230.00 230KV CKT 1'	350	0.07616	103.0811	345.00	345KV CKT 2'	'2008-047T 345.00 - WWRDEHV7
FDNS	02ALL		0 11G	ASGI_2010_011	'TO->FROM'	'DEAF SMITH COUNTY INTERCHANGE - S-RANDLCO 230.00 230KV CKT 1'	350	0.06186	103.0811	345.00	345KV CKT 2'	'2008-047T 345.00 - WWRDEHV7
FDNS	02ALL		0 11G	G10_014	'TO->FROM'	'DEAF SMITH COUNTY INTERCHANGE - S-RANDLCO 230.00 230KV CKT 1'	350	0.05123	103.0811	345.00	345KV CKT 2'	'2008-047T 345.00 - WWRDEHV7
FDNS	02ALL		0 11G	G09_067S	'FROM->TO'	'ELK CITY 230KV (ELKCTY-6) 230/138/13.8KV TRANSFORMER CKT 1'	287	0.06822	114.8428	345.00	345KV CKT 2'	'2008-047T 345.00 - WWRDEHV7
FDNS	02ALL		0 11G	G08_022	'FROM->TO'	'ELK CITY 230KV (ELKCTY-6) 230/138/13.8KV TRANSFORMER CKT 1'	287	0.0696	114.8428	345.00	345KV CKT 2'	'2008-047T 345.00 - WWRDEHV7
FDNS	02ALL		0 11G	G08_088	'FROM->TO'	'ELK CITY 230KV (ELKCTY-6) 230/138/13.8KV TRANSFORMER CKT 1'	287	0.11753	114.8428	345.00	345KV CKT 2'	'2008-047T 345.00 - WWRDEHV7
FDNS	02ALL		0 11G	G08_110	'FROM->TO'	'ELK CITY 230KV (ELKCTY-6) 230/138/13.8KV TRANSFORMER CKT 1'	287	0.04489	114.8428	345.00	345KV CKT 2'	'2008-047T 345.00 - WWRDEHV7
FDNS	02ALL		0 11G	G10_007	'FROM->TO'	'ELK CITY 230KV (ELKCTY-6) 230/138/13.8KV TRANSFORMER CKT 1'	287	0.10655	114.8428	345.00	345KV CKT 2'	'2008-047T 345.00 - WWRDEHV7
FDNS	02ALL		0 11G	ASGI_2010_011	'FROM->TO'	'ELK CITY 230KV (ELKCTY-6) 230/138/13.8KV TRANSFORMER CKT 1'	287	0.06595	114.8428	345.00	345KV CKT 2'	'2008-047T 345.00 - WWRDEHV7
FDNS	02ALL		0 11G	G10_014	'FROM->TO'	'ELK CITY 230KV (ELKCTY-6) 230/138/13.8KV TRANSFORMER CKT 1'	287	0.04489	114.8428	345.00	345KV CKT 2'	'2008-047T 345.00 - WWRDEHV7
FDNS	02ALL		0 11G	G09_067S	'FROM->TO'	'ELK CITY 230KV (ELKCTY-6) 230/138/13.8KV TRANSFORMER CKT 1'	287	0.06822	113.422	345.00	345KV CKT 2'	'2008-047T 345.00 - WWRDEHV7
FDNS	02ALL		0 11G	G08_022	'FROM->TO'	'ELK CITY 230KV (ELKCTY-6) 230/138/13.8KV TRANSFORMER CKT 1'	287	0.0696	113.422	345.00	345KV CKT 2'	'2008-047T 345.00 - WWRDEHV7
FDNS	02ALL		0 11G	G08_088	'FROM->TO'	'ELK CITY 230KV (ELKCTY-6) 230/138/13.8KV TRANSFORMER CKT 1'	287	0.11753	113.422	345.00	345KV CKT 2'	'2008-047T 345.00 - WWRDEHV7
FDNS	02ALL		0 11G	G08_110	'FROM->TO'	'ELK CITY 230KV (ELKCTY-6) 230/138/13.8KV TRANSFORMER CKT 1'	287	0.04489	113.422	345.00	345KV CKT 2'	'2008-047T 345.00 - WWRDEHV7
FDNS	02ALL		0 11G	G10_007	'FROM->TO'	'ELK CITY 230KV (ELKCTY-6) 230/138/13.8KV TRANSFORMER CKT 1'	287	0.10655	113.422	345.00	345KV CKT 2'	'2008-047T 345.00 - WWRDEHV7

SOLUTION	GROUP	SCENARIO	SEASON	SOURCE	DIRECTION	MONITORED ELEMENT	RATE B	TDF	TC%	LOADING	CONTINGENCY	NAME
						COMMON NAME						
FDNS	02ALL		0 11G	ASGI_2010_011	'FROM->TO'	'ELK CITY 230KV (ELKCTY-6) 230/138/13.8KV TRANSFORMER CKT 1'	287	0.06595	113.422	345.00	345KV CKT 2'	'2008-047T 345.00 - WWRDEHV7
FDNS	02ALL		0 11G	G10_014	'FROM->TO'	'ELK CITY 230KV (ELKCTY-6) 230/138/13.8KV TRANSFORMER CKT 1'	287	0.04489	113.422	345.00	345KV CKT 2'	'2008-047T 345.00 - WWRDEHV7
FDNS	02ALL		0 11G	G08_044	'TO->FROM'	'FPL SWITCH - WOODWARD 138KV CKT 1'	153	0.03878	143.5973	345.00	345KV CKT 1'	'MED-LDG5 345.00 - WWRDEHV7
FDNS	02ALL		0 11G	G08_047	'TO->FROM'	'FPL SWITCH - WOODWARD 138KV CKT 1'	153	0.05975	143.5973	345.00	345KV CKT 1'	'MED-LDG5 345.00 - WWRDEHV7
FDNS	02ALL		0 11G	G08_110	'TO->FROM'	'FPL SWITCH - WOODWARD 138KV CKT 1'	153	0.04525	143.5973	345.00	345KV CKT 1'	'MED-LDG5 345.00 - WWRDEHV7
FDNS	02ALL		0 11G	ASGI_2010_011	'TO->FROM'	'FPL SWITCH - WOODWARD 138KV CKT 1'	153	0.03821	143.5973	345.00	345KV CKT 1'	'MED-LDG5 345.00 - WWRDEHV7
FDNS	02ALL		0 11G	G10_011	'TO->FROM'	'FPL SWITCH - WOODWARD 138KV CKT 1'	153	0.03878	143.5973	345.00	345KV CKT 1'	'MED-LDG5 345.00 - WWRDEHV7
FDNS	02ALL		0 11G	G10_014	'TO->FROM'	'FPL SWITCH - WOODWARD 138KV CKT 1'	153	0.04525	143.5973	345.00	345KV CKT 1'	'MED-LDG5 345.00 - WWRDEHV7
FDNS	02ALL		0 11G	G09_067S	'FROM->TO'	'ELK CITY 230KV (ELKCTY-6) 230/138/13.8KV TRANSFORMER CKT 1'	287	0.06726	106.4793	345.00	345KV CKT 1'	'MED-LDG5 345.00 - WWRDEHV7
FDNS	02ALL		0 11G	G08_022	'FROM->TO'	'ELK CITY 230KV (ELKCTY-6) 230/138/13.8KV TRANSFORMER CKT 1'	287	0.06856	106.4793	345.00	345KV CKT 1'	'MED-LDG5 345.00 - WWRDEHV7
FDNS	02ALL		0 11G	G08_088	'FROM->TO'	'ELK CITY 230KV (ELKCTY-6) 230/138/13.8KV TRANSFORMER CKT 1'	287	0.11453	106.4793	345.00	345KV CKT 1'	'MED-LDG5 345.00 - WWRDEHV7
FDNS	02ALL		0 11G	G08_110	'FROM->TO'	'ELK CITY 230KV (ELKCTY-6) 230/138/13.8KV TRANSFORMER CKT 1'	287	0.03858	106.4793	345.00	345KV CKT 1'	'MED-LDG5 345.00 - WWRDEHV7
FDNS	02ALL		0 11G	G10_007	'FROM->TO'	'ELK CITY 230KV (ELKCTY-6) 230/138/13.8KV TRANSFORMER CKT 1'	287	0.10272	106.4793	345.00	345KV CKT 1'	'MED-LDG5 345.00 - WWRDEHV7
FDNS	02ALL		0 11G	ASGI_2010_011	'FROM->TO'	'ELK CITY 230KV (ELKCTY-6) 230/138/13.8KV TRANSFORMER CKT 1'	287	0.06052	106.4793	345.00	345KV CKT 1'	'MED-LDG5 345.00 - WWRDEHV7
FDNS	02ALL		0 11G	G10_014	'FROM->TO'	'ELK CITY 230KV (ELKCTY-6) 230/138/13.8KV TRANSFORMER CKT 1'	287	0.03858	106.4793	345.00	345KV CKT 1'	'MED-LDG5 345.00 - WWRDEHV7
FDNS	02ALL		0 11G	G09_067S	'FROM->TO'	'ELK CITY 230KV (ELKCTY-6) 230/138/13.8KV TRANSFORMER CKT 1'	287	0.06726	105.509	345.00	345KV CKT 1'	'MED-LDG5 345.00 - WWRDEHV7
FDNS	02ALL		0 11G	G08_022	'FROM->TO'	'ELK CITY 230KV (ELKCTY-6) 230/138/13.8KV TRANSFORMER CKT 1'	287	0.06856	105.509	345.00	345KV CKT 1'	'MED-LDG5 345.00 - WWRDEHV7
FDNS	02ALL		0 11G	G08_088	'FROM->TO'	'ELK CITY 230KV (ELKCTY-6) 230/138/13.8KV TRANSFORMER CKT 1'	287	0.11453	105.509	345.00	345KV CKT 1'	'MED-LDG5 345.00 - WWRDEHV7
FDNS	02ALL		0 11G	G08_110	'FROM->TO'	'ELK CITY 230KV (ELKCTY-6) 230/138/13.8KV TRANSFORMER CKT 1'	287	0.03858	105.509	345.00	345KV CKT 1'	'MED-LDG5 345.00 - WWRDEHV7
FDNS	02ALL		0 11G	G10_007	'FROM->TO'	'ELK CITY 230KV (ELKCTY-6) 230/138/13.8KV TRANSFORMER CKT 1'	287	0.10272	105.509	345.00	345KV CKT 1'	'MED-LDG5 345.00 - WWRDEHV7
FDNS	02ALL		0 11G	ASGI_2010_011	'FROM->TO'	'ELK CITY 230KV (ELKCTY-6) 230/138/13.8KV TRANSFORMER CKT 1'	287	0.06052	105.509	345.00	345KV CKT 1'	'MED-LDG5 345.00 - WWRDEHV7
FDNS	02ALL		0 11G	G10_014	'FROM->TO'	'ELK CITY 230KV (ELKCTY-6) 230/138/13.8KV TRANSFORMER CKT 1'	287	0.03858	105.509	345.00	345KV CKT 1'	'MED-LDG5 345.00 - WWRDEHV7
FDNS	02ALL		0 11G	G08_044	'TO->FROM'	'FPL SWITCH - WOODWARD 138KV CKT 1'	153	0.03878	143.5973	345.00	345KV CKT 2'	'MED-LDG5 345.00 - WWRDEHV7
FDNS	02ALL		0 11G	G08_047	'TO->FROM'	'FPL SWITCH - WOODWARD 138KV CKT 1'	153	0.05975	143.5973	345.00	345KV CKT 2'	'MED-LDG5 345.00 - WWRDEHV7
FDNS	02ALL		0 11G	G08_110	'TO->FROM'	'FPL SWITCH - WOODWARD 138KV CKT 1'	153	0.04525	143.5973	345.00	345KV CKT 2'	'MED-LDG5 345.00 - WWRDEHV7
FDNS	02ALL		0 11G	ASGI_2010_011	'TO->FROM'	'FPL SWITCH - WOODWARD 138KV CKT 1'	153	0.03821	143.5973	345.00	345KV CKT 2'	'MED-LDG5 345.00 - WWRDEHV7
FDNS	02ALL		0 11G	G10_011	'TO->FROM'	'FPL SWITCH - WOODWARD 138KV CKT 1'	153	0.03878	143.5973	345.00	345KV CKT 2'	'MED-LDG5 345.00 - WWRDEHV7
FDNS	02ALL		0 11G	G10_014	'TO->FROM'	'FPL SWITCH - WOODWARD 138KV CKT 1'	153	0.04525	143.5973	345.00	345KV CKT 2'	'MED-LDG5 345.00 - WWRDEHV7
FDNS	02ALL		0 11G	G09_067S	'FROM->TO'	'ELK CITY 230KV (ELKCTY-6) 230/138/13.8KV TRANSFORMER CKT 1'	287	0.06726	106.4793	345.00	345KV CKT 2'	'MED-LDG5 345.00 - WWRDEHV7

SOLUTION	GROUP	SCENARIO	SEASON	SOURCE	DIRECTION	MONITORED ELEMENT	RATE B	TDF	TC%	LOADING	CONTINGENCY NAME
						COMMON NAME					
FDNS	02ALL		0 11G	G08_022	'FROM->TO'	'ELK CITY 230KV (ELKCTY-6) 230/138/13.8KV TRANSFORMER CKT 1'	287	0.06856	106.4793	345.00	'MED-LDG5 345.00 - WWRDEHV7 345KV CKT 2'
FDNS	02ALL		0 11G	G08_088	'FROM->TO'	'ELK CITY 230KV (ELKCTY-6) 230/138/13.8KV TRANSFORMER CKT 1'	287	0.11453	106.4793	345.00	'MED-LDG5 345.00 - WWRDEHV7 345KV CKT 2'
FDNS	02ALL		0 11G	G08_110	'FROM->TO'	'ELK CITY 230KV (ELKCTY-6) 230/138/13.8KV TRANSFORMER CKT 1'	287	0.03858	106.4793	345.00	'MED-LDG5 345.00 - WWRDEHV7 345KV CKT 2'
FDNS	02ALL		0 11G	G10_007	'FROM->TO'	'ELK CITY 230KV (ELKCTY-6) 230/138/13.8KV TRANSFORMER CKT 1'	287	0.10272	106.4793	345.00	'MED-LDG5 345.00 - WWRDEHV7 345KV CKT 2'
FDNS	02ALL		0 11G	ASGI_2010_011	'FROM->TO'	'ELK CITY 230KV (ELKCTY-6) 230/138/13.8KV TRANSFORMER CKT 1'	287	0.06052	106.4793	345.00	'MED-LDG5 345.00 - WWRDEHV7 345KV CKT 2'
FDNS	02ALL		0 11G	G10_014	'FROM->TO'	'ELK CITY 230KV (ELKCTY-6) 230/138/13.8KV TRANSFORMER CKT 1'	287	0.03858	106.4793	345.00	'MED-LDG5 345.00 - WWRDEHV7 345KV CKT 2'
FDNS	02ALL		0 11G	G09_067S	'FROM->TO'	'ELK CITY 230KV (ELKCTY-6) 230/138/13.8KV TRANSFORMER CKT 1'	287	0.06726	105.509	345.00	'MED-LDG5 345.00 - WWRDEHV7 345KV CKT 2'
FDNS	02ALL		0 11G	G08_022	'FROM->TO'	'ELK CITY 230KV (ELKCTY-6) 230/138/13.8KV TRANSFORMER CKT 1'	287	0.06856	105.509	345.00	'MED-LDG5 345.00 - WWRDEHV7 345KV CKT 2'
FDNS	02ALL		0 11G	G08_088	'FROM->TO'	'ELK CITY 230KV (ELKCTY-6) 230/138/13.8KV TRANSFORMER CKT 1'	287	0.11453	105.509	345.00	'MED-LDG5 345.00 - WWRDEHV7 345KV CKT 2'
FDNS	02ALL		0 11G	G08_110	'FROM->TO'	'ELK CITY 230KV (ELKCTY-6) 230/138/13.8KV TRANSFORMER CKT 1'	287	0.03858	105.509	345.00	'MED-LDG5 345.00 - WWRDEHV7 345KV CKT 2'
FDNS	02ALL		0 11G	G10_007	'FROM->TO'	'ELK CITY 230KV (ELKCTY-6) 230/138/13.8KV TRANSFORMER CKT 1'	287	0.10272	105.509	345.00	'MED-LDG5 345.00 - WWRDEHV7 345KV CKT 2'
FDNS	02ALL		0 11G	ASGI_2010_011	'FROM->TO'	'ELK CITY 230KV (ELKCTY-6) 230/138/13.8KV TRANSFORMER CKT 1'	287	0.06052	105.509	345.00	'MED-LDG5 345.00 - WWRDEHV7 345KV CKT 2'
FDNS	02ALL		0 11G	G10_014	'FROM->TO'	'ELK CITY 230KV (ELKCTY-6) 230/138/13.8KV TRANSFORMER CKT 1'	287	0.03858	105.509	345.00	'MED-LDG5 345.00 - WWRDEHV7 345KV CKT 2'
FDNS	02ALL		0 11G	G09_067S	'FROM->TO'	'ELK CITY 230KV (ELKCTY-6) 230/138/13.8KV TRANSFORMER CKT 1'	287	0.06759	110.1307	138KV CKT	'FPL SWITCH - MOORELAND 138KV CKT 1'
FDNS	02ALL		0 11G	G08_022	'FROM->TO'	'ELK CITY 230KV (ELKCTY-6) 230/138/13.8KV TRANSFORMER CKT 1'	287	0.06889	110.1307	138KV CKT	'FPL SWITCH - MOORELAND 138KV CKT 1'
FDNS	02ALL		0 11G	G08_088	'FROM->TO'	'ELK CITY 230KV (ELKCTY-6) 230/138/13.8KV TRANSFORMER CKT 1'	287	0.11465	110.1307	138KV CKT	'FPL SWITCH - MOORELAND 138KV CKT 1'
FDNS	02ALL		0 11G	G08_110	'FROM->TO'	'ELK CITY 230KV (ELKCTY-6) 230/138/13.8KV TRANSFORMER CKT 1'	287	0.04049	110.1307	138KV CKT	'FPL SWITCH - MOORELAND 138KV CKT 1'
FDNS	02ALL		0 11G	G10_007	'FROM->TO'	'ELK CITY 230KV (ELKCTY-6) 230/138/13.8KV TRANSFORMER CKT 1'	287	0.10318	110.1307	138KV CKT	'FPL SWITCH - MOORELAND 138KV CKT 1'
FDNS	02ALL		0 11G	ASGI_2010_011	'FROM->TO'	'ELK CITY 230KV (ELKCTY-6) 230/138/13.8KV TRANSFORMER CKT 1'	287	0.06192	110.1307	138KV CKT	'FPL SWITCH - MOORELAND 138KV CKT 1'
FDNS	02ALL		0 11G	G10_014	'FROM->TO'	'ELK CITY 230KV (ELKCTY-6) 230/138/13.8KV TRANSFORMER CKT 1'	287	0.04049	110.1307	138KV CKT	'FPL SWITCH - MOORELAND 138KV CKT 1'
FDNS	02ALL		0 11G	G09_067S	'FROM->TO'	'ELK CITY 230KV (ELKCTY-6) 230/138/13.8KV TRANSFORMER CKT 1'	287	0.06759	108.9146	138KV CKT	'FPL SWITCH - MOORELAND 138KV CKT 1'
FDNS	02ALL		0 11G	G08_022	'FROM->TO'	'ELK CITY 230KV (ELKCTY-6) 230/138/13.8KV TRANSFORMER CKT 1'	287	0.06889	108.9146	138KV CKT	'FPL SWITCH - MOORELAND 138KV CKT 1'
FDNS	02ALL		0 11G	G08_088	'FROM->TO'	'ELK CITY 230KV (ELKCTY-6) 230/138/13.8KV TRANSFORMER CKT 1'	287	0.11465	108.9146	138KV CKT	'FPL SWITCH - MOORELAND 138KV CKT 1'
FDNS	02ALL		0 11G	G08_110	'FROM->TO'	'ELK CITY 230KV (ELKCTY-6) 230/138/13.8KV TRANSFORMER CKT 1'	287	0.04049	108.9146	138KV CKT	'FPL SWITCH - MOORELAND 138KV CKT 1'
FDNS	02ALL		0 11G	G10_007	'FROM->TO'	'ELK CITY 230KV (ELKCTY-6) 230/138/13.8KV TRANSFORMER CKT 1'	287	0.10318	108.9146	138KV CKT	'FPL SWITCH - MOORELAND 138KV CKT 1'
FDNS	02ALL		0 11G	ASGI_2010_011	'FROM->TO'	'ELK CITY 230KV (ELKCTY-6) 230/138/13.8KV TRANSFORMER CKT 1'	287	0.06192	108.9146	138KV CKT	'FPL SWITCH - MOORELAND 138KV CKT 1'
FDNS	02ALL		0 11G	G10_014	'FROM->TO'	'ELK CITY 230KV (ELKCTY-6) 230/138/13.8KV TRANSFORMER CKT 1'	287	0.04049	108.9146	138KV CKT	'FPL SWITCH - MOORELAND 138KV CKT 1'
FDNS	02ALL		0 11G	G08_044	'TO->FROM'	'FPL SWITCH - WOODWARD 138KV CKT 1'	153	0.03284	127.0057	69KV CKT 1'	'ALVA - CHEROKEE SW 69KV CKT 1'
FDNS	02ALL		0 11G	G08_047	'TO->FROM'	'FPL SWITCH - WOODWARD 138KV CKT 1'	153	0.05231	127.0057	69KV CKT 1'	'ALVA - CHEROKEE SW 69KV CKT 1'

SOLUTION	GROUP	SCENARIO	SEASON	SOURCE	DIRECTION	MONITORED ELEMENT	RATE	B	TDF	TC%	LOADING	CONTINGENCY NAME
						COMMON NAME						
FDNS	02ALL		0 11G	G08_110	'TO->FROM'	'FPL SWITCH - WOODWARD 138KV CKT 1'	153	0.03986		127.0057	'ALVA - CHEROKEE SW 69KV CKT 1'	
FDNS	02ALL		0 11G	ASGI_2010_011	'TO->FROM'	'FPL SWITCH - WOODWARD 138KV CKT 1'	153	0.03294		127.0057	'ALVA - CHEROKEE SW 69KV CKT 1'	
FDNS	02ALL		0 11G	G10_011	'TO->FROM'	'FPL SWITCH - WOODWARD 138KV CKT 1'	153	0.03284		127.0057	'ALVA - CHEROKEE SW 69KV CKT 1'	
FDNS	02ALL		0 11G	G10_014	'TO->FROM'	'FPL SWITCH - WOODWARD 138KV CKT 1'	153	0.03986		127.0057	'ALVA - CHEROKEE SW 69KV CKT 1'	
FDNS	02ALL		0 11G	G09_067S	'FROM->TO'	'ELK CITY 230KV (ELKCTY-6) 230/138/13.8KV TRANSFORMER CKT 1'	287	0.06459		102.2802	'BINGER NIJECT - ONEY 138KV CKT 1'	
FDNS	02ALL		0 11G	G08_022	'FROM->TO'	'ELK CITY 230KV (ELKCTY-6) 230/138/13.8KV TRANSFORMER CKT 1'	287	0.06584		102.2802	'BINGER NIJECT - ONEY 138KV CKT 1'	
FDNS	02ALL		0 11G	G08_088	'FROM->TO'	'ELK CITY 230KV (ELKCTY-6) 230/138/13.8KV TRANSFORMER CKT 1'	287	0.11003		102.2802	'BINGER NIJECT - ONEY 138KV CKT 1'	
FDNS	02ALL		0 11G	G08_110	'FROM->TO'	'ELK CITY 230KV (ELKCTY-6) 230/138/13.8KV TRANSFORMER CKT 1'	287	0.03593		102.2802	'BINGER NIJECT - ONEY 138KV CKT 1'	
FDNS	02ALL		0 11G	G10_007	'FROM->TO'	'ELK CITY 230KV (ELKCTY-6) 230/138/13.8KV TRANSFORMER CKT 1'	287	0.09845		102.2802	'BINGER NIJECT - ONEY 138KV CKT 1'	
FDNS	02ALL		0 11G	ASGI_2010_011	'FROM->TO'	'ELK CITY 230KV (ELKCTY-6) 230/138/13.8KV TRANSFORMER CKT 1'	287	0.05731		102.2802	'BINGER NIJECT - ONEY 138KV CKT 1'	
FDNS	02ALL		0 11G	G10_014	'FROM->TO'	'ELK CITY 230KV (ELKCTY-6) 230/138/13.8KV TRANSFORMER CKT 1'	287	0.03593		102.2802	'BINGER NIJECT - ONEY 138KV CKT 1'	
FDNS	02ALL		0 11G	G09_067S	'FROM->TO'	'ELK CITY 230KV (ELKCTY-6) 230/138/13.8KV TRANSFORMER CKT 1'	287	0.06459		101.4365	'BINGER NIJECT - ONEY 138KV CKT 1'	
FDNS	02ALL		0 11G	G08_022	'FROM->TO'	'ELK CITY 230KV (ELKCTY-6) 230/138/13.8KV TRANSFORMER CKT 1'	287	0.06584		101.4365	'BINGER NIJECT - ONEY 138KV CKT 1'	
FDNS	02ALL		0 11G	G08_088	'FROM->TO'	'ELK CITY 230KV (ELKCTY-6) 230/138/13.8KV TRANSFORMER CKT 1'	287	0.11003		101.4365	'BINGER NIJECT - ONEY 138KV CKT 1'	
FDNS	02ALL		0 11G	G08_110	'FROM->TO'	'ELK CITY 230KV (ELKCTY-6) 230/138/13.8KV TRANSFORMER CKT 1'	287	0.03593		101.4365	'BINGER NIJECT - ONEY 138KV CKT 1'	
FDNS	02ALL		0 11G	G10_007	'FROM->TO'	'ELK CITY 230KV (ELKCTY-6) 230/138/13.8KV TRANSFORMER CKT 1'	287	0.09845		101.4365	'BINGER NIJECT - ONEY 138KV CKT 1'	
FDNS	02ALL		0 11G	ASGI_2010_011	'FROM->TO'	'ELK CITY 230KV (ELKCTY-6) 230/138/13.8KV TRANSFORMER CKT 1'	287	0.05731		101.4365	'BINGER NIJECT - ONEY 138KV CKT 1'	
FDNS	02ALL		0 11G	G10_014	'FROM->TO'	'ELK CITY 230KV (ELKCTY-6) 230/138/13.8KV TRANSFORMER CKT 1'	287	0.03593		101.4365	'BINGER NIJECT - ONEY 138KV CKT 1'	
FDNS	02ALL		0 11G	G08_044	'TO->FROM'	'FPL SWITCH - WOODWARD 138KV CKT 1'	153	0.03295		127.159	'BINGER NIJECT - SICKLES 138KV CKT 1'	
FDNS	02ALL		0 11G	G08_047	'TO->FROM'	'FPL SWITCH - WOODWARD 138KV CKT 1'	153	0.05215		127.159	'BINGER NIJECT - SICKLES 138KV CKT 1'	
FDNS	02ALL		0 11G	G08_110	'TO->FROM'	'FPL SWITCH - WOODWARD 138KV CKT 1'	153	0.03954		127.159	'BINGER NIJECT - SICKLES 138KV CKT 1'	
FDNS	02ALL		0 11G	ASGI_2010_011	'TO->FROM'	'FPL SWITCH - WOODWARD 138KV CKT 1'	153	0.03243		127.159	'BINGER NIJECT - SICKLES 138KV CKT 1'	
FDNS	02ALL		0 11G	G10_011	'TO->FROM'	'FPL SWITCH - WOODWARD 138KV CKT 1'	153	0.03295		127.159	'BINGER NIJECT - SICKLES 138KV CKT 1'	
FDNS	02ALL		0 11G	G10_014	'TO->FROM'	'FPL SWITCH - WOODWARD 138KV CKT 1'	153	0.03954		127.159	'BINGER NIJECT - SICKLES 138KV CKT 1'	
FDNS	02ALL		0 11G	G09_067S	'FROM->TO'	'ELK CITY 230KV (ELKCTY-6) 230/138/13.8KV TRANSFORMER CKT 1'	287	0.06459		101.8205	'BINGER NIJECT - SICKLES 138KV CKT 1'	
FDNS	02ALL		0 11G	G08_022	'FROM->TO'	'ELK CITY 230KV (ELKCTY-6) 230/138/13.8KV TRANSFORMER CKT 1'	287	0.06584		101.8205	'BINGER NIJECT - SICKLES 138KV CKT 1'	
FDNS	02ALL		0 11G	G08_088	'FROM->TO'	'ELK CITY 230KV (ELKCTY-6) 230/138/13.8KV TRANSFORMER CKT 1'	287	0.11003		101.8205	'BINGER NIJECT - SICKLES 138KV CKT 1'	
FDNS	02ALL		0 11G	G08_110	'FROM->TO'	'ELK CITY 230KV (ELKCTY-6) 230/138/13.8KV TRANSFORMER CKT 1'	287	0.03593		101.8205	'BINGER NIJECT - SICKLES 138KV CKT 1'	
FDNS	02ALL		0 11G	G10_007	'FROM->TO'	'ELK CITY 230KV (ELKCTY-6) 230/138/13.8KV TRANSFORMER CKT 1'	287	0.09845		101.8205	'BINGER NIJECT - SICKLES 138KV CKT 1'	

SOLUTION	GROUP	SCENARIO	SEASON	SOURCE	DIRECTION	MONITORED ELEMENT	RATE B	TDF	TC%	LOADING	CONTINGENCY NAME
						COMMON NAME					
FDNS	02ALL		0 11G	ASGI_2010_011	'FROM->TO'	'ELK CITY 230KV (ELKCTY-6) 230/138/13.8KV TRANSFORMER CKT 1'	287	0.05731	101.8205	'BINGER NIJECT - SICKLES 138KV CKT 1'	
FDNS	02ALL		0 11G	G10_014	'FROM->TO'	'ELK CITY 230KV (ELKCTY-6) 230/138/13.8KV TRANSFORMER CKT 1'	287	0.03593	101.8205	'BINGER NIJECT - SICKLES 138KV CKT 1'	
FDNS	02ALL		0 11G	G09_067S	'FROM->TO'	'ELK CITY 230KV (ELKCTY-6) 230/138/13.8KV TRANSFORMER CKT 1'	287	0.06459	100.9948	'BINGER NIJECT - SICKLES 138KV CKT 1'	
FDNS	02ALL		0 11G	G08_022	'FROM->TO'	'ELK CITY 230KV (ELKCTY-6) 230/138/13.8KV TRANSFORMER CKT 1'	287	0.06584	100.9948	'BINGER NIJECT - SICKLES 138KV CKT 1'	
FDNS	02ALL		0 11G	G08_088	'FROM->TO'	'ELK CITY 230KV (ELKCTY-6) 230/138/13.8KV TRANSFORMER CKT 1'	287	0.11003	100.9948	'BINGER NIJECT - SICKLES 138KV CKT 1'	
FDNS	02ALL		0 11G	G08_110	'FROM->TO'	'ELK CITY 230KV (ELKCTY-6) 230/138/13.8KV TRANSFORMER CKT 1'	287	0.03593	100.9948	'BINGER NIJECT - SICKLES 138KV CKT 1'	
FDNS	02ALL		0 11G	G10_007	'FROM->TO'	'ELK CITY 230KV (ELKCTY-6) 230/138/13.8KV TRANSFORMER CKT 1'	287	0.09845	100.9948	'BINGER NIJECT - SICKLES 138KV CKT 1'	
FDNS	02ALL		0 11G	ASGI_2010_011	'FROM->TO'	'ELK CITY 230KV (ELKCTY-6) 230/138/13.8KV TRANSFORMER CKT 1'	287	0.05731	100.9948	'BINGER NIJECT - SICKLES 138KV CKT 1'	
FDNS	02ALL		0 11G	G10_014	'FROM->TO'	'ELK CITY 230KV (ELKCTY-6) 230/138/13.8KV TRANSFORMER CKT 1'	287	0.03593	100.9948	'BINGER NIJECT - SICKLES 138KV CKT 1'	
FDNS	02ALL		0 11G	G09_067S	'FROM->TO'	'ELK CITY 230KV (ELKCTY-6) 230/138/13.8KV TRANSFORMER CKT 1'	287	0.06525	102.9833	'CARTER JCT - DILL JCT 69KV CKT 1'	
FDNS	02ALL		0 11G	G08_022	'FROM->TO'	'ELK CITY 230KV (ELKCTY-6) 230/138/13.8KV TRANSFORMER CKT 1'	287	0.06653	102.9833	'CARTER JCT - DILL JCT 69KV CKT 1'	
FDNS	02ALL		0 11G	G08_088	'FROM->TO'	'ELK CITY 230KV (ELKCTY-6) 230/138/13.8KV TRANSFORMER CKT 1'	287	0.1117	102.9833	'CARTER JCT - DILL JCT 69KV CKT 1'	
FDNS	02ALL		0 11G	G08_110	'FROM->TO'	'ELK CITY 230KV (ELKCTY-6) 230/138/13.8KV TRANSFORMER CKT 1'	287	0.03681	102.9833	'CARTER JCT - DILL JCT 69KV CKT 1'	
FDNS	02ALL		0 11G	G10_007	'FROM->TO'	'ELK CITY 230KV (ELKCTY-6) 230/138/13.8KV TRANSFORMER CKT 1'	287	0.10004	102.9833	'CARTER JCT - DILL JCT 69KV CKT 1'	
FDNS	02ALL		0 11G	ASGI_2010_011	'FROM->TO'	'ELK CITY 230KV (ELKCTY-6) 230/138/13.8KV TRANSFORMER CKT 1'	287	0.05843	102.9833	'CARTER JCT - DILL JCT 69KV CKT 1'	
FDNS	02ALL		0 11G	G10_014	'FROM->TO'	'ELK CITY 230KV (ELKCTY-6) 230/138/13.8KV TRANSFORMER CKT 1'	287	0.03681	102.9833	'CARTER JCT - DILL JCT 69KV CKT 1'	
FDNS	02ALL		0 11G	G09_067S	'FROM->TO'	'ELK CITY 230KV (ELKCTY-6) 230/138/13.8KV TRANSFORMER CKT 1'	287	0.06525	102.1124	'CARTER JCT - DILL JCT 69KV CKT 1'	
FDNS	02ALL		0 11G	G08_022	'FROM->TO'	'ELK CITY 230KV (ELKCTY-6) 230/138/13.8KV TRANSFORMER CKT 1'	287	0.06653	102.1124	'CARTER JCT - DILL JCT 69KV CKT 1'	
FDNS	02ALL		0 11G	G08_088	'FROM->TO'	'ELK CITY 230KV (ELKCTY-6) 230/138/13.8KV TRANSFORMER CKT 1'	287	0.1117	102.1124	'CARTER JCT - DILL JCT 69KV CKT 1'	
FDNS	02ALL		0 11G	G08_110	'FROM->TO'	'ELK CITY 230KV (ELKCTY-6) 230/138/13.8KV TRANSFORMER CKT 1'	287	0.03681	102.1124	'CARTER JCT - DILL JCT 69KV CKT 1'	
FDNS	02ALL		0 11G	G10_007	'FROM->TO'	'ELK CITY 230KV (ELKCTY-6) 230/138/13.8KV TRANSFORMER CKT 1'	287	0.10004	102.1124	'CARTER JCT - DILL JCT 69KV CKT 1'	
FDNS	02ALL		0 11G	ASGI_2010_011	'FROM->TO'	'ELK CITY 230KV (ELKCTY-6) 230/138/13.8KV TRANSFORMER CKT 1'	287	0.05843	102.1124	'CARTER JCT - DILL JCT 69KV CKT 1'	
FDNS	02ALL		0 11G	G10_014	'FROM->TO'	'ELK CITY 230KV (ELKCTY-6) 230/138/13.8KV TRANSFORMER CKT 1'	287	0.03681	102.1124	'CARTER JCT - DILL JCT 69KV CKT 1'	
FDNS	02ALL		0 11G	G09_067S	'FROM->TO'	'ELK CITY 230KV (ELKCTY-6) 230/138/13.8KV TRANSFORMER CKT 1'	287	0.06525	102.9908	'CARTER JCT - LAKE CREEK 69KV CKT 1'	
FDNS	02ALL		0 11G	G08_022	'FROM->TO'	'ELK CITY 230KV (ELKCTY-6) 230/138/13.8KV TRANSFORMER CKT 1'	287	0.06653	102.9908	'CARTER JCT - LAKE CREEK 69KV CKT 1'	
FDNS	02ALL		0 11G	G08_088	'FROM->TO'	'ELK CITY 230KV (ELKCTY-6) 230/138/13.8KV TRANSFORMER CKT 1'	287	0.1117	102.9908	'CARTER JCT - LAKE CREEK 69KV CKT 1'	
FDNS	02ALL		0 11G	G08_110	'FROM->TO'	'ELK CITY 230KV (ELKCTY-6) 230/138/13.8KV TRANSFORMER CKT 1'	287	0.03681	102.9908	'CARTER JCT - LAKE CREEK 69KV CKT 1'	
FDNS	02ALL		0 11G	G10_007	'FROM->TO'	'ELK CITY 230KV (ELKCTY-6) 230/138/13.8KV TRANSFORMER CKT 1'	287	0.10004	102.9908	'CARTER JCT - LAKE CREEK 69KV CKT 1'	
FDNS	02ALL		0 11G	ASGI_2010_011	'FROM->TO'	'ELK CITY 230KV (ELKCTY-6) 230/138/13.8KV TRANSFORMER CKT 1'	287	0.05843	102.9908	'CARTER JCT - LAKE CREEK 69KV CKT 1'	

SOLUTION	GROUP	SCENARIO	SEASON	SOURCE	DIRECTION	MONITORED ELEMENT	RATE B	TDF	TC%	LOADING	CONTINGENCY NAME
						COMMON NAME					
FDNS	02ALL		0 11G	G10_014	'FROM->TO'	'ELK CITY 230KV (ELKCTY-6) 230/138/13.8KV TRANSFORMER CKT 1'	287	0.03681	102.9908	'CARTER JCT - LAKE CREEK 69KV CKT 1'	
FDNS	02ALL		0 11G	G09_067S	'FROM->TO'	'ELK CITY 230KV (ELKCTY-6) 230/138/13.8KV TRANSFORMER CKT 1'	287	0.06525	102.1187	'CARTER JCT - LAKE CREEK 69KV CKT 1'	
FDNS	02ALL		0 11G	G08_022	'FROM->TO'	'ELK CITY 230KV (ELKCTY-6) 230/138/13.8KV TRANSFORMER CKT 1'	287	0.06653	102.1187	'CARTER JCT - LAKE CREEK 69KV CKT 1'	
FDNS	02ALL		0 11G	G08_088	'FROM->TO'	'ELK CITY 230KV (ELKCTY-6) 230/138/13.8KV TRANSFORMER CKT 1'	287	0.1117	102.1187	'CARTER JCT - LAKE CREEK 69KV CKT 1'	
FDNS	02ALL		0 11G	G08_110	'FROM->TO'	'ELK CITY 230KV (ELKCTY-6) 230/138/13.8KV TRANSFORMER CKT 1'	287	0.03681	102.1187	'CARTER JCT - LAKE CREEK 69KV CKT 1'	
FDNS	02ALL		0 11G	G10_007	'FROM->TO'	'ELK CITY 230KV (ELKCTY-6) 230/138/13.8KV TRANSFORMER CKT 1'	287	0.10004	102.1187	'CARTER JCT - LAKE CREEK 69KV CKT 1'	
FDNS	02ALL		0 11G	ASGI_2010_011	'FROM->TO'	'ELK CITY 230KV (ELKCTY-6) 230/138/13.8KV TRANSFORMER CKT 1'	287	0.05843	102.1187	'CARTER JCT - LAKE CREEK 69KV CKT 1'	
FDNS	02ALL		0 11G	G10_014	'FROM->TO'	'ELK CITY 230KV (ELKCTY-6) 230/138/13.8KV TRANSFORMER CKT 1'	287	0.03681	102.1187	'CARTER JCT - LAKE CREEK 69KV CKT 1'	
FDNS	02ALL		0 11G	G08_044	'TO->FROM'	'FPL SWITCH - WOODWARD 138KV CKT 1'	153	0.03039	106.4188	'CEDARDALE - MOORELAND 138KV CKT 1'	
FDNS	02ALL		0 11G	G08_047	'TO->FROM'	'FPL SWITCH - WOODWARD 138KV CKT 1'	153	0.04713	106.4188	'CEDARDALE - MOORELAND 138KV CKT 1'	
FDNS	02ALL		0 11G	G08_110	'TO->FROM'	'FPL SWITCH - WOODWARD 138KV CKT 1'	153	0.03543	106.4188	'CEDARDALE - MOORELAND 138KV CKT 1'	
FDNS	02ALL		0 11G	G10_011	'TO->FROM'	'FPL SWITCH - WOODWARD 138KV CKT 1'	153	0.03039	106.4188	'CEDARDALE - MOORELAND 138KV CKT 1'	
FDNS	02ALL		0 11G	G10_014	'TO->FROM'	'FPL SWITCH - WOODWARD 138KV CKT 1'	153	0.03543	106.4188	'CEDARDALE - MOORELAND 138KV CKT 1'	
FDNS	02ALL		0 11G	G10_008	'TO->FROM'	'CANTON - TALOGA 69KV CKT 1'	39	0.03608	126.916	'CEDARDALE - MOORELAND 138KV CKT 1'	
FDNS	02ALL		0 11G	G09_060	'TO->FROM'	'CANTON - TALOGA 69KV CKT 1'	39	0.04579	126.916	'CEDARDALE - MOORELAND 138KV CKT 1'	
FDNS	02ALL		0 11G	G08_044	'TO->FROM'	'FPL SWITCH - WOODWARD 138KV CKT 1'	153	0.03039	107.0713	'CEDARDALE - OKEENE 138KV CKT 1'	
FDNS	02ALL		0 11G	G08_047	'TO->FROM'	'FPL SWITCH - WOODWARD 138KV CKT 1'	153	0.04713	107.0713	'CEDARDALE - OKEENE 138KV CKT 1'	
FDNS	02ALL		0 11G	G08_110	'TO->FROM'	'FPL SWITCH - WOODWARD 138KV CKT 1'	153	0.03543	107.0713	'CEDARDALE - OKEENE 138KV CKT 1'	
FDNS	02ALL		0 11G	G10_011	'TO->FROM'	'FPL SWITCH - WOODWARD 138KV CKT 1'	153	0.03039	107.0713	'CEDARDALE - OKEENE 138KV CKT 1'	
FDNS	02ALL		0 11G	G10_014	'TO->FROM'	'FPL SWITCH - WOODWARD 138KV CKT 1'	153	0.03543	107.0713	'CEDARDALE - OKEENE 138KV CKT 1'	
FDNS	02ALL		0 11G	G10_008	'TO->FROM'	'CANTON - TALOGA 69KV CKT 1'	39	0.03608	125.1619	'CEDARDALE - OKEENE 138KV CKT 1'	
FDNS	02ALL		0 11G	G09_060	'TO->FROM'	'CANTON - TALOGA 69KV CKT 1'	39	0.04579	125.1619	'CEDARDALE - OKEENE 138KV CKT 1'	
FDNS	02ALL		0 11G	G09_067S	'FROM->TO'	'ELK CITY 230KV (ELKCTY-6) 230/138/13.8KV TRANSFORMER CKT 1'	287	0.06445	102.1352	'CLINTON - WEATHERFORD 138KV CKT 1'	
FDNS	02ALL		0 11G	G08_022	'FROM->TO'	'ELK CITY 230KV (ELKCTY-6) 230/138/13.8KV TRANSFORMER CKT 1'	287	0.0657	102.1352	'CLINTON - WEATHERFORD 138KV CKT 1'	
FDNS	02ALL		0 11G	G08_088	'FROM->TO'	'ELK CITY 230KV (ELKCTY-6) 230/138/13.8KV TRANSFORMER CKT 1'	287	0.10989	102.1352	'CLINTON - WEATHERFORD 138KV CKT 1'	
FDNS	02ALL		0 11G	G08_110	'FROM->TO'	'ELK CITY 230KV (ELKCTY-6) 230/138/13.8KV TRANSFORMER CKT 1'	287	0.03579	102.1352	'CLINTON - WEATHERFORD 138KV CKT 1'	
FDNS	02ALL		0 11G	G10_007	'FROM->TO'	'ELK CITY 230KV (ELKCTY-6) 230/138/13.8KV TRANSFORMER CKT 1'	287	0.09831	102.1352	'CLINTON - WEATHERFORD 138KV CKT 1'	
FDNS	02ALL		0 11G	ASGI_2010_011	'FROM->TO'	'ELK CITY 230KV (ELKCTY-6) 230/138/13.8KV TRANSFORMER CKT 1'	287	0.05718	102.1352	'CLINTON - WEATHERFORD 138KV CKT 1'	
FDNS	02ALL		0 11G	G10_014	'FROM->TO'	'ELK CITY 230KV (ELKCTY-6) 230/138/13.8KV TRANSFORMER CKT 1'	287	0.03579	102.1352	'CLINTON - WEATHERFORD 138KV CKT 1'	
FDNS	02ALL		0 11G	G09_067S	'FROM->TO'	'ELK CITY 230KV (ELKCTY-6) 230/138/13.8KV TRANSFORMER CKT 1'	287	0.06445	101.3024	'CLINTON - WEATHERFORD 138KV CKT 1'	

SOLUTION	GROUP	SCENARIO	SEASON	SOURCE	DIRECTION	MONITORED ELEMENT	RATE B	TDF	TC%	LOADING	CONTINGENCY NAME
						COMMON NAME					
FDNS	02ALL		0 11G	G08_022	'FROM->TO'	'ELK CITY 230KV (ELKCTY-6) 230/138/13.8KV TRANSFORMER CKT 1'	287	0.0657	101.3024	'CLINTON - WEATHERFORD 138KV CKT 1'	
FDNS	02ALL		0 11G	G08_088	'FROM->TO'	'ELK CITY 230KV (ELKCTY-6) 230/138/13.8KV TRANSFORMER CKT 1'	287	0.10989	101.3024	'CLINTON - WEATHERFORD 138KV CKT 1'	
FDNS	02ALL		0 11G	G08_110	'FROM->TO'	'ELK CITY 230KV (ELKCTY-6) 230/138/13.8KV TRANSFORMER CKT 1'	287	0.03579	101.3024	'CLINTON - WEATHERFORD 138KV CKT 1'	
FDNS	02ALL		0 11G	G10_007	'FROM->TO'	'ELK CITY 230KV (ELKCTY-6) 230/138/13.8KV TRANSFORMER CKT 1'	287	0.09831	101.3024	'CLINTON - WEATHERFORD 138KV CKT 1'	
FDNS	02ALL		0 11G	ASGI_2010_011	'FROM->TO'	'ELK CITY 230KV (ELKCTY-6) 230/138/13.8KV TRANSFORMER CKT 1'	287	0.05718	101.3024	'CLINTON - WEATHERFORD 138KV CKT 1'	
FDNS	02ALL		0 11G	G10_014	'FROM->TO'	'ELK CITY 230KV (ELKCTY-6) 230/138/13.8KV TRANSFORMER CKT 1'	287	0.03579	101.3024	'CLINTON - WEATHERFORD 138KV CKT 1'	
FDNS	02ALL		0 11G	G09_067S	'FROM->TO'	'ELK CITY 230KV (ELKCTY-6) 230/138/13.8KV TRANSFORMER CKT 1'	287	0.06445	102.0021	'CLINTON - G07-32T 138.00 138KV CKT 1'	
FDNS	02ALL		0 11G	G08_022	'FROM->TO'	'ELK CITY 230KV (ELKCTY-6) 230/138/13.8KV TRANSFORMER CKT 1'	287	0.0657	102.0021	'CLINTON - G07-32T 138.00 138KV CKT 1'	
FDNS	02ALL		0 11G	G08_088	'FROM->TO'	'ELK CITY 230KV (ELKCTY-6) 230/138/13.8KV TRANSFORMER CKT 1'	287	0.10989	102.0021	'CLINTON - G07-32T 138.00 138KV CKT 1'	
FDNS	02ALL		0 11G	G08_110	'FROM->TO'	'ELK CITY 230KV (ELKCTY-6) 230/138/13.8KV TRANSFORMER CKT 1'	287	0.03579	102.0021	'CLINTON - G07-32T 138.00 138KV CKT 1'	
FDNS	02ALL		0 11G	G10_007	'FROM->TO'	'ELK CITY 230KV (ELKCTY-6) 230/138/13.8KV TRANSFORMER CKT 1'	287	0.09831	102.0021	'CLINTON - G07-32T 138.00 138KV CKT 1'	
FDNS	02ALL		0 11G	ASGI_2010_011	'FROM->TO'	'ELK CITY 230KV (ELKCTY-6) 230/138/13.8KV TRANSFORMER CKT 1'	287	0.05718	102.0021	'CLINTON - G07-32T 138.00 138KV CKT 1'	
FDNS	02ALL		0 11G	G10_014	'FROM->TO'	'ELK CITY 230KV (ELKCTY-6) 230/138/13.8KV TRANSFORMER CKT 1'	287	0.03579	102.0021	'CLINTON - G07-32T 138.00 138KV CKT 1'	
FDNS	02ALL		0 11G	G09_067S	'FROM->TO'	'ELK CITY 230KV (ELKCTY-6) 230/138/13.8KV TRANSFORMER CKT 1'	287	0.06445	101.1726	'CLINTON - G07-32T 138.00 138KV CKT 1'	
FDNS	02ALL		0 11G	G08_022	'FROM->TO'	'ELK CITY 230KV (ELKCTY-6) 230/138/13.8KV TRANSFORMER CKT 1'	287	0.0657	101.1726	'CLINTON - G07-32T 138.00 138KV CKT 1'	
FDNS	02ALL		0 11G	G08_088	'FROM->TO'	'ELK CITY 230KV (ELKCTY-6) 230/138/13.8KV TRANSFORMER CKT 1'	287	0.10989	101.1726	'CLINTON - G07-32T 138.00 138KV CKT 1'	
FDNS	02ALL		0 11G	G08_110	'FROM->TO'	'ELK CITY 230KV (ELKCTY-6) 230/138/13.8KV TRANSFORMER CKT 1'	287	0.03579	101.1726	'CLINTON - G07-32T 138.00 138KV CKT 1'	
FDNS	02ALL		0 11G	G10_007	'FROM->TO'	'ELK CITY 230KV (ELKCTY-6) 230/138/13.8KV TRANSFORMER CKT 1'	287	0.09831	101.1726	'CLINTON - G07-32T 138.00 138KV CKT 1'	
FDNS	02ALL		0 11G	ASGI_2010_011	'FROM->TO'	'ELK CITY 230KV (ELKCTY-6) 230/138/13.8KV TRANSFORMER CKT 1'	287	0.05718	101.1726	'CLINTON - G07-32T 138.00 138KV CKT 1'	
FDNS	02ALL		0 11G	G10_014	'FROM->TO'	'ELK CITY 230KV (ELKCTY-6) 230/138/13.8KV TRANSFORMER CKT 1'	287	0.03579	101.1726	'CLINTON - G07-32T 138.00 138KV CKT 1'	
FDNS	02ALL		0 11G	G09_067S	'FROM->TO'	'ELK CITY 230KV (ELKCTY-6) 230/138/13.8KV TRANSFORMER CKT 1'	287	0.06525	102.7278	'DILL JCT - ELK CITY 69KV CKT 1'	
FDNS	02ALL		0 11G	G08_022	'FROM->TO'	'ELK CITY 230KV (ELKCTY-6) 230/138/13.8KV TRANSFORMER CKT 1'	287	0.06653	102.7278	'DILL JCT - ELK CITY 69KV CKT 1'	
FDNS	02ALL		0 11G	G08_088	'FROM->TO'	'ELK CITY 230KV (ELKCTY-6) 230/138/13.8KV TRANSFORMER CKT 1'	287	0.1117	102.7278	'DILL JCT - ELK CITY 69KV CKT 1'	
FDNS	02ALL		0 11G	G08_110	'FROM->TO'	'ELK CITY 230KV (ELKCTY-6) 230/138/13.8KV TRANSFORMER CKT 1'	287	0.03681	102.7278	'DILL JCT - ELK CITY 69KV CKT 1'	
FDNS	02ALL		0 11G	G10_007	'FROM->TO'	'ELK CITY 230KV (ELKCTY-6) 230/138/13.8KV TRANSFORMER CKT 1'	287	0.10004	102.7278	'DILL JCT - ELK CITY 69KV CKT 1'	
FDNS	02ALL		0 11G	ASGI_2010_011	'FROM->TO'	'ELK CITY 230KV (ELKCTY-6) 230/138/13.8KV TRANSFORMER CKT 1'	287	0.05843	102.7278	'DILL JCT - ELK CITY 69KV CKT 1'	
FDNS	02ALL		0 11G	G10_014	'FROM->TO'	'ELK CITY 230KV (ELKCTY-6) 230/138/13.8KV TRANSFORMER CKT 1'	287	0.03681	102.7278	'DILL JCT - ELK CITY 69KV CKT 1'	
FDNS	02ALL		0 11G	G09_067S	'FROM->TO'	'ELK CITY 230KV (ELKCTY-6) 230/138/13.8KV TRANSFORMER CKT 1'	287	0.06525	101.8454	'DILL JCT - ELK CITY 69KV CKT 1'	
FDNS	02ALL		0 11G	G08_022	'FROM->TO'	'ELK CITY 230KV (ELKCTY-6) 230/138/13.8KV TRANSFORMER CKT 1'	287	0.06653	101.8454	'DILL JCT - ELK CITY 69KV CKT 1'	

SOLUTION	GROUP	SCENARIO	SEASON	SOURCE	DIRECTION	MONITORED ELEMENT	RATE B	TDF	TC%	LOADING	CONTINGENCY NAME
						COMMON NAME					
FDNS	02ALL		0 11G	G08_088	'FROM->TO'	'ELK CITY 230KV (ELKCTY-6) 230/138/13.8KV TRANSFORMER CKT 1'	287	0.1117	101.8454	'DILL JCT - ELK CITY 69KV CKT 1'	
FDNS	02ALL		0 11G	G08_110	'FROM->TO'	'ELK CITY 230KV (ELKCTY-6) 230/138/13.8KV TRANSFORMER CKT 1'	287	0.03681	101.8454	'DILL JCT - ELK CITY 69KV CKT 1'	
FDNS	02ALL		0 11G	G10_007	'FROM->TO'	'ELK CITY 230KV (ELKCTY-6) 230/138/13.8KV TRANSFORMER CKT 1'	287	0.10004	101.8454	'DILL JCT - ELK CITY 69KV CKT 1'	
FDNS	02ALL		0 11G	ASGI_2010_011	'FROM->TO'	'ELK CITY 230KV (ELKCTY-6) 230/138/13.8KV TRANSFORMER CKT 1'	287	0.05843	101.8454	'DILL JCT - ELK CITY 69KV CKT 1'	
FDNS	02ALL		0 11G	G10_014	'FROM->TO'	'ELK CITY 230KV (ELKCTY-6) 230/138/13.8KV TRANSFORMER CKT 1'	287	0.03681	101.8454	'DILL JCT - ELK CITY 69KV CKT 1'	
FDNS	02ALL		0 11G	G08_044	'TO->FROM'	'FPL SWITCH - WOODWARD 138KV CKT 1'	153	0.03099	116.105	'DOVER SW - OKEENE 138KV CKT 1'	
FDNS	02ALL		0 11G	G08_047	'TO->FROM'	'FPL SWITCH - WOODWARD 138KV CKT 1'	153	0.04854	116.105	'DOVER SW - OKEENE 138KV CKT 1'	
FDNS	02ALL		0 11G	G08_110	'TO->FROM'	'FPL SWITCH - WOODWARD 138KV CKT 1'	153	0.03661	116.105	'DOVER SW - OKEENE 138KV CKT 1'	
FDNS	02ALL		0 11G	G10_011	'TO->FROM'	'FPL SWITCH - WOODWARD 138KV CKT 1'	153	0.03099	116.105	'DOVER SW - OKEENE 138KV CKT 1'	
FDNS	02ALL		0 11G	G10_014	'TO->FROM'	'FPL SWITCH - WOODWARD 138KV CKT 1'	153	0.03661	116.105	'DOVER SW - OKEENE 138KV CKT 1'	
FDNS	02ALL		0 11G	G08_044	'TO->FROM'	'FPL SWITCH - WOODWARD 138KV CKT 1'	153	0.0338	131.8107	'FARGO JCT - FT SUPPLY 69KV CKT 1'	
FDNS	02ALL		0 11G	G08_047	'TO->FROM'	'FPL SWITCH - WOODWARD 138KV CKT 1'	153	0.05389	131.8107	'FARGO JCT - FT SUPPLY 69KV CKT 1'	
FDNS	02ALL		0 11G	G08_110	'TO->FROM'	'FPL SWITCH - WOODWARD 138KV CKT 1'	153	0.04109	131.8107	'FARGO JCT - FT SUPPLY 69KV CKT 1'	
FDNS	02ALL		0 11G	ASGI_2010_011	'TO->FROM'	'FPL SWITCH - WOODWARD 138KV CKT 1'	153	0.03399	131.8107	'FARGO JCT - FT SUPPLY 69KV CKT 1'	
FDNS	02ALL		0 11G	G10_011	'TO->FROM'	'FPL SWITCH - WOODWARD 138KV CKT 1'	153	0.0338	131.8107	'FARGO JCT - FT SUPPLY 69KV CKT 1'	
FDNS	02ALL		0 11G	G10_014	'TO->FROM'	'FPL SWITCH - WOODWARD 138KV CKT 1'	153	0.04109	131.8107	'FARGO JCT - FT SUPPLY 69KV CKT 1'	
FDNS	02ALL		0 11G	G09_067S	'FROM->TO'	'ELK CITY 230KV (ELKCTY-6) 230/138/13.8KV TRANSFORMER CKT 1'	287	0.06623	103.7413	'GRANITE - LAKE CREEK 69KV CKT 1'	
FDNS	02ALL		0 11G	G08_022	'FROM->TO'	'ELK CITY 230KV (ELKCTY-6) 230/138/13.8KV TRANSFORMER CKT 1'	287	0.06753	103.7413	'GRANITE - LAKE CREEK 69KV CKT 1'	
FDNS	02ALL		0 11G	G08_088	'FROM->TO'	'ELK CITY 230KV (ELKCTY-6) 230/138/13.8KV TRANSFORMER CKT 1'	287	0.11339	103.7413	'GRANITE - LAKE CREEK 69KV CKT 1'	
FDNS	02ALL		0 11G	G08_110	'FROM->TO'	'ELK CITY 230KV (ELKCTY-6) 230/138/13.8KV TRANSFORMER CKT 1'	287	0.03735	103.7413	'GRANITE - LAKE CREEK 69KV CKT 1'	
FDNS	02ALL		0 11G	G10_007	'FROM->TO'	'ELK CITY 230KV (ELKCTY-6) 230/138/13.8KV TRANSFORMER CKT 1'	287	0.10155	103.7413	'GRANITE - LAKE CREEK 69KV CKT 1'	
FDNS	02ALL		0 11G	ASGI_2010_011	'FROM->TO'	'ELK CITY 230KV (ELKCTY-6) 230/138/13.8KV TRANSFORMER CKT 1'	287	0.05931	103.7413	'GRANITE - LAKE CREEK 69KV CKT 1'	
FDNS	02ALL		0 11G	G10_014	'FROM->TO'	'ELK CITY 230KV (ELKCTY-6) 230/138/13.8KV TRANSFORMER CKT 1'	287	0.03735	103.7413	'GRANITE - LAKE CREEK 69KV CKT 1'	
FDNS	02ALL		0 11G	G09_067S	'FROM->TO'	'ELK CITY 230KV (ELKCTY-6) 230/138/13.8KV TRANSFORMER CKT 1'	287	0.06623	102.8327	'GRANITE - LAKE CREEK 69KV CKT 1'	
FDNS	02ALL		0 11G	G08_022	'FROM->TO'	'ELK CITY 230KV (ELKCTY-6) 230/138/13.8KV TRANSFORMER CKT 1'	287	0.06753	102.8327	'GRANITE - LAKE CREEK 69KV CKT 1'	
FDNS	02ALL		0 11G	G08_088	'FROM->TO'	'ELK CITY 230KV (ELKCTY-6) 230/138/13.8KV TRANSFORMER CKT 1'	287	0.11339	102.8327	'GRANITE - LAKE CREEK 69KV CKT 1'	
FDNS	02ALL		0 11G	G08_110	'FROM->TO'	'ELK CITY 230KV (ELKCTY-6) 230/138/13.8KV TRANSFORMER CKT 1'	287	0.03735	102.8327	'GRANITE - LAKE CREEK 69KV CKT 1'	
FDNS	02ALL		0 11G	G10_007	'FROM->TO'	'ELK CITY 230KV (ELKCTY-6) 230/138/13.8KV TRANSFORMER CKT 1'	287	0.10155	102.8327	'GRANITE - LAKE CREEK 69KV CKT 1'	
FDNS	02ALL		0 11G	ASGI_2010_011	'FROM->TO'	'ELK CITY 230KV (ELKCTY-6) 230/138/13.8KV TRANSFORMER CKT 1'	287	0.05931	102.8327	'GRANITE - LAKE CREEK 69KV CKT 1'	

SOLUTION	GROUP	SCENARIO	SEASON	SOURCE	DIRECTION	MONITORED ELEMENT	RATE B	TDF	TC%	LOADING	CONTINGENCY NAME
						COMMON NAME					
FDNS	02ALL		0 11G	G10_014	'FROM->TO'	'ELK CITY 230KV (ELKCTY-6) 230/138/13.8KV TRANSFORMER CKT 1'	287	0.03735	102.8327	'GRANITE - LAKE CREEK 69KV CKT 1'	
FDNS	02ALL		0 11G	G08_044	'TO->FROM'	'FPL SWITCH - WOODWARD 138KV CKT 1'	153	0.03295	126.8757	'HYDRO - SICKLES 138KV CKT 1'	
FDNS	02ALL		0 11G	G08_047	'TO->FROM'	'FPL SWITCH - WOODWARD 138KV CKT 1'	153	0.05215	126.8757	'HYDRO - SICKLES 138KV CKT 1'	
FDNS	02ALL		0 11G	G08_110	'TO->FROM'	'FPL SWITCH - WOODWARD 138KV CKT 1'	153	0.03954	126.8757	'HYDRO - SICKLES 138KV CKT 1'	
FDNS	02ALL		0 11G	ASGI_2010_011	'TO->FROM'	'FPL SWITCH - WOODWARD 138KV CKT 1'	153	0.03243	126.8757	'HYDRO - SICKLES 138KV CKT 1'	
FDNS	02ALL		0 11G	G10_011	'TO->FROM'	'FPL SWITCH - WOODWARD 138KV CKT 1'	153	0.03295	126.8757	'HYDRO - SICKLES 138KV CKT 1'	
FDNS	02ALL		0 11G	G10_014	'TO->FROM'	'FPL SWITCH - WOODWARD 138KV CKT 1'	153	0.03954	126.8757	'HYDRO - SICKLES 138KV CKT 1'	
FDNS	02ALL		0 11G	G09_067S	'FROM->TO'	'ELK CITY 230KV (ELKCTY-6) 230/138/13.8KV TRANSFORMER CKT 1'	287	0.06459	101.372	'HYDRO - SICKLES 138KV CKT 1'	
FDNS	02ALL		0 11G	G08_022	'FROM->TO'	'ELK CITY 230KV (ELKCTY-6) 230/138/13.8KV TRANSFORMER CKT 1'	287	0.06584	101.372	'HYDRO - SICKLES 138KV CKT 1'	
FDNS	02ALL		0 11G	G08_088	'FROM->TO'	'ELK CITY 230KV (ELKCTY-6) 230/138/13.8KV TRANSFORMER CKT 1'	287	0.11003	101.372	'HYDRO - SICKLES 138KV CKT 1'	
FDNS	02ALL		0 11G	G08_110	'FROM->TO'	'ELK CITY 230KV (ELKCTY-6) 230/138/13.8KV TRANSFORMER CKT 1'	287	0.03593	101.372	'HYDRO - SICKLES 138KV CKT 1'	
FDNS	02ALL		0 11G	G10_007	'FROM->TO'	'ELK CITY 230KV (ELKCTY-6) 230/138/13.8KV TRANSFORMER CKT 1'	287	0.09845	101.372	'HYDRO - SICKLES 138KV CKT 1'	
FDNS	02ALL		0 11G	ASGI_2010_011	'FROM->TO'	'ELK CITY 230KV (ELKCTY-6) 230/138/13.8KV TRANSFORMER CKT 1'	287	0.05731	101.372	'HYDRO - SICKLES 138KV CKT 1'	
FDNS	02ALL		0 11G	G10_014	'FROM->TO'	'ELK CITY 230KV (ELKCTY-6) 230/138/13.8KV TRANSFORMER CKT 1'	287	0.03593	101.372	'HYDRO - SICKLES 138KV CKT 1'	
FDNS	02ALL		0 11G	G09_067S	'FROM->TO'	'ELK CITY 230KV (ELKCTY-6) 230/138/13.8KV TRANSFORMER CKT 1'	287	0.06459	100.5642	'HYDRO - SICKLES 138KV CKT 1'	
FDNS	02ALL		0 11G	G08_022	'FROM->TO'	'ELK CITY 230KV (ELKCTY-6) 230/138/13.8KV TRANSFORMER CKT 1'	287	0.06584	100.5642	'HYDRO - SICKLES 138KV CKT 1'	
FDNS	02ALL		0 11G	G08_088	'FROM->TO'	'ELK CITY 230KV (ELKCTY-6) 230/138/13.8KV TRANSFORMER CKT 1'	287	0.11003	100.5642	'HYDRO - SICKLES 138KV CKT 1'	
FDNS	02ALL		0 11G	G08_110	'FROM->TO'	'ELK CITY 230KV (ELKCTY-6) 230/138/13.8KV TRANSFORMER CKT 1'	287	0.03593	100.5642	'HYDRO - SICKLES 138KV CKT 1'	
FDNS	02ALL		0 11G	G10_007	'FROM->TO'	'ELK CITY 230KV (ELKCTY-6) 230/138/13.8KV TRANSFORMER CKT 1'	287	0.09845	100.5642	'HYDRO - SICKLES 138KV CKT 1'	
FDNS	02ALL		0 11G	ASGI_2010_011	'FROM->TO'	'ELK CITY 230KV (ELKCTY-6) 230/138/13.8KV TRANSFORMER CKT 1'	287	0.05731	100.5642	'HYDRO - SICKLES 138KV CKT 1'	
FDNS	02ALL		0 11G	G10_014	'FROM->TO'	'ELK CITY 230KV (ELKCTY-6) 230/138/13.8KV TRANSFORMER CKT 1'	287	0.03593	100.5642	'HYDRO - SICKLES 138KV CKT 1'	
FDNS	02ALL		0 11G	G08_044	'TO->FROM'	'FPL SWITCH - WOODWARD 138KV CKT 1'	153	0.03295	126.7251	'HYDRO - WEATHERFORD 138KV CKT 1'	
FDNS	02ALL		0 11G	G08_047	'TO->FROM'	'FPL SWITCH - WOODWARD 138KV CKT 1'	153	0.05215	126.7251	'HYDRO - WEATHERFORD 138KV CKT 1'	
FDNS	02ALL		0 11G	G08_110	'TO->FROM'	'FPL SWITCH - WOODWARD 138KV CKT 1'	153	0.03954	126.7251	'HYDRO - WEATHERFORD 138KV CKT 1'	
FDNS	02ALL		0 11G	ASGI_2010_011	'TO->FROM'	'FPL SWITCH - WOODWARD 138KV CKT 1'	153	0.03243	126.7251	'HYDRO - WEATHERFORD 138KV CKT 1'	
FDNS	02ALL		0 11G	G10_011	'TO->FROM'	'FPL SWITCH - WOODWARD 138KV CKT 1'	153	0.03295	126.7251	'HYDRO - WEATHERFORD 138KV CKT 1'	
FDNS	02ALL		0 11G	G10_014	'TO->FROM'	'FPL SWITCH - WOODWARD 138KV CKT 1'	153	0.03954	126.7251	'HYDRO - WEATHERFORD 138KV CKT 1'	
FDNS	02ALL		0 11G	G09_067S	'FROM->TO'	'ELK CITY 230KV (ELKCTY-6) 230/138/13.8KV TRANSFORMER CKT 1'	287	0.06459	101.1422	'HYDRO - WEATHERFORD 138KV CKT 1'	
FDNS	02ALL		0 11G	G08_022	'FROM->TO'	'ELK CITY 230KV (ELKCTY-6) 230/138/13.8KV TRANSFORMER CKT 1'	287	0.06584	101.1422	'HYDRO - WEATHERFORD 138KV CKT 1'	

SOLUTION	GROUP	SCENARIO	SEASON	SOURCE	DIRECTION	MONITORED ELEMENT	RATE B	TDF	TC%	LOADING	CONTINGENCY NAME
						COMMON NAME					
FDNS	02ALL		0 11G	G08_088	'FROM->TO'	'ELK CITY 230KV (ELKCTY-6) 230/138/13.8KV TRANSFORMER CKT 1'	287	0.11003	101.1422	'HYDRO - WEATHERFORD 138KV CKT 1'	
FDNS	02ALL		0 11G	G08_110	'FROM->TO'	'ELK CITY 230KV (ELKCTY-6) 230/138/13.8KV TRANSFORMER CKT 1'	287	0.03593	101.1422	'HYDRO - WEATHERFORD 138KV CKT 1'	
FDNS	02ALL		0 11G	G10_007	'FROM->TO'	'ELK CITY 230KV (ELKCTY-6) 230/138/13.8KV TRANSFORMER CKT 1'	287	0.09845	101.1422	'HYDRO - WEATHERFORD 138KV CKT 1'	
FDNS	02ALL		0 11G	ASGI_2010_011	'FROM->TO'	'ELK CITY 230KV (ELKCTY-6) 230/138/13.8KV TRANSFORMER CKT 1'	287	0.05731	101.1422	'HYDRO - WEATHERFORD 138KV CKT 1'	
FDNS	02ALL		0 11G	G10_014	'FROM->TO'	'ELK CITY 230KV (ELKCTY-6) 230/138/13.8KV TRANSFORMER CKT 1'	287	0.03593	101.1422	'HYDRO - WEATHERFORD 138KV CKT 1'	
FDNS	02ALL		0 11G	G09_067S	'FROM->TO'	'ELK CITY 230KV (ELKCTY-6) 230/138/13.8KV TRANSFORMER CKT 1'	287	0.06459	100.3433	'HYDRO - WEATHERFORD 138KV CKT 1'	
FDNS	02ALL		0 11G	G08_022	'FROM->TO'	'ELK CITY 230KV (ELKCTY-6) 230/138/13.8KV TRANSFORMER CKT 1'	287	0.06584	100.3433	'HYDRO - WEATHERFORD 138KV CKT 1'	
FDNS	02ALL		0 11G	G08_088	'FROM->TO'	'ELK CITY 230KV (ELKCTY-6) 230/138/13.8KV TRANSFORMER CKT 1'	287	0.11003	100.3433	'HYDRO - WEATHERFORD 138KV CKT 1'	
FDNS	02ALL		0 11G	G08_110	'FROM->TO'	'ELK CITY 230KV (ELKCTY-6) 230/138/13.8KV TRANSFORMER CKT 1'	287	0.03593	100.3433	'HYDRO - WEATHERFORD 138KV CKT 1'	
FDNS	02ALL		0 11G	G10_007	'FROM->TO'	'ELK CITY 230KV (ELKCTY-6) 230/138/13.8KV TRANSFORMER CKT 1'	287	0.09845	100.3433	'HYDRO - WEATHERFORD 138KV CKT 1'	
FDNS	02ALL		0 11G	ASGI_2010_011	'FROM->TO'	'ELK CITY 230KV (ELKCTY-6) 230/138/13.8KV TRANSFORMER CKT 1'	287	0.05731	100.3433	'HYDRO - WEATHERFORD 138KV CKT 1'	
FDNS	02ALL		0 11G	G10_014	'FROM->TO'	'ELK CITY 230KV (ELKCTY-6) 230/138/13.8KV TRANSFORMER CKT 1'	287	0.03593	100.3433	'HYDRO - WEATHERFORD 138KV CKT 1'	
FDNS	02ALL		0 11G	G08_044	'TO->FROM'	'FPL SWITCH - WOODWARD 138KV CKT 1'	153	0.0342	131.3409	'CARTER JCT - MOORELAND 69KV CKT 1'	
FDNS	02ALL		0 11G	G08_047	'TO->FROM'	'FPL SWITCH - WOODWARD 138KV CKT 1'	153	0.05449	131.3409	'CARTER JCT - MOORELAND 69KV CKT 1'	
FDNS	02ALL		0 11G	G08_110	'TO->FROM'	'FPL SWITCH - WOODWARD 138KV CKT 1'	153	0.0415	131.3409	'CARTER JCT - MOORELAND 69KV CKT 1'	
FDNS	02ALL		0 11G	ASGI_2010_011	'TO->FROM'	'FPL SWITCH - WOODWARD 138KV CKT 1'	153	0.03428	131.3409	'CARTER JCT - MOORELAND 69KV CKT 1'	
FDNS	02ALL		0 11G	G10_011	'TO->FROM'	'FPL SWITCH - WOODWARD 138KV CKT 1'	153	0.0342	131.3409	'CARTER JCT - MOORELAND 69KV CKT 1'	
FDNS	02ALL		0 11G	G10_014	'TO->FROM'	'FPL SWITCH - WOODWARD 138KV CKT 1'	153	0.0415	131.3409	'CARTER JCT - MOORELAND 69KV CKT 1'	
FDNS	02ALL		0 11G	G08_044	'TO->FROM'	'FPL SWITCH - WOODWARD 138KV CKT 1'	153	0.03327	121.5271	'MOORELAND - TALOGA 138KV CKT 1'	
FDNS	02ALL		0 11G	G08_047	'TO->FROM'	'FPL SWITCH - WOODWARD 138KV CKT 1'	153	0.05142	121.5271	'MOORELAND - TALOGA 138KV CKT 1'	
FDNS	02ALL		0 11G	G08_110	'TO->FROM'	'FPL SWITCH - WOODWARD 138KV CKT 1'	153	0.03879	121.5271	'MOORELAND - TALOGA 138KV CKT 1'	
FDNS	02ALL		0 11G	ASGI_2010_011	'TO->FROM'	'FPL SWITCH - WOODWARD 138KV CKT 1'	153	0.0316	121.5271	'MOORELAND - TALOGA 138KV CKT 1'	
FDNS	02ALL		0 11G	G10_011	'TO->FROM'	'FPL SWITCH - WOODWARD 138KV CKT 1'	153	0.03327	121.5271	'MOORELAND - TALOGA 138KV CKT 1'	
FDNS	02ALL		0 11G	G10_014	'TO->FROM'	'FPL SWITCH - WOODWARD 138KV CKT 1'	153	0.03879	121.5271	'MOORELAND - TALOGA 138KV CKT 1'	
FDNS	02ALL		0 11G	G08_047	'TO->FROM'	'FPL SWITCH - WOODWARD 138KV CKT 1'	153	0.04636	121.0658	'MOORELAND - NINMILE 4 138.00 138KV CKT 1'	
FDNS	02ALL		0 11G	G08_110	'TO->FROM'	'FPL SWITCH - WOODWARD 138KV CKT 1'	153	0.03824	121.0658	'MOORELAND - NINMILE 4 138.00 138KV CKT 1'	
FDNS	02ALL		0 11G	ASGI_2010_011	'TO->FROM'	'FPL SWITCH - WOODWARD 138KV CKT 1'	153	0.0352	121.0658	'MOORELAND - NINMILE 4 138.00 138KV CKT 1'	
FDNS	02ALL		0 11G	G10_014	'TO->FROM'	'FPL SWITCH - WOODWARD 138KV CKT 1'	153	0.03824	121.0658	'MOORELAND - NINMILE 4 138.00 138KV CKT 1'	
FDNS	02ALL		0 11G	G09_067S	'FROM->TO'	'ELK CITY 230KV (ELKCTY-6) 230/138/13.8KV TRANSFORMER CKT 1'	287	0.06142	107.5701	'MOORELAND - NINMILE 4 138.00 138KV CKT 1'	

SOLUTION	GROUP	SCENARIO	SEASON	SOURCE	DIRECTION	MONITORED ELEMENT	RATE B	TDF	TC%	LOADING	CONTINGENCY NAME
						COMMON NAME					
FDNS	02ALL		0 11G	G08_022	'FROM->TO'	'ELK CITY 230KV (ELKCTY-6) 230/138/13.8KV TRANSFORMER CKT 1'	287	0.06264	107.5701	138.00	'MOORELAND - NINMILE 4 CKT 1' 138KV
FDNS	02ALL		0 11G	G08_088	'FROM->TO'	'ELK CITY 230KV (ELKCTY-6) 230/138/13.8KV TRANSFORMER CKT 1'	287	0.10517	107.5701	138.00	'MOORELAND - NINMILE 4 CKT 1' 138KV
FDNS	02ALL		0 11G	G08_110	'FROM->TO'	'ELK CITY 230KV (ELKCTY-6) 230/138/13.8KV TRANSFORMER CKT 1'	287	0.03882	107.5701	138.00	'MOORELAND - NINMILE 4 CKT 1' 138KV
FDNS	02ALL		0 11G	G10_007	'FROM->TO'	'ELK CITY 230KV (ELKCTY-6) 230/138/13.8KV TRANSFORMER CKT 1'	287	0.09504	107.5701	138.00	'MOORELAND - NINMILE 4 CKT 1' 138KV
FDNS	02ALL		0 11G	ASGI_2010_011	'FROM->TO'	'ELK CITY 230KV (ELKCTY-6) 230/138/13.8KV TRANSFORMER CKT 1'	287	0.05804	107.5701	138.00	'MOORELAND - NINMILE 4 CKT 1' 138KV
FDNS	02ALL		0 11G	G10_014	'FROM->TO'	'ELK CITY 230KV (ELKCTY-6) 230/138/13.8KV TRANSFORMER CKT 1'	287	0.03882	107.5701	138.00	'MOORELAND - NINMILE 4 CKT 1' 138KV
FDNS	02ALL		0 11G	G09_067S	'FROM->TO'	'ELK CITY 230KV (ELKCTY-6) 230/138/13.8KV TRANSFORMER CKT 1'	287	0.06142	106.4924	138.00	'MOORELAND - NINMILE 4 CKT 1' 138KV
FDNS	02ALL		0 11G	G08_022	'FROM->TO'	'ELK CITY 230KV (ELKCTY-6) 230/138/13.8KV TRANSFORMER CKT 1'	287	0.06264	106.4924	138.00	'MOORELAND - NINMILE 4 CKT 1' 138KV
FDNS	02ALL		0 11G	G08_088	'FROM->TO'	'ELK CITY 230KV (ELKCTY-6) 230/138/13.8KV TRANSFORMER CKT 1'	287	0.10517	106.4924	138.00	'MOORELAND - NINMILE 4 CKT 1' 138KV
FDNS	02ALL		0 11G	G08_110	'FROM->TO'	'ELK CITY 230KV (ELKCTY-6) 230/138/13.8KV TRANSFORMER CKT 1'	287	0.03882	106.4924	138.00	'MOORELAND - NINMILE 4 CKT 1' 138KV
FDNS	02ALL		0 11G	G10_007	'FROM->TO'	'ELK CITY 230KV (ELKCTY-6) 230/138/13.8KV TRANSFORMER CKT 1'	287	0.09504	106.4924	138.00	'MOORELAND - NINMILE 4 CKT 1' 138KV
FDNS	02ALL		0 11G	ASGI_2010_011	'FROM->TO'	'ELK CITY 230KV (ELKCTY-6) 230/138/13.8KV TRANSFORMER CKT 1'	287	0.05804	106.4924	138.00	'MOORELAND - NINMILE 4 CKT 1' 138KV
FDNS	02ALL		0 11G	G10_014	'FROM->TO'	'ELK CITY 230KV (ELKCTY-6) 230/138/13.8KV TRANSFORMER CKT 1'	287	0.03882	106.4924	138.00	'MOORELAND - NINMILE 4 CKT 1' 138KV
FDNS	02ALL		0 11G	G08_047	'TO->FROM'	'FPL SWITCH - WOODWARD 138KV CKT 1'	153	0.04636	121.3904	138.00	'MOREWOOD SW - NINMILE 4 138KV CKT 1'
FDNS	02ALL		0 11G	G08_110	'TO->FROM'	'FPL SWITCH - WOODWARD 138KV CKT 1'	153	0.03824	121.3904	138.00	'MOREWOOD SW - NINMILE 4 138KV CKT 1'
FDNS	02ALL		0 11G	ASGI_2010_011	'TO->FROM'	'FPL SWITCH - WOODWARD 138KV CKT 1'	153	0.0352	121.3904	138.00	'MOREWOOD SW - NINMILE 4 138KV CKT 1'
FDNS	02ALL		0 11G	G10_014	'TO->FROM'	'FPL SWITCH - WOODWARD 138KV CKT 1'	153	0.03824	121.3904	138.00	'MOREWOOD SW - NINMILE 4 138KV CKT 1'
FDNS	02ALL		0 11G	G09_067S	'FROM->TO'	'ELK CITY 230KV (ELKCTY-6) 230/138/13.8KV TRANSFORMER CKT 1'	287	0.06142	107.5025	138.00	'MOREWOOD SW - NINMILE 4 138KV CKT 1'
FDNS	02ALL		0 11G	G08_022	'FROM->TO'	'ELK CITY 230KV (ELKCTY-6) 230/138/13.8KV TRANSFORMER CKT 1'	287	0.06264	107.5025	138.00	'MOREWOOD SW - NINMILE 4 138KV CKT 1'
FDNS	02ALL		0 11G	G08_088	'FROM->TO'	'ELK CITY 230KV (ELKCTY-6) 230/138/13.8KV TRANSFORMER CKT 1'	287	0.10517	107.5025	138.00	'MOREWOOD SW - NINMILE 4 138KV CKT 1'
FDNS	02ALL		0 11G	G08_110	'FROM->TO'	'ELK CITY 230KV (ELKCTY-6) 230/138/13.8KV TRANSFORMER CKT 1'	287	0.03882	107.5025	138.00	'MOREWOOD SW - NINMILE 4 138KV CKT 1'
FDNS	02ALL		0 11G	G10_007	'FROM->TO'	'ELK CITY 230KV (ELKCTY-6) 230/138/13.8KV TRANSFORMER CKT 1'	287	0.09504	107.5025	138.00	'MOREWOOD SW - NINMILE 4 138KV CKT 1'
FDNS	02ALL		0 11G	ASGI_2010_011	'FROM->TO'	'ELK CITY 230KV (ELKCTY-6) 230/138/13.8KV TRANSFORMER CKT 1'	287	0.05804	107.5025	138.00	'MOREWOOD SW - NINMILE 4 138KV CKT 1'
FDNS	02ALL		0 11G	G10_014	'FROM->TO'	'ELK CITY 230KV (ELKCTY-6) 230/138/13.8KV TRANSFORMER CKT 1'	287	0.03882	107.5025	138.00	'MOREWOOD SW - NINMILE 4 138KV CKT 1'
FDNS	02ALL		0 11G	G09_067S	'FROM->TO'	'ELK CITY 230KV (ELKCTY-6) 230/138/13.8KV TRANSFORMER CKT 1'	287	0.06142	106.4387	138.00	'MOREWOOD SW - NINMILE 4 138KV CKT 1'
FDNS	02ALL		0 11G	G08_022	'FROM->TO'	'ELK CITY 230KV (ELKCTY-6) 230/138/13.8KV TRANSFORMER CKT 1'	287	0.06264	106.4387	138.00	'MOREWOOD SW - NINMILE 4 138KV CKT 1'
FDNS	02ALL		0 11G	G08_088	'FROM->TO'	'ELK CITY 230KV (ELKCTY-6) 230/138/13.8KV TRANSFORMER CKT 1'	287	0.10517	106.4387	138.00	'MOREWOOD SW - NINMILE 4 138KV CKT 1'
FDNS	02ALL		0 11G	G08_110	'FROM->TO'	'ELK CITY 230KV (ELKCTY-6) 230/138/13.8KV TRANSFORMER CKT 1'	287	0.03882	106.4387	138.00	'MOREWOOD SW - NINMILE 4 138KV CKT 1'
FDNS	02ALL		0 11G	G10_007	'FROM->TO'	'ELK CITY 230KV (ELKCTY-6) 230/138/13.8KV TRANSFORMER CKT 1'	287	0.09504	106.4387	138.00	'MOREWOOD SW - NINMILE 4 138KV CKT 1'

SOLUTION	GROUP	SCENARIO	SEASON	SOURCE	DIRECTION	MONITORED ELEMENT	RATE B	TDF	TC%	LOADING	CONTINGENCY NAME
						COMMON NAME					
FDNS	02ALL		0 11G	ASGI_2010_011	'FROM->TO'	'ELK CITY 230KV (ELKCTY-6) 230/138/13.8KV TRANSFORMER CKT 1'	287	0.05804			'MOREWOOD SW - NINMILE 4 138.00 138KV CKT 1'
FDNS	02ALL		0 11G	G10_014	'FROM->TO'	'ELK CITY 230KV (ELKCTY-6) 230/138/13.8KV TRANSFORMER CKT 1'	287	0.03882			'MOREWOOD SW - NINMILE 4 138.00 138KV CKT 1'
FDNS	02ALL		0 11G	G08_044	'TO->FROM'	'FPL SWITCH - WOODWARD 138KV CKT 1'	153	0.03263		126.448	'OKEENE - WATONGA SW 69KV CKT 1'
FDNS	02ALL		0 11G	G08_047	'TO->FROM'	'FPL SWITCH - WOODWARD 138KV CKT 1'	153	0.05181		126.448	'OKEENE - WATONGA SW 69KV CKT 1'
FDNS	02ALL		0 11G	G08_110	'TO->FROM'	'FPL SWITCH - WOODWARD 138KV CKT 1'	153	0.03945		126.448	'OKEENE - WATONGA SW 69KV CKT 1'
FDNS	02ALL		0 11G	ASGI_2010_011	'TO->FROM'	'FPL SWITCH - WOODWARD 138KV CKT 1'	153	0.03258		126.448	'OKEENE - WATONGA SW 69KV CKT 1'
FDNS	02ALL		0 11G	G10_011	'TO->FROM'	'FPL SWITCH - WOODWARD 138KV CKT 1'	153	0.03263		126.448	'OKEENE - WATONGA SW 69KV CKT 1'
FDNS	02ALL		0 11G	G10_014	'TO->FROM'	'FPL SWITCH - WOODWARD 138KV CKT 1'	153	0.03945		126.448	'OKEENE - WATONGA SW 69KV CKT 1'
FDNS	02ALL		0 11G	G09_067S	'FROM->TO'	'ELK CITY 230KV (ELKCTY-6) 230/138/13.8KV TRANSFORMER CKT 1'	287	0.06459		102.4377	'ONEY - WASHITA 138KV CKT 1'
FDNS	02ALL		0 11G	G08_022	'FROM->TO'	'ELK CITY 230KV (ELKCTY-6) 230/138/13.8KV TRANSFORMER CKT 1'	287	0.06584		102.4377	'ONEY - WASHITA 138KV CKT 1'
FDNS	02ALL		0 11G	G08_088	'FROM->TO'	'ELK CITY 230KV (ELKCTY-6) 230/138/13.8KV TRANSFORMER CKT 1'	287	0.11003		102.4377	'ONEY - WASHITA 138KV CKT 1'
FDNS	02ALL		0 11G	G08_110	'FROM->TO'	'ELK CITY 230KV (ELKCTY-6) 230/138/13.8KV TRANSFORMER CKT 1'	287	0.03593		102.4377	'ONEY - WASHITA 138KV CKT 1'
FDNS	02ALL		0 11G	G10_007	'FROM->TO'	'ELK CITY 230KV (ELKCTY-6) 230/138/13.8KV TRANSFORMER CKT 1'	287	0.09845		102.4377	'ONEY - WASHITA 138KV CKT 1'
FDNS	02ALL		0 11G	ASGI_2010_011	'FROM->TO'	'ELK CITY 230KV (ELKCTY-6) 230/138/13.8KV TRANSFORMER CKT 1'	287	0.05731		102.4377	'ONEY - WASHITA 138KV CKT 1'
FDNS	02ALL		0 11G	G10_014	'FROM->TO'	'ELK CITY 230KV (ELKCTY-6) 230/138/13.8KV TRANSFORMER CKT 1'	287	0.03593		102.4377	'ONEY - WASHITA 138KV CKT 1'
FDNS	02ALL		0 11G	G09_067S	'FROM->TO'	'ELK CITY 230KV (ELKCTY-6) 230/138/13.8KV TRANSFORMER CKT 1'	287	0.06459		101.588	'ONEY - WASHITA 138KV CKT 1'
FDNS	02ALL		0 11G	G08_022	'FROM->TO'	'ELK CITY 230KV (ELKCTY-6) 230/138/13.8KV TRANSFORMER CKT 1'	287	0.06584		101.588	'ONEY - WASHITA 138KV CKT 1'
FDNS	02ALL		0 11G	G08_088	'FROM->TO'	'ELK CITY 230KV (ELKCTY-6) 230/138/13.8KV TRANSFORMER CKT 1'	287	0.11003		101.588	'ONEY - WASHITA 138KV CKT 1'
FDNS	02ALL		0 11G	G08_110	'FROM->TO'	'ELK CITY 230KV (ELKCTY-6) 230/138/13.8KV TRANSFORMER CKT 1'	287	0.03593		101.588	'ONEY - WASHITA 138KV CKT 1'
FDNS	02ALL		0 11G	G10_007	'FROM->TO'	'ELK CITY 230KV (ELKCTY-6) 230/138/13.8KV TRANSFORMER CKT 1'	287	0.09845		101.588	'ONEY - WASHITA 138KV CKT 1'
FDNS	02ALL		0 11G	ASGI_2010_011	'FROM->TO'	'ELK CITY 230KV (ELKCTY-6) 230/138/13.8KV TRANSFORMER CKT 1'	287	0.05731		101.588	'ONEY - WASHITA 138KV CKT 1'
FDNS	02ALL		0 11G	G10_014	'FROM->TO'	'ELK CITY 230KV (ELKCTY-6) 230/138/13.8KV TRANSFORMER CKT 1'	287	0.03593		101.588	'ONEY - WASHITA 138KV CKT 1'
FDNS	02ALL		0 11G	G08_044	'TO->FROM'	'FPL SWITCH - WOODWARD 138KV CKT 1'	153	0.0342		131.9765	'CARTER JCT - WOODWARD 69KV CKT 1'
FDNS	02ALL		0 11G	G08_047	'TO->FROM'	'FPL SWITCH - WOODWARD 138KV CKT 1'	153	0.05449		131.9765	'CARTER JCT - WOODWARD 69KV CKT 1'
FDNS	02ALL		0 11G	G08_110	'TO->FROM'	'FPL SWITCH - WOODWARD 138KV CKT 1'	153	0.0415		131.9765	'CARTER JCT - WOODWARD 69KV CKT 1'
FDNS	02ALL		0 11G	ASGI_2010_011	'TO->FROM'	'FPL SWITCH - WOODWARD 138KV CKT 1'	153	0.03428		131.9765	'CARTER JCT - WOODWARD 69KV CKT 1'
FDNS	02ALL		0 11G	G10_011	'TO->FROM'	'FPL SWITCH - WOODWARD 138KV CKT 1'	153	0.0342		131.9765	'CARTER JCT - WOODWARD 69KV CKT 1'
FDNS	02ALL		0 11G	G10_014	'TO->FROM'	'FPL SWITCH - WOODWARD 138KV CKT 1'	153	0.0415		131.9765	'CARTER JCT - WOODWARD 69KV CKT 1'
FDNS	02ALL		0 11G	G09_067S	'FROM->TO'	'ELK CITY 230KV (ELKCTY-6) 230/138/13.8KV TRANSFORMER CKT 1'	287	0.0723		103.4479	'HITCHLAND INTERCHANGE - MOORE COUNTY INTERCHANGE 230KV CKT 1'

SOLUTION	GROUP	SCENARIO	SEASON	SOURCE	DIRECTION	MONITORED ELEMENT	RATE B	TDF	TC%	LOADING	CONTINGENCY NAME
						COMMON NAME					
FDNS	02ALL		0 11G	G08_022	'FROM->TO'	'ELK CITY 230KV (ELKCTY-6) 230/138/13.8KV TRANSFORMER CKT 1'	287	0.07371	103.4479		'HITCHLAND INTERCHANGE - MOORE COUNTY INTERCHANGE 230KV CKT 1'
FDNS	02ALL		0 11G	G08_088	'FROM->TO'	'ELK CITY 230KV (ELKCTY-6) 230/138/13.8KV TRANSFORMER CKT 1'	287	0.12258	103.4479		'HITCHLAND INTERCHANGE - MOORE COUNTY INTERCHANGE 230KV CKT 1'
FDNS	02ALL		0 11G	G08_110	'FROM->TO'	'ELK CITY 230KV (ELKCTY-6) 230/138/13.8KV TRANSFORMER CKT 1'	287	0.03314	103.4479		'HITCHLAND INTERCHANGE - MOORE COUNTY INTERCHANGE 230KV CKT 1'
FDNS	02ALL		0 11G	G10_007	'FROM->TO'	'ELK CITY 230KV (ELKCTY-6) 230/138/13.8KV TRANSFORMER CKT 1'	287	0.10944	103.4479		'HITCHLAND INTERCHANGE - MOORE COUNTY INTERCHANGE 230KV CKT 1'
FDNS	02ALL		0 11G	ASGI_2010_011	'FROM->TO'	'ELK CITY 230KV (ELKCTY-6) 230/138/13.8KV TRANSFORMER CKT 1'	287	0.05737	103.4479		'HITCHLAND INTERCHANGE - MOORE COUNTY INTERCHANGE 230KV CKT 1'
FDNS	02ALL		0 11G	G10_014	'FROM->TO'	'ELK CITY 230KV (ELKCTY-6) 230/138/13.8KV TRANSFORMER CKT 1'	287	0.03314	103.4479		'HITCHLAND INTERCHANGE - MOORE COUNTY INTERCHANGE 230KV CKT 1'
FDNS	02ALL		0 11G	G09_067S	'FROM->TO'	'ELK CITY 230KV (ELKCTY-6) 230/138/13.8KV TRANSFORMER CKT 1'	287	0.0723	102.5626		'HITCHLAND INTERCHANGE - MOORE COUNTY INTERCHANGE 230KV CKT 1'
FDNS	02ALL		0 11G	G08_022	'FROM->TO'	'ELK CITY 230KV (ELKCTY-6) 230/138/13.8KV TRANSFORMER CKT 1'	287	0.07371	102.5626		'HITCHLAND INTERCHANGE - MOORE COUNTY INTERCHANGE 230KV CKT 1'
FDNS	02ALL		0 11G	G08_088	'FROM->TO'	'ELK CITY 230KV (ELKCTY-6) 230/138/13.8KV TRANSFORMER CKT 1'	287	0.12258	102.5626		'HITCHLAND INTERCHANGE - MOORE COUNTY INTERCHANGE 230KV CKT 1'
FDNS	02ALL		0 11G	G08_110	'FROM->TO'	'ELK CITY 230KV (ELKCTY-6) 230/138/13.8KV TRANSFORMER CKT 1'	287	0.03314	102.5626		'HITCHLAND INTERCHANGE - MOORE COUNTY INTERCHANGE 230KV CKT 1'
FDNS	02ALL		0 11G	G10_007	'FROM->TO'	'ELK CITY 230KV (ELKCTY-6) 230/138/13.8KV TRANSFORMER CKT 1'	287	0.10944	102.5626		'HITCHLAND INTERCHANGE - MOORE COUNTY INTERCHANGE 230KV CKT 1'
FDNS	02ALL		0 11G	ASGI_2010_011	'FROM->TO'	'ELK CITY 230KV (ELKCTY-6) 230/138/13.8KV TRANSFORMER CKT 1'	287	0.05737	102.5626		'HITCHLAND INTERCHANGE - MOORE COUNTY INTERCHANGE 230KV CKT 1'
FDNS	02ALL		0 11G	G10_014	'FROM->TO'	'ELK CITY 230KV (ELKCTY-6) 230/138/13.8KV TRANSFORMER CKT 1'	287	0.03314	102.5626		'HITCHLAND INTERCHANGE - MOORE COUNTY INTERCHANGE 230KV CKT 1'
FDNS	02ALL		0 11G	G08_044	'TO->FROM'	'FPL SWITCH - WOODWARD 138KV CKT 1'	153	0.03455	136.759	345.00	345KV CKT 1'
FDNS	02ALL		0 11G	G08_047	'TO->FROM'	'FPL SWITCH - WOODWARD 138KV CKT 1'	153	0.0579	136.759	345.00	345KV CKT 1'
FDNS	02ALL		0 11G	G08_110	'TO->FROM'	'FPL SWITCH - WOODWARD 138KV CKT 1'	153	0.04829	136.759	345.00	345KV CKT 1'
FDNS	02ALL		0 11G	ASGI_2010_011	'TO->FROM'	'FPL SWITCH - WOODWARD 138KV CKT 1'	153	0.04073	136.759	345.00	345KV CKT 1'
FDNS	02ALL		0 11G	G10_011	'TO->FROM'	'FPL SWITCH - WOODWARD 138KV CKT 1'	153	0.03455	136.759	345.00	345KV CKT 1'
FDNS	02ALL		0 11G	G10_014	'TO->FROM'	'FPL SWITCH - WOODWARD 138KV CKT 1'	153	0.04829	136.759	345.00	345KV CKT 1'
FDNS	02ALL		0 11G	G08_047	'TO->FROM'	'DEAF SMITH COUNTY INTERCHANGE - S-RANDLCO 230.00 230KV CKT 1'	350	0.03669	100.2066	345.00	345KV CKT 1'
FDNS	02ALL		0 11G	G08_088	'TO->FROM'	'DEAF SMITH COUNTY INTERCHANGE - S-RANDLCO 230.00 230KV CKT 1'	350	0.07083	100.2066	345.00	345KV CKT 1'
FDNS	02ALL		0 11G	G08_110	'TO->FROM'	'DEAF SMITH COUNTY INTERCHANGE - S-RANDLCO 230.00 230KV CKT 1'	350	0.05663	100.2066	345.00	345KV CKT 1'
FDNS	02ALL		0 11G	G10_007	'TO->FROM'	'DEAF SMITH COUNTY INTERCHANGE - S-RANDLCO 230.00 230KV CKT 1'	350	0.08117	100.2066	345.00	345KV CKT 1'
FDNS	02ALL		0 11G	ASGI_2010_011	'TO->FROM'	'DEAF SMITH COUNTY INTERCHANGE - S-RANDLCO 230.00 230KV CKT 1'	350	0.06712	100.2066	345.00	345KV CKT 1'
FDNS	02ALL		0 11G	G10_014	'TO->FROM'	'DEAF SMITH COUNTY INTERCHANGE - S-RANDLCO 230.00 230KV CKT 1'	350	0.05663	100.2066	345.00	345KV CKT 1'
FDNS	02ALL		0 11G	G09_067S	'FROM->TO'	'ELK CITY 230KV (ELKCTY-6) 230/138/13.8KV TRANSFORMER CKT 1'	287	0.07608	111.5197	345.00	345KV CKT 1'
FDNS	02ALL		0 11G	G08_022	'FROM->TO'	'ELK CITY 230KV (ELKCTY-6) 230/138/13.8KV TRANSFORMER CKT 1'	287	0.07748	111.5197	345.00	345KV CKT 1'
FDNS	02ALL		0 11G	G08_088	'FROM->TO'	'ELK CITY 230KV (ELKCTY-6) 230/138/13.8KV TRANSFORMER CKT 1'	287	0.12606	111.5197	345.00	345KV CKT 1'
FDNS	02ALL		0 11G	G08_110	'FROM->TO'	'ELK CITY 230KV (ELKCTY-6) 230/138/13.8KV TRANSFORMER CKT 1'	287	0.05505	111.5197	345.00	345KV CKT 1'

SOLUTION	GROUP	SCENARIO	SEASON	SOURCE	DIRECTION	MONITORED ELEMENT	RATE B	TDF	TC%	LOADING	CONTINGENCY NAME
						COMMON NAME					
FDNS	02ALL		0 11G	G10_007	'FROM->TO'	'ELK CITY 230KV (ELKCTY-6) 230/138/13.8KV TRANSFORMER CKT 1'	287	0.11546	111.5197	345.00	345KV CKT 1' 'Hitchland Interchange - STEVENSCO
FDNS	02ALL		0 11G	ASGI_2010_011	'FROM->TO'	'ELK CITY 230KV (ELKCTY-6) 230/138/13.8KV TRANSFORMER CKT 1'	287	0.07567	111.5197	345.00	345KV CKT 1' 'Hitchland Interchange - STEVENSCO
FDNS	02ALL		0 11G	G10_014	'FROM->TO'	'ELK CITY 230KV (ELKCTY-6) 230/138/13.8KV TRANSFORMER CKT 1'	287	0.05505	111.5197	345.00	345KV CKT 1' 'Hitchland Interchange - STEVENSCO
FDNS	02ALL		0 11G	G09_067S	'FROM->TO'	'ELK CITY 230KV (ELKCTY-6) 230/138/13.8KV TRANSFORMER CKT 1'	287	0.07608	110.2784	345.00	345KV CKT 1' 'Hitchland Interchange - STEVENSCO
FDNS	02ALL		0 11G	G08_022	'FROM->TO'	'ELK CITY 230KV (ELKCTY-6) 230/138/13.8KV TRANSFORMER CKT 1'	287	0.07748	110.2784	345.00	345KV CKT 1' 'Hitchland Interchange - STEVENSCO
FDNS	02ALL		0 11G	G08_088	'FROM->TO'	'ELK CITY 230KV (ELKCTY-6) 230/138/13.8KV TRANSFORMER CKT 1'	287	0.12606	110.2784	345.00	345KV CKT 1' 'Hitchland Interchange - STEVENSCO
FDNS	02ALL		0 11G	G08_110	'FROM->TO'	'ELK CITY 230KV (ELKCTY-6) 230/138/13.8KV TRANSFORMER CKT 1'	287	0.05505	110.2784	345.00	345KV CKT 1' 'Hitchland Interchange - STEVENSCO
FDNS	02ALL		0 11G	G10_007	'FROM->TO'	'ELK CITY 230KV (ELKCTY-6) 230/138/13.8KV TRANSFORMER CKT 1'	287	0.11546	110.2784	345.00	345KV CKT 1' 'Hitchland Interchange - STEVENSCO
FDNS	02ALL		0 11G	ASGI_2010_011	'FROM->TO'	'ELK CITY 230KV (ELKCTY-6) 230/138/13.8KV TRANSFORMER CKT 1'	287	0.07567	110.2784	345.00	345KV CKT 1' 'Hitchland Interchange - STEVENSCO
FDNS	02ALL		0 11G	G10_014	'FROM->TO'	'ELK CITY 230KV (ELKCTY-6) 230/138/13.8KV TRANSFORMER CKT 1'	287	0.05505	110.2784	345.00	345KV CKT 1' 'Hitchland Interchange - STEVENSCO
FDNS	02ALL		0 11G	G08_044	'TO->FROM'	'FPL SWITCH - WOODWARD 138KV CKT 1'	153	0.03473	125.7367	345.00	345KV CKT 1' 'Hitchland Interchange
FDNS	02ALL		0 11G	G08_047	'TO->FROM'	'FPL SWITCH - WOODWARD 138KV CKT 1'	153	0.0562	125.7367	345.00	345KV CKT 1' 'Hitchland Interchange
FDNS	02ALL		0 11G	G08_110	'TO->FROM'	'FPL SWITCH - WOODWARD 138KV CKT 1'	153	0.04511	125.7367	345.00	345KV CKT 1' 'Hitchland Interchange
FDNS	02ALL		0 11G	ASGI_2010_011	'TO->FROM'	'FPL SWITCH - WOODWARD 138KV CKT 1'	153	0.0341	125.7367	345.00	345KV CKT 1' 'Hitchland Interchange
FDNS	02ALL		0 11G	G10_011	'TO->FROM'	'FPL SWITCH - WOODWARD 138KV CKT 1'	153	0.03473	125.7367	345.00	345KV CKT 1' 'Hitchland Interchange
FDNS	02ALL		0 11G	G10_014	'TO->FROM'	'FPL SWITCH - WOODWARD 138KV CKT 1'	153	0.04511	125.7367	345.00	345KV CKT 1' 'Hitchland Interchange
FDNS	02ALL		0 11G	G08_088	'TO->FROM'	'DEAF SMITH COUNTY INTERCHANGE - S-RANDLCO 230.00 230KV CKT 1'	350	0.0881	101.3617	345.00	345KV CKT 1' 'Hitchland Interchange
FDNS	02ALL		0 11G	G08_110	'TO->FROM'	'DEAF SMITH COUNTY INTERCHANGE - S-RANDLCO 230.00 230KV CKT 1'	350	0.03086	101.3617	345.00	345KV CKT 1' 'Hitchland Interchange
FDNS	02ALL		0 11G	G10_007	'TO->FROM'	'DEAF SMITH COUNTY INTERCHANGE - S-RANDLCO 230.00 230KV CKT 1'	350	0.08927	101.3617	345.00	345KV CKT 1' 'Hitchland Interchange
FDNS	02ALL		0 11G	ASGI_2010_011	'TO->FROM'	'DEAF SMITH COUNTY INTERCHANGE - S-RANDLCO 230.00 230KV CKT 1'	350	0.05376	101.3617	345.00	345KV CKT 1' 'Hitchland Interchange
FDNS	02ALL		0 11G	G10_014	'TO->FROM'	'DEAF SMITH COUNTY INTERCHANGE - S-RANDLCO 230.00 230KV CKT 1'	350	0.03086	101.3617	345.00	345KV CKT 1' 'Hitchland Interchange
FDNS	02ALL		0 11G	G09_067S	'FROM->TO'	'ELK CITY 230KV (ELKCTY-6) 230/138/13.8KV TRANSFORMER CKT 1'	287	0.08604	110.443	345.00	345KV CKT 1' 'Hitchland Interchange
FDNS	02ALL		0 11G	G08_022	'FROM->TO'	'ELK CITY 230KV (ELKCTY-6) 230/138/13.8KV TRANSFORMER CKT 1'	287	0.08774	110.443	345.00	345KV CKT 1' 'Hitchland Interchange
FDNS	02ALL		0 11G	G08_088	'FROM->TO'	'ELK CITY 230KV (ELKCTY-6) 230/138/13.8KV TRANSFORMER CKT 1'	287	0.14112	110.443	345.00	345KV CKT 1' 'Hitchland Interchange
FDNS	02ALL		0 11G	G10_007	'FROM->TO'	'ELK CITY 230KV (ELKCTY-6) 230/138/13.8KV TRANSFORMER CKT 1'	287	0.12023	110.443	345.00	345KV CKT 1' 'Hitchland Interchange
FDNS	02ALL		0 11G	ASGI_2010_011	'FROM->TO'	'ELK CITY 230KV (ELKCTY-6) 230/138/13.8KV TRANSFORMER CKT 1'	287	0.05648	110.443	345.00	345KV CKT 1' 'Hitchland Interchange
FDNS	02ALL		0 11G	G09_067S	'FROM->TO'	'ELK CITY 230KV (ELKCTY-6) 230/138/13.8KV TRANSFORMER CKT 1'	287	0.08604	109.2915	345.00	345KV CKT 1' 'Hitchland Interchange
FDNS	02ALL		0 11G	G08_022	'FROM->TO'	'ELK CITY 230KV (ELKCTY-6) 230/138/13.8KV TRANSFORMER CKT 1'	287	0.08774	109.2915	345.00	345KV CKT 1' 'Hitchland Interchange
FDNS	02ALL		0 11G	G08_088	'FROM->TO'	'ELK CITY 230KV (ELKCTY-6) 230/138/13.8KV TRANSFORMER CKT 1'	287	0.14112	109.2915	345.00	345KV CKT 1' 'Hitchland Interchange

SOLUTION	GROUP	SCENARIO	SEASON	SOURCE	DIRECTION	MONITORED ELEMENT		RATE B	TDF	TC%	LOADING	CONTINGENCY NAME	
						COMMON NAME							
FDNS	02ALL		0 11G	G10_007	'FROM->TO'	'ELK CITY 230KV (ELKCTY-6)		287	0.12023		109.2915	'G05-17T	345.00 - Hitchland Interchange
						230/138/13.8KV TRANSFORMER CKT 1'						'G05-17T	345.00 - Hitchland Interchange
FDNS	02ALL		0 11G	ASGI_2010_011	'FROM->TO'	'ELK CITY 230KV (ELKCTY-6)		287	0.05648		109.2915	'2008-047T	345KV CKT 1'
						230/138/13.8KV TRANSFORMER CKT 1'						'2008-047T	345.00 - Hitchland Interchange
FDNS	02ALL		0 11G	G08_044	'TO->FROM'	'FPL SWITCH - WOODWARD 138KV CKT 1'		153	0.03497		120.9531	'2008-047T	345KV CKT 1'
						'FPL SWITCH - WOODWARD 138KV CKT 1'						'2008-047T	345.00 - Hitchland Interchange
FDNS	02ALL		0 11G	G08_047	'TO->FROM'	'FPL SWITCH - WOODWARD 138KV CKT 1'		153	0.0568		120.9531	'2008-047T	345KV CKT 1'
						'FPL SWITCH - WOODWARD 138KV CKT 1'						'2008-047T	345.00 - Hitchland Interchange
FDNS	02ALL		0 11G	G08_110	'TO->FROM'	'FPL SWITCH - WOODWARD 138KV CKT 1'		153	0.0352		120.9531	'2008-047T	345KV CKT 1'
						'FPL SWITCH - WOODWARD 138KV CKT 1'						'2008-047T	345.00 - Hitchland Interchange
FDNS	02ALL		0 11G	G10_011	'TO->FROM'	'FPL SWITCH - WOODWARD 138KV CKT 1'		153	0.03497		120.9531	'2008-047T	345KV CKT 1'
						'FPL SWITCH - WOODWARD 138KV CKT 1'						'2008-047T	345.00 - Hitchland Interchange
FDNS	02ALL		0 11G	G10_014	'TO->FROM'	'FPL SWITCH - WOODWARD 138KV CKT 1'		153	0.0352		120.9531	'2008-047T	345KV CKT 1'
						'FPL SWITCH - WOODWARD 138KV CKT 1'						'2008-047T	345.00 - Hitchland Interchange
FDNS	02ALL		0 11G	G08_088	'TO->FROM'	'DEAF SMITH COUNTY INTERCHANGE - S-RANDLCO 230.00 230KV CKT 1'		350	0.06608		100.6136	'2008-047T	345KV CKT 1'
						'DEAF SMITH COUNTY INTERCHANGE - S-RANDLCO 230.00 230KV CKT 1'						'2008-047T	345.00 - Hitchland Interchange
FDNS	02ALL		0 11G	G08_110	'TO->FROM'	'DEAF SMITH COUNTY INTERCHANGE - S-RANDLCO 230.00 230KV CKT 1'		350	0.05138		100.6136	'2008-047T	345KV CKT 1'
						'DEAF SMITH COUNTY INTERCHANGE - S-RANDLCO 230.00 230KV CKT 1'						'2008-047T	345.00 - Hitchland Interchange
FDNS	02ALL		0 11G	G10_007	'TO->FROM'	'DEAF SMITH COUNTY INTERCHANGE - S-RANDLCO 230.00 230KV CKT 1'		350	0.07631		100.6136	'2008-047T	345KV CKT 1'
						'DEAF SMITH COUNTY INTERCHANGE - S-RANDLCO 230.00 230KV CKT 1'						'2008-047T	345.00 - Hitchland Interchange
FDNS	02ALL		0 11G	ASGI_2010_011	'TO->FROM'	'DEAF SMITH COUNTY INTERCHANGE - S-RANDLCO 230.00 230KV CKT 1'		350	0.06201		100.6136	'2008-047T	345KV CKT 1'
						'DEAF SMITH COUNTY INTERCHANGE - S-RANDLCO 230.00 230KV CKT 1'						'2008-047T	345.00 - Hitchland Interchange
FDNS	02ALL		0 11G	G10_014	'TO->FROM'	'DEAF SMITH COUNTY INTERCHANGE - S-RANDLCO 230.00 230KV CKT 1'		350	0.05138		100.6136	'2008-047T	345KV CKT 1'
						'DEAF SMITH COUNTY INTERCHANGE - S-RANDLCO 230.00 230KV CKT 1'						'2008-047T	345.00 - Hitchland Interchange
FDNS	02ALL		0 11G	G09_067S	'FROM->TO'	'ELK CITY 230KV (ELKCTY-6)		287	0.0684		112.9711	'2008-047T	345KV CKT 1'
						230/138/13.8KV TRANSFORMER CKT 1'						'2008-047T	345.00 - Hitchland Interchange
FDNS	02ALL		0 11G	G08_022	'FROM->TO'	'ELK CITY 230KV (ELKCTY-6)		287	0.06978		112.9711	'2008-047T	345KV CKT 1'
						230/138/13.8KV TRANSFORMER CKT 1'						'2008-047T	345.00 - Hitchland Interchange
FDNS	02ALL		0 11G	G08_088	'FROM->TO'	'ELK CITY 230KV (ELKCTY-6)		287	0.11771		112.9711	'2008-047T	345KV CKT 1'
						230/138/13.8KV TRANSFORMER CKT 1'						'2008-047T	345.00 - Hitchland Interchange
FDNS	02ALL		0 11G	G08_110	'FROM->TO'	'ELK CITY 230KV (ELKCTY-6)		287	0.04507		112.9711	'2008-047T	345KV CKT 1'
						230/138/13.8KV TRANSFORMER CKT 1'						'2008-047T	345.00 - Hitchland Interchange
FDNS	02ALL		0 11G	G10_007	'FROM->TO'	'ELK CITY 230KV (ELKCTY-6)		287	0.10673		112.9711	'2008-047T	345KV CKT 1'
						230/138/13.8KV TRANSFORMER CKT 1'						'2008-047T	345.00 - Hitchland Interchange
FDNS	02ALL		0 11G	ASGI_2010_011	'FROM->TO'	'ELK CITY 230KV (ELKCTY-6)		287	0.06613		112.9711	'2008-047T	345KV CKT 1'
						230/138/13.8KV TRANSFORMER CKT 1'						'2008-047T	345.00 - Hitchland Interchange
FDNS	02ALL		0 11G	G10_014	'FROM->TO'	'ELK CITY 230KV (ELKCTY-6)		287	0.04507		112.9711	'2008-047T	345KV CKT 1'
						230/138/13.8KV TRANSFORMER CKT 1'						'2008-047T	345.00 - Hitchland Interchange
FDNS	02ALL		0 11G	G09_067S	'FROM->TO'	'ELK CITY 230KV (ELKCTY-6)		287	0.0684		111.7043	'2008-047T	345KV CKT 1'
						230/138/13.8KV TRANSFORMER CKT 1'						'2008-047T	345.00 - Hitchland Interchange
FDNS	02ALL		0 11G	G08_022	'FROM->TO'	'ELK CITY 230KV (ELKCTY-6)		287	0.06978		111.7043	'2008-047T	345KV CKT 1'
						230/138/13.8KV TRANSFORMER CKT 1'						'2008-047T	345.00 - Hitchland Interchange
FDNS	02ALL		0 11G	G08_088	'FROM->TO'	'ELK CITY 230KV (ELKCTY-6)		287	0.11771		111.7043	'2008-047T	345KV CKT 1'
						230/138/13.8KV TRANSFORMER CKT 1'						'2008-047T	345.00 - Hitchland Interchange
FDNS	02ALL		0 11G	G08_110	'FROM->TO'	'ELK CITY 230KV (ELKCTY-6)		287	0.04507		111.7043	'2008-047T	345KV CKT 1'
						230/138/13.8KV TRANSFORMER CKT 1'						'2008-047T	345.00 - Hitchland Interchange
FDNS	02ALL		0 11G	G10_007	'FROM->TO'	'ELK CITY 230KV (ELKCTY-6)		287	0.10673		111.7043	'2008-047T	345KV CKT 1'
						230/138/13.8KV TRANSFORMER CKT 1'						'2008-047T	345.00 - Hitchland Interchange
FDNS	02ALL		0 11G	ASGI_2010_011	'FROM->TO'	'ELK CITY 230KV (ELKCTY-6)		287	0.06613		111.7043	'2008-047T	345KV CKT 1'
						230/138/13.8KV TRANSFORMER CKT 1'						'2008-047T	345.00 - Hitchland Interchange
FDNS	02ALL		0 11G	G10_014	'FROM->TO'	'ELK CITY 230KV (ELKCTY-6)		287	0.04507		111.7043	'2008-047T	345KV CKT 1'
						230/138/13.8KV TRANSFORMER CKT 1'						'2008-047T	345.00 - Hitchland Interchange
FDNS	02ALL		0 11G	G08_044	'TO->FROM'	'FPL SWITCH - WOODWARD 138KV CKT 1'		153	0.03497		120.9531	'2008-047T	345KV CKT 2'
						'FPL SWITCH - WOODWARD 138KV CKT 1'						'2008-047T	345.00 - Hitchland Interchange
FDNS	02ALL		0 11G	G08_047	'TO->FROM'	'FPL SWITCH - WOODWARD 138KV CKT 1'		153	0.0568		120.9531	'2008-047T	345KV CKT 2'
						'FPL SWITCH - WOODWARD 138KV CKT 1'						'2008-047T	345.00 - Hitchland Interchange
FDNS	02ALL		0 11G	G08_110	'TO->FROM'	'FPL SWITCH - WOODWARD 138KV CKT 1'		153	0.0352		120.9531	'2008-047T	345KV CKT 2'

SOLUTION	GROUP	SCENARIO	SEASON	SOURCE	DIRECTION	MONITORED ELEMENT		RATE B	TDF	TC%	LOADING	CONTINGENCY NAME
						COMMON NAME						
FDNS	02ALL		0 11G	G10_011	'TO->FROM'	'FPL SWITCH - WOODWARD 138KV CKT 1'		153	0.03497	120.9531	'2008-047T 345KV CKT 2'	345.00 - Hitchland Interchange
FDNS	02ALL		0 11G	G10_014	'TO->FROM'	'FPL SWITCH - WOODWARD 138KV CKT 1'		153	0.0352	120.9531	'2008-047T 345KV CKT 2'	345.00 - Hitchland Interchange
FDNS	02ALL		0 11G	G08_088	'TO->FROM'	'DEAF SMITH COUNTY INTERCHANGE - S-RANDLCO 230.00 230KV CKT 1'		350	0.06608	100.6136	'2008-047T 345KV CKT 2'	345.00 - Hitchland Interchange
FDNS	02ALL		0 11G	G08_110	'TO->FROM'	'DEAF SMITH COUNTY INTERCHANGE - S-RANDLCO 230.00 230KV CKT 1'		350	0.05138	100.6136	'2008-047T 345KV CKT 2'	345.00 - Hitchland Interchange
FDNS	02ALL		0 11G	G10_007	'TO->FROM'	'DEAF SMITH COUNTY INTERCHANGE - S-RANDLCO 230.00 230KV CKT 1'		350	0.07631	100.6136	'2008-047T 345KV CKT 2'	345.00 - Hitchland Interchange
FDNS	02ALL		0 11G	ASGI_2010_011	'TO->FROM'	'DEAF SMITH COUNTY INTERCHANGE - S-RANDLCO 230.00 230KV CKT 1'		350	0.06201	100.6136	'2008-047T 345KV CKT 2'	345.00 - Hitchland Interchange
FDNS	02ALL		0 11G	G10_014	'TO->FROM'	'DEAF SMITH COUNTY INTERCHANGE - S-RANDLCO 230.00 230KV CKT 1'		350	0.05138	100.6136	'2008-047T 345KV CKT 2'	345.00 - Hitchland Interchange
FDNS	02ALL		0 11G	G09_067S	'FROM->TO'	'ELK CITY 230KV (ELKCTY-6) 230/138/13.8KV TRANSFORMER CKT 1'		287	0.0684	112.9711	'2008-047T 345KV CKT 2'	345.00 - Hitchland Interchange
FDNS	02ALL		0 11G	G08_022	'FROM->TO'	'ELK CITY 230KV (ELKCTY-6) 230/138/13.8KV TRANSFORMER CKT 1'		287	0.06978	112.9711	'2008-047T 345KV CKT 2'	345.00 - Hitchland Interchange
FDNS	02ALL		0 11G	G08_088	'FROM->TO'	'ELK CITY 230KV (ELKCTY-6) 230/138/13.8KV TRANSFORMER CKT 1'		287	0.11771	112.9711	'2008-047T 345KV CKT 2'	345.00 - Hitchland Interchange
FDNS	02ALL		0 11G	G08_110	'FROM->TO'	'ELK CITY 230KV (ELKCTY-6) 230/138/13.8KV TRANSFORMER CKT 1'		287	0.04507	112.9711	'2008-047T 345KV CKT 2'	345.00 - Hitchland Interchange
FDNS	02ALL		0 11G	G10_007	'FROM->TO'	'ELK CITY 230KV (ELKCTY-6) 230/138/13.8KV TRANSFORMER CKT 1'		287	0.10673	112.9711	'2008-047T 345KV CKT 2'	345.00 - Hitchland Interchange
FDNS	02ALL		0 11G	ASGI_2010_011	'FROM->TO'	'ELK CITY 230KV (ELKCTY-6) 230/138/13.8KV TRANSFORMER CKT 1'		287	0.06613	112.9711	'2008-047T 345KV CKT 2'	345.00 - Hitchland Interchange
FDNS	02ALL		0 11G	G10_014	'FROM->TO'	'ELK CITY 230KV (ELKCTY-6) 230/138/13.8KV TRANSFORMER CKT 1'		287	0.04507	112.9711	'2008-047T 345KV CKT 2'	345.00 - Hitchland Interchange
FDNS	02ALL		0 11G	G09_067S	'FROM->TO'	'ELK CITY 230KV (ELKCTY-6) 230/138/13.8KV TRANSFORMER CKT 1'		287	0.0684	111.7043	'2008-047T 345KV CKT 2'	345.00 - Hitchland Interchange
FDNS	02ALL		0 11G	G08_022	'FROM->TO'	'ELK CITY 230KV (ELKCTY-6) 230/138/13.8KV TRANSFORMER CKT 1'		287	0.06978	111.7043	'2008-047T 345KV CKT 2'	345.00 - Hitchland Interchange
FDNS	02ALL		0 11G	G08_088	'FROM->TO'	'ELK CITY 230KV (ELKCTY-6) 230/138/13.8KV TRANSFORMER CKT 1'		287	0.11771	111.7043	'2008-047T 345KV CKT 2'	345.00 - Hitchland Interchange
FDNS	02ALL		0 11G	G08_110	'FROM->TO'	'ELK CITY 230KV (ELKCTY-6) 230/138/13.8KV TRANSFORMER CKT 1'		287	0.04507	111.7043	'2008-047T 345KV CKT 2'	345.00 - Hitchland Interchange
FDNS	02ALL		0 11G	G10_007	'FROM->TO'	'ELK CITY 230KV (ELKCTY-6) 230/138/13.8KV TRANSFORMER CKT 1'		287	0.10673	111.7043	'2008-047T 345KV CKT 2'	345.00 - Hitchland Interchange
FDNS	02ALL		0 11G	ASGI_2010_011	'FROM->TO'	'ELK CITY 230KV (ELKCTY-6) 230/138/13.8KV TRANSFORMER CKT 1'		287	0.06613	111.7043	'2008-047T 345KV CKT 2'	345.00 - Hitchland Interchange
FDNS	02ALL		0 11G	G10_014	'FROM->TO'	'ELK CITY 230KV (ELKCTY-6) 230/138/13.8KV TRANSFORMER CKT 1'		287	0.04507	111.7043	'2008-047T 345KV CKT 2'	345.00 - Hitchland Interchange
FDNS	02ALL		0 11G	G09_067S	'FROM->TO'	'ELK CITY 230KV (ELKCTY-6) 230/138/13.8KV TRANSFORMER CKT 1'		287	0.06623	103.3653	'2008-047T 345KV CKT 2'	'GRAY COUNTY INTERCHANGE - HUTCHINSON COUNTY INTERCHANGE S. 115KV CKT 1'
FDNS	02ALL		0 11G	G08_022	'FROM->TO'	'ELK CITY 230KV (ELKCTY-6) 230/138/13.8KV TRANSFORMER CKT 1'		287	0.06753	103.3653	'2008-047T 345KV CKT 2'	'GRAY COUNTY INTERCHANGE - HUTCHINSON COUNTY INTERCHANGE S. 115KV CKT 1'
FDNS	02ALL		0 11G	G08_088	'FROM->TO'	'ELK CITY 230KV (ELKCTY-6) 230/138/13.8KV TRANSFORMER CKT 1'		287	0.11369	103.3653	'2008-047T 345KV CKT 2'	'GRAY COUNTY INTERCHANGE - HUTCHINSON COUNTY INTERCHANGE S. 115KV CKT 1'
FDNS	02ALL		0 11G	G08_110	'FROM->TO'	'ELK CITY 230KV (ELKCTY-6) 230/138/13.8KV TRANSFORMER CKT 1'		287	0.03729	103.3653	'2008-047T 345KV CKT 2'	'GRAY COUNTY INTERCHANGE - HUTCHINSON COUNTY INTERCHANGE S. 115KV CKT 1'
FDNS	02ALL		0 11G	G10_007	'FROM->TO'	'ELK CITY 230KV (ELKCTY-6) 230/138/13.8KV TRANSFORMER CKT 1'		287	0.09939	103.3653	'2008-047T 345KV CKT 2'	'GRAY COUNTY INTERCHANGE - HUTCHINSON COUNTY INTERCHANGE S. 115KV CKT 1'

SOLUTION	GROUP	SCENARIO	SEASON	SOURCE	DIRECTION	MONITORED ELEMENT	RATE B	TDF	TC%	LOADING	CONTINGENCY NAME
						COMMON NAME					
FDNS	02ALL		0 11G	ASGI_2010_011	'FROM->TO'	'ELK CITY 230KV (ELKCTY-6) 230/138/13.8KV TRANSFORMER CKT 1'	287	0.05881	103.3653		'GRAY COUNTY INTERCHANGE - HUTCHINSON COUNTY INTERCHANGE S. 115KV CKT 1'
FDNS	02ALL		0 11G	G10_014	'FROM->TO'	'ELK CITY 230KV (ELKCTY-6) 230/138/13.8KV TRANSFORMER CKT 1'	287	0.03729	103.3653		'GRAY COUNTY INTERCHANGE - HUTCHINSON COUNTY INTERCHANGE S. 115KV CKT 1'
FDNS	02ALL		0 11G	G09_067S	'FROM->TO'	'ELK CITY 230KV (ELKCTY-6) 230/138/13.8KV TRANSFORMER CKT 1'	287	0.06623	102.4442		'GRAY COUNTY INTERCHANGE - HUTCHINSON COUNTY INTERCHANGE S. 115KV CKT 1'
FDNS	02ALL		0 11G	G08_022	'FROM->TO'	'ELK CITY 230KV (ELKCTY-6) 230/138/13.8KV TRANSFORMER CKT 1'	287	0.06753	102.4442		'GRAY COUNTY INTERCHANGE - HUTCHINSON COUNTY INTERCHANGE S. 115KV CKT 1'
FDNS	02ALL		0 11G	G08_088	'FROM->TO'	'ELK CITY 230KV (ELKCTY-6) 230/138/13.8KV TRANSFORMER CKT 1'	287	0.11369	102.4442		'GRAY COUNTY INTERCHANGE - HUTCHINSON COUNTY INTERCHANGE S. 115KV CKT 1'
FDNS	02ALL		0 11G	G08_110	'FROM->TO'	'ELK CITY 230KV (ELKCTY-6) 230/138/13.8KV TRANSFORMER CKT 1'	287	0.03729	102.4442		'GRAY COUNTY INTERCHANGE - HUTCHINSON COUNTY INTERCHANGE S. 115KV CKT 1'
FDNS	02ALL		0 11G	G10_007	'FROM->TO'	'ELK CITY 230KV (ELKCTY-6) 230/138/13.8KV TRANSFORMER CKT 1'	287	0.09939	102.4442		'GRAY COUNTY INTERCHANGE - HUTCHINSON COUNTY INTERCHANGE S. 115KV CKT 1'
FDNS	02ALL		0 11G	ASGI_2010_011	'FROM->TO'	'ELK CITY 230KV (ELKCTY-6) 230/138/13.8KV TRANSFORMER CKT 1'	287	0.05881	102.4442		'GRAY COUNTY INTERCHANGE - HUTCHINSON COUNTY INTERCHANGE S. 115KV CKT 1'
FDNS	02ALL		0 11G	G10_014	'FROM->TO'	'ELK CITY 230KV (ELKCTY-6) 230/138/13.8KV TRANSFORMER CKT 1'	287	0.03729	102.4442		'GRAY COUNTY INTERCHANGE - HUTCHINSON COUNTY INTERCHANGE S. 115KV CKT 1'
FDNS	02ALL		0 11G	G09_067S	'FROM->TO'	'ELK CITY 230KV (ELKCTY-6) 230/138/13.8KV TRANSFORMER CKT 1'	287	0.06623	103.4066		'GRAY COUNTY INTERCHANGE 115/69KV TRANSFORMER CKT 1'
FDNS	02ALL		0 11G	G08_022	'FROM->TO'	'ELK CITY 230KV (ELKCTY-6) 230/138/13.8KV TRANSFORMER CKT 1'	287	0.06753	103.4066		'GRAY COUNTY INTERCHANGE 115/69KV TRANSFORMER CKT 1'
FDNS	02ALL		0 11G	G08_088	'FROM->TO'	'ELK CITY 230KV (ELKCTY-6) 230/138/13.8KV TRANSFORMER CKT 1'	287	0.11369	103.4066		'GRAY COUNTY INTERCHANGE 115/69KV TRANSFORMER CKT 1'
FDNS	02ALL		0 11G	G08_110	'FROM->TO'	'ELK CITY 230KV (ELKCTY-6) 230/138/13.8KV TRANSFORMER CKT 1'	287	0.03729	103.4066		'GRAY COUNTY INTERCHANGE 115/69KV TRANSFORMER CKT 1'
FDNS	02ALL		0 11G	G10_007	'FROM->TO'	'ELK CITY 230KV (ELKCTY-6) 230/138/13.8KV TRANSFORMER CKT 1'	287	0.09939	103.4066		'GRAY COUNTY INTERCHANGE 115/69KV TRANSFORMER CKT 1'
FDNS	02ALL		0 11G	ASGI_2010_011	'FROM->TO'	'ELK CITY 230KV (ELKCTY-6) 230/138/13.8KV TRANSFORMER CKT 1'	287	0.05881	103.4066		'GRAY COUNTY INTERCHANGE 115/69KV TRANSFORMER CKT 1'
FDNS	02ALL		0 11G	G10_014	'FROM->TO'	'ELK CITY 230KV (ELKCTY-6) 230/138/13.8KV TRANSFORMER CKT 1'	287	0.03729	103.4066		'GRAY COUNTY INTERCHANGE 115/69KV TRANSFORMER CKT 1'
FDNS	02ALL		0 11G	G09_067S	'FROM->TO'	'ELK CITY 230KV (ELKCTY-6) 230/138/13.8KV TRANSFORMER CKT 1'	287	0.06623	102.4837		'GRAY COUNTY INTERCHANGE 115/69KV TRANSFORMER CKT 1'
FDNS	02ALL		0 11G	G08_022	'FROM->TO'	'ELK CITY 230KV (ELKCTY-6) 230/138/13.8KV TRANSFORMER CKT 1'	287	0.06753	102.4837		'GRAY COUNTY INTERCHANGE 115/69KV TRANSFORMER CKT 1'
FDNS	02ALL		0 11G	G08_088	'FROM->TO'	'ELK CITY 230KV (ELKCTY-6) 230/138/13.8KV TRANSFORMER CKT 1'	287	0.11369	102.4837		'GRAY COUNTY INTERCHANGE 115/69KV TRANSFORMER CKT 1'
FDNS	02ALL		0 11G	G08_110	'FROM->TO'	'ELK CITY 230KV (ELKCTY-6) 230/138/13.8KV TRANSFORMER CKT 1'	287	0.03729	102.4837		'GRAY COUNTY INTERCHANGE 115/69KV TRANSFORMER CKT 1'
FDNS	02ALL		0 11G	G10_007	'FROM->TO'	'ELK CITY 230KV (ELKCTY-6) 230/138/13.8KV TRANSFORMER CKT 1'	287	0.09939	102.4837		'GRAY COUNTY INTERCHANGE 115/69KV TRANSFORMER CKT 1'
FDNS	02ALL		0 11G	ASGI_2010_011	'FROM->TO'	'ELK CITY 230KV (ELKCTY-6) 230/138/13.8KV TRANSFORMER CKT 1'	287	0.05881	102.4837		'GRAY COUNTY INTERCHANGE 115/69KV TRANSFORMER CKT 1'
FDNS	02ALL		0 11G	G10_014	'FROM->TO'	'ELK CITY 230KV (ELKCTY-6) 230/138/13.8KV TRANSFORMER CKT 1'	287	0.03729	102.4837		'GRAY COUNTY INTERCHANGE 115/69KV TRANSFORMER CKT 1'
FDNS	02ALL		0 11G	G09_067S	'FROM->TO'	'ELK CITY 230KV (ELKCTY-6) 230/138/13.8KV TRANSFORMER CKT 1'	287	0.06558	102.421		'KINGSMILL INTERCHANGE - MCCULLOUGH SUB 69KV CKT 1'

SOLUTION	GROUP	SCENARIO	SEASON	SOURCE	DIRECTION	MONITORED ELEMENT	RATE B	TDF	TC%	LOADING	CONTINGENCY NAME
						COMMON NAME					
FDNS	02ALL	0	11G	G08_022	'FROM->TO'	'ELK CITY 230KV (ELKCTY-6) 230/138/13.8KV TRANSFORMER CKT 1'	287	0.06687	102.421	MCCULLOUGH SUB 69KV CKT 1'	'KINGSMILL INTERCHANGE -
FDNS	02ALL	0	11G	G08_088	'FROM->TO'	'ELK CITY 230KV (ELKCTY-6) 230/138/13.8KV TRANSFORMER CKT 1'	287	0.11202	102.421	MCCULLOUGH SUB 69KV CKT 1'	'KINGSMILL INTERCHANGE -
FDNS	02ALL	0	11G	G08_110	'FROM->TO'	'ELK CITY 230KV (ELKCTY-6) 230/138/13.8KV TRANSFORMER CKT 1'	287	0.03692	102.421	MCCULLOUGH SUB 69KV CKT 1'	'KINGSMILL INTERCHANGE -
FDNS	02ALL	0	11G	G10_007	'FROM->TO'	'ELK CITY 230KV (ELKCTY-6) 230/138/13.8KV TRANSFORMER CKT 1'	287	0.09843	102.421	MCCULLOUGH SUB 69KV CKT 1'	'KINGSMILL INTERCHANGE -
FDNS	02ALL	0	11G	ASGI_2010_011	'FROM->TO'	'ELK CITY 230KV (ELKCTY-6) 230/138/13.8KV TRANSFORMER CKT 1'	287	0.05822	102.421	MCCULLOUGH SUB 69KV CKT 1'	'KINGSMILL INTERCHANGE -
FDNS	02ALL	0	11G	G10_014	'FROM->TO'	'ELK CITY 230KV (ELKCTY-6) 230/138/13.8KV TRANSFORMER CKT 1'	287	0.03692	102.421	MCCULLOUGH SUB 69KV CKT 1'	'KINGSMILL INTERCHANGE -
FDNS	02ALL	0	11G	G09_067S	'FROM->TO'	'ELK CITY 230KV (ELKCTY-6) 230/138/13.8KV TRANSFORMER CKT 1'	287	0.06558	101.5182	MCCULLOUGH SUB 69KV CKT 1'	'KINGSMILL INTERCHANGE -
FDNS	02ALL	0	11G	G08_022	'FROM->TO'	'ELK CITY 230KV (ELKCTY-6) 230/138/13.8KV TRANSFORMER CKT 1'	287	0.06687	101.5182	MCCULLOUGH SUB 69KV CKT 1'	'KINGSMILL INTERCHANGE -
FDNS	02ALL	0	11G	G08_088	'FROM->TO'	'ELK CITY 230KV (ELKCTY-6) 230/138/13.8KV TRANSFORMER CKT 1'	287	0.11202	101.5182	MCCULLOUGH SUB 69KV CKT 1'	'KINGSMILL INTERCHANGE -
FDNS	02ALL	0	11G	G08_110	'FROM->TO'	'ELK CITY 230KV (ELKCTY-6) 230/138/13.8KV TRANSFORMER CKT 1'	287	0.03692	101.5182	MCCULLOUGH SUB 69KV CKT 1'	'KINGSMILL INTERCHANGE -
FDNS	02ALL	0	11G	G10_007	'FROM->TO'	'ELK CITY 230KV (ELKCTY-6) 230/138/13.8KV TRANSFORMER CKT 1'	287	0.09843	101.5182	MCCULLOUGH SUB 69KV CKT 1'	'KINGSMILL INTERCHANGE -
FDNS	02ALL	0	11G	ASGI_2010_011	'FROM->TO'	'ELK CITY 230KV (ELKCTY-6) 230/138/13.8KV TRANSFORMER CKT 1'	287	0.05822	101.5182	MCCULLOUGH SUB 69KV CKT 1'	'KINGSMILL INTERCHANGE -
FDNS	02ALL	0	11G	G10_014	'FROM->TO'	'ELK CITY 230KV (ELKCTY-6) 230/138/13.8KV TRANSFORMER CKT 1'	287	0.03692	101.5182	MCCULLOUGH SUB 69KV CKT 1'	'KINGSMILL INTERCHANGE -
FDNS	02ALL	0	11G	G09_067S	'FROM->TO'	'ELK CITY 230KV (ELKCTY-6) 230/138/13.8KV TRANSFORMER CKT 1'	287	0.06558	102.9388	MCCULLOUGH SUB 69KV CKT 1'	'BOWERS INTERCHANGE -
FDNS	02ALL	0	11G	G08_022	'FROM->TO'	'ELK CITY 230KV (ELKCTY-6) 230/138/13.8KV TRANSFORMER CKT 1'	287	0.06687	102.9388	MCCULLOUGH SUB 69KV CKT 1'	'BOWERS INTERCHANGE -
FDNS	02ALL	0	11G	G08_088	'FROM->TO'	'ELK CITY 230KV (ELKCTY-6) 230/138/13.8KV TRANSFORMER CKT 1'	287	0.11202	102.9388	MCCULLOUGH SUB 69KV CKT 1'	'BOWERS INTERCHANGE -
FDNS	02ALL	0	11G	G08_110	'FROM->TO'	'ELK CITY 230KV (ELKCTY-6) 230/138/13.8KV TRANSFORMER CKT 1'	287	0.03692	102.9388	MCCULLOUGH SUB 69KV CKT 1'	'BOWERS INTERCHANGE -
FDNS	02ALL	0	11G	G10_007	'FROM->TO'	'ELK CITY 230KV (ELKCTY-6) 230/138/13.8KV TRANSFORMER CKT 1'	287	0.09843	102.9388	MCCULLOUGH SUB 69KV CKT 1'	'BOWERS INTERCHANGE -
FDNS	02ALL	0	11G	ASGI_2010_011	'FROM->TO'	'ELK CITY 230KV (ELKCTY-6) 230/138/13.8KV TRANSFORMER CKT 1'	287	0.05822	102.9388	MCCULLOUGH SUB 69KV CKT 1'	'BOWERS INTERCHANGE -
FDNS	02ALL	0	11G	G10_014	'FROM->TO'	'ELK CITY 230KV (ELKCTY-6) 230/138/13.8KV TRANSFORMER CKT 1'	287	0.03692	102.9388	MCCULLOUGH SUB 69KV CKT 1'	'BOWERS INTERCHANGE -
FDNS	02ALL	0	11G	G09_067S	'FROM->TO'	'ELK CITY 230KV (ELKCTY-6) 230/138/13.8KV TRANSFORMER CKT 1'	287	0.06558	102.04	MCCULLOUGH SUB 69KV CKT 1'	'BOWERS INTERCHANGE -
FDNS	02ALL	0	11G	G08_022	'FROM->TO'	'ELK CITY 230KV (ELKCTY-6) 230/138/13.8KV TRANSFORMER CKT 1'	287	0.06687	102.04	MCCULLOUGH SUB 69KV CKT 1'	'BOWERS INTERCHANGE -
FDNS	02ALL	0	11G	G08_088	'FROM->TO'	'ELK CITY 230KV (ELKCTY-6) 230/138/13.8KV TRANSFORMER CKT 1'	287	0.11202	102.04	MCCULLOUGH SUB 69KV CKT 1'	'BOWERS INTERCHANGE -
FDNS	02ALL	0	11G	G08_110	'FROM->TO'	'ELK CITY 230KV (ELKCTY-6) 230/138/13.8KV TRANSFORMER CKT 1'	287	0.03692	102.04	MCCULLOUGH SUB 69KV CKT 1'	'BOWERS INTERCHANGE -
FDNS	02ALL	0	11G	G10_007	'FROM->TO'	'ELK CITY 230KV (ELKCTY-6) 230/138/13.8KV TRANSFORMER CKT 1'	287	0.09843	102.04	MCCULLOUGH SUB 69KV CKT 1'	'BOWERS INTERCHANGE -
FDNS	02ALL	0	11G	ASGI_2010_011	'FROM->TO'	'ELK CITY 230KV (ELKCTY-6) 230/138/13.8KV TRANSFORMER CKT 1'	287	0.05822	102.04	MCCULLOUGH SUB 69KV CKT 1'	'BOWERS INTERCHANGE -
FDNS	02ALL	0	11G	G10_014	'FROM->TO'	'ELK CITY 230KV (ELKCTY-6) 230/138/13.8KV TRANSFORMER CKT 1'	287	0.03692	102.04	MCCULLOUGH SUB 69KV CKT 1'	'BOWERS INTERCHANGE -
FDNS	02ALL	0	11G	G09_067S	'FROM->TO'	'ELK CITY 230KV (ELKCTY-6) 230/138/13.8KV TRANSFORMER CKT 1'	287	0.06467	107.9472	TRANSFORMER CKT 1'	'GRAPEVINE INTERCHANGE 230/115KV
FDNS	02ALL	0	11G	G08_022	'FROM->TO'	'ELK CITY 230KV (ELKCTY-6) 230/138/13.8KV TRANSFORMER CKT 1'	287	0.06595	107.9472	TRANSFORMER CKT 1'	'GRAPEVINE INTERCHANGE 230/115KV

SOLUTION	GROUP	SCENARIO	SEASON	SOURCE	DIRECTION	MONITORED ELEMENT		RATE B	TDF	TC%LOADING	CONTINGENCY NAME
						COMMON NAME					
FDNS	02ALL		0 11G	G08_088	'FROM->TO'	'ELK CITY 230KV (ELKCTY-6) 230/138/13.8KV TRANSFORMER CKT 1'		287	0.1081	107.9472	'GRAPEVINE INTERCHANGE 230/115KV TRANSFORMER CKT 1'
FDNS	02ALL		0 11G	G08_110	'FROM->TO'	'ELK CITY 230KV (ELKCTY-6) 230/138/13.8KV TRANSFORMER CKT 1'		287	0.03643	107.9472	'GRAPEVINE INTERCHANGE 230/115KV TRANSFORMER CKT 1'
FDNS	02ALL		0 11G	G10_007	'FROM->TO'	'ELK CITY 230KV (ELKCTY-6) 230/138/13.8KV TRANSFORMER CKT 1'		287	0.09543	107.9472	'GRAPEVINE INTERCHANGE 230/115KV TRANSFORMER CKT 1'
FDNS	02ALL		0 11G	ASGI_2010_011	'FROM->TO'	'ELK CITY 230KV (ELKCTY-6) 230/138/13.8KV TRANSFORMER CKT 1'		287	0.05704	107.9472	'GRAPEVINE INTERCHANGE 230/115KV TRANSFORMER CKT 1'
FDNS	02ALL		0 11G	G10_014	'FROM->TO'	'ELK CITY 230KV (ELKCTY-6) 230/138/13.8KV TRANSFORMER CKT 1'		287	0.03643	107.9472	'GRAPEVINE INTERCHANGE 230/115KV TRANSFORMER CKT 1'
FDNS	02ALL		0 11G	G09_067S	'FROM->TO'	'ELK CITY 230KV (ELKCTY-6) 230/138/13.8KV TRANSFORMER CKT 1'		287	0.06467	107.137	'GRAPEVINE INTERCHANGE 230/115KV TRANSFORMER CKT 1'
FDNS	02ALL		0 11G	G08_022	'FROM->TO'	'ELK CITY 230KV (ELKCTY-6) 230/138/13.8KV TRANSFORMER CKT 1'		287	0.06595	107.137	'GRAPEVINE INTERCHANGE 230/115KV TRANSFORMER CKT 1'
FDNS	02ALL		0 11G	G08_088	'FROM->TO'	'ELK CITY 230KV (ELKCTY-6) 230/138/13.8KV TRANSFORMER CKT 1'		287	0.1081	107.137	'GRAPEVINE INTERCHANGE 230/115KV TRANSFORMER CKT 1'
FDNS	02ALL		0 11G	G08_110	'FROM->TO'	'ELK CITY 230KV (ELKCTY-6) 230/138/13.8KV TRANSFORMER CKT 1'		287	0.03643	107.137	'GRAPEVINE INTERCHANGE 230/115KV TRANSFORMER CKT 1'
FDNS	02ALL		0 11G	G10_007	'FROM->TO'	'ELK CITY 230KV (ELKCTY-6) 230/138/13.8KV TRANSFORMER CKT 1'		287	0.09543	107.137	'GRAPEVINE INTERCHANGE 230/115KV TRANSFORMER CKT 1'
FDNS	02ALL		0 11G	ASGI_2010_011	'FROM->TO'	'ELK CITY 230KV (ELKCTY-6) 230/138/13.8KV TRANSFORMER CKT 1'		287	0.05704	107.137	'GRAPEVINE INTERCHANGE 230/115KV TRANSFORMER CKT 1'
FDNS	02ALL		0 11G	G10_014	'FROM->TO'	'ELK CITY 230KV (ELKCTY-6) 230/138/13.8KV TRANSFORMER CKT 1'		287	0.03643	107.137	'GRAPEVINE INTERCHANGE 230/115KV TRANSFORMER CKT 1'
FDNS	02ALL		0 11G	G09_067S	'FROM->TO'	'ELK CITY 230KV (ELKCTY-6) 230/138/13.8KV TRANSFORMER CKT 1'		287	0.06618	107.8649	'GRAPEVINE INTERCHANGE - KIRBY SWITCHING STATION 115KV CKT 1'
FDNS	02ALL		0 11G	G08_022	'FROM->TO'	'ELK CITY 230KV (ELKCTY-6) 230/138/13.8KV TRANSFORMER CKT 1'		287	0.06748	107.8649	'GRAPEVINE INTERCHANGE - KIRBY SWITCHING STATION 115KV CKT 1'
FDNS	02ALL		0 11G	G08_088	'FROM->TO'	'ELK CITY 230KV (ELKCTY-6) 230/138/13.8KV TRANSFORMER CKT 1'		287	0.1117	107.8649	'GRAPEVINE INTERCHANGE - KIRBY SWITCHING STATION 115KV CKT 1'
FDNS	02ALL		0 11G	G08_110	'FROM->TO'	'ELK CITY 230KV (ELKCTY-6) 230/138/13.8KV TRANSFORMER CKT 1'		287	0.03773	107.8649	'GRAPEVINE INTERCHANGE - KIRBY SWITCHING STATION 115KV CKT 1'
FDNS	02ALL		0 11G	G10_007	'FROM->TO'	'ELK CITY 230KV (ELKCTY-6) 230/138/13.8KV TRANSFORMER CKT 1'		287	0.10232	107.8649	'GRAPEVINE INTERCHANGE - KIRBY SWITCHING STATION 115KV CKT 1'
FDNS	02ALL		0 11G	ASGI_2010_011	'FROM->TO'	'ELK CITY 230KV (ELKCTY-6) 230/138/13.8KV TRANSFORMER CKT 1'		287	0.05971	107.8649	'GRAPEVINE INTERCHANGE - KIRBY SWITCHING STATION 115KV CKT 1'
FDNS	02ALL		0 11G	G10_014	'FROM->TO'	'ELK CITY 230KV (ELKCTY-6) 230/138/13.8KV TRANSFORMER CKT 1'		287	0.03773	107.8649	'GRAPEVINE INTERCHANGE - KIRBY SWITCHING STATION 115KV CKT 1'
FDNS	02ALL		0 11G	G09_067S	'FROM->TO'	'ELK CITY 230KV (ELKCTY-6) 230/138/13.8KV TRANSFORMER CKT 1'		287	0.06618	106.9513	'GRAPEVINE INTERCHANGE - KIRBY SWITCHING STATION 115KV CKT 1'
FDNS	02ALL		0 11G	G08_022	'FROM->TO'	'ELK CITY 230KV (ELKCTY-6) 230/138/13.8KV TRANSFORMER CKT 1'		287	0.06748	106.9513	'GRAPEVINE INTERCHANGE - KIRBY SWITCHING STATION 115KV CKT 1'
FDNS	02ALL		0 11G	G08_088	'FROM->TO'	'ELK CITY 230KV (ELKCTY-6) 230/138/13.8KV TRANSFORMER CKT 1'		287	0.1117	106.9513	'GRAPEVINE INTERCHANGE - KIRBY SWITCHING STATION 115KV CKT 1'
FDNS	02ALL		0 11G	G08_110	'FROM->TO'	'ELK CITY 230KV (ELKCTY-6) 230/138/13.8KV TRANSFORMER CKT 1'		287	0.03773	106.9513	'GRAPEVINE INTERCHANGE - KIRBY SWITCHING STATION 115KV CKT 1'
FDNS	02ALL		0 11G	G10_007	'FROM->TO'	'ELK CITY 230KV (ELKCTY-6) 230/138/13.8KV TRANSFORMER CKT 1'		287	0.10232	106.9513	'GRAPEVINE INTERCHANGE - KIRBY SWITCHING STATION 115KV CKT 1'
FDNS	02ALL		0 11G	ASGI_2010_011	'FROM->TO'	'ELK CITY 230KV (ELKCTY-6) 230/138/13.8KV TRANSFORMER CKT 1'		287	0.05971	106.9513	'GRAPEVINE INTERCHANGE - KIRBY SWITCHING STATION 115KV CKT 1'
FDNS	02ALL		0 11G	G10_014	'FROM->TO'	'ELK CITY 230KV (ELKCTY-6) 230/138/13.8KV TRANSFORMER CKT 1'		287	0.03773	106.9513	'GRAPEVINE INTERCHANGE - KIRBY SWITCHING STATION 115KV CKT 1'
FDNS	02ALL		0 11G	G08_044	'TO->FROM'	'FPL SWITCH - WOODWARD 138KV CKT 1'		153	0.03107	159.991	'GRAPEVINE INTERCHANGE - STATELINE INTERCHANGE 230KV CKT 1'
FDNS	02ALL		0 11G	G08_047	'TO->FROM'	'FPL SWITCH - WOODWARD 138KV CKT 1'		153	0.05643	159.991	'GRAPEVINE INTERCHANGE - STATELINE INTERCHANGE 230KV CKT 1'

SOLUTION	GROUP	SCENARIO	SEASON	SOURCE	DIRECTION	MONITORED ELEMENT	RATE B	TDF	TC%	LOADING	CONTINGENCY NAME
						COMMON NAME					
FDNS	02ALL		0 11G	G09_067S	'TO->FROM'	'FPL SWITCH - WOODWARD 138KV CKT 1'	153	0.03104			'GRAPEVINE INTERCHANGE - STATELINE INTERCHANGE 230KV CKT 1'
FDNS	02ALL		0 11G	G08_022	'TO->FROM'	'FPL SWITCH - WOODWARD 138KV CKT 1'	153	0.03125			'GRAPEVINE INTERCHANGE - STATELINE INTERCHANGE 230KV CKT 1'
FDNS	02ALL		0 11G	G08_088	'TO->FROM'	'FPL SWITCH - WOODWARD 138KV CKT 1'	153	0.03651			'GRAPEVINE INTERCHANGE - STATELINE INTERCHANGE 230KV CKT 1'
FDNS	02ALL		0 11G	G08_110	'TO->FROM'	'FPL SWITCH - WOODWARD 138KV CKT 1'	153	0.04749			'GRAPEVINE INTERCHANGE - STATELINE INTERCHANGE 230KV CKT 1'
FDNS	02ALL		0 11G	G10_007	'TO->FROM'	'FPL SWITCH - WOODWARD 138KV CKT 1'	153	0.03918			'GRAPEVINE INTERCHANGE - STATELINE INTERCHANGE 230KV CKT 1'
FDNS	02ALL		0 11G	ASGI_2010_011	'TO->FROM'	'FPL SWITCH - WOODWARD 138KV CKT 1'	153	0.04459			'GRAPEVINE INTERCHANGE - STATELINE INTERCHANGE 230KV CKT 1'
FDNS	02ALL		0 11G	G10_011	'TO->FROM'	'FPL SWITCH - WOODWARD 138KV CKT 1'	153	0.03107			'GRAPEVINE INTERCHANGE - STATELINE INTERCHANGE 230KV CKT 1'
FDNS	02ALL		0 11G	G10_014	'TO->FROM'	'FPL SWITCH - WOODWARD 138KV CKT 1'	153	0.04749			'GRAPEVINE INTERCHANGE - STATELINE INTERCHANGE 230KV CKT 1'
FDNS	02ALL		0 11G	G08_047	'TO->FROM'	'DEAF SMITH COUNTY INTERCHANGE - S-RANDLCO 230.00 230KV CKT 1'	350	0.03105			'GRAPEVINE INTERCHANGE - STATELINE INTERCHANGE 230KV CKT 1'
FDNS	02ALL		0 11G	G08_088	'TO->FROM'	'DEAF SMITH COUNTY INTERCHANGE - S-RANDLCO 230.00 230KV CKT 1'	350	0.07266			'GRAPEVINE INTERCHANGE - STATELINE INTERCHANGE 230KV CKT 1'
FDNS	02ALL		0 11G	G08_110	'TO->FROM'	'DEAF SMITH COUNTY INTERCHANGE - S-RANDLCO 230.00 230KV CKT 1'	350	0.04867			'GRAPEVINE INTERCHANGE - STATELINE INTERCHANGE 230KV CKT 1'
FDNS	02ALL		0 11G	G10_007	'TO->FROM'	'DEAF SMITH COUNTY INTERCHANGE - S-RANDLCO 230.00 230KV CKT 1'	350	0.08118			'GRAPEVINE INTERCHANGE - STATELINE INTERCHANGE 230KV CKT 1'
FDNS	02ALL		0 11G	ASGI_2010_011	'TO->FROM'	'DEAF SMITH COUNTY INTERCHANGE - S-RANDLCO 230.00 230KV CKT 1'	350	0.06191			'GRAPEVINE INTERCHANGE - STATELINE INTERCHANGE 230KV CKT 1'
FDNS	02ALL		0 11G	G10_014	'TO->FROM'	'DEAF SMITH COUNTY INTERCHANGE - S-RANDLCO 230.00 230KV CKT 1'	350	0.04867			'GRAPEVINE INTERCHANGE - STATELINE INTERCHANGE 230KV CKT 1'
FDNS	02ALL		0 11G	G08_044	'TO->FROM'	'FPL SWITCH - WOODWARD 138KV CKT 1'	153	0.03198			'GRAPEVINE INTERCHANGE - NICHOLS STATION 230KV CKT 1'
FDNS	02ALL		0 11G	G08_047	'TO->FROM'	'FPL SWITCH - WOODWARD 138KV CKT 1'	153	0.05464			'GRAPEVINE INTERCHANGE - NICHOLS STATION 230KV CKT 1'
FDNS	02ALL		0 11G	G08_110	'TO->FROM'	'FPL SWITCH - WOODWARD 138KV CKT 1'	153	0.04401			'GRAPEVINE INTERCHANGE - NICHOLS STATION 230KV CKT 1'
FDNS	02ALL		0 11G	ASGI_2010_011	'TO->FROM'	'FPL SWITCH - WOODWARD 138KV CKT 1'	153	0.03894			'GRAPEVINE INTERCHANGE - NICHOLS STATION 230KV CKT 1'
FDNS	02ALL		0 11G	G10_011	'TO->FROM'	'FPL SWITCH - WOODWARD 138KV CKT 1'	153	0.03198			'GRAPEVINE INTERCHANGE - NICHOLS STATION 230KV CKT 1'
FDNS	02ALL		0 11G	G10_014	'TO->FROM'	'FPL SWITCH - WOODWARD 138KV CKT 1'	153	0.04401			'GRAPEVINE INTERCHANGE - NICHOLS STATION 230KV CKT 1'
FDNS	02ALL		0 11G	G08_047	'TO->FROM'	'DEAF SMITH COUNTY INTERCHANGE - S-RANDLCO 230.00 230KV CKT 1'	350	0.03041			'GRAPEVINE INTERCHANGE - NICHOLS STATION 230KV CKT 1'
FDNS	02ALL		0 11G	G08_088	'TO->FROM'	'DEAF SMITH COUNTY INTERCHANGE - S-RANDLCO 230.00 230KV CKT 1'	350	0.06853			'GRAPEVINE INTERCHANGE - NICHOLS STATION 230KV CKT 1'

SOLUTION	GROUP	SCENARIO	SEASON	SOURCE	DIRECTION	MONITORED ELEMENT		RATE B	TDF	TC%	LOADING	CONTINGENCY NAME
						COMMON NAME						
FDNS	02ALL		0 11G	G08_110	'TO->FROM'	'DEAF SMITH COUNTY INTERCHANGE - S-RANDLCO 230.00 230KV CKT 1'		350	0.04741		101.545	'GRAPEVINE INTERCHANGE - NICHOLS STATION 230KV CKT 1'
FDNS	02ALL		0 11G	G10_007	'TO->FROM'	'DEAF SMITH COUNTY INTERCHANGE - S-RANDLCO 230.00 230KV CKT 1'		350	0.07716		101.545	'GRAPEVINE INTERCHANGE - NICHOLS STATION 230KV CKT 1'
FDNS	02ALL		0 11G	ASGI_2010_011	'TO->FROM'	'DEAF SMITH COUNTY INTERCHANGE - S-RANDLCO 230.00 230KV CKT 1'		350	0.0598		101.545	'GRAPEVINE INTERCHANGE - NICHOLS STATION 230KV CKT 1'
FDNS	02ALL		0 11G	G10_014	'TO->FROM'	'DEAF SMITH COUNTY INTERCHANGE - S-RANDLCO 230.00 230KV CKT 1'		350	0.04741		101.545	'GRAPEVINE INTERCHANGE - NICHOLS STATION 230KV CKT 1'
FDNS	02ALL		0 11G	G08_044	'TO->FROM'	'FPL SWITCH - WOODWARD 138KV CKT 1'		153	0.03739		134.2903	'BORDER 7345.00 - TUCO INTERCHANGE 345KV CKT 1'
FDNS	02ALL		0 11G	G08_047	'TO->FROM'	'FPL SWITCH - WOODWARD 138KV CKT 1'		153	0.05644		134.2903	'BORDER 7345.00 - TUCO INTERCHANGE 345KV CKT 1'
FDNS	02ALL		0 11G	G08_110	'TO->FROM'	'FPL SWITCH - WOODWARD 138KV CKT 1'		153	0.04153		134.2903	'BORDER 7345.00 - TUCO INTERCHANGE 345KV CKT 1'
FDNS	02ALL		0 11G	ASGI_2010_011	'TO->FROM'	'FPL SWITCH - WOODWARD 138KV CKT 1'		153	0.03262		134.2903	'BORDER 7345.00 - TUCO INTERCHANGE 345KV CKT 1'
FDNS	02ALL		0 11G	G10_011	'TO->FROM'	'FPL SWITCH - WOODWARD 138KV CKT 1'		153	0.03739		134.2903	'BORDER 7345.00 - TUCO INTERCHANGE 345KV CKT 1'
FDNS	02ALL		0 11G	G10_014	'TO->FROM'	'FPL SWITCH - WOODWARD 138KV CKT 1'		153	0.04153		134.2903	'BORDER 7345.00 - TUCO INTERCHANGE 345KV CKT 1'
FDNS	02ALL		0 11G	G08_047	'TO->FROM'	'DEAF SMITH COUNTY INTERCHANGE - S-RANDLCO 230.00 230KV CKT 1'		350	0.03896		101.672	'BORDER 7345.00 - TUCO INTERCHANGE 345KV CKT 1'
FDNS	02ALL		0 11G	G08_088	'TO->FROM'	'DEAF SMITH COUNTY INTERCHANGE - S-RANDLCO 230.00 230KV CKT 1'		350	0.04703		101.672	'BORDER 7345.00 - TUCO INTERCHANGE 345KV CKT 1'
FDNS	02ALL		0 11G	G08_110	'TO->FROM'	'DEAF SMITH COUNTY INTERCHANGE - S-RANDLCO 230.00 230KV CKT 1'		350	0.04891		101.672	'BORDER 7345.00 - TUCO INTERCHANGE 345KV CKT 1'
FDNS	02ALL		0 11G	G10_007	'TO->FROM'	'DEAF SMITH COUNTY INTERCHANGE - S-RANDLCO 230.00 230KV CKT 1'		350	0.06212		101.672	'BORDER 7345.00 - TUCO INTERCHANGE 345KV CKT 1'
FDNS	02ALL		0 11G	ASGI_2010_011	'TO->FROM'	'DEAF SMITH COUNTY INTERCHANGE - S-RANDLCO 230.00 230KV CKT 1'		350	0.05532		101.672	'BORDER 7345.00 - TUCO INTERCHANGE 345KV CKT 1'
FDNS	02ALL		0 11G	G10_014	'TO->FROM'	'DEAF SMITH COUNTY INTERCHANGE - S-RANDLCO 230.00 230KV CKT 1'		350	0.04891		101.672	'BORDER 7345.00 - TUCO INTERCHANGE 345KV CKT 1'
FDNS	02ALL		0 11G	G09_067S	'FROM->TO'	'ELK CITY 230KV (ELKCTY-6) 230/138/13.8KV TRANSFORMER CKT 1'		287	0.079		103.0045	'BORDER 7345.00 - TUCO INTERCHANGE 345KV CKT 1'
FDNS	02ALL		0 11G	G08_022	'FROM->TO'	'ELK CITY 230KV (ELKCTY-6) 230/138/13.8KV TRANSFORMER CKT 1'		287	0.08004		103.0045	'BORDER 7345.00 - TUCO INTERCHANGE 345KV CKT 1'
FDNS	02ALL		0 11G	G08_088	'FROM->TO'	'ELK CITY 230KV (ELKCTY-6) 230/138/13.8KV TRANSFORMER CKT 1'		287	0.11904		103.0045	'BORDER 7345.00 - TUCO INTERCHANGE 345KV CKT 1'
FDNS	02ALL		0 11G	G08_110	'FROM->TO'	'ELK CITY 230KV (ELKCTY-6) 230/138/13.8KV TRANSFORMER CKT 1'		287	0.03626		103.0045	'BORDER 7345.00 - TUCO INTERCHANGE 345KV CKT 1'
FDNS	02ALL		0 11G	G10_007	'FROM->TO'	'ELK CITY 230KV (ELKCTY-6) 230/138/13.8KV TRANSFORMER CKT 1'		287	0.10527		103.0045	'BORDER 7345.00 - TUCO INTERCHANGE 345KV CKT 1'
FDNS	02ALL		0 11G	ASGI_2010_011	'FROM->TO'	'ELK CITY 230KV (ELKCTY-6) 230/138/13.8KV TRANSFORMER CKT 1'		287	0.05994		103.0045	'BORDER 7345.00 - TUCO INTERCHANGE 345KV CKT 1'
FDNS	02ALL		0 11G	G10_014	'FROM->TO'	'ELK CITY 230KV (ELKCTY-6) 230/138/13.8KV TRANSFORMER CKT 1'		287	0.03626		103.0045	'BORDER 7345.00 - TUCO INTERCHANGE 345KV CKT 1'
FDNS	02ALL		0 11G	G09_067S	'FROM->TO'	'ELK CITY 230KV (ELKCTY-6) 230/138/13.8KV TRANSFORMER CKT 1'		287	0.079		102.1406	'BORDER 7345.00 - TUCO INTERCHANGE 345KV CKT 1'
FDNS	02ALL		0 11G	G08_022	'FROM->TO'	'ELK CITY 230KV (ELKCTY-6) 230/138/13.8KV TRANSFORMER CKT 1'		287	0.08004		102.1406	'BORDER 7345.00 - TUCO INTERCHANGE 345KV CKT 1'
FDNS	02ALL		0 11G	G08_088	'FROM->TO'	'ELK CITY 230KV (ELKCTY-6) 230/138/13.8KV TRANSFORMER CKT 1'		287	0.11904		102.1406	'BORDER 7345.00 - TUCO INTERCHANGE 345KV CKT 1'
FDNS	02ALL		0 11G	G08_110	'FROM->TO'	'ELK CITY 230KV (ELKCTY-6) 230/138/13.8KV TRANSFORMER CKT 1'		287	0.03626		102.1406	'BORDER 7345.00 - TUCO INTERCHANGE 345KV CKT 1'
FDNS	02ALL		0 11G	G10_007	'FROM->TO'	'ELK CITY 230KV (ELKCTY-6) 230/138/13.8KV TRANSFORMER CKT 1'		287	0.10527		102.1406	'BORDER 7345.00 - TUCO INTERCHANGE 345KV CKT 1'
FDNS	02ALL		0 11G	ASGI_2010_011	'FROM->TO'	'ELK CITY 230KV (ELKCTY-6) 230/138/13.8KV TRANSFORMER CKT 1'		287	0.05994		102.1406	'BORDER 7345.00 - TUCO INTERCHANGE 345KV CKT 1'

SOLUTION	GROUP	SCENARIO	SEASON	SOURCE	DIRECTION	MONITORED ELEMENT	RATE B	TDF	TC%LOADING	CONTINGENCY NAME
						COMMON NAME				
FDNS	02ALL	0 11G	G10_014	'FROM->TO'	'ELK CITY 230KV (ELKCTY-6) 230/138/13.8KV TRANSFORMER CKT 1'	287	0.03626	102.1406	'BORDER 7345.00 - TUCO INTERCHANGE 345KV CKT 1'	
FDNS	02ALL	0 11G	G09_067S	'FROM->TO'	'ELK CITY 230KV (ELKCTY-6) 230/138/13.8KV TRANSFORMER CKT 1'	287	0.06629	108.0331	'Graves Sub - STATELINE INTERCHANGE 115KV CKT 1'	
FDNS	02ALL	0 11G	G08_022	'FROM->TO'	'ELK CITY 230KV (ELKCTY-6) 230/138/13.8KV TRANSFORMER CKT 1'	287	0.06759	108.0331	'Graves Sub - STATELINE INTERCHANGE 115KV CKT 1'	
FDNS	02ALL	0 11G	G08_088	'FROM->TO'	'ELK CITY 230KV (ELKCTY-6) 230/138/13.8KV TRANSFORMER CKT 1'	287	0.11358	108.0331	'Graves Sub - STATELINE INTERCHANGE 115KV CKT 1'	
FDNS	02ALL	0 11G	G08_110	'FROM->TO'	'ELK CITY 230KV (ELKCTY-6) 230/138/13.8KV TRANSFORMER CKT 1'	287	0.03756	108.0331	'Graves Sub - STATELINE INTERCHANGE 115KV CKT 1'	
FDNS	02ALL	0 11G	G10_007	'FROM->TO'	'ELK CITY 230KV (ELKCTY-6) 230/138/13.8KV TRANSFORMER CKT 1'	287	0.10175	108.0331	'Graves Sub - STATELINE INTERCHANGE 115KV CKT 1'	
FDNS	02ALL	0 11G	ASGI_2010_011	'FROM->TO'	'ELK CITY 230KV (ELKCTY-6) 230/138/13.8KV TRANSFORMER CKT 1'	287	0.05951	108.0331	'Graves Sub - STATELINE INTERCHANGE 115KV CKT 1'	
FDNS	02ALL	0 11G	G10_014	'FROM->TO'	'ELK CITY 230KV (ELKCTY-6) 230/138/13.8KV TRANSFORMER CKT 1'	287	0.03756	108.0331	'Graves Sub - STATELINE INTERCHANGE 115KV CKT 1'	
FDNS	02ALL	0 11G	G09_067S	'FROM->TO'	'ELK CITY 230KV (ELKCTY-6) 230/138/13.8KV TRANSFORMER CKT 1'	287	0.06629	107.1101	'Graves Sub - STATELINE INTERCHANGE 115KV CKT 1'	
FDNS	02ALL	0 11G	G08_022	'FROM->TO'	'ELK CITY 230KV (ELKCTY-6) 230/138/13.8KV TRANSFORMER CKT 1'	287	0.06759	107.1101	'Graves Sub - STATELINE INTERCHANGE 115KV CKT 1'	
FDNS	02ALL	0 11G	G08_088	'FROM->TO'	'ELK CITY 230KV (ELKCTY-6) 230/138/13.8KV TRANSFORMER CKT 1'	287	0.11358	107.1101	'Graves Sub - STATELINE INTERCHANGE 115KV CKT 1'	
FDNS	02ALL	0 11G	G08_110	'FROM->TO'	'ELK CITY 230KV (ELKCTY-6) 230/138/13.8KV TRANSFORMER CKT 1'	287	0.03756	107.1101	'Graves Sub - STATELINE INTERCHANGE 115KV CKT 1'	
FDNS	02ALL	0 11G	G10_007	'FROM->TO'	'ELK CITY 230KV (ELKCTY-6) 230/138/13.8KV TRANSFORMER CKT 1'	287	0.10175	107.1101	'Graves Sub - STATELINE INTERCHANGE 115KV CKT 1'	
FDNS	02ALL	0 11G	ASGI_2010_011	'FROM->TO'	'ELK CITY 230KV (ELKCTY-6) 230/138/13.8KV TRANSFORMER CKT 1'	287	0.05951	107.1101	'Graves Sub - STATELINE INTERCHANGE 115KV CKT 1'	
FDNS	02ALL	0 11G	G10_014	'FROM->TO'	'ELK CITY 230KV (ELKCTY-6) 230/138/13.8KV TRANSFORMER CKT 1'	287	0.03756	107.1101	'Graves Sub - STATELINE INTERCHANGE 115KV CKT 1'	
FDNS	02ALL	0 11G	G08_044	'TO->FROM'	'FPL SWITCH - WOODWARD 138KV CKT 1'	153	0.03107	157.3111	'STATELINE INTERCHANGE - STLN- DEMAR6230.00 230KV CKT 1'	
FDNS	02ALL	0 11G	G08_047	'TO->FROM'	'FPL SWITCH - WOODWARD 138KV CKT 1'	153	0.05643	157.3111	'STATELINE INTERCHANGE - STLN- DEMAR6230.00 230KV CKT 1'	
FDNS	02ALL	0 11G	G09_067S	'TO->FROM'	'FPL SWITCH - WOODWARD 138KV CKT 1'	153	0.03104	157.3111	'STATELINE INTERCHANGE - STLN- DEMAR6230.00 230KV CKT 1'	
FDNS	02ALL	0 11G	G08_022	'TO->FROM'	'FPL SWITCH - WOODWARD 138KV CKT 1'	153	0.03125	157.3111	'STATELINE INTERCHANGE - STLN- DEMAR6230.00 230KV CKT 1'	
FDNS	02ALL	0 11G	G08_088	'TO->FROM'	'FPL SWITCH - WOODWARD 138KV CKT 1'	153	0.03651	157.3111	'STATELINE INTERCHANGE - STLN- DEMAR6230.00 230KV CKT 1'	
FDNS	02ALL	0 11G	G08_110	'TO->FROM'	'FPL SWITCH - WOODWARD 138KV CKT 1'	153	0.04749	157.3111	'STATELINE INTERCHANGE - STLN- DEMAR6230.00 230KV CKT 1'	
FDNS	02ALL	0 11G	G10_007	'TO->FROM'	'FPL SWITCH - WOODWARD 138KV CKT 1'	153	0.03918	157.3111	'STATELINE INTERCHANGE - STLN- DEMAR6230.00 230KV CKT 1'	
FDNS	02ALL	0 11G	ASGI_2010_011	'TO->FROM'	'FPL SWITCH - WOODWARD 138KV CKT 1'	153	0.04459	157.3111	'STATELINE INTERCHANGE - STLN- DEMAR6230.00 230KV CKT 1'	
FDNS	02ALL	0 11G	G10_011	'TO->FROM'	'FPL SWITCH - WOODWARD 138KV CKT 1'	153	0.03107	157.3111	'STATELINE INTERCHANGE - STLN- DEMAR6230.00 230KV CKT 1'	
FDNS	02ALL	0 11G	G10_014	'TO->FROM'	'FPL SWITCH - WOODWARD 138KV CKT 1'	153	0.04749	157.3111	'STATELINE INTERCHANGE - STLN- DEMAR6230.00 230KV CKT 1'	
FDNS	02ALL	0 11G	G08_047	'TO->FROM'	'DEAF SMITH COUNTY INTERCHANGE - S- RANDLCO 230.00 230KV CKT 1'	350	0.03105	103.5657	'STATELINE INTERCHANGE - STLN- DEMAR6230.00 230KV CKT 1'	
FDNS	02ALL	0 11G	G08_088	'TO->FROM'	'DEAF SMITH COUNTY INTERCHANGE - S- RANDLCO 230.00 230KV CKT 1'	350	0.07266	103.5657	'STATELINE INTERCHANGE - STLN- DEMAR6230.00 230KV CKT 1'	
FDNS	02ALL	0 11G	G08_110	'TO->FROM'	'DEAF SMITH COUNTY INTERCHANGE - S- RANDLCO 230.00 230KV CKT 1'	350	0.04867	103.5657	'STATELINE INTERCHANGE - STLN- DEMAR6230.00 230KV CKT 1'	
FDNS	02ALL	0 11G	G10_007	'TO->FROM'	'DEAF SMITH COUNTY INTERCHANGE - S- RANDLCO 230.00 230KV CKT 1'	350	0.08118	103.5657	'STATELINE INTERCHANGE - STLN- DEMAR6230.00 230KV CKT 1'	

SOLUTION	GROUP	SCENARIO	SEASON	SOURCE	DIRECTION	MONITORED ELEMENT		RATE B	TDF	TC%	LOADING	CONTINGENCY NAME
						COMMON NAME						
FDNS	02ALL		0 11G	ASGI_2010_011	'TO->FROM'	'DEAF SMITH COUNTY INTERCHANGE - S-RANDLCO	230.00 230KV CKT 1'	350	0.06191	103.5657		'STATELINE INTERCHANGE - STLN-DEMARC6230.00 230KV CKT 1'
FDNS	02ALL		0 11G	G10_014	'TO->FROM'	'DEAF SMITH COUNTY INTERCHANGE - S-RANDLCO	230.00 230KV CKT 1'	350	0.04867	103.5657		'STATELINE INTERCHANGE - STLN-DEMARC6230.00 230KV CKT 1'
FDNS	02ALL		0 11G	G09_067S	'FROM->TO'	'ELK CITY 230KV (ELKCTY-6)	230/138/13.8KV TRANSFORMER CKT 1'	287	0.06629	106.528		'GRAVES SUB - GREENBELT REC-WHEELER 69KV CKT 1'
FDNS	02ALL		0 11G	G08_022	'FROM->TO'	'ELK CITY 230KV (ELKCTY-6)	230/138/13.8KV TRANSFORMER CKT 1'	287	0.06759	106.528		'GRAVES SUB - GREENBELT REC-WHEELER 69KV CKT 1'
FDNS	02ALL		0 11G	G08_088	'FROM->TO'	'ELK CITY 230KV (ELKCTY-6)	230/138/13.8KV TRANSFORMER CKT 1'	287	0.11358	106.528		'GRAVES SUB - GREENBELT REC-WHEELER 69KV CKT 1'
FDNS	02ALL		0 11G	G08_110	'FROM->TO'	'ELK CITY 230KV (ELKCTY-6)	230/138/13.8KV TRANSFORMER CKT 1'	287	0.03756	106.528		'GRAVES SUB - GREENBELT REC-WHEELER 69KV CKT 1'
FDNS	02ALL		0 11G	G10_007	'FROM->TO'	'ELK CITY 230KV (ELKCTY-6)	230/138/13.8KV TRANSFORMER CKT 1'	287	0.10175	106.528		'GRAVES SUB - GREENBELT REC-WHEELER 69KV CKT 1'
FDNS	02ALL		0 11G	ASGI_2010_011	'FROM->TO'	'ELK CITY 230KV (ELKCTY-6)	230/138/13.8KV TRANSFORMER CKT 1'	287	0.05951	106.528		'GRAVES SUB - GREENBELT REC-WHEELER 69KV CKT 1'
FDNS	02ALL		0 11G	G10_014	'FROM->TO'	'ELK CITY 230KV (ELKCTY-6)	230/138/13.8KV TRANSFORMER CKT 1'	287	0.03756	106.528		'GRAVES SUB - GREENBELT REC-WHEELER 69KV CKT 1'
FDNS	02ALL		0 11G	G09_067S	'FROM->TO'	'ELK CITY 230KV (ELKCTY-6)	230/138/13.8KV TRANSFORMER CKT 1'	287	0.06629	105.613		'GRAVES SUB - GREENBELT REC-WHEELER 69KV CKT 1'
FDNS	02ALL		0 11G	G08_022	'FROM->TO'	'ELK CITY 230KV (ELKCTY-6)	230/138/13.8KV TRANSFORMER CKT 1'	287	0.06759	105.613		'GRAVES SUB - GREENBELT REC-WHEELER 69KV CKT 1'
FDNS	02ALL		0 11G	G08_088	'FROM->TO'	'ELK CITY 230KV (ELKCTY-6)	230/138/13.8KV TRANSFORMER CKT 1'	287	0.11358	105.613		'GRAVES SUB - GREENBELT REC-WHEELER 69KV CKT 1'
FDNS	02ALL		0 11G	G08_110	'FROM->TO'	'ELK CITY 230KV (ELKCTY-6)	230/138/13.8KV TRANSFORMER CKT 1'	287	0.03756	105.613		'GRAVES SUB - GREENBELT REC-WHEELER 69KV CKT 1'
FDNS	02ALL		0 11G	G10_007	'FROM->TO'	'ELK CITY 230KV (ELKCTY-6)	230/138/13.8KV TRANSFORMER CKT 1'	287	0.10175	105.613		'GRAVES SUB - GREENBELT REC-WHEELER 69KV CKT 1'
FDNS	02ALL		0 11G	ASGI_2010_011	'FROM->TO'	'ELK CITY 230KV (ELKCTY-6)	230/138/13.8KV TRANSFORMER CKT 1'	287	0.05951	105.613		'GRAVES SUB - GREENBELT REC-WHEELER 69KV CKT 1'
FDNS	02ALL		0 11G	G10_014	'FROM->TO'	'ELK CITY 230KV (ELKCTY-6)	230/138/13.8KV TRANSFORMER CKT 1'	287	0.03756	105.613		'GRAVES SUB - GREENBELT REC-WHEELER 69KV CKT 1'
FDNS	02ALL		0 11G	G09_067S	'FROM->TO'	'ELK CITY 230KV (ELKCTY-6)	230/138/13.8KV TRANSFORMER CKT 1'	287	0.06901	110.9177		'MCCLELLAN SUB - MCLEAN RURAL SUB 115KV CKT 1'
FDNS	02ALL		0 11G	G08_022	'FROM->TO'	'ELK CITY 230KV (ELKCTY-6)	230/138/13.8KV TRANSFORMER CKT 1'	287	0.07037	110.9177		'MCCLELLAN SUB - MCLEAN RURAL SUB 115KV CKT 1'
FDNS	02ALL		0 11G	G08_088	'FROM->TO'	'ELK CITY 230KV (ELKCTY-6)	230/138/13.8KV TRANSFORMER CKT 1'	287	0.11876	110.9177		'MCCLELLAN SUB - MCLEAN RURAL SUB 115KV CKT 1'
FDNS	02ALL		0 11G	G08_110	'FROM->TO'	'ELK CITY 230KV (ELKCTY-6)	230/138/13.8KV TRANSFORMER CKT 1'	287	0.03938	110.9177		'MCCLELLAN SUB - MCLEAN RURAL SUB 115KV CKT 1'
FDNS	02ALL		0 11G	G10_007	'FROM->TO'	'ELK CITY 230KV (ELKCTY-6)	230/138/13.8KV TRANSFORMER CKT 1'	287	0.10642	110.9177		'MCCLELLAN SUB - MCLEAN RURAL SUB 115KV CKT 1'
FDNS	02ALL		0 11G	ASGI_2010_011	'FROM->TO'	'ELK CITY 230KV (ELKCTY-6)	230/138/13.8KV TRANSFORMER CKT 1'	287	0.06227	110.9177		'MCCLELLAN SUB - MCLEAN RURAL SUB 115KV CKT 1'
FDNS	02ALL		0 11G	G10_014	'FROM->TO'	'ELK CITY 230KV (ELKCTY-6)	230/138/13.8KV TRANSFORMER CKT 1'	287	0.03938	110.9177		'MCCLELLAN SUB - MCLEAN RURAL SUB 115KV CKT 1'
FDNS	02ALL		0 11G	G09_067S	'FROM->TO'	'ELK CITY 230KV (ELKCTY-6)	230/138/13.8KV TRANSFORMER CKT 1'	287	0.06901	109.8225		'MCCLELLAN SUB - MCLEAN RURAL SUB 115KV CKT 1'
FDNS	02ALL		0 11G	G08_022	'FROM->TO'	'ELK CITY 230KV (ELKCTY-6)	230/138/13.8KV TRANSFORMER CKT 1'	287	0.07037	109.8225		'MCCLELLAN SUB - MCLEAN RURAL SUB 115KV CKT 1'
FDNS	02ALL		0 11G	G08_088	'FROM->TO'	'ELK CITY 230KV (ELKCTY-6)	230/138/13.8KV TRANSFORMER CKT 1'	287	0.11876	109.8225		'MCCLELLAN SUB - MCLEAN RURAL SUB 115KV CKT 1'
FDNS	02ALL		0 11G	G08_110	'FROM->TO'	'ELK CITY 230KV (ELKCTY-6)	230/138/13.8KV TRANSFORMER CKT 1'	287	0.03938	109.8225		'MCCLELLAN SUB - MCLEAN RURAL SUB 115KV CKT 1'
FDNS	02ALL		0 11G	G10_007	'FROM->TO'	'ELK CITY 230KV (ELKCTY-6)	230/138/13.8KV TRANSFORMER CKT 1'	287	0.10642	109.8225		'MCCLELLAN SUB - MCLEAN RURAL SUB 115KV CKT 1'
FDNS	02ALL		0 11G	ASGI_2010_011	'FROM->TO'	'ELK CITY 230KV (ELKCTY-6)	230/138/13.8KV TRANSFORMER CKT 1'	287	0.06227	109.8225		'MCCLELLAN SUB - MCLEAN RURAL SUB 115KV CKT 1'

SOLUTION	GROUP	SCENARIO	SEASON	SOURCE	DIRECTION	MONITORED ELEMENT		RATE B	TDF	TC%	LOADING	CONTINGENCY NAME
						COMMON NAME						
FDNS	02ALL		0 11G	G10_014	'FROM->TO'	'ELK CITY 230KV (ELKCTY-6)		287	0.03938	109.8225		'MCCLELLAN SUB - MCLEAN RURAL SUB 115KV CKT 1'
FDNS	02ALL		0 11G	G09_067S	'FROM->TO'	'ELK CITY 230KV (ELKCTY-6)		287	0.06901	111.1424		'KIRBY SWITCHING STATION - MCCLELLAN SUB 115KV CKT 1'
FDNS	02ALL		0 11G	G08_022	'FROM->TO'	'ELK CITY 230KV (ELKCTY-6)		287	0.07037	111.1424		'KIRBY SWITCHING STATION - MCCLELLAN SUB 115KV CKT 1'
FDNS	02ALL		0 11G	G08_088	'FROM->TO'	'ELK CITY 230KV (ELKCTY-6)		287	0.11876	111.1424		'KIRBY SWITCHING STATION - MCCLELLAN SUB 115KV CKT 1'
FDNS	02ALL		0 11G	G08_110	'FROM->TO'	'ELK CITY 230KV (ELKCTY-6)		287	0.03938	111.1424		'KIRBY SWITCHING STATION - MCCLELLAN SUB 115KV CKT 1'
FDNS	02ALL		0 11G	G10_007	'FROM->TO'	'ELK CITY 230KV (ELKCTY-6)		287	0.10642	111.1424		'KIRBY SWITCHING STATION - MCCLELLAN SUB 115KV CKT 1'
FDNS	02ALL		0 11G	ASGI_2010_011	'FROM->TO'	'ELK CITY 230KV (ELKCTY-6)		287	0.06227	111.1424		'KIRBY SWITCHING STATION - MCCLELLAN SUB 115KV CKT 1'
FDNS	02ALL		0 11G	G10_014	'FROM->TO'	'ELK CITY 230KV (ELKCTY-6)		287	0.03938	111.1424		'KIRBY SWITCHING STATION - MCCLELLAN SUB 115KV CKT 1'
FDNS	02ALL		0 11G	G09_067S	'FROM->TO'	'ELK CITY 230KV (ELKCTY-6)		287	0.06901	110.0445		'KIRBY SWITCHING STATION - MCCLELLAN SUB 115KV CKT 1'
FDNS	02ALL		0 11G	G08_022	'FROM->TO'	'ELK CITY 230KV (ELKCTY-6)		287	0.07037	110.0445		'KIRBY SWITCHING STATION - MCCLELLAN SUB 115KV CKT 1'
FDNS	02ALL		0 11G	G08_088	'FROM->TO'	'ELK CITY 230KV (ELKCTY-6)		287	0.11876	110.0445		'KIRBY SWITCHING STATION - MCCLELLAN SUB 115KV CKT 1'
FDNS	02ALL		0 11G	G08_110	'FROM->TO'	'ELK CITY 230KV (ELKCTY-6)		287	0.03938	110.0445		'KIRBY SWITCHING STATION - MCCLELLAN SUB 115KV CKT 1'
FDNS	02ALL		0 11G	G10_007	'FROM->TO'	'ELK CITY 230KV (ELKCTY-6)		287	0.10642	110.0445		'KIRBY SWITCHING STATION - MCCLELLAN SUB 115KV CKT 1'
FDNS	02ALL		0 11G	ASGI_2010_011	'FROM->TO'	'ELK CITY 230KV (ELKCTY-6)		287	0.06227	110.0445		'KIRBY SWITCHING STATION - MCCLELLAN SUB 115KV CKT 1'
FDNS	02ALL		0 11G	G10_014	'FROM->TO'	'ELK CITY 230KV (ELKCTY-6)		287	0.03938	110.0445		'KIRBY SWITCHING STATION - MCCLELLAN SUB 115KV CKT 1'
FDNS	02ALL		0 11G	G09_067S	'FROM->TO'	'ELK CITY 230KV (ELKCTY-6)		287	0.0624	106.1179		'POTTER COUNTY INTERCHANGE - S- RANDLCO 230.00 230KV CKT 1'
FDNS	02ALL		0 11G	G08_022	'FROM->TO'	'ELK CITY 230KV (ELKCTY-6)		287	0.06357	106.1179		'POTTER COUNTY INTERCHANGE - S- RANDLCO 230.00 230KV CKT 1'
FDNS	02ALL		0 11G	G08_088	'FROM->TO'	'ELK CITY 230KV (ELKCTY-6)		287	0.11434	106.1179		'POTTER COUNTY INTERCHANGE - S- RANDLCO 230.00 230KV CKT 1'
FDNS	02ALL		0 11G	G08_110	'FROM->TO'	'ELK CITY 230KV (ELKCTY-6)		287	0.03852	106.1179		'POTTER COUNTY INTERCHANGE - S- RANDLCO 230.00 230KV CKT 1'
FDNS	02ALL		0 11G	G10_007	'FROM->TO'	'ELK CITY 230KV (ELKCTY-6)		287	0.10317	106.1179		'POTTER COUNTY INTERCHANGE - S- RANDLCO 230.00 230KV CKT 1'
FDNS	02ALL		0 11G	ASGI_2010_011	'FROM->TO'	'ELK CITY 230KV (ELKCTY-6)		287	0.06068	106.1179		'POTTER COUNTY INTERCHANGE - S- RANDLCO 230.00 230KV CKT 1'
FDNS	02ALL		0 11G	G10_014	'FROM->TO'	'ELK CITY 230KV (ELKCTY-6)		287	0.03852	106.1179		'POTTER COUNTY INTERCHANGE - S- RANDLCO 230.00 230KV CKT 1'
FDNS	02ALL		0 11G	G09_067S	'FROM->TO'	'ELK CITY 230KV (ELKCTY-6)		287	0.0624	105.1366		'POTTER COUNTY INTERCHANGE - S- RANDLCO 230.00 230KV CKT 1'
FDNS	02ALL		0 11G	G08_022	'FROM->TO'	'ELK CITY 230KV (ELKCTY-6)		287	0.06357	105.1366		'POTTER COUNTY INTERCHANGE - S- RANDLCO 230.00 230KV CKT 1'
FDNS	02ALL		0 11G	G08_088	'FROM->TO'	'ELK CITY 230KV (ELKCTY-6)		287	0.11434	105.1366		'POTTER COUNTY INTERCHANGE - S- RANDLCO 230.00 230KV CKT 1'
FDNS	02ALL		0 11G	G08_110	'FROM->TO'	'ELK CITY 230KV (ELKCTY-6)		287	0.03852	105.1366		'POTTER COUNTY INTERCHANGE - S- RANDLCO 230.00 230KV CKT 1'
FDNS	02ALL		0 11G	G10_007	'FROM->TO'	'ELK CITY 230KV (ELKCTY-6)		287	0.10317	105.1366		'POTTER COUNTY INTERCHANGE - S- RANDLCO 230.00 230KV CKT 1'
FDNS	02ALL		0 11G	ASGI_2010_011	'FROM->TO'	'ELK CITY 230KV (ELKCTY-6)		287	0.06068	105.1366		'POTTER COUNTY INTERCHANGE - S- RANDLCO 230.00 230KV CKT 1'
FDNS	02ALL		0 11G	G10_014	'FROM->TO'	'ELK CITY 230KV (ELKCTY-6)		287	0.03852	105.1366		'POTTER COUNTY INTERCHANGE - S- RANDLCO 230.00 230KV CKT 1'

SOLUTION	GROUP	SCENARIO	SEASON	SOURCE	DIRECTION	MONITORED ELEMENT		RATE B	TDF	TC%	LOADING	CONTINGENCY NAME
						COMMON NAME						
FDNS	02ALL		0 11G	G08_044	'TO->FROM'	'FPL SWITCH - WOODWARD 138KV CKT 1'		153	0.03427		134.1869	'G05-17T 345.00 - POTTER COUNTY INTERCHANGE 345KV CKT 1'
FDNS	02ALL		0 11G	G08_047	'TO->FROM'	'FPL SWITCH - WOODWARD 138KV CKT 1'		153	0.05574		134.1869	'G05-17T 345.00 - POTTER COUNTY INTERCHANGE 345KV CKT 1'
FDNS	02ALL		0 11G	G08_110	'TO->FROM'	'FPL SWITCH - WOODWARD 138KV CKT 1'		153	0.04465		134.1869	'G05-17T 345.00 - POTTER COUNTY INTERCHANGE 345KV CKT 1'
FDNS	02ALL		0 11G	ASGI_2010_011	'TO->FROM'	'FPL SWITCH - WOODWARD 138KV CKT 1'		153	0.03364		134.1869	'G05-17T 345.00 - POTTER COUNTY INTERCHANGE 345KV CKT 1'
FDNS	02ALL		0 11G	G10_011	'TO->FROM'	'FPL SWITCH - WOODWARD 138KV CKT 1'		153	0.03427		134.1869	'G05-17T 345.00 - POTTER COUNTY INTERCHANGE 345KV CKT 1'
FDNS	02ALL		0 11G	G10_014	'TO->FROM'	'FPL SWITCH - WOODWARD 138KV CKT 1'		153	0.04465		134.1869	'G05-17T 345.00 - POTTER COUNTY INTERCHANGE 345KV CKT 1'
FDNS	02ALL		0 11G	G09_067S	'FROM->TO'	'ELK CITY 230KV (ELKCTY-6) 230/138/13.8KV TRANSFORMER CKT 1'		287	0.06654		102.1223	'Harrington Station East Bus - Harrington Station Mid Bus 230KV CKT 1'
FDNS	02ALL		0 11G	G08_022	'FROM->TO'	'ELK CITY 230KV (ELKCTY-6) 230/138/13.8KV TRANSFORMER CKT 1'		287	0.06777		102.1223	'Harrington Station East Bus - Harrington Station Mid Bus 230KV CKT 1'
FDNS	02ALL		0 11G	G08_088	'FROM->TO'	'ELK CITY 230KV (ELKCTY-6) 230/138/13.8KV TRANSFORMER CKT 1'		287	0.11942		102.1223	'Harrington Station East Bus - Harrington Station Mid Bus 230KV CKT 1'
FDNS	02ALL		0 11G	G08_110	'FROM->TO'	'ELK CITY 230KV (ELKCTY-6) 230/138/13.8KV TRANSFORMER CKT 1'		287	0.0363		102.1223	'Harrington Station East Bus - Harrington Station Mid Bus 230KV CKT 1'
FDNS	02ALL		0 11G	G10_007	'FROM->TO'	'ELK CITY 230KV (ELKCTY-6) 230/138/13.8KV TRANSFORMER CKT 1'		287	0.10118		102.1223	'Harrington Station East Bus - Harrington Station Mid Bus 230KV CKT 1'
FDNS	02ALL		0 11G	ASGI_2010_011	'FROM->TO'	'ELK CITY 230KV (ELKCTY-6) 230/138/13.8KV TRANSFORMER CKT 1'		287	0.05787		102.1223	'Harrington Station East Bus - Harrington Station Mid Bus 230KV CKT 1'
FDNS	02ALL		0 11G	G10_014	'FROM->TO'	'ELK CITY 230KV (ELKCTY-6) 230/138/13.8KV TRANSFORMER CKT 1'		287	0.0363		102.1223	'Harrington Station East Bus - Harrington Station Mid Bus 230KV CKT 1'
FDNS	02ALL		0 11G	G09_067S	'FROM->TO'	'ELK CITY 230KV (ELKCTY-6) 230/138/13.8KV TRANSFORMER CKT 1'		287	0.06654		101.2806	'Harrington Station East Bus - Harrington Station Mid Bus 230KV CKT 1'
FDNS	02ALL		0 11G	G08_022	'FROM->TO'	'ELK CITY 230KV (ELKCTY-6) 230/138/13.8KV TRANSFORMER CKT 1'		287	0.06777		101.2806	'Harrington Station East Bus - Harrington Station Mid Bus 230KV CKT 1'
FDNS	02ALL		0 11G	G08_088	'FROM->TO'	'ELK CITY 230KV (ELKCTY-6) 230/138/13.8KV TRANSFORMER CKT 1'		287	0.11942		101.2806	'Harrington Station East Bus - Harrington Station Mid Bus 230KV CKT 1'
FDNS	02ALL		0 11G	G08_110	'FROM->TO'	'ELK CITY 230KV (ELKCTY-6) 230/138/13.8KV TRANSFORMER CKT 1'		287	0.0363		101.2806	'Harrington Station East Bus - Harrington Station Mid Bus 230KV CKT 1'
FDNS	02ALL		0 11G	G10_007	'FROM->TO'	'ELK CITY 230KV (ELKCTY-6) 230/138/13.8KV TRANSFORMER CKT 1'		287	0.10118		101.2806	'Harrington Station East Bus - Harrington Station Mid Bus 230KV CKT 1'
FDNS	02ALL		0 11G	ASGI_2010_011	'FROM->TO'	'ELK CITY 230KV (ELKCTY-6) 230/138/13.8KV TRANSFORMER CKT 1'		287	0.05787		101.2806	'Harrington Station East Bus - Harrington Station Mid Bus 230KV CKT 1'
FDNS	02ALL		0 11G	G10_014	'FROM->TO'	'ELK CITY 230KV (ELKCTY-6) 230/138/13.8KV TRANSFORMER CKT 1'		287	0.0363		101.2806	'Harrington Station East Bus - Harrington Station Mid Bus 230KV CKT 1'
FDNS	02ALL		0 11G	G08_044	'TO->FROM'	'FPL SWITCH - WOODWARD 138KV CKT 1'		153	0.03286		131.4786	'NICHOLS STATION - YARNELL SUB 115KV CKT 1'
FDNS	02ALL		0 11G	G08_047	'TO->FROM'	'FPL SWITCH - WOODWARD 138KV CKT 1'		153	0.05272		131.4786	'NICHOLS STATION - YARNELL SUB 115KV CKT 1'

SOLUTION	GROUP	SCENARIO	SEASON	SOURCE	DIRECTION	MONITORED ELEMENT	RATE B	TDF	TC%	LOADING	CONTINGENCY NAME
						COMMON NAME					
FDNS	02ALL		0 11G	G08_110	'TO->FROM'	'FPL SWITCH - WOODWARD 138KV CKT 1'	153	0.04039	131.4786	115KV CKT 1'	'NICHOLS STATION - YARNELL SUB
FDNS	02ALL		0 11G	ASGI_2010_011	'TO->FROM'	'FPL SWITCH - WOODWARD 138KV CKT 1'	153	0.03365	131.4786	115KV CKT 1'	'NICHOLS STATION - YARNELL SUB
FDNS	02ALL		0 11G	G10_011	'TO->FROM'	'FPL SWITCH - WOODWARD 138KV CKT 1'	153	0.03286	131.4786	115KV CKT 1'	'NICHOLS STATION - YARNELL SUB
FDNS	02ALL		0 11G	G10_014	'TO->FROM'	'FPL SWITCH - WOODWARD 138KV CKT 1'	153	0.04039	131.4786	115KV CKT 1'	'NICHOLS STATION - YARNELL SUB
FDNS	02ALL		0 11G	G09_067S	'FROM->TO'	'ELK CITY 230KV (ELKCTY-6) 230/138/13.8KV TRANSFORMER CKT 1'	287	0.06468	101.3625	115KV CKT 1'	'NICHOLS STATION - YARNELL SUB
FDNS	02ALL		0 11G	G08_022	'FROM->TO'	'ELK CITY 230KV (ELKCTY-6) 230/138/13.8KV TRANSFORMER CKT 1'	287	0.06595	101.3625	115KV CKT 1'	'NICHOLS STATION - YARNELL SUB
FDNS	02ALL		0 11G	G08_088	'FROM->TO'	'ELK CITY 230KV (ELKCTY-6) 230/138/13.8KV TRANSFORMER CKT 1'	287	0.10976	101.3625	115KV CKT 1'	'NICHOLS STATION - YARNELL SUB
FDNS	02ALL		0 11G	G08_110	'FROM->TO'	'ELK CITY 230KV (ELKCTY-6) 230/138/13.8KV TRANSFORMER CKT 1'	287	0.0366	101.3625	115KV CKT 1'	'NICHOLS STATION - YARNELL SUB
FDNS	02ALL		0 11G	G10_007	'FROM->TO'	'ELK CITY 230KV (ELKCTY-6) 230/138/13.8KV TRANSFORMER CKT 1'	287	0.09935	101.3625	115KV CKT 1'	'NICHOLS STATION - YARNELL SUB
FDNS	02ALL		0 11G	ASGI_2010_011	'FROM->TO'	'ELK CITY 230KV (ELKCTY-6) 230/138/13.8KV TRANSFORMER CKT 1'	287	0.05803	101.3625	115KV CKT 1'	'NICHOLS STATION - YARNELL SUB
FDNS	02ALL		0 11G	G10_014	'FROM->TO'	'ELK CITY 230KV (ELKCTY-6) 230/138/13.8KV TRANSFORMER CKT 1'	287	0.0366	101.3625	115KV CKT 1'	'NICHOLS STATION - YARNELL SUB
FDNS	02ALL		0 11G	G09_067S	'FROM->TO'	'ELK CITY 230KV (ELKCTY-6) 230/138/13.8KV TRANSFORMER CKT 1'	287	0.06468	100.4544	115KV CKT 1'	'NICHOLS STATION - YARNELL SUB
FDNS	02ALL		0 11G	G08_022	'FROM->TO'	'ELK CITY 230KV (ELKCTY-6) 230/138/13.8KV TRANSFORMER CKT 1'	287	0.06595	100.4544	115KV CKT 1'	'NICHOLS STATION - YARNELL SUB
FDNS	02ALL		0 11G	G08_088	'FROM->TO'	'ELK CITY 230KV (ELKCTY-6) 230/138/13.8KV TRANSFORMER CKT 1'	287	0.10976	100.4544	115KV CKT 1'	'NICHOLS STATION - YARNELL SUB
FDNS	02ALL		0 11G	G08_110	'FROM->TO'	'ELK CITY 230KV (ELKCTY-6) 230/138/13.8KV TRANSFORMER CKT 1'	287	0.0366	100.4544	115KV CKT 1'	'NICHOLS STATION - YARNELL SUB
FDNS	02ALL		0 11G	G10_007	'FROM->TO'	'ELK CITY 230KV (ELKCTY-6) 230/138/13.8KV TRANSFORMER CKT 1'	287	0.09935	100.4544	115KV CKT 1'	'NICHOLS STATION - YARNELL SUB
FDNS	02ALL		0 11G	ASGI_2010_011	'FROM->TO'	'ELK CITY 230KV (ELKCTY-6) 230/138/13.8KV TRANSFORMER CKT 1'	287	0.05803	100.4544	115KV CKT 1'	'NICHOLS STATION - YARNELL SUB
FDNS	02ALL		0 11G	G10_014	'FROM->TO'	'ELK CITY 230KV (ELKCTY-6) 230/138/13.8KV TRANSFORMER CKT 1'	287	0.0366	100.4544	115KV CKT 1'	'NICHOLS STATION - YARNELL SUB
FDNS	02ALL		0 11G	G08_047	'TO->FROM'	'DEAF SMITH COUNTY INTERCHANGE - S-RANDLCO 230.00 230KV CKT 1'	350	0.03101	104.7773	NICHOLS STATION 230KV CKT 1'	'AMARILLO SOUTH INTERCHANGE -
FDNS	02ALL		0 11G	G08_088	'TO->FROM'	'DEAF SMITH COUNTY INTERCHANGE - S-RANDLCO 230.00 230KV CKT 1'	350	0.0559	104.7773	NICHOLS STATION 230KV CKT 1'	'AMARILLO SOUTH INTERCHANGE -
FDNS	02ALL		0 11G	G08_110	'TO->FROM'	'DEAF SMITH COUNTY INTERCHANGE - S-RANDLCO 230.00 230KV CKT 1'	350	0.04845	104.7773	NICHOLS STATION 230KV CKT 1'	'AMARILLO SOUTH INTERCHANGE -
FDNS	02ALL		0 11G	G10_007	'TO->FROM'	'DEAF SMITH COUNTY INTERCHANGE - S-RANDLCO 230.00 230KV CKT 1'	350	0.08015	104.7773	NICHOLS STATION 230KV CKT 1'	'AMARILLO SOUTH INTERCHANGE -
FDNS	02ALL		0 11G	ASGI_2010_011	'TO->FROM'	'DEAF SMITH COUNTY INTERCHANGE - S-RANDLCO 230.00 230KV CKT 1'	350	0.06141	104.7773	NICHOLS STATION 230KV CKT 1'	'AMARILLO SOUTH INTERCHANGE -
FDNS	02ALL		0 11G	G10_014	'TO->FROM'	'DEAF SMITH COUNTY INTERCHANGE - S-RANDLCO 230.00 230KV CKT 1'	350	0.04845	104.7773	NICHOLS STATION 230KV CKT 1'	'AMARILLO SOUTH INTERCHANGE -
FDNS	02ALL		0 11G	G09_067S	'FROM->TO'	'ELK CITY 230KV (ELKCTY-6) 230/138/13.8KV TRANSFORMER CKT 1'	287	0.06379	107.7947	NICHOLS STATION 230KV CKT 1'	'AMARILLO SOUTH INTERCHANGE -
FDNS	02ALL		0 11G	G08_022	'FROM->TO'	'ELK CITY 230KV (ELKCTY-6) 230/138/13.8KV TRANSFORMER CKT 1'	287	0.06521	107.7947	NICHOLS STATION 230KV CKT 1'	'AMARILLO SOUTH INTERCHANGE -
FDNS	02ALL		0 11G	G08_088	'FROM->TO'	'ELK CITY 230KV (ELKCTY-6) 230/138/13.8KV TRANSFORMER CKT 1'	287	0.11145	107.7947	NICHOLS STATION 230KV CKT 1'	'AMARILLO SOUTH INTERCHANGE -
FDNS	02ALL		0 11G	G08_110	'FROM->TO'	'ELK CITY 230KV (ELKCTY-6) 230/138/13.8KV TRANSFORMER CKT 1'	287	0.03858	107.7947	NICHOLS STATION 230KV CKT 1'	'AMARILLO SOUTH INTERCHANGE -
FDNS	02ALL		0 11G	G10_007	'FROM->TO'	'ELK CITY 230KV (ELKCTY-6) 230/138/13.8KV TRANSFORMER CKT 1'	287	0.10424	107.7947	NICHOLS STATION 230KV CKT 1'	'AMARILLO SOUTH INTERCHANGE -

SOLUTION	GROUP	SCENARIO	SEASON	SOURCE	DIRECTION	MONITORED ELEMENT	RATE B	TDF	TC%	LOADING	CONTINGENCY NAME
						COMMON NAME					
FDNS	02ALL		0 11G	ASGI_2010_011	'FROM->TO'	'ELK CITY 230KV (ELKCTY-6) 230/138/13.8KV TRANSFORMER CKT 1'	287	0.06103	107.7947	'AMARILLO SOUTH INTERCHANGE - NICHOLS STATION 230KV CKT 1'	
FDNS	02ALL		0 11G	G10_014	'FROM->TO'	'ELK CITY 230KV (ELKCTY-6) 230/138/13.8KV TRANSFORMER CKT 1'	287	0.03858	107.7947	'AMARILLO SOUTH INTERCHANGE - NICHOLS STATION 230KV CKT 1'	
FDNS	02ALL		0 11G	G09_067S	'FROM->TO'	'ELK CITY 230KV (ELKCTY-6) 230/138/13.8KV TRANSFORMER CKT 1'	287	0.06379	106.7521	'AMARILLO SOUTH INTERCHANGE - NICHOLS STATION 230KV CKT 1'	
FDNS	02ALL		0 11G	G08_022	'FROM->TO'	'ELK CITY 230KV (ELKCTY-6) 230/138/13.8KV TRANSFORMER CKT 1'	287	0.06521	106.7521	'AMARILLO SOUTH INTERCHANGE - NICHOLS STATION 230KV CKT 1'	
FDNS	02ALL		0 11G	G08_088	'FROM->TO'	'ELK CITY 230KV (ELKCTY-6) 230/138/13.8KV TRANSFORMER CKT 1'	287	0.11145	106.7521	'AMARILLO SOUTH INTERCHANGE - NICHOLS STATION 230KV CKT 1'	
FDNS	02ALL		0 11G	G08_110	'FROM->TO'	'ELK CITY 230KV (ELKCTY-6) 230/138/13.8KV TRANSFORMER CKT 1'	287	0.03858	106.7521	'AMARILLO SOUTH INTERCHANGE - NICHOLS STATION 230KV CKT 1'	
FDNS	02ALL		0 11G	G10_007	'FROM->TO'	'ELK CITY 230KV (ELKCTY-6) 230/138/13.8KV TRANSFORMER CKT 1'	287	0.10424	106.7521	'AMARILLO SOUTH INTERCHANGE - NICHOLS STATION 230KV CKT 1'	
FDNS	02ALL		0 11G	ASGI_2010_011	'FROM->TO'	'ELK CITY 230KV (ELKCTY-6) 230/138/13.8KV TRANSFORMER CKT 1'	287	0.06103	106.7521	'AMARILLO SOUTH INTERCHANGE - NICHOLS STATION 230KV CKT 1'	
FDNS	02ALL		0 11G	G10_014	'FROM->TO'	'ELK CITY 230KV (ELKCTY-6) 230/138/13.8KV TRANSFORMER CKT 1'	287	0.03858	106.7521	'AMARILLO SOUTH INTERCHANGE - NICHOLS STATION 230KV CKT 1'	
FDNS	02ALL		0 11G	G08_044	'TO->FROM'	'FPL SWITCH - WOODWARD 138KV CKT 1'	153	0.03286	131.5048	'CONWAY SUB - YARNELL SUB 115KV CKT 1'	
FDNS	02ALL		0 11G	G08_047	'TO->FROM'	'FPL SWITCH - WOODWARD 138KV CKT 1'	153	0.05272	131.5048	'CONWAY SUB - YARNELL SUB 115KV CKT 1'	
FDNS	02ALL		0 11G	G08_110	'TO->FROM'	'FPL SWITCH - WOODWARD 138KV CKT 1'	153	0.04039	131.5048	'CONWAY SUB - YARNELL SUB 115KV CKT 1'	
FDNS	02ALL		0 11G	ASGI_2010_011	'TO->FROM'	'FPL SWITCH - WOODWARD 138KV CKT 1'	153	0.03365	131.5048	'CONWAY SUB - YARNELL SUB 115KV CKT 1'	
FDNS	02ALL		0 11G	G10_011	'TO->FROM'	'FPL SWITCH - WOODWARD 138KV CKT 1'	153	0.03286	131.5048	'CONWAY SUB - YARNELL SUB 115KV CKT 1'	
FDNS	02ALL		0 11G	G10_014	'TO->FROM'	'FPL SWITCH - WOODWARD 138KV CKT 1'	153	0.04039	131.5048	'CONWAY SUB - YARNELL SUB 115KV CKT 1'	
FDNS	02ALL		0 11G	G09_067S	'FROM->TO'	'ELK CITY 230KV (ELKCTY-6) 230/138/13.8KV TRANSFORMER CKT 1'	287	0.06468	101.3833	'CONWAY SUB - YARNELL SUB 115KV CKT 1'	
FDNS	02ALL		0 11G	G08_022	'FROM->TO'	'ELK CITY 230KV (ELKCTY-6) 230/138/13.8KV TRANSFORMER CKT 1'	287	0.06595	101.3833	'CONWAY SUB - YARNELL SUB 115KV CKT 1'	
FDNS	02ALL		0 11G	G08_088	'FROM->TO'	'ELK CITY 230KV (ELKCTY-6) 230/138/13.8KV TRANSFORMER CKT 1'	287	0.10976	101.3833	'CONWAY SUB - YARNELL SUB 115KV CKT 1'	
FDNS	02ALL		0 11G	G08_110	'FROM->TO'	'ELK CITY 230KV (ELKCTY-6) 230/138/13.8KV TRANSFORMER CKT 1'	287	0.0366	101.3833	'CONWAY SUB - YARNELL SUB 115KV CKT 1'	
FDNS	02ALL		0 11G	G10_007	'FROM->TO'	'ELK CITY 230KV (ELKCTY-6) 230/138/13.8KV TRANSFORMER CKT 1'	287	0.09935	101.3833	'CONWAY SUB - YARNELL SUB 115KV CKT 1'	
FDNS	02ALL		0 11G	ASGI_2010_011	'FROM->TO'	'ELK CITY 230KV (ELKCTY-6) 230/138/13.8KV TRANSFORMER CKT 1'	287	0.05803	101.3833	'CONWAY SUB - YARNELL SUB 115KV CKT 1'	
FDNS	02ALL		0 11G	G10_014	'FROM->TO'	'ELK CITY 230KV (ELKCTY-6) 230/138/13.8KV TRANSFORMER CKT 1'	287	0.0366	101.3833	'CONWAY SUB - YARNELL SUB 115KV CKT 1'	
FDNS	02ALL		0 11G	G09_067S	'FROM->TO'	'ELK CITY 230KV (ELKCTY-6) 230/138/13.8KV TRANSFORMER CKT 1'	287	0.06468	100.4682	'CONWAY SUB - YARNELL SUB 115KV CKT 1'	
FDNS	02ALL		0 11G	G08_022	'FROM->TO'	'ELK CITY 230KV (ELKCTY-6) 230/138/13.8KV TRANSFORMER CKT 1'	287	0.06595	100.4682	'CONWAY SUB - YARNELL SUB 115KV CKT 1'	
FDNS	02ALL		0 11G	G08_088	'FROM->TO'	'ELK CITY 230KV (ELKCTY-6) 230/138/13.8KV TRANSFORMER CKT 1'	287	0.10976	100.4682	'CONWAY SUB - YARNELL SUB 115KV CKT 1'	
FDNS	02ALL		0 11G	G08_110	'FROM->TO'	'ELK CITY 230KV (ELKCTY-6) 230/138/13.8KV TRANSFORMER CKT 1'	287	0.0366	100.4682	'CONWAY SUB - YARNELL SUB 115KV CKT 1'	
FDNS	02ALL		0 11G	G10_007	'FROM->TO'	'ELK CITY 230KV (ELKCTY-6) 230/138/13.8KV TRANSFORMER CKT 1'	287	0.09935	100.4682	'CONWAY SUB - YARNELL SUB 115KV CKT 1'	
FDNS	02ALL		0 11G	ASGI_2010_011	'FROM->TO'	'ELK CITY 230KV (ELKCTY-6) 230/138/13.8KV TRANSFORMER CKT 1'	287	0.05803	100.4682	'CONWAY SUB - YARNELL SUB 115KV CKT 1'	
FDNS	02ALL		0 11G	G10_014	'FROM->TO'	'ELK CITY 230KV (ELKCTY-6) 230/138/13.8KV TRANSFORMER CKT 1'	287	0.0366	100.4682	'CONWAY SUB - YARNELL SUB 115KV CKT 1'	

SOLUTION	GROUP	SCENARIO	SEASON	SOURCE	DIRECTION	MONITORED ELEMENT		RATE B	TDF	TC%	LOADING	CONTINGENCY NAME
						COMMON NAME						
FDNS	02ALL		0 11G	G08_044	'TO->FROM'	'FPL SWITCH - WOODWARD 138KV CKT 1'		153	0.03286	131.2031		'CONWAY SUB - KIRBY SWITCHING STATION 115KV CKT 1'
FDNS	02ALL		0 11G	G08_047	'TO->FROM'	'FPL SWITCH - WOODWARD 138KV CKT 1'		153	0.05272	131.2031		'CONWAY SUB - KIRBY SWITCHING STATION 115KV CKT 1'
FDNS	02ALL		0 11G	G08_110	'TO->FROM'	'FPL SWITCH - WOODWARD 138KV CKT 1'		153	0.04039	131.2031		'CONWAY SUB - KIRBY SWITCHING STATION 115KV CKT 1'
FDNS	02ALL		0 11G	ASGI_2010_011	'TO->FROM'	'FPL SWITCH - WOODWARD 138KV CKT 1'		153	0.03365	131.2031		'CONWAY SUB - KIRBY SWITCHING STATION 115KV CKT 1'
FDNS	02ALL		0 11G	G10_011	'TO->FROM'	'FPL SWITCH - WOODWARD 138KV CKT 1'		153	0.03286	131.2031		'CONWAY SUB - KIRBY SWITCHING STATION 115KV CKT 1'
FDNS	02ALL		0 11G	G10_014	'TO->FROM'	'FPL SWITCH - WOODWARD 138KV CKT 1'		153	0.04039	131.2031		'CONWAY SUB - KIRBY SWITCHING STATION 115KV CKT 1'
FDNS	02ALL		0 11G	G09_067S	'FROM->TO'	'ELK CITY 230KV (ELKCTY-6) 230/138/13.8KV TRANSFORMER CKT 1'		287	0.06468	101.7949		'CONWAY SUB - KIRBY SWITCHING STATION 115KV CKT 1'
FDNS	02ALL		0 11G	G08_022	'FROM->TO'	'ELK CITY 230KV (ELKCTY-6) 230/138/13.8KV TRANSFORMER CKT 1'		287	0.06595	101.7949		'CONWAY SUB - KIRBY SWITCHING STATION 115KV CKT 1'
FDNS	02ALL		0 11G	G08_088	'FROM->TO'	'ELK CITY 230KV (ELKCTY-6) 230/138/13.8KV TRANSFORMER CKT 1'		287	0.10976	101.7949		'CONWAY SUB - KIRBY SWITCHING STATION 115KV CKT 1'
FDNS	02ALL		0 11G	G08_110	'FROM->TO'	'ELK CITY 230KV (ELKCTY-6) 230/138/13.8KV TRANSFORMER CKT 1'		287	0.0366	101.7949		'CONWAY SUB - KIRBY SWITCHING STATION 115KV CKT 1'
FDNS	02ALL		0 11G	G10_007	'FROM->TO'	'ELK CITY 230KV (ELKCTY-6) 230/138/13.8KV TRANSFORMER CKT 1'		287	0.09935	101.7949		'CONWAY SUB - KIRBY SWITCHING STATION 115KV CKT 1'
FDNS	02ALL		0 11G	ASGI_2010_011	'FROM->TO'	'ELK CITY 230KV (ELKCTY-6) 230/138/13.8KV TRANSFORMER CKT 1'		287	0.05803	101.7949		'CONWAY SUB - KIRBY SWITCHING STATION 115KV CKT 1'
FDNS	02ALL		0 11G	G10_014	'FROM->TO'	'ELK CITY 230KV (ELKCTY-6) 230/138/13.8KV TRANSFORMER CKT 1'		287	0.0366	101.7949		'CONWAY SUB - KIRBY SWITCHING STATION 115KV CKT 1'
FDNS	02ALL		0 11G	G09_067S	'FROM->TO'	'ELK CITY 230KV (ELKCTY-6) 230/138/13.8KV TRANSFORMER CKT 1'		287	0.06468	100.8903		'CONWAY SUB - KIRBY SWITCHING STATION 115KV CKT 1'
FDNS	02ALL		0 11G	G08_022	'FROM->TO'	'ELK CITY 230KV (ELKCTY-6) 230/138/13.8KV TRANSFORMER CKT 1'		287	0.06595	100.8903		'CONWAY SUB - KIRBY SWITCHING STATION 115KV CKT 1'
FDNS	02ALL		0 11G	G08_088	'FROM->TO'	'ELK CITY 230KV (ELKCTY-6) 230/138/13.8KV TRANSFORMER CKT 1'		287	0.10976	100.8903		'CONWAY SUB - KIRBY SWITCHING STATION 115KV CKT 1'
FDNS	02ALL		0 11G	G08_110	'FROM->TO'	'ELK CITY 230KV (ELKCTY-6) 230/138/13.8KV TRANSFORMER CKT 1'		287	0.0366	100.8903		'CONWAY SUB - KIRBY SWITCHING STATION 115KV CKT 1'
FDNS	02ALL		0 11G	G10_007	'FROM->TO'	'ELK CITY 230KV (ELKCTY-6) 230/138/13.8KV TRANSFORMER CKT 1'		287	0.09935	100.8903		'CONWAY SUB - KIRBY SWITCHING STATION 115KV CKT 1'
FDNS	02ALL		0 11G	ASGI_2010_011	'FROM->TO'	'ELK CITY 230KV (ELKCTY-6) 230/138/13.8KV TRANSFORMER CKT 1'		287	0.05803	100.8903		'CONWAY SUB - KIRBY SWITCHING STATION 115KV CKT 1'
FDNS	02ALL		0 11G	G10_014	'FROM->TO'	'ELK CITY 230KV (ELKCTY-6) 230/138/13.8KV TRANSFORMER CKT 1'		287	0.0366	100.8903		'CONWAY SUB - KIRBY SWITCHING STATION 115KV CKT 1'
FDNS	02ALL		0 11G	G09_067S	'FROM->TO'	'ELK CITY 230KV (ELKCTY-6) 230/138/13.8KV TRANSFORMER CKT 1'		287	0.06289	105.9167		'BUSHLAND INTERCHANGE - S-RANDLCO 230.00 230KV CKT 1'
FDNS	02ALL		0 11G	G08_022	'FROM->TO'	'ELK CITY 230KV (ELKCTY-6) 230/138/13.8KV TRANSFORMER CKT 1'		287	0.06408	105.9167		'BUSHLAND INTERCHANGE - S-RANDLCO 230.00 230KV CKT 1'
FDNS	02ALL		0 11G	G08_088	'FROM->TO'	'ELK CITY 230KV (ELKCTY-6) 230/138/13.8KV TRANSFORMER CKT 1'		287	0.11551	105.9167		'BUSHLAND INTERCHANGE - S-RANDLCO 230.00 230KV CKT 1'
FDNS	02ALL		0 11G	G08_110	'FROM->TO'	'ELK CITY 230KV (ELKCTY-6) 230/138/13.8KV TRANSFORMER CKT 1'		287	0.03833	105.9167		'BUSHLAND INTERCHANGE - S-RANDLCO 230.00 230KV CKT 1'
FDNS	02ALL		0 11G	G10_007	'FROM->TO'	'ELK CITY 230KV (ELKCTY-6) 230/138/13.8KV TRANSFORMER CKT 1'		287	0.10311	105.9167		'BUSHLAND INTERCHANGE - S-RANDLCO 230.00 230KV CKT 1'
FDNS	02ALL		0 11G	ASGI_2010_011	'FROM->TO'	'ELK CITY 230KV (ELKCTY-6) 230/138/13.8KV TRANSFORMER CKT 1'		287	0.0605	105.9167		'BUSHLAND INTERCHANGE - S-RANDLCO 230.00 230KV CKT 1'
FDNS	02ALL		0 11G	G10_014	'FROM->TO'	'ELK CITY 230KV (ELKCTY-6) 230/138/13.8KV TRANSFORMER CKT 1'		287	0.03833	105.9167		'BUSHLAND INTERCHANGE - S-RANDLCO 230.00 230KV CKT 1'
FDNS	02ALL		0 11G	G08_047	'TO->FROM'	'DEAF SMITH COUNTY INTERCHANGE - S-RANDLCO 230.00 230KV CKT 1'		350	0.03254	107.5613		'CANYON EAST SUB - OSAGE SWITCHING STATION 115KV CKT 1'
FDNS	02ALL		0 11G	G08_088	'TO->FROM'	'DEAF SMITH COUNTY INTERCHANGE - S-RANDLCO 230.00 230KV CKT 1'		350	0.09653	107.5613		'CANYON EAST SUB - OSAGE SWITCHING STATION 115KV CKT 1'

SOLUTION	GROUP	SCENARIO	SEASON	SOURCE	DIRECTION	MONITORED ELEMENT		RATE B	TDF	TC%	LOADING	CONTINGENCY NAME
						COMMON NAME						
FDNS	02ALL	0 11G	G08_110	'TO->FROM'	'DEAF SMITH COUNTY INTERCHANGE - S-RANDLCO	230.00	230KV	350	0.05016	107.5613		'CANYON EAST SUB - OSAGE SWITCHING STATION 115KV CKT 1'
FDNS	02ALL	0 11G	G10_007	'TO->FROM'	'DEAF SMITH COUNTY INTERCHANGE - S-RANDLCO	230.00	230KV	350	0.08742	107.5613		'CANYON EAST SUB - OSAGE SWITCHING STATION 115KV CKT 1'
FDNS	02ALL	0 11G	ASGI_2010_011	'TO->FROM'	'DEAF SMITH COUNTY INTERCHANGE - S-RANDLCO	230.00	230KV	350	0.06459	107.5613		'CANYON EAST SUB - OSAGE SWITCHING STATION 115KV CKT 1'
FDNS	02ALL	0 11G	G10_014	'TO->FROM'	'DEAF SMITH COUNTY INTERCHANGE - S-RANDLCO	230.00	230KV	350	0.05016	107.5613		'CANYON EAST SUB - OSAGE SWITCHING STATION 115KV CKT 1'
FDNS	02ALL	0 11G	G08_047	'TO->FROM'	'DEAF SMITH COUNTY INTERCHANGE - S-RANDLCO	230.00	230KV	350	0.03498	115.691	48T	'AMARILLO SOUTH INTERCHANGE - G07-230.00 230KV CKT 1'
FDNS	02ALL	0 11G	G08_088	'TO->FROM'	'DEAF SMITH COUNTY INTERCHANGE - S-RANDLCO	230.00	230KV	350	0.09876	115.691	48T	'AMARILLO SOUTH INTERCHANGE - G07-230.00 230KV CKT 1'
FDNS	02ALL	0 11G	G08_110	'TO->FROM'	'DEAF SMITH COUNTY INTERCHANGE - S-RANDLCO	230.00	230KV	350	0.05592	115.691	48T	'AMARILLO SOUTH INTERCHANGE - G07-230.00 230KV CKT 1'
FDNS	02ALL	0 11G	G10_007	'TO->FROM'	'DEAF SMITH COUNTY INTERCHANGE - S-RANDLCO	230.00	230KV	350	0.09974	115.691	48T	'AMARILLO SOUTH INTERCHANGE - G07-230.00 230KV CKT 1'
FDNS	02ALL	0 11G	ASGI_2010_011	'TO->FROM'	'DEAF SMITH COUNTY INTERCHANGE - S-RANDLCO	230.00	230KV	350	0.07294	115.691	48T	'AMARILLO SOUTH INTERCHANGE - G07-230.00 230KV CKT 1'
FDNS	02ALL	0 11G	G10_014	'TO->FROM'	'DEAF SMITH COUNTY INTERCHANGE - S-RANDLCO	230.00	230KV	350	0.05592	115.691	48T	'AMARILLO SOUTH INTERCHANGE - G07-230.00 230KV CKT 1'
FDNS	02ALL	0 11G	G09_067S	'FROM->TO'	'ELK CITY 230KV (ELKCTY-6) 230/138/13.8KV TRANSFORMER CKT 1'			287	0.05844	111.8607	48T	'AMARILLO SOUTH INTERCHANGE - G07-230.00 230KV CKT 1'
FDNS	02ALL	0 11G	G08_022	'FROM->TO'	'ELK CITY 230KV (ELKCTY-6) 230/138/13.8KV TRANSFORMER CKT 1'			287	0.06024	111.8607	48T	'AMARILLO SOUTH INTERCHANGE - G07-230.00 230KV CKT 1'
FDNS	02ALL	0 11G	G08_088	'FROM->TO'	'ELK CITY 230KV (ELKCTY-6) 230/138/13.8KV TRANSFORMER CKT 1'			287	0.12551	111.8607	48T	'AMARILLO SOUTH INTERCHANGE - G07-230.00 230KV CKT 1'
FDNS	02ALL	0 11G	G08_110	'FROM->TO'	'ELK CITY 230KV (ELKCTY-6) 230/138/13.8KV TRANSFORMER CKT 1'			287	0.0411	111.8607	48T	'AMARILLO SOUTH INTERCHANGE - G07-230.00 230KV CKT 1'
FDNS	02ALL	0 11G	G10_007	'FROM->TO'	'ELK CITY 230KV (ELKCTY-6) 230/138/13.8KV TRANSFORMER CKT 1'			287	0.11085	111.8607	48T	'AMARILLO SOUTH INTERCHANGE - G07-230.00 230KV CKT 1'
FDNS	02ALL	0 11G	ASGI_2010_011	'FROM->TO'	'ELK CITY 230KV (ELKCTY-6) 230/138/13.8KV TRANSFORMER CKT 1'			287	0.06493	111.8607	48T	'AMARILLO SOUTH INTERCHANGE - G07-230.00 230KV CKT 1'
FDNS	02ALL	0 11G	G10_014	'FROM->TO'	'ELK CITY 230KV (ELKCTY-6) 230/138/13.8KV TRANSFORMER CKT 1'			287	0.0411	111.8607	48T	'AMARILLO SOUTH INTERCHANGE - G07-230.00 230KV CKT 1'
FDNS	02ALL	0 11G	G09_067S	'FROM->TO'	'ELK CITY 230KV (ELKCTY-6) 230/138/13.8KV TRANSFORMER CKT 1'			287	0.05844	110.6598	48T	'AMARILLO SOUTH INTERCHANGE - G07-230.00 230KV CKT 1'
FDNS	02ALL	0 11G	G08_022	'FROM->TO'	'ELK CITY 230KV (ELKCTY-6) 230/138/13.8KV TRANSFORMER CKT 1'			287	0.06024	110.6598	48T	'AMARILLO SOUTH INTERCHANGE - G07-230.00 230KV CKT 1'
FDNS	02ALL	0 11G	G08_088	'FROM->TO'	'ELK CITY 230KV (ELKCTY-6) 230/138/13.8KV TRANSFORMER CKT 1'			287	0.12551	110.6598	48T	'AMARILLO SOUTH INTERCHANGE - G07-230.00 230KV CKT 1'
FDNS	02ALL	0 11G	G08_110	'FROM->TO'	'ELK CITY 230KV (ELKCTY-6) 230/138/13.8KV TRANSFORMER CKT 1'			287	0.0411	110.6598	48T	'AMARILLO SOUTH INTERCHANGE - G07-230.00 230KV CKT 1'
FDNS	02ALL	0 11G	G10_007	'FROM->TO'	'ELK CITY 230KV (ELKCTY-6) 230/138/13.8KV TRANSFORMER CKT 1'			287	0.11085	110.6598	48T	'AMARILLO SOUTH INTERCHANGE - G07-230.00 230KV CKT 1'
FDNS	02ALL	0 11G	ASGI_2010_011	'FROM->TO'	'ELK CITY 230KV (ELKCTY-6) 230/138/13.8KV TRANSFORMER CKT 1'			287	0.06493	110.6598	48T	'AMARILLO SOUTH INTERCHANGE - G07-230.00 230KV CKT 1'
FDNS	02ALL	0 11G	G10_014	'FROM->TO'	'ELK CITY 230KV (ELKCTY-6) 230/138/13.8KV TRANSFORMER CKT 1'			287	0.0411	110.6598	48T	'AMARILLO SOUTH INTERCHANGE - G07-230.00 230KV CKT 1'
FDNS	02ALL	0 11G	G08_047	'TO->FROM'	'DEAF SMITH COUNTY INTERCHANGE - S-RANDLCO	230.00	230KV	350	0.03254	105.6151		'CANYON EAST SUB - CANYON WEST SUB 115KV CKT 1'
FDNS	02ALL	0 11G	G08_088	'TO->FROM'	'DEAF SMITH COUNTY INTERCHANGE - S-RANDLCO	230.00	230KV	350	0.09653	105.6151		'CANYON EAST SUB - CANYON WEST SUB 115KV CKT 1'
FDNS	02ALL	0 11G	G08_110	'TO->FROM'	'DEAF SMITH COUNTY INTERCHANGE - S-RANDLCO	230.00	230KV	350	0.05016	105.6151		'CANYON EAST SUB - CANYON WEST SUB 115KV CKT 1'
FDNS	02ALL	0 11G	G10_007	'TO->FROM'	'DEAF SMITH COUNTY INTERCHANGE - S-RANDLCO	230.00	230KV	350	0.08742	105.6151		'CANYON EAST SUB - CANYON WEST SUB 115KV CKT 1'
FDNS	02ALL	0 11G	ASGI_2010_011	'TO->FROM'	'DEAF SMITH COUNTY INTERCHANGE - S-RANDLCO	230.00	230KV	350	0.06459	105.6151		'CANYON EAST SUB - CANYON WEST SUB 115KV CKT 1'

SOLUTION	GROUP	SCENARIO	SEASON	SOURCE	DIRECTION	MONITORED ELEMENT		RATE B	TDF	TC%	LOADING	CONTINGENCY NAME
						COMMON NAME						
FDNS	02ALL		0 11G	G10_014	'TO->FROM'	'DEAF SMITH COUNTY INTERCHANGE - S-RANDLCO	230.00 230KV CKT 1'	350	0.05016	105.6151		'CANYON EAST SUB - CANYON WEST SUB 115KV CKT 1'
FDNS	02ALL		0 11G	G08_047	'TO->FROM'	'DEAF SMITH COUNTY INTERCHANGE - S-RANDLCO	230.00 230KV CKT 1'	350	0.03254	102.8595		'CANYON WEST SUB - DAWN SUB 115KV CKT 1'
FDNS	02ALL		0 11G	G08_088	'TO->FROM'	'DEAF SMITH COUNTY INTERCHANGE - S-RANDLCO	230.00 230KV CKT 1'	350	0.09653	102.8595		'CANYON WEST SUB - DAWN SUB 115KV CKT 1'
FDNS	02ALL		0 11G	G08_110	'TO->FROM'	'DEAF SMITH COUNTY INTERCHANGE - S-RANDLCO	230.00 230KV CKT 1'	350	0.05016	102.8595		'CANYON WEST SUB - DAWN SUB 115KV CKT 1'
FDNS	02ALL		0 11G	G10_007	'TO->FROM'	'DEAF SMITH COUNTY INTERCHANGE - S-RANDLCO	230.00 230KV CKT 1'	350	0.08742	102.8595		'CANYON WEST SUB - DAWN SUB 115KV CKT 1'
FDNS	02ALL		0 11G	ASGI_2010_011	'TO->FROM'	'DEAF SMITH COUNTY INTERCHANGE - S-RANDLCO	230.00 230KV CKT 1'	350	0.06459	102.8595		'CANYON WEST SUB - DAWN SUB 115KV CKT 1'
FDNS	02ALL		0 11G	G10_014	'TO->FROM'	'DEAF SMITH COUNTY INTERCHANGE - S-RANDLCO	230.00 230KV CKT 1'	350	0.05016	102.8595		'CANYON WEST SUB - DAWN SUB 115KV CKT 1'
FDNS	02ALL		0 11G	G08_047	'TO->FROM'	'DEAF SMITH COUNTY INTERCHANGE - S-RANDLCO	230.00 230KV CKT 1'	350	0.03254	102.4674		'DAWN SUB - Panda Energy Substation Hereford 115KV CKT 1'
FDNS	02ALL		0 11G	G08_088	'TO->FROM'	'DEAF SMITH COUNTY INTERCHANGE - S-RANDLCO	230.00 230KV CKT 1'	350	0.09653	102.4674		'DAWN SUB - Panda Energy Substation Hereford 115KV CKT 1'
FDNS	02ALL		0 11G	G08_110	'TO->FROM'	'DEAF SMITH COUNTY INTERCHANGE - S-RANDLCO	230.00 230KV CKT 1'	350	0.05016	102.4674		'DAWN SUB - Panda Energy Substation Hereford 115KV CKT 1'
FDNS	02ALL		0 11G	G10_007	'TO->FROM'	'DEAF SMITH COUNTY INTERCHANGE - S-RANDLCO	230.00 230KV CKT 1'	350	0.08742	102.4674		'DAWN SUB - Panda Energy Substation Hereford 115KV CKT 1'
FDNS	02ALL		0 11G	ASGI_2010_011	'TO->FROM'	'DEAF SMITH COUNTY INTERCHANGE - S-RANDLCO	230.00 230KV CKT 1'	350	0.06459	102.4674		'DAWN SUB - Panda Energy Substation Hereford 115KV CKT 1'
FDNS	02ALL		0 11G	G10_014	'TO->FROM'	'DEAF SMITH COUNTY INTERCHANGE - S-RANDLCO	230.00 230KV CKT 1'	350	0.05016	102.4674		'DAWN SUB - Panda Energy Substation Hereford 115KV CKT 1'
FDNS	02ALL		0 11G	G08_047	'TO->FROM'	'DEAF SMITH COUNTY INTERCHANGE - S-RANDLCO	230.00 230KV CKT 1'	350	0.03254	102.3066		'HEREFORD INTERCHANGE - Panda Energy Substation Hereford 115KV CKT 1'
FDNS	02ALL		0 11G	G08_088	'TO->FROM'	'DEAF SMITH COUNTY INTERCHANGE - S-RANDLCO	230.00 230KV CKT 1'	350	0.09653	102.3066		'HEREFORD INTERCHANGE - Panda Energy Substation Hereford 115KV CKT 1'
FDNS	02ALL		0 11G	G08_110	'TO->FROM'	'DEAF SMITH COUNTY INTERCHANGE - S-RANDLCO	230.00 230KV CKT 1'	350	0.05016	102.3066		'HEREFORD INTERCHANGE - Panda Energy Substation Hereford 115KV CKT 1'
FDNS	02ALL		0 11G	G10_007	'TO->FROM'	'DEAF SMITH COUNTY INTERCHANGE - S-RANDLCO	230.00 230KV CKT 1'	350	0.08742	102.3066		'HEREFORD INTERCHANGE - Panda Energy Substation Hereford 115KV CKT 1'
FDNS	02ALL		0 11G	ASGI_2010_011	'TO->FROM'	'DEAF SMITH COUNTY INTERCHANGE - S-RANDLCO	230.00 230KV CKT 1'	350	0.06459	102.3066		'HEREFORD INTERCHANGE - Panda Energy Substation Hereford 115KV CKT 1'
FDNS	02ALL		0 11G	G10_014	'TO->FROM'	'DEAF SMITH COUNTY INTERCHANGE - S-RANDLCO	230.00 230KV CKT 1'	350	0.05016	102.3066		'HEREFORD INTERCHANGE - Panda Energy Substation Hereford 115KV CKT 1'
FDNS	02ALL		0 11G	G09_067S	'FROM->TO'	'ELK CITY 230KV (ELKCTY-6) 230/138/13.8KV TRANSFORMER CKT 1'		287	0.06088	106.5504		'DEAF SMITH COUNTY INTERCHANGE - PLANT X STATION 230KV CKT 1'
FDNS	02ALL		0 11G	G08_022	'FROM->TO'	'ELK CITY 230KV (ELKCTY-6) 230/138/13.8KV TRANSFORMER CKT 1'		287	0.06193	106.5504		'DEAF SMITH COUNTY INTERCHANGE - PLANT X STATION 230KV CKT 1'
FDNS	02ALL		0 11G	G08_088	'FROM->TO'	'ELK CITY 230KV (ELKCTY-6) 230/138/13.8KV TRANSFORMER CKT 1'		287	0.11591	106.5504		'DEAF SMITH COUNTY INTERCHANGE - PLANT X STATION 230KV CKT 1'
FDNS	02ALL		0 11G	G08_110	'FROM->TO'	'ELK CITY 230KV (ELKCTY-6) 230/138/13.8KV TRANSFORMER CKT 1'		287	0.03871	106.5504		'DEAF SMITH COUNTY INTERCHANGE - PLANT X STATION 230KV CKT 1'
FDNS	02ALL		0 11G	G10_007	'FROM->TO'	'ELK CITY 230KV (ELKCTY-6) 230/138/13.8KV TRANSFORMER CKT 1'		287	0.10379	106.5504		'DEAF SMITH COUNTY INTERCHANGE - PLANT X STATION 230KV CKT 1'
FDNS	02ALL		0 11G	ASGI_2010_011	'FROM->TO'	'ELK CITY 230KV (ELKCTY-6) 230/138/13.8KV TRANSFORMER CKT 1'		287	0.06101	106.5504		'DEAF SMITH COUNTY INTERCHANGE - PLANT X STATION 230KV CKT 1'
FDNS	02ALL		0 11G	G10_014	'FROM->TO'	'ELK CITY 230KV (ELKCTY-6) 230/138/13.8KV TRANSFORMER CKT 1'		287	0.03871	106.5504		'DEAF SMITH COUNTY INTERCHANGE - PLANT X STATION 230KV CKT 1'

SOLUTION	GROUP	SCENARIO	SEASON	SOURCE	DIRECTION	MONITORED ELEMENT	RATE B	TDF	TC%	LOADING	CONTINGENCY NAME
						COMMON NAME					
FDNS	02ALL		0 11G	G09_067S	'FROM->TO'	'ELK CITY 230KV (ELKCTY-6) 230/138/13.8KV TRANSFORMER CKT 1'	287	0.06088	105.553	'DEAF SMITH COUNTY INTERCHANGE - PLANT X STATION 230KV CKT 1'	
FDNS	02ALL		0 11G	G08_022	'FROM->TO'	'ELK CITY 230KV (ELKCTY-6) 230/138/13.8KV TRANSFORMER CKT 1'	287	0.06193	105.553	'DEAF SMITH COUNTY INTERCHANGE - PLANT X STATION 230KV CKT 1'	
FDNS	02ALL		0 11G	G08_088	'FROM->TO'	'ELK CITY 230KV (ELKCTY-6) 230/138/13.8KV TRANSFORMER CKT 1'	287	0.11591	105.553	'DEAF SMITH COUNTY INTERCHANGE - PLANT X STATION 230KV CKT 1'	
FDNS	02ALL		0 11G	G08_110	'FROM->TO'	'ELK CITY 230KV (ELKCTY-6) 230/138/13.8KV TRANSFORMER CKT 1'	287	0.03871	105.553	'DEAF SMITH COUNTY INTERCHANGE - PLANT X STATION 230KV CKT 1'	
FDNS	02ALL		0 11G	G10_007	'FROM->TO'	'ELK CITY 230KV (ELKCTY-6) 230/138/13.8KV TRANSFORMER CKT 1'	287	0.10379	105.553	'DEAF SMITH COUNTY INTERCHANGE - PLANT X STATION 230KV CKT 1'	
FDNS	02ALL		0 11G	ASGI_2010_011	'FROM->TO'	'ELK CITY 230KV (ELKCTY-6) 230/138/13.8KV TRANSFORMER CKT 1'	287	0.06101	105.553	'DEAF SMITH COUNTY INTERCHANGE - PLANT X STATION 230KV CKT 1'	
FDNS	02ALL		0 11G	G10_014	'FROM->TO'	'ELK CITY 230KV (ELKCTY-6) 230/138/13.8KV TRANSFORMER CKT 1'	287	0.03871	105.553	'DEAF SMITH COUNTY INTERCHANGE - PLANT X STATION 230KV CKT 1'	
FDNS	02ALL		0 11G	G08_088	'TO->FROM'	'CANYON EAST SUB - OSAGE SWITCHING STATION 115KV CKT 1'	96	0.06175	120.1008	'DEAF SMITH COUNTY INTERCHANGE - S- RANDLCO 230.00 230KV CKT 1'	
FDNS	02ALL		0 11G	G10_007	'TO->FROM'	'CANYON EAST SUB - OSAGE SWITCHING STATION 115KV CKT 1'	96	0.03601	120.1008	'DEAF SMITH COUNTY INTERCHANGE - S- RANDLCO 230.00 230KV CKT 1'	
FDNS	02ALL		0 11G	G08_088	'FROM->TO'	'CANYON EAST SUB - CANYON WEST SUB 115KV CKT 1'	96	0.06175	110.4052	'DEAF SMITH COUNTY INTERCHANGE - S- RANDLCO 230.00 230KV CKT 1'	
FDNS	02ALL		0 11G	G10_007	'FROM->TO'	'CANYON EAST SUB - CANYON WEST SUB 115KV CKT 1'	96	0.03601	110.4052	'DEAF SMITH COUNTY INTERCHANGE - S- RANDLCO 230.00 230KV CKT 1'	
FDNS	02ALL		0 11G	G08_088	'FROM->TO'	'G07-48T 230.00 - SWISHER COUNTY INTERCHANGE 230KV CKT 1'	351	0.13581	102.5814	'DEAF SMITH COUNTY INTERCHANGE - S- RANDLCO 230.00 230KV CKT 1'	
FDNS	02ALL		0 11G	G08_110	'FROM->TO'	'G07-48T 230.00 - SWISHER COUNTY INTERCHANGE 230KV CKT 1'	351	0.0422	102.5814	'DEAF SMITH COUNTY INTERCHANGE - S- RANDLCO 230.00 230KV CKT 1'	
FDNS	02ALL		0 11G	G10_007	'FROM->TO'	'G07-48T 230.00 - SWISHER COUNTY INTERCHANGE 230KV CKT 1'	351	0.10647	102.5814	'DEAF SMITH COUNTY INTERCHANGE - S- RANDLCO 230.00 230KV CKT 1'	
FDNS	02ALL		0 11G	ASGI_2010_011	'FROM->TO'	'G07-48T 230.00 - SWISHER COUNTY INTERCHANGE 230KV CKT 1'	351	0.06418	102.5814	'DEAF SMITH COUNTY INTERCHANGE - S- RANDLCO 230.00 230KV CKT 1'	
FDNS	02ALL		0 11G	G10_014	'FROM->TO'	'G07-48T 230.00 - SWISHER COUNTY INTERCHANGE 230KV CKT 1'	351	0.0422	102.5814	'DEAF SMITH COUNTY INTERCHANGE - S- RANDLCO 230.00 230KV CKT 1'	
FDNS	02ALL		0 11G	G09_067S	'FROM->TO'	'ELK CITY 230KV (ELKCTY-6) 230/138/13.8KV TRANSFORMER CKT 1'	287	0.06019	108.3208	'DEAF SMITH COUNTY INTERCHANGE - S- RANDLCO 230.00 230KV CKT 1'	
FDNS	02ALL		0 11G	G08_022	'FROM->TO'	'ELK CITY 230KV (ELKCTY-6) 230/138/13.8KV TRANSFORMER CKT 1'	287	0.06132	108.3208	'DEAF SMITH COUNTY INTERCHANGE - S- RANDLCO 230.00 230KV CKT 1'	
FDNS	02ALL		0 11G	G08_088	'FROM->TO'	'ELK CITY 230KV (ELKCTY-6) 230/138/13.8KV TRANSFORMER CKT 1'	287	0.11542	108.3208	'DEAF SMITH COUNTY INTERCHANGE - S- RANDLCO 230.00 230KV CKT 1'	
FDNS	02ALL		0 11G	G08_110	'FROM->TO'	'ELK CITY 230KV (ELKCTY-6) 230/138/13.8KV TRANSFORMER CKT 1'	287	0.03888	108.3208	'DEAF SMITH COUNTY INTERCHANGE - S- RANDLCO 230.00 230KV CKT 1'	
FDNS	02ALL		0 11G	G10_007	'FROM->TO'	'ELK CITY 230KV (ELKCTY-6) 230/138/13.8KV TRANSFORMER CKT 1'	287	0.10387	108.3208	'DEAF SMITH COUNTY INTERCHANGE - S- RANDLCO 230.00 230KV CKT 1'	
FDNS	02ALL		0 11G	ASGI_2010_011	'FROM->TO'	'ELK CITY 230KV (ELKCTY-6) 230/138/13.8KV TRANSFORMER CKT 1'	287	0.06117	108.3208	'DEAF SMITH COUNTY INTERCHANGE - S- RANDLCO 230.00 230KV CKT 1'	
FDNS	02ALL		0 11G	G10_014	'FROM->TO'	'ELK CITY 230KV (ELKCTY-6) 230/138/13.8KV TRANSFORMER CKT 1'	287	0.03888	108.3208	'DEAF SMITH COUNTY INTERCHANGE - S- RANDLCO 230.00 230KV CKT 1'	
FDNS	02ALL		0 11G	G09_067S	'FROM->TO'	'ELK CITY 230KV (ELKCTY-6) 230/138/13.8KV TRANSFORMER CKT 1'	287	0.06019	107.2583	'DEAF SMITH COUNTY INTERCHANGE - S- RANDLCO 230.00 230KV CKT 1'	
FDNS	02ALL		0 11G	G08_022	'FROM->TO'	'ELK CITY 230KV (ELKCTY-6) 230/138/13.8KV TRANSFORMER CKT 1'	287	0.06132	107.2583	'DEAF SMITH COUNTY INTERCHANGE - S- RANDLCO 230.00 230KV CKT 1'	
FDNS	02ALL		0 11G	G08_088	'FROM->TO'	'ELK CITY 230KV (ELKCTY-6) 230/138/13.8KV TRANSFORMER CKT 1'	287	0.11542	107.2583	'DEAF SMITH COUNTY INTERCHANGE - S- RANDLCO 230.00 230KV CKT 1'	
FDNS	02ALL		0 11G	G08_110	'FROM->TO'	'ELK CITY 230KV (ELKCTY-6) 230/138/13.8KV TRANSFORMER CKT 1'	287	0.03888	107.2583	'DEAF SMITH COUNTY INTERCHANGE - S- RANDLCO 230.00 230KV CKT 1'	
FDNS	02ALL		0 11G	G10_007	'FROM->TO'	'ELK CITY 230KV (ELKCTY-6) 230/138/13.8KV TRANSFORMER CKT 1'	287	0.10387	107.2583	'DEAF SMITH COUNTY INTERCHANGE - S- RANDLCO 230.00 230KV CKT 1'	
FDNS	02ALL		0 11G	ASGI_2010_011	'FROM->TO'	'ELK CITY 230KV (ELKCTY-6) 230/138/13.8KV TRANSFORMER CKT 1'	287	0.06117	107.2583	'DEAF SMITH COUNTY INTERCHANGE - S- RANDLCO 230.00 230KV CKT 1'	

SOLUTION	GROUP	SCENARIO	SEASON	SOURCE	DIRECTION	MONITORED ELEMENT		RATE B	TDF	TC%	LOADING	CONTINGENCY NAME
						COMMON NAME						
FDNS	02ALL		0 11G	G10_014	'FROM->TO'	'ELK CITY 230KV (ELKCTY-6) 230/138/13.8KV TRANSFORMER CKT 1'		287	0.03888			'DEAF SMITH COUNTY INTERCHANGE - S- RANDLCO 230.00 230KV CKT 1'
FDNS	02ALL		0 11G	G08_047	'TO->FROM'	'DEAF SMITH COUNTY INTERCHANGE - S- RANDLCO 230.00 230KV CKT 1'		350	0.03129			'SWISHER COUNTY INTERCHANGE - TUCO INTERCHANGE 230KV CKT 1'
FDNS	02ALL		0 11G	G08_088	'TO->FROM'	'DEAF SMITH COUNTY INTERCHANGE - S- RANDLCO 230.00 230KV CKT 1'		350	0.07901			'SWISHER COUNTY INTERCHANGE - TUCO INTERCHANGE 230KV CKT 1'
FDNS	02ALL		0 11G	G08_110	'TO->FROM'	'DEAF SMITH COUNTY INTERCHANGE - S- RANDLCO 230.00 230KV CKT 1'		350	0.04968			'SWISHER COUNTY INTERCHANGE - TUCO INTERCHANGE 230KV CKT 1'
FDNS	02ALL		0 11G	G10_007	'TO->FROM'	'DEAF SMITH COUNTY INTERCHANGE - S- RANDLCO 230.00 230KV CKT 1'		350	0.0846			'SWISHER COUNTY INTERCHANGE - TUCO INTERCHANGE 230KV CKT 1'
FDNS	02ALL		0 11G	ASGI_2010_011	'TO->FROM'	'DEAF SMITH COUNTY INTERCHANGE - S- RANDLCO 230.00 230KV CKT 1'		350	0.06373			'SWISHER COUNTY INTERCHANGE - TUCO INTERCHANGE 230KV CKT 1'
FDNS	02ALL		0 11G	G10_014	'TO->FROM'	'DEAF SMITH COUNTY INTERCHANGE - S- RANDLCO 230.00 230KV CKT 1'		350	0.04968			'SWISHER COUNTY INTERCHANGE - TUCO INTERCHANGE 230KV CKT 1'
FDNS	02ALL		0 11G	G08_088	'FROM->TO'	'SWISHER COUNTY INTERCHANGE 230/115KV TRANSFORMER CKT 1'		150	0.057		108.207	'SWISHER COUNTY INTERCHANGE - TUCO INTERCHANGE 230KV CKT 1'
FDNS	02ALL		0 11G	G10_007	'FROM->TO'	'SWISHER COUNTY INTERCHANGE 230/115KV TRANSFORMER CKT 1'		150	0.04309		108.207	'SWISHER COUNTY INTERCHANGE - TUCO INTERCHANGE 230KV CKT 1'
FDNS	02ALL		0 11G	G09_067S	'FROM->TO'	'ELK CITY 230KV (ELKCTY-6) 230/138/13.8KV TRANSFORMER CKT 1'		287	0.06277		109.9111	'SWISHER COUNTY INTERCHANGE - TUCO INTERCHANGE 230KV CKT 1'
FDNS	02ALL		0 11G	G08_022	'FROM->TO'	'ELK CITY 230KV (ELKCTY-6) 230/138/13.8KV TRANSFORMER CKT 1'		287	0.06446		109.9111	'SWISHER COUNTY INTERCHANGE - TUCO INTERCHANGE 230KV CKT 1'
FDNS	02ALL		0 11G	G08_088	'FROM->TO'	'ELK CITY 230KV (ELKCTY-6) 230/138/13.8KV TRANSFORMER CKT 1'		287	0.12089		109.9111	'SWISHER COUNTY INTERCHANGE - TUCO INTERCHANGE 230KV CKT 1'
FDNS	02ALL		0 11G	G08_110	'FROM->TO'	'ELK CITY 230KV (ELKCTY-6) 230/138/13.8KV TRANSFORMER CKT 1'		287	0.03957		109.9111	'SWISHER COUNTY INTERCHANGE - TUCO INTERCHANGE 230KV CKT 1'
FDNS	02ALL		0 11G	G10_007	'FROM->TO'	'ELK CITY 230KV (ELKCTY-6) 230/138/13.8KV TRANSFORMER CKT 1'		287	0.1073		109.9111	'SWISHER COUNTY INTERCHANGE - TUCO INTERCHANGE 230KV CKT 1'
FDNS	02ALL		0 11G	ASGI_2010_011	'FROM->TO'	'ELK CITY 230KV (ELKCTY-6) 230/138/13.8KV TRANSFORMER CKT 1'		287	0.06272		109.9111	'SWISHER COUNTY INTERCHANGE - TUCO INTERCHANGE 230KV CKT 1'
FDNS	02ALL		0 11G	G10_014	'FROM->TO'	'ELK CITY 230KV (ELKCTY-6) 230/138/13.8KV TRANSFORMER CKT 1'		287	0.03957		109.9111	'SWISHER COUNTY INTERCHANGE - TUCO INTERCHANGE 230KV CKT 1'
FDNS	02ALL		0 11G	G09_067S	'FROM->TO'	'ELK CITY 230KV (ELKCTY-6) 230/138/13.8KV TRANSFORMER CKT 1'		287	0.06277		108.7878	'SWISHER COUNTY INTERCHANGE - TUCO INTERCHANGE 230KV CKT 1'
FDNS	02ALL		0 11G	G08_022	'FROM->TO'	'ELK CITY 230KV (ELKCTY-6) 230/138/13.8KV TRANSFORMER CKT 1'		287	0.06446		108.7878	'SWISHER COUNTY INTERCHANGE - TUCO INTERCHANGE 230KV CKT 1'
FDNS	02ALL		0 11G	G08_088	'FROM->TO'	'ELK CITY 230KV (ELKCTY-6) 230/138/13.8KV TRANSFORMER CKT 1'		287	0.12089		108.7878	'SWISHER COUNTY INTERCHANGE - TUCO INTERCHANGE 230KV CKT 1'
FDNS	02ALL		0 11G	G08_110	'FROM->TO'	'ELK CITY 230KV (ELKCTY-6) 230/138/13.8KV TRANSFORMER CKT 1'		287	0.03957		108.7878	'SWISHER COUNTY INTERCHANGE - TUCO INTERCHANGE 230KV CKT 1'
FDNS	02ALL		0 11G	G10_007	'FROM->TO'	'ELK CITY 230KV (ELKCTY-6) 230/138/13.8KV TRANSFORMER CKT 1'		287	0.1073		108.7878	'SWISHER COUNTY INTERCHANGE - TUCO INTERCHANGE 230KV CKT 1'
FDNS	02ALL		0 11G	ASGI_2010_011	'FROM->TO'	'ELK CITY 230KV (ELKCTY-6) 230/138/13.8KV TRANSFORMER CKT 1'		287	0.06272		108.7878	'SWISHER COUNTY INTERCHANGE - TUCO INTERCHANGE 230KV CKT 1'
FDNS	02ALL		0 11G	G10_014	'FROM->TO'	'ELK CITY 230KV (ELKCTY-6) 230/138/13.8KV TRANSFORMER CKT 1'		287	0.03957		108.7878	'SWISHER COUNTY INTERCHANGE - TUCO INTERCHANGE 230KV CKT 1'
FDNS	02ALL		0 11G	G08_047	'TO->FROM'	'DEAF SMITH COUNTY INTERCHANGE - S- RANDLCO 230.00 230KV CKT 1'		350	0.03417		122.2312	'G07-48T 230.00 - SWISHER COUNTY INTERCHANGE 230KV CKT 1'
FDNS	02ALL		0 11G	G08_088	'TO->FROM'	'DEAF SMITH COUNTY INTERCHANGE - S- RANDLCO 230.00 230KV CKT 1'		350	0.09796		122.2312	'G07-48T 230.00 - SWISHER COUNTY INTERCHANGE 230KV CKT 1'
FDNS	02ALL		0 11G	G08_110	'TO->FROM'	'DEAF SMITH COUNTY INTERCHANGE - S- RANDLCO 230.00 230KV CKT 1'		350	0.05511		122.2312	'G07-48T 230.00 - SWISHER COUNTY INTERCHANGE 230KV CKT 1'
FDNS	02ALL		0 11G	G10_007	'TO->FROM'	'DEAF SMITH COUNTY INTERCHANGE - S- RANDLCO 230.00 230KV CKT 1'		350	0.09893		122.2312	'G07-48T 230.00 - SWISHER COUNTY INTERCHANGE 230KV CKT 1'
FDNS	02ALL		0 11G	ASGI_2010_011	'TO->FROM'	'DEAF SMITH COUNTY INTERCHANGE - S- RANDLCO 230.00 230KV CKT 1'		350	0.07213		122.2312	'G07-48T 230.00 - SWISHER COUNTY INTERCHANGE 230KV CKT 1'
FDNS	02ALL		0 11G	G10_014	'TO->FROM'	'DEAF SMITH COUNTY INTERCHANGE - S- RANDLCO 230.00 230KV CKT 1'		350	0.05511		122.2312	'G07-48T 230.00 - SWISHER COUNTY INTERCHANGE 230KV CKT 1'

SOLUTION	GROUP	SCENARIO	SEASON	SOURCE	DIRECTION	MONITORED ELEMENT		RATE B	TDF	TC%	LOADING	CONTINGENCY NAME
						COMMON NAME	NAME					
FDNS	02ALL		0 11G	G09_067S	'FROM->TO'	'ELK CITY 230KV (ELKCTY-6) 230/138/13.8KV TRANSFORMER CKT 1'	'G07-48T 230.00 - SWISHER COUNTY INTERCHANGE 230KV CKT 1'	287	0.05817	114.7199		
FDNS	02ALL		0 11G	G08_022	'FROM->TO'	'ELK CITY 230KV (ELKCTY-6) 230/138/13.8KV TRANSFORMER CKT 1'	'G07-48T 230.00 - SWISHER COUNTY INTERCHANGE 230KV CKT 1'	287	0.05997	114.7199		
FDNS	02ALL		0 11G	G08_088	'FROM->TO'	'ELK CITY 230KV (ELKCTY-6) 230/138/13.8KV TRANSFORMER CKT 1'	'G07-48T 230.00 - SWISHER COUNTY INTERCHANGE 230KV CKT 1'	287	0.12525	114.7199		
FDNS	02ALL		0 11G	G08_110	'FROM->TO'	'ELK CITY 230KV (ELKCTY-6) 230/138/13.8KV TRANSFORMER CKT 1'	'G07-48T 230.00 - SWISHER COUNTY INTERCHANGE 230KV CKT 1'	287	0.04084	114.7199		
FDNS	02ALL		0 11G	G10_007	'FROM->TO'	'ELK CITY 230KV (ELKCTY-6) 230/138/13.8KV TRANSFORMER CKT 1'	'G07-48T 230.00 - SWISHER COUNTY INTERCHANGE 230KV CKT 1'	287	0.11059	114.7199		
FDNS	02ALL		0 11G	ASGI_2010_011	'FROM->TO'	'ELK CITY 230KV (ELKCTY-6) 230/138/13.8KV TRANSFORMER CKT 1'	'G07-48T 230.00 - SWISHER COUNTY INTERCHANGE 230KV CKT 1'	287	0.06466	114.7199		
FDNS	02ALL		0 11G	G10_014	'FROM->TO'	'ELK CITY 230KV (ELKCTY-6) 230/138/13.8KV TRANSFORMER CKT 1'	'G07-48T 230.00 - SWISHER COUNTY INTERCHANGE 230KV CKT 1'	287	0.04084	114.7199		
FDNS	02ALL		0 11G	G09_067S	'FROM->TO'	'ELK CITY 230KV (ELKCTY-6) 230/138/13.8KV TRANSFORMER CKT 1'	'G07-48T 230.00 - SWISHER COUNTY INTERCHANGE 230KV CKT 1'	287	0.05817	113.3254		
FDNS	02ALL		0 11G	G08_022	'FROM->TO'	'ELK CITY 230KV (ELKCTY-6) 230/138/13.8KV TRANSFORMER CKT 1'	'G07-48T 230.00 - SWISHER COUNTY INTERCHANGE 230KV CKT 1'	287	0.05997	113.3254		
FDNS	02ALL		0 11G	G08_088	'FROM->TO'	'ELK CITY 230KV (ELKCTY-6) 230/138/13.8KV TRANSFORMER CKT 1'	'G07-48T 230.00 - SWISHER COUNTY INTERCHANGE 230KV CKT 1'	287	0.12525	113.3254		
FDNS	02ALL		0 11G	G08_110	'FROM->TO'	'ELK CITY 230KV (ELKCTY-6) 230/138/13.8KV TRANSFORMER CKT 1'	'G07-48T 230.00 - SWISHER COUNTY INTERCHANGE 230KV CKT 1'	287	0.04084	113.3254		
FDNS	02ALL		0 11G	G10_007	'FROM->TO'	'ELK CITY 230KV (ELKCTY-6) 230/138/13.8KV TRANSFORMER CKT 1'	'G07-48T 230.00 - SWISHER COUNTY INTERCHANGE 230KV CKT 1'	287	0.11059	113.3254		
FDNS	02ALL		0 11G	ASGI_2010_011	'FROM->TO'	'ELK CITY 230KV (ELKCTY-6) 230/138/13.8KV TRANSFORMER CKT 1'	'G07-48T 230.00 - SWISHER COUNTY INTERCHANGE 230KV CKT 1'	287	0.06466	113.3254		
FDNS	02ALL		0 11G	G10_014	'FROM->TO'	'ELK CITY 230KV (ELKCTY-6) 230/138/13.8KV TRANSFORMER CKT 1'	'G07-48T 230.00 - SWISHER COUNTY INTERCHANGE 230KV CKT 1'	287	0.04084	113.3254		
FDNS	02ALL		0 11G	G09_067S	'FROM->TO'	'ELK CITY 230KV (ELKCTY-6) 230/138/13.8KV TRANSFORMER CKT 1'	'PLANT X STATION - SUNDOWN INTERCHANGE 230KV CKT 1'	287	0.0655	106.3435		
FDNS	02ALL		0 11G	G08_022	'FROM->TO'	'ELK CITY 230KV (ELKCTY-6) 230/138/13.8KV TRANSFORMER CKT 1'	'PLANT X STATION - SUNDOWN INTERCHANGE 230KV CKT 1'	287	0.06767	106.3435		
FDNS	02ALL		0 11G	G08_088	'FROM->TO'	'ELK CITY 230KV (ELKCTY-6) 230/138/13.8KV TRANSFORMER CKT 1'	'PLANT X STATION - SUNDOWN INTERCHANGE 230KV CKT 1'	287	0.11409	106.3435		
FDNS	02ALL		0 11G	G08_110	'FROM->TO'	'ELK CITY 230KV (ELKCTY-6) 230/138/13.8KV TRANSFORMER CKT 1'	'PLANT X STATION - SUNDOWN INTERCHANGE 230KV CKT 1'	287	0.03777	106.3435		
FDNS	02ALL		0 11G	G10_007	'FROM->TO'	'ELK CITY 230KV (ELKCTY-6) 230/138/13.8KV TRANSFORMER CKT 1'	'PLANT X STATION - SUNDOWN INTERCHANGE 230KV CKT 1'	287	0.10218	106.3435		
FDNS	02ALL		0 11G	ASGI_2010_011	'FROM->TO'	'ELK CITY 230KV (ELKCTY-6) 230/138/13.8KV TRANSFORMER CKT 1'	'PLANT X STATION - SUNDOWN INTERCHANGE 230KV CKT 1'	287	0.05981	106.3435		
FDNS	02ALL		0 11G	G10_014	'FROM->TO'	'ELK CITY 230KV (ELKCTY-6) 230/138/13.8KV TRANSFORMER CKT 1'	'PLANT X STATION - SUNDOWN INTERCHANGE 230KV CKT 1'	287	0.03777	106.3435		
FDNS	02ALL		0 11G	G09_067S	'FROM->TO'	'ELK CITY 230KV (ELKCTY-6) 230/138/13.8KV TRANSFORMER CKT 1'	'PLANT X STATION - SUNDOWN INTERCHANGE 230KV CKT 1'	287	0.0655	105.354		
FDNS	02ALL		0 11G	G08_022	'FROM->TO'	'ELK CITY 230KV (ELKCTY-6) 230/138/13.8KV TRANSFORMER CKT 1'	'PLANT X STATION - SUNDOWN INTERCHANGE 230KV CKT 1'	287	0.06767	105.354		
FDNS	02ALL		0 11G	G08_088	'FROM->TO'	'ELK CITY 230KV (ELKCTY-6) 230/138/13.8KV TRANSFORMER CKT 1'	'PLANT X STATION - SUNDOWN INTERCHANGE 230KV CKT 1'	287	0.11409	105.354		
FDNS	02ALL		0 11G	G08_110	'FROM->TO'	'ELK CITY 230KV (ELKCTY-6) 230/138/13.8KV TRANSFORMER CKT 1'	'PLANT X STATION - SUNDOWN INTERCHANGE 230KV CKT 1'	287	0.03777	105.354		
FDNS	02ALL		0 11G	G10_007	'FROM->TO'	'ELK CITY 230KV (ELKCTY-6) 230/138/13.8KV TRANSFORMER CKT 1'	'PLANT X STATION - SUNDOWN INTERCHANGE 230KV CKT 1'	287	0.10218	105.354		
FDNS	02ALL		0 11G	ASGI_2010_011	'FROM->TO'	'ELK CITY 230KV (ELKCTY-6) 230/138/13.8KV TRANSFORMER CKT 1'	'PLANT X STATION - SUNDOWN INTERCHANGE 230KV CKT 1'	287	0.05981	105.354		
FDNS	02ALL		0 11G	G10_014	'FROM->TO'	'ELK CITY 230KV (ELKCTY-6) 230/138/13.8KV TRANSFORMER CKT 1'	'PLANT X STATION - SUNDOWN INTERCHANGE 230KV CKT 1'	287	0.03777	105.354		
FDNS	02ALL		0 11G	G08_047	'TO->FROM'	'DEAF SMITH COUNTY INTERCHANGE - S- RANDLCO 230.00 230KV CKT 1'	'PLANT X STATION - S-RANDLCO 230.00 230KV CKT 1'	350	0.04264	126.0664		

SOLUTION	GROUP	SCENARIO	SEASON	SOURCE	DIRECTION	MONITORED ELEMENT		RATE B	TDF	TC%	LOADING	CONTINGENCY NAME
						COMMON NAME						
FDNS	02ALL	0 11G	G10_009	'TO->FROM'	'DEAF SMITH COUNTY INTERCHANGE - S-RANDLCO	230.00	230KV	350	0.0316	126.0664	230KV	'PLANT X STATION - S-RANDLCO
FDNS	02ALL	0 11G	G08_088	'TO->FROM'	'DEAF SMITH COUNTY INTERCHANGE - S-RANDLCO	230.00	230KV	350	0.10119	126.0664	230KV	'PLANT X STATION - S-RANDLCO
FDNS	02ALL	0 11G	G08_110	'TO->FROM'	'DEAF SMITH COUNTY INTERCHANGE - S-RANDLCO	230.00	230KV	350	0.06578	126.0664	230KV	'PLANT X STATION - S-RANDLCO
FDNS	02ALL	0 11G	G10_007	'TO->FROM'	'DEAF SMITH COUNTY INTERCHANGE - S-RANDLCO	230.00	230KV	350	0.10772	126.0664	230KV	'PLANT X STATION - S-RANDLCO
FDNS	02ALL	0 11G	ASGI_2010_011	'TO->FROM'	'DEAF SMITH COUNTY INTERCHANGE - S-RANDLCO	230.00	230KV	350	0.08295	126.0664	230KV	'PLANT X STATION - S-RANDLCO
FDNS	02ALL	0 11G	G10_014	'TO->FROM'	'DEAF SMITH COUNTY INTERCHANGE - S-RANDLCO	230.00	230KV	350	0.06578	126.0664	230KV	'PLANT X STATION - S-RANDLCO
FDNS	02ALL	0 11G	G09_067S	'FROM->TO'	'ELK CITY 230KV (ELKCTY-6)	230/138/13.8KV	TRANSFORMER	287	0.06188	106.4874	230KV	'PLANT X STATION - S-RANDLCO
FDNS	02ALL	0 11G	G08_022	'FROM->TO'	'ELK CITY 230KV (ELKCTY-6)	230/138/13.8KV	TRANSFORMER	287	0.06299	106.4874	230KV	'PLANT X STATION - S-RANDLCO
FDNS	02ALL	0 11G	G08_088	'FROM->TO'	'ELK CITY 230KV (ELKCTY-6)	230/138/13.8KV	TRANSFORMER	287	0.11535	106.4874	230KV	'PLANT X STATION - S-RANDLCO
FDNS	02ALL	0 11G	G08_110	'FROM->TO'	'ELK CITY 230KV (ELKCTY-6)	230/138/13.8KV	TRANSFORMER	287	0.0385	106.4874	230KV	'PLANT X STATION - S-RANDLCO
FDNS	02ALL	0 11G	G10_007	'FROM->TO'	'ELK CITY 230KV (ELKCTY-6)	230/138/13.8KV	TRANSFORMER	287	0.10338	106.4874	230KV	'PLANT X STATION - S-RANDLCO
FDNS	02ALL	0 11G	ASGI_2010_011	'FROM->TO'	'ELK CITY 230KV (ELKCTY-6)	230/138/13.8KV	TRANSFORMER	287	0.06072	106.4874	230KV	'PLANT X STATION - S-RANDLCO
FDNS	02ALL	0 11G	G10_014	'FROM->TO'	'ELK CITY 230KV (ELKCTY-6)	230/138/13.8KV	TRANSFORMER	287	0.0385	106.4874	230KV	'PLANT X STATION - S-RANDLCO
FDNS	02ALL	0 11G	G09_067S	'FROM->TO'	'ELK CITY 230KV (ELKCTY-6)	230/138/13.8KV	TRANSFORMER	287	0.06188	105.4923	230KV	'PLANT X STATION - S-RANDLCO
FDNS	02ALL	0 11G	G08_022	'FROM->TO'	'ELK CITY 230KV (ELKCTY-6)	230/138/13.8KV	TRANSFORMER	287	0.06299	105.4923	230KV	'PLANT X STATION - S-RANDLCO
FDNS	02ALL	0 11G	G08_088	'FROM->TO'	'ELK CITY 230KV (ELKCTY-6)	230/138/13.8KV	TRANSFORMER	287	0.11535	105.4923	230KV	'PLANT X STATION - S-RANDLCO
FDNS	02ALL	0 11G	G08_110	'FROM->TO'	'ELK CITY 230KV (ELKCTY-6)	230/138/13.8KV	TRANSFORMER	287	0.0385	105.4923	230KV	'PLANT X STATION - S-RANDLCO
FDNS	02ALL	0 11G	G10_007	'FROM->TO'	'ELK CITY 230KV (ELKCTY-6)	230/138/13.8KV	TRANSFORMER	287	0.10338	105.4923	230KV	'PLANT X STATION - S-RANDLCO
FDNS	02ALL	0 11G	ASGI_2010_011	'FROM->TO'	'ELK CITY 230KV (ELKCTY-6)	230/138/13.8KV	TRANSFORMER	287	0.06072	105.4923	230KV	'PLANT X STATION - S-RANDLCO
FDNS	02ALL	0 11G	G10_014	'FROM->TO'	'ELK CITY 230KV (ELKCTY-6)	230/138/13.8KV	TRANSFORMER	287	0.0385	105.4923	230KV	'PLANT X STATION - S-RANDLCO
FDNS	02ALL	0 11G	G09_067S	'FROM->TO'	'ELK CITY 230KV (ELKCTY-6)	230/138/13.8KV	TRANSFORMER	287	0.0727	108.4131	230KV	'TOLK STATION EAST - TUCO
FDNS	02ALL	0 11G	G08_022	'FROM->TO'	'ELK CITY 230KV (ELKCTY-6)	230/138/13.8KV	TRANSFORMER	287	0.07511	108.4131	230KV	'TOLK STATION EAST - TUCO
FDNS	02ALL	0 11G	G08_088	'FROM->TO'	'ELK CITY 230KV (ELKCTY-6)	230/138/13.8KV	TRANSFORMER	287	0.1153	108.4131	230KV	'TOLK STATION EAST - TUCO
FDNS	02ALL	0 11G	G08_110	'FROM->TO'	'ELK CITY 230KV (ELKCTY-6)	230/138/13.8KV	TRANSFORMER	287	0.03777	108.4131	230KV	'TOLK STATION EAST - TUCO
FDNS	02ALL	0 11G	G10_007	'FROM->TO'	'ELK CITY 230KV (ELKCTY-6)	230/138/13.8KV	TRANSFORMER	287	0.10307	108.4131	230KV	'TOLK STATION EAST - TUCO
FDNS	02ALL	0 11G	ASGI_2010_011	'FROM->TO'	'ELK CITY 230KV (ELKCTY-6)	230/138/13.8KV	TRANSFORMER	287	0.06014	108.4131	230KV	'TOLK STATION EAST - TUCO
FDNS	02ALL	0 11G	G10_014	'FROM->TO'	'ELK CITY 230KV (ELKCTY-6)	230/138/13.8KV	TRANSFORMER	287	0.03777	108.4131	230KV	'TOLK STATION EAST - TUCO
FDNS	02ALL	0 11G	G09_067S	'FROM->TO'	'ELK CITY 230KV (ELKCTY-6)	230/138/13.8KV	TRANSFORMER	287	0.0727	107.3468	230KV	'TOLK STATION EAST - TUCO
FDNS	02ALL	0 11G	G08_022	'FROM->TO'	'ELK CITY 230KV (ELKCTY-6)	230/138/13.8KV	TRANSFORMER	287	0.07511	107.3468	230KV	'TOLK STATION EAST - TUCO

SOLUTION	GROUP	SCENARIO	SEASON	SOURCE	DIRECTION	MONITORED ELEMENT		RATE B	TDF	TC%	LOADING	CONTINGENCY NAME
						COMMON NAME						
FDNS	02ALL		0 11G	G08_088	'FROM->TO'	'ELK CITY 230KV (ELKCTY-6)		287	0.1153			'TOLK STATION EAST - TUCO
						230/138/13.8KV TRANSFORMER CKT 1'				107.3468		INTERCHANGE 230KV CKT 1'
FDNS	02ALL		0 11G	G08_110	'FROM->TO'	'ELK CITY 230KV (ELKCTY-6)		287	0.03777			'TOLK STATION EAST - TUCO
						230/138/13.8KV TRANSFORMER CKT 1'				107.3468		INTERCHANGE 230KV CKT 1'
FDNS	02ALL		0 11G	G10_007	'FROM->TO'	'ELK CITY 230KV (ELKCTY-6)		287	0.10307			'TOLK STATION EAST - TUCO
						230/138/13.8KV TRANSFORMER CKT 1'				107.3468		INTERCHANGE 230KV CKT 1'
FDNS	02ALL		0 11G	ASGI_2010_011	'FROM->TO'	'ELK CITY 230KV (ELKCTY-6)		287	0.06014			'TOLK STATION EAST - TUCO
						230/138/13.8KV TRANSFORMER CKT 1'				107.3468		INTERCHANGE 230KV CKT 1'
FDNS	02ALL		0 11G	G10_014	'FROM->TO'	230/138/13.8KV TRANSFORMER CKT 1'		287	0.03777			INTERCHANGE 230KV CKT 1'
						'FPL SWITCH - WOODWARD 138KV CKT 1'						'G08-14T 345.00 - TUCO INTERCHANGE
FDNS	02ALL		0 11G	G08_044	'TO->FROM'	'FPL SWITCH - WOODWARD 138KV CKT 1'		153	0.03236			142.3922 345KV CKT 1'
						'FPL SWITCH - WOODWARD 138KV CKT 1'						'G08-14T 345.00 - TUCO INTERCHANGE
FDNS	02ALL		0 11G	G08_047	'TO->FROM'	'FPL SWITCH - WOODWARD 138KV CKT 1'		153	0.05542			142.3922 345KV CKT 1'
						'FPL SWITCH - WOODWARD 138KV CKT 1'						'G08-14T 345.00 - TUCO INTERCHANGE
FDNS	02ALL		0 11G	G09_067S	'TO->FROM'	'FPL SWITCH - WOODWARD 138KV CKT 1'		153	0.03469			142.3922 345KV CKT 1'
						'FPL SWITCH - WOODWARD 138KV CKT 1'						'G08-14T 345.00 - TUCO INTERCHANGE
FDNS	02ALL		0 11G	G08_022	'TO->FROM'	'FPL SWITCH - WOODWARD 138KV CKT 1'		153	0.03442			142.3922 345KV CKT 1'
						'FPL SWITCH - WOODWARD 138KV CKT 1'						'G08-14T 345.00 - TUCO INTERCHANGE
FDNS	02ALL		0 11G	G08_110	'TO->FROM'	'FPL SWITCH - WOODWARD 138KV CKT 1'		153	0.04394			142.3922 345KV CKT 1'
						'FPL SWITCH - WOODWARD 138KV CKT 1'						'G08-14T 345.00 - TUCO INTERCHANGE
FDNS	02ALL		0 11G	ASGI_2010_011	'TO->FROM'	'FPL SWITCH - WOODWARD 138KV CKT 1'		153	0.03828			142.3922 345KV CKT 1'
						'FPL SWITCH - WOODWARD 138KV CKT 1'						'G08-14T 345.00 - TUCO INTERCHANGE
FDNS	02ALL		0 11G	G10_011	'TO->FROM'	'FPL SWITCH - WOODWARD 138KV CKT 1'		153	0.03236			142.3922 345KV CKT 1'
						'FPL SWITCH - WOODWARD 138KV CKT 1'						'G08-14T 345.00 - TUCO INTERCHANGE
FDNS	02ALL		0 11G	G10_014	'TO->FROM'	'FPL SWITCH - WOODWARD 138KV CKT 1'		153	0.04394			142.3922 345KV CKT 1'
						'FPL SWITCH - WOODWARD 138KV CKT 1'						'G08-14T 345.00 - TUCO INTERCHANGE
FDNS	02ALL		0 11G	G09_067S	'FROM->TO'	'ELK CITY 230KV (ELKCTY-6)		287	0.09889			116.1989 345KV CKT 1'
						230/138/13.8KV TRANSFORMER CKT 1'						'G08-14T 345.00 - TUCO INTERCHANGE
FDNS	02ALL		0 11G	G08_022	'FROM->TO'	'ELK CITY 230KV (ELKCTY-6)		287	0.09968			116.1989 345KV CKT 1'
						230/138/13.8KV TRANSFORMER CKT 1'						'G08-14T 345.00 - TUCO INTERCHANGE
FDNS	02ALL		0 11G	G08_088	'FROM->TO'	'ELK CITY 230KV (ELKCTY-6)		287	0.13152			116.1989 345KV CKT 1'
						230/138/13.8KV TRANSFORMER CKT 1'						'G08-14T 345.00 - TUCO INTERCHANGE
FDNS	02ALL		0 11G	G08_110	'FROM->TO'	'ELK CITY 230KV (ELKCTY-6)		287	0.04532			116.1989 345KV CKT 1'
						230/138/13.8KV TRANSFORMER CKT 1'						'G08-14T 345.00 - TUCO INTERCHANGE
FDNS	02ALL		0 11G	G10_007	'FROM->TO'	'ELK CITY 230KV (ELKCTY-6)		287	0.11648			116.1989 345KV CKT 1'
						230/138/13.8KV TRANSFORMER CKT 1'						'G08-14T 345.00 - TUCO INTERCHANGE
FDNS	02ALL		0 11G	ASGI_2010_011	'FROM->TO'	'ELK CITY 230KV (ELKCTY-6)		287	0.0698			116.1989 345KV CKT 1'
						230/138/13.8KV TRANSFORMER CKT 1'						'G08-14T 345.00 - TUCO INTERCHANGE
FDNS	02ALL		0 11G	G10_014	'FROM->TO'	230/138/13.8KV TRANSFORMER CKT 1'		287	0.04532			116.1989 345KV CKT 1'
						'ELK CITY 230KV (ELKCTY-6)						'G08-14T 345.00 - TUCO INTERCHANGE
FDNS	02ALL		0 11G	G09_067S	'FROM->TO'	'ELK CITY 230KV (ELKCTY-6)		287	0.09889			114.7591 345KV CKT 1'
						230/138/13.8KV TRANSFORMER CKT 1'						'G08-14T 345.00 - TUCO INTERCHANGE
FDNS	02ALL		0 11G	G08_022	'FROM->TO'	'ELK CITY 230KV (ELKCTY-6)		287	0.09968			114.7591 345KV CKT 1'
						230/138/13.8KV TRANSFORMER CKT 1'						'G08-14T 345.00 - TUCO INTERCHANGE
FDNS	02ALL		0 11G	G08_088	'FROM->TO'	'ELK CITY 230KV (ELKCTY-6)		287	0.13152			114.7591 345KV CKT 1'
						230/138/13.8KV TRANSFORMER CKT 1'						'G08-14T 345.00 - TUCO INTERCHANGE
FDNS	02ALL		0 11G	G08_110	'FROM->TO'	'ELK CITY 230KV (ELKCTY-6)		287	0.04532			114.7591 345KV CKT 1'
						230/138/13.8KV TRANSFORMER CKT 1'						'G08-14T 345.00 - TUCO INTERCHANGE
FDNS	02ALL		0 11G	G10_007	'FROM->TO'	'ELK CITY 230KV (ELKCTY-6)		287	0.11648			114.7591 345KV CKT 1'
						230/138/13.8KV TRANSFORMER CKT 1'						'G08-14T 345.00 - TUCO INTERCHANGE
FDNS	02ALL		0 11G	ASGI_2010_011	'FROM->TO'	'ELK CITY 230KV (ELKCTY-6)		287	0.0698			114.7591 345KV CKT 1'
						230/138/13.8KV TRANSFORMER CKT 1'						'G08-14T 345.00 - TUCO INTERCHANGE
FDNS	02ALL		0 11G	G10_014	'FROM->TO'	230/138/13.8KV TRANSFORMER CKT 1'		287	0.04532			114.7591 345KV CKT 1'
						'ELK CITY 230KV (ELKCTY-6)						'OMPA-ALTUS TAMARACK - OMPVET-4
FDNS	02ALL		0 11G	G09_067S	'FROM->TO'	230/138/13.8KV TRANSFORMER CKT 1'		287	0.06642			103.1041 138.00 138KV CKT 1'
						'ELK CITY 230KV (ELKCTY-6)						'OMPA-ALTUS TAMARACK - OMPVET-4
FDNS	02ALL		0 11G	G08_022	'FROM->TO'	230/138/13.8KV TRANSFORMER CKT 1'		287	0.06771			103.1041 138.00 138KV CKT 1'

SOLUTION	GROUP	SCENARIO	SEASON	SOURCE	DIRECTION	MONITORED ELEMENT		RATE B	TDF	TC%	LOADING	CONTINGENCY NAME
						COMMON NAME						
FDNS	02ALL	0 11G	G08_088	'FROM->TO'	'ELK CITY 230KV (ELKCTY-6) 230/138/13.8KV TRANSFORMER CKT 1'	287	0.11344	103.1041	138.00	138KV	CKT 1'	'OMPA-ALTUS TAMARACK - OMPVET-4
FDNS	02ALL	0 11G	G08_110	'FROM->TO'	'ELK CITY 230KV (ELKCTY-6) 230/138/13.8KV TRANSFORMER CKT 1'	287	0.03738	103.1041	138.00	138KV	CKT 1'	'OMPA-ALTUS TAMARACK - OMPVET-4
FDNS	02ALL	0 11G	G10_007	'FROM->TO'	'ELK CITY 230KV (ELKCTY-6) 230/138/13.8KV TRANSFORMER CKT 1'	287	0.10158	103.1041	138.00	138KV	CKT 1'	'OMPA-ALTUS TAMARACK - OMPVET-4
FDNS	02ALL	0 11G	ASGI_2010_011	'FROM->TO'	'ELK CITY 230KV (ELKCTY-6) 230/138/13.8KV TRANSFORMER CKT 1'	287	0.05933	103.1041	138.00	138KV	CKT 1'	'OMPA-ALTUS TAMARACK - OMPVET-4
FDNS	02ALL	0 11G	G10_014	'FROM->TO'	'ELK CITY 230KV (ELKCTY-6) 230/138/13.8KV TRANSFORMER CKT 1'	287	0.03738	103.1041	138.00	138KV	CKT 1'	'OMPA-ALTUS TAMARACK - OMPVET-4
FDNS	02ALL	0 11G	G09_067S	'FROM->TO'	'ELK CITY 230KV (ELKCTY-6) 230/138/13.8KV TRANSFORMER CKT 1'	287	0.06642	102.2012	138.00	138KV	CKT 1'	'OMPA-ALTUS TAMARACK - OMPVET-4
FDNS	02ALL	0 11G	G08_022	'FROM->TO'	'ELK CITY 230KV (ELKCTY-6) 230/138/13.8KV TRANSFORMER CKT 1'	287	0.06771	102.2012	138.00	138KV	CKT 1'	'OMPA-ALTUS TAMARACK - OMPVET-4
FDNS	02ALL	0 11G	G08_088	'FROM->TO'	'ELK CITY 230KV (ELKCTY-6) 230/138/13.8KV TRANSFORMER CKT 1'	287	0.11344	102.2012	138.00	138KV	CKT 1'	'OMPA-ALTUS TAMARACK - OMPVET-4
FDNS	02ALL	0 11G	G08_110	'FROM->TO'	'ELK CITY 230KV (ELKCTY-6) 230/138/13.8KV TRANSFORMER CKT 1'	287	0.03738	102.2012	138.00	138KV	CKT 1'	'OMPA-ALTUS TAMARACK - OMPVET-4
FDNS	02ALL	0 11G	G10_007	'FROM->TO'	'ELK CITY 230KV (ELKCTY-6) 230/138/13.8KV TRANSFORMER CKT 1'	287	0.10158	102.2012	138.00	138KV	CKT 1'	'OMPA-ALTUS TAMARACK - OMPVET-4
FDNS	02ALL	0 11G	ASGI_2010_011	'FROM->TO'	'ELK CITY 230KV (ELKCTY-6) 230/138/13.8KV TRANSFORMER CKT 1'	287	0.05933	102.2012	138.00	138KV	CKT 1'	'OMPA-ALTUS TAMARACK - OMPVET-4
FDNS	02ALL	0 11G	G10_014	'FROM->TO'	'ELK CITY 230KV (ELKCTY-6) 230/138/13.8KV TRANSFORMER CKT 1'	287	0.03738	102.2012	138.00	138KV	CKT 1'	'OMPA-ALTUS TAMARACK - OMPVET-4
FDNS	02ALL	0 11G	G09_067S	'FROM->TO'	'ELK CITY 230KV (ELKCTY-6) 230/138/13.8KV TRANSFORMER CKT 1'	287	0.06642	103.5525	138KV	CKT 1'		'OMPA-ALTUS PARK - OMPVET-4 138.00
FDNS	02ALL	0 11G	G08_022	'FROM->TO'	'ELK CITY 230KV (ELKCTY-6) 230/138/13.8KV TRANSFORMER CKT 1'	287	0.06771	103.5525	138KV	CKT 1'		'OMPA-ALTUS PARK - OMPVET-4 138.00
FDNS	02ALL	0 11G	G08_088	'FROM->TO'	'ELK CITY 230KV (ELKCTY-6) 230/138/13.8KV TRANSFORMER CKT 1'	287	0.11344	103.5525	138KV	CKT 1'		'OMPA-ALTUS PARK - OMPVET-4 138.00
FDNS	02ALL	0 11G	G08_110	'FROM->TO'	'ELK CITY 230KV (ELKCTY-6) 230/138/13.8KV TRANSFORMER CKT 1'	287	0.03738	103.5525	138KV	CKT 1'		'OMPA-ALTUS PARK - OMPVET-4 138.00
FDNS	02ALL	0 11G	G10_007	'FROM->TO'	'ELK CITY 230KV (ELKCTY-6) 230/138/13.8KV TRANSFORMER CKT 1'	287	0.10158	103.5525	138KV	CKT 1'		'OMPA-ALTUS PARK - OMPVET-4 138.00
FDNS	02ALL	0 11G	ASGI_2010_011	'FROM->TO'	'ELK CITY 230KV (ELKCTY-6) 230/138/13.8KV TRANSFORMER CKT 1'	287	0.05933	103.5525	138KV	CKT 1'		'OMPA-ALTUS PARK - OMPVET-4 138.00
FDNS	02ALL	0 11G	G10_014	'FROM->TO'	'ELK CITY 230KV (ELKCTY-6) 230/138/13.8KV TRANSFORMER CKT 1'	287	0.03738	103.5525	138KV	CKT 1'		'OMPA-ALTUS PARK - OMPVET-4 138.00
FDNS	02ALL	0 11G	G09_067S	'FROM->TO'	'ELK CITY 230KV (ELKCTY-6) 230/138/13.8KV TRANSFORMER CKT 1'	287	0.06642	102.6482	138KV	CKT 1'		'OMPA-ALTUS PARK - OMPVET-4 138.00
FDNS	02ALL	0 11G	G08_022	'FROM->TO'	'ELK CITY 230KV (ELKCTY-6) 230/138/13.8KV TRANSFORMER CKT 1'	287	0.06771	102.6482	138KV	CKT 1'		'OMPA-ALTUS PARK - OMPVET-4 138.00
FDNS	02ALL	0 11G	G08_088	'FROM->TO'	'ELK CITY 230KV (ELKCTY-6) 230/138/13.8KV TRANSFORMER CKT 1'	287	0.11344	102.6482	138KV	CKT 1'		'OMPA-ALTUS PARK - OMPVET-4 138.00
FDNS	02ALL	0 11G	G08_110	'FROM->TO'	'ELK CITY 230KV (ELKCTY-6) 230/138/13.8KV TRANSFORMER CKT 1'	287	0.03738	102.6482	138KV	CKT 1'		'OMPA-ALTUS PARK - OMPVET-4 138.00
FDNS	02ALL	0 11G	G10_007	'FROM->TO'	'ELK CITY 230KV (ELKCTY-6) 230/138/13.8KV TRANSFORMER CKT 1'	287	0.10158	102.6482	138KV	CKT 1'		'OMPA-ALTUS PARK - OMPVET-4 138.00
FDNS	02ALL	0 11G	ASGI_2010_011	'FROM->TO'	'ELK CITY 230KV (ELKCTY-6) 230/138/13.8KV TRANSFORMER CKT 1'	287	0.05933	102.6482	138KV	CKT 1'		'OMPA-ALTUS PARK - OMPVET-4 138.00
FDNS	02ALL	0 11G	G10_014	'FROM->TO'	'ELK CITY 230KV (ELKCTY-6) 230/138/13.8KV TRANSFORMER CKT 1'	287	0.03738	102.6482	138KV	CKT 1'		'OMPA-ALTUS PARK - OMPVET-4 138.00
FDNS	02ALL	0 11G	G09_008	'TO->FROM'	'HAYS PLANT - SOUTH HAYS 115KV CKT 1'	88	0.13685	132.7036	230.00	230KV	CKT 1'	'KNOLL 230 - POSTROCK6
FDNS	02ALL	0 11G	G09_020	'TO->FROM'	'HAYS PLANT - SOUTH HAYS 115KV CKT 1'	88	0.03596	132.7036	230.00	230KV	CKT 1'	'KNOLL 230 - POSTROCK6
FDNS	02ALL	0 11G	G10_015	'TO->FROM'	'HAYS PLANT - SOUTH HAYS 115KV CKT 1'	88	0.03045	132.7036	230.00	230KV	CKT 1'	'KNOLL 230 - POSTROCK6

SOLUTION	GROUP	SCENARIO	SEASON	SOURCE	DIRECTION	MONITORED ELEMENT	RATE B	TDF	TC%	LOADING	CONTINGENCY NAME
						COMMON NAME					
FDNS	02ALL		0 11G	G10_016	'TO->FROM'	'HAYS PLANT - SOUTH HAYS 115KV CKT 1'	88	0.05308	132.7036	'KNOLL 230 - POSTROCK6 230.00 230KV CKT 1'	
FDNS	02ALL		0 11G	G09_008	'FROM->TO'	'HAYS PLANT - VINE STREET 115KV CKT 1'	88	0.13685	113.6326	'KNOLL 230 - POSTROCK6 230.00 230KV CKT 1'	
FDNS	02ALL		0 11G	G09_020	'FROM->TO'	'HAYS PLANT - VINE STREET 115KV CKT 1'	88	0.03596	113.6326	'KNOLL 230 - POSTROCK6 230.00 230KV CKT 1'	
FDNS	02ALL		0 11G	G10_015	'FROM->TO'	'HAYS PLANT - VINE STREET 115KV CKT 1'	88	0.03045	113.6326	'KNOLL 230 - POSTROCK6 230.00 230KV CKT 1'	
FDNS	02ALL		0 11G	G10_016	'FROM->TO'	'HAYS PLANT - VINE STREET 115KV CKT 1'	88	0.05308	113.6326	'KNOLL 230 - POSTROCK6 230.00 230KV CKT 1'	
FDNS	02ALL		0 11G	G08_044	'TO->FROM'	'FPL SWITCH - WOODWARD 138KV CKT 1'	153	0.03352	133.7954	'G10-16T 345.00 - POSTROCK7 345.00 345KV CKT 1'	
FDNS	02ALL		0 11G	G08_047	'TO->FROM'	'FPL SWITCH - WOODWARD 138KV CKT 1'	153	0.05347	133.7954	'G10-16T 345.00 - POSTROCK7 345.00 345KV CKT 1'	
FDNS	02ALL		0 11G	G08_110	'TO->FROM'	'FPL SWITCH - WOODWARD 138KV CKT 1'	153	0.04106	133.7954	'G10-16T 345.00 - POSTROCK7 345.00 345KV CKT 1'	
FDNS	02ALL		0 11G	ASGI_2010_011	'TO->FROM'	'FPL SWITCH - WOODWARD 138KV CKT 1'	153	0.03408	133.7954	'G10-16T 345.00 - POSTROCK7 345.00 345KV CKT 1'	
FDNS	02ALL		0 11G	G10_011	'TO->FROM'	'FPL SWITCH - WOODWARD 138KV CKT 1'	153	0.03352	133.7954	'G10-16T 345.00 - POSTROCK7 345.00 345KV CKT 1'	
FDNS	02ALL		0 11G	G10_014	'TO->FROM'	'FPL SWITCH - WOODWARD 138KV CKT 1'	153	0.04106	133.7954	'G10-16T 345.00 - POSTROCK7 345.00 345KV CKT 1'	
FDNS	02ALL		0 11G	G09_067S	'FROM->TO'	'ELK CITY 230KV (ELKCTY-6) 230/138/13.8KV TRANSFORMER CKT 1'	287	0.06672	106.205	'G10-16T 345.00 - POSTROCK7 345.00 345KV CKT 1'	
FDNS	02ALL		0 11G	G08_022	'FROM->TO'	'ELK CITY 230KV (ELKCTY-6) 230/138/13.8KV TRANSFORMER CKT 1'	287	0.06803	106.205	'G10-16T 345.00 - POSTROCK7 345.00 345KV CKT 1'	
FDNS	02ALL		0 11G	G08_088	'FROM->TO'	'ELK CITY 230KV (ELKCTY-6) 230/138/13.8KV TRANSFORMER CKT 1'	287	0.11407	106.205	'G10-16T 345.00 - POSTROCK7 345.00 345KV CKT 1'	
FDNS	02ALL		0 11G	G08_110	'FROM->TO'	'ELK CITY 230KV (ELKCTY-6) 230/138/13.8KV TRANSFORMER CKT 1'	287	0.03817	106.205	'G10-16T 345.00 - POSTROCK7 345.00 345KV CKT 1'	
FDNS	02ALL		0 11G	G10_007	'FROM->TO'	'ELK CITY 230KV (ELKCTY-6) 230/138/13.8KV TRANSFORMER CKT 1'	287	0.10227	106.205	'G10-16T 345.00 - POSTROCK7 345.00 345KV CKT 1'	
FDNS	02ALL		0 11G	ASGI_2010_011	'FROM->TO'	'ELK CITY 230KV (ELKCTY-6) 230/138/13.8KV TRANSFORMER CKT 1'	287	0.06009	106.205	'G10-16T 345.00 - POSTROCK7 345.00 345KV CKT 1'	
FDNS	02ALL		0 11G	G10_014	'FROM->TO'	'ELK CITY 230KV (ELKCTY-6) 230/138/13.8KV TRANSFORMER CKT 1'	287	0.03817	106.205	'G10-16T 345.00 - POSTROCK7 345.00 345KV CKT 1'	
FDNS	02ALL		0 11G	G09_067S	'FROM->TO'	'ELK CITY 230KV (ELKCTY-6) 230/138/13.8KV TRANSFORMER CKT 1'	287	0.06672	105.2283	'G10-16T 345.00 - POSTROCK7 345.00 345KV CKT 1'	
FDNS	02ALL		0 11G	G08_022	'FROM->TO'	'ELK CITY 230KV (ELKCTY-6) 230/138/13.8KV TRANSFORMER CKT 1'	287	0.06803	105.2283	'G10-16T 345.00 - POSTROCK7 345.00 345KV CKT 1'	
FDNS	02ALL		0 11G	G08_088	'FROM->TO'	'ELK CITY 230KV (ELKCTY-6) 230/138/13.8KV TRANSFORMER CKT 1'	287	0.11407	105.2283	'G10-16T 345.00 - POSTROCK7 345.00 345KV CKT 1'	
FDNS	02ALL		0 11G	G08_110	'FROM->TO'	'ELK CITY 230KV (ELKCTY-6) 230/138/13.8KV TRANSFORMER CKT 1'	287	0.03817	105.2283	'G10-16T 345.00 - POSTROCK7 345.00 345KV CKT 1'	
FDNS	02ALL		0 11G	G10_007	'FROM->TO'	'ELK CITY 230KV (ELKCTY-6) 230/138/13.8KV TRANSFORMER CKT 1'	287	0.10227	105.2283	'G10-16T 345.00 - POSTROCK7 345.00 345KV CKT 1'	
FDNS	02ALL		0 11G	ASGI_2010_011	'FROM->TO'	'ELK CITY 230KV (ELKCTY-6) 230/138/13.8KV TRANSFORMER CKT 1'	287	0.06009	105.2283	'G10-16T 345.00 - POSTROCK7 345.00 345KV CKT 1'	
FDNS	02ALL		0 11G	G10_014	'FROM->TO'	'ELK CITY 230KV (ELKCTY-6) 230/138/13.8KV TRANSFORMER CKT 1'	287	0.03817	105.2283	'G10-16T 345.00 - POSTROCK7 345.00 345KV CKT 1'	
FDNS	02ALL		0 11G	G08_044	'TO->FROM'	'FPL SWITCH - WOODWARD 138KV CKT 1'	153	0.03342	131.2212	'AXTELL - POSTROCK7 345.00 345KV CKT 1'	
FDNS	02ALL		0 11G	G08_047	'TO->FROM'	'FPL SWITCH - WOODWARD 138KV CKT 1'	153	0.05321	131.2212	'AXTELL - POSTROCK7 345.00 345KV CKT 1'	
FDNS	02ALL		0 11G	G08_110	'TO->FROM'	'FPL SWITCH - WOODWARD 138KV CKT 1'	153	0.04074	131.2212	'AXTELL - POSTROCK7 345.00 345KV CKT 1'	
FDNS	02ALL		0 11G	ASGI_2010_011	'TO->FROM'	'FPL SWITCH - WOODWARD 138KV CKT 1'	153	0.03378	131.2212	'AXTELL - POSTROCK7 345.00 345KV CKT 1'	

SOLUTION	GROUP	SCENARIO	SEASON	SOURCE	DIRECTION	MONITORED ELEMENT	RATE B	TDF	TC%LOADING	CONTINGENCY NAME
						COMMON NAME				
FDNS	02ALL		0 11G	G10_011	'TO->FROM'	'FPL SWITCH - WOODWARD 138KV CKT 1'	153	0.03342	131.2212	'AXTELL - POSTROCK7 345.00 345KV CKT 1'
FDNS	02ALL		0 11G	G10_014	'TO->FROM'	'FPL SWITCH - WOODWARD 138KV CKT 1'	153	0.04074	131.2212	'AXTELL - POSTROCK7 345.00 345KV CKT 1'
FDNS	02ALL		0 11G	G08_044	'TO->FROM'	'FPL SWITCH - WOODWARD 138KV CKT 1'	153	0.03335	132.6783	'HOLCOMB - SETAB 345KV CKT 1'
FDNS	02ALL		0 11G	G08_047	'TO->FROM'	'FPL SWITCH - WOODWARD 138KV CKT 1'	153	0.05346	132.6783	'HOLCOMB - SETAB 345KV CKT 1'
FDNS	02ALL		0 11G	G08_110	'TO->FROM'	'FPL SWITCH - WOODWARD 138KV CKT 1'	153	0.04128	132.6783	'HOLCOMB - SETAB 345KV CKT 1'
FDNS	02ALL		0 11G	ASGI_2010_011	'TO->FROM'	'FPL SWITCH - WOODWARD 138KV CKT 1'	153	0.03426	132.6783	'HOLCOMB - SETAB 345KV CKT 1'
FDNS	02ALL		0 11G	G10_011	'TO->FROM'	'FPL SWITCH - WOODWARD 138KV CKT 1'	153	0.03335	132.6783	'HOLCOMB - SETAB 345KV CKT 1'
FDNS	02ALL		0 11G	G10_014	'TO->FROM'	'FPL SWITCH - WOODWARD 138KV CKT 1'	153	0.04128	132.6783	'HOLCOMB - SETAB 345KV CKT 1'
FDNS	02ALL		0 11G	G09_067S	'FROM->TO'	'ELK CITY 230KV (ELKCTY-6) 230/138/13.8KV TRANSFORMER CKT 1'	287	0.06717	106.7086	'HOLCOMB - SETAB 345KV CKT 1'
FDNS	02ALL		0 11G	G08_022	'FROM->TO'	'ELK CITY 230KV (ELKCTY-6) 230/138/13.8KV TRANSFORMER CKT 1'	287	0.06848	106.7086	'HOLCOMB - SETAB 345KV CKT 1'
FDNS	02ALL		0 11G	G08_088	'FROM->TO'	'ELK CITY 230KV (ELKCTY-6) 230/138/13.8KV TRANSFORMER CKT 1'	287	0.11465	106.7086	'HOLCOMB - SETAB 345KV CKT 1'
FDNS	02ALL		0 11G	G08_110	'FROM->TO'	'ELK CITY 230KV (ELKCTY-6) 230/138/13.8KV TRANSFORMER CKT 1'	287	0.03899	106.7086	'HOLCOMB - SETAB 345KV CKT 1'
FDNS	02ALL		0 11G	G10_007	'FROM->TO'	'ELK CITY 230KV (ELKCTY-6) 230/138/13.8KV TRANSFORMER CKT 1'	287	0.10291	106.7086	'HOLCOMB - SETAB 345KV CKT 1'
FDNS	02ALL		0 11G	ASGI_2010_011	'FROM->TO'	'ELK CITY 230KV (ELKCTY-6) 230/138/13.8KV TRANSFORMER CKT 1'	287	0.06084	106.7086	'HOLCOMB - SETAB 345KV CKT 1'
FDNS	02ALL		0 11G	G10_014	'FROM->TO'	'ELK CITY 230KV (ELKCTY-6) 230/138/13.8KV TRANSFORMER CKT 1'	287	0.03899	106.7086	'HOLCOMB - SETAB 345KV CKT 1'
FDNS	02ALL		0 11G	G09_067S	'FROM->TO'	'ELK CITY 230KV (ELKCTY-6) 230/138/13.8KV TRANSFORMER CKT 1'	287	0.06717	105.7118	'HOLCOMB - SETAB 345KV CKT 1'
FDNS	02ALL		0 11G	G08_022	'FROM->TO'	'ELK CITY 230KV (ELKCTY-6) 230/138/13.8KV TRANSFORMER CKT 1'	287	0.06848	105.7118	'HOLCOMB - SETAB 345KV CKT 1'
FDNS	02ALL		0 11G	G08_088	'FROM->TO'	'ELK CITY 230KV (ELKCTY-6) 230/138/13.8KV TRANSFORMER CKT 1'	287	0.11465	105.7118	'HOLCOMB - SETAB 345KV CKT 1'
FDNS	02ALL		0 11G	G08_110	'FROM->TO'	'ELK CITY 230KV (ELKCTY-6) 230/138/13.8KV TRANSFORMER CKT 1'	287	0.03899	105.7118	'HOLCOMB - SETAB 345KV CKT 1'
FDNS	02ALL		0 11G	G10_007	'FROM->TO'	'ELK CITY 230KV (ELKCTY-6) 230/138/13.8KV TRANSFORMER CKT 1'	287	0.10291	105.7118	'HOLCOMB - SETAB 345KV CKT 1'
FDNS	02ALL		0 11G	ASGI_2010_011	'FROM->TO'	'ELK CITY 230KV (ELKCTY-6) 230/138/13.8KV TRANSFORMER CKT 1'	287	0.06084	105.7118	'HOLCOMB - SETAB 345KV CKT 1'
FDNS	02ALL		0 11G	G10_014	'FROM->TO'	'ELK CITY 230KV (ELKCTY-6) 230/138/13.8KV TRANSFORMER CKT 1'	287	0.03899	105.7118	'HOLCOMB - SETAB 345KV CKT 1'
FDNS	02ALL		0 11G	G08_044	'TO->FROM'	'FPL SWITCH - WOODWARD 138KV CKT 1'	153	0.03284	135.4646	'G08-18 345.00 - HOLCOMB 345KV CKT 1'
FDNS	02ALL		0 11G	G08_047	'TO->FROM'	'FPL SWITCH - WOODWARD 138KV CKT 1'	153	0.05304	135.4646	'G08-18 345.00 - HOLCOMB 345KV CKT 1'
FDNS	02ALL		0 11G	G08_110	'TO->FROM'	'FPL SWITCH - WOODWARD 138KV CKT 1'	153	0.04108	135.4646	'G08-18 345.00 - HOLCOMB 345KV CKT 1'
FDNS	02ALL		0 11G	ASGI_2010_011	'TO->FROM'	'FPL SWITCH - WOODWARD 138KV CKT 1'	153	0.03404	135.4646	'G08-18 345.00 - HOLCOMB 345KV CKT 1'
FDNS	02ALL		0 11G	G10_011	'TO->FROM'	'FPL SWITCH - WOODWARD 138KV CKT 1'	153	0.03284	135.4646	'G08-18 345.00 - HOLCOMB 345KV CKT 1'
FDNS	02ALL		0 11G	G10_014	'TO->FROM'	'FPL SWITCH - WOODWARD 138KV CKT 1'	153	0.04108	135.4646	'G08-18 345.00 - HOLCOMB 345KV CKT 1'
FDNS	02ALL		0 11G	G08_047	'TO->FROM'	'DEAF SMITH COUNTY INTERCHANGE - S-RANDLCO 230.00 230KV CKT 1'	350	0.03054	100.7496	'G08-18 345.00 - HOLCOMB 345KV CKT 1'

SOLUTION	GROUP	SCENARIO	SEASON	SOURCE	DIRECTION	MONITORED ELEMENT		RATE B	TDF	TC%LOADING	CONTINGENCY NAME
						COMMON NAME					
FDNS	02ALL	0 11G	G08_088	'TO->FROM'	'DEAF SMITH COUNTY INTERCHANGE - S-RANDLCO 230.00 230KV CKT 1'	350	0.06432	100.7496	1'	'G08-18	345.00 - HOLCOMB 345KV CKT
FDNS	02ALL	0 11G	G08_110	'TO->FROM'	'DEAF SMITH COUNTY INTERCHANGE - S-RANDLCO 230.00 230KV CKT 1'	350	0.04784	100.7496	1'	'G08-18	345.00 - HOLCOMB 345KV CKT
FDNS	02ALL	0 11G	G10_007	'TO->FROM'	'DEAF SMITH COUNTY INTERCHANGE - S-RANDLCO 230.00 230KV CKT 1'	350	0.07409	100.7496	1'	'G08-18	345.00 - HOLCOMB 345KV CKT
FDNS	02ALL	0 11G	ASGI_2010_011	'TO->FROM'	'DEAF SMITH COUNTY INTERCHANGE - S-RANDLCO 230.00 230KV CKT 1'	350	0.05893	100.7496	1'	'G08-18	345.00 - HOLCOMB 345KV CKT
FDNS	02ALL	0 11G	G10_014	'TO->FROM'	'DEAF SMITH COUNTY INTERCHANGE - S-RANDLCO 230.00 230KV CKT 1'	350	0.04784	100.7496	1'	'G08-18	345.00 - HOLCOMB 345KV CKT
FDNS	02ALL	0 11G	G09_067S	'FROM->TO'	'ELK CITY 230KV (ELKCTY-6) 230/138/13.8KV TRANSFORMER CKT 1'	287	0.06787	112.4267	1'	'G08-18	345.00 - HOLCOMB 345KV CKT
FDNS	02ALL	0 11G	G08_022	'FROM->TO'	'ELK CITY 230KV (ELKCTY-6) 230/138/13.8KV TRANSFORMER CKT 1'	287	0.0692	112.4267	1'	'G08-18	345.00 - HOLCOMB 345KV CKT
FDNS	02ALL	0 11G	G08_088	'FROM->TO'	'ELK CITY 230KV (ELKCTY-6) 230/138/13.8KV TRANSFORMER CKT 1'	287	0.11597	112.4267	1'	'G08-18	345.00 - HOLCOMB 345KV CKT
FDNS	02ALL	0 11G	G08_110	'FROM->TO'	'ELK CITY 230KV (ELKCTY-6) 230/138/13.8KV TRANSFORMER CKT 1'	287	0.04141	112.4267	1'	'G08-18	345.00 - HOLCOMB 345KV CKT
FDNS	02ALL	0 11G	G10_007	'FROM->TO'	'ELK CITY 230KV (ELKCTY-6) 230/138/13.8KV TRANSFORMER CKT 1'	287	0.1045	112.4267	1'	'G08-18	345.00 - HOLCOMB 345KV CKT
FDNS	02ALL	0 11G	ASGI_2010_011	'FROM->TO'	'ELK CITY 230KV (ELKCTY-6) 230/138/13.8KV TRANSFORMER CKT 1'	287	0.06297	112.4267	1'	'G08-18	345.00 - HOLCOMB 345KV CKT
FDNS	02ALL	0 11G	G10_014	'FROM->TO'	'ELK CITY 230KV (ELKCTY-6) 230/138/13.8KV TRANSFORMER CKT 1'	287	0.04141	112.4267	1'	'G08-18	345.00 - HOLCOMB 345KV CKT
FDNS	02ALL	0 11G	G09_067S	'FROM->TO'	'ELK CITY 230KV (ELKCTY-6) 230/138/13.8KV TRANSFORMER CKT 1'	287	0.06787	111.1411	1'	'G08-18	345.00 - HOLCOMB 345KV CKT
FDNS	02ALL	0 11G	G08_022	'FROM->TO'	'ELK CITY 230KV (ELKCTY-6) 230/138/13.8KV TRANSFORMER CKT 1'	287	0.0692	111.1411	1'	'G08-18	345.00 - HOLCOMB 345KV CKT
FDNS	02ALL	0 11G	G08_088	'FROM->TO'	'ELK CITY 230KV (ELKCTY-6) 230/138/13.8KV TRANSFORMER CKT 1'	287	0.11597	111.1411	1'	'G08-18	345.00 - HOLCOMB 345KV CKT
FDNS	02ALL	0 11G	G08_110	'FROM->TO'	'ELK CITY 230KV (ELKCTY-6) 230/138/13.8KV TRANSFORMER CKT 1'	287	0.04141	111.1411	1'	'G08-18	345.00 - HOLCOMB 345KV CKT
FDNS	02ALL	0 11G	G10_007	'FROM->TO'	'ELK CITY 230KV (ELKCTY-6) 230/138/13.8KV TRANSFORMER CKT 1'	287	0.1045	111.1411	1'	'G08-18	345.00 - HOLCOMB 345KV CKT
FDNS	02ALL	0 11G	ASGI_2010_011	'FROM->TO'	'ELK CITY 230KV (ELKCTY-6) 230/138/13.8KV TRANSFORMER CKT 1'	287	0.06297	111.1411	1'	'G08-18	345.00 - HOLCOMB 345KV CKT
FDNS	02ALL	0 11G	G10_014	'FROM->TO'	'ELK CITY 230KV (ELKCTY-6) 230/138/13.8KV TRANSFORMER CKT 1'	287	0.04141	111.1411	1'	'G08-18	345.00 - HOLCOMB 345KV CKT
FDNS	02ALL	0 11G	G08_044	'TO->FROM'	'FPL SWITCH - WOODWARD 138KV CKT 1'	153	0.03341	134.4371	'MINGO - SETAB 345KV CKT 1'		
FDNS	02ALL	0 11G	G08_047	'TO->FROM'	'FPL SWITCH - WOODWARD 138KV CKT 1'	153	0.05365	134.4371	'MINGO - SETAB 345KV CKT 1'		
FDNS	02ALL	0 11G	G08_110	'TO->FROM'	'FPL SWITCH - WOODWARD 138KV CKT 1'	153	0.04154	134.4371	'MINGO - SETAB 345KV CKT 1'		
FDNS	02ALL	0 11G	ASGI_2010_011	'TO->FROM'	'FPL SWITCH - WOODWARD 138KV CKT 1'	153	0.0345	134.4371	'MINGO - SETAB 345KV CKT 1'		
FDNS	02ALL	0 11G	G10_011	'TO->FROM'	'FPL SWITCH - WOODWARD 138KV CKT 1'	153	0.03341	134.4371	'MINGO - SETAB 345KV CKT 1'		
FDNS	02ALL	0 11G	G10_014	'TO->FROM'	'FPL SWITCH - WOODWARD 138KV CKT 1'	153	0.04154	134.4371	'MINGO - SETAB 345KV CKT 1'		
FDNS	02ALL	0 11G	G09_067S	'FROM->TO'	'ELK CITY 230KV (ELKCTY-6) 230/138/13.8KV TRANSFORMER CKT 1'	287	0.06729	107.4958	'MINGO - SETAB 345KV CKT 1'		
FDNS	02ALL	0 11G	G08_022	'FROM->TO'	'ELK CITY 230KV (ELKCTY-6) 230/138/13.8KV TRANSFORMER CKT 1'	287	0.0686	107.4958	'MINGO - SETAB 345KV CKT 1'		
FDNS	02ALL	0 11G	G08_088	'FROM->TO'	'ELK CITY 230KV (ELKCTY-6) 230/138/13.8KV TRANSFORMER CKT 1'	287	0.11481	107.4958	'MINGO - SETAB 345KV CKT 1'		
FDNS	02ALL	0 11G	G08_110	'FROM->TO'	'ELK CITY 230KV (ELKCTY-6) 230/138/13.8KV TRANSFORMER CKT 1'	287	0.03922	107.4958	'MINGO - SETAB 345KV CKT 1'		

SOLUTION	GROUP	SCENARIO	SEASON	SOURCE	DIRECTION	MONITORED ELEMENT	RATE B	TDF	TC%	LOADING	CONTINGENCY NAME
						COMMON NAME					
FDNS	02ALL		0 11G	G10_007	'FROM->TO'	'ELK CITY 230KV (ELKCTY-6) 230/138/13.8KV TRANSFORMER CKT 1'	287	0.10308	107.4958	'MINGO - SETAB 345KV CKT 1'	
FDNS	02ALL		0 11G	ASGI_2010_011	'FROM->TO'	'ELK CITY 230KV (ELKCTY-6) 230/138/13.8KV TRANSFORMER CKT 1'	287	0.06106	107.4958	'MINGO - SETAB 345KV CKT 1'	
FDNS	02ALL		0 11G	G10_014	'FROM->TO'	'ELK CITY 230KV (ELKCTY-6) 230/138/13.8KV TRANSFORMER CKT 1'	287	0.03922	107.4958	'MINGO - SETAB 345KV CKT 1'	
FDNS	02ALL		0 11G	G09_067S	'FROM->TO'	'ELK CITY 230KV (ELKCTY-6) 230/138/13.8KV TRANSFORMER CKT 1'	287	0.06729	106.4738	'MINGO - SETAB 345KV CKT 1'	
FDNS	02ALL		0 11G	G08_022	'FROM->TO'	'ELK CITY 230KV (ELKCTY-6) 230/138/13.8KV TRANSFORMER CKT 1'	287	0.06886	106.4738	'MINGO - SETAB 345KV CKT 1'	
FDNS	02ALL		0 11G	G08_088	'FROM->TO'	'ELK CITY 230KV (ELKCTY-6) 230/138/13.8KV TRANSFORMER CKT 1'	287	0.11481	106.4738	'MINGO - SETAB 345KV CKT 1'	
FDNS	02ALL		0 11G	G08_110	'FROM->TO'	'ELK CITY 230KV (ELKCTY-6) 230/138/13.8KV TRANSFORMER CKT 1'	287	0.03922	106.4738	'MINGO - SETAB 345KV CKT 1'	
FDNS	02ALL		0 11G	G10_007	'FROM->TO'	'ELK CITY 230KV (ELKCTY-6) 230/138/13.8KV TRANSFORMER CKT 1'	287	0.10308	106.4738	'MINGO - SETAB 345KV CKT 1'	
FDNS	02ALL		0 11G	ASGI_2010_011	'FROM->TO'	'ELK CITY 230KV (ELKCTY-6) 230/138/13.8KV TRANSFORMER CKT 1'	287	0.06106	106.4738	'MINGO - SETAB 345KV CKT 1'	
FDNS	02ALL		0 11G	G10_014	'FROM->TO'	'ELK CITY 230KV (ELKCTY-6) 230/138/13.8KV TRANSFORMER CKT 1'	287	0.03922	106.4738	'MINGO - SETAB 345KV CKT 1'	
FDNS	02ALL		0 11G	G08_044	'TO->FROM'	'FPL SWITCH - WOODWARD 138KV CKT 1'	153	0.03347	133.9456	'MINGO - RED WILLOW 345KV CKT 1'	
FDNS	02ALL		0 11G	G08_047	'TO->FROM'	'FPL SWITCH - WOODWARD 138KV CKT 1'	153	0.05375	133.9456	'MINGO - RED WILLOW 345KV CKT 1'	
FDNS	02ALL		0 11G	G08_110	'TO->FROM'	'FPL SWITCH - WOODWARD 138KV CKT 1'	153	0.04164	133.9456	'MINGO - RED WILLOW 345KV CKT 1'	
FDNS	02ALL		0 11G	ASGI_2010_011	'TO->FROM'	'FPL SWITCH - WOODWARD 138KV CKT 1'	153	0.0346	133.9456	'MINGO - RED WILLOW 345KV CKT 1'	
FDNS	02ALL		0 11G	G10_011	'TO->FROM'	'FPL SWITCH - WOODWARD 138KV CKT 1'	153	0.03347	133.9456	'MINGO - RED WILLOW 345KV CKT 1'	
FDNS	02ALL		0 11G	G10_014	'TO->FROM'	'FPL SWITCH - WOODWARD 138KV CKT 1'	153	0.04164	133.9456	'MINGO - RED WILLOW 345KV CKT 1'	
FDNS	02ALL		0 11G	G09_067S	'FROM->TO'	'ELK CITY 230KV (ELKCTY-6) 230/138/13.8KV TRANSFORMER CKT 1'	287	0.06732	107.1596	'MINGO - RED WILLOW 345KV CKT 1'	
FDNS	02ALL		0 11G	G08_022	'FROM->TO'	'ELK CITY 230KV (ELKCTY-6) 230/138/13.8KV TRANSFORMER CKT 1'	287	0.06863	107.1596	'MINGO - RED WILLOW 345KV CKT 1'	
FDNS	02ALL		0 11G	G08_088	'FROM->TO'	'ELK CITY 230KV (ELKCTY-6) 230/138/13.8KV TRANSFORMER CKT 1'	287	0.11484	107.1596	'MINGO - RED WILLOW 345KV CKT 1'	
FDNS	02ALL		0 11G	G08_110	'FROM->TO'	'ELK CITY 230KV (ELKCTY-6) 230/138/13.8KV TRANSFORMER CKT 1'	287	0.03926	107.1596	'MINGO - RED WILLOW 345KV CKT 1'	
FDNS	02ALL		0 11G	G10_007	'FROM->TO'	'ELK CITY 230KV (ELKCTY-6) 230/138/13.8KV TRANSFORMER CKT 1'	287	0.10312	107.1596	'MINGO - RED WILLOW 345KV CKT 1'	
FDNS	02ALL		0 11G	ASGI_2010_011	'FROM->TO'	'ELK CITY 230KV (ELKCTY-6) 230/138/13.8KV TRANSFORMER CKT 1'	287	0.06109	107.1596	'MINGO - RED WILLOW 345KV CKT 1'	
FDNS	02ALL		0 11G	G10_014	'FROM->TO'	'ELK CITY 230KV (ELKCTY-6) 230/138/13.8KV TRANSFORMER CKT 1'	287	0.03926	107.1596	'MINGO - RED WILLOW 345KV CKT 1'	
FDNS	02ALL		0 11G	G09_067S	'FROM->TO'	'ELK CITY 230KV (ELKCTY-6) 230/138/13.8KV TRANSFORMER CKT 1'	287	0.06732	106.1482	'MINGO - RED WILLOW 345KV CKT 1'	
FDNS	02ALL		0 11G	G08_022	'FROM->TO'	'ELK CITY 230KV (ELKCTY-6) 230/138/13.8KV TRANSFORMER CKT 1'	287	0.06863	106.1482	'MINGO - RED WILLOW 345KV CKT 1'	
FDNS	02ALL		0 11G	G08_088	'FROM->TO'	'ELK CITY 230KV (ELKCTY-6) 230/138/13.8KV TRANSFORMER CKT 1'	287	0.11484	106.1482	'MINGO - RED WILLOW 345KV CKT 1'	
FDNS	02ALL		0 11G	G08_110	'FROM->TO'	'ELK CITY 230KV (ELKCTY-6) 230/138/13.8KV TRANSFORMER CKT 1'	287	0.03926	106.1482	'MINGO - RED WILLOW 345KV CKT 1'	
FDNS	02ALL		0 11G	G10_007	'FROM->TO'	'ELK CITY 230KV (ELKCTY-6) 230/138/13.8KV TRANSFORMER CKT 1'	287	0.10312	106.1482	'MINGO - RED WILLOW 345KV CKT 1'	
FDNS	02ALL		0 11G	ASGI_2010_011	'FROM->TO'	'ELK CITY 230KV (ELKCTY-6) 230/138/13.8KV TRANSFORMER CKT 1'	287	0.06109	106.1482	'MINGO - RED WILLOW 345KV CKT 1'	

SOLUTION	GROUP	SCENARIO	SEASON	SOURCE	DIRECTION	MONITORED ELEMENT		RATE B	TDF	TC%	LOADING	CONTINGENCY NAME
						COMMON NAME						
FDNS	02ALL		0 11G	G10_014	'FROM->TO'	'ELK CITY 230KV (ELKCTY-6) 230/138/13.8KV TRANSFORMER CKT 1'		287	0.03926	106.1482	'MINGO - RED WILLOW 345KV CKT 1'	
FDNS	02ALL		0 11G	G08_044	'TO->FROM'	'FPL SWITCH - WOODWARD 138KV CKT 1'		153	0.03279	135.7666	'GRAY CO 345.00 - SPEARVILLE 345KV CKT 1'	
FDNS	02ALL		0 11G	G08_047	'TO->FROM'	'FPL SWITCH - WOODWARD 138KV CKT 1'		153	0.05299	135.7666	'GRAY CO 345.00 - SPEARVILLE 345KV CKT 1'	
FDNS	02ALL		0 11G	G08_110	'TO->FROM'	'FPL SWITCH - WOODWARD 138KV CKT 1'		153	0.04103	135.7666	'GRAY CO 345.00 - SPEARVILLE 345KV CKT 1'	
FDNS	02ALL		0 11G	ASGI_2010_011	'TO->FROM'	'FPL SWITCH - WOODWARD 138KV CKT 1'		153	0.03399	135.7666	'GRAY CO 345.00 - SPEARVILLE 345KV CKT 1'	
FDNS	02ALL		0 11G	G10_011	'TO->FROM'	'FPL SWITCH - WOODWARD 138KV CKT 1'		153	0.03279	135.7666	'GRAY CO 345.00 - SPEARVILLE 345KV CKT 1'	
FDNS	02ALL		0 11G	G10_014	'TO->FROM'	'FPL SWITCH - WOODWARD 138KV CKT 1'		153	0.04103	135.7666	'GRAY CO 345.00 - SPEARVILLE 345KV CKT 1'	
FDNS	02ALL		0 11G	G08_047	'TO->FROM'	'DEAF SMITH COUNTY INTERCHANGE - S-RANDLCO 230.00 230KV CKT 1'		350	0.03041	101.7318	'GRAY CO 345.00 - SPEARVILLE 345KV CKT 1'	
FDNS	02ALL		0 11G	G10_009	'TO->FROM'	'DEAF SMITH COUNTY INTERCHANGE - S-RANDLCO 230.00 230KV CKT 1'		350	0.0344	101.7318	'GRAY CO 345.00 - SPEARVILLE 345KV CKT 1'	
FDNS	02ALL		0 11G	G08_088	'TO->FROM'	'DEAF SMITH COUNTY INTERCHANGE - S-RANDLCO 230.00 230KV CKT 1'		350	0.06419	101.7318	'GRAY CO 345.00 - SPEARVILLE 345KV CKT 1'	
FDNS	02ALL		0 11G	G08_110	'TO->FROM'	'DEAF SMITH COUNTY INTERCHANGE - S-RANDLCO 230.00 230KV CKT 1'		350	0.04771	101.7318	'GRAY CO 345.00 - SPEARVILLE 345KV CKT 1'	
FDNS	02ALL		0 11G	G10_007	'TO->FROM'	'DEAF SMITH COUNTY INTERCHANGE - S-RANDLCO 230.00 230KV CKT 1'		350	0.07397	101.7318	'GRAY CO 345.00 - SPEARVILLE 345KV CKT 1'	
FDNS	02ALL		0 11G	ASGI_2010_011	'TO->FROM'	'DEAF SMITH COUNTY INTERCHANGE - S-RANDLCO 230.00 230KV CKT 1'		350	0.05881	101.7318	'GRAY CO 345.00 - SPEARVILLE 345KV CKT 1'	
FDNS	02ALL		0 11G	G10_014	'TO->FROM'	'DEAF SMITH COUNTY INTERCHANGE - S-RANDLCO 230.00 230KV CKT 1'		350	0.04771	101.7318	'GRAY CO 345.00 - SPEARVILLE 345KV CKT 1'	
FDNS	02ALL		0 11G	G10_009	'TO->FROM'	'ALEXANDER - NESS CITY 115KV CKT 1'		99	0.05024	100.7371	'GRAY CO 345.00 - SPEARVILLE 345KV CKT 1'	
FDNS	02ALL		0 11G	G10_009	'TO->FROM'	'DIGHTON TAP - MANNING TAP 115KV CKT 1'		98	0.04373	104.9953	'GRAY CO 345.00 - SPEARVILLE 345KV CKT 1'	
FDNS	02ALL		0 11G	G09_067S	'FROM->TO'	'ELK CITY 230KV (ELKCTY-6) 230/138/13.8KV TRANSFORMER CKT 1'		287	0.06769	114.5126	'GRAY CO 345.00 - SPEARVILLE 345KV CKT 1'	
FDNS	02ALL		0 11G	G08_022	'FROM->TO'	'ELK CITY 230KV (ELKCTY-6) 230/138/13.8KV TRANSFORMER CKT 1'		287	0.06902	114.5126	'GRAY CO 345.00 - SPEARVILLE 345KV CKT 1'	
FDNS	02ALL		0 11G	G08_088	'FROM->TO'	'ELK CITY 230KV (ELKCTY-6) 230/138/13.8KV TRANSFORMER CKT 1'		287	0.11579	114.5126	'GRAY CO 345.00 - SPEARVILLE 345KV CKT 1'	
FDNS	02ALL		0 11G	G08_110	'FROM->TO'	'ELK CITY 230KV (ELKCTY-6) 230/138/13.8KV TRANSFORMER CKT 1'		287	0.04123	114.5126	'GRAY CO 345.00 - SPEARVILLE 345KV CKT 1'	
FDNS	02ALL		0 11G	G10_007	'FROM->TO'	'ELK CITY 230KV (ELKCTY-6) 230/138/13.8KV TRANSFORMER CKT 1'		287	0.10432	114.5126	'GRAY CO 345.00 - SPEARVILLE 345KV CKT 1'	
FDNS	02ALL		0 11G	ASGI_2010_011	'FROM->TO'	'ELK CITY 230KV (ELKCTY-6) 230/138/13.8KV TRANSFORMER CKT 1'		287	0.06279	114.5126	'GRAY CO 345.00 - SPEARVILLE 345KV CKT 1'	
FDNS	02ALL		0 11G	G10_014	'FROM->TO'	'ELK CITY 230KV (ELKCTY-6) 230/138/13.8KV TRANSFORMER CKT 1'		287	0.04123	114.5126	'GRAY CO 345.00 - SPEARVILLE 345KV CKT 1'	
FDNS	02ALL		0 11G	G09_067S	'FROM->TO'	'ELK CITY 230KV (ELKCTY-6) 230/138/13.8KV TRANSFORMER CKT 1'		287	0.06769	113.134	'GRAY CO 345.00 - SPEARVILLE 345KV CKT 1'	
FDNS	02ALL		0 11G	G08_022	'FROM->TO'	'ELK CITY 230KV (ELKCTY-6) 230/138/13.8KV TRANSFORMER CKT 1'		287	0.06902	113.134	'GRAY CO 345.00 - SPEARVILLE 345KV CKT 1'	
FDNS	02ALL		0 11G	G08_088	'FROM->TO'	'ELK CITY 230KV (ELKCTY-6) 230/138/13.8KV TRANSFORMER CKT 1'		287	0.11579	113.134	'GRAY CO 345.00 - SPEARVILLE 345KV CKT 1'	
FDNS	02ALL		0 11G	G08_110	'FROM->TO'	'ELK CITY 230KV (ELKCTY-6) 230/138/13.8KV TRANSFORMER CKT 1'		287	0.04123	113.134	'GRAY CO 345.00 - SPEARVILLE 345KV CKT 1'	
FDNS	02ALL		0 11G	G10_007	'FROM->TO'	'ELK CITY 230KV (ELKCTY-6) 230/138/13.8KV TRANSFORMER CKT 1'		287	0.10432	113.134	'GRAY CO 345.00 - SPEARVILLE 345KV CKT 1'	
FDNS	02ALL		0 11G	ASGI_2010_011	'FROM->TO'	'ELK CITY 230KV (ELKCTY-6) 230/138/13.8KV TRANSFORMER CKT 1'		287	0.06279	113.134	'GRAY CO 345.00 - SPEARVILLE 345KV CKT 1'	

SOLUTION	GROUP	SCENARIO	SEASON	SOURCE	DIRECTION	MONITORED ELEMENT	RATE B	TDF	TC%	LOADING	CONTINGENCY NAME
						COMMON NAME					
FDNS	02ALL		0 11G	G10_014	'FROM->TO'	'ELK CITY 230KV (ELKCTY-6) 230/138/13.8KV TRANSFORMER CKT 1'	287	0.04123		113.134	'GRAY CO 345.00 - SPEARVILLE 345KV CKT 1'
FDNS	02ALL		0 11G	G08_044	'TO->FROM'	'FPL SWITCH - WOODWARD 138KV CKT 1'	153	0.03354		133.177	'G10-16T 345.00 - SPEARVILLE 345KV CKT 1'
FDNS	02ALL		0 11G	G08_047	'TO->FROM'	'FPL SWITCH - WOODWARD 138KV CKT 1'	153	0.05349		133.177	'G10-16T 345.00 - SPEARVILLE 345KV CKT 1'
FDNS	02ALL		0 11G	G08_110	'TO->FROM'	'FPL SWITCH - WOODWARD 138KV CKT 1'	153	0.04109		133.177	'G10-16T 345.00 - SPEARVILLE 345KV CKT 1'
FDNS	02ALL		0 11G	ASGI_2010_011	'TO->FROM'	'FPL SWITCH - WOODWARD 138KV CKT 1'	153	0.0341		133.177	'G10-16T 345.00 - SPEARVILLE 345KV CKT 1'
FDNS	02ALL		0 11G	G10_011	'TO->FROM'	'FPL SWITCH - WOODWARD 138KV CKT 1'	153	0.03354		133.177	'G10-16T 345.00 - SPEARVILLE 345KV CKT 1'
FDNS	02ALL		0 11G	G10_014	'TO->FROM'	'FPL SWITCH - WOODWARD 138KV CKT 1'	153	0.04109		133.177	'G10-16T 345.00 - SPEARVILLE 345KV CKT 1'
FDNS	02ALL		0 11G	G09_067S	'FROM->TO'	'ELK CITY 230KV (ELKCTY-6) 230/138/13.8KV TRANSFORMER CKT 1'	287	0.06674		106.0244	'G10-16T 345.00 - SPEARVILLE 345KV CKT 1'
FDNS	02ALL		0 11G	G08_022	'FROM->TO'	'ELK CITY 230KV (ELKCTY-6) 230/138/13.8KV TRANSFORMER CKT 1'	287	0.06804		106.0244	'G10-16T 345.00 - SPEARVILLE 345KV CKT 1'
FDNS	02ALL		0 11G	G08_088	'FROM->TO'	'ELK CITY 230KV (ELKCTY-6) 230/138/13.8KV TRANSFORMER CKT 1'	287	0.11409		106.0244	'G10-16T 345.00 - SPEARVILLE 345KV CKT 1'
FDNS	02ALL		0 11G	G08_110	'FROM->TO'	'ELK CITY 230KV (ELKCTY-6) 230/138/13.8KV TRANSFORMER CKT 1'	287	0.03818		106.0244	'G10-16T 345.00 - SPEARVILLE 345KV CKT 1'
FDNS	02ALL		0 11G	G10_007	'FROM->TO'	'ELK CITY 230KV (ELKCTY-6) 230/138/13.8KV TRANSFORMER CKT 1'	287	0.10228		106.0244	'G10-16T 345.00 - SPEARVILLE 345KV CKT 1'
FDNS	02ALL		0 11G	ASGI_2010_011	'FROM->TO'	'ELK CITY 230KV (ELKCTY-6) 230/138/13.8KV TRANSFORMER CKT 1'	287	0.0601		106.0244	'G10-16T 345.00 - SPEARVILLE 345KV CKT 1'
FDNS	02ALL		0 11G	G10_014	'FROM->TO'	'ELK CITY 230KV (ELKCTY-6) 230/138/13.8KV TRANSFORMER CKT 1'	287	0.03818		106.0244	'G10-16T 345.00 - SPEARVILLE 345KV CKT 1'
FDNS	02ALL		0 11G	G09_067S	'FROM->TO'	'ELK CITY 230KV (ELKCTY-6) 230/138/13.8KV TRANSFORMER CKT 1'	287	0.06674		105.053	'G10-16T 345.00 - SPEARVILLE 345KV CKT 1'
FDNS	02ALL		0 11G	G08_022	'FROM->TO'	'ELK CITY 230KV (ELKCTY-6) 230/138/13.8KV TRANSFORMER CKT 1'	287	0.06804		105.053	'G10-16T 345.00 - SPEARVILLE 345KV CKT 1'
FDNS	02ALL		0 11G	G08_088	'FROM->TO'	'ELK CITY 230KV (ELKCTY-6) 230/138/13.8KV TRANSFORMER CKT 1'	287	0.11409		105.053	'G10-16T 345.00 - SPEARVILLE 345KV CKT 1'
FDNS	02ALL		0 11G	G08_110	'FROM->TO'	'ELK CITY 230KV (ELKCTY-6) 230/138/13.8KV TRANSFORMER CKT 1'	287	0.03818		105.053	'G10-16T 345.00 - SPEARVILLE 345KV CKT 1'
FDNS	02ALL		0 11G	G10_007	'FROM->TO'	'ELK CITY 230KV (ELKCTY-6) 230/138/13.8KV TRANSFORMER CKT 1'	287	0.10228		105.053	'G10-16T 345.00 - SPEARVILLE 345KV CKT 1'
FDNS	02ALL		0 11G	ASGI_2010_011	'FROM->TO'	'ELK CITY 230KV (ELKCTY-6) 230/138/13.8KV TRANSFORMER CKT 1'	287	0.0601		105.053	'G10-16T 345.00 - SPEARVILLE 345KV CKT 1'
FDNS	02ALL		0 11G	G10_014	'FROM->TO'	'ELK CITY 230KV (ELKCTY-6) 230/138/13.8KV TRANSFORMER CKT 1'	287	0.03818		105.053	'G10-16T 345.00 - SPEARVILLE 345KV CKT 1'
FDNS	02ALL		0 11G	G08_044	'TO->FROM'	'FPL SWITCH - WOODWARD 138KV CKT 1'	153	0.03357		132.0795	'BENTON - WICHITA 345KV CKT 1'
FDNS	02ALL		0 11G	G08_047	'TO->FROM'	'FPL SWITCH - WOODWARD 138KV CKT 1'	153	0.0538		132.0795	'BENTON - WICHITA 345KV CKT 1'
FDNS	02ALL		0 11G	G08_110	'TO->FROM'	'FPL SWITCH - WOODWARD 138KV CKT 1'	153	0.04129		132.0795	'BENTON - WICHITA 345KV CKT 1'
FDNS	02ALL		0 11G	ASGI_2010_011	'TO->FROM'	'FPL SWITCH - WOODWARD 138KV CKT 1'	153	0.03427		132.0795	'BENTON - WICHITA 345KV CKT 1'
FDNS	02ALL		0 11G	G10_011	'TO->FROM'	'FPL SWITCH - WOODWARD 138KV CKT 1'	153	0.03357		132.0795	'BENTON - WICHITA 345KV CKT 1'
FDNS	02ALL		0 11G	G10_014	'TO->FROM'	'FPL SWITCH - WOODWARD 138KV CKT 1'	153	0.04129		132.0795	'BENTON - WICHITA 345KV CKT 1'
FDNS	02ALL		0 11G	G08_044	'TO->FROM'	'FPL SWITCH - WOODWARD 138KV CKT 1'	153	0.03275		131.8934	'LACYGNE - NEOSHO 345KV CKT 1'
FDNS	02ALL		0 11G	G08_047	'TO->FROM'	'FPL SWITCH - WOODWARD 138KV CKT 1'	153	0.05249		131.8934	'LACYGNE - NEOSHO 345KV CKT 1'

SOLUTION	GROUP	SCENARIO	SEASON	SOURCE	DIRECTION	MONITORED ELEMENT	RATE B	TDF	TC%	LOADING	CONTINGENCY	NAME
						COMMON NAME						
FDNS	02ALL		0 11G	G08_110	'TO->FROM'	'FPL SWITCH - WOODWARD 138KV CKT 1'	153	0.04002	131.8934	'LACYGNE - NEOSHO 345KV CKT 1'		
FDNS	02ALL		0 11G	ASGI_2010_011	'TO->FROM'	'FPL SWITCH - WOODWARD 138KV CKT 1'	153	0.03307	131.8934	'LACYGNE - NEOSHO 345KV CKT 1'		
FDNS	02ALL		0 11G	G10_011	'TO->FROM'	'FPL SWITCH - WOODWARD 138KV CKT 1'	153	0.03275	131.8934	'LACYGNE - NEOSHO 345KV CKT 1'		
FDNS	02ALL		0 11G	G10_014	'TO->FROM'	'FPL SWITCH - WOODWARD 138KV CKT 1'	153	0.04002	131.8934	'LACYGNE - NEOSHO 345KV CKT 1'		
FDNS	02ALL		0 11G	G08_044	'TO->FROM'	'FPL SWITCH - WOODWARD 138KV CKT 1'	153	0.03482	141.5501	'MED-LDG5 345.00 - WICHITA 345KV CKT 1'		
FDNS	02ALL		0 11G	G08_047	'TO->FROM'	'FPL SWITCH - WOODWARD 138KV CKT 1'	153	0.05581	141.5501	'MED-LDG5 345.00 - WICHITA 345KV CKT 1'		
FDNS	02ALL		0 11G	G08_110	'TO->FROM'	'FPL SWITCH - WOODWARD 138KV CKT 1'	153	0.0431	141.5501	'MED-LDG5 345.00 - WICHITA 345KV CKT 1'		
FDNS	02ALL		0 11G	ASGI_2010_011	'TO->FROM'	'FPL SWITCH - WOODWARD 138KV CKT 1'	153	0.03599	141.5501	'MED-LDG5 345.00 - WICHITA 345KV CKT 1'		
FDNS	02ALL		0 11G	G10_011	'TO->FROM'	'FPL SWITCH - WOODWARD 138KV CKT 1'	153	0.03482	141.5501	'MED-LDG5 345.00 - WICHITA 345KV CKT 1'		
FDNS	02ALL		0 11G	G10_014	'TO->FROM'	'FPL SWITCH - WOODWARD 138KV CKT 1'	153	0.0431	141.5501	'MED-LDG5 345.00 - WICHITA 345KV CKT 1'		
FDNS	02ALL		0 11G	G09_067S	'FROM->TO'	'ELK CITY 230KV (ELKCTY-6) 230/138/13.8KV TRANSFORMER CKT 1'	287	0.06709	107.1418	'MED-LDG5 345.00 - WICHITA 345KV CKT 1'		
FDNS	02ALL		0 11G	G08_022	'FROM->TO'	'ELK CITY 230KV (ELKCTY-6) 230/138/13.8KV TRANSFORMER CKT 1'	287	0.0684	107.1418	'MED-LDG5 345.00 - WICHITA 345KV CKT 1'		
FDNS	02ALL		0 11G	G08_088	'FROM->TO'	'ELK CITY 230KV (ELKCTY-6) 230/138/13.8KV TRANSFORMER CKT 1'	287	0.11447	107.1418	'MED-LDG5 345.00 - WICHITA 345KV CKT 1'		
FDNS	02ALL		0 11G	G08_110	'FROM->TO'	'ELK CITY 230KV (ELKCTY-6) 230/138/13.8KV TRANSFORMER CKT 1'	287	0.0387	107.1418	'MED-LDG5 345.00 - WICHITA 345KV CKT 1'		
FDNS	02ALL		0 11G	G10_007	'FROM->TO'	'ELK CITY 230KV (ELKCTY-6) 230/138/13.8KV TRANSFORMER CKT 1'	287	0.1027	107.1418	'MED-LDG5 345.00 - WICHITA 345KV CKT 1'		
FDNS	02ALL		0 11G	ASGI_2010_011	'FROM->TO'	'ELK CITY 230KV (ELKCTY-6) 230/138/13.8KV TRANSFORMER CKT 1'	287	0.06058	107.1418	'MED-LDG5 345.00 - WICHITA 345KV CKT 1'		
FDNS	02ALL		0 11G	G10_014	'FROM->TO'	'ELK CITY 230KV (ELKCTY-6) 230/138/13.8KV TRANSFORMER CKT 1'	287	0.0387	107.1418	'MED-LDG5 345.00 - WICHITA 345KV CKT 1'		
FDNS	02ALL		0 11G	G09_067S	'FROM->TO'	'ELK CITY 230KV (ELKCTY-6) 230/138/13.8KV TRANSFORMER CKT 1'	287	0.06709	106.1419	'MED-LDG5 345.00 - WICHITA 345KV CKT 1'		
FDNS	02ALL		0 11G	G08_022	'FROM->TO'	'ELK CITY 230KV (ELKCTY-6) 230/138/13.8KV TRANSFORMER CKT 1'	287	0.0684	106.1419	'MED-LDG5 345.00 - WICHITA 345KV CKT 1'		
FDNS	02ALL		0 11G	G08_088	'FROM->TO'	'ELK CITY 230KV (ELKCTY-6) 230/138/13.8KV TRANSFORMER CKT 1'	287	0.11447	106.1419	'MED-LDG5 345.00 - WICHITA 345KV CKT 1'		
FDNS	02ALL		0 11G	G08_110	'FROM->TO'	'ELK CITY 230KV (ELKCTY-6) 230/138/13.8KV TRANSFORMER CKT 1'	287	0.0387	106.1419	'MED-LDG5 345.00 - WICHITA 345KV CKT 1'		
FDNS	02ALL		0 11G	G10_007	'FROM->TO'	'ELK CITY 230KV (ELKCTY-6) 230/138/13.8KV TRANSFORMER CKT 1'	287	0.1027	106.1419	'MED-LDG5 345.00 - WICHITA 345KV CKT 1'		
FDNS	02ALL		0 11G	ASGI_2010_011	'FROM->TO'	'ELK CITY 230KV (ELKCTY-6) 230/138/13.8KV TRANSFORMER CKT 1'	287	0.06058	106.1419	'MED-LDG5 345.00 - WICHITA 345KV CKT 1'		
FDNS	02ALL		0 11G	G10_014	'FROM->TO'	'ELK CITY 230KV (ELKCTY-6) 230/138/13.8KV TRANSFORMER CKT 1'	287	0.0387	106.1419	'MED-LDG5 345.00 - WICHITA 345KV CKT 1'		
FDNS	02ALL		0 11G	G08_044	'TO->FROM'	'FPL SWITCH - WOODWARD 138KV CKT 1'	153	0.03482	141.5501	'MED-LDG5 345.00 - WICHITA 345KV CKT 2'		
FDNS	02ALL		0 11G	G08_047	'TO->FROM'	'FPL SWITCH - WOODWARD 138KV CKT 1'	153	0.05581	141.5501	'MED-LDG5 345.00 - WICHITA 345KV CKT 2'		
FDNS	02ALL		0 11G	G08_110	'TO->FROM'	'FPL SWITCH - WOODWARD 138KV CKT 1'	153	0.0431	141.5501	'MED-LDG5 345.00 - WICHITA 345KV CKT 2'		
FDNS	02ALL		0 11G	ASGI_2010_011	'TO->FROM'	'FPL SWITCH - WOODWARD 138KV CKT 1'	153	0.03599	141.5501	'MED-LDG5 345.00 - WICHITA 345KV CKT 2'		
FDNS	02ALL		0 11G	G10_011	'TO->FROM'	'FPL SWITCH - WOODWARD 138KV CKT 1'	153	0.03482	141.5501	'MED-LDG5 345.00 - WICHITA 345KV CKT 2'		

SOLUTION	GROUP	SCENARIO	SEASON	SOURCE	DIRECTION	MONITORED ELEMENT	RATE B	TDF	TC%	LOADING	CONTINGENCY NAME
						COMMON NAME					
FDNS	02ALL		0 11G	G10_014	'TO->FROM'	'FPL SWITCH - WOODWARD 138KV CKT 1'	153	0.0431	141.5501	'MED-LDG5 CKT 2'	345.00 - WICHITA 345KV
FDNS	02ALL		0 11G	G09_067S	'FROM->TO'	'ELK CITY 230KV (ELKCTY-6) 230/138/13.8KV TRANSFORMER CKT 1'	287	0.06709	107.1418	'MED-LDG5 CKT 2'	345.00 - WICHITA 345KV
FDNS	02ALL		0 11G	G08_022	'FROM->TO'	'ELK CITY 230KV (ELKCTY-6) 230/138/13.8KV TRANSFORMER CKT 1'	287	0.0684	107.1418	'MED-LDG5 CKT 2'	345.00 - WICHITA 345KV
FDNS	02ALL		0 11G	G08_088	'FROM->TO'	'ELK CITY 230KV (ELKCTY-6) 230/138/13.8KV TRANSFORMER CKT 1'	287	0.11447	107.1418	'MED-LDG5 CKT 2'	345.00 - WICHITA 345KV
FDNS	02ALL		0 11G	G08_110	'FROM->TO'	'ELK CITY 230KV (ELKCTY-6) 230/138/13.8KV TRANSFORMER CKT 1'	287	0.0387	107.1418	'MED-LDG5 CKT 2'	345.00 - WICHITA 345KV
FDNS	02ALL		0 11G	G10_007	'FROM->TO'	'ELK CITY 230KV (ELKCTY-6) 230/138/13.8KV TRANSFORMER CKT 1'	287	0.1027	107.1418	'MED-LDG5 CKT 2'	345.00 - WICHITA 345KV
FDNS	02ALL		0 11G	ASGI_2010_011	'FROM->TO'	'ELK CITY 230KV (ELKCTY-6) 230/138/13.8KV TRANSFORMER CKT 1'	287	0.06058	107.1418	'MED-LDG5 CKT 2'	345.00 - WICHITA 345KV
FDNS	02ALL		0 11G	G10_014	'FROM->TO'	'ELK CITY 230KV (ELKCTY-6) 230/138/13.8KV TRANSFORMER CKT 1'	287	0.0387	107.1418	'MED-LDG5 CKT 2'	345.00 - WICHITA 345KV
FDNS	02ALL		0 11G	G09_067S	'FROM->TO'	'ELK CITY 230KV (ELKCTY-6) 230/138/13.8KV TRANSFORMER CKT 1'	287	0.06709	106.1419	'MED-LDG5 CKT 2'	345.00 - WICHITA 345KV
FDNS	02ALL		0 11G	G08_022	'FROM->TO'	'ELK CITY 230KV (ELKCTY-6) 230/138/13.8KV TRANSFORMER CKT 1'	287	0.0684	106.1419	'MED-LDG5 CKT 2'	345.00 - WICHITA 345KV
FDNS	02ALL		0 11G	G08_088	'FROM->TO'	'ELK CITY 230KV (ELKCTY-6) 230/138/13.8KV TRANSFORMER CKT 1'	287	0.11447	106.1419	'MED-LDG5 CKT 2'	345.00 - WICHITA 345KV
FDNS	02ALL		0 11G	G08_110	'FROM->TO'	'ELK CITY 230KV (ELKCTY-6) 230/138/13.8KV TRANSFORMER CKT 1'	287	0.0387	106.1419	'MED-LDG5 CKT 2'	345.00 - WICHITA 345KV
FDNS	02ALL		0 11G	G10_007	'FROM->TO'	'ELK CITY 230KV (ELKCTY-6) 230/138/13.8KV TRANSFORMER CKT 1'	287	0.1027	106.1419	'MED-LDG5 CKT 2'	345.00 - WICHITA 345KV
FDNS	02ALL		0 11G	ASGI_2010_011	'FROM->TO'	'ELK CITY 230KV (ELKCTY-6) 230/138/13.8KV TRANSFORMER CKT 1'	287	0.06058	106.1419	'MED-LDG5 CKT 2'	345.00 - WICHITA 345KV
FDNS	02ALL		0 11G	G10_014	'FROM->TO'	'ELK CITY 230KV (ELKCTY-6) 230/138/13.8KV TRANSFORMER CKT 1'	287	0.0387	106.1419	'MED-LDG5 CKT 2'	345.00 - WICHITA 345KV
FDNS	02ALL		0 11G	G08_044	'TO->FROM'	'FPL SWITCH - WOODWARD 138KV CKT 1'	153	0.03314	131.6301	'FLATRDG3 - HARPER 138KV CKT 1'	
FDNS	02ALL		0 11G	G08_047	'TO->FROM'	'FPL SWITCH - WOODWARD 138KV CKT 1'	153	0.0529	131.6301	'FLATRDG3 - HARPER 138KV CKT 1'	
FDNS	02ALL		0 11G	G08_110	'TO->FROM'	'FPL SWITCH - WOODWARD 138KV CKT 1'	153	0.0404	131.6301	'FLATRDG3 - HARPER 138KV CKT 1'	
FDNS	02ALL		0 11G	ASGI_2010_011	'TO->FROM'	'FPL SWITCH - WOODWARD 138KV CKT 1'	153	0.03344	131.6301	'FLATRDG3 - HARPER 138KV CKT 1'	
FDNS	02ALL		0 11G	G10_011	'TO->FROM'	'FPL SWITCH - WOODWARD 138KV CKT 1'	153	0.03314	131.6301	'FLATRDG3 - HARPER 138KV CKT 1'	
FDNS	02ALL		0 11G	G10_014	'TO->FROM'	'FPL SWITCH - WOODWARD 138KV CKT 1'	153	0.0404	131.6301	'FLATRDG3 - HARPER 138KV CKT 1'	
FDNS	02ALL		0 11G	G08_044	'TO->FROM'	'FPL SWITCH - WOODWARD 138KV CKT 1'	153	0.03314	131.3765	'HARPER - MILAN TAP 138KV CKT 1'	
FDNS	02ALL		0 11G	G08_047	'TO->FROM'	'FPL SWITCH - WOODWARD 138KV CKT 1'	153	0.0529	131.3765	'HARPER - MILAN TAP 138KV CKT 1'	
FDNS	02ALL		0 11G	G08_110	'TO->FROM'	'FPL SWITCH - WOODWARD 138KV CKT 1'	153	0.0404	131.3765	'HARPER - MILAN TAP 138KV CKT 1'	
FDNS	02ALL		0 11G	ASGI_2010_011	'TO->FROM'	'FPL SWITCH - WOODWARD 138KV CKT 1'	153	0.03344	131.3765	'HARPER - MILAN TAP 138KV CKT 1'	
FDNS	02ALL		0 11G	G10_011	'TO->FROM'	'FPL SWITCH - WOODWARD 138KV CKT 1'	153	0.03314	131.3765	'HARPER - MILAN TAP 138KV CKT 1'	
FDNS	02ALL		0 11G	G10_014	'TO->FROM'	'FPL SWITCH - WOODWARD 138KV CKT 1'	153	0.0404	131.3765	'HARPER - MILAN TAP 138KV CKT 1'	
FDNS	02ALL		0 11G	G10_003	'FROM->TO'	'BURLINGTON JUNCTION - COFFEY COUNTY NO. 3 WESTPHALIA 69KV CKT 1'	72	0.03868	117.1308	'ANDERSONCO CKT 1'	345.00 - LACYGNE 345KV

SOLUTION	GROUP	SCENARIO	SEASON	SOURCE	DIRECTION	MONITORED ELEMENT	RATE B	TDF	TC%	LOADING	CONTINGENCY	NAME
						COMMON NAME						
FDNS	02ALL		0 11G	G08_098	'FROM->TO'	'BURLINGTON JUNCTION - COFFEY COUNTY NO. 3 WESTPHALIA 69KV CKT 1'	72	0.03868		117.1308	'ANDERSONCO 345.00 - LACYGNE 345KV CKT 1'	
FDNS	02ALL		0 11G	G10_003	'TO->FROM'	'BURLINGTON JUNCTION - WOLF CREEK 69KV CKT 1'	72	0.03887		119.8645	'ANDERSONCO 345.00 - LACYGNE 345KV CKT 1'	
FDNS	02ALL		0 11G	G08_098	'TO->FROM'	'BURLINGTON JUNCTION - WOLF CREEK 69KV CKT 1'	72	0.03887		119.8645	'ANDERSONCO 345.00 - LACYGNE 345KV CKT 1'	
FDNS	02ALL		0 11G	G10_003	'FROM->TO'	'COFFEY COUNTY NO. 3 WESTPHALIA - GREEN 69KV CKT 1'	72	0.03868		116.2873	'ANDERSONCO 345.00 - LACYGNE 345KV CKT 1'	
FDNS	02ALL		0 11G	G08_098	'FROM->TO'	'COFFEY COUNTY NO. 3 WESTPHALIA - GREEN 69KV CKT 1'	72	0.03868		116.2873	'ANDERSONCO 345.00 - LACYGNE 345KV CKT 1'	
FDNS	02ALL		0 11G	G08_044	'TO->FROM'	'FPL SWITCH - WOODWARD 138KV CKT 1'	153	0.03165		134.4017	'G08-13T 345.00 - SUMNERCO 345.00 345KV CKT 1'	
FDNS	02ALL		0 11G	G08_047	'TO->FROM'	'FPL SWITCH - WOODWARD 138KV CKT 1'	153	0.05336		134.4017	'G08-13T 345.00 - SUMNERCO 345.00 345KV CKT 1'	
FDNS	02ALL		0 11G	G08_110	'TO->FROM'	'FPL SWITCH - WOODWARD 138KV CKT 1'	153	0.04097		134.4017	'G08-13T 345.00 - SUMNERCO 345.00 345KV CKT 1'	
FDNS	02ALL		0 11G	ASGI_2010_011	'TO->FROM'	'FPL SWITCH - WOODWARD 138KV CKT 1'	153	0.03375		134.4017	'G08-13T 345.00 - SUMNERCO 345.00 345KV CKT 1'	
FDNS	02ALL		0 11G	G10_011	'TO->FROM'	'FPL SWITCH - WOODWARD 138KV CKT 1'	153	0.03165		134.4017	'G08-13T 345.00 - SUMNERCO 345.00 345KV CKT 1'	
FDNS	02ALL		0 11G	G10_014	'TO->FROM'	'FPL SWITCH - WOODWARD 138KV CKT 1'	153	0.04097		134.4017	'G08-13T 345.00 - SUMNERCO 345.00 345KV CKT 1'	
FDNS	02ALL		0 11G	G08_044	'TO->FROM'	'FPL SWITCH - WOODWARD 138KV CKT 1'	153	0.03281		135.6911	'G08-18 345.00 - GRAY CO 345.00 345KV CKT 1'	
FDNS	02ALL		0 11G	G08_047	'TO->FROM'	'FPL SWITCH - WOODWARD 138KV CKT 1'	153	0.05301		135.6911	'G08-18 345.00 - GRAY CO 345.00 345KV CKT 1'	
FDNS	02ALL		0 11G	G08_110	'TO->FROM'	'FPL SWITCH - WOODWARD 138KV CKT 1'	153	0.04105		135.6911	'G08-18 345.00 - GRAY CO 345.00 345KV CKT 1'	
FDNS	02ALL		0 11G	ASGI_2010_011	'TO->FROM'	'FPL SWITCH - WOODWARD 138KV CKT 1'	153	0.03401		135.6911	'G08-18 345.00 - GRAY CO 345.00 345KV CKT 1'	
FDNS	02ALL		0 11G	G10_011	'TO->FROM'	'FPL SWITCH - WOODWARD 138KV CKT 1'	153	0.03281		135.6911	'G08-18 345.00 - GRAY CO 345.00 345KV CKT 1'	
FDNS	02ALL		0 11G	G10_014	'TO->FROM'	'FPL SWITCH - WOODWARD 138KV CKT 1'	153	0.04105		135.6911	'G08-18 345.00 - GRAY CO 345.00 345KV CKT 1'	
FDNS	02ALL		0 11G	G08_047	'TO->FROM'	'DEAF SMITH COUNTY INTERCHANGE - S-RANDLCO 230.00 230KV CKT 1'	350	0.03047		101.2875	'G08-18 345.00 - GRAY CO 345.00 345KV CKT 1'	
FDNS	02ALL		0 11G	G08_088	'TO->FROM'	'DEAF SMITH COUNTY INTERCHANGE - S-RANDLCO 230.00 230KV CKT 1'	350	0.06425		101.2875	'G08-18 345.00 - GRAY CO 345.00 345KV CKT 1'	
FDNS	02ALL		0 11G	G08_110	'TO->FROM'	'DEAF SMITH COUNTY INTERCHANGE - S-RANDLCO 230.00 230KV CKT 1'	350	0.04777		101.2875	'G08-18 345.00 - GRAY CO 345.00 345KV CKT 1'	
FDNS	02ALL		0 11G	G10_007	'TO->FROM'	'DEAF SMITH COUNTY INTERCHANGE - S-RANDLCO 230.00 230KV CKT 1'	350	0.07403		101.2875	'G08-18 345.00 - GRAY CO 345.00 345KV CKT 1'	
FDNS	02ALL		0 11G	ASGI_2010_011	'TO->FROM'	'DEAF SMITH COUNTY INTERCHANGE - S-RANDLCO 230.00 230KV CKT 1'	350	0.05886		101.2875	'G08-18 345.00 - GRAY CO 345.00 345KV CKT 1'	
FDNS	02ALL		0 11G	G10_014	'TO->FROM'	'DEAF SMITH COUNTY INTERCHANGE - S-RANDLCO 230.00 230KV CKT 1'	350	0.04777		101.2875	'G08-18 345.00 - GRAY CO 345.00 345KV CKT 1'	
FDNS	02ALL		0 11G	G09_067S	'FROM->TO'	'ELK CITY 230KV (ELKCTY-6) 230/138/13.8KV TRANSFORMER CKT 1'	287	0.06777		113.5478	'G08-18 345.00 - GRAY CO 345.00 345KV CKT 1'	
FDNS	02ALL		0 11G	G08_022	'FROM->TO'	'ELK CITY 230KV (ELKCTY-6) 230/138/13.8KV TRANSFORMER CKT 1'	287	0.06911		113.5478	'G08-18 345.00 - GRAY CO 345.00 345KV CKT 1'	
FDNS	02ALL		0 11G	G08_088	'FROM->TO'	'ELK CITY 230KV (ELKCTY-6) 230/138/13.8KV TRANSFORMER CKT 1'	287	0.11587		113.5478	'G08-18 345.00 - GRAY CO 345.00 345KV CKT 1'	
FDNS	02ALL		0 11G	G08_110	'FROM->TO'	'ELK CITY 230KV (ELKCTY-6) 230/138/13.8KV TRANSFORMER CKT 1'	287	0.04131		113.5478	'G08-18 345.00 - GRAY CO 345.00 345KV CKT 1'	
FDNS	02ALL		0 11G	G10_007	'FROM->TO'	'ELK CITY 230KV (ELKCTY-6) 230/138/13.8KV TRANSFORMER CKT 1'	287	0.1044		113.5478	'G08-18 345.00 - GRAY CO 345.00 345KV CKT 1'	

SOLUTION	GROUP	SCENARIO	SEASON	SOURCE	DIRECTION	MONITORED ELEMENT	RATE B	TDF	TC%	LOADING	CONTINGENCY NAME
						COMMON NAME					
FDNS	02ALL		0 11G	ASGI_2010_011	'FROM->TO'	'ELK CITY 230KV (ELKCTY-6) 230/138/13.8KV TRANSFORMER CKT 1'	287	0.06288	113.5478	'G08-18 345.00 - GRAY CO	345.00
FDNS	02ALL		0 11G	G10_014	'FROM->TO'	'ELK CITY 230KV (ELKCTY-6) 230/138/13.8KV TRANSFORMER CKT 1'	287	0.04131	113.5478	'G08-18 345.00 - GRAY CO	345.00
FDNS	02ALL		0 11G	G09_067S	'FROM->TO'	'ELK CITY 230KV (ELKCTY-6) 230/138/13.8KV TRANSFORMER CKT 1'	287	0.06777	112.2149	'G08-18 345.00 - GRAY CO	345.00
FDNS	02ALL		0 11G	G08_022	'FROM->TO'	'ELK CITY 230KV (ELKCTY-6) 230/138/13.8KV TRANSFORMER CKT 1'	287	0.06911	112.2149	'G08-18 345.00 - GRAY CO	345.00
FDNS	02ALL		0 11G	G08_088	'FROM->TO'	'ELK CITY 230KV (ELKCTY-6) 230/138/13.8KV TRANSFORMER CKT 1'	287	0.11587	112.2149	'G08-18 345.00 - GRAY CO	345.00
FDNS	02ALL		0 11G	G08_110	'FROM->TO'	'ELK CITY 230KV (ELKCTY-6) 230/138/13.8KV TRANSFORMER CKT 1'	287	0.04131	112.2149	'G08-18 345.00 - GRAY CO	345.00
FDNS	02ALL		0 11G	G10_007	'FROM->TO'	'ELK CITY 230KV (ELKCTY-6) 230/138/13.8KV TRANSFORMER CKT 1'	287	0.1044	112.2149	'G08-18 345.00 - GRAY CO	345.00
FDNS	02ALL		0 11G	ASGI_2010_011	'FROM->TO'	'ELK CITY 230KV (ELKCTY-6) 230/138/13.8KV TRANSFORMER CKT 1'	287	0.06288	112.2149	'G08-18 345.00 - GRAY CO	345.00
FDNS	02ALL		0 11G	G10_014	'FROM->TO'	'ELK CITY 230KV (ELKCTY-6) 230/138/13.8KV TRANSFORMER CKT 1'	287	0.04131	112.2149	'G08-18 345.00 - GRAY CO	345.00
FDNS	02ALL		0 11G	G08_044	'TO->FROM'	'FPL SWITCH - WOODWARD 138KV CKT 1'	153	0.03303	131.345	'GRAND ISLAND - SWEETWATER 345KV CKT 1'	345.00
FDNS	02ALL		0 11G	G08_047	'TO->FROM'	'FPL SWITCH - WOODWARD 138KV CKT 1'	153	0.05271	131.345	'GRAND ISLAND - SWEETWATER 345KV CKT 1'	345.00
FDNS	02ALL		0 11G	G08_110	'TO->FROM'	'FPL SWITCH - WOODWARD 138KV CKT 1'	153	0.04026	131.345	'GRAND ISLAND - SWEETWATER 345KV CKT 1'	345.00
FDNS	02ALL		0 11G	ASGI_2010_011	'TO->FROM'	'FPL SWITCH - WOODWARD 138KV CKT 1'	153	0.03332	131.345	'GRAND ISLAND - SWEETWATER 345KV CKT 1'	345.00
FDNS	02ALL		0 11G	G10_011	'TO->FROM'	'FPL SWITCH - WOODWARD 138KV CKT 1'	153	0.03303	131.345	'GRAND ISLAND - SWEETWATER 345KV CKT 1'	345.00
FDNS	02ALL		0 11G	G10_014	'TO->FROM'	'FPL SWITCH - WOODWARD 138KV CKT 1'	153	0.04026	131.345	'GRAND ISLAND - SWEETWATER 345KV CKT 1'	345.00
FDNS	02ALL		0 11G	G09_067S	'FROM->TO'	'ELK CITY 230KV (ELKCTY-6) 230/138/13.8KV TRANSFORMER CKT 1'	287	0.06525	100.9656	'ELK CITY (ELKCTY-4) 138/69/13.8KV TRANSFORMER CKT 1'	345.00
FDNS	02ALL		0 11G	G08_022	'FROM->TO'	'ELK CITY 230KV (ELKCTY-6) 230/138/13.8KV TRANSFORMER CKT 1'	287	0.06653	100.9656	'ELK CITY (ELKCTY-4) 138/69/13.8KV TRANSFORMER CKT 1'	345.00
FDNS	02ALL		0 11G	G08_088	'FROM->TO'	'ELK CITY 230KV (ELKCTY-6) 230/138/13.8KV TRANSFORMER CKT 1'	287	0.1117	100.9656	'ELK CITY (ELKCTY-4) 138/69/13.8KV TRANSFORMER CKT 1'	345.00
FDNS	02ALL		0 11G	G08_110	'FROM->TO'	'ELK CITY 230KV (ELKCTY-6) 230/138/13.8KV TRANSFORMER CKT 1'	287	0.03681	100.9656	'ELK CITY (ELKCTY-4) 138/69/13.8KV TRANSFORMER CKT 1'	345.00
FDNS	02ALL		0 11G	G10_007	'FROM->TO'	'ELK CITY 230KV (ELKCTY-6) 230/138/13.8KV TRANSFORMER CKT 1'	287	0.10004	100.9656	'ELK CITY (ELKCTY-4) 138/69/13.8KV TRANSFORMER CKT 1'	345.00
FDNS	02ALL		0 11G	ASGI_2010_011	'FROM->TO'	'ELK CITY 230KV (ELKCTY-6) 230/138/13.8KV TRANSFORMER CKT 1'	287	0.05843	100.9656	'ELK CITY (ELKCTY-4) 138/69/13.8KV TRANSFORMER CKT 1'	345.00
FDNS	02ALL		0 11G	G10_014	'FROM->TO'	'ELK CITY 230KV (ELKCTY-6) 230/138/13.8KV TRANSFORMER CKT 1'	287	0.03681	100.9656	'ELK CITY (ELKCTY-4) 138/69/13.8KV TRANSFORMER CKT 1'	345.00
FDNS	02ALL		0 11G	G09_067S	'FROM->TO'	'ELK CITY 230KV (ELKCTY-6) 230/138/13.8KV TRANSFORMER CKT 1'	287	0.06525	100.1173	'ELK CITY (ELKCTY-4) 138/69/13.8KV TRANSFORMER CKT 1'	345.00
FDNS	02ALL		0 11G	G08_022	'FROM->TO'	'ELK CITY 230KV (ELKCTY-6) 230/138/13.8KV TRANSFORMER CKT 1'	287	0.06653	100.1173	'ELK CITY (ELKCTY-4) 138/69/13.8KV TRANSFORMER CKT 1'	345.00
FDNS	02ALL		0 11G	G08_088	'FROM->TO'	'ELK CITY 230KV (ELKCTY-6) 230/138/13.8KV TRANSFORMER CKT 1'	287	0.1117	100.1173	'ELK CITY (ELKCTY-4) 138/69/13.8KV TRANSFORMER CKT 1'	345.00
FDNS	02ALL		0 11G	G08_110	'FROM->TO'	'ELK CITY 230KV (ELKCTY-6) 230/138/13.8KV TRANSFORMER CKT 1'	287	0.03681	100.1173	'ELK CITY (ELKCTY-4) 138/69/13.8KV TRANSFORMER CKT 1'	345.00
FDNS	02ALL		0 11G	G10_007	'FROM->TO'	'ELK CITY 230KV (ELKCTY-6) 230/138/13.8KV TRANSFORMER CKT 1'	287	0.10004	100.1173	'ELK CITY (ELKCTY-4) 138/69/13.8KV TRANSFORMER CKT 1'	345.00
FDNS	02ALL		0 11G	ASGI_2010_011	'FROM->TO'	'ELK CITY 230KV (ELKCTY-6) 230/138/13.8KV TRANSFORMER CKT 1'	287	0.05843	100.1173	'ELK CITY (ELKCTY-4) 138/69/13.8KV TRANSFORMER CKT 1'	345.00
FDNS	02ALL		0 11G	G10_014	'FROM->TO'	'ELK CITY 230KV (ELKCTY-6) 230/138/13.8KV TRANSFORMER CKT 1'	287	0.03681	100.1173	'ELK CITY (ELKCTY-4) 138/69/13.8KV TRANSFORMER CKT 1'	345.00

SOLUTION	GROUP	SCENARIO	SEASON	SOURCE	DIRECTION	MONITORED ELEMENT	RATE B	TDF	TC%	LOADING	CONTINGENCY NAME
						COMMON NAME					
FDNS	02ALL		0 11G	G08_044	'TO->FROM'	'FPL SWITCH - WOODWARD 138KV CKT 1'	153	0.0305	167.8898	230/138/13.8KV TRANSFORMER CKT 1'	'ELK CITY 230KV (ELKCTY-6)
FDNS	02ALL		0 11G	G08_047	'TO->FROM'	'FPL SWITCH - WOODWARD 138KV CKT 1'	153	0.05586	167.8898	230/138/13.8KV TRANSFORMER CKT 1'	'ELK CITY 230KV (ELKCTY-6)
FDNS	02ALL		0 11G	G09_067S	'TO->FROM'	'FPL SWITCH - WOODWARD 138KV CKT 1'	153	0.03047	167.8898	230/138/13.8KV TRANSFORMER CKT 1'	'ELK CITY 230KV (ELKCTY-6)
FDNS	02ALL		0 11G	G08_022	'TO->FROM'	'FPL SWITCH - WOODWARD 138KV CKT 1'	153	0.03068	167.8898	230/138/13.8KV TRANSFORMER CKT 1'	'ELK CITY 230KV (ELKCTY-6)
FDNS	02ALL		0 11G	G08_088	'TO->FROM'	'FPL SWITCH - WOODWARD 138KV CKT 1'	153	0.03594	167.8898	230/138/13.8KV TRANSFORMER CKT 1'	'ELK CITY 230KV (ELKCTY-6)
FDNS	02ALL		0 11G	G08_110	'TO->FROM'	'FPL SWITCH - WOODWARD 138KV CKT 1'	153	0.04692	167.8898	230/138/13.8KV TRANSFORMER CKT 1'	'ELK CITY 230KV (ELKCTY-6)
FDNS	02ALL		0 11G	G10_007	'TO->FROM'	'FPL SWITCH - WOODWARD 138KV CKT 1'	153	0.03861	167.8898	230/138/13.8KV TRANSFORMER CKT 1'	'ELK CITY 230KV (ELKCTY-6)
FDNS	02ALL		0 11G	ASGI_2010_011	'TO->FROM'	'FPL SWITCH - WOODWARD 138KV CKT 1'	153	0.04402	167.8898	230/138/13.8KV TRANSFORMER CKT 1'	'ELK CITY 230KV (ELKCTY-6)
FDNS	02ALL		0 11G	G10_011	'TO->FROM'	'FPL SWITCH - WOODWARD 138KV CKT 1'	153	0.0305	167.8898	230/138/13.8KV TRANSFORMER CKT 1'	'ELK CITY 230KV (ELKCTY-6)
FDNS	02ALL		0 11G	G10_014	'TO->FROM'	'FPL SWITCH - WOODWARD 138KV CKT 1'	153	0.04692	167.8898	230/138/13.8KV TRANSFORMER CKT 1'	'ELK CITY 230KV (ELKCTY-6)
FDNS	02ALL		0 11G	G08_047	'TO->FROM'	'DEAF SMITH COUNTY INTERCHANGE - S-RANDLCO 230.00 230KV CKT 1'	350	0.03078	105.7221	230/138/13.8KV TRANSFORMER CKT 1'	'ELK CITY 230KV (ELKCTY-6)
FDNS	02ALL		0 11G	G08_088	'TO->FROM'	'DEAF SMITH COUNTY INTERCHANGE - S-RANDLCO 230.00 230KV CKT 1'	350	0.07239	105.7221	230/138/13.8KV TRANSFORMER CKT 1'	'ELK CITY 230KV (ELKCTY-6)
FDNS	02ALL		0 11G	G08_110	'TO->FROM'	'DEAF SMITH COUNTY INTERCHANGE - S-RANDLCO 230.00 230KV CKT 1'	350	0.04841	105.7221	230/138/13.8KV TRANSFORMER CKT 1'	'ELK CITY 230KV (ELKCTY-6)
FDNS	02ALL		0 11G	G10_007	'TO->FROM'	'DEAF SMITH COUNTY INTERCHANGE - S-RANDLCO 230.00 230KV CKT 1'	350	0.08091	105.7221	230/138/13.8KV TRANSFORMER CKT 1'	'ELK CITY 230KV (ELKCTY-6)
FDNS	02ALL		0 11G	ASGI_2010_011	'TO->FROM'	'DEAF SMITH COUNTY INTERCHANGE - S-RANDLCO 230.00 230KV CKT 1'	350	0.06164	105.7221	230/138/13.8KV TRANSFORMER CKT 1'	'ELK CITY 230KV (ELKCTY-6)
FDNS	02ALL		0 11G	G10_014	'TO->FROM'	'DEAF SMITH COUNTY INTERCHANGE - S-RANDLCO 230.00 230KV CKT 1'	350	0.04841	105.7221	230/138/13.8KV TRANSFORMER CKT 1'	'ELK CITY 230KV (ELKCTY-6)
FDNS	02ALL		0 11G	G08_088	'FROM->TO'	'G07-48T 230.00 - SWISHER COUNTY INTERCHANGE 230KV CKT 1'	351	0.14261	102.3557	230/138/13.8KV TRANSFORMER CKT 1'	'ELK CITY 230KV (ELKCTY-6)
FDNS	02ALL		0 11G	G08_110	'FROM->TO'	'G07-48T 230.00 - SWISHER COUNTY INTERCHANGE 230KV CKT 1'	351	0.04088	102.3557	230/138/13.8KV TRANSFORMER CKT 1'	'ELK CITY 230KV (ELKCTY-6)
FDNS	02ALL		0 11G	G10_007	'FROM->TO'	'G07-48T 230.00 - SWISHER COUNTY INTERCHANGE 230KV CKT 1'	351	0.11022	102.3557	230/138/13.8KV TRANSFORMER CKT 1'	'ELK CITY 230KV (ELKCTY-6)
FDNS	02ALL		0 11G	ASGI_2010_011	'FROM->TO'	'G07-48T 230.00 - SWISHER COUNTY INTERCHANGE 230KV CKT 1'	351	0.06429	102.3557	230/138/13.8KV TRANSFORMER CKT 1'	'ELK CITY 230KV (ELKCTY-6)
FDNS	02ALL		0 11G	G10_014	'FROM->TO'	'G07-48T 230.00 - SWISHER COUNTY INTERCHANGE 230KV CKT 1'	351	0.04088	102.3557	230/138/13.8KV TRANSFORMER CKT 1'	'ELK CITY 230KV (ELKCTY-6)
FDNS	02ALL		0 11G	G09_067S	'FROM->TO'	'ELK CITY 230KV (ELKCTY-6) 230/138/13.8KV TRANSFORMER CKT 1'	287	0.06714	107.1058	TRANSFORMER CKT 1'	'JERICHO (JERIC2WT) 115/69/14.4KV
FDNS	02ALL		0 11G	G08_022	'FROM->TO'	'ELK CITY 230KV (ELKCTY-6) 230/138/13.8KV TRANSFORMER CKT 1'	287	0.06846	107.1058	TRANSFORMER CKT 1'	'JERICHO (JERIC2WT) 115/69/14.4KV
FDNS	02ALL		0 11G	G08_088	'FROM->TO'	'ELK CITY 230KV (ELKCTY-6) 230/138/13.8KV TRANSFORMER CKT 1'	287	0.1152	107.1058	TRANSFORMER CKT 1'	'JERICHO (JERIC2WT) 115/69/14.4KV
FDNS	02ALL		0 11G	G08_110	'FROM->TO'	'ELK CITY 230KV (ELKCTY-6) 230/138/13.8KV TRANSFORMER CKT 1'	287	0.03813	107.1058	TRANSFORMER CKT 1'	'JERICHO (JERIC2WT) 115/69/14.4KV
FDNS	02ALL		0 11G	G10_007	'FROM->TO'	'ELK CITY 230KV (ELKCTY-6) 230/138/13.8KV TRANSFORMER CKT 1'	287	0.10321	107.1058	TRANSFORMER CKT 1'	'JERICHO (JERIC2WT) 115/69/14.4KV
FDNS	02ALL		0 11G	ASGI_2010_011	'FROM->TO'	'ELK CITY 230KV (ELKCTY-6) 230/138/13.8KV TRANSFORMER CKT 1'	287	0.06037	107.1058	TRANSFORMER CKT 1'	'JERICHO (JERIC2WT) 115/69/14.4KV
FDNS	02ALL		0 11G	G10_014	'FROM->TO'	'ELK CITY 230KV (ELKCTY-6) 230/138/13.8KV TRANSFORMER CKT 1'	287	0.03813	107.1058	TRANSFORMER CKT 1'	'JERICHO (JERIC2WT) 115/69/14.4KV
FDNS	02ALL		0 11G	G09_067S	'FROM->TO'	'ELK CITY 230KV (ELKCTY-6) 230/138/13.8KV TRANSFORMER CKT 1'	287	0.06714	106.1124	TRANSFORMER CKT 1'	'JERICHO (JERIC2WT) 115/69/14.4KV

SOLUTION	GROUP	SCENARIO	SEASON	SOURCE	DIRECTION	MONITORED ELEMENT	RATE B	TDF	TC%	LOADING	CONTINGENCY NAME
						COMMON NAME					
FDNS	02ALL		0 11G	G08_088	'FROM->TO'	'ELK CITY 230KV (ELKCTY-6) 230/138/13.8KV TRANSFORMER CKT 1'	287	0.11876	109.3369	'SHAMROCK (SHAMRCK1) 115/69/14.4KV TRANSFORMER CKT 1'	
FDNS	02ALL		0 11G	G08_110	'FROM->TO'	'ELK CITY 230KV (ELKCTY-6) 230/138/13.8KV TRANSFORMER CKT 1'	287	0.03938	109.3369	'SHAMROCK (SHAMRCK1) 115/69/14.4KV TRANSFORMER CKT 1'	
FDNS	02ALL		0 11G	G10_007	'FROM->TO'	'ELK CITY 230KV (ELKCTY-6) 230/138/13.8KV TRANSFORMER CKT 1'	287	0.10642	109.3369	'SHAMROCK (SHAMRCK1) 115/69/14.4KV TRANSFORMER CKT 1'	
FDNS	02ALL		0 11G	ASGI_2010_011	'FROM->TO'	'ELK CITY 230KV (ELKCTY-6) 230/138/13.8KV TRANSFORMER CKT 1'	287	0.06227	109.3369	'SHAMROCK (SHAMRCK1) 115/69/14.4KV TRANSFORMER CKT 1'	
FDNS	02ALL		0 11G	G10_014	'FROM->TO'	'ELK CITY 230KV (ELKCTY-6) 230/138/13.8KV TRANSFORMER CKT 1'	287	0.03938	109.3369	'SHAMROCK (SHAMRCK1) 115/69/14.4KV TRANSFORMER CKT 1'	
FDNS	02ALL		0 11G	G08_044	'TO->FROM'	'FPL SWITCH - WOODWARD 138KV CKT 1'	153	0.03209	134.6958	'WOODRING (WOODRNG2) 345/138/13.8KV TRANSFORMER CKT 1'	
FDNS	02ALL		0 11G	G08_047	'TO->FROM'	'FPL SWITCH - WOODWARD 138KV CKT 1'	153	0.05078	134.6958	'WOODRING (WOODRNG2) 345/138/13.8KV TRANSFORMER CKT 1'	
FDNS	02ALL		0 11G	G08_110	'TO->FROM'	'FPL SWITCH - WOODWARD 138KV CKT 1'	153	0.03864	134.6958	'WOODRING (WOODRNG2) 345/138/13.8KV TRANSFORMER CKT 1'	
FDNS	02ALL		0 11G	ASGI_2010_011	'TO->FROM'	'FPL SWITCH - WOODWARD 138KV CKT 1'	153	0.03168	134.6958	'WOODRING (WOODRNG2) 345/138/13.8KV TRANSFORMER CKT 1'	
FDNS	02ALL		0 11G	G10_011	'TO->FROM'	'FPL SWITCH - WOODWARD 138KV CKT 1'	153	0.03209	134.6958	'WOODRING (WOODRNG2) 345/138/13.8KV TRANSFORMER CKT 1'	
FDNS	02ALL		0 11G	G10_014	'TO->FROM'	'FPL SWITCH - WOODWARD 138KV CKT 1'	153	0.03864	134.6958	'WOODRING (WOODRNG2) 345/138/13.8KV TRANSFORMER CKT 1'	
FDNS	02ALL		0 11G	G08_044	'TO->FROM'	'FPL SWITCH - WOODWARD 138KV CKT 1'	153	0.03735	159.4125	'WOODWARD (WOODWRD2) 138/69/13.2KV TRANSFORMER CKT 1'	
FDNS	02ALL		0 11G	G08_047	'TO->FROM'	'FPL SWITCH - WOODWARD 138KV CKT 1'	153	0.05967	159.4125	'WOODWARD (WOODWRD2) 138/69/13.2KV TRANSFORMER CKT 1'	
FDNS	02ALL		0 11G	G08_110	'TO->FROM'	'FPL SWITCH - WOODWARD 138KV CKT 1'	153	0.04559	159.4125	'WOODWARD (WOODWRD2) 138/69/13.2KV TRANSFORMER CKT 1'	
FDNS	02ALL		0 11G	ASGI_2010_011	'TO->FROM'	'FPL SWITCH - WOODWARD 138KV CKT 1'	153	0.03781	159.4125	'WOODWARD (WOODWRD2) 138/69/13.2KV TRANSFORMER CKT 1'	
FDNS	02ALL		0 11G	G10_011	'TO->FROM'	'FPL SWITCH - WOODWARD 138KV CKT 1'	153	0.03735	159.4125	'WOODWARD (WOODWRD2) 138/69/13.2KV TRANSFORMER CKT 1'	
FDNS	02ALL		0 11G	G10_014	'TO->FROM'	'FPL SWITCH - WOODWARD 138KV CKT 1'	153	0.04559	159.4125	'WOODWARD (WOODWRD2) 138/69/13.2KV TRANSFORMER CKT 1'	
FDNS	02ALL		0 11G	G08_044	'TO->FROM'	'FPL SWITCH - WOODWARD 138KV CKT 1'	153	0.03205	119.05	'KNOBHILL (KNOBHIL4) 138/69/13.2KV TRANSFORMER CKT 1'	
FDNS	02ALL		0 11G	G08_047	'TO->FROM'	'FPL SWITCH - WOODWARD 138KV CKT 1'	153	0.05073	119.05	'KNOBHILL (KNOBHIL4) 138/69/13.2KV TRANSFORMER CKT 1'	
FDNS	02ALL		0 11G	G08_110	'TO->FROM'	'FPL SWITCH - WOODWARD 138KV CKT 1'	153	0.0385	119.05	'KNOBHILL (KNOBHIL4) 138/69/13.2KV TRANSFORMER CKT 1'	
FDNS	02ALL		0 11G	ASGI_2010_011	'TO->FROM'	'FPL SWITCH - WOODWARD 138KV CKT 1'	153	0.03158	119.05	'KNOBHILL (KNOBHIL4) 138/69/13.2KV TRANSFORMER CKT 1'	
FDNS	02ALL		0 11G	G10_011	'TO->FROM'	'FPL SWITCH - WOODWARD 138KV CKT 1'	153	0.03205	119.05	'KNOBHILL (KNOBHIL4) 138/69/13.2KV TRANSFORMER CKT 1'	
FDNS	02ALL		0 11G	G10_014	'TO->FROM'	'FPL SWITCH - WOODWARD 138KV CKT 1'	153	0.0385	119.05	'KNOBHILL (KNOBHIL4) 138/69/13.2KV TRANSFORMER CKT 1'	
FDNS	02ALL		0 11G	G08_044	'TO->FROM'	'FPL SWITCH - WOODWARD 138KV CKT 1'	153	0.03018	119.3175	'WWRDEHV7 345.00 (WWDEHV) 345/138/13.8KV TRANSFORMER CKT 1'	
FDNS	02ALL		0 11G	G08_047	'TO->FROM'	'FPL SWITCH - WOODWARD 138KV CKT 1'	153	0.04809	119.3175	'WWRDEHV7 345.00 (WWDEHV) 345/138/13.8KV TRANSFORMER CKT 1'	
FDNS	02ALL		0 11G	G08_110	'TO->FROM'	'FPL SWITCH - WOODWARD 138KV CKT 1'	153	0.03656	119.3175	'WWRDEHV7 345.00 (WWDEHV) 345/138/13.8KV TRANSFORMER CKT 1'	
FDNS	02ALL		0 11G	ASGI_2010_011	'TO->FROM'	'FPL SWITCH - WOODWARD 138KV CKT 1'	153	0.03014	119.3175	'WWRDEHV7 345.00 (WWDEHV) 345/138/13.8KV TRANSFORMER CKT 1'	
FDNS	02ALL		0 11G	G10_011	'TO->FROM'	'FPL SWITCH - WOODWARD 138KV CKT 1'	153	0.03018	119.3175	'WWRDEHV7 345.00 (WWDEHV) 345/138/13.8KV TRANSFORMER CKT 1'	
FDNS	02ALL		0 11G	G10_014	'TO->FROM'	'FPL SWITCH - WOODWARD 138KV CKT 1'	153	0.03656	119.3175	'WWRDEHV7 345.00 (WWDEHV) 345/138/13.8KV TRANSFORMER CKT 1'	

SOLUTION	GROUP	SCENARIO	SEASON	SOURCE	DIRECTION	MONITORED ELEMENT		RATE B	TDF	TC%	LOADING	CONTINGENCY NAME
						COMMON NAME						
FDNS	02ALL		0 11G	G08_044	'TO->FROM'	'FPL SWITCH - WOODWARD 138KV CKT 1'		153	0.03018	120.9407	345.00	'WWRDEHV7 345.00 (WWDEHV-T2)
FDNS	02ALL		0 11G	G08_047	'TO->FROM'	'FPL SWITCH - WOODWARD 138KV CKT 1'		153	0.0481	120.9407	345.00	'WWRDEHV7 345.00 (WWDEHV-T2)
FDNS	02ALL		0 11G	G08_110	'TO->FROM'	'FPL SWITCH - WOODWARD 138KV CKT 1'		153	0.03656	120.9407	345.00	'WWRDEHV7 345.00 (WWDEHV-T2)
FDNS	02ALL		0 11G	ASGI_2010_011	'TO->FROM'	'FPL SWITCH - WOODWARD 138KV CKT 1'		153	0.03014	120.9407	345.00	'WWRDEHV7 345.00 (WWDEHV-T2)
FDNS	02ALL		0 11G	G10_011	'TO->FROM'	'FPL SWITCH - WOODWARD 138KV CKT 1'		153	0.03018	120.9407	345.00	'WWRDEHV7 345.00 (WWDEHV-T2)
FDNS	02ALL		0 11G	G10_014	'TO->FROM'	'FPL SWITCH - WOODWARD 138KV CKT 1'		153	0.03656	120.9407	345.00	'WWRDEHV7 345.00 (WWDEHV-T2)
FDNS	02ALL		0 11G	G08_044	'TO->FROM'	'FPL SWITCH - WOODWARD 138KV CKT 1'		153	0.0342	131.3403	138/69/13.8KV TRANSFORMER CKT 1'	'MOORELAND (MOORELND)
FDNS	02ALL		0 11G	G08_047	'TO->FROM'	'FPL SWITCH - WOODWARD 138KV CKT 1'		153	0.05449	131.3403	138/69/13.8KV TRANSFORMER CKT 1'	'MOORELAND (MOORELND)
FDNS	02ALL		0 11G	G08_110	'TO->FROM'	'FPL SWITCH - WOODWARD 138KV CKT 1'		153	0.0415	131.3403	138/69/13.8KV TRANSFORMER CKT 1'	'MOORELAND (MOORELND)
FDNS	02ALL		0 11G	ASGI_2010_011	'TO->FROM'	'FPL SWITCH - WOODWARD 138KV CKT 1'		153	0.03428	131.3403	138/69/13.8KV TRANSFORMER CKT 1'	'MOORELAND (MOORELND)
FDNS	02ALL		0 11G	G10_011	'TO->FROM'	'FPL SWITCH - WOODWARD 138KV CKT 1'		153	0.0342	131.3403	138/69/13.8KV TRANSFORMER CKT 1'	'MOORELAND (MOORELND)
FDNS	02ALL		0 11G	G10_014	'TO->FROM'	'FPL SWITCH - WOODWARD 138KV CKT 1'		153	0.0415	131.3403	138/69/13.8KV TRANSFORMER CKT 1'	'MOORELAND (MOORELND)
FDNS	02ALL		0 11G	G09_067S	'FROM->TO'	'ELK CITY 230KV (ELKCTY-6) 230/138/13.8KV TRANSFORMER CKT 1'		287	0.06781	107.0057	230/115/13.2KV TRANSFORMER CKT 1'	'HITCHLAND INTERCHANGE (H TP80148301) 230/115/13.2KV TRANSFORMER CKT 1'
FDNS	02ALL		0 11G	G08_022	'FROM->TO'	'ELK CITY 230KV (ELKCTY-6) 230/138/13.8KV TRANSFORMER CKT 1'		287	0.06915	107.0057	230/115/13.2KV TRANSFORMER CKT 1'	'HITCHLAND INTERCHANGE (H TP80148301) 230/115/13.2KV TRANSFORMER CKT 1'
FDNS	02ALL		0 11G	G08_088	'FROM->TO'	'ELK CITY 230KV (ELKCTY-6) 230/138/13.8KV TRANSFORMER CKT 1'		287	0.11657	107.0057	230/115/13.2KV TRANSFORMER CKT 1'	'HITCHLAND INTERCHANGE (H TP80148301) 230/115/13.2KV TRANSFORMER CKT 1'
FDNS	02ALL		0 11G	G08_110	'FROM->TO'	'ELK CITY 230KV (ELKCTY-6) 230/138/13.8KV TRANSFORMER CKT 1'		287	0.03553	107.0057	230/115/13.2KV TRANSFORMER CKT 1'	'HITCHLAND INTERCHANGE (H TP80148301) 230/115/13.2KV TRANSFORMER CKT 1'
FDNS	02ALL		0 11G	G10_007	'FROM->TO'	'ELK CITY 230KV (ELKCTY-6) 230/138/13.8KV TRANSFORMER CKT 1'		287	0.10922	107.0057	230/115/13.2KV TRANSFORMER CKT 1'	'HITCHLAND INTERCHANGE (H TP80148301) 230/115/13.2KV TRANSFORMER CKT 1'
FDNS	02ALL		0 11G	ASGI_2010_011	'FROM->TO'	'ELK CITY 230KV (ELKCTY-6) 230/138/13.8KV TRANSFORMER CKT 1'		287	0.08733	107.0057	230/115/13.2KV TRANSFORMER CKT 1'	'HITCHLAND INTERCHANGE (H TP80148301) 230/115/13.2KV TRANSFORMER CKT 1'
FDNS	02ALL		0 11G	G10_014	'FROM->TO'	'ELK CITY 230KV (ELKCTY-6) 230/138/13.8KV TRANSFORMER CKT 1'		287	0.03553	107.0057	230/115/13.2KV TRANSFORMER CKT 1'	'HITCHLAND INTERCHANGE (H TP80148301) 230/115/13.2KV TRANSFORMER CKT 1'
FDNS	02ALL		0 11G	G09_067S	'FROM->TO'	'ELK CITY 230KV (ELKCTY-6) 230/138/13.8KV TRANSFORMER CKT 1'		287	0.06781	105.9882	230/115/13.2KV TRANSFORMER CKT 1'	'HITCHLAND INTERCHANGE (H TP80148301) 230/115/13.2KV TRANSFORMER CKT 1'
FDNS	02ALL		0 11G	G08_022	'FROM->TO'	'ELK CITY 230KV (ELKCTY-6) 230/138/13.8KV TRANSFORMER CKT 1'		287	0.06915	105.9882	230/115/13.2KV TRANSFORMER CKT 1'	'HITCHLAND INTERCHANGE (H TP80148301) 230/115/13.2KV TRANSFORMER CKT 1'
FDNS	02ALL		0 11G	G08_088	'FROM->TO'	'ELK CITY 230KV (ELKCTY-6) 230/138/13.8KV TRANSFORMER CKT 1'		287	0.11657	105.9882	230/115/13.2KV TRANSFORMER CKT 1'	'HITCHLAND INTERCHANGE (H TP80148301) 230/115/13.2KV TRANSFORMER CKT 1'
FDNS	02ALL		0 11G	G08_110	'FROM->TO'	'ELK CITY 230KV (ELKCTY-6) 230/138/13.8KV TRANSFORMER CKT 1'		287	0.03553	105.9882	230/115/13.2KV TRANSFORMER CKT 1'	'HITCHLAND INTERCHANGE (H TP80148301) 230/115/13.2KV TRANSFORMER CKT 1'

SOLUTION	GROUP	SCENARIO	SEASON	SOURCE	DIRECTION	MONITORED ELEMENT	RATE B	TDF	TC%	LOADING	CONTINGENCY NAME
						COMMON NAME					
FDNS	02ALL		0 11G	G10_007	'FROM->TO'	'ELK CITY 230KV (ELKCTY-6) 230/138/13.8KV TRANSFORMER CKT 1'	287	0.10922	105.9882		'HITCHLAND INTERCHANGE (H TP80148301) 230/115/13.2KV TRANSFORMER CKT 1'
FDNS	02ALL		0 11G	ASGI_2010_011	'FROM->TO'	'ELK CITY 230KV (ELKCTY-6) 230/138/13.8KV TRANSFORMER CKT 1'	287	0.08733	105.9882		'HITCHLAND INTERCHANGE (H TP80148301) 230/115/13.2KV TRANSFORMER CKT 1'
FDNS	02ALL		0 11G	G10_014	'FROM->TO'	'ELK CITY 230KV (ELKCTY-6) 230/138/13.8KV TRANSFORMER CKT 1'	287	0.03553	105.9882		'HITCHLAND INTERCHANGE (H TP80148301) 230/115/13.2KV TRANSFORMER CKT 1'
FDNS	02ALL		0 11G	G09_067S	'FROM->TO'	'ELK CITY 230KV (ELKCTY-6) 230/138/13.8KV TRANSFORMER CKT 1'	287	0.06629	108.0431		'STATELINE INTERCHANGE (H TP80154301) 230/115/13.2KV TRANSFORMER CKT 1'
FDNS	02ALL		0 11G	G08_022	'FROM->TO'	'ELK CITY 230KV (ELKCTY-6) 230/138/13.8KV TRANSFORMER CKT 1'	287	0.06759	108.0431		'STATELINE INTERCHANGE (H TP80154301) 230/115/13.2KV TRANSFORMER CKT 1'
FDNS	02ALL		0 11G	G08_088	'FROM->TO'	'ELK CITY 230KV (ELKCTY-6) 230/138/13.8KV TRANSFORMER CKT 1'	287	0.11358	108.0431		'STATELINE INTERCHANGE (H TP80154301) 230/115/13.2KV TRANSFORMER CKT 1'
FDNS	02ALL		0 11G	G08_110	'FROM->TO'	'ELK CITY 230KV (ELKCTY-6) 230/138/13.8KV TRANSFORMER CKT 1'	287	0.03756	108.0431		'STATELINE INTERCHANGE (H TP80154301) 230/115/13.2KV TRANSFORMER CKT 1'
FDNS	02ALL		0 11G	G10_007	'FROM->TO'	'ELK CITY 230KV (ELKCTY-6) 230/138/13.8KV TRANSFORMER CKT 1'	287	0.10175	108.0431		'STATELINE INTERCHANGE (H TP80154301) 230/115/13.2KV TRANSFORMER CKT 1'
FDNS	02ALL		0 11G	ASGI_2010_011	'FROM->TO'	'ELK CITY 230KV (ELKCTY-6) 230/138/13.8KV TRANSFORMER CKT 1'	287	0.05951	108.0431		'STATELINE INTERCHANGE (H TP80154301) 230/115/13.2KV TRANSFORMER CKT 1'
FDNS	02ALL		0 11G	G10_014	'FROM->TO'	'ELK CITY 230KV (ELKCTY-6) 230/138/13.8KV TRANSFORMER CKT 1'	287	0.03756	108.0431		'STATELINE INTERCHANGE (H TP80154301) 230/115/13.2KV TRANSFORMER CKT 1'
FDNS	02ALL		0 11G	G09_067S	'FROM->TO'	'ELK CITY 230KV (ELKCTY-6) 230/138/13.8KV TRANSFORMER CKT 1'	287	0.06629	107.1204		'STATELINE INTERCHANGE (H TP80154301) 230/115/13.2KV TRANSFORMER CKT 1'
FDNS	02ALL		0 11G	G08_022	'FROM->TO'	'ELK CITY 230KV (ELKCTY-6) 230/138/13.8KV TRANSFORMER CKT 1'	287	0.06759	107.1204		'STATELINE INTERCHANGE (H TP80154301) 230/115/13.2KV TRANSFORMER CKT 1'
FDNS	02ALL		0 11G	G08_088	'FROM->TO'	'ELK CITY 230KV (ELKCTY-6) 230/138/13.8KV TRANSFORMER CKT 1'	287	0.11358	107.1204		'STATELINE INTERCHANGE (H TP80154301) 230/115/13.2KV TRANSFORMER CKT 1'
FDNS	02ALL		0 11G	G08_110	'FROM->TO'	'ELK CITY 230KV (ELKCTY-6) 230/138/13.8KV TRANSFORMER CKT 1'	287	0.03756	107.1204		'STATELINE INTERCHANGE (H TP80154301) 230/115/13.2KV TRANSFORMER CKT 1'
FDNS	02ALL		0 11G	G10_007	'FROM->TO'	'ELK CITY 230KV (ELKCTY-6) 230/138/13.8KV TRANSFORMER CKT 1'	287	0.10175	107.1204		'STATELINE INTERCHANGE (H TP80154301) 230/115/13.2KV TRANSFORMER CKT 1'
FDNS	02ALL		0 11G	ASGI_2010_011	'FROM->TO'	'ELK CITY 230KV (ELKCTY-6) 230/138/13.8KV TRANSFORMER CKT 1'	287	0.05951	107.1204		'STATELINE INTERCHANGE (H TP80154301) 230/115/13.2KV TRANSFORMER CKT 1'
FDNS	02ALL		0 11G	G10_014	'FROM->TO'	'ELK CITY 230KV (ELKCTY-6) 230/138/13.8KV TRANSFORMER CKT 1'	287	0.03756	107.1204		'STATELINE INTERCHANGE (H TP80154301) 230/115/13.2KV TRANSFORMER CKT 1'
FDNS	02ALL		0 11G	G09_067S	'FROM->TO'	'ELK CITY 230KV (ELKCTY-6) 230/138/13.8KV TRANSFORMER CKT 1'	287	0.06629	106.8028		'Graves Sub (GE D-575998) 115/69/13.2KV TRANSFORMER CKT 1'
FDNS	02ALL		0 11G	G08_022	'FROM->TO'	'ELK CITY 230KV (ELKCTY-6) 230/138/13.8KV TRANSFORMER CKT 1'	287	0.06759	106.8028		'Graves Sub (GE D-575998) 115/69/13.2KV TRANSFORMER CKT 1'
FDNS	02ALL		0 11G	G08_088	'FROM->TO'	'ELK CITY 230KV (ELKCTY-6) 230/138/13.8KV TRANSFORMER CKT 1'	287	0.11358	106.8028		'Graves Sub (GE D-575998) 115/69/13.2KV TRANSFORMER CKT 1'

SOLUTION	GROUP	SCENARIO	SEASON	SOURCE	DIRECTION	MONITORED ELEMENT		RATE B	TDF	TC%LOADING	CONTINGENCY NAME
						COMMON NAME					
FDNS	02ALL		0 11G	G08_110	'FROM->TO'	'ELK CITY 230KV (ELKCTY-6) 230/138/13.8KV TRANSFORMER CKT 1'		287	0.03756	106.8028	'Graves Sub (GE D-575998) 115/69/13.2KV TRANSFORMER CKT 1'
FDNS	02ALL		0 11G	G10_007	'FROM->TO'	'ELK CITY 230KV (ELKCTY-6) 230/138/13.8KV TRANSFORMER CKT 1'		287	0.10175	106.8028	'Graves Sub (GE D-575998) 115/69/13.2KV TRANSFORMER CKT 1'
FDNS	02ALL		0 11G	ASGI_2010_011	'FROM->TO'	'ELK CITY 230KV (ELKCTY-6) 230/138/13.8KV TRANSFORMER CKT 1'		287	0.05951	106.8028	'Graves Sub (GE D-575998) 115/69/13.2KV TRANSFORMER CKT 1'
FDNS	02ALL		0 11G	G10_014	'FROM->TO'	'ELK CITY 230KV (ELKCTY-6) 230/138/13.8KV TRANSFORMER CKT 1'		287	0.03756	106.8028	'Graves Sub (GE D-575998) 115/69/13.2KV TRANSFORMER CKT 1'
FDNS	02ALL		0 11G	G09_067S	'FROM->TO'	'ELK CITY 230KV (ELKCTY-6) 230/138/13.8KV TRANSFORMER CKT 1'		287	0.06629	105.8832	'Graves Sub (GE D-575998) 115/69/13.2KV TRANSFORMER CKT 1'
FDNS	02ALL		0 11G	G08_022	'FROM->TO'	'ELK CITY 230KV (ELKCTY-6) 230/138/13.8KV TRANSFORMER CKT 1'		287	0.06759	105.8832	'Graves Sub (GE D-575998) 115/69/13.2KV TRANSFORMER CKT 1'
FDNS	02ALL		0 11G	G08_088	'FROM->TO'	'ELK CITY 230KV (ELKCTY-6) 230/138/13.8KV TRANSFORMER CKT 1'		287	0.11358	105.8832	'Graves Sub (GE D-575998) 115/69/13.2KV TRANSFORMER CKT 1'
FDNS	02ALL		0 11G	G08_110	'FROM->TO'	'ELK CITY 230KV (ELKCTY-6) 230/138/13.8KV TRANSFORMER CKT 1'		287	0.03756	105.8832	'Graves Sub (GE D-575998) 115/69/13.2KV TRANSFORMER CKT 1'
FDNS	02ALL		0 11G	G10_007	'FROM->TO'	'ELK CITY 230KV (ELKCTY-6) 230/138/13.8KV TRANSFORMER CKT 1'		287	0.10175	105.8832	'Graves Sub (GE D-575998) 115/69/13.2KV TRANSFORMER CKT 1'
FDNS	02ALL		0 11G	ASGI_2010_011	'FROM->TO'	'ELK CITY 230KV (ELKCTY-6) 230/138/13.8KV TRANSFORMER CKT 1'		287	0.05951	105.8832	'Graves Sub (GE D-575998) 115/69/13.2KV TRANSFORMER CKT 1'
FDNS	02ALL		0 11G	G10_014	'FROM->TO'	'ELK CITY 230KV (ELKCTY-6) 230/138/13.8KV TRANSFORMER CKT 1'		287	0.03756	105.8832	'Graves Sub (GE D-575998) 115/69/13.2KV TRANSFORMER CKT 1'
FDNS	02ALL		0 11G	G08_044	'TO->FROM'	'FPL SWITCH - WOODWARD 138KV CKT 1'		153	0.03419	135.9882	'POTTER COUNTY INTERCHANGE (WAUK 90343-A) 345/230/13.2KV TRANSFORMER CKT 1'
FDNS	02ALL		0 11G	G08_047	'TO->FROM'	'FPL SWITCH - WOODWARD 138KV CKT 1'		153	0.05565	135.9882	'POTTER COUNTY INTERCHANGE (WAUK 90343-A) 345/230/13.2KV TRANSFORMER CKT 1'
FDNS	02ALL		0 11G	G08_110	'TO->FROM'	'FPL SWITCH - WOODWARD 138KV CKT 1'		153	0.04457	135.9882	'POTTER COUNTY INTERCHANGE (WAUK 90343-A) 345/230/13.2KV TRANSFORMER CKT 1'
FDNS	02ALL		0 11G	ASGI_2010_011	'TO->FROM'	'FPL SWITCH - WOODWARD 138KV CKT 1'		153	0.03355	135.9882	'POTTER COUNTY INTERCHANGE (WAUK 90343-A) 345/230/13.2KV TRANSFORMER CKT 1'
FDNS	02ALL		0 11G	G10_011	'TO->FROM'	'FPL SWITCH - WOODWARD 138KV CKT 1'		153	0.03419	135.9882	'POTTER COUNTY INTERCHANGE (WAUK 90343-A) 345/230/13.2KV TRANSFORMER CKT 1'
FDNS	02ALL		0 11G	G10_014	'TO->FROM'	'FPL SWITCH - WOODWARD 138KV CKT 1'		153	0.04457	135.9882	'POTTER COUNTY INTERCHANGE (WAUK 90343-A) 345/230/13.2KV TRANSFORMER CKT 1'
FDNS	02ALL		0 11G	G10_005	'FROM->TO'	'WICHITA (WICHT12X) 345/138/13.8KV TRANSFORMER CKT 1'		440	0.05133	107.6249	'WICHITA (WICHT11X) 345/138/13.8KV TRANSFORMER CKT 1'
FDNS	02ALL		0 11G	G10_005	'FROM->TO'	'WICHITA (WICHT12X) 345/138/13.8KV TRANSFORMER CKT 1'		440	0.05133	105.8842	'WICHITA (WICHT11X) 345/138/13.8KV TRANSFORMER CKT 1'
FDNS	02ALL		0 11G	G10_005	'FROM->TO'	'WICHITA (WICHT11X) 345/138/13.8KV TRANSFORMER CKT 1'		440	0.04824	101.1707	'WICHITA (WICHT12X) 345/138/13.8KV TRANSFORMER CKT 1'
FDNS	02ALL		0 11G	G08_044	'TO->FROM'	'FPL SWITCH - WOODWARD 138KV CKT 1'		153	0.03393	125.9725	'DBL-SPRVL-CO'
FDNS	02ALL		0 11G	G08_047	'TO->FROM'	'FPL SWITCH - WOODWARD 138KV CKT 1'		153	0.05298	125.9725	'DBL-SPRVL-CO'
FDNS	02ALL		0 11G	G08_110	'TO->FROM'	'FPL SWITCH - WOODWARD 138KV CKT 1'		153	0.03981	125.9725	'DBL-SPRVL-CO'
FDNS	02ALL		0 11G	ASGI_2010_011	'TO->FROM'	'FPL SWITCH - WOODWARD 138KV CKT 1'		153	0.03298	125.9725	'DBL-SPRVL-CO'
FDNS	02ALL		0 11G	G10_011	'TO->FROM'	'FPL SWITCH - WOODWARD 138KV CKT 1'		153	0.03393	125.9725	'DBL-SPRVL-CO'
FDNS	02ALL		0 11G	G10_014	'TO->FROM'	'FPL SWITCH - WOODWARD 138KV CKT 1'		153	0.03981	125.9725	'DBL-SPRVL-CO'

SOLUTION	GROUP	SCENARIO	SEASON	SOURCE	DIRECTION	MONITORED ELEMENT	RATE B	TDF	TC%	LOADING	CONTINGENCY NAME
						COMMON NAME					
FDNS	02ALL		0 11G	G09_067S	'FROM->TO'	'ELK CITY 230KV (ELKCTY-6) 230/138/13.8KV TRANSFORMER CKT 1'	287	0.06586	107.9429	'DBL-SPRVL-CO'	
FDNS	02ALL		0 11G	G08_022	'FROM->TO'	'ELK CITY 230KV (ELKCTY-6) 230/138/13.8KV TRANSFORMER CKT 1'	287	0.06718	107.9429	'DBL-SPRVL-CO'	
FDNS	02ALL		0 11G	G08_088	'FROM->TO'	'ELK CITY 230KV (ELKCTY-6) 230/138/13.8KV TRANSFORMER CKT 1'	287	0.11342	107.9429	'DBL-SPRVL-CO'	
FDNS	02ALL		0 11G	G08_110	'FROM->TO'	'ELK CITY 230KV (ELKCTY-6) 230/138/13.8KV TRANSFORMER CKT 1'	287	0.03782	107.9429	'DBL-SPRVL-CO'	
FDNS	02ALL		0 11G	G10_007	'FROM->TO'	'ELK CITY 230KV (ELKCTY-6) 230/138/13.8KV TRANSFORMER CKT 1'	287	0.10169	107.9429	'DBL-SPRVL-CO'	
FDNS	02ALL		0 11G	ASGI_2010_011	'FROM->TO'	'ELK CITY 230KV (ELKCTY-6) 230/138/13.8KV TRANSFORMER CKT 1'	287	0.05966	107.9429	'DBL-SPRVL-CO'	
FDNS	02ALL		0 11G	G10_014	'FROM->TO'	'ELK CITY 230KV (ELKCTY-6) 230/138/13.8KV TRANSFORMER CKT 1'	287	0.03782	107.9429	'DBL-SPRVL-CO'	
FDNS	02ALL		0 11G	G09_067S	'FROM->TO'	'ELK CITY 230KV (ELKCTY-6) 230/138/13.8KV TRANSFORMER CKT 1'	287	0.06586	106.8899	'DBL-SPRVL-CO'	
FDNS	02ALL		0 11G	G08_022	'FROM->TO'	'ELK CITY 230KV (ELKCTY-6) 230/138/13.8KV TRANSFORMER CKT 1'	287	0.06718	106.8899	'DBL-SPRVL-CO'	
FDNS	02ALL		0 11G	G08_088	'FROM->TO'	'ELK CITY 230KV (ELKCTY-6) 230/138/13.8KV TRANSFORMER CKT 1'	287	0.11342	106.8899	'DBL-SPRVL-CO'	
FDNS	02ALL		0 11G	G08_110	'FROM->TO'	'ELK CITY 230KV (ELKCTY-6) 230/138/13.8KV TRANSFORMER CKT 1'	287	0.03782	106.8899	'DBL-SPRVL-CO'	
FDNS	02ALL		0 11G	G10_007	'FROM->TO'	'ELK CITY 230KV (ELKCTY-6) 230/138/13.8KV TRANSFORMER CKT 1'	287	0.10169	106.8899	'DBL-SPRVL-CO'	
FDNS	02ALL		0 11G	ASGI_2010_011	'FROM->TO'	'ELK CITY 230KV (ELKCTY-6) 230/138/13.8KV TRANSFORMER CKT 1'	287	0.05966	106.8899	'DBL-SPRVL-CO'	
FDNS	02ALL		0 11G	G10_014	'FROM->TO'	'ELK CITY 230KV (ELKCTY-6) 230/138/13.8KV TRANSFORMER CKT 1'	287	0.03782	106.8899	'DBL-SPRVL-CO'	
FDNS	02ALL		0 11G	G08_044	'TO->FROM'	'FPL SWITCH - WOODWARD 138KV CKT 1'	153	0.03393	127.682	'DBL-COM-MEDL'	
FDNS	02ALL		0 11G	G08_047	'TO->FROM'	'FPL SWITCH - WOODWARD 138KV CKT 1'	153	0.05298	127.682	'DBL-COM-MEDL'	
FDNS	02ALL		0 11G	G08_110	'TO->FROM'	'FPL SWITCH - WOODWARD 138KV CKT 1'	153	0.03981	127.682	'DBL-COM-MEDL'	
FDNS	02ALL		0 11G	ASGI_2010_011	'TO->FROM'	'FPL SWITCH - WOODWARD 138KV CKT 1'	153	0.03298	127.682	'DBL-COM-MEDL'	
FDNS	02ALL		0 11G	G10_011	'TO->FROM'	'FPL SWITCH - WOODWARD 138KV CKT 1'	153	0.03393	127.682	'DBL-COM-MEDL'	
FDNS	02ALL		0 11G	G10_014	'TO->FROM'	'FPL SWITCH - WOODWARD 138KV CKT 1'	153	0.03981	127.682	'DBL-COM-MEDL'	
FDNS	02ALL		0 11G	G09_067S	'FROM->TO'	'ELK CITY 230KV (ELKCTY-6) 230/138/13.8KV TRANSFORMER CKT 1'	287	0.06586	108.2451	'DBL-COM-MEDL'	
FDNS	02ALL		0 11G	G08_022	'FROM->TO'	'ELK CITY 230KV (ELKCTY-6) 230/138/13.8KV TRANSFORMER CKT 1'	287	0.06718	108.2451	'DBL-COM-MEDL'	
FDNS	02ALL		0 11G	G08_088	'FROM->TO'	'ELK CITY 230KV (ELKCTY-6) 230/138/13.8KV TRANSFORMER CKT 1'	287	0.11342	108.2451	'DBL-COM-MEDL'	
FDNS	02ALL		0 11G	G08_110	'FROM->TO'	'ELK CITY 230KV (ELKCTY-6) 230/138/13.8KV TRANSFORMER CKT 1'	287	0.03782	108.2451	'DBL-COM-MEDL'	
FDNS	02ALL		0 11G	G10_007	'FROM->TO'	'ELK CITY 230KV (ELKCTY-6) 230/138/13.8KV TRANSFORMER CKT 1'	287	0.10169	108.2451	'DBL-COM-MEDL'	
FDNS	02ALL		0 11G	ASGI_2010_011	'FROM->TO'	'ELK CITY 230KV (ELKCTY-6) 230/138/13.8KV TRANSFORMER CKT 1'	287	0.05966	108.2451	'DBL-COM-MEDL'	
FDNS	02ALL		0 11G	G10_014	'FROM->TO'	'ELK CITY 230KV (ELKCTY-6) 230/138/13.8KV TRANSFORMER CKT 1'	287	0.03782	108.2451	'DBL-COM-MEDL'	
FDNS	02ALL		0 11G	G09_067S	'FROM->TO'	'ELK CITY 230KV (ELKCTY-6) 230/138/13.8KV TRANSFORMER CKT 1'	287	0.06586	107.1846	'DBL-COM-MEDL'	
FDNS	02ALL		0 11G	G08_022	'FROM->TO'	'ELK CITY 230KV (ELKCTY-6) 230/138/13.8KV TRANSFORMER CKT 1'	287	0.06718	107.1846	'DBL-COM-MEDL'	

SOLUTION	GROUP	SCENARIO	SEASON	SOURCE	DIRECTION	MONITORED ELEMENT	RATE B	TDF	TC%	LOADING	CONTINGENCY NAME
						COMMON NAME					
FDNS	02ALL		0 11G	G08_088	'FROM->TO'	'ELK CITY 230KV (ELKCTY-6) 230/138/13.8KV TRANSFORMER CKT 1'	287	0.11342	107.1846	'DBL-COM-MEDL'	
FDNS	02ALL		0 11G	G08_110	'FROM->TO'	'ELK CITY 230KV (ELKCTY-6) 230/138/13.8KV TRANSFORMER CKT 1'	287	0.03782	107.1846	'DBL-COM-MEDL'	
FDNS	02ALL		0 11G	G10_007	'FROM->TO'	'ELK CITY 230KV (ELKCTY-6) 230/138/13.8KV TRANSFORMER CKT 1'	287	0.10169	107.1846	'DBL-COM-MEDL'	
FDNS	02ALL		0 11G	ASGI_2010_011	'FROM->TO'	'ELK CITY 230KV (ELKCTY-6) 230/138/13.8KV TRANSFORMER CKT 1'	287	0.05966	107.1846	'DBL-COM-MEDL'	
FDNS	02ALL		0 11G	G10_014	'FROM->TO'	'ELK CITY 230KV (ELKCTY-6) 230/138/13.8KV TRANSFORMER CKT 1'	287	0.03782	107.1846	'DBL-COM-MEDL'	
FDNS	02ALL		0 11G	G08_044	'TO->FROM'	'FPL SWITCH - WOODWARD 138KV CKT 1'	153	0.04085	182.8449	'DBL-MEDLO-WI'	
FDNS	02ALL		0 11G	G08_047	'TO->FROM'	'FPL SWITCH - WOODWARD 138KV CKT 1'	153	0.06639	182.8449	'DBL-MEDLO-WI'	
FDNS	02ALL		0 11G	G10_009	'TO->FROM'	'FPL SWITCH - WOODWARD 138KV CKT 1'	153	0.03908	182.8449	'DBL-MEDLO-WI'	
FDNS	02ALL		0 11G	G08_110	'TO->FROM'	'FPL SWITCH - WOODWARD 138KV CKT 1'	153	0.05294	182.8449	'DBL-MEDLO-WI'	
FDNS	02ALL		0 11G	G10_007	'TO->FROM'	'FPL SWITCH - WOODWARD 138KV CKT 1'	153	0.03068	182.8449	'DBL-MEDLO-WI'	
FDNS	02ALL		0 11G	ASGI_2010_011	'TO->FROM'	'FPL SWITCH - WOODWARD 138KV CKT 1'	153	0.04525	182.8449	'DBL-MEDLO-WI'	
FDNS	02ALL		0 11G	G10_011	'TO->FROM'	'FPL SWITCH - WOODWARD 138KV CKT 1'	153	0.04085	182.8449	'DBL-MEDLO-WI'	
FDNS	02ALL		0 11G	G10_015	'TO->FROM'	'FPL SWITCH - WOODWARD 138KV CKT 1'	153	0.0394	182.8449	'DBL-MEDLO-WI'	
FDNS	02ALL		0 11G	G10_014	'TO->FROM'	'FPL SWITCH - WOODWARD 138KV CKT 1'	153	0.05294	182.8449	'DBL-MEDLO-WI'	
FDNS	02ALL		0 11G	G10_016	'TO->FROM'	'FPL SWITCH - WOODWARD 138KV CKT 1'	153	0.03138	182.8449	'DBL-MEDLO-WI'	
FDNS	02ALL		0 11G	G10_008	'TO->FROM'	'GLASS MOUNTAIN - MOORELAND 138KV CKT 1'	124	0.07029	111.0571	'DBL-MEDLO-WI'	
FDNS	02ALL		0 11G	G08_044	'FROM->TO'	'FPL SWITCH - MOORELAND 138KV CKT 1'	287	0.03998	102.6963	'DBL-MEDLO-WI'	
FDNS	02ALL		0 11G	G08_047	'FROM->TO'	'FPL SWITCH - MOORELAND 138KV CKT 1'	287	0.06553	102.6963	'DBL-MEDLO-WI'	
FDNS	02ALL		0 11G	G10_009	'FROM->TO'	'FPL SWITCH - MOORELAND 138KV CKT 1'	287	0.03821	102.6963	'DBL-MEDLO-WI'	
FDNS	02ALL		0 11G	G08_110	'FROM->TO'	'FPL SWITCH - MOORELAND 138KV CKT 1'	287	0.05208	102.6963	'DBL-MEDLO-WI'	
FDNS	02ALL		0 11G	ASGI_2010_011	'FROM->TO'	'FPL SWITCH - MOORELAND 138KV CKT 1'	287	0.04438	102.6963	'DBL-MEDLO-WI'	
FDNS	02ALL		0 11G	G10_011	'FROM->TO'	'FPL SWITCH - MOORELAND 138KV CKT 1'	287	0.03998	102.6963	'DBL-MEDLO-WI'	
FDNS	02ALL		0 11G	G10_015	'FROM->TO'	'FPL SWITCH - MOORELAND 138KV CKT 1'	287	0.03853	102.6963	'DBL-MEDLO-WI'	
FDNS	02ALL		0 11G	G10_014	'FROM->TO'	'FPL SWITCH - MOORELAND 138KV CKT 1'	287	0.05208	102.6963	'DBL-MEDLO-WI'	
FDNS	02ALL		0 11G	G10_016	'FROM->TO'	'FPL SWITCH - MOORELAND 138KV CKT 1'	287	0.03052	102.6963	'DBL-MEDLO-WI'	
FDNS	02ALL		0 11G	G09_060	'TO->FROM'	'CANTON - TALOGA 69KV CKT 1'	39	0.04691	104.4632	'DBL-MEDLO-WI'	
FDNS	02ALL		0 11G	G09_020	'FROM->TO'	'ST JOHN - ST_JOHN 115KV CKT 1'	86	0.06469	122.8658	'DBL-MEDLO-WI'	
FDNS	02ALL		0 11G	G08_047	'FROM->TO'	'CLEARWATER - GILL ENERGY CENTER WEST 138KV CKT 1'	234	0.03841	101.8969	'DBL-MEDLO-WI'	
FDNS	02ALL		0 11G	G10_009	'FROM->TO'	'CLEARWATER - GILL ENERGY CENTER WEST 138KV CKT 1'	234	0.04281	101.8969	'DBL-MEDLO-WI'	
FDNS	02ALL		0 11G	G08_110	'FROM->TO'	'CLEARWATER - GILL ENERGY CENTER WEST 138KV CKT 1'	234	0.03597	101.8969	'DBL-MEDLO-WI'	

SOLUTION	GROUP	SCENARIO	SEASON	SOURCE	DIRECTION	MONITORED ELEMENT	RATE	B	TDF	TC%	LOADING	CONTINGENCY NAME
						COMMON NAME						
FDNS	02ALL		0 11G	ASGI_2010_011	'FROM->TO'	'CLEARWATER - GILL ENERGY CENTER WEST 138KV CKT 1'	234	0.03378		101.8969	'DBL-MEDLO-WI'	
FDNS	02ALL		0 11G	G10_015	'FROM->TO'	'CLEARWATER - GILL ENERGY CENTER WEST 138KV CKT 1'	234	0.04801		101.8969	'DBL-MEDLO-WI'	
FDNS	02ALL		0 11G	G10_014	'FROM->TO'	'CLEARWATER - GILL ENERGY CENTER WEST 138KV CKT 1'	234	0.03597		101.8969	'DBL-MEDLO-WI'	
FDNS	02ALL		0 11G	G10_016	'FROM->TO'	'CLEARWATER - GILL ENERGY CENTER WEST 138KV CKT 1'	234	0.03567		101.8969	'DBL-MEDLO-WI'	
FDNS	02ALL		0 11G	G08_047	'TO->FROM'	'CLEARWATER - MILAN TAP 138KV CKT 1'	110	0.03841		228.9172	'DBL-MEDLO-WI'	
FDNS	02ALL		0 11G	G10_009	'TO->FROM'	'CLEARWATER - MILAN TAP 138KV CKT 1'	110	0.04281		228.9172	'DBL-MEDLO-WI'	
FDNS	02ALL		0 11G	G08_110	'TO->FROM'	'CLEARWATER - MILAN TAP 138KV CKT 1'	110	0.03597		228.9172	'DBL-MEDLO-WI'	
FDNS	02ALL		0 11G	ASGI_2010_011	'TO->FROM'	'CLEARWATER - MILAN TAP 138KV CKT 1'	110	0.03378		228.9172	'DBL-MEDLO-WI'	
FDNS	02ALL		0 11G	G10_015	'TO->FROM'	'CLEARWATER - MILAN TAP 138KV CKT 1'	110	0.04801		228.9172	'DBL-MEDLO-WI'	
FDNS	02ALL		0 11G	G10_014	'TO->FROM'	'CLEARWATER - MILAN TAP 138KV CKT 1'	110	0.03597		228.9172	'DBL-MEDLO-WI'	
FDNS	02ALL		0 11G	G10_016	'TO->FROM'	'CLEARWATER - MILAN TAP 138KV CKT 1'	110	0.03567		228.9172	'DBL-MEDLO-WI'	
FDNS	02ALL		0 11G	G08_047	'FROM->TO'	'HARPER - MILAN TAP 138KV CKT 1'	95.6	0.03841		278.4322	'DBL-MEDLO-WI'	
FDNS	02ALL		0 11G	G10_009	'FROM->TO'	'HARPER - MILAN TAP 138KV CKT 1'	95.6	0.04281		278.4322	'DBL-MEDLO-WI'	
FDNS	02ALL		0 11G	G08_110	'FROM->TO'	'HARPER - MILAN TAP 138KV CKT 1'	95.6	0.03597		278.4322	'DBL-MEDLO-WI'	
FDNS	02ALL		0 11G	ASGI_2010_011	'FROM->TO'	'HARPER - MILAN TAP 138KV CKT 1'	95.6	0.03378		278.4322	'DBL-MEDLO-WI'	
FDNS	02ALL		0 11G	G10_015	'FROM->TO'	'HARPER - MILAN TAP 138KV CKT 1'	95.6	0.04801		278.4322	'DBL-MEDLO-WI'	
FDNS	02ALL		0 11G	G10_014	'FROM->TO'	'HARPER - MILAN TAP 138KV CKT 1'	95.6	0.03597		278.4322	'DBL-MEDLO-WI'	
FDNS	02ALL		0 11G	G10_016	'FROM->TO'	'HARPER - MILAN TAP 138KV CKT 1'	95.6	0.03567		278.4322	'DBL-MEDLO-WI'	
FDNS	02ALL		0 11G	G09_067S	'FROM->TO'	'ELK CITY 230KV (ELKCTY-6) 230/138/13.8KV TRANSFORMER CKT 1'	287	0.06968		114.9952	'DBL-MEDLO-WI'	
FDNS	02ALL		0 11G	G08_022	'FROM->TO'	'ELK CITY 230KV (ELKCTY-6) 230/138/13.8KV TRANSFORMER CKT 1'	287	0.071		114.9952	'DBL-MEDLO-WI'	
FDNS	02ALL		0 11G	G08_088	'FROM->TO'	'ELK CITY 230KV (ELKCTY-6) 230/138/13.8KV TRANSFORMER CKT 1'	287	0.11733		114.9952	'DBL-MEDLO-WI'	
FDNS	02ALL		0 11G	G08_110	'FROM->TO'	'ELK CITY 230KV (ELKCTY-6) 230/138/13.8KV TRANSFORMER CKT 1'	287	0.04237		114.9952	'DBL-MEDLO-WI'	
FDNS	02ALL		0 11G	G10_007	'FROM->TO'	'ELK CITY 230KV (ELKCTY-6) 230/138/13.8KV TRANSFORMER CKT 1'	287	0.10574		114.9952	'DBL-MEDLO-WI'	
FDNS	02ALL		0 11G	ASGI_2010_011	'FROM->TO'	'ELK CITY 230KV (ELKCTY-6) 230/138/13.8KV TRANSFORMER CKT 1'	287	0.06403		114.9952	'DBL-MEDLO-WI'	
FDNS	02ALL		0 11G	G10_014	'FROM->TO'	'ELK CITY 230KV (ELKCTY-6) 230/138/13.8KV TRANSFORMER CKT 1'	287	0.04237		114.9952	'DBL-MEDLO-WI'	
FDNS	02ALL		0 11G	G09_067S	'FROM->TO'	'ELK CITY 230KV (ELKCTY-6) 230/138/13.8KV TRANSFORMER CKT 1'	287	0.06968		113.682	'DBL-MEDLO-WI'	
FDNS	02ALL		0 11G	G08_022	'FROM->TO'	'ELK CITY 230KV (ELKCTY-6) 230/138/13.8KV TRANSFORMER CKT 1'	287	0.071		113.682	'DBL-MEDLO-WI'	
FDNS	02ALL		0 11G	G08_088	'FROM->TO'	'ELK CITY 230KV (ELKCTY-6) 230/138/13.8KV TRANSFORMER CKT 1'	287	0.11733		113.682	'DBL-MEDLO-WI'	
FDNS	02ALL		0 11G	G08_110	'FROM->TO'	'ELK CITY 230KV (ELKCTY-6) 230/138/13.8KV TRANSFORMER CKT 1'	287	0.04237		113.682	'DBL-MEDLO-WI'	
FDNS	02ALL		0 11G	G10_007	'FROM->TO'	'ELK CITY 230KV (ELKCTY-6) 230/138/13.8KV TRANSFORMER CKT 1'	287	0.10574		113.682	'DBL-MEDLO-WI'	
FDNS	02ALL		0 11G	ASGI_2010_011	'FROM->TO'	'ELK CITY 230KV (ELKCTY-6) 230/138/13.8KV TRANSFORMER CKT 1'	287	0.06403		113.682	'DBL-MEDLO-WI'	
FDNS	02ALL		0 11G	G10_014	'FROM->TO'	'ELK CITY 230KV (ELKCTY-6) 230/138/13.8KV TRANSFORMER CKT 1'	287	0.04237		113.682	'DBL-MEDLO-WI'	

SOLUTION	GROUP	SCENARIO	SEASON	SOURCE	DIRECTION	MONITORED ELEMENT	RATE	B	TDF	TC%	LOADING	CONTINGENCY NAME
						COMMON NAME						
FDNS	02ALL		0 11G	G08_044	'TO->FROM'	'FPL SWITCH - WOODWARD 138KV CKT 1'	153	0.05551			182.5594	'DBL-WOOD-MED'
FDNS	02ALL		0 11G	G08_047	'TO->FROM'	'FPL SWITCH - WOODWARD 138KV CKT 1'	153	0.08042			182.5594	'DBL-WOOD-MED'
FDNS	02ALL		0 11G	G09_067S	'TO->FROM'	'FPL SWITCH - WOODWARD 138KV CKT 1'	153	0.03736			182.5594	'DBL-WOOD-MED'
FDNS	02ALL		0 11G	G08_022	'TO->FROM'	'FPL SWITCH - WOODWARD 138KV CKT 1'	153	0.03734			182.5594	'DBL-WOOD-MED'
FDNS	02ALL		0 11G	G08_088	'TO->FROM'	'FPL SWITCH - WOODWARD 138KV CKT 1'	153	0.03377			182.5594	'DBL-WOOD-MED'
FDNS	02ALL		0 11G	G08_110	'TO->FROM'	'FPL SWITCH - WOODWARD 138KV CKT 1'	153	0.06018			182.5594	'DBL-WOOD-MED'
FDNS	02ALL		0 11G	G10_007	'TO->FROM'	'FPL SWITCH - WOODWARD 138KV CKT 1'	153	0.03888			182.5594	'DBL-WOOD-MED'
FDNS	02ALL		0 11G	ASGI_2010_011	'TO->FROM'	'FPL SWITCH - WOODWARD 138KV CKT 1'	153	0.05283			182.5594	'DBL-WOOD-MED'
FDNS	02ALL		0 11G	G10_011	'TO->FROM'	'FPL SWITCH - WOODWARD 138KV CKT 1'	153	0.05551			182.5594	'DBL-WOOD-MED'
FDNS	02ALL		0 11G	G10_014	'TO->FROM'	'FPL SWITCH - WOODWARD 138KV CKT 1'	153	0.06018			182.5594	'DBL-WOOD-MED'
FDNS	02ALL		0 11G	G10_008	'TO->FROM'	'GLASS MOUNTAIN - MOORELAND 138KV CKT 1'	124	0.0765			108.3851	'DBL-WOOD-MED'
FDNS	02ALL		0 11G	G08_044	'FROM->TO'	'FPL SWITCH - MOORELAND 138KV CKT 1'	287	0.05464			102.3021	'DBL-WOOD-MED'
FDNS	02ALL		0 11G	G08_047	'FROM->TO'	'FPL SWITCH - MOORELAND 138KV CKT 1'	287	0.07956			102.3021	'DBL-WOOD-MED'
FDNS	02ALL		0 11G	G09_067S	'FROM->TO'	'FPL SWITCH - MOORELAND 138KV CKT 1'	287	0.0365			102.3021	'DBL-WOOD-MED'
FDNS	02ALL		0 11G	G08_022	'FROM->TO'	'FPL SWITCH - MOORELAND 138KV CKT 1'	287	0.03647			102.3021	'DBL-WOOD-MED'
FDNS	02ALL		0 11G	G08_088	'FROM->TO'	'FPL SWITCH - MOORELAND 138KV CKT 1'	287	0.0329			102.3021	'DBL-WOOD-MED'
FDNS	02ALL		0 11G	G08_110	'FROM->TO'	'FPL SWITCH - MOORELAND 138KV CKT 1'	287	0.05931			102.3021	'DBL-WOOD-MED'
FDNS	02ALL		0 11G	G10_007	'FROM->TO'	'FPL SWITCH - MOORELAND 138KV CKT 1'	287	0.03801			102.3021	'DBL-WOOD-MED'
FDNS	02ALL		0 11G	ASGI_2010_011	'FROM->TO'	'FPL SWITCH - MOORELAND 138KV CKT 1'	287	0.05196			102.3021	'DBL-WOOD-MED'
FDNS	02ALL		0 11G	G10_011	'FROM->TO'	'FPL SWITCH - MOORELAND 138KV CKT 1'	287	0.05464			102.3021	'DBL-WOOD-MED'
FDNS	02ALL		0 11G	G10_014	'FROM->TO'	'FPL SWITCH - MOORELAND 138KV CKT 1'	287	0.05931			102.3021	'DBL-WOOD-MED'
FDNS	02ALL		0 11G	G09_060	'TO->FROM'	'CANTON - TALOGA 69KV CKT 1'	39	0.04775			102.4026	'DBL-WOOD-MED'
FDNS	02ALL		0 11G	G08_044	'TO->FROM'	'FINNEY SWITCHING STATION - STEVENSCO 345.00 345KV CKT 1'	1052	0.09572			101.9622	'DBL-WOOD-MED'
FDNS	02ALL		0 11G	G09_067S	'TO->FROM'	'FINNEY SWITCHING STATION - STEVENSCO 345.00 345KV CKT 1'	1052	0.1746			101.9622	'DBL-WOOD-MED'
FDNS	02ALL		0 11G	G09_030	'TO->FROM'	'FINNEY SWITCHING STATION - STEVENSCO 345.00 345KV CKT 1'	1052	0.04526			101.9622	'DBL-WOOD-MED'
FDNS	02ALL		0 11G	G08_022	'TO->FROM'	'FINNEY SWITCHING STATION - STEVENSCO 345.00 345KV CKT 1'	1052	0.17603			101.9622	'DBL-WOOD-MED'
FDNS	02ALL		0 11G	G10_008	'TO->FROM'	'FINNEY SWITCHING STATION - STEVENSCO 345.00 345KV CKT 1'	1052	0.11712			101.9622	'DBL-WOOD-MED'
FDNS	02ALL		0 11G	G10_011	'TO->FROM'	'FINNEY SWITCHING STATION - STEVENSCO 345.00 345KV CKT 1'	1052	0.09572			101.9622	'DBL-WOOD-MED'
FDNS	02ALL		0 11G	G09_060	'TO->FROM'	'FINNEY SWITCHING STATION - STEVENSCO 345.00 345KV CKT 1'	1052	0.05211			101.9622	'DBL-WOOD-MED'

SOLUTION	GROUP	SCENARIO	SEASON	SOURCE	DIRECTION	MONITORED ELEMENT	RATE B	TDF	TC%	LOADING	CONTINGENCY NAME
						COMMON NAME					
FDNS	02ALL		0 11G	G09_067S	'FROM->TO'	'ELK CITY 230KV (ELKCTY-6) 230/138/13.8KV TRANSFORMER CKT 1'	287	0.07005	111.0271	'DBL-WOOD-MED'	
FDNS	02ALL		0 11G	G08_022	'FROM->TO'	'ELK CITY 230KV (ELKCTY-6) 230/138/13.8KV TRANSFORMER CKT 1'	287	0.07135	111.0271	'DBL-WOOD-MED'	
FDNS	02ALL		0 11G	G08_088	'FROM->TO'	'ELK CITY 230KV (ELKCTY-6) 230/138/13.8KV TRANSFORMER CKT 1'	287	0.11726	111.0271	'DBL-WOOD-MED'	
FDNS	02ALL		0 11G	G08_110	'FROM->TO'	'ELK CITY 230KV (ELKCTY-6) 230/138/13.8KV TRANSFORMER CKT 1'	287	0.04153	111.0271	'DBL-WOOD-MED'	
FDNS	02ALL		0 11G	G10_007	'FROM->TO'	'ELK CITY 230KV (ELKCTY-6) 230/138/13.8KV TRANSFORMER CKT 1'	287	0.10548	111.0271	'DBL-WOOD-MED'	
FDNS	02ALL		0 11G	ASGI_2010_011	'FROM->TO'	'ELK CITY 230KV (ELKCTY-6) 230/138/13.8KV TRANSFORMER CKT 1'	287	0.0634	111.0271	'DBL-WOOD-MED'	
FDNS	02ALL		0 11G	G10_014	'FROM->TO'	'ELK CITY 230KV (ELKCTY-6) 230/138/13.8KV TRANSFORMER CKT 1'	287	0.04153	111.0271	'DBL-WOOD-MED'	
FDNS	02ALL		0 11G	G09_067S	'FROM->TO'	'ELK CITY 230KV (ELKCTY-6) 230/138/13.8KV TRANSFORMER CKT 1'	287	0.07005	109.8919	'DBL-WOOD-MED'	
FDNS	02ALL		0 11G	G08_022	'FROM->TO'	'ELK CITY 230KV (ELKCTY-6) 230/138/13.8KV TRANSFORMER CKT 1'	287	0.07135	109.8919	'DBL-WOOD-MED'	
FDNS	02ALL		0 11G	G08_088	'FROM->TO'	'ELK CITY 230KV (ELKCTY-6) 230/138/13.8KV TRANSFORMER CKT 1'	287	0.11726	109.8919	'DBL-WOOD-MED'	
FDNS	02ALL		0 11G	G08_110	'FROM->TO'	'ELK CITY 230KV (ELKCTY-6) 230/138/13.8KV TRANSFORMER CKT 1'	287	0.04153	109.8919	'DBL-WOOD-MED'	
FDNS	02ALL		0 11G	G10_007	'FROM->TO'	'ELK CITY 230KV (ELKCTY-6) 230/138/13.8KV TRANSFORMER CKT 1'	287	0.10548	109.8919	'DBL-WOOD-MED'	
FDNS	02ALL		0 11G	ASGI_2010_011	'FROM->TO'	'ELK CITY 230KV (ELKCTY-6) 230/138/13.8KV TRANSFORMER CKT 1'	287	0.0634	109.8919	'DBL-WOOD-MED'	
FDNS	02ALL		0 11G	G10_014	'FROM->TO'	'ELK CITY 230KV (ELKCTY-6) 230/138/13.8KV TRANSFORMER CKT 1'	287	0.04153	109.8919	'DBL-WOOD-MED'	
FDNS	02ALL		0 11G	G09_067S	'FROM->TO'	'ELK CITY 230KV (ELKCTY-6) 230/138/13.8KV TRANSFORMER CKT 1'	287	0.06714	106.3418	'SPP-AEPW-25'	
FDNS	02ALL		0 11G	G08_022	'FROM->TO'	'ELK CITY 230KV (ELKCTY-6) 230/138/13.8KV TRANSFORMER CKT 1'	287	0.06846	106.3418	'SPP-AEPW-25'	
FDNS	02ALL		0 11G	G08_088	'FROM->TO'	'ELK CITY 230KV (ELKCTY-6) 230/138/13.8KV TRANSFORMER CKT 1'	287	0.1152	106.3418	'SPP-AEPW-25'	
FDNS	02ALL		0 11G	G08_110	'FROM->TO'	'ELK CITY 230KV (ELKCTY-6) 230/138/13.8KV TRANSFORMER CKT 1'	287	0.03813	106.3418	'SPP-AEPW-25'	
FDNS	02ALL		0 11G	G10_007	'FROM->TO'	'ELK CITY 230KV (ELKCTY-6) 230/138/13.8KV TRANSFORMER CKT 1'	287	0.10321	106.3418	'SPP-AEPW-25'	
FDNS	02ALL		0 11G	ASGI_2010_011	'FROM->TO'	'ELK CITY 230KV (ELKCTY-6) 230/138/13.8KV TRANSFORMER CKT 1'	287	0.06037	106.3418	'SPP-AEPW-25'	
FDNS	02ALL		0 11G	G10_014	'FROM->TO'	'ELK CITY 230KV (ELKCTY-6) 230/138/13.8KV TRANSFORMER CKT 1'	287	0.03813	106.3418	'SPP-AEPW-25'	
FDNS	02ALL		0 11G	G09_067S	'FROM->TO'	'ELK CITY 230KV (ELKCTY-6) 230/138/13.8KV TRANSFORMER CKT 1'	287	0.06714	105.3647	'SPP-AEPW-25'	
FDNS	02ALL		0 11G	G08_022	'FROM->TO'	'ELK CITY 230KV (ELKCTY-6) 230/138/13.8KV TRANSFORMER CKT 1'	287	0.06846	105.3647	'SPP-AEPW-25'	
FDNS	02ALL		0 11G	G08_088	'FROM->TO'	'ELK CITY 230KV (ELKCTY-6) 230/138/13.8KV TRANSFORMER CKT 1'	287	0.1152	105.3647	'SPP-AEPW-25'	
FDNS	02ALL		0 11G	G08_110	'FROM->TO'	'ELK CITY 230KV (ELKCTY-6) 230/138/13.8KV TRANSFORMER CKT 1'	287	0.03813	105.3647	'SPP-AEPW-25'	
FDNS	02ALL		0 11G	G10_007	'FROM->TO'	'ELK CITY 230KV (ELKCTY-6) 230/138/13.8KV TRANSFORMER CKT 1'	287	0.10321	105.3647	'SPP-AEPW-25'	
FDNS	02ALL		0 11G	ASGI_2010_011	'FROM->TO'	'ELK CITY 230KV (ELKCTY-6) 230/138/13.8KV TRANSFORMER CKT 1'	287	0.06037	105.3647	'SPP-AEPW-25'	
FDNS	02ALL		0 11G	G10_014	'FROM->TO'	'ELK CITY 230KV (ELKCTY-6) 230/138/13.8KV TRANSFORMER CKT 1'	287	0.03813	105.3647	'SPP-AEPW-25'	
FDNS	02ALL		0 11G	G08_044	'TO->FROM'	'FPL SWITCH - WOODWARD 138KV CKT 1'	153	0.03124	124.9184	'OGE3TERM1'	

SOLUTION	GROUP	SCENARIO	SEASON	SOURCE	DIRECTION	MONITORED ELEMENT	RATE B	TDF	TC%LOADING	CONTINGENCY NAME
						COMMON NAME				
FDNS	02ALL		0 11G	G08_047	'TO->FROM'	'FPL SWITCH - WOODWARD 138KV CKT 1'	153	0.04937	124.9184	'OGE3TERM1'
FDNS	02ALL		0 11G	G08_110	'TO->FROM'	'FPL SWITCH - WOODWARD 138KV CKT 1'	153	0.03729	124.9184	'OGE3TERM1'
FDNS	02ALL		0 11G	ASGI_2010_011	'TO->FROM'	'FPL SWITCH - WOODWARD 138KV CKT 1'	153	0.03032	124.9184	'OGE3TERM1'
FDNS	02ALL		0 11G	G10_011	'TO->FROM'	'FPL SWITCH - WOODWARD 138KV CKT 1'	153	0.03124	124.9184	'OGE3TERM1'
FDNS	02ALL		0 11G	G10_014	'TO->FROM'	'FPL SWITCH - WOODWARD 138KV CKT 1'	153	0.03729	124.9184	'OGE3TERM1'
FDNS	02ALL		0 11G	G08_044	'TO->FROM'	'FPL SWITCH - WOODWARD 138KV CKT 1'	153	0.03284	127.1354	'OGE3TERM4'
FDNS	02ALL		0 11G	G08_047	'TO->FROM'	'FPL SWITCH - WOODWARD 138KV CKT 1'	153	0.05242	127.1354	'OGE3TERM4'
FDNS	02ALL		0 11G	G08_110	'TO->FROM'	'FPL SWITCH - WOODWARD 138KV CKT 1'	153	0.03995	127.1354	'OGE3TERM4'
FDNS	02ALL		0 11G	ASGI_2010_011	'TO->FROM'	'FPL SWITCH - WOODWARD 138KV CKT 1'	153	0.03301	127.1354	'OGE3TERM4'
FDNS	02ALL		0 11G	G10_011	'TO->FROM'	'FPL SWITCH - WOODWARD 138KV CKT 1'	153	0.03284	127.1354	'OGE3TERM4'
FDNS	02ALL		0 11G	G10_014	'TO->FROM'	'FPL SWITCH - WOODWARD 138KV CKT 1'	153	0.03995	127.1354	'OGE3TERM4'
FDNS	02ALL		0 11G	G09_067S	'FROM->TO'	'ELK CITY 230KV (ELKCTY-6) 230/138/13.8KV TRANSFORMER CKT 1'	287	0.06394	102.9749	'OGE3TERM10'
FDNS	02ALL		0 11G	G08_022	'FROM->TO'	'ELK CITY 230KV (ELKCTY-6) 230/138/13.8KV TRANSFORMER CKT 1'	287	0.06522	102.9749	'OGE3TERM10'
FDNS	02ALL		0 11G	G08_088	'FROM->TO'	'ELK CITY 230KV (ELKCTY-6) 230/138/13.8KV TRANSFORMER CKT 1'	287	0.1103	102.9749	'OGE3TERM10'
FDNS	02ALL		0 11G	G08_110	'FROM->TO'	'ELK CITY 230KV (ELKCTY-6) 230/138/13.8KV TRANSFORMER CKT 1'	287	0.03634	102.9749	'OGE3TERM10'
FDNS	02ALL		0 11G	G10_007	'FROM->TO'	'ELK CITY 230KV (ELKCTY-6) 230/138/13.8KV TRANSFORMER CKT 1'	287	0.09882	102.9749	'OGE3TERM10'
FDNS	02ALL		0 11G	ASGI_2010_011	'FROM->TO'	'ELK CITY 230KV (ELKCTY-6) 230/138/13.8KV TRANSFORMER CKT 1'	287	0.0577	102.9749	'OGE3TERM10'
FDNS	02ALL		0 11G	G10_014	'FROM->TO'	'ELK CITY 230KV (ELKCTY-6) 230/138/13.8KV TRANSFORMER CKT 1'	287	0.03634	102.9749	'OGE3TERM10'
FDNS	02ALL		0 11G	G09_067S	'FROM->TO'	'ELK CITY 230KV (ELKCTY-6) 230/138/13.8KV TRANSFORMER CKT 1'	287	0.06394	102.1114	'OGE3TERM10'
FDNS	02ALL		0 11G	G08_022	'FROM->TO'	'ELK CITY 230KV (ELKCTY-6) 230/138/13.8KV TRANSFORMER CKT 1'	287	0.06522	102.1114	'OGE3TERM10'
FDNS	02ALL		0 11G	G08_088	'FROM->TO'	'ELK CITY 230KV (ELKCTY-6) 230/138/13.8KV TRANSFORMER CKT 1'	287	0.1103	102.1114	'OGE3TERM10'
FDNS	02ALL		0 11G	G08_110	'FROM->TO'	'ELK CITY 230KV (ELKCTY-6) 230/138/13.8KV TRANSFORMER CKT 1'	287	0.03634	102.1114	'OGE3TERM10'
FDNS	02ALL		0 11G	G10_007	'FROM->TO'	'ELK CITY 230KV (ELKCTY-6) 230/138/13.8KV TRANSFORMER CKT 1'	287	0.09882	102.1114	'OGE3TERM10'
FDNS	02ALL		0 11G	ASGI_2010_011	'FROM->TO'	'ELK CITY 230KV (ELKCTY-6) 230/138/13.8KV TRANSFORMER CKT 1'	287	0.0577	102.1114	'OGE3TERM10'
FDNS	02ALL		0 11G	G10_014	'FROM->TO'	'ELK CITY 230KV (ELKCTY-6) 230/138/13.8KV TRANSFORMER CKT 1'	287	0.03634	102.1114	'OGE3TERM10'
FDNS	02ALL		0 11G	G08_044	'TO->FROM'	'FPL SWITCH - WOODWARD 138KV CKT 1'	153	0.03107	157.3111	'SPP-SWPS-02'
FDNS	02ALL		0 11G	G08_047	'TO->FROM'	'FPL SWITCH - WOODWARD 138KV CKT 1'	153	0.05643	157.3111	'SPP-SWPS-02'
FDNS	02ALL		0 11G	G09_067S	'TO->FROM'	'FPL SWITCH - WOODWARD 138KV CKT 1'	153	0.03104	157.3111	'SPP-SWPS-02'
FDNS	02ALL		0 11G	G08_022	'TO->FROM'	'FPL SWITCH - WOODWARD 138KV CKT 1'	153	0.03125	157.3111	'SPP-SWPS-02'

SOLUTION	GROUP	SCENARIO	SEASON	SOURCE	DIRECTION	MONITORED ELEMENT	RATE	B	TDF	TC%	LOADING	CONTINGENCY NAME
						COMMON NAME						
FDNS	02ALL		0 11G	G08_088	'TO->FROM'	'FPL SWITCH - WOODWARD 138KV CKT 1'	153	0.03651		157.3111	'SPP-SWPS-02'	
FDNS	02ALL		0 11G	G08_110	'TO->FROM'	'FPL SWITCH - WOODWARD 138KV CKT 1'	153	0.04749		157.3111	'SPP-SWPS-02'	
FDNS	02ALL		0 11G	G10_007	'TO->FROM'	'FPL SWITCH - WOODWARD 138KV CKT 1'	153	0.03918		157.3111	'SPP-SWPS-02'	
FDNS	02ALL		0 11G	ASGI_2010_011	'TO->FROM'	'FPL SWITCH - WOODWARD 138KV CKT 1'	153	0.04459		157.3111	'SPP-SWPS-02'	
FDNS	02ALL		0 11G	G10_011	'TO->FROM'	'FPL SWITCH - WOODWARD 138KV CKT 1'	153	0.03107		157.3111	'SPP-SWPS-02'	
FDNS	02ALL		0 11G	G10_014	'TO->FROM'	'FPL SWITCH - WOODWARD 138KV CKT 1'	153	0.04749		157.3111	'SPP-SWPS-02'	
FDNS	02ALL		0 11G	G08_047	'TO->FROM'	'DEAF SMITH COUNTY INTERCHANGE - S-RANDLCO 230.00 230KV CKT 1'	350	0.03105		103.5657	'SPP-SWPS-02'	
FDNS	02ALL		0 11G	G08_088	'TO->FROM'	'DEAF SMITH COUNTY INTERCHANGE - S-RANDLCO 230.00 230KV CKT 1'	350	0.07266		103.5657	'SPP-SWPS-02'	
FDNS	02ALL		0 11G	G08_110	'TO->FROM'	'DEAF SMITH COUNTY INTERCHANGE - S-RANDLCO 230.00 230KV CKT 1'	350	0.04867		103.5657	'SPP-SWPS-02'	
FDNS	02ALL		0 11G	G10_007	'TO->FROM'	'DEAF SMITH COUNTY INTERCHANGE - S-RANDLCO 230.00 230KV CKT 1'	350	0.08118		103.5657	'SPP-SWPS-02'	
FDNS	02ALL		0 11G	ASGI_2010_011	'TO->FROM'	'DEAF SMITH COUNTY INTERCHANGE - S-RANDLCO 230.00 230KV CKT 1'	350	0.06191		103.5657	'SPP-SWPS-02'	
FDNS	02ALL		0 11G	G10_014	'TO->FROM'	'DEAF SMITH COUNTY INTERCHANGE - S-RANDLCO 230.00 230KV CKT 1'	350	0.04867		103.5657	'SPP-SWPS-02'	
FDNS	02ALL		0 11G	G08_044	'TO->FROM'	'FPL SWITCH - WOODWARD 138KV CKT 1'	153	0.03107		163.9755	'SPP-SWPS-02A'	
FDNS	02ALL		0 11G	G08_047	'TO->FROM'	'FPL SWITCH - WOODWARD 138KV CKT 1'	153	0.05643		163.9755	'SPP-SWPS-02A'	
FDNS	02ALL		0 11G	G09_067S	'TO->FROM'	'FPL SWITCH - WOODWARD 138KV CKT 1'	153	0.03104		163.9755	'SPP-SWPS-02A'	
FDNS	02ALL		0 11G	G08_022	'TO->FROM'	'FPL SWITCH - WOODWARD 138KV CKT 1'	153	0.03125		163.9755	'SPP-SWPS-02A'	
FDNS	02ALL		0 11G	G08_088	'TO->FROM'	'FPL SWITCH - WOODWARD 138KV CKT 1'	153	0.03651		163.9755	'SPP-SWPS-02A'	
FDNS	02ALL		0 11G	G08_110	'TO->FROM'	'FPL SWITCH - WOODWARD 138KV CKT 1'	153	0.04749		163.9755	'SPP-SWPS-02A'	
FDNS	02ALL		0 11G	G10_007	'TO->FROM'	'FPL SWITCH - WOODWARD 138KV CKT 1'	153	0.03918		163.9755	'SPP-SWPS-02A'	
FDNS	02ALL		0 11G	ASGI_2010_011	'TO->FROM'	'FPL SWITCH - WOODWARD 138KV CKT 1'	153	0.04459		163.9755	'SPP-SWPS-02A'	
FDNS	02ALL		0 11G	G10_011	'TO->FROM'	'FPL SWITCH - WOODWARD 138KV CKT 1'	153	0.03107		163.9755	'SPP-SWPS-02A'	
FDNS	02ALL		0 11G	G10_014	'TO->FROM'	'FPL SWITCH - WOODWARD 138KV CKT 1'	153	0.04749		163.9755	'SPP-SWPS-02A'	
FDNS	02ALL		0 11G	G08_047	'TO->FROM'	'DEAF SMITH COUNTY INTERCHANGE - S-RANDLCO 230.00 230KV CKT 1'	350	0.03105		103.5911	'SPP-SWPS-02A'	
FDNS	02ALL		0 11G	G08_088	'TO->FROM'	'DEAF SMITH COUNTY INTERCHANGE - S-RANDLCO 230.00 230KV CKT 1'	350	0.07266		103.5911	'SPP-SWPS-02A'	
FDNS	02ALL		0 11G	G08_110	'TO->FROM'	'DEAF SMITH COUNTY INTERCHANGE - S-RANDLCO 230.00 230KV CKT 1'	350	0.04867		103.5911	'SPP-SWPS-02A'	
FDNS	02ALL		0 11G	G10_007	'TO->FROM'	'DEAF SMITH COUNTY INTERCHANGE - S-RANDLCO 230.00 230KV CKT 1'	350	0.08118		103.5911	'SPP-SWPS-02A'	
FDNS	02ALL		0 11G	ASGI_2010_011	'TO->FROM'	'DEAF SMITH COUNTY INTERCHANGE - S-RANDLCO 230.00 230KV CKT 1'	350	0.06191		103.5911	'SPP-SWPS-02A'	
FDNS	02ALL		0 11G	G10_014	'TO->FROM'	'DEAF SMITH COUNTY INTERCHANGE - S-RANDLCO 230.00 230KV CKT 1'	350	0.04867		103.5911	'SPP-SWPS-02A'	
FDNS	02ALL		0 11G	G08_044	'TO->FROM'	'FPL SWITCH - WOODWARD 138KV CKT 1'	153	0.03105		161.4361	'SPP-SWPS-03'	

SOLUTION	GROUP	SCENARIO	SEASON	SOURCE	DIRECTION	MONITORED ELEMENT	RATE	B	TDF	TC%	LOADING	CONTINGENCY NAME
						COMMON NAME						
FDNS	02ALL		0 11G	G08_047	'TO->FROM'	'FPL SWITCH - WOODWARD 138KV CKT 1'	153	0.05648		161.4361	'SPP-SWPS-03'	
FDNS	02ALL		0 11G	G09_067S	'TO->FROM'	'FPL SWITCH - WOODWARD 138KV CKT 1'	153	0.03122		161.4361	'SPP-SWPS-03'	
FDNS	02ALL		0 11G	G08_022	'TO->FROM'	'FPL SWITCH - WOODWARD 138KV CKT 1'	153	0.03145		161.4361	'SPP-SWPS-03'	
FDNS	02ALL		0 11G	G08_088	'TO->FROM'	'FPL SWITCH - WOODWARD 138KV CKT 1'	153	0.03665		161.4361	'SPP-SWPS-03'	
FDNS	02ALL		0 11G	G08_110	'TO->FROM'	'FPL SWITCH - WOODWARD 138KV CKT 1'	153	0.04759		161.4361	'SPP-SWPS-03'	
FDNS	02ALL		0 11G	G10_007	'TO->FROM'	'FPL SWITCH - WOODWARD 138KV CKT 1'	153	0.03922		161.4361	'SPP-SWPS-03'	
FDNS	02ALL		0 11G	ASGI_2010_011	'TO->FROM'	'FPL SWITCH - WOODWARD 138KV CKT 1'	153	0.04469		161.4361	'SPP-SWPS-03'	
FDNS	02ALL		0 11G	G10_011	'TO->FROM'	'FPL SWITCH - WOODWARD 138KV CKT 1'	153	0.03105		161.4361	'SPP-SWPS-03'	
FDNS	02ALL		0 11G	G10_014	'TO->FROM'	'FPL SWITCH - WOODWARD 138KV CKT 1'	153	0.04759		161.4361	'SPP-SWPS-03'	
FDNS	02ALL		0 11G	G08_047	'TO->FROM'	'DEAF SMITH COUNTY INTERCHANGE - S-RANDLCO 230.00 230KV CKT 1'	350	0.03113		104.5474	'SPP-SWPS-03'	
FDNS	02ALL		0 11G	G08_088	'TO->FROM'	'DEAF SMITH COUNTY INTERCHANGE - S-RANDLCO 230.00 230KV CKT 1'	350	0.07287		104.5474	'SPP-SWPS-03'	
FDNS	02ALL		0 11G	G08_110	'TO->FROM'	'DEAF SMITH COUNTY INTERCHANGE - S-RANDLCO 230.00 230KV CKT 1'	350	0.04882		104.5474	'SPP-SWPS-03'	
FDNS	02ALL		0 11G	G10_007	'TO->FROM'	'DEAF SMITH COUNTY INTERCHANGE - S-RANDLCO 230.00 230KV CKT 1'	350	0.08124		104.5474	'SPP-SWPS-03'	
FDNS	02ALL		0 11G	ASGI_2010_011	'TO->FROM'	'DEAF SMITH COUNTY INTERCHANGE - S-RANDLCO 230.00 230KV CKT 1'	350	0.06206		104.5474	'SPP-SWPS-03'	
FDNS	02ALL		0 11G	G10_014	'TO->FROM'	'DEAF SMITH COUNTY INTERCHANGE - S-RANDLCO 230.00 230KV CKT 1'	350	0.04882		104.5474	'SPP-SWPS-03'	
FDNS	02ALL		0 11G	G08_088	'FROM->TO'	'G07-48T 230.00 - SWISHER COUNTY INTERCHANGE 230KV CKT 1'	351	0.14328		100.266	'SPP-SWPS-03'	
FDNS	02ALL		0 11G	G08_110	'FROM->TO'	'G07-48T 230.00 - SWISHER COUNTY INTERCHANGE 230KV CKT 1'	351	0.04148		100.266	'SPP-SWPS-03'	
FDNS	02ALL		0 11G	G10_007	'FROM->TO'	'G07-48T 230.00 - SWISHER COUNTY INTERCHANGE 230KV CKT 1'	351	0.11073		100.266	'SPP-SWPS-03'	
FDNS	02ALL		0 11G	ASGI_2010_011	'FROM->TO'	'G07-48T 230.00 - SWISHER COUNTY INTERCHANGE 230KV CKT 1'	351	0.0649		100.266	'SPP-SWPS-03'	
FDNS	02ALL		0 11G	G10_014	'FROM->TO'	'G07-48T 230.00 - SWISHER COUNTY INTERCHANGE 230KV CKT 1'	351	0.04148		100.266	'SPP-SWPS-03'	
FDNS	02ALL		0 11G	G09_067S	'FROM->TO'	'ELK CITY 230KV (ELKCTY-6) 230/138/13.8KV TRANSFORMER CKT 1'	287	0.07264		103.3739	'SPP-SWPS-K31'	
FDNS	02ALL		0 11G	G08_022	'FROM->TO'	'ELK CITY 230KV (ELKCTY-6) 230/138/13.8KV TRANSFORMER CKT 1'	287	0.07406		103.3739	'SPP-SWPS-K31'	
FDNS	02ALL		0 11G	G08_088	'FROM->TO'	'ELK CITY 230KV (ELKCTY-6) 230/138/13.8KV TRANSFORMER CKT 1'	287	0.12275		103.3739	'SPP-SWPS-K31'	
FDNS	02ALL		0 11G	G08_110	'FROM->TO'	'ELK CITY 230KV (ELKCTY-6) 230/138/13.8KV TRANSFORMER CKT 1'	287	0.03304		103.3739	'SPP-SWPS-K31'	
FDNS	02ALL		0 11G	G10_007	'FROM->TO'	'ELK CITY 230KV (ELKCTY-6) 230/138/13.8KV TRANSFORMER CKT 1'	287	0.10872		103.3739	'SPP-SWPS-K31'	
FDNS	02ALL		0 11G	ASGI_2010_011	'FROM->TO'	'ELK CITY 230KV (ELKCTY-6) 230/138/13.8KV TRANSFORMER CKT 1'	287	0.05659		103.3739	'SPP-SWPS-K31'	
FDNS	02ALL		0 11G	G10_014	'FROM->TO'	'ELK CITY 230KV (ELKCTY-6) 230/138/13.8KV TRANSFORMER CKT 1'	287	0.03304		103.3739	'SPP-SWPS-K31'	
FDNS	02ALL		0 11G	G09_067S	'FROM->TO'	'ELK CITY 230KV (ELKCTY-6) 230/138/13.8KV TRANSFORMER CKT 1'	287	0.07264		102.4897	'SPP-SWPS-K31'	
FDNS	02ALL		0 11G	G08_022	'FROM->TO'	'ELK CITY 230KV (ELKCTY-6) 230/138/13.8KV TRANSFORMER CKT 1'	287	0.07406		102.4897	'SPP-SWPS-K31'	

SOLUTION	GROUP	SCENARIO	SEASON	SOURCE	DIRECTION	MONITORED ELEMENT	RATE B	TDF	TC%	LOADING	CONTINGENCY NAME
						COMMON NAME					
FDNS	02ALL		0 11G	G08_088	'FROM->TO'	'ELK CITY 230KV (ELKCTY-6) 230/138/13.8KV TRANSFORMER CKT 1'	287	0.12275	102.4897	'SPP-SWPS-K31'	
FDNS	02ALL		0 11G	G08_110	'FROM->TO'	'ELK CITY 230KV (ELKCTY-6) 230/138/13.8KV TRANSFORMER CKT 1'	287	0.03304	102.4897	'SPP-SWPS-K31'	
FDNS	02ALL		0 11G	G10_007	'FROM->TO'	'ELK CITY 230KV (ELKCTY-6) 230/138/13.8KV TRANSFORMER CKT 1'	287	0.10872	102.4897	'SPP-SWPS-K31'	
FDNS	02ALL		0 11G	ASGI_2010_011	'FROM->TO'	'ELK CITY 230KV (ELKCTY-6) 230/138/13.8KV TRANSFORMER CKT 1'	287	0.05659	102.4897	'SPP-SWPS-K31'	
FDNS	02ALL		0 11G	G10_014	'FROM->TO'	'ELK CITY 230KV (ELKCTY-6) 230/138/13.8KV TRANSFORMER CKT 1'	287	0.03304	102.4897	'SPP-SWPS-K31'	
FDNS	02ALL		0 11G	G08_047	'TO->FROM'	'DEAF SMITH COUNTY INTERCHANGE - S-RANDLCO 230.00 230KV CKT 1'	350	0.03254	102.5896	'SPP-SWPS-T03'	
FDNS	02ALL		0 11G	G08_088	'TO->FROM'	'DEAF SMITH COUNTY INTERCHANGE - S-RANDLCO 230.00 230KV CKT 1'	350	0.09653	102.5896	'SPP-SWPS-T03'	
FDNS	02ALL		0 11G	G08_110	'TO->FROM'	'DEAF SMITH COUNTY INTERCHANGE - S-RANDLCO 230.00 230KV CKT 1'	350	0.05016	102.5896	'SPP-SWPS-T03'	
FDNS	02ALL		0 11G	G10_007	'TO->FROM'	'DEAF SMITH COUNTY INTERCHANGE - S-RANDLCO 230.00 230KV CKT 1'	350	0.08742	102.5896	'SPP-SWPS-T03'	
FDNS	02ALL		0 11G	ASGI_2010_011	'TO->FROM'	'DEAF SMITH COUNTY INTERCHANGE - S-RANDLCO 230.00 230KV CKT 1'	350	0.06459	102.5896	'SPP-SWPS-T03'	
FDNS	02ALL		0 11G	G10_014	'TO->FROM'	'DEAF SMITH COUNTY INTERCHANGE - S-RANDLCO 230.00 230KV CKT 1'	350	0.05016	102.5896	'SPP-SWPS-T03'	
FDNS	02ALL		0 11G	G08_044	'TO->FROM'	'FPL SWITCH - WOODWARD 138KV CKT 1'	153	0.03286	131.2345	'SPP-SWPS-T53'	
FDNS	02ALL		0 11G	G08_047	'TO->FROM'	'FPL SWITCH - WOODWARD 138KV CKT 1'	153	0.05272	131.2345	'SPP-SWPS-T53'	
FDNS	02ALL		0 11G	G08_110	'TO->FROM'	'FPL SWITCH - WOODWARD 138KV CKT 1'	153	0.04039	131.2345	'SPP-SWPS-T53'	
FDNS	02ALL		0 11G	ASGI_2010_011	'TO->FROM'	'FPL SWITCH - WOODWARD 138KV CKT 1'	153	0.03365	131.2345	'SPP-SWPS-T53'	
FDNS	02ALL		0 11G	G10_011	'TO->FROM'	'FPL SWITCH - WOODWARD 138KV CKT 1'	153	0.03286	131.2345	'SPP-SWPS-T53'	
FDNS	02ALL		0 11G	G10_014	'TO->FROM'	'FPL SWITCH - WOODWARD 138KV CKT 1'	153	0.04039	131.2345	'SPP-SWPS-T53'	
FDNS	02ALL		0 11G	G09_067S	'FROM->TO'	'ELK CITY 230KV (ELKCTY-6) 230/138/13.8KV TRANSFORMER CKT 1'	287	0.06468	101.9494	'SPP-SWPS-T53'	
FDNS	02ALL		0 11G	G08_022	'FROM->TO'	'ELK CITY 230KV (ELKCTY-6) 230/138/13.8KV TRANSFORMER CKT 1'	287	0.06595	101.9494	'SPP-SWPS-T53'	
FDNS	02ALL		0 11G	G08_088	'FROM->TO'	'ELK CITY 230KV (ELKCTY-6) 230/138/13.8KV TRANSFORMER CKT 1'	287	0.10976	101.9494	'SPP-SWPS-T53'	
FDNS	02ALL		0 11G	G08_110	'FROM->TO'	'ELK CITY 230KV (ELKCTY-6) 230/138/13.8KV TRANSFORMER CKT 1'	287	0.0366	101.9494	'SPP-SWPS-T53'	
FDNS	02ALL		0 11G	G10_007	'FROM->TO'	'ELK CITY 230KV (ELKCTY-6) 230/138/13.8KV TRANSFORMER CKT 1'	287	0.09935	101.9494	'SPP-SWPS-T53'	
FDNS	02ALL		0 11G	ASGI_2010_011	'FROM->TO'	'ELK CITY 230KV (ELKCTY-6) 230/138/13.8KV TRANSFORMER CKT 1'	287	0.05803	101.9494	'SPP-SWPS-T53'	
FDNS	02ALL		0 11G	G10_014	'FROM->TO'	'ELK CITY 230KV (ELKCTY-6) 230/138/13.8KV TRANSFORMER CKT 1'	287	0.0366	101.9494	'SPP-SWPS-T53'	
FDNS	02ALL		0 11G	G09_067S	'FROM->TO'	'ELK CITY 230KV (ELKCTY-6) 230/138/13.8KV TRANSFORMER CKT 1'	287	0.06468	101.0364	'SPP-SWPS-T53'	
FDNS	02ALL		0 11G	G08_022	'FROM->TO'	'ELK CITY 230KV (ELKCTY-6) 230/138/13.8KV TRANSFORMER CKT 1'	287	0.06595	101.0364	'SPP-SWPS-T53'	
FDNS	02ALL		0 11G	G08_088	'FROM->TO'	'ELK CITY 230KV (ELKCTY-6) 230/138/13.8KV TRANSFORMER CKT 1'	287	0.10976	101.0364	'SPP-SWPS-T53'	
FDNS	02ALL		0 11G	G08_110	'FROM->TO'	'ELK CITY 230KV (ELKCTY-6) 230/138/13.8KV TRANSFORMER CKT 1'	287	0.0366	101.0364	'SPP-SWPS-T53'	
FDNS	02ALL		0 11G	G10_007	'FROM->TO'	'ELK CITY 230KV (ELKCTY-6) 230/138/13.8KV TRANSFORMER CKT 1'	287	0.09935	101.0364	'SPP-SWPS-T53'	

SOLUTION	GROUP	SCENARIO	SEASON	SOURCE	DIRECTION	MONITORED ELEMENT	RATE B	TDF	TC%	LOADING	CONTINGENCY NAME
						COMMON NAME					
FDNS	02ALL		0 11G	ASGI_2010_011	'FROM->TO'	'ELK CITY 230KV (ELKCTY-6) 230/138/13.8KV TRANSFORMER CKT 1'	287	0.05803	101.0364	'SPP-SWPS-T53'	
FDNS	02ALL		0 11G	G10_014	'FROM->TO'	'ELK CITY 230KV (ELKCTY-6) 230/138/13.8KV TRANSFORMER CKT 1'	287	0.0366	101.0364	'SPP-SWPS-T53'	
FDNS	02ALL		0 11G	G09_067S	'FROM->TO'	'ELK CITY 230KV (ELKCTY-6) 230/138/13.8KV TRANSFORMER CKT 1'	287	0.06901	110.8012	'SPP-SWPS-T54'	
FDNS	02ALL		0 11G	G08_022	'FROM->TO'	'ELK CITY 230KV (ELKCTY-6) 230/138/13.8KV TRANSFORMER CKT 1'	287	0.07037	110.8012	'SPP-SWPS-T54'	
FDNS	02ALL		0 11G	G08_088	'FROM->TO'	'ELK CITY 230KV (ELKCTY-6) 230/138/13.8KV TRANSFORMER CKT 1'	287	0.11876	110.8012	'SPP-SWPS-T54'	
FDNS	02ALL		0 11G	G08_110	'FROM->TO'	'ELK CITY 230KV (ELKCTY-6) 230/138/13.8KV TRANSFORMER CKT 1'	287	0.03938	110.8012	'SPP-SWPS-T54'	
FDNS	02ALL		0 11G	G10_007	'FROM->TO'	'ELK CITY 230KV (ELKCTY-6) 230/138/13.8KV TRANSFORMER CKT 1'	287	0.10642	110.8012	'SPP-SWPS-T54'	
FDNS	02ALL		0 11G	ASGI_2010_011	'FROM->TO'	'ELK CITY 230KV (ELKCTY-6) 230/138/13.8KV TRANSFORMER CKT 1'	287	0.06227	110.8012	'SPP-SWPS-T54'	
FDNS	02ALL		0 11G	G10_014	'FROM->TO'	'ELK CITY 230KV (ELKCTY-6) 230/138/13.8KV TRANSFORMER CKT 1'	287	0.03938	110.8012	'SPP-SWPS-T54'	
FDNS	02ALL		0 11G	G09_067S	'FROM->TO'	'ELK CITY 230KV (ELKCTY-6) 230/138/13.8KV TRANSFORMER CKT 1'	287	0.06901	109.7124	'SPP-SWPS-T54'	
FDNS	02ALL		0 11G	G08_022	'FROM->TO'	'ELK CITY 230KV (ELKCTY-6) 230/138/13.8KV TRANSFORMER CKT 1'	287	0.07037	109.7124	'SPP-SWPS-T54'	
FDNS	02ALL		0 11G	G08_088	'FROM->TO'	'ELK CITY 230KV (ELKCTY-6) 230/138/13.8KV TRANSFORMER CKT 1'	287	0.11876	109.7124	'SPP-SWPS-T54'	
FDNS	02ALL		0 11G	G08_110	'FROM->TO'	'ELK CITY 230KV (ELKCTY-6) 230/138/13.8KV TRANSFORMER CKT 1'	287	0.03938	109.7124	'SPP-SWPS-T54'	
FDNS	02ALL		0 11G	G10_007	'FROM->TO'	'ELK CITY 230KV (ELKCTY-6) 230/138/13.8KV TRANSFORMER CKT 1'	287	0.10642	109.7124	'SPP-SWPS-T54'	
FDNS	02ALL		0 11G	ASGI_2010_011	'FROM->TO'	'ELK CITY 230KV (ELKCTY-6) 230/138/13.8KV TRANSFORMER CKT 1'	287	0.06227	109.7124	'SPP-SWPS-T54'	
FDNS	02ALL		0 11G	G10_014	'FROM->TO'	'ELK CITY 230KV (ELKCTY-6) 230/138/13.8KV TRANSFORMER CKT 1'	287	0.03938	109.7124	'SPP-SWPS-T54'	
FDNS	02ALL		0 11G	G08_047	'TO->FROM'	'DEAF SMITH COUNTY INTERCHANGE - S-RANDLCO 230.00 230KV CKT 1'	350	0.03254	106.6633	'SPP-SWPS-V05'	
FDNS	02ALL		0 11G	G08_088	'TO->FROM'	'DEAF SMITH COUNTY INTERCHANGE - S-RANDLCO 230.00 230KV CKT 1'	350	0.09653	106.6633	'SPP-SWPS-V05'	
FDNS	02ALL		0 11G	G08_110	'TO->FROM'	'DEAF SMITH COUNTY INTERCHANGE - S-RANDLCO 230.00 230KV CKT 1'	350	0.05016	106.6633	'SPP-SWPS-V05'	
FDNS	02ALL		0 11G	G10_007	'TO->FROM'	'DEAF SMITH COUNTY INTERCHANGE - S-RANDLCO 230.00 230KV CKT 1'	350	0.08742	106.6633	'SPP-SWPS-V05'	
FDNS	02ALL		0 11G	ASGI_2010_011	'TO->FROM'	'DEAF SMITH COUNTY INTERCHANGE - S-RANDLCO 230.00 230KV CKT 1'	350	0.06459	106.6633	'SPP-SWPS-V05'	
FDNS	02ALL		0 11G	G10_014	'TO->FROM'	'DEAF SMITH COUNTY INTERCHANGE - S-RANDLCO 230.00 230KV CKT 1'	350	0.05016	106.6633	'SPP-SWPS-V05'	
FDNS	02ALL		0 11G	G08_044	'TO->FROM'	'FPL SWITCH - WOODWARD 138KV CKT 1'	153	0.03314	131.1902	'SPP-MKEC-05'	
FDNS	02ALL		0 11G	G08_047	'TO->FROM'	'FPL SWITCH - WOODWARD 138KV CKT 1'	153	0.0529	131.1902	'SPP-MKEC-05'	
FDNS	02ALL		0 11G	G08_110	'TO->FROM'	'FPL SWITCH - WOODWARD 138KV CKT 1'	153	0.0404	131.1902	'SPP-MKEC-05'	
FDNS	02ALL		0 11G	ASGI_2010_011	'TO->FROM'	'FPL SWITCH - WOODWARD 138KV CKT 1'	153	0.03344	131.1902	'SPP-MKEC-05'	
FDNS	02ALL		0 11G	G10_011	'TO->FROM'	'FPL SWITCH - WOODWARD 138KV CKT 1'	153	0.03314	131.1902	'SPP-MKEC-05'	
FDNS	02ALL		0 11G	G10_014	'TO->FROM'	'FPL SWITCH - WOODWARD 138KV CKT 1'	153	0.0404	131.1902	'SPP-MKEC-05'	
FDNS	02ALL		0 11G	G08_044	'TO->FROM'	'FPL SWITCH - WOODWARD 138KV CKT 1'	153	0.03314	131.6298	'SPP-MKEC-08'	

SOLUTION	GROUP	SCENARIO	SEASON	SOURCE	DIRECTION	MONITORED ELEMENT	RATE B	TDF	TC%	LOADING	CONTINGENCY NAME
						COMMON NAME					
FDNS	02ALL		0 11G	G08_047	'TO->FROM'	'FPL SWITCH - WOODWARD 138KV CKT 1'	153	0.0529	131.6298	'SPP-MKEC-08'	
FDNS	02ALL		0 11G	G08_110	'TO->FROM'	'FPL SWITCH - WOODWARD 138KV CKT 1'	153	0.0404	131.6298	'SPP-MKEC-08'	
FDNS	02ALL		0 11G	ASGI_2010_011	'TO->FROM'	'FPL SWITCH - WOODWARD 138KV CKT 1'	153	0.03344	131.6298	'SPP-MKEC-08'	
FDNS	02ALL		0 11G	G10_011	'TO->FROM'	'FPL SWITCH - WOODWARD 138KV CKT 1'	153	0.03314	131.6298	'SPP-MKEC-08'	
FDNS	02ALL		0 11G	G10_014	'TO->FROM'	'FPL SWITCH - WOODWARD 138KV CKT 1'	153	0.0404	131.6298	'SPP-MKEC-08'	
FDNS	02ALL		0 11G	G08_044	'TO->FROM'	'FPL SWITCH - WOODWARD 138KV CKT 1'	153	0.03314	131.1913	'SPP-WERE-34'	
FDNS	02ALL		0 11G	G08_047	'TO->FROM'	'FPL SWITCH - WOODWARD 138KV CKT 1'	153	0.0529	131.1913	'SPP-WERE-34'	
FDNS	02ALL		0 11G	G08_110	'TO->FROM'	'FPL SWITCH - WOODWARD 138KV CKT 1'	153	0.0404	131.1913	'SPP-WERE-34'	
FDNS	02ALL		0 11G	ASGI_2010_011	'TO->FROM'	'FPL SWITCH - WOODWARD 138KV CKT 1'	153	0.03344	131.1913	'SPP-WERE-34'	
FDNS	02ALL		0 11G	G10_011	'TO->FROM'	'FPL SWITCH - WOODWARD 138KV CKT 1'	153	0.03314	131.1913	'SPP-WERE-34'	
FDNS	02ALL		0 11G	G10_014	'TO->FROM'	'FPL SWITCH - WOODWARD 138KV CKT 1'	153	0.0404	131.1913	'SPP-WERE-34'	
FDNS	02ALL		0 11G	G09_067S	'FROM->TO'	'ELK CITY 230KV (ELKCTY-6) 230/138/13.8KV TRANSFORMER CKT 1'	287	0.06629	106.4884	'GEN300003 1-THOMAS HILL UNIT 3'	
FDNS	02ALL		0 11G	G08_022	'FROM->TO'	'ELK CITY 230KV (ELKCTY-6) 230/138/13.8KV TRANSFORMER CKT 1'	287	0.06759	106.4884	'GEN300003 1-THOMAS HILL UNIT 3'	
FDNS	02ALL		0 11G	G08_088	'FROM->TO'	'ELK CITY 230KV (ELKCTY-6) 230/138/13.8KV TRANSFORMER CKT 1'	287	0.11358	106.4884	'GEN300003 1-THOMAS HILL UNIT 3'	
FDNS	02ALL		0 11G	G08_110	'FROM->TO'	'ELK CITY 230KV (ELKCTY-6) 230/138/13.8KV TRANSFORMER CKT 1'	287	0.03756	106.4884	'GEN300003 1-THOMAS HILL UNIT 3'	
FDNS	02ALL		0 11G	G10_007	'FROM->TO'	'ELK CITY 230KV (ELKCTY-6) 230/138/13.8KV TRANSFORMER CKT 1'	287	0.10175	106.4884	'GEN300003 1-THOMAS HILL UNIT 3'	
FDNS	02ALL		0 11G	ASGI_2010_011	'FROM->TO'	'ELK CITY 230KV (ELKCTY-6) 230/138/13.8KV TRANSFORMER CKT 1'	287	0.05951	106.4884	'GEN300003 1-THOMAS HILL UNIT 3'	
FDNS	02ALL		0 11G	G10_014	'FROM->TO'	'ELK CITY 230KV (ELKCTY-6) 230/138/13.8KV TRANSFORMER CKT 1'	287	0.03756	106.4884	'GEN300003 1-THOMAS HILL UNIT 3'	
FDNS	02ALL		0 11G	G09_067S	'FROM->TO'	'ELK CITY 230KV (ELKCTY-6) 230/138/13.8KV TRANSFORMER CKT 1'	287	0.06629	105.5096	'GEN300003 1-THOMAS HILL UNIT 3'	
FDNS	02ALL		0 11G	G08_022	'FROM->TO'	'ELK CITY 230KV (ELKCTY-6) 230/138/13.8KV TRANSFORMER CKT 1'	287	0.06759	105.5096	'GEN300003 1-THOMAS HILL UNIT 3'	
FDNS	02ALL		0 11G	G08_088	'FROM->TO'	'ELK CITY 230KV (ELKCTY-6) 230/138/13.8KV TRANSFORMER CKT 1'	287	0.11358	105.5096	'GEN300003 1-THOMAS HILL UNIT 3'	
FDNS	02ALL		0 11G	G08_110	'FROM->TO'	'ELK CITY 230KV (ELKCTY-6) 230/138/13.8KV TRANSFORMER CKT 1'	287	0.03756	105.5096	'GEN300003 1-THOMAS HILL UNIT 3'	
FDNS	02ALL		0 11G	G10_007	'FROM->TO'	'ELK CITY 230KV (ELKCTY-6) 230/138/13.8KV TRANSFORMER CKT 1'	287	0.10175	105.5096	'GEN300003 1-THOMAS HILL UNIT 3'	
FDNS	02ALL		0 11G	ASGI_2010_011	'FROM->TO'	'ELK CITY 230KV (ELKCTY-6) 230/138/13.8KV TRANSFORMER CKT 1'	287	0.05951	105.5096	'GEN300003 1-THOMAS HILL UNIT 3'	
FDNS	02ALL		0 11G	G10_014	'FROM->TO'	'ELK CITY 230KV (ELKCTY-6) 230/138/13.8KV TRANSFORMER CKT 1'	287	0.03756	105.5096	'GEN300003 1-THOMAS HILL UNIT 3'	
FDNS	02ALL		0 11G	G09_067S	'FROM->TO'	'ELK CITY 230KV (ELKCTY-6) 230/138/13.8KV TRANSFORMER CKT 1'	287	0.06629	107.7923	'GEN300006 1-NEW MADRID UNIT 1'	
FDNS	02ALL		0 11G	G08_022	'FROM->TO'	'ELK CITY 230KV (ELKCTY-6) 230/138/13.8KV TRANSFORMER CKT 1'	287	0.06759	107.7923	'GEN300006 1-NEW MADRID UNIT 1'	
FDNS	02ALL		0 11G	G08_088	'FROM->TO'	'ELK CITY 230KV (ELKCTY-6) 230/138/13.8KV TRANSFORMER CKT 1'	287	0.11358	107.7923	'GEN300006 1-NEW MADRID UNIT 1'	
FDNS	02ALL		0 11G	G08_110	'FROM->TO'	'ELK CITY 230KV (ELKCTY-6) 230/138/13.8KV TRANSFORMER CKT 1'	287	0.03756	107.7923	'GEN300006 1-NEW MADRID UNIT 1'	

SOLUTION	GROUP	SCENARIO	SEASON	SOURCE	DIRECTION	MONITORED ELEMENT	RATE B	TDF	TC%	LOADING	CONTINGENCY NAME
						COMMON NAME					
FDNS	02ALL		0 11G	ASGI_2010_011	'FROM->TO'	'ELK CITY 230KV (ELKCTY-6) 230/138/13.8KV TRANSFORMER CKT 1'	287	0.05951	106.3667	'GEN334070 1-LEWIS CREEK 1'	
FDNS	02ALL		0 11G	G10_014	'FROM->TO'	'ELK CITY 230KV (ELKCTY-6) 230/138/13.8KV TRANSFORMER CKT 1'	287	0.03756	106.3667	'GEN334070 1-LEWIS CREEK 1'	
FDNS	02ALL		0 11G	G09_067S	'FROM->TO'	'ELK CITY 230KV (ELKCTY-6) 230/138/13.8KV TRANSFORMER CKT 1'	287	0.06629	105.3901	'GEN334070 1-LEWIS CREEK 1'	
FDNS	02ALL		0 11G	G08_022	'FROM->TO'	'ELK CITY 230KV (ELKCTY-6) 230/138/13.8KV TRANSFORMER CKT 1'	287	0.06759	105.3901	'GEN334070 1-LEWIS CREEK 1'	
FDNS	02ALL		0 11G	G08_088	'FROM->TO'	'ELK CITY 230KV (ELKCTY-6) 230/138/13.8KV TRANSFORMER CKT 1'	287	0.11358	105.3901	'GEN334070 1-LEWIS CREEK 1'	
FDNS	02ALL		0 11G	G08_110	'FROM->TO'	'ELK CITY 230KV (ELKCTY-6) 230/138/13.8KV TRANSFORMER CKT 1'	287	0.03756	105.3901	'GEN334070 1-LEWIS CREEK 1'	
FDNS	02ALL		0 11G	G10_007	'FROM->TO'	'ELK CITY 230KV (ELKCTY-6) 230/138/13.8KV TRANSFORMER CKT 1'	287	0.10175	105.3901	'GEN334070 1-LEWIS CREEK 1'	
FDNS	02ALL		0 11G	ASGI_2010_011	'FROM->TO'	'ELK CITY 230KV (ELKCTY-6) 230/138/13.8KV TRANSFORMER CKT 1'	287	0.05951	105.3901	'GEN334070 1-LEWIS CREEK 1'	
FDNS	02ALL		0 11G	G10_014	'FROM->TO'	'ELK CITY 230KV (ELKCTY-6) 230/138/13.8KV TRANSFORMER CKT 1'	287	0.03756	105.3901	'GEN334070 1-LEWIS CREEK 1'	
FDNS	02ALL		0 11G	G08_044	'TO->FROM'	'FPL SWITCH - WOODWARD 138KV CKT 1'	153	0.03294	131.6514	'GEN334440 1-SABINE UNIT 4'	
FDNS	02ALL		0 11G	G08_047	'TO->FROM'	'FPL SWITCH - WOODWARD 138KV CKT 1'	153	0.05253	131.6514	'GEN334440 1-SABINE UNIT 4'	
FDNS	02ALL		0 11G	G08_110	'TO->FROM'	'FPL SWITCH - WOODWARD 138KV CKT 1'	153	0.04004	131.6514	'GEN334440 1-SABINE UNIT 4'	
FDNS	02ALL		0 11G	ASGI_2010_011	'TO->FROM'	'FPL SWITCH - WOODWARD 138KV CKT 1'	153	0.03311	131.6514	'GEN334440 1-SABINE UNIT 4'	
FDNS	02ALL		0 11G	G10_011	'TO->FROM'	'FPL SWITCH - WOODWARD 138KV CKT 1'	153	0.03294	131.6514	'GEN334440 1-SABINE UNIT 4'	
FDNS	02ALL		0 11G	G10_014	'TO->FROM'	'FPL SWITCH - WOODWARD 138KV CKT 1'	153	0.04004	131.6514	'GEN334440 1-SABINE UNIT 4'	
FDNS	02ALL		0 11G	G09_067S	'FROM->TO'	'ELK CITY 230KV (ELKCTY-6) 230/138/13.8KV TRANSFORMER CKT 1'	287	0.06629	107.9705	'GEN334440 1-SABINE UNIT 4'	
FDNS	02ALL		0 11G	G08_022	'FROM->TO'	'ELK CITY 230KV (ELKCTY-6) 230/138/13.8KV TRANSFORMER CKT 1'	287	0.06759	107.9705	'GEN334440 1-SABINE UNIT 4'	
FDNS	02ALL		0 11G	G08_088	'FROM->TO'	'ELK CITY 230KV (ELKCTY-6) 230/138/13.8KV TRANSFORMER CKT 1'	287	0.11358	107.9705	'GEN334440 1-SABINE UNIT 4'	
FDNS	02ALL		0 11G	G08_110	'FROM->TO'	'ELK CITY 230KV (ELKCTY-6) 230/138/13.8KV TRANSFORMER CKT 1'	287	0.03756	107.9705	'GEN334440 1-SABINE UNIT 4'	
FDNS	02ALL		0 11G	G10_007	'FROM->TO'	'ELK CITY 230KV (ELKCTY-6) 230/138/13.8KV TRANSFORMER CKT 1'	287	0.10175	107.9705	'GEN334440 1-SABINE UNIT 4'	
FDNS	02ALL		0 11G	ASGI_2010_011	'FROM->TO'	'ELK CITY 230KV (ELKCTY-6) 230/138/13.8KV TRANSFORMER CKT 1'	287	0.05951	107.9705	'GEN334440 1-SABINE UNIT 4'	
FDNS	02ALL		0 11G	G10_014	'FROM->TO'	'ELK CITY 230KV (ELKCTY-6) 230/138/13.8KV TRANSFORMER CKT 1'	287	0.03756	107.9705	'GEN334440 1-SABINE UNIT 4'	
FDNS	02ALL		0 11G	G09_067S	'FROM->TO'	'ELK CITY 230KV (ELKCTY-6) 230/138/13.8KV TRANSFORMER CKT 1'	287	0.06629	106.9507	'GEN334440 1-SABINE UNIT 4'	
FDNS	02ALL		0 11G	G08_022	'FROM->TO'	'ELK CITY 230KV (ELKCTY-6) 230/138/13.8KV TRANSFORMER CKT 1'	287	0.06759	106.9507	'GEN334440 1-SABINE UNIT 4'	
FDNS	02ALL		0 11G	G08_088	'FROM->TO'	'ELK CITY 230KV (ELKCTY-6) 230/138/13.8KV TRANSFORMER CKT 1'	287	0.11358	106.9507	'GEN334440 1-SABINE UNIT 4'	
FDNS	02ALL		0 11G	G08_110	'FROM->TO'	'ELK CITY 230KV (ELKCTY-6) 230/138/13.8KV TRANSFORMER CKT 1'	287	0.03756	106.9507	'GEN334440 1-SABINE UNIT 4'	
FDNS	02ALL		0 11G	G10_007	'FROM->TO'	'ELK CITY 230KV (ELKCTY-6) 230/138/13.8KV TRANSFORMER CKT 1'	287	0.10175	106.9507	'GEN334440 1-SABINE UNIT 4'	
FDNS	02ALL		0 11G	ASGI_2010_011	'FROM->TO'	'ELK CITY 230KV (ELKCTY-6) 230/138/13.8KV TRANSFORMER CKT 1'	287	0.05951	106.9507	'GEN334440 1-SABINE UNIT 4'	
FDNS	02ALL		0 11G	G10_014	'FROM->TO'	'ELK CITY 230KV (ELKCTY-6) 230/138/13.8KV TRANSFORMER CKT 1'	287	0.03756	106.9507	'GEN334440 1-SABINE UNIT 4'	

SOLUTION	GROUP	SCENARIO	SEASON	SOURCE	DIRECTION	MONITORED ELEMENT	RATE B	TDF	TC%	LOADING	CONTINGENCY NAME
						COMMON NAME					
FDNS	02ALL		0 11G	G09_067S	'FROM->TO'	'ELK CITY 230KV (ELKCTY-6) 230/138/13.8KV TRANSFORMER CKT 1'	287	0.06629	107.5524	'GEN334441 1-SABINE UNIT 5'	
FDNS	02ALL		0 11G	G08_022	'FROM->TO'	'ELK CITY 230KV (ELKCTY-6) 230/138/13.8KV TRANSFORMER CKT 1'	287	0.06759	107.5524	'GEN334441 1-SABINE UNIT 5'	
FDNS	02ALL		0 11G	G08_088	'FROM->TO'	'ELK CITY 230KV (ELKCTY-6) 230/138/13.8KV TRANSFORMER CKT 1'	287	0.11358	107.5524	'GEN334441 1-SABINE UNIT 5'	
FDNS	02ALL		0 11G	G08_110	'FROM->TO'	'ELK CITY 230KV (ELKCTY-6) 230/138/13.8KV TRANSFORMER CKT 1'	287	0.03756	107.5524	'GEN334441 1-SABINE UNIT 5'	
FDNS	02ALL		0 11G	G10_007	'FROM->TO'	'ELK CITY 230KV (ELKCTY-6) 230/138/13.8KV TRANSFORMER CKT 1'	287	0.10175	107.5524	'GEN334441 1-SABINE UNIT 5'	
FDNS	02ALL		0 11G	ASGI_2010_011	'FROM->TO'	'ELK CITY 230KV (ELKCTY-6) 230/138/13.8KV TRANSFORMER CKT 1'	287	0.05951	107.5524	'GEN334441 1-SABINE UNIT 5'	
FDNS	02ALL		0 11G	G10_014	'FROM->TO'	'ELK CITY 230KV (ELKCTY-6) 230/138/13.8KV TRANSFORMER CKT 1'	287	0.03756	107.5524	'GEN334441 1-SABINE UNIT 5'	
FDNS	02ALL		0 11G	G09_067S	'FROM->TO'	'ELK CITY 230KV (ELKCTY-6) 230/138/13.8KV TRANSFORMER CKT 1'	287	0.06629	106.5439	'GEN334441 1-SABINE UNIT 5'	
FDNS	02ALL		0 11G	G08_022	'FROM->TO'	'ELK CITY 230KV (ELKCTY-6) 230/138/13.8KV TRANSFORMER CKT 1'	287	0.06759	106.5439	'GEN334441 1-SABINE UNIT 5'	
FDNS	02ALL		0 11G	G08_088	'FROM->TO'	'ELK CITY 230KV (ELKCTY-6) 230/138/13.8KV TRANSFORMER CKT 1'	287	0.11358	106.5439	'GEN334441 1-SABINE UNIT 5'	
FDNS	02ALL		0 11G	G08_110	'FROM->TO'	'ELK CITY 230KV (ELKCTY-6) 230/138/13.8KV TRANSFORMER CKT 1'	287	0.03756	106.5439	'GEN334441 1-SABINE UNIT 5'	
FDNS	02ALL		0 11G	G10_007	'FROM->TO'	'ELK CITY 230KV (ELKCTY-6) 230/138/13.8KV TRANSFORMER CKT 1'	287	0.10175	106.5439	'GEN334441 1-SABINE UNIT 5'	
FDNS	02ALL		0 11G	ASGI_2010_011	'FROM->TO'	'ELK CITY 230KV (ELKCTY-6) 230/138/13.8KV TRANSFORMER CKT 1'	287	0.05951	106.5439	'GEN334441 1-SABINE UNIT 5'	
FDNS	02ALL		0 11G	G10_014	'FROM->TO'	'ELK CITY 230KV (ELKCTY-6) 230/138/13.8KV TRANSFORMER CKT 1'	287	0.03756	106.5439	'GEN334441 1-SABINE UNIT 5'	
FDNS	02ALL		0 11G	G08_044	'TO->FROM'	'FPL SWITCH - WOODWARD 138KV CKT 1'	153	0.03294	131.5142	'GEN335204 1-NELSON UNIT 4'	
FDNS	02ALL		0 11G	G08_047	'TO->FROM'	'FPL SWITCH - WOODWARD 138KV CKT 1'	153	0.05253	131.5142	'GEN335204 1-NELSON UNIT 4'	
FDNS	02ALL		0 11G	G08_110	'TO->FROM'	'FPL SWITCH - WOODWARD 138KV CKT 1'	153	0.04004	131.5142	'GEN335204 1-NELSON UNIT 4'	
FDNS	02ALL		0 11G	ASGI_2010_011	'TO->FROM'	'FPL SWITCH - WOODWARD 138KV CKT 1'	153	0.03311	131.5142	'GEN335204 1-NELSON UNIT 4'	
FDNS	02ALL		0 11G	G10_011	'TO->FROM'	'FPL SWITCH - WOODWARD 138KV CKT 1'	153	0.03294	131.5142	'GEN335204 1-NELSON UNIT 4'	
FDNS	02ALL		0 11G	G10_014	'TO->FROM'	'FPL SWITCH - WOODWARD 138KV CKT 1'	153	0.04004	131.5142	'GEN335204 1-NELSON UNIT 4'	
FDNS	02ALL		0 11G	G09_067S	'FROM->TO'	'ELK CITY 230KV (ELKCTY-6) 230/138/13.8KV TRANSFORMER CKT 1'	287	0.06629	107.8663	'GEN335204 1-NELSON UNIT 4'	
FDNS	02ALL		0 11G	G08_022	'FROM->TO'	'ELK CITY 230KV (ELKCTY-6) 230/138/13.8KV TRANSFORMER CKT 1'	287	0.06759	107.8663	'GEN335204 1-NELSON UNIT 4'	
FDNS	02ALL		0 11G	G08_088	'FROM->TO'	'ELK CITY 230KV (ELKCTY-6) 230/138/13.8KV TRANSFORMER CKT 1'	287	0.11358	107.8663	'GEN335204 1-NELSON UNIT 4'	
FDNS	02ALL		0 11G	G08_110	'FROM->TO'	'ELK CITY 230KV (ELKCTY-6) 230/138/13.8KV TRANSFORMER CKT 1'	287	0.03756	107.8663	'GEN335204 1-NELSON UNIT 4'	
FDNS	02ALL		0 11G	G10_007	'FROM->TO'	'ELK CITY 230KV (ELKCTY-6) 230/138/13.8KV TRANSFORMER CKT 1'	287	0.10175	107.8663	'GEN335204 1-NELSON UNIT 4'	
FDNS	02ALL		0 11G	ASGI_2010_011	'FROM->TO'	'ELK CITY 230KV (ELKCTY-6) 230/138/13.8KV TRANSFORMER CKT 1'	287	0.05951	107.8663	'GEN335204 1-NELSON UNIT 4'	
FDNS	02ALL		0 11G	G10_014	'FROM->TO'	'ELK CITY 230KV (ELKCTY-6) 230/138/13.8KV TRANSFORMER CKT 1'	287	0.03756	107.8663	'GEN335204 1-NELSON UNIT 4'	
FDNS	02ALL		0 11G	G09_067S	'FROM->TO'	'ELK CITY 230KV (ELKCTY-6) 230/138/13.8KV TRANSFORMER CKT 1'	287	0.06629	106.8494	'GEN335204 1-NELSON UNIT 4'	
FDNS	02ALL		0 11G	G08_022	'FROM->TO'	'ELK CITY 230KV (ELKCTY-6) 230/138/13.8KV TRANSFORMER CKT 1'	287	0.06759	106.8494	'GEN335204 1-NELSON UNIT 4'	

SOLUTION	GROUP	SCENARIO	SEASON	SOURCE	DIRECTION	MONITORED ELEMENT	RATE B	TDF	TC%	LOADING	CONTINGENCY NAME
						COMMON NAME					
FDNS	02ALL		0 11G	G08_088	'FROM->TO'	'ELK CITY 230KV (ELKCTY-6) 230/138/13.8KV TRANSFORMER CKT 1'	287	0.11358	106.8494	'GEN335204 1-NELSON UNIT 4'	
FDNS	02ALL		0 11G	G08_110	'FROM->TO'	'ELK CITY 230KV (ELKCTY-6) 230/138/13.8KV TRANSFORMER CKT 1'	287	0.03756	106.8494	'GEN335204 1-NELSON UNIT 4'	
FDNS	02ALL		0 11G	G10_007	'FROM->TO'	'ELK CITY 230KV (ELKCTY-6) 230/138/13.8KV TRANSFORMER CKT 1'	287	0.10175	106.8494	'GEN335204 1-NELSON UNIT 4'	
FDNS	02ALL		0 11G	ASGI_2010_011	'FROM->TO'	'ELK CITY 230KV (ELKCTY-6) 230/138/13.8KV TRANSFORMER CKT 1'	287	0.05951	106.8494	'GEN335204 1-NELSON UNIT 4'	
FDNS	02ALL		0 11G	G10_014	'FROM->TO'	'ELK CITY 230KV (ELKCTY-6) 230/138/13.8KV TRANSFORMER CKT 1'	287	0.03756	106.8494	'GEN335204 1-NELSON UNIT 4'	
FDNS	02ALL		0 11G	G08_044	'TO->FROM'	'FPL SWITCH - WOODWARD 138KV CKT 1'	153	0.03294	131.7803	'GEN335206 1-NELSON UNIT 6'	
FDNS	02ALL		0 11G	G08_047	'TO->FROM'	'FPL SWITCH - WOODWARD 138KV CKT 1'	153	0.05253	131.7803	'GEN335206 1-NELSON UNIT 6'	
FDNS	02ALL		0 11G	G08_110	'TO->FROM'	'FPL SWITCH - WOODWARD 138KV CKT 1'	153	0.04004	131.7803	'GEN335206 1-NELSON UNIT 6'	
FDNS	02ALL		0 11G	ASGI_2010_011	'TO->FROM'	'FPL SWITCH - WOODWARD 138KV CKT 1'	153	0.03311	131.7803	'GEN335206 1-NELSON UNIT 6'	
FDNS	02ALL		0 11G	G10_011	'TO->FROM'	'FPL SWITCH - WOODWARD 138KV CKT 1'	153	0.03294	131.7803	'GEN335206 1-NELSON UNIT 6'	
FDNS	02ALL		0 11G	G10_014	'TO->FROM'	'FPL SWITCH - WOODWARD 138KV CKT 1'	153	0.04004	131.7803	'GEN335206 1-NELSON UNIT 6'	
FDNS	02ALL		0 11G	G09_067S	'FROM->TO'	'ELK CITY 230KV (ELKCTY-6) 230/138/13.8KV TRANSFORMER CKT 1'	287	0.06629	108.198	'GEN335206 1-NELSON UNIT 6'	
FDNS	02ALL		0 11G	G08_022	'FROM->TO'	'ELK CITY 230KV (ELKCTY-6) 230/138/13.8KV TRANSFORMER CKT 1'	287	0.06759	108.198	'GEN335206 1-NELSON UNIT 6'	
FDNS	02ALL		0 11G	G08_088	'FROM->TO'	'ELK CITY 230KV (ELKCTY-6) 230/138/13.8KV TRANSFORMER CKT 1'	287	0.11358	108.198	'GEN335206 1-NELSON UNIT 6'	
FDNS	02ALL		0 11G	G08_110	'FROM->TO'	'ELK CITY 230KV (ELKCTY-6) 230/138/13.8KV TRANSFORMER CKT 1'	287	0.03756	108.198	'GEN335206 1-NELSON UNIT 6'	
FDNS	02ALL		0 11G	G10_007	'FROM->TO'	'ELK CITY 230KV (ELKCTY-6) 230/138/13.8KV TRANSFORMER CKT 1'	287	0.10175	108.198	'GEN335206 1-NELSON UNIT 6'	
FDNS	02ALL		0 11G	ASGI_2010_011	'FROM->TO'	'ELK CITY 230KV (ELKCTY-6) 230/138/13.8KV TRANSFORMER CKT 1'	287	0.05951	108.198	'GEN335206 1-NELSON UNIT 6'	
FDNS	02ALL		0 11G	G10_014	'FROM->TO'	'ELK CITY 230KV (ELKCTY-6) 230/138/13.8KV TRANSFORMER CKT 1'	287	0.03756	108.198	'GEN335206 1-NELSON UNIT 6'	
FDNS	02ALL		0 11G	G09_067S	'FROM->TO'	'ELK CITY 230KV (ELKCTY-6) 230/138/13.8KV TRANSFORMER CKT 1'	287	0.06629	107.172	'GEN335206 1-NELSON UNIT 6'	
FDNS	02ALL		0 11G	G08_022	'FROM->TO'	'ELK CITY 230KV (ELKCTY-6) 230/138/13.8KV TRANSFORMER CKT 1'	287	0.06759	107.172	'GEN335206 1-NELSON UNIT 6'	
FDNS	02ALL		0 11G	G08_088	'FROM->TO'	'ELK CITY 230KV (ELKCTY-6) 230/138/13.8KV TRANSFORMER CKT 1'	287	0.11358	107.172	'GEN335206 1-NELSON UNIT 6'	
FDNS	02ALL		0 11G	G08_110	'FROM->TO'	'ELK CITY 230KV (ELKCTY-6) 230/138/13.8KV TRANSFORMER CKT 1'	287	0.03756	107.172	'GEN335206 1-NELSON UNIT 6'	
FDNS	02ALL		0 11G	G10_007	'FROM->TO'	'ELK CITY 230KV (ELKCTY-6) 230/138/13.8KV TRANSFORMER CKT 1'	287	0.10175	107.172	'GEN335206 1-NELSON UNIT 6'	
FDNS	02ALL		0 11G	ASGI_2010_011	'FROM->TO'	'ELK CITY 230KV (ELKCTY-6) 230/138/13.8KV TRANSFORMER CKT 1'	287	0.05951	107.172	'GEN335206 1-NELSON UNIT 6'	
FDNS	02ALL		0 11G	G10_014	'FROM->TO'	'ELK CITY 230KV (ELKCTY-6) 230/138/13.8KV TRANSFORMER CKT 1'	287	0.03756	107.172	'GEN335206 1-NELSON UNIT 6'	
FDNS	02ALL		0 11G	G08_044	'TO->FROM'	'FPL SWITCH - WOODWARD 138KV CKT 1'	153	0.03294	133.9761	'GEN335831 1-RIVERBEND UNIT#1'	
FDNS	02ALL		0 11G	G08_047	'TO->FROM'	'FPL SWITCH - WOODWARD 138KV CKT 1'	153	0.05253	133.9761	'GEN335831 1-RIVERBEND UNIT#1'	
FDNS	02ALL		0 11G	G08_110	'TO->FROM'	'FPL SWITCH - WOODWARD 138KV CKT 1'	153	0.04004	133.9761	'GEN335831 1-RIVERBEND UNIT#1'	
FDNS	02ALL		0 11G	ASGI_2010_011	'TO->FROM'	'FPL SWITCH - WOODWARD 138KV CKT 1'	153	0.03311	133.9761	'GEN335831 1-RIVERBEND UNIT#1'	

SOLUTION	GROUP	SCENARIO	SEASON	SOURCE	DIRECTION	MONITORED ELEMENT	RATE B	TDF	TC%	LOADING	CONTINGENCY NAME
						COMMON NAME					
FDNS	02ALL		0 11G	G10_011	'TO->FROM'	'FPL SWITCH - WOODWARD 138KV CKT 1'	153	0.03294	133.9761	'GEN335831 1-RIVERBEND UNIT#1'	
FDNS	02ALL		0 11G	G10_014	'TO->FROM'	'FPL SWITCH - WOODWARD 138KV CKT 1'	153	0.04004	133.9761	'GEN335831 1-RIVERBEND UNIT#1'	
FDNS	02ALL		0 11G	G09_067S	'FROM->TO'	'ELK CITY 230KV (ELKCTY-6) 230/138/13.8KV TRANSFORMER CKT 1'	287	0.06629	111.3554	'GEN335831 1-RIVERBEND UNIT#1'	
FDNS	02ALL		0 11G	G08_022	'FROM->TO'	'ELK CITY 230KV (ELKCTY-6) 230/138/13.8KV TRANSFORMER CKT 1'	287	0.06759	111.3554	'GEN335831 1-RIVERBEND UNIT#1'	
FDNS	02ALL		0 11G	G08_088	'FROM->TO'	'ELK CITY 230KV (ELKCTY-6) 230/138/13.8KV TRANSFORMER CKT 1'	287	0.11358	111.3554	'GEN335831 1-RIVERBEND UNIT#1'	
FDNS	02ALL		0 11G	G08_110	'FROM->TO'	'ELK CITY 230KV (ELKCTY-6) 230/138/13.8KV TRANSFORMER CKT 1'	287	0.03756	111.3554	'GEN335831 1-RIVERBEND UNIT#1'	
FDNS	02ALL		0 11G	G10_007	'FROM->TO'	'ELK CITY 230KV (ELKCTY-6) 230/138/13.8KV TRANSFORMER CKT 1'	287	0.10175	111.3554	'GEN335831 1-RIVERBEND UNIT#1'	
FDNS	02ALL		0 11G	ASGI_2010_011	'FROM->TO'	'ELK CITY 230KV (ELKCTY-6) 230/138/13.8KV TRANSFORMER CKT 1'	287	0.05951	111.3554	'GEN335831 1-RIVERBEND UNIT#1'	
FDNS	02ALL		0 11G	G10_014	'FROM->TO'	'ELK CITY 230KV (ELKCTY-6) 230/138/13.8KV TRANSFORMER CKT 1'	287	0.03756	111.3554	'GEN335831 1-RIVERBEND UNIT#1'	
FDNS	02ALL		0 11G	G09_067S	'FROM->TO'	'ELK CITY 230KV (ELKCTY-6) 230/138/13.8KV TRANSFORMER CKT 1'	287	0.06629	110.242	'GEN335831 1-RIVERBEND UNIT#1'	
FDNS	02ALL		0 11G	G08_022	'FROM->TO'	'ELK CITY 230KV (ELKCTY-6) 230/138/13.8KV TRANSFORMER CKT 1'	287	0.06759	110.242	'GEN335831 1-RIVERBEND UNIT#1'	
FDNS	02ALL		0 11G	G08_088	'FROM->TO'	'ELK CITY 230KV (ELKCTY-6) 230/138/13.8KV TRANSFORMER CKT 1'	287	0.11358	110.242	'GEN335831 1-RIVERBEND UNIT#1'	
FDNS	02ALL		0 11G	G08_110	'FROM->TO'	'ELK CITY 230KV (ELKCTY-6) 230/138/13.8KV TRANSFORMER CKT 1'	287	0.03756	110.242	'GEN335831 1-RIVERBEND UNIT#1'	
FDNS	02ALL		0 11G	G10_007	'FROM->TO'	'ELK CITY 230KV (ELKCTY-6) 230/138/13.8KV TRANSFORMER CKT 1'	287	0.10175	110.242	'GEN335831 1-RIVERBEND UNIT#1'	
FDNS	02ALL		0 11G	ASGI_2010_011	'FROM->TO'	'ELK CITY 230KV (ELKCTY-6) 230/138/13.8KV TRANSFORMER CKT 1'	287	0.05951	110.242	'GEN335831 1-RIVERBEND UNIT#1'	
FDNS	02ALL		0 11G	G10_014	'FROM->TO'	'ELK CITY 230KV (ELKCTY-6) 230/138/13.8KV TRANSFORMER CKT 1'	287	0.03756	110.242	'GEN335831 1-RIVERBEND UNIT#1'	
FDNS	02ALL		0 11G	G09_067S	'FROM->TO'	'ELK CITY 230KV (ELKCTY-6) 230/138/13.8KV TRANSFORMER CKT 1'	287	0.06629	106.7885	'GEN336170 1-GULF OXY U4'	
FDNS	02ALL		0 11G	G08_022	'FROM->TO'	'ELK CITY 230KV (ELKCTY-6) 230/138/13.8KV TRANSFORMER CKT 1'	287	0.06759	106.7885	'GEN336170 1-GULF OXY U4'	
FDNS	02ALL		0 11G	G08_088	'FROM->TO'	'ELK CITY 230KV (ELKCTY-6) 230/138/13.8KV TRANSFORMER CKT 1'	287	0.11358	106.7885	'GEN336170 1-GULF OXY U4'	
FDNS	02ALL		0 11G	G08_110	'FROM->TO'	'ELK CITY 230KV (ELKCTY-6) 230/138/13.8KV TRANSFORMER CKT 1'	287	0.03756	106.7885	'GEN336170 1-GULF OXY U4'	
FDNS	02ALL		0 11G	G10_007	'FROM->TO'	'ELK CITY 230KV (ELKCTY-6) 230/138/13.8KV TRANSFORMER CKT 1'	287	0.10175	106.7885	'GEN336170 1-GULF OXY U4'	
FDNS	02ALL		0 11G	ASGI_2010_011	'FROM->TO'	'ELK CITY 230KV (ELKCTY-6) 230/138/13.8KV TRANSFORMER CKT 1'	287	0.05951	106.7885	'GEN336170 1-GULF OXY U4'	
FDNS	02ALL		0 11G	G10_014	'FROM->TO'	'ELK CITY 230KV (ELKCTY-6) 230/138/13.8KV TRANSFORMER CKT 1'	287	0.03756	106.7885	'GEN336170 1-GULF OXY U4'	
FDNS	02ALL		0 11G	G09_067S	'FROM->TO'	'ELK CITY 230KV (ELKCTY-6) 230/138/13.8KV TRANSFORMER CKT 1'	287	0.06629	105.8007	'GEN336170 1-GULF OXY U4'	
FDNS	02ALL		0 11G	G08_022	'FROM->TO'	'ELK CITY 230KV (ELKCTY-6) 230/138/13.8KV TRANSFORMER CKT 1'	287	0.06759	105.8007	'GEN336170 1-GULF OXY U4'	
FDNS	02ALL		0 11G	G08_088	'FROM->TO'	'ELK CITY 230KV (ELKCTY-6) 230/138/13.8KV TRANSFORMER CKT 1'	287	0.11358	105.8007	'GEN336170 1-GULF OXY U4'	
FDNS	02ALL		0 11G	G08_110	'FROM->TO'	'ELK CITY 230KV (ELKCTY-6) 230/138/13.8KV TRANSFORMER CKT 1'	287	0.03756	105.8007	'GEN336170 1-GULF OXY U4'	
FDNS	02ALL		0 11G	G10_007	'FROM->TO'	'ELK CITY 230KV (ELKCTY-6) 230/138/13.8KV TRANSFORMER CKT 1'	287	0.10175	105.8007	'GEN336170 1-GULF OXY U4'	
FDNS	02ALL		0 11G	ASGI_2010_011	'FROM->TO'	'ELK CITY 230KV (ELKCTY-6) 230/138/13.8KV TRANSFORMER CKT 1'	287	0.05951	105.8007	'GEN336170 1-GULF OXY U4'	

SOLUTION	GROUP	SCENARIO	SEASON	SOURCE	DIRECTION	MONITORED ELEMENT	RATE B	TDF	TC%	LOADING	CONTINGENCY NAME
						COMMON NAME					
FDNS	02ALL		0 11G	G10_014	'FROM->TO'	'ELK CITY 230KV (ELKCTY-6) 230/138/13.8KV TRANSFORMER CKT 1'	287	0.03756	105.8007	'GEN336170 1-GULF OXY U4'	
FDNS	02ALL		0 11G	G08_044	'TO->FROM'	'FPL SWITCH - WOODWARD 138KV CKT 1'	153	0.03294	132.4921	'GEN336251 1-NINEMILE POINT UNIT#4'	
FDNS	02ALL		0 11G	G08_047	'TO->FROM'	'FPL SWITCH - WOODWARD 138KV CKT 1'	153	0.05253	132.4921	'GEN336251 1-NINEMILE POINT UNIT#4'	
FDNS	02ALL		0 11G	G08_110	'TO->FROM'	'FPL SWITCH - WOODWARD 138KV CKT 1'	153	0.04004	132.4921	'GEN336251 1-NINEMILE POINT UNIT#4'	
FDNS	02ALL		0 11G	ASGI_2010_011	'TO->FROM'	'FPL SWITCH - WOODWARD 138KV CKT 1'	153	0.03311	132.4921	'GEN336251 1-NINEMILE POINT UNIT#4'	
FDNS	02ALL		0 11G	G10_011	'TO->FROM'	'FPL SWITCH - WOODWARD 138KV CKT 1'	153	0.03294	132.4921	'GEN336251 1-NINEMILE POINT UNIT#4'	
FDNS	02ALL		0 11G	G10_014	'TO->FROM'	'FPL SWITCH - WOODWARD 138KV CKT 1'	153	0.04004	132.4921	'GEN336251 1-NINEMILE POINT UNIT#4'	
FDNS	02ALL		0 11G	G09_067S	'FROM->TO'	'ELK CITY 230KV (ELKCTY-6) 230/138/13.8KV TRANSFORMER CKT 1'	287	0.06629	109.3599	'GEN336251 1-NINEMILE POINT UNIT#4'	
FDNS	02ALL		0 11G	G08_022	'FROM->TO'	'ELK CITY 230KV (ELKCTY-6) 230/138/13.8KV TRANSFORMER CKT 1'	287	0.06759	109.3599	'GEN336251 1-NINEMILE POINT UNIT#4'	
FDNS	02ALL		0 11G	G08_088	'FROM->TO'	'ELK CITY 230KV (ELKCTY-6) 230/138/13.8KV TRANSFORMER CKT 1'	287	0.11358	109.3599	'GEN336251 1-NINEMILE POINT UNIT#4'	
FDNS	02ALL		0 11G	G08_110	'FROM->TO'	'ELK CITY 230KV (ELKCTY-6) 230/138/13.8KV TRANSFORMER CKT 1'	287	0.03756	109.3599	'GEN336251 1-NINEMILE POINT UNIT#4'	
FDNS	02ALL		0 11G	G10_007	'FROM->TO'	'ELK CITY 230KV (ELKCTY-6) 230/138/13.8KV TRANSFORMER CKT 1'	287	0.10175	109.3599	'GEN336251 1-NINEMILE POINT UNIT#4'	
FDNS	02ALL		0 11G	ASGI_2010_011	'FROM->TO'	'ELK CITY 230KV (ELKCTY-6) 230/138/13.8KV TRANSFORMER CKT 1'	287	0.05951	109.3599	'GEN336251 1-NINEMILE POINT UNIT#4'	
FDNS	02ALL		0 11G	G10_014	'FROM->TO'	'ELK CITY 230KV (ELKCTY-6) 230/138/13.8KV TRANSFORMER CKT 1'	287	0.03756	109.3599	'GEN336251 1-NINEMILE POINT UNIT#4'	
FDNS	02ALL		0 11G	G09_067S	'FROM->TO'	'ELK CITY 230KV (ELKCTY-6) 230/138/13.8KV TRANSFORMER CKT 1'	287	0.06629	108.3023	'GEN336251 1-NINEMILE POINT UNIT#4'	
FDNS	02ALL		0 11G	G08_022	'FROM->TO'	'ELK CITY 230KV (ELKCTY-6) 230/138/13.8KV TRANSFORMER CKT 1'	287	0.06759	108.3023	'GEN336251 1-NINEMILE POINT UNIT#4'	
FDNS	02ALL		0 11G	G08_088	'FROM->TO'	'ELK CITY 230KV (ELKCTY-6) 230/138/13.8KV TRANSFORMER CKT 1'	287	0.11358	108.3023	'GEN336251 1-NINEMILE POINT UNIT#4'	
FDNS	02ALL		0 11G	G08_110	'FROM->TO'	'ELK CITY 230KV (ELKCTY-6) 230/138/13.8KV TRANSFORMER CKT 1'	287	0.03756	108.3023	'GEN336251 1-NINEMILE POINT UNIT#4'	
FDNS	02ALL		0 11G	G10_007	'FROM->TO'	'ELK CITY 230KV (ELKCTY-6) 230/138/13.8KV TRANSFORMER CKT 1'	287	0.10175	108.3023	'GEN336251 1-NINEMILE POINT UNIT#4'	
FDNS	02ALL		0 11G	ASGI_2010_011	'FROM->TO'	'ELK CITY 230KV (ELKCTY-6) 230/138/13.8KV TRANSFORMER CKT 1'	287	0.05951	108.3023	'GEN336251 1-NINEMILE POINT UNIT#4'	
FDNS	02ALL		0 11G	G10_014	'FROM->TO'	'ELK CITY 230KV (ELKCTY-6) 230/138/13.8KV TRANSFORMER CKT 1'	287	0.03756	108.3023	'GEN336251 1-NINEMILE POINT UNIT#4'	
FDNS	02ALL		0 11G	G09_067S	'FROM->TO'	'ELK CITY 230KV (ELKCTY-6) 230/138/13.8KV TRANSFORMER CKT 1'	287	0.06629	107.9125	'GEN336801 1-BAXTER WILSON UNIT #1'	
FDNS	02ALL		0 11G	G08_022	'FROM->TO'	'ELK CITY 230KV (ELKCTY-6) 230/138/13.8KV TRANSFORMER CKT 1'	287	0.06759	107.9125	'GEN336801 1-BAXTER WILSON UNIT #1'	
FDNS	02ALL		0 11G	G08_088	'FROM->TO'	'ELK CITY 230KV (ELKCTY-6) 230/138/13.8KV TRANSFORMER CKT 1'	287	0.11358	107.9125	'GEN336801 1-BAXTER WILSON UNIT #1'	
FDNS	02ALL		0 11G	G08_110	'FROM->TO'	'ELK CITY 230KV (ELKCTY-6) 230/138/13.8KV TRANSFORMER CKT 1'	287	0.03756	107.9125	'GEN336801 1-BAXTER WILSON UNIT #1'	
FDNS	02ALL		0 11G	G10_007	'FROM->TO'	'ELK CITY 230KV (ELKCTY-6) 230/138/13.8KV TRANSFORMER CKT 1'	287	0.10175	107.9125	'GEN336801 1-BAXTER WILSON UNIT #1'	
FDNS	02ALL		0 11G	ASGI_2010_011	'FROM->TO'	'ELK CITY 230KV (ELKCTY-6) 230/138/13.8KV TRANSFORMER CKT 1'	287	0.05951	107.9125	'GEN336801 1-BAXTER WILSON UNIT #1'	
FDNS	02ALL		0 11G	G10_014	'FROM->TO'	'ELK CITY 230KV (ELKCTY-6) 230/138/13.8KV TRANSFORMER CKT 1'	287	0.03756	107.9125	'GEN336801 1-BAXTER WILSON UNIT #1'	
FDNS	02ALL		0 11G	G09_067S	'FROM->TO'	'ELK CITY 230KV (ELKCTY-6) 230/138/13.8KV TRANSFORMER CKT 1'	287	0.06629	106.8945	'GEN336801 1-BAXTER WILSON UNIT #1'	

SOLUTION	GROUP	SCENARIO	SEASON	SOURCE	DIRECTION	MONITORED ELEMENT	RATE B	TDF	TC%	LOADING	CONTINGENCY NAME
						COMMON NAME					
FDNS	02ALL		0 11G	G08_022	'FROM->TO'	'ELK CITY 230KV (ELKCTY-6) 230/138/13.8KV TRANSFORMER CKT 1'	287	0.06759	106.8945	'GEN336801 1-BAXTER WILSON UNIT #1'	
FDNS	02ALL		0 11G	G08_088	'FROM->TO'	'ELK CITY 230KV (ELKCTY-6) 230/138/13.8KV TRANSFORMER CKT 1'	287	0.11358	106.8945	'GEN336801 1-BAXTER WILSON UNIT #1'	
FDNS	02ALL		0 11G	G08_110	'FROM->TO'	'ELK CITY 230KV (ELKCTY-6) 230/138/13.8KV TRANSFORMER CKT 1'	287	0.03756	106.8945	'GEN336801 1-BAXTER WILSON UNIT #1'	
FDNS	02ALL		0 11G	G10_007	'FROM->TO'	'ELK CITY 230KV (ELKCTY-6) 230/138/13.8KV TRANSFORMER CKT 1'	287	0.10175	106.8945	'GEN336801 1-BAXTER WILSON UNIT #1'	
FDNS	02ALL		0 11G	ASGI_2010_011	'FROM->TO'	'ELK CITY 230KV (ELKCTY-6) 230/138/13.8KV TRANSFORMER CKT 1'	287	0.05951	106.8945	'GEN336801 1-BAXTER WILSON UNIT #1'	
FDNS	02ALL		0 11G	G10_014	'FROM->TO'	'ELK CITY 230KV (ELKCTY-6) 230/138/13.8KV TRANSFORMER CKT 1'	287	0.03756	106.8945	'GEN336801 1-BAXTER WILSON UNIT #1'	
FDNS	02ALL		0 11G	G08_044	'TO->FROM'	'FPL SWITCH - WOODWARD 138KV CKT 1'	153	0.03294	135.0775	'GEN336821 1-GRAND GULF UNIT'	
FDNS	02ALL		0 11G	G08_047	'TO->FROM'	'FPL SWITCH - WOODWARD 138KV CKT 1'	153	0.05253	135.0775	'GEN336821 1-GRAND GULF UNIT'	
FDNS	02ALL		0 11G	G08_110	'TO->FROM'	'FPL SWITCH - WOODWARD 138KV CKT 1'	153	0.04004	135.0775	'GEN336821 1-GRAND GULF UNIT'	
FDNS	02ALL		0 11G	ASGI_2010_011	'TO->FROM'	'FPL SWITCH - WOODWARD 138KV CKT 1'	153	0.03311	135.0775	'GEN336821 1-GRAND GULF UNIT'	
FDNS	02ALL		0 11G	G10_011	'TO->FROM'	'FPL SWITCH - WOODWARD 138KV CKT 1'	153	0.03294	135.0775	'GEN336821 1-GRAND GULF UNIT'	
FDNS	02ALL		0 11G	G10_014	'TO->FROM'	'FPL SWITCH - WOODWARD 138KV CKT 1'	153	0.04004	135.0775	'GEN336821 1-GRAND GULF UNIT'	
FDNS	02ALL		0 11G	G09_067S	'FROM->TO'	'ELK CITY 230KV (ELKCTY-6) 230/138/13.8KV TRANSFORMER CKT 1'	287	0.06629	113.3328	'GEN336821 1-GRAND GULF UNIT'	
FDNS	02ALL		0 11G	G08_022	'FROM->TO'	'ELK CITY 230KV (ELKCTY-6) 230/138/13.8KV TRANSFORMER CKT 1'	287	0.06759	113.3328	'GEN336821 1-GRAND GULF UNIT'	
FDNS	02ALL		0 11G	G08_088	'FROM->TO'	'ELK CITY 230KV (ELKCTY-6) 230/138/13.8KV TRANSFORMER CKT 1'	287	0.11358	113.3328	'GEN336821 1-GRAND GULF UNIT'	
FDNS	02ALL		0 11G	G08_110	'FROM->TO'	'ELK CITY 230KV (ELKCTY-6) 230/138/13.8KV TRANSFORMER CKT 1'	287	0.03756	113.3328	'GEN336821 1-GRAND GULF UNIT'	
FDNS	02ALL		0 11G	G10_007	'FROM->TO'	'ELK CITY 230KV (ELKCTY-6) 230/138/13.8KV TRANSFORMER CKT 1'	287	0.10175	113.3328	'GEN336821 1-GRAND GULF UNIT'	
FDNS	02ALL		0 11G	ASGI_2010_011	'FROM->TO'	'ELK CITY 230KV (ELKCTY-6) 230/138/13.8KV TRANSFORMER CKT 1'	287	0.05951	113.3328	'GEN336821 1-GRAND GULF UNIT'	
FDNS	02ALL		0 11G	G10_014	'FROM->TO'	'ELK CITY 230KV (ELKCTY-6) 230/138/13.8KV TRANSFORMER CKT 1'	287	0.03756	113.3328	'GEN336821 1-GRAND GULF UNIT'	
FDNS	02ALL		0 11G	G09_067S	'FROM->TO'	'ELK CITY 230KV (ELKCTY-6) 230/138/13.8KV TRANSFORMER CKT 1'	287	0.06629	112.0872	'GEN336821 1-GRAND GULF UNIT'	
FDNS	02ALL		0 11G	G08_022	'FROM->TO'	'ELK CITY 230KV (ELKCTY-6) 230/138/13.8KV TRANSFORMER CKT 1'	287	0.06759	112.0872	'GEN336821 1-GRAND GULF UNIT'	
FDNS	02ALL		0 11G	G08_088	'FROM->TO'	'ELK CITY 230KV (ELKCTY-6) 230/138/13.8KV TRANSFORMER CKT 1'	287	0.11358	112.0872	'GEN336821 1-GRAND GULF UNIT'	
FDNS	02ALL		0 11G	G08_110	'FROM->TO'	'ELK CITY 230KV (ELKCTY-6) 230/138/13.8KV TRANSFORMER CKT 1'	287	0.03756	112.0872	'GEN336821 1-GRAND GULF UNIT'	
FDNS	02ALL		0 11G	G10_007	'FROM->TO'	'ELK CITY 230KV (ELKCTY-6) 230/138/13.8KV TRANSFORMER CKT 1'	287	0.10175	112.0872	'GEN336821 1-GRAND GULF UNIT'	
FDNS	02ALL		0 11G	ASGI_2010_011	'FROM->TO'	'ELK CITY 230KV (ELKCTY-6) 230/138/13.8KV TRANSFORMER CKT 1'	287	0.05951	112.0872	'GEN336821 1-GRAND GULF UNIT'	
FDNS	02ALL		0 11G	G10_014	'FROM->TO'	'ELK CITY 230KV (ELKCTY-6) 230/138/13.8KV TRANSFORMER CKT 1'	287	0.03756	112.0872	'GEN336821 1-GRAND GULF UNIT'	
FDNS	02ALL		0 11G	G08_044	'TO->FROM'	'FPL SWITCH - WOODWARD 138KV CKT 1'	153	0.03294	131.9567	'GEN336831 1-BAXTER WILSON SES'	
FDNS	02ALL		0 11G	G08_047	'TO->FROM'	'FPL SWITCH - WOODWARD 138KV CKT 1'	153	0.05253	131.9567	'GEN336831 1-BAXTER WILSON SES'	
FDNS	02ALL		0 11G	G08_110	'TO->FROM'	'FPL SWITCH - WOODWARD 138KV CKT 1'	153	0.04004	131.9567	'GEN336831 1-BAXTER WILSON SES'	

SOLUTION	GROUP	SCENARIO	SEASON	SOURCE	DIRECTION	MONITORED ELEMENT	RATE B	TDF	TC%	LOADING	CONTINGENCY NAME
						COMMON NAME					
FDNS	02ALL		0 11G	ASGI_2010_011	'TO->FROM'	'FPL SWITCH - WOODWARD 138KV CKT 1'	153	0.03311	131.9567	'GEN336831 1-BAXTER WILSON SES'	
FDNS	02ALL		0 11G	G10_011	'TO->FROM'	'FPL SWITCH - WOODWARD 138KV CKT 1'	153	0.03294	131.9567	'GEN336831 1-BAXTER WILSON SES'	
FDNS	02ALL		0 11G	G10_014	'TO->FROM'	'FPL SWITCH - WOODWARD 138KV CKT 1'	153	0.04004	131.9567	'GEN336831 1-BAXTER WILSON SES'	
FDNS	02ALL		0 11G	G09_067S	'FROM->TO'	'ELK CITY 230KV (ELKCTY-6) 230/138/13.8KV TRANSFORMER CKT 1'	287	0.06629	108.7714	'GEN336831 1-BAXTER WILSON SES'	
FDNS	02ALL		0 11G	G08_022	'FROM->TO'	'ELK CITY 230KV (ELKCTY-6) 230/138/13.8KV TRANSFORMER CKT 1'	287	0.06759	108.7714	'GEN336831 1-BAXTER WILSON SES'	
FDNS	02ALL		0 11G	G08_088	'FROM->TO'	'ELK CITY 230KV (ELKCTY-6) 230/138/13.8KV TRANSFORMER CKT 1'	287	0.11358	108.7714	'GEN336831 1-BAXTER WILSON SES'	
FDNS	02ALL		0 11G	G08_110	'FROM->TO'	'ELK CITY 230KV (ELKCTY-6) 230/138/13.8KV TRANSFORMER CKT 1'	287	0.03756	108.7714	'GEN336831 1-BAXTER WILSON SES'	
FDNS	02ALL		0 11G	G10_007	'FROM->TO'	'ELK CITY 230KV (ELKCTY-6) 230/138/13.8KV TRANSFORMER CKT 1'	287	0.10175	108.7714	'GEN336831 1-BAXTER WILSON SES'	
FDNS	02ALL		0 11G	ASGI_2010_011	'FROM->TO'	'ELK CITY 230KV (ELKCTY-6) 230/138/13.8KV TRANSFORMER CKT 1'	287	0.05951	108.7714	'GEN336831 1-BAXTER WILSON SES'	
FDNS	02ALL		0 11G	G10_014	'FROM->TO'	'ELK CITY 230KV (ELKCTY-6) 230/138/13.8KV TRANSFORMER CKT 1'	287	0.03756	108.7714	'GEN336831 1-BAXTER WILSON SES'	
FDNS	02ALL		0 11G	G09_067S	'FROM->TO'	'ELK CITY 230KV (ELKCTY-6) 230/138/13.8KV TRANSFORMER CKT 1'	287	0.06629	107.73	'GEN336831 1-BAXTER WILSON SES'	
FDNS	02ALL		0 11G	G08_022	'FROM->TO'	'ELK CITY 230KV (ELKCTY-6) 230/138/13.8KV TRANSFORMER CKT 1'	287	0.06759	107.73	'GEN336831 1-BAXTER WILSON SES'	
FDNS	02ALL		0 11G	G08_088	'FROM->TO'	'ELK CITY 230KV (ELKCTY-6) 230/138/13.8KV TRANSFORMER CKT 1'	287	0.11358	107.73	'GEN336831 1-BAXTER WILSON SES'	
FDNS	02ALL		0 11G	G08_110	'FROM->TO'	'ELK CITY 230KV (ELKCTY-6) 230/138/13.8KV TRANSFORMER CKT 1'	287	0.03756	107.73	'GEN336831 1-BAXTER WILSON SES'	
FDNS	02ALL		0 11G	G10_007	'FROM->TO'	'ELK CITY 230KV (ELKCTY-6) 230/138/13.8KV TRANSFORMER CKT 1'	287	0.10175	107.73	'GEN336831 1-BAXTER WILSON SES'	
FDNS	02ALL		0 11G	ASGI_2010_011	'FROM->TO'	'ELK CITY 230KV (ELKCTY-6) 230/138/13.8KV TRANSFORMER CKT 1'	287	0.05951	107.73	'GEN336831 1-BAXTER WILSON SES'	
FDNS	02ALL		0 11G	G10_014	'FROM->TO'	'ELK CITY 230KV (ELKCTY-6) 230/138/13.8KV TRANSFORMER CKT 1'	287	0.03756	107.73	'GEN336831 1-BAXTER WILSON SES'	
FDNS	02ALL		0 11G	G09_067S	'FROM->TO'	'ELK CITY 230KV (ELKCTY-6) 230/138/13.8KV TRANSFORMER CKT 1'	287	0.06629	105.8956	'GEN337006 1-DUKE MCADAMS G1'	
FDNS	02ALL		0 11G	G08_022	'FROM->TO'	'ELK CITY 230KV (ELKCTY-6) 230/138/13.8KV TRANSFORMER CKT 1'	287	0.06759	105.8956	'GEN337006 1-DUKE MCADAMS G1'	
FDNS	02ALL		0 11G	G08_088	'FROM->TO'	'ELK CITY 230KV (ELKCTY-6) 230/138/13.8KV TRANSFORMER CKT 1'	287	0.11358	105.8956	'GEN337006 1-DUKE MCADAMS G1'	
FDNS	02ALL		0 11G	G08_110	'FROM->TO'	'ELK CITY 230KV (ELKCTY-6) 230/138/13.8KV TRANSFORMER CKT 1'	287	0.03756	105.8956	'GEN337006 1-DUKE MCADAMS G1'	
FDNS	02ALL		0 11G	G10_007	'FROM->TO'	'ELK CITY 230KV (ELKCTY-6) 230/138/13.8KV TRANSFORMER CKT 1'	287	0.10175	105.8956	'GEN337006 1-DUKE MCADAMS G1'	
FDNS	02ALL		0 11G	ASGI_2010_011	'FROM->TO'	'ELK CITY 230KV (ELKCTY-6) 230/138/13.8KV TRANSFORMER CKT 1'	287	0.05951	105.8956	'GEN337006 1-DUKE MCADAMS G1'	
FDNS	02ALL		0 11G	G10_014	'FROM->TO'	'ELK CITY 230KV (ELKCTY-6) 230/138/13.8KV TRANSFORMER CKT 1'	287	0.03756	105.8956	'GEN337006 1-DUKE MCADAMS G1'	
FDNS	02ALL		0 11G	G09_067S	'FROM->TO'	'ELK CITY 230KV (ELKCTY-6) 230/138/13.8KV TRANSFORMER CKT 1'	287	0.06629	105.8956	'GEN337007 1-DUKE MCADAMS G2'	
FDNS	02ALL		0 11G	G08_022	'FROM->TO'	'ELK CITY 230KV (ELKCTY-6) 230/138/13.8KV TRANSFORMER CKT 1'	287	0.06759	105.8956	'GEN337007 1-DUKE MCADAMS G2'	
FDNS	02ALL		0 11G	G08_088	'FROM->TO'	'ELK CITY 230KV (ELKCTY-6) 230/138/13.8KV TRANSFORMER CKT 1'	287	0.11358	105.8956	'GEN337007 1-DUKE MCADAMS G2'	
FDNS	02ALL		0 11G	G08_110	'FROM->TO'	'ELK CITY 230KV (ELKCTY-6) 230/138/13.8KV TRANSFORMER CKT 1'	287	0.03756	105.8956	'GEN337007 1-DUKE MCADAMS G2'	
FDNS	02ALL		0 11G	G10_007	'FROM->TO'	'ELK CITY 230KV (ELKCTY-6) 230/138/13.8KV TRANSFORMER CKT 1'	287	0.10175	105.8956	'GEN337007 1-DUKE MCADAMS G2'	

SOLUTION	GROUP	SCENARIO	SEASON	SOURCE	DIRECTION	MONITORED ELEMENT	RATE B	TDF	TC%	LOADING	CONTINGENCY NAME
						COMMON NAME					
FDNS	02ALL		0 11G	ASGI_2010_011	'FROM->TO'	'ELK CITY 230KV (ELKCTY-6) 230/138/13.8KV TRANSFORMER CKT 1'	287	0.05951	105.8956	'GEN337007 1-DUKE MCADAMS G2'	
FDNS	02ALL		0 11G	G10_014	'FROM->TO'	'ELK CITY 230KV (ELKCTY-6) 230/138/13.8KV TRANSFORMER CKT 1'	287	0.03756	105.8956	'GEN337007 1-DUKE MCADAMS G2'	
FDNS	02ALL		0 11G	G08_044	'TO->FROM'	'FPL SWITCH - WOODWARD 138KV CKT 1'	153	0.03294	132.2424	'GEN337041 1-GERALD ANDRUS'	
FDNS	02ALL		0 11G	G08_047	'TO->FROM'	'FPL SWITCH - WOODWARD 138KV CKT 1'	153	0.05253	132.2424	'GEN337041 1-GERALD ANDRUS'	
FDNS	02ALL		0 11G	G08_110	'TO->FROM'	'FPL SWITCH - WOODWARD 138KV CKT 1'	153	0.04004	132.2424	'GEN337041 1-GERALD ANDRUS'	
FDNS	02ALL		0 11G	ASGI_2010_011	'TO->FROM'	'FPL SWITCH - WOODWARD 138KV CKT 1'	153	0.03311	132.2424	'GEN337041 1-GERALD ANDRUS'	
FDNS	02ALL		0 11G	G10_011	'TO->FROM'	'FPL SWITCH - WOODWARD 138KV CKT 1'	153	0.03294	132.2424	'GEN337041 1-GERALD ANDRUS'	
FDNS	02ALL		0 11G	G10_014	'TO->FROM'	'FPL SWITCH - WOODWARD 138KV CKT 1'	153	0.04004	132.2424	'GEN337041 1-GERALD ANDRUS'	
FDNS	02ALL		0 11G	G09_067S	'FROM->TO'	'ELK CITY 230KV (ELKCTY-6) 230/138/13.8KV TRANSFORMER CKT 1'	287	0.06629	109.3082	'GEN337041 1-GERALD ANDRUS'	
FDNS	02ALL		0 11G	G08_022	'FROM->TO'	'ELK CITY 230KV (ELKCTY-6) 230/138/13.8KV TRANSFORMER CKT 1'	287	0.06759	109.3082	'GEN337041 1-GERALD ANDRUS'	
FDNS	02ALL		0 11G	G08_088	'FROM->TO'	'ELK CITY 230KV (ELKCTY-6) 230/138/13.8KV TRANSFORMER CKT 1'	287	0.11358	109.3082	'GEN337041 1-GERALD ANDRUS'	
FDNS	02ALL		0 11G	G08_110	'FROM->TO'	'ELK CITY 230KV (ELKCTY-6) 230/138/13.8KV TRANSFORMER CKT 1'	287	0.03756	109.3082	'GEN337041 1-GERALD ANDRUS'	
FDNS	02ALL		0 11G	G10_007	'FROM->TO'	'ELK CITY 230KV (ELKCTY-6) 230/138/13.8KV TRANSFORMER CKT 1'	287	0.10175	109.3082	'GEN337041 1-GERALD ANDRUS'	
FDNS	02ALL		0 11G	ASGI_2010_011	'FROM->TO'	'ELK CITY 230KV (ELKCTY-6) 230/138/13.8KV TRANSFORMER CKT 1'	287	0.05951	109.3082	'GEN337041 1-GERALD ANDRUS'	
FDNS	02ALL		0 11G	G10_014	'FROM->TO'	'ELK CITY 230KV (ELKCTY-6) 230/138/13.8KV TRANSFORMER CKT 1'	287	0.03756	109.3082	'GEN337041 1-GERALD ANDRUS'	
FDNS	02ALL		0 11G	G09_067S	'FROM->TO'	'ELK CITY 230KV (ELKCTY-6) 230/138/13.8KV TRANSFORMER CKT 1'	287	0.06629	108.2523	'GEN337041 1-GERALD ANDRUS'	
FDNS	02ALL		0 11G	G08_022	'FROM->TO'	'ELK CITY 230KV (ELKCTY-6) 230/138/13.8KV TRANSFORMER CKT 1'	287	0.06759	108.2523	'GEN337041 1-GERALD ANDRUS'	
FDNS	02ALL		0 11G	G08_088	'FROM->TO'	'ELK CITY 230KV (ELKCTY-6) 230/138/13.8KV TRANSFORMER CKT 1'	287	0.11358	108.2523	'GEN337041 1-GERALD ANDRUS'	
FDNS	02ALL		0 11G	G08_110	'FROM->TO'	'ELK CITY 230KV (ELKCTY-6) 230/138/13.8KV TRANSFORMER CKT 1'	287	0.03756	108.2523	'GEN337041 1-GERALD ANDRUS'	
FDNS	02ALL		0 11G	G10_007	'FROM->TO'	'ELK CITY 230KV (ELKCTY-6) 230/138/13.8KV TRANSFORMER CKT 1'	287	0.10175	108.2523	'GEN337041 1-GERALD ANDRUS'	
FDNS	02ALL		0 11G	ASGI_2010_011	'FROM->TO'	'ELK CITY 230KV (ELKCTY-6) 230/138/13.8KV TRANSFORMER CKT 1'	287	0.05951	108.2523	'GEN337041 1-GERALD ANDRUS'	
FDNS	02ALL		0 11G	G10_014	'FROM->TO'	'ELK CITY 230KV (ELKCTY-6) 230/138/13.8KV TRANSFORMER CKT 1'	287	0.03756	108.2523	'GEN337041 1-GERALD ANDRUS'	
FDNS	02ALL		0 11G	G09_067S	'FROM->TO'	'ELK CITY 230KV (ELKCTY-6) 230/138/13.8KV TRANSFORMER CKT 1'	287	0.06629	105.9102	'GEN337125 6-LS POWER BATESVILLE'	
FDNS	02ALL		0 11G	G08_022	'FROM->TO'	'ELK CITY 230KV (ELKCTY-6) 230/138/13.8KV TRANSFORMER CKT 1'	287	0.06759	105.9102	'GEN337125 6-LS POWER BATESVILLE'	
FDNS	02ALL		0 11G	G08_088	'FROM->TO'	'ELK CITY 230KV (ELKCTY-6) 230/138/13.8KV TRANSFORMER CKT 1'	287	0.11358	105.9102	'GEN337125 6-LS POWER BATESVILLE'	
FDNS	02ALL		0 11G	G08_110	'FROM->TO'	'ELK CITY 230KV (ELKCTY-6) 230/138/13.8KV TRANSFORMER CKT 1'	287	0.03756	105.9102	'GEN337125 6-LS POWER BATESVILLE'	
FDNS	02ALL		0 11G	G10_007	'FROM->TO'	'ELK CITY 230KV (ELKCTY-6) 230/138/13.8KV TRANSFORMER CKT 1'	287	0.10175	105.9102	'GEN337125 6-LS POWER BATESVILLE'	
FDNS	02ALL		0 11G	ASGI_2010_011	'FROM->TO'	'ELK CITY 230KV (ELKCTY-6) 230/138/13.8KV TRANSFORMER CKT 1'	287	0.05951	105.9102	'GEN337125 6-LS POWER BATESVILLE'	
FDNS	02ALL		0 11G	G10_014	'FROM->TO'	'ELK CITY 230KV (ELKCTY-6) 230/138/13.8KV TRANSFORMER CKT 1'	287	0.03756	105.9102	'GEN337125 6-LS POWER BATESVILLE'	

SOLUTION	GROUP	SCENARIO	SEASON	SOURCE	DIRECTION	MONITORED ELEMENT	RATE B	TDF	TC%	LOADING	CONTINGENCY NAME
						COMMON NAME					
FDNS	02ALL		0 11G	G08_022	'FROM->TO'	'ELK CITY 230KV (ELKCTY-6) 230/138/13.8KV TRANSFORMER CKT 1'	287	0.06759	105.9973	'GEN337430 1-PERYVILLE UNIT #3'	
FDNS	02ALL		0 11G	G08_088	'FROM->TO'	'ELK CITY 230KV (ELKCTY-6) 230/138/13.8KV TRANSFORMER CKT 1'	287	0.11358	105.9973	'GEN337430 1-PERYVILLE UNIT #3'	
FDNS	02ALL		0 11G	G08_110	'FROM->TO'	'ELK CITY 230KV (ELKCTY-6) 230/138/13.8KV TRANSFORMER CKT 1'	287	0.03756	105.9973	'GEN337430 1-PERYVILLE UNIT #3'	
FDNS	02ALL		0 11G	G10_007	'FROM->TO'	'ELK CITY 230KV (ELKCTY-6) 230/138/13.8KV TRANSFORMER CKT 1'	287	0.10175	105.9973	'GEN337430 1-PERYVILLE UNIT #3'	
FDNS	02ALL		0 11G	ASGI_2010_011	'FROM->TO'	'ELK CITY 230KV (ELKCTY-6) 230/138/13.8KV TRANSFORMER CKT 1'	287	0.05951	105.9973	'GEN337430 1-PERYVILLE UNIT #3'	
FDNS	02ALL		0 11G	G10_014	'FROM->TO'	'ELK CITY 230KV (ELKCTY-6) 230/138/13.8KV TRANSFORMER CKT 1'	287	0.03756	105.9973	'GEN337430 1-PERYVILLE UNIT #3'	
FDNS	02ALL		0 11G	G09_067S	'FROM->TO'	'ELK CITY 230KV (ELKCTY-6) 230/138/13.8KV TRANSFORMER CKT 1'	287	0.06629	105.0306	'GEN337430 1-PERYVILLE UNIT #3'	
FDNS	02ALL		0 11G	G08_022	'FROM->TO'	'ELK CITY 230KV (ELKCTY-6) 230/138/13.8KV TRANSFORMER CKT 1'	287	0.06759	105.0306	'GEN337430 1-PERYVILLE UNIT #3'	
FDNS	02ALL		0 11G	G08_088	'FROM->TO'	'ELK CITY 230KV (ELKCTY-6) 230/138/13.8KV TRANSFORMER CKT 1'	287	0.11358	105.0306	'GEN337430 1-PERYVILLE UNIT #3'	
FDNS	02ALL		0 11G	G08_110	'FROM->TO'	'ELK CITY 230KV (ELKCTY-6) 230/138/13.8KV TRANSFORMER CKT 1'	287	0.03756	105.0306	'GEN337430 1-PERYVILLE UNIT #3'	
FDNS	02ALL		0 11G	G10_007	'FROM->TO'	'ELK CITY 230KV (ELKCTY-6) 230/138/13.8KV TRANSFORMER CKT 1'	287	0.10175	105.0306	'GEN337430 1-PERYVILLE UNIT #3'	
FDNS	02ALL		0 11G	ASGI_2010_011	'FROM->TO'	'ELK CITY 230KV (ELKCTY-6) 230/138/13.8KV TRANSFORMER CKT 1'	287	0.05951	105.0306	'GEN337430 1-PERYVILLE UNIT #3'	
FDNS	02ALL		0 11G	G10_014	'FROM->TO'	'ELK CITY 230KV (ELKCTY-6) 230/138/13.8KV TRANSFORMER CKT 1'	287	0.03756	105.0306	'GEN337430 1-PERYVILLE UNIT #3'	
FDNS	02ALL		0 11G	G09_067S	'FROM->TO'	'ELK CITY 230KV (ELKCTY-6) 230/138/13.8KV TRANSFORMER CKT 1'	287	0.06629	105.9606	'GEN337432 1-PERYVILLE UNIT #5'	
FDNS	02ALL		0 11G	G08_022	'FROM->TO'	'ELK CITY 230KV (ELKCTY-6) 230/138/13.8KV TRANSFORMER CKT 1'	287	0.06759	105.9606	'GEN337432 1-PERYVILLE UNIT #5'	
FDNS	02ALL		0 11G	G08_088	'FROM->TO'	'ELK CITY 230KV (ELKCTY-6) 230/138/13.8KV TRANSFORMER CKT 1'	287	0.11358	105.9606	'GEN337432 1-PERYVILLE UNIT #5'	
FDNS	02ALL		0 11G	G08_110	'FROM->TO'	'ELK CITY 230KV (ELKCTY-6) 230/138/13.8KV TRANSFORMER CKT 1'	287	0.03756	105.9606	'GEN337432 1-PERYVILLE UNIT #5'	
FDNS	02ALL		0 11G	G10_007	'FROM->TO'	'ELK CITY 230KV (ELKCTY-6) 230/138/13.8KV TRANSFORMER CKT 1'	287	0.10175	105.9606	'GEN337432 1-PERYVILLE UNIT #5'	
FDNS	02ALL		0 11G	ASGI_2010_011	'FROM->TO'	'ELK CITY 230KV (ELKCTY-6) 230/138/13.8KV TRANSFORMER CKT 1'	287	0.05951	105.9606	'GEN337432 1-PERYVILLE UNIT #5'	
FDNS	02ALL		0 11G	G10_014	'FROM->TO'	'ELK CITY 230KV (ELKCTY-6) 230/138/13.8KV TRANSFORMER CKT 1'	287	0.03756	105.9606	'GEN337432 1-PERYVILLE UNIT #5'	
FDNS	02ALL		0 11G	G09_067S	'FROM->TO'	'ELK CITY 230KV (ELKCTY-6) 230/138/13.8KV TRANSFORMER CKT 1'	287	0.06629	104.9943	'GEN337432 1-PERYVILLE UNIT #5'	
FDNS	02ALL		0 11G	G08_022	'FROM->TO'	'ELK CITY 230KV (ELKCTY-6) 230/138/13.8KV TRANSFORMER CKT 1'	287	0.06759	104.9943	'GEN337432 1-PERYVILLE UNIT #5'	
FDNS	02ALL		0 11G	G08_088	'FROM->TO'	'ELK CITY 230KV (ELKCTY-6) 230/138/13.8KV TRANSFORMER CKT 1'	287	0.11358	104.9943	'GEN337432 1-PERYVILLE UNIT #5'	
FDNS	02ALL		0 11G	G08_110	'FROM->TO'	'ELK CITY 230KV (ELKCTY-6) 230/138/13.8KV TRANSFORMER CKT 1'	287	0.03756	104.9943	'GEN337432 1-PERYVILLE UNIT #5'	
FDNS	02ALL		0 11G	G10_007	'FROM->TO'	'ELK CITY 230KV (ELKCTY-6) 230/138/13.8KV TRANSFORMER CKT 1'	287	0.10175	104.9943	'GEN337432 1-PERYVILLE UNIT #5'	
FDNS	02ALL		0 11G	ASGI_2010_011	'FROM->TO'	'ELK CITY 230KV (ELKCTY-6) 230/138/13.8KV TRANSFORMER CKT 1'	287	0.05951	104.9943	'GEN337432 1-PERYVILLE UNIT #5'	
FDNS	02ALL		0 11G	G10_014	'FROM->TO'	'ELK CITY 230KV (ELKCTY-6) 230/138/13.8KV TRANSFORMER CKT 1'	287	0.03756	104.9943	'GEN337432 1-PERYVILLE UNIT #5'	
FDNS	02ALL		0 11G	G08_044	'TO->FROM'	'FPL SWITCH - WOODWARD 138KV CKT 1'	153	0.03294	132.9303	'GEN337652 1-WHITE BLUFF UNIT #1'	
FDNS	02ALL		0 11G	G08_047	'TO->FROM'	'FPL SWITCH - WOODWARD 138KV CKT 1'	153	0.05253	132.9303	'GEN337652 1-WHITE BLUFF UNIT #1'	

SOLUTION	GROUP	SCENARIO	SEASON	SOURCE	DIRECTION	MONITORED ELEMENT	RATE B	TDF	TC%	LOADING	CONTINGENCY NAME
						COMMON NAME					
FDNS	02ALL		0 11G	G08_110	'TO->FROM'	'FPL SWITCH - WOODWARD 138KV CKT 1'	153	0.04004	132.9303	'GEN337652 1-WHITE BLUFF UNIT #1'	
FDNS	02ALL		0 11G	ASGI_2010_011	'TO->FROM'	'FPL SWITCH - WOODWARD 138KV CKT 1'	153	0.03311	132.9303	'GEN337652 1-WHITE BLUFF UNIT #1'	
FDNS	02ALL		0 11G	G10_011	'TO->FROM'	'FPL SWITCH - WOODWARD 138KV CKT 1'	153	0.03294	132.9303	'GEN337652 1-WHITE BLUFF UNIT #1'	
FDNS	02ALL		0 11G	G10_014	'TO->FROM'	'FPL SWITCH - WOODWARD 138KV CKT 1'	153	0.04004	132.9303	'GEN337652 1-WHITE BLUFF UNIT #1'	
FDNS	02ALL		0 11G	G09_067S	'FROM->TO'	'ELK CITY 230KV (ELKCTY-6) 230/138/13.8KV TRANSFORMER CKT 1'	287	0.06629	109.8603	'GEN337652 1-WHITE BLUFF UNIT #1'	
FDNS	02ALL		0 11G	G08_022	'FROM->TO'	'ELK CITY 230KV (ELKCTY-6) 230/138/13.8KV TRANSFORMER CKT 1'	287	0.06759	109.8603	'GEN337652 1-WHITE BLUFF UNIT #1'	
FDNS	02ALL		0 11G	G08_088	'FROM->TO'	'ELK CITY 230KV (ELKCTY-6) 230/138/13.8KV TRANSFORMER CKT 1'	287	0.11358	109.8603	'GEN337652 1-WHITE BLUFF UNIT #1'	
FDNS	02ALL		0 11G	G08_110	'FROM->TO'	'ELK CITY 230KV (ELKCTY-6) 230/138/13.8KV TRANSFORMER CKT 1'	287	0.03756	109.8603	'GEN337652 1-WHITE BLUFF UNIT #1'	
FDNS	02ALL		0 11G	G10_007	'FROM->TO'	'ELK CITY 230KV (ELKCTY-6) 230/138/13.8KV TRANSFORMER CKT 1'	287	0.10175	109.8603	'GEN337652 1-WHITE BLUFF UNIT #1'	
FDNS	02ALL		0 11G	ASGI_2010_011	'FROM->TO'	'ELK CITY 230KV (ELKCTY-6) 230/138/13.8KV TRANSFORMER CKT 1'	287	0.05951	109.8603	'GEN337652 1-WHITE BLUFF UNIT #1'	
FDNS	02ALL		0 11G	G10_014	'FROM->TO'	'ELK CITY 230KV (ELKCTY-6) 230/138/13.8KV TRANSFORMER CKT 1'	287	0.03756	109.8603	'GEN337652 1-WHITE BLUFF UNIT #1'	
FDNS	02ALL		0 11G	G09_067S	'FROM->TO'	'ELK CITY 230KV (ELKCTY-6) 230/138/13.8KV TRANSFORMER CKT 1'	287	0.06629	108.7889	'GEN337652 1-WHITE BLUFF UNIT #1'	
FDNS	02ALL		0 11G	G08_022	'FROM->TO'	'ELK CITY 230KV (ELKCTY-6) 230/138/13.8KV TRANSFORMER CKT 1'	287	0.06759	108.7889	'GEN337652 1-WHITE BLUFF UNIT #1'	
FDNS	02ALL		0 11G	G08_088	'FROM->TO'	'ELK CITY 230KV (ELKCTY-6) 230/138/13.8KV TRANSFORMER CKT 1'	287	0.11358	108.7889	'GEN337652 1-WHITE BLUFF UNIT #1'	
FDNS	02ALL		0 11G	G08_110	'FROM->TO'	'ELK CITY 230KV (ELKCTY-6) 230/138/13.8KV TRANSFORMER CKT 1'	287	0.03756	108.7889	'GEN337652 1-WHITE BLUFF UNIT #1'	
FDNS	02ALL		0 11G	G10_007	'FROM->TO'	'ELK CITY 230KV (ELKCTY-6) 230/138/13.8KV TRANSFORMER CKT 1'	287	0.10175	108.7889	'GEN337652 1-WHITE BLUFF UNIT #1'	
FDNS	02ALL		0 11G	ASGI_2010_011	'FROM->TO'	'ELK CITY 230KV (ELKCTY-6) 230/138/13.8KV TRANSFORMER CKT 1'	287	0.05951	108.7889	'GEN337652 1-WHITE BLUFF UNIT #1'	
FDNS	02ALL		0 11G	G10_014	'FROM->TO'	'ELK CITY 230KV (ELKCTY-6) 230/138/13.8KV TRANSFORMER CKT 1'	287	0.03756	108.7889	'GEN337652 1-WHITE BLUFF UNIT #1'	
FDNS	02ALL		0 11G	G08_044	'TO->FROM'	'FPL SWITCH - WOODWARD 138KV CKT 1'	153	0.03294	132.729	'GEN337653 1-WHITE BLUFF UNIT #2'	
FDNS	02ALL		0 11G	G08_047	'TO->FROM'	'FPL SWITCH - WOODWARD 138KV CKT 1'	153	0.05253	132.729	'GEN337653 1-WHITE BLUFF UNIT #2'	
FDNS	02ALL		0 11G	G08_110	'TO->FROM'	'FPL SWITCH - WOODWARD 138KV CKT 1'	153	0.04004	132.729	'GEN337653 1-WHITE BLUFF UNIT #2'	
FDNS	02ALL		0 11G	ASGI_2010_011	'TO->FROM'	'FPL SWITCH - WOODWARD 138KV CKT 1'	153	0.03311	132.729	'GEN337653 1-WHITE BLUFF UNIT #2'	
FDNS	02ALL		0 11G	G10_011	'TO->FROM'	'FPL SWITCH - WOODWARD 138KV CKT 1'	153	0.03294	132.729	'GEN337653 1-WHITE BLUFF UNIT #2'	
FDNS	02ALL		0 11G	G10_014	'TO->FROM'	'FPL SWITCH - WOODWARD 138KV CKT 1'	153	0.04004	132.729	'GEN337653 1-WHITE BLUFF UNIT #2'	
FDNS	02ALL		0 11G	G09_067S	'FROM->TO'	'ELK CITY 230KV (ELKCTY-6) 230/138/13.8KV TRANSFORMER CKT 1'	287	0.06629	109.5959	'GEN337653 1-WHITE BLUFF UNIT #2'	
FDNS	02ALL		0 11G	G08_022	'FROM->TO'	'ELK CITY 230KV (ELKCTY-6) 230/138/13.8KV TRANSFORMER CKT 1'	287	0.06759	109.5959	'GEN337653 1-WHITE BLUFF UNIT #2'	
FDNS	02ALL		0 11G	G08_088	'FROM->TO'	'ELK CITY 230KV (ELKCTY-6) 230/138/13.8KV TRANSFORMER CKT 1'	287	0.11358	109.5959	'GEN337653 1-WHITE BLUFF UNIT #2'	
FDNS	02ALL		0 11G	G08_110	'FROM->TO'	'ELK CITY 230KV (ELKCTY-6) 230/138/13.8KV TRANSFORMER CKT 1'	287	0.03756	109.5959	'GEN337653 1-WHITE BLUFF UNIT #2'	
FDNS	02ALL		0 11G	G10_007	'FROM->TO'	'ELK CITY 230KV (ELKCTY-6) 230/138/13.8KV TRANSFORMER CKT 1'	287	0.10175	109.5959	'GEN337653 1-WHITE BLUFF UNIT #2'	

SOLUTION	GROUP	SCENARIO	SEASON	SOURCE	DIRECTION	MONITORED ELEMENT	RATE B	TDF	TC%	LOADING	CONTINGENCY NAME
						COMMON NAME					
FDNS	02ALL		0 11G	ASGI_2010_011	'FROM->TO'	'ELK CITY 230KV (ELKCTY-6) 230/138/13.8KV TRANSFORMER CKT 1'	287	0.05951	109.5959	'GEN337653 1-WHITE BLUFF UNIT #2'	
FDNS	02ALL		0 11G	G10_014	'FROM->TO'	'ELK CITY 230KV (ELKCTY-6) 230/138/13.8KV TRANSFORMER CKT 1'	287	0.03756	109.5959	'GEN337653 1-WHITE BLUFF UNIT #2'	
FDNS	02ALL		0 11G	G09_067S	'FROM->TO'	'ELK CITY 230KV (ELKCTY-6) 230/138/13.8KV TRANSFORMER CKT 1'	287	0.06629	108.5318	'GEN337653 1-WHITE BLUFF UNIT #2'	
FDNS	02ALL		0 11G	G08_022	'FROM->TO'	'ELK CITY 230KV (ELKCTY-6) 230/138/13.8KV TRANSFORMER CKT 1'	287	0.06759	108.5318	'GEN337653 1-WHITE BLUFF UNIT #2'	
FDNS	02ALL		0 11G	G08_088	'FROM->TO'	'ELK CITY 230KV (ELKCTY-6) 230/138/13.8KV TRANSFORMER CKT 1'	287	0.11358	108.5318	'GEN337653 1-WHITE BLUFF UNIT #2'	
FDNS	02ALL		0 11G	G08_110	'FROM->TO'	'ELK CITY 230KV (ELKCTY-6) 230/138/13.8KV TRANSFORMER CKT 1'	287	0.03756	108.5318	'GEN337653 1-WHITE BLUFF UNIT #2'	
FDNS	02ALL		0 11G	G10_007	'FROM->TO'	'ELK CITY 230KV (ELKCTY-6) 230/138/13.8KV TRANSFORMER CKT 1'	287	0.10175	108.5318	'GEN337653 1-WHITE BLUFF UNIT #2'	
FDNS	02ALL		0 11G	ASGI_2010_011	'FROM->TO'	'ELK CITY 230KV (ELKCTY-6) 230/138/13.8KV TRANSFORMER CKT 1'	287	0.05951	108.5318	'GEN337653 1-WHITE BLUFF UNIT #2'	
FDNS	02ALL		0 11G	G10_014	'FROM->TO'	'ELK CITY 230KV (ELKCTY-6) 230/138/13.8KV TRANSFORMER CKT 1'	287	0.03756	108.5318	'GEN337653 1-WHITE BLUFF UNIT #2'	
FDNS	02ALL		0 11G	G08_044	'TO->FROM'	'FPL SWITCH - WOODWARD 138KV CKT 1'	153	0.03294	133.8032	'GEN337910 1-ARKANSAS NUCLEAR ONE UNIT #1'	
FDNS	02ALL		0 11G	G08_047	'TO->FROM'	'FPL SWITCH - WOODWARD 138KV CKT 1'	153	0.05253	133.8032	'GEN337910 1-ARKANSAS NUCLEAR ONE UNIT #1'	
FDNS	02ALL		0 11G	G08_110	'TO->FROM'	'FPL SWITCH - WOODWARD 138KV CKT 1'	153	0.04004	133.8032	'GEN337910 1-ARKANSAS NUCLEAR ONE UNIT #1'	
FDNS	02ALL		0 11G	ASGI_2010_011	'TO->FROM'	'FPL SWITCH - WOODWARD 138KV CKT 1'	153	0.03311	133.8032	'GEN337910 1-ARKANSAS NUCLEAR ONE UNIT #1'	
FDNS	02ALL		0 11G	G10_011	'TO->FROM'	'FPL SWITCH - WOODWARD 138KV CKT 1'	153	0.03294	133.8032	'GEN337910 1-ARKANSAS NUCLEAR ONE UNIT #1'	
FDNS	02ALL		0 11G	G10_014	'TO->FROM'	'FPL SWITCH - WOODWARD 138KV CKT 1'	153	0.04004	133.8032	'GEN337910 1-ARKANSAS NUCLEAR ONE UNIT #1'	
FDNS	02ALL		0 11G	G09_067S	'FROM->TO'	'ELK CITY 230KV (ELKCTY-6) 230/138/13.8KV TRANSFORMER CKT 1'	287	0.06629	110.4588	'GEN337910 1-ARKANSAS NUCLEAR ONE UNIT #1'	
FDNS	02ALL		0 11G	G08_022	'FROM->TO'	'ELK CITY 230KV (ELKCTY-6) 230/138/13.8KV TRANSFORMER CKT 1'	287	0.06759	110.4588	'GEN337910 1-ARKANSAS NUCLEAR ONE UNIT #1'	
FDNS	02ALL		0 11G	G08_088	'FROM->TO'	'ELK CITY 230KV (ELKCTY-6) 230/138/13.8KV TRANSFORMER CKT 1'	287	0.11358	110.4588	'GEN337910 1-ARKANSAS NUCLEAR ONE UNIT #1'	
FDNS	02ALL		0 11G	G08_110	'FROM->TO'	'ELK CITY 230KV (ELKCTY-6) 230/138/13.8KV TRANSFORMER CKT 1'	287	0.03756	110.4588	'GEN337910 1-ARKANSAS NUCLEAR ONE UNIT #1'	
FDNS	02ALL		0 11G	G10_007	'FROM->TO'	'ELK CITY 230KV (ELKCTY-6) 230/138/13.8KV TRANSFORMER CKT 1'	287	0.10175	110.4588	'GEN337910 1-ARKANSAS NUCLEAR ONE UNIT #1'	
FDNS	02ALL		0 11G	ASGI_2010_011	'FROM->TO'	'ELK CITY 230KV (ELKCTY-6) 230/138/13.8KV TRANSFORMER CKT 1'	287	0.05951	110.4588	'GEN337910 1-ARKANSAS NUCLEAR ONE UNIT #1'	
FDNS	02ALL		0 11G	G10_014	'FROM->TO'	'ELK CITY 230KV (ELKCTY-6) 230/138/13.8KV TRANSFORMER CKT 1'	287	0.03756	110.4588	'GEN337910 1-ARKANSAS NUCLEAR ONE UNIT #1'	
FDNS	02ALL		0 11G	G09_067S	'FROM->TO'	'ELK CITY 230KV (ELKCTY-6) 230/138/13.8KV TRANSFORMER CKT 1'	287	0.06629	109.37	'GEN337910 1-ARKANSAS NUCLEAR ONE UNIT #1'	
FDNS	02ALL		0 11G	G08_022	'FROM->TO'	'ELK CITY 230KV (ELKCTY-6) 230/138/13.8KV TRANSFORMER CKT 1'	287	0.06759	109.37	'GEN337910 1-ARKANSAS NUCLEAR ONE UNIT #1'	
FDNS	02ALL		0 11G	G08_088	'FROM->TO'	'ELK CITY 230KV (ELKCTY-6) 230/138/13.8KV TRANSFORMER CKT 1'	287	0.11358	109.37	'GEN337910 1-ARKANSAS NUCLEAR ONE UNIT #1'	
FDNS	02ALL		0 11G	G08_110	'FROM->TO'	'ELK CITY 230KV (ELKCTY-6) 230/138/13.8KV TRANSFORMER CKT 1'	287	0.03756	109.37	'GEN337910 1-ARKANSAS NUCLEAR ONE UNIT #1'	
FDNS	02ALL		0 11G	G10_007	'FROM->TO'	'ELK CITY 230KV (ELKCTY-6) 230/138/13.8KV TRANSFORMER CKT 1'	287	0.10175	109.37	'GEN337910 1-ARKANSAS NUCLEAR ONE UNIT #1'	
FDNS	02ALL		0 11G	ASGI_2010_011	'FROM->TO'	'ELK CITY 230KV (ELKCTY-6) 230/138/13.8KV TRANSFORMER CKT 1'	287	0.05951	109.37	'GEN337910 1-ARKANSAS NUCLEAR ONE UNIT #1'	
FDNS	02ALL		0 11G	G10_014	'FROM->TO'	'ELK CITY 230KV (ELKCTY-6) 230/138/13.8KV TRANSFORMER CKT 1'	287	0.03756	109.37	'GEN337910 1-ARKANSAS NUCLEAR ONE UNIT #1'	

SOLUTION	GROUP	SCENARIO	SEASON	SOURCE	DIRECTION	MONITORED ELEMENT	RATE B	TDF	TC%LOADING	CONTINGENCY NAME
						COMMON NAME				
FDNS	02ALL		0 11G	G08_044	'TO->FROM'	'FPL SWITCH - WOODWARD 138KV CKT 1'	153	0.03294	134.714	'GEN337911 1-ARKANSAS NUCLEAR ONE UNIT #2'
FDNS	02ALL		0 11G	G08_047	'TO->FROM'	'FPL SWITCH - WOODWARD 138KV CKT 1'	153	0.05253	134.714	'GEN337911 1-ARKANSAS NUCLEAR ONE UNIT #2'
FDNS	02ALL		0 11G	G08_110	'TO->FROM'	'FPL SWITCH - WOODWARD 138KV CKT 1'	153	0.04004	134.714	'GEN337911 1-ARKANSAS NUCLEAR ONE UNIT #2'
FDNS	02ALL		0 11G	ASGI_2010_011	'TO->FROM'	'FPL SWITCH - WOODWARD 138KV CKT 1'	153	0.03311	134.714	'GEN337911 1-ARKANSAS NUCLEAR ONE UNIT #2'
FDNS	02ALL		0 11G	G10_011	'TO->FROM'	'FPL SWITCH - WOODWARD 138KV CKT 1'	153	0.03294	134.714	'GEN337911 1-ARKANSAS NUCLEAR ONE UNIT #2'
FDNS	02ALL		0 11G	G10_014	'TO->FROM'	'FPL SWITCH - WOODWARD 138KV CKT 1'	153	0.04004	134.714	'GEN337911 1-ARKANSAS NUCLEAR ONE UNIT #2'
FDNS	02ALL		0 11G	G09_067S	'FROM->TO'	'ELK CITY 230KV (ELKCTY-6) 230/138/13.8KV TRANSFORMER CKT 1'	287	0.06629	111.5286	'GEN337911 1-ARKANSAS NUCLEAR ONE UNIT #2'
FDNS	02ALL		0 11G	G08_022	'FROM->TO'	'ELK CITY 230KV (ELKCTY-6) 230/138/13.8KV TRANSFORMER CKT 1'	287	0.06759	111.5286	'GEN337911 1-ARKANSAS NUCLEAR ONE UNIT #2'
FDNS	02ALL		0 11G	G08_088	'FROM->TO'	'ELK CITY 230KV (ELKCTY-6) 230/138/13.8KV TRANSFORMER CKT 1'	287	0.11358	111.5286	'GEN337911 1-ARKANSAS NUCLEAR ONE UNIT #2'
FDNS	02ALL		0 11G	G08_110	'FROM->TO'	'ELK CITY 230KV (ELKCTY-6) 230/138/13.8KV TRANSFORMER CKT 1'	287	0.03756	111.5286	'GEN337911 1-ARKANSAS NUCLEAR ONE UNIT #2'
FDNS	02ALL		0 11G	G10_007	'FROM->TO'	'ELK CITY 230KV (ELKCTY-6) 230/138/13.8KV TRANSFORMER CKT 1'	287	0.10175	111.5286	'GEN337911 1-ARKANSAS NUCLEAR ONE UNIT #2'
FDNS	02ALL		0 11G	ASGI_2010_011	'FROM->TO'	'ELK CITY 230KV (ELKCTY-6) 230/138/13.8KV TRANSFORMER CKT 1'	287	0.05951	111.5286	'GEN337911 1-ARKANSAS NUCLEAR ONE UNIT #2'
FDNS	02ALL		0 11G	G10_014	'FROM->TO'	'ELK CITY 230KV (ELKCTY-6) 230/138/13.8KV TRANSFORMER CKT 1'	287	0.03756	111.5286	'GEN337911 1-ARKANSAS NUCLEAR ONE UNIT #2'
FDNS	02ALL		0 11G	G09_067S	'FROM->TO'	'ELK CITY 230KV (ELKCTY-6) 230/138/13.8KV TRANSFORMER CKT 1'	287	0.06629	110.4092	'GEN337911 1-ARKANSAS NUCLEAR ONE UNIT #2'
FDNS	02ALL		0 11G	G08_022	'FROM->TO'	'ELK CITY 230KV (ELKCTY-6) 230/138/13.8KV TRANSFORMER CKT 1'	287	0.06759	110.4092	'GEN337911 1-ARKANSAS NUCLEAR ONE UNIT #2'
FDNS	02ALL		0 11G	G08_088	'FROM->TO'	'ELK CITY 230KV (ELKCTY-6) 230/138/13.8KV TRANSFORMER CKT 1'	287	0.11358	110.4092	'GEN337911 1-ARKANSAS NUCLEAR ONE UNIT #2'
FDNS	02ALL		0 11G	G08_110	'FROM->TO'	'ELK CITY 230KV (ELKCTY-6) 230/138/13.8KV TRANSFORMER CKT 1'	287	0.03756	110.4092	'GEN337911 1-ARKANSAS NUCLEAR ONE UNIT #2'
FDNS	02ALL		0 11G	G10_007	'FROM->TO'	'ELK CITY 230KV (ELKCTY-6) 230/138/13.8KV TRANSFORMER CKT 1'	287	0.10175	110.4092	'GEN337911 1-ARKANSAS NUCLEAR ONE UNIT #2'
FDNS	02ALL		0 11G	ASGI_2010_011	'FROM->TO'	'ELK CITY 230KV (ELKCTY-6) 230/138/13.8KV TRANSFORMER CKT 1'	287	0.05951	110.4092	'GEN337911 1-ARKANSAS NUCLEAR ONE UNIT #2'
FDNS	02ALL		0 11G	G10_014	'FROM->TO'	'ELK CITY 230KV (ELKCTY-6) 230/138/13.8KV TRANSFORMER CKT 1'	287	0.03756	110.4092	'GEN337911 1-ARKANSAS NUCLEAR ONE UNIT #2'
FDNS	02ALL		0 11G	G08_044	'TO->FROM'	'FPL SWITCH - WOODWARD 138KV CKT 1'	153	0.03294	132.4392	'GEN338143 1-INDEPENDENCE UNIT #1'
FDNS	02ALL		0 11G	G08_047	'TO->FROM'	'FPL SWITCH - WOODWARD 138KV CKT 1'	153	0.05253	132.4392	'GEN338143 1-INDEPENDENCE UNIT #1'
FDNS	02ALL		0 11G	G08_110	'TO->FROM'	'FPL SWITCH - WOODWARD 138KV CKT 1'	153	0.04004	132.4392	'GEN338143 1-INDEPENDENCE UNIT #1'
FDNS	02ALL		0 11G	ASGI_2010_011	'TO->FROM'	'FPL SWITCH - WOODWARD 138KV CKT 1'	153	0.03311	132.4392	'GEN338143 1-INDEPENDENCE UNIT #1'
FDNS	02ALL		0 11G	G10_011	'TO->FROM'	'FPL SWITCH - WOODWARD 138KV CKT 1'	153	0.03294	132.4392	'GEN338143 1-INDEPENDENCE UNIT #1'
FDNS	02ALL		0 11G	G10_014	'TO->FROM'	'FPL SWITCH - WOODWARD 138KV CKT 1'	153	0.04004	132.4392	'GEN338143 1-INDEPENDENCE UNIT #1'
FDNS	02ALL		0 11G	G09_067S	'FROM->TO'	'ELK CITY 230KV (ELKCTY-6) 230/138/13.8KV TRANSFORMER CKT 1'	287	0.06629	109.7776	'GEN338143 1-INDEPENDENCE UNIT #1'
FDNS	02ALL		0 11G	G08_022	'FROM->TO'	'ELK CITY 230KV (ELKCTY-6) 230/138/13.8KV TRANSFORMER CKT 1'	287	0.06759	109.7776	'GEN338143 1-INDEPENDENCE UNIT #1'
FDNS	02ALL		0 11G	G08_088	'FROM->TO'	'ELK CITY 230KV (ELKCTY-6) 230/138/13.8KV TRANSFORMER CKT 1'	287	0.11358	109.7776	'GEN338143 1-INDEPENDENCE UNIT #1'

SOLUTION	GROUP	SCENARIO	SEASON	SOURCE	DIRECTION	MONITORED ELEMENT	RATE B	TDF	TC%	LOADING	CONTINGENCY NAME
						COMMON NAME					
FDNS	02ALL		0 11G	G08_110	'FROM->TO'	'ELK CITY 230KV (ELKCTY-6) 230/138/13.8KV TRANSFORMER CKT 1'	287	0.03756	109.7776	'GEN338143 1-INDEPENDENCE UNIT #1'	
FDNS	02ALL		0 11G	G10_007	'FROM->TO'	'ELK CITY 230KV (ELKCTY-6) 230/138/13.8KV TRANSFORMER CKT 1'	287	0.10175	109.7776	'GEN338143 1-INDEPENDENCE UNIT #1'	
FDNS	02ALL		0 11G	ASGI_2010_011	'FROM->TO'	'ELK CITY 230KV (ELKCTY-6) 230/138/13.8KV TRANSFORMER CKT 1'	287	0.05951	109.7776	'GEN338143 1-INDEPENDENCE UNIT #1'	
FDNS	02ALL		0 11G	G10_014	'FROM->TO'	'ELK CITY 230KV (ELKCTY-6) 230/138/13.8KV TRANSFORMER CKT 1'	287	0.03756	109.7776	'GEN338143 1-INDEPENDENCE UNIT #1'	
FDNS	02ALL		0 11G	G09_067S	'FROM->TO'	'ELK CITY 230KV (ELKCTY-6) 230/138/13.8KV TRANSFORMER CKT 1'	287	0.06629	108.7089	'GEN338143 1-INDEPENDENCE UNIT #1'	
FDNS	02ALL		0 11G	G08_022	'FROM->TO'	'ELK CITY 230KV (ELKCTY-6) 230/138/13.8KV TRANSFORMER CKT 1'	287	0.06759	108.7089	'GEN338143 1-INDEPENDENCE UNIT #1'	
FDNS	02ALL		0 11G	G08_088	'FROM->TO'	'ELK CITY 230KV (ELKCTY-6) 230/138/13.8KV TRANSFORMER CKT 1'	287	0.11358	108.7089	'GEN338143 1-INDEPENDENCE UNIT #1'	
FDNS	02ALL		0 11G	G08_110	'FROM->TO'	'ELK CITY 230KV (ELKCTY-6) 230/138/13.8KV TRANSFORMER CKT 1'	287	0.03756	108.7089	'GEN338143 1-INDEPENDENCE UNIT #1'	
FDNS	02ALL		0 11G	G10_007	'FROM->TO'	'ELK CITY 230KV (ELKCTY-6) 230/138/13.8KV TRANSFORMER CKT 1'	287	0.10175	108.7089	'GEN338143 1-INDEPENDENCE UNIT #1'	
FDNS	02ALL		0 11G	ASGI_2010_011	'FROM->TO'	'ELK CITY 230KV (ELKCTY-6) 230/138/13.8KV TRANSFORMER CKT 1'	287	0.05951	108.7089	'GEN338143 1-INDEPENDENCE UNIT #1'	
FDNS	02ALL		0 11G	G10_014	'FROM->TO'	'ELK CITY 230KV (ELKCTY-6) 230/138/13.8KV TRANSFORMER CKT 1'	287	0.03756	108.7089	'GEN338143 1-INDEPENDENCE UNIT #1'	
FDNS	02ALL		0 11G	G08_044	'TO->FROM'	'FPL SWITCH - WOODWARD 138KV CKT 1'	153	0.03294	132.5114	'GEN338146 1-INDEPENDENCE UNIT #2'	
FDNS	02ALL		0 11G	G08_047	'TO->FROM'	'FPL SWITCH - WOODWARD 138KV CKT 1'	153	0.05253	132.5114	'GEN338146 1-INDEPENDENCE UNIT #2'	
FDNS	02ALL		0 11G	G08_110	'TO->FROM'	'FPL SWITCH - WOODWARD 138KV CKT 1'	153	0.04004	132.5114	'GEN338146 1-INDEPENDENCE UNIT #2'	
FDNS	02ALL		0 11G	ASGI_2010_011	'TO->FROM'	'FPL SWITCH - WOODWARD 138KV CKT 1'	153	0.03311	132.5114	'GEN338146 1-INDEPENDENCE UNIT #2'	
FDNS	02ALL		0 11G	G10_011	'TO->FROM'	'FPL SWITCH - WOODWARD 138KV CKT 1'	153	0.03294	132.5114	'GEN338146 1-INDEPENDENCE UNIT #2'	
FDNS	02ALL		0 11G	G10_014	'TO->FROM'	'FPL SWITCH - WOODWARD 138KV CKT 1'	153	0.04004	132.5114	'GEN338146 1-INDEPENDENCE UNIT #2'	
FDNS	02ALL		0 11G	G09_067S	'FROM->TO'	'ELK CITY 230KV (ELKCTY-6) 230/138/13.8KV TRANSFORMER CKT 1'	287	0.06629	109.8332	'GEN338146 1-INDEPENDENCE UNIT #2'	
FDNS	02ALL		0 11G	G08_022	'FROM->TO'	'ELK CITY 230KV (ELKCTY-6) 230/138/13.8KV TRANSFORMER CKT 1'	287	0.06759	109.8332	'GEN338146 1-INDEPENDENCE UNIT #2'	
FDNS	02ALL		0 11G	G08_088	'FROM->TO'	'ELK CITY 230KV (ELKCTY-6) 230/138/13.8KV TRANSFORMER CKT 1'	287	0.11358	109.8332	'GEN338146 1-INDEPENDENCE UNIT #2'	
FDNS	02ALL		0 11G	G08_110	'FROM->TO'	'ELK CITY 230KV (ELKCTY-6) 230/138/13.8KV TRANSFORMER CKT 1'	287	0.03756	109.8332	'GEN338146 1-INDEPENDENCE UNIT #2'	
FDNS	02ALL		0 11G	G10_007	'FROM->TO'	'ELK CITY 230KV (ELKCTY-6) 230/138/13.8KV TRANSFORMER CKT 1'	287	0.10175	109.8332	'GEN338146 1-INDEPENDENCE UNIT #2'	
FDNS	02ALL		0 11G	ASGI_2010_011	'FROM->TO'	'ELK CITY 230KV (ELKCTY-6) 230/138/13.8KV TRANSFORMER CKT 1'	287	0.05951	109.8332	'GEN338146 1-INDEPENDENCE UNIT #2'	
FDNS	02ALL		0 11G	G10_014	'FROM->TO'	'ELK CITY 230KV (ELKCTY-6) 230/138/13.8KV TRANSFORMER CKT 1'	287	0.03756	109.8332	'GEN338146 1-INDEPENDENCE UNIT #2'	
FDNS	02ALL		0 11G	G09_067S	'FROM->TO'	'ELK CITY 230KV (ELKCTY-6) 230/138/13.8KV TRANSFORMER CKT 1'	287	0.06629	108.7629	'GEN338146 1-INDEPENDENCE UNIT #2'	
FDNS	02ALL		0 11G	G08_022	'FROM->TO'	'ELK CITY 230KV (ELKCTY-6) 230/138/13.8KV TRANSFORMER CKT 1'	287	0.06759	108.7629	'GEN338146 1-INDEPENDENCE UNIT #2'	
FDNS	02ALL		0 11G	G08_088	'FROM->TO'	'ELK CITY 230KV (ELKCTY-6) 230/138/13.8KV TRANSFORMER CKT 1'	287	0.11358	108.7629	'GEN338146 1-INDEPENDENCE UNIT #2'	
FDNS	02ALL		0 11G	G08_110	'FROM->TO'	'ELK CITY 230KV (ELKCTY-6) 230/138/13.8KV TRANSFORMER CKT 1'	287	0.03756	108.7629	'GEN338146 1-INDEPENDENCE UNIT #2'	
FDNS	02ALL		0 11G	G10_007	'FROM->TO'	'ELK CITY 230KV (ELKCTY-6) 230/138/13.8KV TRANSFORMER CKT 1'	287	0.10175	108.7629	'GEN338146 1-INDEPENDENCE UNIT #2'	

SOLUTION	GROUP	SCENARIO	SEASON	SOURCE	DIRECTION	MONITORED ELEMENT	RATE B	TDF	TC%	LOADING	CONTINGENCY NAME
						COMMON NAME					
FDNS	02ALL		0 11G	ASGI_2010_011	'FROM->TO'	'ELK CITY 230KV (ELKCTY-6) 230/138/13.8KV TRANSFORMER CKT 1'	287	0.05951	108.7629	'GEN338146 1-INDEPENDENCE UNIT #2'	
FDNS	02ALL		0 11G	G10_014	'FROM->TO'	'ELK CITY 230KV (ELKCTY-6) 230/138/13.8KV TRANSFORMER CKT 1'	287	0.03756	108.7629	'GEN338146 1-INDEPENDENCE UNIT #2'	
FDNS	02ALL		0 11G	G08_044	'TO->FROM'	'FPL SWITCH - WOODWARD 138KV CKT 1'	153	0.03294	131.7185	'GEN338189 1-LS POWER OSCEOLA UNIT G1'	
FDNS	02ALL		0 11G	G08_047	'TO->FROM'	'FPL SWITCH - WOODWARD 138KV CKT 1'	153	0.05253	131.7185	'GEN338189 1-LS POWER OSCEOLA UNIT G1'	
FDNS	02ALL		0 11G	G08_110	'TO->FROM'	'FPL SWITCH - WOODWARD 138KV CKT 1'	153	0.04004	131.7185	'GEN338189 1-LS POWER OSCEOLA UNIT G1'	
FDNS	02ALL		0 11G	ASGI_2010_011	'TO->FROM'	'FPL SWITCH - WOODWARD 138KV CKT 1'	153	0.03311	131.7185	'GEN338189 1-LS POWER OSCEOLA UNIT G1'	
FDNS	02ALL		0 11G	G10_011	'TO->FROM'	'FPL SWITCH - WOODWARD 138KV CKT 1'	153	0.03294	131.7185	'GEN338189 1-LS POWER OSCEOLA UNIT G1'	
FDNS	02ALL		0 11G	G10_014	'TO->FROM'	'FPL SWITCH - WOODWARD 138KV CKT 1'	153	0.04004	131.7185	'GEN338189 1-LS POWER OSCEOLA UNIT G1'	
FDNS	02ALL		0 11G	G09_067S	'FROM->TO'	'ELK CITY 230KV (ELKCTY-6) 230/138/13.8KV TRANSFORMER CKT 1'	287	0.06629	109.0849	'GEN338189 1-LS POWER OSCEOLA UNIT G1'	
FDNS	02ALL		0 11G	G08_022	'FROM->TO'	'ELK CITY 230KV (ELKCTY-6) 230/138/13.8KV TRANSFORMER CKT 1'	287	0.06759	109.0849	'GEN338189 1-LS POWER OSCEOLA UNIT G1'	
FDNS	02ALL		0 11G	G08_088	'FROM->TO'	'ELK CITY 230KV (ELKCTY-6) 230/138/13.8KV TRANSFORMER CKT 1'	287	0.11358	109.0849	'GEN338189 1-LS POWER OSCEOLA UNIT G1'	
FDNS	02ALL		0 11G	G08_110	'FROM->TO'	'ELK CITY 230KV (ELKCTY-6) 230/138/13.8KV TRANSFORMER CKT 1'	287	0.03756	109.0849	'GEN338189 1-LS POWER OSCEOLA UNIT G1'	
FDNS	02ALL		0 11G	G10_007	'FROM->TO'	'ELK CITY 230KV (ELKCTY-6) 230/138/13.8KV TRANSFORMER CKT 1'	287	0.10175	109.0849	'GEN338189 1-LS POWER OSCEOLA UNIT G1'	
FDNS	02ALL		0 11G	ASGI_2010_011	'FROM->TO'	'ELK CITY 230KV (ELKCTY-6) 230/138/13.8KV TRANSFORMER CKT 1'	287	0.05951	109.0849	'GEN338189 1-LS POWER OSCEOLA UNIT G1'	
FDNS	02ALL		0 11G	G10_014	'FROM->TO'	'ELK CITY 230KV (ELKCTY-6) 230/138/13.8KV TRANSFORMER CKT 1'	287	0.03756	109.0849	'GEN338189 1-LS POWER OSCEOLA UNIT G1'	
FDNS	02ALL		0 11G	G09_067S	'FROM->TO'	'ELK CITY 230KV (ELKCTY-6) 230/138/13.8KV TRANSFORMER CKT 1'	287	0.06629	108.0356	'GEN338189 1-LS POWER OSCEOLA UNIT G1'	
FDNS	02ALL		0 11G	G08_022	'FROM->TO'	'ELK CITY 230KV (ELKCTY-6) 230/138/13.8KV TRANSFORMER CKT 1'	287	0.06759	108.0356	'GEN338189 1-LS POWER OSCEOLA UNIT G1'	
FDNS	02ALL		0 11G	G08_088	'FROM->TO'	'ELK CITY 230KV (ELKCTY-6) 230/138/13.8KV TRANSFORMER CKT 1'	287	0.11358	108.0356	'GEN338189 1-LS POWER OSCEOLA UNIT G1'	
FDNS	02ALL		0 11G	G08_110	'FROM->TO'	'ELK CITY 230KV (ELKCTY-6) 230/138/13.8KV TRANSFORMER CKT 1'	287	0.03756	108.0356	'GEN338189 1-LS POWER OSCEOLA UNIT G1'	
FDNS	02ALL		0 11G	G10_007	'FROM->TO'	'ELK CITY 230KV (ELKCTY-6) 230/138/13.8KV TRANSFORMER CKT 1'	287	0.10175	108.0356	'GEN338189 1-LS POWER OSCEOLA UNIT G1'	
FDNS	02ALL		0 11G	ASGI_2010_011	'FROM->TO'	'ELK CITY 230KV (ELKCTY-6) 230/138/13.8KV TRANSFORMER CKT 1'	287	0.05951	108.0356	'GEN338189 1-LS POWER OSCEOLA UNIT G1'	
FDNS	02ALL		0 11G	G10_014	'FROM->TO'	'ELK CITY 230KV (ELKCTY-6) 230/138/13.8KV TRANSFORMER CKT 1'	287	0.03756	108.0356	'GEN338189 1-LS POWER OSCEOLA UNIT G1'	
FDNS	02ALL		0 11G	G08_044	'TO->FROM'	'FPL SWITCH - WOODWARD 138KV CKT 1'	153	0.03294	133.2621	'GEN501801 1-DOLET HILLS UNIT1'	
FDNS	02ALL		0 11G	G08_047	'TO->FROM'	'FPL SWITCH - WOODWARD 138KV CKT 1'	153	0.05253	133.2621	'GEN501801 1-DOLET HILLS UNIT1'	
FDNS	02ALL		0 11G	G08_110	'TO->FROM'	'FPL SWITCH - WOODWARD 138KV CKT 1'	153	0.04004	133.2621	'GEN501801 1-DOLET HILLS UNIT1'	
FDNS	02ALL		0 11G	ASGI_2010_011	'TO->FROM'	'FPL SWITCH - WOODWARD 138KV CKT 1'	153	0.03311	133.2621	'GEN501801 1-DOLET HILLS UNIT1'	
FDNS	02ALL		0 11G	G10_011	'TO->FROM'	'FPL SWITCH - WOODWARD 138KV CKT 1'	153	0.03294	133.2621	'GEN501801 1-DOLET HILLS UNIT1'	
FDNS	02ALL		0 11G	G10_014	'TO->FROM'	'FPL SWITCH - WOODWARD 138KV CKT 1'	153	0.04004	133.2621	'GEN501801 1-DOLET HILLS UNIT1'	
FDNS	02ALL		0 11G	G09_067S	'FROM->TO'	'ELK CITY 230KV (ELKCTY-6) 230/138/13.8KV TRANSFORMER CKT 1'	287	0.06629	109.3215	'GEN501801 1-DOLET HILLS UNIT1'	

SOLUTION	GROUP	SCENARIO	SEASON	SOURCE	DIRECTION	MONITORED ELEMENT	RATE B	TDF	TC%	LOADING	CONTINGENCY NAME
						COMMON NAME					
FDNS	02ALL		0 11G	G08_022	'FROM->TO'	'ELK CITY 230KV (ELKCTY-6) 230/138/13.8KV TRANSFORMER CKT 1'	287	0.06759	109.3215	'GEN501801 1-DOLET HILLS UNIT1'	
FDNS	02ALL		0 11G	G08_088	'FROM->TO'	'ELK CITY 230KV (ELKCTY-6) 230/138/13.8KV TRANSFORMER CKT 1'	287	0.11358	109.3215	'GEN501801 1-DOLET HILLS UNIT1'	
FDNS	02ALL		0 11G	G08_110	'FROM->TO'	'ELK CITY 230KV (ELKCTY-6) 230/138/13.8KV TRANSFORMER CKT 1'	287	0.03756	109.3215	'GEN501801 1-DOLET HILLS UNIT1'	
FDNS	02ALL		0 11G	G10_007	'FROM->TO'	'ELK CITY 230KV (ELKCTY-6) 230/138/13.8KV TRANSFORMER CKT 1'	287	0.10175	109.3215	'GEN501801 1-DOLET HILLS UNIT1'	
FDNS	02ALL		0 11G	ASGI_2010_011	'FROM->TO'	'ELK CITY 230KV (ELKCTY-6) 230/138/13.8KV TRANSFORMER CKT 1'	287	0.05951	109.3215	'GEN501801 1-DOLET HILLS UNIT1'	
FDNS	02ALL		0 11G	G10_014	'FROM->TO'	'ELK CITY 230KV (ELKCTY-6) 230/138/13.8KV TRANSFORMER CKT 1'	287	0.03756	109.3215	'GEN501801 1-DOLET HILLS UNIT1'	
FDNS	02ALL		0 11G	G09_067S	'FROM->TO'	'ELK CITY 230KV (ELKCTY-6) 230/138/13.8KV TRANSFORMER CKT 1'	287	0.06629	108.2644	'GEN501801 1-DOLET HILLS UNIT1'	
FDNS	02ALL		0 11G	G08_022	'FROM->TO'	'ELK CITY 230KV (ELKCTY-6) 230/138/13.8KV TRANSFORMER CKT 1'	287	0.06759	108.2644	'GEN501801 1-DOLET HILLS UNIT1'	
FDNS	02ALL		0 11G	G08_088	'FROM->TO'	'ELK CITY 230KV (ELKCTY-6) 230/138/13.8KV TRANSFORMER CKT 1'	287	0.11358	108.2644	'GEN501801 1-DOLET HILLS UNIT1'	
FDNS	02ALL		0 11G	G08_110	'FROM->TO'	'ELK CITY 230KV (ELKCTY-6) 230/138/13.8KV TRANSFORMER CKT 1'	287	0.03756	108.2644	'GEN501801 1-DOLET HILLS UNIT1'	
FDNS	02ALL		0 11G	G10_007	'FROM->TO'	'ELK CITY 230KV (ELKCTY-6) 230/138/13.8KV TRANSFORMER CKT 1'	287	0.10175	108.2644	'GEN501801 1-DOLET HILLS UNIT1'	
FDNS	02ALL		0 11G	ASGI_2010_011	'FROM->TO'	'ELK CITY 230KV (ELKCTY-6) 230/138/13.8KV TRANSFORMER CKT 1'	287	0.05951	108.2644	'GEN501801 1-DOLET HILLS UNIT1'	
FDNS	02ALL		0 11G	G10_014	'FROM->TO'	'ELK CITY 230KV (ELKCTY-6) 230/138/13.8KV TRANSFORMER CKT 1'	287	0.03756	108.2644	'GEN501801 1-DOLET HILLS UNIT1'	
FDNS	02ALL		0 11G	G08_044	'TO->FROM'	'FPL SWITCH - WOODWARD 138KV CKT 1'	153	0.03294	131.8523	'GEN501812 1-RODEMACHER UNIT 2'	
FDNS	02ALL		0 11G	G08_047	'TO->FROM'	'FPL SWITCH - WOODWARD 138KV CKT 1'	153	0.05253	131.8523	'GEN501812 1-RODEMACHER UNIT 2'	
FDNS	02ALL		0 11G	G08_110	'TO->FROM'	'FPL SWITCH - WOODWARD 138KV CKT 1'	153	0.04004	131.8523	'GEN501812 1-RODEMACHER UNIT 2'	
FDNS	02ALL		0 11G	ASGI_2010_011	'TO->FROM'	'FPL SWITCH - WOODWARD 138KV CKT 1'	153	0.03311	131.8523	'GEN501812 1-RODEMACHER UNIT 2'	
FDNS	02ALL		0 11G	G10_011	'TO->FROM'	'FPL SWITCH - WOODWARD 138KV CKT 1'	153	0.03294	131.8523	'GEN501812 1-RODEMACHER UNIT 2'	
FDNS	02ALL		0 11G	G10_014	'TO->FROM'	'FPL SWITCH - WOODWARD 138KV CKT 1'	153	0.04004	131.8523	'GEN501812 1-RODEMACHER UNIT 2'	
FDNS	02ALL		0 11G	G09_067S	'FROM->TO'	'ELK CITY 230KV (ELKCTY-6) 230/138/13.8KV TRANSFORMER CKT 1'	287	0.06629	108.2273	'GEN501812 1-RODEMACHER UNIT 2'	
FDNS	02ALL		0 11G	G08_022	'FROM->TO'	'ELK CITY 230KV (ELKCTY-6) 230/138/13.8KV TRANSFORMER CKT 1'	287	0.06759	108.2273	'GEN501812 1-RODEMACHER UNIT 2'	
FDNS	02ALL		0 11G	G08_088	'FROM->TO'	'ELK CITY 230KV (ELKCTY-6) 230/138/13.8KV TRANSFORMER CKT 1'	287	0.11358	108.2273	'GEN501812 1-RODEMACHER UNIT 2'	
FDNS	02ALL		0 11G	G08_110	'FROM->TO'	'ELK CITY 230KV (ELKCTY-6) 230/138/13.8KV TRANSFORMER CKT 1'	287	0.03756	108.2273	'GEN501812 1-RODEMACHER UNIT 2'	
FDNS	02ALL		0 11G	G10_007	'FROM->TO'	'ELK CITY 230KV (ELKCTY-6) 230/138/13.8KV TRANSFORMER CKT 1'	287	0.10175	108.2273	'GEN501812 1-RODEMACHER UNIT 2'	
FDNS	02ALL		0 11G	ASGI_2010_011	'FROM->TO'	'ELK CITY 230KV (ELKCTY-6) 230/138/13.8KV TRANSFORMER CKT 1'	287	0.05951	108.2273	'GEN501812 1-RODEMACHER UNIT 2'	
FDNS	02ALL		0 11G	G10_014	'FROM->TO'	'ELK CITY 230KV (ELKCTY-6) 230/138/13.8KV TRANSFORMER CKT 1'	287	0.03756	108.2273	'GEN501812 1-RODEMACHER UNIT 2'	
FDNS	02ALL		0 11G	G09_067S	'FROM->TO'	'ELK CITY 230KV (ELKCTY-6) 230/138/13.8KV TRANSFORMER CKT 1'	287	0.06629	107.2006	'GEN501812 1-RODEMACHER UNIT 2'	
FDNS	02ALL		0 11G	G08_022	'FROM->TO'	'ELK CITY 230KV (ELKCTY-6) 230/138/13.8KV TRANSFORMER CKT 1'	287	0.06759	107.2006	'GEN501812 1-RODEMACHER UNIT 2'	
FDNS	02ALL		0 11G	G08_088	'FROM->TO'	'ELK CITY 230KV (ELKCTY-6) 230/138/13.8KV TRANSFORMER CKT 1'	287	0.11358	107.2006	'GEN501812 1-RODEMACHER UNIT 2'	

SOLUTION	GROUP	SCENARIO	SEASON	SOURCE	DIRECTION	MONITORED ELEMENT	RATE B	TDF	TC%	LOADING	CONTINGENCY NAME
						COMMON NAME					
FDNS	02ALL		0 11G	G08_110	'FROM->TO'	'ELK CITY 230KV (ELKCTY-6) 230/138/13.8KV TRANSFORMER CKT 1'	287	0.03756	107.2006	'GEN501812 1-RODEMACHER UNIT 2'	
FDNS	02ALL		0 11G	G10_007	'FROM->TO'	'ELK CITY 230KV (ELKCTY-6) 230/138/13.8KV TRANSFORMER CKT 1'	287	0.10175	107.2006	'GEN501812 1-RODEMACHER UNIT 2'	
FDNS	02ALL		0 11G	ASGI_2010_011	'FROM->TO'	'ELK CITY 230KV (ELKCTY-6) 230/138/13.8KV TRANSFORMER CKT 1'	287	0.05951	107.2006	'GEN501812 1-RODEMACHER UNIT 2'	
FDNS	02ALL		0 11G	G10_014	'FROM->TO'	'ELK CITY 230KV (ELKCTY-6) 230/138/13.8KV TRANSFORMER CKT 1'	287	0.03756	107.2006	'GEN501812 1-RODEMACHER UNIT 2'	
FDNS	02ALL		0 11G	G08_044	'TO->FROM'	'FPL SWITCH - WOODWARD 138KV CKT 1'	153	0.03294	132.2473	'GEN501813 1-RODEMACHER UNIT 3'	
FDNS	02ALL		0 11G	G08_047	'TO->FROM'	'FPL SWITCH - WOODWARD 138KV CKT 1'	153	0.05253	132.2473	'GEN501813 1-RODEMACHER UNIT 3'	
FDNS	02ALL		0 11G	G08_110	'TO->FROM'	'FPL SWITCH - WOODWARD 138KV CKT 1'	153	0.04004	132.2473	'GEN501813 1-RODEMACHER UNIT 3'	
FDNS	02ALL		0 11G	ASGI_2010_011	'TO->FROM'	'FPL SWITCH - WOODWARD 138KV CKT 1'	153	0.03311	132.2473	'GEN501813 1-RODEMACHER UNIT 3'	
FDNS	02ALL		0 11G	G10_011	'TO->FROM'	'FPL SWITCH - WOODWARD 138KV CKT 1'	153	0.03294	132.2473	'GEN501813 1-RODEMACHER UNIT 3'	
FDNS	02ALL		0 11G	G10_014	'TO->FROM'	'FPL SWITCH - WOODWARD 138KV CKT 1'	153	0.04004	132.2473	'GEN501813 1-RODEMACHER UNIT 3'	
FDNS	02ALL		0 11G	G09_067S	'FROM->TO'	'ELK CITY 230KV (ELKCTY-6) 230/138/13.8KV TRANSFORMER CKT 1'	287	0.06629	108.7042	'GEN501813 1-RODEMACHER UNIT 3'	
FDNS	02ALL		0 11G	G08_022	'FROM->TO'	'ELK CITY 230KV (ELKCTY-6) 230/138/13.8KV TRANSFORMER CKT 1'	287	0.06759	108.7042	'GEN501813 1-RODEMACHER UNIT 3'	
FDNS	02ALL		0 11G	G08_088	'FROM->TO'	'ELK CITY 230KV (ELKCTY-6) 230/138/13.8KV TRANSFORMER CKT 1'	287	0.11358	108.7042	'GEN501813 1-RODEMACHER UNIT 3'	
FDNS	02ALL		0 11G	G08_110	'FROM->TO'	'ELK CITY 230KV (ELKCTY-6) 230/138/13.8KV TRANSFORMER CKT 1'	287	0.03756	108.7042	'GEN501813 1-RODEMACHER UNIT 3'	
FDNS	02ALL		0 11G	G10_007	'FROM->TO'	'ELK CITY 230KV (ELKCTY-6) 230/138/13.8KV TRANSFORMER CKT 1'	287	0.10175	108.7042	'GEN501813 1-RODEMACHER UNIT 3'	
FDNS	02ALL		0 11G	ASGI_2010_011	'FROM->TO'	'ELK CITY 230KV (ELKCTY-6) 230/138/13.8KV TRANSFORMER CKT 1'	287	0.05951	108.7042	'GEN501813 1-RODEMACHER UNIT 3'	
FDNS	02ALL		0 11G	G10_014	'FROM->TO'	'ELK CITY 230KV (ELKCTY-6) 230/138/13.8KV TRANSFORMER CKT 1'	287	0.03756	108.7042	'GEN501813 1-RODEMACHER UNIT 3'	
FDNS	02ALL		0 11G	G09_067S	'FROM->TO'	'ELK CITY 230KV (ELKCTY-6) 230/138/13.8KV TRANSFORMER CKT 1'	287	0.06629	107.6644	'GEN501813 1-RODEMACHER UNIT 3'	
FDNS	02ALL		0 11G	G08_022	'FROM->TO'	'ELK CITY 230KV (ELKCTY-6) 230/138/13.8KV TRANSFORMER CKT 1'	287	0.06759	107.6644	'GEN501813 1-RODEMACHER UNIT 3'	
FDNS	02ALL		0 11G	G08_088	'FROM->TO'	'ELK CITY 230KV (ELKCTY-6) 230/138/13.8KV TRANSFORMER CKT 1'	287	0.11358	107.6644	'GEN501813 1-RODEMACHER UNIT 3'	
FDNS	02ALL		0 11G	G08_110	'FROM->TO'	'ELK CITY 230KV (ELKCTY-6) 230/138/13.8KV TRANSFORMER CKT 1'	287	0.03756	107.6644	'GEN501813 1-RODEMACHER UNIT 3'	
FDNS	02ALL		0 11G	G10_007	'FROM->TO'	'ELK CITY 230KV (ELKCTY-6) 230/138/13.8KV TRANSFORMER CKT 1'	287	0.10175	107.6644	'GEN501813 1-RODEMACHER UNIT 3'	
FDNS	02ALL		0 11G	ASGI_2010_011	'FROM->TO'	'ELK CITY 230KV (ELKCTY-6) 230/138/13.8KV TRANSFORMER CKT 1'	287	0.05951	107.6644	'GEN501813 1-RODEMACHER UNIT 3'	
FDNS	02ALL		0 11G	G10_014	'FROM->TO'	'ELK CITY 230KV (ELKCTY-6) 230/138/13.8KV TRANSFORMER CKT 1'	287	0.03756	107.6644	'GEN501813 1-RODEMACHER UNIT 3'	
FDNS	02ALL		0 11G	G09_067S	'FROM->TO'	'ELK CITY 230KV (ELKCTY-6) 230/138/13.8KV TRANSFORMER CKT 1'	287	0.06629	106.153	'GEN505432 1-SIKESTON'	
FDNS	02ALL		0 11G	G08_022	'FROM->TO'	'ELK CITY 230KV (ELKCTY-6) 230/138/13.8KV TRANSFORMER CKT 1'	287	0.06759	106.153	'GEN505432 1-SIKESTON'	
FDNS	02ALL		0 11G	G08_088	'FROM->TO'	'ELK CITY 230KV (ELKCTY-6) 230/138/13.8KV TRANSFORMER CKT 1'	287	0.11358	106.153	'GEN505432 1-SIKESTON'	
FDNS	02ALL		0 11G	G08_110	'FROM->TO'	'ELK CITY 230KV (ELKCTY-6) 230/138/13.8KV TRANSFORMER CKT 1'	287	0.03756	106.153	'GEN505432 1-SIKESTON'	
FDNS	02ALL		0 11G	G10_007	'FROM->TO'	'ELK CITY 230KV (ELKCTY-6) 230/138/13.8KV TRANSFORMER CKT 1'	287	0.10175	106.153	'GEN505432 1-SIKESTON'	

SOLUTION	GROUP	SCENARIO	SEASON	SOURCE	DIRECTION	MONITORED ELEMENT	RATE B	TDF	TC%	LOADING	CONTINGENCY NAME
						COMMON NAME					
FDNS	02ALL		0 11G	ASGI_2010_011	'FROM->TO'	'ELK CITY 230KV (ELKCTY-6) 230/138/13.8KV TRANSFORMER CKT 1'	287	0.05951	106.153	'GEN505432 1-SIKESTON'	
FDNS	02ALL		0 11G	G10_014	'FROM->TO'	'ELK CITY 230KV (ELKCTY-6) 230/138/13.8KV TRANSFORMER CKT 1'	287	0.03756	106.153	'GEN505432 1-SIKESTON'	
FDNS	02ALL		0 11G	G09_067S	'FROM->TO'	'ELK CITY 230KV (ELKCTY-6) 230/138/13.8KV TRANSFORMER CKT 1'	287	0.06629	105.1824	'GEN505432 1-SIKESTON'	
FDNS	02ALL		0 11G	G08_022	'FROM->TO'	'ELK CITY 230KV (ELKCTY-6) 230/138/13.8KV TRANSFORMER CKT 1'	287	0.06759	105.1824	'GEN505432 1-SIKESTON'	
FDNS	02ALL		0 11G	G08_088	'FROM->TO'	'ELK CITY 230KV (ELKCTY-6) 230/138/13.8KV TRANSFORMER CKT 1'	287	0.11358	105.1824	'GEN505432 1-SIKESTON'	
FDNS	02ALL		0 11G	G08_110	'FROM->TO'	'ELK CITY 230KV (ELKCTY-6) 230/138/13.8KV TRANSFORMER CKT 1'	287	0.03756	105.1824	'GEN505432 1-SIKESTON'	
FDNS	02ALL		0 11G	G10_007	'FROM->TO'	'ELK CITY 230KV (ELKCTY-6) 230/138/13.8KV TRANSFORMER CKT 1'	287	0.10175	105.1824	'GEN505432 1-SIKESTON'	
FDNS	02ALL		0 11G	ASGI_2010_011	'FROM->TO'	'ELK CITY 230KV (ELKCTY-6) 230/138/13.8KV TRANSFORMER CKT 1'	287	0.05951	105.1824	'GEN505432 1-SIKESTON'	
FDNS	02ALL		0 11G	G10_014	'FROM->TO'	'ELK CITY 230KV (ELKCTY-6) 230/138/13.8KV TRANSFORMER CKT 1'	287	0.03756	105.1824	'GEN505432 1-SIKESTON'	
FDNS	02ALL		0 11G	G09_067S	'FROM->TO'	'ELK CITY 230KV (ELKCTY-6) 230/138/13.8KV TRANSFORMER CKT 1'	287	0.06629	105.9232	'GEN509391 G1-ARSENAL HILL GENS #2 (STALL)'	
FDNS	02ALL		0 11G	G08_022	'FROM->TO'	'ELK CITY 230KV (ELKCTY-6) 230/138/13.8KV TRANSFORMER CKT 1'	287	0.06759	105.9232	'GEN509391 G1-ARSENAL HILL GENS #2 (STALL)'	
FDNS	02ALL		0 11G	G08_088	'FROM->TO'	'ELK CITY 230KV (ELKCTY-6) 230/138/13.8KV TRANSFORMER CKT 1'	287	0.11358	105.9232	'GEN509391 G1-ARSENAL HILL GENS #2 (STALL)'	
FDNS	02ALL		0 11G	G08_110	'FROM->TO'	'ELK CITY 230KV (ELKCTY-6) 230/138/13.8KV TRANSFORMER CKT 1'	287	0.03756	105.9232	'GEN509391 G1-ARSENAL HILL GENS #2 (STALL)'	
FDNS	02ALL		0 11G	G10_007	'FROM->TO'	'ELK CITY 230KV (ELKCTY-6) 230/138/13.8KV TRANSFORMER CKT 1'	287	0.10175	105.9232	'GEN509391 G1-ARSENAL HILL GENS #2 (STALL)'	
FDNS	02ALL		0 11G	ASGI_2010_011	'FROM->TO'	'ELK CITY 230KV (ELKCTY-6) 230/138/13.8KV TRANSFORMER CKT 1'	287	0.05951	105.9232	'GEN509391 G1-ARSENAL HILL GENS #2 (STALL)'	
FDNS	02ALL		0 11G	G10_014	'FROM->TO'	'ELK CITY 230KV (ELKCTY-6) 230/138/13.8KV TRANSFORMER CKT 1'	287	0.03756	105.9232	'GEN509391 G1-ARSENAL HILL GENS #2 (STALL)'	
FDNS	02ALL		0 11G	G09_067S	'FROM->TO'	'ELK CITY 230KV (ELKCTY-6) 230/138/13.8KV TRANSFORMER CKT 1'	287	0.06629	105.9232	'GEN509392 G2-ARSENAL HILL GENS #3 (STALL)'	
FDNS	02ALL		0 11G	G08_022	'FROM->TO'	'ELK CITY 230KV (ELKCTY-6) 230/138/13.8KV TRANSFORMER CKT 1'	287	0.06759	105.9232	'GEN509392 G2-ARSENAL HILL GENS #3 (STALL)'	
FDNS	02ALL		0 11G	G08_088	'FROM->TO'	'ELK CITY 230KV (ELKCTY-6) 230/138/13.8KV TRANSFORMER CKT 1'	287	0.11358	105.9232	'GEN509392 G2-ARSENAL HILL GENS #3 (STALL)'	
FDNS	02ALL		0 11G	G08_110	'FROM->TO'	'ELK CITY 230KV (ELKCTY-6) 230/138/13.8KV TRANSFORMER CKT 1'	287	0.03756	105.9232	'GEN509392 G2-ARSENAL HILL GENS #3 (STALL)'	
FDNS	02ALL		0 11G	G10_007	'FROM->TO'	'ELK CITY 230KV (ELKCTY-6) 230/138/13.8KV TRANSFORMER CKT 1'	287	0.10175	105.9232	'GEN509392 G2-ARSENAL HILL GENS #3 (STALL)'	
FDNS	02ALL		0 11G	ASGI_2010_011	'FROM->TO'	'ELK CITY 230KV (ELKCTY-6) 230/138/13.8KV TRANSFORMER CKT 1'	287	0.05951	105.9232	'GEN509392 G2-ARSENAL HILL GENS #3 (STALL)'	
FDNS	02ALL		0 11G	G10_014	'FROM->TO'	'ELK CITY 230KV (ELKCTY-6) 230/138/13.8KV TRANSFORMER CKT 1'	287	0.03756	105.9232	'GEN509392 G2-ARSENAL HILL GENS #3 (STALL)'	
FDNS	02ALL		0 11G	G09_067S	'FROM->TO'	'ELK CITY 230KV (ELKCTY-6) 230/138/13.8KV TRANSFORMER CKT 1'	287	0.06629	105.9123	'GEN509393 S1-ARSENAL HILL GENS #4 (STALL)'	
FDNS	02ALL		0 11G	G08_022	'FROM->TO'	'ELK CITY 230KV (ELKCTY-6) 230/138/13.8KV TRANSFORMER CKT 1'	287	0.06759	105.9123	'GEN509393 S1-ARSENAL HILL GENS #4 (STALL)'	
FDNS	02ALL		0 11G	G08_088	'FROM->TO'	'ELK CITY 230KV (ELKCTY-6) 230/138/13.8KV TRANSFORMER CKT 1'	287	0.11358	105.9123	'GEN509393 S1-ARSENAL HILL GENS #4 (STALL)'	
FDNS	02ALL		0 11G	G08_110	'FROM->TO'	'ELK CITY 230KV (ELKCTY-6) 230/138/13.8KV TRANSFORMER CKT 1'	287	0.03756	105.9123	'GEN509393 S1-ARSENAL HILL GENS #4 (STALL)'	
FDNS	02ALL		0 11G	G10_007	'FROM->TO'	'ELK CITY 230KV (ELKCTY-6) 230/138/13.8KV TRANSFORMER CKT 1'	287	0.10175	105.9123	'GEN509393 S1-ARSENAL HILL GENS #4 (STALL)'	
FDNS	02ALL		0 11G	ASGI_2010_011	'FROM->TO'	'ELK CITY 230KV (ELKCTY-6) 230/138/13.8KV TRANSFORMER CKT 1'	287	0.05951	105.9123	'GEN509393 S1-ARSENAL HILL GENS #4 (STALL)'	

SOLUTION	GROUP	SCENARIO	SEASON	SOURCE	DIRECTION	MONITORED ELEMENT	RATE B	TDF	TC%	LOADING	CONTINGENCY NAME
						COMMON NAME					
FDNS	02ALL		0 11G	G10_014	'FROM->TO'	'ELK CITY 230KV (ELKCTY-6) 230/138/13.8KV TRANSFORMER CKT 1'	287	0.03756		105.9123	'GEN509393 S1-ARSENAL HILL GENS #4 (STALL)'
FDNS	02ALL		0 11G	G08_044	'TO->FROM'	'FPL SWITCH - WOODWARD 138KV CKT 1'	153	0.03294		131.9599	'GEN509394 1-FLINT CREEK'
FDNS	02ALL		0 11G	G08_047	'TO->FROM'	'FPL SWITCH - WOODWARD 138KV CKT 1'	153	0.05253		131.9599	'GEN509394 1-FLINT CREEK'
FDNS	02ALL		0 11G	G08_110	'TO->FROM'	'FPL SWITCH - WOODWARD 138KV CKT 1'	153	0.04004		131.9599	'GEN509394 1-FLINT CREEK'
FDNS	02ALL		0 11G	ASGI_2010_011	'TO->FROM'	'FPL SWITCH - WOODWARD 138KV CKT 1'	153	0.03311		131.9599	'GEN509394 1-FLINT CREEK'
FDNS	02ALL		0 11G	G10_011	'TO->FROM'	'FPL SWITCH - WOODWARD 138KV CKT 1'	153	0.03294		131.9599	'GEN509394 1-FLINT CREEK'
FDNS	02ALL		0 11G	G10_014	'TO->FROM'	'FPL SWITCH - WOODWARD 138KV CKT 1'	153	0.04004		131.9599	'GEN509394 1-FLINT CREEK'
FDNS	02ALL		0 11G	G09_067S	'FROM->TO'	'ELK CITY 230KV (ELKCTY-6) 230/138/13.8KV TRANSFORMER CKT 1'	287	0.06629		107.6138	'GEN509394 1-FLINT CREEK'
FDNS	02ALL		0 11G	G08_022	'FROM->TO'	'ELK CITY 230KV (ELKCTY-6) 230/138/13.8KV TRANSFORMER CKT 1'	287	0.06759		107.6138	'GEN509394 1-FLINT CREEK'
FDNS	02ALL		0 11G	G08_088	'FROM->TO'	'ELK CITY 230KV (ELKCTY-6) 230/138/13.8KV TRANSFORMER CKT 1'	287	0.11358		107.6138	'GEN509394 1-FLINT CREEK'
FDNS	02ALL		0 11G	G08_110	'FROM->TO'	'ELK CITY 230KV (ELKCTY-6) 230/138/13.8KV TRANSFORMER CKT 1'	287	0.03756		107.6138	'GEN509394 1-FLINT CREEK'
FDNS	02ALL		0 11G	G10_007	'FROM->TO'	'ELK CITY 230KV (ELKCTY-6) 230/138/13.8KV TRANSFORMER CKT 1'	287	0.10175		107.6138	'GEN509394 1-FLINT CREEK'
FDNS	02ALL		0 11G	ASGI_2010_011	'FROM->TO'	'ELK CITY 230KV (ELKCTY-6) 230/138/13.8KV TRANSFORMER CKT 1'	287	0.05951		107.6138	'GEN509394 1-FLINT CREEK'
FDNS	02ALL		0 11G	G10_014	'FROM->TO'	'ELK CITY 230KV (ELKCTY-6) 230/138/13.8KV TRANSFORMER CKT 1'	287	0.03756		107.6138	'GEN509394 1-FLINT CREEK'
FDNS	02ALL		0 11G	G09_067S	'FROM->TO'	'ELK CITY 230KV (ELKCTY-6) 230/138/13.8KV TRANSFORMER CKT 1'	287	0.06629		106.6029	'GEN509394 1-FLINT CREEK'
FDNS	02ALL		0 11G	G08_022	'FROM->TO'	'ELK CITY 230KV (ELKCTY-6) 230/138/13.8KV TRANSFORMER CKT 1'	287	0.06759		106.6029	'GEN509394 1-FLINT CREEK'
FDNS	02ALL		0 11G	G08_088	'FROM->TO'	'ELK CITY 230KV (ELKCTY-6) 230/138/13.8KV TRANSFORMER CKT 1'	287	0.11358		106.6029	'GEN509394 1-FLINT CREEK'
FDNS	02ALL		0 11G	G08_110	'FROM->TO'	'ELK CITY 230KV (ELKCTY-6) 230/138/13.8KV TRANSFORMER CKT 1'	287	0.03756		106.6029	'GEN509394 1-FLINT CREEK'
FDNS	02ALL		0 11G	G10_007	'FROM->TO'	'ELK CITY 230KV (ELKCTY-6) 230/138/13.8KV TRANSFORMER CKT 1'	287	0.10175		106.6029	'GEN509394 1-FLINT CREEK'
FDNS	02ALL		0 11G	ASGI_2010_011	'FROM->TO'	'ELK CITY 230KV (ELKCTY-6) 230/138/13.8KV TRANSFORMER CKT 1'	287	0.05951		106.6029	'GEN509394 1-FLINT CREEK'
FDNS	02ALL		0 11G	G10_014	'FROM->TO'	'ELK CITY 230KV (ELKCTY-6) 230/138/13.8KV TRANSFORMER CKT 1'	287	0.03756		106.6029	'GEN509394 1-FLINT CREEK'
FDNS	02ALL		0 11G	G08_044	'TO->FROM'	'FPL SWITCH - WOODWARD 138KV CKT 1'	153	0.03294		132.858	'GEN509403 1-PIRKEY GENERATION'
FDNS	02ALL		0 11G	G08_047	'TO->FROM'	'FPL SWITCH - WOODWARD 138KV CKT 1'	153	0.05253		132.858	'GEN509403 1-PIRKEY GENERATION'
FDNS	02ALL		0 11G	G08_110	'TO->FROM'	'FPL SWITCH - WOODWARD 138KV CKT 1'	153	0.04004		132.858	'GEN509403 1-PIRKEY GENERATION'
FDNS	02ALL		0 11G	ASGI_2010_011	'TO->FROM'	'FPL SWITCH - WOODWARD 138KV CKT 1'	153	0.03311		132.858	'GEN509403 1-PIRKEY GENERATION'
FDNS	02ALL		0 11G	G10_011	'TO->FROM'	'FPL SWITCH - WOODWARD 138KV CKT 1'	153	0.03294		132.858	'GEN509403 1-PIRKEY GENERATION'
FDNS	02ALL		0 11G	G10_014	'TO->FROM'	'FPL SWITCH - WOODWARD 138KV CKT 1'	153	0.04004		132.858	'GEN509403 1-PIRKEY GENERATION'
FDNS	02ALL		0 11G	G09_067S	'FROM->TO'	'ELK CITY 230KV (ELKCTY-6) 230/138/13.8KV TRANSFORMER CKT 1'	287	0.06629		108.6615	'GEN509403 1-PIRKEY GENERATION'
FDNS	02ALL		0 11G	G08_022	'FROM->TO'	'ELK CITY 230KV (ELKCTY-6) 230/138/13.8KV TRANSFORMER CKT 1'	287	0.06759		108.6615	'GEN509403 1-PIRKEY GENERATION'

SOLUTION	GROUP	SCENARIO	SEASON	SOURCE	DIRECTION	MONITORED ELEMENT	RATE B	TDF	TC%	LOADING	CONTINGENCY NAME
						COMMON NAME					
FDNS	02ALL		0 11G	G08_088	'FROM->TO'	'ELK CITY 230KV (ELKCTY-6) 230/138/13.8KV TRANSFORMER CKT 1'	287	0.11358	108.6615	'GEN509403 1-PIRKEY GENERATION'	
FDNS	02ALL		0 11G	G08_110	'FROM->TO'	'ELK CITY 230KV (ELKCTY-6) 230/138/13.8KV TRANSFORMER CKT 1'	287	0.03756	108.6615	'GEN509403 1-PIRKEY GENERATION'	
FDNS	02ALL		0 11G	G10_007	'FROM->TO'	'ELK CITY 230KV (ELKCTY-6) 230/138/13.8KV TRANSFORMER CKT 1'	287	0.10175	108.6615	'GEN509403 1-PIRKEY GENERATION'	
FDNS	02ALL		0 11G	ASGI_2010_011	'FROM->TO'	'ELK CITY 230KV (ELKCTY-6) 230/138/13.8KV TRANSFORMER CKT 1'	287	0.05951	108.6615	'GEN509403 1-PIRKEY GENERATION'	
FDNS	02ALL		0 11G	G10_014	'FROM->TO'	'ELK CITY 230KV (ELKCTY-6) 230/138/13.8KV TRANSFORMER CKT 1'	287	0.03756	108.6615	'GEN509403 1-PIRKEY GENERATION'	
FDNS	02ALL		0 11G	G09_067S	'FROM->TO'	'ELK CITY 230KV (ELKCTY-6) 230/138/13.8KV TRANSFORMER CKT 1'	287	0.06629	107.6224	'GEN509403 1-PIRKEY GENERATION'	
FDNS	02ALL		0 11G	G08_022	'FROM->TO'	'ELK CITY 230KV (ELKCTY-6) 230/138/13.8KV TRANSFORMER CKT 1'	287	0.06759	107.6224	'GEN509403 1-PIRKEY GENERATION'	
FDNS	02ALL		0 11G	G08_088	'FROM->TO'	'ELK CITY 230KV (ELKCTY-6) 230/138/13.8KV TRANSFORMER CKT 1'	287	0.11358	107.6224	'GEN509403 1-PIRKEY GENERATION'	
FDNS	02ALL		0 11G	G08_110	'FROM->TO'	'ELK CITY 230KV (ELKCTY-6) 230/138/13.8KV TRANSFORMER CKT 1'	287	0.03756	107.6224	'GEN509403 1-PIRKEY GENERATION'	
FDNS	02ALL		0 11G	G10_007	'FROM->TO'	'ELK CITY 230KV (ELKCTY-6) 230/138/13.8KV TRANSFORMER CKT 1'	287	0.10175	107.6224	'GEN509403 1-PIRKEY GENERATION'	
FDNS	02ALL		0 11G	ASGI_2010_011	'FROM->TO'	'ELK CITY 230KV (ELKCTY-6) 230/138/13.8KV TRANSFORMER CKT 1'	287	0.05951	107.6224	'GEN509403 1-PIRKEY GENERATION'	
FDNS	02ALL		0 11G	G10_014	'FROM->TO'	'ELK CITY 230KV (ELKCTY-6) 230/138/13.8KV TRANSFORMER CKT 1'	287	0.03756	107.6224	'GEN509403 1-PIRKEY GENERATION'	
FDNS	02ALL		0 11G	G08_044	'TO->FROM'	'FPL SWITCH - WOODWARD 138KV CKT 1'	153	0.03294	132.1778	'GEN509404 1-WELSH #1'	
FDNS	02ALL		0 11G	G08_047	'TO->FROM'	'FPL SWITCH - WOODWARD 138KV CKT 1'	153	0.05253	132.1778	'GEN509404 1-WELSH #1'	
FDNS	02ALL		0 11G	G08_110	'TO->FROM'	'FPL SWITCH - WOODWARD 138KV CKT 1'	153	0.04004	132.1778	'GEN509404 1-WELSH #1'	
FDNS	02ALL		0 11G	ASGI_2010_011	'TO->FROM'	'FPL SWITCH - WOODWARD 138KV CKT 1'	153	0.03311	132.1778	'GEN509404 1-WELSH #1'	
FDNS	02ALL		0 11G	G10_011	'TO->FROM'	'FPL SWITCH - WOODWARD 138KV CKT 1'	153	0.03294	132.1778	'GEN509404 1-WELSH #1'	
FDNS	02ALL		0 11G	G10_014	'TO->FROM'	'FPL SWITCH - WOODWARD 138KV CKT 1'	153	0.04004	132.1778	'GEN509404 1-WELSH #1'	
FDNS	02ALL		0 11G	G09_067S	'FROM->TO'	'ELK CITY 230KV (ELKCTY-6) 230/138/13.8KV TRANSFORMER CKT 1'	287	0.06629	107.8974	'GEN509404 1-WELSH #1'	
FDNS	02ALL		0 11G	G08_022	'FROM->TO'	'ELK CITY 230KV (ELKCTY-6) 230/138/13.8KV TRANSFORMER CKT 1'	287	0.06759	107.8974	'GEN509404 1-WELSH #1'	
FDNS	02ALL		0 11G	G08_088	'FROM->TO'	'ELK CITY 230KV (ELKCTY-6) 230/138/13.8KV TRANSFORMER CKT 1'	287	0.11358	107.8974	'GEN509404 1-WELSH #1'	
FDNS	02ALL		0 11G	G08_110	'FROM->TO'	'ELK CITY 230KV (ELKCTY-6) 230/138/13.8KV TRANSFORMER CKT 1'	287	0.03756	107.8974	'GEN509404 1-WELSH #1'	
FDNS	02ALL		0 11G	G10_007	'FROM->TO'	'ELK CITY 230KV (ELKCTY-6) 230/138/13.8KV TRANSFORMER CKT 1'	287	0.10175	107.8974	'GEN509404 1-WELSH #1'	
FDNS	02ALL		0 11G	ASGI_2010_011	'FROM->TO'	'ELK CITY 230KV (ELKCTY-6) 230/138/13.8KV TRANSFORMER CKT 1'	287	0.05951	107.8974	'GEN509404 1-WELSH #1'	
FDNS	02ALL		0 11G	G10_014	'FROM->TO'	'ELK CITY 230KV (ELKCTY-6) 230/138/13.8KV TRANSFORMER CKT 1'	287	0.03756	107.8974	'GEN509404 1-WELSH #1'	
FDNS	02ALL		0 11G	G09_067S	'FROM->TO'	'ELK CITY 230KV (ELKCTY-6) 230/138/13.8KV TRANSFORMER CKT 1'	287	0.06629	106.8792	'GEN509404 1-WELSH #1'	
FDNS	02ALL		0 11G	G08_022	'FROM->TO'	'ELK CITY 230KV (ELKCTY-6) 230/138/13.8KV TRANSFORMER CKT 1'	287	0.06759	106.8792	'GEN509404 1-WELSH #1'	
FDNS	02ALL		0 11G	G08_088	'FROM->TO'	'ELK CITY 230KV (ELKCTY-6) 230/138/13.8KV TRANSFORMER CKT 1'	287	0.11358	106.8792	'GEN509404 1-WELSH #1'	
FDNS	02ALL		0 11G	G08_110	'FROM->TO'	'ELK CITY 230KV (ELKCTY-6) 230/138/13.8KV TRANSFORMER CKT 1'	287	0.03756	106.8792	'GEN509404 1-WELSH #1'	

SOLUTION	GROUP	SCENARIO	SEASON	SOURCE	DIRECTION	MONITORED ELEMENT	RATE B	TDF	TC%	LOADING	CONTINGENCY NAME
						COMMON NAME					
FDNS	02ALL		0 11G	G10_007	'FROM->TO'	'ELK CITY 230KV (ELKCTY-6) 230/138/13.8KV TRANSFORMER CKT 1'	287	0.10175	106.8792	'GEN509404 1-WELSH #1'	
FDNS	02ALL		0 11G	ASGI_2010_011	'FROM->TO'	'ELK CITY 230KV (ELKCTY-6) 230/138/13.8KV TRANSFORMER CKT 1'	287	0.05951	106.8792	'GEN509404 1-WELSH #1'	
FDNS	02ALL		0 11G	G10_014	'FROM->TO'	'ELK CITY 230KV (ELKCTY-6) 230/138/13.8KV TRANSFORMER CKT 1'	287	0.03756	106.8792	'GEN509404 1-WELSH #1'	
FDNS	02ALL		0 11G	G08_044	'TO->FROM'	'FPL SWITCH - WOODWARD 138KV CKT 1'	153	0.03294	132.1779	'GEN509405 1-WELSH #2'	
FDNS	02ALL		0 11G	G08_047	'TO->FROM'	'FPL SWITCH - WOODWARD 138KV CKT 1'	153	0.05253	132.1779	'GEN509405 1-WELSH #2'	
FDNS	02ALL		0 11G	G08_110	'TO->FROM'	'FPL SWITCH - WOODWARD 138KV CKT 1'	153	0.04004	132.1779	'GEN509405 1-WELSH #2'	
FDNS	02ALL		0 11G	ASGI_2010_011	'TO->FROM'	'FPL SWITCH - WOODWARD 138KV CKT 1'	153	0.03311	132.1779	'GEN509405 1-WELSH #2'	
FDNS	02ALL		0 11G	G10_011	'TO->FROM'	'FPL SWITCH - WOODWARD 138KV CKT 1'	153	0.03294	132.1779	'GEN509405 1-WELSH #2'	
FDNS	02ALL		0 11G	G10_014	'TO->FROM'	'FPL SWITCH - WOODWARD 138KV CKT 1'	153	0.04004	132.1779	'GEN509405 1-WELSH #2'	
FDNS	02ALL		0 11G	G09_067S	'FROM->TO'	'ELK CITY 230KV (ELKCTY-6) 230/138/13.8KV TRANSFORMER CKT 1'	287	0.06629	107.8975	'GEN509405 1-WELSH #2'	
FDNS	02ALL		0 11G	G08_022	'FROM->TO'	'ELK CITY 230KV (ELKCTY-6) 230/138/13.8KV TRANSFORMER CKT 1'	287	0.06759	107.8975	'GEN509405 1-WELSH #2'	
FDNS	02ALL		0 11G	G08_088	'FROM->TO'	'ELK CITY 230KV (ELKCTY-6) 230/138/13.8KV TRANSFORMER CKT 1'	287	0.11358	107.8975	'GEN509405 1-WELSH #2'	
FDNS	02ALL		0 11G	G08_110	'FROM->TO'	'ELK CITY 230KV (ELKCTY-6) 230/138/13.8KV TRANSFORMER CKT 1'	287	0.03756	107.8975	'GEN509405 1-WELSH #2'	
FDNS	02ALL		0 11G	G10_007	'FROM->TO'	'ELK CITY 230KV (ELKCTY-6) 230/138/13.8KV TRANSFORMER CKT 1'	287	0.10175	107.8975	'GEN509405 1-WELSH #2'	
FDNS	02ALL		0 11G	ASGI_2010_011	'FROM->TO'	'ELK CITY 230KV (ELKCTY-6) 230/138/13.8KV TRANSFORMER CKT 1'	287	0.05951	107.8975	'GEN509405 1-WELSH #2'	
FDNS	02ALL		0 11G	G10_014	'FROM->TO'	'ELK CITY 230KV (ELKCTY-6) 230/138/13.8KV TRANSFORMER CKT 1'	287	0.03756	107.8975	'GEN509405 1-WELSH #2'	
FDNS	02ALL		0 11G	G09_067S	'FROM->TO'	'ELK CITY 230KV (ELKCTY-6) 230/138/13.8KV TRANSFORMER CKT 1'	287	0.06629	106.8793	'GEN509405 1-WELSH #2'	
FDNS	02ALL		0 11G	G08_022	'FROM->TO'	'ELK CITY 230KV (ELKCTY-6) 230/138/13.8KV TRANSFORMER CKT 1'	287	0.06759	106.8793	'GEN509405 1-WELSH #2'	
FDNS	02ALL		0 11G	G08_088	'FROM->TO'	'ELK CITY 230KV (ELKCTY-6) 230/138/13.8KV TRANSFORMER CKT 1'	287	0.11358	106.8793	'GEN509405 1-WELSH #2'	
FDNS	02ALL		0 11G	G08_110	'FROM->TO'	'ELK CITY 230KV (ELKCTY-6) 230/138/13.8KV TRANSFORMER CKT 1'	287	0.03756	106.8793	'GEN509405 1-WELSH #2'	
FDNS	02ALL		0 11G	G10_007	'FROM->TO'	'ELK CITY 230KV (ELKCTY-6) 230/138/13.8KV TRANSFORMER CKT 1'	287	0.10175	106.8793	'GEN509405 1-WELSH #2'	
FDNS	02ALL		0 11G	ASGI_2010_011	'FROM->TO'	'ELK CITY 230KV (ELKCTY-6) 230/138/13.8KV TRANSFORMER CKT 1'	287	0.05951	106.8793	'GEN509405 1-WELSH #2'	
FDNS	02ALL		0 11G	G10_014	'FROM->TO'	'ELK CITY 230KV (ELKCTY-6) 230/138/13.8KV TRANSFORMER CKT 1'	287	0.03756	106.8793	'GEN509405 1-WELSH #2'	
FDNS	02ALL		0 11G	G08_044	'TO->FROM'	'FPL SWITCH - WOODWARD 138KV CKT 1'	153	0.03294	132.178	'GEN509406 1-WELSH #3'	
FDNS	02ALL		0 11G	G08_047	'TO->FROM'	'FPL SWITCH - WOODWARD 138KV CKT 1'	153	0.05253	132.178	'GEN509406 1-WELSH #3'	
FDNS	02ALL		0 11G	G08_110	'TO->FROM'	'FPL SWITCH - WOODWARD 138KV CKT 1'	153	0.04004	132.178	'GEN509406 1-WELSH #3'	
FDNS	02ALL		0 11G	ASGI_2010_011	'TO->FROM'	'FPL SWITCH - WOODWARD 138KV CKT 1'	153	0.03311	132.178	'GEN509406 1-WELSH #3'	
FDNS	02ALL		0 11G	G10_011	'TO->FROM'	'FPL SWITCH - WOODWARD 138KV CKT 1'	153	0.03294	132.178	'GEN509406 1-WELSH #3'	
FDNS	02ALL		0 11G	G10_014	'TO->FROM'	'FPL SWITCH - WOODWARD 138KV CKT 1'	153	0.04004	132.178	'GEN509406 1-WELSH #3'	

SOLUTION	GROUP	SCENARIO	SEASON	SOURCE	DIRECTION	MONITORED ELEMENT	RATE B	TDF	TC%	LOADING	CONTINGENCY NAME
						COMMON NAME					
FDNS	02ALL		0 11G	G09_067S	'FROM->TO'	'ELK CITY 230KV (ELKCTY-6) 230/138/13.8KV TRANSFORMER CKT 1'	287	0.06629	107.8975	'GEN509406 1-WELSH #3'	
FDNS	02ALL		0 11G	G08_022	'FROM->TO'	'ELK CITY 230KV (ELKCTY-6) 230/138/13.8KV TRANSFORMER CKT 1'	287	0.06759	107.8975	'GEN509406 1-WELSH #3'	
FDNS	02ALL		0 11G	G08_088	'FROM->TO'	'ELK CITY 230KV (ELKCTY-6) 230/138/13.8KV TRANSFORMER CKT 1'	287	0.11358	107.8975	'GEN509406 1-WELSH #3'	
FDNS	02ALL		0 11G	G08_110	'FROM->TO'	'ELK CITY 230KV (ELKCTY-6) 230/138/13.8KV TRANSFORMER CKT 1'	287	0.03756	107.8975	'GEN509406 1-WELSH #3'	
FDNS	02ALL		0 11G	G10_007	'FROM->TO'	'ELK CITY 230KV (ELKCTY-6) 230/138/13.8KV TRANSFORMER CKT 1'	287	0.10175	107.8975	'GEN509406 1-WELSH #3'	
FDNS	02ALL		0 11G	ASGI_2010_011	'FROM->TO'	'ELK CITY 230KV (ELKCTY-6) 230/138/13.8KV TRANSFORMER CKT 1'	287	0.05951	107.8975	'GEN509406 1-WELSH #3'	
FDNS	02ALL		0 11G	G10_014	'FROM->TO'	'ELK CITY 230KV (ELKCTY-6) 230/138/13.8KV TRANSFORMER CKT 1'	287	0.03756	107.8975	'GEN509406 1-WELSH #3'	
FDNS	02ALL		0 11G	G09_067S	'FROM->TO'	'ELK CITY 230KV (ELKCTY-6) 230/138/13.8KV TRANSFORMER CKT 1'	287	0.06629	106.8793	'GEN509406 1-WELSH #3'	
FDNS	02ALL		0 11G	G08_022	'FROM->TO'	'ELK CITY 230KV (ELKCTY-6) 230/138/13.8KV TRANSFORMER CKT 1'	287	0.06759	106.8793	'GEN509406 1-WELSH #3'	
FDNS	02ALL		0 11G	G08_088	'FROM->TO'	'ELK CITY 230KV (ELKCTY-6) 230/138/13.8KV TRANSFORMER CKT 1'	287	0.11358	106.8793	'GEN509406 1-WELSH #3'	
FDNS	02ALL		0 11G	G08_110	'FROM->TO'	'ELK CITY 230KV (ELKCTY-6) 230/138/13.8KV TRANSFORMER CKT 1'	287	0.03756	106.8793	'GEN509406 1-WELSH #3'	
FDNS	02ALL		0 11G	G10_007	'FROM->TO'	'ELK CITY 230KV (ELKCTY-6) 230/138/13.8KV TRANSFORMER CKT 1'	287	0.10175	106.8793	'GEN509406 1-WELSH #3'	
FDNS	02ALL		0 11G	ASGI_2010_011	'FROM->TO'	'ELK CITY 230KV (ELKCTY-6) 230/138/13.8KV TRANSFORMER CKT 1'	287	0.05951	106.8793	'GEN509406 1-WELSH #3'	
FDNS	02ALL		0 11G	G10_014	'FROM->TO'	'ELK CITY 230KV (ELKCTY-6) 230/138/13.8KV TRANSFORMER CKT 1'	287	0.03756	106.8793	'GEN509406 1-WELSH #3'	
FDNS	02ALL		0 11G	G09_067S	'FROM->TO'	'ELK CITY 230KV (ELKCTY-6) 230/138/13.8KV TRANSFORMER CKT 1'	287	0.06629	106.6995	'GEN509409 1-WILKES #3'	
FDNS	02ALL		0 11G	G08_022	'FROM->TO'	'ELK CITY 230KV (ELKCTY-6) 230/138/13.8KV TRANSFORMER CKT 1'	287	0.06759	106.6995	'GEN509409 1-WILKES #3'	
FDNS	02ALL		0 11G	G08_088	'FROM->TO'	'ELK CITY 230KV (ELKCTY-6) 230/138/13.8KV TRANSFORMER CKT 1'	287	0.11358	106.6995	'GEN509409 1-WILKES #3'	
FDNS	02ALL		0 11G	G08_110	'FROM->TO'	'ELK CITY 230KV (ELKCTY-6) 230/138/13.8KV TRANSFORMER CKT 1'	287	0.03756	106.6995	'GEN509409 1-WILKES #3'	
FDNS	02ALL		0 11G	G10_007	'FROM->TO'	'ELK CITY 230KV (ELKCTY-6) 230/138/13.8KV TRANSFORMER CKT 1'	287	0.10175	106.6995	'GEN509409 1-WILKES #3'	
FDNS	02ALL		0 11G	ASGI_2010_011	'FROM->TO'	'ELK CITY 230KV (ELKCTY-6) 230/138/13.8KV TRANSFORMER CKT 1'	287	0.05951	106.6995	'GEN509409 1-WILKES #3'	
FDNS	02ALL		0 11G	G10_014	'FROM->TO'	'ELK CITY 230KV (ELKCTY-6) 230/138/13.8KV TRANSFORMER CKT 1'	287	0.03756	106.6995	'GEN509409 1-WILKES #3'	
FDNS	02ALL		0 11G	G09_067S	'FROM->TO'	'ELK CITY 230KV (ELKCTY-6) 230/138/13.8KV TRANSFORMER CKT 1'	287	0.06629	105.7134	'GEN509409 1-WILKES #3'	
FDNS	02ALL		0 11G	G08_022	'FROM->TO'	'ELK CITY 230KV (ELKCTY-6) 230/138/13.8KV TRANSFORMER CKT 1'	287	0.06759	105.7134	'GEN509409 1-WILKES #3'	
FDNS	02ALL		0 11G	G08_088	'FROM->TO'	'ELK CITY 230KV (ELKCTY-6) 230/138/13.8KV TRANSFORMER CKT 1'	287	0.11358	105.7134	'GEN509409 1-WILKES #3'	
FDNS	02ALL		0 11G	G08_110	'FROM->TO'	'ELK CITY 230KV (ELKCTY-6) 230/138/13.8KV TRANSFORMER CKT 1'	287	0.03756	105.7134	'GEN509409 1-WILKES #3'	
FDNS	02ALL		0 11G	G10_007	'FROM->TO'	'ELK CITY 230KV (ELKCTY-6) 230/138/13.8KV TRANSFORMER CKT 1'	287	0.10175	105.7134	'GEN509409 1-WILKES #3'	
FDNS	02ALL		0 11G	ASGI_2010_011	'FROM->TO'	'ELK CITY 230KV (ELKCTY-6) 230/138/13.8KV TRANSFORMER CKT 1'	287	0.05951	105.7134	'GEN509409 1-WILKES #3'	
FDNS	02ALL		0 11G	G10_014	'FROM->TO'	'ELK CITY 230KV (ELKCTY-6) 230/138/13.8KV TRANSFORMER CKT 1'	287	0.03756	105.7134	'GEN509409 1-WILKES #3'	
FDNS	02ALL		0 11G	G09_067S	'FROM->TO'	'ELK CITY 230KV (ELKCTY-6) 230/138/13.8KV TRANSFORMER CKT 1'	287	0.06629	101.0328	'GEN511542 1-NEXTERA6 230.00'	

SOLUTION	GROUP	SCENARIO	SEASON	SOURCE	DIRECTION	MONITORED ELEMENT	RATE B	TDF	TC%	LOADING	CONTINGENCY	NAME
						COMMON NAME						
FDNS	02ALL		0 11G	G08_022	'FROM->TO'	'ELK CITY 230KV (ELKCTY-6) 230/138/13.8KV TRANSFORMER CKT 1'	287	0.06759	101.0328	'GEN511542 1-NEXTERA6	230.00'	
FDNS	02ALL		0 11G	G08_088	'FROM->TO'	'ELK CITY 230KV (ELKCTY-6) 230/138/13.8KV TRANSFORMER CKT 1'	287	0.11358	101.0328	'GEN511542 1-NEXTERA6	230.00'	
FDNS	02ALL		0 11G	G08_110	'FROM->TO'	'ELK CITY 230KV (ELKCTY-6) 230/138/13.8KV TRANSFORMER CKT 1'	287	0.03756	101.0328	'GEN511542 1-NEXTERA6	230.00'	
FDNS	02ALL		0 11G	G10_007	'FROM->TO'	'ELK CITY 230KV (ELKCTY-6) 230/138/13.8KV TRANSFORMER CKT 1'	287	0.10175	101.0328	'GEN511542 1-NEXTERA6	230.00'	
FDNS	02ALL		0 11G	ASGI_2010_011	'FROM->TO'	'ELK CITY 230KV (ELKCTY-6) 230/138/13.8KV TRANSFORMER CKT 1'	287	0.05951	101.0328	'GEN511542 1-NEXTERA6	230.00'	
FDNS	02ALL		0 11G	G10_014	'FROM->TO'	'ELK CITY 230KV (ELKCTY-6) 230/138/13.8KV TRANSFORMER CKT 1'	287	0.03756	101.0328	'GEN511542 1-NEXTERA6	230.00'	
FDNS	02ALL		0 11G	G08_044	'TO->FROM'	'FPL SWITCH - WOODWARD 138KV CKT 1'	153	0.03294	132.0078	'GEN511839 1-NORTHEASTERN STATION	#2'	
FDNS	02ALL		0 11G	G08_047	'TO->FROM'	'FPL SWITCH - WOODWARD 138KV CKT 1'	153	0.05253	132.0078	'GEN511839 1-NORTHEASTERN STATION	#2'	
FDNS	02ALL		0 11G	G08_110	'TO->FROM'	'FPL SWITCH - WOODWARD 138KV CKT 1'	153	0.04004	132.0078	'GEN511839 1-NORTHEASTERN STATION	#2'	
FDNS	02ALL		0 11G	ASGI_2010_011	'TO->FROM'	'FPL SWITCH - WOODWARD 138KV CKT 1'	153	0.03311	132.0078	'GEN511839 1-NORTHEASTERN STATION	#2'	
FDNS	02ALL		0 11G	G10_011	'TO->FROM'	'FPL SWITCH - WOODWARD 138KV CKT 1'	153	0.03294	132.0078	'GEN511839 1-NORTHEASTERN STATION	#2'	
FDNS	02ALL		0 11G	G10_014	'TO->FROM'	'FPL SWITCH - WOODWARD 138KV CKT 1'	153	0.04004	132.0078	'GEN511839 1-NORTHEASTERN STATION	#2'	
FDNS	02ALL		0 11G	G09_067S	'FROM->TO'	'ELK CITY 230KV (ELKCTY-6) 230/138/13.8KV TRANSFORMER CKT 1'	287	0.06629	107.2843	'GEN511839 1-NORTHEASTERN STATION	#2'	
FDNS	02ALL		0 11G	G08_022	'FROM->TO'	'ELK CITY 230KV (ELKCTY-6) 230/138/13.8KV TRANSFORMER CKT 1'	287	0.06759	107.2843	'GEN511839 1-NORTHEASTERN STATION	#2'	
FDNS	02ALL		0 11G	G08_088	'FROM->TO'	'ELK CITY 230KV (ELKCTY-6) 230/138/13.8KV TRANSFORMER CKT 1'	287	0.11358	107.2843	'GEN511839 1-NORTHEASTERN STATION	#2'	
FDNS	02ALL		0 11G	G08_110	'FROM->TO'	'ELK CITY 230KV (ELKCTY-6) 230/138/13.8KV TRANSFORMER CKT 1'	287	0.03756	107.2843	'GEN511839 1-NORTHEASTERN STATION	#2'	
FDNS	02ALL		0 11G	G10_007	'FROM->TO'	'ELK CITY 230KV (ELKCTY-6) 230/138/13.8KV TRANSFORMER CKT 1'	287	0.10175	107.2843	'GEN511839 1-NORTHEASTERN STATION	#2'	
FDNS	02ALL		0 11G	ASGI_2010_011	'FROM->TO'	'ELK CITY 230KV (ELKCTY-6) 230/138/13.8KV TRANSFORMER CKT 1'	287	0.05951	107.2843	'GEN511839 1-NORTHEASTERN STATION	#2'	
FDNS	02ALL		0 11G	G10_014	'FROM->TO'	'ELK CITY 230KV (ELKCTY-6) 230/138/13.8KV TRANSFORMER CKT 1'	287	0.03756	107.2843	'GEN511839 1-NORTHEASTERN STATION	#2'	
FDNS	02ALL		0 11G	G09_067S	'FROM->TO'	'ELK CITY 230KV (ELKCTY-6) 230/138/13.8KV TRANSFORMER CKT 1'	287	0.06629	106.2818	'GEN511839 1-NORTHEASTERN STATION	#2'	
FDNS	02ALL		0 11G	G08_022	'FROM->TO'	'ELK CITY 230KV (ELKCTY-6) 230/138/13.8KV TRANSFORMER CKT 1'	287	0.06759	106.2818	'GEN511839 1-NORTHEASTERN STATION	#2'	
FDNS	02ALL		0 11G	G08_088	'FROM->TO'	'ELK CITY 230KV (ELKCTY-6) 230/138/13.8KV TRANSFORMER CKT 1'	287	0.11358	106.2818	'GEN511839 1-NORTHEASTERN STATION	#2'	
FDNS	02ALL		0 11G	G08_110	'FROM->TO'	'ELK CITY 230KV (ELKCTY-6) 230/138/13.8KV TRANSFORMER CKT 1'	287	0.03756	106.2818	'GEN511839 1-NORTHEASTERN STATION	#2'	
FDNS	02ALL		0 11G	G10_007	'FROM->TO'	'ELK CITY 230KV (ELKCTY-6) 230/138/13.8KV TRANSFORMER CKT 1'	287	0.10175	106.2818	'GEN511839 1-NORTHEASTERN STATION	#2'	
FDNS	02ALL		0 11G	ASGI_2010_011	'FROM->TO'	'ELK CITY 230KV (ELKCTY-6) 230/138/13.8KV TRANSFORMER CKT 1'	287	0.05951	106.2818	'GEN511839 1-NORTHEASTERN STATION	#2'	
FDNS	02ALL		0 11G	G10_014	'FROM->TO'	'ELK CITY 230KV (ELKCTY-6) 230/138/13.8KV TRANSFORMER CKT 1'	287	0.03756	106.2818	'GEN511839 1-NORTHEASTERN STATION	#2'	
FDNS	02ALL		0 11G	G08_044	'TO->FROM'	'FPL SWITCH - WOODWARD 138KV CKT 1'	153	0.03294	131.848	'GEN511840 1-NORTHEASTERN STATION	#3'	
FDNS	02ALL		0 11G	G08_047	'TO->FROM'	'FPL SWITCH - WOODWARD 138KV CKT 1'	153	0.05253	131.848	'GEN511840 1-NORTHEASTERN STATION	#3'	
FDNS	02ALL		0 11G	G08_110	'TO->FROM'	'FPL SWITCH - WOODWARD 138KV CKT 1'	153	0.04004	131.848	'GEN511840 1-NORTHEASTERN STATION	#3'	

SOLUTION	GROUP	SCENARIO	SEASON	SOURCE	DIRECTION	MONITORED ELEMENT	RATE	B	TDF	TC%	LOADING	CONTINGENCY NAME
						COMMON NAME						
FDNS	02ALL		0 11G	ASGI_2010_011	'TO->FROM'	'FPL SWITCH - WOODWARD 138KV CKT 1'	153	0.03311		131.848	#3'	'GEN511840 1-NORTHEASTERN STATION
FDNS	02ALL		0 11G	G10_011	'TO->FROM'	'FPL SWITCH - WOODWARD 138KV CKT 1'	153	0.03294		131.848	#3'	'GEN511840 1-NORTHEASTERN STATION
FDNS	02ALL		0 11G	G10_014	'TO->FROM'	'FPL SWITCH - WOODWARD 138KV CKT 1'	153	0.04004		131.848	#3'	'GEN511840 1-NORTHEASTERN STATION
FDNS	02ALL		0 11G	G09_067S	'FROM->TO'	'ELK CITY 230KV (ELKCTY-6) 230/138/13.8KV TRANSFORMER CKT 1'	287	0.06629		107.3138	#3'	'GEN511840 1-NORTHEASTERN STATION
FDNS	02ALL		0 11G	G08_022	'FROM->TO'	'ELK CITY 230KV (ELKCTY-6) 230/138/13.8KV TRANSFORMER CKT 1'	287	0.06759		107.3138	#3'	'GEN511840 1-NORTHEASTERN STATION
FDNS	02ALL		0 11G	G08_088	'FROM->TO'	'ELK CITY 230KV (ELKCTY-6) 230/138/13.8KV TRANSFORMER CKT 1'	287	0.11358		107.3138	#3'	'GEN511840 1-NORTHEASTERN STATION
FDNS	02ALL		0 11G	G08_110	'FROM->TO'	'ELK CITY 230KV (ELKCTY-6) 230/138/13.8KV TRANSFORMER CKT 1'	287	0.03756		107.3138	#3'	'GEN511840 1-NORTHEASTERN STATION
FDNS	02ALL		0 11G	G10_007	'FROM->TO'	'ELK CITY 230KV (ELKCTY-6) 230/138/13.8KV TRANSFORMER CKT 1'	287	0.10175		107.3138	#3'	'GEN511840 1-NORTHEASTERN STATION
FDNS	02ALL		0 11G	ASGI_2010_011	'FROM->TO'	'ELK CITY 230KV (ELKCTY-6) 230/138/13.8KV TRANSFORMER CKT 1'	287	0.05951		107.3138	#3'	'GEN511840 1-NORTHEASTERN STATION
FDNS	02ALL		0 11G	G10_014	'FROM->TO'	'ELK CITY 230KV (ELKCTY-6) 230/138/13.8KV TRANSFORMER CKT 1'	287	0.03756		107.3138	#3'	'GEN511840 1-NORTHEASTERN STATION
FDNS	02ALL		0 11G	G09_067S	'FROM->TO'	'ELK CITY 230KV (ELKCTY-6) 230/138/13.8KV TRANSFORMER CKT 1'	287	0.06629		106.3103	#3'	'GEN511840 1-NORTHEASTERN STATION
FDNS	02ALL		0 11G	G08_022	'FROM->TO'	'ELK CITY 230KV (ELKCTY-6) 230/138/13.8KV TRANSFORMER CKT 1'	287	0.06759		106.3103	#3'	'GEN511840 1-NORTHEASTERN STATION
FDNS	02ALL		0 11G	G08_088	'FROM->TO'	'ELK CITY 230KV (ELKCTY-6) 230/138/13.8KV TRANSFORMER CKT 1'	287	0.11358		106.3103	#3'	'GEN511840 1-NORTHEASTERN STATION
FDNS	02ALL		0 11G	G08_110	'FROM->TO'	'ELK CITY 230KV (ELKCTY-6) 230/138/13.8KV TRANSFORMER CKT 1'	287	0.03756		106.3103	#3'	'GEN511840 1-NORTHEASTERN STATION
FDNS	02ALL		0 11G	G10_007	'FROM->TO'	'ELK CITY 230KV (ELKCTY-6) 230/138/13.8KV TRANSFORMER CKT 1'	287	0.10175		106.3103	#3'	'GEN511840 1-NORTHEASTERN STATION
FDNS	02ALL		0 11G	ASGI_2010_011	'FROM->TO'	'ELK CITY 230KV (ELKCTY-6) 230/138/13.8KV TRANSFORMER CKT 1'	287	0.05951		106.3103	#3'	'GEN511840 1-NORTHEASTERN STATION
FDNS	02ALL		0 11G	G10_014	'FROM->TO'	'ELK CITY 230KV (ELKCTY-6) 230/138/13.8KV TRANSFORMER CKT 1'	287	0.03756		106.3103	#3'	'GEN511840 1-NORTHEASTERN STATION
FDNS	02ALL		0 11G	G08_044	'TO->FROM'	'FPL SWITCH - WOODWARD 138KV CKT 1'	153	0.03294		131.8779	#4'	'GEN511841 1-NORTHEASTERN STATION
FDNS	02ALL		0 11G	G08_047	'TO->FROM'	'FPL SWITCH - WOODWARD 138KV CKT 1'	153	0.05253		131.8779	#4'	'GEN511841 1-NORTHEASTERN STATION
FDNS	02ALL		0 11G	G08_110	'TO->FROM'	'FPL SWITCH - WOODWARD 138KV CKT 1'	153	0.04004		131.8779	#4'	'GEN511841 1-NORTHEASTERN STATION
FDNS	02ALL		0 11G	ASGI_2010_011	'TO->FROM'	'FPL SWITCH - WOODWARD 138KV CKT 1'	153	0.03311		131.8779	#4'	'GEN511841 1-NORTHEASTERN STATION
FDNS	02ALL		0 11G	G10_011	'TO->FROM'	'FPL SWITCH - WOODWARD 138KV CKT 1'	153	0.03294		131.8779	#4'	'GEN511841 1-NORTHEASTERN STATION
FDNS	02ALL		0 11G	G10_014	'TO->FROM'	'FPL SWITCH - WOODWARD 138KV CKT 1'	153	0.04004		131.8779	#4'	'GEN511841 1-NORTHEASTERN STATION
FDNS	02ALL		0 11G	G09_067S	'FROM->TO'	'ELK CITY 230KV (ELKCTY-6) 230/138/13.8KV TRANSFORMER CKT 1'	287	0.06629		107.3404	#4'	'GEN511841 1-NORTHEASTERN STATION
FDNS	02ALL		0 11G	G08_022	'FROM->TO'	'ELK CITY 230KV (ELKCTY-6) 230/138/13.8KV TRANSFORMER CKT 1'	287	0.06759		107.3404	#4'	'GEN511841 1-NORTHEASTERN STATION
FDNS	02ALL		0 11G	G08_088	'FROM->TO'	'ELK CITY 230KV (ELKCTY-6) 230/138/13.8KV TRANSFORMER CKT 1'	287	0.11358		107.3404	#4'	'GEN511841 1-NORTHEASTERN STATION
FDNS	02ALL		0 11G	G08_110	'FROM->TO'	'ELK CITY 230KV (ELKCTY-6) 230/138/13.8KV TRANSFORMER CKT 1'	287	0.03756		107.3404	#4'	'GEN511841 1-NORTHEASTERN STATION
FDNS	02ALL		0 11G	G10_007	'FROM->TO'	'ELK CITY 230KV (ELKCTY-6) 230/138/13.8KV TRANSFORMER CKT 1'	287	0.10175		107.3404	#4'	'GEN511841 1-NORTHEASTERN STATION
FDNS	02ALL		0 11G	ASGI_2010_011	'FROM->TO'	'ELK CITY 230KV (ELKCTY-6) 230/138/13.8KV TRANSFORMER CKT 1'	287	0.05951		107.3404	#4'	'GEN511841 1-NORTHEASTERN STATION

SOLUTION	GROUP	SCENARIO	SEASON	SOURCE	DIRECTION	MONITORED ELEMENT	RATE B	TDF	TC%LOADING	CONTINGENCY NAME
						COMMON NAME				
FDNS	02ALL		0 11G	G10_014	'FROM->TO'	'ELK CITY 230KV (ELKCTY-6) 230/138/13.8KV TRANSFORMER CKT 1'	287	0.03756	107.3404	'GEN511841 1-NORTHEASTERN STATION #4'
FDNS	02ALL		0 11G	G09_067S	'FROM->TO'	'ELK CITY 230KV (ELKCTY-6) 230/138/13.8KV TRANSFORMER CKT 1'	287	0.06629	106.3361	'GEN511841 1-NORTHEASTERN STATION #4'
FDNS	02ALL		0 11G	G08_022	'FROM->TO'	'ELK CITY 230KV (ELKCTY-6) 230/138/13.8KV TRANSFORMER CKT 1'	287	0.06759	106.3361	'GEN511841 1-NORTHEASTERN STATION #4'
FDNS	02ALL		0 11G	G08_088	'FROM->TO'	'ELK CITY 230KV (ELKCTY-6) 230/138/13.8KV TRANSFORMER CKT 1'	287	0.11358	106.3361	'GEN511841 1-NORTHEASTERN STATION #4'
FDNS	02ALL		0 11G	G08_110	'FROM->TO'	'ELK CITY 230KV (ELKCTY-6) 230/138/13.8KV TRANSFORMER CKT 1'	287	0.03756	106.3361	'GEN511841 1-NORTHEASTERN STATION #4'
FDNS	02ALL		0 11G	G10_007	'FROM->TO'	'ELK CITY 230KV (ELKCTY-6) 230/138/13.8KV TRANSFORMER CKT 1'	287	0.10175	106.3361	'GEN511841 1-NORTHEASTERN STATION #4'
FDNS	02ALL		0 11G	ASGI_2010_011	'FROM->TO'	'ELK CITY 230KV (ELKCTY-6) 230/138/13.8KV TRANSFORMER CKT 1'	287	0.05951	106.3361	'GEN511841 1-NORTHEASTERN STATION #4'
FDNS	02ALL		0 11G	G10_014	'FROM->TO'	'ELK CITY 230KV (ELKCTY-6) 230/138/13.8KV TRANSFORMER CKT 1'	287	0.03756	106.3361	'GEN511841 1-NORTHEASTERN STATION #4'
FDNS	02ALL		0 11G	G09_067S	'FROM->TO'	'ELK CITY 230KV (ELKCTY-6) 230/138/13.8KV TRANSFORMER CKT 1'	287	0.06629	106.1383	'GEN511843 1-RIVERSIDE STATION #2'
FDNS	02ALL		0 11G	G08_022	'FROM->TO'	'ELK CITY 230KV (ELKCTY-6) 230/138/13.8KV TRANSFORMER CKT 1'	287	0.06759	106.1383	'GEN511843 1-RIVERSIDE STATION #2'
FDNS	02ALL		0 11G	G08_088	'FROM->TO'	'ELK CITY 230KV (ELKCTY-6) 230/138/13.8KV TRANSFORMER CKT 1'	287	0.11358	106.1383	'GEN511843 1-RIVERSIDE STATION #2'
FDNS	02ALL		0 11G	G08_110	'FROM->TO'	'ELK CITY 230KV (ELKCTY-6) 230/138/13.8KV TRANSFORMER CKT 1'	287	0.03756	106.1383	'GEN511843 1-RIVERSIDE STATION #2'
FDNS	02ALL		0 11G	G10_007	'FROM->TO'	'ELK CITY 230KV (ELKCTY-6) 230/138/13.8KV TRANSFORMER CKT 1'	287	0.10175	106.1383	'GEN511843 1-RIVERSIDE STATION #2'
FDNS	02ALL		0 11G	ASGI_2010_011	'FROM->TO'	'ELK CITY 230KV (ELKCTY-6) 230/138/13.8KV TRANSFORMER CKT 1'	287	0.05951	106.1383	'GEN511843 1-RIVERSIDE STATION #2'
FDNS	02ALL		0 11G	G10_014	'FROM->TO'	'ELK CITY 230KV (ELKCTY-6) 230/138/13.8KV TRANSFORMER CKT 1'	287	0.03756	106.1383	'GEN511843 1-RIVERSIDE STATION #2'
FDNS	02ALL		0 11G	G09_067S	'FROM->TO'	'ELK CITY 230KV (ELKCTY-6) 230/138/13.8KV TRANSFORMER CKT 1'	287	0.06629	105.1669	'GEN511843 1-RIVERSIDE STATION #2'
FDNS	02ALL		0 11G	G08_022	'FROM->TO'	'ELK CITY 230KV (ELKCTY-6) 230/138/13.8KV TRANSFORMER CKT 1'	287	0.06759	105.1669	'GEN511843 1-RIVERSIDE STATION #2'
FDNS	02ALL		0 11G	G08_088	'FROM->TO'	'ELK CITY 230KV (ELKCTY-6) 230/138/13.8KV TRANSFORMER CKT 1'	287	0.11358	105.1669	'GEN511843 1-RIVERSIDE STATION #2'
FDNS	02ALL		0 11G	G08_110	'FROM->TO'	'ELK CITY 230KV (ELKCTY-6) 230/138/13.8KV TRANSFORMER CKT 1'	287	0.03756	105.1669	'GEN511843 1-RIVERSIDE STATION #2'
FDNS	02ALL		0 11G	G10_007	'FROM->TO'	'ELK CITY 230KV (ELKCTY-6) 230/138/13.8KV TRANSFORMER CKT 1'	287	0.10175	105.1669	'GEN511843 1-RIVERSIDE STATION #2'
FDNS	02ALL		0 11G	ASGI_2010_011	'FROM->TO'	'ELK CITY 230KV (ELKCTY-6) 230/138/13.8KV TRANSFORMER CKT 1'	287	0.05951	105.1669	'GEN511843 1-RIVERSIDE STATION #2'
FDNS	02ALL		0 11G	G10_014	'FROM->TO'	'ELK CITY 230KV (ELKCTY-6) 230/138/13.8KV TRANSFORMER CKT 1'	287	0.03756	105.1669	'GEN511843 1-RIVERSIDE STATION #2'
FDNS	02ALL		0 11G	G08_044	'TO->FROM'	'FPL SWITCH - WOODWARD 138KV CKT 1'	153	0.03294	131.5929	'GEN512688 2-GRDA1 GSU2 22'
FDNS	02ALL		0 11G	G08_047	'TO->FROM'	'FPL SWITCH - WOODWARD 138KV CKT 1'	153	0.05253	131.5929	'GEN512688 2-GRDA1 GSU2 22'
FDNS	02ALL		0 11G	G08_110	'TO->FROM'	'FPL SWITCH - WOODWARD 138KV CKT 1'	153	0.04004	131.5929	'GEN512688 2-GRDA1 GSU2 22'
FDNS	02ALL		0 11G	ASGI_2010_011	'TO->FROM'	'FPL SWITCH - WOODWARD 138KV CKT 1'	153	0.03311	131.5929	'GEN512688 2-GRDA1 GSU2 22'
FDNS	02ALL		0 11G	G10_011	'TO->FROM'	'FPL SWITCH - WOODWARD 138KV CKT 1'	153	0.03294	131.5929	'GEN512688 2-GRDA1 GSU2 22'
FDNS	02ALL		0 11G	G10_014	'TO->FROM'	'FPL SWITCH - WOODWARD 138KV CKT 1'	153	0.04004	131.5929	'GEN512688 2-GRDA1 GSU2 22'
FDNS	02ALL		0 11G	G09_067S	'FROM->TO'	'ELK CITY 230KV (ELKCTY-6) 230/138/13.8KV TRANSFORMER CKT 1'	287	0.06629	107.0678	'GEN512688 2-GRDA1 GSU2 22'

SOLUTION	GROUP	SCENARIO	SEASON	SOURCE	DIRECTION	MONITORED ELEMENT	RATE B	TDF	TC%	LOADING	CONTINGENCY NAME
						COMMON NAME					
FDNS	02ALL		0 11G	G08_022	'FROM->TO'	'ELK CITY 230KV (ELKCTY-6) 230/138/13.8KV TRANSFORMER CKT 1'	287	0.06759	107.0678	'GEN512688 2-GRDA1 GSU2 22'	
FDNS	02ALL		0 11G	G08_088	'FROM->TO'	'ELK CITY 230KV (ELKCTY-6) 230/138/13.8KV TRANSFORMER CKT 1'	287	0.11358	107.0678	'GEN512688 2-GRDA1 GSU2 22'	
FDNS	02ALL		0 11G	G08_110	'FROM->TO'	'ELK CITY 230KV (ELKCTY-6) 230/138/13.8KV TRANSFORMER CKT 1'	287	0.03756	107.0678	'GEN512688 2-GRDA1 GSU2 22'	
FDNS	02ALL		0 11G	G10_007	'FROM->TO'	'ELK CITY 230KV (ELKCTY-6) 230/138/13.8KV TRANSFORMER CKT 1'	287	0.10175	107.0678	'GEN512688 2-GRDA1 GSU2 22'	
FDNS	02ALL		0 11G	ASGI_2010_011	'FROM->TO'	'ELK CITY 230KV (ELKCTY-6) 230/138/13.8KV TRANSFORMER CKT 1'	287	0.05951	107.0678	'GEN512688 2-GRDA1 GSU2 22'	
FDNS	02ALL		0 11G	G10_014	'FROM->TO'	'ELK CITY 230KV (ELKCTY-6) 230/138/13.8KV TRANSFORMER CKT 1'	287	0.03756	107.0678	'GEN512688 2-GRDA1 GSU2 22'	
FDNS	02ALL		0 11G	G09_067S	'FROM->TO'	'ELK CITY 230KV (ELKCTY-6) 230/138/13.8KV TRANSFORMER CKT 1'	287	0.06629	106.0711	'GEN512688 2-GRDA1 GSU2 22'	
FDNS	02ALL		0 11G	G08_022	'FROM->TO'	'ELK CITY 230KV (ELKCTY-6) 230/138/13.8KV TRANSFORMER CKT 1'	287	0.06759	106.0711	'GEN512688 2-GRDA1 GSU2 22'	
FDNS	02ALL		0 11G	G08_088	'FROM->TO'	'ELK CITY 230KV (ELKCTY-6) 230/138/13.8KV TRANSFORMER CKT 1'	287	0.11358	106.0711	'GEN512688 2-GRDA1 GSU2 22'	
FDNS	02ALL		0 11G	G08_110	'FROM->TO'	'ELK CITY 230KV (ELKCTY-6) 230/138/13.8KV TRANSFORMER CKT 1'	287	0.03756	106.0711	'GEN512688 2-GRDA1 GSU2 22'	
FDNS	02ALL		0 11G	G10_007	'FROM->TO'	'ELK CITY 230KV (ELKCTY-6) 230/138/13.8KV TRANSFORMER CKT 1'	287	0.10175	106.0711	'GEN512688 2-GRDA1 GSU2 22'	
FDNS	02ALL		0 11G	ASGI_2010_011	'FROM->TO'	'ELK CITY 230KV (ELKCTY-6) 230/138/13.8KV TRANSFORMER CKT 1'	287	0.05951	106.0711	'GEN512688 2-GRDA1 GSU2 22'	
FDNS	02ALL		0 11G	G10_014	'FROM->TO'	'ELK CITY 230KV (ELKCTY-6) 230/138/13.8KV TRANSFORMER CKT 1'	287	0.03756	106.0711	'GEN512688 2-GRDA1 GSU2 22'	
FDNS	02ALL		0 11G	G08_044	'TO->FROM'	'FPL SWITCH - WOODWARD 138KV CKT 1'	153	0.03294	131.741	'GEN512689 1-GRDA1 GSU1 22'	
FDNS	02ALL		0 11G	G08_047	'TO->FROM'	'FPL SWITCH - WOODWARD 138KV CKT 1'	153	0.05253	131.741	'GEN512689 1-GRDA1 GSU1 22'	
FDNS	02ALL		0 11G	G08_110	'TO->FROM'	'FPL SWITCH - WOODWARD 138KV CKT 1'	153	0.04004	131.741	'GEN512689 1-GRDA1 GSU1 22'	
FDNS	02ALL		0 11G	ASGI_2010_011	'TO->FROM'	'FPL SWITCH - WOODWARD 138KV CKT 1'	153	0.03311	131.741	'GEN512689 1-GRDA1 GSU1 22'	
FDNS	02ALL		0 11G	G10_011	'TO->FROM'	'FPL SWITCH - WOODWARD 138KV CKT 1'	153	0.03294	131.741	'GEN512689 1-GRDA1 GSU1 22'	
FDNS	02ALL		0 11G	G10_014	'TO->FROM'	'FPL SWITCH - WOODWARD 138KV CKT 1'	153	0.04004	131.741	'GEN512689 1-GRDA1 GSU1 22'	
FDNS	02ALL		0 11G	G09_067S	'FROM->TO'	'ELK CITY 230KV (ELKCTY-6) 230/138/13.8KV TRANSFORMER CKT 1'	287	0.06629	107.1961	'GEN512689 1-GRDA1 GSU1 22'	
FDNS	02ALL		0 11G	G08_022	'FROM->TO'	'ELK CITY 230KV (ELKCTY-6) 230/138/13.8KV TRANSFORMER CKT 1'	287	0.06759	107.1961	'GEN512689 1-GRDA1 GSU1 22'	
FDNS	02ALL		0 11G	G08_088	'FROM->TO'	'ELK CITY 230KV (ELKCTY-6) 230/138/13.8KV TRANSFORMER CKT 1'	287	0.11358	107.1961	'GEN512689 1-GRDA1 GSU1 22'	
FDNS	02ALL		0 11G	G08_110	'FROM->TO'	'ELK CITY 230KV (ELKCTY-6) 230/138/13.8KV TRANSFORMER CKT 1'	287	0.03756	107.1961	'GEN512689 1-GRDA1 GSU1 22'	
FDNS	02ALL		0 11G	G10_007	'FROM->TO'	'ELK CITY 230KV (ELKCTY-6) 230/138/13.8KV TRANSFORMER CKT 1'	287	0.10175	107.1961	'GEN512689 1-GRDA1 GSU1 22'	
FDNS	02ALL		0 11G	ASGI_2010_011	'FROM->TO'	'ELK CITY 230KV (ELKCTY-6) 230/138/13.8KV TRANSFORMER CKT 1'	287	0.05951	107.1961	'GEN512689 1-GRDA1 GSU1 22'	
FDNS	02ALL		0 11G	G10_014	'FROM->TO'	'ELK CITY 230KV (ELKCTY-6) 230/138/13.8KV TRANSFORMER CKT 1'	287	0.03756	107.1961	'GEN512689 1-GRDA1 GSU1 22'	
FDNS	02ALL		0 11G	G09_067S	'FROM->TO'	'ELK CITY 230KV (ELKCTY-6) 230/138/13.8KV TRANSFORMER CKT 1'	287	0.06629	106.196	'GEN512689 1-GRDA1 GSU1 22'	
FDNS	02ALL		0 11G	G08_022	'FROM->TO'	'ELK CITY 230KV (ELKCTY-6) 230/138/13.8KV TRANSFORMER CKT 1'	287	0.06759	106.196	'GEN512689 1-GRDA1 GSU1 22'	
FDNS	02ALL		0 11G	G08_088	'FROM->TO'	'ELK CITY 230KV (ELKCTY-6) 230/138/13.8KV TRANSFORMER CKT 1'	287	0.11358	106.196	'GEN512689 1-GRDA1 GSU1 22'	

SOLUTION	GROUP	SCENARIO	SEASON	SOURCE	DIRECTION	MONITORED ELEMENT	RATE B	TDF	TC%	LOADING	CONTINGENCY NAME
						COMMON NAME					
FDNS	02ALL		0 11G	G08_110	'FROM->TO'	'ELK CITY 230KV (ELKCTY-6) 230/138/13.8KV TRANSFORMER CKT 1'	287	0.03756	106.196	'GEN512689 1-GRDA1 GSU1 22'	
FDNS	02ALL		0 11G	G10_007	'FROM->TO'	'ELK CITY 230KV (ELKCTY-6) 230/138/13.8KV TRANSFORMER CKT 1'	287	0.10175	106.196	'GEN512689 1-GRDA1 GSU1 22'	
FDNS	02ALL		0 11G	ASGI_2010_011	'FROM->TO'	'ELK CITY 230KV (ELKCTY-6) 230/138/13.8KV TRANSFORMER CKT 1'	287	0.05951	106.196	'GEN512689 1-GRDA1 GSU1 22'	
FDNS	02ALL		0 11G	G10_014	'FROM->TO'	'ELK CITY 230KV (ELKCTY-6) 230/138/13.8KV TRANSFORMER CKT 1'	287	0.03756	106.196	'GEN512689 1-GRDA1 GSU1 22'	
FDNS	02ALL		0 11G	G08_044	'TO->FROM'	'FPL SWITCH - WOODWARD 138KV CKT 1'	153	0.03294	136.08	'GEN514805 1-SOONER UNIT 1'	
FDNS	02ALL		0 11G	G08_047	'TO->FROM'	'FPL SWITCH - WOODWARD 138KV CKT 1'	153	0.05253	136.08	'GEN514805 1-SOONER UNIT 1'	
FDNS	02ALL		0 11G	G08_110	'TO->FROM'	'FPL SWITCH - WOODWARD 138KV CKT 1'	153	0.04004	136.08	'GEN514805 1-SOONER UNIT 1'	
FDNS	02ALL		0 11G	ASGI_2010_011	'TO->FROM'	'FPL SWITCH - WOODWARD 138KV CKT 1'	153	0.03311	136.08	'GEN514805 1-SOONER UNIT 1'	
FDNS	02ALL		0 11G	G10_011	'TO->FROM'	'FPL SWITCH - WOODWARD 138KV CKT 1'	153	0.03294	136.08	'GEN514805 1-SOONER UNIT 1'	
FDNS	02ALL		0 11G	G10_014	'TO->FROM'	'FPL SWITCH - WOODWARD 138KV CKT 1'	153	0.04004	136.08	'GEN514805 1-SOONER UNIT 1'	
FDNS	02ALL		0 11G	G09_067S	'FROM->TO'	'ELK CITY 230KV (ELKCTY-6) 230/138/13.8KV TRANSFORMER CKT 1'	287	0.06629	108.0126	'GEN514805 1-SOONER UNIT 1'	
FDNS	02ALL		0 11G	G08_022	'FROM->TO'	'ELK CITY 230KV (ELKCTY-6) 230/138/13.8KV TRANSFORMER CKT 1'	287	0.06759	108.0126	'GEN514805 1-SOONER UNIT 1'	
FDNS	02ALL		0 11G	G08_088	'FROM->TO'	'ELK CITY 230KV (ELKCTY-6) 230/138/13.8KV TRANSFORMER CKT 1'	287	0.11358	108.0126	'GEN514805 1-SOONER UNIT 1'	
FDNS	02ALL		0 11G	G08_110	'FROM->TO'	'ELK CITY 230KV (ELKCTY-6) 230/138/13.8KV TRANSFORMER CKT 1'	287	0.03756	108.0126	'GEN514805 1-SOONER UNIT 1'	
FDNS	02ALL		0 11G	G10_007	'FROM->TO'	'ELK CITY 230KV (ELKCTY-6) 230/138/13.8KV TRANSFORMER CKT 1'	287	0.10175	108.0126	'GEN514805 1-SOONER UNIT 1'	
FDNS	02ALL		0 11G	ASGI_2010_011	'FROM->TO'	'ELK CITY 230KV (ELKCTY-6) 230/138/13.8KV TRANSFORMER CKT 1'	287	0.05951	108.0126	'GEN514805 1-SOONER UNIT 1'	
FDNS	02ALL		0 11G	G10_014	'FROM->TO'	'ELK CITY 230KV (ELKCTY-6) 230/138/13.8KV TRANSFORMER CKT 1'	287	0.03756	108.0126	'GEN514805 1-SOONER UNIT 1'	
FDNS	02ALL		0 11G	G09_067S	'FROM->TO'	'ELK CITY 230KV (ELKCTY-6) 230/138/13.8KV TRANSFORMER CKT 1'	287	0.06629	106.9884	'GEN514805 1-SOONER UNIT 1'	
FDNS	02ALL		0 11G	G08_022	'FROM->TO'	'ELK CITY 230KV (ELKCTY-6) 230/138/13.8KV TRANSFORMER CKT 1'	287	0.06759	106.9884	'GEN514805 1-SOONER UNIT 1'	
FDNS	02ALL		0 11G	G08_088	'FROM->TO'	'ELK CITY 230KV (ELKCTY-6) 230/138/13.8KV TRANSFORMER CKT 1'	287	0.11358	106.9884	'GEN514805 1-SOONER UNIT 1'	
FDNS	02ALL		0 11G	G08_110	'FROM->TO'	'ELK CITY 230KV (ELKCTY-6) 230/138/13.8KV TRANSFORMER CKT 1'	287	0.03756	106.9884	'GEN514805 1-SOONER UNIT 1'	
FDNS	02ALL		0 11G	G10_007	'FROM->TO'	'ELK CITY 230KV (ELKCTY-6) 230/138/13.8KV TRANSFORMER CKT 1'	287	0.10175	106.9884	'GEN514805 1-SOONER UNIT 1'	
FDNS	02ALL		0 11G	ASGI_2010_011	'FROM->TO'	'ELK CITY 230KV (ELKCTY-6) 230/138/13.8KV TRANSFORMER CKT 1'	287	0.05951	106.9884	'GEN514805 1-SOONER UNIT 1'	
FDNS	02ALL		0 11G	G10_014	'FROM->TO'	'ELK CITY 230KV (ELKCTY-6) 230/138/13.8KV TRANSFORMER CKT 1'	287	0.03756	106.9884	'GEN514805 1-SOONER UNIT 1'	
FDNS	02ALL		0 11G	G08_044	'TO->FROM'	'FPL SWITCH - WOODWARD 138KV CKT 1'	153	0.03294	134.0125	'GEN514806 1-SOONER UNIT 2'	
FDNS	02ALL		0 11G	G08_047	'TO->FROM'	'FPL SWITCH - WOODWARD 138KV CKT 1'	153	0.05253	134.0125	'GEN514806 1-SOONER UNIT 2'	
FDNS	02ALL		0 11G	G08_110	'TO->FROM'	'FPL SWITCH - WOODWARD 138KV CKT 1'	153	0.04004	134.0125	'GEN514806 1-SOONER UNIT 2'	
FDNS	02ALL		0 11G	ASGI_2010_011	'TO->FROM'	'FPL SWITCH - WOODWARD 138KV CKT 1'	153	0.03311	134.0125	'GEN514806 1-SOONER UNIT 2'	
FDNS	02ALL		0 11G	G10_011	'TO->FROM'	'FPL SWITCH - WOODWARD 138KV CKT 1'	153	0.03294	134.0125	'GEN514806 1-SOONER UNIT 2'	

SOLUTION	GROUP	SCENARIO	SEASON	SOURCE	DIRECTION	MONITORED ELEMENT	RATE B	TDF	TC%	LOADING	CONTINGENCY NAME
						COMMON NAME					
FDNS	02ALL		0 11G	G10_014	'TO->FROM'	'FPL SWITCH - WOODWARD 138KV CKT 1'	153	0.04004	134.0125	'GEN514806 1-SOONER UNIT 2'	
FDNS	02ALL		0 11G	G09_067S	'FROM->TO'	'ELK CITY 230KV (ELKCTY-6) 230/138/13.8KV TRANSFORMER CKT 1'	287	0.06629	107.9659	'GEN514806 1-SOONER UNIT 2'	
FDNS	02ALL		0 11G	G08_022	'FROM->TO'	'ELK CITY 230KV (ELKCTY-6) 230/138/13.8KV TRANSFORMER CKT 1'	287	0.06759	107.9659	'GEN514806 1-SOONER UNIT 2'	
FDNS	02ALL		0 11G	G08_088	'FROM->TO'	'ELK CITY 230KV (ELKCTY-6) 230/138/13.8KV TRANSFORMER CKT 1'	287	0.11358	107.9659	'GEN514806 1-SOONER UNIT 2'	
FDNS	02ALL		0 11G	G08_110	'FROM->TO'	'ELK CITY 230KV (ELKCTY-6) 230/138/13.8KV TRANSFORMER CKT 1'	287	0.03756	107.9659	'GEN514806 1-SOONER UNIT 2'	
FDNS	02ALL		0 11G	G10_007	'FROM->TO'	'ELK CITY 230KV (ELKCTY-6) 230/138/13.8KV TRANSFORMER CKT 1'	287	0.10175	107.9659	'GEN514806 1-SOONER UNIT 2'	
FDNS	02ALL		0 11G	ASGI_2010_011	'FROM->TO'	'ELK CITY 230KV (ELKCTY-6) 230/138/13.8KV TRANSFORMER CKT 1'	287	0.05951	107.9659	'GEN514806 1-SOONER UNIT 2'	
FDNS	02ALL		0 11G	G10_014	'FROM->TO'	'ELK CITY 230KV (ELKCTY-6) 230/138/13.8KV TRANSFORMER CKT 1'	287	0.03756	107.9659	'GEN514806 1-SOONER UNIT 2'	
FDNS	02ALL		0 11G	G09_067S	'FROM->TO'	'ELK CITY 230KV (ELKCTY-6) 230/138/13.8KV TRANSFORMER CKT 1'	287	0.06629	106.9437	'GEN514806 1-SOONER UNIT 2'	
FDNS	02ALL		0 11G	G08_022	'FROM->TO'	'ELK CITY 230KV (ELKCTY-6) 230/138/13.8KV TRANSFORMER CKT 1'	287	0.06759	106.9437	'GEN514806 1-SOONER UNIT 2'	
FDNS	02ALL		0 11G	G08_088	'FROM->TO'	'ELK CITY 230KV (ELKCTY-6) 230/138/13.8KV TRANSFORMER CKT 1'	287	0.11358	106.9437	'GEN514806 1-SOONER UNIT 2'	
FDNS	02ALL		0 11G	G08_110	'FROM->TO'	'ELK CITY 230KV (ELKCTY-6) 230/138/13.8KV TRANSFORMER CKT 1'	287	0.03756	106.9437	'GEN514806 1-SOONER UNIT 2'	
FDNS	02ALL		0 11G	G10_007	'FROM->TO'	'ELK CITY 230KV (ELKCTY-6) 230/138/13.8KV TRANSFORMER CKT 1'	287	0.10175	106.9437	'GEN514806 1-SOONER UNIT 2'	
FDNS	02ALL		0 11G	ASGI_2010_011	'FROM->TO'	'ELK CITY 230KV (ELKCTY-6) 230/138/13.8KV TRANSFORMER CKT 1'	287	0.05951	106.9437	'GEN514806 1-SOONER UNIT 2'	
FDNS	02ALL		0 11G	G10_014	'FROM->TO'	'ELK CITY 230KV (ELKCTY-6) 230/138/13.8KV TRANSFORMER CKT 1'	287	0.03756	106.9437	'GEN514806 1-SOONER UNIT 2'	
FDNS	02ALL		0 11G	G09_067S	'FROM->TO'	'ELK CITY 230KV (ELKCTY-6) 230/138/13.8KV TRANSFORMER CKT 1'	287	0.06629	105.9376	'GEN514910 2-REDBUD GEN'	
FDNS	02ALL		0 11G	G08_022	'FROM->TO'	'ELK CITY 230KV (ELKCTY-6) 230/138/13.8KV TRANSFORMER CKT 1'	287	0.06759	105.9376	'GEN514910 2-REDBUD GEN'	
FDNS	02ALL		0 11G	G08_088	'FROM->TO'	'ELK CITY 230KV (ELKCTY-6) 230/138/13.8KV TRANSFORMER CKT 1'	287	0.11358	105.9376	'GEN514910 2-REDBUD GEN'	
FDNS	02ALL		0 11G	G08_110	'FROM->TO'	'ELK CITY 230KV (ELKCTY-6) 230/138/13.8KV TRANSFORMER CKT 1'	287	0.03756	105.9376	'GEN514910 2-REDBUD GEN'	
FDNS	02ALL		0 11G	G10_007	'FROM->TO'	'ELK CITY 230KV (ELKCTY-6) 230/138/13.8KV TRANSFORMER CKT 1'	287	0.10175	105.9376	'GEN514910 2-REDBUD GEN'	
FDNS	02ALL		0 11G	ASGI_2010_011	'FROM->TO'	'ELK CITY 230KV (ELKCTY-6) 230/138/13.8KV TRANSFORMER CKT 1'	287	0.05951	105.9376	'GEN514910 2-REDBUD GEN'	
FDNS	02ALL		0 11G	G10_014	'FROM->TO'	'ELK CITY 230KV (ELKCTY-6) 230/138/13.8KV TRANSFORMER CKT 1'	287	0.03756	105.9376	'GEN514910 2-REDBUD GEN'	
FDNS	02ALL		0 11G	G09_067S	'FROM->TO'	'ELK CITY 230KV (ELKCTY-6) 230/138/13.8KV TRANSFORMER CKT 1'	287	0.06629	104.9718	'GEN514910 2-REDBUD GEN'	
FDNS	02ALL		0 11G	G08_022	'FROM->TO'	'ELK CITY 230KV (ELKCTY-6) 230/138/13.8KV TRANSFORMER CKT 1'	287	0.06759	104.9718	'GEN514910 2-REDBUD GEN'	
FDNS	02ALL		0 11G	G08_088	'FROM->TO'	'ELK CITY 230KV (ELKCTY-6) 230/138/13.8KV TRANSFORMER CKT 1'	287	0.11358	104.9718	'GEN514910 2-REDBUD GEN'	
FDNS	02ALL		0 11G	G08_110	'FROM->TO'	'ELK CITY 230KV (ELKCTY-6) 230/138/13.8KV TRANSFORMER CKT 1'	287	0.03756	104.9718	'GEN514910 2-REDBUD GEN'	
FDNS	02ALL		0 11G	G10_007	'FROM->TO'	'ELK CITY 230KV (ELKCTY-6) 230/138/13.8KV TRANSFORMER CKT 1'	287	0.10175	104.9718	'GEN514910 2-REDBUD GEN'	
FDNS	02ALL		0 11G	ASGI_2010_011	'FROM->TO'	'ELK CITY 230KV (ELKCTY-6) 230/138/13.8KV TRANSFORMER CKT 1'	287	0.05951	104.9718	'GEN514910 2-REDBUD GEN'	
FDNS	02ALL		0 11G	G10_014	'FROM->TO'	'ELK CITY 230KV (ELKCTY-6) 230/138/13.8KV TRANSFORMER CKT 1'	287	0.03756	104.9718	'GEN514910 2-REDBUD GEN'	

SOLUTION	GROUP	SCENARIO	SEASON	SOURCE	DIRECTION	MONITORED ELEMENT	RATE B	TDF	TC%	LOADING	CONTINGENCY NAME
						COMMON NAME					
FDNS	02ALL		0 11G	G09_067S	'FROM->TO'	'ELK CITY 230KV (ELKCTY-6) 230/138/13.8KV TRANSFORMER CKT 1'	287	0.06629	105.9376	'GEN514911 2-REDBUD GEN'	
FDNS	02ALL		0 11G	G08_022	'FROM->TO'	'ELK CITY 230KV (ELKCTY-6) 230/138/13.8KV TRANSFORMER CKT 1'	287	0.06759	105.9376	'GEN514911 2-REDBUD GEN'	
FDNS	02ALL		0 11G	G08_088	'FROM->TO'	'ELK CITY 230KV (ELKCTY-6) 230/138/13.8KV TRANSFORMER CKT 1'	287	0.11358	105.9376	'GEN514911 2-REDBUD GEN'	
FDNS	02ALL		0 11G	G08_110	'FROM->TO'	'ELK CITY 230KV (ELKCTY-6) 230/138/13.8KV TRANSFORMER CKT 1'	287	0.03756	105.9376	'GEN514911 2-REDBUD GEN'	
FDNS	02ALL		0 11G	G10_007	'FROM->TO'	'ELK CITY 230KV (ELKCTY-6) 230/138/13.8KV TRANSFORMER CKT 1'	287	0.10175	105.9376	'GEN514911 2-REDBUD GEN'	
FDNS	02ALL		0 11G	ASGI_2010_011	'FROM->TO'	'ELK CITY 230KV (ELKCTY-6) 230/138/13.8KV TRANSFORMER CKT 1'	287	0.05951	105.9376	'GEN514911 2-REDBUD GEN'	
FDNS	02ALL		0 11G	G10_014	'FROM->TO'	'ELK CITY 230KV (ELKCTY-6) 230/138/13.8KV TRANSFORMER CKT 1'	287	0.03756	105.9376	'GEN514911 2-REDBUD GEN'	
FDNS	02ALL		0 11G	G09_067S	'FROM->TO'	'ELK CITY 230KV (ELKCTY-6) 230/138/13.8KV TRANSFORMER CKT 1'	287	0.06629	104.9718	'GEN514911 2-REDBUD GEN'	
FDNS	02ALL		0 11G	G08_022	'FROM->TO'	'ELK CITY 230KV (ELKCTY-6) 230/138/13.8KV TRANSFORMER CKT 1'	287	0.06759	104.9718	'GEN514911 2-REDBUD GEN'	
FDNS	02ALL		0 11G	G08_088	'FROM->TO'	'ELK CITY 230KV (ELKCTY-6) 230/138/13.8KV TRANSFORMER CKT 1'	287	0.11358	104.9718	'GEN514911 2-REDBUD GEN'	
FDNS	02ALL		0 11G	G08_110	'FROM->TO'	'ELK CITY 230KV (ELKCTY-6) 230/138/13.8KV TRANSFORMER CKT 1'	287	0.03756	104.9718	'GEN514911 2-REDBUD GEN'	
FDNS	02ALL		0 11G	G10_007	'FROM->TO'	'ELK CITY 230KV (ELKCTY-6) 230/138/13.8KV TRANSFORMER CKT 1'	287	0.10175	104.9718	'GEN514911 2-REDBUD GEN'	
FDNS	02ALL		0 11G	ASGI_2010_011	'FROM->TO'	'ELK CITY 230KV (ELKCTY-6) 230/138/13.8KV TRANSFORMER CKT 1'	287	0.05951	104.9718	'GEN514911 2-REDBUD GEN'	
FDNS	02ALL		0 11G	G10_014	'FROM->TO'	'ELK CITY 230KV (ELKCTY-6) 230/138/13.8KV TRANSFORMER CKT 1'	287	0.03756	104.9718	'GEN514911 2-REDBUD GEN'	
FDNS	02ALL		0 11G	G09_067S	'FROM->TO'	'ELK CITY 230KV (ELKCTY-6) 230/138/13.8KV TRANSFORMER CKT 1'	287	0.06629	106.1338	'GEN514998 1-MCCLAIN UNIT 1'	
FDNS	02ALL		0 11G	G08_022	'FROM->TO'	'ELK CITY 230KV (ELKCTY-6) 230/138/13.8KV TRANSFORMER CKT 1'	287	0.06759	106.1338	'GEN514998 1-MCCLAIN UNIT 1'	
FDNS	02ALL		0 11G	G08_088	'FROM->TO'	'ELK CITY 230KV (ELKCTY-6) 230/138/13.8KV TRANSFORMER CKT 1'	287	0.11358	106.1338	'GEN514998 1-MCCLAIN UNIT 1'	
FDNS	02ALL		0 11G	G08_110	'FROM->TO'	'ELK CITY 230KV (ELKCTY-6) 230/138/13.8KV TRANSFORMER CKT 1'	287	0.03756	106.1338	'GEN514998 1-MCCLAIN UNIT 1'	
FDNS	02ALL		0 11G	G10_007	'FROM->TO'	'ELK CITY 230KV (ELKCTY-6) 230/138/13.8KV TRANSFORMER CKT 1'	287	0.10175	106.1338	'GEN514998 1-MCCLAIN UNIT 1'	
FDNS	02ALL		0 11G	ASGI_2010_011	'FROM->TO'	'ELK CITY 230KV (ELKCTY-6) 230/138/13.8KV TRANSFORMER CKT 1'	287	0.05951	106.1338	'GEN514998 1-MCCLAIN UNIT 1'	
FDNS	02ALL		0 11G	G10_014	'FROM->TO'	'ELK CITY 230KV (ELKCTY-6) 230/138/13.8KV TRANSFORMER CKT 1'	287	0.03756	106.1338	'GEN514998 1-MCCLAIN UNIT 1'	
FDNS	02ALL		0 11G	G09_067S	'FROM->TO'	'ELK CITY 230KV (ELKCTY-6) 230/138/13.8KV TRANSFORMER CKT 1'	287	0.06629	105.1646	'GEN514998 1-MCCLAIN UNIT 1'	
FDNS	02ALL		0 11G	G08_022	'FROM->TO'	'ELK CITY 230KV (ELKCTY-6) 230/138/13.8KV TRANSFORMER CKT 1'	287	0.06759	105.1646	'GEN514998 1-MCCLAIN UNIT 1'	
FDNS	02ALL		0 11G	G08_088	'FROM->TO'	'ELK CITY 230KV (ELKCTY-6) 230/138/13.8KV TRANSFORMER CKT 1'	287	0.11358	105.1646	'GEN514998 1-MCCLAIN UNIT 1'	
FDNS	02ALL		0 11G	G08_110	'FROM->TO'	'ELK CITY 230KV (ELKCTY-6) 230/138/13.8KV TRANSFORMER CKT 1'	287	0.03756	105.1646	'GEN514998 1-MCCLAIN UNIT 1'	
FDNS	02ALL		0 11G	G10_007	'FROM->TO'	'ELK CITY 230KV (ELKCTY-6) 230/138/13.8KV TRANSFORMER CKT 1'	287	0.10175	105.1646	'GEN514998 1-MCCLAIN UNIT 1'	
FDNS	02ALL		0 11G	ASGI_2010_011	'FROM->TO'	'ELK CITY 230KV (ELKCTY-6) 230/138/13.8KV TRANSFORMER CKT 1'	287	0.05951	105.1646	'GEN514998 1-MCCLAIN UNIT 1'	
FDNS	02ALL		0 11G	G10_014	'FROM->TO'	'ELK CITY 230KV (ELKCTY-6) 230/138/13.8KV TRANSFORMER CKT 1'	287	0.03756	105.1646	'GEN514998 1-MCCLAIN UNIT 1'	
FDNS	02ALL		0 11G	G09_067S	'FROM->TO'	'ELK CITY 230KV (ELKCTY-6) 230/138/13.8KV TRANSFORMER CKT 1'	287	0.06629	106.1338	'GEN514999 1-MCCLAIN UNIT 2'	

SOLUTION	GROUP	SCENARIO	SEASON	SOURCE	DIRECTION	MONITORED ELEMENT	RATE B	TDF	TC%	LOADING	CONTINGENCY NAME
						COMMON NAME					
FDNS	02ALL		0 11G	G08_022	'FROM->TO'	'ELK CITY 230KV (ELKCTY-6) 230/138/13.8KV TRANSFORMER CKT 1'	287	0.06759	106.1338	'GEN514999 1-MCCLAIN UNIT 2'	
FDNS	02ALL		0 11G	G08_088	'FROM->TO'	'ELK CITY 230KV (ELKCTY-6) 230/138/13.8KV TRANSFORMER CKT 1'	287	0.11358	106.1338	'GEN514999 1-MCCLAIN UNIT 2'	
FDNS	02ALL		0 11G	G08_110	'FROM->TO'	'ELK CITY 230KV (ELKCTY-6) 230/138/13.8KV TRANSFORMER CKT 1'	287	0.03756	106.1338	'GEN514999 1-MCCLAIN UNIT 2'	
FDNS	02ALL		0 11G	G10_007	'FROM->TO'	'ELK CITY 230KV (ELKCTY-6) 230/138/13.8KV TRANSFORMER CKT 1'	287	0.10175	106.1338	'GEN514999 1-MCCLAIN UNIT 2'	
FDNS	02ALL		0 11G	ASGI_2010_011	'FROM->TO'	'ELK CITY 230KV (ELKCTY-6) 230/138/13.8KV TRANSFORMER CKT 1'	287	0.05951	106.1338	'GEN514999 1-MCCLAIN UNIT 2'	
FDNS	02ALL		0 11G	G10_014	'FROM->TO'	'ELK CITY 230KV (ELKCTY-6) 230/138/13.8KV TRANSFORMER CKT 1'	287	0.03756	106.1338	'GEN514999 1-MCCLAIN UNIT 2'	
FDNS	02ALL		0 11G	G09_067S	'FROM->TO'	'ELK CITY 230KV (ELKCTY-6) 230/138/13.8KV TRANSFORMER CKT 1'	287	0.06629	105.1646	'GEN514999 1-MCCLAIN UNIT 2'	
FDNS	02ALL		0 11G	G08_022	'FROM->TO'	'ELK CITY 230KV (ELKCTY-6) 230/138/13.8KV TRANSFORMER CKT 1'	287	0.06759	105.1646	'GEN514999 1-MCCLAIN UNIT 2'	
FDNS	02ALL		0 11G	G08_088	'FROM->TO'	'ELK CITY 230KV (ELKCTY-6) 230/138/13.8KV TRANSFORMER CKT 1'	287	0.11358	105.1646	'GEN514999 1-MCCLAIN UNIT 2'	
FDNS	02ALL		0 11G	G08_110	'FROM->TO'	'ELK CITY 230KV (ELKCTY-6) 230/138/13.8KV TRANSFORMER CKT 1'	287	0.03756	105.1646	'GEN514999 1-MCCLAIN UNIT 2'	
FDNS	02ALL		0 11G	G10_007	'FROM->TO'	'ELK CITY 230KV (ELKCTY-6) 230/138/13.8KV TRANSFORMER CKT 1'	287	0.10175	105.1646	'GEN514999 1-MCCLAIN UNIT 2'	
FDNS	02ALL		0 11G	ASGI_2010_011	'FROM->TO'	'ELK CITY 230KV (ELKCTY-6) 230/138/13.8KV TRANSFORMER CKT 1'	287	0.05951	105.1646	'GEN514999 1-MCCLAIN UNIT 2'	
FDNS	02ALL		0 11G	G10_014	'FROM->TO'	'ELK CITY 230KV (ELKCTY-6) 230/138/13.8KV TRANSFORMER CKT 1'	287	0.03756	105.1646	'GEN514999 1-MCCLAIN UNIT 2'	
FDNS	02ALL		0 11G	G09_067S	'FROM->TO'	'ELK CITY 230KV (ELKCTY-6) 230/138/13.8KV TRANSFORMER CKT 1'	287	0.06629	106.3141	'GEN515041 1-SEMINOLE 2G'	
FDNS	02ALL		0 11G	G08_022	'FROM->TO'	'ELK CITY 230KV (ELKCTY-6) 230/138/13.8KV TRANSFORMER CKT 1'	287	0.06759	106.3141	'GEN515041 1-SEMINOLE 2G'	
FDNS	02ALL		0 11G	G08_088	'FROM->TO'	'ELK CITY 230KV (ELKCTY-6) 230/138/13.8KV TRANSFORMER CKT 1'	287	0.11358	106.3141	'GEN515041 1-SEMINOLE 2G'	
FDNS	02ALL		0 11G	G08_110	'FROM->TO'	'ELK CITY 230KV (ELKCTY-6) 230/138/13.8KV TRANSFORMER CKT 1'	287	0.03756	106.3141	'GEN515041 1-SEMINOLE 2G'	
FDNS	02ALL		0 11G	G10_007	'FROM->TO'	'ELK CITY 230KV (ELKCTY-6) 230/138/13.8KV TRANSFORMER CKT 1'	287	0.10175	106.3141	'GEN515041 1-SEMINOLE 2G'	
FDNS	02ALL		0 11G	ASGI_2010_011	'FROM->TO'	'ELK CITY 230KV (ELKCTY-6) 230/138/13.8KV TRANSFORMER CKT 1'	287	0.05951	106.3141	'GEN515041 1-SEMINOLE 2G'	
FDNS	02ALL		0 11G	G10_014	'FROM->TO'	'ELK CITY 230KV (ELKCTY-6) 230/138/13.8KV TRANSFORMER CKT 1'	287	0.03756	106.3141	'GEN515041 1-SEMINOLE 2G'	
FDNS	02ALL		0 11G	G09_067S	'FROM->TO'	'ELK CITY 230KV (ELKCTY-6) 230/138/13.8KV TRANSFORMER CKT 1'	287	0.06629	105.3381	'GEN515041 1-SEMINOLE 2G'	
FDNS	02ALL		0 11G	G08_022	'FROM->TO'	'ELK CITY 230KV (ELKCTY-6) 230/138/13.8KV TRANSFORMER CKT 1'	287	0.06759	105.3381	'GEN515041 1-SEMINOLE 2G'	
FDNS	02ALL		0 11G	G08_088	'FROM->TO'	'ELK CITY 230KV (ELKCTY-6) 230/138/13.8KV TRANSFORMER CKT 1'	287	0.11358	105.3381	'GEN515041 1-SEMINOLE 2G'	
FDNS	02ALL		0 11G	G08_110	'FROM->TO'	'ELK CITY 230KV (ELKCTY-6) 230/138/13.8KV TRANSFORMER CKT 1'	287	0.03756	105.3381	'GEN515041 1-SEMINOLE 2G'	
FDNS	02ALL		0 11G	G10_007	'FROM->TO'	'ELK CITY 230KV (ELKCTY-6) 230/138/13.8KV TRANSFORMER CKT 1'	287	0.10175	105.3381	'GEN515041 1-SEMINOLE 2G'	
FDNS	02ALL		0 11G	ASGI_2010_011	'FROM->TO'	'ELK CITY 230KV (ELKCTY-6) 230/138/13.8KV TRANSFORMER CKT 1'	287	0.05951	105.3381	'GEN515041 1-SEMINOLE 2G'	
FDNS	02ALL		0 11G	G10_014	'FROM->TO'	'ELK CITY 230KV (ELKCTY-6) 230/138/13.8KV TRANSFORMER CKT 1'	287	0.03756	105.3381	'GEN515041 1-SEMINOLE 2G'	
FDNS	02ALL		0 11G	G09_067S	'FROM->TO'	'ELK CITY 230KV (ELKCTY-6) 230/138/13.8KV TRANSFORMER CKT 1'	287	0.06629	106.5208	'GEN515042 1-SEMINOLE 3G'	
FDNS	02ALL		0 11G	G08_022	'FROM->TO'	'ELK CITY 230KV (ELKCTY-6) 230/138/13.8KV TRANSFORMER CKT 1'	287	0.06759	106.5208	'GEN515042 1-SEMINOLE 3G'	

SOLUTION	GROUP	SCENARIO	SEASON	SOURCE	DIRECTION	MONITORED ELEMENT	RATE B	TDF	TC%	LOADING	CONTINGENCY NAME
						COMMON NAME					
FDNS	02ALL		0 11G	G08_088	'FROM->TO'	'ELK CITY 230KV (ELKCTY-6) 230/138/13.8KV TRANSFORMER CKT 1'	287	0.11358	106.5208	'GEN515042 1-SEMINOLE 3G'	
FDNS	02ALL		0 11G	G08_110	'FROM->TO'	'ELK CITY 230KV (ELKCTY-6) 230/138/13.8KV TRANSFORMER CKT 1'	287	0.03756	106.5208	'GEN515042 1-SEMINOLE 3G'	
FDNS	02ALL		0 11G	G10_007	'FROM->TO'	'ELK CITY 230KV (ELKCTY-6) 230/138/13.8KV TRANSFORMER CKT 1'	287	0.10175	106.5208	'GEN515042 1-SEMINOLE 3G'	
FDNS	02ALL		0 11G	ASGI_2010_011	'FROM->TO'	'ELK CITY 230KV (ELKCTY-6) 230/138/13.8KV TRANSFORMER CKT 1'	287	0.05951	106.5208	'GEN515042 1-SEMINOLE 3G'	
FDNS	02ALL		0 11G	G10_014	'FROM->TO'	'ELK CITY 230KV (ELKCTY-6) 230/138/13.8KV TRANSFORMER CKT 1'	287	0.03756	106.5208	'GEN515042 1-SEMINOLE 3G'	
FDNS	02ALL		0 11G	G09_067S	'FROM->TO'	'ELK CITY 230KV (ELKCTY-6) 230/138/13.8KV TRANSFORMER CKT 1'	287	0.06629	105.5387	'GEN515042 1-SEMINOLE 3G'	
FDNS	02ALL		0 11G	G08_022	'FROM->TO'	'ELK CITY 230KV (ELKCTY-6) 230/138/13.8KV TRANSFORMER CKT 1'	287	0.06759	105.5387	'GEN515042 1-SEMINOLE 3G'	
FDNS	02ALL		0 11G	G08_088	'FROM->TO'	'ELK CITY 230KV (ELKCTY-6) 230/138/13.8KV TRANSFORMER CKT 1'	287	0.11358	105.5387	'GEN515042 1-SEMINOLE 3G'	
FDNS	02ALL		0 11G	G08_110	'FROM->TO'	'ELK CITY 230KV (ELKCTY-6) 230/138/13.8KV TRANSFORMER CKT 1'	287	0.03756	105.5387	'GEN515042 1-SEMINOLE 3G'	
FDNS	02ALL		0 11G	G10_007	'FROM->TO'	'ELK CITY 230KV (ELKCTY-6) 230/138/13.8KV TRANSFORMER CKT 1'	287	0.10175	105.5387	'GEN515042 1-SEMINOLE 3G'	
FDNS	02ALL		0 11G	ASGI_2010_011	'FROM->TO'	'ELK CITY 230KV (ELKCTY-6) 230/138/13.8KV TRANSFORMER CKT 1'	287	0.05951	105.5387	'GEN515042 1-SEMINOLE 3G'	
FDNS	02ALL		0 11G	G10_014	'FROM->TO'	'ELK CITY 230KV (ELKCTY-6) 230/138/13.8KV TRANSFORMER CKT 1'	287	0.03756	105.5387	'GEN515042 1-SEMINOLE 3G'	
FDNS	02ALL		0 11G	G08_044	'TO->FROM'	'FPL SWITCH - WOODWARD 138KV CKT 1'	153	0.03294	132.3153	'GEN515223 1-MUSKOGEE 4G'	
FDNS	02ALL		0 11G	G08_047	'TO->FROM'	'FPL SWITCH - WOODWARD 138KV CKT 1'	153	0.05253	132.3153	'GEN515223 1-MUSKOGEE 4G'	
FDNS	02ALL		0 11G	G08_110	'TO->FROM'	'FPL SWITCH - WOODWARD 138KV CKT 1'	153	0.04004	132.3153	'GEN515223 1-MUSKOGEE 4G'	
FDNS	02ALL		0 11G	ASGI_2010_011	'TO->FROM'	'FPL SWITCH - WOODWARD 138KV CKT 1'	153	0.03311	132.3153	'GEN515223 1-MUSKOGEE 4G'	
FDNS	02ALL		0 11G	G10_011	'TO->FROM'	'FPL SWITCH - WOODWARD 138KV CKT 1'	153	0.03294	132.3153	'GEN515223 1-MUSKOGEE 4G'	
FDNS	02ALL		0 11G	G10_014	'TO->FROM'	'FPL SWITCH - WOODWARD 138KV CKT 1'	153	0.04004	132.3153	'GEN515223 1-MUSKOGEE 4G'	
FDNS	02ALL		0 11G	G09_067S	'FROM->TO'	'ELK CITY 230KV (ELKCTY-6) 230/138/13.8KV TRANSFORMER CKT 1'	287	0.06629	107.609	'GEN515223 1-MUSKOGEE 4G'	
FDNS	02ALL		0 11G	G08_022	'FROM->TO'	'ELK CITY 230KV (ELKCTY-6) 230/138/13.8KV TRANSFORMER CKT 1'	287	0.06759	107.609	'GEN515223 1-MUSKOGEE 4G'	
FDNS	02ALL		0 11G	G08_088	'FROM->TO'	'ELK CITY 230KV (ELKCTY-6) 230/138/13.8KV TRANSFORMER CKT 1'	287	0.11358	107.609	'GEN515223 1-MUSKOGEE 4G'	
FDNS	02ALL		0 11G	G08_110	'FROM->TO'	'ELK CITY 230KV (ELKCTY-6) 230/138/13.8KV TRANSFORMER CKT 1'	287	0.03756	107.609	'GEN515223 1-MUSKOGEE 4G'	
FDNS	02ALL		0 11G	G10_007	'FROM->TO'	'ELK CITY 230KV (ELKCTY-6) 230/138/13.8KV TRANSFORMER CKT 1'	287	0.10175	107.609	'GEN515223 1-MUSKOGEE 4G'	
FDNS	02ALL		0 11G	ASGI_2010_011	'FROM->TO'	'ELK CITY 230KV (ELKCTY-6) 230/138/13.8KV TRANSFORMER CKT 1'	287	0.05951	107.609	'GEN515223 1-MUSKOGEE 4G'	
FDNS	02ALL		0 11G	G10_014	'FROM->TO'	'ELK CITY 230KV (ELKCTY-6) 230/138/13.8KV TRANSFORMER CKT 1'	287	0.03756	107.609	'GEN515223 1-MUSKOGEE 4G'	
FDNS	02ALL		0 11G	G09_067S	'FROM->TO'	'ELK CITY 230KV (ELKCTY-6) 230/138/13.8KV TRANSFORMER CKT 1'	287	0.06629	106.5974	'GEN515223 1-MUSKOGEE 4G'	
FDNS	02ALL		0 11G	G08_022	'FROM->TO'	'ELK CITY 230KV (ELKCTY-6) 230/138/13.8KV TRANSFORMER CKT 1'	287	0.06759	106.5974	'GEN515223 1-MUSKOGEE 4G'	
FDNS	02ALL		0 11G	G08_088	'FROM->TO'	'ELK CITY 230KV (ELKCTY-6) 230/138/13.8KV TRANSFORMER CKT 1'	287	0.11358	106.5974	'GEN515223 1-MUSKOGEE 4G'	
FDNS	02ALL		0 11G	G08_110	'FROM->TO'	'ELK CITY 230KV (ELKCTY-6) 230/138/13.8KV TRANSFORMER CKT 1'	287	0.03756	106.5974	'GEN515223 1-MUSKOGEE 4G'	

SOLUTION	GROUP	SCENARIO	SEASON	SOURCE	DIRECTION	MONITORED ELEMENT	RATE B	TDF	TC%	LOADING	CONTINGENCY NAME
						COMMON NAME					
FDNS	02ALL		0 11G	G10_007	'FROM->TO'	'ELK CITY 230KV (ELKCTY-6) 230/138/13.8KV TRANSFORMER CKT 1'	287	0.10175	106.5974	'GEN515223 1-MUSKOGEE 4G'	
FDNS	02ALL		0 11G	ASGI_2010_011	'FROM->TO'	'ELK CITY 230KV (ELKCTY-6) 230/138/13.8KV TRANSFORMER CKT 1'	287	0.05951	106.5974	'GEN515223 1-MUSKOGEE 4G'	
FDNS	02ALL		0 11G	G10_014	'FROM->TO'	'ELK CITY 230KV (ELKCTY-6) 230/138/13.8KV TRANSFORMER CKT 1'	287	0.03756	106.5974	'GEN515223 1-MUSKOGEE 4G'	
FDNS	02ALL		0 11G	G08_044	'TO->FROM'	'FPL SWITCH - WOODWARD 138KV CKT 1'	153	0.03294	132.2681	'GEN515225 1-MUSKOGEE 5G'	
FDNS	02ALL		0 11G	G08_047	'TO->FROM'	'FPL SWITCH - WOODWARD 138KV CKT 1'	153	0.05253	132.2681	'GEN515225 1-MUSKOGEE 5G'	
FDNS	02ALL		0 11G	G08_110	'TO->FROM'	'FPL SWITCH - WOODWARD 138KV CKT 1'	153	0.04004	132.2681	'GEN515225 1-MUSKOGEE 5G'	
FDNS	02ALL		0 11G	ASGI_2010_011	'TO->FROM'	'FPL SWITCH - WOODWARD 138KV CKT 1'	153	0.03311	132.2681	'GEN515225 1-MUSKOGEE 5G'	
FDNS	02ALL		0 11G	G10_011	'TO->FROM'	'FPL SWITCH - WOODWARD 138KV CKT 1'	153	0.03294	132.2681	'GEN515225 1-MUSKOGEE 5G'	
FDNS	02ALL		0 11G	G10_014	'TO->FROM'	'FPL SWITCH - WOODWARD 138KV CKT 1'	153	0.04004	132.2681	'GEN515225 1-MUSKOGEE 5G'	
FDNS	02ALL		0 11G	G09_067S	'FROM->TO'	'ELK CITY 230KV (ELKCTY-6) 230/138/13.8KV TRANSFORMER CKT 1'	287	0.06629	107.5663	'GEN515225 1-MUSKOGEE 5G'	
FDNS	02ALL		0 11G	G08_022	'FROM->TO'	'ELK CITY 230KV (ELKCTY-6) 230/138/13.8KV TRANSFORMER CKT 1'	287	0.06759	107.5663	'GEN515225 1-MUSKOGEE 5G'	
FDNS	02ALL		0 11G	G08_088	'FROM->TO'	'ELK CITY 230KV (ELKCTY-6) 230/138/13.8KV TRANSFORMER CKT 1'	287	0.11358	107.5663	'GEN515225 1-MUSKOGEE 5G'	
FDNS	02ALL		0 11G	G08_110	'FROM->TO'	'ELK CITY 230KV (ELKCTY-6) 230/138/13.8KV TRANSFORMER CKT 1'	287	0.03756	107.5663	'GEN515225 1-MUSKOGEE 5G'	
FDNS	02ALL		0 11G	G10_007	'FROM->TO'	'ELK CITY 230KV (ELKCTY-6) 230/138/13.8KV TRANSFORMER CKT 1'	287	0.10175	107.5663	'GEN515225 1-MUSKOGEE 5G'	
FDNS	02ALL		0 11G	ASGI_2010_011	'FROM->TO'	'ELK CITY 230KV (ELKCTY-6) 230/138/13.8KV TRANSFORMER CKT 1'	287	0.05951	107.5663	'GEN515225 1-MUSKOGEE 5G'	
FDNS	02ALL		0 11G	G10_014	'FROM->TO'	'ELK CITY 230KV (ELKCTY-6) 230/138/13.8KV TRANSFORMER CKT 1'	287	0.03756	107.5663	'GEN515225 1-MUSKOGEE 5G'	
FDNS	02ALL		0 11G	G09_067S	'FROM->TO'	'ELK CITY 230KV (ELKCTY-6) 230/138/13.8KV TRANSFORMER CKT 1'	287	0.06629	106.5559	'GEN515225 1-MUSKOGEE 5G'	
FDNS	02ALL		0 11G	G08_022	'FROM->TO'	'ELK CITY 230KV (ELKCTY-6) 230/138/13.8KV TRANSFORMER CKT 1'	287	0.06759	106.5559	'GEN515225 1-MUSKOGEE 5G'	
FDNS	02ALL		0 11G	G08_088	'FROM->TO'	'ELK CITY 230KV (ELKCTY-6) 230/138/13.8KV TRANSFORMER CKT 1'	287	0.11358	106.5559	'GEN515225 1-MUSKOGEE 5G'	
FDNS	02ALL		0 11G	G08_110	'FROM->TO'	'ELK CITY 230KV (ELKCTY-6) 230/138/13.8KV TRANSFORMER CKT 1'	287	0.03756	106.5559	'GEN515225 1-MUSKOGEE 5G'	
FDNS	02ALL		0 11G	G10_007	'FROM->TO'	'ELK CITY 230KV (ELKCTY-6) 230/138/13.8KV TRANSFORMER CKT 1'	287	0.10175	106.5559	'GEN515225 1-MUSKOGEE 5G'	
FDNS	02ALL		0 11G	ASGI_2010_011	'FROM->TO'	'ELK CITY 230KV (ELKCTY-6) 230/138/13.8KV TRANSFORMER CKT 1'	287	0.05951	106.5559	'GEN515225 1-MUSKOGEE 5G'	
FDNS	02ALL		0 11G	G10_014	'FROM->TO'	'ELK CITY 230KV (ELKCTY-6) 230/138/13.8KV TRANSFORMER CKT 1'	287	0.03756	106.5559	'GEN515225 1-MUSKOGEE 5G'	
FDNS	02ALL		0 11G	G08_044	'TO->FROM'	'FPL SWITCH - WOODWARD 138KV CKT 1'	153	0.03294	132.7771	'GEN515226 1-MUSKOGEE 6G'	
FDNS	02ALL		0 11G	G08_047	'TO->FROM'	'FPL SWITCH - WOODWARD 138KV CKT 1'	153	0.05253	132.7771	'GEN515226 1-MUSKOGEE 6G'	
FDNS	02ALL		0 11G	G08_110	'TO->FROM'	'FPL SWITCH - WOODWARD 138KV CKT 1'	153	0.04004	132.7771	'GEN515226 1-MUSKOGEE 6G'	
FDNS	02ALL		0 11G	ASGI_2010_011	'TO->FROM'	'FPL SWITCH - WOODWARD 138KV CKT 1'	153	0.03311	132.7771	'GEN515226 1-MUSKOGEE 6G'	
FDNS	02ALL		0 11G	G10_011	'TO->FROM'	'FPL SWITCH - WOODWARD 138KV CKT 1'	153	0.03294	132.7771	'GEN515226 1-MUSKOGEE 6G'	
FDNS	02ALL		0 11G	G10_014	'TO->FROM'	'FPL SWITCH - WOODWARD 138KV CKT 1'	153	0.04004	132.7771	'GEN515226 1-MUSKOGEE 6G'	

SOLUTION	GROUP	SCENARIO	SEASON	SOURCE	DIRECTION	MONITORED ELEMENT	RATE B	TDF	TC%	LOADING	CONTINGENCY	NAME
						COMMON NAME						
FDNS	02ALL		0 11G	G09_067S	'FROM->TO'	'ELK CITY 230KV (ELKCTY-6) 230/138/13.8KV TRANSFORMER CKT 1'	287	0.06629	108.0036	'GEN515226 1-MUSKOGEE 6G'		
FDNS	02ALL		0 11G	G08_022	'FROM->TO'	'ELK CITY 230KV (ELKCTY-6) 230/138/13.8KV TRANSFORMER CKT 1'	287	0.06759	108.0036	'GEN515226 1-MUSKOGEE 6G'		
FDNS	02ALL		0 11G	G08_088	'FROM->TO'	'ELK CITY 230KV (ELKCTY-6) 230/138/13.8KV TRANSFORMER CKT 1'	287	0.11358	108.0036	'GEN515226 1-MUSKOGEE 6G'		
FDNS	02ALL		0 11G	G08_110	'FROM->TO'	'ELK CITY 230KV (ELKCTY-6) 230/138/13.8KV TRANSFORMER CKT 1'	287	0.03756	108.0036	'GEN515226 1-MUSKOGEE 6G'		
FDNS	02ALL		0 11G	G10_007	'FROM->TO'	'ELK CITY 230KV (ELKCTY-6) 230/138/13.8KV TRANSFORMER CKT 1'	287	0.10175	108.0036	'GEN515226 1-MUSKOGEE 6G'		
FDNS	02ALL		0 11G	ASGI_2010_011	'FROM->TO'	'ELK CITY 230KV (ELKCTY-6) 230/138/13.8KV TRANSFORMER CKT 1'	287	0.05951	108.0036	'GEN515226 1-MUSKOGEE 6G'		
FDNS	02ALL		0 11G	G10_014	'FROM->TO'	'ELK CITY 230KV (ELKCTY-6) 230/138/13.8KV TRANSFORMER CKT 1'	287	0.03756	108.0036	'GEN515226 1-MUSKOGEE 6G'		
FDNS	02ALL		0 11G	G09_067S	'FROM->TO'	'ELK CITY 230KV (ELKCTY-6) 230/138/13.8KV TRANSFORMER CKT 1'	287	0.06629	106.9811	'GEN515226 1-MUSKOGEE 6G'		
FDNS	02ALL		0 11G	G08_022	'FROM->TO'	'ELK CITY 230KV (ELKCTY-6) 230/138/13.8KV TRANSFORMER CKT 1'	287	0.06759	106.9811	'GEN515226 1-MUSKOGEE 6G'		
FDNS	02ALL		0 11G	G08_088	'FROM->TO'	'ELK CITY 230KV (ELKCTY-6) 230/138/13.8KV TRANSFORMER CKT 1'	287	0.11358	106.9811	'GEN515226 1-MUSKOGEE 6G'		
FDNS	02ALL		0 11G	G08_110	'FROM->TO'	'ELK CITY 230KV (ELKCTY-6) 230/138/13.8KV TRANSFORMER CKT 1'	287	0.03756	106.9811	'GEN515226 1-MUSKOGEE 6G'		
FDNS	02ALL		0 11G	G10_007	'FROM->TO'	'ELK CITY 230KV (ELKCTY-6) 230/138/13.8KV TRANSFORMER CKT 1'	287	0.10175	106.9811	'GEN515226 1-MUSKOGEE 6G'		
FDNS	02ALL		0 11G	ASGI_2010_011	'FROM->TO'	'ELK CITY 230KV (ELKCTY-6) 230/138/13.8KV TRANSFORMER CKT 1'	287	0.05951	106.9811	'GEN515226 1-MUSKOGEE 6G'		
FDNS	02ALL		0 11G	G10_014	'FROM->TO'	'ELK CITY 230KV (ELKCTY-6) 230/138/13.8KV TRANSFORMER CKT 1'	287	0.03756	106.9811	'GEN515226 1-MUSKOGEE 6G'		
FDNS	02ALL		0 11G	G08_044	'TO->FROM'	'FPL SWITCH - WOODWARD 138KV CKT 1'	153	0.03294	127.0677	'GEN515364 1-CENT 11 0.6000'		
FDNS	02ALL		0 11G	G08_047	'TO->FROM'	'FPL SWITCH - WOODWARD 138KV CKT 1'	153	0.05253	127.0677	'GEN515364 1-CENT 11 0.6000'		
FDNS	02ALL		0 11G	G08_110	'TO->FROM'	'FPL SWITCH - WOODWARD 138KV CKT 1'	153	0.04004	127.0677	'GEN515364 1-CENT 11 0.6000'		
FDNS	02ALL		0 11G	ASGI_2010_011	'TO->FROM'	'FPL SWITCH - WOODWARD 138KV CKT 1'	153	0.03311	127.0677	'GEN515364 1-CENT 11 0.6000'		
FDNS	02ALL		0 11G	G10_011	'TO->FROM'	'FPL SWITCH - WOODWARD 138KV CKT 1'	153	0.03294	127.0677	'GEN515364 1-CENT 11 0.6000'		
FDNS	02ALL		0 11G	G10_014	'TO->FROM'	'FPL SWITCH - WOODWARD 138KV CKT 1'	153	0.04004	127.0677	'GEN515364 1-CENT 11 0.6000'		
FDNS	02ALL		0 11G	G08_044	'TO->FROM'	'FPL SWITCH - WOODWARD 138KV CKT 1'	153	0.03294	126.8366	'GEN515393 1-OGEWND2G'		
FDNS	02ALL		0 11G	G08_047	'TO->FROM'	'FPL SWITCH - WOODWARD 138KV CKT 1'	153	0.05253	126.8366	'GEN515393 1-OGEWND2G'		
FDNS	02ALL		0 11G	G08_110	'TO->FROM'	'FPL SWITCH - WOODWARD 138KV CKT 1'	153	0.04004	126.8366	'GEN515393 1-OGEWND2G'		
FDNS	02ALL		0 11G	ASGI_2010_011	'TO->FROM'	'FPL SWITCH - WOODWARD 138KV CKT 1'	153	0.03311	126.8366	'GEN515393 1-OGEWND2G'		
FDNS	02ALL		0 11G	G10_011	'TO->FROM'	'FPL SWITCH - WOODWARD 138KV CKT 1'	153	0.03294	126.8366	'GEN515393 1-OGEWND2G'		
FDNS	02ALL		0 11G	G10_014	'TO->FROM'	'FPL SWITCH - WOODWARD 138KV CKT 1'	153	0.04004	126.8366	'GEN515393 1-OGEWND2G'		
FDNS	02ALL		0 11G	G08_044	'TO->FROM'	'FPL SWITCH - WOODWARD 138KV CKT 1'	153	0.03294	134.2132	'GEN515790 1-FPLWND2'		
FDNS	02ALL		0 11G	G08_047	'TO->FROM'	'FPL SWITCH - WOODWARD 138KV CKT 1'	153	0.05253	134.2132	'GEN515790 1-FPLWND2'		
FDNS	02ALL		0 11G	G08_110	'TO->FROM'	'FPL SWITCH - WOODWARD 138KV CKT 1'	153	0.04004	134.2132	'GEN515790 1-FPLWND2'		

SOLUTION	GROUP	SCENARIO	SEASON	SOURCE	DIRECTION	MONITORED ELEMENT	RATE B	TDF	TC%	LOADING	CONTINGENCY NAME
						COMMON NAME					
FDNS	02ALL		0 11G	ASGI_2010_011	'TO->FROM'	'FPL SWITCH - WOODWARD 138KV CKT 1'	153	0.03311	134.2132	'GEN515790 1-FPLWND2'	
FDNS	02ALL		0 11G	G10_011	'TO->FROM'	'FPL SWITCH - WOODWARD 138KV CKT 1'	153	0.03294	134.2132	'GEN515790 1-FPLWND2'	
FDNS	02ALL		0 11G	G10_014	'TO->FROM'	'FPL SWITCH - WOODWARD 138KV CKT 1'	153	0.04004	134.2132	'GEN515790 1-FPLWND2'	
FDNS	02ALL		0 11G	G09_067S	'FROM->TO'	'ELK CITY 230KV (ELKCTY-6) 230/138/13.8KV TRANSFORMER CKT 1'	287	0.06629	106.1931	'GEN520811 1-ANADRK4'	
FDNS	02ALL		0 11G	G08_022	'FROM->TO'	'ELK CITY 230KV (ELKCTY-6) 230/138/13.8KV TRANSFORMER CKT 1'	287	0.06759	106.1931	'GEN520811 1-ANADRK4'	
FDNS	02ALL		0 11G	G08_088	'FROM->TO'	'ELK CITY 230KV (ELKCTY-6) 230/138/13.8KV TRANSFORMER CKT 1'	287	0.11358	106.1931	'GEN520811 1-ANADRK4'	
FDNS	02ALL		0 11G	G08_110	'FROM->TO'	'ELK CITY 230KV (ELKCTY-6) 230/138/13.8KV TRANSFORMER CKT 1'	287	0.03756	106.1931	'GEN520811 1-ANADRK4'	
FDNS	02ALL		0 11G	G10_007	'FROM->TO'	'ELK CITY 230KV (ELKCTY-6) 230/138/13.8KV TRANSFORMER CKT 1'	287	0.10175	106.1931	'GEN520811 1-ANADRK4'	
FDNS	02ALL		0 11G	ASGI_2010_011	'FROM->TO'	'ELK CITY 230KV (ELKCTY-6) 230/138/13.8KV TRANSFORMER CKT 1'	287	0.05951	106.1931	'GEN520811 1-ANADRK4'	
FDNS	02ALL		0 11G	G10_014	'FROM->TO'	'ELK CITY 230KV (ELKCTY-6) 230/138/13.8KV TRANSFORMER CKT 1'	287	0.03756	106.1931	'GEN520811 1-ANADRK4'	
FDNS	02ALL		0 11G	G09_067S	'FROM->TO'	'ELK CITY 230KV (ELKCTY-6) 230/138/13.8KV TRANSFORMER CKT 1'	287	0.06629	105.2189	'GEN520811 1-ANADRK4'	
FDNS	02ALL		0 11G	G08_022	'FROM->TO'	'ELK CITY 230KV (ELKCTY-6) 230/138/13.8KV TRANSFORMER CKT 1'	287	0.06759	105.2189	'GEN520811 1-ANADRK4'	
FDNS	02ALL		0 11G	G08_088	'FROM->TO'	'ELK CITY 230KV (ELKCTY-6) 230/138/13.8KV TRANSFORMER CKT 1'	287	0.11358	105.2189	'GEN520811 1-ANADRK4'	
FDNS	02ALL		0 11G	G08_110	'FROM->TO'	'ELK CITY 230KV (ELKCTY-6) 230/138/13.8KV TRANSFORMER CKT 1'	287	0.03756	105.2189	'GEN520811 1-ANADRK4'	
FDNS	02ALL		0 11G	G10_007	'FROM->TO'	'ELK CITY 230KV (ELKCTY-6) 230/138/13.8KV TRANSFORMER CKT 1'	287	0.10175	105.2189	'GEN520811 1-ANADRK4'	
FDNS	02ALL		0 11G	ASGI_2010_011	'FROM->TO'	'ELK CITY 230KV (ELKCTY-6) 230/138/13.8KV TRANSFORMER CKT 1'	287	0.05951	105.2189	'GEN520811 1-ANADRK4'	
FDNS	02ALL		0 11G	G10_014	'FROM->TO'	'ELK CITY 230KV (ELKCTY-6) 230/138/13.8KV TRANSFORMER CKT 1'	287	0.03756	105.2189	'GEN520811 1-ANADRK4'	
FDNS	02ALL		0 11G	G09_067S	'FROM->TO'	'ELK CITY 230KV (ELKCTY-6) 230/138/13.8KV TRANSFORMER CKT 1'	287	0.06629	105.9384	'GEN520812 1-ANADRK5'	
FDNS	02ALL		0 11G	G08_022	'FROM->TO'	'ELK CITY 230KV (ELKCTY-6) 230/138/13.8KV TRANSFORMER CKT 1'	287	0.06759	105.9384	'GEN520812 1-ANADRK5'	
FDNS	02ALL		0 11G	G08_088	'FROM->TO'	'ELK CITY 230KV (ELKCTY-6) 230/138/13.8KV TRANSFORMER CKT 1'	287	0.11358	105.9384	'GEN520812 1-ANADRK5'	
FDNS	02ALL		0 11G	G08_110	'FROM->TO'	'ELK CITY 230KV (ELKCTY-6) 230/138/13.8KV TRANSFORMER CKT 1'	287	0.03756	105.9384	'GEN520812 1-ANADRK5'	
FDNS	02ALL		0 11G	G10_007	'FROM->TO'	'ELK CITY 230KV (ELKCTY-6) 230/138/13.8KV TRANSFORMER CKT 1'	287	0.10175	105.9384	'GEN520812 1-ANADRK5'	
FDNS	02ALL		0 11G	ASGI_2010_011	'FROM->TO'	'ELK CITY 230KV (ELKCTY-6) 230/138/13.8KV TRANSFORMER CKT 1'	287	0.05951	105.9384	'GEN520812 1-ANADRK5'	
FDNS	02ALL		0 11G	G10_014	'FROM->TO'	'ELK CITY 230KV (ELKCTY-6) 230/138/13.8KV TRANSFORMER CKT 1'	287	0.03756	105.9384	'GEN520812 1-ANADRK5'	
FDNS	02ALL		0 11G	G09_067S	'FROM->TO'	'ELK CITY 230KV (ELKCTY-6) 230/138/13.8KV TRANSFORMER CKT 1'	287	0.06629	104.9717	'GEN520812 1-ANADRK5'	
FDNS	02ALL		0 11G	G08_022	'FROM->TO'	'ELK CITY 230KV (ELKCTY-6) 230/138/13.8KV TRANSFORMER CKT 1'	287	0.06759	104.9717	'GEN520812 1-ANADRK5'	
FDNS	02ALL		0 11G	G08_088	'FROM->TO'	'ELK CITY 230KV (ELKCTY-6) 230/138/13.8KV TRANSFORMER CKT 1'	287	0.11358	104.9717	'GEN520812 1-ANADRK5'	
FDNS	02ALL		0 11G	G08_110	'FROM->TO'	'ELK CITY 230KV (ELKCTY-6) 230/138/13.8KV TRANSFORMER CKT 1'	287	0.03756	104.9717	'GEN520812 1-ANADRK5'	
FDNS	02ALL		0 11G	G10_007	'FROM->TO'	'ELK CITY 230KV (ELKCTY-6) 230/138/13.8KV TRANSFORMER CKT 1'	287	0.10175	104.9717	'GEN520812 1-ANADRK5'	

SOLUTION	GROUP	SCENARIO	SEASON	SOURCE	DIRECTION	MONITORED ELEMENT	RATE B	TDF	TC%	LOADING	CONTINGENCY	NAME
						COMMON NAME						
FDNS	02ALL		0 11G	ASGI_2010_011	'FROM->TO'	'ELK CITY 230KV (ELKCTY-6) 230/138/13.8KV TRANSFORMER CKT 1'	287	0.05951	104.9717	'GEN520812 1-ANADRK5'		
FDNS	02ALL		0 11G	G10_014	'FROM->TO'	'ELK CITY 230KV (ELKCTY-6) 230/138/13.8KV TRANSFORMER CKT 1'	287	0.03756	104.9717	'GEN520812 1-ANADRK5'		
FDNS	02ALL		0 11G	G09_067S	'FROM->TO'	'ELK CITY 230KV (ELKCTY-6) 230/138/13.8KV TRANSFORMER CKT 1'	287	0.06629	105.9384	'GEN520813 1-ANADRK6'		
FDNS	02ALL		0 11G	G08_022	'FROM->TO'	'ELK CITY 230KV (ELKCTY-6) 230/138/13.8KV TRANSFORMER CKT 1'	287	0.06759	105.9384	'GEN520813 1-ANADRK6'		
FDNS	02ALL		0 11G	G08_088	'FROM->TO'	'ELK CITY 230KV (ELKCTY-6) 230/138/13.8KV TRANSFORMER CKT 1'	287	0.11358	105.9384	'GEN520813 1-ANADRK6'		
FDNS	02ALL		0 11G	G08_110	'FROM->TO'	'ELK CITY 230KV (ELKCTY-6) 230/138/13.8KV TRANSFORMER CKT 1'	287	0.03756	105.9384	'GEN520813 1-ANADRK6'		
FDNS	02ALL		0 11G	G10_007	'FROM->TO'	'ELK CITY 230KV (ELKCTY-6) 230/138/13.8KV TRANSFORMER CKT 1'	287	0.10175	105.9384	'GEN520813 1-ANADRK6'		
FDNS	02ALL		0 11G	ASGI_2010_011	'FROM->TO'	'ELK CITY 230KV (ELKCTY-6) 230/138/13.8KV TRANSFORMER CKT 1'	287	0.05951	105.9384	'GEN520813 1-ANADRK6'		
FDNS	02ALL		0 11G	G10_014	'FROM->TO'	'ELK CITY 230KV (ELKCTY-6) 230/138/13.8KV TRANSFORMER CKT 1'	287	0.03756	105.9384	'GEN520813 1-ANADRK6'		
FDNS	02ALL		0 11G	G09_067S	'FROM->TO'	'ELK CITY 230KV (ELKCTY-6) 230/138/13.8KV TRANSFORMER CKT 1'	287	0.06629	104.9716	'GEN520813 1-ANADRK6'		
FDNS	02ALL		0 11G	G08_022	'FROM->TO'	'ELK CITY 230KV (ELKCTY-6) 230/138/13.8KV TRANSFORMER CKT 1'	287	0.06759	104.9716	'GEN520813 1-ANADRK6'		
FDNS	02ALL		0 11G	G08_088	'FROM->TO'	'ELK CITY 230KV (ELKCTY-6) 230/138/13.8KV TRANSFORMER CKT 1'	287	0.11358	104.9716	'GEN520813 1-ANADRK6'		
FDNS	02ALL		0 11G	G08_110	'FROM->TO'	'ELK CITY 230KV (ELKCTY-6) 230/138/13.8KV TRANSFORMER CKT 1'	287	0.03756	104.9716	'GEN520813 1-ANADRK6'		
FDNS	02ALL		0 11G	G10_007	'FROM->TO'	'ELK CITY 230KV (ELKCTY-6) 230/138/13.8KV TRANSFORMER CKT 1'	287	0.10175	104.9716	'GEN520813 1-ANADRK6'		
FDNS	02ALL		0 11G	ASGI_2010_011	'FROM->TO'	'ELK CITY 230KV (ELKCTY-6) 230/138/13.8KV TRANSFORMER CKT 1'	287	0.05951	104.9716	'GEN520813 1-ANADRK6'		
FDNS	02ALL		0 11G	G10_014	'FROM->TO'	'ELK CITY 230KV (ELKCTY-6) 230/138/13.8KV TRANSFORMER CKT 1'	287	0.03756	104.9716	'GEN520813 1-ANADRK6'		
FDNS	02ALL		0 11G	G08_044	'TO->FROM'	'FPL SWITCH - WOODWARD 138KV CKT 1'	153	0.03294	133.4135	'GEN520922 1-SLEEPING	138.00'	
FDNS	02ALL		0 11G	G08_047	'TO->FROM'	'FPL SWITCH - WOODWARD 138KV CKT 1'	153	0.05253	133.4135	'GEN520922 1-SLEEPING	138.00'	
FDNS	02ALL		0 11G	G08_110	'TO->FROM'	'FPL SWITCH - WOODWARD 138KV CKT 1'	153	0.04004	133.4135	'GEN520922 1-SLEEPING	138.00'	
FDNS	02ALL		0 11G	ASGI_2010_011	'TO->FROM'	'FPL SWITCH - WOODWARD 138KV CKT 1'	153	0.03311	133.4135	'GEN520922 1-SLEEPING	138.00'	
FDNS	02ALL		0 11G	G10_011	'TO->FROM'	'FPL SWITCH - WOODWARD 138KV CKT 1'	153	0.03294	133.4135	'GEN520922 1-SLEEPING	138.00'	
FDNS	02ALL		0 11G	G10_014	'TO->FROM'	'FPL SWITCH - WOODWARD 138KV CKT 1'	153	0.04004	133.4135	'GEN520922 1-SLEEPING	138.00'	
FDNS	02ALL		0 11G	G08_044	'TO->FROM'	'FPL SWITCH - WOODWARD 138KV CKT 1'	153	0.03294	132.1842	'GEN520947 1-HUGO1'		
FDNS	02ALL		0 11G	G08_047	'TO->FROM'	'FPL SWITCH - WOODWARD 138KV CKT 1'	153	0.05253	132.1842	'GEN520947 1-HUGO1'		
FDNS	02ALL		0 11G	G08_110	'TO->FROM'	'FPL SWITCH - WOODWARD 138KV CKT 1'	153	0.04004	132.1842	'GEN520947 1-HUGO1'		
FDNS	02ALL		0 11G	ASGI_2010_011	'TO->FROM'	'FPL SWITCH - WOODWARD 138KV CKT 1'	153	0.03311	132.1842	'GEN520947 1-HUGO1'		
FDNS	02ALL		0 11G	G10_011	'TO->FROM'	'FPL SWITCH - WOODWARD 138KV CKT 1'	153	0.03294	132.1842	'GEN520947 1-HUGO1'		
FDNS	02ALL		0 11G	G10_014	'TO->FROM'	'FPL SWITCH - WOODWARD 138KV CKT 1'	153	0.04004	132.1842	'GEN520947 1-HUGO1'		
FDNS	02ALL		0 11G	G09_067S	'FROM->TO'	'ELK CITY 230KV (ELKCTY-6) 230/138/13.8KV TRANSFORMER CKT 1'	287	0.06629	107.5972	'GEN520947 1-HUGO1'		

SOLUTION	GROUP	SCENARIO	SEASON	SOURCE	DIRECTION	MONITORED ELEMENT	RATE B	TDF	TC%	LOADING	CONTINGENCY NAME
						COMMON NAME					
FDNS	02ALL		0 11G	G08_022	'FROM->TO'	'ELK CITY 230KV (ELKCTY-6) 230/138/13.8KV TRANSFORMER CKT 1'	287	0.06759	107.5972	'GEN520947 1-HUGO1'	
FDNS	02ALL		0 11G	G08_088	'FROM->TO'	'ELK CITY 230KV (ELKCTY-6) 230/138/13.8KV TRANSFORMER CKT 1'	287	0.11358	107.5972	'GEN520947 1-HUGO1'	
FDNS	02ALL		0 11G	G08_110	'FROM->TO'	'ELK CITY 230KV (ELKCTY-6) 230/138/13.8KV TRANSFORMER CKT 1'	287	0.03756	107.5972	'GEN520947 1-HUGO1'	
FDNS	02ALL		0 11G	G10_007	'FROM->TO'	'ELK CITY 230KV (ELKCTY-6) 230/138/13.8KV TRANSFORMER CKT 1'	287	0.10175	107.5972	'GEN520947 1-HUGO1'	
FDNS	02ALL		0 11G	ASGI_2010_011	'FROM->TO'	'ELK CITY 230KV (ELKCTY-6) 230/138/13.8KV TRANSFORMER CKT 1'	287	0.05951	107.5972	'GEN520947 1-HUGO1'	
FDNS	02ALL		0 11G	G10_014	'FROM->TO'	'ELK CITY 230KV (ELKCTY-6) 230/138/13.8KV TRANSFORMER CKT 1'	287	0.03756	107.5972	'GEN520947 1-HUGO1'	
FDNS	02ALL		0 11G	G09_067S	'FROM->TO'	'ELK CITY 230KV (ELKCTY-6) 230/138/13.8KV TRANSFORMER CKT 1'	287	0.06629	106.5868	'GEN520947 1-HUGO1'	
FDNS	02ALL		0 11G	G08_022	'FROM->TO'	'ELK CITY 230KV (ELKCTY-6) 230/138/13.8KV TRANSFORMER CKT 1'	287	0.06759	106.5868	'GEN520947 1-HUGO1'	
FDNS	02ALL		0 11G	G08_088	'FROM->TO'	'ELK CITY 230KV (ELKCTY-6) 230/138/13.8KV TRANSFORMER CKT 1'	287	0.11358	106.5868	'GEN520947 1-HUGO1'	
FDNS	02ALL		0 11G	G08_110	'FROM->TO'	'ELK CITY 230KV (ELKCTY-6) 230/138/13.8KV TRANSFORMER CKT 1'	287	0.03756	106.5868	'GEN520947 1-HUGO1'	
FDNS	02ALL		0 11G	G10_007	'FROM->TO'	'ELK CITY 230KV (ELKCTY-6) 230/138/13.8KV TRANSFORMER CKT 1'	287	0.10175	106.5868	'GEN520947 1-HUGO1'	
FDNS	02ALL		0 11G	ASGI_2010_011	'FROM->TO'	'ELK CITY 230KV (ELKCTY-6) 230/138/13.8KV TRANSFORMER CKT 1'	287	0.05951	106.5868	'GEN520947 1-HUGO1'	
FDNS	02ALL		0 11G	G10_014	'FROM->TO'	'ELK CITY 230KV (ELKCTY-6) 230/138/13.8KV TRANSFORMER CKT 1'	287	0.03756	106.5868	'GEN520947 1-HUGO1'	
FDNS	02ALL		0 11G	G08_044	'TO->FROM'	'FPL SWITCH - WOODWARD 138KV CKT 1'	153	0.03294	143.0248	'GEN520997 1-MORLND2'	
FDNS	02ALL		0 11G	G08_047	'TO->FROM'	'FPL SWITCH - WOODWARD 138KV CKT 1'	153	0.05253	143.0248	'GEN520997 1-MORLND2'	
FDNS	02ALL		0 11G	G08_110	'TO->FROM'	'FPL SWITCH - WOODWARD 138KV CKT 1'	153	0.04004	143.0248	'GEN520997 1-MORLND2'	
FDNS	02ALL		0 11G	ASGI_2010_011	'TO->FROM'	'FPL SWITCH - WOODWARD 138KV CKT 1'	153	0.03311	143.0248	'GEN520997 1-MORLND2'	
FDNS	02ALL		0 11G	G10_011	'TO->FROM'	'FPL SWITCH - WOODWARD 138KV CKT 1'	153	0.03294	143.0248	'GEN520997 1-MORLND2'	
FDNS	02ALL		0 11G	G10_014	'TO->FROM'	'FPL SWITCH - WOODWARD 138KV CKT 1'	153	0.04004	143.0248	'GEN520997 1-MORLND2'	
FDNS	02ALL		0 11G	G09_067S	'FROM->TO'	'ELK CITY 230KV (ELKCTY-6) 230/138/13.8KV TRANSFORMER CKT 1'	287	0.06629	106.5861	'GEN521116 1-RHWIND4 138.00'	
FDNS	02ALL		0 11G	G08_022	'FROM->TO'	'ELK CITY 230KV (ELKCTY-6) 230/138/13.8KV TRANSFORMER CKT 1'	287	0.06759	106.5861	'GEN521116 1-RHWIND4 138.00'	
FDNS	02ALL		0 11G	G08_088	'FROM->TO'	'ELK CITY 230KV (ELKCTY-6) 230/138/13.8KV TRANSFORMER CKT 1'	287	0.11358	106.5861	'GEN521116 1-RHWIND4 138.00'	
FDNS	02ALL		0 11G	G08_110	'FROM->TO'	'ELK CITY 230KV (ELKCTY-6) 230/138/13.8KV TRANSFORMER CKT 1'	287	0.03756	106.5861	'GEN521116 1-RHWIND4 138.00'	
FDNS	02ALL		0 11G	G10_007	'FROM->TO'	'ELK CITY 230KV (ELKCTY-6) 230/138/13.8KV TRANSFORMER CKT 1'	287	0.10175	106.5861	'GEN521116 1-RHWIND4 138.00'	
FDNS	02ALL		0 11G	ASGI_2010_011	'FROM->TO'	'ELK CITY 230KV (ELKCTY-6) 230/138/13.8KV TRANSFORMER CKT 1'	287	0.05951	106.5861	'GEN521116 1-RHWIND4 138.00'	
FDNS	02ALL		0 11G	G10_014	'FROM->TO'	'ELK CITY 230KV (ELKCTY-6) 230/138/13.8KV TRANSFORMER CKT 1'	287	0.03756	106.5861	'GEN521116 1-RHWIND4 138.00'	
FDNS	02ALL		0 11G	G09_067S	'FROM->TO'	'ELK CITY 230KV (ELKCTY-6) 230/138/13.8KV TRANSFORMER CKT 1'	287	0.06629	105.6032	'GEN521116 1-RHWIND4 138.00'	
FDNS	02ALL		0 11G	G08_022	'FROM->TO'	'ELK CITY 230KV (ELKCTY-6) 230/138/13.8KV TRANSFORMER CKT 1'	287	0.06759	105.6032	'GEN521116 1-RHWIND4 138.00'	
FDNS	02ALL		0 11G	G08_088	'FROM->TO'	'ELK CITY 230KV (ELKCTY-6) 230/138/13.8KV TRANSFORMER CKT 1'	287	0.11358	105.6032	'GEN521116 1-RHWIND4 138.00'	

SOLUTION	GROUP	SCENARIO	SEASON	SOURCE	DIRECTION	MONITORED ELEMENT	RATE B	TDF	TC%	LOADING	CONTINGENCY NAME
						COMMON NAME					
FDNS	02ALL		0 11G	G08_110	'FROM->TO'	'ELK CITY 230KV (ELKCTY-6) 230/138/13.8KV TRANSFORMER CKT 1'	287	0.03756	105.6032	'GEN521116 1-RHWIND4	138.00'
FDNS	02ALL		0 11G	G10_007	'FROM->TO'	'ELK CITY 230KV (ELKCTY-6) 230/138/13.8KV TRANSFORMER CKT 1'	287	0.10175	105.6032	'GEN521116 1-RHWIND4	138.00'
FDNS	02ALL		0 11G	ASGI_2010_011	'FROM->TO'	'ELK CITY 230KV (ELKCTY-6) 230/138/13.8KV TRANSFORMER CKT 1'	287	0.05951	105.6032	'GEN521116 1-RHWIND4	138.00'
FDNS	02ALL		0 11G	G10_014	'FROM->TO'	'ELK CITY 230KV (ELKCTY-6) 230/138/13.8KV TRANSFORMER CKT 1'	287	0.03756	105.6032	'GEN521116 1-RHWIND4	138.00'
FDNS	02ALL		0 11G	G08_044	'TO->FROM'	'FPL SWITCH - WOODWARD 138KV CKT 1'	153	0.03294	121.0182	'GEN523103 1-NOBLE_WND	3115.00'
FDNS	02ALL		0 11G	G08_047	'TO->FROM'	'FPL SWITCH - WOODWARD 138KV CKT 1'	153	0.05253	121.0182	'GEN523103 1-NOBLE_WND	3115.00'
FDNS	02ALL		0 11G	G08_110	'TO->FROM'	'FPL SWITCH - WOODWARD 138KV CKT 1'	153	0.04004	121.0182	'GEN523103 1-NOBLE_WND	3115.00'
FDNS	02ALL		0 11G	ASGI_2010_011	'TO->FROM'	'FPL SWITCH - WOODWARD 138KV CKT 1'	153	0.03311	121.0182	'GEN523103 1-NOBLE_WND	3115.00'
FDNS	02ALL		0 11G	G10_011	'TO->FROM'	'FPL SWITCH - WOODWARD 138KV CKT 1'	153	0.03294	121.0182	'GEN523103 1-NOBLE_WND	3115.00'
FDNS	02ALL		0 11G	G10_014	'TO->FROM'	'FPL SWITCH - WOODWARD 138KV CKT 1'	153	0.04004	121.0182	'GEN523103 1-NOBLE_WND	3115.00'
FDNS	02ALL		0 11G	G09_067S	'FROM->TO'	'ELK CITY 230KV (ELKCTY-6) 230/138/13.8KV TRANSFORMER CKT 1'	287	0.06629	101.2011	'GEN523103 1-NOBLE_WND	3115.00'
FDNS	02ALL		0 11G	G08_022	'FROM->TO'	'ELK CITY 230KV (ELKCTY-6) 230/138/13.8KV TRANSFORMER CKT 1'	287	0.06759	101.2011	'GEN523103 1-NOBLE_WND	3115.00'
FDNS	02ALL		0 11G	G08_088	'FROM->TO'	'ELK CITY 230KV (ELKCTY-6) 230/138/13.8KV TRANSFORMER CKT 1'	287	0.11358	101.2011	'GEN523103 1-NOBLE_WND	3115.00'
FDNS	02ALL		0 11G	G08_110	'FROM->TO'	'ELK CITY 230KV (ELKCTY-6) 230/138/13.8KV TRANSFORMER CKT 1'	287	0.03756	101.2011	'GEN523103 1-NOBLE_WND	3115.00'
FDNS	02ALL		0 11G	G10_007	'FROM->TO'	'ELK CITY 230KV (ELKCTY-6) 230/138/13.8KV TRANSFORMER CKT 1'	287	0.10175	101.2011	'GEN523103 1-NOBLE_WND	3115.00'
FDNS	02ALL		0 11G	ASGI_2010_011	'FROM->TO'	'ELK CITY 230KV (ELKCTY-6) 230/138/13.8KV TRANSFORMER CKT 1'	287	0.05951	101.2011	'GEN523103 1-NOBLE_WND	3115.00'
FDNS	02ALL		0 11G	G10_014	'FROM->TO'	'ELK CITY 230KV (ELKCTY-6) 230/138/13.8KV TRANSFORMER CKT 1'	287	0.03756	101.2011	'GEN523103 1-NOBLE_WND	3115.00'
FDNS	02ALL		0 11G	G09_067S	'FROM->TO'	'ELK CITY 230KV (ELKCTY-6) 230/138/13.8KV TRANSFORMER CKT 1'	287	0.06629	100.3834	'GEN523103 1-NOBLE_WND	3115.00'
FDNS	02ALL		0 11G	G08_022	'FROM->TO'	'ELK CITY 230KV (ELKCTY-6) 230/138/13.8KV TRANSFORMER CKT 1'	287	0.06759	100.3834	'GEN523103 1-NOBLE_WND	3115.00'
FDNS	02ALL		0 11G	G08_088	'FROM->TO'	'ELK CITY 230KV (ELKCTY-6) 230/138/13.8KV TRANSFORMER CKT 1'	287	0.11358	100.3834	'GEN523103 1-NOBLE_WND	3115.00'
FDNS	02ALL		0 11G	G08_110	'FROM->TO'	'ELK CITY 230KV (ELKCTY-6) 230/138/13.8KV TRANSFORMER CKT 1'	287	0.03756	100.3834	'GEN523103 1-NOBLE_WND	3115.00'
FDNS	02ALL		0 11G	G10_007	'FROM->TO'	'ELK CITY 230KV (ELKCTY-6) 230/138/13.8KV TRANSFORMER CKT 1'	287	0.10175	100.3834	'GEN523103 1-NOBLE_WND	3115.00'
FDNS	02ALL		0 11G	ASGI_2010_011	'FROM->TO'	'ELK CITY 230KV (ELKCTY-6) 230/138/13.8KV TRANSFORMER CKT 1'	287	0.05951	100.3834	'GEN523103 1-NOBLE_WND	3115.00'
FDNS	02ALL		0 11G	G10_014	'FROM->TO'	'ELK CITY 230KV (ELKCTY-6) 230/138/13.8KV TRANSFORMER CKT 1'	287	0.03756	100.3834	'GEN523103 1-NOBLE_WND	3115.00'
FDNS	02ALL		0 11G	G09_067S	'FROM->TO'	'ELK CITY 230KV (ELKCTY-6) 230/138/13.8KV TRANSFORMER CKT 1'	287	0.06629	103.0212	'Station' 'GEN523195 1-Hansford County Switch	
FDNS	02ALL		0 11G	G08_022	'FROM->TO'	'ELK CITY 230KV (ELKCTY-6) 230/138/13.8KV TRANSFORMER CKT 1'	287	0.06759	103.0212	'Station' 'GEN523195 1-Hansford County Switch	
FDNS	02ALL		0 11G	G08_088	'FROM->TO'	'ELK CITY 230KV (ELKCTY-6) 230/138/13.8KV TRANSFORMER CKT 1'	287	0.11358	103.0212	'Station' 'GEN523195 1-Hansford County Switch	
FDNS	02ALL		0 11G	G08_110	'FROM->TO'	'ELK CITY 230KV (ELKCTY-6) 230/138/13.8KV TRANSFORMER CKT 1'	287	0.03756	103.0212	'Station' 'GEN523195 1-Hansford County Switch	
FDNS	02ALL		0 11G	G10_007	'FROM->TO'	'ELK CITY 230KV (ELKCTY-6) 230/138/13.8KV TRANSFORMER CKT 1'	287	0.10175	103.0212	'Station'	

SOLUTION	GROUP	SCENARIO	SEASON	SOURCE	DIRECTION	MONITORED ELEMENT	RATE B	TDF	TC%LOADING	CONTINGENCY NAME
						COMMON NAME				
FDNS	02ALL		0 11G	ASGI_2010_011	'FROM->TO'	'ELK CITY 230KV (ELKCTY-6) 230/138/13.8KV TRANSFORMER CKT 1'	287	0.05951	103.0212	'GEN523195 1-Hansford County Switch Station'
FDNS	02ALL		0 11G	G10_014	'FROM->TO'	'ELK CITY 230KV (ELKCTY-6) 230/138/13.8KV TRANSFORMER CKT 1'	287	0.03756	103.0212	'GEN523195 1-Hansford County Switch Station'
FDNS	02ALL		0 11G	G09_067S	'FROM->TO'	'ELK CITY 230KV (ELKCTY-6) 230/138/13.8KV TRANSFORMER CKT 1'	287	0.06629	102.1475	'GEN523195 1-Hansford County Switch Station'
FDNS	02ALL		0 11G	G08_022	'FROM->TO'	'ELK CITY 230KV (ELKCTY-6) 230/138/13.8KV TRANSFORMER CKT 1'	287	0.06759	102.1475	'GEN523195 1-Hansford County Switch Station'
FDNS	02ALL		0 11G	G08_088	'FROM->TO'	'ELK CITY 230KV (ELKCTY-6) 230/138/13.8KV TRANSFORMER CKT 1'	287	0.11358	102.1475	'GEN523195 1-Hansford County Switch Station'
FDNS	02ALL		0 11G	G08_110	'FROM->TO'	'ELK CITY 230KV (ELKCTY-6) 230/138/13.8KV TRANSFORMER CKT 1'	287	0.03756	102.1475	'GEN523195 1-Hansford County Switch Station'
FDNS	02ALL		0 11G	G10_007	'FROM->TO'	'ELK CITY 230KV (ELKCTY-6) 230/138/13.8KV TRANSFORMER CKT 1'	287	0.10175	102.1475	'GEN523195 1-Hansford County Switch Station'
FDNS	02ALL		0 11G	ASGI_2010_011	'FROM->TO'	'ELK CITY 230KV (ELKCTY-6) 230/138/13.8KV TRANSFORMER CKT 1'	287	0.05951	102.1475	'GEN523195 1-Hansford County Switch Station'
FDNS	02ALL		0 11G	G10_014	'FROM->TO'	'ELK CITY 230KV (ELKCTY-6) 230/138/13.8KV TRANSFORMER CKT 1'	287	0.03756	102.1475	'GEN523195 1-Hansford County Switch Station'
FDNS	02ALL		0 11G	G09_067S	'FROM->TO'	'ELK CITY 230KV (ELKCTY-6) 230/138/13.8KV TRANSFORMER CKT 1'	287	0.06629	103.7898	'GEN523277 1-VALERO SUB'
FDNS	02ALL		0 11G	G08_022	'FROM->TO'	'ELK CITY 230KV (ELKCTY-6) 230/138/13.8KV TRANSFORMER CKT 1'	287	0.06759	103.7898	'GEN523277 1-VALERO SUB'
FDNS	02ALL		0 11G	G08_088	'FROM->TO'	'ELK CITY 230KV (ELKCTY-6) 230/138/13.8KV TRANSFORMER CKT 1'	287	0.11358	103.7898	'GEN523277 1-VALERO SUB'
FDNS	02ALL		0 11G	G08_110	'FROM->TO'	'ELK CITY 230KV (ELKCTY-6) 230/138/13.8KV TRANSFORMER CKT 1'	287	0.03756	103.7898	'GEN523277 1-VALERO SUB'
FDNS	02ALL		0 11G	G10_007	'FROM->TO'	'ELK CITY 230KV (ELKCTY-6) 230/138/13.8KV TRANSFORMER CKT 1'	287	0.10175	103.7898	'GEN523277 1-VALERO SUB'
FDNS	02ALL		0 11G	ASGI_2010_011	'FROM->TO'	'ELK CITY 230KV (ELKCTY-6) 230/138/13.8KV TRANSFORMER CKT 1'	287	0.05951	103.7898	'GEN523277 1-VALERO SUB'
FDNS	02ALL		0 11G	G10_014	'FROM->TO'	'ELK CITY 230KV (ELKCTY-6) 230/138/13.8KV TRANSFORMER CKT 1'	287	0.03756	103.7898	'GEN523277 1-VALERO SUB'
FDNS	02ALL		0 11G	G09_067S	'FROM->TO'	'ELK CITY 230KV (ELKCTY-6) 230/138/13.8KV TRANSFORMER CKT 1'	287	0.06629	101.6926	'GEN523461 1-BLACKHAWK GEN #1'
FDNS	02ALL		0 11G	G08_022	'FROM->TO'	'ELK CITY 230KV (ELKCTY-6) 230/138/13.8KV TRANSFORMER CKT 1'	287	0.06759	101.6926	'GEN523461 1-BLACKHAWK GEN #1'
FDNS	02ALL		0 11G	G08_088	'FROM->TO'	'ELK CITY 230KV (ELKCTY-6) 230/138/13.8KV TRANSFORMER CKT 1'	287	0.11358	101.6926	'GEN523461 1-BLACKHAWK GEN #1'
FDNS	02ALL		0 11G	G08_110	'FROM->TO'	'ELK CITY 230KV (ELKCTY-6) 230/138/13.8KV TRANSFORMER CKT 1'	287	0.03756	101.6926	'GEN523461 1-BLACKHAWK GEN #1'
FDNS	02ALL		0 11G	G10_007	'FROM->TO'	'ELK CITY 230KV (ELKCTY-6) 230/138/13.8KV TRANSFORMER CKT 1'	287	0.10175	101.6926	'GEN523461 1-BLACKHAWK GEN #1'
FDNS	02ALL		0 11G	ASGI_2010_011	'FROM->TO'	'ELK CITY 230KV (ELKCTY-6) 230/138/13.8KV TRANSFORMER CKT 1'	287	0.05951	101.6926	'GEN523461 1-BLACKHAWK GEN #1'
FDNS	02ALL		0 11G	G10_014	'FROM->TO'	'ELK CITY 230KV (ELKCTY-6) 230/138/13.8KV TRANSFORMER CKT 1'	287	0.03756	101.6926	'GEN523461 1-BLACKHAWK GEN #1'
FDNS	02ALL		0 11G	G09_067S	'FROM->TO'	'ELK CITY 230KV (ELKCTY-6) 230/138/13.8KV TRANSFORMER CKT 1'	287	0.06629	100.8638	'GEN523461 1-BLACKHAWK GEN #1'
FDNS	02ALL		0 11G	G08_022	'FROM->TO'	'ELK CITY 230KV (ELKCTY-6) 230/138/13.8KV TRANSFORMER CKT 1'	287	0.06759	100.8638	'GEN523461 1-BLACKHAWK GEN #1'
FDNS	02ALL		0 11G	G08_088	'FROM->TO'	'ELK CITY 230KV (ELKCTY-6) 230/138/13.8KV TRANSFORMER CKT 1'	287	0.11358	100.8638	'GEN523461 1-BLACKHAWK GEN #1'
FDNS	02ALL		0 11G	G08_110	'FROM->TO'	'ELK CITY 230KV (ELKCTY-6) 230/138/13.8KV TRANSFORMER CKT 1'	287	0.03756	100.8638	'GEN523461 1-BLACKHAWK GEN #1'
FDNS	02ALL		0 11G	G10_007	'FROM->TO'	'ELK CITY 230KV (ELKCTY-6) 230/138/13.8KV TRANSFORMER CKT 1'	287	0.10175	100.8638	'GEN523461 1-BLACKHAWK GEN #1'
FDNS	02ALL		0 11G	ASGI_2010_011	'FROM->TO'	'ELK CITY 230KV (ELKCTY-6) 230/138/13.8KV TRANSFORMER CKT 1'	287	0.05951	100.8638	'GEN523461 1-BLACKHAWK GEN #1'

SOLUTION	GROUP	SCENARIO	SEASON	SOURCE	DIRECTION	MONITORED ELEMENT	RATE B	TDF	TC%	LOADING	CONTINGENCY NAME
						COMMON NAME					
FDNS	02ALL		0 11G	G10_014	'FROM->TO'	'ELK CITY 230KV (ELKCTY-6) 230/138/13.8KV TRANSFORMER CKT 1'	287	0.03756	100.8638	'GEN523461 1-BLACKHAWK GEN #1'	
FDNS	02ALL		0 11G	G09_067S	'FROM->TO'	'ELK CITY 230KV (ELKCTY-6) 230/138/13.8KV TRANSFORMER CKT 1'	287	0.06629	101.6927	'GEN523462 1-BLACKHAWK GEN #2'	
FDNS	02ALL		0 11G	G08_022	'FROM->TO'	'ELK CITY 230KV (ELKCTY-6) 230/138/13.8KV TRANSFORMER CKT 1'	287	0.06759	101.6927	'GEN523462 1-BLACKHAWK GEN #2'	
FDNS	02ALL		0 11G	G08_088	'FROM->TO'	'ELK CITY 230KV (ELKCTY-6) 230/138/13.8KV TRANSFORMER CKT 1'	287	0.11358	101.6927	'GEN523462 1-BLACKHAWK GEN #2'	
FDNS	02ALL		0 11G	G08_110	'FROM->TO'	'ELK CITY 230KV (ELKCTY-6) 230/138/13.8KV TRANSFORMER CKT 1'	287	0.03756	101.6927	'GEN523462 1-BLACKHAWK GEN #2'	
FDNS	02ALL		0 11G	G10_007	'FROM->TO'	'ELK CITY 230KV (ELKCTY-6) 230/138/13.8KV TRANSFORMER CKT 1'	287	0.10175	101.6927	'GEN523462 1-BLACKHAWK GEN #2'	
FDNS	02ALL		0 11G	ASGI_2010_011	'FROM->TO'	'ELK CITY 230KV (ELKCTY-6) 230/138/13.8KV TRANSFORMER CKT 1'	287	0.05951	101.6927	'GEN523462 1-BLACKHAWK GEN #2'	
FDNS	02ALL		0 11G	G10_014	'FROM->TO'	'ELK CITY 230KV (ELKCTY-6) 230/138/13.8KV TRANSFORMER CKT 1'	287	0.03756	101.6927	'GEN523462 1-BLACKHAWK GEN #2'	
FDNS	02ALL		0 11G	G09_067S	'FROM->TO'	'ELK CITY 230KV (ELKCTY-6) 230/138/13.8KV TRANSFORMER CKT 1'	287	0.06629	100.8639	'GEN523462 1-BLACKHAWK GEN #2'	
FDNS	02ALL		0 11G	G08_022	'FROM->TO'	'ELK CITY 230KV (ELKCTY-6) 230/138/13.8KV TRANSFORMER CKT 1'	287	0.06759	100.8639	'GEN523462 1-BLACKHAWK GEN #2'	
FDNS	02ALL		0 11G	G08_088	'FROM->TO'	'ELK CITY 230KV (ELKCTY-6) 230/138/13.8KV TRANSFORMER CKT 1'	287	0.11358	100.8639	'GEN523462 1-BLACKHAWK GEN #2'	
FDNS	02ALL		0 11G	G08_110	'FROM->TO'	'ELK CITY 230KV (ELKCTY-6) 230/138/13.8KV TRANSFORMER CKT 1'	287	0.03756	100.8639	'GEN523462 1-BLACKHAWK GEN #2'	
FDNS	02ALL		0 11G	G10_007	'FROM->TO'	'ELK CITY 230KV (ELKCTY-6) 230/138/13.8KV TRANSFORMER CKT 1'	287	0.10175	100.8639	'GEN523462 1-BLACKHAWK GEN #2'	
FDNS	02ALL		0 11G	ASGI_2010_011	'FROM->TO'	'ELK CITY 230KV (ELKCTY-6) 230/138/13.8KV TRANSFORMER CKT 1'	287	0.05951	100.8639	'GEN523462 1-BLACKHAWK GEN #2'	
FDNS	02ALL		0 11G	G10_014	'FROM->TO'	'ELK CITY 230KV (ELKCTY-6) 230/138/13.8KV TRANSFORMER CKT 1'	287	0.03756	100.8639	'GEN523462 1-BLACKHAWK GEN #2'	
FDNS	02ALL		0 11G	G09_067S	'FROM->TO'	'ELK CITY 230KV (ELKCTY-6) 230/138/13.8KV TRANSFORMER CKT 1'	287	0.06629	103.7342	'GEN' 'GEN523815 1-LLANO ESTACADO WIND	
FDNS	02ALL		0 11G	G08_022	'FROM->TO'	'ELK CITY 230KV (ELKCTY-6) 230/138/13.8KV TRANSFORMER CKT 1'	287	0.06759	103.7342	'GEN' 'GEN523815 1-LLANO ESTACADO WIND	
FDNS	02ALL		0 11G	G08_088	'FROM->TO'	'ELK CITY 230KV (ELKCTY-6) 230/138/13.8KV TRANSFORMER CKT 1'	287	0.11358	103.7342	'GEN' 'GEN523815 1-LLANO ESTACADO WIND	
FDNS	02ALL		0 11G	G08_110	'FROM->TO'	'ELK CITY 230KV (ELKCTY-6) 230/138/13.8KV TRANSFORMER CKT 1'	287	0.03756	103.7342	'GEN' 'GEN523815 1-LLANO ESTACADO WIND	
FDNS	02ALL		0 11G	G10_007	'FROM->TO'	'ELK CITY 230KV (ELKCTY-6) 230/138/13.8KV TRANSFORMER CKT 1'	287	0.10175	103.7342	'GEN' 'GEN523815 1-LLANO ESTACADO WIND	
FDNS	02ALL		0 11G	ASGI_2010_011	'FROM->TO'	'ELK CITY 230KV (ELKCTY-6) 230/138/13.8KV TRANSFORMER CKT 1'	287	0.05951	103.7342	'GEN' 'GEN523815 1-LLANO ESTACADO WIND	
FDNS	02ALL		0 11G	G10_014	'FROM->TO'	'ELK CITY 230KV (ELKCTY-6) 230/138/13.8KV TRANSFORMER CKT 1'	287	0.03756	103.7342	'GEN' 'GEN523815 1-LLANO ESTACADO WIND	
FDNS	02ALL		0 11G	G09_067S	'FROM->TO'	'ELK CITY 230KV (ELKCTY-6) 230/138/13.8KV TRANSFORMER CKT 1'	287	0.06629	102.8314	'GEN' 'GEN523815 1-LLANO ESTACADO WIND	
FDNS	02ALL		0 11G	G08_022	'FROM->TO'	'ELK CITY 230KV (ELKCTY-6) 230/138/13.8KV TRANSFORMER CKT 1'	287	0.06759	102.8314	'GEN' 'GEN523815 1-LLANO ESTACADO WIND	
FDNS	02ALL		0 11G	G08_088	'FROM->TO'	'ELK CITY 230KV (ELKCTY-6) 230/138/13.8KV TRANSFORMER CKT 1'	287	0.11358	102.8314	'GEN' 'GEN523815 1-LLANO ESTACADO WIND	
FDNS	02ALL		0 11G	G08_110	'FROM->TO'	'ELK CITY 230KV (ELKCTY-6) 230/138/13.8KV TRANSFORMER CKT 1'	287	0.03756	102.8314	'GEN' 'GEN523815 1-LLANO ESTACADO WIND	
FDNS	02ALL		0 11G	G10_007	'FROM->TO'	'ELK CITY 230KV (ELKCTY-6) 230/138/13.8KV TRANSFORMER CKT 1'	287	0.10175	102.8314	'GEN' 'GEN523815 1-LLANO ESTACADO WIND	
FDNS	02ALL		0 11G	ASGI_2010_011	'FROM->TO'	'ELK CITY 230KV (ELKCTY-6) 230/138/13.8KV TRANSFORMER CKT 1'	287	0.05951	102.8314	'GEN' 'GEN523815 1-LLANO ESTACADO WIND	
FDNS	02ALL		0 11G	G10_014	'FROM->TO'	'ELK CITY 230KV (ELKCTY-6) 230/138/13.8KV TRANSFORMER CKT 1'	287	0.03756	102.8314	'GEN' 'GEN523815 1-LLANO ESTACADO WIND	

SOLUTION	GROUP	SCENARIO	SEASON	SOURCE	DIRECTION	MONITORED ELEMENT	RATE B	TDF	TC%	LOADING	CONTINGENCY NAME
						COMMON NAME					
FDNS	02ALL		0 11G	G09_067S	'FROM->TO'	'ELK CITY 230KV (ELKCTY-6) 230/138/13.8KV TRANSFORMER CKT 1'	287	0.06629	101.8527	'GEN523926 1-MAJESTC_WND3115.00'	
FDNS	02ALL		0 11G	G08_022	'FROM->TO'	'ELK CITY 230KV (ELKCTY-6) 230/138/13.8KV TRANSFORMER CKT 1'	287	0.06759	101.8527	'GEN523926 1-MAJESTC_WND3115.00'	
FDNS	02ALL		0 11G	G08_088	'FROM->TO'	'ELK CITY 230KV (ELKCTY-6) 230/138/13.8KV TRANSFORMER CKT 1'	287	0.11358	101.8527	'GEN523926 1-MAJESTC_WND3115.00'	
FDNS	02ALL		0 11G	G08_110	'FROM->TO'	'ELK CITY 230KV (ELKCTY-6) 230/138/13.8KV TRANSFORMER CKT 1'	287	0.03756	101.8527	'GEN523926 1-MAJESTC_WND3115.00'	
FDNS	02ALL		0 11G	G10_007	'FROM->TO'	'ELK CITY 230KV (ELKCTY-6) 230/138/13.8KV TRANSFORMER CKT 1'	287	0.10175	101.8527	'GEN523926 1-MAJESTC_WND3115.00'	
FDNS	02ALL		0 11G	ASGI_2010_011	'FROM->TO'	'ELK CITY 230KV (ELKCTY-6) 230/138/13.8KV TRANSFORMER CKT 1'	287	0.05951	101.8527	'GEN523926 1-MAJESTC_WND3115.00'	
FDNS	02ALL		0 11G	G10_014	'FROM->TO'	'ELK CITY 230KV (ELKCTY-6) 230/138/13.8KV TRANSFORMER CKT 1'	287	0.03756	101.8527	'GEN523926 1-MAJESTC_WND3115.00'	
FDNS	02ALL		0 11G	G09_067S	'FROM->TO'	'ELK CITY 230KV (ELKCTY-6) 230/138/13.8KV TRANSFORMER CKT 1'	287	0.06629	101.0187	'GEN523926 1-MAJESTC_WND3115.00'	
FDNS	02ALL		0 11G	G08_022	'FROM->TO'	'ELK CITY 230KV (ELKCTY-6) 230/138/13.8KV TRANSFORMER CKT 1'	287	0.06759	101.0187	'GEN523926 1-MAJESTC_WND3115.00'	
FDNS	02ALL		0 11G	G08_088	'FROM->TO'	'ELK CITY 230KV (ELKCTY-6) 230/138/13.8KV TRANSFORMER CKT 1'	287	0.11358	101.0187	'GEN523926 1-MAJESTC_WND3115.00'	
FDNS	02ALL		0 11G	G08_110	'FROM->TO'	'ELK CITY 230KV (ELKCTY-6) 230/138/13.8KV TRANSFORMER CKT 1'	287	0.03756	101.0187	'GEN523926 1-MAJESTC_WND3115.00'	
FDNS	02ALL		0 11G	G10_007	'FROM->TO'	'ELK CITY 230KV (ELKCTY-6) 230/138/13.8KV TRANSFORMER CKT 1'	287	0.10175	101.0187	'GEN523926 1-MAJESTC_WND3115.00'	
FDNS	02ALL		0 11G	ASGI_2010_011	'FROM->TO'	'ELK CITY 230KV (ELKCTY-6) 230/138/13.8KV TRANSFORMER CKT 1'	287	0.05951	101.0187	'GEN523926 1-MAJESTC_WND3115.00'	
FDNS	02ALL		0 11G	G10_014	'FROM->TO'	'ELK CITY 230KV (ELKCTY-6) 230/138/13.8KV TRANSFORMER CKT 1'	287	0.03756	101.0187	'GEN523926 1-MAJESTC_WND3115.00'	
FDNS	02ALL		0 11G	G08_044	'TO->FROM'	'FPL SWITCH - WOODWARD 138KV CKT 1'	153	0.03294	124.4394	'GEN523971 1-HARRINGTON GEN #1 24 KV'	
FDNS	02ALL		0 11G	G08_047	'TO->FROM'	'FPL SWITCH - WOODWARD 138KV CKT 1'	153	0.05253	124.4394	'GEN523971 1-HARRINGTON GEN #1 24 KV'	
FDNS	02ALL		0 11G	G08_110	'TO->FROM'	'FPL SWITCH - WOODWARD 138KV CKT 1'	153	0.04004	124.4394	'GEN523971 1-HARRINGTON GEN #1 24 KV'	
FDNS	02ALL		0 11G	ASGI_2010_011	'TO->FROM'	'FPL SWITCH - WOODWARD 138KV CKT 1'	153	0.03311	124.4394	'GEN523971 1-HARRINGTON GEN #1 24 KV'	
FDNS	02ALL		0 11G	G10_011	'TO->FROM'	'FPL SWITCH - WOODWARD 138KV CKT 1'	153	0.03294	124.4394	'GEN523971 1-HARRINGTON GEN #1 24 KV'	
FDNS	02ALL		0 11G	G10_014	'TO->FROM'	'FPL SWITCH - WOODWARD 138KV CKT 1'	153	0.04004	124.4394	'GEN523971 1-HARRINGTON GEN #1 24 KV'	
FDNS	02ALL		0 11G	G08_044	'TO->FROM'	'FPL SWITCH - WOODWARD 138KV CKT 1'	153	0.03294	124.4263	'GEN523972 1-HARRINGTON GEN #2 24 KV'	
FDNS	02ALL		0 11G	G08_047	'TO->FROM'	'FPL SWITCH - WOODWARD 138KV CKT 1'	153	0.05253	124.4263	'GEN523972 1-HARRINGTON GEN #2 24 KV'	
FDNS	02ALL		0 11G	G08_110	'TO->FROM'	'FPL SWITCH - WOODWARD 138KV CKT 1'	153	0.04004	124.4263	'GEN523972 1-HARRINGTON GEN #2 24 KV'	
FDNS	02ALL		0 11G	ASGI_2010_011	'TO->FROM'	'FPL SWITCH - WOODWARD 138KV CKT 1'	153	0.03311	124.4263	'GEN523972 1-HARRINGTON GEN #2 24 KV'	
FDNS	02ALL		0 11G	G10_011	'TO->FROM'	'FPL SWITCH - WOODWARD 138KV CKT 1'	153	0.03294	124.4263	'GEN523972 1-HARRINGTON GEN #2 24 KV'	
FDNS	02ALL		0 11G	G10_014	'TO->FROM'	'FPL SWITCH - WOODWARD 138KV CKT 1'	153	0.04004	124.4263	'GEN523972 1-HARRINGTON GEN #2 24 KV'	
FDNS	02ALL		0 11G	G08_044	'TO->FROM'	'FPL SWITCH - WOODWARD 138KV CKT 1'	153	0.03294	124.427	'GEN523973 1-HARRINGTON GEN #3 24 KV'	
FDNS	02ALL		0 11G	G08_047	'TO->FROM'	'FPL SWITCH - WOODWARD 138KV CKT 1'	153	0.05253	124.427	'GEN523973 1-HARRINGTON GEN #3 24 KV'	
FDNS	02ALL		0 11G	G08_110	'TO->FROM'	'FPL SWITCH - WOODWARD 138KV CKT 1'	153	0.04004	124.427	'GEN523973 1-HARRINGTON GEN #3 24 KV'	

SOLUTION	GROUP	SCENARIO	SEASON	SOURCE	DIRECTION	MONITORED ELEMENT	RATE B	TDF	TC%LOADING	CONTINGENCY NAME
						COMMON NAME				
FDNS	02ALL		0 11G	ASGI_2010_011	'TO->FROM'	'FPL SWITCH - WOODWARD 138KV CKT 1'	153	0.03311	124.427	'GEN523973 1-HARRINGTON GEN #3 24 KV'
FDNS	02ALL		0 11G	G10_011	'TO->FROM'	'FPL SWITCH - WOODWARD 138KV CKT 1'	153	0.03294	124.427	'GEN523973 1-HARRINGTON GEN #3 24 KV'
FDNS	02ALL		0 11G	G10_014	'TO->FROM'	'FPL SWITCH - WOODWARD 138KV CKT 1'	153	0.04004	124.427	'GEN523973 1-HARRINGTON GEN #3 24 KV'
FDNS	02ALL		0 11G	G09_067S	'FROM->TO'	'ELK CITY 230KV (ELKCTY-6) 230/138/13.8KV TRANSFORMER CKT 1'	287	0.06629	103.262	'GEN524285 1-WILDORADO WIND GEN'
FDNS	02ALL		0 11G	G08_022	'FROM->TO'	'ELK CITY 230KV (ELKCTY-6) 230/138/13.8KV TRANSFORMER CKT 1'	287	0.06759	103.262	'GEN524285 1-WILDORADO WIND GEN'
FDNS	02ALL		0 11G	G08_088	'FROM->TO'	'ELK CITY 230KV (ELKCTY-6) 230/138/13.8KV TRANSFORMER CKT 1'	287	0.11358	103.262	'GEN524285 1-WILDORADO WIND GEN'
FDNS	02ALL		0 11G	G08_110	'FROM->TO'	'ELK CITY 230KV (ELKCTY-6) 230/138/13.8KV TRANSFORMER CKT 1'	287	0.03756	103.262	'GEN524285 1-WILDORADO WIND GEN'
FDNS	02ALL		0 11G	G10_007	'FROM->TO'	'ELK CITY 230KV (ELKCTY-6) 230/138/13.8KV TRANSFORMER CKT 1'	287	0.10175	103.262	'GEN524285 1-WILDORADO WIND GEN'
FDNS	02ALL		0 11G	ASGI_2010_011	'FROM->TO'	'ELK CITY 230KV (ELKCTY-6) 230/138/13.8KV TRANSFORMER CKT 1'	287	0.05951	103.262	'GEN524285 1-WILDORADO WIND GEN'
FDNS	02ALL		0 11G	G10_014	'FROM->TO'	'ELK CITY 230KV (ELKCTY-6) 230/138/13.8KV TRANSFORMER CKT 1'	287	0.03756	103.262	'GEN524285 1-WILDORADO WIND GEN'
FDNS	02ALL		0 11G	G09_067S	'FROM->TO'	'ELK CITY 230KV (ELKCTY-6) 230/138/13.8KV TRANSFORMER CKT 1'	287	0.06629	102.3804	'GEN524285 1-WILDORADO WIND GEN'
FDNS	02ALL		0 11G	G08_022	'FROM->TO'	'ELK CITY 230KV (ELKCTY-6) 230/138/13.8KV TRANSFORMER CKT 1'	287	0.06759	102.3804	'GEN524285 1-WILDORADO WIND GEN'
FDNS	02ALL		0 11G	G08_088	'FROM->TO'	'ELK CITY 230KV (ELKCTY-6) 230/138/13.8KV TRANSFORMER CKT 1'	287	0.11358	102.3804	'GEN524285 1-WILDORADO WIND GEN'
FDNS	02ALL		0 11G	G08_110	'FROM->TO'	'ELK CITY 230KV (ELKCTY-6) 230/138/13.8KV TRANSFORMER CKT 1'	287	0.03756	102.3804	'GEN524285 1-WILDORADO WIND GEN'
FDNS	02ALL		0 11G	G10_007	'FROM->TO'	'ELK CITY 230KV (ELKCTY-6) 230/138/13.8KV TRANSFORMER CKT 1'	287	0.10175	102.3804	'GEN524285 1-WILDORADO WIND GEN'
FDNS	02ALL		0 11G	ASGI_2010_011	'FROM->TO'	'ELK CITY 230KV (ELKCTY-6) 230/138/13.8KV TRANSFORMER CKT 1'	287	0.05951	102.3804	'GEN524285 1-WILDORADO WIND GEN'
FDNS	02ALL		0 11G	G10_014	'FROM->TO'	'ELK CITY 230KV (ELKCTY-6) 230/138/13.8KV TRANSFORMER CKT 1'	287	0.03756	102.3804	'GEN524285 1-WILDORADO WIND GEN'
FDNS	02ALL		0 11G	G08_044	'TO->FROM'	'FPL SWITCH - WOODWARD 138KV CKT 1'	153	0.03294	119.4859	'GEN525561 1-TOLK GEN #1 24 KV'
FDNS	02ALL		0 11G	G08_047	'TO->FROM'	'FPL SWITCH - WOODWARD 138KV CKT 1'	153	0.05253	119.4859	'GEN525561 1-TOLK GEN #1 24 KV'
FDNS	02ALL		0 11G	G08_110	'TO->FROM'	'FPL SWITCH - WOODWARD 138KV CKT 1'	153	0.04004	119.4859	'GEN525561 1-TOLK GEN #1 24 KV'
FDNS	02ALL		0 11G	ASGI_2010_011	'TO->FROM'	'FPL SWITCH - WOODWARD 138KV CKT 1'	153	0.03311	119.4859	'GEN525561 1-TOLK GEN #1 24 KV'
FDNS	02ALL		0 11G	G10_011	'TO->FROM'	'FPL SWITCH - WOODWARD 138KV CKT 1'	153	0.03294	119.4859	'GEN525561 1-TOLK GEN #1 24 KV'
FDNS	02ALL		0 11G	G10_014	'TO->FROM'	'FPL SWITCH - WOODWARD 138KV CKT 1'	153	0.04004	119.4859	'GEN525561 1-TOLK GEN #1 24 KV'
FDNS	02ALL		0 11G	G08_088	'TO->FROM'	'DEAF SMITH COUNTY INTERCHANGE - S-RANDLCO 230.00 230KV CKT 1'	350	0.06268	131.6315	'GEN525561 1-TOLK GEN #1 24 KV'
FDNS	02ALL		0 11G	G08_110	'TO->FROM'	'DEAF SMITH COUNTY INTERCHANGE - S-RANDLCO 230.00 230KV CKT 1'	350	0.04519	131.6315	'GEN525561 1-TOLK GEN #1 24 KV'
FDNS	02ALL		0 11G	G10_007	'TO->FROM'	'DEAF SMITH COUNTY INTERCHANGE - S-RANDLCO 230.00 230KV CKT 1'	350	0.07221	131.6315	'GEN525561 1-TOLK GEN #1 24 KV'
FDNS	02ALL		0 11G	ASGI_2010_011	'TO->FROM'	'DEAF SMITH COUNTY INTERCHANGE - S-RANDLCO 230.00 230KV CKT 1'	350	0.05655	131.6315	'GEN525561 1-TOLK GEN #1 24 KV'
FDNS	02ALL		0 11G	G10_014	'TO->FROM'	'DEAF SMITH COUNTY INTERCHANGE - S-RANDLCO 230.00 230KV CKT 1'	350	0.04519	131.6315	'GEN525561 1-TOLK GEN #1 24 KV'
FDNS	02ALL		0 11G	G08_044	'TO->FROM'	'FPL SWITCH - WOODWARD 138KV CKT 1'	153	0.03294	121.142	'GEN525562 1-TOLK GEN #2 24 KV'

SOLUTION	GROUP	SCENARIO	SEASON	SOURCE	DIRECTION	MONITORED ELEMENT	RATE B	TDF	TC%	LOADING	CONTINGENCY NAME
						COMMON NAME					
FDNS	02ALL		0 11G	G08_047	'TO->FROM'	'FPL SWITCH - WOODWARD 138KV CKT 1'	153	0.05253	121.142	'GEN525562 1-TOLK GEN #2 24 KV'	
FDNS	02ALL		0 11G	G08_110	'TO->FROM'	'FPL SWITCH - WOODWARD 138KV CKT 1'	153	0.04004	121.142	'GEN525562 1-TOLK GEN #2 24 KV'	
FDNS	02ALL		0 11G	ASGI_2010_011	'TO->FROM'	'FPL SWITCH - WOODWARD 138KV CKT 1'	153	0.03311	121.142	'GEN525562 1-TOLK GEN #2 24 KV'	
FDNS	02ALL		0 11G	G10_011	'TO->FROM'	'FPL SWITCH - WOODWARD 138KV CKT 1'	153	0.03294	121.142	'GEN525562 1-TOLK GEN #2 24 KV'	
FDNS	02ALL		0 11G	G10_014	'TO->FROM'	'FPL SWITCH - WOODWARD 138KV CKT 1'	153	0.04004	121.142	'GEN525562 1-TOLK GEN #2 24 KV'	
FDNS	02ALL		0 11G	G08_088	'TO->FROM'	'DEAF SMITH COUNTY INTERCHANGE - S-RANDLCO 230.00 230KV CKT 1'	350	0.06268	125.3191	'GEN525562 1-TOLK GEN #2 24 KV'	
FDNS	02ALL		0 11G	G08_110	'TO->FROM'	'DEAF SMITH COUNTY INTERCHANGE - S-RANDLCO 230.00 230KV CKT 1'	350	0.04519	125.3191	'GEN525562 1-TOLK GEN #2 24 KV'	
FDNS	02ALL		0 11G	G10_007	'TO->FROM'	'DEAF SMITH COUNTY INTERCHANGE - S-RANDLCO 230.00 230KV CKT 1'	350	0.07221	125.3191	'GEN525562 1-TOLK GEN #2 24 KV'	
FDNS	02ALL		0 11G	ASGI_2010_011	'TO->FROM'	'DEAF SMITH COUNTY INTERCHANGE - S-RANDLCO 230.00 230KV CKT 1'	350	0.05655	125.3191	'GEN525562 1-TOLK GEN #2 24 KV'	
FDNS	02ALL		0 11G	G10_014	'TO->FROM'	'DEAF SMITH COUNTY INTERCHANGE - S-RANDLCO 230.00 230KV CKT 1'	350	0.04519	125.3191	'GEN525562 1-TOLK GEN #2 24 KV'	
FDNS	02ALL		0 11G	G08_044	'TO->FROM'	'FPL SWITCH - WOODWARD 138KV CKT 1'	153	0.03294	126.7968	'GEN527161 1-MUSTANG GEN #1'	
FDNS	02ALL		0 11G	G08_047	'TO->FROM'	'FPL SWITCH - WOODWARD 138KV CKT 1'	153	0.05253	126.7968	'GEN527161 1-MUSTANG GEN #1'	
FDNS	02ALL		0 11G	G08_110	'TO->FROM'	'FPL SWITCH - WOODWARD 138KV CKT 1'	153	0.04004	126.7968	'GEN527161 1-MUSTANG GEN #1'	
FDNS	02ALL		0 11G	ASGI_2010_011	'TO->FROM'	'FPL SWITCH - WOODWARD 138KV CKT 1'	153	0.03311	126.7968	'GEN527161 1-MUSTANG GEN #1'	
FDNS	02ALL		0 11G	G10_011	'TO->FROM'	'FPL SWITCH - WOODWARD 138KV CKT 1'	153	0.03294	126.7968	'GEN527161 1-MUSTANG GEN #1'	
FDNS	02ALL		0 11G	G10_014	'TO->FROM'	'FPL SWITCH - WOODWARD 138KV CKT 1'	153	0.04004	126.7968	'GEN527161 1-MUSTANG GEN #1'	
FDNS	02ALL		0 11G	G08_088	'TO->FROM'	'DEAF SMITH COUNTY INTERCHANGE - S-RANDLCO 230.00 230KV CKT 1'	350	0.06268	103.8963	'GEN527161 1-MUSTANG GEN #1'	
FDNS	02ALL		0 11G	G08_110	'TO->FROM'	'DEAF SMITH COUNTY INTERCHANGE - S-RANDLCO 230.00 230KV CKT 1'	350	0.04519	103.8963	'GEN527161 1-MUSTANG GEN #1'	
FDNS	02ALL		0 11G	G10_007	'TO->FROM'	'DEAF SMITH COUNTY INTERCHANGE - S-RANDLCO 230.00 230KV CKT 1'	350	0.07221	103.8963	'GEN527161 1-MUSTANG GEN #1'	
FDNS	02ALL		0 11G	ASGI_2010_011	'TO->FROM'	'DEAF SMITH COUNTY INTERCHANGE - S-RANDLCO 230.00 230KV CKT 1'	350	0.05655	103.8963	'GEN527161 1-MUSTANG GEN #1'	
FDNS	02ALL		0 11G	G10_014	'TO->FROM'	'DEAF SMITH COUNTY INTERCHANGE - S-RANDLCO 230.00 230KV CKT 1'	350	0.04519	103.8963	'GEN527161 1-MUSTANG GEN #1'	
FDNS	02ALL		0 11G	G09_067S	'FROM->TO'	'ELK CITY 230KV (ELKCTY-6) 230/138/13.8KV TRANSFORMER CKT 1'	287	0.06629	101.8754	'GEN527161 1-MUSTANG GEN #1'	
FDNS	02ALL		0 11G	G08_022	'FROM->TO'	'ELK CITY 230KV (ELKCTY-6) 230/138/13.8KV TRANSFORMER CKT 1'	287	0.06759	101.8754	'GEN527161 1-MUSTANG GEN #1'	
FDNS	02ALL		0 11G	G08_088	'FROM->TO'	'ELK CITY 230KV (ELKCTY-6) 230/138/13.8KV TRANSFORMER CKT 1'	287	0.11358	101.8754	'GEN527161 1-MUSTANG GEN #1'	
FDNS	02ALL		0 11G	G08_110	'FROM->TO'	'ELK CITY 230KV (ELKCTY-6) 230/138/13.8KV TRANSFORMER CKT 1'	287	0.03756	101.8754	'GEN527161 1-MUSTANG GEN #1'	
FDNS	02ALL		0 11G	G10_007	'FROM->TO'	'ELK CITY 230KV (ELKCTY-6) 230/138/13.8KV TRANSFORMER CKT 1'	287	0.10175	101.8754	'GEN527161 1-MUSTANG GEN #1'	
FDNS	02ALL		0 11G	ASGI_2010_011	'FROM->TO'	'ELK CITY 230KV (ELKCTY-6) 230/138/13.8KV TRANSFORMER CKT 1'	287	0.05951	101.8754	'GEN527161 1-MUSTANG GEN #1'	
FDNS	02ALL		0 11G	G10_014	'FROM->TO'	'ELK CITY 230KV (ELKCTY-6) 230/138/13.8KV TRANSFORMER CKT 1'	287	0.03756	101.8754	'GEN527161 1-MUSTANG GEN #1'	
FDNS	02ALL		0 11G	G09_067S	'FROM->TO'	'ELK CITY 230KV (ELKCTY-6) 230/138/13.8KV TRANSFORMER CKT 1'	287	0.06629	101.0401	'GEN527161 1-MUSTANG GEN #1'	

SOLUTION	GROUP	SCENARIO	SEASON	SOURCE	DIRECTION	MONITORED ELEMENT	RATE B	TDF	TC%	LOADING	CONTINGENCY NAME
						COMMON NAME					
FDNS	02ALL		0 11G	G08_022	'FROM->TO'	'ELK CITY 230KV (ELKCTY-6) 230/138/13.8KV TRANSFORMER CKT 1'	287	0.06759	101.0401	'GEN527161 1-MUSTANG GEN #1'	
FDNS	02ALL		0 11G	G08_088	'FROM->TO'	'ELK CITY 230KV (ELKCTY-6) 230/138/13.8KV TRANSFORMER CKT 1'	287	0.11358	101.0401	'GEN527161 1-MUSTANG GEN #1'	
FDNS	02ALL		0 11G	G08_110	'FROM->TO'	'ELK CITY 230KV (ELKCTY-6) 230/138/13.8KV TRANSFORMER CKT 1'	287	0.03756	101.0401	'GEN527161 1-MUSTANG GEN #1'	
FDNS	02ALL		0 11G	G10_007	'FROM->TO'	'ELK CITY 230KV (ELKCTY-6) 230/138/13.8KV TRANSFORMER CKT 1'	287	0.10175	101.0401	'GEN527161 1-MUSTANG GEN #1'	
FDNS	02ALL		0 11G	ASGI_2010_011	'FROM->TO'	'ELK CITY 230KV (ELKCTY-6) 230/138/13.8KV TRANSFORMER CKT 1'	287	0.05951	101.0401	'GEN527161 1-MUSTANG GEN #1'	
FDNS	02ALL		0 11G	G10_014	'FROM->TO'	'ELK CITY 230KV (ELKCTY-6) 230/138/13.8KV TRANSFORMER CKT 1'	287	0.03756	101.0401	'GEN527161 1-MUSTANG GEN #1'	
FDNS	02ALL		0 11G	G08_044	'TO->FROM'	'FPL SWITCH - WOODWARD 138KV CKT 1'	153	0.03294	126.7968	'GEN527162 1-MUSTANG GEN #2'	
FDNS	02ALL		0 11G	G08_047	'TO->FROM'	'FPL SWITCH - WOODWARD 138KV CKT 1'	153	0.05253	126.7968	'GEN527162 1-MUSTANG GEN #2'	
FDNS	02ALL		0 11G	G08_110	'TO->FROM'	'FPL SWITCH - WOODWARD 138KV CKT 1'	153	0.04004	126.7968	'GEN527162 1-MUSTANG GEN #2'	
FDNS	02ALL		0 11G	ASGI_2010_011	'TO->FROM'	'FPL SWITCH - WOODWARD 138KV CKT 1'	153	0.03311	126.7968	'GEN527162 1-MUSTANG GEN #2'	
FDNS	02ALL		0 11G	G10_011	'TO->FROM'	'FPL SWITCH - WOODWARD 138KV CKT 1'	153	0.03294	126.7968	'GEN527162 1-MUSTANG GEN #2'	
FDNS	02ALL		0 11G	G10_014	'TO->FROM'	'FPL SWITCH - WOODWARD 138KV CKT 1'	153	0.04004	126.7968	'GEN527162 1-MUSTANG GEN #2'	
FDNS	02ALL		0 11G	G08_088	'TO->FROM'	'DEAF SMITH COUNTY INTERCHANGE - S-RANDLCO 230.00 230KV CKT 1'	350	0.06268	103.8962	'GEN527162 1-MUSTANG GEN #2'	
FDNS	02ALL		0 11G	G08_110	'TO->FROM'	'DEAF SMITH COUNTY INTERCHANGE - S-RANDLCO 230.00 230KV CKT 1'	350	0.04519	103.8962	'GEN527162 1-MUSTANG GEN #2'	
FDNS	02ALL		0 11G	G10_007	'TO->FROM'	'DEAF SMITH COUNTY INTERCHANGE - S-RANDLCO 230.00 230KV CKT 1'	350	0.07221	103.8962	'GEN527162 1-MUSTANG GEN #2'	
FDNS	02ALL		0 11G	ASGI_2010_011	'TO->FROM'	'DEAF SMITH COUNTY INTERCHANGE - S-RANDLCO 230.00 230KV CKT 1'	350	0.05655	103.8962	'GEN527162 1-MUSTANG GEN #2'	
FDNS	02ALL		0 11G	G10_014	'TO->FROM'	'DEAF SMITH COUNTY INTERCHANGE - S-RANDLCO 230.00 230KV CKT 1'	350	0.04519	103.8962	'GEN527162 1-MUSTANG GEN #2'	
FDNS	02G08110		0 11G	G08_110	'TO->FROM'	'FPL SWITCH - WOODWARD 138KV CKT 1'	153	0.04108	122.0388	'BASE CASE'	
FDNS	02G08110		0 11G	G08_110	'TO->FROM'	'FPL SWITCH - WOODWARD 138KV CKT 1'	153	0.04058	103.8124	'HINTON - WEATHERFORD JCT. 138KV CKT 1'	
FDNS	02G08110		0 11G	G08_110	'TO->FROM'	'FPL SWITCH - WOODWARD 138KV CKT 1'	153	0.04058	103.8492	'CAN_GAS4 138.00 - HINTON 138KV CKT 1'	
FDNS	02G08110		0 11G	G08_110	'TO->FROM'	'FPL SWITCH - WOODWARD 138KV CKT 1'	153	0.04506	129.7205	'LAWTON EASTSIDE - OKLAUNION 345KV CKT 1'	
FDNS	02G08110		0 11G	G08_110	'FROM->TO'	'ELK CITY 230KV (ELKCTY-6) 230/138/13.8KV TRANSFORMER CKT 1'	287	0.04698	114.7649	'LAWTON EASTSIDE - OKLAUNION 345KV CKT 1'	
FDNS	02G08110		0 11G	G08_110	'FROM->TO'	'ELK CITY 230KV (ELKCTY-6) 230/138/13.8KV TRANSFORMER CKT 1'	287	0.04698	113.3978	'LAWTON EASTSIDE - OKLAUNION 345KV CKT 1'	
FDNS	02G08110		0 11G	G08_110	'TO->FROM'	'FPL SWITCH - WOODWARD 138KV CKT 1'	153	0.04506	117.6712	'G08-14T 345.00 - OKLAUNION 345KV CKT 1'	
FDNS	02G08110		0 11G	G08_110	'FROM->TO'	'ELK CITY 230KV (ELKCTY-6) 230/138/13.8KV TRANSFORMER CKT 1'	287	0.04698	104.4137	'G08-14T 345.00 - OKLAUNION 345KV CKT 1'	
FDNS	02G08110		0 11G	G08_110	'FROM->TO'	'ELK CITY 230KV (ELKCTY-6) 230/138/13.8KV TRANSFORMER CKT 1'	287	0.04698	103.5021	'G08-14T 345.00 - OKLAUNION 345KV CKT 1'	
FDNS	02G08110		0 11G	G08_110	'TO->FROM'	'FPL SWITCH - WOODWARD 138KV CKT 1'	153	0.04049	101.7358	'ELK CITY - RHWIND4 138.00 138KV CKT 1'	
FDNS	02G08110		0 11G	G08_110	'TO->FROM'	'FPL SWITCH - WOODWARD 138KV CKT 1'	153	0.04058	103.2886	'WEATHERFORD JCT. - WEATHERFORD SOUTHEAST 138KV CKT 1'	
FDNS	02G08110		0 11G	G08_110	'TO->FROM'	'FPL SWITCH - WOODWARD 138KV CKT 1'	153	0.04824	139.4776	'ELK CITY 230KV - SWEETWT6 230.00 230KV CKT 1'	

SOLUTION	GROUP	SCENARIO	SEASON	SOURCE	DIRECTION	MONITORED ELEMENT		RATE B	TDF	TC%	LOADING	CONTINGENCY NAME
						COMMON NAME						
FDNS	02G08110		0 11G	G08_110	'TO->FROM'	'FPL SWITCH - WOODWARD 138KV CKT 1'		153	0.0408	103.8985	'WEATHERFORD TAP - WEATHERFORD WIND FARM 138KV CKT 1'	
FDNS	02G08110		0 11G	G08_110	'TO->FROM'	'FPL SWITCH - WOODWARD 138KV CKT 1'		153	0.04058	104.0001	'CAN_GAS4 138.00 - JENSEN ROAD 138KV CKT 1'	
FDNS	02G08110		0 11G	G08_110	'TO->FROM'	'FPL SWITCH - WOODWARD 138KV CKT 1'		153	0.0488	129.2231	'STLN-DEMARC6230.00 - SWEETWT6 230.00 230KV CKT 1'	
FDNS	02G08110		0 11G	G08_110	'TO->FROM'	'FPL SWITCH - WOODWARD 138KV CKT 1'		153	0.03849	103.1468	'WAUKOMIS - WAUKOMIS TAP 138KV CKT 1'	
FDNS	02G08110		0 11G	G08_110	'TO->FROM'	'FPL SWITCH - WOODWARD 138KV CKT 1'		153	0.03849	102.7692	'HENESSEY - WAUKOMIS 138KV CKT 1'	
FDNS	02G08110		0 11G	G08_110	'TO->FROM'	'FPL SWITCH - WOODWARD 138KV CKT 1'		153	0.04192	112.2431	'G08-13T 345.00 - WOODRING 345KV CKT 1'	
FDNS	02G08110		0 11G	G08_110	'TO->FROM'	'FPL SWITCH - WOODWARD 138KV CKT 1'		153	0.0399	102.5246	'KNOBHILL - SALINE 69KV CKT 1'	
FDNS	02G08110		0 11G	G08_110	'TO->FROM'	'FPL SWITCH - WOODWARD 138KV CKT 1'		153	0.0399	102.7654	'HELENAT2 69.000 - SALINE 69KV CKT 1'	
FDNS	02G08110		0 11G	G08_110	'TO->FROM'	'FPL SWITCH - WOODWARD 138KV CKT 1'		153	0.0399	103.6457	'GOLTRY - IMO 69KV CKT 1'	
FDNS	02G08110		0 11G	G08_110	'TO->FROM'	'FPL SWITCH - WOODWARD 138KV CKT 1'		153	0.0399	103.4618	'GOLTRY - HELENAT2 69.000 69KV CKT 1'	
FDNS	02G08110		0 11G	G08_110	'TO->FROM'	'FPL SWITCH - WOODWARD 138KV CKT 1'		153	0.03849	101.9233	'DOVER SW - HENESSEY 138KV CKT 1'	
FDNS	02G08110		0 11G	G08_110	'TO->FROM'	'FPL SWITCH - WOODWARD 138KV CKT 1'		153	0.04677	119.879	'WOODWARD - WOODWARD 69KV CKT 1'	
FDNS	02G08110		0 11G	G08_110	'TO->FROM'	'FPL SWITCH - WOODWARD 138KV CKT 1'		153	0.04001	103.2342	'WOODWARD - WWRDEHV4 138.00 138KV CKT 2'	
FDNS	02G08110		0 11G	G08_110	'TO->FROM'	'FPL SWITCH - WOODWARD 138KV CKT 1'		153	0.04953	131.2027	'DEWEY - IODINE 138KV CKT 1'	
FDNS	02G08110		0 11G	G08_110	'TO->FROM'	'FPL SWITCH - WOODWARD 138KV CKT 1'		153	0.0416	109.2221	'DEWEY - TALOGA 138KV CKT 1'	
FDNS	02G08110		0 11G	G08_110	'TO->FROM'	'FPL SWITCH - WOODWARD 138KV CKT 1'		153	0.04953	132.4477	'IODINE - WWRDEHV4 138.00 138KV CKT 1'	
FDNS	02G08110		0 11G	G08_110	'TO->FROM'	'FPL SWITCH - WOODWARD 138KV CKT 1'		153	0.04162	109.19	'CIMARRON - NORTHWEST 345KV CKT 1'	
FDNS	02G08110		0 11G	G08_110	'TO->FROM'	'FPL SWITCH - WOODWARD 138KV CKT 1'		153	0.06013	170.2493	'NORTHWEST - TATONGA7 345.00 345KV CKT 1'	
FDNS	02G08110		0 11G	G08_110	'FROM->TO'	'ELK CITY 230KV (ELKCTY-6) 230/138/13.8KV TRANSFORMER CKT 1'		287	0.04623	106.369	'NORTHWEST - TATONGA7 345.00 345KV CKT 1'	
FDNS	02G08110		0 11G	G08_110	'FROM->TO'	'ELK CITY 230KV (ELKCTY-6) 230/138/13.8KV TRANSFORMER CKT 1'		287	0.04623	105.4081	'NORTHWEST - TATONGA7 345.00 345KV CKT 1'	
FDNS	02G08110		0 11G	G08_110	'TO->FROM'	'FPL SWITCH - WOODWARD 138KV CKT 1'		153	0.06105	153.3858	'TATONGA7 345.00 - WWRDEHV7 345KV CKT 1'	
FDNS	02G08110		0 11G	G08_110	'FROM->TO'	'ELK CITY 230KV (ELKCTY-6) 230/138/13.8KV TRANSFORMER CKT 1'		287	0.04658	102.9555	'TATONGA7 345.00 - WWRDEHV7 345KV CKT 1'	
FDNS	02G08110		0 11G	G08_110	'FROM->TO'	'ELK CITY 230KV (ELKCTY-6) 230/138/13.8KV TRANSFORMER CKT 1'		287	0.04658	102.1456	'TATONGA7 345.00 - WWRDEHV7 345KV CKT 1'	
FDNS	02G08110		0 11G	G08_110	'TO->FROM'	'FPL SWITCH - WOODWARD 138KV CKT 1'		153	0.04256	110.4547	'BORDER 7345.00 - WWRDEHV7 345KV CKT 1'	
FDNS	02G08110		0 11G	G08_110	'FROM->TO'	'ELK CITY 230KV (ELKCTY-6) 230/138/13.8KV TRANSFORMER CKT 1'		287	0.04656	101.654	'2008-047T 345.00 - WWRDEHV7 345KV CKT 1'	
FDNS	02G08110		0 11G	G08_110	'FROM->TO'	'ELK CITY 230KV (ELKCTY-6) 230/138/13.8KV TRANSFORMER CKT 1'		287	0.04656	100.8158	'2008-047T 345.00 - WWRDEHV7 345KV CKT 1'	
FDNS	02G08110		0 11G	G08_110	'FROM->TO'	'ELK CITY 230KV (ELKCTY-6) 230/138/13.8KV TRANSFORMER CKT 1'		287	0.04656	101.654	'2008-047T 345.00 - WWRDEHV7 345KV CKT 2'	
FDNS	02G08110		0 11G	G08_110	'FROM->TO'	'ELK CITY 230KV (ELKCTY-6) 230/138/13.8KV TRANSFORMER CKT 1'		287	0.04656	100.8158	'2008-047T 345.00 - WWRDEHV7 345KV CKT 2'	
FDNS	02G08110		0 11G	G08_110	'TO->FROM'	'FPL SWITCH - WOODWARD 138KV CKT 1'		153	0.04644	118.4016	'MED-LDG5 345.00 - WWRDEHV7 345KV CKT 1'	

SOLUTION	GROUP	SCENARIO	SEASON	SOURCE	DIRECTION	MONITORED ELEMENT		RATE B	TDF	TC%	LOADING	CONTINGENCY	NAME
						COMMON NAME							
FDNS	02G08110		0 11G	G08_110	'TO->FROM'	'FPL SWITCH - WOODWARD 138KV CKT 1'		153	0.04644	118.4016	345.00	345KV CKT 2'	'MED-LDG5 345.00 - VWRDEHV7
FDNS	02G08110		0 11G	G08_110	'TO->FROM'	'FPL SWITCH - WOODWARD 138KV CKT 1'		153	0.0409	104.1451	'ALVA - CHEROKEE SW 69KV CKT 1'		
FDNS	02G08110		0 11G	G08_110	'TO->FROM'	'FPL SWITCH - WOODWARD 138KV CKT 1'		153	0.04216	108.3646	'FARGO JCT - FT SUPPLY 69KV CKT 1'		
FDNS	02G08110		0 11G	G08_110	'TO->FROM'	'FPL SWITCH - WOODWARD 138KV CKT 1'		153	0.04056	104.1055	'HYDRO - SICKLES 138KV CKT 1'		
FDNS	02G08110		0 11G	G08_110	'TO->FROM'	'FPL SWITCH - WOODWARD 138KV CKT 1'		153	0.04056	103.9532	'HYDRO - WEATHERFORD 138KV CKT 1'		
FDNS	02G08110		0 11G	G08_110	'TO->FROM'	'FPL SWITCH - WOODWARD 138KV CKT 1'		153	0.04048	103.6245	'OKEENE - WATONGA SW 69KV CKT 1'		
FDNS	02G08110		0 11G	G08_110	'TO->FROM'	'FPL SWITCH - WOODWARD 138KV CKT 1'		153	0.04258	108.2139	'CARTER JCT - WOODWARD 69KV CKT 1'		
FDNS	02G08110		0 11G	G08_110	'TO->FROM'	'FPL SWITCH - WOODWARD 138KV CKT 1'		153	0.04941	111.1078	345.00	345KV CKT 1'	'Hitchland Interchange - STEVENSCO
FDNS	02G08110		0 11G	G08_110	'TO->FROM'	'FPL SWITCH - WOODWARD 138KV CKT 1'		153	0.04611	102.379	345KV CKT 1'		'G05-17T 345.00 - Hitchland Interchange
FDNS	02G08110		0 11G	G08_110	'FROM->TO'	'ELK CITY 230KV (ELKCTY-6) 230/138/13.8KV TRANSFORMER CKT 1'		287	0.0467	100.5024	345KV CKT 1'		'2008-047T 345.00 - Hitchland Interchange
FDNS	02G08110		0 11G	G08_110	'FROM->TO'	'ELK CITY 230KV (ELKCTY-6) 230/138/13.8KV TRANSFORMER CKT 1'		287	0.0467	100.5024	345KV CKT 2'		'2008-047T 345.00 - Hitchland Interchange
FDNS	02G08110		0 11G	G08_110	'TO->FROM'	'FPL SWITCH - WOODWARD 138KV CKT 1'		153	0.0488	131.8039	INTERCHANGE 230KV CKT 1'		'GRAPEVINE INTERCHANGE - STATELINE
FDNS	02G08110		0 11G	G08_110	'TO->FROM'	'FPL SWITCH - WOODWARD 138KV CKT 1'		153	0.04519	123.7987	STATION 230KV CKT 1'		'GRAPEVINE INTERCHANGE - NICHOLS
FDNS	02G08110		0 11G	G08_110	'TO->FROM'	'FPL SWITCH - WOODWARD 138KV CKT 1'		153	0.04256	110.4547	INTERCHANGE 345KV CKT 1'		'BORDER 7345.00 - TUCO
FDNS	02G08110		0 11G	G08_110	'TO->FROM'	'FPL SWITCH - WOODWARD 138KV CKT 1'		153	0.0488	129.2231	DEMARC6230.00 230KV CKT 1'		'STATELINE INTERCHANGE - STLN-
FDNS	02G08110		0 11G	G08_110	'FROM->TO'	'ELK CITY 230KV (ELKCTY-6) 230/138/13.8KV TRANSFORMER CKT 1'		287	0.04093	100	MCCLELLAN SUB 115KV CKT 1'		'KIRBY SWITCHING STATION -
FDNS	02G08110		0 11G	G08_110	'TO->FROM'	'FPL SWITCH - WOODWARD 138KV CKT 1'		153	0.04884	125.6724	STEVENSCO 345.00 345KV CKT 1'		'FINNEY SWITCHING STATION -
FDNS	02G08110		0 11G	G08_110	'FROM->TO'	'ELK CITY 230KV (ELKCTY-6) 230/138/13.8KV TRANSFORMER CKT 1'		287	0.05551	112.5694	STEVENSCO 345.00 345KV CKT 1'		'FINNEY SWITCHING STATION -
FDNS	02G08110		0 11G	G08_110	'FROM->TO'	'ELK CITY 230KV (ELKCTY-6) 230/138/13.8KV TRANSFORMER CKT 1'		287	0.05551	111.2853	STEVENSCO 345.00 345KV CKT 1'		'FINNEY SWITCHING STATION -
FDNS	02G08110		0 11G	G08_110	'TO->FROM'	'FPL SWITCH - WOODWARD 138KV CKT 1'		153	0.04575	108.8561	INTERCHANGE 345KV CKT 1'		'G05-17T 345.00 - POTTER COUNTY
FDNS	02G08110		0 11G	G08_110	'TO->FROM'	'FPL SWITCH - WOODWARD 138KV CKT 1'		153	0.04144	108.1327	115KV CKT 1'		'NICHOLS STATION - YARNELL SUB
FDNS	02G08110		0 11G	G08_110	'TO->FROM'	'FPL SWITCH - WOODWARD 138KV CKT 1'		153	0.04144	108.1405	CKT 1'		'CONWAY SUB - YARNELL SUB 115KV
FDNS	02G08110		0 11G	G08_110	'TO->FROM'	'DEAF SMITH COUNTY INTERCHANGE - S-RANDLCO 230.00 230KV CKT 1'		350	0.05711	102.0717	48T 230.00 230KV CKT 1'		'AMARILLO SOUTH INTERCHANGE - G07-
FDNS	02G08110		0 11G	G08_110	'FROM->TO'	'ELK CITY 230KV (ELKCTY-6) 230/138/13.8KV TRANSFORMER CKT 1'		287	0.04268	100.0986	48T 230.00 230KV CKT 1'		'AMARILLO SOUTH INTERCHANGE - G07-
FDNS	02G08110		0 11G	G08_110	'TO->FROM'	'DEAF SMITH COUNTY INTERCHANGE - S-RANDLCO 230.00 230KV CKT 1'		350	0.05632	108.3613	INTERCHANGE 230KV CKT 1'		'G07-48T 230.00 - SWISHER COUNTY
FDNS	02G08110		0 11G	G08_110	'FROM->TO'	'ELK CITY 230KV (ELKCTY-6) 230/138/13.8KV TRANSFORMER CKT 1'		287	0.04242	102.5269	INTERCHANGE 230KV CKT 1'		'G07-48T 230.00 - SWISHER COUNTY
FDNS	02G08110		0 11G	G08_110	'FROM->TO'	'ELK CITY 230KV (ELKCTY-6) 230/138/13.8KV TRANSFORMER CKT 1'		287	0.04242	101.676	INTERCHANGE 230KV CKT 1'		'G07-48T 230.00 - SWISHER COUNTY
FDNS	02G08110		0 11G	G08_110	'TO->FROM'	'DEAF SMITH COUNTY INTERCHANGE - S-RANDLCO 230.00 230KV CKT 1'		350	0.06709	110.6757	230KV CKT 1'		'PLANT X STATION - S-RANDLCO 230.00

SOLUTION	GROUP	SCENARIO	SEASON	SOURCE	DIRECTION	MONITORED ELEMENT		RATE B	TDF	TC%	LOADING	CONTINGENCY NAME
						COMMON NAME						
FDNS	02G08110		0 11G	G08_110	'TO->FROM'	'FPL SWITCH - WOODWARD 138KV CKT 1'		153	0.04514		116.0792	'G08-14T 345KV CKT 1' 345.00 - TUCO INTERCHANGE
FDNS	02G08110		0 11G	G08_110	'FROM->TO'	'ELK CITY 230KV (ELKCTY-6) 230/138/13.8KV TRANSFORMER CKT 1'		287	0.04713		102.953	'G08-14T 345KV CKT 1' 345.00 - TUCO INTERCHANGE
FDNS	02G08110		0 11G	G08_110	'FROM->TO'	'ELK CITY 230KV (ELKCTY-6) 230/138/13.8KV TRANSFORMER CKT 1'		287	0.04713		102.1036	'G08-14T 345KV CKT 1' 345.00 - TUCO INTERCHANGE
FDNS	02G08110		0 11G	G08_110	'TO->FROM'	'FPL SWITCH - WOODWARD 138KV CKT 1'		153	0.04214		110.2125	'G10-16T 345KV CKT 1' 345.00 - POSTROCK7
FDNS	02G08110		0 11G	G08_110	'TO->FROM'	'FPL SWITCH - WOODWARD 138KV CKT 1'		153	0.04181		108.3193	'AXTELL - POSTROCK7 345KV CKT 1' 345.00
FDNS	02G08110		0 11G	G08_110	'TO->FROM'	'FPL SWITCH - WOODWARD 138KV CKT 1'		153	0.04236		108.8766	'HOLCOMB - SETAB 345KV CKT 1' 345.00
FDNS	02G08110		0 11G	G08_110	'TO->FROM'	'FPL SWITCH - WOODWARD 138KV CKT 1'		153	0.04215		109.6506	'G08-18 345KV CKT 1' 345.00 - HOLCOMB
FDNS	02G08110		0 11G	G08_110	'TO->FROM'	'FPL SWITCH - WOODWARD 138KV CKT 1'		153	0.04263		110.4993	'MINGO - SETAB 345KV CKT 1' 345.00
FDNS	02G08110		0 11G	G08_110	'TO->FROM'	'FPL SWITCH - WOODWARD 138KV CKT 1'		153	0.04275		110.1681	'MINGO - RED WILLOW 345KV CKT 1' 345.00
FDNS	02G08110		0 11G	G08_110	'TO->FROM'	'FPL SWITCH - WOODWARD 138KV CKT 1'		153	0.0421		111.1735	'GRAY CO 345KV CKT 1' 345.00 - SPEARVILLE
FDNS	02G08110		0 11G	G08_110	'FROM->TO'	'ELK CITY 230KV (ELKCTY-6) 230/138/13.8KV TRANSFORMER CKT 1'		287	0.04285		100.9353	'GRAY CO 345KV CKT 1' 345.00 - SPEARVILLE
FDNS	02G08110		0 11G	G08_110	'FROM->TO'	'ELK CITY 230KV (ELKCTY-6) 230/138/13.8KV TRANSFORMER CKT 1'		287	0.04285		100.1429	'GRAY CO 345KV CKT 1' 345.00 - SPEARVILLE
FDNS	02G08110		0 11G	G08_110	'TO->FROM'	'FPL SWITCH - WOODWARD 138KV CKT 1'		153	0.04217		109.6781	'G10-16T 345KV CKT 1' 345.00 - SPEARVILLE
FDNS	02G08110		0 11G	G08_110	'TO->FROM'	'FPL SWITCH - WOODWARD 138KV CKT 1'		153	0.04237		108.4923	'BENTON - WICHITA 345KV CKT 1' 345.00
FDNS	02G08110		0 11G	G08_110	'TO->FROM'	'FPL SWITCH - WOODWARD 138KV CKT 1'		153	0.04106		108.6916	'LACYGNE - NEOSHO 345KV CKT 1' 345.00
FDNS	02G08110		0 11G	G08_110	'TO->FROM'	'FPL SWITCH - WOODWARD 138KV CKT 1'		153	0.04424		116.7147	'MED-LDG5 345KV CKT 1' 345.00 - WICHITA
FDNS	02G08110		0 11G	G08_110	'TO->FROM'	'FPL SWITCH - WOODWARD 138KV CKT 1'		153	0.04424		116.7147	'MED-LDG5 345KV CKT 2' 345.00 - WICHITA
FDNS	02G08110		0 11G	G08_110	'TO->FROM'	'FPL SWITCH - WOODWARD 138KV CKT 1'		153	0.04145		108.3726	'FLATRDG3 - HARPER 138KV CKT 1' 345.00
FDNS	02G08110		0 11G	G08_110	'TO->FROM'	'FPL SWITCH - WOODWARD 138KV CKT 1'		153	0.04145		108.1256	'HARPER - MILAN TAP 138KV CKT 1' 345.00
FDNS	02G08110		0 11G	G08_110	'TO->FROM'	'FPL SWITCH - WOODWARD 138KV CKT 1'		153	0.04202		110.37	'G08-13T 345KV CKT 1' 345.00 - SUMNERCO
FDNS	02G08110		0 11G	G08_110	'TO->FROM'	'FPL SWITCH - WOODWARD 138KV CKT 1'		153	0.04213		110.3764	'G08-18 345KV CKT 1' 345.00 - GRAY CO
FDNS	02G08110		0 11G	G08_110	'FROM->TO'	'ELK CITY 230KV (ELKCTY-6) 230/138/13.8KV TRANSFORMER CKT 1'		287	0.04294		100	'G08-18 345KV CKT 1' 345.00 - GRAY CO
FDNS	02G08110		0 11G	G08_110	'TO->FROM'	'FPL SWITCH - WOODWARD 138KV CKT 1'		153	0.04131		108.1164	'GRAND ISLAND - SWEETWATER 345KV CKT 1' 345.00
FDNS	02G08110		0 11G	G08_110	'TO->FROM'	'FPL SWITCH - WOODWARD 138KV CKT 1'		153	0.04824		139.4759	'ELK CITY 230KV (ELKCTY-6) 230/138/13.8KV TRANSFORMER CKT 1' 345.00
FDNS	02G08110		0 11G	G08_110	'TO->FROM'	'FPL SWITCH - WOODWARD 138KV CKT 1'		153	0.03964		112.0094	'WOODRING (WOODRNG2) 345/138/13.8KV TRANSFORMER CKT 1' 345.00
FDNS	02G08110		0 11G	G08_110	'TO->FROM'	'FPL SWITCH - WOODWARD 138KV CKT 1'		153	0.04677		132.934	'WOODWARD (WOODWRD2) 138/69/13.2KV TRANSFORMER CKT 1' 345.00
FDNS	02G08110		0 11G	G08_110	'TO->FROM'	'FPL SWITCH - WOODWARD 138KV CKT 1'		153	0.03753		100.1265	'WWRDEHV7 345KV CKT 1' 345.00 (WWDEHV-T2)
FDNS	02G08110		0 11G	G08_110	'TO->FROM'	'FPL SWITCH - WOODWARD 138KV CKT 1'		153	0.04567		110.3557	'POTTER COUNTY INTERCHANGE (WAUK 90343-A) 345/230/13.2KV TRANSFORMER CKT 1' 345.00

SOLUTION	GROUP	SCENARIO	SEASON	SOURCE	DIRECTION	MONITORED ELEMENT	RATE B	TDF	TC%	LOADING	CONTINGENCY NAME
						COMMON NAME					
FDNS	02G08110		0 11G	G08_110	'TO->FROM'	'FPL SWITCH - WOODWARD 138KV CKT 1'	153	0.04083	102.3581	'DBL-SPRVL-CO'	
FDNS	02G08110		0 11G	G08_110	'TO->FROM'	'FPL SWITCH - WOODWARD 138KV CKT 1'	153	0.04083	103.7238	'DBL-COM-MEDL'	
FDNS	02G08110		0 11G	G08_110	'TO->FROM'	'FPL SWITCH - WOODWARD 138KV CKT 1'	153	0.05442	152.7659	'DBL-MEDLO-WI'	
FDNS	02G08110		0 11G	G08_110	'TO->FROM'	'CLEARWATER - MILAN TAP 138KV CKT 1'	110	0.03722	203.3544	'DBL-MEDLO-WI'	
FDNS	02G08110		0 11G	G08_110	'FROM->TO'	'HARPER - MILAN TAP 138KV CKT 1'	95.6	0.03722	248.8019	'DBL-MEDLO-WI'	
FDNS	02G08110		0 11G	G08_110	'FROM->TO'	'ELK CITY 230KV (ELKCTY-6) 230/138/13.8KV TRANSFORMER CKT 1'	287	0.04402	102.9794	'DBL-MEDLO-WI'	
FDNS	02G08110		0 11G	G08_110	'FROM->TO'	'ELK CITY 230KV (ELKCTY-6) 230/138/13.8KV TRANSFORMER CKT 1'	287	0.04402	102.1588	'DBL-MEDLO-WI'	
FDNS	02G08110		0 11G	G08_110	'TO->FROM'	'FPL SWITCH - WOODWARD 138KV CKT 1'	153	0.06179	152.9977	'DBL-WOOD-MED'	
FDNS	02G08110		0 11G	G08_110	'TO->FROM'	'FPL SWITCH - WOODWARD 138KV CKT 1'	153	0.03824	102.8826	'OGE3TERM1'	
FDNS	02G08110		0 11G	G08_110	'TO->FROM'	'FPL SWITCH - WOODWARD 138KV CKT 1'	153	0.04099	104.1167	'OGE3TERM4'	
FDNS	02G08110		0 11G	G08_110	'TO->FROM'	'FPL SWITCH - WOODWARD 138KV CKT 1'	153	0.0488	129.2231	'SPP-SWPS-02'	
FDNS	02G08110		0 11G	G08_110	'TO->FROM'	'FPL SWITCH - WOODWARD 138KV CKT 1'	153	0.0488	136.1272	'SPP-SWPS-02A'	
FDNS	02G08110		0 11G	G08_110	'TO->FROM'	'FPL SWITCH - WOODWARD 138KV CKT 1'	153	0.0489	132.8981	'SPP-SWPS-03'	
FDNS	02G08110		0 11G	G08_110	'TO->FROM'	'FPL SWITCH - WOODWARD 138KV CKT 1'	153	0.04145	108.2825	'SPP-MKEC-08'	
FDNS	02G08110		0 11G	G08_110	'TO->FROM'	'FPL SWITCH - WOODWARD 138KV CKT 1'	153	0.04108	108.5337	'GEN334440 1-SABINE UNIT 4'	
FDNS	02G08110		0 11G	G08_110	'TO->FROM'	'FPL SWITCH - WOODWARD 138KV CKT 1'	153	0.04108	108.1936	'GEN334441 1-SABINE UNIT 5'	
FDNS	02G08110		0 11G	G08_110	'TO->FROM'	'FPL SWITCH - WOODWARD 138KV CKT 1'	153	0.04108	108.3983	'GEN335204 1-NELSON UNIT 4'	
FDNS	02G08110		0 11G	G08_110	'TO->FROM'	'FPL SWITCH - WOODWARD 138KV CKT 1'	153	0.04108	108.6614	'GEN335206 1-NELSON UNIT 6'	
FDNS	02G08110		0 11G	G08_110	'TO->FROM'	'FPL SWITCH - WOODWARD 138KV CKT 1'	153	0.04108	110.8377	'GEN335831 1-RIVERBEND UNIT#1'	
FDNS	02G08110		0 11G	G08_110	'FROM->TO'	'ELK CITY 230KV (ELKCTY-6) 230/138/13.8KV TRANSFORMER CKT 1'	287	0.03905	100.7256	'GEN335831 1-RIVERBEND UNIT#1'	
FDNS	02G08110		0 11G	G08_110	'FROM->TO'	'ELK CITY 230KV (ELKCTY-6) 230/138/13.8KV TRANSFORMER CKT 1'	287	0.03905	100	'GEN335831 1-RIVERBEND UNIT#1'	
FDNS	02G08110		0 11G	G08_110	'TO->FROM'	'FPL SWITCH - WOODWARD 138KV CKT 1'	153	0.04108	109.3671	'GEN336251 1-NINEMILE POINT UNIT#4'	
FDNS	02G08110		0 11G	G08_110	'TO->FROM'	'FPL SWITCH - WOODWARD 138KV CKT 1'	153	0.04108	108.2104	'GEN336801 1-BAXTER WILSON UNIT #1'	
FDNS	02G08110		0 11G	G08_110	'TO->FROM'	'FPL SWITCH - WOODWARD 138KV CKT 1'	153	0.04108	108.8401	'GEN336831 1-BAXTER WILSON SES'	
FDNS	02G08110		0 11G	G08_110	'TO->FROM'	'FPL SWITCH - WOODWARD 138KV CKT 1'	153	0.04108	109.1199	'GEN337041 1-GERALD ANDRUS'	
FDNS	02G08110		0 11G	G08_110	'TO->FROM'	'FPL SWITCH - WOODWARD 138KV CKT 1'	153	0.04108	109.8031	'GEN337652 1-WHITE BLUFF UNIT #1'	
FDNS	02G08110		0 11G	G08_110	'TO->FROM'	'FPL SWITCH - WOODWARD 138KV CKT 1'	153	0.04108	109.5753	'GEN337653 1-WHITE BLUFF UNIT #2'	
FDNS	02G08110		0 11G	G08_110	'TO->FROM'	'FPL SWITCH - WOODWARD 138KV CKT 1'	153	0.04108	110.6681	'GEN337910 1-ARKANSAS NUCLEAR ONE UNIT #1'	
FDNS	02G08110		0 11G	G08_110	'TO->FROM'	'FPL SWITCH - WOODWARD 138KV CKT 1'	153	0.04108	111.5656	'GEN337911 1-ARKANSAS NUCLEAR ONE UNIT #2'	

SOLUTION	GROUP	SCENARIO	SEASON	SOURCE	DIRECTION	MONITORED ELEMENT	RATE B	TDF	TC%LOADING	CONTINGENCY NAME
						COMMON NAME				
FDNS	02G08110		0 11G	G08_110	'FROM->TO'	'ELK CITY 230KV (ELKCTY-6) 230/138/13.8KV TRANSFORMER CKT 1'	287	0.03905	100.8979	'GEN337911 1-ARKANSAS NUCLEAR ONE UNIT #2'
FDNS	02G08110		0 11G	G08_110	'FROM->TO'	'ELK CITY 230KV (ELKCTY-6) 230/138/13.8KV TRANSFORMER CKT 1'	287	0.03905	100.1524	'GEN337911 1-ARKANSAS NUCLEAR ONE UNIT #2'
FDNS	02G08110		0 11G	G08_110	'TO->FROM'	'FPL SWITCH - WOODWARD 138KV CKT 1'	153	0.04108	109.3097	'GEN338143 1-INDEPENDENCE UNIT #1'
FDNS	02G08110		0 11G	G08_110	'TO->FROM'	'FPL SWITCH - WOODWARD 138KV CKT 1'	153	0.04108	109.3835	'GEN338146 1-INDEPENDENCE UNIT #2'
FDNS	02G08110		0 11G	G08_110	'TO->FROM'	'FPL SWITCH - WOODWARD 138KV CKT 1'	153	0.04108	108.6028	'GEN338189 1-LS POWER OSCEOLA UNIT G1'
FDNS	02G08110		0 11G	G08_110	'TO->FROM'	'FPL SWITCH - WOODWARD 138KV CKT 1'	153	0.04108	110.1304	'GEN501801 1-DOLET HILLS UNIT1'
FDNS	02G08110		0 11G	G08_110	'TO->FROM'	'FPL SWITCH - WOODWARD 138KV CKT 1'	153	0.04108	108.731	'GEN501812 1-RODEMACHER UNIT 2'
FDNS	02G08110		0 11G	G08_110	'TO->FROM'	'FPL SWITCH - WOODWARD 138KV CKT 1'	153	0.04108	109.1254	'GEN501813 1-RODEMACHER UNIT 3'
FDNS	02G08110		0 11G	G08_110	'TO->FROM'	'FPL SWITCH - WOODWARD 138KV CKT 1'	153	0.04108	108.9602	'GEN509394 1-FLINT CREEK'
FDNS	02G08110		0 11G	G08_110	'TO->FROM'	'FPL SWITCH - WOODWARD 138KV CKT 1'	153	0.04108	109.9035	'GEN509403 1-PIRKEY GENERATION'
FDNS	02G08110		0 11G	G08_110	'TO->FROM'	'FPL SWITCH - WOODWARD 138KV CKT 1'	153	0.04108	109.1949	'GEN509404 1-WELSH #1'
FDNS	02G08110		0 11G	G08_110	'TO->FROM'	'FPL SWITCH - WOODWARD 138KV CKT 1'	153	0.04108	109.195	'GEN509405 1-WELSH #2'
FDNS	02G08110		0 11G	G08_110	'TO->FROM'	'FPL SWITCH - WOODWARD 138KV CKT 1'	153	0.04108	109.1952	'GEN509406 1-WELSH #3'
FDNS	02G08110		0 11G	G08_110	'TO->FROM'	'FPL SWITCH - WOODWARD 138KV CKT 1'	153	0.04108	109.021	'GEN511839 1-NORTHEASTERN STATION #2'
FDNS	02G08110		0 11G	G08_110	'TO->FROM'	'FPL SWITCH - WOODWARD 138KV CKT 1'	153	0.04108	108.8528	'GEN511840 1-NORTHEASTERN STATION #3'
FDNS	02G08110		0 11G	G08_110	'TO->FROM'	'FPL SWITCH - WOODWARD 138KV CKT 1'	153	0.04108	108.8833	'GEN511841 1-NORTHEASTERN STATION #4'
FDNS	02G08110		0 11G	G08_110	'TO->FROM'	'FPL SWITCH - WOODWARD 138KV CKT 1'	153	0.04108	108.6005	'GEN512688 2-GRDA1 GSU2 22'
FDNS	02G08110		0 11G	G08_110	'TO->FROM'	'FPL SWITCH - WOODWARD 138KV CKT 1'	153	0.04108	108.7514	'GEN512689 1-GRDA1 GSU1 22'
FDNS	02G08110		0 11G	G08_110	'TO->FROM'	'FPL SWITCH - WOODWARD 138KV CKT 1'	153	0.04108	113.3139	'GEN514805 1-SOONER UNIT 1'
FDNS	02G08110		0 11G	G08_110	'TO->FROM'	'FPL SWITCH - WOODWARD 138KV CKT 1'	153	0.04108	111.0863	'GEN514806 1-SOONER UNIT 2'
FDNS	02G08110		0 11G	G08_110	'TO->FROM'	'FPL SWITCH - WOODWARD 138KV CKT 1'	153	0.04108	108.2409	'GEN515042 1-SEMINOLE 3G'
FDNS	02G08110		0 11G	G08_110	'TO->FROM'	'FPL SWITCH - WOODWARD 138KV CKT 1'	153	0.04108	109.3159	'GEN515223 1-MUSKOGEE 4G'
FDNS	02G08110		0 11G	G08_110	'TO->FROM'	'FPL SWITCH - WOODWARD 138KV CKT 1'	153	0.04108	109.2666	'GEN515225 1-MUSKOGEE 5G'
FDNS	02G08110		0 11G	G08_110	'TO->FROM'	'FPL SWITCH - WOODWARD 138KV CKT 1'	153	0.04108	109.7883	'GEN515226 1-MUSKOGEE 6G'
FDNS	02G08110		0 11G	G08_110	'TO->FROM'	'FPL SWITCH - WOODWARD 138KV CKT 1'	153	0.04108	103.9224	'GEN515364 1-CENT 11 0.6000'
FDNS	02G08110		0 11G	G08_110	'TO->FROM'	'FPL SWITCH - WOODWARD 138KV CKT 1'	153	0.04108	103.7506	'GEN515393 1-OGEWND2G'
FDNS	02G08110		0 11G	G08_110	'TO->FROM'	'FPL SWITCH - WOODWARD 138KV CKT 1'	153	0.04108	111.2158	'GEN515790 1-FPLWND2'
FDNS	02G08110		0 11G	G08_110	'TO->FROM'	'FPL SWITCH - WOODWARD 138KV CKT 1'	153	0.04108	110.3924	'GEN520922 1-SLEEPING 138.00'
FDNS	02G08110		0 11G	G08_110	'TO->FROM'	'FPL SWITCH - WOODWARD 138KV CKT 1'	153	0.04108	109.3821	'GEN520947 1-HUGO1'

SOLUTION	GROUP	SCENARIO	SEASON	SOURCE	DIRECTION	MONITORED ELEMENT	RATE B	TDF	TC%LOADING	CONTINGENCY NAME
						COMMON NAME				
FDNS	02G08110		0 11G	G08_110	'TO->FROM'	'FPL SWITCH - WOODWARD 138KV CKT 1'	153	0.04108	123.0811	'GEN520997 1-MORLND2'
FDNS	02G08110		0 11G	G08_110	'TO->FROM'	'FPL SWITCH - WOODWARD 138KV CKT 1'	153	0.04108	100.3178	'GEN523103 1-NOBLE_WND 3115.00'
FDNS	02G08110		0 11G	G08_110	'TO->FROM'	'FPL SWITCH - WOODWARD 138KV CKT 1'	153	0.04108	102.131	'GEN523971 1-HARRINGTON GEN #1 24 KV'
FDNS	02G08110		0 11G	G08_110	'TO->FROM'	'FPL SWITCH - WOODWARD 138KV CKT 1'	153	0.04108	102.1196	'GEN523972 1-HARRINGTON GEN #2 24 KV'
FDNS	02G08110		0 11G	G08_110	'TO->FROM'	'FPL SWITCH - WOODWARD 138KV CKT 1'	153	0.04108	102.1202	'GEN523973 1-HARRINGTON GEN #3 24 KV'
FDNS	02G08110		0 11G	G08_110	'TO->FROM'	'DEAF SMITH COUNTY INTERCHANGE - S-RANDLCO 230.00 230KV CKT 1'	350	0.0461	119.2878	'GEN525561 1-TOLK GEN #1 24 KV'
FDNS	02G08110		0 11G	G08_110	'TO->FROM'	'DEAF SMITH COUNTY INTERCHANGE - S-RANDLCO 230.00 230KV CKT 1'	350	0.0461	116.4213	'GEN525562 1-TOLK GEN #2 24 KV'
FDNS	02G08110		0 11G	G08_110	'TO->FROM'	'FPL SWITCH - WOODWARD 138KV CKT 1'	153	0.04108	103.9981	'GEN527161 1-MUSTANG GEN #1'
FDNS	02G08110		0 11G	G08_110	'TO->FROM'	'FPL SWITCH - WOODWARD 138KV CKT 1'	153	0.04108	103.9981	'GEN527162 1-MUSTANG GEN #2'
FDNS	02G08110		0 11G	G08_110	'TO->FROM'	'FPL SWITCH - WOODWARD 138KV CKT 1'	153	0.04108	103.8868	'GEN527163 1-MUSTANG GEN #3 22 KV'
FDNS	02G08110		0 11G	G08_110	'TO->FROM'	'FPL SWITCH - WOODWARD 138KV CKT 1'	153	0.04108	103.9993	'GEN527164 1-MUSTANG GEN #4 22 KV'
FDNS	02G08110		0 11G	G08_110	'TO->FROM'	'FPL SWITCH - WOODWARD 138KV CKT 1'	153	0.04108	104.0012	'GEN527165 1-Mustang Gen #5'
FDNS	02G08110		0 11G	G08_110	'TO->FROM'	'FPL SWITCH - WOODWARD 138KV CKT 1'	153	0.04108	103.9768	'GEN527901 1-HOBBS PLANT #1 (CT)'
FDNS	02G08110		0 11G	G08_110	'TO->FROM'	'FPL SWITCH - WOODWARD 138KV CKT 1'	153	0.04108	103.9769	'GEN527902 1-HOBBS PLANT #2 (CT)'
FDNS	02G08110		0 11G	G08_110	'TO->FROM'	'FPL SWITCH - WOODWARD 138KV CKT 1'	153	0.04108	103.1241	'GEN527903 1-HOBBS PLANT #3 (ST)'
FDNS	02G08110		0 11G	G08_110	'TO->FROM'	'FPL SWITCH - WOODWARD 138KV CKT 1'	153	0.04108	103.7571	'GEN539670 4-JUDSON LARGE GENERATOR'
FDNS	02G08110		0 11G	G08_110	'TO->FROM'	'FPL SWITCH - WOODWARD 138KV CKT 1'	153	0.04108	118.2171	'GEN560180 1-G07-51 0.6000'
FDNS	02G08110		0 11G	G08_110	'TO->FROM'	'FPL SWITCH - WOODWARD 138KV CKT 1'	153	0.04108	101.8657	'GEN560256 1-G10-14-1 0.6900'
FDNS	02G08110		0 11G	G08_110	'TO->FROM'	'FPL SWITCH - WOODWARD 138KV CKT 1'	153	0.04108	101.7543	'GEN560257 1-G10-14-2 0.6900'
FDNS	02G08110		0 11G	G08_110	'TO->FROM'	'FPL SWITCH - WOODWARD 138KV CKT 1'	153	0.04108	102.0403	'GEN560371 1-G07-46 0.6900'
FDNS	02G08110		0 11G	G08_110	'TO->FROM'	'FPL SWITCH - WOODWARD 138KV CKT 1'	153	0.04108	102.09	'GEN560429 1-G08-29 0.6400'
FDNS	02G08110		0 11G	G08_110	'TO->FROM'	'FPL SWITCH - WOODWARD 138KV CKT 1'	153	0.04108	103.382	'GEN560536 1-G05-17-1 34.500'
FDNS	02G08110		0 11G	G08_110	'TO->FROM'	'FPL SWITCH - WOODWARD 138KV CKT 1'	153	0.04108	103.382	'GEN560540 1-G05-17-3 34.500'
FDNS	02G08110		0 11G	G08_110	'TO->FROM'	'FPL SWITCH - WOODWARD 138KV CKT 1'	153	0.04108	108.0976	'GEN560564 1-G06-35 0.5750'
FDNS	02G08110		0 11G	G08_110	'TO->FROM'	'FPL SWITCH - WOODWARD 138KV CKT 1'	153	0.04108	102.9664	'GEN560585 1-G06-44-2 0.6000'
FDNS	02G08110		0 11G	G08_110	'TO->FROM'	'FPL SWITCH - WOODWARD 138KV CKT 1'	153	0.04108	101.7812	'GEN560586 1-G06-44-3 0.6000'
FDNS	02G08110		0 11G	G08_110	'TO->FROM'	'FPL SWITCH - WOODWARD 138KV CKT 1'	153	0.04108	104.1449	'GEN640009 1-COOPER NUCLEAR STATION'
FDNS	02G08110		0 11G	G08_110	'TO->FROM'	'FPL SWITCH - WOODWARD 138KV CKT 1'	153	0.04108	103.0137	'GEN640010 1-GERALD GENTLEMAN STATION UNIT 1'
FDNS	02G08110		0 11G	G08_110	'TO->FROM'	'FPL SWITCH - WOODWARD 138KV CKT 1'	153	0.04108	103.3939	'GEN640011 2-GERALD GENTLEMAN STATION UNIT 2'

SOLUTION	GROUP	SCENARIO	SEASON	SOURCE	DIRECTION	MONITORED ELEMENT	RATE B	TDF	TC%	LOADING	CONTINGENCY NAME
						COMMON NAME					
FNSL	02G08110		0 11G	G08_110	'TO->FROM'	'FPL SWITCH - WOODWARD 138KV CKT 1'	153	0.04108	111.6159	'GEN336153 1-WATERFORD UNIT#3'	
FNSL	02G08110		0 11G	G08_110	'FROM->TO'	'ELK CITY 230KV (ELKCTY-6) 230/138/13.8KV TRANSFORMER CKT 1'	287	0.03905	101.6994	'GEN336153 1-WATERFORD UNIT#3'	
FNSL	02G08110		0 11G	G08_110	'FROM->TO'	'ELK CITY 230KV (ELKCTY-6) 230/138/13.8KV TRANSFORMER CKT 1'	287	0.03905	100.9365	'GEN336153 1-WATERFORD UNIT#3'	
FDNS	02G0847		0 11G	G08_047	'TO->FROM'	'FPL SWITCH - WOODWARD 138KV CKT 1'	153	0.05354	122.6523	'BASE CASE'	
FDNS	02G0847		0 11G	G08_047	'TO->FROM'	'FPL SWITCH - WOODWARD 138KV CKT 1'	153	0.05324	104.3544	'HINTON - WEATHERFORD JCT. 138KV CKT 1'	
FDNS	02G0847		0 11G	G08_047	'TO->FROM'	'FPL SWITCH - WOODWARD 138KV CKT 1'	153	0.05324	104.3912	'CAN_GAS4 138.00 - HINTON 138KV CKT 1'	
FDNS	02G0847		0 11G	G08_047	'TO->FROM'	'FPL SWITCH - WOODWARD 138KV CKT 1'	153	0.05233	100.0000	'CLINTON AIR FORCE BASE TAP - 100 HOBART JUNCTION 138KV CKT 1'	
FDNS	02G0847		0 11G	G08_047	'TO->FROM'	'FPL SWITCH - WOODWARD 138KV CKT 1'	153	0.05653	130.1801	'LAWTON EASTSIDE - OKLAUNION 345KV CKT 1'	
FDNS	02G0847		0 11G	G08_047	'TO->FROM'	'FPL SWITCH - WOODWARD 138KV CKT 1'	153	0.05653	118.1373	'G08-14T 345.00 - OKLAUNION 345KV CKT 1'	
FDNS	02G0847		0 11G	G08_047	'TO->FROM'	'FPL SWITCH - WOODWARD 138KV CKT 1'	153	0.05091	102.1971	'ELK CITY - RHWIND4 138.00 138KV CKT 1'	
FDNS	02G0847		0 11G	G08_047	'TO->FROM'	'FPL SWITCH - WOODWARD 138KV CKT 1'	153	0.05324	103.8313	'WEATHERFORD JCT. - WEATHERFORD SOUTHEAST 138KV CKT 1'	
FDNS	02G0847		0 11G	G08_047	'TO->FROM'	'FPL SWITCH - WOODWARD 138KV CKT 1'	153	0.05716	139.885	'ELK CITY 230KV - SWEETWT6 230.00 230KV CKT 1'	
FDNS	02G0847		0 11G	G08_047	'TO->FROM'	'FPL SWITCH - WOODWARD 138KV CKT 1'	153	0.05337	104.4375	'WEATHERFORD TAP - WEATHERFORD WIND FARM 138KV CKT 1'	
FDNS	02G0847		0 11G	G08_047	'TO->FROM'	'FPL SWITCH - WOODWARD 138KV CKT 1'	153	0.05324	104.5433	'CAN_GAS4 138.00 - JENSEN ROAD 138KV CKT 1'	
FDNS	02G0847		0 11G	G08_047	'TO->FROM'	'FPL SWITCH - WOODWARD 138KV CKT 1'	153	0.05771	129.6306	'STLN-DEMARC6230.00 - SWEETWT6 230.00 230KV CKT 1'	
FDNS	02G0847		0 11G	G08_047	'TO->FROM'	'FPL SWITCH - WOODWARD 138KV CKT 1'	153	0.05058	103.6653	'WUKOMIS - WUKOMIS TAP 138KV CKT 1'	
FDNS	02G0847		0 11G	G08_047	'TO->FROM'	'FPL SWITCH - WOODWARD 138KV CKT 1'	153	0.05058	103.2879	'HENESSEY - WUKOMIS 138KV CKT 1'	
FDNS	02G0847		0 11G	G08_047	'TO->FROM'	'FPL SWITCH - WOODWARD 138KV CKT 1'	153	0.05429	112.7767	'G08-13T 345.00 - WOODRING 345KV CKT 1'	
FDNS	02G0847		0 11G	G08_047	'TO->FROM'	'FPL SWITCH - WOODWARD 138KV CKT 1'	153	0.05217	103.0523	'KNOBHILL - SALINE 69KV CKT 1'	
FDNS	02G0847		0 11G	G08_047	'TO->FROM'	'FPL SWITCH - WOODWARD 138KV CKT 1'	153	0.05217	103.293	'HELENAT2 69.000 - SALINE 69KV CKT 1'	
FDNS	02G0847		0 11G	G08_047	'TO->FROM'	'FPL SWITCH - WOODWARD 138KV CKT 1'	153	0.05217	104.173	'GOLTRY - IMO 69KV CKT 1'	
FDNS	02G0847		0 11G	G08_047	'TO->FROM'	'FPL SWITCH - WOODWARD 138KV CKT 1'	153	0.05217	103.9891	'GOLTRY - HELENAT2 69.000 69KV CKT 1'	
FDNS	02G0847		0 11G	G08_047	'TO->FROM'	'FPL SWITCH - WOODWARD 138KV CKT 1'	153	0.05058	102.4423	'DOVER SW - HENESSEY 138KV CKT 1'	
FDNS	02G0847		0 11G	G08_047	'TO->FROM'	'FPL SWITCH - WOODWARD 138KV CKT 1'	153	0.06082	120.4927	'WOODWARD - WOODWARD 69KV CKT 1'	
FDNS	02G0847		0 11G	G08_047	'TO->FROM'	'FPL SWITCH - WOODWARD 138KV CKT 1'	153	0.05216	103.7516	'WOODWARD - WWRDEHV4 138.00 138KV CKT 2'	
FDNS	02G0847		0 11G	G08_047	'TO->FROM'	'FPL SWITCH - WOODWARD 138KV CKT 1'	153	0.0641	131.8316	'DEWEY - IODINE 138KV CKT 1'	
FDNS	02G0847		0 11G	G08_047	'TO->FROM'	'FPL SWITCH - WOODWARD 138KV CKT 1'	153	0.05476	109.7838	'DEWEY - TALOGA 138KV CKT 1'	
FDNS	02G0847		0 11G	G08_047	'TO->FROM'	'FPL SWITCH - WOODWARD 138KV CKT 1'	153	0.0641	133.0762	'IODINE - WWRDEHV4 138.00 138KV CKT 1'	
FDNS	02G0847		0 11G	G08_047	'TO->FROM'	'FPL SWITCH - WOODWARD 138KV CKT 1'	153	0.05436	109.7325	'CIMARRON - NORTHWEST 345KV CKT 1'	

SOLUTION	GROUP	SCENARIO	SEASON	SOURCE	DIRECTION	MONITORED ELEMENT		RATE B	TDF	TC%	LOADING	CONTINGENCY NAME
						COMMON NAME	NAME					
FDNS	02G0847		0 11G	G08_047	'TO->FROM'	'FPL SWITCH - WOODWARD 138KV CKT 1'	'NORTHWEST - TATONGA7 345.00	153	0.07658	170.9194	345KV CKT 1'	
FDNS	02G0847		0 11G	G08_047	'TO->FROM'	'FPL SWITCH - WOODWARD 138KV CKT 1'	'TATONGA7 345.00 - WWRDEHV7	153	0.0775	154.0841	345.00 345KV CKT 1'	
FDNS	02G0847		0 11G	G08_047	'TO->FROM'	'FPL SWITCH - WOODWARD 138KV CKT 1'	'BORDER 7345.00 - WWRDEHV7	153	0.05743	111.1103	345.00 345KV CKT 1'	
FDNS	02G0847		0 11G	G08_047	'TO->FROM'	'FPL SWITCH - WOODWARD 138KV CKT 1'	'MED-LDG5 345.00 - WWRDEHV7	153	0.06091	119.0264	345.00 345KV CKT 1'	
FDNS	02G0847		0 11G	G08_047	'TO->FROM'	'FPL SWITCH - WOODWARD 138KV CKT 1'	'MED-LDG5 345.00 - WWRDEHV7	153	0.06091	119.0264	345.00 345KV CKT 2'	
FDNS	02G0847		0 11G	G08_047	'TO->FROM'	'FPL SWITCH - WOODWARD 138KV CKT 1'	'ALVA - CHEROKEE SW 69KV CKT 1'	153	0.05332	104.6763		
FDNS	02G0847		0 11G	G08_047	'TO->FROM'	'FPL SWITCH - WOODWARD 138KV CKT 1'	'FARGO JCT - FT SUPPLY 69KV CKT 1'	153	0.05493	108.908		
FDNS	02G0847		0 11G	G08_047	'TO->FROM'	'FPL SWITCH - WOODWARD 138KV CKT 1'	'HYDRO - SICKLES 138KV CKT 1'	153	0.05314	104.6434		
FDNS	02G0847		0 11G	G08_047	'TO->FROM'	'FPL SWITCH - WOODWARD 138KV CKT 1'	'HYDRO - WEATHERFORD 138KV CKT 1'	153	0.05314	104.4912		
FDNS	02G0847		0 11G	G08_047	'TO->FROM'	'FPL SWITCH - WOODWARD 138KV CKT 1'	'OKEENE - WATONGA SW 69KV CKT 1'	153	0.05281	104.153		
FDNS	02G0847		0 11G	G08_047	'TO->FROM'	'FPL SWITCH - WOODWARD 138KV CKT 1'	'CARTER JCT - WOODWARD 69KV CKT 1'	153	0.05554	108.7666		
FDNS	02G0847		0 11G	G08_047	'TO->FROM'	'FPL SWITCH - WOODWARD 138KV CKT 1'	'Hitchland Interchange - STEVENSCO	153	0.05901	111.5203	345.00 345KV CKT 1'	
FDNS	02G0847		0 11G	G08_047	'TO->FROM'	'FPL SWITCH - WOODWARD 138KV CKT 1'	'G05-17T 345.00 - Hitchland Interchange	153	0.05718	102.889	345KV CKT 1'	
FDNS	02G0847		0 11G	G08_047	'TO->FROM'	'FPL SWITCH - WOODWARD 138KV CKT 1'	'GRAPEVINE INTERCHANGE - STATELINE	153	0.05771	132.1921	INTERCHANGE 230KV CKT 1'	
FDNS	02G0847		0 11G	G08_047	'TO->FROM'	'FPL SWITCH - WOODWARD 138KV CKT 1'	'GRAPEVINE INTERCHANGE - NICHOLS	153	0.0558	124.2603	STATION 230KV CKT 1'	
FDNS	02G0847		0 11G	G08_047	'TO->FROM'	'FPL SWITCH - WOODWARD 138KV CKT 1'	'BORDER 7345.00 - TUCO	153	0.05743	111.1103	INTERCHANGE 345KV CKT 1'	
FDNS	02G0847		0 11G	G08_047	'TO->FROM'	'FPL SWITCH - WOODWARD 138KV CKT 1'	'STATELINE INTERCHANGE - STLN-	153	0.05771	129.6306	DEMARCO6230.00 230KV CKT 1'	
FDNS	02G0847		0 11G	G08_047	'TO->FROM'	'FPL SWITCH - WOODWARD 138KV CKT 1'	'FINNEY SWITCHING STATION -	153	0.05844	126.7812	STEVENSCO 345.00 345KV CKT 1'	
FDNS	02G0847		0 11G	G08_047	'FROM->TO'	'ELK CITY 230KV (ELKCTY-6)	'FINNEY SWITCHING STATION -	287	0.0301	111.5792	STEVENSCO 345.00 345KV CKT 1'	
FDNS	02G0847		0 11G	G08_047	'FROM->TO'	230/138/13.8KV TRANSFORMER CKT 1'	'FINNEY SWITCHING STATION -	287	0.0301	110.4089	STEVENSCO 345.00 345KV CKT 1'	
FDNS	02G0847		0 11G	G08_047	'TO->FROM'	'ELK CITY 230KV (ELKCTY-6)	'G05-17T 345.00 - POTTER COUNTY	153	0.05682	109.3594	INTERCHANGE 345KV CKT 1'	
FDNS	02G0847		0 11G	G08_047	'TO->FROM'	230/138/13.8KV TRANSFORMER CKT 1'	'NICHOLS STATION - YARNELL SUB	153	0.05375	108.6673	115KV CKT 1'	
FDNS	02G0847		0 11G	G08_047	'TO->FROM'	'FPL SWITCH - WOODWARD 138KV CKT 1'	'CONWAY SUB - YARNELL SUB 115KV	153	0.05375	108.6751	CKT 1'	
FDNS	02G0847		0 11G	G08_047	'TO->FROM'	'DEAF SMITH COUNTY INTERCHANGE - S-	'AMARILLO SOUTH INTERCHANGE - G07-	350	0.03618	101.863	48T 230.00 230KV CKT 1'	
FDNS	02G0847		0 11G	G08_047	'TO->FROM'	RANDLCO 230.00 230KV CKT 1'	'G07-48T 230.00 - SWISHER COUNTY	350	0.03539	108.2347	INTERCHANGE 230KV CKT 1'	
FDNS	02G0847		0 11G	G08_047	'TO->FROM'	'DEAF SMITH COUNTY INTERCHANGE - S-	'PLANT X STATION - S-RANDLCO 230.00	350	0.04397	110.5637	230KV CKT 1'	
FDNS	02G0847		0 11G	G08_047	'TO->FROM'	RANDLCO 230.00 230KV CKT 1'	'G08-14T 345.00 - TUCO INTERCHANGE	153	0.05661	116.54	345KV CKT 1'	
FDNS	02G0847		0 11G	G08_047	'TO->FROM'	'FPL SWITCH - WOODWARD 138KV CKT 1'	'G10-16T 345.00 - POSTROCK7 345.00	153	0.05452	110.7482	345KV CKT 1'	

SOLUTION	GROUP	SCENARIO	SEASON	SOURCE	DIRECTION	MONITORED ELEMENT	RATE	B	TDF	TC%	LOADING	CONTINGENCY	NAME
						COMMON NAME							
FDNS	02G0847		0 11G	G08_047	'TO->FROM'	'FPL SWITCH - WOODWARD 138KV CKT 1'	153	0.05425			108.8562	'AXTELL - POSTROCK7 CKT 1'	345.00 345KV
FDNS	02G0847		0 11G	G08_047	'TO->FROM'	'FPL SWITCH - WOODWARD 138KV CKT 1'	153	0.05452			109.4038	'HOLCOMB - SETAB 345KV CKT 1'	
FDNS	02G0847		0 11G	G08_047	'TO->FROM'	'FPL SWITCH - WOODWARD 138KV CKT 1'	153	0.05409			110.1701	'G08-18 345.00 - HOLCOMB 345KV CKT 1'	
FDNS	02G0847		0 11G	G08_047	'TO->FROM'	'FPL SWITCH - WOODWARD 138KV CKT 1'	153	0.05472			111.0237	'MINGO - SETAB 345KV CKT 1'	
FDNS	02G0847		0 11G	G08_047	'TO->FROM'	'FPL SWITCH - WOODWARD 138KV CKT 1'	153	0.05483			110.6916	'MINGO - RED WILLOW 345KV CKT 1'	
FDNS	02G0847		0 11G	G08_047	'TO->FROM'	'FPL SWITCH - WOODWARD 138KV CKT 1'	153	0.05404			111.6171	'GRAY CO 345.00 - SPEARVILLE 345KV CKT 1'	
FDNS	02G0847		0 11G	G08_047	'TO->FROM'	'FPL SWITCH - WOODWARD 138KV CKT 1'	153	0.05455			110.2138	'G10-16T 345.00 - SPEARVILLE 345KV CKT 1'	
FDNS	02G0847		0 11G	G08_047	'TO->FROM'	'FPL SWITCH - WOODWARD 138KV CKT 1'	153	0.05486			109.0268	'BENTON - WICHITA 345KV CKT 1'	
FDNS	02G0847		0 11G	G08_047	'TO->FROM'	'FPL SWITCH - WOODWARD 138KV CKT 1'	153	0.0535			109.23	'LACYGNE - NEOSHO 345KV CKT 1'	
FDNS	02G0847		0 11G	G08_047	'TO->FROM'	'FPL SWITCH - WOODWARD 138KV CKT 1'	153	0.05694			117.263	'MED-LDG5 345.00 - WICHITA 345KV CKT 1'	
FDNS	02G0847		0 11G	G08_047	'TO->FROM'	'FPL SWITCH - WOODWARD 138KV CKT 1'	153	0.05694			117.263	'MED-LDG5 345.00 - WICHITA 345KV CKT 2'	
FDNS	02G0847		0 11G	G08_047	'TO->FROM'	'FPL SWITCH - WOODWARD 138KV CKT 1'	153	0.05393			108.9079	'FLATRDG3 - HARPER 138KV CKT 1'	
FDNS	02G0847		0 11G	G08_047	'TO->FROM'	'FPL SWITCH - WOODWARD 138KV CKT 1'	153	0.05393			108.6643	'HARPER - MILAN TAP 138KV CKT 1'	
FDNS	02G0847		0 11G	G08_047	'TO->FROM'	'FPL SWITCH - WOODWARD 138KV CKT 1'	153	0.05439			110.9043	'G08-13T 345.00 - SUMNERCO 345.00 345KV CKT 1'	
FDNS	02G0847		0 11G	G08_047	'TO->FROM'	'FPL SWITCH - WOODWARD 138KV CKT 1'	153	0.05407			110.8988	'G08-18 345.00 - GRAY CO 345.00 345KV CKT 1'	
FDNS	02G0847		0 11G	G08_047	'TO->FROM'	'FPL SWITCH - WOODWARD 138KV CKT 1'	153	0.05373			108.6545	'GRAND ISLAND - SWEETWATER 345KV CKT 1'	
FDNS	02G0847		0 11G	G08_047	'TO->FROM'	'FPL SWITCH - WOODWARD 138KV CKT 1'	153	0.05716			139.8834	'ELK CITY 230KV (ELKCTY-6) 230/138/13.8KV TRANSFORMER CKT 1'	
FDNS	02G0847		0 11G	G08_047	'TO->FROM'	'FPL SWITCH - WOODWARD 138KV CKT 1'	153	0.05176			112.5261	'WOODRING (WOODRNG2) 345/138/13.8KV TRANSFORMER CKT 1'	
FDNS	02G0847		0 11G	G08_047	'TO->FROM'	'FPL SWITCH - WOODWARD 138KV CKT 1'	153	0.06082			133.5756	'WOODWARD (WOODWRD2) 138/69/13.2KV TRANSFORMER CKT 1'	
FDNS	02G0847		0 11G	G08_047	'TO->FROM'	'FPL SWITCH - WOODWARD 138KV CKT 1'	153	0.04904			100.6179	'WWWRDEHV7 345.00 (WWDEHV-T2) 345/138/13.8KV TRANSFORMER CKT 2'	
FDNS	02G0847		0 11G	G08_047	'TO->FROM'	'FPL SWITCH - WOODWARD 138KV CKT 1'	153	0.05673			110.8622	'POTTER COUNTY INTERCHANGE (WAUK 90343-A) 345/230/13.2KV TRANSFORMER CKT 1'	
FDNS	02G0847		0 11G	G08_047	'TO->FROM'	'FPL SWITCH - WOODWARD 138KV CKT 1'	153	0.05398			102.9294	'DBL-SPRVL-CO'	
FDNS	02G0847		0 11G	G08_047	'TO->FROM'	'FPL SWITCH - WOODWARD 138KV CKT 1'	153	0.05398			104.3041	'DBL-COM-MEDL'	
FDNS	02G0847		0 11G	G08_047	'TO->FROM'	'FPL SWITCH - WOODWARD 138KV CKT 1'	153	0.06785			153.3405	'DBL-MEDLO-WI'	
FDNS	02G0847		0 11G	G08_047	'TO->FROM'	'CLEARWATER - MILAN TAP 138KV CKT 1'	110	0.03966			203.487	'DBL-MEDLO-WI'	
FDNS	02G0847		0 11G	G08_047	'FROM->TO'	'HARPER - MILAN TAP 138KV CKT 1'	95.6	0.03966			248.9557	'DBL-MEDLO-WI'	
FDNS	02G0847		0 11G	G08_047	'TO->FROM'	'FPL SWITCH - WOODWARD 138KV CKT 1'	153	0.082			153.8423	'DBL-WOOD-MED'	
FDNS	02G0847		0 11G	G08_047	'TO->FROM'	'FPL SWITCH - WOODWARD 138KV CKT 1'	153	0.05029			103.3992	'OGE3TERM1'	
FDNS	02G0847		0 11G	G08_047	'TO->FROM'	'FPL SWITCH - WOODWARD 138KV CKT 1'	153	0.05344			104.6495	'OGE3TERM4'	

SOLUTION	GROUP	SCENARIO	SEASON	SOURCE	DIRECTION	MONITORED ELEMENT	RATE	B	TDF	TC%	LOADING	CONTINGENCY NAME
						COMMON NAME						
FDNS	02G0847		0 11G	G08_047	'TO->FROM'	'FPL SWITCH - WOODWARD 138KV CKT 1'	153	0.05771		129.6306	'SPP-SWPS-02'	
FDNS	02G0847		0 11G	G08_047	'TO->FROM'	'FPL SWITCH - WOODWARD 138KV CKT 1'	153	0.05771		136.5165	'SPP-SWPS-02A'	
FDNS	02G0847		0 11G	G08_047	'TO->FROM'	'FPL SWITCH - WOODWARD 138KV CKT 1'	153	0.05777		133.2866	'SPP-SWPS-03'	
FDNS	02G0847		0 11G	G08_047	'TO->FROM'	'FPL SWITCH - WOODWARD 138KV CKT 1'	153	0.05393		108.8183	'SPP-MKEC-08'	
FDNS	02G0847		0 11G	G08_047	'TO->FROM'	'FPL SWITCH - WOODWARD 138KV CKT 1'	153	0.05354		109.0661	'GEN334440 1-SABINE UNIT 4'	
FDNS	02G0847		0 11G	G08_047	'TO->FROM'	'FPL SWITCH - WOODWARD 138KV CKT 1'	153	0.05354		108.7269	'GEN334441 1-SABINE UNIT 5'	
FDNS	02G0847		0 11G	G08_047	'TO->FROM'	'FPL SWITCH - WOODWARD 138KV CKT 1'	153	0.05354		108.9308	'GEN335204 1-NELSON UNIT 4'	
FDNS	02G0847		0 11G	G08_047	'TO->FROM'	'FPL SWITCH - WOODWARD 138KV CKT 1'	153	0.05354		109.1931	'GEN335206 1-NELSON UNIT 6'	
FDNS	02G0847		0 11G	G08_047	'TO->FROM'	'FPL SWITCH - WOODWARD 138KV CKT 1'	153	0.05354		111.3589	'GEN335831 1-RIVERBEND UNIT#1'	
FDNS	02G0847		0 11G	G08_047	'TO->FROM'	'FPL SWITCH - WOODWARD 138KV CKT 1'	153	0.05354		109.8953	'GEN336251 1-NINEMILE POINT UNIT#4'	
FDNS	02G0847		0 11G	G08_047	'TO->FROM'	'FPL SWITCH - WOODWARD 138KV CKT 1'	153	0.05354		108.7425	'GEN336801 1-BAXTER WILSON UNIT #1'	
FDNS	02G0847		0 11G	G08_047	'TO->FROM'	'FPL SWITCH - WOODWARD 138KV CKT 1'	153	0.05354		109.3639	'GEN336831 1-BAXTER WILSON SES'	
FDNS	02G0847		0 11G	G08_047	'TO->FROM'	'FPL SWITCH - WOODWARD 138KV CKT 1'	153	0.05354		109.6477	'GEN337041 1-GERALD ANDRUS'	
FDNS	02G0847		0 11G	G08_047	'TO->FROM'	'FPL SWITCH - WOODWARD 138KV CKT 1'	153	0.05354		110.328	'GEN337652 1-WHITE BLUFF UNIT #1'	
FDNS	02G0847		0 11G	G08_047	'TO->FROM'	'FPL SWITCH - WOODWARD 138KV CKT 1'	153	0.05354		110.102	'GEN337653 1-WHITE BLUFF UNIT #2'	
FDNS	02G0847		0 11G	G08_047	'TO->FROM'	'FPL SWITCH - WOODWARD 138KV CKT 1'	153	0.05354		111.1866	'GEN337910 1-ARKANSAS NUCLEAR ONE UNIT #1'	
FDNS	02G0847		0 11G	G08_047	'TO->FROM'	'FPL SWITCH - WOODWARD 138KV CKT 1'	153	0.05354		112.087	'GEN337911 1-ARKANSAS NUCLEAR ONE UNIT #2'	
FDNS	02G0847		0 11G	G08_047	'TO->FROM'	'FPL SWITCH - WOODWARD 138KV CKT 1'	153	0.05354		109.8336	'GEN338143 1-INDEPENDENCE UNIT #1'	
FDNS	02G0847		0 11G	G08_047	'TO->FROM'	'FPL SWITCH - WOODWARD 138KV CKT 1'	153	0.05354		109.9073	'GEN338146 1-INDEPENDENCE UNIT #2'	
FDNS	02G0847		0 11G	G08_047	'TO->FROM'	'FPL SWITCH - WOODWARD 138KV CKT 1'	153	0.05354		109.1199	'GEN338189 1-LS POWER OSCEOLA UNIT G1'	
FDNS	02G0847		0 11G	G08_047	'TO->FROM'	'FPL SWITCH - WOODWARD 138KV CKT 1'	153	0.05354		110.6574	'GEN501801 1-DOLET HILLS UNIT1'	
FDNS	02G0847		0 11G	G08_047	'TO->FROM'	'FPL SWITCH - WOODWARD 138KV CKT 1'	153	0.05354		109.2627	'GEN501812 1-RODEMACHER UNIT 2'	
FDNS	02G0847		0 11G	G08_047	'TO->FROM'	'FPL SWITCH - WOODWARD 138KV CKT 1'	153	0.05354		109.6498	'GEN501813 1-RODEMACHER UNIT 3'	
FDNS	02G0847		0 11G	G08_047	'TO->FROM'	'FPL SWITCH - WOODWARD 138KV CKT 1'	153	0.05354		109.4935	'GEN509394 1-FLINT CREEK'	
FDNS	02G0847		0 11G	G08_047	'TO->FROM'	'FPL SWITCH - WOODWARD 138KV CKT 1'	153	0.05354		110.4344	'GEN509403 1-PIRKEY GENERATION'	
FDNS	02G0847		0 11G	G08_047	'TO->FROM'	'FPL SWITCH - WOODWARD 138KV CKT 1'	153	0.05354		109.7279	'GEN509404 1-WELSH #1'	
FDNS	02G0847		0 11G	G08_047	'TO->FROM'	'FPL SWITCH - WOODWARD 138KV CKT 1'	153	0.05354		109.728	'GEN509405 1-WELSH #2'	
FDNS	02G0847		0 11G	G08_047	'TO->FROM'	'FPL SWITCH - WOODWARD 138KV CKT 1'	153	0.05354		109.7282	'GEN509406 1-WELSH #3'	
FDNS	02G0847		0 11G	G08_047	'TO->FROM'	'FPL SWITCH - WOODWARD 138KV CKT 1'	153	0.05354		109.5554	'GEN511839 1-NORTHEASTERN STATION #2'	

SOLUTION	GROUP	SCENARIO	SEASON	SOURCE	DIRECTION	MONITORED ELEMENT		RATE	B	TDF	TC%	LOADING	CONTINGENCY NAME
						COMMON NAME							
FDNS	02G0847		0 11G	G08_047	'TO->FROM'	'FPL SWITCH - WOODWARD 138KV CKT 1'		153	0.05354			109.3872	'GEN511840 1-NORTHEASTERN STATION #3'
FDNS	02G0847		0 11G	G08_047	'TO->FROM'	'FPL SWITCH - WOODWARD 138KV CKT 1'		153	0.05354			109.4175	'GEN511841 1-NORTHEASTERN STATION #4'
FDNS	02G0847		0 11G	G08_047	'TO->FROM'	'FPL SWITCH - WOODWARD 138KV CKT 1'		153	0.05354			109.1349	'GEN512688 2-GRDA1 GSU2 22'
FDNS	02G0847		0 11G	G08_047	'TO->FROM'	'FPL SWITCH - WOODWARD 138KV CKT 1'		153	0.05354			109.2857	'GEN512689 1-GRDA1 GSU1 22'
FDNS	02G0847		0 11G	G08_047	'TO->FROM'	'FPL SWITCH - WOODWARD 138KV CKT 1'		153	0.05354			113.8456	'GEN514805 1-SOONER UNIT 1'
FDNS	02G0847		0 11G	G08_047	'TO->FROM'	'FPL SWITCH - WOODWARD 138KV CKT 1'		153	0.05354			111.6193	'GEN514806 1-SOONER UNIT 2'
FDNS	02G0847		0 11G	G08_047	'TO->FROM'	'FPL SWITCH - WOODWARD 138KV CKT 1'		153	0.05354			108.7773	'GEN515042 1-SEMINOLE 3G'
FDNS	02G0847		0 11G	G08_047	'TO->FROM'	'FPL SWITCH - WOODWARD 138KV CKT 1'		153	0.05354			109.8499	'GEN515223 1-MUSKOGEE 4G'
FDNS	02G0847		0 11G	G08_047	'TO->FROM'	'FPL SWITCH - WOODWARD 138KV CKT 1'		153	0.05354			109.8005	'GEN515225 1-MUSKOGEE 5G'
FDNS	02G0847		0 11G	G08_047	'TO->FROM'	'FPL SWITCH - WOODWARD 138KV CKT 1'		153	0.05354			110.3216	'GEN515226 1-MUSKOGEE 6G'
FDNS	02G0847		0 11G	G08_047	'TO->FROM'	'FPL SWITCH - WOODWARD 138KV CKT 1'		153	0.05354			104.4594	'GEN515364 1-CENT 11 0.6000'
FDNS	02G0847		0 11G	G08_047	'TO->FROM'	'FPL SWITCH - WOODWARD 138KV CKT 1'		153	0.05354			104.2827	'GEN515393 1-OGEWND2G'
FDNS	02G0847		0 11G	G08_047	'TO->FROM'	'FPL SWITCH - WOODWARD 138KV CKT 1'		153	0.05354			111.7478	'GEN515790 1-FPLWND2'
FDNS	02G0847		0 11G	G08_047	'TO->FROM'	'FPL SWITCH - WOODWARD 138KV CKT 1'		153	0.05354			110.9251	'GEN520922 1-SLEEPING 138.00'
FDNS	02G0847		0 11G	G08_047	'TO->FROM'	'FPL SWITCH - WOODWARD 138KV CKT 1'		153	0.05354			109.9098	'GEN520947 1-HUGO1'
FDNS	02G0847		0 11G	G08_047	'TO->FROM'	'FPL SWITCH - WOODWARD 138KV CKT 1'		153	0.05354			123.5989	'GEN520997 1-MORLND2'
FDNS	02G0847		0 11G	G08_047	'TO->FROM'	'FPL SWITCH - WOODWARD 138KV CKT 1'		153	0.05354			100.8361	'GEN523103 1-NOBLE_WND 3115.00'
FDNS	02G0847		0 11G	G08_047	'TO->FROM'	'FPL SWITCH - WOODWARD 138KV CKT 1'		153	0.05354			102.6492	'GEN523971 1-HARRINGTON GEN #1 24 KV'
FDNS	02G0847		0 11G	G08_047	'TO->FROM'	'FPL SWITCH - WOODWARD 138KV CKT 1'		153	0.05354			102.6377	'GEN523972 1-HARRINGTON GEN #2 24 KV'
FDNS	02G0847		0 11G	G08_047	'TO->FROM'	'FPL SWITCH - WOODWARD 138KV CKT 1'		153	0.05354			102.6383	'GEN523973 1-HARRINGTON GEN #3 24 KV'
FDNS	02G0847		0 11G	G08_047	'TO->FROM'	'DEAF SMITH COUNTY INTERCHANGE - S-RANDLCO 230.00 230KV CKT 1'		350	0.03014			119.0262	'GEN525561 1-TOLK GEN #1 24 KV'
FDNS	02G0847		0 11G	G08_047	'TO->FROM'	'DEAF SMITH COUNTY INTERCHANGE - S-RANDLCO 230.00 230KV CKT 1'		350	0.03014			116.3456	'GEN525562 1-TOLK GEN #2 24 KV'
FDNS	02G0847		0 11G	G08_047	'TO->FROM'	'FPL SWITCH - WOODWARD 138KV CKT 1'		153	0.05354			104.5303	'GEN527161 1-MUSTANG GEN #1'
FDNS	02G0847		0 11G	G08_047	'TO->FROM'	'FPL SWITCH - WOODWARD 138KV CKT 1'		153	0.05354			104.5304	'GEN527162 1-MUSTANG GEN #2'
FDNS	02G0847		0 11G	G08_047	'TO->FROM'	'FPL SWITCH - WOODWARD 138KV CKT 1'		153	0.05354			104.4179	'GEN527163 1-MUSTANG GEN #3 22 KV'
FDNS	02G0847		0 11G	G08_047	'TO->FROM'	'FPL SWITCH - WOODWARD 138KV CKT 1'		153	0.05354			104.5305	'GEN527164 1-MUSTANG GEN #4 22 KV'
FDNS	02G0847		0 11G	G08_047	'TO->FROM'	'FPL SWITCH - WOODWARD 138KV CKT 1'		153	0.05354			104.5324	'GEN527165 1-Mustang Gen #5'
FDNS	02G0847		0 11G	G08_047	'TO->FROM'	'FPL SWITCH - WOODWARD 138KV CKT 1'		153	0.05354			104.508	'GEN527901 1-HOBBS PLANT #1 (CT)'
FDNS	02G0847		0 11G	G08_047	'TO->FROM'	'FPL SWITCH - WOODWARD 138KV CKT 1'		153	0.05354			104.5081	'GEN527902 1-HOBBS PLANT #2 (CT)'

SOLUTION	GROUP	SCENARIO	SEASON	SOURCE	DIRECTION	MONITORED ELEMENT	RATE B	TDF	TC%	LOADING	CONTINGENCY	NAME
						COMMON NAME						
FDNS	02G0847		0 11G	G08_047	'TO->FROM'	'FPL SWITCH - WOODWARD 138KV CKT 1'	153	0.05354	103.6544	'GEN527903 1-HOBBS PLANT #3 (ST)'		
FDNS	02G0847		0 11G	G08_047	'TO->FROM'	'FPL SWITCH - WOODWARD 138KV CKT 1'	153	0.05354	104.2882	'GEN539670 4-JUDSON LARGE GENERATOR'		
FDNS	02G0847		0 11G	G08_047	'TO->FROM'	'FPL SWITCH - WOODWARD 138KV CKT 1'	153	0.05354	118.7397	'GEN560180 1-G07-51 0.6000'		
FDNS	02G0847		0 11G	G08_047	'TO->FROM'	'FPL SWITCH - WOODWARD 138KV CKT 1'	153	0.05354	102.3878	'GEN560256 1-G10-14-1 0.6900'		
FDNS	02G0847		0 11G	G08_047	'TO->FROM'	'FPL SWITCH - WOODWARD 138KV CKT 1'	153	0.05354	102.276	'GEN560257 1-G10-14-2 0.6900'		
FDNS	02G0847		0 11G	G08_047	'TO->FROM'	'FPL SWITCH - WOODWARD 138KV CKT 1'	153	0.05354	102.5619	'GEN560371 1-G07-46 0.6900'		
FDNS	02G0847		0 11G	G08_047	'TO->FROM'	'FPL SWITCH - WOODWARD 138KV CKT 1'	153	0.05354	102.6252	'GEN560429 1-G08-29 0.6400'		
FDNS	02G0847		0 11G	G08_047	'TO->FROM'	'FPL SWITCH - WOODWARD 138KV CKT 1'	153	0.05354	103.9095	'GEN560536 1-G05-17-1 34.500'		
FDNS	02G0847		0 11G	G08_047	'TO->FROM'	'FPL SWITCH - WOODWARD 138KV CKT 1'	153	0.05354	103.9095	'GEN560540 1-G05-17-3 34.500'		
FDNS	02G0847		0 11G	G08_047	'TO->FROM'	'FPL SWITCH - WOODWARD 138KV CKT 1'	153	0.05354	108.633	'GEN560564 1-G06-35 0.5750'		
FDNS	02G0847		0 11G	G08_047	'TO->FROM'	'FPL SWITCH - WOODWARD 138KV CKT 1'	153	0.05354	103.4927	'GEN560585 1-G06-44-2 0.6000'		
FDNS	02G0847		0 11G	G08_047	'TO->FROM'	'FPL SWITCH - WOODWARD 138KV CKT 1'	153	0.05354	102.3026	'GEN560586 1-G06-44-3 0.6000'		
FDNS	02G0847		0 11G	G08_047	'TO->FROM'	'FPL SWITCH - WOODWARD 138KV CKT 1'	153	0.05354	104.6737	'GEN640009 1-COOPER NUCLEAR STATION'		
FDNS	02G0847		0 11G	G08_047	'TO->FROM'	'FPL SWITCH - WOODWARD 138KV CKT 1'	153	0.05354	103.5394	'GEN640010 1-GERALD GENTLEMAN STATION UNIT 1'		
FDNS	02G0847		0 11G	G08_047	'TO->FROM'	'FPL SWITCH - WOODWARD 138KV CKT 1'	153	0.05354	103.92	'GEN640011 2-GERALD GENTLEMAN STATION UNIT 2'		
FNSL	02G0847		0 11G	G08_047	'TO->FROM'	'FPL SWITCH - WOODWARD 138KV CKT 1'	153	0.05354	112.1346	'GEN336153 1-WATERFORD UNIT#3'		
FDNS	02G1007		0 11G	G10_007	'FROM->TO'	'ELK CITY 230KV (ELKCTY-6) 230/138/13.8KV TRANSFORMER CKT 1'	287	0.11819	114.158	'LAWTON EASTSIDE - OKLAUNION 345KV CKT 1'		
FDNS	02G1007		0 11G	G10_007	'FROM->TO'	'ELK CITY 230KV (ELKCTY-6) 230/138/13.8KV TRANSFORMER CKT 1'	287	0.11819	112.8133	'LAWTON EASTSIDE - OKLAUNION 345KV CKT 1'		
FDNS	02G1007		0 11G	G10_007	'FROM->TO'	'ELK CITY 230KV (ELKCTY-6) 230/138/13.8KV TRANSFORMER CKT 1'	287	0.11819	103.8045	'G08-14T 345.00 - OKLAUNION 345KV CKT 1'		
FDNS	02G1007		0 11G	G10_007	'FROM->TO'	'ELK CITY 230KV (ELKCTY-6) 230/138/13.8KV TRANSFORMER CKT 1'	287	0.11819	102.9105	'G08-14T 345.00 - OKLAUNION 345KV CKT 1'		
FDNS	02G1007		0 11G	G10_007	'TO->FROM'	'FPL SWITCH - WOODWARD 138KV CKT 1'	153	0.04001	137.6431	'ELK CITY 230KV - SWEETWT6 230.00 230KV CKT 1'		
FDNS	02G1007		0 11G	G10_007	'TO->FROM'	'FPL SWITCH - WOODWARD 138KV CKT 1'	153	0.04057	127.3914	'STLN-DEMARC6230.00 - SWEETWT6 230.00 230KV CKT 1'		
FDNS	02G1007		0 11G	G10_007	'TO->FROM'	'FPL SWITCH - WOODWARD 138KV CKT 1'	153	0.03594	167.9582	'NORTHWEST - TATONGA7 345.00 345KV CKT 1'		
FDNS	02G1007		0 11G	G10_007	'FROM->TO'	'ELK CITY 230KV (ELKCTY-6) 230/138/13.8KV TRANSFORMER CKT 1'	287	0.10888	105.7994	'NORTHWEST - TATONGA7 345.00 345KV CKT 1'		
FDNS	02G1007		0 11G	G10_007	'FROM->TO'	'ELK CITY 230KV (ELKCTY-6) 230/138/13.8KV TRANSFORMER CKT 1'	287	0.10888	104.8539	'NORTHWEST - TATONGA7 345.00 345KV CKT 1'		
FDNS	02G1007		0 11G	G10_007	'TO->FROM'	'FPL SWITCH - WOODWARD 138KV CKT 1'	153	0.03687	151.0571	'TATONGA7 345.00 - WWRDEHV7 345.00 345KV CKT 1'		
FDNS	02G1007		0 11G	G10_007	'FROM->TO'	'ELK CITY 230KV (ELKCTY-6) 230/138/13.8KV TRANSFORMER CKT 1'	287	0.10923	102.3748	'TATONGA7 345.00 - WWRDEHV7 345.00 345KV CKT 1'		
FDNS	02G1007		0 11G	G10_007	'FROM->TO'	'ELK CITY 230KV (ELKCTY-6) 230/138/13.8KV TRANSFORMER CKT 1'	287	0.10923	101.5794	'TATONGA7 345.00 - WWRDEHV7 345.00 345KV CKT 1'		
FDNS	02G1007		0 11G	G10_007	'FROM->TO'	'ELK CITY 230KV (ELKCTY-6) 230/138/13.8KV TRANSFORMER CKT 1'	287	0.10827	101.0217	'2008-047T 345.00 - WWRDEHV7 345.00 345KV CKT 1'		

SOLUTION	GROUP	SCENARIO	SEASON	SOURCE	DIRECTION	MONITORED ELEMENT	RATE B	TDF	TC%	LOADING	CONTINGENCY NAME
						COMMON NAME					
FDNS	02G1007		0 11G	G10_007	'FROM->TO'	'ELK CITY 230KV (ELKCTY-6) 230/138/13.8KV TRANSFORMER CKT 1'	287	0.10827	100.206	345.00	'2008-047T 345.00 - WWRDEHV7 345KV CKT 1'
FDNS	02G1007		0 11G	G10_007	'FROM->TO'	'ELK CITY 230KV (ELKCTY-6) 230/138/13.8KV TRANSFORMER CKT 1'	287	0.10827	101.0217	345.00	'2008-047T 345.00 - WWRDEHV7 345KV CKT 2'
FDNS	02G1007		0 11G	G10_007	'FROM->TO'	'ELK CITY 230KV (ELKCTY-6) 230/138/13.8KV TRANSFORMER CKT 1'	287	0.10827	100.206	345.00	'2008-047T 345.00 - WWRDEHV7 345KV CKT 2'
FDNS	02G1007		0 11G	G10_007	'TO->FROM'	'FPL SWITCH - WOODWARD 138KV CKT 1'	153	0.04057	129.9187		'GRAPEVINE INTERCHANGE - STATELINE INTERCHANGE 230KV CKT 1'
FDNS	02G1007		0 11G	G10_007	'TO->FROM'	'FPL SWITCH - WOODWARD 138KV CKT 1'	153	0.03011	122.0351		'GRAPEVINE INTERCHANGE - NICHOLS STATION 230KV CKT 1'
FDNS	02G1007		0 11G	G10_007	'TO->FROM'	'FPL SWITCH - WOODWARD 138KV CKT 1'	153	0.04057	127.3914		'STATELINE INTERCHANGE - STLN- DEMARC6230.00 230KV CKT 1'
FDNS	02G1007		0 11G	G10_007	'FROM->TO'	'ELK CITY 230KV (ELKCTY-6) 230/138/13.8KV TRANSFORMER CKT 1'	287	0.11599	111.2715		'FINNEY SWITCHING STATION - STEVENSCO 345.00 345KV CKT 1'
FDNS	02G1007		0 11G	G10_007	'FROM->TO'	'ELK CITY 230KV (ELKCTY-6) 230/138/13.8KV TRANSFORMER CKT 1'	287	0.11599	110.1104		'FINNEY SWITCHING STATION - STEVENSCO 345.00 345KV CKT 1'
FDNS	02G1007		0 11G	G10_007	'TO->FROM'	'DEAF SMITH COUNTY INTERCHANGE - S- RANDLCO 230.00 230KV CKT 1'	350	0.10098	101.5174	48T	'AMARILLO SOUTH INTERCHANGE - G07- 230.00 230KV CKT 1'
FDNS	02G1007		0 11G	G10_007	'TO->FROM'	'CANYON EAST SUB - OSAGE SWITCHING STATION 115KV CKT 1'	96	0.03634	106.0365		'DEAF SMITH COUNTY INTERCHANGE - S- RANDLCO 230.00 230KV CKT 1'
FDNS	02G1007		0 11G	G10_007	'TO->FROM'	'DEAF SMITH COUNTY INTERCHANGE - S- RANDLCO 230.00 230KV CKT 1'	350	0.10019	107.8781		'G07-48T 230.00 - SWISHER COUNTY INTERCHANGE 230KV CKT 1'
FDNS	02G1007		0 11G	G10_007	'FROM->TO'	'ELK CITY 230KV (ELKCTY-6) 230/138/13.8KV TRANSFORMER CKT 1'	287	0.11222	102.0289		'G07-48T 230.00 - SWISHER COUNTY INTERCHANGE 230KV CKT 1'
FDNS	02G1007		0 11G	G10_007	'FROM->TO'	'ELK CITY 230KV (ELKCTY-6) 230/138/13.8KV TRANSFORMER CKT 1'	287	0.11222	101.1931		'G07-48T 230.00 - SWISHER COUNTY INTERCHANGE 230KV CKT 1'
FDNS	02G1007		0 11G	G10_007	'TO->FROM'	'DEAF SMITH COUNTY INTERCHANGE - S- RANDLCO 230.00 230KV CKT 1'	350	0.1091	110.1057		'PLANT X STATION - S-RANDLCO 230.00 230KV CKT 1'
FDNS	02G1007		0 11G	G10_007	'FROM->TO'	'ELK CITY 230KV (ELKCTY-6) 230/138/13.8KV TRANSFORMER CKT 1'	287	0.11834	102.3376		'G08-14T 345.00 - TUCO INTERCHANGE 345KV CKT 1'
FDNS	02G1007		0 11G	G10_007	'FROM->TO'	'ELK CITY 230KV (ELKCTY-6) 230/138/13.8KV TRANSFORMER CKT 1'	287	0.11834	101.5052		'G08-14T 345.00 - TUCO INTERCHANGE 345KV CKT 1'
FDNS	02G1007		0 11G	G10_007	'FROM->TO'	'ELK CITY 230KV (ELKCTY-6) 230/138/13.8KV TRANSFORMER CKT 1'	287	0.10599	100.3078		'GRAY CO 345.00 - SPEARVILLE 345KV CKT 1'
FDNS	02G1007		0 11G	G10_007	'TO->FROM'	'FPL SWITCH - WOODWARD 138KV CKT 1'	153	0.04001	137.6413		'ELK CITY 230KV (ELKCTY-6) 230/138/13.8KV TRANSFORMER CKT 1'
FDNS	02G1007		0 11G	G10_007	'TO->FROM'	'FPL SWITCH - WOODWARD 138KV CKT 1'	153	0.03227	150.5281		'DBL-MEDLO-WI'
FDNS	02G1007		0 11G	G10_007	'TO->FROM'	'CLEARWATER - MILAN TAP 138KV CKT 1'	110	0.03101	201.4037		'DBL-MEDLO-WI'
FDNS	02G1007		0 11G	G10_007	'FROM->TO'	'HARPER - MILAN TAP 138KV CKT 1'	95.6	0.03101	246.4946		'DBL-MEDLO-WI'
FDNS	02G1007		0 11G	G10_007	'FROM->TO'	'ELK CITY 230KV (ELKCTY-6) 230/138/13.8KV TRANSFORMER CKT 1'	287	0.10745	102.4087		'DBL-MEDLO-WI'
FDNS	02G1007		0 11G	G10_007	'FROM->TO'	'ELK CITY 230KV (ELKCTY-6) 230/138/13.8KV TRANSFORMER CKT 1'	287	0.10745	101.602		'DBL-MEDLO-WI'
FDNS	02G1007		0 11G	G10_007	'TO->FROM'	'FPL SWITCH - WOODWARD 138KV CKT 1'	153	0.04062	150.4465		'DBL-WOOD-MED'
FDNS	02G1007		0 11G	G10_007	'TO->FROM'	'FPL SWITCH - WOODWARD 138KV CKT 1'	153	0.04057	127.3914		'SPP-SWPS-02'
FDNS	02G1007		0 11G	G10_007	'TO->FROM'	'FPL SWITCH - WOODWARD 138KV CKT 1'	153	0.04057	134.1114		'SPP-SWPS-02A'
FDNS	02G1007		0 11G	G10_007	'TO->FROM'	'FPL SWITCH - WOODWARD 138KV CKT 1'	153	0.04062	131.0409		'SPP-SWPS-03'
FDNS	02G1007		0 11G	G10_007	'FROM->TO'	'ELK CITY 230KV (ELKCTY-6) 230/138/13.8KV TRANSFORMER CKT 1'	287	0.10328	100.2787		'GEN335831 1-RIVERBEND UNIT#1'
FDNS	02G1007		0 11G	G10_007	'FROM->TO'	'ELK CITY 230KV (ELKCTY-6) 230/138/13.8KV TRANSFORMER CKT 1'	287	0.10328	100.4511		'GEN337911 1-ARKANSAS NUCLEAR ONE UNIT #2'

SOLUTION	GROUP	SCENARIO	SEASON	SOURCE	DIRECTION	MONITORED ELEMENT		RATE B	TDF	TC%	LOADING	CONTINGENCY	NAME
						COMMON NAME							
FDNS	02G1007		0 11G	G10_007	'TO->FROM'	'DEAF SMITH COUNTY INTERCHANGE - S-RANDLCO	230.00 230KV CKT 1'	350	0.07317	118.7887	'GEN525561	1-TOLK GEN #1 24 KV'	
FDNS	02G1007		0 11G	G10_007	'TO->FROM'	'DEAF SMITH COUNTY INTERCHANGE - S-RANDLCO	230.00 230KV CKT 1'	350	0.07317	116.0812	'GEN525562	1-TOLK GEN #2 24 KV'	
FNSL	02G1007		0 11G	G10_007	'FROM->TO'	'ELK CITY 230KV (ELKCTY-6)	230/138/13.8KV TRANSFORMER CKT 1'	287	0.10328	101.2569	'GEN336153	1-WATERFORD UNIT#3'	
FNSL	02G1007		0 11G	G10_007	'FROM->TO'	'ELK CITY 230KV (ELKCTY-6)	230/138/13.8KV TRANSFORMER CKT 1'	287	0.10328	100.5047	'GEN336153	1-WATERFORD UNIT#3'	
FDNS	02G1014		0 11G	G10_014	'TO->FROM'	'FPL SWITCH - WOODWARD 138KV CKT 1'		153	0.04106	122.5027	'BASE CASE'		
FDNS	02G1014		0 11G	G10_014	'TO->FROM'	'FPL SWITCH - WOODWARD 138KV CKT 1'		153	0.04056	104.1986	'HINTON - WEATHERFORD JCT. 138KV CKT 1'		
FDNS	02G1014		0 11G	G10_014	'TO->FROM'	'FPL SWITCH - WOODWARD 138KV CKT 1'		153	0.04056	104.2355	'CAN_GAS4 138.00 - HINTON 138KV CKT 1'		
FDNS	02G1014		0 11G	G10_014	'TO->FROM'	'FPL SWITCH - WOODWARD 138KV CKT 1'		153	0.04504	130.2052	'LAWTON EASTSIDE - OKLAUNION 345KV CKT 1'		
FDNS	02G1014		0 11G	G10_014	'FROM->TO'	'ELK CITY 230KV (ELKCTY-6)	230/138/13.8KV TRANSFORMER CKT 1'	287	0.04695	115.0901	'LAWTON EASTSIDE - OKLAUNION 345KV CKT 1'		
FDNS	02G1014		0 11G	G10_014	'FROM->TO'	'ELK CITY 230KV (ELKCTY-6)	230/138/13.8KV TRANSFORMER CKT 1'	287	0.04695	113.707	'LAWTON EASTSIDE - OKLAUNION 345KV CKT 1'		
FDNS	02G1014		0 11G	G10_014	'TO->FROM'	'FPL SWITCH - WOODWARD 138KV CKT 1'		153	0.04504	118.1609	'G08-14T 345.00 - OKLAUNION 345KV CKT 1'		
FDNS	02G1014		0 11G	G10_014	'FROM->TO'	'ELK CITY 230KV (ELKCTY-6)	230/138/13.8KV TRANSFORMER CKT 1'	287	0.04695	104.7082	'G08-14T 345.00 - OKLAUNION 345KV CKT 1'		
FDNS	02G1014		0 11G	G10_014	'FROM->TO'	'ELK CITY 230KV (ELKCTY-6)	230/138/13.8KV TRANSFORMER CKT 1'	287	0.04695	103.7877	'G08-14T 345.00 - OKLAUNION 345KV CKT 1'		
FDNS	02G1014		0 11G	G10_014	'TO->FROM'	'FPL SWITCH - WOODWARD 138KV CKT 1'		153	0.04047	102.1641	'ELK CITY - RHWIND4 138.00 138KV CKT 1'		
FDNS	02G1014		0 11G	G10_014	'TO->FROM'	'FPL SWITCH - WOODWARD 138KV CKT 1'		153	0.04056	103.6751	'WEATHERFORD JCT. - WEATHERFORD SOUTHEAST 138KV CKT 1'		
FDNS	02G1014		0 11G	G10_014	'TO->FROM'	'FPL SWITCH - WOODWARD 138KV CKT 1'		153	0.04821	139.9724	'ELK CITY 230KV - SWEETWT6 230.00 230KV CKT 1'		
FDNS	02G1014		0 11G	G10_014	'TO->FROM'	'FPL SWITCH - WOODWARD 138KV CKT 1'		153	0.04078	104.2874	'WEATHERFORD TAP - WEATHERFORD WIND FARM 138KV CKT 1'		
FDNS	02G1014		0 11G	G10_014	'TO->FROM'	'FPL SWITCH - WOODWARD 138KV CKT 1'		153	0.04056	104.3864	'CAN_GAS4 138.00 - JENSEN ROAD 138KV CKT 1'		
FDNS	02G1014		0 11G	G10_014	'TO->FROM'	'FPL SWITCH - WOODWARD 138KV CKT 1'		153	0.04877	129.711	'STLN-DEMARC6230.00 - SWEETWT6 230.00 230KV CKT 1'		
FDNS	02G1014		0 11G	G10_014	'TO->FROM'	'FPL SWITCH - WOODWARD 138KV CKT 1'		153	0.03847	103.5114	'WUKOMIS - WUKOMIS TAP 138KV CKT 1'		
FDNS	02G1014		0 11G	G10_014	'TO->FROM'	'FPL SWITCH - WOODWARD 138KV CKT 1'		153	0.03847	103.134	'HENESSEY - WUKOMIS 138KV CKT 1'		
FDNS	02G1014		0 11G	G10_014	'TO->FROM'	'FPL SWITCH - WOODWARD 138KV CKT 1'		153	0.0419	112.6353	'G08-13T 345.00 - WOODRING 345KV CKT 1'		
FDNS	02G1014		0 11G	G10_014	'TO->FROM'	'FPL SWITCH - WOODWARD 138KV CKT 1'		153	0.03988	102.9156	'KNOBHILL - SALINE 69KV CKT 1'		
FDNS	02G1014		0 11G	G10_014	'TO->FROM'	'FPL SWITCH - WOODWARD 138KV CKT 1'		153	0.03988	103.1564	'HELENAT2 69.000 - SALINE 69KV CKT 1'		
FDNS	02G1014		0 11G	G10_014	'TO->FROM'	'FPL SWITCH - WOODWARD 138KV CKT 1'		153	0.03988	104.055	'GOLTRY - IMO 69KV CKT 1'		
FDNS	02G1014		0 11G	G10_014	'TO->FROM'	'FPL SWITCH - WOODWARD 138KV CKT 1'		153	0.03988	103.87	'GOLTRY - HELENAT2 69.000 69KV CKT 1'		
FDNS	02G1014		0 11G	G10_014	'TO->FROM'	'FPL SWITCH - WOODWARD 138KV CKT 1'		153	0.03847	102.2882	'DOVER SW - HENESSEY 138KV CKT 1'		
FDNS	02G1014		0 11G	G10_014	'TO->FROM'	'FPL SWITCH - WOODWARD 138KV CKT 1'		153	0.04675	120.3348	'WOODWARD - WOODWARD 69KV CKT 1'		
FDNS	02G1014		0 11G	G10_014	'TO->FROM'	'FPL SWITCH - WOODWARD 138KV CKT 1'		153	0.03999	103.6148	'WOODWARD - WWRDEHV4 138.00 138KV CKT 2'		

SOLUTION	GROUP	SCENARIO	SEASON	SOURCE	DIRECTION	MONITORED ELEMENT	RATE B	TDF	TC%	LOADING	CONTINGENCY NAME
						COMMON NAME					
FDNS	02G1014		0 11G	G10_014	'TO->FROM'	'FPL SWITCH - WOODWARD 138KV CKT 1'	153	0.04951	131.6781	'DEWEY - IODINE 138KV CKT 1'	
FDNS	02G1014		0 11G	G10_014	'TO->FROM'	'FPL SWITCH - WOODWARD 138KV CKT 1'	153	0.04158	109.6317	'DEWEY - TALOGA 138KV CKT 1'	
FDNS	02G1014		0 11G	G10_014	'TO->FROM'	'FPL SWITCH - WOODWARD 138KV CKT 1'	153	0.04951	132.923	'IODINE - WWRDEHV4 138.00 138KV CKT 1'	
FDNS	02G1014		0 11G	G10_014	'TO->FROM'	'FPL SWITCH - WOODWARD 138KV CKT 1'	153	0.0416	109.5867	'CIMARRON - NORTHWEST 345KV CKT 1'	
FDNS	02G1014		0 11G	G10_014	'TO->FROM'	'FPL SWITCH - WOODWARD 138KV CKT 1'	153	0.0601	170.7997	'NORTHWEST - TATONGA7 345.00 345KV CKT 1'	
FDNS	02G1014		0 11G	G10_014	'FROM->TO'	'ELK CITY 230KV (ELKCTY-6) 230/138/13.8KV TRANSFORMER CKT 1'	287	0.04621	106.6137	'NORTHWEST - TATONGA7 345.00 345KV CKT 1'	
FDNS	02G1014		0 11G	G10_014	'FROM->TO'	'ELK CITY 230KV (ELKCTY-6) 230/138/13.8KV TRANSFORMER CKT 1'	287	0.04621	105.6451	'NORTHWEST - TATONGA7 345.00 345KV CKT 1'	
FDNS	02G1014		0 11G	G10_014	'TO->FROM'	'FPL SWITCH - WOODWARD 138KV CKT 1'	153	0.06102	153.9618	'TATONGA7 345.00 - WWRDEHV7 345.00 345KV CKT 1'	
FDNS	02G1014		0 11G	G10_014	'FROM->TO'	'ELK CITY 230KV (ELKCTY-6) 230/138/13.8KV TRANSFORMER CKT 1'	287	0.04655	103.2126	'TATONGA7 345.00 - WWRDEHV7 345.00 345KV CKT 1'	
FDNS	02G1014		0 11G	G10_014	'FROM->TO'	'ELK CITY 230KV (ELKCTY-6) 230/138/13.8KV TRANSFORMER CKT 1'	287	0.04655	102.3953	'TATONGA7 345.00 - WWRDEHV7 345.00 345KV CKT 1'	
FDNS	02G1014		0 11G	G10_014	'TO->FROM'	'FPL SWITCH - WOODWARD 138KV CKT 1'	153	0.04254	110.8402	'BORDER 7345.00 - WWRDEHV7 345.00 345KV CKT 1'	
FDNS	02G1014		0 11G	G10_014	'FROM->TO'	'ELK CITY 230KV (ELKCTY-6) 230/138/13.8KV TRANSFORMER CKT 1'	287	0.04654	101.9132	'2008-047T 345.00 - WWRDEHV7 345.00 345KV CKT 1'	
FDNS	02G1014		0 11G	G10_014	'FROM->TO'	'ELK CITY 230KV (ELKCTY-6) 230/138/13.8KV TRANSFORMER CKT 1'	287	0.04654	101.0713	'2008-047T 345.00 - WWRDEHV7 345.00 345KV CKT 1'	
FDNS	02G1014		0 11G	G10_014	'FROM->TO'	'ELK CITY 230KV (ELKCTY-6) 230/138/13.8KV TRANSFORMER CKT 1'	287	0.04654	101.9132	'2008-047T 345.00 - WWRDEHV7 345.00 345KV CKT 2'	
FDNS	02G1014		0 11G	G10_014	'FROM->TO'	'ELK CITY 230KV (ELKCTY-6) 230/138/13.8KV TRANSFORMER CKT 1'	287	0.04654	101.0713	'2008-047T 345.00 - WWRDEHV7 345.00 345KV CKT 2'	
FDNS	02G1014		0 11G	G10_014	'TO->FROM'	'FPL SWITCH - WOODWARD 138KV CKT 1'	153	0.04642	118.8287	'MED-LDG5 345.00 - WWRDEHV7 345.00 345KV CKT 1'	
FDNS	02G1014		0 11G	G10_014	'TO->FROM'	'FPL SWITCH - WOODWARD 138KV CKT 1'	153	0.04642	118.8287	'MED-LDG5 345.00 - WWRDEHV7 345.00 345KV CKT 2'	
FDNS	02G1014		0 11G	G10_014	'TO->FROM'	'FPL SWITCH - WOODWARD 138KV CKT 1'	153	0.04088	104.536	'ALVA - CHEROKEE SW 69KV CKT 1'	
FDNS	02G1014		0 11G	G10_014	'TO->FROM'	'FPL SWITCH - WOODWARD 138KV CKT 1'	153	0.04214	108.7753	'FARGO JCT - FT SUPPLY 69KV CKT 1'	
FDNS	02G1014		0 11G	G10_014	'TO->FROM'	'FPL SWITCH - WOODWARD 138KV CKT 1'	153	0.04054	104.4905	'HYDRO - SICKLES 138KV CKT 1'	
FDNS	02G1014		0 11G	G10_014	'TO->FROM'	'FPL SWITCH - WOODWARD 138KV CKT 1'	153	0.04054	104.3392	'HYDRO - WEATHERFORD 138KV CKT 1'	
FDNS	02G1014		0 11G	G10_014	'TO->FROM'	'FPL SWITCH - WOODWARD 138KV CKT 1'	153	0.04046	104.0155	'HYDRO - WATONGA SW 69KV CKT 1'	
FDNS	02G1014		0 11G	G10_014	'TO->FROM'	'FPL SWITCH - WOODWARD 138KV CKT 1'	153	0.04256	108.6297	'CARTER JCT - WOODWARD 69KV CKT 1'	
FDNS	02G1014		0 11G	G10_014	'TO->FROM'	'FPL SWITCH - WOODWARD 138KV CKT 1'	153	0.04939	111.5999	'Hitchland Interchange - STEVENSCO 345.00 345KV CKT 1'	
FDNS	02G1014		0 11G	G10_014	'TO->FROM'	'FPL SWITCH - WOODWARD 138KV CKT 1'	153	0.04609	102.7999	'G05-17T 345.00 - Hitchland Interchange 345KV CKT 1'	
FDNS	02G1014		0 11G	G10_014	'FROM->TO'	'ELK CITY 230KV (ELKCTY-6) 230/138/13.8KV TRANSFORMER CKT 1'	287	0.04668	100.7675	'2008-047T 345.00 - Hitchland Interchange 345KV CKT 1'	
FDNS	02G1014		0 11G	G10_014	'FROM->TO'	'ELK CITY 230KV (ELKCTY-6) 230/138/13.8KV TRANSFORMER CKT 1'	287	0.04668	100	'2008-047T 345.00 - Hitchland Interchange 345KV CKT 1'	
FDNS	02G1014		0 11G	G10_014	'FROM->TO'	'ELK CITY 230KV (ELKCTY-6) 230/138/13.8KV TRANSFORMER CKT 1'	287	0.04668	100.7675	'2008-047T 345.00 - Hitchland Interchange 345KV CKT 2'	
FDNS	02G1014		0 11G	G10_014	'FROM->TO'	'ELK CITY 230KV (ELKCTY-6) 230/138/13.8KV TRANSFORMER CKT 1'	287	0.04668	100	'2008-047T 345.00 - Hitchland Interchange 345KV CKT 2'	

SOLUTION	GROUP	SCENARIO	SEASON	SOURCE	DIRECTION	MONITORED ELEMENT	RATE B	TDF	TC%	LOADING	CONTINGENCY NAME
						COMMON NAME					
FDNS	02G1014		0 11G	G10_014	'TO->FROM'	'FPL SWITCH - WOODWARD 138KV CKT 1'	153	0.04877	132.2923		'GRAPEVINE INTERCHANGE - STATELINE INTERCHANGE 230KV CKT 1'
FDNS	02G1014		0 11G	G10_014	'TO->FROM'	'FPL SWITCH - WOODWARD 138KV CKT 1'	153	0.04517	124.2507		'GRAPEVINE INTERCHANGE - NICHOLS STATION 230KV CKT 1'
FDNS	02G1014		0 11G	G10_014	'TO->FROM'	'FPL SWITCH - WOODWARD 138KV CKT 1'	153	0.04254	110.8402		'BORDER 7345.00 - TUCO INTERCHANGE 345KV CKT 1'
FDNS	02G1014		0 11G	G10_014	'TO->FROM'	'FPL SWITCH - WOODWARD 138KV CKT 1'	153	0.04877	129.711		'STATELINE INTERCHANGE - STLN-DEMARC6230.00 230KV CKT 1'
FDNS	02G1014		0 11G	G10_014	'FROM->TO'	'ELK CITY 230KV (ELKCTY-6) 230/138/13.8KV TRANSFORMER CKT 1'	287	0.04091	100		'MCCLELLAN SUB - MCLEAN RURAL SUB 115KV CKT 1'
FDNS	02G1014		0 11G	G10_014	'FROM->TO'	'ELK CITY 230KV (ELKCTY-6) 230/138/13.8KV TRANSFORMER CKT 1'	287	0.04091	100.2002		'KIRBY SWITCHING STATION - MCCLELLAN SUB 115KV CKT 1'
FDNS	02G1014		0 11G	G10_014	'TO->FROM'	'FPL SWITCH - WOODWARD 138KV CKT 1'	153	0.04882	126.4499		'FINNEY SWITCHING STATION - STEVENSCO 345.00 345KV CKT 1'
FDNS	02G1014		0 11G	G10_014	'FROM->TO'	'ELK CITY 230KV (ELKCTY-6) 230/138/13.8KV TRANSFORMER CKT 1'	287	0.05548	113.1011		'FINNEY SWITCHING STATION - STEVENSCO 345.00 345KV CKT 1'
FDNS	02G1014		0 11G	G10_014	'FROM->TO'	'ELK CITY 230KV (ELKCTY-6) 230/138/13.8KV TRANSFORMER CKT 1'	287	0.05548	111.7961		'FINNEY SWITCHING STATION - STEVENSCO 345.00 345KV CKT 1'
FDNS	02G1014		0 11G	G10_014	'TO->FROM'	'FPL SWITCH - WOODWARD 138KV CKT 1'	153	0.04573	109.2756		'G05-17T 345.00 - POTTER COUNTY INTERCHANGE 345KV CKT 1'
FDNS	02G1014		0 11G	G10_014	'TO->FROM'	'FPL SWITCH - WOODWARD 138KV CKT 1'	153	0.04142	108.5316		'NICHOLS STATION - YARNELL SUB 115KV CKT 1'
FDNS	02G1014		0 11G	G10_014	'TO->FROM'	'FPL SWITCH - WOODWARD 138KV CKT 1'	153	0.04142	108.5395		'CONWAY SUB - YARNELL SUB 115KV CKT 1'
FDNS	02G1014		0 11G	G10_014	'TO->FROM'	'DEAF SMITH COUNTY INTERCHANGE - S-RANDLCO 230.00 230KV CKT 1'	350	0.05709	102.1698		'AMARILLO SOUTH INTERCHANGE - G07-48T 230.00 230KV CKT 1'
FDNS	02G1014		0 11G	G10_014	'FROM->TO'	'ELK CITY 230KV (ELKCTY-6) 230/138/13.8KV TRANSFORMER CKT 1'	287	0.04266	100.3364		'AMARILLO SOUTH INTERCHANGE - G07-48T 230.00 230KV CKT 1'
FDNS	02G1014		0 11G	G10_014	'TO->FROM'	'DEAF SMITH COUNTY INTERCHANGE - S-RANDLCO 230.00 230KV CKT 1'	350	0.0563	108.4614		'G07-48T 230.00 - SWISHER COUNTY INTERCHANGE 230KV CKT 1'
FDNS	02G1014		0 11G	G10_014	'FROM->TO'	'ELK CITY 230KV (ELKCTY-6) 230/138/13.8KV TRANSFORMER CKT 1'	287	0.0424	102.7637		'G07-48T 230.00 - SWISHER COUNTY INTERCHANGE 230KV CKT 1'
FDNS	02G1014		0 11G	G10_014	'FROM->TO'	'ELK CITY 230KV (ELKCTY-6) 230/138/13.8KV TRANSFORMER CKT 1'	287	0.0424	101.9055		'G07-48T 230.00 - SWISHER COUNTY INTERCHANGE 230KV CKT 1'
FDNS	02G1014		0 11G	G10_014	'TO->FROM'	'DEAF SMITH COUNTY INTERCHANGE - S-RANDLCO 230.00 230KV CKT 1'	350	0.06707	110.7588		'PLANT X STATION - S-RANDLCO 230.00 230KV CKT 1'
FDNS	02G1014		0 11G	G10_014	'TO->FROM'	'FPL SWITCH - WOODWARD 138KV CKT 1'	153	0.04512	116.5662		'G08-14T 345.00 - TUCO INTERCHANGE 345KV CKT 1'
FDNS	02G1014		0 11G	G10_014	'FROM->TO'	'ELK CITY 230KV (ELKCTY-6) 230/138/13.8KV TRANSFORMER CKT 1'	287	0.0471	103.3116		'G08-14T 345.00 - TUCO INTERCHANGE 345KV CKT 1'
FDNS	02G1014		0 11G	G10_014	'FROM->TO'	'ELK CITY 230KV (ELKCTY-6) 230/138/13.8KV TRANSFORMER CKT 1'	287	0.0471	102.4405		'G08-14T 345.00 - TUCO INTERCHANGE 345KV CKT 1'
FDNS	02G1014		0 11G	G10_014	'TO->FROM'	'FPL SWITCH - WOODWARD 138KV CKT 1'	153	0.04212	110.6303		'G10-16T 345.00 - POSTROCK7 345.00 345KV CKT 1'
FDNS	02G1014		0 11G	G10_014	'TO->FROM'	'FPL SWITCH - WOODWARD 138KV CKT 1'	153	0.04179	108.7249		'AXTELL - POSTROCK7 345.00 345KV CKT 1'
FDNS	02G1014		0 11G	G10_014	'TO->FROM'	'FPL SWITCH - WOODWARD 138KV CKT 1'	153	0.04234	109.2892		'HOLCOMB - SETAB 345KV CKT 1'
FDNS	02G1014		0 11G	G10_014	'TO->FROM'	'FPL SWITCH - WOODWARD 138KV CKT 1'	153	0.04213	110.0811		'G08-18 345.00 - HOLCOMB 345KV CKT 1'
FDNS	02G1014		0 11G	G10_014	'TO->FROM'	'FPL SWITCH - WOODWARD 138KV CKT 1'	153	0.04261	110.9306		'MINGO - SETAB 345KV CKT 1'
FDNS	02G1014		0 11G	G10_014	'TO->FROM'	'FPL SWITCH - WOODWARD 138KV CKT 1'	153	0.04273	110.5932		'MINGO - RED WILLOW 345KV CKT 1'
FDNS	02G1014		0 11G	G10_014	'TO->FROM'	'FPL SWITCH - WOODWARD 138KV CKT 1'	153	0.04208	111.7267		'GRAY CO 345.00 - SPEARVILLE 345KV CKT 1'

SOLUTION	GROUP	SCENARIO	SEASON	SOURCE	DIRECTION	MONITORED ELEMENT		RATE B	TDF	TC%	LOADING	CONTINGENCY NAME
						COMMON NAME						
FDNS	02G1014		0 11G	G10_014	'FROM->TO'	'ELK CITY 230KV (ELKCTY-6) 230/138/13.8KV TRANSFORMER CKT 1'		287	0.04283		101.3035	'GRAY CO 345.00 - SPEARVILLE 345KV CKT 1'
FDNS	02G1014		0 11G	G10_014	'FROM->TO'	'ELK CITY 230KV (ELKCTY-6) 230/138/13.8KV TRANSFORMER CKT 1'		287	0.04283		100.5001	'GRAY CO 345.00 - SPEARVILLE 345KV CKT 1'
FDNS	02G1014		0 11G	G10_014	'TO->FROM'	'FPL SWITCH - WOODWARD 138KV CKT 1'		153	0.04215		110.0951	'G10-16T 345.00 - SPEARVILLE 345KV CKT 1'
FDNS	02G1014		0 11G	G10_014	'TO->FROM'	'FPL SWITCH - WOODWARD 138KV CKT 1'		153	0.04235		108.8957	'BENTON - WICHITA 345KV CKT 1'
FDNS	02G1014		0 11G	G10_014	'TO->FROM'	'FPL SWITCH - WOODWARD 138KV CKT 1'		153	0.04104		109.0835	'LACYGNE - NEOSHO 345KV CKT 1' 'MED-LDG5 345.00 - WICHITA 345KV CKT 1'
FDNS	02G1014		0 11G	G10_014	'TO->FROM'	'FPL SWITCH - WOODWARD 138KV CKT 1'		153	0.04422		117.1548	'MED-LDG5 345.00 - WICHITA 345KV CKT 2'
FDNS	02G1014		0 11G	G10_014	'TO->FROM'	'FPL SWITCH - WOODWARD 138KV CKT 1'		153	0.04143		108.7699	'FLATRDG3 - HARPER 138KV CKT 1'
FDNS	02G1014		0 11G	G10_014	'TO->FROM'	'FPL SWITCH - WOODWARD 138KV CKT 1'		153	0.04143		108.5229	'HARPER - MILAN TAP 138KV CKT 1' 'G08-13T 345.00 - SUMNERCO 345.00 345KV CKT 1'
FDNS	02G1014		0 11G	G10_014	'TO->FROM'	'FPL SWITCH - WOODWARD 138KV CKT 1'		153	0.042		110.7633	'G08-18 345.00 - GRAY CO 345.00 345KV CKT 1'
FDNS	02G1014		0 11G	G10_014	'TO->FROM'	'FPL SWITCH - WOODWARD 138KV CKT 1'		153	0.04211		110.9338	'G08-18 345.00 - GRAY CO 345.00 345KV CKT 1'
FDNS	02G1014		0 11G	G10_014	'FROM->TO'	'ELK CITY 230KV (ELKCTY-6) 230/138/13.8KV TRANSFORMER CKT 1'		287	0.04291		100.3641	'GRAND ISLAND - SWEETWATER 345KV 345KV CKT 1'
FDNS	02G1014		0 11G	G10_014	'TO->FROM'	'FPL SWITCH - WOODWARD 138KV CKT 1'		153	0.04129		108.5147	'ELK CITY 230KV (ELKCTY-6) 230/138/13.8KV TRANSFORMER CKT 1'
FDNS	02G1014		0 11G	G10_014	'TO->FROM'	'FPL SWITCH - WOODWARD 138KV CKT 1'		153	0.04821		139.9707	'WOODRNG2 (WOODRNG2) 345/138/13.8KV TRANSFORMER CKT 1'
FDNS	02G1014		0 11G	G10_014	'TO->FROM'	'FPL SWITCH - WOODWARD 138KV CKT 1'		153	0.03962		112.39	'WOODWARD (WOODWRD2) 345/138/13.8KV TRANSFORMER CKT 1'
FDNS	02G1014		0 11G	G10_014	'TO->FROM'	'FPL SWITCH - WOODWARD 138KV CKT 1'		153	0.04675		133.3873	'WWRDEHV7 345.00 (WWRDEHV-T2) 138/69/13.2KV TRANSFORMER CKT 1'
FDNS	02G1014		0 11G	G10_014	'TO->FROM'	'FPL SWITCH - WOODWARD 138KV CKT 1'		153	0.03751		100.4827	'POTTER COUNTY INTERCHANGE (WAUK 90343-A) 345/230/13.2KV 345/138/13.8KV TRANSFORMER CKT 2'
FDNS	02G1014		0 11G	G10_014	'TO->FROM'	'FPL SWITCH - WOODWARD 138KV CKT 1'		153	0.04564		110.7761	'TRANSFORMER CKT 1'
FDNS	02G1014		0 11G	G10_014	'TO->FROM'	'FPL SWITCH - WOODWARD 138KV CKT 1'		153	0.04082		102.7579	'DBL-SPRVL-CO'
FDNS	02G1014		0 11G	G10_014	'TO->FROM'	'FPL SWITCH - WOODWARD 138KV CKT 1'		153	0.04082		104.1298	'DBL-COM-MEDL'
FDNS	02G1014		0 11G	G10_014	'TO->FROM'	'FPL SWITCH - WOODWARD 138KV CKT 1'		153	0.0544		153.3404	'DBL-MEDLO-WI'
FDNS	02G1014		0 11G	G10_014	'TO->FROM'	'CLEARWATER - MILAN TAP 138KV CKT 1'		110	0.0372		203.9615	'DBL-MEDLO-WI'
FDNS	02G1014		0 11G	G10_014	'FROM->TO'	'HARPER - MILAN TAP 138KV CKT 1'		95.6	0.0372		249.5027	'DBL-MEDLO-WI'
FDNS	02G1014		0 11G	G10_014	'FROM->TO'	'ELK CITY 230KV (ELKCTY-6) 230/138/13.8KV TRANSFORMER CKT 1'		287	0.044		103.2383	'DBL-MEDLO-WI'
FDNS	02G1014		0 11G	G10_014	'FROM->TO'	'ELK CITY 230KV (ELKCTY-6) 230/138/13.8KV TRANSFORMER CKT 1'		287	0.044		102.4101	'DBL-MEDLO-WI'
FDNS	02G1014		0 11G	G10_014	'TO->FROM'	'FPL SWITCH - WOODWARD 138KV CKT 1'		153	0.06176		153.6435	'DBL-WOOD-MED'
FDNS	02G1014		0 11G	G10_014	'TO->FROM'	'FPL SWITCH - WOODWARD 138KV CKT 1'		153	0.03822		103.2435	'OGE3TERM1'
FDNS	02G1014		0 11G	G10_014	'TO->FROM'	'FPL SWITCH - WOODWARD 138KV CKT 1'		153	0.04097		104.5082	'OGE3TERM4'
FDNS	02G1014		0 11G	G10_014	'TO->FROM'	'FPL SWITCH - WOODWARD 138KV CKT 1'		153	0.04877		129.711	'SPP-SWPS-02'

SOLUTION	GROUP	SCENARIO	SEASON	SOURCE	DIRECTION	MONITORED ELEMENT	RATE B	TDF	TC%	LOADING	CONTINGENCY NAME
						COMMON NAME					
FDNS	02G1014		0 11G	G10_014	'TO->FROM'	'FPL SWITCH - WOODWARD 138KV CKT 1'	153	0.04877	136.6118	'SPP-SWPS-02A'	
FDNS	02G1014		0 11G	G10_014	'TO->FROM'	'FPL SWITCH - WOODWARD 138KV CKT 1'	153	0.04887	133.3898	'SPP-SWPS-03'	
FDNS	02G1014		0 11G	G10_014	'TO->FROM'	'FPL SWITCH - WOODWARD 138KV CKT 1'	153	0.04143	108.6804	'SPP-MKEC-08'	
FDNS	02G1014		0 11G	G10_014	'TO->FROM'	'FPL SWITCH - WOODWARD 138KV CKT 1'	153	0.04106	108.9526	'GEN334440 1-SABINE UNIT 4'	
FDNS	02G1014		0 11G	G10_014	'TO->FROM'	'FPL SWITCH - WOODWARD 138KV CKT 1'	153	0.04106	108.6103	'GEN334441 1-SABINE UNIT 5'	
FDNS	02G1014		0 11G	G10_014	'TO->FROM'	'FPL SWITCH - WOODWARD 138KV CKT 1'	153	0.04106	108.8168	'GEN335204 1-NELSON UNIT 4'	
FDNS	02G1014		0 11G	G10_014	'TO->FROM'	'FPL SWITCH - WOODWARD 138KV CKT 1'	153	0.04106	109.0882	'GEN335206 1-NELSON UNIT 6'	
FDNS	02G1014		0 11G	G10_014	'TO->FROM'	'FPL SWITCH - WOODWARD 138KV CKT 1'	153	0.04106	111.2787	'GEN335831 1-RIVERBEND UNIT#1'	
FDNS	02G1014		0 11G	G10_014	'FROM->TO'	'ELK CITY 230KV (ELKCTY-6) 230/138/13.8KV TRANSFORMER CKT 1'	287	0.03902	100.9817	'GEN335831 1-RIVERBEND UNIT#1'	
FDNS	02G1014		0 11G	G10_014	'FROM->TO'	'ELK CITY 230KV (ELKCTY-6) 230/138/13.8KV TRANSFORMER CKT 1'	287	0.03902	100.2337	'GEN335831 1-RIVERBEND UNIT#1'	
FDNS	02G1014		0 11G	G10_014	'TO->FROM'	'FPL SWITCH - WOODWARD 138KV CKT 1'	153	0.04106	109.7947	'GEN336251 1-NINEMILE POINT UNIT#4'	
FDNS	02G1014		0 11G	G10_014	'TO->FROM'	'FPL SWITCH - WOODWARD 138KV CKT 1'	153	0.04106	108.6301	'GEN336801 1-BAXTER WILSON UNIT #1'	
FDNS	02G1014		0 11G	G10_014	'TO->FROM'	'FPL SWITCH - WOODWARD 138KV CKT 1'	153	0.04106	109.264	'GEN336831 1-BAXTER WILSON SES'	
FDNS	02G1014		0 11G	G10_014	'TO->FROM'	'FPL SWITCH - WOODWARD 138KV CKT 1'	153	0.04106	109.5492	'GEN337041 1-GERALD ANDRUS'	
FDNS	02G1014		0 11G	G10_014	'TO->FROM'	'FPL SWITCH - WOODWARD 138KV CKT 1'	153	0.04106	110.2356	'GEN337652 1-WHITE BLUFF UNIT #1'	
FDNS	02G1014		0 11G	G10_014	'TO->FROM'	'FPL SWITCH - WOODWARD 138KV CKT 1'	153	0.04106	110.0064	'GEN337653 1-WHITE BLUFF UNIT #2'	
FDNS	02G1014		0 11G	G10_014	'TO->FROM'	'FPL SWITCH - WOODWARD 138KV CKT 1'	153	0.04106	111.1032	'GEN337910 1-ARKANSAS NUCLEAR ONE UNIT #1'	
FDNS	02G1014		0 11G	G10_014	'FROM->TO'	'ELK CITY 230KV (ELKCTY-6) 230/138/13.8KV TRANSFORMER CKT 1'	287	0.03902	100.0657	'GEN337910 1-ARKANSAS NUCLEAR ONE UNIT #1'	
FDNS	02G1014		0 11G	G10_014	'TO->FROM'	'FPL SWITCH - WOODWARD 138KV CKT 1'	153	0.04106	112.0065	'GEN337911 1-ARKANSAS NUCLEAR ONE UNIT #2'	
FDNS	02G1014		0 11G	G10_014	'FROM->TO'	'ELK CITY 230KV (ELKCTY-6) 230/138/13.8KV TRANSFORMER CKT 1'	287	0.03902	101.1543	'GEN337911 1-ARKANSAS NUCLEAR ONE UNIT #2'	
FDNS	02G1014		0 11G	G10_014	'FROM->TO'	'ELK CITY 230KV (ELKCTY-6) 230/138/13.8KV TRANSFORMER CKT 1'	287	0.03902	100.4016	'GEN337911 1-ARKANSAS NUCLEAR ONE UNIT #2'	
FDNS	02G1014		0 11G	G10_014	'TO->FROM'	'FPL SWITCH - WOODWARD 138KV CKT 1'	153	0.04106	109.7483	'GEN338143 1-INDEPENDENCE UNIT #1'	
FDNS	02G1014		0 11G	G10_014	'TO->FROM'	'FPL SWITCH - WOODWARD 138KV CKT 1'	153	0.04106	109.8223	'GEN338146 1-INDEPENDENCE UNIT #2'	
FDNS	02G1014		0 11G	G10_014	'TO->FROM'	'FPL SWITCH - WOODWARD 138KV CKT 1'	153	0.04106	109.0296	'GEN338189 1-LS POWER OSCEOLA UNIT G1'	
FDNS	02G1014		0 11G	G10_014	'TO->FROM'	'FPL SWITCH - WOODWARD 138KV CKT 1'	153	0.04106	110.5582	'GEN501801 1-DOLET HILLS UNIT1'	
FDNS	02G1014		0 11G	G10_014	'TO->FROM'	'FPL SWITCH - WOODWARD 138KV CKT 1'	153	0.04106	109.1578	'GEN501812 1-RODEMACHER UNIT 2'	
FDNS	02G1014		0 11G	G10_014	'TO->FROM'	'FPL SWITCH - WOODWARD 138KV CKT 1'	153	0.04106	109.5486	'GEN501813 1-RODEMACHER UNIT 3'	
FDNS	02G1014		0 11G	G10_014	'TO->FROM'	'FPL SWITCH - WOODWARD 138KV CKT 1'	153	0.04106	109.3769	'GEN509394 1-FLINT CREEK'	
FDNS	02G1014		0 11G	G10_014	'TO->FROM'	'FPL SWITCH - WOODWARD 138KV CKT 1'	153	0.04106	110.3263	'GEN509403 1-PIRKEY GENERATION'	

SOLUTION	GROUP	SCENARIO	SEASON	SOURCE	DIRECTION	MONITORED ELEMENT	RATE B	TDF	TC%	LOADING	CONTINGENCY NAME
						COMMON NAME					
FDNS	02G1014		0 11G	G10_014	'TO->FROM'	'FPL SWITCH - WOODWARD 138KV CKT 1'	153	0.04106	109.6182	'GEN509404 1-WELSH #1'	
FDNS	02G1014		0 11G	G10_014	'TO->FROM'	'FPL SWITCH - WOODWARD 138KV CKT 1'	153	0.04106	109.6183	'GEN509405 1-WELSH #2'	
FDNS	02G1014		0 11G	G10_014	'TO->FROM'	'FPL SWITCH - WOODWARD 138KV CKT 1'	153	0.04106	109.6185	'GEN509406 1-WELSH #3'	
FDNS	02G1014		0 11G	G10_014	'TO->FROM'	'FPL SWITCH - WOODWARD 138KV CKT 1'	153	0.04106	109.4355	'GEN511839 1-NORTHEASTERN STATION #2'	
FDNS	02G1014		0 11G	G10_014	'TO->FROM'	'FPL SWITCH - WOODWARD 138KV CKT 1'	153	0.04106	109.2678	'GEN511840 1-NORTHEASTERN STATION #3'	
FDNS	02G1014		0 11G	G10_014	'TO->FROM'	'FPL SWITCH - WOODWARD 138KV CKT 1'	153	0.04106	109.2983	'GEN511841 1-NORTHEASTERN STATION #4'	
FDNS	02G1014		0 11G	G10_014	'TO->FROM'	'FPL SWITCH - WOODWARD 138KV CKT 1'	153	0.04106	109.018	'GEN512688 2-GRDA1 GSU2 22'	
FDNS	02G1014		0 11G	G10_014	'TO->FROM'	'FPL SWITCH - WOODWARD 138KV CKT 1'	153	0.04106	109.1697	'GEN512689 1-GRDA1 GSU1 22'	
FDNS	02G1014		0 11G	G10_014	'TO->FROM'	'FPL SWITCH - WOODWARD 138KV CKT 1'	153	0.04106	113.7279	'GEN514805 1-SOONER UNIT 1'	
FDNS	02G1014		0 11G	G10_014	'TO->FROM'	'FPL SWITCH - WOODWARD 138KV CKT 1'	153	0.04106	111.5024	'GEN514806 1-SOONER UNIT 2'	
FDNS	02G1014		0 11G	G10_014	'TO->FROM'	'FPL SWITCH - WOODWARD 138KV CKT 1'	153	0.04106	108.6501	'GEN515042 1-SEMINOLE 3G'	
FDNS	02G1014		0 11G	G10_014	'TO->FROM'	'FPL SWITCH - WOODWARD 138KV CKT 1'	153	0.04106	109.7303	'GEN515223 1-MUSKOGEE 4G'	
FDNS	02G1014		0 11G	G10_014	'TO->FROM'	'FPL SWITCH - WOODWARD 138KV CKT 1'	153	0.04106	109.6809	'GEN515225 1-MUSKOGEE 5G'	
FDNS	02G1014		0 11G	G10_014	'TO->FROM'	'FPL SWITCH - WOODWARD 138KV CKT 1'	153	0.04106	110.2106	'GEN515226 1-MUSKOGEE 6G'	
FDNS	02G1014		0 11G	G10_014	'TO->FROM'	'FPL SWITCH - WOODWARD 138KV CKT 1'	153	0.04106	104.3301	'GEN515364 1-CENT 11 0.6000'	
FDNS	02G1014		0 11G	G10_014	'TO->FROM'	'FPL SWITCH - WOODWARD 138KV CKT 1'	153	0.04106	104.1541	'GEN515393 1-OGEWND2G'	
FDNS	02G1014		0 11G	G10_014	'TO->FROM'	'FPL SWITCH - WOODWARD 138KV CKT 1'	153	0.04106	111.6197	'GEN515790 1-FPLWND2'	
FDNS	02G1014		0 11G	G10_014	'TO->FROM'	'FPL SWITCH - WOODWARD 138KV CKT 1'	153	0.04106	110.7966	'GEN520922 1-SLEEPING 138.00'	
FDNS	02G1014		0 11G	G10_014	'TO->FROM'	'FPL SWITCH - WOODWARD 138KV CKT 1'	153	0.04106	109.7969	'GEN520947 1-HUGO1'	
FDNS	02G1014		0 11G	G10_014	'TO->FROM'	'FPL SWITCH - WOODWARD 138KV CKT 1'	153	0.04106	123.4675	'GEN520997 1-MORLND2'	
FDNS	02G1014		0 11G	G10_014	'TO->FROM'	'FPL SWITCH - WOODWARD 138KV CKT 1'	153	0.04106	100.7189	'GEN523103 1-NOBLE_WND 3115.00'	
FDNS	02G1014		0 11G	G10_014	'TO->FROM'	'FPL SWITCH - WOODWARD 138KV CKT 1'	153	0.04106	102.5326	'GEN523971 1-HARRINGTON GEN #1 24 KV'	
FDNS	02G1014		0 11G	G10_014	'TO->FROM'	'FPL SWITCH - WOODWARD 138KV CKT 1'	153	0.04106	102.5211	'GEN523972 1-HARRINGTON GEN #2 24 KV'	
FDNS	02G1014		0 11G	G10_014	'TO->FROM'	'FPL SWITCH - WOODWARD 138KV CKT 1'	153	0.04106	102.5217	'GEN523973 1-HARRINGTON GEN #3 24 KV'	
FDNS	02G1014		0 11G	G10_014	'TO->FROM'	'DEAF SMITH COUNTY INTERCHANGE - S-RANDLCO 230.00 230KV CKT 1'	350	0.04609	119.4523	'GEN525561 1-TOLK GEN #1 24 KV'	
FDNS	02G1014		0 11G	G10_014	'TO->FROM'	'DEAF SMITH COUNTY INTERCHANGE - S-RANDLCO 230.00 230KV CKT 1'	350	0.04609	116.4463	'GEN525562 1-TOLK GEN #2 24 KV'	
FDNS	02G1014		0 11G	G10_014	'TO->FROM'	'FPL SWITCH - WOODWARD 138KV CKT 1'	153	0.04106	104.402	'GEN527161 1-MUSTANG GEN #1'	
FDNS	02G1014		0 11G	G10_014	'TO->FROM'	'FPL SWITCH - WOODWARD 138KV CKT 1'	153	0.04106	104.402	'GEN527162 1-MUSTANG GEN #2'	
FDNS	02G1014		0 11G	G10_014	'TO->FROM'	'FPL SWITCH - WOODWARD 138KV CKT 1'	153	0.04106	104.2908	'GEN527163 1-MUSTANG GEN #3 22 KV'	

SOLUTION	GROUP	SCENARIO	SEASON	SOURCE	DIRECTION	MONITORED ELEMENT	RATE B	TDF	TC%	LOADING	CONTINGENCY	NAME
						COMMON NAME						
FDNS	02G1014		0 11G	G10_014	'TO->FROM'	'FPL SWITCH - WOODWARD 138KV CKT 1'	153	0.04106	104.4032	'GEN527164 1-MUSTANG GEN #4 22 KV'		
FDNS	02G1014		0 11G	G10_014	'TO->FROM'	'FPL SWITCH - WOODWARD 138KV CKT 1'	153	0.04106	104.4051	'GEN527165 1-Mustang Gen #5'		
FDNS	02G1014		0 11G	G10_014	'TO->FROM'	'FPL SWITCH - WOODWARD 138KV CKT 1'	153	0.04106	104.3807	'GEN527901 1-HOBBS PLANT #1 (CT)'		
FDNS	02G1014		0 11G	G10_014	'TO->FROM'	'FPL SWITCH - WOODWARD 138KV CKT 1'	153	0.04106	104.3808	'GEN527902 1-HOBBS PLANT #2 (CT)'		
FDNS	02G1014		0 11G	G10_014	'TO->FROM'	'FPL SWITCH - WOODWARD 138KV CKT 1'	153	0.04106	103.5283	'GEN527903 1-HOBBS PLANT #3 (ST)'		
FDNS	02G1014		0 11G	G10_014	'TO->FROM'	'FPL SWITCH - WOODWARD 138KV CKT 1'	153	0.04106	104.1521	'GEN539670 4-JUDSON LARGE GENERATOR'		
FDNS	02G1014		0 11G	G10_014	'TO->FROM'	'FPL SWITCH - WOODWARD 138KV CKT 1'	153	0.04106	118.6107	'GEN560180 1-G07-51 0.6000'		
FDNS	02G1014		0 11G	G10_014	'TO->FROM'	'FPL SWITCH - WOODWARD 138KV CKT 1'	153	0.04106	101.2334	'GEN560256 1-G10-14-1 0.6900'		
FDNS	02G1014		0 11G	G10_014	'TO->FROM'	'FPL SWITCH - WOODWARD 138KV CKT 1'	153	0.04106	101.117	'GEN560257 1-G10-14-2 0.6900'		
FDNS	02G1014		0 11G	G10_014	'TO->FROM'	'FPL SWITCH - WOODWARD 138KV CKT 1'	153	0.04106	102.4411	'GEN560371 1-G07-46 0.6900'		
FDNS	02G1014		0 11G	G10_014	'TO->FROM'	'FPL SWITCH - WOODWARD 138KV CKT 1'	153	0.04106	102.4973	'GEN560429 1-G08-29 0.6400'		
FDNS	02G1014		0 11G	G10_014	'TO->FROM'	'FPL SWITCH - WOODWARD 138KV CKT 1'	153	0.04106	103.7854	'GEN560536 1-G05-17-1 34.500'		
FDNS	02G1014		0 11G	G10_014	'TO->FROM'	'FPL SWITCH - WOODWARD 138KV CKT 1'	153	0.04106	103.7854	'GEN560540 1-G05-17-3 34.500'		
FDNS	02G1014		0 11G	G10_014	'TO->FROM'	'FPL SWITCH - WOODWARD 138KV CKT 1'	153	0.04106	108.503	'GEN560564 1-G06-35 0.5750'		
FDNS	02G1014		0 11G	G10_014	'TO->FROM'	'FPL SWITCH - WOODWARD 138KV CKT 1'	153	0.04106	103.3753	'GEN560585 1-G06-44-2 0.6000'		
FDNS	02G1014		0 11G	G10_014	'TO->FROM'	'FPL SWITCH - WOODWARD 138KV CKT 1'	153	0.04106	102.1825	'GEN560586 1-G06-44-3 0.6000'		
FDNS	02G1014		0 11G	G10_014	'TO->FROM'	'FPL SWITCH - WOODWARD 138KV CKT 1'	153	0.04106	104.573	'GEN640009 1-COOPER NUCLEAR STATION'		
FDNS	02G1014		0 11G	G10_014	'TO->FROM'	'FPL SWITCH - WOODWARD 138KV CKT 1'	153	0.04106	103.4282	'GEN640010 1-GERALD GENTLEMAN STATION UNIT 1'		
FDNS	02G1014		0 11G	G10_014	'TO->FROM'	'FPL SWITCH - WOODWARD 138KV CKT 1'	153	0.04106	103.8062	'GEN640011 2-GERALD GENTLEMAN STATION UNIT 2'		
FNSL	02G1014		0 11G	G10_014	'TO->FROM'	'FPL SWITCH - WOODWARD 138KV CKT 1'	153	0.04106	112.0859	'GEN336153 1-WATERFORD UNIT#3'		
FNSL	02G1014		0 11G	G10_014	'FROM->TO'	'ELK CITY 230KV (ELKCTY-6) 230/138/13.8KV TRANSFORMER CKT 1'	287	0.03902	102.0341	'GEN336153 1-WATERFORD UNIT#3'		
FNSL	02G1014		0 11G	G10_014	'FROM->TO'	'ELK CITY 230KV (ELKCTY-6) 230/138/13.8KV TRANSFORMER CKT 1'	287	0.03902	101.251	'GEN336153 1-WATERFORD UNIT#3'		
FDNS	2		0 11G	G08_044	'TO->FROM'	'FPL SWITCH - WOODWARD 138KV CKT 1'	153	0.03408	119.7988	'BASE CASE'		
FDNS	2		0 11G	G08_047	'TO->FROM'	'FPL SWITCH - WOODWARD 138KV CKT 1'	153	0.05366	119.7988	'BASE CASE'		
FDNS	2		0 11G	G08_110	'TO->FROM'	'FPL SWITCH - WOODWARD 138KV CKT 1'	153	0.04118	119.7988	'BASE CASE'		
FDNS	2		0 11G	ASGI_2010_011	'TO->FROM'	'FPL SWITCH - WOODWARD 138KV CKT 1'	153	0.03425	119.7988	'BASE CASE'		
FDNS	2		0 11G	G10_011	'TO->FROM'	'FPL SWITCH - WOODWARD 138KV CKT 1'	153	0.03408	119.7988	'BASE CASE'		
FDNS	2		0 11G	G10_014	'TO->FROM'	'FPL SWITCH - WOODWARD 138KV CKT 1'	153	0.04118	119.7988	'BASE CASE'		
FDNS	2		0 11G	G08_046	'FROM->TO'	'LAWEASOKLUNI'	425	0.11142	101.1	'BASE CASE'		
FDNS	2		0 11G	G09_030	'FROM->TO'	'LAWEASOKLUNI'	425	0.06058	101.1	'BASE CASE'		

						MONITORED ELEMENT				
SOLUTION	GROUP	SCENARIO	SEASON	SOURCE	DIRECTION	COMMON NAME	RATE B	TDF	TC%LOADING	CONTINGENCY NAME
FDNS	2	0	11G	G10_005	'FROM->TO'	'LAWEASOKLUNI'	425	0.03069	101.1	'BASE CASE'
FDNS	2	0	11G	G10_003	'FROM->TO'	'LAWEASOKLUNI'	425	0.03259	101.1	'BASE CASE'
FDNS	2	0	11G	G08_071	'FROM->TO'	'LAWEASOKLUNI'	425	0.04132	101.1	'BASE CASE'
FDNS	2	0	11G	G08_037	'FROM->TO'	'LAWEASOKLUNI'	425	0.10228	101.1	'BASE CASE'
FDNS	2	0	11G	G10_013	'FROM->TO'	'LAWEASOKLUNI'	425	0.03556	101.1	'BASE CASE'
FDNS	2	0	11G	G08_098	'FROM->TO'	'LAWEASOKLUNI'	425	0.03259	101.1	'BASE CASE'
FDNS	2	0	11G	G09_060	'FROM->TO'	'LAWEASOKLUNI'	425	0.05869	101.1	'BASE CASE'
FDNS	2	0	11G	G08_044	'TO->FROM'	'FPL SWITCH - WOODWARD 138KV CKT 1'	153	0.0343	101.8947	'HINTON - WEATHERFORD JCT. 138KV CKT 1'
FDNS	2	0	11G	G08_047	'TO->FROM'	'FPL SWITCH - WOODWARD 138KV CKT 1'	153	0.05336	101.8947	'HINTON - WEATHERFORD JCT. 138KV CKT 1'
FDNS	2	0	11G	G08_110	'TO->FROM'	'FPL SWITCH - WOODWARD 138KV CKT 1'	153	0.04068	101.8947	'HINTON - WEATHERFORD JCT. 138KV CKT 1'
FDNS	2	0	11G	ASGI_2010_011	'TO->FROM'	'FPL SWITCH - WOODWARD 138KV CKT 1'	153	0.03351	101.8947	'HINTON - WEATHERFORD JCT. 138KV CKT 1'
FDNS	2	0	11G	G10_011	'TO->FROM'	'FPL SWITCH - WOODWARD 138KV CKT 1'	153	0.0343	101.8947	'HINTON - WEATHERFORD JCT. 138KV CKT 1'
FDNS	2	0	11G	G10_014	'TO->FROM'	'FPL SWITCH - WOODWARD 138KV CKT 1'	153	0.04068	101.8947	'HINTON - WEATHERFORD JCT. 138KV CKT 1'
FDNS	2	0	11G	G08_044	'TO->FROM'	'FPL SWITCH - WOODWARD 138KV CKT 1'	153	0.0343	101.9314	'CAN_GAS4 138.00 - HINTON 138KV CKT 1'
FDNS	2	0	11G	G08_047	'TO->FROM'	'FPL SWITCH - WOODWARD 138KV CKT 1'	153	0.05336	101.9314	'CAN_GAS4 138.00 - HINTON 138KV CKT 1'
FDNS	2	0	11G	G08_110	'TO->FROM'	'FPL SWITCH - WOODWARD 138KV CKT 1'	153	0.04068	101.9314	'CAN_GAS4 138.00 - HINTON 138KV CKT 1'
FDNS	2	0	11G	ASGI_2010_011	'TO->FROM'	'FPL SWITCH - WOODWARD 138KV CKT 1'	153	0.03351	101.9314	'CAN_GAS4 138.00 - HINTON 138KV CKT 1'
FDNS	2	0	11G	G10_011	'TO->FROM'	'FPL SWITCH - WOODWARD 138KV CKT 1'	153	0.0343	101.9314	'CAN_GAS4 138.00 - HINTON 138KV CKT 1'
FDNS	2	0	11G	G10_014	'TO->FROM'	'FPL SWITCH - WOODWARD 138KV CKT 1'	153	0.04068	101.9314	'CAN_GAS4 138.00 - HINTON 138KV CKT 1'
FDNS	2	0	11G	G08_044	'TO->FROM'	'FPL SWITCH - WOODWARD 138KV CKT 1'	153	0.0336	127.3324	'LAWTON EASTSIDE - OKLAUNION 345KV CKT 1'
FDNS	2	0	11G	G08_047	'TO->FROM'	'FPL SWITCH - WOODWARD 138KV CKT 1'	153	0.05666	127.3324	'LAWTON EASTSIDE - OKLAUNION 345KV CKT 1'
FDNS	2	0	11G	G09_067S	'TO->FROM'	'FPL SWITCH - WOODWARD 138KV CKT 1'	153	0.03593	127.3324	'LAWTON EASTSIDE - OKLAUNION 345KV CKT 1'
FDNS	2	0	11G	G08_022	'TO->FROM'	'FPL SWITCH - WOODWARD 138KV CKT 1'	153	0.03565	127.3324	'LAWTON EASTSIDE - OKLAUNION 345KV CKT 1'
FDNS	2	0	11G	G08_110	'TO->FROM'	'FPL SWITCH - WOODWARD 138KV CKT 1'	153	0.04517	127.3324	'LAWTON EASTSIDE - OKLAUNION 345KV CKT 1'
FDNS	2	0	11G	ASGI_2010_011	'TO->FROM'	'FPL SWITCH - WOODWARD 138KV CKT 1'	153	0.03951	127.3324	'LAWTON EASTSIDE - OKLAUNION 345KV CKT 1'
FDNS	2	0	11G	G10_011	'TO->FROM'	'FPL SWITCH - WOODWARD 138KV CKT 1'	153	0.0336	127.3324	'LAWTON EASTSIDE - OKLAUNION 345KV CKT 1'
FDNS	2	0	11G	G10_014	'TO->FROM'	'FPL SWITCH - WOODWARD 138KV CKT 1'	153	0.04517	127.3324	'LAWTON EASTSIDE - OKLAUNION 345KV CKT 1'
FDNS	2	0	11G	G09_067S	'FROM->TO'	'ELK CITY 230KV (ELKCTY-6) 230/138/13.8KV TRANSFORMER CKT 1'	287	0.10067	113.4931	'LAWTON EASTSIDE - OKLAUNION 345KV CKT 1'
FDNS	2	0	11G	G08_022	'FROM->TO'	'ELK CITY 230KV (ELKCTY-6) 230/138/13.8KV TRANSFORMER CKT 1'	287	0.10147	113.4931	'LAWTON EASTSIDE - OKLAUNION 345KV CKT 1'
FDNS	2	0	11G	G08_088	'FROM->TO'	'ELK CITY 230KV (ELKCTY-6) 230/138/13.8KV TRANSFORMER CKT 1'	287	0.13331	113.4931	'LAWTON EASTSIDE - OKLAUNION 345KV CKT 1'
FDNS	2	0	11G	G08_110	'FROM->TO'	'ELK CITY 230KV (ELKCTY-6) 230/138/13.8KV TRANSFORMER CKT 1'	287	0.0471	113.4931	'LAWTON EASTSIDE - OKLAUNION 345KV CKT 1'
FDNS	2	0	11G	G10_007	'FROM->TO'	'ELK CITY 230KV (ELKCTY-6) 230/138/13.8KV TRANSFORMER CKT 1'	287	0.11827	113.4931	'LAWTON EASTSIDE - OKLAUNION 345KV CKT 1'

SOLUTION	GROUP	SCENARIO	SEASON	SOURCE	DIRECTION	MONITORED ELEMENT	RATE B	TDF	TC%	LOADING	CONTINGENCY NAME
						COMMON NAME					
FDNS	2	0 11G	ASGI_2010_011	'FROM->TO'	'ELK CITY 230KV (ELKCTY-6) 230/138/13.8KV TRANSFORMER CKT 1'	287	0.07159	113.4931		'LAWTON EASTSIDE - OKLAUNION 345KV CKT 1'	
FDNS	2	0 11G	G10_014	'FROM->TO'	'ELK CITY 230KV (ELKCTY-6) 230/138/13.8KV TRANSFORMER CKT 1'	287	0.0471	113.4931		'LAWTON EASTSIDE - OKLAUNION 345KV CKT 1'	
FDNS	2	0 11G	G09_067S	'FROM->TO'	'ELK CITY 230KV (ELKCTY-6) 230/138/13.8KV TRANSFORMER CKT 1'	287	0.10067	112.1766		'LAWTON EASTSIDE - OKLAUNION 345KV CKT 1'	
FDNS	2	0 11G	G08_022	'FROM->TO'	'ELK CITY 230KV (ELKCTY-6) 230/138/13.8KV TRANSFORMER CKT 1'	287	0.10147	112.1766		'LAWTON EASTSIDE - OKLAUNION 345KV CKT 1'	
FDNS	2	0 11G	G08_088	'FROM->TO'	'ELK CITY 230KV (ELKCTY-6) 230/138/13.8KV TRANSFORMER CKT 1'	287	0.13331	112.1766		'LAWTON EASTSIDE - OKLAUNION 345KV CKT 1'	
FDNS	2	0 11G	G08_110	'FROM->TO'	'ELK CITY 230KV (ELKCTY-6) 230/138/13.8KV TRANSFORMER CKT 1'	287	0.0471	112.1766		'LAWTON EASTSIDE - OKLAUNION 345KV CKT 1'	
FDNS	2	0 11G	G10_007	'FROM->TO'	'ELK CITY 230KV (ELKCTY-6) 230/138/13.8KV TRANSFORMER CKT 1'	287	0.11827	112.1766		'LAWTON EASTSIDE - OKLAUNION 345KV CKT 1'	
FDNS	2	0 11G	ASGI_2010_011	'FROM->TO'	'ELK CITY 230KV (ELKCTY-6) 230/138/13.8KV TRANSFORMER CKT 1'	287	0.07159	112.1766		'LAWTON EASTSIDE - OKLAUNION 345KV CKT 1'	
FDNS	2	0 11G	G10_014	'FROM->TO'	'ELK CITY 230KV (ELKCTY-6) 230/138/13.8KV TRANSFORMER CKT 1'	287	0.0471	112.1766		'LAWTON EASTSIDE - OKLAUNION 345KV CKT 1'	
FDNS	2	0 11G	G08_044	'TO->FROM'	'FPL SWITCH - WOODWARD 138KV CKT 1'	153	0.0336	115.3937	345.00	'G08-14T OKLAUNION 345KV CKT 1'	
FDNS	2	0 11G	G08_047	'TO->FROM'	'FPL SWITCH - WOODWARD 138KV CKT 1'	153	0.05666	115.3937	345.00	'G08-14T OKLAUNION 345KV CKT 1'	
FDNS	2	0 11G	G09_067S	'TO->FROM'	'FPL SWITCH - WOODWARD 138KV CKT 1'	153	0.03593	115.3937	345.00	'G08-14T OKLAUNION 345KV CKT 1'	
FDNS	2	0 11G	G08_022	'TO->FROM'	'FPL SWITCH - WOODWARD 138KV CKT 1'	153	0.03565	115.3937	345.00	'G08-14T OKLAUNION 345KV CKT 1'	
FDNS	2	0 11G	G08_110	'TO->FROM'	'FPL SWITCH - WOODWARD 138KV CKT 1'	153	0.04517	115.3937	345.00	'G08-14T OKLAUNION 345KV CKT 1'	
FDNS	2	0 11G	ASGI_2010_011	'TO->FROM'	'FPL SWITCH - WOODWARD 138KV CKT 1'	153	0.03951	115.3937	345.00	'G08-14T OKLAUNION 345KV CKT 1'	
FDNS	2	0 11G	G10_011	'TO->FROM'	'FPL SWITCH - WOODWARD 138KV CKT 1'	153	0.0336	115.3937	345.00	'G08-14T OKLAUNION 345KV CKT 1'	
FDNS	2	0 11G	G10_014	'TO->FROM'	'FPL SWITCH - WOODWARD 138KV CKT 1'	153	0.04517	115.3937	345.00	'G08-14T OKLAUNION 345KV CKT 1'	
FDNS	2	0 11G	G09_067S	'FROM->TO'	'ELK CITY 230KV (ELKCTY-6) 230/138/13.8KV TRANSFORMER CKT 1'	287	0.10067	103.072		'G08-14T OKLAUNION 345KV CKT 1'	
FDNS	2	0 11G	G08_022	'FROM->TO'	'ELK CITY 230KV (ELKCTY-6) 230/138/13.8KV TRANSFORMER CKT 1'	287	0.10147	103.072		'G08-14T OKLAUNION 345KV CKT 1'	
FDNS	2	0 11G	G08_088	'FROM->TO'	'ELK CITY 230KV (ELKCTY-6) 230/138/13.8KV TRANSFORMER CKT 1'	287	0.13331	103.072		'G08-14T OKLAUNION 345KV CKT 1'	
FDNS	2	0 11G	G08_110	'FROM->TO'	'ELK CITY 230KV (ELKCTY-6) 230/138/13.8KV TRANSFORMER CKT 1'	287	0.0471	103.072		'G08-14T OKLAUNION 345KV CKT 1'	
FDNS	2	0 11G	G10_007	'FROM->TO'	'ELK CITY 230KV (ELKCTY-6) 230/138/13.8KV TRANSFORMER CKT 1'	287	0.11827	103.072		'G08-14T OKLAUNION 345KV CKT 1'	
FDNS	2	0 11G	ASGI_2010_011	'FROM->TO'	'ELK CITY 230KV (ELKCTY-6) 230/138/13.8KV TRANSFORMER CKT 1'	287	0.07159	103.072		'G08-14T OKLAUNION 345KV CKT 1'	
FDNS	2	0 11G	G10_014	'FROM->TO'	'ELK CITY 230KV (ELKCTY-6) 230/138/13.8KV TRANSFORMER CKT 1'	287	0.0471	103.072		'G08-14T OKLAUNION 345KV CKT 1'	
FDNS	2	0 11G	G09_067S	'FROM->TO'	'ELK CITY 230KV (ELKCTY-6) 230/138/13.8KV TRANSFORMER CKT 1'	287	0.10067	102.2113		'G08-14T OKLAUNION 345KV CKT 1'	
FDNS	2	0 11G	G08_022	'FROM->TO'	'ELK CITY 230KV (ELKCTY-6) 230/138/13.8KV TRANSFORMER CKT 1'	287	0.10147	102.2113		'G08-14T OKLAUNION 345KV CKT 1'	
FDNS	2	0 11G	G08_088	'FROM->TO'	'ELK CITY 230KV (ELKCTY-6) 230/138/13.8KV TRANSFORMER CKT 1'	287	0.13331	102.2113		'G08-14T OKLAUNION 345KV CKT 1'	
FDNS	2	0 11G	G08_110	'FROM->TO'	'ELK CITY 230KV (ELKCTY-6) 230/138/13.8KV TRANSFORMER CKT 1'	287	0.0471	102.2113		'G08-14T OKLAUNION 345KV CKT 1'	
FDNS	2	0 11G	G10_007	'FROM->TO'	'ELK CITY 230KV (ELKCTY-6) 230/138/13.8KV TRANSFORMER CKT 1'	287	0.11827	102.2113		'G08-14T OKLAUNION 345KV CKT 1'	

SOLUTION	GROUP	SCENARIO	SEASON	SOURCE	DIRECTION	MONITORED ELEMENT		RATE B	TDF	TC%	LOADING	CONTINGENCY	NAME
						COMMON NAME							
FDNS	2	0 11G	ASGI_2010_011	'FROM->TO'	'ELK CITY 230KV (ELKCTY-6) 230/138/13.8KV TRANSFORMER CKT 1'	287	0.07159	102.2113	'G08-14T	345.00	- OKLAUNION 345KV	CKT 1'	
FDNS	2	0 11G	G10_014	'FROM->TO'	'ELK CITY 230KV (ELKCTY-6) 230/138/13.8KV TRANSFORMER CKT 1'	287	0.0471	102.2113	'G08-14T	345.00	- OKLAUNION 345KV	CKT 1'	
FDNS	2	0 11G	G08_044	'TO->FROM'	'FPL SWITCH - WOODWARD 138KV CKT 1'	153	0.0343	101.3715	'WEATHERFORD JCT. - WEATHERFORD			SOUTHEAST 138KV CKT 1'	
FDNS	2	0 11G	G08_047	'TO->FROM'	'FPL SWITCH - WOODWARD 138KV CKT 1'	153	0.05336	101.3715	'WEATHERFORD JCT. - WEATHERFORD			SOUTHEAST 138KV CKT 1'	
FDNS	2	0 11G	G08_110	'TO->FROM'	'FPL SWITCH - WOODWARD 138KV CKT 1'	153	0.04068	101.3715	'WEATHERFORD JCT. - WEATHERFORD			SOUTHEAST 138KV CKT 1'	
FDNS	2	0 11G	ASGI_2010_011	'TO->FROM'	'FPL SWITCH - WOODWARD 138KV CKT 1'	153	0.03351	101.3715	'WEATHERFORD JCT. - WEATHERFORD			SOUTHEAST 138KV CKT 1'	
FDNS	2	0 11G	G10_011	'TO->FROM'	'FPL SWITCH - WOODWARD 138KV CKT 1'	153	0.0343	101.3715	'WEATHERFORD JCT. - WEATHERFORD			SOUTHEAST 138KV CKT 1'	
FDNS	2	0 11G	G10_014	'TO->FROM'	'FPL SWITCH - WOODWARD 138KV CKT 1'	153	0.04068	101.3715	'WEATHERFORD JCT. - WEATHERFORD			SOUTHEAST 138KV CKT 1'	
FDNS	2	0 11G	G08_044	'TO->FROM'	'FPL SWITCH - WOODWARD 138KV CKT 1'	153	0.03193	137.1036	'ELK CITY 230KV - SWEETWT6	230.00		230KV CKT 1'	
FDNS	2	0 11G	G08_047	'TO->FROM'	'FPL SWITCH - WOODWARD 138KV CKT 1'	153	0.05729	137.1036	'ELK CITY 230KV - SWEETWT6	230.00		230KV CKT 1'	
FDNS	2	0 11G	G09_067S	'TO->FROM'	'FPL SWITCH - WOODWARD 138KV CKT 1'	153	0.0319	137.1036	'ELK CITY 230KV - SWEETWT6	230.00		230KV CKT 1'	
FDNS	2	0 11G	G08_022	'TO->FROM'	'FPL SWITCH - WOODWARD 138KV CKT 1'	153	0.03211	137.1036	'ELK CITY 230KV - SWEETWT6	230.00		230KV CKT 1'	
FDNS	2	0 11G	G08_088	'TO->FROM'	'FPL SWITCH - WOODWARD 138KV CKT 1'	153	0.03737	137.1036	'ELK CITY 230KV - SWEETWT6	230.00		230KV CKT 1'	
FDNS	2	0 11G	G08_110	'TO->FROM'	'FPL SWITCH - WOODWARD 138KV CKT 1'	153	0.04835	137.1036	'ELK CITY 230KV - SWEETWT6	230.00		230KV CKT 1'	
FDNS	2	0 11G	G10_007	'TO->FROM'	'FPL SWITCH - WOODWARD 138KV CKT 1'	153	0.04004	137.1036	'ELK CITY 230KV - SWEETWT6	230.00		230KV CKT 1'	
FDNS	2	0 11G	ASGI_2010_011	'TO->FROM'	'FPL SWITCH - WOODWARD 138KV CKT 1'	153	0.04545	137.1036	'ELK CITY 230KV - SWEETWT6	230.00		230KV CKT 1'	
FDNS	2	0 11G	G10_011	'TO->FROM'	'FPL SWITCH - WOODWARD 138KV CKT 1'	153	0.03193	137.1036	'ELK CITY 230KV - SWEETWT6	230.00		230KV CKT 1'	
FDNS	2	0 11G	G10_014	'TO->FROM'	'FPL SWITCH - WOODWARD 138KV CKT 1'	153	0.04835	137.1036	'ELK CITY 230KV - SWEETWT6	230.00		230KV CKT 1'	
FDNS	2	0 11G	G08_044	'TO->FROM'	'FPL SWITCH - WOODWARD 138KV CKT 1'	153	0.03421	101.968	'WEATHERFORD TAP - WEATHERFORD			WIND FARM 138KV CKT 1'	
FDNS	2	0 11G	G08_047	'TO->FROM'	'FPL SWITCH - WOODWARD 138KV CKT 1'	153	0.05349	101.968	'WEATHERFORD TAP - WEATHERFORD			WIND FARM 138KV CKT 1'	
FDNS	2	0 11G	G08_110	'TO->FROM'	'FPL SWITCH - WOODWARD 138KV CKT 1'	153	0.0409	101.968	'WEATHERFORD TAP - WEATHERFORD			WIND FARM 138KV CKT 1'	
FDNS	2	0 11G	ASGI_2010_011	'TO->FROM'	'FPL SWITCH - WOODWARD 138KV CKT 1'	153	0.03383	101.968	'WEATHERFORD TAP - WEATHERFORD			WIND FARM 138KV CKT 1'	
FDNS	2	0 11G	G10_011	'TO->FROM'	'FPL SWITCH - WOODWARD 138KV CKT 1'	153	0.03421	101.968	'WEATHERFORD TAP - WEATHERFORD			WIND FARM 138KV CKT 1'	
FDNS	2	0 11G	G10_014	'TO->FROM'	'FPL SWITCH - WOODWARD 138KV CKT 1'	153	0.0409	101.968	'WEATHERFORD TAP - WEATHERFORD			WIND FARM 138KV CKT 1'	
FDNS	2	0 11G	G08_044	'TO->FROM'	'FPL SWITCH - WOODWARD 138KV CKT 1'	153	0.0343	102.0824	'CAN_GAS4	138.00	- JENSEN ROAD	138KV CKT 1'	
FDNS	2	0 11G	G08_047	'TO->FROM'	'FPL SWITCH - WOODWARD 138KV CKT 1'	153	0.05336	102.0824	'CAN_GAS4	138.00	- JENSEN ROAD	138KV CKT 1'	
FDNS	2	0 11G	G08_110	'TO->FROM'	'FPL SWITCH - WOODWARD 138KV CKT 1'	153	0.04068	102.0824	'CAN_GAS4	138.00	- JENSEN ROAD	138KV CKT 1'	
FDNS	2	0 11G	ASGI_2010_011	'TO->FROM'	'FPL SWITCH - WOODWARD 138KV CKT 1'	153	0.03351	102.0824	'CAN_GAS4	138.00	- JENSEN ROAD	138KV CKT 1'	
FDNS	2	0 11G	G10_011	'TO->FROM'	'FPL SWITCH - WOODWARD 138KV CKT 1'	153	0.0343	102.0824	'CAN_GAS4	138.00	- JENSEN ROAD	138KV CKT 1'	

SOLUTION	GROUP	SCENARIO	SEASON	SOURCE	DIRECTION	MONITORED ELEMENT		RATE B	TDF	TC%	LOADING	CONTINGENCY NAME
						COMMON NAME						
FDNS	2	0 11G	G10_014	'TO->FROM'	'FPL SWITCH - WOODWARD 138KV CKT 1'		153	0.04068	102.0824	'CAN_GAS4	138.00 - JENSEN ROAD 138KV CKT 1'	
FDNS	2	0 11G	G08_044	'TO->FROM'	'FPL SWITCH - WOODWARD 138KV CKT 1'		153	0.03249	126.8626	'STLN-DEMARC6230.00 - SWEETWT6	230.00 230KV CKT 1'	
FDNS	2	0 11G	G08_047	'TO->FROM'	'FPL SWITCH - WOODWARD 138KV CKT 1'		153	0.05784	126.8626	'STLN-DEMARC6230.00 - SWEETWT6	230.00 230KV CKT 1'	
FDNS	2	0 11G	G09_067S	'TO->FROM'	'FPL SWITCH - WOODWARD 138KV CKT 1'		153	0.03245	126.8626	'STLN-DEMARC6230.00 - SWEETWT6	230.00 230KV CKT 1'	
FDNS	2	0 11G	G08_022	'TO->FROM'	'FPL SWITCH - WOODWARD 138KV CKT 1'		153	0.03267	126.8626	'STLN-DEMARC6230.00 - SWEETWT6	230.00 230KV CKT 1'	
FDNS	2	0 11G	G08_088	'TO->FROM'	'FPL SWITCH - WOODWARD 138KV CKT 1'		153	0.03793	126.8626	'STLN-DEMARC6230.00 - SWEETWT6	230.00 230KV CKT 1'	
FDNS	2	0 11G	G08_110	'TO->FROM'	'FPL SWITCH - WOODWARD 138KV CKT 1'		153	0.04891	126.8626	'STLN-DEMARC6230.00 - SWEETWT6	230.00 230KV CKT 1'	
FDNS	2	0 11G	G10_007	'TO->FROM'	'FPL SWITCH - WOODWARD 138KV CKT 1'		153	0.0406	126.8626	'STLN-DEMARC6230.00 - SWEETWT6	230.00 230KV CKT 1'	
FDNS	2	0 11G	ASGI_2010_011	'TO->FROM'	'FPL SWITCH - WOODWARD 138KV CKT 1'		153	0.046	126.8626	'STLN-DEMARC6230.00 - SWEETWT6	230.00 230KV CKT 1'	
FDNS	2	0 11G	G10_011	'TO->FROM'	'FPL SWITCH - WOODWARD 138KV CKT 1'		153	0.03249	126.8626	'STLN-DEMARC6230.00 - SWEETWT6	230.00 230KV CKT 1'	
FDNS	2	0 11G	G10_014	'TO->FROM'	'FPL SWITCH - WOODWARD 138KV CKT 1'		153	0.04891	126.8626	'STLN-DEMARC6230.00 - SWEETWT6	230.00 230KV CKT 1'	
FDNS	2	0 11G	G08_044	'TO->FROM'	'FPL SWITCH - WOODWARD 138KV CKT 1'		153	0.03238	101.3278	'WAUKOMIS - WAUKOMIS TAP 138KV	CKT 1'	
FDNS	2	0 11G	G08_047	'TO->FROM'	'FPL SWITCH - WOODWARD 138KV CKT 1'		153	0.05069	101.3278	'WAUKOMIS - WAUKOMIS TAP 138KV	CKT 1'	
FDNS	2	0 11G	G08_110	'TO->FROM'	'FPL SWITCH - WOODWARD 138KV CKT 1'		153	0.03858	101.3278	'WAUKOMIS - WAUKOMIS TAP 138KV	CKT 1'	
FDNS	2	0 11G	ASGI_2010_011	'TO->FROM'	'FPL SWITCH - WOODWARD 138KV CKT 1'		153	0.0316	101.3278	'WAUKOMIS - WAUKOMIS TAP 138KV	CKT 1'	
FDNS	2	0 11G	G10_011	'TO->FROM'	'FPL SWITCH - WOODWARD 138KV CKT 1'		153	0.03238	101.3278	'WAUKOMIS - WAUKOMIS TAP 138KV	CKT 1'	
FDNS	2	0 11G	G10_014	'TO->FROM'	'FPL SWITCH - WOODWARD 138KV CKT 1'		153	0.03858	101.3278	'WAUKOMIS - WAUKOMIS TAP 138KV	CKT 1'	
FDNS	2	0 11G	G08_044	'TO->FROM'	'FPL SWITCH - WOODWARD 138KV CKT 1'		153	0.03238	100.9497	'HENESSEY - WAUKOMIS 138KV CKT 1'		
FDNS	2	0 11G	G08_047	'TO->FROM'	'FPL SWITCH - WOODWARD 138KV CKT 1'		153	0.05069	100.9497	'HENESSEY - WAUKOMIS 138KV CKT 1'		
FDNS	2	0 11G	G08_110	'TO->FROM'	'FPL SWITCH - WOODWARD 138KV CKT 1'		153	0.03858	100.9497	'HENESSEY - WAUKOMIS 138KV CKT 1'		
FDNS	2	0 11G	ASGI_2010_011	'TO->FROM'	'FPL SWITCH - WOODWARD 138KV CKT 1'		153	0.0316	100.9497	'HENESSEY - WAUKOMIS 138KV CKT 1'		
FDNS	2	0 11G	G10_011	'TO->FROM'	'FPL SWITCH - WOODWARD 138KV CKT 1'		153	0.03238	100.9497	'HENESSEY - WAUKOMIS 138KV CKT 1'		
FDNS	2	0 11G	G10_014	'TO->FROM'	'FPL SWITCH - WOODWARD 138KV CKT 1'		153	0.03858	100.9497	'HENESSEY - WAUKOMIS 138KV CKT 1'		
FDNS	2	0 11G	G08_044	'TO->FROM'	'FPL SWITCH - WOODWARD 138KV CKT 1'		153	0.0327	110.2869	'G08-13T	345.00 - WOODRING 345KV CKT 1'	
FDNS	2	0 11G	G08_047	'TO->FROM'	'FPL SWITCH - WOODWARD 138KV CKT 1'		153	0.05441	110.2869	'G08-13T	345.00 - WOODRING 345KV CKT 1'	
FDNS	2	0 11G	G08_110	'TO->FROM'	'FPL SWITCH - WOODWARD 138KV CKT 1'		153	0.04202	110.2869	'G08-13T	345.00 - WOODRING 345KV CKT 1'	
FDNS	2	0 11G	ASGI_2010_011	'TO->FROM'	'FPL SWITCH - WOODWARD 138KV CKT 1'		153	0.0348	110.2869	'G08-13T	345.00 - WOODRING 345KV CKT 1'	
FDNS	2	0 11G	G10_011	'TO->FROM'	'FPL SWITCH - WOODWARD 138KV CKT 1'		153	0.0327	110.2869	'G08-13T	345.00 - WOODRING 345KV CKT 1'	
FDNS	2	0 11G	G10_014	'TO->FROM'	'FPL SWITCH - WOODWARD 138KV CKT 1'		153	0.04202	110.2869	'G08-13T	345.00 - WOODRING 345KV CKT 1'	

SOLUTION	GROUP	SCENARIO	SEASON	SOURCE	DIRECTION	MONITORED ELEMENT	RATE B	TDF	TC%	LOADING	CONTINGENCY NAME
						COMMON NAME					
FDNS	2	0 11G	G08_044	'TO->FROM'	'FPL SWITCH - WOODWARD 138KV CKT 1'	153	0.03336	100.6278	'KNOBHILL - SALINE 69KV CKT 1'		
FDNS	2	0 11G	G08_047	'TO->FROM'	'FPL SWITCH - WOODWARD 138KV CKT 1'	153	0.05229	100.6278	'KNOBHILL - SALINE 69KV CKT 1'		
FDNS	2	0 11G	G08_110	'TO->FROM'	'FPL SWITCH - WOODWARD 138KV CKT 1'	153	0.03999	100.6278	'KNOBHILL - SALINE 69KV CKT 1'		
FDNS	2	0 11G	ASGI_2010_011	'TO->FROM'	'FPL SWITCH - WOODWARD 138KV CKT 1'	153	0.03307	100.6278	'KNOBHILL - SALINE 69KV CKT 1'		
FDNS	2	0 11G	G10_011	'TO->FROM'	'FPL SWITCH - WOODWARD 138KV CKT 1'	153	0.03336	100.6278	'KNOBHILL - SALINE 69KV CKT 1'		
FDNS	2	0 11G	G10_014	'TO->FROM'	'FPL SWITCH - WOODWARD 138KV CKT 1'	153	0.03999	100.6278	'KNOBHILL - SALINE 69KV CKT 1'		
FDNS	2	0 11G	G08_044	'TO->FROM'	'FPL SWITCH - WOODWARD 138KV CKT 1'	153	0.03336	100.8686	'HELENAT2 69.000 - SALINE 69KV CKT 1'		
FDNS	2	0 11G	G08_047	'TO->FROM'	'FPL SWITCH - WOODWARD 138KV CKT 1'	153	0.05229	100.8686	'HELENAT2 69.000 - SALINE 69KV CKT 1'		
FDNS	2	0 11G	G08_110	'TO->FROM'	'FPL SWITCH - WOODWARD 138KV CKT 1'	153	0.03999	100.8686	'HELENAT2 69.000 - SALINE 69KV CKT 1'		
FDNS	2	0 11G	ASGI_2010_011	'TO->FROM'	'FPL SWITCH - WOODWARD 138KV CKT 1'	153	0.03307	100.8686	'HELENAT2 69.000 - SALINE 69KV CKT 1'		
FDNS	2	0 11G	G10_011	'TO->FROM'	'FPL SWITCH - WOODWARD 138KV CKT 1'	153	0.03336	100.8686	'HELENAT2 69.000 - SALINE 69KV CKT 1'		
FDNS	2	0 11G	G10_014	'TO->FROM'	'FPL SWITCH - WOODWARD 138KV CKT 1'	153	0.03999	100.8686	'HELENAT2 69.000 - SALINE 69KV CKT 1'		
FDNS	2	0 11G	G08_044	'TO->FROM'	'FPL SWITCH - WOODWARD 138KV CKT 1'	153	0.03336	101.7496	'GOLTRY - IMO 69KV CKT 1'		
FDNS	2	0 11G	G08_047	'TO->FROM'	'FPL SWITCH - WOODWARD 138KV CKT 1'	153	0.05229	101.7496	'GOLTRY - IMO 69KV CKT 1'		
FDNS	2	0 11G	G08_110	'TO->FROM'	'FPL SWITCH - WOODWARD 138KV CKT 1'	153	0.03999	101.7496	'GOLTRY - IMO 69KV CKT 1'		
FDNS	2	0 11G	ASGI_2010_011	'TO->FROM'	'FPL SWITCH - WOODWARD 138KV CKT 1'	153	0.03307	101.7496	'GOLTRY - IMO 69KV CKT 1'		
FDNS	2	0 11G	G10_011	'TO->FROM'	'FPL SWITCH - WOODWARD 138KV CKT 1'	153	0.03336	101.7496	'GOLTRY - IMO 69KV CKT 1'		
FDNS	2	0 11G	G10_014	'TO->FROM'	'FPL SWITCH - WOODWARD 138KV CKT 1'	153	0.03999	101.7496	'GOLTRY - IMO 69KV CKT 1'		
FDNS	2	0 11G	G08_044	'TO->FROM'	'FPL SWITCH - WOODWARD 138KV CKT 1'	153	0.03336	101.5656	'GOLTRY - HELENAT2 69.000 69KV CKT 1'		
FDNS	2	0 11G	G08_047	'TO->FROM'	'FPL SWITCH - WOODWARD 138KV CKT 1'	153	0.05229	101.5656	'GOLTRY - HELENAT2 69.000 69KV CKT 1'		
FDNS	2	0 11G	G08_110	'TO->FROM'	'FPL SWITCH - WOODWARD 138KV CKT 1'	153	0.03999	101.5656	'GOLTRY - HELENAT2 69.000 69KV CKT 1'		
FDNS	2	0 11G	ASGI_2010_011	'TO->FROM'	'FPL SWITCH - WOODWARD 138KV CKT 1'	153	0.03307	101.5656	'GOLTRY - HELENAT2 69.000 69KV CKT 1'		
FDNS	2	0 11G	G10_011	'TO->FROM'	'FPL SWITCH - WOODWARD 138KV CKT 1'	153	0.03336	101.5656	'GOLTRY - HELENAT2 69.000 69KV CKT 1'		
FDNS	2	0 11G	G10_014	'TO->FROM'	'FPL SWITCH - WOODWARD 138KV CKT 1'	153	0.03999	101.5656	'GOLTRY - HELENAT2 69.000 69KV CKT 1'		
FDNS	2	0 11G	G08_044	'TO->FROM'	'FPL SWITCH - WOODWARD 138KV CKT 1'	153	0.03238	100.103	'DOVER SW - HENESSEY 138KV CKT 1'		
FDNS	2	0 11G	G08_047	'TO->FROM'	'FPL SWITCH - WOODWARD 138KV CKT 1'	153	0.05069	100.103	'DOVER SW - HENESSEY 138KV CKT 1'		
FDNS	2	0 11G	G08_110	'TO->FROM'	'FPL SWITCH - WOODWARD 138KV CKT 1'	153	0.03858	100.103	'DOVER SW - HENESSEY 138KV CKT 1'		
FDNS	2	0 11G	ASGI_2010_011	'TO->FROM'	'FPL SWITCH - WOODWARD 138KV CKT 1'	153	0.0316	100.103	'DOVER SW - HENESSEY 138KV CKT 1'		
FDNS	2	0 11G	G10_011	'TO->FROM'	'FPL SWITCH - WOODWARD 138KV CKT 1'	153	0.03238	100.103	'DOVER SW - HENESSEY 138KV CKT 1'		

SOLUTION	GROUP	SCENARIO	SEASON	SOURCE	DIRECTION	MONITORED ELEMENT	RATE B	TDF	TC%	LOADING	CONTINGENCY NAME
						COMMON NAME					
FDNS	2	0 11G	G10_014	'TO->FROM'	'FPL SWITCH - WOODWARD 138KV CKT 1'	153	0.03858	100.103	'DOVER SW - HENESSEY 138KV CKT 1'		
FDNS	2	0 11G	G08_044	'TO->FROM'	'FPL SWITCH - WOODWARD 138KV CKT 1'	153	0.03864	117.6375	'WOODWARD - WOODWARD 69KV CKT 1'		
FDNS	2	0 11G	G08_047	'TO->FROM'	'FPL SWITCH - WOODWARD 138KV CKT 1'	153	0.06096	117.6375	'WOODWARD - WOODWARD 69KV CKT 1'		
FDNS	2	0 11G	G08_110	'TO->FROM'	'FPL SWITCH - WOODWARD 138KV CKT 1'	153	0.04688	117.6375	'WOODWARD - WOODWARD 69KV CKT 1'		
FDNS	2	0 11G	ASGI_2010_011	'TO->FROM'	'FPL SWITCH - WOODWARD 138KV CKT 1'	153	0.0391	117.6375	'WOODWARD - WOODWARD 69KV CKT 1'		
FDNS	2	0 11G	G10_011	'TO->FROM'	'FPL SWITCH - WOODWARD 138KV CKT 1'	153	0.03864	117.6375	'WOODWARD - WOODWARD 69KV CKT 1'		
FDNS	2	0 11G	G10_014	'TO->FROM'	'FPL SWITCH - WOODWARD 138KV CKT 1'	153	0.04688	117.6375	'WOODWARD - WOODWARD 69KV CKT 1'		
FDNS	2	0 11G	G08_044	'TO->FROM'	'FPL SWITCH - WOODWARD 138KV CKT 1'	153	0.03319	101.3402	'WOODWARD - WWRDEHV4 138.00 138KV CKT 2'		
FDNS	2	0 11G	G08_047	'TO->FROM'	'FPL SWITCH - WOODWARD 138KV CKT 1'	153	0.05227	101.3402	'WOODWARD - WWRDEHV4 138.00 138KV CKT 2'		
FDNS	2	0 11G	G08_110	'TO->FROM'	'FPL SWITCH - WOODWARD 138KV CKT 1'	153	0.0401	101.3402	'WOODWARD - WWRDEHV4 138.00 138KV CKT 2'		
FDNS	2	0 11G	ASGI_2010_011	'TO->FROM'	'FPL SWITCH - WOODWARD 138KV CKT 1'	153	0.03335	101.3402	'WOODWARD - WWRDEHV4 138.00 138KV CKT 2'		
FDNS	2	0 11G	G10_011	'TO->FROM'	'FPL SWITCH - WOODWARD 138KV CKT 1'	153	0.03319	101.3402	'WOODWARD - WWRDEHV4 138.00 138KV CKT 2'		
FDNS	2	0 11G	G10_014	'TO->FROM'	'FPL SWITCH - WOODWARD 138KV CKT 1'	153	0.0401	101.3402	'WOODWARD - WWRDEHV4 138.00 138KV CKT 2'		
FDNS	2	0 11G	G08_044	'TO->FROM'	'FPL SWITCH - WOODWARD 138KV CKT 1'	153	0.03993	128.8522	'DEWEY - IODINE 138KV CKT 1'		
FDNS	2	0 11G	G08_047	'TO->FROM'	'FPL SWITCH - WOODWARD 138KV CKT 1'	153	0.06424	128.8522	'DEWEY - IODINE 138KV CKT 1'		
FDNS	2	0 11G	G10_009	'TO->FROM'	'FPL SWITCH - WOODWARD 138KV CKT 1'	153	0.03042	128.8522	'DEWEY - IODINE 138KV CKT 1'		
FDNS	2	0 11G	G08_110	'TO->FROM'	'FPL SWITCH - WOODWARD 138KV CKT 1'	153	0.04965	128.8522	'DEWEY - IODINE 138KV CKT 1'		
FDNS	2	0 11G	ASGI_2010_011	'TO->FROM'	'FPL SWITCH - WOODWARD 138KV CKT 1'	153	0.0417	128.8522	'DEWEY - IODINE 138KV CKT 1'		
FDNS	2	0 11G	G10_011	'TO->FROM'	'FPL SWITCH - WOODWARD 138KV CKT 1'	153	0.03993	128.8522	'DEWEY - IODINE 138KV CKT 1'		
FDNS	2	0 11G	G10_014	'TO->FROM'	'FPL SWITCH - WOODWARD 138KV CKT 1'	153	0.04965	128.8522	'DEWEY - IODINE 138KV CKT 1'		
FDNS	2	0 11G	G08_044	'TO->FROM'	'FPL SWITCH - WOODWARD 138KV CKT 1'	153	0.03585	107.2399	'DEWEY - TALOGA 138KV CKT 1'		
FDNS	2	0 11G	G08_047	'TO->FROM'	'FPL SWITCH - WOODWARD 138KV CKT 1'	153	0.05488	107.2399	'DEWEY - TALOGA 138KV CKT 1'		
FDNS	2	0 11G	G08_110	'TO->FROM'	'FPL SWITCH - WOODWARD 138KV CKT 1'	153	0.0417	107.2399	'DEWEY - TALOGA 138KV CKT 1'		
FDNS	2	0 11G	ASGI_2010_011	'TO->FROM'	'FPL SWITCH - WOODWARD 138KV CKT 1'	153	0.03422	107.2399	'DEWEY - TALOGA 138KV CKT 1'		
FDNS	2	0 11G	G10_011	'TO->FROM'	'FPL SWITCH - WOODWARD 138KV CKT 1'	153	0.03585	107.2399	'DEWEY - TALOGA 138KV CKT 1'		
FDNS	2	0 11G	G10_014	'TO->FROM'	'FPL SWITCH - WOODWARD 138KV CKT 1'	153	0.0417	107.2399	'DEWEY - TALOGA 138KV CKT 1'		
FDNS	2	0 11G	G08_044	'TO->FROM'	'FPL SWITCH - WOODWARD 138KV CKT 1'	153	0.03993	130.0975	'IODINE - WWRDEHV4 138.00 138KV CKT 1'		
FDNS	2	0 11G	G08_047	'TO->FROM'	'FPL SWITCH - WOODWARD 138KV CKT 1'	153	0.06424	130.0975	'IODINE - WWRDEHV4 138.00 138KV CKT 1'		
FDNS	2	0 11G	G10_009	'TO->FROM'	'FPL SWITCH - WOODWARD 138KV CKT 1'	153	0.03042	130.0975	'IODINE - WWRDEHV4 138.00 138KV CKT 1'		

SOLUTION	GROUP	SCENARIO	SEASON	SOURCE	DIRECTION	MONITORED ELEMENT	RATE B	TDF	TC%	LOADING	CONTINGENCY NAME
						COMMON NAME					
FDNS	2	0 11G	G08_110	'TO->FROM'	'FPL SWITCH - WOODWARD 138KV CKT 1'	153	0.04965	130.0975	'IODINE - WWRDEHV4	138.00	138KV
FDNS	2	0 11G	ASGI_2010_011	'TO->FROM'	'FPL SWITCH - WOODWARD 138KV CKT 1'	153	0.0417	130.0975	'IODINE - WWRDEHV4	138.00	138KV
FDNS	2	0 11G	G10_011	'TO->FROM'	'FPL SWITCH - WOODWARD 138KV CKT 1'	153	0.03993	130.0975	'IODINE - WWRDEHV4	138.00	138KV
FDNS	2	0 11G	G10_014	'TO->FROM'	'FPL SWITCH - WOODWARD 138KV CKT 1'	153	0.04965	130.0975	'IODINE - WWRDEHV4	138.00	138KV
FDNS	2	0 11G	G08_044	'TO->FROM'	'FPL SWITCH - WOODWARD 138KV CKT 1'	153	0.03707	107.2335	'CIMARRON - NORTHWEST	345KV	CKT 1'
FDNS	2	0 11G	G08_047	'TO->FROM'	'FPL SWITCH - WOODWARD 138KV CKT 1'	153	0.05448	107.2335	'CIMARRON - NORTHWEST	345KV	CKT 1'
FDNS	2	0 11G	G08_110	'TO->FROM'	'FPL SWITCH - WOODWARD 138KV CKT 1'	153	0.04172	107.2335	'CIMARRON - NORTHWEST	345KV	CKT 1'
FDNS	2	0 11G	ASGI_2010_011	'TO->FROM'	'FPL SWITCH - WOODWARD 138KV CKT 1'	153	0.0346	107.2335	'CIMARRON - NORTHWEST	345KV	CKT 1'
FDNS	2	0 11G	G10_011	'TO->FROM'	'FPL SWITCH - WOODWARD 138KV CKT 1'	153	0.03707	107.2335	'CIMARRON - NORTHWEST	345KV	CKT 1'
FDNS	2	0 11G	G10_014	'TO->FROM'	'FPL SWITCH - WOODWARD 138KV CKT 1'	153	0.04172	107.2335	'CIMARRON - NORTHWEST	345KV	CKT 1'
FDNS	2	0 11G	G08_044	'TO->FROM'	'FPL SWITCH - WOODWARD 138KV CKT 1'	153	0.09324	167.4021	'NORTHWEST - TATONGA7	345.00	
FDNS	2	0 11G	G08_047	'TO->FROM'	'FPL SWITCH - WOODWARD 138KV CKT 1'	153	0.07675	167.4021	'NORTHWEST - TATONGA7	345.00	
FDNS	2	0 11G	G09_067S	'TO->FROM'	'FPL SWITCH - WOODWARD 138KV CKT 1'	153	0.03149	167.4021	'NORTHWEST - TATONGA7	345.00	
FDNS	2	0 11G	G08_022	'TO->FROM'	'FPL SWITCH - WOODWARD 138KV CKT 1'	153	0.03154	167.4021	'NORTHWEST - TATONGA7	345.00	
FDNS	2	0 11G	G10_009	'TO->FROM'	'FPL SWITCH - WOODWARD 138KV CKT 1'	153	0.03546	167.4021	'NORTHWEST - TATONGA7	345.00	
FDNS	2	0 11G	G08_110	'TO->FROM'	'FPL SWITCH - WOODWARD 138KV CKT 1'	153	0.06027	167.4021	'NORTHWEST - TATONGA7	345.00	
FDNS	2	0 11G	G10_007	'TO->FROM'	'FPL SWITCH - WOODWARD 138KV CKT 1'	153	0.03597	167.4021	'NORTHWEST - TATONGA7	345.00	
FDNS	2	0 11G	ASGI_2010_011	'TO->FROM'	'FPL SWITCH - WOODWARD 138KV CKT 1'	153	0.05187	167.4021	'NORTHWEST - TATONGA7	345.00	
FDNS	2	0 11G	G10_011	'TO->FROM'	'FPL SWITCH - WOODWARD 138KV CKT 1'	153	0.09324	167.4021	'NORTHWEST - TATONGA7	345.00	
FDNS	2	0 11G	G10_015	'TO->FROM'	'FPL SWITCH - WOODWARD 138KV CKT 1'	153	0.03303	167.4021	'NORTHWEST - TATONGA7	345.00	
FDNS	2	0 11G	G10_014	'TO->FROM'	'FPL SWITCH - WOODWARD 138KV CKT 1'	153	0.06027	167.4021	'NORTHWEST - TATONGA7	345.00	
FDNS	2	0 11G	G08_044	'TO->FROM'	'GLASS MOUNTAIN - MOORELAND 138KV CKT 1'	124	0.03002	101.2645	'NORTHWEST - TATONGA7	345.00	
FDNS	2	0 11G	G10_008	'TO->FROM'	'GLASS MOUNTAIN - MOORELAND 138KV CKT 1'	124	0.07246	101.2645	'NORTHWEST - TATONGA7	345.00	
FDNS	2	0 11G	G10_011	'TO->FROM'	'GLASS MOUNTAIN - MOORELAND 138KV CKT 1'	124	0.03002	101.2645	'NORTHWEST - TATONGA7	345.00	
FDNS	2	0 11G	G09_067S	'FROM->TO'	'ELK CITY 230KV (ELKCTY-6) 230/138/13.8KV TRANSFORMER CKT 1'	287	0.07242	104.8612	'NORTHWEST - TATONGA7	345.00	
FDNS	2	0 11G	G08_022	'FROM->TO'	'ELK CITY 230KV (ELKCTY-6) 230/138/13.8KV TRANSFORMER CKT 1'	287	0.07375	104.8612	'NORTHWEST - TATONGA7	345.00	
FDNS	2	0 11G	G08_088	'FROM->TO'	'ELK CITY 230KV (ELKCTY-6) 230/138/13.8KV TRANSFORMER CKT 1'	287	0.12032	104.8612	'NORTHWEST - TATONGA7	345.00	
FDNS	2	0 11G	G08_110	'FROM->TO'	'ELK CITY 230KV (ELKCTY-6) 230/138/13.8KV TRANSFORMER CKT 1'	287	0.04635	104.8612	'NORTHWEST - TATONGA7	345.00	
FDNS	2	0 11G	G10_007	'FROM->TO'	'ELK CITY 230KV (ELKCTY-6) 230/138/13.8KV TRANSFORMER CKT 1'	287	0.10895	104.8612	'NORTHWEST - TATONGA7	345.00	

SOLUTION	GROUP	SCENARIO	SEASON	SOURCE	DIRECTION	MONITORED ELEMENT	RATE B	TDF	TC%	LOADING	CONTINGENCY NAME
						COMMON NAME					
FDNS	2	0 11G	ASGI_2010_011	'FROM->TO'	'ELK CITY 230KV (ELKCTY-6) 230/138/13.8KV TRANSFORMER CKT 1'	287	0.06775	104.8612	345KV CKT 1'	'NORTHWEST - TATONGA7	345.00
FDNS	2	0 11G	G10_014	'FROM->TO'	'ELK CITY 230KV (ELKCTY-6) 230/138/13.8KV TRANSFORMER CKT 1'	287	0.04635	104.8612	345KV CKT 1'	'NORTHWEST - TATONGA7	345.00
FDNS	2	0 11G	G09_067S	'FROM->TO'	'ELK CITY 230KV (ELKCTY-6) 230/138/13.8KV TRANSFORMER CKT 1'	287	0.07242	104.0152	345KV CKT 1'	'NORTHWEST - TATONGA7	345.00
FDNS	2	0 11G	G08_022	'FROM->TO'	'ELK CITY 230KV (ELKCTY-6) 230/138/13.8KV TRANSFORMER CKT 1'	287	0.07375	104.0152	345KV CKT 1'	'NORTHWEST - TATONGA7	345.00
FDNS	2	0 11G	G08_088	'FROM->TO'	'ELK CITY 230KV (ELKCTY-6) 230/138/13.8KV TRANSFORMER CKT 1'	287	0.12032	104.0152	345KV CKT 1'	'NORTHWEST - TATONGA7	345.00
FDNS	2	0 11G	G08_110	'FROM->TO'	'ELK CITY 230KV (ELKCTY-6) 230/138/13.8KV TRANSFORMER CKT 1'	287	0.04635	104.0152	345KV CKT 1'	'NORTHWEST - TATONGA7	345.00
FDNS	2	0 11G	G10_007	'FROM->TO'	'ELK CITY 230KV (ELKCTY-6) 230/138/13.8KV TRANSFORMER CKT 1'	287	0.10895	104.0152	345KV CKT 1'	'NORTHWEST - TATONGA7	345.00
FDNS	2	0 11G	ASGI_2010_011	'FROM->TO'	'ELK CITY 230KV (ELKCTY-6) 230/138/13.8KV TRANSFORMER CKT 1'	287	0.06775	104.0152	345KV CKT 1'	'NORTHWEST - TATONGA7	345.00
FDNS	2	0 11G	G10_014	'FROM->TO'	'ELK CITY 230KV (ELKCTY-6) 230/138/13.8KV TRANSFORMER CKT 1'	287	0.04635	104.0152	345KV CKT 1'	'NORTHWEST - TATONGA7	345.00
FDNS	2	0 11G	G08_047	'TO->FROM'	'FPL SWITCH - WOODWARD 138KV CKT 1'	153	0.07768	150.5465	345.00 345KV CKT 1'	'TATONGA7 345.00 - WWRDEHV7	
FDNS	2	0 11G	G09_067S	'TO->FROM'	'FPL SWITCH - WOODWARD 138KV CKT 1'	153	0.03241	150.5465	345.00 345KV CKT 1'	'TATONGA7 345.00 - WWRDEHV7	
FDNS	2	0 11G	G08_022	'TO->FROM'	'FPL SWITCH - WOODWARD 138KV CKT 1'	153	0.03246	150.5465	345.00 345KV CKT 1'	'TATONGA7 345.00 - WWRDEHV7	
FDNS	2	0 11G	G10_009	'TO->FROM'	'FPL SWITCH - WOODWARD 138KV CKT 1'	153	0.03639	150.5465	345.00 345KV CKT 1'	'TATONGA7 345.00 - WWRDEHV7	
FDNS	2	0 11G	G08_088	'TO->FROM'	'FPL SWITCH - WOODWARD 138KV CKT 1'	153	0.03081	150.5465	345.00 345KV CKT 1'	'TATONGA7 345.00 - WWRDEHV7	
FDNS	2	0 11G	G08_110	'TO->FROM'	'FPL SWITCH - WOODWARD 138KV CKT 1'	153	0.06119	150.5465	345.00 345KV CKT 1'	'TATONGA7 345.00 - WWRDEHV7	
FDNS	2	0 11G	G10_007	'TO->FROM'	'FPL SWITCH - WOODWARD 138KV CKT 1'	153	0.03689	150.5465	345.00 345KV CKT 1'	'TATONGA7 345.00 - WWRDEHV7	
FDNS	2	0 11G	ASGI_2010_011	'TO->FROM'	'FPL SWITCH - WOODWARD 138KV CKT 1'	153	0.05279	150.5465	345.00 345KV CKT 1'	'TATONGA7 345.00 - WWRDEHV7	
FDNS	2	0 11G	G10_015	'TO->FROM'	'FPL SWITCH - WOODWARD 138KV CKT 1'	153	0.03396	150.5465	345.00 345KV CKT 1'	'TATONGA7 345.00 - WWRDEHV7	
FDNS	2	0 11G	G10_014	'TO->FROM'	'FPL SWITCH - WOODWARD 138KV CKT 1'	153	0.06119	150.5465	345.00 345KV CKT 1'	'TATONGA7 345.00 - WWRDEHV7	
FDNS	2	0 11G	G09_067S	'FROM->TO'	'ELK CITY 230KV (ELKCTY-6) 230/138/13.8KV TRANSFORMER CKT 1'	287	0.07277	101.7664	345.00 345KV CKT 1'	'TATONGA7 345.00 - WWRDEHV7	
FDNS	2	0 11G	G08_022	'FROM->TO'	'ELK CITY 230KV (ELKCTY-6) 230/138/13.8KV TRANSFORMER CKT 1'	287	0.0741	101.7664	345.00 345KV CKT 1'	'TATONGA7 345.00 - WWRDEHV7	
FDNS	2	0 11G	G08_088	'FROM->TO'	'ELK CITY 230KV (ELKCTY-6) 230/138/13.8KV TRANSFORMER CKT 1'	287	0.12067	101.7664	345.00 345KV CKT 1'	'TATONGA7 345.00 - WWRDEHV7	
FDNS	2	0 11G	G08_110	'FROM->TO'	'ELK CITY 230KV (ELKCTY-6) 230/138/13.8KV TRANSFORMER CKT 1'	287	0.0467	101.7664	345.00 345KV CKT 1'	'TATONGA7 345.00 - WWRDEHV7	
FDNS	2	0 11G	G10_007	'FROM->TO'	'ELK CITY 230KV (ELKCTY-6) 230/138/13.8KV TRANSFORMER CKT 1'	287	0.1093	101.7664	345.00 345KV CKT 1'	'TATONGA7 345.00 - WWRDEHV7	
FDNS	2	0 11G	ASGI_2010_011	'FROM->TO'	'ELK CITY 230KV (ELKCTY-6) 230/138/13.8KV TRANSFORMER CKT 1'	287	0.0681	101.7664	345.00 345KV CKT 1'	'TATONGA7 345.00 - WWRDEHV7	
FDNS	2	0 11G	G10_014	'FROM->TO'	'ELK CITY 230KV (ELKCTY-6) 230/138/13.8KV TRANSFORMER CKT 1'	287	0.0467	101.7664	345.00 345KV CKT 1'	'TATONGA7 345.00 - WWRDEHV7	
FDNS	2	0 11G	G09_067S	'FROM->TO'	'ELK CITY 230KV (ELKCTY-6) 230/138/13.8KV TRANSFORMER CKT 1'	287	0.07277	100.99	345.00 345KV CKT 1'	'TATONGA7 345.00 - WWRDEHV7	
FDNS	2	0 11G	G08_022	'FROM->TO'	'ELK CITY 230KV (ELKCTY-6) 230/138/13.8KV TRANSFORMER CKT 1'	287	0.0741	100.99	345.00 345KV CKT 1'	'TATONGA7 345.00 - WWRDEHV7	
FDNS	2	0 11G	G08_088	'FROM->TO'	'ELK CITY 230KV (ELKCTY-6) 230/138/13.8KV TRANSFORMER CKT 1'	287	0.12067	100.99	345.00 345KV CKT 1'	'TATONGA7 345.00 - WWRDEHV7	

SOLUTION	GROUP	SCENARIO	SEASON	SOURCE	DIRECTION	MONITORED ELEMENT		RATE B	TDF	TC%	LOADING	CONTINGENCY	NAME
						COMMON NAME							
FDNS	2	0 11G	G08_110	'FROM->TO'	'ELK CITY 230KV (ELKCTY-6) 230/138/13.8KV TRANSFORMER CKT 1'	287	0.0467	100.99	345.00	345KV	CKT 1'	'TATONGA7 345.00 - WWRDEHV7	
FDNS	2	0 11G	G10_007	'FROM->TO'	'ELK CITY 230KV (ELKCTY-6) 230/138/13.8KV TRANSFORMER CKT 1'	287	0.1093	100.99	345.00	345KV	CKT 1'	'TATONGA7 345.00 - WWRDEHV7	
FDNS	2	0 11G	ASGI_2010_011	'FROM->TO'	'ELK CITY 230KV (ELKCTY-6) 230/138/13.8KV TRANSFORMER CKT 1'	287	0.0681	100.99	345.00	345KV	CKT 1'	'TATONGA7 345.00 - WWRDEHV7	
FDNS	2	0 11G	G10_014	'FROM->TO'	'ELK CITY 230KV (ELKCTY-6) 230/138/13.8KV TRANSFORMER CKT 1'	287	0.0467	100.99	345.00	345KV	CKT 1'	'TATONGA7 345.00 - WWRDEHV7	
FDNS	2	0 11G	G08_044	'TO->FROM'	'FPL SWITCH - WOODWARD 138KV CKT 1'	153	0.03851	108.4934	345.00	345KV	CKT 1'	'BORDER 7345.00 - WWRDEHV7	
FDNS	2	0 11G	G08_047	'TO->FROM'	'FPL SWITCH - WOODWARD 138KV CKT 1'	153	0.05756	108.4934	345.00	345KV	CKT 1'	'BORDER 7345.00 - WWRDEHV7	
FDNS	2	0 11G	G08_110	'TO->FROM'	'FPL SWITCH - WOODWARD 138KV CKT 1'	153	0.04265	108.4934	345.00	345KV	CKT 1'	'BORDER 7345.00 - WWRDEHV7	
FDNS	2	0 11G	ASGI_2010_011	'TO->FROM'	'FPL SWITCH - WOODWARD 138KV CKT 1'	153	0.03374	108.4934	345.00	345KV	CKT 1'	'BORDER 7345.00 - WWRDEHV7	
FDNS	2	0 11G	G10_011	'TO->FROM'	'FPL SWITCH - WOODWARD 138KV CKT 1'	153	0.03851	108.4934	345.00	345KV	CKT 1'	'BORDER 7345.00 - WWRDEHV7	
FDNS	2	0 11G	G10_014	'TO->FROM'	'FPL SWITCH - WOODWARD 138KV CKT 1'	153	0.04265	108.4934	345.00	345KV	CKT 1'	'BORDER 7345.00 - WWRDEHV7	
FDNS	2	0 11G	G09_067S	'FROM->TO'	'ELK CITY 230KV (ELKCTY-6) 230/138/13.8KV TRANSFORMER CKT 1'	287	0.07001	100.4094	345.00	345KV	CKT 1'	'2008-047T 345.00 - WWRDEHV7	
FDNS	2	0 11G	G08_022	'FROM->TO'	'ELK CITY 230KV (ELKCTY-6) 230/138/13.8KV TRANSFORMER CKT 1'	287	0.07139	100.4094	345.00	345KV	CKT 1'	'2008-047T 345.00 - WWRDEHV7	
FDNS	2	0 11G	G08_088	'FROM->TO'	'ELK CITY 230KV (ELKCTY-6) 230/138/13.8KV TRANSFORMER CKT 1'	287	0.11932	100.4094	345.00	345KV	CKT 1'	'2008-047T 345.00 - WWRDEHV7	
FDNS	2	0 11G	G08_110	'FROM->TO'	'ELK CITY 230KV (ELKCTY-6) 230/138/13.8KV TRANSFORMER CKT 1'	287	0.04668	100.4094	345.00	345KV	CKT 1'	'2008-047T 345.00 - WWRDEHV7	
FDNS	2	0 11G	G10_007	'FROM->TO'	'ELK CITY 230KV (ELKCTY-6) 230/138/13.8KV TRANSFORMER CKT 1'	287	0.10834	100.4094	345.00	345KV	CKT 1'	'2008-047T 345.00 - WWRDEHV7	
FDNS	2	0 11G	ASGI_2010_011	'FROM->TO'	'ELK CITY 230KV (ELKCTY-6) 230/138/13.8KV TRANSFORMER CKT 1'	287	0.06774	100.4094	345.00	345KV	CKT 1'	'2008-047T 345.00 - WWRDEHV7	
FDNS	2	0 11G	G10_014	'FROM->TO'	'ELK CITY 230KV (ELKCTY-6) 230/138/13.8KV TRANSFORMER CKT 1'	287	0.04668	100.4094	345.00	345KV	CKT 1'	'2008-047T 345.00 - WWRDEHV7	
FDNS	2	0 11G	G09_067S	'FROM->TO'	'ELK CITY 230KV (ELKCTY-6) 230/138/13.8KV TRANSFORMER CKT 1'	287	0.07001	100.4094	345.00	345KV	CKT 2'	'2008-047T 345.00 - WWRDEHV7	
FDNS	2	0 11G	G08_022	'FROM->TO'	'ELK CITY 230KV (ELKCTY-6) 230/138/13.8KV TRANSFORMER CKT 1'	287	0.07139	100.4094	345.00	345KV	CKT 2'	'2008-047T 345.00 - WWRDEHV7	
FDNS	2	0 11G	G08_088	'FROM->TO'	'ELK CITY 230KV (ELKCTY-6) 230/138/13.8KV TRANSFORMER CKT 1'	287	0.11932	100.4094	345.00	345KV	CKT 2'	'2008-047T 345.00 - WWRDEHV7	
FDNS	2	0 11G	G08_110	'FROM->TO'	'ELK CITY 230KV (ELKCTY-6) 230/138/13.8KV TRANSFORMER CKT 1'	287	0.04668	100.4094	345.00	345KV	CKT 2'	'2008-047T 345.00 - WWRDEHV7	
FDNS	2	0 11G	G10_007	'FROM->TO'	'ELK CITY 230KV (ELKCTY-6) 230/138/13.8KV TRANSFORMER CKT 1'	287	0.10834	100.4094	345.00	345KV	CKT 2'	'2008-047T 345.00 - WWRDEHV7	
FDNS	2	0 11G	ASGI_2010_011	'FROM->TO'	'ELK CITY 230KV (ELKCTY-6) 230/138/13.8KV TRANSFORMER CKT 1'	287	0.06774	100.4094	345.00	345KV	CKT 2'	'2008-047T 345.00 - WWRDEHV7	
FDNS	2	0 11G	G10_014	'FROM->TO'	'ELK CITY 230KV (ELKCTY-6) 230/138/13.8KV TRANSFORMER CKT 1'	287	0.04668	100.4094	345.00	345KV	CKT 2'	'2008-047T 345.00 - WWRDEHV7	
FDNS	2	0 11G	G08_044	'TO->FROM'	'FPL SWITCH - WOODWARD 138KV CKT 1'	153	0.04008	116.1541	345.00	345KV	CKT 1'	'MED-LDG5 345.00 - WWRDEHV7	
FDNS	2	0 11G	G08_047	'TO->FROM'	'FPL SWITCH - WOODWARD 138KV CKT 1'	153	0.06105	116.1541	345.00	345KV	CKT 1'	'MED-LDG5 345.00 - WWRDEHV7	
FDNS	2	0 11G	G08_110	'TO->FROM'	'FPL SWITCH - WOODWARD 138KV CKT 1'	153	0.04655	116.1541	345.00	345KV	CKT 1'	'MED-LDG5 345.00 - WWRDEHV7	
FDNS	2	0 11G	ASGI_2010_011	'TO->FROM'	'FPL SWITCH - WOODWARD 138KV CKT 1'	153	0.03951	116.1541	345.00	345KV	CKT 1'	'MED-LDG5 345.00 - WWRDEHV7	
FDNS	2	0 11G	G10_011	'TO->FROM'	'FPL SWITCH - WOODWARD 138KV CKT 1'	153	0.04008	116.1541	345.00	345KV	CKT 1'	'MED-LDG5 345.00 - WWRDEHV7	

SOLUTION	GROUP	SCENARIO	SEASON	SOURCE	DIRECTION	MONITORED ELEMENT		RATE B	TDF	TC%	LOADING	CONTINGENCY NAME
						COMMON NAME						
FDNS	2	0 11G	G10_014	'TO->FROM'	'FPL SWITCH - WOODWARD 138KV CKT 1'		153	0.04655	116.1541	'MED-LDG5 345.00 - WWRDEHV7 345.00 345KV CKT 1'		
FDNS	2	0 11G	G08_044	'TO->FROM'	'FPL SWITCH - WOODWARD 138KV CKT 1'		153	0.04008	116.1541	'MED-LDG5 345.00 - WWRDEHV7 345.00 345KV CKT 2'		
FDNS	2	0 11G	G08_047	'TO->FROM'	'FPL SWITCH - WOODWARD 138KV CKT 1'		153	0.06105	116.1541	'MED-LDG5 345.00 - WWRDEHV7 345.00 345KV CKT 2'		
FDNS	2	0 11G	G08_110	'TO->FROM'	'FPL SWITCH - WOODWARD 138KV CKT 1'		153	0.04655	116.1541	'MED-LDG5 345.00 - WWRDEHV7 345.00 345KV CKT 2'		
FDNS	2	0 11G	ASGI_2010_011	'TO->FROM'	'FPL SWITCH - WOODWARD 138KV CKT 1'		153	0.03951	116.1541	'MED-LDG5 345.00 - WWRDEHV7 345.00 345KV CKT 2'		
FDNS	2	0 11G	G10_011	'TO->FROM'	'FPL SWITCH - WOODWARD 138KV CKT 1'		153	0.04008	116.1541	'MED-LDG5 345.00 - WWRDEHV7 345.00 345KV CKT 2'		
FDNS	2	0 11G	G10_014	'TO->FROM'	'FPL SWITCH - WOODWARD 138KV CKT 1'		153	0.04655	116.1541	'MED-LDG5 345.00 - WWRDEHV7 345.00 345KV CKT 2'		
FDNS	2	0 11G	G08_044	'TO->FROM'	'FPL SWITCH - WOODWARD 138KV CKT 1'		153	0.03397	102.2063	'ALVA - CHEROKEE SW 69KV CKT 1'		
FDNS	2	0 11G	G08_047	'TO->FROM'	'FPL SWITCH - WOODWARD 138KV CKT 1'		153	0.05344	102.2063	'ALVA - CHEROKEE SW 69KV CKT 1'		
FDNS	2	0 11G	G08_110	'TO->FROM'	'FPL SWITCH - WOODWARD 138KV CKT 1'		153	0.04099	102.2063	'ALVA - CHEROKEE SW 69KV CKT 1'		
FDNS	2	0 11G	ASGI_2010_011	'TO->FROM'	'FPL SWITCH - WOODWARD 138KV CKT 1'		153	0.03407	102.2063	'ALVA - CHEROKEE SW 69KV CKT 1'		
FDNS	2	0 11G	G10_011	'TO->FROM'	'FPL SWITCH - WOODWARD 138KV CKT 1'		153	0.03397	102.2063	'ALVA - CHEROKEE SW 69KV CKT 1'		
FDNS	2	0 11G	G10_014	'TO->FROM'	'FPL SWITCH - WOODWARD 138KV CKT 1'		153	0.04099	102.2063	'ALVA - CHEROKEE SW 69KV CKT 1'		
FDNS	2	0 11G	G10_008	'TO->FROM'	'CANTON - TALOGA 69KV CKT 1'		39	0.0363	113.6657	'CEDARDALE - MOORELAND 138KV CKT 1'		
FDNS	2	0 11G	G09_060	'TO->FROM'	'CANTON - TALOGA 69KV CKT 1'		39	0.04601	113.6657	'CEDARDALE - MOORELAND 138KV CKT 1'		
FDNS	2	0 11G	G10_008	'TO->FROM'	'CANTON - TALOGA 69KV CKT 1'		39	0.0363	112.0071	'CEDARDALE - OKEENE 138KV CKT 1'		
FDNS	2	0 11G	G09_060	'TO->FROM'	'CANTON - TALOGA 69KV CKT 1'		39	0.04601	112.0071	'CEDARDALE - OKEENE 138KV CKT 1'		
FDNS	2	0 11G	G08_044	'TO->FROM'	'FPL SWITCH - WOODWARD 138KV CKT 1'		153	0.03497	106.3813	'FARGO JCT - FT SUPPLY 69KV CKT 1'		
FDNS	2	0 11G	G08_047	'TO->FROM'	'FPL SWITCH - WOODWARD 138KV CKT 1'		153	0.05505	106.3813	'FARGO JCT - FT SUPPLY 69KV CKT 1'		
FDNS	2	0 11G	G08_110	'TO->FROM'	'FPL SWITCH - WOODWARD 138KV CKT 1'		153	0.04226	106.3813	'FARGO JCT - FT SUPPLY 69KV CKT 1'		
FDNS	2	0 11G	ASGI_2010_011	'TO->FROM'	'FPL SWITCH - WOODWARD 138KV CKT 1'		153	0.03516	106.3813	'FARGO JCT - FT SUPPLY 69KV CKT 1'		
FDNS	2	0 11G	G10_011	'TO->FROM'	'FPL SWITCH - WOODWARD 138KV CKT 1'		153	0.03497	106.3813	'FARGO JCT - FT SUPPLY 69KV CKT 1'		
FDNS	2	0 11G	G10_014	'TO->FROM'	'FPL SWITCH - WOODWARD 138KV CKT 1'		153	0.04226	106.3813	'FARGO JCT - FT SUPPLY 69KV CKT 1'		
FDNS	2	0 11G	G08_044	'TO->FROM'	'FPL SWITCH - WOODWARD 138KV CKT 1'		153	0.03406	102.1842	'HYDRO - SICKLES 138KV CKT 1'		
FDNS	2	0 11G	G08_047	'TO->FROM'	'FPL SWITCH - WOODWARD 138KV CKT 1'		153	0.05326	102.1842	'HYDRO - SICKLES 138KV CKT 1'		
FDNS	2	0 11G	G08_110	'TO->FROM'	'FPL SWITCH - WOODWARD 138KV CKT 1'		153	0.04065	102.1842	'HYDRO - SICKLES 138KV CKT 1'		
FDNS	2	0 11G	ASGI_2010_011	'TO->FROM'	'FPL SWITCH - WOODWARD 138KV CKT 1'		153	0.03354	102.1842	'HYDRO - SICKLES 138KV CKT 1'		
FDNS	2	0 11G	G10_011	'TO->FROM'	'FPL SWITCH - WOODWARD 138KV CKT 1'		153	0.03406	102.1842	'HYDRO - SICKLES 138KV CKT 1'		
FDNS	2	0 11G	G10_014	'TO->FROM'	'FPL SWITCH - WOODWARD 138KV CKT 1'		153	0.04065	102.1842	'HYDRO - SICKLES 138KV CKT 1'		
FDNS	2	0 11G	G08_044	'TO->FROM'	'FPL SWITCH - WOODWARD 138KV CKT 1'		153	0.03406	102.0322	'HYDRO - WEATHERFORD 138KV CKT 1'		

SOLUTION	GROUP	SCENARIO	SEASON	SOURCE	DIRECTION	MONITORED ELEMENT	RATE	B	TDF	TC%	LOADING	CONTINGENCY	NAME
						COMMON NAME							
FDNS	2	0	11G	G08_047	'TO->FROM'	'FPL SWITCH - WOODWARD 138KV CKT 1'	153	0.05326		102.0322	'HYDRO - WEATHERFORD 138KV CKT 1'		
FDNS	2	0	11G	G08_110	'TO->FROM'	'FPL SWITCH - WOODWARD 138KV CKT 1'	153	0.04065		102.0322	'HYDRO - WEATHERFORD 138KV CKT 1'		
FDNS	2	0	11G	ASGI_2010_011	'TO->FROM'	'FPL SWITCH - WOODWARD 138KV CKT 1'	153	0.03354		102.0322	'HYDRO - WEATHERFORD 138KV CKT 1'		
FDNS	2	0	11G	G10_011	'TO->FROM'	'FPL SWITCH - WOODWARD 138KV CKT 1'	153	0.03406		102.0322	'HYDRO - WEATHERFORD 138KV CKT 1'		
FDNS	2	0	11G	G10_014	'TO->FROM'	'FPL SWITCH - WOODWARD 138KV CKT 1'	153	0.04065		102.0322	'HYDRO - WEATHERFORD 138KV CKT 1'		
FDNS	2	0	11G	G08_044	'TO->FROM'	'FPL SWITCH - WOODWARD 138KV CKT 1'	153	0.03374		101.6984	'OKEENE - WATONGA SW 69KV CKT 1'		
FDNS	2	0	11G	G08_047	'TO->FROM'	'FPL SWITCH - WOODWARD 138KV CKT 1'	153	0.05293		101.6984	'OKEENE - WATONGA SW 69KV CKT 1'		
FDNS	2	0	11G	G08_110	'TO->FROM'	'FPL SWITCH - WOODWARD 138KV CKT 1'	153	0.04057		101.6984	'OKEENE - WATONGA SW 69KV CKT 1'		
FDNS	2	0	11G	ASGI_2010_011	'TO->FROM'	'FPL SWITCH - WOODWARD 138KV CKT 1'	153	0.0337		101.6984	'OKEENE - WATONGA SW 69KV CKT 1'		
FDNS	2	0	11G	G10_011	'TO->FROM'	'FPL SWITCH - WOODWARD 138KV CKT 1'	153	0.03374		101.6984	'OKEENE - WATONGA SW 69KV CKT 1'		
FDNS	2	0	11G	G10_014	'TO->FROM'	'FPL SWITCH - WOODWARD 138KV CKT 1'	153	0.04057		101.6984	'OKEENE - WATONGA SW 69KV CKT 1'		
FDNS	2	0	11G	G08_044	'TO->FROM'	'FPL SWITCH - WOODWARD 138KV CKT 1'	153	0.03538		106.2049	'CARTER JCT - WOODWARD 69KV CKT 1'		
FDNS	2	0	11G	G08_047	'TO->FROM'	'FPL SWITCH - WOODWARD 138KV CKT 1'	153	0.05567		106.2049	'CARTER JCT - WOODWARD 69KV CKT 1'		
FDNS	2	0	11G	G08_110	'TO->FROM'	'FPL SWITCH - WOODWARD 138KV CKT 1'	153	0.04268		106.2049	'CARTER JCT - WOODWARD 69KV CKT 1'		
FDNS	2	0	11G	ASGI_2010_011	'TO->FROM'	'FPL SWITCH - WOODWARD 138KV CKT 1'	153	0.03546		106.2049	'CARTER JCT - WOODWARD 69KV CKT 1'		
FDNS	2	0	11G	G10_011	'TO->FROM'	'FPL SWITCH - WOODWARD 138KV CKT 1'	153	0.03538		106.2049	'CARTER JCT - WOODWARD 69KV CKT 1'		
FDNS	2	0	11G	G10_014	'TO->FROM'	'FPL SWITCH - WOODWARD 138KV CKT 1'	153	0.04268		106.2049	'CARTER JCT - WOODWARD 69KV CKT 1'		
FDNS	2	0	11G	G08_044	'TO->FROM'	'FPL SWITCH - WOODWARD 138KV CKT 1'	153	0.03578		108.6478	'Hitchland Interchange - STEVENSCO 345.00 345KV CKT 1'		
FDNS	2	0	11G	G08_047	'TO->FROM'	'FPL SWITCH - WOODWARD 138KV CKT 1'	153	0.05914		108.6478	'Hitchland Interchange - STEVENSCO 345.00 345KV CKT 1'		
FDNS	2	0	11G	G08_110	'TO->FROM'	'FPL SWITCH - WOODWARD 138KV CKT 1'	153	0.04953		108.6478	'Hitchland Interchange - STEVENSCO 345.00 345KV CKT 1'		
FDNS	2	0	11G	ASGI_2010_011	'TO->FROM'	'FPL SWITCH - WOODWARD 138KV CKT 1'	153	0.04197		108.6478	'Hitchland Interchange - STEVENSCO 345.00 345KV CKT 1'		
FDNS	2	0	11G	G10_011	'TO->FROM'	'FPL SWITCH - WOODWARD 138KV CKT 1'	153	0.03578		108.6478	'Hitchland Interchange - STEVENSCO 345.00 345KV CKT 1'		
FDNS	2	0	11G	G10_014	'TO->FROM'	'FPL SWITCH - WOODWARD 138KV CKT 1'	153	0.04953		108.6478	'Hitchland Interchange - STEVENSCO 345.00 345KV CKT 1'		
FDNS	2	0	11G	G08_044	'TO->FROM'	'FPL SWITCH - WOODWARD 138KV CKT 1'	153	0.03584		100.2978	'G05-17T 345.00 - Hitchland Interchange 345KV CKT 1'		
FDNS	2	0	11G	G08_047	'TO->FROM'	'FPL SWITCH - WOODWARD 138KV CKT 1'	153	0.0573		100.2978	'G05-17T 345.00 - Hitchland Interchange 345KV CKT 1'		
FDNS	2	0	11G	G08_110	'TO->FROM'	'FPL SWITCH - WOODWARD 138KV CKT 1'	153	0.04622		100.2978	'G05-17T 345.00 - Hitchland Interchange 345KV CKT 1'		
FDNS	2	0	11G	ASGI_2010_011	'TO->FROM'	'FPL SWITCH - WOODWARD 138KV CKT 1'	153	0.0352		100.2978	'G05-17T 345.00 - Hitchland Interchange 345KV CKT 1'		
FDNS	2	0	11G	G10_011	'TO->FROM'	'FPL SWITCH - WOODWARD 138KV CKT 1'	153	0.03584		100.2978	'G05-17T 345.00 - Hitchland Interchange 345KV CKT 1'		
FDNS	2	0	11G	G10_014	'TO->FROM'	'FPL SWITCH - WOODWARD 138KV CKT 1'	153	0.04622		100.2978	'G05-17T 345.00 - Hitchland Interchange 345KV CKT 1'		

SOLUTION	GROUP	SCENARIO	SEASON	SOURCE	DIRECTION	MONITORED ELEMENT	RATE B	TDF	TC%LOADING	CONTINGENCY NAME
						COMMON NAME				
FDNS	2	0 11G	G08_044	'TO->FROM'	'FPL SWITCH - WOODWARD 138KV CKT 1'	'FPL SWITCH - WOODWARD 138KV CKT 1'	153	0.03249	129.4159	'GRAPEVINE INTERCHANGE - STATELINE INTERCHANGE 230KV CKT 1'
FDNS	2	0 11G	G08_047	'TO->FROM'	'FPL SWITCH - WOODWARD 138KV CKT 1'	'FPL SWITCH - WOODWARD 138KV CKT 1'	153	0.05784	129.4159	'GRAPEVINE INTERCHANGE - STATELINE INTERCHANGE 230KV CKT 1'
FDNS	2	0 11G	G09_067S	'TO->FROM'	'FPL SWITCH - WOODWARD 138KV CKT 1'	'FPL SWITCH - WOODWARD 138KV CKT 1'	153	0.03245	129.4159	'GRAPEVINE INTERCHANGE - STATELINE INTERCHANGE 230KV CKT 1'
FDNS	2	0 11G	G08_022	'TO->FROM'	'FPL SWITCH - WOODWARD 138KV CKT 1'	'FPL SWITCH - WOODWARD 138KV CKT 1'	153	0.03267	129.4159	'GRAPEVINE INTERCHANGE - STATELINE INTERCHANGE 230KV CKT 1'
FDNS	2	0 11G	G08_088	'TO->FROM'	'FPL SWITCH - WOODWARD 138KV CKT 1'	'FPL SWITCH - WOODWARD 138KV CKT 1'	153	0.03793	129.4159	'GRAPEVINE INTERCHANGE - STATELINE INTERCHANGE 230KV CKT 1'
FDNS	2	0 11G	G08_110	'TO->FROM'	'FPL SWITCH - WOODWARD 138KV CKT 1'	'FPL SWITCH - WOODWARD 138KV CKT 1'	153	0.04891	129.4159	'GRAPEVINE INTERCHANGE - STATELINE INTERCHANGE 230KV CKT 1'
FDNS	2	0 11G	G10_007	'TO->FROM'	'FPL SWITCH - WOODWARD 138KV CKT 1'	'FPL SWITCH - WOODWARD 138KV CKT 1'	153	0.0406	129.4159	'GRAPEVINE INTERCHANGE - STATELINE INTERCHANGE 230KV CKT 1'
FDNS	2	0 11G	ASGI_2010_011	'TO->FROM'	'FPL SWITCH - WOODWARD 138KV CKT 1'	'FPL SWITCH - WOODWARD 138KV CKT 1'	153	0.046	129.4159	'GRAPEVINE INTERCHANGE - STATELINE INTERCHANGE 230KV CKT 1'
FDNS	2	0 11G	G10_011	'TO->FROM'	'FPL SWITCH - WOODWARD 138KV CKT 1'	'FPL SWITCH - WOODWARD 138KV CKT 1'	153	0.03249	129.4159	'GRAPEVINE INTERCHANGE - STATELINE INTERCHANGE 230KV CKT 1'
FDNS	2	0 11G	G10_014	'TO->FROM'	'FPL SWITCH - WOODWARD 138KV CKT 1'	'FPL SWITCH - WOODWARD 138KV CKT 1'	153	0.04891	129.4159	'GRAPEVINE INTERCHANGE - STATELINE INTERCHANGE 230KV CKT 1'
FDNS	2	0 11G	G08_044	'TO->FROM'	'FPL SWITCH - WOODWARD 138KV CKT 1'	'FPL SWITCH - WOODWARD 138KV CKT 1'	153	0.03326	121.5984	'GRAPEVINE INTERCHANGE - NICHOLS STATION 230KV CKT 1'
FDNS	2	0 11G	G08_047	'TO->FROM'	'FPL SWITCH - WOODWARD 138KV CKT 1'	'FPL SWITCH - WOODWARD 138KV CKT 1'	153	0.05592	121.5984	'GRAPEVINE INTERCHANGE - NICHOLS STATION 230KV CKT 1'
FDNS	2	0 11G	G08_110	'TO->FROM'	'FPL SWITCH - WOODWARD 138KV CKT 1'	'FPL SWITCH - WOODWARD 138KV CKT 1'	153	0.0453	121.5984	'GRAPEVINE INTERCHANGE - NICHOLS STATION 230KV CKT 1'
FDNS	2	0 11G	G10_007	'TO->FROM'	'FPL SWITCH - WOODWARD 138KV CKT 1'	'FPL SWITCH - WOODWARD 138KV CKT 1'	153	0.03013	121.5984	'GRAPEVINE INTERCHANGE - NICHOLS STATION 230KV CKT 1'
FDNS	2	0 11G	ASGI_2010_011	'TO->FROM'	'FPL SWITCH - WOODWARD 138KV CKT 1'	'FPL SWITCH - WOODWARD 138KV CKT 1'	153	0.04022	121.5984	'GRAPEVINE INTERCHANGE - NICHOLS STATION 230KV CKT 1'
FDNS	2	0 11G	G10_011	'TO->FROM'	'FPL SWITCH - WOODWARD 138KV CKT 1'	'FPL SWITCH - WOODWARD 138KV CKT 1'	153	0.03326	121.5984	'GRAPEVINE INTERCHANGE - NICHOLS STATION 230KV CKT 1'
FDNS	2	0 11G	G10_014	'TO->FROM'	'FPL SWITCH - WOODWARD 138KV CKT 1'	'FPL SWITCH - WOODWARD 138KV CKT 1'	153	0.0453	121.5984	'GRAPEVINE INTERCHANGE - NICHOLS STATION 230KV CKT 1'
FDNS	2	0 11G	G08_044	'TO->FROM'	'FPL SWITCH - WOODWARD 138KV CKT 1'	'FPL SWITCH - WOODWARD 138KV CKT 1'	153	0.03851	108.4934	'BORDER 7345.00 - TUCO INTERCHANGE 345KV CKT 1'
FDNS	2	0 11G	G08_047	'TO->FROM'	'FPL SWITCH - WOODWARD 138KV CKT 1'	'FPL SWITCH - WOODWARD 138KV CKT 1'	153	0.05756	108.4934	'BORDER 7345.00 - TUCO INTERCHANGE 345KV CKT 1'
FDNS	2	0 11G	G08_110	'TO->FROM'	'FPL SWITCH - WOODWARD 138KV CKT 1'	'FPL SWITCH - WOODWARD 138KV CKT 1'	153	0.04265	108.4934	'BORDER 7345.00 - TUCO INTERCHANGE 345KV CKT 1'
FDNS	2	0 11G	ASGI_2010_011	'TO->FROM'	'FPL SWITCH - WOODWARD 138KV CKT 1'	'FPL SWITCH - WOODWARD 138KV CKT 1'	153	0.03374	108.4934	'BORDER 7345.00 - TUCO INTERCHANGE 345KV CKT 1'
FDNS	2	0 11G	G10_011	'TO->FROM'	'FPL SWITCH - WOODWARD 138KV CKT 1'	'FPL SWITCH - WOODWARD 138KV CKT 1'	153	0.03851	108.4934	'BORDER 7345.00 - TUCO INTERCHANGE 345KV CKT 1'
FDNS	2	0 11G	G10_014	'TO->FROM'	'FPL SWITCH - WOODWARD 138KV CKT 1'	'FPL SWITCH - WOODWARD 138KV CKT 1'	153	0.04265	108.4934	'BORDER 7345.00 - TUCO INTERCHANGE 345KV CKT 1'
FDNS	2	0 11G	G08_044	'TO->FROM'	'FPL SWITCH - WOODWARD 138KV CKT 1'	'FPL SWITCH - WOODWARD 138KV CKT 1'	153	0.03249	126.8626	'STATELINE INTERCHANGE - STLN-DEMARC6230.00 230KV CKT 1'

SOLUTION	GROUP	SCENARIO	SEASON	SOURCE	DIRECTION	MONITORED ELEMENT		RATE B	TDF	TC%	LOADING	CONTINGENCY NAME
						COMMON NAME						
FDNS	2	0	11G	ASGI_2010_011	'FROM->TO'	'ELK CITY 230KV (ELKCTY-6) 230/138/13.8KV TRANSFORMER CKT 1'		287	0.07628	109.4446	'FINNEY SWITCHING STATION - STEVENS CO 345.00 345KV CKT 1'	
FDNS	2	0	11G	G10_014	'FROM->TO'	'ELK CITY 230KV (ELKCTY-6) 230/138/13.8KV TRANSFORMER CKT 1'		287	0.05566	109.4446	'FINNEY SWITCHING STATION - STEVENS CO 345.00 345KV CKT 1'	
FDNS	2	0	11G	G08_044	'TO->FROM'	'FPL SWITCH - WOODWARD 138KV CKT 1'		153	0.03548	106.7517	'G05-17T 345.00 - POTTER COUNTY INTERCHANGE 345KV CKT 1'	
FDNS	2	0	11G	G08_047	'TO->FROM'	'FPL SWITCH - WOODWARD 138KV CKT 1'		153	0.05694	106.7517	'G05-17T 345.00 - POTTER COUNTY INTERCHANGE 345KV CKT 1'	
FDNS	2	0	11G	G08_110	'TO->FROM'	'FPL SWITCH - WOODWARD 138KV CKT 1'		153	0.04586	106.7517	'G05-17T 345.00 - POTTER COUNTY INTERCHANGE 345KV CKT 1'	
FDNS	2	0	11G	ASGI_2010_011	'TO->FROM'	'FPL SWITCH - WOODWARD 138KV CKT 1'		153	0.03484	106.7517	'G05-17T 345.00 - POTTER COUNTY INTERCHANGE 345KV CKT 1'	
FDNS	2	0	11G	G10_011	'TO->FROM'	'FPL SWITCH - WOODWARD 138KV CKT 1'		153	0.03548	106.7517	'G05-17T 345.00 - POTTER COUNTY INTERCHANGE 345KV CKT 1'	
FDNS	2	0	11G	G10_014	'TO->FROM'	'FPL SWITCH - WOODWARD 138KV CKT 1'		153	0.04586	106.7517	'G05-17T 345.00 - POTTER COUNTY INTERCHANGE 345KV CKT 1'	
FDNS	2	0	11G	G08_044	'TO->FROM'	'FPL SWITCH - WOODWARD 138KV CKT 1'		153	0.03401	106.1618	'NICHOLS STATION - YARNELL SUB 115KV CKT 1'	
FDNS	2	0	11G	G08_047	'TO->FROM'	'FPL SWITCH - WOODWARD 138KV CKT 1'		153	0.05387	106.1618	'NICHOLS STATION - YARNELL SUB 115KV CKT 1'	
FDNS	2	0	11G	G08_110	'TO->FROM'	'FPL SWITCH - WOODWARD 138KV CKT 1'		153	0.04154	106.1618	'NICHOLS STATION - YARNELL SUB 115KV CKT 1'	
FDNS	2	0	11G	ASGI_2010_011	'TO->FROM'	'FPL SWITCH - WOODWARD 138KV CKT 1'		153	0.0348	106.1618	'NICHOLS STATION - YARNELL SUB 115KV CKT 1'	
FDNS	2	0	11G	G10_011	'TO->FROM'	'FPL SWITCH - WOODWARD 138KV CKT 1'		153	0.03401	106.1618	'NICHOLS STATION - YARNELL SUB 115KV CKT 1'	
FDNS	2	0	11G	G10_014	'TO->FROM'	'FPL SWITCH - WOODWARD 138KV CKT 1'		153	0.04154	106.1618	'NICHOLS STATION - YARNELL SUB 115KV CKT 1'	
FDNS	2	0	11G	G08_044	'TO->FROM'	'FPL SWITCH - WOODWARD 138KV CKT 1'		153	0.03401	106.1712	'CONWAY SUB - YARNELL SUB 115KV CKT 1'	
FDNS	2	0	11G	G08_047	'TO->FROM'	'FPL SWITCH - WOODWARD 138KV CKT 1'		153	0.05387	106.1712	'CONWAY SUB - YARNELL SUB 115KV CKT 1'	
FDNS	2	0	11G	G08_110	'TO->FROM'	'FPL SWITCH - WOODWARD 138KV CKT 1'		153	0.04154	106.1712	'CONWAY SUB - YARNELL SUB 115KV CKT 1'	
FDNS	2	0	11G	ASGI_2010_011	'TO->FROM'	'FPL SWITCH - WOODWARD 138KV CKT 1'		153	0.0348	106.1712	'CONWAY SUB - YARNELL SUB 115KV CKT 1'	
FDNS	2	0	11G	G10_011	'TO->FROM'	'FPL SWITCH - WOODWARD 138KV CKT 1'		153	0.03401	106.1712	'CONWAY SUB - YARNELL SUB 115KV CKT 1'	
FDNS	2	0	11G	G10_014	'TO->FROM'	'FPL SWITCH - WOODWARD 138KV CKT 1'		153	0.04154	106.1712	'CONWAY SUB - YARNELL SUB 115KV CKT 1'	
FDNS	2	0	11G	G08_047	'TO->FROM'	'DEAF SMITH COUNTY INTERCHANGE - S- RANDLCO 230.00 230KV CKT 1'		350	0.03625	101.2119	'AMARILLO SOUTH INTERCHANGE - G07- 48T 230.00 230KV CKT 1'	
FDNS	2	0	11G	G08_088	'TO->FROM'	'DEAF SMITH COUNTY INTERCHANGE - S- RANDLCO 230.00 230KV CKT 1'		350	0.10004	101.2119	'AMARILLO SOUTH INTERCHANGE - G07- 48T 230.00 230KV CKT 1'	
FDNS	2	0	11G	G08_110	'TO->FROM'	'DEAF SMITH COUNTY INTERCHANGE - S- RANDLCO 230.00 230KV CKT 1'		350	0.0572	101.2119	'AMARILLO SOUTH INTERCHANGE - G07- 48T 230.00 230KV CKT 1'	
FDNS	2	0	11G	G10_007	'TO->FROM'	'DEAF SMITH COUNTY INTERCHANGE - S- RANDLCO 230.00 230KV CKT 1'		350	0.10102	101.2119	'AMARILLO SOUTH INTERCHANGE - G07- 48T 230.00 230KV CKT 1'	
FDNS	2	0	11G	ASGI_2010_011	'TO->FROM'	'DEAF SMITH COUNTY INTERCHANGE - S- RANDLCO 230.00 230KV CKT 1'		350	0.07422	101.2119	'AMARILLO SOUTH INTERCHANGE - G07- 48T 230.00 230KV CKT 1'	
FDNS	2	0	11G	G10_014	'TO->FROM'	'DEAF SMITH COUNTY INTERCHANGE - S- RANDLCO 230.00 230KV CKT 1'		350	0.0572	101.2119	'AMARILLO SOUTH INTERCHANGE - G07- 48T 230.00 230KV CKT 1'	
FDNS	2	0	11G	G08_088	'TO->FROM'	'CANYON EAST SUB - OSAGE SWITCHING STATION 115KV CKT 1'		96	0.06209	105.6847	'DEAF SMITH COUNTY INTERCHANGE - S- RANDLCO 230.00 230KV CKT 1'	
FDNS	2	0	11G	G10_007	'TO->FROM'	'CANYON EAST SUB - OSAGE SWITCHING STATION 115KV CKT 1'		96	0.03636	105.6847	'DEAF SMITH COUNTY INTERCHANGE - S- RANDLCO 230.00 230KV CKT 1'	
FDNS	2	0	11G	G08_047	'TO->FROM'	'DEAF SMITH COUNTY INTERCHANGE - S- RANDLCO 230.00 230KV CKT 1'		350	0.03547	107.574	'G07-48T 230.00 - SWISHER COUNTY INTERCHANGE 230KV CKT 1'	

SOLUTION	GROUP	SCENARIO	SEASON	SOURCE	DIRECTION	MONITORED ELEMENT		RATE B	TDF	TC%	LOADING	CONTINGENCY NAME
						COMMON NAME	NAME					
FDNS	2	0 11G	G08_088	'TO->FROM'	'DEAF SMITH COUNTY INTERCHANGE - S-RANDLCO 230.00 230KV CKT 1'	350	0.09925	107.574	'G07-48T 230.00 - SWISHER COUNTY INTERCHANGE 230KV CKT 1'			
FDNS	2	0 11G	G08_110	'TO->FROM'	'DEAF SMITH COUNTY INTERCHANGE - S-RANDLCO 230.00 230KV CKT 1'	350	0.05641	107.574	'G07-48T 230.00 - SWISHER COUNTY INTERCHANGE 230KV CKT 1'			
FDNS	2	0 11G	G10_007	'TO->FROM'	'DEAF SMITH COUNTY INTERCHANGE - S-RANDLCO 230.00 230KV CKT 1'	350	0.10023	107.574	'G07-48T 230.00 - SWISHER COUNTY INTERCHANGE 230KV CKT 1'			
FDNS	2	0 11G	ASGI_2010_011	'TO->FROM'	'DEAF SMITH COUNTY INTERCHANGE - S-RANDLCO 230.00 230KV CKT 1'	350	0.07343	107.574	'G07-48T 230.00 - SWISHER COUNTY INTERCHANGE 230KV CKT 1'			
FDNS	2	0 11G	G10_014	'TO->FROM'	'DEAF SMITH COUNTY INTERCHANGE - S-RANDLCO 230.00 230KV CKT 1'	350	0.05641	107.574	'G07-48T 230.00 - SWISHER COUNTY INTERCHANGE 230KV CKT 1'			
FDNS	2	0 11G	G09_067S	'FROM->TO'	'ELK CITY 230KV (ELKCTY-6) 230/138/13.8KV TRANSFORMER CKT 1'	287	0.05987	101.4202	'G07-48T 230.00 - SWISHER COUNTY INTERCHANGE 230KV CKT 1'			
FDNS	2	0 11G	G08_022	'FROM->TO'	'ELK CITY 230KV (ELKCTY-6) 230/138/13.8KV TRANSFORMER CKT 1'	287	0.06167	101.4202	'G07-48T 230.00 - SWISHER COUNTY INTERCHANGE 230KV CKT 1'			
FDNS	2	0 11G	G08_088	'FROM->TO'	'ELK CITY 230KV (ELKCTY-6) 230/138/13.8KV TRANSFORMER CKT 1'	287	0.12695	101.4202	'G07-48T 230.00 - SWISHER COUNTY INTERCHANGE 230KV CKT 1'			
FDNS	2	0 11G	G08_110	'FROM->TO'	'ELK CITY 230KV (ELKCTY-6) 230/138/13.8KV TRANSFORMER CKT 1'	287	0.04254	101.4202	'G07-48T 230.00 - SWISHER COUNTY INTERCHANGE 230KV CKT 1'			
FDNS	2	0 11G	G10_007	'FROM->TO'	'ELK CITY 230KV (ELKCTY-6) 230/138/13.8KV TRANSFORMER CKT 1'	287	0.11229	101.4202	'G07-48T 230.00 - SWISHER COUNTY INTERCHANGE 230KV CKT 1'			
FDNS	2	0 11G	ASGI_2010_011	'FROM->TO'	'ELK CITY 230KV (ELKCTY-6) 230/138/13.8KV TRANSFORMER CKT 1'	287	0.06636	101.4202	'G07-48T 230.00 - SWISHER COUNTY INTERCHANGE 230KV CKT 1'			
FDNS	2	0 11G	G10_014	'FROM->TO'	'ELK CITY 230KV (ELKCTY-6) 230/138/13.8KV TRANSFORMER CKT 1'	287	0.04254	101.4202	'G07-48T 230.00 - SWISHER COUNTY INTERCHANGE 230KV CKT 1'			
FDNS	2	0 11G	G09_067S	'FROM->TO'	'ELK CITY 230KV (ELKCTY-6) 230/138/13.8KV TRANSFORMER CKT 1'	287	0.05987	100.6026	'G07-48T 230.00 - SWISHER COUNTY INTERCHANGE 230KV CKT 1'			
FDNS	2	0 11G	G08_022	'FROM->TO'	'ELK CITY 230KV (ELKCTY-6) 230/138/13.8KV TRANSFORMER CKT 1'	287	0.06167	100.6026	'G07-48T 230.00 - SWISHER COUNTY INTERCHANGE 230KV CKT 1'			
FDNS	2	0 11G	G08_088	'FROM->TO'	'ELK CITY 230KV (ELKCTY-6) 230/138/13.8KV TRANSFORMER CKT 1'	287	0.12695	100.6026	'G07-48T 230.00 - SWISHER COUNTY INTERCHANGE 230KV CKT 1'			
FDNS	2	0 11G	G08_110	'FROM->TO'	'ELK CITY 230KV (ELKCTY-6) 230/138/13.8KV TRANSFORMER CKT 1'	287	0.04254	100.6026	'G07-48T 230.00 - SWISHER COUNTY INTERCHANGE 230KV CKT 1'			
FDNS	2	0 11G	G10_007	'FROM->TO'	'ELK CITY 230KV (ELKCTY-6) 230/138/13.8KV TRANSFORMER CKT 1'	287	0.11229	100.6026	'G07-48T 230.00 - SWISHER COUNTY INTERCHANGE 230KV CKT 1'			
FDNS	2	0 11G	ASGI_2010_011	'FROM->TO'	'ELK CITY 230KV (ELKCTY-6) 230/138/13.8KV TRANSFORMER CKT 1'	287	0.06636	100.6026	'G07-48T 230.00 - SWISHER COUNTY INTERCHANGE 230KV CKT 1'			
FDNS	2	0 11G	G10_014	'FROM->TO'	'ELK CITY 230KV (ELKCTY-6) 230/138/13.8KV TRANSFORMER CKT 1'	287	0.04254	100.6026	'G07-48T 230.00 - SWISHER COUNTY INTERCHANGE 230KV CKT 1'			
FDNS	2	0 11G	G08_047	'TO->FROM'	'DEAF SMITH COUNTY INTERCHANGE - S-RANDLCO 230.00 230KV CKT 1'	350	0.04406	109.8111	'PLANT X STATION - S-RANDLCO 230.00 230KV CKT 1'			
FDNS	2	0 11G	G10_009	'TO->FROM'	'DEAF SMITH COUNTY INTERCHANGE - S-RANDLCO 230.00 230KV CKT 1'	350	0.03302	109.8111	'PLANT X STATION - S-RANDLCO 230.00 230KV CKT 1'			
FDNS	2	0 11G	G08_088	'TO->FROM'	'DEAF SMITH COUNTY INTERCHANGE - S-RANDLCO 230.00 230KV CKT 1'	350	0.10261	109.8111	'PLANT X STATION - S-RANDLCO 230.00 230KV CKT 1'			
FDNS	2	0 11G	G08_110	'TO->FROM'	'DEAF SMITH COUNTY INTERCHANGE - S-RANDLCO 230.00 230KV CKT 1'	350	0.06719	109.8111	'PLANT X STATION - S-RANDLCO 230.00 230KV CKT 1'			
FDNS	2	0 11G	G10_007	'TO->FROM'	'DEAF SMITH COUNTY INTERCHANGE - S-RANDLCO 230.00 230KV CKT 1'	350	0.10914	109.8111	'PLANT X STATION - S-RANDLCO 230.00 230KV CKT 1'			
FDNS	2	0 11G	ASGI_2010_011	'TO->FROM'	'DEAF SMITH COUNTY INTERCHANGE - S-RANDLCO 230.00 230KV CKT 1'	350	0.08437	109.8111	'PLANT X STATION - S-RANDLCO 230.00 230KV CKT 1'			
FDNS	2	0 11G	G10_014	'TO->FROM'	'DEAF SMITH COUNTY INTERCHANGE - S-RANDLCO 230.00 230KV CKT 1'	350	0.06719	109.8111	'PLANT X STATION - S-RANDLCO 230.00 230KV CKT 1'			
FDNS	2	0 11G	G08_044	'TO->FROM'	'FPL SWITCH - WOODWARD 138KV CKT 1'	153	0.03367	113.86	'G08-14T 345.00 - TUCO INTERCHANGE 345KV CKT 1'			
FDNS	2	0 11G	G08_047	'TO->FROM'	'FPL SWITCH - WOODWARD 138KV CKT 1'	153	0.05674	113.86	'G08-14T 345.00 - TUCO INTERCHANGE 345KV CKT 1'			
FDNS	2	0 11G	G09_067S	'TO->FROM'	'FPL SWITCH - WOODWARD 138KV CKT 1'	153	0.036	113.86	'G08-14T 345.00 - TUCO INTERCHANGE 345KV CKT 1'			

SOLUTION	GROUP	SCENARIO	SEASON	SOURCE	DIRECTION	MONITORED ELEMENT		RATE B	TDF	TC%	LOADING	CONTINGENCY	NAME
						COMMON NAME							
FDNS	2	0 11G	G08_022	'TO->FROM'	'FPL SWITCH - WOODWARD 138KV CKT 1'	153	0.03573	113.86	345KV CKT 1'	'G08-14T	345.00 - TUCO INTERCHANGE		
FDNS	2	0 11G	G08_110	'TO->FROM'	'FPL SWITCH - WOODWARD 138KV CKT 1'	153	0.04525	113.86	345KV CKT 1'	'G08-14T	345.00 - TUCO INTERCHANGE		
FDNS	2	0 11G	ASGI_2010_011	'TO->FROM'	'FPL SWITCH - WOODWARD 138KV CKT 1'	153	0.03959	113.86	345KV CKT 1'	'G08-14T	345.00 - TUCO INTERCHANGE		
FDNS	2	0 11G	G10_011	'TO->FROM'	'FPL SWITCH - WOODWARD 138KV CKT 1'	153	0.03367	113.86	345KV CKT 1'	'G08-14T	345.00 - TUCO INTERCHANGE		
FDNS	2	0 11G	G10_014	'TO->FROM'	'FPL SWITCH - WOODWARD 138KV CKT 1'	153	0.04525	113.86	345KV CKT 1'	'G08-14T	345.00 - TUCO INTERCHANGE		
FDNS	2	0 11G	G09_067S	'FROM->TO'	'ELK CITY 230KV (ELKCTY-6) 230/138/13.8KV TRANSFORMER CKT 1'	287	0.10082	101.731	345KV CKT 1'	'G08-14T	345.00 - TUCO INTERCHANGE		
FDNS	2	0 11G	G08_022	'FROM->TO'	'ELK CITY 230KV (ELKCTY-6) 230/138/13.8KV TRANSFORMER CKT 1'	287	0.10162	101.731	345KV CKT 1'	'G08-14T	345.00 - TUCO INTERCHANGE		
FDNS	2	0 11G	G08_088	'FROM->TO'	'ELK CITY 230KV (ELKCTY-6) 230/138/13.8KV TRANSFORMER CKT 1'	287	0.13346	101.731	345KV CKT 1'	'G08-14T	345.00 - TUCO INTERCHANGE		
FDNS	2	0 11G	G08_110	'FROM->TO'	'ELK CITY 230KV (ELKCTY-6) 230/138/13.8KV TRANSFORMER CKT 1'	287	0.04726	101.731	345KV CKT 1'	'G08-14T	345.00 - TUCO INTERCHANGE		
FDNS	2	0 11G	G10_007	'FROM->TO'	'ELK CITY 230KV (ELKCTY-6) 230/138/13.8KV TRANSFORMER CKT 1'	287	0.11842	101.731	345KV CKT 1'	'G08-14T	345.00 - TUCO INTERCHANGE		
FDNS	2	0 11G	ASGI_2010_011	'FROM->TO'	'ELK CITY 230KV (ELKCTY-6) 230/138/13.8KV TRANSFORMER CKT 1'	287	0.07174	101.731	345KV CKT 1'	'G08-14T	345.00 - TUCO INTERCHANGE		
FDNS	2	0 11G	G10_014	'FROM->TO'	'ELK CITY 230KV (ELKCTY-6) 230/138/13.8KV TRANSFORMER CKT 1'	287	0.04726	101.731	345KV CKT 1'	'G08-14T	345.00 - TUCO INTERCHANGE		
FDNS	2	0 11G	G09_067S	'FROM->TO'	'ELK CITY 230KV (ELKCTY-6) 230/138/13.8KV TRANSFORMER CKT 1'	287	0.10082	100.9176	345KV CKT 1'	'G08-14T	345.00 - TUCO INTERCHANGE		
FDNS	2	0 11G	G08_022	'FROM->TO'	'ELK CITY 230KV (ELKCTY-6) 230/138/13.8KV TRANSFORMER CKT 1'	287	0.10162	100.9176	345KV CKT 1'	'G08-14T	345.00 - TUCO INTERCHANGE		
FDNS	2	0 11G	G08_088	'FROM->TO'	'ELK CITY 230KV (ELKCTY-6) 230/138/13.8KV TRANSFORMER CKT 1'	287	0.13346	100.9176	345KV CKT 1'	'G08-14T	345.00 - TUCO INTERCHANGE		
FDNS	2	0 11G	G08_110	'FROM->TO'	'ELK CITY 230KV (ELKCTY-6) 230/138/13.8KV TRANSFORMER CKT 1'	287	0.04726	100.9176	345KV CKT 1'	'G08-14T	345.00 - TUCO INTERCHANGE		
FDNS	2	0 11G	G10_007	'FROM->TO'	'ELK CITY 230KV (ELKCTY-6) 230/138/13.8KV TRANSFORMER CKT 1'	287	0.11842	100.9176	345KV CKT 1'	'G08-14T	345.00 - TUCO INTERCHANGE		
FDNS	2	0 11G	ASGI_2010_011	'FROM->TO'	'ELK CITY 230KV (ELKCTY-6) 230/138/13.8KV TRANSFORMER CKT 1'	287	0.07174	100.9176	345KV CKT 1'	'G08-14T	345.00 - TUCO INTERCHANGE		
FDNS	2	0 11G	G10_014	'FROM->TO'	'ELK CITY 230KV (ELKCTY-6) 230/138/13.8KV TRANSFORMER CKT 1'	287	0.04726	100.9176	345KV CKT 1'	'G08-14T	345.00 - TUCO INTERCHANGE		
FDNS	2	0 11G	G09_008	'TO->FROM'	'HAYS PLANT - SOUTH HAYS 115KV CKT 1'	88	0.1372	119.0925	CKT 1'	'KNOLL 230 - POSTROCK6	230.00 230KV		
FDNS	2	0 11G	G09_020	'TO->FROM'	'HAYS PLANT - SOUTH HAYS 115KV CKT 1'	88	0.03631	119.0925	CKT 1'	'KNOLL 230 - POSTROCK6	230.00 230KV		
FDNS	2	0 11G	G10_015	'TO->FROM'	'HAYS PLANT - SOUTH HAYS 115KV CKT 1'	88	0.0308	119.0925	CKT 1'	'KNOLL 230 - POSTROCK6	230.00 230KV		
FDNS	2	0 11G	G10_016	'TO->FROM'	'HAYS PLANT - SOUTH HAYS 115KV CKT 1'	88	0.05343	119.0925	CKT 1'	'KNOLL 230 - POSTROCK6	230.00 230KV		
FDNS	2	0 11G	G08_044	'TO->FROM'	'FPL SWITCH - WOODWARD 138KV CKT 1'	153	0.0347	108.1879	345KV CKT 1'	'G10-16T	345.00 - POSTROCK7	345.00	
FDNS	2	0 11G	G08_047	'TO->FROM'	'FPL SWITCH - WOODWARD 138KV CKT 1'	153	0.05465	108.1879	345KV CKT 1'	'G10-16T	345.00 - POSTROCK7	345.00	
FDNS	2	0 11G	G08_110	'TO->FROM'	'FPL SWITCH - WOODWARD 138KV CKT 1'	153	0.04224	108.1879	345KV CKT 1'	'G10-16T	345.00 - POSTROCK7	345.00	
FDNS	2	0 11G	ASGI_2010_011	'TO->FROM'	'FPL SWITCH - WOODWARD 138KV CKT 1'	153	0.03526	108.1879	345KV CKT 1'	'G10-16T	345.00 - POSTROCK7	345.00	
FDNS	2	0 11G	G10_011	'TO->FROM'	'FPL SWITCH - WOODWARD 138KV CKT 1'	153	0.0347	108.1879	345KV CKT 1'	'G10-16T	345.00 - POSTROCK7	345.00	
FDNS	2	0 11G	G10_014	'TO->FROM'	'FPL SWITCH - WOODWARD 138KV CKT 1'	153	0.04224	108.1879	345KV CKT 1'	'G10-16T	345.00 - POSTROCK7	345.00	

SOLUTION	GROUP	SCENARIO	SEASON	SOURCE	DIRECTION	MONITORED ELEMENT		RATE B	TDF	TC%	LOADING	CONTINGENCY NAME
						COMMON NAME						
FDNS	2	0 11G	G08_044	'TO->FROM'	'FPL SWITCH - WOODWARD 138KV CKT 1'		153	0.03459	106.3182		'AXTELL - POSTROCK7 345.00 345KV CKT 1'	
FDNS	2	0 11G	G08_047	'TO->FROM'	'FPL SWITCH - WOODWARD 138KV CKT 1'		153	0.05437	106.3182		'AXTELL - POSTROCK7 345.00 345KV CKT 1'	
FDNS	2	0 11G	G08_110	'TO->FROM'	'FPL SWITCH - WOODWARD 138KV CKT 1'		153	0.04191	106.3182		'AXTELL - POSTROCK7 345.00 345KV CKT 1'	
FDNS	2	0 11G	ASGI_2010_011	'TO->FROM'	'FPL SWITCH - WOODWARD 138KV CKT 1'		153	0.03494	106.3182		'AXTELL - POSTROCK7 345.00 345KV CKT 1'	
FDNS	2	0 11G	G10_011	'TO->FROM'	'FPL SWITCH - WOODWARD 138KV CKT 1'		153	0.03459	106.3182		'AXTELL - POSTROCK7 345.00 345KV CKT 1'	
FDNS	2	0 11G	G10_014	'TO->FROM'	'FPL SWITCH - WOODWARD 138KV CKT 1'		153	0.04191	106.3182		'AXTELL - POSTROCK7 345.00 345KV CKT 1'	
FDNS	2	0 11G	G08_044	'TO->FROM'	'FPL SWITCH - WOODWARD 138KV CKT 1'		153	0.03454	106.8439		'HOLCOMB - SETAB 345KV CKT 1'	
FDNS	2	0 11G	G08_047	'TO->FROM'	'FPL SWITCH - WOODWARD 138KV CKT 1'		153	0.05464	106.8439		'HOLCOMB - SETAB 345KV CKT 1'	
FDNS	2	0 11G	G08_110	'TO->FROM'	'FPL SWITCH - WOODWARD 138KV CKT 1'		153	0.04246	106.8439		'HOLCOMB - SETAB 345KV CKT 1'	
FDNS	2	0 11G	ASGI_2010_011	'TO->FROM'	'FPL SWITCH - WOODWARD 138KV CKT 1'		153	0.03545	106.8439		'HOLCOMB - SETAB 345KV CKT 1'	
FDNS	2	0 11G	G10_011	'TO->FROM'	'FPL SWITCH - WOODWARD 138KV CKT 1'		153	0.03454	106.8439		'HOLCOMB - SETAB 345KV CKT 1'	
FDNS	2	0 11G	G10_014	'TO->FROM'	'FPL SWITCH - WOODWARD 138KV CKT 1'		153	0.04246	106.8439		'HOLCOMB - SETAB 345KV CKT 1'	
FDNS	2	0 11G	G08_044	'TO->FROM'	'FPL SWITCH - WOODWARD 138KV CKT 1'		153	0.03401	107.5663		'G08-18 345.00 - HOLCOMB 345KV CKT 1'	
FDNS	2	0 11G	G08_047	'TO->FROM'	'FPL SWITCH - WOODWARD 138KV CKT 1'		153	0.05421	107.5663		'G08-18 345.00 - HOLCOMB 345KV CKT 1'	
FDNS	2	0 11G	G08_110	'TO->FROM'	'FPL SWITCH - WOODWARD 138KV CKT 1'		153	0.04225	107.5663		'G08-18 345.00 - HOLCOMB 345KV CKT 1'	
FDNS	2	0 11G	ASGI_2010_011	'TO->FROM'	'FPL SWITCH - WOODWARD 138KV CKT 1'		153	0.03521	107.5663		'G08-18 345.00 - HOLCOMB 345KV CKT 1'	
FDNS	2	0 11G	G10_011	'TO->FROM'	'FPL SWITCH - WOODWARD 138KV CKT 1'		153	0.03401	107.5663		'G08-18 345.00 - HOLCOMB 345KV CKT 1'	
FDNS	2	0 11G	G10_014	'TO->FROM'	'FPL SWITCH - WOODWARD 138KV CKT 1'		153	0.04225	107.5663		'G08-18 345.00 - HOLCOMB 345KV CKT 1'	
FDNS	2	0 11G	G08_044	'TO->FROM'	'FPL SWITCH - WOODWARD 138KV CKT 1'		153	0.03461	108.4338		'MINGO - SETAB 345KV CKT 1'	
FDNS	2	0 11G	G08_047	'TO->FROM'	'FPL SWITCH - WOODWARD 138KV CKT 1'		153	0.05485	108.4338		'MINGO - SETAB 345KV CKT 1'	
FDNS	2	0 11G	G08_110	'TO->FROM'	'FPL SWITCH - WOODWARD 138KV CKT 1'		153	0.04273	108.4338		'MINGO - SETAB 345KV CKT 1'	
FDNS	2	0 11G	ASGI_2010_011	'TO->FROM'	'FPL SWITCH - WOODWARD 138KV CKT 1'		153	0.0357	108.4338		'MINGO - SETAB 345KV CKT 1'	
FDNS	2	0 11G	G10_011	'TO->FROM'	'FPL SWITCH - WOODWARD 138KV CKT 1'		153	0.03461	108.4338		'MINGO - SETAB 345KV CKT 1'	
FDNS	2	0 11G	G10_014	'TO->FROM'	'FPL SWITCH - WOODWARD 138KV CKT 1'		153	0.04273	108.4338		'MINGO - SETAB 345KV CKT 1'	
FDNS	2	0 11G	G08_044	'TO->FROM'	'FPL SWITCH - WOODWARD 138KV CKT 1'		153	0.03468	108.0935		'MINGO - RED WILLOW 345KV CKT 1'	
FDNS	2	0 11G	G08_047	'TO->FROM'	'FPL SWITCH - WOODWARD 138KV CKT 1'		153	0.05496	108.0935		'MINGO - RED WILLOW 345KV CKT 1'	
FDNS	2	0 11G	G08_110	'TO->FROM'	'FPL SWITCH - WOODWARD 138KV CKT 1'		153	0.04285	108.0935		'MINGO - RED WILLOW 345KV CKT 1'	
FDNS	2	0 11G	ASGI_2010_011	'TO->FROM'	'FPL SWITCH - WOODWARD 138KV CKT 1'		153	0.03581	108.0935		'MINGO - RED WILLOW 345KV CKT 1'	
FDNS	2	0 11G	G10_011	'TO->FROM'	'FPL SWITCH - WOODWARD 138KV CKT 1'		153	0.03468	108.0935		'MINGO - RED WILLOW 345KV CKT 1'	

SOLUTION	GROUP	SCENARIO	SEASON	SOURCE	DIRECTION	MONITORED ELEMENT	RATE B	TDF	TC%	LOADING	CONTINGENCY NAME
						COMMON NAME					
FDNS	2	0 11G	G10_014	'TO->FROM'	'FPL SWITCH - WOODWARD 138KV CKT 1'	153	0.04285	108.0935	'MINGO - RED WILLOW 345KV CKT 1'		
FDNS	2	0 11G	G08_044	'TO->FROM'	'FPL SWITCH - WOODWARD 138KV CKT 1'	153	0.03396	108.963	'GRAY CO 345.00 - SPEARVILLE 345KV CKT 1'		
FDNS	2	0 11G	G08_047	'TO->FROM'	'FPL SWITCH - WOODWARD 138KV CKT 1'	153	0.05417	108.963	'GRAY CO 345.00 - SPEARVILLE 345KV CKT 1'		
FDNS	2	0 11G	G10_009	'TO->FROM'	'FPL SWITCH - WOODWARD 138KV CKT 1'	153	0.03046	108.963	'GRAY CO 345.00 - SPEARVILLE 345KV CKT 1'		
FDNS	2	0 11G	G08_110	'TO->FROM'	'FPL SWITCH - WOODWARD 138KV CKT 1'	153	0.0422	108.963	'GRAY CO 345.00 - SPEARVILLE 345KV CKT 1'		
FDNS	2	0 11G	ASGI_2010_011	'TO->FROM'	'FPL SWITCH - WOODWARD 138KV CKT 1'	153	0.03517	108.963	'GRAY CO 345.00 - SPEARVILLE 345KV CKT 1'		
FDNS	2	0 11G	G10_011	'TO->FROM'	'FPL SWITCH - WOODWARD 138KV CKT 1'	153	0.03396	108.963	'GRAY CO 345.00 - SPEARVILLE 345KV CKT 1'		
FDNS	2	0 11G	G10_014	'TO->FROM'	'FPL SWITCH - WOODWARD 138KV CKT 1'	153	0.0422	108.963	'GRAY CO 345.00 - SPEARVILLE 345KV CKT 1'		
FDNS	2	0 11G	G08_044	'TO->FROM'	'FPL SWITCH - WOODWARD 138KV CKT 1'	153	0.03472	107.6542	'G10-16T 345.00 - SPEARVILLE 345KV CKT 1'		
FDNS	2	0 11G	G08_047	'TO->FROM'	'FPL SWITCH - WOODWARD 138KV CKT 1'	153	0.05467	107.6542	'G10-16T 345.00 - SPEARVILLE 345KV CKT 1'		
FDNS	2	0 11G	G08_110	'TO->FROM'	'FPL SWITCH - WOODWARD 138KV CKT 1'	153	0.04227	107.6542	'G10-16T 345.00 - SPEARVILLE 345KV CKT 1'		
FDNS	2	0 11G	ASGI_2010_011	'TO->FROM'	'FPL SWITCH - WOODWARD 138KV CKT 1'	153	0.03528	107.6542	'G10-16T 345.00 - SPEARVILLE 345KV CKT 1'		
FDNS	2	0 11G	G10_011	'TO->FROM'	'FPL SWITCH - WOODWARD 138KV CKT 1'	153	0.03472	107.6542	'G10-16T 345.00 - SPEARVILLE 345KV CKT 1'		
FDNS	2	0 11G	G10_014	'TO->FROM'	'FPL SWITCH - WOODWARD 138KV CKT 1'	153	0.04227	107.6542	'G10-16T 345.00 - SPEARVILLE 345KV CKT 1'		
FDNS	2	0 11G	G08_044	'TO->FROM'	'FPL SWITCH - WOODWARD 138KV CKT 1'	153	0.03476	106.4913	'BENTON - WICHITA 345KV CKT 1'		
FDNS	2	0 11G	G08_047	'TO->FROM'	'FPL SWITCH - WOODWARD 138KV CKT 1'	153	0.05499	106.4913	'BENTON - WICHITA 345KV CKT 1'		
FDNS	2	0 11G	G08_110	'TO->FROM'	'FPL SWITCH - WOODWARD 138KV CKT 1'	153	0.04247	106.4913	'BENTON - WICHITA 345KV CKT 1'		
FDNS	2	0 11G	ASGI_2010_011	'TO->FROM'	'FPL SWITCH - WOODWARD 138KV CKT 1'	153	0.03545	106.4913	'BENTON - WICHITA 345KV CKT 1'		
FDNS	2	0 11G	G10_011	'TO->FROM'	'FPL SWITCH - WOODWARD 138KV CKT 1'	153	0.03476	106.4913	'BENTON - WICHITA 345KV CKT 1'		
FDNS	2	0 11G	G10_014	'TO->FROM'	'FPL SWITCH - WOODWARD 138KV CKT 1'	153	0.04247	106.4913	'BENTON - WICHITA 345KV CKT 1'		
FDNS	2	0 11G	G08_044	'TO->FROM'	'FPL SWITCH - WOODWARD 138KV CKT 1'	153	0.03388	106.7382	'LACYGNE - NEOSHO 345KV CKT 1'		
FDNS	2	0 11G	G08_047	'TO->FROM'	'FPL SWITCH - WOODWARD 138KV CKT 1'	153	0.05362	106.7382	'LACYGNE - NEOSHO 345KV CKT 1'		
FDNS	2	0 11G	G08_110	'TO->FROM'	'FPL SWITCH - WOODWARD 138KV CKT 1'	153	0.04116	106.7382	'LACYGNE - NEOSHO 345KV CKT 1'		
FDNS	2	0 11G	ASGI_2010_011	'TO->FROM'	'FPL SWITCH - WOODWARD 138KV CKT 1'	153	0.03421	106.7382	'LACYGNE - NEOSHO 345KV CKT 1'		
FDNS	2	0 11G	G10_011	'TO->FROM'	'FPL SWITCH - WOODWARD 138KV CKT 1'	153	0.03388	106.7382	'LACYGNE - NEOSHO 345KV CKT 1'		
FDNS	2	0 11G	G10_014	'TO->FROM'	'FPL SWITCH - WOODWARD 138KV CKT 1'	153	0.04116	106.7382	'LACYGNE - NEOSHO 345KV CKT 1'		
FDNS	2	0 11G	G08_044	'TO->FROM'	'FPL SWITCH - WOODWARD 138KV CKT 1'	153	0.03607	114.597	'MED-LDG5 345.00 - WICHITA 345KV CKT 1'		
FDNS	2	0 11G	G08_047	'TO->FROM'	'FPL SWITCH - WOODWARD 138KV CKT 1'	153	0.05706	114.597	'MED-LDG5 345.00 - WICHITA 345KV CKT 1'		
FDNS	2	0 11G	G08_110	'TO->FROM'	'FPL SWITCH - WOODWARD 138KV CKT 1'	153	0.04435	114.597	'MED-LDG5 345.00 - WICHITA 345KV CKT 1'		

SOLUTION	GROUP	SCENARIO	SEASON	SOURCE	DIRECTION	MONITORED ELEMENT		RATE B	TDF	TC%	LOADING	CONTINGENCY NAME
						COMMON NAME						
FDNS	2	0 11G	ASGI_2010_011	'TO->FROM'	'FPL SWITCH - WOODWARD 138KV CKT 1'	153	0.03724	114.597			'MED-LDG5 345.00 - WICHITA 345KV CKT 1'	
FDNS	2	0 11G	G10_011	'TO->FROM'	'FPL SWITCH - WOODWARD 138KV CKT 1'	153	0.03607	114.597			'MED-LDG5 345.00 - WICHITA 345KV CKT 1'	
FDNS	2	0 11G	G10_014	'TO->FROM'	'FPL SWITCH - WOODWARD 138KV CKT 1'	153	0.04435	114.597			'MED-LDG5 345.00 - WICHITA 345KV CKT 1'	
FDNS	2	0 11G	G08_044	'TO->FROM'	'FPL SWITCH - WOODWARD 138KV CKT 1'	153	0.03607	114.597			'MED-LDG5 345.00 - WICHITA 345KV CKT 2'	
FDNS	2	0 11G	G08_047	'TO->FROM'	'FPL SWITCH - WOODWARD 138KV CKT 1'	153	0.05706	114.597			'MED-LDG5 345.00 - WICHITA 345KV CKT 2'	
FDNS	2	0 11G	G08_110	'TO->FROM'	'FPL SWITCH - WOODWARD 138KV CKT 1'	153	0.04435	114.597			'MED-LDG5 345.00 - WICHITA 345KV CKT 2'	
FDNS	2	0 11G	ASGI_2010_011	'TO->FROM'	'FPL SWITCH - WOODWARD 138KV CKT 1'	153	0.03724	114.597			'MED-LDG5 345.00 - WICHITA 345KV CKT 2'	
FDNS	2	0 11G	G10_011	'TO->FROM'	'FPL SWITCH - WOODWARD 138KV CKT 1'	153	0.03607	114.597			'MED-LDG5 345.00 - WICHITA 345KV CKT 2'	
FDNS	2	0 11G	G10_014	'TO->FROM'	'FPL SWITCH - WOODWARD 138KV CKT 1'	153	0.04435	114.597			'MED-LDG5 345.00 - WICHITA 345KV CKT 2'	
FDNS	2	0 11G	G08_044	'TO->FROM'	'FPL SWITCH - WOODWARD 138KV CKT 1'	153	0.03429	106.4055			'FLATRDG3 - HARPER 138KV CKT 1'	
FDNS	2	0 11G	G08_047	'TO->FROM'	'FPL SWITCH - WOODWARD 138KV CKT 1'	153	0.05405	106.4055			'FLATRDG3 - HARPER 138KV CKT 1'	
FDNS	2	0 11G	G08_110	'TO->FROM'	'FPL SWITCH - WOODWARD 138KV CKT 1'	153	0.04155	106.4055			'FLATRDG3 - HARPER 138KV CKT 1'	
FDNS	2	0 11G	ASGI_2010_011	'TO->FROM'	'FPL SWITCH - WOODWARD 138KV CKT 1'	153	0.03459	106.4055			'FLATRDG3 - HARPER 138KV CKT 1'	
FDNS	2	0 11G	G10_011	'TO->FROM'	'FPL SWITCH - WOODWARD 138KV CKT 1'	153	0.03429	106.4055			'FLATRDG3 - HARPER 138KV CKT 1'	
FDNS	2	0 11G	G10_014	'TO->FROM'	'FPL SWITCH - WOODWARD 138KV CKT 1'	153	0.04155	106.4055			'FLATRDG3 - HARPER 138KV CKT 1'	
FDNS	2	0 11G	G08_044	'TO->FROM'	'FPL SWITCH - WOODWARD 138KV CKT 1'	153	0.03429	106.159			'HARPER - MILAN TAP 138KV CKT 1'	
FDNS	2	0 11G	G08_047	'TO->FROM'	'FPL SWITCH - WOODWARD 138KV CKT 1'	153	0.05405	106.159			'HARPER - MILAN TAP 138KV CKT 1'	
FDNS	2	0 11G	G08_110	'TO->FROM'	'FPL SWITCH - WOODWARD 138KV CKT 1'	153	0.04155	106.159			'HARPER - MILAN TAP 138KV CKT 1'	
FDNS	2	0 11G	ASGI_2010_011	'TO->FROM'	'FPL SWITCH - WOODWARD 138KV CKT 1'	153	0.03459	106.159			'HARPER - MILAN TAP 138KV CKT 1'	
FDNS	2	0 11G	G10_011	'TO->FROM'	'FPL SWITCH - WOODWARD 138KV CKT 1'	153	0.03429	106.159			'HARPER - MILAN TAP 138KV CKT 1'	
FDNS	2	0 11G	G10_014	'TO->FROM'	'FPL SWITCH - WOODWARD 138KV CKT 1'	153	0.04155	106.159			'HARPER - MILAN TAP 138KV CKT 1'	
FDNS	2	0 11G	G10_003	'FROM->TO'	'BURLINGTON JUNCTION - COFFEY COUNTY NO. 3 WESTPHALIA 69KV CKT 1'	72	0.0388	114.4828			'ANDERSONCO 345.00 - LACYGNE 345KV CKT 1'	
FDNS	2	0 11G	G08_098	'FROM->TO'	'BURLINGTON JUNCTION - COFFEY COUNTY NO. 3 WESTPHALIA 69KV CKT 1'	72	0.0388	114.4828			'ANDERSONCO 345.00 - LACYGNE 345KV CKT 1'	
FDNS	2	0 11G	G10_003	'TO->FROM'	'BURLINGTON JUNCTION - WOLF CREEK 69KV CKT 1'	72	0.039	116.7167			'ANDERSONCO 345.00 - LACYGNE 345KV CKT 1'	
FDNS	2	0 11G	G08_098	'TO->FROM'	'BURLINGTON JUNCTION - WOLF CREEK 69KV CKT 1'	72	0.039	116.7167			'ANDERSONCO 345.00 - LACYGNE 345KV CKT 1'	
FDNS	2	0 11G	G10_003	'FROM->TO'	'COFFEY COUNTY NO. 3 WESTPHALIA - GREEN 69KV CKT 1'	72	0.0388	113.6463			'ANDERSONCO 345.00 - LACYGNE 345KV CKT 1'	
FDNS	2	0 11G	G08_098	'FROM->TO'	'COFFEY COUNTY NO. 3 WESTPHALIA - GREEN 69KV CKT 1'	72	0.0388	113.6463			'ANDERSONCO 345.00 - LACYGNE 345KV CKT 1'	
FDNS	2	0 11G	G08_044	'TO->FROM'	'FPL SWITCH - WOODWARD 138KV CKT 1'	153	0.03281	108.4067			'G08-13T 345.00 - SUMNERCO 345.00 345KV CKT 1'	

SOLUTION	GROUP	SCENARIO	SEASON	SOURCE	DIRECTION	MONITORED ELEMENT		RATE B	TDF	TC%	LOADING	CONTINGENCY	NAME
						COMMON NAME							
FDNS	2	0 11G	G08_047	'TO->FROM'	'FPL SWITCH - WOODWARD 138KV CKT 1'	153	0.05451	108.4067	'G08-13T 345.00 - SUMNERCO 345.00	345.00	345.00		
FDNS	2	0 11G	G08_110	'TO->FROM'	'FPL SWITCH - WOODWARD 138KV CKT 1'	153	0.04212	108.4067	'G08-13T 345.00 - SUMNERCO 345.00	345.00	345.00		
FDNS	2	0 11G	ASGI_2010_011	'TO->FROM'	'FPL SWITCH - WOODWARD 138KV CKT 1'	153	0.03491	108.4067	'G08-13T 345.00 - SUMNERCO 345.00	345.00	345.00		
FDNS	2	0 11G	G10_011	'TO->FROM'	'FPL SWITCH - WOODWARD 138KV CKT 1'	153	0.03281	108.4067	'G08-13T 345.00 - SUMNERCO 345.00	345.00	345.00		
FDNS	2	0 11G	G10_014	'TO->FROM'	'FPL SWITCH - WOODWARD 138KV CKT 1'	153	0.04212	108.4067	'G08-13T 345.00 - SUMNERCO 345.00	345.00	345.00		
FDNS	2	0 11G	G08_044	'TO->FROM'	'FPL SWITCH - WOODWARD 138KV CKT 1'	153	0.03399	108.248	'G08-18 345.00 - GRAY CO 345.00	345.00	345.00		
FDNS	2	0 11G	G08_047	'TO->FROM'	'FPL SWITCH - WOODWARD 138KV CKT 1'	153	0.05419	108.248	'G08-18 345.00 - GRAY CO 345.00	345.00	345.00		
FDNS	2	0 11G	G08_110	'TO->FROM'	'FPL SWITCH - WOODWARD 138KV CKT 1'	153	0.04223	108.248	'G08-18 345.00 - GRAY CO 345.00	345.00	345.00		
FDNS	2	0 11G	ASGI_2010_011	'TO->FROM'	'FPL SWITCH - WOODWARD 138KV CKT 1'	153	0.03519	108.248	'G08-18 345.00 - GRAY CO 345.00	345.00	345.00		
FDNS	2	0 11G	G10_011	'TO->FROM'	'FPL SWITCH - WOODWARD 138KV CKT 1'	153	0.03399	108.248	'G08-18 345.00 - GRAY CO 345.00	345.00	345.00		
FDNS	2	0 11G	G10_014	'TO->FROM'	'FPL SWITCH - WOODWARD 138KV CKT 1'	153	0.04223	108.248	'G08-18 345.00 - GRAY CO 345.00	345.00	345.00		
FDNS	2	0 11G	G08_044	'TO->FROM'	'FPL SWITCH - WOODWARD 138KV CKT 1'	153	0.03193	137.102	'ELK CITY 230KV (ELKCTY-6) 230/138/13.8KV TRANSFORMER CKT 1'	345.00	345.00		
FDNS	2	0 11G	G08_047	'TO->FROM'	'FPL SWITCH - WOODWARD 138KV CKT 1'	153	0.05729	137.102	'ELK CITY 230KV (ELKCTY-6) 230/138/13.8KV TRANSFORMER CKT 1'	345.00	345.00		
FDNS	2	0 11G	G09_067S	'TO->FROM'	'FPL SWITCH - WOODWARD 138KV CKT 1'	153	0.0319	137.102	'ELK CITY 230KV (ELKCTY-6) 230/138/13.8KV TRANSFORMER CKT 1'	345.00	345.00		
FDNS	2	0 11G	G08_022	'TO->FROM'	'FPL SWITCH - WOODWARD 138KV CKT 1'	153	0.03211	137.102	'ELK CITY 230KV (ELKCTY-6) 230/138/13.8KV TRANSFORMER CKT 1'	345.00	345.00		
FDNS	2	0 11G	G08_088	'TO->FROM'	'FPL SWITCH - WOODWARD 138KV CKT 1'	153	0.03737	137.102	'ELK CITY 230KV (ELKCTY-6) 230/138/13.8KV TRANSFORMER CKT 1'	345.00	345.00		
FDNS	2	0 11G	G08_110	'TO->FROM'	'FPL SWITCH - WOODWARD 138KV CKT 1'	153	0.04835	137.102	'ELK CITY 230KV (ELKCTY-6) 230/138/13.8KV TRANSFORMER CKT 1'	345.00	345.00		
FDNS	2	0 11G	G10_007	'TO->FROM'	'FPL SWITCH - WOODWARD 138KV CKT 1'	153	0.04004	137.102	'ELK CITY 230KV (ELKCTY-6) 230/138/13.8KV TRANSFORMER CKT 1'	345.00	345.00		
FDNS	2	0 11G	ASGI_2010_011	'TO->FROM'	'FPL SWITCH - WOODWARD 138KV CKT 1'	153	0.04545	137.102	'ELK CITY 230KV (ELKCTY-6) 230/138/13.8KV TRANSFORMER CKT 1'	345.00	345.00		
FDNS	2	0 11G	G10_011	'TO->FROM'	'FPL SWITCH - WOODWARD 138KV CKT 1'	153	0.03193	137.102	'ELK CITY 230KV (ELKCTY-6) 230/138/13.8KV TRANSFORMER CKT 1'	345.00	345.00		
FDNS	2	0 11G	G10_014	'TO->FROM'	'FPL SWITCH - WOODWARD 138KV CKT 1'	153	0.04835	137.102	'ELK CITY 230KV (ELKCTY-6) 230/138/13.8KV TRANSFORMER CKT 1'	345.00	345.00		
FDNS	2	0 11G	G08_044	'TO->FROM'	'FPL SWITCH - WOODWARD 138KV CKT 1'	153	0.03318	110.1388	'WOODRING (WOODRNG2) 345/138/13.8KV TRANSFORMER CKT 1'	345.00	345.00		
FDNS	2	0 11G	G08_047	'TO->FROM'	'FPL SWITCH - WOODWARD 138KV CKT 1'	153	0.05187	110.1388	'WOODRING (WOODRNG2) 345/138/13.8KV TRANSFORMER CKT 1'	345.00	345.00		
FDNS	2	0 11G	G08_110	'TO->FROM'	'FPL SWITCH - WOODWARD 138KV CKT 1'	153	0.03973	110.1388	'WOODRING (WOODRNG2) 345/138/13.8KV TRANSFORMER CKT 1'	345.00	345.00		
FDNS	2	0 11G	ASGI_2010_011	'TO->FROM'	'FPL SWITCH - WOODWARD 138KV CKT 1'	153	0.03277	110.1388	'WOODRING (WOODRNG2) 345/138/13.8KV TRANSFORMER CKT 1'	345.00	345.00		
FDNS	2	0 11G	G10_011	'TO->FROM'	'FPL SWITCH - WOODWARD 138KV CKT 1'	153	0.03318	110.1388	'WOODRING (WOODRNG2) 345/138/13.8KV TRANSFORMER CKT 1'	345.00	345.00		
FDNS	2	0 11G	G10_014	'TO->FROM'	'FPL SWITCH - WOODWARD 138KV CKT 1'	153	0.03973	110.1388	'WOODRING (WOODRNG2) 345/138/13.8KV TRANSFORMER CKT 1'	345.00	345.00		
FDNS	2	0 11G	G08_044	'TO->FROM'	'FPL SWITCH - WOODWARD 138KV CKT 1'	153	0.03864	130.6857	'WOODWARD (WOODWRD2) 138/69/13.2KV TRANSFORMER CKT 1'	345.00	345.00		
FDNS	2	0 11G	G08_047	'TO->FROM'	'FPL SWITCH - WOODWARD 138KV CKT 1'	153	0.06096	130.6857	'WOODWARD (WOODWRD2) 138/69/13.2KV TRANSFORMER CKT 1'	345.00	345.00		

SOLUTION	GROUP	SCENARIO	SEASON	SOURCE	DIRECTION	MONITORED ELEMENT		RATE B	TDF	TC%	LOADING	CONTINGENCY NAME
						COMMON NAME						
FDNS	2	0 11G	G08_110	'TO->FROM'	'FPL SWITCH - WOODWARD 138KV CKT 1'		153	0.04688	130.6857	138/69/13.2KV TRANSFORMER CKT 1'	'WOODWARD (WOODWRD2)	
FDNS	2	0 11G	ASGI_2010_011	'TO->FROM'	'FPL SWITCH - WOODWARD 138KV CKT 1'		153	0.0391	130.6857	138/69/13.2KV TRANSFORMER CKT 1'	'WOODWARD (WOODWRD2)	
FDNS	2	0 11G	G10_011	'TO->FROM'	'FPL SWITCH - WOODWARD 138KV CKT 1'		153	0.03864	130.6857	138/69/13.2KV TRANSFORMER CKT 1'	'WOODWARD (WOODWRD2)	
FDNS	2	0 11G	G10_014	'TO->FROM'	'FPL SWITCH - WOODWARD 138KV CKT 1'		153	0.04688	130.6857	138/69/13.2KV TRANSFORMER CKT 1'	'WOODWARD (WOODWRD2)	
FDNS	2	0 11G	G08_044	'TO->FROM'	'FPL SWITCH - WOODWARD 138KV CKT 1'		153	0.03539	108.2534	POTTER COUNTY INTERCHANGE (WAUK 90343-A) 345/230/13.2KV TRANSFORMER CKT 1'	'POTTER COUNTY INTERCHANGE (WAUK 90343-A) 345/230/13.2KV TRANSFORMER CKT 1'	
FDNS	2	0 11G	G08_047	'TO->FROM'	'FPL SWITCH - WOODWARD 138KV CKT 1'		153	0.05686	108.2534	POTTER COUNTY INTERCHANGE (WAUK 90343-A) 345/230/13.2KV TRANSFORMER CKT 1'	'POTTER COUNTY INTERCHANGE (WAUK 90343-A) 345/230/13.2KV TRANSFORMER CKT 1'	
FDNS	2	0 11G	G08_110	'TO->FROM'	'FPL SWITCH - WOODWARD 138KV CKT 1'		153	0.04577	108.2534	POTTER COUNTY INTERCHANGE (WAUK 90343-A) 345/230/13.2KV TRANSFORMER CKT 1'	'POTTER COUNTY INTERCHANGE (WAUK 90343-A) 345/230/13.2KV TRANSFORMER CKT 1'	
FDNS	2	0 11G	ASGI_2010_011	'TO->FROM'	'FPL SWITCH - WOODWARD 138KV CKT 1'		153	0.03476	108.2534	POTTER COUNTY INTERCHANGE (WAUK 90343-A) 345/230/13.2KV TRANSFORMER CKT 1'	'POTTER COUNTY INTERCHANGE (WAUK 90343-A) 345/230/13.2KV TRANSFORMER CKT 1'	
FDNS	2	0 11G	G10_011	'TO->FROM'	'FPL SWITCH - WOODWARD 138KV CKT 1'		153	0.03539	108.2534	POTTER COUNTY INTERCHANGE (WAUK 90343-A) 345/230/13.2KV TRANSFORMER CKT 1'	'POTTER COUNTY INTERCHANGE (WAUK 90343-A) 345/230/13.2KV TRANSFORMER CKT 1'	
FDNS	2	0 11G	G10_014	'TO->FROM'	'FPL SWITCH - WOODWARD 138KV CKT 1'		153	0.04577	108.2534	POTTER COUNTY INTERCHANGE (WAUK 90343-A) 345/230/13.2KV TRANSFORMER CKT 1'	'POTTER COUNTY INTERCHANGE (WAUK 90343-A) 345/230/13.2KV TRANSFORMER CKT 1'	
FDNS	2	0 11G	G10_005	'FROM->TO'	'WICHITA (WICHT12X) 345/138/13.8KV TRANSFORMER CKT 1'		440	0.0519	105.1027	TRANSFORMER CKT 1'	'WICHITA (WICHT11X) 345/138/13.8KV TRANSFORMER CKT 1'	
FDNS	2	0 11G	G10_005	'FROM->TO'	'WICHITA (WICHT12X) 345/138/13.8KV TRANSFORMER CKT 1'		440	0.0519	102.8812	TRANSFORMER CKT 1'	'WICHITA (WICHT11X) 345/138/13.8KV TRANSFORMER CKT 1'	
FDNS	2	0 11G	G08_044	'TO->FROM'	'FPL SWITCH - WOODWARD 138KV CKT 1'		153	0.03504	100.3732	'DBL-SPRVL-CO'	'DBL-SPRVL-CO'	
FDNS	2	0 11G	G08_047	'TO->FROM'	'FPL SWITCH - WOODWARD 138KV CKT 1'		153	0.0541	100.3732	'DBL-SPRVL-CO'	'DBL-SPRVL-CO'	
FDNS	2	0 11G	G08_110	'TO->FROM'	'FPL SWITCH - WOODWARD 138KV CKT 1'		153	0.04093	100.3732	'DBL-SPRVL-CO'	'DBL-SPRVL-CO'	
FDNS	2	0 11G	ASGI_2010_011	'TO->FROM'	'FPL SWITCH - WOODWARD 138KV CKT 1'		153	0.0341	100.3732	'DBL-SPRVL-CO'	'DBL-SPRVL-CO'	
FDNS	2	0 11G	G10_011	'TO->FROM'	'FPL SWITCH - WOODWARD 138KV CKT 1'		153	0.03504	100.3732	'DBL-SPRVL-CO'	'DBL-SPRVL-CO'	
FDNS	2	0 11G	G10_014	'TO->FROM'	'FPL SWITCH - WOODWARD 138KV CKT 1'		153	0.04093	100.3732	'DBL-SPRVL-CO'	'DBL-SPRVL-CO'	
FDNS	2	0 11G	G08_044	'TO->FROM'	'FPL SWITCH - WOODWARD 138KV CKT 1'		153	0.03504	101.7233	'DBL-COM-MEDL'	'DBL-COM-MEDL'	
FDNS	2	0 11G	G08_047	'TO->FROM'	'FPL SWITCH - WOODWARD 138KV CKT 1'		153	0.0541	101.7233	'DBL-COM-MEDL'	'DBL-COM-MEDL'	
FDNS	2	0 11G	G08_110	'TO->FROM'	'FPL SWITCH - WOODWARD 138KV CKT 1'		153	0.04093	101.7233	'DBL-COM-MEDL'	'DBL-COM-MEDL'	
FDNS	2	0 11G	ASGI_2010_011	'TO->FROM'	'FPL SWITCH - WOODWARD 138KV CKT 1'		153	0.0341	101.7233	'DBL-COM-MEDL'	'DBL-COM-MEDL'	
FDNS	2	0 11G	G10_011	'TO->FROM'	'FPL SWITCH - WOODWARD 138KV CKT 1'		153	0.03504	101.7233	'DBL-COM-MEDL'	'DBL-COM-MEDL'	
FDNS	2	0 11G	G10_014	'TO->FROM'	'FPL SWITCH - WOODWARD 138KV CKT 1'		153	0.04093	101.7233	'DBL-COM-MEDL'	'DBL-COM-MEDL'	
FDNS	2	0 11G	G08_044	'TO->FROM'	'FPL SWITCH - WOODWARD 138KV CKT 1'		153	0.04247	150.0746	'DBL-MEDLO-WI'	'DBL-MEDLO-WI'	
FDNS	2	0 11G	G08_047	'TO->FROM'	'FPL SWITCH - WOODWARD 138KV CKT 1'		153	0.06801	150.0746	'DBL-MEDLO-WI'	'DBL-MEDLO-WI'	

SOLUTION	GROUP	SCENARIO	SEASON	SOURCE	DIRECTION	MONITORED ELEMENT	RATE B	TDF	TC%	LOADING	CONTINGENCY NAME
						COMMON NAME					
FDNS	2	0 11G	G10_009	'TO->FROM'	'FPL SWITCH - WOODWARD 138KV CKT 1'	153	0.04069	150.0746	'DBL-MEDLO-WI'		
FDNS	2	0 11G	G08_110	'TO->FROM'	'FPL SWITCH - WOODWARD 138KV CKT 1'	153	0.05456	150.0746	'DBL-MEDLO-WI'		
FDNS	2	0 11G	G10_007	'TO->FROM'	'FPL SWITCH - WOODWARD 138KV CKT 1'	153	0.03229	150.0746	'DBL-MEDLO-WI'		
FDNS	2	0 11G	ASGI_2010_011	'TO->FROM'	'FPL SWITCH - WOODWARD 138KV CKT 1'	153	0.04686	150.0746	'DBL-MEDLO-WI'		
FDNS	2	0 11G	G10_011	'TO->FROM'	'FPL SWITCH - WOODWARD 138KV CKT 1'	153	0.04247	150.0746	'DBL-MEDLO-WI'		
FDNS	2	0 11G	G10_015	'TO->FROM'	'FPL SWITCH - WOODWARD 138KV CKT 1'	153	0.04101	150.0746	'DBL-MEDLO-WI'		
FDNS	2	0 11G	G10_014	'TO->FROM'	'FPL SWITCH - WOODWARD 138KV CKT 1'	153	0.05456	150.0746	'DBL-MEDLO-WI'		
FDNS	2	0 11G	G10_016	'TO->FROM'	'FPL SWITCH - WOODWARD 138KV CKT 1'	153	0.033	150.0746	'DBL-MEDLO-WI'		
FDNS	2	0 11G	G09_020	'FROM->TO'	'ST JOHN - ST_JOHN 115KV CKT 1'	86	0.06518	108.2231	'DBL-MEDLO-WI'		
FDNS	2	0 11G	G08_047	'TO->FROM'	'CLEARWATER - MILAN TAP 138KV CKT 1'	110	0.03976	200.819	'DBL-MEDLO-WI'		
FDNS	2	0 11G	G10_009	'TO->FROM'	'CLEARWATER - MILAN TAP 138KV CKT 1'	110	0.04416	200.819	'DBL-MEDLO-WI'		
FDNS	2	0 11G	G08_110	'TO->FROM'	'CLEARWATER - MILAN TAP 138KV CKT 1'	110	0.03732	200.819	'DBL-MEDLO-WI'		
FDNS	2	0 11G	G10_007	'TO->FROM'	'CLEARWATER - MILAN TAP 138KV CKT 1'	110	0.03103	200.819	'DBL-MEDLO-WI'		
FDNS	2	0 11G	ASGI_2010_011	'TO->FROM'	'CLEARWATER - MILAN TAP 138KV CKT 1'	110	0.03512	200.819	'DBL-MEDLO-WI'		
FDNS	2	0 11G	G10_015	'TO->FROM'	'CLEARWATER - MILAN TAP 138KV CKT 1'	110	0.04936	200.819	'DBL-MEDLO-WI'		
FDNS	2	0 11G	G10_014	'TO->FROM'	'CLEARWATER - MILAN TAP 138KV CKT 1'	110	0.03732	200.819	'DBL-MEDLO-WI'		
FDNS	2	0 11G	G10_016	'TO->FROM'	'CLEARWATER - MILAN TAP 138KV CKT 1'	110	0.03702	200.819	'DBL-MEDLO-WI'		
FDNS	2	0 11G	G08_047	'FROM->TO'	'HARPER - MILAN TAP 138KV CKT 1'	95.6	0.03976	245.8281	'DBL-MEDLO-WI'		
FDNS	2	0 11G	G10_009	'FROM->TO'	'HARPER - MILAN TAP 138KV CKT 1'	95.6	0.04416	245.8281	'DBL-MEDLO-WI'		
FDNS	2	0 11G	G08_110	'FROM->TO'	'HARPER - MILAN TAP 138KV CKT 1'	95.6	0.03732	245.8281	'DBL-MEDLO-WI'		
FDNS	2	0 11G	G10_007	'FROM->TO'	'HARPER - MILAN TAP 138KV CKT 1'	95.6	0.03103	245.8281	'DBL-MEDLO-WI'		
FDNS	2	0 11G	ASGI_2010_011	'FROM->TO'	'HARPER - MILAN TAP 138KV CKT 1'	95.6	0.03512	245.8281	'DBL-MEDLO-WI'		
FDNS	2	0 11G	G10_015	'FROM->TO'	'HARPER - MILAN TAP 138KV CKT 1'	95.6	0.04936	245.8281	'DBL-MEDLO-WI'		
FDNS	2	0 11G	G10_014	'FROM->TO'	'HARPER - MILAN TAP 138KV CKT 1'	95.6	0.03732	245.8281	'DBL-MEDLO-WI'		
FDNS	2	0 11G	G10_016	'FROM->TO'	'HARPER - MILAN TAP 138KV CKT 1'	95.6	0.03702	245.8281	'DBL-MEDLO-WI'		
FDNS	2	0 11G	G09_067S	'FROM->TO'	'ELK CITY 230KV (ELKCTY-6) 230/138/13.8KV TRANSFORMER CKT 1'	287	0.07145	101.8556	'DBL-MEDLO-WI'		
FDNS	2	0 11G	G08_022	'FROM->TO'	'ELK CITY 230KV (ELKCTY-6) 230/138/13.8KV TRANSFORMER CKT 1'	287	0.07277	101.8556	'DBL-MEDLO-WI'		
FDNS	2	0 11G	G08_088	'FROM->TO'	'ELK CITY 230KV (ELKCTY-6) 230/138/13.8KV TRANSFORMER CKT 1'	287	0.1191	101.8556	'DBL-MEDLO-WI'		
FDNS	2	0 11G	G08_110	'FROM->TO'	'ELK CITY 230KV (ELKCTY-6) 230/138/13.8KV TRANSFORMER CKT 1'	287	0.04414	101.8556	'DBL-MEDLO-WI'		
FDNS	2	0 11G	G10_007	'FROM->TO'	'ELK CITY 230KV (ELKCTY-6) 230/138/13.8KV TRANSFORMER CKT 1'	287	0.10752	101.8556	'DBL-MEDLO-WI'		
FDNS	2	0 11G	ASGI_2010_011	'FROM->TO'	'ELK CITY 230KV (ELKCTY-6) 230/138/13.8KV TRANSFORMER CKT 1'	287	0.06581	101.8556	'DBL-MEDLO-WI'		
FDNS	2	0 11G	G10_014	'FROM->TO'	'ELK CITY 230KV (ELKCTY-6) 230/138/13.8KV TRANSFORMER CKT 1'	287	0.04414	101.8556	'DBL-MEDLO-WI'		
FDNS	2	0 11G	G09_067S	'FROM->TO'	'ELK CITY 230KV (ELKCTY-6) 230/138/13.8KV TRANSFORMER CKT 1'	287	0.07145	101.0663	'DBL-MEDLO-WI'		

SOLUTION	GROUP	SCENARIO	SEASON	SOURCE	DIRECTION	MONITORED ELEMENT	RATE B	TDF	TC%	LOADING	CONTINGENCY NAME
						COMMON NAME					
FDNS	2	0 11G	G08_022	'FROM->TO'	'ELK CITY 230KV (ELKCTY-6) 230/138/13.8KV TRANSFORMER CKT 1'	287	0.07277	101.0663	'DBL-MEDLO-WI'		
FDNS	2	0 11G	G08_088	'FROM->TO'	'ELK CITY 230KV (ELKCTY-6) 230/138/13.8KV TRANSFORMER CKT 1'	287	0.1191	101.0663	'DBL-MEDLO-WI'		
FDNS	2	0 11G	G08_110	'FROM->TO'	'ELK CITY 230KV (ELKCTY-6) 230/138/13.8KV TRANSFORMER CKT 1'	287	0.04414	101.0663	'DBL-MEDLO-WI'		
FDNS	2	0 11G	G10_007	'FROM->TO'	'ELK CITY 230KV (ELKCTY-6) 230/138/13.8KV TRANSFORMER CKT 1'	287	0.10752	101.0663	'DBL-MEDLO-WI'		
FDNS	2	0 11G	ASGI_2010_011	'FROM->TO'	'ELK CITY 230KV (ELKCTY-6) 230/138/13.8KV TRANSFORMER CKT 1'	287	0.06581	101.0663	'DBL-MEDLO-WI'		
FDNS	2	0 11G	G10_014	'FROM->TO'	'ELK CITY 230KV (ELKCTY-6) 230/138/13.8KV TRANSFORMER CKT 1'	287	0.04414	101.0663	'DBL-MEDLO-WI'		
FDNS	2	0 11G	G08_044	'TO->FROM'	'FPL SWITCH - WOODWARD 138KV CKT 1'	153	0.05727	149.8546	'DBL-WOOD-MED'		
FDNS	2	0 11G	G08_047	'TO->FROM'	'FPL SWITCH - WOODWARD 138KV CKT 1'	153	0.08219	149.8546	'DBL-WOOD-MED'		
FDNS	2	0 11G	G09_067S	'TO->FROM'	'FPL SWITCH - WOODWARD 138KV CKT 1'	153	0.03913	149.8546	'DBL-WOOD-MED'		
FDNS	2	0 11G	G08_022	'TO->FROM'	'FPL SWITCH - WOODWARD 138KV CKT 1'	153	0.0391	149.8546	'DBL-WOOD-MED'		
FDNS	2	0 11G	G08_088	'TO->FROM'	'FPL SWITCH - WOODWARD 138KV CKT 1'	153	0.03553	149.8546	'DBL-WOOD-MED'		
FDNS	2	0 11G	G08_110	'TO->FROM'	'FPL SWITCH - WOODWARD 138KV CKT 1'	153	0.06194	149.8546	'DBL-WOOD-MED'		
FDNS	2	0 11G	G10_007	'TO->FROM'	'FPL SWITCH - WOODWARD 138KV CKT 1'	153	0.04065	149.8546	'DBL-WOOD-MED'		
FDNS	2	0 11G	ASGI_2010_011	'TO->FROM'	'FPL SWITCH - WOODWARD 138KV CKT 1'	153	0.05459	149.8546	'DBL-WOOD-MED'		
FDNS	2	0 11G	G10_011	'TO->FROM'	'FPL SWITCH - WOODWARD 138KV CKT 1'	153	0.05727	149.8546	'DBL-WOOD-MED'		
FDNS	2	0 11G	G10_014	'TO->FROM'	'FPL SWITCH - WOODWARD 138KV CKT 1'	153	0.06194	149.8546	'DBL-WOOD-MED'		
FDNS	2	0 11G	G08_044	'TO->FROM'	'FPL SWITCH - WOODWARD 138KV CKT 1'	153	0.03228	101.0738	'OGE3TERM1'		
FDNS	2	0 11G	G08_047	'TO->FROM'	'FPL SWITCH - WOODWARD 138KV CKT 1'	153	0.0504	101.0738	'OGE3TERM1'		
FDNS	2	0 11G	G08_110	'TO->FROM'	'FPL SWITCH - WOODWARD 138KV CKT 1'	153	0.03833	101.0738	'OGE3TERM1'		
FDNS	2	0 11G	ASGI_2010_011	'TO->FROM'	'FPL SWITCH - WOODWARD 138KV CKT 1'	153	0.03136	101.0738	'OGE3TERM1'		
FDNS	2	0 11G	G10_011	'TO->FROM'	'FPL SWITCH - WOODWARD 138KV CKT 1'	153	0.03228	101.0738	'OGE3TERM1'		
FDNS	2	0 11G	G10_014	'TO->FROM'	'FPL SWITCH - WOODWARD 138KV CKT 1'	153	0.03833	101.0738	'OGE3TERM1'		
FDNS	2	0 11G	G08_044	'TO->FROM'	'FPL SWITCH - WOODWARD 138KV CKT 1'	153	0.03398	102.1706	'OGE3TERM4'		
FDNS	2	0 11G	G08_047	'TO->FROM'	'FPL SWITCH - WOODWARD 138KV CKT 1'	153	0.05356	102.1706	'OGE3TERM4'		
FDNS	2	0 11G	G08_110	'TO->FROM'	'FPL SWITCH - WOODWARD 138KV CKT 1'	153	0.04108	102.1706	'OGE3TERM4'		
FDNS	2	0 11G	ASGI_2010_011	'TO->FROM'	'FPL SWITCH - WOODWARD 138KV CKT 1'	153	0.03415	102.1706	'OGE3TERM4'		
FDNS	2	0 11G	G10_011	'TO->FROM'	'FPL SWITCH - WOODWARD 138KV CKT 1'	153	0.03398	102.1706	'OGE3TERM4'		
FDNS	2	0 11G	G10_014	'TO->FROM'	'FPL SWITCH - WOODWARD 138KV CKT 1'	153	0.04108	102.1706	'OGE3TERM4'		
FDNS	2	0 11G	G08_044	'TO->FROM'	'FPL SWITCH - WOODWARD 138KV CKT 1'	153	0.03249	126.8626	'SPP-SWPS-02'		

SOLUTION	GROUP	SCENARIO	SEASON	SOURCE	DIRECTION	MONITORED ELEMENT	RATE	B	TDF	TC%	LOADING	CONTINGENCY	NAME
						COMMON NAME							
FDNS	2	0 11G	G08_047	'TO->FROM'	'FPL SWITCH - WOODWARD 138KV CKT 1'	153	0.05784	126.8626	'SPP-SWPS-02'				
FDNS	2	0 11G	G09_067S	'TO->FROM'	'FPL SWITCH - WOODWARD 138KV CKT 1'	153	0.03245	126.8626	'SPP-SWPS-02'				
FDNS	2	0 11G	G08_022	'TO->FROM'	'FPL SWITCH - WOODWARD 138KV CKT 1'	153	0.03267	126.8626	'SPP-SWPS-02'				
FDNS	2	0 11G	G08_088	'TO->FROM'	'FPL SWITCH - WOODWARD 138KV CKT 1'	153	0.03793	126.8626	'SPP-SWPS-02'				
FDNS	2	0 11G	G08_110	'TO->FROM'	'FPL SWITCH - WOODWARD 138KV CKT 1'	153	0.04891	126.8626	'SPP-SWPS-02'				
FDNS	2	0 11G	G10_007	'TO->FROM'	'FPL SWITCH - WOODWARD 138KV CKT 1'	153	0.0406	126.8626	'SPP-SWPS-02'				
FDNS	2	0 11G	ASGI_2010_011	'TO->FROM'	'FPL SWITCH - WOODWARD 138KV CKT 1'	153	0.046	126.8626	'SPP-SWPS-02'				
FDNS	2	0 11G	G10_011	'TO->FROM'	'FPL SWITCH - WOODWARD 138KV CKT 1'	153	0.03249	126.8626	'SPP-SWPS-02'				
FDNS	2	0 11G	G10_014	'TO->FROM'	'FPL SWITCH - WOODWARD 138KV CKT 1'	153	0.04891	126.8626	'SPP-SWPS-02'				
FDNS	2	0 11G	G08_044	'TO->FROM'	'FPL SWITCH - WOODWARD 138KV CKT 1'	153	0.03249	133.5874	'SPP-SWPS-02A'				
FDNS	2	0 11G	G08_047	'TO->FROM'	'FPL SWITCH - WOODWARD 138KV CKT 1'	153	0.05784	133.5874	'SPP-SWPS-02A'				
FDNS	2	0 11G	G09_067S	'TO->FROM'	'FPL SWITCH - WOODWARD 138KV CKT 1'	153	0.03245	133.5874	'SPP-SWPS-02A'				
FDNS	2	0 11G	G08_022	'TO->FROM'	'FPL SWITCH - WOODWARD 138KV CKT 1'	153	0.03267	133.5874	'SPP-SWPS-02A'				
FDNS	2	0 11G	G08_088	'TO->FROM'	'FPL SWITCH - WOODWARD 138KV CKT 1'	153	0.03793	133.5874	'SPP-SWPS-02A'				
FDNS	2	0 11G	G08_110	'TO->FROM'	'FPL SWITCH - WOODWARD 138KV CKT 1'	153	0.04891	133.5874	'SPP-SWPS-02A'				
FDNS	2	0 11G	G10_007	'TO->FROM'	'FPL SWITCH - WOODWARD 138KV CKT 1'	153	0.0406	133.5874	'SPP-SWPS-02A'				
FDNS	2	0 11G	ASGI_2010_011	'TO->FROM'	'FPL SWITCH - WOODWARD 138KV CKT 1'	153	0.046	133.5874	'SPP-SWPS-02A'				
FDNS	2	0 11G	G10_011	'TO->FROM'	'FPL SWITCH - WOODWARD 138KV CKT 1'	153	0.03249	133.5874	'SPP-SWPS-02A'				
FDNS	2	0 11G	G10_014	'TO->FROM'	'FPL SWITCH - WOODWARD 138KV CKT 1'	153	0.04891	133.5874	'SPP-SWPS-02A'				
FDNS	2	0 11G	G08_044	'TO->FROM'	'FPL SWITCH - WOODWARD 138KV CKT 1'	153	0.03247	130.5054	'SPP-SWPS-03'				
FDNS	2	0 11G	G08_047	'TO->FROM'	'FPL SWITCH - WOODWARD 138KV CKT 1'	153	0.05791	130.5054	'SPP-SWPS-03'				
FDNS	2	0 11G	G09_067S	'TO->FROM'	'FPL SWITCH - WOODWARD 138KV CKT 1'	153	0.03264	130.5054	'SPP-SWPS-03'				
FDNS	2	0 11G	G08_022	'TO->FROM'	'FPL SWITCH - WOODWARD 138KV CKT 1'	153	0.03287	130.5054	'SPP-SWPS-03'				
FDNS	2	0 11G	G08_088	'TO->FROM'	'FPL SWITCH - WOODWARD 138KV CKT 1'	153	0.03807	130.5054	'SPP-SWPS-03'				
FDNS	2	0 11G	G08_110	'TO->FROM'	'FPL SWITCH - WOODWARD 138KV CKT 1'	153	0.04902	130.5054	'SPP-SWPS-03'				
FDNS	2	0 11G	G10_007	'TO->FROM'	'FPL SWITCH - WOODWARD 138KV CKT 1'	153	0.04065	130.5054	'SPP-SWPS-03'				
FDNS	2	0 11G	ASGI_2010_011	'TO->FROM'	'FPL SWITCH - WOODWARD 138KV CKT 1'	153	0.04612	130.5054	'SPP-SWPS-03'				
FDNS	2	0 11G	G10_011	'TO->FROM'	'FPL SWITCH - WOODWARD 138KV CKT 1'	153	0.03247	130.5054	'SPP-SWPS-03'				
FDNS	2	0 11G	G10_014	'TO->FROM'	'FPL SWITCH - WOODWARD 138KV CKT 1'	153	0.04902	130.5054	'SPP-SWPS-03'				

SOLUTION	GROUP	SCENARIO	SEASON	SOURCE	DIRECTION	MONITORED ELEMENT	RATE	B	TDF	TC%	LOADING	CONTINGENCY	NAME
						COMMON NAME							
FDNS	2	0 11G	G08_044	'TO->FROM'	'FPL SWITCH - WOODWARD 138KV CKT 1'	153	0.03429	106.3119	'SPP-MKEC-08'				
FDNS	2	0 11G	G08_047	'TO->FROM'	'FPL SWITCH - WOODWARD 138KV CKT 1'	153	0.05405	106.3119	'SPP-MKEC-08'				
FDNS	2	0 11G	G08_110	'TO->FROM'	'FPL SWITCH - WOODWARD 138KV CKT 1'	153	0.04155	106.3119	'SPP-MKEC-08'				
FDNS	2	0 11G	ASGI_2010_011	'TO->FROM'	'FPL SWITCH - WOODWARD 138KV CKT 1'	153	0.03459	106.3119	'SPP-MKEC-08'				
FDNS	2	0 11G	G10_011	'TO->FROM'	'FPL SWITCH - WOODWARD 138KV CKT 1'	153	0.03429	106.3119	'SPP-MKEC-08'				
FDNS	2	0 11G	G10_014	'TO->FROM'	'FPL SWITCH - WOODWARD 138KV CKT 1'	153	0.04155	106.3119	'SPP-MKEC-08'				
FDNS	2	0 11G	G08_044	'TO->FROM'	'FPL SWITCH - WOODWARD 138KV CKT 1'	153	0.03408	106.6125	'GEN334440 1-SABINE UNIT 4'				
FDNS	2	0 11G	G08_047	'TO->FROM'	'FPL SWITCH - WOODWARD 138KV CKT 1'	153	0.05366	106.6125	'GEN334440 1-SABINE UNIT 4'				
FDNS	2	0 11G	G08_110	'TO->FROM'	'FPL SWITCH - WOODWARD 138KV CKT 1'	153	0.04118	106.6125	'GEN334440 1-SABINE UNIT 4'				
FDNS	2	0 11G	ASGI_2010_011	'TO->FROM'	'FPL SWITCH - WOODWARD 138KV CKT 1'	153	0.03425	106.6125	'GEN334440 1-SABINE UNIT 4'				
FDNS	2	0 11G	G10_011	'TO->FROM'	'FPL SWITCH - WOODWARD 138KV CKT 1'	153	0.03408	106.6125	'GEN334440 1-SABINE UNIT 4'				
FDNS	2	0 11G	G10_014	'TO->FROM'	'FPL SWITCH - WOODWARD 138KV CKT 1'	153	0.04118	106.6125	'GEN334440 1-SABINE UNIT 4'				
FDNS	2	0 11G	G08_044	'TO->FROM'	'FPL SWITCH - WOODWARD 138KV CKT 1'	153	0.03408	106.2718	'GEN334441 1-SABINE UNIT 5'				
FDNS	2	0 11G	G08_047	'TO->FROM'	'FPL SWITCH - WOODWARD 138KV CKT 1'	153	0.05366	106.2718	'GEN334441 1-SABINE UNIT 5'				
FDNS	2	0 11G	G08_110	'TO->FROM'	'FPL SWITCH - WOODWARD 138KV CKT 1'	153	0.04118	106.2718	'GEN334441 1-SABINE UNIT 5'				
FDNS	2	0 11G	ASGI_2010_011	'TO->FROM'	'FPL SWITCH - WOODWARD 138KV CKT 1'	153	0.03425	106.2718	'GEN334441 1-SABINE UNIT 5'				
FDNS	2	0 11G	G10_011	'TO->FROM'	'FPL SWITCH - WOODWARD 138KV CKT 1'	153	0.03408	106.2718	'GEN334441 1-SABINE UNIT 5'				
FDNS	2	0 11G	G10_014	'TO->FROM'	'FPL SWITCH - WOODWARD 138KV CKT 1'	153	0.04118	106.2718	'GEN334441 1-SABINE UNIT 5'				
FDNS	2	0 11G	G08_044	'TO->FROM'	'FPL SWITCH - WOODWARD 138KV CKT 1'	153	0.03408	106.4764	'GEN335204 1-NELSON UNIT 4'				
FDNS	2	0 11G	G08_047	'TO->FROM'	'FPL SWITCH - WOODWARD 138KV CKT 1'	153	0.05366	106.4764	'GEN335204 1-NELSON UNIT 4'				
FDNS	2	0 11G	G08_110	'TO->FROM'	'FPL SWITCH - WOODWARD 138KV CKT 1'	153	0.04118	106.4764	'GEN335204 1-NELSON UNIT 4'				
FDNS	2	0 11G	ASGI_2010_011	'TO->FROM'	'FPL SWITCH - WOODWARD 138KV CKT 1'	153	0.03425	106.4764	'GEN335204 1-NELSON UNIT 4'				
FDNS	2	0 11G	G10_011	'TO->FROM'	'FPL SWITCH - WOODWARD 138KV CKT 1'	153	0.03408	106.4764	'GEN335204 1-NELSON UNIT 4'				
FDNS	2	0 11G	G10_014	'TO->FROM'	'FPL SWITCH - WOODWARD 138KV CKT 1'	153	0.04118	106.4764	'GEN335204 1-NELSON UNIT 4'				
FDNS	2	0 11G	G08_044	'TO->FROM'	'FPL SWITCH - WOODWARD 138KV CKT 1'	153	0.03408	106.7439	'GEN335206 1-NELSON UNIT 6'				
FDNS	2	0 11G	G08_047	'TO->FROM'	'FPL SWITCH - WOODWARD 138KV CKT 1'	153	0.05366	106.7439	'GEN335206 1-NELSON UNIT 6'				
FDNS	2	0 11G	G08_110	'TO->FROM'	'FPL SWITCH - WOODWARD 138KV CKT 1'	153	0.04118	106.7439	'GEN335206 1-NELSON UNIT 6'				
FDNS	2	0 11G	ASGI_2010_011	'TO->FROM'	'FPL SWITCH - WOODWARD 138KV CKT 1'	153	0.03425	106.7439	'GEN335206 1-NELSON UNIT 6'				
FDNS	2	0 11G	G10_011	'TO->FROM'	'FPL SWITCH - WOODWARD 138KV CKT 1'	153	0.03408	106.7439	'GEN335206 1-NELSON UNIT 6'				

SOLUTION	GROUP	SCENARIO	SEASON	SOURCE	DIRECTION	MONITORED ELEMENT	RATE B	TDF	TC%LOADING	CONTINGENCY NAME
						COMMON NAME				
FDNS	2	0 11G	G10_014	'TO->FROM'	'FPL SWITCH - WOODWARD 138KV CKT 1'	153	0.04118	106.7439	'GEN335206 1-NELSON UNIT 6'	
FDNS	2	0 11G	G08_044	'TO->FROM'	'FPL SWITCH - WOODWARD 138KV CKT 1'	153	0.03408	108.928	'GEN335831 1-RIVERBEND UNIT#1'	
FDNS	2	0 11G	G08_047	'TO->FROM'	'FPL SWITCH - WOODWARD 138KV CKT 1'	153	0.05366	108.928	'GEN335831 1-RIVERBEND UNIT#1'	
FDNS	2	0 11G	G08_110	'TO->FROM'	'FPL SWITCH - WOODWARD 138KV CKT 1'	153	0.04118	108.928	'GEN335831 1-RIVERBEND UNIT#1'	
FDNS	2	0 11G	ASGI_2010_011	'TO->FROM'	'FPL SWITCH - WOODWARD 138KV CKT 1'	153	0.03425	108.928	'GEN335831 1-RIVERBEND UNIT#1'	
FDNS	2	0 11G	G10_011	'TO->FROM'	'FPL SWITCH - WOODWARD 138KV CKT 1'	153	0.03408	108.928	'GEN335831 1-RIVERBEND UNIT#1'	
FDNS	2	0 11G	G10_014	'TO->FROM'	'FPL SWITCH - WOODWARD 138KV CKT 1'	153	0.04118	108.928	'GEN335831 1-RIVERBEND UNIT#1'	
FDNS	2	0 11G	G08_044	'TO->FROM'	'FPL SWITCH - WOODWARD 138KV CKT 1'	153	0.03408	107.443	'GEN336251 1-NINEMILE POINT UNIT#4'	
FDNS	2	0 11G	G08_047	'TO->FROM'	'FPL SWITCH - WOODWARD 138KV CKT 1'	153	0.05366	107.443	'GEN336251 1-NINEMILE POINT UNIT#4'	
FDNS	2	0 11G	G08_110	'TO->FROM'	'FPL SWITCH - WOODWARD 138KV CKT 1'	153	0.04118	107.443	'GEN336251 1-NINEMILE POINT UNIT#4'	
FDNS	2	0 11G	ASGI_2010_011	'TO->FROM'	'FPL SWITCH - WOODWARD 138KV CKT 1'	153	0.03425	107.443	'GEN336251 1-NINEMILE POINT UNIT#4'	
FDNS	2	0 11G	G10_011	'TO->FROM'	'FPL SWITCH - WOODWARD 138KV CKT 1'	153	0.03408	107.443	'GEN336251 1-NINEMILE POINT UNIT#4'	
FDNS	2	0 11G	G10_014	'TO->FROM'	'FPL SWITCH - WOODWARD 138KV CKT 1'	153	0.04118	107.443	'GEN336251 1-NINEMILE POINT UNIT#4'	
FDNS	2	0 11G	G08_044	'TO->FROM'	'FPL SWITCH - WOODWARD 138KV CKT 1'	153	0.03408	106.2886	'GEN336801 1-BAXTER WILSON UNIT #1'	
FDNS	2	0 11G	G08_047	'TO->FROM'	'FPL SWITCH - WOODWARD 138KV CKT 1'	153	0.05366	106.2886	'GEN336801 1-BAXTER WILSON UNIT #1'	
FDNS	2	0 11G	G08_110	'TO->FROM'	'FPL SWITCH - WOODWARD 138KV CKT 1'	153	0.04118	106.2886	'GEN336801 1-BAXTER WILSON UNIT #1'	
FDNS	2	0 11G	ASGI_2010_011	'TO->FROM'	'FPL SWITCH - WOODWARD 138KV CKT 1'	153	0.03425	106.2886	'GEN336801 1-BAXTER WILSON UNIT #1'	
FDNS	2	0 11G	G10_011	'TO->FROM'	'FPL SWITCH - WOODWARD 138KV CKT 1'	153	0.03408	106.2886	'GEN336801 1-BAXTER WILSON UNIT #1'	
FDNS	2	0 11G	G10_014	'TO->FROM'	'FPL SWITCH - WOODWARD 138KV CKT 1'	153	0.04118	106.2886	'GEN336801 1-BAXTER WILSON UNIT #1'	
FDNS	2	0 11G	G08_044	'TO->FROM'	'FPL SWITCH - WOODWARD 138KV CKT 1'	153	0.03408	106.9131	'GEN336831 1-BAXTER WILSON SES'	
FDNS	2	0 11G	G08_047	'TO->FROM'	'FPL SWITCH - WOODWARD 138KV CKT 1'	153	0.05366	106.9131	'GEN336831 1-BAXTER WILSON SES'	
FDNS	2	0 11G	G08_110	'TO->FROM'	'FPL SWITCH - WOODWARD 138KV CKT 1'	153	0.04118	106.9131	'GEN336831 1-BAXTER WILSON SES'	
FDNS	2	0 11G	ASGI_2010_011	'TO->FROM'	'FPL SWITCH - WOODWARD 138KV CKT 1'	153	0.03425	106.9131	'GEN336831 1-BAXTER WILSON SES'	
FDNS	2	0 11G	G10_011	'TO->FROM'	'FPL SWITCH - WOODWARD 138KV CKT 1'	153	0.03408	106.9131	'GEN336831 1-BAXTER WILSON SES'	
FDNS	2	0 11G	G10_014	'TO->FROM'	'FPL SWITCH - WOODWARD 138KV CKT 1'	153	0.04118	106.9131	'GEN336831 1-BAXTER WILSON SES'	
FDNS	2	0 11G	G08_044	'TO->FROM'	'FPL SWITCH - WOODWARD 138KV CKT 1'	153	0.03408	107.1972	'GEN337041 1-GERALD ANDRUS'	
FDNS	2	0 11G	G08_047	'TO->FROM'	'FPL SWITCH - WOODWARD 138KV CKT 1'	153	0.05366	107.1972	'GEN337041 1-GERALD ANDRUS'	
FDNS	2	0 11G	G08_110	'TO->FROM'	'FPL SWITCH - WOODWARD 138KV CKT 1'	153	0.04118	107.1972	'GEN337041 1-GERALD ANDRUS'	
FDNS	2	0 11G	ASGI_2010_011	'TO->FROM'	'FPL SWITCH - WOODWARD 138KV CKT 1'	153	0.03425	107.1972	'GEN337041 1-GERALD ANDRUS'	

SOLUTION	GROUP	SCENARIO	SEASON	SOURCE	DIRECTION	MONITORED ELEMENT	RATE B	TDF	TC%	LOADING	CONTINGENCY NAME
						COMMON NAME					
FDNS	2	0 11G	G10_011	'TO->FROM'	'FPL SWITCH - WOODWARD 138KV CKT 1'	153	0.03408	107.1972	'GEN337041 1-GERALD ANDRUS'		
FDNS	2	0 11G	G10_014	'TO->FROM'	'FPL SWITCH - WOODWARD 138KV CKT 1'	153	0.04118	107.1972	'GEN337041 1-GERALD ANDRUS'		
FDNS	2	0 11G	G08_044	'TO->FROM'	'FPL SWITCH - WOODWARD 138KV CKT 1'	153	0.03408	107.8789	'GEN337652 1-WHITE BLUFF UNIT #1'		
FDNS	2	0 11G	G08_047	'TO->FROM'	'FPL SWITCH - WOODWARD 138KV CKT 1'	153	0.05366	107.8789	'GEN337652 1-WHITE BLUFF UNIT #1'		
FDNS	2	0 11G	G08_110	'TO->FROM'	'FPL SWITCH - WOODWARD 138KV CKT 1'	153	0.04118	107.8789	'GEN337652 1-WHITE BLUFF UNIT #1'		
FDNS	2	0 11G	ASGI_2010_011	'TO->FROM'	'FPL SWITCH - WOODWARD 138KV CKT 1'	153	0.03425	107.8789	'GEN337652 1-WHITE BLUFF UNIT #1'		
FDNS	2	0 11G	G10_011	'TO->FROM'	'FPL SWITCH - WOODWARD 138KV CKT 1'	153	0.03408	107.8789	'GEN337652 1-WHITE BLUFF UNIT #1'		
FDNS	2	0 11G	G10_014	'TO->FROM'	'FPL SWITCH - WOODWARD 138KV CKT 1'	153	0.04118	107.8789	'GEN337652 1-WHITE BLUFF UNIT #1'		
FDNS	2	0 11G	G08_044	'TO->FROM'	'FPL SWITCH - WOODWARD 138KV CKT 1'	153	0.03408	107.6508	'GEN337653 1-WHITE BLUFF UNIT #2'		
FDNS	2	0 11G	G08_047	'TO->FROM'	'FPL SWITCH - WOODWARD 138KV CKT 1'	153	0.05366	107.6508	'GEN337653 1-WHITE BLUFF UNIT #2'		
FDNS	2	0 11G	G08_110	'TO->FROM'	'FPL SWITCH - WOODWARD 138KV CKT 1'	153	0.04118	107.6508	'GEN337653 1-WHITE BLUFF UNIT #2'		
FDNS	2	0 11G	ASGI_2010_011	'TO->FROM'	'FPL SWITCH - WOODWARD 138KV CKT 1'	153	0.03425	107.6508	'GEN337653 1-WHITE BLUFF UNIT #2'		
FDNS	2	0 11G	G10_011	'TO->FROM'	'FPL SWITCH - WOODWARD 138KV CKT 1'	153	0.03408	107.6508	'GEN337653 1-WHITE BLUFF UNIT #2'		
FDNS	2	0 11G	G10_014	'TO->FROM'	'FPL SWITCH - WOODWARD 138KV CKT 1'	153	0.04118	107.6508	'GEN337653 1-WHITE BLUFF UNIT #2'		
FDNS	2	0 11G	G08_044	'TO->FROM'	'FPL SWITCH - WOODWARD 138KV CKT 1'	153	0.03408	108.7478	'GEN337910 1-ARKANSAS NUCLEAR ONE UNIT #1'		
FDNS	2	0 11G	G08_047	'TO->FROM'	'FPL SWITCH - WOODWARD 138KV CKT 1'	153	0.05366	108.7478	'GEN337910 1-ARKANSAS NUCLEAR ONE UNIT #1'		
FDNS	2	0 11G	G08_110	'TO->FROM'	'FPL SWITCH - WOODWARD 138KV CKT 1'	153	0.04118	108.7478	'GEN337910 1-ARKANSAS NUCLEAR ONE UNIT #1'		
FDNS	2	0 11G	ASGI_2010_011	'TO->FROM'	'FPL SWITCH - WOODWARD 138KV CKT 1'	153	0.03425	108.7478	'GEN337910 1-ARKANSAS NUCLEAR ONE UNIT #1'		
FDNS	2	0 11G	G10_011	'TO->FROM'	'FPL SWITCH - WOODWARD 138KV CKT 1'	153	0.03408	108.7478	'GEN337910 1-ARKANSAS NUCLEAR ONE UNIT #1'		
FDNS	2	0 11G	G10_014	'TO->FROM'	'FPL SWITCH - WOODWARD 138KV CKT 1'	153	0.04118	108.7478	'GEN337910 1-ARKANSAS NUCLEAR ONE UNIT #1'		
FDNS	2	0 11G	G08_044	'TO->FROM'	'FPL SWITCH - WOODWARD 138KV CKT 1'	153	0.03408	109.6545	'GEN337911 1-ARKANSAS NUCLEAR ONE UNIT #2'		
FDNS	2	0 11G	G08_047	'TO->FROM'	'FPL SWITCH - WOODWARD 138KV CKT 1'	153	0.05366	109.6545	'GEN337911 1-ARKANSAS NUCLEAR ONE UNIT #2'		
FDNS	2	0 11G	G08_110	'TO->FROM'	'FPL SWITCH - WOODWARD 138KV CKT 1'	153	0.04118	109.6545	'GEN337911 1-ARKANSAS NUCLEAR ONE UNIT #2'		
FDNS	2	0 11G	ASGI_2010_011	'TO->FROM'	'FPL SWITCH - WOODWARD 138KV CKT 1'	153	0.03425	109.6545	'GEN337911 1-ARKANSAS NUCLEAR ONE UNIT #2'		
FDNS	2	0 11G	G10_011	'TO->FROM'	'FPL SWITCH - WOODWARD 138KV CKT 1'	153	0.03408	109.6545	'GEN337911 1-ARKANSAS NUCLEAR ONE UNIT #2'		
FDNS	2	0 11G	G10_014	'TO->FROM'	'FPL SWITCH - WOODWARD 138KV CKT 1'	153	0.04118	109.6545	'GEN337911 1-ARKANSAS NUCLEAR ONE UNIT #2'		
FDNS	2	0 11G	G08_044	'TO->FROM'	'FPL SWITCH - WOODWARD 138KV CKT 1'	153	0.03408	107.3932	'GEN338143 1-INDEPENDENCE UNIT #1'		
FDNS	2	0 11G	G08_047	'TO->FROM'	'FPL SWITCH - WOODWARD 138KV CKT 1'	153	0.05366	107.3932	'GEN338143 1-INDEPENDENCE UNIT #1'		
FDNS	2	0 11G	G08_110	'TO->FROM'	'FPL SWITCH - WOODWARD 138KV CKT 1'	153	0.04118	107.3932	'GEN338143 1-INDEPENDENCE UNIT #1'		

SOLUTION	GROUP	SCENARIO	SEASON	SOURCE	DIRECTION	MONITORED ELEMENT	RATE B	TDF	TC%	LOADING	CONTINGENCY NAME
						COMMON NAME					
FDNS	2	0 11G	ASGI_2010_011	'TO->FROM'	'FPL SWITCH - WOODWARD 138KV CKT 1'	153	0.03425	107.3932	'GEN338143 1-INDEPENDENCE UNIT #1'		
FDNS	2	0 11G	G10_011	'TO->FROM'	'FPL SWITCH - WOODWARD 138KV CKT 1'	153	0.03408	107.3932	'GEN338143 1-INDEPENDENCE UNIT #1'		
FDNS	2	0 11G	G10_014	'TO->FROM'	'FPL SWITCH - WOODWARD 138KV CKT 1'	153	0.04118	107.3932	'GEN338143 1-INDEPENDENCE UNIT #1'		
FDNS	2	0 11G	G08_044	'TO->FROM'	'FPL SWITCH - WOODWARD 138KV CKT 1'	153	0.03408	107.4666	'GEN338146 1-INDEPENDENCE UNIT #2'		
FDNS	2	0 11G	G08_047	'TO->FROM'	'FPL SWITCH - WOODWARD 138KV CKT 1'	153	0.05366	107.4666	'GEN338146 1-INDEPENDENCE UNIT #2'		
FDNS	2	0 11G	G08_110	'TO->FROM'	'FPL SWITCH - WOODWARD 138KV CKT 1'	153	0.04118	107.4666	'GEN338146 1-INDEPENDENCE UNIT #2'		
FDNS	2	0 11G	ASGI_2010_011	'TO->FROM'	'FPL SWITCH - WOODWARD 138KV CKT 1'	153	0.03425	107.4666	'GEN338146 1-INDEPENDENCE UNIT #2'		
FDNS	2	0 11G	G10_011	'TO->FROM'	'FPL SWITCH - WOODWARD 138KV CKT 1'	153	0.03408	107.4666	'GEN338146 1-INDEPENDENCE UNIT #2'		
FDNS	2	0 11G	G10_014	'TO->FROM'	'FPL SWITCH - WOODWARD 138KV CKT 1'	153	0.04118	107.4666	'GEN338146 1-INDEPENDENCE UNIT #2'		
FDNS	2	0 11G	G08_044	'TO->FROM'	'FPL SWITCH - WOODWARD 138KV CKT 1'	153	0.03408	106.6805	'GEN338189 1-LS POWER OSCEOLA UNIT G1'		
FDNS	2	0 11G	G08_047	'TO->FROM'	'FPL SWITCH - WOODWARD 138KV CKT 1'	153	0.05366	106.6805	'GEN338189 1-LS POWER OSCEOLA UNIT G1'		
FDNS	2	0 11G	G08_110	'TO->FROM'	'FPL SWITCH - WOODWARD 138KV CKT 1'	153	0.04118	106.6805	'GEN338189 1-LS POWER OSCEOLA UNIT G1'		
FDNS	2	0 11G	ASGI_2010_011	'TO->FROM'	'FPL SWITCH - WOODWARD 138KV CKT 1'	153	0.03425	106.6805	'GEN338189 1-LS POWER OSCEOLA UNIT G1'		
FDNS	2	0 11G	G10_011	'TO->FROM'	'FPL SWITCH - WOODWARD 138KV CKT 1'	153	0.03408	106.6805	'GEN338189 1-LS POWER OSCEOLA UNIT G1'		
FDNS	2	0 11G	G10_014	'TO->FROM'	'FPL SWITCH - WOODWARD 138KV CKT 1'	153	0.04118	106.6805	'GEN338189 1-LS POWER OSCEOLA UNIT G1'		
FDNS	2	0 11G	G08_044	'TO->FROM'	'FPL SWITCH - WOODWARD 138KV CKT 1'	153	0.03408	108.2026	'GEN501801 1-DOLET HILLS UNIT1'		
FDNS	2	0 11G	G08_047	'TO->FROM'	'FPL SWITCH - WOODWARD 138KV CKT 1'	153	0.05366	108.2026	'GEN501801 1-DOLET HILLS UNIT1'		
FDNS	2	0 11G	G08_110	'TO->FROM'	'FPL SWITCH - WOODWARD 138KV CKT 1'	153	0.04118	108.2026	'GEN501801 1-DOLET HILLS UNIT1'		
FDNS	2	0 11G	ASGI_2010_011	'TO->FROM'	'FPL SWITCH - WOODWARD 138KV CKT 1'	153	0.03425	108.2026	'GEN501801 1-DOLET HILLS UNIT1'		
FDNS	2	0 11G	G10_011	'TO->FROM'	'FPL SWITCH - WOODWARD 138KV CKT 1'	153	0.03408	108.2026	'GEN501801 1-DOLET HILLS UNIT1'		
FDNS	2	0 11G	G10_014	'TO->FROM'	'FPL SWITCH - WOODWARD 138KV CKT 1'	153	0.04118	108.2026	'GEN501801 1-DOLET HILLS UNIT1'		
FDNS	2	0 11G	G08_044	'TO->FROM'	'FPL SWITCH - WOODWARD 138KV CKT 1'	153	0.03408	106.8139	'GEN501812 1-RODEMACHER UNIT 2'		
FDNS	2	0 11G	G08_047	'TO->FROM'	'FPL SWITCH - WOODWARD 138KV CKT 1'	153	0.05366	106.8139	'GEN501812 1-RODEMACHER UNIT 2'		
FDNS	2	0 11G	G08_110	'TO->FROM'	'FPL SWITCH - WOODWARD 138KV CKT 1'	153	0.04118	106.8139	'GEN501812 1-RODEMACHER UNIT 2'		
FDNS	2	0 11G	ASGI_2010_011	'TO->FROM'	'FPL SWITCH - WOODWARD 138KV CKT 1'	153	0.03425	106.8139	'GEN501812 1-RODEMACHER UNIT 2'		
FDNS	2	0 11G	G10_011	'TO->FROM'	'FPL SWITCH - WOODWARD 138KV CKT 1'	153	0.03408	106.8139	'GEN501812 1-RODEMACHER UNIT 2'		
FDNS	2	0 11G	G10_014	'TO->FROM'	'FPL SWITCH - WOODWARD 138KV CKT 1'	153	0.04118	106.8139	'GEN501812 1-RODEMACHER UNIT 2'		
FDNS	2	0 11G	G08_044	'TO->FROM'	'FPL SWITCH - WOODWARD 138KV CKT 1'	153	0.03408	107.1994	'GEN501813 1-RODEMACHER UNIT 3'		
FDNS	2	0 11G	G08_047	'TO->FROM'	'FPL SWITCH - WOODWARD 138KV CKT 1'	153	0.05366	107.1994	'GEN501813 1-RODEMACHER UNIT 3'		

SOLUTION	GROUP	SCENARIO	SEASON	SOURCE	DIRECTION	MONITORED ELEMENT	RATE	B	TDF	TC%	LOADING	CONTINGENCY	NAME
						COMMON NAME							
FDNS	2	0 11G	G08_110	'TO->FROM'	'FPL SWITCH - WOODWARD 138KV CKT 1'	153	0.04118	107.1994	'GEN501813 1-RODEMACHER UNIT 3'				
FDNS	2	0 11G	ASGI_2010_011	'TO->FROM'	'FPL SWITCH - WOODWARD 138KV CKT 1'	153	0.03425	107.1994	'GEN501813 1-RODEMACHER UNIT 3'				
FDNS	2	0 11G	G10_011	'TO->FROM'	'FPL SWITCH - WOODWARD 138KV CKT 1'	153	0.03408	107.1994	'GEN501813 1-RODEMACHER UNIT 3'				
FDNS	2	0 11G	G10_014	'TO->FROM'	'FPL SWITCH - WOODWARD 138KV CKT 1'	153	0.04118	107.1994	'GEN501813 1-RODEMACHER UNIT 3'				
FDNS	2	0 11G	G08_044	'TO->FROM'	'FPL SWITCH - WOODWARD 138KV CKT 1'	153	0.03408	107.0443	'GEN509394 1-FLINT CREEK'				
FDNS	2	0 11G	G08_047	'TO->FROM'	'FPL SWITCH - WOODWARD 138KV CKT 1'	153	0.05366	107.0443	'GEN509394 1-FLINT CREEK'				
FDNS	2	0 11G	G08_110	'TO->FROM'	'FPL SWITCH - WOODWARD 138KV CKT 1'	153	0.04118	107.0443	'GEN509394 1-FLINT CREEK'				
FDNS	2	0 11G	ASGI_2010_011	'TO->FROM'	'FPL SWITCH - WOODWARD 138KV CKT 1'	153	0.03425	107.0443	'GEN509394 1-FLINT CREEK'				
FDNS	2	0 11G	G10_011	'TO->FROM'	'FPL SWITCH - WOODWARD 138KV CKT 1'	153	0.03408	107.0443	'GEN509394 1-FLINT CREEK'				
FDNS	2	0 11G	G10_014	'TO->FROM'	'FPL SWITCH - WOODWARD 138KV CKT 1'	153	0.04118	107.0443	'GEN509394 1-FLINT CREEK'				
FDNS	2	0 11G	G08_044	'TO->FROM'	'FPL SWITCH - WOODWARD 138KV CKT 1'	153	0.03408	107.9874	'GEN509403 1-PIRKEY GENERATION'				
FDNS	2	0 11G	G08_047	'TO->FROM'	'FPL SWITCH - WOODWARD 138KV CKT 1'	153	0.05366	107.9874	'GEN509403 1-PIRKEY GENERATION'				
FDNS	2	0 11G	G08_110	'TO->FROM'	'FPL SWITCH - WOODWARD 138KV CKT 1'	153	0.04118	107.9874	'GEN509403 1-PIRKEY GENERATION'				
FDNS	2	0 11G	ASGI_2010_011	'TO->FROM'	'FPL SWITCH - WOODWARD 138KV CKT 1'	153	0.03425	107.9874	'GEN509403 1-PIRKEY GENERATION'				
FDNS	2	0 11G	G10_011	'TO->FROM'	'FPL SWITCH - WOODWARD 138KV CKT 1'	153	0.03408	107.9874	'GEN509403 1-PIRKEY GENERATION'				
FDNS	2	0 11G	G10_014	'TO->FROM'	'FPL SWITCH - WOODWARD 138KV CKT 1'	153	0.04118	107.9874	'GEN509403 1-PIRKEY GENERATION'				
FDNS	2	0 11G	G08_044	'TO->FROM'	'FPL SWITCH - WOODWARD 138KV CKT 1'	153	0.03408	107.2788	'GEN509404 1-WELSH #1'				
FDNS	2	0 11G	G08_047	'TO->FROM'	'FPL SWITCH - WOODWARD 138KV CKT 1'	153	0.05366	107.2788	'GEN509404 1-WELSH #1'				
FDNS	2	0 11G	G08_110	'TO->FROM'	'FPL SWITCH - WOODWARD 138KV CKT 1'	153	0.04118	107.2788	'GEN509404 1-WELSH #1'				
FDNS	2	0 11G	ASGI_2010_011	'TO->FROM'	'FPL SWITCH - WOODWARD 138KV CKT 1'	153	0.03425	107.2788	'GEN509404 1-WELSH #1'				
FDNS	2	0 11G	G10_011	'TO->FROM'	'FPL SWITCH - WOODWARD 138KV CKT 1'	153	0.03408	107.2788	'GEN509404 1-WELSH #1'				
FDNS	2	0 11G	G10_014	'TO->FROM'	'FPL SWITCH - WOODWARD 138KV CKT 1'	153	0.04118	107.2788	'GEN509404 1-WELSH #1'				
FDNS	2	0 11G	G08_044	'TO->FROM'	'FPL SWITCH - WOODWARD 138KV CKT 1'	153	0.03408	107.2789	'GEN509405 1-WELSH #2'				
FDNS	2	0 11G	G08_047	'TO->FROM'	'FPL SWITCH - WOODWARD 138KV CKT 1'	153	0.05366	107.2789	'GEN509405 1-WELSH #2'				
FDNS	2	0 11G	G08_110	'TO->FROM'	'FPL SWITCH - WOODWARD 138KV CKT 1'	153	0.04118	107.2789	'GEN509405 1-WELSH #2'				
FDNS	2	0 11G	ASGI_2010_011	'TO->FROM'	'FPL SWITCH - WOODWARD 138KV CKT 1'	153	0.03425	107.2789	'GEN509405 1-WELSH #2'				
FDNS	2	0 11G	G10_011	'TO->FROM'	'FPL SWITCH - WOODWARD 138KV CKT 1'	153	0.03408	107.2789	'GEN509405 1-WELSH #2'				
FDNS	2	0 11G	G10_014	'TO->FROM'	'FPL SWITCH - WOODWARD 138KV CKT 1'	153	0.04118	107.2789	'GEN509405 1-WELSH #2'				
FDNS	2	0 11G	G08_044	'TO->FROM'	'FPL SWITCH - WOODWARD 138KV CKT 1'	153	0.03408	107.2791	'GEN509406 1-WELSH #3'				

SOLUTION	GROUP	SCENARIO	SEASON	SOURCE	DIRECTION	MONITORED ELEMENT	RATE	B	TDF	TC%	LOADING	CONTINGENCY	NAME
						COMMON NAME							
FDNS	2	0 11G	G08_047	'TO->FROM'	'FPL SWITCH - WOODWARD 138KV CKT 1'	153	0.05366	107.2791	'GEN509406 1-WELSH #3'				
FDNS	2	0 11G	G08_110	'TO->FROM'	'FPL SWITCH - WOODWARD 138KV CKT 1'	153	0.04118	107.2791	'GEN509406 1-WELSH #3'				
FDNS	2	0 11G	ASGI_2010_011	'TO->FROM'	'FPL SWITCH - WOODWARD 138KV CKT 1'	153	0.03425	107.2791	'GEN509406 1-WELSH #3'				
FDNS	2	0 11G	G10_011	'TO->FROM'	'FPL SWITCH - WOODWARD 138KV CKT 1'	153	0.03408	107.2791	'GEN509406 1-WELSH #3'				
FDNS	2	0 11G	G10_014	'TO->FROM'	'FPL SWITCH - WOODWARD 138KV CKT 1'	153	0.04118	107.2791	'GEN509406 1-WELSH #3'				
FDNS	2	0 11G	G08_044	'TO->FROM'	'FPL SWITCH - WOODWARD 138KV CKT 1'	153	0.03408	107.1026	'GEN511839 1-NORTHEASTERN STATION #2'				
FDNS	2	0 11G	G08_047	'TO->FROM'	'FPL SWITCH - WOODWARD 138KV CKT 1'	153	0.05366	107.1026	'GEN511839 1-NORTHEASTERN STATION #2'				
FDNS	2	0 11G	G08_110	'TO->FROM'	'FPL SWITCH - WOODWARD 138KV CKT 1'	153	0.04118	107.1026	'GEN511839 1-NORTHEASTERN STATION #2'				
FDNS	2	0 11G	ASGI_2010_011	'TO->FROM'	'FPL SWITCH - WOODWARD 138KV CKT 1'	153	0.03425	107.1026	'GEN511839 1-NORTHEASTERN STATION #2'				
FDNS	2	0 11G	G10_011	'TO->FROM'	'FPL SWITCH - WOODWARD 138KV CKT 1'	153	0.03408	107.1026	'GEN511839 1-NORTHEASTERN STATION #2'				
FDNS	2	0 11G	G10_014	'TO->FROM'	'FPL SWITCH - WOODWARD 138KV CKT 1'	153	0.04118	107.1026	'GEN511839 1-NORTHEASTERN STATION #2'				
FDNS	2	0 11G	G08_044	'TO->FROM'	'FPL SWITCH - WOODWARD 138KV CKT 1'	153	0.03408	106.9343	'GEN511840 1-NORTHEASTERN STATION #3'				
FDNS	2	0 11G	G08_047	'TO->FROM'	'FPL SWITCH - WOODWARD 138KV CKT 1'	153	0.05366	106.9343	'GEN511840 1-NORTHEASTERN STATION #3'				
FDNS	2	0 11G	G08_110	'TO->FROM'	'FPL SWITCH - WOODWARD 138KV CKT 1'	153	0.04118	106.9343	'GEN511840 1-NORTHEASTERN STATION #3'				
FDNS	2	0 11G	ASGI_2010_011	'TO->FROM'	'FPL SWITCH - WOODWARD 138KV CKT 1'	153	0.03425	106.9343	'GEN511840 1-NORTHEASTERN STATION #3'				
FDNS	2	0 11G	G10_011	'TO->FROM'	'FPL SWITCH - WOODWARD 138KV CKT 1'	153	0.03408	106.9343	'GEN511840 1-NORTHEASTERN STATION #3'				
FDNS	2	0 11G	G10_014	'TO->FROM'	'FPL SWITCH - WOODWARD 138KV CKT 1'	153	0.04118	106.9343	'GEN511840 1-NORTHEASTERN STATION #3'				
FDNS	2	0 11G	G08_044	'TO->FROM'	'FPL SWITCH - WOODWARD 138KV CKT 1'	153	0.03408	106.9649	'GEN511841 1-NORTHEASTERN STATION #4'				
FDNS	2	0 11G	G08_047	'TO->FROM'	'FPL SWITCH - WOODWARD 138KV CKT 1'	153	0.05366	106.9649	'GEN511841 1-NORTHEASTERN STATION #4'				
FDNS	2	0 11G	G08_110	'TO->FROM'	'FPL SWITCH - WOODWARD 138KV CKT 1'	153	0.04118	106.9649	'GEN511841 1-NORTHEASTERN STATION #4'				
FDNS	2	0 11G	ASGI_2010_011	'TO->FROM'	'FPL SWITCH - WOODWARD 138KV CKT 1'	153	0.03425	106.9649	'GEN511841 1-NORTHEASTERN STATION #4'				
FDNS	2	0 11G	G10_011	'TO->FROM'	'FPL SWITCH - WOODWARD 138KV CKT 1'	153	0.03408	106.9649	'GEN511841 1-NORTHEASTERN STATION #4'				
FDNS	2	0 11G	G10_014	'TO->FROM'	'FPL SWITCH - WOODWARD 138KV CKT 1'	153	0.04118	106.9649	'GEN511841 1-NORTHEASTERN STATION #4'				
FDNS	2	0 11G	G08_044	'TO->FROM'	'FPL SWITCH - WOODWARD 138KV CKT 1'	153	0.03408	106.6782	'GEN512688 2-GRDA1 GSU2 22'				
FDNS	2	0 11G	G08_047	'TO->FROM'	'FPL SWITCH - WOODWARD 138KV CKT 1'	153	0.05366	106.6782	'GEN512688 2-GRDA1 GSU2 22'				
FDNS	2	0 11G	G08_110	'TO->FROM'	'FPL SWITCH - WOODWARD 138KV CKT 1'	153	0.04118	106.6782	'GEN512688 2-GRDA1 GSU2 22'				
FDNS	2	0 11G	ASGI_2010_011	'TO->FROM'	'FPL SWITCH - WOODWARD 138KV CKT 1'	153	0.03425	106.6782	'GEN512688 2-GRDA1 GSU2 22'				
FDNS	2	0 11G	G10_011	'TO->FROM'	'FPL SWITCH - WOODWARD 138KV CKT 1'	153	0.03408	106.6782	'GEN512688 2-GRDA1 GSU2 22'				
FDNS	2	0 11G	G10_014	'TO->FROM'	'FPL SWITCH - WOODWARD 138KV CKT 1'	153	0.04118	106.6782	'GEN512688 2-GRDA1 GSU2 22'				

SOLUTION	GROUP	SCENARIO	SEASON	SOURCE	DIRECTION	MONITORED ELEMENT	RATE B	TDF	TC%	LOADING	CONTINGENCY NAME
						COMMON NAME					
FDNS	2	0 11G	G08_044	'TO->FROM'	'FPL SWITCH - WOODWARD 138KV CKT 1'	153	0.03408	106.83	'GEN512689 1-GRDA1 GSU1 22'		
FDNS	2	0 11G	G08_047	'TO->FROM'	'FPL SWITCH - WOODWARD 138KV CKT 1'	153	0.05366	106.83	'GEN512689 1-GRDA1 GSU1 22'		
FDNS	2	0 11G	G08_110	'TO->FROM'	'FPL SWITCH - WOODWARD 138KV CKT 1'	153	0.04118	106.83	'GEN512689 1-GRDA1 GSU1 22'		
FDNS	2	0 11G	ASGI_2010_011	'TO->FROM'	'FPL SWITCH - WOODWARD 138KV CKT 1'	153	0.03425	106.83	'GEN512689 1-GRDA1 GSU1 22'		
FDNS	2	0 11G	G10_011	'TO->FROM'	'FPL SWITCH - WOODWARD 138KV CKT 1'	153	0.03408	106.83	'GEN512689 1-GRDA1 GSU1 22'		
FDNS	2	0 11G	G10_014	'TO->FROM'	'FPL SWITCH - WOODWARD 138KV CKT 1'	153	0.04118	106.83	'GEN512689 1-GRDA1 GSU1 22'		
FDNS	2	0 11G	G08_044	'TO->FROM'	'FPL SWITCH - WOODWARD 138KV CKT 1'	153	0.03408	111.4142	'GEN514805 1-SOONER UNIT 1'		
FDNS	2	0 11G	G08_047	'TO->FROM'	'FPL SWITCH - WOODWARD 138KV CKT 1'	153	0.05366	111.4142	'GEN514805 1-SOONER UNIT 1'		
FDNS	2	0 11G	G08_110	'TO->FROM'	'FPL SWITCH - WOODWARD 138KV CKT 1'	153	0.04118	111.4142	'GEN514805 1-SOONER UNIT 1'		
FDNS	2	0 11G	ASGI_2010_011	'TO->FROM'	'FPL SWITCH - WOODWARD 138KV CKT 1'	153	0.03425	111.4142	'GEN514805 1-SOONER UNIT 1'		
FDNS	2	0 11G	G10_011	'TO->FROM'	'FPL SWITCH - WOODWARD 138KV CKT 1'	153	0.03408	111.4142	'GEN514805 1-SOONER UNIT 1'		
FDNS	2	0 11G	G10_014	'TO->FROM'	'FPL SWITCH - WOODWARD 138KV CKT 1'	153	0.04118	111.4142	'GEN514805 1-SOONER UNIT 1'		
FDNS	2	0 11G	G08_044	'TO->FROM'	'FPL SWITCH - WOODWARD 138KV CKT 1'	153	0.03408	109.1766	'GEN514806 1-SOONER UNIT 2'		
FDNS	2	0 11G	G08_047	'TO->FROM'	'FPL SWITCH - WOODWARD 138KV CKT 1'	153	0.05366	109.1766	'GEN514806 1-SOONER UNIT 2'		
FDNS	2	0 11G	G08_110	'TO->FROM'	'FPL SWITCH - WOODWARD 138KV CKT 1'	153	0.04118	109.1766	'GEN514806 1-SOONER UNIT 2'		
FDNS	2	0 11G	ASGI_2010_011	'TO->FROM'	'FPL SWITCH - WOODWARD 138KV CKT 1'	153	0.03425	109.1766	'GEN514806 1-SOONER UNIT 2'		
FDNS	2	0 11G	G10_011	'TO->FROM'	'FPL SWITCH - WOODWARD 138KV CKT 1'	153	0.03408	109.1766	'GEN514806 1-SOONER UNIT 2'		
FDNS	2	0 11G	G10_014	'TO->FROM'	'FPL SWITCH - WOODWARD 138KV CKT 1'	153	0.04118	109.1766	'GEN514806 1-SOONER UNIT 2'		
FDNS	2	0 11G	G08_044	'TO->FROM'	'FPL SWITCH - WOODWARD 138KV CKT 1'	153	0.03408	106.3117	'GEN515042 1-SEMINOLE 3G'		
FDNS	2	0 11G	G08_047	'TO->FROM'	'FPL SWITCH - WOODWARD 138KV CKT 1'	153	0.05366	106.3117	'GEN515042 1-SEMINOLE 3G'		
FDNS	2	0 11G	G08_110	'TO->FROM'	'FPL SWITCH - WOODWARD 138KV CKT 1'	153	0.04118	106.3117	'GEN515042 1-SEMINOLE 3G'		
FDNS	2	0 11G	ASGI_2010_011	'TO->FROM'	'FPL SWITCH - WOODWARD 138KV CKT 1'	153	0.03425	106.3117	'GEN515042 1-SEMINOLE 3G'		
FDNS	2	0 11G	G10_011	'TO->FROM'	'FPL SWITCH - WOODWARD 138KV CKT 1'	153	0.03408	106.3117	'GEN515042 1-SEMINOLE 3G'		
FDNS	2	0 11G	G10_014	'TO->FROM'	'FPL SWITCH - WOODWARD 138KV CKT 1'	153	0.04118	106.3117	'GEN515042 1-SEMINOLE 3G'		
FDNS	2	0 11G	G08_044	'TO->FROM'	'FPL SWITCH - WOODWARD 138KV CKT 1'	153	0.03408	107.3967	'GEN515223 1-MUSKOGEE 4G'		
FDNS	2	0 11G	G08_047	'TO->FROM'	'FPL SWITCH - WOODWARD 138KV CKT 1'	153	0.05366	107.3967	'GEN515223 1-MUSKOGEE 4G'		
FDNS	2	0 11G	G08_110	'TO->FROM'	'FPL SWITCH - WOODWARD 138KV CKT 1'	153	0.04118	107.3967	'GEN515223 1-MUSKOGEE 4G'		
FDNS	2	0 11G	ASGI_2010_011	'TO->FROM'	'FPL SWITCH - WOODWARD 138KV CKT 1'	153	0.03425	107.3967	'GEN515223 1-MUSKOGEE 4G'		
FDNS	2	0 11G	G10_011	'TO->FROM'	'FPL SWITCH - WOODWARD 138KV CKT 1'	153	0.03408	107.3967	'GEN515223 1-MUSKOGEE 4G'		

SOLUTION	GROUP	SCENARIO	SEASON	SOURCE	DIRECTION	MONITORED ELEMENT		RATE	B	TDF	TC%	LOADING	CONTINGENCY	NAME
						COMMON	NAME							
FDNS	2	0 11G	G10_014	'TO->FROM'	'FPL SWITCH - WOODWARD 138KV CKT 1'	153	0.04118	107.3967	'GEN515223 1-MUSKOGEE 4G'					
FDNS	2	0 11G	G08_044	'TO->FROM'	'FPL SWITCH - WOODWARD 138KV CKT 1'	153	0.03408	107.3468	'GEN515225 1-MUSKOGEE 5G'					
FDNS	2	0 11G	G08_047	'TO->FROM'	'FPL SWITCH - WOODWARD 138KV CKT 1'	153	0.05366	107.3468	'GEN515225 1-MUSKOGEE 5G'					
FDNS	2	0 11G	G08_110	'TO->FROM'	'FPL SWITCH - WOODWARD 138KV CKT 1'	153	0.04118	107.3468	'GEN515225 1-MUSKOGEE 5G'					
FDNS	2	0 11G	ASGI_2010_011	'TO->FROM'	'FPL SWITCH - WOODWARD 138KV CKT 1'	153	0.03425	107.3468	'GEN515225 1-MUSKOGEE 5G'					
FDNS	2	0 11G	G10_011	'TO->FROM'	'FPL SWITCH - WOODWARD 138KV CKT 1'	153	0.03408	107.3468	'GEN515225 1-MUSKOGEE 5G'					
FDNS	2	0 11G	G10_014	'TO->FROM'	'FPL SWITCH - WOODWARD 138KV CKT 1'	153	0.04118	107.3468	'GEN515225 1-MUSKOGEE 5G'					
FDNS	2	0 11G	G08_044	'TO->FROM'	'FPL SWITCH - WOODWARD 138KV CKT 1'	153	0.03408	107.8724	'GEN515226 1-MUSKOGEE 6G'					
FDNS	2	0 11G	G08_047	'TO->FROM'	'FPL SWITCH - WOODWARD 138KV CKT 1'	153	0.05366	107.8724	'GEN515226 1-MUSKOGEE 6G'					
FDNS	2	0 11G	G08_110	'TO->FROM'	'FPL SWITCH - WOODWARD 138KV CKT 1'	153	0.04118	107.8724	'GEN515226 1-MUSKOGEE 6G'					
FDNS	2	0 11G	ASGI_2010_011	'TO->FROM'	'FPL SWITCH - WOODWARD 138KV CKT 1'	153	0.03425	107.8724	'GEN515226 1-MUSKOGEE 6G'					
FDNS	2	0 11G	G10_011	'TO->FROM'	'FPL SWITCH - WOODWARD 138KV CKT 1'	153	0.03408	107.8724	'GEN515226 1-MUSKOGEE 6G'					
FDNS	2	0 11G	G10_014	'TO->FROM'	'FPL SWITCH - WOODWARD 138KV CKT 1'	153	0.04118	107.8724	'GEN515226 1-MUSKOGEE 6G'					
FDNS	2	0 11G	G08_044	'TO->FROM'	'FPL SWITCH - WOODWARD 138KV CKT 1'	153	0.03408	101.9603	'GEN515364 1-CENT 11 0.6000'					
FDNS	2	0 11G	G08_047	'TO->FROM'	'FPL SWITCH - WOODWARD 138KV CKT 1'	153	0.05366	101.9603	'GEN515364 1-CENT 11 0.6000'					
FDNS	2	0 11G	G08_110	'TO->FROM'	'FPL SWITCH - WOODWARD 138KV CKT 1'	153	0.04118	101.9603	'GEN515364 1-CENT 11 0.6000'					
FDNS	2	0 11G	ASGI_2010_011	'TO->FROM'	'FPL SWITCH - WOODWARD 138KV CKT 1'	153	0.03425	101.9603	'GEN515364 1-CENT 11 0.6000'					
FDNS	2	0 11G	G10_011	'TO->FROM'	'FPL SWITCH - WOODWARD 138KV CKT 1'	153	0.03408	101.9603	'GEN515364 1-CENT 11 0.6000'					
FDNS	2	0 11G	G10_014	'TO->FROM'	'FPL SWITCH - WOODWARD 138KV CKT 1'	153	0.04118	101.9603	'GEN515364 1-CENT 11 0.6000'					
FDNS	2	0 11G	G08_044	'TO->FROM'	'FPL SWITCH - WOODWARD 138KV CKT 1'	153	0.03408	101.8092	'GEN515393 1-OGEWND2G'					
FDNS	2	0 11G	G08_047	'TO->FROM'	'FPL SWITCH - WOODWARD 138KV CKT 1'	153	0.05366	101.8092	'GEN515393 1-OGEWND2G'					
FDNS	2	0 11G	G08_110	'TO->FROM'	'FPL SWITCH - WOODWARD 138KV CKT 1'	153	0.04118	101.8092	'GEN515393 1-OGEWND2G'					
FDNS	2	0 11G	ASGI_2010_011	'TO->FROM'	'FPL SWITCH - WOODWARD 138KV CKT 1'	153	0.03425	101.8092	'GEN515393 1-OGEWND2G'					
FDNS	2	0 11G	G10_011	'TO->FROM'	'FPL SWITCH - WOODWARD 138KV CKT 1'	153	0.03408	101.8092	'GEN515393 1-OGEWND2G'					
FDNS	2	0 11G	G10_014	'TO->FROM'	'FPL SWITCH - WOODWARD 138KV CKT 1'	153	0.04118	101.8092	'GEN515393 1-OGEWND2G'					
FDNS	2	0 11G	G08_044	'TO->FROM'	'FPL SWITCH - WOODWARD 138KV CKT 1'	153	0.03408	109.2702	'GEN515790 1-FPLWND2'					
FDNS	2	0 11G	G08_047	'TO->FROM'	'FPL SWITCH - WOODWARD 138KV CKT 1'	153	0.05366	109.2702	'GEN515790 1-FPLWND2'					
FDNS	2	0 11G	G08_110	'TO->FROM'	'FPL SWITCH - WOODWARD 138KV CKT 1'	153	0.04118	109.2702	'GEN515790 1-FPLWND2'					
FDNS	2	0 11G	ASGI_2010_011	'TO->FROM'	'FPL SWITCH - WOODWARD 138KV CKT 1'	153	0.03425	109.2702	'GEN515790 1-FPLWND2'					

SOLUTION	GROUP	SCENARIO	SEASON	SOURCE	DIRECTION	MONITORED ELEMENT	RATE B	TDF	TC%	LOADING	CONTINGENCY	NAME
						COMMON NAME						
FDNS	2	0 11G	G10_011	'TO->FROM'	'FPL SWITCH - WOODWARD 138KV CKT 1'	153	0.03408	109.2702	'GEN515790 1-FPLWND2'			
FDNS	2	0 11G	G10_014	'TO->FROM'	'FPL SWITCH - WOODWARD 138KV CKT 1'	153	0.04118	109.2702	'GEN515790 1-FPLWND2'			
FDNS	2	0 11G	G08_044	'TO->FROM'	'FPL SWITCH - WOODWARD 138KV CKT 1'	153	0.03408	108.4455	'GEN520922 1-SLEEPING 138.00'			
FDNS	2	0 11G	G08_047	'TO->FROM'	'FPL SWITCH - WOODWARD 138KV CKT 1'	153	0.05366	108.4455	'GEN520922 1-SLEEPING 138.00'			
FDNS	2	0 11G	G08_110	'TO->FROM'	'FPL SWITCH - WOODWARD 138KV CKT 1'	153	0.04118	108.4455	'GEN520922 1-SLEEPING 138.00'			
FDNS	2	0 11G	ASGI_2010_011	'TO->FROM'	'FPL SWITCH - WOODWARD 138KV CKT 1'	153	0.03425	108.4455	'GEN520922 1-SLEEPING 138.00'			
FDNS	2	0 11G	G10_011	'TO->FROM'	'FPL SWITCH - WOODWARD 138KV CKT 1'	153	0.03408	108.4455	'GEN520922 1-SLEEPING 138.00'			
FDNS	2	0 11G	G10_014	'TO->FROM'	'FPL SWITCH - WOODWARD 138KV CKT 1'	153	0.04118	108.4455	'GEN520922 1-SLEEPING 138.00'			
FDNS	2	0 11G	G08_044	'TO->FROM'	'FPL SWITCH - WOODWARD 138KV CKT 1'	153	0.03408	107.4605	'GEN520947 1-HUGO1'			
FDNS	2	0 11G	G08_047	'TO->FROM'	'FPL SWITCH - WOODWARD 138KV CKT 1'	153	0.05366	107.4605	'GEN520947 1-HUGO1'			
FDNS	2	0 11G	G08_110	'TO->FROM'	'FPL SWITCH - WOODWARD 138KV CKT 1'	153	0.04118	107.4605	'GEN520947 1-HUGO1'			
FDNS	2	0 11G	ASGI_2010_011	'TO->FROM'	'FPL SWITCH - WOODWARD 138KV CKT 1'	153	0.03425	107.4605	'GEN520947 1-HUGO1'			
FDNS	2	0 11G	G10_011	'TO->FROM'	'FPL SWITCH - WOODWARD 138KV CKT 1'	153	0.03408	107.4605	'GEN520947 1-HUGO1'			
FDNS	2	0 11G	G10_014	'TO->FROM'	'FPL SWITCH - WOODWARD 138KV CKT 1'	153	0.04118	107.4605	'GEN520947 1-HUGO1'			
FDNS	2	0 11G	G08_044	'TO->FROM'	'FPL SWITCH - WOODWARD 138KV CKT 1'	153	0.03408	121.2847	'GEN520997 1-MORLND2'			
FDNS	2	0 11G	G08_047	'TO->FROM'	'FPL SWITCH - WOODWARD 138KV CKT 1'	153	0.05366	121.2847	'GEN520997 1-MORLND2'			
FDNS	2	0 11G	G08_110	'TO->FROM'	'FPL SWITCH - WOODWARD 138KV CKT 1'	153	0.04118	121.2847	'GEN520997 1-MORLND2'			
FDNS	2	0 11G	ASGI_2010_011	'TO->FROM'	'FPL SWITCH - WOODWARD 138KV CKT 1'	153	0.03425	121.2847	'GEN520997 1-MORLND2'			
FDNS	2	0 11G	G10_011	'TO->FROM'	'FPL SWITCH - WOODWARD 138KV CKT 1'	153	0.03408	121.2847	'GEN520997 1-MORLND2'			
FDNS	2	0 11G	G10_014	'TO->FROM'	'FPL SWITCH - WOODWARD 138KV CKT 1'	153	0.04118	121.2847	'GEN520997 1-MORLND2'			
FDNS	2	0 11G	G08_044	'TO->FROM'	'FPL SWITCH - WOODWARD 138KV CKT 1'	153	0.03408	100.2368	'GEN523971 1-HARRINGTON GEN #1 24 KV'			
FDNS	2	0 11G	G08_047	'TO->FROM'	'FPL SWITCH - WOODWARD 138KV CKT 1'	153	0.05366	100.2368	'GEN523971 1-HARRINGTON GEN #1 24 KV'			
FDNS	2	0 11G	G08_110	'TO->FROM'	'FPL SWITCH - WOODWARD 138KV CKT 1'	153	0.04118	100.2368	'GEN523971 1-HARRINGTON GEN #1 24 KV'			
FDNS	2	0 11G	ASGI_2010_011	'TO->FROM'	'FPL SWITCH - WOODWARD 138KV CKT 1'	153	0.03425	100.2368	'GEN523971 1-HARRINGTON GEN #1 24 KV'			
FDNS	2	0 11G	G10_011	'TO->FROM'	'FPL SWITCH - WOODWARD 138KV CKT 1'	153	0.03408	100.2368	'GEN523971 1-HARRINGTON GEN #1 24 KV'			
FDNS	2	0 11G	G10_014	'TO->FROM'	'FPL SWITCH - WOODWARD 138KV CKT 1'	153	0.04118	100.2368	'GEN523971 1-HARRINGTON GEN #1 24 KV'			
FDNS	2	0 11G	G08_044	'TO->FROM'	'FPL SWITCH - WOODWARD 138KV CKT 1'	153	0.03408	100.2254	'GEN523972 1-HARRINGTON GEN #2 24 KV'			
FDNS	2	0 11G	G08_047	'TO->FROM'	'FPL SWITCH - WOODWARD 138KV CKT 1'	153	0.05366	100.2254	'GEN523972 1-HARRINGTON GEN #2 24 KV'			
FDNS	2	0 11G	G08_110	'TO->FROM'	'FPL SWITCH - WOODWARD 138KV CKT 1'	153	0.04118	100.2254	'GEN523972 1-HARRINGTON GEN #2 24 KV'			

SOLUTION	GROUP	SCENARIO	SEASON	SOURCE	DIRECTION	MONITORED ELEMENT	RATE B	TDF	TC%	LOADING	CONTINGENCY NAME
						COMMON NAME					
FDNS	2	0 11G	G08_110	'TO->FROM'	'FPL SWITCH - WOODWARD 138KV CKT 1'	153	0.04118	102.0725	'GEN527162 1-MUSTANG GEN #2'		
FDNS	2	0 11G	ASGI_2010_011	'TO->FROM'	'FPL SWITCH - WOODWARD 138KV CKT 1'	153	0.03425	102.0725	'GEN527162 1-MUSTANG GEN #2'		
FDNS	2	0 11G	G10_011	'TO->FROM'	'FPL SWITCH - WOODWARD 138KV CKT 1'	153	0.03408	102.0725	'GEN527162 1-MUSTANG GEN #2'		
FDNS	2	0 11G	G10_014	'TO->FROM'	'FPL SWITCH - WOODWARD 138KV CKT 1'	153	0.04118	102.0725	'GEN527162 1-MUSTANG GEN #2'		
FDNS	2	0 11G	G08_044	'TO->FROM'	'FPL SWITCH - WOODWARD 138KV CKT 1'	153	0.03408	101.9619	'GEN527163 1-MUSTANG GEN #3 22 KV'		
FDNS	2	0 11G	G08_047	'TO->FROM'	'FPL SWITCH - WOODWARD 138KV CKT 1'	153	0.05366	101.9619	'GEN527163 1-MUSTANG GEN #3 22 KV'		
FDNS	2	0 11G	G08_110	'TO->FROM'	'FPL SWITCH - WOODWARD 138KV CKT 1'	153	0.04118	101.9619	'GEN527163 1-MUSTANG GEN #3 22 KV'		
FDNS	2	0 11G	ASGI_2010_011	'TO->FROM'	'FPL SWITCH - WOODWARD 138KV CKT 1'	153	0.03425	101.9619	'GEN527163 1-MUSTANG GEN #3 22 KV'		
FDNS	2	0 11G	G10_011	'TO->FROM'	'FPL SWITCH - WOODWARD 138KV CKT 1'	153	0.03408	101.9619	'GEN527163 1-MUSTANG GEN #3 22 KV'		
FDNS	2	0 11G	G10_014	'TO->FROM'	'FPL SWITCH - WOODWARD 138KV CKT 1'	153	0.04118	101.9619	'GEN527163 1-MUSTANG GEN #3 22 KV'		
FDNS	2	0 11G	G08_044	'TO->FROM'	'FPL SWITCH - WOODWARD 138KV CKT 1'	153	0.03408	102.0727	'GEN527164 1-MUSTANG GEN #4 22 KV'		
FDNS	2	0 11G	G08_047	'TO->FROM'	'FPL SWITCH - WOODWARD 138KV CKT 1'	153	0.05366	102.0727	'GEN527164 1-MUSTANG GEN #4 22 KV'		
FDNS	2	0 11G	G08_110	'TO->FROM'	'FPL SWITCH - WOODWARD 138KV CKT 1'	153	0.04118	102.0727	'GEN527164 1-MUSTANG GEN #4 22 KV'		
FDNS	2	0 11G	ASGI_2010_011	'TO->FROM'	'FPL SWITCH - WOODWARD 138KV CKT 1'	153	0.03425	102.0727	'GEN527164 1-MUSTANG GEN #4 22 KV'		
FDNS	2	0 11G	G10_011	'TO->FROM'	'FPL SWITCH - WOODWARD 138KV CKT 1'	153	0.03408	102.0727	'GEN527164 1-MUSTANG GEN #4 22 KV'		
FDNS	2	0 11G	G10_014	'TO->FROM'	'FPL SWITCH - WOODWARD 138KV CKT 1'	153	0.04118	102.0727	'GEN527164 1-MUSTANG GEN #4 22 KV'		
FDNS	2	0 11G	G08_044	'TO->FROM'	'FPL SWITCH - WOODWARD 138KV CKT 1'	153	0.03408	102.0746	'GEN527165 1-Mustang Gen #5'		
FDNS	2	0 11G	G08_047	'TO->FROM'	'FPL SWITCH - WOODWARD 138KV CKT 1'	153	0.05366	102.0746	'GEN527165 1-Mustang Gen #5'		
FDNS	2	0 11G	G08_110	'TO->FROM'	'FPL SWITCH - WOODWARD 138KV CKT 1'	153	0.04118	102.0746	'GEN527165 1-Mustang Gen #5'		
FDNS	2	0 11G	ASGI_2010_011	'TO->FROM'	'FPL SWITCH - WOODWARD 138KV CKT 1'	153	0.03425	102.0746	'GEN527165 1-Mustang Gen #5'		
FDNS	2	0 11G	G10_011	'TO->FROM'	'FPL SWITCH - WOODWARD 138KV CKT 1'	153	0.03408	102.0746	'GEN527165 1-Mustang Gen #5'		
FDNS	2	0 11G	G10_014	'TO->FROM'	'FPL SWITCH - WOODWARD 138KV CKT 1'	153	0.04118	102.0746	'GEN527165 1-Mustang Gen #5'		
FDNS	2	0 11G	G08_044	'TO->FROM'	'FPL SWITCH - WOODWARD 138KV CKT 1'	153	0.03408	102.0505	'GEN527901 1-HOBBS PLANT #1 (CT)'		
FDNS	2	0 11G	G08_047	'TO->FROM'	'FPL SWITCH - WOODWARD 138KV CKT 1'	153	0.05366	102.0505	'GEN527901 1-HOBBS PLANT #1 (CT)'		
FDNS	2	0 11G	G08_110	'TO->FROM'	'FPL SWITCH - WOODWARD 138KV CKT 1'	153	0.04118	102.0505	'GEN527901 1-HOBBS PLANT #1 (CT)'		
FDNS	2	0 11G	ASGI_2010_011	'TO->FROM'	'FPL SWITCH - WOODWARD 138KV CKT 1'	153	0.03425	102.0505	'GEN527901 1-HOBBS PLANT #1 (CT)'		
FDNS	2	0 11G	G10_011	'TO->FROM'	'FPL SWITCH - WOODWARD 138KV CKT 1'	153	0.03408	102.0505	'GEN527901 1-HOBBS PLANT #1 (CT)'		
FDNS	2	0 11G	G10_014	'TO->FROM'	'FPL SWITCH - WOODWARD 138KV CKT 1'	153	0.04118	102.0505	'GEN527901 1-HOBBS PLANT #1 (CT)'		
FDNS	2	0 11G	G08_044	'TO->FROM'	'FPL SWITCH - WOODWARD 138KV CKT 1'	153	0.03408	102.0506	'GEN527902 1-HOBBS PLANT #2 (CT)'		

SOLUTION	GROUP	SCENARIO	SEASON	SOURCE	DIRECTION	MONITORED ELEMENT	RATE	B	TDF	TC%	LOADING	CONTINGENCY	NAME
						COMMON NAME							
FDNS	2	0 11G	G08_047	'TO->FROM'	'FPL SWITCH - WOODWARD 138KV CKT 1'	153	0.05366	102.0506	'GEN527902 1-HOBBS PLANT #2 (CT)'				
FDNS	2	0 11G	G08_110	'TO->FROM'	'FPL SWITCH - WOODWARD 138KV CKT 1'	153	0.04118	102.0506	'GEN527902 1-HOBBS PLANT #2 (CT)'				
FDNS	2	0 11G	ASGI_2010_011	'TO->FROM'	'FPL SWITCH - WOODWARD 138KV CKT 1'	153	0.03425	102.0506	'GEN527902 1-HOBBS PLANT #2 (CT)'				
FDNS	2	0 11G	G10_011	'TO->FROM'	'FPL SWITCH - WOODWARD 138KV CKT 1'	153	0.03408	102.0506	'GEN527902 1-HOBBS PLANT #2 (CT)'				
FDNS	2	0 11G	G10_014	'TO->FROM'	'FPL SWITCH - WOODWARD 138KV CKT 1'	153	0.04118	102.0506	'GEN527902 1-HOBBS PLANT #2 (CT)'				
FDNS	2	0 11G	G08_044	'TO->FROM'	'FPL SWITCH - WOODWARD 138KV CKT 1'	153	0.03408	101.2096	'GEN527903 1-HOBBS PLANT #3 (ST)'				
FDNS	2	0 11G	G08_047	'TO->FROM'	'FPL SWITCH - WOODWARD 138KV CKT 1'	153	0.05366	101.2096	'GEN527903 1-HOBBS PLANT #3 (ST)'				
FDNS	2	0 11G	G08_110	'TO->FROM'	'FPL SWITCH - WOODWARD 138KV CKT 1'	153	0.04118	101.2096	'GEN527903 1-HOBBS PLANT #3 (ST)'				
FDNS	2	0 11G	ASGI_2010_011	'TO->FROM'	'FPL SWITCH - WOODWARD 138KV CKT 1'	153	0.03425	101.2096	'GEN527903 1-HOBBS PLANT #3 (ST)'				
FDNS	2	0 11G	G10_011	'TO->FROM'	'FPL SWITCH - WOODWARD 138KV CKT 1'	153	0.03408	101.2096	'GEN527903 1-HOBBS PLANT #3 (ST)'				
FDNS	2	0 11G	G10_014	'TO->FROM'	'FPL SWITCH - WOODWARD 138KV CKT 1'	153	0.04118	101.2096	'GEN527903 1-HOBBS PLANT #3 (ST)'				
FDNS	2	0 11G	G08_044	'TO->FROM'	'FPL SWITCH - WOODWARD 138KV CKT 1'	153	0.03408	101.8173	'GEN539670 4-JUDSON LARGE GENERATOR'				
FDNS	2	0 11G	G08_047	'TO->FROM'	'FPL SWITCH - WOODWARD 138KV CKT 1'	153	0.05366	101.8173	'GEN539670 4-JUDSON LARGE GENERATOR'				
FDNS	2	0 11G	G08_110	'TO->FROM'	'FPL SWITCH - WOODWARD 138KV CKT 1'	153	0.04118	101.8173	'GEN539670 4-JUDSON LARGE GENERATOR'				
FDNS	2	0 11G	ASGI_2010_011	'TO->FROM'	'FPL SWITCH - WOODWARD 138KV CKT 1'	153	0.03425	101.8173	'GEN539670 4-JUDSON LARGE GENERATOR'				
FDNS	2	0 11G	G10_011	'TO->FROM'	'FPL SWITCH - WOODWARD 138KV CKT 1'	153	0.03408	101.8173	'GEN539670 4-JUDSON LARGE GENERATOR'				
FDNS	2	0 11G	G10_014	'TO->FROM'	'FPL SWITCH - WOODWARD 138KV CKT 1'	153	0.04118	101.8173	'GEN539670 4-JUDSON LARGE GENERATOR'				
FDNS	2	0 11G	G08_044	'TO->FROM'	'FPL SWITCH - WOODWARD 138KV CKT 1'	153	0.03408	116.3226	'GEN560180 1-G07-51 0.6000'				
FDNS	2	0 11G	G08_047	'TO->FROM'	'FPL SWITCH - WOODWARD 138KV CKT 1'	153	0.05366	116.3226	'GEN560180 1-G07-51 0.6000'				
FDNS	2	0 11G	G08_110	'TO->FROM'	'FPL SWITCH - WOODWARD 138KV CKT 1'	153	0.04118	116.3226	'GEN560180 1-G07-51 0.6000'				
FDNS	2	0 11G	ASGI_2010_011	'TO->FROM'	'FPL SWITCH - WOODWARD 138KV CKT 1'	153	0.03425	116.3226	'GEN560180 1-G07-51 0.6000'				
FDNS	2	0 11G	G10_011	'TO->FROM'	'FPL SWITCH - WOODWARD 138KV CKT 1'	153	0.03408	116.3226	'GEN560180 1-G07-51 0.6000'				
FDNS	2	0 11G	G10_014	'TO->FROM'	'FPL SWITCH - WOODWARD 138KV CKT 1'	153	0.04118	116.3226	'GEN560180 1-G07-51 0.6000'				
FDNS	2	0 11G	G08_044	'TO->FROM'	'FPL SWITCH - WOODWARD 138KV CKT 1'	153	0.03408	100.1269	'GEN560371 1-G07-46 0.6900'				
FDNS	2	0 11G	G08_047	'TO->FROM'	'FPL SWITCH - WOODWARD 138KV CKT 1'	153	0.05366	100.1269	'GEN560371 1-G07-46 0.6900'				
FDNS	2	0 11G	G08_110	'TO->FROM'	'FPL SWITCH - WOODWARD 138KV CKT 1'	153	0.04118	100.1269	'GEN560371 1-G07-46 0.6900'				
FDNS	2	0 11G	ASGI_2010_011	'TO->FROM'	'FPL SWITCH - WOODWARD 138KV CKT 1'	153	0.03425	100.1269	'GEN560371 1-G07-46 0.6900'				
FDNS	2	0 11G	G10_011	'TO->FROM'	'FPL SWITCH - WOODWARD 138KV CKT 1'	153	0.03408	100.1269	'GEN560371 1-G07-46 0.6900'				
FDNS	2	0 11G	G10_014	'TO->FROM'	'FPL SWITCH - WOODWARD 138KV CKT 1'	153	0.04118	100.1269	'GEN560371 1-G07-46 0.6900'				

SOLUTION	GROUP	SCENARIO	SEASON	SOURCE	DIRECTION	MONITORED ELEMENT	RATE B	TDF	TC%	LOADING	CONTINGENCY	NAME
						COMMON NAME						
FDNS	2	0 11G	G08_044	'TO->FROM'	'FPL SWITCH - WOODWARD 138KV CKT 1'	153	0.03408	100.1344	'GEN560429 1-G08-29	0.6400'		
FDNS	2	0 11G	G08_047	'TO->FROM'	'FPL SWITCH - WOODWARD 138KV CKT 1'	153	0.05366	100.1344	'GEN560429 1-G08-29	0.6400'		
FDNS	2	0 11G	G08_110	'TO->FROM'	'FPL SWITCH - WOODWARD 138KV CKT 1'	153	0.04118	100.1344	'GEN560429 1-G08-29	0.6400'		
FDNS	2	0 11G	ASGI_2010_011	'TO->FROM'	'FPL SWITCH - WOODWARD 138KV CKT 1'	153	0.03425	100.1344	'GEN560429 1-G08-29	0.6400'		
FDNS	2	0 11G	G10_011	'TO->FROM'	'FPL SWITCH - WOODWARD 138KV CKT 1'	153	0.03408	100.1344	'GEN560429 1-G08-29	0.6400'		
FDNS	2	0 11G	G10_014	'TO->FROM'	'FPL SWITCH - WOODWARD 138KV CKT 1'	153	0.04118	100.1344	'GEN560429 1-G08-29	0.6400'		
FDNS	2	0 11G	G08_044	'TO->FROM'	'FPL SWITCH - WOODWARD 138KV CKT 1'	153	0.03408	101.4571	'GEN560536 1-G05-17-1	34.500'		
FDNS	2	0 11G	G08_047	'TO->FROM'	'FPL SWITCH - WOODWARD 138KV CKT 1'	153	0.05366	101.4571	'GEN560536 1-G05-17-1	34.500'		
FDNS	2	0 11G	G08_110	'TO->FROM'	'FPL SWITCH - WOODWARD 138KV CKT 1'	153	0.04118	101.4571	'GEN560536 1-G05-17-1	34.500'		
FDNS	2	0 11G	ASGI_2010_011	'TO->FROM'	'FPL SWITCH - WOODWARD 138KV CKT 1'	153	0.03425	101.4571	'GEN560536 1-G05-17-1	34.500'		
FDNS	2	0 11G	G10_011	'TO->FROM'	'FPL SWITCH - WOODWARD 138KV CKT 1'	153	0.03408	101.4571	'GEN560536 1-G05-17-1	34.500'		
FDNS	2	0 11G	G10_014	'TO->FROM'	'FPL SWITCH - WOODWARD 138KV CKT 1'	153	0.04118	101.4571	'GEN560536 1-G05-17-1	34.500'		
FDNS	2	0 11G	G08_044	'TO->FROM'	'FPL SWITCH - WOODWARD 138KV CKT 1'	153	0.03408	101.4571	'GEN560540 1-G05-17-3	34.500'		
FDNS	2	0 11G	G08_047	'TO->FROM'	'FPL SWITCH - WOODWARD 138KV CKT 1'	153	0.05366	101.4571	'GEN560540 1-G05-17-3	34.500'		
FDNS	2	0 11G	G08_110	'TO->FROM'	'FPL SWITCH - WOODWARD 138KV CKT 1'	153	0.04118	101.4571	'GEN560540 1-G05-17-3	34.500'		
FDNS	2	0 11G	ASGI_2010_011	'TO->FROM'	'FPL SWITCH - WOODWARD 138KV CKT 1'	153	0.03425	101.4571	'GEN560540 1-G05-17-3	34.500'		
FDNS	2	0 11G	G10_011	'TO->FROM'	'FPL SWITCH - WOODWARD 138KV CKT 1'	153	0.03408	101.4571	'GEN560540 1-G05-17-3	34.500'		
FDNS	2	0 11G	G10_014	'TO->FROM'	'FPL SWITCH - WOODWARD 138KV CKT 1'	153	0.04118	101.4571	'GEN560540 1-G05-17-3	34.500'		
FDNS	2	0 11G	G08_044	'TO->FROM'	'FPL SWITCH - WOODWARD 138KV CKT 1'	153	0.03408	106.1563	'GEN560564 1-G06-35	0.5750'		
FDNS	2	0 11G	G08_047	'TO->FROM'	'FPL SWITCH - WOODWARD 138KV CKT 1'	153	0.05366	106.1563	'GEN560564 1-G06-35	0.5750'		
FDNS	2	0 11G	G08_110	'TO->FROM'	'FPL SWITCH - WOODWARD 138KV CKT 1'	153	0.04118	106.1563	'GEN560564 1-G06-35	0.5750'		
FDNS	2	0 11G	ASGI_2010_011	'TO->FROM'	'FPL SWITCH - WOODWARD 138KV CKT 1'	153	0.03425	106.1563	'GEN560564 1-G06-35	0.5750'		
FDNS	2	0 11G	G10_011	'TO->FROM'	'FPL SWITCH - WOODWARD 138KV CKT 1'	153	0.03408	106.1563	'GEN560564 1-G06-35	0.5750'		
FDNS	2	0 11G	G10_014	'TO->FROM'	'FPL SWITCH - WOODWARD 138KV CKT 1'	153	0.04118	106.1563	'GEN560564 1-G06-35	0.5750'		
FDNS	2	0 11G	G08_044	'TO->FROM'	'FPL SWITCH - WOODWARD 138KV CKT 1'	153	0.03408	101.0417	'GEN560585 1-G06-44-2	0.6000'		
FDNS	2	0 11G	G08_047	'TO->FROM'	'FPL SWITCH - WOODWARD 138KV CKT 1'	153	0.05366	101.0417	'GEN560585 1-G06-44-2	0.6000'		
FDNS	2	0 11G	G08_110	'TO->FROM'	'FPL SWITCH - WOODWARD 138KV CKT 1'	153	0.04118	101.0417	'GEN560585 1-G06-44-2	0.6000'		
FDNS	2	0 11G	ASGI_2010_011	'TO->FROM'	'FPL SWITCH - WOODWARD 138KV CKT 1'	153	0.03425	101.0417	'GEN560585 1-G06-44-2	0.6000'		
FDNS	2	0 11G	G10_011	'TO->FROM'	'FPL SWITCH - WOODWARD 138KV CKT 1'	153	0.03408	101.0417	'GEN560585 1-G06-44-2	0.6000'		

SOLUTION	GROUP	SCENARIO	SEASON	SOURCE	DIRECTION	MONITORED ELEMENT	RATE B	TDF	TC%	LOADING	CONTINGENCY NAME
						COMMON NAME					
FDNS	2	0 11G	G10_014	'TO->FROM'	'FPL SWITCH - WOODWARD 138KV CKT 1'	'FPL SWITCH - WOODWARD 138KV CKT 1'	153	0.04118	101.0417	'GEN560585 1-G06-44-2 0.6000'	
FDNS	2	0 11G	G08_044	'TO->FROM'	'FPL SWITCH - WOODWARD 138KV CKT 1'	'FPL SWITCH - WOODWARD 138KV CKT 1'	153	0.03408	102.2271	'GEN640009 1-COOPER NUCLEAR STATION'	
FDNS	2	0 11G	G08_047	'TO->FROM'	'FPL SWITCH - WOODWARD 138KV CKT 1'	'FPL SWITCH - WOODWARD 138KV CKT 1'	153	0.05366	102.2271	'GEN640009 1-COOPER NUCLEAR STATION'	
FDNS	2	0 11G	G08_110	'TO->FROM'	'FPL SWITCH - WOODWARD 138KV CKT 1'	'FPL SWITCH - WOODWARD 138KV CKT 1'	153	0.04118	102.2271	'GEN640009 1-COOPER NUCLEAR STATION'	
FDNS	2	0 11G	ASGI_2010_011	'TO->FROM'	'FPL SWITCH - WOODWARD 138KV CKT 1'	'FPL SWITCH - WOODWARD 138KV CKT 1'	153	0.03425	102.2271	'GEN640009 1-COOPER NUCLEAR STATION'	
FDNS	2	0 11G	G10_011	'TO->FROM'	'FPL SWITCH - WOODWARD 138KV CKT 1'	'FPL SWITCH - WOODWARD 138KV CKT 1'	153	0.03408	102.2271	'GEN640009 1-COOPER NUCLEAR STATION'	
FDNS	2	0 11G	G10_014	'TO->FROM'	'FPL SWITCH - WOODWARD 138KV CKT 1'	'FPL SWITCH - WOODWARD 138KV CKT 1'	153	0.04118	102.2271	'GEN640009 1-COOPER NUCLEAR STATION'	
FDNS	2	0 11G	G08_044	'TO->FROM'	'FPL SWITCH - WOODWARD 138KV CKT 1'	'FPL SWITCH - WOODWARD 138KV CKT 1'	153	0.03408	101.0844	'GEN640010 1-GERALD GENTLEMAN STATION UNIT 1'	
FDNS	2	0 11G	G08_047	'TO->FROM'	'FPL SWITCH - WOODWARD 138KV CKT 1'	'FPL SWITCH - WOODWARD 138KV CKT 1'	153	0.05366	101.0844	'GEN640010 1-GERALD GENTLEMAN STATION UNIT 1'	
FDNS	2	0 11G	G08_110	'TO->FROM'	'FPL SWITCH - WOODWARD 138KV CKT 1'	'FPL SWITCH - WOODWARD 138KV CKT 1'	153	0.04118	101.0844	'GEN640010 1-GERALD GENTLEMAN STATION UNIT 1'	
FDNS	2	0 11G	ASGI_2010_011	'TO->FROM'	'FPL SWITCH - WOODWARD 138KV CKT 1'	'FPL SWITCH - WOODWARD 138KV CKT 1'	153	0.03425	101.0844	'GEN640010 1-GERALD GENTLEMAN STATION UNIT 1'	
FDNS	2	0 11G	G10_011	'TO->FROM'	'FPL SWITCH - WOODWARD 138KV CKT 1'	'FPL SWITCH - WOODWARD 138KV CKT 1'	153	0.03408	101.0844	'GEN640010 1-GERALD GENTLEMAN STATION UNIT 1'	
FDNS	2	0 11G	G10_014	'TO->FROM'	'FPL SWITCH - WOODWARD 138KV CKT 1'	'FPL SWITCH - WOODWARD 138KV CKT 1'	153	0.04118	101.0844	'GEN640010 1-GERALD GENTLEMAN STATION UNIT 1'	
FDNS	2	0 11G	G08_044	'TO->FROM'	'FPL SWITCH - WOODWARD 138KV CKT 1'	'FPL SWITCH - WOODWARD 138KV CKT 1'	153	0.03408	101.4569	'GEN640011 2-GERALD GENTLEMAN STATION UNIT 2'	
FDNS	2	0 11G	G08_047	'TO->FROM'	'FPL SWITCH - WOODWARD 138KV CKT 1'	'FPL SWITCH - WOODWARD 138KV CKT 1'	153	0.05366	101.4569	'GEN640011 2-GERALD GENTLEMAN STATION UNIT 2'	
FDNS	2	0 11G	G08_110	'TO->FROM'	'FPL SWITCH - WOODWARD 138KV CKT 1'	'FPL SWITCH - WOODWARD 138KV CKT 1'	153	0.04118	101.4569	'GEN640011 2-GERALD GENTLEMAN STATION UNIT 2'	
FDNS	2	0 11G	ASGI_2010_011	'TO->FROM'	'FPL SWITCH - WOODWARD 138KV CKT 1'	'FPL SWITCH - WOODWARD 138KV CKT 1'	153	0.03425	101.4569	'GEN640011 2-GERALD GENTLEMAN STATION UNIT 2'	
FDNS	2	0 11G	G10_011	'TO->FROM'	'FPL SWITCH - WOODWARD 138KV CKT 1'	'FPL SWITCH - WOODWARD 138KV CKT 1'	153	0.03408	101.4569	'GEN640011 2-GERALD GENTLEMAN STATION UNIT 2'	
FDNS	2	0 11G	G10_014	'TO->FROM'	'FPL SWITCH - WOODWARD 138KV CKT 1'	'FPL SWITCH - WOODWARD 138KV CKT 1'	153	0.04118	101.4569	'GEN640011 2-GERALD GENTLEMAN STATION UNIT 2'	
FNSL	2	0 11G	G08_044	'TO->FROM'	'FPL SWITCH - WOODWARD 138KV CKT 1'	'FPL SWITCH - WOODWARD 138KV CKT 1'	153	0.03408	109.7122	'GEN336153 1-WATERFORD UNIT#3'	
FNSL	2	0 11G	G08_047	'TO->FROM'	'FPL SWITCH - WOODWARD 138KV CKT 1'	'FPL SWITCH - WOODWARD 138KV CKT 1'	153	0.05366	109.7122	'GEN336153 1-WATERFORD UNIT#3'	
FNSL	2	0 11G	G08_110	'TO->FROM'	'FPL SWITCH - WOODWARD 138KV CKT 1'	'FPL SWITCH - WOODWARD 138KV CKT 1'	153	0.04118	109.7122	'GEN336153 1-WATERFORD UNIT#3'	
FNSL	2	0 11G	ASGI_2010_011	'TO->FROM'	'FPL SWITCH - WOODWARD 138KV CKT 1'	'FPL SWITCH - WOODWARD 138KV CKT 1'	153	0.03425	109.7122	'GEN336153 1-WATERFORD UNIT#3'	
FNSL	2	0 11G	G10_011	'TO->FROM'	'FPL SWITCH - WOODWARD 138KV CKT 1'	'FPL SWITCH - WOODWARD 138KV CKT 1'	153	0.03408	109.7122	'GEN336153 1-WATERFORD UNIT#3'	
FNSL	2	0 11G	G10_014	'TO->FROM'	'FPL SWITCH - WOODWARD 138KV CKT 1'	'FPL SWITCH - WOODWARD 138KV CKT 1'	153	0.04118	109.7122	'GEN336153 1-WATERFORD UNIT#3'	
FNSL	2	0 11G	G09_067S	'FROM->TO'	'ELK CITY 230KV (ELKCTY-6) 230/138/13.8KV TRANSFORMER CKT 1'	'ELK CITY 230KV (ELKCTY-6) 230/138/13.8KV TRANSFORMER CKT 1'	287	0.06788	100.6841	'GEN336153 1-WATERFORD UNIT#3'	
FNSL	2	0 11G	G08_022	'FROM->TO'	'ELK CITY 230KV (ELKCTY-6) 230/138/13.8KV TRANSFORMER CKT 1'	'ELK CITY 230KV (ELKCTY-6) 230/138/13.8KV TRANSFORMER CKT 1'	287	0.06918	100.6841	'GEN336153 1-WATERFORD UNIT#3'	
FNSL	2	0 11G	G08_088	'FROM->TO'	'ELK CITY 230KV (ELKCTY-6) 230/138/13.8KV TRANSFORMER CKT 1'	'ELK CITY 230KV (ELKCTY-6) 230/138/13.8KV TRANSFORMER CKT 1'	287	0.11518	100.6841	'GEN336153 1-WATERFORD UNIT#3'	
FNSL	2	0 11G	G08_110	'FROM->TO'	'ELK CITY 230KV (ELKCTY-6) 230/138/13.8KV TRANSFORMER CKT 1'	'ELK CITY 230KV (ELKCTY-6) 230/138/13.8KV TRANSFORMER CKT 1'	287	0.03915	100.6841	'GEN336153 1-WATERFORD UNIT#3'	

SOLUTION	GROUP	SCENARIO	SEASON	SOURCE	DIRECTION	MONITORED ELEMENT	RATE B	TDF	TC%	LOADING	CONTINGENCY NAME
						COMMON NAME					
FNSL	2	0 11G	G10_007	'FROM->TO'	'ELK CITY 230KV (ELKCTY-6) 230/138/13.8KV TRANSFORMER CKT 1'	287	0.10334	100.6841	'GEN336153 1-WATERFORD UNIT#3'		
FNSL	2	0 11G	ASGI_2010_011	'FROM->TO'	'ELK CITY 230KV (ELKCTY-6) 230/138/13.8KV TRANSFORMER CKT 1'	287	0.0611	100.6841	'GEN336153 1-WATERFORD UNIT#3'		
FNSL	2	0 11G	G10_014	'FROM->TO'	'ELK CITY 230KV (ELKCTY-6) 230/138/13.8KV TRANSFORMER CKT 1'	287	0.03915	100.6841	'GEN336153 1-WATERFORD UNIT#3'		
FDNS	03G1009	0 11G	G10_009	'TO->FROM'	'FPL SWITCH - WOODWARD 138KV CKT 1'	153	0.03175	103.1407	'DEWEY - IODINE 138KV CKT 1'		
FDNS	03G1009	0 11G	G10_009	'TO->FROM'	'FPL SWITCH - WOODWARD 138KV CKT 1'	153	0.03175	104.3867	'IODINE - WWRDEHV4 138.00 138KV CKT 1'		
FDNS	03G1009	0 11G	G10_009	'TO->FROM'	'FPL SWITCH - WOODWARD 138KV CKT 1'	153	0.03721	133.9539	'NORTHWEST - TATONGA7 345.00 345KV CKT 1'		
FDNS	03G1009	0 11G	G10_009	'TO->FROM'	'FPL SWITCH - WOODWARD 138KV CKT 1'	153	0.03814	116.9608	'TATONGA7 345.00 - WWRDEHV7 345KV CKT 1'		
FDNS	03G1009	0 11G	G10_009	'TO->FROM'	'MULLERGREN - SPEARVILLE 230KV CKT 1'	355.3	0.09576	101.3706	'G10-16T 345.00 - POSTROCK7 345.00 345KV CKT 1'		
FDNS	03G1009	0 11G	G10_009	'TO->FROM'	'FPL SWITCH - WOODWARD 138KV CKT 1'	153	0.03015	106.5693	'WOODWARD (WOODWRD2) 138/69/13.2KV TRANSFORMER CKT 1'		
FDNS	03G1009	0 11G	G10_009	'FROM->TO'	'SMOKYHL6 230.00 - SUMMIT 230KV CKT 1'	319	0.08272	104.1383	'DBL-SPRVL-CO'		
FDNS	03G1009	0 11G	G10_009	'TO->FROM'	'CIRCLE - MULLERGREN 230KV CKT 1'	319	0.10015	118.0749	'DBL-SPRVL-CO'		
FDNS	03G1009	0 11G	G10_009	'FROM->TO'	'GREENSBURG - SUN CITY 115KV CKT 1'	129.5	0.03261	108.5588	'DBL-SPRVL-CO'		
FDNS	03G1009	0 11G	G10_009	'FROM->TO'	'G01_039AT 115.00 - GREENSBURG 115KV CKT 1'	129.5	0.03261	114.4591	'DBL-SPRVL-CO'		
FDNS	03G1009	0 11G	G10_009	'TO->FROM'	'MEDICINE LODGE - SUN CITY 115KV CKT 1'	129.5	0.03261	105.9695	'DBL-SPRVL-CO'		
FDNS	03G1009	0 11G	G10_009	'TO->FROM'	'MULLERGREN - SPEARVILLE 230KV CKT 1'	355.3	0.11793	117.6955	'DBL-SPRVL-CO'		
FDNS	03G1009	0 11G	G10_009	'FROM->TO'	'SMOKYHL6 230.00 - SUMMIT 230KV CKT 1'	319	0.08272	104.2026	'DBL-COM-MEDL'		
FDNS	03G1009	0 11G	G10_009	'TO->FROM'	'CIRCLE - MULLERGREN 230KV CKT 1'	319	0.10015	117.9817	'DBL-COM-MEDL'		
FDNS	03G1009	0 11G	G10_009	'FROM->TO'	'GREENSBURG - SUN CITY 115KV CKT 1'	129.5	0.03261	107.6706	'DBL-COM-MEDL'		
FDNS	03G1009	0 11G	G10_009	'FROM->TO'	'G01_039AT 115.00 - GREENSBURG 115KV CKT 1'	129.5	0.03261	113.5148	'DBL-COM-MEDL'		
FDNS	03G1009	0 11G	G10_009	'TO->FROM'	'MEDICINE LODGE - SUN CITY 115KV CKT 1'	129.5	0.03261	105.1084	'DBL-COM-MEDL'		
FDNS	03G1009	0 11G	G10_009	'TO->FROM'	'MULLERGREN - SPEARVILLE 230KV CKT 1'	355.3	0.11793	117.413	'DBL-COM-MEDL'		
FDNS	03G1009	0 11G	G10_009	'TO->FROM'	'FPL SWITCH - WOODWARD 138KV CKT 1'	153	0.04173	129.994	'DBL-MEDLO-WI'		
FDNS	03G1009	0 11G	G10_009	'TO->FROM'	'CIRCLE - MULLERGREN 230KV CKT 1'	319	0.0748	104.3952	'DBL-MEDLO-WI'		
FDNS	03G1009	0 11G	G10_009	'TO->FROM'	'CLEARWATER - MILAN TAP 138KV CKT 1'	110	0.04359	215.1273	'DBL-MEDLO-WI'		
FDNS	03G1009	0 11G	G10_009	'FROM->TO'	'HARPER - MILAN TAP 138KV CKT 1'	95.6	0.04359	262.4174	'DBL-MEDLO-WI'		
FDNS	03G1015	0 11G	G10_015	'TO->FROM'	'FPL SWITCH - WOODWARD 138KV CKT 1'	153	0.03478	134.0982	'NORTHWEST - TATONGA7 345.00 345KV CKT 1'		
FDNS	03G1015	0 11G	G10_015	'TO->FROM'	'FPL SWITCH - WOODWARD 138KV CKT 1'	153	0.0357	117.0976	'TATONGA7 345.00 - WWRDEHV7 345KV CKT 1'		
FDNS	03G1015	0 11G	G10_015	'TO->FROM'	'MULLERGREN - SPEARVILLE 230KV CKT 1'	355.3	0.12746	102.0486	'G10-16T 345.00 - POSTROCK7 345.00 345KV CKT 1'		
FDNS	03G1015	0 11G	G10_015	'FROM->TO'	'SMOKYHL6 230.00 - SUMMIT 230KV CKT 1'	319	0.09852	104.534	'DBL-SPRVL-CO'		
FDNS	03G1015	0 11G	G10_015	'TO->FROM'	'CIRCLE - MULLERGREN 230KV CKT 1'	319	0.11892	118.5348	'DBL-SPRVL-CO'		
FDNS	03G1015	0 11G	G10_015	'FROM->TO'	'GREENSBURG - SUN CITY 115KV CKT 1'	129.5	0.04012	109.1402	'DBL-SPRVL-CO'		

SOLUTION	GROUP	SCENARIO	SEASON	SOURCE	DIRECTION	MONITORED ELEMENT		RATE B	TDF	TC%	LOADING	CONTINGENCY NAME
						COMMON NAME						
FDNS	03G1015		0 11G	G10_015	'FROM->TO'	'G01_039AT 115.00 - GREENSBURG 115KV CKT 1'		129.5	0.04012	115.0441	'DBL-SPRVL-CO'	
FDNS	03G1015		0 11G	G10_015	'TO->FROM'	'MEDICINE LODGE - SUN CITY 115KV CKT 1'		129.5	0.04012	106.5426	'DBL-SPRVL-CO'	
FDNS	03G1015		0 11G	G10_015	'TO->FROM'	'MULLERGREN - SPEARVILLE 230KV CKT 1'		355.3	0.15275	118.4843	'DBL-SPRVL-CO'	
FDNS	03G1015		0 11G	G10_015	'FROM->TO'	'SMOKYHL6 230.00 - SUMMIT 230KV CKT 1'		319	0.09852	104.5804	'DBL-COM-MEDL'	
FDNS	03G1015		0 11G	G10_015	'TO->FROM'	'CIRCLE - MULLERGREN 230KV CKT 1'		319	0.11892	118.4592	'DBL-COM-MEDL'	
FDNS	03G1015		0 11G	G10_015	'FROM->TO'	'GREENSBURG - SUN CITY 115KV CKT 1'		129.5	0.04012	108.2432	'DBL-COM-MEDL'	
FDNS	03G1015		0 11G	G10_015	'FROM->TO'	'G01_039AT 115.00 - GREENSBURG 115KV CKT 1'		129.5	0.04012	114.0935	'DBL-COM-MEDL'	
FDNS	03G1015		0 11G	G10_015	'TO->FROM'	'MEDICINE LODGE - SUN CITY 115KV CKT 1'		129.5	0.04012	105.6757	'DBL-COM-MEDL'	
FDNS	03G1015		0 11G	G10_015	'TO->FROM'	'MULLERGREN - SPEARVILLE 230KV CKT 1'		355.3	0.15275	118.1915	'DBL-COM-MEDL'	
FDNS	03G1015		0 11G	G10_015	'TO->FROM'	'FPL SWITCH - WOODWARD 138KV CKT 1'		153	0.04204	130.2756	'DBL-MEDLO-WI'	
FDNS	03G1015		0 11G	G10_015	'TO->FROM'	'CIRCLE - MULLERGREN 230KV CKT 1'		319	0.08355	104.6261	'DBL-MEDLO-WI'	
FDNS	03G1015		0 11G	G10_015	'TO->FROM'	'CLEARWATER - MILAN TAP 138KV CKT 1'		110	0.04878	215.5745	'DBL-MEDLO-WI'	
FDNS	03G1015		0 11G	G10_015	'FROM->TO'	'HARPER - MILAN TAP 138KV CKT 1'		95.6	0.04878	262.9409	'DBL-MEDLO-WI'	
FDNS	03G1016		0 11G	G10_016	'TO->FROM'	'FPL SWITCH - WOODWARD 138KV CKT 1'		153	0.03057	116.8828	'TATONGA7 345.00 - WWRDEHV7 345.00 345KV CKT 1'	
FDNS	03G1016		0 11G	G10_016	'TO->FROM'	'HAYS PLANT - SOUTH HAYS 115KV CKT 1'		88	0.05227	156.3032	'KNOLL 230 - POSTROCK6 230.00 230KV CKT 1'	
FDNS	03G1016		0 11G	G10_016	'TO->FROM'	'KNOLL - N HAYS3 115.00 115KV CKT 1'		99	0.05227	110.3993	'KNOLL 230 - POSTROCK6 230.00 230KV CKT 1'	
FDNS	03G1016		0 11G	G10_016	'FROM->TO'	'HAYS PLANT - VINE STREET 115KV CKT 1'		88	0.05227	137.745	'KNOLL 230 - POSTROCK6 230.00 230KV CKT 1'	
FDNS	03G1016		0 11G	G10_016	'TO->FROM'	'N HAYS3 115.00 - VINE STREET 115KV CKT 1'		99	0.05227	116.2737	'KNOLL 230 - POSTROCK6 230.00 230KV CKT 1'	
FDNS	03G1016		0 11G	G10_016	'TO->FROM'	'MULLERGREN - SPEARVILLE 230KV CKT 1'		355.3	0.12746	102.0015	'G10-16T 345.00 - POSTROCK7 345.00 345KV CKT 1'	
FDNS	03G1016		0 11G	G10_016	'FROM->TO'	'SMOKYHL6 230.00 - SUMMIT 230KV CKT 1'		319	0.12431	104.7198	'DBL-SPRVL-CO'	
FDNS	03G1016		0 11G	G10_016	'TO->FROM'	'CIRCLE - MULLERGREN 230KV CKT 1'		319	0.11316	118.5589	'DBL-SPRVL-CO'	
FDNS	03G1016		0 11G	G10_016	'FROM->TO'	'GREENSBURG - SUN CITY 115KV CKT 1'		129.5	0.03048	108.8457	'DBL-SPRVL-CO'	
FDNS	03G1016		0 11G	G10_016	'FROM->TO'	'G01_039AT 115.00 - GREENSBURG 115KV CKT 1'		129.5	0.03048	114.7518	'DBL-SPRVL-CO'	
FDNS	03G1016		0 11G	G10_016	'TO->FROM'	'MEDICINE LODGE - SUN CITY 115KV CKT 1'		129.5	0.03048	106.2596	'DBL-SPRVL-CO'	
FDNS	03G1016		0 11G	G10_016	'TO->FROM'	'MULLERGREN - SPEARVILLE 230KV CKT 1'		355.3	0.08528	117.7694	'DBL-SPRVL-CO'	
FDNS	03G1016		0 11G	G10_016	'FROM->TO'	'SMOKYHL6 230.00 - SUMMIT 230KV CKT 1'		319	0.12431	104.812	'DBL-COM-MEDL'	
FDNS	03G1016		0 11G	G10_016	'TO->FROM'	'CIRCLE - MULLERGREN 230KV CKT 1'		319	0.11316	118.5213	'DBL-COM-MEDL'	
FDNS	03G1016		0 11G	G10_016	'FROM->TO'	'GREENSBURG - SUN CITY 115KV CKT 1'		129.5	0.03048	108.0029	'DBL-COM-MEDL'	
FDNS	03G1016		0 11G	G10_016	'FROM->TO'	'G01_039AT 115.00 - GREENSBURG 115KV CKT 1'		129.5	0.03048	113.8437	'DBL-COM-MEDL'	
FDNS	03G1016		0 11G	G10_016	'TO->FROM'	'MEDICINE LODGE - SUN CITY 115KV CKT 1'		129.5	0.03048	105.4407	'DBL-COM-MEDL'	
FDNS	03G1016		0 11G	G10_016	'TO->FROM'	'MULLERGREN - SPEARVILLE 230KV CKT 1'		355.3	0.08528	117.4812	'DBL-COM-MEDL'	

SOLUTION	GROUP	SCENARIO	SEASON	SOURCE	DIRECTION	MONITORED ELEMENT		RATE	B	TDF	TC%	LOADING	CONTINGENCY	NAME
						COMMON NAME								
FDNS	03G1016		0 11G	G10_016	'TO->FROM'	'FPL SWITCH - WOODWARD 138KV CKT 1'		153	0.03405			130.012	'DBL-MEDLO-WI'	
FDNS	03G1016		0 11G	G10_016	'TO->FROM'	'CIRCLE - MULLERGREN 230KV CKT 1'		319	0.08314			104.6856	'DBL-MEDLO-WI'	
FDNS	03G1016		0 11G	G10_016	'TO->FROM'	'CLEARWATER - MILAN TAP 138KV CKT 1'		110	0.03645			215.2472	'DBL-MEDLO-WI'	
FDNS	03G1016		0 11G	G10_016	'FROM->TO'	'HARPER - MILAN TAP 138KV CKT 1'		95.6	0.03645			262.567	'DBL-MEDLO-WI'	
FDNS	3		0 11G	G09_020	'FROM->TO'	'ST JOHN - ST_JOHN 115KV CKT 1'		86	0.0605			103.6443	'BASE CASE'	
FDNS	3		0 11G	G08_044	'TO->FROM'	'FPL SWITCH - WOODWARD 138KV CKT 1'		153	0.03367			103.9822	'ELK CITY 230KV - SWEETWT6 230.00 230KV CKT 1'	
FDNS	3		0 11G	G08_047	'TO->FROM'	'FPL SWITCH - WOODWARD 138KV CKT 1'		153	0.05903			103.9822	'ELK CITY 230KV - SWEETWT6 230.00 230KV CKT 1'	
FDNS	3		0 11G	G09_067S	'TO->FROM'	'FPL SWITCH - WOODWARD 138KV CKT 1'		153	0.03363			103.9822	'ELK CITY 230KV - SWEETWT6 230.00 230KV CKT 1'	
FDNS	3		0 11G	G08_022	'TO->FROM'	'FPL SWITCH - WOODWARD 138KV CKT 1'		153	0.03385			103.9822	'ELK CITY 230KV - SWEETWT6 230.00 230KV CKT 1'	
FDNS	3		0 11G	G08_088	'TO->FROM'	'FPL SWITCH - WOODWARD 138KV CKT 1'		153	0.03911			103.9822	'ELK CITY 230KV - SWEETWT6 230.00 230KV CKT 1'	
FDNS	3		0 11G	G08_110	'TO->FROM'	'FPL SWITCH - WOODWARD 138KV CKT 1'		153	0.05009			103.9822	'ELK CITY 230KV - SWEETWT6 230.00 230KV CKT 1'	
FDNS	3		0 11G	G10_007	'TO->FROM'	'FPL SWITCH - WOODWARD 138KV CKT 1'		153	0.04178			103.9822	'ELK CITY 230KV - SWEETWT6 230.00 230KV CKT 1'	
FDNS	3		0 11G	ASGI_2010_011	'TO->FROM'	'FPL SWITCH - WOODWARD 138KV CKT 1'		153	0.04719			103.9822	'ELK CITY 230KV - SWEETWT6 230.00 230KV CKT 1'	
FDNS	3		0 11G	G10_011	'TO->FROM'	'FPL SWITCH - WOODWARD 138KV CKT 1'		153	0.03367			103.9822	'ELK CITY 230KV - SWEETWT6 230.00 230KV CKT 1'	
FDNS	3		0 11G	G10_014	'TO->FROM'	'FPL SWITCH - WOODWARD 138KV CKT 1'		153	0.05009			103.9822	'ELK CITY 230KV - SWEETWT6 230.00 230KV CKT 1'	
FDNS	3		0 11G	G08_044	'TO->FROM'	'FPL SWITCH - WOODWARD 138KV CKT 1'		153	0.0413			102.3037	'DEWEY - IODINE 138KV CKT 1'	
FDNS	3		0 11G	G08_047	'TO->FROM'	'FPL SWITCH - WOODWARD 138KV CKT 1'		153	0.06561			102.3037	'DEWEY - IODINE 138KV CKT 1'	
FDNS	3		0 11G	G10_009	'TO->FROM'	'FPL SWITCH - WOODWARD 138KV CKT 1'		153	0.03179			102.3037	'DEWEY - IODINE 138KV CKT 1'	
FDNS	3		0 11G	G08_110	'TO->FROM'	'FPL SWITCH - WOODWARD 138KV CKT 1'		153	0.05103			102.3037	'DEWEY - IODINE 138KV CKT 1'	
FDNS	3		0 11G	ASGI_2010_011	'TO->FROM'	'FPL SWITCH - WOODWARD 138KV CKT 1'		153	0.04308			102.3037	'DEWEY - IODINE 138KV CKT 1'	
FDNS	3		0 11G	G10_011	'TO->FROM'	'FPL SWITCH - WOODWARD 138KV CKT 1'		153	0.0413			102.3037	'DEWEY - IODINE 138KV CKT 1'	
FDNS	3		0 11G	G10_014	'TO->FROM'	'FPL SWITCH - WOODWARD 138KV CKT 1'		153	0.05103			102.3037	'DEWEY - IODINE 138KV CKT 1'	
FDNS	3		0 11G	G08_044	'TO->FROM'	'FPL SWITCH - WOODWARD 138KV CKT 1'		153	0.0413			103.5664	'IODINE - WWRDEHV4 138.00 138KV CKT 1'	
FDNS	3		0 11G	G08_047	'TO->FROM'	'FPL SWITCH - WOODWARD 138KV CKT 1'		153	0.06561			103.5664	'IODINE - WWRDEHV4 138.00 138KV CKT 1'	
FDNS	3		0 11G	G10_009	'TO->FROM'	'FPL SWITCH - WOODWARD 138KV CKT 1'		153	0.03179			103.5664	'IODINE - WWRDEHV4 138.00 138KV CKT 1'	
FDNS	3		0 11G	G08_110	'TO->FROM'	'FPL SWITCH - WOODWARD 138KV CKT 1'		153	0.05103			103.5664	'IODINE - WWRDEHV4 138.00 138KV CKT 1'	
FDNS	3		0 11G	ASGI_2010_011	'TO->FROM'	'FPL SWITCH - WOODWARD 138KV CKT 1'		153	0.04308			103.5664	'IODINE - WWRDEHV4 138.00 138KV CKT 1'	
FDNS	3		0 11G	G10_011	'TO->FROM'	'FPL SWITCH - WOODWARD 138KV CKT 1'		153	0.0413			103.5664	'IODINE - WWRDEHV4 138.00 138KV CKT 1'	
FDNS	3		0 11G	G10_014	'TO->FROM'	'FPL SWITCH - WOODWARD 138KV CKT 1'		153	0.05103			103.5664	'IODINE - WWRDEHV4 138.00 138KV CKT 1'	
FDNS	3		0 11G	G08_044	'TO->FROM'	'FPL SWITCH - WOODWARD 138KV CKT 1'		153	0.09504			132.9437	'NORTHWEST - TATONGA7 345.00 345KV CKT 1'	

SOLUTION	GROUP	SCENARIO	SEASON	SOURCE	DIRECTION	MONITORED ELEMENT		RATE B	TDF	TC%	LOADING	CONTINGENCY NAME
						COMMON NAME						
FDNS	3	0 11G	G08_047	'TO->FROM'	'FPL SWITCH - WOODWARD 138KV CKT 1'		153	0.07856	132.9437		'NORTHWEST - TATONGA7 345.00	
FDNS	3	0 11G	G09_067S	'TO->FROM'	'FPL SWITCH - WOODWARD 138KV CKT 1'		153	0.03329	132.9437		'NORTHWEST - TATONGA7 345.00	
FDNS	3	0 11G	G08_022	'TO->FROM'	'FPL SWITCH - WOODWARD 138KV CKT 1'		153	0.03334	132.9437		'NORTHWEST - TATONGA7 345.00	
FDNS	3	0 11G	G10_009	'TO->FROM'	'FPL SWITCH - WOODWARD 138KV CKT 1'		153	0.03727	132.9437		'NORTHWEST - TATONGA7 345.00	
FDNS	3	0 11G	G08_088	'TO->FROM'	'FPL SWITCH - WOODWARD 138KV CKT 1'		153	0.03169	132.9437		'NORTHWEST - TATONGA7 345.00	
FDNS	3	0 11G	G08_110	'TO->FROM'	'FPL SWITCH - WOODWARD 138KV CKT 1'		153	0.06207	132.9437		'NORTHWEST - TATONGA7 345.00	
FDNS	3	0 11G	G10_007	'TO->FROM'	'FPL SWITCH - WOODWARD 138KV CKT 1'		153	0.03777	132.9437		'NORTHWEST - TATONGA7 345.00	
FDNS	3	0 11G	ASGI_2010_011	'TO->FROM'	'FPL SWITCH - WOODWARD 138KV CKT 1'		153	0.05367	132.9437		'NORTHWEST - TATONGA7 345.00	
FDNS	3	0 11G	G10_011	'TO->FROM'	'FPL SWITCH - WOODWARD 138KV CKT 1'		153	0.09504	132.9437		'NORTHWEST - TATONGA7 345.00	
FDNS	3	0 11G	G10_015	'TO->FROM'	'FPL SWITCH - WOODWARD 138KV CKT 1'		153	0.03484	132.9437		'NORTHWEST - TATONGA7 345.00	
FDNS	3	0 11G	G10_014	'TO->FROM'	'FPL SWITCH - WOODWARD 138KV CKT 1'		153	0.06207	132.9437		'NORTHWEST - TATONGA7 345.00	
FDNS	3	0 11G	G09_020	'FROM->TO'	'ST JOHN - ST_JOHN 115KV CKT 1'		86	0.06095	109.6454		'NORTHWEST - TATONGA7 345.00	
FDNS	3	0 11G	G08_047	'TO->FROM'	'FPL SWITCH - WOODWARD 138KV CKT 1'		153	0.07949	115.9344		'TATONGA7 345.00 - WWRDEHV7 345KV CKT 1'	
FDNS	3	0 11G	G09_067S	'TO->FROM'	'FPL SWITCH - WOODWARD 138KV CKT 1'		153	0.03422	115.9344		'TATONGA7 345.00 - WWRDEHV7 345KV CKT 1'	
FDNS	3	0 11G	G08_022	'TO->FROM'	'FPL SWITCH - WOODWARD 138KV CKT 1'		153	0.03427	115.9344		'TATONGA7 345.00 - WWRDEHV7 345KV CKT 1'	
FDNS	3	0 11G	G10_009	'TO->FROM'	'FPL SWITCH - WOODWARD 138KV CKT 1'		153	0.0382	115.9344		'TATONGA7 345.00 - WWRDEHV7 345KV CKT 1'	
FDNS	3	0 11G	G08_088	'TO->FROM'	'FPL SWITCH - WOODWARD 138KV CKT 1'		153	0.03262	115.9344		'TATONGA7 345.00 - WWRDEHV7 345KV CKT 1'	
FDNS	3	0 11G	G08_110	'TO->FROM'	'FPL SWITCH - WOODWARD 138KV CKT 1'		153	0.063	115.9344		'TATONGA7 345.00 - WWRDEHV7 345KV CKT 1'	
FDNS	3	0 11G	G10_007	'TO->FROM'	'FPL SWITCH - WOODWARD 138KV CKT 1'		153	0.0387	115.9344		'TATONGA7 345.00 - WWRDEHV7 345KV CKT 1'	
FDNS	3	0 11G	ASGI_2010_011	'TO->FROM'	'FPL SWITCH - WOODWARD 138KV CKT 1'		153	0.0546	115.9344		'TATONGA7 345.00 - WWRDEHV7 345KV CKT 1'	
FDNS	3	0 11G	G10_015	'TO->FROM'	'FPL SWITCH - WOODWARD 138KV CKT 1'		153	0.03576	115.9344		'TATONGA7 345.00 - WWRDEHV7 345KV CKT 1'	
FDNS	3	0 11G	G10_014	'TO->FROM'	'FPL SWITCH - WOODWARD 138KV CKT 1'		153	0.063	115.9344		'TATONGA7 345.00 - WWRDEHV7 345KV CKT 1'	
FDNS	3	0 11G	G10_016	'TO->FROM'	'FPL SWITCH - WOODWARD 138KV CKT 1'		153	0.03062	115.9344		'TATONGA7 345.00 - WWRDEHV7 345KV CKT 1'	
FDNS	3	0 11G	G09_020	'FROM->TO'	'ST JOHN - ST_JOHN 115KV CKT 1'		86	0.06101	107.6017		'TATONGA7 345.00 - WWRDEHV7 345KV CKT 1'	
FDNS	3	0 11G	G09_020	'FROM->TO'	'ST JOHN - ST_JOHN 115KV CKT 1'		86	0.06235	109.5121		'Hitchland Interchange - STEVENSCO 345.00 345KV CKT 1'	
FDNS	3	0 11G	G09_008	'TO->FROM'	'HAYS PLANT - SOUTH HAYS 115KV CKT 1'		88	0.13613	153.5766		'KNOLL 230 - POSTROCK6 230.00 230KV CKT 1'	
FDNS	3	0 11G	G09_020	'TO->FROM'	'HAYS PLANT - SOUTH HAYS 115KV CKT 1'		88	0.03524	153.5766		'KNOLL 230 - POSTROCK6 230.00 230KV CKT 1'	
FDNS	3	0 11G	G10_016	'TO->FROM'	'HAYS PLANT - SOUTH HAYS 115KV CKT 1'		88	0.05236	153.5766		'KNOLL 230 - POSTROCK6 230.00 230KV CKT 1'	
FDNS	3	0 11G	G09_008	'TO->FROM'	'KNOLL - N HAYS3 115.00 115KV CKT 1'		99	0.13613	107.5331		'KNOLL 230 - POSTROCK6 230.00 230KV CKT 1'	

SOLUTION	GROUP	SCENARIO	SEASON	SOURCE	DIRECTION	MONITORED ELEMENT		RATE B	TDF	TC%LOADING	CONTINGENCY NAME
						COMMON NAME					
FDNS	3	0 11G	G09_020	'TO->FROM'	'KNOLL - N HAYS3	115.00	115KV CKT 1'	99	0.03524	107.5331	'KNOLL 230 - POSTROCK6 230.00 230KV CKT 1'
FDNS	3	0 11G	G10_016	'TO->FROM'	'KNOLL - N HAYS3	115.00	115KV CKT 1'	99	0.05236	107.5331	'KNOLL 230 - POSTROCK6 230.00 230KV CKT 1'
FDNS	3	0 11G	G09_008	'FROM->TO'	'HAYS PLANT - VINE STREET	115KV	CKT 1'	88	0.13613	134.7714	'KNOLL 230 - POSTROCK6 230.00 230KV CKT 1'
FDNS	3	0 11G	G09_020	'FROM->TO'	'HAYS PLANT - VINE STREET	115KV	CKT 1'	88	0.03524	134.7714	'KNOLL 230 - POSTROCK6 230.00 230KV CKT 1'
FDNS	3	0 11G	G10_016	'FROM->TO'	'HAYS PLANT - VINE STREET	115KV	CKT 1'	88	0.05236	134.7714	'KNOLL 230 - POSTROCK6 230.00 230KV CKT 1'
FDNS	3	0 11G	G09_008	'TO->FROM'	'N HAYS3	115.00 - VINE STREET	115KV CKT 1'	99	0.13613	113.531	'KNOLL 230 - POSTROCK6 230.00 230KV CKT 1'
FDNS	3	0 11G	G09_020	'TO->FROM'	'N HAYS3	115.00 - VINE STREET	115KV CKT 1'	99	0.03524	113.531	'KNOLL 230 - POSTROCK6 230.00 230KV CKT 1'
FDNS	3	0 11G	G10_016	'TO->FROM'	'N HAYS3	115.00 - VINE STREET	115KV CKT 1'	99	0.05236	113.531	'KNOLL 230 - POSTROCK6 230.00 230KV CKT 1'
FDNS	3	0 11G	G09_020	'FROM->TO'	'ST JOHN - ST_JOHN	115KV	CKT 1'	86	0.06101	107.6144	'KNOLL 230 - POSTROCK6 230.00 230KV CKT 1'
FDNS	3	0 11G	G09_020	'FROM->TO'	'ST JOHN - ST_JOHN	115KV	CKT 1'	86	0.06248	110.1491	'KNOLL 230 - SMOKYHL6 230.00 230KV CKT 1'
FDNS	3	0 11G	G08_047	'TO->FROM'	'MULLERGREN - SPEARVILLE	230KV	CKT 1'	355.3	0.03172	100.1698	'G10-16T 345.00 - POSTROCK7 345.00 345KV CKT 1'
FDNS	3	0 11G	G10_009	'TO->FROM'	'MULLERGREN - SPEARVILLE	230KV	CKT 1'	355.3	0.0959	100.1698	'G10-16T 345.00 - POSTROCK7 345.00 345KV CKT 1'
FDNS	3	0 11G	G08_110	'TO->FROM'	'MULLERGREN - SPEARVILLE	230KV	CKT 1'	355.3	0.036	100.1698	'G10-16T 345.00 - POSTROCK7 345.00 345KV CKT 1'
FDNS	3	0 11G	ASGI_2010_011	'TO->FROM'	'MULLERGREN - SPEARVILLE	230KV	CKT 1'	355.3	0.03372	100.1698	'G10-16T 345.00 - POSTROCK7 345.00 345KV CKT 1'
FDNS	3	0 11G	G10_015	'TO->FROM'	'MULLERGREN - SPEARVILLE	230KV	CKT 1'	355.3	0.12767	100.1698	'G10-16T 345.00 - POSTROCK7 345.00 345KV CKT 1'
FDNS	3	0 11G	G10_014	'TO->FROM'	'MULLERGREN - SPEARVILLE	230KV	CKT 1'	355.3	0.036	100.1698	'G10-16T 345.00 - POSTROCK7 345.00 345KV CKT 1'
FDNS	3	0 11G	G10_016	'TO->FROM'	'MULLERGREN - SPEARVILLE	230KV	CKT 1'	355.3	0.12767	100.1698	'G10-16T 345.00 - POSTROCK7 345.00 345KV CKT 1'
FDNS	3	0 11G	G09_020	'FROM->TO'	'ST JOHN - ST_JOHN	115KV	CKT 1'	86	0.06223	109.3775	'AXTELL - POSTROCK7 345.00 345KV CKT 1'
FDNS	3	0 11G	G09_020	'FROM->TO'	'ST JOHN - ST_JOHN	115KV	CKT 1'	86	0.06239	113.2103	'SMOKYHL6 230.00 - SUMMIT 230KV CKT 1'
FDNS	3	0 11G	G09_020	'FROM->TO'	'ST JOHN - ST_JOHN	115KV	CKT 1'	86	0.06133	113.3648	'MED-LDG5 345.00 - WICHITA 345KV CKT 1'
FDNS	3	0 11G	G09_020	'FROM->TO'	'ST JOHN - ST_JOHN	115KV	CKT 1'	86	0.06133	113.3648	'MED-LDG5 345.00 - WICHITA 345KV CKT 2'
FDNS	3	0 11G	G09_020	'FROM->TO'	'ST JOHN - ST_JOHN	115KV	CKT 1'	86	0.08101	130.7972	'CIRCLE - MULLERGREN 230KV CKT 1'
FDNS	3	0 11G	G09_020	'FROM->TO'	'ST JOHN - ST_JOHN	115KV	CKT 1'	86	0.05046	114.36	'CIRCLE - HUTCHINSON ENERGY CENTER 115KV CKT 1'
FDNS	3	0 11G	G10_003	'FROM->TO'	'BURLINGTON JUNCTION - COFFEY COUNTY NO. 3 WESTPHALIA	69KV	CKT 1'	72	0.03879	114.8341	'ANDERSONCO 345.00 - LACYGNE 345KV CKT 1'
FDNS	3	0 11G	G08_098	'FROM->TO'	'BURLINGTON JUNCTION - COFFEY COUNTY NO. 3 WESTPHALIA	69KV	CKT 1'	72	0.03879	114.8341	'ANDERSONCO 345.00 - LACYGNE 345KV CKT 1'
FDNS	3	0 11G	G10_003	'TO->FROM'	'BURLINGTON JUNCTION - WOLF CREEK	69KV	CKT 1'	72	0.039	117.0043	'ANDERSONCO 345.00 - LACYGNE 345KV CKT 1'
FDNS	3	0 11G	G08_098	'TO->FROM'	'BURLINGTON JUNCTION - WOLF CREEK	69KV	CKT 1'	72	0.039	117.0043	'ANDERSONCO 345.00 - LACYGNE 345KV CKT 1'
FDNS	3	0 11G	G10_003	'FROM->TO'	'COFFEY COUNTY NO. 3 WESTPHALIA - GREEN	69KV	CKT 1'	72	0.03879	113.9847	'ANDERSONCO 345.00 - LACYGNE 345KV CKT 1'

SOLUTION	GROUP	SCENARIO	SEASON	SOURCE	DIRECTION	MONITORED ELEMENT		RATE B	TDF	TC%	LOADING	CONTINGENCY NAME
						COMMON NAME	NAME					
FDNS	3	0 11G	G08_098	'FROM->TO'	'COFFEY COUNTY NO. 3 WESTPHALIA - GREEN 69KV CKT 1'			72	0.03879		113.9847	'ANDERSONCO 345.00 - LACYGNE 345KV CKT 1'
FDNS	3	0 11G	G09_020	'FROM->TO'	'ST JOHN - ST_JOHN 115KV CKT 1'			86	0.06136		108.8971	'COMANCH5 345.00 - MED-LDG5 345.00 345KV CKT 1'
FDNS	3	0 11G	G09_020	'FROM->TO'	'ST JOHN - ST_JOHN 115KV CKT 1'			86	0.06136		108.8971	'COMANCH5 345.00 - MED-LDG5 345.00 345KV CKT 2'
FDNS	3	0 11G	G08_044	'TO->FROM'	'FPL SWITCH - WOODWARD 138KV CKT 1'			153	0.03367		103.981	'ELK CITY 230KV (ELKCTY-6) 230/138/13.8KV TRANSFORMER CKT 1'
FDNS	3	0 11G	G08_047	'TO->FROM'	'FPL SWITCH - WOODWARD 138KV CKT 1'			153	0.05903		103.981	'ELK CITY 230KV (ELKCTY-6) 230/138/13.8KV TRANSFORMER CKT 1'
FDNS	3	0 11G	G09_067S	'TO->FROM'	'FPL SWITCH - WOODWARD 138KV CKT 1'			153	0.03363		103.981	'ELK CITY 230KV (ELKCTY-6) 230/138/13.8KV TRANSFORMER CKT 1'
FDNS	3	0 11G	G08_022	'TO->FROM'	'FPL SWITCH - WOODWARD 138KV CKT 1'			153	0.03385		103.981	'ELK CITY 230KV (ELKCTY-6) 230/138/13.8KV TRANSFORMER CKT 1'
FDNS	3	0 11G	G08_088	'TO->FROM'	'FPL SWITCH - WOODWARD 138KV CKT 1'			153	0.03911		103.981	'ELK CITY 230KV (ELKCTY-6) 230/138/13.8KV TRANSFORMER CKT 1'
FDNS	3	0 11G	G08_110	'TO->FROM'	'FPL SWITCH - WOODWARD 138KV CKT 1'			153	0.05009		103.981	'ELK CITY 230KV (ELKCTY-6) 230/138/13.8KV TRANSFORMER CKT 1'
FDNS	3	0 11G	G10_007	'TO->FROM'	'FPL SWITCH - WOODWARD 138KV CKT 1'			153	0.04178		103.981	'ELK CITY 230KV (ELKCTY-6) 230/138/13.8KV TRANSFORMER CKT 1'
FDNS	3	0 11G	ASGI_2010_011	'TO->FROM'	'FPL SWITCH - WOODWARD 138KV CKT 1'			153	0.04719		103.981	'ELK CITY 230KV (ELKCTY-6) 230/138/13.8KV TRANSFORMER CKT 1'
FDNS	3	0 11G	G10_011	'TO->FROM'	'FPL SWITCH - WOODWARD 138KV CKT 1'			153	0.03367		103.981	'ELK CITY 230KV (ELKCTY-6) 230/138/13.8KV TRANSFORMER CKT 1'
FDNS	3	0 11G	G10_014	'TO->FROM'	'FPL SWITCH - WOODWARD 138KV CKT 1'			153	0.05009		103.981	'ELK CITY 230KV (ELKCTY-6) 230/138/13.8KV TRANSFORMER CKT 1'
FDNS	3	0 11G	G08_044	'TO->FROM'	'FPL SWITCH - WOODWARD 138KV CKT 1'			153	0.03992		105.7896	'WOODWARD (WOODWRD2) 138/69/13.2KV TRANSFORMER CKT 1'
FDNS	3	0 11G	G08_047	'TO->FROM'	'FPL SWITCH - WOODWARD 138KV CKT 1'			153	0.06224		105.7896	'WOODWARD (WOODWRD2) 138/69/13.2KV TRANSFORMER CKT 1'
FDNS	3	0 11G	G10_009	'TO->FROM'	'FPL SWITCH - WOODWARD 138KV CKT 1'			153	0.03019		105.7896	'WOODWARD (WOODWRD2) 138/69/13.2KV TRANSFORMER CKT 1'
FDNS	3	0 11G	G08_110	'TO->FROM'	'FPL SWITCH - WOODWARD 138KV CKT 1'			153	0.04816		105.7896	'WOODWARD (WOODWRD2) 138/69/13.2KV TRANSFORMER CKT 1'
FDNS	3	0 11G	ASGI_2010_011	'TO->FROM'	'FPL SWITCH - WOODWARD 138KV CKT 1'			153	0.04038		105.7896	'WOODWARD (WOODWRD2) 138/69/13.2KV TRANSFORMER CKT 1'
FDNS	3	0 11G	G10_011	'TO->FROM'	'FPL SWITCH - WOODWARD 138KV CKT 1'			153	0.03992		105.7896	'WOODWARD (WOODWRD2) 138/69/13.2KV TRANSFORMER CKT 1'
FDNS	3	0 11G	G10_014	'TO->FROM'	'FPL SWITCH - WOODWARD 138KV CKT 1'			153	0.04816		105.7896	'WOODWARD (WOODWRD2) 138/69/13.2KV TRANSFORMER CKT 1'
FDNS	3	0 11G	G09_008	'TO->FROM'	'HAYS PLANT - SOUTH HAYS 115KV CKT 1'			88	0.06632		105.7238	'KNOLL 230 (KNOLL T1) 230/115/11.49KV TRANSFORMER CKT 1'
FDNS	3	0 11G	G10_005	'FROM->TO'	'WICHITA (WICHT12X) 345/138/13.8KV TRANSFORMER CKT 1'			440	0.05194		104.9011	'WICHITA (WICHT11X) 345/138/13.8KV TRANSFORMER CKT 1'
FDNS	3	0 11G	G10_005	'FROM->TO'	'WICHITA (WICHT12X) 345/138/13.8KV TRANSFORMER CKT 1'			440	0.05194		102.8771	'WICHITA (WICHT11X) 345/138/13.8KV TRANSFORMER CKT 1'
FDNS	3	0 11G	G09_020	'FROM->TO'	'ST JOHN - ST_JOHN 115KV CKT 1'			86	0.06753		113.4541	'CIRCLE (CIRCLE1X) 230/115/13.8KV TRANSFORMER CKT 1'
FDNS	3	0 11G	G09_020	'FROM->TO'	'ST JOHN - ST_JOHN 115KV CKT 1'			86	0.06991		120.1699	'MEDICINE LODGE (MED-LDG4) 138/115/2.72KV TRANSFORMER CKT 1'
FDNS	3	0 11G	G08_123N	'FROM->TO'	'SMOKYHL6 230.00 - SUMMIT 230KV CKT 1'			319	0.03814		102.9483	'DBL-SPRVL-CO'
FDNS	3	0 11G	G10_009	'FROM->TO'	'SMOKYHL6 230.00 - SUMMIT 230KV CKT 1'			319	0.08284		102.9483	'DBL-SPRVL-CO'
FDNS	3	0 11G	G09_008	'FROM->TO'	'SMOKYHL6 230.00 - SUMMIT 230KV CKT 1'			319	0.16547		102.9483	'DBL-SPRVL-CO'

SOLUTION	GROUP	SCENARIO	SEASON	SOURCE	DIRECTION	MONITORED ELEMENT		RATE B	TDF	TC%	LOADING	CONTINGENCY NAME
						COMMON NAME						
FDNS	3	0 11G	G09_020	'FROM->TO'	'SMOKYHL6 230.00 - SUMMIT 230KV CKT 1'	319	0.07121	102.9483	'DBL-SPRVL-CO'			
FDNS	3	0 11G	G10_015	'FROM->TO'	'SMOKYHL6 230.00 - SUMMIT 230KV CKT 1'	319	0.09867	102.9483	'DBL-SPRVL-CO'			
FDNS	3	0 11G	G10_016	'FROM->TO'	'SMOKYHL6 230.00 - SUMMIT 230KV CKT 1'	319	0.12449	102.9483	'DBL-SPRVL-CO'			
FDNS	3	0 11G	G09_020	'FROM->TO'	'ST JOHN - ST_JOHN 115KV CKT 1'	86	0.06504	131.7148	'DBL-SPRVL-CO'			
FDNS	3	0 11G	G10_009	'TO->FROM'	'CIRCLE - MULLERGREN 230KV CKT 1'	319	0.10029	116.6901	'DBL-SPRVL-CO'			
FDNS	3	0 11G	G09_008	'TO->FROM'	'CIRCLE - MULLERGREN 230KV CKT 1'	319	0.15091	116.6901	'DBL-SPRVL-CO'			
FDNS	3	0 11G	G10_015	'TO->FROM'	'CIRCLE - MULLERGREN 230KV CKT 1'	319	0.1191	116.6901	'DBL-SPRVL-CO'			
FDNS	3	0 11G	G10_016	'TO->FROM'	'CIRCLE - MULLERGREN 230KV CKT 1'	319	0.11334	116.6901	'DBL-SPRVL-CO'			
FDNS	3	0 11G	G10_009	'FROM->TO'	'GREENSBURG - SUN CITY 115KV CKT 1'	129.5	0.03266	107.2249	'DBL-SPRVL-CO'			
FDNS	3	0 11G	G10_015	'FROM->TO'	'GREENSBURG - SUN CITY 115KV CKT 1'	129.5	0.04018	107.2249	'DBL-SPRVL-CO'			
FDNS	3	0 11G	G10_016	'FROM->TO'	'GREENSBURG - SUN CITY 115KV CKT 1'	129.5	0.03053	107.2249	'DBL-SPRVL-CO'			
FDNS	3	0 11G	G10_009	'FROM->TO'	'G01_039AT 115.00 - GREENSBURG 115KV CKT 1'	129.5	0.03266	113.1346	'DBL-SPRVL-CO'			
FDNS	3	0 11G	G10_015	'FROM->TO'	'G01_039AT 115.00 - GREENSBURG 115KV CKT 1'	129.5	0.04018	113.1346	'DBL-SPRVL-CO'			
FDNS	3	0 11G	G10_016	'FROM->TO'	'G01_039AT 115.00 - GREENSBURG 115KV CKT 1'	129.5	0.03053	113.1346	'DBL-SPRVL-CO'			
FDNS	3	0 11G	G10_009	'TO->FROM'	'MEDICINE LODGE - SUN CITY 115KV CKT 1'	129.5	0.03266	104.6371	'DBL-SPRVL-CO'			
FDNS	3	0 11G	G10_015	'TO->FROM'	'MEDICINE LODGE - SUN CITY 115KV CKT 1'	129.5	0.04018	104.6371	'DBL-SPRVL-CO'			
FDNS	3	0 11G	G10_016	'TO->FROM'	'MEDICINE LODGE - SUN CITY 115KV CKT 1'	129.5	0.03053	104.6371	'DBL-SPRVL-CO'			
FDNS	3	0 11G	G10_009	'TO->FROM'	'MULLERGREN - SPEARVILLE 230KV CKT 1'	355.3	0.11809	116.1979	'DBL-SPRVL-CO'			
FDNS	3	0 11G	G10_015	'TO->FROM'	'MULLERGREN - SPEARVILLE 230KV CKT 1'	355.3	0.15299	116.1979	'DBL-SPRVL-CO'			
FDNS	3	0 11G	G10_016	'TO->FROM'	'MULLERGREN - SPEARVILLE 230KV CKT 1'	355.3	0.08542	116.1979	'DBL-SPRVL-CO'			
FDNS	3	0 11G	G08_123N	'FROM->TO'	'SMOKYHL6 230.00 - SUMMIT 230KV CKT 1'	319	0.03814	103.0071	'DBL-COM-MEDL'			
FDNS	3	0 11G	G10_009	'FROM->TO'	'SMOKYHL6 230.00 - SUMMIT 230KV CKT 1'	319	0.08284	103.0071	'DBL-COM-MEDL'			
FDNS	3	0 11G	G09_008	'FROM->TO'	'SMOKYHL6 230.00 - SUMMIT 230KV CKT 1'	319	0.16547	103.0071	'DBL-COM-MEDL'			
FDNS	3	0 11G	G09_020	'FROM->TO'	'SMOKYHL6 230.00 - SUMMIT 230KV CKT 1'	319	0.07121	103.0071	'DBL-COM-MEDL'			
FDNS	3	0 11G	G10_015	'FROM->TO'	'SMOKYHL6 230.00 - SUMMIT 230KV CKT 1'	319	0.09867	103.0071	'DBL-COM-MEDL'			
FDNS	3	0 11G	G10_016	'FROM->TO'	'SMOKYHL6 230.00 - SUMMIT 230KV CKT 1'	319	0.12449	103.0071	'DBL-COM-MEDL'			
FDNS	3	0 11G	G09_020	'FROM->TO'	'ST JOHN - ST_JOHN 115KV CKT 1'	86	0.06504	132.1157	'DBL-COM-MEDL'			
FDNS	3	0 11G	G10_009	'TO->FROM'	'CIRCLE - MULLERGREN 230KV CKT 1'	319	0.10029	116.6098	'DBL-COM-MEDL'			
FDNS	3	0 11G	G09_008	'TO->FROM'	'CIRCLE - MULLERGREN 230KV CKT 1'	319	0.15091	116.6098	'DBL-COM-MEDL'			
FDNS	3	0 11G	G10_015	'TO->FROM'	'CIRCLE - MULLERGREN 230KV CKT 1'	319	0.1191	116.6098	'DBL-COM-MEDL'			
FDNS	3	0 11G	G10_016	'TO->FROM'	'CIRCLE - MULLERGREN 230KV CKT 1'	319	0.11334	116.6098	'DBL-COM-MEDL'			
FDNS	3	0 11G	G10_009	'FROM->TO'	'GREENSBURG - SUN CITY 115KV CKT 1'	129.5	0.03266	106.3462	'DBL-COM-MEDL'			
FDNS	3	0 11G	G10_015	'FROM->TO'	'GREENSBURG - SUN CITY 115KV CKT 1'	129.5	0.04018	106.3462	'DBL-COM-MEDL'			
FDNS	3	0 11G	G10_016	'FROM->TO'	'GREENSBURG - SUN CITY 115KV CKT 1'	129.5	0.03053	106.3462	'DBL-COM-MEDL'			

SOLUTION	GROUP	SCENARIO	SEASON	SOURCE	DIRECTION	MONITORED ELEMENT		RATE B	TDF	TC%	LOADING	CONTINGENCY NAME
						COMMON NAME						
FDNS	3	0 11G	G10_009	'FROM->TO'	'G01_039AT 115.00 - GREENSBURG 115KV CKT 1'		129.5	0.03266		112.2026	'DBL-COM-MEDL'	
FDNS	3	0 11G	G10_015	'FROM->TO'	'G01_039AT 115.00 - GREENSBURG 115KV CKT 1'		129.5	0.04018		112.2026	'DBL-COM-MEDL'	
FDNS	3	0 11G	G10_016	'FROM->TO'	'G01_039AT 115.00 - GREENSBURG 115KV CKT 1'		129.5	0.03053		112.2026	'DBL-COM-MEDL'	
FDNS	3	0 11G	G10_009	'TO->FROM'	'MEDICINE LODGE - SUN CITY 115KV CKT 1'		129.5	0.03266		103.7888	'DBL-COM-MEDL'	
FDNS	3	0 11G	G10_015	'TO->FROM'	'MEDICINE LODGE - SUN CITY 115KV CKT 1'		129.5	0.04018		103.7888	'DBL-COM-MEDL'	
FDNS	3	0 11G	G10_016	'TO->FROM'	'MEDICINE LODGE - SUN CITY 115KV CKT 1'		129.5	0.03053		103.7888	'DBL-COM-MEDL'	
FDNS	3	0 11G	G10_009	'TO->FROM'	'MULLERGREN - SPEARVILLE 230KV CKT 1'		355.3	0.11809		115.8886	'DBL-COM-MEDL'	
FDNS	3	0 11G	G10_015	'TO->FROM'	'MULLERGREN - SPEARVILLE 230KV CKT 1'		355.3	0.15299		115.8886	'DBL-COM-MEDL'	
FDNS	3	0 11G	G10_016	'TO->FROM'	'MULLERGREN - SPEARVILLE 230KV CKT 1'		355.3	0.08542		115.8886	'DBL-COM-MEDL'	
FDNS	3	0 11G	G08_044	'TO->FROM'	'FPL SWITCH - WOODWARD 138KV CKT 1'		153	0.04357		128.7062	'DBL-MEDLO-WI'	
FDNS	3	0 11G	G08_047	'TO->FROM'	'FPL SWITCH - WOODWARD 138KV CKT 1'		153	0.06911		128.7062	'DBL-MEDLO-WI'	
FDNS	3	0 11G	G09_067S	'TO->FROM'	'FPL SWITCH - WOODWARD 138KV CKT 1'		153	0.03013		128.7062	'DBL-MEDLO-WI'	
FDNS	3	0 11G	G08_022	'TO->FROM'	'FPL SWITCH - WOODWARD 138KV CKT 1'		153	0.03015		128.7062	'DBL-MEDLO-WI'	
FDNS	3	0 11G	G10_009	'TO->FROM'	'FPL SWITCH - WOODWARD 138KV CKT 1'		153	0.04179		128.7062	'DBL-MEDLO-WI'	
FDNS	3	0 11G	G08_110	'TO->FROM'	'FPL SWITCH - WOODWARD 138KV CKT 1'		153	0.05566		128.7062	'DBL-MEDLO-WI'	
FDNS	3	0 11G	G10_007	'TO->FROM'	'FPL SWITCH - WOODWARD 138KV CKT 1'		153	0.03339		128.7062	'DBL-MEDLO-WI'	
FDNS	3	0 11G	ASGI_2010_011	'TO->FROM'	'FPL SWITCH - WOODWARD 138KV CKT 1'		153	0.04796		128.7062	'DBL-MEDLO-WI'	
FDNS	3	0 11G	G10_011	'TO->FROM'	'FPL SWITCH - WOODWARD 138KV CKT 1'		153	0.04357		128.7062	'DBL-MEDLO-WI'	
FDNS	3	0 11G	G10_015	'TO->FROM'	'FPL SWITCH - WOODWARD 138KV CKT 1'		153	0.04211		128.7062	'DBL-MEDLO-WI'	
FDNS	3	0 11G	G10_014	'TO->FROM'	'FPL SWITCH - WOODWARD 138KV CKT 1'		153	0.05566		128.7062	'DBL-MEDLO-WI'	
FDNS	3	0 11G	G10_016	'TO->FROM'	'FPL SWITCH - WOODWARD 138KV CKT 1'		153	0.0341		128.7062	'DBL-MEDLO-WI'	
FDNS	3	0 11G	G09_020	'TO->FROM'	'HUNTSVILLE - ST_JOHN 115KV CKT 1' 'HUNTSVILLE - HUTCHINSON ENERGY CENTER 115KV CKT 1'		88	0.06383		109.8018	'DBL-MEDLO-WI'	
FDNS	3	0 11G	G09_020	'FROM->TO'	'ST JOHN - ST_JOHN 115KV CKT 1'		86	0.064		146.6389	'DBL-MEDLO-WI'	
FDNS	3	0 11G	G08_047	'TO->FROM'	'CIRCLE - MULLERGREN 230KV CKT 1'		319	0.03348		103.2963	'DBL-MEDLO-WI'	
FDNS	3	0 11G	G10_009	'TO->FROM'	'CIRCLE - MULLERGREN 230KV CKT 1'		319	0.07492		103.2963	'DBL-MEDLO-WI'	
FDNS	3	0 11G	G09_008	'TO->FROM'	'CIRCLE - MULLERGREN 230KV CKT 1'		319	0.1282		103.2963	'DBL-MEDLO-WI'	
FDNS	3	0 11G	G08_110	'TO->FROM'	'CIRCLE - MULLERGREN 230KV CKT 1'		319	0.03712		103.2963	'DBL-MEDLO-WI'	
FDNS	3	0 11G	ASGI_2010_011	'TO->FROM'	'CIRCLE - MULLERGREN 230KV CKT 1'		319	0.03416		103.2963	'DBL-MEDLO-WI'	
FDNS	3	0 11G	G09_020	'TO->FROM'	'CIRCLE - MULLERGREN 230KV CKT 1'		319	0.19048		103.2963	'DBL-MEDLO-WI'	
FDNS	3	0 11G	G10_015	'TO->FROM'	'CIRCLE - MULLERGREN 230KV CKT 1'		319	0.08368		103.2963	'DBL-MEDLO-WI'	
FDNS	3	0 11G	G10_014	'TO->FROM'	'CIRCLE - MULLERGREN 230KV CKT 1'		319	0.03712		103.2963	'DBL-MEDLO-WI'	
FDNS	3	0 11G	G10_016	'TO->FROM'	'CIRCLE - MULLERGREN 230KV CKT 1'		319	0.08328		103.2963	'DBL-MEDLO-WI'	
FDNS	3	0 11G	G08_047	'TO->FROM'	'CLEARWATER - MILAN TAP 138KV CKT 1'		110	0.03926		213.263	'DBL-MEDLO-WI'	

SOLUTION	GROUP	SCENARIO	SEASON	SOURCE	DIRECTION	MONITORED ELEMENT	RATE	B	TDF	TC%	LOADING	CONTINGENCY	NAME
						COMMON NAME							
FDNS	3	0 11G	G10_009	'TO->FROM'	'CLEARWATER - MILAN TAP 138KV CKT 1'		110	0.04366		213.263	'DBL-MEDLO-WI'		
FDNS	3	0 11G	G08_110	'TO->FROM'	'CLEARWATER - MILAN TAP 138KV CKT 1'		110	0.03682		213.263	'DBL-MEDLO-WI'		
FDNS	3	0 11G	G10_007	'TO->FROM'	'CLEARWATER - MILAN TAP 138KV CKT 1'		110	0.03053		213.263	'DBL-MEDLO-WI'		
FDNS	3	0 11G	ASGI_2010_011	'TO->FROM'	'CLEARWATER - MILAN TAP 138KV CKT 1'		110	0.03462		213.263	'DBL-MEDLO-WI'		
FDNS	3	0 11G	G10_015	'TO->FROM'	'CLEARWATER - MILAN TAP 138KV CKT 1'		110	0.04886		213.263	'DBL-MEDLO-WI'		
FDNS	3	0 11G	G10_014	'TO->FROM'	'CLEARWATER - MILAN TAP 138KV CKT 1'		110	0.03682		213.263	'DBL-MEDLO-WI'		
FDNS	3	0 11G	G10_016	'TO->FROM'	'CLEARWATER - MILAN TAP 138KV CKT 1'		110	0.03652		213.263	'DBL-MEDLO-WI'		
FDNS	3	0 11G	G08_047	'FROM->TO'	'HARPER - MILAN TAP 138KV CKT 1'		95.6	0.03926		260.2578	'DBL-MEDLO-WI'		
FDNS	3	0 11G	G10_009	'FROM->TO'	'HARPER - MILAN TAP 138KV CKT 1'		95.6	0.04366		260.2578	'DBL-MEDLO-WI'		
FDNS	3	0 11G	G08_110	'FROM->TO'	'HARPER - MILAN TAP 138KV CKT 1'		95.6	0.03682		260.2578	'DBL-MEDLO-WI'		
FDNS	3	0 11G	G10_007	'FROM->TO'	'HARPER - MILAN TAP 138KV CKT 1'		95.6	0.03053		260.2578	'DBL-MEDLO-WI'		
FDNS	3	0 11G	ASGI_2010_011	'FROM->TO'	'HARPER - MILAN TAP 138KV CKT 1'		95.6	0.03462		260.2578	'DBL-MEDLO-WI'		
FDNS	3	0 11G	G10_015	'FROM->TO'	'HARPER - MILAN TAP 138KV CKT 1'		95.6	0.04886		260.2578	'DBL-MEDLO-WI'		
FDNS	3	0 11G	G10_014	'FROM->TO'	'HARPER - MILAN TAP 138KV CKT 1'		95.6	0.03682		260.2578	'DBL-MEDLO-WI'		
FDNS	3	0 11G	G10_016	'FROM->TO'	'HARPER - MILAN TAP 138KV CKT 1'		95.6	0.03652		260.2578	'DBL-MEDLO-WI'		
FDNS	3	0 11G	G08_044	'TO->FROM'	'FPL SWITCH - WOODWARD 138KV CKT 1'		153	0.03423		101.0113	'SPP-SWPS-02A'		
FDNS	3	0 11G	G08_047	'TO->FROM'	'FPL SWITCH - WOODWARD 138KV CKT 1'		153	0.05959		101.0113	'SPP-SWPS-02A'		
FDNS	3	0 11G	G09_067S	'TO->FROM'	'FPL SWITCH - WOODWARD 138KV CKT 1'		153	0.0342		101.0113	'SPP-SWPS-02A'		
FDNS	3	0 11G	G08_022	'TO->FROM'	'FPL SWITCH - WOODWARD 138KV CKT 1'		153	0.03441		101.0113	'SPP-SWPS-02A'		
FDNS	3	0 11G	G08_088	'TO->FROM'	'FPL SWITCH - WOODWARD 138KV CKT 1'		153	0.03967		101.0113	'SPP-SWPS-02A'		
FDNS	3	0 11G	G08_110	'TO->FROM'	'FPL SWITCH - WOODWARD 138KV CKT 1'		153	0.05065		101.0113	'SPP-SWPS-02A'		
FDNS	3	0 11G	G10_007	'TO->FROM'	'FPL SWITCH - WOODWARD 138KV CKT 1'		153	0.04234		101.0113	'SPP-SWPS-02A'		
FDNS	3	0 11G	ASGI_2010_011	'TO->FROM'	'FPL SWITCH - WOODWARD 138KV CKT 1'		153	0.04775		101.0113	'SPP-SWPS-02A'		
FDNS	3	0 11G	G10_011	'TO->FROM'	'FPL SWITCH - WOODWARD 138KV CKT 1'		153	0.03423		101.0113	'SPP-SWPS-02A'		
FDNS	3	0 11G	G10_014	'TO->FROM'	'FPL SWITCH - WOODWARD 138KV CKT 1'		153	0.05065		101.0113	'SPP-SWPS-02A'		
FDNS	3	0 11G	G09_020	'FROM->TO'	'ST JOHN - ST_JOHN 115KV CKT 1'		86	0.06075		107.7632	'SPP-MKEC-08'		
FDNS	3	0 11G	G09_020	'FROM->TO'	'ST JOHN - ST_JOHN 115KV CKT 1'		86	0.06017		100	'WRTOD400'		
FDNS	3	0 11G	G08_044	'TO->FROM'	'FPL SWITCH - WOODWARD 138KV CKT 1'		153	0.0352		100.8854	'GEN520997 1-MORLND2'		
FDNS	3	0 11G	G08_047	'TO->FROM'	'FPL SWITCH - WOODWARD 138KV CKT 1'		153	0.05478		100.8854	'GEN520997 1-MORLND2'		
FDNS	3	0 11G	G08_110	'TO->FROM'	'FPL SWITCH - WOODWARD 138KV CKT 1'		153	0.0423		100.8854	'GEN520997 1-MORLND2'		
FDNS	3	0 11G	ASGI_2010_011	'TO->FROM'	'FPL SWITCH - WOODWARD 138KV CKT 1'		153	0.03537		100.8854	'GEN520997 1-MORLND2'		
FDNS	3	0 11G	G10_011	'TO->FROM'	'FPL SWITCH - WOODWARD 138KV CKT 1'		153	0.0352		100.8854	'GEN520997 1-MORLND2'		
FDNS	3	0 11G	G10_014	'TO->FROM'	'FPL SWITCH - WOODWARD 138KV CKT 1'		153	0.0423		100.8854	'GEN520997 1-MORLND2'		
FDNS	3	0 11G	G08_047	'TO->FROM'	'DEAF SMITH COUNTY INTERCHANGE - S-RANDLCO 230.00 230KV CKT 1'		350	0.03177		100.2842	'GEN525561 1-TOLK GEN #1 24 KV'		

SOLUTION	GROUP	SCENARIO	SEASON	SOURCE	DIRECTION	MONITORED ELEMENT		RATE B	TDF	TC%	LOADING	CONTINGENCY NAME
						COMMON NAME						
FDNS	3	0 11G	G08_088	'TO->FROM'	'DEAF SMITH COUNTY INTERCHANGE - S-RANDLCO 230.00 230KV CKT 1'	350	0.06522	100.2842	'GEN525561 1-TOLK GEN #1 24 KV'			
FDNS	3	0 11G	G08_110	'TO->FROM'	'DEAF SMITH COUNTY INTERCHANGE - S-RANDLCO 230.00 230KV CKT 1'	350	0.04774	100.2842	'GEN525561 1-TOLK GEN #1 24 KV'			
FDNS	3	0 11G	G10_007	'TO->FROM'	'DEAF SMITH COUNTY INTERCHANGE - S-RANDLCO 230.00 230KV CKT 1'	350	0.07475	100.2842	'GEN525561 1-TOLK GEN #1 24 KV'			
FDNS	3	0 11G	ASGI_2010_011	'TO->FROM'	'DEAF SMITH COUNTY INTERCHANGE - S-RANDLCO 230.00 230KV CKT 1'	350	0.0591	100.2842	'GEN525561 1-TOLK GEN #1 24 KV'			
FDNS	3	0 11G	G10_014	'TO->FROM'	'DEAF SMITH COUNTY INTERCHANGE - S-RANDLCO 230.00 230KV CKT 1'	350	0.04774	100.2842	'GEN525561 1-TOLK GEN #1 24 KV'			
FDNS	3	0 11G	G08_047	'TO->FROM'	'DEAF SMITH COUNTY INTERCHANGE - S-RANDLCO 230.00 230KV CKT 1'	350	0.03177	102.7405	'GEN525562 1-TOLK GEN #2 24 KV'			
FDNS	3	0 11G	G08_088	'TO->FROM'	'DEAF SMITH COUNTY INTERCHANGE - S-RANDLCO 230.00 230KV CKT 1'	350	0.06522	102.7405	'GEN525562 1-TOLK GEN #2 24 KV'			
FDNS	3	0 11G	G08_110	'TO->FROM'	'DEAF SMITH COUNTY INTERCHANGE - S-RANDLCO 230.00 230KV CKT 1'	350	0.04774	102.7405	'GEN525562 1-TOLK GEN #2 24 KV'			
FDNS	3	0 11G	G10_007	'TO->FROM'	'DEAF SMITH COUNTY INTERCHANGE - S-RANDLCO 230.00 230KV CKT 1'	350	0.07475	102.7405	'GEN525562 1-TOLK GEN #2 24 KV'			
FDNS	3	0 11G	ASGI_2010_011	'TO->FROM'	'DEAF SMITH COUNTY INTERCHANGE - S-RANDLCO 230.00 230KV CKT 1'	350	0.0591	102.7405	'GEN525562 1-TOLK GEN #2 24 KV'			
FDNS	3	0 11G	G10_014	'TO->FROM'	'DEAF SMITH COUNTY INTERCHANGE - S-RANDLCO 230.00 230KV CKT 1'	350	0.04774	102.7405	'GEN525562 1-TOLK GEN #2 24 KV'			
FDNS	3	0 11G	G09_020	'FROM->TO'	'ST JOHN - ST_JOHN 115KV CKT 1'	86	0.0605	107.8296	'GEN532651 1-JEFFREY ENERGY CENTER UNIT 1'			
FDNS	3	0 11G	G09_020	'FROM->TO'	'ST JOHN - ST_JOHN 115KV CKT 1'	86	0.0605	108.1162	'GEN532652 1-JEFFREY ENERGY CENTER UNIT 2'			
FDNS	3	0 11G	G09_020	'FROM->TO'	'ST JOHN - ST_JOHN 115KV CKT 1'	86	0.0605	108.0365	'GEN532653 1-JEFFREY ENERGY CENTER UNIT 3'			
FDNS	3	0 11G	G09_020	'FROM->TO'	'ST JOHN - ST_JOHN 115KV CKT 1'	86	0.0605	110.701	'GEN532751 1-WOLF CREEK GENERATING STATION UNIT 1'			
FDNS	3	0 11G	G09_020	'FROM->TO'	'ST JOHN - ST_JOHN 115KV CKT 1'	86	0.0605	107.4057	'GEN542962 2-IATAN UNIT #2'			
FDNS	05G0888	0 11G	G08_088	'TO->FROM'	'DEAF SMITH COUNTY INTERCHANGE - S-RANDLCO 230.00 230KV CKT 1'	350	0.06127	116.9462	'BASE CASE'			
FDNS	05G0888	0 11G	G08_088	'TO->FROM'	'DEAF SMITH COUNTY INTERCHANGE - S-RANDLCO 230.00 230KV CKT 1'	350	0.06238	107.2075	'CLINTON AIR FORCE BASE TAP - ELK CITY 138KV CKT 1'			
FDNS	05G0888	0 11G	G08_088	'TO->FROM'	'DEAF SMITH COUNTY INTERCHANGE - S-RANDLCO 230.00 230KV CKT 1'	350	0.06238	107.1681	'CLINTON AIR FORCE BASE TAP - HOBART JUNCTION 138KV CKT 1'			
FDNS	05G0888	0 11G	G08_088	'TO->FROM'	'ELK CITY 230KV - SWEETWT6 230.00 230KV CKT 1'	351	0.13219	100.6083	'LAWTON EASTSIDE - OKLAUNION 345KV CKT 1'			
FDNS	05G0888	0 11G	G08_088	'FROM->TO'	'ELK CITY 230KV (ELKCTY-6) 230/138/13.8KV TRANSFORMER CKT 1'	287	0.13219	119.935	'LAWTON EASTSIDE - OKLAUNION 345KV CKT 1'			
FDNS	05G0888	0 11G	G08_088	'FROM->TO'	'ELK CITY 230KV (ELKCTY-6) 230/138/13.8KV TRANSFORMER CKT 1'	287	0.13219	118.264	'LAWTON EASTSIDE - OKLAUNION 345KV CKT 1'			
FDNS	05G0888	0 11G	G08_088	'FROM->TO'	'ELK CITY 230KV (ELKCTY-6) 230/138/13.8KV TRANSFORMER CKT 1'	287	0.13219	109.8286	'G08-14T 345.00 - OKLAUNION 345KV CKT 1'			
FDNS	05G0888	0 11G	G08_088	'FROM->TO'	'ELK CITY 230KV (ELKCTY-6) 230/138/13.8KV TRANSFORMER CKT 1'	287	0.13219	108.6553	'G08-14T 345.00 - OKLAUNION 345KV CKT 1'			
FDNS	05G0888	0 11G	G08_088	'TO->FROM'	'DEAF SMITH COUNTY INTERCHANGE - S-RANDLCO 230.00 230KV CKT 1'	350	0.06282	107.4302	'CLINTON JUNCTION - ELK CITY 138KV CKT 1'			
FDNS	05G0888	0 11G	G08_088	'TO->FROM'	'DEAF SMITH COUNTY INTERCHANGE - S-RANDLCO 230.00 230KV CKT 1'	350	0.05995	105.2013	'LAWTON EASTSIDE - SUNNYSIDE 345KV CKT 1'			
FDNS	05G0888	0 11G	G08_088	'TO->FROM'	'DEAF SMITH COUNTY INTERCHANGE - S-RANDLCO 230.00 230KV CKT 1'	350	0.05975	105.3184	'GRACMNT7 345.00 - LAWTON EASTSIDE 345KV CKT 1'			
FDNS	05G0888	0 11G	G08_088	'TO->FROM'	'FPL SWITCH - WOODWARD 138KV CKT 1'	153	0.03903	103.9649	'ELK CITY 230KV - SWEETWT6 230.00 230KV CKT 1'			
FDNS	05G0888	0 11G	G08_088	'TO->FROM'	'DEAF SMITH COUNTY INTERCHANGE - S-RANDLCO 230.00 230KV CKT 1'	350	0.07105	112.6936	'ELK CITY 230KV - SWEETWT6 230.00 230KV CKT 1'			

SOLUTION	GROUP	SCENARIO	SEASON	SOURCE	DIRECTION	MONITORED ELEMENT		RATE B	TDF	TC%	LOADING	CONTINGENCY NAME
						COMMON NAME						
FDNS	05G0888		0 11G	G08_088	'FROM->TO'	'G07-48T 230.00 - SWISHER COUNTY INTERCHANGE 230KV CKT 1'		351	0.14262			'ELK CITY 230KV - SWEETWT6 230.00 230KV CKT 1'
FDNS	05G0888		0 11G	G08_088	'TO->FROM'	'DEAF SMITH COUNTY INTERCHANGE - S-RANDLCO 230.00 230KV CKT 1'		350	0.07131		111.1459	'STLN-DEMARC6230.00 - SWEETWT6 230.00 230KV CKT 1'
FDNS	05G0888		0 11G	G08_088	'FROM->TO'	'ELK CITY 230KV (ELKCTY-6) 230/138/13.8KV TRANSFORMER CKT 1'		287	0.11596		100.2005	'CLARENDON - CLARENDON REC 69KV CKT 1'
FDNS	05G0888		0 11G	G08_088	'FROM->TO'	'ELK CITY 230KV (ELKCTY-6) 230/138/13.8KV TRANSFORMER CKT 1'		287	0.11955		101.802	'CHILDRESS - HOLLIS TAP 138KV CKT 1'
FDNS	05G0888		0 11G	G08_088	'FROM->TO'	'DEAF SMITH COUNTY INTERCHANGE - S-RANDLCO 230.00 230KV CKT 1'		287	0.11955		100.9978	'CHILDRESS - HOLLIS TAP 138KV CKT 1'
FDNS	05G0888		0 11G	G08_088	'TO->FROM'	'ELK CITY 230KV (ELKCTY-6) 230/138/13.8KV TRANSFORMER CKT 1'		350	0.06305		107.3544	'CHILDRESS - LAKE PAULINE 138KV CKT 1'
FDNS	05G0888		0 11G	G08_088	'FROM->TO'	'ELK CITY 230KV (ELKCTY-6) 230/138/13.8KV TRANSFORMER CKT 1'		287	0.124		103.8732	'CHILDRESS - LAKE PAULINE 138KV CKT 1'
FDNS	05G0888		0 11G	G08_088	'FROM->TO'	'ELK CITY 230KV (ELKCTY-6) 230/138/13.8KV TRANSFORMER CKT 1'		287	0.124		103.0106	'CHILDRESS - LAKE PAULINE 138KV CKT 1'
FDNS	05G0888		0 11G	G08_088	'FROM->TO'	'ELK CITY 230KV (ELKCTY-6) 230/138/13.8KV TRANSFORMER CKT 1'		287	0.11955		101.8938	'HOLLIS TAP - WELLINGTON 138KV CKT 1'
FDNS	05G0888		0 11G	G08_088	'FROM->TO'	'DEAF SMITH COUNTY INTERCHANGE - S-RANDLCO 230.00 230KV CKT 1'		287	0.11955		101.078	'HOLLIS TAP - WELLINGTON 138KV CKT 1'
FDNS	05G0888		0 11G	G08_088	'TO->FROM'	'ELK CITY 230KV (ELKCTY-6) 230/138/13.8KV TRANSFORMER CKT 1'		350	0.06223		107.1569	'SHAMROCK - WELLINGTON 138KV CKT 1'
FDNS	05G0888		0 11G	G08_088	'FROM->TO'	'ELK CITY 230KV (ELKCTY-6) 230/138/13.8KV TRANSFORMER CKT 1'		287	0.11955		102.5383	'SHAMROCK - WELLINGTON 138KV CKT 1'
FDNS	05G0888		0 11G	G08_088	'FROM->TO'	'ELK CITY 230KV (ELKCTY-6) 230/138/13.8KV TRANSFORMER CKT 1'		287	0.11955		101.7082	'SHAMROCK - WELLINGTON 138KV CKT 1'
FDNS	05G0888		0 11G	G08_088	'TO->FROM'	'DEAF SMITH COUNTY INTERCHANGE - S-RANDLCO 230.00 230KV CKT 1'		350	0.06223		107.3537	'MCLEAN RURAL SUB - SHAMROCK 115KV CKT 1'
FDNS	05G0888		0 11G	G08_088	'FROM->TO'	'ELK CITY 230KV (ELKCTY-6) 230/138/13.8KV TRANSFORMER CKT 1'		287	0.11955		103.506	'MCLEAN RURAL SUB - SHAMROCK 115KV CKT 1'
FDNS	05G0888		0 11G	G08_088	'FROM->TO'	'ELK CITY 230KV (ELKCTY-6) 230/138/13.8KV TRANSFORMER CKT 1'		287	0.11955		102.631	'MCLEAN RURAL SUB - SHAMROCK 115KV CKT 1'
FDNS	05G0888		0 11G	G08_088	'FROM->TO'	'ELK CITY 230KV (ELKCTY-6) 230/138/13.8KV TRANSFORMER CKT 1'		287	0.11848		100.7738	'LAKE PAULINE - RUSSELL 138KV CKT 1'
FDNS	05G0888		0 11G	G08_088	'FROM->TO'	'ELK CITY 230KV (ELKCTY-6) 230/138/13.8KV TRANSFORMER CKT 1'		287	0.11848		100	'LAKE PAULINE - RUSSELL 138KV CKT 1'
FDNS	05G0888		0 11G	G08_088	'FROM->TO'	'ELK CITY 230KV (ELKCTY-6) 230/138/13.8KV TRANSFORMER CKT 1'		287	0.11568		100.9592	'FPL SWITCH - WOODWARD 138KV CKT 1'
FDNS	05G0888		0 11G	G08_088	'FROM->TO'	'ELK CITY 230KV (ELKCTY-6) 230/138/13.8KV TRANSFORMER CKT 1'		287	0.11568		100.0876	'FPL SWITCH - WOODWARD 138KV CKT 1'
FDNS	05G0888		0 11G	G08_088	'TO->FROM'	'FPL SWITCH - WOODWARD 138KV CKT 1'		153	0.03241		119.4854	'NORTHWEST - TATONGA7 345.00 345KV CKT 1'
FDNS	05G0888		0 11G	G08_088	'TO->FROM'	'DEAF SMITH COUNTY INTERCHANGE - S-RANDLCO 230.00 230KV CKT 1'		350	0.06275		108.098	'NORTHWEST - TATONGA7 345.00 345KV CKT 1'
FDNS	05G0888		0 11G	G08_088	'FROM->TO'	'ELK CITY 230KV (ELKCTY-6) 230/138/13.8KV TRANSFORMER CKT 1'		287	0.11973		107.6217	'NORTHWEST - TATONGA7 345.00 345KV CKT 1'
FDNS	05G0888		0 11G	G08_088	'FROM->TO'	'ELK CITY 230KV (ELKCTY-6) 230/138/13.8KV TRANSFORMER CKT 1'		287	0.11973		106.6007	'NORTHWEST - TATONGA7 345.00 345KV CKT 1'
FDNS	05G0888		0 11G	G08_088	'TO->FROM'	'FPL SWITCH - WOODWARD 138KV CKT 1'		153	0.03334		102.5052	'TATONGA7 345.00 - WWRDEHV7 345KV CKT 1'
FDNS	05G0888		0 11G	G08_088	'TO->FROM'	'DEAF SMITH COUNTY INTERCHANGE - S-RANDLCO 230.00 230KV CKT 1'		350	0.06285		107.4738	'TATONGA7 345.00 - WWRDEHV7 345KV CKT 1'
FDNS	05G0888		0 11G	G08_088	'FROM->TO'	'ELK CITY 230KV (ELKCTY-6) 230/138/13.8KV TRANSFORMER CKT 1'		287	0.12008		104.5292	'TATONGA7 345.00 - WWRDEHV7 345KV CKT 1'
FDNS	05G0888		0 11G	G08_088	'FROM->TO'	'ELK CITY 230KV (ELKCTY-6) 230/138/13.8KV TRANSFORMER CKT 1'		287	0.12008		103.5986	'TATONGA7 345.00 - WWRDEHV7 345KV CKT 1'
FDNS	05G0888		0 11G	G08_088	'TO->FROM'	'DEAF SMITH COUNTY INTERCHANGE - S-RANDLCO 230.00 230KV CKT 1'		350	0.04651		103.0783	'BORDER 7345.00 - WWRDEHV7 345KV CKT 1'

SOLUTION	GROUP	SCENARIO	SEASON	SOURCE	DIRECTION	MONITORED ELEMENT		RATE B	TDF	TC%	LOADING	CONTINGENCY	NAME
						COMMON NAME							
FDNS	05G0888		0 11G	G08_088	'TO->FROM'	'DEAF SMITH COUNTY INTERCHANGE - S-RANDLCO	230.00 230KV CKT 1'	350	0.06494	109.2447	'2008-047T	345.00 - WWRDEHV7	345.00 345KV CKT 1'
FDNS	05G0888		0 11G	G08_088	'FROM->TO'	'ELK CITY 230KV (ELKCTY-6)		287	0.11878	102.4214	'2008-047T	345.00 - WWRDEHV7	345.00 345KV CKT 1'
FDNS	05G0888		0 11G	G08_088	'FROM->TO'	230/138/13.8KV TRANSFORMER CKT 1'		287	0.11878	101.5288	'2008-047T	345.00 - WWRDEHV7	345.00 345KV CKT 1'
FDNS	05G0888		0 11G	G08_088	'TO->FROM'	'DEAF SMITH COUNTY INTERCHANGE - S-RANDLCO	230.00 230KV CKT 1'	350	0.06494	109.2447	'2008-047T	345.00 - WWRDEHV7	345.00 345KV CKT 2'
FDNS	05G0888		0 11G	G08_088	'FROM->TO'	'ELK CITY 230KV (ELKCTY-6)		287	0.11878	102.4214	'2008-047T	345.00 - WWRDEHV7	345.00 345KV CKT 2'
FDNS	05G0888		0 11G	G08_088	'FROM->TO'	230/138/13.8KV TRANSFORMER CKT 1'		287	0.11878	101.5288	'2008-047T	345.00 - WWRDEHV7	345.00 345KV CKT 2'
FDNS	05G0888		0 11G	G08_088	'FROM->TO'	'ELK CITY 230KV (ELKCTY-6)		287	0.11561	101.485	'2008-047T	345.00 - WWRDEHV7	'FPL SWITCH - MOORELAND 138KV CKT 1'
FDNS	05G0888		0 11G	G08_088	'FROM->TO'	230/138/13.8KV TRANSFORMER CKT 1'		287	0.11561	100.6008	'2008-047T	345.00 - WWRDEHV7	'FPL SWITCH - MOORELAND 138KV CKT 1'
FDNS	05G0888		0 11G	G08_088	'TO->FROM'	'DEAF SMITH COUNTY INTERCHANGE - S-RANDLCO	230.00 230KV CKT 1'	350	0.06117	105.058	'2008-047T	345.00 - WWRDEHV7	'CAPROCK REC-MCDONALD - CAPROCK REC-PHILLIPS 138KV CKT 1'
FDNS	05G0888		0 11G	G08_088	'TO->FROM'	'DEAF SMITH COUNTY INTERCHANGE - S-RANDLCO	230.00 230KV CKT 1'	350	0.06117	104.7395	'2008-047T	345.00 - WWRDEHV7	'CAPROCK REC-PHILLIPS - CAPROCK REC-TATE 138KV CKT 1'
FDNS	05G0888		0 11G	G08_088	'TO->FROM'	'DEAF SMITH COUNTY INTERCHANGE - S-RANDLCO	230.00 230KV CKT 1'	350	0.06117	104.6042	'2008-047T	345.00 - WWRDEHV7	'MIDLAND COUNTY INTERCHANGE 230/138KV TRANSFORMER CKT 1'
FDNS	05G0888		0 11G	G08_088	'TO->FROM'	'DEAF SMITH COUNTY INTERCHANGE - S-RANDLCO	230.00 230KV CKT 1'	350	0.06127	107.5081	'2008-047T	345.00 - WWRDEHV7	'HOVEY TAP - TRI COUNTY REC-HOVEY SUB 69KV CKT 1'
FDNS	05G0888		0 11G	G08_088	'TO->FROM'	'DEAF SMITH COUNTY INTERCHANGE - S-RANDLCO	230.00 230KV CKT 1'	350	0.06127	107.5089	'2008-047T	345.00 - WWRDEHV7	'HOVEY TAP - THOMPSON SUB 69KV CKT 1'
FDNS	05G0888		0 11G	G08_088	'TO->FROM'	'DEAF SMITH COUNTY INTERCHANGE - S-RANDLCO	230.00 230KV CKT 1'	350	0.06792	108.1679	'2008-047T	345.00 - WWRDEHV7	'HITCHLAND INTERCHANGE - MOORE COUNTY INTERCHANGE 230KV CKT 1'
FDNS	05G0888		0 11G	G08_088	'FROM->TO'	'ELK CITY 230KV (ELKCTY-6)		287	0.12285	101.2733	'2008-047T	345.00 - WWRDEHV7	'HITCHLAND INTERCHANGE - MOORE COUNTY INTERCHANGE 230KV CKT 1'
FDNS	05G0888		0 11G	G08_088	'FROM->TO'	230/138/13.8KV TRANSFORMER CKT 1'		287	0.12285	100.421	'2008-047T	345.00 - WWRDEHV7	'HITCHLAND INTERCHANGE - MOORE COUNTY INTERCHANGE 230KV CKT 1'
FDNS	05G0888		0 11G	G08_088	'TO->FROM'	'DEAF SMITH COUNTY INTERCHANGE - S-RANDLCO	230.00 230KV CKT 1'	350	0.06952	108.4059	'2008-047T	345.00 - WWRDEHV7	'Hitchland Interchange - STEVENSCO 345.00 345KV CKT 1'
FDNS	05G0888		0 11G	G08_088	'FROM->TO'	'ELK CITY 230KV (ELKCTY-6)		287	0.12695	102.256	'2008-047T	345.00 - WWRDEHV7	'Hitchland Interchange - STEVENSCO 345.00 345KV CKT 1'
FDNS	05G0888		0 11G	G08_088	'FROM->TO'	230/138/13.8KV TRANSFORMER CKT 1'		287	0.12695	101.377	'2008-047T	345.00 - WWRDEHV7	'Hitchland Interchange - STEVENSCO 345.00 345KV CKT 1'
FDNS	05G0888		0 11G	G08_088	'TO->FROM'	'DEAF SMITH COUNTY INTERCHANGE - S-RANDLCO	230.00 230KV CKT 1'	350	0.08563	117.6333	'2008-047T	345.00 - WWRDEHV7	'G05-17T 345.00 - Hitchland Interchange 345KV CKT 1'
FDNS	05G0888		0 11G	G08_088	'FROM->TO'	'G07-48T 230.00 - SWISHER COUNTY INTERCHANGE 230KV CKT 1'		351	0.14843	100.4492	'2008-047T	345.00 - WWRDEHV7	'G05-17T 345.00 - Hitchland Interchange 345KV CKT 1'
FDNS	05G0888		0 11G	G08_088	'FROM->TO'	'ELK CITY 230KV (ELKCTY-6)		287	0.14071	115.8461	'2008-047T	345.00 - WWRDEHV7	'G05-17T 345.00 - Hitchland Interchange 345KV CKT 1'
FDNS	05G0888		0 11G	G08_088	'FROM->TO'	230/138/13.8KV TRANSFORMER CKT 1'		287	0.14071	114.3817	'2008-047T	345.00 - WWRDEHV7	'G05-17T 345.00 - Hitchland Interchange 345KV CKT 1'
FDNS	05G0888		0 11G	G08_088	'TO->FROM'	'DEAF SMITH COUNTY INTERCHANGE - S-RANDLCO	230.00 230KV CKT 1'	350	0.06497	108.6083	'2008-047T	345.00 - WWRDEHV7	'2008-047T 345.00 - Hitchland Interchange 345KV CKT 1'
FDNS	05G0888		0 11G	G08_088	'FROM->TO'	'ELK CITY 230KV (ELKCTY-6)		287	0.11881	102.3074	'2008-047T	345.00 - WWRDEHV7	'2008-047T 345.00 - Hitchland Interchange 345KV CKT 1'
FDNS	05G0888		0 11G	G08_088	'FROM->TO'	'ELK CITY 230KV (ELKCTY-6)		287	0.11881	101.4181	'2008-047T	345.00 - WWRDEHV7	'2008-047T 345.00 - Hitchland Interchange 345KV CKT 1'
FDNS	05G0888		0 11G	G08_088	'TO->FROM'	'DEAF SMITH COUNTY INTERCHANGE - S-RANDLCO	230.00 230KV CKT 1'	350	0.06497	108.6083	'2008-047T	345.00 - WWRDEHV7	'2008-047T 345.00 - Hitchland Interchange 345KV CKT 2'
FDNS	05G0888		0 11G	G08_088	'FROM->TO'	'ELK CITY 230KV (ELKCTY-6)		287	0.11881	102.3074	'2008-047T	345.00 - WWRDEHV7	'2008-047T 345.00 - Hitchland Interchange 345KV CKT 2'
FDNS	05G0888		0 11G	G08_088	'FROM->TO'	230/138/13.8KV TRANSFORMER CKT 1'		287	0.11881	101.4181	'2008-047T	345.00 - WWRDEHV7	'2008-047T 345.00 - Hitchland Interchange 345KV CKT 2'

SOLUTION	GROUP	SCENARIO	SEASON	SOURCE	DIRECTION	MONITORED ELEMENT		RATE B	TDF	TC%	LOADING	CONTINGENCY NAME
						COMMON NAME						
FDNS	05G0888		0 11G	G08_088	'TO->FROM'	'DEAF SMITH COUNTY INTERCHANGE - S-RANDLCO 230.00 230KV CKT 1'		350	0.06127			'OCHILTREE 3115.00 - PERRYTON INTERCHANGE 115KV CKT 1'
FDNS	05G0888		0 11G	G08_088	'TO->FROM'	'DEAF SMITH COUNTY INTERCHANGE - S-RANDLCO 230.00 230KV CKT 1'		350	0.06127			'DALLAM COUNTY INTERCHANGE 115/69KV TRANSFORMER CKT 1'
FDNS	05G0888		0 11G	G08_088	'TO->FROM'	'DEAF SMITH COUNTY INTERCHANGE - S-RANDLCO 230.00 230KV CKT 1'		350	0.06127			'DALHART INTERCHANGE 115/69KV TRANSFORMER CKT 1'
FDNS	05G0888		0 11G	G08_088	'TO->FROM'	'DEAF SMITH COUNTY INTERCHANGE - S-RANDLCO 230.00 230KV CKT 1'		350	0.06656			'MOORE COUNTY INTERCHANGE - POTTER COUNTY INTERCHANGE 230KV CKT 1'
FDNS	05G0888		0 11G	G08_088	'FROM->TO'	'ELK CITY 230KV (ELKCTY-6) 230/138/13.8KV TRANSFORMER CKT 1'		287	0.11862			'MOORE COUNTY INTERCHANGE - POTTER COUNTY INTERCHANGE 230KV CKT 1'
FDNS	05G0888		0 11G	G08_088	'FROM->TO'	'ELK CITY 230KV (ELKCTY-6) 230/138/13.8KV TRANSFORMER CKT 1'		287	0.11862			'MOORE COUNTY INTERCHANGE - POTTER COUNTY INTERCHANGE 230KV CKT 1'
FDNS	05G0888		0 11G	G08_088	'TO->FROM'	'DEAF SMITH COUNTY INTERCHANGE - S-RANDLCO 230.00 230KV CKT 1'		350	0.06127			'NORTH PLAINS REC-MIAMI - ROBERTS COUNTY SUB 69KV CKT 1'
FDNS	05G0888		0 11G	G08_088	'TO->FROM'	'DEAF SMITH COUNTY INTERCHANGE - S-RANDLCO 230.00 230KV CKT 1'		350	0.06127			'ROBERTS COUNTY SUB - ROBERTS COUNTY TAP 69KV CKT 1'
FDNS	05G0888		0 11G	G08_088	'TO->FROM'	'DEAF SMITH COUNTY INTERCHANGE - S-RANDLCO 230.00 230KV CKT 1'		350	0.06127			'CRMWA#23TP 269.000 - GRAY COUNTY INTERCHANGE 69KV CKT 1'
FDNS	05G0888		0 11G	G08_088	'TO->FROM'	'DEAF SMITH COUNTY INTERCHANGE - S-RANDLCO 230.00 230KV CKT 1'		350	0.06127			'BOWERS INTERCHANGE - ROBERTS COUNTY TAP 69KV CKT 1'
FDNS	05G0888		0 11G	G08_088	'FROM->TO'	'ELK CITY 230KV (ELKCTY-6) 230/138/13.8KV TRANSFORMER CKT 1'		287	0.10881			'GRAPEVINE INTERCHANGE 230/115KV TRANSFORMER CKT 1'
FDNS	05G0888		0 11G	G08_088	'FROM->TO'	'ELK CITY 230KV (ELKCTY-6) 230/138/13.8KV TRANSFORMER CKT 1'		287	0.10881			'GRAPEVINE INTERCHANGE 230/115KV TRANSFORMER CKT 1'
FDNS	05G0888		0 11G	G08_088	'FROM->TO'	'ELK CITY 230KV (ELKCTY-6) 230/138/13.8KV TRANSFORMER CKT 1'		287	0.11244			'GRAPEVINE INTERCHANGE - KIRBY SWITCHING STATION 115KV CKT 1'
FDNS	05G0888		0 11G	G08_088	'FROM->TO'	'ELK CITY 230KV (ELKCTY-6) 230/138/13.8KV TRANSFORMER CKT 1'		287	0.11244			'GRAPEVINE INTERCHANGE - KIRBY SWITCHING STATION 115KV CKT 1'
FDNS	05G0888		0 11G	G08_088	'TO->FROM'	'DEAF SMITH COUNTY INTERCHANGE - S-RANDLCO 230.00 230KV CKT 1'		350	0.07131			'GRAPEVINE INTERCHANGE - STATELINE INTERCHANGE 230KV CKT 1'
FDNS	05G0888		0 11G	G08_088	'TO->FROM'	'DEAF SMITH COUNTY INTERCHANGE - S-RANDLCO 230.00 230KV CKT 1'		350	0.06716			'GRAPEVINE INTERCHANGE - NICHOLS STATION 230KV CKT 1'
FDNS	05G0888		0 11G	G08_088	'TO->FROM'	'DEAF SMITH COUNTY INTERCHANGE - S-RANDLCO 230.00 230KV CKT 1'		350	0.04651			'BORDER 7345.00 - TUCO INTERCHANGE 345KV CKT 1'
FDNS	05G0888		0 11G	G08_088	'TO->FROM'	'DEAF SMITH COUNTY INTERCHANGE - S-RANDLCO 230.00 230KV CKT 1'		350	0.06127			'Graves Sub - STATELINE INTERCHANGE 115KV CKT 1'
FDNS	05G0888		0 11G	G08_088	'FROM->TO'	'ELK CITY 230KV (ELKCTY-6) 230/138/13.8KV TRANSFORMER CKT 1'		287	0.11432			'Graves Sub - STATELINE INTERCHANGE 115KV CKT 1'
FDNS	05G0888		0 11G	G08_088	'FROM->TO'	'ELK CITY 230KV (ELKCTY-6) 230/138/13.8KV TRANSFORMER CKT 1'		287	0.11432			'Graves Sub - STATELINE INTERCHANGE 115KV CKT 1'
FDNS	05G0888		0 11G	G08_088	'TO->FROM'	'DEAF SMITH COUNTY INTERCHANGE - S-RANDLCO 230.00 230KV CKT 1'		350	0.07131			'STATELINE INTERCHANGE - STLN-DEMARC6230.00 230KV CKT 1'
FDNS	05G0888		0 11G	G08_088	'TO->FROM'	'DEAF SMITH COUNTY INTERCHANGE - S-RANDLCO 230.00 230KV CKT 1'		350	0.06127			'GRAVES SUB - GREENBELT REC- WHEELER 69KV CKT 1'
FDNS	05G0888		0 11G	G08_088	'FROM->TO'	'ELK CITY 230KV (ELKCTY-6) 230/138/13.8KV TRANSFORMER CKT 1'		287	0.11432			'GRAVES SUB - GREENBELT REC- WHEELER 69KV CKT 1'
FDNS	05G0888		0 11G	G08_088	'TO->FROM'	'DEAF SMITH COUNTY INTERCHANGE - S-RANDLCO 230.00 230KV CKT 1'		350	0.06223			'MCLELLAN SUB - MCLEAN RURAL SUB 115KV CKT 1'
FDNS	05G0888		0 11G	G08_088	'FROM->TO'	'ELK CITY 230KV (ELKCTY-6) 230/138/13.8KV TRANSFORMER CKT 1'		287	0.11955			'MCLELLAN SUB - MCLEAN RURAL SUB 115KV CKT 1'
FDNS	05G0888		0 11G	G08_088	'FROM->TO'	'ELK CITY 230KV (ELKCTY-6) 230/138/13.8KV TRANSFORMER CKT 1'		287	0.11955			'MCLELLAN SUB - MCLEAN RURAL SUB 115KV CKT 1'
FDNS	05G0888		0 11G	G08_088	'TO->FROM'	'DEAF SMITH COUNTY INTERCHANGE - S-RANDLCO 230.00 230KV CKT 1'		350	0.06223			'KIRBY SWITCHING STATION - MCLELLAN SUB 115KV CKT 1'

SOLUTION	GROUP	SCENARIO	SEASON	SOURCE	DIRECTION	MONITORED ELEMENT		RATE B	TDF	TC%	LOADING	CONTINGENCY NAME
						COMMON NAME						
FDNS	05G0888		0 11G	G08_088	'FROM->TO'	'ELK CITY 230KV (ELKCTY-6) 230/138/13.8KV TRANSFORMER CKT 1'		287	0.11955	104.1868		'KIRBY SWITCHING STATION - MCCLELLAN SUB 115KV CKT 1'
FDNS	05G0888		0 11G	G08_088	'FROM->TO'	'ELK CITY 230KV (ELKCTY-6) 230/138/13.8KV TRANSFORMER CKT 1'		287	0.11955	103.2997		'KIRBY SWITCHING STATION - MCCLELLAN SUB 115KV CKT 1'
FDNS	05G0888		0 11G	G08_088	'TO->FROM'	'DEAF SMITH COUNTY INTERCHANGE - S- RANDLCO 230.00 230KV CKT 1'		350	0.06932	109.7329		'FINNEY SWITCHING STATION - STEVENS CO 345.00 345KV CKT 1'
FDNS	05G0888		0 11G	G08_088	'FROM->TO'	'ELK CITY 230KV (ELKCTY-6) 230/138/13.8KV TRANSFORMER CKT 1'		287	0.12664	104.9835		'FINNEY SWITCHING STATION - STEVENS CO 345.00 345KV CKT 1'
FDNS	05G0888		0 11G	G08_088	'FROM->TO'	'ELK CITY 230KV (ELKCTY-6) 230/138/13.8KV TRANSFORMER CKT 1'		287	0.12664	104.0145		'FINNEY SWITCHING STATION - STEVENS CO 345.00 345KV CKT 1'
FDNS	05G0888		0 11G	G08_088	'TO->FROM'	'DEAF SMITH COUNTY INTERCHANGE - S- RANDLCO 230.00 230KV CKT 1'		350	0.06127	107.7137		'HIGHLAND PARK SUB - HIGHLAND PARK TAP 115KV CKT 1'
FDNS	05G0888		0 11G	G08_088	'TO->FROM'	'DEAF SMITH COUNTY INTERCHANGE - S- RANDLCO 230.00 230KV CKT 1'		350	0.0657	111.991		'BUSHLAND INTERCHANGE - POTTER COUNTY INTERCHANGE 230KV CKT 1'
FDNS	05G0888		0 11G	G08_088	'TO->FROM'	'DEAF SMITH COUNTY INTERCHANGE - S- RANDLCO 230.00 230KV CKT 1'		350	0.05115	113.8502		'POTTER COUNTY INTERCHANGE - S- RANDLCO 230.00 230KV CKT 1'
FDNS	05G0888		0 11G	G08_088	'TO->FROM'	'DEAF SMITH COUNTY INTERCHANGE - S- RANDLCO 230.00 230KV CKT 1'		350	0.08588	116.2221		'G05-17T 345.00 - POTTER COUNTY INTERCHANGE 345KV CKT 1'
FDNS	05G0888		0 11G	G08_088	'FROM->TO'	'ELK CITY 230KV (ELKCTY-6) 230/138/13.8KV TRANSFORMER CKT 1'		287	0.14099	113.2162		'G05-17T 345.00 - POTTER COUNTY INTERCHANGE 345KV CKT 1'
FDNS	05G0888		0 11G	G08_088	'FROM->TO'	'ELK CITY 230KV (ELKCTY-6) 230/138/13.8KV TRANSFORMER CKT 1'		287	0.14099	111.8867		'G05-17T 345.00 - POTTER COUNTY INTERCHANGE 345KV CKT 1'
FDNS	05G0888		0 11G	G08_088	'TO->FROM'	'DEAF SMITH COUNTY INTERCHANGE - S- RANDLCO 230.00 230KV CKT 1'		350	0.05682	107.288		'EAST PLANT INTERCHANGE - HARRINGTON STATION 230KV CKT 1'
FDNS	05G0888		0 11G	G08_088	'TO->FROM'	'DEAF SMITH COUNTY INTERCHANGE - S- RANDLCO 230.00 230KV CKT 1'		350	0.05336	108.3023		'Harrington Station East Bus - Harrington Station Mid Bus 230KV CKT 1'
FDNS	05G0888		0 11G	G08_088	'TO->FROM'	'DEAF SMITH COUNTY INTERCHANGE - S- RANDLCO 230.00 230KV CKT 1'		350	0.05477	107.3651		'Harrington Station Mid Bus - RANDALL COUNTY INTERCHANGE 230KV CKT 1'
FDNS	05G0888		0 11G	G08_088	'TO->FROM'	'DEAF SMITH COUNTY INTERCHANGE - S- RANDLCO 230.00 230KV CKT 1'		350	0.05522	108.4217		'AMARILLO SOUTH INTERCHANGE - NICHOLS STATION 230KV CKT 1'
FDNS	05G0888		0 11G	G08_088	'TO->FROM'	'DEAF SMITH COUNTY INTERCHANGE - S- RANDLCO 230.00 230KV CKT 1'		350	0.06127	107.408		'BUSH SUB - NORTHWEST INTERCHANGE 115KV CKT 1'
FDNS	05G0888		0 11G	G08_088	'TO->FROM'	'DEAF SMITH COUNTY INTERCHANGE - S- RANDLCO 230.00 230KV CKT 1'		350	0.06127	107.1862		'VAN BUREN SUB 1 - VAN BUREN SUB 1 TAP 69KV CKT 1'
FDNS	05G0888		0 11G	G08_088	'TO->FROM'	'DEAF SMITH COUNTY INTERCHANGE - S- RANDLCO 230.00 230KV CKT 1'		350	0.06127	107.1334		'EAST PLANT INTERCHANGE - VAN BUREN SUB 2 69KV CKT 1'
FDNS	05G0888		0 11G	G08_088	'TO->FROM'	'DEAF SMITH COUNTY INTERCHANGE - S- RANDLCO 230.00 230KV CKT 1'		350	0.05682	107.2897		'EAST PLANT INTERCHANGE 230/115KV TRANSFORMER CKT 1'
FDNS	05G0888		0 11G	G08_088	'TO->FROM'	'DEAF SMITH COUNTY INTERCHANGE - S- RANDLCO 230.00 230KV CKT 1'		350	0.06127	107.3561		'PIERCE STREET SUB - PIERCE STREET TAP 115KV CKT 1'
FDNS	05G0888		0 11G	G08_088	'TO->FROM'	'DEAF SMITH COUNTY INTERCHANGE - S- RANDLCO 230.00 230KV CKT 1'		350	0.04406	108.9982		'BUSHLAND INTERCHANGE 230/115KV TRANSFORMER CKT 1'
FDNS	05G0888		0 11G	G08_088	'TO->FROM'	'DEAF SMITH COUNTY INTERCHANGE - S- RANDLCO 230.00 230KV CKT 1'		350	0.04406	108.9909		'BUSHLAND INTERCHANGE - COULTER INTERCHANGE 115KV CKT 1'
FDNS	05G0888		0 11G	G08_088	'TO->FROM'	'DEAF SMITH COUNTY INTERCHANGE - S- RANDLCO 230.00 230KV CKT 1'		350	0.04077	109.1593		'BUSHLAND INTERCHANGE - S- RANDLCO 230.00 230KV CKT 1'
FDNS	05G0888		0 11G	G08_088	'TO->FROM'	'DEAF SMITH COUNTY INTERCHANGE - S- RANDLCO 230.00 230KV CKT 1'		350	0.06127	107.5128		'RANDALL COUNTY INTERCHANGE - SOUTHEAST SUB 115KV CKT 1'
FDNS	05G0888		0 11G	G08_088	'TO->FROM'	'DEAF SMITH COUNTY INTERCHANGE - S- RANDLCO 230.00 230KV CKT 1'		350	0.0959	111.1486		'CANYON EAST SUB - OSAGE SWITCHING STATION 115KV CKT 1'
FDNS	05G0888		0 11G	G08_088	'TO->FROM'	'DEAF SMITH COUNTY INTERCHANGE - S- RANDLCO 230.00 230KV CKT 1'		350	0.05477	107.3706		'RANDALL COUNTY INTERCHANGE 230/115KV TRANSFORMER CKT 1'
FDNS	05G0888		0 11G	G08_088	'TO->FROM'	'DEAF SMITH COUNTY INTERCHANGE - S- RANDLCO 230.00 230KV CKT 1'		350	0.06127	108.2064		'PALO DURO SUB - RANDALL COUNTY INTERCHANGE 115KV CKT 1'
FDNS	05G0888		0 11G	G08_088	'TO->FROM'	'DEAF SMITH COUNTY INTERCHANGE - S- RANDLCO 230.00 230KV CKT 1'		350	0.06127	108.4184		'ESTACADO SUB - ESTACADO TAP 115KV CKT 1'

SOLUTION	GROUP	SCENARIO	SEASON	SOURCE	DIRECTION	MONITORED ELEMENT		RATE B	TDF	TC%	LOADING	CONTINGENCY NAME
						COMMON NAME						
FDNS	05G0888		0 11G	G08_088	'TO->FROM'	'DEAF SMITH COUNTY INTERCHANGE - S-RANDLCO 230.00 230KV CKT 1'		350	0.0959	109.1526		'CANYON EAST SUB - CANYON WEST SUB 115KV CKT 1'
FDNS	05G0888		0 11G	G08_088	'TO->FROM'	'DEAF SMITH COUNTY INTERCHANGE - S-RANDLCO 230.00 230KV CKT 1'		350	0.06127	108.165		'HAPPY INTERCHANGE - PALO DURO SUB 115KV CKT 1'
FDNS	05G0888		0 11G	G08_088	'TO->FROM'	'DEAF SMITH COUNTY INTERCHANGE - S-RANDLCO 230.00 230KV CKT 1'		350	0.06127	104.6179		'HEREFORD CENTRE STREET SUB - NORTHEAST HEREFORD INTERCHANGE 69KV CKT 1'
FDNS	05G0888		0 11G	G08_088	'TO->FROM'	'DEAF SMITH COUNTY INTERCHANGE - S-RANDLCO 230.00 230KV CKT 1'		350	0.06127	104.5562		'DEAF SMITH REC-METERING STATION - NORTHEAST HEREFORD INTERCHANGE 69KV CKT 1'
FDNS	05G0888		0 11G	G08_088	'TO->FROM'	'DEAF SMITH COUNTY INTERCHANGE - S-RANDLCO 230.00 230KV CKT 1'		350	0.06127	102.8798		'NORTHEAST HEREFORD INTERCHANGE 115/69KV TRANSFORMER CKT 1'
FDNS	05G0888		0 11G	G08_088	'TO->FROM'	'DEAF SMITH COUNTY INTERCHANGE - S-RANDLCO 230.00 230KV CKT 1'		350	0.06127	102.8741		'DEAF SMITH COUNTY INTERCHANGE - NORTHEAST HEREFORD INTERCHANGE 115KV CKT 1'
FDNS	05G0888		0 11G	G08_088	'TO->FROM'	'DEAF SMITH COUNTY INTERCHANGE - S-RANDLCO 230.00 230KV CKT 1'		350	0.05625	101.8512		'DS-#6 3 115.00 - HEREFORD INTERCHANGE 115KV CKT 1'
FDNS	05G0888		0 11G	G08_088	'FROM->TO'	'ELK CITY 230KV (ELKCTY-6) 230/138/13.8KV TRANSFORMER CKT 1'		287	0.11664	100.0503		'DEAF SMITH COUNTY INTERCHANGE - PLANT X STATION 230KV CKT 1'
FDNS	05G0888		0 11G	G08_088	'FROM->TO'	'G07-48T 230.00 - SWISHER COUNTY INTERCHANGE 230KV CKT 1'		351	0.13551	103.7541		'DEAF SMITH COUNTY INTERCHANGE - S-RANDLCO 230.00 230KV CKT 1'
FDNS	05G0888		0 11G	G08_088	'FROM->TO'	'ELK CITY 230KV (ELKCTY-6) 230/138/13.8KV TRANSFORMER CKT 1'		287	0.11612	101.9671		'DEAF SMITH COUNTY INTERCHANGE - S-RANDLCO 230.00 230KV CKT 1'
FDNS	05G0888		0 11G	G08_088	'FROM->TO'	'ELK CITY 230KV (ELKCTY-6) 230/138/13.8KV TRANSFORMER CKT 1'		287	0.11612	101.0934		'DEAF SMITH COUNTY INTERCHANGE - S-RANDLCO 230.00 230KV CKT 1'
FDNS	05G0888		0 11G	G08_088	'TO->FROM'	'DEAF SMITH COUNTY INTERCHANGE - S-RANDLCO 230.00 230KV CKT 1'		350	0.05625	102.2409		'DS-#6 3 115.00 - FRIONA SUB 115KV CKT 1'
FDNS	05G0888		0 11G	G08_088	'TO->FROM'	'DEAF SMITH COUNTY INTERCHANGE - S-RANDLCO 230.00 230KV CKT 1'		350	0.05625	102.9494		'CARGILL SUB - FRIONA SUB 115KV CKT 1'
FDNS	05G0888		0 11G	G08_088	'TO->FROM'	'DEAF SMITH COUNTY INTERCHANGE - S-RANDLCO 230.00 230KV CKT 1'		350	0.05625	103.484		'CARGILL SUB - PARMER COUNTY SUB 115KV CKT 1'
FDNS	05G0888		0 11G	G08_088	'TO->FROM'	'DEAF SMITH COUNTY INTERCHANGE - S-RANDLCO 230.00 230KV CKT 1'		350	0.05625	104.0195		'DEAF SMITH REC-#20 - PARMER COUNTY SUB 115KV CKT 1'
FDNS	05G0888		0 11G	G08_088	'TO->FROM'	'DEAF SMITH COUNTY INTERCHANGE - S-RANDLCO 230.00 230KV CKT 1'		350	0.05625	104.7245		'CURRY COUNTY INTERCHANGE - DEAF SMITH REC-#20 115KV CKT 1'
FDNS	05G0888		0 11G	G08_088	'TO->FROM'	'DEAF SMITH COUNTY INTERCHANGE - S-RANDLCO 230.00 230KV CKT 1'		350	0.05417	103.6625		'BAILEY COUNTY REC-EARTH INTERCHANGE - CASTRO COUNTY INTERCHANGE 115KV CKT 1'
FDNS	05G0888		0 11G	G08_088	'TO->FROM'	'DEAF SMITH COUNTY INTERCHANGE - S-RANDLCO 230.00 230KV CKT 1'		350	0.061	105.0816		'CHAVES COUNTY INTERCHANGE - SAN JUAN MESA TAP 230KV CKT 1'
FDNS	05G0888		0 11G	G08_088	'TO->FROM'	'DEAF SMITH COUNTY INTERCHANGE - S-RANDLCO 230.00 230KV CKT 1'		350	0.06087	107.4181		'ROOSEVELT COUNTY INTERCHANGE 230/115KV TRANSFORMER CKT 1'
FDNS	05G0888		0 11G	G08_088	'TO->FROM'	'DEAF SMITH COUNTY INTERCHANGE - S-RANDLCO 230.00 230KV CKT 1'		350	0.05417	106.4375		'BAILEY COUNTY REC-EARTH INTERCHANGE - PLANT X STATION 115KV CKT 1'
FDNS	05G0888		0 11G	G08_088	'TO->FROM'	'DEAF SMITH COUNTY INTERCHANGE - S-RANDLCO 230.00 230KV CKT 1'		350	0.06127	107.658		'HAPPY INTERCHANGE - SWISHER COUNTY REC-HAPPY 69KV CKT 1'
FDNS	05G0888		0 11G	G08_088	'TO->FROM'	'DEAF SMITH COUNTY INTERCHANGE - S-RANDLCO 230.00 230KV CKT 1'		350	0.06346	109.0521		'KRESS INTERCHANGE - SWISHER COUNTY INTERCHANGE 115KV CKT 1'
FDNS	05G0888		0 11G	G08_088	'TO->FROM'	'DEAF SMITH COUNTY INTERCHANGE - S-RANDLCO 230.00 230KV CKT 1'		350	0.06346	107.5174		'HALE CO INTERCHANGE - KRESS INTERCHANGE 115KV CKT 1'
FDNS	05G0888		0 11G	G08_088	'TO->FROM'	'DEAF SMITH COUNTY INTERCHANGE - S-RANDLCO 230.00 230KV CKT 1'		350	0.06346	109.0533		'SWISHER COUNTY INTERCHANGE 230/115KV TRANSFORMER CKT 1'
FDNS	05G0888		0 11G	G08_088	'TO->FROM'	'DEAF SMITH COUNTY INTERCHANGE - S-RANDLCO 230.00 230KV CKT 1'		350	0.07757	115.6681		'SWISHER COUNTY INTERCHANGE - TUCO INTERCHANGE 230KV CKT 1'
FDNS	05G0888		0 11G	G08_088	'FROM->TO'	'SWISHER COUNTY INTERCHANGE 230/115KV TRANSFORMER CKT 1'		150	0.05708	105.3389		'SWISHER COUNTY INTERCHANGE - TUCO INTERCHANGE 230KV CKT 1'

SOLUTION	GROUP	SCENARIO	SEASON	SOURCE	DIRECTION	MONITORED ELEMENT		RATE B	TDF	TC%	LOADING	CONTINGENCY NAME
						COMMON NAME						
FDNS	05G0888		0 11G	G08_088	'FROM->TO'	'ELK CITY 230KV (ELKCTY-6) 230/138/13.8KV TRANSFORMER CKT 1'		287	0.12162	103.4063		'SWISHER COUNTY INTERCHANGE - TUCO INTERCHANGE 230KV CKT 1'
FDNS	05G0888		0 11G	G08_088	'FROM->TO'	'ELK CITY 230KV (ELKCTY-6) 230/138/13.8KV TRANSFORMER CKT 1'		287	0.12162	102.4823		'SWISHER COUNTY INTERCHANGE - TUCO INTERCHANGE 230KV CKT 1'
FDNS	05G0888		0 11G	G08_088	'TO->FROM'	'DEAF SMITH COUNTY INTERCHANGE - S-RANDLCO 230.00 230KV CKT 1'		350	0.09653	130.0412		'G07-48T 230.00 - SWISHER COUNTY INTERCHANGE 230KV CKT 1'
FDNS	05G0888		0 11G	G08_088	'FROM->TO'	'ELK CITY 230KV (ELKCTY-6) 230/138/13.8KV TRANSFORMER CKT 1'		287	0.12598	107.5077		'G07-48T 230.00 - SWISHER COUNTY INTERCHANGE 230KV CKT 1'
FDNS	05G0888		0 11G	G08_088	'FROM->TO'	'DEAF SMITH COUNTY INTERCHANGE - S-RANDLCO 230.00 230KV CKT 1'		287	0.12598	106.4252		'G07-48T 230.00 - SWISHER COUNTY INTERCHANGE 230KV CKT 1'
FDNS	05G0888		0 11G	G08_088	'TO->FROM'	'DEAF SMITH COUNTY INTERCHANGE - S-RANDLCO 230.00 230KV CKT 1'		350	0.06065	104.3074		'LAMB COUNTY REC-SOUTH OLTON - LAMTON INTERCHANGE 115KV CKT 1'
FDNS	05G0888		0 11G	G08_088	'TO->FROM'	'DEAF SMITH COUNTY INTERCHANGE - S-RANDLCO 230.00 230KV CKT 1'		350	0.06065	104.9941		'HALE CO INTERCHANGE - LAMTON INTERCHANGE 115KV CKT 1'
FDNS	05G0888		0 11G	G08_088	'TO->FROM'	'DEAF SMITH COUNTY INTERCHANGE - S-RANDLCO 230.00 230KV CKT 1'		350	0.06065	104.1315		'LAMB COUNTY REC-SOUTH OLTON - PLANT X STATION 115KV CKT 1'
FDNS	05G0888		0 11G	G08_088	'TO->FROM'	'DEAF SMITH COUNTY INTERCHANGE - S-RANDLCO 230.00 230KV CKT 1'		350	0.06061	104.4136		'HALE CO INTERCHANGE - PLANT X STATION 115KV CKT 1'
FDNS	05G0888		0 11G	G08_088	'TO->FROM'	'DEAF SMITH COUNTY INTERCHANGE - S-RANDLCO 230.00 230KV CKT 1'		350	0.05893	100.3212		'PLANT X STATION - SUNDOWN INTERCHANGE 230KV CKT 1'
FDNS	05G0888		0 11G	G08_088	'TO->FROM'	'DEAF SMITH COUNTY INTERCHANGE - S-RANDLCO 230.00 230KV CKT 1'		350	0.0995	136.5571		'PLANT X STATION - S-RANDLCO 230.00 230KV CKT 1'
FDNS	05G0888		0 11G	G08_088	'FROM->TO'	'ELK CITY 230KV (ELKCTY-6) 230/138/13.8KV TRANSFORMER CKT 1'		287	0.11608	100		'PLANT X STATION - S-RANDLCO 230.00 230KV CKT 1'
FDNS	05G0888		0 11G	G08_088	'FROM->TO'	'G07-48T 230.00 - SWISHER COUNTY INTERCHANGE 230KV CKT 1'		351	0.13296	102.0902		'TOLK STATION EAST - TUCO INTERCHANGE 230KV CKT 1'
FDNS	05G0888		0 11G	G08_088	'FROM->TO'	'ELK CITY 230KV (ELKCTY-6) 230/138/13.8KV TRANSFORMER CKT 1'		287	0.11598	102.4184		'TOLK STATION EAST - TUCO INTERCHANGE 230KV CKT 1'
FDNS	05G0888		0 11G	G08_088	'FROM->TO'	'ELK CITY 230KV (ELKCTY-6) 230/138/13.8KV TRANSFORMER CKT 1'		287	0.11598	101.5283		'TOLK STATION EAST - TUCO INTERCHANGE 230KV CKT 1'
FDNS	05G0888		0 11G	G08_088	'TO->FROM'	'DEAF SMITH COUNTY INTERCHANGE - S-RANDLCO 230.00 230KV CKT 1'		350	0.06074	105.1307		'TOLK STATION WEST - YOAKUM COUNTY INTERCHANGE 230KV CKT 1'
FDNS	05G0888		0 11G	G08_088	'TO->FROM'	'DEAF SMITH COUNTY INTERCHANGE - S-RANDLCO 230.00 230KV CKT 1'		350	0.06097	105.1408		'HOCKLEY COUNTY INTERCHANGE - LAMB COUNTY INTERCHANGE 115KV CKT 1'
FDNS	05G0888		0 11G	G08_088	'TO->FROM'	'DEAF SMITH COUNTY INTERCHANGE - S-RANDLCO 230.00 230KV CKT 1'		350	0.06028	107.5992		'JONES STATION - TUCO INTERCHANGE 230KV CKT 1'
FDNS	05G0888		0 11G	G08_088	'FROM->TO'	'ELK CITY 230KV (ELKCTY-6) 230/138/13.8KV TRANSFORMER CKT 1'		287	0.13234	108.4875		'G08-14T 345.00 - TUCO INTERCHANGE 345KV CKT 1'
FDNS	05G0888		0 11G	G08_088	'FROM->TO'	'ELK CITY 230KV (ELKCTY-6) 230/138/13.8KV TRANSFORMER CKT 1'		287	0.13234	107.3789		'G08-14T 345.00 - TUCO INTERCHANGE 345KV CKT 1'
FDNS	05G0888		0 11G	G08_088	'TO->FROM'	'DEAF SMITH COUNTY INTERCHANGE - S-RANDLCO 230.00 230KV CKT 1'		350	0.06092	105.2562		'DOUD SUB - YUMA INTERCHANGE 115KV CKT 1'
FDNS	05G0888		0 11G	G08_088	'TO->FROM'	'DEAF SMITH COUNTY INTERCHANGE - S-RANDLCO 230.00 230KV CKT 1'		350	0.0596	102.8971		'LUBBOCK SOUTH INTERCHANGE - WOLFFORTH INTERCHANGE 230KV CKT 1'
FDNS	05G0888		0 11G	G08_088	'TO->FROM'	'DEAF SMITH COUNTY INTERCHANGE - S-RANDLCO 230.00 230KV CKT 1'		350	0.05898	100.9267		'SUNDOWN INTERCHANGE - WOLFFORTH INTERCHANGE 230KV CKT 1'
FDNS	05G0888		0 11G	G08_088	'TO->FROM'	'DEAF SMITH COUNTY INTERCHANGE - S-RANDLCO 230.00 230KV CKT 1'		350	0.06139	105.3025		'AMOCO SWITCHING STATION - YOAKUM COUNTY INTERCHANGE 230KV CKT 1'
FDNS	05G0888		0 11G	G08_088	'TO->FROM'	'DEAF SMITH COUNTY INTERCHANGE - S-RANDLCO 230.00 230KV CKT 1'		350	0.06092	104.9188		'WOLFFORTH INTERCHANGE - YUMA INTERCHANGE 115KV CKT 1'
FDNS	05G0888		0 11G	G08_088	'TO->FROM'	'DEAF SMITH COUNTY INTERCHANGE - S-RANDLCO 230.00 230KV CKT 1'		350	0.0611	105.1574		'CHAVESCO 345.00 - EDDY COUNTY INTERCHANGE 345KV CKT 1'
FDNS	05G0888		0 11G	G08_088	'TO->FROM'	'DEAF SMITH COUNTY INTERCHANGE - S-RANDLCO 230.00 230KV CKT 1'		350	0.06117	104.599		'HOBBS INTERCHANGE - MIDLAND COUNTY INTERCHANGE 230KV CKT 1'

SOLUTION	GROUP	SCENARIO	SEASON	SOURCE	DIRECTION	MONITORED ELEMENT		RATE B	TDF	TC%	LOADING	CONTINGENCY NAME
						COMMON NAME						
FDNS	05G0888		0 11G	G08_088	'TO->FROM'	'DEAF SMITH COUNTY INTERCHANGE - S-RANDLCO 230.00 230KV CKT 1'		350	0.06317		107.6133	'G08-18 345.00 - HOLCOMB 345KV CKT 1'
FDNS	05G0888		0 11G	G08_088	'FROM->TO'	'ELK CITY 230KV (ELKCTY-6) 230/138/13.8KV TRANSFORMER CKT 1'		287	0.11708		100.6849	'G08-18 345.00 - HOLCOMB 345KV CKT 1'
FDNS	05G0888		0 11G	G08_088	'TO->FROM'	'DEAF SMITH COUNTY INTERCHANGE - S-RANDLCO 230.00 230KV CKT 1'		350	0.06305		108.5113	'GRAY CO 345.00 - SPEARVILLE 345KV CKT 1'
FDNS	05G0888		0 11G	G08_088	'FROM->TO'	'ELK CITY 230KV (ELKCTY-6) 230/138/13.8KV TRANSFORMER CKT 1'		287	0.11691		102.2651	'GRAY CO 345.00 - SPEARVILLE 345KV CKT 1'
FDNS	05G0888		0 11G	G08_088	'FROM->TO'	'DEAF SMITH COUNTY INTERCHANGE - S-RANDLCO 230.00 230KV CKT 1'		350	0.0631		108.0948	'G08-18 345.00 - GRAY CO 345.00 345KV CKT 1'
FDNS	05G0888		0 11G	G08_088	'FROM->TO'	'ELK CITY 230KV (ELKCTY-6) 230/138/13.8KV TRANSFORMER CKT 1'		287	0.11699		101.515	'G08-18 345.00 - GRAY CO 345.00 345KV CKT 1'
FDNS	05G0888		0 11G	G08_088	'FROM->TO'	'ELK CITY 230KV (ELKCTY-6) 230/138/13.8KV TRANSFORMER CKT 1'		287	0.11699		100.6581	'G08-18 345.00 - GRAY CO 345.00 345KV CKT 1'
FDNS	05G0888		0 11G	G08_088	'TO->FROM'	'FPL SWITCH - WOODWARD 138KV CKT 1'		153	0.03903		103.9633	'ELK CITY 230KV (ELKCTY-6) 230/138/13.8KV TRANSFORMER CKT 1'
FDNS	05G0888		0 11G	G08_088	'TO->FROM'	'DEAF SMITH COUNTY INTERCHANGE - S-RANDLCO 230.00 230KV CKT 1'		350	0.07105		112.6928	'ELK CITY 230KV (ELKCTY-6) 230/138/13.8KV TRANSFORMER CKT 1'
FDNS	05G0888		0 11G	G08_088	'FROM->TO'	'G07-48T 230.00 - SWISHER COUNTY INTERCHANGE 230KV CKT 1'		351	0.14262		100.2778	'ELK CITY 230KV (ELKCTY-6) 230/138/13.8KV TRANSFORMER CKT 1'
FDNS	05G0888		0 11G	G08_088	'TO->FROM'	'DEAF SMITH COUNTY INTERCHANGE - S-RANDLCO 230.00 230KV CKT 1'		350	0.06223		107.1592	'SHAMROCK (SHAMRCK2) 138/69/14.4KV TRANSFORMER CKT 1'
FDNS	05G0888		0 11G	G08_088	'FROM->TO'	'ELK CITY 230KV (ELKCTY-6) 230/138/13.8KV TRANSFORMER CKT 1'		287	0.11955		102.5329	'SHAMROCK (SHAMRCK2) 138/69/14.4KV TRANSFORMER CKT 1'
FDNS	05G0888		0 11G	G08_088	'FROM->TO'	'ELK CITY 230KV (ELKCTY-6) 230/138/13.8KV TRANSFORMER CKT 1'		287	0.11955		101.7011	'SHAMROCK (SHAMRCK2) 138/69/14.4KV TRANSFORMER CKT 1'
FDNS	05G0888		0 11G	G08_088	'TO->FROM'	'DEAF SMITH COUNTY INTERCHANGE - S-RANDLCO 230.00 230KV CKT 1'		350	0.06223		107.351	'SHAMROCK (SHAMRCK1) 115/69/14.4KV TRANSFORMER CKT 1'
FDNS	05G0888		0 11G	G08_088	'FROM->TO'	'ELK CITY 230KV (ELKCTY-6) 230/138/13.8KV TRANSFORMER CKT 1'		287	0.11955		103.5104	'SHAMROCK (SHAMRCK1) 115/69/14.4KV TRANSFORMER CKT 1'
FDNS	05G0888		0 11G	G08_088	'FROM->TO'	'ELK CITY 230KV (ELKCTY-6) 230/138/13.8KV TRANSFORMER CKT 1'		287	0.11955		102.6381	'SHAMROCK (SHAMRCK1) 115/69/14.4KV TRANSFORMER CKT 1'
FDNS	05G0888		0 11G	G08_088	'TO->FROM'	'DEAF SMITH COUNTY INTERCHANGE - S-RANDLCO 230.00 230KV CKT 1'		350	0.06127		107.9295	'STATELINE INTERCHANGE (H TP80154301) 230/115/13.2KV TRANSFORMER CKT 1'
FDNS	05G0888		0 11G	G08_088	'FROM->TO'	'ELK CITY 230KV (ELKCTY-6) 230/138/13.8KV TRANSFORMER CKT 1'		287	0.11432		101.6818	'STATELINE INTERCHANGE (H TP80154301) 230/115/13.2KV TRANSFORMER CKT 1'
FDNS	05G0888		0 11G	G08_088	'FROM->TO'	'ELK CITY 230KV (ELKCTY-6) 230/138/13.8KV TRANSFORMER CKT 1'		287	0.11432		100.9411	'STATELINE INTERCHANGE (H TP80154301) 230/115/13.2KV TRANSFORMER CKT 1'
FDNS	05G0888		0 11G	G08_088	'TO->FROM'	'DEAF SMITH COUNTY INTERCHANGE - S-RANDLCO 230.00 230KV CKT 1'		350	0.06127		107.2952	'Graves Sub (GE D-575998) 115/69/13.2KV TRANSFORMER CKT 1'
FDNS	05G0888		0 11G	G08_088	'FROM->TO'	'ELK CITY 230KV (ELKCTY-6) 230/138/13.8KV TRANSFORMER CKT 1'		287	0.11432		100.4678	'Graves Sub (GE D-575998) 115/69/13.2KV TRANSFORMER CKT 1'
FDNS	05G0888		0 11G	G08_088	'TO->FROM'	'DEAF SMITH COUNTY INTERCHANGE - S-RANDLCO 230.00 230KV CKT 1'		350	0.08686		109.6644	'POTTER COUNTY INTERCHANGE (WAUK 90343-A) 345/230/13.2KV TRANSFORMER CKT 1'
FDNS	05G0888		0 11G	G08_088	'FROM->TO'	'ELK CITY 230KV (ELKCTY-6) 230/138/13.8KV TRANSFORMER CKT 1'		287	0.14204		103.4613	'POTTER COUNTY INTERCHANGE (WAUK 90343-A) 345/230/13.2KV TRANSFORMER CKT 1'
FDNS	05G0888		0 11G	G08_088	'FROM->TO'	'ELK CITY 230KV (ELKCTY-6) 230/138/13.8KV TRANSFORMER CKT 1'		287	0.14204		102.5339	'POTTER COUNTY INTERCHANGE (WAUK 90343-A) 345/230/13.2KV TRANSFORMER CKT 1'

SOLUTION	GROUP	SCENARIO	SEASON	SOURCE	DIRECTION	MONITORED ELEMENT		RATE B	TDF	TC%LOADING	CONTINGENCY NAME
						COMMON NAME					
FDNS	05G0888		0 11G	G08_088	'TO->FROM'	'DEAF SMITH COUNTY INTERCHANGE - S-RANDLCO	230.00 230KV CKT 1'	350	0.06277		'DEAF SMITH COUNTY INTERCHANGE (ELCO 13458-1) 230/115/13.8KV TRANSFORMER CKT 2'
FDNS	05G0888		0 11G	G08_088	'TO->FROM'	'DEAF SMITH COUNTY INTERCHANGE - S-RANDLCO	230.00 230KV CKT 1'	350	0.06263	100.5643	'DEAF SMITH COUNTY INTERCHANGE (GE M101353) 230/115/13.2KV TRANSFORMER CKT 1'
FDNS	05G0888		0 11G	G08_088	'TO->FROM'	'DEAF SMITH COUNTY INTERCHANGE - S-RANDLCO	230.00 230KV CKT 1'	350	0.05727	104.7505	'TUCO INTERCHANGE (GE M1022338) 345/230/13.2KV TRANSFORMER CKT 1'
FDNS	05G0888		0 11G	G08_088	'TO->FROM'	'DEAF SMITH COUNTY INTERCHANGE - S-RANDLCO	230.00 230KV CKT 1'	350	0.0587	105.2538	'TUCO INTERCHANGE (UPDATE DATA) 345/230/13.2KV TRANSFORMER CKT 2'
FDNS	05G0888		0 11G	G08_088	'TO->FROM'	'DEAF SMITH COUNTY INTERCHANGE - S-RANDLCO	230.00 230KV CKT 1'	350	0.0611	105.1593	'EDDY COUNTY INTERCHANGE (ABB AEM30711) 345/230/13.2KV TRANSFORMER CKT 1'
FDNS	05G0888		0 11G	G08_088	'TO->FROM'	'DEAF SMITH COUNTY INTERCHANGE - S-RANDLCO	230.00 230KV CKT 1'	350	0.0612	107.5281	'DBL-SPRVL-CO'
FDNS	05G0888		0 11G	G08_088	'FROM->TO'	'ELK CITY 230KV (ELKCTY-6)	230/138/13.8KV TRANSFORMER CKT 1'	287	0.11424	100	'DBL-SPRVL-CO'
FDNS	05G0888		0 11G	G08_088	'TO->FROM'	'DEAF SMITH COUNTY INTERCHANGE - S-RANDLCO	230.00 230KV CKT 1'	350	0.0612	107.5454	'DBL-COM-MEDL'
FDNS	05G0888		0 11G	G08_088	'FROM->TO'	'ELK CITY 230KV (ELKCTY-6)	230/138/13.8KV TRANSFORMER CKT 1'	287	0.11424	100.1252	'DBL-COM-MEDL'
FDNS	05G0888		0 11G	G08_088	'TO->FROM'	'DEAF SMITH COUNTY INTERCHANGE - S-RANDLCO	230.00 230KV CKT 1'	350	0.0626	107.839	'DBL-MEDLO-WI'
FDNS	05G0888		0 11G	G08_088	'TO->FROM'	'CLEARWATER - MILAN TAP 138KV CKT 1'		110	0.03064	160.7997	'DBL-MEDLO-WI'
FDNS	05G0888		0 11G	G08_088	'FROM->TO'	'HARPER - MILAN TAP 138KV CKT 1'		95.6	0.03064	199.4583	'DBL-MEDLO-WI'
FDNS	05G0888		0 11G	G08_088	'FROM->TO'	'ELK CITY 230KV (ELKCTY-6)	230/138/13.8KV TRANSFORMER CKT 1'	287	0.11845	104.7127	'DBL-MEDLO-WI'
FDNS	05G0888		0 11G	G08_088	'FROM->TO'	'ELK CITY 230KV (ELKCTY-6)	230/138/13.8KV TRANSFORMER CKT 1'	287	0.11845	103.7709	'DBL-MEDLO-WI'
FDNS	05G0888		0 11G	G08_088	'TO->FROM'	'FPL SWITCH - WOODWARD 138KV CKT 1'		153	0.03783	103.1234	'DBL-WOOD-MED'
FDNS	05G0888		0 11G	G08_088	'FROM->TO'	'ELK CITY 230KV (ELKCTY-6)	230/138/13.8KV TRANSFORMER CKT 1'	287	0.11822	101.8213	'DBL-WOOD-MED'
FDNS	05G0888		0 11G	G08_088	'FROM->TO'	'ELK CITY 230KV (ELKCTY-6)	230/138/13.8KV TRANSFORMER CKT 1'	287	0.11822	100.9912	'DBL-WOOD-MED'
FDNS	05G0888		0 11G	G08_088	'TO->FROM'	'DEAF SMITH COUNTY INTERCHANGE - S-RANDLCO	230.00 230KV CKT 1'	350	0.07131	111.1459	'SPP-SWPS-02'
FDNS	05G0888		0 11G	G08_088	'TO->FROM'	'FPL SWITCH - WOODWARD 138KV CKT 1'		153	0.03959	100.9351	'SPP-SWPS-02A'
FDNS	05G0888		0 11G	G08_088	'TO->FROM'	'DEAF SMITH COUNTY INTERCHANGE - S-RANDLCO	230.00 230KV CKT 1'	350	0.07131	111.1225	'SPP-SWPS-02A'
FDNS	05G0888		0 11G	G08_088	'TO->FROM'	'DEAF SMITH COUNTY INTERCHANGE - S-RANDLCO	230.00 230KV CKT 1'	350	0.07152	111.8943	'SPP-SWPS-03'
FDNS	05G0888		0 11G	G08_088	'TO->FROM'	'DEAF SMITH COUNTY INTERCHANGE - S-RANDLCO	230.00 230KV CKT 1'	350	0.06065	104.2438	'SPP-SWPS-25'
FDNS	05G0888		0 11G	G08_088	'TO->FROM'	'DEAF SMITH COUNTY INTERCHANGE - S-RANDLCO	230.00 230KV CKT 1'	350	0.05417	103.8698	'SPP-SWPS-26'
FDNS	05G0888		0 11G	G08_088	'TO->FROM'	'DEAF SMITH COUNTY INTERCHANGE - S-RANDLCO	230.00 230KV CKT 1'	350	0.05477	107.3704	'SPP-SWPS-K19'
FDNS	05G0888		0 11G	G08_088	'TO->FROM'	'DEAF SMITH COUNTY INTERCHANGE - S-RANDLCO	230.00 230KV CKT 1'	350	0.06837	109.0932	'SPP-SWPS-K31'
FDNS	05G0888		0 11G	G08_088	'FROM->TO'	'ELK CITY 230KV (ELKCTY-6)	230/138/13.8KV TRANSFORMER CKT 1'	287	0.12298	101.7355	'SPP-SWPS-K31'
FDNS	05G0888		0 11G	G08_088	'FROM->TO'	'ELK CITY 230KV (ELKCTY-6)	230/138/13.8KV TRANSFORMER CKT 1'	287	0.12298	100.8619	'SPP-SWPS-K31'
FDNS	05G0888		0 11G	G08_088	'TO->FROM'	'DEAF SMITH COUNTY INTERCHANGE - S-RANDLCO	230.00 230KV CKT 1'	350	0.06121	107.2023	'SPP-SWPS-K51'

SOLUTION	GROUP	SCENARIO	SEASON	SOURCE	DIRECTION	MONITORED ELEMENT	RATE B	TDF	TC%	LOADING	CONTINGENCY NAME
						COMMON NAME					
FDNS	05G0888		0 11G	G08_088	'TO->FROM'	'DEAF SMITH COUNTY INTERCHANGE - S-RANDLCO 230.00 230KV CKT 1'	350	0.06117	104.6042	'SPP-SWPS-K71'	
FDNS	05G0888		0 11G	G08_088	'TO->FROM'	'DEAF SMITH COUNTY INTERCHANGE - S-RANDLCO 230.00 230KV CKT 1'	350	0.06154	107.4273	'SPP-SWPS-T37'	
FDNS	05G0888		0 11G	G08_088	'TO->FROM'	'DEAF SMITH COUNTY INTERCHANGE - S-RANDLCO 230.00 230KV CKT 1'	350	0.06194	107.2877	'SPP-SWPS-T53'	
FDNS	05G0888		0 11G	G08_088	'TO->FROM'	'DEAF SMITH COUNTY INTERCHANGE - S-RANDLCO 230.00 230KV CKT 1'	350	0.06223	108.0267	'SPP-SWPS-T54'	
FDNS	05G0888		0 11G	G08_088	'FROM->TO'	'ELK CITY 230KV (ELKCTY-6) 230/138/13.8KV TRANSFORMER CKT 1'	287	0.11955	103.8684	'SPP-SWPS-T54'	
FDNS	05G0888		0 11G	G08_088	'FROM->TO'	'ELK CITY 230KV (ELKCTY-6) 230/138/13.8KV TRANSFORMER CKT 1'	287	0.11955	102.99	'SPP-SWPS-T54'	
FDNS	05G0888		0 11G	G08_088	'TO->FROM'	'DEAF SMITH COUNTY INTERCHANGE - S-RANDLCO 230.00 230KV CKT 1'	350	0.05625	103.4844	'SPP-SWPS-T59'	
FDNS	05G0888		0 11G	G08_088	'TO->FROM'	'DEAF SMITH COUNTY INTERCHANGE - S-RANDLCO 230.00 230KV CKT 1'	350	0.06127	102.8741	'SPP-SWPS-T63'	
FDNS	05G0888		0 11G	G08_088	'TO->FROM'	'DEAF SMITH COUNTY INTERCHANGE - S-RANDLCO 230.00 230KV CKT 1'	350	0.06127	107.5128	'SPP-SWPS-T64'	
FDNS	05G0888		0 11G	G08_088	'TO->FROM'	'DEAF SMITH COUNTY INTERCHANGE - S-RANDLCO 230.00 230KV CKT 1'	350	0.06127	108.2064	'SPP-SWPS-T66'	
FDNS	05G0888		0 11G	G08_088	'TO->FROM'	'DEAF SMITH COUNTY INTERCHANGE - S-RANDLCO 230.00 230KV CKT 1'	350	0.06304	107.5162	'SPP-SWPS-T70'	
FDNS	05G0888		0 11G	G08_088	'TO->FROM'	'DEAF SMITH COUNTY INTERCHANGE - S-RANDLCO 230.00 230KV CKT 1'	350	0.06202	107.5068	'SPP-SWPS-T73'	
FDNS	05G0888		0 11G	G08_088	'TO->FROM'	'DEAF SMITH COUNTY INTERCHANGE - S-RANDLCO 230.00 230KV CKT 1'	350	0.06128	107.4944	'SPP-SWPS-V01'	
FDNS	05G0888		0 11G	G08_088	'TO->FROM'	'DEAF SMITH COUNTY INTERCHANGE - S-RANDLCO 230.00 230KV CKT 1'	350	0.06114	107.7229	'SPP-SWPS-V02'	
FDNS	05G0888		0 11G	G08_088	'TO->FROM'	'DEAF SMITH COUNTY INTERCHANGE - S-RANDLCO 230.00 230KV CKT 1'	350	0.05769	107.2352	'SPP-SWPS-V03'	
FDNS	05G0888		0 11G	G08_088	'TO->FROM'	'DEAF SMITH COUNTY INTERCHANGE - S-RANDLCO 230.00 230KV CKT 1'	350	0.06028	107.6373	'SPP-SWPS-V04'	
FDNS	05G0888		0 11G	G08_088	'TO->FROM'	'DEAF SMITH COUNTY INTERCHANGE - S-RANDLCO 230.00 230KV CKT 1'	350	0.0959	110.1303	'SPP-SWPS-V05'	
FDNS	05G0888		0 11G	G08_088	'TO->FROM'	'DEAF SMITH COUNTY INTERCHANGE - S-RANDLCO 230.00 230KV CKT 1'	350	0.06133	101.2348	'SPP-SWPS-V29'	
FDNS	05G0888		0 11G	G08_088	'TO->FROM'	'DEAF SMITH COUNTY INTERCHANGE - S-RANDLCO 230.00 230KV CKT 1'	350	0.06056	107.4551	'SPP-SWPS-V43'	
FDNS	05G0888		0 11G	G08_088	'TO->FROM'	'DEAF SMITH COUNTY INTERCHANGE - S-RANDLCO 230.00 230KV CKT 1'	350	0.06294	108.4171	'SPP-SWPS-V44'	
FDNS	05G0888		0 11G	G08_088	'TO->FROM'	'DEAF SMITH COUNTY INTERCHANGE - S-RANDLCO 230.00 230KV CKT 1'	350	0.0613	107.166	'SPP-SWPS-V79'	
FDNS	05G0888		0 11G	G08_088	'FROM->TO'	'ELK CITY 230KV (ELKCTY-6) 230/138/13.8KV TRANSFORMER CKT 1'	287	0.11432	100.8348	'GEN300006 1-NEW MADRID UNIT 1'	
FDNS	05G0888		0 11G	G08_088	'FROM->TO'	'ELK CITY 230KV (ELKCTY-6) 230/138/13.8KV TRANSFORMER CKT 1'	287	0.11432	100	'GEN300006 1-NEW MADRID UNIT 1'	
FDNS	05G0888		0 11G	G08_088	'FROM->TO'	'ELK CITY 230KV (ELKCTY-6) 230/138/13.8KV TRANSFORMER CKT 1'	287	0.11432	100.8302	'GEN300007 1-NEW MADRID UNIT 2'	
FDNS	05G0888		0 11G	G08_088	'FROM->TO'	'ELK CITY 230KV (ELKCTY-6) 230/138/13.8KV TRANSFORMER CKT 1'	287	0.11432	100	'GEN300007 1-NEW MADRID UNIT 2'	
FDNS	05G0888		0 11G	G08_088	'FROM->TO'	'ELK CITY 230KV (ELKCTY-6) 230/138/13.8KV TRANSFORMER CKT 1'	287	0.11432	101.3242	'GEN334440 1-SABINE UNIT 4'	
FDNS	05G0888		0 11G	G08_088	'FROM->TO'	'ELK CITY 230KV (ELKCTY-6) 230/138/13.8KV TRANSFORMER CKT 1'	287	0.11432	100.4943	'GEN334440 1-SABINE UNIT 4'	
FDNS	05G0888		0 11G	G08_088	'FROM->TO'	'ELK CITY 230KV (ELKCTY-6) 230/138/13.8KV TRANSFORMER CKT 1'	287	0.11432	100.9266	'GEN334441 1-SABINE UNIT 5'	
FDNS	05G0888		0 11G	G08_088	'FROM->TO'	'ELK CITY 230KV (ELKCTY-6) 230/138/13.8KV TRANSFORMER CKT 1'	287	0.11432	100.1064	'GEN334441 1-SABINE UNIT 5'	

SOLUTION	GROUP	SCENARIO	SEASON	SOURCE	DIRECTION	MONITORED ELEMENT	RATE B	TDF	TC%	LOADING	CONTINGENCY NAME
						COMMON NAME					
FDNS	05G0888		0 11G	G08_088	'FROM->TO'	'ELK CITY 230KV (ELKCTY-6) 230/138/13.8KV TRANSFORMER CKT 1'	287	0.11432	101.2225	'GEN335204 1-NELSON UNIT 4'	
FDNS	05G0888		0 11G	G08_088	'FROM->TO'	'ELK CITY 230KV (ELKCTY-6) 230/138/13.8KV TRANSFORMER CKT 1'	287	0.11432	100.3952	'GEN335204 1-NELSON UNIT 4'	
FDNS	05G0888		0 11G	G08_088	'FROM->TO'	'ELK CITY 230KV (ELKCTY-6) 230/138/13.8KV TRANSFORMER CKT 1'	287	0.11432	101.5374	'GEN335206 1-NELSON UNIT 6'	
FDNS	05G0888		0 11G	G08_088	'FROM->TO'	'ELK CITY 230KV (ELKCTY-6) 230/138/13.8KV TRANSFORMER CKT 1'	287	0.11432	100.7024	'GEN335206 1-NELSON UNIT 6'	
FDNS	05G0888		0 11G	G08_088	'FROM->TO'	'ELK CITY 230KV (ELKCTY-6) 230/138/13.8KV TRANSFORMER CKT 1'	287	0.11432	104.5061	'GEN335831 1-RIVERBEND UNIT#1'	
FDNS	05G0888		0 11G	G08_088	'FROM->TO'	'ELK CITY 230KV (ELKCTY-6) 230/138/13.8KV TRANSFORMER CKT 1'	287	0.11432	103.5991	'GEN335831 1-RIVERBEND UNIT#1'	
FDNS	05G0888		0 11G	G08_088	'FROM->TO'	'ELK CITY 230KV (ELKCTY-6) 230/138/13.8KV TRANSFORMER CKT 1'	287	0.11432	100.2089	'GEN336170 1-GULF OXY U4'	
FDNS	05G0888		0 11G	G08_088	'FROM->TO'	'ELK CITY 230KV (ELKCTY-6) 230/138/13.8KV TRANSFORMER CKT 1'	287	0.11432	101.2542	'GEN336801 1-BAXTER WILSON UNIT #1'	
FDNS	05G0888		0 11G	G08_088	'FROM->TO'	'ELK CITY 230KV (ELKCTY-6) 230/138/13.8KV TRANSFORMER CKT 1'	287	0.11432	100.4266	'GEN336801 1-BAXTER WILSON UNIT #1'	
FDNS	05G0888		0 11G	G08_088	'FROM->TO'	'ELK CITY 230KV (ELKCTY-6) 230/138/13.8KV TRANSFORMER CKT 1'	287	0.11432	102.065	'GEN336831 1-BAXTER WILSON SES'	
FDNS	05G0888		0 11G	G08_088	'FROM->TO'	'ELK CITY 230KV (ELKCTY-6) 230/138/13.8KV TRANSFORMER CKT 1'	287	0.11432	101.218	'GEN336831 1-BAXTER WILSON SES'	
FDNS	05G0888		0 11G	G08_088	'FROM->TO'	'ELK CITY 230KV (ELKCTY-6) 230/138/13.8KV TRANSFORMER CKT 1'	287	0.11432	102.5658	'GEN337041 1-GERALD ANDRUS'	
FDNS	05G0888		0 11G	G08_088	'FROM->TO'	'ELK CITY 230KV (ELKCTY-6) 230/138/13.8KV TRANSFORMER CKT 1'	287	0.11432	101.7069	'GEN337041 1-GERALD ANDRUS'	
FDNS	05G0888		0 11G	G08_088	'FROM->TO'	'ELK CITY 230KV (ELKCTY-6) 230/138/13.8KV TRANSFORMER CKT 1'	287	0.11432	103.0936	'GEN337652 1-WHITE BLUFF UNIT #1'	
FDNS	05G0888		0 11G	G08_088	'FROM->TO'	'ELK CITY 230KV (ELKCTY-6) 230/138/13.8KV TRANSFORMER CKT 1'	287	0.11432	102.2214	'GEN337652 1-WHITE BLUFF UNIT #1'	
FDNS	05G0888		0 11G	G08_088	'FROM->TO'	'ELK CITY 230KV (ELKCTY-6) 230/138/13.8KV TRANSFORMER CKT 1'	287	0.11432	102.7914	'GEN337653 1-WHITE BLUFF UNIT #2'	
FDNS	05G0888		0 11G	G08_088	'FROM->TO'	'ELK CITY 230KV (ELKCTY-6) 230/138/13.8KV TRANSFORMER CKT 1'	287	0.11432	101.9266	'GEN337653 1-WHITE BLUFF UNIT #2'	
FDNS	05G0888		0 11G	G08_088	'FROM->TO'	'ELK CITY 230KV (ELKCTY-6) 230/138/13.8KV TRANSFORMER CKT 1'	287	0.11432	103.6679	'GEN337910 1-ARKANSAS NUCLEAR ONE UNIT #1'	
FDNS	05G0888		0 11G	G08_088	'FROM->TO'	'ELK CITY 230KV (ELKCTY-6) 230/138/13.8KV TRANSFORMER CKT 1'	287	0.11432	102.7809	'GEN337910 1-ARKANSAS NUCLEAR ONE UNIT #1'	
FDNS	05G0888		0 11G	G08_088	'FROM->TO'	'ELK CITY 230KV (ELKCTY-6) 230/138/13.8KV TRANSFORMER CKT 1'	287	0.11432	104.6737	'GEN337911 1-ARKANSAS NUCLEAR ONE UNIT #2'	
FDNS	05G0888		0 11G	G08_088	'FROM->TO'	'ELK CITY 230KV (ELKCTY-6) 230/138/13.8KV TRANSFORMER CKT 1'	287	0.11432	103.7617	'GEN337911 1-ARKANSAS NUCLEAR ONE UNIT #2'	
FDNS	05G0888		0 11G	G08_088	'FROM->TO'	'ELK CITY 230KV (ELKCTY-6) 230/138/13.8KV TRANSFORMER CKT 1'	287	0.11432	102.9945	'GEN338143 1-INDEPENDENCE UNIT #1'	
FDNS	05G0888		0 11G	G08_088	'FROM->TO'	'ELK CITY 230KV (ELKCTY-6) 230/138/13.8KV TRANSFORMER CKT 1'	287	0.11432	102.1255	'GEN338143 1-INDEPENDENCE UNIT #1'	
FDNS	05G0888		0 11G	G08_088	'FROM->TO'	'ELK CITY 230KV (ELKCTY-6) 230/138/13.8KV TRANSFORMER CKT 1'	287	0.11432	103.05	'GEN338146 1-INDEPENDENCE UNIT #2'	
FDNS	05G0888		0 11G	G08_088	'FROM->TO'	'ELK CITY 230KV (ELKCTY-6) 230/138/13.8KV TRANSFORMER CKT 1'	287	0.11432	102.1797	'GEN338146 1-INDEPENDENCE UNIT #2'	
FDNS	05G0888		0 11G	G08_088	'FROM->TO'	'ELK CITY 230KV (ELKCTY-6) 230/138/13.8KV TRANSFORMER CKT 1'	287	0.11432	102.336	'GEN338189 1-LS POWER OSCEOLA UNIT G1'	
FDNS	05G0888		0 11G	G08_088	'FROM->TO'	'ELK CITY 230KV (ELKCTY-6) 230/138/13.8KV TRANSFORMER CKT 1'	287	0.11432	101.4834	'GEN338189 1-LS POWER OSCEOLA UNIT G1'	
FDNS	05G0888		0 11G	G08_088	'FROM->TO'	'ELK CITY 230KV (ELKCTY-6) 230/138/13.8KV TRANSFORMER CKT 1'	287	0.11432	102.6373	'GEN501801 1-DOLET HILLS UNIT1'	
FDNS	05G0888		0 11G	G08_088	'FROM->TO'	'ELK CITY 230KV (ELKCTY-6) 230/138/13.8KV TRANSFORMER CKT 1'	287	0.11432	101.7746	'GEN501801 1-DOLET HILLS UNIT1'	

SOLUTION	GROUP	SCENARIO	SEASON	SOURCE	DIRECTION	MONITORED ELEMENT	RATE B	TDF	TC%	LOADING	CONTINGENCY NAME
						COMMON NAME					
FDNS	05G0888		0 11G	G08_088	'FROM->TO'	'ELK CITY 230KV (ELKCTY-6) 230/138/13.8KV TRANSFORMER CKT 1'	287	0.11432	101.5676	'GEN501812 1-RODEMACHER UNIT 2'	
FDNS	05G0888		0 11G	G08_088	'FROM->TO'	'ELK CITY 230KV (ELKCTY-6) 230/138/13.8KV TRANSFORMER CKT 1'	287	0.11432	100.7319	'GEN501812 1-RODEMACHER UNIT 2'	
FDNS	05G0888		0 11G	G08_088	'FROM->TO'	'ELK CITY 230KV (ELKCTY-6) 230/138/13.8KV TRANSFORMER CKT 1'	287	0.11432	102.0201	'GEN501813 1-RODEMACHER UNIT 3'	
FDNS	05G0888		0 11G	G08_088	'FROM->TO'	'ELK CITY 230KV (ELKCTY-6) 230/138/13.8KV TRANSFORMER CKT 1'	287	0.11432	101.1735	'GEN501813 1-RODEMACHER UNIT 3'	
FDNS	05G0888		0 11G	G08_088	'FROM->TO'	'ELK CITY 230KV (ELKCTY-6) 230/138/13.8KV TRANSFORMER CKT 1'	287	0.11432	101.1663	'GEN509394 1-FLINT CREEK'	
FDNS	05G0888		0 11G	G08_088	'FROM->TO'	'ELK CITY 230KV (ELKCTY-6) 230/138/13.8KV TRANSFORMER CKT 1'	287	0.11432	100.3396	'GEN509394 1-FLINT CREEK'	
FDNS	05G0888		0 11G	G08_088	'FROM->TO'	'ELK CITY 230KV (ELKCTY-6) 230/138/13.8KV TRANSFORMER CKT 1'	287	0.11432	102.2912	'GEN509403 1-PIRKEY GENERATION'	
FDNS	05G0888		0 11G	G08_088	'FROM->TO'	'ELK CITY 230KV (ELKCTY-6) 230/138/13.8KV TRANSFORMER CKT 1'	287	0.11432	101.4366	'GEN509403 1-PIRKEY GENERATION'	
FDNS	05G0888		0 11G	G08_088	'FROM->TO'	'ELK CITY 230KV (ELKCTY-6) 230/138/13.8KV TRANSFORMER CKT 1'	287	0.11432	101.5085	'GEN509404 1-WELSH #1'	
FDNS	05G0888		0 11G	G08_088	'FROM->TO'	'ELK CITY 230KV (ELKCTY-6) 230/138/13.8KV TRANSFORMER CKT 1'	287	0.11432	100.6729	'GEN509404 1-WELSH #1'	
FDNS	05G0888		0 11G	G08_088	'FROM->TO'	'ELK CITY 230KV (ELKCTY-6) 230/138/13.8KV TRANSFORMER CKT 1'	287	0.11432	101.5085	'GEN509405 1-WELSH #2'	
FDNS	05G0888		0 11G	G08_088	'FROM->TO'	'ELK CITY 230KV (ELKCTY-6) 230/138/13.8KV TRANSFORMER CKT 1'	287	0.11432	100.6729	'GEN509405 1-WELSH #2'	
FDNS	05G0888		0 11G	G08_088	'FROM->TO'	'ELK CITY 230KV (ELKCTY-6) 230/138/13.8KV TRANSFORMER CKT 1'	287	0.11432	101.5086	'GEN509406 1-WELSH #3'	
FDNS	05G0888		0 11G	G08_088	'FROM->TO'	'ELK CITY 230KV (ELKCTY-6) 230/138/13.8KV TRANSFORMER CKT 1'	287	0.11432	100.673	'GEN509406 1-WELSH #3'	
FDNS	05G0888		0 11G	G08_088	'FROM->TO'	'ELK CITY 230KV (ELKCTY-6) 230/138/13.8KV TRANSFORMER CKT 1'	287	0.11432	100.2743	'GEN509409 1-WILKES #3'	
FDNS	05G0888		0 11G	G08_088	'FROM->TO'	'ELK CITY 230KV (ELKCTY-6) 230/138/13.8KV TRANSFORMER CKT 1'	287	0.11432	100.823 #2'	'GEN511839 1-NORTHEASTERN STATION	
FDNS	05G0888		0 11G	G08_088	'FROM->TO'	'ELK CITY 230KV (ELKCTY-6) 230/138/13.8KV TRANSFORMER CKT 1'	287	0.11432	100 #2'	'GEN511839 1-NORTHEASTERN STATION	
FDNS	05G0888		0 11G	G08_088	'FROM->TO'	'ELK CITY 230KV (ELKCTY-6) 230/138/13.8KV TRANSFORMER CKT 1'	287	0.11432	100.8513 #3'	'GEN511840 1-NORTHEASTERN STATION	
FDNS	05G0888		0 11G	G08_088	'FROM->TO'	'ELK CITY 230KV (ELKCTY-6) 230/138/13.8KV TRANSFORMER CKT 1'	287	0.11432	100 #3'	'GEN511840 1-NORTHEASTERN STATION	
FDNS	05G0888		0 11G	G08_088	'FROM->TO'	'ELK CITY 230KV (ELKCTY-6) 230/138/13.8KV TRANSFORMER CKT 1'	287	0.11432	100.8781 #4'	'GEN511841 1-NORTHEASTERN STATION	
FDNS	05G0888		0 11G	G08_088	'FROM->TO'	'ELK CITY 230KV (ELKCTY-6) 230/138/13.8KV TRANSFORMER CKT 1'	287	0.11432	100.0582 #4'	'GEN511841 1-NORTHEASTERN STATION	
FDNS	05G0888		0 11G	G08_088	'FROM->TO'	'ELK CITY 230KV (ELKCTY-6) 230/138/13.8KV TRANSFORMER CKT 1'	287	0.11432	100.5884	'GEN512688 2-GRDA1 GSU2 22'	
FDNS	05G0888		0 11G	G08_088	'FROM->TO'	'ELK CITY 230KV (ELKCTY-6) 230/138/13.8KV TRANSFORMER CKT 1'	287	0.11432	100.7171	'GEN512689 1-GRDA1 GSU1 22'	
FDNS	05G0888		0 11G	G08_088	'FROM->TO'	'ELK CITY 230KV (ELKCTY-6) 230/138/13.8KV TRANSFORMER CKT 1'	287	0.11432	101.5168	'GEN514805 1-SOONER UNIT 1'	
FDNS	05G0888		0 11G	G08_088	'FROM->TO'	'ELK CITY 230KV (ELKCTY-6) 230/138/13.8KV TRANSFORMER CKT 1'	287	0.11432	100.6801	'GEN514805 1-SOONER UNIT 1'	
FDNS	05G0888		0 11G	G08_088	'FROM->TO'	'ELK CITY 230KV (ELKCTY-6) 230/138/13.8KV TRANSFORMER CKT 1'	287	0.11432	101.4542	'GEN514806 1-SOONER UNIT 2'	
FDNS	05G0888		0 11G	G08_088	'FROM->TO'	'ELK CITY 230KV (ELKCTY-6) 230/138/13.8KV TRANSFORMER CKT 1'	287	0.11432	100.6192	'GEN514806 1-SOONER UNIT 2'	
FDNS	05G0888		0 11G	G08_088	'FROM->TO'	'ELK CITY 230KV (ELKCTY-6) 230/138/13.8KV TRANSFORMER CKT 1'	287	0.11432	100	'GEN515041 1-SEMINOLE 2G'	
FDNS	05G0888		0 11G	G08_088	'FROM->TO'	'ELK CITY 230KV (ELKCTY-6) 230/138/13.8KV TRANSFORMER CKT 1'	287	0.11432	100.1095	'GEN515042 1-SEMINOLE 3G'	

SOLUTION	GROUP	SCENARIO	SEASON	SOURCE	DIRECTION	MONITORED ELEMENT	RATE B	TDF	TC%	LOADING	CONTINGENCY NAME
						COMMON NAME					
FDNS	05G0888		0 11G	G08_088	'FROM->TO'	'ELK CITY 230KV (ELKCTY-6) 230/138/13.8KV TRANSFORMER CKT 1'	287	0.11432	101.1584	'GEN515223 1-MUSKOGEE 4G'	
FDNS	05G0888		0 11G	G08_088	'FROM->TO'	'ELK CITY 230KV (ELKCTY-6) 230/138/13.8KV TRANSFORMER CKT 1'	287	0.11432	100.331	'GEN515223 1-MUSKOGEE 4G'	
FDNS	05G0888		0 11G	G08_088	'FROM->TO'	'ELK CITY 230KV (ELKCTY-6) 230/138/13.8KV TRANSFORMER CKT 1'	287	0.11432	101.1162	'GEN515225 1-MUSKOGEE 5G'	
FDNS	05G0888		0 11G	G08_088	'FROM->TO'	'ELK CITY 230KV (ELKCTY-6) 230/138/13.8KV TRANSFORMER CKT 1'	287	0.11432	100.2899	'GEN515225 1-MUSKOGEE 5G'	
FDNS	05G0888		0 11G	G08_088	'FROM->TO'	'ELK CITY 230KV (ELKCTY-6) 230/138/13.8KV TRANSFORMER CKT 1'	287	0.11432	101.5592	'GEN515226 1-MUSKOGEE 6G'	
FDNS	05G0888		0 11G	G08_088	'FROM->TO'	'ELK CITY 230KV (ELKCTY-6) 230/138/13.8KV TRANSFORMER CKT 1'	287	0.11432	100.722	'GEN515226 1-MUSKOGEE 6G'	
FDNS	05G0888		0 11G	G08_088	'FROM->TO'	'ELK CITY 230KV (ELKCTY-6) 230/138/13.8KV TRANSFORMER CKT 1'	287	0.11432	101.4015	'GEN520947 1-HUGO1'	
FDNS	05G0888		0 11G	G08_088	'FROM->TO'	'ELK CITY 230KV (ELKCTY-6) 230/138/13.8KV TRANSFORMER CKT 1'	287	0.11432	100.5677	'GEN520947 1-HUGO1'	
FDNS	05G0888		0 11G	G08_088	'FROM->TO'	'ELK CITY 230KV (ELKCTY-6) 230/138/13.8KV TRANSFORMER CKT 1'	287	0.11432	100.2418	'GEN521116 1-RHWIND4 138.00'	
FDNS	05G0888		0 11G	G08_088	'TO->FROM'	'DEAF SMITH COUNTY INTERCHANGE - S-RANDLCO 230.00 230KV CKT 1'	350	0.06127	107.8649	'GEN522814 1-LUBBOCK POWER & LIGHT- MACKENZIE GEN'	
FDNS	05G0888		0 11G	G08_088	'TO->FROM'	'DEAF SMITH COUNTY INTERCHANGE - S-RANDLCO 230.00 230KV CKT 1'	350	0.06127	104.2428	'GEN523461 1-BLACKHAWK GEN #1'	
FDNS	05G0888		0 11G	G08_088	'TO->FROM'	'DEAF SMITH COUNTY INTERCHANGE - S-RANDLCO 230.00 230KV CKT 1'	350	0.06127	104.2429	'GEN523462 1-BLACKHAWK GEN #2'	
FDNS	05G0888		0 11G	G08_088	'TO->FROM'	'DEAF SMITH COUNTY INTERCHANGE - S-RANDLCO 230.00 230KV CKT 1'	350	0.06127	104.9241	'GEN523815 1-LLANO ESTACADO WIND GEN'	
FDNS	05G0888		0 11G	G08_088	'TO->FROM'	'DEAF SMITH COUNTY INTERCHANGE - S-RANDLCO 230.00 230KV CKT 1'	350	0.06127	103.4231	'GEN524276 X-WILDORADO WIND GEN'	
FDNS	05G0888		0 11G	G08_088	'TO->FROM'	'DEAF SMITH COUNTY INTERCHANGE - S-RANDLCO 230.00 230KV CKT 1'	350	0.06127	100.5956	'GEN524285 1-WILDORADO WIND GEN'	
FDNS	05G0888		0 11G	G08_088	'TO->FROM'	'DEAF SMITH COUNTY INTERCHANGE - S-RANDLCO 230.00 230KV CKT 1'	350	0.06127	108.1226	'GEN524485 1-CAPROCK WIND GEN'	
FDNS	05G0888		0 11G	G08_088	'TO->FROM'	'DEAF SMITH COUNTY INTERCHANGE - S-RANDLCO 230.00 230KV CKT 1'	350	0.06127	108.6554	'GEN524895 1-SAN JUAN MESA WIND GEN'	
FDNS	05G0888		0 11G	G08_088	'TO->FROM'	'DEAF SMITH COUNTY INTERCHANGE - S-RANDLCO 230.00 230KV CKT 1'	350	0.06127	141.3501	'GEN525561 1-TOLK GEN #1 24 KV'	
FDNS	05G0888		0 11G	G08_088	'TO->FROM'	'DEAF SMITH COUNTY INTERCHANGE - S-RANDLCO 230.00 230KV CKT 1'	350	0.06127	137.2283	'GEN525562 1-TOLK GEN #2 24 KV'	
FDNS	05G0888		0 11G	G08_088	'TO->FROM'	'DEAF SMITH COUNTY INTERCHANGE - S-RANDLCO 230.00 230KV CKT 1'	350	0.06127	108.3594	'GEN526331 1-JONES GEN #1 22 KV'	
FDNS	05G0888		0 11G	G08_088	'TO->FROM'	'DEAF SMITH COUNTY INTERCHANGE - S-RANDLCO 230.00 230KV CKT 1'	350	0.06127	108.3599	'GEN526332 1-JONES GEN #2 21 KV'	
FDNS	05G0888		0 11G	G08_088	'TO->FROM'	'DEAF SMITH COUNTY INTERCHANGE - S-RANDLCO 230.00 230KV CKT 1'	350	0.06127	113.894	'GEN527161 1-MUSTANG GEN #1'	
FDNS	05G0888		0 11G	G08_088	'TO->FROM'	'DEAF SMITH COUNTY INTERCHANGE - S-RANDLCO 230.00 230KV CKT 1'	350	0.06127	113.8939	'GEN527162 1-MUSTANG GEN #2'	
FDNS	05G0888		0 11G	G08_088	'TO->FROM'	'DEAF SMITH COUNTY INTERCHANGE - S-RANDLCO 230.00 230KV CKT 1'	350	0.06127	114.3885	'GEN527163 1-MUSTANG GEN #3 22 KV'	
FDNS	05G0888		0 11G	G08_088	'TO->FROM'	'DEAF SMITH COUNTY INTERCHANGE - S-RANDLCO 230.00 230KV CKT 1'	350	0.06127	113.9692	'GEN527164 1-MUSTANG GEN #4 22 KV'	
FDNS	05G0888		0 11G	G08_088	'TO->FROM'	'DEAF SMITH COUNTY INTERCHANGE - S-RANDLCO 230.00 230KV CKT 1'	350	0.06127	113.9612	'GEN527165 1-Mustang Gen #5'	
FDNS	05G0888		0 11G	G08_088	'TO->FROM'	'DEAF SMITH COUNTY INTERCHANGE - S-RANDLCO 230.00 230KV CKT 1'	350	0.06127	109.2362	'GEN527882 1-CUNNINGHAM GEN #2 20 KV'	
FDNS	05G0888		0 11G	G08_088	'TO->FROM'	'DEAF SMITH COUNTY INTERCHANGE - S-RANDLCO 230.00 230KV CKT 1'	350	0.06127	114.1709	'GEN527901 1-HOBBS PLANT #1 (CT)'	
FDNS	05G0888		0 11G	G08_088	'TO->FROM'	'DEAF SMITH COUNTY INTERCHANGE - S-RANDLCO 230.00 230KV CKT 1'	350	0.06127	114.1706	'GEN527902 1-HOBBS PLANT #2 (CT)'	

SOLUTION	GROUP	SCENARIO	SEASON	SOURCE	DIRECTION	MONITORED ELEMENT		RATE B	TDF	TC%	LOADING	CONTINGENCY NAME
						COMMON NAME						
FDNS	05G0888		0 11G	G08_088	'TO->FROM'	'DEAF SMITH COUNTY INTERCHANGE - S-RANDLCO	230.00 230KV CKT 1'	350	0.06127	117.453		'GEN527903 1-HOBBS PLANT #3 (ST)'
FDNS	05G0888		0 11G	G08_088	'TO->FROM'	'DEAF SMITH COUNTY INTERCHANGE - S-RANDLCO	230.00 230KV CKT 1'	350	0.06127	104.2441		'GEN531447 1-HOLCOMB GENERATOR'
FDNS	05G0888		0 11G	G08_088	'FROM->TO'	'ELK CITY 230KV (ELKCTY-6)	230/138/13.8KV TRANSFORMER CKT 1'	287	0.11432	100.1571		'GEN532651 1-JEFFREY ENERGY CENTER UNIT 1'
FDNS	05G0888		0 11G	G08_088	'FROM->TO'	'ELK CITY 230KV (ELKCTY-6)	230/138/13.8KV TRANSFORMER CKT 1'	287	0.11432	100.1524		'GEN532652 1-JEFFREY ENERGY CENTER UNIT 2'
FDNS	05G0888		0 11G	G08_088	'FROM->TO'	'ELK CITY 230KV (ELKCTY-6)	230/138/13.8KV TRANSFORMER CKT 1'	287	0.11432	100.12		'GEN532653 1-JEFFREY ENERGY CENTER UNIT 3'
FDNS	05G0888		0 11G	G08_088	'TO->FROM'	'DEAF SMITH COUNTY INTERCHANGE - S-RANDLCO	230.00 230KV CKT 1'	350	0.06127	104.861		'GEN532751 1-WOLF CREEK GENERATING STATION UNIT 1'
FDNS	05G0888		0 11G	G08_088	'FROM->TO'	'ELK CITY 230KV (ELKCTY-6)	230/138/13.8KV TRANSFORMER CKT 1'	287	0.11432	103.1971		'GEN532751 1-WOLF CREEK GENERATING STATION UNIT 1'
FDNS	05G0888		0 11G	G08_088	'FROM->TO'	'ELK CITY 230KV (ELKCTY-6)	230/138/13.8KV TRANSFORMER CKT 1'	287	0.11432	102.3291		'GEN532751 1-WOLF CREEK GENERATING STATION UNIT 1'
FDNS	05G0888		0 11G	G08_088	'FROM->TO'	'ELK CITY 230KV (ELKCTY-6)	230/138/13.8KV TRANSFORMER CKT 1'	287	0.11432	100.3677		'GEN542951 5-HAWTHORN UNIT #5'
FDNS	05G0888		0 11G	G08_088	'FROM->TO'	'ELK CITY 230KV (ELKCTY-6)	230/138/13.8KV TRANSFORMER CKT 1'	287	0.11432	101.0765		'GEN542955 1-LACYGNE UNIT #1'
FDNS	05G0888		0 11G	G08_088	'FROM->TO'	'ELK CITY 230KV (ELKCTY-6)	230/138/13.8KV TRANSFORMER CKT 1'	287	0.11432	100.2571		'GEN542955 1-LACYGNE UNIT #1'
FDNS	05G0888		0 11G	G08_088	'FROM->TO'	'ELK CITY 230KV (ELKCTY-6)	230/138/13.8KV TRANSFORMER CKT 1'	287	0.11432	100.9435		'GEN542956 2-LACYGNE UNIT #2'
FDNS	05G0888		0 11G	G08_088	'FROM->TO'	'ELK CITY 230KV (ELKCTY-6)	230/138/13.8KV TRANSFORMER CKT 1'	287	0.11432	100.1347		'GEN542956 2-LACYGNE UNIT #2'
FDNS	05G0888		0 11G	G08_088	'TO->FROM'	'DEAF SMITH COUNTY INTERCHANGE - S-RANDLCO	230.00 230KV CKT 1'	350	0.06127	105.369		'GEN542957 1-IATAN UNIT #1'
FDNS	05G0888		0 11G	G08_088	'FROM->TO'	'ELK CITY 230KV (ELKCTY-6)	230/138/13.8KV TRANSFORMER CKT 1'	287	0.11432	100.7643		'GEN542957 1-IATAN UNIT #1'
FDNS	05G0888		0 11G	G08_088	'FROM->TO'	'ELK CITY 230KV (ELKCTY-6)	230/138/13.8KV TRANSFORMER CKT 1'	287	0.11432	100		'GEN542957 1-IATAN UNIT #1'
FDNS	05G0888		0 11G	G08_088	'TO->FROM'	'DEAF SMITH COUNTY INTERCHANGE - S-RANDLCO	230.00 230KV CKT 1'	350	0.06127	105.2017		'GEN542962 2-IATAN UNIT #2'
FDNS	05G0888		0 11G	G08_088	'FROM->TO'	'ELK CITY 230KV (ELKCTY-6)	230/138/13.8KV TRANSFORMER CKT 1'	287	0.11432	101.2138		'GEN542962 2-IATAN UNIT #2'
FDNS	05G0888		0 11G	G08_088	'FROM->TO'	'ELK CITY 230KV (ELKCTY-6)	230/138/13.8KV TRANSFORMER CKT 1'	287	0.11432	100.4013		'GEN542962 2-IATAN UNIT #2'
FDNS	05G0888		0 11G	G08_088	'TO->FROM'	'DEAF SMITH COUNTY INTERCHANGE - S-RANDLCO	230.00 230KV CKT 1'	350	0.06127	110.1873		'GEN560105 1-G08-22 0.6900'
FDNS	05G0888		0 11G	G08_088	'TO->FROM'	'DEAF SMITH COUNTY INTERCHANGE - S-RANDLCO	230.00 230KV CKT 1'	350	0.06127	105.3316		'GEN560127 1-G08-88 0.7000'
FDNS	05G0888		0 11G	G08_088	'TO->FROM'	'DEAF SMITH COUNTY INTERCHANGE - S-RANDLCO	230.00 230KV CKT 1'	350	0.06127	103.9457		'GEN560166 1-G07-48 0.6900'
FDNS	05G0888		0 11G	G08_088	'TO->FROM'	'DEAF SMITH COUNTY INTERCHANGE - S-RANDLCO	230.00 230KV CKT 1'	350	0.06127	108.6643		'GEN560170 1-G08-16 34.500'
FDNS	05G0888		0 11G	G08_088	'TO->FROM'	'DEAF SMITH COUNTY INTERCHANGE - S-RANDLCO	230.00 230KV CKT 1'	350	0.06127	107.1412		'GEN560183 1-G08-14 0.6900'
FDNS	05G0888		0 11G	G08_088	'FROM->TO'	'ELK CITY 230KV (ELKCTY-6)	230/138/13.8KV TRANSFORMER CKT 1'	287	0.11432	101.0939		'GEN560193 1-G09-16 0.6900'
FDNS	05G0888		0 11G	G08_088	'FROM->TO'	'ELK CITY 230KV (ELKCTY-6)	230/138/13.8KV TRANSFORMER CKT 1'	287	0.11432	100.2264		'GEN560193 1-G09-16 0.6900'
FDNS	05G0888		0 11G	G08_088	'FROM->TO'	'ELK CITY 230KV (ELKCTY-6)	230/138/13.8KV TRANSFORMER CKT 1'	287	0.11432	100.1367		'GEN560655 1-G07-32 12.000'
FDNS	05G0888		0 11G	G08_088	'TO->FROM'	'DEAF SMITH COUNTY INTERCHANGE - S-RANDLCO	230.00 230KV CKT 1'	350	0.06127	109.5099		'GEN599891 1-OKLAUN'
FDNS	05G0888		0 11G	G08_088	'TO->FROM'	'DEAF SMITH COUNTY INTERCHANGE - S-RANDLCO	230.00 230KV CKT 1'	350	0.06127	105.143		'GEN640009 1-COOPER NUCLEAR STATION'

SOLUTION	GROUP	SCENARIO	SEASON	SOURCE	DIRECTION	MONITORED ELEMENT		RATE B	TDF	TC%	LOADING	CONTINGENCY NAME
						COMMON NAME						
FDNS	05G0888		0 11G	G08_088	'FROM->TO'	'ELK CITY 230KV (ELKCTY-6) 230/138/13.8KV TRANSFORMER CKT 1'		287	0.11432	100.6888	'GEN640009 1-COOPER NUCLEAR STATION'	
FDNS	05G0888		0 11G	G08_088	'TO->FROM'	'DEAF SMITH COUNTY INTERCHANGE - S-RANDLCO 230.00 230KV CKT 1'		350	0.06127	105.2055	'GEN640010 1-GERALD GENTLEMAN STATION UNIT 1'	
FDNS	05G0888		0 11G	G08_088	'TO->FROM'	'DEAF SMITH COUNTY INTERCHANGE - S-RANDLCO 230.00 230KV CKT 1'		350	0.06127	105.34	'GEN640011 2-GERALD GENTLEMAN STATION UNIT 2'	
FDNS	05G0888		0 11G	G08_088	'FROM->TO'	'ELK CITY 230KV (ELKCTY-6) 230/138/13.8KV TRANSFORMER CKT 1'		287	0.11432	100.0922	'GEN645011 1-NEBRASKA CITY 1'	
FDNS	05G0888		0 11G	G08_088	'TO->FROM'	'DEAF SMITH COUNTY INTERCHANGE - S-RANDLCO 230.00 230KV CKT 1'		350	0.06127	105.2743	'GEN645012 2-NEBRASKA CITY 2'	
FDNS	05G0888		0 11G	G08_088	'FROM->TO'	'ELK CITY 230KV (ELKCTY-6) 230/138/13.8KV TRANSFORMER CKT 1'		287	0.11432	100.3583	'GEN645012 2-NEBRASKA CITY 2'	
FNSL	05G0888		0 11G	G08_088	'FROM->TO'	'ELK CITY 230KV (ELKCTY-6) 230/138/13.8KV TRANSFORMER CKT 1'		287	0.11432	105.4814	'GEN336153 1-WATERFORD UNIT#3'	
FNSL	05G0888		0 11G	G08_088	'FROM->TO'	'ELK CITY 230KV (ELKCTY-6) 230/138/13.8KV TRANSFORMER CKT 1'		287	0.11432	104.5387	'GEN336153 1-WATERFORD UNIT#3'	
FDNS	5		0 11G	G10_007	'TO->FROM'	'DEAF SMITH COUNTY INTERCHANGE - S-RANDLCO 230.00 230KV CKT 1'		350	0.07081	114.6611	'BASE CASE'	
FDNS	5		0 11G	G08_110	'TO->FROM'	'DEAF SMITH COUNTY INTERCHANGE - S-RANDLCO 230.00 230KV CKT 1'		350	0.04379	114.6611	'BASE CASE'	
FDNS	5		0 11G	G08_088	'TO->FROM'	'DEAF SMITH COUNTY INTERCHANGE - S-RANDLCO 230.00 230KV CKT 1'		350	0.06128	114.6611	'BASE CASE'	
FDNS	5		0 11G	ASGI_2010_011	'TO->FROM'	'DEAF SMITH COUNTY INTERCHANGE - S-RANDLCO 230.00 230KV CKT 1'		350	0.05515	114.6611	'BASE CASE'	
FDNS	5		0 11G	G10_014	'TO->FROM'	'DEAF SMITH COUNTY INTERCHANGE - S-RANDLCO 230.00 230KV CKT 1'		350	0.04379	114.6611	'BASE CASE'	
FDNS	5		0 11G	G08_046	'FROM->TO'	'LAWEASOKLUNI'		425	0.11325	110.5	'BASE CASE'	
FDNS	5		0 11G	G09_030	'FROM->TO'	'LAWEASOKLUNI'		425	0.06241	110.5	'BASE CASE'	
FDNS	5		0 11G	G10_005	'FROM->TO'	'LAWEASOKLUNI'		425	0.03252	110.5	'BASE CASE'	
FDNS	5		0 11G	G10_003	'FROM->TO'	'LAWEASOKLUNI'		425	0.03442	110.5	'BASE CASE'	
FDNS	5		0 11G	G08_071	'FROM->TO'	'LAWEASOKLUNI'		425	0.04315	110.5	'BASE CASE'	
FDNS	5		0 11G	G08_037	'FROM->TO'	'LAWEASOKLUNI'		425	0.10411	110.5	'BASE CASE'	
FDNS	5		0 11G	G10_013	'FROM->TO'	'LAWEASOKLUNI'		425	0.03739	110.5	'BASE CASE'	
FDNS	5		0 11G	G08_098	'FROM->TO'	'LAWEASOKLUNI'		425	0.03442	110.5	'BASE CASE'	
FDNS	5		0 11G	G09_060	'FROM->TO'	'LAWEASOKLUNI'		425	0.06052	110.5	'BASE CASE'	
FDNS	5		0 11G	G09_067S	'FROM->TO'	'ELK CITY 230KV (ELKCTY-6) 230/138/13.8KV TRANSFORMER CKT 1'		287	0.06856	100.1111	'ALTUS JCT TAP - ALTUS JUNCTION 138KV CKT 1'	
FDNS	5		0 11G	G08_022	'FROM->TO'	'ELK CITY 230KV (ELKCTY-6) 230/138/13.8KV TRANSFORMER CKT 1'		287	0.06989	100.1111	'ALTUS JCT TAP - ALTUS JUNCTION 138KV CKT 1'	
FDNS	5		0 11G	G10_007	'FROM->TO'	'ELK CITY 230KV (ELKCTY-6) 230/138/13.8KV TRANSFORMER CKT 1'		287	0.10519	100.1111	'ALTUS JCT TAP - ALTUS JUNCTION 138KV CKT 1'	
FDNS	5		0 11G	G08_110	'FROM->TO'	'ELK CITY 230KV (ELKCTY-6) 230/138/13.8KV TRANSFORMER CKT 1'		287	0.03942	100.1111	'ALTUS JCT TAP - ALTUS JUNCTION 138KV CKT 1'	
FDNS	5		0 11G	G08_088	'FROM->TO'	'ELK CITY 230KV (ELKCTY-6) 230/138/13.8KV TRANSFORMER CKT 1'		287	0.11729	100.1111	'ALTUS JCT TAP - ALTUS JUNCTION 138KV CKT 1'	
FDNS	5		0 11G	ASGI_2010_011	'FROM->TO'	'ELK CITY 230KV (ELKCTY-6) 230/138/13.8KV TRANSFORMER CKT 1'		287	0.0619	100.1111	'ALTUS JCT TAP - ALTUS JUNCTION 138KV CKT 1'	
FDNS	5		0 11G	G10_014	'FROM->TO'	'ELK CITY 230KV (ELKCTY-6) 230/138/13.8KV TRANSFORMER CKT 1'		287	0.03942	100.1111	'ALTUS JCT TAP - ALTUS JUNCTION 138KV CKT 1'	
FDNS	5		0 11G	G10_007	'TO->FROM'	'DEAF SMITH COUNTY INTERCHANGE - S-RANDLCO 230.00 230KV CKT 1'		350	0.07184	105.187	'CLINTON AIR FORCE BASE TAP - ELK CITY 138KV CKT 1'	
FDNS	5		0 11G	G08_110	'TO->FROM'	'DEAF SMITH COUNTY INTERCHANGE - S-RANDLCO 230.00 230KV CKT 1'		350	0.04433	105.187	'CLINTON AIR FORCE BASE TAP - ELK CITY 138KV CKT 1'	
FDNS	5		0 11G	G08_088	'TO->FROM'	'DEAF SMITH COUNTY INTERCHANGE - S-RANDLCO 230.00 230KV CKT 1'		350	0.06238	105.187	'CLINTON AIR FORCE BASE TAP - ELK CITY 138KV CKT 1'	
FDNS	5		0 11G	ASGI_2010_011	'TO->FROM'	'DEAF SMITH COUNTY INTERCHANGE - S-RANDLCO 230.00 230KV CKT 1'		350	0.05586	105.187	'CLINTON AIR FORCE BASE TAP - ELK CITY 138KV CKT 1'	

SOLUTION	GROUP	SCENARIO	SEASON	SOURCE	DIRECTION	MONITORED ELEMENT		RATE B	TDF	TC%	LOADING	CONTINGENCY NAME
						COMMON NAME						
FDNS	5	0 11G	G10_014	'TO->FROM'	'DEAF SMITH COUNTY INTERCHANGE - S-RANDLCO 230.00 230KV CKT 1'		350	0.04433		105.187	'CLINTON AIR FORCE BASE TAP - ELK CITY 138KV CKT 1'	
FDNS	5	0 11G	G10_007	'TO->FROM'	'DEAF SMITH COUNTY INTERCHANGE - S-RANDLCO 230.00 230KV CKT 1'		350	0.07184		105.148	'CLINTON AIR FORCE BASE TAP - HOBART JUNCTION 138KV CKT 1'	
FDNS	5	0 11G	G08_110	'TO->FROM'	'DEAF SMITH COUNTY INTERCHANGE - S-RANDLCO 230.00 230KV CKT 1'		350	0.04433		105.148	'CLINTON AIR FORCE BASE TAP - HOBART JUNCTION 138KV CKT 1'	
FDNS	5	0 11G	G08_088	'TO->FROM'	'DEAF SMITH COUNTY INTERCHANGE - S-RANDLCO 230.00 230KV CKT 1'		350	0.06238		105.148	'CLINTON AIR FORCE BASE TAP - HOBART JUNCTION 138KV CKT 1'	
FDNS	5	0 11G	ASGI_2010_011	'TO->FROM'	'DEAF SMITH COUNTY INTERCHANGE - S-RANDLCO 230.00 230KV CKT 1'		350	0.05586		105.148	'CLINTON AIR FORCE BASE TAP - HOBART JUNCTION 138KV CKT 1'	
FDNS	5	0 11G	G10_014	'TO->FROM'	'DEAF SMITH COUNTY INTERCHANGE - S-RANDLCO 230.00 230KV CKT 1'		350	0.04433		105.148	'CLINTON AIR FORCE BASE TAP - HOBART JUNCTION 138KV CKT 1'	
FDNS	5	0 11G	G09_067S	'FROM->TO'	'ELK CITY 230KV (ELKCTY-6) 230/138/13.8KV TRANSFORMER CKT 1'		287	0.06856		100.1205	'ALTUS JCT TAP - RUSSELL 138KV CKT 1'	
FDNS	5	0 11G	G08_022	'FROM->TO'	'ELK CITY 230KV (ELKCTY-6) 230/138/13.8KV TRANSFORMER CKT 1'		287	0.06989		100.1205	'ALTUS JCT TAP - RUSSELL 138KV CKT 1'	
FDNS	5	0 11G	G10_007	'FROM->TO'	'ELK CITY 230KV (ELKCTY-6) 230/138/13.8KV TRANSFORMER CKT 1'		287	0.10519		100.1205	'ALTUS JCT TAP - RUSSELL 138KV CKT 1'	
FDNS	5	0 11G	G08_110	'FROM->TO'	'ELK CITY 230KV (ELKCTY-6) 230/138/13.8KV TRANSFORMER CKT 1'		287	0.03942		100.1205	'ALTUS JCT TAP - RUSSELL 138KV CKT 1'	
FDNS	5	0 11G	G08_088	'FROM->TO'	'ELK CITY 230KV (ELKCTY-6) 230/138/13.8KV TRANSFORMER CKT 1'		287	0.11729		100.1205	'ALTUS JCT TAP - RUSSELL 138KV CKT 1'	
FDNS	5	0 11G	ASGI_2010_011	'FROM->TO'	'ELK CITY 230KV (ELKCTY-6) 230/138/13.8KV TRANSFORMER CKT 1'		287	0.0619		100.1205	'ALTUS JCT TAP - RUSSELL 138KV CKT 1'	
FDNS	5	0 11G	G10_014	'FROM->TO'	'ELK CITY 230KV (ELKCTY-6) 230/138/13.8KV TRANSFORMER CKT 1'		287	0.03942		100.1205	'ALTUS JCT TAP - RUSSELL 138KV CKT 1'	
FDNS	5	0 11G	G09_067S	'TO->FROM'	'ELK CITY 230KV - SWEETWT6 230.00 230KV CKT 1'		351	0.09961		101.0386	'LAWTON EASTSIDE - OKLAUNION 345KV CKT 1'	
FDNS	5	0 11G	G08_022	'TO->FROM'	'ELK CITY 230KV - SWEETWT6 230.00 230KV CKT 1'		351	0.10041		101.0386	'LAWTON EASTSIDE - OKLAUNION 345KV CKT 1'	
FDNS	5	0 11G	G10_007	'TO->FROM'	'ELK CITY 230KV - SWEETWT6 230.00 230KV CKT 1'		351	0.11721		101.0386	'LAWTON EASTSIDE - OKLAUNION 345KV CKT 1'	
FDNS	5	0 11G	G08_110	'TO->FROM'	'ELK CITY 230KV - SWEETWT6 230.00 230KV CKT 1'		351	0.04604		101.0386	'LAWTON EASTSIDE - OKLAUNION 345KV CKT 1'	
FDNS	5	0 11G	G08_088	'TO->FROM'	'ELK CITY 230KV - SWEETWT6 230.00 230KV CKT 1'		351	0.13225		101.0386	'LAWTON EASTSIDE - OKLAUNION 345KV CKT 1'	
FDNS	5	0 11G	ASGI_2010_011	'TO->FROM'	'ELK CITY 230KV - SWEETWT6 230.00 230KV CKT 1'		351	0.07053		101.0386	'LAWTON EASTSIDE - OKLAUNION 345KV CKT 1'	
FDNS	5	0 11G	G10_014	'TO->FROM'	'ELK CITY 230KV - SWEETWT6 230.00 230KV CKT 1'		351	0.04604		101.0386	'LAWTON EASTSIDE - OKLAUNION 345KV CKT 1'	
FDNS	5	0 11G	G09_067S	'FROM->TO'	'ELK CITY 230KV (ELKCTY-6) 230/138/13.8KV TRANSFORMER CKT 1'		287	0.09961		120.427	'LAWTON EASTSIDE - OKLAUNION 345KV CKT 1'	
FDNS	5	0 11G	G08_022	'FROM->TO'	'ELK CITY 230KV (ELKCTY-6) 230/138/13.8KV TRANSFORMER CKT 1'		287	0.10041		120.427	'LAWTON EASTSIDE - OKLAUNION 345KV CKT 1'	
FDNS	5	0 11G	G10_007	'FROM->TO'	'ELK CITY 230KV (ELKCTY-6) 230/138/13.8KV TRANSFORMER CKT 1'		287	0.11721		120.427	'LAWTON EASTSIDE - OKLAUNION 345KV CKT 1'	
FDNS	5	0 11G	G08_110	'FROM->TO'	'ELK CITY 230KV (ELKCTY-6) 230/138/13.8KV TRANSFORMER CKT 1'		287	0.04604		120.427	'LAWTON EASTSIDE - OKLAUNION 345KV CKT 1'	
FDNS	5	0 11G	G08_088	'FROM->TO'	'ELK CITY 230KV (ELKCTY-6) 230/138/13.8KV TRANSFORMER CKT 1'		287	0.13225		120.427	'LAWTON EASTSIDE - OKLAUNION 345KV CKT 1'	
FDNS	5	0 11G	ASGI_2010_011	'FROM->TO'	'ELK CITY 230KV (ELKCTY-6) 230/138/13.8KV TRANSFORMER CKT 1'		287	0.07053		120.427	'LAWTON EASTSIDE - OKLAUNION 345KV CKT 1'	
FDNS	5	0 11G	G10_014	'FROM->TO'	'ELK CITY 230KV (ELKCTY-6) 230/138/13.8KV TRANSFORMER CKT 1'		287	0.04604		120.427	'LAWTON EASTSIDE - OKLAUNION 345KV CKT 1'	
FDNS	5	0 11G	G09_067S	'FROM->TO'	'ELK CITY 230KV (ELKCTY-6) 230/138/13.8KV TRANSFORMER CKT 1'		287	0.09961		118.7354	'LAWTON EASTSIDE - OKLAUNION 345KV CKT 1'	
FDNS	5	0 11G	G08_022	'FROM->TO'	'ELK CITY 230KV (ELKCTY-6) 230/138/13.8KV TRANSFORMER CKT 1'		287	0.10041		118.7354	'LAWTON EASTSIDE - OKLAUNION 345KV CKT 1'	

SOLUTION	GROUP	SCENARIO	SEASON	SOURCE	DIRECTION	MONITORED ELEMENT	RATE B	TDF	TC%	LOADING	CONTINGENCY NAME
						COMMON NAME					
FDNS	5	0 11G	G10_007	'FROM->TO'	'ELK CITY 230KV (ELKCTY-6) 230/138/13.8KV TRANSFORMER CKT 1'	287	0.11721	118.7354	CKT 1'	'LAWTON EASTSIDE - OKLAUNION 345KV	
FDNS	5	0 11G	G08_110	'FROM->TO'	'ELK CITY 230KV (ELKCTY-6) 230/138/13.8KV TRANSFORMER CKT 1'	287	0.04604	118.7354	CKT 1'	'LAWTON EASTSIDE - OKLAUNION 345KV	
FDNS	5	0 11G	G08_088	'FROM->TO'	'ELK CITY 230KV (ELKCTY-6) 230/138/13.8KV TRANSFORMER CKT 1'	287	0.13225	118.7354	CKT 1'	'LAWTON EASTSIDE - OKLAUNION 345KV	
FDNS	5	0 11G	ASGI_2010_011	'FROM->TO'	'ELK CITY 230KV (ELKCTY-6) 230/138/13.8KV TRANSFORMER CKT 1'	287	0.07053	118.7354	CKT 1'	'LAWTON EASTSIDE - OKLAUNION 345KV	
FDNS	5	0 11G	G10_014	'FROM->TO'	'ELK CITY 230KV (ELKCTY-6) 230/138/13.8KV TRANSFORMER CKT 1'	287	0.04604	118.7354	CKT 1'	'LAWTON EASTSIDE - OKLAUNION 345KV	
FDNS	5	0 11G	G09_067S	'FROM->TO'	'ELK CITY 230KV (ELKCTY-6) 230/138/13.8KV TRANSFORMER CKT 1'	287	0.09961	110.3992	CKT 1'	'G08-14T 345.00 - OKLAUNION 345KV	
FDNS	5	0 11G	G08_022	'FROM->TO'	'ELK CITY 230KV (ELKCTY-6) 230/138/13.8KV TRANSFORMER CKT 1'	287	0.10041	110.3992	CKT 1'	'G08-14T 345.00 - OKLAUNION 345KV	
FDNS	5	0 11G	G10_007	'FROM->TO'	'ELK CITY 230KV (ELKCTY-6) 230/138/13.8KV TRANSFORMER CKT 1'	287	0.11721	110.3992	CKT 1'	'G08-14T 345.00 - OKLAUNION 345KV	
FDNS	5	0 11G	G08_110	'FROM->TO'	'ELK CITY 230KV (ELKCTY-6) 230/138/13.8KV TRANSFORMER CKT 1'	287	0.04604	110.3992	CKT 1'	'G08-14T 345.00 - OKLAUNION 345KV	
FDNS	5	0 11G	G08_088	'FROM->TO'	'ELK CITY 230KV (ELKCTY-6) 230/138/13.8KV TRANSFORMER CKT 1'	287	0.13225	110.3992	CKT 1'	'G08-14T 345.00 - OKLAUNION 345KV	
FDNS	5	0 11G	ASGI_2010_011	'FROM->TO'	'ELK CITY 230KV (ELKCTY-6) 230/138/13.8KV TRANSFORMER CKT 1'	287	0.07053	110.3992	CKT 1'	'G08-14T 345.00 - OKLAUNION 345KV	
FDNS	5	0 11G	G10_014	'FROM->TO'	'ELK CITY 230KV (ELKCTY-6) 230/138/13.8KV TRANSFORMER CKT 1'	287	0.04604	110.3992	CKT 1'	'G08-14T 345.00 - OKLAUNION 345KV	
FDNS	5	0 11G	G09_067S	'FROM->TO'	'ELK CITY 230KV (ELKCTY-6) 230/138/13.8KV TRANSFORMER CKT 1'	287	0.09961	109.2039	CKT 1'	'G08-14T 345.00 - OKLAUNION 345KV	
FDNS	5	0 11G	G08_022	'FROM->TO'	'ELK CITY 230KV (ELKCTY-6) 230/138/13.8KV TRANSFORMER CKT 1'	287	0.10041	109.2039	CKT 1'	'G08-14T 345.00 - OKLAUNION 345KV	
FDNS	5	0 11G	G10_007	'FROM->TO'	'ELK CITY 230KV (ELKCTY-6) 230/138/13.8KV TRANSFORMER CKT 1'	287	0.11721	109.2039	CKT 1'	'G08-14T 345.00 - OKLAUNION 345KV	
FDNS	5	0 11G	G08_110	'FROM->TO'	'ELK CITY 230KV (ELKCTY-6) 230/138/13.8KV TRANSFORMER CKT 1'	287	0.04604	109.2039	CKT 1'	'G08-14T 345.00 - OKLAUNION 345KV	
FDNS	5	0 11G	G08_088	'FROM->TO'	'ELK CITY 230KV (ELKCTY-6) 230/138/13.8KV TRANSFORMER CKT 1'	287	0.13225	109.2039	CKT 1'	'G08-14T 345.00 - OKLAUNION 345KV	
FDNS	5	0 11G	ASGI_2010_011	'FROM->TO'	'ELK CITY 230KV (ELKCTY-6) 230/138/13.8KV TRANSFORMER CKT 1'	287	0.07053	109.2039	CKT 1'	'G08-14T 345.00 - OKLAUNION 345KV	
FDNS	5	0 11G	G10_014	'FROM->TO'	'ELK CITY 230KV (ELKCTY-6) 230/138/13.8KV TRANSFORMER CKT 1'	287	0.04604	109.2039	CKT 1'	'G08-14T 345.00 - OKLAUNION 345KV	
FDNS	5	0 11G	G10_007	'TO->FROM'	'DEAF SMITH COUNTY INTERCHANGE - S-RANDLCO 230.00 230KV CKT 1'	350	0.07222	105.4113	CKT 1'	'CLINTON JUNCTION - ELK CITY 138KV	
FDNS	5	0 11G	G08_110	'TO->FROM'	'DEAF SMITH COUNTY INTERCHANGE - S-RANDLCO 230.00 230KV CKT 1'	350	0.04448	105.4113	CKT 1'	'CLINTON JUNCTION - ELK CITY 138KV	
FDNS	5	0 11G	G08_088	'TO->FROM'	'DEAF SMITH COUNTY INTERCHANGE - S-RANDLCO 230.00 230KV CKT 1'	350	0.06282	105.4113	CKT 1'	'CLINTON JUNCTION - ELK CITY 138KV	
FDNS	5	0 11G	ASGI_2010_011	'TO->FROM'	'DEAF SMITH COUNTY INTERCHANGE - S-RANDLCO 230.00 230KV CKT 1'	350	0.05608	105.4113	CKT 1'	'CLINTON JUNCTION - ELK CITY 138KV	
FDNS	5	0 11G	G10_014	'TO->FROM'	'DEAF SMITH COUNTY INTERCHANGE - S-RANDLCO 230.00 230KV CKT 1'	350	0.04448	105.4113	CKT 1'	'CLINTON JUNCTION - ELK CITY 138KV	
FDNS	5	0 11G	G10_007	'TO->FROM'	'DEAF SMITH COUNTY INTERCHANGE - S-RANDLCO 230.00 230KV CKT 1'	350	0.06963	103.1711	CKT 1'	'LAWTON EASTSIDE - SUNNYSIDE 345KV	
FDNS	5	0 11G	G08_110	'TO->FROM'	'DEAF SMITH COUNTY INTERCHANGE - S-RANDLCO 230.00 230KV CKT 1'	350	0.04303	103.1711	CKT 1'	'LAWTON EASTSIDE - SUNNYSIDE 345KV	
FDNS	5	0 11G	G08_088	'TO->FROM'	'DEAF SMITH COUNTY INTERCHANGE - S-RANDLCO 230.00 230KV CKT 1'	350	0.05995	103.1711	CKT 1'	'LAWTON EASTSIDE - SUNNYSIDE 345KV	
FDNS	5	0 11G	ASGI_2010_011	'TO->FROM'	'DEAF SMITH COUNTY INTERCHANGE - S-RANDLCO 230.00 230KV CKT 1'	350	0.05424	103.1711	CKT 1'	'LAWTON EASTSIDE - SUNNYSIDE 345KV	
FDNS	5	0 11G	G10_014	'TO->FROM'	'DEAF SMITH COUNTY INTERCHANGE - S-RANDLCO 230.00 230KV CKT 1'	350	0.04303	103.1711	CKT 1'	'LAWTON EASTSIDE - SUNNYSIDE 345KV	

SOLUTION	GROUP	SCENARIO	SEASON	SOURCE	DIRECTION	MONITORED ELEMENT		RATE B	TDF	TC%	LOADING	CONTINGENCY NAME
						COMMON NAME						
FDNS	5	0 11G	G10_007	'TO->FROM'	'DEAF SMITH COUNTY INTERCHANGE - S-RANDLCO 230.00 230KV CKT 1'	350	0.06961	103.2949	'GRACMNT7 345.00 - LAWTON EASTSIDE 345KV CKT 1'			
FDNS	5	0 11G	G08_110	'TO->FROM'	'DEAF SMITH COUNTY INTERCHANGE - S-RANDLCO 230.00 230KV CKT 1'	350	0.04343	103.2949	'GRACMNT7 345.00 - LAWTON EASTSIDE 345KV CKT 1'			
FDNS	5	0 11G	G08_088	'TO->FROM'	'DEAF SMITH COUNTY INTERCHANGE - S-RANDLCO 230.00 230KV CKT 1'	350	0.05975	103.2949	'GRACMNT7 345.00 - LAWTON EASTSIDE 345KV CKT 1'			
FDNS	5	0 11G	ASGI_2010_011	'TO->FROM'	'DEAF SMITH COUNTY INTERCHANGE - S-RANDLCO 230.00 230KV CKT 1'	350	0.05449	103.2949	'GRACMNT7 345.00 - LAWTON EASTSIDE 345KV CKT 1'			
FDNS	5	0 11G	G10_014	'TO->FROM'	'DEAF SMITH COUNTY INTERCHANGE - S-RANDLCO 230.00 230KV CKT 1'	350	0.04343	103.2949	'GRACMNT7 345.00 - LAWTON EASTSIDE 345KV CKT 1'			
FDNS	5	0 11G	G08_044	'TO->FROM'	'FPL SWITCH - WOODWARD 138KV CKT 1'	153	0.03361	104.367	'ELK CITY 230KV - SWEETWT6 230.00 230KV CKT 1'			
FDNS	5	0 11G	G08_047	'TO->FROM'	'FPL SWITCH - WOODWARD 138KV CKT 1'	153	0.05897	104.367	'ELK CITY 230KV - SWEETWT6 230.00 230KV CKT 1'			
FDNS	5	0 11G	G09_067S	'TO->FROM'	'FPL SWITCH - WOODWARD 138KV CKT 1'	153	0.03358	104.367	'ELK CITY 230KV - SWEETWT6 230.00 230KV CKT 1'			
FDNS	5	0 11G	G08_022	'TO->FROM'	'FPL SWITCH - WOODWARD 138KV CKT 1'	153	0.03379	104.367	'ELK CITY 230KV - SWEETWT6 230.00 230KV CKT 1'			
FDNS	5	0 11G	G10_007	'TO->FROM'	'FPL SWITCH - WOODWARD 138KV CKT 1'	153	0.04172	104.367	'ELK CITY 230KV - SWEETWT6 230.00 230KV CKT 1'			
FDNS	5	0 11G	G08_110	'TO->FROM'	'FPL SWITCH - WOODWARD 138KV CKT 1'	153	0.05004	104.367	'ELK CITY 230KV - SWEETWT6 230.00 230KV CKT 1'			
FDNS	5	0 11G	G08_088	'TO->FROM'	'FPL SWITCH - WOODWARD 138KV CKT 1'	153	0.03905	104.367	'ELK CITY 230KV - SWEETWT6 230.00 230KV CKT 1'			
FDNS	5	0 11G	ASGI_2010_011	'TO->FROM'	'FPL SWITCH - WOODWARD 138KV CKT 1'	153	0.04713	104.367	'ELK CITY 230KV - SWEETWT6 230.00 230KV CKT 1'			
FDNS	5	0 11G	G10_011	'TO->FROM'	'FPL SWITCH - WOODWARD 138KV CKT 1'	153	0.03361	104.367	'ELK CITY 230KV - SWEETWT6 230.00 230KV CKT 1'			
FDNS	5	0 11G	G10_014	'TO->FROM'	'FPL SWITCH - WOODWARD 138KV CKT 1'	153	0.05004	104.367	'ELK CITY 230KV - SWEETWT6 230.00 230KV CKT 1'			
FDNS	5	0 11G	G10_007	'TO->FROM'	'DEAF SMITH COUNTY INTERCHANGE - S-RANDLCO 230.00 230KV CKT 1'	350	0.07958	110.6878	'ELK CITY 230KV - SWEETWT6 230.00 230KV CKT 1'			
FDNS	5	0 11G	G08_110	'TO->FROM'	'DEAF SMITH COUNTY INTERCHANGE - S-RANDLCO 230.00 230KV CKT 1'	350	0.04707	110.6878	'ELK CITY 230KV - SWEETWT6 230.00 230KV CKT 1'			
FDNS	5	0 11G	G08_088	'TO->FROM'	'DEAF SMITH COUNTY INTERCHANGE - S-RANDLCO 230.00 230KV CKT 1'	350	0.07106	110.6878	'ELK CITY 230KV - SWEETWT6 230.00 230KV CKT 1'			
FDNS	5	0 11G	ASGI_2010_011	'TO->FROM'	'DEAF SMITH COUNTY INTERCHANGE - S-RANDLCO 230.00 230KV CKT 1'	350	0.06031	110.6878	'ELK CITY 230KV - SWEETWT6 230.00 230KV CKT 1'			
FDNS	5	0 11G	G10_014	'TO->FROM'	'DEAF SMITH COUNTY INTERCHANGE - S-RANDLCO 230.00 230KV CKT 1'	350	0.04707	110.6878	'ELK CITY 230KV - SWEETWT6 230.00 230KV CKT 1'			
FDNS	5	0 11G	G10_007	'TO->FROM'	'DEAF SMITH COUNTY INTERCHANGE - S-RANDLCO 230.00 230KV CKT 1'	350	0.07984	109.15	'STLN-DEMARC6230.00 - SWEETWT6 230.00 230KV CKT 1'			
FDNS	5	0 11G	G08_110	'TO->FROM'	'DEAF SMITH COUNTY INTERCHANGE - S-RANDLCO 230.00 230KV CKT 1'	350	0.04733	109.15	'STLN-DEMARC6230.00 - SWEETWT6 230.00 230KV CKT 1'			
FDNS	5	0 11G	G08_088	'TO->FROM'	'DEAF SMITH COUNTY INTERCHANGE - S-RANDLCO 230.00 230KV CKT 1'	350	0.07132	109.15	'STLN-DEMARC6230.00 - SWEETWT6 230.00 230KV CKT 1'			
FDNS	5	0 11G	ASGI_2010_011	'TO->FROM'	'DEAF SMITH COUNTY INTERCHANGE - S-RANDLCO 230.00 230KV CKT 1'	350	0.06057	109.15	'STLN-DEMARC6230.00 - SWEETWT6 230.00 230KV CKT 1'			
FDNS	5	0 11G	G10_014	'TO->FROM'	'DEAF SMITH COUNTY INTERCHANGE - S-RANDLCO 230.00 230KV CKT 1'	350	0.04733	109.15	'STLN-DEMARC6230.00 - SWEETWT6 230.00 230KV CKT 1'			
FDNS	5	0 11G	G09_067S	'FROM->TO'	'ELK CITY 230KV (ELKCTY-6) 230/138/13.8KV TRANSFORMER CKT 1'	287	0.06795	100.5532	'CLARENDON - CLARENDON REC 69KV CKT 1'			
FDNS	5	0 11G	G08_022	'FROM->TO'	'ELK CITY 230KV (ELKCTY-6) 230/138/13.8KV TRANSFORMER CKT 1'	287	0.06927	100.5532	'CLARENDON - CLARENDON REC 69KV CKT 1'			
FDNS	5	0 11G	G10_007	'FROM->TO'	'ELK CITY 230KV (ELKCTY-6) 230/138/13.8KV TRANSFORMER CKT 1'	287	0.10402	100.5532	'CLARENDON - CLARENDON REC 69KV CKT 1'			
FDNS	5	0 11G	G08_110	'FROM->TO'	'ELK CITY 230KV (ELKCTY-6) 230/138/13.8KV TRANSFORMER CKT 1'	287	0.03894	100.5532	'CLARENDON - CLARENDON REC 69KV CKT 1'			

SOLUTION	GROUP	SCENARIO	SEASON	SOURCE	DIRECTION	MONITORED ELEMENT	RATE B	TDF	TC%LOADING	CONTINGENCY NAME
						COMMON NAME				
FDNS	5	0 11G	G08_088	'FROM->TO'	'ELK CITY 230KV (ELKCTY-6) 230/138/13.8KV TRANSFORMER CKT 1'	287	0.11601	100.5532	'CLARENDON - CLARENDON REC 69KV CKT 1'	
FDNS	5	0 11G	ASGI_2010_011	'FROM->TO'	'ELK CITY 230KV (ELKCTY-6) 230/138/13.8KV TRANSFORMER CKT 1'	287	0.06118	100.5532	'CLARENDON - CLARENDON REC 69KV CKT 1'	
FDNS	5	0 11G	G10_014	'FROM->TO'	'ELK CITY 230KV (ELKCTY-6) 230/138/13.8KV TRANSFORMER CKT 1'	287	0.03894	100.5532	'CLARENDON - CLARENDON REC 69KV CKT 1'	
FDNS	5	0 11G	G09_067S	'FROM->TO'	'ELK CITY 230KV (ELKCTY-6) 230/138/13.8KV TRANSFORMER CKT 1'	287	0.06986	102.1668	'CHILDRESS - HOLLIS TAP 138KV CKT 1'	
FDNS	5	0 11G	G08_022	'FROM->TO'	'ELK CITY 230KV (ELKCTY-6) 230/138/13.8KV TRANSFORMER CKT 1'	287	0.07122	102.1668	'CHILDRESS - HOLLIS TAP 138KV CKT 1'	
FDNS	5	0 11G	G10_007	'FROM->TO'	'ELK CITY 230KV (ELKCTY-6) 230/138/13.8KV TRANSFORMER CKT 1'	287	0.10727	102.1668	'CHILDRESS - HOLLIS TAP 138KV CKT 1'	
FDNS	5	0 11G	G08_110	'FROM->TO'	'ELK CITY 230KV (ELKCTY-6) 230/138/13.8KV TRANSFORMER CKT 1'	287	0.04022	102.1668	'CHILDRESS - HOLLIS TAP 138KV CKT 1'	
FDNS	5	0 11G	G08_088	'FROM->TO'	'ELK CITY 230KV (ELKCTY-6) 230/138/13.8KV TRANSFORMER CKT 1'	287	0.11961	102.1668	'CHILDRESS - HOLLIS TAP 138KV CKT 1'	
FDNS	5	0 11G	ASGI_2010_011	'FROM->TO'	'ELK CITY 230KV (ELKCTY-6) 230/138/13.8KV TRANSFORMER CKT 1'	287	0.06312	102.1668	'CHILDRESS - HOLLIS TAP 138KV CKT 1'	
FDNS	5	0 11G	G10_014	'FROM->TO'	'ELK CITY 230KV (ELKCTY-6) 230/138/13.8KV TRANSFORMER CKT 1'	287	0.04022	102.1668	'CHILDRESS - HOLLIS TAP 138KV CKT 1'	
FDNS	5	0 11G	G09_067S	'FROM->TO'	'ELK CITY 230KV (ELKCTY-6) 230/138/13.8KV TRANSFORMER CKT 1'	287	0.06986	101.3518	'CHILDRESS - HOLLIS TAP 138KV CKT 1'	
FDNS	5	0 11G	G08_022	'FROM->TO'	'ELK CITY 230KV (ELKCTY-6) 230/138/13.8KV TRANSFORMER CKT 1'	287	0.07122	101.3518	'CHILDRESS - HOLLIS TAP 138KV CKT 1'	
FDNS	5	0 11G	G10_007	'FROM->TO'	'ELK CITY 230KV (ELKCTY-6) 230/138/13.8KV TRANSFORMER CKT 1'	287	0.10727	101.3518	'CHILDRESS - HOLLIS TAP 138KV CKT 1'	
FDNS	5	0 11G	G08_110	'FROM->TO'	'ELK CITY 230KV (ELKCTY-6) 230/138/13.8KV TRANSFORMER CKT 1'	287	0.04022	101.3518	'CHILDRESS - HOLLIS TAP 138KV CKT 1'	
FDNS	5	0 11G	G08_088	'FROM->TO'	'ELK CITY 230KV (ELKCTY-6) 230/138/13.8KV TRANSFORMER CKT 1'	287	0.11961	101.3518	'CHILDRESS - HOLLIS TAP 138KV CKT 1'	
FDNS	5	0 11G	ASGI_2010_011	'FROM->TO'	'ELK CITY 230KV (ELKCTY-6) 230/138/13.8KV TRANSFORMER CKT 1'	287	0.06312	101.3518	'CHILDRESS - HOLLIS TAP 138KV CKT 1'	
FDNS	5	0 11G	G10_014	'FROM->TO'	'ELK CITY 230KV (ELKCTY-6) 230/138/13.8KV TRANSFORMER CKT 1'	287	0.04022	101.3518	'CHILDRESS - HOLLIS TAP 138KV CKT 1'	
FDNS	5	0 11G	G10_007	'TO->FROM'	'DEAF SMITH COUNTY INTERCHANGE - S- RANDLCO 230.00 230KV CKT 1'	350	0.07241	105.3361	'CHILDRESS - LAKE PAULINE 138KV CKT 1'	
FDNS	5	0 11G	G08_110	'TO->FROM'	'DEAF SMITH COUNTY INTERCHANGE - S- RANDLCO 230.00 230KV CKT 1'	350	0.04443	105.3361	'CHILDRESS - LAKE PAULINE 138KV CKT 1'	
FDNS	5	0 11G	G08_088	'TO->FROM'	'DEAF SMITH COUNTY INTERCHANGE - S- RANDLCO 230.00 230KV CKT 1'	350	0.06305	105.3361	'CHILDRESS - LAKE PAULINE 138KV CKT 1'	
FDNS	5	0 11G	ASGI_2010_011	'TO->FROM'	'DEAF SMITH COUNTY INTERCHANGE - S- RANDLCO 230.00 230KV CKT 1'	350	0.0561	105.3361	'CHILDRESS - LAKE PAULINE 138KV CKT 1'	
FDNS	5	0 11G	G10_014	'TO->FROM'	'DEAF SMITH COUNTY INTERCHANGE - S- RANDLCO 230.00 230KV CKT 1'	350	0.04443	105.3361	'CHILDRESS - LAKE PAULINE 138KV CKT 1'	
FDNS	5	0 11G	G09_067S	'FROM->TO'	'ELK CITY 230KV (ELKCTY-6) 230/138/13.8KV TRANSFORMER CKT 1'	287	0.07222	104.2496	'CHILDRESS - LAKE PAULINE 138KV CKT 1'	
FDNS	5	0 11G	G08_022	'FROM->TO'	'ELK CITY 230KV (ELKCTY-6) 230/138/13.8KV TRANSFORMER CKT 1'	287	0.07363	104.2496	'CHILDRESS - LAKE PAULINE 138KV CKT 1'	
FDNS	5	0 11G	G10_007	'FROM->TO'	'ELK CITY 230KV (ELKCTY-6) 230/138/13.8KV TRANSFORMER CKT 1'	287	0.11129	104.2496	'CHILDRESS - LAKE PAULINE 138KV CKT 1'	
FDNS	5	0 11G	G08_110	'FROM->TO'	'ELK CITY 230KV (ELKCTY-6) 230/138/13.8KV TRANSFORMER CKT 1'	287	0.04182	104.2496	'CHILDRESS - LAKE PAULINE 138KV CKT 1'	
FDNS	5	0 11G	G08_088	'FROM->TO'	'ELK CITY 230KV (ELKCTY-6) 230/138/13.8KV TRANSFORMER CKT 1'	287	0.12406	104.2496	'CHILDRESS - LAKE PAULINE 138KV CKT 1'	
FDNS	5	0 11G	ASGI_2010_011	'FROM->TO'	'ELK CITY 230KV (ELKCTY-6) 230/138/13.8KV TRANSFORMER CKT 1'	287	0.06552	104.2496	'CHILDRESS - LAKE PAULINE 138KV CKT 1'	
FDNS	5	0 11G	G10_014	'FROM->TO'	'ELK CITY 230KV (ELKCTY-6) 230/138/13.8KV TRANSFORMER CKT 1'	287	0.04182	104.2496	'CHILDRESS - LAKE PAULINE 138KV CKT 1'	

SOLUTION	GROUP	SCENARIO	SEASON	SOURCE	DIRECTION	MONITORED ELEMENT	RATE B	TDF	TC%LOADING	CONTINGENCY NAME
						COMMON NAME				
FDNS	5	0 11G	G09_067S	'FROM->TO'	'ELK CITY 230KV (ELKCTY-6) 230/138/13.8KV TRANSFORMER CKT 1'	287	0.07222	103.3757	1'	'CHILDRESS - LAKE PAULINE 138KV CKT
FDNS	5	0 11G	G08_022	'FROM->TO'	'ELK CITY 230KV (ELKCTY-6) 230/138/13.8KV TRANSFORMER CKT 1'	287	0.07363	103.3757	1'	'CHILDRESS - LAKE PAULINE 138KV CKT
FDNS	5	0 11G	G10_007	'FROM->TO'	'ELK CITY 230KV (ELKCTY-6) 230/138/13.8KV TRANSFORMER CKT 1'	287	0.11129	103.3757	1'	'CHILDRESS - LAKE PAULINE 138KV CKT
FDNS	5	0 11G	G08_110	'FROM->TO'	'ELK CITY 230KV (ELKCTY-6) 230/138/13.8KV TRANSFORMER CKT 1'	287	0.04182	103.3757	1'	'CHILDRESS - LAKE PAULINE 138KV CKT
FDNS	5	0 11G	G08_088	'FROM->TO'	'ELK CITY 230KV (ELKCTY-6) 230/138/13.8KV TRANSFORMER CKT 1'	287	0.12406	103.3757	1'	'CHILDRESS - LAKE PAULINE 138KV CKT
FDNS	5	0 11G	ASGI_2010_011	'FROM->TO'	'ELK CITY 230KV (ELKCTY-6) 230/138/13.8KV TRANSFORMER CKT 1'	287	0.06552	103.3757	1'	'CHILDRESS - LAKE PAULINE 138KV CKT
FDNS	5	0 11G	G10_014	'FROM->TO'	'ELK CITY 230KV (ELKCTY-6) 230/138/13.8KV TRANSFORMER CKT 1'	287	0.04182	103.3757	1'	'CHILDRESS - LAKE PAULINE 138KV CKT
FDNS	5	0 11G	G09_067S	'FROM->TO'	'ELK CITY 230KV (ELKCTY-6) 230/138/13.8KV TRANSFORMER CKT 1'	287	0.06986	102.2601	1'	'HOLLIS TAP - WELLINGTON 138KV CKT
FDNS	5	0 11G	G08_022	'FROM->TO'	'ELK CITY 230KV (ELKCTY-6) 230/138/13.8KV TRANSFORMER CKT 1'	287	0.07122	102.2601	1'	'HOLLIS TAP - WELLINGTON 138KV CKT
FDNS	5	0 11G	G10_007	'FROM->TO'	'ELK CITY 230KV (ELKCTY-6) 230/138/13.8KV TRANSFORMER CKT 1'	287	0.10727	102.2601	1'	'HOLLIS TAP - WELLINGTON 138KV CKT
FDNS	5	0 11G	G08_110	'FROM->TO'	'ELK CITY 230KV (ELKCTY-6) 230/138/13.8KV TRANSFORMER CKT 1'	287	0.04022	102.2601	1'	'HOLLIS TAP - WELLINGTON 138KV CKT
FDNS	5	0 11G	G08_088	'FROM->TO'	'ELK CITY 230KV (ELKCTY-6) 230/138/13.8KV TRANSFORMER CKT 1'	287	0.11961	102.2601	1'	'HOLLIS TAP - WELLINGTON 138KV CKT
FDNS	5	0 11G	ASGI_2010_011	'FROM->TO'	'ELK CITY 230KV (ELKCTY-6) 230/138/13.8KV TRANSFORMER CKT 1'	287	0.06312	102.2601	1'	'HOLLIS TAP - WELLINGTON 138KV CKT
FDNS	5	0 11G	G10_014	'FROM->TO'	'ELK CITY 230KV (ELKCTY-6) 230/138/13.8KV TRANSFORMER CKT 1'	287	0.04022	102.2601	1'	'HOLLIS TAP - WELLINGTON 138KV CKT
FDNS	5	0 11G	G09_067S	'FROM->TO'	'ELK CITY 230KV (ELKCTY-6) 230/138/13.8KV TRANSFORMER CKT 1'	287	0.06986	101.4335	1'	'HOLLIS TAP - WELLINGTON 138KV CKT
FDNS	5	0 11G	G08_022	'FROM->TO'	'ELK CITY 230KV (ELKCTY-6) 230/138/13.8KV TRANSFORMER CKT 1'	287	0.07122	101.4335	1'	'HOLLIS TAP - WELLINGTON 138KV CKT
FDNS	5	0 11G	G10_007	'FROM->TO'	'ELK CITY 230KV (ELKCTY-6) 230/138/13.8KV TRANSFORMER CKT 1'	287	0.10727	101.4335	1'	'HOLLIS TAP - WELLINGTON 138KV CKT
FDNS	5	0 11G	G08_110	'FROM->TO'	'ELK CITY 230KV (ELKCTY-6) 230/138/13.8KV TRANSFORMER CKT 1'	287	0.04022	101.4335	1'	'HOLLIS TAP - WELLINGTON 138KV CKT
FDNS	5	0 11G	G08_088	'FROM->TO'	'ELK CITY 230KV (ELKCTY-6) 230/138/13.8KV TRANSFORMER CKT 1'	287	0.11961	101.4335	1'	'HOLLIS TAP - WELLINGTON 138KV CKT
FDNS	5	0 11G	ASGI_2010_011	'FROM->TO'	'ELK CITY 230KV (ELKCTY-6) 230/138/13.8KV TRANSFORMER CKT 1'	287	0.06312	101.4335	1'	'HOLLIS TAP - WELLINGTON 138KV CKT
FDNS	5	0 11G	G10_014	'FROM->TO'	'ELK CITY 230KV (ELKCTY-6) 230/138/13.8KV TRANSFORMER CKT 1'	287	0.04022	101.4335	1'	'HOLLIS TAP - WELLINGTON 138KV CKT
FDNS	5	0 11G	G10_007	'TO->FROM'	'DEAF SMITH COUNTY INTERCHANGE - S-RANDLCO 230.00 230KV CKT 1'	350	0.07167	105.1462	1'	'SHAMROCK - WELLINGTON 138KV CKT
FDNS	5	0 11G	G08_110	'TO->FROM'	'DEAF SMITH COUNTY INTERCHANGE - S-RANDLCO 230.00 230KV CKT 1'	350	0.04413	105.1462	1'	'SHAMROCK - WELLINGTON 138KV CKT
FDNS	5	0 11G	G08_088	'TO->FROM'	'DEAF SMITH COUNTY INTERCHANGE - S-RANDLCO 230.00 230KV CKT 1'	350	0.06223	105.1462	1'	'SHAMROCK - WELLINGTON 138KV CKT
FDNS	5	0 11G	ASGI_2010_011	'TO->FROM'	'DEAF SMITH COUNTY INTERCHANGE - S-RANDLCO 230.00 230KV CKT 1'	350	0.05567	105.1462	1'	'SHAMROCK - WELLINGTON 138KV CKT
FDNS	5	0 11G	G10_014	'TO->FROM'	'DEAF SMITH COUNTY INTERCHANGE - S-RANDLCO 230.00 230KV CKT 1'	350	0.04413	105.1462	1'	'SHAMROCK - WELLINGTON 138KV CKT
FDNS	5	0 11G	G09_067S	'FROM->TO'	'ELK CITY 230KV (ELKCTY-6) 230/138/13.8KV TRANSFORMER CKT 1'	287	0.06986	102.9012	1'	'SHAMROCK - WELLINGTON 138KV CKT
FDNS	5	0 11G	G08_022	'FROM->TO'	'ELK CITY 230KV (ELKCTY-6) 230/138/13.8KV TRANSFORMER CKT 1'	287	0.07122	102.9012	1'	'SHAMROCK - WELLINGTON 138KV CKT
FDNS	5	0 11G	G10_007	'FROM->TO'	'ELK CITY 230KV (ELKCTY-6) 230/138/13.8KV TRANSFORMER CKT 1'	287	0.10727	102.9012	1'	'SHAMROCK - WELLINGTON 138KV CKT

SOLUTION	GROUP	SCENARIO	SEASON	SOURCE	DIRECTION	MONITORED ELEMENT	RATE B	TDF	TC%	LOADING	CONTINGENCY NAME
						COMMON NAME					
FDNS	5	0 11G	G08_110	'FROM->TO'	'ELK CITY 230KV (ELKCTY-6) 230/138/13.8KV TRANSFORMER CKT 1'	287	0.04022	102.9012	1'	'SHAMROCK - WELLINGTON 138KV CKT 1'	
FDNS	5	0 11G	G08_088	'FROM->TO'	'ELK CITY 230KV (ELKCTY-6) 230/138/13.8KV TRANSFORMER CKT 1'	287	0.11961	102.9012	1'	'SHAMROCK - WELLINGTON 138KV CKT 1'	
FDNS	5	0 11G	ASGI_2010_011	'FROM->TO'	'ELK CITY 230KV (ELKCTY-6) 230/138/13.8KV TRANSFORMER CKT 1'	287	0.06312	102.9012	1'	'SHAMROCK - WELLINGTON 138KV CKT 1'	
FDNS	5	0 11G	G10_014	'FROM->TO'	'ELK CITY 230KV (ELKCTY-6) 230/138/13.8KV TRANSFORMER CKT 1'	287	0.04022	102.9012	1'	'SHAMROCK - WELLINGTON 138KV CKT 1'	
FDNS	5	0 11G	G09_067S	'FROM->TO'	'ELK CITY 230KV (ELKCTY-6) 230/138/13.8KV TRANSFORMER CKT 1'	287	0.06986	102.0602	1'	'SHAMROCK - WELLINGTON 138KV CKT 1'	
FDNS	5	0 11G	G08_022	'FROM->TO'	'ELK CITY 230KV (ELKCTY-6) 230/138/13.8KV TRANSFORMER CKT 1'	287	0.07122	102.0602	1'	'SHAMROCK - WELLINGTON 138KV CKT 1'	
FDNS	5	0 11G	G10_007	'FROM->TO'	'ELK CITY 230KV (ELKCTY-6) 230/138/13.8KV TRANSFORMER CKT 1'	287	0.10727	102.0602	1'	'SHAMROCK - WELLINGTON 138KV CKT 1'	
FDNS	5	0 11G	G08_110	'FROM->TO'	'ELK CITY 230KV (ELKCTY-6) 230/138/13.8KV TRANSFORMER CKT 1'	287	0.04022	102.0602	1'	'SHAMROCK - WELLINGTON 138KV CKT 1'	
FDNS	5	0 11G	G08_088	'FROM->TO'	'ELK CITY 230KV (ELKCTY-6) 230/138/13.8KV TRANSFORMER CKT 1'	287	0.11961	102.0602	1'	'SHAMROCK - WELLINGTON 138KV CKT 1'	
FDNS	5	0 11G	ASGI_2010_011	'FROM->TO'	'ELK CITY 230KV (ELKCTY-6) 230/138/13.8KV TRANSFORMER CKT 1'	287	0.06312	102.0602	1'	'SHAMROCK - WELLINGTON 138KV CKT 1'	
FDNS	5	0 11G	G10_014	'FROM->TO'	'ELK CITY 230KV (ELKCTY-6) 230/138/13.8KV TRANSFORMER CKT 1'	287	0.04022	102.0602	1'	'SHAMROCK - WELLINGTON 138KV CKT 1'	
FDNS	5	0 11G	G10_007	'TO->FROM'	'DEAF SMITH COUNTY INTERCHANGE - S-RANDLCO 230.00 230KV CKT 1'	350	0.07167	105.3341	115KV CKT 1'	'MCLEAN RURAL SUB - SHAMROCK 115KV CKT 1'	
FDNS	5	0 11G	G08_110	'TO->FROM'	'DEAF SMITH COUNTY INTERCHANGE - S-RANDLCO 230.00 230KV CKT 1'	350	0.04413	105.3341	115KV CKT 1'	'MCLEAN RURAL SUB - SHAMROCK 115KV CKT 1'	
FDNS	5	0 11G	G08_088	'TO->FROM'	'DEAF SMITH COUNTY INTERCHANGE - S-RANDLCO 230.00 230KV CKT 1'	350	0.06223	105.3341	115KV CKT 1'	'MCLEAN RURAL SUB - SHAMROCK 115KV CKT 1'	
FDNS	5	0 11G	ASGI_2010_011	'TO->FROM'	'DEAF SMITH COUNTY INTERCHANGE - S-RANDLCO 230.00 230KV CKT 1'	350	0.05567	105.3341	115KV CKT 1'	'MCLEAN RURAL SUB - SHAMROCK 115KV CKT 1'	
FDNS	5	0 11G	G10_014	'TO->FROM'	'DEAF SMITH COUNTY INTERCHANGE - S-RANDLCO 230.00 230KV CKT 1'	350	0.04413	105.3341	115KV CKT 1'	'MCLEAN RURAL SUB - SHAMROCK 115KV CKT 1'	
FDNS	5	0 11G	G09_067S	'FROM->TO'	'ELK CITY 230KV (ELKCTY-6) 230/138/13.8KV TRANSFORMER CKT 1'	287	0.06986	103.8685	115KV CKT 1'	'MCLEAN RURAL SUB - SHAMROCK 115KV CKT 1'	
FDNS	5	0 11G	G08_022	'FROM->TO'	'ELK CITY 230KV (ELKCTY-6) 230/138/13.8KV TRANSFORMER CKT 1'	287	0.07122	103.8685	115KV CKT 1'	'MCLEAN RURAL SUB - SHAMROCK 115KV CKT 1'	
FDNS	5	0 11G	G10_007	'FROM->TO'	'ELK CITY 230KV (ELKCTY-6) 230/138/13.8KV TRANSFORMER CKT 1'	287	0.10727	103.8685	115KV CKT 1'	'MCLEAN RURAL SUB - SHAMROCK 115KV CKT 1'	
FDNS	5	0 11G	G08_110	'FROM->TO'	'ELK CITY 230KV (ELKCTY-6) 230/138/13.8KV TRANSFORMER CKT 1'	287	0.04022	103.8685	115KV CKT 1'	'MCLEAN RURAL SUB - SHAMROCK 115KV CKT 1'	
FDNS	5	0 11G	G08_088	'FROM->TO'	'ELK CITY 230KV (ELKCTY-6) 230/138/13.8KV TRANSFORMER CKT 1'	287	0.11961	103.8685	115KV CKT 1'	'MCLEAN RURAL SUB - SHAMROCK 115KV CKT 1'	
FDNS	5	0 11G	ASGI_2010_011	'FROM->TO'	'ELK CITY 230KV (ELKCTY-6) 230/138/13.8KV TRANSFORMER CKT 1'	287	0.06312	103.8685	115KV CKT 1'	'MCLEAN RURAL SUB - SHAMROCK 115KV CKT 1'	
FDNS	5	0 11G	G10_014	'FROM->TO'	'ELK CITY 230KV (ELKCTY-6) 230/138/13.8KV TRANSFORMER CKT 1'	287	0.04022	103.8685	115KV CKT 1'	'MCLEAN RURAL SUB - SHAMROCK 115KV CKT 1'	
FDNS	5	0 11G	G09_067S	'FROM->TO'	'ELK CITY 230KV (ELKCTY-6) 230/138/13.8KV TRANSFORMER CKT 1'	287	0.06986	102.9827	115KV CKT 1'	'MCLEAN RURAL SUB - SHAMROCK 115KV CKT 1'	
FDNS	5	0 11G	G08_022	'FROM->TO'	'ELK CITY 230KV (ELKCTY-6) 230/138/13.8KV TRANSFORMER CKT 1'	287	0.07122	102.9827	115KV CKT 1'	'MCLEAN RURAL SUB - SHAMROCK 115KV CKT 1'	
FDNS	5	0 11G	G10_007	'FROM->TO'	'ELK CITY 230KV (ELKCTY-6) 230/138/13.8KV TRANSFORMER CKT 1'	287	0.10727	102.9827	115KV CKT 1'	'MCLEAN RURAL SUB - SHAMROCK 115KV CKT 1'	
FDNS	5	0 11G	G08_110	'FROM->TO'	'ELK CITY 230KV (ELKCTY-6) 230/138/13.8KV TRANSFORMER CKT 1'	287	0.04022	102.9827	115KV CKT 1'	'MCLEAN RURAL SUB - SHAMROCK 115KV CKT 1'	
FDNS	5	0 11G	G08_088	'FROM->TO'	'ELK CITY 230KV (ELKCTY-6) 230/138/13.8KV TRANSFORMER CKT 1'	287	0.11961	102.9827	115KV CKT 1'	'MCLEAN RURAL SUB - SHAMROCK 115KV CKT 1'	
FDNS	5	0 11G	ASGI_2010_011	'FROM->TO'	'ELK CITY 230KV (ELKCTY-6) 230/138/13.8KV TRANSFORMER CKT 1'	287	0.06312	102.9827	115KV CKT 1'	'MCLEAN RURAL SUB - SHAMROCK 115KV CKT 1'	

SOLUTION	GROUP	SCENARIO	SEASON	SOURCE	DIRECTION	MONITORED ELEMENT	RATE B	TDF	TC%	LOADING	CONTINGENCY NAME
						COMMON NAME					
FDNS	5	0 11G	G10_014	'FROM->TO'	'ELK CITY 230KV (ELKCTY-6) 230/138/13.8KV TRANSFORMER CKT 1'	287	0.04022	102.9827	115KV	'MCLEAN RURAL SUB - SHAMROCK CKT 1'	
FDNS	5	0 11G	G09_067S	'FROM->TO'	'ELK CITY 230KV (ELKCTY-6) 230/138/13.8KV TRANSFORMER CKT 1'	287	0.06925	101.1304	'LAKE PAULINE - RUSSELL 138KV	CKT 1'	
FDNS	5	0 11G	G08_022	'FROM->TO'	'ELK CITY 230KV (ELKCTY-6) 230/138/13.8KV TRANSFORMER CKT 1'	287	0.0706	101.1304	'LAKE PAULINE - RUSSELL 138KV	CKT 1'	
FDNS	5	0 11G	G10_007	'FROM->TO'	'ELK CITY 230KV (ELKCTY-6) 230/138/13.8KV TRANSFORMER CKT 1'	287	0.10631	101.1304	'LAKE PAULINE - RUSSELL 138KV	CKT 1'	
FDNS	5	0 11G	G08_110	'FROM->TO'	'ELK CITY 230KV (ELKCTY-6) 230/138/13.8KV TRANSFORMER CKT 1'	287	0.03986	101.1304	'LAKE PAULINE - RUSSELL 138KV	CKT 1'	
FDNS	5	0 11G	G08_088	'FROM->TO'	'ELK CITY 230KV (ELKCTY-6) 230/138/13.8KV TRANSFORMER CKT 1'	287	0.11854	101.1304	'LAKE PAULINE - RUSSELL 138KV	CKT 1'	
FDNS	5	0 11G	ASGI_2010_011	'FROM->TO'	'ELK CITY 230KV (ELKCTY-6) 230/138/13.8KV TRANSFORMER CKT 1'	287	0.06256	101.1304	'LAKE PAULINE - RUSSELL 138KV	CKT 1'	
FDNS	5	0 11G	G10_014	'FROM->TO'	'ELK CITY 230KV (ELKCTY-6) 230/138/13.8KV TRANSFORMER CKT 1'	287	0.03986	101.1304	'LAKE PAULINE - RUSSELL 138KV	CKT 1'	
FDNS	5	0 11G	G09_067S	'FROM->TO'	'ELK CITY 230KV (ELKCTY-6) 230/138/13.8KV TRANSFORMER CKT 1'	287	0.06925	100.3383	'LAKE PAULINE - RUSSELL 138KV	CKT 1'	
FDNS	5	0 11G	G08_022	'FROM->TO'	'ELK CITY 230KV (ELKCTY-6) 230/138/13.8KV TRANSFORMER CKT 1'	287	0.0706	100.3383	'LAKE PAULINE - RUSSELL 138KV	CKT 1'	
FDNS	5	0 11G	G10_007	'FROM->TO'	'ELK CITY 230KV (ELKCTY-6) 230/138/13.8KV TRANSFORMER CKT 1'	287	0.10631	100.3383	'LAKE PAULINE - RUSSELL 138KV	CKT 1'	
FDNS	5	0 11G	G08_110	'FROM->TO'	'ELK CITY 230KV (ELKCTY-6) 230/138/13.8KV TRANSFORMER CKT 1'	287	0.03986	100.3383	'LAKE PAULINE - RUSSELL 138KV	CKT 1'	
FDNS	5	0 11G	G08_088	'FROM->TO'	'ELK CITY 230KV (ELKCTY-6) 230/138/13.8KV TRANSFORMER CKT 1'	287	0.11854	100.3383	'LAKE PAULINE - RUSSELL 138KV	CKT 1'	
FDNS	5	0 11G	ASGI_2010_011	'FROM->TO'	'ELK CITY 230KV (ELKCTY-6) 230/138/13.8KV TRANSFORMER CKT 1'	287	0.06256	100.3383	'LAKE PAULINE - RUSSELL 138KV	CKT 1'	
FDNS	5	0 11G	G10_014	'FROM->TO'	'ELK CITY 230KV (ELKCTY-6) 230/138/13.8KV TRANSFORMER CKT 1'	287	0.03986	100.3383	'LAKE PAULINE - RUSSELL 138KV	CKT 1'	
FDNS	5	0 11G	G09_067S	'FROM->TO'	'ELK CITY 230KV (ELKCTY-6) 230/138/13.8KV TRANSFORMER CKT 1'	287	0.06867	101.3116	'FPL SWITCH - WOODWARD 138KV	CKT 1'	
FDNS	5	0 11G	G08_022	'FROM->TO'	'ELK CITY 230KV (ELKCTY-6) 230/138/13.8KV TRANSFORMER CKT 1'	287	0.06997	101.3116	'FPL SWITCH - WOODWARD 138KV	CKT 1'	
FDNS	5	0 11G	G10_007	'FROM->TO'	'ELK CITY 230KV (ELKCTY-6) 230/138/13.8KV TRANSFORMER CKT 1'	287	0.10426	101.3116	'FPL SWITCH - WOODWARD 138KV	CKT 1'	
FDNS	5	0 11G	G08_110	'FROM->TO'	'ELK CITY 230KV (ELKCTY-6) 230/138/13.8KV TRANSFORMER CKT 1'	287	0.04157	101.3116	'FPL SWITCH - WOODWARD 138KV	CKT 1'	
FDNS	5	0 11G	G08_088	'FROM->TO'	'ELK CITY 230KV (ELKCTY-6) 230/138/13.8KV TRANSFORMER CKT 1'	287	0.11573	101.3116	'FPL SWITCH - WOODWARD 138KV	CKT 1'	
FDNS	5	0 11G	ASGI_2010_011	'FROM->TO'	'ELK CITY 230KV (ELKCTY-6) 230/138/13.8KV TRANSFORMER CKT 1'	287	0.063	101.3116	'FPL SWITCH - WOODWARD 138KV	CKT 1'	
FDNS	5	0 11G	G10_014	'FROM->TO'	'ELK CITY 230KV (ELKCTY-6) 230/138/13.8KV TRANSFORMER CKT 1'	287	0.04157	101.3116	'FPL SWITCH - WOODWARD 138KV	CKT 1'	
FDNS	5	0 11G	G09_067S	'FROM->TO'	'ELK CITY 230KV (ELKCTY-6) 230/138/13.8KV TRANSFORMER CKT 1'	287	0.06867	100.429	'FPL SWITCH - WOODWARD 138KV	CKT 1'	
FDNS	5	0 11G	G08_022	'FROM->TO'	'ELK CITY 230KV (ELKCTY-6) 230/138/13.8KV TRANSFORMER CKT 1'	287	0.06997	100.429	'FPL SWITCH - WOODWARD 138KV	CKT 1'	
FDNS	5	0 11G	G10_007	'FROM->TO'	'ELK CITY 230KV (ELKCTY-6) 230/138/13.8KV TRANSFORMER CKT 1'	287	0.10426	100.429	'FPL SWITCH - WOODWARD 138KV	CKT 1'	
FDNS	5	0 11G	G08_110	'FROM->TO'	'ELK CITY 230KV (ELKCTY-6) 230/138/13.8KV TRANSFORMER CKT 1'	287	0.04157	100.429	'FPL SWITCH - WOODWARD 138KV	CKT 1'	
FDNS	5	0 11G	G08_088	'FROM->TO'	'ELK CITY 230KV (ELKCTY-6) 230/138/13.8KV TRANSFORMER CKT 1'	287	0.11573	100.429	'FPL SWITCH - WOODWARD 138KV	CKT 1'	
FDNS	5	0 11G	ASGI_2010_011	'FROM->TO'	'ELK CITY 230KV (ELKCTY-6) 230/138/13.8KV TRANSFORMER CKT 1'	287	0.063	100.429	'FPL SWITCH - WOODWARD 138KV	CKT 1'	
FDNS	5	0 11G	G10_014	'FROM->TO'	'ELK CITY 230KV (ELKCTY-6) 230/138/13.8KV TRANSFORMER CKT 1'	287	0.04157	100.429	'FPL SWITCH - WOODWARD 138KV	CKT 1'	

SOLUTION	GROUP	SCENARIO	SEASON	SOURCE	DIRECTION	MONITORED ELEMENT		RATE B	TDF	TC%	LOADING	CONTINGENCY NAME	
						COMMON NAME							
FDNS	5	0 11G	G08_044	'TO->FROM'	'FPL SWITCH - WOODWARD 138KV CKT 1'		153	0.09578	119.9356	345KV CKT 1'		'NORTHWEST - TATONGA7	345.00
FDNS	5	0 11G	G08_047	'TO->FROM'	'FPL SWITCH - WOODWARD 138KV CKT 1'		153	0.07929	119.9356	345KV CKT 1'		'NORTHWEST - TATONGA7	345.00
FDNS	5	0 11G	G09_067S	'TO->FROM'	'FPL SWITCH - WOODWARD 138KV CKT 1'		153	0.03402	119.9356	345KV CKT 1'		'NORTHWEST - TATONGA7	345.00
FDNS	5	0 11G	G08_022	'TO->FROM'	'FPL SWITCH - WOODWARD 138KV CKT 1'		153	0.03407	119.9356	345KV CKT 1'		'NORTHWEST - TATONGA7	345.00
FDNS	5	0 11G	G10_009	'TO->FROM'	'FPL SWITCH - WOODWARD 138KV CKT 1'		153	0.038	119.9356	345KV CKT 1'		'NORTHWEST - TATONGA7	345.00
FDNS	5	0 11G	G10_007	'TO->FROM'	'FPL SWITCH - WOODWARD 138KV CKT 1'		153	0.0385	119.9356	345KV CKT 1'		'NORTHWEST - TATONGA7	345.00
FDNS	5	0 11G	G08_110	'TO->FROM'	'FPL SWITCH - WOODWARD 138KV CKT 1'		153	0.06281	119.9356	345KV CKT 1'		'NORTHWEST - TATONGA7	345.00
FDNS	5	0 11G	G08_088	'TO->FROM'	'FPL SWITCH - WOODWARD 138KV CKT 1'		153	0.03242	119.9356	345KV CKT 1'		'NORTHWEST - TATONGA7	345.00
FDNS	5	0 11G	ASGI_2010_011	'TO->FROM'	'FPL SWITCH - WOODWARD 138KV CKT 1'		153	0.0544	119.9356	345KV CKT 1'		'NORTHWEST - TATONGA7	345.00
FDNS	5	0 11G	G10_011	'TO->FROM'	'FPL SWITCH - WOODWARD 138KV CKT 1'		153	0.09578	119.9356	345KV CKT 1'		'NORTHWEST - TATONGA7	345.00
FDNS	5	0 11G	G10_015	'TO->FROM'	'FPL SWITCH - WOODWARD 138KV CKT 1'		153	0.03557	119.9356	345KV CKT 1'		'NORTHWEST - TATONGA7	345.00
FDNS	5	0 11G	G10_014	'TO->FROM'	'FPL SWITCH - WOODWARD 138KV CKT 1'		153	0.06281	119.9356	345KV CKT 1'		'NORTHWEST - TATONGA7	345.00
FDNS	5	0 11G	G10_016	'TO->FROM'	'FPL SWITCH - WOODWARD 138KV CKT 1'		153	0.03042	119.9356	345KV CKT 1'		'NORTHWEST - TATONGA7	345.00
FDNS	5	0 11G	G08_047	'TO->FROM'	'DEAF SMITH COUNTY INTERCHANGE - S-RANDLCO 230.00 230KV CKT 1'		350	0.03028	106.0926	345KV CKT 1'		'NORTHWEST - TATONGA7	345.00
FDNS	5	0 11G	G10_007	'TO->FROM'	'DEAF SMITH COUNTY INTERCHANGE - S-RANDLCO 230.00 230KV CKT 1'		350	0.07242	106.0926	345KV CKT 1'		'NORTHWEST - TATONGA7	345.00
FDNS	5	0 11G	G08_110	'TO->FROM'	'DEAF SMITH COUNTY INTERCHANGE - S-RANDLCO 230.00 230KV CKT 1'		350	0.04584	106.0926	345KV CKT 1'		'NORTHWEST - TATONGA7	345.00
FDNS	5	0 11G	G08_088	'TO->FROM'	'DEAF SMITH COUNTY INTERCHANGE - S-RANDLCO 230.00 230KV CKT 1'		350	0.06276	106.0926	345KV CKT 1'		'NORTHWEST - TATONGA7	345.00
FDNS	5	0 11G	ASGI_2010_011	'TO->FROM'	'DEAF SMITH COUNTY INTERCHANGE - S-RANDLCO 230.00 230KV CKT 1'		350	0.05704	106.0926	345KV CKT 1'		'NORTHWEST - TATONGA7	345.00
FDNS	5	0 11G	G10_014	'TO->FROM'	'DEAF SMITH COUNTY INTERCHANGE - S-RANDLCO 230.00 230KV CKT 1'		350	0.04584	106.0926	345KV CKT 1'		'NORTHWEST - TATONGA7	345.00
FDNS	5	0 11G	G09_067S	'FROM->TO'	'ELK CITY 230KV (ELKCTY-6) 230/138/13.8KV TRANSFORMER CKT 1'		287	0.07189	107.986	345KV CKT 1'		'NORTHWEST - TATONGA7	345.00
FDNS	5	0 11G	G08_022	'FROM->TO'	'ELK CITY 230KV (ELKCTY-6) 230/138/13.8KV TRANSFORMER CKT 1'		287	0.07322	107.986	345KV CKT 1'		'NORTHWEST - TATONGA7	345.00
FDNS	5	0 11G	G10_007	'FROM->TO'	'ELK CITY 230KV (ELKCTY-6) 230/138/13.8KV TRANSFORMER CKT 1'		287	0.10842	107.986	345KV CKT 1'		'NORTHWEST - TATONGA7	345.00
FDNS	5	0 11G	G08_110	'FROM->TO'	'ELK CITY 230KV (ELKCTY-6) 230/138/13.8KV TRANSFORMER CKT 1'		287	0.04582	107.986	345KV CKT 1'		'NORTHWEST - TATONGA7	345.00
FDNS	5	0 11G	G08_088	'FROM->TO'	'ELK CITY 230KV (ELKCTY-6) 230/138/13.8KV TRANSFORMER CKT 1'		287	0.11978	107.986	345KV CKT 1'		'NORTHWEST - TATONGA7	345.00
FDNS	5	0 11G	ASGI_2010_011	'FROM->TO'	'ELK CITY 230KV (ELKCTY-6) 230/138/13.8KV TRANSFORMER CKT 1'		287	0.06722	107.986	345KV CKT 1'		'NORTHWEST - TATONGA7	345.00
FDNS	5	0 11G	G10_014	'FROM->TO'	'ELK CITY 230KV (ELKCTY-6) 230/138/13.8KV TRANSFORMER CKT 1'		287	0.04582	107.986	345KV CKT 1'		'NORTHWEST - TATONGA7	345.00
FDNS	5	0 11G	G09_067S	'FROM->TO'	'ELK CITY 230KV (ELKCTY-6) 230/138/13.8KV TRANSFORMER CKT 1'		287	0.07189	106.9528	345KV CKT 1'		'NORTHWEST - TATONGA7	345.00
FDNS	5	0 11G	G08_022	'FROM->TO'	'ELK CITY 230KV (ELKCTY-6) 230/138/13.8KV TRANSFORMER CKT 1'		287	0.07322	106.9528	345KV CKT 1'		'NORTHWEST - TATONGA7	345.00
FDNS	5	0 11G	G10_007	'FROM->TO'	'ELK CITY 230KV (ELKCTY-6) 230/138/13.8KV TRANSFORMER CKT 1'		287	0.10842	106.9528	345KV CKT 1'		'NORTHWEST - TATONGA7	345.00

SOLUTION	GROUP	SCENARIO	SEASON	SOURCE	DIRECTION	MONITORED ELEMENT	RATE B	TDF	TC%	LOADING	CONTINGENCY NAME
						COMMON NAME					
FDNS	5	0	11G	G08_110	'FROM->TO'	'ELK CITY 230KV (ELKCTY-6) 230/138/13.8KV TRANSFORMER CKT 1'	287	0.04582	106.9528	345KV CKT 1'	'NORTHWEST - TATONGA7 345.00
FDNS	5	0	11G	G08_088	'FROM->TO'	'ELK CITY 230KV (ELKCTY-6) 230/138/13.8KV TRANSFORMER CKT 1'	287	0.11978	106.9528	345KV CKT 1'	'NORTHWEST - TATONGA7 345.00
FDNS	5	0	11G	ASGI_2010_011	'FROM->TO'	'ELK CITY 230KV (ELKCTY-6) 230/138/13.8KV TRANSFORMER CKT 1'	287	0.06722	106.9528	345KV CKT 1'	'NORTHWEST - TATONGA7 345.00
FDNS	5	0	11G	G10_014	'FROM->TO'	'ELK CITY 230KV (ELKCTY-6) 230/138/13.8KV TRANSFORMER CKT 1'	287	0.04582	106.9528	345KV CKT 1'	'NORTHWEST - TATONGA7 345.00
FDNS	5	0	11G	G08_047	'TO->FROM'	'FPL SWITCH - WOODWARD 138KV CKT 1'	153	0.08022	102.9692	345.00 345KV CKT 1'	'TATONGA7 345.00 - WWRDEHV7
FDNS	5	0	11G	G09_067S	'TO->FROM'	'FPL SWITCH - WOODWARD 138KV CKT 1'	153	0.03496	102.9692	345.00 345KV CKT 1'	'TATONGA7 345.00 - WWRDEHV7
FDNS	5	0	11G	G08_022	'TO->FROM'	'FPL SWITCH - WOODWARD 138KV CKT 1'	153	0.03501	102.9692	345.00 345KV CKT 1'	'TATONGA7 345.00 - WWRDEHV7
FDNS	5	0	11G	G10_009	'TO->FROM'	'FPL SWITCH - WOODWARD 138KV CKT 1'	153	0.03893	102.9692	345.00 345KV CKT 1'	'TATONGA7 345.00 - WWRDEHV7
FDNS	5	0	11G	G10_007	'TO->FROM'	'FPL SWITCH - WOODWARD 138KV CKT 1'	153	0.03944	102.9692	345.00 345KV CKT 1'	'TATONGA7 345.00 - WWRDEHV7
FDNS	5	0	11G	G08_110	'TO->FROM'	'FPL SWITCH - WOODWARD 138KV CKT 1'	153	0.06374	102.9692	345.00 345KV CKT 1'	'TATONGA7 345.00 - WWRDEHV7
FDNS	5	0	11G	G08_088	'TO->FROM'	'FPL SWITCH - WOODWARD 138KV CKT 1'	153	0.03336	102.9692	345.00 345KV CKT 1'	'TATONGA7 345.00 - WWRDEHV7
FDNS	5	0	11G	ASGI_2010_011	'TO->FROM'	'FPL SWITCH - WOODWARD 138KV CKT 1'	153	0.05533	102.9692	345.00 345KV CKT 1'	'TATONGA7 345.00 - WWRDEHV7
FDNS	5	0	11G	G10_015	'TO->FROM'	'FPL SWITCH - WOODWARD 138KV CKT 1'	153	0.0365	102.9692	345.00 345KV CKT 1'	'TATONGA7 345.00 - WWRDEHV7
FDNS	5	0	11G	G10_014	'TO->FROM'	'FPL SWITCH - WOODWARD 138KV CKT 1'	153	0.06374	102.9692	345.00 345KV CKT 1'	'TATONGA7 345.00 - WWRDEHV7
FDNS	5	0	11G	G10_016	'TO->FROM'	'FPL SWITCH - WOODWARD 138KV CKT 1'	153	0.03135	102.9692	345.00 345KV CKT 1'	'TATONGA7 345.00 - WWRDEHV7
FDNS	5	0	11G	G08_047	'TO->FROM'	'DEAF SMITH COUNTY INTERCHANGE - S-RANDLCO 230.00 230KV CKT 1'	350	0.03038	105.4472	345.00 345KV CKT 1'	'TATONGA7 345.00 - WWRDEHV7
FDNS	5	0	11G	G10_007	'TO->FROM'	'DEAF SMITH COUNTY INTERCHANGE - S-RANDLCO 230.00 230KV CKT 1'	350	0.07251	105.4472	345.00 345KV CKT 1'	'TATONGA7 345.00 - WWRDEHV7
FDNS	5	0	11G	G08_110	'TO->FROM'	'DEAF SMITH COUNTY INTERCHANGE - S-RANDLCO 230.00 230KV CKT 1'	350	0.04593	105.4472	345.00 345KV CKT 1'	'TATONGA7 345.00 - WWRDEHV7
FDNS	5	0	11G	G08_088	'TO->FROM'	'DEAF SMITH COUNTY INTERCHANGE - S-RANDLCO 230.00 230KV CKT 1'	350	0.06285	105.4472	345.00 345KV CKT 1'	'TATONGA7 345.00 - WWRDEHV7
FDNS	5	0	11G	ASGI_2010_011	'TO->FROM'	'DEAF SMITH COUNTY INTERCHANGE - S-RANDLCO 230.00 230KV CKT 1'	350	0.05714	105.4472	345.00 345KV CKT 1'	'TATONGA7 345.00 - WWRDEHV7
FDNS	5	0	11G	G10_014	'TO->FROM'	'DEAF SMITH COUNTY INTERCHANGE - S-RANDLCO 230.00 230KV CKT 1'	350	0.04593	105.4472	345.00 345KV CKT 1'	'TATONGA7 345.00 - WWRDEHV7
FDNS	5	0	11G	G09_067S	'FROM->TO'	'ELK CITY 230KV (ELKCTY-6) 230/138/13.8KV TRANSFORMER CKT 1'	287	0.07224	104.9625	345.00 345KV CKT 1'	'TATONGA7 345.00 - WWRDEHV7
FDNS	5	0	11G	G08_022	'FROM->TO'	'ELK CITY 230KV (ELKCTY-6) 230/138/13.8KV TRANSFORMER CKT 1'	287	0.07357	104.9625	345.00 345KV CKT 1'	'TATONGA7 345.00 - WWRDEHV7
FDNS	5	0	11G	G10_007	'FROM->TO'	'ELK CITY 230KV (ELKCTY-6) 230/138/13.8KV TRANSFORMER CKT 1'	287	0.10877	104.9625	345.00 345KV CKT 1'	'TATONGA7 345.00 - WWRDEHV7
FDNS	5	0	11G	G08_110	'FROM->TO'	'ELK CITY 230KV (ELKCTY-6) 230/138/13.8KV TRANSFORMER CKT 1'	287	0.04617	104.9625	345.00 345KV CKT 1'	'TATONGA7 345.00 - WWRDEHV7
FDNS	5	0	11G	G08_088	'FROM->TO'	'ELK CITY 230KV (ELKCTY-6) 230/138/13.8KV TRANSFORMER CKT 1'	287	0.12014	104.9625	345.00 345KV CKT 1'	'TATONGA7 345.00 - WWRDEHV7
FDNS	5	0	11G	ASGI_2010_011	'FROM->TO'	'ELK CITY 230KV (ELKCTY-6) 230/138/13.8KV TRANSFORMER CKT 1'	287	0.06757	104.9625	345.00 345KV CKT 1'	'TATONGA7 345.00 - WWRDEHV7
FDNS	5	0	11G	G10_014	'FROM->TO'	'ELK CITY 230KV (ELKCTY-6) 230/138/13.8KV TRANSFORMER CKT 1'	287	0.04617	104.9625	345.00 345KV CKT 1'	'TATONGA7 345.00 - WWRDEHV7
FDNS	5	0	11G	G09_067S	'FROM->TO'	'ELK CITY 230KV (ELKCTY-6) 230/138/13.8KV TRANSFORMER CKT 1'	287	0.07224	104.0097	345.00 345KV CKT 1'	'TATONGA7 345.00 - WWRDEHV7

SOLUTION	GROUP	SCENARIO	SEASON	SOURCE	DIRECTION	MONITORED ELEMENT		RATE B	TDF	TC%	LOADING	CONTINGENCY NAME
						COMMON NAME	NAME					
FDNS	5	0 11G	G08_022	'FROM->TO'	'ELK CITY 230KV (ELKCTY-6) 230/138/13.8KV TRANSFORMER CKT 1'	287	0.07357	104.0097	345.00	-	WWRDEHV7	
FDNS	5	0 11G	G10_007	'FROM->TO'	'ELK CITY 230KV (ELKCTY-6) 230/138/13.8KV TRANSFORMER CKT 1'	287	0.10877	104.0097	345.00	345KV	CKT 1'	
FDNS	5	0 11G	G08_110	'FROM->TO'	'ELK CITY 230KV (ELKCTY-6) 230/138/13.8KV TRANSFORMER CKT 1'	287	0.04617	104.0097	345.00	-	WWRDEHV7	
FDNS	5	0 11G	G08_088	'FROM->TO'	'ELK CITY 230KV (ELKCTY-6) 230/138/13.8KV TRANSFORMER CKT 1'	287	0.12014	104.0097	345.00	345KV	CKT 1'	
FDNS	5	0 11G	ASGI_2010_011	'FROM->TO'	'ELK CITY 230KV (ELKCTY-6) 230/138/13.8KV TRANSFORMER CKT 1'	287	0.06757	104.0097	345.00	-	WWRDEHV7	
FDNS	5	0 11G	G10_014	'FROM->TO'	'ELK CITY 230KV (ELKCTY-6) 230/138/13.8KV TRANSFORMER CKT 1'	287	0.04617	104.0097	345.00	345KV	CKT 1'	
FDNS	5	0 11G	G08_047	'TO->FROM'	'DEAF SMITH COUNTY INTERCHANGE - S-RANDLCO 230.00 230KV CKT 1'	350	0.03843	100.7808	345.00	345KV	CKT 1'	
FDNS	5	0 11G	G10_007	'TO->FROM'	'DEAF SMITH COUNTY INTERCHANGE - S-RANDLCO 230.00 230KV CKT 1'	350	0.06159	100.7808	345.00	345KV	CKT 1'	
FDNS	5	0 11G	G08_110	'TO->FROM'	'DEAF SMITH COUNTY INTERCHANGE - S-RANDLCO 230.00 230KV CKT 1'	350	0.04838	100.7808	345.00	345KV	CKT 1'	
FDNS	5	0 11G	G08_088	'TO->FROM'	'DEAF SMITH COUNTY INTERCHANGE - S-RANDLCO 230.00 230KV CKT 1'	350	0.0465	100.7808	345.00	345KV	CKT 1'	
FDNS	5	0 11G	ASGI_2010_011	'TO->FROM'	'DEAF SMITH COUNTY INTERCHANGE - S-RANDLCO 230.00 230KV CKT 1'	350	0.0548	100.7808	345.00	345KV	CKT 1'	
FDNS	5	0 11G	G10_014	'TO->FROM'	'DEAF SMITH COUNTY INTERCHANGE - S-RANDLCO 230.00 230KV CKT 1'	350	0.04838	100.7808	345.00	345KV	CKT 1'	
FDNS	5	0 11G	G09_067S	'FROM->TO'	'ELK CITY 230KV (ELKCTY-6) 230/138/13.8KV TRANSFORMER CKT 1'	287	0.07949	100.1231	345.00	345KV	CKT 1'	
FDNS	5	0 11G	G08_022	'FROM->TO'	'ELK CITY 230KV (ELKCTY-6) 230/138/13.8KV TRANSFORMER CKT 1'	287	0.08053	100.1231	345.00	345KV	CKT 1'	
FDNS	5	0 11G	G10_007	'FROM->TO'	'ELK CITY 230KV (ELKCTY-6) 230/138/13.8KV TRANSFORMER CKT 1'	287	0.10576	100.1231	345.00	345KV	CKT 1'	
FDNS	5	0 11G	G08_110	'FROM->TO'	'ELK CITY 230KV (ELKCTY-6) 230/138/13.8KV TRANSFORMER CKT 1'	287	0.03675	100.1231	345.00	345KV	CKT 1'	
FDNS	5	0 11G	G08_088	'FROM->TO'	'ELK CITY 230KV (ELKCTY-6) 230/138/13.8KV TRANSFORMER CKT 1'	287	0.11952	100.1231	345.00	345KV	CKT 1'	
FDNS	5	0 11G	ASGI_2010_011	'FROM->TO'	'ELK CITY 230KV (ELKCTY-6) 230/138/13.8KV TRANSFORMER CKT 1'	287	0.06043	100.1231	345.00	345KV	CKT 1'	
FDNS	5	0 11G	G10_014	'FROM->TO'	'ELK CITY 230KV (ELKCTY-6) 230/138/13.8KV TRANSFORMER CKT 1'	287	0.03675	100.1231	345.00	345KV	CKT 1'	
FDNS	5	0 11G	G08_047	'TO->FROM'	'DEAF SMITH COUNTY INTERCHANGE - S-RANDLCO 230.00 230KV CKT 1'	350	0.03643	107.232	345.00	345KV	CKT 1'	
FDNS	5	0 11G	G10_007	'TO->FROM'	'DEAF SMITH COUNTY INTERCHANGE - S-RANDLCO 230.00 230KV CKT 1'	350	0.07517	107.232	345.00	345KV	CKT 1'	
FDNS	5	0 11G	G08_110	'TO->FROM'	'DEAF SMITH COUNTY INTERCHANGE - S-RANDLCO 230.00 230KV CKT 1'	350	0.05024	107.232	345.00	345KV	CKT 1'	
FDNS	5	0 11G	G08_088	'TO->FROM'	'DEAF SMITH COUNTY INTERCHANGE - S-RANDLCO 230.00 230KV CKT 1'	350	0.06494	107.232	345.00	345KV	CKT 1'	
FDNS	5	0 11G	ASGI_2010_011	'TO->FROM'	'DEAF SMITH COUNTY INTERCHANGE - S-RANDLCO 230.00 230KV CKT 1'	350	0.06087	107.232	345.00	345KV	CKT 1'	
FDNS	5	0 11G	G10_014	'TO->FROM'	'DEAF SMITH COUNTY INTERCHANGE - S-RANDLCO 230.00 230KV CKT 1'	350	0.05024	107.232	345.00	345KV	CKT 1'	
FDNS	5	0 11G	G09_067S	'FROM->TO'	'ELK CITY 230KV (ELKCTY-6) 230/138/13.8KV TRANSFORMER CKT 1'	287	0.06952	102.7751	345.00	345KV	CKT 1'	
FDNS	5	0 11G	G08_022	'FROM->TO'	'ELK CITY 230KV (ELKCTY-6) 230/138/13.8KV TRANSFORMER CKT 1'	287	0.0709	102.7751	345.00	345KV	CKT 1'	
FDNS	5	0 11G	G10_007	'FROM->TO'	'ELK CITY 230KV (ELKCTY-6) 230/138/13.8KV TRANSFORMER CKT 1'	287	0.10785	102.7751	345.00	345KV	CKT 1'	
FDNS	5	0 11G	G08_110	'FROM->TO'	'ELK CITY 230KV (ELKCTY-6) 230/138/13.8KV TRANSFORMER CKT 1'	287	0.04619	102.7751	345.00	345KV	CKT 1'	

SOLUTION	GROUP	SCENARIO	SEASON	SOURCE	DIRECTION	MONITORED ELEMENT		RATE B	TDF	TC%	LOADING	CONTINGENCY NAME
						COMMON NAME						
FDNS	5	0 11G	G08_088	'FROM->TO'	'ELK CITY 230KV (ELKCTY-6) 230/138/13.8KV TRANSFORMER CKT 1'	287	0.11883	102.7751	345.00	345KV	CKT 1'	'2008-047T 345.00 - WWRDEHV7
FDNS	5	0 11G	ASGI_2010_011	'FROM->TO'	'ELK CITY 230KV (ELKCTY-6) 230/138/13.8KV TRANSFORMER CKT 1'	287	0.06725	102.7751	345.00	345KV	CKT 1'	'2008-047T 345.00 - WWRDEHV7
FDNS	5	0 11G	G10_014	'FROM->TO'	'ELK CITY 230KV (ELKCTY-6) 230/138/13.8KV TRANSFORMER CKT 1'	287	0.04619	102.7751	345.00	345KV	CKT 1'	'2008-047T 345.00 - WWRDEHV7
FDNS	5	0 11G	G09_067S	'FROM->TO'	'ELK CITY 230KV (ELKCTY-6) 230/138/13.8KV TRANSFORMER CKT 1'	287	0.06952	101.8713	345.00	345KV	CKT 1'	'2008-047T 345.00 - WWRDEHV7
FDNS	5	0 11G	G08_022	'FROM->TO'	'ELK CITY 230KV (ELKCTY-6) 230/138/13.8KV TRANSFORMER CKT 1'	287	0.0709	101.8713	345.00	345KV	CKT 1'	'2008-047T 345.00 - WWRDEHV7
FDNS	5	0 11G	G10_007	'FROM->TO'	'ELK CITY 230KV (ELKCTY-6) 230/138/13.8KV TRANSFORMER CKT 1'	287	0.10785	101.8713	345.00	345KV	CKT 1'	'2008-047T 345.00 - WWRDEHV7
FDNS	5	0 11G	G08_110	'FROM->TO'	'ELK CITY 230KV (ELKCTY-6) 230/138/13.8KV TRANSFORMER CKT 1'	287	0.04619	101.8713	345.00	345KV	CKT 1'	'2008-047T 345.00 - WWRDEHV7
FDNS	5	0 11G	G08_088	'FROM->TO'	'ELK CITY 230KV (ELKCTY-6) 230/138/13.8KV TRANSFORMER CKT 1'	287	0.11883	101.8713	345.00	345KV	CKT 1'	'2008-047T 345.00 - WWRDEHV7
FDNS	5	0 11G	ASGI_2010_011	'FROM->TO'	'ELK CITY 230KV (ELKCTY-6) 230/138/13.8KV TRANSFORMER CKT 1'	287	0.06725	101.8713	345.00	345KV	CKT 1'	'2008-047T 345.00 - WWRDEHV7
FDNS	5	0 11G	G10_014	'FROM->TO'	'ELK CITY 230KV (ELKCTY-6) 230/138/13.8KV TRANSFORMER CKT 1'	287	0.04619	101.8713	345.00	345KV	CKT 1'	'2008-047T 345.00 - WWRDEHV7
FDNS	5	0 11G	G08_047	'TO->FROM'	'DEAF SMITH COUNTY INTERCHANGE - S- RANDLCO 230.00 230KV CKT 1'	350	0.03643	107.232	345.00	345KV	CKT 2'	'2008-047T 345.00 - WWRDEHV7
FDNS	5	0 11G	G10_007	'TO->FROM'	'DEAF SMITH COUNTY INTERCHANGE - S- RANDLCO 230.00 230KV CKT 1'	350	0.07517	107.232	345.00	345KV	CKT 2'	'2008-047T 345.00 - WWRDEHV7
FDNS	5	0 11G	G08_110	'TO->FROM'	'DEAF SMITH COUNTY INTERCHANGE - S- RANDLCO 230.00 230KV CKT 1'	350	0.05024	107.232	345.00	345KV	CKT 2'	'2008-047T 345.00 - WWRDEHV7
FDNS	5	0 11G	G08_088	'TO->FROM'	'DEAF SMITH COUNTY INTERCHANGE - S- RANDLCO 230.00 230KV CKT 1'	350	0.06494	107.232	345.00	345KV	CKT 2'	'2008-047T 345.00 - WWRDEHV7
FDNS	5	0 11G	ASGI_2010_011	'TO->FROM'	'DEAF SMITH COUNTY INTERCHANGE - S- RANDLCO 230.00 230KV CKT 1'	350	0.06087	107.232	345.00	345KV	CKT 2'	'2008-047T 345.00 - WWRDEHV7
FDNS	5	0 11G	G10_014	'TO->FROM'	'DEAF SMITH COUNTY INTERCHANGE - S- RANDLCO 230.00 230KV CKT 1'	350	0.05024	107.232	345.00	345KV	CKT 2'	'2008-047T 345.00 - WWRDEHV7
FDNS	5	0 11G	G09_067S	'FROM->TO'	'ELK CITY 230KV (ELKCTY-6) 230/138/13.8KV TRANSFORMER CKT 1'	287	0.06952	102.7751	345.00	345KV	CKT 2'	'2008-047T 345.00 - WWRDEHV7
FDNS	5	0 11G	G08_022	'FROM->TO'	'ELK CITY 230KV (ELKCTY-6) 230/138/13.8KV TRANSFORMER CKT 1'	287	0.0709	102.7751	345.00	345KV	CKT 2'	'2008-047T 345.00 - WWRDEHV7
FDNS	5	0 11G	G10_007	'FROM->TO'	'ELK CITY 230KV (ELKCTY-6) 230/138/13.8KV TRANSFORMER CKT 1'	287	0.10785	102.7751	345.00	345KV	CKT 2'	'2008-047T 345.00 - WWRDEHV7
FDNS	5	0 11G	G08_110	'FROM->TO'	'ELK CITY 230KV (ELKCTY-6) 230/138/13.8KV TRANSFORMER CKT 1'	287	0.04619	102.7751	345.00	345KV	CKT 2'	'2008-047T 345.00 - WWRDEHV7
FDNS	5	0 11G	G08_088	'FROM->TO'	'ELK CITY 230KV (ELKCTY-6) 230/138/13.8KV TRANSFORMER CKT 1'	287	0.11883	102.7751	345.00	345KV	CKT 2'	'2008-047T 345.00 - WWRDEHV7
FDNS	5	0 11G	ASGI_2010_011	'FROM->TO'	'ELK CITY 230KV (ELKCTY-6) 230/138/13.8KV TRANSFORMER CKT 1'	287	0.06725	102.7751	345.00	345KV	CKT 2'	'2008-047T 345.00 - WWRDEHV7
FDNS	5	0 11G	G10_014	'FROM->TO'	'ELK CITY 230KV (ELKCTY-6) 230/138/13.8KV TRANSFORMER CKT 1'	287	0.04619	102.7751	345.00	345KV	CKT 2'	'2008-047T 345.00 - WWRDEHV7
FDNS	5	0 11G	G09_067S	'FROM->TO'	'ELK CITY 230KV (ELKCTY-6) 230/138/13.8KV TRANSFORMER CKT 1'	287	0.06952	101.8713	345.00	345KV	CKT 2'	'2008-047T 345.00 - WWRDEHV7
FDNS	5	0 11G	G08_022	'FROM->TO'	'ELK CITY 230KV (ELKCTY-6) 230/138/13.8KV TRANSFORMER CKT 1'	287	0.0709	101.8713	345.00	345KV	CKT 2'	'2008-047T 345.00 - WWRDEHV7
FDNS	5	0 11G	G10_007	'FROM->TO'	'ELK CITY 230KV (ELKCTY-6) 230/138/13.8KV TRANSFORMER CKT 1'	287	0.10785	101.8713	345.00	345KV	CKT 2'	'2008-047T 345.00 - WWRDEHV7
FDNS	5	0 11G	G08_110	'FROM->TO'	'ELK CITY 230KV (ELKCTY-6) 230/138/13.8KV TRANSFORMER CKT 1'	287	0.04619	101.8713	345.00	345KV	CKT 2'	'2008-047T 345.00 - WWRDEHV7
FDNS	5	0 11G	G08_088	'FROM->TO'	'ELK CITY 230KV (ELKCTY-6) 230/138/13.8KV TRANSFORMER CKT 1'	287	0.11883	101.8713	345.00	345KV	CKT 2'	'2008-047T 345.00 - WWRDEHV7
FDNS	5	0 11G	ASGI_2010_011	'FROM->TO'	'ELK CITY 230KV (ELKCTY-6) 230/138/13.8KV TRANSFORMER CKT 1'	287	0.06725	101.8713	345.00	345KV	CKT 2'	'2008-047T 345.00 - WWRDEHV7

SOLUTION	GROUP	SCENARIO	SEASON	SOURCE	DIRECTION	MONITORED ELEMENT		RATE B	TDF	TC%	LOADING	CONTINGENCY NAME
						COMMON NAME						
FDNS	5	0 11G	G10_014	'FROM->TO'	'ELK CITY 230KV (ELKCTY-6) 230/138/13.8KV TRANSFORMER CKT 1'	287	0.04619	101.8713	345.00	345KV CKT 2'	'2008-047T	345.00 - WWRDEHV7
FDNS	5	0 11G	G09_067S	'FROM->TO'	'ELK CITY 230KV (ELKCTY-6) 230/138/13.8KV TRANSFORMER CKT 1'	287	0.06861	101.8369	1'	'FPL SWITCH - MOORELAND 138KV CKT		
FDNS	5	0 11G	G08_022	'FROM->TO'	'ELK CITY 230KV (ELKCTY-6) 230/138/13.8KV TRANSFORMER CKT 1'	287	0.06991	101.8369	1'	'FPL SWITCH - MOORELAND 138KV CKT		
FDNS	5	0 11G	G10_007	'FROM->TO'	'ELK CITY 230KV (ELKCTY-6) 230/138/13.8KV TRANSFORMER CKT 1'	287	0.1042	101.8369	1'	'FPL SWITCH - MOORELAND 138KV CKT		
FDNS	5	0 11G	G08_110	'FROM->TO'	'ELK CITY 230KV (ELKCTY-6) 230/138/13.8KV TRANSFORMER CKT 1'	287	0.04151	101.8369	1'	'FPL SWITCH - MOORELAND 138KV CKT		
FDNS	5	0 11G	G08_088	'FROM->TO'	'ELK CITY 230KV (ELKCTY-6) 230/138/13.8KV TRANSFORMER CKT 1'	287	0.11566	101.8369	1'	'FPL SWITCH - MOORELAND 138KV CKT		
FDNS	5	0 11G	ASGI_2010_011	'FROM->TO'	'ELK CITY 230KV (ELKCTY-6) 230/138/13.8KV TRANSFORMER CKT 1'	287	0.06294	101.8369	1'	'FPL SWITCH - MOORELAND 138KV CKT		
FDNS	5	0 11G	G10_014	'FROM->TO'	'ELK CITY 230KV (ELKCTY-6) 230/138/13.8KV TRANSFORMER CKT 1'	287	0.04151	101.8369	1'	'FPL SWITCH - MOORELAND 138KV CKT		
FDNS	5	0 11G	G09_067S	'FROM->TO'	'ELK CITY 230KV (ELKCTY-6) 230/138/13.8KV TRANSFORMER CKT 1'	287	0.06861	100.9416	1'	'FPL SWITCH - MOORELAND 138KV CKT		
FDNS	5	0 11G	G08_022	'FROM->TO'	'ELK CITY 230KV (ELKCTY-6) 230/138/13.8KV TRANSFORMER CKT 1'	287	0.06991	100.9416	1'	'FPL SWITCH - MOORELAND 138KV CKT		
FDNS	5	0 11G	G10_007	'FROM->TO'	'ELK CITY 230KV (ELKCTY-6) 230/138/13.8KV TRANSFORMER CKT 1'	287	0.1042	100.9416	1'	'FPL SWITCH - MOORELAND 138KV CKT		
FDNS	5	0 11G	G08_110	'FROM->TO'	'ELK CITY 230KV (ELKCTY-6) 230/138/13.8KV TRANSFORMER CKT 1'	287	0.04151	100.9416	1'	'FPL SWITCH - MOORELAND 138KV CKT		
FDNS	5	0 11G	G08_088	'FROM->TO'	'ELK CITY 230KV (ELKCTY-6) 230/138/13.8KV TRANSFORMER CKT 1'	287	0.11566	100.9416	1'	'FPL SWITCH - MOORELAND 138KV CKT		
FDNS	5	0 11G	ASGI_2010_011	'FROM->TO'	'ELK CITY 230KV (ELKCTY-6) 230/138/13.8KV TRANSFORMER CKT 1'	287	0.06294	100.9416	1'	'FPL SWITCH - MOORELAND 138KV CKT		
FDNS	5	0 11G	G10_014	'FROM->TO'	'ELK CITY 230KV (ELKCTY-6) 230/138/13.8KV TRANSFORMER CKT 1'	287	0.04151	100.9416	1'	'FPL SWITCH - MOORELAND 138KV CKT		
FDNS	5	0 11G	G10_007	'TO->FROM'	'DEAF SMITH COUNTY INTERCHANGE - S-RANDLCO 230.00 230KV CKT 1'	350	0.07075	103.0329	REC-PHILLIPS 138KV CKT 1'	'CAPROCK REC-MCDONALD - CAPROCK		
FDNS	5	0 11G	G08_110	'TO->FROM'	'DEAF SMITH COUNTY INTERCHANGE - S-RANDLCO 230.00 230KV CKT 1'	350	0.04387	103.0329	REC-PHILLIPS 138KV CKT 1'	'CAPROCK REC-MCDONALD - CAPROCK		
FDNS	5	0 11G	G08_088	'TO->FROM'	'DEAF SMITH COUNTY INTERCHANGE - S-RANDLCO 230.00 230KV CKT 1'	350	0.06117	103.0329	REC-PHILLIPS 138KV CKT 1'	'CAPROCK REC-MCDONALD - CAPROCK		
FDNS	5	0 11G	ASGI_2010_011	'TO->FROM'	'DEAF SMITH COUNTY INTERCHANGE - S-RANDLCO 230.00 230KV CKT 1'	350	0.05517	103.0329	REC-PHILLIPS 138KV CKT 1'	'CAPROCK REC-MCDONALD - CAPROCK		
FDNS	5	0 11G	G10_014	'TO->FROM'	'DEAF SMITH COUNTY INTERCHANGE - S-RANDLCO 230.00 230KV CKT 1'	350	0.04387	103.0329	REC-PHILLIPS 138KV CKT 1'	'CAPROCK REC-MCDONALD - CAPROCK		
FDNS	5	0 11G	G10_007	'TO->FROM'	'DEAF SMITH COUNTY INTERCHANGE - S-RANDLCO 230.00 230KV CKT 1'	350	0.07075	102.708	REC-TATE 138KV CKT 1'	'CAPROCK REC-PHILLIPS - CAPROCK		
FDNS	5	0 11G	G08_110	'TO->FROM'	'DEAF SMITH COUNTY INTERCHANGE - S-RANDLCO 230.00 230KV CKT 1'	350	0.04387	102.708	REC-TATE 138KV CKT 1'	'CAPROCK REC-PHILLIPS - CAPROCK		
FDNS	5	0 11G	G08_088	'TO->FROM'	'DEAF SMITH COUNTY INTERCHANGE - S-RANDLCO 230.00 230KV CKT 1'	350	0.06117	102.708	REC-TATE 138KV CKT 1'	'CAPROCK REC-PHILLIPS - CAPROCK		
FDNS	5	0 11G	ASGI_2010_011	'TO->FROM'	'DEAF SMITH COUNTY INTERCHANGE - S-RANDLCO 230.00 230KV CKT 1'	350	0.05517	102.708	REC-TATE 138KV CKT 1'	'CAPROCK REC-PHILLIPS - CAPROCK		
FDNS	5	0 11G	G10_014	'TO->FROM'	'DEAF SMITH COUNTY INTERCHANGE - S-RANDLCO 230.00 230KV CKT 1'	350	0.04387	102.708	REC-TATE 138KV CKT 1'	'CAPROCK REC-PHILLIPS - CAPROCK		
FDNS	5	0 11G	G10_007	'TO->FROM'	'DEAF SMITH COUNTY INTERCHANGE - S-RANDLCO 230.00 230KV CKT 1'	350	0.07075	102.5728	230/138KV TRANSFORMER CKT 1'	'MIDLAND COUNTY INTERCHANGE		
FDNS	5	0 11G	G08_110	'TO->FROM'	'DEAF SMITH COUNTY INTERCHANGE - S-RANDLCO 230.00 230KV CKT 1'	350	0.04387	102.5728	230/138KV TRANSFORMER CKT 1'	'MIDLAND COUNTY INTERCHANGE		
FDNS	5	0 11G	G08_088	'TO->FROM'	'DEAF SMITH COUNTY INTERCHANGE - S-RANDLCO 230.00 230KV CKT 1'	350	0.06117	102.5728	230/138KV TRANSFORMER CKT 1'	'MIDLAND COUNTY INTERCHANGE		
FDNS	5	0 11G	ASGI_2010_011	'TO->FROM'	'DEAF SMITH COUNTY INTERCHANGE - S-RANDLCO 230.00 230KV CKT 1'	350	0.05517	102.5728	230/138KV TRANSFORMER CKT 1'	'MIDLAND COUNTY INTERCHANGE		

SOLUTION	GROUP	SCENARIO	SEASON	SOURCE	DIRECTION	MONITORED ELEMENT		RATE B	TDF	TC%	LOADING	CONTINGENCY NAME
						COMMON NAME						
FDNS	5	0 11G	G10_014	'TO->FROM'	'DEAF SMITH COUNTY INTERCHANGE - S-RANDLCO 230.00 230KV CKT 1'	350	0.04387	102.5728	230/138KV TRANSFORMER CKT 1'	'MIDLAND COUNTY INTERCHANGE		
FDNS	5	0 11G	G10_007	'TO->FROM'	'DEAF SMITH COUNTY INTERCHANGE - S-RANDLCO 230.00 230KV CKT 1'	350	0.07081	105.4976	SUB 69KV CKT 1'	'HOVEY TAP - TRI COUNTY REC-HOVEY		
FDNS	5	0 11G	G08_110	'TO->FROM'	'DEAF SMITH COUNTY INTERCHANGE - S-RANDLCO 230.00 230KV CKT 1'	350	0.04379	105.4976	SUB 69KV CKT 1'	'HOVEY TAP - TRI COUNTY REC-HOVEY		
FDNS	5	0 11G	G08_088	'TO->FROM'	'DEAF SMITH COUNTY INTERCHANGE - S-RANDLCO 230.00 230KV CKT 1'	350	0.06128	105.4976	SUB 69KV CKT 1'	'HOVEY TAP - TRI COUNTY REC-HOVEY		
FDNS	5	0 11G	ASGI_2010_011	'TO->FROM'	'DEAF SMITH COUNTY INTERCHANGE - S-RANDLCO 230.00 230KV CKT 1'	350	0.05515	105.4976	SUB 69KV CKT 1'	'HOVEY TAP - TRI COUNTY REC-HOVEY		
FDNS	5	0 11G	G10_014	'TO->FROM'	'DEAF SMITH COUNTY INTERCHANGE - S-RANDLCO 230.00 230KV CKT 1'	350	0.04379	105.4976	SUB 69KV CKT 1'	'HOVEY TAP - THOMPSON SUB 69KV CKT		
FDNS	5	0 11G	G10_007	'TO->FROM'	'DEAF SMITH COUNTY INTERCHANGE - S-RANDLCO 230.00 230KV CKT 1'	350	0.07081	105.4979	1'	'HOVEY TAP - THOMPSON SUB 69KV CKT		
FDNS	5	0 11G	G08_110	'TO->FROM'	'DEAF SMITH COUNTY INTERCHANGE - S-RANDLCO 230.00 230KV CKT 1'	350	0.04379	105.4979	1'	'HOVEY TAP - THOMPSON SUB 69KV CKT		
FDNS	5	0 11G	G08_088	'TO->FROM'	'DEAF SMITH COUNTY INTERCHANGE - S-RANDLCO 230.00 230KV CKT 1'	350	0.06128	105.4979	1'	'HOVEY TAP - THOMPSON SUB 69KV CKT		
FDNS	5	0 11G	ASGI_2010_011	'TO->FROM'	'DEAF SMITH COUNTY INTERCHANGE - S-RANDLCO 230.00 230KV CKT 1'	350	0.05515	105.4979	1'	'HOVEY TAP - THOMPSON SUB 69KV CKT		
FDNS	5	0 11G	G10_014	'TO->FROM'	'DEAF SMITH COUNTY INTERCHANGE - S-RANDLCO 230.00 230KV CKT 1'	350	0.04379	105.4979	1'	'HITCHLAND INTERCHANGE - MOORE		
FDNS	5	0 11G	G10_007	'TO->FROM'	'DEAF SMITH COUNTY INTERCHANGE - S-RANDLCO 230.00 230KV CKT 1'	350	0.07644	106.1643	COUNTY INTERCHANGE 230KV CKT 1'	'HITCHLAND INTERCHANGE - MOORE		
FDNS	5	0 11G	G08_110	'TO->FROM'	'DEAF SMITH COUNTY INTERCHANGE - S-RANDLCO 230.00 230KV CKT 1'	350	0.03999	106.1643	COUNTY INTERCHANGE 230KV CKT 1'	'HITCHLAND INTERCHANGE - MOORE		
FDNS	5	0 11G	G08_088	'TO->FROM'	'DEAF SMITH COUNTY INTERCHANGE - S-RANDLCO 230.00 230KV CKT 1'	350	0.06793	106.1643	COUNTY INTERCHANGE 230KV CKT 1'	'HITCHLAND INTERCHANGE - MOORE		
FDNS	5	0 11G	ASGI_2010_011	'TO->FROM'	'DEAF SMITH COUNTY INTERCHANGE - S-RANDLCO 230.00 230KV CKT 1'	350	0.05312	106.1643	COUNTY INTERCHANGE 230KV CKT 1'	'HITCHLAND INTERCHANGE - MOORE		
FDNS	5	0 11G	G10_014	'TO->FROM'	'DEAF SMITH COUNTY INTERCHANGE - S-RANDLCO 230.00 230KV CKT 1'	350	0.03999	106.1643	COUNTY INTERCHANGE 230KV CKT 1'	'HITCHLAND INTERCHANGE - MOORE		
FDNS	5	0 11G	G09_067S	'FROM->TO'	'ELK CITY 230KV (ELKCTY-6) 230/138/13.8KV TRANSFORMER CKT 1'	287	0.07263	101.6568	COUNTY INTERCHANGE 230KV CKT 1'	'HITCHLAND INTERCHANGE - MOORE		
FDNS	5	0 11G	G08_022	'FROM->TO'	'ELK CITY 230KV (ELKCTY-6) 230/138/13.8KV TRANSFORMER CKT 1'	287	0.07404	101.6568	COUNTY INTERCHANGE 230KV CKT 1'	'HITCHLAND INTERCHANGE - MOORE		
FDNS	5	0 11G	G10_007	'FROM->TO'	'ELK CITY 230KV (ELKCTY-6) 230/138/13.8KV TRANSFORMER CKT 1'	287	0.10977	101.6568	COUNTY INTERCHANGE 230KV CKT 1'	'HITCHLAND INTERCHANGE - MOORE		
FDNS	5	0 11G	G08_110	'FROM->TO'	'ELK CITY 230KV (ELKCTY-6) 230/138/13.8KV TRANSFORMER CKT 1'	287	0.03348	101.6568	COUNTY INTERCHANGE 230KV CKT 1'	'HITCHLAND INTERCHANGE - MOORE		
FDNS	5	0 11G	G08_088	'FROM->TO'	'ELK CITY 230KV (ELKCTY-6) 230/138/13.8KV TRANSFORMER CKT 1'	287	0.12291	101.6568	COUNTY INTERCHANGE 230KV CKT 1'	'HITCHLAND INTERCHANGE - MOORE		
FDNS	5	0 11G	ASGI_2010_011	'FROM->TO'	'ELK CITY 230KV (ELKCTY-6) 230/138/13.8KV TRANSFORMER CKT 1'	287	0.0577	101.6568	COUNTY INTERCHANGE 230KV CKT 1'	'HITCHLAND INTERCHANGE - MOORE		
FDNS	5	0 11G	G10_014	'FROM->TO'	'ELK CITY 230KV (ELKCTY-6) 230/138/13.8KV TRANSFORMER CKT 1'	287	0.03348	101.6568	COUNTY INTERCHANGE 230KV CKT 1'	'HITCHLAND INTERCHANGE - MOORE		
FDNS	5	0 11G	G09_067S	'FROM->TO'	'ELK CITY 230KV (ELKCTY-6) 230/138/13.8KV TRANSFORMER CKT 1'	287	0.07263	100.7927	COUNTY INTERCHANGE 230KV CKT 1'	'HITCHLAND INTERCHANGE - MOORE		
FDNS	5	0 11G	G08_022	'FROM->TO'	'ELK CITY 230KV (ELKCTY-6) 230/138/13.8KV TRANSFORMER CKT 1'	287	0.07404	100.7927	COUNTY INTERCHANGE 230KV CKT 1'	'HITCHLAND INTERCHANGE - MOORE		
FDNS	5	0 11G	G10_007	'FROM->TO'	'ELK CITY 230KV (ELKCTY-6) 230/138/13.8KV TRANSFORMER CKT 1'	287	0.10977	100.7927	COUNTY INTERCHANGE 230KV CKT 1'	'HITCHLAND INTERCHANGE - MOORE		
FDNS	5	0 11G	G08_110	'FROM->TO'	'ELK CITY 230KV (ELKCTY-6) 230/138/13.8KV TRANSFORMER CKT 1'	287	0.03348	100.7927	COUNTY INTERCHANGE 230KV CKT 1'	'HITCHLAND INTERCHANGE - MOORE		
FDNS	5	0 11G	G08_088	'FROM->TO'	'ELK CITY 230KV (ELKCTY-6) 230/138/13.8KV TRANSFORMER CKT 1'	287	0.12291	100.7927	COUNTY INTERCHANGE 230KV CKT 1'	'HITCHLAND INTERCHANGE - MOORE		
FDNS	5	0 11G	ASGI_2010_011	'FROM->TO'	'ELK CITY 230KV (ELKCTY-6) 230/138/13.8KV TRANSFORMER CKT 1'	287	0.0577	100.7927	COUNTY INTERCHANGE 230KV CKT 1'	'HITCHLAND INTERCHANGE - MOORE		

SOLUTION	GROUP	SCENARIO	SEASON	SOURCE	DIRECTION	MONITORED ELEMENT		RATE B	TDF	TC%	LOADING	CONTINGENCY NAME
						COMMON NAME						
FDNS	5	0 11G	G10_014	'FROM->TO'	'ELK CITY 230KV (ELKCTY-6) 230/138/13.8KV TRANSFORMER CKT 1'	287	0.03348	100.7927			'HITCHLAND INTERCHANGE - MOORE COUNTY INTERCHANGE 230KV CKT 1'	
FDNS	5	0 11G	G08_047	'TO->FROM'	'DEAF SMITH COUNTY INTERCHANGE - S- RANDLCO 230.00 230KV CKT 1'	350	0.03538	106.4258	345.00	345KV CKT 1'	'Hitchland Interchange - STEVENSCO	
FDNS	5	0 11G	G10_007	'TO->FROM'	'DEAF SMITH COUNTY INTERCHANGE - S- RANDLCO 230.00 230KV CKT 1'	350	0.07987	106.4258	345.00	345KV CKT 1'	'Hitchland Interchange - STEVENSCO	
FDNS	5	0 11G	G08_110	'TO->FROM'	'DEAF SMITH COUNTY INTERCHANGE - S- RANDLCO 230.00 230KV CKT 1'	350	0.05532	106.4258	345.00	345KV CKT 1'	'Hitchland Interchange - STEVENSCO	
FDNS	5	0 11G	G08_088	'TO->FROM'	'DEAF SMITH COUNTY INTERCHANGE - S- RANDLCO 230.00 230KV CKT 1'	350	0.06953	106.4258	345.00	345KV CKT 1'	'Hitchland Interchange - STEVENSCO	
FDNS	5	0 11G	ASGI_2010_011	'TO->FROM'	'DEAF SMITH COUNTY INTERCHANGE - S- RANDLCO 230.00 230KV CKT 1'	350	0.06581	106.4258	345.00	345KV CKT 1'	'Hitchland Interchange - STEVENSCO	
FDNS	5	0 11G	G10_014	'TO->FROM'	'DEAF SMITH COUNTY INTERCHANGE - S- RANDLCO 230.00 230KV CKT 1'	350	0.05532	106.4258	345.00	345KV CKT 1'	'Hitchland Interchange - STEVENSCO	
FDNS	5	0 11G	G08_047	'FROM->TO'	'ELK CITY 230KV (ELKCTY-6) 230/138/13.8KV TRANSFORMER CKT 1'	287	0.03053	102.6711	345.00	345KV CKT 1'	'Hitchland Interchange - STEVENSCO	
FDNS	5	0 11G	G09_067S	'FROM->TO'	'ELK CITY 230KV (ELKCTY-6) 230/138/13.8KV TRANSFORMER CKT 1'	287	0.07702	102.6711	345.00	345KV CKT 1'	'Hitchland Interchange - STEVENSCO	
FDNS	5	0 11G	G08_022	'FROM->TO'	'ELK CITY 230KV (ELKCTY-6) 230/138/13.8KV TRANSFORMER CKT 1'	287	0.07843	102.6711	345.00	345KV CKT 1'	'Hitchland Interchange - STEVENSCO	
FDNS	5	0 11G	G10_007	'FROM->TO'	'ELK CITY 230KV (ELKCTY-6) 230/138/13.8KV TRANSFORMER CKT 1'	287	0.1164	102.6711	345.00	345KV CKT 1'	'Hitchland Interchange - STEVENSCO	
FDNS	5	0 11G	G08_110	'FROM->TO'	'ELK CITY 230KV (ELKCTY-6) 230/138/13.8KV TRANSFORMER CKT 1'	287	0.056	102.6711	345.00	345KV CKT 1'	'Hitchland Interchange - STEVENSCO	
FDNS	5	0 11G	G08_088	'FROM->TO'	'ELK CITY 230KV (ELKCTY-6) 230/138/13.8KV TRANSFORMER CKT 1'	287	0.127	102.6711	345.00	345KV CKT 1'	'Hitchland Interchange - STEVENSCO	
FDNS	5	0 11G	ASGI_2010_011	'FROM->TO'	'ELK CITY 230KV (ELKCTY-6) 230/138/13.8KV TRANSFORMER CKT 1'	287	0.07662	102.6711	345.00	345KV CKT 1'	'Hitchland Interchange - STEVENSCO	
FDNS	5	0 11G	G10_014	'FROM->TO'	'ELK CITY 230KV (ELKCTY-6) 230/138/13.8KV TRANSFORMER CKT 1'	287	0.056	102.6711	345.00	345KV CKT 1'	'Hitchland Interchange - STEVENSCO	
FDNS	5	0 11G	G08_047	'FROM->TO'	'ELK CITY 230KV (ELKCTY-6) 230/138/13.8KV TRANSFORMER CKT 1'	287	0.03053	101.7793	345.00	345KV CKT 1'	'Hitchland Interchange - STEVENSCO	
FDNS	5	0 11G	G09_067S	'FROM->TO'	'ELK CITY 230KV (ELKCTY-6) 230/138/13.8KV TRANSFORMER CKT 1'	287	0.07702	101.7793	345.00	345KV CKT 1'	'Hitchland Interchange - STEVENSCO	
FDNS	5	0 11G	G08_022	'FROM->TO'	'ELK CITY 230KV (ELKCTY-6) 230/138/13.8KV TRANSFORMER CKT 1'	287	0.07843	101.7793	345.00	345KV CKT 1'	'Hitchland Interchange - STEVENSCO	
FDNS	5	0 11G	G10_007	'FROM->TO'	'ELK CITY 230KV (ELKCTY-6) 230/138/13.8KV TRANSFORMER CKT 1'	287	0.1164	101.7793	345.00	345KV CKT 1'	'Hitchland Interchange - STEVENSCO	
FDNS	5	0 11G	G08_110	'FROM->TO'	'ELK CITY 230KV (ELKCTY-6) 230/138/13.8KV TRANSFORMER CKT 1'	287	0.056	101.7793	345.00	345KV CKT 1'	'Hitchland Interchange - STEVENSCO	
FDNS	5	0 11G	G08_088	'FROM->TO'	'ELK CITY 230KV (ELKCTY-6) 230/138/13.8KV TRANSFORMER CKT 1'	287	0.127	101.7793	345.00	345KV CKT 1'	'Hitchland Interchange - STEVENSCO	
FDNS	5	0 11G	ASGI_2010_011	'FROM->TO'	'ELK CITY 230KV (ELKCTY-6) 230/138/13.8KV TRANSFORMER CKT 1'	287	0.07662	101.7793	345.00	345KV CKT 1'	'Hitchland Interchange - STEVENSCO	
FDNS	5	0 11G	G10_014	'FROM->TO'	'ELK CITY 230KV (ELKCTY-6) 230/138/13.8KV TRANSFORMER CKT 1'	287	0.056	101.7793	345.00	345KV CKT 1'	'Hitchland Interchange - STEVENSCO	
FDNS	5	0 11G	G10_007	'TO->FROM'	'DEAF SMITH COUNTY INTERCHANGE - S- RANDLCO 230.00 230KV CKT 1'	350	0.08681	115.6748	345.00	345KV CKT 1'	'G05-17T 345.00 - Hitchland Interchange	
FDNS	5	0 11G	G08_088	'TO->FROM'	'DEAF SMITH COUNTY INTERCHANGE - S- RANDLCO 230.00 230KV CKT 1'	350	0.08564	115.6748	345.00	345KV CKT 1'	'G05-17T 345.00 - Hitchland Interchange	
FDNS	5	0 11G	ASGI_2010_011	'TO->FROM'	'DEAF SMITH COUNTY INTERCHANGE - S- RANDLCO 230.00 230KV CKT 1'	350	0.0513	115.6748	345.00	345KV CKT 1'	'G05-17T 345.00 - Hitchland Interchange	
FDNS	5	0 11G	G09_067S	'FROM->TO'	'ELK CITY 230KV (ELKCTY-6) 230/138/13.8KV TRANSFORMER CKT 1'	287	0.08569	116.3079	345.00	345KV CKT 1'	'G05-17T 345.00 - Hitchland Interchange	
FDNS	5	0 11G	G08_022	'FROM->TO'	'ELK CITY 230KV (ELKCTY-6) 230/138/13.8KV TRANSFORMER CKT 1'	287	0.08739	116.3079	345.00	345KV CKT 1'	'G05-17T 345.00 - Hitchland Interchange	
FDNS	5	0 11G	G10_007	'FROM->TO'	'ELK CITY 230KV (ELKCTY-6) 230/138/13.8KV TRANSFORMER CKT 1'	287	0.11988	116.3079	345.00	345KV CKT 1'	'G05-17T 345.00 - Hitchland Interchange	

SOLUTION	GROUP	SCENARIO	SEASON	SOURCE	DIRECTION	MONITORED ELEMENT		RATE B	TDF	TC%	LOADING	CONTINGENCY NAME
						COMMON NAME						
FDNS	5	0 11G	G08_088	'FROM->TO'	'ELK CITY 230KV (ELKCTY-6) 230/138/13.8KV TRANSFORMER CKT 1'	287	0.14077	116.3079	345KV CKT 1'	'G05-17T	345.00 - Hitchland Interchange	
FDNS	5	0 11G	ASGI_2010_011	'FROM->TO'	'ELK CITY 230KV (ELKCTY-6) 230/138/13.8KV TRANSFORMER CKT 1'	287	0.05613	116.3079	345KV CKT 1'	'G05-17T	345.00 - Hitchland Interchange	
FDNS	5	0 11G	G09_067S	'FROM->TO'	'ELK CITY 230KV (ELKCTY-6) 230/138/13.8KV TRANSFORMER CKT 1'	287	0.08569	114.8235	345KV CKT 1'	'G05-17T	345.00 - Hitchland Interchange	
FDNS	5	0 11G	G08_022	'FROM->TO'	'ELK CITY 230KV (ELKCTY-6) 230/138/13.8KV TRANSFORMER CKT 1'	287	0.08739	114.8235	345KV CKT 1'	'G05-17T	345.00 - Hitchland Interchange	
FDNS	5	0 11G	G10_007	'FROM->TO'	'ELK CITY 230KV (ELKCTY-6) 230/138/13.8KV TRANSFORMER CKT 1'	287	0.11988	114.8235	345KV CKT 1'	'G05-17T	345.00 - Hitchland Interchange	
FDNS	5	0 11G	G08_088	'FROM->TO'	'ELK CITY 230KV (ELKCTY-6) 230/138/13.8KV TRANSFORMER CKT 1'	287	0.14077	114.8235	345KV CKT 1'	'G05-17T	345.00 - Hitchland Interchange	
FDNS	5	0 11G	ASGI_2010_011	'FROM->TO'	'ELK CITY 230KV (ELKCTY-6) 230/138/13.8KV TRANSFORMER CKT 1'	287	0.05613	114.8235	345KV CKT 1'	'G05-17T	345.00 - Hitchland Interchange	
FDNS	5	0 11G	G10_007	'TO->FROM'	'DEAF SMITH COUNTY INTERCHANGE - S-RANDLCO 230.00 230KV CKT 1'	350	0.0752	106.5917	345KV CKT 1'	'2008-047T	345.00 - Hitchland Interchange	
FDNS	5	0 11G	G08_110	'TO->FROM'	'DEAF SMITH COUNTY INTERCHANGE - S-RANDLCO 230.00 230KV CKT 1'	350	0.05027	106.5917	345KV CKT 1'	'2008-047T	345.00 - Hitchland Interchange	
FDNS	5	0 11G	G08_088	'TO->FROM'	'DEAF SMITH COUNTY INTERCHANGE - S-RANDLCO 230.00 230KV CKT 1'	350	0.06497	106.5917	345KV CKT 1'	'2008-047T	345.00 - Hitchland Interchange	
FDNS	5	0 11G	ASGI_2010_011	'TO->FROM'	'DEAF SMITH COUNTY INTERCHANGE - S-RANDLCO 230.00 230KV CKT 1'	350	0.0609	106.5917	345KV CKT 1'	'2008-047T	345.00 - Hitchland Interchange	
FDNS	5	0 11G	G10_014	'TO->FROM'	'DEAF SMITH COUNTY INTERCHANGE - S-RANDLCO 230.00 230KV CKT 1'	350	0.05027	106.5917	345KV CKT 1'	'2008-047T	345.00 - Hitchland Interchange	
FDNS	5	0 11G	G09_067S	'FROM->TO'	'ELK CITY 230KV (ELKCTY-6) 230/138/13.8KV TRANSFORMER CKT 1'	287	0.06956	102.6633	345KV CKT 1'	'2008-047T	345.00 - Hitchland Interchange	
FDNS	5	0 11G	G08_022	'FROM->TO'	'ELK CITY 230KV (ELKCTY-6) 230/138/13.8KV TRANSFORMER CKT 1'	287	0.07093	102.6633	345KV CKT 1'	'2008-047T	345.00 - Hitchland Interchange	
FDNS	5	0 11G	G10_007	'FROM->TO'	'ELK CITY 230KV (ELKCTY-6) 230/138/13.8KV TRANSFORMER CKT 1'	287	0.10788	102.6633	345KV CKT 1'	'2008-047T	345.00 - Hitchland Interchange	
FDNS	5	0 11G	G08_110	'FROM->TO'	'ELK CITY 230KV (ELKCTY-6) 230/138/13.8KV TRANSFORMER CKT 1'	287	0.04622	102.6633	345KV CKT 1'	'2008-047T	345.00 - Hitchland Interchange	
FDNS	5	0 11G	G08_088	'FROM->TO'	'ELK CITY 230KV (ELKCTY-6) 230/138/13.8KV TRANSFORMER CKT 1'	287	0.11887	102.6633	345KV CKT 1'	'2008-047T	345.00 - Hitchland Interchange	
FDNS	5	0 11G	ASGI_2010_011	'FROM->TO'	'ELK CITY 230KV (ELKCTY-6) 230/138/13.8KV TRANSFORMER CKT 1'	287	0.06728	102.6633	345KV CKT 1'	'2008-047T	345.00 - Hitchland Interchange	
FDNS	5	0 11G	G10_014	'FROM->TO'	'ELK CITY 230KV (ELKCTY-6) 230/138/13.8KV TRANSFORMER CKT 1'	287	0.04622	102.6633	345KV CKT 1'	'2008-047T	345.00 - Hitchland Interchange	
FDNS	5	0 11G	G09_067S	'FROM->TO'	'ELK CITY 230KV (ELKCTY-6) 230/138/13.8KV TRANSFORMER CKT 1'	287	0.06956	101.7628	345KV CKT 1'	'2008-047T	345.00 - Hitchland Interchange	
FDNS	5	0 11G	G08_022	'FROM->TO'	'ELK CITY 230KV (ELKCTY-6) 230/138/13.8KV TRANSFORMER CKT 1'	287	0.07093	101.7628	345KV CKT 1'	'2008-047T	345.00 - Hitchland Interchange	
FDNS	5	0 11G	G10_007	'FROM->TO'	'ELK CITY 230KV (ELKCTY-6) 230/138/13.8KV TRANSFORMER CKT 1'	287	0.10788	101.7628	345KV CKT 1'	'2008-047T	345.00 - Hitchland Interchange	
FDNS	5	0 11G	G08_110	'FROM->TO'	'ELK CITY 230KV (ELKCTY-6) 230/138/13.8KV TRANSFORMER CKT 1'	287	0.04622	101.7628	345KV CKT 1'	'2008-047T	345.00 - Hitchland Interchange	
FDNS	5	0 11G	G08_088	'FROM->TO'	'ELK CITY 230KV (ELKCTY-6) 230/138/13.8KV TRANSFORMER CKT 1'	287	0.11887	101.7628	345KV CKT 1'	'2008-047T	345.00 - Hitchland Interchange	
FDNS	5	0 11G	ASGI_2010_011	'FROM->TO'	'ELK CITY 230KV (ELKCTY-6) 230/138/13.8KV TRANSFORMER CKT 1'	287	0.06728	101.7628	345KV CKT 1'	'2008-047T	345.00 - Hitchland Interchange	
FDNS	5	0 11G	G10_014	'FROM->TO'	'ELK CITY 230KV (ELKCTY-6) 230/138/13.8KV TRANSFORMER CKT 1'	287	0.04622	101.7628	345KV CKT 1'	'2008-047T	345.00 - Hitchland Interchange	
FDNS	5	0 11G	G10_007	'TO->FROM'	'DEAF SMITH COUNTY INTERCHANGE - S-RANDLCO 230.00 230KV CKT 1'	350	0.0752	106.5917	345KV CKT 2'	'2008-047T	345.00 - Hitchland Interchange	
FDNS	5	0 11G	G08_110	'TO->FROM'	'DEAF SMITH COUNTY INTERCHANGE - S-RANDLCO 230.00 230KV CKT 1'	350	0.05027	106.5917	345KV CKT 2'	'2008-047T	345.00 - Hitchland Interchange	
FDNS	5	0 11G	G08_088	'TO->FROM'	'DEAF SMITH COUNTY INTERCHANGE - S-RANDLCO 230.00 230KV CKT 1'	350	0.06497	106.5917	345KV CKT 2'	'2008-047T	345.00 - Hitchland Interchange	

SOLUTION	GROUP	SCENARIO	SEASON	SOURCE	DIRECTION	MONITORED ELEMENT		RATE B	TDF	TC%	LOADING	CONTINGENCY NAME
						COMMON NAME						
FDNS	5	0 11G	ASGI_2010_011	'TO->FROM'	'DEAF SMITH COUNTY INTERCHANGE - S-RANDLCO 230.00 230KV CKT 1'	350	0.0609	106.5917	345KV CKT 2'	'2008-047T	345.00	- Hitchland Interchange
FDNS	5	0 11G	G10_014	'TO->FROM'	'DEAF SMITH COUNTY INTERCHANGE - S-RANDLCO 230.00 230KV CKT 1'	350	0.05027	106.5917	345KV CKT 2'	'2008-047T	345.00	- Hitchland Interchange
FDNS	5	0 11G	G09_067S	'FROM->TO'	'ELK CITY 230KV (ELKCTY-6) 230/138/13.8KV TRANSFORMER CKT 1'	287	0.06956	102.6633	345KV CKT 2'	'2008-047T	345.00	- Hitchland Interchange
FDNS	5	0 11G	G08_022	'FROM->TO'	'ELK CITY 230KV (ELKCTY-6) 230/138/13.8KV TRANSFORMER CKT 1'	287	0.07093	102.6633	345KV CKT 2'	'2008-047T	345.00	- Hitchland Interchange
FDNS	5	0 11G	G10_007	'FROM->TO'	'ELK CITY 230KV (ELKCTY-6) 230/138/13.8KV TRANSFORMER CKT 1'	287	0.10788	102.6633	345KV CKT 2'	'2008-047T	345.00	- Hitchland Interchange
FDNS	5	0 11G	G08_110	'FROM->TO'	'ELK CITY 230KV (ELKCTY-6) 230/138/13.8KV TRANSFORMER CKT 1'	287	0.04622	102.6633	345KV CKT 2'	'2008-047T	345.00	- Hitchland Interchange
FDNS	5	0 11G	G08_088	'FROM->TO'	'ELK CITY 230KV (ELKCTY-6) 230/138/13.8KV TRANSFORMER CKT 1'	287	0.11887	102.6633	345KV CKT 2'	'2008-047T	345.00	- Hitchland Interchange
FDNS	5	0 11G	ASGI_2010_011	'FROM->TO'	'ELK CITY 230KV (ELKCTY-6) 230/138/13.8KV TRANSFORMER CKT 1'	287	0.06728	102.6633	345KV CKT 2'	'2008-047T	345.00	- Hitchland Interchange
FDNS	5	0 11G	G10_014	'FROM->TO'	'ELK CITY 230KV (ELKCTY-6) 230/138/13.8KV TRANSFORMER CKT 1'	287	0.04622	102.6633	345KV CKT 2'	'2008-047T	345.00	- Hitchland Interchange
FDNS	5	0 11G	G09_067S	'FROM->TO'	'ELK CITY 230KV (ELKCTY-6) 230/138/13.8KV TRANSFORMER CKT 1'	287	0.06956	101.7628	345KV CKT 2'	'2008-047T	345.00	- Hitchland Interchange
FDNS	5	0 11G	G08_022	'FROM->TO'	'ELK CITY 230KV (ELKCTY-6) 230/138/13.8KV TRANSFORMER CKT 1'	287	0.07093	101.7628	345KV CKT 2'	'2008-047T	345.00	- Hitchland Interchange
FDNS	5	0 11G	G10_007	'FROM->TO'	'ELK CITY 230KV (ELKCTY-6) 230/138/13.8KV TRANSFORMER CKT 1'	287	0.10788	101.7628	345KV CKT 2'	'2008-047T	345.00	- Hitchland Interchange
FDNS	5	0 11G	G08_110	'FROM->TO'	'ELK CITY 230KV (ELKCTY-6) 230/138/13.8KV TRANSFORMER CKT 1'	287	0.04622	101.7628	345KV CKT 2'	'2008-047T	345.00	- Hitchland Interchange
FDNS	5	0 11G	G08_088	'FROM->TO'	'ELK CITY 230KV (ELKCTY-6) 230/138/13.8KV TRANSFORMER CKT 1'	287	0.11887	101.7628	345KV CKT 2'	'2008-047T	345.00	- Hitchland Interchange
FDNS	5	0 11G	ASGI_2010_011	'FROM->TO'	'ELK CITY 230KV (ELKCTY-6) 230/138/13.8KV TRANSFORMER CKT 1'	287	0.06728	101.7628	345KV CKT 2'	'2008-047T	345.00	- Hitchland Interchange
FDNS	5	0 11G	G10_014	'FROM->TO'	'ELK CITY 230KV (ELKCTY-6) 230/138/13.8KV TRANSFORMER CKT 1'	287	0.04622	101.7628	345KV CKT 2'	'2008-047T	345.00	- Hitchland Interchange
FDNS	5	0 11G	G10_007	'TO->FROM'	'DEAF SMITH COUNTY INTERCHANGE - S-RANDLCO 230.00 230KV CKT 1'	350	0.07081	105.9146	INTERCHANGE 115KV CKT 1'	'OCHILTREE 3115.00 - PERRYTON		
FDNS	5	0 11G	G08_110	'TO->FROM'	'DEAF SMITH COUNTY INTERCHANGE - S-RANDLCO 230.00 230KV CKT 1'	350	0.04379	105.9146	INTERCHANGE 115KV CKT 1'	'OCHILTREE 3115.00 - PERRYTON		
FDNS	5	0 11G	G08_088	'TO->FROM'	'DEAF SMITH COUNTY INTERCHANGE - S-RANDLCO 230.00 230KV CKT 1'	350	0.06128	105.9146	INTERCHANGE 115KV CKT 1'	'OCHILTREE 3115.00 - PERRYTON		
FDNS	5	0 11G	ASGI_2010_011	'TO->FROM'	'DEAF SMITH COUNTY INTERCHANGE - S-RANDLCO 230.00 230KV CKT 1'	350	0.05515	105.9146	INTERCHANGE 115KV CKT 1'	'OCHILTREE 3115.00 - PERRYTON		
FDNS	5	0 11G	G10_014	'TO->FROM'	'DEAF SMITH COUNTY INTERCHANGE - S-RANDLCO 230.00 230KV CKT 1'	350	0.04379	105.9146	INTERCHANGE 115KV CKT 1'	'OCHILTREE 3115.00 - PERRYTON		
FDNS	5	0 11G	G10_007	'TO->FROM'	'DEAF SMITH COUNTY INTERCHANGE - S-RANDLCO 230.00 230KV CKT 1'	350	0.07081	105.581	115/69KV TRANSFORMER CKT 1'	'DALLAM COUNTY INTERCHANGE		
FDNS	5	0 11G	G08_110	'TO->FROM'	'DEAF SMITH COUNTY INTERCHANGE - S-RANDLCO 230.00 230KV CKT 1'	350	0.04379	105.581	115/69KV TRANSFORMER CKT 1'	'DALLAM COUNTY INTERCHANGE		
FDNS	5	0 11G	G08_088	'TO->FROM'	'DEAF SMITH COUNTY INTERCHANGE - S-RANDLCO 230.00 230KV CKT 1'	350	0.06128	105.581	115/69KV TRANSFORMER CKT 1'	'DALLAM COUNTY INTERCHANGE		
FDNS	5	0 11G	ASGI_2010_011	'TO->FROM'	'DEAF SMITH COUNTY INTERCHANGE - S-RANDLCO 230.00 230KV CKT 1'	350	0.05515	105.581	115/69KV TRANSFORMER CKT 1'	'DALLAM COUNTY INTERCHANGE		
FDNS	5	0 11G	G10_014	'TO->FROM'	'DEAF SMITH COUNTY INTERCHANGE - S-RANDLCO 230.00 230KV CKT 1'	350	0.04379	105.581	115/69KV TRANSFORMER CKT 1'	'DALLAM COUNTY INTERCHANGE		
FDNS	5	0 11G	G10_007	'TO->FROM'	'DEAF SMITH COUNTY INTERCHANGE - S-RANDLCO 230.00 230KV CKT 1'	350	0.07081	105.5828	TRANSFORMER CKT 1'	'DALHART INTERCHANGE 115/69KV		
FDNS	5	0 11G	G08_110	'TO->FROM'	'DEAF SMITH COUNTY INTERCHANGE - S-RANDLCO 230.00 230KV CKT 1'	350	0.04379	105.5828	TRANSFORMER CKT 1'	'DALHART INTERCHANGE 115/69KV		
FDNS	5	0 11G	G08_088	'TO->FROM'	'DEAF SMITH COUNTY INTERCHANGE - S-RANDLCO 230.00 230KV CKT 1'	350	0.06128	105.5828	TRANSFORMER CKT 1'	'DALHART INTERCHANGE 115/69KV		

SOLUTION	GROUP	SCENARIO	SEASON	SOURCE	DIRECTION	MONITORED ELEMENT		RATE B	TDF	TC%LOADING	CONTINGENCY NAME
						COMMON NAME					
FDNS	5	0 11G	ASGI_2010_011	'TO->FROM'	'DEAF SMITH COUNTY INTERCHANGE - S-RANDLCO 230.00 230KV CKT 1'	350	0.05515	105.5828	'DALHART INTERCHANGE 115/69KV TRANSFORMER CKT 1'		
FDNS	5	0 11G	G10_014	'TO->FROM'	'DEAF SMITH COUNTY INTERCHANGE - S-RANDLCO 230.00 230KV CKT 1'	350	0.04379	105.5828	'DALHART INTERCHANGE 115/69KV TRANSFORMER CKT 1'		
FDNS	5	0 11G	G10_007	'TO->FROM'	'DEAF SMITH COUNTY INTERCHANGE - S-RANDLCO 230.00 230KV CKT 1'	350	0.07101	106.9786	'MOORE COUNTY INTERCHANGE - POTTER COUNTY INTERCHANGE 230KV CKT 1'		
FDNS	5	0 11G	G08_110	'TO->FROM'	'DEAF SMITH COUNTY INTERCHANGE - S-RANDLCO 230.00 230KV CKT 1'	350	0.04033	106.9786	'MOORE COUNTY INTERCHANGE - POTTER COUNTY INTERCHANGE 230KV CKT 1'		
FDNS	5	0 11G	G08_088	'TO->FROM'	'DEAF SMITH COUNTY INTERCHANGE - S-RANDLCO 230.00 230KV CKT 1'	350	0.06656	106.9786	'MOORE COUNTY INTERCHANGE - POTTER COUNTY INTERCHANGE 230KV CKT 1'		
FDNS	5	0 11G	ASGI_2010_011	'TO->FROM'	'DEAF SMITH COUNTY INTERCHANGE - S-RANDLCO 230.00 230KV CKT 1'	350	0.04967	106.9786	'MOORE COUNTY INTERCHANGE - POTTER COUNTY INTERCHANGE 230KV CKT 1'		
FDNS	5	0 11G	G10_014	'TO->FROM'	'DEAF SMITH COUNTY INTERCHANGE - S-RANDLCO 230.00 230KV CKT 1'	350	0.04033	106.9786	'MOORE COUNTY INTERCHANGE - POTTER COUNTY INTERCHANGE 230KV CKT 1'		
FDNS	5	0 11G	G09_067S	'FROM->TO'	'ELK CITY 230KV (ELKCTY-6) 230/138/13.8KV TRANSFORMER CKT 1'	287	0.07069	101.8998	'MOORE COUNTY INTERCHANGE - POTTER COUNTY INTERCHANGE 230KV CKT 1'		
FDNS	5	0 11G	G08_022	'FROM->TO'	'ELK CITY 230KV (ELKCTY-6) 230/138/13.8KV TRANSFORMER CKT 1'	287	0.07207	101.8998	'MOORE COUNTY INTERCHANGE - POTTER COUNTY INTERCHANGE 230KV CKT 1'		
FDNS	5	0 11G	G10_007	'FROM->TO'	'ELK CITY 230KV (ELKCTY-6) 230/138/13.8KV TRANSFORMER CKT 1'	287	0.10271	101.8998	'MOORE COUNTY INTERCHANGE - POTTER COUNTY INTERCHANGE 230KV CKT 1'		
FDNS	5	0 11G	G08_110	'FROM->TO'	'ELK CITY 230KV (ELKCTY-6) 230/138/13.8KV TRANSFORMER CKT 1'	287	0.03554	101.8998	'MOORE COUNTY INTERCHANGE - POTTER COUNTY INTERCHANGE 230KV CKT 1'		
FDNS	5	0 11G	G08_088	'FROM->TO'	'ELK CITY 230KV (ELKCTY-6) 230/138/13.8KV TRANSFORMER CKT 1'	287	0.11867	101.8998	'MOORE COUNTY INTERCHANGE - POTTER COUNTY INTERCHANGE 230KV CKT 1'		
FDNS	5	0 11G	ASGI_2010_011	'FROM->TO'	'ELK CITY 230KV (ELKCTY-6) 230/138/13.8KV TRANSFORMER CKT 1'	287	0.05585	101.8998	'MOORE COUNTY INTERCHANGE - POTTER COUNTY INTERCHANGE 230KV CKT 1'		
FDNS	5	0 11G	G10_014	'FROM->TO'	'ELK CITY 230KV (ELKCTY-6) 230/138/13.8KV TRANSFORMER CKT 1'	287	0.03554	101.8998	'MOORE COUNTY INTERCHANGE - POTTER COUNTY INTERCHANGE 230KV CKT 1'		
FDNS	5	0 11G	G09_067S	'FROM->TO'	'ELK CITY 230KV (ELKCTY-6) 230/138/13.8KV TRANSFORMER CKT 1'	287	0.07069	101.0252	'MOORE COUNTY INTERCHANGE - POTTER COUNTY INTERCHANGE 230KV CKT 1'		
FDNS	5	0 11G	G08_022	'FROM->TO'	'ELK CITY 230KV (ELKCTY-6) 230/138/13.8KV TRANSFORMER CKT 1'	287	0.07207	101.0252	'MOORE COUNTY INTERCHANGE - POTTER COUNTY INTERCHANGE 230KV CKT 1'		
FDNS	5	0 11G	G10_007	'FROM->TO'	'ELK CITY 230KV (ELKCTY-6) 230/138/13.8KV TRANSFORMER CKT 1'	287	0.10271	101.0252	'MOORE COUNTY INTERCHANGE - POTTER COUNTY INTERCHANGE 230KV CKT 1'		
FDNS	5	0 11G	G08_110	'FROM->TO'	'ELK CITY 230KV (ELKCTY-6) 230/138/13.8KV TRANSFORMER CKT 1'	287	0.03554	101.0252	'MOORE COUNTY INTERCHANGE - POTTER COUNTY INTERCHANGE 230KV CKT 1'		
FDNS	5	0 11G	G08_088	'FROM->TO'	'ELK CITY 230KV (ELKCTY-6) 230/138/13.8KV TRANSFORMER CKT 1'	287	0.11867	101.0252	'MOORE COUNTY INTERCHANGE - POTTER COUNTY INTERCHANGE 230KV CKT 1'		
FDNS	5	0 11G	ASGI_2010_011	'FROM->TO'	'ELK CITY 230KV (ELKCTY-6) 230/138/13.8KV TRANSFORMER CKT 1'	287	0.05585	101.0252	'MOORE COUNTY INTERCHANGE - POTTER COUNTY INTERCHANGE 230KV CKT 1'		

SOLUTION	GROUP	SCENARIO	SEASON	SOURCE	DIRECTION	MONITORED ELEMENT		RATE B	TDF	TC%LOADING	CONTINGENCY NAME
						COMMON NAME					
FDNS	5	0 11G	G10_014	'FROM->TO'	'ELK CITY 230KV (ELKCTY-6) 230/138/13.8KV TRANSFORMER CKT 1'	287	0.03554	101.0252		'MOORE COUNTY INTERCHANGE - POTTER COUNTY INTERCHANGE 230KV CKT 1'	
FDNS	5	0 11G	G10_007	'TO->FROM'	'DEAF SMITH COUNTY INTERCHANGE - S- RANDLCO 230.00 230KV CKT 1'	350	0.07081	105.2002		'NORTH PLAINS REC-MIAMI - ROBERTS COUNTY SUB 69KV CKT 1'	
FDNS	5	0 11G	G08_110	'TO->FROM'	'DEAF SMITH COUNTY INTERCHANGE - S- RANDLCO 230.00 230KV CKT 1'	350	0.04379	105.2002		'NORTH PLAINS REC-MIAMI - ROBERTS COUNTY SUB 69KV CKT 1'	
FDNS	5	0 11G	G08_088	'TO->FROM'	'DEAF SMITH COUNTY INTERCHANGE - S- RANDLCO 230.00 230KV CKT 1'	350	0.06128	105.2002		'NORTH PLAINS REC-MIAMI - ROBERTS COUNTY SUB 69KV CKT 1'	
FDNS	5	0 11G	ASGI_2010_011	'TO->FROM'	'DEAF SMITH COUNTY INTERCHANGE - S- RANDLCO 230.00 230KV CKT 1'	350	0.05515	105.2002		'NORTH PLAINS REC-MIAMI - ROBERTS COUNTY SUB 69KV CKT 1'	
FDNS	5	0 11G	G10_014	'TO->FROM'	'DEAF SMITH COUNTY INTERCHANGE - S- RANDLCO 230.00 230KV CKT 1'	350	0.04379	105.2002		'NORTH PLAINS REC-MIAMI - ROBERTS COUNTY SUB 69KV CKT 1'	
FDNS	5	0 11G	G10_007	'TO->FROM'	'DEAF SMITH COUNTY INTERCHANGE - S- RANDLCO 230.00 230KV CKT 1'	350	0.07081	105.3966		'ROBERTS COUNTY SUB - ROBERTS COUNTY TAP 69KV CKT 1'	
FDNS	5	0 11G	G08_110	'TO->FROM'	'DEAF SMITH COUNTY INTERCHANGE - S- RANDLCO 230.00 230KV CKT 1'	350	0.04379	105.3966		'ROBERTS COUNTY SUB - ROBERTS COUNTY TAP 69KV CKT 1'	
FDNS	5	0 11G	G08_088	'TO->FROM'	'DEAF SMITH COUNTY INTERCHANGE - S- RANDLCO 230.00 230KV CKT 1'	350	0.06128	105.3966		'ROBERTS COUNTY SUB - ROBERTS COUNTY TAP 69KV CKT 1'	
FDNS	5	0 11G	ASGI_2010_011	'TO->FROM'	'DEAF SMITH COUNTY INTERCHANGE - S- RANDLCO 230.00 230KV CKT 1'	350	0.05515	105.3966		'ROBERTS COUNTY SUB - ROBERTS COUNTY TAP 69KV CKT 1'	
FDNS	5	0 11G	G10_014	'TO->FROM'	'DEAF SMITH COUNTY INTERCHANGE - S- RANDLCO 230.00 230KV CKT 1'	350	0.04379	105.3966		'ROBERTS COUNTY SUB - ROBERTS COUNTY TAP 69KV CKT 1'	
FDNS	5	0 11G	G10_007	'TO->FROM'	'DEAF SMITH COUNTY INTERCHANGE - S- RANDLCO 230.00 230KV CKT 1'	350	0.07081	105.1913		'CRMWA#23TP 269.000 - GRAY COUNTY INTERCHANGE 69KV CKT 1'	
FDNS	5	0 11G	G08_110	'TO->FROM'	'DEAF SMITH COUNTY INTERCHANGE - S- RANDLCO 230.00 230KV CKT 1'	350	0.04379	105.1913		'CRMWA#23TP 269.000 - GRAY COUNTY INTERCHANGE 69KV CKT 1'	
FDNS	5	0 11G	G08_088	'TO->FROM'	'DEAF SMITH COUNTY INTERCHANGE - S- RANDLCO 230.00 230KV CKT 1'	350	0.06128	105.1913		'CRMWA#23TP 269.000 - GRAY COUNTY INTERCHANGE 69KV CKT 1'	
FDNS	5	0 11G	ASGI_2010_011	'TO->FROM'	'DEAF SMITH COUNTY INTERCHANGE - S- RANDLCO 230.00 230KV CKT 1'	350	0.05515	105.1913		'CRMWA#23TP 269.000 - GRAY COUNTY INTERCHANGE 69KV CKT 1'	
FDNS	5	0 11G	G10_014	'TO->FROM'	'DEAF SMITH COUNTY INTERCHANGE - S- RANDLCO 230.00 230KV CKT 1'	350	0.04379	105.1913		'CRMWA#23TP 269.000 - GRAY COUNTY INTERCHANGE 69KV CKT 1'	
FDNS	5	0 11G	G10_007	'TO->FROM'	'DEAF SMITH COUNTY INTERCHANGE - S- RANDLCO 230.00 230KV CKT 1'	350	0.07081	105.0791		'GRAY COUNTY INTERCHANGE - KITE SUB 69KV CKT 1'	
FDNS	5	0 11G	G08_110	'TO->FROM'	'DEAF SMITH COUNTY INTERCHANGE - S- RANDLCO 230.00 230KV CKT 1'	350	0.04379	105.0791		'GRAY COUNTY INTERCHANGE - KITE SUB 69KV CKT 1'	
FDNS	5	0 11G	G08_088	'TO->FROM'	'DEAF SMITH COUNTY INTERCHANGE - S- RANDLCO 230.00 230KV CKT 1'	350	0.06128	105.0791		'GRAY COUNTY INTERCHANGE - KITE SUB 69KV CKT 1'	
FDNS	5	0 11G	ASGI_2010_011	'TO->FROM'	'DEAF SMITH COUNTY INTERCHANGE - S- RANDLCO 230.00 230KV CKT 1'	350	0.05515	105.0791		'GRAY COUNTY INTERCHANGE - KITE SUB 69KV CKT 1'	
FDNS	5	0 11G	G10_014	'TO->FROM'	'DEAF SMITH COUNTY INTERCHANGE - S- RANDLCO 230.00 230KV CKT 1'	350	0.04379	105.0791		'GRAY COUNTY INTERCHANGE - KITE SUB 69KV CKT 1'	
FDNS	5	0 11G	G10_007	'TO->FROM'	'DEAF SMITH COUNTY INTERCHANGE - S- RANDLCO 230.00 230KV CKT 1'	350	0.07081	105.3974		'BOWERS INTERCHANGE - ROBERTS COUNTY TAP 69KV CKT 1'	
FDNS	5	0 11G	G08_110	'TO->FROM'	'DEAF SMITH COUNTY INTERCHANGE - S- RANDLCO 230.00 230KV CKT 1'	350	0.04379	105.3974		'BOWERS INTERCHANGE - ROBERTS COUNTY TAP 69KV CKT 1'	
FDNS	5	0 11G	G08_088	'TO->FROM'	'DEAF SMITH COUNTY INTERCHANGE - S- RANDLCO 230.00 230KV CKT 1'	350	0.06128	105.3974		'BOWERS INTERCHANGE - ROBERTS COUNTY TAP 69KV CKT 1'	
FDNS	5	0 11G	ASGI_2010_011	'TO->FROM'	'DEAF SMITH COUNTY INTERCHANGE - S- RANDLCO 230.00 230KV CKT 1'	350	0.05515	105.3974		'BOWERS INTERCHANGE - ROBERTS COUNTY TAP 69KV CKT 1'	
FDNS	5	0 11G	G10_014	'TO->FROM'	'DEAF SMITH COUNTY INTERCHANGE - S- RANDLCO 230.00 230KV CKT 1'	350	0.04379	105.3974		'BOWERS INTERCHANGE - ROBERTS COUNTY TAP 69KV CKT 1'	
FDNS	5	0 11G	G09_067S	'FROM->TO'	'ELK CITY 230KV (ELKCTY-6) 230/138/13.8KV TRANSFORMER CKT 1'	287	0.06543	102.0625		'GRAPEVINE INTERCHANGE 230/115KV TRANSFORMER CKT 1'	
FDNS	5	0 11G	G08_022	'FROM->TO'	'ELK CITY 230KV (ELKCTY-6) 230/138/13.8KV TRANSFORMER CKT 1'	287	0.0667	102.0625		'GRAPEVINE INTERCHANGE 230/115KV TRANSFORMER CKT 1'	

SOLUTION	GROUP	SCENARIO	SEASON	SOURCE	DIRECTION	MONITORED ELEMENT	RATE B	TDF	TC%	LOADING	CONTINGENCY NAME
						COMMON NAME					
FDNS	5	0 11G	G10_007	'FROM->TO'	'ELK CITY 230KV (ELKCTY-6) 230/138/13.8KV TRANSFORMER CKT 1'	287	0.09619	102.0625	'GRAPEVINE INTERCHANGE 230/115KV TRANSFORMER CKT 1'		
FDNS	5	0 11G	G08_110	'FROM->TO'	'ELK CITY 230KV (ELKCTY-6) 230/138/13.8KV TRANSFORMER CKT 1'	287	0.03718	102.0625	'GRAPEVINE INTERCHANGE 230/115KV TRANSFORMER CKT 1'		
FDNS	5	0 11G	G08_088	'FROM->TO'	'ELK CITY 230KV (ELKCTY-6) 230/138/13.8KV TRANSFORMER CKT 1'	287	0.10885	102.0625	'GRAPEVINE INTERCHANGE 230/115KV TRANSFORMER CKT 1'		
FDNS	5	0 11G	ASGI_2010_011	'FROM->TO'	'ELK CITY 230KV (ELKCTY-6) 230/138/13.8KV TRANSFORMER CKT 1'	287	0.0578	102.0625	'GRAPEVINE INTERCHANGE 230/115KV TRANSFORMER CKT 1'		
FDNS	5	0 11G	G10_014	'FROM->TO'	'ELK CITY 230KV (ELKCTY-6) 230/138/13.8KV TRANSFORMER CKT 1'	287	0.03718	102.0625	'GRAPEVINE INTERCHANGE 230/115KV TRANSFORMER CKT 1'		
FDNS	5	0 11G	G09_067S	'FROM->TO'	'ELK CITY 230KV (ELKCTY-6) 230/138/13.8KV TRANSFORMER CKT 1'	287	0.06543	101.3857	'GRAPEVINE INTERCHANGE 230/115KV TRANSFORMER CKT 1'		
FDNS	5	0 11G	G08_022	'FROM->TO'	'ELK CITY 230KV (ELKCTY-6) 230/138/13.8KV TRANSFORMER CKT 1'	287	0.0667	101.3857	'GRAPEVINE INTERCHANGE 230/115KV TRANSFORMER CKT 1'		
FDNS	5	0 11G	G10_007	'FROM->TO'	'ELK CITY 230KV (ELKCTY-6) 230/138/13.8KV TRANSFORMER CKT 1'	287	0.09619	101.3857	'GRAPEVINE INTERCHANGE 230/115KV TRANSFORMER CKT 1'		
FDNS	5	0 11G	G08_110	'FROM->TO'	'ELK CITY 230KV (ELKCTY-6) 230/138/13.8KV TRANSFORMER CKT 1'	287	0.03718	101.3857	'GRAPEVINE INTERCHANGE 230/115KV TRANSFORMER CKT 1'		
FDNS	5	0 11G	G08_088	'FROM->TO'	'ELK CITY 230KV (ELKCTY-6) 230/138/13.8KV TRANSFORMER CKT 1'	287	0.10885	101.3857	'GRAPEVINE INTERCHANGE 230/115KV TRANSFORMER CKT 1'		
FDNS	5	0 11G	ASGI_2010_011	'FROM->TO'	'ELK CITY 230KV (ELKCTY-6) 230/138/13.8KV TRANSFORMER CKT 1'	287	0.0578	101.3857	'GRAPEVINE INTERCHANGE 230/115KV TRANSFORMER CKT 1'		
FDNS	5	0 11G	G10_014	'FROM->TO'	'ELK CITY 230KV (ELKCTY-6) 230/138/13.8KV TRANSFORMER CKT 1'	287	0.03718	101.3857	'GRAPEVINE INTERCHANGE 230/115KV TRANSFORMER CKT 1'		
FDNS	5	0 11G	G09_067S	'FROM->TO'	'ELK CITY 230KV (ELKCTY-6) 230/138/13.8KV TRANSFORMER CKT 1'	287	0.06697	101.7511	'GRAPEVINE INTERCHANGE - KIRBY SWITCHING STATION 115KV CKT 1'		
FDNS	5	0 11G	G08_022	'FROM->TO'	'ELK CITY 230KV (ELKCTY-6) 230/138/13.8KV TRANSFORMER CKT 1'	287	0.06827	101.7511	'GRAPEVINE INTERCHANGE - KIRBY SWITCHING STATION 115KV CKT 1'		
FDNS	5	0 11G	G10_007	'FROM->TO'	'ELK CITY 230KV (ELKCTY-6) 230/138/13.8KV TRANSFORMER CKT 1'	287	0.10311	101.7511	'GRAPEVINE INTERCHANGE - KIRBY SWITCHING STATION 115KV CKT 1'		
FDNS	5	0 11G	G08_110	'FROM->TO'	'ELK CITY 230KV (ELKCTY-6) 230/138/13.8KV TRANSFORMER CKT 1'	287	0.03852	101.7511	'GRAPEVINE INTERCHANGE - KIRBY SWITCHING STATION 115KV CKT 1'		
FDNS	5	0 11G	G08_088	'FROM->TO'	'ELK CITY 230KV (ELKCTY-6) 230/138/13.8KV TRANSFORMER CKT 1'	287	0.11249	101.7511	'GRAPEVINE INTERCHANGE - KIRBY SWITCHING STATION 115KV CKT 1'		
FDNS	5	0 11G	ASGI_2010_011	'FROM->TO'	'ELK CITY 230KV (ELKCTY-6) 230/138/13.8KV TRANSFORMER CKT 1'	287	0.0605	101.7511	'GRAPEVINE INTERCHANGE - KIRBY SWITCHING STATION 115KV CKT 1'		
FDNS	5	0 11G	G10_014	'FROM->TO'	'ELK CITY 230KV (ELKCTY-6) 230/138/13.8KV TRANSFORMER CKT 1'	287	0.03852	101.7511	'GRAPEVINE INTERCHANGE - KIRBY SWITCHING STATION 115KV CKT 1'		
FDNS	5	0 11G	G09_067S	'FROM->TO'	'ELK CITY 230KV (ELKCTY-6) 230/138/13.8KV TRANSFORMER CKT 1'	287	0.06697	100.9906	'GRAPEVINE INTERCHANGE - KIRBY SWITCHING STATION 115KV CKT 1'		
FDNS	5	0 11G	G08_022	'FROM->TO'	'ELK CITY 230KV (ELKCTY-6) 230/138/13.8KV TRANSFORMER CKT 1'	287	0.06827	100.9906	'GRAPEVINE INTERCHANGE - KIRBY SWITCHING STATION 115KV CKT 1'		
FDNS	5	0 11G	G10_007	'FROM->TO'	'ELK CITY 230KV (ELKCTY-6) 230/138/13.8KV TRANSFORMER CKT 1'	287	0.10311	100.9906	'GRAPEVINE INTERCHANGE - KIRBY SWITCHING STATION 115KV CKT 1'		
FDNS	5	0 11G	G08_110	'FROM->TO'	'ELK CITY 230KV (ELKCTY-6) 230/138/13.8KV TRANSFORMER CKT 1'	287	0.03852	100.9906	'GRAPEVINE INTERCHANGE - KIRBY SWITCHING STATION 115KV CKT 1'		
FDNS	5	0 11G	G08_088	'FROM->TO'	'ELK CITY 230KV (ELKCTY-6) 230/138/13.8KV TRANSFORMER CKT 1'	287	0.11249	100.9906	'GRAPEVINE INTERCHANGE - KIRBY SWITCHING STATION 115KV CKT 1'		
FDNS	5	0 11G	ASGI_2010_011	'FROM->TO'	'ELK CITY 230KV (ELKCTY-6) 230/138/13.8KV TRANSFORMER CKT 1'	287	0.0605	100.9906	'GRAPEVINE INTERCHANGE - KIRBY SWITCHING STATION 115KV CKT 1'		
FDNS	5	0 11G	G10_014	'FROM->TO'	'ELK CITY 230KV (ELKCTY-6) 230/138/13.8KV TRANSFORMER CKT 1'	287	0.03852	100.9906	'GRAPEVINE INTERCHANGE - KIRBY SWITCHING STATION 115KV CKT 1'		
FDNS	5	0 11G	G10_007	'TO->FROM'	'DEAF SMITH COUNTY INTERCHANGE - S- RANDLCO 230.00 230KV CKT 1'	350	0.07984	109.5176	'GRAPEVINE INTERCHANGE - STATELINE INTERCHANGE 230KV CKT 1'		
FDNS	5	0 11G	G08_110	'TO->FROM'	'DEAF SMITH COUNTY INTERCHANGE - S- RANDLCO 230.00 230KV CKT 1'	350	0.04733	109.5176	'GRAPEVINE INTERCHANGE - STATELINE INTERCHANGE 230KV CKT 1'		

SOLUTION	GROUP	SCENARIO	SEASON	SOURCE	DIRECTION	MONITORED ELEMENT		RATE B	TDF	TC%	LOADING	CONTINGENCY NAME
						COMMON NAME						
FDNS	5	0 11G	G08_088	'TO->FROM'	'DEAF SMITH COUNTY INTERCHANGE - S-RANDLCO	230.00	230KV CKT 1'	350	0.07132	109.5176		'GRAPEVINE INTERCHANGE - STATELINE INTERCHANGE 230KV CKT 1'
FDNS	5	0 11G	ASGI_2010_011	'TO->FROM'	'DEAF SMITH COUNTY INTERCHANGE - S-RANDLCO	230.00	230KV CKT 1'	350	0.06057	109.5176		'GRAPEVINE INTERCHANGE - STATELINE INTERCHANGE 230KV CKT 1'
FDNS	5	0 11G	G10_014	'TO->FROM'	'DEAF SMITH COUNTY INTERCHANGE - S-RANDLCO	230.00	230KV CKT 1'	350	0.04733	109.5176		'GRAPEVINE INTERCHANGE - STATELINE INTERCHANGE 230KV CKT 1'
FDNS	5	0 11G	G10_007	'TO->FROM'	'DEAF SMITH COUNTY INTERCHANGE - S-RANDLCO	230.00	230KV CKT 1'	350	0.0758	107.8287		'GRAPEVINE INTERCHANGE - NICHOLS STATION 230KV CKT 1'
FDNS	5	0 11G	G08_110	'TO->FROM'	'DEAF SMITH COUNTY INTERCHANGE - S-RANDLCO	230.00	230KV CKT 1'	350	0.04604	107.8287		'GRAPEVINE INTERCHANGE - NICHOLS STATION 230KV CKT 1'
FDNS	5	0 11G	G08_088	'TO->FROM'	'DEAF SMITH COUNTY INTERCHANGE - S-RANDLCO	230.00	230KV CKT 1'	350	0.06717	107.8287		'GRAPEVINE INTERCHANGE - NICHOLS STATION 230KV CKT 1'
FDNS	5	0 11G	ASGI_2010_011	'TO->FROM'	'DEAF SMITH COUNTY INTERCHANGE - S-RANDLCO	230.00	230KV CKT 1'	350	0.05843	107.8287		'GRAPEVINE INTERCHANGE - NICHOLS STATION 230KV CKT 1'
FDNS	5	0 11G	G10_014	'TO->FROM'	'DEAF SMITH COUNTY INTERCHANGE - S-RANDLCO	230.00	230KV CKT 1'	350	0.04604	107.8287		'GRAPEVINE INTERCHANGE - NICHOLS STATION 230KV CKT 1'
FDNS	5	0 11G	G08_047	'TO->FROM'	'DEAF SMITH COUNTY INTERCHANGE - S-RANDLCO	230.00	230KV CKT 1'	350	0.03843	100.7808		'BORDER 7345.00 - TUCO INTERCHANGE 345KV CKT 1'
FDNS	5	0 11G	G10_007	'TO->FROM'	'DEAF SMITH COUNTY INTERCHANGE - S-RANDLCO	230.00	230KV CKT 1'	350	0.06159	100.7808		'BORDER 7345.00 - TUCO INTERCHANGE 345KV CKT 1'
FDNS	5	0 11G	G08_110	'TO->FROM'	'DEAF SMITH COUNTY INTERCHANGE - S-RANDLCO	230.00	230KV CKT 1'	350	0.04838	100.7808		'BORDER 7345.00 - TUCO INTERCHANGE 345KV CKT 1'
FDNS	5	0 11G	G08_088	'TO->FROM'	'DEAF SMITH COUNTY INTERCHANGE - S-RANDLCO	230.00	230KV CKT 1'	350	0.0465	100.7808		'BORDER 7345.00 - TUCO INTERCHANGE 345KV CKT 1'
FDNS	5	0 11G	ASGI_2010_011	'TO->FROM'	'DEAF SMITH COUNTY INTERCHANGE - S-RANDLCO	230.00	230KV CKT 1'	350	0.0548	100.7808		'BORDER 7345.00 - TUCO INTERCHANGE 345KV CKT 1'
FDNS	5	0 11G	G10_014	'TO->FROM'	'DEAF SMITH COUNTY INTERCHANGE - S-RANDLCO	230.00	230KV CKT 1'	350	0.04838	100.7808		'BORDER 7345.00 - TUCO INTERCHANGE 345KV CKT 1'
FDNS	5	0 11G	G09_067S	'FROM->TO'	'ELK CITY 230KV (ELKCTY-6)	230/138/13.8KV	TRANSFORMER CKT 1'	287	0.07949	100.1231		'BORDER 7345.00 - TUCO INTERCHANGE 345KV CKT 1'
FDNS	5	0 11G	G08_022	'FROM->TO'	'ELK CITY 230KV (ELKCTY-6)	230/138/13.8KV	TRANSFORMER CKT 1'	287	0.08053	100.1231		'BORDER 7345.00 - TUCO INTERCHANGE 345KV CKT 1'
FDNS	5	0 11G	G10_007	'FROM->TO'	'ELK CITY 230KV (ELKCTY-6)	230/138/13.8KV	TRANSFORMER CKT 1'	287	0.10576	100.1231		'BORDER 7345.00 - TUCO INTERCHANGE 345KV CKT 1'
FDNS	5	0 11G	G08_110	'FROM->TO'	'ELK CITY 230KV (ELKCTY-6)	230/138/13.8KV	TRANSFORMER CKT 1'	287	0.03675	100.1231		'BORDER 7345.00 - TUCO INTERCHANGE 345KV CKT 1'
FDNS	5	0 11G	G08_088	'FROM->TO'	'ELK CITY 230KV (ELKCTY-6)	230/138/13.8KV	TRANSFORMER CKT 1'	287	0.11952	100.1231		'BORDER 7345.00 - TUCO INTERCHANGE 345KV CKT 1'
FDNS	5	0 11G	ASGI_2010_011	'FROM->TO'	'ELK CITY 230KV (ELKCTY-6)	230/138/13.8KV	TRANSFORMER CKT 1'	287	0.06043	100.1231		'BORDER 7345.00 - TUCO INTERCHANGE 345KV CKT 1'
FDNS	5	0 11G	G10_014	'FROM->TO'	'ELK CITY 230KV (ELKCTY-6)	230/138/13.8KV	TRANSFORMER CKT 1'	287	0.03675	100.1231		'BORDER 7345.00 - TUCO INTERCHANGE 345KV CKT 1'
FDNS	5	0 11G	G10_007	'TO->FROM'	'DEAF SMITH COUNTY INTERCHANGE - S-RANDLCO	230.00	230KV CKT 1'	350	0.07081	105.9581		'Graves Sub - STATELINE INTERCHANGE 115KV CKT 1'
FDNS	5	0 11G	G08_110	'TO->FROM'	'DEAF SMITH COUNTY INTERCHANGE - S-RANDLCO	230.00	230KV CKT 1'	350	0.04379	105.9581		'Graves Sub - STATELINE INTERCHANGE 115KV CKT 1'
FDNS	5	0 11G	G08_088	'TO->FROM'	'DEAF SMITH COUNTY INTERCHANGE - S-RANDLCO	230.00	230KV CKT 1'	350	0.06128	105.9581		'Graves Sub - STATELINE INTERCHANGE 115KV CKT 1'
FDNS	5	0 11G	ASGI_2010_011	'TO->FROM'	'DEAF SMITH COUNTY INTERCHANGE - S-RANDLCO	230.00	230KV CKT 1'	350	0.05515	105.9581		'Graves Sub - STATELINE INTERCHANGE 115KV CKT 1'
FDNS	5	0 11G	G10_014	'TO->FROM'	'DEAF SMITH COUNTY INTERCHANGE - S-RANDLCO	230.00	230KV CKT 1'	350	0.04379	105.9581		'Graves Sub - STATELINE INTERCHANGE 115KV CKT 1'
FDNS	5	0 11G	G09_067S	'FROM->TO'	'ELK CITY 230KV (ELKCTY-6)	230/138/13.8KV	TRANSFORMER CKT 1'	287	0.06708	102.0005		'Graves Sub - STATELINE INTERCHANGE 115KV CKT 1'

SOLUTION	GROUP	SCENARIO	SEASON	SOURCE	DIRECTION	MONITORED ELEMENT		RATE B	TDF	TC%	LOADING	CONTINGENCY NAME
						COMMON NAME						
FDNS	5	0 11G	G08_022	'FROM->TO'	'ELK CITY 230KV (ELKCTY-6) 230/138/13.8KV TRANSFORMER CKT 1'	287	0.06838	102.0005	115KV CKT 1'	'Graves Sub - STATELINE INTERCHANGE		
FDNS	5	0 11G	G10_007	'FROM->TO'	'ELK CITY 230KV (ELKCTY-6) 230/138/13.8KV TRANSFORMER CKT 1'	287	0.10254	102.0005	115KV CKT 1'	'Graves Sub - STATELINE INTERCHANGE		
FDNS	5	0 11G	G08_110	'FROM->TO'	'ELK CITY 230KV (ELKCTY-6) 230/138/13.8KV TRANSFORMER CKT 1'	287	0.03835	102.0005	115KV CKT 1'	'Graves Sub - STATELINE INTERCHANGE		
FDNS	5	0 11G	G08_088	'FROM->TO'	'ELK CITY 230KV (ELKCTY-6) 230/138/13.8KV TRANSFORMER CKT 1'	287	0.11437	102.0005	115KV CKT 1'	'Graves Sub - STATELINE INTERCHANGE		
FDNS	5	0 11G	ASGI_2010_011	'FROM->TO'	'ELK CITY 230KV (ELKCTY-6) 230/138/13.8KV TRANSFORMER CKT 1'	287	0.0603	102.0005	115KV CKT 1'	'Graves Sub - STATELINE INTERCHANGE		
FDNS	5	0 11G	G10_014	'FROM->TO'	'ELK CITY 230KV (ELKCTY-6) 230/138/13.8KV TRANSFORMER CKT 1'	287	0.03835	102.0005	115KV CKT 1'	'Graves Sub - STATELINE INTERCHANGE		
FDNS	5	0 11G	G09_067S	'FROM->TO'	'ELK CITY 230KV (ELKCTY-6) 230/138/13.8KV TRANSFORMER CKT 1'	287	0.06708	101.2503	115KV CKT 1'	'Graves Sub - STATELINE INTERCHANGE		
FDNS	5	0 11G	G08_022	'FROM->TO'	'ELK CITY 230KV (ELKCTY-6) 230/138/13.8KV TRANSFORMER CKT 1'	287	0.06838	101.2503	115KV CKT 1'	'Graves Sub - STATELINE INTERCHANGE		
FDNS	5	0 11G	G10_007	'FROM->TO'	'ELK CITY 230KV (ELKCTY-6) 230/138/13.8KV TRANSFORMER CKT 1'	287	0.10254	101.2503	115KV CKT 1'	'Graves Sub - STATELINE INTERCHANGE		
FDNS	5	0 11G	G08_110	'FROM->TO'	'ELK CITY 230KV (ELKCTY-6) 230/138/13.8KV TRANSFORMER CKT 1'	287	0.03835	101.2503	115KV CKT 1'	'Graves Sub - STATELINE INTERCHANGE		
FDNS	5	0 11G	G08_088	'FROM->TO'	'ELK CITY 230KV (ELKCTY-6) 230/138/13.8KV TRANSFORMER CKT 1'	287	0.11437	101.2503	115KV CKT 1'	'Graves Sub - STATELINE INTERCHANGE		
FDNS	5	0 11G	ASGI_2010_011	'FROM->TO'	'ELK CITY 230KV (ELKCTY-6) 230/138/13.8KV TRANSFORMER CKT 1'	287	0.0603	101.2503	115KV CKT 1'	'Graves Sub - STATELINE INTERCHANGE		
FDNS	5	0 11G	G10_014	'FROM->TO'	'ELK CITY 230KV (ELKCTY-6) 230/138/13.8KV TRANSFORMER CKT 1'	287	0.03835	101.2503	115KV CKT 1'	'Graves Sub - STATELINE INTERCHANGE		
FDNS	5	0 11G	G10_007	'TO->FROM'	'DEAF SMITH COUNTY INTERCHANGE - S-RANDLCO 230.00 230KV CKT 1'	350	0.07984	109.15	DEMARC6230.00 230KV CKT 1'	'STATELINE INTERCHANGE - STLN-		
FDNS	5	0 11G	G08_110	'TO->FROM'	'DEAF SMITH COUNTY INTERCHANGE - S-RANDLCO 230.00 230KV CKT 1'	350	0.04733	109.15	DEMARC6230.00 230KV CKT 1'	'STATELINE INTERCHANGE - STLN-		
FDNS	5	0 11G	G08_088	'TO->FROM'	'DEAF SMITH COUNTY INTERCHANGE - S-RANDLCO 230.00 230KV CKT 1'	350	0.07132	109.15	DEMARC6230.00 230KV CKT 1'	'STATELINE INTERCHANGE - STLN-		
FDNS	5	0 11G	ASGI_2010_011	'TO->FROM'	'DEAF SMITH COUNTY INTERCHANGE - S-RANDLCO 230.00 230KV CKT 1'	350	0.06057	109.15	DEMARC6230.00 230KV CKT 1'	'STATELINE INTERCHANGE - STLN-		
FDNS	5	0 11G	G10_014	'TO->FROM'	'DEAF SMITH COUNTY INTERCHANGE - S-RANDLCO 230.00 230KV CKT 1'	350	0.04733	109.15	DEMARC6230.00 230KV CKT 1'	'STATELINE INTERCHANGE - STLN-		
FDNS	5	0 11G	G10_007	'TO->FROM'	'DEAF SMITH COUNTY INTERCHANGE - S-RANDLCO 230.00 230KV CKT 1'	350	0.07081	105.1233	WHEELER 69KV CKT 1'	'GRAVES SUB - GREENBELT REC-		
FDNS	5	0 11G	G08_110	'TO->FROM'	'DEAF SMITH COUNTY INTERCHANGE - S-RANDLCO 230.00 230KV CKT 1'	350	0.04379	105.1233	WHEELER 69KV CKT 1'	'GRAVES SUB - GREENBELT REC-		
FDNS	5	0 11G	G08_088	'TO->FROM'	'DEAF SMITH COUNTY INTERCHANGE - S-RANDLCO 230.00 230KV CKT 1'	350	0.06128	105.1233	WHEELER 69KV CKT 1'	'GRAVES SUB - GREENBELT REC-		
FDNS	5	0 11G	ASGI_2010_011	'TO->FROM'	'DEAF SMITH COUNTY INTERCHANGE - S-RANDLCO 230.00 230KV CKT 1'	350	0.05515	105.1233	WHEELER 69KV CKT 1'	'GRAVES SUB - GREENBELT REC-		
FDNS	5	0 11G	G10_014	'TO->FROM'	'DEAF SMITH COUNTY INTERCHANGE - S-RANDLCO 230.00 230KV CKT 1'	350	0.04379	105.1233	WHEELER 69KV CKT 1'	'GRAVES SUB - GREENBELT REC-		
FDNS	5	0 11G	G09_067S	'FROM->TO'	'ELK CITY 230KV (ELKCTY-6) 230/138/13.8KV TRANSFORMER CKT 1'	287	0.06708	100.5422	WHEELER 69KV CKT 1'	'GRAVES SUB - GREENBELT REC-		
FDNS	5	0 11G	G08_022	'FROM->TO'	'ELK CITY 230KV (ELKCTY-6) 230/138/13.8KV TRANSFORMER CKT 1'	287	0.06838	100.5422	WHEELER 69KV CKT 1'	'GRAVES SUB - GREENBELT REC-		
FDNS	5	0 11G	G10_007	'FROM->TO'	'ELK CITY 230KV (ELKCTY-6) 230/138/13.8KV TRANSFORMER CKT 1'	287	0.10254	100.5422	WHEELER 69KV CKT 1'	'GRAVES SUB - GREENBELT REC-		
FDNS	5	0 11G	G08_110	'FROM->TO'	'ELK CITY 230KV (ELKCTY-6) 230/138/13.8KV TRANSFORMER CKT 1'	287	0.03835	100.5422	WHEELER 69KV CKT 1'	'GRAVES SUB - GREENBELT REC-		
FDNS	5	0 11G	G08_088	'FROM->TO'	'ELK CITY 230KV (ELKCTY-6) 230/138/13.8KV TRANSFORMER CKT 1'	287	0.11437	100.5422	WHEELER 69KV CKT 1'	'GRAVES SUB - GREENBELT REC-		
FDNS	5	0 11G	ASGI_2010_011	'FROM->TO'	'ELK CITY 230KV (ELKCTY-6) 230/138/13.8KV TRANSFORMER CKT 1'	287	0.0603	100.5422	WHEELER 69KV CKT 1'	'GRAVES SUB - GREENBELT REC-		

SOLUTION	GROUP	SCENARIO	SEASON	SOURCE	DIRECTION	MONITORED ELEMENT		RATE B	TDF	TC%	LOADING	CONTINGENCY NAME
						COMMON NAME						
FDNS	5	0 11G	G10_014	'FROM->TO'	'ELK CITY 230KV (ELKCTY-6) 230/138/13.8KV TRANSFORMER CKT 1'	287	0.03835	100.5422	'GRAVES SUB - GREENBELT REC- WHEELER 69KV CKT 1'			
FDNS	5	0 11G	G10_007	'TO->FROM'	'DEAF SMITH COUNTY INTERCHANGE - S- RANDLCO 230.00 230KV CKT 1'	350	0.07167	105.4168	'MCCLELLAN SUB - MCLEAN RURAL SUB 115KV CKT 1'			
FDNS	5	0 11G	G08_110	'TO->FROM'	'DEAF SMITH COUNTY INTERCHANGE - S- RANDLCO 230.00 230KV CKT 1'	350	0.04413	105.4168	'MCCLELLAN SUB - MCLEAN RURAL SUB 115KV CKT 1'			
FDNS	5	0 11G	G08_088	'TO->FROM'	'DEAF SMITH COUNTY INTERCHANGE - S- RANDLCO 230.00 230KV CKT 1'	350	0.06223	105.4168	'MCCLELLAN SUB - MCLEAN RURAL SUB 115KV CKT 1'			
FDNS	5	0 11G	ASGI_2010_011	'TO->FROM'	'DEAF SMITH COUNTY INTERCHANGE - S- RANDLCO 230.00 230KV CKT 1'	350	0.05567	105.4168	'MCCLELLAN SUB - MCLEAN RURAL SUB 115KV CKT 1'			
FDNS	5	0 11G	G10_014	'TO->FROM'	'DEAF SMITH COUNTY INTERCHANGE - S- RANDLCO 230.00 230KV CKT 1'	350	0.04413	105.4168	'MCCLELLAN SUB - MCLEAN RURAL SUB 115KV CKT 1'			
FDNS	5	0 11G	G09_067S	'FROM->TO'	'ELK CITY 230KV (ELKCTY-6) 230/138/13.8KV TRANSFORMER CKT 1'	287	0.06986	104.3633	'MCCLELLAN SUB - MCLEAN RURAL SUB 115KV CKT 1'			
FDNS	5	0 11G	G08_022	'FROM->TO'	'ELK CITY 230KV (ELKCTY-6) 230/138/13.8KV TRANSFORMER CKT 1'	287	0.07122	104.3633	'MCCLELLAN SUB - MCLEAN RURAL SUB 115KV CKT 1'			
FDNS	5	0 11G	G10_007	'FROM->TO'	'ELK CITY 230KV (ELKCTY-6) 230/138/13.8KV TRANSFORMER CKT 1'	287	0.10727	104.3633	'MCCLELLAN SUB - MCLEAN RURAL SUB 115KV CKT 1'			
FDNS	5	0 11G	G08_110	'FROM->TO'	'ELK CITY 230KV (ELKCTY-6) 230/138/13.8KV TRANSFORMER CKT 1'	287	0.04022	104.3633	'MCCLELLAN SUB - MCLEAN RURAL SUB 115KV CKT 1'			
FDNS	5	0 11G	G08_088	'FROM->TO'	'ELK CITY 230KV (ELKCTY-6) 230/138/13.8KV TRANSFORMER CKT 1'	287	0.11961	104.3633	'MCCLELLAN SUB - MCLEAN RURAL SUB 115KV CKT 1'			
FDNS	5	0 11G	ASGI_2010_011	'FROM->TO'	'ELK CITY 230KV (ELKCTY-6) 230/138/13.8KV TRANSFORMER CKT 1'	287	0.06312	104.3633	'MCCLELLAN SUB - MCLEAN RURAL SUB 115KV CKT 1'			
FDNS	5	0 11G	G10_014	'FROM->TO'	'ELK CITY 230KV (ELKCTY-6) 230/138/13.8KV TRANSFORMER CKT 1'	287	0.04022	104.3633	'MCCLELLAN SUB - MCLEAN RURAL SUB 115KV CKT 1'			
FDNS	5	0 11G	G09_067S	'FROM->TO'	'ELK CITY 230KV (ELKCTY-6) 230/138/13.8KV TRANSFORMER CKT 1'	287	0.06986	103.467	'MCCLELLAN SUB - MCLEAN RURAL SUB 115KV CKT 1'			
FDNS	5	0 11G	G08_022	'FROM->TO'	'ELK CITY 230KV (ELKCTY-6) 230/138/13.8KV TRANSFORMER CKT 1'	287	0.07122	103.467	'MCCLELLAN SUB - MCLEAN RURAL SUB 115KV CKT 1'			
FDNS	5	0 11G	G10_007	'FROM->TO'	'ELK CITY 230KV (ELKCTY-6) 230/138/13.8KV TRANSFORMER CKT 1'	287	0.10727	103.467	'MCCLELLAN SUB - MCLEAN RURAL SUB 115KV CKT 1'			
FDNS	5	0 11G	G08_110	'FROM->TO'	'ELK CITY 230KV (ELKCTY-6) 230/138/13.8KV TRANSFORMER CKT 1'	287	0.04022	103.467	'MCCLELLAN SUB - MCLEAN RURAL SUB 115KV CKT 1'			
FDNS	5	0 11G	G08_088	'FROM->TO'	'ELK CITY 230KV (ELKCTY-6) 230/138/13.8KV TRANSFORMER CKT 1'	287	0.11961	103.467	'MCCLELLAN SUB - MCLEAN RURAL SUB 115KV CKT 1'			
FDNS	5	0 11G	ASGI_2010_011	'FROM->TO'	'ELK CITY 230KV (ELKCTY-6) 230/138/13.8KV TRANSFORMER CKT 1'	287	0.06312	103.467	'MCCLELLAN SUB - MCLEAN RURAL SUB 115KV CKT 1'			
FDNS	5	0 11G	G10_014	'FROM->TO'	'ELK CITY 230KV (ELKCTY-6) 230/138/13.8KV TRANSFORMER CKT 1'	287	0.04022	103.467	'MCCLELLAN SUB - MCLEAN RURAL SUB 115KV CKT 1'			
FDNS	5	0 11G	G10_007	'TO->FROM'	'DEAF SMITH COUNTY INTERCHANGE - S- RANDLCO 230.00 230KV CKT 1'	350	0.07167	105.4423	'KIRBY SWITCHING STATION - MCCLELLAN SUB 115KV CKT 1'			
FDNS	5	0 11G	G08_110	'TO->FROM'	'DEAF SMITH COUNTY INTERCHANGE - S- RANDLCO 230.00 230KV CKT 1'	350	0.04413	105.4423	'KIRBY SWITCHING STATION - MCCLELLAN SUB 115KV CKT 1'			
FDNS	5	0 11G	G08_088	'TO->FROM'	'DEAF SMITH COUNTY INTERCHANGE - S- RANDLCO 230.00 230KV CKT 1'	350	0.06223	105.4423	'KIRBY SWITCHING STATION - MCCLELLAN SUB 115KV CKT 1'			
FDNS	5	0 11G	ASGI_2010_011	'TO->FROM'	'DEAF SMITH COUNTY INTERCHANGE - S- RANDLCO 230.00 230KV CKT 1'	350	0.05567	105.4423	'KIRBY SWITCHING STATION - MCCLELLAN SUB 115KV CKT 1'			
FDNS	5	0 11G	G10_014	'TO->FROM'	'DEAF SMITH COUNTY INTERCHANGE - S- RANDLCO 230.00 230KV CKT 1'	350	0.04413	105.4423	'KIRBY SWITCHING STATION - MCCLELLAN SUB 115KV CKT 1'			
FDNS	5	0 11G	G09_067S	'FROM->TO'	'ELK CITY 230KV (ELKCTY-6) 230/138/13.8KV TRANSFORMER CKT 1'	287	0.06986	104.5495	'KIRBY SWITCHING STATION - MCCLELLAN SUB 115KV CKT 1'			
FDNS	5	0 11G	G08_022	'FROM->TO'	'ELK CITY 230KV (ELKCTY-6) 230/138/13.8KV TRANSFORMER CKT 1'	287	0.07122	104.5495	'KIRBY SWITCHING STATION - MCCLELLAN SUB 115KV CKT 1'			
FDNS	5	0 11G	G10_007	'FROM->TO'	'ELK CITY 230KV (ELKCTY-6) 230/138/13.8KV TRANSFORMER CKT 1'	287	0.10727	104.5495	'KIRBY SWITCHING STATION - MCCLELLAN SUB 115KV CKT 1'			
FDNS	5	0 11G	G08_110	'FROM->TO'	'ELK CITY 230KV (ELKCTY-6) 230/138/13.8KV TRANSFORMER CKT 1'	287	0.04022	104.5495	'KIRBY SWITCHING STATION - MCCLELLAN SUB 115KV CKT 1'			

SOLUTION	GROUP	SCENARIO	SEASON	SOURCE	DIRECTION	MONITORED ELEMENT		RATE B	TDF	TC%	LOADING	CONTINGENCY NAME
						COMMON NAME						
FDNS	5	0 11G	G08_088	'FROM->TO'	'ELK CITY 230KV (ELKCTY-6) 230/138/13.8KV TRANSFORMER CKT 1'	287	0.11961	104.5495	MCCLELLAN SUB 115KV CKT 1'	'KIRBY SWITCHING STATION - 'KIRBY SWITCHING STATION -		
FDNS	5	0 11G	ASGI_2010_011	'FROM->TO'	'ELK CITY 230KV (ELKCTY-6) 230/138/13.8KV TRANSFORMER CKT 1'	287	0.06312	104.5495	MCCLELLAN SUB 115KV CKT 1'	'KIRBY SWITCHING STATION - 'KIRBY SWITCHING STATION -		
FDNS	5	0 11G	G10_014	'FROM->TO'	'ELK CITY 230KV (ELKCTY-6) 230/138/13.8KV TRANSFORMER CKT 1'	287	0.04022	104.5495	MCCLELLAN SUB 115KV CKT 1'	'KIRBY SWITCHING STATION - 'KIRBY SWITCHING STATION -		
FDNS	5	0 11G	G09_067S	'FROM->TO'	'ELK CITY 230KV (ELKCTY-6) 230/138/13.8KV TRANSFORMER CKT 1'	287	0.06986	103.6514	MCCLELLAN SUB 115KV CKT 1'	'KIRBY SWITCHING STATION - 'KIRBY SWITCHING STATION -		
FDNS	5	0 11G	G08_022	'FROM->TO'	'ELK CITY 230KV (ELKCTY-6) 230/138/13.8KV TRANSFORMER CKT 1'	287	0.07122	103.6514	MCCLELLAN SUB 115KV CKT 1'	'KIRBY SWITCHING STATION - 'KIRBY SWITCHING STATION -		
FDNS	5	0 11G	G10_007	'FROM->TO'	'ELK CITY 230KV (ELKCTY-6) 230/138/13.8KV TRANSFORMER CKT 1'	287	0.10727	103.6514	MCCLELLAN SUB 115KV CKT 1'	'KIRBY SWITCHING STATION - 'KIRBY SWITCHING STATION -		
FDNS	5	0 11G	G08_110	'FROM->TO'	'ELK CITY 230KV (ELKCTY-6) 230/138/13.8KV TRANSFORMER CKT 1'	287	0.04022	103.6514	MCCLELLAN SUB 115KV CKT 1'	'KIRBY SWITCHING STATION - 'KIRBY SWITCHING STATION -		
FDNS	5	0 11G	G08_088	'FROM->TO'	'ELK CITY 230KV (ELKCTY-6) 230/138/13.8KV TRANSFORMER CKT 1'	287	0.11961	103.6514	MCCLELLAN SUB 115KV CKT 1'	'KIRBY SWITCHING STATION - 'KIRBY SWITCHING STATION -		
FDNS	5	0 11G	ASGI_2010_011	'FROM->TO'	'ELK CITY 230KV (ELKCTY-6) 230/138/13.8KV TRANSFORMER CKT 1'	287	0.06312	103.6514	MCCLELLAN SUB 115KV CKT 1'	'KIRBY SWITCHING STATION - 'KIRBY SWITCHING STATION -		
FDNS	5	0 11G	G10_014	'FROM->TO'	'ELK CITY 230KV (ELKCTY-6) 230/138/13.8KV TRANSFORMER CKT 1'	287	0.04022	103.6514	MCCLELLAN SUB 115KV CKT 1'	'KIRBY SWITCHING STATION - 'KIRBY SWITCHING STATION -		
FDNS	5	0 11G	G08_047	'TO->FROM'	'DEAF SMITH COUNTY INTERCHANGE - S- RANDLCO 230.00 230KV CKT 1'	350	0.03518	107.7544	STEVENSCO 345.00 345KV CKT 1'	'FINNEY SWITCHING STATION - 'FINNEY SWITCHING STATION -		
FDNS	5	0 11G	G10_007	'TO->FROM'	'DEAF SMITH COUNTY INTERCHANGE - S- RANDLCO 230.00 230KV CKT 1'	350	0.07967	107.7544	STEVENSCO 345.00 345KV CKT 1'	'FINNEY SWITCHING STATION - 'FINNEY SWITCHING STATION -		
FDNS	5	0 11G	G08_110	'TO->FROM'	'DEAF SMITH COUNTY INTERCHANGE - S- RANDLCO 230.00 230KV CKT 1'	350	0.05513	107.7544	STEVENSCO 345.00 345KV CKT 1'	'FINNEY SWITCHING STATION - 'FINNEY SWITCHING STATION -		
FDNS	5	0 11G	G08_088	'TO->FROM'	'DEAF SMITH COUNTY INTERCHANGE - S- RANDLCO 230.00 230KV CKT 1'	350	0.06933	107.7544	STEVENSCO 345.00 345KV CKT 1'	'FINNEY SWITCHING STATION - 'FINNEY SWITCHING STATION -		
FDNS	5	0 11G	ASGI_2010_011	'TO->FROM'	'DEAF SMITH COUNTY INTERCHANGE - S- RANDLCO 230.00 230KV CKT 1'	350	0.06561	107.7544	STEVENSCO 345.00 345KV CKT 1'	'FINNEY SWITCHING STATION - 'FINNEY SWITCHING STATION -		
FDNS	5	0 11G	G10_014	'TO->FROM'	'DEAF SMITH COUNTY INTERCHANGE - S- RANDLCO 230.00 230KV CKT 1'	350	0.05513	107.7544	STEVENSCO 345.00 345KV CKT 1'	'FINNEY SWITCHING STATION - 'FINNEY SWITCHING STATION -		
FDNS	5	0 11G	G08_047	'FROM->TO'	'ELK CITY 230KV (ELKCTY-6) 230/138/13.8KV TRANSFORMER CKT 1'	287	0.03022	105.3982	STEVENSCO 345.00 345KV CKT 1'	'FINNEY SWITCHING STATION - 'FINNEY SWITCHING STATION -		
FDNS	5	0 11G	G09_067S	'FROM->TO'	'ELK CITY 230KV (ELKCTY-6) 230/138/13.8KV TRANSFORMER CKT 1'	287	0.07672	105.3982	STEVENSCO 345.00 345KV CKT 1'	'FINNEY SWITCHING STATION - 'FINNEY SWITCHING STATION -		
FDNS	5	0 11G	G08_022	'FROM->TO'	'ELK CITY 230KV (ELKCTY-6) 230/138/13.8KV TRANSFORMER CKT 1'	287	0.07813	105.3982	STEVENSCO 345.00 345KV CKT 1'	'FINNEY SWITCHING STATION - 'FINNEY SWITCHING STATION -		
FDNS	5	0 11G	G10_007	'FROM->TO'	'ELK CITY 230KV (ELKCTY-6) 230/138/13.8KV TRANSFORMER CKT 1'	287	0.1161	105.3982	STEVENSCO 345.00 345KV CKT 1'	'FINNEY SWITCHING STATION - 'FINNEY SWITCHING STATION -		
FDNS	5	0 11G	G08_110	'FROM->TO'	'ELK CITY 230KV (ELKCTY-6) 230/138/13.8KV TRANSFORMER CKT 1'	287	0.05569	105.3982	STEVENSCO 345.00 345KV CKT 1'	'FINNEY SWITCHING STATION - 'FINNEY SWITCHING STATION -		
FDNS	5	0 11G	G08_088	'FROM->TO'	'ELK CITY 230KV (ELKCTY-6) 230/138/13.8KV TRANSFORMER CKT 1'	287	0.1267	105.3982	STEVENSCO 345.00 345KV CKT 1'	'FINNEY SWITCHING STATION - 'FINNEY SWITCHING STATION -		
FDNS	5	0 11G	ASGI_2010_011	'FROM->TO'	'ELK CITY 230KV (ELKCTY-6) 230/138/13.8KV TRANSFORMER CKT 1'	287	0.07632	105.3982	STEVENSCO 345.00 345KV CKT 1'	'FINNEY SWITCHING STATION - 'FINNEY SWITCHING STATION -		
FDNS	5	0 11G	G10_014	'FROM->TO'	'ELK CITY 230KV (ELKCTY-6) 230/138/13.8KV TRANSFORMER CKT 1'	287	0.05569	105.3982	STEVENSCO 345.00 345KV CKT 1'	'FINNEY SWITCHING STATION - 'FINNEY SWITCHING STATION -		
FDNS	5	0 11G	G08_047	'FROM->TO'	'ELK CITY 230KV (ELKCTY-6) 230/138/13.8KV TRANSFORMER CKT 1'	287	0.03022	104.4157	STEVENSCO 345.00 345KV CKT 1'	'FINNEY SWITCHING STATION - 'FINNEY SWITCHING STATION -		
FDNS	5	0 11G	G09_067S	'FROM->TO'	'ELK CITY 230KV (ELKCTY-6) 230/138/13.8KV TRANSFORMER CKT 1'	287	0.07672	104.4157	STEVENSCO 345.00 345KV CKT 1'	'FINNEY SWITCHING STATION - 'FINNEY SWITCHING STATION -		
FDNS	5	0 11G	G08_022	'FROM->TO'	'ELK CITY 230KV (ELKCTY-6) 230/138/13.8KV TRANSFORMER CKT 1'	287	0.07813	104.4157	STEVENSCO 345.00 345KV CKT 1'	'FINNEY SWITCHING STATION - 'FINNEY SWITCHING STATION -		
FDNS	5	0 11G	G10_007	'FROM->TO'	'ELK CITY 230KV (ELKCTY-6) 230/138/13.8KV TRANSFORMER CKT 1'	287	0.1161	104.4157	STEVENSCO 345.00 345KV CKT 1'	'FINNEY SWITCHING STATION - 'FINNEY SWITCHING STATION -		
FDNS	5	0 11G	G08_110	'FROM->TO'	'ELK CITY 230KV (ELKCTY-6) 230/138/13.8KV TRANSFORMER CKT 1'	287	0.05569	104.4157	STEVENSCO 345.00 345KV CKT 1'	'FINNEY SWITCHING STATION - 'FINNEY SWITCHING STATION -		

SOLUTION	GROUP	SCENARIO	SEASON	SOURCE	DIRECTION	MONITORED ELEMENT		RATE B	TDF	TC%	LOADING	CONTINGENCY NAME
						COMMON NAME						
FDNS	5	0 11G	G08_088	'FROM->TO'	'ELK CITY 230KV (ELKCTY-6) 230/138/13.8KV TRANSFORMER CKT 1'	287	0.1267	104.4157	STEVENS	CO	345.00	345KV CKT 1'
FDNS	5	0 11G	ASGI_2010_011	'FROM->TO'	'ELK CITY 230KV (ELKCTY-6) 230/138/13.8KV TRANSFORMER CKT 1'	287	0.07632	104.4157	STEVENS	CO	345.00	345KV CKT 1'
FDNS	5	0 11G	G10_014	'FROM->TO'	'ELK CITY 230KV (ELKCTY-6) 230/138/13.8KV TRANSFORMER CKT 1'	287	0.05569	104.4157	STEVENS	CO	345.00	345KV CKT 1'
FDNS	5	0 11G	G10_007	'TO->FROM'	'DEAF SMITH COUNTY INTERCHANGE - S-RANDLCO 230.00 230KV CKT 1'	350	0.07081	105.688	TAP 115KV	CKT 1'		
FDNS	5	0 11G	G08_110	'TO->FROM'	'DEAF SMITH COUNTY INTERCHANGE - S-RANDLCO 230.00 230KV CKT 1'	350	0.04379	105.688	TAP 115KV	CKT 1'		
FDNS	5	0 11G	G08_088	'TO->FROM'	'DEAF SMITH COUNTY INTERCHANGE - S-RANDLCO 230.00 230KV CKT 1'	350	0.06128	105.688	TAP 115KV	CKT 1'		
FDNS	5	0 11G	ASGI_2010_011	'TO->FROM'	'DEAF SMITH COUNTY INTERCHANGE - S-RANDLCO 230.00 230KV CKT 1'	350	0.05515	105.688	TAP 115KV	CKT 1'		
FDNS	5	0 11G	G10_014	'TO->FROM'	'DEAF SMITH COUNTY INTERCHANGE - S-RANDLCO 230.00 230KV CKT 1'	350	0.04379	105.688	TAP 115KV	CKT 1'		
FDNS	5	0 11G	G10_007	'TO->FROM'	'DEAF SMITH COUNTY INTERCHANGE - S-RANDLCO 230.00 230KV CKT 1'	350	0.06382	110.1076	COUNTY INTERCHANGE	230KV CKT 1'		
FDNS	5	0 11G	G08_110	'TO->FROM'	'DEAF SMITH COUNTY INTERCHANGE - S-RANDLCO 230.00 230KV CKT 1'	350	0.03746	110.1076	COUNTY INTERCHANGE	230KV CKT 1'		
FDNS	5	0 11G	G08_088	'TO->FROM'	'DEAF SMITH COUNTY INTERCHANGE - S-RANDLCO 230.00 230KV CKT 1'	350	0.0657	110.1076	COUNTY INTERCHANGE	230KV CKT 1'		
FDNS	5	0 11G	ASGI_2010_011	'TO->FROM'	'DEAF SMITH COUNTY INTERCHANGE - S-RANDLCO 230.00 230KV CKT 1'	350	0.04821	110.1076	COUNTY INTERCHANGE	230KV CKT 1'		
FDNS	5	0 11G	G10_014	'TO->FROM'	'DEAF SMITH COUNTY INTERCHANGE - S-RANDLCO 230.00 230KV CKT 1'	350	0.03746	110.1076	COUNTY INTERCHANGE	230KV CKT 1'		
FDNS	5	0 11G	G10_007	'TO->FROM'	'DEAF SMITH COUNTY INTERCHANGE - S-RANDLCO 230.00 230KV CKT 1'	350	0.05372	112.2108	RANDLCO	230.00 230KV CKT 1'		
FDNS	5	0 11G	G08_110	'TO->FROM'	'DEAF SMITH COUNTY INTERCHANGE - S-RANDLCO 230.00 230KV CKT 1'	350	0.03143	112.2108	RANDLCO	230.00 230KV CKT 1'		
FDNS	5	0 11G	G08_088	'TO->FROM'	'DEAF SMITH COUNTY INTERCHANGE - S-RANDLCO 230.00 230KV CKT 1'	350	0.05115	112.2108	RANDLCO	230.00 230KV CKT 1'		
FDNS	5	0 11G	ASGI_2010_011	'TO->FROM'	'DEAF SMITH COUNTY INTERCHANGE - S-RANDLCO 230.00 230KV CKT 1'	350	0.04067	112.2108	RANDLCO	230.00 230KV CKT 1'		
FDNS	5	0 11G	G10_014	'TO->FROM'	'DEAF SMITH COUNTY INTERCHANGE - S-RANDLCO 230.00 230KV CKT 1'	350	0.03143	112.2108	RANDLCO	230.00 230KV CKT 1'		
FDNS	5	0 11G	G10_007	'TO->FROM'	'DEAF SMITH COUNTY INTERCHANGE - S-RANDLCO 230.00 230KV CKT 1'	350	0.08706	114.2966	G05-17T 345.00 - POTTER COUNTY INTERCHANGE	345KV CKT 1'		
FDNS	5	0 11G	G08_088	'TO->FROM'	'DEAF SMITH COUNTY INTERCHANGE - S-RANDLCO 230.00 230KV CKT 1'	350	0.0859	114.2966	G05-17T 345.00 - POTTER COUNTY INTERCHANGE	345KV CKT 1'		
FDNS	5	0 11G	ASGI_2010_011	'TO->FROM'	'DEAF SMITH COUNTY INTERCHANGE - S-RANDLCO 230.00 230KV CKT 1'	350	0.05156	114.2966	G05-17T 345.00 - POTTER COUNTY INTERCHANGE	345KV CKT 1'		
FDNS	5	0 11G	G09_067S	'FROM->TO'	'ELK CITY 230KV (ELKCTY-6) 230/138/13.8KV TRANSFORMER CKT 1'	287	0.08597	113.6738	G05-17T 345.00 - POTTER COUNTY INTERCHANGE	345KV CKT 1'		
FDNS	5	0 11G	G08_022	'FROM->TO'	'ELK CITY 230KV (ELKCTY-6) 230/138/13.8KV TRANSFORMER CKT 1'	287	0.08767	113.6738	G05-17T 345.00 - POTTER COUNTY INTERCHANGE	345KV CKT 1'		
FDNS	5	0 11G	G10_007	'FROM->TO'	'ELK CITY 230KV (ELKCTY-6) 230/138/13.8KV TRANSFORMER CKT 1'	287	0.12016	113.6738	G05-17T 345.00 - POTTER COUNTY INTERCHANGE	345KV CKT 1'		
FDNS	5	0 11G	G08_088	'FROM->TO'	'ELK CITY 230KV (ELKCTY-6) 230/138/13.8KV TRANSFORMER CKT 1'	287	0.14105	113.6738	G05-17T 345.00 - POTTER COUNTY INTERCHANGE	345KV CKT 1'		
FDNS	5	0 11G	ASGI_2010_011	'FROM->TO'	'ELK CITY 230KV (ELKCTY-6) 230/138/13.8KV TRANSFORMER CKT 1'	287	0.05641	113.6738	G05-17T 345.00 - POTTER COUNTY INTERCHANGE	345KV CKT 1'		
FDNS	5	0 11G	G09_067S	'FROM->TO'	'ELK CITY 230KV (ELKCTY-6) 230/138/13.8KV TRANSFORMER CKT 1'	287	0.08597	112.3248	G05-17T 345.00 - POTTER COUNTY INTERCHANGE	345KV CKT 1'		
FDNS	5	0 11G	G08_022	'FROM->TO'	'ELK CITY 230KV (ELKCTY-6) 230/138/13.8KV TRANSFORMER CKT 1'	287	0.08767	112.3248	G05-17T 345.00 - POTTER COUNTY INTERCHANGE	345KV CKT 1'		
FDNS	5	0 11G	G10_007	'FROM->TO'	'ELK CITY 230KV (ELKCTY-6) 230/138/13.8KV TRANSFORMER CKT 1'	287	0.12016	112.3248	G05-17T 345.00 - POTTER COUNTY INTERCHANGE	345KV CKT 1'		

SOLUTION	GROUP	SCENARIO	SEASON	SOURCE	DIRECTION	MONITORED ELEMENT		RATE B	TDF	TC%	LOADING	CONTINGENCY NAME
						COMMON NAME						
FDNS	5	0 11G	G08_088	'FROM->TO'	'ELK CITY 230KV (ELKCTY-6) 230/138/13.8KV TRANSFORMER CKT 1'	287	0.14105	112.3248	'G05-17T 345.00 - POTTER COUNTY INTERCHANGE 345KV CKT 1'			
FDNS	5	0 11G	ASGI_2010_011	'FROM->TO'	'ELK CITY 230KV (ELKCTY-6) 230/138/13.8KV TRANSFORMER CKT 1'	287	0.05641	112.3248	'G05-17T 345.00 - POTTER COUNTY INTERCHANGE 345KV CKT 1'			
FDNS	5	0 11G	G10_007	'TO->FROM'	'DEAF SMITH COUNTY INTERCHANGE - S- RANDLCO 230.00 230KV CKT 1'	350	0.0706	105.2976	'EAST PLANT INTERCHANGE - HARRINGTON STATION 230KV CKT 1'			
FDNS	5	0 11G	G08_110	'TO->FROM'	'DEAF SMITH COUNTY INTERCHANGE - S- RANDLCO 230.00 230KV CKT 1'	350	0.04392	105.2976	'EAST PLANT INTERCHANGE - HARRINGTON STATION 230KV CKT 1'			
FDNS	5	0 11G	G08_088	'TO->FROM'	'DEAF SMITH COUNTY INTERCHANGE - S- RANDLCO 230.00 230KV CKT 1'	350	0.05682	105.2976	'EAST PLANT INTERCHANGE - HARRINGTON STATION 230KV CKT 1'			
FDNS	5	0 11G	ASGI_2010_011	'TO->FROM'	'DEAF SMITH COUNTY INTERCHANGE - S- RANDLCO 230.00 230KV CKT 1'	350	0.05521	105.2976	'EAST PLANT INTERCHANGE - HARRINGTON STATION 230KV CKT 1'			
FDNS	5	0 11G	G10_014	'TO->FROM'	'DEAF SMITH COUNTY INTERCHANGE - S- RANDLCO 230.00 230KV CKT 1'	350	0.04392	105.2976	'EAST PLANT INTERCHANGE - HARRINGTON STATION 230KV CKT 1'			
FDNS	5	0 11G	G10_007	'TO->FROM'	'DEAF SMITH COUNTY INTERCHANGE - S- RANDLCO 230.00 230KV CKT 1'	350	0.07173	106.3222	'Harrington Station East Bus - Harrington Station Mid Bus 230KV CKT 1'			
FDNS	5	0 11G	G08_110	'TO->FROM'	'DEAF SMITH COUNTY INTERCHANGE - S- RANDLCO 230.00 230KV CKT 1'	350	0.04566	106.3222	'Harrington Station East Bus - Harrington Station Mid Bus 230KV CKT 1'			
FDNS	5	0 11G	G08_088	'TO->FROM'	'DEAF SMITH COUNTY INTERCHANGE - S- RANDLCO 230.00 230KV CKT 1'	350	0.05335	106.3222	'Harrington Station East Bus - Harrington Station Mid Bus 230KV CKT 1'			
FDNS	5	0 11G	ASGI_2010_011	'TO->FROM'	'DEAF SMITH COUNTY INTERCHANGE - S- RANDLCO 230.00 230KV CKT 1'	350	0.05754	106.3222	'Harrington Station East Bus - Harrington Station Mid Bus 230KV CKT 1'			
FDNS	5	0 11G	G10_014	'TO->FROM'	'DEAF SMITH COUNTY INTERCHANGE - S- RANDLCO 230.00 230KV CKT 1'	350	0.04566	106.3222	'Harrington Station East Bus - Harrington Station Mid Bus 230KV CKT 1'			
FDNS	5	0 11G	G10_007	'TO->FROM'	'DEAF SMITH COUNTY INTERCHANGE - S- RANDLCO 230.00 230KV CKT 1'	350	0.07097	105.387	'Harrington Station Mid Bus - RANDALL COUNTY INTERCHANGE 230KV CKT 1'			
FDNS	5	0 11G	G08_110	'TO->FROM'	'DEAF SMITH COUNTY INTERCHANGE - S- RANDLCO 230.00 230KV CKT 1'	350	0.04406	105.387	'Harrington Station Mid Bus - RANDALL COUNTY INTERCHANGE 230KV CKT 1'			
FDNS	5	0 11G	G08_088	'TO->FROM'	'DEAF SMITH COUNTY INTERCHANGE - S- RANDLCO 230.00 230KV CKT 1'	350	0.05477	105.387	'Harrington Station Mid Bus - RANDALL COUNTY INTERCHANGE 230KV CKT 1'			
FDNS	5	0 11G	ASGI_2010_011	'TO->FROM'	'DEAF SMITH COUNTY INTERCHANGE - S- RANDLCO 230.00 230KV CKT 1'	350	0.05542	105.387	'Harrington Station Mid Bus - RANDALL COUNTY INTERCHANGE 230KV CKT 1'			
FDNS	5	0 11G	G10_014	'TO->FROM'	'DEAF SMITH COUNTY INTERCHANGE - S- RANDLCO 230.00 230KV CKT 1'	350	0.04406	105.387	'Harrington Station Mid Bus - RANDALL COUNTY INTERCHANGE 230KV CKT 1'			
FDNS	5	0 11G	G08_047	'TO->FROM'	'DEAF SMITH COUNTY INTERCHANGE - S- RANDLCO 230.00 230KV CKT 1'	350	0.03033	106.3593	'AMARILLO SOUTH INTERCHANGE - NICHOLS STATION 230KV CKT 1'			
FDNS	5	0 11G	G10_007	'TO->FROM'	'DEAF SMITH COUNTY INTERCHANGE - S- RANDLCO 230.00 230KV CKT 1'	350	0.07947	106.3593	'AMARILLO SOUTH INTERCHANGE - NICHOLS STATION 230KV CKT 1'			
FDNS	5	0 11G	G08_110	'TO->FROM'	'DEAF SMITH COUNTY INTERCHANGE - S- RANDLCO 230.00 230KV CKT 1'	350	0.04778	106.3593	'AMARILLO SOUTH INTERCHANGE - NICHOLS STATION 230KV CKT 1'			
FDNS	5	0 11G	G08_088	'TO->FROM'	'DEAF SMITH COUNTY INTERCHANGE - S- RANDLCO 230.00 230KV CKT 1'	350	0.05522	106.3593	'AMARILLO SOUTH INTERCHANGE - NICHOLS STATION 230KV CKT 1'			
FDNS	5	0 11G	ASGI_2010_011	'TO->FROM'	'DEAF SMITH COUNTY INTERCHANGE - S- RANDLCO 230.00 230KV CKT 1'	350	0.06073	106.3593	'AMARILLO SOUTH INTERCHANGE - NICHOLS STATION 230KV CKT 1'			
FDNS	5	0 11G	G10_014	'TO->FROM'	'DEAF SMITH COUNTY INTERCHANGE - S- RANDLCO 230.00 230KV CKT 1'	350	0.04778	106.3593	'AMARILLO SOUTH INTERCHANGE - NICHOLS STATION 230KV CKT 1'			
FDNS	5	0 11G	G10_007	'TO->FROM'	'DEAF SMITH COUNTY INTERCHANGE - S- RANDLCO 230.00 230KV CKT 1'	350	0.07081	105.3965	'BUSH SUB - NORTHWEST INTERCHANGE 115KV CKT 1'			
FDNS	5	0 11G	G08_110	'TO->FROM'	'DEAF SMITH COUNTY INTERCHANGE - S- RANDLCO 230.00 230KV CKT 1'	350	0.04379	105.3965	'BUSH SUB - NORTHWEST INTERCHANGE 115KV CKT 1'			
FDNS	5	0 11G	G08_088	'TO->FROM'	'DEAF SMITH COUNTY INTERCHANGE - S- RANDLCO 230.00 230KV CKT 1'	350	0.06128	105.3965	'BUSH SUB - NORTHWEST INTERCHANGE 115KV CKT 1'			

SOLUTION	GROUP	SCENARIO	SEASON	SOURCE	DIRECTION	MONITORED ELEMENT		RATE B	TDF	TC%	LOADING	CONTINGENCY NAME
						COMMON NAME						
FDNS	5	0 11G	ASGI_2010_011	'TO->FROM'	'DEAF SMITH COUNTY INTERCHANGE - S-RANDLCO 230.00 230KV CKT 1'	350	0.05515	105.3965				'BUSH SUB - NORTHWEST INTERCHANGE 115KV CKT 1'
FDNS	5	0 11G	G10_014	'TO->FROM'	'DEAF SMITH COUNTY INTERCHANGE - S-RANDLCO 230.00 230KV CKT 1'	350	0.04379	105.3965				'BUSH SUB - NORTHWEST INTERCHANGE 115KV CKT 1'
FDNS	5	0 11G	G10_007	'TO->FROM'	'DEAF SMITH COUNTY INTERCHANGE - S-RANDLCO 230.00 230KV CKT 1'	350	0.07081	105.238				'VAN BUREN SUB 1 - VAN BUREN SUB 1 TAP 69KV CKT 1'
FDNS	5	0 11G	G08_110	'TO->FROM'	'DEAF SMITH COUNTY INTERCHANGE - S-RANDLCO 230.00 230KV CKT 1'	350	0.04379	105.238				'VAN BUREN SUB 1 - VAN BUREN SUB 1 TAP 69KV CKT 1'
FDNS	5	0 11G	G08_088	'TO->FROM'	'DEAF SMITH COUNTY INTERCHANGE - S-RANDLCO 230.00 230KV CKT 1'	350	0.06128	105.238				'VAN BUREN SUB 1 - VAN BUREN SUB 1 TAP 69KV CKT 1'
FDNS	5	0 11G	ASGI_2010_011	'TO->FROM'	'DEAF SMITH COUNTY INTERCHANGE - S-RANDLCO 230.00 230KV CKT 1'	350	0.05515	105.238				'VAN BUREN SUB 1 - VAN BUREN SUB 1 TAP 69KV CKT 1'
FDNS	5	0 11G	G10_014	'TO->FROM'	'DEAF SMITH COUNTY INTERCHANGE - S-RANDLCO 230.00 230KV CKT 1'	350	0.04379	105.238				'VAN BUREN SUB 1 - VAN BUREN SUB 1 TAP 69KV CKT 1'
FDNS	5	0 11G	G10_007	'TO->FROM'	'DEAF SMITH COUNTY INTERCHANGE - S-RANDLCO 230.00 230KV CKT 1'	350	0.07081	105.1812				'EAST PLANT INTERCHANGE - VAN BUREN SUB 2 69KV CKT 1'
FDNS	5	0 11G	G08_110	'TO->FROM'	'DEAF SMITH COUNTY INTERCHANGE - S-RANDLCO 230.00 230KV CKT 1'	350	0.04379	105.1812				'EAST PLANT INTERCHANGE - VAN BUREN SUB 2 69KV CKT 1'
FDNS	5	0 11G	G08_088	'TO->FROM'	'DEAF SMITH COUNTY INTERCHANGE - S-RANDLCO 230.00 230KV CKT 1'	350	0.06128	105.1812				'EAST PLANT INTERCHANGE - VAN BUREN SUB 2 69KV CKT 1'
FDNS	5	0 11G	ASGI_2010_011	'TO->FROM'	'DEAF SMITH COUNTY INTERCHANGE - S-RANDLCO 230.00 230KV CKT 1'	350	0.05515	105.1812				'EAST PLANT INTERCHANGE - VAN BUREN SUB 2 69KV CKT 1'
FDNS	5	0 11G	G10_014	'TO->FROM'	'DEAF SMITH COUNTY INTERCHANGE - S-RANDLCO 230.00 230KV CKT 1'	350	0.04379	105.1812				'EAST PLANT INTERCHANGE - VAN BUREN SUB 2 69KV CKT 1'
FDNS	5	0 11G	G10_007	'TO->FROM'	'DEAF SMITH COUNTY INTERCHANGE - S-RANDLCO 230.00 230KV CKT 1'	350	0.0706	105.2993				'EAST PLANT INTERCHANGE 230/115KV TRANSFORMER CKT 1'
FDNS	5	0 11G	G08_110	'TO->FROM'	'DEAF SMITH COUNTY INTERCHANGE - S-RANDLCO 230.00 230KV CKT 1'	350	0.04392	105.2993				'EAST PLANT INTERCHANGE 230/115KV TRANSFORMER CKT 1'
FDNS	5	0 11G	G08_088	'TO->FROM'	'DEAF SMITH COUNTY INTERCHANGE - S-RANDLCO 230.00 230KV CKT 1'	350	0.05682	105.2993				'EAST PLANT INTERCHANGE 230/115KV TRANSFORMER CKT 1'
FDNS	5	0 11G	ASGI_2010_011	'TO->FROM'	'DEAF SMITH COUNTY INTERCHANGE - S-RANDLCO 230.00 230KV CKT 1'	350	0.05521	105.2993				'EAST PLANT INTERCHANGE 230/115KV TRANSFORMER CKT 1'
FDNS	5	0 11G	G10_014	'TO->FROM'	'DEAF SMITH COUNTY INTERCHANGE - S-RANDLCO 230.00 230KV CKT 1'	350	0.04392	105.2993				'EAST PLANT INTERCHANGE 230/115KV TRANSFORMER CKT 1'
FDNS	5	0 11G	G10_007	'TO->FROM'	'DEAF SMITH COUNTY INTERCHANGE - S-RANDLCO 230.00 230KV CKT 1'	350	0.07081	105.3442				'PIERCE STREET SUB - PIERCE STREET TAP 115KV CKT 1'
FDNS	5	0 11G	G08_110	'TO->FROM'	'DEAF SMITH COUNTY INTERCHANGE - S-RANDLCO 230.00 230KV CKT 1'	350	0.04379	105.3442				'PIERCE STREET SUB - PIERCE STREET TAP 115KV CKT 1'
FDNS	5	0 11G	G08_088	'TO->FROM'	'DEAF SMITH COUNTY INTERCHANGE - S-RANDLCO 230.00 230KV CKT 1'	350	0.06128	105.3442				'PIERCE STREET SUB - PIERCE STREET TAP 115KV CKT 1'
FDNS	5	0 11G	ASGI_2010_011	'TO->FROM'	'DEAF SMITH COUNTY INTERCHANGE - S-RANDLCO 230.00 230KV CKT 1'	350	0.05515	105.3442				'PIERCE STREET SUB - PIERCE STREET TAP 115KV CKT 1'
FDNS	5	0 11G	G10_014	'TO->FROM'	'DEAF SMITH COUNTY INTERCHANGE - S-RANDLCO 230.00 230KV CKT 1'	350	0.04379	105.3442				'PIERCE STREET SUB - PIERCE STREET TAP 115KV CKT 1'
FDNS	5	0 11G	G10_007	'TO->FROM'	'DEAF SMITH COUNTY INTERCHANGE - S-RANDLCO 230.00 230KV CKT 1'	350	0.06781	107.0381				'BUSHLAND INTERCHANGE 230/115KV TRANSFORMER CKT 1'
FDNS	5	0 11G	G08_110	'TO->FROM'	'DEAF SMITH COUNTY INTERCHANGE - S-RANDLCO 230.00 230KV CKT 1'	350	0.04364	107.0381				'BUSHLAND INTERCHANGE 230/115KV TRANSFORMER CKT 1'
FDNS	5	0 11G	G08_088	'TO->FROM'	'DEAF SMITH COUNTY INTERCHANGE - S-RANDLCO 230.00 230KV CKT 1'	350	0.04405	107.0381				'BUSHLAND INTERCHANGE 230/115KV TRANSFORMER CKT 1'
FDNS	5	0 11G	ASGI_2010_011	'TO->FROM'	'DEAF SMITH COUNTY INTERCHANGE - S-RANDLCO 230.00 230KV CKT 1'	350	0.05429	107.0381				'BUSHLAND INTERCHANGE 230/115KV TRANSFORMER CKT 1'
FDNS	5	0 11G	G10_014	'TO->FROM'	'DEAF SMITH COUNTY INTERCHANGE - S-RANDLCO 230.00 230KV CKT 1'	350	0.04364	107.0381				'BUSHLAND INTERCHANGE 230/115KV TRANSFORMER CKT 1'
FDNS	5	0 11G	G10_007	'TO->FROM'	'DEAF SMITH COUNTY INTERCHANGE - S-RANDLCO 230.00 230KV CKT 1'	350	0.06781	107.0476				'BUSHLAND INTERCHANGE - COULTER INTERCHANGE 115KV CKT 1'
FDNS	5	0 11G	G08_110	'TO->FROM'	'DEAF SMITH COUNTY INTERCHANGE - S-RANDLCO 230.00 230KV CKT 1'	350	0.04364	107.0476				'BUSHLAND INTERCHANGE - COULTER INTERCHANGE 115KV CKT 1'

SOLUTION	GROUP	SCENARIO	SEASON	SOURCE	DIRECTION	MONITORED ELEMENT		RATE B	TDF	TC%	LOADING	CONTINGENCY NAME
						COMMON NAME						
FDNS	5	0 11G	G08_088	'TO->FROM'	'DEAF SMITH COUNTY INTERCHANGE - S-RANDLCO 230.00 230KV CKT 1'	350	0.04405	107.0476				'BUSHLAND INTERCHANGE - COULTER INTERCHANGE 115KV CKT 1'
FDNS	5	0 11G	ASGI_2010_011	'TO->FROM'	'DEAF SMITH COUNTY INTERCHANGE - S-RANDLCO 230.00 230KV CKT 1'	350	0.05429	107.0476				'BUSHLAND INTERCHANGE - COULTER INTERCHANGE 115KV CKT 1'
FDNS	5	0 11G	G10_014	'TO->FROM'	'DEAF SMITH COUNTY INTERCHANGE - S-RANDLCO 230.00 230KV CKT 1'	350	0.04364	107.0476				'BUSHLAND INTERCHANGE - COULTER INTERCHANGE 115KV CKT 1'
FDNS	5	0 11G	G10_007	'TO->FROM'	'DEAF SMITH COUNTY INTERCHANGE - S-RANDLCO 230.00 230KV CKT 1'	350	0.05591	107.5232				'BUSHLAND INTERCHANGE - S-RANDLCO 230.00 230KV CKT 1'
FDNS	5	0 11G	G08_110	'TO->FROM'	'DEAF SMITH COUNTY INTERCHANGE - S-RANDLCO 230.00 230KV CKT 1'	350	0.03476	107.5232				'BUSHLAND INTERCHANGE - S-RANDLCO 230.00 230KV CKT 1'
FDNS	5	0 11G	G08_088	'TO->FROM'	'DEAF SMITH COUNTY INTERCHANGE - S-RANDLCO 230.00 230KV CKT 1'	350	0.04077	107.5232				'BUSHLAND INTERCHANGE - S-RANDLCO 230.00 230KV CKT 1'
FDNS	5	0 11G	ASGI_2010_011	'TO->FROM'	'DEAF SMITH COUNTY INTERCHANGE - S-RANDLCO 230.00 230KV CKT 1'	350	0.04393	107.5232				'BUSHLAND INTERCHANGE - S-RANDLCO 230.00 230KV CKT 1'
FDNS	5	0 11G	G10_014	'TO->FROM'	'DEAF SMITH COUNTY INTERCHANGE - S-RANDLCO 230.00 230KV CKT 1'	350	0.03476	107.5232				'BUSHLAND INTERCHANGE - S-RANDLCO 230.00 230KV CKT 1'
FDNS	5	0 11G	G10_007	'TO->FROM'	'DEAF SMITH COUNTY INTERCHANGE - S-RANDLCO 230.00 230KV CKT 1'	350	0.07081	105.5566				'RANDALL COUNTY INTERCHANGE - SOUTHEAST SUB 115KV CKT 1'
FDNS	5	0 11G	G08_110	'TO->FROM'	'DEAF SMITH COUNTY INTERCHANGE - S-RANDLCO 230.00 230KV CKT 1'	350	0.04379	105.5566				'RANDALL COUNTY INTERCHANGE - SOUTHEAST SUB 115KV CKT 1'
FDNS	5	0 11G	G08_088	'TO->FROM'	'DEAF SMITH COUNTY INTERCHANGE - S-RANDLCO 230.00 230KV CKT 1'	350	0.06128	105.5566				'RANDALL COUNTY INTERCHANGE - SOUTHEAST SUB 115KV CKT 1'
FDNS	5	0 11G	ASGI_2010_011	'TO->FROM'	'DEAF SMITH COUNTY INTERCHANGE - S-RANDLCO 230.00 230KV CKT 1'	350	0.05515	105.5566				'RANDALL COUNTY INTERCHANGE - SOUTHEAST SUB 115KV CKT 1'
FDNS	5	0 11G	G10_014	'TO->FROM'	'DEAF SMITH COUNTY INTERCHANGE - S-RANDLCO 230.00 230KV CKT 1'	350	0.04379	105.5566				'RANDALL COUNTY INTERCHANGE - SOUTHEAST SUB 115KV CKT 1'
FDNS	5	0 11G	G08_047	'TO->FROM'	'DEAF SMITH COUNTY INTERCHANGE - S-RANDLCO 230.00 230KV CKT 1'	350	0.03192	108.7719				'CANYON EAST SUB - OSAGE SWITCHING STATION 115KV CKT 1'
FDNS	5	0 11G	G10_007	'TO->FROM'	'DEAF SMITH COUNTY INTERCHANGE - S-RANDLCO 230.00 230KV CKT 1'	350	0.0868	108.7719				'CANYON EAST SUB - OSAGE SWITCHING STATION 115KV CKT 1'
FDNS	5	0 11G	G08_110	'TO->FROM'	'DEAF SMITH COUNTY INTERCHANGE - S-RANDLCO 230.00 230KV CKT 1'	350	0.04954	108.7719				'CANYON EAST SUB - OSAGE SWITCHING STATION 115KV CKT 1'
FDNS	5	0 11G	G08_088	'TO->FROM'	'DEAF SMITH COUNTY INTERCHANGE - S-RANDLCO 230.00 230KV CKT 1'	350	0.09591	108.7719				'CANYON EAST SUB - OSAGE SWITCHING STATION 115KV CKT 1'
FDNS	5	0 11G	ASGI_2010_011	'TO->FROM'	'DEAF SMITH COUNTY INTERCHANGE - S-RANDLCO 230.00 230KV CKT 1'	350	0.06397	108.7719				'CANYON EAST SUB - OSAGE SWITCHING STATION 115KV CKT 1'
FDNS	5	0 11G	G10_014	'TO->FROM'	'DEAF SMITH COUNTY INTERCHANGE - S-RANDLCO 230.00 230KV CKT 1'	350	0.04954	108.7719				'CANYON EAST SUB - OSAGE SWITCHING STATION 115KV CKT 1'
FDNS	5	0 11G	G10_007	'TO->FROM'	'DEAF SMITH COUNTY INTERCHANGE - S-RANDLCO 230.00 230KV CKT 1'	350	0.07097	105.3954				'RANDALL COUNTY INTERCHANGE 230/115KV TRANSFORMER CKT 1'
FDNS	5	0 11G	G08_110	'TO->FROM'	'DEAF SMITH COUNTY INTERCHANGE - S-RANDLCO 230.00 230KV CKT 1'	350	0.04406	105.3954				'RANDALL COUNTY INTERCHANGE 230/115KV TRANSFORMER CKT 1'
FDNS	5	0 11G	G08_088	'TO->FROM'	'DEAF SMITH COUNTY INTERCHANGE - S-RANDLCO 230.00 230KV CKT 1'	350	0.05477	105.3954				'RANDALL COUNTY INTERCHANGE 230/115KV TRANSFORMER CKT 1'
FDNS	5	0 11G	ASGI_2010_011	'TO->FROM'	'DEAF SMITH COUNTY INTERCHANGE - S-RANDLCO 230.00 230KV CKT 1'	350	0.05542	105.3954				'RANDALL COUNTY INTERCHANGE 230/115KV TRANSFORMER CKT 1'
FDNS	5	0 11G	G10_014	'TO->FROM'	'DEAF SMITH COUNTY INTERCHANGE - S-RANDLCO 230.00 230KV CKT 1'	350	0.04406	105.3954				'RANDALL COUNTY INTERCHANGE 230/115KV TRANSFORMER CKT 1'
FDNS	5	0 11G	G10_007	'TO->FROM'	'DEAF SMITH COUNTY INTERCHANGE - S-RANDLCO 230.00 230KV CKT 1'	350	0.07081	106.1996				'PALO DURO SUB - RANDALL COUNTY INTERCHANGE 115KV CKT 1'
FDNS	5	0 11G	G08_110	'TO->FROM'	'DEAF SMITH COUNTY INTERCHANGE - S-RANDLCO 230.00 230KV CKT 1'	350	0.04379	106.1996				'PALO DURO SUB - RANDALL COUNTY INTERCHANGE 115KV CKT 1'
FDNS	5	0 11G	G08_088	'TO->FROM'	'DEAF SMITH COUNTY INTERCHANGE - S-RANDLCO 230.00 230KV CKT 1'	350	0.06128	106.1996				'PALO DURO SUB - RANDALL COUNTY INTERCHANGE 115KV CKT 1'
FDNS	5	0 11G	ASGI_2010_011	'TO->FROM'	'DEAF SMITH COUNTY INTERCHANGE - S-RANDLCO 230.00 230KV CKT 1'	350	0.05515	106.1996				'PALO DURO SUB - RANDALL COUNTY INTERCHANGE 115KV CKT 1'
FDNS	5	0 11G	G10_014	'TO->FROM'	'DEAF SMITH COUNTY INTERCHANGE - S-RANDLCO 230.00 230KV CKT 1'	350	0.04379	106.1996				'PALO DURO SUB - RANDALL COUNTY INTERCHANGE 115KV CKT 1'

SOLUTION	GROUP	SCENARIO	SEASON	SOURCE	DIRECTION	MONITORED ELEMENT		RATE B	TDF	TC%	LOADING	CONTINGENCY NAME
						COMMON NAME						
FDNS	5	0 11G	G08_047	'TO->FROM'	'DEAF SMITH COUNTY INTERCHANGE - S-RANDLCO 230.00 230KV CKT 1'	350	0.03593	103.1011	48T	230.00	230KV CKT 1'	'AMARILLO SOUTH INTERCHANGE - G07-
FDNS	5	0 11G	G10_007	'TO->FROM'	'DEAF SMITH COUNTY INTERCHANGE - S-RANDLCO 230.00 230KV CKT 1'	350	0.10069	103.1011	48T	230.00	230KV CKT 1'	'AMARILLO SOUTH INTERCHANGE - G07-
FDNS	5	0 11G	G08_110	'TO->FROM'	'DEAF SMITH COUNTY INTERCHANGE - S-RANDLCO 230.00 230KV CKT 1'	350	0.05687	103.1011	48T	230.00	230KV CKT 1'	'AMARILLO SOUTH INTERCHANGE - G07-
FDNS	5	0 11G	G08_088	'TO->FROM'	'DEAF SMITH COUNTY INTERCHANGE - S-RANDLCO 230.00 230KV CKT 1'	350	0.09972	103.1011	48T	230.00	230KV CKT 1'	'AMARILLO SOUTH INTERCHANGE - G07-
FDNS	5	0 11G	ASGI_2010_011	'TO->FROM'	'DEAF SMITH COUNTY INTERCHANGE - S-RANDLCO 230.00 230KV CKT 1'	350	0.07389	103.1011	48T	230.00	230KV CKT 1'	'AMARILLO SOUTH INTERCHANGE - G07-
FDNS	5	0 11G	G10_014	'TO->FROM'	'DEAF SMITH COUNTY INTERCHANGE - S-RANDLCO 230.00 230KV CKT 1'	350	0.05687	103.1011	48T	230.00	230KV CKT 1'	'AMARILLO SOUTH INTERCHANGE - G07-
FDNS	5	0 11G	G10_007	'TO->FROM'	'DEAF SMITH COUNTY INTERCHANGE - S-RANDLCO 230.00 230KV CKT 1'	350	0.07081	106.4117				'ESTACADO SUB - ESTACADO TAP 115KV CKT 1'
FDNS	5	0 11G	G08_110	'TO->FROM'	'DEAF SMITH COUNTY INTERCHANGE - S-RANDLCO 230.00 230KV CKT 1'	350	0.04379	106.4117				'ESTACADO SUB - ESTACADO TAP 115KV CKT 1'
FDNS	5	0 11G	G08_088	'TO->FROM'	'DEAF SMITH COUNTY INTERCHANGE - S-RANDLCO 230.00 230KV CKT 1'	350	0.06128	106.4117				'ESTACADO SUB - ESTACADO TAP 115KV CKT 1'
FDNS	5	0 11G	ASGI_2010_011	'TO->FROM'	'DEAF SMITH COUNTY INTERCHANGE - S-RANDLCO 230.00 230KV CKT 1'	350	0.05515	106.4117				'ESTACADO SUB - ESTACADO TAP 115KV CKT 1'
FDNS	5	0 11G	G10_014	'TO->FROM'	'DEAF SMITH COUNTY INTERCHANGE - S-RANDLCO 230.00 230KV CKT 1'	350	0.04379	106.4117				'ESTACADO SUB - ESTACADO TAP 115KV CKT 1'
FDNS	5	0 11G	G08_047	'TO->FROM'	'DEAF SMITH COUNTY INTERCHANGE - S-RANDLCO 230.00 230KV CKT 1'	350	0.03192	106.7759				'CANYON EAST SUB - CANYON WEST SUB 115KV CKT 1'
FDNS	5	0 11G	G10_007	'TO->FROM'	'DEAF SMITH COUNTY INTERCHANGE - S-RANDLCO 230.00 230KV CKT 1'	350	0.0868	106.7759				'CANYON EAST SUB - CANYON WEST SUB 115KV CKT 1'
FDNS	5	0 11G	G08_110	'TO->FROM'	'DEAF SMITH COUNTY INTERCHANGE - S-RANDLCO 230.00 230KV CKT 1'	350	0.04954	106.7759				'CANYON EAST SUB - CANYON WEST SUB 115KV CKT 1'
FDNS	5	0 11G	G08_088	'TO->FROM'	'DEAF SMITH COUNTY INTERCHANGE - S-RANDLCO 230.00 230KV CKT 1'	350	0.09591	106.7759				'CANYON EAST SUB - CANYON WEST SUB 115KV CKT 1'
FDNS	5	0 11G	ASGI_2010_011	'TO->FROM'	'DEAF SMITH COUNTY INTERCHANGE - S-RANDLCO 230.00 230KV CKT 1'	350	0.06397	106.7759				'CANYON EAST SUB - CANYON WEST SUB 115KV CKT 1'
FDNS	5	0 11G	G10_014	'TO->FROM'	'DEAF SMITH COUNTY INTERCHANGE - S-RANDLCO 230.00 230KV CKT 1'	350	0.04954	106.7759				'CANYON EAST SUB - CANYON WEST SUB 115KV CKT 1'
FDNS	5	0 11G	G10_007	'TO->FROM'	'DEAF SMITH COUNTY INTERCHANGE - S-RANDLCO 230.00 230KV CKT 1'	350	0.07081	106.155				'HAPPY INTERCHANGE - PALO DURO SUB 115KV CKT 1'
FDNS	5	0 11G	G08_110	'TO->FROM'	'DEAF SMITH COUNTY INTERCHANGE - S-RANDLCO 230.00 230KV CKT 1'	350	0.04379	106.155				'HAPPY INTERCHANGE - PALO DURO SUB 115KV CKT 1'
FDNS	5	0 11G	G08_088	'TO->FROM'	'DEAF SMITH COUNTY INTERCHANGE - S-RANDLCO 230.00 230KV CKT 1'	350	0.06128	106.155				'HAPPY INTERCHANGE - PALO DURO SUB 115KV CKT 1'
FDNS	5	0 11G	ASGI_2010_011	'TO->FROM'	'DEAF SMITH COUNTY INTERCHANGE - S-RANDLCO 230.00 230KV CKT 1'	350	0.05515	106.155				'HAPPY INTERCHANGE - PALO DURO SUB 115KV CKT 1'
FDNS	5	0 11G	G10_014	'TO->FROM'	'DEAF SMITH COUNTY INTERCHANGE - S-RANDLCO 230.00 230KV CKT 1'	350	0.04379	106.155				'HAPPY INTERCHANGE - PALO DURO SUB 115KV CKT 1'
FDNS	5	0 11G	G10_007	'TO->FROM'	'DEAF SMITH COUNTY INTERCHANGE - S-RANDLCO 230.00 230KV CKT 1'	350	0.07081	102.6087				'HEREFORD CENTRE STREET SUB - NORTHEAST HEREFORD INTERCHANGE 69KV CKT 1'
FDNS	5	0 11G	G08_110	'TO->FROM'	'DEAF SMITH COUNTY INTERCHANGE - S-RANDLCO 230.00 230KV CKT 1'	350	0.04379	102.6087				'HEREFORD CENTRE STREET SUB - NORTHEAST HEREFORD INTERCHANGE 69KV CKT 1'
FDNS	5	0 11G	G08_088	'TO->FROM'	'DEAF SMITH COUNTY INTERCHANGE - S-RANDLCO 230.00 230KV CKT 1'	350	0.06128	102.6087				'HEREFORD CENTRE STREET SUB - NORTHEAST HEREFORD INTERCHANGE 69KV CKT 1'
FDNS	5	0 11G	ASGI_2010_011	'TO->FROM'	'DEAF SMITH COUNTY INTERCHANGE - S-RANDLCO 230.00 230KV CKT 1'	350	0.05515	102.6087				'HEREFORD CENTRE STREET SUB - NORTHEAST HEREFORD INTERCHANGE 69KV CKT 1'

SOLUTION	GROUP	SCENARIO	SEASON	SOURCE	DIRECTION	MONITORED ELEMENT		RATE B	TDF	TC%	LOADING	CONTINGENCY NAME
						COMMON NAME						
FDNS	5	0 11G	G10_014	'TO->FROM'	'DEAF SMITH COUNTY INTERCHANGE - S-RANDLCO 230.00 230KV CKT 1'		350	0.04379	102.6087			'HEREFORD CENTRE STREET SUB - NORTHEAST HEREFORD INTERCHANGE 69KV CKT 1'
FDNS	5	0 11G	G10_007	'TO->FROM'	'DEAF SMITH COUNTY INTERCHANGE - S-RANDLCO 230.00 230KV CKT 1'		350	0.07081	102.5479			'DEAF SMITH REC-METERING STATION - NORTHEAST HEREFORD INTERCHANGE 69KV CKT 1'
FDNS	5	0 11G	G08_110	'TO->FROM'	'DEAF SMITH COUNTY INTERCHANGE - S-RANDLCO 230.00 230KV CKT 1'		350	0.04379	102.5479			'DEAF SMITH REC-METERING STATION - NORTHEAST HEREFORD INTERCHANGE 69KV CKT 1'
FDNS	5	0 11G	G08_088	'TO->FROM'	'DEAF SMITH COUNTY INTERCHANGE - S-RANDLCO 230.00 230KV CKT 1'		350	0.06128	102.5479			'DEAF SMITH REC-METERING STATION - NORTHEAST HEREFORD INTERCHANGE 69KV CKT 1'
FDNS	5	0 11G	ASGI_2010_011	'TO->FROM'	'DEAF SMITH COUNTY INTERCHANGE - S-RANDLCO 230.00 230KV CKT 1'		350	0.05515	102.5479			'DEAF SMITH REC-METERING STATION - NORTHEAST HEREFORD INTERCHANGE 69KV CKT 1'
FDNS	5	0 11G	G10_014	'TO->FROM'	'DEAF SMITH COUNTY INTERCHANGE - S-RANDLCO 230.00 230KV CKT 1'		350	0.04379	102.5479			'DEAF SMITH REC-METERING STATION - NORTHEAST HEREFORD INTERCHANGE 69KV CKT 1'
FDNS	5	0 11G	G10_007	'TO->FROM'	'DEAF SMITH COUNTY INTERCHANGE - S-RANDLCO 230.00 230KV CKT 1'		350	0.07081	100.8736			'NORTHEAST HEREFORD INTERCHANGE 115/69KV TRANSFORMER CKT 1'
FDNS	5	0 11G	G08_110	'TO->FROM'	'DEAF SMITH COUNTY INTERCHANGE - S-RANDLCO 230.00 230KV CKT 1'		350	0.04379	100.8736			'NORTHEAST HEREFORD INTERCHANGE 115/69KV TRANSFORMER CKT 1'
FDNS	5	0 11G	G08_088	'TO->FROM'	'DEAF SMITH COUNTY INTERCHANGE - S-RANDLCO 230.00 230KV CKT 1'		350	0.06128	100.8736			'NORTHEAST HEREFORD INTERCHANGE 115/69KV TRANSFORMER CKT 1'
FDNS	5	0 11G	ASGI_2010_011	'TO->FROM'	'DEAF SMITH COUNTY INTERCHANGE - S-RANDLCO 230.00 230KV CKT 1'		350	0.05515	100.8736			'NORTHEAST HEREFORD INTERCHANGE 115/69KV TRANSFORMER CKT 1'
FDNS	5	0 11G	G10_014	'TO->FROM'	'DEAF SMITH COUNTY INTERCHANGE - S-RANDLCO 230.00 230KV CKT 1'		350	0.04379	100.8736			'NORTHEAST HEREFORD INTERCHANGE 115/69KV TRANSFORMER CKT 1'
FDNS	5	0 11G	G10_007	'TO->FROM'	'DEAF SMITH COUNTY INTERCHANGE - S-RANDLCO 230.00 230KV CKT 1'		350	0.07081	100.8678			'DEAF SMITH COUNTY INTERCHANGE - NORTHEAST HEREFORD INTERCHANGE 115KV CKT 1'
FDNS	5	0 11G	G08_110	'TO->FROM'	'DEAF SMITH COUNTY INTERCHANGE - S-RANDLCO 230.00 230KV CKT 1'		350	0.04379	100.8678			'DEAF SMITH COUNTY INTERCHANGE - NORTHEAST HEREFORD INTERCHANGE 115KV CKT 1'
FDNS	5	0 11G	G08_088	'TO->FROM'	'DEAF SMITH COUNTY INTERCHANGE - S-RANDLCO 230.00 230KV CKT 1'		350	0.06128	100.8678			'DEAF SMITH COUNTY INTERCHANGE - NORTHEAST HEREFORD INTERCHANGE 115KV CKT 1'
FDNS	5	0 11G	ASGI_2010_011	'TO->FROM'	'DEAF SMITH COUNTY INTERCHANGE - S-RANDLCO 230.00 230KV CKT 1'		350	0.05515	100.8678			'DEAF SMITH COUNTY INTERCHANGE - NORTHEAST HEREFORD INTERCHANGE 115KV CKT 1'
FDNS	5	0 11G	G10_014	'TO->FROM'	'DEAF SMITH COUNTY INTERCHANGE - S-RANDLCO 230.00 230KV CKT 1'		350	0.04379	100.8678			'DEAF SMITH COUNTY INTERCHANGE - NORTHEAST HEREFORD INTERCHANGE 115KV CKT 1'
FDNS	5	0 11G	G10_007	'TO->FROM'	'DEAF SMITH COUNTY INTERCHANGE - S-RANDLCO 230.00 230KV CKT 1'		350	0.06699	100			'DS-#6 3 115.00 - HEREFORD INTERCHANGE 115KV CKT 1'
FDNS	5	0 11G	G08_110	'TO->FROM'	'DEAF SMITH COUNTY INTERCHANGE - S-RANDLCO 230.00 230KV CKT 1'		350	0.04169	100			'DS-#6 3 115.00 - HEREFORD INTERCHANGE 115KV CKT 1'
FDNS	5	0 11G	G08_088	'TO->FROM'	'DEAF SMITH COUNTY INTERCHANGE - S-RANDLCO 230.00 230KV CKT 1'		350	0.05625	100			'DS-#6 3 115.00 - HEREFORD INTERCHANGE 115KV CKT 1'
FDNS	5	0 11G	ASGI_2010_011	'TO->FROM'	'DEAF SMITH COUNTY INTERCHANGE - S-RANDLCO 230.00 230KV CKT 1'		350	0.05243	100			'DS-#6 3 115.00 - HEREFORD INTERCHANGE 115KV CKT 1'
FDNS	5	0 11G	G10_014	'TO->FROM'	'DEAF SMITH COUNTY INTERCHANGE - S-RANDLCO 230.00 230KV CKT 1'		350	0.04169	100			'DS-#6 3 115.00 - HEREFORD INTERCHANGE 115KV CKT 1'

SOLUTION	GROUP	SCENARIO	SEASON	SOURCE	DIRECTION	MONITORED ELEMENT	RATE B	TDF	TC%	LOADING	CONTINGENCY NAME
						COMMON NAME					
FDNS	5	0 11G	G08_022	'FROM->TO'	'PLANT X STATION (WH ALM20171) 230/115/13.2KV TRANSFORMER CKT 1'	239	0.03981	100.3921	'DEAF SMITH COUNTY INTERCHANGE - DEAF SMITH REC-#21 115KV CKT 1'		
FDNS	5	0 11G	G09_067S	'FROM->TO'	'ELK CITY 230KV (ELKCTY-6) 230/138/13.8KV TRANSFORMER CKT 1'	287	0.06166	100.3329	'DEAF SMITH COUNTY INTERCHANGE - PLANT X STATION 230KV CKT 1'		
FDNS	5	0 11G	G08_022	'FROM->TO'	'ELK CITY 230KV (ELKCTY-6) 230/138/13.8KV TRANSFORMER CKT 1'	287	0.06271	100.3329	'DEAF SMITH COUNTY INTERCHANGE - PLANT X STATION 230KV CKT 1'		
FDNS	5	0 11G	G10_007	'FROM->TO'	'ELK CITY 230KV (ELKCTY-6) 230/138/13.8KV TRANSFORMER CKT 1'	287	0.10458	100.3329	'DEAF SMITH COUNTY INTERCHANGE - PLANT X STATION 230KV CKT 1'		
FDNS	5	0 11G	G08_110	'FROM->TO'	'ELK CITY 230KV (ELKCTY-6) 230/138/13.8KV TRANSFORMER CKT 1'	287	0.0395	100.3329	'DEAF SMITH COUNTY INTERCHANGE - PLANT X STATION 230KV CKT 1'		
FDNS	5	0 11G	G08_088	'FROM->TO'	'ELK CITY 230KV (ELKCTY-6) 230/138/13.8KV TRANSFORMER CKT 1'	287	0.11669	100.3329	'DEAF SMITH COUNTY INTERCHANGE - PLANT X STATION 230KV CKT 1'		
FDNS	5	0 11G	ASGI_2010_011	'FROM->TO'	'ELK CITY 230KV (ELKCTY-6) 230/138/13.8KV TRANSFORMER CKT 1'	287	0.06179	100.3329	'DEAF SMITH COUNTY INTERCHANGE - PLANT X STATION 230KV CKT 1'		
FDNS	5	0 11G	G10_014	'FROM->TO'	'ELK CITY 230KV (ELKCTY-6) 230/138/13.8KV TRANSFORMER CKT 1'	287	0.0395	100.3329	'DEAF SMITH COUNTY INTERCHANGE - PLANT X STATION 230KV CKT 1'		
FDNS	5	0 11G	G10_007	'FROM->TO'	'G07-48T 230.00 - SWISHER COUNTY INTERCHANGE 230KV CKT 1'	351	0.10621	102.5931	'DEAF SMITH COUNTY INTERCHANGE - S- RANDLCO 230.00 230KV CKT 1'		
FDNS	5	0 11G	G08_110	'FROM->TO'	'G07-48T 230.00 - SWISHER COUNTY INTERCHANGE 230KV CKT 1'	351	0.04194	102.5931	'DEAF SMITH COUNTY INTERCHANGE - S- RANDLCO 230.00 230KV CKT 1'		
FDNS	5	0 11G	G08_088	'FROM->TO'	'G07-48T 230.00 - SWISHER COUNTY INTERCHANGE 230KV CKT 1'	351	0.13555	102.5931	'DEAF SMITH COUNTY INTERCHANGE - S- RANDLCO 230.00 230KV CKT 1'		
FDNS	5	0 11G	ASGI_2010_011	'FROM->TO'	'G07-48T 230.00 - SWISHER COUNTY INTERCHANGE 230KV CKT 1'	351	0.06392	102.5931	'DEAF SMITH COUNTY INTERCHANGE - S- RANDLCO 230.00 230KV CKT 1'		
FDNS	5	0 11G	G10_014	'FROM->TO'	'G07-48T 230.00 - SWISHER COUNTY INTERCHANGE 230KV CKT 1'	351	0.04194	102.5931	'DEAF SMITH COUNTY INTERCHANGE - S- RANDLCO 230.00 230KV CKT 1'		
FDNS	5	0 11G	G09_067S	'FROM->TO'	'ELK CITY 230KV (ELKCTY-6) 230/138/13.8KV TRANSFORMER CKT 1'	287	0.06094	102.2367	'DEAF SMITH COUNTY INTERCHANGE - S- RANDLCO 230.00 230KV CKT 1'		
FDNS	5	0 11G	G08_022	'FROM->TO'	'ELK CITY 230KV (ELKCTY-6) 230/138/13.8KV TRANSFORMER CKT 1'	287	0.06207	102.2367	'DEAF SMITH COUNTY INTERCHANGE - S- RANDLCO 230.00 230KV CKT 1'		
FDNS	5	0 11G	G10_007	'FROM->TO'	'ELK CITY 230KV (ELKCTY-6) 230/138/13.8KV TRANSFORMER CKT 1'	287	0.10462	102.2367	'DEAF SMITH COUNTY INTERCHANGE - S- RANDLCO 230.00 230KV CKT 1'		
FDNS	5	0 11G	G08_110	'FROM->TO'	'ELK CITY 230KV (ELKCTY-6) 230/138/13.8KV TRANSFORMER CKT 1'	287	0.03964	102.2367	'DEAF SMITH COUNTY INTERCHANGE - S- RANDLCO 230.00 230KV CKT 1'		
FDNS	5	0 11G	G08_088	'FROM->TO'	'ELK CITY 230KV (ELKCTY-6) 230/138/13.8KV TRANSFORMER CKT 1'	287	0.11617	102.2367	'DEAF SMITH COUNTY INTERCHANGE - S- RANDLCO 230.00 230KV CKT 1'		
FDNS	5	0 11G	ASGI_2010_011	'FROM->TO'	'ELK CITY 230KV (ELKCTY-6) 230/138/13.8KV TRANSFORMER CKT 1'	287	0.06192	102.2367	'DEAF SMITH COUNTY INTERCHANGE - S- RANDLCO 230.00 230KV CKT 1'		
FDNS	5	0 11G	G10_014	'FROM->TO'	'ELK CITY 230KV (ELKCTY-6) 230/138/13.8KV TRANSFORMER CKT 1'	287	0.03964	102.2367	'DEAF SMITH COUNTY INTERCHANGE - S- RANDLCO 230.00 230KV CKT 1'		
FDNS	5	0 11G	G09_067S	'FROM->TO'	'ELK CITY 230KV (ELKCTY-6) 230/138/13.8KV TRANSFORMER CKT 1'	287	0.06094	101.3543	'DEAF SMITH COUNTY INTERCHANGE - S- RANDLCO 230.00 230KV CKT 1'		
FDNS	5	0 11G	G08_022	'FROM->TO'	'ELK CITY 230KV (ELKCTY-6) 230/138/13.8KV TRANSFORMER CKT 1'	287	0.06207	101.3543	'DEAF SMITH COUNTY INTERCHANGE - S- RANDLCO 230.00 230KV CKT 1'		
FDNS	5	0 11G	G10_007	'FROM->TO'	'ELK CITY 230KV (ELKCTY-6) 230/138/13.8KV TRANSFORMER CKT 1'	287	0.10462	101.3543	'DEAF SMITH COUNTY INTERCHANGE - S- RANDLCO 230.00 230KV CKT 1'		
FDNS	5	0 11G	G08_110	'FROM->TO'	'ELK CITY 230KV (ELKCTY-6) 230/138/13.8KV TRANSFORMER CKT 1'	287	0.03964	101.3543	'DEAF SMITH COUNTY INTERCHANGE - S- RANDLCO 230.00 230KV CKT 1'		
FDNS	5	0 11G	G08_088	'FROM->TO'	'ELK CITY 230KV (ELKCTY-6) 230/138/13.8KV TRANSFORMER CKT 1'	287	0.11617	101.3543	'DEAF SMITH COUNTY INTERCHANGE - S- RANDLCO 230.00 230KV CKT 1'		
FDNS	5	0 11G	ASGI_2010_011	'FROM->TO'	'ELK CITY 230KV (ELKCTY-6) 230/138/13.8KV TRANSFORMER CKT 1'	287	0.06192	101.3543	'DEAF SMITH COUNTY INTERCHANGE - S- RANDLCO 230.00 230KV CKT 1'		
FDNS	5	0 11G	G10_014	'FROM->TO'	'ELK CITY 230KV (ELKCTY-6) 230/138/13.8KV TRANSFORMER CKT 1'	287	0.03964	101.3543	'DEAF SMITH COUNTY INTERCHANGE - S- RANDLCO 230.00 230KV CKT 1'		
FDNS	5	0 11G	G10_007	'TO->FROM'	'DEAF SMITH COUNTY INTERCHANGE - S- RANDLCO 230.00 230KV CKT 1'	350	0.06699	100.3886	'DS-#6 3 115.00 - FRIONA SUB 115KV CKT 1'		
FDNS	5	0 11G	G08_110	'TO->FROM'	'DEAF SMITH COUNTY INTERCHANGE - S- RANDLCO 230.00 230KV CKT 1'	350	0.04169	100.3886	'DS-#6 3 115.00 - FRIONA SUB 115KV CKT 1'		

						MONITORED ELEMENT				
SOLUTION	GROUP	SCENARIO	SEASON	SOURCE	DIRECTION	COMMON NAME	RATE	B TDF	TC%LOADING	CONTINGENCY NAME
FDNS	5	0 11G	G08_088	'TO->FROM'	'DEAF SMITH COUNTY INTERCHANGE - S-RANDLCO 230.00 230KV CKT 1'	350	0.05625	100.3886	'DS-#6 3 115.00 - FRIONA SUB 115KV CKT 1'	
FDNS	5	0 11G	ASGI_2010_011	'TO->FROM'	'DEAF SMITH COUNTY INTERCHANGE - S-RANDLCO 230.00 230KV CKT 1'	350	0.05243	100.3886	'DS-#6 3 115.00 - FRIONA SUB 115KV CKT 1'	
FDNS	5	0 11G	G10_014	'TO->FROM'	'DEAF SMITH COUNTY INTERCHANGE - S-RANDLCO 230.00 230KV CKT 1'	350	0.04169	100.3886	'DS-#6 3 115.00 - FRIONA SUB 115KV CKT 1'	
FDNS	5	0 11G	G10_007	'TO->FROM'	'DEAF SMITH COUNTY INTERCHANGE - S-RANDLCO 230.00 230KV CKT 1'	350	0.06699	101.0095	'CARGILL SUB - FRIONA SUB 115KV CKT 1'	
FDNS	5	0 11G	G08_110	'TO->FROM'	'DEAF SMITH COUNTY INTERCHANGE - S-RANDLCO 230.00 230KV CKT 1'	350	0.04169	101.0095	'CARGILL SUB - FRIONA SUB 115KV CKT 1'	
FDNS	5	0 11G	G08_088	'TO->FROM'	'DEAF SMITH COUNTY INTERCHANGE - S-RANDLCO 230.00 230KV CKT 1'	350	0.05625	101.0095	'CARGILL SUB - FRIONA SUB 115KV CKT 1'	
FDNS	5	0 11G	ASGI_2010_011	'TO->FROM'	'DEAF SMITH COUNTY INTERCHANGE - S-RANDLCO 230.00 230KV CKT 1'	350	0.05243	101.0095	'CARGILL SUB - FRIONA SUB 115KV CKT 1'	
FDNS	5	0 11G	G10_014	'TO->FROM'	'DEAF SMITH COUNTY INTERCHANGE - S-RANDLCO 230.00 230KV CKT 1'	350	0.04169	101.0095	'CARGILL SUB - FRIONA SUB 115KV CKT 1'	
FDNS	5	0 11G	G10_007	'TO->FROM'	'DEAF SMITH COUNTY INTERCHANGE - S-RANDLCO 230.00 230KV CKT 1'	350	0.06699	101.5426	'CARGILL SUB - PARMER COUNTY SUB 115KV CKT 1'	
FDNS	5	0 11G	G08_110	'TO->FROM'	'DEAF SMITH COUNTY INTERCHANGE - S-RANDLCO 230.00 230KV CKT 1'	350	0.04169	101.5426	'CARGILL SUB - PARMER COUNTY SUB 115KV CKT 1'	
FDNS	5	0 11G	G08_088	'TO->FROM'	'DEAF SMITH COUNTY INTERCHANGE - S-RANDLCO 230.00 230KV CKT 1'	350	0.05625	101.5426	'CARGILL SUB - PARMER COUNTY SUB 115KV CKT 1'	
FDNS	5	0 11G	ASGI_2010_011	'TO->FROM'	'DEAF SMITH COUNTY INTERCHANGE - S-RANDLCO 230.00 230KV CKT 1'	350	0.05243	101.5426	'CARGILL SUB - PARMER COUNTY SUB 115KV CKT 1'	
FDNS	5	0 11G	G10_014	'TO->FROM'	'DEAF SMITH COUNTY INTERCHANGE - S-RANDLCO 230.00 230KV CKT 1'	350	0.04169	101.5426	'CARGILL SUB - PARMER COUNTY SUB 115KV CKT 1'	
FDNS	5	0 11G	G10_007	'TO->FROM'	'DEAF SMITH COUNTY INTERCHANGE - S-RANDLCO 230.00 230KV CKT 1'	350	0.06699	102.0849	'DEAF SMITH REC-#20 - PARMER COUNTY SUB 115KV CKT 1'	
FDNS	5	0 11G	G08_110	'TO->FROM'	'DEAF SMITH COUNTY INTERCHANGE - S-RANDLCO 230.00 230KV CKT 1'	350	0.04169	102.0849	'DEAF SMITH REC-#20 - PARMER COUNTY SUB 115KV CKT 1'	
FDNS	5	0 11G	G08_088	'TO->FROM'	'DEAF SMITH COUNTY INTERCHANGE - S-RANDLCO 230.00 230KV CKT 1'	350	0.05625	102.0849	'DEAF SMITH REC-#20 - PARMER COUNTY SUB 115KV CKT 1'	
FDNS	5	0 11G	ASGI_2010_011	'TO->FROM'	'DEAF SMITH COUNTY INTERCHANGE - S-RANDLCO 230.00 230KV CKT 1'	350	0.05243	102.0849	'DEAF SMITH REC-#20 - PARMER COUNTY SUB 115KV CKT 1'	
FDNS	5	0 11G	G10_014	'TO->FROM'	'DEAF SMITH COUNTY INTERCHANGE - S-RANDLCO 230.00 230KV CKT 1'	350	0.04169	102.0849	'DEAF SMITH REC-#20 - PARMER COUNTY SUB 115KV CKT 1'	
FDNS	5	0 11G	G10_007	'TO->FROM'	'DEAF SMITH COUNTY INTERCHANGE - S-RANDLCO 230.00 230KV CKT 1'	350	0.06699	102.7881	'CURRY COUNTY INTERCHANGE - DEAF SMITH REC-#20 115KV CKT 1'	
FDNS	5	0 11G	G08_110	'TO->FROM'	'DEAF SMITH COUNTY INTERCHANGE - S-RANDLCO 230.00 230KV CKT 1'	350	0.04169	102.7881	'CURRY COUNTY INTERCHANGE - DEAF SMITH REC-#20 115KV CKT 1'	
FDNS	5	0 11G	G08_088	'TO->FROM'	'DEAF SMITH COUNTY INTERCHANGE - S-RANDLCO 230.00 230KV CKT 1'	350	0.05625	102.7881	'CURRY COUNTY INTERCHANGE - DEAF SMITH REC-#20 115KV CKT 1'	
FDNS	5	0 11G	ASGI_2010_011	'TO->FROM'	'DEAF SMITH COUNTY INTERCHANGE - S-RANDLCO 230.00 230KV CKT 1'	350	0.05243	102.7881	'CURRY COUNTY INTERCHANGE - DEAF SMITH REC-#20 115KV CKT 1'	
FDNS	5	0 11G	G10_014	'TO->FROM'	'DEAF SMITH COUNTY INTERCHANGE - S-RANDLCO 230.00 230KV CKT 1'	350	0.04169	102.7881	'CURRY COUNTY INTERCHANGE - DEAF SMITH REC-#20 115KV CKT 1'	
FDNS	5	0 11G	G10_007	'TO->FROM'	'DEAF SMITH COUNTY INTERCHANGE - S-RANDLCO 230.00 230KV CKT 1'	350	0.06532	101.76	'BAILEY COUNTY REC-EARTH INTERCHANGE - CASTRO COUNTY INTERCHANGE 115KV CKT 1'	
FDNS	5	0 11G	G08_110	'TO->FROM'	'DEAF SMITH COUNTY INTERCHANGE - S-RANDLCO 230.00 230KV CKT 1'	350	0.04101	101.76	'BAILEY COUNTY REC-EARTH INTERCHANGE - CASTRO COUNTY INTERCHANGE 115KV CKT 1'	
FDNS	5	0 11G	G08_088	'TO->FROM'	'DEAF SMITH COUNTY INTERCHANGE - S-RANDLCO 230.00 230KV CKT 1'	350	0.05417	101.76	'BAILEY COUNTY REC-EARTH INTERCHANGE - CASTRO COUNTY INTERCHANGE 115KV CKT 1'	
FDNS	5	0 11G	ASGI_2010_011	'TO->FROM'	'DEAF SMITH COUNTY INTERCHANGE - S-RANDLCO 230.00 230KV CKT 1'	350	0.05137	101.76	'BAILEY COUNTY REC-EARTH INTERCHANGE - CASTRO COUNTY INTERCHANGE 115KV CKT 1'	

SOLUTION	GROUP	SCENARIO	SEASON	SOURCE	DIRECTION	MONITORED ELEMENT		RATE B	TDF	TC%	LOADING	CONTINGENCY NAME
						COMMON NAME						
FDNS	5	0 11G	G10_014	'TO->FROM'	'DEAF SMITH COUNTY INTERCHANGE - S-RANDLCO 230.00 230KV CKT 1'	350	0.04101					'BAILEY COUNTY REC-EARTH INTERCHANGE - CASTRO COUNTY INTERCHANGE 115KV CKT 1'
FDNS	5	0 11G	G10_007	'TO->FROM'	'DEAF SMITH COUNTY INTERCHANGE - S-RANDLCO 230.00 230KV CKT 1'	350	0.07057					'CHAVES COUNTY INTERCHANGE - SAN JUAN MESA TAP 230KV CKT 1'
FDNS	5	0 11G	G08_110	'TO->FROM'	'DEAF SMITH COUNTY INTERCHANGE - S-RANDLCO 230.00 230KV CKT 1'	350	0.04363					'CHAVES COUNTY INTERCHANGE - SAN JUAN MESA TAP 230KV CKT 1'
FDNS	5	0 11G	G08_088	'TO->FROM'	'DEAF SMITH COUNTY INTERCHANGE - S-RANDLCO 230.00 230KV CKT 1'	350	0.061					'CHAVES COUNTY INTERCHANGE - SAN JUAN MESA TAP 230KV CKT 1'
FDNS	5	0 11G	ASGI_2010_011	'TO->FROM'	'DEAF SMITH COUNTY INTERCHANGE - S-RANDLCO 230.00 230KV CKT 1'	350	0.05496					'CHAVES COUNTY INTERCHANGE - SAN JUAN MESA TAP 230KV CKT 1'
FDNS	5	0 11G	G10_014	'TO->FROM'	'DEAF SMITH COUNTY INTERCHANGE - S-RANDLCO 230.00 230KV CKT 1'	350	0.04363					'CHAVES COUNTY INTERCHANGE - SAN JUAN MESA TAP 230KV CKT 1'
FDNS	5	0 11G	G10_007	'TO->FROM'	'DEAF SMITH COUNTY INTERCHANGE - S-RANDLCO 230.00 230KV CKT 1'	350	0.07051					'ROOSEVELT COUNTY INTERCHANGE 230/115KV TRANSFORMER CKT 1'
FDNS	5	0 11G	G08_110	'TO->FROM'	'DEAF SMITH COUNTY INTERCHANGE - S-RANDLCO 230.00 230KV CKT 1'	350	0.04364					'ROOSEVELT COUNTY INTERCHANGE 230/115KV TRANSFORMER CKT 1'
FDNS	5	0 11G	G08_088	'TO->FROM'	'DEAF SMITH COUNTY INTERCHANGE - S-RANDLCO 230.00 230KV CKT 1'	350	0.06087					'ROOSEVELT COUNTY INTERCHANGE 230/115KV TRANSFORMER CKT 1'
FDNS	5	0 11G	ASGI_2010_011	'TO->FROM'	'DEAF SMITH COUNTY INTERCHANGE - S-RANDLCO 230.00 230KV CKT 1'	350	0.05495					'ROOSEVELT COUNTY INTERCHANGE 230/115KV TRANSFORMER CKT 1'
FDNS	5	0 11G	G10_014	'TO->FROM'	'DEAF SMITH COUNTY INTERCHANGE - S-RANDLCO 230.00 230KV CKT 1'	350	0.04364					'ROOSEVELT COUNTY INTERCHANGE 230/115KV TRANSFORMER CKT 1'
FDNS	5	0 11G	G10_007	'TO->FROM'	'DEAF SMITH COUNTY INTERCHANGE - S-RANDLCO 230.00 230KV CKT 1'	350	0.06532					'BAILEY COUNTY REC-EARTH INTERCHANGE - PLANT X STATION 115KV CKT 1'
FDNS	5	0 11G	G08_110	'TO->FROM'	'DEAF SMITH COUNTY INTERCHANGE - S-RANDLCO 230.00 230KV CKT 1'	350	0.04101					'BAILEY COUNTY REC-EARTH INTERCHANGE - PLANT X STATION 115KV CKT 1'
FDNS	5	0 11G	G08_088	'TO->FROM'	'DEAF SMITH COUNTY INTERCHANGE - S-RANDLCO 230.00 230KV CKT 1'	350	0.05417					'BAILEY COUNTY REC-EARTH INTERCHANGE - PLANT X STATION 115KV CKT 1'
FDNS	5	0 11G	ASGI_2010_011	'TO->FROM'	'DEAF SMITH COUNTY INTERCHANGE - S-RANDLCO 230.00 230KV CKT 1'	350	0.05137					'BAILEY COUNTY REC-EARTH INTERCHANGE - PLANT X STATION 115KV CKT 1'
FDNS	5	0 11G	G10_014	'TO->FROM'	'DEAF SMITH COUNTY INTERCHANGE - S-RANDLCO 230.00 230KV CKT 1'	350	0.04101					'BAILEY COUNTY REC-EARTH INTERCHANGE - PLANT X STATION 115KV CKT 1'
FDNS	5	0 11G	G10_007	'TO->FROM'	'DEAF SMITH COUNTY INTERCHANGE - S-RANDLCO 230.00 230KV CKT 1'	350	0.07081					'HAPPY INTERCHANGE - SWISHER COUNTY REC-HAPPY 69KV CKT 1'
FDNS	5	0 11G	G08_110	'TO->FROM'	'DEAF SMITH COUNTY INTERCHANGE - S-RANDLCO 230.00 230KV CKT 1'	350	0.04379					'HAPPY INTERCHANGE - SWISHER COUNTY REC-HAPPY 69KV CKT 1'
FDNS	5	0 11G	G08_088	'TO->FROM'	'DEAF SMITH COUNTY INTERCHANGE - S-RANDLCO 230.00 230KV CKT 1'	350	0.06128					'HAPPY INTERCHANGE - SWISHER COUNTY REC-HAPPY 69KV CKT 1'
FDNS	5	0 11G	ASGI_2010_011	'TO->FROM'	'DEAF SMITH COUNTY INTERCHANGE - S-RANDLCO 230.00 230KV CKT 1'	350	0.05515					'HAPPY INTERCHANGE - SWISHER COUNTY REC-HAPPY 69KV CKT 1'
FDNS	5	0 11G	G10_014	'TO->FROM'	'DEAF SMITH COUNTY INTERCHANGE - S-RANDLCO 230.00 230KV CKT 1'	350	0.04379					'HAPPY INTERCHANGE - SWISHER COUNTY REC-HAPPY 69KV CKT 1'
FDNS	5	0 11G	G10_007	'TO->FROM'	'DEAF SMITH COUNTY INTERCHANGE - S-RANDLCO 230.00 230KV CKT 1'	350	0.07245					'KRESS INTERCHANGE - SWISHER COUNTY INTERCHANGE 115KV CKT 1'
FDNS	5	0 11G	G08_110	'TO->FROM'	'DEAF SMITH COUNTY INTERCHANGE - S-RANDLCO 230.00 230KV CKT 1'	350	0.04452					'KRESS INTERCHANGE - SWISHER COUNTY INTERCHANGE 115KV CKT 1'
FDNS	5	0 11G	G08_088	'TO->FROM'	'DEAF SMITH COUNTY INTERCHANGE - S-RANDLCO 230.00 230KV CKT 1'	350	0.06346					'KRESS INTERCHANGE - SWISHER COUNTY INTERCHANGE 115KV CKT 1'
FDNS	5	0 11G	ASGI_2010_011	'TO->FROM'	'DEAF SMITH COUNTY INTERCHANGE - S-RANDLCO 230.00 230KV CKT 1'	350	0.05616					'KRESS INTERCHANGE - SWISHER COUNTY INTERCHANGE 115KV CKT 1'
FDNS	5	0 11G	G10_014	'TO->FROM'	'DEAF SMITH COUNTY INTERCHANGE - S-RANDLCO 230.00 230KV CKT 1'	350	0.04452					'KRESS INTERCHANGE - SWISHER COUNTY INTERCHANGE 115KV CKT 1'

SOLUTION	GROUP	SCENARIO	SEASON	SOURCE	DIRECTION	MONITORED ELEMENT		RATE B	TDF	TC%	LOADING	CONTINGENCY NAME
						COMMON NAME						
FDNS	5	0 11G	G10_007	'TO->FROM'	'DEAF SMITH COUNTY INTERCHANGE - S-RANDLCO 230.00 230KV CKT 1'	350	0.07245	105.4012				'HALE CO INTERCHANGE - KRESS INTERCHANGE 115KV CKT 1'
FDNS	5	0 11G	G08_110	'TO->FROM'	'DEAF SMITH COUNTY INTERCHANGE - S-RANDLCO 230.00 230KV CKT 1'	350	0.04452	105.4012				'HALE CO INTERCHANGE - KRESS INTERCHANGE 115KV CKT 1'
FDNS	5	0 11G	G08_088	'TO->FROM'	'DEAF SMITH COUNTY INTERCHANGE - S-RANDLCO 230.00 230KV CKT 1'	350	0.06346	105.4012				'HALE CO INTERCHANGE - KRESS INTERCHANGE 115KV CKT 1'
FDNS	5	0 11G	ASGI_2010_011	'TO->FROM'	'DEAF SMITH COUNTY INTERCHANGE - S-RANDLCO 230.00 230KV CKT 1'	350	0.05616	105.4012				'HALE CO INTERCHANGE - KRESS INTERCHANGE 115KV CKT 1'
FDNS	5	0 11G	G10_014	'TO->FROM'	'DEAF SMITH COUNTY INTERCHANGE - S-RANDLCO 230.00 230KV CKT 1'	350	0.04452	105.4012				'HALE CO INTERCHANGE - KRESS INTERCHANGE 115KV CKT 1'
FDNS	5	0 11G	G10_007	'TO->FROM'	'DEAF SMITH COUNTY INTERCHANGE - S-RANDLCO 230.00 230KV CKT 1'	350	0.07245	106.9886				230/115KV TRANSFORMER CKT 1'
FDNS	5	0 11G	G08_110	'TO->FROM'	'DEAF SMITH COUNTY INTERCHANGE - S-RANDLCO 230.00 230KV CKT 1'	350	0.04452	106.9886				230/115KV TRANSFORMER CKT 1'
FDNS	5	0 11G	G08_088	'TO->FROM'	'DEAF SMITH COUNTY INTERCHANGE - S-RANDLCO 230.00 230KV CKT 1'	350	0.06346	106.9886				230/115KV TRANSFORMER CKT 1'
FDNS	5	0 11G	ASGI_2010_011	'TO->FROM'	'DEAF SMITH COUNTY INTERCHANGE - S-RANDLCO 230.00 230KV CKT 1'	350	0.05616	106.9886				230/115KV TRANSFORMER CKT 1'
FDNS	5	0 11G	G10_014	'TO->FROM'	'DEAF SMITH COUNTY INTERCHANGE - S-RANDLCO 230.00 230KV CKT 1'	350	0.04452	106.9886				230/115KV TRANSFORMER CKT 1'
FDNS	5	0 11G	G10_007	'TO->FROM'	'DEAF SMITH COUNTY INTERCHANGE - S-RANDLCO 230.00 230KV CKT 1'	350	0.08316	113.5776				TUCO INTERCHANGE 230KV CKT 1'
FDNS	5	0 11G	G08_110	'TO->FROM'	'DEAF SMITH COUNTY INTERCHANGE - S-RANDLCO 230.00 230KV CKT 1'	350	0.04825	113.5776				TUCO INTERCHANGE 230KV CKT 1'
FDNS	5	0 11G	G08_088	'TO->FROM'	'DEAF SMITH COUNTY INTERCHANGE - S-RANDLCO 230.00 230KV CKT 1'	350	0.07758	113.5776				TUCO INTERCHANGE 230KV CKT 1'
FDNS	5	0 11G	ASGI_2010_011	'TO->FROM'	'DEAF SMITH COUNTY INTERCHANGE - S-RANDLCO 230.00 230KV CKT 1'	350	0.06229	113.5776				TUCO INTERCHANGE 230KV CKT 1'
FDNS	5	0 11G	G10_014	'TO->FROM'	'DEAF SMITH COUNTY INTERCHANGE - S-RANDLCO 230.00 230KV CKT 1'	350	0.04825	113.5776				TUCO INTERCHANGE 230KV CKT 1'
FDNS	5	0 11G	G10_007	'FROM->TO'	'SWISHER COUNTY INTERCHANGE 230/115KV TRANSFORMER CKT 1'	150	0.04319	104.1923				TUCO INTERCHANGE 230KV CKT 1'
FDNS	5	0 11G	G08_088	'FROM->TO'	'SWISHER COUNTY INTERCHANGE 230/115KV TRANSFORMER CKT 1'	150	0.0571	104.1923				TUCO INTERCHANGE 230KV CKT 1'
FDNS	5	0 11G	G09_067S	'FROM->TO'	'ELK CITY 230KV (ELKCTY-6) 230/138/13.8KV TRANSFORMER CKT 1'	287	0.06355	103.6997				TUCO INTERCHANGE 230KV CKT 1'
FDNS	5	0 11G	G08_022	'FROM->TO'	'ELK CITY 230KV (ELKCTY-6) 230/138/13.8KV TRANSFORMER CKT 1'	287	0.06523	103.6997				TUCO INTERCHANGE 230KV CKT 1'
FDNS	5	0 11G	G10_007	'FROM->TO'	'ELK CITY 230KV (ELKCTY-6) 230/138/13.8KV TRANSFORMER CKT 1'	287	0.10808	103.6997				TUCO INTERCHANGE 230KV CKT 1'
FDNS	5	0 11G	G08_110	'FROM->TO'	'ELK CITY 230KV (ELKCTY-6) 230/138/13.8KV TRANSFORMER CKT 1'	287	0.04034	103.6997				TUCO INTERCHANGE 230KV CKT 1'
FDNS	5	0 11G	G08_088	'FROM->TO'	'ELK CITY 230KV (ELKCTY-6) 230/138/13.8KV TRANSFORMER CKT 1'	287	0.12167	103.6997				TUCO INTERCHANGE 230KV CKT 1'
FDNS	5	0 11G	ASGI_2010_011	'FROM->TO'	'ELK CITY 230KV (ELKCTY-6) 230/138/13.8KV TRANSFORMER CKT 1'	287	0.0635	103.6997				TUCO INTERCHANGE 230KV CKT 1'
FDNS	5	0 11G	G10_014	'FROM->TO'	'ELK CITY 230KV (ELKCTY-6) 230/138/13.8KV TRANSFORMER CKT 1'	287	0.04034	103.6997				TUCO INTERCHANGE 230KV CKT 1'
FDNS	5	0 11G	G09_067S	'FROM->TO'	'ELK CITY 230KV (ELKCTY-6) 230/138/13.8KV TRANSFORMER CKT 1'	287	0.06355	102.7665				TUCO INTERCHANGE 230KV CKT 1'
FDNS	5	0 11G	G08_022	'FROM->TO'	'ELK CITY 230KV (ELKCTY-6) 230/138/13.8KV TRANSFORMER CKT 1'	287	0.06523	102.7665				TUCO INTERCHANGE 230KV CKT 1'
FDNS	5	0 11G	G10_007	'FROM->TO'	'ELK CITY 230KV (ELKCTY-6) 230/138/13.8KV TRANSFORMER CKT 1'	287	0.10808	102.7665				TUCO INTERCHANGE 230KV CKT 1'
FDNS	5	0 11G	G08_110	'FROM->TO'	'ELK CITY 230KV (ELKCTY-6) 230/138/13.8KV TRANSFORMER CKT 1'	287	0.04034	102.7665				TUCO INTERCHANGE 230KV CKT 1'
FDNS	5	0 11G	G08_088	'FROM->TO'	'ELK CITY 230KV (ELKCTY-6) 230/138/13.8KV TRANSFORMER CKT 1'	287	0.12167	102.7665				TUCO INTERCHANGE 230KV CKT 1'

SOLUTION	GROUP	SCENARIO	SEASON	SOURCE	DIRECTION	MONITORED ELEMENT		RATE B	TDF	TC%	LOADING	CONTINGENCY NAME
						COMMON NAME						
FDNS	5	0 11G	ASGI_2010_011	'FROM->TO'	'ELK CITY 230KV (ELKCTY-6) 230/138/13.8KV TRANSFORMER CKT 1'	287	0.0635	102.7665	'SWISHER COUNTY INTERCHANGE - TUCO INTERCHANGE 230KV CKT 1'			
FDNS	5	0 11G	G10_014	'FROM->TO'	'ELK CITY 230KV (ELKCTY-6) 230/138/13.8KV TRANSFORMER CKT 1'	287	0.04034	102.7665	'SWISHER COUNTY INTERCHANGE - TUCO INTERCHANGE 230KV CKT 1'			
FDNS	5	0 11G	G08_047	'TO->FROM'	'DEAF SMITH COUNTY INTERCHANGE - S-RANDLCO 230.00 230KV CKT 1'	350	0.03275	127.7933	'G07-48T 230.00 - SWISHER COUNTY INTERCHANGE 230KV CKT 1'			
FDNS	5	0 11G	G10_007	'TO->FROM'	'DEAF SMITH COUNTY INTERCHANGE - S-RANDLCO 230.00 230KV CKT 1'	350	0.09751	127.7933	'G07-48T 230.00 - SWISHER COUNTY INTERCHANGE 230KV CKT 1'			
FDNS	5	0 11G	G08_110	'TO->FROM'	'DEAF SMITH COUNTY INTERCHANGE - S-RANDLCO 230.00 230KV CKT 1'	350	0.05369	127.7933	'G07-48T 230.00 - SWISHER COUNTY INTERCHANGE 230KV CKT 1'			
FDNS	5	0 11G	G08_088	'TO->FROM'	'DEAF SMITH COUNTY INTERCHANGE - S-RANDLCO 230.00 230KV CKT 1'	350	0.09654	127.7933	'G07-48T 230.00 - SWISHER COUNTY INTERCHANGE 230KV CKT 1'			
FDNS	5	0 11G	ASGI_2010_011	'TO->FROM'	'DEAF SMITH COUNTY INTERCHANGE - S-RANDLCO 230.00 230KV CKT 1'	350	0.07071	127.7933	'G07-48T 230.00 - SWISHER COUNTY INTERCHANGE 230KV CKT 1'			
FDNS	5	0 11G	G10_014	'TO->FROM'	'DEAF SMITH COUNTY INTERCHANGE - S-RANDLCO 230.00 230KV CKT 1'	350	0.05369	127.7933	'G07-48T 230.00 - SWISHER COUNTY INTERCHANGE 230KV CKT 1'			
FDNS	5	0 11G	G09_067S	'FROM->TO'	'ELK CITY 230KV (ELKCTY-6) 230/138/13.8KV TRANSFORMER CKT 1'	287	0.05896	107.7522	'G07-48T 230.00 - SWISHER COUNTY INTERCHANGE 230KV CKT 1'			
FDNS	5	0 11G	G08_022	'FROM->TO'	'ELK CITY 230KV (ELKCTY-6) 230/138/13.8KV TRANSFORMER CKT 1'	287	0.06076	107.7522	'G07-48T 230.00 - SWISHER COUNTY INTERCHANGE 230KV CKT 1'			
FDNS	5	0 11G	G10_007	'FROM->TO'	'ELK CITY 230KV (ELKCTY-6) 230/138/13.8KV TRANSFORMER CKT 1'	287	0.11137	107.7522	'G07-48T 230.00 - SWISHER COUNTY INTERCHANGE 230KV CKT 1'			
FDNS	5	0 11G	G08_110	'FROM->TO'	'ELK CITY 230KV (ELKCTY-6) 230/138/13.8KV TRANSFORMER CKT 1'	287	0.04162	107.7522	'G07-48T 230.00 - SWISHER COUNTY INTERCHANGE 230KV CKT 1'			
FDNS	5	0 11G	G08_088	'FROM->TO'	'ELK CITY 230KV (ELKCTY-6) 230/138/13.8KV TRANSFORMER CKT 1'	287	0.12604	107.7522	'G07-48T 230.00 - SWISHER COUNTY INTERCHANGE 230KV CKT 1'			
FDNS	5	0 11G	ASGI_2010_011	'FROM->TO'	'ELK CITY 230KV (ELKCTY-6) 230/138/13.8KV TRANSFORMER CKT 1'	287	0.06545	107.7522	'G07-48T 230.00 - SWISHER COUNTY INTERCHANGE 230KV CKT 1'			
FDNS	5	0 11G	G10_014	'FROM->TO'	'ELK CITY 230KV (ELKCTY-6) 230/138/13.8KV TRANSFORMER CKT 1'	287	0.04162	107.7522	'G07-48T 230.00 - SWISHER COUNTY INTERCHANGE 230KV CKT 1'			
FDNS	5	0 11G	G09_067S	'FROM->TO'	'ELK CITY 230KV (ELKCTY-6) 230/138/13.8KV TRANSFORMER CKT 1'	287	0.05896	106.6614	'G07-48T 230.00 - SWISHER COUNTY INTERCHANGE 230KV CKT 1'			
FDNS	5	0 11G	G08_022	'FROM->TO'	'ELK CITY 230KV (ELKCTY-6) 230/138/13.8KV TRANSFORMER CKT 1'	287	0.06076	106.6614	'G07-48T 230.00 - SWISHER COUNTY INTERCHANGE 230KV CKT 1'			
FDNS	5	0 11G	G10_007	'FROM->TO'	'ELK CITY 230KV (ELKCTY-6) 230/138/13.8KV TRANSFORMER CKT 1'	287	0.11137	106.6614	'G07-48T 230.00 - SWISHER COUNTY INTERCHANGE 230KV CKT 1'			
FDNS	5	0 11G	G08_110	'FROM->TO'	'ELK CITY 230KV (ELKCTY-6) 230/138/13.8KV TRANSFORMER CKT 1'	287	0.04162	106.6614	'G07-48T 230.00 - SWISHER COUNTY INTERCHANGE 230KV CKT 1'			
FDNS	5	0 11G	G08_088	'FROM->TO'	'ELK CITY 230KV (ELKCTY-6) 230/138/13.8KV TRANSFORMER CKT 1'	287	0.12604	106.6614	'G07-48T 230.00 - SWISHER COUNTY INTERCHANGE 230KV CKT 1'			
FDNS	5	0 11G	ASGI_2010_011	'FROM->TO'	'ELK CITY 230KV (ELKCTY-6) 230/138/13.8KV TRANSFORMER CKT 1'	287	0.06545	106.6614	'G07-48T 230.00 - SWISHER COUNTY INTERCHANGE 230KV CKT 1'			
FDNS	5	0 11G	G10_014	'FROM->TO'	'ELK CITY 230KV (ELKCTY-6) 230/138/13.8KV TRANSFORMER CKT 1'	287	0.04162	106.6614	'G07-48T 230.00 - SWISHER COUNTY INTERCHANGE 230KV CKT 1'			
FDNS	5	0 11G	G10_007	'TO->FROM'	'DEAF SMITH COUNTY INTERCHANGE - S-RANDLCO 230.00 230KV CKT 1'	350	0.07031	102.2534	'LAMB COUNTY REC-SOUTH OLTON - LAMTON INTERCHANGE 115KV CKT 1'			
FDNS	5	0 11G	G08_110	'TO->FROM'	'DEAF SMITH COUNTY INTERCHANGE - S-RANDLCO 230.00 230KV CKT 1'	350	0.0437	102.2534	'LAMB COUNTY REC-SOUTH OLTON - LAMTON INTERCHANGE 115KV CKT 1'			
FDNS	5	0 11G	G08_088	'TO->FROM'	'DEAF SMITH COUNTY INTERCHANGE - S-RANDLCO 230.00 230KV CKT 1'	350	0.06066	102.2534	'LAMB COUNTY REC-SOUTH OLTON - LAMTON INTERCHANGE 115KV CKT 1'			
FDNS	5	0 11G	ASGI_2010_011	'TO->FROM'	'DEAF SMITH COUNTY INTERCHANGE - S-RANDLCO 230.00 230KV CKT 1'	350	0.05489	102.2534	'LAMB COUNTY REC-SOUTH OLTON - LAMTON INTERCHANGE 115KV CKT 1'			
FDNS	5	0 11G	G10_014	'TO->FROM'	'DEAF SMITH COUNTY INTERCHANGE - S-RANDLCO 230.00 230KV CKT 1'	350	0.0437	102.2534	'LAMB COUNTY REC-SOUTH OLTON - LAMTON INTERCHANGE 115KV CKT 1'			
FDNS	5	0 11G	G10_007	'TO->FROM'	'DEAF SMITH COUNTY INTERCHANGE - S-RANDLCO 230.00 230KV CKT 1'	350	0.07031	102.887	'HALE CO INTERCHANGE - LAMTON INTERCHANGE 115KV CKT 1'			
FDNS	5	0 11G	G08_110	'TO->FROM'	'DEAF SMITH COUNTY INTERCHANGE - S-RANDLCO 230.00 230KV CKT 1'	350	0.0437	102.887	'HALE CO INTERCHANGE - LAMTON INTERCHANGE 115KV CKT 1'			

SOLUTION	GROUP	SCENARIO	SEASON	SOURCE	DIRECTION	MONITORED ELEMENT		RATE B	TDF	TC%	LOADING	CONTINGENCY NAME
						COMMON NAME						
FDNS	5	0 11G	G08_088	'TO->FROM'	'DEAF SMITH COUNTY INTERCHANGE - S-RANDLCO 230.00 230KV CKT 1'	350	0.06066	102.887				'HALE CO INTERCHANGE - LAMTON INTERCHANGE 115KV CKT 1'
FDNS	5	0 11G	ASGI_2010_011	'TO->FROM'	'DEAF SMITH COUNTY INTERCHANGE - S-RANDLCO 230.00 230KV CKT 1'	350	0.05489	102.887				'HALE CO INTERCHANGE - LAMTON INTERCHANGE 115KV CKT 1'
FDNS	5	0 11G	G10_014	'TO->FROM'	'DEAF SMITH COUNTY INTERCHANGE - S-RANDLCO 230.00 230KV CKT 1'	350	0.0437	102.887				'HALE CO INTERCHANGE - LAMTON INTERCHANGE 115KV CKT 1'
FDNS	5	0 11G	G10_007	'TO->FROM'	'DEAF SMITH COUNTY INTERCHANGE - S-RANDLCO 230.00 230KV CKT 1'	350	0.07031	102.0779				'LAMB COUNTY REC-SOUTH OLTON - PLANT X STATION 115KV CKT 1'
FDNS	5	0 11G	G08_110	'TO->FROM'	'DEAF SMITH COUNTY INTERCHANGE - S-RANDLCO 230.00 230KV CKT 1'	350	0.0437	102.0779				'LAMB COUNTY REC-SOUTH OLTON - PLANT X STATION 115KV CKT 1'
FDNS	5	0 11G	G08_088	'TO->FROM'	'DEAF SMITH COUNTY INTERCHANGE - S-RANDLCO 230.00 230KV CKT 1'	350	0.06066	102.0779				'LAMB COUNTY REC-SOUTH OLTON - PLANT X STATION 115KV CKT 1'
FDNS	5	0 11G	ASGI_2010_011	'TO->FROM'	'DEAF SMITH COUNTY INTERCHANGE - S-RANDLCO 230.00 230KV CKT 1'	350	0.05489	102.0779				'LAMB COUNTY REC-SOUTH OLTON - PLANT X STATION 115KV CKT 1'
FDNS	5	0 11G	G10_014	'TO->FROM'	'DEAF SMITH COUNTY INTERCHANGE - S-RANDLCO 230.00 230KV CKT 1'	350	0.0437	102.0779				'LAMB COUNTY REC-SOUTH OLTON - PLANT X STATION 115KV CKT 1'
FDNS	5	0 11G	G10_007	'TO->FROM'	'DEAF SMITH COUNTY INTERCHANGE - S-RANDLCO 230.00 230KV CKT 1'	350	0.07028	102.4126				'HALE CO INTERCHANGE - PLANT X STATION 115KV CKT 1'
FDNS	5	0 11G	G08_110	'TO->FROM'	'DEAF SMITH COUNTY INTERCHANGE - S-RANDLCO 230.00 230KV CKT 1'	350	0.04369	102.4126				'HALE CO INTERCHANGE - PLANT X STATION 115KV CKT 1'
FDNS	5	0 11G	G08_088	'TO->FROM'	'DEAF SMITH COUNTY INTERCHANGE - S-RANDLCO 230.00 230KV CKT 1'	350	0.06061	102.4126				'HALE CO INTERCHANGE - PLANT X STATION 115KV CKT 1'
FDNS	5	0 11G	ASGI_2010_011	'TO->FROM'	'DEAF SMITH COUNTY INTERCHANGE - S-RANDLCO 230.00 230KV CKT 1'	350	0.05488	102.4126				'HALE CO INTERCHANGE - PLANT X STATION 115KV CKT 1'
FDNS	5	0 11G	G10_014	'TO->FROM'	'DEAF SMITH COUNTY INTERCHANGE - S-RANDLCO 230.00 230KV CKT 1'	350	0.04369	102.4126				'HALE CO INTERCHANGE - PLANT X STATION 115KV CKT 1'
FDNS	5	0 11G	G09_067S	'FROM->TO'	'ELK CITY 230KV (ELKCTY-6) 230/138/13.8KV TRANSFORMER CKT 1'	287	0.06629	100.2182				'PLANT X STATION - SUNDOWN INTERCHANGE 230KV CKT 1'
FDNS	5	0 11G	G08_022	'FROM->TO'	'ELK CITY 230KV (ELKCTY-6) 230/138/13.8KV TRANSFORMER CKT 1'	287	0.06846	100.2182				'PLANT X STATION - SUNDOWN INTERCHANGE 230KV CKT 1'
FDNS	5	0 11G	G10_007	'FROM->TO'	'ELK CITY 230KV (ELKCTY-6) 230/138/13.8KV TRANSFORMER CKT 1'	287	0.10298	100.2182				'PLANT X STATION - SUNDOWN INTERCHANGE 230KV CKT 1'
FDNS	5	0 11G	G08_110	'FROM->TO'	'ELK CITY 230KV (ELKCTY-6) 230/138/13.8KV TRANSFORMER CKT 1'	287	0.03856	100.2182				'PLANT X STATION - SUNDOWN INTERCHANGE 230KV CKT 1'
FDNS	5	0 11G	G08_088	'FROM->TO'	'ELK CITY 230KV (ELKCTY-6) 230/138/13.8KV TRANSFORMER CKT 1'	287	0.11488	100.2182				'PLANT X STATION - SUNDOWN INTERCHANGE 230KV CKT 1'
FDNS	5	0 11G	ASGI_2010_011	'FROM->TO'	'ELK CITY 230KV (ELKCTY-6) 230/138/13.8KV TRANSFORMER CKT 1'	287	0.0606	100.2182				'PLANT X STATION - SUNDOWN INTERCHANGE 230KV CKT 1'
FDNS	5	0 11G	G10_014	'FROM->TO'	'ELK CITY 230KV (ELKCTY-6) 230/138/13.8KV TRANSFORMER CKT 1'	287	0.03856	100.2182				'PLANT X STATION - SUNDOWN INTERCHANGE 230KV CKT 1'
FDNS	5	0 11G	G08_047	'TO->FROM'	'DEAF SMITH COUNTY INTERCHANGE - S-RANDLCO 230.00 230KV CKT 1'	350	0.04096	133.6047				'PLANT X STATION - S-RANDLCO 230.00 230KV CKT 1'
FDNS	5	0 11G	G10_007	'TO->FROM'	'DEAF SMITH COUNTY INTERCHANGE - S-RANDLCO 230.00 230KV CKT 1'	350	0.10604	133.6047				'PLANT X STATION - S-RANDLCO 230.00 230KV CKT 1'
FDNS	5	0 11G	G08_110	'TO->FROM'	'DEAF SMITH COUNTY INTERCHANGE - S-RANDLCO 230.00 230KV CKT 1'	350	0.06409	133.6047				'PLANT X STATION - S-RANDLCO 230.00 230KV CKT 1'
FDNS	5	0 11G	G08_088	'TO->FROM'	'DEAF SMITH COUNTY INTERCHANGE - S-RANDLCO 230.00 230KV CKT 1'	350	0.09951	133.6047				'PLANT X STATION - S-RANDLCO 230.00 230KV CKT 1'
FDNS	5	0 11G	ASGI_2010_011	'TO->FROM'	'DEAF SMITH COUNTY INTERCHANGE - S-RANDLCO 230.00 230KV CKT 1'	350	0.08126	133.6047				'PLANT X STATION - S-RANDLCO 230.00 230KV CKT 1'
FDNS	5	0 11G	G10_014	'TO->FROM'	'DEAF SMITH COUNTY INTERCHANGE - S-RANDLCO 230.00 230KV CKT 1'	350	0.06409	133.6047				'PLANT X STATION - S-RANDLCO 230.00 230KV CKT 1'
FDNS	5	0 11G	G09_067S	'FROM->TO'	'ELK CITY 230KV (ELKCTY-6) 230/138/13.8KV TRANSFORMER CKT 1'	287	0.06266	100.3216				'PLANT X STATION - S-RANDLCO 230.00 230KV CKT 1'
FDNS	5	0 11G	G08_022	'FROM->TO'	'ELK CITY 230KV (ELKCTY-6) 230/138/13.8KV TRANSFORMER CKT 1'	287	0.06378	100.3216				'PLANT X STATION - S-RANDLCO 230.00 230KV CKT 1'
FDNS	5	0 11G	G10_007	'FROM->TO'	'ELK CITY 230KV (ELKCTY-6) 230/138/13.8KV TRANSFORMER CKT 1'	287	0.10417	100.3216				'PLANT X STATION - S-RANDLCO 230.00 230KV CKT 1'

SOLUTION	GROUP	SCENARIO	SEASON	SOURCE	DIRECTION	MONITORED ELEMENT	RATE B	TDF	TC%	LOADING	CONTINGENCY NAME	
						COMMON NAME						
FDNS	5	0 11G	G08_110	'FROM->TO'	'ELK CITY 230KV (ELKCTY-6) 230/138/13.8KV TRANSFORMER CKT 1'	287	0.03928	100.3216	'PLANT X STATION - S-RANDLCO	230.00		
FDNS	5	0 11G	G08_088	'FROM->TO'	'ELK CITY 230KV (ELKCTY-6) 230/138/13.8KV TRANSFORMER CKT 1'	287	0.11613	100.3216	'PLANT X STATION - S-RANDLCO	230.00		
FDNS	5	0 11G	ASGI_2010_011	'FROM->TO'	'ELK CITY 230KV (ELKCTY-6) 230/138/13.8KV TRANSFORMER CKT 1'	287	0.0615	100.3216	'PLANT X STATION - S-RANDLCO	230.00		
FDNS	5	0 11G	G10_014	'FROM->TO'	'ELK CITY 230KV (ELKCTY-6) 230/138/13.8KV TRANSFORMER CKT 1'	287	0.03928	100.3216	'PLANT X STATION - S-RANDLCO	230.00		
FDNS	5	0 11G	G10_007	'FROM->TO'	'G07-48T 230.00 - SWISHER COUNTY INTERCHANGE 230KV CKT 1'	351	0.10076	101.4968	'TOLK STATION EAST - TUCO INTERCHANGE 230KV CKT 1'			
FDNS	5	0 11G	G08_110	'FROM->TO'	'G07-48T 230.00 - SWISHER COUNTY INTERCHANGE 230KV CKT 1'	351	0.03616	101.4968	'TOLK STATION EAST - TUCO INTERCHANGE 230KV CKT 1'			
FDNS	5	0 11G	G08_088	'FROM->TO'	'G07-48T 230.00 - SWISHER COUNTY INTERCHANGE 230KV CKT 1'	351	0.133	101.4968	'TOLK STATION EAST - TUCO INTERCHANGE 230KV CKT 1'			
FDNS	5	0 11G	ASGI_2010_011	'FROM->TO'	'G07-48T 230.00 - SWISHER COUNTY INTERCHANGE 230KV CKT 1'	351	0.0581	101.4968	'TOLK STATION EAST - TUCO INTERCHANGE 230KV CKT 1'			
FDNS	5	0 11G	G10_014	'FROM->TO'	'G07-48T 230.00 - SWISHER COUNTY INTERCHANGE 230KV CKT 1'	351	0.03616	101.4968	'TOLK STATION EAST - TUCO INTERCHANGE 230KV CKT 1'			
FDNS	5	0 11G	G09_067S	'FROM->TO'	'ELK CITY 230KV (ELKCTY-6) 230/138/13.8KV TRANSFORMER CKT 1'	287	0.07344	102.8463	'TOLK STATION EAST - TUCO INTERCHANGE 230KV CKT 1'			
FDNS	5	0 11G	G08_022	'FROM->TO'	'ELK CITY 230KV (ELKCTY-6) 230/138/13.8KV TRANSFORMER CKT 1'	287	0.07585	102.8463	'TOLK STATION EAST - TUCO INTERCHANGE 230KV CKT 1'			
FDNS	5	0 11G	G10_007	'FROM->TO'	'ELK CITY 230KV (ELKCTY-6) 230/138/13.8KV TRANSFORMER CKT 1'	287	0.10381	102.8463	'TOLK STATION EAST - TUCO INTERCHANGE 230KV CKT 1'			
FDNS	5	0 11G	G08_110	'FROM->TO'	'ELK CITY 230KV (ELKCTY-6) 230/138/13.8KV TRANSFORMER CKT 1'	287	0.03851	102.8463	'TOLK STATION EAST - TUCO INTERCHANGE 230KV CKT 1'			
FDNS	5	0 11G	G08_088	'FROM->TO'	'ELK CITY 230KV (ELKCTY-6) 230/138/13.8KV TRANSFORMER CKT 1'	287	0.11604	102.8463	'TOLK STATION EAST - TUCO INTERCHANGE 230KV CKT 1'			
FDNS	5	0 11G	ASGI_2010_011	'FROM->TO'	'ELK CITY 230KV (ELKCTY-6) 230/138/13.8KV TRANSFORMER CKT 1'	287	0.06088	102.8463	'TOLK STATION EAST - TUCO INTERCHANGE 230KV CKT 1'			
FDNS	5	0 11G	G10_014	'FROM->TO'	'ELK CITY 230KV (ELKCTY-6) 230/138/13.8KV TRANSFORMER CKT 1'	287	0.03851	102.8463	'TOLK STATION EAST - TUCO INTERCHANGE 230KV CKT 1'			
FDNS	5	0 11G	G09_067S	'FROM->TO'	'ELK CITY 230KV (ELKCTY-6) 230/138/13.8KV TRANSFORMER CKT 1'	287	0.07344	101.9424	'TOLK STATION EAST - TUCO INTERCHANGE 230KV CKT 1'			
FDNS	5	0 11G	G08_022	'FROM->TO'	'ELK CITY 230KV (ELKCTY-6) 230/138/13.8KV TRANSFORMER CKT 1'	287	0.07585	101.9424	'TOLK STATION EAST - TUCO INTERCHANGE 230KV CKT 1'			
FDNS	5	0 11G	G10_007	'FROM->TO'	'ELK CITY 230KV (ELKCTY-6) 230/138/13.8KV TRANSFORMER CKT 1'	287	0.10381	101.9424	'TOLK STATION EAST - TUCO INTERCHANGE 230KV CKT 1'			
FDNS	5	0 11G	G08_110	'FROM->TO'	'ELK CITY 230KV (ELKCTY-6) 230/138/13.8KV TRANSFORMER CKT 1'	287	0.03851	101.9424	'TOLK STATION EAST - TUCO INTERCHANGE 230KV CKT 1'			
FDNS	5	0 11G	G08_088	'FROM->TO'	'ELK CITY 230KV (ELKCTY-6) 230/138/13.8KV TRANSFORMER CKT 1'	287	0.11604	101.9424	'TOLK STATION EAST - TUCO INTERCHANGE 230KV CKT 1'			
FDNS	5	0 11G	ASGI_2010_011	'FROM->TO'	'ELK CITY 230KV (ELKCTY-6) 230/138/13.8KV TRANSFORMER CKT 1'	287	0.06088	101.9424	'TOLK STATION EAST - TUCO INTERCHANGE 230KV CKT 1'			
FDNS	5	0 11G	G10_014	'FROM->TO'	'ELK CITY 230KV (ELKCTY-6) 230/138/13.8KV TRANSFORMER CKT 1'	287	0.03851	101.9424	'TOLK STATION EAST - TUCO INTERCHANGE 230KV CKT 1'			
FDNS	5	0 11G	G09_067S	'FROM->TO'	'PLANT X STATION (WH ALM20171) 230/115/13.2KV TRANSFORMER CKT 1'	239	0.0747	101.7215	'TOLK STATION EAST - TUCO INTERCHANGE 230KV CKT 1'			
FDNS	5	0 11G	G08_022	'FROM->TO'	'PLANT X STATION (WH ALM20171) 230/115/13.2KV TRANSFORMER CKT 1'	239	0.08947	101.7215	'TOLK STATION EAST - TUCO INTERCHANGE 230KV CKT 1'			
FDNS	5	0 11G	G09_067S	'FROM->TO'	'PLANT X STATION (WH ALM20171) 230/115/13.2KV TRANSFORMER CKT 1'	239	0.05319	100.8259	'LAMB COUNTY INTERCHANGE - TOLK STATION WEST 230KV CKT 1'			
FDNS	5	0 11G	G08_022	'FROM->TO'	'PLANT X STATION (WH ALM20171) 230/115/13.2KV TRANSFORMER CKT 1'	239	0.06932	100.8259	'LAMB COUNTY INTERCHANGE - TOLK STATION WEST 230KV CKT 1'			
FDNS	5	0 11G	G10_007	'TO->FROM'	'DEAF SMITH COUNTY INTERCHANGE - S- RANDLCO 230.00 230KV CKT 1'	350	0.07033	103.0981	'TOLK STATION WEST - YOAKUM COUNTY INTERCHANGE 230KV CKT 1'			
FDNS	5	0 11G	G08_110	'TO->FROM'	'DEAF SMITH COUNTY INTERCHANGE - S- RANDLCO 230.00 230KV CKT 1'	350	0.04346	103.0981	'TOLK STATION WEST - YOAKUM COUNTY INTERCHANGE 230KV CKT 1'			

SOLUTION	GROUP	SCENARIO	SEASON	SOURCE	DIRECTION	MONITORED ELEMENT		RATE B	TDF	TC%	LOADING	CONTINGENCY NAME
						COMMON NAME						
FDNS	5	0 11G	G08_088	'TO->FROM'	'DEAF SMITH COUNTY INTERCHANGE - S-RANDLCO 230.00 230KV CKT 1'	350	0.06074	103.0981				'TOLK STATION WEST - YOAKUM COUNTY INTERCHANGE 230KV CKT 1'
FDNS	5	0 11G	ASGI_2010_011	'TO->FROM'	'DEAF SMITH COUNTY INTERCHANGE - S-RANDLCO 230.00 230KV CKT 1'	350	0.05476	103.0981				'TOLK STATION WEST - YOAKUM COUNTY INTERCHANGE 230KV CKT 1'
FDNS	5	0 11G	G10_014	'TO->FROM'	'DEAF SMITH COUNTY INTERCHANGE - S-RANDLCO 230.00 230KV CKT 1'	350	0.04346	103.0981				'TOLK STATION WEST - YOAKUM COUNTY INTERCHANGE 230KV CKT 1'
FDNS	5	0 11G	G09_067S	'FROM->TO'	'PLANT X STATION (WH ALM20171) 230/115/13.2KV TRANSFORMER CKT 1'	239	0.05319	100.838				230/115KV TRANSFORMER CKT 1'
FDNS	5	0 11G	G08_022	'FROM->TO'	'PLANT X STATION (WH ALM20171) 230/115/13.2KV TRANSFORMER CKT 1'	239	0.06932	100.838				230/115KV TRANSFORMER CKT 1'
FDNS	5	0 11G	G10_007	'TO->FROM'	'DEAF SMITH COUNTY INTERCHANGE - S-RANDLCO 230.00 230KV CKT 1'	350	0.07055	103.1111				'HOCKLEY COUNTY INTERCHANGE - LAMB COUNTY INTERCHANGE 115KV CKT 1'
FDNS	5	0 11G	G08_110	'TO->FROM'	'DEAF SMITH COUNTY INTERCHANGE - S-RANDLCO 230.00 230KV CKT 1'	350	0.04365	103.1111				'HOCKLEY COUNTY INTERCHANGE - LAMB COUNTY INTERCHANGE 115KV CKT 1'
FDNS	5	0 11G	G08_088	'TO->FROM'	'DEAF SMITH COUNTY INTERCHANGE - S-RANDLCO 230.00 230KV CKT 1'	350	0.06097	103.1111				'HOCKLEY COUNTY INTERCHANGE - LAMB COUNTY INTERCHANGE 115KV CKT 1'
FDNS	5	0 11G	ASGI_2010_011	'TO->FROM'	'DEAF SMITH COUNTY INTERCHANGE - S-RANDLCO 230.00 230KV CKT 1'	350	0.05497	103.1111				'HOCKLEY COUNTY INTERCHANGE - LAMB COUNTY INTERCHANGE 115KV CKT 1'
FDNS	5	0 11G	G10_014	'TO->FROM'	'DEAF SMITH COUNTY INTERCHANGE - S-RANDLCO 230.00 230KV CKT 1'	350	0.04365	103.1111				'HOCKLEY COUNTY INTERCHANGE - LAMB COUNTY INTERCHANGE 115KV CKT 1'
FDNS	5	0 11G	G10_007	'TO->FROM'	'DEAF SMITH COUNTY INTERCHANGE - S-RANDLCO 230.00 230KV CKT 1'	350	0.07016	105.5512				'JONES STATION - TUCO INTERCHANGE 230KV CKT 1'
FDNS	5	0 11G	G08_110	'TO->FROM'	'DEAF SMITH COUNTY INTERCHANGE - S-RANDLCO 230.00 230KV CKT 1'	350	0.0441	105.5512				'JONES STATION - TUCO INTERCHANGE 230KV CKT 1'
FDNS	5	0 11G	G08_088	'TO->FROM'	'DEAF SMITH COUNTY INTERCHANGE - S-RANDLCO 230.00 230KV CKT 1'	350	0.06028	105.5512				'JONES STATION - TUCO INTERCHANGE 230KV CKT 1'
FDNS	5	0 11G	ASGI_2010_011	'TO->FROM'	'DEAF SMITH COUNTY INTERCHANGE - S-RANDLCO 230.00 230KV CKT 1'	350	0.0551	105.5512				'JONES STATION - TUCO INTERCHANGE 230KV CKT 1'
FDNS	5	0 11G	G10_014	'TO->FROM'	'DEAF SMITH COUNTY INTERCHANGE - S-RANDLCO 230.00 230KV CKT 1'	350	0.0441	105.5512				'JONES STATION - TUCO INTERCHANGE 230KV CKT 1'
FDNS	5	0 11G	G09_067S	'FROM->TO'	'ELK CITY 230KV (ELKCTY-6) 230/138/13.8KV TRANSFORMER CKT 1'	287	0.09977	109.1189				'G08-14T 345.00 - TUCO INTERCHANGE 345KV CKT 1'
FDNS	5	0 11G	G08_022	'FROM->TO'	'ELK CITY 230KV (ELKCTY-6) 230/138/13.8KV TRANSFORMER CKT 1'	287	0.10056	109.1189				'G08-14T 345.00 - TUCO INTERCHANGE 345KV CKT 1'
FDNS	5	0 11G	G10_007	'FROM->TO'	'ELK CITY 230KV (ELKCTY-6) 230/138/13.8KV TRANSFORMER CKT 1'	287	0.11736	109.1189				'G08-14T 345.00 - TUCO INTERCHANGE 345KV CKT 1'
FDNS	5	0 11G	G08_110	'FROM->TO'	'ELK CITY 230KV (ELKCTY-6) 230/138/13.8KV TRANSFORMER CKT 1'	287	0.0462	109.1189				'G08-14T 345.00 - TUCO INTERCHANGE 345KV CKT 1'
FDNS	5	0 11G	G08_088	'FROM->TO'	'ELK CITY 230KV (ELKCTY-6) 230/138/13.8KV TRANSFORMER CKT 1'	287	0.1324	109.1189				'G08-14T 345.00 - TUCO INTERCHANGE 345KV CKT 1'
FDNS	5	0 11G	ASGI_2010_011	'FROM->TO'	'ELK CITY 230KV (ELKCTY-6) 230/138/13.8KV TRANSFORMER CKT 1'	287	0.07068	109.1189				'G08-14T 345.00 - TUCO INTERCHANGE 345KV CKT 1'
FDNS	5	0 11G	G10_014	'FROM->TO'	'ELK CITY 230KV (ELKCTY-6) 230/138/13.8KV TRANSFORMER CKT 1'	287	0.0462	109.1189				'G08-14T 345.00 - TUCO INTERCHANGE 345KV CKT 1'
FDNS	5	0 11G	G09_067S	'FROM->TO'	'ELK CITY 230KV (ELKCTY-6) 230/138/13.8KV TRANSFORMER CKT 1'	287	0.09977	107.9788				'G08-14T 345.00 - TUCO INTERCHANGE 345KV CKT 1'
FDNS	5	0 11G	G08_022	'FROM->TO'	'ELK CITY 230KV (ELKCTY-6) 230/138/13.8KV TRANSFORMER CKT 1'	287	0.10056	107.9788				'G08-14T 345.00 - TUCO INTERCHANGE 345KV CKT 1'
FDNS	5	0 11G	G10_007	'FROM->TO'	'ELK CITY 230KV (ELKCTY-6) 230/138/13.8KV TRANSFORMER CKT 1'	287	0.11736	107.9788				'G08-14T 345.00 - TUCO INTERCHANGE 345KV CKT 1'
FDNS	5	0 11G	G08_110	'FROM->TO'	'ELK CITY 230KV (ELKCTY-6) 230/138/13.8KV TRANSFORMER CKT 1'	287	0.0462	107.9788				'G08-14T 345.00 - TUCO INTERCHANGE 345KV CKT 1'

SOLUTION	GROUP	SCENARIO	SEASON	SOURCE	DIRECTION	MONITORED ELEMENT		RATE B	TDF	TC%	LOADING	CONTINGENCY NAME
						COMMON NAME						
FDNS	5	0 11G	G08_088	'FROM->TO'	'ELK CITY 230KV (ELKCTY-6) 230/138/13.8KV TRANSFORMER CKT 1'	287	0.1324	107.9788	345KV CKT 1'	'G08-14T 345.00 - TUCO INTERCHANGE		
FDNS	5	0 11G	ASGI_2010_011	'FROM->TO'	'ELK CITY 230KV (ELKCTY-6) 230/138/13.8KV TRANSFORMER CKT 1'	287	0.07068	107.9788	345KV CKT 1'	'G08-14T 345.00 - TUCO INTERCHANGE		
FDNS	5	0 11G	G10_014	'FROM->TO'	'ELK CITY 230KV (ELKCTY-6) 230/138/13.8KV TRANSFORMER CKT 1'	287	0.0462	107.9788	345KV CKT 1'	'G08-14T 345.00 - TUCO INTERCHANGE		
FDNS	5	0 11G	G10_007	'TO->FROM'	'DEAF SMITH COUNTY INTERCHANGE - S-RANDLCO 230.00 230KV CKT 1'	350	0.07058	103.2302	115KV CKT 1'	'DOUD SUB - YUMA INTERCHANGE		
FDNS	5	0 11G	G08_110	'TO->FROM'	'DEAF SMITH COUNTY INTERCHANGE - S-RANDLCO 230.00 230KV CKT 1'	350	0.04392	103.2302	115KV CKT 1'	'DOUD SUB - YUMA INTERCHANGE		
FDNS	5	0 11G	G08_088	'TO->FROM'	'DEAF SMITH COUNTY INTERCHANGE - S-RANDLCO 230.00 230KV CKT 1'	350	0.06092	103.2302	115KV CKT 1'	'DOUD SUB - YUMA INTERCHANGE		
FDNS	5	0 11G	ASGI_2010_011	'TO->FROM'	'DEAF SMITH COUNTY INTERCHANGE - S-RANDLCO 230.00 230KV CKT 1'	350	0.05514	103.2302	115KV CKT 1'	'DOUD SUB - YUMA INTERCHANGE		
FDNS	5	0 11G	G10_014	'TO->FROM'	'DEAF SMITH COUNTY INTERCHANGE - S-RANDLCO 230.00 230KV CKT 1'	350	0.04392	103.2302	115KV CKT 1'	'DOUD SUB - YUMA INTERCHANGE		
FDNS	5	0 11G	G10_007	'TO->FROM'	'DEAF SMITH COUNTY INTERCHANGE - S-RANDLCO 230.00 230KV CKT 1'	350	0.06957	100.7973	1'	'LUBBOCK SOUTH INTERCHANGE - WOLFFORTH INTERCHANGE 230KV CKT		
FDNS	5	0 11G	G08_110	'TO->FROM'	'DEAF SMITH COUNTY INTERCHANGE - S-RANDLCO 230.00 230KV CKT 1'	350	0.04379	100.7973	1'	'LUBBOCK SOUTH INTERCHANGE - WOLFFORTH INTERCHANGE 230KV CKT		
FDNS	5	0 11G	G08_088	'TO->FROM'	'DEAF SMITH COUNTY INTERCHANGE - S-RANDLCO 230.00 230KV CKT 1'	350	0.0596	100.7973	1'	'LUBBOCK SOUTH INTERCHANGE - WOLFFORTH INTERCHANGE 230KV CKT		
FDNS	5	0 11G	ASGI_2010_011	'TO->FROM'	'DEAF SMITH COUNTY INTERCHANGE - S-RANDLCO 230.00 230KV CKT 1'	350	0.05468	100.7973	1'	'LUBBOCK SOUTH INTERCHANGE - WOLFFORTH INTERCHANGE 230KV CKT		
FDNS	5	0 11G	G10_014	'TO->FROM'	'DEAF SMITH COUNTY INTERCHANGE - S-RANDLCO 230.00 230KV CKT 1'	350	0.04379	100.7973	1'	'LUBBOCK SOUTH INTERCHANGE - WOLFFORTH INTERCHANGE 230KV CKT		
FDNS	5	0 11G	G09_067S	'FROM->TO'	'ELK CITY 230KV (ELKCTY-6) 230/138/13.8KV TRANSFORMER CKT 1'	287	0.06981	100	1'	'SUNDOWN INTERCHANGE - WOLFFORTH INTERCHANGE 230KV CKT		
FDNS	5	0 11G	G08_022	'FROM->TO'	'ELK CITY 230KV (ELKCTY-6) 230/138/13.8KV TRANSFORMER CKT 1'	287	0.07088	100	1'	'SUNDOWN INTERCHANGE - WOLFFORTH INTERCHANGE 230KV CKT		
FDNS	5	0 11G	G10_007	'FROM->TO'	'ELK CITY 230KV (ELKCTY-6) 230/138/13.8KV TRANSFORMER CKT 1'	287	0.1029	100	1'	'SUNDOWN INTERCHANGE - WOLFFORTH INTERCHANGE 230KV CKT		
FDNS	5	0 11G	G08_110	'FROM->TO'	'ELK CITY 230KV (ELKCTY-6) 230/138/13.8KV TRANSFORMER CKT 1'	287	0.03837	100	1'	'SUNDOWN INTERCHANGE - WOLFFORTH INTERCHANGE 230KV CKT		
FDNS	5	0 11G	G08_088	'FROM->TO'	'ELK CITY 230KV (ELKCTY-6) 230/138/13.8KV TRANSFORMER CKT 1'	287	0.11485	100	1'	'SUNDOWN INTERCHANGE - WOLFFORTH INTERCHANGE 230KV CKT		
FDNS	5	0 11G	ASGI_2010_011	'FROM->TO'	'ELK CITY 230KV (ELKCTY-6) 230/138/13.8KV TRANSFORMER CKT 1'	287	0.06045	100	1'	'SUNDOWN INTERCHANGE - WOLFFORTH INTERCHANGE 230KV CKT		
FDNS	5	0 11G	G10_014	'FROM->TO'	'ELK CITY 230KV (ELKCTY-6) 230/138/13.8KV TRANSFORMER CKT 1'	287	0.03837	100	1'	'SUNDOWN INTERCHANGE - WOLFFORTH INTERCHANGE 230KV CKT		
FDNS	5	0 11G	G10_007	'TO->FROM'	'DEAF SMITH COUNTY INTERCHANGE - S-RANDLCO 230.00 230KV CKT 1'	350	0.07094	103.274	COUNTY INTERCHANGE 230KV CKT 1'	'AMOCO SWITCHING STATION - YOAKUM		
FDNS	5	0 11G	G08_110	'TO->FROM'	'DEAF SMITH COUNTY INTERCHANGE - S-RANDLCO 230.00 230KV CKT 1'	350	0.04397	103.274	COUNTY INTERCHANGE 230KV CKT 1'	'AMOCO SWITCHING STATION - YOAKUM		

SOLUTION	GROUP	SCENARIO	SEASON	SOURCE	DIRECTION	MONITORED ELEMENT		RATE B	TDF	TC%	LOADING	CONTINGENCY NAME
						COMMON NAME						
FDNS	5	0 11G	G08_088	'TO->FROM'	'DEAF SMITH COUNTY INTERCHANGE - S-RANDLCO 230.00 230KV CKT 1'	350	0.0614					'AMOCO SWITCHING STATION - YOAKUM COUNTY INTERCHANGE 230KV CKT 1'
FDNS	5	0 11G	ASGI_2010_011	'TO->FROM'	'DEAF SMITH COUNTY INTERCHANGE - S-RANDLCO 230.00 230KV CKT 1'	350	0.05531					'AMOCO SWITCHING STATION - YOAKUM COUNTY INTERCHANGE 230KV CKT 1'
FDNS	5	0 11G	G10_014	'TO->FROM'	'DEAF SMITH COUNTY INTERCHANGE - S-RANDLCO 230.00 230KV CKT 1'	350	0.04397					'AMOCO SWITCHING STATION - YOAKUM COUNTY INTERCHANGE 230KV CKT 1'
FDNS	5	0 11G	G10_007	'TO->FROM'	'DEAF SMITH COUNTY INTERCHANGE - S-RANDLCO 230.00 230KV CKT 1'	350	0.07058					'WOLFFORTH INTERCHANGE - YUMA INTERCHANGE 115KV CKT 1'
FDNS	5	0 11G	G08_110	'TO->FROM'	'DEAF SMITH COUNTY INTERCHANGE - S-RANDLCO 230.00 230KV CKT 1'	350	0.04392					'WOLFFORTH INTERCHANGE - YUMA INTERCHANGE 115KV CKT 1'
FDNS	5	0 11G	G08_088	'TO->FROM'	'DEAF SMITH COUNTY INTERCHANGE - S-RANDLCO 230.00 230KV CKT 1'	350	0.06092					'WOLFFORTH INTERCHANGE - YUMA INTERCHANGE 115KV CKT 1'
FDNS	5	0 11G	ASGI_2010_011	'TO->FROM'	'DEAF SMITH COUNTY INTERCHANGE - S-RANDLCO 230.00 230KV CKT 1'	350	0.05514					'WOLFFORTH INTERCHANGE - YUMA INTERCHANGE 115KV CKT 1'
FDNS	5	0 11G	G10_014	'TO->FROM'	'DEAF SMITH COUNTY INTERCHANGE - S-RANDLCO 230.00 230KV CKT 1'	350	0.04392					'WOLFFORTH INTERCHANGE - YUMA INTERCHANGE 115KV CKT 1'
FDNS	5	0 11G	G10_007	'TO->FROM'	'DEAF SMITH COUNTY INTERCHANGE - S-RANDLCO 230.00 230KV CKT 1'	350	0.07065					'CHAVESCO 345.00 - EDDY COUNTY INTERCHANGE 345KV CKT 1'
FDNS	5	0 11G	G08_110	'TO->FROM'	'DEAF SMITH COUNTY INTERCHANGE - S-RANDLCO 230.00 230KV CKT 1'	350	0.04367					'CHAVESCO 345.00 - EDDY COUNTY INTERCHANGE 345KV CKT 1'
FDNS	5	0 11G	G08_088	'TO->FROM'	'DEAF SMITH COUNTY INTERCHANGE - S-RANDLCO 230.00 230KV CKT 1'	350	0.0611					'CHAVESCO 345.00 - EDDY COUNTY INTERCHANGE 345KV CKT 1'
FDNS	5	0 11G	ASGI_2010_011	'TO->FROM'	'DEAF SMITH COUNTY INTERCHANGE - S-RANDLCO 230.00 230KV CKT 1'	350	0.05502					'CHAVESCO 345.00 - EDDY COUNTY INTERCHANGE 345KV CKT 1'
FDNS	5	0 11G	G10_014	'TO->FROM'	'DEAF SMITH COUNTY INTERCHANGE - S-RANDLCO 230.00 230KV CKT 1'	350	0.04367					'CHAVESCO 345.00 - EDDY COUNTY INTERCHANGE 345KV CKT 1'
FDNS	5	0 11G	G10_007	'TO->FROM'	'DEAF SMITH COUNTY INTERCHANGE - S-RANDLCO 230.00 230KV CKT 1'	350	0.07075					'HOBBS INTERCHANGE - MIDLAND COUNTY INTERCHANGE 230KV CKT 1'
FDNS	5	0 11G	G08_110	'TO->FROM'	'DEAF SMITH COUNTY INTERCHANGE - S-RANDLCO 230.00 230KV CKT 1'	350	0.04387					'HOBBS INTERCHANGE - MIDLAND COUNTY INTERCHANGE 230KV CKT 1'
FDNS	5	0 11G	G08_088	'TO->FROM'	'DEAF SMITH COUNTY INTERCHANGE - S-RANDLCO 230.00 230KV CKT 1'	350	0.06117					'HOBBS INTERCHANGE - MIDLAND COUNTY INTERCHANGE 230KV CKT 1'
FDNS	5	0 11G	ASGI_2010_011	'TO->FROM'	'DEAF SMITH COUNTY INTERCHANGE - S-RANDLCO 230.00 230KV CKT 1'	350	0.05517					'HOBBS INTERCHANGE - MIDLAND COUNTY INTERCHANGE 230KV CKT 1'
FDNS	5	0 11G	G10_014	'TO->FROM'	'DEAF SMITH COUNTY INTERCHANGE - S-RANDLCO 230.00 230KV CKT 1'	350	0.04387					'HOBBS INTERCHANGE - MIDLAND COUNTY INTERCHANGE 230KV CKT 1'
FDNS	5	0 11G	G09_008	'TO->FROM'	'HAYS PLANT - SOUTH HAYS 115KV CKT 1'	88	0.13758					'KNOLL 230 - POSTROCK6 230.00 230KV CKT 1'
FDNS	5	0 11G	G09_020	'TO->FROM'	'HAYS PLANT - SOUTH HAYS 115KV CKT 1'	88	0.03669					'KNOLL 230 - POSTROCK6 230.00 230KV CKT 1'
FDNS	5	0 11G	G10_015	'TO->FROM'	'HAYS PLANT - SOUTH HAYS 115KV CKT 1'	88	0.03118					'KNOLL 230 - POSTROCK6 230.00 230KV CKT 1'
FDNS	5	0 11G	G10_016	'TO->FROM'	'HAYS PLANT - SOUTH HAYS 115KV CKT 1'	88	0.05381					'KNOLL 230 - POSTROCK6 230.00 230KV CKT 1'
FDNS	5	0 11G	G10_007	'TO->FROM'	'DEAF SMITH COUNTY INTERCHANGE - S-RANDLCO 230.00 230KV CKT 1'	350	0.07295					'G08-18 345.00 - HOLCOMB 345KV CKT 1'
FDNS	5	0 11G	G08_110	'TO->FROM'	'DEAF SMITH COUNTY INTERCHANGE - S-RANDLCO 230.00 230KV CKT 1'	350	0.04669					'G08-18 345.00 - HOLCOMB 345KV CKT 1'
FDNS	5	0 11G	G08_088	'TO->FROM'	'DEAF SMITH COUNTY INTERCHANGE - S-RANDLCO 230.00 230KV CKT 1'	350	0.06317					'G08-18 345.00 - HOLCOMB 345KV CKT 1'
FDNS	5	0 11G	ASGI_2010_011	'TO->FROM'	'DEAF SMITH COUNTY INTERCHANGE - S-RANDLCO 230.00 230KV CKT 1'	350	0.05778					'G08-18 345.00 - HOLCOMB 345KV CKT 1'
FDNS	5	0 11G	G10_014	'TO->FROM'	'DEAF SMITH COUNTY INTERCHANGE - S-RANDLCO 230.00 230KV CKT 1'	350	0.04669					'G08-18 345.00 - HOLCOMB 345KV CKT 1'

SOLUTION	GROUP	SCENARIO	SEASON	SOURCE	DIRECTION	MONITORED ELEMENT	RATE B	TDF	TC%LOADING	CONTINGENCY NAME
						COMMON NAME				
FDNS	5	0 11G	G09_067S	'FROM->TO'	'ELK CITY 230KV (ELKCTY-6) 230/138/13.8KV TRANSFORMER CKT 1'	287	0.06904	101.0394	'G08-18	345.00 - HOLCOMB 345KV CKT
FDNS	5	0 11G	G08_022	'FROM->TO'	'ELK CITY 230KV (ELKCTY-6) 230/138/13.8KV TRANSFORMER CKT 1'	287	0.07037	101.0394	'G08-18	345.00 - HOLCOMB 345KV CKT
FDNS	5	0 11G	G10_007	'FROM->TO'	'ELK CITY 230KV (ELKCTY-6) 230/138/13.8KV TRANSFORMER CKT 1'	287	0.10567	101.0394	'G08-18	345.00 - HOLCOMB 345KV CKT
FDNS	5	0 11G	G08_110	'FROM->TO'	'ELK CITY 230KV (ELKCTY-6) 230/138/13.8KV TRANSFORMER CKT 1'	287	0.04258	101.0394	'G08-18	345.00 - HOLCOMB 345KV CKT
FDNS	5	0 11G	G08_088	'FROM->TO'	'ELK CITY 230KV (ELKCTY-6) 230/138/13.8KV TRANSFORMER CKT 1'	287	0.11714	101.0394	'G08-18	345.00 - HOLCOMB 345KV CKT
FDNS	5	0 11G	ASGI_2010_011	'FROM->TO'	'ELK CITY 230KV (ELKCTY-6) 230/138/13.8KV TRANSFORMER CKT 1'	287	0.06414	101.0394	'G08-18	345.00 - HOLCOMB 345KV CKT
FDNS	5	0 11G	G10_014	'FROM->TO'	'ELK CITY 230KV (ELKCTY-6) 230/138/13.8KV TRANSFORMER CKT 1'	287	0.04258	101.0394	'G08-18	345.00 - HOLCOMB 345KV CKT
FDNS	5	0 11G	G09_067S	'FROM->TO'	'ELK CITY 230KV (ELKCTY-6) 230/138/13.8KV TRANSFORMER CKT 1'	287	0.06904	100.1982	'G08-18	345.00 - HOLCOMB 345KV CKT
FDNS	5	0 11G	G08_022	'FROM->TO'	'ELK CITY 230KV (ELKCTY-6) 230/138/13.8KV TRANSFORMER CKT 1'	287	0.07037	100.1982	'G08-18	345.00 - HOLCOMB 345KV CKT
FDNS	5	0 11G	G10_007	'FROM->TO'	'ELK CITY 230KV (ELKCTY-6) 230/138/13.8KV TRANSFORMER CKT 1'	287	0.10567	100.1982	'G08-18	345.00 - HOLCOMB 345KV CKT
FDNS	5	0 11G	G08_110	'FROM->TO'	'ELK CITY 230KV (ELKCTY-6) 230/138/13.8KV TRANSFORMER CKT 1'	287	0.04258	100.1982	'G08-18	345.00 - HOLCOMB 345KV CKT
FDNS	5	0 11G	G08_088	'FROM->TO'	'ELK CITY 230KV (ELKCTY-6) 230/138/13.8KV TRANSFORMER CKT 1'	287	0.11714	100.1982	'G08-18	345.00 - HOLCOMB 345KV CKT
FDNS	5	0 11G	ASGI_2010_011	'FROM->TO'	'ELK CITY 230KV (ELKCTY-6) 230/138/13.8KV TRANSFORMER CKT 1'	287	0.06414	100.1982	'G08-18	345.00 - HOLCOMB 345KV CKT
FDNS	5	0 11G	G10_014	'FROM->TO'	'ELK CITY 230KV (ELKCTY-6) 230/138/13.8KV TRANSFORMER CKT 1'	287	0.04258	100.1982	'G08-18	345.00 - HOLCOMB 345KV CKT
FDNS	5	0 11G	G09_067S	'FROM->TO'	'ELK CITY 230KV (ELKCTY-6) 230/138/13.8KV TRANSFORMER CKT 1'	287	0.06824	100	'MINGO - SETAB	345KV CKT 1'
FDNS	5	0 11G	G08_022	'FROM->TO'	'ELK CITY 230KV (ELKCTY-6) 230/138/13.8KV TRANSFORMER CKT 1'	287	0.06955	100	'MINGO - SETAB	345KV CKT 1'
FDNS	5	0 11G	G10_007	'FROM->TO'	'ELK CITY 230KV (ELKCTY-6) 230/138/13.8KV TRANSFORMER CKT 1'	287	0.10403	100	'MINGO - SETAB	345KV CKT 1'
FDNS	5	0 11G	G08_110	'FROM->TO'	'ELK CITY 230KV (ELKCTY-6) 230/138/13.8KV TRANSFORMER CKT 1'	287	0.04017	100	'MINGO - SETAB	345KV CKT 1'
FDNS	5	0 11G	G08_088	'FROM->TO'	'ELK CITY 230KV (ELKCTY-6) 230/138/13.8KV TRANSFORMER CKT 1'	287	0.11576	100	'MINGO - SETAB	345KV CKT 1'
FDNS	5	0 11G	ASGI_2010_011	'FROM->TO'	'ELK CITY 230KV (ELKCTY-6) 230/138/13.8KV TRANSFORMER CKT 1'	287	0.06201	100	'MINGO - SETAB	345KV CKT 1'
FDNS	5	0 11G	G10_014	'FROM->TO'	'ELK CITY 230KV (ELKCTY-6) 230/138/13.8KV TRANSFORMER CKT 1'	287	0.04017	100	'MINGO - SETAB	345KV CKT 1'
FDNS	5	0 11G	G10_009	'TO->FROM'	'DEAF SMITH COUNTY INTERCHANGE - S-RANDLCO 230.00 230KV CKT 1'	350	0.03326	106.498	'GRAY CO	345.00 - SPEARVILLE 345KV CKT 1'
FDNS	5	0 11G	G10_007	'TO->FROM'	'DEAF SMITH COUNTY INTERCHANGE - S-RANDLCO 230.00 230KV CKT 1'	350	0.07283	106.498	'GRAY CO	345.00 - SPEARVILLE 345KV CKT 1'
FDNS	5	0 11G	G08_110	'TO->FROM'	'DEAF SMITH COUNTY INTERCHANGE - S-RANDLCO 230.00 230KV CKT 1'	350	0.04657	106.498	'GRAY CO	345.00 - SPEARVILLE 345KV CKT 1'
FDNS	5	0 11G	G08_088	'TO->FROM'	'DEAF SMITH COUNTY INTERCHANGE - S-RANDLCO 230.00 230KV CKT 1'	350	0.06305	106.498	'GRAY CO	345.00 - SPEARVILLE 345KV CKT 1'
FDNS	5	0 11G	ASGI_2010_011	'TO->FROM'	'DEAF SMITH COUNTY INTERCHANGE - S-RANDLCO 230.00 230KV CKT 1'	350	0.05766	106.498	'GRAY CO	345.00 - SPEARVILLE 345KV CKT 1'
FDNS	5	0 11G	G10_014	'TO->FROM'	'DEAF SMITH COUNTY INTERCHANGE - S-RANDLCO 230.00 230KV CKT 1'	350	0.04657	106.498	'GRAY CO	345.00 - SPEARVILLE 345KV CKT 1'
FDNS	5	0 11G	G09_067S	'FROM->TO'	'ELK CITY 230KV (ELKCTY-6) 230/138/13.8KV TRANSFORMER CKT 1'	287	0.06886	102.6209	'GRAY CO	345.00 - SPEARVILLE 345KV CKT 1'
FDNS	5	0 11G	G08_022	'FROM->TO'	'ELK CITY 230KV (ELKCTY-6) 230/138/13.8KV TRANSFORMER CKT 1'	287	0.07019	102.6209	'GRAY CO	345.00 - SPEARVILLE 345KV CKT 1'

SOLUTION	GROUP	SCENARIO	SEASON	SOURCE	DIRECTION	MONITORED ELEMENT	RATE B	TDF	TC%	LOADING	CONTINGENCY NAME
						COMMON NAME					
FDNS	5	0 11G	G10_007	'FROM->TO'	'ELK CITY 230KV (ELKCTY-6) 230/138/13.8KV TRANSFORMER CKT 1'	287	0.10549	102.6209	'GRAY CO	345.00 - SPEARVILLE 345KV	
FDNS	5	0 11G	G08_110	'FROM->TO'	'ELK CITY 230KV (ELKCTY-6) 230/138/13.8KV TRANSFORMER CKT 1'	287	0.0424	102.6209	'GRAY CO	345.00 - SPEARVILLE 345KV	
FDNS	5	0 11G	G08_088	'FROM->TO'	'ELK CITY 230KV (ELKCTY-6) 230/138/13.8KV TRANSFORMER CKT 1'	287	0.11696	102.6209	'GRAY CO	345.00 - SPEARVILLE 345KV	
FDNS	5	0 11G	ASGI_2010_011	'FROM->TO'	'ELK CITY 230KV (ELKCTY-6) 230/138/13.8KV TRANSFORMER CKT 1'	287	0.06396	102.6209	'GRAY CO	345.00 - SPEARVILLE 345KV	
FDNS	5	0 11G	G10_014	'FROM->TO'	'ELK CITY 230KV (ELKCTY-6) 230/138/13.8KV TRANSFORMER CKT 1'	287	0.0424	102.6209	'GRAY CO	345.00 - SPEARVILLE 345KV	
FDNS	5	0 11G	G09_067S	'FROM->TO'	'ELK CITY 230KV (ELKCTY-6) 230/138/13.8KV TRANSFORMER CKT 1'	287	0.06886	101.7287	'GRAY CO	345.00 - SPEARVILLE 345KV	
FDNS	5	0 11G	G08_022	'FROM->TO'	'ELK CITY 230KV (ELKCTY-6) 230/138/13.8KV TRANSFORMER CKT 1'	287	0.07019	101.7287	'GRAY CO	345.00 - SPEARVILLE 345KV	
FDNS	5	0 11G	G10_007	'FROM->TO'	'ELK CITY 230KV (ELKCTY-6) 230/138/13.8KV TRANSFORMER CKT 1'	287	0.10549	101.7287	'GRAY CO	345.00 - SPEARVILLE 345KV	
FDNS	5	0 11G	G08_110	'FROM->TO'	'ELK CITY 230KV (ELKCTY-6) 230/138/13.8KV TRANSFORMER CKT 1'	287	0.0424	101.7287	'GRAY CO	345.00 - SPEARVILLE 345KV	
FDNS	5	0 11G	G08_088	'FROM->TO'	'ELK CITY 230KV (ELKCTY-6) 230/138/13.8KV TRANSFORMER CKT 1'	287	0.11696	101.7287	'GRAY CO	345.00 - SPEARVILLE 345KV	
FDNS	5	0 11G	ASGI_2010_011	'FROM->TO'	'ELK CITY 230KV (ELKCTY-6) 230/138/13.8KV TRANSFORMER CKT 1'	287	0.06396	101.7287	'GRAY CO	345.00 - SPEARVILLE 345KV	
FDNS	5	0 11G	G10_014	'FROM->TO'	'ELK CITY 230KV (ELKCTY-6) 230/138/13.8KV TRANSFORMER CKT 1'	287	0.0424	101.7287	'GRAY CO	345.00 - SPEARVILLE 345KV	
FDNS	5	0 11G	G09_067S	'FROM->TO'	'ELK CITY 230KV (ELKCTY-6) 230/138/13.8KV TRANSFORMER CKT 1'	287	0.06797	100.2284	'MED-LDG5	345.00 - WICHITA 345KV	
FDNS	5	0 11G	G08_022	'FROM->TO'	'ELK CITY 230KV (ELKCTY-6) 230/138/13.8KV TRANSFORMER CKT 1'	287	0.06928	100.2284	'MED-LDG5	345.00 - WICHITA 345KV	
FDNS	5	0 11G	G10_007	'FROM->TO'	'ELK CITY 230KV (ELKCTY-6) 230/138/13.8KV TRANSFORMER CKT 1'	287	0.10358	100.2284	'MED-LDG5	345.00 - WICHITA 345KV	
FDNS	5	0 11G	G08_110	'FROM->TO'	'ELK CITY 230KV (ELKCTY-6) 230/138/13.8KV TRANSFORMER CKT 1'	287	0.03958	100.2284	'MED-LDG5	345.00 - WICHITA 345KV	
FDNS	5	0 11G	G08_088	'FROM->TO'	'ELK CITY 230KV (ELKCTY-6) 230/138/13.8KV TRANSFORMER CKT 1'	287	0.11535	100.2284	'MED-LDG5	345.00 - WICHITA 345KV	
FDNS	5	0 11G	ASGI_2010_011	'FROM->TO'	'ELK CITY 230KV (ELKCTY-6) 230/138/13.8KV TRANSFORMER CKT 1'	287	0.06146	100.2284	'MED-LDG5	345.00 - WICHITA 345KV	
FDNS	5	0 11G	G10_014	'FROM->TO'	'ELK CITY 230KV (ELKCTY-6) 230/138/13.8KV TRANSFORMER CKT 1'	287	0.03958	100.2284	'MED-LDG5	345.00 - WICHITA 345KV	
FDNS	5	0 11G	G09_067S	'FROM->TO'	'ELK CITY 230KV (ELKCTY-6) 230/138/13.8KV TRANSFORMER CKT 1'	287	0.06797	100.2284	'MED-LDG5	345.00 - WICHITA 345KV	
FDNS	5	0 11G	G08_022	'FROM->TO'	'ELK CITY 230KV (ELKCTY-6) 230/138/13.8KV TRANSFORMER CKT 1'	287	0.06928	100.2284	'MED-LDG5	345.00 - WICHITA 345KV	
FDNS	5	0 11G	G10_007	'FROM->TO'	'ELK CITY 230KV (ELKCTY-6) 230/138/13.8KV TRANSFORMER CKT 1'	287	0.10358	100.2284	'MED-LDG5	345.00 - WICHITA 345KV	
FDNS	5	0 11G	G08_110	'FROM->TO'	'ELK CITY 230KV (ELKCTY-6) 230/138/13.8KV TRANSFORMER CKT 1'	287	0.03958	100.2284	'MED-LDG5	345.00 - WICHITA 345KV	
FDNS	5	0 11G	G08_088	'FROM->TO'	'ELK CITY 230KV (ELKCTY-6) 230/138/13.8KV TRANSFORMER CKT 1'	287	0.11535	100.2284	'MED-LDG5	345.00 - WICHITA 345KV	
FDNS	5	0 11G	ASGI_2010_011	'FROM->TO'	'ELK CITY 230KV (ELKCTY-6) 230/138/13.8KV TRANSFORMER CKT 1'	287	0.06146	100.2284	'MED-LDG5	345.00 - WICHITA 345KV	
FDNS	5	0 11G	G10_014	'FROM->TO'	'ELK CITY 230KV (ELKCTY-6) 230/138/13.8KV TRANSFORMER CKT 1'	287	0.03958	100.2284	'MED-LDG5	345.00 - WICHITA 345KV	
FDNS	5	0 11G	G10_003	'FROM->TO'	'BURLINGTON JUNCTION - COFFEY COUNTY NO. 3 WESTPHALIA 69KV CKT 1'	72	0.03892	109.9743	'ANDERSONCO	345.00 - LACYGNE 345KV	
FDNS	5	0 11G	G08_098	'FROM->TO'	'BURLINGTON JUNCTION - COFFEY COUNTY NO. 3 WESTPHALIA 69KV CKT 1'	72	0.03892	109.9743	'ANDERSONCO	345.00 - LACYGNE 345KV	

						MONITORED ELEMENT					
SOLUTION	GROUP	SCENARIO	SEASON	SOURCE	DIRECTION	COMMON NAME	RATE	B TDF	TC%	LOADING	CONTINGENCY NAME
FDNS	5	0 11G	G10_003	'TO->FROM'	'BURLINGTON JUNCTION - WOLF CREEK 69KV CKT 1'	'ANDERSONCO 345.00 - LACYGNE 345KV CKT 1'	72	0.03913	111.9757		
FDNS	5	0 11G	G08_098	'TO->FROM'	'BURLINGTON JUNCTION - WOLF CREEK 69KV CKT 1'	'ANDERSONCO 345.00 - LACYGNE 345KV CKT 1'	72	0.03913	111.9757		
FDNS	5	0 11G	G10_003	'FROM->TO'	'COFFEY COUNTY NO. 3 WESTPHALIA - GREEN 69KV CKT 1'	'ANDERSONCO 345.00 - LACYGNE 345KV CKT 1'	72	0.03892	109.1307		
FDNS	5	0 11G	G08_098	'FROM->TO'	'COFFEY COUNTY NO. 3 WESTPHALIA - GREEN 69KV CKT 1'	'ANDERSONCO 345.00 - LACYGNE 345KV CKT 1'	72	0.03892	109.1307		
FDNS	5	0 11G	G10_007	'TO->FROM'	'DEAF SMITH COUNTY INTERCHANGE - S-RANDLCO 230.00 230KV CKT 1'	'G08-18 345.00 - GRAY CO 345.00 345KV CKT 1'	350	0.07288	106.0861		
FDNS	5	0 11G	G08_110	'TO->FROM'	'DEAF SMITH COUNTY INTERCHANGE - S-RANDLCO 230.00 230KV CKT 1'	'G08-18 345.00 - GRAY CO 345.00 345KV CKT 1'	350	0.04662	106.0861		
FDNS	5	0 11G	G08_088	'TO->FROM'	'DEAF SMITH COUNTY INTERCHANGE - S-RANDLCO 230.00 230KV CKT 1'	'G08-18 345.00 - GRAY CO 345.00 345KV CKT 1'	350	0.0631	106.0861		
FDNS	5	0 11G	ASGI_2010_011	'TO->FROM'	'DEAF SMITH COUNTY INTERCHANGE - S-RANDLCO 230.00 230KV CKT 1'	'G08-18 345.00 - GRAY CO 345.00 345KV CKT 1'	350	0.05772	106.0861		
FDNS	5	0 11G	G10_014	'TO->FROM'	'DEAF SMITH COUNTY INTERCHANGE - S-RANDLCO 230.00 230KV CKT 1'	'G08-18 345.00 - GRAY CO 345.00 345KV CKT 1'	350	0.04662	106.0861		
FDNS	5	0 11G	G09_067S	'FROM->TO'	'ELK CITY 230KV (ELKCTY-6) 230/138/13.8KV TRANSFORMER CKT 1'	'G08-18 345.00 - GRAY CO 345.00 345KV CKT 1'	287	0.06894	101.8718		
FDNS	5	0 11G	G08_022	'FROM->TO'	'ELK CITY 230KV (ELKCTY-6) 230/138/13.8KV TRANSFORMER CKT 1'	'G08-18 345.00 - GRAY CO 345.00 345KV CKT 1'	287	0.07028	101.8718		
FDNS	5	0 11G	G10_007	'FROM->TO'	'ELK CITY 230KV (ELKCTY-6) 230/138/13.8KV TRANSFORMER CKT 1'	'G08-18 345.00 - GRAY CO 345.00 345KV CKT 1'	287	0.10557	101.8718		
FDNS	5	0 11G	G08_110	'FROM->TO'	'ELK CITY 230KV (ELKCTY-6) 230/138/13.8KV TRANSFORMER CKT 1'	'G08-18 345.00 - GRAY CO 345.00 345KV CKT 1'	287	0.04248	101.8718		
FDNS	5	0 11G	G08_088	'FROM->TO'	'ELK CITY 230KV (ELKCTY-6) 230/138/13.8KV TRANSFORMER CKT 1'	'G08-18 345.00 - GRAY CO 345.00 345KV CKT 1'	287	0.11704	101.8718		
FDNS	5	0 11G	ASGI_2010_011	'FROM->TO'	'ELK CITY 230KV (ELKCTY-6) 230/138/13.8KV TRANSFORMER CKT 1'	'G08-18 345.00 - GRAY CO 345.00 345KV CKT 1'	287	0.06405	101.8718		
FDNS	5	0 11G	G10_014	'FROM->TO'	'ELK CITY 230KV (ELKCTY-6) 230/138/13.8KV TRANSFORMER CKT 1'	'G08-18 345.00 - GRAY CO 345.00 345KV CKT 1'	287	0.04248	101.8718		
FDNS	5	0 11G	G09_067S	'FROM->TO'	'ELK CITY 230KV (ELKCTY-6) 230/138/13.8KV TRANSFORMER CKT 1'	'G08-18 345.00 - GRAY CO 345.00 345KV CKT 1'	287	0.06894	101.0037		
FDNS	5	0 11G	G08_022	'FROM->TO'	'ELK CITY 230KV (ELKCTY-6) 230/138/13.8KV TRANSFORMER CKT 1'	'G08-18 345.00 - GRAY CO 345.00 345KV CKT 1'	287	0.07028	101.0037		
FDNS	5	0 11G	G10_007	'FROM->TO'	'ELK CITY 230KV (ELKCTY-6) 230/138/13.8KV TRANSFORMER CKT 1'	'G08-18 345.00 - GRAY CO 345.00 345KV CKT 1'	287	0.10557	101.0037		
FDNS	5	0 11G	G08_110	'FROM->TO'	'ELK CITY 230KV (ELKCTY-6) 230/138/13.8KV TRANSFORMER CKT 1'	'G08-18 345.00 - GRAY CO 345.00 345KV CKT 1'	287	0.04248	101.0037		
FDNS	5	0 11G	G08_088	'FROM->TO'	'ELK CITY 230KV (ELKCTY-6) 230/138/13.8KV TRANSFORMER CKT 1'	'G08-18 345.00 - GRAY CO 345.00 345KV CKT 1'	287	0.11704	101.0037		
FDNS	5	0 11G	ASGI_2010_011	'FROM->TO'	'ELK CITY 230KV (ELKCTY-6) 230/138/13.8KV TRANSFORMER CKT 1'	'G08-18 345.00 - GRAY CO 345.00 345KV CKT 1'	287	0.06405	101.0037		
FDNS	5	0 11G	G10_014	'FROM->TO'	'ELK CITY 230KV (ELKCTY-6) 230/138/13.8KV TRANSFORMER CKT 1'	'G08-18 345.00 - GRAY CO 345.00 345KV CKT 1'	287	0.04248	101.0037		
FDNS	5	0 11G	G08_044	'TO->FROM'	'FPL SWITCH - WOODWARD 138KV CKT 1'	'ELK CITY 230KV (ELKCTY-6) 230/138/13.8KV TRANSFORMER CKT 1'	153	0.03361	104.3654		
FDNS	5	0 11G	G08_047	'TO->FROM'	'FPL SWITCH - WOODWARD 138KV CKT 1'	'ELK CITY 230KV (ELKCTY-6) 230/138/13.8KV TRANSFORMER CKT 1'	153	0.05897	104.3654		
FDNS	5	0 11G	G09_067S	'TO->FROM'	'FPL SWITCH - WOODWARD 138KV CKT 1'	'ELK CITY 230KV (ELKCTY-6) 230/138/13.8KV TRANSFORMER CKT 1'	153	0.03358	104.3654		
FDNS	5	0 11G	G08_022	'TO->FROM'	'FPL SWITCH - WOODWARD 138KV CKT 1'	'ELK CITY 230KV (ELKCTY-6) 230/138/13.8KV TRANSFORMER CKT 1'	153	0.03379	104.3654		
FDNS	5	0 11G	G10_007	'TO->FROM'	'FPL SWITCH - WOODWARD 138KV CKT 1'	'ELK CITY 230KV (ELKCTY-6) 230/138/13.8KV TRANSFORMER CKT 1'	153	0.04172	104.3654		
FDNS	5	0 11G	G08_110	'TO->FROM'	'FPL SWITCH - WOODWARD 138KV CKT 1'	'ELK CITY 230KV (ELKCTY-6) 230/138/13.8KV TRANSFORMER CKT 1'	153	0.05004	104.3654		

SOLUTION	GROUP	SCENARIO	SEASON	SOURCE	DIRECTION	MONITORED ELEMENT		RATE B	TDF	TC%	LOADING	CONTINGENCY NAME
						COMMON NAME						
FDNS	5	0 11G	G08_088	'TO->FROM'	'FPL SWITCH - WOODWARD 138KV CKT 1'		153	0.03905	104.3654	230/138/13.8KV TRANSFORMER CKT 1'	'ELK CITY 230KV (ELKCTY-6)	
FDNS	5	0 11G	ASGI_2010_011	'TO->FROM'	'FPL SWITCH - WOODWARD 138KV CKT 1'		153	0.04713	104.3654	230/138/13.8KV TRANSFORMER CKT 1'	'ELK CITY 230KV (ELKCTY-6)	
FDNS	5	0 11G	G10_011	'TO->FROM'	'FPL SWITCH - WOODWARD 138KV CKT 1'		153	0.03361	104.3654	230/138/13.8KV TRANSFORMER CKT 1'	'ELK CITY 230KV (ELKCTY-6)	
FDNS	5	0 11G	G10_014	'TO->FROM'	'FPL SWITCH - WOODWARD 138KV CKT 1'		153	0.05004	104.3654	230/138/13.8KV TRANSFORMER CKT 1'	'ELK CITY 230KV (ELKCTY-6)	
FDNS	5	0 11G	G10_007	'TO->FROM'	'DEAF SMITH COUNTY INTERCHANGE - S-RANDLCO 230.00 230KV CKT 1'		350	0.07958	110.687	230/138/13.8KV TRANSFORMER CKT 1'	'ELK CITY 230KV (ELKCTY-6)	
FDNS	5	0 11G	G08_110	'TO->FROM'	'DEAF SMITH COUNTY INTERCHANGE - S-RANDLCO 230.00 230KV CKT 1'		350	0.04707	110.687	230/138/13.8KV TRANSFORMER CKT 1'	'ELK CITY 230KV (ELKCTY-6)	
FDNS	5	0 11G	G08_088	'TO->FROM'	'DEAF SMITH COUNTY INTERCHANGE - S-RANDLCO 230.00 230KV CKT 1'		350	0.07106	110.687	230/138/13.8KV TRANSFORMER CKT 1'	'ELK CITY 230KV (ELKCTY-6)	
FDNS	5	0 11G	ASGI_2010_011	'TO->FROM'	'DEAF SMITH COUNTY INTERCHANGE - S-RANDLCO 230.00 230KV CKT 1'		350	0.06031	110.687	230/138/13.8KV TRANSFORMER CKT 1'	'ELK CITY 230KV (ELKCTY-6)	
FDNS	5	0 11G	G10_014	'TO->FROM'	'DEAF SMITH COUNTY INTERCHANGE - S-RANDLCO 230.00 230KV CKT 1'		350	0.04707	110.687	230/138/13.8KV TRANSFORMER CKT 1'	'ELK CITY 230KV (ELKCTY-6)	
FDNS	5	0 11G	G10_007	'TO->FROM'	'DEAF SMITH COUNTY INTERCHANGE - S-RANDLCO 230.00 230KV CKT 1'		350	0.07167	105.1408	TRANSFORMER CKT 1'	'SHAMROCK (SHAMRCK2) 138/69/14.4KV	
FDNS	5	0 11G	G08_110	'TO->FROM'	'DEAF SMITH COUNTY INTERCHANGE - S-RANDLCO 230.00 230KV CKT 1'		350	0.04413	105.1408	TRANSFORMER CKT 1'	'SHAMROCK (SHAMRCK2) 138/69/14.4KV	
FDNS	5	0 11G	G08_088	'TO->FROM'	'DEAF SMITH COUNTY INTERCHANGE - S-RANDLCO 230.00 230KV CKT 1'		350	0.06223	105.1408	TRANSFORMER CKT 1'	'SHAMROCK (SHAMRCK2) 138/69/14.4KV	
FDNS	5	0 11G	ASGI_2010_011	'TO->FROM'	'DEAF SMITH COUNTY INTERCHANGE - S-RANDLCO 230.00 230KV CKT 1'		350	0.05567	105.1408	TRANSFORMER CKT 1'	'SHAMROCK (SHAMRCK2) 138/69/14.4KV	
FDNS	5	0 11G	G10_014	'TO->FROM'	'DEAF SMITH COUNTY INTERCHANGE - S-RANDLCO 230.00 230KV CKT 1'		350	0.04413	105.1408	TRANSFORMER CKT 1'	'SHAMROCK (SHAMRCK2) 138/69/14.4KV	
FDNS	5	0 11G	G09_067S	'FROM->TO'	'ELK CITY 230KV (ELKCTY-6)		287	0.06986	102.9	TRANSFORMER CKT 1'	'SHAMROCK (SHAMRCK2) 138/69/14.4KV	
FDNS	5	0 11G	G08_022	'FROM->TO'	230/138/13.8KV TRANSFORMER CKT 1'		287	0.07122	102.9	TRANSFORMER CKT 1'	'SHAMROCK (SHAMRCK2) 138/69/14.4KV	
FDNS	5	0 11G	G10_007	'FROM->TO'	'ELK CITY 230KV (ELKCTY-6)		287	0.10727	102.9	TRANSFORMER CKT 1'	'SHAMROCK (SHAMRCK2) 138/69/14.4KV	
FDNS	5	0 11G	G08_110	'FROM->TO'	230/138/13.8KV TRANSFORMER CKT 1'		287	0.04022	102.9	TRANSFORMER CKT 1'	'SHAMROCK (SHAMRCK2) 138/69/14.4KV	
FDNS	5	0 11G	G08_088	'FROM->TO'	'ELK CITY 230KV (ELKCTY-6)		287	0.11961	102.9	TRANSFORMER CKT 1'	'SHAMROCK (SHAMRCK2) 138/69/14.4KV	
FDNS	5	0 11G	ASGI_2010_011	'FROM->TO'	230/138/13.8KV TRANSFORMER CKT 1'		287	0.06312	102.9	TRANSFORMER CKT 1'	'SHAMROCK (SHAMRCK2) 138/69/14.4KV	
FDNS	5	0 11G	G10_014	'FROM->TO'	'ELK CITY 230KV (ELKCTY-6)		287	0.04022	102.9	TRANSFORMER CKT 1'	'SHAMROCK (SHAMRCK2) 138/69/14.4KV	
FDNS	5	0 11G	G09_067S	'FROM->TO'	230/138/13.8KV TRANSFORMER CKT 1'		287	0.06986	102.0572	TRANSFORMER CKT 1'	'SHAMROCK (SHAMRCK2) 138/69/14.4KV	
FDNS	5	0 11G	G08_022	'FROM->TO'	'ELK CITY 230KV (ELKCTY-6)		287	0.07122	102.0572	TRANSFORMER CKT 1'	'SHAMROCK (SHAMRCK2) 138/69/14.4KV	
FDNS	5	0 11G	G10_007	'FROM->TO'	230/138/13.8KV TRANSFORMER CKT 1'		287	0.10727	102.0572	TRANSFORMER CKT 1'	'SHAMROCK (SHAMRCK2) 138/69/14.4KV	
FDNS	5	0 11G	G08_110	'FROM->TO'	'ELK CITY 230KV (ELKCTY-6)		287	0.04022	102.0572	TRANSFORMER CKT 1'	'SHAMROCK (SHAMRCK2) 138/69/14.4KV	
FDNS	5	0 11G	G08_088	'FROM->TO'	'ELK CITY 230KV (ELKCTY-6)		287	0.11961	102.0572	TRANSFORMER CKT 1'	'SHAMROCK (SHAMRCK2) 138/69/14.4KV	
FDNS	5	0 11G	ASGI_2010_011	'FROM->TO'	230/138/13.8KV TRANSFORMER CKT 1'		287	0.06312	102.0572	TRANSFORMER CKT 1'	'SHAMROCK (SHAMRCK2) 138/69/14.4KV	
FDNS	5	0 11G	G10_014	'FROM->TO'	'ELK CITY 230KV (ELKCTY-6)		287	0.04022	102.0572	TRANSFORMER CKT 1'	'SHAMROCK (SHAMRCK2) 138/69/14.4KV	
FDNS	5	0 11G	G10_007	'TO->FROM'	'DEAF SMITH COUNTY INTERCHANGE - S-RANDLCO 230.00 230KV CKT 1'		350	0.07167	105.3314	TRANSFORMER CKT 1'	'SHAMROCK (SHAMRCK1) 115/69/14.4KV	

SOLUTION	GROUP	SCENARIO	SEASON	SOURCE	DIRECTION	MONITORED ELEMENT		RATE B	TDF	TC%LOADING	CONTINGENCY NAME
						COMMON NAME					
FDNS	5	0 11G	G08_110	'TO->FROM'	'DEAF SMITH COUNTY INTERCHANGE - S-RANDLCO 230.00 230KV CKT 1'	350	0.04413	105.3314		'SHAMROCK (SHAMRCK1) 115/69/14.4KV TRANSFORMER CKT 1'	
FDNS	5	0 11G	G08_088	'TO->FROM'	'DEAF SMITH COUNTY INTERCHANGE - S-RANDLCO 230.00 230KV CKT 1'	350	0.06223	105.3314		'SHAMROCK (SHAMRCK1) 115/69/14.4KV TRANSFORMER CKT 1'	
FDNS	5	0 11G	ASGI_2010_011	'TO->FROM'	'DEAF SMITH COUNTY INTERCHANGE - S-RANDLCO 230.00 230KV CKT 1'	350	0.05567	105.3314		'SHAMROCK (SHAMRCK1) 115/69/14.4KV TRANSFORMER CKT 1'	
FDNS	5	0 11G	G10_014	'TO->FROM'	'DEAF SMITH COUNTY INTERCHANGE - S-RANDLCO 230.00 230KV CKT 1'	350	0.04413	105.3314		'SHAMROCK (SHAMRCK1) 115/69/14.4KV TRANSFORMER CKT 1'	
FDNS	5	0 11G	G09_067S	'FROM->TO'	'ELK CITY 230KV (ELKCTY-6) 230/138/13.8KV TRANSFORMER CKT 1'	287	0.06986	103.873		'SHAMROCK (SHAMRCK1) 115/69/14.4KV TRANSFORMER CKT 1'	
FDNS	5	0 11G	G08_022	'FROM->TO'	'ELK CITY 230KV (ELKCTY-6) 230/138/13.8KV TRANSFORMER CKT 1'	287	0.07122	103.873		'SHAMROCK (SHAMRCK1) 115/69/14.4KV TRANSFORMER CKT 1'	
FDNS	5	0 11G	G10_007	'FROM->TO'	'ELK CITY 230KV (ELKCTY-6) 230/138/13.8KV TRANSFORMER CKT 1'	287	0.10727	103.873		'SHAMROCK (SHAMRCK1) 115/69/14.4KV TRANSFORMER CKT 1'	
FDNS	5	0 11G	G08_110	'FROM->TO'	'ELK CITY 230KV (ELKCTY-6) 230/138/13.8KV TRANSFORMER CKT 1'	287	0.04022	103.873		'SHAMROCK (SHAMRCK1) 115/69/14.4KV TRANSFORMER CKT 1'	
FDNS	5	0 11G	G08_088	'FROM->TO'	'ELK CITY 230KV (ELKCTY-6) 230/138/13.8KV TRANSFORMER CKT 1'	287	0.11961	103.873		'SHAMROCK (SHAMRCK1) 115/69/14.4KV TRANSFORMER CKT 1'	
FDNS	5	0 11G	ASGI_2010_011	'FROM->TO'	'ELK CITY 230KV (ELKCTY-6) 230/138/13.8KV TRANSFORMER CKT 1'	287	0.06312	103.873		'SHAMROCK (SHAMRCK1) 115/69/14.4KV TRANSFORMER CKT 1'	
FDNS	5	0 11G	G10_014	'FROM->TO'	'ELK CITY 230KV (ELKCTY-6) 230/138/13.8KV TRANSFORMER CKT 1'	287	0.04022	103.873		'SHAMROCK (SHAMRCK1) 115/69/14.4KV TRANSFORMER CKT 1'	
FDNS	5	0 11G	G09_067S	'FROM->TO'	'ELK CITY 230KV (ELKCTY-6) 230/138/13.8KV TRANSFORMER CKT 1'	287	0.06986	102.9898		'SHAMROCK (SHAMRCK1) 115/69/14.4KV TRANSFORMER CKT 1'	
FDNS	5	0 11G	G08_022	'FROM->TO'	'ELK CITY 230KV (ELKCTY-6) 230/138/13.8KV TRANSFORMER CKT 1'	287	0.07122	102.9898		'SHAMROCK (SHAMRCK1) 115/69/14.4KV TRANSFORMER CKT 1'	
FDNS	5	0 11G	G10_007	'FROM->TO'	'ELK CITY 230KV (ELKCTY-6) 230/138/13.8KV TRANSFORMER CKT 1'	287	0.10727	102.9898		'SHAMROCK (SHAMRCK1) 115/69/14.4KV TRANSFORMER CKT 1'	
FDNS	5	0 11G	G08_110	'FROM->TO'	'ELK CITY 230KV (ELKCTY-6) 230/138/13.8KV TRANSFORMER CKT 1'	287	0.04022	102.9898		'SHAMROCK (SHAMRCK1) 115/69/14.4KV TRANSFORMER CKT 1'	
FDNS	5	0 11G	G08_088	'FROM->TO'	'ELK CITY 230KV (ELKCTY-6) 230/138/13.8KV TRANSFORMER CKT 1'	287	0.11961	102.9898		'SHAMROCK (SHAMRCK1) 115/69/14.4KV TRANSFORMER CKT 1'	
FDNS	5	0 11G	ASGI_2010_011	'FROM->TO'	'ELK CITY 230KV (ELKCTY-6) 230/138/13.8KV TRANSFORMER CKT 1'	287	0.06312	102.9898		'SHAMROCK (SHAMRCK1) 115/69/14.4KV TRANSFORMER CKT 1'	
FDNS	5	0 11G	G10_014	'FROM->TO'	'ELK CITY 230KV (ELKCTY-6) 230/138/13.8KV TRANSFORMER CKT 1'	287	0.04022	102.9898		'SHAMROCK (SHAMRCK1) 115/69/14.4KV TRANSFORMER CKT 1'	
FDNS	5	0 11G	G10_007	'TO->FROM'	'DEAF SMITH COUNTY INTERCHANGE - S-RANDLCO 230.00 230KV CKT 1'	350	0.07081	105.9163		'STATELINE INTERCHANGE (H TP80154301) 230/115/13.2KV TRANSFORMER CKT 1'	
FDNS	5	0 11G	G08_110	'TO->FROM'	'DEAF SMITH COUNTY INTERCHANGE - S-RANDLCO 230.00 230KV CKT 1'	350	0.04379	105.9163		'STATELINE INTERCHANGE (H TP80154301) 230/115/13.2KV TRANSFORMER CKT 1'	
FDNS	5	0 11G	G08_088	'TO->FROM'	'DEAF SMITH COUNTY INTERCHANGE - S-RANDLCO 230.00 230KV CKT 1'	350	0.06128	105.9163		'STATELINE INTERCHANGE (H TP80154301) 230/115/13.2KV TRANSFORMER CKT 1'	
FDNS	5	0 11G	ASGI_2010_011	'TO->FROM'	'DEAF SMITH COUNTY INTERCHANGE - S-RANDLCO 230.00 230KV CKT 1'	350	0.05515	105.9163		'STATELINE INTERCHANGE (H TP80154301) 230/115/13.2KV TRANSFORMER CKT 1'	
FDNS	5	0 11G	G10_014	'TO->FROM'	'DEAF SMITH COUNTY INTERCHANGE - S-RANDLCO 230.00 230KV CKT 1'	350	0.04379	105.9163		'STATELINE INTERCHANGE (H TP80154301) 230/115/13.2KV TRANSFORMER CKT 1'	
FDNS	5	0 11G	G09_067S	'FROM->TO'	'ELK CITY 230KV (ELKCTY-6) 230/138/13.8KV TRANSFORMER CKT 1'	287	0.06708	102.0305		'STATELINE INTERCHANGE (H TP80154301) 230/115/13.2KV TRANSFORMER CKT 1'	
FDNS	5	0 11G	G08_022	'FROM->TO'	'ELK CITY 230KV (ELKCTY-6) 230/138/13.8KV TRANSFORMER CKT 1'	287	0.06838	102.0305		'STATELINE INTERCHANGE (H TP80154301) 230/115/13.2KV TRANSFORMER CKT 1'	

SOLUTION	GROUP	SCENARIO	SEASON	SOURCE	DIRECTION	MONITORED ELEMENT		RATE B	TDF	TC%	LOADING	CONTINGENCY NAME
						COMMON NAME						
FDNS	5	0 11G	G10_007	'FROM->TO'	'ELK CITY 230KV (ELKCTY-6) 230/138/13.8KV TRANSFORMER CKT 1'			287	0.10254	102.0305		'STATELINE INTERCHANGE (H TP80154301) 230/115/13.2KV TRANSFORMER CKT 1'
FDNS	5	0 11G	G08_110	'FROM->TO'	'ELK CITY 230KV (ELKCTY-6) 230/138/13.8KV TRANSFORMER CKT 1'			287	0.03835	102.0305		'STATELINE INTERCHANGE (H TP80154301) 230/115/13.2KV TRANSFORMER CKT 1'
FDNS	5	0 11G	G08_088	'FROM->TO'	'ELK CITY 230KV (ELKCTY-6) 230/138/13.8KV TRANSFORMER CKT 1'			287	0.11437	102.0305		'STATELINE INTERCHANGE (H TP80154301) 230/115/13.2KV TRANSFORMER CKT 1'
FDNS	5	0 11G	ASGI_2010_011	'FROM->TO'	'ELK CITY 230KV (ELKCTY-6) 230/138/13.8KV TRANSFORMER CKT 1'			287	0.0603	102.0305		'STATELINE INTERCHANGE (H TP80154301) 230/115/13.2KV TRANSFORMER CKT 1'
FDNS	5	0 11G	G10_014	'FROM->TO'	'ELK CITY 230KV (ELKCTY-6) 230/138/13.8KV TRANSFORMER CKT 1'			287	0.03835	102.0305		'STATELINE INTERCHANGE (H TP80154301) 230/115/13.2KV TRANSFORMER CKT 1'
FDNS	5	0 11G	G09_067S	'FROM->TO'	'ELK CITY 230KV (ELKCTY-6) 230/138/13.8KV TRANSFORMER CKT 1'			287	0.06708	101.28		'STATELINE INTERCHANGE (H TP80154301) 230/115/13.2KV TRANSFORMER CKT 1'
FDNS	5	0 11G	G08_022	'FROM->TO'	'ELK CITY 230KV (ELKCTY-6) 230/138/13.8KV TRANSFORMER CKT 1'			287	0.06838	101.28		'STATELINE INTERCHANGE (H TP80154301) 230/115/13.2KV TRANSFORMER CKT 1'
FDNS	5	0 11G	G10_007	'FROM->TO'	'ELK CITY 230KV (ELKCTY-6) 230/138/13.8KV TRANSFORMER CKT 1'			287	0.10254	101.28		'STATELINE INTERCHANGE (H TP80154301) 230/115/13.2KV TRANSFORMER CKT 1'
FDNS	5	0 11G	G08_110	'FROM->TO'	'ELK CITY 230KV (ELKCTY-6) 230/138/13.8KV TRANSFORMER CKT 1'			287	0.03835	101.28		'STATELINE INTERCHANGE (H TP80154301) 230/115/13.2KV TRANSFORMER CKT 1'
FDNS	5	0 11G	G08_088	'FROM->TO'	'ELK CITY 230KV (ELKCTY-6) 230/138/13.8KV TRANSFORMER CKT 1'			287	0.11437	101.28		'STATELINE INTERCHANGE (H TP80154301) 230/115/13.2KV TRANSFORMER CKT 1'
FDNS	5	0 11G	ASGI_2010_011	'FROM->TO'	'ELK CITY 230KV (ELKCTY-6) 230/138/13.8KV TRANSFORMER CKT 1'			287	0.0603	101.28		'STATELINE INTERCHANGE (H TP80154301) 230/115/13.2KV TRANSFORMER CKT 1'
FDNS	5	0 11G	G10_014	'FROM->TO'	'ELK CITY 230KV (ELKCTY-6) 230/138/13.8KV TRANSFORMER CKT 1'			287	0.03835	101.28		'STATELINE INTERCHANGE (H TP80154301) 230/115/13.2KV TRANSFORMER CKT 1'
FDNS	5	0 11G	G10_007	'TO->FROM'	'DEAF SMITH COUNTY INTERCHANGE - S- RANDLCO 230.00 230KV CKT 1'			350	0.07081	105.2842		'Graves Sub (GE D-575998) 115/69/13.2KV TRANSFORMER CKT 1'
FDNS	5	0 11G	G08_110	'TO->FROM'	'DEAF SMITH COUNTY INTERCHANGE - S- RANDLCO 230.00 230KV CKT 1'			350	0.04379	105.2842		'Graves Sub (GE D-575998) 115/69/13.2KV TRANSFORMER CKT 1'
FDNS	5	0 11G	G08_088	'TO->FROM'	'DEAF SMITH COUNTY INTERCHANGE - S- RANDLCO 230.00 230KV CKT 1'			350	0.06128	105.2842		'Graves Sub (GE D-575998) 115/69/13.2KV TRANSFORMER CKT 1'
FDNS	5	0 11G	ASGI_2010_011	'TO->FROM'	'DEAF SMITH COUNTY INTERCHANGE - S- RANDLCO 230.00 230KV CKT 1'			350	0.05515	105.2842		'Graves Sub (GE D-575998) 115/69/13.2KV TRANSFORMER CKT 1'
FDNS	5	0 11G	G10_014	'TO->FROM'	'DEAF SMITH COUNTY INTERCHANGE - S- RANDLCO 230.00 230KV CKT 1'			350	0.04379	105.2842		'Graves Sub (GE D-575998) 115/69/13.2KV TRANSFORMER CKT 1'
FDNS	5	0 11G	G09_067S	'FROM->TO'	'ELK CITY 230KV (ELKCTY-6) 230/138/13.8KV TRANSFORMER CKT 1'			287	0.06708	100.8153		'Graves Sub (GE D-575998) 115/69/13.2KV TRANSFORMER CKT 1'
FDNS	5	0 11G	G08_022	'FROM->TO'	'ELK CITY 230KV (ELKCTY-6) 230/138/13.8KV TRANSFORMER CKT 1'			287	0.06838	100.8153		'Graves Sub (GE D-575998) 115/69/13.2KV TRANSFORMER CKT 1'
FDNS	5	0 11G	G10_007	'FROM->TO'	'ELK CITY 230KV (ELKCTY-6) 230/138/13.8KV TRANSFORMER CKT 1'			287	0.10254	100.8153		'Graves Sub (GE D-575998) 115/69/13.2KV TRANSFORMER CKT 1'
FDNS	5	0 11G	G08_110	'FROM->TO'	'ELK CITY 230KV (ELKCTY-6) 230/138/13.8KV TRANSFORMER CKT 1'			287	0.03835	100.8153		'Graves Sub (GE D-575998) 115/69/13.2KV TRANSFORMER CKT 1'
FDNS	5	0 11G	G08_088	'FROM->TO'	'ELK CITY 230KV (ELKCTY-6) 230/138/13.8KV TRANSFORMER CKT 1'			287	0.11437	100.8153		'Graves Sub (GE D-575998) 115/69/13.2KV TRANSFORMER CKT 1'
FDNS	5	0 11G	ASGI_2010_011	'FROM->TO'	'ELK CITY 230KV (ELKCTY-6) 230/138/13.8KV TRANSFORMER CKT 1'			287	0.0603	100.8153		'Graves Sub (GE D-575998) 115/69/13.2KV TRANSFORMER CKT 1'

SOLUTION	GROUP	SCENARIO	SEASON	SOURCE	DIRECTION	MONITORED ELEMENT	RATE B	TDF	TC%LOADING	CONTINGENCY NAME
						COMMON NAME				
FDNS	5	0 11G	G10_014	'FROM->TO'	'ELK CITY 230KV (ELKCTY-6) 230/138/13.8KV TRANSFORMER CKT 1'	287	0.03835	100.8153	'Graves Sub (GE D-575998) 115/69/13.2KV TRANSFORMER CKT 1'	
FDNS	5	0 11G	G09_067S	'FROM->TO'	'ELK CITY 230KV (ELKCTY-6) 230/138/13.8KV TRANSFORMER CKT 1'	287	0.06708	100.0667	'Graves Sub (GE D-575998) 115/69/13.2KV TRANSFORMER CKT 1'	
FDNS	5	0 11G	G08_022	'FROM->TO'	'ELK CITY 230KV (ELKCTY-6) 230/138/13.8KV TRANSFORMER CKT 1'	287	0.06838	100.0667	'Graves Sub (GE D-575998) 115/69/13.2KV TRANSFORMER CKT 1'	
FDNS	5	0 11G	G10_007	'FROM->TO'	'ELK CITY 230KV (ELKCTY-6) 230/138/13.8KV TRANSFORMER CKT 1'	287	0.10254	100.0667	'Graves Sub (GE D-575998) 115/69/13.2KV TRANSFORMER CKT 1'	
FDNS	5	0 11G	G08_110	'FROM->TO'	'ELK CITY 230KV (ELKCTY-6) 230/138/13.8KV TRANSFORMER CKT 1'	287	0.03835	100.0667	'Graves Sub (GE D-575998) 115/69/13.2KV TRANSFORMER CKT 1'	
FDNS	5	0 11G	G08_088	'FROM->TO'	'ELK CITY 230KV (ELKCTY-6) 230/138/13.8KV TRANSFORMER CKT 1'	287	0.11437	100.0667	'Graves Sub (GE D-575998) 115/69/13.2KV TRANSFORMER CKT 1'	
FDNS	5	0 11G	ASGI_2010_011	'FROM->TO'	'ELK CITY 230KV (ELKCTY-6) 230/138/13.8KV TRANSFORMER CKT 1'	287	0.0603	100.0667	'Graves Sub (GE D-575998) 115/69/13.2KV TRANSFORMER CKT 1'	
FDNS	5	0 11G	G10_014	'FROM->TO'	'ELK CITY 230KV (ELKCTY-6) 230/138/13.8KV TRANSFORMER CKT 1'	287	0.03835	100.0667	'Graves Sub (GE D-575998) 115/69/13.2KV TRANSFORMER CKT 1'	
FDNS	5	0 11G	G10_007	'TO->FROM'	'DEAF SMITH COUNTY INTERCHANGE - S- RANDLCO 230.00 230KV CKT 1'	350	0.08804	107.7222	'POTTER COUNTY INTERCHANGE (WAUK 90343-A) 345/230/13.2KV TRANSFORMER CKT 1'	
FDNS	5	0 11G	G08_088	'TO->FROM'	'DEAF SMITH COUNTY INTERCHANGE - S- RANDLCO 230.00 230KV CKT 1'	350	0.08687	107.7222	'POTTER COUNTY INTERCHANGE (WAUK 90343-A) 345/230/13.2KV TRANSFORMER CKT 1'	
FDNS	5	0 11G	ASGI_2010_011	'TO->FROM'	'DEAF SMITH COUNTY INTERCHANGE - S- RANDLCO 230.00 230KV CKT 1'	350	0.05253	107.7222	'POTTER COUNTY INTERCHANGE (WAUK 90343-A) 345/230/13.2KV TRANSFORMER CKT 1'	
FDNS	5	0 11G	G09_067S	'FROM->TO'	'ELK CITY 230KV (ELKCTY-6) 230/138/13.8KV TRANSFORMER CKT 1'	287	0.08703	103.9288	'POTTER COUNTY INTERCHANGE (WAUK 90343-A) 345/230/13.2KV TRANSFORMER CKT 1'	
FDNS	5	0 11G	G08_022	'FROM->TO'	'ELK CITY 230KV (ELKCTY-6) 230/138/13.8KV TRANSFORMER CKT 1'	287	0.08872	103.9288	'POTTER COUNTY INTERCHANGE (WAUK 90343-A) 345/230/13.2KV TRANSFORMER CKT 1'	
FDNS	5	0 11G	G10_007	'FROM->TO'	'ELK CITY 230KV (ELKCTY-6) 230/138/13.8KV TRANSFORMER CKT 1'	287	0.12122	103.9288	'POTTER COUNTY INTERCHANGE (WAUK 90343-A) 345/230/13.2KV TRANSFORMER CKT 1'	
FDNS	5	0 11G	G08_088	'FROM->TO'	'ELK CITY 230KV (ELKCTY-6) 230/138/13.8KV TRANSFORMER CKT 1'	287	0.14211	103.9288	'POTTER COUNTY INTERCHANGE (WAUK 90343-A) 345/230/13.2KV TRANSFORMER CKT 1'	
FDNS	5	0 11G	ASGI_2010_011	'FROM->TO'	'ELK CITY 230KV (ELKCTY-6) 230/138/13.8KV TRANSFORMER CKT 1'	287	0.05747	103.9288	'POTTER COUNTY INTERCHANGE (WAUK 90343-A) 345/230/13.2KV TRANSFORMER CKT 1'	
FDNS	5	0 11G	G09_067S	'FROM->TO'	'ELK CITY 230KV (ELKCTY-6) 230/138/13.8KV TRANSFORMER CKT 1'	287	0.08703	102.9861	'POTTER COUNTY INTERCHANGE (WAUK 90343-A) 345/230/13.2KV TRANSFORMER CKT 1'	
FDNS	5	0 11G	G08_022	'FROM->TO'	'ELK CITY 230KV (ELKCTY-6) 230/138/13.8KV TRANSFORMER CKT 1'	287	0.08872	102.9861	'POTTER COUNTY INTERCHANGE (WAUK 90343-A) 345/230/13.2KV TRANSFORMER CKT 1'	
FDNS	5	0 11G	G10_007	'FROM->TO'	'ELK CITY 230KV (ELKCTY-6) 230/138/13.8KV TRANSFORMER CKT 1'	287	0.12122	102.9861	'POTTER COUNTY INTERCHANGE (WAUK 90343-A) 345/230/13.2KV TRANSFORMER CKT 1'	
FDNS	5	0 11G	G08_088	'FROM->TO'	'ELK CITY 230KV (ELKCTY-6) 230/138/13.8KV TRANSFORMER CKT 1'	287	0.14211	102.9861	'POTTER COUNTY INTERCHANGE (WAUK 90343-A) 345/230/13.2KV TRANSFORMER CKT 1'	
FDNS	5	0 11G	ASGI_2010_011	'FROM->TO'	'ELK CITY 230KV (ELKCTY-6) 230/138/13.8KV TRANSFORMER CKT 1'	287	0.05747	102.9861	'POTTER COUNTY INTERCHANGE (WAUK 90343-A) 345/230/13.2KV TRANSFORMER CKT 1'	
FDNS	5	0 11G	G10_007	'TO->FROM'	'DEAF SMITH COUNTY INTERCHANGE - S- RANDLCO 230.00 230KV CKT 1'	350	0.06782	102.7009	'TUCO INTERCHANGE (GE M1022338) 345/230/13.2KV TRANSFORMER CKT 1'	

SOLUTION	GROUP	SCENARIO	SEASON	SOURCE	DIRECTION	MONITORED ELEMENT		RATE B	TDF	TC%	LOADING	CONTINGENCY NAME
						COMMON NAME						
FDNS	5	0 11G	G08_110	'TO->FROM'	'DEAF SMITH COUNTY INTERCHANGE - S-RANDLCO 230.00 230KV CKT 1'	350	0.04321	102.7009	345/230/13.2KV TRANSFORMER CKT 1'	'TUCO INTERCHANGE (GE M1022338)		
FDNS	5	0 11G	G08_088	'TO->FROM'	'DEAF SMITH COUNTY INTERCHANGE - S-RANDLCO 230.00 230KV CKT 1'	350	0.05727	102.7009	345/230/13.2KV TRANSFORMER CKT 1'	'TUCO INTERCHANGE (GE M1022338)		
FDNS	5	0 11G	ASGI_2010_011	'TO->FROM'	'DEAF SMITH COUNTY INTERCHANGE - S-RANDLCO 230.00 230KV CKT 1'	350	0.0537	102.7009	345/230/13.2KV TRANSFORMER CKT 1'	'TUCO INTERCHANGE (GE M1022338)		
FDNS	5	0 11G	G10_014	'TO->FROM'	'DEAF SMITH COUNTY INTERCHANGE - S-RANDLCO 230.00 230KV CKT 1'	350	0.04321	102.7009	345/230/13.2KV TRANSFORMER CKT 1'	'TUCO INTERCHANGE (UPDATE DATA)		
FDNS	5	0 11G	G10_007	'TO->FROM'	'DEAF SMITH COUNTY INTERCHANGE - S-RANDLCO 230.00 230KV CKT 1'	350	0.06889	103.2388	345/230/13.2KV TRANSFORMER CKT 2'	'TUCO INTERCHANGE (UPDATE DATA)		
FDNS	5	0 11G	G08_110	'TO->FROM'	'DEAF SMITH COUNTY INTERCHANGE - S-RANDLCO 230.00 230KV CKT 1'	350	0.04342	103.2388	345/230/13.2KV TRANSFORMER CKT 2'	'TUCO INTERCHANGE (UPDATE DATA)		
FDNS	5	0 11G	G08_088	'TO->FROM'	'DEAF SMITH COUNTY INTERCHANGE - S-RANDLCO 230.00 230KV CKT 1'	350	0.0587	103.2388	345/230/13.2KV TRANSFORMER CKT 2'	'TUCO INTERCHANGE (UPDATE DATA)		
FDNS	5	0 11G	ASGI_2010_011	'TO->FROM'	'DEAF SMITH COUNTY INTERCHANGE - S-RANDLCO 230.00 230KV CKT 1'	350	0.05422	103.2388	345/230/13.2KV TRANSFORMER CKT 2'	'TUCO INTERCHANGE (UPDATE DATA)		
FDNS	5	0 11G	G10_014	'TO->FROM'	'DEAF SMITH COUNTY INTERCHANGE - S-RANDLCO 230.00 230KV CKT 1'	350	0.04342	103.2388	345/230/13.2KV TRANSFORMER CKT 2'	'TUCO INTERCHANGE (UPDATE DATA)		
FDNS	5	0 11G	G10_007	'TO->FROM'	'DEAF SMITH COUNTY INTERCHANGE - S-RANDLCO 230.00 230KV CKT 1'	350	0.07065	103.1315	'EDDY COUNTY INTERCHANGE (ABB AEM30711) 345/230/13.2KV TRANSFORMER CKT 1'	'EDDY COUNTY INTERCHANGE (ABB AEM30711) 345/230/13.2KV TRANSFORMER CKT 1'		
FDNS	5	0 11G	G08_110	'TO->FROM'	'DEAF SMITH COUNTY INTERCHANGE - S-RANDLCO 230.00 230KV CKT 1'	350	0.04367	103.1315	'EDDY COUNTY INTERCHANGE (ABB AEM30711) 345/230/13.2KV TRANSFORMER CKT 1'	'EDDY COUNTY INTERCHANGE (ABB AEM30711) 345/230/13.2KV TRANSFORMER CKT 1'		
FDNS	5	0 11G	G08_088	'TO->FROM'	'DEAF SMITH COUNTY INTERCHANGE - S-RANDLCO 230.00 230KV CKT 1'	350	0.0611	103.1315	'EDDY COUNTY INTERCHANGE (ABB AEM30711) 345/230/13.2KV TRANSFORMER CKT 1'	'EDDY COUNTY INTERCHANGE (ABB AEM30711) 345/230/13.2KV TRANSFORMER CKT 1'		
FDNS	5	0 11G	ASGI_2010_011	'TO->FROM'	'DEAF SMITH COUNTY INTERCHANGE - S-RANDLCO 230.00 230KV CKT 1'	350	0.05502	103.1315	'EDDY COUNTY INTERCHANGE (ABB AEM30711) 345/230/13.2KV TRANSFORMER CKT 1'	'EDDY COUNTY INTERCHANGE (ABB AEM30711) 345/230/13.2KV TRANSFORMER CKT 1'		
FDNS	5	0 11G	G10_014	'TO->FROM'	'DEAF SMITH COUNTY INTERCHANGE - S-RANDLCO 230.00 230KV CKT 1'	350	0.04367	103.1315	'EDDY COUNTY INTERCHANGE (ABB AEM30711) 345/230/13.2KV TRANSFORMER CKT 1'	'EDDY COUNTY INTERCHANGE (ABB AEM30711) 345/230/13.2KV TRANSFORMER CKT 1'		
FDNS	5	0 11G	G10_005	'FROM->TO'	'WICHITA (WICHT12X) 345/138/13.8KV TRANSFORMER CKT 1'	440	0.05252	101.8436	'WICHITA (WICHT11X) 345/138/13.8KV TRANSFORMER CKT 1'	'WICHITA (WICHT11X) 345/138/13.8KV TRANSFORMER CKT 1'		
FDNS	5	0 11G	G10_007	'TO->FROM'	'DEAF SMITH COUNTY INTERCHANGE - S-RANDLCO 230.00 230KV CKT 1'	350	0.07082	105.5103	'DBL-SPRVL-CO'	'DBL-SPRVL-CO'		
FDNS	5	0 11G	G08_110	'TO->FROM'	'DEAF SMITH COUNTY INTERCHANGE - S-RANDLCO 230.00 230KV CKT 1'	350	0.04408	105.5103	'DBL-SPRVL-CO'	'DBL-SPRVL-CO'		
FDNS	5	0 11G	G08_088	'TO->FROM'	'DEAF SMITH COUNTY INTERCHANGE - S-RANDLCO 230.00 230KV CKT 1'	350	0.0612	105.5103	'DBL-SPRVL-CO'	'DBL-SPRVL-CO'		
FDNS	5	0 11G	ASGI_2010_011	'TO->FROM'	'DEAF SMITH COUNTY INTERCHANGE - S-RANDLCO 230.00 230KV CKT 1'	350	0.05534	105.5103	'DBL-SPRVL-CO'	'DBL-SPRVL-CO'		
FDNS	5	0 11G	G10_014	'TO->FROM'	'DEAF SMITH COUNTY INTERCHANGE - S-RANDLCO 230.00 230KV CKT 1'	350	0.04408	105.5103	'DBL-SPRVL-CO'	'DBL-SPRVL-CO'		
FDNS	5	0 11G	G09_067S	'FROM->TO'	'ELK CITY 230KV (ELKCTY-6) 230/138/13.8KV TRANSFORMER CKT 1'	287	0.06673	100.3592	'DBL-SPRVL-CO'	'DBL-SPRVL-CO'		
FDNS	5	0 11G	G08_022	'FROM->TO'	'ELK CITY 230KV (ELKCTY-6) 230/138/13.8KV TRANSFORMER CKT 1'	287	0.06805	100.3592	'DBL-SPRVL-CO'	'DBL-SPRVL-CO'		
FDNS	5	0 11G	G10_007	'FROM->TO'	'ELK CITY 230KV (ELKCTY-6) 230/138/13.8KV TRANSFORMER CKT 1'	287	0.10256	100.3592	'DBL-SPRVL-CO'	'DBL-SPRVL-CO'		
FDNS	5	0 11G	G08_110	'FROM->TO'	'ELK CITY 230KV (ELKCTY-6) 230/138/13.8KV TRANSFORMER CKT 1'	287	0.03869	100.3592	'DBL-SPRVL-CO'	'DBL-SPRVL-CO'		
FDNS	5	0 11G	G08_088	'FROM->TO'	'ELK CITY 230KV (ELKCTY-6) 230/138/13.8KV TRANSFORMER CKT 1'	287	0.11429	100.3592	'DBL-SPRVL-CO'	'DBL-SPRVL-CO'		
FDNS	5	0 11G	ASGI_2010_011	'FROM->TO'	'ELK CITY 230KV (ELKCTY-6) 230/138/13.8KV TRANSFORMER CKT 1'	287	0.06053	100.3592	'DBL-SPRVL-CO'	'DBL-SPRVL-CO'		

SOLUTION	GROUP	SCENARIO	SEASON	SOURCE	DIRECTION	MONITORED ELEMENT	RATE B	TDF	TC%	LOADING	CONTINGENCY NAME
						COMMON NAME					
FDNS	5	0 11G	G10_014	'FROM->TO'	'ELK CITY 230KV (ELKCTY-6) 230/138/13.8KV TRANSFORMER CKT 1'	287	0.03869	100.3592	'DBL-SPRVL-CO'		
FDNS	5	0 11G	G10_007	'TO->FROM'	'DEAF SMITH COUNTY INTERCHANGE - S-RANDLCO 230.00 230KV CKT 1'	350	0.07082	105.5266	'DBL-COM-MEDL'		
FDNS	5	0 11G	G08_110	'TO->FROM'	'DEAF SMITH COUNTY INTERCHANGE - S-RANDLCO 230.00 230KV CKT 1'	350	0.04408	105.5266	'DBL-COM-MEDL'		
FDNS	5	0 11G	G08_088	'TO->FROM'	'DEAF SMITH COUNTY INTERCHANGE - S-RANDLCO 230.00 230KV CKT 1'	350	0.0612	105.5266	'DBL-COM-MEDL'		
FDNS	5	0 11G	ASGI_2010_011	'TO->FROM'	'DEAF SMITH COUNTY INTERCHANGE - S-RANDLCO 230.00 230KV CKT 1'	350	0.05534	105.5266	'DBL-COM-MEDL'		
FDNS	5	0 11G	G10_014	'TO->FROM'	'DEAF SMITH COUNTY INTERCHANGE - S-RANDLCO 230.00 230KV CKT 1'	350	0.04408	105.5266	'DBL-COM-MEDL'		
FDNS	5	0 11G	G09_067S	'FROM->TO'	'ELK CITY 230KV (ELKCTY-6) 230/138/13.8KV TRANSFORMER CKT 1'	287	0.06673	100.464	'DBL-COM-MEDL'		
FDNS	5	0 11G	G08_022	'FROM->TO'	'ELK CITY 230KV (ELKCTY-6) 230/138/13.8KV TRANSFORMER CKT 1'	287	0.06805	100.464	'DBL-COM-MEDL'		
FDNS	5	0 11G	G10_007	'FROM->TO'	'ELK CITY 230KV (ELKCTY-6) 230/138/13.8KV TRANSFORMER CKT 1'	287	0.10256	100.464	'DBL-COM-MEDL'		
FDNS	5	0 11G	G08_110	'FROM->TO'	'ELK CITY 230KV (ELKCTY-6) 230/138/13.8KV TRANSFORMER CKT 1'	287	0.03869	100.464	'DBL-COM-MEDL'		
FDNS	5	0 11G	G08_088	'FROM->TO'	'ELK CITY 230KV (ELKCTY-6) 230/138/13.8KV TRANSFORMER CKT 1'	287	0.11429	100.464	'DBL-COM-MEDL'		
FDNS	5	0 11G	ASGI_2010_011	'FROM->TO'	'ELK CITY 230KV (ELKCTY-6) 230/138/13.8KV TRANSFORMER CKT 1'	287	0.06053	100.464	'DBL-COM-MEDL'		
FDNS	5	0 11G	G10_014	'FROM->TO'	'ELK CITY 230KV (ELKCTY-6) 230/138/13.8KV TRANSFORMER CKT 1'	287	0.03869	100.464	'DBL-COM-MEDL'		
FDNS	5	0 11G	G08_044	'TO->FROM'	'FPL SWITCH - WOODWARD 138KV CKT 1'	153	0.04483	103.728	'DBL-MEDLO-WI'		
FDNS	5	0 11G	G08_047	'TO->FROM'	'FPL SWITCH - WOODWARD 138KV CKT 1'	153	0.07037	103.728	'DBL-MEDLO-WI'		
FDNS	5	0 11G	G09_067S	'TO->FROM'	'FPL SWITCH - WOODWARD 138KV CKT 1'	153	0.03139	103.728	'DBL-MEDLO-WI'		
FDNS	5	0 11G	G08_022	'TO->FROM'	'FPL SWITCH - WOODWARD 138KV CKT 1'	153	0.03141	103.728	'DBL-MEDLO-WI'		
FDNS	5	0 11G	G10_009	'TO->FROM'	'FPL SWITCH - WOODWARD 138KV CKT 1'	153	0.04305	103.728	'DBL-MEDLO-WI'		
FDNS	5	0 11G	G10_007	'TO->FROM'	'FPL SWITCH - WOODWARD 138KV CKT 1'	153	0.03465	103.728	'DBL-MEDLO-WI'		
FDNS	5	0 11G	G08_110	'TO->FROM'	'FPL SWITCH - WOODWARD 138KV CKT 1'	153	0.05692	103.728	'DBL-MEDLO-WI'		
FDNS	5	0 11G	ASGI_2010_011	'TO->FROM'	'FPL SWITCH - WOODWARD 138KV CKT 1'	153	0.04922	103.728	'DBL-MEDLO-WI'		
FDNS	5	0 11G	G10_011	'TO->FROM'	'FPL SWITCH - WOODWARD 138KV CKT 1'	153	0.04483	103.728	'DBL-MEDLO-WI'		
FDNS	5	0 11G	G10_015	'TO->FROM'	'FPL SWITCH - WOODWARD 138KV CKT 1'	153	0.04337	103.728	'DBL-MEDLO-WI'		
FDNS	5	0 11G	G10_014	'TO->FROM'	'FPL SWITCH - WOODWARD 138KV CKT 1'	153	0.05692	103.728	'DBL-MEDLO-WI'		
FDNS	5	0 11G	G10_016	'TO->FROM'	'FPL SWITCH - WOODWARD 138KV CKT 1'	153	0.03536	103.728	'DBL-MEDLO-WI'		
FDNS	5	0 11G	G10_007	'TO->FROM'	'DEAF SMITH COUNTY INTERCHANGE - S-RANDLCO 230.00 230KV CKT 1'	350	0.07222	105.83	'DBL-MEDLO-WI'		
FDNS	5	0 11G	G08_110	'TO->FROM'	'DEAF SMITH COUNTY INTERCHANGE - S-RANDLCO 230.00 230KV CKT 1'	350	0.04546	105.83	'DBL-MEDLO-WI'		
FDNS	5	0 11G	G08_088	'TO->FROM'	'DEAF SMITH COUNTY INTERCHANGE - S-RANDLCO 230.00 230KV CKT 1'	350	0.06261	105.83	'DBL-MEDLO-WI'		
FDNS	5	0 11G	ASGI_2010_011	'TO->FROM'	'DEAF SMITH COUNTY INTERCHANGE - S-RANDLCO 230.00 230KV CKT 1'	350	0.05673	105.83	'DBL-MEDLO-WI'		

SOLUTION	GROUP	SCENARIO	SEASON	SOURCE	DIRECTION	MONITORED ELEMENT		RATE B	TDF	TC%	LOADING	CONTINGENCY NAME
						COMMON NAME						
FDNS	5	0 11G	G10_014	'TO->FROM'	'DEAF SMITH COUNTY INTERCHANGE - S-RANDLCO 230.00 230KV CKT 1'	350	0.04546	105.83	'DBL-MEDLO-WI'			
FDNS	5	0 11G	G08_047	'TO->FROM'	'CLEARWATER - MILAN TAP 138KV CKT 1'	110	0.04127	161.0105	'DBL-MEDLO-WI'			
FDNS	5	0 11G	G10_009	'TO->FROM'	'CLEARWATER - MILAN TAP 138KV CKT 1'	110	0.04567	161.0105	'DBL-MEDLO-WI'			
FDNS	5	0 11G	G10_007	'TO->FROM'	'CLEARWATER - MILAN TAP 138KV CKT 1'	110	0.03254	161.0105	'DBL-MEDLO-WI'			
FDNS	5	0 11G	G08_110	'TO->FROM'	'CLEARWATER - MILAN TAP 138KV CKT 1'	110	0.03883	161.0105	'DBL-MEDLO-WI'			
FDNS	5	0 11G	G08_088	'TO->FROM'	'CLEARWATER - MILAN TAP 138KV CKT 1'	110	0.03065	161.0105	'DBL-MEDLO-WI'			
FDNS	5	0 11G	ASGI_2010_011	'TO->FROM'	'CLEARWATER - MILAN TAP 138KV CKT 1'	110	0.03663	161.0105	'DBL-MEDLO-WI'			
FDNS	5	0 11G	G10_015	'TO->FROM'	'CLEARWATER - MILAN TAP 138KV CKT 1'	110	0.05087	161.0105	'DBL-MEDLO-WI'			
FDNS	5	0 11G	G10_014	'TO->FROM'	'CLEARWATER - MILAN TAP 138KV CKT 1'	110	0.03883	161.0105	'DBL-MEDLO-WI'			
FDNS	5	0 11G	G10_016	'TO->FROM'	'CLEARWATER - MILAN TAP 138KV CKT 1'	110	0.03853	161.0105	'DBL-MEDLO-WI'			
FDNS	5	0 11G	G08_047	'FROM->TO'	'HARPER - MILAN TAP 138KV CKT 1'	95.6	0.04127	199.7418	'DBL-MEDLO-WI'			
FDNS	5	0 11G	G10_009	'FROM->TO'	'HARPER - MILAN TAP 138KV CKT 1'	95.6	0.04567	199.7418	'DBL-MEDLO-WI'			
FDNS	5	0 11G	G10_007	'FROM->TO'	'HARPER - MILAN TAP 138KV CKT 1'	95.6	0.03254	199.7418	'DBL-MEDLO-WI'			
FDNS	5	0 11G	G08_110	'FROM->TO'	'HARPER - MILAN TAP 138KV CKT 1'	95.6	0.03883	199.7418	'DBL-MEDLO-WI'			
FDNS	5	0 11G	G08_088	'FROM->TO'	'HARPER - MILAN TAP 138KV CKT 1'	95.6	0.03065	199.7418	'DBL-MEDLO-WI'			
FDNS	5	0 11G	ASGI_2010_011	'FROM->TO'	'HARPER - MILAN TAP 138KV CKT 1'	95.6	0.03663	199.7418	'DBL-MEDLO-WI'			
FDNS	5	0 11G	G10_015	'FROM->TO'	'HARPER - MILAN TAP 138KV CKT 1'	95.6	0.05087	199.7418	'DBL-MEDLO-WI'			
FDNS	5	0 11G	G10_014	'FROM->TO'	'HARPER - MILAN TAP 138KV CKT 1'	95.6	0.03883	199.7418	'DBL-MEDLO-WI'			
FDNS	5	0 11G	G10_016	'FROM->TO'	'HARPER - MILAN TAP 138KV CKT 1'	95.6	0.03853	199.7418	'DBL-MEDLO-WI'			
FDNS	5	0 11G	G09_067S	'FROM->TO'	'ELK CITY 230KV (ELKCTY-6) 230/138/13.8KV TRANSFORMER CKT 1'	287	0.07085	105.0646	'DBL-MEDLO-WI'			
FDNS	5	0 11G	G08_022	'FROM->TO'	'ELK CITY 230KV (ELKCTY-6) 230/138/13.8KV TRANSFORMER CKT 1'	287	0.07217	105.0646	'DBL-MEDLO-WI'			
FDNS	5	0 11G	G10_007	'FROM->TO'	'ELK CITY 230KV (ELKCTY-6) 230/138/13.8KV TRANSFORMER CKT 1'	287	0.10691	105.0646	'DBL-MEDLO-WI'			
FDNS	5	0 11G	G08_110	'FROM->TO'	'ELK CITY 230KV (ELKCTY-6) 230/138/13.8KV TRANSFORMER CKT 1'	287	0.04354	105.0646	'DBL-MEDLO-WI'			
FDNS	5	0 11G	G08_088	'FROM->TO'	'ELK CITY 230KV (ELKCTY-6) 230/138/13.8KV TRANSFORMER CKT 1'	287	0.1185	105.0646	'DBL-MEDLO-WI'			
FDNS	5	0 11G	ASGI_2010_011	'FROM->TO'	'ELK CITY 230KV (ELKCTY-6) 230/138/13.8KV TRANSFORMER CKT 1'	287	0.0652	105.0646	'DBL-MEDLO-WI'			
FDNS	5	0 11G	G10_014	'FROM->TO'	'ELK CITY 230KV (ELKCTY-6) 230/138/13.8KV TRANSFORMER CKT 1'	287	0.04354	105.0646	'DBL-MEDLO-WI'			
FDNS	5	0 11G	G09_067S	'FROM->TO'	'ELK CITY 230KV (ELKCTY-6) 230/138/13.8KV TRANSFORMER CKT 1'	287	0.07085	104.1116	'DBL-MEDLO-WI'			
FDNS	5	0 11G	G08_022	'FROM->TO'	'ELK CITY 230KV (ELKCTY-6) 230/138/13.8KV TRANSFORMER CKT 1'	287	0.07217	104.1116	'DBL-MEDLO-WI'			
FDNS	5	0 11G	G10_007	'FROM->TO'	'ELK CITY 230KV (ELKCTY-6) 230/138/13.8KV TRANSFORMER CKT 1'	287	0.10691	104.1116	'DBL-MEDLO-WI'			
FDNS	5	0 11G	G08_110	'FROM->TO'	'ELK CITY 230KV (ELKCTY-6) 230/138/13.8KV TRANSFORMER CKT 1'	287	0.04354	104.1116	'DBL-MEDLO-WI'			
FDNS	5	0 11G	G08_088	'FROM->TO'	'ELK CITY 230KV (ELKCTY-6) 230/138/13.8KV TRANSFORMER CKT 1'	287	0.1185	104.1116	'DBL-MEDLO-WI'			
FDNS	5	0 11G	ASGI_2010_011	'FROM->TO'	'ELK CITY 230KV (ELKCTY-6) 230/138/13.8KV TRANSFORMER CKT 1'	287	0.0652	104.1116	'DBL-MEDLO-WI'			
FDNS	5	0 11G	G10_014	'FROM->TO'	'ELK CITY 230KV (ELKCTY-6) 230/138/13.8KV TRANSFORMER CKT 1'	287	0.04354	104.1116	'DBL-MEDLO-WI'			

SOLUTION	GROUP	SCENARIO	SEASON	SOURCE	DIRECTION	MONITORED ELEMENT	RATE B	TDF	TC%	LOADING	CONTINGENCY NAME
						COMMON NAME					
FDNS	5	0 11G	G08_044	'TO->FROM'	'FPL SWITCH - WOODWARD 138KV CKT 1'	153	0.05959	103.6687	'DBL-WOOD-MED'		
FDNS	5	0 11G	G08_047	'TO->FROM'	'FPL SWITCH - WOODWARD 138KV CKT 1'	153	0.08451	103.6687	'DBL-WOOD-MED'		
FDNS	5	0 11G	G09_067S	'TO->FROM'	'FPL SWITCH - WOODWARD 138KV CKT 1'	153	0.04145	103.6687	'DBL-WOOD-MED'		
FDNS	5	0 11G	G08_022	'TO->FROM'	'FPL SWITCH - WOODWARD 138KV CKT 1'	153	0.04142	103.6687	'DBL-WOOD-MED'		
FDNS	5	0 11G	G10_007	'TO->FROM'	'FPL SWITCH - WOODWARD 138KV CKT 1'	153	0.04297	103.6687	'DBL-WOOD-MED'		
FDNS	5	0 11G	G08_110	'TO->FROM'	'FPL SWITCH - WOODWARD 138KV CKT 1'	153	0.06426	103.6687	'DBL-WOOD-MED'		
FDNS	5	0 11G	G08_088	'TO->FROM'	'FPL SWITCH - WOODWARD 138KV CKT 1'	153	0.03785	103.6687	'DBL-WOOD-MED'		
FDNS	5	0 11G	ASGI_2010_011	'TO->FROM'	'FPL SWITCH - WOODWARD 138KV CKT 1'	153	0.05691	103.6687	'DBL-WOOD-MED'		
FDNS	5	0 11G	G10_011	'TO->FROM'	'FPL SWITCH - WOODWARD 138KV CKT 1'	153	0.05959	103.6687	'DBL-WOOD-MED'		
FDNS	5	0 11G	G10_014	'TO->FROM'	'FPL SWITCH - WOODWARD 138KV CKT 1'	153	0.06426	103.6687	'DBL-WOOD-MED'		
FDNS	5	0 11G	G09_067S	'FROM->TO'	'ELK CITY 230KV (ELKCTY-6) 230/138/13.8KV TRANSFORMER CKT 1'	287	0.07106	102.1889	'DBL-WOOD-MED'		
FDNS	5	0 11G	G08_022	'FROM->TO'	'ELK CITY 230KV (ELKCTY-6) 230/138/13.8KV TRANSFORMER CKT 1'	287	0.07236	102.1889	'DBL-WOOD-MED'		
FDNS	5	0 11G	G10_007	'FROM->TO'	'ELK CITY 230KV (ELKCTY-6) 230/138/13.8KV TRANSFORMER CKT 1'	287	0.1065	102.1889	'DBL-WOOD-MED'		
FDNS	5	0 11G	G08_110	'FROM->TO'	'ELK CITY 230KV (ELKCTY-6) 230/138/13.8KV TRANSFORMER CKT 1'	287	0.04255	102.1889	'DBL-WOOD-MED'		
FDNS	5	0 11G	G08_088	'FROM->TO'	'ELK CITY 230KV (ELKCTY-6) 230/138/13.8KV TRANSFORMER CKT 1'	287	0.11828	102.1889	'DBL-WOOD-MED'		
FDNS	5	0 11G	ASGI_2010_011	'FROM->TO'	'ELK CITY 230KV (ELKCTY-6) 230/138/13.8KV TRANSFORMER CKT 1'	287	0.06442	102.1889	'DBL-WOOD-MED'		
FDNS	5	0 11G	G10_014	'FROM->TO'	'ELK CITY 230KV (ELKCTY-6) 230/138/13.8KV TRANSFORMER CKT 1'	287	0.04255	102.1889	'DBL-WOOD-MED'		
FDNS	5	0 11G	G09_067S	'FROM->TO'	'ELK CITY 230KV (ELKCTY-6) 230/138/13.8KV TRANSFORMER CKT 1'	287	0.07106	101.348	'DBL-WOOD-MED'		
FDNS	5	0 11G	G08_022	'FROM->TO'	'ELK CITY 230KV (ELKCTY-6) 230/138/13.8KV TRANSFORMER CKT 1'	287	0.07236	101.348	'DBL-WOOD-MED'		
FDNS	5	0 11G	G10_007	'FROM->TO'	'ELK CITY 230KV (ELKCTY-6) 230/138/13.8KV TRANSFORMER CKT 1'	287	0.1065	101.348	'DBL-WOOD-MED'		
FDNS	5	0 11G	G08_110	'FROM->TO'	'ELK CITY 230KV (ELKCTY-6) 230/138/13.8KV TRANSFORMER CKT 1'	287	0.04255	101.348	'DBL-WOOD-MED'		
FDNS	5	0 11G	G08_088	'FROM->TO'	'ELK CITY 230KV (ELKCTY-6) 230/138/13.8KV TRANSFORMER CKT 1'	287	0.11828	101.348	'DBL-WOOD-MED'		
FDNS	5	0 11G	ASGI_2010_011	'FROM->TO'	'ELK CITY 230KV (ELKCTY-6) 230/138/13.8KV TRANSFORMER CKT 1'	287	0.06442	101.348	'DBL-WOOD-MED'		
FDNS	5	0 11G	G10_014	'FROM->TO'	'ELK CITY 230KV (ELKCTY-6) 230/138/13.8KV TRANSFORMER CKT 1'	287	0.04255	101.348	'DBL-WOOD-MED'		
FDNS	5	0 11G	G09_067S	'FROM->TO'	'ELK CITY 230KV (ELKCTY-6) 230/138/13.8KV TRANSFORMER CKT 1'	287	0.06795	100.2508	'SPP-AEPW-25'		
FDNS	5	0 11G	G08_022	'FROM->TO'	'ELK CITY 230KV (ELKCTY-6) 230/138/13.8KV TRANSFORMER CKT 1'	287	0.06927	100.2508	'SPP-AEPW-25'		
FDNS	5	0 11G	G10_007	'FROM->TO'	'ELK CITY 230KV (ELKCTY-6) 230/138/13.8KV TRANSFORMER CKT 1'	287	0.10402	100.2508	'SPP-AEPW-25'		
FDNS	5	0 11G	G08_110	'FROM->TO'	'ELK CITY 230KV (ELKCTY-6) 230/138/13.8KV TRANSFORMER CKT 1'	287	0.03894	100.2508	'SPP-AEPW-25'		
FDNS	5	0 11G	G08_088	'FROM->TO'	'ELK CITY 230KV (ELKCTY-6) 230/138/13.8KV TRANSFORMER CKT 1'	287	0.11601	100.2508	'SPP-AEPW-25'		

SOLUTION	GROUP	SCENARIO	SEASON	SOURCE	DIRECTION	MONITORED ELEMENT	RATE B	TDF	TC%	LOADING	CONTINGENCY NAME
						COMMON NAME					
FDNS	5	0 11G	ASGI_2010_011	'FROM->TO'	'ELK CITY 230KV (ELKCCTY-6) 230/138/13.8KV TRANSFORMER CKT 1'	287	0.06118	100.2508	'SPP-AEPW-25'		
FDNS	5	0 11G	G10_014	'FROM->TO'	'ELK CITY 230KV (ELKCCTY-6) 230/138/13.8KV TRANSFORMER CKT 1'	287	0.03894	100.2508	'SPP-AEPW-25'		
FDNS	5	0 11G	G10_007	'TO->FROM'	'DEAF SMITH COUNTY INTERCHANGE - S- RANDLCO 230.00 230KV CKT 1'	350	0.07984	109.15	'SPP-SWPS-02'		
FDNS	5	0 11G	G08_110	'TO->FROM'	'DEAF SMITH COUNTY INTERCHANGE - S- RANDLCO 230.00 230KV CKT 1'	350	0.04733	109.15	'SPP-SWPS-02'		
FDNS	5	0 11G	G08_088	'TO->FROM'	'DEAF SMITH COUNTY INTERCHANGE - S- RANDLCO 230.00 230KV CKT 1'	350	0.07132	109.15	'SPP-SWPS-02'		
FDNS	5	0 11G	ASGI_2010_011	'TO->FROM'	'DEAF SMITH COUNTY INTERCHANGE - S- RANDLCO 230.00 230KV CKT 1'	350	0.06057	109.15	'SPP-SWPS-02'		
FDNS	5	0 11G	G10_014	'TO->FROM'	'DEAF SMITH COUNTY INTERCHANGE - S- RANDLCO 230.00 230KV CKT 1'	350	0.04733	109.15	'SPP-SWPS-02'		
FDNS	5	0 11G	G08_044	'TO->FROM'	'FPL SWITCH - WOODWARD 138KV CKT 1'	153	0.03417	101.32	'SPP-SWPS-02A'		
FDNS	5	0 11G	G08_047	'TO->FROM'	'FPL SWITCH - WOODWARD 138KV CKT 1'	153	0.05953	101.32	'SPP-SWPS-02A'		
FDNS	5	0 11G	G09_067S	'TO->FROM'	'FPL SWITCH - WOODWARD 138KV CKT 1'	153	0.03414	101.32	'SPP-SWPS-02A'		
FDNS	5	0 11G	G08_022	'TO->FROM'	'FPL SWITCH - WOODWARD 138KV CKT 1'	153	0.03436	101.32	'SPP-SWPS-02A'		
FDNS	5	0 11G	G10_007	'TO->FROM'	'FPL SWITCH - WOODWARD 138KV CKT 1'	153	0.04228	101.32	'SPP-SWPS-02A'		
FDNS	5	0 11G	G08_110	'TO->FROM'	'FPL SWITCH - WOODWARD 138KV CKT 1'	153	0.0506	101.32	'SPP-SWPS-02A'		
FDNS	5	0 11G	G08_088	'TO->FROM'	'FPL SWITCH - WOODWARD 138KV CKT 1'	153	0.03961	101.32	'SPP-SWPS-02A'		
FDNS	5	0 11G	ASGI_2010_011	'TO->FROM'	'FPL SWITCH - WOODWARD 138KV CKT 1'	153	0.04769	101.32	'SPP-SWPS-02A'		
FDNS	5	0 11G	G10_011	'TO->FROM'	'FPL SWITCH - WOODWARD 138KV CKT 1'	153	0.03417	101.32	'SPP-SWPS-02A'		
FDNS	5	0 11G	G10_014	'TO->FROM'	'FPL SWITCH - WOODWARD 138KV CKT 1'	153	0.0506	101.32	'SPP-SWPS-02A'		
FDNS	5	0 11G	G10_007	'TO->FROM'	'DEAF SMITH COUNTY INTERCHANGE - S- RANDLCO 230.00 230KV CKT 1'	350	0.07984	109.1174	'SPP-SWPS-02A'		
FDNS	5	0 11G	G08_110	'TO->FROM'	'DEAF SMITH COUNTY INTERCHANGE - S- RANDLCO 230.00 230KV CKT 1'	350	0.04733	109.1174	'SPP-SWPS-02A'		
FDNS	5	0 11G	G08_088	'TO->FROM'	'DEAF SMITH COUNTY INTERCHANGE - S- RANDLCO 230.00 230KV CKT 1'	350	0.07132	109.1174	'SPP-SWPS-02A'		
FDNS	5	0 11G	ASGI_2010_011	'TO->FROM'	'DEAF SMITH COUNTY INTERCHANGE - S- RANDLCO 230.00 230KV CKT 1'	350	0.06057	109.1174	'SPP-SWPS-02A'		
FDNS	5	0 11G	G10_014	'TO->FROM'	'DEAF SMITH COUNTY INTERCHANGE - S- RANDLCO 230.00 230KV CKT 1'	350	0.04733	109.1174	'SPP-SWPS-02A'		
FDNS	5	0 11G	G10_007	'TO->FROM'	'DEAF SMITH COUNTY INTERCHANGE - S- RANDLCO 230.00 230KV CKT 1'	350	0.0799	109.8948	'SPP-SWPS-03'		
FDNS	5	0 11G	G08_110	'TO->FROM'	'DEAF SMITH COUNTY INTERCHANGE - S- RANDLCO 230.00 230KV CKT 1'	350	0.04748	109.8948	'SPP-SWPS-03'		
FDNS	5	0 11G	G08_088	'TO->FROM'	'DEAF SMITH COUNTY INTERCHANGE - S- RANDLCO 230.00 230KV CKT 1'	350	0.07153	109.8948	'SPP-SWPS-03'		
FDNS	5	0 11G	ASGI_2010_011	'TO->FROM'	'DEAF SMITH COUNTY INTERCHANGE - S- RANDLCO 230.00 230KV CKT 1'	350	0.06072	109.8948	'SPP-SWPS-03'		
FDNS	5	0 11G	G10_014	'TO->FROM'	'DEAF SMITH COUNTY INTERCHANGE - S- RANDLCO 230.00 230KV CKT 1'	350	0.04748	109.8948	'SPP-SWPS-03'		
FDNS	5	0 11G	G10_007	'TO->FROM'	'DEAF SMITH COUNTY INTERCHANGE - S- RANDLCO 230.00 230KV CKT 1'	350	0.07031	102.1888	'SPP-SWPS-25'		
FDNS	5	0 11G	G08_110	'TO->FROM'	'DEAF SMITH COUNTY INTERCHANGE - S- RANDLCO 230.00 230KV CKT 1'	350	0.0437	102.1888	'SPP-SWPS-25'		

SOLUTION	GROUP	SCENARIO	SEASON	SOURCE	DIRECTION	MONITORED ELEMENT	RATE B	TDF	TC%	LOADING	CONTINGENCY NAME
						COMMON NAME					
FDNS	5	0 11G	G08_088	'TO->FROM'	'DEAF SMITH COUNTY INTERCHANGE - S-RANDLCO 230.00 230KV CKT 1'	350	0.06066	102.1888	'SPP-SWPS-25'		
FDNS	5	0 11G	ASGI_2010_011	'TO->FROM'	'DEAF SMITH COUNTY INTERCHANGE - S-RANDLCO 230.00 230KV CKT 1'	350	0.05489	102.1888	'SPP-SWPS-25'		
FDNS	5	0 11G	G10_014	'TO->FROM'	'DEAF SMITH COUNTY INTERCHANGE - S-RANDLCO 230.00 230KV CKT 1'	350	0.0437	102.1888	'SPP-SWPS-25'		
FDNS	5	0 11G	G10_007	'TO->FROM'	'DEAF SMITH COUNTY INTERCHANGE - S-RANDLCO 230.00 230KV CKT 1'	350	0.06532	101.9524	'SPP-SWPS-26'		
FDNS	5	0 11G	G08_110	'TO->FROM'	'DEAF SMITH COUNTY INTERCHANGE - S-RANDLCO 230.00 230KV CKT 1'	350	0.04101	101.9524	'SPP-SWPS-26'		
FDNS	5	0 11G	G08_088	'TO->FROM'	'DEAF SMITH COUNTY INTERCHANGE - S-RANDLCO 230.00 230KV CKT 1'	350	0.05417	101.9524	'SPP-SWPS-26'		
FDNS	5	0 11G	ASGI_2010_011	'TO->FROM'	'DEAF SMITH COUNTY INTERCHANGE - S-RANDLCO 230.00 230KV CKT 1'	350	0.05137	101.9524	'SPP-SWPS-26'		
FDNS	5	0 11G	G10_014	'TO->FROM'	'DEAF SMITH COUNTY INTERCHANGE - S-RANDLCO 230.00 230KV CKT 1'	350	0.04101	101.9524	'SPP-SWPS-26'		
FDNS	5	0 11G	G10_007	'TO->FROM'	'DEAF SMITH COUNTY INTERCHANGE - S-RANDLCO 230.00 230KV CKT 1'	350	0.07097	105.3953	'SPP-SWPS-K19'		
FDNS	5	0 11G	G08_110	'TO->FROM'	'DEAF SMITH COUNTY INTERCHANGE - S-RANDLCO 230.00 230KV CKT 1'	350	0.04406	105.3953	'SPP-SWPS-K19'		
FDNS	5	0 11G	G08_088	'TO->FROM'	'DEAF SMITH COUNTY INTERCHANGE - S-RANDLCO 230.00 230KV CKT 1'	350	0.05477	105.3953	'SPP-SWPS-K19'		
FDNS	5	0 11G	ASGI_2010_011	'TO->FROM'	'DEAF SMITH COUNTY INTERCHANGE - S-RANDLCO 230.00 230KV CKT 1'	350	0.05542	105.3953	'SPP-SWPS-K19'		
FDNS	5	0 11G	G10_014	'TO->FROM'	'DEAF SMITH COUNTY INTERCHANGE - S-RANDLCO 230.00 230KV CKT 1'	350	0.04406	105.3953	'SPP-SWPS-K19'		
FDNS	5	0 11G	G10_007	'TO->FROM'	'DEAF SMITH COUNTY INTERCHANGE - S-RANDLCO 230.00 230KV CKT 1'	350	0.07363	107.1247	'SPP-SWPS-K31'		
FDNS	5	0 11G	G08_110	'TO->FROM'	'DEAF SMITH COUNTY INTERCHANGE - S-RANDLCO 230.00 230KV CKT 1'	350	0.03941	107.1247	'SPP-SWPS-K31'		
FDNS	5	0 11G	G08_088	'TO->FROM'	'DEAF SMITH COUNTY INTERCHANGE - S-RANDLCO 230.00 230KV CKT 1'	350	0.06837	107.1247	'SPP-SWPS-K31'		
FDNS	5	0 11G	ASGI_2010_011	'TO->FROM'	'DEAF SMITH COUNTY INTERCHANGE - S-RANDLCO 230.00 230KV CKT 1'	350	0.0501	107.1247	'SPP-SWPS-K31'		
FDNS	5	0 11G	G10_014	'TO->FROM'	'DEAF SMITH COUNTY INTERCHANGE - S-RANDLCO 230.00 230KV CKT 1'	350	0.03941	107.1247	'SPP-SWPS-K31'		
FDNS	5	0 11G	G09_067S	'FROM->TO'	'ELK CITY 230KV (ELKCTY-6) 230/138/13.8KV TRANSFORMER CKT 1'	287	0.07292	102.1202	'SPP-SWPS-K31'		
FDNS	5	0 11G	G08_022	'FROM->TO'	'ELK CITY 230KV (ELKCTY-6) 230/138/13.8KV TRANSFORMER CKT 1'	287	0.07434	102.1202	'SPP-SWPS-K31'		
FDNS	5	0 11G	G10_007	'FROM->TO'	'ELK CITY 230KV (ELKCTY-6) 230/138/13.8KV TRANSFORMER CKT 1'	287	0.109	102.1202	'SPP-SWPS-K31'		
FDNS	5	0 11G	G08_110	'FROM->TO'	'ELK CITY 230KV (ELKCTY-6) 230/138/13.8KV TRANSFORMER CKT 1'	287	0.03332	102.1202	'SPP-SWPS-K31'		
FDNS	5	0 11G	G08_088	'FROM->TO'	'ELK CITY 230KV (ELKCTY-6) 230/138/13.8KV TRANSFORMER CKT 1'	287	0.12303	102.1202	'SPP-SWPS-K31'		
FDNS	5	0 11G	ASGI_2010_011	'FROM->TO'	'ELK CITY 230KV (ELKCTY-6) 230/138/13.8KV TRANSFORMER CKT 1'	287	0.05687	102.1202	'SPP-SWPS-K31'		
FDNS	5	0 11G	G10_014	'FROM->TO'	'ELK CITY 230KV (ELKCTY-6) 230/138/13.8KV TRANSFORMER CKT 1'	287	0.03332	102.1202	'SPP-SWPS-K31'		
FDNS	5	0 11G	G09_067S	'FROM->TO'	'ELK CITY 230KV (ELKCTY-6) 230/138/13.8KV TRANSFORMER CKT 1'	287	0.07292	101.2339	'SPP-SWPS-K31'		
FDNS	5	0 11G	G08_022	'FROM->TO'	'ELK CITY 230KV (ELKCTY-6) 230/138/13.8KV TRANSFORMER CKT 1'	287	0.07434	101.2339	'SPP-SWPS-K31'		
FDNS	5	0 11G	G10_007	'FROM->TO'	'ELK CITY 230KV (ELKCTY-6) 230/138/13.8KV TRANSFORMER CKT 1'	287	0.109	101.2339	'SPP-SWPS-K31'		
FDNS	5	0 11G	G08_110	'FROM->TO'	'ELK CITY 230KV (ELKCTY-6) 230/138/13.8KV TRANSFORMER CKT 1'	287	0.03332	101.2339	'SPP-SWPS-K31'		

SOLUTION	GROUP	SCENARIO	SEASON	SOURCE	DIRECTION	MONITORED ELEMENT	RATE B	TDF	TC%	LOADING	CONTINGENCY NAME
						COMMON NAME					
FDNS	5	0 11G	G08_088	'FROM->TO'	'ELK CITY 230KV (ELKCTY-6) 230/138/13.8KV TRANSFORMER CKT 1'	287	0.12303	101.2339	'SPP-SWPS-K31'		
FDNS	5	0 11G	ASGI_2010_011	'FROM->TO'	'ELK CITY 230KV (ELKCTY-6) 230/138/13.8KV TRANSFORMER CKT 1'	287	0.05687	101.2339	'SPP-SWPS-K31'		
FDNS	5	0 11G	G10_014	'FROM->TO'	'ELK CITY 230KV (ELKCTY-6) 230/138/13.8KV TRANSFORMER CKT 1'	287	0.03332	101.2339	'SPP-SWPS-K31'		
FDNS	5	0 11G	G09_067S	'FROM->TO'	'PLANT X STATION (WH ALM20171) 230/115/13.2KV TRANSFORMER CKT 1'	239	0.05319	100.8379	'SPP-SWPS-K37'		
FDNS	5	0 11G	G08_022	'FROM->TO'	'PLANT X STATION (WH ALM20171) 230/115/13.2KV TRANSFORMER CKT 1'	239	0.06932	100.8379	'SPP-SWPS-K37'		
FDNS	5	0 11G	G10_007	'TO->FROM'	'DEAF SMITH COUNTY INTERCHANGE - S-RANDLCO 230.00 230KV CKT 1'	350	0.07078	105.1658	'SPP-SWPS-K51'		
FDNS	5	0 11G	G08_110	'TO->FROM'	'DEAF SMITH COUNTY INTERCHANGE - S-RANDLCO 230.00 230KV CKT 1'	350	0.04382	105.1658	'SPP-SWPS-K51'		
FDNS	5	0 11G	G08_088	'TO->FROM'	'DEAF SMITH COUNTY INTERCHANGE - S-RANDLCO 230.00 230KV CKT 1'	350	0.06121	105.1658	'SPP-SWPS-K51'		
FDNS	5	0 11G	ASGI_2010_011	'TO->FROM'	'DEAF SMITH COUNTY INTERCHANGE - S-RANDLCO 230.00 230KV CKT 1'	350	0.05516	105.1658	'SPP-SWPS-K51'		
FDNS	5	0 11G	G10_014	'TO->FROM'	'DEAF SMITH COUNTY INTERCHANGE - S-RANDLCO 230.00 230KV CKT 1'	350	0.04382	105.1658	'SPP-SWPS-K51'		
FDNS	5	0 11G	G10_007	'TO->FROM'	'DEAF SMITH COUNTY INTERCHANGE - S-RANDLCO 230.00 230KV CKT 1'	350	0.07075	102.5728	'SPP-SWPS-K71'		
FDNS	5	0 11G	G08_110	'TO->FROM'	'DEAF SMITH COUNTY INTERCHANGE - S-RANDLCO 230.00 230KV CKT 1'	350	0.04387	102.5728	'SPP-SWPS-K71'		
FDNS	5	0 11G	G08_088	'TO->FROM'	'DEAF SMITH COUNTY INTERCHANGE - S-RANDLCO 230.00 230KV CKT 1'	350	0.06117	102.5728	'SPP-SWPS-K71'		
FDNS	5	0 11G	ASGI_2010_011	'TO->FROM'	'DEAF SMITH COUNTY INTERCHANGE - S-RANDLCO 230.00 230KV CKT 1'	350	0.05517	102.5728	'SPP-SWPS-K71'		
FDNS	5	0 11G	G10_014	'TO->FROM'	'DEAF SMITH COUNTY INTERCHANGE - S-RANDLCO 230.00 230KV CKT 1'	350	0.04387	102.5728	'SPP-SWPS-K71'		
FDNS	5	0 11G	G10_007	'TO->FROM'	'DEAF SMITH COUNTY INTERCHANGE - S-RANDLCO 230.00 230KV CKT 1'	350	0.07087	105.4203	'SPP-SWPS-T37'		
FDNS	5	0 11G	G08_110	'TO->FROM'	'DEAF SMITH COUNTY INTERCHANGE - S-RANDLCO 230.00 230KV CKT 1'	350	0.0438	105.4203	'SPP-SWPS-T37'		
FDNS	5	0 11G	G08_088	'TO->FROM'	'DEAF SMITH COUNTY INTERCHANGE - S-RANDLCO 230.00 230KV CKT 1'	350	0.06154	105.4203	'SPP-SWPS-T37'		
FDNS	5	0 11G	ASGI_2010_011	'TO->FROM'	'DEAF SMITH COUNTY INTERCHANGE - S-RANDLCO 230.00 230KV CKT 1'	350	0.05517	105.4203	'SPP-SWPS-T37'		
FDNS	5	0 11G	G10_014	'TO->FROM'	'DEAF SMITH COUNTY INTERCHANGE - S-RANDLCO 230.00 230KV CKT 1'	350	0.0438	105.4203	'SPP-SWPS-T37'		
FDNS	5	0 11G	G10_007	'TO->FROM'	'DEAF SMITH COUNTY INTERCHANGE - S-RANDLCO 230.00 230KV CKT 1'	350	0.07123	105.2646	'SPP-SWPS-T53'		
FDNS	5	0 11G	G08_110	'TO->FROM'	'DEAF SMITH COUNTY INTERCHANGE - S-RANDLCO 230.00 230KV CKT 1'	350	0.04396	105.2646	'SPP-SWPS-T53'		
FDNS	5	0 11G	G08_088	'TO->FROM'	'DEAF SMITH COUNTY INTERCHANGE - S-RANDLCO 230.00 230KV CKT 1'	350	0.06194	105.2646	'SPP-SWPS-T53'		
FDNS	5	0 11G	ASGI_2010_011	'TO->FROM'	'DEAF SMITH COUNTY INTERCHANGE - S-RANDLCO 230.00 230KV CKT 1'	350	0.05541	105.2646	'SPP-SWPS-T53'		
FDNS	5	0 11G	G10_014	'TO->FROM'	'DEAF SMITH COUNTY INTERCHANGE - S-RANDLCO 230.00 230KV CKT 1'	350	0.04396	105.2646	'SPP-SWPS-T53'		
FDNS	5	0 11G	G10_007	'TO->FROM'	'DEAF SMITH COUNTY INTERCHANGE - S-RANDLCO 230.00 230KV CKT 1'	350	0.07167	106.016	'SPP-SWPS-T54'		
FDNS	5	0 11G	G08_110	'TO->FROM'	'DEAF SMITH COUNTY INTERCHANGE - S-RANDLCO 230.00 230KV CKT 1'	350	0.04413	106.016	'SPP-SWPS-T54'		
FDNS	5	0 11G	G08_088	'TO->FROM'	'DEAF SMITH COUNTY INTERCHANGE - S-RANDLCO 230.00 230KV CKT 1'	350	0.06223	106.016	'SPP-SWPS-T54'		
FDNS	5	0 11G	ASGI_2010_011	'TO->FROM'	'DEAF SMITH COUNTY INTERCHANGE - S-RANDLCO 230.00 230KV CKT 1'	350	0.05567	106.016	'SPP-SWPS-T54'		

SOLUTION	GROUP	SCENARIO	SEASON	SOURCE	DIRECTION	MONITORED ELEMENT	RATE B	TDF	TC%	LOADING	CONTINGENCY NAME
						COMMON NAME					
FDNS	5	0 11G	G10_014	'TO->FROM'	'DEAF SMITH COUNTY INTERCHANGE - S-RANDLCO 230.00 230KV CKT 1'	350	0.04413	106.016	'SPP-SWPS-T54'		
FDNS	5	0 11G	G09_067S	'FROM->TO'	'ELK CITY 230KV (ELKCTY-6) 230/138/13.8KV TRANSFORMER CKT 1'	287	0.06986	104.2269	'SPP-SWPS-T54'		
FDNS	5	0 11G	G08_022	'FROM->TO'	'ELK CITY 230KV (ELKCTY-6) 230/138/13.8KV TRANSFORMER CKT 1'	287	0.07122	104.2269	'SPP-SWPS-T54'		
FDNS	5	0 11G	G10_007	'FROM->TO'	'ELK CITY 230KV (ELKCTY-6) 230/138/13.8KV TRANSFORMER CKT 1'	287	0.10727	104.2269	'SPP-SWPS-T54'		
FDNS	5	0 11G	G08_110	'FROM->TO'	'ELK CITY 230KV (ELKCTY-6) 230/138/13.8KV TRANSFORMER CKT 1'	287	0.04022	104.2269	'SPP-SWPS-T54'		
FDNS	5	0 11G	G08_088	'FROM->TO'	'ELK CITY 230KV (ELKCTY-6) 230/138/13.8KV TRANSFORMER CKT 1'	287	0.11961	104.2269	'SPP-SWPS-T54'		
FDNS	5	0 11G	ASGI_2010_011	'FROM->TO'	'ELK CITY 230KV (ELKCTY-6) 230/138/13.8KV TRANSFORMER CKT 1'	287	0.06312	104.2269	'SPP-SWPS-T54'		
FDNS	5	0 11G	G10_014	'FROM->TO'	'ELK CITY 230KV (ELKCTY-6) 230/138/13.8KV TRANSFORMER CKT 1'	287	0.04022	104.2269	'SPP-SWPS-T54'		
FDNS	5	0 11G	G09_067S	'FROM->TO'	'ELK CITY 230KV (ELKCTY-6) 230/138/13.8KV TRANSFORMER CKT 1'	287	0.06986	103.3377	'SPP-SWPS-T54'		
FDNS	5	0 11G	G08_022	'FROM->TO'	'ELK CITY 230KV (ELKCTY-6) 230/138/13.8KV TRANSFORMER CKT 1'	287	0.07122	103.3377	'SPP-SWPS-T54'		
FDNS	5	0 11G	G10_007	'FROM->TO'	'ELK CITY 230KV (ELKCTY-6) 230/138/13.8KV TRANSFORMER CKT 1'	287	0.10727	103.3377	'SPP-SWPS-T54'		
FDNS	5	0 11G	G08_110	'FROM->TO'	'ELK CITY 230KV (ELKCTY-6) 230/138/13.8KV TRANSFORMER CKT 1'	287	0.04022	103.3377	'SPP-SWPS-T54'		
FDNS	5	0 11G	G08_088	'FROM->TO'	'ELK CITY 230KV (ELKCTY-6) 230/138/13.8KV TRANSFORMER CKT 1'	287	0.11961	103.3377	'SPP-SWPS-T54'		
FDNS	5	0 11G	ASGI_2010_011	'FROM->TO'	'ELK CITY 230KV (ELKCTY-6) 230/138/13.8KV TRANSFORMER CKT 1'	287	0.06312	103.3377	'SPP-SWPS-T54'		
FDNS	5	0 11G	G10_014	'FROM->TO'	'ELK CITY 230KV (ELKCTY-6) 230/138/13.8KV TRANSFORMER CKT 1'	287	0.04022	103.3377	'SPP-SWPS-T54'		
FDNS	5	0 11G	G10_007	'TO->FROM'	'DEAF SMITH COUNTY INTERCHANGE - S-RANDLCO 230.00 230KV CKT 1'	350	0.06699	101.5997	'SPP-SWPS-T59'		
FDNS	5	0 11G	G08_110	'TO->FROM'	'DEAF SMITH COUNTY INTERCHANGE - S-RANDLCO 230.00 230KV CKT 1'	350	0.04169	101.5997	'SPP-SWPS-T59'		
FDNS	5	0 11G	G08_088	'TO->FROM'	'DEAF SMITH COUNTY INTERCHANGE - S-RANDLCO 230.00 230KV CKT 1'	350	0.05625	101.5997	'SPP-SWPS-T59'		
FDNS	5	0 11G	ASGI_2010_011	'TO->FROM'	'DEAF SMITH COUNTY INTERCHANGE - S-RANDLCO 230.00 230KV CKT 1'	350	0.05243	101.5997	'SPP-SWPS-T59'		
FDNS	5	0 11G	G10_014	'TO->FROM'	'DEAF SMITH COUNTY INTERCHANGE - S-RANDLCO 230.00 230KV CKT 1'	350	0.04169	101.5997	'SPP-SWPS-T59'		
FDNS	5	0 11G	G10_007	'TO->FROM'	'DEAF SMITH COUNTY INTERCHANGE - S-RANDLCO 230.00 230KV CKT 1'	350	0.07081	100.8678	'SPP-SWPS-T63'		
FDNS	5	0 11G	G08_110	'TO->FROM'	'DEAF SMITH COUNTY INTERCHANGE - S-RANDLCO 230.00 230KV CKT 1'	350	0.04379	100.8678	'SPP-SWPS-T63'		
FDNS	5	0 11G	G08_088	'TO->FROM'	'DEAF SMITH COUNTY INTERCHANGE - S-RANDLCO 230.00 230KV CKT 1'	350	0.06128	100.8678	'SPP-SWPS-T63'		
FDNS	5	0 11G	ASGI_2010_011	'TO->FROM'	'DEAF SMITH COUNTY INTERCHANGE - S-RANDLCO 230.00 230KV CKT 1'	350	0.05515	100.8678	'SPP-SWPS-T63'		
FDNS	5	0 11G	G10_014	'TO->FROM'	'DEAF SMITH COUNTY INTERCHANGE - S-RANDLCO 230.00 230KV CKT 1'	350	0.04379	100.8678	'SPP-SWPS-T63'		
FDNS	5	0 11G	G10_007	'TO->FROM'	'DEAF SMITH COUNTY INTERCHANGE - S-RANDLCO 230.00 230KV CKT 1'	350	0.07081	105.5566	'SPP-SWPS-T64'		
FDNS	5	0 11G	G08_110	'TO->FROM'	'DEAF SMITH COUNTY INTERCHANGE - S-RANDLCO 230.00 230KV CKT 1'	350	0.04379	105.5566	'SPP-SWPS-T64'		
FDNS	5	0 11G	G08_088	'TO->FROM'	'DEAF SMITH COUNTY INTERCHANGE - S-RANDLCO 230.00 230KV CKT 1'	350	0.06128	105.5566	'SPP-SWPS-T64'		
FDNS	5	0 11G	ASGI_2010_011	'TO->FROM'	'DEAF SMITH COUNTY INTERCHANGE - S-RANDLCO 230.00 230KV CKT 1'	350	0.05515	105.5566	'SPP-SWPS-T64'		

SOLUTION	GROUP	SCENARIO	SEASON	SOURCE	DIRECTION	MONITORED ELEMENT	RATE	B	TDF	TC%	LOADING	CONTINGENCY NAME
						COMMON NAME						
FDNS	5	0 11G	G10_014	'TO->FROM'	'DEAF SMITH COUNTY INTERCHANGE - S-RANDLCO 230.00 230KV CKT 1'	350	0.04379	105.5566	'SPP-SWPS-T64'			
FDNS	5	0 11G	G10_007	'TO->FROM'	'DEAF SMITH COUNTY INTERCHANGE - S-RANDLCO 230.00 230KV CKT 1'	350	0.07081	106.1996	'SPP-SWPS-T66'			
FDNS	5	0 11G	G08_110	'TO->FROM'	'DEAF SMITH COUNTY INTERCHANGE - S-RANDLCO 230.00 230KV CKT 1'	350	0.04379	106.1996	'SPP-SWPS-T66'			
FDNS	5	0 11G	G08_088	'TO->FROM'	'DEAF SMITH COUNTY INTERCHANGE - S-RANDLCO 230.00 230KV CKT 1'	350	0.06128	106.1996	'SPP-SWPS-T66'			
FDNS	5	0 11G	ASGI_2010_011	'TO->FROM'	'DEAF SMITH COUNTY INTERCHANGE - S-RANDLCO 230.00 230KV CKT 1'	350	0.05515	106.1996	'SPP-SWPS-T66'			
FDNS	5	0 11G	G10_014	'TO->FROM'	'DEAF SMITH COUNTY INTERCHANGE - S-RANDLCO 230.00 230KV CKT 1'	350	0.04379	106.1996	'SPP-SWPS-T66'			
FDNS	5	0 11G	G10_007	'TO->FROM'	'DEAF SMITH COUNTY INTERCHANGE - S-RANDLCO 230.00 230KV CKT 1'	350	0.07068	105.4877	'SPP-SWPS-T70'			
FDNS	5	0 11G	G08_110	'TO->FROM'	'DEAF SMITH COUNTY INTERCHANGE - S-RANDLCO 230.00 230KV CKT 1'	350	0.04379	105.4877	'SPP-SWPS-T70'			
FDNS	5	0 11G	G08_088	'TO->FROM'	'DEAF SMITH COUNTY INTERCHANGE - S-RANDLCO 230.00 230KV CKT 1'	350	0.06304	105.4877	'SPP-SWPS-T70'			
FDNS	5	0 11G	ASGI_2010_011	'TO->FROM'	'DEAF SMITH COUNTY INTERCHANGE - S-RANDLCO 230.00 230KV CKT 1'	350	0.05512	105.4877	'SPP-SWPS-T70'			
FDNS	5	0 11G	G10_014	'TO->FROM'	'DEAF SMITH COUNTY INTERCHANGE - S-RANDLCO 230.00 230KV CKT 1'	350	0.04379	105.4877	'SPP-SWPS-T70'			
FDNS	5	0 11G	G10_007	'TO->FROM'	'DEAF SMITH COUNTY INTERCHANGE - S-RANDLCO 230.00 230KV CKT 1'	350	0.07085	105.5462	'SPP-SWPS-T73'			
FDNS	5	0 11G	G08_110	'TO->FROM'	'DEAF SMITH COUNTY INTERCHANGE - S-RANDLCO 230.00 230KV CKT 1'	350	0.04381	105.5462	'SPP-SWPS-T73'			
FDNS	5	0 11G	G08_088	'TO->FROM'	'DEAF SMITH COUNTY INTERCHANGE - S-RANDLCO 230.00 230KV CKT 1'	350	0.06203	105.5462	'SPP-SWPS-T73'			
FDNS	5	0 11G	ASGI_2010_011	'TO->FROM'	'DEAF SMITH COUNTY INTERCHANGE - S-RANDLCO 230.00 230KV CKT 1'	350	0.05518	105.5462	'SPP-SWPS-T73'			
FDNS	5	0 11G	G10_014	'TO->FROM'	'DEAF SMITH COUNTY INTERCHANGE - S-RANDLCO 230.00 230KV CKT 1'	350	0.04381	105.5462	'SPP-SWPS-T73'			
FDNS	5	0 11G	G10_007	'TO->FROM'	'DEAF SMITH COUNTY INTERCHANGE - S-RANDLCO 230.00 230KV CKT 1'	350	0.07082	105.4887	'SPP-SWPS-V01'			
FDNS	5	0 11G	G08_110	'TO->FROM'	'DEAF SMITH COUNTY INTERCHANGE - S-RANDLCO 230.00 230KV CKT 1'	350	0.04379	105.4887	'SPP-SWPS-V01'			
FDNS	5	0 11G	G08_088	'TO->FROM'	'DEAF SMITH COUNTY INTERCHANGE - S-RANDLCO 230.00 230KV CKT 1'	350	0.06128	105.4887	'SPP-SWPS-V01'			
FDNS	5	0 11G	ASGI_2010_011	'TO->FROM'	'DEAF SMITH COUNTY INTERCHANGE - S-RANDLCO 230.00 230KV CKT 1'	350	0.05515	105.4887	'SPP-SWPS-V01'			
FDNS	5	0 11G	G10_014	'TO->FROM'	'DEAF SMITH COUNTY INTERCHANGE - S-RANDLCO 230.00 230KV CKT 1'	350	0.04379	105.4887	'SPP-SWPS-V01'			
FDNS	5	0 11G	G10_007	'TO->FROM'	'DEAF SMITH COUNTY INTERCHANGE - S-RANDLCO 230.00 230KV CKT 1'	350	0.07112	105.6975	'SPP-SWPS-V02'			
FDNS	5	0 11G	G08_110	'TO->FROM'	'DEAF SMITH COUNTY INTERCHANGE - S-RANDLCO 230.00 230KV CKT 1'	350	0.04381	105.6975	'SPP-SWPS-V02'			
FDNS	5	0 11G	G08_088	'TO->FROM'	'DEAF SMITH COUNTY INTERCHANGE - S-RANDLCO 230.00 230KV CKT 1'	350	0.06115	105.6975	'SPP-SWPS-V02'			
FDNS	5	0 11G	ASGI_2010_011	'TO->FROM'	'DEAF SMITH COUNTY INTERCHANGE - S-RANDLCO 230.00 230KV CKT 1'	350	0.05522	105.6975	'SPP-SWPS-V02'			
FDNS	5	0 11G	G10_014	'TO->FROM'	'DEAF SMITH COUNTY INTERCHANGE - S-RANDLCO 230.00 230KV CKT 1'	350	0.04381	105.6975	'SPP-SWPS-V02'			
FDNS	5	0 11G	G10_007	'TO->FROM'	'DEAF SMITH COUNTY INTERCHANGE - S-RANDLCO 230.00 230KV CKT 1'	350	0.07222	105.2218	'SPP-SWPS-V03'			
FDNS	5	0 11G	G08_110	'TO->FROM'	'DEAF SMITH COUNTY INTERCHANGE - S-RANDLCO 230.00 230KV CKT 1'	350	0.04397	105.2218	'SPP-SWPS-V03'			
FDNS	5	0 11G	G08_088	'TO->FROM'	'DEAF SMITH COUNTY INTERCHANGE - S-RANDLCO 230.00 230KV CKT 1'	350	0.05769	105.2218	'SPP-SWPS-V03'			

SOLUTION	GROUP	SCENARIO	SEASON	SOURCE	DIRECTION	MONITORED ELEMENT		RATE B	TDF	TC%	LOADING	CONTINGENCY NAME
						COMMON NAME						
FDNS	5	0 11G	ASGI_2010_011	'TO->FROM'	'DEAF SMITH COUNTY INTERCHANGE - S-RANDLCO 230.00 230KV CKT 1'	350	0.05565	105.2218	'SPP-SWPS-V03'			
FDNS	5	0 11G	G10_014	'TO->FROM'	'DEAF SMITH COUNTY INTERCHANGE - S-RANDLCO 230.00 230KV CKT 1'	350	0.04397	105.2218	'SPP-SWPS-V03'			
FDNS	5	0 11G	G10_007	'TO->FROM'	'DEAF SMITH COUNTY INTERCHANGE - S-RANDLCO 230.00 230KV CKT 1'	350	0.07122	105.6786	'SPP-SWPS-V04'			
FDNS	5	0 11G	G08_110	'TO->FROM'	'DEAF SMITH COUNTY INTERCHANGE - S-RANDLCO 230.00 230KV CKT 1'	350	0.04389	105.6786	'SPP-SWPS-V04'			
FDNS	5	0 11G	G08_088	'TO->FROM'	'DEAF SMITH COUNTY INTERCHANGE - S-RANDLCO 230.00 230KV CKT 1'	350	0.06028	105.6786	'SPP-SWPS-V04'			
FDNS	5	0 11G	ASGI_2010_011	'TO->FROM'	'DEAF SMITH COUNTY INTERCHANGE - S-RANDLCO 230.00 230KV CKT 1'	350	0.05534	105.6786	'SPP-SWPS-V04'			
FDNS	5	0 11G	G10_014	'TO->FROM'	'DEAF SMITH COUNTY INTERCHANGE - S-RANDLCO 230.00 230KV CKT 1'	350	0.04389	105.6786	'SPP-SWPS-V04'			
FDNS	5	0 11G	G08_047	'TO->FROM'	'DEAF SMITH COUNTY INTERCHANGE - S-RANDLCO 230.00 230KV CKT 1'	350	0.03192	107.8254	'SPP-SWPS-V05'			
FDNS	5	0 11G	G10_007	'TO->FROM'	'DEAF SMITH COUNTY INTERCHANGE - S-RANDLCO 230.00 230KV CKT 1'	350	0.0868	107.8254	'SPP-SWPS-V05'			
FDNS	5	0 11G	G08_110	'TO->FROM'	'DEAF SMITH COUNTY INTERCHANGE - S-RANDLCO 230.00 230KV CKT 1'	350	0.04954	107.8254	'SPP-SWPS-V05'			
FDNS	5	0 11G	G08_088	'TO->FROM'	'DEAF SMITH COUNTY INTERCHANGE - S-RANDLCO 230.00 230KV CKT 1'	350	0.09591	107.8254	'SPP-SWPS-V05'			
FDNS	5	0 11G	ASGI_2010_011	'TO->FROM'	'DEAF SMITH COUNTY INTERCHANGE - S-RANDLCO 230.00 230KV CKT 1'	350	0.06397	107.8254	'SPP-SWPS-V05'			
FDNS	5	0 11G	G10_014	'TO->FROM'	'DEAF SMITH COUNTY INTERCHANGE - S-RANDLCO 230.00 230KV CKT 1'	350	0.04954	107.8254	'SPP-SWPS-V05'			
FDNS	5	0 11G	G10_007	'TO->FROM'	'DEAF SMITH COUNTY INTERCHANGE - S-RANDLCO 230.00 230KV CKT 1'	350	0.07123	105.443	'SPP-SWPS-V43'			
FDNS	5	0 11G	G08_110	'TO->FROM'	'DEAF SMITH COUNTY INTERCHANGE - S-RANDLCO 230.00 230KV CKT 1'	350	0.04389	105.443	'SPP-SWPS-V43'			
FDNS	5	0 11G	G08_088	'TO->FROM'	'DEAF SMITH COUNTY INTERCHANGE - S-RANDLCO 230.00 230KV CKT 1'	350	0.06056	105.443	'SPP-SWPS-V43'			
FDNS	5	0 11G	ASGI_2010_011	'TO->FROM'	'DEAF SMITH COUNTY INTERCHANGE - S-RANDLCO 230.00 230KV CKT 1'	350	0.05534	105.443	'SPP-SWPS-V43'			
FDNS	5	0 11G	G10_014	'TO->FROM'	'DEAF SMITH COUNTY INTERCHANGE - S-RANDLCO 230.00 230KV CKT 1'	350	0.04389	105.443	'SPP-SWPS-V43'			
FDNS	5	0 11G	G10_007	'TO->FROM'	'DEAF SMITH COUNTY INTERCHANGE - S-RANDLCO 230.00 230KV CKT 1'	350	0.07085	106.4066	'SPP-SWPS-V44'			
FDNS	5	0 11G	G08_110	'TO->FROM'	'DEAF SMITH COUNTY INTERCHANGE - S-RANDLCO 230.00 230KV CKT 1'	350	0.04382	106.4066	'SPP-SWPS-V44'			
FDNS	5	0 11G	G08_088	'TO->FROM'	'DEAF SMITH COUNTY INTERCHANGE - S-RANDLCO 230.00 230KV CKT 1'	350	0.06294	106.4066	'SPP-SWPS-V44'			
FDNS	5	0 11G	ASGI_2010_011	'TO->FROM'	'DEAF SMITH COUNTY INTERCHANGE - S-RANDLCO 230.00 230KV CKT 1'	350	0.05519	106.4066	'SPP-SWPS-V44'			
FDNS	5	0 11G	G10_014	'TO->FROM'	'DEAF SMITH COUNTY INTERCHANGE - S-RANDLCO 230.00 230KV CKT 1'	350	0.04382	106.4066	'SPP-SWPS-V44'			
FDNS	5	0 11G	G10_007	'TO->FROM'	'DEAF SMITH COUNTY INTERCHANGE - S-RANDLCO 230.00 230KV CKT 1'	350	0.07049	105.1425	'SPP-SWPS-V79'			
FDNS	5	0 11G	G08_110	'TO->FROM'	'DEAF SMITH COUNTY INTERCHANGE - S-RANDLCO 230.00 230KV CKT 1'	350	0.04377	105.1425	'SPP-SWPS-V79'			
FDNS	5	0 11G	G08_088	'TO->FROM'	'DEAF SMITH COUNTY INTERCHANGE - S-RANDLCO 230.00 230KV CKT 1'	350	0.0613	105.1425	'SPP-SWPS-V79'			
FDNS	5	0 11G	ASGI_2010_011	'TO->FROM'	'DEAF SMITH COUNTY INTERCHANGE - S-RANDLCO 230.00 230KV CKT 1'	350	0.05509	105.1425	'SPP-SWPS-V79'			
FDNS	5	0 11G	G10_014	'TO->FROM'	'DEAF SMITH COUNTY INTERCHANGE - S-RANDLCO 230.00 230KV CKT 1'	350	0.04377	105.1425	'SPP-SWPS-V79'			
FDNS	5	0 11G	G09_067S	'FROM->TO'	'ELK CITY 230KV (ELKCTY-6) 230/138/13.8KV TRANSFORMER CKT 1'	287	0.06708	100.1614	'GEN300003 1-THOMAS HILL UNIT 3'			

SOLUTION	GROUP	SCENARIO	SEASON	SOURCE	DIRECTION	MONITORED ELEMENT	RATE B	TDF	TC%	LOADING	CONTINGENCY NAME
						COMMON NAME					
FDNS	5	0 11G	G08_022	'FROM->TO'	'ELK CITY 230KV (ELKCTY-6) 230/138/13.8KV TRANSFORMER CKT 1'	287	0.06838	100.1614	'GEN300003 1-THOMAS HILL UNIT 3'		
FDNS	5	0 11G	G10_007	'FROM->TO'	'ELK CITY 230KV (ELKCTY-6) 230/138/13.8KV TRANSFORMER CKT 1'	287	0.10254	100.1614	'GEN300003 1-THOMAS HILL UNIT 3'		
FDNS	5	0 11G	G08_110	'FROM->TO'	'ELK CITY 230KV (ELKCTY-6) 230/138/13.8KV TRANSFORMER CKT 1'	287	0.03835	100.1614	'GEN300003 1-THOMAS HILL UNIT 3'		
FDNS	5	0 11G	G08_088	'FROM->TO'	'ELK CITY 230KV (ELKCTY-6) 230/138/13.8KV TRANSFORMER CKT 1'	287	0.11437	100.1614	'GEN300003 1-THOMAS HILL UNIT 3'		
FDNS	5	0 11G	ASGI_2010_011	'FROM->TO'	'ELK CITY 230KV (ELKCTY-6) 230/138/13.8KV TRANSFORMER CKT 1'	287	0.0603	100.1614	'GEN300003 1-THOMAS HILL UNIT 3'		
FDNS	5	0 11G	G10_014	'FROM->TO'	'ELK CITY 230KV (ELKCTY-6) 230/138/13.8KV TRANSFORMER CKT 1'	287	0.03835	100.1614	'GEN300003 1-THOMAS HILL UNIT 3'		
FDNS	5	0 11G	G09_067S	'FROM->TO'	'ELK CITY 230KV (ELKCTY-6) 230/138/13.8KV TRANSFORMER CKT 1'	287	0.06708	101.1947	'GEN300006 1-NEW MADRID UNIT 1'		
FDNS	5	0 11G	G08_022	'FROM->TO'	'ELK CITY 230KV (ELKCTY-6) 230/138/13.8KV TRANSFORMER CKT 1'	287	0.06838	101.1947	'GEN300006 1-NEW MADRID UNIT 1'		
FDNS	5	0 11G	G10_007	'FROM->TO'	'ELK CITY 230KV (ELKCTY-6) 230/138/13.8KV TRANSFORMER CKT 1'	287	0.10254	101.1947	'GEN300006 1-NEW MADRID UNIT 1'		
FDNS	5	0 11G	G08_110	'FROM->TO'	'ELK CITY 230KV (ELKCTY-6) 230/138/13.8KV TRANSFORMER CKT 1'	287	0.03835	101.1947	'GEN300006 1-NEW MADRID UNIT 1'		
FDNS	5	0 11G	G08_088	'FROM->TO'	'ELK CITY 230KV (ELKCTY-6) 230/138/13.8KV TRANSFORMER CKT 1'	287	0.11437	101.1947	'GEN300006 1-NEW MADRID UNIT 1'		
FDNS	5	0 11G	ASGI_2010_011	'FROM->TO'	'ELK CITY 230KV (ELKCTY-6) 230/138/13.8KV TRANSFORMER CKT 1'	287	0.0603	101.1947	'GEN300006 1-NEW MADRID UNIT 1'		
FDNS	5	0 11G	G10_014	'FROM->TO'	'ELK CITY 230KV (ELKCTY-6) 230/138/13.8KV TRANSFORMER CKT 1'	287	0.03835	101.1947	'GEN300006 1-NEW MADRID UNIT 1'		
FDNS	5	0 11G	G09_067S	'FROM->TO'	'ELK CITY 230KV (ELKCTY-6) 230/138/13.8KV TRANSFORMER CKT 1'	287	0.06708	100.3671	'GEN300006 1-NEW MADRID UNIT 1'		
FDNS	5	0 11G	G08_022	'FROM->TO'	'ELK CITY 230KV (ELKCTY-6) 230/138/13.8KV TRANSFORMER CKT 1'	287	0.06838	100.3671	'GEN300006 1-NEW MADRID UNIT 1'		
FDNS	5	0 11G	G10_007	'FROM->TO'	'ELK CITY 230KV (ELKCTY-6) 230/138/13.8KV TRANSFORMER CKT 1'	287	0.10254	100.3671	'GEN300006 1-NEW MADRID UNIT 1'		
FDNS	5	0 11G	G08_110	'FROM->TO'	'ELK CITY 230KV (ELKCTY-6) 230/138/13.8KV TRANSFORMER CKT 1'	287	0.03835	100.3671	'GEN300006 1-NEW MADRID UNIT 1'		
FDNS	5	0 11G	G08_088	'FROM->TO'	'ELK CITY 230KV (ELKCTY-6) 230/138/13.8KV TRANSFORMER CKT 1'	287	0.11437	100.3671	'GEN300006 1-NEW MADRID UNIT 1'		
FDNS	5	0 11G	ASGI_2010_011	'FROM->TO'	'ELK CITY 230KV (ELKCTY-6) 230/138/13.8KV TRANSFORMER CKT 1'	287	0.0603	100.3671	'GEN300006 1-NEW MADRID UNIT 1'		
FDNS	5	0 11G	G10_014	'FROM->TO'	'ELK CITY 230KV (ELKCTY-6) 230/138/13.8KV TRANSFORMER CKT 1'	287	0.03835	100.3671	'GEN300006 1-NEW MADRID UNIT 1'		
FDNS	5	0 11G	G09_067S	'FROM->TO'	'ELK CITY 230KV (ELKCTY-6) 230/138/13.8KV TRANSFORMER CKT 1'	287	0.06708	101.1901	'GEN300007 1-NEW MADRID UNIT 2'		
FDNS	5	0 11G	G08_022	'FROM->TO'	'ELK CITY 230KV (ELKCTY-6) 230/138/13.8KV TRANSFORMER CKT 1'	287	0.06838	101.1901	'GEN300007 1-NEW MADRID UNIT 2'		
FDNS	5	0 11G	G10_007	'FROM->TO'	'ELK CITY 230KV (ELKCTY-6) 230/138/13.8KV TRANSFORMER CKT 1'	287	0.10254	101.1901	'GEN300007 1-NEW MADRID UNIT 2'		
FDNS	5	0 11G	G08_110	'FROM->TO'	'ELK CITY 230KV (ELKCTY-6) 230/138/13.8KV TRANSFORMER CKT 1'	287	0.03835	101.1901	'GEN300007 1-NEW MADRID UNIT 2'		
FDNS	5	0 11G	G08_088	'FROM->TO'	'ELK CITY 230KV (ELKCTY-6) 230/138/13.8KV TRANSFORMER CKT 1'	287	0.11437	101.1901	'GEN300007 1-NEW MADRID UNIT 2'		
FDNS	5	0 11G	ASGI_2010_011	'FROM->TO'	'ELK CITY 230KV (ELKCTY-6) 230/138/13.8KV TRANSFORMER CKT 1'	287	0.0603	101.1901	'GEN300007 1-NEW MADRID UNIT 2'		
FDNS	5	0 11G	G10_014	'FROM->TO'	'ELK CITY 230KV (ELKCTY-6) 230/138/13.8KV TRANSFORMER CKT 1'	287	0.03835	101.1901	'GEN300007 1-NEW MADRID UNIT 2'		
FDNS	5	0 11G	G09_067S	'FROM->TO'	'ELK CITY 230KV (ELKCTY-6) 230/138/13.8KV TRANSFORMER CKT 1'	287	0.06708	100.3626	'GEN300007 1-NEW MADRID UNIT 2'		
FDNS	5	0 11G	G08_022	'FROM->TO'	'ELK CITY 230KV (ELKCTY-6) 230/138/13.8KV TRANSFORMER CKT 1'	287	0.06838	100.3626	'GEN300007 1-NEW MADRID UNIT 2'		

SOLUTION	GROUP	SCENARIO	SEASON	SOURCE	DIRECTION	MONITORED ELEMENT	RATE B	TDF	TC%	LOADING	CONTINGENCY NAME
						COMMON NAME					
FDNS	5	0 11G	G10_007	'FROM->TO'	'ELK CITY 230KV (ELKCTY-6) 230/138/13.8KV TRANSFORMER CKT 1'	287	0.10254	100.3626	'GEN300007 1-NEW MADRID UNIT 2'		
FDNS	5	0 11G	G08_110	'FROM->TO'	'ELK CITY 230KV (ELKCTY-6) 230/138/13.8KV TRANSFORMER CKT 1'	287	0.03835	100.3626	'GEN300007 1-NEW MADRID UNIT 2'		
FDNS	5	0 11G	G08_088	'FROM->TO'	'ELK CITY 230KV (ELKCTY-6) 230/138/13.8KV TRANSFORMER CKT 1'	287	0.11437	100.3626	'GEN300007 1-NEW MADRID UNIT 2'		
FDNS	5	0 11G	ASGI_2010_011	'FROM->TO'	'ELK CITY 230KV (ELKCTY-6) 230/138/13.8KV TRANSFORMER CKT 1'	287	0.0603	100.3626	'GEN300007 1-NEW MADRID UNIT 2'		
FDNS	5	0 11G	G10_014	'FROM->TO'	'ELK CITY 230KV (ELKCTY-6) 230/138/13.8KV TRANSFORMER CKT 1'	287	0.03835	100.3626	'GEN300007 1-NEW MADRID UNIT 2'		
FDNS	5	0 11G	G09_067S	'FROM->TO'	'ELK CITY 230KV (ELKCTY-6) 230/138/13.8KV TRANSFORMER CKT 1'	287	0.06708	100.2142	'GEN334070 1-LEWIS CREEK 1'		
FDNS	5	0 11G	G08_022	'FROM->TO'	'ELK CITY 230KV (ELKCTY-6) 230/138/13.8KV TRANSFORMER CKT 1'	287	0.06838	100.2142	'GEN334070 1-LEWIS CREEK 1'		
FDNS	5	0 11G	G10_007	'FROM->TO'	'ELK CITY 230KV (ELKCTY-6) 230/138/13.8KV TRANSFORMER CKT 1'	287	0.10254	100.2142	'GEN334070 1-LEWIS CREEK 1'		
FDNS	5	0 11G	G08_110	'FROM->TO'	'ELK CITY 230KV (ELKCTY-6) 230/138/13.8KV TRANSFORMER CKT 1'	287	0.03835	100.2142	'GEN334070 1-LEWIS CREEK 1'		
FDNS	5	0 11G	G08_088	'FROM->TO'	'ELK CITY 230KV (ELKCTY-6) 230/138/13.8KV TRANSFORMER CKT 1'	287	0.11437	100.2142	'GEN334070 1-LEWIS CREEK 1'		
FDNS	5	0 11G	ASGI_2010_011	'FROM->TO'	'ELK CITY 230KV (ELKCTY-6) 230/138/13.8KV TRANSFORMER CKT 1'	287	0.0603	100.2142	'GEN334070 1-LEWIS CREEK 1'		
FDNS	5	0 11G	G10_014	'FROM->TO'	'ELK CITY 230KV (ELKCTY-6) 230/138/13.8KV TRANSFORMER CKT 1'	287	0.03835	100.2142	'GEN334070 1-LEWIS CREEK 1'		
FDNS	5	0 11G	G09_067S	'FROM->TO'	'ELK CITY 230KV (ELKCTY-6) 230/138/13.8KV TRANSFORMER CKT 1'	287	0.06708	101.6904	'GEN334440 1-SABINE UNIT 4'		
FDNS	5	0 11G	G08_022	'FROM->TO'	'ELK CITY 230KV (ELKCTY-6) 230/138/13.8KV TRANSFORMER CKT 1'	287	0.06838	101.6904	'GEN334440 1-SABINE UNIT 4'		
FDNS	5	0 11G	G10_007	'FROM->TO'	'ELK CITY 230KV (ELKCTY-6) 230/138/13.8KV TRANSFORMER CKT 1'	287	0.10254	101.6904	'GEN334440 1-SABINE UNIT 4'		
FDNS	5	0 11G	G08_110	'FROM->TO'	'ELK CITY 230KV (ELKCTY-6) 230/138/13.8KV TRANSFORMER CKT 1'	287	0.03835	101.6904	'GEN334440 1-SABINE UNIT 4'		
FDNS	5	0 11G	G08_088	'FROM->TO'	'ELK CITY 230KV (ELKCTY-6) 230/138/13.8KV TRANSFORMER CKT 1'	287	0.11437	101.6904	'GEN334440 1-SABINE UNIT 4'		
FDNS	5	0 11G	ASGI_2010_011	'FROM->TO'	'ELK CITY 230KV (ELKCTY-6) 230/138/13.8KV TRANSFORMER CKT 1'	287	0.0603	101.6904	'GEN334440 1-SABINE UNIT 4'		
FDNS	5	0 11G	G10_014	'FROM->TO'	'ELK CITY 230KV (ELKCTY-6) 230/138/13.8KV TRANSFORMER CKT 1'	287	0.03835	101.6904	'GEN334440 1-SABINE UNIT 4'		
FDNS	5	0 11G	G09_067S	'FROM->TO'	'ELK CITY 230KV (ELKCTY-6) 230/138/13.8KV TRANSFORMER CKT 1'	287	0.06708	100.8496	'GEN334440 1-SABINE UNIT 4'		
FDNS	5	0 11G	G08_022	'FROM->TO'	'ELK CITY 230KV (ELKCTY-6) 230/138/13.8KV TRANSFORMER CKT 1'	287	0.06838	100.8496	'GEN334440 1-SABINE UNIT 4'		
FDNS	5	0 11G	G10_007	'FROM->TO'	'ELK CITY 230KV (ELKCTY-6) 230/138/13.8KV TRANSFORMER CKT 1'	287	0.10254	100.8496	'GEN334440 1-SABINE UNIT 4'		
FDNS	5	0 11G	G08_110	'FROM->TO'	'ELK CITY 230KV (ELKCTY-6) 230/138/13.8KV TRANSFORMER CKT 1'	287	0.03835	100.8496	'GEN334440 1-SABINE UNIT 4'		
FDNS	5	0 11G	G08_088	'FROM->TO'	'ELK CITY 230KV (ELKCTY-6) 230/138/13.8KV TRANSFORMER CKT 1'	287	0.11437	100.8496	'GEN334440 1-SABINE UNIT 4'		
FDNS	5	0 11G	ASGI_2010_011	'FROM->TO'	'ELK CITY 230KV (ELKCTY-6) 230/138/13.8KV TRANSFORMER CKT 1'	287	0.0603	100.8496	'GEN334440 1-SABINE UNIT 4'		
FDNS	5	0 11G	G10_014	'FROM->TO'	'ELK CITY 230KV (ELKCTY-6) 230/138/13.8KV TRANSFORMER CKT 1'	287	0.03835	100.8496	'GEN334440 1-SABINE UNIT 4'		
FDNS	5	0 11G	G09_067S	'FROM->TO'	'ELK CITY 230KV (ELKCTY-6) 230/138/13.8KV TRANSFORMER CKT 1'	287	0.06708	101.2943	'GEN334441 1-SABINE UNIT 5'		
FDNS	5	0 11G	G08_022	'FROM->TO'	'ELK CITY 230KV (ELKCTY-6) 230/138/13.8KV TRANSFORMER CKT 1'	287	0.06838	101.2943	'GEN334441 1-SABINE UNIT 5'		
FDNS	5	0 11G	G10_007	'FROM->TO'	'ELK CITY 230KV (ELKCTY-6) 230/138/13.8KV TRANSFORMER CKT 1'	287	0.10254	101.2943	'GEN334441 1-SABINE UNIT 5'		

SOLUTION	GROUP	SCENARIO	SEASON	SOURCE	DIRECTION	MONITORED ELEMENT	RATE B	TDF	TC%	LOADING	CONTINGENCY NAME
						COMMON NAME					
FDNS	5	0 11G	G08_110	'FROM->TO'	'ELK CITY 230KV (ELKCTY-6) 230/138/13.8KV TRANSFORMER CKT 1'	287	0.03835	101.2943	'GEN334441 1-SABINE UNIT 5'		
FDNS	5	0 11G	G08_088	'FROM->TO'	'ELK CITY 230KV (ELKCTY-6) 230/138/13.8KV TRANSFORMER CKT 1'	287	0.11437	101.2943	'GEN334441 1-SABINE UNIT 5'		
FDNS	5	0 11G	ASGI_2010_011	'FROM->TO'	'ELK CITY 230KV (ELKCTY-6) 230/138/13.8KV TRANSFORMER CKT 1'	287	0.0603	101.2943	'GEN334441 1-SABINE UNIT 5'		
FDNS	5	0 11G	G10_014	'FROM->TO'	'ELK CITY 230KV (ELKCTY-6) 230/138/13.8KV TRANSFORMER CKT 1'	287	0.03835	101.2943	'GEN334441 1-SABINE UNIT 5'		
FDNS	5	0 11G	G09_067S	'FROM->TO'	'ELK CITY 230KV (ELKCTY-6) 230/138/13.8KV TRANSFORMER CKT 1'	287	0.06708	100.463	'GEN334441 1-SABINE UNIT 5'		
FDNS	5	0 11G	G08_022	'FROM->TO'	'ELK CITY 230KV (ELKCTY-6) 230/138/13.8KV TRANSFORMER CKT 1'	287	0.06838	100.463	'GEN334441 1-SABINE UNIT 5'		
FDNS	5	0 11G	G10_007	'FROM->TO'	'ELK CITY 230KV (ELKCTY-6) 230/138/13.8KV TRANSFORMER CKT 1'	287	0.10254	100.463	'GEN334441 1-SABINE UNIT 5'		
FDNS	5	0 11G	G08_110	'FROM->TO'	'ELK CITY 230KV (ELKCTY-6) 230/138/13.8KV TRANSFORMER CKT 1'	287	0.03835	100.463	'GEN334441 1-SABINE UNIT 5'		
FDNS	5	0 11G	G08_088	'FROM->TO'	'ELK CITY 230KV (ELKCTY-6) 230/138/13.8KV TRANSFORMER CKT 1'	287	0.11437	100.463	'GEN334441 1-SABINE UNIT 5'		
FDNS	5	0 11G	ASGI_2010_011	'FROM->TO'	'ELK CITY 230KV (ELKCTY-6) 230/138/13.8KV TRANSFORMER CKT 1'	287	0.0603	100.463	'GEN334441 1-SABINE UNIT 5'		
FDNS	5	0 11G	G10_014	'FROM->TO'	'ELK CITY 230KV (ELKCTY-6) 230/138/13.8KV TRANSFORMER CKT 1'	287	0.03835	100.463	'GEN334441 1-SABINE UNIT 5'		
FDNS	5	0 11G	G09_067S	'FROM->TO'	'ELK CITY 230KV (ELKCTY-6) 230/138/13.8KV TRANSFORMER CKT 1'	287	0.06708	101.5889	'GEN335204 1-NELSON UNIT 4'		
FDNS	5	0 11G	G08_022	'FROM->TO'	'ELK CITY 230KV (ELKCTY-6) 230/138/13.8KV TRANSFORMER CKT 1'	287	0.06838	101.5889	'GEN335204 1-NELSON UNIT 4'		
FDNS	5	0 11G	G10_007	'FROM->TO'	'ELK CITY 230KV (ELKCTY-6) 230/138/13.8KV TRANSFORMER CKT 1'	287	0.10254	101.5889	'GEN335204 1-NELSON UNIT 4'		
FDNS	5	0 11G	G08_110	'FROM->TO'	'ELK CITY 230KV (ELKCTY-6) 230/138/13.8KV TRANSFORMER CKT 1'	287	0.03835	101.5889	'GEN335204 1-NELSON UNIT 4'		
FDNS	5	0 11G	G08_088	'FROM->TO'	'ELK CITY 230KV (ELKCTY-6) 230/138/13.8KV TRANSFORMER CKT 1'	287	0.11437	101.5889	'GEN335204 1-NELSON UNIT 4'		
FDNS	5	0 11G	ASGI_2010_011	'FROM->TO'	'ELK CITY 230KV (ELKCTY-6) 230/138/13.8KV TRANSFORMER CKT 1'	287	0.0603	101.5889	'GEN335204 1-NELSON UNIT 4'		
FDNS	5	0 11G	G10_014	'FROM->TO'	'ELK CITY 230KV (ELKCTY-6) 230/138/13.8KV TRANSFORMER CKT 1'	287	0.03835	101.5889	'GEN335204 1-NELSON UNIT 4'		
FDNS	5	0 11G	G09_067S	'FROM->TO'	'ELK CITY 230KV (ELKCTY-6) 230/138/13.8KV TRANSFORMER CKT 1'	287	0.06708	100.7506	'GEN335204 1-NELSON UNIT 4'		
FDNS	5	0 11G	G08_022	'FROM->TO'	'ELK CITY 230KV (ELKCTY-6) 230/138/13.8KV TRANSFORMER CKT 1'	287	0.06838	100.7506	'GEN335204 1-NELSON UNIT 4'		
FDNS	5	0 11G	G10_007	'FROM->TO'	'ELK CITY 230KV (ELKCTY-6) 230/138/13.8KV TRANSFORMER CKT 1'	287	0.10254	100.7506	'GEN335204 1-NELSON UNIT 4'		
FDNS	5	0 11G	G08_110	'FROM->TO'	'ELK CITY 230KV (ELKCTY-6) 230/138/13.8KV TRANSFORMER CKT 1'	287	0.03835	100.7506	'GEN335204 1-NELSON UNIT 4'		
FDNS	5	0 11G	G08_088	'FROM->TO'	'ELK CITY 230KV (ELKCTY-6) 230/138/13.8KV TRANSFORMER CKT 1'	287	0.11437	100.7506	'GEN335204 1-NELSON UNIT 4'		
FDNS	5	0 11G	ASGI_2010_011	'FROM->TO'	'ELK CITY 230KV (ELKCTY-6) 230/138/13.8KV TRANSFORMER CKT 1'	287	0.0603	100.7506	'GEN335204 1-NELSON UNIT 4'		
FDNS	5	0 11G	G10_014	'FROM->TO'	'ELK CITY 230KV (ELKCTY-6) 230/138/13.8KV TRANSFORMER CKT 1'	287	0.03835	100.7506	'GEN335204 1-NELSON UNIT 4'		
FDNS	5	0 11G	G09_067S	'FROM->TO'	'ELK CITY 230KV (ELKCTY-6) 230/138/13.8KV TRANSFORMER CKT 1'	287	0.06708	101.9027	'GEN335206 1-NELSON UNIT 6'		
FDNS	5	0 11G	G08_022	'FROM->TO'	'ELK CITY 230KV (ELKCTY-6) 230/138/13.8KV TRANSFORMER CKT 1'	287	0.06838	101.9027	'GEN335206 1-NELSON UNIT 6'		
FDNS	5	0 11G	G10_007	'FROM->TO'	'ELK CITY 230KV (ELKCTY-6) 230/138/13.8KV TRANSFORMER CKT 1'	287	0.10254	101.9027	'GEN335206 1-NELSON UNIT 6'		
FDNS	5	0 11G	G08_110	'FROM->TO'	'ELK CITY 230KV (ELKCTY-6) 230/138/13.8KV TRANSFORMER CKT 1'	287	0.03835	101.9027	'GEN335206 1-NELSON UNIT 6'		

SOLUTION	GROUP	SCENARIO	SEASON	SOURCE	DIRECTION	MONITORED ELEMENT	RATE B	TDF	TC%	LOADING	CONTINGENCY NAME
						COMMON NAME					
FDNS	5	0 11G	G08_088	'FROM->TO'	'ELK CITY 230KV (ELKCTY-6) 230/138/13.8KV TRANSFORMER CKT 1'	287	0.11437	101.9027	'GEN335206 1-NELSON UNIT 6'		
FDNS	5	0 11G	ASGI_2010_011	'FROM->TO'	'ELK CITY 230KV (ELKCTY-6) 230/138/13.8KV TRANSFORMER CKT 1'	287	0.0603	101.9027	'GEN335206 1-NELSON UNIT 6'		
FDNS	5	0 11G	G10_014	'FROM->TO'	'ELK CITY 230KV (ELKCTY-6) 230/138/13.8KV TRANSFORMER CKT 1'	287	0.03835	101.9027	'GEN335206 1-NELSON UNIT 6'		
FDNS	5	0 11G	G09_067S	'FROM->TO'	'ELK CITY 230KV (ELKCTY-6) 230/138/13.8KV TRANSFORMER CKT 1'	287	0.06708	101.0569	'GEN335206 1-NELSON UNIT 6'		
FDNS	5	0 11G	G08_022	'FROM->TO'	'ELK CITY 230KV (ELKCTY-6) 230/138/13.8KV TRANSFORMER CKT 1'	287	0.06838	101.0569	'GEN335206 1-NELSON UNIT 6'		
FDNS	5	0 11G	G10_007	'FROM->TO'	'ELK CITY 230KV (ELKCTY-6) 230/138/13.8KV TRANSFORMER CKT 1'	287	0.10254	101.0569	'GEN335206 1-NELSON UNIT 6'		
FDNS	5	0 11G	G08_110	'FROM->TO'	'ELK CITY 230KV (ELKCTY-6) 230/138/13.8KV TRANSFORMER CKT 1'	287	0.03835	101.0569	'GEN335206 1-NELSON UNIT 6'		
FDNS	5	0 11G	G08_088	'FROM->TO'	'ELK CITY 230KV (ELKCTY-6) 230/138/13.8KV TRANSFORMER CKT 1'	287	0.11437	101.0569	'GEN335206 1-NELSON UNIT 6'		
FDNS	5	0 11G	ASGI_2010_011	'FROM->TO'	'ELK CITY 230KV (ELKCTY-6) 230/138/13.8KV TRANSFORMER CKT 1'	287	0.0603	101.0569	'GEN335206 1-NELSON UNIT 6'		
FDNS	5	0 11G	G10_014	'FROM->TO'	'ELK CITY 230KV (ELKCTY-6) 230/138/13.8KV TRANSFORMER CKT 1'	287	0.03835	101.0569	'GEN335206 1-NELSON UNIT 6'		
FDNS	5	0 11G	G09_067S	'FROM->TO'	'ELK CITY 230KV (ELKCTY-6) 230/138/13.8KV TRANSFORMER CKT 1'	287	0.06708	104.8491	'GEN335831 1-RIVERBEND UNIT#1'		
FDNS	5	0 11G	G08_022	'FROM->TO'	'ELK CITY 230KV (ELKCTY-6) 230/138/13.8KV TRANSFORMER CKT 1'	287	0.06838	104.8491	'GEN335831 1-RIVERBEND UNIT#1'		
FDNS	5	0 11G	G10_007	'FROM->TO'	'ELK CITY 230KV (ELKCTY-6) 230/138/13.8KV TRANSFORMER CKT 1'	287	0.10254	104.8491	'GEN335831 1-RIVERBEND UNIT#1'		
FDNS	5	0 11G	G08_110	'FROM->TO'	'ELK CITY 230KV (ELKCTY-6) 230/138/13.8KV TRANSFORMER CKT 1'	287	0.03835	104.8491	'GEN335831 1-RIVERBEND UNIT#1'		
FDNS	5	0 11G	G08_088	'FROM->TO'	'ELK CITY 230KV (ELKCTY-6) 230/138/13.8KV TRANSFORMER CKT 1'	287	0.11437	104.8491	'GEN335831 1-RIVERBEND UNIT#1'		
FDNS	5	0 11G	ASGI_2010_011	'FROM->TO'	'ELK CITY 230KV (ELKCTY-6) 230/138/13.8KV TRANSFORMER CKT 1'	287	0.0603	104.8491	'GEN335831 1-RIVERBEND UNIT#1'		
FDNS	5	0 11G	G10_014	'FROM->TO'	'ELK CITY 230KV (ELKCTY-6) 230/138/13.8KV TRANSFORMER CKT 1'	287	0.03835	104.8491	'GEN335831 1-RIVERBEND UNIT#1'		
FDNS	5	0 11G	G09_067S	'FROM->TO'	'ELK CITY 230KV (ELKCTY-6) 230/138/13.8KV TRANSFORMER CKT 1'	287	0.06708	103.9312	'GEN335831 1-RIVERBEND UNIT#1'		
FDNS	5	0 11G	G08_022	'FROM->TO'	'ELK CITY 230KV (ELKCTY-6) 230/138/13.8KV TRANSFORMER CKT 1'	287	0.06838	103.9312	'GEN335831 1-RIVERBEND UNIT#1'		
FDNS	5	0 11G	G10_007	'FROM->TO'	'ELK CITY 230KV (ELKCTY-6) 230/138/13.8KV TRANSFORMER CKT 1'	287	0.10254	103.9312	'GEN335831 1-RIVERBEND UNIT#1'		
FDNS	5	0 11G	G08_110	'FROM->TO'	'ELK CITY 230KV (ELKCTY-6) 230/138/13.8KV TRANSFORMER CKT 1'	287	0.03835	103.9312	'GEN335831 1-RIVERBEND UNIT#1'		
FDNS	5	0 11G	G08_088	'FROM->TO'	'ELK CITY 230KV (ELKCTY-6) 230/138/13.8KV TRANSFORMER CKT 1'	287	0.11437	103.9312	'GEN335831 1-RIVERBEND UNIT#1'		
FDNS	5	0 11G	ASGI_2010_011	'FROM->TO'	'ELK CITY 230KV (ELKCTY-6) 230/138/13.8KV TRANSFORMER CKT 1'	287	0.0603	103.9312	'GEN335831 1-RIVERBEND UNIT#1'		
FDNS	5	0 11G	G10_014	'FROM->TO'	'ELK CITY 230KV (ELKCTY-6) 230/138/13.8KV TRANSFORMER CKT 1'	287	0.03835	103.9312	'GEN335831 1-RIVERBEND UNIT#1'		
FDNS	5	0 11G	G09_067S	'FROM->TO'	'ELK CITY 230KV (ELKCTY-6) 230/138/13.8KV TRANSFORMER CKT 1'	287	0.06708	100.5741	'GEN336170 1-GULF OXY U4'		
FDNS	5	0 11G	G08_022	'FROM->TO'	'ELK CITY 230KV (ELKCTY-6) 230/138/13.8KV TRANSFORMER CKT 1'	287	0.06838	100.5741	'GEN336170 1-GULF OXY U4'		
FDNS	5	0 11G	G10_007	'FROM->TO'	'ELK CITY 230KV (ELKCTY-6) 230/138/13.8KV TRANSFORMER CKT 1'	287	0.10254	100.5741	'GEN336170 1-GULF OXY U4'		
FDNS	5	0 11G	G08_110	'FROM->TO'	'ELK CITY 230KV (ELKCTY-6) 230/138/13.8KV TRANSFORMER CKT 1'	287	0.03835	100.5741	'GEN336170 1-GULF OXY U4'		
FDNS	5	0 11G	G08_088	'FROM->TO'	'ELK CITY 230KV (ELKCTY-6) 230/138/13.8KV TRANSFORMER CKT 1'	287	0.11437	100.5741	'GEN336170 1-GULF OXY U4'		

SOLUTION	GROUP	SCENARIO	SEASON	SOURCE	DIRECTION	MONITORED ELEMENT	RATE B	TDF	TC%	LOADING	CONTINGENCY NAME
						COMMON NAME					
FDNS	5	0 11G	ASGI_2010_011	'FROM->TO'	'ELK CITY 230KV (ELKCTY-6) 230/138/13.8KV TRANSFORMER CKT 1'	287	0.0603	100.5741	'GEN336170 1-GULF OXY U4'		
FDNS	5	0 11G	G10_014	'FROM->TO'	'ELK CITY 230KV (ELKCTY-6) 230/138/13.8KV TRANSFORMER CKT 1'	287	0.03835	100.5741	'GEN336170 1-GULF OXY U4'		
FDNS	5	0 11G	G09_067S	'FROM->TO'	'ELK CITY 230KV (ELKCTY-6) 230/138/13.8KV TRANSFORMER CKT 1'	287	0.06708	101.62	'GEN336801 1-BAXTER WILSON UNIT #1'		
FDNS	5	0 11G	G08_022	'FROM->TO'	'ELK CITY 230KV (ELKCTY-6) 230/138/13.8KV TRANSFORMER CKT 1'	287	0.06838	101.62	'GEN336801 1-BAXTER WILSON UNIT #1'		
FDNS	5	0 11G	G10_007	'FROM->TO'	'ELK CITY 230KV (ELKCTY-6) 230/138/13.8KV TRANSFORMER CKT 1'	287	0.10254	101.62	'GEN336801 1-BAXTER WILSON UNIT #1'		
FDNS	5	0 11G	G08_110	'FROM->TO'	'ELK CITY 230KV (ELKCTY-6) 230/138/13.8KV TRANSFORMER CKT 1'	287	0.03835	101.62	'GEN336801 1-BAXTER WILSON UNIT #1'		
FDNS	5	0 11G	G08_088	'FROM->TO'	'ELK CITY 230KV (ELKCTY-6) 230/138/13.8KV TRANSFORMER CKT 1'	287	0.11437	101.62	'GEN336801 1-BAXTER WILSON UNIT #1'		
FDNS	5	0 11G	ASGI_2010_011	'FROM->TO'	'ELK CITY 230KV (ELKCTY-6) 230/138/13.8KV TRANSFORMER CKT 1'	287	0.0603	101.62	'GEN336801 1-BAXTER WILSON UNIT #1'		
FDNS	5	0 11G	G10_014	'FROM->TO'	'ELK CITY 230KV (ELKCTY-6) 230/138/13.8KV TRANSFORMER CKT 1'	287	0.03835	101.62	'GEN336801 1-BAXTER WILSON UNIT #1'		
FDNS	5	0 11G	G09_067S	'FROM->TO'	'ELK CITY 230KV (ELKCTY-6) 230/138/13.8KV TRANSFORMER CKT 1'	287	0.06708	100.7814	'GEN336801 1-BAXTER WILSON UNIT #1'		
FDNS	5	0 11G	G08_022	'FROM->TO'	'ELK CITY 230KV (ELKCTY-6) 230/138/13.8KV TRANSFORMER CKT 1'	287	0.06838	100.7814	'GEN336801 1-BAXTER WILSON UNIT #1'		
FDNS	5	0 11G	G10_007	'FROM->TO'	'ELK CITY 230KV (ELKCTY-6) 230/138/13.8KV TRANSFORMER CKT 1'	287	0.10254	100.7814	'GEN336801 1-BAXTER WILSON UNIT #1'		
FDNS	5	0 11G	G08_110	'FROM->TO'	'ELK CITY 230KV (ELKCTY-6) 230/138/13.8KV TRANSFORMER CKT 1'	287	0.03835	100.7814	'GEN336801 1-BAXTER WILSON UNIT #1'		
FDNS	5	0 11G	G08_088	'FROM->TO'	'ELK CITY 230KV (ELKCTY-6) 230/138/13.8KV TRANSFORMER CKT 1'	287	0.11437	100.7814	'GEN336801 1-BAXTER WILSON UNIT #1'		
FDNS	5	0 11G	ASGI_2010_011	'FROM->TO'	'ELK CITY 230KV (ELKCTY-6) 230/138/13.8KV TRANSFORMER CKT 1'	287	0.0603	100.7814	'GEN336801 1-BAXTER WILSON UNIT #1'		
FDNS	5	0 11G	G10_014	'FROM->TO'	'ELK CITY 230KV (ELKCTY-6) 230/138/13.8KV TRANSFORMER CKT 1'	287	0.03835	100.7814	'GEN336801 1-BAXTER WILSON UNIT #1'		
FDNS	5	0 11G	G09_067S	'FROM->TO'	'ELK CITY 230KV (ELKCTY-6) 230/138/13.8KV TRANSFORMER CKT 1'	287	0.06708	102.428	'GEN336831 1-BAXTER WILSON SES'		
FDNS	5	0 11G	G08_022	'FROM->TO'	'ELK CITY 230KV (ELKCTY-6) 230/138/13.8KV TRANSFORMER CKT 1'	287	0.06838	102.428	'GEN336831 1-BAXTER WILSON SES'		
FDNS	5	0 11G	G10_007	'FROM->TO'	'ELK CITY 230KV (ELKCTY-6) 230/138/13.8KV TRANSFORMER CKT 1'	287	0.10254	102.428	'GEN336831 1-BAXTER WILSON SES'		
FDNS	5	0 11G	G08_110	'FROM->TO'	'ELK CITY 230KV (ELKCTY-6) 230/138/13.8KV TRANSFORMER CKT 1'	287	0.03835	102.428	'GEN336831 1-BAXTER WILSON SES'		
FDNS	5	0 11G	G08_088	'FROM->TO'	'ELK CITY 230KV (ELKCTY-6) 230/138/13.8KV TRANSFORMER CKT 1'	287	0.11437	102.428	'GEN336831 1-BAXTER WILSON SES'		
FDNS	5	0 11G	ASGI_2010_011	'FROM->TO'	'ELK CITY 230KV (ELKCTY-6) 230/138/13.8KV TRANSFORMER CKT 1'	287	0.0603	102.428	'GEN336831 1-BAXTER WILSON SES'		
FDNS	5	0 11G	G10_014	'FROM->TO'	'ELK CITY 230KV (ELKCTY-6) 230/138/13.8KV TRANSFORMER CKT 1'	287	0.03835	102.428	'GEN336831 1-BAXTER WILSON SES'		
FDNS	5	0 11G	G09_067S	'FROM->TO'	'ELK CITY 230KV (ELKCTY-6) 230/138/13.8KV TRANSFORMER CKT 1'	287	0.06708	101.57	'GEN336831 1-BAXTER WILSON SES'		
FDNS	5	0 11G	G08_022	'FROM->TO'	'ELK CITY 230KV (ELKCTY-6) 230/138/13.8KV TRANSFORMER CKT 1'	287	0.06838	101.57	'GEN336831 1-BAXTER WILSON SES'		
FDNS	5	0 11G	G10_007	'FROM->TO'	'ELK CITY 230KV (ELKCTY-6) 230/138/13.8KV TRANSFORMER CKT 1'	287	0.10254	101.57	'GEN336831 1-BAXTER WILSON SES'		
FDNS	5	0 11G	G08_110	'FROM->TO'	'ELK CITY 230KV (ELKCTY-6) 230/138/13.8KV TRANSFORMER CKT 1'	287	0.03835	101.57	'GEN336831 1-BAXTER WILSON SES'		
FDNS	5	0 11G	G08_088	'FROM->TO'	'ELK CITY 230KV (ELKCTY-6) 230/138/13.8KV TRANSFORMER CKT 1'	287	0.11437	101.57	'GEN336831 1-BAXTER WILSON SES'		
FDNS	5	0 11G	ASGI_2010_011	'FROM->TO'	'ELK CITY 230KV (ELKCTY-6) 230/138/13.8KV TRANSFORMER CKT 1'	287	0.0603	101.57	'GEN336831 1-BAXTER WILSON SES'		

SOLUTION	GROUP	SCENARIO	SEASON	SOURCE	DIRECTION	MONITORED ELEMENT	RATE B	TDF	TC%	LOADING	CONTINGENCY NAME
						COMMON NAME					
FDNS	5	0 11G	G10_014	'FROM->TO'	'ELK CITY 230KV (ELKCTY-6) 230/138/13.8KV TRANSFORMER CKT 1'	287	0.03835	101.57	'GEN336831 1-BAXTER WILSON SES'		
FDNS	5	0 11G	G09_067S	'FROM->TO'	'ELK CITY 230KV (ELKCTY-6) 230/138/13.8KV TRANSFORMER CKT 1'	287	0.06708	102.9231	'GEN337041 1-GERALD ANDRUS'		
FDNS	5	0 11G	G08_022	'FROM->TO'	'ELK CITY 230KV (ELKCTY-6) 230/138/13.8KV TRANSFORMER CKT 1'	287	0.06838	102.9231	'GEN337041 1-GERALD ANDRUS'		
FDNS	5	0 11G	G10_007	'FROM->TO'	'ELK CITY 230KV (ELKCTY-6) 230/138/13.8KV TRANSFORMER CKT 1'	287	0.10254	102.9231	'GEN337041 1-GERALD ANDRUS'		
FDNS	5	0 11G	G08_110	'FROM->TO'	'ELK CITY 230KV (ELKCTY-6) 230/138/13.8KV TRANSFORMER CKT 1'	287	0.03835	102.9231	'GEN337041 1-GERALD ANDRUS'		
FDNS	5	0 11G	G08_088	'FROM->TO'	'ELK CITY 230KV (ELKCTY-6) 230/138/13.8KV TRANSFORMER CKT 1'	287	0.11437	102.9231	'GEN337041 1-GERALD ANDRUS'		
FDNS	5	0 11G	ASGI_2010_011	'FROM->TO'	'ELK CITY 230KV (ELKCTY-6) 230/138/13.8KV TRANSFORMER CKT 1'	287	0.0603	102.9231	'GEN337041 1-GERALD ANDRUS'		
FDNS	5	0 11G	G10_014	'FROM->TO'	'ELK CITY 230KV (ELKCTY-6) 230/138/13.8KV TRANSFORMER CKT 1'	287	0.03835	102.9231	'GEN337041 1-GERALD ANDRUS'		
FDNS	5	0 11G	G09_067S	'FROM->TO'	'ELK CITY 230KV (ELKCTY-6) 230/138/13.8KV TRANSFORMER CKT 1'	287	0.06708	102.0533	'GEN337041 1-GERALD ANDRUS'		
FDNS	5	0 11G	G08_022	'FROM->TO'	'ELK CITY 230KV (ELKCTY-6) 230/138/13.8KV TRANSFORMER CKT 1'	287	0.06838	102.0533	'GEN337041 1-GERALD ANDRUS'		
FDNS	5	0 11G	G10_007	'FROM->TO'	'ELK CITY 230KV (ELKCTY-6) 230/138/13.8KV TRANSFORMER CKT 1'	287	0.10254	102.0533	'GEN337041 1-GERALD ANDRUS'		
FDNS	5	0 11G	G08_110	'FROM->TO'	'ELK CITY 230KV (ELKCTY-6) 230/138/13.8KV TRANSFORMER CKT 1'	287	0.03835	102.0533	'GEN337041 1-GERALD ANDRUS'		
FDNS	5	0 11G	G08_088	'FROM->TO'	'ELK CITY 230KV (ELKCTY-6) 230/138/13.8KV TRANSFORMER CKT 1'	287	0.11437	102.0533	'GEN337041 1-GERALD ANDRUS'		
FDNS	5	0 11G	ASGI_2010_011	'FROM->TO'	'ELK CITY 230KV (ELKCTY-6) 230/138/13.8KV TRANSFORMER CKT 1'	287	0.0603	102.0533	'GEN337041 1-GERALD ANDRUS'		
FDNS	5	0 11G	G10_014	'FROM->TO'	'ELK CITY 230KV (ELKCTY-6) 230/138/13.8KV TRANSFORMER CKT 1'	287	0.03835	102.0533	'GEN337041 1-GERALD ANDRUS'		
FDNS	5	0 11G	G09_067S	'FROM->TO'	'ELK CITY 230KV (ELKCTY-6) 230/138/13.8KV TRANSFORMER CKT 1'	287	0.06708	103.4493	'GEN337652 1-WHITE BLUFF UNIT #1'		
FDNS	5	0 11G	G08_022	'FROM->TO'	'ELK CITY 230KV (ELKCTY-6) 230/138/13.8KV TRANSFORMER CKT 1'	287	0.06838	103.4493	'GEN337652 1-WHITE BLUFF UNIT #1'		
FDNS	5	0 11G	G10_007	'FROM->TO'	'ELK CITY 230KV (ELKCTY-6) 230/138/13.8KV TRANSFORMER CKT 1'	287	0.10254	103.4493	'GEN337652 1-WHITE BLUFF UNIT #1'		
FDNS	5	0 11G	G08_110	'FROM->TO'	'ELK CITY 230KV (ELKCTY-6) 230/138/13.8KV TRANSFORMER CKT 1'	287	0.03835	103.4493	'GEN337652 1-WHITE BLUFF UNIT #1'		
FDNS	5	0 11G	G08_088	'FROM->TO'	'ELK CITY 230KV (ELKCTY-6) 230/138/13.8KV TRANSFORMER CKT 1'	287	0.11437	103.4493	'GEN337652 1-WHITE BLUFF UNIT #1'		
FDNS	5	0 11G	ASGI_2010_011	'FROM->TO'	'ELK CITY 230KV (ELKCTY-6) 230/138/13.8KV TRANSFORMER CKT 1'	287	0.0603	103.4493	'GEN337652 1-WHITE BLUFF UNIT #1'		
FDNS	5	0 11G	G10_014	'FROM->TO'	'ELK CITY 230KV (ELKCTY-6) 230/138/13.8KV TRANSFORMER CKT 1'	287	0.03835	103.4493	'GEN337652 1-WHITE BLUFF UNIT #1'		
FDNS	5	0 11G	G09_067S	'FROM->TO'	'ELK CITY 230KV (ELKCTY-6) 230/138/13.8KV TRANSFORMER CKT 1'	287	0.06708	102.5662	'GEN337652 1-WHITE BLUFF UNIT #1'		
FDNS	5	0 11G	G08_022	'FROM->TO'	'ELK CITY 230KV (ELKCTY-6) 230/138/13.8KV TRANSFORMER CKT 1'	287	0.06838	102.5662	'GEN337652 1-WHITE BLUFF UNIT #1'		
FDNS	5	0 11G	G10_007	'FROM->TO'	'ELK CITY 230KV (ELKCTY-6) 230/138/13.8KV TRANSFORMER CKT 1'	287	0.10254	102.5662	'GEN337652 1-WHITE BLUFF UNIT #1'		
FDNS	5	0 11G	G08_110	'FROM->TO'	'ELK CITY 230KV (ELKCTY-6) 230/138/13.8KV TRANSFORMER CKT 1'	287	0.03835	102.5662	'GEN337652 1-WHITE BLUFF UNIT #1'		
FDNS	5	0 11G	G08_088	'FROM->TO'	'ELK CITY 230KV (ELKCTY-6) 230/138/13.8KV TRANSFORMER CKT 1'	287	0.11437	102.5662	'GEN337652 1-WHITE BLUFF UNIT #1'		
FDNS	5	0 11G	ASGI_2010_011	'FROM->TO'	'ELK CITY 230KV (ELKCTY-6) 230/138/13.8KV TRANSFORMER CKT 1'	287	0.0603	102.5662	'GEN337652 1-WHITE BLUFF UNIT #1'		
FDNS	5	0 11G	G10_014	'FROM->TO'	'ELK CITY 230KV (ELKCTY-6) 230/138/13.8KV TRANSFORMER CKT 1'	287	0.03835	102.5662	'GEN337652 1-WHITE BLUFF UNIT #1'		

SOLUTION	GROUP	SCENARIO	SEASON	SOURCE	DIRECTION	MONITORED ELEMENT	RATE B	TDF	TC%	LOADING	CONTINGENCY NAME
						COMMON NAME					
FDNS	5	0 11G	G09_067S	'FROM->TO'	'ELK CITY 230KV (ELKCTY-6) 230/138/13.8KV TRANSFORMER CKT 1'	287	0.06708	103.1495	'GEN337653 1-WHITE BLUFF UNIT #2'		
FDNS	5	0 11G	G08_022	'FROM->TO'	'ELK CITY 230KV (ELKCTY-6) 230/138/13.8KV TRANSFORMER CKT 1'	287	0.06838	103.1495	'GEN337653 1-WHITE BLUFF UNIT #2'		
FDNS	5	0 11G	G10_007	'FROM->TO'	'ELK CITY 230KV (ELKCTY-6) 230/138/13.8KV TRANSFORMER CKT 1'	287	0.10254	103.1495	'GEN337653 1-WHITE BLUFF UNIT #2'		
FDNS	5	0 11G	G08_110	'FROM->TO'	'ELK CITY 230KV (ELKCTY-6) 230/138/13.8KV TRANSFORMER CKT 1'	287	0.03835	103.1495	'GEN337653 1-WHITE BLUFF UNIT #2'		
FDNS	5	0 11G	G08_088	'FROM->TO'	'ELK CITY 230KV (ELKCTY-6) 230/138/13.8KV TRANSFORMER CKT 1'	287	0.11437	103.1495	'GEN337653 1-WHITE BLUFF UNIT #2'		
FDNS	5	0 11G	ASGI_2010_011	'FROM->TO'	'ELK CITY 230KV (ELKCTY-6) 230/138/13.8KV TRANSFORMER CKT 1'	287	0.0603	103.1495	'GEN337653 1-WHITE BLUFF UNIT #2'		
FDNS	5	0 11G	G10_014	'FROM->TO'	'ELK CITY 230KV (ELKCTY-6) 230/138/13.8KV TRANSFORMER CKT 1'	287	0.03835	103.1495	'GEN337653 1-WHITE BLUFF UNIT #2'		
FDNS	5	0 11G	G09_067S	'FROM->TO'	'ELK CITY 230KV (ELKCTY-6) 230/138/13.8KV TRANSFORMER CKT 1'	287	0.06708	102.2737	'GEN337653 1-WHITE BLUFF UNIT #2'		
FDNS	5	0 11G	G08_022	'FROM->TO'	'ELK CITY 230KV (ELKCTY-6) 230/138/13.8KV TRANSFORMER CKT 1'	287	0.06838	102.2737	'GEN337653 1-WHITE BLUFF UNIT #2'		
FDNS	5	0 11G	G10_007	'FROM->TO'	'ELK CITY 230KV (ELKCTY-6) 230/138/13.8KV TRANSFORMER CKT 1'	287	0.10254	102.2737	'GEN337653 1-WHITE BLUFF UNIT #2'		
FDNS	5	0 11G	G08_110	'FROM->TO'	'ELK CITY 230KV (ELKCTY-6) 230/138/13.8KV TRANSFORMER CKT 1'	287	0.03835	102.2737	'GEN337653 1-WHITE BLUFF UNIT #2'		
FDNS	5	0 11G	G08_088	'FROM->TO'	'ELK CITY 230KV (ELKCTY-6) 230/138/13.8KV TRANSFORMER CKT 1'	287	0.11437	102.2737	'GEN337653 1-WHITE BLUFF UNIT #2'		
FDNS	5	0 11G	ASGI_2010_011	'FROM->TO'	'ELK CITY 230KV (ELKCTY-6) 230/138/13.8KV TRANSFORMER CKT 1'	287	0.0603	102.2737	'GEN337653 1-WHITE BLUFF UNIT #2'		
FDNS	5	0 11G	G10_014	'FROM->TO'	'ELK CITY 230KV (ELKCTY-6) 230/138/13.8KV TRANSFORMER CKT 1'	287	0.03835	102.2737	'GEN337653 1-WHITE BLUFF UNIT #2'		
FDNS	5	0 11G	G09_067S	'FROM->TO'	'ELK CITY 230KV (ELKCTY-6) 230/138/13.8KV TRANSFORMER CKT 1'	287	0.06708	104.0221	'GEN337910 1-ARKANSAS NUCLEAR ONE UNIT #1'		
FDNS	5	0 11G	G08_022	'FROM->TO'	'ELK CITY 230KV (ELKCTY-6) 230/138/13.8KV TRANSFORMER CKT 1'	287	0.06838	104.0221	'GEN337910 1-ARKANSAS NUCLEAR ONE UNIT #1'		
FDNS	5	0 11G	G10_007	'FROM->TO'	'ELK CITY 230KV (ELKCTY-6) 230/138/13.8KV TRANSFORMER CKT 1'	287	0.10254	104.0221	'GEN337910 1-ARKANSAS NUCLEAR ONE UNIT #1'		
FDNS	5	0 11G	G08_110	'FROM->TO'	'ELK CITY 230KV (ELKCTY-6) 230/138/13.8KV TRANSFORMER CKT 1'	287	0.03835	104.0221	'GEN337910 1-ARKANSAS NUCLEAR ONE UNIT #1'		
FDNS	5	0 11G	G08_088	'FROM->TO'	'ELK CITY 230KV (ELKCTY-6) 230/138/13.8KV TRANSFORMER CKT 1'	287	0.11437	104.0221	'GEN337910 1-ARKANSAS NUCLEAR ONE UNIT #1'		
FDNS	5	0 11G	ASGI_2010_011	'FROM->TO'	'ELK CITY 230KV (ELKCTY-6) 230/138/13.8KV TRANSFORMER CKT 1'	287	0.0603	104.0221	'GEN337910 1-ARKANSAS NUCLEAR ONE UNIT #1'		
FDNS	5	0 11G	G10_014	'FROM->TO'	'ELK CITY 230KV (ELKCTY-6) 230/138/13.8KV TRANSFORMER CKT 1'	287	0.03835	104.0221	'GEN337910 1-ARKANSAS NUCLEAR ONE UNIT #1'		
FDNS	5	0 11G	G09_067S	'FROM->TO'	'ELK CITY 230KV (ELKCTY-6) 230/138/13.8KV TRANSFORMER CKT 1'	287	0.06708	103.1242	'GEN337910 1-ARKANSAS NUCLEAR ONE UNIT #1'		
FDNS	5	0 11G	G08_022	'FROM->TO'	'ELK CITY 230KV (ELKCTY-6) 230/138/13.8KV TRANSFORMER CKT 1'	287	0.06838	103.1242	'GEN337910 1-ARKANSAS NUCLEAR ONE UNIT #1'		
FDNS	5	0 11G	G10_007	'FROM->TO'	'ELK CITY 230KV (ELKCTY-6) 230/138/13.8KV TRANSFORMER CKT 1'	287	0.10254	103.1242	'GEN337910 1-ARKANSAS NUCLEAR ONE UNIT #1'		
FDNS	5	0 11G	G08_110	'FROM->TO'	'ELK CITY 230KV (ELKCTY-6) 230/138/13.8KV TRANSFORMER CKT 1'	287	0.03835	103.1242	'GEN337910 1-ARKANSAS NUCLEAR ONE UNIT #1'		
FDNS	5	0 11G	G08_088	'FROM->TO'	'ELK CITY 230KV (ELKCTY-6) 230/138/13.8KV TRANSFORMER CKT 1'	287	0.11437	103.1242	'GEN337910 1-ARKANSAS NUCLEAR ONE UNIT #1'		
FDNS	5	0 11G	ASGI_2010_011	'FROM->TO'	'ELK CITY 230KV (ELKCTY-6) 230/138/13.8KV TRANSFORMER CKT 1'	287	0.0603	103.1242	'GEN337910 1-ARKANSAS NUCLEAR ONE UNIT #1'		
FDNS	5	0 11G	G10_014	'FROM->TO'	'ELK CITY 230KV (ELKCTY-6) 230/138/13.8KV TRANSFORMER CKT 1'	287	0.03835	103.1242	'GEN337910 1-ARKANSAS NUCLEAR ONE UNIT #1'		
FDNS	5	0 11G	G09_067S	'FROM->TO'	'ELK CITY 230KV (ELKCTY-6) 230/138/13.8KV TRANSFORMER CKT 1'	287	0.06708	105.0165	'GEN337911 1-ARKANSAS NUCLEAR ONE UNIT #2'		

SOLUTION	GROUP	SCENARIO	SEASON	SOURCE	DIRECTION	MONITORED ELEMENT	RATE B	TDF	TC%LOADING	CONTINGENCY NAME
						COMMON NAME				
FDNS	5	0 11G	G08_022	'FROM->TO'	'ELK CITY 230KV (ELKCTY-6) 230/138/13.8KV TRANSFORMER CKT 1'	287	0.06838	105.0165	'GEN337911 1-ARKANSAS NUCLEAR ONE UNIT #2'	
FDNS	5	0 11G	G10_007	'FROM->TO'	'ELK CITY 230KV (ELKCTY-6) 230/138/13.8KV TRANSFORMER CKT 1'	287	0.10254	105.0165	'GEN337911 1-ARKANSAS NUCLEAR ONE UNIT #2'	
FDNS	5	0 11G	G08_110	'FROM->TO'	'ELK CITY 230KV (ELKCTY-6) 230/138/13.8KV TRANSFORMER CKT 1'	287	0.03835	105.0165	'GEN337911 1-ARKANSAS NUCLEAR ONE UNIT #2'	
FDNS	5	0 11G	G08_088	'FROM->TO'	'ELK CITY 230KV (ELKCTY-6) 230/138/13.8KV TRANSFORMER CKT 1'	287	0.11437	105.0165	'GEN337911 1-ARKANSAS NUCLEAR ONE UNIT #2'	
FDNS	5	0 11G	ASGI_2010_011	'FROM->TO'	'ELK CITY 230KV (ELKCTY-6) 230/138/13.8KV TRANSFORMER CKT 1'	287	0.0603	105.0165	'GEN337911 1-ARKANSAS NUCLEAR ONE UNIT #2'	
FDNS	5	0 11G	G10_014	'FROM->TO'	'ELK CITY 230KV (ELKCTY-6) 230/138/13.8KV TRANSFORMER CKT 1'	287	0.03835	105.0165	'GEN337911 1-ARKANSAS NUCLEAR ONE UNIT #2'	
FDNS	5	0 11G	G09_067S	'FROM->TO'	'ELK CITY 230KV (ELKCTY-6) 230/138/13.8KV TRANSFORMER CKT 1'	287	0.06708	104.0935	'GEN337911 1-ARKANSAS NUCLEAR ONE UNIT #2'	
FDNS	5	0 11G	G08_022	'FROM->TO'	'ELK CITY 230KV (ELKCTY-6) 230/138/13.8KV TRANSFORMER CKT 1'	287	0.06838	104.0935	'GEN337911 1-ARKANSAS NUCLEAR ONE UNIT #2'	
FDNS	5	0 11G	G10_007	'FROM->TO'	'ELK CITY 230KV (ELKCTY-6) 230/138/13.8KV TRANSFORMER CKT 1'	287	0.10254	104.0935	'GEN337911 1-ARKANSAS NUCLEAR ONE UNIT #2'	
FDNS	5	0 11G	G08_110	'FROM->TO'	'ELK CITY 230KV (ELKCTY-6) 230/138/13.8KV TRANSFORMER CKT 1'	287	0.03835	104.0935	'GEN337911 1-ARKANSAS NUCLEAR ONE UNIT #2'	
FDNS	5	0 11G	G08_088	'FROM->TO'	'ELK CITY 230KV (ELKCTY-6) 230/138/13.8KV TRANSFORMER CKT 1'	287	0.11437	104.0935	'GEN337911 1-ARKANSAS NUCLEAR ONE UNIT #2'	
FDNS	5	0 11G	ASGI_2010_011	'FROM->TO'	'ELK CITY 230KV (ELKCTY-6) 230/138/13.8KV TRANSFORMER CKT 1'	287	0.0603	104.0935	'GEN337911 1-ARKANSAS NUCLEAR ONE UNIT #2'	
FDNS	5	0 11G	G10_014	'FROM->TO'	'ELK CITY 230KV (ELKCTY-6) 230/138/13.8KV TRANSFORMER CKT 1'	287	0.03835	104.0935	'GEN337911 1-ARKANSAS NUCLEAR ONE UNIT #2'	
FDNS	5	0 11G	G09_067S	'FROM->TO'	'ELK CITY 230KV (ELKCTY-6) 230/138/13.8KV TRANSFORMER CKT 1'	287	0.06708	103.3496	'GEN338143 1-INDEPENDENCE UNIT #1'	
FDNS	5	0 11G	G08_022	'FROM->TO'	'ELK CITY 230KV (ELKCTY-6) 230/138/13.8KV TRANSFORMER CKT 1'	287	0.06838	103.3496	'GEN338143 1-INDEPENDENCE UNIT #1'	
FDNS	5	0 11G	G10_007	'FROM->TO'	'ELK CITY 230KV (ELKCTY-6) 230/138/13.8KV TRANSFORMER CKT 1'	287	0.10254	103.3496	'GEN338143 1-INDEPENDENCE UNIT #1'	
FDNS	5	0 11G	G08_110	'FROM->TO'	'ELK CITY 230KV (ELKCTY-6) 230/138/13.8KV TRANSFORMER CKT 1'	287	0.03835	103.3496	'GEN338143 1-INDEPENDENCE UNIT #1'	
FDNS	5	0 11G	G08_088	'FROM->TO'	'ELK CITY 230KV (ELKCTY-6) 230/138/13.8KV TRANSFORMER CKT 1'	287	0.11437	103.3496	'GEN338143 1-INDEPENDENCE UNIT #1'	
FDNS	5	0 11G	ASGI_2010_011	'FROM->TO'	'ELK CITY 230KV (ELKCTY-6) 230/138/13.8KV TRANSFORMER CKT 1'	287	0.0603	103.3496	'GEN338143 1-INDEPENDENCE UNIT #1'	
FDNS	5	0 11G	G10_014	'FROM->TO'	'ELK CITY 230KV (ELKCTY-6) 230/138/13.8KV TRANSFORMER CKT 1'	287	0.03835	103.3496	'GEN338143 1-INDEPENDENCE UNIT #1'	
FDNS	5	0 11G	G09_067S	'FROM->TO'	'ELK CITY 230KV (ELKCTY-6) 230/138/13.8KV TRANSFORMER CKT 1'	287	0.06708	102.4698	'GEN338143 1-INDEPENDENCE UNIT #1'	
FDNS	5	0 11G	G08_022	'FROM->TO'	'ELK CITY 230KV (ELKCTY-6) 230/138/13.8KV TRANSFORMER CKT 1'	287	0.06838	102.4698	'GEN338143 1-INDEPENDENCE UNIT #1'	
FDNS	5	0 11G	G10_007	'FROM->TO'	'ELK CITY 230KV (ELKCTY-6) 230/138/13.8KV TRANSFORMER CKT 1'	287	0.10254	102.4698	'GEN338143 1-INDEPENDENCE UNIT #1'	
FDNS	5	0 11G	G08_110	'FROM->TO'	'ELK CITY 230KV (ELKCTY-6) 230/138/13.8KV TRANSFORMER CKT 1'	287	0.03835	102.4698	'GEN338143 1-INDEPENDENCE UNIT #1'	
FDNS	5	0 11G	G08_088	'FROM->TO'	'ELK CITY 230KV (ELKCTY-6) 230/138/13.8KV TRANSFORMER CKT 1'	287	0.11437	102.4698	'GEN338143 1-INDEPENDENCE UNIT #1'	
FDNS	5	0 11G	ASGI_2010_011	'FROM->TO'	'ELK CITY 230KV (ELKCTY-6) 230/138/13.8KV TRANSFORMER CKT 1'	287	0.0603	102.4698	'GEN338143 1-INDEPENDENCE UNIT #1'	
FDNS	5	0 11G	G10_014	'FROM->TO'	'ELK CITY 230KV (ELKCTY-6) 230/138/13.8KV TRANSFORMER CKT 1'	287	0.03835	102.4698	'GEN338143 1-INDEPENDENCE UNIT #1'	
FDNS	5	0 11G	G09_067S	'FROM->TO'	'ELK CITY 230KV (ELKCTY-6) 230/138/13.8KV TRANSFORMER CKT 1'	287	0.06708	103.4053	'GEN338146 1-INDEPENDENCE UNIT #2'	
FDNS	5	0 11G	G08_022	'FROM->TO'	'ELK CITY 230KV (ELKCTY-6) 230/138/13.8KV TRANSFORMER CKT 1'	287	0.06838	103.4053	'GEN338146 1-INDEPENDENCE UNIT #2'	

SOLUTION	GROUP	SCENARIO	SEASON	SOURCE	DIRECTION	MONITORED ELEMENT	RATE B	TDF	TC%	LOADING	CONTINGENCY NAME
						COMMON NAME					
FDNS	5	0 11G	G10_007	'FROM->TO'	'ELK CITY 230KV (ELKCTY-6) 230/138/13.8KV TRANSFORMER CKT 1'	287	0.10254	103.4053	'GEN338146 1-INDEPENDENCE UNIT #2'		
FDNS	5	0 11G	G08_110	'FROM->TO'	'ELK CITY 230KV (ELKCTY-6) 230/138/13.8KV TRANSFORMER CKT 1'	287	0.03835	103.4053	'GEN338146 1-INDEPENDENCE UNIT #2'		
FDNS	5	0 11G	G08_088	'FROM->TO'	'ELK CITY 230KV (ELKCTY-6) 230/138/13.8KV TRANSFORMER CKT 1'	287	0.11437	103.4053	'GEN338146 1-INDEPENDENCE UNIT #2'		
FDNS	5	0 11G	ASGI_2010_011	'FROM->TO'	'ELK CITY 230KV (ELKCTY-6) 230/138/13.8KV TRANSFORMER CKT 1'	287	0.0603	103.4053	'GEN338146 1-INDEPENDENCE UNIT #2'		
FDNS	5	0 11G	G10_014	'FROM->TO'	'ELK CITY 230KV (ELKCTY-6) 230/138/13.8KV TRANSFORMER CKT 1'	287	0.03835	103.4053	'GEN338146 1-INDEPENDENCE UNIT #2'		
FDNS	5	0 11G	G09_067S	'FROM->TO'	'ELK CITY 230KV (ELKCTY-6) 230/138/13.8KV TRANSFORMER CKT 1'	287	0.06708	102.524	'GEN338146 1-INDEPENDENCE UNIT #2'		
FDNS	5	0 11G	G08_022	'FROM->TO'	'ELK CITY 230KV (ELKCTY-6) 230/138/13.8KV TRANSFORMER CKT 1'	287	0.06838	102.524	'GEN338146 1-INDEPENDENCE UNIT #2'		
FDNS	5	0 11G	G10_007	'FROM->TO'	'ELK CITY 230KV (ELKCTY-6) 230/138/13.8KV TRANSFORMER CKT 1'	287	0.10254	102.524	'GEN338146 1-INDEPENDENCE UNIT #2'		
FDNS	5	0 11G	G08_110	'FROM->TO'	'ELK CITY 230KV (ELKCTY-6) 230/138/13.8KV TRANSFORMER CKT 1'	287	0.03835	102.524	'GEN338146 1-INDEPENDENCE UNIT #2'		
FDNS	5	0 11G	G08_088	'FROM->TO'	'ELK CITY 230KV (ELKCTY-6) 230/138/13.8KV TRANSFORMER CKT 1'	287	0.11437	102.524	'GEN338146 1-INDEPENDENCE UNIT #2'		
FDNS	5	0 11G	ASGI_2010_011	'FROM->TO'	'ELK CITY 230KV (ELKCTY-6) 230/138/13.8KV TRANSFORMER CKT 1'	287	0.0603	102.524	'GEN338146 1-INDEPENDENCE UNIT #2'		
FDNS	5	0 11G	G10_014	'FROM->TO'	'ELK CITY 230KV (ELKCTY-6) 230/138/13.8KV TRANSFORMER CKT 1'	287	0.03835	102.524	'GEN338146 1-INDEPENDENCE UNIT #2'		
FDNS	5	0 11G	G09_067S	'FROM->TO'	'ELK CITY 230KV (ELKCTY-6) 230/138/13.8KV TRANSFORMER CKT 1'	287	0.06708	102.6969	'GEN338189 1-LS POWER OSCEOLA UNIT G1'		
FDNS	5	0 11G	G08_022	'FROM->TO'	'ELK CITY 230KV (ELKCTY-6) 230/138/13.8KV TRANSFORMER CKT 1'	287	0.06838	102.6969	'GEN338189 1-LS POWER OSCEOLA UNIT G1'		
FDNS	5	0 11G	G10_007	'FROM->TO'	'ELK CITY 230KV (ELKCTY-6) 230/138/13.8KV TRANSFORMER CKT 1'	287	0.10254	102.6969	'GEN338189 1-LS POWER OSCEOLA UNIT G1'		
FDNS	5	0 11G	G08_110	'FROM->TO'	'ELK CITY 230KV (ELKCTY-6) 230/138/13.8KV TRANSFORMER CKT 1'	287	0.03835	102.6969	'GEN338189 1-LS POWER OSCEOLA UNIT G1'		
FDNS	5	0 11G	G08_088	'FROM->TO'	'ELK CITY 230KV (ELKCTY-6) 230/138/13.8KV TRANSFORMER CKT 1'	287	0.11437	102.6969	'GEN338189 1-LS POWER OSCEOLA UNIT G1'		
FDNS	5	0 11G	ASGI_2010_011	'FROM->TO'	'ELK CITY 230KV (ELKCTY-6) 230/138/13.8KV TRANSFORMER CKT 1'	287	0.0603	102.6969	'GEN338189 1-LS POWER OSCEOLA UNIT G1'		
FDNS	5	0 11G	G10_014	'FROM->TO'	'ELK CITY 230KV (ELKCTY-6) 230/138/13.8KV TRANSFORMER CKT 1'	287	0.03835	102.6969	'GEN338189 1-LS POWER OSCEOLA UNIT G1'		
FDNS	5	0 11G	G09_067S	'FROM->TO'	'ELK CITY 230KV (ELKCTY-6) 230/138/13.8KV TRANSFORMER CKT 1'	287	0.06708	101.8333	'GEN338189 1-LS POWER OSCEOLA UNIT G1'		
FDNS	5	0 11G	G08_022	'FROM->TO'	'ELK CITY 230KV (ELKCTY-6) 230/138/13.8KV TRANSFORMER CKT 1'	287	0.06838	101.8333	'GEN338189 1-LS POWER OSCEOLA UNIT G1'		
FDNS	5	0 11G	G10_007	'FROM->TO'	'ELK CITY 230KV (ELKCTY-6) 230/138/13.8KV TRANSFORMER CKT 1'	287	0.10254	101.8333	'GEN338189 1-LS POWER OSCEOLA UNIT G1'		
FDNS	5	0 11G	G08_110	'FROM->TO'	'ELK CITY 230KV (ELKCTY-6) 230/138/13.8KV TRANSFORMER CKT 1'	287	0.03835	101.8333	'GEN338189 1-LS POWER OSCEOLA UNIT G1'		
FDNS	5	0 11G	G08_088	'FROM->TO'	'ELK CITY 230KV (ELKCTY-6) 230/138/13.8KV TRANSFORMER CKT 1'	287	0.11437	101.8333	'GEN338189 1-LS POWER OSCEOLA UNIT G1'		
FDNS	5	0 11G	ASGI_2010_011	'FROM->TO'	'ELK CITY 230KV (ELKCTY-6) 230/138/13.8KV TRANSFORMER CKT 1'	287	0.0603	101.8333	'GEN338189 1-LS POWER OSCEOLA UNIT G1'		
FDNS	5	0 11G	G10_014	'FROM->TO'	'ELK CITY 230KV (ELKCTY-6) 230/138/13.8KV TRANSFORMER CKT 1'	287	0.03835	101.8333	'GEN338189 1-LS POWER OSCEOLA UNIT G1'		
FDNS	5	0 11G	G09_067S	'FROM->TO'	'ELK CITY 230KV (ELKCTY-6) 230/138/13.8KV TRANSFORMER CKT 1'	287	0.06708	102.997	'GEN501801 1-DOLET HILLS UNIT1'		
FDNS	5	0 11G	G08_022	'FROM->TO'	'ELK CITY 230KV (ELKCTY-6) 230/138/13.8KV TRANSFORMER CKT 1'	287	0.06838	102.997	'GEN501801 1-DOLET HILLS UNIT1'		
FDNS	5	0 11G	G10_007	'FROM->TO'	'ELK CITY 230KV (ELKCTY-6) 230/138/13.8KV TRANSFORMER CKT 1'	287	0.10254	102.997	'GEN501801 1-DOLET HILLS UNIT1'		

SOLUTION	GROUP	SCENARIO	SEASON	SOURCE	DIRECTION	MONITORED ELEMENT	RATE B	TDF	TC%	LOADING	CONTINGENCY NAME
						COMMON NAME					
FDNS	5	0 11G	G08_110	'FROM->TO'	'ELK CITY 230KV (ELKCTY-6) 230/138/13.8KV TRANSFORMER CKT 1'	287	0.03835	102.997	'GEN501801 1-DOLET HILLS UNIT1'		
FDNS	5	0 11G	G08_088	'FROM->TO'	'ELK CITY 230KV (ELKCTY-6) 230/138/13.8KV TRANSFORMER CKT 1'	287	0.11437	102.997	'GEN501801 1-DOLET HILLS UNIT1'		
FDNS	5	0 11G	ASGI_2010_011	'FROM->TO'	'ELK CITY 230KV (ELKCTY-6) 230/138/13.8KV TRANSFORMER CKT 1'	287	0.0603	102.997	'GEN501801 1-DOLET HILLS UNIT1'		
FDNS	5	0 11G	G10_014	'FROM->TO'	'ELK CITY 230KV (ELKCTY-6) 230/138/13.8KV TRANSFORMER CKT 1'	287	0.03835	102.997	'GEN501801 1-DOLET HILLS UNIT1'		
FDNS	5	0 11G	G09_067S	'FROM->TO'	'ELK CITY 230KV (ELKCTY-6) 230/138/13.8KV TRANSFORMER CKT 1'	287	0.06708	102.1233	'GEN501801 1-DOLET HILLS UNIT1'		
FDNS	5	0 11G	G08_022	'FROM->TO'	'ELK CITY 230KV (ELKCTY-6) 230/138/13.8KV TRANSFORMER CKT 1'	287	0.06838	102.1233	'GEN501801 1-DOLET HILLS UNIT1'		
FDNS	5	0 11G	G10_007	'FROM->TO'	'ELK CITY 230KV (ELKCTY-6) 230/138/13.8KV TRANSFORMER CKT 1'	287	0.10254	102.1233	'GEN501801 1-DOLET HILLS UNIT1'		
FDNS	5	0 11G	G08_110	'FROM->TO'	'ELK CITY 230KV (ELKCTY-6) 230/138/13.8KV TRANSFORMER CKT 1'	287	0.03835	102.1233	'GEN501801 1-DOLET HILLS UNIT1'		
FDNS	5	0 11G	G08_088	'FROM->TO'	'ELK CITY 230KV (ELKCTY-6) 230/138/13.8KV TRANSFORMER CKT 1'	287	0.11437	102.1233	'GEN501801 1-DOLET HILLS UNIT1'		
FDNS	5	0 11G	ASGI_2010_011	'FROM->TO'	'ELK CITY 230KV (ELKCTY-6) 230/138/13.8KV TRANSFORMER CKT 1'	287	0.0603	102.1233	'GEN501801 1-DOLET HILLS UNIT1'		
FDNS	5	0 11G	G10_014	'FROM->TO'	'ELK CITY 230KV (ELKCTY-6) 230/138/13.8KV TRANSFORMER CKT 1'	287	0.03835	102.1233	'GEN501801 1-DOLET HILLS UNIT1'		
FDNS	5	0 11G	G09_067S	'FROM->TO'	'ELK CITY 230KV (ELKCTY-6) 230/138/13.8KV TRANSFORMER CKT 1'	287	0.06708	101.933	'GEN501812 1-RODEMACHER UNIT 2'		
FDNS	5	0 11G	G08_022	'FROM->TO'	'ELK CITY 230KV (ELKCTY-6) 230/138/13.8KV TRANSFORMER CKT 1'	287	0.06838	101.933	'GEN501812 1-RODEMACHER UNIT 2'		
FDNS	5	0 11G	G10_007	'FROM->TO'	'ELK CITY 230KV (ELKCTY-6) 230/138/13.8KV TRANSFORMER CKT 1'	287	0.10254	101.933	'GEN501812 1-RODEMACHER UNIT 2'		
FDNS	5	0 11G	G08_110	'FROM->TO'	'ELK CITY 230KV (ELKCTY-6) 230/138/13.8KV TRANSFORMER CKT 1'	287	0.03835	101.933	'GEN501812 1-RODEMACHER UNIT 2'		
FDNS	5	0 11G	G08_088	'FROM->TO'	'ELK CITY 230KV (ELKCTY-6) 230/138/13.8KV TRANSFORMER CKT 1'	287	0.11437	101.933	'GEN501812 1-RODEMACHER UNIT 2'		
FDNS	5	0 11G	ASGI_2010_011	'FROM->TO'	'ELK CITY 230KV (ELKCTY-6) 230/138/13.8KV TRANSFORMER CKT 1'	287	0.0603	101.933	'GEN501812 1-RODEMACHER UNIT 2'		
FDNS	5	0 11G	G10_014	'FROM->TO'	'ELK CITY 230KV (ELKCTY-6) 230/138/13.8KV TRANSFORMER CKT 1'	287	0.03835	101.933	'GEN501812 1-RODEMACHER UNIT 2'		
FDNS	5	0 11G	G09_067S	'FROM->TO'	'ELK CITY 230KV (ELKCTY-6) 230/138/13.8KV TRANSFORMER CKT 1'	287	0.06708	101.0863	'GEN501812 1-RODEMACHER UNIT 2'		
FDNS	5	0 11G	G08_022	'FROM->TO'	'ELK CITY 230KV (ELKCTY-6) 230/138/13.8KV TRANSFORMER CKT 1'	287	0.06838	101.0863	'GEN501812 1-RODEMACHER UNIT 2'		
FDNS	5	0 11G	G10_007	'FROM->TO'	'ELK CITY 230KV (ELKCTY-6) 230/138/13.8KV TRANSFORMER CKT 1'	287	0.10254	101.0863	'GEN501812 1-RODEMACHER UNIT 2'		
FDNS	5	0 11G	G08_110	'FROM->TO'	'ELK CITY 230KV (ELKCTY-6) 230/138/13.8KV TRANSFORMER CKT 1'	287	0.03835	101.0863	'GEN501812 1-RODEMACHER UNIT 2'		
FDNS	5	0 11G	G08_088	'FROM->TO'	'ELK CITY 230KV (ELKCTY-6) 230/138/13.8KV TRANSFORMER CKT 1'	287	0.11437	101.0863	'GEN501812 1-RODEMACHER UNIT 2'		
FDNS	5	0 11G	ASGI_2010_011	'FROM->TO'	'ELK CITY 230KV (ELKCTY-6) 230/138/13.8KV TRANSFORMER CKT 1'	287	0.0603	101.0863	'GEN501812 1-RODEMACHER UNIT 2'		
FDNS	5	0 11G	G10_014	'FROM->TO'	'ELK CITY 230KV (ELKCTY-6) 230/138/13.8KV TRANSFORMER CKT 1'	287	0.03835	101.0863	'GEN501812 1-RODEMACHER UNIT 2'		
FDNS	5	0 11G	G09_067S	'FROM->TO'	'ELK CITY 230KV (ELKCTY-6) 230/138/13.8KV TRANSFORMER CKT 1'	287	0.06708	102.3843	'GEN501813 1-RODEMACHER UNIT 3'		
FDNS	5	0 11G	G08_022	'FROM->TO'	'ELK CITY 230KV (ELKCTY-6) 230/138/13.8KV TRANSFORMER CKT 1'	287	0.06838	102.3843	'GEN501813 1-RODEMACHER UNIT 3'		
FDNS	5	0 11G	G10_007	'FROM->TO'	'ELK CITY 230KV (ELKCTY-6) 230/138/13.8KV TRANSFORMER CKT 1'	287	0.10254	102.3843	'GEN501813 1-RODEMACHER UNIT 3'		
FDNS	5	0 11G	G08_110	'FROM->TO'	'ELK CITY 230KV (ELKCTY-6) 230/138/13.8KV TRANSFORMER CKT 1'	287	0.03835	102.3843	'GEN501813 1-RODEMACHER UNIT 3'		

SOLUTION	GROUP	SCENARIO	SEASON	SOURCE	DIRECTION	MONITORED ELEMENT	RATE B	TDF	TC%	LOADING	CONTINGENCY NAME
						COMMON NAME					
FDNS	5	0 11G	G08_088	'FROM->TO'	'ELK CITY 230KV (ELKCTY-6) 230/138/13.8KV TRANSFORMER CKT 1'	287	0.11437	102.3843	'GEN501813 1-RODEMACHER UNIT 3'		
FDNS	5	0 11G	ASGI_2010_011	'FROM->TO'	'ELK CITY 230KV (ELKCTY-6) 230/138/13.8KV TRANSFORMER CKT 1'	287	0.0603	102.3843	'GEN501813 1-RODEMACHER UNIT 3'		
FDNS	5	0 11G	G10_014	'FROM->TO'	'ELK CITY 230KV (ELKCTY-6) 230/138/13.8KV TRANSFORMER CKT 1'	287	0.03835	102.3843	'GEN501813 1-RODEMACHER UNIT 3'		
FDNS	5	0 11G	G09_067S	'FROM->TO'	'ELK CITY 230KV (ELKCTY-6) 230/138/13.8KV TRANSFORMER CKT 1'	287	0.06708	101.5266	'GEN501813 1-RODEMACHER UNIT 3'		
FDNS	5	0 11G	G08_022	'FROM->TO'	'ELK CITY 230KV (ELKCTY-6) 230/138/13.8KV TRANSFORMER CKT 1'	287	0.06838	101.5266	'GEN501813 1-RODEMACHER UNIT 3'		
FDNS	5	0 11G	G10_007	'FROM->TO'	'ELK CITY 230KV (ELKCTY-6) 230/138/13.8KV TRANSFORMER CKT 1'	287	0.10254	101.5266	'GEN501813 1-RODEMACHER UNIT 3'		
FDNS	5	0 11G	G08_110	'FROM->TO'	'ELK CITY 230KV (ELKCTY-6) 230/138/13.8KV TRANSFORMER CKT 1'	287	0.03835	101.5266	'GEN501813 1-RODEMACHER UNIT 3'		
FDNS	5	0 11G	G08_088	'FROM->TO'	'ELK CITY 230KV (ELKCTY-6) 230/138/13.8KV TRANSFORMER CKT 1'	287	0.11437	101.5266	'GEN501813 1-RODEMACHER UNIT 3'		
FDNS	5	0 11G	ASGI_2010_011	'FROM->TO'	'ELK CITY 230KV (ELKCTY-6) 230/138/13.8KV TRANSFORMER CKT 1'	287	0.0603	101.5266	'GEN501813 1-RODEMACHER UNIT 3'		
FDNS	5	0 11G	G10_014	'FROM->TO'	'ELK CITY 230KV (ELKCTY-6) 230/138/13.8KV TRANSFORMER CKT 1'	287	0.03835	101.5266	'GEN501813 1-RODEMACHER UNIT 3'		
FDNS	5	0 11G	G09_067S	'FROM->TO'	'ELK CITY 230KV (ELKCTY-6) 230/138/13.8KV TRANSFORMER CKT 1'	287	0.06708	100.0577	'GEN505432 1-SIKESTON'		
FDNS	5	0 11G	G08_022	'FROM->TO'	'ELK CITY 230KV (ELKCTY-6) 230/138/13.8KV TRANSFORMER CKT 1'	287	0.06838	100.0577	'GEN505432 1-SIKESTON'		
FDNS	5	0 11G	G10_007	'FROM->TO'	'ELK CITY 230KV (ELKCTY-6) 230/138/13.8KV TRANSFORMER CKT 1'	287	0.10254	100.0577	'GEN505432 1-SIKESTON'		
FDNS	5	0 11G	G08_110	'FROM->TO'	'ELK CITY 230KV (ELKCTY-6) 230/138/13.8KV TRANSFORMER CKT 1'	287	0.03835	100.0577	'GEN505432 1-SIKESTON'		
FDNS	5	0 11G	G08_088	'FROM->TO'	'ELK CITY 230KV (ELKCTY-6) 230/138/13.8KV TRANSFORMER CKT 1'	287	0.11437	100.0577	'GEN505432 1-SIKESTON'		
FDNS	5	0 11G	ASGI_2010_011	'FROM->TO'	'ELK CITY 230KV (ELKCTY-6) 230/138/13.8KV TRANSFORMER CKT 1'	287	0.0603	100.0577	'GEN505432 1-SIKESTON'		
FDNS	5	0 11G	G10_014	'FROM->TO'	'ELK CITY 230KV (ELKCTY-6) 230/138/13.8KV TRANSFORMER CKT 1'	287	0.03835	100.0577	'GEN505432 1-SIKESTON'		
FDNS	5	0 11G	G09_067S	'FROM->TO'	'ELK CITY 230KV (ELKCTY-6) 230/138/13.8KV TRANSFORMER CKT 1'	287	0.06708	101.528	'GEN509394 1-FLINT CREEK'		
FDNS	5	0 11G	G08_022	'FROM->TO'	'ELK CITY 230KV (ELKCTY-6) 230/138/13.8KV TRANSFORMER CKT 1'	287	0.06838	101.528	'GEN509394 1-FLINT CREEK'		
FDNS	5	0 11G	G10_007	'FROM->TO'	'ELK CITY 230KV (ELKCTY-6) 230/138/13.8KV TRANSFORMER CKT 1'	287	0.10254	101.528	'GEN509394 1-FLINT CREEK'		
FDNS	5	0 11G	G08_110	'FROM->TO'	'ELK CITY 230KV (ELKCTY-6) 230/138/13.8KV TRANSFORMER CKT 1'	287	0.03835	101.528	'GEN509394 1-FLINT CREEK'		
FDNS	5	0 11G	G08_088	'FROM->TO'	'ELK CITY 230KV (ELKCTY-6) 230/138/13.8KV TRANSFORMER CKT 1'	287	0.11437	101.528	'GEN509394 1-FLINT CREEK'		
FDNS	5	0 11G	ASGI_2010_011	'FROM->TO'	'ELK CITY 230KV (ELKCTY-6) 230/138/13.8KV TRANSFORMER CKT 1'	287	0.0603	101.528	'GEN509394 1-FLINT CREEK'		
FDNS	5	0 11G	G10_014	'FROM->TO'	'ELK CITY 230KV (ELKCTY-6) 230/138/13.8KV TRANSFORMER CKT 1'	287	0.03835	101.528	'GEN509394 1-FLINT CREEK'		
FDNS	5	0 11G	G09_067S	'FROM->TO'	'ELK CITY 230KV (ELKCTY-6) 230/138/13.8KV TRANSFORMER CKT 1'	287	0.06708	100.6905	'GEN509394 1-FLINT CREEK'		
FDNS	5	0 11G	G08_022	'FROM->TO'	'ELK CITY 230KV (ELKCTY-6) 230/138/13.8KV TRANSFORMER CKT 1'	287	0.06838	100.6905	'GEN509394 1-FLINT CREEK'		
FDNS	5	0 11G	G10_007	'FROM->TO'	'ELK CITY 230KV (ELKCTY-6) 230/138/13.8KV TRANSFORMER CKT 1'	287	0.10254	100.6905	'GEN509394 1-FLINT CREEK'		
FDNS	5	0 11G	G08_110	'FROM->TO'	'ELK CITY 230KV (ELKCTY-6) 230/138/13.8KV TRANSFORMER CKT 1'	287	0.03835	100.6905	'GEN509394 1-FLINT CREEK'		
FDNS	5	0 11G	G08_088	'FROM->TO'	'ELK CITY 230KV (ELKCTY-6) 230/138/13.8KV TRANSFORMER CKT 1'	287	0.11437	100.6905	'GEN509394 1-FLINT CREEK'		

SOLUTION	GROUP	SCENARIO	SEASON	SOURCE	DIRECTION	MONITORED ELEMENT	RATE B	TDF	TC%	LOADING	CONTINGENCY NAME
						COMMON NAME					
FDNS	5	0 11G	ASGI_2010_011	'FROM->TO'	'ELK CITY 230KV (ELKCTY-6) 230/138/13.8KV TRANSFORMER CKT 1'	287	0.0603	100.6905	'GEN509394 1-FLINT CREEK'		
FDNS	5	0 11G	G10_014	'FROM->TO'	'ELK CITY 230KV (ELKCTY-6) 230/138/13.8KV TRANSFORMER CKT 1'	287	0.03835	100.6905	'GEN509394 1-FLINT CREEK'		
FDNS	5	0 11G	G09_067S	'FROM->TO'	'ELK CITY 230KV (ELKCTY-6) 230/138/13.8KV TRANSFORMER CKT 1'	287	0.06708	102.6495	'GEN509403 1-PIRKEY GENERATION'		
FDNS	5	0 11G	G08_022	'FROM->TO'	'ELK CITY 230KV (ELKCTY-6) 230/138/13.8KV TRANSFORMER CKT 1'	287	0.06838	102.6495	'GEN509403 1-PIRKEY GENERATION'		
FDNS	5	0 11G	G10_007	'FROM->TO'	'ELK CITY 230KV (ELKCTY-6) 230/138/13.8KV TRANSFORMER CKT 1'	287	0.10254	102.6495	'GEN509403 1-PIRKEY GENERATION'		
FDNS	5	0 11G	G08_110	'FROM->TO'	'ELK CITY 230KV (ELKCTY-6) 230/138/13.8KV TRANSFORMER CKT 1'	287	0.03835	102.6495	'GEN509403 1-PIRKEY GENERATION'		
FDNS	5	0 11G	G08_088	'FROM->TO'	'ELK CITY 230KV (ELKCTY-6) 230/138/13.8KV TRANSFORMER CKT 1'	287	0.11437	102.6495	'GEN509403 1-PIRKEY GENERATION'		
FDNS	5	0 11G	ASGI_2010_011	'FROM->TO'	'ELK CITY 230KV (ELKCTY-6) 230/138/13.8KV TRANSFORMER CKT 1'	287	0.0603	102.6495	'GEN509403 1-PIRKEY GENERATION'		
FDNS	5	0 11G	G10_014	'FROM->TO'	'ELK CITY 230KV (ELKCTY-6) 230/138/13.8KV TRANSFORMER CKT 1'	287	0.03835	102.6495	'GEN509403 1-PIRKEY GENERATION'		
FDNS	5	0 11G	G09_067S	'FROM->TO'	'ELK CITY 230KV (ELKCTY-6) 230/138/13.8KV TRANSFORMER CKT 1'	287	0.06708	101.784	'GEN509403 1-PIRKEY GENERATION'		
FDNS	5	0 11G	G08_022	'FROM->TO'	'ELK CITY 230KV (ELKCTY-6) 230/138/13.8KV TRANSFORMER CKT 1'	287	0.06838	101.784	'GEN509403 1-PIRKEY GENERATION'		
FDNS	5	0 11G	G10_007	'FROM->TO'	'ELK CITY 230KV (ELKCTY-6) 230/138/13.8KV TRANSFORMER CKT 1'	287	0.10254	101.784	'GEN509403 1-PIRKEY GENERATION'		
FDNS	5	0 11G	G08_110	'FROM->TO'	'ELK CITY 230KV (ELKCTY-6) 230/138/13.8KV TRANSFORMER CKT 1'	287	0.03835	101.784	'GEN509403 1-PIRKEY GENERATION'		
FDNS	5	0 11G	G08_088	'FROM->TO'	'ELK CITY 230KV (ELKCTY-6) 230/138/13.8KV TRANSFORMER CKT 1'	287	0.11437	101.784	'GEN509403 1-PIRKEY GENERATION'		
FDNS	5	0 11G	ASGI_2010_011	'FROM->TO'	'ELK CITY 230KV (ELKCTY-6) 230/138/13.8KV TRANSFORMER CKT 1'	287	0.0603	101.784	'GEN509403 1-PIRKEY GENERATION'		
FDNS	5	0 11G	G10_014	'FROM->TO'	'ELK CITY 230KV (ELKCTY-6) 230/138/13.8KV TRANSFORMER CKT 1'	287	0.03835	101.784	'GEN509403 1-PIRKEY GENERATION'		
FDNS	5	0 11G	G09_067S	'FROM->TO'	'ELK CITY 230KV (ELKCTY-6) 230/138/13.8KV TRANSFORMER CKT 1'	287	0.06708	101.8704	'GEN509404 1-WELSH #1'		
FDNS	5	0 11G	G08_022	'FROM->TO'	'ELK CITY 230KV (ELKCTY-6) 230/138/13.8KV TRANSFORMER CKT 1'	287	0.06838	101.8704	'GEN509404 1-WELSH #1'		
FDNS	5	0 11G	G10_007	'FROM->TO'	'ELK CITY 230KV (ELKCTY-6) 230/138/13.8KV TRANSFORMER CKT 1'	287	0.10254	101.8704	'GEN509404 1-WELSH #1'		
FDNS	5	0 11G	G08_110	'FROM->TO'	'ELK CITY 230KV (ELKCTY-6) 230/138/13.8KV TRANSFORMER CKT 1'	287	0.03835	101.8704	'GEN509404 1-WELSH #1'		
FDNS	5	0 11G	G08_088	'FROM->TO'	'ELK CITY 230KV (ELKCTY-6) 230/138/13.8KV TRANSFORMER CKT 1'	287	0.11437	101.8704	'GEN509404 1-WELSH #1'		
FDNS	5	0 11G	ASGI_2010_011	'FROM->TO'	'ELK CITY 230KV (ELKCTY-6) 230/138/13.8KV TRANSFORMER CKT 1'	287	0.0603	101.8704	'GEN509404 1-WELSH #1'		
FDNS	5	0 11G	G10_014	'FROM->TO'	'ELK CITY 230KV (ELKCTY-6) 230/138/13.8KV TRANSFORMER CKT 1'	287	0.03835	101.8704	'GEN509404 1-WELSH #1'		
FDNS	5	0 11G	G09_067S	'FROM->TO'	'ELK CITY 230KV (ELKCTY-6) 230/138/13.8KV TRANSFORMER CKT 1'	287	0.06708	101.024	'GEN509404 1-WELSH #1'		
FDNS	5	0 11G	G08_022	'FROM->TO'	'ELK CITY 230KV (ELKCTY-6) 230/138/13.8KV TRANSFORMER CKT 1'	287	0.06838	101.024	'GEN509404 1-WELSH #1'		
FDNS	5	0 11G	G10_007	'FROM->TO'	'ELK CITY 230KV (ELKCTY-6) 230/138/13.8KV TRANSFORMER CKT 1'	287	0.10254	101.024	'GEN509404 1-WELSH #1'		
FDNS	5	0 11G	G08_110	'FROM->TO'	'ELK CITY 230KV (ELKCTY-6) 230/138/13.8KV TRANSFORMER CKT 1'	287	0.03835	101.024	'GEN509404 1-WELSH #1'		
FDNS	5	0 11G	G08_088	'FROM->TO'	'ELK CITY 230KV (ELKCTY-6) 230/138/13.8KV TRANSFORMER CKT 1'	287	0.11437	101.024	'GEN509404 1-WELSH #1'		
FDNS	5	0 11G	ASGI_2010_011	'FROM->TO'	'ELK CITY 230KV (ELKCTY-6) 230/138/13.8KV TRANSFORMER CKT 1'	287	0.0603	101.024	'GEN509404 1-WELSH #1'		

SOLUTION	GROUP	SCENARIO	SEASON	SOURCE	DIRECTION	MONITORED ELEMENT	RATE B	TDF	TC%	LOADING	CONTINGENCY NAME
						COMMON NAME					
FDNS	5	0 11G	G10_014	'FROM->TO'	'ELK CITY 230KV (ELKCTY-6) 230/138/13.8KV TRANSFORMER CKT 1'	287	0.03835	101.024	'GEN509404 1-WELSH #1'		
FDNS	5	0 11G	G09_067S	'FROM->TO'	'ELK CITY 230KV (ELKCTY-6) 230/138/13.8KV TRANSFORMER CKT 1'	287	0.06708	101.8705	'GEN509405 1-WELSH #2'		
FDNS	5	0 11G	G08_022	'FROM->TO'	'ELK CITY 230KV (ELKCTY-6) 230/138/13.8KV TRANSFORMER CKT 1'	287	0.06838	101.8705	'GEN509405 1-WELSH #2'		
FDNS	5	0 11G	G10_007	'FROM->TO'	'ELK CITY 230KV (ELKCTY-6) 230/138/13.8KV TRANSFORMER CKT 1'	287	0.10254	101.8705	'GEN509405 1-WELSH #2'		
FDNS	5	0 11G	G08_110	'FROM->TO'	'ELK CITY 230KV (ELKCTY-6) 230/138/13.8KV TRANSFORMER CKT 1'	287	0.03835	101.8705	'GEN509405 1-WELSH #2'		
FDNS	5	0 11G	G08_088	'FROM->TO'	'ELK CITY 230KV (ELKCTY-6) 230/138/13.8KV TRANSFORMER CKT 1'	287	0.11437	101.8705	'GEN509405 1-WELSH #2'		
FDNS	5	0 11G	ASGI_2010_011	'FROM->TO'	'ELK CITY 230KV (ELKCTY-6) 230/138/13.8KV TRANSFORMER CKT 1'	287	0.0603	101.8705	'GEN509405 1-WELSH #2'		
FDNS	5	0 11G	G10_014	'FROM->TO'	'ELK CITY 230KV (ELKCTY-6) 230/138/13.8KV TRANSFORMER CKT 1'	287	0.03835	101.8705	'GEN509405 1-WELSH #2'		
FDNS	5	0 11G	G09_067S	'FROM->TO'	'ELK CITY 230KV (ELKCTY-6) 230/138/13.8KV TRANSFORMER CKT 1'	287	0.06708	101.024	'GEN509405 1-WELSH #2'		
FDNS	5	0 11G	G08_022	'FROM->TO'	'ELK CITY 230KV (ELKCTY-6) 230/138/13.8KV TRANSFORMER CKT 1'	287	0.06838	101.024	'GEN509405 1-WELSH #2'		
FDNS	5	0 11G	G10_007	'FROM->TO'	'ELK CITY 230KV (ELKCTY-6) 230/138/13.8KV TRANSFORMER CKT 1'	287	0.10254	101.024	'GEN509405 1-WELSH #2'		
FDNS	5	0 11G	G08_110	'FROM->TO'	'ELK CITY 230KV (ELKCTY-6) 230/138/13.8KV TRANSFORMER CKT 1'	287	0.03835	101.024	'GEN509405 1-WELSH #2'		
FDNS	5	0 11G	G08_088	'FROM->TO'	'ELK CITY 230KV (ELKCTY-6) 230/138/13.8KV TRANSFORMER CKT 1'	287	0.11437	101.024	'GEN509405 1-WELSH #2'		
FDNS	5	0 11G	ASGI_2010_011	'FROM->TO'	'ELK CITY 230KV (ELKCTY-6) 230/138/13.8KV TRANSFORMER CKT 1'	287	0.0603	101.024	'GEN509405 1-WELSH #2'		
FDNS	5	0 11G	G10_014	'FROM->TO'	'ELK CITY 230KV (ELKCTY-6) 230/138/13.8KV TRANSFORMER CKT 1'	287	0.03835	101.024	'GEN509405 1-WELSH #2'		
FDNS	5	0 11G	G09_067S	'FROM->TO'	'ELK CITY 230KV (ELKCTY-6) 230/138/13.8KV TRANSFORMER CKT 1'	287	0.06708	101.8706	'GEN509406 1-WELSH #3'		
FDNS	5	0 11G	G08_022	'FROM->TO'	'ELK CITY 230KV (ELKCTY-6) 230/138/13.8KV TRANSFORMER CKT 1'	287	0.06838	101.8706	'GEN509406 1-WELSH #3'		
FDNS	5	0 11G	G10_007	'FROM->TO'	'ELK CITY 230KV (ELKCTY-6) 230/138/13.8KV TRANSFORMER CKT 1'	287	0.10254	101.8706	'GEN509406 1-WELSH #3'		
FDNS	5	0 11G	G08_110	'FROM->TO'	'ELK CITY 230KV (ELKCTY-6) 230/138/13.8KV TRANSFORMER CKT 1'	287	0.03835	101.8706	'GEN509406 1-WELSH #3'		
FDNS	5	0 11G	G08_088	'FROM->TO'	'ELK CITY 230KV (ELKCTY-6) 230/138/13.8KV TRANSFORMER CKT 1'	287	0.11437	101.8706	'GEN509406 1-WELSH #3'		
FDNS	5	0 11G	ASGI_2010_011	'FROM->TO'	'ELK CITY 230KV (ELKCTY-6) 230/138/13.8KV TRANSFORMER CKT 1'	287	0.0603	101.8706	'GEN509406 1-WELSH #3'		
FDNS	5	0 11G	G10_014	'FROM->TO'	'ELK CITY 230KV (ELKCTY-6) 230/138/13.8KV TRANSFORMER CKT 1'	287	0.03835	101.8706	'GEN509406 1-WELSH #3'		
FDNS	5	0 11G	G09_067S	'FROM->TO'	'ELK CITY 230KV (ELKCTY-6) 230/138/13.8KV TRANSFORMER CKT 1'	287	0.06708	101.0241	'GEN509406 1-WELSH #3'		
FDNS	5	0 11G	G08_022	'FROM->TO'	'ELK CITY 230KV (ELKCTY-6) 230/138/13.8KV TRANSFORMER CKT 1'	287	0.06838	101.0241	'GEN509406 1-WELSH #3'		
FDNS	5	0 11G	G10_007	'FROM->TO'	'ELK CITY 230KV (ELKCTY-6) 230/138/13.8KV TRANSFORMER CKT 1'	287	0.10254	101.0241	'GEN509406 1-WELSH #3'		
FDNS	5	0 11G	G08_110	'FROM->TO'	'ELK CITY 230KV (ELKCTY-6) 230/138/13.8KV TRANSFORMER CKT 1'	287	0.03835	101.0241	'GEN509406 1-WELSH #3'		
FDNS	5	0 11G	G08_088	'FROM->TO'	'ELK CITY 230KV (ELKCTY-6) 230/138/13.8KV TRANSFORMER CKT 1'	287	0.11437	101.0241	'GEN509406 1-WELSH #3'		
FDNS	5	0 11G	ASGI_2010_011	'FROM->TO'	'ELK CITY 230KV (ELKCTY-6) 230/138/13.8KV TRANSFORMER CKT 1'	287	0.0603	101.0241	'GEN509406 1-WELSH #3'		
FDNS	5	0 11G	G10_014	'FROM->TO'	'ELK CITY 230KV (ELKCTY-6) 230/138/13.8KV TRANSFORMER CKT 1'	287	0.03835	101.0241	'GEN509406 1-WELSH #3'		

SOLUTION	GROUP	SCENARIO	SEASON	SOURCE	DIRECTION	MONITORED ELEMENT	RATE B	TDF	TC%	LOADING	CONTINGENCY	NAME
						COMMON NAME						
FDNS	5	0 11G	G09_067S	'FROM->TO'	'ELK CITY 230KV (ELKCTY-6) 230/138/13.8KV TRANSFORMER CKT 1'	287	0.06708	100.6415	'GEN509409 1-WILKES #3'			
FDNS	5	0 11G	G08_022	'FROM->TO'	'ELK CITY 230KV (ELKCTY-6) 230/138/13.8KV TRANSFORMER CKT 1'	287	0.06838	100.6415	'GEN509409 1-WILKES #3'			
FDNS	5	0 11G	G10_007	'FROM->TO'	'ELK CITY 230KV (ELKCTY-6) 230/138/13.8KV TRANSFORMER CKT 1'	287	0.10254	100.6415	'GEN509409 1-WILKES #3'			
FDNS	5	0 11G	G08_110	'FROM->TO'	'ELK CITY 230KV (ELKCTY-6) 230/138/13.8KV TRANSFORMER CKT 1'	287	0.03835	100.6415	'GEN509409 1-WILKES #3'			
FDNS	5	0 11G	G08_088	'FROM->TO'	'ELK CITY 230KV (ELKCTY-6) 230/138/13.8KV TRANSFORMER CKT 1'	287	0.11437	100.6415	'GEN509409 1-WILKES #3'			
FDNS	5	0 11G	ASGI_2010_011	'FROM->TO'	'ELK CITY 230KV (ELKCTY-6) 230/138/13.8KV TRANSFORMER CKT 1'	287	0.0603	100.6415	'GEN509409 1-WILKES #3'			
FDNS	5	0 11G	G10_014	'FROM->TO'	'ELK CITY 230KV (ELKCTY-6) 230/138/13.8KV TRANSFORMER CKT 1'	287	0.03835	100.6415	'GEN509409 1-WILKES #3'			
FDNS	5	0 11G	G09_067S	'FROM->TO'	'ELK CITY 230KV (ELKCTY-6) 230/138/13.8KV TRANSFORMER CKT 1'	287	0.06708	101.1856	'GEN511839 1-NORTHEASTERN STATION #2'			
FDNS	5	0 11G	G08_022	'FROM->TO'	'ELK CITY 230KV (ELKCTY-6) 230/138/13.8KV TRANSFORMER CKT 1'	287	0.06838	101.1856	'GEN511839 1-NORTHEASTERN STATION #2'			
FDNS	5	0 11G	G10_007	'FROM->TO'	'ELK CITY 230KV (ELKCTY-6) 230/138/13.8KV TRANSFORMER CKT 1'	287	0.10254	101.1856	'GEN511839 1-NORTHEASTERN STATION #2'			
FDNS	5	0 11G	G08_110	'FROM->TO'	'ELK CITY 230KV (ELKCTY-6) 230/138/13.8KV TRANSFORMER CKT 1'	287	0.03835	101.1856	'GEN511839 1-NORTHEASTERN STATION #2'			
FDNS	5	0 11G	G08_088	'FROM->TO'	'ELK CITY 230KV (ELKCTY-6) 230/138/13.8KV TRANSFORMER CKT 1'	287	0.11437	101.1856	'GEN511839 1-NORTHEASTERN STATION #2'			
FDNS	5	0 11G	ASGI_2010_011	'FROM->TO'	'ELK CITY 230KV (ELKCTY-6) 230/138/13.8KV TRANSFORMER CKT 1'	287	0.0603	101.1856	'GEN511839 1-NORTHEASTERN STATION #2'			
FDNS	5	0 11G	G10_014	'FROM->TO'	'ELK CITY 230KV (ELKCTY-6) 230/138/13.8KV TRANSFORMER CKT 1'	287	0.03835	101.1856	'GEN511839 1-NORTHEASTERN STATION #2'			
FDNS	5	0 11G	G09_067S	'FROM->TO'	'ELK CITY 230KV (ELKCTY-6) 230/138/13.8KV TRANSFORMER CKT 1'	287	0.06708	100.3564	'GEN511839 1-NORTHEASTERN STATION #2'			
FDNS	5	0 11G	G08_022	'FROM->TO'	'ELK CITY 230KV (ELKCTY-6) 230/138/13.8KV TRANSFORMER CKT 1'	287	0.06838	100.3564	'GEN511839 1-NORTHEASTERN STATION #2'			
FDNS	5	0 11G	G10_007	'FROM->TO'	'ELK CITY 230KV (ELKCTY-6) 230/138/13.8KV TRANSFORMER CKT 1'	287	0.10254	100.3564	'GEN511839 1-NORTHEASTERN STATION #2'			
FDNS	5	0 11G	G08_110	'FROM->TO'	'ELK CITY 230KV (ELKCTY-6) 230/138/13.8KV TRANSFORMER CKT 1'	287	0.03835	100.3564	'GEN511839 1-NORTHEASTERN STATION #2'			
FDNS	5	0 11G	G08_088	'FROM->TO'	'ELK CITY 230KV (ELKCTY-6) 230/138/13.8KV TRANSFORMER CKT 1'	287	0.11437	100.3564	'GEN511839 1-NORTHEASTERN STATION #2'			
FDNS	5	0 11G	ASGI_2010_011	'FROM->TO'	'ELK CITY 230KV (ELKCTY-6) 230/138/13.8KV TRANSFORMER CKT 1'	287	0.0603	100.3564	'GEN511839 1-NORTHEASTERN STATION #2'			
FDNS	5	0 11G	G10_014	'FROM->TO'	'ELK CITY 230KV (ELKCTY-6) 230/138/13.8KV TRANSFORMER CKT 1'	287	0.03835	100.3564	'GEN511839 1-NORTHEASTERN STATION #2'			
FDNS	5	0 11G	G09_067S	'FROM->TO'	'ELK CITY 230KV (ELKCTY-6) 230/138/13.8KV TRANSFORMER CKT 1'	287	0.06708	101.2135	'GEN511840 1-NORTHEASTERN STATION #3'			
FDNS	5	0 11G	G08_022	'FROM->TO'	'ELK CITY 230KV (ELKCTY-6) 230/138/13.8KV TRANSFORMER CKT 1'	287	0.06838	101.2135	'GEN511840 1-NORTHEASTERN STATION #3'			
FDNS	5	0 11G	G10_007	'FROM->TO'	'ELK CITY 230KV (ELKCTY-6) 230/138/13.8KV TRANSFORMER CKT 1'	287	0.10254	101.2135	'GEN511840 1-NORTHEASTERN STATION #3'			
FDNS	5	0 11G	G08_110	'FROM->TO'	'ELK CITY 230KV (ELKCTY-6) 230/138/13.8KV TRANSFORMER CKT 1'	287	0.03835	101.2135	'GEN511840 1-NORTHEASTERN STATION #3'			
FDNS	5	0 11G	G08_088	'FROM->TO'	'ELK CITY 230KV (ELKCTY-6) 230/138/13.8KV TRANSFORMER CKT 1'	287	0.11437	101.2135	'GEN511840 1-NORTHEASTERN STATION #3'			
FDNS	5	0 11G	ASGI_2010_011	'FROM->TO'	'ELK CITY 230KV (ELKCTY-6) 230/138/13.8KV TRANSFORMER CKT 1'	287	0.0603	101.2135	'GEN511840 1-NORTHEASTERN STATION #3'			
FDNS	5	0 11G	G10_014	'FROM->TO'	'ELK CITY 230KV (ELKCTY-6) 230/138/13.8KV TRANSFORMER CKT 1'	287	0.03835	101.2135	'GEN511840 1-NORTHEASTERN STATION #3'			
FDNS	5	0 11G	G09_067S	'FROM->TO'	'ELK CITY 230KV (ELKCTY-6) 230/138/13.8KV TRANSFORMER CKT 1'	287	0.06708	100.3838	'GEN511840 1-NORTHEASTERN STATION #3'			

SOLUTION	GROUP	SCENARIO	SEASON	SOURCE	DIRECTION	MONITORED ELEMENT	RATE B	TDF	TC%LOADING	CONTINGENCY NAME
						COMMON NAME				
FDNS	5	0 11G	G08_022	'FROM->TO'	'ELK CITY 230KV (ELKCTY-6) 230/138/13.8KV TRANSFORMER CKT 1'	287	0.06838	100.3838	'GEN511840 1-NORTHEASTERN STATION #3'	
FDNS	5	0 11G	G10_007	'FROM->TO'	'ELK CITY 230KV (ELKCTY-6) 230/138/13.8KV TRANSFORMER CKT 1'	287	0.10254	100.3838	'GEN511840 1-NORTHEASTERN STATION #3'	
FDNS	5	0 11G	G08_110	'FROM->TO'	'ELK CITY 230KV (ELKCTY-6) 230/138/13.8KV TRANSFORMER CKT 1'	287	0.03835	100.3838	'GEN511840 1-NORTHEASTERN STATION #3'	
FDNS	5	0 11G	G08_088	'FROM->TO'	'ELK CITY 230KV (ELKCTY-6) 230/138/13.8KV TRANSFORMER CKT 1'	287	0.11437	100.3838	'GEN511840 1-NORTHEASTERN STATION #3'	
FDNS	5	0 11G	ASGI_2010_011	'FROM->TO'	'ELK CITY 230KV (ELKCTY-6) 230/138/13.8KV TRANSFORMER CKT 1'	287	0.0603	100.3838	'GEN511840 1-NORTHEASTERN STATION #3'	
FDNS	5	0 11G	G10_014	'FROM->TO'	'ELK CITY 230KV (ELKCTY-6) 230/138/13.8KV TRANSFORMER CKT 1'	287	0.03835	100.3838	'GEN511841 1-NORTHEASTERN STATION #3'	
FDNS	5	0 11G	G09_067S	'FROM->TO'	'ELK CITY 230KV (ELKCTY-6) 230/138/13.8KV TRANSFORMER CKT 1'	287	0.06708	101.24	'GEN511841 1-NORTHEASTERN STATION #4'	
FDNS	5	0 11G	G08_022	'FROM->TO'	'ELK CITY 230KV (ELKCTY-6) 230/138/13.8KV TRANSFORMER CKT 1'	287	0.06838	101.24	'GEN511841 1-NORTHEASTERN STATION #4'	
FDNS	5	0 11G	G10_007	'FROM->TO'	'ELK CITY 230KV (ELKCTY-6) 230/138/13.8KV TRANSFORMER CKT 1'	287	0.10254	101.24	'GEN511841 1-NORTHEASTERN STATION #4'	
FDNS	5	0 11G	G08_110	'FROM->TO'	'ELK CITY 230KV (ELKCTY-6) 230/138/13.8KV TRANSFORMER CKT 1'	287	0.03835	101.24	'GEN511841 1-NORTHEASTERN STATION #4'	
FDNS	5	0 11G	G08_088	'FROM->TO'	'ELK CITY 230KV (ELKCTY-6) 230/138/13.8KV TRANSFORMER CKT 1'	287	0.11437	101.24	'GEN511841 1-NORTHEASTERN STATION #4'	
FDNS	5	0 11G	ASGI_2010_011	'FROM->TO'	'ELK CITY 230KV (ELKCTY-6) 230/138/13.8KV TRANSFORMER CKT 1'	287	0.0603	101.24	'GEN511841 1-NORTHEASTERN STATION #4'	
FDNS	5	0 11G	G10_014	'FROM->TO'	'ELK CITY 230KV (ELKCTY-6) 230/138/13.8KV TRANSFORMER CKT 1'	287	0.03835	101.24	'GEN511841 1-NORTHEASTERN STATION #4'	
FDNS	5	0 11G	G09_067S	'FROM->TO'	'ELK CITY 230KV (ELKCTY-6) 230/138/13.8KV TRANSFORMER CKT 1'	287	0.06708	100.4096	'GEN511841 1-NORTHEASTERN STATION #4'	
FDNS	5	0 11G	G08_022	'FROM->TO'	'ELK CITY 230KV (ELKCTY-6) 230/138/13.8KV TRANSFORMER CKT 1'	287	0.06838	100.4096	'GEN511841 1-NORTHEASTERN STATION #4'	
FDNS	5	0 11G	G10_007	'FROM->TO'	'ELK CITY 230KV (ELKCTY-6) 230/138/13.8KV TRANSFORMER CKT 1'	287	0.10254	100.4096	'GEN511841 1-NORTHEASTERN STATION #4'	
FDNS	5	0 11G	G08_110	'FROM->TO'	'ELK CITY 230KV (ELKCTY-6) 230/138/13.8KV TRANSFORMER CKT 1'	287	0.03835	100.4096	'GEN511841 1-NORTHEASTERN STATION #4'	
FDNS	5	0 11G	G08_088	'FROM->TO'	'ELK CITY 230KV (ELKCTY-6) 230/138/13.8KV TRANSFORMER CKT 1'	287	0.11437	100.4096	'GEN511841 1-NORTHEASTERN STATION #4'	
FDNS	5	0 11G	ASGI_2010_011	'FROM->TO'	'ELK CITY 230KV (ELKCTY-6) 230/138/13.8KV TRANSFORMER CKT 1'	287	0.0603	100.4096	'GEN511841 1-NORTHEASTERN STATION #4'	
FDNS	5	0 11G	G10_014	'FROM->TO'	'ELK CITY 230KV (ELKCTY-6) 230/138/13.8KV TRANSFORMER CKT 1'	287	0.03835	100.4096	'GEN511841 1-NORTHEASTERN STATION #4'	
FDNS	5	0 11G	G09_067S	'FROM->TO'	'ELK CITY 230KV (ELKCTY-6) 230/138/13.8KV TRANSFORMER CKT 1'	287	0.06708	100.141	'GEN511843 1-RIVERSIDE STATION #2'	
FDNS	5	0 11G	G08_022	'FROM->TO'	'ELK CITY 230KV (ELKCTY-6) 230/138/13.8KV TRANSFORMER CKT 1'	287	0.06838	100.141	'GEN511843 1-RIVERSIDE STATION #2'	
FDNS	5	0 11G	G10_007	'FROM->TO'	'ELK CITY 230KV (ELKCTY-6) 230/138/13.8KV TRANSFORMER CKT 1'	287	0.10254	100.141	'GEN511843 1-RIVERSIDE STATION #2'	
FDNS	5	0 11G	G08_110	'FROM->TO'	'ELK CITY 230KV (ELKCTY-6) 230/138/13.8KV TRANSFORMER CKT 1'	287	0.03835	100.141	'GEN511843 1-RIVERSIDE STATION #2'	
FDNS	5	0 11G	G08_088	'FROM->TO'	'ELK CITY 230KV (ELKCTY-6) 230/138/13.8KV TRANSFORMER CKT 1'	287	0.11437	100.141	'GEN511843 1-RIVERSIDE STATION #2'	
FDNS	5	0 11G	ASGI_2010_011	'FROM->TO'	'ELK CITY 230KV (ELKCTY-6) 230/138/13.8KV TRANSFORMER CKT 1'	287	0.0603	100.141	'GEN511843 1-RIVERSIDE STATION #2'	
FDNS	5	0 11G	G10_014	'FROM->TO'	'ELK CITY 230KV (ELKCTY-6) 230/138/13.8KV TRANSFORMER CKT 1'	287	0.03835	100.141	'GEN511843 1-RIVERSIDE STATION #2'	
FDNS	5	0 11G	G09_067S	'FROM->TO'	'ELK CITY 230KV (ELKCTY-6) 230/138/13.8KV TRANSFORMER CKT 1'	287	0.06708	100.9553	'GEN512688 2-GRDA1 GSU2 22'	
FDNS	5	0 11G	G08_022	'FROM->TO'	'ELK CITY 230KV (ELKCTY-6) 230/138/13.8KV TRANSFORMER CKT 1'	287	0.06838	100.9553	'GEN512688 2-GRDA1 GSU2 22'	

SOLUTION	GROUP	SCENARIO	SEASON	SOURCE	DIRECTION	MONITORED ELEMENT	RATE B	TDF	TC%	LOADING	CONTINGENCY NAME
						COMMON NAME					
FDNS	5	0 11G	G10_007	'FROM->TO'	'ELK CITY 230KV (ELKCTY-6) 230/138/13.8KV TRANSFORMER CKT 1'	287	0.10254	100.9553	'GEN512688 2-GRDA1 GSU2 22'		
FDNS	5	0 11G	G08_110	'FROM->TO'	'ELK CITY 230KV (ELKCTY-6) 230/138/13.8KV TRANSFORMER CKT 1'	287	0.03835	100.9553	'GEN512688 2-GRDA1 GSU2 22'		
FDNS	5	0 11G	G08_088	'FROM->TO'	'ELK CITY 230KV (ELKCTY-6) 230/138/13.8KV TRANSFORMER CKT 1'	287	0.11437	100.9553	'GEN512688 2-GRDA1 GSU2 22'		
FDNS	5	0 11G	ASGI_2010_011	'FROM->TO'	'ELK CITY 230KV (ELKCTY-6) 230/138/13.8KV TRANSFORMER CKT 1'	287	0.0603	100.9553	'GEN512688 2-GRDA1 GSU2 22'		
FDNS	5	0 11G	G10_014	'FROM->TO'	'ELK CITY 230KV (ELKCTY-6) 230/138/13.8KV TRANSFORMER CKT 1'	287	0.03835	100.9553	'GEN512688 2-GRDA1 GSU2 22'		
FDNS	5	0 11G	G09_067S	'FROM->TO'	'ELK CITY 230KV (ELKCTY-6) 230/138/13.8KV TRANSFORMER CKT 1'	287	0.06708	100.1318	'GEN512688 2-GRDA1 GSU2 22'		
FDNS	5	0 11G	G08_022	'FROM->TO'	'ELK CITY 230KV (ELKCTY-6) 230/138/13.8KV TRANSFORMER CKT 1'	287	0.06838	100.1318	'GEN512688 2-GRDA1 GSU2 22'		
FDNS	5	0 11G	G10_007	'FROM->TO'	'ELK CITY 230KV (ELKCTY-6) 230/138/13.8KV TRANSFORMER CKT 1'	287	0.10254	100.1318	'GEN512688 2-GRDA1 GSU2 22'		
FDNS	5	0 11G	G08_110	'FROM->TO'	'ELK CITY 230KV (ELKCTY-6) 230/138/13.8KV TRANSFORMER CKT 1'	287	0.03835	100.1318	'GEN512688 2-GRDA1 GSU2 22'		
FDNS	5	0 11G	G08_088	'FROM->TO'	'ELK CITY 230KV (ELKCTY-6) 230/138/13.8KV TRANSFORMER CKT 1'	287	0.11437	100.1318	'GEN512688 2-GRDA1 GSU2 22'		
FDNS	5	0 11G	ASGI_2010_011	'FROM->TO'	'ELK CITY 230KV (ELKCTY-6) 230/138/13.8KV TRANSFORMER CKT 1'	287	0.0603	100.1318	'GEN512688 2-GRDA1 GSU2 22'		
FDNS	5	0 11G	G10_014	'FROM->TO'	'ELK CITY 230KV (ELKCTY-6) 230/138/13.8KV TRANSFORMER CKT 1'	287	0.03835	100.1318	'GEN512688 2-GRDA1 GSU2 22'		
FDNS	5	0 11G	G09_067S	'FROM->TO'	'ELK CITY 230KV (ELKCTY-6) 230/138/13.8KV TRANSFORMER CKT 1'	287	0.06708	101.0841	'GEN512689 1-GRDA1 GSU1 22'		
FDNS	5	0 11G	G08_022	'FROM->TO'	'ELK CITY 230KV (ELKCTY-6) 230/138/13.8KV TRANSFORMER CKT 1'	287	0.06838	101.0841	'GEN512689 1-GRDA1 GSU1 22'		
FDNS	5	0 11G	G10_007	'FROM->TO'	'ELK CITY 230KV (ELKCTY-6) 230/138/13.8KV TRANSFORMER CKT 1'	287	0.10254	101.0841	'GEN512689 1-GRDA1 GSU1 22'		
FDNS	5	0 11G	G08_110	'FROM->TO'	'ELK CITY 230KV (ELKCTY-6) 230/138/13.8KV TRANSFORMER CKT 1'	287	0.03835	101.0841	'GEN512689 1-GRDA1 GSU1 22'		
FDNS	5	0 11G	G08_088	'FROM->TO'	'ELK CITY 230KV (ELKCTY-6) 230/138/13.8KV TRANSFORMER CKT 1'	287	0.11437	101.0841	'GEN512689 1-GRDA1 GSU1 22'		
FDNS	5	0 11G	ASGI_2010_011	'FROM->TO'	'ELK CITY 230KV (ELKCTY-6) 230/138/13.8KV TRANSFORMER CKT 1'	287	0.0603	101.0841	'GEN512689 1-GRDA1 GSU1 22'		
FDNS	5	0 11G	G10_014	'FROM->TO'	'ELK CITY 230KV (ELKCTY-6) 230/138/13.8KV TRANSFORMER CKT 1'	287	0.03835	101.0841	'GEN512689 1-GRDA1 GSU1 22'		
FDNS	5	0 11G	G09_067S	'FROM->TO'	'ELK CITY 230KV (ELKCTY-6) 230/138/13.8KV TRANSFORMER CKT 1'	287	0.06708	100.2574	'GEN512689 1-GRDA1 GSU1 22'		
FDNS	5	0 11G	G08_022	'FROM->TO'	'ELK CITY 230KV (ELKCTY-6) 230/138/13.8KV TRANSFORMER CKT 1'	287	0.06838	100.2574	'GEN512689 1-GRDA1 GSU1 22'		
FDNS	5	0 11G	G10_007	'FROM->TO'	'ELK CITY 230KV (ELKCTY-6) 230/138/13.8KV TRANSFORMER CKT 1'	287	0.10254	100.2574	'GEN512689 1-GRDA1 GSU1 22'		
FDNS	5	0 11G	G08_110	'FROM->TO'	'ELK CITY 230KV (ELKCTY-6) 230/138/13.8KV TRANSFORMER CKT 1'	287	0.03835	100.2574	'GEN512689 1-GRDA1 GSU1 22'		
FDNS	5	0 11G	G08_088	'FROM->TO'	'ELK CITY 230KV (ELKCTY-6) 230/138/13.8KV TRANSFORMER CKT 1'	287	0.11437	100.2574	'GEN512689 1-GRDA1 GSU1 22'		
FDNS	5	0 11G	ASGI_2010_011	'FROM->TO'	'ELK CITY 230KV (ELKCTY-6) 230/138/13.8KV TRANSFORMER CKT 1'	287	0.0603	100.2574	'GEN512689 1-GRDA1 GSU1 22'		
FDNS	5	0 11G	G10_014	'FROM->TO'	'ELK CITY 230KV (ELKCTY-6) 230/138/13.8KV TRANSFORMER CKT 1'	287	0.03835	100.2574	'GEN512689 1-GRDA1 GSU1 22'		
FDNS	5	0 11G	G09_067S	'FROM->TO'	'ELK CITY 230KV (ELKCTY-6) 230/138/13.8KV TRANSFORMER CKT 1'	287	0.06708	101.8762	'GEN514805 1-SOONER UNIT 1'		
FDNS	5	0 11G	G08_022	'FROM->TO'	'ELK CITY 230KV (ELKCTY-6) 230/138/13.8KV TRANSFORMER CKT 1'	287	0.06838	101.8762	'GEN514805 1-SOONER UNIT 1'		
FDNS	5	0 11G	G10_007	'FROM->TO'	'ELK CITY 230KV (ELKCTY-6) 230/138/13.8KV TRANSFORMER CKT 1'	287	0.10254	101.8762	'GEN514805 1-SOONER UNIT 1'		

SOLUTION	GROUP	SCENARIO	SEASON	SOURCE	DIRECTION	MONITORED ELEMENT	RATE B	TDF	TC%	LOADING	CONTINGENCY NAME
						COMMON NAME					
FDNS	5	0 11G	G08_110	'FROM->TO'	'ELK CITY 230KV (ELKCTY-6) 230/138/13.8KV TRANSFORMER CKT 1'	287	0.03835	101.8762	'GEN514805 1-SOONER UNIT 1'		
FDNS	5	0 11G	G08_088	'FROM->TO'	'ELK CITY 230KV (ELKCTY-6) 230/138/13.8KV TRANSFORMER CKT 1'	287	0.11437	101.8762	'GEN514805 1-SOONER UNIT 1'		
FDNS	5	0 11G	ASGI_2010_011	'FROM->TO'	'ELK CITY 230KV (ELKCTY-6) 230/138/13.8KV TRANSFORMER CKT 1'	287	0.0603	101.8762	'GEN514805 1-SOONER UNIT 1'		
FDNS	5	0 11G	G10_014	'FROM->TO'	'ELK CITY 230KV (ELKCTY-6) 230/138/13.8KV TRANSFORMER CKT 1'	287	0.03835	101.8762	'GEN514805 1-SOONER UNIT 1'		
FDNS	5	0 11G	G09_067S	'FROM->TO'	'ELK CITY 230KV (ELKCTY-6) 230/138/13.8KV TRANSFORMER CKT 1'	287	0.06708	101.0288	'GEN514805 1-SOONER UNIT 1'		
FDNS	5	0 11G	G08_022	'FROM->TO'	'ELK CITY 230KV (ELKCTY-6) 230/138/13.8KV TRANSFORMER CKT 1'	287	0.06838	101.0288	'GEN514805 1-SOONER UNIT 1'		
FDNS	5	0 11G	G10_007	'FROM->TO'	'ELK CITY 230KV (ELKCTY-6) 230/138/13.8KV TRANSFORMER CKT 1'	287	0.10254	101.0288	'GEN514805 1-SOONER UNIT 1'		
FDNS	5	0 11G	G08_110	'FROM->TO'	'ELK CITY 230KV (ELKCTY-6) 230/138/13.8KV TRANSFORMER CKT 1'	287	0.03835	101.0288	'GEN514805 1-SOONER UNIT 1'		
FDNS	5	0 11G	G08_088	'FROM->TO'	'ELK CITY 230KV (ELKCTY-6) 230/138/13.8KV TRANSFORMER CKT 1'	287	0.11437	101.0288	'GEN514805 1-SOONER UNIT 1'		
FDNS	5	0 11G	ASGI_2010_011	'FROM->TO'	'ELK CITY 230KV (ELKCTY-6) 230/138/13.8KV TRANSFORMER CKT 1'	287	0.0603	101.0288	'GEN514805 1-SOONER UNIT 1'		
FDNS	5	0 11G	G10_014	'FROM->TO'	'ELK CITY 230KV (ELKCTY-6) 230/138/13.8KV TRANSFORMER CKT 1'	287	0.03835	101.0288	'GEN514805 1-SOONER UNIT 1'		
FDNS	5	0 11G	G09_067S	'FROM->TO'	'ELK CITY 230KV (ELKCTY-6) 230/138/13.8KV TRANSFORMER CKT 1'	287	0.06708	101.8139	'GEN514806 1-SOONER UNIT 2'		
FDNS	5	0 11G	G08_022	'FROM->TO'	'ELK CITY 230KV (ELKCTY-6) 230/138/13.8KV TRANSFORMER CKT 1'	287	0.06838	101.8139	'GEN514806 1-SOONER UNIT 2'		
FDNS	5	0 11G	G10_007	'FROM->TO'	'ELK CITY 230KV (ELKCTY-6) 230/138/13.8KV TRANSFORMER CKT 1'	287	0.10254	101.8139	'GEN514806 1-SOONER UNIT 2'		
FDNS	5	0 11G	G08_110	'FROM->TO'	'ELK CITY 230KV (ELKCTY-6) 230/138/13.8KV TRANSFORMER CKT 1'	287	0.03835	101.8139	'GEN514806 1-SOONER UNIT 2'		
FDNS	5	0 11G	G08_088	'FROM->TO'	'ELK CITY 230KV (ELKCTY-6) 230/138/13.8KV TRANSFORMER CKT 1'	287	0.11437	101.8139	'GEN514806 1-SOONER UNIT 2'		
FDNS	5	0 11G	ASGI_2010_011	'FROM->TO'	'ELK CITY 230KV (ELKCTY-6) 230/138/13.8KV TRANSFORMER CKT 1'	287	0.0603	101.8139	'GEN514806 1-SOONER UNIT 2'		
FDNS	5	0 11G	G10_014	'FROM->TO'	'ELK CITY 230KV (ELKCTY-6) 230/138/13.8KV TRANSFORMER CKT 1'	287	0.03835	101.8139	'GEN514806 1-SOONER UNIT 2'		
FDNS	5	0 11G	G09_067S	'FROM->TO'	'ELK CITY 230KV (ELKCTY-6) 230/138/13.8KV TRANSFORMER CKT 1'	287	0.06708	100.9684	'GEN514806 1-SOONER UNIT 2'		
FDNS	5	0 11G	G08_022	'FROM->TO'	'ELK CITY 230KV (ELKCTY-6) 230/138/13.8KV TRANSFORMER CKT 1'	287	0.06838	100.9684	'GEN514806 1-SOONER UNIT 2'		
FDNS	5	0 11G	G10_007	'FROM->TO'	'ELK CITY 230KV (ELKCTY-6) 230/138/13.8KV TRANSFORMER CKT 1'	287	0.10254	100.9684	'GEN514806 1-SOONER UNIT 2'		
FDNS	5	0 11G	G08_110	'FROM->TO'	'ELK CITY 230KV (ELKCTY-6) 230/138/13.8KV TRANSFORMER CKT 1'	287	0.03835	100.9684	'GEN514806 1-SOONER UNIT 2'		
FDNS	5	0 11G	G08_088	'FROM->TO'	'ELK CITY 230KV (ELKCTY-6) 230/138/13.8KV TRANSFORMER CKT 1'	287	0.11437	100.9684	'GEN514806 1-SOONER UNIT 2'		
FDNS	5	0 11G	ASGI_2010_011	'FROM->TO'	'ELK CITY 230KV (ELKCTY-6) 230/138/13.8KV TRANSFORMER CKT 1'	287	0.0603	100.9684	'GEN514806 1-SOONER UNIT 2'		
FDNS	5	0 11G	G10_014	'FROM->TO'	'ELK CITY 230KV (ELKCTY-6) 230/138/13.8KV TRANSFORMER CKT 1'	287	0.03835	100.9684	'GEN514806 1-SOONER UNIT 2'		
FDNS	5	0 11G	G09_067S	'FROM->TO'	'ELK CITY 230KV (ELKCTY-6) 230/138/13.8KV TRANSFORMER CKT 1'	287	0.06708	100.0911	'GEN514998 1-MCCLAIN UNIT 1'		
FDNS	5	0 11G	G08_022	'FROM->TO'	'ELK CITY 230KV (ELKCTY-6) 230/138/13.8KV TRANSFORMER CKT 1'	287	0.06838	100.0911	'GEN514998 1-MCCLAIN UNIT 1'		
FDNS	5	0 11G	G10_007	'FROM->TO'	'ELK CITY 230KV (ELKCTY-6) 230/138/13.8KV TRANSFORMER CKT 1'	287	0.10254	100.0911	'GEN514998 1-MCCLAIN UNIT 1'		
FDNS	5	0 11G	G08_110	'FROM->TO'	'ELK CITY 230KV (ELKCTY-6) 230/138/13.8KV TRANSFORMER CKT 1'	287	0.03835	100.0911	'GEN514998 1-MCCLAIN UNIT 1'		

SOLUTION	GROUP	SCENARIO	SEASON	SOURCE	DIRECTION	MONITORED ELEMENT	RATE B	TDF	TC%	LOADING	CONTINGENCY NAME
						COMMON NAME					
FDNS	5	0	11G	G08_088	'FROM->TO'	'ELK CITY 230KV (ELKCTY-6) 230/138/13.8KV TRANSFORMER CKT 1'	287	0.11437	100.0911	'GEN514998 1-MCCLAIN UNIT 1'	
FDNS	5	0	11G	ASGI_2010_011	'FROM->TO'	'ELK CITY 230KV (ELKCTY-6) 230/138/13.8KV TRANSFORMER CKT 1'	287	0.0603	100.0911	'GEN514998 1-MCCLAIN UNIT 1'	
FDNS	5	0	11G	G10_014	'FROM->TO'	'ELK CITY 230KV (ELKCTY-6) 230/138/13.8KV TRANSFORMER CKT 1'	287	0.03835	100.0911	'GEN514998 1-MCCLAIN UNIT 1'	
FDNS	5	0	11G	G09_067S	'FROM->TO'	'ELK CITY 230KV (ELKCTY-6) 230/138/13.8KV TRANSFORMER CKT 1'	287	0.06708	100.0911	'GEN514999 1-MCCLAIN UNIT 2'	
FDNS	5	0	11G	G08_022	'FROM->TO'	'ELK CITY 230KV (ELKCTY-6) 230/138/13.8KV TRANSFORMER CKT 1'	287	0.06838	100.0911	'GEN514999 1-MCCLAIN UNIT 2'	
FDNS	5	0	11G	G10_007	'FROM->TO'	'ELK CITY 230KV (ELKCTY-6) 230/138/13.8KV TRANSFORMER CKT 1'	287	0.10254	100.0911	'GEN514999 1-MCCLAIN UNIT 2'	
FDNS	5	0	11G	G08_110	'FROM->TO'	'ELK CITY 230KV (ELKCTY-6) 230/138/13.8KV TRANSFORMER CKT 1'	287	0.03835	100.0911	'GEN514999 1-MCCLAIN UNIT 2'	
FDNS	5	0	11G	G08_088	'FROM->TO'	'ELK CITY 230KV (ELKCTY-6) 230/138/13.8KV TRANSFORMER CKT 1'	287	0.11437	100.0911	'GEN514999 1-MCCLAIN UNIT 2'	
FDNS	5	0	11G	ASGI_2010_011	'FROM->TO'	'ELK CITY 230KV (ELKCTY-6) 230/138/13.8KV TRANSFORMER CKT 1'	287	0.0603	100.0911	'GEN514999 1-MCCLAIN UNIT 2'	
FDNS	5	0	11G	G10_014	'FROM->TO'	'ELK CITY 230KV (ELKCTY-6) 230/138/13.8KV TRANSFORMER CKT 1'	287	0.03835	100.0911	'GEN514999 1-MCCLAIN UNIT 2'	
FDNS	5	0	11G	G09_067S	'FROM->TO'	'ELK CITY 230KV (ELKCTY-6) 230/138/13.8KV TRANSFORMER CKT 1'	287	0.06708	100.2663	'GEN515041 1-SEMINOLE 2G'	
FDNS	5	0	11G	G08_022	'FROM->TO'	'ELK CITY 230KV (ELKCTY-6) 230/138/13.8KV TRANSFORMER CKT 1'	287	0.06838	100.2663	'GEN515041 1-SEMINOLE 2G'	
FDNS	5	0	11G	G10_007	'FROM->TO'	'ELK CITY 230KV (ELKCTY-6) 230/138/13.8KV TRANSFORMER CKT 1'	287	0.10254	100.2663	'GEN515041 1-SEMINOLE 2G'	
FDNS	5	0	11G	G08_110	'FROM->TO'	'ELK CITY 230KV (ELKCTY-6) 230/138/13.8KV TRANSFORMER CKT 1'	287	0.03835	100.2663	'GEN515041 1-SEMINOLE 2G'	
FDNS	5	0	11G	G08_088	'FROM->TO'	'ELK CITY 230KV (ELKCTY-6) 230/138/13.8KV TRANSFORMER CKT 1'	287	0.11437	100.2663	'GEN515041 1-SEMINOLE 2G'	
FDNS	5	0	11G	ASGI_2010_011	'FROM->TO'	'ELK CITY 230KV (ELKCTY-6) 230/138/13.8KV TRANSFORMER CKT 1'	287	0.0603	100.2663	'GEN515041 1-SEMINOLE 2G'	
FDNS	5	0	11G	G10_014	'FROM->TO'	'ELK CITY 230KV (ELKCTY-6) 230/138/13.8KV TRANSFORMER CKT 1'	287	0.03835	100.2663	'GEN515041 1-SEMINOLE 2G'	
FDNS	5	0	11G	G09_067S	'FROM->TO'	'ELK CITY 230KV (ELKCTY-6) 230/138/13.8KV TRANSFORMER CKT 1'	287	0.06708	100.4767	'GEN515042 1-SEMINOLE 3G'	
FDNS	5	0	11G	G08_022	'FROM->TO'	'ELK CITY 230KV (ELKCTY-6) 230/138/13.8KV TRANSFORMER CKT 1'	287	0.06838	100.4767	'GEN515042 1-SEMINOLE 3G'	
FDNS	5	0	11G	G10_007	'FROM->TO'	'ELK CITY 230KV (ELKCTY-6) 230/138/13.8KV TRANSFORMER CKT 1'	287	0.10254	100.4767	'GEN515042 1-SEMINOLE 3G'	
FDNS	5	0	11G	G08_110	'FROM->TO'	'ELK CITY 230KV (ELKCTY-6) 230/138/13.8KV TRANSFORMER CKT 1'	287	0.03835	100.4767	'GEN515042 1-SEMINOLE 3G'	
FDNS	5	0	11G	G08_088	'FROM->TO'	'ELK CITY 230KV (ELKCTY-6) 230/138/13.8KV TRANSFORMER CKT 1'	287	0.11437	100.4767	'GEN515042 1-SEMINOLE 3G'	
FDNS	5	0	11G	ASGI_2010_011	'FROM->TO'	'ELK CITY 230KV (ELKCTY-6) 230/138/13.8KV TRANSFORMER CKT 1'	287	0.0603	100.4767	'GEN515042 1-SEMINOLE 3G'	
FDNS	5	0	11G	G10_014	'FROM->TO'	'ELK CITY 230KV (ELKCTY-6) 230/138/13.8KV TRANSFORMER CKT 1'	287	0.03835	100.4767	'GEN515042 1-SEMINOLE 3G'	
FDNS	5	0	11G	G09_067S	'FROM->TO'	'ELK CITY 230KV (ELKCTY-6) 230/138/13.8KV TRANSFORMER CKT 1'	287	0.06708	101.522	'GEN515223 1-MUSKOGEE 4G'	
FDNS	5	0	11G	G08_022	'FROM->TO'	'ELK CITY 230KV (ELKCTY-6) 230/138/13.8KV TRANSFORMER CKT 1'	287	0.06838	101.522	'GEN515223 1-MUSKOGEE 4G'	
FDNS	5	0	11G	G10_007	'FROM->TO'	'ELK CITY 230KV (ELKCTY-6) 230/138/13.8KV TRANSFORMER CKT 1'	287	0.10254	101.522	'GEN515223 1-MUSKOGEE 4G'	
FDNS	5	0	11G	G08_110	'FROM->TO'	'ELK CITY 230KV (ELKCTY-6) 230/138/13.8KV TRANSFORMER CKT 1'	287	0.03835	101.522	'GEN515223 1-MUSKOGEE 4G'	
FDNS	5	0	11G	G08_088	'FROM->TO'	'ELK CITY 230KV (ELKCTY-6) 230/138/13.8KV TRANSFORMER CKT 1'	287	0.11437	101.522	'GEN515223 1-MUSKOGEE 4G'	

SOLUTION	GROUP	SCENARIO	SEASON	SOURCE	DIRECTION	MONITORED ELEMENT	RATE B	TDF	TC%	LOADING	CONTINGENCY NAME
						COMMON NAME					
FDNS	5	0 11G	ASGI_2010_011	'FROM->TO'	'ELK CITY 230KV (ELKCTY-6) 230/138/13.8KV TRANSFORMER CKT 1'	287	0.0603	101.522	'GEN515223 1-MUSKOGEE 4G'		
FDNS	5	0 11G	G10_014	'FROM->TO'	'ELK CITY 230KV (ELKCTY-6) 230/138/13.8KV TRANSFORMER CKT 1'	287	0.03835	101.522	'GEN515223 1-MUSKOGEE 4G'		
FDNS	5	0 11G	G09_067S	'FROM->TO'	'ELK CITY 230KV (ELKCTY-6) 230/138/13.8KV TRANSFORMER CKT 1'	287	0.06708	100.6838	'GEN515223 1-MUSKOGEE 4G'		
FDNS	5	0 11G	G08_022	'FROM->TO'	'ELK CITY 230KV (ELKCTY-6) 230/138/13.8KV TRANSFORMER CKT 1'	287	0.06838	100.6838	'GEN515223 1-MUSKOGEE 4G'		
FDNS	5	0 11G	G10_007	'FROM->TO'	'ELK CITY 230KV (ELKCTY-6) 230/138/13.8KV TRANSFORMER CKT 1'	287	0.10254	100.6838	'GEN515223 1-MUSKOGEE 4G'		
FDNS	5	0 11G	G08_110	'FROM->TO'	'ELK CITY 230KV (ELKCTY-6) 230/138/13.8KV TRANSFORMER CKT 1'	287	0.03835	100.6838	'GEN515223 1-MUSKOGEE 4G'		
FDNS	5	0 11G	G08_088	'FROM->TO'	'ELK CITY 230KV (ELKCTY-6) 230/138/13.8KV TRANSFORMER CKT 1'	287	0.11437	100.6838	'GEN515223 1-MUSKOGEE 4G'		
FDNS	5	0 11G	ASGI_2010_011	'FROM->TO'	'ELK CITY 230KV (ELKCTY-6) 230/138/13.8KV TRANSFORMER CKT 1'	287	0.0603	100.6838	'GEN515223 1-MUSKOGEE 4G'		
FDNS	5	0 11G	G10_014	'FROM->TO'	'ELK CITY 230KV (ELKCTY-6) 230/138/13.8KV TRANSFORMER CKT 1'	287	0.03835	100.6838	'GEN515223 1-MUSKOGEE 4G'		
FDNS	5	0 11G	G09_067S	'FROM->TO'	'ELK CITY 230KV (ELKCTY-6) 230/138/13.8KV TRANSFORMER CKT 1'	287	0.06708	101.4801	'GEN515225 1-MUSKOGEE 5G'		
FDNS	5	0 11G	G08_022	'FROM->TO'	'ELK CITY 230KV (ELKCTY-6) 230/138/13.8KV TRANSFORMER CKT 1'	287	0.06838	101.4801	'GEN515225 1-MUSKOGEE 5G'		
FDNS	5	0 11G	G10_007	'FROM->TO'	'ELK CITY 230KV (ELKCTY-6) 230/138/13.8KV TRANSFORMER CKT 1'	287	0.10254	101.4801	'GEN515225 1-MUSKOGEE 5G'		
FDNS	5	0 11G	G08_110	'FROM->TO'	'ELK CITY 230KV (ELKCTY-6) 230/138/13.8KV TRANSFORMER CKT 1'	287	0.03835	101.4801	'GEN515225 1-MUSKOGEE 5G'		
FDNS	5	0 11G	G08_088	'FROM->TO'	'ELK CITY 230KV (ELKCTY-6) 230/138/13.8KV TRANSFORMER CKT 1'	287	0.11437	101.4801	'GEN515225 1-MUSKOGEE 5G'		
FDNS	5	0 11G	ASGI_2010_011	'FROM->TO'	'ELK CITY 230KV (ELKCTY-6) 230/138/13.8KV TRANSFORMER CKT 1'	287	0.0603	101.4801	'GEN515225 1-MUSKOGEE 5G'		
FDNS	5	0 11G	G10_014	'FROM->TO'	'ELK CITY 230KV (ELKCTY-6) 230/138/13.8KV TRANSFORMER CKT 1'	287	0.03835	101.4801	'GEN515225 1-MUSKOGEE 5G'		
FDNS	5	0 11G	G09_067S	'FROM->TO'	'ELK CITY 230KV (ELKCTY-6) 230/138/13.8KV TRANSFORMER CKT 1'	287	0.06708	100.643	'GEN515225 1-MUSKOGEE 5G'		
FDNS	5	0 11G	G08_022	'FROM->TO'	'ELK CITY 230KV (ELKCTY-6) 230/138/13.8KV TRANSFORMER CKT 1'	287	0.06838	100.643	'GEN515225 1-MUSKOGEE 5G'		
FDNS	5	0 11G	G10_007	'FROM->TO'	'ELK CITY 230KV (ELKCTY-6) 230/138/13.8KV TRANSFORMER CKT 1'	287	0.10254	100.643	'GEN515225 1-MUSKOGEE 5G'		
FDNS	5	0 11G	G08_110	'FROM->TO'	'ELK CITY 230KV (ELKCTY-6) 230/138/13.8KV TRANSFORMER CKT 1'	287	0.03835	100.643	'GEN515225 1-MUSKOGEE 5G'		
FDNS	5	0 11G	G08_088	'FROM->TO'	'ELK CITY 230KV (ELKCTY-6) 230/138/13.8KV TRANSFORMER CKT 1'	287	0.11437	100.643	'GEN515225 1-MUSKOGEE 5G'		
FDNS	5	0 11G	ASGI_2010_011	'FROM->TO'	'ELK CITY 230KV (ELKCTY-6) 230/138/13.8KV TRANSFORMER CKT 1'	287	0.0603	100.643	'GEN515225 1-MUSKOGEE 5G'		
FDNS	5	0 11G	G10_014	'FROM->TO'	'ELK CITY 230KV (ELKCTY-6) 230/138/13.8KV TRANSFORMER CKT 1'	287	0.03835	100.643	'GEN515225 1-MUSKOGEE 5G'		
FDNS	5	0 11G	G09_067S	'FROM->TO'	'ELK CITY 230KV (ELKCTY-6) 230/138/13.8KV TRANSFORMER CKT 1'	287	0.06708	101.921	'GEN515226 1-MUSKOGEE 6G'		
FDNS	5	0 11G	G08_022	'FROM->TO'	'ELK CITY 230KV (ELKCTY-6) 230/138/13.8KV TRANSFORMER CKT 1'	287	0.06838	101.921	'GEN515226 1-MUSKOGEE 6G'		
FDNS	5	0 11G	G10_007	'FROM->TO'	'ELK CITY 230KV (ELKCTY-6) 230/138/13.8KV TRANSFORMER CKT 1'	287	0.10254	101.921	'GEN515226 1-MUSKOGEE 6G'		
FDNS	5	0 11G	G08_110	'FROM->TO'	'ELK CITY 230KV (ELKCTY-6) 230/138/13.8KV TRANSFORMER CKT 1'	287	0.03835	101.921	'GEN515226 1-MUSKOGEE 6G'		
FDNS	5	0 11G	G08_088	'FROM->TO'	'ELK CITY 230KV (ELKCTY-6) 230/138/13.8KV TRANSFORMER CKT 1'	287	0.11437	101.921	'GEN515226 1-MUSKOGEE 6G'		
FDNS	5	0 11G	ASGI_2010_011	'FROM->TO'	'ELK CITY 230KV (ELKCTY-6) 230/138/13.8KV TRANSFORMER CKT 1'	287	0.0603	101.921	'GEN515226 1-MUSKOGEE 6G'		

SOLUTION	GROUP	SCENARIO	SEASON	SOURCE	DIRECTION	MONITORED ELEMENT	RATE B	TDF	TC%	LOADING	CONTINGENCY NAME
						COMMON NAME					
FDNS	5	0 11G	G10_014	'FROM->TO'	'ELK CITY 230KV (ELKCTY-6) 230/138/13.8KV TRANSFORMER CKT 1'	287	0.03835	101.921	'GEN515226 1-MUSKOGEE 6G'		
FDNS	5	0 11G	G09_067S	'FROM->TO'	'ELK CITY 230KV (ELKCTY-6) 230/138/13.8KV TRANSFORMER CKT 1'	287	0.06708	101.0729	'GEN515226 1-MUSKOGEE 6G'		
FDNS	5	0 11G	G08_022	'FROM->TO'	'ELK CITY 230KV (ELKCTY-6) 230/138/13.8KV TRANSFORMER CKT 1'	287	0.06838	101.0729	'GEN515226 1-MUSKOGEE 6G'		
FDNS	5	0 11G	G10_007	'FROM->TO'	'ELK CITY 230KV (ELKCTY-6) 230/138/13.8KV TRANSFORMER CKT 1'	287	0.10254	101.0729	'GEN515226 1-MUSKOGEE 6G'		
FDNS	5	0 11G	G08_110	'FROM->TO'	'ELK CITY 230KV (ELKCTY-6) 230/138/13.8KV TRANSFORMER CKT 1'	287	0.03835	101.0729	'GEN515226 1-MUSKOGEE 6G'		
FDNS	5	0 11G	G08_088	'FROM->TO'	'ELK CITY 230KV (ELKCTY-6) 230/138/13.8KV TRANSFORMER CKT 1'	287	0.11437	101.0729	'GEN515226 1-MUSKOGEE 6G'		
FDNS	5	0 11G	ASGI_2010_011	'FROM->TO'	'ELK CITY 230KV (ELKCTY-6) 230/138/13.8KV TRANSFORMER CKT 1'	287	0.0603	101.0729	'GEN515226 1-MUSKOGEE 6G'		
FDNS	5	0 11G	G10_014	'FROM->TO'	'ELK CITY 230KV (ELKCTY-6) 230/138/13.8KV TRANSFORMER CKT 1'	287	0.03835	101.0729	'GEN515226 1-MUSKOGEE 6G'		
FDNS	5	0 11G	G09_067S	'FROM->TO'	'ELK CITY 230KV (ELKCTY-6) 230/138/13.8KV TRANSFORMER CKT 1'	287	0.06708	100.0993	'GEN520811 1-ANADRK4'		
FDNS	5	0 11G	G08_022	'FROM->TO'	'ELK CITY 230KV (ELKCTY-6) 230/138/13.8KV TRANSFORMER CKT 1'	287	0.06838	100.0993	'GEN520811 1-ANADRK4'		
FDNS	5	0 11G	G10_007	'FROM->TO'	'ELK CITY 230KV (ELKCTY-6) 230/138/13.8KV TRANSFORMER CKT 1'	287	0.10254	100.0993	'GEN520811 1-ANADRK4'		
FDNS	5	0 11G	G08_110	'FROM->TO'	'ELK CITY 230KV (ELKCTY-6) 230/138/13.8KV TRANSFORMER CKT 1'	287	0.03835	100.0993	'GEN520811 1-ANADRK4'		
FDNS	5	0 11G	G08_088	'FROM->TO'	'ELK CITY 230KV (ELKCTY-6) 230/138/13.8KV TRANSFORMER CKT 1'	287	0.11437	100.0993	'GEN520811 1-ANADRK4'		
FDNS	5	0 11G	ASGI_2010_011	'FROM->TO'	'ELK CITY 230KV (ELKCTY-6) 230/138/13.8KV TRANSFORMER CKT 1'	287	0.0603	100.0993	'GEN520811 1-ANADRK4'		
FDNS	5	0 11G	G10_014	'FROM->TO'	'ELK CITY 230KV (ELKCTY-6) 230/138/13.8KV TRANSFORMER CKT 1'	287	0.03835	100.0993	'GEN520811 1-ANADRK4'		
FDNS	5	0 11G	G09_067S	'FROM->TO'	'ELK CITY 230KV (ELKCTY-6) 230/138/13.8KV TRANSFORMER CKT 1'	287	0.06708	100	'GEN520812 1-ANADRK5'		
FDNS	5	0 11G	G08_022	'FROM->TO'	'ELK CITY 230KV (ELKCTY-6) 230/138/13.8KV TRANSFORMER CKT 1'	287	0.06838	100	'GEN520812 1-ANADRK5'		
FDNS	5	0 11G	G10_007	'FROM->TO'	'ELK CITY 230KV (ELKCTY-6) 230/138/13.8KV TRANSFORMER CKT 1'	287	0.10254	100	'GEN520812 1-ANADRK5'		
FDNS	5	0 11G	G08_110	'FROM->TO'	'ELK CITY 230KV (ELKCTY-6) 230/138/13.8KV TRANSFORMER CKT 1'	287	0.03835	100	'GEN520812 1-ANADRK5'		
FDNS	5	0 11G	G08_088	'FROM->TO'	'ELK CITY 230KV (ELKCTY-6) 230/138/13.8KV TRANSFORMER CKT 1'	287	0.11437	100	'GEN520812 1-ANADRK5'		
FDNS	5	0 11G	ASGI_2010_011	'FROM->TO'	'ELK CITY 230KV (ELKCTY-6) 230/138/13.8KV TRANSFORMER CKT 1'	287	0.0603	100	'GEN520812 1-ANADRK5'		
FDNS	5	0 11G	G10_014	'FROM->TO'	'ELK CITY 230KV (ELKCTY-6) 230/138/13.8KV TRANSFORMER CKT 1'	287	0.03835	100	'GEN520812 1-ANADRK5'		
FDNS	5	0 11G	G09_067S	'FROM->TO'	'ELK CITY 230KV (ELKCTY-6) 230/138/13.8KV TRANSFORMER CKT 1'	287	0.06708	100	'GEN520813 1-ANADRK6'		
FDNS	5	0 11G	G08_022	'FROM->TO'	'ELK CITY 230KV (ELKCTY-6) 230/138/13.8KV TRANSFORMER CKT 1'	287	0.06838	100	'GEN520813 1-ANADRK6'		
FDNS	5	0 11G	G10_007	'FROM->TO'	'ELK CITY 230KV (ELKCTY-6) 230/138/13.8KV TRANSFORMER CKT 1'	287	0.10254	100	'GEN520813 1-ANADRK6'		
FDNS	5	0 11G	G08_110	'FROM->TO'	'ELK CITY 230KV (ELKCTY-6) 230/138/13.8KV TRANSFORMER CKT 1'	287	0.03835	100	'GEN520813 1-ANADRK6'		
FDNS	5	0 11G	G08_088	'FROM->TO'	'ELK CITY 230KV (ELKCTY-6) 230/138/13.8KV TRANSFORMER CKT 1'	287	0.11437	100	'GEN520813 1-ANADRK6'		
FDNS	5	0 11G	ASGI_2010_011	'FROM->TO'	'ELK CITY 230KV (ELKCTY-6) 230/138/13.8KV TRANSFORMER CKT 1'	287	0.0603	100	'GEN520813 1-ANADRK6'		
FDNS	5	0 11G	G10_014	'FROM->TO'	'ELK CITY 230KV (ELKCTY-6) 230/138/13.8KV TRANSFORMER CKT 1'	287	0.03835	100	'GEN520813 1-ANADRK6'		

SOLUTION	GROUP	SCENARIO	SEASON	SOURCE	DIRECTION	MONITORED ELEMENT	RATE B	TDF	TC%	LOADING	CONTINGENCY NAME
						COMMON NAME					
FDNS	5	0 11G	G09_067S	'FROM->TO'	'ELK CITY 230KV (ELKCTY-6) 230/138/13.8KV TRANSFORMER CKT 1'	287	0.06708	101.77	'GEN520947 1-HUGO1'		
FDNS	5	0 11G	G08_022	'FROM->TO'	'ELK CITY 230KV (ELKCTY-6) 230/138/13.8KV TRANSFORMER CKT 1'	287	0.06838	101.77	'GEN520947 1-HUGO1'		
FDNS	5	0 11G	G10_007	'FROM->TO'	'ELK CITY 230KV (ELKCTY-6) 230/138/13.8KV TRANSFORMER CKT 1'	287	0.10254	101.77	'GEN520947 1-HUGO1'		
FDNS	5	0 11G	G08_110	'FROM->TO'	'ELK CITY 230KV (ELKCTY-6) 230/138/13.8KV TRANSFORMER CKT 1'	287	0.03835	101.77	'GEN520947 1-HUGO1'		
FDNS	5	0 11G	G08_088	'FROM->TO'	'ELK CITY 230KV (ELKCTY-6) 230/138/13.8KV TRANSFORMER CKT 1'	287	0.11437	101.77	'GEN520947 1-HUGO1'		
FDNS	5	0 11G	ASGI_2010_011	'FROM->TO'	'ELK CITY 230KV (ELKCTY-6) 230/138/13.8KV TRANSFORMER CKT 1'	287	0.0603	101.77	'GEN520947 1-HUGO1'		
FDNS	5	0 11G	G10_014	'FROM->TO'	'ELK CITY 230KV (ELKCTY-6) 230/138/13.8KV TRANSFORMER CKT 1'	287	0.03835	101.77	'GEN520947 1-HUGO1'		
FDNS	5	0 11G	G09_067S	'FROM->TO'	'ELK CITY 230KV (ELKCTY-6) 230/138/13.8KV TRANSFORMER CKT 1'	287	0.06708	100.9252	'GEN520947 1-HUGO1'		
FDNS	5	0 11G	G08_022	'FROM->TO'	'ELK CITY 230KV (ELKCTY-6) 230/138/13.8KV TRANSFORMER CKT 1'	287	0.06838	100.9252	'GEN520947 1-HUGO1'		
FDNS	5	0 11G	G10_007	'FROM->TO'	'ELK CITY 230KV (ELKCTY-6) 230/138/13.8KV TRANSFORMER CKT 1'	287	0.10254	100.9252	'GEN520947 1-HUGO1'		
FDNS	5	0 11G	G08_110	'FROM->TO'	'ELK CITY 230KV (ELKCTY-6) 230/138/13.8KV TRANSFORMER CKT 1'	287	0.03835	100.9252	'GEN520947 1-HUGO1'		
FDNS	5	0 11G	G08_088	'FROM->TO'	'ELK CITY 230KV (ELKCTY-6) 230/138/13.8KV TRANSFORMER CKT 1'	287	0.11437	100.9252	'GEN520947 1-HUGO1'		
FDNS	5	0 11G	ASGI_2010_011	'FROM->TO'	'ELK CITY 230KV (ELKCTY-6) 230/138/13.8KV TRANSFORMER CKT 1'	287	0.0603	100.9252	'GEN520947 1-HUGO1'		
FDNS	5	0 11G	G10_014	'FROM->TO'	'ELK CITY 230KV (ELKCTY-6) 230/138/13.8KV TRANSFORMER CKT 1'	287	0.03835	100.9252	'GEN520947 1-HUGO1'		
FDNS	5	0 11G	G09_067S	'FROM->TO'	'ELK CITY 230KV (ELKCTY-6) 230/138/13.8KV TRANSFORMER CKT 1'	287	0.06708	100.5558	'GEN521116 1-RHWIND4 138.00'		
FDNS	5	0 11G	G08_022	'FROM->TO'	'ELK CITY 230KV (ELKCTY-6) 230/138/13.8KV TRANSFORMER CKT 1'	287	0.06838	100.5558	'GEN521116 1-RHWIND4 138.00'		
FDNS	5	0 11G	G10_007	'FROM->TO'	'ELK CITY 230KV (ELKCTY-6) 230/138/13.8KV TRANSFORMER CKT 1'	287	0.10254	100.5558	'GEN521116 1-RHWIND4 138.00'		
FDNS	5	0 11G	G08_110	'FROM->TO'	'ELK CITY 230KV (ELKCTY-6) 230/138/13.8KV TRANSFORMER CKT 1'	287	0.03835	100.5558	'GEN521116 1-RHWIND4 138.00'		
FDNS	5	0 11G	G08_088	'FROM->TO'	'ELK CITY 230KV (ELKCTY-6) 230/138/13.8KV TRANSFORMER CKT 1'	287	0.11437	100.5558	'GEN521116 1-RHWIND4 138.00'		
FDNS	5	0 11G	ASGI_2010_011	'FROM->TO'	'ELK CITY 230KV (ELKCTY-6) 230/138/13.8KV TRANSFORMER CKT 1'	287	0.0603	100.5558	'GEN521116 1-RHWIND4 138.00'		
FDNS	5	0 11G	G10_014	'FROM->TO'	'ELK CITY 230KV (ELKCTY-6) 230/138/13.8KV TRANSFORMER CKT 1'	287	0.03835	100.5558	'GEN521116 1-RHWIND4 138.00'		
FDNS	5	0 11G	G10_007	'TO->FROM'	'DEAF SMITH COUNTY INTERCHANGE - S-RANDLCO 230.00 230KV CKT 1'	350	0.07081	105.7843	'GEN522814 1-LUBBOCK POWER & LIGHT-MACKENZIE GEN'		
FDNS	5	0 11G	G08_110	'TO->FROM'	'DEAF SMITH COUNTY INTERCHANGE - S-RANDLCO 230.00 230KV CKT 1'	350	0.04379	105.7843	'GEN522814 1-LUBBOCK POWER & LIGHT-MACKENZIE GEN'		
FDNS	5	0 11G	G08_088	'TO->FROM'	'DEAF SMITH COUNTY INTERCHANGE - S-RANDLCO 230.00 230KV CKT 1'	350	0.06128	105.7843	'GEN522814 1-LUBBOCK POWER & LIGHT-MACKENZIE GEN'		
FDNS	5	0 11G	ASGI_2010_011	'TO->FROM'	'DEAF SMITH COUNTY INTERCHANGE - S-RANDLCO 230.00 230KV CKT 1'	350	0.05515	105.7843	'GEN522814 1-LUBBOCK POWER & LIGHT-MACKENZIE GEN'		
FDNS	5	0 11G	G10_014	'TO->FROM'	'DEAF SMITH COUNTY INTERCHANGE - S-RANDLCO 230.00 230KV CKT 1'	350	0.04379	105.7843	'GEN522814 1-LUBBOCK POWER & LIGHT-MACKENZIE GEN'		
FDNS	5	0 11G	G10_007	'TO->FROM'	'DEAF SMITH COUNTY INTERCHANGE - S-RANDLCO 230.00 230KV CKT 1'	350	0.07081	102.1767	'GEN523461 1-BLACKHAWK GEN #1'		
FDNS	5	0 11G	G08_110	'TO->FROM'	'DEAF SMITH COUNTY INTERCHANGE - S-RANDLCO 230.00 230KV CKT 1'	350	0.04379	102.1767	'GEN523461 1-BLACKHAWK GEN #1'		
FDNS	5	0 11G	G08_088	'TO->FROM'	'DEAF SMITH COUNTY INTERCHANGE - S-RANDLCO 230.00 230KV CKT 1'	350	0.06128	102.1767	'GEN523461 1-BLACKHAWK GEN #1'		

SOLUTION	GROUP	SCENARIO	SEASON	SOURCE	DIRECTION	MONITORED ELEMENT		RATE B	TDF	TC%	LOADING	CONTINGENCY NAME
						COMMON NAME						
FDNS	5	0 11G	ASGI_2010_011	'TO->FROM'	'DEAF SMITH COUNTY INTERCHANGE - S-RANDLCO 230.00 230KV CKT 1'	350	0.05515	102.1767	'GEN523461 1-BLACKHAWK GEN #1'			
FDNS	5	0 11G	G10_014	'TO->FROM'	'DEAF SMITH COUNTY INTERCHANGE - S-RANDLCO 230.00 230KV CKT 1'	350	0.04379	102.1767	'GEN523461 1-BLACKHAWK GEN #1'			
FDNS	5	0 11G	G10_007	'TO->FROM'	'DEAF SMITH COUNTY INTERCHANGE - S-RANDLCO 230.00 230KV CKT 1'	350	0.07081	102.1767	'GEN523462 1-BLACKHAWK GEN #2'			
FDNS	5	0 11G	G08_110	'TO->FROM'	'DEAF SMITH COUNTY INTERCHANGE - S-RANDLCO 230.00 230KV CKT 1'	350	0.04379	102.1767	'GEN523462 1-BLACKHAWK GEN #2'			
FDNS	5	0 11G	G08_088	'TO->FROM'	'DEAF SMITH COUNTY INTERCHANGE - S-RANDLCO 230.00 230KV CKT 1'	350	0.06128	102.1767	'GEN523462 1-BLACKHAWK GEN #2'			
FDNS	5	0 11G	ASGI_2010_011	'TO->FROM'	'DEAF SMITH COUNTY INTERCHANGE - S-RANDLCO 230.00 230KV CKT 1'	350	0.05515	102.1767	'GEN523462 1-BLACKHAWK GEN #2'			
FDNS	5	0 11G	G10_014	'TO->FROM'	'DEAF SMITH COUNTY INTERCHANGE - S-RANDLCO 230.00 230KV CKT 1'	350	0.04379	102.1767	'GEN523462 1-BLACKHAWK GEN #2'			
FDNS	5	0 11G	G10_007	'TO->FROM'	'DEAF SMITH COUNTY INTERCHANGE - S-RANDLCO 230.00 230KV CKT 1'	350	0.07081	102.8524	'GEN523815 1-LLANO ESTACADO WIND GEN'			
FDNS	5	0 11G	G08_110	'TO->FROM'	'DEAF SMITH COUNTY INTERCHANGE - S-RANDLCO 230.00 230KV CKT 1'	350	0.04379	102.8524	'GEN523815 1-LLANO ESTACADO WIND GEN'			
FDNS	5	0 11G	G08_088	'TO->FROM'	'DEAF SMITH COUNTY INTERCHANGE - S-RANDLCO 230.00 230KV CKT 1'	350	0.06128	102.8524	'GEN523815 1-LLANO ESTACADO WIND GEN'			
FDNS	5	0 11G	ASGI_2010_011	'TO->FROM'	'DEAF SMITH COUNTY INTERCHANGE - S-RANDLCO 230.00 230KV CKT 1'	350	0.05515	102.8524	'GEN523815 1-LLANO ESTACADO WIND GEN'			
FDNS	5	0 11G	G10_014	'TO->FROM'	'DEAF SMITH COUNTY INTERCHANGE - S-RANDLCO 230.00 230KV CKT 1'	350	0.04379	102.8524	'GEN523815 1-LLANO ESTACADO WIND GEN'			
FDNS	5	0 11G	G10_007	'TO->FROM'	'DEAF SMITH COUNTY INTERCHANGE - S-RANDLCO 230.00 230KV CKT 1'	350	0.07081	101.3515	'GEN524276 X-WILDORADO WIND GEN'			
FDNS	5	0 11G	G08_110	'TO->FROM'	'DEAF SMITH COUNTY INTERCHANGE - S-RANDLCO 230.00 230KV CKT 1'	350	0.04379	101.3515	'GEN524276 X-WILDORADO WIND GEN'			
FDNS	5	0 11G	G08_088	'TO->FROM'	'DEAF SMITH COUNTY INTERCHANGE - S-RANDLCO 230.00 230KV CKT 1'	350	0.06128	101.3515	'GEN524276 X-WILDORADO WIND GEN'			
FDNS	5	0 11G	ASGI_2010_011	'TO->FROM'	'DEAF SMITH COUNTY INTERCHANGE - S-RANDLCO 230.00 230KV CKT 1'	350	0.05515	101.3515	'GEN524276 X-WILDORADO WIND GEN'			
FDNS	5	0 11G	G10_014	'TO->FROM'	'DEAF SMITH COUNTY INTERCHANGE - S-RANDLCO 230.00 230KV CKT 1'	350	0.04379	101.3515	'GEN524276 X-WILDORADO WIND GEN'			
FDNS	5	0 11G	G10_007	'TO->FROM'	'DEAF SMITH COUNTY INTERCHANGE - S-RANDLCO 230.00 230KV CKT 1'	350	0.07081	106.0435	'GEN524485 1-CAPROCK WIND GEN'			
FDNS	5	0 11G	G08_110	'TO->FROM'	'DEAF SMITH COUNTY INTERCHANGE - S-RANDLCO 230.00 230KV CKT 1'	350	0.04379	106.0435	'GEN524485 1-CAPROCK WIND GEN'			
FDNS	5	0 11G	G08_088	'TO->FROM'	'DEAF SMITH COUNTY INTERCHANGE - S-RANDLCO 230.00 230KV CKT 1'	350	0.06128	106.0435	'GEN524485 1-CAPROCK WIND GEN'			
FDNS	5	0 11G	ASGI_2010_011	'TO->FROM'	'DEAF SMITH COUNTY INTERCHANGE - S-RANDLCO 230.00 230KV CKT 1'	350	0.05515	106.0435	'GEN524485 1-CAPROCK WIND GEN'			
FDNS	5	0 11G	G10_014	'TO->FROM'	'DEAF SMITH COUNTY INTERCHANGE - S-RANDLCO 230.00 230KV CKT 1'	350	0.04379	106.0435	'GEN524485 1-CAPROCK WIND GEN'			
FDNS	5	0 11G	G10_007	'TO->FROM'	'DEAF SMITH COUNTY INTERCHANGE - S-RANDLCO 230.00 230KV CKT 1'	350	0.07081	106.5747	'GEN524895 1-SAN JUAN MESA WIND GEN'			
FDNS	5	0 11G	G08_110	'TO->FROM'	'DEAF SMITH COUNTY INTERCHANGE - S-RANDLCO 230.00 230KV CKT 1'	350	0.04379	106.5747	'GEN524895 1-SAN JUAN MESA WIND GEN'			
FDNS	5	0 11G	G08_088	'TO->FROM'	'DEAF SMITH COUNTY INTERCHANGE - S-RANDLCO 230.00 230KV CKT 1'	350	0.06128	106.5747	'GEN524895 1-SAN JUAN MESA WIND GEN'			
FDNS	5	0 11G	ASGI_2010_011	'TO->FROM'	'DEAF SMITH COUNTY INTERCHANGE - S-RANDLCO 230.00 230KV CKT 1'	350	0.05515	106.5747	'GEN524895 1-SAN JUAN MESA WIND GEN'			
FDNS	5	0 11G	G10_014	'TO->FROM'	'DEAF SMITH COUNTY INTERCHANGE - S-RANDLCO 230.00 230KV CKT 1'	350	0.04379	106.5747	'GEN524895 1-SAN JUAN MESA WIND GEN'			
FDNS	5	0 11G	G10_007	'TO->FROM'	'DEAF SMITH COUNTY INTERCHANGE - S-RANDLCO 230.00 230KV CKT 1'	350	0.07081	139.094	'GEN525561 1-TOLK GEN #1 24 KV'			
FDNS	5	0 11G	G08_110	'TO->FROM'	'DEAF SMITH COUNTY INTERCHANGE - S-RANDLCO 230.00 230KV CKT 1'	350	0.04379	139.094	'GEN525561 1-TOLK GEN #1 24 KV'			

SOLUTION	GROUP	SCENARIO	SEASON	SOURCE	DIRECTION	MONITORED ELEMENT	RATE B	TDF	TC%	LOADING	CONTINGENCY NAME
						COMMON NAME					
FDNS	5	0 11G	G08_088	'TO->FROM'	'DEAF SMITH COUNTY INTERCHANGE - S-RANDLCO 230.00 230KV CKT 1'	350	0.06128	139.094	'GEN525561 1-TOLK GEN #1 24 KV'		
FDNS	5	0 11G	ASGI_2010_011	'TO->FROM'	'DEAF SMITH COUNTY INTERCHANGE - S-RANDLCO 230.00 230KV CKT 1'	350	0.05515	139.094	'GEN525561 1-TOLK GEN #1 24 KV'		
FDNS	5	0 11G	G10_014	'TO->FROM'	'DEAF SMITH COUNTY INTERCHANGE - S-RANDLCO 230.00 230KV CKT 1'	350	0.04379	139.094	'GEN525561 1-TOLK GEN #1 24 KV'		
FDNS	5	0 11G	G10_007	'TO->FROM'	'DEAF SMITH COUNTY INTERCHANGE - S-RANDLCO 230.00 230KV CKT 1'	350	0.07081	134.8501	'GEN525562 1-TOLK GEN #2 24 KV'		
FDNS	5	0 11G	G08_110	'TO->FROM'	'DEAF SMITH COUNTY INTERCHANGE - S-RANDLCO 230.00 230KV CKT 1'	350	0.04379	134.8501	'GEN525562 1-TOLK GEN #2 24 KV'		
FDNS	5	0 11G	G08_088	'TO->FROM'	'DEAF SMITH COUNTY INTERCHANGE - S-RANDLCO 230.00 230KV CKT 1'	350	0.06128	134.8501	'GEN525562 1-TOLK GEN #2 24 KV'		
FDNS	5	0 11G	ASGI_2010_011	'TO->FROM'	'DEAF SMITH COUNTY INTERCHANGE - S-RANDLCO 230.00 230KV CKT 1'	350	0.05515	134.8501	'GEN525562 1-TOLK GEN #2 24 KV'		
FDNS	5	0 11G	G10_014	'TO->FROM'	'DEAF SMITH COUNTY INTERCHANGE - S-RANDLCO 230.00 230KV CKT 1'	350	0.04379	134.8501	'GEN525562 1-TOLK GEN #2 24 KV'		
FDNS	5	0 11G	G10_007	'TO->FROM'	'DEAF SMITH COUNTY INTERCHANGE - S-RANDLCO 230.00 230KV CKT 1'	350	0.07081	106.2797	'GEN526331 1-JONES GEN #1 22 KV'		
FDNS	5	0 11G	G08_110	'TO->FROM'	'DEAF SMITH COUNTY INTERCHANGE - S-RANDLCO 230.00 230KV CKT 1'	350	0.04379	106.2797	'GEN526331 1-JONES GEN #1 22 KV'		
FDNS	5	0 11G	G08_088	'TO->FROM'	'DEAF SMITH COUNTY INTERCHANGE - S-RANDLCO 230.00 230KV CKT 1'	350	0.06128	106.2797	'GEN526331 1-JONES GEN #1 22 KV'		
FDNS	5	0 11G	ASGI_2010_011	'TO->FROM'	'DEAF SMITH COUNTY INTERCHANGE - S-RANDLCO 230.00 230KV CKT 1'	350	0.05515	106.2797	'GEN526331 1-JONES GEN #1 22 KV'		
FDNS	5	0 11G	G10_014	'TO->FROM'	'DEAF SMITH COUNTY INTERCHANGE - S-RANDLCO 230.00 230KV CKT 1'	350	0.04379	106.2797	'GEN526331 1-JONES GEN #1 22 KV'		
FDNS	5	0 11G	G10_007	'TO->FROM'	'DEAF SMITH COUNTY INTERCHANGE - S-RANDLCO 230.00 230KV CKT 1'	350	0.07081	106.2802	'GEN526332 1-JONES GEN #2 21 KV'		
FDNS	5	0 11G	G08_110	'TO->FROM'	'DEAF SMITH COUNTY INTERCHANGE - S-RANDLCO 230.00 230KV CKT 1'	350	0.04379	106.2802	'GEN526332 1-JONES GEN #2 21 KV'		
FDNS	5	0 11G	G08_088	'TO->FROM'	'DEAF SMITH COUNTY INTERCHANGE - S-RANDLCO 230.00 230KV CKT 1'	350	0.06128	106.2802	'GEN526332 1-JONES GEN #2 21 KV'		
FDNS	5	0 11G	ASGI_2010_011	'TO->FROM'	'DEAF SMITH COUNTY INTERCHANGE - S-RANDLCO 230.00 230KV CKT 1'	350	0.05515	106.2802	'GEN526332 1-JONES GEN #2 21 KV'		
FDNS	5	0 11G	G10_014	'TO->FROM'	'DEAF SMITH COUNTY INTERCHANGE - S-RANDLCO 230.00 230KV CKT 1'	350	0.04379	106.2802	'GEN526332 1-JONES GEN #2 21 KV'		
FDNS	5	0 11G	G10_007	'TO->FROM'	'DEAF SMITH COUNTY INTERCHANGE - S-RANDLCO 230.00 230KV CKT 1'	350	0.07081	111.7945	'GEN527161 1-MUSTANG GEN #1'		
FDNS	5	0 11G	G08_110	'TO->FROM'	'DEAF SMITH COUNTY INTERCHANGE - S-RANDLCO 230.00 230KV CKT 1'	350	0.04379	111.7945	'GEN527161 1-MUSTANG GEN #1'		
FDNS	5	0 11G	G08_088	'TO->FROM'	'DEAF SMITH COUNTY INTERCHANGE - S-RANDLCO 230.00 230KV CKT 1'	350	0.06128	111.7945	'GEN527161 1-MUSTANG GEN #1'		
FDNS	5	0 11G	ASGI_2010_011	'TO->FROM'	'DEAF SMITH COUNTY INTERCHANGE - S-RANDLCO 230.00 230KV CKT 1'	350	0.05515	111.7945	'GEN527161 1-MUSTANG GEN #1'		
FDNS	5	0 11G	G10_014	'TO->FROM'	'DEAF SMITH COUNTY INTERCHANGE - S-RANDLCO 230.00 230KV CKT 1'	350	0.04379	111.7945	'GEN527161 1-MUSTANG GEN #1'		
FDNS	5	0 11G	G10_007	'TO->FROM'	'DEAF SMITH COUNTY INTERCHANGE - S-RANDLCO 230.00 230KV CKT 1'	350	0.07081	111.7944	'GEN527162 1-MUSTANG GEN #2'		
FDNS	5	0 11G	G08_110	'TO->FROM'	'DEAF SMITH COUNTY INTERCHANGE - S-RANDLCO 230.00 230KV CKT 1'	350	0.04379	111.7944	'GEN527162 1-MUSTANG GEN #2'		
FDNS	5	0 11G	G08_088	'TO->FROM'	'DEAF SMITH COUNTY INTERCHANGE - S-RANDLCO 230.00 230KV CKT 1'	350	0.06128	111.7944	'GEN527162 1-MUSTANG GEN #2'		
FDNS	5	0 11G	ASGI_2010_011	'TO->FROM'	'DEAF SMITH COUNTY INTERCHANGE - S-RANDLCO 230.00 230KV CKT 1'	350	0.05515	111.7944	'GEN527162 1-MUSTANG GEN #2'		
FDNS	5	0 11G	G10_014	'TO->FROM'	'DEAF SMITH COUNTY INTERCHANGE - S-RANDLCO 230.00 230KV CKT 1'	350	0.04379	111.7944	'GEN527162 1-MUSTANG GEN #2'		
FDNS	5	0 11G	G10_007	'TO->FROM'	'DEAF SMITH COUNTY INTERCHANGE - S-RANDLCO 230.00 230KV CKT 1'	350	0.07081	112.2873	'GEN527163 1-MUSTANG GEN #3 22 KV'		

SOLUTION	GROUP	SCENARIO	SEASON	SOURCE	DIRECTION	MONITORED ELEMENT		RATE B	TDF	TC%	LOADING	CONTINGENCY NAME
						COMMON NAME						
FDNS	5	0 11G	G08_110	'TO->FROM'	'DEAF SMITH COUNTY INTERCHANGE - S-RANDLCO 230.00 230KV CKT 1'	350	0.04379	112.2873	'GEN527163 1-MUSTANG GEN #3 22 KV'			
FDNS	5	0 11G	G08_088	'TO->FROM'	'DEAF SMITH COUNTY INTERCHANGE - S-RANDLCO 230.00 230KV CKT 1'	350	0.06128	112.2873	'GEN527163 1-MUSTANG GEN #3 22 KV'			
FDNS	5	0 11G	ASGI_2010_011	'TO->FROM'	'DEAF SMITH COUNTY INTERCHANGE - S-RANDLCO 230.00 230KV CKT 1'	350	0.05515	112.2873	'GEN527163 1-MUSTANG GEN #3 22 KV'			
FDNS	5	0 11G	G10_014	'TO->FROM'	'DEAF SMITH COUNTY INTERCHANGE - S-RANDLCO 230.00 230KV CKT 1'	350	0.04379	112.2873	'GEN527163 1-MUSTANG GEN #3 22 KV'			
FDNS	5	0 11G	G10_007	'TO->FROM'	'DEAF SMITH COUNTY INTERCHANGE - S-RANDLCO 230.00 230KV CKT 1'	350	0.07081	111.8693	'GEN527164 1-MUSTANG GEN #4 22 KV'			
FDNS	5	0 11G	G08_110	'TO->FROM'	'DEAF SMITH COUNTY INTERCHANGE - S-RANDLCO 230.00 230KV CKT 1'	350	0.04379	111.8693	'GEN527164 1-MUSTANG GEN #4 22 KV'			
FDNS	5	0 11G	G08_088	'TO->FROM'	'DEAF SMITH COUNTY INTERCHANGE - S-RANDLCO 230.00 230KV CKT 1'	350	0.06128	111.8693	'GEN527164 1-MUSTANG GEN #4 22 KV'			
FDNS	5	0 11G	ASGI_2010_011	'TO->FROM'	'DEAF SMITH COUNTY INTERCHANGE - S-RANDLCO 230.00 230KV CKT 1'	350	0.05515	111.8693	'GEN527164 1-MUSTANG GEN #4 22 KV'			
FDNS	5	0 11G	G10_014	'TO->FROM'	'DEAF SMITH COUNTY INTERCHANGE - S-RANDLCO 230.00 230KV CKT 1'	350	0.04379	111.8693	'GEN527164 1-MUSTANG GEN #4 22 KV'			
FDNS	5	0 11G	G10_007	'TO->FROM'	'DEAF SMITH COUNTY INTERCHANGE - S-RANDLCO 230.00 230KV CKT 1'	350	0.07081	111.8614	'GEN527165 1-Mustang Gen #5'			
FDNS	5	0 11G	G08_110	'TO->FROM'	'DEAF SMITH COUNTY INTERCHANGE - S-RANDLCO 230.00 230KV CKT 1'	350	0.04379	111.8614	'GEN527165 1-Mustang Gen #5'			
FDNS	5	0 11G	G08_088	'TO->FROM'	'DEAF SMITH COUNTY INTERCHANGE - S-RANDLCO 230.00 230KV CKT 1'	350	0.06128	111.8614	'GEN527165 1-Mustang Gen #5'			
FDNS	5	0 11G	ASGI_2010_011	'TO->FROM'	'DEAF SMITH COUNTY INTERCHANGE - S-RANDLCO 230.00 230KV CKT 1'	350	0.05515	111.8614	'GEN527165 1-Mustang Gen #5'			
FDNS	5	0 11G	G10_014	'TO->FROM'	'DEAF SMITH COUNTY INTERCHANGE - S-RANDLCO 230.00 230KV CKT 1'	350	0.04379	111.8614	'GEN527165 1-Mustang Gen #5'			
FDNS	5	0 11G	G10_007	'TO->FROM'	'DEAF SMITH COUNTY INTERCHANGE - S-RANDLCO 230.00 230KV CKT 1'	350	0.07081	107.1508	'GEN527882 1-CUNNINGHAM GEN #2 20 KV'			
FDNS	5	0 11G	G08_110	'TO->FROM'	'DEAF SMITH COUNTY INTERCHANGE - S-RANDLCO 230.00 230KV CKT 1'	350	0.04379	107.1508	'GEN527882 1-CUNNINGHAM GEN #2 20 KV'			
FDNS	5	0 11G	G08_088	'TO->FROM'	'DEAF SMITH COUNTY INTERCHANGE - S-RANDLCO 230.00 230KV CKT 1'	350	0.06128	107.1508	'GEN527882 1-CUNNINGHAM GEN #2 20 KV'			
FDNS	5	0 11G	ASGI_2010_011	'TO->FROM'	'DEAF SMITH COUNTY INTERCHANGE - S-RANDLCO 230.00 230KV CKT 1'	350	0.05515	107.1508	'GEN527882 1-CUNNINGHAM GEN #2 20 KV'			
FDNS	5	0 11G	G10_014	'TO->FROM'	'DEAF SMITH COUNTY INTERCHANGE - S-RANDLCO 230.00 230KV CKT 1'	350	0.04379	107.1508	'GEN527882 1-CUNNINGHAM GEN #2 20 KV'			
FDNS	5	0 11G	G10_007	'TO->FROM'	'DEAF SMITH COUNTY INTERCHANGE - S-RANDLCO 230.00 230KV CKT 1'	350	0.07081	112.0695	'GEN527901 1-HOBBS PLANT #1 (CT)'			
FDNS	5	0 11G	G08_110	'TO->FROM'	'DEAF SMITH COUNTY INTERCHANGE - S-RANDLCO 230.00 230KV CKT 1'	350	0.04379	112.0695	'GEN527901 1-HOBBS PLANT #1 (CT)'			
FDNS	5	0 11G	G08_088	'TO->FROM'	'DEAF SMITH COUNTY INTERCHANGE - S-RANDLCO 230.00 230KV CKT 1'	350	0.06128	112.0695	'GEN527901 1-HOBBS PLANT #1 (CT)'			
FDNS	5	0 11G	ASGI_2010_011	'TO->FROM'	'DEAF SMITH COUNTY INTERCHANGE - S-RANDLCO 230.00 230KV CKT 1'	350	0.05515	112.0695	'GEN527901 1-HOBBS PLANT #1 (CT)'			
FDNS	5	0 11G	G10_014	'TO->FROM'	'DEAF SMITH COUNTY INTERCHANGE - S-RANDLCO 230.00 230KV CKT 1'	350	0.04379	112.0695	'GEN527901 1-HOBBS PLANT #1 (CT)'			
FDNS	5	0 11G	G10_007	'TO->FROM'	'DEAF SMITH COUNTY INTERCHANGE - S-RANDLCO 230.00 230KV CKT 1'	350	0.07081	112.0692	'GEN527902 1-HOBBS PLANT #2 (CT)'			
FDNS	5	0 11G	G08_110	'TO->FROM'	'DEAF SMITH COUNTY INTERCHANGE - S-RANDLCO 230.00 230KV CKT 1'	350	0.04379	112.0692	'GEN527902 1-HOBBS PLANT #2 (CT)'			
FDNS	5	0 11G	G08_088	'TO->FROM'	'DEAF SMITH COUNTY INTERCHANGE - S-RANDLCO 230.00 230KV CKT 1'	350	0.06128	112.0692	'GEN527902 1-HOBBS PLANT #2 (CT)'			
FDNS	5	0 11G	ASGI_2010_011	'TO->FROM'	'DEAF SMITH COUNTY INTERCHANGE - S-RANDLCO 230.00 230KV CKT 1'	350	0.05515	112.0692	'GEN527902 1-HOBBS PLANT #2 (CT)'			
FDNS	5	0 11G	G10_014	'TO->FROM'	'DEAF SMITH COUNTY INTERCHANGE - S-RANDLCO 230.00 230KV CKT 1'	350	0.04379	112.0692	'GEN527902 1-HOBBS PLANT #2 (CT)'			

SOLUTION	GROUP	SCENARIO	SEASON	SOURCE	DIRECTION	MONITORED ELEMENT		RATE B	TDF	TC%	LOADING	CONTINGENCY NAME
						COMMON NAME						
FDNS	5	0 11G	G10_007	'TO->FROM'	'DEAF SMITH COUNTY INTERCHANGE - S-RANDLCO 230.00 230KV CKT 1'	350	0.07081	115.3399	'GEN527903 1-HOBBS PLANT #3 (ST)'			
FDNS	5	0 11G	G08_110	'TO->FROM'	'DEAF SMITH COUNTY INTERCHANGE - S-RANDLCO 230.00 230KV CKT 1'	350	0.04379	115.3399	'GEN527903 1-HOBBS PLANT #3 (ST)'			
FDNS	5	0 11G	G08_088	'TO->FROM'	'DEAF SMITH COUNTY INTERCHANGE - S-RANDLCO 230.00 230KV CKT 1'	350	0.06128	115.3399	'GEN527903 1-HOBBS PLANT #3 (ST)'			
FDNS	5	0 11G	ASGI_2010_011	'TO->FROM'	'DEAF SMITH COUNTY INTERCHANGE - S-RANDLCO 230.00 230KV CKT 1'	350	0.05515	115.3399	'GEN527903 1-HOBBS PLANT #3 (ST)'			
FDNS	5	0 11G	G10_014	'TO->FROM'	'DEAF SMITH COUNTY INTERCHANGE - S-RANDLCO 230.00 230KV CKT 1'	350	0.04379	115.3399	'GEN527903 1-HOBBS PLANT #3 (ST)'			
FDNS	5	0 11G	G10_007	'TO->FROM'	'DEAF SMITH COUNTY INTERCHANGE - S-RANDLCO 230.00 230KV CKT 1'	350	0.07081	102.1712	'GEN531447 1-HOLCOMB GENERATOR'			
FDNS	5	0 11G	G08_110	'TO->FROM'	'DEAF SMITH COUNTY INTERCHANGE - S-RANDLCO 230.00 230KV CKT 1'	350	0.04379	102.1712	'GEN531447 1-HOLCOMB GENERATOR'			
FDNS	5	0 11G	G08_088	'TO->FROM'	'DEAF SMITH COUNTY INTERCHANGE - S-RANDLCO 230.00 230KV CKT 1'	350	0.06128	102.1712	'GEN531447 1-HOLCOMB GENERATOR'			
FDNS	5	0 11G	ASGI_2010_011	'TO->FROM'	'DEAF SMITH COUNTY INTERCHANGE - S-RANDLCO 230.00 230KV CKT 1'	350	0.05515	102.1712	'GEN531447 1-HOLCOMB GENERATOR'			
FDNS	5	0 11G	G10_014	'TO->FROM'	'DEAF SMITH COUNTY INTERCHANGE - S-RANDLCO 230.00 230KV CKT 1'	350	0.04379	102.1712	'GEN531447 1-HOLCOMB GENERATOR'			
FDNS	5	0 11G	G09_067S	'FROM->TO'	'ELK CITY 230KV (ELKCTY-6) 230/138/13.8KV TRANSFORMER CKT 1'	287	0.06708	100.5168	'GEN532651 1-JEFFREY ENERGY CENTER UNIT 1'			
FDNS	5	0 11G	G08_022	'FROM->TO'	'ELK CITY 230KV (ELKCTY-6) 230/138/13.8KV TRANSFORMER CKT 1'	287	0.06838	100.5168	'GEN532651 1-JEFFREY ENERGY CENTER UNIT 1'			
FDNS	5	0 11G	G10_007	'FROM->TO'	'ELK CITY 230KV (ELKCTY-6) 230/138/13.8KV TRANSFORMER CKT 1'	287	0.10254	100.5168	'GEN532651 1-JEFFREY ENERGY CENTER UNIT 1'			
FDNS	5	0 11G	G08_110	'FROM->TO'	'ELK CITY 230KV (ELKCTY-6) 230/138/13.8KV TRANSFORMER CKT 1'	287	0.03835	100.5168	'GEN532651 1-JEFFREY ENERGY CENTER UNIT 1'			
FDNS	5	0 11G	G08_088	'FROM->TO'	'ELK CITY 230KV (ELKCTY-6) 230/138/13.8KV TRANSFORMER CKT 1'	287	0.11437	100.5168	'GEN532651 1-JEFFREY ENERGY CENTER UNIT 1'			
FDNS	5	0 11G	ASGI_2010_011	'FROM->TO'	'ELK CITY 230KV (ELKCTY-6) 230/138/13.8KV TRANSFORMER CKT 1'	287	0.0603	100.5168	'GEN532651 1-JEFFREY ENERGY CENTER UNIT 1'			
FDNS	5	0 11G	G10_014	'FROM->TO'	'ELK CITY 230KV (ELKCTY-6) 230/138/13.8KV TRANSFORMER CKT 1'	287	0.03835	100.5168	'GEN532651 1-JEFFREY ENERGY CENTER UNIT 1'			
FDNS	5	0 11G	G09_067S	'FROM->TO'	'ELK CITY 230KV (ELKCTY-6) 230/138/13.8KV TRANSFORMER CKT 1'	287	0.06708	100.5122	'GEN532652 1-JEFFREY ENERGY CENTER UNIT 2'			
FDNS	5	0 11G	G08_022	'FROM->TO'	'ELK CITY 230KV (ELKCTY-6) 230/138/13.8KV TRANSFORMER CKT 1'	287	0.06838	100.5122	'GEN532652 1-JEFFREY ENERGY CENTER UNIT 2'			
FDNS	5	0 11G	G10_007	'FROM->TO'	'ELK CITY 230KV (ELKCTY-6) 230/138/13.8KV TRANSFORMER CKT 1'	287	0.10254	100.5122	'GEN532652 1-JEFFREY ENERGY CENTER UNIT 2'			
FDNS	5	0 11G	G08_110	'FROM->TO'	'ELK CITY 230KV (ELKCTY-6) 230/138/13.8KV TRANSFORMER CKT 1'	287	0.03835	100.5122	'GEN532652 1-JEFFREY ENERGY CENTER UNIT 2'			
FDNS	5	0 11G	G08_088	'FROM->TO'	'ELK CITY 230KV (ELKCTY-6) 230/138/13.8KV TRANSFORMER CKT 1'	287	0.11437	100.5122	'GEN532652 1-JEFFREY ENERGY CENTER UNIT 2'			
FDNS	5	0 11G	ASGI_2010_011	'FROM->TO'	'ELK CITY 230KV (ELKCTY-6) 230/138/13.8KV TRANSFORMER CKT 1'	287	0.0603	100.5122	'GEN532652 1-JEFFREY ENERGY CENTER UNIT 2'			
FDNS	5	0 11G	G10_014	'FROM->TO'	'ELK CITY 230KV (ELKCTY-6) 230/138/13.8KV TRANSFORMER CKT 1'	287	0.03835	100.5122	'GEN532652 1-JEFFREY ENERGY CENTER UNIT 2'			
FDNS	5	0 11G	G09_067S	'FROM->TO'	'ELK CITY 230KV (ELKCTY-6) 230/138/13.8KV TRANSFORMER CKT 1'	287	0.06708	100.4823	'GEN532653 1-JEFFREY ENERGY CENTER UNIT 3'			
FDNS	5	0 11G	G08_022	'FROM->TO'	'ELK CITY 230KV (ELKCTY-6) 230/138/13.8KV TRANSFORMER CKT 1'	287	0.06838	100.4823	'GEN532653 1-JEFFREY ENERGY CENTER UNIT 3'			
FDNS	5	0 11G	G10_007	'FROM->TO'	'ELK CITY 230KV (ELKCTY-6) 230/138/13.8KV TRANSFORMER CKT 1'	287	0.10254	100.4823	'GEN532653 1-JEFFREY ENERGY CENTER UNIT 3'			
FDNS	5	0 11G	G08_110	'FROM->TO'	'ELK CITY 230KV (ELKCTY-6) 230/138/13.8KV TRANSFORMER CKT 1'	287	0.03835	100.4823	'GEN532653 1-JEFFREY ENERGY CENTER UNIT 3'			
FDNS	5	0 11G	G08_088	'FROM->TO'	'ELK CITY 230KV (ELKCTY-6) 230/138/13.8KV TRANSFORMER CKT 1'	287	0.11437	100.4823	'GEN532653 1-JEFFREY ENERGY CENTER UNIT 3'			

SOLUTION	GROUP	SCENARIO	SEASON	SOURCE	DIRECTION	MONITORED ELEMENT	RATE B	TDF	TC%	LOADING	CONTINGENCY NAME
						COMMON NAME					
FDNS	5	0 11G	ASGI_2010_011	'FROM->TO'	'ELK CITY 230KV (ELKCTY-6) 230/138/13.8KV TRANSFORMER CKT 1'	287	0.0603	100.4823	'GEN532653 1-JEFFREY ENERGY CENTER UNIT 3'		
FDNS	5	0 11G	G10_014	'FROM->TO'	'ELK CITY 230KV (ELKCTY-6) 230/138/13.8KV TRANSFORMER CKT 1'	287	0.03835	100.4823	'GEN532653 1-JEFFREY ENERGY CENTER UNIT 3'		
FDNS	5	0 11G	G10_007	'TO->FROM'	'DEAF SMITH COUNTY INTERCHANGE - S- RANDLCO 230.00 230KV CKT 1'	350	0.07081	102.7804	'GEN532751 1-WOLF CREEK GENERATING STATION UNIT 1'		
FDNS	5	0 11G	G08_110	'TO->FROM'	'DEAF SMITH COUNTY INTERCHANGE - S- RANDLCO 230.00 230KV CKT 1'	350	0.04379	102.7804	'GEN532751 1-WOLF CREEK GENERATING STATION UNIT 1'		
FDNS	5	0 11G	G08_088	'TO->FROM'	'DEAF SMITH COUNTY INTERCHANGE - S- RANDLCO 230.00 230KV CKT 1'	350	0.06128	102.7804	'GEN532751 1-WOLF CREEK GENERATING STATION UNIT 1'		
FDNS	5	0 11G	ASGI_2010_011	'TO->FROM'	'DEAF SMITH COUNTY INTERCHANGE - S- RANDLCO 230.00 230KV CKT 1'	350	0.05515	102.7804	'GEN532751 1-WOLF CREEK GENERATING STATION UNIT 1'		
FDNS	5	0 11G	G10_014	'TO->FROM'	'DEAF SMITH COUNTY INTERCHANGE - S- RANDLCO 230.00 230KV CKT 1'	350	0.04379	102.7804	'GEN532751 1-WOLF CREEK GENERATING STATION UNIT 1'		
FDNS	5	0 11G	G09_067S	'FROM->TO'	'ELK CITY 230KV (ELKCTY-6) 230/138/13.8KV TRANSFORMER CKT 1'	287	0.06708	103.5441	'GEN532751 1-WOLF CREEK GENERATING STATION UNIT 1'		
FDNS	5	0 11G	G08_022	'FROM->TO'	'ELK CITY 230KV (ELKCTY-6) 230/138/13.8KV TRANSFORMER CKT 1'	287	0.06838	103.5441	'GEN532751 1-WOLF CREEK GENERATING STATION UNIT 1'		
FDNS	5	0 11G	G10_007	'FROM->TO'	'ELK CITY 230KV (ELKCTY-6) 230/138/13.8KV TRANSFORMER CKT 1'	287	0.10254	103.5441	'GEN532751 1-WOLF CREEK GENERATING STATION UNIT 1'		
FDNS	5	0 11G	G08_110	'FROM->TO'	'ELK CITY 230KV (ELKCTY-6) 230/138/13.8KV TRANSFORMER CKT 1'	287	0.03835	103.5441	'GEN532751 1-WOLF CREEK GENERATING STATION UNIT 1'		
FDNS	5	0 11G	G08_088	'FROM->TO'	'ELK CITY 230KV (ELKCTY-6) 230/138/13.8KV TRANSFORMER CKT 1'	287	0.11437	103.5441	'GEN532751 1-WOLF CREEK GENERATING STATION UNIT 1'		
FDNS	5	0 11G	ASGI_2010_011	'FROM->TO'	'ELK CITY 230KV (ELKCTY-6) 230/138/13.8KV TRANSFORMER CKT 1'	287	0.0603	103.5441	'GEN532751 1-WOLF CREEK GENERATING STATION UNIT 1'		
FDNS	5	0 11G	G10_014	'FROM->TO'	'ELK CITY 230KV (ELKCTY-6) 230/138/13.8KV TRANSFORMER CKT 1'	287	0.03835	103.5441	'GEN532751 1-WOLF CREEK GENERATING STATION UNIT 1'		
FDNS	5	0 11G	G09_067S	'FROM->TO'	'ELK CITY 230KV (ELKCTY-6) 230/138/13.8KV TRANSFORMER CKT 1'	287	0.06708	102.6654	'GEN532751 1-WOLF CREEK GENERATING STATION UNIT 1'		
FDNS	5	0 11G	G08_022	'FROM->TO'	'ELK CITY 230KV (ELKCTY-6) 230/138/13.8KV TRANSFORMER CKT 1'	287	0.06838	102.6654	'GEN532751 1-WOLF CREEK GENERATING STATION UNIT 1'		
FDNS	5	0 11G	G10_007	'FROM->TO'	'ELK CITY 230KV (ELKCTY-6) 230/138/13.8KV TRANSFORMER CKT 1'	287	0.10254	102.6654	'GEN532751 1-WOLF CREEK GENERATING STATION UNIT 1'		
FDNS	5	0 11G	G08_110	'FROM->TO'	'ELK CITY 230KV (ELKCTY-6) 230/138/13.8KV TRANSFORMER CKT 1'	287	0.03835	102.6654	'GEN532751 1-WOLF CREEK GENERATING STATION UNIT 1'		
FDNS	5	0 11G	G08_088	'FROM->TO'	'ELK CITY 230KV (ELKCTY-6) 230/138/13.8KV TRANSFORMER CKT 1'	287	0.11437	102.6654	'GEN532751 1-WOLF CREEK GENERATING STATION UNIT 1'		
FDNS	5	0 11G	ASGI_2010_011	'FROM->TO'	'ELK CITY 230KV (ELKCTY-6) 230/138/13.8KV TRANSFORMER CKT 1'	287	0.0603	102.6654	'GEN532751 1-WOLF CREEK GENERATING STATION UNIT 1'		
FDNS	5	0 11G	G10_014	'FROM->TO'	'ELK CITY 230KV (ELKCTY-6) 230/138/13.8KV TRANSFORMER CKT 1'	287	0.03835	102.6654	'GEN532751 1-WOLF CREEK GENERATING STATION UNIT 1'		
FDNS	5	0 11G	G09_067S	'FROM->TO'	'ELK CITY 230KV (ELKCTY-6) 230/138/13.8KV TRANSFORMER CKT 1'	287	0.06708	100 #3'	'GEN541151 3-SIBLEY GENERATING UNIT 100 #3'		
FDNS	5	0 11G	G08_022	'FROM->TO'	'ELK CITY 230KV (ELKCTY-6) 230/138/13.8KV TRANSFORMER CKT 1'	287	0.06838	100 #3'	'GEN541151 3-SIBLEY GENERATING UNIT 100 #3'		
FDNS	5	0 11G	G10_007	'FROM->TO'	'ELK CITY 230KV (ELKCTY-6) 230/138/13.8KV TRANSFORMER CKT 1'	287	0.10254	100 #3'	'GEN541151 3-SIBLEY GENERATING UNIT 100 #3'		
FDNS	5	0 11G	G08_110	'FROM->TO'	'ELK CITY 230KV (ELKCTY-6) 230/138/13.8KV TRANSFORMER CKT 1'	287	0.03835	100 #3'	'GEN541151 3-SIBLEY GENERATING UNIT 100 #3'		
FDNS	5	0 11G	G08_088	'FROM->TO'	'ELK CITY 230KV (ELKCTY-6) 230/138/13.8KV TRANSFORMER CKT 1'	287	0.11437	100 #3'	'GEN541151 3-SIBLEY GENERATING UNIT 100 #3'		
FDNS	5	0 11G	ASGI_2010_011	'FROM->TO'	'ELK CITY 230KV (ELKCTY-6) 230/138/13.8KV TRANSFORMER CKT 1'	287	0.0603	100 #3'	'GEN541151 3-SIBLEY GENERATING UNIT 100 #3'		
FDNS	5	0 11G	G10_014	'FROM->TO'	'ELK CITY 230KV (ELKCTY-6) 230/138/13.8KV TRANSFORMER CKT 1'	287	0.03835	100 #3'	'GEN541151 3-SIBLEY GENERATING UNIT 100 #3'		
FDNS	5	0 11G	G09_067S	'FROM->TO'	'ELK CITY 230KV (ELKCTY-6) 230/138/13.8KV TRANSFORMER CKT 1'	287	0.06708	100.7319	'GEN542951 5-HAWTHORN UNIT #5'		

SOLUTION	GROUP	SCENARIO	SEASON	SOURCE	DIRECTION	MONITORED ELEMENT	RATE B	TDF	TC%	LOADING	CONTINGENCY NAME
						COMMON NAME					
FDNS	5	0 11G	G08_022	'FROM->TO'	'ELK CITY 230KV (ELKCTY-6) 230/138/13.8KV TRANSFORMER CKT 1'	287	0.06838	100.7319	'GEN542951 5-HAWTHORN UNIT #5'		
FDNS	5	0 11G	G10_007	'FROM->TO'	'ELK CITY 230KV (ELKCTY-6) 230/138/13.8KV TRANSFORMER CKT 1'	287	0.10254	100.7319	'GEN542951 5-HAWTHORN UNIT #5'		
FDNS	5	0 11G	G08_110	'FROM->TO'	'ELK CITY 230KV (ELKCTY-6) 230/138/13.8KV TRANSFORMER CKT 1'	287	0.03835	100.7319	'GEN542951 5-HAWTHORN UNIT #5'		
FDNS	5	0 11G	G08_088	'FROM->TO'	'ELK CITY 230KV (ELKCTY-6) 230/138/13.8KV TRANSFORMER CKT 1'	287	0.11437	100.7319	'GEN542951 5-HAWTHORN UNIT #5'		
FDNS	5	0 11G	ASGI_2010_011	'FROM->TO'	'ELK CITY 230KV (ELKCTY-6) 230/138/13.8KV TRANSFORMER CKT 1'	287	0.0603	100.7319	'GEN542951 5-HAWTHORN UNIT #5'		
FDNS	5	0 11G	G10_014	'FROM->TO'	'ELK CITY 230KV (ELKCTY-6) 230/138/13.8KV TRANSFORMER CKT 1'	287	0.03835	100.7319	'GEN542951 5-HAWTHORN UNIT #5'		
FDNS	5	0 11G	G09_067S	'FROM->TO'	'ELK CITY 230KV (ELKCTY-6) 230/138/13.8KV TRANSFORMER CKT 1'	287	0.06708	101.4348	'GEN542955 1-LACYGNE UNIT #1'		
FDNS	5	0 11G	G08_022	'FROM->TO'	'ELK CITY 230KV (ELKCTY-6) 230/138/13.8KV TRANSFORMER CKT 1'	287	0.06838	101.4348	'GEN542955 1-LACYGNE UNIT #1'		
FDNS	5	0 11G	G10_007	'FROM->TO'	'ELK CITY 230KV (ELKCTY-6) 230/138/13.8KV TRANSFORMER CKT 1'	287	0.10254	101.4348	'GEN542955 1-LACYGNE UNIT #1'		
FDNS	5	0 11G	G08_110	'FROM->TO'	'ELK CITY 230KV (ELKCTY-6) 230/138/13.8KV TRANSFORMER CKT 1'	287	0.03835	101.4348	'GEN542955 1-LACYGNE UNIT #1'		
FDNS	5	0 11G	G08_088	'FROM->TO'	'ELK CITY 230KV (ELKCTY-6) 230/138/13.8KV TRANSFORMER CKT 1'	287	0.11437	101.4348	'GEN542955 1-LACYGNE UNIT #1'		
FDNS	5	0 11G	ASGI_2010_011	'FROM->TO'	'ELK CITY 230KV (ELKCTY-6) 230/138/13.8KV TRANSFORMER CKT 1'	287	0.0603	101.4348	'GEN542955 1-LACYGNE UNIT #1'		
FDNS	5	0 11G	G10_014	'FROM->TO'	'ELK CITY 230KV (ELKCTY-6) 230/138/13.8KV TRANSFORMER CKT 1'	287	0.03835	101.4348	'GEN542955 1-LACYGNE UNIT #1'		
FDNS	5	0 11G	G09_067S	'FROM->TO'	'ELK CITY 230KV (ELKCTY-6) 230/138/13.8KV TRANSFORMER CKT 1'	287	0.06708	100.6044	'GEN542955 1-LACYGNE UNIT #1'		
FDNS	5	0 11G	G08_022	'FROM->TO'	'ELK CITY 230KV (ELKCTY-6) 230/138/13.8KV TRANSFORMER CKT 1'	287	0.06838	100.6044	'GEN542955 1-LACYGNE UNIT #1'		
FDNS	5	0 11G	G10_007	'FROM->TO'	'ELK CITY 230KV (ELKCTY-6) 230/138/13.8KV TRANSFORMER CKT 1'	287	0.10254	100.6044	'GEN542955 1-LACYGNE UNIT #1'		
FDNS	5	0 11G	G08_110	'FROM->TO'	'ELK CITY 230KV (ELKCTY-6) 230/138/13.8KV TRANSFORMER CKT 1'	287	0.03835	100.6044	'GEN542955 1-LACYGNE UNIT #1'		
FDNS	5	0 11G	G08_088	'FROM->TO'	'ELK CITY 230KV (ELKCTY-6) 230/138/13.8KV TRANSFORMER CKT 1'	287	0.11437	100.6044	'GEN542955 1-LACYGNE UNIT #1'		
FDNS	5	0 11G	ASGI_2010_011	'FROM->TO'	'ELK CITY 230KV (ELKCTY-6) 230/138/13.8KV TRANSFORMER CKT 1'	287	0.0603	100.6044	'GEN542955 1-LACYGNE UNIT #1'		
FDNS	5	0 11G	G10_014	'FROM->TO'	'ELK CITY 230KV (ELKCTY-6) 230/138/13.8KV TRANSFORMER CKT 1'	287	0.03835	100.6044	'GEN542955 1-LACYGNE UNIT #1'		
FDNS	5	0 11G	G09_067S	'FROM->TO'	'ELK CITY 230KV (ELKCTY-6) 230/138/13.8KV TRANSFORMER CKT 1'	287	0.06708	101.242	'GEN542956 2-LACYGNE UNIT #2'		
FDNS	5	0 11G	G08_022	'FROM->TO'	'ELK CITY 230KV (ELKCTY-6) 230/138/13.8KV TRANSFORMER CKT 1'	287	0.06838	101.242	'GEN542956 2-LACYGNE UNIT #2'		
FDNS	5	0 11G	G10_007	'FROM->TO'	'ELK CITY 230KV (ELKCTY-6) 230/138/13.8KV TRANSFORMER CKT 1'	287	0.10254	101.242	'GEN542956 2-LACYGNE UNIT #2'		
FDNS	5	0 11G	G08_110	'FROM->TO'	'ELK CITY 230KV (ELKCTY-6) 230/138/13.8KV TRANSFORMER CKT 1'	287	0.03835	101.242	'GEN542956 2-LACYGNE UNIT #2'		
FDNS	5	0 11G	G08_088	'FROM->TO'	'ELK CITY 230KV (ELKCTY-6) 230/138/13.8KV TRANSFORMER CKT 1'	287	0.11437	101.242	'GEN542956 2-LACYGNE UNIT #2'		
FDNS	5	0 11G	ASGI_2010_011	'FROM->TO'	'ELK CITY 230KV (ELKCTY-6) 230/138/13.8KV TRANSFORMER CKT 1'	287	0.0603	101.242	'GEN542956 2-LACYGNE UNIT #2'		
FDNS	5	0 11G	G10_014	'FROM->TO'	'ELK CITY 230KV (ELKCTY-6) 230/138/13.8KV TRANSFORMER CKT 1'	287	0.03835	101.242	'GEN542956 2-LACYGNE UNIT #2'		
FDNS	5	0 11G	G09_067S	'FROM->TO'	'ELK CITY 230KV (ELKCTY-6) 230/138/13.8KV TRANSFORMER CKT 1'	287	0.06708	100.416	'GEN542956 2-LACYGNE UNIT #2'		
FDNS	5	0 11G	G08_022	'FROM->TO'	'ELK CITY 230KV (ELKCTY-6) 230/138/13.8KV TRANSFORMER CKT 1'	287	0.06838	100.416	'GEN542956 2-LACYGNE UNIT #2'		

SOLUTION	GROUP	SCENARIO	SEASON	SOURCE	DIRECTION	MONITORED ELEMENT	RATE B	TDF	TC%	LOADING	CONTINGENCY NAME
						COMMON NAME					
FDNS	5	0 11G	G10_007	'FROM->TO'	'ELK CITY 230KV (ELKCTY-6) 230/138/13.8KV TRANSFORMER CKT 1'	287	0.10254	100.416	'GEN542956 2-LACYGNE UNIT #2'		
FDNS	5	0 11G	G08_110	'FROM->TO'	'ELK CITY 230KV (ELKCTY-6) 230/138/13.8KV TRANSFORMER CKT 1'	287	0.03835	100.416	'GEN542956 2-LACYGNE UNIT #2'		
FDNS	5	0 11G	G08_088	'FROM->TO'	'ELK CITY 230KV (ELKCTY-6) 230/138/13.8KV TRANSFORMER CKT 1'	287	0.11437	100.416	'GEN542956 2-LACYGNE UNIT #2'		
FDNS	5	0 11G	ASGI_2010_011	'FROM->TO'	'ELK CITY 230KV (ELKCTY-6) 230/138/13.8KV TRANSFORMER CKT 1'	287	0.0603	100.416	'GEN542956 2-LACYGNE UNIT #2'		
FDNS	5	0 11G	G10_014	'FROM->TO'	'ELK CITY 230KV (ELKCTY-6) 230/138/13.8KV TRANSFORMER CKT 1'	287	0.03835	100.416	'GEN542956 2-LACYGNE UNIT #2'		
FDNS	5	0 11G	G10_007	'TO->FROM'	'DEAF SMITH COUNTY INTERCHANGE - S-RANDLCO 230.00 230KV CKT 1'	350	0.07081	103.2914	'GEN542957 1-IATAN UNIT #1'		
FDNS	5	0 11G	G08_110	'TO->FROM'	'DEAF SMITH COUNTY INTERCHANGE - S-RANDLCO 230.00 230KV CKT 1'	350	0.04379	103.2914	'GEN542957 1-IATAN UNIT #1'		
FDNS	5	0 11G	G08_088	'TO->FROM'	'DEAF SMITH COUNTY INTERCHANGE - S-RANDLCO 230.00 230KV CKT 1'	350	0.06128	103.2914	'GEN542957 1-IATAN UNIT #1'		
FDNS	5	0 11G	ASGI_2010_011	'TO->FROM'	'DEAF SMITH COUNTY INTERCHANGE - S-RANDLCO 230.00 230KV CKT 1'	350	0.05515	103.2914	'GEN542957 1-IATAN UNIT #1'		
FDNS	5	0 11G	G10_014	'TO->FROM'	'DEAF SMITH COUNTY INTERCHANGE - S-RANDLCO 230.00 230KV CKT 1'	350	0.04379	103.2914	'GEN542957 1-IATAN UNIT #1'		
FDNS	5	0 11G	G09_067S	'FROM->TO'	'ELK CITY 230KV (ELKCTY-6) 230/138/13.8KV TRANSFORMER CKT 1'	287	0.06708	101.1237	'GEN542957 1-IATAN UNIT #1'		
FDNS	5	0 11G	G08_022	'FROM->TO'	'ELK CITY 230KV (ELKCTY-6) 230/138/13.8KV TRANSFORMER CKT 1'	287	0.06838	101.1237	'GEN542957 1-IATAN UNIT #1'		
FDNS	5	0 11G	G10_007	'FROM->TO'	'ELK CITY 230KV (ELKCTY-6) 230/138/13.8KV TRANSFORMER CKT 1'	287	0.10254	101.1237	'GEN542957 1-IATAN UNIT #1'		
FDNS	5	0 11G	G08_110	'FROM->TO'	'ELK CITY 230KV (ELKCTY-6) 230/138/13.8KV TRANSFORMER CKT 1'	287	0.03835	101.1237	'GEN542957 1-IATAN UNIT #1'		
FDNS	5	0 11G	G08_088	'FROM->TO'	'ELK CITY 230KV (ELKCTY-6) 230/138/13.8KV TRANSFORMER CKT 1'	287	0.11437	101.1237	'GEN542957 1-IATAN UNIT #1'		
FDNS	5	0 11G	ASGI_2010_011	'FROM->TO'	'ELK CITY 230KV (ELKCTY-6) 230/138/13.8KV TRANSFORMER CKT 1'	287	0.0603	101.1237	'GEN542957 1-IATAN UNIT #1'		
FDNS	5	0 11G	G10_014	'FROM->TO'	'ELK CITY 230KV (ELKCTY-6) 230/138/13.8KV TRANSFORMER CKT 1'	287	0.03835	101.1237	'GEN542957 1-IATAN UNIT #1'		
FDNS	5	0 11G	G09_067S	'FROM->TO'	'ELK CITY 230KV (ELKCTY-6) 230/138/13.8KV TRANSFORMER CKT 1'	287	0.06708	100.3103	'GEN542957 1-IATAN UNIT #1'		
FDNS	5	0 11G	G08_022	'FROM->TO'	'ELK CITY 230KV (ELKCTY-6) 230/138/13.8KV TRANSFORMER CKT 1'	287	0.06838	100.3103	'GEN542957 1-IATAN UNIT #1'		
FDNS	5	0 11G	G10_007	'FROM->TO'	'ELK CITY 230KV (ELKCTY-6) 230/138/13.8KV TRANSFORMER CKT 1'	287	0.10254	100.3103	'GEN542957 1-IATAN UNIT #1'		
FDNS	5	0 11G	G08_110	'FROM->TO'	'ELK CITY 230KV (ELKCTY-6) 230/138/13.8KV TRANSFORMER CKT 1'	287	0.03835	100.3103	'GEN542957 1-IATAN UNIT #1'		
FDNS	5	0 11G	G08_088	'FROM->TO'	'ELK CITY 230KV (ELKCTY-6) 230/138/13.8KV TRANSFORMER CKT 1'	287	0.11437	100.3103	'GEN542957 1-IATAN UNIT #1'		
FDNS	5	0 11G	ASGI_2010_011	'FROM->TO'	'ELK CITY 230KV (ELKCTY-6) 230/138/13.8KV TRANSFORMER CKT 1'	287	0.0603	100.3103	'GEN542957 1-IATAN UNIT #1'		
FDNS	5	0 11G	G10_014	'FROM->TO'	'ELK CITY 230KV (ELKCTY-6) 230/138/13.8KV TRANSFORMER CKT 1'	287	0.03835	100.3103	'GEN542957 1-IATAN UNIT #1'		
FDNS	5	0 11G	G10_007	'TO->FROM'	'DEAF SMITH COUNTY INTERCHANGE - S-RANDLCO 230.00 230KV CKT 1'	350	0.07081	103.1208	'GEN542962 2-IATAN UNIT #2'		
FDNS	5	0 11G	G08_110	'TO->FROM'	'DEAF SMITH COUNTY INTERCHANGE - S-RANDLCO 230.00 230KV CKT 1'	350	0.04379	103.1208	'GEN542962 2-IATAN UNIT #2'		
FDNS	5	0 11G	G08_088	'TO->FROM'	'DEAF SMITH COUNTY INTERCHANGE - S-RANDLCO 230.00 230KV CKT 1'	350	0.06128	103.1208	'GEN542962 2-IATAN UNIT #2'		
FDNS	5	0 11G	ASGI_2010_011	'TO->FROM'	'DEAF SMITH COUNTY INTERCHANGE - S-RANDLCO 230.00 230KV CKT 1'	350	0.05515	103.1208	'GEN542962 2-IATAN UNIT #2'		
FDNS	5	0 11G	G10_014	'TO->FROM'	'DEAF SMITH COUNTY INTERCHANGE - S-RANDLCO 230.00 230KV CKT 1'	350	0.04379	103.1208	'GEN542962 2-IATAN UNIT #2'		

SOLUTION	GROUP	SCENARIO	SEASON	SOURCE	DIRECTION	MONITORED ELEMENT	RATE B	TDF	TC%	LOADING	CONTINGENCY	NAME
						COMMON NAME						
FDNS	5	0 11G	G09_067S	'FROM->TO'	'ELK CITY 230KV (ELKCTY-6) 230/138/13.8KV TRANSFORMER CKT 1'	287	0.06708	101.5068	'GEN542962 2-IATAN UNIT #2'			
FDNS	5	0 11G	G08_022	'FROM->TO'	'ELK CITY 230KV (ELKCTY-6) 230/138/13.8KV TRANSFORMER CKT 1'	287	0.06838	101.5068	'GEN542962 2-IATAN UNIT #2'			
FDNS	5	0 11G	G10_007	'FROM->TO'	'ELK CITY 230KV (ELKCTY-6) 230/138/13.8KV TRANSFORMER CKT 1'	287	0.10254	101.5068	'GEN542962 2-IATAN UNIT #2'			
FDNS	5	0 11G	G08_110	'FROM->TO'	'ELK CITY 230KV (ELKCTY-6) 230/138/13.8KV TRANSFORMER CKT 1'	287	0.03835	101.5068	'GEN542962 2-IATAN UNIT #2'			
FDNS	5	0 11G	G08_088	'FROM->TO'	'ELK CITY 230KV (ELKCTY-6) 230/138/13.8KV TRANSFORMER CKT 1'	287	0.11437	101.5068	'GEN542962 2-IATAN UNIT #2'			
FDNS	5	0 11G	ASGI_2010_011	'FROM->TO'	'ELK CITY 230KV (ELKCTY-6) 230/138/13.8KV TRANSFORMER CKT 1'	287	0.0603	101.5068	'GEN542962 2-IATAN UNIT #2'			
FDNS	5	0 11G	G10_014	'FROM->TO'	'ELK CITY 230KV (ELKCTY-6) 230/138/13.8KV TRANSFORMER CKT 1'	287	0.03835	101.5068	'GEN542962 2-IATAN UNIT #2'			
FDNS	5	0 11G	G09_067S	'FROM->TO'	'ELK CITY 230KV (ELKCTY-6) 230/138/13.8KV TRANSFORMER CKT 1'	287	0.06708	100.6772	'GEN542962 2-IATAN UNIT #2'			
FDNS	5	0 11G	G08_022	'FROM->TO'	'ELK CITY 230KV (ELKCTY-6) 230/138/13.8KV TRANSFORMER CKT 1'	287	0.06838	100.6772	'GEN542962 2-IATAN UNIT #2'			
FDNS	5	0 11G	G10_007	'FROM->TO'	'ELK CITY 230KV (ELKCTY-6) 230/138/13.8KV TRANSFORMER CKT 1'	287	0.10254	100.6772	'GEN542962 2-IATAN UNIT #2'			
FDNS	5	0 11G	G08_110	'FROM->TO'	'ELK CITY 230KV (ELKCTY-6) 230/138/13.8KV TRANSFORMER CKT 1'	287	0.03835	100.6772	'GEN542962 2-IATAN UNIT #2'			
FDNS	5	0 11G	G08_088	'FROM->TO'	'ELK CITY 230KV (ELKCTY-6) 230/138/13.8KV TRANSFORMER CKT 1'	287	0.11437	100.6772	'GEN542962 2-IATAN UNIT #2'			
FDNS	5	0 11G	ASGI_2010_011	'FROM->TO'	'ELK CITY 230KV (ELKCTY-6) 230/138/13.8KV TRANSFORMER CKT 1'	287	0.0603	100.6772	'GEN542962 2-IATAN UNIT #2'			
FDNS	5	0 11G	G10_014	'FROM->TO'	'ELK CITY 230KV (ELKCTY-6) 230/138/13.8KV TRANSFORMER CKT 1'	287	0.03835	100.6772	'GEN542962 2-IATAN UNIT #2'			
FDNS	5	0 11G	G10_007	'TO->FROM'	'DEAF SMITH COUNTY INTERCHANGE - S-RANDLCO 230.00 230KV CKT 1'	350	0.07081	108.1045	'GEN560105 1-G08-22	0.6900'		
FDNS	5	0 11G	G08_110	'TO->FROM'	'DEAF SMITH COUNTY INTERCHANGE - S-RANDLCO 230.00 230KV CKT 1'	350	0.04379	108.1045	'GEN560105 1-G08-22	0.6900'		
FDNS	5	0 11G	G08_088	'TO->FROM'	'DEAF SMITH COUNTY INTERCHANGE - S-RANDLCO 230.00 230KV CKT 1'	350	0.06128	108.1045	'GEN560105 1-G08-22	0.6900'		
FDNS	5	0 11G	ASGI_2010_011	'TO->FROM'	'DEAF SMITH COUNTY INTERCHANGE - S-RANDLCO 230.00 230KV CKT 1'	350	0.05515	108.1045	'GEN560105 1-G08-22	0.6900'		
FDNS	5	0 11G	G10_014	'TO->FROM'	'DEAF SMITH COUNTY INTERCHANGE - S-RANDLCO 230.00 230KV CKT 1'	350	0.04379	108.1045	'GEN560105 1-G08-22	0.6900'		
FDNS	5	0 11G	G10_007	'TO->FROM'	'DEAF SMITH COUNTY INTERCHANGE - S-RANDLCO 230.00 230KV CKT 1'	350	0.07081	101.9134	'GEN560166 1-G07-48	0.6900'		
FDNS	5	0 11G	G08_110	'TO->FROM'	'DEAF SMITH COUNTY INTERCHANGE - S-RANDLCO 230.00 230KV CKT 1'	350	0.04379	101.9134	'GEN560166 1-G07-48	0.6900'		
FDNS	5	0 11G	G08_088	'TO->FROM'	'DEAF SMITH COUNTY INTERCHANGE - S-RANDLCO 230.00 230KV CKT 1'	350	0.06128	101.9134	'GEN560166 1-G07-48	0.6900'		
FDNS	5	0 11G	ASGI_2010_011	'TO->FROM'	'DEAF SMITH COUNTY INTERCHANGE - S-RANDLCO 230.00 230KV CKT 1'	350	0.05515	101.9134	'GEN560166 1-G07-48	0.6900'		
FDNS	5	0 11G	G10_014	'TO->FROM'	'DEAF SMITH COUNTY INTERCHANGE - S-RANDLCO 230.00 230KV CKT 1'	350	0.04379	101.9134	'GEN560166 1-G07-48	0.6900'		
FDNS	5	0 11G	G10_007	'TO->FROM'	'DEAF SMITH COUNTY INTERCHANGE - S-RANDLCO 230.00 230KV CKT 1'	350	0.07081	106.5906	'GEN560170 1-G08-16	34.500'		
FDNS	5	0 11G	G08_110	'TO->FROM'	'DEAF SMITH COUNTY INTERCHANGE - S-RANDLCO 230.00 230KV CKT 1'	350	0.04379	106.5906	'GEN560170 1-G08-16	34.500'		
FDNS	5	0 11G	G08_088	'TO->FROM'	'DEAF SMITH COUNTY INTERCHANGE - S-RANDLCO 230.00 230KV CKT 1'	350	0.06128	106.5906	'GEN560170 1-G08-16	34.500'		
FDNS	5	0 11G	ASGI_2010_011	'TO->FROM'	'DEAF SMITH COUNTY INTERCHANGE - S-RANDLCO 230.00 230KV CKT 1'	350	0.05515	106.5906	'GEN560170 1-G08-16	34.500'		
FDNS	5	0 11G	G10_014	'TO->FROM'	'DEAF SMITH COUNTY INTERCHANGE - S-RANDLCO 230.00 230KV CKT 1'	350	0.04379	106.5906	'GEN560170 1-G08-16	34.500'		

SOLUTION	GROUP	SCENARIO	SEASON	SOURCE	DIRECTION	MONITORED ELEMENT		RATE	B	TDF	TC%	LOADING	CONTINGENCY	NAME
						COMMON NAME								
FDNS	5	0 11G	G10_007	'TO->FROM'	'DEAF SMITH COUNTY INTERCHANGE - S-RANDLCO 230.00 230KV CKT 1'		350	0.07081		105.0648	'GEN560183 1-G08-14	0.6900'		
FDNS	5	0 11G	G08_110	'TO->FROM'	'DEAF SMITH COUNTY INTERCHANGE - S-RANDLCO 230.00 230KV CKT 1'		350	0.04379		105.0648	'GEN560183 1-G08-14	0.6900'		
FDNS	5	0 11G	G08_088	'TO->FROM'	'DEAF SMITH COUNTY INTERCHANGE - S-RANDLCO 230.00 230KV CKT 1'		350	0.06128		105.0648	'GEN560183 1-G08-14	0.6900'		
FDNS	5	0 11G	ASGI_2010_011	'TO->FROM'	'DEAF SMITH COUNTY INTERCHANGE - S-RANDLCO 230.00 230KV CKT 1'		350	0.05515		105.0648	'GEN560183 1-G08-14	0.6900'		
FDNS	5	0 11G	G10_014	'TO->FROM'	'DEAF SMITH COUNTY INTERCHANGE - S-RANDLCO 230.00 230KV CKT 1'		350	0.04379		105.0648	'GEN560183 1-G08-14	0.6900'		
FDNS	5	0 11G	G09_067S	'FROM->TO'	'ELK CITY 230KV (ELKCTY-6) 230/138/13.8KV TRANSFORMER CKT 1'		287	0.06708		101.4021	'GEN560193 1-G09-16	0.6900'		
FDNS	5	0 11G	G08_022	'FROM->TO'	'ELK CITY 230KV (ELKCTY-6) 230/138/13.8KV TRANSFORMER CKT 1'		287	0.06838		101.4021	'GEN560193 1-G09-16	0.6900'		
FDNS	5	0 11G	G10_007	'FROM->TO'	'ELK CITY 230KV (ELKCTY-6) 230/138/13.8KV TRANSFORMER CKT 1'		287	0.10254		101.4021	'GEN560193 1-G09-16	0.6900'		
FDNS	5	0 11G	G08_110	'FROM->TO'	'ELK CITY 230KV (ELKCTY-6) 230/138/13.8KV TRANSFORMER CKT 1'		287	0.03835		101.4021	'GEN560193 1-G09-16	0.6900'		
FDNS	5	0 11G	G08_088	'FROM->TO'	'ELK CITY 230KV (ELKCTY-6) 230/138/13.8KV TRANSFORMER CKT 1'		287	0.11437		101.4021	'GEN560193 1-G09-16	0.6900'		
FDNS	5	0 11G	ASGI_2010_011	'FROM->TO'	'ELK CITY 230KV (ELKCTY-6) 230/138/13.8KV TRANSFORMER CKT 1'		287	0.0603		101.4021	'GEN560193 1-G09-16	0.6900'		
FDNS	5	0 11G	G10_014	'FROM->TO'	'ELK CITY 230KV (ELKCTY-6) 230/138/13.8KV TRANSFORMER CKT 1'		287	0.03835		101.4021	'GEN560193 1-G09-16	0.6900'		
FDNS	5	0 11G	G09_067S	'FROM->TO'	'ELK CITY 230KV (ELKCTY-6) 230/138/13.8KV TRANSFORMER CKT 1'		287	0.06708		100.5203	'GEN560193 1-G09-16	0.6900'		
FDNS	5	0 11G	G08_022	'FROM->TO'	'ELK CITY 230KV (ELKCTY-6) 230/138/13.8KV TRANSFORMER CKT 1'		287	0.06838		100.5203	'GEN560193 1-G09-16	0.6900'		
FDNS	5	0 11G	G10_007	'FROM->TO'	'ELK CITY 230KV (ELKCTY-6) 230/138/13.8KV TRANSFORMER CKT 1'		287	0.10254		100.5203	'GEN560193 1-G09-16	0.6900'		
FDNS	5	0 11G	G08_110	'FROM->TO'	'ELK CITY 230KV (ELKCTY-6) 230/138/13.8KV TRANSFORMER CKT 1'		287	0.03835		100.5203	'GEN560193 1-G09-16	0.6900'		
FDNS	5	0 11G	G08_088	'FROM->TO'	'ELK CITY 230KV (ELKCTY-6) 230/138/13.8KV TRANSFORMER CKT 1'		287	0.11437		100.5203	'GEN560193 1-G09-16	0.6900'		
FDNS	5	0 11G	ASGI_2010_011	'FROM->TO'	'ELK CITY 230KV (ELKCTY-6) 230/138/13.8KV TRANSFORMER CKT 1'		287	0.0603		100.5203	'GEN560193 1-G09-16	0.6900'		
FDNS	5	0 11G	G10_014	'FROM->TO'	'ELK CITY 230KV (ELKCTY-6) 230/138/13.8KV TRANSFORMER CKT 1'		287	0.03835		100.5203	'GEN560193 1-G09-16	0.6900'		
FDNS	5	0 11G	G09_067S	'FROM->TO'	'ELK CITY 230KV (ELKCTY-6) 230/138/13.8KV TRANSFORMER CKT 1'		287	0.06708		100.2689	'GEN560290 1-G08-23	0.5750'		
FDNS	5	0 11G	G08_022	'FROM->TO'	'ELK CITY 230KV (ELKCTY-6) 230/138/13.8KV TRANSFORMER CKT 1'		287	0.06838		100.2689	'GEN560290 1-G08-23	0.5750'		
FDNS	5	0 11G	G10_007	'FROM->TO'	'ELK CITY 230KV (ELKCTY-6) 230/138/13.8KV TRANSFORMER CKT 1'		287	0.10254		100.2689	'GEN560290 1-G08-23	0.5750'		
FDNS	5	0 11G	G08_110	'FROM->TO'	'ELK CITY 230KV (ELKCTY-6) 230/138/13.8KV TRANSFORMER CKT 1'		287	0.03835		100.2689	'GEN560290 1-G08-23	0.5750'		
FDNS	5	0 11G	G08_088	'FROM->TO'	'ELK CITY 230KV (ELKCTY-6) 230/138/13.8KV TRANSFORMER CKT 1'		287	0.11437		100.2689	'GEN560290 1-G08-23	0.5750'		
FDNS	5	0 11G	ASGI_2010_011	'FROM->TO'	'ELK CITY 230KV (ELKCTY-6) 230/138/13.8KV TRANSFORMER CKT 1'		287	0.0603		100.2689	'GEN560290 1-G08-23	0.5750'		
FDNS	5	0 11G	G10_014	'FROM->TO'	'ELK CITY 230KV (ELKCTY-6) 230/138/13.8KV TRANSFORMER CKT 1'		287	0.03835		100.2689	'GEN560290 1-G08-23	0.5750'		
FDNS	5	0 11G	G10_007	'TO->FROM'	'DEAF SMITH COUNTY INTERCHANGE - S-RANDLCO 230.00 230KV CKT 1'		350	0.07081		105.2441	'GEN560517 1-G05_10-1	0.6900'		
FDNS	5	0 11G	G08_110	'TO->FROM'	'DEAF SMITH COUNTY INTERCHANGE - S-RANDLCO 230.00 230KV CKT 1'		350	0.04379		105.2441	'GEN560517 1-G05_10-1	0.6900'		
FDNS	5	0 11G	G08_088	'TO->FROM'	'DEAF SMITH COUNTY INTERCHANGE - S-RANDLCO 230.00 230KV CKT 1'		350	0.06128		105.2441	'GEN560517 1-G05_10-1	0.6900'		

SOLUTION	GROUP	SCENARIO	SEASON	SOURCE	DIRECTION	MONITORED ELEMENT		RATE B	TDF	TC%	LOADING	CONTINGENCY NAME
						COMMON NAME						
FDNS	5	0 11G	ASGI_2010_011	'TO->FROM'	'DEAF SMITH COUNTY INTERCHANGE - S-RANDLCO 230.00 230KV CKT 1'	350	0.05515	105.2441	'GEN560517 1-G05_10-1	0.6900'		
FDNS	5	0 11G	G10_014	'TO->FROM'	'DEAF SMITH COUNTY INTERCHANGE - S-RANDLCO 230.00 230KV CKT 1'	350	0.04379	105.2441	'GEN560517 1-G05_10-1	0.6900'		
FDNS	5	0 11G	G10_007	'TO->FROM'	'DEAF SMITH COUNTY INTERCHANGE - S-RANDLCO 230.00 230KV CKT 1'	350	0.07081	105.2441	'GEN560519 1-G05_10-2	0.6900'		
FDNS	5	0 11G	G08_110	'TO->FROM'	'DEAF SMITH COUNTY INTERCHANGE - S-RANDLCO 230.00 230KV CKT 1'	350	0.04379	105.2441	'GEN560519 1-G05_10-2	0.6900'		
FDNS	5	0 11G	G08_088	'TO->FROM'	'DEAF SMITH COUNTY INTERCHANGE - S-RANDLCO 230.00 230KV CKT 1'	350	0.06128	105.2441	'GEN560519 1-G05_10-2	0.6900'		
FDNS	5	0 11G	ASGI_2010_011	'TO->FROM'	'DEAF SMITH COUNTY INTERCHANGE - S-RANDLCO 230.00 230KV CKT 1'	350	0.05515	105.2441	'GEN560519 1-G05_10-2	0.6900'		
FDNS	5	0 11G	G10_014	'TO->FROM'	'DEAF SMITH COUNTY INTERCHANGE - S-RANDLCO 230.00 230KV CKT 1'	350	0.04379	105.2441	'GEN560519 1-G05_10-2	0.6900'		
FDNS	5	0 11G	G09_067S	'FROM->TO'	'ELK CITY 230KV (ELKCTY-6) 230/138/13.8KV TRANSFORMER CKT 1'	287	0.06708	100.5094	'GEN560655 1-G07-32	12.000'		
FDNS	5	0 11G	G08_022	'FROM->TO'	'ELK CITY 230KV (ELKCTY-6) 230/138/13.8KV TRANSFORMER CKT 1'	287	0.06838	100.5094	'GEN560655 1-G07-32	12.000'		
FDNS	5	0 11G	G10_007	'FROM->TO'	'ELK CITY 230KV (ELKCTY-6) 230/138/13.8KV TRANSFORMER CKT 1'	287	0.10254	100.5094	'GEN560655 1-G07-32	12.000'		
FDNS	5	0 11G	G08_110	'FROM->TO'	'ELK CITY 230KV (ELKCTY-6) 230/138/13.8KV TRANSFORMER CKT 1'	287	0.03835	100.5094	'GEN560655 1-G07-32	12.000'		
FDNS	5	0 11G	G08_088	'FROM->TO'	'ELK CITY 230KV (ELKCTY-6) 230/138/13.8KV TRANSFORMER CKT 1'	287	0.11437	100.5094	'GEN560655 1-G07-32	12.000'		
FDNS	5	0 11G	ASGI_2010_011	'FROM->TO'	'ELK CITY 230KV (ELKCTY-6) 230/138/13.8KV TRANSFORMER CKT 1'	287	0.0603	100.5094	'GEN560655 1-G07-32	12.000'		
FDNS	5	0 11G	G10_014	'FROM->TO'	'ELK CITY 230KV (ELKCTY-6) 230/138/13.8KV TRANSFORMER CKT 1'	287	0.03835	100.5094	'GEN560655 1-G07-32	12.000'		
FDNS	5	0 11G	G10_007	'TO->FROM'	'DEAF SMITH COUNTY INTERCHANGE - S-RANDLCO 230.00 230KV CKT 1'	350	0.07081	107.4463	'GEN599891 1-OKLAUN'			
FDNS	5	0 11G	G08_110	'TO->FROM'	'DEAF SMITH COUNTY INTERCHANGE - S-RANDLCO 230.00 230KV CKT 1'	350	0.04379	107.4463	'GEN599891 1-OKLAUN'			
FDNS	5	0 11G	G08_088	'TO->FROM'	'DEAF SMITH COUNTY INTERCHANGE - S-RANDLCO 230.00 230KV CKT 1'	350	0.06128	107.4463	'GEN599891 1-OKLAUN'			
FDNS	5	0 11G	ASGI_2010_011	'TO->FROM'	'DEAF SMITH COUNTY INTERCHANGE - S-RANDLCO 230.00 230KV CKT 1'	350	0.05515	107.4463	'GEN599891 1-OKLAUN'			
FDNS	5	0 11G	G10_014	'TO->FROM'	'DEAF SMITH COUNTY INTERCHANGE - S-RANDLCO 230.00 230KV CKT 1'	350	0.04379	107.4463	'GEN599891 1-OKLAUN'			
FDNS	5	0 11G	G10_007	'TO->FROM'	'DEAF SMITH COUNTY INTERCHANGE - S-RANDLCO 230.00 230KV CKT 1'	350	0.07081	103.066	'GEN640009 1-COOPER NUCLEAR STATION'			
FDNS	5	0 11G	G08_110	'TO->FROM'	'DEAF SMITH COUNTY INTERCHANGE - S-RANDLCO 230.00 230KV CKT 1'	350	0.04379	103.066	'GEN640009 1-COOPER NUCLEAR STATION'			
FDNS	5	0 11G	G08_088	'TO->FROM'	'DEAF SMITH COUNTY INTERCHANGE - S-RANDLCO 230.00 230KV CKT 1'	350	0.06128	103.066	'GEN640009 1-COOPER NUCLEAR STATION'			
FDNS	5	0 11G	ASGI_2010_011	'TO->FROM'	'DEAF SMITH COUNTY INTERCHANGE - S-RANDLCO 230.00 230KV CKT 1'	350	0.05515	103.066	'GEN640009 1-COOPER NUCLEAR STATION'			
FDNS	5	0 11G	G10_014	'TO->FROM'	'DEAF SMITH COUNTY INTERCHANGE - S-RANDLCO 230.00 230KV CKT 1'	350	0.04379	103.066	'GEN640009 1-COOPER NUCLEAR STATION'			
FDNS	5	0 11G	G09_067S	'FROM->TO'	'ELK CITY 230KV (ELKCTY-6) 230/138/13.8KV TRANSFORMER CKT 1'	287	0.06708	101.0461	'GEN640009 1-COOPER NUCLEAR STATION'			
FDNS	5	0 11G	G08_022	'FROM->TO'	'ELK CITY 230KV (ELKCTY-6) 230/138/13.8KV TRANSFORMER CKT 1'	287	0.06838	101.0461	'GEN640009 1-COOPER NUCLEAR STATION'			
FDNS	5	0 11G	G10_007	'FROM->TO'	'ELK CITY 230KV (ELKCTY-6) 230/138/13.8KV TRANSFORMER CKT 1'	287	0.10254	101.0461	'GEN640009 1-COOPER NUCLEAR STATION'			
FDNS	5	0 11G	G08_110	'FROM->TO'	'ELK CITY 230KV (ELKCTY-6) 230/138/13.8KV TRANSFORMER CKT 1'	287	0.03835	101.0461	'GEN640009 1-COOPER NUCLEAR STATION'			
FDNS	5	0 11G	G08_088	'FROM->TO'	'ELK CITY 230KV (ELKCTY-6) 230/138/13.8KV TRANSFORMER CKT 1'	287	0.11437	101.0461	'GEN640009 1-COOPER NUCLEAR STATION'			

SOLUTION	GROUP	SCENARIO	SEASON	SOURCE	DIRECTION	MONITORED ELEMENT		RATE B	TDF	TC%	LOADING	CONTINGENCY NAME
						COMMON NAME						
FDNS	5	0 11G	ASGI_2010_011	'FROM->TO'	'ELK CITY 230KV (ELKCTY-6) 230/138/13.8KV TRANSFORMER CKT 1'	287	0.0603	101.0461	'GEN640009 1-COOPER NUCLEAR STATION'			
FDNS	5	0 11G	G10_014	'FROM->TO'	'ELK CITY 230KV (ELKCTY-6) 230/138/13.8KV TRANSFORMER CKT 1'	287	0.03835	101.0461	'GEN640009 1-COOPER NUCLEAR STATION'			
FDNS	5	0 11G	G09_067S	'FROM->TO'	'ELK CITY 230KV (ELKCTY-6) 230/138/13.8KV TRANSFORMER CKT 1'	287	0.06708	100.2367	'GEN640009 1-COOPER NUCLEAR STATION'			
FDNS	5	0 11G	G08_022	'FROM->TO'	'ELK CITY 230KV (ELKCTY-6) 230/138/13.8KV TRANSFORMER CKT 1'	287	0.06838	100.2367	'GEN640009 1-COOPER NUCLEAR STATION'			
FDNS	5	0 11G	G10_007	'FROM->TO'	'ELK CITY 230KV (ELKCTY-6) 230/138/13.8KV TRANSFORMER CKT 1'	287	0.10254	100.2367	'GEN640009 1-COOPER NUCLEAR STATION'			
FDNS	5	0 11G	G08_110	'FROM->TO'	'ELK CITY 230KV (ELKCTY-6) 230/138/13.8KV TRANSFORMER CKT 1'	287	0.03835	100.2367	'GEN640009 1-COOPER NUCLEAR STATION'			
FDNS	5	0 11G	G08_088	'FROM->TO'	'ELK CITY 230KV (ELKCTY-6) 230/138/13.8KV TRANSFORMER CKT 1'	287	0.11437	100.2367	'GEN640009 1-COOPER NUCLEAR STATION'			
FDNS	5	0 11G	ASGI_2010_011	'FROM->TO'	'ELK CITY 230KV (ELKCTY-6) 230/138/13.8KV TRANSFORMER CKT 1'	287	0.0603	100.2367	'GEN640009 1-COOPER NUCLEAR STATION'			
FDNS	5	0 11G	G10_014	'FROM->TO'	'ELK CITY 230KV (ELKCTY-6) 230/138/13.8KV TRANSFORMER CKT 1'	287	0.03835	100.2367	'GEN640009 1-COOPER NUCLEAR STATION'			
FDNS	5	0 11G	G10_007	'TO->FROM'	'DEAF SMITH COUNTY INTERCHANGE - S-RANDLCO 230.00 230KV CKT 1'	350	0.07081	103.1306	'GEN640010 1-GERALD GENTLEMAN STATION UNIT 1'			
FDNS	5	0 11G	G08_110	'TO->FROM'	'DEAF SMITH COUNTY INTERCHANGE - S-RANDLCO 230.00 230KV CKT 1'	350	0.04379	103.1306	'GEN640010 1-GERALD GENTLEMAN STATION UNIT 1'			
FDNS	5	0 11G	G08_088	'TO->FROM'	'DEAF SMITH COUNTY INTERCHANGE - S-RANDLCO 230.00 230KV CKT 1'	350	0.06128	103.1306	'GEN640010 1-GERALD GENTLEMAN STATION UNIT 1'			
FDNS	5	0 11G	ASGI_2010_011	'TO->FROM'	'DEAF SMITH COUNTY INTERCHANGE - S-RANDLCO 230.00 230KV CKT 1'	350	0.05515	103.1306	'GEN640010 1-GERALD GENTLEMAN STATION UNIT 1'			
FDNS	5	0 11G	G10_014	'TO->FROM'	'DEAF SMITH COUNTY INTERCHANGE - S-RANDLCO 230.00 230KV CKT 1'	350	0.04379	103.1306	'GEN640010 1-GERALD GENTLEMAN STATION UNIT 1'			
FDNS	5	0 11G	G10_007	'TO->FROM'	'DEAF SMITH COUNTY INTERCHANGE - S-RANDLCO 230.00 230KV CKT 1'	350	0.07081	103.2658	'GEN640011 2-GERALD GENTLEMAN STATION UNIT 2'			
FDNS	5	0 11G	G08_110	'TO->FROM'	'DEAF SMITH COUNTY INTERCHANGE - S-RANDLCO 230.00 230KV CKT 1'	350	0.04379	103.2658	'GEN640011 2-GERALD GENTLEMAN STATION UNIT 2'			
FDNS	5	0 11G	G08_088	'TO->FROM'	'DEAF SMITH COUNTY INTERCHANGE - S-RANDLCO 230.00 230KV CKT 1'	350	0.06128	103.2658	'GEN640011 2-GERALD GENTLEMAN STATION UNIT 2'			
FDNS	5	0 11G	ASGI_2010_011	'TO->FROM'	'DEAF SMITH COUNTY INTERCHANGE - S-RANDLCO 230.00 230KV CKT 1'	350	0.05515	103.2658	'GEN640011 2-GERALD GENTLEMAN STATION UNIT 2'			
FDNS	5	0 11G	G10_014	'TO->FROM'	'DEAF SMITH COUNTY INTERCHANGE - S-RANDLCO 230.00 230KV CKT 1'	350	0.04379	103.2658	'GEN640011 2-GERALD GENTLEMAN STATION UNIT 2'			
FDNS	5	0 11G	G09_067S	'FROM->TO'	'ELK CITY 230KV (ELKCTY-6) 230/138/13.8KV TRANSFORMER CKT 1'	287	0.06708	100.2212	'GEN645001 1-FORT CALHOUN 1'			
FDNS	5	0 11G	G08_022	'FROM->TO'	'ELK CITY 230KV (ELKCTY-6) 230/138/13.8KV TRANSFORMER CKT 1'	287	0.06838	100.2212	'GEN645001 1-FORT CALHOUN 1'			
FDNS	5	0 11G	G10_007	'FROM->TO'	'ELK CITY 230KV (ELKCTY-6) 230/138/13.8KV TRANSFORMER CKT 1'	287	0.10254	100.2212	'GEN645001 1-FORT CALHOUN 1'			
FDNS	5	0 11G	G08_110	'FROM->TO'	'ELK CITY 230KV (ELKCTY-6) 230/138/13.8KV TRANSFORMER CKT 1'	287	0.03835	100.2212	'GEN645001 1-FORT CALHOUN 1'			
FDNS	5	0 11G	G08_088	'FROM->TO'	'ELK CITY 230KV (ELKCTY-6) 230/138/13.8KV TRANSFORMER CKT 1'	287	0.11437	100.2212	'GEN645001 1-FORT CALHOUN 1'			
FDNS	5	0 11G	ASGI_2010_011	'FROM->TO'	'ELK CITY 230KV (ELKCTY-6) 230/138/13.8KV TRANSFORMER CKT 1'	287	0.0603	100.2212	'GEN645001 1-FORT CALHOUN 1'			
FDNS	5	0 11G	G10_014	'FROM->TO'	'ELK CITY 230KV (ELKCTY-6) 230/138/13.8KV TRANSFORMER CKT 1'	287	0.03835	100.2212	'GEN645001 1-FORT CALHOUN 1'			
FDNS	5	0 11G	G09_067S	'FROM->TO'	'ELK CITY 230KV (ELKCTY-6) 230/138/13.8KV TRANSFORMER CKT 1'	287	0.06708	100.4578	'GEN645011 1-NEBRASKA CITY 1'			
FDNS	5	0 11G	G08_022	'FROM->TO'	'ELK CITY 230KV (ELKCTY-6) 230/138/13.8KV TRANSFORMER CKT 1'	287	0.06838	100.4578	'GEN645011 1-NEBRASKA CITY 1'			
FDNS	5	0 11G	G10_007	'FROM->TO'	'ELK CITY 230KV (ELKCTY-6) 230/138/13.8KV TRANSFORMER CKT 1'	287	0.10254	100.4578	'GEN645011 1-NEBRASKA CITY 1'			

SOLUTION	GROUP	SCENARIO	SEASON	SOURCE	DIRECTION	MONITORED ELEMENT	RATE B	TDF	TC%	LOADING	CONTINGENCY NAME
						COMMON NAME					
FDNS	5	0 11G	G08_110	'FROM->TO'	'ELK CITY 230KV (ELKCTY-6) 230/138/13.8KV TRANSFORMER CKT 1'	287	0.03835	100.4578	'GEN645011 1-NEBRASKA CITY 1'		
FDNS	5	0 11G	G08_088	'FROM->TO'	'ELK CITY 230KV (ELKCTY-6) 230/138/13.8KV TRANSFORMER CKT 1'	287	0.11437	100.4578	'GEN645011 1-NEBRASKA CITY 1'		
FDNS	5	0 11G	ASGI_2010_011	'FROM->TO'	'ELK CITY 230KV (ELKCTY-6) 230/138/13.8KV TRANSFORMER CKT 1'	287	0.0603	100.4578	'GEN645011 1-NEBRASKA CITY 1'		
FDNS	5	0 11G	G10_014	'FROM->TO'	'ELK CITY 230KV (ELKCTY-6) 230/138/13.8KV TRANSFORMER CKT 1'	287	0.03835	100.4578	'GEN645011 1-NEBRASKA CITY 1'		
FDNS	5	0 11G	G10_007	'TO->FROM'	'DEAF SMITH COUNTY INTERCHANGE - S- RANDLCO 230.00 230KV CKT 1'	350	0.07081	103.1963	'GEN645012 2-NEBRASKA CITY 2'		
FDNS	5	0 11G	G08_110	'TO->FROM'	'DEAF SMITH COUNTY INTERCHANGE - S- RANDLCO 230.00 230KV CKT 1'	350	0.04379	103.1963	'GEN645012 2-NEBRASKA CITY 2'		
FDNS	5	0 11G	G08_088	'TO->FROM'	'DEAF SMITH COUNTY INTERCHANGE - S- RANDLCO 230.00 230KV CKT 1'	350	0.06128	103.1963	'GEN645012 2-NEBRASKA CITY 2'		
FDNS	5	0 11G	ASGI_2010_011	'TO->FROM'	'DEAF SMITH COUNTY INTERCHANGE - S- RANDLCO 230.00 230KV CKT 1'	350	0.05515	103.1963	'GEN645012 2-NEBRASKA CITY 2'		
FDNS	5	0 11G	G10_014	'TO->FROM'	'DEAF SMITH COUNTY INTERCHANGE - S- RANDLCO 230.00 230KV CKT 1'	350	0.04379	103.1963	'GEN645012 2-NEBRASKA CITY 2'		
FDNS	5	0 11G	G09_067S	'FROM->TO'	'ELK CITY 230KV (ELKCTY-6) 230/138/13.8KV TRANSFORMER CKT 1'	287	0.06708	100.7201	'GEN645012 2-NEBRASKA CITY 2'		
FDNS	5	0 11G	G08_022	'FROM->TO'	'ELK CITY 230KV (ELKCTY-6) 230/138/13.8KV TRANSFORMER CKT 1'	287	0.06838	100.7201	'GEN645012 2-NEBRASKA CITY 2'		
FDNS	5	0 11G	G10_007	'FROM->TO'	'ELK CITY 230KV (ELKCTY-6) 230/138/13.8KV TRANSFORMER CKT 1'	287	0.10254	100.7201	'GEN645012 2-NEBRASKA CITY 2'		
FDNS	5	0 11G	G08_110	'FROM->TO'	'ELK CITY 230KV (ELKCTY-6) 230/138/13.8KV TRANSFORMER CKT 1'	287	0.03835	100.7201	'GEN645012 2-NEBRASKA CITY 2'		
FDNS	5	0 11G	G08_088	'FROM->TO'	'ELK CITY 230KV (ELKCTY-6) 230/138/13.8KV TRANSFORMER CKT 1'	287	0.11437	100.7201	'GEN645012 2-NEBRASKA CITY 2'		
FDNS	5	0 11G	ASGI_2010_011	'FROM->TO'	'ELK CITY 230KV (ELKCTY-6) 230/138/13.8KV TRANSFORMER CKT 1'	287	0.0603	100.7201	'GEN645012 2-NEBRASKA CITY 2'		
FDNS	5	0 11G	G10_014	'FROM->TO'	'ELK CITY 230KV (ELKCTY-6) 230/138/13.8KV TRANSFORMER CKT 1'	287	0.03835	100.7201	'GEN645012 2-NEBRASKA CITY 2'		
FNSL	5	0 11G	G09_067S	'FROM->TO'	'ELK CITY 230KV (ELKCTY-6) 230/138/13.8KV TRANSFORMER CKT 1'	287	0.06708	105.8212	'GEN336153 1-WATERFORD UNIT#3'		
FNSL	5	0 11G	G08_022	'FROM->TO'	'ELK CITY 230KV (ELKCTY-6) 230/138/13.8KV TRANSFORMER CKT 1'	287	0.06838	105.8212	'GEN336153 1-WATERFORD UNIT#3'		
FNSL	5	0 11G	G10_007	'FROM->TO'	'ELK CITY 230KV (ELKCTY-6) 230/138/13.8KV TRANSFORMER CKT 1'	287	0.10254	105.8212	'GEN336153 1-WATERFORD UNIT#3'		
FNSL	5	0 11G	G08_110	'FROM->TO'	'ELK CITY 230KV (ELKCTY-6) 230/138/13.8KV TRANSFORMER CKT 1'	287	0.03835	105.8212	'GEN336153 1-WATERFORD UNIT#3'		
FNSL	5	0 11G	G08_088	'FROM->TO'	'ELK CITY 230KV (ELKCTY-6) 230/138/13.8KV TRANSFORMER CKT 1'	287	0.11437	105.8212	'GEN336153 1-WATERFORD UNIT#3'		
FNSL	5	0 11G	ASGI_2010_011	'FROM->TO'	'ELK CITY 230KV (ELKCTY-6) 230/138/13.8KV TRANSFORMER CKT 1'	287	0.0603	105.8212	'GEN336153 1-WATERFORD UNIT#3'		
FNSL	5	0 11G	G10_014	'FROM->TO'	'ELK CITY 230KV (ELKCTY-6) 230/138/13.8KV TRANSFORMER CKT 1'	287	0.03835	105.8212	'GEN336153 1-WATERFORD UNIT#3'		
FNSL	5	0 11G	G09_067S	'FROM->TO'	'ELK CITY 230KV (ELKCTY-6) 230/138/13.8KV TRANSFORMER CKT 1'	287	0.06708	104.8674	'GEN336153 1-WATERFORD UNIT#3'		
FNSL	5	0 11G	G08_022	'FROM->TO'	'ELK CITY 230KV (ELKCTY-6) 230/138/13.8KV TRANSFORMER CKT 1'	287	0.06838	104.8674	'GEN336153 1-WATERFORD UNIT#3'		
FNSL	5	0 11G	G10_007	'FROM->TO'	'ELK CITY 230KV (ELKCTY-6) 230/138/13.8KV TRANSFORMER CKT 1'	287	0.10254	104.8674	'GEN336153 1-WATERFORD UNIT#3'		
FNSL	5	0 11G	G08_110	'FROM->TO'	'ELK CITY 230KV (ELKCTY-6) 230/138/13.8KV TRANSFORMER CKT 1'	287	0.03835	104.8674	'GEN336153 1-WATERFORD UNIT#3'		
FNSL	5	0 11G	G08_088	'FROM->TO'	'ELK CITY 230KV (ELKCTY-6) 230/138/13.8KV TRANSFORMER CKT 1'	287	0.11437	104.8674	'GEN336153 1-WATERFORD UNIT#3'		
FNSL	5	0 11G	ASGI_2010_011	'FROM->TO'	'ELK CITY 230KV (ELKCTY-6) 230/138/13.8KV TRANSFORMER CKT 1'	287	0.0603	104.8674	'GEN336153 1-WATERFORD UNIT#3'		

SOLUTION	GROUP	SCENARIO	SEASON	SOURCE	DIRECTION	MONITORED ELEMENT	RATE B	TDF	TC%	LOADING	CONTINGENCY NAME
						COMMON NAME					
FNSL	5		0 11G	G10_014	'FROM->TO'	'ELK CITY 230KV (ELKCTY-6) 230/138/13.8KV TRANSFORMER CKT 1'	287	0.03835	104.8674	'GEN336153 1-WATERFORD UNIT#3'	
FDNS	06G0822		0 11G	G08_022	'TO->FROM'	'FPL SWITCH - WOODWARD 138KV CKT 1'	153	0.03488	105.3842	'NORTHWEST - TATONGA7 345.00 345KV CKT 1'	
FDNS	06G0822		0 11G	G08_022	'FROM->TO'	'PLANT X STATION (WH ALM20171) 230/115/13.2KV TRANSFORMER CKT 1'	239	0.08935	100.4894	'TOLK STATION EAST - TUCO INTERCHANGE 230KV CKT 1'	
FDNS	06G0822		0 11G	G08_022	'FROM->TO'	'PLANT X STATION (WH ALM20171) 230/115/13.2KV TRANSFORMER CKT 1'	239	0.069	102.5382	'LAMB COUNTY INTERCHANGE - TOLK STATION WEST 230KV CKT 1'	
FDNS	06G0822		0 11G	G08_022	'FROM->TO'	'PLANT X STATION (WH ALM20171) 230/115/13.2KV TRANSFORMER CKT 1'	239	0.069	102.5681	'LAMB COUNTY INTERCHANGE 230/115KV TRANSFORMER CKT 1'	
FDNS	06G0822		0 11G	G08_022	'FROM->TO'	'PLANT X STATION (WH ALM20171) 230/115/13.2KV TRANSFORMER CKT 1'	239	0.069	102.5671	'SPP-SWPS-K37'	
FDNS	06G0967S		0 11G	G09_067S	'TO->FROM'	'FPL SWITCH - WOODWARD 138KV CKT 1'	153	0.03491	103.8985	'NORTHWEST - TATONGA7 345.00 345KV CKT 1'	
FDNS	06G0967S		0 11G	G09_067S	'FROM->TO'	'PLANT X STATION (WH ALM20171) 230/115/13.2KV TRANSFORMER CKT 1'	239	0.05303	100.7618	'LAMB COUNTY INTERCHANGE - TOLK STATION WEST 230KV CKT 1'	
FDNS	06G0967S		0 11G	G09_067S	'FROM->TO'	'PLANT X STATION (WH ALM20171) 230/115/13.2KV TRANSFORMER CKT 1'	239	0.05303	100.7273	'LAMB COUNTY INTERCHANGE 230/115KV TRANSFORMER CKT 1'	
FDNS	06G0967S		0 11G	G09_067S	'FROM->TO'	'PLANT X STATION (WH ALM20171) 230/115/13.2KV TRANSFORMER CKT 1'	239	0.05303	100.7262	'SPP-SWPS-K37'	
FDNS	06G1006		0 11G	G10_006	'FROM->TO'	'ELK CITY 230KV (ELKCTY-6) 230/138/13.8KV TRANSFORMER CKT 1'	287	0.09431	101.0492	'LAWTON EASTSIDE - OKLAUNION 345KV CKT 1'	
FDNS	06G1006		0 11G	G10_006	'FROM->TO'	'ELK CITY 230KV (ELKCTY-6) 230/138/13.8KV TRANSFORMER CKT 1'	287	0.09431	100.2146	'LAWTON EASTSIDE - OKLAUNION 345KV CKT 1'	
FDNS	06G1006		0 11G	G10_006	'TO->FROM'	'FPL SWITCH - WOODWARD 138KV CKT 1'	153	0.03419	109.0919	'NORTHWEST - TATONGA7 345.00 345KV CKT 1'	
FDNS	6		0 11G	G08_046	'FROM->TO'	'LAWEASOKLUNI'	425	0.11265	107.1	'BASE CASE'	
FDNS	6		0 11G	G09_030	'FROM->TO'	'LAWEASOKLUNI'	425	0.06182	107.1	'BASE CASE'	
FDNS	6		0 11G	G10_005	'FROM->TO'	'LAWEASOKLUNI'	425	0.03192	107.1	'BASE CASE'	
FDNS	6		0 11G	G10_003	'FROM->TO'	'LAWEASOKLUNI'	425	0.03383	107.1	'BASE CASE'	
FDNS	6		0 11G	G08_071	'FROM->TO'	'LAWEASOKLUNI'	425	0.04255	107.1	'BASE CASE'	
FDNS	6		0 11G	G08_037	'FROM->TO'	'LAWEASOKLUNI'	425	0.10351	107.1	'BASE CASE'	
FDNS	6		0 11G	G10_013	'FROM->TO'	'LAWEASOKLUNI'	425	0.03679	107.1	'BASE CASE'	
FDNS	6		0 11G	G08_098	'FROM->TO'	'LAWEASOKLUNI'	425	0.03383	107.1	'BASE CASE'	
FDNS	6		0 11G	G09_060	'FROM->TO'	'LAWEASOKLUNI'	425	0.05992	107.1	'BASE CASE'	
FDNS	6		0 11G	G08_044	'TO->FROM'	'FPL SWITCH - WOODWARD 138KV CKT 1'	153	0.09667	103.7897	'NORTHWEST - TATONGA7 345.00 345KV CKT 1'	
FDNS	6		0 11G	G08_047	'TO->FROM'	'FPL SWITCH - WOODWARD 138KV CKT 1'	153	0.08019	103.7897	'NORTHWEST - TATONGA7 345.00 345KV CKT 1'	
FDNS	6		0 11G	G09_067S	'TO->FROM'	'FPL SWITCH - WOODWARD 138KV CKT 1'	153	0.03492	103.7897	'NORTHWEST - TATONGA7 345.00 345KV CKT 1'	
FDNS	6		0 11G	G08_022	'TO->FROM'	'FPL SWITCH - WOODWARD 138KV CKT 1'	153	0.03497	103.7897	'NORTHWEST - TATONGA7 345.00 345KV CKT 1'	
FDNS	6		0 11G	G10_009	'TO->FROM'	'FPL SWITCH - WOODWARD 138KV CKT 1'	153	0.0389	103.7897	'NORTHWEST - TATONGA7 345.00 345KV CKT 1'	
FDNS	6		0 11G	G08_088	'TO->FROM'	'FPL SWITCH - WOODWARD 138KV CKT 1'	153	0.03332	103.7897	'NORTHWEST - TATONGA7 345.00 345KV CKT 1'	
FDNS	6		0 11G	G08_110	'TO->FROM'	'FPL SWITCH - WOODWARD 138KV CKT 1'	153	0.0637	103.7897	'NORTHWEST - TATONGA7 345.00 345KV CKT 1'	
FDNS	6		0 11G	G10_007	'TO->FROM'	'FPL SWITCH - WOODWARD 138KV CKT 1'	153	0.0394	103.7897	'NORTHWEST - TATONGA7 345.00 345KV CKT 1'	
FDNS	6		0 11G	ASGI_2010_011	'TO->FROM'	'FPL SWITCH - WOODWARD 138KV CKT 1'	153	0.0553	103.7897	'NORTHWEST - TATONGA7 345.00 345KV CKT 1'	
FDNS	6		0 11G	G10_011	'TO->FROM'	'FPL SWITCH - WOODWARD 138KV CKT 1'	153	0.09667	103.7897	'NORTHWEST - TATONGA7 345.00 345KV CKT 1'	
FDNS	6		0 11G	G10_015	'TO->FROM'	'FPL SWITCH - WOODWARD 138KV CKT 1'	153	0.03646	103.7897	'NORTHWEST - TATONGA7 345.00 345KV CKT 1'	

SOLUTION	GROUP	SCENARIO	SEASON	SOURCE	DIRECTION	MONITORED ELEMENT		RATE B	TDF	TC%	LOADING	CONTINGENCY NAME
						COMMON NAME						
FDNS	6	0 11G	G10_014	'TO->FROM'	'FPL SWITCH - WOODWARD 138KV CKT 1'		153	0.0637	103.7897		345KV CKT 1'	'NORTHWEST - TATONGA7 345.00
FDNS	6	0 11G	G10_016	'TO->FROM'	'FPL SWITCH - WOODWARD 138KV CKT 1'		153	0.03132	103.7897		345KV CKT 1'	'NORTHWEST - TATONGA7 345.00
FDNS	6	0 11G	G09_067S	'FROM->TO'	'PLANT X STATION (WH ALM20171) 230/115/13.2KV TRANSFORMER CKT 1'		239	0.05304	100.6495		STATION WEST 230KV CKT 1'	'LAMB COUNTY INTERCHANGE - TOLK
FDNS	6	0 11G	G08_022	'FROM->TO'	'PLANT X STATION (WH ALM20171) 230/115/13.2KV TRANSFORMER CKT 1'		239	0.06918	100.6495		STATION WEST 230KV CKT 1'	'LAMB COUNTY INTERCHANGE - TOLK
FDNS	6	0 11G	G09_067S	'FROM->TO'	'PLANT X STATION (WH ALM20171) 230/115/13.2KV TRANSFORMER CKT 1'		239	0.05304	100.6151		230/115KV TRANSFORMER CKT 1'	'LAMB COUNTY INTERCHANGE
FDNS	6	0 11G	G08_022	'FROM->TO'	'PLANT X STATION (WH ALM20171) 230/115/13.2KV TRANSFORMER CKT 1'		239	0.06918	100.6151		230/115KV TRANSFORMER CKT 1'	'LAMB COUNTY INTERCHANGE
FDNS	6	0 11G	G09_008	'TO->FROM'	'HAYS PLANT - SOUTH HAYS 115KV CKT 1'		88	0.13779	100.453		CKT 1'	'KNOLL 230 - POSTROCK6 230.00 230KV
FDNS	6	0 11G	G09_020	'TO->FROM'	'HAYS PLANT - SOUTH HAYS 115KV CKT 1'		88	0.0369	100.453		CKT 1'	'KNOLL 230 - POSTROCK6 230.00 230KV
FDNS	6	0 11G	G10_015	'TO->FROM'	'HAYS PLANT - SOUTH HAYS 115KV CKT 1'		88	0.03138	100.453		CKT 1'	'KNOLL 230 - POSTROCK6 230.00 230KV
FDNS	6	0 11G	G10_016	'TO->FROM'	'HAYS PLANT - SOUTH HAYS 115KV CKT 1'		88	0.05401	100.453		CKT 1'	'KNOLL 230 - POSTROCK6 230.00 230KV
FDNS	6	0 11G	G10_003	'FROM->TO'	'BURLINGTON JUNCTION - COFFEY COUNTY NO. 3 WESTPHALIA 69KV CKT 1'		72	0.03899	107.5828		CKT 1'	'ANDERSONCO 345.00 - LACYGNE 345KV
FDNS	6	0 11G	G08_098	'FROM->TO'	'BURLINGTON JUNCTION - COFFEY COUNTY NO. 3 WESTPHALIA 69KV CKT 1'		72	0.03899	107.5828		CKT 1'	'ANDERSONCO 345.00 - LACYGNE 345KV
FDNS	6	0 11G	G10_003	'TO->FROM'	'BURLINGTON JUNCTION - WOLF CREEK 69KV CKT 1'		72	0.0392	109.4027		CKT 1'	'ANDERSONCO 345.00 - LACYGNE 345KV
FDNS	6	0 11G	G08_098	'TO->FROM'	'BURLINGTON JUNCTION - WOLF CREEK 69KV CKT 1'		72	0.0392	109.4027		CKT 1'	'ANDERSONCO 345.00 - LACYGNE 345KV
FDNS	6	0 11G	G10_003	'FROM->TO'	'COFFEY COUNTY NO. 3 WESTPHALIA - GREEN 69KV CKT 1'		72	0.03899	106.74		CKT 1'	'ANDERSONCO 345.00 - LACYGNE 345KV
FDNS	6	0 11G	G08_098	'FROM->TO'	'COFFEY COUNTY NO. 3 WESTPHALIA - GREEN 69KV CKT 1'		72	0.03899	106.74		CKT 1'	'ANDERSONCO 345.00 - LACYGNE 345KV
FDNS	6	0 11G	G10_005	'FROM->TO'	'WICHITA (WICHT12X) 345/138/13.8KV TRANSFORMER CKT 1'		440	0.05288	100.2953		TRANSFORMER CKT 1'	'WICHITA (WICHT11X) 345/138/13.8KV
FDNS	6	0 11G	G08_047	'TO->FROM'	'CLEARWATER - MILAN TAP 138KV CKT 1'		110	0.04212	141.2033		'DBL-MEDLO-WI'	
FDNS	6	0 11G	G10_008	'TO->FROM'	'CLEARWATER - MILAN TAP 138KV CKT 1'		110	0.03021	141.2033		'DBL-MEDLO-WI'	
FDNS	6	0 11G	G10_009	'TO->FROM'	'CLEARWATER - MILAN TAP 138KV CKT 1'		110	0.04652	141.2033		'DBL-MEDLO-WI'	
FDNS	6	0 11G	G08_088	'TO->FROM'	'CLEARWATER - MILAN TAP 138KV CKT 1'		110	0.03151	141.2033		'DBL-MEDLO-WI'	
FDNS	6	0 11G	G08_110	'TO->FROM'	'CLEARWATER - MILAN TAP 138KV CKT 1'		110	0.03969	141.2033		'DBL-MEDLO-WI'	
FDNS	6	0 11G	G10_007	'TO->FROM'	'CLEARWATER - MILAN TAP 138KV CKT 1'		110	0.0334	141.2033		'DBL-MEDLO-WI'	
FDNS	6	0 11G	ASGI_2010_011	'TO->FROM'	'CLEARWATER - MILAN TAP 138KV CKT 1'		110	0.03749	141.2033		'DBL-MEDLO-WI'	
FDNS	6	0 11G	G10_015	'TO->FROM'	'CLEARWATER - MILAN TAP 138KV CKT 1'		110	0.05172	141.2033		'DBL-MEDLO-WI'	
FDNS	6	0 11G	G10_014	'TO->FROM'	'CLEARWATER - MILAN TAP 138KV CKT 1'		110	0.03969	141.2033		'DBL-MEDLO-WI'	
FDNS	6	0 11G	G10_016	'TO->FROM'	'CLEARWATER - MILAN TAP 138KV CKT 1'		110	0.03938	141.2033		'DBL-MEDLO-WI'	
FDNS	6	0 11G	G08_047	'FROM->TO'	'HARPER - MILAN TAP 138KV CKT 1'		95.6	0.04212	175.7928		'DBL-MEDLO-WI'	
FDNS	6	0 11G	G10_008	'FROM->TO'	'HARPER - MILAN TAP 138KV CKT 1'		95.6	0.03021	175.7928		'DBL-MEDLO-WI'	

						MONITORED ELEMENT				
SOLUTION	GROUP	SCENARIO	SEASON	SOURCE	DIRECTION	COMMON NAME	RATE B	TDF	TC%LOADING	CONTINGENCY NAME
FDNS	6		0 11G	G10_009	'FROM->TO'	'HARPER - MILAN TAP 138KV CKT 1'	95.6	0.04652	175.7928	'DBL-MEDLO-WI'
FDNS	6		0 11G	G08_088	'FROM->TO'	'HARPER - MILAN TAP 138KV CKT 1'	95.6	0.03151	175.7928	'DBL-MEDLO-WI'
FDNS	6		0 11G	G08_110	'FROM->TO'	'HARPER - MILAN TAP 138KV CKT 1'	95.6	0.03969	175.7928	'DBL-MEDLO-WI'
FDNS	6		0 11G	G10_007	'FROM->TO'	'HARPER - MILAN TAP 138KV CKT 1'	95.6	0.0334	175.7928	'DBL-MEDLO-WI'
FDNS	6		0 11G	ASGL_2010_011	'FROM->TO'	'HARPER - MILAN TAP 138KV CKT 1'	95.6	0.03749	175.7928	'DBL-MEDLO-WI'
FDNS	6		0 11G	G10_015	'FROM->TO'	'HARPER - MILAN TAP 138KV CKT 1'	95.6	0.05172	175.7928	'DBL-MEDLO-WI'
FDNS	6		0 11G	G10_014	'FROM->TO'	'HARPER - MILAN TAP 138KV CKT 1'	95.6	0.03969	175.7928	'DBL-MEDLO-WI'
FDNS	6		0 11G	G10_016	'FROM->TO'	'HARPER - MILAN TAP 138KV CKT 1'	95.6	0.03938	175.7928	'DBL-MEDLO-WI'
FDNS	6		0 11G	G09_067S	'FROM->TO'	'PLANT X STATION (WH ALM20171) 230/115/13.2KV TRANSFORMER CKT 1'	239	0.05304	100.6141	'SPP-SWPS-K37'
FDNS	6		0 11G	G08_022	'FROM->TO'	'PLANT X STATION (WH ALM20171) 230/115/13.2KV TRANSFORMER CKT 1'	239	0.06918	100.6141	'SPP-SWPS-K37'
FDNS	07G0930		0 11G	G09_030	'FROM->TO'	'CLINTON CITY - THOMAS TAP 69KV CKT 1'	55	0.08816	140.3848	'WEATHERFORD SOUTHEAST - WEATHERFORD TAP 138KV CKT 1'
FDNS	07G0930		0 11G	G09_030	'TO->FROM'	'CLINTON CITY - FOSS TAP 69KV CKT 1'	72	0.08816	137.1315	'WEATHERFORD SOUTHEAST - WEATHERFORD TAP 138KV CKT 1'
FDNS	07G0930		0 11G	G09_030	'FROM->TO'	'THOMAS TAP - WEATHERFORD 69KV CKT 1'	53	0.08816	139.3361	'WEATHERFORD SOUTHEAST - WEATHERFORD TAP 138KV CKT 1'
FDNS	07G0930		0 11G	G09_030	'FROM->TO'	'CLINTON JUNCTION - FOSS TAP 69KV CKT 1'	72	0.08816	137.5926	'WEATHERFORD SOUTHEAST - WEATHERFORD TAP 138KV CKT 1'
FDNS	07G0930		0 11G	G09_030	'FROM->TO'	'CLINTON JUNCTION (CLINTJCT) 138/69/13.8KV TRANSFORMER CKT 1'	92	0.08816	108.8101	'WEATHERFORD SOUTHEAST - WEATHERFORD TAP 138KV CKT 1'
FDNS	07G0930		0 11G	G09_030	'FROM->TO'	'CLINTON JUNCTION (CLINTJCT) 138/69/13.8KV TRANSFORMER CKT 1'	92	0.08816	108.1502	'WEATHERFORD SOUTHEAST - WEATHERFORD TAP 138KV CKT 1'
FDNS	07G0930		0 11G	G09_030	'FROM->TO'	'CLINTON CITY - THOMAS TAP 69KV CKT 1'	55	0.08816	148.6627	'WEATHERFORD TAP - WEATHERFORD WIND FARM 138KV CKT 1'
FDNS	07G0930		0 11G	G09_030	'TO->FROM'	'CLINTON CITY - FOSS TAP 69KV CKT 1'	72	0.08816	143.3946	'WEATHERFORD TAP - WEATHERFORD WIND FARM 138KV CKT 1'
FDNS	07G0930		0 11G	G09_030	'FROM->TO'	'WEATHERFORD - WEATHERFORD SOUTHEAST 69KV CKT 1'	69	0.08816	101.4663	'WEATHERFORD TAP - WEATHERFORD WIND FARM 138KV CKT 1'
FDNS	07G0930		0 11G	G09_030	'FROM->TO'	'THOMAS TAP - WEATHERFORD 69KV CKT 1'	53	0.08816	147.8836	'WEATHERFORD TAP - WEATHERFORD WIND FARM 138KV CKT 1'
FDNS	07G0930		0 11G	G09_030	'FROM->TO'	'CLINTON JUNCTION - FOSS TAP 69KV CKT 1'	72	0.08816	143.8511	'WEATHERFORD TAP - WEATHERFORD WIND FARM 138KV CKT 1'
FDNS	07G0930		0 11G	G09_030	'FROM->TO'	'CLINTON JUNCTION (CLINTJCT) 138/69/13.8KV TRANSFORMER CKT 1'	92	0.08816	113.3212	'WEATHERFORD TAP - WEATHERFORD WIND FARM 138KV CKT 1'
FDNS	07G0930		0 11G	G09_030	'FROM->TO'	'CLINTON JUNCTION (CLINTJCT) 138/69/13.8KV TRANSFORMER CKT 1'	92	0.08816	112.8462	'WEATHERFORD TAP - WEATHERFORD WIND FARM 138KV CKT 1'
FDNS	07G0930		0 11G	G09_030	'TO->FROM'	'EL RENO - EL RENO SW 69KV CKT 1'	27	0.05892	118.1611	'JENSEN ROAD - JENSEN TAP 138KV CKT 1'
FDNS	07G0930		0 11G	G09_030	'FROM->TO'	'EL RENO SW (EL RENO) 138/69/13.8KV TRANSFORMER CKT 1'	70	0.09412	105.6683	'JENSEN ROAD - JENSEN TAP 138KV CKT 1'
FDNS	07G0930		0 11G	G09_030	'FROM->TO'	'EL RENO SW (EL RENO) 138/69/13.8KV TRANSFORMER CKT 1'	70	0.09412	102.8449	'JENSEN ROAD - JENSEN TAP 138KV CKT 1'
FDNS	07G0930		0 11G	G09_030	'TO->FROM'	'EL RENO - EL RENO SW 69KV CKT 1'	27	0.05892	118.0914	'OGE3TERM10'
FDNS	07G0930		0 11G	G09_030	'FROM->TO'	'EL RENO SW (EL RENO) 138/69/13.8KV TRANSFORMER CKT 1'	70	0.09412	105.6543	'OGE3TERM10'
FDNS	07G0930		0 11G	G09_030	'FROM->TO'	'EL RENO SW (EL RENO) 138/69/13.8KV TRANSFORMER CKT 1'	70	0.09412	102.8338	'OGE3TERM10'
FDNS	07G0960		0 11G	G09_060	'TO->FROM'	'SOUTHWESTERN STATION - WASHITA 138KV CKT 1'	260	0.09797	107.8457	'BASE CASE'
FDNS	07G0960		0 11G	G09_060	'TO->FROM'	'GRACMNT4 138.00 - WASHITA 138KV CKT 1'	228	0.1875	147.0353	'SOUTHWESTERN STATION - WASHITA 138KV CKT 1'
FDNS	07G0960		0 11G	G09_060	'TO->FROM'	'SOUTHWESTERN STATION - WASHITA 138KV CKT 1'	260	0.19082	135.0573	'GRACMNT4 138.00 - WASHITA 138KV CKT 1'
FDNS	07G0960		0 11G	G09_060	'TO->FROM'	'HINTON - WEATHERFORD JCT. 138KV CKT 1'	210	0.03502	100.9112	'BINGER NIJECT - ONEY 138KV CKT 1'

SOLUTION	GROUP	SCENARIO	SEASON	SOURCE	DIRECTION	MONITORED ELEMENT		RATE B	TDF	TC%	LOADING	CONTINGENCY NAME
						COMMON NAME						
FDNS	07G0960		0 11G	G09_060	'TO->FROM'	'WEATHERFORD JCT. - WEATHERFORD SOUTHEAST 138KV CKT 1'		210	0.03502	107.739	'BINGER NIJECT - ONEY 138KV CKT 1'	
FDNS	07G0960		0 11G	G09_060	'FROM->TO'	'CAN_GAS4 138.00 - JENSEN ROAD 138KV CKT 1'		191	0.03502	108.4503	'BINGER NIJECT - ONEY 138KV CKT 1'	
FDNS	07G0960		0 11G	G09_060	'TO->FROM'	'HINTON - WEATHERFORD JCT. 138KV CKT 1'		210	0.03502	102.2269	'BINGER NIJECT - SICKLES 138KV CKT 1'	
FDNS	07G0960		0 11G	G09_060	'TO->FROM'	'WEATHERFORD JCT. - WEATHERFORD SOUTHEAST 138KV CKT 1'		210	0.03502	109.0649	'BINGER NIJECT - SICKLES 138KV CKT 1'	
FDNS	07G0960		0 11G	G09_060	'FROM->TO'	'CAN_GAS4 138.00 - JENSEN ROAD 138KV CKT 1'		191	0.03502	109.899	'BINGER NIJECT - SICKLES 138KV CKT 1'	
FDNS	07G0960		0 11G	G09_060	'TO->FROM'	'HINTON - WEATHERFORD JCT. 138KV CKT 1'		210	0.03502	103.5419	'HYDRO - SICKLES 138KV CKT 1'	
FDNS	07G0960		0 11G	G09_060	'TO->FROM'	'WEATHERFORD JCT. - WEATHERFORD SOUTHEAST 138KV CKT 1'		210	0.03502	110.3933	'HYDRO - SICKLES 138KV CKT 1'	
FDNS	07G0960		0 11G	G09_060	'FROM->TO'	'CAN_GAS4 138.00 - JENSEN ROAD 138KV CKT 1'		191	0.03502	111.3456	'HYDRO - SICKLES 138KV CKT 1'	
FDNS	07G0960		0 11G	G09_060	'TO->FROM'	'HINTON - WEATHERFORD JCT. 138KV CKT 1'		210	0.03502	104.2344	'HYDRO - WEATHERFORD 138KV CKT 1'	
FDNS	07G0960		0 11G	G09_060	'TO->FROM'	'WEATHERFORD JCT. - WEATHERFORD SOUTHEAST 138KV CKT 1'		210	0.03502	111.093	'HYDRO - WEATHERFORD 138KV CKT 1'	
FDNS	07G0960		0 11G	G09_060	'FROM->TO'	'CAN_GAS4 138.00 - JENSEN ROAD 138KV CKT 1'		191	0.03502	112.1084	'HYDRO - WEATHERFORD 138KV CKT 1'	
FDNS	07G0960		0 11G	G09_060	'FROM->TO'	'JENSEN ROAD - JENSEN TAP 138KV CKT 1'		191	0.05247	100.2993	'HYDRO - WEATHERFORD 138KV CKT 1'	
FDNS	07G0960		0 11G	G09_060	'TO->FROM'	'HINTON - WEATHERFORD JCT. 138KV CKT 1'		210	0.03502	100.4612	'ONEY - WASHITA 138KV CKT 1'	
FDNS	07G0960		0 11G	G09_060	'TO->FROM'	'WEATHERFORD JCT. - WEATHERFORD SOUTHEAST 138KV CKT 1'		210	0.03502	107.2851	'ONEY - WASHITA 138KV CKT 1'	
FDNS	07G0960		0 11G	G09_060	'FROM->TO'	'CAN_GAS4 138.00 - JENSEN ROAD 138KV CKT 1'		191	0.03502	107.954	'ONEY - WASHITA 138KV CKT 1'	
FDNS	07G0960		0 11G	G09_060	'TO->FROM'	'SOUTHWESTERN STATION - WASHITA 138KV CKT 1'		260	0.16495	106.0852	'GRACMNT7 345.00 (BANK 1) 345/138/13.8KV TRANSFORMER CKT 1'	
FDNS	7		0 11G	G09_060	'TO->FROM'	'SOUTHWESTERN STATION - WASHITA 138KV CKT 1'		260	0.098	107.4814	'BASE CASE'	
FDNS	7		0 11G	G09_060	'TO->FROM'	'GRACMNT4 138.00 - WASHITA 138KV CKT 1'		228	0.18754	146.4809	'SOUTHWESTERN STATION - WASHITA 138KV CKT 1'	
FDNS	7		0 11G	G09_030	'FROM->TO'	'CLINTON CITY - THOMAS TAP 69KV CKT 1'		55	0.08822	137.0376	'WEATHERFORD SOUTHEAST - WEATHERFORD TAP 138KV CKT 1'	
FDNS	7		0 11G	G09_030	'TO->FROM'	'CLINTON CITY - FOSS TAP 69KV CKT 1'		72	0.08822	134.5547	'WEATHERFORD SOUTHEAST - WEATHERFORD TAP 138KV CKT 1'	
FDNS	7		0 11G	G09_030	'FROM->TO'	'THOMAS TAP - WEATHERFORD 69KV CKT 1'		53	0.08822	135.883	'WEATHERFORD SOUTHEAST - WEATHERFORD TAP 138KV CKT 1'	
FDNS	7		0 11G	G09_030	'FROM->TO'	'CLINTON JUNCTION - FOSS TAP 69KV CKT 1'		72	0.08822	135.0168	'WEATHERFORD SOUTHEAST - WEATHERFORD TAP 138KV CKT 1'	
FDNS	7		0 11G	G09_030	'FROM->TO'	'CLINTON JUNCTION (CLINTJCT) 138/69/13.8KV TRANSFORMER CKT 1'		92	0.08822	107.0273	'WEATHERFORD SOUTHEAST - WEATHERFORD TAP 138KV CKT 1'	
FDNS	7		0 11G	G09_030	'FROM->TO'	'CLINTON JUNCTION (CLINTJCT) 138/69/13.8KV TRANSFORMER CKT 1'		92	0.08822	106.3187	'WEATHERFORD SOUTHEAST - WEATHERFORD TAP 138KV CKT 1'	
FDNS	7		0 11G	G09_030	'FROM->TO'	'CLINTON CITY - THOMAS TAP 69KV CKT 1'		55	0.08822	145.3024	'WEATHERFORD TAP - WEATHERFORD WIND FARM 138KV CKT 1'	
FDNS	7		0 11G	G09_030	'TO->FROM'	'CLINTON CITY - FOSS TAP 69KV CKT 1'		72	0.08822	140.8026	'WEATHERFORD TAP - WEATHERFORD WIND FARM 138KV CKT 1'	
FDNS	7		0 11G	G09_030	'FROM->TO'	'THOMAS TAP - WEATHERFORD 69KV CKT 1'		53	0.08822	144.4146	'WEATHERFORD TAP - WEATHERFORD WIND FARM 138KV CKT 1'	
FDNS	7		0 11G	G09_030	'FROM->TO'	'CLINTON JUNCTION - FOSS TAP 69KV CKT 1'		72	0.08822	141.26	'WEATHERFORD TAP - WEATHERFORD WIND FARM 138KV CKT 1'	
FDNS	7		0 11G	G09_030	'FROM->TO'	'CLINTON JUNCTION (CLINTJCT) 138/69/13.8KV TRANSFORMER CKT 1'		92	0.08822	111.5634	'WEATHERFORD TAP - WEATHERFORD WIND FARM 138KV CKT 1'	

SOLUTION	GROUP	SCENARIO	SEASON	SOURCE	DIRECTION	MONITORED ELEMENT		RATE B	TDF	TC%	LOADING	CONTINGENCY NAME
						COMMON NAME						
FDNS	7	0 11G	G09_030	'FROM->TO'	'CLINTON JUNCTION (CLINTJCT) 138/69/13.8KV TRANSFORMER CKT 1'	92	0.08822	111.0261	'WEATHERFORD TAP - WEATHERFORD WIND FARM 138KV CKT 1'			
FDNS	7	0 11G	G09_030	'TO->FROM'	'EL RENO - EL RENO SW 69KV CKT 1'	27	0.05896	114.024	'JENSEN ROAD - JENSEN TAP 138KV CKT 1'			
FDNS	7	0 11G	G09_030	'FROM->TO'	'EL RENO SW (EL RENO) 138/69/13.8KV TRANSFORMER CKT 1'	70	0.09419	103.0825	'JENSEN ROAD - JENSEN TAP 138KV CKT 1'			
FDNS	7	0 11G	G09_030	'FROM->TO'	'EL RENO SW (EL RENO) 138/69/13.8KV TRANSFORMER CKT 1'	70	0.09419	100.3896	'JENSEN ROAD - JENSEN TAP 138KV CKT 1'			
FDNS	7	0 11G	G09_060	'TO->FROM'	'SOUTHWESTERN STATION - WASHITA 138KV CKT 1'	260	0.19087	134.5581	'GRACMNT4 138.00 - WASHITA 138KV CKT 1'			
FDNS	7	0 11G	G09_060	'TO->FROM'	'HINTON - WEATHERFORD JCT. 138KV CKT 1'	210	0.03506	100.3698	'BINGER NIJECT - ONEY 138KV CKT 1'			
FDNS	7	0 11G	G09_060	'TO->FROM'	'WEATHERFORD JCT. - WEATHERFORD SOUTHEAST 138KV CKT 1'	210	0.03506	107.1929	'BINGER NIJECT - ONEY 138KV CKT 1'			
FDNS	7	0 11G	G09_060	'FROM->TO'	'CAN_GAS4 138.00 - JENSEN ROAD 138KV CKT 1'	191	0.03506	107.8534	'BINGER NIJECT - ONEY 138KV CKT 1'			
FDNS	7	0 11G	G09_060	'TO->FROM'	'HINTON - WEATHERFORD JCT. 138KV CKT 1'	210	0.03506	101.6854	'BINGER NIJECT - SICKLES 138KV CKT 1'			
FDNS	7	0 11G	G09_060	'TO->FROM'	'WEATHERFORD JCT. - WEATHERFORD SOUTHEAST 138KV CKT 1'	210	0.03506	108.5192	'BINGER NIJECT - SICKLES 138KV CKT 1'			
FDNS	7	0 11G	G09_060	'FROM->TO'	'CAN_GAS4 138.00 - JENSEN ROAD 138KV CKT 1'	191	0.03506	109.3019	'BINGER NIJECT - SICKLES 138KV CKT 1'			
FDNS	7	0 11G	G09_060	'TO->FROM'	'HINTON - WEATHERFORD JCT. 138KV CKT 1'	210	0.03506	102.9897	'HYDRO - SICKLES 138KV CKT 1'			
FDNS	7	0 11G	G09_060	'TO->FROM'	'WEATHERFORD JCT. - WEATHERFORD SOUTHEAST 138KV CKT 1'	210	0.03506	109.8354	'HYDRO - SICKLES 138KV CKT 1'			
FDNS	7	0 11G	G09_060	'FROM->TO'	'CAN_GAS4 138.00 - JENSEN ROAD 138KV CKT 1'	191	0.03506	110.7378	'HYDRO - SICKLES 138KV CKT 1'			
FDNS	7	0 11G	G09_060	'TO->FROM'	'HINTON - WEATHERFORD JCT. 138KV CKT 1'	210	0.03506	103.6825	'HYDRO - WEATHERFORD 138KV CKT 1'			
FDNS	7	0 11G	G09_060	'TO->FROM'	'WEATHERFORD JCT. - WEATHERFORD SOUTHEAST 138KV CKT 1'	210	0.03506	110.5353	'HYDRO - WEATHERFORD 138KV CKT 1'			
FDNS	7	0 11G	G09_060	'FROM->TO'	'CAN_GAS4 138.00 - JENSEN ROAD 138KV CKT 1'	191	0.03506	111.5008	'HYDRO - WEATHERFORD 138KV CKT 1'			
FDNS	7	0 11G	G09_060	'TO->FROM'	'WEATHERFORD JCT. - WEATHERFORD SOUTHEAST 138KV CKT 1'	210	0.03506	106.7374	'ONEY - WASHITA 138KV CKT 1'			
FDNS	7	0 11G	G09_060	'FROM->TO'	'CAN_GAS4 138.00 - JENSEN ROAD 138KV CKT 1'	191	0.03506	107.3558	'ONEY - WASHITA 138KV CKT 1'			
FDNS	7	0 11G	G10_003	'FROM->TO'	'BURLINGTON JUNCTION - COFFEY COUNTY NO. 3 WESTPHALIA 69KV CKT 1'	72	0.03897	108.2527	'ANDERSONCO 345.00 - LACYGNE 345KV CKT 1'			
FDNS	7	0 11G	G08_098	'FROM->TO'	'BURLINGTON JUNCTION - COFFEY COUNTY NO. 3 WESTPHALIA 69KV CKT 1'	72	0.03897	108.2527	'ANDERSONCO 345.00 - LACYGNE 345KV CKT 1'			
FDNS	7	0 11G	G10_003	'TO->FROM'	'BURLINGTON JUNCTION - WOLF CREEK 69KV CKT 1'	72	0.03918	110.2283	'ANDERSONCO 345.00 - LACYGNE 345KV CKT 1'			
FDNS	7	0 11G	G08_098	'TO->FROM'	'BURLINGTON JUNCTION - WOLF CREEK 69KV CKT 1'	72	0.03918	110.2283	'ANDERSONCO 345.00 - LACYGNE 345KV CKT 1'			
FDNS	7	0 11G	G10_003	'FROM->TO'	'COFFEY COUNTY NO. 3 WESTPHALIA - GREEN 69KV CKT 1'	72	0.03897	107.4098	'ANDERSONCO 345.00 - LACYGNE 345KV CKT 1'			
FDNS	7	0 11G	G08_098	'FROM->TO'	'COFFEY COUNTY NO. 3 WESTPHALIA - GREEN 69KV CKT 1'	72	0.03897	107.4098	'ANDERSONCO 345.00 - LACYGNE 345KV CKT 1'			
FDNS	7	0 11G	G09_060	'TO->FROM'	'SOUTHWESTERN STATION - WASHITA 138KV CKT 1'	260	0.16498	105.7248	'GRACMNT7 345.00 (BANK 1) 345/138/13.8KV TRANSFORMER CKT 1'			
FDNS	7	0 11G	G10_005	'FROM->TO'	'WICHITA (WICHT12X) 345/138/13.8KV TRANSFORMER CKT 1'	440	0.05292	100.1962	'WICHITA (WICHT11X) 345/138/13.8KV TRANSFORMER CKT 1'			
FDNS	7	0 11G	G08_047	'TO->FROM'	'CLEARWATER - MILAN TAP 138KV CKT 1'	110	0.04236	135.988	'DBL-MEDLO-WI'			

SOLUTION	GROUP	SCENARIO	SEASON	SOURCE	DIRECTION	MONITORED ELEMENT	RATE B	TDF	TC%	LOADING	CONTINGENCY NAME
						COMMON NAME					
FDNS		7	0 11G	G10_008	'TO->FROM'	'CLEARWATER - MILAN TAP 138KV CKT 1'	110	0.03044	135.988	'DBL-MEDLO-WI'	
FDNS		7	0 11G	G10_009	'TO->FROM'	'CLEARWATER - MILAN TAP 138KV CKT 1'	110	0.04676	135.988	'DBL-MEDLO-WI'	
FDNS		7	0 11G	G08_088	'TO->FROM'	'CLEARWATER - MILAN TAP 138KV CKT 1'	110	0.03174	135.988	'DBL-MEDLO-WI'	
FDNS		7	0 11G	G08_110	'TO->FROM'	'CLEARWATER - MILAN TAP 138KV CKT 1'	110	0.03992	135.988	'DBL-MEDLO-WI'	
FDNS		7	0 11G	G10_007	'TO->FROM'	'CLEARWATER - MILAN TAP 138KV CKT 1'	110	0.03363	135.988	'DBL-MEDLO-WI'	
FDNS		7	0 11G	ASGI_2010_011	'TO->FROM'	'CLEARWATER - MILAN TAP 138KV CKT 1'	110	0.03772	135.988	'DBL-MEDLO-WI'	
FDNS		7	0 11G	G10_015	'TO->FROM'	'CLEARWATER - MILAN TAP 138KV CKT 1'	110	0.05196	135.988	'DBL-MEDLO-WI'	
FDNS		7	0 11G	G10_014	'TO->FROM'	'CLEARWATER - MILAN TAP 138KV CKT 1'	110	0.03992	135.988	'DBL-MEDLO-WI'	
FDNS		7	0 11G	G10_016	'TO->FROM'	'CLEARWATER - MILAN TAP 138KV CKT 1'	110	0.03962	135.988	'DBL-MEDLO-WI'	
FDNS		7	0 11G	G08_047	'FROM->TO'	'HARPER - MILAN TAP 138KV CKT 1'	95.6	0.04236	169.7775	'DBL-MEDLO-WI'	
FDNS		7	0 11G	G10_008	'FROM->TO'	'HARPER - MILAN TAP 138KV CKT 1'	95.6	0.03044	169.7775	'DBL-MEDLO-WI'	
FDNS		7	0 11G	G10_009	'FROM->TO'	'HARPER - MILAN TAP 138KV CKT 1'	95.6	0.04676	169.7775	'DBL-MEDLO-WI'	
FDNS		7	0 11G	G08_088	'FROM->TO'	'HARPER - MILAN TAP 138KV CKT 1'	95.6	0.03174	169.7775	'DBL-MEDLO-WI'	
FDNS		7	0 11G	G08_110	'FROM->TO'	'HARPER - MILAN TAP 138KV CKT 1'	95.6	0.03992	169.7775	'DBL-MEDLO-WI'	
FDNS		7	0 11G	G10_007	'FROM->TO'	'HARPER - MILAN TAP 138KV CKT 1'	95.6	0.03363	169.7775	'DBL-MEDLO-WI'	
FDNS		7	0 11G	ASGI_2010_011	'FROM->TO'	'HARPER - MILAN TAP 138KV CKT 1'	95.6	0.03772	169.7775	'DBL-MEDLO-WI'	
FDNS		7	0 11G	G10_015	'FROM->TO'	'HARPER - MILAN TAP 138KV CKT 1'	95.6	0.05196	169.7775	'DBL-MEDLO-WI'	
FDNS		7	0 11G	G10_014	'FROM->TO'	'HARPER - MILAN TAP 138KV CKT 1'	95.6	0.03992	169.7775	'DBL-MEDLO-WI'	
FDNS		7	0 11G	G10_016	'FROM->TO'	'HARPER - MILAN TAP 138KV CKT 1'	95.6	0.03962	169.7775	'DBL-MEDLO-WI'	
FDNS		7	0 11G	G09_030	'TO->FROM'	'EL RENO - EL RENO SW 69KV CKT 1'	27	0.05896	113.9551	'OGE3TERM10'	
FDNS		7	0 11G	G09_030	'FROM->TO'	'EL RENO SW (EL RENO) 138/69/13.8KV TRANSFORMER CKT 1'	70	0.09419	103.0687	'OGE3TERM10'	
FDNS		7	0 11G	G09_030	'FROM->TO'	'EL RENO SW (EL RENO) 138/69/13.8KV TRANSFORMER CKT 1'	70	0.09419	100.3786	'OGE3TERM10'	
FDNS	08G0871		0 11G	G08_071	'FROM->TO'	'FAIRFAX 138/69KV TRANSFORMER CKT 1'	56	0.03424	124.0696	'FAIRFAX TAP - SHIDLER 138KV CKT 1'	
FDNS	08G0871		0 11G	G08_071	'FROM->TO'	'FAIRFAX 138/69KV TRANSFORMER CKT 1'	56	0.03424	122.3491	'SHIDLER - WEST PAWHUSKA 138KV CKT 1'	
FDNS	08G0871		0 11G	G08_071	'FROM->TO'	'FAIRFAX 138/69KV TRANSFORMER CKT 1'	56	0.03424	122.0499	'PAWHUSKA TAP - WEST PAWHUSKA 138KV CKT 1'	
FDNS	08G0871		0 11G	G08_071	'FROM->TO'	'FAIRFAX 138/69KV TRANSFORMER CKT 1'	56	0.03424	118.5567	'DOMES - MOUND ROAD 138KV CKT 1'	
FDNS	08G0871		0 11G	G08_071	'FROM->TO'	'FAIRFAX 138/69KV TRANSFORMER CKT 1'	56	0.03424	119.467	'DOMES - PAWHUSKA TAP 138KV CKT 1'	
FDNS	08G0898		0 11G	G08_098	'FROM->TO'	'BURLINGTON JUNCTION - COFFEY COUNTY NO. 3 WESTPHALIA 69KV CKT 1'	72	0.03866	119.8785	'ANDERSONCO 345.00 - LACYGNE 345KV CKT 1'	
FDNS	08G0898		0 11G	G08_098	'TO->FROM'	'BURLINGTON JUNCTION - WOLF CREEK 69KV CKT 1'	72	0.03887	121.9122	'ANDERSONCO 345.00 - LACYGNE 345KV CKT 1'	
FDNS	08G0898		0 11G	G08_098	'FROM->TO'	'COFFEY COUNTY NO. 3 WESTPHALIA - GREEN 69KV CKT 1'	72	0.03866	119.0318	'ANDERSONCO 345.00 - LACYGNE 345KV CKT 1'	
FDNS	08G1003		0 11G	G10_003	'FROM->TO'	'BURLINGTON JUNCTION - COFFEY COUNTY NO. 3 WESTPHALIA 69KV CKT 1'	72	0.03866	119.8411	'ANDERSONCO 345.00 - LACYGNE 345KV CKT 1'	
FDNS	08G1003		0 11G	G10_003	'TO->FROM'	'BURLINGTON JUNCTION - WOLF CREEK 69KV CKT 1'	72	0.03887	121.8686	'ANDERSONCO 345.00 - LACYGNE 345KV CKT 1'	
FDNS	08G1003		0 11G	G10_003	'FROM->TO'	'COFFEY COUNTY NO. 3 WESTPHALIA - GREEN 69KV CKT 1'	72	0.03866	118.9947	'ANDERSONCO 345.00 - LACYGNE 345KV CKT 1'	

SOLUTION	GROUP	SCENARIO	SEASON	SOURCE	DIRECTION	MONITORED ELEMENT		RATE B	TDF	TC%	LOADING	CONTINGENCY NAME
						COMMON NAME						
FDNS	8	0 11G	G08_071	'FROM->TO'	'FAIRFAX 138/69KV TRANSFORMER CKT 1'		56	0.03426	123.077	'FAIRFAX TAP - SHIDLER 138KV CKT 1'		
FDNS	8	0 11G	G08_071	'FROM->TO'	'FAIRFAX 138/69KV TRANSFORMER CKT 1'		56	0.03426	121.3569	'SHIDLER - WEST PAWHUSKA 138KV CKT 1'		
FDNS	8	0 11G	G08_071	'FROM->TO'	'FAIRFAX 138/69KV TRANSFORMER CKT 1'		56	0.03426	121.0576	'PAWHUSKA TAP - WEST PAWHUSKA 138KV CKT 1'		
FDNS	8	0 11G	G08_071	'FROM->TO'	'FAIRFAX 138/69KV TRANSFORMER CKT 1'		56	0.03426	117.5592	'DOMES - MOUND ROAD 138KV CKT 1'		
FDNS	8	0 11G	G08_071	'FROM->TO'	'FAIRFAX 138/69KV TRANSFORMER CKT 1'		56	0.03426	118.475	'DOMES - PAWHUSKA TAP 138KV CKT 1'		
FDNS	8	0 11G	G10_003	'FROM->TO'	'BURLINGTON JUNCTION - COFFEY COUNTY NO. 3 WESTPHALIA 69KV CKT 1'		72	0.03869	118.813	'ANDERSONCO 345.00 - LACYGNE 345KV CKT 1'		
FDNS	8	0 11G	G08_098	'FROM->TO'	'BURLINGTON JUNCTION - COFFEY COUNTY NO. 3 WESTPHALIA 69KV CKT 1'		72	0.03869	118.813	'ANDERSONCO 345.00 - LACYGNE 345KV CKT 1'		
FDNS	8	0 11G	G10_003	'TO->FROM'	'BURLINGTON JUNCTION - WOLF CREEK 69KV CKT 1'		72	0.0389	120.8372	'ANDERSONCO 345.00 - LACYGNE 345KV CKT 1'		
FDNS	8	0 11G	G08_098	'TO->FROM'	'BURLINGTON JUNCTION - WOLF CREEK 69KV CKT 1'		72	0.0389	120.8372	'ANDERSONCO 345.00 - LACYGNE 345KV CKT 1'		
FDNS	8	0 11G	G10_003	'FROM->TO'	'COFFEY COUNTY NO. 3 WESTPHALIA - GREEN 69KV CKT 1'		72	0.03869	117.9689	'ANDERSONCO 345.00 - LACYGNE 345KV CKT 1'		
FDNS	8	0 11G	G08_098	'FROM->TO'	'COFFEY COUNTY NO. 3 WESTPHALIA - GREEN 69KV CKT 1'		72	0.03869	117.9689	'ANDERSONCO 345.00 - LACYGNE 345KV CKT 1'		
FDNS	8	0 11G	G08_047	'FROM->TO'	'HARPER - MILAN TAP 138KV CKT 1'		95.6	0.04388	123.4499	'DBL-MEDLO-WI'		
FDNS	8	0 11G	G09_067S	'FROM->TO'	'HARPER - MILAN TAP 138KV CKT 1'		95.6	0.03046	123.4499	'DBL-MEDLO-WI'		
FDNS	8	0 11G	G08_022	'FROM->TO'	'HARPER - MILAN TAP 138KV CKT 1'		95.6	0.03058	123.4499	'DBL-MEDLO-WI'		
FDNS	8	0 11G	G10_008	'FROM->TO'	'HARPER - MILAN TAP 138KV CKT 1'		95.6	0.03196	123.4499	'DBL-MEDLO-WI'		
FDNS	8	0 11G	G10_009	'FROM->TO'	'HARPER - MILAN TAP 138KV CKT 1'		95.6	0.04828	123.4499	'DBL-MEDLO-WI'		
FDNS	8	0 11G	G08_088	'FROM->TO'	'HARPER - MILAN TAP 138KV CKT 1'		95.6	0.03326	123.4499	'DBL-MEDLO-WI'		
FDNS	8	0 11G	G08_110	'FROM->TO'	'HARPER - MILAN TAP 138KV CKT 1'		95.6	0.04144	123.4499	'DBL-MEDLO-WI'		
FDNS	8	0 11G	G10_007	'FROM->TO'	'HARPER - MILAN TAP 138KV CKT 1'		95.6	0.03515	123.4499	'DBL-MEDLO-WI'		
FDNS	8	0 11G	ASGI_2010_011	'FROM->TO'	'HARPER - MILAN TAP 138KV CKT 1'		95.6	0.03924	123.4499	'DBL-MEDLO-WI'		
FDNS	8	0 11G	G10_015	'FROM->TO'	'HARPER - MILAN TAP 138KV CKT 1'		95.6	0.05348	123.4499	'DBL-MEDLO-WI'		
FDNS	8	0 11G	G10_014	'FROM->TO'	'HARPER - MILAN TAP 138KV CKT 1'		95.6	0.04144	123.4499	'DBL-MEDLO-WI'		
FDNS	8	0 11G	G10_016	'FROM->TO'	'HARPER - MILAN TAP 138KV CKT 1'		95.6	0.04114	123.4499	'DBL-MEDLO-WI'		
FDNS	9	0 11G	G10_003	'FROM->TO'	'BURLINGTON JUNCTION - COFFEY COUNTY NO. 3 WESTPHALIA 69KV CKT 1'		72	0.03906	104.833	'ANDERSONCO 345.00 - LACYGNE 345KV CKT 1'		
FDNS	9	0 11G	G08_098	'FROM->TO'	'BURLINGTON JUNCTION - COFFEY COUNTY NO. 3 WESTPHALIA 69KV CKT 1'		72	0.03906	104.833	'ANDERSONCO 345.00 - LACYGNE 345KV CKT 1'		
FDNS	9	0 11G	G10_003	'TO->FROM'	'BURLINGTON JUNCTION - WOLF CREEK 69KV CKT 1'		72	0.03928	106.6017	'ANDERSONCO 345.00 - LACYGNE 345KV CKT 1'		
FDNS	9	0 11G	G08_098	'TO->FROM'	'BURLINGTON JUNCTION - WOLF CREEK 69KV CKT 1'		72	0.03928	106.6017	'ANDERSONCO 345.00 - LACYGNE 345KV CKT 1'		
FDNS	9	0 11G	G10_003	'FROM->TO'	'COFFEY COUNTY NO. 3 WESTPHALIA - GREEN 69KV CKT 1'		72	0.03906	103.9912	'ANDERSONCO 345.00 - LACYGNE 345KV CKT 1'		
FDNS	9	0 11G	G08_098	'FROM->TO'	'COFFEY COUNTY NO. 3 WESTPHALIA - GREEN 69KV CKT 1'		72	0.03906	103.9912	'ANDERSONCO 345.00 - LACYGNE 345KV CKT 1'		
FDNS	9	0 11G	G08_047	'TO->FROM'	'CLEARWATER - MILAN TAP 138KV CKT 1'		110	0.04293	122.3485	'DBL-MEDLO-WI'		
FDNS	9	0 11G	G10_008	'TO->FROM'	'CLEARWATER - MILAN TAP 138KV CKT 1'		110	0.03101	122.3485	'DBL-MEDLO-WI'		
FDNS	9	0 11G	G10_009	'TO->FROM'	'CLEARWATER - MILAN TAP 138KV CKT 1'		110	0.04733	122.3485	'DBL-MEDLO-WI'		
FDNS	9	0 11G	G10_007	'TO->FROM'	'CLEARWATER - MILAN TAP 138KV CKT 1'		110	0.0342	122.3485	'DBL-MEDLO-WI'		

SOLUTION	GROUP	SCENARIO	SEASON	SOURCE	DIRECTION	MONITORED ELEMENT	RATE B	TDF	TC%	LOADING	CONTINGENCY	NAME
						COMMON NAME						
FDNS		9	0 11G	G08_110	'TO->FROM'	'CLEARWATER - MILAN TAP 138KV CKT 1'	110	0.04049	122.3485	'DBL-MEDLO-WI'		
FDNS		9	0 11G	G08_088	'TO->FROM'	'CLEARWATER - MILAN TAP 138KV CKT 1'	110	0.03232	122.3485	'DBL-MEDLO-WI'		
FDNS		9	0 11G	ASGI_2010_011	'TO->FROM'	'CLEARWATER - MILAN TAP 138KV CKT 1'	110	0.03829	122.3485	'DBL-MEDLO-WI'		
FDNS		9	0 11G	G10_015	'TO->FROM'	'CLEARWATER - MILAN TAP 138KV CKT 1'	110	0.05253	122.3485	'DBL-MEDLO-WI'		
FDNS		9	0 11G	G10_014	'TO->FROM'	'CLEARWATER - MILAN TAP 138KV CKT 1'	110	0.04049	122.3485	'DBL-MEDLO-WI'		
FDNS		9	0 11G	G10_016	'TO->FROM'	'CLEARWATER - MILAN TAP 138KV CKT 1'	110	0.04019	122.3485	'DBL-MEDLO-WI'		
FDNS		9	0 11G	G08_047	'FROM->TO'	'HARPER - MILAN TAP 138KV CKT 1'	95.6	0.04293	152.102	'DBL-MEDLO-WI'		
FDNS		9	0 11G	G10_008	'FROM->TO'	'HARPER - MILAN TAP 138KV CKT 1'	95.6	0.03101	152.102	'DBL-MEDLO-WI'		
FDNS		9	0 11G	G10_009	'FROM->TO'	'HARPER - MILAN TAP 138KV CKT 1'	95.6	0.04733	152.102	'DBL-MEDLO-WI'		
FDNS		9	0 11G	G10_007	'FROM->TO'	'HARPER - MILAN TAP 138KV CKT 1'	95.6	0.0342	152.102	'DBL-MEDLO-WI'		
FDNS		9	0 11G	G08_110	'FROM->TO'	'HARPER - MILAN TAP 138KV CKT 1'	95.6	0.04049	152.102	'DBL-MEDLO-WI'		
FDNS		9	0 11G	G08_088	'FROM->TO'	'HARPER - MILAN TAP 138KV CKT 1'	95.6	0.03232	152.102	'DBL-MEDLO-WI'		
FDNS		9	0 11G	ASGI_2010_011	'FROM->TO'	'HARPER - MILAN TAP 138KV CKT 1'	95.6	0.03829	152.102	'DBL-MEDLO-WI'		
FDNS		9	0 11G	G10_015	'FROM->TO'	'HARPER - MILAN TAP 138KV CKT 1'	95.6	0.05253	152.102	'DBL-MEDLO-WI'		
FDNS		9	0 11G	G10_014	'FROM->TO'	'HARPER - MILAN TAP 138KV CKT 1'	95.6	0.04049	152.102	'DBL-MEDLO-WI'		
FDNS		9	0 11G	G10_016	'FROM->TO'	'HARPER - MILAN TAP 138KV CKT 1'	95.6	0.04019	152.102	'DBL-MEDLO-WI'		
FDNS	11G0908		0 11G	G09_008	'TO->FROM'	'HAYS PLANT - SOUTH HAYS 115KV CKT 1'	88	0.1373	114.1925	'KNOLL 230 - POSTROCK6 230.00 230KV CKT 1'		
FDNS	11G0908		0 11G	G09_008	'FROM->TO'	'SMOKYHL6 230.00 - SUMMIT 230KV CKT 1'	319	0.16564	100.3634	'DBL-SPRVL-CO'		
FDNS	11G0908		0 11G	G09_008	'FROM->TO'	'SMOKYHL6 230.00 - SUMMIT 230KV CKT 1'	319	0.16564	100.3834	'DBL-COM-MEDL'		
FDNS	11G0920		0 11G	G09_020	'TO->FROM'	'HAYS PLANT - SOUTH HAYS 115KV CKT 1'	88	0.0366	108.4577	'KNOLL 230 - POSTROCK6 230.00 230KV CKT 1'		
FDNS	11G0920		0 11G	G09_020	'TO->FROM'	'HAYS PLANT - SOUTH HAYS 115KV CKT 1'	88	0.10162	108.3016	'POSTROCK6 230.00 - S HAYS6 230.00 230KV CKT 1'		
FDNS		11	0 11G	G09_008	'TO->FROM'	'HAYS PLANT - SOUTH HAYS 115KV CKT 1'	88	0.13751	108.1002	'KNOLL 230 - POSTROCK6 230.00 230KV CKT 1'		
FDNS		11	0 11G	G09_020	'TO->FROM'	'HAYS PLANT - SOUTH HAYS 115KV CKT 1'	88	0.03662	108.1002	'KNOLL 230 - POSTROCK6 230.00 230KV CKT 1'		
FDNS		11	0 11G	G10_015	'TO->FROM'	'HAYS PLANT - SOUTH HAYS 115KV CKT 1'	88	0.0311	108.1002	'KNOLL 230 - POSTROCK6 230.00 230KV CKT 1'		
FDNS		11	0 11G	G10_016	'TO->FROM'	'HAYS PLANT - SOUTH HAYS 115KV CKT 1'	88	0.05373	108.1002	'KNOLL 230 - POSTROCK6 230.00 230KV CKT 1'		
FDNS		11	0 11G	G09_020	'TO->FROM'	'HAYS PLANT - SOUTH HAYS 115KV CKT 1'	88	0.10166	107.1821	'POSTROCK6 230.00 - S HAYS6 230.00 230KV CKT 1'		
FDNS		11	0 11G	G10_003	'FROM->TO'	'BURLINGTON JUNCTION - COFFEY COUNTY NO. 3 WESTPHALIA 69KV CKT 1'	72	0.03898	107.7401	'ANDERSONCO 345.00 - LACYGNE 345KV CKT 1'		
FDNS		11	0 11G	G08_098	'FROM->TO'	'BURLINGTON JUNCTION - COFFEY COUNTY NO. 3 WESTPHALIA 69KV CKT 1'	72	0.03898	107.7401	'ANDERSONCO 345.00 - LACYGNE 345KV CKT 1'		
FDNS		11	0 11G	G10_003	'TO->FROM'	'BURLINGTON JUNCTION - WOLF CREEK 69KV CKT 1'	72	0.0392	109.5539	'ANDERSONCO 345.00 - LACYGNE 345KV CKT 1'		
FDNS		11	0 11G	G08_098	'TO->FROM'	'BURLINGTON JUNCTION - WOLF CREEK 69KV CKT 1'	72	0.0392	109.5539	'ANDERSONCO 345.00 - LACYGNE 345KV CKT 1'		
FDNS		11	0 11G	G10_003	'FROM->TO'	'COFFEY COUNTY NO. 3 WESTPHALIA - GREEN 69KV CKT 1'	72	0.03898	106.8967	'ANDERSONCO 345.00 - LACYGNE 345KV CKT 1'		
FDNS		11	0 11G	G08_098	'FROM->TO'	'COFFEY COUNTY NO. 3 WESTPHALIA - GREEN 69KV CKT 1'	72	0.03898	106.8967	'ANDERSONCO 345.00 - LACYGNE 345KV CKT 1'		
FDNS		11	0 11G	G10_005	'FROM->TO'	'WICHITA (WICHT12X) 345/138/13.8KV TRANSFORMER CKT 1'	440	0.05289	100.1274	'WICHITA (WICHT11X) 345/138/13.8KV TRANSFORMER CKT 1'		

SOLUTION	GROUP	SCENARIO	SEASON	SOURCE	DIRECTION	MONITORED ELEMENT		RATE B	TDF	TC%	LOADING	CONTINGENCY	NAME
						COMMON	NAME						
FDNS	11	0	11G	G08_047	'TO->FROM'	'CLEARWATER - MILAN TAP 138KV	CKT 1'	110	0.04251	131.7962	'DBL-MEDLO-WI'		
FDNS	11	0	11G	G10_008	'TO->FROM'	'CLEARWATER - MILAN TAP 138KV	CKT 1'	110	0.03059	131.7962	'DBL-MEDLO-WI'		
FDNS	11	0	11G	G10_009	'TO->FROM'	'CLEARWATER - MILAN TAP 138KV	CKT 1'	110	0.04691	131.7962	'DBL-MEDLO-WI'		
FDNS	11	0	11G	G08_088	'TO->FROM'	'CLEARWATER - MILAN TAP 138KV	CKT 1'	110	0.03189	131.7962	'DBL-MEDLO-WI'		
FDNS	11	0	11G	G08_110	'TO->FROM'	'CLEARWATER - MILAN TAP 138KV	CKT 1'	110	0.04007	131.7962	'DBL-MEDLO-WI'		
FDNS	11	0	11G	G10_007	'TO->FROM'	'CLEARWATER - MILAN TAP 138KV	CKT 1'	110	0.03378	131.7962	'DBL-MEDLO-WI'		
FDNS	11	0	11G	ASGI_2010_011	'TO->FROM'	'CLEARWATER - MILAN TAP 138KV	CKT 1'	110	0.03787	131.7962	'DBL-MEDLO-WI'		
FDNS	11	0	11G	G10_015	'TO->FROM'	'CLEARWATER - MILAN TAP 138KV	CKT 1'	110	0.05211	131.7962	'DBL-MEDLO-WI'		
FDNS	11	0	11G	G10_014	'TO->FROM'	'CLEARWATER - MILAN TAP 138KV	CKT 1'	110	0.04007	131.7962	'DBL-MEDLO-WI'		
FDNS	11	0	11G	G10_016	'TO->FROM'	'CLEARWATER - MILAN TAP 138KV	CKT 1'	110	0.03977	131.7962	'DBL-MEDLO-WI'		
FDNS	11	0	11G	G08_047	'FROM->TO'	'HARPER - MILAN TAP 138KV	CKT 1'	95.6	0.04251	164.9467	'DBL-MEDLO-WI'		
FDNS	11	0	11G	G10_008	'FROM->TO'	'HARPER - MILAN TAP 138KV	CKT 1'	95.6	0.03059	164.9467	'DBL-MEDLO-WI'		
FDNS	11	0	11G	G10_009	'FROM->TO'	'HARPER - MILAN TAP 138KV	CKT 1'	95.6	0.04691	164.9467	'DBL-MEDLO-WI'		
FDNS	11	0	11G	G08_088	'FROM->TO'	'HARPER - MILAN TAP 138KV	CKT 1'	95.6	0.03189	164.9467	'DBL-MEDLO-WI'		
FDNS	11	0	11G	G08_110	'FROM->TO'	'HARPER - MILAN TAP 138KV	CKT 1'	95.6	0.04007	164.9467	'DBL-MEDLO-WI'		
FDNS	11	0	11G	G10_007	'FROM->TO'	'HARPER - MILAN TAP 138KV	CKT 1'	95.6	0.03378	164.9467	'DBL-MEDLO-WI'		
FDNS	11	0	11G	ASGI_2010_011	'FROM->TO'	'HARPER - MILAN TAP 138KV	CKT 1'	95.6	0.03787	164.9467	'DBL-MEDLO-WI'		
FDNS	11	0	11G	G10_015	'FROM->TO'	'HARPER - MILAN TAP 138KV	CKT 1'	95.6	0.05211	164.9467	'DBL-MEDLO-WI'		
FDNS	11	0	11G	G10_014	'FROM->TO'	'HARPER - MILAN TAP 138KV	CKT 1'	95.6	0.04007	164.9467	'DBL-MEDLO-WI'		
FDNS	11	0	11G	G10_016	'FROM->TO'	'HARPER - MILAN TAP 138KV	CKT 1'	95.6	0.03977	164.9467	'DBL-MEDLO-WI'		
FDNS	13	0	11G	G10_003	'FROM->TO'	'BURLINGTON JUNCTION - COFFEY COUNTY NO. 3 WESTPHALIA 69KV	CKT 1'	72	0.03907	104.0653	'ANDERSONCO 345.00 - LACYGNE 345KV CKT 1'		
FDNS	13	0	11G	G08_098	'FROM->TO'	'BURLINGTON JUNCTION - COFFEY COUNTY NO. 3 WESTPHALIA 69KV	CKT 1'	72	0.03907	104.0653	'ANDERSONCO 345.00 - LACYGNE 345KV CKT 1'		
FDNS	13	0	11G	G10_003	'TO->FROM'	'BURLINGTON JUNCTION - WOLF CREEK 69KV CKT 1'		72	0.03928	106.0243	'ANDERSONCO 345.00 - LACYGNE 345KV CKT 1'		
FDNS	13	0	11G	G08_098	'TO->FROM'	'BURLINGTON JUNCTION - WOLF CREEK 69KV CKT 1'		72	0.03928	106.0243	'ANDERSONCO 345.00 - LACYGNE 345KV CKT 1'		
FDNS	13	0	11G	G10_003	'FROM->TO'	'COFFEY COUNTY NO. 3 WESTPHALIA - GREEN 69KV CKT 1'		72	0.03907	103.2236	'ANDERSONCO 345.00 - LACYGNE 345KV CKT 1'		
FDNS	13	0	11G	G08_098	'FROM->TO'	'COFFEY COUNTY NO. 3 WESTPHALIA - GREEN 69KV CKT 1'		72	0.03907	103.2236	'ANDERSONCO 345.00 - LACYGNE 345KV CKT 1'		
FDNS	13	0	11G	G08_047	'TO->FROM'	'CLEARWATER - MILAN TAP 138KV	CKT 1'	110	0.04304	114.9708	'DBL-MEDLO-WI'		
FDNS	13	0	11G	G10_008	'TO->FROM'	'CLEARWATER - MILAN TAP 138KV	CKT 1'	110	0.03113	114.9708	'DBL-MEDLO-WI'		
FDNS	13	0	11G	G10_009	'TO->FROM'	'CLEARWATER - MILAN TAP 138KV	CKT 1'	110	0.04744	114.9708	'DBL-MEDLO-WI'		
FDNS	13	0	11G	G08_088	'TO->FROM'	'CLEARWATER - MILAN TAP 138KV	CKT 1'	110	0.03243	114.9708	'DBL-MEDLO-WI'		
FDNS	13	0	11G	G08_110	'TO->FROM'	'CLEARWATER - MILAN TAP 138KV	CKT 1'	110	0.04061	114.9708	'DBL-MEDLO-WI'		
FDNS	13	0	11G	G10_007	'TO->FROM'	'CLEARWATER - MILAN TAP 138KV	CKT 1'	110	0.03432	114.9708	'DBL-MEDLO-WI'		
FDNS	13	0	11G	ASGI_2010_011	'TO->FROM'	'CLEARWATER - MILAN TAP 138KV	CKT 1'	110	0.03841	114.9708	'DBL-MEDLO-WI'		

SOLUTION	GROUP	SCENARIO	SEASON	SOURCE	DIRECTION	MONITORED ELEMENT	RATE B	TDF	TC%	LOADING	CONTINGENCY	NAME
						COMMON NAME						
FDNS	13	0 11G	G10_015	'TO->FROM'	'CLEARWATER - MILAN TAP 138KV CKT 1'		110	0.05264	114.9708	'DBL-MEDLO-WI'		
FDNS	13	0 11G	G10_014	'TO->FROM'	'CLEARWATER - MILAN TAP 138KV CKT 1'		110	0.04061	114.9708	'DBL-MEDLO-WI'		
FDNS	13	0 11G	G10_016	'TO->FROM'	'CLEARWATER - MILAN TAP 138KV CKT 1'		110	0.0403	114.9708	'DBL-MEDLO-WI'		
FDNS	13	0 11G	G08_047	'FROM->TO'	'HARPER - MILAN TAP 138KV CKT 1'		95.6	0.04304	143.6248	'DBL-MEDLO-WI'		
FDNS	13	0 11G	G10_008	'FROM->TO'	'HARPER - MILAN TAP 138KV CKT 1'		95.6	0.03113	143.6248	'DBL-MEDLO-WI'		
FDNS	13	0 11G	G10_009	'FROM->TO'	'HARPER - MILAN TAP 138KV CKT 1'		95.6	0.04744	143.6248	'DBL-MEDLO-WI'		
FDNS	13	0 11G	G08_088	'FROM->TO'	'HARPER - MILAN TAP 138KV CKT 1'		95.6	0.03243	143.6248	'DBL-MEDLO-WI'		
FDNS	13	0 11G	G08_110	'FROM->TO'	'HARPER - MILAN TAP 138KV CKT 1'		95.6	0.04061	143.6248	'DBL-MEDLO-WI'		
FDNS	13	0 11G	G10_007	'FROM->TO'	'HARPER - MILAN TAP 138KV CKT 1'		95.6	0.03432	143.6248	'DBL-MEDLO-WI'		
FDNS	13	0 11G	ASGI_2010_011	'FROM->TO'	'HARPER - MILAN TAP 138KV CKT 1'		95.6	0.03841	143.6248	'DBL-MEDLO-WI'		
FDNS	13	0 11G	G10_015	'FROM->TO'	'HARPER - MILAN TAP 138KV CKT 1'		95.6	0.05264	143.6248	'DBL-MEDLO-WI'		
FDNS	13	0 11G	G10_014	'FROM->TO'	'HARPER - MILAN TAP 138KV CKT 1'		95.6	0.04061	143.6248	'DBL-MEDLO-WI'		
FDNS	13	0 11G	G10_016	'FROM->TO'	'HARPER - MILAN TAP 138KV CKT 1'		95.6	0.0403	143.6248	'DBL-MEDLO-WI'		
FDNS	14	0 11G	G10_003	'FROM->TO'	'BURLINGTON JUNCTION - COFFEY COUNTY NO. 3 WESTPHALIA 69KV CKT 1'		72	0.03906	104.9328	'ANDERSONCO 345.00 - LACYGNE 345KV CKT 1'		
FDNS	14	0 11G	G08_098	'FROM->TO'	'BURLINGTON JUNCTION - COFFEY COUNTY NO. 3 WESTPHALIA 69KV CKT 1'		72	0.03906	104.9328	'ANDERSONCO 345.00 - LACYGNE 345KV CKT 1'		
FDNS	14	0 11G	G10_003	'TO->FROM'	'BURLINGTON JUNCTION - WOLF CREEK 69KV CKT 1'		72	0.03928	106.5958	'ANDERSONCO 345.00 - LACYGNE 345KV CKT 1'		
FDNS	14	0 11G	G08_098	'TO->FROM'	'BURLINGTON JUNCTION - WOLF CREEK 69KV CKT 1'		72	0.03928	106.5958	'ANDERSONCO 345.00 - LACYGNE 345KV CKT 1'		
FDNS	14	0 11G	G10_003	'FROM->TO'	'COFFEY COUNTY NO. 3 WESTPHALIA - GREEN 69KV CKT 1'		72	0.03906	104.091	'ANDERSONCO 345.00 - LACYGNE 345KV CKT 1'		
FDNS	14	0 11G	G08_098	'FROM->TO'	'COFFEY COUNTY NO. 3 WESTPHALIA - GREEN 69KV CKT 1'		72	0.03906	104.091	'ANDERSONCO 345.00 - LACYGNE 345KV CKT 1'		
FDNS	14	0 11G	G08_047	'TO->FROM'	'CLEARWATER - MILAN TAP 138KV CKT 1'		110	0.04296	121.2412	'DBL-MEDLO-WI'		
FDNS	14	0 11G	G10_008	'TO->FROM'	'CLEARWATER - MILAN TAP 138KV CKT 1'		110	0.03104	121.2412	'DBL-MEDLO-WI'		
FDNS	14	0 11G	G10_009	'TO->FROM'	'CLEARWATER - MILAN TAP 138KV CKT 1'		110	0.04736	121.2412	'DBL-MEDLO-WI'		
FDNS	14	0 11G	G08_088	'TO->FROM'	'CLEARWATER - MILAN TAP 138KV CKT 1'		110	0.03235	121.2412	'DBL-MEDLO-WI'		
FDNS	14	0 11G	G08_110	'TO->FROM'	'CLEARWATER - MILAN TAP 138KV CKT 1'		110	0.04052	121.2412	'DBL-MEDLO-WI'		
FDNS	14	0 11G	G10_007	'TO->FROM'	'CLEARWATER - MILAN TAP 138KV CKT 1'		110	0.03423	121.2412	'DBL-MEDLO-WI'		
FDNS	14	0 11G	ASGI_2010_011	'TO->FROM'	'CLEARWATER - MILAN TAP 138KV CKT 1'		110	0.03832	121.2412	'DBL-MEDLO-WI'		
FDNS	14	0 11G	G10_015	'TO->FROM'	'CLEARWATER - MILAN TAP 138KV CKT 1'		110	0.05256	121.2412	'DBL-MEDLO-WI'		
FDNS	14	0 11G	G10_014	'TO->FROM'	'CLEARWATER - MILAN TAP 138KV CKT 1'		110	0.04052	121.2412	'DBL-MEDLO-WI'		
FDNS	14	0 11G	G10_016	'TO->FROM'	'CLEARWATER - MILAN TAP 138KV CKT 1'		110	0.04022	121.2412	'DBL-MEDLO-WI'		
FDNS	14	0 11G	G08_047	'FROM->TO'	'HARPER - MILAN TAP 138KV CKT 1'		95.6	0.04296	150.8467	'DBL-MEDLO-WI'		
FDNS	14	0 11G	G10_008	'FROM->TO'	'HARPER - MILAN TAP 138KV CKT 1'		95.6	0.03104	150.8467	'DBL-MEDLO-WI'		
FDNS	14	0 11G	G10_009	'FROM->TO'	'HARPER - MILAN TAP 138KV CKT 1'		95.6	0.04736	150.8467	'DBL-MEDLO-WI'		
FDNS	14	0 11G	G08_088	'FROM->TO'	'HARPER - MILAN TAP 138KV CKT 1'		95.6	0.03235	150.8467	'DBL-MEDLO-WI'		
FDNS	14	0 11G	G08_110	'FROM->TO'	'HARPER - MILAN TAP 138KV CKT 1'		95.6	0.04052	150.8467	'DBL-MEDLO-WI'		
FDNS	14	0 11G	G10_007	'FROM->TO'	'HARPER - MILAN TAP 138KV CKT 1'		95.6	0.03423	150.8467	'DBL-MEDLO-WI'		
FDNS	14	0 11G	ASGI_2010_011	'FROM->TO'	'HARPER - MILAN TAP 138KV CKT 1'		95.6	0.03832	150.8467	'DBL-MEDLO-WI'		
FDNS	14	0 11G	G10_015	'FROM->TO'	'HARPER - MILAN TAP 138KV CKT 1'		95.6	0.05256	150.8467	'DBL-MEDLO-WI'		

SOLUTION	GROUP	SCENARIO	SEASON	SOURCE	DIRECTION	MONITORED ELEMENT	RATE B	TDF	TC%LOADING	CONTINGENCY NAME
						COMMON NAME				
FDNS	14		0 11G	G10_014	'FROM->TO'	'HARPER - MILAN TAP 138KV CKT 1'	95.6	0.04052	150.8467	'DBL-MEDLO-WI'
FDNS	14		0 11G	G10_016	'FROM->TO'	'HARPER - MILAN TAP 138KV CKT 1'	95.6	0.04022	150.8467	'DBL-MEDLO-WI'