



***Feasibility Study
For
Generation Interconnection
Request
GEN-2004-011***

***SPP Tariff Studies
(#GEN-2004-011)***

December 10, 2004

Executive Summary

<OMITTED TEXT> (Customer) has requested a Feasibility Study for the purpose of interconnecting 201MW of wind generation within the service territory of Kansas City Power & Light (KCPL) in Anderson County Kansas. The proposed point of interconnection is in the existing Centerville – Marmaton 161kV line at a new switching station to be located northeast of Kincaid, KS. This 161kV line is owned by KCPL. The proposed in-service date is November 1, 2006.

Power flow analysis has indicated that for the powerflow cases studied, it is possible to interconnect the 201MW of generation with transmission system reinforcements within the local transmission system. The requirements for interconnection consist of adding a new 161kV switching station. This 161kV addition shall be constructed and maintained by KCPL. The Customer did not propose a specific 161kV line extending to serve its 161-34.5kV facilities. It is assumed that obtaining all necessary right-of-way for the necessary substation additions in the Centerville – Marmaton 161kV line will not be a significant expense.

The total cost for adding a new 161kV switching station, the interconnection facility, is estimated at \$1,666,000. Other Network Upgrades in the Westar Energy (WERE) and Southwestern Power Administration (SWPA) systems are required that are listed in Table 1. Therefore, the total estimated cost to the Customer is \$1,686,000. This cost does not include building 161kV line from the Customer substation into a new KCPL switching station. This cost does not include the Customer's 161-34.5kV substation.

In Table 3, a value of Available Transfer Capability (ATC) associated with each overloaded facility is included. These values may be used by the Customer for future analyses including the determination of lower generation capacity levels that may be installed with different financial characteristics given the cost of Network Upgrades. When transmission service associated with this interconnection is evaluated, the loading of the facilities listed in this table may be greater due to higher priority reservations. If the loading of a facility is higher, the level of ATC will be lower.

There are several other proposed generation additions in the general area of the Customer's facility. It was assumed in this preliminary analysis that all of these other projects within KCPL's, Midwest Energy's and WERE's service territory will be in service. Those previously queued projects that have advanced to nearly complete phases were included in this Feasibility Study. In the event that another request for a generation interconnect with a higher priority withdraws, then this request may have to be re-evaluated to determine the assignable Network Upgrades to accommodate the interconnect.

Introduction

<OMITTED TEXT> (Customer) has requested a Feasibility Study for the purpose of interconnecting 201MW of wind generation within the service territory of KCPL in Anderson County Kansas. The existing Centerville – Marmaton 161kV line is owned by KCPL, and the proposed generation interconnect is within KCPL. The proposed point of interconnection is at a new 161kV switching station. The proposed in-service date is November 1, 2006.

Interconnection Facilities

The primary objective of this study is to identify the system problems associated with connecting the plant to the area transmission system and estimated costs of system modifications needed to alleviate the system problems. The Feasibility and other subsequent Interconnection Studies are designed to identify attachment facilities, Network Upgrades and other direct assignment facilities needed to accept power into the grid at the interconnection receipt point.

The requirements for interconnection consist of adding a new 161kV switching station. This 161kV addition shall be constructed and maintained by KCPL. The Customer did not propose a route of its 161kV line to serve its 161-34.5kV facilities. It is assumed that obtaining all necessary right-of-way for the new KCPL 161kV switching station will not be a significant expense.

The total cost for KCPL to add a new 161kV switching station, the interconnection facility, in the Centerville – Marmaton 161kV line is estimated at \$1,666,000. Other Network Upgrades in the WERE and SWPA system are required that are listed in Table 1. Therefore, the total estimated cost to the Customer is \$1,686,000. These estimates will be refined during the development of the impact study based on the final designs. This cost does not include building 161kV line from the Customer substation into the new KCPL switching station. The Customer is responsible for this 161kV line up to the point of interconnection. This cost does not include the Customer's 161-34.5kV substation and the cost estimate should be determined by the Customer.

The costs of interconnecting the facility to the KCPL transmission system are listed in Table 1. **These costs do not include any cost that might be associated with short circuit study results or dynamic stability study results.** These costs will be determined when and if a System Impact Study is conducted.

Table 1: Network Upgrade Facilities

Facility	ESTIMATED COST (2004 DOLLARS)
KCPL – Add 161kV 3-Breaker Ring Switching Station in Centerville - Marmaton line.	\$1,666,000
WERE – MARMATON – Customer Interconnect 161kV adjust CT setting at Marmaton after wave trap and CT are replaced.	10,000
SWPA - TIPTON FORD - Neosho 161kV change CT ratio at Neosho.	10,000
Total	\$1,686,000

Table 2: Direct Assignment Facilities

Facility	ESTIMATED COST (2004 DOLLARS)
Customer – 161-34.5 kV Substation facilities.	*
Customer - 161kV line between Customer substation and new KCPL 161kV switching station.	*
Customer - Right-of-Way for Customer Substation & Line.	*
Total	*

Note: *Estimates of cost to be determined by Customer.

Table 3: Contingency Analysis Results

Facility	Model & Contingency	Facility Loading (% Rate B) Or Voltage (PU)	ATC (MW)	Date Required (M/D/Y)
MARMATON - *2004-11T 161kV, Adjust CT setting at Marmaton after wave trap and CT are replaced.	10SP, 56793-57981, NEOSHO - LACYGNE 345kV	108.2	166	6/1/2008
MARMATON - *2004-11T 161kV, Adjust CT setting at Marmaton after wave trap and CT are replaced.	10WP, 56793-57981, NEOSHO - LACYGNE 345kV	105	154	12/1/2008
SUB 292 - TIPTON FORD - Neosho 161kV, Change CT ratio at Neosho.	10SP, 59472-59480, SUB 292 - TIPTON FORD - SUB 383 - MONETT 161kV	113	0	6/1/2008
SUB 292 - TIPTON FORD - Neosho 161kV, Change CT ratio at Neosho.	10SP, 59469-59487, SUB 167 - RIVERTON - SUB 404 - HOCKERVILLE 161kV	105.6	0	6/1/2008
SUB 292 - TIPTON FORD - Neosho 161kV, Change CT ratio at Neosho.	07SP, 59472-59480, SUB 292 - TIPTON FORD - SUB 383 - MONETT 161kV	104.5	0	6/1/2007
SUB 292 - TIPTON FORD - Neosho 161kV, Change CT ratio at Neosho.	10SP, 59487-54431, SUB 404 - HOCKERVILLE - MIAMI 161kV	101.5	134	6/1/2009
SUB 292 - TIPTON FORD - Neosho 161kV, Change CT ratio at Neosho.	10SP, 59476-59491, SUB 349 - ASBURY - SUB 421 - PURCELL SOUTHWEST 161kV	100.9	158	6/1/2010
SUB 292 - TIPTON FORD - Neosho 161kV, Change CT ratio at Neosho.	10SP, 56793-53929, NEOSHO - DELAWARE 345kV	100.7	171	6/1/2010
SUB 292 - TIPTON FORD - Neosho 161kV, Change CT ratio at Neosho.	10SP, 59485-59491, SUB 395 - CARTHAGE SOUTHWEST - SUB 421 - PURCELL SOUTHWEST 161kV	100.3	186	6/1/2010

Note: Listed loading of each facility is the highest value when an operating guide is not applicable.

When transmission service associated with this interconnection is evaluated, the loading of the facilities listed in this table may be greater due to higher priority reservations. If the loading of a facility is higher, the level of ATC will be lower.

Powerflow Analysis

A powerflow analysis was conducted for the facility using modified versions of the 2005 April, 2005, 2007 and 2010 Summer and Winter Peak models. The output of the Customer's facility was offset in each model by a reduction in output of existing online SPP generation. The proposed in-service date of the generator is November 1, 2006. The available seasonal models used were the 2005 April and 2005 through 2010 peak models. This is the end of the current SPP planning horizon.

The analysis of the Customer's project indicates that, given the requested generation level of 201MW and location, additional criteria violations will occur on the existing WERE and SWPA facilities under steady state conditions in the peak seasons. To eliminate the overloading of the Marmaton and Neosho terminals, resetting CTs is required by June 1, 2007.

There are several other proposed generation additions in the general area of the Customer's facility. Previously queued projects were assumed to be in service in this Feasibility Study. Those previously queued projects that have advanced to nearly complete phases were included in this Feasibility Study.

Powerflow Analysis Methodology

The Southwest Power Pool (SPP) criteria states that: "The transmission system of the SPP region shall be planned and constructed so that the contingencies as set forth in the Criteria will meet the applicable *NERC Planning Standards* for System Adequacy and Security – Transmission System Table I hereafter referred to as NERC Table I) and its applicable standards and measurements".

Using the created models and the ACCC function of PSS\E, single contingencies in the modeled control areas of Empire District Electric, Midwest Energy, Kansas City Power & Light, and Westar Energy were applied and the resulting scenarios analyzed. This satisfies the 'more probable' contingency testing criteria mandated by NERC and the SPP criteria.

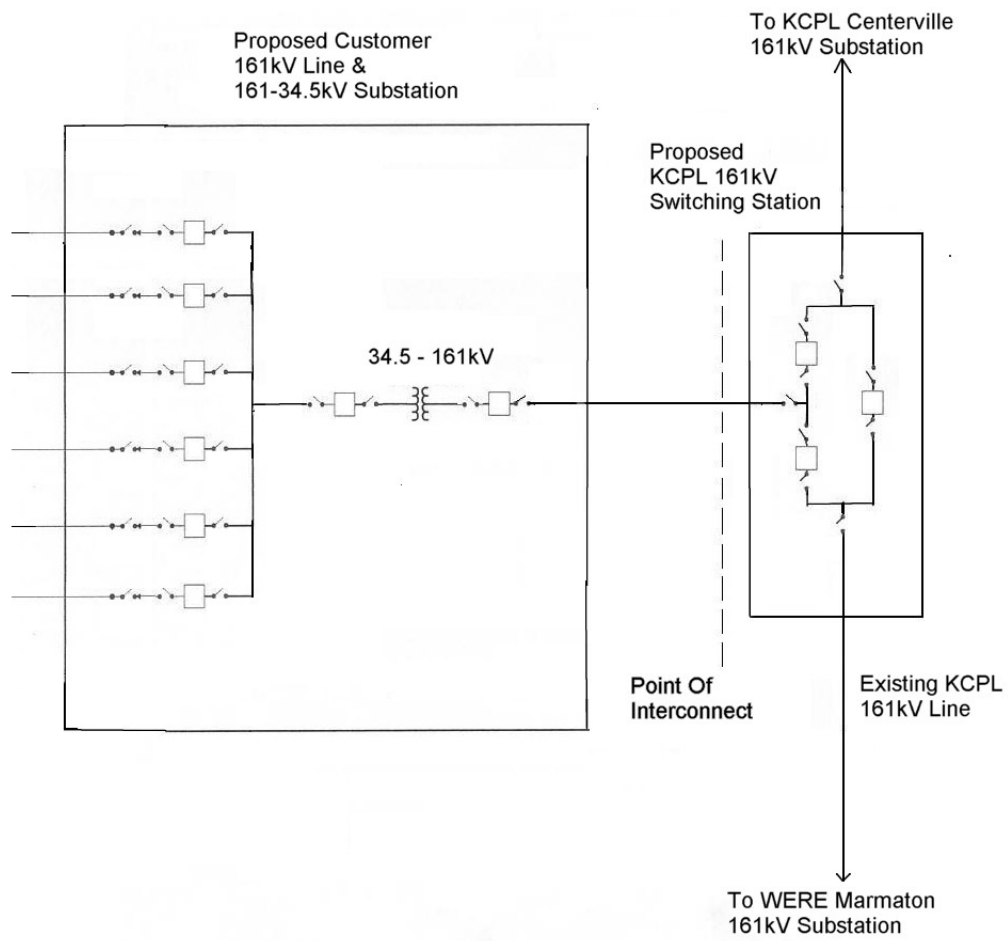
Conclusion

The minimum cost of interconnecting the Customer project is estimated at \$1,686,000 for KCPL's interconnection facilities including other transmission upgrades by SWPA and WERE listed in Table 1 of which are Network Upgrades. At this time, the cost estimates for other Direct Assignment facilities have not been defined by the Customer. As stated earlier, previously queued projects were assumed to be in service in this Feasibility Study.

In Table 3, a value of Available Transfer Capability (ATC) associated with each overloaded facility is included. These values may be used by the Customer to determine lower generation capacity levels that may be installed with different financial characteristics given the cost of Network Upgrades. When transmission service associated with this interconnection is evaluated, the loading of the facilities listed in this table may be greater due to higher priority reservations.

These interconnection costs do not include any cost that may be associated with short circuit or transient stability analysis. These studies will be performed if the Customer signs a System Impact Study Agreement.

The costs do not include any costs associated with the deliverability of the energy to final customers. These costs are determined by separate studies if the Customer requests transmission service through Southwest Power Pool's OASIS.



**Figure 1: Proposed Interconnection
(Final substation design to be determined)**

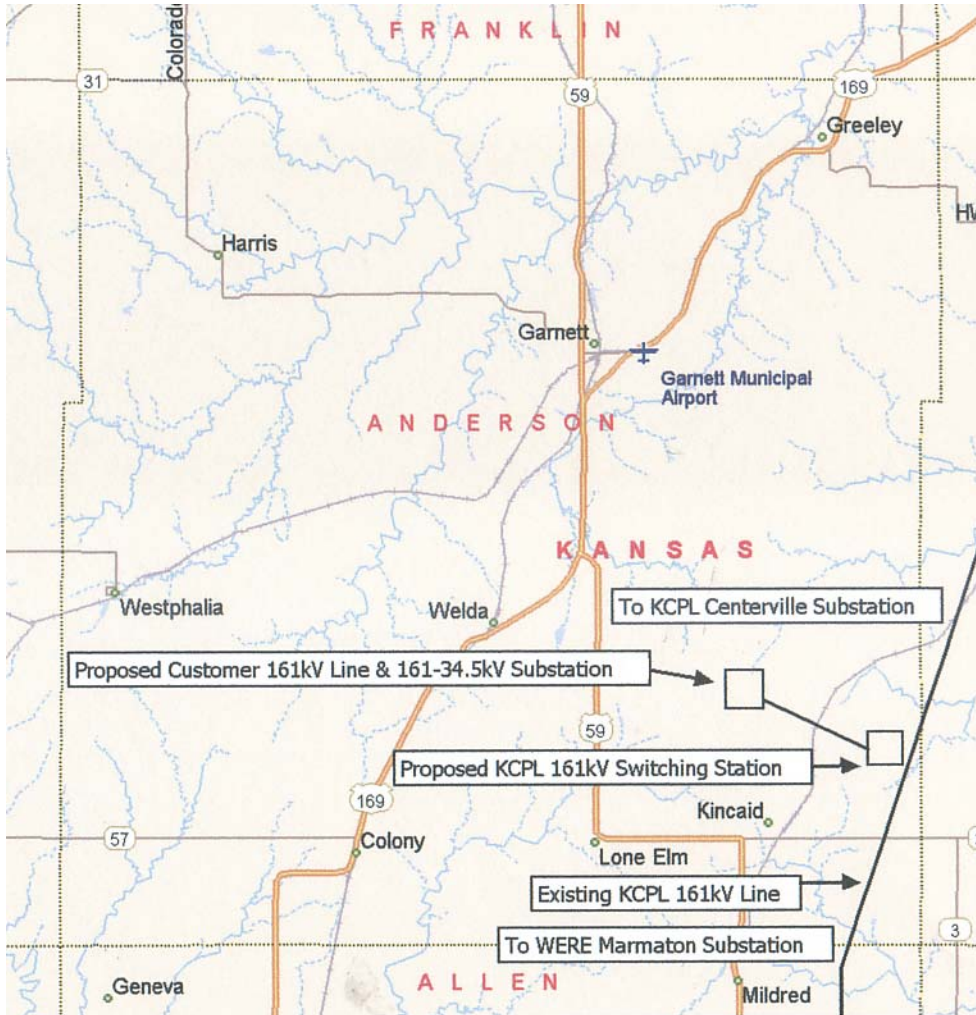


Figure 2: Map Of The Surrounding Area